



Grid Solutions
a GE and Alstom joint venture

CIRCUIT BREAKERS PRODUCT SOLUTIONS

GL 310, GL 311 and GL 312

Live tank circuit breakers from 100 kV to 145 kV

Live tank circuit breakers ensure a high level of reliability every day. Even under extreme conditions and climates or in highly active seismic areas customers can count on live tank circuit breakers made by Grid Solutions.



CUSTOMER BENEFITS

- Reliable even in the coldest regions:
 - 40 °C with pure SF₆
 - 55 °C with gas mixture
- Quick and easy installation and commissioning
- Long maintenance intervals

The right choice for temperatures down to -55 °C

Live tank circuit breakers for outdoor installation are designed for temperatures down to -55 °C and feature the latest technologies in interrupter chambers and spring-operated mechanisms. For example, the latest double motion technology effectively reduces the opening energy by approximately 65 %.

COMPONENTS

- Interrupter chamber with integral double motion technology and self-blast system
- Pressure relief system for passive protection of substation and personnel
- Field-proven, temperature-compensated density monitor with two-stage transducer and three-colour dial
- Easy access to the SF₆ filling connection (type DIL0)
- SF₆ non-return (check) valve on each pole column
- Protected opening springs inside each pole column
- Hot-dip galvanised steel parts
- Mechanism housing made completely of aluminium
- Reliable spring-operated mechanism with position indicator clearly visible from outside

INSTALLATION AND MAINTENANCE

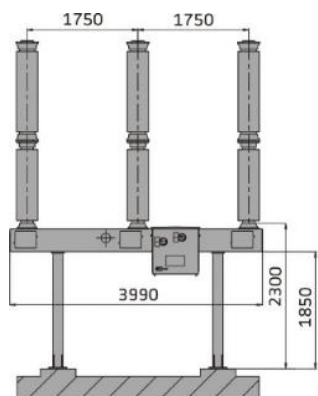
- Preset at factory before shipping - no adjustments necessary during installation and commissioning
- Pole units pre-filled with SF₆ at factory before shipping
- Independent disassembly of the interrupter chamber without having to remove the entire pole column
- Single-pole operated circuit breakers partially pre-assembled before delivery (base frame with mounted and wired mechanisms)

TESTING

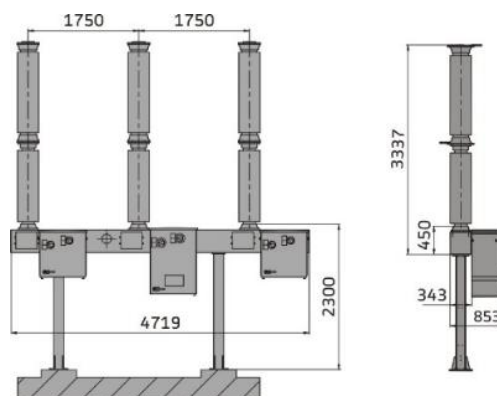
Our live tank circuit breakers meet national and international requirement standards. This has been confirmed by comprehensive type tests according to the latest IEC, GOST and ANSI standards.

QUALITY

The entire development and production procedures for our live tank circuit breakers are fully compliant with the latest ISO 9001, ISO 14001 and OHSAS 18001 quality standards. This ensures the high quality of our products and services and is confirmed by regular audits.



GL 311/312 F1/4031 P



GL 311/312 F3/4031 P

RATINGS

Breaker type	GL 310 F1/4031 P / GL 310 F3/4031 P	GL 311 F1/4031 P / GL 311 F3/4031 P	GL 312 F1/4031 P / GL 312 F3/4031 P
Rated voltage	100 kV	123 kV	145 kV
Rated frequency	50/60 Hz	50/60 Hz	50/60 Hz
Rated normal current	up to 3150 A	up to 3150 A	up to 3150 A
Rated short-circuit breaking current	up to 40 kA	up to 40 kA	up to 40 kA
Rated short-circuit making current	104 kA	104 kA	104 kA
Rated duration of short-circuit	3 s	3 s	3 s
Opening time	28 ms	28 ms	28 ms
Break time	50 ms	50 ms	50 ms
Closing time	≤70 ms	≤70 ms	≤70 ms
Average ambient temperature *	-30 °C up to +40 °C	-30 °C up to +40 °C	-30 °C up to +40 °C
Design altitude *	1000 m.a.s.l.	1000 m.a.s.l.	1000 m.a.s.l.

* Standard values according to IEC; temperatures down to -55 °C up to +70 °C and / or higher design altitudes available on request

TECHNICAL CHARACTERISTICS

- **Spring-operated mechanism / degree of protection:**
FK 3 / IP 55
- **Rated operating sequence:**
O-0.3s-CO-3 min-CO
resp. CO-15s-CO
- **Rated supply voltage:**
from 24 up to 250 V dc/ac

PRODUCT OPTIONS

- **Composite insulators**
- **More phase centre distances available on request**
- **CBWatch2 monitoring system**
- **RPH3 controller (F3)**

For more information please contact
 GE Grid Solutions

Worldwide Contact Center

Web: www.GEGridSolutions.com/contact
 Phone: +44 (0) 1785 250 070

www.GEGridSolutions.com

