



FW2100 Series

End Suction Centrifugal Pumps

Agricultural • Industrial • Irrigation • Municipal • Pressure Boost • Process Water • Treatment

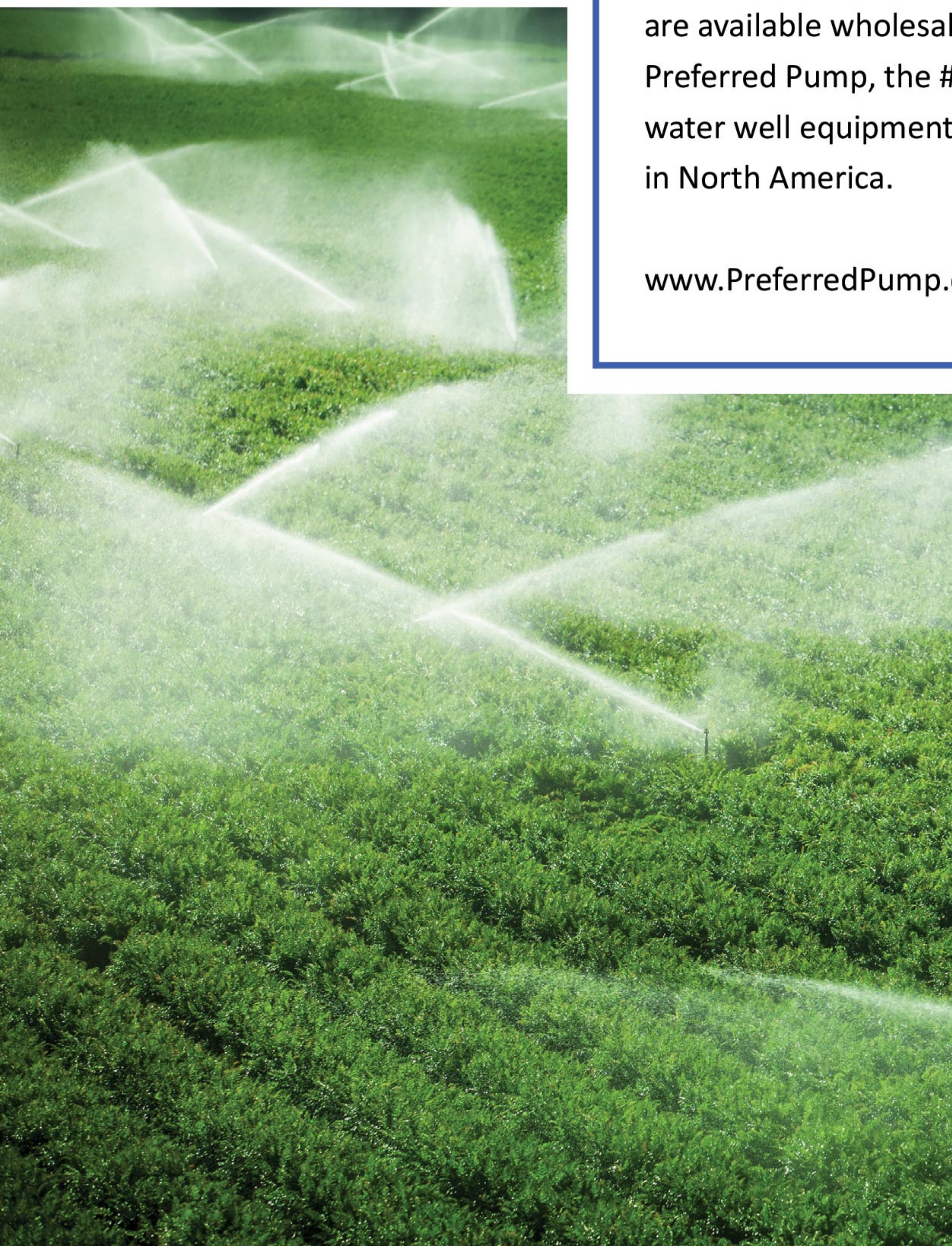


Pumps for Professionals Only

The FloWise FW2100 centrifugal pump is ideal for numerous applications.

With 13 build centers across the country, these efficient and cost-effective pumps are available wholesale only through Preferred Pump, the #1 distributor of water well equipment and accessories in North America.

www.PreferredPump.com/locations



Product Overview

The FW2100 series end suction centrifugal pumps sets the new standard in performance and reliability. Proudly and expertly engineered in the USA, these pumps incorporate decades of modern innovations in pump hydraulics, materials, and manufacturing techniques to achieve efficiencies as high as 90%. Its heavy-duty design, combined with the highest material and quality standards, enables the FW2100 to outlast all other competitors to consistently provide the best performance and value in the industry.

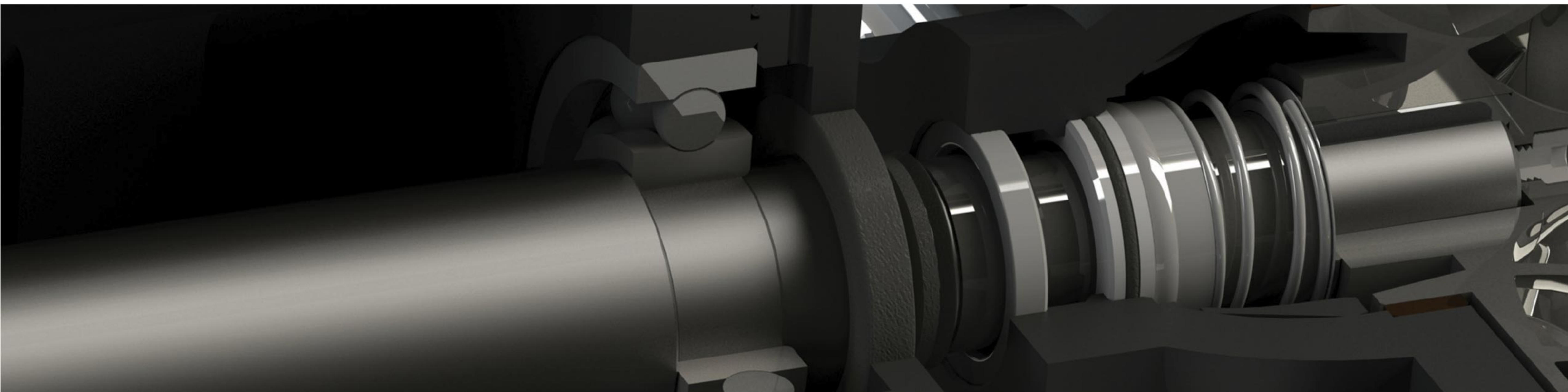


Applications

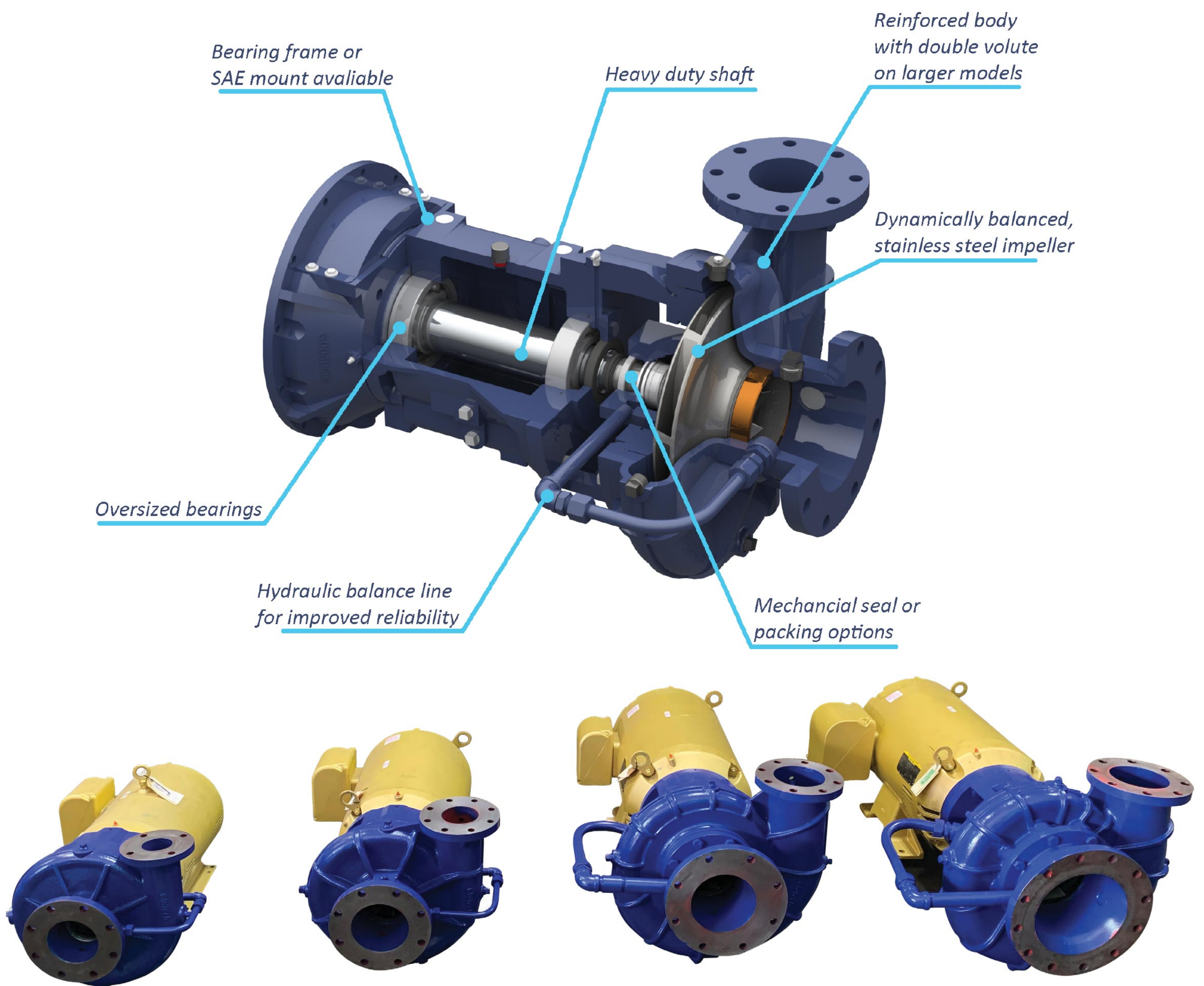
- Pressure Booster
- Agriculture / Irrigation
- Municipal Water Supply / Treatment
- Industrial / Process Water

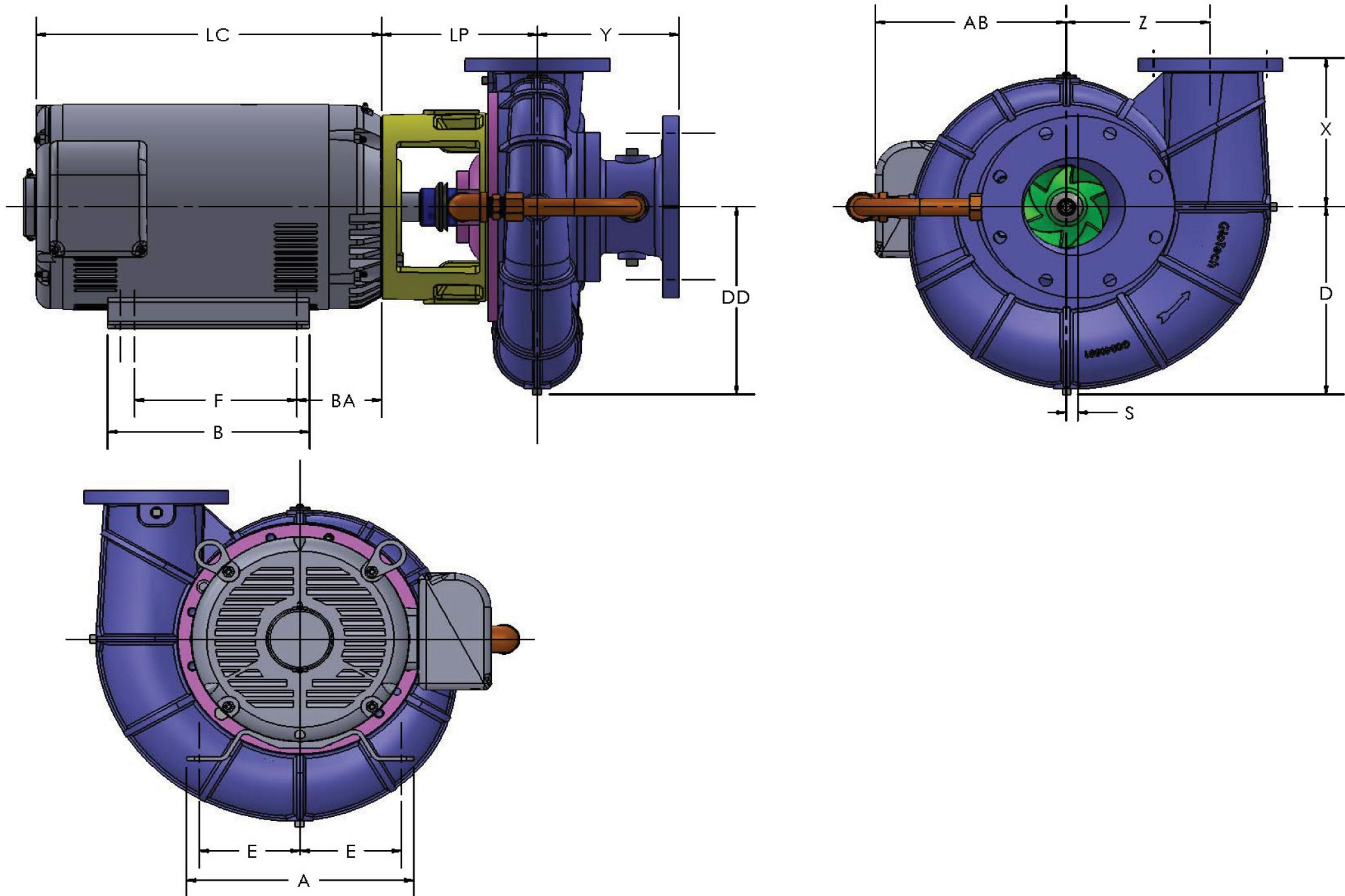
Key Features

- Covers flows up to 3,500 GPM
- Industry leading efficiencies of up to 90% lowers operating costs and are fully compliant with new DOE energy conservation standards
- Heavy-duty, re-inforced volute design for maximum strength. Double volute design on larger models
- Investment cast, precision balanced stainless steel impellers standard, providing smoother operation and improved corrosion resistance
- Back pull-out design and replaceable shaft sleeves and wear rings enable convenient and cost-effective maintenance / repair
- Available with standard mechanical seal or packing options
- Key product dimensions designed to allow “drop-in” replacement of many existing pump installations



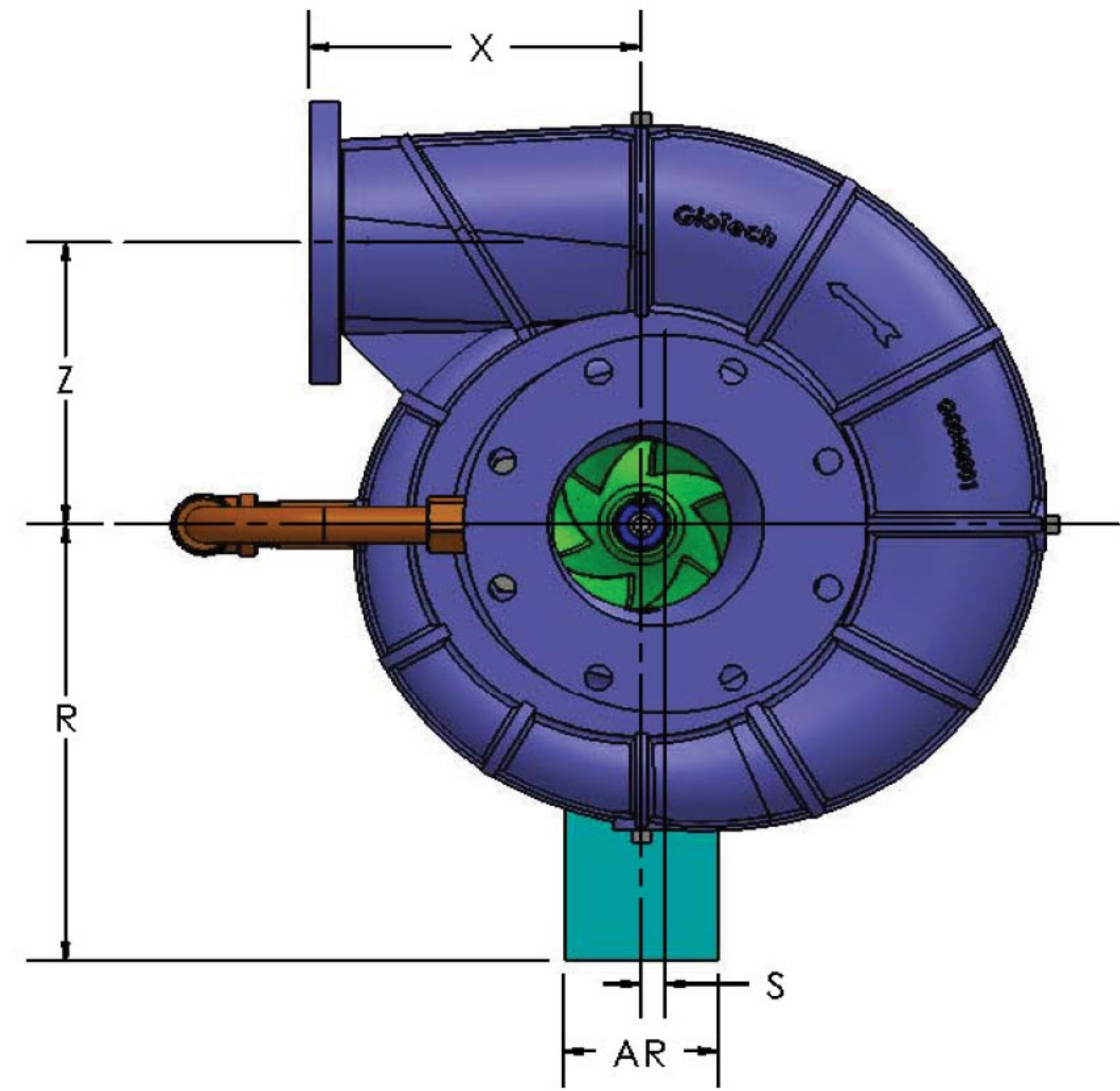
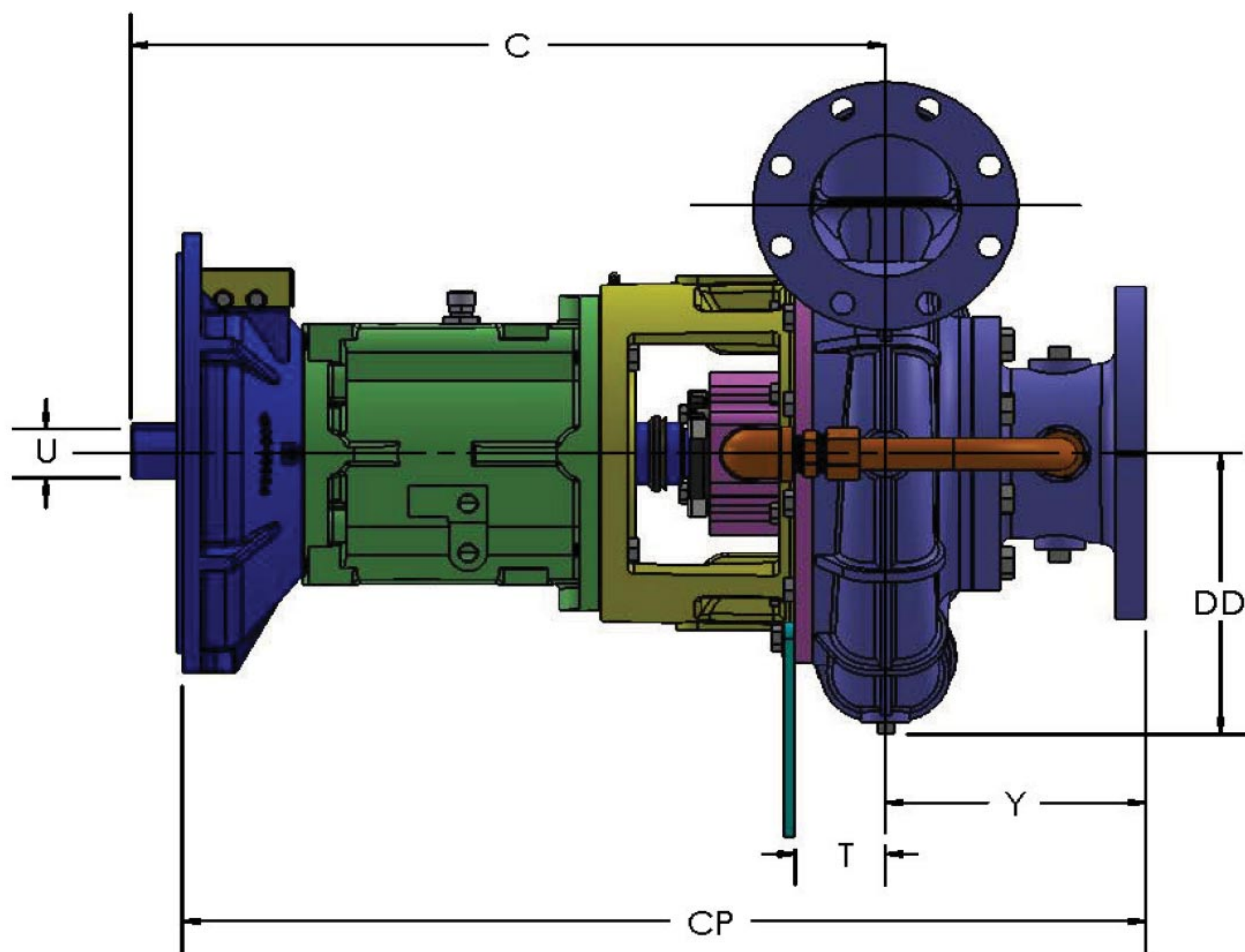
Materials of Construction		
Part Name	Material	Spec Number
Volute	Cast Iron	ASTM A48 CL30
Impeller	Cast Stainless Steel	ASTM A743 CF-8
Wear Ring	Bronze	907LF
Back Plate	Cast Iron	ASTM A48 CL30
Bracket	Cast Iron	ASTM A48 CL30
Shaft	Stainless Steel	AISI 5140





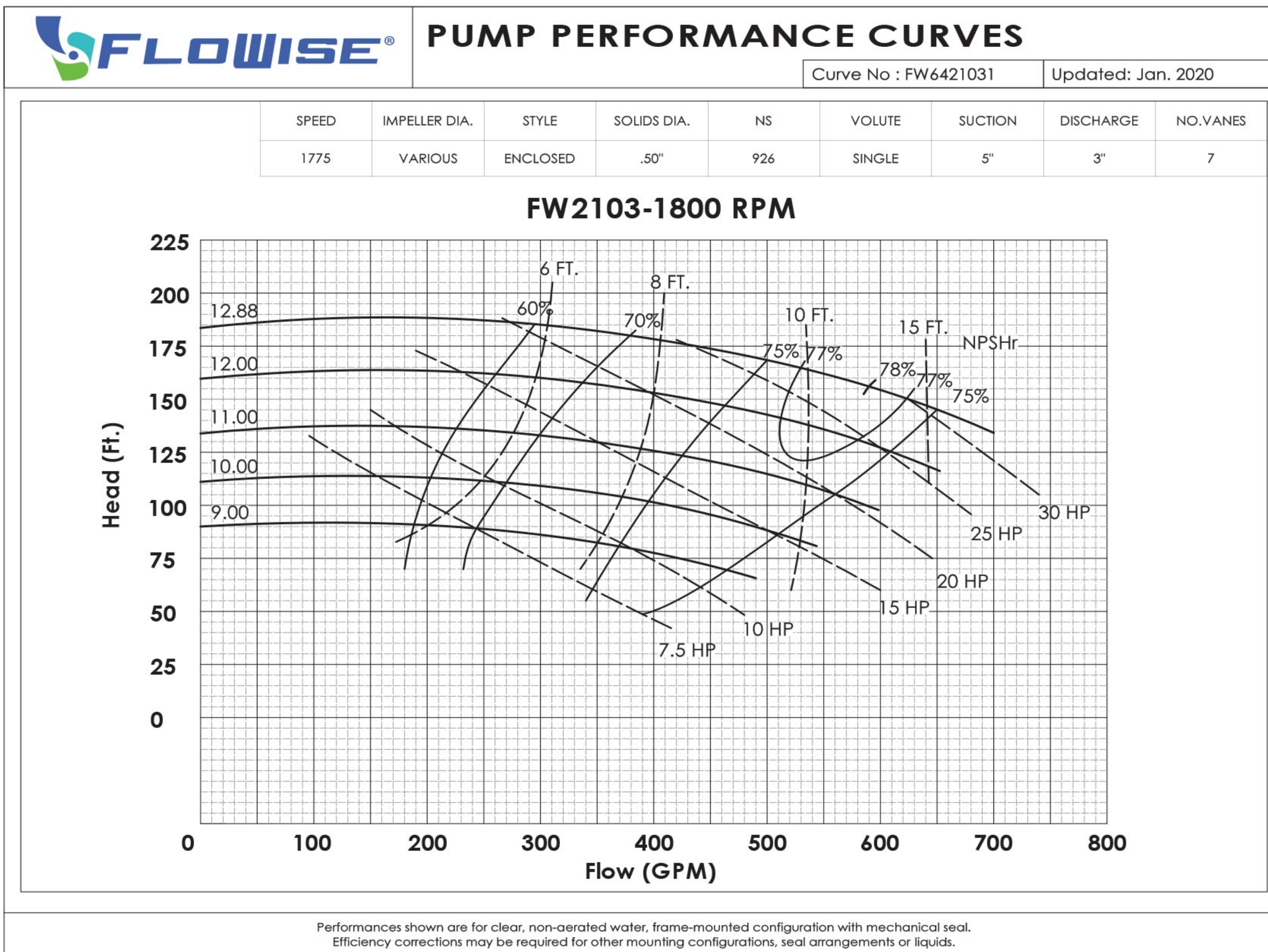
PUMP DIMENSIONS										
MODEL	CONNECTION		DISCH. INCR.	AK Dim.	DD	S	X	Y	Z	LP
	DISCH.	SUCT.								
FW2103	3	5	90°	12.50	9.42	-	8.57	5.44	7.68	7.60
FW2104	4	6	90°	12.50	10.53	-	9.96	7.41	8.03	7.70
FW2105	5	8	90°	12.50	13.91	0.81	11.01	9.81	9.98	10.82
FW2106	6	10	90°	12.50	14.42	1.00	11.04	10.11	9.59	11.28

MOTOR DIMENSIONS										
MOTOR FRAME	AK DIM.	A	B	D	E	F	H	AB	BA	LC
284-6	12.50	12.25	12.25	7.00	5.50	11.00	0.53	11.37	5.00	21.31
324-6	12.50	14.25	14.00	8.00	6.25	12.00	0.66	12.22	5.55	22.19
364-5	12.50	15.75	14.00	9.00	7.00	12.25	0.66	13.20	6.12	24.31
404-5	12.50	18.50	16.62	10.00	8.00	13.75	0.81	16.39	6.88	29.97

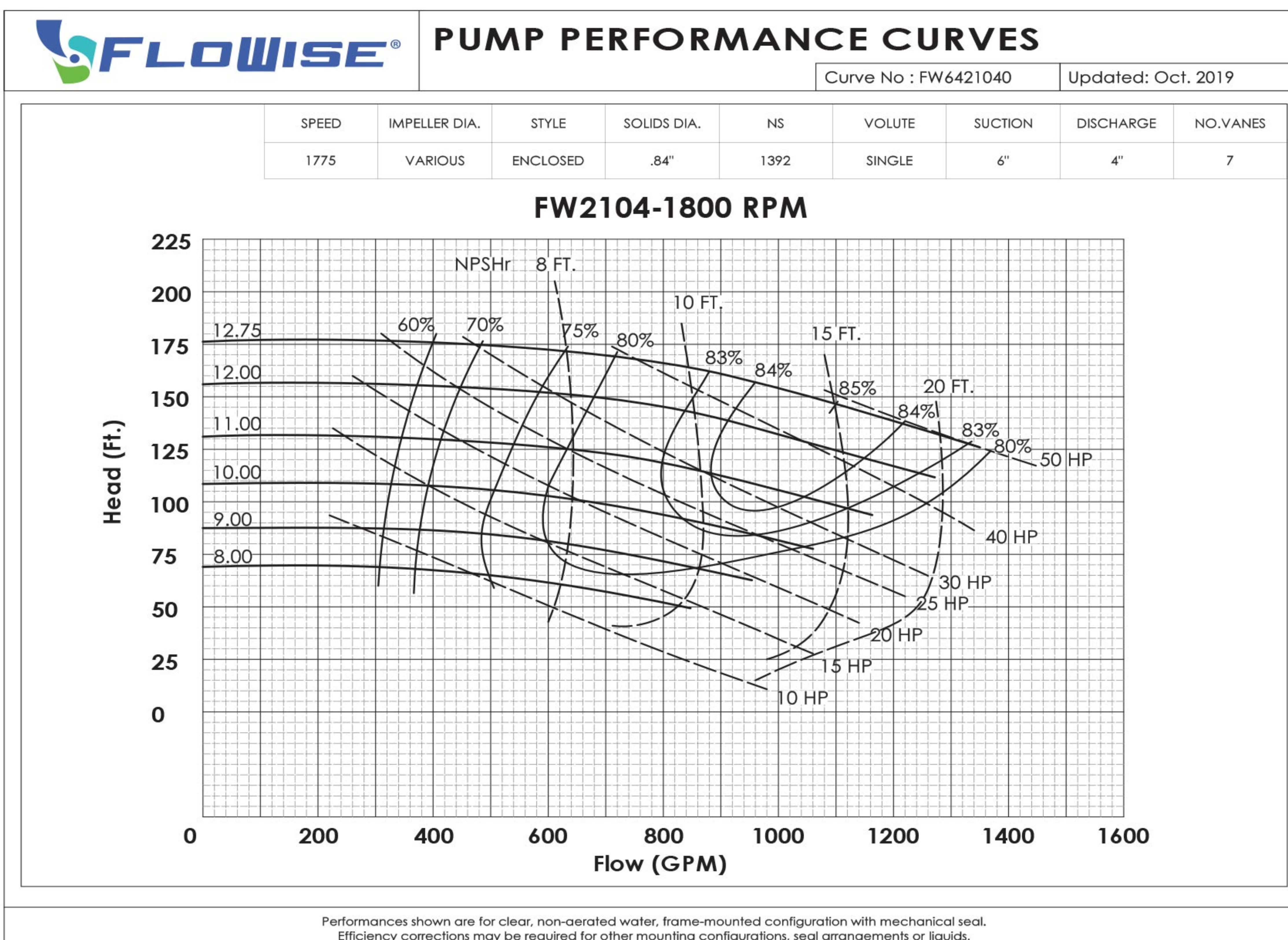


PUMP DIMENSIONS

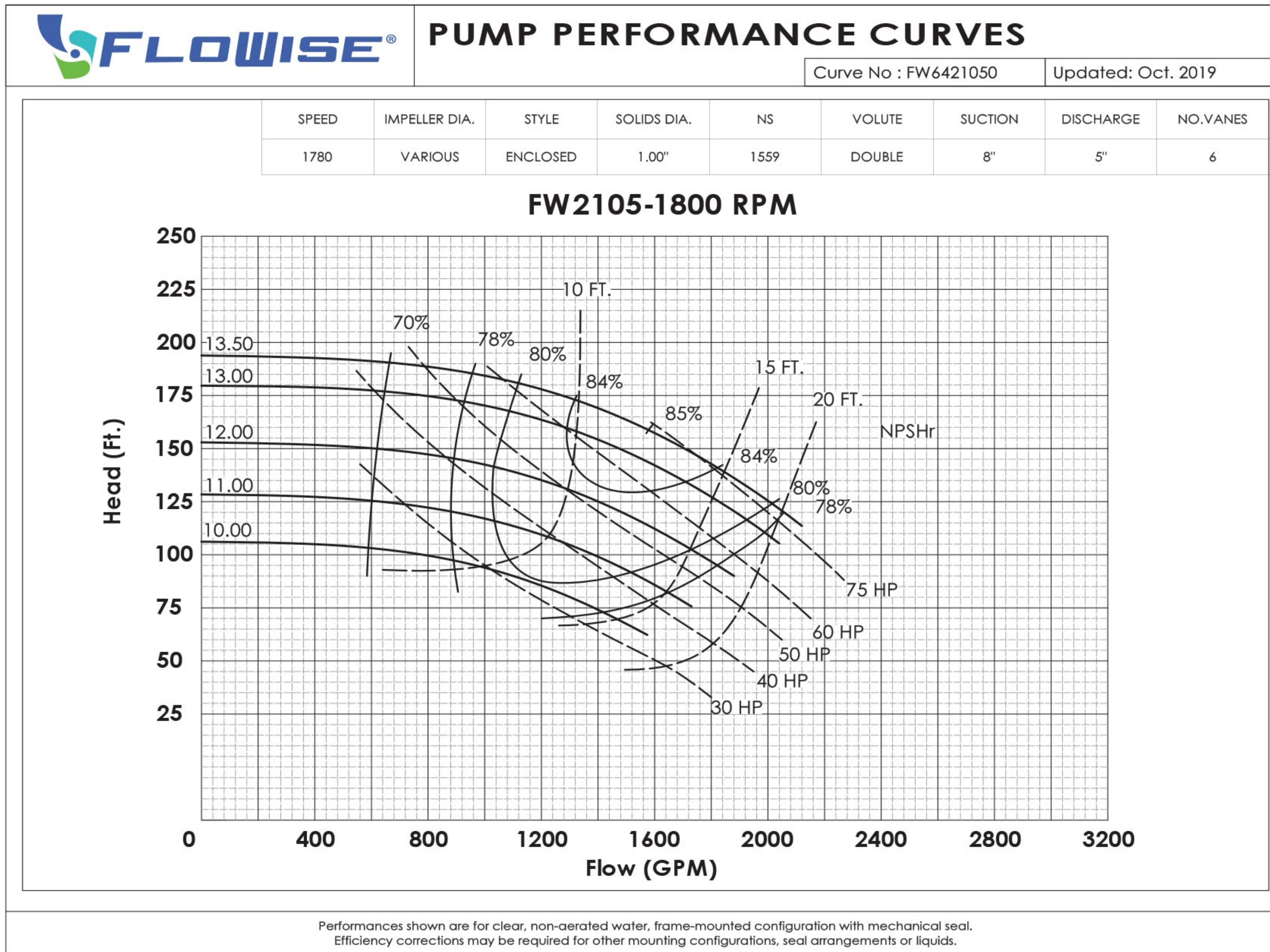
MODEL	FRAME	CONNECTION		DISCH. INCR.	AR	C	CP	DD	R	S	T	U	X	Y	Z	KEYWAY
		DISCH.	SUCT.													
FW2103	EM16	3	5	90°	5.25	23.61	29.05	9.42	14.89	-	2.96	2.0	8.57	5.45	7.68	.500 x .250
FW2104	EM16	4	6	90°	5.25	23.83	31.18	10.08	14.90	-	3.03	2.0	9.98	7.50	9.96	.500 x .250
FW2105	EM16	5	8	90°	5.25	28.51	36.38	11.79	15.49	0.81	3.42	2.0	11.01	9.81	9.98	.500 x .250
FW2106	EM18	6	10	90°	5.25	30.25	38.24	11.27	15.57	1.00	3.95	2.5	11.04	10.11	9.59	.625 x .218



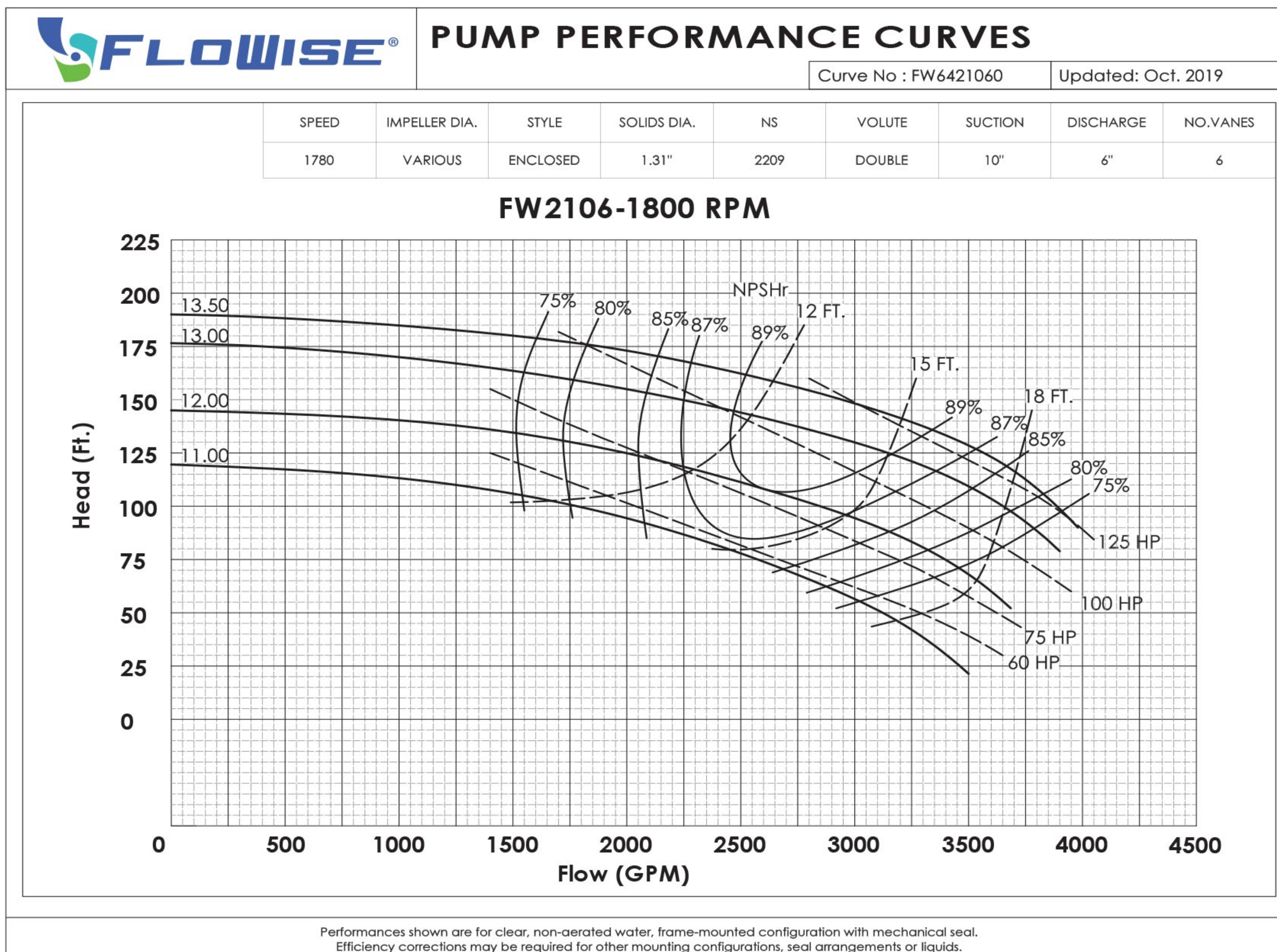
MODEL	FW2103
BEP FLOW	558 GPM
BEP HEAD	162 FT
EFF AT BEP	78%
SHUTOFF HEAD	181 FT
MAX WORKING PRESSURE	175 PSI
DISCHARGE SIZE	3"
SUCTION SIZE	5"



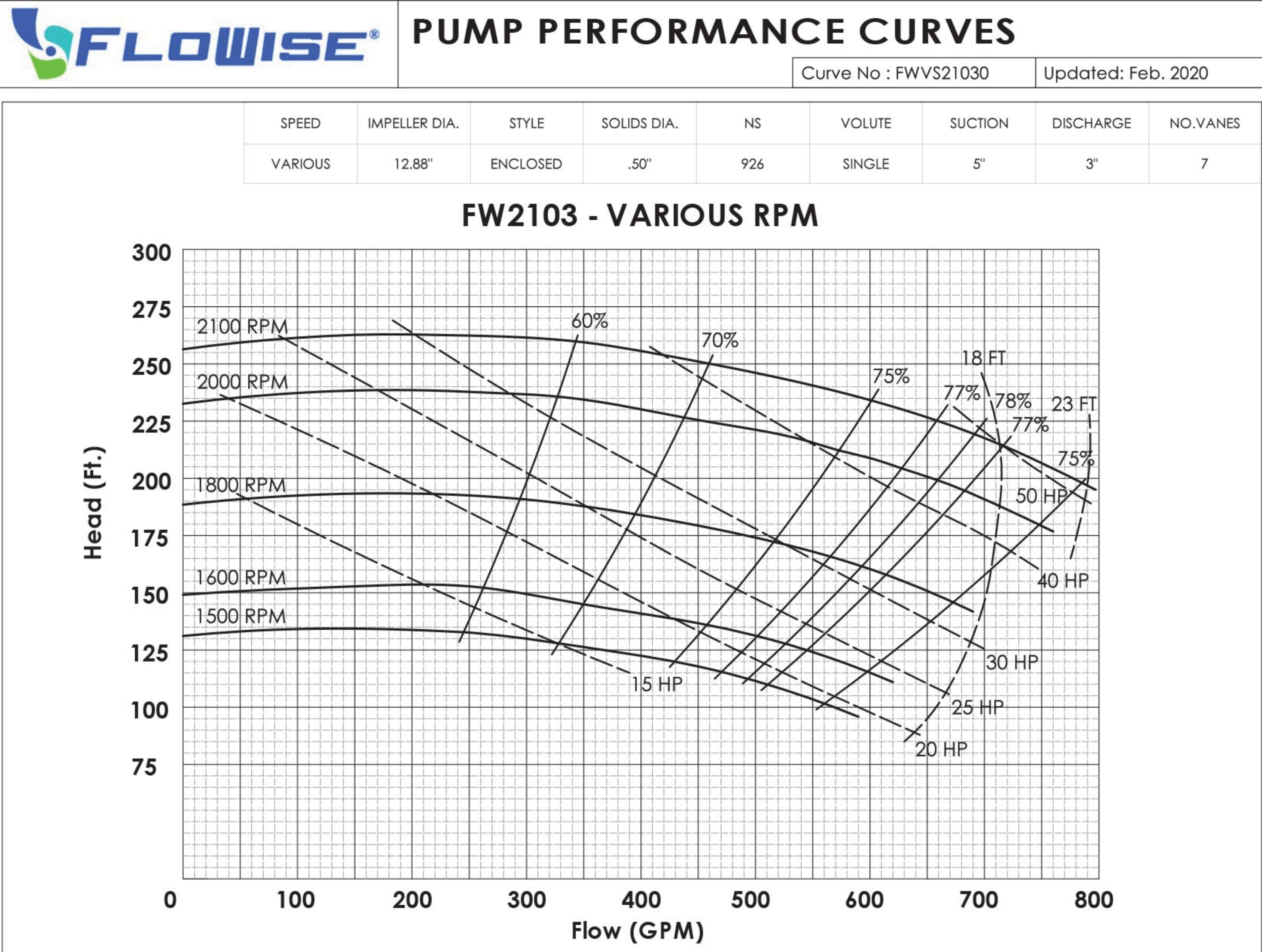
MODEL	FW2104
BEP FLOW	1120 GPM
BEP HEAD	149 FT
EFF AT BEP	84%
SHUTOFF HEAD	178 FT
MAX WORKING PRESSURE	175 PSI
DISCHARGE SIZE	4"
SUCTION SIZE	6"



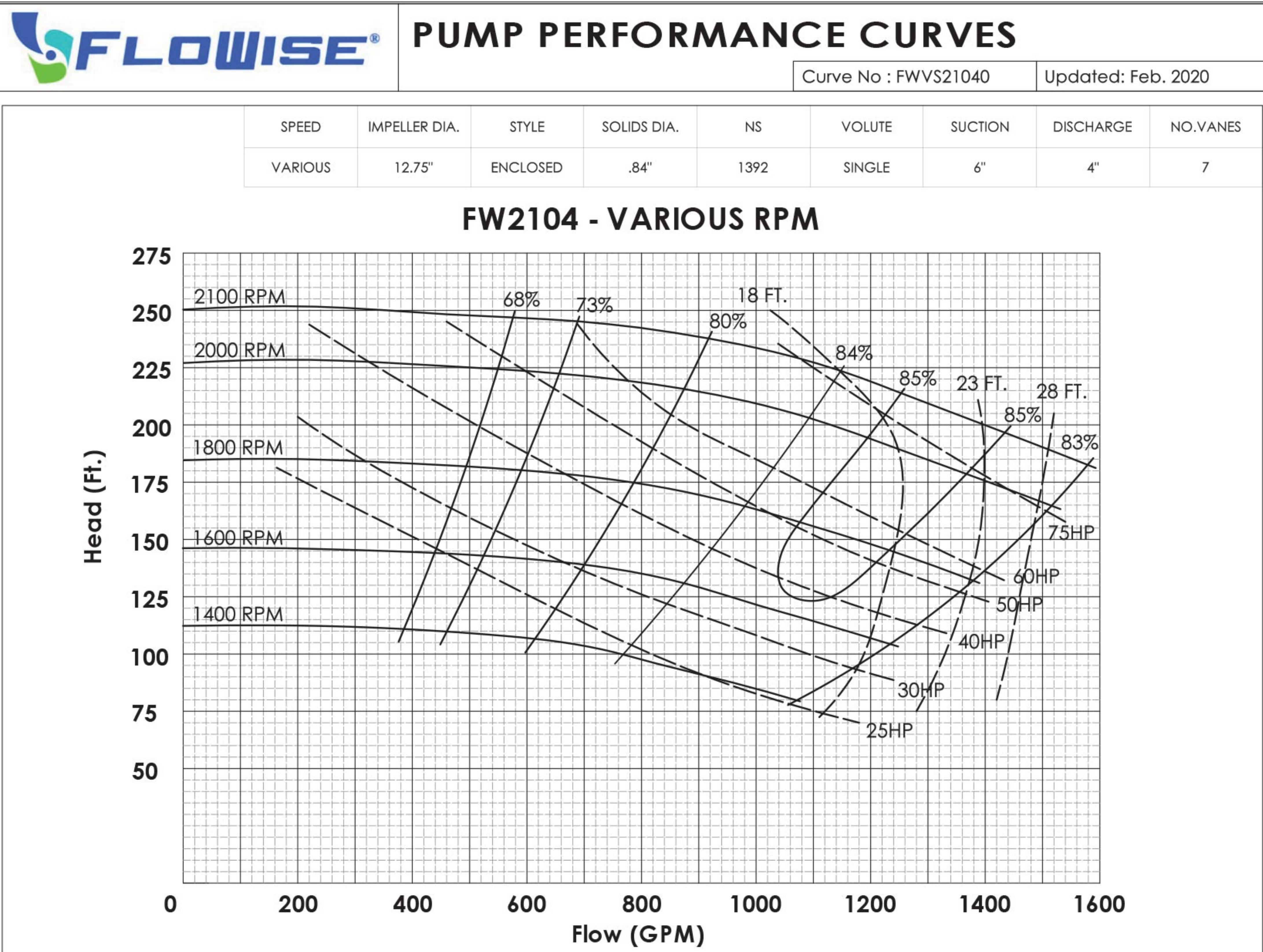
MODEL	FW2105
BEP FLOW	1592 GPM
BEP HEAD	157 FT
EFF AT BEP	85%
SHUTOFF HEAD	193 FT
MAX WORKING PRESSURE	175 PSI
DISCHARGE SIZE	5"
SUCTION SIZE	8"



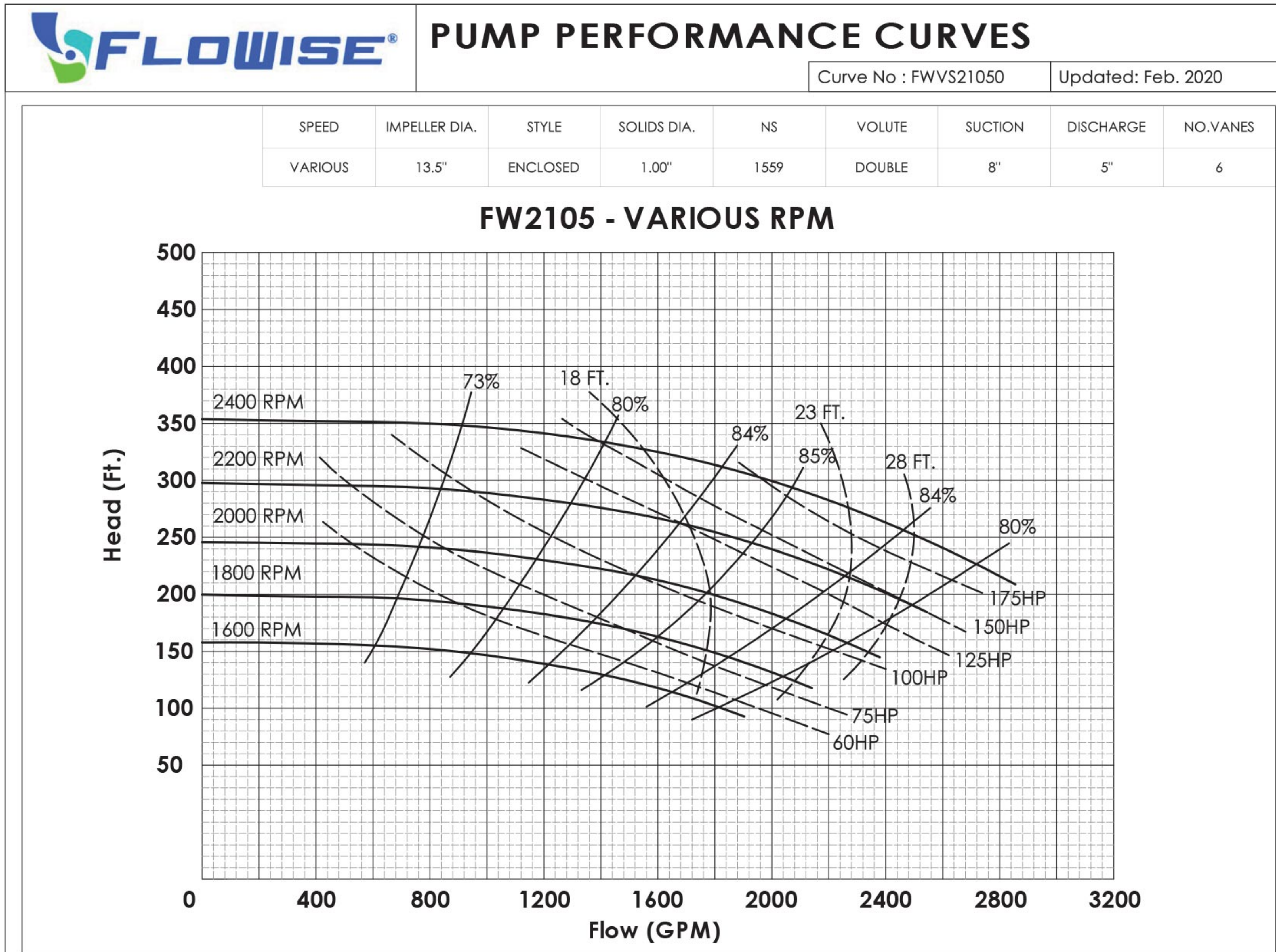
MODEL	FW2106
BEP FLOW	3143 GPM
BEP HEAD	149FT
EFF AT BEP	89%
SHUTOFF HEAD	181 FT
MAX WORKING PRESSURE	175 PSI
DISCHARGE SIZE	6"
SUCTION SIZE	10"



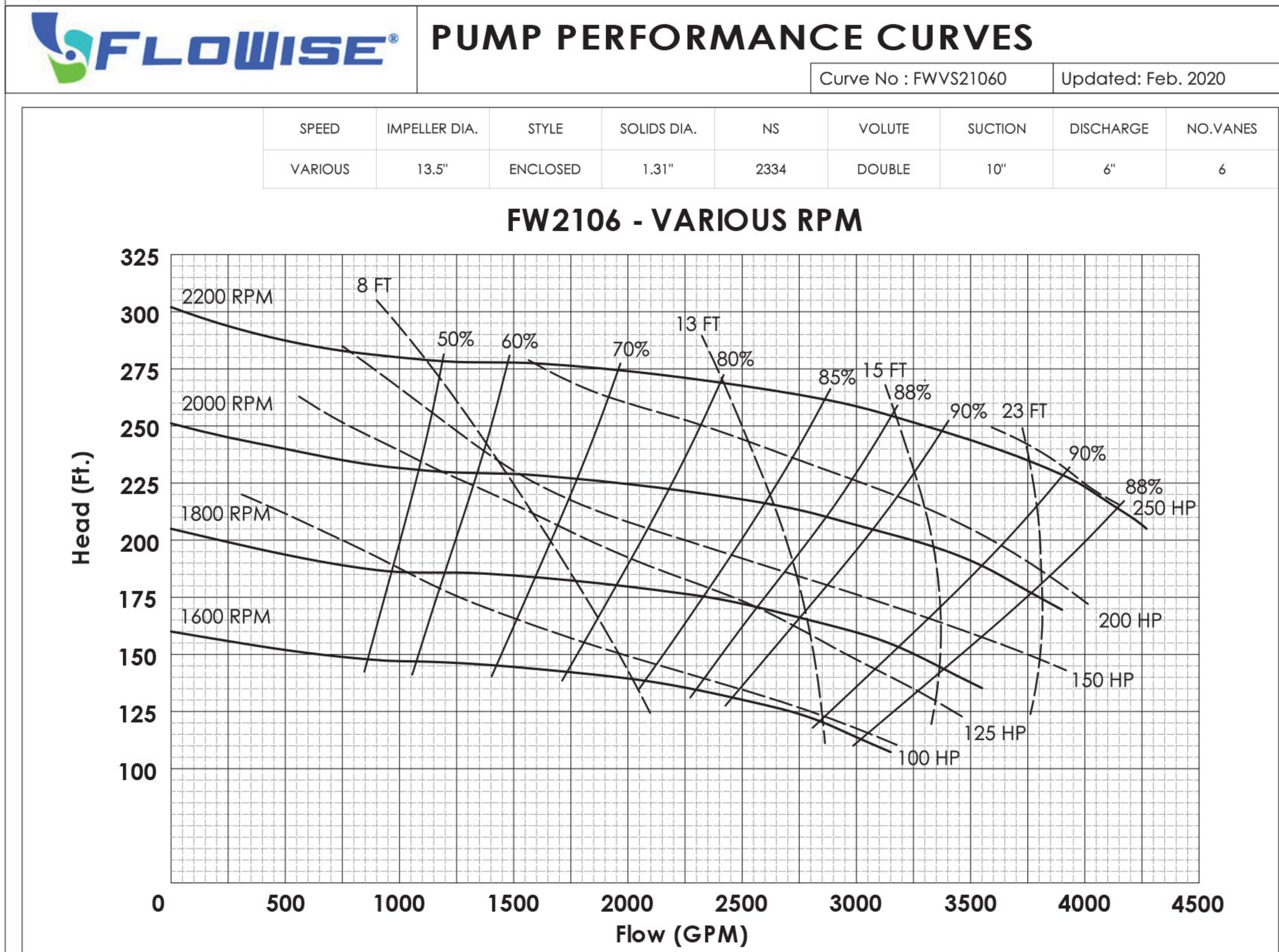
Performances shown are for clear, non-aerated water, frame-mounted configuration with mechanical seal. Efficiency corrections may be required for other mounting configurations, seal arrangements or liquids



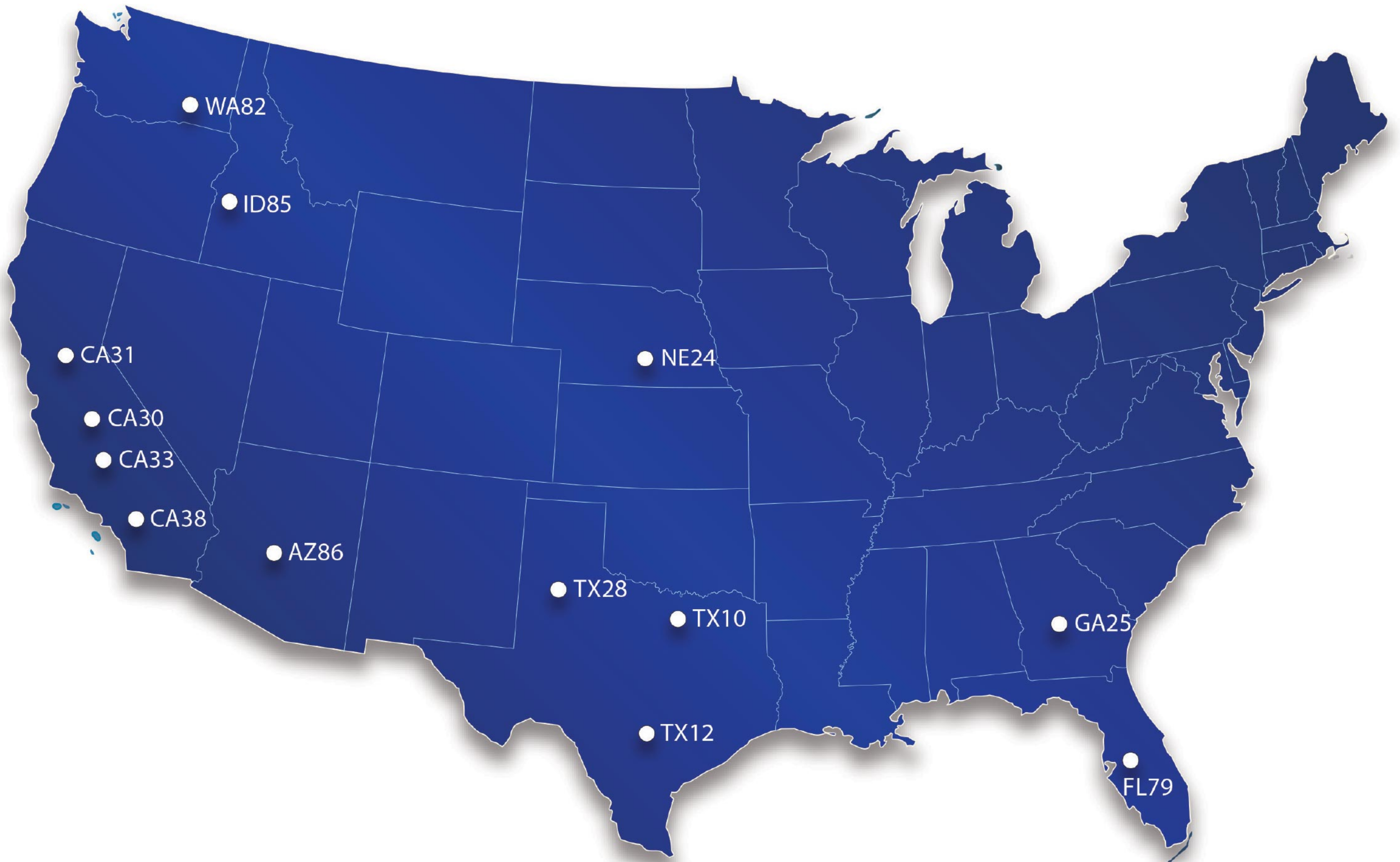
Performances shown are for clear, non-aerated water, frame-mounted configuration with mechanical seal. Efficiency corrections may be required for other mounting configurations, seal arrangements or liquids



Performances shown are for clear, non-aerated water, frame-mounted configuration with mechanical seal. Efficiency corrections may be required for other mounting configurations, seal arrangements or liquids



Performances shown are for clear, non-aerated water, frame-mounted configuration with mechanical seal. Efficiency corrections may be required for other mounting configurations, seal arrangements or liquids



FloWise Pumps Are Available Through 13 Build Centers Across the Country and Are Supported By the Legendary Customer Service of Preferred Pump

Branch CA30

4510 S. Maple Ave.
Fresno, CA 93725
(559) 268-1928
Fax: (559) 268-1909

Branch CA31

4631 Beloit Dr.
Sacramento, CA 95838
(916) 921-2154
Fax: (916) 921-2523

Branch CA33

5311 Woodmere Dr.
Bakersfield, CA 93313
(661) 832-6975
Fax: (661) 832-7768

Branch CA38

1598 North H Street
San Bernardino, CA 92405
(909) 793-2336
Fax: (909) 793-6125

Branch TX10

5140 SE Loop 820
Fort Worth, TX 76140
(817) 483-9700
Fax: (817) 483-9463

Branch TX12

13660 Old FM 471 W
San Antonio, TX 78253
(210) 688-9301
Fax: (210) 688-0581

Branch TX28

524 32nd St.
Lubbock, TX 79404
(806) 762-1196
Fax: (806) 762-6544

Branch AZ86

5020 West Watkins St.
Phoenix, AZ 85043
(602) 272-7867
Fax: (602) 233-9225

Branch FL79

3939 Progress Dr.
Lakeland, FL 33811
(863) 607-4200
Fax: (863) 607-4250

Branch GA25

920 Old Cordele Rd.
Vienna, GA 31092
(229) 268-7000
Fax: (229) 268-8352

Branch ID85

4003 Skyway Street
Caldwell, ID 83605
(208) 454-0000
Fax: (208) 454-2653

Branch NE24

4808 Gold Core Rd.
Grand Island, NE 68801
(308) 384-4713
Fax: (308) 384-2065

Branch WA82

2305 N. Capitol Ave.
Pasco, WA 99301
(509) 543-7241
Fax: (509) 542-9036