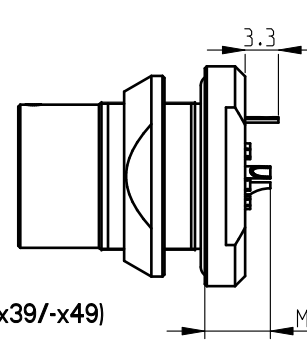
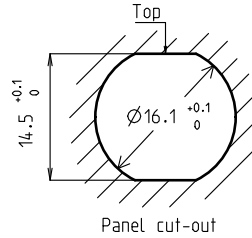
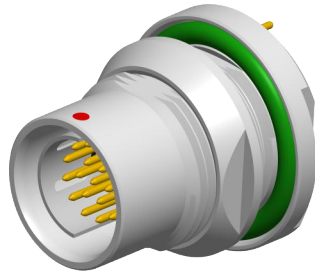


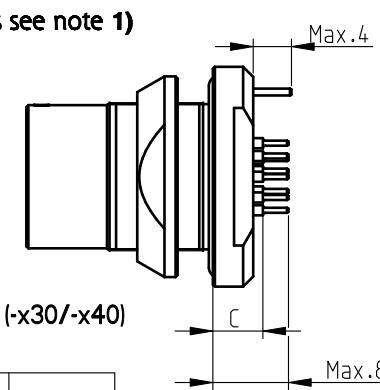
# DBPLE/U 104 Multipole Receptacles

Contact polarity A

Contact polarity Z

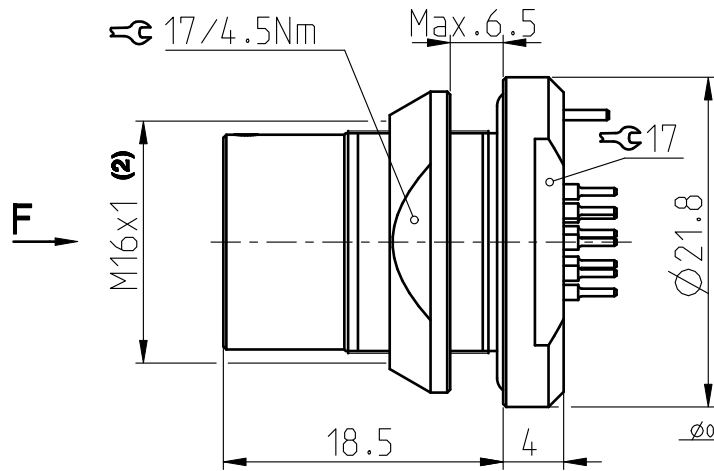


Solder (-x39/-x49)



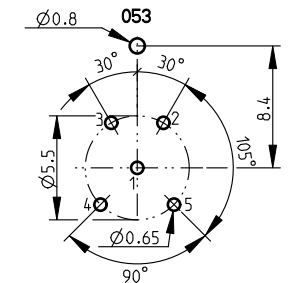
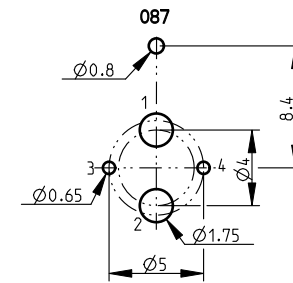
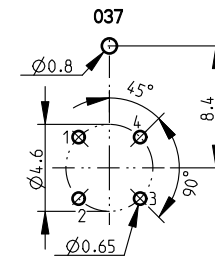
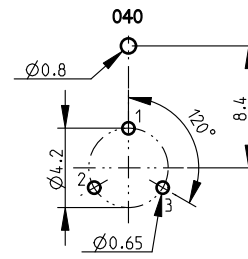
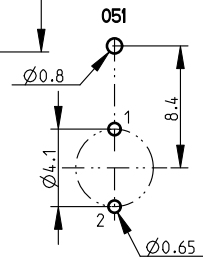
PCB (-x30/-x40)

All dimensions see note 1)

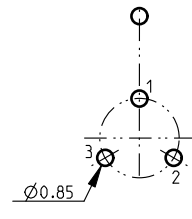
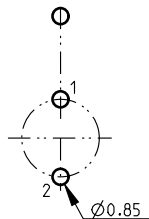
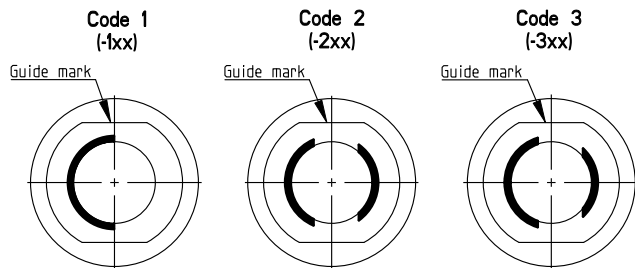


CONTACT CONFIGURATION	Contacts	Solder cup $\varnothing$	C	PIN $\varnothing$
104 A Z 051	2	1.88	5	0.50 0.70
104 A Z 040	3	1.88	5	0.50 0.70
104 A Z 037	4	1.18	5	0.50 0.63
104 A Z 087	4	0.79/2.48	5	0.50/1.60
104 A Z 053	5	1.18	5	0.50

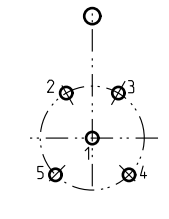
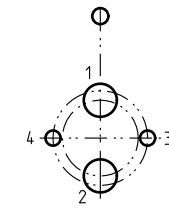
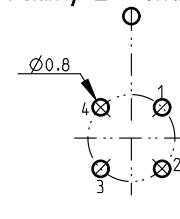
Pin layout / PCB hole pattern for polarity A - View from F (3)



Keying codes (View from F)



Polarity Z - View from F



All dimensions in mm

Rev.

Pages

Notes :

- 1) All tolerances resulting from connector assembly are typically  $\pm 0.3$ mm
- 2) If receptacle is screwed directly into threaded hole, oversize thread by  $+0.05$ mm

3) Recommended PCB hole dimensions may be adjusted to application

Part number example : DBPLE 104 A086-130

600482

4

1/4

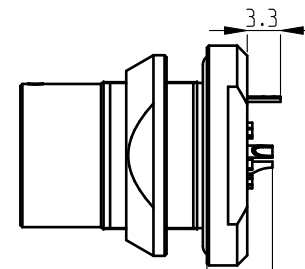
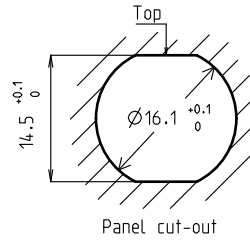
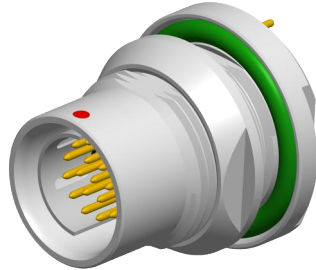


www.fischerconnectors.com

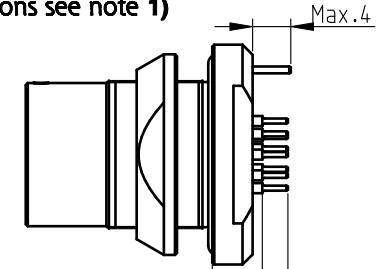
# DBPLE/U 104 Multipole Receptacles

Contact polarity A

Contact polarity Z



All dimensions see note 1)



Solder (-x39/-x49)

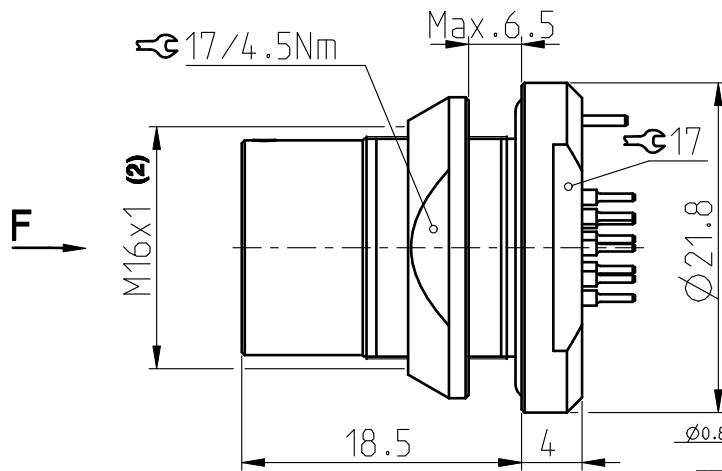
Max. 8.5

PCB (-x30/-x40)

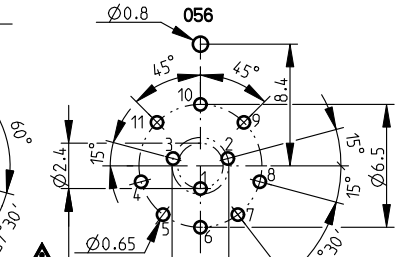
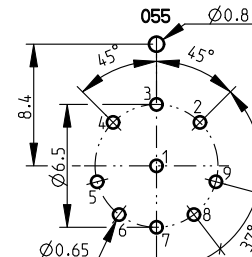
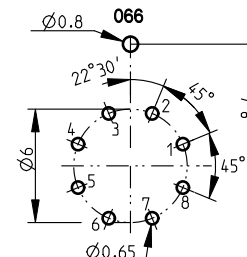
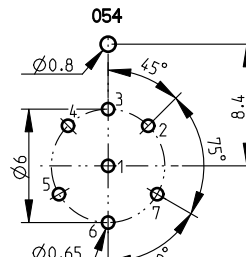
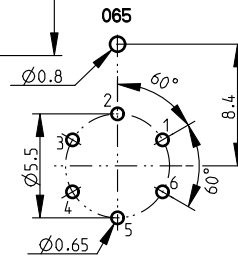
C

Max. 8.3

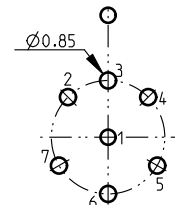
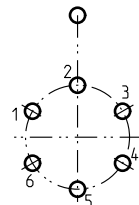
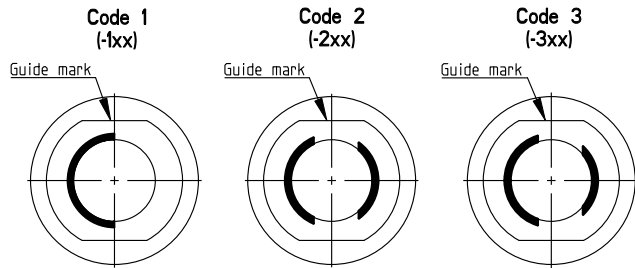
CONTACT CONFIGURATION	Contacts	Solder cup $\varnothing$	C	PIN $\varnothing$
104 A 065	6	0.88	5	0.50
104 A Z 054	7	0.79	5	0.50 0.70
104 A Z 066	8	0.79	5	0.50 0.70
104 A Z 055	9	0.88/1.18	5	0.50 0.63
104 A Z 056	11	0.79	5	0.50 0.70



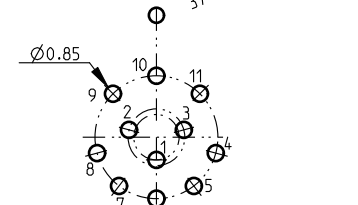
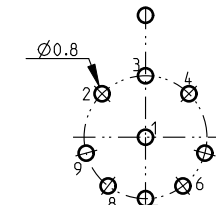
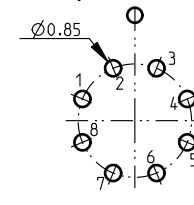
Pin layout / PCB hole pattern for polarity A - View from F (3)



Keying codes (View from F)



Polarity Z - View from F



All dimensions in mm

Rev.

Pages

Notes:

- 1) All tolerances resulting from connector assembly are typically  $\pm 0.3\text{mm}$
- 2) If receptacle is screwed directly into threaded hole, oversize thread by  $+0.05\text{mm}$

3) Recommended PCB hole dimensions may be adjusted to application

Part number example : DBPLE 104 A086-130

600482

4

2/4

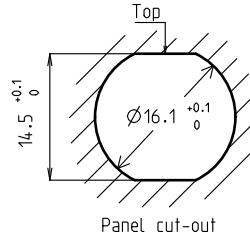
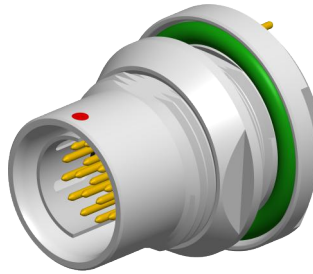
**fischer**  
CONNECTORS

www.fischerconnectors.com

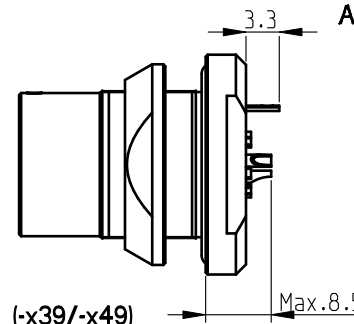
# DBPLE/U 104 Multipole Receptacles

Contact polarity A

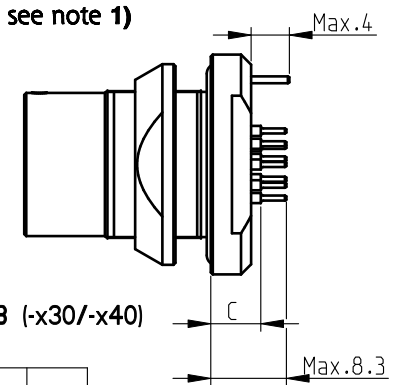
Contact polarity Z



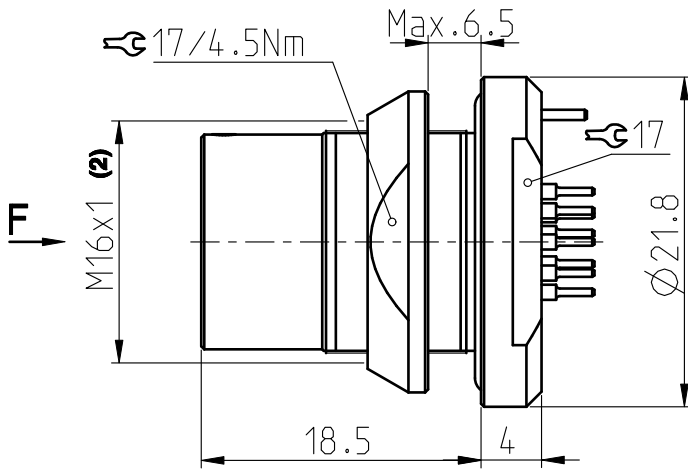
Solder (-x39/-x49)



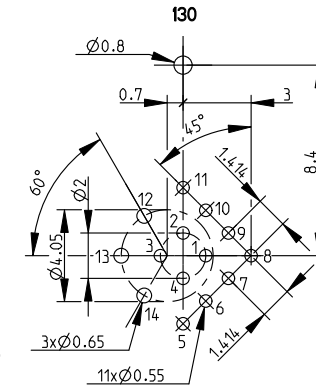
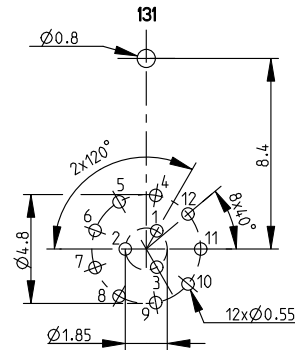
PCB (-x30/-x40)



CONTACT CONFIGURATION	Contacts	Solder cup $\phi$	C	PIN $\phi$
104 A 131	12	-	5.7	0.40
104 A 130	14	-	5.7	0.50

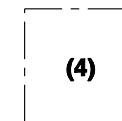
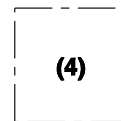
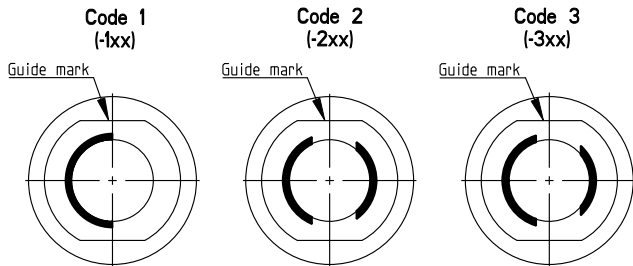


Pin layout / PCB hole pattern for polarity A - View from F (3)



Polarity Z - View from F

Keying codes (View from F)



All dimensions in mm

Rev.

Pages

Notes :

- 1) All tolerances resulting from connector assembly are typically  $\pm 0.3$ mm
- 2) If receptacle is screwed directly into threaded hole, oversize thread by  $+0.05$ mm

3) Recommended PCB hole dimensions may be adjusted to application

4) Please contact us

600482

4

3/4

Part number example : DBPLE 104 A086-130

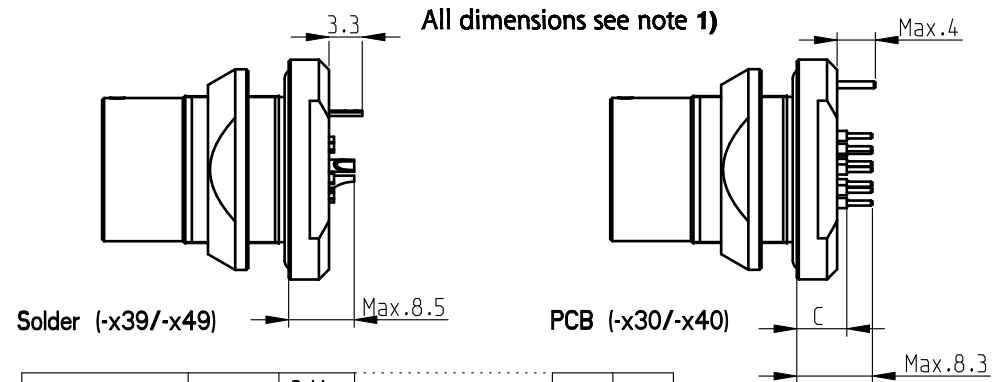
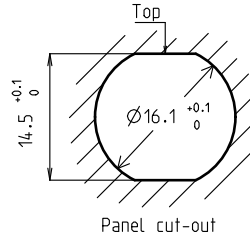
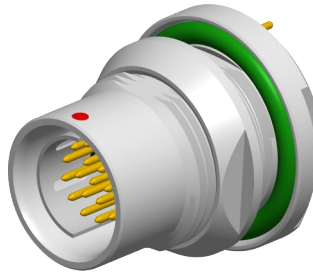


www.fischerconnectors.com

# DBPLE/U 104 Multipole Receptacles

Contact polarity A

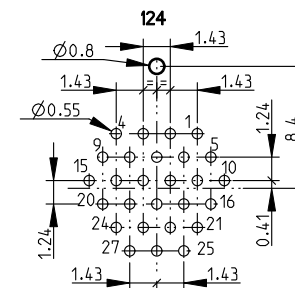
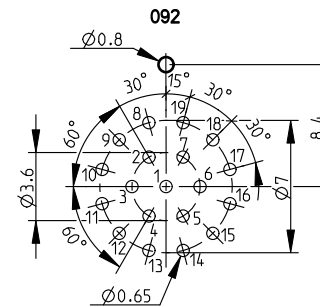
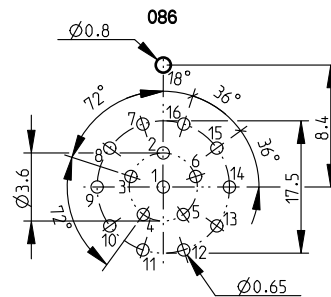
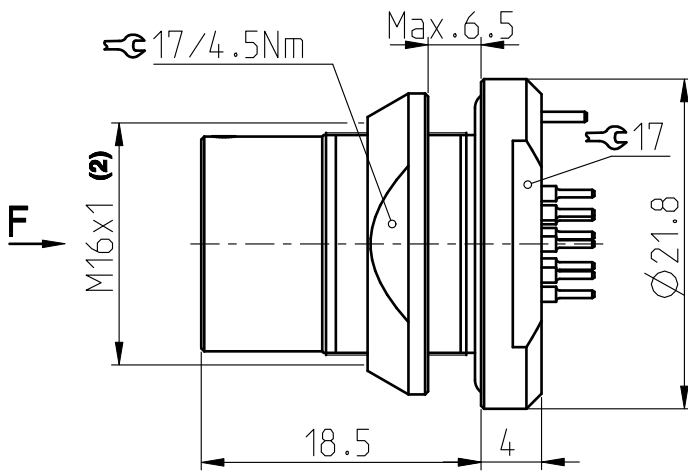
Contact polarity Z



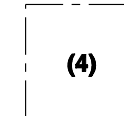
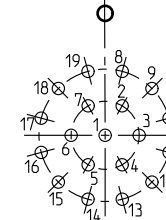
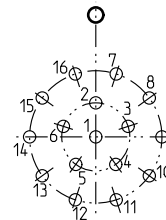
CONTACT CONFIGURATION	Contacts	Solder cup $\phi$	C	PIN $\phi$
104 A Z 086	16	0.79	5.0	0.50
104 A Z 092	19	0.79	5.0	0.50
*104 A 124	27	-	5.0	0.40

\*Please contact us for additional information

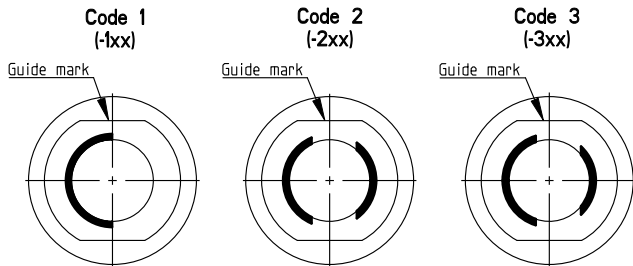
Pin layout / PCB hole pattern for polarity A - View from F (3)



Polarity Z - View from F



Keying codes (View from F)



All dimensions in mm

Rev. Pages

Notes:  
 1) All tolerances resulting from connector assembly are typically  $\pm 0.3$ mm  
 2) If receptacle is screwed directly into threaded hole, oversize thread by  $+0.05$ mm

3) Recommended PCB hole dimensions may be adjusted to application  
 4) Please contact us

600482

4

4/4

Part number example : DBPLE 104 A086-130



www.fischerconnectors.com