

**EPSON**<sup>®</sup>  
EXCEED YOUR VISION



## **Epson PowerLite<sup>®</sup> Pro Z8050WNL** MULTIMEDIA PROJECTOR



▲ Product pictured with lens

### **Bright, powerful performance. Built for easy integration.**

A powerful, network-ready performer that's easy to install, manage and maintain, the Epson PowerLite Pro Z8050WNL offers an amazing 7000 lumens of color light output and 7000 lumens of white light output<sup>1</sup> for captivating presentations in virtually any venue. With WXGA resolution, innovative LCD chips and up to 5000:1 contrast ratio, the Epson PowerLite Pro Z8050WNL delivers brilliant widescreen images in lecture halls, conference centers and more. Offering a full suite of monitor and control features, including message broadcasting, this 720p, high brightness projector ensures easy integration with complex devices, plus a lower overall cost of ownership.

**A powerful combination of brightness, resolution and true-to-life color —**

7000 lumens color light output, 7000 lumens white light output,<sup>1</sup> WXGA widescreen resolution and 3LCD, 3-chip technology

**Innovative technology for added reliability —** durable LCD chips and a new cooling system and filter design



# Epson PowerLite® Pro Z8050WNL

MULTIMEDIA PROJECTOR

## The best-selling projectors in the world.

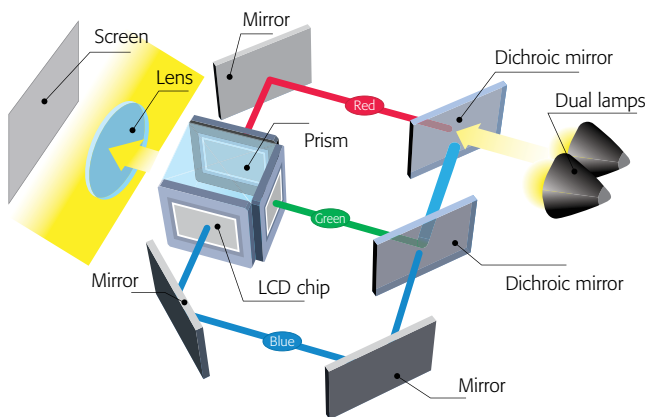
Epson offers a wide range of high-quality projectors to meet almost any need. Built with image quality and reliability in mind, Epson projectors enhance communication and inspire collaboration, while offering a low total cost of ownership. From projectors designed for educational settings to auditorium or boardroom-ready business projectors, Epson has the model made to meet the most demanding needs.



### 3LCD technology — for quality and color that's beyond amazing

#### Innovative technology with proven reliability

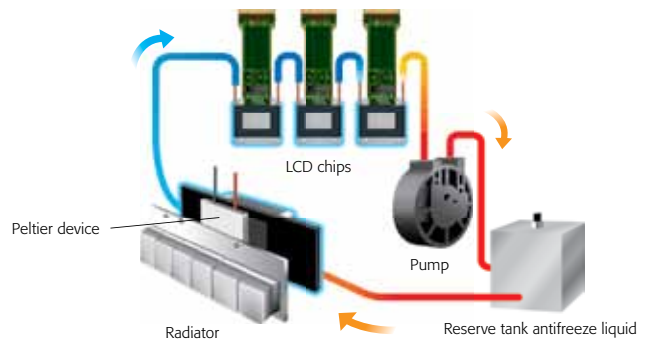
- 3 chips for vibrant, true-to-life color
- 25% less electricity required per lumen of brightness when compared to 1-chip DLP projectors<sup>2</sup>
- Road-tested reliability from a company with over 20 years of experience



▲ 3LCD, 3-chip technology

### Quiet, reliable liquid cooling system

Epson's innovative system uses liquid to cool the LCD chips directly. The liquid absorbs the heat and is then cooled by a peltier device, which is then cooled by a fan, thereby keeping the overall optical engine cool. This system design promotes greater reliability and enables stable operation in temperatures up to 113 °F (45 °C). In addition, it offers quiet, unobtrusive operation and allows for off-axis installation orientations.



### C<sup>2</sup>Fine® technology delivers blacker blacks

C<sup>2</sup>Fine offers smooth, uniform images with exceptional contrast for better image quality.



Based on this new phase-compensation technology, light leakage is eliminated, allowing for the reproduction of blacker blacks. C<sup>2</sup>Fine technology is combined with an auto iris, which allows for a contrast ratio up to 5000:1.



#### Eco features

- Energy-efficient 3LCD technology<sup>2</sup>
- Designed to be recycled<sup>3</sup>

#### Better Products for a Better Future™

For more information on Epson's environmental programs, go to [eco.epson.com](http://eco.epson.com)

# Precision control

## Convenient lens design

With its centered lens design, the PowerLite Pro Z8050WNL makes installation easy to plan. Positioning the ceiling mount, screen and projector can be performed individually and independent of one another.



## Six powered lens options

With a 1.6x standard lens, the PowerLite Pro Z8050WNL offers increased placement flexibility. For even greater flexibility, Epson offers a total of six lenses with varying ranges including short, wide, and rear, along with mid- to long-throw lenses that allow users to choose the motorized lens most suited for their environment. A quick release lever allows for a quick, easy lens exchange. (Lens not included)



▲ Lens not included

## Off-axis, flexible installation

The PowerLite Pro Z8050WNL can be rotated 90 degrees upward or downward with an additional 30-degree tilt operation for off-axis positioning flexibility. As a result, it can be used for a wide range of applications, such as projecting on the ceiling or floor, or as part of a rear-projection system. Epson technology keeps the projector running without compromising performance or causing overheating.



▲ Ceiling projection



▲ Floor projection

## Epson lens shift technology

In addition to added reliability and amazing color performance, Epson's industry-leading 3LCD technology enables the projector to achieve a wide range of lens shift capabilities. This lens shift technology enables outstanding installation flexibility with an incredible range of + or - 70% on the vertical axis and + or - 20% on the horizontal axis. Users can operate the vertical lens shift function using the remote control, the projector control panel, or control commands.



Description/Product #	Throw ratio/Screen size	Focal length/F #
ELPLS04 Standard Zoom Lens V12H004S04	Throw Ratio: 1.71 – 2.78:1 Screen Sizes: 60" – 500" Zoom Ratio: 1 – 1.61:1	Focal Length: 36.00 mm – 57.35 mm F/#: 1.65 – 2.51
ELPLR04 Rear-projection Wide Lens V12H004R04	Throw Ratio: 0.76 – 1:1 Screen Sizes: 60" – 500"	Focal Length: 16.15 mm F/#: 1.85
ELPLW04 Wide Zoom Lens V12H004W04	Throw Ratio: 1.29 – 1.77:1 Screen Sizes: 60" – 500" Zoom Ratio: 1 – 1.37:1	Focal Length: 27.32 mm – 37.04 mm F/#: 1.8 – 2.26
ELPLM06 Middle-throw Zoom Lens #1 V12H004M06	Throw Ratio: 2.64 – 4.03:1 Screen Sizes: 60" – 500" Zoom Ratio: 1 – 1.5:1	Focal Length: 55.43 mm – 83.3 mm F/#: 1.81 – 2.4
ELPLM07 Middle-throw Zoom Lens #2 V12H004M07	Throw Ratio: 3.85 – 5.88:1 Screen Sizes: 60" – 500" Zoom Ratio: 1 – 1.5:1	Focal Length: 80.59 mm – 121.1 mm F/#: 1.81 – 2.34
ELPLL07 Long-throw Zoom Lens V12H004L07	Throw Ratio: 5.76 – 8.09:1 Screen Sizes: 60" – 500" Zoom Ratio: 1 – 1.39:1	Focal Length: 118.98 mm – 165.39 mm F/#: 1.8 – 2.45

▲ Lens throw chart

## Quality and reliability

### 720p resolution



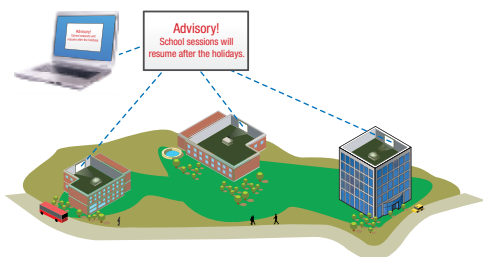
With WXGA resolution (1280 x 800), the PowerLite Pro Z8050WNL delivers high-quality images and crisp, sharp text without any distortion or scaling. And, it makes it easy to display more content. WXGA resolution is ideal for professional applications in the finance and medical industries, as well as CAD applications and more. This amazing, flexible performer was engineered and designed for easy integration, with installation features that even the most savvy professional installer would appreciate. It delivers brilliant widescreen images for presentations in lecture halls, auditoriums, conference centers and houses of worship. It also offers a full suite of monitor and control features that contribute to a low cost of ownership.



▲ WXGA resolution

## Epson's leading-edge EasyMP® Monitor network technology

- **Message broadcasting** — broadcasts customized images/alerts over the network for announcements or instructions
- **Convenient connectivity** — RJ-45 LAN connection; HDMI and DVI ports
- **Easy management and maintenance** — via Simple Network Management Protocol (SNMP)



## Low cost of ownership

### Protect your investment — long-life electrostatic air filter

The filter for the PowerLite Pro Z8050WNL is designed to protect the optical engine, lamp and electronics from small dust particles that can enter any projector. It has a recommended 10,000-hour filter cleaning schedule.<sup>4</sup> The Epson electrostatic filter captures particles as small as three microns, due in part to its pleated, expanded design. With one air intake and one exhaust path, the PowerLite Pro Z8050WNL offers an efficient airflow system for optimum cooling of key components and dust reduction. Additionally, it has the capability to send an e-mail notification out through the Epson Monitor utility when an increase in temperature is detected, due to clogging.



▲ Easy access filter

## Easy maintenance and monitoring

With convenient access to the lamps and filter, the PowerLite Pro Z8050WNL makes maintenance easier than ever, even if the projector is ceiling mounted. The lamp cover is located on the rear side panel and there are no screws, so the lid can be removed without any special tools. In addition to easy lamp and filter replacements, the Z8050WNL includes features that make it easy to monitor and control. With EasyMP Monitor, users can access advanced status functions over the LAN network.



## Easy Management® with Epson Monitor

EasyMP technology makes it easy to monitor and control all networked Epson projectors. You can use the utility while performing help desk services and proactively manage your projector assets. Remotely power down your projector(s) to extend the lamp life and produce energy savings. The utility also allows you to set up e-mail notifications, verify and change internal settings, and more. The utility is packaged on a CD with the projector and can be used with a PC to check the status of a projector. It is also available online at [epson.com](http://epson.com)

## Uninterrupted operation

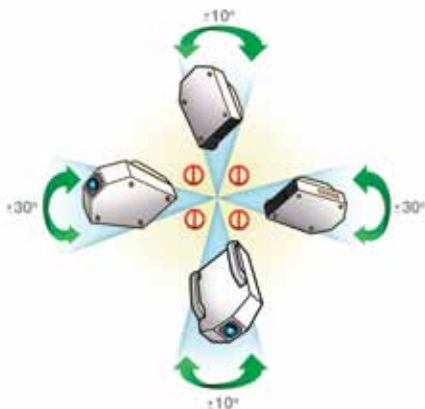
With two lamps (330 W), the PowerLite Pro Z8050WNL boasts a dual lamp system that eliminates the risk of interruption. If one lamp were to fail, operation would continue, using the other lamp. And, replacements are made easy with free and unobstructed access to the rear control panel.



▲ Control panel

## Advanced installation features

- **Innovative cooling and filter system for venues with more demanding requirements** — perfect for restaurants, gaming venues and sports venues that require dust protection and have a higher performance/usage requirement
- **Off-axis installation for flexible placement** — install the projector so that it's facing up or down, for off-axis signage positioning



## Powerful performance

### Quality and reliability

- **Powerful combination of brightness, resolution and true-to-life color** — 7000 lumens color light output, 7000 lumens white light output,<sup>1</sup> WXGA resolution and 3LCD, 3-chip technology
- **Core technology for added reliability** — durable LCD chips; innovative cooling system and filter design
- **Digital connectivity for 720p, Hi-Def performance** — HDMI with HDCP compliancy and DVI-D, both with high-grade video processing
- **Exceptional color fidelity** — broad color reproduction covers the DCI color gamut space for viewing movies as film producers intended
- **Greater detail with blacker blacks** — C<sup>2</sup>Fine technology, up to 5000:1 contrast ratio, cinema filter

### Precision control

- **Easier installation** — center lens design makes it easy to align the projector with the screen
- **Powered lens** — motorized zoom, focus, and lens shift, controllable through the remote, RS-232 or IP
- **Wide lens shift capabilities** — vertical positioning of + or - 70%, + or - 20% horizontal
- **Perfect for auditoriums and lecture hall venues** — six optional lenses including wide-, rear- and long-throw lenses designed with a change-out lever for easy lens installation
- **Direct On and Direct Off** — allows a projector to be powered on/off by use of a wall switch

### Low cost of ownership

- **Protect your investment** — recommended 10,000-hour filter cleaning schedule;<sup>4</sup> easy, side-access filter
- **Easy monitor and control capabilities** — included Epson monitor software allows for remote monitor and control of Epson networked projectors
- **Value-added features** — Quick Corner® for independent image corner control; built-in closed captioning decoder; cable interface cover
- **Dual lamps with long lamp life** — up to 3500-hour lamp life in ECO Mode, up to 2500 hours in Normal Mode<sup>5</sup>

# Epson PowerLite® Pro Z8050WNL

## MULTIMEDIA PROJECTOR



Product Name	Product Code	UPC
PowerLite Pro Z8050WNL	V11H265920	0 10343 87412 1

Lens required

### Specifications

#### Projection System

High-aperture Epson 3-chip, 3LCD technology

#### Projection Method

Front/rear/ceiling mount

#### LCD Driving Method

Epson Poly-silicon TFT Active Matrix

#### Pixel Number

1,024,000 pixels x 3LCDs

#### Native Resolution

WXGA (1280 x 800)

#### Aspect Ratio

Native 16:10, also supports 4:3, 16:9, 5:4

#### Pixel Arrangement

Cross stripe

### Projection Lens

#### Type

Powered zoom/focus

#### F-number

1.65 – 2.51 (Standard lens), lens not included

#### Focal Length

36 mm – 57.35 mm (Standard lens)

#### Zoom Ratio

Optical zoom 1.0 – 1.61 (Standard lens)

#### Screen Throw Ratio Range

1.74" – 2.82" (Standard lens)

#### Size (projected distance)

60" – 500"

#### Lens Shift (powered)

Vertical: ±70%

Horizontal: ±20%

#### Keystone Correction

Vertical: -30 degrees to +30 degrees

Horizontal: -20 degrees to +20 degrees

#### Brightness (Normal Mode)<sup>1</sup>

White light output — 7000 lumens (ISO 21118 standard)

Color light output — 7000 lumens

#### Contrast Ratio

(Normal, Dynamic Mode)

Up to 5000:1

#### Brightness Uniformity (typical)

90%

#### Color Reproduction

16.7 million colors

### Dual Lamp

#### Type

330 W x 2 UHE

#### Lamp Life<sup>5</sup>

Up to 2500 hours (Normal Mode)

Up to 3500 hours (ECO Mode)

#### Effective Scanning Frequency Range

Pixel Clock

13.5 MHz to 162 MHz (up to UXGA 60 Hz)

#### Horizontal

15 kHz to 80 kHz

#### Vertical

24 Hz, 30 Hz, 50 Hz, 60 Hz (Digital)

50 Hz to 85 Hz (Analog)

### Dimensions (W x D x H)

Including Feet (with standard lens)

21.0" x 28.9" x 8.9"

Excluding Feet, Lens

21.0" x 28.9" x 6.6"

#### Weight

48.4 lb with standard lens

### Remote Control

#### Features

Brightness, Contrast, Tint, Saturation, Sharpness, Input signal, Sync, Tracking, Position, Zoom, Focus, Lens Shift, Shutter, ID, source search

#### Operating Angle

Front

Right/left ± 60 degrees

Upper/lower -45 to +15 degrees

Rear

Right/left ± 30 degrees

Upper/lower -45 to +15 degrees

#### Operating Distance

15 m

### Display Performance

#### Native

1280 X 800

#### Resize

640 x 480

800 x 600

1280 x 1024

1400 x 1050

1600 x 1200

### Video I/O

Display Performance

NTSC: 560 lines

PAL: 560 lines

(depends on observation of the multi-burst pattern)

#### Input Signal

NTSC / NTSC4.43 / PAL / M-PAL / N-PAL /

PAL60 / SECAM

SDTV: 480i / 576i / 480p / 576p / 720p /

1080i / 1080p

3D Y/C separation, noise reduction motion

compensated

Interface progressive conversion

(2 – 2, 3 – 2 film detection)

### Interfaces

Computer/component video: D-sub HD 15 pin x 1

5BNC component x1

HDMI x 1

DVI-D x 1

Hardwire remote jack x 1

S-video: mini DIN x 1

Composite video BNC x 1,

LAN networking: RJ-45 x 1, 10/100Mb

Serial: RS-232c x 1

Monitor out: mini D-sub 15 pin x 1

### Other Features

#### Audio Output

None

#### Operating Temperature

32 ° to 113 °F (0 ° to 45 °C)

#### Power Supply Voltage

100 – 240 V ±10%, 50/60 Hz AC

#### Power Consumption

942 W (Normal operation)

776 W (ECO operation)

0.3 W standby (network off)

#### Fan Noise

38 dB (Normal Mode)

32 dB (ECO Mode)

#### Security

Kensington®- style lock provision, anchor (metal) bar for security lock or cable, handles attached to body for cable wrap

### Support — The Epson Connection<sup>SM</sup>

Pre-sales support

U.S. and Canada 800-463-7766

Internet website [www.epson.com](http://www.epson.com)

#### Projector Service and Warranty Programs

Three-year projector limited warranty, 90-day limited lamp warranty, Epson Road Service Program and Epson PrivateLine® dedicated toll-free support (U.S. and Canada only)

#### Contents in Box

Power cable, computer cable, projector remote control, batteries, cable cover, user manual CD, Quick Setup Sheet, PrivateLine support card, password protection sticker, monitor and control CD

### Accessory Part Numbers

#### Lens Part Numbers

Standard zoom lens (ELPLS04) V12H004S04

Long-throw zoom lens (ELPLL07) V12H004L07

Middle-throw zoom lens 1 (ELPLM06) V12H004M06

Middle-throw zoom lens 2 (ELPLM07) V12H004M07

Rear projection wide lens (ELPLR04) V12H004R04

Wide zoom lens (ELPLW04) V12H004W04

#### Mount Part Numbers

Flush ceiling mount bracket V12H003B25

Mount bracket with extended pipe V12H003B26

False ceiling plate kit ELPMBP02

#### Other Accessories Part Numbers

Kensington security lock ELPSL01

Hardware remote control cable set V12H005C28

Replacement remote control 1512200

#### Genuine Epson Lamp Part Numbers

Single (ELPLP51) V13H010L51

Dual lamp kit (lamp x 2) (ELPLP52) V13H010L52

#### Projector Part Number

PowerLite Pro Z8050WNL V11H265920

(lens not included)

#### Air Filter Set Part Number

Replacement air filter set V13H134A23

<sup>1</sup>Light output varies depending on mode (color and white light output). White light output measured using ISO 21118 standard.

<sup>2</sup>Data source: ProjectorCentral.com, Jan. 2009. Average of 796 shipping models, for which manufacturers provided lumens and total power data, all resolutions and brightness levels.

<sup>3</sup>See our website for convenient and reasonable recycling options at [www.epson.com/recycle](http://www.epson.com/recycle)

<sup>4</sup>Recommendation based on normal room conditions. Cleaning requirements may vary depending on use, environment and other conditions.

<sup>5</sup>Cleaning intervals may be adjusted to accommodate the environment in which the projector is used.

<sup>6</sup>Lamp life will vary depending upon mode selected, environmental conditions and usage. Lamp brightness decreases over time.