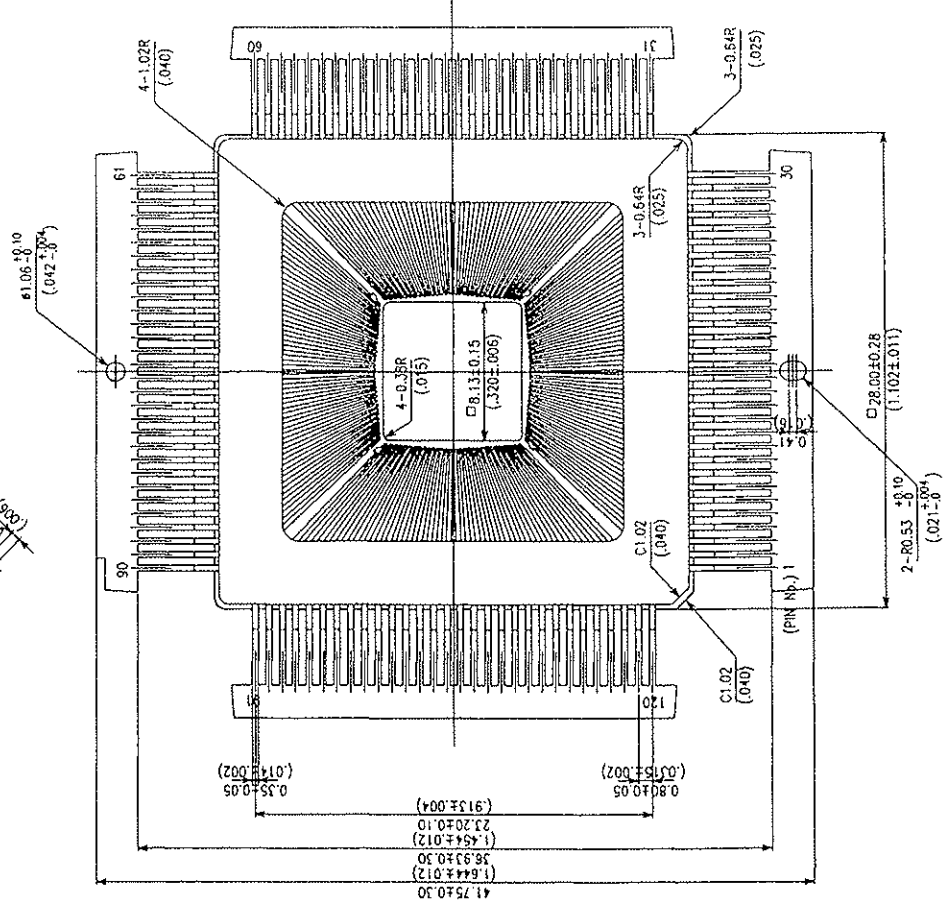
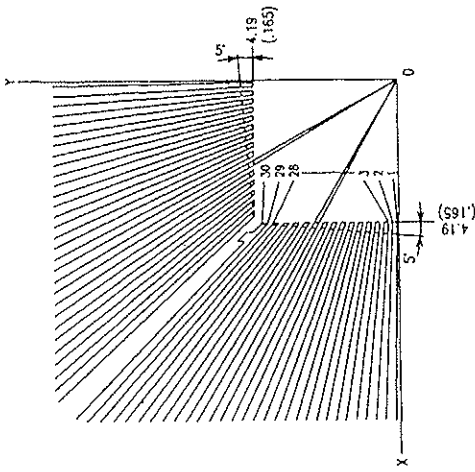
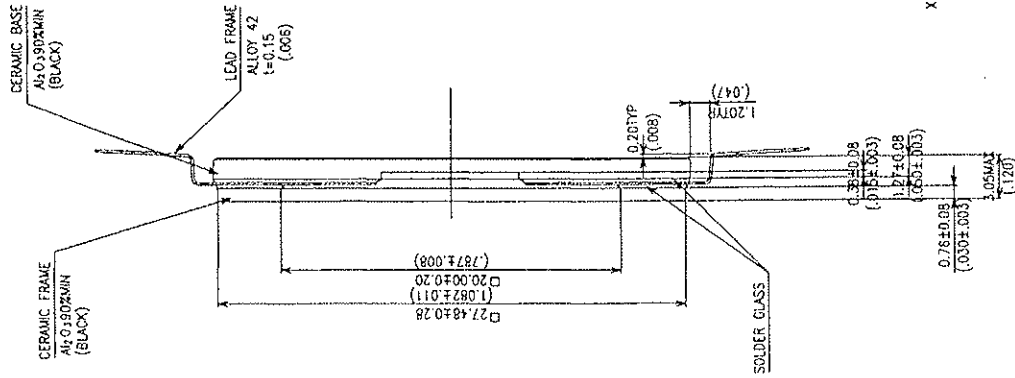


TARGET MARK
No. 7,31,61,91PIN

No.	ANGLE
1	0.753
2	2.514
3	4.082
4	5.757
5	7.357
6	8.958
7	10.598
8	12.280
9	13.811
10	15.475
11	16.975
12	18.611
13	20.084
14	21.683
15	23.133
16	24.698
17	26.115
18	27.638
19	29.015
20	30.498
21	31.831
22	33.276
23	34.568
24	35.962
25	37.214
26	38.560
27	39.768
28	41.088
29	42.236
30	43.484



TOLERANCES: UNLESS OTHERWISE SPECIFIED		DRAWN	CHECKED
NAME 120LD QUAD K-PACK Z'(320SQ)		APPROVED	DATE
SCALE 5:1		MATERIAL	MAY.27.88
DRAWN CHECKED APPROVED		WORK No.	QC-120309-WZ
C H A N G E		KYOCERA CORPORATION	KYOTO JAPAN