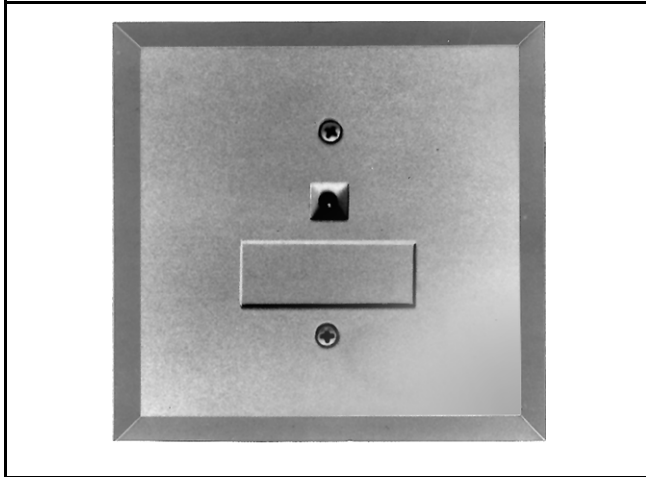


TC809A, B, D Monitor Modules

SPECIFICATION DATA



FEATURES

- Individual addressable input for fire alarm or security devices.
- Full analog supervision of circuits.
- TC809A and TC809D have an integral LED to indicate scan, alarm, or activation.
- TC809A monitors either two- or four-wire (fault-tolerant) initiating device circuits; TC809B only for two-wire circuits.
- TC809D has two independent 2-wire initiating device circuits at two separate, consecutive addresses.
- TC809D monitors normally open contact fire alarm and supervisory devices, or either normally open or normally closed security devices.

APPLICATION

The TC809A,B,D Monitor Modules are intelligent loop interface devices for the DeltaNet FS90 Plus Fire & Security and XLS1000 systems. These units—in addition to intelligent smoke and thermal sensors—provide a complete range of intelligent loop monitoring functions that include addressable/analog sensing, monitoring and enhanced survivability of loop communications.

The TC809A Monitor Modules are intended for use in intelligent, 2-wire systems where the individual address of each module is selected using the built-in rotary decade switches. The TC809A provides either a 2-wire or 4-wire fault tolerant initiating circuit for normally open contact fire alarm, supervisory, or security devices. The TC809A has a panel controlled LED indicator.

The TC809D Dual Monitor Module is intended for use in intelligent, 2-wire systems. It provides two independent 2-wire (Class B) initiating device circuits (IDC) at two separate, consecutive addresses. The two rotary switches on the outside of the module are used to set the address of the first, or base, monitor loop. The next sequential address is automatically assigned to the second or next loop of the module. The module can monitor normally open contact fire alarm and supervisory devices, or either normally open or

normally closed security devices. The module has a status LED that illuminates steady red to indicate an alarm on either input.

The TC809B can be installed in a single gang junction box directly behind the monitored unit. The TC809B is intended for use in intelligent 2-wire systems. It has no LED.

SPECIFICATIONS

Models:

TC809A Monitor Module.
TC809B Monitor Module.
TC809D Dual Monitor Module.

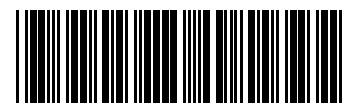
Controllers:

FS90: AE Board.
XLS1000: 3-AADC.

Electrical Ratings: Operating Voltage: 15 to 32 Vdc.

Temperature Ratings: 32°F to 120°F (0°C to 49°C).

Humidity Ratings: 10% to 93%, non-condensing.



EOL Resistance: 47K ohms.

Maximum IDC Wiring Resistance: 40 ohms.

Mounting:

TC809A and TC809D: Mount directly to a 4 in. (102 mm) standard electrical box with a minimum depth of 2-1/8 in. (54 mm). Surface mounted electrical boxes (SSDSMB500) are available. See Accessories section.

TC809B: Mounts inside a single-gang junction box behind the monitored device.

Dimensions:

TC809A and TC809D: 4-1/2 in. (114 mm) high x 4 in. (102 mm) wide x 1-1/4 in. (32 mm) deep.

TC809B: 1-5/16 in. (33 mm) high x 2-3/4 in. (70 mm) wide x 1/2 in. (13 mm) deep.

Approvals: UL 864 listed; FM approved, CSFM listed.

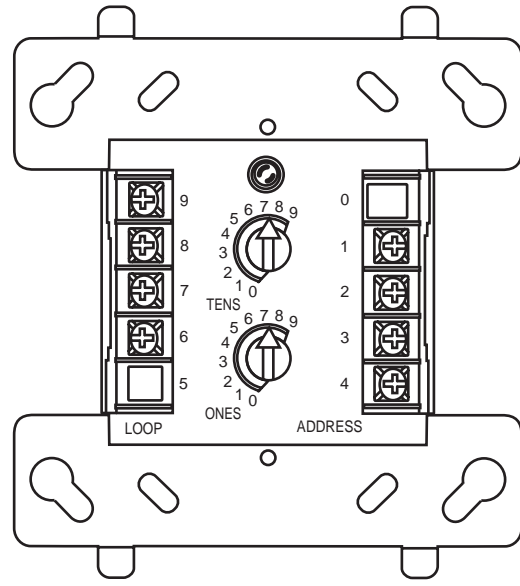
Shipping Weight:

TC809A and TC809D: 16 oz. (454g).

TC809B: 8 oz. (232g).

Accessories:

TC809A and TC809D: SSDSMB500 Electrical Box.



M21131

Fig. 1. TC809A controls, indicators.

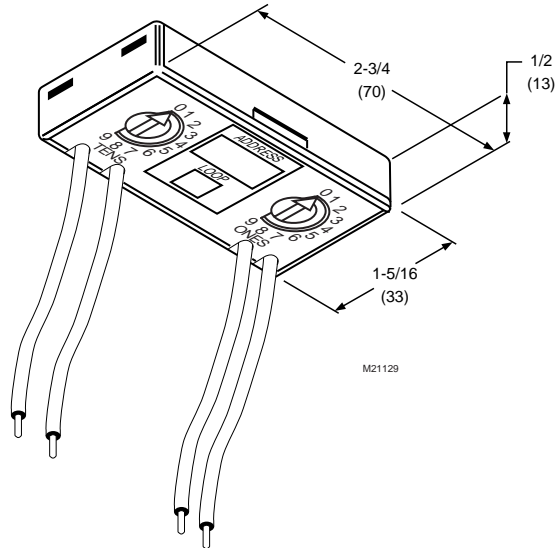
WIRING

NOTE: All wiring must conform to applicable local codes, ordinances and regulations.

- Install the module wiring in accordance with the job drawings and appropriate wiring diagrams.
- Set the address on the module per the job drawings (see Fig. 1 and 2).
- Secure the TC809A or TC809D to the electrical Box (supplied by the installer).
- Install the TC809B in the desired mounting location.
- Refer to Fig. 3 through 5 for typical wiring configurations.

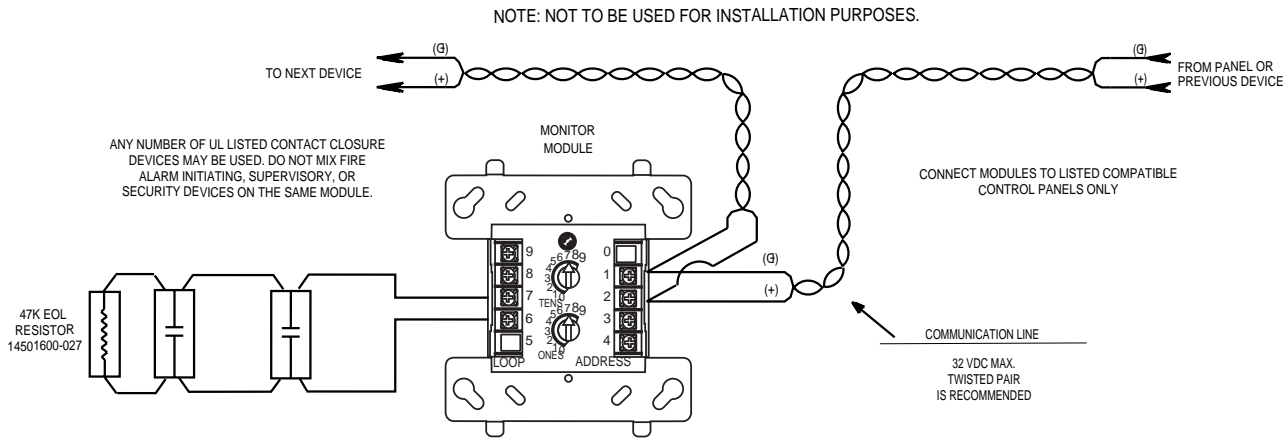
Compatibility Requirements

To ensure proper operation, these modules should only be connected to compatible control panels.



M21129

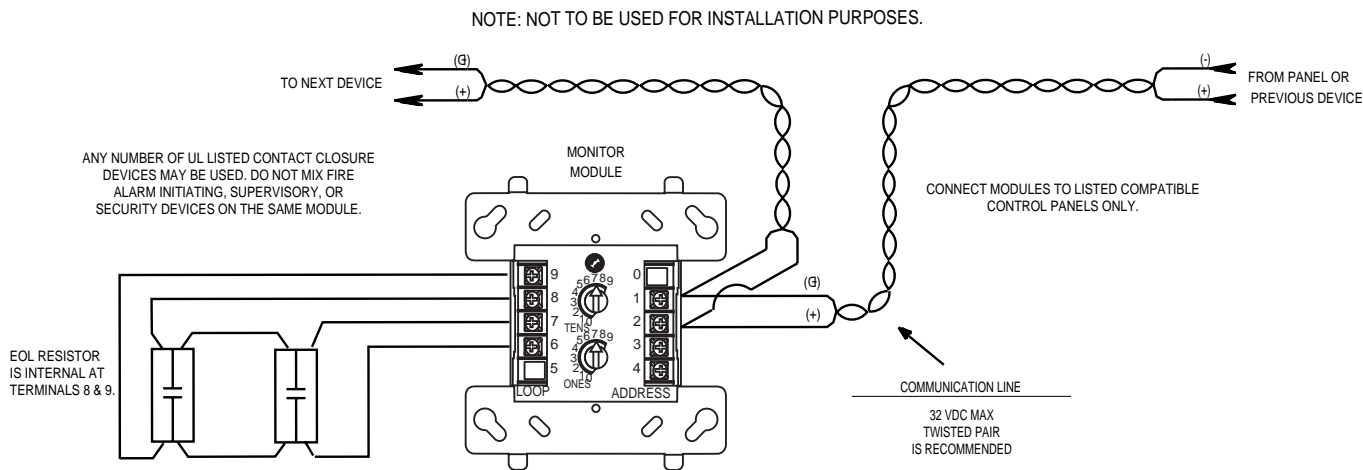
Fig. 2. TC809B controls.



NOTES: IDC INSTALLATION WIRING SHOULD NOT EXCEED 40 OHMS OR 2500 FT, 12 TO 18 AWG.
INSTALL CONTACT CLOSURE DEVICES PER MANUFACTURER'S INSTALLATION INSTRUCTIONS.
ALL WIRING SHOWN IS SUPERVISED AND POWER LIMITED.

M21132

Fig. 3. TC809A typical 2-wire initiating circuit configuration, NFPA Style B.



NOTES: INSTALL CONTACT CLOSURE DEVICES PER MANUFACTURER'S INSTALLATION INSTRUCTIONS.
ALL WIRING SHOWN IS SUPERVISED AND POWER LIMITED.

M21133

Fig. 4. TC809A typical 4-wire fault tolerant initiating circuit configuration, NFPA Style D.

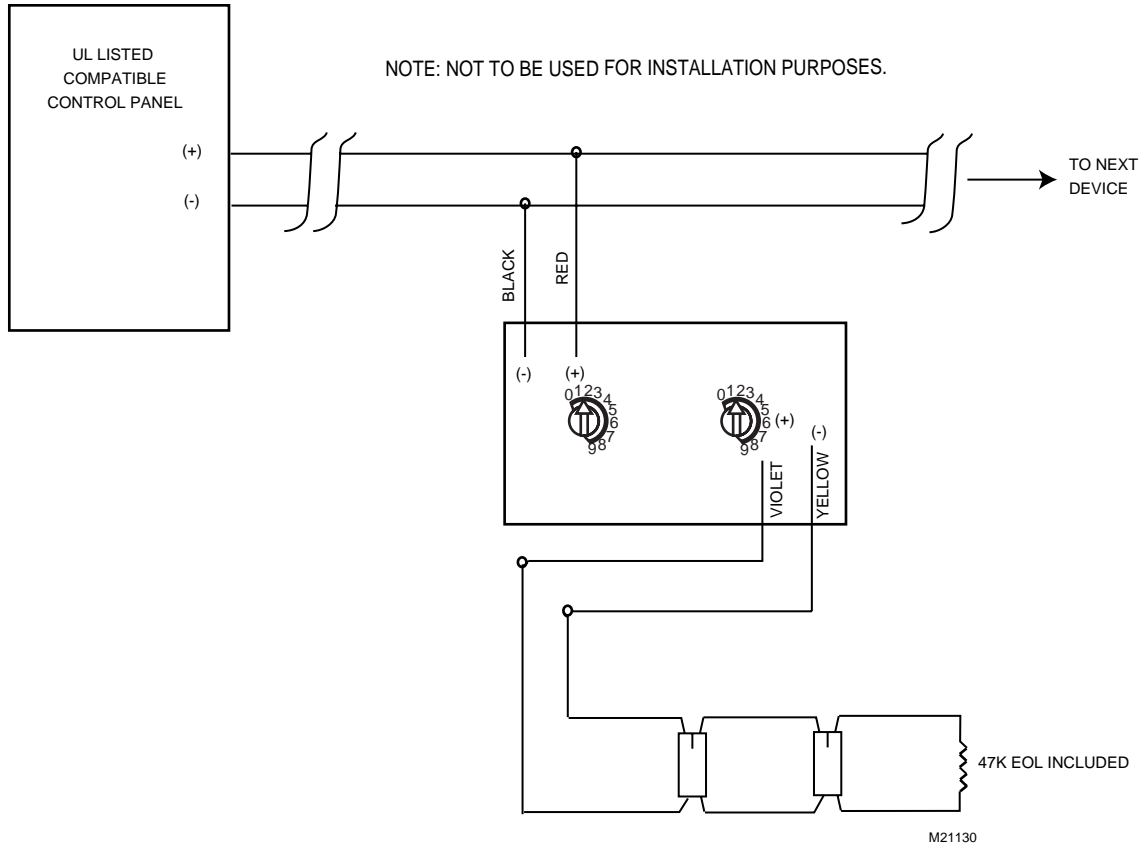


Fig. 5. TC809B typical 2-wire Style B initiating circuit configuration.

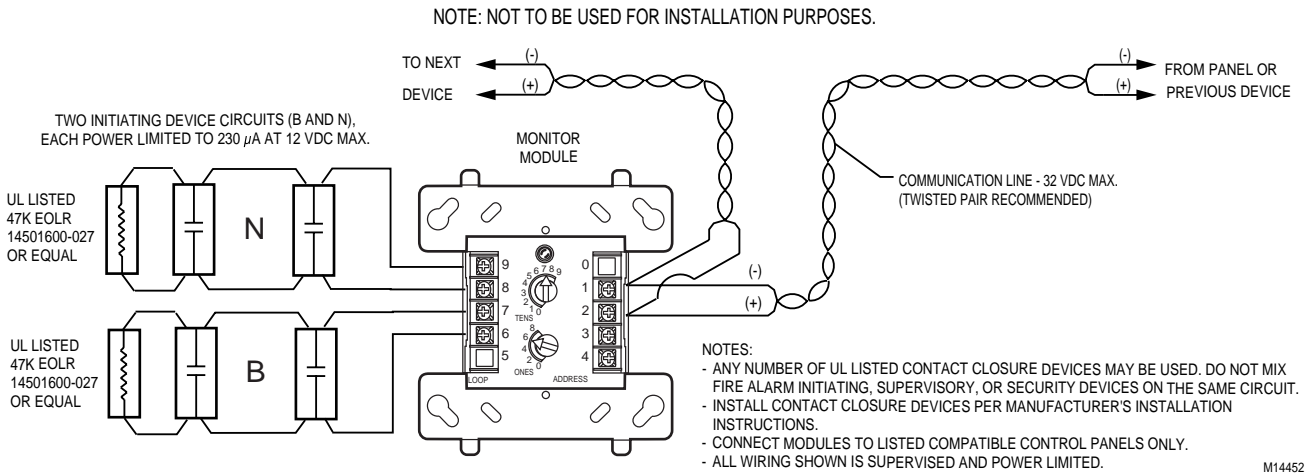


Fig. 6. TC809D typical wiring.

By using this Honeywell literature, you agree that Honeywell will have no liability for any damages arising out of your use or modification to, the literature. You will defend and indemnify Honeywell, its affiliates and subsidiaries, from and against any liability, cost, or damages, including attorneys' fees, arising out of, or resulting from, any modification to the literature by you.

Honeywell

Automation and Control Solutions

Honeywell
1985 Douglas Drive North
Golden Valley, MN 55422

Honeywell Limited-Honeywell Limitée
35 Dynamic Drive
Scarborough, Ontario
M1V 4Z9

Honeywell International

Control Products
Honeywell Building
17 Changi Business Park Central I
Singapore 486073

Honeywell Europe S.A.

3 Avenue du Bourget
1140 Brussels
Belgium

Honeywell Latin American Region

480 Sawgrass Corporate Parkway
Suite 200
Sunrise FL 33325

