

WOOD VENTING

STOVE PIPE | CLASS A CHIMNEY | CHIMNEY LINER | VENTING ACCESSORIES

REV: 01/01/24



DuraTech Class A Chimney



DuraFlex PRO
SS Liner Kit



Foil Faced Blanket



Homestyle Liner Cap

TABLE OF CONTENTS

Stove Pipe

Gray Metal	2-3
Heat Fab 6"	4
Heat Fab 8"	5
DuraBlack 6"	6
DuraBlack 7"	14
DuraBlack 8"	16
DVL Close Clearance 6"	7
DVL Close Clearance 7"	14
DVL Close Clearance 8"	16
DuraBlack/DVL Offset Chart.....	25

Chimney - Class A

DuraTech 6"	8-13
DuraTech 7"	15
DuraTech 8"	17-18
DuraTech Offset Chart.....	26

Chimney Liner - Stainless Steel

DuraFlex Pro Liner Kit	20
DuraFlex ZC Liner Kit.....	20
DuraLiner	24
Liner Components	22
Liner Insulation Materials	21
Insulated Liner Kit	21
DuraVent SS Rigid	23

Miscellaneous

Homestyle Liner Cap.....	22
Insulating Blanket	21
Insulfue	23
Pipe Shields.....	3
Promesh.....	21
Screws.....	3,21
Stainless Wire	21

Literature

Item No	Description	Retail
L127	DuraPlus Brochure/Mailer	N/C
L701	DuraFlex SS & Aluminum Brochure/Mailer	N/C
L703	DuraLiner SS & Aluminum Brochure/Mailer	N/C
L931	DuraTech Brochure/Mailer	N/C
L820	DuraVent Product Catalog	N/C

5", 6" & 7" Snap-Lock

Black Stove Pipe

Gray Metal Products, Inc.



5" Single Wall Snap-Lock Pipe

Item No	Description	Case Qty	Retail
5-24-600A	5" x 12" Black Pipe	12	\$13.62
5-24-600	5" x 24" Black Pipe	12	\$24.10
5-24-602	5" Adjustable Elbow	12	\$24.63
5-604	5" Clean Out Tee w/o Cap	12	\$59.93
5-603LE	5" Tee Cap	12	\$41.48
5-605	5" Trim Collar (O.D. 10 5/8")	12	\$13.38
5-CID	5" Cast Iron Damper	12	\$10.08
5X6-612	5" to 6" Increaser (6" end crimped)	12	\$36.70
6X5-611	6" to 5" Reducer (5" end crimped)	12	\$36.70



Stove Pipe



Telescopic Pipe



Slip Connector

6" Single Wall Snap-Lock Pipe

Item No	Description	Case Qty	Retail
6-24-600A	6" x 12" Black Pipe	12	\$15.32
6-24-600	6" x 24" Black Pipe	12	\$25.12
6-24-600B	6" x 36" Black Pipe	5	\$50.33
6-24-648	6" x 48" Black Pipe	5	\$58.47
6-607LE	6" Slip Connector (adjusts up to 11")	12	\$57.12
6-TEL	6" Telescopic Pipe (38" - 70")	1	\$75.44
6-24-602C	6" Corrugated Elbow	12	\$28.92
6-24-602	6" Adjustable Elbow	12	\$25.70
5X6-612	5" to 6" Increaser (6" end crimped)	12	\$36.70
7X6-611	7" to 6" Reducer (6" end crimped)	12	\$38.69
8X6-611	8" to 6" Reducer (6" end crimped)	12	\$43.64
6X6-610	6" to 6" Oval/Round Adapter	12	\$42.64
6-604	6" Clean Out Tee w/o Cap	12	\$59.03
6-604-2C	6" Clean Out Tee w/o Cap (snout crimped)	12	\$59.03
6-603LE	6" Tee Cap	12	\$23.71
6-CID	6" Cast Iron Damper	12	\$21.67
6-616	6" Draw Connector	12	\$30.86
6X6-606	6" x 6" Starter (Double Crimped)	18	\$15.08
BM0094	6" Trim Collar (O.D. 9 1/2")	12	\$14.37
6-605	6" Trim Collar (O.D. 10 5/8")	12	\$14.69



Corrugated Elbow



Adjustable Elbow



Increaser



Reducer



Oval/Round Adapter

7" Single Wall Snap-Lock Pipe

Item No	Description	Case Qty	Retail
7-24-600A	7" x 12" Black Pipe	12	\$17.65
7-24-600	7" x 24" Black Pipe	12	\$30.38
7-607LE	7" Slip Connector (adjusts up to 11")	12	\$73.87
7-24-602	7" Adjustable Elbow	12	\$30.13
6X7-612	6" to 7" Increaser (7" end crimped)	12	\$38.69
8X7-611	8" to 7" Reducer (7" end crimped)	12	\$43.64
7x6-610	7" to 6" Oval/Round Adapter	12	\$55.44
7-604	7" Clean Out Tee w/o Cap	10	\$88.44
7-603LE	7" Tee Cap	12	\$28.07
7-CID	7" Cast Iron Damper	12	\$27.08
BM0095	7" Trim Collar (O.D. 10 1/2")	12	\$14.52
7-605	7" Trim Collar (O.D. 10 5/8")	12	\$15.66



Cleanout Tee



Cast Iron Damper



Draw Connector



Double Crimped Starter



Trim Collar

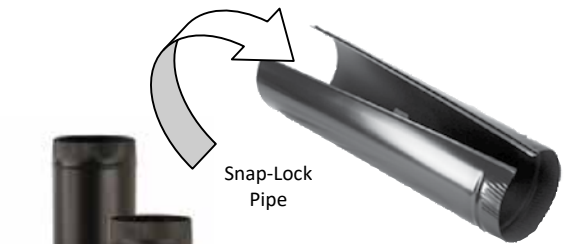


Trim Collar BM Series



8" Single Wall Snap-Lock Pipe

Item No	Description	Case Qty	Retail
8-24-600A	8" x 12" Black Pipe	12	\$19.88
8-24-600	8" x 24" Black Pipe	12	\$34.62
8-24-600B	8" x 36" Black Pipe	5	\$62.69
8-607LE	8" Slip Connector (adjusts up to 11")	12	\$69.77
8-24-602C	8" Corrugated Elbow	12	\$45.50
8-24-602	8" Adjustable Elbow	12	\$34.62
8X6-611P	8" x 6" Increaser/Reducer (uncrimped)	12	\$43.64
8X7-611P	8" x 7" Increaser/Reducer (uncrimped)	12	\$43.64
6X8-612	6" to 8" Increaser (8" end crimped)	12	\$43.64
7X8-612	7" to 8" Increaser (8" end crimped)	12	\$43.64
8x6-610	8" to 6" Oval/Round Adapter	12	\$65.92
8x8-610	8" to 8" Oval/Round Adapter	12	\$54.45
8-604	8" Clean Out Tee w/o Cap	10	\$73.50
8-604-2C	8" Clean Out Tee w/o Cap (snout crimped)	12	\$73.50
8-603LE	8" Tee Cap	12	\$28.07
8-CID	8" Cast Iron Damper	12	\$27.08
8-616	8" Draw Connector	12	\$36.27
8X6-606	8" x 6" Starter (double crimped)	12	\$21.79
BM0096	8" Trim Collar (O.D. 12")	12	\$14.85
8-605	8" Trim Collar (O.D. 10 5/8")	12	\$14.69



Stove Pipe

Slip Connector



Corrugated Elbow



Adjustable Elbow

Flue Stop

Item No	Description	Case Qty	Retail
FLUESTOP-BK	Adjustable Flue Stop (will cover up to 8")	12	\$16.70



Increaser

Reducer

Oval/Round Adapter

Pipe Shield

Item No	Description	Retail
DEFL-1PC	Pipe Shield - 35" Long	\$80.00

Screws

(See Installer/Sweep Section for Screws in Bulk)

Item No	Description	Pkg Qty	Retail
KK0170	#8 - 1/2" Black Self Tap	12 pk	\$6.85



Cleanout Tee



Cast Iron Damper



Draw Connector



KK0170



Adjustable Flue Stop
FLUESTOP-BK



Pipe Shield
DEFL-1PC



Double Crimped
Starter



Trim Collar



Trim Collar BM Series



Single Wall, Black Laser Welded Seam

6" Lengths

Item No	Description	Case Qty	Retail
2602B	12" Length	6	\$54.36
2604B	18" Length	4	\$63.99
2605B	24" Length	6	\$72.60
2606B	38" – 70" Telescoping Length	1	\$211.35
2607B	36" Length	6	\$103.40
2608B	48" Length	4	\$134.36
2624B	2" – 16" Extension (use with a straight length of pipe for adjustment)	4	\$63.99

6" Elbows

Item No	Description	Case Qty	Retail
2611B	45° Elbow Corrugated (non-adj)	4	\$68.78
2614AB	90° Adjustable Elbow	1	\$119.73
2614B	90° Elbow Corrugated (non-adj)	4	\$80.43

6" Tee/Tee Cap

Item No	Description	Case Qty	Retail
2616CR	Tee	4	\$144.29
2617B	Tee Cap	4	\$67.10

6" Increasers

Item No	Description	Case Qty	Retail
2526B	5" – 6" Increaser (5" Crimped)	4	\$57.46
2627B*	6" – 7" Increaser (6" Crimped)	4	\$85.26
2628B	6" – 8" Increaser (6" Crimped)	4	\$70.23

6" Trim Collar

Item No	Description	Case Qty	Retail
2600B	Wall Trim Collar	12	\$42.57

*Special Order

Features

- Heavy-duty construction Saf-T Pipe is fabricated from 22-gauge cold roll steel. Up to 60% thicker than most hardware store brands
- Laser and Advanced Resistance-welded seams makes snap together pipe obsolete. Guarantees a completely sealed seam: no smoke or flue leakage
- Full range of parts and sizes comes in the sizes you need
- Beaded for furnace cement
- Black high-temperature, low-luster finish painted with the highest quality silicone based stove paint
- Individually wrapped and packaged.





Single Wall, Black Laser Welded Seam

8" Lengths

Item No	Description	Case Qty	Retail
2802B	12" Length	6	\$57.46
2804B	18" Length	4	\$70.23
2805B	24" Length	6	\$85.26
2806B	38" – 70" Telescoping Length	1	\$252.26
2807B	36" Length	4	\$116.18
2808B	48" Length	2	\$157.22
2824B	2" – 16" Extension (use with a straight length of pipe for adjustment)	4	\$70.23

8" Elbows

Item No	Description	Case Qty	Retail
2811B	45° Elbow (non-adjustable)	2	\$72.08
2814AB	90° Adjustable Elbow	1	\$129.48
2814B	90° Elbow (non-adjustable)	2	\$88.37

8" Tee/Tee Cap

Item No	Description	Case Qty	Retail
2816CR	Tee	3	\$158.73
2817B	Tee Cap	4	\$88.37

8" Increaser/Reducers

Item No	Description	Case Qty	Retail
2846B	8" – 6" Reducer (8" Crimped)	4	\$80.43
2847B	8" – 7" Reducer (8" Crimped)	4	\$91.79

8" Trim Collar/Offset

Item No	Description	Case Qty	Retail
2800B	Wall Trim Collar	16	\$42.57
2858OV	8" to Oval Offset (v.c.)	6	\$176.92

*Special Order

Features

- Heavy-duty construction Saf-T Pipe is fabricated from 22-gauge cold roll steel. Up to 60% thicker than most hardware store brands
- Laser and Advanced Resistance-welded seams makes snap together pipe obsolete. Guarantees a completely sealed seam: no smoke or flue leakage
- Full range of parts and sizes comes in the sizes you need
- Beaded for furnace cement
- Black high-temperature, low-luster finish painted with the highest quality silicone based stove paint
- Individually wrapped and packaged.



6" DuraBlack Single Wall Stove Pipe

DuraBlack is a single wall 24 gauge lock seamed interior stove pipe. Adjustable lengths eliminate the need for cutting or crimping.

Item No	Description	Case Qty	Retail
6DBK-SC*	Chimney Adapter, 14" Slip Connector w/ Trim Ring (Used with DuraBlack Single Wall Pipe)	1	\$71.79
6DBK-XS8*	Chimney Adapter, Slip Increaser w/ Trim (6" - 8") (Used with DuraBlack Single Wall Pipe)	1	\$93.88
6DBK-ADSL*	Chimney Adapter, Snap-Lock w/ Trim Ring (Used with DuraBlack and other brands of pipe)	1	\$109.16
6DVL-ADC*	Chimney Adapter SS w/ Trim (Used with DuraBlack and other brands of pipe)	1	\$62.47
6DBK-TL*	Chimney Adapter w/ 68" Telescoping Length (44" - 68")	1	\$187.65
6DBK-12	12" Length	1	\$48.03
6DBK-24	24" Length	1	\$53.76
6DBK-48	48" Length	1	\$90.63
6DBK-E45	45° Adjustable Elbow (see page 25 for offset chart)	1	\$48.41
6DBK-E90	90° Adjustable Elbow (see page 25 for offset chart)	1	\$60.82
6DBK-T	Tee w/ Cap	1	\$141.63
6DBK-AD	Stovetop Adapter (Adapts Durablack stove pipe to stove flue collar)	1	\$42.90
6DBK-ADDB	Stovetop Adapter, Double Skirted (Used on stoves with undersized flue collar)	1	\$62.96
6DBK-ADM	Stovetop Adapter, Metric	1	\$131.92
6DBK-ADOR	Round to Oval Adapter	1	\$51.17
6DBK-DS	Damper Section	1	\$79.04
5DBK-X6**	Increaser 5" - 6"	1	\$61.40
6DBK-X7	Increaser 6" - 7"	1	\$67.57
6DBK-TC	Trim Collar	1	\$28.24
1A54H222	DuraVent Stove Bright Paint, Black (12 oz Aerosol Can)	12	\$16.15



Telescoping Length DBK-TL

* Adapters to connect to DuraTech Support Boxes (not used with 6DT-FC)

** Special Order



Single-Wall Stove Pipe



Slip Connector w/ Trim Ring DBK-SC



Slip Increaser w/ Trim DBK-XS8



Snap-Lock Adapter w/ Trim Ring DBK-ADSL



Chimney Adapter (SS) w/ Trim (Blk) DVL-ADC



45° Elbow DBK-E45



90° Elbow DBK-E90



Tee w/ Cap DBK-T



Stovetop Adapter DBK-AD



Double Skirted Stovetop Adapter DBK-ADDB



Round to Oval Adapter (Must be field ovalized) DBK-ADOR



Damper Section DBK-DS



Increaser DBK-X6/X7



Trim Collar DBK-TC

For an economical, drip free, single-wall stovepipe, DuraBlack is an excellent choice. Built to DuraVent's high standards, DuraBlack is constructed with die-formed end fittings. Adjustable lengths eliminate the need for cutting and crimping.

6" DVL Double Wall Close Clearance Stove Pipe

Item No	Description	Case Qty	Retail
6DVL-ADT*	Chimney Adapter w/ Trim (SS inner, black outer)	1	\$114.50
6DVL-ADC*	Chimney Adapter SS w/ Trim	1	\$62.47
6DVL-ADWD	Stove Top Adapter/Damper Section	1	\$132.06
6DVL-AD	Stove Top Adapter Section No Damper	1	\$96.56
6DVL-ORAD	Oval to Round Adapter (8" Oval to 6" Round)	1	\$229.44
6DVL-46TA	48" Telescoping Length (29" - 46")	1	\$327.40
6DVL-68TA	68" Telescoping Length (40" - 68")	1	\$434.39
6DVL-6ADJ	6" Adj Length (used w/ straight length of pipe)	1	\$110.95
6DVL-12ADJ	12" Adj Length (used w/ straight length of pipe)	1	\$135.51
6DVL-06	6" Length	1	\$102.09
6DVL-12	12" Length	1	\$109.12
6DVL-18	18" Length	1	\$129.73
6DVL-24	24" Length	1	\$179.71
6DVL-48	48" Length	1	\$276.30
6DVL-E45	45° Elbow (see pg 25 for offset chart)	1	\$142.28
6DVL-E90	90° Elbow (see pg 25 for offset chart)	1	\$213.17
6DVL-T	Tee w/ Cap	1	\$184.22
5DVL-X6**	Increaser 5" - 6"	1	\$168.82
6DVL-X7	Increaser 6" - 7"	1	\$161.52
6DVL-X8	Increaser 6" - 8"	1	\$176.66
1A54H222	DuraVent Stove Bright Paint, Black (12 oz Aerosol Can)	12	\$16.15

DVL double-wall, air insulated connector pipe reduces pipe clearance to combustibles from 18" to 6" to a back wall and 8" to a ceiling. DVL improves stove performance by maintaining high flue gas temperatures for a strong, steady draft. Inner wall is stainless steel.

Consult owners manual for appliance clearances.



DuraBlack Double Wall Close Clearance Pipe

* Adapters to connect to DuraTech Support Boxes (not used with 6DT-FC)

** Special Order



Chimney Adapter
w/ Trim BLK
DVL-ADT



Chimney Adapter (SS)
w/ Trim (Blk)
DVL-ADC



Telescoping
Length
6DVL-46TA, 68TA



Double-Wall Adj.
Stove Pipe
6DVL-6ADJ, 12ADJ



Double-Wall Stove Pipe
6DVL-06, 12, 18, 24, 48



45° Elbow
6DVL-E45



90° Elbow
6DVL-E90



Tee w/ Cap
6DVL-T



Adapter/Damper
Section
DVL-ADWD



Oval to Round
Adapter
DVL-ORAD



Increaser
DVL-X6, X7, X8



Flat Ceiling Installation

SS = Stainless Outer Wall
GA = Galvalume Outer Wall

Double Wall Class A All Fuel Chimney System for use with wood, oil, or coal stoves and fireplaces.

Lengths - Galvalume Outer Wall

Item No	Description	Case Qty	Retail
6DT-06	6" Length-GA	1	\$107.86
6DT-09	9" Length-GA	1	\$133.63
6DT-12	12" Length-GA	1	\$157.79
6DT-18	18" Length-GA	1	\$199.63
6DT-24	24" Length-GA	1	\$252.80
6DT-36	36" Length-GA	1	\$331.66
6DT-48	48" Length-GA	1	\$410.54
6DT-60CF	60" Length-GA	1	\$514.29
6DT-LB	Locking Band	24	\$20.91

Lengths - Stainless Steel Outer Wall

Item No	Description	Case Qty	Retail
6DT-06SS	6" Length -SS	1	\$140.05
6DT-09SS	9" Length-SS	1	\$149.72
6DT-12SS	12" Length-SS	1	\$159.39
6DT-21TASS	14"-21" Adj. Length-SS	1	\$478.71
6DT-18SS	18" Length-SS	1	\$217.36
6DT-24SS	24" Length-SS	1	\$289.80
6DT-36SS	36" Length-SS	1	\$386.39
6DT-48SS	48" Length-SS	1	\$497.62
6DT-60SSCF	60" Length-SS	1	\$631.86
6DT-LB	Locking Band	24	\$20.91

Elbows Kits

(Includes 2 Elbows & 1 Strap) (See page 26 for offset chart)

Item No	Description	Case Qty	Retail
6DT-E15KSS	15° Elbow Kit-SS	1	\$764.55
6DT-E15K	15° Elbow Kit-GA	1	\$623.97
6DT-E30KSS	30° Elbow Kit-SS	1	\$1,019.34
6DT-E30K	30° Elbow Kit-GA	1	\$740.78
6DT-AES	Elbow Strap-Adjustable	1	\$93.55

Flat Ceiling Support Boxes (See pgs 5-7 for Chimney Adapters)

Item No	Description	Case Qty	Retail
6DT-RCS	Round Ceiling Support Box (Requires Trim Collar #5DT-TC OR #5DT-TCR)	1	\$167.91
5DT-TC	Square 6" Trim Collar for 6DT-RCS	1	\$96.56
5DT-TCR	Round 6" Trim Collar for 6DT-RCS	1	\$101.39
6DT-FCS	Ceiling Support Box (unfinished)	1	\$217.36
6DT-CS24IS	24" Support Box w/ Attic Shield	1	\$399.01
6DT-CS24RIS	24" Support Box w/ Attic Shield (Reduced Clearance)	1	\$380.60
6DT-CS36IS	36" Support Box w/ Attic Shield	1	\$435.84

Firestops/Radiation Shields

Item No	Description	Case Qty	Retail
6DT-FRS	Firestop Radiation Shield	1	\$127.14
6DT-IS	Attic Insulation Shield	1	\$165.80
6DT-RRS	Roof Radiation Shield	1	\$178.11

Storm Collar/Flashings

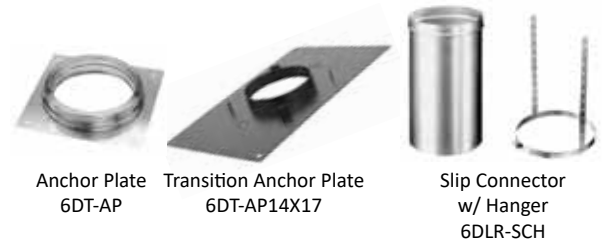
Item No	Description	Case Qty	Retail
5DT-SC	Storm Collar 5"-6"	10	\$30.55
6DT-F6	Flashing - 0-6/12 Pitch	4	\$169.00
6DT-F12	Flashing - 7-12/12 Pitch	1	\$218.96
6DT-F18	Flashing - 13-18/12 Pitch	1	\$325.24
6DT-F24	Flashing - 19-24/12 Pitch	1	\$442.76
6DT-FF	Flashing - Flat	4	\$227.03
6DT-F6DSA	Dead Soft Flashing - 0-6/12 Pitch for Metal Roofs	4	\$235.21
6DT-F12DSA	Dead Soft Flashing - 7-12/12 Pitch for Metal Roofs	1	\$375.31
200275**	Rubber Boot Flashing Kit - Max 12/12 Pitch, for Metal Roofs	1	\$578.66
6DT-CTF	Chase Top Flashing	1	\$109.45
6DT-RRS	Roof Radiation Shield	1	\$178.11
6DT-SP	Snow Splitter	1	\$247.49

Cap/Roof Brackets

Item No	Description	Case Qty	Retail
6DT-VC	Chimney Cap (no screen)	1	\$185.14
6DT-XRS	Extended Roof Bracket (67"-114")	1	\$224.51
5DT-SA	Spark Arrestor Screen (for 6DT-VC cap)	1	\$37.10

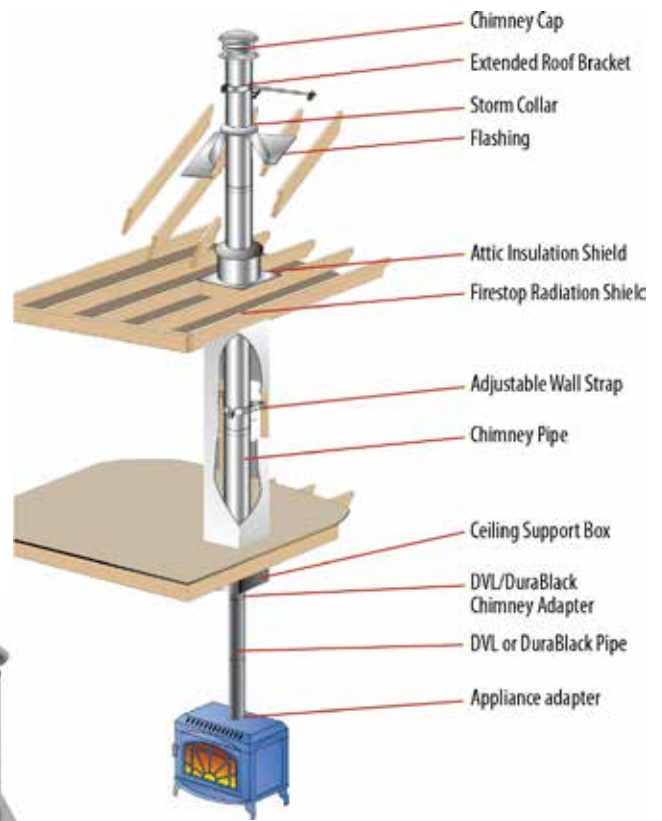
Anchor Plates

Item No	Description	Case Qty	Retail
6DT-AP	Anchor Plate	1	\$132.01
6DT-AP14X17	14"x17" Transition Anchor Plate (Requires 6DLR-SCH)	1	\$686.26
6DT-AP17X17	17"x17" Transition Anchor Plate (Requires 6DLR-SCH)	1	\$692.50
6DLR-SCH	Slip Connector and Hanger	1	\$128.56



Anchor Plate 6DT-AP Transition Anchor Plate 6DT-AP14X17 Slip Connector w/ Hanger 6DLR-SCH

Flat Ceiling Installation



Rubber Boot Flashing Kit 200275



Cathedral Ceiling Installation

SS = Stainless Outer Wall
GA = Galvalume Outer Wall

Double Wall Class A All Fuel Chimney System for use with wood, oil, or coal stoves and fireplaces.

Lengths - Galvalume Outer Wall

Item No	Description	Case Qty	Retail
6DT-06	6" Length-GA	1	\$107.86
6DT-09	9" Length-GA	1	\$133.63
6DT-12	12" Length-GA	1	\$157.79
6DT-18	18" Length-GA	1	\$199.63
6DT-24	24" Length-GA	1	\$252.80
6DT-36	36" Length-GA	1	\$331.66
6DT-48	48" Length-GA	1	\$410.54
6DT-60CF	60" Length-GA	1	\$514.29
6DT-LB	Locking Band	24	\$20.91

Lengths - Stainless Steel Outer Wall

Item No	Description	Case Qty	Retail
6DT-06SS	6" Length -SS	1	\$140.05
6DT-09SS	9" Length-SS	1	\$149.72
6DT-12SS	12" Length-SS	1	\$159.39
6DT-21TASS	14"-21" Adj. Length-SS	1	\$478.71
6DT-18SS	18" Length-SS	1	\$217.36
6DT-24SS	24" Length-SS	1	\$289.80
6DT-36SS	36" Length-SS	1	\$386.39
6DT-48SS	48" Length-SS	1	\$497.62
6DT-60SSCF	60" Length-SS	1	\$631.86
6DT-LB	Locking Band	24	\$20.91

Elbow Kits

(Includes 2 Elbows & 1 Strap) (See page 26 for offset chart)

Item No	Description	Case Qty	Retail
6DT-E15KSS	15° Elbow Kit-SS	1	\$764.55
6DT-E15K	15° Elbow Kit-GA	1	\$623.97
6DT-E30KSS	30° Elbow Kit-SS	1	\$1,019.34
6DT-E30K	30° Elbow Kit-GA	1	\$740.78
6DT-AES	Elbow Strap-Adjustable	1	\$93.55

Cathedral Ceiling Support Boxes

(See pages 5-7 for Chimney Adapters)

Item No	Description	Case Qty	Retail
6DT-CS11	11" Support Box	1	\$320.39
6DT-CS24	24" Support Box	1	\$355.86
6DT-CS24R	24" Support Box Reduced Clearance	1	\$334.91
6DT-CS24IS	24" Support Box w/ Attic Shield	1	\$399.01
6DT-CS24RIS	24" Support Box w/ Attic Shield (Reduced Clearance)	1	\$380.60
6DT-CS36	36" Support Box	1	\$392.86
6DT-CS36IS	36" Support Box w/ Attic Shield	1	\$435.84

Pitched Roof Support & Trim Collars

Item No	Description	Case Qty	Retail
6DT-ARS	Adjustable Roof Support	1	\$155.91
6DT-RSTC3	Trim Collar - 0-3/12 Pitch	1	\$127.14
6DT-RSTC6	Trim Collar - 4-6/12 Pitch	1	\$127.14
6DT-RSTC9	Trim Collar - 7-9/12 Pitch	1	\$127.14
6DT-RSTC12	Trim Collar - 10-12/12 Pitch	1	\$127.14
6DT-FC	Finishing Collar w/Adapter (Adapts to single wall & DVL pipe)	1	\$98.59

Storm Collar/Flashings

Item No	Description	Case Qty	Retail
5DT-SC	Storm Collar 5"-6"	10	\$30.55
6DT-F6	Flashing - 0-6/12 Pitch	4	\$169.00
6DT-F12	Flashing - 7-12/12 Pitch	1	\$218.96
6DT-F18	Flashing - 13-18/12 Pitch	1	\$325.24
6DT-F24	Flashing - 19-24/12 Pitch	1	\$442.76
6DT-FF	Flashing - Flat	4	\$227.03
6DT-F6DSA	Dead Soft Flashing - 0-6/12 Pitch for Metal Roofs	4	\$235.21
6DT-F12DSA	Dead Soft Flashing - 7-12/12 Pitch for Metal Roofs	1	\$375.31
200275**	Rubber Boot Flashing Kit - Max 12/12 Pitch, for Metal Roofs	1	\$578.66
6DT-CTF	Chase Top Flashing	1	\$109.45
6DT-RRS	Roof Radiation Shield	1	\$178.11
6DT-SP	Snow Splitter	1	\$247.49

Cap/Roof Brackets

Item No	Description	Case Qty	Retail
6DT-VC	Chimney Cap (no screen)	1	\$185.14
6DT-XRS	Extended Roof Bracket (67"-114")	1	\$224.51
5DT-SA	Spark Arrestor Screen (for 6DT-VC cap)	1	\$37.10

Cathedral Ceiling Installation

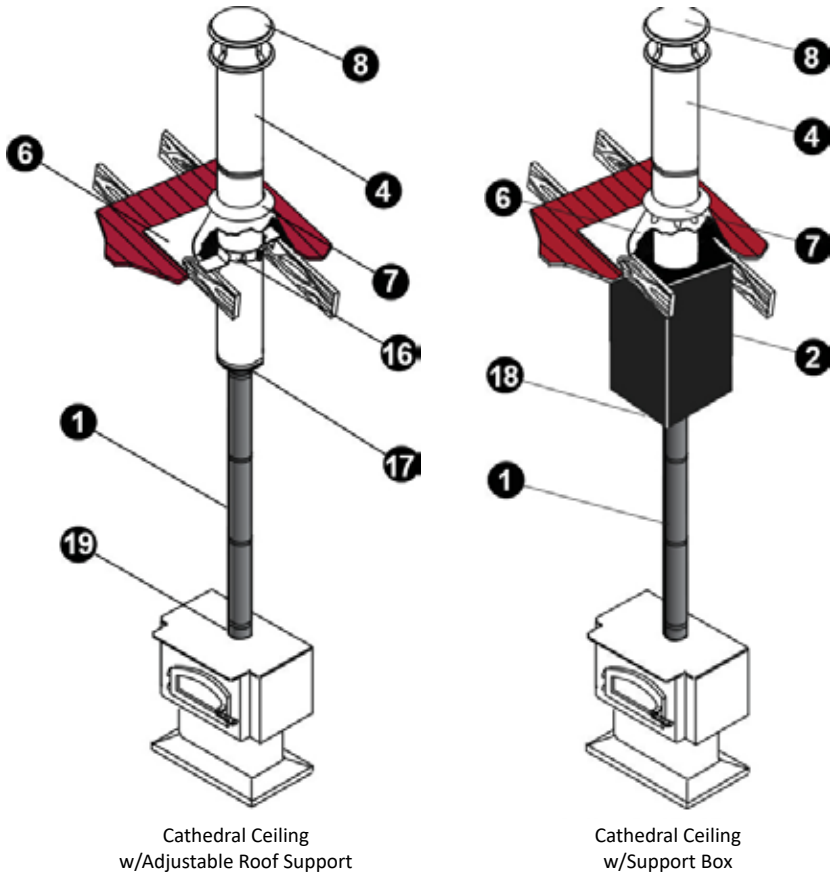


Diagram Installation Key

1	DVL or DuraBlack Length	8	Chimney Cap
2	Ceiling Support	16	Roof Support
4	Chimney Pipe	17	Finishing Collar
6	Flashing	18	DVL Adapter, Slip Connector, or Snap-Lock Adapter
7	Storm Collar	19	Stove Adapter

Cathedral Ceiling w/Adjustable Roof Support

Cathedral Ceiling w/Support Box



Pipe Length



Adjustable Pipe Length



Locking Band 6DT-LB



Elbow Kit 6DT-E15KSS



Elbow Strap 6DT-ES



Adj. Elbow Strap 6DT-AES



Square Cathedral Support Box 6DT-CS24



Square Cathedral Support Box Reduced Clearance 6DT-CS24R



Sq Support Box w/Shield 6DT-CS24IS



Adjustable Roof Support 6DT-ARS



Roof Support Trim Collar 6DT-RSTC3



Finishing Collar with Adapter 6DT-FC



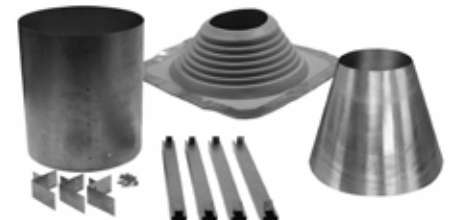
Dead Soft Roof Flashing 6DT-F6DSA



Adjustable Roof Flashing 6DT-F12



Chase Top Flashing 6DT-CTF



Rubber Boot Flashing Kit 200275



Roof Radiation Shield 6DT-RRS



Snow Splitter 6DT-SP



Storm Collar 5DT-SC



Chimney Cap 6DT-VC



Extended Roof Bracket 6DT-XRS



Spark Arrestor 5DT-SA



Through-The-Wall Installation

Double Wall Class A All Fuel Chimney System for use with wood, oil, or coal stoves and fireplaces.

SS = Stainless Outer Wall
GA = Galvalume Outer Wall

Lengths - Galvalume Outer Wall

Item No	Description	Case Qty	Retail
6DT-06	6" Length-GA	1	\$107.86
6DT-09	9" Length-GA	1	\$133.63
6DT-12	12" Length-GA	1	\$157.79
6DT-18	18" Length-GA	1	\$199.63
6DT-24	24" Length-GA	1	\$252.80
6DT-36	36" Length-GA	1	\$331.66
6DT-48	48" Length-GA	1	\$410.54
6DT-60CF	60" Length-GA	1	\$514.29
6DT-LB	Locking Band	24	\$20.91

Lengths - Stainless Steel Outer Wall

Item No	Description	Case Qty	Retail
6DT-06SS	6" Length -SS	1	\$140.05
6DT-09SS	9" Length-SS	1	\$149.72
6DT-12SS	12" Length-SS	1	\$159.39
6DT-21TASS	14"-21" Adj. Length-SS	1	\$478.71
6DT-18SS	18" Length-SS	1	\$217.36
6DT-24SS	24" Length-SS	1	\$289.80
6DT-36SS	36" Length-SS	1	\$386.39
6DT-48SS	48" Length-SS	1	\$497.62
6DT-60SSCF	60" Length-SS	1	\$631.86
6DT-LB	Locking Band	24	\$20.91

Elbow Kits

(Includes 2 Elbows & 1 Strap) (See page 26 for offset chart)

Item No	Description	Case Qty	Retail
6DT-E15KSS	15° Elbow Kit-SS	1	\$764.55
6DT-E15K	15° Elbow Kit-GA	1	\$623.97
6DT-E30KSS	30° Elbow Kit-SS	1	\$1,019.34
6DT-E30K	30° Elbow Kit-GA	1	\$740.78
6DT-AES	Elbow Strap-Adjustable	1	\$93.55

Through the Wall

Item No	Description	Case Qty	Retail
6DT-FC	Finishing Collar w/Adapter (Adapts to single wall and DVL pipe)	1	\$98.59
6DT-WT	Wall Thimble (Requires chimney to extend 6" into the room)	1	\$162.58
6DT-IWT	Wall Thimble, Insulated (Requires chimney to extend 6" into the room)	1	\$196.70
6DT-WTSS	Wall Thimble Exterior Trim-SS	1	\$94.44
6DT-ST	Tee w/ Cap-GA	1	\$413.81
6DT-STSS	Tee w/ Cap-SS	1	\$545.82
6DT-TCO	Tee Cap, Replacement	1	\$117.74
6DT-TSB	Tee Support Bracket-GA (Adj. 2" - 6")	1	\$206.07
6DT-TSBSS	Tee Support Bracket-SS (Adj. 2" - 6")	1	\$500.74
6DT-RES	Re-Support Bracket (Adj. 2" - 6")	1	\$137.20
6DT-XWS	Chimney/Tee Support-GA (Adj. 8" - 15")	1	\$230.75
6DT-XWS-SS	Chimney/Tee Support-SS (Adj. 8" - 15")	1	\$374.19
6DT-WS	Wall Strap-GA (Adj. 2" - 6")	1	\$85.33
6DT-WSSS	Wall Strap-SS (Adj. 2" - 6")	1	\$149.72
6DT-AWS	Wall Strap-GA (Adj. 2" - 6")	1	\$99.79
6DT-AWS-SS	Wall Strap-SS (Adj. 2" - 6")	1	\$143.44
6DT-AWSX	Wall Strap-GA (Adj. 8" - 15")	1	\$187.41
6DT-AWSX-SS	Wall Strap-SS (Adj. 8" - 15")	1	\$231.22

Storm Collar/Flashings

Item No	Description	Case Qty	Retail
5DT-SC	Storm Collar 5"-6"	10	\$30.55
6DT-F6	Flashing - 0-6/12 Pitch	4	\$169.00
6DT-F12	Flashing - 7-12/12 Pitch	1	\$218.96
6DT-F18	Flashing - 13-18/12 Pitch	1	\$325.24
6DT-F24	Flashing - 19-24/12 Pitch	1	\$442.76
6DT-FF	Flashing - Flat	4	\$227.03
6DT-F6DSA	Dead Soft Flashing - 0-6/12 Pitch for Metal Roofs	4	\$235.21
6DT-F12DSA	Dead Soft Flashing - 7-12/12 Pitch for Metal Roofs	1	\$375.31
200275**	Rubber Boot Flashing Kit - Max 12/12 Pitch, for Metal Roofs	1	\$578.66
6DT-CTF	Chase Top Flashing	1	\$109.45
6DT-RRS	Roof Radiation Shield	1	\$178.11
6DT-SP	Snow Splitter	1	\$247.49

Cap/Roof Brackets

Item No	Description	Case Qty	Retail
6DT-VC	Chimney Cap (no screen)	1	\$185.14
6DT-XRS	Extended Roof Bracket (67"-114")	1	\$224.51
5DT-SA	Spark Arrestor Screen (for 6DT-VC cap)	1	\$37.10



Pipe Length



Adjustable Pipe Length



Elbow Kit



Elbow Strap
6DT-ES



Adj. Elbow Strap
6DT-AES



Wall Thimble
6DT-WT



Standard Tee with Cap, 6DT-ST



Adjustable Tee Support Bracket
6DT-TSB
(Supports up to 50' of chimney)



Adjustable Wall Strap
6DT-WS



Re-Support Bracket (Adj 2"-6")
6DT-RES
(Supports up to 20' chimney)



Finishing Collar w/ Adapter, 6DT-FC



Chimney/Tee Support (Adj 8"-15")
6DT-XWS
(Supports up to 20' of chimney)



Wall Strap (Adj 2"-6")
6DT-AWS



Locking Band
6DT-LB



Dead Soft Roof Flashing
6DT-F6DSA



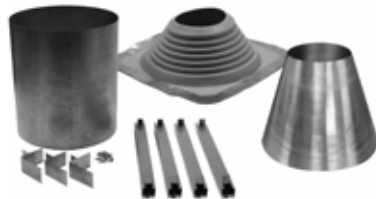
Adjustable Roof Flashing
6DT-F12



Extended Roof Bracket
6DT-XRS



Chase Top Flashing
6DT-CTF



Rubber Boot Flashing Kit
200275



Spark Arrester
5DT-SA



Roof Radiation Shield
6DT-RRS



Snow Splitter
6DT-SP



Storm Collar
5DT-SC

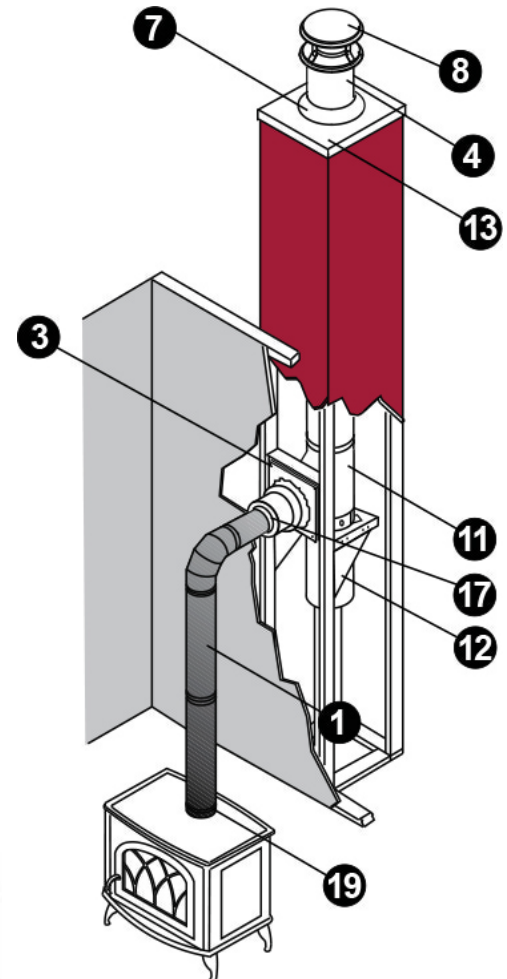


Chimney Cap
6DT-VC

Through-The-Wall Installation

Diagram Installation Key

1	DVL or DuraBlack Length	11	Tee with Tee Cap
3	Wall Thimble	12	Tee Support
4	Chimney Pipe	13	Chase Top Flashing
7	Storm Collar	17	Finishing Collar
8	Chimney Cap	19	Stove Adapter



Through-The-Wall

7" Single/Double Wall

Black Stove Pipe



duraVent™

7" DuraBlack Single Wall Stove Pipe

Item No	Description	Case Qty	Retail
7DBK-SC	Chimney Adapter 14" Slip Connector w/ Trim	1	\$101.94
7DVL-ADC	Chimney Adapter SS w/ Trim	1	\$149.92
7DBK-ADSL	Chimney Adapter Snap-Lock w/ Trim	1	\$162.70
7DBK-12	12" Length	1	\$54.73
7DBK-24	24" Length	1	\$69.90
7DBK-48	48" Length	1	\$101.17
7DBK-E45	45° Adj. Elbow (see pg 25 for offset chart)	1	\$95.96
7DBK-E90	90° Adj. Elbow (see pg 25 for offset chart)	1	\$113.94
7DBK-T	Tee w/Cap	1	\$329.81
7DBK-AD	Stovetop Adapter	1	\$89.95
7DBK-ADDB	Stovetop Adapter, Double Skirted	1	\$131.92
7DBK-ADOR	Round to Oval Adapter	1	\$107.94
7DBK-DS	Damper Section	1	\$109.15
6DBK-X7	Increaser 6"-7"	1	\$67.57
7DBK-X8	Increaser 7"-8"	1	\$101.94
7DBK-TC*	Trim Collar	1	\$71.95
1A54H222	DuraVent Stove Bright Paint, Black (12 oz Aerosol Can)	12	\$16.15

DuraBlack is a single wall, 24 gauge, lock seamed interior stove pipe. Adjustable lengths eliminate the need for cutting or crimping.



7" DVL Double Wall Close Clearance Stove Pipe

Item No	Description	Case Qty	Retail
7DVL-ADT	Chimney Adapter w/ Trim	1	\$287.85
7DVL-ADC	Chimney Adapter SS w/ Trim	1	\$149.92
7DVL-ADWD	Stove Top Adapter/Damper Section	1	\$158.55
7DVL-AD	Stove Top Adapter Section (No Damper)	1	\$121.61
7DVL-46TA	48" Telescoping Length (29" - 46")	1	\$349.55
7DVL-68TA	68" Telescoping Length (40" - 68")	1	\$464.08
7DVL-6ADJ	6" Length	1	\$168.61
7DVL-12ADJ	12" Length	1	\$157.10
7DVL-06	6" Length	1	\$227.88
7DVL-12	12" Length	1	\$145.08
7DVL-18	18" Length	1	\$225.51
7DVL-24	24" Length	1	\$228.75
7DVL-48	48" Length	1	\$323.23
7DVL-E45	45° Elbow (see pg 25 for offset chart)	1	\$175.60
7DVL-E90	90° Elbow (see pg 25 for offset chart)	1	\$260.09
7DVL-T	Tee w/Cap	1	\$449.75
7DVL-X8	Increaser 7"-8"	1	\$247.83
1A54H222	DuraVent Stove Bright Paint, Black (12 oz Aerosol Can)	12	\$16.15



DVL double wall, air insulated connector pipe, reduces pipe clearance to combustibles from 18" to 6" to a back wall and 8" to a ceiling. DVL improves stove performance by maintaining high flue gas temperatures for a strong, steady draft. Inner wall is stainless steel. Consult owners manual for appliance clearances.



*Special Order



Double Wall Class A All Fuel Chimney System for use with wood, oil, or coal stoves and fireplaces.

Lengths

Item No	Description	Case Qty	Retail
7DT-06	6" Length-GA	1	\$209.88
7DT-09	9" Length-GA	1	\$288.30
7DT-12	12" Length-GA	1	\$183.51
7DT-18	18" Length-GA	1	\$317.13
7DT-24	24" Length-GA	1	\$293.04
7DT-36	36" Length-GA	1	\$410.54
7DT-48	48" Length-GA	1	\$471.74
7DT-60CF	60" Length-GA	1	\$536.36
7DT-06SS	6" Length -SS	1	\$299.83
7DT-09SS	9" Length-SS	1	\$212.54
7DT-12SS	12" Length-SS	1	\$233.45
7DT-18SS	18" Length-SS	1	\$264.04
7DT-24SS	24" Length-SS	1	\$318.77
7DT-36SS	36" Length-SS	1	\$497.52
7DT-48SS	48" Length-SS	1	\$565.13
7DT-60SSCF	60" Length-SS	1	\$667.00
7DT-LB	Locking Band	24	\$22.53

Elbow Kits

(Includes 2 Elbows & 1 Strap) (See page 26 for offset chart)

Item No	Description	Case Qty	Retail
7DT-E15K	15° Elbow Kit-GA	1	\$761.91
7DT-E30K	30° Elbow Kit-GA	1	\$835.39
7DT-E15KSS	15° Elbow Kit-SS	1	\$907.55
7DT-E30KSS	30° Elbow Kit-SS	1	\$1,145.13
7DT-ES	Elbow Strap	1	\$151.32

Flat Ceiling Support Boxes

Item No	Description	Case Qty	Retail
7DT-RCS	Round Ceiling Support Box	1	\$479.74
7DT-TC	Square 7" Trim Collar for 7DT-RCS	1	\$98.21
7DT-TCR	Round 7" Trim Collar for 7DT-RCS	1	\$104.61
7DT-FCS	Ceiling Support Box (unfinished)	1	\$420.16

Cathedral Ceiling Support Boxes

Item No	Description	Case Qty	Retail
7DT-CS11	11" Support Box	1	\$479.74
7DT-CS24	24" Support Box	1	\$539.71
7DT-CS36*	36" Support Box	1	\$718.90

Firestops/Radiation Shields

Item No	Description	Case Qty	Retail
7DT-FRS	Firestop Radiation Shield	1	\$197.89
7DT-IS	Attic Insulation Shield	1	\$209.88
7DT-RRS*	Roof Radiation Shield	1	\$178.11

Pitched Roof Support & Trim Collars

Item No	Description	Case Qty	Retail
5DT-ARS	Adjustable Roof Support	1	\$155.92
7DT-RSTC3*	Trim Collar - 0-3/12 Pitch	1	\$128.79
7DT-RSTC6*	Trim Collar - 4-6/12 Pitch	1	\$128.79
7DT-RSTC9*	Trim Collar - 7-9/12 Pitch	1	\$128.79
7DT-RSTC12*	Trim Collar - 10-12/12 Pitch	1	\$128.79
7DT-FC	Finishing Collar w/Adapter	1	\$137.92

Through the Wall

Item No	Description	Case Qty	Retail
7DT-FC	Finishing Collar w/Adapter	1	\$137.92
7DT-WT	Wall Thimble	1	\$329.81
7DT-ST	Tee w/ Cap-GA	1	\$539.71
7DT-STSS	Tee w/ Cap-SS	1	\$716.48
7DT-TSB	Tee Support Bracket-GA (Adj. 2"-6")	1	\$257.63
7DT-TSBSS	Tee Support Bracket-SS (Adj. 2"-6")	1	\$534.63
5DT-XWS	Chimney/Tee Support-GA (Adj. 7½"-14½")	1	\$230.75
5DT-XWS-SS	Chimney/Tee Support-SS (Adj. 7½"-14½")	1	\$374.19
7DT-WS	Wall Strap-GA (Adj. 2"-6")	1	\$93.37
7DT-WSSS	Wall Strap-SS (Adj. 2"-6")	1	\$154.84
5DT-AWS	Wall Strap-GA (Adj. 2"-6")	1	\$99.79
5DT-AWS-SS	Wall Strap-SS (Adj. 2"-6")	1	\$143.44
5DT-AWSX-SS	Wall Strap-SS (Adj. 7½"-14½")	1	\$236.50

Anchor Plates

Item No	Description	Case Qty	Retail
7DT-AP	Anchor Plate	1	\$165.80

Storm Collar/Flashings

Item No	Description	Case Qty	Retail
7DT-SC	Storm Collar 7"-8"	10	\$33.77
7DT-F6	Flashing - 0-6/12 Pitch	4	\$193.21
7DT-F12	Flashing - 7-12/12 Pitch	1	\$252.80
7DT-F18*	Flashing - 13-18/12 Pitch	1	\$373.52
7DT-F24*	Flashing - 19-24/12 Pitch	1	\$502.34
7DT-FF	Flashing - Flat	4	\$262.42
200275**	Rubber Boot Flashing Kit - Max 12/12 Pitch, for Metal Roofs	1	\$578.66
7DT-CTF	Chase Top Flashing	1	\$131.92
6DT-SP	Snow Splitter	1	\$247.49

Cap/Roof Brackets

Item No	Description	Case Qty	Retail
7DT-VC	Chimney Cap (no screen)	1	\$252.80
5DT-XRS	Extended Roof Bracket	1	\$224.51
5DT-SA	Spark Arrestor (screen for 7DT-VC cap)	1	\$37.10

*Special Order

8" Single/Double Wall

Black Stove Pipe



duravent[™]

8" DuraBlack Single Wall Stove Pipe

Item No	Description	Case Qty	Retail
8DBK-SC*	Chimney Adapter 14" Slip Connector w/ Trim	1	\$86.58
8DBK-ADSL*	Chimney Adapter Snap-Lock w/ Trim	1	\$133.82
8DVL-ADC*	Chimney Adapter SS w/ Trim	1	\$76.17
8DBK-12	12" Length	1	\$49.55
8DBK-24	24" Length	1	\$62.74
8DBK-48	48" Length	1	\$102.27
8DBK-E45	45° Adj. Elbow (see pg 25 for offset chart)	1	\$57.87
8DBK-E90	90° Adj. Elbow (see pg 25 for offset chart)	1	\$79.49
8DBK-T	Tee w/Cap	1	\$197.32
8DBK-AD	Stovetop Adapter	1	\$59.47
8DBK-ADDB	Stovetop Adapter, Double Skirted	1	\$64.50
8DBK-ADOR	Round to Oval Adapter	1	\$60.92
8DBK-DS	Damper Section	1	\$101.17
8DBK-TC	Trim Collar	1	\$44.98
1A54H222	DuraVent Stove Bright Paint, Black (12 oz Aerosol Can)	12	\$16.15

DuraBlack is a single wall, 24 gauge, lock seamed interior stove pipe. Adjustable lengths eliminate the need for cutting or crimping.



8" DVL Double Wall Close Clearance Stove Pipe

Item No	Description	Case Qty	Retail
8DVL-ADT*	Chimney Adapter w/ Trim	1	\$130.61
8DVL-ADC*	Chimney Adapter SS w/ Trim	1	\$76.17
8DVL-ADWD	Stove Top Adapter/Damper Section	1	\$204.27
8DVL-AD	Stove Top Adapter Section (No Damper)	1	\$149.24
8DVL-ORAD	Oval to Round Adapter (8" Oval to 8" Round)	1	\$229.44
8DVL-46TA	48" Telescoping Length (29"-46")	1	\$430.13
8DVL-68TA	68" Telescoping Length (40"-68")	1	\$518.19
8DVL-6ADJ	6" Adj. Length	1	\$158.27
8DVL-12ADJ	12" Adj. Length	1	\$190.97
8DVL-06	6" Length	1	\$144.62
8DVL-12	12" Length	1	\$164.76
8DVL-18	18" Length	1	\$213.22
8DVL-24	24" Length	1	\$230.07
8DVL-48	48" Length	1	\$372.46
8DVL-E45	45° Elbow (see pg 25 for offset chart)	1	\$202.24
8DVL-E90	90° Elbow (see pg 25 for offset chart)	1	\$288.83
8DVL-T	Tee w/Cap	1	\$311.06
6DVL-X8	Increaser 6" - 8"	1	\$176.66
1A54H222	DuraVent Stove Bright Paint, Black (12 oz Aerosol Can)	12	\$16.15

DVL double wall, air insulated connector pipe, reduces pipe clearance to combustibles from 18" to 6" to a back wall and 8" to a ceiling. DVL improves stove performance by maintaining high flue gas temperatures for a strong, steady draft. Inner wall is stainless steel. Consult owners manual for appliance clearances.



*Adapter to connect to DuraTech Support Boxes (not used with 8DT-FC)



Double Wall Class A All Fuel Chimney System for use with wood, oil, or coal stoves and fireplaces. Additional Components on page 18

Lengths

Item No	Description	Case Qty	Retail
8DT-06	6" Length-GA	1	\$123.94
8DT-09	9" Length-GA	1	\$156.14
8DT-12	12" Length-GA	1	\$188.36
8DT-18	18" Length-GA	1	\$236.64
8DT-24	24" Length-GA	1	\$305.88
8DT-36	36" Length-GA	1	\$439.54
8DT-48	48" Length-GA	1	\$505.53
8DT-60CF	60" Length-GA	1	\$574.62
8DT-LB	Locking Band	24	\$24.13
8DT-06SS	6" Length -SS	1	\$227.03
8DT-09SS	9" Length-SS	1	\$246.16
8DT-12SS	12" Length-SS	1	\$284.95
8DT-21TASS	14"-21" Adj. Length-SS	1	\$538.55
8DT-18SS	18" Length-SS	1	\$310.70
8DT-24SS	24" Length-SS	1	\$368.68
8DT-36SS	36" Length-SS	1	\$582.84
8DT-48SS	48" Length-SS	1	\$663.35
8DT-60SSCF	60" Length-SS	1	\$742.73
8DT-LB	Locking Band	24	\$24.13

Flat Ceiling Support Boxes

Item No	Description	Case Qty	Retail
8DT-RCS	Round Ceiling Support Box	1	\$269.84
7DT-TC	Square 8" Trim Collar for 8DT-RCS	1	\$98.21
7DT-TCR	Round 8" Trim Collar for 8DT-RCS	1	\$104.61
8DT-FCS	Ceiling Support Box (unfinished)	1	\$225.38

Cathedral Ceiling Support Boxes

Item No	Description	Case Qty	Retail
8DT-CS11	11" Square Support Box	1	\$350.97
8DT-CS24	24" Square Support Box	1	\$391.23
8DT-CS36	36" Square Support Box	1	\$434.72

Firestops/Radiation Shields

Item No	Description	Case Qty	Retail
8DT-FRS	Firestop Radiation Shield	1	\$159.39
8DT-IS	Attic Insulation Shield	1	\$222.16
8DT-RRS	Roof Radiation Shield	1	\$178.11

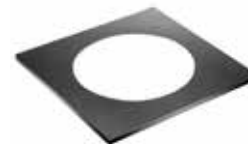
Elbow Kits

(Includes 2 Elbows & 1 Strap) (See page 26 for offset chart)

Item No	Description	Case Qty	Retail
8DT-E15K	15° Elbow Kit-GA	1	\$784.90
8DT-E15KSS	15° Elbow Kit-SS	1	\$995.82
8DT-E30K	30° Elbow Kit-GA	1	\$895.40
8DT-E30KSS	30° Elbow Kit-SS	1	\$1,228.65
8DT-ES	Elbow Strap	1	\$157.79
6DT-AES	Elbow Strap, Adjustable	1	\$93.55



Round Ceiling Support Box
DT-RCS



8" Square Trim Collar for Round Support Box
DT-TC



8" Round Trim Collar for Round Support Box
DT-TCR



Flat Ceiling Support Box (unfinished)
DT-FCS



Firestop Radiation Shield
DT-FRS



Attic Insulation Shield
DT-IS



Pipe Length



Adjustable Pipe Length, DT-21TASS



Elbow Kit
DT-E15KSS



Elbow Strap
DT-ES



Adj. Elbow Strap
DT-AES



Roof Radiation Shield, DT-RRS



Square Cathedral Support Box
DT-CS24



Double Wall Class A All Fuel Chimney System for use with wood, oil, or coal stoves and fireplaces.

Pitched Roof Support & Trim Collars

Item No	Description	Case Qty	Retail
6DT-ARS	8" Adj. Roof Support	1	\$155.92
8DT-RSTC3	Trim Collar - 0-3/12 Pitch	1	\$130.39
8DT-RSTC6	Trim Collar - 4-6/12 Pitch	1	\$130.39
8DT-RSTC9	Trim Collar - 7-9/12 Pitch	1	\$130.39
8DT-RSTC12	Trim Collar - 10-12/12 Pitch	1	\$130.39
8DT-FC**	Finishing Collar w/Adapter	1	\$114.06

Through the Wall

Item No	Description	Case Qty	Retail
8DT-FC**	Finishing Collar w/Adapter	1	\$114.06
8DT-WT	Wall Thimble (Requires chimney to extend 6" into the room)	1	\$207.64
8DT-IWT	Wall Thimble, Insulated (Requires chimney to extend 6" into the room)	1	\$243.29
8DT-WTSS	Wall Thimble Exterior Trim-SS	1	\$102.31
8DT-ST	Tee w/ Cap-GA	1	\$579.66
8DT-STSS	Tee w/ Cap-SS	1	\$809.88
8DT-TSB	Tee Support Bracket -GA (Adj. 2"-6")	1	\$299.46
8DT-TSBSS	Tee Support Bracket-SS (Adj. 2"-6")	1	\$589.28
6DT-RES	Re-Support Bracket (Adj. 2"-6")	1	\$137.20
6DT-XWS	Chimney/Tee Support-GA (Adj. 7"-14")	1	\$230.75
6DT-XWS-SS	Chimney/Tee Support-SS (Adj. 7"-14")	1	\$374.19
8DT-WS	Wall Strap-GA (Adj. 2"-6")	1	\$111.05
8DT-WSSS	Wall Strap-SS (Adj. 2"-6")	1	\$159.39
6DT-AWS	Wall Strap-GA (Adj. 2"-6")	1	\$99.79
6DT-AWS-SS	Wall Strap-SS (Adj. 2"-6")	1	\$143.44
6DT-AWSX	Wall Strap-GA (Adj. 7"-14")	1	\$181.95
6DT-AWSX-SS	Wall Strap-SS (Adj. 7"-14")	1	\$224.49

*Special Order **Adapts to single wall and DVL pipe.

Anchor Plates

Item No	Description	Case Qty	Retail
8DT-AP	Anchor Plate	1	\$185.14
8DT-AP14X17*	14"x17" Transition Anchor Plate	1	\$716.50
8DT-AP17X17*	17"x17" Transition Anchor Plate	1	\$722.92
8DLR-SCH*	Slip Connector & Hanger	1	\$179.15

Flashings/Storm Collar

Item No	Description	Case Qty	Retail
7DT-SC	7"-8" Storm Collar	10	\$33.77
8DT-F6	Flashing - 0-6/12 Pitch	4	\$210.86
8DT-F12	Flashing - 7-12/12 Pitch	1	\$273.71
8DT-F18	Flashing - 13-18/12 Pitch	1	\$425.03
8DT-F24	Flashing - 19-24/12 Pitch	1	\$743.90
8DT-FF	Flashing - Flat	4	\$275.31
8DT-F6DSA	Dead Soft Flashing - 0-6/12 Pitch for Metal Roofs	1	\$288.06
8DT-F12DSA	Dead Soft Flashing - 7-12/12 Pitch for Metal Roofs	1	\$420.23
200275**	Rubber Boot Flashing Kit - Max 12/12 Pitch, for Metal Roofs	1	\$578.66
8DT-CTF	Chase Top Flashing	1	\$117.05
8DT-RRS	Roof Radiation Shield	1	\$178.11
6DT-SP	Snow Splitter	1	\$247.49

Cap/Roof Brackets

Item No	Description	Case Qty	Retail
8DT-VC	Chimney Cap (no screen)	1	\$331.66
6DT-XRS	Extended Roof Bracket (67"-114")	1	\$224.51
5DT-SA	Spark Arrestor Screen (for 6DT-VC cap)	1	\$37.10



Security 7" ASHT Insulated Chimney (For Apex Woodburning Fireplace)

Preferred chimney for cold climate areas. This chimney does not require cooling air and therefore eliminates cold air coming back into the home.

DuraVent 8" Air-Cooled Chimney (For Elite & Apex Woodburning Fireplace)

If using this chimney, a "P" trap in the duct to prevent air circulation when the fireplace is not in use is recommended (see installation manual). In addition, you should insulate the air intake duct to help reduce air circulation when the fireplace is not in use.

Security 7" ASHT Insulated Chimney

Item No	Description (7" ID x 9" OD)	Retail
7SPTRAVIS	Apex Anchor Base Plate (Required)	\$173.15
7GL8	8" Length - GA	\$181.07
7GL12	12" Length - GA	\$216.22
7GL18	18" Length - GA	\$245.21
7GL24	24" Length - GA	\$350.67
7GL36	36" Length - GA	\$399.89
7GL48	48" Length - GA	\$461.43
7GLA	12" Adjustable Length - GA (3"-11 1/4")	\$239.06
7L8	8" Length - SS	\$223.24
7L12	12" Length - SS	\$256.63
7L18	18" Length - SS	\$288.28
7L24	24" Length - SS	\$385.84
7L36	36" Length - SS	\$489.56
7L48	48" Length - SS	\$559.87
7LA	12" Adjustable Length - SS (3"-11 1/4")	\$280.36
7ELK15	15° Elbow Kit w/ Support - SS (2 elbows)	\$558.78
7GE30	30° Elbow - GA (1 elbow)	\$341.01
7E30-2	30° Elbow - SS (1 elbow)	\$453.01
7RS	Firestop/Radiation Shield	\$152.94
7ARSA	Attic Insulation	\$242.57
BM	Wall Strap	\$88.78
7SD	Floor Support w/ Collar Clamp	\$304.98
ST	Roof Support	\$188.09
7FR	Flashing Flat Roof*	\$239.06
7FAR	Flashing 1/12-7/12 Pitch*	\$203.03
7FBR	Flashing 8/12-12/12 Pitch*	\$246.97
7CC	Termination Cap	\$174.90
PE	Spark Arrestor Band	\$33.41
7FC	Storm Collar	\$50.11
BS2	Roof Brace Kit	\$267.19

*with Storm Collar and Radiation Shield

GA = Galvanized
SS = Stainless Steel

DuraVent 8" Air-Cooled Chimney

Item No	Description (8" ID x 12" OD)	Retail
98900013	Elite Adapter (Required)	\$142.94
98900016	Apex Adapter (Required)	\$211.00
98900108	Apex Cooling Duct 6" (30', Required)	\$227.00
98900005	12" Chimney	\$106.83
98900004	18" Chimney	\$141.74
98900003	24" Chimney	\$145.74
98900002	36" Chimney	\$180.02
98900001	48" Chimney	\$213.75
250-01741	Cold Climate Damper (Bi-Metallic Damper in 18" section of pipe. Factory MTO Part.)	\$253.00
10DT-IS	Attic Insulation Shield	\$749.58
98900006	30° Elbow Kit (2 elbows)	\$339.27
10DT-ES	Elbow Strap	\$231.81
98900007	Firestop Spacer - 2"	\$85.41
98900008	Firestop 30° - 2"	\$181.31
98900011	Flashing 0-6/12 Pitch	\$108.08
98900012	Flashing 6/12 - 12/12 Pitch	\$241.70
98900010	Round Termination Cap	\$223.07
98900009	Storm Collar	\$29.64
10DT-XRB	Extended Roof Bracket	\$361.50



98900016
DuraVent Apex Adapter



98900016
DuraVent Apex Adapter



98900108
Cooling Duct Kit



7SPTRAVIS
Security Anchor Base Plate

Best Flex Stainless Steel Liner Kits

Kits include the respective length of 316 TI stainless steel liner, SS 13"x13" top plate, and SS cap. See page 22 for other BestFlex components.



Item No	Description	Retail
L525IK-R6	5" x 25' Kit w/Connector	\$532
L535IK-R6	5" x 35' Kit w/Connector	\$705
L5.525IK-R6	5.5" x 25' Kit w/Connector	\$550
L5.535IK-R6	5.5" x 35' Kit w/Connector	\$731
L620IK-R6	6" x 20' Kit w/Connector	\$506
L625IK-R6	6" x 25' Kit w/Connector	\$580
L635IK-R6	6" x 35' Kit w/Connector	\$763
L835IK-R6	8" x 35' Kit w/Connector	\$1,055
L620TK-R6	6" x 20' Kit w/Tee and Tee Cap	\$619
L625TK-R6	6" x 25' Kit w/Tee and Tee Cap	\$693
L635TK-R6	6" x 35' Kit w/Tee and Tee Cap	\$877



Liner Kit w/Connector



Liner Kit w/Tee and Tee Cap

DuraFlex Pro is the ultimate in flexible steel liners for strength and flexibility. It features 20% more stainless steel per foot compared to other liners on the market. Its extreme flexibility facilitates problem free installations where multiple offsets are needed.

Note: DuraFlex uses Ventinox components - see pages 22-24.

DuraFlex PRO 316 TI Stainless Steel Liner Kits

Kits include the respective length of 316 TI stainless steel liner, SS 16"x16" top plate, SS cap and SS connector.

Item No	Description	Retail
6DFPRO-20VK	6" x 20' Kit	\$1,006.01
6DFPRO-25VK	6" x 25' Kit	\$1,193.43
6DFPRO-35VK	6" x 35' Kit	\$1,570.42
7DFPRO-25VK	7" x 25' Kit	\$1,378.69
8DFPRO-25VK	8" x 25' Kit	\$1,421.78

DuraVent



DuraFlex PRO SS Liner Kit

DuraVent Reline Kit for Factory Built Chimney

Kit includes cap, storm collar, support bracket, ventilation disk, centering bracket, DuraLiner 12" length, flex connector, flex length, adjustable band, and flex adapter.

Item No	Description	Retail
6DFPRO-25KFB	6" x 25' Kit for Factory Built Chimney	\$1,836.14
6DFPRO-35KFB	6" x 35' Kit for Factory Built Chimney	\$2,238.28



DuraVent

Factory-Built Reline Kit

When a homeowner installs a wood-burning insert into an existing UL127-listed factory built fireplace, re-lining the existing chimney is critical for performance and safety.

SS Liner & Accessories

Stainless Steel Insulated Liner Kits

Kits include the respective length of Pre-Assembled, Insulated 316 TI stainless steel liner, SS 13x13 top plate, SS cap and SS connector. (6" ID, 7 3/8" OD)

Item No	Description	Retail
L625IKPI-R6	6" x 25' Insulated Flexible Kit	\$1,354
L635IKPI-R6	6" x 35' Insulated Flexible Kit	\$1,798



Stainless Steel Insulated Liner

Blanket

Item No	Description	Size	Liner Size	Retail
LWI43625	Foil Faced	1/4" x 24" x 25'	3" - 6"	\$226
LWI23625	Foil Faced	1/2" x 24" x 25'	3" - 6"	\$281
LWI47825	Foil Faced	1/4" x 30" x 25'	7" - 8"	\$368
LWI27825	Foil Faced	1/2" x 30" x 25'	7" - 8"	\$595
LWI4111425	Foil Faced	1/4" x 48" x 25'	11" - 14"	\$421



Foil Faced Blanket

Promesh

Item No	Description	Retail
LM3625	Promesh - 12" x 25' (Fits 3" - 6")	\$52
LM3650	Promesh - 12" x 50' (Fits 3" - 6")	\$92
LM7925	Promesh - 15" x 25' (Fits 7" - 9")	\$66



Promesh

Liner Accessories - Dealer Cost

Item No	Description	Dealer Cost
RNS-ALF	AluFoil 3" x 150'	\$22
38000	3M Spray Adhesive	\$18
16100	Stainless Wire - 365'	\$25
85SS	#8 - 1/2" SS Self Tap Screws (500)	\$40



AluFoil



3M Spray Adhesive



Stainless Wire

SS Liner Components

Adapters/Reducers/Increasesers

Item No	Description	Retail
SA6-R	6" Stove Top Adapter	\$60
IA6-B	6" Offset Slide Adapter	\$239
IR86-B	8" x 6" Increaser/Reducer Uncrimped, SS	\$80



Stove Top Adapter



Offset Adapter



Increaser/Reducer
Uncrimped

Elbows

Item No	Description	Retail
EA645-R	6" Elbow, 45° Adjustable, SS	\$107
EA690-R	6" Elbow, 90° Adjustable, SS	\$127
4609FLEX*	6" FlexElbow, 15°, SS	\$93.96
4610FLEX*	6" FlexElbow, 30°, SS	\$93.96



45° Adjustable Elbow



90° Adjustable Elbow

Tee Body/Snout/Cap

Item No	Description	Retail
TB5.5-R	5.5" Tee Body, SS (Requires Snout) (Tee Cap not included)	\$105
TB6-R	6" Tee Body, SS (Requires Snout) (Tee Cap not included)	\$105
TB8-R	8" Tee Body, SS (Requires Snout) (Tee Cap not included)	\$128
TS610-R	5.5" & 6" Tee Snout, SS (10" Long)	\$48
TS618-R	5.5" & 6" Tee Snout, SS (18" Long)	\$112
TS624-R	5.5" & 6" Tee Snout, SS (24" Long)	\$153
TS810-R	8" Tee Snout (10" Long)	\$61
TEC5.5-R	5.5" Tee Cap, SS	\$54
TEC6-R	6" Tee Cap, SS	\$54
TEC8-R	8" Tee Cap, ss	\$64



15° FlexElbow



30° FlexElbow



Tee Body



Tee Snout



Tee Cap

Rain Cap/Top Plate

Item No	Description	Retail
TPCC6SQL-B	6" Rain Cap, Square	\$102
TPC6-1313-B	6" Top Plate with Collar, 13" x 13"	\$61
TPC6-1818-B	6" Top Plate with Collar, 18" x 18"	\$80



Rain Cap, Square



Top Plate with Collar

Super Starter for Inserts (Homestyle)

Designed to facilitate quick and easy installation with liner systems to wood inserts in particularly tight areas where space is very limited between the lenth and the top of the insert.

Item No	Description	Retail
CF-6SSUPERID	6" Insert Super Starter - Straight	\$109.08
CF-6EA30SUPERID	6" Insert Super Starter - 30°	\$170.64
CF-6EA45SUPERID	6" Insert Super Starter - 45°	\$170.64



Super Starter Straight

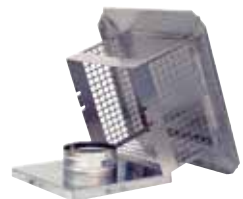


Super Starter 30°

Wood Liner Cap (Homestyle)

A traditional chimney cap for a aesthetically pleasing termination on a wood relining installation. Made of 304 stainless steel. Its hinged design is easy to clean.

Item No	Description	Body Size	Lid Size	Height	Retail
HS-6TS-99*	6" Cap w/ 9" x 9" Top Plate	9" x 9"	16 1/2" x 16 1/2"	11"	\$300.24
HS-6TS-913	6" Cap w/ 9" x 13" Top Plate	9" x 13"	16 1/2" x 20 1/2"	11"	\$339.12
HS-6TS-1313*	6" Cap w/ 13" x 13" Top Plate	13" x 13"	21" x 21"	11"	\$407.16

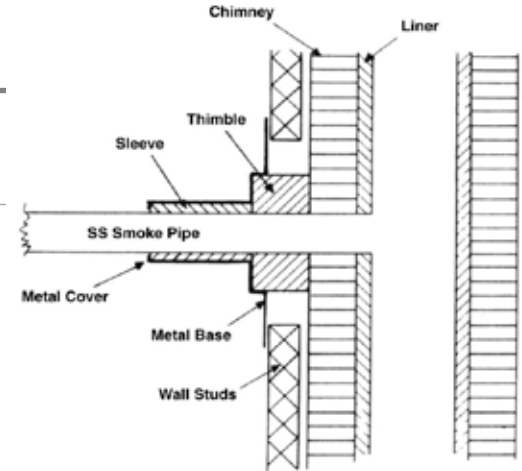


Wood Liner Cap, Open

*Special Order

Insulflue

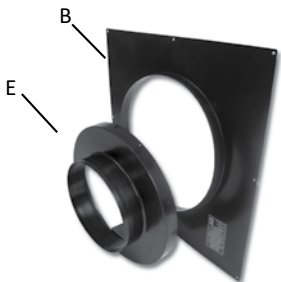
Item No	Description	Retail
BD80010600	6" Insulflue Wall Unit (Single wall pipe) (Parts B, C, & D)	\$318
BD80010601	6" Insulflue Wall Unit (Double wall pipe) (Parts B & E)	\$318
BD80100608	6" x 8" Insulating Thimble (Part A)	\$220
BD80010800*	8" Insulflue Wall Unit (Single wall pipe) (Parts B, C, & D)	\$379
BD80100808*	8" x 8" Insulating Thimble (Part A)	\$240
KK0067	Stove & Fireplace Mortar	\$8.14



NOTE: Needs stove mortar (KK0067) to attach the Insulflue to the chimney and a length of SS single wall pipe to pass through the Insulflue – See below.

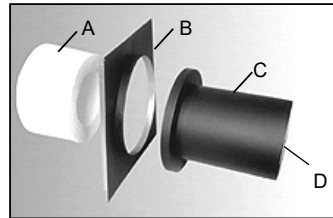
*Special Order

A=Insulating thimble
B=Base plate assembly
C=Metal cover assembly
D=Insulating Sleeve



BD80010601

For use with double wall connector pipe.
(BD80100608 (A) required)



Shown: BD80010600 (B, C & D)
& BD80100608 (A)

For use with single wall connector pipe.

Features

- Tested to 2100°F temperature
- Installation is easy with simple household tools.
- Available in 6", 7" and 8" diameters and can accommodate any wall thickness.
- Reduces the minimum 18" clearance specified by NFPA standard to 2".
- Attractive and durable powder coat process applied to the wall unit.

6" Single Wall SS Rigid Liner

Item No	Description	Retail
6DBK-12SS	12" Length	\$64.63
6DBK-24SS	24" Length	\$71.81
6DBK-48SS	48" Length	\$117.28
6DBK-E45SS	45° Elbow	\$64.63
6DBK-E90SS	90° Elbow	\$76.59
6DBK-SCSS	Slip Connector (13" Long)	\$113.94

8" Single Wall SS Rigid Liner

Item No	Description	Retail
8DBK-12SS	12" Length	\$71.81
8DBK-24SS	24" Length	\$83.77
8DBK-48SS	48" Length	\$131.65
8DBK-E45SS	45° Elbow	\$76.59
8DBK-E90SS	90° Elbow	\$100.53
8DBK-SCSS	Slip Connector (13" Long)	\$109.49
4212A**	8" x 12" Adjustable Length	\$81.39

**While Supplies Lasts

DuraVent



SS Rigid Liner



6" DuraLiner ID Round = 6", OD Round = 6 5/8", OD Oval = 7 3/4"

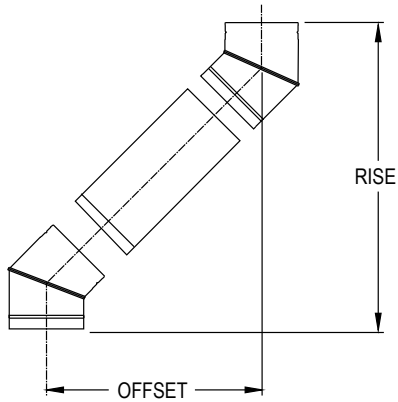
Perfect for relining a masonry chimney that is not code compliant and has a flue that is too small for a wrapped liner. Also great when tiles must be removed. Rigid double wall relining pipe: 0" clearance between the liner and masonry and 0" clearance between the masonry and combustibles. DuraLiner Flex: 1" clearance to masonry. Zero clearance with insulation. 304 SS Inner, Gavalume Outer.

Item No	Description	Retail
6DLR-12	12" Length Round Rigid Pipe	\$163.50
6DLR-24	24" Length Round Rigid Pipe	\$228.83
6DLR-36	36" Length Round Rigid Pipe	\$307.88
6DLR-48	48" Length Round Rigid Pipe	\$381.34
6DLR-12O	12" Length Oval Rigid Pipe	\$211.59
6DLR-24O	24" Length Oval Rigid Pipe	\$275.49
6DLR-36O	36" Length Oval Rigid Pipe	\$364.41
6DLR-48O	48" Length Oval Rigid Pipe	\$443.27
6DLR-36F	36" Length Round to Round Flex	\$289.04
6DLR-60F	60" Length Round to Round Flex	\$404.65
6DLR-36OF	36" Length Oval to Oval Flex	\$389.78
6DLR-60OF	60" Length Oval to Oval Flex	\$404.65
6DLR-36ORF	36" Length Oval to Round Flex	\$289.04
6DLR-60ORF	60" Length Oval to Round Flex	\$404.65
6DLR-14ROF	14" Round to Oval Flex	\$284.04
6DLR-MTSC1	Masonry Thimble w/Slip Connector	\$267.89
6DLR-AS	Adjustable Sleeve	\$124.04
6DLR-WPT	Wall Pass Through	\$658.92
6DLR-T	Round Tee w/Round Branch w/Cap	\$440.56
6DLR-OTRB	Oval Tee w/Round Branch w/Cap (SW)	\$320.95
6DT-AP14X17	Transition Anchor Plate 14" x 17" (DT)	\$686.26
6DT-AP17X17	Transition Anchor Plate 17" x 17" (DT)	\$692.50
6DT-AP13X21	Transition Anchor Plate 13" x 21" (DT)	\$689.35
6DT-AP17X21	Transition Anchor Plate 17" x 21" (DT)	\$703.46
6DLR-SCH	Slip Connector & Hanger (DT)	\$128.56
6DLR-CNR	30° Stove Connector (round-round)	\$246.23
6DLR-CNRO	30° Stove Connector (round-oval)	\$220.71
6DLR-CNO	30° Stove Connector (oval)	\$237.45
6DLR-FCNR	Flat Stove Connector (round)	\$112.02
6DLR-FCNO	Flat Stove Connector (oval)	\$317.83
6DLR-E30SS	30° Stainless Steel Stove Adapter Elbow	\$117.80
6DLR-E45SS	45° Stainless Steel Stove Adapter Elbow	\$117.80
6DLR-KXC13	Extend-a-Cap Kit 13" x 13" Round	\$363.91
6DLR-KXC18	Extend-a-Cap Kit 13" x 18" Round	\$403.26
6DLR-KXC22	Extend-a-Cap Kit 10" x 22" Oval	\$400.75
6DLR-KXC20	Extend-a-Cap Kit 13" x 20" Oval	\$443.88
6DLR-S	Spacer - Oval	\$94.71



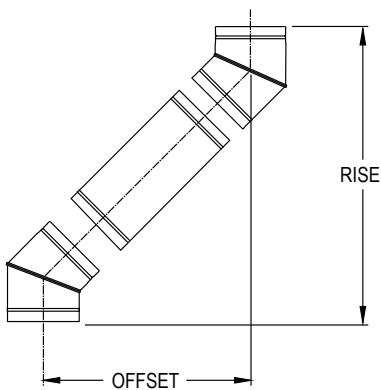
Also available in 8". Call for pricing.

Offset Chart - DVL



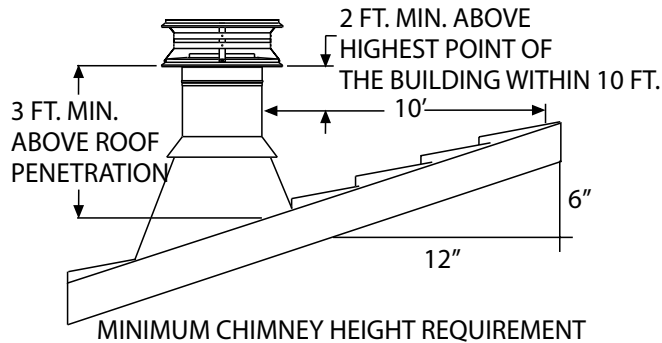
SIZE		6" DIAMETER		7" DIAMETER		8" DIAMETER	
Elbow Degrees	Chimney Section	Offset Inches	Rise Inches	Offset Inches	Rise Inches	Offset Inches	Rise Inches
45°	0"	5"	13 3/4"	7"	17 1/4"	7"	17 1/2"
45°	6"	8 3/4"	16 1/2"	10 1/2"	21"	10 1/2"	21"
45°	12"	13"	20 3/4"	14 3/4"	25 1/4"	14 3/4"	25 1/4"
45°	18"	17 1/4"	25"	19"	29 1/2"	19"	29 1/2"
45°	24"	21 1/2"	39 1/4"	23 1/4"	33 3/4"	23 1/4"	33 3/4"
45°	48"	38 1/2"	46 1/4"	40 1/4"	50 3/4"	40 1/4"	50 3/4"
90°	0"	10 1/2"	6"	13"	14 1/4"	13 1/2"	14 3/4"
90°	6"	15 1/4"	6"	17 3/4"	14 1/4"	18 1/4"	14 3/4"
90°	12"	21 1/4"	6"	23 3/4"	14 1/4"	24 1/4"	14 3/4"
90°	18"	27 1/4"	6"	29 3/4"	14 1/4"	30 1/4"	14 3/4"
90°	24"	33 1/4"	6"	35 3/4"	14 1/4"	36 1/4"	14 3/4"
90°	48"	57 1/4"	6"	59 3/4"	14 1/4"	60 1/4"	14 3/4"

Offset Chart - DuraBlack

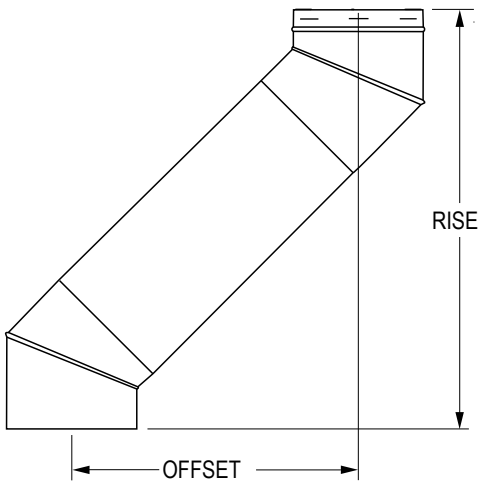


SIZE		6" DIAMETER		7" DIAMETER		8" DIAMETER		10" DIAMETER	
Elbow Degrees	Chimney Section	Offset Inches	Rise Inches	Offset Inches	Rise Inches	Offset Inches	Rise Inches	Offset Inches	Rise Inches
45°	0"	4 1/2"	12 1/2"	4 1/2"	14 3/4"	5 1/2"	14 3/4"	5 3/4"	15"
45°	12"	12"	19"	12"	22 1/4"	13 1/4"	22 1/4"	13 1/4"	22 3/4"
45°	24"	20 1/2"	28"	21 1/2"	30 3/4"	21 3/4"	30 3/4"	21 3/4"	31 1/4"
45°	48"	37 1/2"	45"	37 3/4"	47 3/4"	38 3/4"	47 3/4"	--	--
90°	0"	10 1/2"	11 3/4"	12 1/4"	12 1/2"	13"	14 1/4"	14 1/2"	16 3/4"
90°	12"	21 1/4"	11 3/4"	23"	12 1/2"	25 1/2"	14 1/4"	25 1/4"	16 3/4"
90°	24"	33 1/4"	11 3/4"	35"	12 1/2"	37 1/4"	14 1/4"	37 1/4"	16 3/4"
90°	48"	57 1/4"	11 3/4"	59"	12 1/2"	61 1/2"	14 1/4"	--	--

Planning Your Installation



Elbow Offset Chart For 5"- 8" DuraTech



SIZE		5", 6", 7", 8" Diameter	
Elbow Angle from Vertical	Chimney Length Between Elbows	Offset inches	Rise inches
15°	0"	2"	16 1/2"
15°	6"	3 1/4"	21 1/4"
15°	9"	4"	24 1/8"
15°	12"	4 3/4"	27"
15°	18"	6 1/4"	32 3/4"
15°	24"	8"	38 1/2"
15°	36"	11"	50 1/4"
15°	48"	14 1/4"	61 3/4"
15°	48" + 6"	15 1/2"	66 1/2"
15°	48" + 9"	16 1/4"	69 3/8"
15°	48" + 12"	17"	72 1/4"
15°	48" + 18"	18 1/2"	78"
15°	48" + 24"	20"	83 3/4"
30°	0"	4"	15 3/4"
30°	6"	6 1/4"	20"
30°	9"	7 3/4"	22 5/8"
30°	12"	9 1/4"	25 1/4"
30°	18"	12 1/4"	30 1/4"
30°	24"	15 1/4"	35 1/2"
30°	36"	21 1/4"	46"
30°	48"	27 1/4"	56 1/4"
30°	48" + 6"	29 3/4"	60 1/2"
30°	48" + 9"	31 1/4"	63 1/8"
30°	48" + 12"	32 3/4"	65 3/4"
30°	48" + 18"	35 3/4"	71"
30°	48" + 24"	38 3/4"	76"