

# Specifications, Performance & Submittal

**Model:  
Multi Zone  
Condenser  
18k-48k**

## Multi Zone Condenser (Heat Pump)

Model	Multi Zone	# Of Zones	Nominal Rated Capacity	Voltage	Product Revision						
<div style="display: flex; justify-content: space-around;"> <div style="border: 1px solid black; padding: 5px; width: 30px; text-align: center; font-size: 24px;"><b>M</b></div> <div style="border: 1px solid black; padding: 5px; width: 30px; text-align: center; font-size: 24px;"><b>H</b></div> </div> <p style="font-size: 10px; margin-top: 5px;">Maximum Heat Series Heat Pump</p>	<div style="display: flex; justify-content: space-around;"> <div style="border: 1px solid black; padding: 5px; width: 30px; text-align: center; font-size: 24px;"><b>M</b></div> <div style="border: 1px solid black; padding: 5px; width: 30px; text-align: center; font-size: 24px;"><b>Z</b></div> </div>	<div style="border: 1px solid black; width: 30px; height: 30px; margin: 0 auto;"></div> <table style="margin: 5px auto; border-collapse: collapse;"> <tr><td style="border: 1px solid black; width: 15px; text-align: center;">2</td></tr> <tr><td style="border: 1px solid black; width: 15px; text-align: center;">3</td></tr> <tr><td style="border: 1px solid black; width: 15px; text-align: center;">4</td></tr> <tr><td style="border: 1px solid black; width: 15px; text-align: center;">5</td></tr> </table>	2	3	4	5	<table style="margin: 0 auto; border-collapse: collapse;"> <tr><td style="border: 1px solid black; width: 30px; height: 30px;"></td><td style="border: 1px solid black; width: 30px; height: 30px;"></td></tr> </table> <p style="font-size: 10px; margin-top: 5px;"> <b>18</b> - 18,000 Btu/h  <b>27</b> - 27,000 Btu/h  <b>36</b> - 36,000 Btu/h  <b>48</b> - 48,000 Btu/h         </p>			<div style="border: 1px solid black; padding: 5px; width: 30px; text-align: center; font-size: 24px;"><b>D</b></div>	<div style="border: 1px solid black; padding: 5px; width: 30px; text-align: center; font-size: 24px;"><b>A</b></div> <p style="font-size: 10px; margin-top: 5px;"><b>D</b> - 208-230V/1ph/60Hz</p>
2											
3											
4											
5											

### Indicate the *quantity* of field installed accessories, required for each unit

QTY Ordered	Description	Part Number	Notes
	TUBE SET,3/8x1/4x16',5M,09,FLR,INS,US	F0323161A	06 & 09 size only
	TUBE SET,3/8x1/4x26',8M,09,FLR,INS,US	F0323261A	06 & 09 size only
	TUBE SET,3/8x1/4x49',15M,09,FLR,INS,US	F0323491	06 & 09 size only
	TUBE SET,1/2x1/4x16',5M,12-18,FLR,INS,US	F0423161A	12 & 18 sizes
	TUBE SET,1/2x1/4x26',8M,12-18,FLR,INS,US	F0423261A	12 & 18 sizes
	TUBE SET,1/2x1/4x49',15M,12/18,FLR,INS,	F0423491	12 & 18 sizes
	TUBE SET,5/8x3/8x26',8M,24-36,FL,INS,US	F0533262A	24 size
	TUBE SET,5/8x3/8x49',15M,24-36,FL,INS,US	F0533492A	24 size



Approved:	
Reviewed:	
Contact:	
Address:	
Phone:	
Unit Tag #	
REVISION	

**Number of Units Ordered**

Approval  
  
 By: \_\_\_\_\_

**NOTICE:** Due to ongoing product development; design, specification and performance data listed within this submittal document are subject to change without notice. Visit our website [emiductless.com](http://emiductless.com) for the most current performance data or consult the factory.

Air Handler Combinations, per Condenser Model			
Model #	2-Zone	3-Zone	4-Zone
<b>MHMZ218DA</b>  <b>MHWAL</b> <b>6/9/12</b>  <b>MHCASH</b> <b>9/12</b>	6 k + 6 k	N/A	N/A
	6 k + 9 k		
	6 k + 12 k		
	9 k + 9 k		
	9 k + 12 k		
	12 k + 12 k		
<b>MHMZ327DA</b>  <b>MHWAL</b> <b>9/12/18/24</b>  <b>MHCASH</b> <b>9/12/18</b>	6 k + 12 k	6 k + 6 k + 6 k	N/A
	6 k + 18 k	6 k + 6 k + 9 k	
	9 k + 9 k	6 k + 6 k + 12 k	
	9 k + 12 k	6 k + 6 k + 18 k	
	9 k + 18 k	6 k + 6 k + 24 k	
	9 k + 24 k	6 k + 9 k + 9 k	
	12 k + 12 k	6 k + 9 k + 12 k	
	12 k + 18 k	6 k + 9 k + 18 k	
	12 k + 24 k	6 k + 12 k + 12 k	
	18 k + 18 k	9 k + 9 k + 9 k	
	N/A	9 k + 9 k + 12 k	
		9 k + 9 k + 18 k	
		9 k + 12 k + 12 k	
12 k + 12 k + 12 k			
<b>MHMZ436DA</b>  <b>MHWAL</b> <b>9/12/18/24</b>  <b>MHCASH</b> <b>9/12/18</b>	6 k + 18 k	6 k + 6 k + 12 k	6 k + 6 k + 6 k + 6 k
	6 k + 24 k	6 k + 6 k + 18 k	6 k + 6 k + 6 k + 9 k
	9 k + 18 k	6 k + 6 k + 24 k	6 k + 6 k + 6 k + 12 k
	9 k + 24 k	6 k + 9 k + 12 k	6 k + 6 k + 6 k + 18 k
	12 k + 12 k	6 k + 9 k + 18 k	6 k + 6 k + 6 k + 24 k
	12 k + 18 k	6 k + 9 k + 24 k	6 k + 6 k + 9 k + 9 k
	12 k + 24 k	6 k + 12 k + 12 k	6 k + 6 k + 9 k + 12 k
	18 k + 18 k	6 k + 12 k + 18 k	6 k + 6 k + 9 k + 18 k
	18 k + 24 k	6 k + 12 k + 24 k	6 k + 6 k + 9 k + 24 k
	24 k + 24 k	6 k + 18 k + 18 k	6 k + 6 k + 12 k + 12 k
	N/A	6 k + 18 k + 24 k	6 k + 6 k + 12 k + 18 k
		9 k + 9 k + 9 k	6 k + 6 k + 12 k + 24 k
		9 k + 12 k + 12 k	6 k + 6 k + 9 k + 24 k
		9 k + 9 k + 18 k	6 k + 9 k + 9 k + 9 k
		9 k + 12 k + 12 k	6 k + 9 k + 9 k + 12 k
		9 k + 12 k + 18 k	6 k + 9 k + 9 k + 18 k
		9 k + 18 k + 18 k	6 k + 9 k + 9 k + 24 k
		12 k + 12 k + 12 k	6 k + 9 k + 12 k + 12 k
		12 k + 12 k + 18 k	6 k + 9 k + 12 k + 18 k
		12 k + 12 k + 24 k	6 k + 12 k + 12 k + 12 k
12 k + 18 k + 18 k		6 k + 9 k + 12 k + 18 k	
N/A	9 k + 9 k + 9 k + 9 k		
	9 k + 9 k + 9 k + 12 k		
	9 k + 9 k + 9 k + 18 k		
	9 k + 9 k + 12 k + 12 k		
	9 k + 9 k + 12 k + 18 k		
	9 k + 9 k + 12 k + 12 k		
	9 k + 9 k + 12 k + 18 k		
	12 k + 12 k + 12 k + 12 k		

Air Handler Combinations, per Condenser Model				
Model #	2-Zone	3-Zone	4-Zone	5-Zone
<b>MHMZ548DA</b>  <b>MHWAL</b> <b>6/9/12/18/24</b>  <b>MHCASH</b> <b>9/12/18</b>	9 k + 24 k	6 k + 6 k + 24 k	6 k + 6 k + 6 k + 18 k	6 k + 6 k + 6 k + 6 k + 9 k
	12 k + 24 k	6 k + 9 k + 24 k	6 k + 6 k + 6 k + 24 k	6 k + 6 k + 6 k + 6 k + 12 k
	18 k + 18 k	6 k + 12 k + 18 k	6 k + 6 k + 9 k + 18 k	6 k + 6 k + 6 k + 6 k + 18 k
	18 k + 24 k	6 k + 12 k + 24 k	6 k + 6 k + 9 k + 24 k	6 k + 6 k + 6 k + 6 k + 24 k
	N/A	6 k + 18 k + 18 k	6 k + 6 k + 12 k + 12 k	6 k + 6 k + 6 k + 9 k + 9 k
		6 k + 18 k + 24 k	6 k + 6 k + 12 k + 18 k	6 k + 6 k + 6 k + 9 k + 12 k
		6 k + 24 k + 24 k	6 k + 6 k + 12 k + 24 k	6 k + 6 k + 6 k + 9 k + 18 k
		9 k + 9 k + 18 k	6 k + 6 k + 18 k + 18 k	6 k + 6 k + 6 k + 9 k + 24 k
		9 k + 9 k + 24 k	6 k + 6 k + 18 k + 24 k	6 k + 6 k + 6 k + 12 k + 12 k
		9 k + 12 k + 12 k	6 k + 6 k + 24 k + 24 k	6 k + 6 k + 6 k + 12 k + 18 k
		9 k + 12 k + 18 k	6 k + 9 k + 9 k + 12 k	6 k + 6 k + 6 k + 12 k + 24 k
		9 k + 12 k + 24 k	6 k + 9 k + 9 k + 18 k	6 k + 6 k + 6 k + 18 k + 18 k
		9 k + 18 k + 18 k	6 k + 9 k + 9 k + 24 k	6 k + 6 k + 6 k + 18 k + 24 k
		9 k + 18 k + 24 k	6 k + 9 k + 12 k + 12 k	6 k + 6 k + 9 k + 9 k + 9 k
		9 k + 24 k + 24 k	6 k + 9 k + 12 k + 18 k	6 k + 6 k + 9 k + 9 k + 12 k
		12 k + 12 k + 12 k	6 k + 9 k + 12 k + 24 k	6 k + 6 k + 9 k + 9 k + 18 k
		12 k + 12 k + 18 k	6 k + 9 k + 18 k + 18 k	6 k + 6 k + 9 k + 9 k + 24 k
		12 k + 12 k + 24 k	6 k + 9 k + 18 k + 24 k	6 k + 6 k + 9 k + 12 k + 12 k
		12 k + 18 k + 18 k	6 k + 12 k + 12 k + 12 k	6 k + 6 k + 9 k + 12 k + 18 k
		12 k + 18 k + 24 k	6 k + 12 k + 12 k + 18 k	6 k + 6 k + 9 k + 12 k + 24 k
		12 k + 24 k + 24 k	6 k + 12 k + 12 k + 24 k	6 k + 6 k + 9 k + 18 k + 18 k
		18 k + 18 k + 18 k	6 k + 12 k + 18 k + 18 k	6 k + 6 k + 9 k + 18 k + 24 k
		18 k + 18 k + 24 k	6 k + 12 k + 24 k + 24 k	6 k + 6 k + 12 k + 12 k + 12 k
		N/A	9 k + 9 k + 9 k + 9 k	6 k + 6 k + 12 k + 12 k + 18 k
	9 k + 9 k + 9 k + 12 k		6 k + 6 k + 12 k + 12 k + 24 k	
	9 k + 9 k + 9 k + 18 k		6 k + 6 k + 12 k + 18 k + 18 k	
	9 k + 9 k + 9 k + 24 k		6 k + 9 k + 9 k + 9 k + 9 k	
	9 k + 9 k + 12 k + 12 k		6 k + 9 k + 9 k + 9 k + 12 k	
	9 k + 9 k + 12 k + 18 k		6 k + 9 k + 9 k + 9 k + 18 k	
	9 k + 9 k + 12 k + 24 k		6 k + 9 k + 9 k + 9 k + 24 k	
9 k + 9 k + 18 k + 18 k	6 k + 9 k + 9 k + 12 k + 12 k			
9 k + 9 k + 18 k + 24 k	6 k + 9 k + 9 k + 12 k + 18 k			
9 k + 12 k + 12 k + 12 k	6 k + 9 k + 9 k + 12 k + 24 k			
N/A	9 k + 12 k + 12 k + 18 k	6 k + 9 k + 9 k + 18 k + 18 k		
	9 k + 12 k + 12 k + 24 k	6 k + 9 k + 9 k + 12 k + 12 k		
	9 k + 12 k + 18 k + 18 k	6 k + 9 k + 12 k + 12 k + 18 k		
	9 k + 12 k + 18 k + 24 k	6 k + 9 k + 12 k + 12 k + 24 k		
	12 k + 12 k + 12 k + 12 k	6 k + 12 k + 12 k + 12 k + 12 k		
	12 k + 12 k + 12 k + 18 k	6 k + 12 k + 12 k + 12 k + 18 k		
	12 k + 12 k + 12 k + 24 k	9 k + 9 k + 9 k + 9 k + 9 k		
	12 k + 12 k + 18 k + 18 k	9 k + 9 k + 9 k + 9 k + 12 k		
	N/A	9 k + 9 k + 9 k + 9 k + 9 k		
		9 k + 9 k + 9 k + 9 k + 12 k		
9 k + 9 k + 9 k + 12 k + 12 k				
9 k + 9 k + 12 k + 12 k + 12 k				

NOTE: If total indoor units load exceeds nominal capacity of outdoor unit, the practical output capacity of every indoor unit will be correspondingly reduced. This situation is very evident during heat mode.

# Specifications, Performance & Submittal

## Multi - Zone Systems 208V-230V

### Ductless Mini Split:

- ◆ Heat Pump
- ◆ R-410A refrigerant.
- ◆ Single and multi-zone application flexibility.
- ◆ 19 to 22 SEER high efficiency models with capacities from 9,000 Btu/h to 24,000 Btu/h.
- ◆ Easy installation requiring no ductwork, a small hole for running power wiring and refrigerant lines is all that is needed to connect indoor and outdoor sections.
- ◆ Low profile indoor air handler is neutral color that blends with any decor.
- ◆ Next generation outdoor condenser with inverter compressor provides exceptionally quiet operation and intelligently adjusts speed to temperature conditions.
- ◆ Low noise.
- ◆ Low operating cost.
- ◆ Optional Wall Thermostat.
- ◆ Optional Wi-Fi module.
- ◆ Simple design makes it easy to remove and clean the washable filters.
- ◆ Intelligent Design allows system to intelligently adjust the angle of the louver to ensure greatest efficiency for heating and cooling. For more control, manually adjust louver as small as 6 degrees from using the hand-held remote.
- ◆ Golden Fin prevents bacteria breeding and improves heat transfer efficiency. The unique anti-corrosive golden coating on the condenser can withstand salty air, rain, and other corrosive elements.
- ◆ Refrigerant Leakage Detection will better protect compressor being damaged by high temperature

### Features:

- All models supplied with hand-held Infrared Remote Controller with easy-to-read LCD display. Factory installer operating features provide capacity to set temperature, louver control, fan speeds and more.
- Follow-Me Technology - Mode that activates a temperature sensor that is built into Infrared remote control. When you stay close to the remote control, the unit will continue to condition the space until you are comfortable.
- Turbo Mode - Air condition maximizes output of cooling and heating capacity, making the room cool down or heat up rapidly and attain the desired temperature in the shortest time.
- Auto Restart - If system shuts down due to power failure, system will restart with previous function setting when power is restored.
- Auto Level Swing Louvers - In cooling mode, louvers self adjust to horizontal position and circulate cold air more efficiently. In heating mode, louvers deflect hot air downward so hot air will rise and circulate keeping the room warm.
- 24 Hour Timer - Set a wide variety of timer based operations, start and stop at specific times. Control fan speed as well as cool, heat and auto from anywhere in the room.
- Sleep Mode - Enables the system to gradually decrease cooling or heating output automatically during night operation to maintain comfort level while saving energy.
- Self-Diagnosis & Auto Protection - Should abnormal operation or part failure happen, unit will shut off automatically. Unit will then indicate protection or error code for fast service.
- Low Ambient Cooling/Heating - Operating range -22°F to 122°F provide year round cooling/heating comfort.

# Multi - Zone Systems

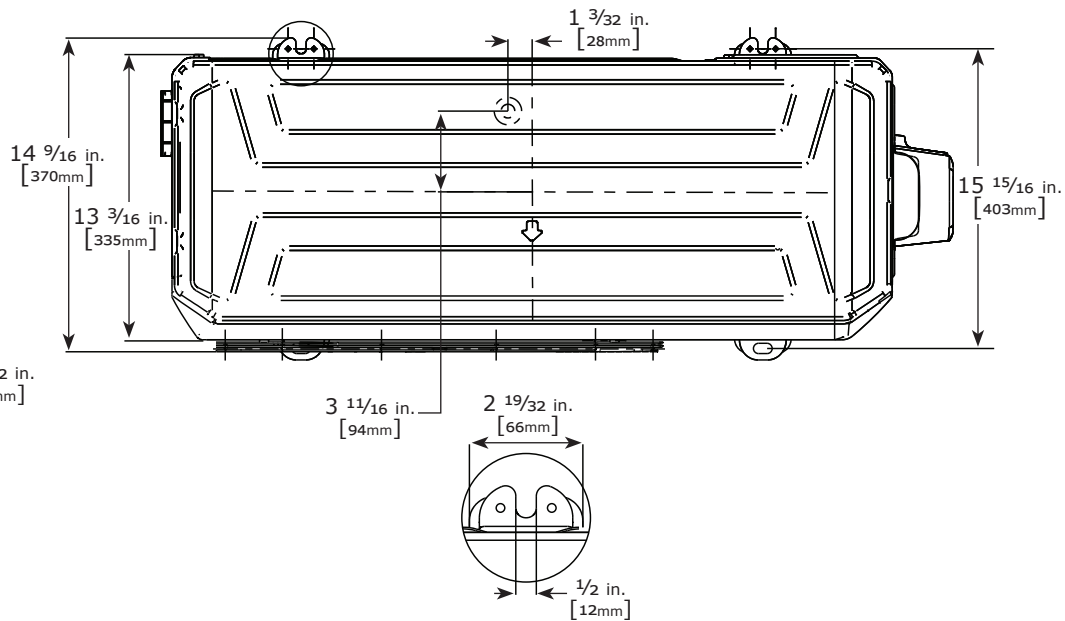
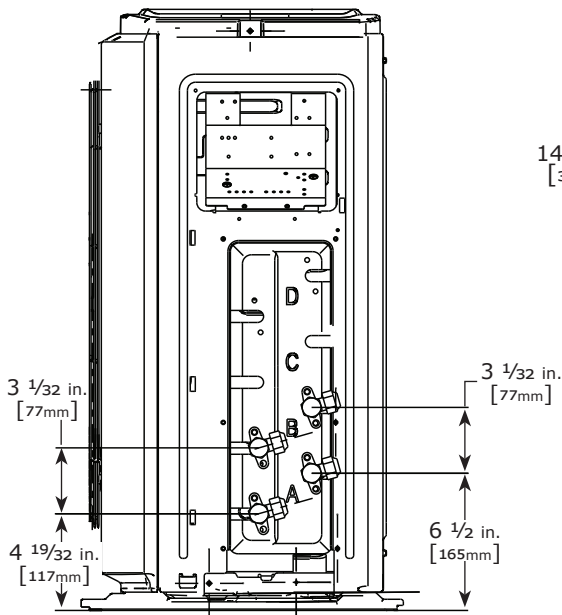
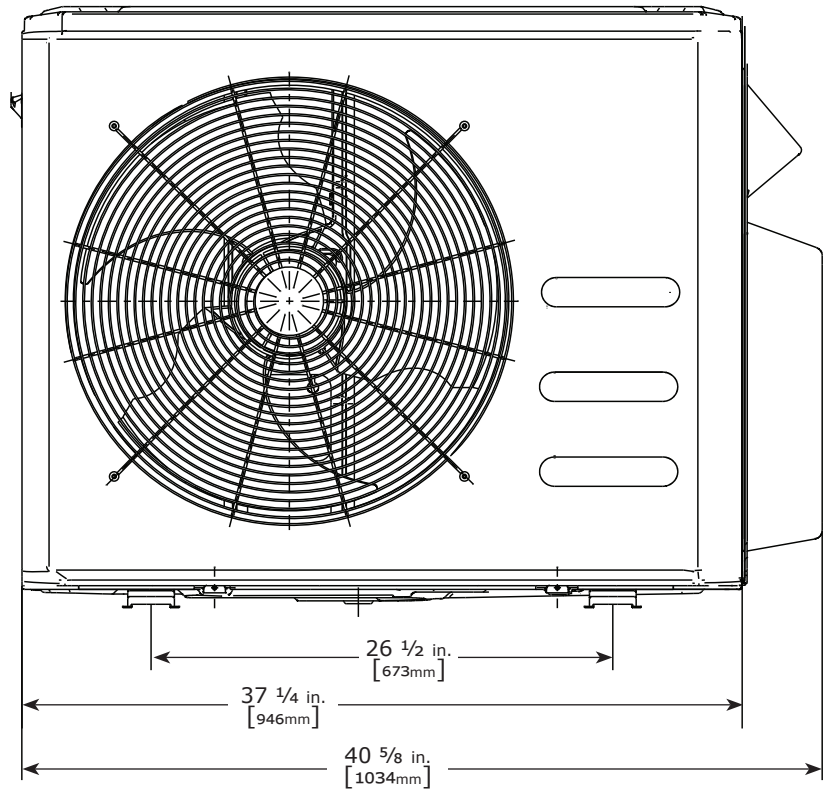
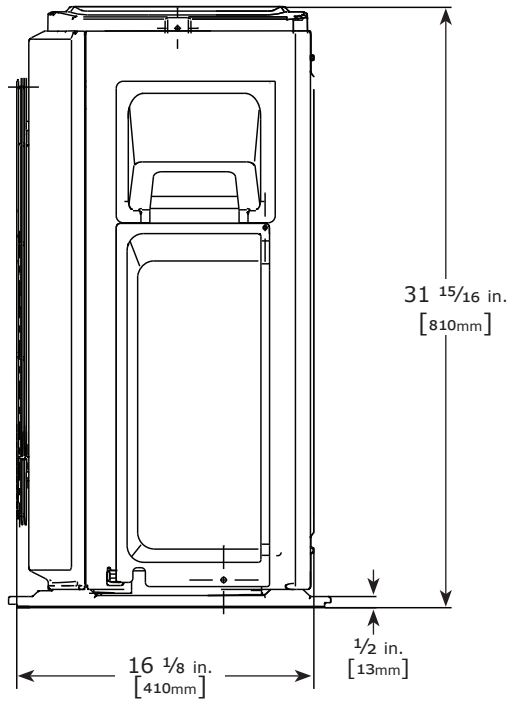
## 208V-230V 18-48k

Outdoor Condensing Unit Model			MHMZ218DA	MHMZ327DA	MHMZ436DA	MHMZ548DA
Power supply		V/ph/Hz	208-230/1/60	208-230/1/60	208-230/1/60	208-230/1/60
Cooling	Capacity	Btu/h	19000	28000	36000	48000
	EER		12.5	12.5	13.6	11.6
	SEER		22	22.5	21.8	21.5
Heating at 47°F	Capacity	Btu/h	20000	28000	36400	49000
	COP		3.40	3.66	3.85	3.59
	HSPF		10.2	11.3	11.0	11.0
Heating at 5°F	Rated capacity	Btu/h	19000	23100	29700	44500
Heating at 17°F	Maximum capacity	Btu/h	15000	26600	33000	36000
MINIMUM CIRCUIT AMPACITY		A	20.0	25.0	40.0	40.0
MAX TIME DELAY FUUSE OR HARC BREAKER		A	25.0	40.0	60.0	60.0
Outdoor air flow		m3/h	3620	3650	7650	7650
Outdoor air flow		cfm	2100	2100	4500	4500
Outdoor noise level		dB(A)	61	63	62	65
Outdoor unit	Dimension (W×D×H)	inch	37¼ x 16⅝ x 31⅞	37¼ x 16⅝ x 31⅞	37½ x 16⅝ x 52½	37½ x 16⅝ x 52½
	Dimension (W×D×H)	mm	946x410x810	946x410x810	952x415x1333	952x415x1333
	Packing (W×D×H)	inch	42 <sup>15</sup> / <sub>16</sub> x 19 <sup>11</sup> / <sub>16</sub> x 34 <sup>7</sup> / <sub>8</sub>	42 <sup>15</sup> / <sub>16</sub> x 19 <sup>11</sup> / <sub>16</sub> x 34 <sup>7</sup> / <sub>8</sub>	43 <sup>3</sup> / <sub>8</sub> x 19½ x 58¼	43 <sup>3</sup> / <sub>8</sub> x 19½ x 58¼
	Packing (W×D×H)	mm	1090x500x885	1090x500x885	1095x495x1480	1095x495x1480
	Gross weight	lbs.	149	180	254	270
	Gross weight	kg	68	82	115	122
Refrigerant type - 410A / oz		oz	91.7	134.04	162	162
Refrigerant precharge (Total pipe length)		ft/m	49/15	74/22.5	98/30	123/37.5
Additional charge for each ft		oz	0.161 for 1/4 in. liquid pipe 0.322 for 3/8 in. liquid pipe	0.161 for 1/4 in. liquid pipe 0.322 for 3/8 in. liquid pipe	0.161 for 1/4 in. liquid pipe 0.322 for 3/8 in. liquid pipe	0.161 for 1/4 in. liquid pipe 0.322 for 3/8 in. liquid pipe
Design pressure		psig	550/340	550/340	550/340	550/340
Refrigerant piping	Condensing Unit Connection Sizes Liquid/ Gas side. Refrigerant line sizes based on selected indoor air handler. Refer to indoor air handler IOM for proper zone set sizing. Condensing unit is equipped with the necessary adapters to match required tubing sizes.	inch	(2) 1/4 liquid lines (2) 3/8 gas lines	(3) 1/4 liquid lines (3) 3/8 gas lines	(4) 1/4 liquid lines (3) 3/8 gas lines (1) 1/2 gas line	(5) 1/4 liquid lines (3) 3/8 gas lines (2) 1/2 gas line
		mm	(2) Ø6.35 liquid lines (2) Ø9.52 gas lines	(3) Ø6.35 liquid lines (3) Ø9.52 gas lines	(4) Ø6.35 liquid lines (3) Ø9.52 gas lines (1) Ø12.7 gas line	(5) Ø6.35 liquid lines (3) Ø9.52 gas lines (2) Ø12.7 gas line
	Max. length for all rooms	ft	131	197	262	262
		m	40	60	80	80
	Max. length for one indoor unit	ft	82	98	115	115
		m	25	30	35	35
	Max. height difference between indoor and outdoor unit	ft	49	49	49	49
		m	15	15	15	15
	Max. height difference between indoor units	ft	33	33	33	33
		m	10	10	10	10
Operating Range Ambient Temperature	Cooling	°F	-22~122	-22~122	-22~122	-22~122
		°C	-30~50	-30~50	-30~50	-30~50
	Heating	°F	-22~86	-22~86	-22~86	-22~86
		°C	-30~30	-30~30	-30~30	-30~30

**Interconnect wire:** 3 - conductor plus ground, stranded, un-shielded. Wire size is determined by MCA and MOP/fuse, per NEC, CEC and local codes.

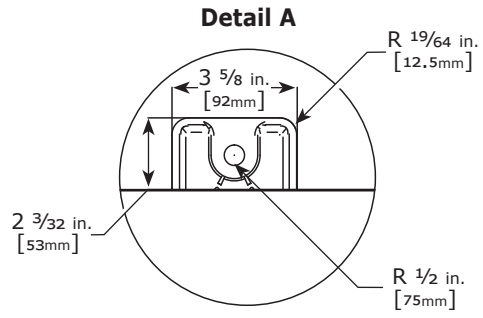
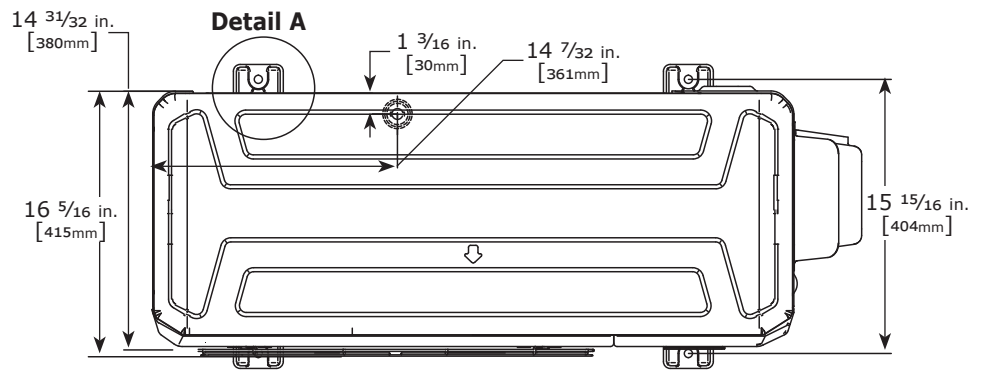
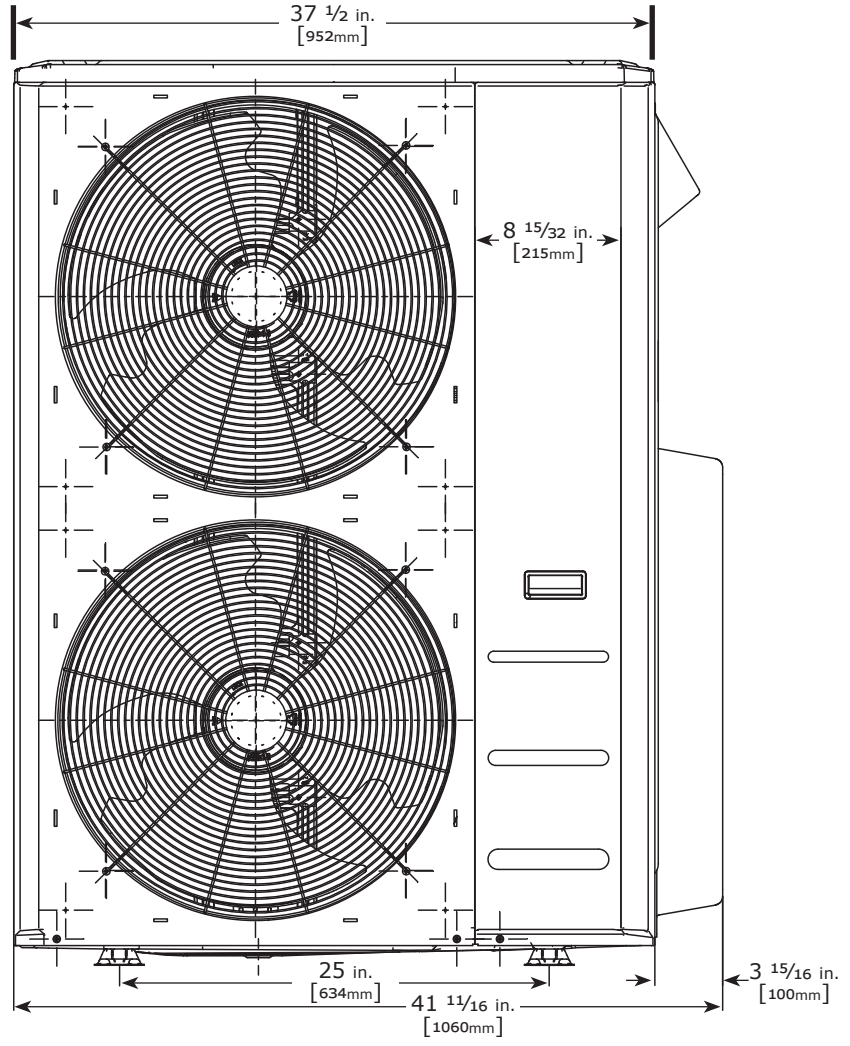
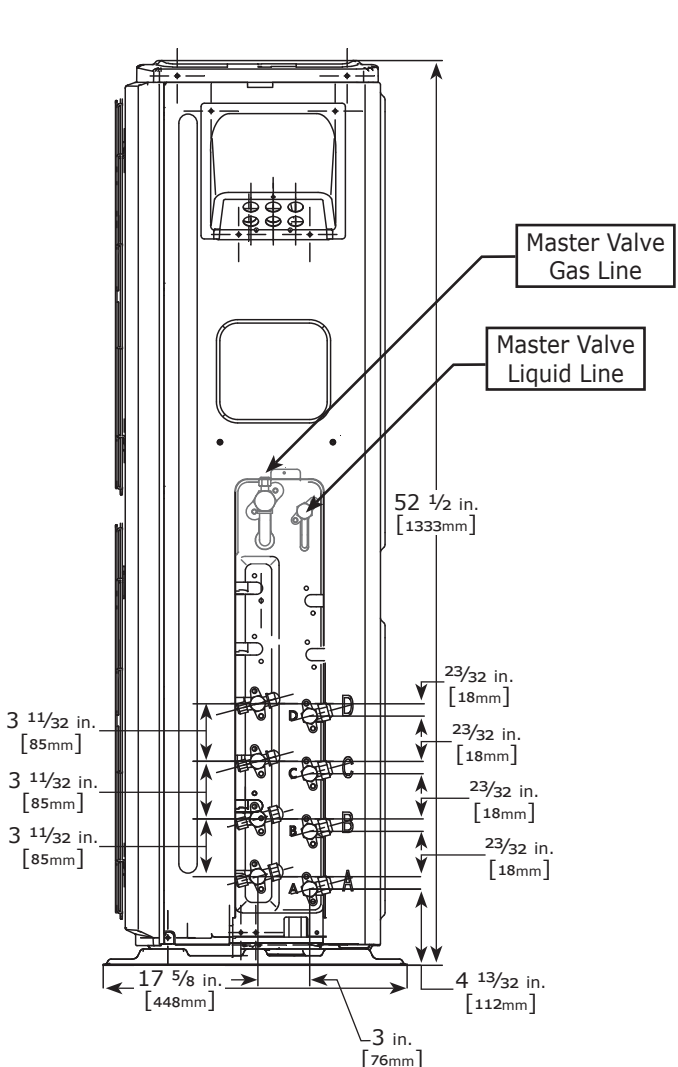
# Dimensions

Model: MHMZ218DA & MHMZ327DA



# Dimensions

Model: MHMZ436DA & MHMZ548DA



# Specifications, Performance & Submittal

**Model:  
Wall Air Handler  
208-230V  
6k-24k**

## Wall Air Handler

Model	Single Zone	Capacity	Voltage	Product Revision												
<div style="display: flex; justify-content: space-around;"> <div style="border: 1px solid black; padding: 5px; width: 30px; text-align: center;"><b>M</b></div> <div style="border: 1px solid black; padding: 5px; width: 30px; text-align: center;"><b>H</b></div> </div> <p style="font-size: small;">Maximum Heat Series Heat Pump</p>	<div style="display: flex; justify-content: space-around;"> <div style="border: 1px solid black; padding: 5px; width: 30px; text-align: center;"><b>W</b></div> <div style="border: 1px solid black; padding: 5px; width: 30px; text-align: center;"><b>A</b></div> <div style="border: 1px solid black; padding: 5px; width: 30px; text-align: center;"><b>L</b></div> </div>	<table border="1" style="width: 100%; border-collapse: collapse;"> <tr> <td style="width: 30px; height: 20px;"></td> <td style="width: 30px; height: 20px;"></td> </tr> <tr> <td colspan="2"><b>06</b> - 6,000 Btu/h</td> </tr> <tr> <td colspan="2"><b>09</b> - 9,000 Btu/h</td> </tr> <tr> <td colspan="2"><b>12</b> - 12,000 Btu/h</td> </tr> <tr> <td colspan="2"><b>18</b> - 18,000 Btu/h</td> </tr> <tr> <td colspan="2"><b>24</b> - 24,000 Btu/h</td> </tr> </table>			<b>06</b> - 6,000 Btu/h		<b>09</b> - 9,000 Btu/h		<b>12</b> - 12,000 Btu/h		<b>18</b> - 18,000 Btu/h		<b>24</b> - 24,000 Btu/h		<div style="display: flex; justify-content: space-around;"> <div style="border: 1px solid black; padding: 5px; width: 30px; text-align: center;"><b>D</b></div> <div style="border: 1px solid black; padding: 5px; width: 30px; text-align: center;"><b>A</b></div> </div> <p style="font-size: small;"><b>D</b> - 208-230V/1ph/60Hz</p>	
<b>06</b> - 6,000 Btu/h																
<b>09</b> - 9,000 Btu/h																
<b>12</b> - 12,000 Btu/h																
<b>18</b> - 18,000 Btu/h																
<b>24</b> - 24,000 Btu/h																

### Indicate the *quantity* of field installed accessories, required for each unit

QTY Ordered	Description	Part Number
	Optional: Wall Thermostat	<b>17317100A35011</b>
	Optional: <b>SPARE</b> Hand Held Infrared Remote Control [ <b>NOTE:</b> Each Wall Air Handler comes with a hand held remote, standard]	<b>17317000A64721</b>
	Wi-Fi module, USB	<b>17310900003167</b>

**Number of Units Ordered**

Approved:	
Reviewed:	
Contact:	
Address:	
Phone:	
Unit Tag #	
REVISION	

Approval

By: \_\_\_\_\_



**NOTICE:** Due to ongoing product development; design, specification and performance data listed within this submittal document are subject to change without notice. Visit our website [emiductless.com](http://emiductless.com) for the most current performance data or consult the factory.



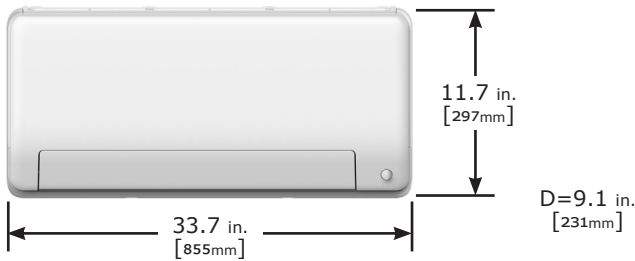
# Multi - Zone Systems

## 208V-230V 6-24k

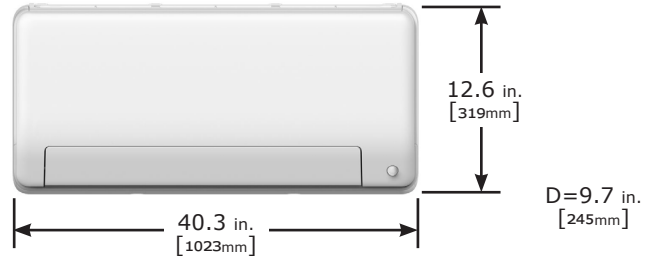
### Multi-Zone System Condensers with Wall Air Handlers

Indoor Wall Air Handler Model		MHWAL06D	MHWAL09D	MHWAL12D	MHWAL18D	MHWAL24D	
Power Supply	V/ph/Hz	208-230/1/60	208-230/1/60	208-230/1/60	208-230/1/60	208-230/1/60	
Input	W	50	50	50	36	58	
RLA	A	0.41	0.41	0.41	0.44	0.55	
Indoor air flow (Hi/Mi/Lo)	cfm	320/220/170	340/230/180	340/230/180	530/370/310	610/410/320	
Indoor air flow (Hi/Mi/Lo)	m3/h	540/370/285	570/390/300	580/445/350	1010/780/605	1320/1210/990	
Indoor noise level (Hi/Mi/Lo)	dB(A)	36/32/23	38/33.5/23.5	38/33.5/23.5	46/42/24	46/39/34	
Indoor unit	Dimensions (WxDxH)	inch	33.7 x 9.1 x 11.7	33.7 x 9.1 x 11.7	33.7 x 9.1 x 11.7	40.3 x 9.7 x 12.6	47.1 x 11.0 x 14.6
		mm	855 x 231 x 297	855 x 231 x 297	855 x 231 x 297	1023 x 245 x 319	1196 x 279 x 370
	Packing (WxDxH)	inch	33.2 x 12.2 x 14.6	33.2 x 12.2 x 14.6	33.2 x 12.2 x 14.6	43.1 x 12.8 x 15.8	50.4 x 14.2 x 17.9
		mm	920 x 310 x 370	920 x 310 x 370	920 x 310 x 370	1095 x 325 x 400	1280 x 360 x 455
	Gross weight	lbs.	29	29	29	36	55
		kg	13	13	13	16	25
Thermostat type		Remote Control	Remote Control	Remote Control	Remote Control	Remote Control	
Thermostat Setting Range	Indoor (cooling/heating)	°C	16~32/ 0~30	16~32/0~27	16~32/0~27	17~32/0~27	17~32/0~27
		°F	60~90/32~86	60~90/32~81	60~90/32~81	60~90/32~86	60~90/32~86
Refrigerant piping	Liquid side/Gas side	inch	1/4" / 3/8"	1/4 x 3/8	1/4 x 1/2	1/4 x 1/2	3/8 x 5/8
		mm	6.35 / 9.52	6.35 x 9.52	6.35 x 12.7	6.35 x 12.7	9.52 x 15.9
	Maximum pipe length	ft	See Multizone Condenser for Pipe Lengths				
		m					
	Max. height difference between indoor units	ft					
		m					

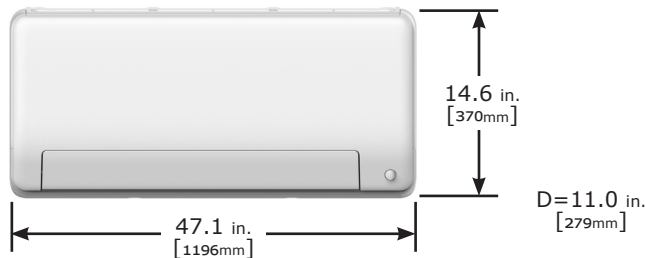
**MHWAL06D, MHWAL09D & MHWAL12D**



**MHWAL18D**



**MHWAL24D**



**Additional Refrigerant Calculation:** Sum Total Liquid Pipe ft. (m) - Additional Charge Required After ft. (m.) x Additional Charge oz./ft. (g/m) 0.16 (15)

**NOTES:** If the calculation results in a negative number no refrigerant is required to be added or removed. Electronic expansion valves in the outdoor unit are used as metering devices

**NOTE:** The refrigerant charge included is adequate for the outdoor unit's maximum number of zones multiplied by the standard piping length per zone. For piping runs greater than the "Maximum Piping Length with no additional refrigerant charge per System", see Additional Refrigerant Charge (see Table 3).

**Refrigerant Piping:** Line sets to be sized based on the connection size of the indoor unit. Each pipe should be insulated individually.



# Specifications, Performance & Submittal

## Model: Ceiling Cassette 208-230V 9k-24k

### Ceiling Cassette Air Handler (Heat Pump)

<u>Model</u>	<u>Single Zone</u>	<u>Capacity</u>	<u>Voltage</u>	<u>Product Revision</u>		
<div style="display: flex; justify-content: space-around; margin-bottom: 5px;"> <span style="border: 1px solid black; padding: 5px 10px; font-weight: bold;">M</span> <span style="border: 1px solid black; padding: 5px 10px; font-weight: bold;">H</span> </div> <div style="border: 1px solid black; padding: 2px;">Maximum Heat Series Heat Pump</div>	<div style="display: flex; justify-content: space-around; margin-bottom: 5px;"> <span style="border: 1px solid black; padding: 5px 10px; font-weight: bold;">C</span> <span style="border: 1px solid black; padding: 5px 10px; font-weight: bold;">A</span> <span style="border: 1px solid black; padding: 5px 10px; font-weight: bold;">S</span> </div>	<table border="1" style="width: 100%; height: 40px; border-collapse: collapse;"> <tr> <td style="width: 50%;"></td> <td style="width: 50%;"></td> </tr> </table>			<div style="display: flex; justify-content: space-around; margin-bottom: 5px;"> <span style="border: 1px solid black; padding: 5px 10px; font-weight: bold;">D</span> <span style="border: 1px solid black; padding: 5px 10px; font-weight: bold;">A</span> </div>	<div style="border: 1px solid black; padding: 2px;">D - 208-230V/1ph/60Hz</div>
		<b>09</b> - 9,000 Btu/h <b>12</b> - 12,000 Btu/h <b>18</b> - 18,000 Btu/h <b>24</b> - 24,000 Btu/h				

Indicate the *quantity* of field installed accessories, required for each unit

QTY Ordered	Description	Part Number
	<b>Assembly, Facia, CASH 09/12/18</b> - <i>Facia is packaged and sold separately [ 1 per unit 09 / 12 / 18 required]</i>	TMBQ403E
	<b>Assembly, Facia, CASH 24</b> - <i>Facia is packaged and sold separately [ 1 per unit is required]</i>	TMBQ4-04B
	Optional: Wall Thermostat Cassette 9-18 k	17317100A34994
	Optional: Wall Thermostat Cassette 24 k	17317100A35011
	Optional: Wi-Fi Module Cassette 9-18 k	17310900A06403
	Optional: Wi-Fi Module Cassette 24 k	17310900003167



Approved:	
Reviewed:	
Contact:	
Address:	
Phone:	
Unit Tag #	
REVISION	

**Number of Units Ordered**

Approval

By: \_\_\_\_\_

**NOTICE:** Due to ongoing product development; design, specification and performance data listed within this submittal document are subject to change without notice. Visit our website [emiductless.com](http://emiductless.com) for the most current performance data or consult the factory.

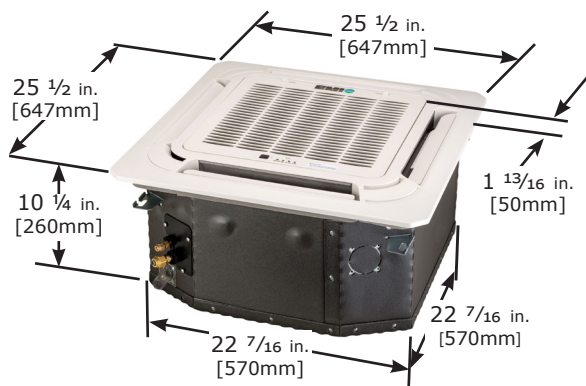
# Multi - Zone Systems

## 208V-230V 9-24k

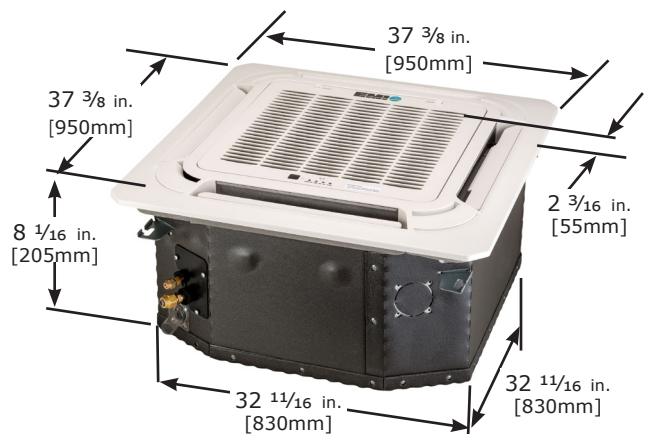
### Multi-Zone System Condensers with Ceiling Cassettes

Indoor Cassette Unit Model		MHCAS09DAA	MHCAS12DAA	MHCAS18DAA	MHCAS24DAA	
Power Supply		V/ph/Hz	208-230/1/60	208-230/1/60	208-230/1/60	
Cooling	Nominal Capacity	Btu/h	9000	12000	16000	
	EER	Btu/W	13	12.7	12.5	
	SEER	Btu/W	20.5	21.5	20	
Heating	Capacity	Btu/h	10900	12000	18000	
	HSPF		10.8	10.6	10.3	
Indoor air flow (Hi/Mi/Lo)		cfm	360/310/270	380/310/200	560/490/440	
Indoor noise level (Hi/Mi/Lo)		dB(A)	40/36/33	41/36/32	44/39/36	
Indoor Unit	Dimensions (WxDxH)	inch	22 <sup>7</sup> / <sub>16</sub> × 22 <sup>7</sup> / <sub>16</sub> × 10 <sup>1</sup> / <sub>4</sub>	22 <sup>7</sup> / <sub>16</sub> × 22 <sup>7</sup> / <sub>16</sub> × 10 <sup>1</sup> / <sub>4</sub>	22 <sup>7</sup> / <sub>16</sub> × 22 <sup>7</sup> / <sub>16</sub> × 10 <sup>1</sup> / <sub>4</sub>	
	Dimensions (WxDxH)	mm	570 × 570 × 260	570 × 570 × 260	570 × 570 × 260	
	Weight	lbs.	38.5	41	47	
kg		17.5	18.6	21		
Indoor Unit Facia	Dimensions (WxDxH)	inch	25 <sup>1</sup> / <sub>2</sub> × 25 <sup>1</sup> / <sub>2</sub> × 1 <sup>13</sup> / <sub>16</sub>	25 <sup>1</sup> / <sub>2</sub> × 25 <sup>1</sup> / <sub>2</sub> × 1 <sup>13</sup> / <sub>16</sub>	25 <sup>1</sup> / <sub>2</sub> × 25 <sup>1</sup> / <sub>2</sub> × 1 <sup>13</sup> / <sub>16</sub>	
		mm	647 × 647 × 50	647 × 647 × 50	647 × 647 × 50	
Indoor Fan		RLA	0.81	0.92	1.65	
Thermostat Setting Range	Indoor (cooling/heating)	°F	62~90 / 32~86	62~90 / 32~86	62~90 / 32~86	
		°C	17~32 / 0~30	17~32 / 0~30	17~32 / 0~30	
Refrigerant Piping	Liquid side/Gas side	inch	¼ × ⅜	¼ × ½	¼ × ½	
		mm	6.35 × 9.52	6.35 × 12.7	6.35 × 12.7	
	Maximum pipe length	ft	See Multizone Condensers for Pipe Lengths			
		m				
		ft				
Max. height difference between indoor units	ft					
	m					

**MHCAS09DAA, MHCAS12DAA, MHCAS18DAA**



**MHCAS24DAA**



# Handheld Remote Controller

Every EMI System comes with an easy to use handheld remote so you can adjust your comfort level at the touch of a button.

- Enabling "Follow Me" Technology. When "Follow Me" mode is activated, the system switches from air handler-mounted room temperature sensor, to the sensor inside of the infrared handheld remote control. The unit conditions the space where you are, with the remote close at hand.
- Enabling Timer Modes - On a schedule? Control variety of settings with precision through the Timer Mode. Never worry about arriving to a cold home again. If the system stops due to power outage, it will automatically restart to its last setting when the power comes back.



# Optional Wired Wall Thermostat

Instead of a hand-held remote controller, the unit can be wired to a wall mounted thermostat.



2201 Dwyer Avenue, Utica, NY 13501  
Tel. 800 325 5479  
[www.ecrinternational.com](http://www.ecrinternational.com)

All specifications subject to change without notice.  
©2022 ECR International, Inc.