



# SITRANS F

## Flow meters catalog





**SITRANS F** is a series of flow meters by Siemens for operating with gases and liquids.

In such devices, the main part of the work is performed by two parts: measuring sensors and transmitters. Together they form a system called a flowmeter.

Siemens Sitrans F family consists of the following general series:

- SITRANS FM (electromagnetic)
- SITRANS FC (coriolis)
- SITRANS F US (ultrasound)
- SITRANS F X (vortex)

Sitrans F has a wide range of flow meters, sensors and transmitters with different working principles, which may work with all materials in a variety of conditions.

To find out stock ability and delivery time to your region, please contact our manager.



[info@eltra-trade.com](mailto:info@eltra-trade.com)

# SITRANS F flowmeters



|            |   |  |
|------------|---|--|
| <b>2</b>   | <b>Product overview</b>   |  |
| <b>9</b>   | <b>Introduction</b>   |  |
| 9          | Criteria for selection of flowmeter   |  |
| <b>11</b>  | <b>SITRANS F M (electromagnetic)</b>  |  |
| 11         | System information  |  |
|            | Transmitters  |  |
| 28         | - MAG 5000/6000   |  |
| 40         | - MAG 6000 I/6000 I Ex d  |  |
|            | Flow sensors  |  |
| 44         | - MAG 1100  |  |
| 51         | - MAG 1100 F  |  |
| 58         | - MAG 5100 W  |  |
| 64         | - MAG 3100  |  |
| 79         | Transmitter Transmag 2 with sensor 911/E  |  |
| 94         | Battery operated water meter<br>MAG 8000/MAG 8000 CT                                    |  |
| <b>111</b> | <b>SITRANS F C (coriolis)</b>   |  |
| 111        | System information  |  |
|            | Transmitters  |  |
| 119        | - MASS 6000 IP67 compact/remote   |  |
| 123        | - MASS 6000 for 19" insert/<br>19" wall mounting  |  |
| 130        | - MASS 6000 Ex d compact/remote   |  |
| 134        | - SIFLOW FC070  |  |
|            | Flow sensors  |  |
| 138        | - MASS 2100 DI 1.5  |  |
| 142        | - SITRANS FC300   |  |
| 146        | - MASS 2100 DI 3 to DI 40   |  |
| 156        | - MC2   |  |
| <b>168</b> | <b>SITRANS F US (ultrasonic)</b>  |  |
| 168        | <u>In-line flowmeters</u>   |  |
| 168        | System information and selection<br>guide   |  |
| 176        | Transmitter FUS060  |  |
| 181        | Flowmeter SONO 3300/FUS060  |  |
| 186        | Flowmeter SONO 3100/FUS060  |  |
| 194        | Flowmeter SONOKIT (with<br>FUS060)  |  |
| 202        | Flowmeter SITRANS FUS380 standard   |  |
| 208        | Flowmeter SITRANS FUE380 with<br>approval   |  |
| 214        | Accessories and spare parts for<br>FUS380 and FUE380                                    |  |
| 218        | Flowmeter SITRANS FUE950<br>energy calculator   |  |
| 224        | Flowmeter SITRANS FUS880<br>(retrofit kit)  |  |
| 229        | Accessories and spare parts for<br>older flowmeter systems type<br>SITRANS F US SONOFLO |  |
|            |   | <b>SITRANS F US (ultrasonic)</b>                           |
| 231        |   | <u>Clamp-on ultrasonic flowmeters</u>                      |
| 232        |   | Thickness gauge  |
| 233        |   | System information and selection guide                     |
| 244        |   | SITRANS FUS1010 Standard clamp-on                          |
| 252        |   | SITRANS FUP1010 Portable clamp-on                          |
| 257        |   | SITRANS FUP1010 Portable clamp-on<br>Check metering kit    |
| 258        |   | SITRANS FUE1010 Energy clamp-on                            |
| 265        |   | SITRANS FUE1010 Energy clamp-on<br>HVAC check metering kit |
| 266        |   | SITRANS FUH1010 Oil clamp-on                               |
| 273        |   | SITRANS FUG1010 Gas clamp-on                               |
| 280        |   | SITRANS FUS1020 Basic clamp-on                             |
| 284        |   | Accessories/Spare parts                                    |
| 291        |   | <u>Continuous measurement -<br/>Open channel flow</u>      |
| 291        |   | OCM III  |
| <b>294</b> | <b>SITRANS F X (Vortex)</b>   |  |
| 294        |   | SITRANS FX300  |
| <b>311</b> | <b>SITRANS F VA</b>   |  |
| 311        |   | SITRANS FVA250 variable area meter                         |
| <b>319</b> | <b>SITRANS F O delta p - Primary<br/>differential pressure devices</b>                  |  |
| 319        |   | Technical description                                      |
| 325        |   | Pressure equipment directive<br>97/23/EC                   |
| 327        |   | Questionnaire  |
| 329        |   | Orifice plates   |
| 340        |   | Metering pipes   |
| 348        |   | Calculation  |
| <b>349</b> | <b>SITRANS F R (liquid meters)</b>  |  |
| 349        |   | Introduction   |
| 365        |   | Rotary-piston meters for industrial use                    |
| 375        |   | Rotary-piston-meters and automatic<br>batchmeters          |
| 395        |   | Registers and quantity preset registers                    |
| 400        |   | SITRANS F RA110 electric flow<br>register                  |
| 402        |   | Accessory modules  |








# SITRANS F flowmeters

## SITRANS F






### Product overview

#### Overview

|   | Application   | Description  | Catalog page | Software for parameterization |
|---|---|--|--------------|-------------------------------|
| <b>SITRANS F M electromagnetic flowmeters - Pulsed DC magnetic flowmeter</b>        |   |  |              |                               |
|    | MAG 5000/6000 transmitter range in robust IP67 polyamid enclosures for compact or remote mounting.<br>19", back of panel and front of panel enclosure program.              | <b>Transmitter MAG 5000/6000</b> <ul style="list-style-type: none"> <li>• Superior signal resolution for optimum turn down ratio</li> <li>• Comprehensively self-diagnostic, for error indication and logging</li> <li>• Multi-lingual display and keypad interface</li> <li>• Custody transfer approval: PTB, OIML R 75, OIML R 117, OIML R 49 and MI-001</li> </ul>  | 4/28         | SIMATIC PDM                   |
|    | MAG 6000 I and MAG 6000 I Ex d in robust die-cast aluminium enclosure for demanding applications and where explosion proof protection is necessary.                         | <b>Transmitter MAG 6000 I/6000 I Ex d</b> <ul style="list-style-type: none"> <li>• Remote and compact mounting with all sensors</li> <li>• Explosion proof design: ATEX II 2(1)(2) GD and FM Class 1, Div. 2</li> <li>• Multi-lingual display and touchpad keypad</li> <li>• Comprehensively self-diagnostic</li> </ul>  | 4/40         | SIMATIC PDM                   |
|   | Designed for the general industry environment. The obstructionless performance of the MAG 1100 is unaffected by the suspended solids, viscosity and temperature challenges. | <b>Flow sensor MAG 1100</b> <ul style="list-style-type: none"> <li>• Metering tube DN 2 ... DN100 (1/12" ... 4") flangeless design.</li> <li>• Corrosion-resistant AISI 316 stainless steel housing.</li> <li>• Highly resistant liner ceramic or PFA and electrodes fitting most extreme process media.</li> <li>• Temperature rating up to 200 °C (390 °F)</li> <li>• ATEX II 2(1) GD approval version</li> <li>• CSA/FM Class, 1 Div 2</li> </ul> | 4/44         |                               |
|  | Specially designed for the food & beverage and pharmaceutical industry.   | <b>Flow sensor MAG 1100 F</b> <ul style="list-style-type: none"> <li>• AISI 316 stainless steel enclosure</li> <li>• Hygienic seal, 3A and EHEDG-approved construction</li> <li>• Easy to clean</li> <li>• Supplied with connections according to your specification</li> <li>• ATEX II 2(1) GD approval version</li> <li>• CSA/FM class 1 Div 2</li> </ul>  | 4/51         |                               |
|  | The MAG 5100 W designed for all water and waste applications in water plants and industrial applications.   | <b>Flow sensor MAG 5100 W</b> <ul style="list-style-type: none"> <li>• Metering tube DN 25 ... DN 1200 (1" ... 48")</li> <li>• NBR Hard Rubber or EPDM lining</li> <li>• Integral grounding electrodes as standard</li> <li>• Increased low flow accuracy for water leak detection</li> <li>• Drinking water approvals and custody transfer approvals, OIML R 49, MI-001 and PTB</li> </ul>  | 4/58         |                               |

2



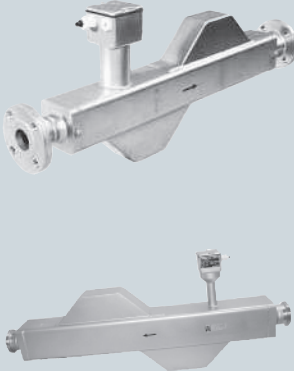




|  | Application  | Description   | Catalog page    | Software for parameterization |
|--|--|---|-----------------|-------------------------------|
|     | <p>The MAG 3100 series with its flexibility in the choice of liner, electrode and flange material allows the measurement of even the most extreme process media.</p> | <p><b>Flow sensor MAG 3100</b></p> <ul style="list-style-type: none"> <li>• For a wide range of pipe dimensions: DN 15 ... DN 2000 (½" ... 78")</li> <li>• Wide range of liner and electrode materials</li> <li>• High-temperature version for application with temperatures up to 180 °C (355 °F)</li> <li>• High-pressure solutions</li> <li>• Approved according to PTB, OIML R 75, OIML R 117, CSA/FM and ATEX</li> </ul>   | 4/64            |                               |
| <b>SITRANS F M electromagnetic flowmeters - High-power AC magnetic flowmeter</b>     |  |   |                 |                               |
|     | <p>Designed for heavy-duty applications like pulp &amp; paper stock over 3%; heavy mining slurries and mining slurries with magnetic particles.</p>                  | <p><b>Transmitter Transmag 2</b></p> <ul style="list-style-type: none"> <li>• Magnetic flowmeter with a very strong pulsed AC magnetic field</li> <li>• PROFIBUS PA or HART communication</li> <li>• Self-test function</li> </ul>  | 4/79            | SIMATIC PDM                   |
|    | <p>Application in conjunction with transmitter Transmag 2</p>  | <p><b>Flow sensor 911/E</b></p> <ul style="list-style-type: none"> <li>• Metering tube: DN 15 ... DN 600 (½" ... 24")</li> <li>• Metering tube liner: rubber, PTFE, Novolak</li> <li>• Integral smartPLUG for storing of calibration values</li> <li>• Temperature of medium: -20 ... +150 °C (-4 ... +300 °F)</li> </ul>   | 4/84            |                               |
| <b>SITRANS F M electromagnetic flowmeters - Battery-operated magnetic watermeter</b> |  |   |                 |                               |
|   | <p>Battery-operated electromagnetic water meter for water applications within abstraction, distribution network, revenue metering and irrigation.</p>                | <p><b>Water meter MAG 8000</b></p> <ul style="list-style-type: none"> <li>• Battery-operated water meter</li> <li>• Metering tube DN 25 ... DN 600 (1" ... 24")</li> <li>• Remote and compact installation IP68/ NEMA 6P enclosure</li> <li>• Custody transfer approval: OIML R 49 and MI-001</li> <li>• Drinking water approvals</li> </ul>  | 4/94            | SIMATIC PDM and Flow Tool     |
| <b>SITRANS F C mass flowmeters</b>   |  |   |                 |                               |
|   | <p>Measurement of liquids and gases. Measurement of mass flow, density, temperature and fraction e.g. °Brix or °Plato.</p>   | <p><b>Flow sensors MASS 2100 (Single tube design) and FC300</b></p> <ul style="list-style-type: none"> <li>• DI 1.5, DI 3, DI 6, DI 15, DI 25, DI 40 and DN 4</li> <li>• Flow from 0.1 ... 52 000 kg/h</li> <li>• Pipe material: W 1.4435 (316L); W 2.4602 Hastelloy C22</li> <li>• Accuracy, typically: <ul style="list-style-type: none"> <li>- Flow: ≤ 0.1% of flow rate</li> <li>- Density: ≤ 0.0005 g/cm<sup>3</sup></li> </ul> </li> <li>• Liquid temp./pressure: -50 ... +180°C (-58 ... +356 °F) / Up to 410 bar (5946 psi)</li> <li>• Approved according to ATEX EEx ia IIC T3 ... T6</li> </ul> | 4/138,<br>4/142 |                               |







# SITRANS F flowmeters

## SITRANS F

### Product overview

4

|   | Application   | Description  | Catalog page | Software for parameterization |
|---|---|--|--------------|-------------------------------|
|   | <p>Measurement of liquids and gases. Measurement of mass flow, density, temperature and fraction e.g. °Brix or °Plato.</p>  | <p><b>Flow sensor MC2 (Dual tube design)</b></p> <ul style="list-style-type: none"> <li>• Standard MC2 <ul style="list-style-type: none"> <li>- DN 50, DN 65, DN 80, DN 100 and DN 150</li> <li>- Flow from 0 ... 510 000 kg/h / 112 400 lb/h</li> <li>- Tube material: W 1.4571 (316Ti) and Hastelloy C4</li> </ul> </li> <li>• Hygienic MC2 <ul style="list-style-type: none"> <li>- Approvals: EHEDG</li> <li>- DN 20, DN 25, DN 40, DN 50, DN 65 and DN 80</li> <li>- Flow from 0 ... 113 600 kg/h / 250 000 lb/h</li> <li>- Tube material: W 1.4435 (316L)</li> <li>- Connectors: DIN 11851, DIN 32676 and DIN 11864-2A</li> </ul> </li> <li>• Accuracy: ≤ 0.15% of rate</li> <li>• Density: ≤ 0.001 g/cm<sup>3</sup></li> <li>• Liquid temp.: -50 ... +180 °C (-58 ... +356 °F)</li> <li>• Pressure: &lt; 100 bar (1450 psi)</li> <li>• Approvals: ATEX EEx em [ib] IIC T2 ... T6</li> </ul> | 4/156        |                               |
|   | <p>Measurement of liquids and gases<br/>Multiparameter transmitter for remote or compact mounting measuring mass flow, density, temperature and fraction e.g. °Brix and °Plato</p>  | <p><b>Transmitters MASS 6000 and MASS 6000 Ex d</b></p> <ul style="list-style-type: none"> <li>• Digital signal processing measuring 30 times a second.</li> <li>• 3 current, 2 freq. and 2 relay outputs</li> <li>• Adaptive batch function</li> <li>• SENSORPROM memory unit making it easy to start up the flowmeter.</li> <li>• Easy retrofitting of communication modules (AOM)</li> <li>• Approved according to ATEX [EEx ia] IIC / EEx de [ia/ib] IIC T6</li> </ul>   | 4/119, 4/130 | SIMATIC PDM                   |
| <b>SITRANS F US ultrasonic in-line flowmeters</b>   |   |  |              |                               |
|    | <p>SITRANS FUS060 is a time based transmitter designed for ultrasonic flowmetering for any pipe in the F US in-line series up to DN 4000</p>  | <p><b>SITRANS FUS060 transmitter</b></p> <ul style="list-style-type: none"> <li>• EEx approved according to ATEX</li> <li>• HART communication + 1 analog output, 1 digital output for frequency or pulse and 1 relay output for alarms and flow direction</li> <li>• PROFIBUS PA communication with 1 digital output for frequency or pulse</li> <li>• Multi-functional output for process control</li> <li>• Easy menu based local operation with two-line display</li> </ul>  | 4/176        | SIMATIC PDM                   |
|    | <p>The main application for SONO 3300 ultrasonic flowmeters is to measure the volume flow of:</p> <ul style="list-style-type: none"> <li>• Water and treated waste water</li> <li>• Oil and liquefied gases</li> <li>• Hot water/cooling systems</li> </ul> | <p><b>SONO 3300/FUS060</b></p> <ul style="list-style-type: none"> <li>• Ex approved according to ATEX</li> <li>• DN 50 ... DN 300 (2" ... 12") steel pipes</li> <li>• PN 10 ... PN 40 or class 150 ... class 300 pressure rates</li> <li>• Flow 0.3 ... 3200 m<sup>3</sup>/h (1.3 ... 14 089 GPM)</li> <li>• No pressure drop</li> <li>• FUS060 transmitter for separate mounting</li> <li>• Signal cables from sensor to transducer are highly protected from aggressive environment by stainless steel pipes</li> </ul>  | 4/181        | SIMATIC PDM                   |

|   | Application  | Description   | Catalog page | Software for parameterization |
|---|--|---|--------------|-------------------------------|
|    | <p>The main application for SONO 3100 ultrasonic flowmeters is to measure the volume flow of:</p> <ul style="list-style-type: none"> <li>• Water and treated waste water</li> <li>• Oil and liquefied gases</li> <li>• Liquid cryogenic application</li> <li>• District heating systems</li> </ul> | <p><b>SONO 3100/FUS060</b></p> <ul style="list-style-type: none"> <li>• DN 100 ... DN 1200 (4" ... 48")</li> <li>• Pipe in carbon or stainless steel</li> <li>• Transducers can be replaced under pressure</li> <li>• ATEX-approved</li> <li>• Measure of all liquids less than 350 Cst, conductive or non-conductive</li> <li>• No pressure drop</li> <li>• 4-track on request</li> <li>• Special material on request</li> </ul>                     | 4/186        | SIMATIC PDM                   |
|    | <p>Installation of one, two or four transducer sets in existing concrete or steel pipes.</p>   | <p><b>SONOKIT</b></p> <ul style="list-style-type: none"> <li>• DN 100 ... DN 4000 (4" ... 160")</li> <li>• Control and display unit</li> <li>• Temperature of medium: -20 ... +200 °C (-4 ... +395 °F)</li> <li>• Installation on empty pipes or pipes under pressure (hot-tap installation)</li> </ul>   | 4/194        | SIMATIC PDM                   |
|    | <p>Battery or mains-powered ultrasonic flowmeter for use within water-based district heating, cooling systems and utility.</p> <p>The FUS380 can also be used for water irrigation systems.</p> <p>SITRANS FUS380/FUE380 are designed to work with the SITRANS FUE950 energy calculator</p>        | <p><b>FUS380/FUE380</b></p> <ul style="list-style-type: none"> <li>• <i>FUS380/FUE380</i>: DN 50 ... DN 1200 (2" ... 48")</li> <li>• <i>FUE380</i>: Approved for custody transfer according to EN 1434 Class 2, OIML R 75 and MID</li> <li>• FUS380/FUE380: Red brass or painted carbon steel flanges and metering tube. AISI transducers</li> <li>• Water temperatures 2 ... 200 °C (35.6 ... 392 °F)</li> <li>• Battery or mains-powered</li> </ul> | 4/202, 4/208 | SIMATIC PDM                   |
|  | <p>Universal thermal energy calculator for district heating and cooling applications.</p>  | <p><b>SITRANS FUE950</b></p> <ul style="list-style-type: none"> <li>• Choice of battery, 230 V AC +15%/-30% or 24 V AC</li> <li>• 24 months memory</li> <li>• Plug-in modules for data output, extra input, M-Bus</li> <li>• Complete set with sensors and sensor pockets</li> <li>• Meets the requirements of OIML R 75 and EN 1434</li> </ul>   | 4/218        |                               |
|  | <p>Battery-operated ultrasonic retrofit flowmeter for water applications within irrigation. Installation of one or two transducer sets in existing PVC or concrete pipes.</p>  | <p><b>SITRANS FUS880</b></p> <ul style="list-style-type: none"> <li>• Irrigation flowmeter FUS880</li> <li>• Battery or mains-powered</li> <li>• DN 200 ... DN 1200 (8" ... 48")</li> <li>• Wetted transducer technology</li> <li>• Remote installation IP67</li> </ul>   | 4/224        | SIMATIC PDM                   |
|  | <p>Accessories and spare parts for older flowmeter systems type SITRANS F US SONOFLO</p>   | <p>Spare parts for sensors and transmitters of older flowmeter type SONOFLO:</p> <p>E.g. transducer type SONO 3200, coaxial cables, SONO 3000 transmitter spare parts, SENSORPROM</p>   | 4/229        |                               |


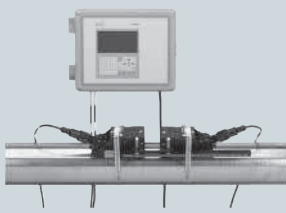


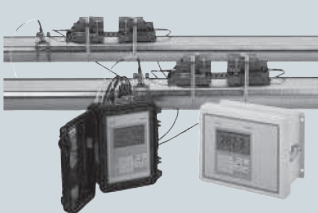



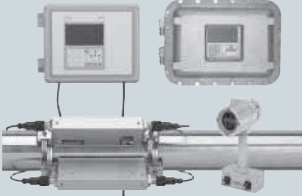
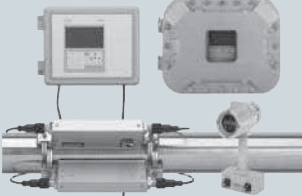
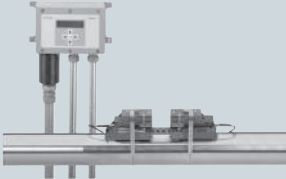
# SITRANS F flowmeters

## SITRANS F

### Product overview

6



|   | Application   | Description  | Catalog page | Software for parameterization |
|---|---|--|--------------|-------------------------------|
| <b>SITRANS F US ultrasonic clamp-on flowmeters</b>                                  |   |  |              |                               |
|    | <p>The thickness gauge can be used in any field application where there is a need for flow measurement. Including but not limited to:</p> <ul style="list-style-type: none"> <li>• Water and waste water</li> <li>• Energy measurement</li> <li>• Oil and gas industries</li> </ul>   | <p><b>Thickness gauge</b></p> <p>The hand-held micro-processor controlled gauge is designed to measure the thickness of various metallic or non-metallic pipes.</p> <ul style="list-style-type: none"> <li>• Materials include steel, aluminium, titanium, plastics and ceramics</li> <li>• Measurements shown in millimeter or inches</li> <li>• Simple-to-read 4-digit LCD display</li> <li>• Weighs 150 g (5.3 oz)</li> <li>• Battery operation for 250 h</li> </ul>  | 4/232        |                               |
|    | <p>Dedicated flowmeters are suitable for a wide variety of liquid applications, including those in the:</p> <ul style="list-style-type: none"> <li>• Water Industry</li> <li>• Wastewater Industry</li> <li>• HVAC Industry</li> <li>• Power Industry</li> <li>• Processing Industry</li> </ul>   | <p><b>SITRANS FUS1010 General purpose</b></p> <ul style="list-style-type: none"> <li>• Basic function dedicated meter</li> <li>• Full range of safety approvals, I/O's and enclosure types available</li> <li>• Has wide applicability but not the special functions found in FUH1010, FUG1010 and FUE1010 meters</li> <li>• Hazardous area approvals: FM, CSA, ATEX</li> </ul>  | 4/244        |                               |
|   | <p>Portable flowmeters are suitable for a wide variety of liquid applications, including those in the:</p> <ul style="list-style-type: none"> <li>• Water Industry</li> <li>• Wastewater Industry</li> <li>• HVAC Industry</li> <li>• Power Industry</li> <li>• Processing Industry</li> </ul>  | <p><b>SITRANS FUP1010 Portable</b></p> <ul style="list-style-type: none"> <li>• Basic function portable meter</li> <li>• Has all the capabilities of the FUS1010 meter but in a battery-powered, portable configuration</li> <li>• Ideal for high-accuracy flow survey applications</li> <li>• Not available with hazardous area approvals</li> <li>• Unclassified, ordinary location approvals: UL, C-UL, CE</li> </ul>   | 4/252        |                               |
|  | <p>The SITRANS FUP1010 check meter measures practically all conductive or non-conductive clean or moderately aerated liquids or liquids with suspended solids. This basic feature enables the performance check and verification of existing meters used in various water and wastewater applications such as:</p> <ul style="list-style-type: none"> <li>• Water Industry <ul style="list-style-type: none"> <li>- Raw water</li> <li>- Potable water</li> <li>- Chemicals</li> </ul> </li> <li>• Wastewater industry <ul style="list-style-type: none"> <li>- Raw sewage</li> <li>- Effluent</li> <li>- Sludges</li> <li>- Mixed liquor</li> <li>- Chemicals</li> </ul> </li> </ul> | <p><b>SITRANS FUP1010 Portable Check metering kit</b></p> <ul style="list-style-type: none"> <li>• Pipe sizes 25.4 mm to 9.14 m (1" to 360")</li> <li>• Current, voltage, frequency and RS 232 outputs</li> <li>• Optional current, voltage and temperature inputs</li> <li>• Zeromatic Path automatically sets zero</li> <li>• Bi-directional flow operation</li> <li>• 1 MByte data logger with both site and data logger storage</li> </ul>   | 4/257        |                               |
|  | <p>Portable and dedicated energy meters are ideal for thermal energy / power applications:</p> <ul style="list-style-type: none"> <li>• Chilled &amp; hot water submetering</li> <li>• Condenser water, potable water</li> <li>• Glycol and brine solution</li> <li>• Thermal storage</li> </ul>  | <p><b>SITRANS FUE1010 Energy</b></p> <ul style="list-style-type: none"> <li>• Accurate absolute and differential temperature measurement with two matched 1000 <math>\Omega</math> RTD elements installed on supply and return side of the heating or cooling system</li> <li>• Efficiency calculation (kW/ton, EER or COP) available in systems with optional analog input</li> <li>• Dedicated available with hazardous area approvals: FM, CSA</li> <li>• Portable available with unclassified/ordinary locations approval: UL, C-UL, FM</li> </ul> | 4/258        |                               |

|   | Application   | Description   | Catalog page | Software for parameterization |
|---|---|---|--------------|-------------------------------|
|    | <p>The SITRANS FUE1010 check metering kit is a highly accurate clamp-on non-intrusive ultrasonic flow display computer for revenue grade thermal energy sub-metering and energy efficiency distribution monitoring, with a real-time coefficient of performance (COP) for HVAC systems. This kit is ideal for applications which include:</p> <ul style="list-style-type: none"> <li>• Chilled water sub-metering</li> <li>• Condenser water</li> <li>• Potable water</li> <li>• Ammonia and glycol</li> <li>• River and lake water</li> <li>• Lake source cooling</li> </ul> | <p><b>SITRANS FUE1010 HVAC Check metering kit</b></p> <ul style="list-style-type: none"> <li>• Pipe sizes 25.4 mm to 9.14 m (1" to 360")</li> <li>• Built-in energy/BTU mode</li> <li>• 4-wire 1000 <math>\Omega</math> platinum RTDs for supply and return temperature measurements are precision matched to within 0.01 °C (0.02 °F)</li> <li>• Chiller efficiency analysis: accepts an independent analog input representing kW usage for calculation of the following functions which can be selected for data logging or output purposes: <ul style="list-style-type: none"> <li>- Cooling load (kW/ton)</li> <li>- Coefficient of performance (COP)</li> <li>- Energy efficiency ratio (EER)</li> </ul> </li> <li>• Current, voltage, frequency and RS 232 outputs</li> <li>• 1 MByte data logger with both site and data logger storage</li> </ul> | 4/265        |                               |
|   | <p>Dedicated hydrocarbon flowmeters are ideal for crude oil, refined petroleum or liquefied gas. There are three application areas:</p> <ul style="list-style-type: none"> <li>• Viscosity compensated volumetric flowmeters</li> <li>• Standard volume (Net) mass flowmeters</li> <li>• Interface detectors/density meters</li> </ul>  | <p><b>SITRANS FUH1010 Oil</b></p> <ul style="list-style-type: none"> <li>• Volumetric flowmeters output viscosity compensated gross volume to external RTU's or flow computers</li> <li>• Mass flowmeters output standard volume (net) mass flow, API, liquid identification, density, interface &amp; pig detection</li> <li>• Interface Detectors are used for liquid identification and API density output, but do not output flow</li> <li>• Hazardous area approvals: FM, CSA, ATEX</li> </ul>   | 4/266        |                               |
|  | <p>Dedicated gas flowmeters are ideal for most natural and process gas industry applications, including:</p> <ul style="list-style-type: none"> <li>• Checkmetering</li> <li>• Allocation</li> <li>• Flow survey verification</li> <li>• Lost and unaccounted for (LAUF) gas analysis</li> <li>• Production</li> </ul>  | <p><b>SITRANS FUG1010 Gas</b></p> <ul style="list-style-type: none"> <li>• Suitable for most gases (natural gas, oxygen, nitrogen, carbon monoxide, etc.) with typical minimum operating pressure of 10 barg (145 psig).</li> <li>• Standard volume or mass flow output for fixed gas compositions</li> <li>• Analog input for pressure and temperature compensation</li> <li>• Hazardous area approvals: FM, CSA, ATEX</li> </ul>  | 4/273        |                               |
|  | <p>Dedicated flowmeter is a basic option for many clean liquid applications in the:</p> <ul style="list-style-type: none"> <li>• Water Industry</li> <li>• Wastewater Industry</li> <li>• HVAC &amp; Power Industries</li> <li>• Processing Industry</li> </ul>   | <p><b>SITRANS FUS1020 Basic</b></p> <ul style="list-style-type: none"> <li>• Has FUS1010 system function but without the same I/O capability or safety approval ratings</li> <li>• This basic meter is intended for single liquid applications that do not require these features</li> <li>• Not available with hazardous area approvals</li> <li>• Unclassified, ordinary locations approvals: UL, C-UL, CE</li> </ul>   | 4/280        |                               |

# SITRANS F flowmeters

## SITRANS F

### Product overview

|   | Application   | Description  | Catalog page | Software for parameterization |
|---|---|--|--------------|-------------------------------|
| <b>Continuous measurement - Open channel flow</b>                                 |   |  |              |                               |
|  | High accuracy ultrasonic flow monitor for open channels to complete system studies  | <b>OCM III</b> <ul style="list-style-type: none"> <li>• High accuracy on unique or non-standard weirs and flumes</li> <li>• AC and DC operation.</li> <li>• Automatically switches to battery operation for uninterrupted power.</li> <li>• Low-power remote monitoring</li> </ul>   | 4/291        |                               |
| <b>SITRANS F X Vortex Flowmeter</b>   |   |  |              |                               |
|  | Measurement of steam, gases and liquids in: <ul style="list-style-type: none"> <li>• Chemical</li> <li>• HVAC / Power plants</li> <li>• Oil &amp; Gas</li> <li>• Food &amp; Beverage</li> <li>• Pharma</li> </ul> | <b>SITRANS FX300</b> <ul style="list-style-type: none"> <li>• Flange DN 15 ... DN 300 (½" ... 12")<br/>Sandwich DN 15 ... DN 100 (½" ... 4")</li> <li>• 2-wire device 4 ... 20 mA, with integrated temperature and pressure sensors for compensation</li> <li>• HART communication</li> <li>• Medium temp.: -40 ... 240 °C (-40 ... 464 °F)</li> <li>• Medium pressure: up to 100 bar (1450 psi)</li> <li>• Hazardous area approvals: FM, CSA, ATEX</li> </ul> | 4/294        |                               |



## Overview

### Criteria for selection of flowmeter

Each method for measuring flow has specific properties, and each flow measuring point is characterized by specific requirements. The table shown below compares the properties of the various measuring instruments and thus provides assistance in selection of the optimum device.

This section of the field device catalog includes the following instruments for measuring flow:

- Electromagnetic
- Coriolis mass flow
- Ultrasonic
- Vortex volumetric- and mass flow
- Variable area meter
- Orifice plate
- Rotary-piston meters and drum meters

| Measuring principle         |            | Electro-magnetic                  | Coriolis                      | Ultrasonic (In-line)  | Vortex                      | Orifice plate                 | Rotary-piston meter               | Variable area meter                        |
|-----------------------------|------------|-----------------------------------|-------------------------------|---|-----------------------------|-------------------------------|-----------------------------------|--|
| Medium                      |            | Liquid (conductive)               | Liquid or gas                 | Liquid  | Steam/vapor, gases, liquid  | Liquid, vapor, gas            | Liquid                            | Liquid or gas                              |
| Nominal diameter            |            | DN 2 ... 2000 (0.08" ... 78")     | 1.5 ... 150 mm (0.06" ... 6") | DN 50 ... 4000 (2" ... 160")<br>optional down to DN 15 (½") | DN 15 ... 300 (½" ... 12")  | DN 10 ... 1000 (0.4" ... 40") | DN 15 ... 80 (½" ... 3")          | DN 10 ... 100 (0.4" ... 4")<br>G½" ... G3" |
| Temperature range           | °C (°F)    | -40 ... +200 (-40 ... +392)       | -50 ... +180 (-58 ... +356)   | -200 ... +250 (-328 ... +482)                               | -40 ... +240 (-40 ... +464) | -200 ... +500 (-328 ... +932) | -30 ... +300 (-22 ... +572)       | -20 ... +300 (-4 ... +572)                 |
| Max. pressure               | bar (psi)  | 160 (2 320), optional higher      | Up to 410 (Up to 5 950)       | 40 (580) optionally 430 (6 235)                             | 100 (1 450)                 | 315 (4 569)                   | 63 (914)                          | 40 (580)                                   |
| Accuracy                    | %          | ± 0.25 or ± 0.5                   | ± 0.1 or ± 0.15               | ± 0.5 ... ± 2   | ± 0.75 ... ± 1              | ± 0.5 ... ± 2                 | ± 0.2 ... ± 0.5                   | ± 2  |
| Repeatability               | %          | 0.1 ... 0.2                       | 0.05                          | 0.25  | 0.1                         | 0.5                           | 0.005                             | 0.5  |
| Dynamic response range      |            | 1:100                             | 1:100                         | 1:100   | 1:25                        | 1:6                           | 1:10                              | 1:10                                       |
| Start-of-scale value        | m/s (ft/s) | 0 (0)                             | 0 (0)                         | 0.1 (0.33)  | 0.4 (1.31)<br>2.0 (6.56)    | Re > 500                      | 0.3 (0.98)                        | 0.2  |
| Full-scale value            |            |                                   |                               |   |                             | Re < 10 <sup>8</sup>          |                                   |  |
| • For liquids               | m/s (ft/s) | 0.25 ... 10 (0.825 ... 33)        | 10 (32.8)                     | 10 (32.8)   | 10 (32.8)                   | 3                             | 3                                 | 3.5 (11.4)                                 |
| • For steam/vapor, gases    | m/s (ft/s) |                                   | Approx. 300 (1000)            |   | 80 (262.5)                  | 50/25 (164/82)                |                                   | 60 (197)                                   |
| <b>Measured values</b>      |            |                                   |                               |   |                             |                               |                                   |  |
| • Volume flow               |            | •                                 | •                             | •   | •                           | •                             | •                                 | •  |
| • Sound velocity            |            |                                   |                               | •   |                             |                               |                                   |  |
| • Sound amplitude           |            |                                   |                               | •   |                             |                               |                                   |  |
| • Density                   |            |                                   | •                             |   |                             |                               |                                   |  |
| • Mass flow                 |            |                                   | •                             | •   | •                           |                               |                                   |  |
| • Bidirectional measurement |            | •                                 | •                             | •   |                             | •                             |                                   |  |
| <b>Use</b>                  |            |                                   |                               |   |                             |                               |                                   |  |
| • For custody transfer      |            | •                                 | •                             | •   |                             |                               | •                                 |  |
| • As batching system        |            | •                                 | •                             |   |                             |                               | •                                 |  |
| • In viscosity range        | mPa·s (cp) | 0.1 ... 100 000 (0.1 ... 100 000) | 0 ... 100 000 (0 ... 100 000) | 0 ... 350 (0 ... 350)                                       | 0 ... 10 (0 ... 10)         | 0 ... 10 (0 ... 10)           | 0.3 ... 350 000 (0.3 ... 350 000) | 0.5 ... 100 (0.5 ... 100)                  |
| <b>Power supply</b>         |            | Mains or battery                  | Mains                         | Mains or battery  | 2-wire                      | 2-wire                        | non                               | non  |

# SITRANS F flowmeters

## SITRANS F

### Introduction

#### Communication solutions

| Transmitter  | HART          | PROFIBUS PA   | PROFIBUS DP   | FOUNDATION Fieldbus | FOUNDATION Fieldbus H1 | DeviceNet | Modbus RTU             |
|--|---------------|---------------|---------------|---------------------|------------------------|-----------|------------------------|
| SITRANS F M MAG 5000                               | • 1) 2) 4)    |               |               |                     |                        |           |                        |
| SITRANS F M MAG 6000                               | • 1) 2) 4) 5) | • 1) 5) 6) 7) | • 1) 5) 6) 7) |                     | • 2) 4) 5)             | • 5)      | • 1) 5) 10)            |
| SITRANS F M MAG 5000/6000 CT <sup>8)</sup>         |               |               |               | • 2) 5)             |                        |           |                        |
| SITRANS F M MAG 6000 I                             | • 1) 2) 4) 5) | • 1) 5) 6) 7) | • 1) 5) 6) 7) | • 2) 5)             | • 2) 4) 5)             | • 5)      | • 1) 5) 10)            |
| SITRANS F M MAG 6000 I Ex-d                        | • 1) 2) 4) 5) | • 1) 5) 6) 7) |               | • 2) 5)             | • 2) 4) 5)             | • 5)      |                        |
| SITRANS F M Transmag 2                             | • 1) 4)       | • 1) 6)       |               |                     |                        |           |                        |
| SITRANS FM MAG 8000                                |               |               |               |                     |                        |           | • 1) 3) 10) 11) 12)    |
| SITRANS F C MASS 6000                              | • 1) 2) 4) 5) | • 1) 5) 6) 7) | • 1) 5) 6) 7) | • 2) 5)             | • 2) 4) 5)             | • 5)      | • 1) 10)               |
| SITRANS F C MASS 6000 Ex d                         | • 1) 2) 4) 5) | • 1) 5) 6) 7) |               | • 2) 5)             | • 2) 4) 5)             | • 5)      |                        |
| SITRANS FUS060                                     | • 1)          | • 1) 6)       |               |                     |                        |           |                        |
| SITRANS FUS080 (FUS380)                            |               |               |               |                     |                        |           | • 1) 5) 10) 11) 12)    |
| SITRANS FUE080 (FUS380)                            |               |               |               |                     |                        |           | • 1) 5) 8) 10) 11) 12) |
| SITRANS FUS1010 <sup>9)</sup>                      |               |               |               |                     |                        |           | • 9) 10) 11)           |
| SITRANS FX300                                      | • 1)          |               |               |                     |                        |           |                        |
| SITRANS P DS III<br>Differential pressure and flow | • 1) 2)       | • 1) 2) 7)    |               | • 2)                |                        |           |                        |

- 1) Supports SIMATIC PDM
- 2) Supports AMS
- 3) Supports Siemens Flow Tool
- 4) Supports HH275/375
- 5) Pluggable add-on modules
- 6) Profile 2

- 7) Profile 3
- 8) CT versions are not approved with communication modules.
- 9) All wall mount models
- 10) RS485
- 11) RS232
- 12) IrDA (Infrared)

#### Overview



SITRANS F M products

SITRANS F M electromagnetic flowmeters are designed for measuring the flow of electrically conductive mediums.

#### Benefits



##### Greater flexibility

- Wide product program
- Compact or remote installation using the same transmitter and sensor
- USM II communication platform for easy integration with all systems

##### Easier commissioning of MAG 5000, 6000, 6000 I

All SITRANS F M pulsed DC electromagnetic flowmeters feature a unique SENSORPROM memory unit which stores sensor calibration data and transmitter settings for the lifetime of the product.

At commissioning the flowmeter commences measurement without any initial programming.

The factory settings matching the sensor size are stored in the SENSORPROM unit. Also customer specified settings are downloaded to the unit. Should the transmitter be replaced, the new transmitter will upload all previous settings and resume measurement without any need for reprogramming.

Further, the „fingerprint“ used in connection with the SITRANS F M Vericator is stored during the initial sensor calibration.

##### Easier service

Transmitter replacement requires no programming. SENSORPROM automatically updates all settings after initialization.

##### Room for growth

USM II the Universal Signal Module with "plug & play" simplicity, makes it easy to access and integrate the flow measurement with almost any system and bus-protocol and it ensures the flowmeter will be easy to upgrade to future communication/bus platforms.

#### Application

Electromagnetic flowmeters are suitable for measuring the flow of almost all electrically conductive liquids, pastes and slurries.

A prerequisite is that the medium must have a minimum conductivity of 5  $\mu\text{S}/\text{cm}$ . The temperature, pressure, density and viscosity have no influence on the result.

The main applications of the electromagnetic flowmeters can be found in the following sectors:

- Water and waste water
- Chemical and pharmaceutical industries
- Food and beverage industry
- Mining, aggregates and cements industries
- Pulp and paper industry
- Steel industry
- Power; utility and chilled water industry

The wide variety of combinations and versions from the modular system means that ideal adaptation is possible to each measuring task.



# SITRANS F flowmeters

## SITRANS F M

### System information SITRANS F M electromagnetic flowmeters

Please see Product selector on the Internet, since some constrains might be related to some of the features:

[www.pia-selector.automation.siemens.com](http://www.pia-selector.automation.siemens.com)



|          |             |            |            |          |             |            |                         |                          |
|----------|-------------|------------|------------|----------|-------------|------------|-------------------------|--------------------------|
|          |             |            |            |          |             |            |                         |                          |
| MAG 3100 | MAG 3100 HT | MAG 3100 P | MAG 5100 W | MAG 1100 | MAG 1100 HT | MAG 1100 F | 911/E                   | MAG 8000/<br>MAG 8000 CT |
| 7ME6310  | 7ME6320     | 7ME6340    | 7ME6520    | 7ME6110  | 7ME6120     | 7ME6140    | 7ME51<br>7ME52<br>7ME53 | 7ME6810<br>7ME6820       |

#### Industry

|                             |     |     |     |     |     |     |     |     |     |
|-----------------------------|-----|-----|-----|-----|-----|-----|-----|-----|-----|
| Water / waste water         | XX  |     | X   | XXX | XX  |     |     |     | XXX |
| Chemical                    | XXX | XXX | XXX | X   | XXX | XXX | XX  |     | X   |
| Pharma                      | XX  | XX  | XX  | X   | XX  | XX  | XXX |     | X   |
| Food & beverage             | X   | X   | X   | X   | XX  |     | XXX |     | X   |
| Mining, aggregates & cement | XXX |     |     | X   | XX  |     |     | XXX | X   |
| HPI                         | XX  | X   | XX  | X   | XX  | X   |     |     | X   |
| Other                       | XX  | XX  | XX  | XX  | XX  | XX  | XX  | XXX | X   |

#### Design

|                                      |   |   |   |   |   |   |   |   |   |
|--------------------------------------|---|---|---|---|---|---|---|---|---|
| Compact                              | ● | ● | ● | ● | ● |   | ● | ● | ● |
| Remote                               | ● | ● | ● | ● | ● | ● | ● | ● | ● |
| Constant field (DC)                  | ● | ● | ● | ● | ● | ● | ● | ● | ● |
| Alternating field (AC)               |   |   |   |   |   |   |   | ● |   |
| Battery-operated constant field (DC) |   |   |   |   |   |   |   |   | ● |

#### Size

|                |   |   |   |   |   |   |   |   |   |
|----------------|---|---|---|---|---|---|---|---|---|
| DN 2 (1/12")   |   |   |   |   | ● |   |   |   |   |
| DN 3 (1/8")    |   |   |   |   | ● |   |   |   |   |
| DN 6 (1/4")    |   |   |   |   | ● |   |   |   |   |
| DN 10 (3/8")   |   |   |   |   | ● |   | ● |   |   |
| DN 15 (1/2")   | ● | ● | ● |   | ● | ● | ● | ● |   |
| DN 20 (3/4")   |   |   |   |   |   |   |   | ● |   |
| DN 25 (1")     | ● | ● | ● | ● | ● | ● | ● | ● | ● |
| DN 32 (1 1/4") |   |   |   |   |   |   | ● | ● |   |
| DN 40 (1 1/2") | ● | ● | ● | ● | ● | ● | ● | ● | ● |
| DN 50 (2")     | ● | ● | ● | ● | ● | ● | ● | ● | ● |
| DN 65 (2 1/2") | ● | ● | ● | ● | ● | ● | ● | ● | ● |
| DN 80 (3")     | ● | ● | ● | ● | ● | ● | ● | ● | ● |
| DN 100 (4")    | ● | ● | ● | ● | ● | ● | ● | ● | ● |
| DN 125 (5")    | ● | ● | ● | ● |   |   |   | ● | ● |
| DN 150 (6")    | ● | ● | ● | ● |   |   |   | ● | ● |
| DN 200 (8")    | ● | ● | ● | ● |   |   |   | ● | ● |
| DN 250 (10")   | ● | ● | ● | ● |   |   |   | ● | ● |
| DN 300 (12")   | ● | ● | ● | ● |   |   |   | ● | ● |
| DN 400 (16")   | ● |   |   | ● |   |   |   | ● | ● |
| DN 450 (18")   | ● |   |   | ● |   |   |   | ● | ● |
| DN 500 (20")   | ● |   |   | ● |   |   |   | ● | ● |
| DN 600 (24")   | ● |   |   | ● |   |   |   | ● | ● |
| DN 700 (28")   | ● |   |   | ● |   |   |   |   | ● |
| DN 750 (30")   | ● |   |   | ● |   |   |   |   | ● |
| DN 800 (32")   | ● |   |   | ● |   |   |   |   | ● |
| DN 900 (36")   | ● |   |   | ● |   |   |   |   | ● |
| DN 1000 (40")  | ● |   |   | ● |   |   |   |   | ● |
| DN 1050 (42")  | ● |   |   | ● |   |   |   |   | ● |
| DN 1100 (44")  | ● |   |   | ● |   |   |   |   | ● |
| DN 1200 (48")  | ● |   |   | ● |   |   |   |   | ● |
| DN 1400 (54")  | ● |   |   |   |   |   |   |   | ● |
| DN 1500 (60")  | ● |   |   |   |   |   |   |   |   |
| DN 1600 (66")  | ● |   |   |   |   |   |   |   |   |
| DN 1800 (72")  | ● |   |   |   |   |   |   |   |   |
| DN 2000 (78")  | ● |   |   |   |   |   |   |   |   |

● = available, X = can be used, XX = often used, XXX = most often used

# SITRANS F flowmeters

## SITRANS F M

System information SITRANS F M  
electromagnetic flowmeters

Please see Product selector on the Internet,  
since some constraints might be related to  
some of the features:

[www.pia-selector.automation.siemens.com](http://www.pia-selector.automation.siemens.com)



|  |          |             |            |            |          |             |            |                         |                          |
|--|----------|-------------|------------|------------|----------|-------------|------------|-------------------------|--------------------------|
|  |          |             |            |            |          |             |            |                         |                          |
|  | MAG 3100 | MAG 3100 HT | MAG 3100 P | MAG 5100 W | MAG 1100 | MAG 1100 HT | MAG 1100 F | 911/E                   | MAG 8000/<br>MAG 8000 CT |
|  | 7ME6310  | 7ME6320     | 7ME6340    | 7ME6520    | 7ME6110  | 7ME6120     | 7ME6140    | 7ME51<br>7ME52<br>7ME53 | 7ME6810<br>7ME6820       |

| Process connection                        |    |    |   |   |   |   |   |                   |   |
|---|----|----|---|---|---|---|---|-------------------|---|
| Wafer design                              |    |    |   |   | • | • |   |                   |   |
| Sanitary process connections              |    |    |   |   |   |   | • |                   |   |
| Flanges                                   | •  | •  | • | • |   |   |   | •                 | • |
| Flange norms                              |    |    |   |   |   |   |   |                   |   |
| EN 1092-1                                 | •  | •  | • | • |   |   |   | •                 | • |
| ANSI B 16.5 class 150                     | •  | •  | • | • |   |   |   | •                 | • |
| ANSI B 16.5 class 300                     | •  | •  |   |   |   |   |   | •                 |   |
| AWWA class D                              | •  |    |   | • |   |   |   |                   |   |
| AS 2129                                   | •  | •  |   |   |   |   |   |                   |   |
| AS 4087, PN 16                            | •  | •  |   | • |   |   |   |                   | • |
| AS 4087, PN 21                            | •  | •  |   |   |   |   |   |                   |   |
| AS 4087, PN 35                            | •  | •  |   |   |   |   |   |                   |   |
| JIS 10K                                   | 3) | 3) |   |   |   |   |   | •                 |   |
| Pressure rating <sup>1)</sup>             |    |    |   |   |   |   |   |                   |   |
| PN 6                                      | •  |    |   |   |   |   |   |                   |   |
| PN 10                                     | •  | •  | • | • |   |   |   | •                 | • |
| PN 16                                     | •  | •  | • | • | • |   | • | •                 | • |
| PN 25                                     | •  | •  |   |   |   |   |   | •                 |   |
| PN 40                                     | •  | •  | • | • | • | • | • | •                 | • |
| PN 63                                     | •  |    |   |   |   |   |   |                   |   |
| PN 100                                    | •  |    |   |   |   |   |   |                   |   |
| Accuracy                                  |    |    |   |   |   |   |   |                   |   |
| 0.2%                                      |    |    |   |   |   |   |   |                   | • |
| 0.25%                                     | •  | •  | • | • | • | • | • |                   |   |
| 0.4%                                      |    |    |   |   |   |   |   |                   | • |
| 0.5%                                      | •  | •  | • | • | • | • | • | •                 |   |
| Grounding electrodes, incl. <sup>2)</sup> | •  |    |   | • |   |   |   | (•)               | • |
| Cable glands                              |    |    |   |   |   |   |   |                   |   |
| PG 13.5                                   |    |    |   |   |   |   |   | •                 |   |
| M20                                       | •  | •  | • | • | • | • | • | •                 | • |
| ½" NPT                                    | •  | •  | • | • | • | • | • | •                 |   |
| Materials / temperature:                  |    |    |   |   |   |   |   |                   |   |
| Liner material / max. temperatures        |    |    |   |   |   |   |   |                   |   |
| NBR Hard Rubber: 70 °C (158 °F)           |    |    |   | • |   |   |   |                   |   |
| EPDM: 70 °C (158 °F)                      | •  |    |   | • |   |   |   | • <sup>5)</sup>   | • |
| Neoprene: 70 °C (158 °F)                  | •  |    |   | • |   |   |   | •                 |   |
| PTFE: 100 °C (212 °F)                     | •  |    |   |   |   |   |   |                   |   |
| PTFE: 130 °C (266 °F)                     |    | •  | • |   |   |   |   | •                 |   |
| PTFE: 180 °C (356 °F)                     |    | •  |   |   |   |   |   | (•) <sup>4)</sup> |   |
| Ebonite: 95 °C (203 °F)                   | •  |    |   |   |   |   |   |                   |   |
| Linatex: 70 °C (158 °F)                   | •  |    |   |   |   |   |   |                   |   |
| Ceramic: 150 °C (302 °F) <sup>6)</sup>    |    |    |   |   | • |   | • |                   |   |
| Ceramic: 200 °C (392 °F)                  |    |    |   |   |   | • |   |                   |   |
| PFA: 100 °C (212 °F)                      | •  |    |   |   |   |   |   |                   |   |
| PFA: 150 °C (302 °F)                      |    | •  | • |   | • |   | • |                   |   |
| Novolak: 130 °C (266 °F)                  |    |    |   |   |   |   |   | •                 |   |

• = available

<sup>1)</sup> Pressure may be limited by the liner material chosen

<sup>2)</sup> Not for PTFE and PFA liner and tantalum/platinum electrodes.  
For 911/E grounding electrodes are optional

<sup>3)</sup> On request

<sup>4)</sup> 150 °C (302 °F)

<sup>5)</sup> 95 °C (203 °F)

<sup>6)</sup> ATEX: 180 °C (356 °F)

# SITRANS F flowmeters

## SITRANS F M

### System information SITRANS F M electromagnetic flowmeters

Please see Product selector on the Internet, since some constraints might be related to some of the features:

[www.pia-selector.automation.siemens.com](http://www.pia-selector.automation.siemens.com)



|  |          |             |            |            |          |             |            |                         |                          |
|--|----------|-------------|------------|------------|----------|-------------|------------|-------------------------|--------------------------|
|  |          |             |            |            |          |             |            |                         |                          |
|  | MAG 3100 | MAG 3100 HT | MAG 3100 P | MAG 5100 W | MAG 1100 | MAG 1100 HT | MAG 1100 F | 911/E                   | MAG 8000/<br>MAG 8000 CT |
|  | 7ME6310  | 7ME6320     | 7ME6340    | 7ME6520    | 7ME6110  | 7ME6120     | 7ME6140    | 7ME51<br>7ME52<br>7ME53 | 7ME6810<br>7ME6820       |

#### Materials (continued):

##### Electrodes

|                 |   |   |   |   |   |   |   |   |   |
|-----------------|---|---|---|---|---|---|---|---|---|
| S/S AISI 316 Ti | • | • |   |   |   |   |   | • |   |
| Hastelloy C     | • | • | • | • | • |   | • | • | • |
| Platinum        | • | • |   |   | • | • | • | • |   |
| Titanium        | • | • |   |   |   |   |   | • |   |
| Tantalum        | • |   |   |   |   |   |   | • |   |
| Monel           |   |   |   |   |   |   |   | • |   |

##### Flange/housing material

|                                |   |   |   |   |   |   |   |   |   |
|--------------------------------|---|---|---|---|---|---|---|---|---|
| Carbon steel                   | • | • | • | • |   |   |   | • | • |
| Stainless steel / carbon steel |   |   |   |   |   |   |   | • |   |
| Polished stainless steel       | • | • |   |   | • | • | • |   |   |

#### Approvals (Order as specials except for MAG 8000 CT version):

##### Custody transfer

|  |   |   |   |   |   |   |   |  |   |
|--|---|---|---|---|---|---|---|--|---|
| Cold water - MI 001 (EU)                             |   |   |   | • |   |   |   |  | • |
| Cold water - DANAK TS 22.36.001                      | • |   |   |   |   |   |   |  |   |
| Cold water pattern approval - OIML R 49 (Denmark)    |   |   | • | • |   |   |   |  |   |
| Cold water pattern approval PTB (Germany)            | • | • |   |   | • | • | • |  | • |
| Heat meter pattern approval - OIML R 75 (Denmark)    | • |   | • |   | • |   |   |  |   |
| Hot water pattern approval - PTB (Germany)           |   |   |   |   |   |   | • |  |   |
| Other media than water pattern approval - OIML R 117 | • |   |   |   | • |   | • |  |   |

##### Hazardous areas

|                      |   |   |   |   |   |   |   |  |  |
|----------------------|---|---|---|---|---|---|---|--|--|
| ATEX - 2 GD zone 1   | • | • | • |   | • | • | • |  |  |
| FM - class 1, div 2  | • | • | • | • | • | • | • |  |  |
| CSA - class 1, div 2 | • | • | • |   |   |   |   |  |  |

##### Hygienic

|                                   |   |  |  |   |  |  |   |  |   |
|-----------------------------------|---|--|--|---|--|--|---|--|---|
| 3A                                |   |  |  |   |  |  | • |  |   |
| Drinking water                    |   |  |  |   |  |  |   |  |   |
| WRAS (WRc) - (UK ) EPDM liner     | • |  |  | • |  |  |   |  | • |
| NSF/ANSI - (US ) NBR & EPDM liner |   |  |  | • |  |  |   |  | • |
| ACS (FR) EPDM liner               | • |  |  | • |  |  |   |  | • |
| Belgaque (B) EPDM liner           | • |  |  | • |  |  |   |  | • |
| DVGW-W270 (D) EPDM liner          | • |  |  | • |  |  |   |  | • |

##### Other

|  |   |   |   |                 |                 |   |                 |   |   |
|--|---|---|---|-----------------|-----------------|---|-----------------|---|---|
| GOSS / GOST (Russia )                  | • | • | • | •               | •               | • | •               |   | • |
| CRN (Canada)                           | • | • |   | • <sup>3)</sup> | • <sup>1)</sup> |   | • <sup>1)</sup> |   |   |
| Other national approvals, see internet | • | • | • | •               | •               | • | •               | • | • |

#### Verificator compatible<sup>2)</sup>

|  |   |   |   |   |   |   |   |  |  |
|--|---|---|---|---|---|---|---|--|--|
|  | • | • | • | • | • | • | • |  |  |
|--|---|---|---|---|---|---|---|--|--|

• = available

<sup>1)</sup> Only PFA liner.

<sup>2)</sup> Only for MAG 5000 and MAG 6000 transmitters.

<sup>3)</sup> Only DN 50 ... 300/2" ... 12".

14

# SITRANS F flowmeters

## SITRANS F M

System information SITRANS F M  
electromagnetic flowmeters

Please see Product selector on the Internet, since some constraints might be related to some of the features:

[www.pia-selector.automation.siemens.com](http://www.pia-selector.automation.siemens.com)



|          |          |            |                 |                        |                          |            |                      |
|----------|----------|------------|-----------------|------------------------|--------------------------|------------|----------------------|
|          |          |            |                 |                        |                          |            |                      |
| MAG 5000 | MAG 6000 | MAG 6000 I | MAG 6000 I Ex d | MAG 6000 + Ex barriere | MAG 6000 + Cleaning unit | Transmag 2 | MAG 8000/MAG 8000 CT |
| 7ME6910  | 7ME6920  | 7ME6930    | 7ME6930         | 7ME6920                | 7ME6920                  | 7ME5034    | 7ME6810<br>7ME6820   |

### Industry

|                             |     |     |    |     |   |    |     |     |
|-----------------------------|-----|-----|----|-----|---|----|-----|-----|
| Water / waste water         | XXX | XXX | XX | X   |   | XX |     | XXX |
| Chemical                    | X   | XX  | XX | XXX | X |    |     | X   |
| Pharma                      | X   | XXX | XX | XXX | X |    |     | X   |
| Food & beverage             | XX  | XXX | XX |     |   |    |     | X   |
| Mining, aggregates & cement | XX  | X   | XX | X   |   |    | XXX | X   |
| HPI                         | X   | X   | X  | XX  |   |    |     | X   |
| Other                       | XX  | XX  | XX | XX  |   |    | X   | X   |

### Design

|                                      |   |   |   |   |   |   |   |   |
|--------------------------------------|---|---|---|---|---|---|---|---|
| Compact                              | • | • | • | • |   |   | • | • |
| Remote                               | • | • | • | • | • | • | • | • |
| Constant field (DC)                  | • | • | • | • | • | • |   | • |
| Alternating field (AC)               |   |   |   |   |   |   | • |   |
| Battery operated constant field (DC) |   |   |   |   |   |   |   | • |

### Enclosure transmitter

|                    |   |   |   |   |   |   |   |                 |
|--------------------|---|---|---|---|---|---|---|-----------------|
| Polyamide, IP67    | • | • |   |   |   |   |   |                 |
| Die-cast aluminium |   |   | • | • |   |   | • |                 |
| Stainless steel    |   | • |   |   |   |   |   | • <sup>1)</sup> |
| 19" rack           | • | • |   |   | • | • |   |                 |
| Back of panel      | • | • |   |   | • | • |   |                 |
| Panel mounting     | • | • |   |   | • | • |   |                 |
| IP67 wall mounting | • | • | • | • | • | • |   |                 |

### Accuracy

|       |   |   |   |   |   |   |   |   |
|-------|---|---|---|---|---|---|---|---|
| 0.2%  |   |   |   |   |   |   |   | • |
| 0.25% |   | • | • | • | • | • |   |   |
| 0.4%  |   |   |   |   |   |   |   | • |
| 0.5%  | • |   |   |   |   |   | • |   |

### Communication

|                        |   |   |   |   |   |   |   |                 |
|------------------------|---|---|---|---|---|---|---|-----------------|
| HART                   | • | • | • | • | • | • | • |                 |
| PROFIBUS PA            |   | • | • | • | • | • | • |                 |
| PROFIBUS DP            |   | • | • |   | • | • |   |                 |
| FOUNDATION Fieldbus H1 |   | • | • | • | • | • |   |                 |
| DeviceNet              |   | • | • |   | • | • |   |                 |
| MODBUS RTU/RS 485      |   | • | • |   | • | • |   | • <sup>2)</sup> |

### Batching

|  |  |   |   |   |   |   |  |  |
|--|--|---|---|---|---|---|--|--|
|  |  | • | • | • | • | • |  |  |
|--|--|---|---|---|---|---|--|--|

### Electrode cleaning

|  |  |  |  |  |   |  |  |  |
|--|--|--|--|--|---|--|--|--|
|  |  |  |  |  | • |  |  |  |
|--|--|--|--|--|---|--|--|--|

### Cable glands

|         |   |   |                 |   |   |   |   |   |
|---------|---|---|-----------------|---|---|---|---|---|
| PG 13,5 |   |   |                 |   | • | • | • |   |
| M20     | • | • | • <sup>3)</sup> | • |   |   | • | • |
| ½" NPT  | • | • | •               | • |   |   | • |   |

• = available, X = can be used, XX = often used, XXX = most often used

<sup>3)</sup> M25

<sup>1)</sup> IP68 enclosure

<sup>2)</sup> Modbus RTU also as serial RS232

# SITRANS F flowmeters

## SITRANS F M

### System information SITRANS F M electromagnetic flowmeters

Please see Product selector on the Internet, since some constraints might be related to some of the features:  
[www.pia-selector.automation.siemens.com](http://www.pia-selector.automation.siemens.com)



|          |          |            |                 |                        |                          |            |                      |
|----------|----------|------------|-----------------|------------------------|--------------------------|------------|----------------------|
|          |          |            |                 |                        |                          |            |                      |
| MAG 5000 | MAG 6000 | MAG 6000 I | MAG 6000 I Ex d | MAG 6000 + Ex barriere | MAG 6000 + Cleaning unit | Transmag 2 | MAG 8000/MAG 8000 CT |
| 7ME6910  | 7ME6920  | 7ME6930    | 7ME6930         | 7ME6920                | 7ME6920                  | 7ME5034    | 7ME6810<br>7ME6820   |

#### Power supply

|               |                 |                 |   |   |   |                 |                    |
|---------------|-----------------|-----------------|---|---|---|-----------------|--------------------|
| 24 V          | ● <sup>1)</sup> | ● <sup>1)</sup> | ● | ● |   | ● <sup>1)</sup> | ● <sup>1) 2)</sup> |
| 115 V - 230 V | ●               | ●               | ● | ● | ● | ●               | ● <sup>2)</sup>    |
| Battery       |                 |                 |   |   |   |                 | ●                  |

#### Approvals:

##### Custody transfer

|  |   |   |  |  |  |  |   |
|--|---|---|--|--|--|--|---|
| Cold water - MI-001 (EU)                             | ● | ● |  |  |  |  | ● |
| Cold water - DANAK TS 22.36.001                      | ● | ● |  |  |  |  |   |
| Cold water pattern approval - OIML R 49 (Denmark)    | ● | ● |  |  |  |  | ● |
| Cold water pattern approval PTB (Germany)            | ● | ● |  |  |  |  | ● |
| Heat meter pattern approval - OIML R 75 (Denmark)    |   | ● |  |  |  |  |   |
| Hot water pattern approval PTB (Germany)             |   | ● |  |  |  |  |   |
| Other media than water pattern approval - OIML R 117 |   | ● |  |  |  |  |   |

##### Hazardous areas

|                           |   |   |   |   |     |   |  |
|---------------------------|---|---|---|---|-----|---|--|
| ATEX - 2 GD zone 1        |   |   |   | ● | (●) |   |  |
| FM - class 1 div 2        | ● | ● | ● |   |     |   |  |
| CSA - class 1 div 2       | ● | ● |   |   |     |   |  |
| UL / C-UL- general safety | ● | ● |   |   | ●   | ● |  |

##### Other

|  |   |   |   |   |   |   |   |
|--|---|---|---|---|---|---|---|
| C - tick (Australia )                  | ● | ● | ● | ● | ● | ● |   |
| GOSS / GOST (Russia )                  | ● |   |   |   |   |   | ● |
| Other national approvals, see internet | ● | ● | ● | ● | ● | ● | ● |

#### Verificator compatible

|  |   |   |  |  |  |  |  |
|--|---|---|--|--|--|--|--|
|  | ● | ● |  |  |  |  |  |
|--|---|---|--|--|--|--|--|

● = available

<sup>1)</sup> 12/24 V AC/DC

<sup>2)</sup> Main power with battery backup

For more national approvals please check our internet page

<http://support.automation.siemens.com/WW/view/en/10806954/134200>



#### Practical examples of ordering

##### SITRANS F M compact installation



##### Example

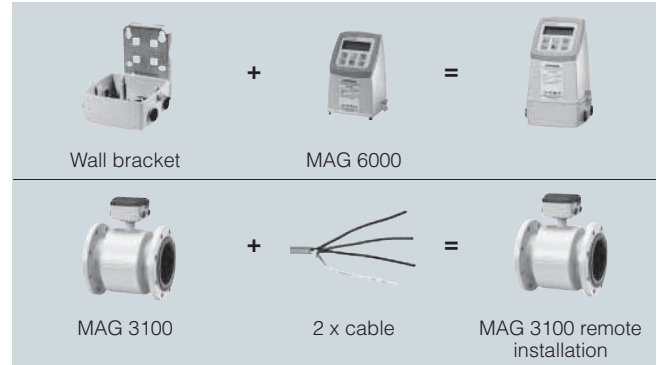
|                    |  |
|--------------------|--|
| <b>Sensor</b>      | <b>7ME6310-3TC11-1JA1</b>                |
| Pipe size          | DN 100                                   |
| Liner              | Neoprene                                 |
| Electrodes         | SS 316                                   |
| Flanges            | EN 1092-1, PN 16                         |
| <b>Transmitter</b> | <b>MAG 6000, Polyamide, 115/230 V AC</b> |
| Accuracy           | 0.25%                                    |
| Supply             | 230 V AC                                 |

##### Note:

MAG 5000/6000 transmitters and sensors are packed in separate boxes, the final assembly takes place during installation at the customer's place.

Please also see [www.siemens.com/SITRANSForordering](http://www.siemens.com/SITRANSForordering) for practical examples of ordering

##### SITRANS F M remote installation



##### Example

|  |                           |
|--|---------------------------|
| <b>Sensor</b>  | <b>7ME6310-3TC11-1AA1</b> |
| Pipe size  | DN 100                    |
| Liner  | Neoprene                  |
| Electrodes   | SS 316                    |
| Flanges  | EN 1092-1, PN 16          |
| <b>Transmitter</b>                                     | <b>7ME6920-1AA10-0AA0</b> |
| Accuracy   | 0.25%                     |
| Supply   | 230 V AC                  |
| <b>Wall mounting kit</b>                               | <b>FDK-085U1018</b>       |
| <b>Cable kit with sensor cable and electrode cable</b> | <b>A5E01181647</b>        |

# SITRANS F flowmeters

## SITRANS F M

### System information SITRANS F M electromagnetic flowmeters

#### Function

All electromagnetic flowmeters are based on Faraday's law of induction:

$$U_M = B \cdot v \cdot d \cdot k$$

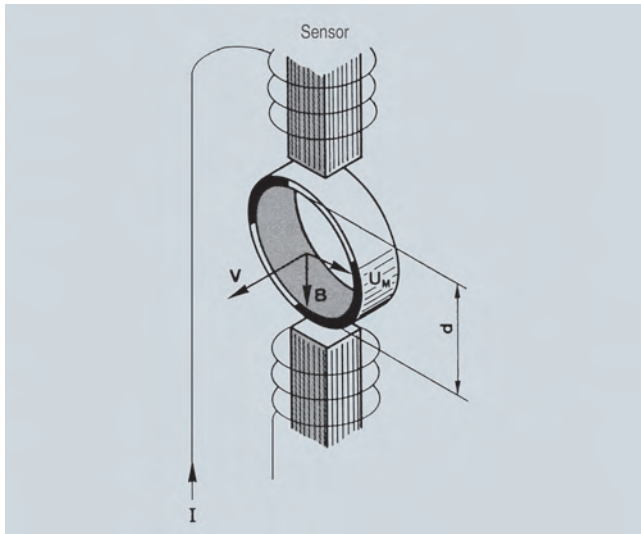
$U_M$  = Measured voltage induced in the medium perpendicular to the magnetic field and the flow direction. The voltage is tapped at two point electrodes.

$B$  = Magnetic flux density which permeates the flowing medium perpendicular to the flow direction.

$v$  = flow velocity of medium

$d$  = internal diameter of metering tube

$k$  = proportionality factor or sensor constant



Function and measuring principle of electromagnetic measurement

An electromagnetic flowmeter generally consists of a magnetically non-conducting metering tube with an internal electrically non-conducting surface, magnet coils connected in series and mounted diametrically on the tube, and at least two electrodes which are inserted through the pipe wall and are in contact with the measured medium. The magnet field coils through which the current passes generate a pulsed electromagnetic field with the magnetic flux density  $B$  perpendicular to the pipe axis.

This magnetic field penetrates the magnetically non-conducting metering tube and the medium flowing through it, which must have a minimum electrical conductivity.

According to Faraday's law of induction, a voltage  $U_M$  is generated in an electrically conducting medium, and is proportional to the flow velocity  $v$  of the medium, the magnetic flux density  $B$ , and the distance between the electrodes  $d$  (internal diameter of pipe).

The signal voltage  $U_M$  is tapped by the electrodes which are in contact with the medium, and passed through the insulating pipe wall. The signal voltage  $U_M$  which is proportional to the flow velocity is converted by an associated transmitter into appropriate standard signals such as 4 to 20 mA.

#### SITRANS F M diagnostics

The diagnostic functions are all internal tools in the meter:

- Identification in clear text and error log
- Error categories: function; warning; permanent and fatal errors
- Transmitter self-check including all outputs and the accuracy
- Sensor check: coil and electrode circuit test
- Overflow
- Empty pipe: partial filling; low conductivity; electrode fouling

#### SITRANS F M Verificator (MAG 5000 and 6000)

The SITRANS F M Verificator is an external tool designed for MAG 5000 and MAG 6000 with MAG 1100, MAG 1100 F, MAG 3100 or MAG 5100 W sensors to verify the entire product, the installation and the application.

The goal is to improve operation, reduce downtime and maintain measurement accuracy as long as possible.

The SITRANS F M Verificator is highly advanced and carries out the complex verification and performance check of the entire flowmeter system, according to unique SIEMENS patented principles. The whole verification test is automated and easy to operate so there is no opportunity for human error or influence. The system is traceable to international standards and tested by WRc (Water Research Council).



SITRANS F M Verificator

- Stand alone Verificator to measure a number of selected parameters in the flow sensor and a transmitter which affects the integrity of the flow measurement
- Up to 20 measurements can be stored in the Verificator
- The Verificator can be connected via a serial cable to a PC enabling download of the data. A Windows OC program enables printing and management of verificator reports.

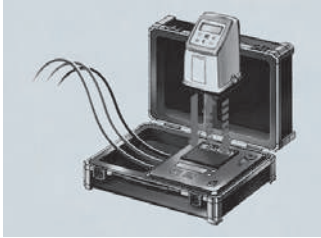
#### Verification - Steps

Verification of a SITRANS F M flowmeter consists of the following test routines

1. Transmitter test
2. Flowmeter and cable insulation test
3. Sensor magnetism test

### 1. Transmitter test

The transmitter test is the traditional way of on-site testing on the market and checks the complete electronic system from signal input to output.

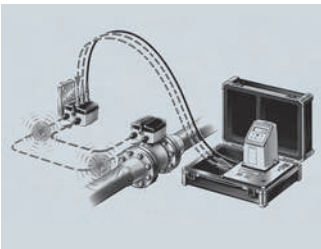


Transmitter test

Using the excitation power output, which is generated to drive the magnetic field of the sensor, the vericator simulates flow signal to the transmitter input. By measuring the transmitter outputs the vericator calculates its accuracy against defined values. Test includes:

- Excitation power to drive the magnetic field
- Signal function from signal input to output
- Signal processing – gain, offset and linearity
- Test of analogue and frequency output

### 2. Insulation test



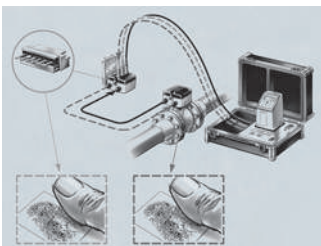
Flowmeter insulation test

The verification test of the flowmeter insulation is a „cross talk“ test of the entire flowmeter which ensures that the flow signal generated in the sensor is not affected by any external influences.

In the "cross-talk" test the vericator generates a high voltage disturbance within the coil circuit and then looks for any "crosstalk" induced in the flow signal circuit. By generating dynamic disturbances close-coupled to the flow signal, the flowmeter is tested for noise immunity to a maximum level:

- EMC influence on the flow signal
- Moisture in sensor, connection and terminal box
- Non-conductive deposit coating the electrodes within the sensor
- Missing or poor grounding, shielding and cable connection.

### 3. Sensor magnetism test



Sensor magnetism test

The verification of the sensor magnetism is a "boost" test of the magnetic field coil. The test ensures that the magnetism behaviour is like the first time, by comparing the current sensor magnetism with the "fingerprint" which was determined during initial calibration and stored in the SENSORPROM memory unit.

In the "boost" test the vericator changes the magnetic field in certain pattern and with high voltage to get quick stable magnetic condition. This unique test is fulfilled without any interference or compensation of surrounding temperature or interconnecting cabling.

- Changes in dynamic magnetic behaviour
- Magnetic influence inside and outside the sensor
- Missing or poor coil wire and cable connection

### Certificate

The test certificate generated by a PC contains:

- Test result with passed or failed
- Installation specification
- Flowmeter specification and configuration
- Vericator specification with date of calibration ensuring traceability to international standards.

| SIEMENS MAGFLO® Verification Certificate   |                               |              |                                |                  |                          |           |          |                |  |  |                  |  |  |             |             |        |           |             |        |           |        |         |         |       |          |          |        |        |         |         |        |          |          |       |        |         |         |        |          |          |       |
|--|-------------------------------|--------------|--------------------------------|------------------|--------------------------|-----------|----------|----------------|--|--|------------------|--|--|-------------|-------------|--------|-----------|-------------|--------|-----------|--------|---------|---------|-------|----------|----------|--------|--------|---------|---------|--------|----------|----------|-------|--------|---------|---------|--------|----------|----------|-------|
| <b>Customer:</b>   |                               |              | <b>MAGFLO® Identification:</b> |                  |                          |           |          |                |  |  |                  |  |  |             |             |        |           |             |        |           |        |         |         |       |          |          |        |        |         |         |        |          |          |       |        |         |         |        |          |          |       |
| Name   |                               |              | TAG No./Name                   | 0                |                          |           |          |                |  |  |                  |  |  |             |             |        |           |             |        |           |        |         |         |       |          |          |        |        |         |         |        |          |          |       |        |         |         |        |          |          |       |
| Address  |                               |              | Sensor Code No.                | 083C4054         |                          |           |          |                |  |  |                  |  |  |             |             |        |           |             |        |           |        |         |         |       |          |          |        |        |         |         |        |          |          |       |        |         |         |        |          |          |       |
| Phone  |                               |              | Sensor Serial No.              | 0899047361       |                          |           |          |                |  |  |                  |  |  |             |             |        |           |             |        |           |        |         |         |       |          |          |        |        |         |         |        |          |          |       |        |         |         |        |          |          |       |
| Email  |                               |              | Transmitter Code No.           | 083F5003         |                          |           |          |                |  |  |                  |  |  |             |             |        |           |             |        |           |        |         |         |       |          |          |        |        |         |         |        |          |          |       |        |         |         |        |          |          |       |
|  |                               |              | Transmitter Serial No.         | 587022N520       |                          |           |          |                |  |  |                  |  |  |             |             |        |           |             |        |           |        |         |         |       |          |          |        |        |         |         |        |          |          |       |        |         |         |        |          |          |       |
|  |                               |              | Location                       |                  |                          |           |          |                |  |  |                  |  |  |             |             |        |           |             |        |           |        |         |         |       |          |          |        |        |         |         |        |          |          |       |        |         |         |        |          |          |       |
| <b>Results:</b>  |                               |              |                                |                  |                          |           |          |                |  |  |                  |  |  |             |             |        |           |             |        |           |        |         |         |       |          |          |        |        |         |         |        |          |          |       |        |         |         |        |          |          |       |
| Verification file name or No.  |                               |              | File #1                        |                  |                          |           |          |                |  |  |                  |  |  |             |             |        |           |             |        |           |        |         |         |       |          |          |        |        |         |         |        |          |          |       |        |         |         |        |          |          |       |
| Transmitter  |                               |              | Passed                         |                  |                          |           |          |                |  |  |                  |  |  |             |             |        |           |             |        |           |        |         |         |       |          |          |        |        |         |         |        |          |          |       |        |         |         |        |          |          |       |
| Sensor   |                               |              | Passed                         |                  |                          |           |          |                |  |  |                  |  |  |             |             |        |           |             |        |           |        |         |         |       |          |          |        |        |         |         |        |          |          |       |        |         |         |        |          |          |       |
| Magnetic Circuit   |                               |              | Passed                         |                  |                          |           |          |                |  |  |                  |  |  |             |             |        |           |             |        |           |        |         |         |       |          |          |        |        |         |         |        |          |          |       |        |         |         |        |          |          |       |
| <table border="1"> <thead> <tr> <th>Velocity</th> <th colspan="3">Current Output</th> <th colspan="3">Frequency Output</th> </tr> <tr> <th>Theoretical</th> <th>Theoretical</th> <th>Actual</th> <th>Deviation</th> <th>Theoretical</th> <th>Actual</th> <th>Deviation</th> </tr> </thead> <tbody> <tr> <td>0.5m/s</td> <td>4.800mA</td> <td>4.801mA</td> <td>0.08%</td> <td>0.500kHz</td> <td>0.500kHz</td> <td>-0.01%</td> </tr> <tr> <td>1.0m/s</td> <td>5.600mA</td> <td>5.600mA</td> <td>-0.02%</td> <td>1.000kHz</td> <td>1.000kHz</td> <td>0.01%</td> </tr> <tr> <td>3.0m/s</td> <td>8.800mA</td> <td>8.796mA</td> <td>-0.09%</td> <td>3.000kHz</td> <td>3.000kHz</td> <td>0.01%</td> </tr> </tbody> </table> |                               |              |                                |                  |                          |           | Velocity | Current Output |  |  | Frequency Output |  |  | Theoretical | Theoretical | Actual | Deviation | Theoretical | Actual | Deviation | 0.5m/s | 4.800mA | 4.801mA | 0.08% | 0.500kHz | 0.500kHz | -0.01% | 1.0m/s | 5.600mA | 5.600mA | -0.02% | 1.000kHz | 1.000kHz | 0.01% | 3.0m/s | 8.800mA | 8.796mA | -0.09% | 3.000kHz | 3.000kHz | 0.01% |
| Velocity   | Current Output                |              |                                | Frequency Output |                          |           |          |                |  |  |                  |  |  |             |             |        |           |             |        |           |        |         |         |       |          |          |        |        |         |         |        |          |          |       |        |         |         |        |          |          |       |
| Theoretical  | Theoretical                   | Actual       | Deviation                      | Theoretical      | Actual                   | Deviation |          |                |  |  |                  |  |  |             |             |        |           |             |        |           |        |         |         |       |          |          |        |        |         |         |        |          |          |       |        |         |         |        |          |          |       |
| 0.5m/s   | 4.800mA                       | 4.801mA      | 0.08%                          | 0.500kHz         | 0.500kHz                 | -0.01%    |          |                |  |  |                  |  |  |             |             |        |           |             |        |           |        |         |         |       |          |          |        |        |         |         |        |          |          |       |        |         |         |        |          |          |       |
| 1.0m/s   | 5.600mA                       | 5.600mA      | -0.02%                         | 1.000kHz         | 1.000kHz                 | 0.01%     |          |                |  |  |                  |  |  |             |             |        |           |             |        |           |        |         |         |       |          |          |        |        |         |         |        |          |          |       |        |         |         |        |          |          |       |
| 3.0m/s   | 8.800mA                       | 8.796mA      | -0.09%                         | 3.000kHz         | 3.000kHz                 | 0.01%     |          |                |  |  |                  |  |  |             |             |        |           |             |        |           |        |         |         |       |          |          |        |        |         |         |        |          |          |       |        |         |         |        |          |          |       |
|  |                               |              | Current Output 4-20mA          |                  | Frequency Output 0-10kHz |           |          |                |  |  |                  |  |  |             |             |        |           |             |        |           |        |         |         |       |          |          |        |        |         |         |        |          |          |       |        |         |         |        |          |          |       |
| <b>Transmitter Settings:</b>   |                               |              |                                |                  |                          |           |          |                |  |  |                  |  |  |             |             |        |           |             |        |           |        |         |         |       |          |          |        |        |         |         |        |          |          |       |        |         |         |        |          |          |       |
| <b>Basic</b>   | Qmax                          | 50.0000 m³/h |                                |                  |                          |           |          |                |  |  |                  |  |  |             |             |        |           |             |        |           |        |         |         |       |          |          |        |        |         |         |        |          |          |       |        |         |         |        |          |          |       |
|  | Flow Direction                | Positiv      |                                |                  |                          |           |          |                |  |  |                  |  |  |             |             |        |           |             |        |           |        |         |         |       |          |          |        |        |         |         |        |          |          |       |        |         |         |        |          |          |       |
|  | Low flow Cut-off              | 1.50%        |                                |                  |                          |           |          |                |  |  |                  |  |  |             |             |        |           |             |        |           |        |         |         |       |          |          |        |        |         |         |        |          |          |       |        |         |         |        |          |          |       |
|  | Empty Pipe                    | OFF          |                                |                  |                          |           |          |                |  |  |                  |  |  |             |             |        |           |             |        |           |        |         |         |       |          |          |        |        |         |         |        |          |          |       |        |         |         |        |          |          |       |
| <b>Output</b>  | Current Output                | OFF          |                                |                  |                          |           |          |                |  |  |                  |  |  |             |             |        |           |             |        |           |        |         |         |       |          |          |        |        |         |         |        |          |          |       |        |         |         |        |          |          |       |
|  | Time Constant                 | N/A          |                                |                  |                          |           |          |                |  |  |                  |  |  |             |             |        |           |             |        |           |        |         |         |       |          |          |        |        |         |         |        |          |          |       |        |         |         |        |          |          |       |
|  | Relay Output                  | Error Level  |                                |                  |                          |           |          |                |  |  |                  |  |  |             |             |        |           |             |        |           |        |         |         |       |          |          |        |        |         |         |        |          |          |       |        |         |         |        |          |          |       |
|  | Digital Output                | Pulse        |                                |                  |                          |           |          |                |  |  |                  |  |  |             |             |        |           |             |        |           |        |         |         |       |          |          |        |        |         |         |        |          |          |       |        |         |         |        |          |          |       |
|  | Frequency Range               | N/A          |                                |                  |                          |           |          |                |  |  |                  |  |  |             |             |        |           |             |        |           |        |         |         |       |          |          |        |        |         |         |        |          |          |       |        |         |         |        |          |          |       |
|  | Time Constant                 | N/A          |                                |                  |                          |           |          |                |  |  |                  |  |  |             |             |        |           |             |        |           |        |         |         |       |          |          |        |        |         |         |        |          |          |       |        |         |         |        |          |          |       |
|  | Volume/pulse                  | 1 m³/p       |                                |                  |                          |           |          |                |  |  |                  |  |  |             |             |        |           |             |        |           |        |         |         |       |          |          |        |        |         |         |        |          |          |       |        |         |         |        |          |          |       |
|  | Pulse width                   | N/A          |                                |                  |                          |           |          |                |  |  |                  |  |  |             |             |        |           |             |        |           |        |         |         |       |          |          |        |        |         |         |        |          |          |       |        |         |         |        |          |          |       |
|  | Pulse polarity                | N/A          |                                |                  |                          |           |          |                |  |  |                  |  |  |             |             |        |           |             |        |           |        |         |         |       |          |          |        |        |         |         |        |          |          |       |        |         |         |        |          |          |       |
|  | Totalizer 1 value before test | 0.00000 m³   |                                |                  |                          |           |          |                |  |  |                  |  |  |             |             |        |           |             |        |           |        |         |         |       |          |          |        |        |         |         |        |          |          |       |        |         |         |        |          |          |       |
|  | Totalizer 1 value after test  | 0.58992 m³   |                                |                  |                          |           |          |                |  |  |                  |  |  |             |             |        |           |             |        |           |        |         |         |       |          |          |        |        |         |         |        |          |          |       |        |         |         |        |          |          |       |
|  | Totalizer 2 value before test | 0.00000 m³   |                                |                  |                          |           |          |                |  |  |                  |  |  |             |             |        |           |             |        |           |        |         |         |       |          |          |        |        |         |         |        |          |          |       |        |         |         |        |          |          |       |
|  | Totalizer 2 value after test  | 0.58992 m³   |                                |                  |                          |           |          |                |  |  |                  |  |  |             |             |        |           |             |        |           |        |         |         |       |          |          |        |        |         |         |        |          |          |       |        |         |         |        |          |          |       |
|  | Operating time in days        | 3            |                                |                  |                          |           |          |                |  |  |                  |  |  |             |             |        |           |             |        |           |        |         |         |       |          |          |        |        |         |         |        |          |          |       |        |         |         |        |          |          |       |
| <b>Sensor Details:</b>   |                               |              |                                |                  |                          |           |          |                |  |  |                  |  |  |             |             |        |           |             |        |           |        |         |         |       |          |          |        |        |         |         |        |          |          |       |        |         |         |        |          |          |       |
|  | Size                          | DN 80 3 IN   |                                |                  |                          |           |          |                |  |  |                  |  |  |             |             |        |           |             |        |           |        |         |         |       |          |          |        |        |         |         |        |          |          |       |        |         |         |        |          |          |       |
|  | Cal. Factor                   | 1.0          |                                |                  |                          |           |          |                |  |  |                  |  |  |             |             |        |           |             |        |           |        |         |         |       |          |          |        |        |         |         |        |          |          |       |        |         |         |        |          |          |       |
|  | Correction Factor             | 1.0          |                                |                  |                          |           |          |                |  |  |                  |  |  |             |             |        |           |             |        |           |        |         |         |       |          |          |        |        |         |         |        |          |          |       |        |         |         |        |          |          |       |
|  | Excitation Freq               | 6.25Hz       |                                |                  |                          |           |          |                |  |  |                  |  |  |             |             |        |           |             |        |           |        |         |         |       |          |          |        |        |         |         |        |          |          |       |        |         |         |        |          |          |       |
| <b>Vericator Details (083F5060)</b>  |                               |              |                                |                  |                          |           |          |                |  |  |                  |  |  |             |             |        |           |             |        |           |        |         |         |       |          |          |        |        |         |         |        |          |          |       |        |         |         |        |          |          |       |
|  | Serial No.                    | 017807N242   |                                |                  |                          |           |          |                |  |  |                  |  |  |             |             |        |           |             |        |           |        |         |         |       |          |          |        |        |         |         |        |          |          |       |        |         |         |        |          |          |       |
|  | Device No.                    | 83462        |                                |                  |                          |           |          |                |  |  |                  |  |  |             |             |        |           |             |        |           |        |         |         |       |          |          |        |        |         |         |        |          |          |       |        |         |         |        |          |          |       |
|  | Software Version              | 1.40         |                                |                  |                          |           |          |                |  |  |                  |  |  |             |             |        |           |             |        |           |        |         |         |       |          |          |        |        |         |         |        |          |          |       |        |         |         |        |          |          |       |
|  | PC-Software Version           | 5.00         |                                |                  |                          |           |          |                |  |  |                  |  |  |             |             |        |           |             |        |           |        |         |         |       |          |          |        |        |         |         |        |          |          |       |        |         |         |        |          |          |       |
|  | Cal. date                     | 2006.01.01   |                                |                  |                          |           |          |                |  |  |                  |  |  |             |             |        |           |             |        |           |        |         |         |       |          |          |        |        |         |         |        |          |          |       |        |         |         |        |          |          |       |
|  | ReCal. date                   | 2006.01.01   |                                |                  |                          |           |          |                |  |  |                  |  |  |             |             |        |           |             |        |           |        |         |         |       |          |          |        |        |         |         |        |          |          |       |        |         |         |        |          |          |       |
| <b>Comments</b>  |                               |              |                                |                  |                          |           |          |                |  |  |                  |  |  |             |             |        |           |             |        |           |        |         |         |       |          |          |        |        |         |         |        |          |          |       |        |         |         |        |          |          |       |
| These tests verify that the flowmeter is functioning within 2% deviation of the original test parameters. Verification is traceable to National and International Standards.   |                               |              |                                |                  |                          |           |          |                |  |  |                  |  |  |             |             |        |           |             |        |           |        |         |         |       |          |          |        |        |         |         |        |          |          |       |        |         |         |        |          |          |       |
| Date and signature   |                               |              |                                |                  |                          |           |          |                |  |  |                  |  |  |             |             |        |           |             |        |           |        |         |         |       |          |          |        |        |         |         |        |          |          |       |        |         |         |        |          |          |       |
| 2006.01.01   |                               |              |                                |                  |                          |           |          |                |  |  |                  |  |  |             |             |        |           |             |        |           |        |         |         |       |          |          |        |        |         |         |        |          |          |       |        |         |         |        |          |          |       |

| Description  | Order No.           |
|--|---------------------|
| SITRANS F M Vericator                                  |                     |
| • 11 ... 30 V DC, 11 ... 24 V AC, 115 ... 230 V, 50 Hz | <b>FDK-083F5060</b> |
| • 11 ... 30 V DC, 11 ... 24 V AC, 115 ... 230 V, 60 Hz | <b>FDK-083F5061</b> |

### Note:

It is mandatory to have the Vericator return to the factory once a year for check and re-verification.

# SITRANS F flowmeters

## SITRANS F M

### System information SITRANS F M electromagnetic flowmeters

#### Technical specifications

##### Flowmeter Calibration and traceability

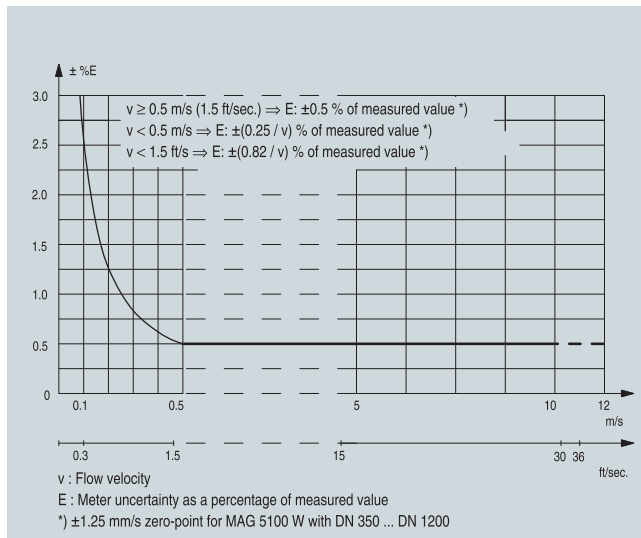
To ensure continuous accurate measurement, flowmeters must be calibrated. All measuring instrumentation, used in the calibration of the flowmeters, has either been calibrated by a UKAS or DANAK accredited laboratory or has been calibrated against certified master sensors. This provides an unbroken chain of measurement-traceability to national standards.

Siemens Flow Instruments can provide accredited calibration in the flow range from 0.0001 m<sup>3</sup>/h to 4350 m<sup>3</sup>/h.

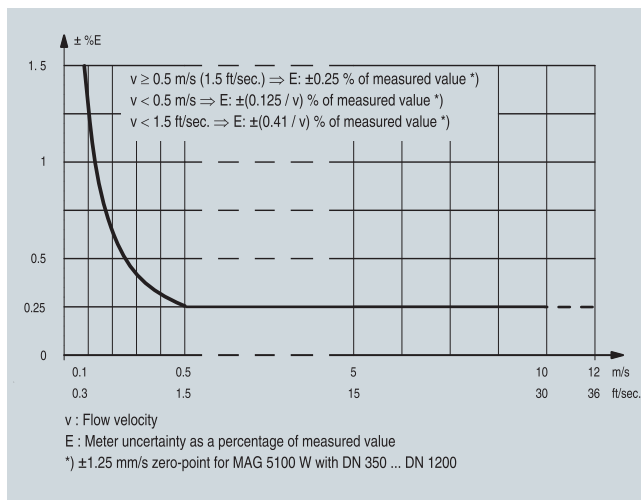
The accreditation bodies DANAK and UKAS have signed the ILAC MRA agreement (International Laboratory Accreditation Corporation - Mutual Recognition Arrangement). Therefore the accreditation ensures international traceability and recognition of the test results in 39 countries world wide, including the US (NIST traceability).

A calibration certificate is shipped with every sensor and calibration data are stored in the SENSORPROM memory unit.

##### Flowmeter uncertainty



MAG 5000 and MAG 6000/6000I with MAG 1100 (PFA)/  
MAG 1100 F (PFA)



MAG 6000 or MAG 6000 I used with MAG 3100, MAG 1100 (Ceramic) or  
MAG 5100 W

#### Reference conditions

##### Reference conditions (ISO 9104 and DIN EN 29104)

|  |   |
|--|---|
| Temperature medium                       | 20 °C ± 5 K (68 °F ± 9 °F)                        |
| Temperature ambient                      | 20 °C ± 5 K (68 °F ± 9 °F)                        |
| Supply voltage                           | $U_n \pm 1\%$                                     |
| Warming-up time                          | 30 minutes  |
| Incorporation in conductive pipe section |   |
| • Inlet section                          | 10 x DN (DN ≤ 1200/48")<br>5 x DN (DN > 1200/48") |
| • Outlet section                         | 5 x DN (DN ≤ 1200/48")<br>3 x DN (DN > 1200/48")  |
| Flow conditions                          | Fully developed flow profile                      |

##### Additions in the event of deviations from reference conditions

|                                      |   |
|--------------------------------------|---|
| Current output                       | As pulse output ( $\pm 0.1\%$ of actual flow + 0.05% FSO)   |
| Effect of ambient temperature        |   |
| • Display / frequency / pulse output | $< \pm 0.003\%/K \text{ act.}$  |
| • Current output                     | $< \pm 0.005\%/K \text{ act.}$  |
| Effect of supply voltage             | $< 0.005\%$ of measuring value on 1% change   |
| Repeatability                        | $\pm 0.1\%$ of actual flow for $v \geq 0.5 \text{ m/s (1.5 ft/s)}$ and conductivity $> 10 \mu\text{S/cm}$ |

##### Certificates

- EN 10204 2.1 Certificate of conformity, stating that the delivered parts are made of the material quality that was ordered
- EN 10204 2.2 Test report certificate, a non batch specific material analysis of the ordered material
- EN 10204 3.1 Material analysis certificate, a batch specific analysis of the material issued by an independent inspector

#### Technical specifications PROFIBUS PA/DP

##### General specifications

|                         |  |
|-------------------------|--|
| PROFIBUS device profile | 3.00 Class B   |
| Certified               | Yes, according to Profile for process control devices v3.00. |
| MS0 connections         | 1  |
| MS1 connections         | 1  |
| MS2 connections         | 2  |

##### Electrical specification DP

##### Physical layer specifications

|  |   |
|--|---|
| Applicable standard                      | EN 50170 vol. 2                                   |
| Physical Layer (Transmission technology) | RS 485  |
| Transmission speed                       | ≤ 1.5 Mbits/s                                     |
| Number of stations                       | Up to 32 per line segment, (maximum total of 126) |

##### Cable specification (Type A)

|                    |   |
|--------------------|---|
| Cable design       | Two wire twisted pair   |
| Shielding          | CU shielding braid or shielding braid and shielding foil                    |
| Impedance          | 35 up to 165 Ω at frequencies from 3 ... 20 MHz                             |
| Cable capacity     | < 30 pF per meter   |
| Core diameter      | > 0.34 mm <sup>2</sup> , corresponds to AWG 22                              |
| Resistance         | < 110 Ω per km  |
| Signal attenuation | Max. 9 dB over total length of line section                                 |
| Max. bus length    | 200 m at 1500 kbit/s, up to 1.2 km at 93.75 kbit/s. Extendable by repeaters |

##### Electrical specification PA

##### Physical layer specifications

|  |   |
|--|---|
| Applicable standard                      | EN 50170  |
| Physical Layer (Transmission technology) | IEC-61158-2                                       |
| Transmission speed                       | 31.25 Kbits/second                                |
| Number of stations                       | Up to 32 per line segment, (maximum total of 126) |
| Max. basic current [I <sub>B</sub> ]     | 14 mA   |
| Fault current [I <sub>FDE</sub> ]        | 0 mA  |
| Bus voltage                              | 9 ... 32 V (non Ex)                               |

##### Preferred cable specification (Type A)

|                            |                                       |
|----------------------------|---------------------------------------|
| Cable design               | Two wire twisted pair                 |
| Conductor area (nominal)   | 0.8 mm <sup>2</sup> (AWG 18)          |
| Loop resistance            | 44 Ω/km                               |
| Impedance                  | 100 Ω ± 20%                           |
| Wave attenuation at 39 kHz | 3 dB/km                               |
| Capacitive asymmetry       | 2 nF/km                               |
| Bus termination            | Passive line termination at both      |
| Max. bus length            | Up to 1.9 km. Extendable by repeaters |

##### IS (Intrinsic Safety) data

|                             |  |
|-----------------------------|--|
| Required sensor electronics | Compact mounted SITRANS F C MASS 6000 Ex d |
| FISCO                       | Yes  |
| Max. U <sub>I</sub>         | 17.5 V                                     |
| Max. I <sub>I</sub>         | 380 mA                                     |
| Max. P <sub>I</sub>         | 5.32 V                                     |
| Max. L <sub>I</sub>         | 0 μH                                       |
| Max. C <sub>I</sub>         | 0 nF                                       |

##### FISCO cable requirements

|                                 |                  |
|---------------------------------|------------------|
| Loop resistance R <sub>C</sub>  | 15 ... 150 Ω/km  |
| Loop inductance L <sub>C</sub>  | 0.4 ... 1 mH/km  |
| Capacitance C <sub>C</sub>      | 80 ... 200 nF/km |
| Max. Spur length in IIC and IIB | 30 m             |
| Max. Trunk length in IIC        | 1 km             |
| Max. Trunk length in IIB        | 5 km             |

##### PROFIBUS parameter support

The following parameters are accessible using a MS0 relationship from a Class 1 Master. MS0 specifies cyclic Data Exchange between a Master and a Slave.

##### Cyclic services:

| Input (Master view)         | Parameter                       | MAG 6000 |
|-----------------------------|---------------------------------|----------|
|                             | Mass flow                       |          |
|                             | Volume flow                     | ✓        |
|                             | Temperature                     |          |
|                             | Density                         |          |
|                             | Fraction A <sup>1)</sup>        |          |
|                             | Fraction B <sup>1)</sup>        |          |
|                             | Pct Fraction A <sup>1)</sup>    |          |
|                             | Totalizer 1                     | ✓        |
|                             | Totalizer 2 <sup>2)</sup>       | ✓        |
|                             | Batch progress <sup>2)</sup>    | ✓        |
|                             | Batch setpoint                  | ✓        |
|                             | Batch compensation              | ✓        |
|                             | Batch status (running ...)      | ✓        |
| <b>Output (Master view)</b> | Set Totalizer 1+2               | ✓        |
|                             | Set Mode Totalizer 1+2          | ✓        |
|                             | Batch control (start, stop ...) | ✓        |
|                             | Batch setpoint                  | ✓        |
|                             | Batch compensation              | ✓        |

<sup>1)</sup> Requires a SENSORPROM containing valid fraction data.

<sup>2)</sup> Value returned is dependent on the BATCH function. When **ON**, Batch progress is returned. When **OFF**, TOTALIZER 2 is returned.



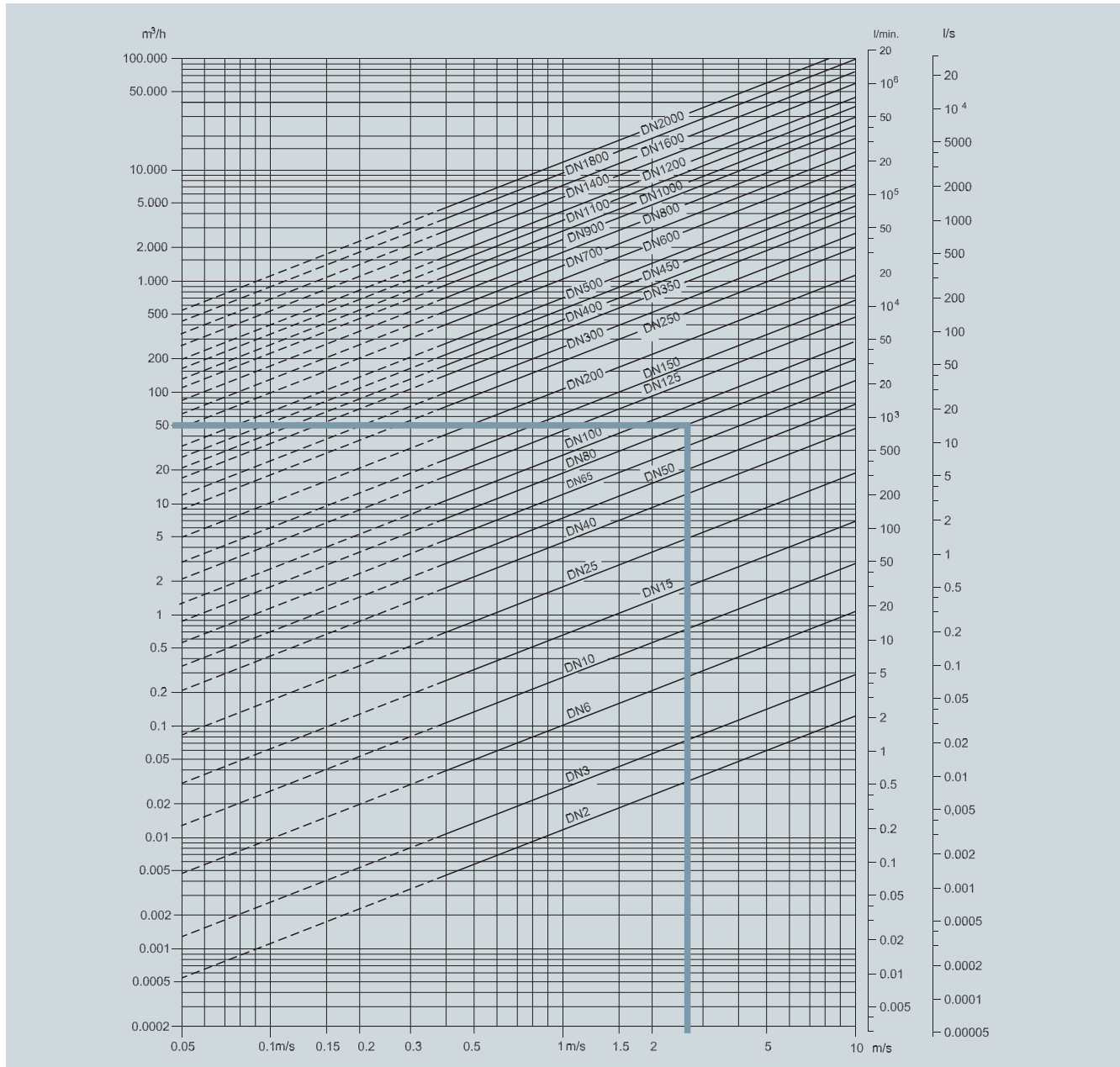
# SITRANS F flowmeters

## SITRANS F M

System information SITRANS F M  
electromagnetic flowmeters

### Selection of sensor

Metric



Sizing table (DN 2 ... DN 2000)

The table shows the relationship between flow velocity  $v$ , flow quantity  $Q$  and sensor dimension  $DN$ .

#### Guidelines for selection of sensor

Min. measuring range: 0 to 0.25 m/s

Max. measuring range: 0 to 10 m/s

Normally the sensor size is selected so that the nominal flow velocity  $v$  lies within the measuring range 1 to 3 m/s.

#### Example:

Flow quantity of 50 m<sup>3</sup>/h and a sensor dimension of DN 80 gives a flow velocity of 2.7 m/s, which is within the recommended measuring range of 1 to 3 m/s.

#### Flow velocity calculation formula Units

$$v = 1273.24 \cdot Q / DN^2 \text{ or}$$

$$v : [\text{m/s}], Q : [\text{l/s}], DN : [\text{mm}]$$

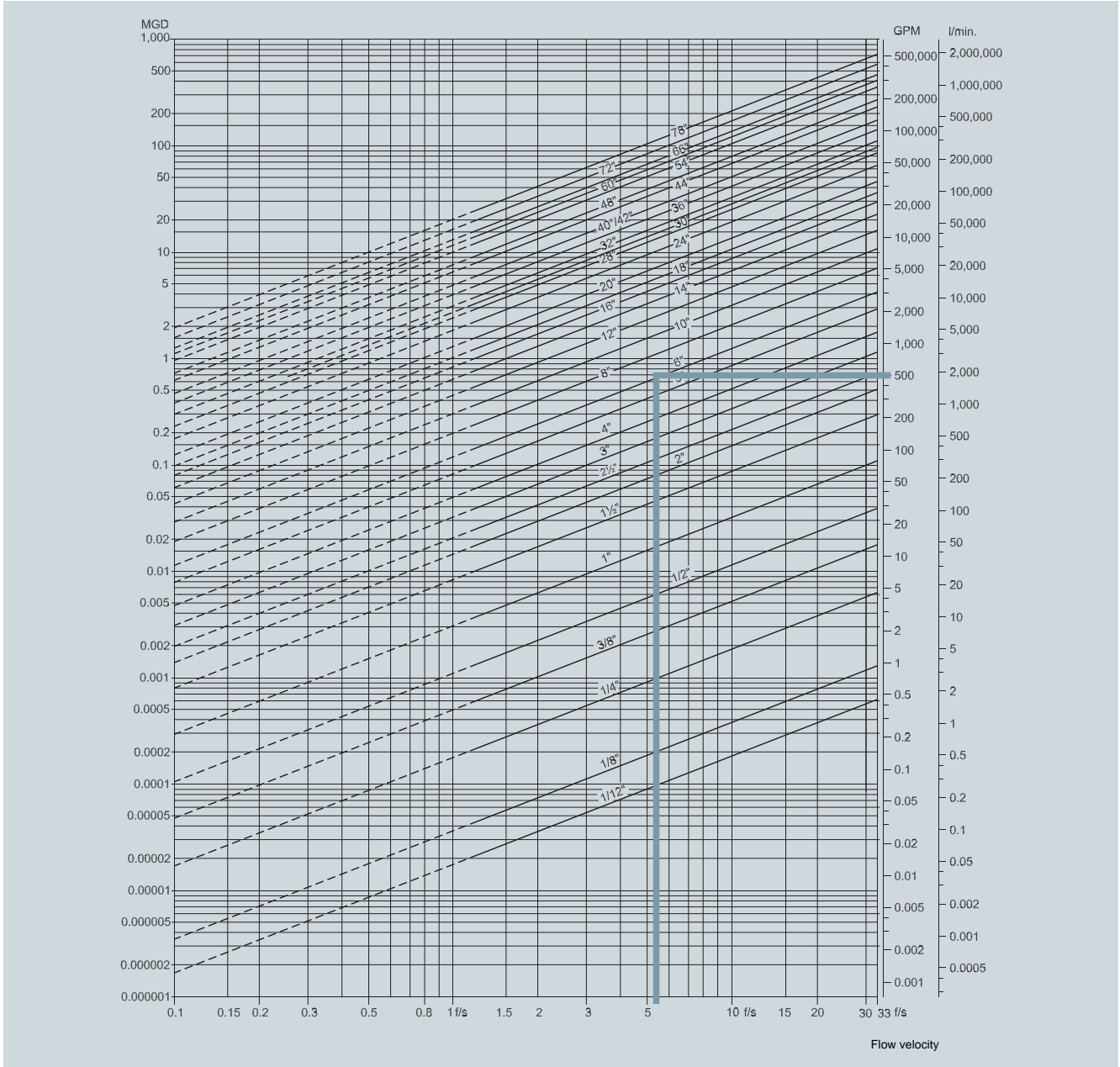
$$v = 353.68 \cdot Q / DN^2$$

$$v : [\text{m/s}], Q : [\text{m}^3/\text{h}], DN : [\text{mm}]$$

Link to "Sizing program":

<https://pia.khe.siemens.com/index.aspx?nr=11501>

#### Imperial



#### Sizing table (1/12" ... 78")

The table shows the relationship between flow velocity  $v$ , flow quantity  $Q$  and sensor dimension size.

#### Guidelines for selection of sensor

Min. measuring range: 0 to 0.8 ft/s

Max. measuring range: 0 to 33 ft/s

Normally the sensor size is selected so that the nominal flow velocity  $v$  lies within the measuring range 3 to 10 ft/s.

#### Example:

Flow quantity of 500 GPM and a sensor dimension of 6" gives a flow velocity of 5.6 ft/s, which is within the recommended measuring range of 3 to 10 ft/s.

| Flow velocity calculation formula             | Units   |
|---|---|
| $v = 0.408 \cdot Q / (\text{Pipe I.D.})^2$ or | $v$ : [ft/s], $Q$ : [GPM], Pipe I.D. : [inch] |
| $v = 283.67 \cdot Q / (\text{Pipe I.D.})^2$   | $v$ : [ft/s], $Q$ : [MGD], Pipe I.D. : [inch] |

Link to "Sizing program":

<https://pia.khe.siemens.com/index.aspx?nr=11501>

# SITRANS F flowmeters

## SITRANS F M

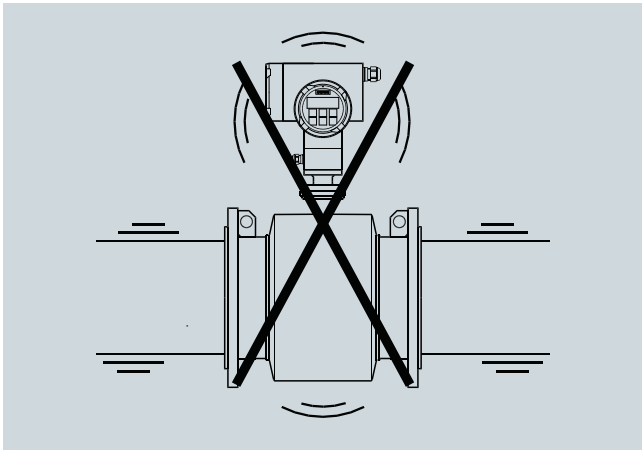
### System information SITRANS F M electromagnetic flowmeters

#### Installation conditions

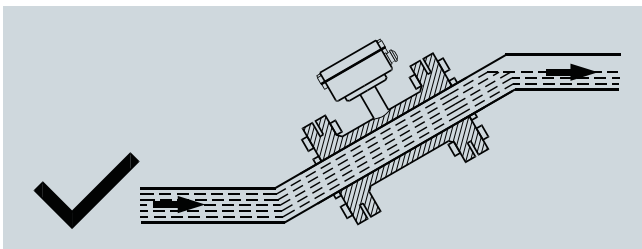
##### Vibrations

Strong vibrations should be avoided.

In applications with strong vibrations, we recommend remote mounting of the transmitter.



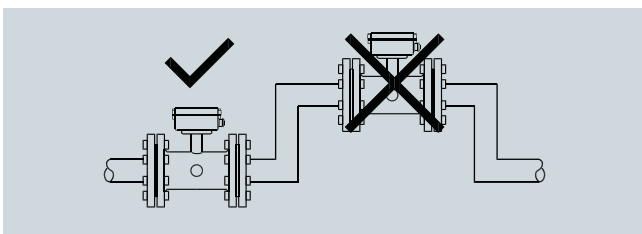
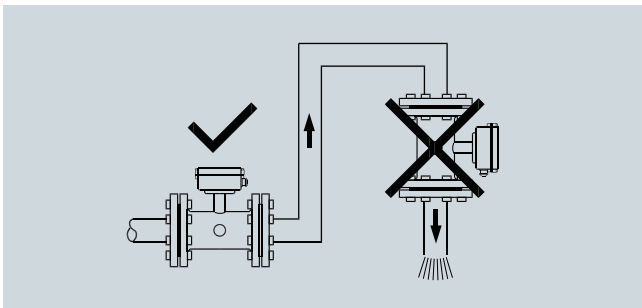
The sensor must always be completely filled with liquid.



Install in pipelines which are always full

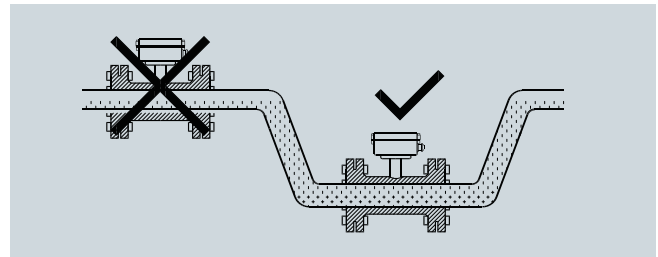
The sensor must always be completely filled with liquid. Therefore avoid:

- Installation at the highest point in the pipe system
- Installation in vertical pipes with free outlet



Do not install in pipelines which can run empty

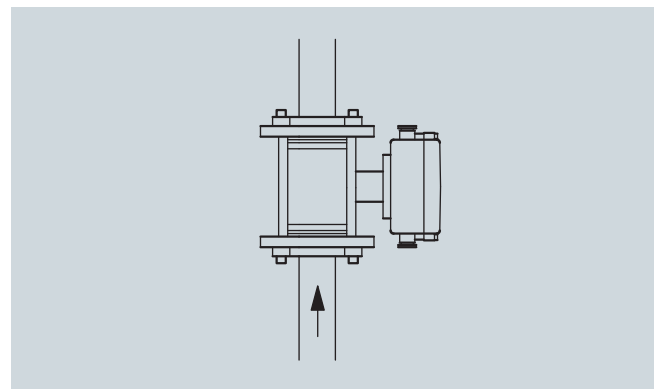
For partially filled pipes or pipes with downward flow and free outlet the flowmeter should be located in a U-Tube.



Install in U-tubes when pipe is partially filled

##### Installation in vertical pipes

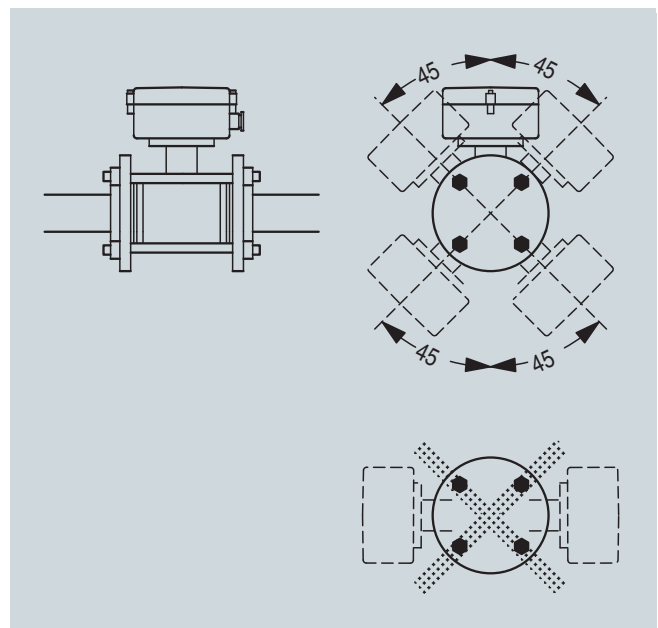
Recommended flow direction: upwards. This minimizes the effect on the measurement of any gas/air bubbles in the liquid.



Install in vertical pipes with upward flow direction

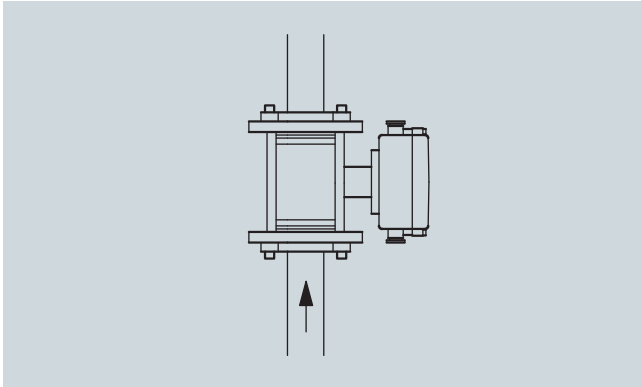
##### Installation in horizontal pipes

The sensor must be mounted as shown in the below figure. Do not mount the sensor as shown in the lower figure. This will position the electrodes at the top where there is possibility for air bubbles and at the bottom where there is possibility for mud, sludge, sand etc.



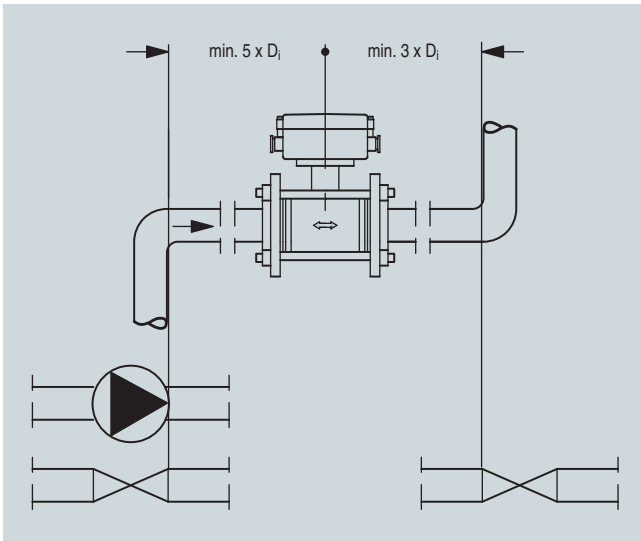
#### Measuring abrasive liquids and liquids containing particles

Recommended installation is in a vertical/inclined pipe to minimize the wear and deposits in the sensor.



Install in vertical pipelines with upward flow direction if measuring abrasive liquids

#### Inlet and outlet conditions



Installation between elbows, pumps and valves: standard inlet and outlet pipe sections

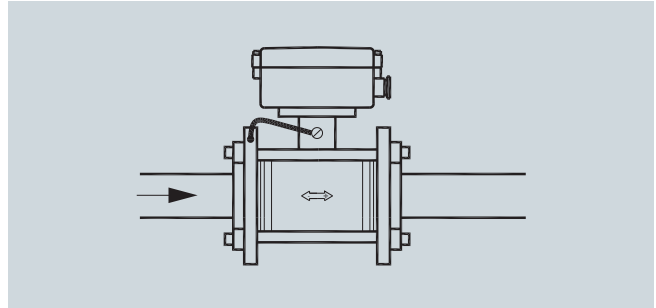
To achieve maximum accurate flow measurement it is essential to have straight length of inlet and outlet pipes and a certain distance between the flowmeter and pumps or valves.

It is also important to center the flowmeter in relation to pipe flange and gaskets.

#### Ambient temperature-Installation

Temperature changes can cause expansion or contraction in the pipe system. To avoid damage on the sensor use of proper gasket and torque should be ensured. For more information see sensor instruction.

#### Potential equalization

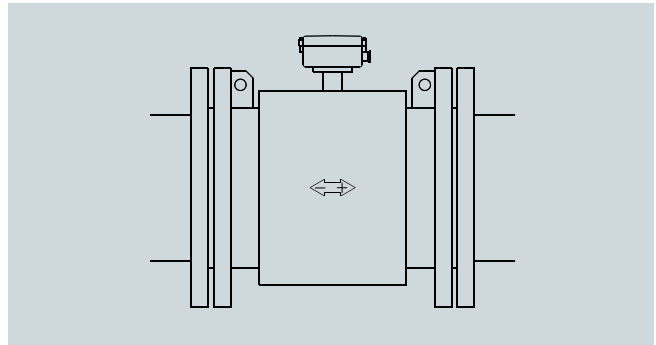


#### Potential equalization

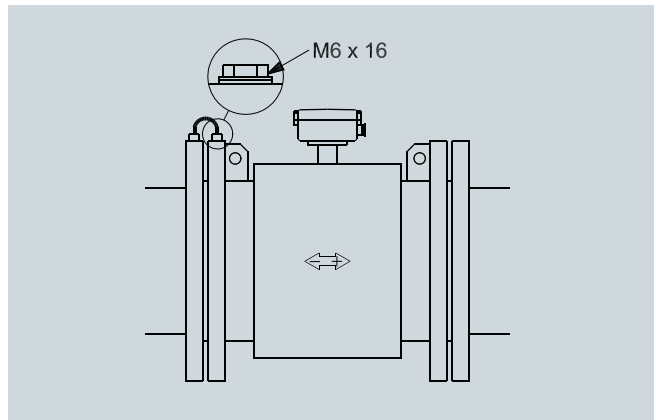
The electrical potential of the liquid must always be equal to the electrical potential of the sensor. This can be achieved in different ways depending on the application:

- Wire jumper between sensor and adjacent flange (MAG 1100, MAG 3100)
- Direct metallic contact between sensor and fittings (MAG 1100 F)
- Build-in grounding electrodes (MAG 3100, MAG 5100 W)
- Optional grounding/protection flanges/rings (MAG 1100, MAG 3100, MAG 8000)
- Optional graphite gaskets on MAG 1100 (standard for MAG 1100 High Temperature)
- MAG 8000 installed in plastic or coated pipes: two grounding rings to be used.

#### Bonding and grounding



MAG 3100 (not PTFE and PFA), MAG 5100 W: with earthing electrodes in conductive and non-conductive pipes (no further action necessary)

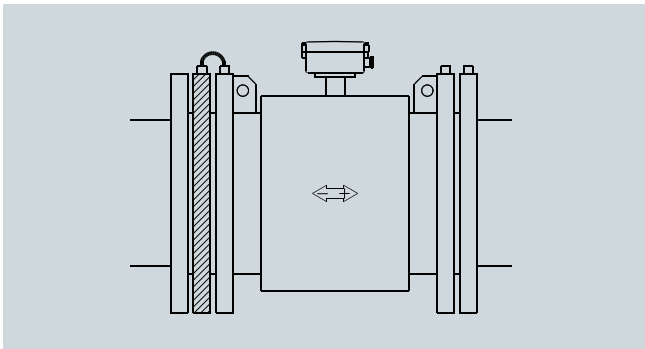


MAG 1100, MAG 3100 (PTFE and PFA): without earthing electrodes in conductive pipes (MAG 1100 use graphite gasket)

# SITRANS F flowmeters

## SITRANS F M

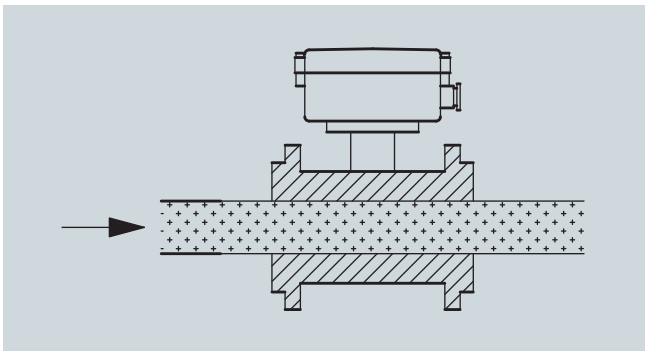
### System information SITRANS F M electromagnetic flowmeters



With earthing electrodes in non-conductive pipes (MAG 1100 use graphite gasket)

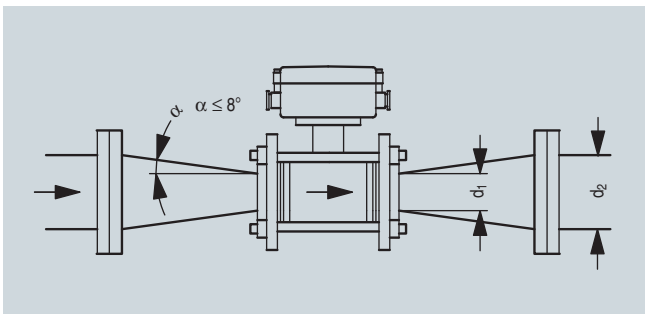
MAG 1100 F grounding via process connections. MAG 8000 grounding see MAG 8000 pages.

#### Vacuum



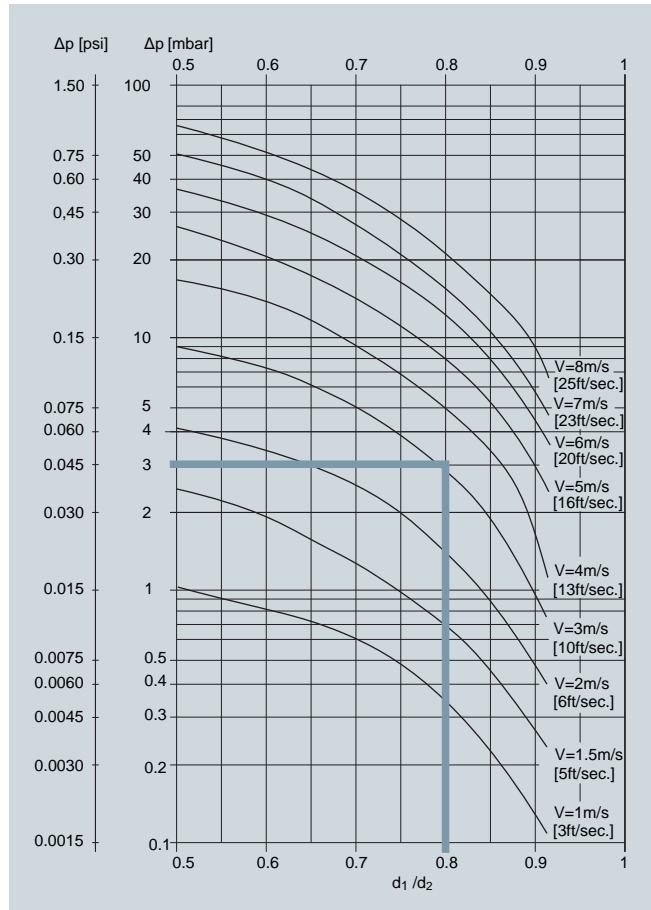
Avoid a vacuum in the measuring pipe, since this can damage certain liners.

#### Installation in large pipes



#### Reduction in nominal pipe diameter

The flowmeter can be installed between two reducers (e.g. DIN 28545). Assuming that at 8° the following pressure drop curve applies. The curves are applicable to water.

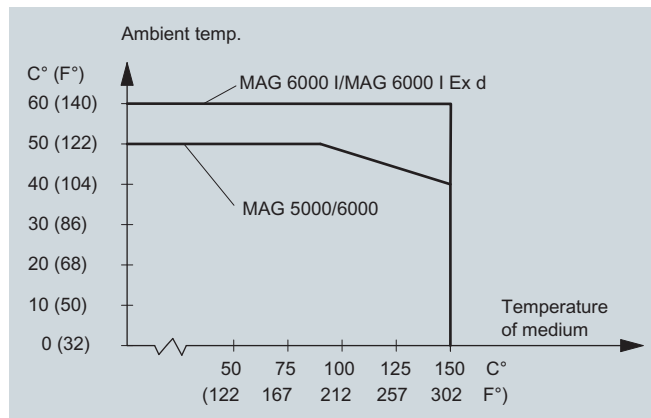


Pressure drop as function of diameter reduction between reducers

Example:

Flow velocity (v) of 3 m/s (10 ft/s) in a sensor with a diameter reduction DN 100 (4") to DN 80 (3") ( $d_1/d_2 = 0.8$ ) gives a pressure drop of 2.9 mbar (0.04 psi).

#### Ambient temperature



Max. ambient temperature as a function of temperature of medium

The transmitter can be installed either compact or remote.

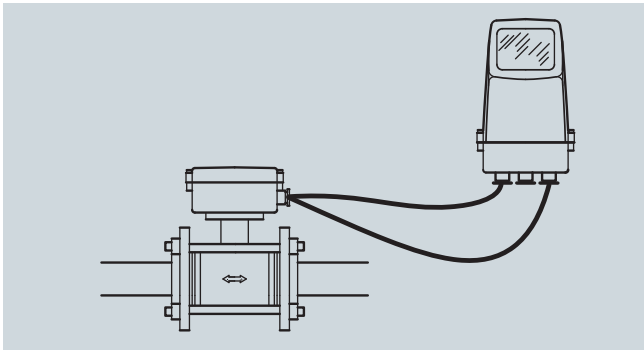
With compact installation the temperature of medium must be according to the graph.



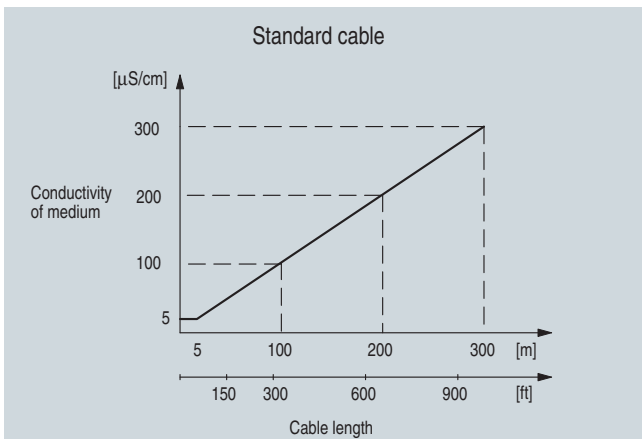
#### Sensor cables and conductivity of medium

Compact installation:

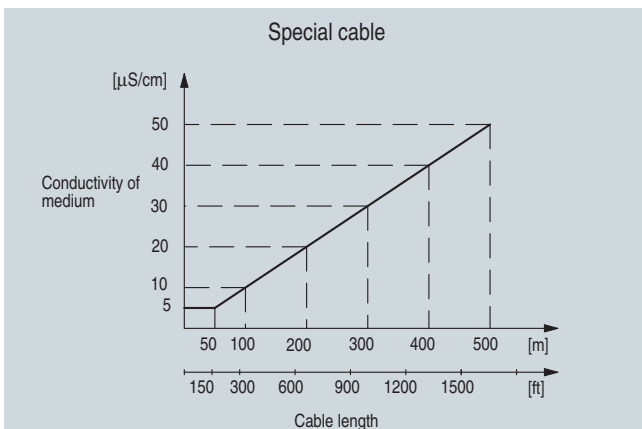
Liquids with an electrical conductivity  $\geq 5 \mu\text{S/cm}$ .



Remote installation



Minimum conductivity of medium (using standard electrode cable)



Minimum conductivity of medium (using special electrode cable)

#### Note

**For detection of empty sensor** the minimum sensor conductivity must always be  $\geq 20 \mu\text{S/cm}$  and the maximum length of electrode cable when remotely mounted is 50 m (150 ft). Special shield cable must be used.

For **DN 2, DN 3** or for remote mounting in Ex applications special cable cannot be used, empty sensor cannot be detected and the conductivity must be  $\geq 30 \mu\text{S/cm}$ . For remote mounted CT installations the maximum cable length is 200 m (600 ft).

# SITRANS F flowmeters

## SITRANS F M

### Transmitter MAG 5000/6000

#### Overview



Transmitter MAG 5000/6000 compact version (left) and 19" insert version (right)

The MAG 5000 and 6000 are microprocessor-based transmitters engineered for high performance, easy installation, commissioning and maintenance. The transmitters evaluate the signals from the SITRANS F M sensors type MAG 1100, MAG 1100 F, MAG 3100 and MAG 5100 W.

Transmitter types:

- MAG 5000: Max. measuring error 0.5% of rate (incl. sensor)
- MAG 6000: Max. measuring error 0.25% of rate (incl. sensor, see also sensor specifications) and with additional features such as: "plug & play" insert bus modules; integrated batch functions.

#### Benefits

- Superior signal resolution for optimum turn down ratio
- Digital signal processing with many possibilities
- Automatic reading of SENSORPROM data for easy commissioning
- User configurable operation menu with password protection.
- 3 lines, 20 characters display in 11 languages.
- Flow rate in various units
- Totalizer for forward, reverse and net flow as well as additional information available
- Multiple functional outputs for process control, minimum configuration with analogue, pulse/frequency and relay output (status, flow direction, limits)
- Comprehensive self-diagnostic for error indication and error logging (see under SITRANS F M diagnostics)
- Batch control
- Custody transfer approval: PTB, OIML R 75, OIML R 117, OIML R 49 and MI-001,
- MAG 6000 with add-on bus modules for HART, FOUNDATION Fieldbus H1, DeviceNet, MODBUS RTU/RS485, PROFIBUS PA and DP

#### Application

The SITRANS F M flowmeters are suitable for measuring the flow of almost all electrically conductive liquids, pastes and slurries. The main applications can be found in:

- Water and waste water
- Chemical and pharmaceutical industries
- Food & beverage industries
- Power generation and utility

#### Design

The transmitter is designed as either IP67 NEMA 4X enclosure for compact or wall mounting or 19" version as a 19" insert as a base to be used in:

- 19" rack systems
- Panel mounting IP65/NEMA 4
- Back of panel mounting IP20/NEMA 2
- Wall mounting IP66/NEMA 4

Several options on 19" versions are available such as:

- Transmitters mounted in safe area for Ex ATEX approved flow sensors (incl. barriers)
- Transmitters with electrode cleaning unit

#### Function

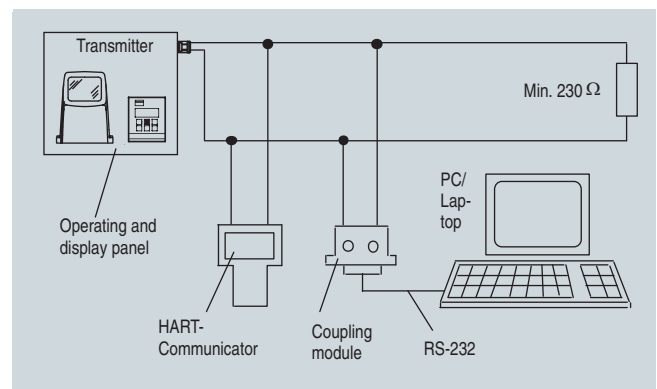
The MAG 5000/6000 are microprocessor-based transmitters with a built-in alphanumeric display in several languages. The transmitters evaluate the signals from the associated electro-magnetic sensors and also fulfil the task of a power supply unit which provides the magnet coils with a constant current.

Further information on connection, mode of operation and installation can be found in the data sheets for the sensors.

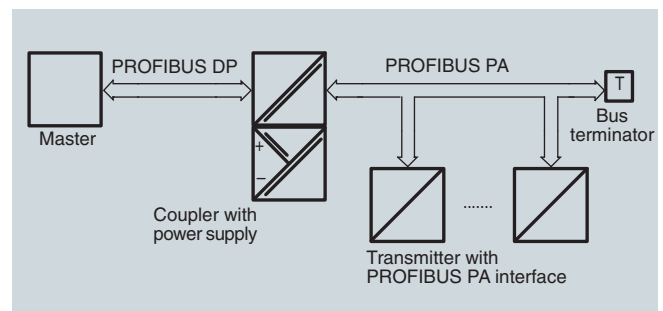
#### Displays and controls

Operation of the transmitter can be carried out using:

- Control and display unit
- HART communicator
- PC/laptop and SIMATIC PDM software via HART communication
- PC/laptop and SIMATIC PDM software using PROFIBUS or MODBUS communication



HART communication



PROFIBUS PA communication

#### Technical specifications

##### Mode of operation and design

|                           |   |
|---------------------------|---|
| Measuring principle       | Electromagnetic with pulsed constant field                                      |
| Empty pipe                | Detection of empty pipe (special cable required in remote mounted installation) |
| Excitation frequency      | Depend on sensor size   |
| Electrode input impedance | $> 1 \times 10^{14} \Omega$   |

##### Input

|                      |   |
|----------------------|---|
| <b>Digital input</b> | 11 ... 30 V DC, $R_i = 4.4 \text{ K}\Omega$                                   |
| • Activation time    | 50 ms   |
| • Current            | $I_{DC 11 \text{ V}} = 2.5 \text{ mA}$ , $I_{DC 30 \text{ V}} = 7 \text{ mA}$ |

##### Output

|                       |                            |
|-----------------------|----------------------------|
| <b>Current output</b> |                            |
| • Signal range        | 0 ... 20 mA or 4 ... 20 mA |
| • Load                | $< 800 \Omega$             |
| • Time constant       | 0.1 ... 30 s, adjustable   |

##### Digital output

|                 |  |
|-----------------|--|
| Frequency       | 0 ... 10 kHz, 50% duty cycle (uni/bidirectional)   |
| Pulse (active)  | DC 24 V, 30 mA, $1 \text{ K}\Omega \leq R_i \leq 10 \text{ K}\Omega$ , short-circuit-protected (power supplied from flowmeter) |
| Pulse (passive) | DC 3 ... 30 V, max. 110 mA, $200 \Omega \leq R_i \leq 10 \text{ K}\Omega$ (powered from connected equipment)                   |
| Time constant   | 0.1 ... 30 s, adjustable   |

##### Relay output

|                    |  |
|--------------------|--|
| Time constant      | Changeover relay, same as current output         |
| Load               | 42 V AC/2 A, 24 V DC/1 A                         |
| Low flow cut off   | 0 ... 9.9% of maximum flow                       |
| Galvanic isolation | All inputs and outputs are galvanically isolated |

##### Max. measuring error (incl. sensor and zero point)

|          |               |
|----------|---------------|
| MAG 5000 | 0.5% of rate  |
| MAG 6000 | 0.25% of rate |

##### Rated operation conditions

|                     |  |
|---------------------|--|
| Ambient temperature |  |
| • Operation         | <ul style="list-style-type: none"> <li>• Display version: -20 ... +50 °C (-4 ... +122 °F)</li> <li>• Blind version: -20 ... +60 °C (-4 ... +140 °F)</li> </ul> |
| • Storage           | -40 ... +70 °C (-40 ... +158 °F)   |

##### Mechanical load

|                 |   |
|-----------------|---|
| Compact version | 18 ... 1000 Hz, 3,17 g rms, sinusoidal in all directions to IEC 68-2-36 |
| 19" insert      | 1 ... 800 Hz, 1 g, sinusoidal in all directions to IEC 68-2-36          |

##### Degree of protection

|                 |   |
|-----------------|---|
| Compact version | IP67/NEMA 4X to IEC 529 and DIN 40050 (1 mH <sub>2</sub> O 30 min.) |
| 19" insert      | IP20/NEMA 2 to IEC 529 and DIN 40050                                |

##### EMC performance

EN 61326-1 (all environments)  
EN 61326-2-5

##### Display and keypad

|           |   |
|-----------|---|
| Totalizer | Two eight-digit counters for forward, net or reverse flow |
|-----------|---|

##### Display

Background illumination with alphanumeric text, 3 x 20 characters to indicate flow rate, totalized values, settings and faults; Reverse flow indicated by negative sign

|               |   |
|---------------|---|
| Time constant | Time constant as current output time constant |
|---------------|---|

##### Design

|                    |  |
|--------------------|--|
| Enclosure material |  |
| • Compact version  | Fiber glass reinforced polyamide; optional (IP67 only): AISI 316 stainless steel |
| • 19" insert       | Standard 19" insert of aluminium/steel (DIN 41494), width: 21 TE, height: 3 HE   |
| • Back of panel    | IP20/NEMA 2; Aluminium   |
| • Panel mounting   | IP65/NEMA 4; ABS plastic   |
| • Wall mounting    | IP66/NEMA 4; ABS plastic   |

##### Dimensional drawings

|                 |                          |
|-----------------|--------------------------|
| Compact version | See dimensional drawings |
| 19" insert      | See dimensional drawings |

##### Weight

|                 |                          |
|-----------------|--------------------------|
| Compact version | 0.75 kg (2 lb)           |
| 19" insert      | See dimensional drawings |

##### Power supply

- 115 ... 230 V AC +10% -15%, 50 ... 60 Hz
- 11 ... 30 V DC or 11 ... 24 V AC

##### Power consumption

- 230 V AC: 17 VA
- 24 V AC : 9 VA,  $I_N = 380 \text{ mA}$ ,  $I_{ST} = 8 \text{ A}$  (30 ms)
- 12 V DC : 11 W,  $I_N = 920 \text{ mA}$ ,  $I_{ST} = 4 \text{ A}$  (250 ms)

##### Certificates and approvals

|   |   |
|---|---|
| CE, C-UL general purpose, C-tick; CSA/FM Class 1, div 2 |   |
| Custody transfer approval (MAG 5000/6000 CT)            | <ul style="list-style-type: none"> <li>• PTB OIML R 49 (cold water pattern approval); MI-001</li> <li>• PTB and DANAK OIML R 75 (hot water pattern approval) (MAG 6000 CT)</li> <li>• PTB and DANAK OIML R 117 Other media than water (milk, beer etc.) pattern approval (MAG 6000 CT)</li> </ul> |

##### Communication

|                          |   |
|--------------------------|---|
| Standard                 |   |
| • MAG 5000               | Without serial communication or HART as option  |
| • MAG 6000               | Prepared for client mounted add-on modules  |
| Optional (MAG 6000 only) | HART, MODBUS RTU/RS485, FOUNDATION Fieldbus H1, DeviceNet, PROFIBUS PA, PROFIBUS DP as add-on modules |
| • MAG 5000/6000 CT       | No communication modules approved   |

# SITRANS F flowmeters

## SITRANS F M

### Transmitter MAG 5000/6000

#### Safety barrier (e/ia)



|                            |   |                           |                  |
|----------------------------|---|---------------------------|------------------|
| <b>Application</b>         | <b>For use with MAG 5000/6000 19" and MAG 1100 Ex ATEX/MAG 3100 Ex ATEX</b> |                           |                  |
| <b>Ex approval</b>         | MAG 1100 Ex [EEx e ia] IIB ATEX<br>MAG 3100 Ex [EEx e ia] IIC ATEX          |                           |                  |
| <b>Cable parameter</b>     | Group   | Capacity in $\mu\text{F}$ | Inductance in mH |
| • Electrode                | IIC   | $\leq 4.1$                | $\leq 80$        |
|                            | IIB   | $\leq 45$                 | $\leq 87$        |
|                            | IIA   | $\leq 45$                 | $\leq 87$        |
| <b>Ambient temperature</b> |   |                           |                  |
| • During operation         | -20 ... +50 °C (-4 ... +122 °F)   |                           |                  |
| • During storage           | -20 ... +70 °C (-4 ... +158 °F)   |                           |                  |
| <b>Enclosure</b>           |   |                           |                  |
| • Material                 | Standard 19" insert in aluminium/steel (DIN 41494)                          |                           |                  |
| • Width                    | 21 TE (4.75")   |                           |                  |
| • Height                   | 3 HE (5.25")  |                           |                  |
| • Rating                   | IP20 / NEMA 2 to EN 60529 and DIN 40050                                     |                           |                  |
| • Mechanical load          | 1 g, 1 ... 800 Hz sinusoidal in all directions to EN 60068-2-36             |                           |                  |
| <b>EMC performance</b>     |   |                           |                  |
| • Emission                 | EN 50081-1 (Light industry)   |                           |                  |
| • Immunity                 | EN 50082-2 (Industry)   |                           |                  |

#### Electrode cleaning unit



|   |  |  |  |
|---|--|--|--|
| <b>Application</b>                          | <b>For use with transmitters MAG 5000 and 6000 19" to clean the electrodes on sensors MAG 1100 or MAG 3100</b>   |  |  |
|   | NB: Must not be used with intrinsically safe ATEX sensors<br>NB: Not to be used with sensors with Hastelloy and Tantalum electrodes                        |  |  |
| <b>Cleaning voltage</b>                     |  |  |  |
| AC cleaning                                 | 60 V AC  |  |  |
| DC cleaning                                 | 30 V DC  |  |  |
| <b>Cleaning period</b>                      | 60 s + 60 s pause period   |  |  |
| <b>Relay</b>                                |  |  |  |
| • Load                                      | 42 V/2 A   |  |  |
| <b>Operation</b>                            | Switch relay activated when cleaning is in progress  |  |  |
| • Automatic                                 | Yes  |  |  |
| • Manual                                    | No   |  |  |
| <b>Indicator lamps</b>                      | LEDs: "ON" and "CLEANING"  |  |  |
| <b>Supply voltage and power consumption</b> | 115 ... 230 V AC, +10% ... -15%, 50 ... 60 Hz, 7 VA cleaning, 5 VA stand by<br>11 ... 30 V DC / 11 ... 24 V AC, 50 ... 60 Hz, 7 VA cleaning, 5 VA stand by |  |  |
| <b>Ambient temperature</b>                  |  |  |  |
| • During operation                          | -20 ... +50 °C (-4 ... +122 °F)  |  |  |
| • During storage                            | -20 ... +70 °C (-4 ... +158 °F)  |  |  |
| <b>Enclosure</b>                            |  |  |  |
| • Material                                  | Standard 19" insert in aluminium/steel (DIN 41494)   |  |  |
| • Width                                     | 21 TE (4.75")  |  |  |
| • Height                                    | 3 HE (5.25")   |  |  |
| • Rating                                    | IP20 / NEMA 2 to EN 60529 and DIN 40050  |  |  |
| • Mechanical load                           | 1 g, 1 ... 800 Hz sinusoidal in all directions to EN 60068-2-36  |  |  |

#### Cleaning unit

The Siemens cleaning unit can be used with MAG 5000 or 6000 in 19" insert version.

The cleaning unit can be used in applications where the liner and subsequently the electrodes may be coated with deposits. If the coating is electrically insulating, the electrode signal will be reduced. If the coating is electrically inductive, the electrode signal will be partly short-circuited and in both cases the accuracy of the meter will decrease (dependent on coating type and thickness).

#### Note:

The cleaning unit cannot be used for inflammable or explosive media!

#### Mode of operation

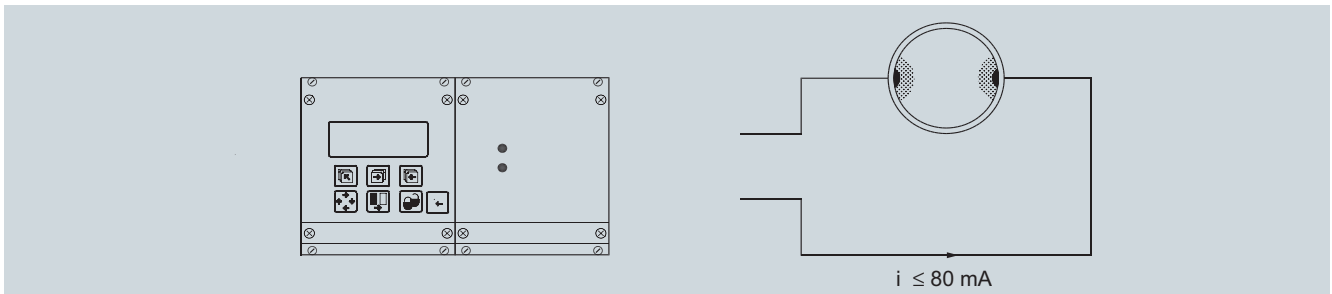
The cleaning unit cleans the electrodes electro-chemically by applying a voltage to the electrodes for approx. 60 seconds. While cleaning, the transmitter stores and holds the latest measured flow reading on the display and also the signal outputs. After an additional pausing period of 60 seconds the flowmeter resumes normal measurement and the cleaning is now completed.

The relay in the transmitter activates the cleaning cycle. In the relay output menu (under cleaning) the cleaning interval can be set between 1 hour and 24 hours.

Cleaning should only take place with liquid in the pipe. This can be detected via the empty pipe function. It is therefore recommended to select "empty pipe detection" ON when using the cleaning.

The cleaning sequence can also be controlled manually through the electrical input of the transmitter. Before this is done, ensure that the measuring pipe is full.

#### AC cleaning

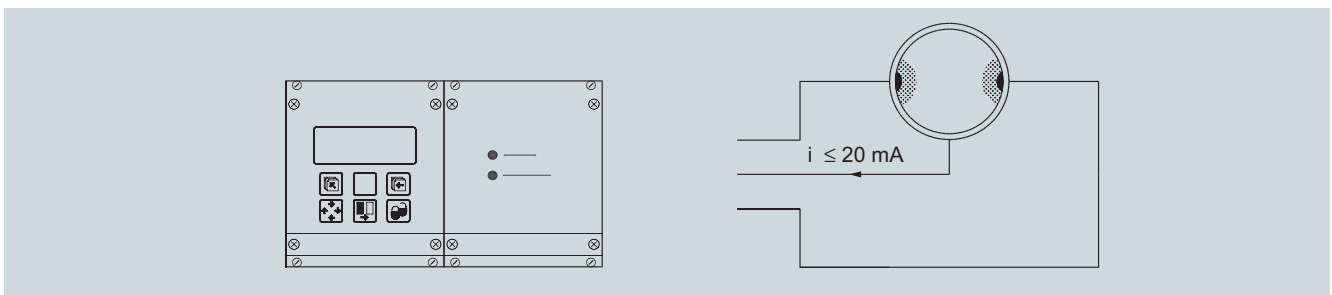


AC-cleaning is used to remove fatty deposits on the electrodes. These fatty deposits are seen in waste water applications, in abattoirs and water applications with oil residuals. During the cleaning process, the surface of the electrodes get warmer, which tends to soften grease particles and the gas bubbles generated mechanically lift deposits away from the surface of the electrodes.

#### Note:

Do not use AC-cleaning on sensors with Tantalum or Hastelloy electrodes.

#### DC cleaning



DC-cleaning is used to eliminate electrically conductive deposits in the measuring pipe influencing the measuring accuracy.

Particularly in district heating applications an electrically conductive deposit (magnetite) may occur and short-circuit the electrode signal. In this case the accuracy of the meter decreases and the signal/noise conditions of the meter become inferior. The problem only arises if the conductivity of the water is less than approx. 250  $\mu\text{S}/\text{cm}$ .

During DC-cleaning electrolysis takes place where the flow of electrons removes the particle deposits from the electrode area.

#### Note:

Do not use DC-cleaning on sensors with Tantalum or Hastelloy electrodes.







# SITRANS F flowmeters

## SITRANS F M




### Transmitter MAG 5000/6000

#### Selection and Ordering Data









##### Transmitter MAG 5000

| Description  | Order No.  |   |
|--|--|---|
| <p>Transmitter MAG 5000 Blind for compact and wall mounting; IP67/NEMA 4X, fibre glass reinforced polyamide</p> <ul style="list-style-type: none"> <li>• 11 ... 30 V DC / 11 ... 24 V AC</li> <li>• 115/230 V AC, 50/60 Hz</li> </ul>  | <p><b>7ME6910-1AA30-0AA0</b></p> <p><b>7ME6910-1AA10-0AA0</b></p>                                      |    |
| <p>Transmitter MAG 5000 Display for compact and wall mounting; IP67/NEMA 4X, fibre glass reinforced polyamide</p> <ul style="list-style-type: none"> <li>• 11 ... 30 V DC / 11 ... 24 V AC</li> <li>• 115/230 V AC, 50/60 Hz</li> <li>• 115/230 V AC, 50/60 Hz, with HART</li> </ul> | <p>▶ <b>7ME6910-1AA30-1AA0</b></p> <p>▶ <b>7ME6910-1AA10-1AA0</b></p> <p><b>7ME6910-1AA10-1BA0</b></p> |    |
| <p>Transmitter MAG 5000 CT for compact and wall mounting, approved for custody transfer; IP67/NEMA 4X, fibre glass reinforced polyamide</p> <ul style="list-style-type: none"> <li>• 11 ... 30 V DC / 11 ... 24 V AC</li> <li>• 115/230 V AC, 50/60 Hz</li> </ul>                    | <p><b>7ME6910-1AA30-1AB0</b></p> <p><b>7ME6910-1AA10-1AB0</b></p>                                      |   |
| <p>Transmitter MAG 5000 for 19" rack and wall mounting</p> <ul style="list-style-type: none"> <li>• 11 ... 30 V DC / 11 ... 24 V AC</li> <li>• 115/230 V AC, 50/60 Hz</li> </ul>   | <p><b>7ME6910-2CA30-1AA0</b></p> <p><b>7ME6910-2CA10-1AA0</b></p>                                      |  |

##### Transmitter MAG 6000

| Description   | Order No.   |   |
|---|---|---|
| <p>Transmitter MAG 6000 Blind for compact and wall mounting; IP67/NEMA 4X, fibre glass reinforced polyamide</p> <ul style="list-style-type: none"> <li>• 11 ... 30 V DC / 11 ... 24 V AC</li> <li>• 115/230 V AC, 50/60 Hz</li> </ul> | <p><b>7ME6920-1AA30-0AA0</b></p> <p><b>7ME6920-1AA10-0AA0</b></p> |  |
| <p>Transmitter MAG 6000 for compact and wall mounting;</p> <ul style="list-style-type: none"> <li>• 11 ... 30 V DC / 11 ... 24 V AC</li> <li>• 115/230 V AC, 50/60 Hz</li> </ul>  | <p><b>7ME6920-1AA30-1AA0</b></p> <p><b>7ME6920-1AA10-1AA0</b></p> |  |
| <p>IP67/NEMA 4X, AISI 316 stainless steel (only for sensor with SS terminal box )</p> <ul style="list-style-type: none"> <li>• 11 ... 30 V DC / 11 ... 24 V AC</li> <li>• 115/230 V AC, 50/60 Hz</li> </ul>                           | <p><b>7ME6920-1QA30-1AA0</b></p> <p><b>7ME6920-1QA10-1AA0</b></p> |  |

▶ Available ex stock

| Description   | Order No.   |   |
|---|---|---|
| <p>Transmitter MAG 6000 CT for compact and wall mounting, approved for custody transfer (no communication moduls possible); IP67/NEMA 4X, fibre glass reinforced polyamide</p> <ul style="list-style-type: none"> <li>• 11 ... 30 V DC / 11 ... 24 V AC</li> <li>• 115/230 V AC, 50/60 Hz</li> </ul>  | <p><b>7ME6920-1AA30-1AB0</b></p> <p><b>7ME6920-1AA10-1AB0</b></p> |    |
| <p>Transmitter MAG 6000 SV for compact and wall mounting; special excitation 44 Hz settings for Batch application DN ≤ 25/1" IP67/NEMA 4X, fibre glass reinforced polyamide</p> <ul style="list-style-type: none"> <li>• 11 ... 30 V DC / 11 ... 24 V AC</li> <li>• 115/230 V AC, 50/60 Hz</li> </ul> | <p><b>7ME6920-1AB30-1AA0</b></p> <p><b>7ME6920-1AB10-1AA0</b></p> |    |
| <p>Transmitter MAG 6000 for 19" rack and wall mounting</p> <ul style="list-style-type: none"> <li>• 11 ... 30 V DC / 11 ... 24 V AC</li> <li>• 115/230 V AC, 50/60 Hz</li> </ul>  | <p><b>7ME6920-2CA30-1AA0</b></p> <p><b>7ME6920-2CA10-1AA0</b></p> |    |
| <p>Transmitter MAG 6000 SV for 19" rack and wall mounting; special excitation 44 Hz settings for Batch application DN ≤ 25/1"</p> <ul style="list-style-type: none"> <li>• 11 ... 30 V DC / 11 ... 24 V AC</li> <li>• 115/230 V AC, 50/60 Hz</li> </ul>   | <p><b>7ME6920-2CB30-1AA0</b></p> <p><b>7ME6920-2CB10-1AA0</b></p> |  |
| <p>MAG 6000 with IP66/NEMA 4X enclosure; 115/230 V AC, 50/60 Hz</p>   | <p><b>7ME6920-2EA10-1AA0</b></p>                                  |  |
| <p>MAG 6000 with electrode cleaning unit, complete mounted with IP66/NEMA 4X mounting enclosure</p> <ul style="list-style-type: none"> <li>• 11 ... 30 V DC / 11 ... 24 V AC</li> <li>• 115/230 V AC, 50/60 Hz</li> </ul>   | <p><b>7ME6920-2PA30-1AA0</b></p> <p><b>7ME6920-2PA10-1AA0</b></p> |  |
| <p>MAG 6000 with safety barrier for ATEX 2G D approved sensors, complete mounted with IP66/NEMA 4X wall mounting enclosure, ATEX, 115/230 V AC, 50/60 Hz</p> <ul style="list-style-type: none"> <li>• For ATEX 2G D sensors</li> </ul>  | <p><b>7ME6920-2MA11-1AA0</b></p>                                  |  |
| <p>MAG 6000 SV, 19" insert, in IP66/NEMA 4X, ABS plastic enclosure, excitation frequency 44 Hz for Batch application DN ≤ 25/1", 11 ... 30 V DC, 11 ... 24 V AC, 50/60 Hz</p>   | <p><b>7ME6920-2EB30-1AA0</b></p>                                  |  |

#### Communication modules for MAG 6000

| Description                  | Order No.                         |
|------------------------------|-----------------------------------|
| HART<br>(not for MAG 6000 I) | ▶ <b>FDK-085U0226</b>             |
| MODBUS RTU/RS485             | ▶ <b>FDK-085U0234</b>             |
| PROFIBUS PA Profile 3        | ▶ <b>FDK-085U0236</b>             |
| PROFIBUS DP Profile 3        | ▶ <b>FDK-085U0237</b>             |
| DeviceNet                    | ▶ <b>FDK-085U0229</b>             |
| FOUNDATION Fieldbus H1       | ▶ <b>A5E02054250<sup>1)</sup></b> |



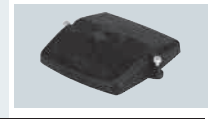
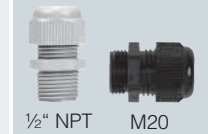
<sup>1)</sup> Pending for MAG 6000 I ATEX

#### Accessories for MAG 5000 and MAG 6000

| Description   | Order No.             |
|---|-----------------------|
| Wall mounting unit for IP67/NEMA 4X version, wall bracket, terminal box in polyamide          |                       |
| • 4 x M20 cable glands  | ▶ <b>FDK-085U1018</b> |
| • 4 x 1/2" NPT cable glands   | ▶ <b>FDK-085U1053</b> |
| Cable for standard electrode or coil, 3 x 1.5 mm <sup>2</sup> / 18 gage with shield PVC       |                       |
| • 10 m (33 ft)  | ▶ <b>FDK-083F0121</b> |
| • 20 m (65 ft)  | ▶ <b>FDK-083F0210</b> |
| • 40 m (130 ft)   | ▶ <b>FDK-083F0211</b> |
| • 60 m (200 ft)   | ▶ <b>FDK-083F0212</b> |
| • 100 m (330 ft)  | <b>FDK-083F0213</b>   |
| • 150 m (500 ft)  | <b>FDK-083F3052</b>   |
| • 200 m (650 ft)  | <b>FDK-083F3053</b>   |
| • 500 m (1650 ft)   | <b>FDK-083F3054</b>   |
| Electrode cable for empty pipe or low conductivity, double shielded, 3 x 0.25 mm <sup>2</sup> |                       |
| • 10 m (33 ft)  | <b>FDK-083F3020</b>   |
| • 20 m (65 ft)  | ▶ <b>FDK-083F3095</b> |
| • 40 m (131 ft)   | <b>FDK-083F3094</b>   |
| • 60 m (200 ft)   | <b>FDK-083F3093</b>   |
| • 100 m (330 ft)  | <b>FDK-083F3092</b>   |
| • 150 m (500 ft)  | <b>FDK-083F3056</b>   |
| • 200 m (650 ft)  | <b>FDK-083F3057</b>   |
| • 500 m (1650 ft)   | <b>FDK-083F3058</b>   |




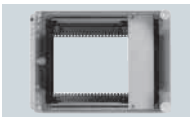



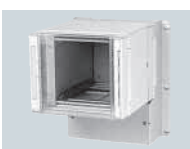

| Description  | Order No.             |
|--|-----------------------|
| Cable kit with standard coil cable, 3 x 1.5 mm <sup>2</sup> /18 gage with shield PVC and electrode cable double shielded, 3 x 0.25 mm <sup>2</sup> |                       |
| • 5 m (16 ft)  | <b>A5E02296329</b>    |
| • 10 m (33 ft)   | <b>A5E01181647</b>    |
| • 15 m (49 ft)   | <b>A5E02296464</b>    |
| • 20 m (65 ft)   | <b>A5E01181656</b>    |
| • 25 m (82 ft)   | <b>A5E02296490</b>    |
| • 30 m (98 ft)   | <b>A5E02296494</b>    |
| • 40 m (130 ft)  | <b>A5E01181686</b>    |
| • 60 m (200 ft)  | <b>A5E01181689</b>    |
| • 100 m (330 ft)   | <b>A5E01181691</b>    |
| • 150 m (500 ft)   | <b>A5E01181699</b>    |
| • 200 m (650 ft)   | <b>A5E01181703</b>    |
| • 500 m (1640 ft)  | <b>A5E01181705</b>    |
| Cable glands, for above cable, 2 pcs.  |                       |
| • M20  | <b>A5E00822490</b>    |
| • 1/2" NPT   | <b>A5E00822501</b>    |
| Sealing screws for sensor/transmitter, 2 pcs   | <b>FDK-085U0221</b>   |
| Terminal box, in polyamide, inclusive lid  |                       |
| • M20  | ▶ <b>FDK-085U1050</b> |
| • 1/2" NPT   | <b>FDK-085U1052</b>   |
| Terminal box lid, in polyamid  | <b>FDK-085U1003</b>   |
| Terminal box for MAG 6000, in stainless steel, inclusive lid   |                       |
| • M20  | <b>A5E00836867</b>    |
| • 1/2" NPT   | <b>A5E00836868</b>    |
| Terminal box (3A) for MAG 1100 F in polyamide, inclusive lid   |                       |
| • M20  | <b>A5E00822478</b>    |
| • 1/2" NPT   | <b>A5E00822479</b>    |
| Potting kit for terminal box of MAG sensors for IP68/NEMA 6P (not ATEX)  | ▶ <b>FDK-085U0220</b> |
| 19" cleaning unit for electrode cleaning (21TE) incl. back plate   |                       |
| • 11 ... 30 V DC / 11 ... 24 V AC  | <b>FDK-083F5039</b>   |
| • 115 ... 230 V AC, 50/60 Hz   | <b>FDK-083F5036</b>   |



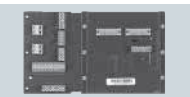

# SITRANS F flowmeters

## SITRANS F M

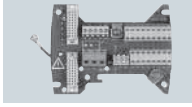


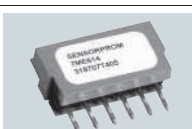


### Transmitter MAG 5000/6000

| Description  | Order No.             |   |
|--|-----------------------|---|
| 19" safety barrier (21 TE)<br>[EEx e ia] IIC for MAG 1100<br>ATEX and MAG 3100 ATEX,<br>incl. back plate                   | <b>FDK-083F5034</b>   |    |
| Panel mounting enclosure<br>for 19" insert (21 TE);<br>IP65/NEMA 4 enclosure in<br>ABS plastic for front panel<br>mounting | <b>FDK-083F5030</b>   |    |
| Panel mounting enclosure<br>for 19" insert (42 TE);<br>IP65/NEMA 4 enclosure in<br>ABS plastic for front panel<br>mounting | <b>FDK-083F5031</b>   |    |
| Back of panel mounting<br>enclosure for 19" insert<br>(21 TE); IP20/NEMA 2 enclo-<br>sure in aluminium                     | <b>FDK-083F5032</b>   |    |
| ▶ Available ex stock   |                       |   |
| Back of panel mounting<br>enclosure for 19" insert<br>(42 TE); IP20/NEMA 2 enclo-<br>sure in aluminium                     | <b>FDK-083F5033</b>   |    |
| IP66/NEMA 4, wall mounting<br>enclosure for 19" inserts<br>(without backplates)  |                       |   |
| • 21 TE  | <b>FDK-083F5037</b>   |  |
| • 42 TE  | ▶ <b>FDK-083F5038</b> |  |
| Front cover (7TE)  | <b>FDK-083F4525</b>   |   |
| ▶ Available ex stock   |                       |   |


### Back plates (if wall enclosure IP66 is used as part)

| Description   | Order No.           |   |
|---|---------------------|---|
| Wall unit enclosure IP66,<br>12 ... 24 V, 115 ... 230 V   |                     |   |
| • Transmitter   | <b>FDK-083F4121</b> |  |
| • Transmitter ia/e and safety<br>barrier  | <b>FDK-083F4122</b> |   |
| • Transmitter ia/ib and safety<br>barrier (only for sensors<br>produced before October<br>2007) | <b>FDK-083F4120</b> |  |
| • Transmitter and cleaning<br>unit  | <b>FDK-083F4124</b> |   |

### Spare parts

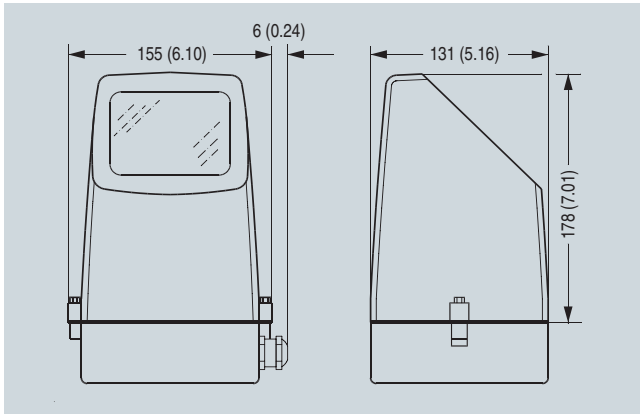
| Description   | Order No.           |   |
|---|---------------------|---|
| Connection plate  |                     |   |
| • 12 ... 24 V   | <b>FDK-083F4149</b> |    |
| • 115 ... 230 V   | <b>FDK-083F4148</b> |   |
| 19" enclosure, 12 ... 24 V,<br>115 ... 230 V  |                     |   |
| • Connection plate for stan-<br>dard 19" transmitter  | <b>FDK-083F4117</b> |    |
| • Connection plate for trans-<br>mitter ia and safety barrier   | <b>FDK-083F4118</b> |    |
| • Connection plate for trans-<br>mitter ia/ib and safety barrier<br>(only for sensors<br>produced before October<br>2007) | <b>FDK-083F4119</b> |   |
| • Connection plate for trans-<br>mitter and cleaning unit   | <b>FDK-083F4123</b> |   |
| SENSORPROM memory unit<br>(Sensor code and serial<br>numbers must be specified<br>on order)                               |                     |   |
| • 2 kB<br>(for MAG 5000/6000/<br>MAG 6000 I)  | <b>FDK-085U1005</b> |   |
| • 250 B<br>(for MAG 2500/3000)  | <b>FDK-085U1008</b> |   |
| Display unit<br>for MAG 5000/6000   |                     |   |
| • black neutral front   | <b>FDK-085U1038</b> |  |
| • Siemens front   | <b>FDK-085U1039</b> |  |

### Sun Shields for MAG 5000/6000 transmitters

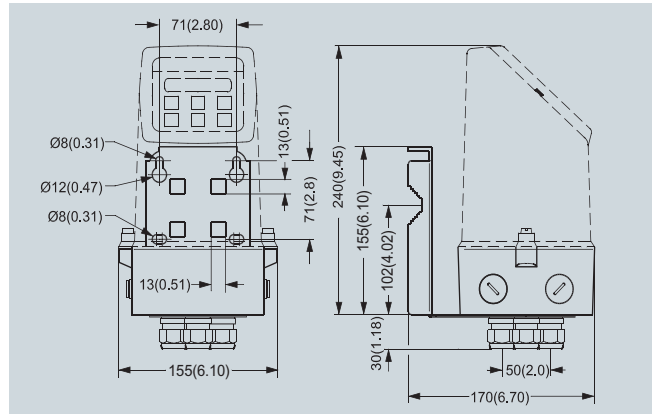
| Description  | Order No.          |   |
|--|--------------------|---|
| Sun shield for remote<br>MAG 5000/6000 transmit-<br>ters   | <b>A5E01209496</b> |  |
| Sun Shield for compact<br>MAG 5000/6000 transmit-<br>ters on MAG 3100<br>(DN 15 ... 2000 (1/2" ... 78") or<br>MAG 5100<br>(DN 150 ... 1200 (6" ... 48")) | <b>A5E01209500</b> |   |

#### Dimensional drawings

##### Transmitter IP67/NEMA 4X compact polyamide

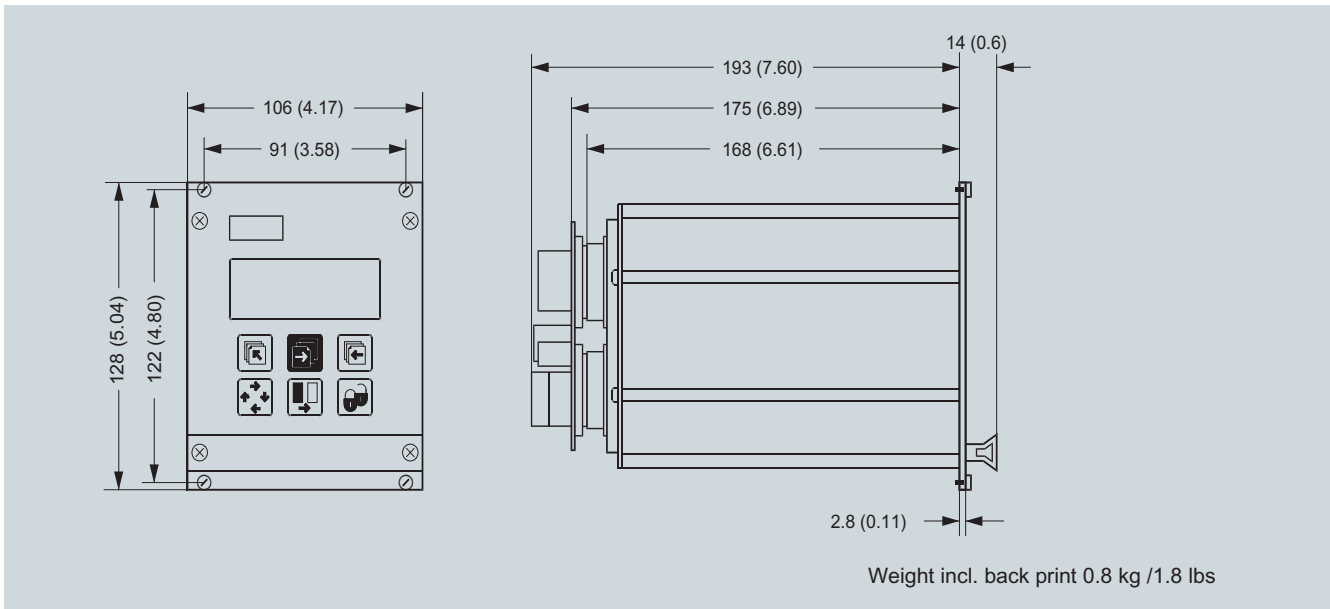


Transmitter compact mounted



Transmitter wall mounted

##### Transmitter, 19" IP20/ NEMA 2 standard unit

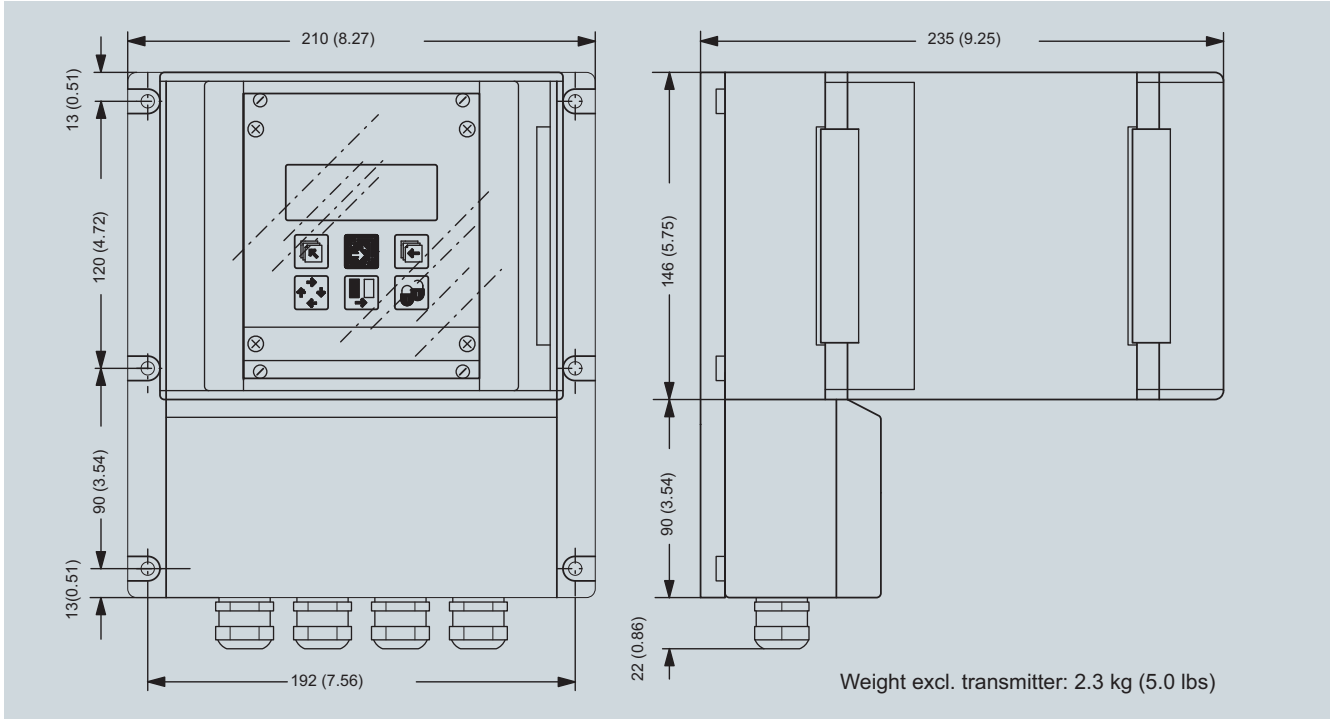


# SITRANS F flowmeters

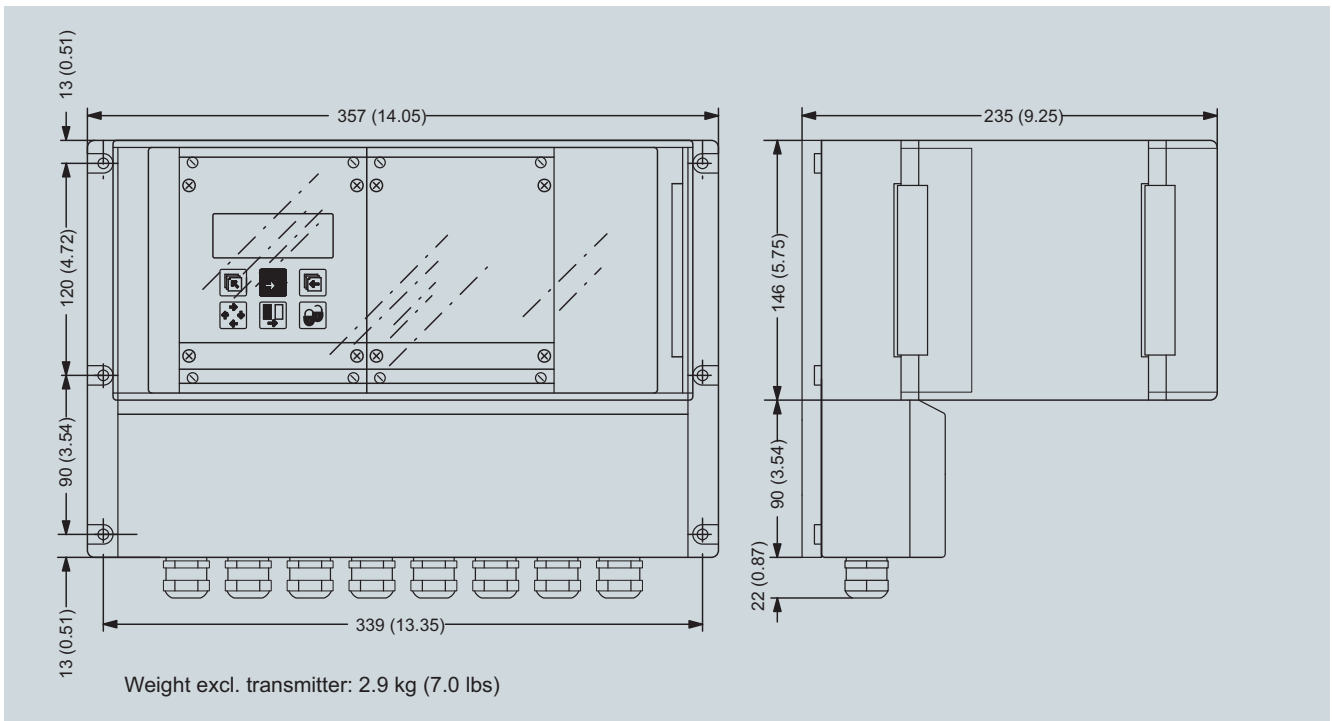
## SITRANS F M

### Transmitter MAG 5000/6000

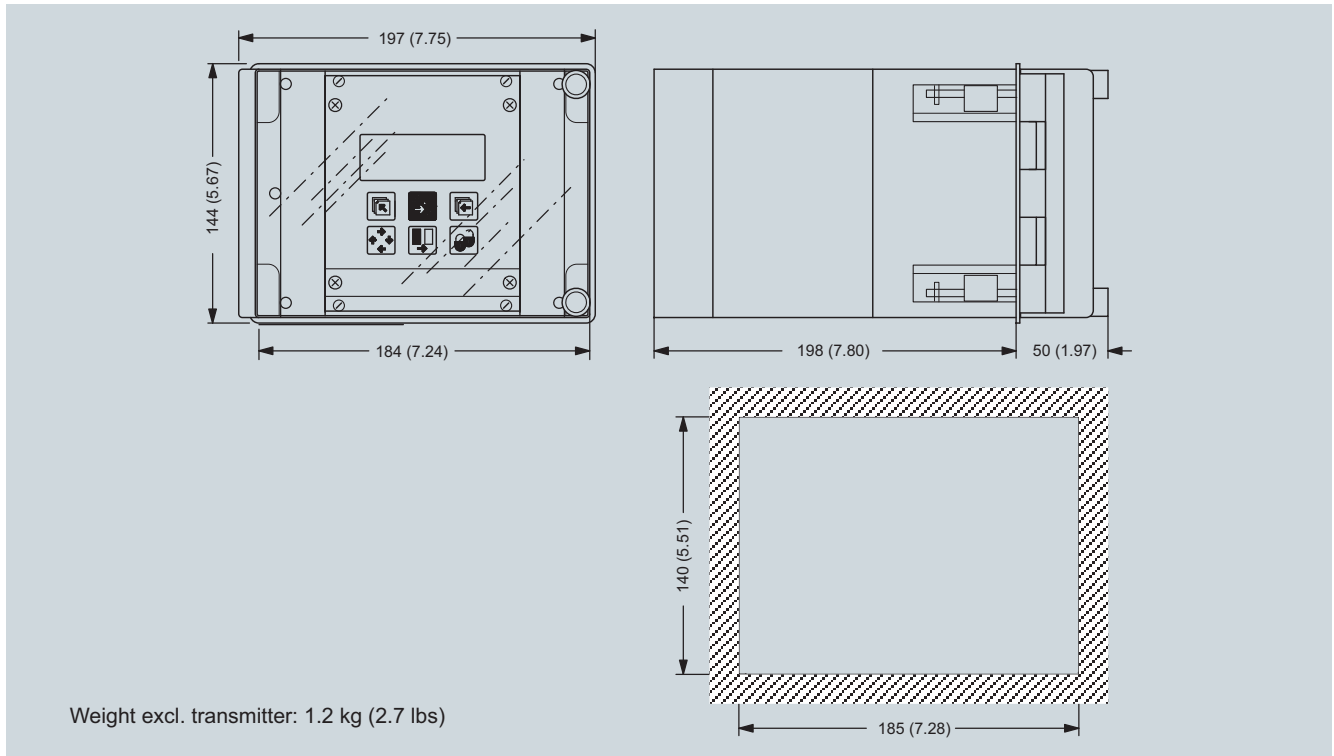
Transmitter, wall mounting IP66/NEMA 4, 21 TE



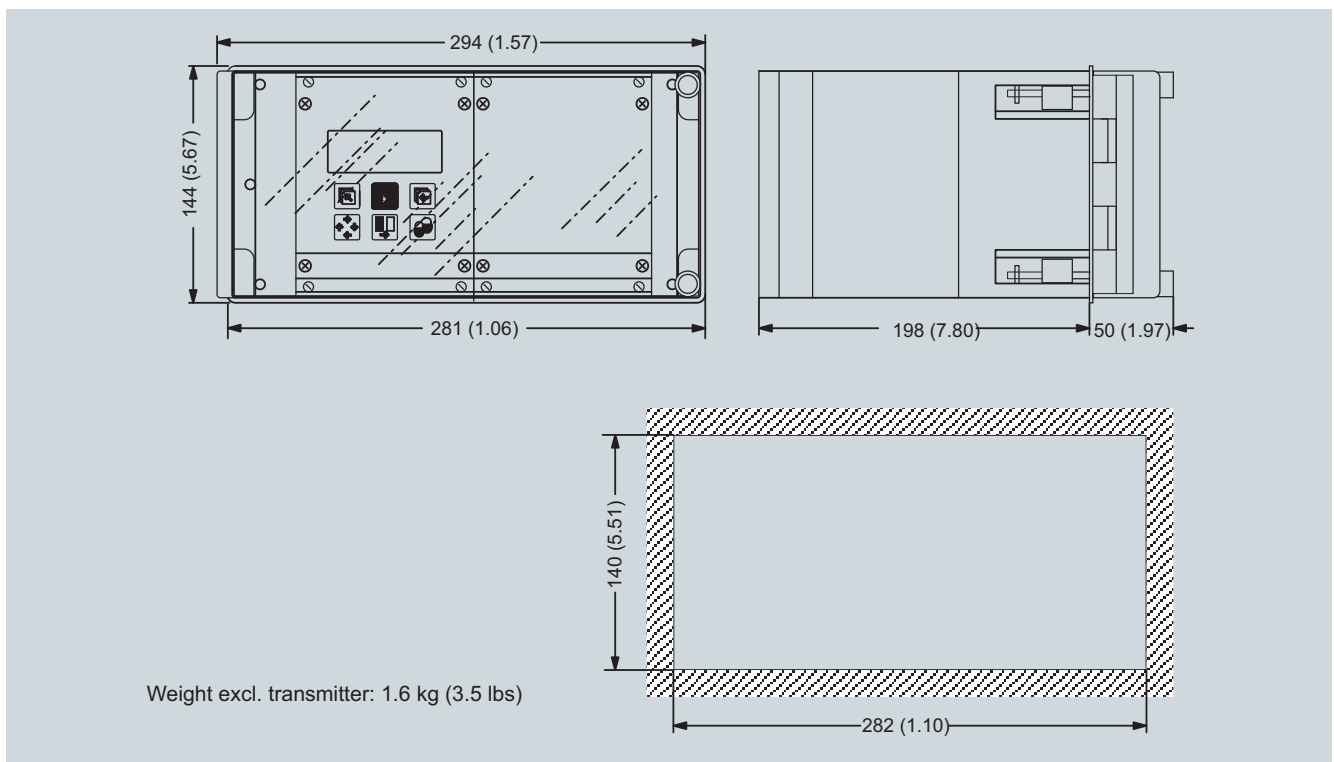
Transmitter, wall mounting IP66/NEMA 4, 42 TE



Transmitter, panel front IP65/NEMA 4, 21 TE



Transmitter, panel front IP65/NEMA 4, 42 TE



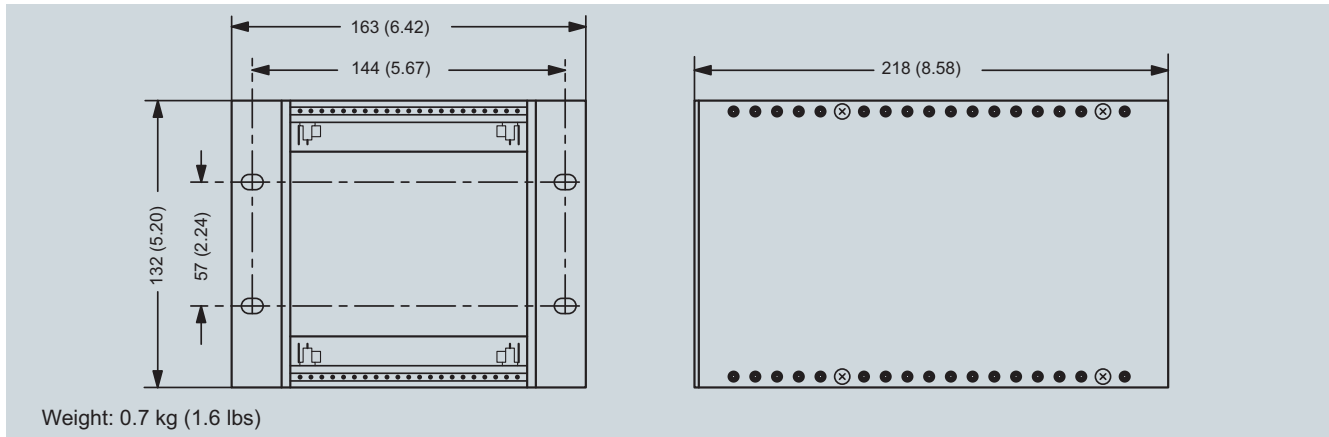


# SITRANS F flowmeters

## SITRANS F M

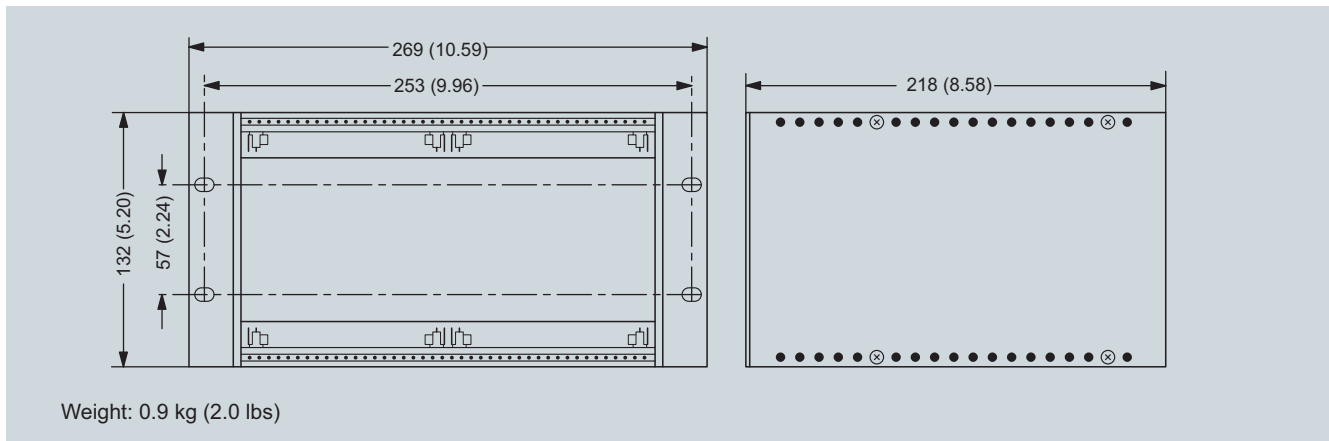
### Transmitter MAG 5000/6000

Transmitter, back of panel IP20/NEMA 2, 21 TE



38

Transmitter, back of panel IP20/NEMA 2, 42 TE



## Schematics

### Electrical connection

#### Grounding

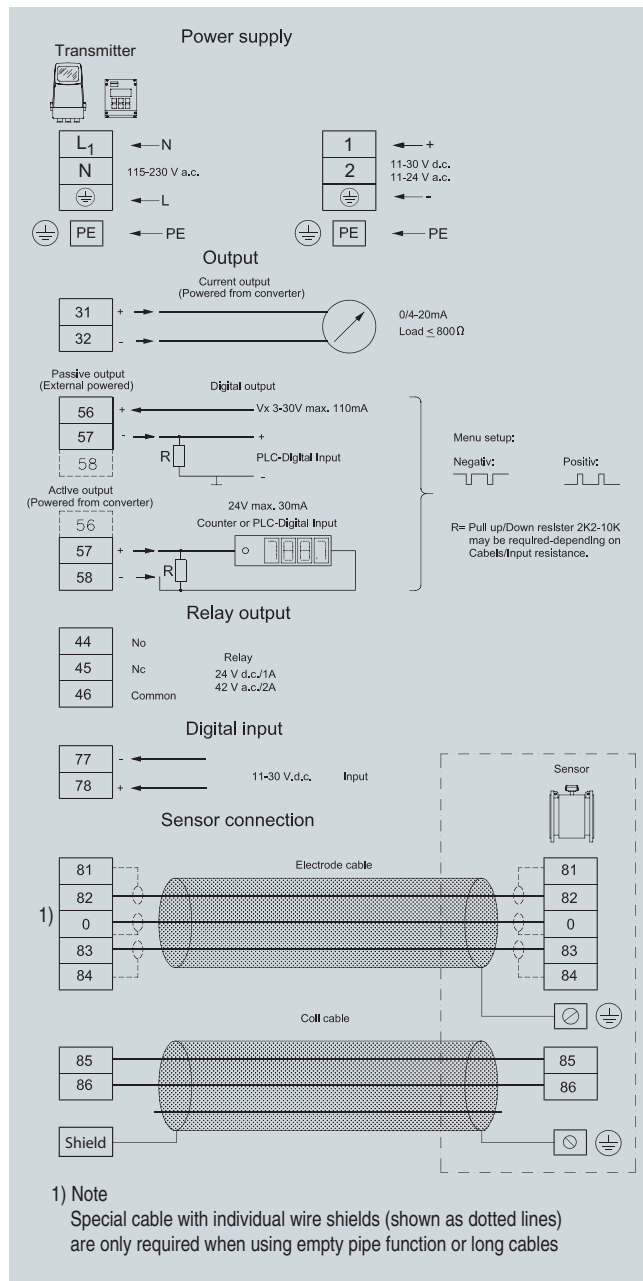
PE must be connected due to safety class 1 power supply.

#### Mechanical counters

When mounting a mechanical counter to terminals 57 and 58 (active output), a 1000  $\mu$ F capacitor must be connected to the terminals 56 and 58. Capacitor + is connected to terminal 56 and capacitor - to terminal 58.

#### Output cables

If the output cable length is long in noisy environment, we recommend to use shielded cable.



# SITRANS F flowmeters

## SITRANS F M

### Transmitter MAG 6000 I/6000 I Ex d

#### Overview



The SITRANS F M MAG 6000 I/6000 I Ex d transmitter is designed for the demands in the process industry. The robust die cast aluminium housing provides superb protection, even in the most harsh industrial environments. Full input and output functionality is given even in the Ex version.

#### Benefits

- Full range of ATEX rated flowmeters with intrinsically safe rated input and outputs
- For compact or remote installation
- HART, FOUNDATION Fieldbus H1, DeviceNet, PROFIBUS PA and DP, MODBUS RTU/RS485 add-on communication modules available
- Superior signal resolution for optimum turn down ratio
- Digital signal processing with many possibilities
- Automatic reading of SENSORPROM data for easy commissioning
- User configurable operation menu with password protection
  - 3 lines, 20 characters display in 11 languages
  - Flow rate in various units
  - Totalizer for forward, reverse and net flow as well as much more information available.
- Multiple functional outputs for process control, minimum configuration with analogue, pulse/frequency and relay output (status, flow direction, limits)
- Comprehensive self-diagnostic for error indication and error logging
- Batch control

#### Design

The transmitter is designed for either compact or remote installation in non-hazardous or hazardous areas (compact mounted transmitter to be ordered together with the sensors).

#### Function

The following functions are available:

- Flow rate
- 2 measuring ranges
- 2 totalizers
- Low flow cut-off
- Flow direction
- Error system
- Operating time
- Uni-/bidirectional flow
- Limit switches and pulse output
- Batch control

The MAG 6000 I/6000 I Ex d is a microprocessor-based transmitter with a build-in alphanumeric display in several languages. The transmitters evaluate the signals from the associated electromagnetic sensors and also fulfil the task of a power supply unit which provides the magnet coils with a constant current.

Further information on connection, mode of operation and installation can be found in the data sheets for the sensors.

#### Displays and keypads

Operation of the transmitter can be carried out using:

- Keypad and display unit
- HART communicator
- PC/laptop and SIMATIC PDM software via HART communication
- PC/laptop and SIMATIC PDM software using PROFIBUS or MODBUS communication

#### Technical specifications

##### Mode of operation and design

|                           |   |
|---------------------------|---|
| Measuring principle       | Electromagnetic with pulsed constant field                                      |
| Empty pipe                | Detection of empty pipe (special cable required in remote mounted installation) |
| Excitation frequency      | Depend on sensor size   |
| Electrode input impedance | $> 1 \times 10^{14} \Omega$   |

##### Input

|                   |   |
|-------------------|---|
| Digital input     | DC 11 ... 30 V, $R_i = 4.4 \text{ k}\Omega$                                   |
| • Activation time | 50 ms   |
| • Current         | $I_{DC 11 \text{ V}} = 2.5 \text{ mA}$ , $I_{DC 30 \text{ V}} = 7 \text{ mA}$ |

##### Output

|                 |   |
|-----------------|---|
| Current output  |   |
| • Signal range  | 0 ... 20 mA or 4 ... 20 mA (active/passive) |
| • Load          | $< 560 \Omega$                              |
| • Time constant | 0.1 ... 30 s, adjustable                    |

##### Digital output

|                 |  |
|-----------------|--|
| Frequency       | 0 ... 10 kHz, 50% duty cycle (uni-/bidirectional)  |
| Time constant   | 0.1 ... 30 s, adjustable   |
| Pulse (passive) | 3 ... 30 V DC, max 110 mA (30 mA Ex version), $200 \Omega \leq R_i \leq 10 \text{ k}\Omega$ (powered from connected equipment) |
| Time constant   | 0.1 ... 30 s, adjustable   |

##### Relay output

|               |  |
|---------------|--|
| Time constant | Changeover relay, same as current output |
| Load          | 42 V AC/2 A, 24 V DC/1 A                 |

##### Low flow cut off

0 ... 9.9% of maximum flow

##### Galvanic isolation

All inputs and outputs are galvanic isolated

##### Max. measuring error

MAG 6000 I/MAG 6000 I Ex d 0.25% of rate

#### Technical specifications (continued)

##### Rated operation conditions

|                     |                                  |
|---------------------|----------------------------------|
| Ambient temperature |                                  |
| • Operation         |                                  |
| - MAG 6000 I        | -20 ... +60 °C (-4 ... +140 °F)  |
| - MAG 6000 I Ex     | -10 ... +60 °C (+14 ... +140 °F) |
| • Storage           | -40 ... +70 °C (-40 ... +158 °F) |

|                 |   |
|-----------------|---|
| Mechanical load | 18 ... 1000 Hz random in x, y, z, directions for 2 hours according to EN 60068-2-36<br>Transmitter: 1.14 grms |
|-----------------|---|

|                      |   |
|----------------------|---|
| Degree of protection | IP67/NEMA 4X to IEC 529 and DIN 40050 (1 mH <sub>2</sub> O 30 min.) |
|----------------------|---|

|                 |          |
|-----------------|----------|
| EMC performance | EN 61326 |
|-----------------|----------|

##### Display and keypad

|               |   |
|---------------|---|
| Totalizer     | Two eight-digit counters for forward, net or reverse flow   |
| Display       | Background illumination with alphanumeric text, 3 x 20 characters to indicate flow rate, totalized values, settings and faults; Reverse flow indicated by negative sign |
| Keypad        | Capacitive touch keypad with LED light for feedback indication  |
| Time constant | Time constant as current output time constant   |

##### Design

|                    |   |
|--------------------|---|
| Enclosure material | Die cast aluminium, painted                       |
| • Wall mounting    | Wall mounting bracket enclosed for remote version |

|                      |                          |
|----------------------|--------------------------|
| Dimensional drawings | See dimensional drawings |
|----------------------|--------------------------|

|        |                          |
|--------|--------------------------|
| Weight | See dimensional drawings |
|--------|--------------------------|

|              |  |
|--------------|--|
| Power supply | <ul style="list-style-type: none"> <li>• Non Ex d: 18 ... 90 V DC; 115 ... 230 V AC; 50 ... 60 Hz</li> <li>• Ex d: 18 ... 30 V DC</li> <li>• Ex d: 115 ... 230 V AC; 50 ... 60 Hz</li> </ul> |
|--------------|--|

|                   |   |
|-------------------|---|
| Power consumption | <ul style="list-style-type: none"> <li>• 230 V AC: 21.5 VA</li> <li>• 24 V DC: 12 W, I<sub>N</sub> = 380 mA, I<sub>ST</sub> = 1 A (3 ms)</li> </ul> |
|-------------------|---|

##### Certificates and approvals

|   |  |
|---|--|
| MAG 6000 I  | <ul style="list-style-type: none"> <li>• CE</li> <li>• C-tick</li> <li>• FM Class 1, div 2</li> <li>• FM Class 1, Zone 2</li> <li>• CSA Class 1, div 2</li> <li>• CSA Class 1, Zone 2</li> </ul> |
| MAG 6000 I Ex (to be used with ATEX 2G D sensors) | <ul style="list-style-type: none"> <li>• SIRA 03 ATEX 2072X</li> <li>• EX II 2 (1) (2) G D</li> <li>• EEx d e [ia] ia [ib] ib IIC, T6</li> </ul>   |

|               |  |
|---------------|--|
| Cable entries | <p>Remote installation</p> <ul style="list-style-type: none"> <li>• MAG 6000 I: 2 x M25 (for supply/output) and 2 x M16 (for sensor connection) or 2 x 1/2" NPT (for supply/output) and 2 x M16 (for sensor connection)</li> <li>• MAG 6000 I Ex ATEX 2G D: 2 x M20 (for supply/output) and 2 x M16 (for sensor connection)</li> </ul> |
|---------------|--|

##### Communication

|                   |   |
|-------------------|---|
| Non ATEX versions | HART, MODBUS RTU/RS 485, FOUNDATION Fieldbus H1, DeviceNet, PROFIBUS PA, PROFIBUS DP add-on modules |
| ATEX 2G D         | HART, PROFIBUS PA, FOUNDATION Fieldbus H1 available as integrated version                           |

##### Selection and Ordering data

|  |                            |
|--|----------------------------|
| <b>SITRANS F M Transmitter MAG 6000 I / Ex d</b> | Order No. <b>7ME6930 -</b> |
| Remote, local display, die cast aluminium        | <b>2BA - 1A</b>            |

##### Supply voltage

|  |   |
|--|---|
| 115 ... 230 V AC, 50 ... 60 Hz; 18 ... 90 V DC | 2 |
| ATEX 2G D, 18 ... 30 V DC                      | 4 |
| ATEX 2G D, 115 ... 230 V AC, 50 ... 60 Hz      | 5 |

##### Ex approval

|  |   |
|--|---|
| None ATEX; FM/CSA class1 div 2   | 0 |
| ATEX 2G D (For ATEX sensors: 7ME6110, 7ME6120, 7ME6140, 7ME6310, 7ME6320, 7ME6340) | 2 |

##### Communication

|  |   |
|--|---|
| None (add-on modules can be ordered separately, see below) | A |
| HART   | B |
| PROFIBUS PA Profile 3                                      | F |
| PROFIBUS DP Profile 3 (not Ex version)                     | G |
| MODBUS RTU/RS 485 (not Ex version)                         | E |
| FOUNDATION Fieldbus H1                                     | J |

##### Cable gland entries

|          |   |
|----------|---|
| Metric   | 0 |
| 1/2" NPT | 2 |

#### Communication modules for MAG 6000 I (All standard outputs can still be used)

| Description                          | Order No.             |
|--------------------------------------|-----------------------|
| HART (only for MAG 6000 I/Ex)        | ▶ <b>FDK-085U0321</b> |
| MODBUS RTU/RS485                     | ▶ <b>FDK-085U0234</b> |
| PROFIBUS PA Profile 3                | ▶ <b>FDK-085U0236</b> |
| PROFIBUS DP Profile 3                | ▶ <b>FDK-085U0237</b> |
| DeviceNet                            | ▶ <b>FDK-085U0229</b> |
| FOUNDATION Fieldbus H1 <sup>1)</sup> | ▶ <b>A5E02054250</b>  |

▶ Available ex stock

<sup>1)</sup> Pending for MAG 6000 I ATEX




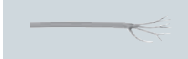


# SITRANS F flowmeters

## SITRANS F M

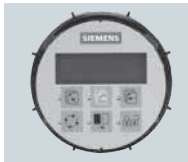
### Transmitter MAG 6000 I/6000 I Ex d





#### Accessories MAG 6000 I

| Description  | Order No.             |  |
|--|-----------------------|--|
| Cable for standard electrode or coil, 3 x 1.5 mm <sup>2</sup> /18 gage with shield PVC   |                       |   |
| • 10 m (33 ft)   | ▶ <b>FDK-083F0121</b> |  |
| • 20 m (65 ft)   | ▶ <b>FDK-083F0210</b> |  |
| • 40 m (130 ft)  | ▶ <b>FDK-083F0211</b> |  |
| • 60 m (200 ft)  | ▶ <b>FDK-083F0212</b> |  |
| • 100 m (330 ft)   | <b>FDK-083F0213</b>   |  |
| • 150 m (500 ft)   | <b>FDK-083F3052</b>   |  |
| • 200 m (650 ft)   | <b>FDK-083F3053</b>   |  |
| • 500 m (1650 ft)  | <b>FDK-083F3054</b>   |  |
| Electrode cable for empty pipe or low conductivity, double shielded, 3 x 0.25 mm <sup>2</sup> (cannot be used for Ex applications)                 |                       |   |
| • 10 m (33 ft)   | <b>FDK-083F3020</b>   |  |
| • 20 m (65 ft)   | ▶ <b>FDK-083F3095</b> |  |
| • 40 m (130 ft)  | <b>FDK-083F3094</b>   |  |
| • 60 m (200 ft)  | <b>FDK-083F3093</b>   |  |
| • 100 m (330 ft)   | <b>FDK-083F3092</b>   |  |
| • 150 m (500 ft)   | <b>FDK-083F3056</b>   |  |
| • 200 m (650 ft)   | <b>FDK-083F3057</b>   |  |
| • 500 m (1650 ft)  | <b>FDK-083F3058</b>   |  |
| Cable kit with standard coil cable, 3 x 1.5 mm <sup>2</sup> /18 gage with shield PVC and electrode cable double shielded, 3 x 0.25 mm <sup>2</sup> |                       | <br> |
| • 5 m (16 ft)  | <b>A5E02296329</b>    |  |
| • 10 m (33 ft)   | <b>A5E01181647</b>    |  |
| • 15 m (49 ft)   | <b>A5E02296464</b>    |  |
| • 20 m (65 ft)   | <b>A5E01181656</b>    |  |
| • 25 m (82 ft)   | <b>A5E02296490</b>    |  |
| • 30 m (98 ft)   | <b>A5E02296494</b>    |  |
| • 40 m (131 ft)  | <b>A5E01181686</b>    |  |
| • 60 m (200 ft)  | <b>A5E01181689</b>    |  |
| • 100 m (330 ft)   | <b>A5E01181691</b>    |  |
| • 150 m (500 ft)   | <b>A5E01181699</b>    |  |
| • 200 m (650 ft)   | <b>A5E01181703</b>    |  |
| • 500 m (1640 ft)  | <b>A5E01181705</b>    |  |

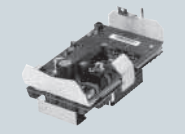
▶ Available ex stock

#### Spare parts

| Description | Order No.           |   |
|-------------|---------------------|---|
| Display     | <b>FDK-085U3122</b> |  |

| Description   | Order No.            |  |
|---|----------------------|--|
| Accessory bag including cable gland inserts coil & electrode connectors | <b>FDK-085U3144</b>  |  |
| Electronics cover with glass-plate Non Ex                               | <b>7ME5933-0AC01</b> |   |
| Cover for connection board incl. gasket (for remote version)            | <b>7ME5933-0AC02</b> |   |
| Cover for connection board incl. gasket (for remote version)            | <b>7ME5933-0AC03</b> |   |
| Safety clamp  | <b>7ME5933-0AC06</b> |  |

#### Complete spare part PCB unit

| Description  | Order No.           |   |
|--|---------------------|---|
| MAG 6000 I (Not ATEX)  | <b>FDK-085U3123</b> |   |
| MAG 6000 I Ex d 18 ... 30 V DC Spare PCB unit for use with ATEX sensors with increased safety e (For ATEX sensors: 7ME6110, 7ME6120, 7ME6140, 7ME6310, 7ME6320, 7ME6340) (For 7ME6330 > DN300)   | <b>A5E01013340</b>  |  |
| MAG 6000 I Ex d 115 ... 230 V AC Spare PCB unit for use with ATEX sensors with increased safety e (For ATEX sensors: 7ME6110, 7ME6120, 7ME6140, 7ME6310, 7ME6320, 7ME6340) (For 7ME6330 > DN300) | <b>A5E01013127</b>  |   |
| Ex d version 18 ... 30 V DC for sensors with intrinsic safety ib 7ME633 and 7ME613 (for sensors ≤ DN 300 (12"): 7ME6130, 7ME6150 and 7ME6330)  | <b>FDK-085U3124</b> |   |
| Ex d version 115 ... 230 V AC for sensors with intrinsic safety ib 7ME633 and 7ME613 (for sensors ≤ DN 300 (12"): 7ME6130, 7ME6150 and 7ME6330)  | <b>FDK-085U3125</b> |   |

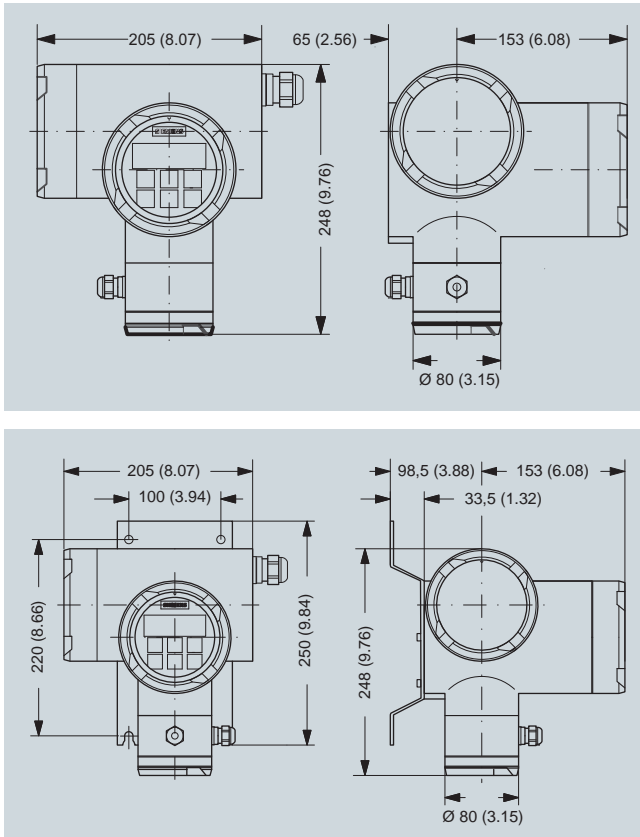
Please use online Product selector to get latest updates.

Product selector link:

[www.pia-selector.automation.siemens.com](http://www.pia-selector.automation.siemens.com)

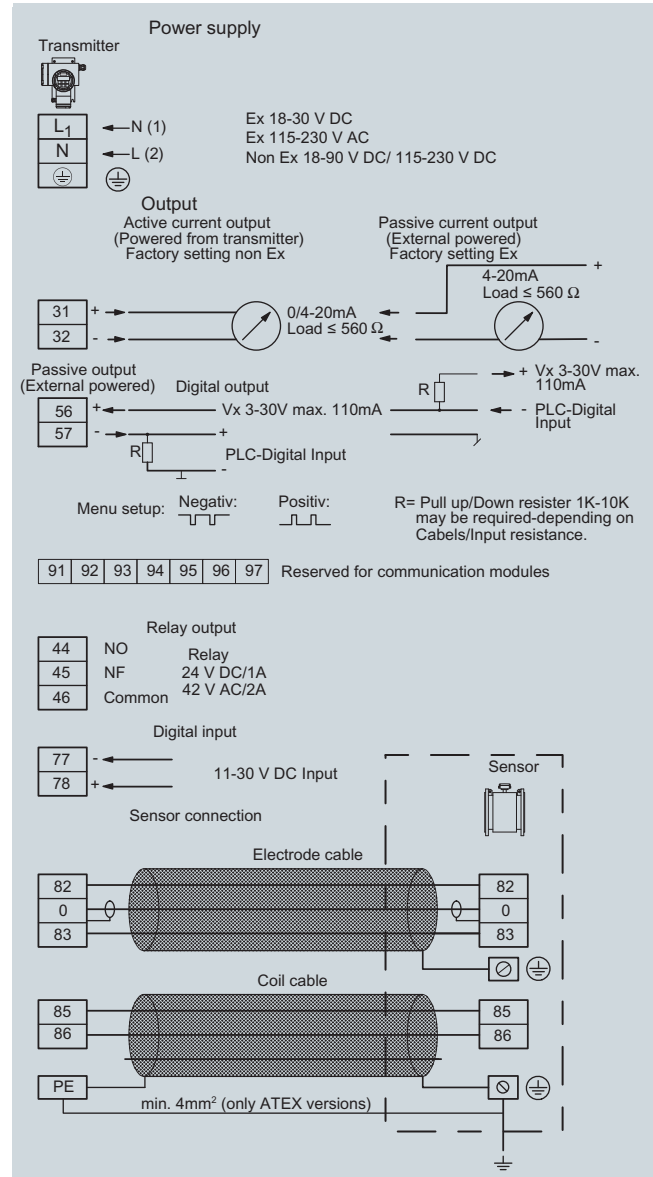
Please also see [www.siemens.com/SITRANSForordering](http://www.siemens.com/SITRANSForordering) for practical examples of ordering

#### Dimensional drawings



Dimensions in mm (inch), weight: 6 kg (13.5 lbs)

#### Schematics





# SITRANS F flowmeters

## SITRANS F M

MAG 1100

### Overview



The SITRANS F M MAG 1100 is an electromagnetic flow sensor in a compact wafer design designed for flow applications in the process industry.

### Benefits

- Sensor sizes: DN 2 to 100 (1/12" to 4")
- Compact wafer design meets EN 1092, DIN and ANSI flange standards
- Corrosion resistant AISI 316 stainless steel sensor housing
- Highly resistant liner and electrodes fitting most extreme process media
- Temperature rating up to 200 °C (390 °F)
- Hose proof IP67/NEMA 4X/6 enclosure rating
- Designed that patented in-situ verification can be conducted. Using SENSORPROM fingerprints.

### Application

The main applications of the SITRANS F M electromagnetic flow sensors can be found in the following fields:

- Process industry
- Chemical industry
- Pharmaceutical industry
- Water treatment like e.g. chemical dosing

### Design

- Compact or remote mounting possible
- Easy "plug & play" field changeability of transmitter
- Simple on site upgrade to IP68/NEMA 6P
- Ex ATEX 2G D version
- FM Class 1 Div 2

### Mode of operation

The flow measuring principle is based on Faraday's law of electromagnetic induction where the sensor converts the flow into an electrical voltage proportional to the velocity of the flow.

### Integration

The complete flowmeter consists of a flow sensor and an associated transmitter SITRANS F M MAG 5000, 6000 or 6000 I. The flexible communication concept USM II simplifies integration and update to a variety of fieldbus systems such as HART, FOUNDATION Fieldbus H1, DeviceNet, PROFIBUS DP and PA, MODBUS RTU/RS 485.

### Technical specifications

| Version  | MAG 1100  | MAG 1100 HT (High temperature)  |
|--|---|---|
| <b>Measuring principle</b>                     | Electromagnetic induction   | Electromagnetic induction   |
| <b>Excitation frequency</b>                    | DN 2 ... 65 (1/12" ... 2½"): 12.5 Hz<br>DN 80, 100 (3", 4"): 6.25 Hz  | DN 15 ... 50 (½" ... 2"): 12.5 Hz<br>DN 80, 100 (3", 4"): 6.25 Hz   |
| <b>Process connection</b>                      |   |   |
| Nominal size                                   |   |   |
| • MAG 1100 (Ceramic)                           | DN 2 ... DN 100 (1/12" ... 4")  | DN 15 ... DN 100 (½" ... 4")  |
| • MAG 1100 (PFA)                               | DN 10 ... DN 100 (3/8" ... 4")  |   |
| Mating flanges                                 | EN 1092-1 (DIN 2501), ANSI B 16.5 class 150 and 300 or equivalent<br>Option:<br>DN 2 ... 10 (1/12" ... 3/8"):<br>G½" / NPT ½" pipe connection adapters  | EN 1092-1 (DIN 2501), ANSI B 16.5 class 150 and 300 or equivalent   |
| <b>Rated operating conditions</b>              |   |   |
| <u>Ambient conditions</u>                      |   |   |
| Ambient temperature <sup>1)</sup>              |   |   |
| • Sensor                                       | -40 ... +100 °C (-40 ... +212 °F)   | -40 ... +100 °C (-40 ... +212 °F)   |
| • Sensor ATEX                                  | -20 ... +60 °C (-4 ... +140 °F)   | -20 ... +50 °C (-4 ... +122 °F)   |
| • Compact transmitter<br>MAG 5000/6000         | -20 ... +50 °C (-4 ... +122 °F)   |   |
| • Compact transmitter MAG 6000 I               | -20 ... +60 °C (-4 ... +140 °F)   |   |
| • Compact transmitter<br>MAG 6000 I Ex d       | -10 ... +60 °C (+14 ... +140 °F)  |   |
| <u>Temperature of medium</u>                   |   |   |
| • MAG 1100 (Ceramic)                           | -20 ... +150 °C (-4 ... +302 °F)  | -20 ... +200 °C (-4 ... +392 °F)  |
| • MAG 1100 ATEX (Ceramic)                      | -20 ... +150 °C (-4 ... +302 °F)  | -20 ... +180 °C (-4 ... +356 °F)  |
| • MAG 1100 (PFA)                               | -30 ... +130 °C (-20 ... +266 °F)<br>Suitable for steam sterilization at 150 °C (302 °F)  |   |
| <u>Temperature shock</u>                       |   |   |
| • MAG 1100 (Ceramic)                           |   |   |
| - Duration ≤ 1 min, followed by<br>10 min rest | <ul style="list-style-type: none"> <li>• DN 2, 3 (1/12", 1/8") No limitations</li> <li>• DN 6, 10, 15, 25: Max. ΔT ≤ 80 °C/min (¼", 3/8", ½", 1": Max. ΔT ≤ 80 K/min)</li> <li>• DN 40, 50, 65: Max. ΔT ≤ 70 °C/min (1½", 2", 2½"): Max. ΔT ≤ 70 K/min)</li> <li>• DN 80, 100: Max. ΔT ≤ 60 °C/min (3", 4"): Max. ΔT ≤ 60 K/min)</li> </ul>   | <ul style="list-style-type: none"> <li>• DN 15, 25: Max. ΔT ≤ 80 °C/min (½", 1": Max. ΔT ≤ 80 K/min)</li> <li>• DN 40, 50: Max. ΔT ≤ 70 °C/min (1½", 2": Max. ΔT ≤ 70 K/min)</li> <li>• DN 80, 100: Max. ΔT ≤ 60 °C/min (3", 4": Max. ΔT ≤ 60 K/min)</li> </ul>           |
| • MAG 1100 (PFA)                               | Max. ±100 °C (210 °F) momentarily   |   |
| <u>Operating pressure</u>                      |   |   |
| • MAG 1100 (Ceramic)                           | <ul style="list-style-type: none"> <li>• DN 2 ... 65: 40 bar (1/12" ... 2½"): 580 psi)</li> <li>• DN 80: 37.5 bar (3": 540 psi)</li> <li>• DN 100: 30 bar (4": 435 psi)</li> </ul> Vacuum: $1 \times 10^{-6}$ bar <sub>abs</sub> ( $1.5 \times 10^{-5}$ psi <sub>abs</sub> )  | <ul style="list-style-type: none"> <li>• DN 15 ... 50: 40 bar (½" ... 2"): 580 psi)</li> <li>• DN 80: 37.5 bar (3": 540 psi)</li> <li>• DN 100: 30 bar (4": 435 psi)</li> </ul> Vacuum: $1 \times 10^{-6}$ bar <sub>abs</sub> ( $1.5 \times 10^{-5}$ psi <sub>abs</sub> ) |
| • MAG 1100 (PFA)                               | 20 bar (290 psi)<br>Vacuum: 0.02 bar <sub>abs</sub> (0.3 psi <sub>abs</sub> )<br>DN 80 ... DN 100: CO <sub>2</sub> pressure max. 7 bar (101.5 psi)  |   |
| <u>Mechanical load</u>                         |   |   |
|  | <ul style="list-style-type: none"> <li>• 18 ... 1000 Hz random in x, y, z, directions for 2 hours according to EN 60068-2-36</li> <li>• Sensor: 3.17 grms</li> <li>• Sensor with compact MAG 5000/ 6000 mounted transmitter: 3.17 grms</li> <li>• Sensor with compact MAG 6000 I/ 6000 I Ex mounted transmitter: 1.14 grms</li> <li>• For compact installation with the MAG 6000 I, transmitter to be supported to avoid tension on sensor part.</li> </ul> | <ul style="list-style-type: none"> <li>• 18 ... 1000 Hz random in x, y, z, directions for 2 hours according to EN 60068-2-36</li> <li>• Sensor: 3.17 grms</li> </ul>  |
| <u>Enclosure rating</u>                        |   |   |
| • Standard                                     | IP67 to EN 60529 (NEMA 4X/6), 1 mH <sub>2</sub> O for 30 min  | IP67 to EN 60529 (NEMA 4X/6), 1 mH <sub>2</sub> O for 30 min  |
| • Option on sensor (no ATEX)                   | IP68 to EN 60529 (NEMA 6P), 10 mH <sub>2</sub> O cont.  | IP68 to EN 60529 (NEMA 6P), 10 mH <sub>2</sub> O cont.  |
| EMC  | 89/336 EEC  | 89/336 EEC  |

# SITRANS F flowmeters

## SITRANS F M

### MAG 1100

|  |   |  |
|--|---|--|
| <b>Design</b>  |   |  |
| Weight   | See Dimensional drawings  | See Dimensional drawings   |
| <b>Material</b>  |   |  |
| <ul style="list-style-type: none"> <li>• Enclosure               <ul style="list-style-type: none"> <li>- MAG 1100</li> </ul> </li> <li>• Terminal box               <ul style="list-style-type: none"> <li>- Standard</li> <li>- Option</li> </ul> </li> <li>• Fixing studs</li> <li>• Gaskets               <ul style="list-style-type: none"> <li>- Standard</li> <li>- Option</li> </ul> </li> <li>• Pipe connection adapters:<br/>DN 2, 3, 6 and 10 (1/12", 1/8", 1/4" and 3/8")</li> </ul> | Stainless steel AISI 316L (1.4404)<br><br>Fibre glass reinforced polyamide (no ATEX)<br>Stainless steel AISI 316 (1.4436)<br><br>Stainless steel AISI 304 (1.4301),<br>Number and size to EN 1092-1:2001<br><br>EPDM (max. 150 °C, PN 40 (max. 300 °F, 600 psi))<br><ul style="list-style-type: none"> <li>• Graphite (max. 200 °C, PN 40 (max. 390 °F, 600 psi))</li> <li>• PTFE (max. 130 °C, PN 25 (max. 270 °F, 300 psi))</li> </ul> <ul style="list-style-type: none"> <li>• Stainless steel, AISI 316</li> <li>• Hastelloy</li> <li>• PVDF</li> </ul> | Stainless steel AISI 316L (1.4404)<br><br>Stainless steel AISI 316 (1.4436)<br><br>Stainless steel AISI 304 (1.4301),<br>Number and size to EN 1092-1:2001<br><br>Graphite (max. 200 °C, PN 40 (max. 390 °F, 600 psi)) |
| <b>Liner</b>   |   |  |
| <ul style="list-style-type: none"> <li>• MAG 1100 (Ceramic)</li> <li>• MAG 1100 (PFA)</li> </ul>   | <ul style="list-style-type: none"> <li>• DN 2, 3 (1/12", 1/8"): Zirconium oxide (ZrO<sub>2</sub>) (ceramic)</li> <li>• DN 6 ... 100 (1/4" ... 4"): Aluminium oxide Al<sub>2</sub>O<sub>3</sub></li> <li>Reinforced PFA (no ATEX)</li> </ul>   | DN 15 ... 100 (1/2" ... 4"): Aluminium oxide Al <sub>2</sub> O <sub>3</sub>  |
| <b>Electrodes</b>  |   |  |
| <ul style="list-style-type: none"> <li>• MAG 1100 (Ceramic)</li> <li>• MAG 1100 (PFA)</li> </ul>   | <ul style="list-style-type: none"> <li>• DN10 ... 100 (3/8" ... 4"): Platinum with gold / Titanium brazing alloy</li> <li>• DN 2 ... 6 (1/12" ... 1/4"): Platinum</li> <li>• DN 10 ... 15 (3/8" ... 1/2"): Hastelloy C276</li> <li>• DN 25 ... 100 (1" ... 4"): Hastelloy C22</li> </ul>  | Platinum with gold / Titanium brazing alloy  |
| <b>Cable entries</b>   |   |  |
|  | <ul style="list-style-type: none"> <li>• Remote installation 2 x M20 or 2 x 1/2" NPT</li> <li>• Compact installation               <ul style="list-style-type: none"> <li>- MAG 5000/MAG 6000: 4 x M20 or 4 x 1/2" NPT</li> <li>- MAG 6000I: 2 x M25 (for supply/output)</li> <li>- MAG 6000I Ex d: 2 x M20 (for supply/output)</li> </ul> </li> </ul>  | Remote installation 2 x M20 or 2 x 1/2" NPT  |
| <b>Certificates and approvals</b>  |   |  |
| Conforms to  | PED – 97/23 EC and CRN (PFA)  | PED – 97/23 EC and CRN (PFA)   |
| <b>Ex approvals</b>  |   |  |
| MAG 1100 (Ceramic) <ul style="list-style-type: none"> <li>• ATEX sensor or Compact with MAG 6000 I Ex</li> <li>• Sensor with/without MAG 5000/6000 /6000 I</li> </ul> MAG 1100 (PFA) <ul style="list-style-type: none"> <li>• Sensor with/without MAG 5000/6000/6000 I</li> </ul>  | ATEX 2G D sensor Ex d e ia IIB T3 - T6<br><br>FM Class 1 div 2<br><br>FM Class 1 div 2  | ATEX 2G D sensor Ex d e ia IIB T3 - T6<br><br>FM Class 1 div 2   |

<sup>1)</sup> Conditions are also dependent on liner characteristics

For technical specification for transmitter - please see transmitter pages.

| Selection and Ordering data  | Order No.                             |
|--|---------------------------------------|
| <b>Sensor SITRANS F M MAG 1100</b><br>EPDM gaskets included                    | <b>7ME6110 -</b><br>■ A ■ 0 - ■ ■ ■ ■ |
| <b>Diameter</b>  |                                       |
| DN 2 (1/12")   | ▶ 1 D                                 |
| DN 3 (1/8")  | ▶ 1 H                                 |
| DN 6 (1/4")  | ▶ 1 M                                 |
| DN 10 (3/8")   | ▶ 1 R                                 |
| DN 15 (1/2")   | ▶ 1 V                                 |
| DN 25 (1")   | ▶ 2 D                                 |
| DN 40 (1 1/2")   | ▶ 2 R                                 |
| DN 50 (2")   | ▶ 2 Y                                 |
| DN 65 (2 1/2")   | ▶ 3 F                                 |
| DN 80 (3")   | ▶ 3 M                                 |
| DN 100 (4")  | ▶ 3 T                                 |
| <b>Liner material</b>  |                                       |
| PFA - DN 10 ... 100 (3/8" ... 4") (no ATEX)                                    | ▶ 1                                   |
| Ceramic  | ▶ 2                                   |
| <b>Electrode material</b>  |                                       |
| Hastelloy C (only with PFA liner)  | ▶ 1                                   |
| Platinum (only with ceramic liner)   | ▶ 2                                   |
| <b>Transmitter</b>   |                                       |
| Sensor for remote transmitter (order transmitter separately)                   | ▶ A                                   |
| Sensor ATEX 2G D for remote transmitter (order transmitter separately)         | ▶ B                                   |
| MAG 6000 I, Aluminium 18 ... 90 V DC, 115 ... 230 V AC                         | ▶ C                                   |
| MAG 6000 I, Aluminium 18 ... 30 V DC, ATEX 2G D                                | ▶ D                                   |
| MAG 6000 I, Aluminium 115 ... 230 V, ATEX 2G D                                 | ▶ E                                   |
| MAG 6000 Polyamid, 11 ... 30 V DC / 11 ... 24 V AC                             | ▶ H                                   |
| MAG 6000, Polyamid, 115/230 V AC   | ▶ J                                   |
| MAG 5000, Polyamid, 11 ... 30 V DC / 11 ... 24 V AC                            | ▶ K                                   |
| MAG 5000, Polyamid, 115/230 V AC   | ▶ L                                   |
| <b>Communication</b>   |                                       |
| No communication, add-on possible  | ▶ A                                   |
| HART   | ▶ B                                   |
| PROFIBUS PA Profile 3<br>(only MAG 6000/MAG 6000 I)                            | ▶ F                                   |
| PROFIBUS DP Profile 3 (no ATEX)<br>(only MAG 6000/MAG 6000 I)                  | ▶ G                                   |
| MODBUS RTU/RS 485 (no ATEX)<br>(only MAG 6000/MAG 6000 I)                      | ▶ E                                   |
| FOUNDATION Fieldbus H1<br>(only MAG 6000/MAG 6000 I)                           | ▶ J                                   |
| <b>Cable glands/terminal box</b>   |                                       |
| Metric: Polyamid terminal box or 6000I compact                                 | ▶ 1                                   |
| 1/2" NPT: Polyamid terminal box or 6000I compact                               | ▶ 2                                   |
| Metric: SS terminal box (mandatory for stainless steel MAG 6000 transmitter)   | ▶ 3                                   |
| 1/2" NPT: SS terminal box (mandatory for stainless steel MAG 6000 transmitter) | ▶ 4                                   |

▶ Available ex stock

| Selection and Ordering data  | Order code |
|--|------------|
| <b>Additional information</b>  |            |
| Please add "-Z" to Order No. and specify Order code(s) and plain text.   |            |
| Customer specific converter setup  | <b>Y20</b> |
| Tag name plate, stainless steel fixed with SS wire (add plain text)  | <b>Y17</b> |
| Tag name plate, plastic (self adhesive)  | <b>Y18</b> |
| Factory certificate according to EN 10204-2.1  | <b>C15</b> |
| Factory certificate according to EN 10204-2.2  | <b>C14</b> |
| Sensor cables wired (specify cable order no.)  | <b>Y40</b> |
| Sensor for remote transmitter's junction box potted to IP68 with wired cable (specify cable order no.) (no ATEX sensors) | <b>Y41</b> |
| Other postproduction requirements (add desired text)   | <b>Y99</b> |

| Selection and Ordering data  | Order No.                                 |
|--|---|
| <b>Sensor SITRANS F M</b>  |   |
| <b>MAG 1100 HT High Temperature</b>                                    | <b>7ME6120 -</b><br>■ A ■ 2 ■ 0 - 2 ■ A ■ |
| Ceramic liner, Platinum electrode, Graphite gaskets included           |   |
| <b>Diameter</b>  |   |
| DN 15 (1/2")   | ▶ 1 V                                     |
| DN 25 (1")   | ▶ 2 D                                     |
| DN 40 (1 1/2")   | ▶ 2 R                                     |
| DN 50 (2")   | ▶ 2 Y                                     |
| DN 80 (3")   | ▶ 3 M                                     |
| DN 100 (4")  | ▶ 3 T                                     |
| <b>Transmitter</b>   |   |
| Sensor for remote transmitter (order transmitter separately)           | ▶ A                                       |
| Sensor ATEX 2G D for remote transmitter (order transmitter separately) | ▶ B                                       |
| <b>Cable glands/terminal box</b>                                       |   |
| Metric: SS terminal box  | ▶ 3                                       |
| 1/2" NPT: SS terminal box  | ▶ 4                                       |

| Selection and Ordering data  | Order code |
|--|------------|
| <b>Additional information</b>  |            |
| Please add "-Z" to Order No. and specify Order code(s) and plain text.   |            |
| Customer specific converter setup  | <b>Y20</b> |
| Tag name plate, stainless steel fixed with SS wire (add plain text)  | <b>Y17</b> |
| Tag name plate, plastic (self adhesive)  | <b>Y18</b> |
| Factory certificate according to EN 10204-2.1  | <b>C15</b> |
| Factory certificate according to EN 10204-2.2  | <b>C14</b> |
| Sensor cables wired (specify cable order no.)  | <b>Y40</b> |
| Sensor for remote transmitter's junction box potted to IP68 with wired cable (specify cable order no.) (no ATEX sensors) | <b>Y41</b> |

MAG 5000/6000 transmitters and sensors are packed in separate boxes, the final assembly takes place during installation at the customer's place. MAG 6000 I/MAG 6000 I Ex ATEX 2G D transmitters and sensors are delivered compact mounted from factory. Communication module will be premounted in the transmitter.

Please use online Product selector to get latest updates.

Product selector link:

[www.pia-selector.automation.siemens.com](http://www.pia-selector.automation.siemens.com)

# SITRANS F flowmeters

## SITRANS F M

### MAG 1100

#### Accessories

Order No.

##### for MAG 1100 sensor

##### Pipe connection 1/2" external thread

For DN 2 ... 10 (1/12" ... 3/8") sensor  
2 pipe connections, 2 EPDM gaskets,  
12 pcs M4 x 12 screws

- 1/2" G, ISO 7-1 tapered thread, SS 316 ▶ **FDK-083G0080**
- 1/2" G, ISO 7-1 tapered thread, Hastelloy C ▶ **FDK-083G4332**
- 1/2" NPT thread, SS 316 ▶ **FDK-083G4330**
- 1/2" NPT thread, Hastelloy C ▶ **FDK-083G4331**

For DN 2... 10 (1/12" ... 3/8") sensor  
2 PVDF pipe connections (Max. 70 °C,  
PN 8 bar/max 158 °F, 116 PSI), 1 grounding  
ring, 1 earthing wire, 3 PTFE gaskets, 6 pcs.  
M4 x 12 and 6 pcs. M4 x 20 screws

- 1/2" G, ISO 7-1 tapered thread PVDF incl. grounding ring Hastelloy C22 **A5E01018395**
- 1/2" NPT thread PVDF incl. grounding ring Hastelloy C22 **A5E01018400**

##### EPDM gaskets

Material: EPDM; each set includes:  
2 EPDM gaskets, 1 earthing wire, 1 M6 screw,  
1 nut, 1 washer, 1 bolt earthing plate

- DN 2 ... 10, 1/12" ... 3/8" **FDK-083G3116**
- DN 15, 1/2" **FDK-083G3117**
- DN 25, 1" **FDK-083G3119**
- DN 40, 1 1/2" **FDK-083G3121**
- DN 50, 2" **FDK-083G3122**
- DN 65, 2 1/2" **FDK-083G3123**
- DN 80, 3" **FDK-083G3124**
- DN 100, 4" **FDK-083G3125**

##### PTFE gaskets

Material: PTFE; each set includes:  
2 gaskets, 2 earthing wires, 3 M6 screws  
(DN 2 ... DN 10: 12 pcs M4 x 14)

- DN 2 ... 10, 1/12" ... 3/8" **FDK-083G0156**
- DN 15, 1/2" **FDK-083G0157**
- DN 25, 1" **FDK-083G0159**
- DN 40, 1 1/2" **FDK-083G0161**
- DN 50, 2" **FDK-083G0162**
- DN 65, 2 1/2" **FDK-083G0163**
- DN 80, 3" **FDK-083G0164**
- DN 100, 4" **FDK-083G0165**

##### Graphite gaskets

Material: Graphite; conductive,  
each set includes: 2 gaskets (conductive, can  
also be used as grounding ring)

- DN 2 ... 10, 1/12" ... 3/8" **FDK-083G0116**
- DN 15, 1/2" **FDK-083G0117**
- DN 25, 1" **FDK-083G0119**
- DN 40, 1 1/2" **FDK-083G0121**
- DN 50, 2" **FDK-083G0122**
- DN 65, 2 1/2" **FDK-083G0123**
- DN 80, 3" **FDK-083G0124**
- DN 100, 4" **FDK-083G0125**

##### Grounding ring (S/S)

Material: AISI 316 (mat. no. 1.4436);  
each set includes: 1 grounding ring, 3 PTFE  
gaskets, 1 earth wire, 1 M6 screw

- DN 2 ... 10, 1/12" ... 3/8" **FDK-083G0686**
- DN 15, 1/2" **FDK-083G0687**
- DN 25, 1" **FDK-083G0689**
- DN 40, 1 1/2" **FDK-083G0691**
- DN 50, 2" **FDK-083G0692**
- DN 65, 2 1/2" **FDK-083G0693**
- DN 80, 3" **FDK-083G0694**
- DN 100, 4" **FDK-083G0695**

#### Accessories

Order No.

##### for MAG 1100 sensor

##### Grounding ring (Hastelloy C)

Material: Hastelloy C22; each set includes:  
1 grounding ring, 3 PTFE gaskets, 1 earth wire,  
1 M6 screw

- DN 2 ... 10, 1/12" ... 3/8" **FDK-083G3256**
- DN 15, 1/2" **FDK-083G3257**
- DN 25, 1" **FDK-083G3259**
- DN 40, 1 1/2" **FDK-083G3261**
- DN 50, 2" **FDK-083G3262**
- DN 65, 2 1/2" **FDK-083G3263**
- DN 80, 3" **FDK-083G3264**
- DN 100, 4" **FDK-083G3265**

##### Grounding ring (Tantalum)

Material: Tantalum; each set includes:  
1 grounding ring, 3 PTFE gaskets, 1 earth wire,  
1 M6 screw

- DN 2 ... 10, 1/12" ... 3/8" **A5E01181599**
- DN 15, 1/2" **A5E01181606**
- DN 25, 1" **A5E01181610**
- DN 40, 1 1/2" **A5E01181613**
- DN 50, 2" **A5E01181615**
- DN 65, 2 1/2" **A5E01181616**
- DN 80, 3" **A5E01181619**
- DN 100, 4" **A5E01181622**

##### Studs and nuts

for DN 100 PN 25/40, 8 M20 studs,  
16 M20 nuts

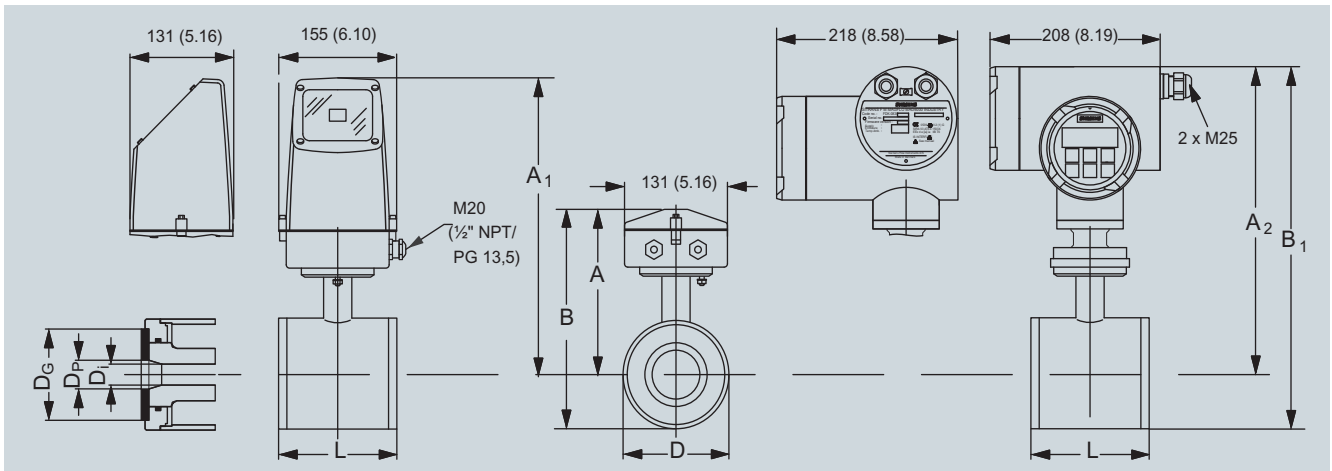
Material: AISI 304 (mat. no. 1.4305)

- DN 100, 4" **FDK-083G0226**

▶ Available ex stock

#### Dimensional drawings

Sensor MAG 1100, compact/remote



**Important note: For compact installation with MAG 6000 I/Ex - transmitter to be supported to avoid tension on the sensor part**

| Size DN | A <sup>1)</sup> [mm] | B <sup>1)</sup> [mm] | A <sub>1</sub> / A <sub>2</sub> <sup>3)</sup> [mm] | B <sub>1</sub> [mm] | D [mm] | D <sub>i</sub> [mm] | D <sub>i</sub> (PFA) [mm] | D <sub>p</sub> [mm] | D <sub>G</sub> [mm] | Weight <sup>2)</sup> [kg] |
|---------|----------------------|----------------------|--|---------------------|--------|---------------------|---------------------------|---------------------|---------------------|---------------------------|
| 2       | 161                  | 186                  | 315  | 340                 | 48.7   | 2                   |                           | 17.3                | 34                  | 2.2                       |
| 3       | 161                  | 186                  | 315  | 340                 | 48.7   | 3                   |                           | 17.3                | 34                  | 2.2                       |
| 6       | 161                  | 186                  | 315  | 340                 | 48.7   | 6                   |                           | 17.3                | 34                  | 2.2                       |
| 10      | 161                  | 186                  | 315  | 340                 | 48.7   | 10                  | 10                        | 13.6                | 34                  | 2.2                       |
| 15      | 161                  | 186                  | 315  | 340                 | 48.7   | 15                  | 16                        | 17.3                | 40                  | 2.2                       |
| 25      | 169                  | 201                  | 323  | 354                 | 63.5   | 25                  | 26                        | 28.5                | 56                  | 2.7                       |
| 40      | 179                  | 221                  | 333  | 375                 | 84.0   | 40                  | 38                        | 43.4                | 75                  | 3.4                       |
| 50      | 188                  | 239                  | 342  | 393                 | 101.6  | 50                  | 50                        | 54.5                | 90                  | 4.2                       |
| 65      | 198                  | 258                  | 351  | 412                 | 120.9  | 65                  | 66                        | 68.0                | 112                 | 5.5                       |
| 80      | 204                  | 270                  | 357  | 424                 | 133.0  | 80                  | 81                        | 82.5                | 124                 | 7.0                       |
| 100     | 217                  | 296                  | 370  | 450                 | 159.0  | 100                 | 100                       | 107.1               | 145                 | 10.0                      |

| Size [inch] | A <sup>1)</sup> [inch] | B <sup>1)</sup> [inch] | A <sub>1</sub> / A <sub>2</sub> <sup>3)</sup> [inch] | B <sub>1</sub> [inch] | D [inch] | D <sub>i</sub> [inch] | D <sub>i</sub> (PFA) [inch] | D <sub>p</sub> [inch] | D <sub>G</sub> [inch] | Weight <sup>2)</sup> [lbs] |
|-------------|------------------------|------------------------|--|-----------------------|----------|-----------------------|-----------------------------|-----------------------|-----------------------|----------------------------|
| 1/12        | 6.34                   | 7.33                   | 12.40  | 13.39                 | 1.92     | 0.08                  |                             | 0.68                  | 1.34                  | 4.8                        |
| 1/8         | 6.34                   | 7.33                   | 12.40  | 13.39                 | 1.92     | 0.12                  |                             | 0.68                  | 1.34                  | 4.8                        |
| 1/4         | 6.34                   | 7.33                   | 12.40  | 13.39                 | 1.92     | 0.24                  |                             | 0.68                  | 1.34                  | 4.8                        |
| 3/8         | 6.34                   | 7.33                   | 12.40  | 13.39                 | 1.92     | 0.39                  | 0.39                        | 0.53                  | 1.34                  | 4.8                        |
| 1/2         | 6.34                   | 7.33                   | 12.40  | 13.39                 | 1.92     | 0.59                  | 0.63                        | 0.68                  | 1.57                  | 4.8                        |
| 1           | 6.66                   | 7.92                   | 12.72  | 13.94                 | 2.50     | 0.98                  | 1.02                        | 1.12                  | 2.20                  | 4.9                        |
| 1 1/2       | 7.05                   | 8.70                   | 13.11  | 14.76                 | 3.31     | 1.57                  | 1.50                        | 1.71                  | 2.95                  | 7.5                        |
| 2           | 7.40                   | 9.41                   | 13.47  | 15.47                 | 4.00     | 1.97                  | 1.97                        | 2.15                  | 3.54                  | 9.2                        |
| 2 1/2       | 7.80                   | 10.16                  | 13.82  | 16.22                 | 4.76     | 2.56                  | 2.60                        | 2.68                  | 4.41                  | 12                         |
| 3           | 8.03                   | 10.63                  | 14.06  | 16.70                 | 5.24     | 3.15                  | 3.19                        | 3.25                  | 4.88                  | 15                         |
| 4           | 8.54                   | 11.65                  | 14.57  | 17.72                 | 6.26     | 3.94                  | 3.94                        | 4.22                  | 5.91                  | 22                         |

<sup>1)</sup> 14.5 mm/0.571" shorter when the AISI terminal box is used (Ex or high temperature 200 °C (390 °F) version)

<sup>2)</sup> With transmitter MAG 5000 or MAG 6000 installed, weight is increased by approximately 0.8 kg (1.8 lb).

With MAG 6000 I weight is increased with 5.5 kg (12.1 lbs).

<sup>3)</sup> A<sub>2</sub> is 3 mm (0.12") shorter than A<sub>1</sub>



# SITRANS F flowmeters

## SITRANS F M

### MAG 1100

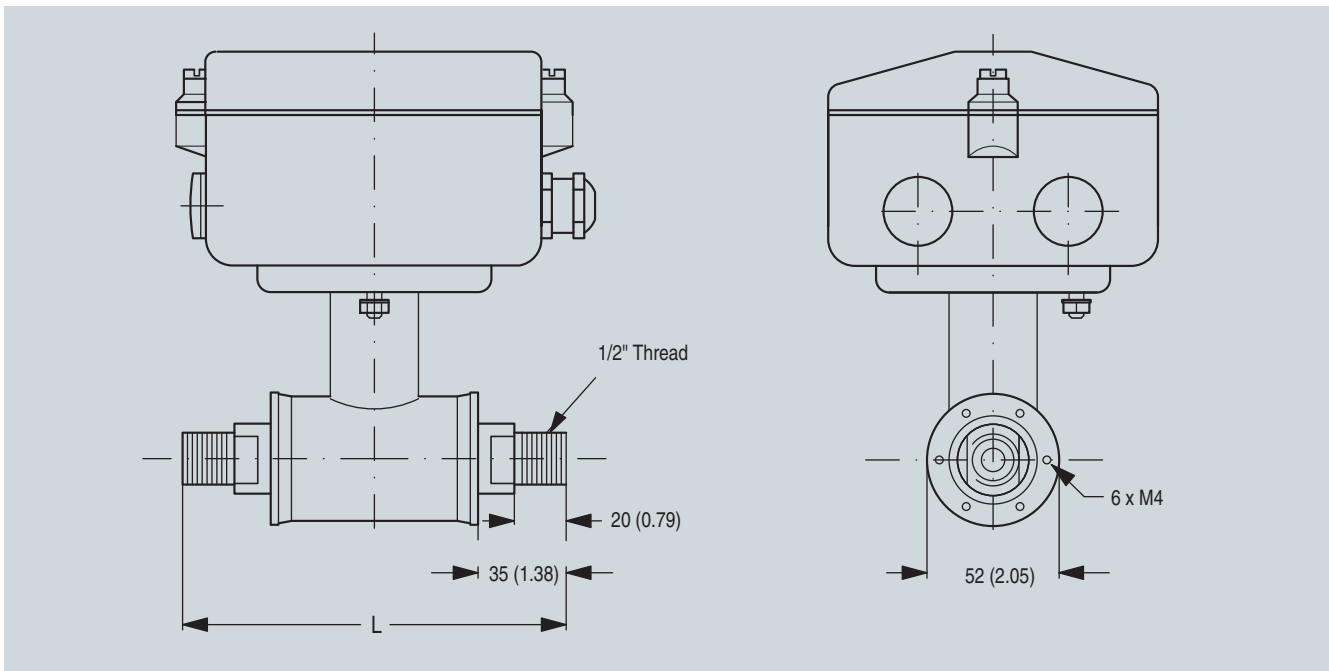
The total build-in length "L" [mm]/[inch] before assembling depends on the gasket selected

| Size                   |              | EPDM |        | Graphite |        | PTFE (Teflon) |        | Without gasket |        | Earthing ring |        |
|------------------------|--------------|------|--------|----------|--------|---------------|--------|----------------|--------|---------------|--------|
| DN                     | Inch         | [mm] | [inch] | [mm]     | [inch] | [mm]          | [inch] | [mm]           | [inch] | [mm]          | [inch] |
| 2 ... 10 <sup>1)</sup> | 1/12 ... 3/8 | 64   | 2.52   | 66       | 2.60   | 70            | 2.75   | 64             | 2.52   | 77            | 3.03   |
| 15                     | 1/2          | 65   | 2.56   | 66       | 2.60   | 70            | 2.75   | 64             | 2.52   | 77            | 3.03   |
| 25                     | 1            | 80   | 3.15   | 81       | 3.19   | 85            | 3.35   | 79             | 3.10   | 92            | 3.62   |
| 40                     | 1 1/2        | 95   | 3.74   | 96       | 3.78   | 100           | 3.94   | 94             | 3.70   | 107           | 4.21   |
| 50                     | 2            | 105  | 4.13   | 106      | 4.17   | 110           | 4.33   | 104            | 4.05   | 117           | 4.61   |
| 65                     | 2 1/2        | 130  | 5.12   | 131      | 5.15   | 135           | 5.31   | 129            | 5.05   | 142           | 5.60   |
| 80                     | 3            | 155  | 6.10   | 156      | 6.14   | 160           | 6.30   | 154            | 6.00   | 167           | 6.57   |
| 100                    | 4            | 185  | 7.28   | 186      | 7.31   | 190           | 7.48   | 184            | 7.20   | 197           | 7.76   |

1) Mounting between two flanges

50

Sensor MAG 1100 DN 2 ... 10 (1/12" ... 3/8") with adapters



The MAG 1100 DN 2, 3, 6 and 10 (1/12", 1/8", 1/4" and 3/8") are prepared for assembly with the 1/2" pipe connections.

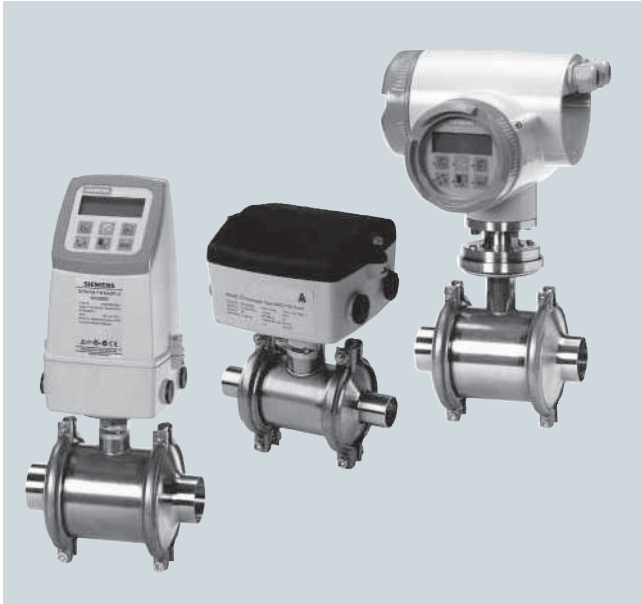
The length "L" varies dependent on the gasket choice.

| Without gasket |        | EPDM |        | Graphite |        | Teflon |        |
|----------------|--------|------|--------|----------|--------|--------|--------|
| [mm]           | [inch] | [mm] | [inch] | [mm]     | [inch] | [mm]   | [inch] |
| 150            | 5.9    | 150  | 5.9    | 152      | 6.0    | 156    | 6.1    |

**Important note:**

For compact installation with the MAG 6000 I, transmitter to be supported to avoid tension on sensor part.

#### Overview



The electromagnetic sensor SITRANS F M MAG 1100 F is designed to meet applications in the food and beverage industry.

#### Benefits

- Sensor sizes: DN 10 to DN 100 (3/8" to 4")
- AISI 316 stainless steel enclosure
- Sensor: Hygienic connection, 3A approval and EHEDG design
- Sanitary design for CIP / SIP cleaning
- Conforms to FDA
- Internal product wetted surface finish  $R_a$  of  $\leq 0.80 \mu\text{m}$  (32  $\mu\text{in}$ )
- Easy commissioning, the SENSORPROM unit automatically updates settings
- Hose proof IP67/NEMA 4X/6 enclosure rating
- Designed that patented in-situ verification can be conducted. Using SENSORPROM fingerprints

#### Application

The main applications of the SITRANS F M electromagnetic sensors can be found in the following fields:

- Food industry
- Beverage industry
- Pharmaceutical industry

#### Design

- Unique mechanical design with a wide range of customer specified sanitary connection
- Compact or remote mounting possible easy "plug & play" field changeable
- Simple on site upgrade to IP68/NEMA 6P
- Ex ATEX 2G D version for hazardous areas (ceramic liner)

#### Mode of operation

The flow measuring principle is based on Faraday's law of electromagnetic induction where the sensor converts the flow into an electrical voltage proportional to the velocity of the flow.

#### Integration

The complete flowmeter consists of a sensor and an associated transmitter SITRANS F M MAG 5000, 6000 and 6000 I. The flexible communication concept USM II simplifies integration and update to a variety of fieldbus systems such as PROFIBUS DP and PA, MODBUS RTU/RS485, HART, FOUNDATION Fieldbus H1, DeviceNet.

#### Technical specifications

|  |  |
|--|--|
| <b>Measuring principle</b>                       | Electromagnetic induction  |
| Excitation frequency                             | DN 10 ... 65 (1/4" ... 2 1/2"): 12.5 Hz<br>DN 80 ... 100 (3", 4"): 6.25 Hz   |
| <b>Process connection</b>                        |  |
| Nominal size                                     | DN 10 ... DN 100 (3/8" ... 4")   |
| Process connection                               | Hygienic adapters available for: <ul style="list-style-type: none"> <li>• Direct welding onto pipe</li> <li>• Clamp fitting</li> <li>• Threaded fitting</li> </ul>   |
| <b>Rated operating conditions</b>                |  |
| <u>Ambient conditions</u>                        |  |
| Ambient temperature <sup>1)</sup>                |  |
| • Sensor   | -40 ... +100 °C (-40 ... +212 °F)  |
| • Sensor ATEX                                    | -20 ... +60 °C (-4 ... +140 °F)  |
| • Compact transmitter MAG 5000/6000              | -20 ... +50 °C (-4 ... +122 °F)  |
| • Transmitter MAG 6000 I                         | -20 ... +60 °C (-4 ... +140 °F)  |
| • Compact transmitter MAG 6000 I Ex d            | -10 ... +60 °C (+14 ... +140 °F)   |
| <u>Temperature of medium</u>                     |  |
| MAG 1100 F (Ceramic)                             | -20 ... +150 °C (-4 ... +300 °F)<br>Suitable for steam sterilization   |
| MAG 1100 F (PFA)                                 | -30 ... +130 °C (-20 ... +270 °F)<br>Suitable for steam sterilization at 150 °C (300 °F)   |
| <u>Temperature shock</u>                         |  |
| MAG 1100 F                                       |  |
| • Duration $\leq 1$ min, followed by 10 min rest | <ul style="list-style-type: none"> <li>• DN 10, 15, 25:<br/>Max. <math>\Delta T \leq 80</math> °C/min (3/8", 1/2", 1")<br/>Max. <math>\Delta T \leq 80</math> K/min</li> <li>• DN 40, 50, 65:<br/>Max. <math>\Delta T \leq 70</math> °C/min (1 1/2", 2", 2 1/2")<br/>Max. <math>\Delta T \leq 70</math> K/min</li> <li>• DN 80, 100:<br/>Max. <math>\Delta T \leq 60</math> °C/min (3", 4": Max. <math>\Delta T \leq 60</math> K/min)</li> </ul> |
| MAG 1100 F (PFA)                                 | Max. $\pm 100$ °C (210 °F) momentarily   |
| <u>Operating pressure</u>                        |  |
| MAG 1100 F (Ceramic)                             | DN 10 ... 65: 40 bar (3/8" ... 2 1/2": 580 psi)<br>DN 80: 37.5 bar (3": 540 psi)<br>DN 100: 30 bar (4": 435 psi)<br>Vacuum: $1 \times 10^{-6}$ bar <sub>abs</sub> ( $1.5 \times 10^{-5}$ psi <sub>abs</sub> )  |
| MAG 1100 F (PFA)                                 | 20 bar (290 psi)<br>Vacuum: 0.02 bar <sub>abs</sub> (0.3 psi <sub>abs</sub> )<br>DN 80 ... DN 100: CO <sub>2</sub> pressure max. 7 bar (101.5 psi)   |

<sup>1)</sup> Conditions are also dependent on liner characteristics

# SITRANS F flowmeters

## SITRANS F M

### MAG 1100 F

#### Technical specifications (continued)

|  |  |
|--|--|
| <u>Mechanical load</u>                                       | 18 ... 1000 Hz random in x, y z, directions for 2 hours according to EN 60068-2-36<br>Sensor: 3.17 grms<br>Sensor with compact MAG 5000/6000 mounted transmitter: 3.17 grms<br>Sensor with compact MAG 6000 I/MAG 6000 I Ex mounted transmitter: 1.14 grms<br>For compact installation with the MAG 6000 I/MAG 6000 I Ex, transmitter to be supported to avoid tension on sensor part. |
| <u>Enclosure rating</u>                                      |  |
| Standard   | IP67 to EN 60529 (NEMA 4X), 1 mH <sub>2</sub> O for 30 min   |
| Option on sensor (not for ATEX)                              | IP68 to EN 60529 (NEMA 6), 10 mH <sub>2</sub> O cont.  |
| EMC  | 89/336 EEC   |
| <b>Design</b>  |  |
| Weight   | See Dimensional drawings   |
| <u>Material</u>  |  |
| Enclosure  |  |
| • MAG 1100 F   | Stainless steel AISI 316L (1.4404)   |
| Terminal box (remote version only)                           |  |
| • Standard   | Fibre glass reinforced polyamide   |
| • Option   | Stainless steel AISI 316 (1.4436)  |
| • Ex ATEX (remote version only)                              | Stainless steel AISI 316 (1.4436)  |
| <b>Liner</b>   |  |
| MAG 1100 F (Ceramic)   | Aluminium oxide Al <sub>2</sub> O <sub>3</sub> (ceramics)  |
| MAG 1100 F (PFA)   | Reinforced PFA (teflon) (no ATEX)  |
| <b>Electrodes</b>  |  |
| MAG 1100 F (Ceramic)   | Platinum with gold / Titanium brazing alloy  |
| MAG 1100 F (PFA)   | <ul style="list-style-type: none"> <li>• DN 10 ... 15 (3/8" ... 1/2"): Hastelloy C276</li> <li>• DN 25 ... 100 (1" ... 4"): Hastelloy C22</li> </ul>   |
| <b>Cable entries</b>   | <ul style="list-style-type: none"> <li>• Remote installation 2 x M20 or 2 x 1/2" NPT</li> <li>• Compact installation <ul style="list-style-type: none"> <li>- MAG 5000/MAG 6000: 4 x M20 or 4 x 1/2" NPT</li> <li>- MAG 6000I: 2 x M25 (for supply/output)</li> <li>- MAG 6000I Ex. d: 2 x M20 (for supply/output)</li> </ul> </li> </ul>  |
| <b>Certificates and approvals</b>                            |  |
| MAG 1100 F (Ceramic)   | 3A (sensor with Polyamid terminal box ), transmitter not part of the approval  |
| • Ex ATEX approvals for sensor or compact with Mag 6000 I Ex | ATEX 2G D sensor EEx d e ia IIB T3 - T6  |
| • Sensor with/without MAG 5000/6000/ 6000 I                  | FM Class 1 div 2   |
| MAG 1100 F (PFA)   | 3A (sensor with Polyamid terminal box ), transmitter not part of the approval<br>FM Class 1 div 2  |
| Conforms to  | PED – 97/23/EC and CRN (PFA)<br>FDA  |

#### Accessories

##### Weld-in adapter

Adapter for welding onto dairy pipe Tri-Clover, ISO 2037, DIN 11850, SMS 3008, BS 4825-1

• DN 10, 15, 25, 40, 50, 65 and 80 (3/8", 1/2", 1", 1 1/2", 2", 2 1/2" and 3") PN 40 (600 psi)

• DN 100 (4") PN 25 (350 psi)

##### Clamp adapter

Tri-Clamp, ISO 2852, DIN 32676, SMS 3016, BS 4825-3

DN 10, 15, 25, 40 and 50 (3/8", 1/2", 1", 1 1/2", and 2") PN 16 (200 psi)

DN 65, 80 and 100 (2 1/2", 3" and 4") PN 10 (150 psi)

##### Thread adapter

DIN 11851

• DN 10, 15, 25, and 40 (3/8", 1/2", 1", and 1 1/2") PN 40 (600 psi)

• DN 50, 65, 80 and 100 (2", 2 1/2", 3" and 4") PN 25 (350 psi)

ISO 2853, BS 4825-4

• DN 10, 15, 25, 40, 50, 65 and 80 (3/8", 1/2", 1", 1 1/2", 2", 2 1/2" and 3") PN 16 (200 psi)

SMS 1145

• DN 25, 40, 50, 65 and 80 (1", 1 1/2", 2", 2 1/2" and 3") PN 6 (80 psi)

##### Design

###### Material

Adapter Stainless steel AISI 316/Stainless steel AISI 304 (ISO 2852)

###### Gasket

• MAG 1100 F (Ceramic) FKM/FPM with stainless steel insert (AISI 304) (-20 ... +150 °C (-4 ... +302 °F))

• MAG 1100 F (PFA) EPDM (-20 ... +150 °C (-4 ... +302 °F))

NBR (-20 ... +100 °C (-4 ... +212 °F))

##### Note:

When combined sensor and adapter, the operating pressure is the lower rated of the pair.

| Selection and Ordering data   | Order No.       |
|---|-----------------|
| <b>Sensor SITRANS F M MAG 1100 F</b>  | <b>7ME6140-</b> |
| <b>Diameter</b>   |                 |
| DN 10 (3/8") ▶  | 1 R             |
| DN 15 (1/2") ▶  | 1 V             |
| DN 25 (1") ▶  | 2 D             |
| DN 40 (1 1/2") ▶  | 2 R             |
| DN 50 (2") ▶  | 2 Y             |
| DN 65 (2 1/2") ▶  | 3 F             |
| DN 80 (3") ▶  | 3 M             |
| DN 100 (4") ▶   | 3 T             |
| <b>Process connections</b>  |                 |
| No adaptors (specials see accessories) ▶                                    | A               |
| <u>Weld in</u>  |                 |
| DIN 11850 ▶   | B               |
| ISO 2037 (SMS3008) ▶  | C               |
| BS 4825-1 ▶   | D               |
| Tri-Clamp® ▶  | E               |
| <u>Clamp type</u>   |                 |
| DIN 32676 ▶   | G               |
| ISO 2852 (SMS 3016) ▶   | H               |
| BS 4825-3 ▶   | J               |
| Tri-Clamp® ▶  | K               |
| <u>Threaded type</u>  |                 |
| DIN 11851 ▶   | M               |
| SMS 1145 ▶  | N               |
| <b>Liner material</b>   |                 |
| PFA (no ATEX) ▶   | 1               |
| Ceramic ▶   | 2               |
| <b>Gasket material</b>  |                 |
| EPDM (FDA) (only with PFA liner) ▶  | 0               |
| NBR (only with PFA liner) ▶   | 1               |
| FPM/FKM (FDA) (only with ceramic liner) ▶                                   | 2               |
| <b>Electrode material</b>   |                 |
| Hastelloy C (only with PFA liner) ▶   | 1               |
| Platinum (only with ceramic liner) ▶  | 2               |
| <b>Transmitter</b>  |                 |
| Sensor for remote transmitter (order transmitter separately) 3A ▶           | A               |
| Sensor ATEX 2G D for remote transmitter (order transmitter separately) 3A ▶ | B               |
| MAG 6000 I, Alu. 18 ... 90 V DC, 115 ... 230 V AC ▶                         | C               |
| MAG 6000 I, Aluminium 18 ... 30 V DC, ATEX 2G D ▶                           | D               |
| MAG 6000 I, Aluminium 115 ... 230 V, ATEX 2G D ▶                            | E               |
| MAG 6000, Polyamid, 11 ... 30 V DC/11 ... 24 V AC ▶                         | H               |
| MAG 6000, Polyamid, 115/230 V AC ▶  | J               |
| MAG 5000, Polyamid, 11 ... 30 V DC/11 ... 24 V AC ▶                         | K               |
| MAG 5000, Polyamid, 115/230 V AC ▶  | L               |
| <b>Communication</b>  |                 |
| No communication, add-on possible ▶   | A               |
| HART ▶  | B               |
| PROFIBUS PA Profile 3 (only MAG 6000/MAG 6000 I) ▶                          | F               |
| PROFIBUS DP Profile 3 (no ATEX) (only MAG 6000/MAG 6000 I) ▶                | G               |
| MODBUS RTU/RS 485 (no ATEX) (only MAG 6000/MAG 6000 I) ▶                    | E               |
| FOUNDATION Fieldbus H1 (only MAG 6000/MAG 6000 I) ▶                         | J               |

| Selection and Ordering data  | Order No.       |
|--|-----------------|
| <b>Sensor SITRANS F M MAG 1100 F</b>   | <b>7ME6140-</b> |
| <b>Cable glands/terminal box</b>   |                 |
| Metric: Polyamid terminal box or 6000I compact ▶                               | 1               |
| 1/2" NPT: Polyamid terminal box or 6000I compact ▶                             | 2               |
| Metric: SS terminal box (mandatory for Stainless steel MAG 6000 Transmitter)   | 3               |
| 1/2" NPT: SS terminal box (mandatory for Stainless steel MAG 6000 Transmitter) | 4               |
| ▶ Available ex stock   |                 |

| Selection and Ordering data  | Order code |
|--|------------|
| <b>Additional information</b>  |            |
| Please add "-Z" to Order No. and specify Order code(s) and plain text.   |            |
| Customer specific converter setup  | <b>Y20</b> |
| Tag name plate, stainless steel fixed with SS wire (add plain text)  | <b>Y17</b> |
| Tag name plate, plastic (self adhesive)  | <b>Y18</b> |
| Factory certificate according to EN 10204-2.1  | <b>C15</b> |
| Factory certificate according to EN 10204-2.2  | <b>C14</b> |
| Sensor cables wired (specify cable order no.)  | <b>Y40</b> |
| Sensor for remote transmitter's junction box potted to IP68 with wired cable (specify cable order no.) (no ATEX sensors) | <b>Y41</b> |
| Other postproduction requirements (add desired text)   | <b>Y99</b> |

MAG 5000/6000 transmitters and sensors are packed in separate boxes, the final assembly takes place during installation at the customer's place. MAG 6000 I/MAG 6000 I EX ATEX 2G D transmitters and sensors are delivered compact mounted from factory. Communication module will be pre-mounted in the transmitter.

Please use online Product selector to get latest updates.  
Product selector link:  
[www.pia-selector.automation.siemens.com](http://www.pia-selector.automation.siemens.com)

Please also see [www.siemens.com/SITRANSFordering](http://www.siemens.com/SITRANSFordering) for practical examples of ordering

# SITRANS F flowmeters

## SITRANS F M

### MAG 1100 F

#### Accessories

Order No.

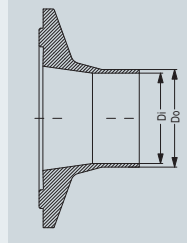
#### Weld in connection fittings for MAG 1100 F

Each of the following accessory order nos. comprises:

- 2 pcs. fittings
- 2 pcs. clamps (to join flow sensor and fitting)

#### DIN 11850

| Adapter |                     | Sensor              |         |
|---------|---------------------|---------------------|---------|
| DN (mm) | D <sub>o</sub> (mm) | D <sub>i</sub> (mm) | DN (mm) |



|     |     |     |     |                |
|-----|-----|-----|-----|----------------|
| 10  | 13  | 10  | 10  | ▶ FDK-083G2116 |
| 15  | 19  | 16  | 15  | ▶ FDK-083G2117 |
| 20  | 23  | 20  | 15  | FDK-083G2118   |
| 25  | 29  | 26  | 25  | ▶ FDK-083G2119 |
| 32  | 35  | 32  | 25  | FDK-083G2120   |
| 40  | 41  | 38  | 40  | ▶ FDK-083G2121 |
| 50  | 53  | 50  | 50  | ▶ FDK-083G2122 |
| 65  | 70  | 66  | 65  | ▶ FDK-083G2123 |
| 80  | 85  | 81  | 80  | ▶ FDK-083G2124 |
| 100 | 104 | 100 | 100 | ▶ FDK-083G2125 |

#### ISO 2037 (SMS3008)

| Adapter |                     | Sensor              |         |
|---------|---------------------|---------------------|---------|
| DN (mm) | D <sub>o</sub> (mm) | D <sub>i</sub> (mm) | DN (mm) |

|       |       |       |     |                |
|-------|-------|-------|-----|----------------|
| 10    | 13    | 10    | 10  | ▶ FDK-083G2116 |
| 15    | 19    | 16    | 15  | ▶ FDK-083G2117 |
| 25    | 25.6  | 22.6  | 25  | ▶ FDK-083G2109 |
| 28    | 28.6  | 25.6  | 25  | FDK-083G2100   |
| 38    | 38.6  | 35.6  | 40  | ▶ FDK-083G2111 |
| 40    | 40.6  | 37.6  | 40  | ▶ FDK-083G2101 |
| 51    | 51.6  | 48.6  | 50  | ▶ FDK-083G2112 |
| 63.5  | 64.1  | 60.3  | 65  | ▶ FDK-083G2113 |
| 76.1  | 76.7  | 72.9  | 80  | ▶ FDK-083G2114 |
| 101.6 | 102.5 | 97.6  | 100 | FDK-083G2115   |
| 114.3 | 115.6 | 110.3 | 100 | FDK-083G2105   |

#### Tri-Clamp® (BS 4825-1)

| Adapter |                     | Sensor              |         |
|---------|---------------------|---------------------|---------|
| DN (mm) | D <sub>o</sub> (mm) | D <sub>i</sub> (mm) | DN (mm) |

|                    |       |       |     |              |
|--------------------|-------|-------|-----|--------------|
| 10                 | 12.7  | 9.4   | 10  | FDK-083G2276 |
| 15.9               | 19.05 | 15.75 | 15  | FDK-083G2277 |
| 25                 | 25.4  | 22.1  | 25  | FDK-083G2279 |
| 38                 | 38.1  | 34.8  | 40  | FDK-083G2281 |
| 51                 | 50.8  | 47.5  | 50  | FDK-083G2282 |
| 63.5 <sup>1)</sup> | 63.5  | 60.2  | 65  | FDK-083G2283 |
| 76.1               | 76.2  | 72.9  | 80  | FDK-083G2284 |
| 102 <sup>1)</sup>  | 101.6 | 97.38 | 100 | FDK-083G2285 |

Tri-Clamp® is a registered trademark of Ladish Co.

▶ Available ex stock

D<sub>o</sub>: outer diameter  
D<sub>i</sub>: inner diameter

<sup>1)</sup> For BS4825-1 see ISO 2037

#### Accessories

Order No.

#### Clamp-type connection fittings for MAG 1100 F

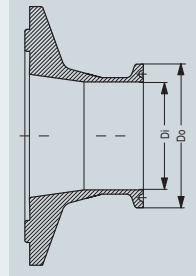
#### Sanitary pipe fittings for Clamp types

Each of the following accessory order nos. comprises:

- 2 pcs. fittings
- 2 pcs. clamps (to join flow sensor and fitting)

#### DIN 32676

| Adapter |                     | Sensor              |         |
|---------|---------------------|---------------------|---------|
| DN (mm) | D <sub>o</sub> (mm) | D <sub>i</sub> (mm) | DN (mm) |



|     |      |     |     |              |
|-----|------|-----|-----|--------------|
| 10  | 34   | 10  | 10  | FDK-083G2186 |
| 15  | 34   | 16  | 15  | FDK-083G2187 |
| 25  | 50.5 | 26  | 25  | FDK-083G2179 |
| 40  | 50.5 | 38  | 40  | FDK-083G2181 |
| 50  | 64   | 50  | 50  | FDK-083G2182 |
| 65  | 91   | 66  | 65  | FDK-083G2183 |
| 80  | 106  | 81  | 80  | FDK-083G2184 |
| 100 | 119  | 100 | 100 | FDK-083G2185 |

#### ISO 2852 (SMS 3016, BS 4825-3)

| Adapter |                     | Sensor              |         |
|---------|---------------------|---------------------|---------|
| DN (mm) | D <sub>o</sub> (mm) | D <sub>i</sub> (mm) | DN (mm) |

|       |      |      |     |              |
|-------|------|------|-----|--------------|
| 10    | 34   | 10   | 10  | FDK-083G2186 |
| 15    | 34   | 16   | 15  | FDK-083G2187 |
| 25    | 50.5 | 26   | 25  | FDK-083G2179 |
| 33.7  | 50.5 | 31.3 | 25  | FDK-083G2190 |
| 38    | 50.5 | 35.6 | 40  | FDK-083G2191 |
| 51    | 64   | 48.6 | 50  | FDK-083G2192 |
| 63.5  | 77.5 | 60.3 | 65  | FDK-083G2193 |
| 76.1  | 91   | 72.9 | 80  | FDK-083G2194 |
| 101.6 | 119  | 97.6 | 100 | FDK-083G2195 |

#### Tri-Clamp®

| Adapter |                     | Sensor              |         |
|---------|---------------------|---------------------|---------|
| DN (mm) | D <sub>o</sub> (mm) | D <sub>i</sub> (mm) | DN (mm) |

|       |      |      |     |                |
|-------|------|------|-----|----------------|
| 10    | 34   | 10   | 10  | FDK-083G2286   |
| 15    | 34   | 16   | 15  | ▶ FDK-083G2287 |
| 25    | 50.5 | 22.6 | 25  | ▶ FDK-083G2289 |
| 38    | 50.5 | 35.6 | 40  | ▶ FDK-083G2291 |
| 51    | 64   | 48.6 | 50  | ▶ FDK-083G2292 |
| 63.5  | 77.5 | 60.3 | 65  | ▶ FDK-083G2293 |
| 76.1  | 91   | 72.9 | 80  | ▶ FDK-083G2294 |
| 101.6 | 119  | 97.6 | 100 | FDK-083G2295   |

Tri-Clamp® is a registered trademark of Ladish Co.

▶ Available ex stock

D<sub>o</sub>: outer diameter  
D<sub>i</sub>: inner diameter

**Accessories** Order No.

**Threaded type connection fittings for MAG 1100 F**

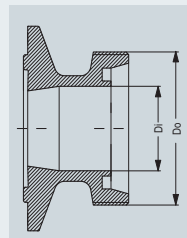
**Sanitary pipe fittings for Threaded types**

Each of the following accessory order nos. comprises:

- 2 pcs. fittings
- 2 pcs. clamps (to join flow sensor and fitting)

**DIN 11851**

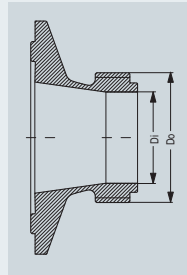
| Adapter |                     | Sensor              |         |
|---------|---------------------|---------------------|---------|
| DN (mm) | D <sub>o</sub> (mm) | D <sub>i</sub> (mm) | DN (mm) |



|     |     |     |     |                |
|-----|-----|-----|-----|----------------|
| 10  | 28  | 10  | 10  | FDK-083G2156   |
| 15  | 34  | 16  | 15  | ▶ FDK-083G2157 |
| 20  | 44  | 20  | 15  | ▶ FDK-083G2158 |
| 25  | 52  | 26  | 25  | ▶ FDK-083G2159 |
| 32  | 58  | 32  | 25  | ▶ FDK-083G2160 |
| 40  | 65  | 38  | 40  | ▶ FDK-083G2161 |
| 50  | 78  | 50  | 50  | ▶ FDK-083G2162 |
| 65  | 95  | 66  | 65  | ▶ FDK-083G2163 |
| 80  | 110 | 81  | 80  | ▶ FDK-083G2164 |
| 100 | 130 | 100 | 100 | ▶ FDK-083G2165 |

**ISO 2853**

| Adapter |                     | Sensor              |         |
|---------|---------------------|---------------------|---------|
| DN (mm) | D <sub>o</sub> (mm) | D <sub>i</sub> (mm) | DN (mm) |



|       |     |      |     |              |
|-------|-----|------|-----|--------------|
| 25    | 37  | 22.6 | 25  | FDK-083G2149 |
| 38    | 51  | 35.6 | 40  | FDK-083G2151 |
| 51    | 64  | 48.6 | 50  | FDK-083G2152 |
| 63.5  | 78  | 60.3 | 65  | FDK-083G2153 |
| 76.1  | 91  | 72.9 | 80  | FDK-083G2154 |
| 101.6 | 118 | 97.6 | 100 | FDK-083G2155 |

**BS 4825-4**

| Adapter |                     | Sensor              |         |
|---------|---------------------|---------------------|---------|
| DN (mm) | D <sub>o</sub> (mm) | D <sub>i</sub> (mm) | DN (mm) |

|       |     |      |     |              |
|-------|-----|------|-----|--------------|
| 25    | 37  | 22.6 | 25  | FDK-083G2149 |
| 38    | 51  | 35.6 | 40  | FDK-083G2151 |
| 51    | 64  | 48.6 | 50  | FDK-083G2152 |
| 63.5  | 78  | 60.3 | 65  | FDK-083G2153 |
| 76.1  | 91  | 72.9 | 80  | FDK-083G2154 |
| 101.6 | 126 | 97.6 | 100 | FDK-083G2145 |

**Accessories** Order No.

**Threaded type connection fittings for MAG 1100 F**

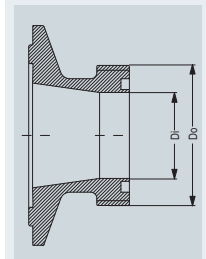
**Sanitary pipe fittings for Threaded types**

Each of the following accessory order nos. comprises:

- 2 pcs. fittings
- 2 pcs. clamps (to join flow sensor and fitting)

**SMS 1145**

| Adapter |                     | Sensor              |         |
|---------|---------------------|---------------------|---------|
| DN (mm) | D <sub>o</sub> (mm) | D <sub>i</sub> (mm) | DN (mm) |



|      |    |      |    |              |
|------|----|------|----|--------------|
| 25   | 40 | 22.6 | 25 | FDK-083G2139 |
| 38   | 60 | 35.6 | 40 | FDK-083G2141 |
| 51   | 70 | 48.6 | 50 | FDK-083G2142 |
| 63.5 | 85 | 60.3 | 65 | FDK-083G2143 |
| 76   | 98 | 72   | 65 | FDK-083G2144 |

D<sub>o</sub>: outer diameter  
D<sub>i</sub>: inner diameter

**Spare parts for MAG 1100 F** Order No.

**Gaskets**

(2 pcs., between flow sensor and adapter)

MAG 1100 F (ceramic)

Rubber: FKM/FPM (FDA)

- DN 10 ▶ A5E00915707
- DN 15 ▶ A5E00915764
- DN 25 ▶ A5E00915771
- DN 40 ▶ A5E00915773
- DN 50 ▶ A5E00915775
- DN 65 ▶ A5E00915780
- DN 80 ▶ A5E00915782
- DN 100 ▶ A5E00915784

MAG 1100 F (PFA)

Rubber: EPDM (FDA)

- DN 10 ▶ FDK-083G2206
- DN 15 ▶ FDK-083G2207
- DN 25 ▶ FDK-083G2209
- DN 40 ▶ FDK-083G2211
- DN 50 ▶ FDK-083G2212
- DN 65 ▶ FDK-083G2213
- DN 80 ▶ FDK-083G2214
- DN 100 ▶ FDK-083G2215

Rubber: NBR

- DN 10 ▶ FDK-083G2216
- DN 15 ▶ FDK-083G2217
- DN 25 ▶ FDK-083G2219
- DN 40 ▶ FDK-083G2221
- DN 50 ▶ FDK-083G2222
- DN 65 ▶ FDK-083G2223
- DN 80 ▶ FDK-083G2224
- DN 100 ▶ FDK-083G2225

▶ Available ex stock



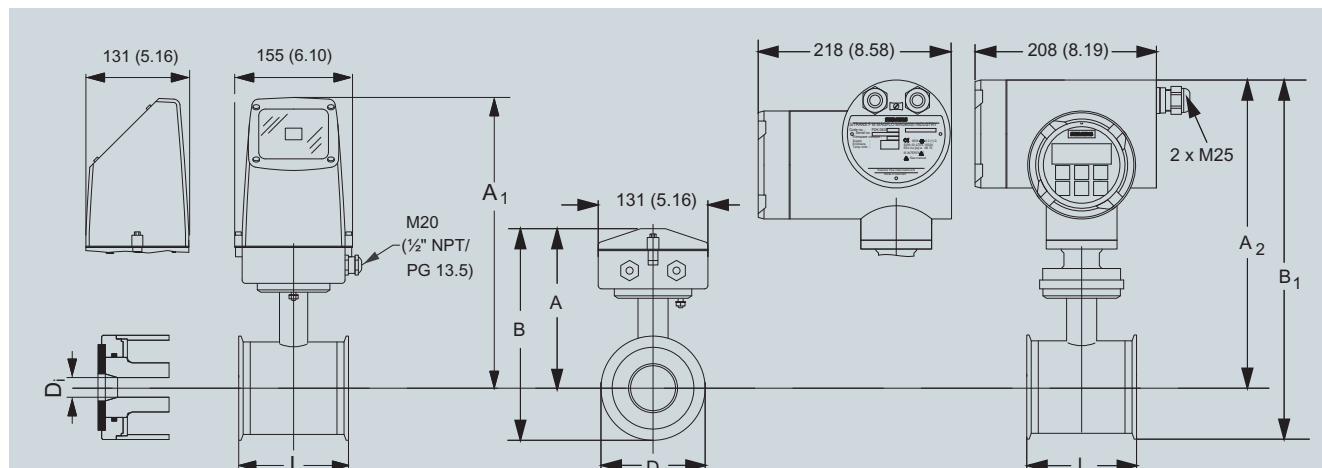
# SITRANS F flowmeters

## SITRANS F M

### MAG 1100 F

#### Dimensional drawings

Sensor MAG 1100 F compact/remote



#### Important note:

For compact installation with MAG 6000 I/Ex - transmitter to be supported to avoid tension on the sensor part.

| Size | L    | A     | A <sub>1</sub> / A <sub>2</sub> <sup>3)</sup> | B <sup>2)</sup> | B <sub>1</sub> | D     | D <sub>1</sub><br>(Al <sub>2</sub> O <sub>3</sub> ) | D <sub>1</sub><br>PFA | Weight <sup>1)</sup> |
|------|------|-------|---|-----------------|----------------|-------|---|-----------------------|----------------------|
| DN   | [mm] | [mm]  | [mm]  | [mm]            | [mm]           | [mm]  | [mm]  | [mm]                  | [kg]                 |
| 10   | 64   | 161   | 315   | 193.7           | 344.7          | 64.0  | 10  | 10                    | 2.2                  |
| 15   | 64   | 161   | 315   | 193.7           | 344.7          | 64.0  | 15  | 16                    | 2.2                  |
| 25   | 79   | 169   | 323   | 207.5           | 359.0          | 77.5  | 25  | 26                    | 2.7                  |
| 40   | 94   | 179   | 333   | 228.0           | 379.0          | 91.0  | 40  | 38                    | 3.4                  |
| 50   | 104  | 188   | 342   | 247.7           | 398.7          | 119.0 | 50  | 50                    | 4.2                  |
| 65   | 131  | 197.5 | 351   | 262.6           | 413.6          | 130.0 | 65  | 66                    | 5.5                  |
| 80   | 156  | 204   | 357   | 281.0           | 432.0          | 155.0 | 80  | 81                    | 7.0                  |
| 100  | 186  | 217   | 370   | 308.0           | 459.0          | 183.0 | 100   | 100                   | 10.0                 |

| Size   | L      | A      | A <sub>1</sub> / A <sub>2</sub> <sup>3)</sup> | B <sup>2)</sup> | B <sub>1</sub> | D      | D <sub>1</sub><br>(Al <sub>2</sub> O <sub>3</sub> ) | D <sub>1</sub><br>PFA | Weight <sup>1)</sup> |
|--------|--------|--------|---|-----------------|----------------|--------|---|-----------------------|----------------------|
| [inch] | [inch] | [inch] | [inch]  | [inch]          | [inch]         | [inch] | [inch]  | [inch]                | [lb]                 |
| 3/8    | 2.52   | 6.34   | 12.40   | 7.62            | 13.57          | 2.52   | 0.39  | 0.39                  | 4.8                  |
| 1/2    | 2.52   | 6.34   | 12.40   | 7.62            | 13.57          | 2.52   | 0.59  | 0.63                  | 4.8                  |
| 1      | 3.11   | 6.66   | 12.72   | 8.17            | 14.13          | 3.05   | 0.98  | 1.02                  | 4.9                  |
| 1 1/2  | 3.70   | 7.05   | 13.11   | 8.98            | 14.92          | 3.58   | 1.57  | 1.50                  | 7.5                  |
| 2      | 4.09   | 7.40   | 13.47   | 9.75            | 15.70          | 4.68   | 1.97  | 1.97                  | 9.2                  |
| 2 1/2  | 5.16   | 7.78   | 13.82   | 10.34           | 16.28          | 5.12   | 2.56  | 2.60                  | 12.0                 |
| 3      | 6.14   | 8.03   | 14.06   | 11.06           | 17.01          | 6.10   | 3.15  | 3.19                  | 15.0                 |
| 4      | 7.32   | 8.54   | 14.57   | 12.13           | 18.07          | 7.20   | 3.94  | 3.94                  | 22.0                 |

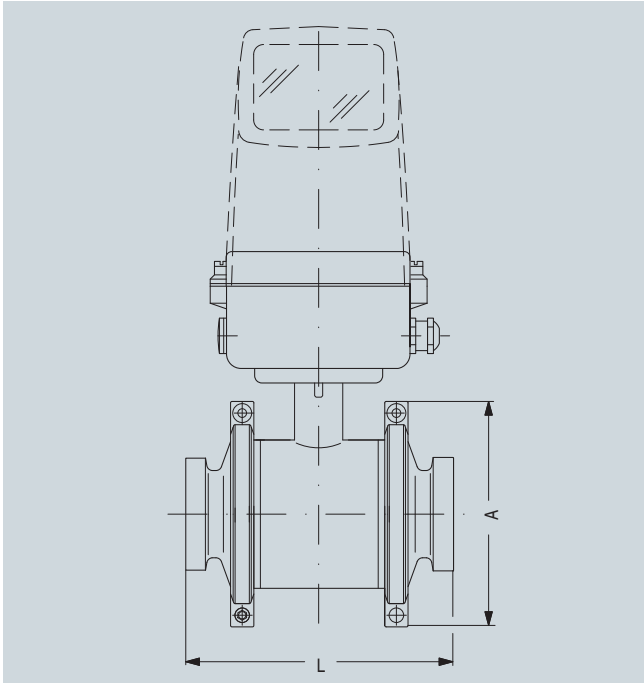
<sup>1)</sup> With transmitter MAG 5000 or MAG 6000 compact, weight is increased by approximately 0.8 kg (1.8 lb)

With MAG 6000 I weight is increased with 5.5 kg ( 12.1 lbs)

<sup>2)</sup> 14.5 mm (0.571") shorter when the AISI terminal box is used (always ATEX version)

<sup>3)</sup> A<sub>2</sub> is 3 mm (0.12") shorter than A<sub>1</sub>

Sensor MAG 1100 F compact/separate – build-in length



| Size |       | A    |        | L <sup>1)</sup> |        |
|------|-------|------|--------|-----------------|--------|
| DN   | Inch  | [mm] | [inch] | [mm]            | [inch] |
| 10   | 3/8   | 99   | 3.90   | 146             | 5.75   |
| 15   | 1/2   | 99   | 3.90   | 146             | 5.75   |
| 25   | 1     | 113  | 4.45   | 161             | 6.34   |
| 40   | 1 1/2 | 126  | 4.96   | 176             | 6.93   |
| 50   | 2     | 154  | 6.06   | 186             | 7.32   |
| 65   | 2 1/2 | 165  | 6.50   | 223             | 8.78   |
| 80   | 3     | 200  | 7.87   | 258             | 10.16  |
| 100  | 4     | 225  | 8.86   | 288             | 11.34  |

<sup>1)</sup> The total build-in length "L" is independent of the adapter type selected.

# SITRANS F flowmeters

## SITRANS F M

MAG 5100 W

### Overview



The SITRANS F M MAG 5100 W is an electromagnetic flow sensor designed to meet ground water, drinking water, waste water, sewage or sludge applications.

### Benefits

- DN 25 to DN 1200 (1" to 48")
- Connection flanges EN 1092-1 (DIN 2501), ANSI, AWWA and AS.
- NBR Hard Rubber liner for all water applications
- Drinking water EPDM liner with approvals
- Hastelloy integrated grounding and measuring electrodes
- Increased low flow accuracy for water leak detection, due to coned liner design.
- Drinking water approvals
- Suitable for direct burial and constant flooding
- Build-in length according to ISO 13359
- Easy commissioning, SENSORPROM unit automatically uploads calibration values and settings.
- Designed that patented in-situ verification can be conducted. Using SENSORPROM fingerprint.

### Application

The main applications of the SITRANS F M electromagnetic flow sensors can be found in the following fields:

- Water abstraction
- Water treatment
- Water distribution network (leak detection management)
- Custody transfer water meters
- Irrigation
- Waste water treatment
- Filtration plant (e.g. reverse osmosis and ultra filtration)
- Industrial water applications

### Mode of operation

The flow measuring principle is based on Faradays law of electromagnetic induction where the sensor converts the flow into an electrical voltage proportional to the velocity of the flow.

### Function

- Highly resistant to a wide range of chemicals
  - Pattern approval OIML R 49 (Denmark, Germany)
  - conforms to ISO 4064 and EN 14154
  - MI-001 Custody Transfer approval for billing (EU)
- Meets EEC directives: PED, 97/23/EC pressure directive for EN1092-1 flanges
- Simple onsite or factory upgrade to IP68/NEMA 6P of a standard sensor.

### Integration

The complete flowmeter consists of a flow sensor and an associated transmitter SITRANS F M MAG 5000, MAG 6000 or MAG 6000 I.

The flexible communication concept USM II simplifies integration and update to a variety of fieldbus systems, e.g. HART, FOUNDATION Fieldbus H1, DeviceNet, PROFIBUS DP and PA, MODBUS RTU/RS485.

#### Technical specifications

| Design  | Full bore sensor  | Coned bore sensor   | Full bore sensor   |
|---|---|---|--|
| Nominal size  | DN 25 ... 40 (1" ... 1½")   | DN 50 ... 300 (2" ... 12")  | DN 350 ... 1200 (14" ... 48")  |
| <b>Measuring principle</b><br>Electromagnetic induction   |   |   |  |
| Excitation frequency  | 12.5 Hz   | <ul style="list-style-type: none"> <li>• DN 50 ... 65 (2" ... 2½"): 12.5 Hz</li> <li>• DN 80 ... 150 (3" ... 6"): 6.25 Hz</li> <li>• DN 200 ... 300 (8" ... 12"): 3.125 Hz</li> </ul> | 1.56 Hz  |
| <b>Process connection</b>   |   |   |  |
| Flanges   | Raised face flanges   | Flat face flanges   | Raised face flanges  |
| <ul style="list-style-type: none"> <li>• EN 1092-1</li> </ul>   | PN 40 (580 psi)   | <ul style="list-style-type: none"> <li>• DN 50 ... 300: PN 16 (2" ... 12": 230 psi)</li> <li>• DN 200 ... 300: PN 10 (8" ... 12": 145 psi)</li> </ul>                                 | <ul style="list-style-type: none"> <li>• PN 10 (145 psi)</li> <li>• PN 16 (230 psi)</li> </ul> |
| <ul style="list-style-type: none"> <li>• ANSI B16.5</li> <li>• AWWA C-207</li> <li>• AS4087</li> </ul>  | Class 150 lb  | Class 150 lb  | Class 150 lb (≤ 24")   |
|   | --  | --  | 28" ... 48": Class D   |
|   | PN 16 (230 psi) DN 50 ... 1200 (2" ... 48"), 14 bar (232 psi)   |   |  |
| <b>Rated Operation conditions</b>   |   |   |  |
| Ambient temperature   |   |   |  |
| <ul style="list-style-type: none"> <li>• Sensor</li> <li>• With compact transmitter MAG 5000/6000</li> <li>• With compact transmitter MAG 6000 I</li> </ul> | -40 ... +70 °C (-40 ... +158 °F)  |   |  |
|   | -20 ... +50 °C (-4 ... +122 °F)   |   |  |
|   | -20 ... +60 °C (-4 ... +140 °F)   |   |  |
| Operating pressure (Abs)  | 0.01 ... 40 bar (0.15 ... 580 psi)  | 0.03 ... 20 bar (0.44 ... 290 psi)  | 0.01 ... 16 bar (0.15 ... 232 psi)   |
| Enclosure rating  |   |   |  |
| <ul style="list-style-type: none"> <li>• Standard</li> <li>• Option</li> </ul>  | IP67 to EN 60529 / NEMA 4X/6 (1 mH <sub>2</sub> O for 30 minutes)   |   |  |
|   | IP68 to EN 60529 / NEMA 6P (10 mH <sub>2</sub> O continuously)  |   |  |
| Pressure drop at 3 m/s (10 ft/s)  | As straight pipe  | Max. 25 mbar (0.36 psi)   | As straight pipe   |
| <b>Medium conditions</b>  |   |   |  |
| Temperature of medium   |   |   |  |
| <ul style="list-style-type: none"> <li>• NBR</li> <li>• EPDM</li> </ul>   | -10 ... +70 °C (14 ... +158 °F)   |   |  |
|   | -10 ... +70 °C (14 ... +158 °F)   |   |  |
| EMC   | 89/336 EEC  |   |  |
| <b>Design</b>   |   |   |  |
| Weight  | See dimensional drawings  |   |  |
| Material  |   |   |  |
| <ul style="list-style-type: none"> <li>• Housing and flanges</li> <li>• Terminal box</li> <li>• Measuring pipe</li> <li>• Liner</li> </ul>                  | Carbon steel, St 37.2   |   |  |
|   | Fibre glass reinforced polyamide  |   |  |
|   | AISI 304 (1.4301)   |   |  |
|   | NBR Hard Rubber (hydro carbon resistant)  |   |  |
|   | EPDM  |   |  |
| <ul style="list-style-type: none"> <li>• Electrodes</li> <li>• Grounding electrodes standard</li> </ul>   | Hastelloy C276  |   |  |
|   | Hastelloy C276  |   |  |
| <b>Certificates and approvals</b>   |   |   |  |
| Custody Transfer (only together with MAG 5000/6000 CT), order as special  | OIML R 49 pattern approval cold water (Denmark and Germany): DN 50 ... 300 (2" ... 12")<br>MI 001 cold water (EU): DN 50 ... 300 (2" ... 12") |   |  |
| Approvals   | FM Class 1, Div 2   |   |  |
| Drinking water approvals  |   |   |  |
| <ul style="list-style-type: none"> <li>• EPDM</li> </ul>  | NSF/ANSI Standard 61 (Cold water, US)<br>WRAS (WRc, BS6920 cold water, GB)<br>ACS listed (F),<br>DVGW W270 (D)<br>Belaqua (B)                 |   |  |
| <ul style="list-style-type: none"> <li>• NBR</li> </ul>   | NSF/ANSI Standard 61 (Cold water, US, only ANSI B16.5 flanges)  |   |  |
| Approvals   | PED – 97/23 EC <sup>1)</sup> , CRN  |   |  |

<sup>1)</sup> For sizes larger than 600 mm (24") in PN 16 PED conformity is available as a cost added option. The basic unit will carry the LVD (Low Voltage Directive) and EMC approval.

# SITRANS F flowmeters

## SITRANS F M

### MAG 5100 W

| Selection and Ordering data                                  | Order No.             |
|--|-----------------------|
| <b>SITRANS F M Flowsensor MAG 5100 W</b>                     | <b>7 ME 6 5 2 0 -</b> |
| Hastelloy electrodes, carbon steel flanges                   | ■ ■ ■ 1 ■ - 2 ■ ■ ■   |
| <b>Diameter</b>  |                       |
| DN 25 (1")   | ▶ 2 D                 |
| DN 40 (1½")  | ▶ 2 R                 |
| DN 50 (2")   | ▶ 2 Y                 |
| DN 65 (2½")  | ▶ 3 F                 |
| DN 80 (3")   | ▶ 3 M                 |
| DN 100 (4")  | ▶ 3 T                 |
| DN 125 (5")  | ▶ 4 B                 |
| DN 150 (6")  | ▶ 4 H                 |
| DN 200 (8")  | ▶ 4 P                 |
| DN 250 (10")   | ▶ 4 V                 |
| DN 300 (12")   | ▶ 5 D                 |
| DN 350 (14")   | 5 K                   |
| DN 400 (16")   | 5 R                   |
| DN 450 (18")   | 5 Y                   |
| DN 500 (20")   | 6 F                   |
| DN 600 (24")   | 6 P                   |
| DN 700 (28")   | 6 Y                   |
| DN 750 (30")   | 7 D                   |
| DN 800 (32")   | 7 H                   |
| DN 900 (36")   | 7 M                   |
| DN 1000 (40")  | 7 R                   |
| 42"  | 7 U                   |
| 44"  | 7 V                   |
| DN 1200 (48")  | 8 B                   |
| <b>Flange norm and pressure rating</b>                       |                       |
| <u>to EN 1092-1</u>  |                       |
| PN 10 (DN 200 ... 1200/8" ... 48")                           | ▶ B                   |
| PN 16 (DN 50 ... 1200/2" ... 48")                            | ▶ C                   |
| PN 16, non PED (DN 700 ... 1200/28" ... 48")                 | ▶ D                   |
| PN 40 (DN 25 ... 40/1" ... 1½")                              | ▶ F                   |
| <u>to ANSI B16.5</u>   |                       |
| class 150 (1" ... 24")                                       | ▶ J                   |
| <u>to AWWA C-207</u>   |                       |
| Class D (28" ... 48")  | L                     |
| <u>to AS 4087</u>  |                       |
| PN 16  | N                     |
| <b>Liner material</b>  |                       |
| EPDM   | ▶ 2                   |
| NBR Hard Rubber  | ▶ 3                   |
| <b>Transmitter</b>   |                       |
| Sensor for remote transmitter (Order transmitter separately) | ▶ A                   |
| MAG 6000 I, Aluminum, 18 ... 90 V DC, 115 ... 230 V AC       | ▶ C                   |
| MAG 6000, Polyamid, 11 ... 30 V DC/11 ... 24V AC             | ▶ H                   |
| MAG 6000, Polyamid, 115/230 V AC                             | ▶ J                   |
| MAG 5000, Polyamid, 11 ... 30 V DC/11 ... 24V AC             | ▶ K                   |
| MAG 5000, Polyamid, 115/230 V AC                             | ▶ L                   |

| Selection and Ordering data                          | Order No.             |
|--|-----------------------|
| <b>SITRANS F M Flowsensor MAG 5100 W</b>             | <b>7 ME 6 5 2 0 -</b> |
| Hastelloy electrodes, carbon steel flanges           | ■ ■ ■ 1 ■ - 2 ■ ■ ■   |
| <b>Communication</b>                                 |                       |
| None   | ▶ A                   |
| HART   | ▶ B                   |
| PROFIBUS PA Profile 3<br>(only MAG 6000/MAG 6000 I)  | ▶ F                   |
| PROFIBUS DP Profile 3<br>(only MAG 6000/MAG 6000 I)  | ▶ G                   |
| MODBUS RTU/RS 485<br>(only MAG 6000/MAG 6000 I)      | ▶ E                   |
| FOUNDATION Fieldbus H1<br>(only MAG 6000/MAG 6000 I) | ▶ J                   |
| <b>Cable glands/terminal box</b>                     |                       |
| Metric   | ▶ 1                   |
| ½" NPT   | ▶ 2                   |
| ▶ Available ex stock                                 |                       |

| Selection and Ordering data  | Order code |
|--|------------|
| <b>Additional information</b>  |            |
| Please add "-Z" to Order No. and specify Order code(s) and plain text.                                 |            |
| Customer specific converter setup  | <b>Y20</b> |
| Tag name plate, stainless steel fixed with SS wire (add plain text)                                    | <b>Y17</b> |
| Tag name plate, plastic (self adhesive)  | <b>Y18</b> |
| Factory certificate according to EN 10204-2.1  | <b>C15</b> |
| Factory certificate according to EN 10204-2.2  | <b>C14</b> |
| Sensor cables wired (specify cable order no.)  | <b>Y40</b> |
| Sensor for remote transmitter's junction box potted to IP68 with wired cable (specify cable order no.) | <b>Y41</b> |
| Other postproduction requirements (add desired text)   | <b>Y99</b> |

| Description   | Order No.           |
|---|---------------------|
| Potting kit for terminal box of SITRANS F M sensors for IP68/NEMA 6P (Not ATEX) | <b>FDK-085U0220</b> |



MAG 5000/6000 transmitters and sensors are packed in separate boxes, the final assembly takes place during installation at the customer's place. MAG 6000 I transmitters and sensors are delivered compact mounted from factory. Communication module will be pre-mounted in the transmitter.

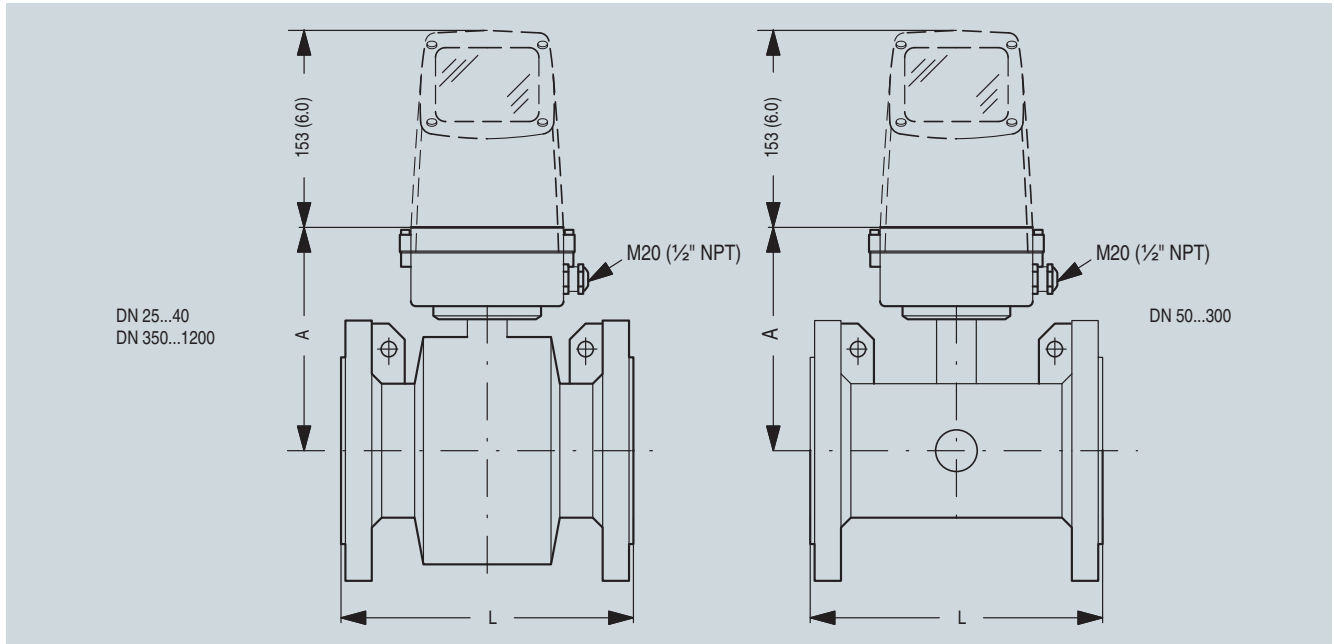
Please use online Product selector to get latest updates.

Product selector link:

[www.pia-selector.automation.siemens.com](http://www.pia-selector.automation.siemens.com)

Please also see [www.siemens.com/SITRANSFordering](http://www.siemens.com/SITRANSFordering) for practical examples of ordering

#### Dimensional drawings



| Nominal size |        | A    |        | L     |        |       |        |       |        |                  |        |      |        |
|--------------|--------|------|--------|-------|--------|-------|--------|-------|--------|------------------|--------|------|--------|
|              |        |      |        | PN 10 |        | PN 16 |        | PN 40 |        | Class 150 / AWWA |        | AS   |        |
| [mm]         | [inch] | [mm] | [inch] | [mm]  | [inch] | [mm]  | [inch] | [mm]  | [inch] | [mm]             | [inch] | [mm] | [inch] |
| 25           | 1      | 187  | 7.4    | -     | -      | -     | -      | 200   | 7.9    | 200              | 7.9    | 200  | 7.87   |
| 40           | 1½     | 197  | 7.8    | -     | -      | -     | -      | 200   | 7.9    | 200              | 7.9    | 200  | 7.87   |
| 50           | 2      | 188  | 7.4    | -     | -      | 200   | 7.9    | -     | -      | 200              | 7.9    | 200  | 7.87   |
| 65           | 2½     | 194  | 7.6    | -     | -      | 200   | 7.9    | -     | -      | 200              | 7.9    | 200  | 7.87   |
| 80           | 3      | 200  | 7.9    | -     | -      | 200   | 7.9    | -     | -      | 200              | 7.9    | 200  | 7.87   |
| 100          | 4      | 207  | 8.1    | -     | -      | 250   | 9.8    | -     | -      | 250              | 9.8    | 250  | 9.84   |
| 125          | 5      | 217  | 8.5    | -     | -      | 250   | 9.8    | -     | -      | 250              | 9.8    | 250  | 9.84   |
| 150          | 6      | 232  | 9.1    | -     | -      | 300   | 11.8   | -     | -      | 300              | 11.8   | 300  | 11.81  |
| 200          | 8      | 257  | 10.1   | 350   | 13.8   | 350   | 13.8   | -     | -      | 350              | 13.8   | 350  | 13.78  |
| 250          | 10     | 284  | 11.2   | 450   | 17.7   | 450   | 17.7   | -     | -      | 450              | 17.7   | 450  | 17.72  |
| 300          | 12     | 310  | 12.2   | 500   | 19.7   | 500   | 19.7   | -     | -      | 500              | 19.7   | 500  | 19.69  |
| 350          | 14     | 382  | 15.0   | 550   | 21.7   | 550   | 21.7   | -     | -      | 550              | 21.7   | 550  | 21.65  |
| 400          | 16     | 407  | 16.0   | 600   | 23.6   | 600   | 23.6   | -     | -      | 600              | 23.6   | 600  | 23.62  |
| 450          | 18     | 438  | 17.2   | 600   | 23.6   | 600   | 23.6   | -     | -      | 600              | 23.6   | 600  | 23.62  |
| 500          | 20     | 463  | 18.2   | 600   | 23.6   | 600   | 23.6   | -     | -      | 600              | 23.6   | 600  | 23.6   |
| 600          | 24     | 514  | 20.2   | 600   | 23.6   | 600   | 23.6   | -     | -      | 600              | 23.6   | 600  | 23.6   |
| 700          | 28     | 564  | 22.2   | 700   | 27.6   | 700   | 27.6   | -     | -      | 700              | 27.6   | 700  | 27.6   |
| 750          | 30     | 591  | 23.3   | -     | -      | -     | -      | -     | -      | 750              | 29.5   | 750  | -      |
| 800          | 32     | 616  | 24.3   | 800   | 31.5   | 800   | 31.5   | -     | -      | 800              | 31.5   | 800  | 31.5   |
| 900          | 36     | 663  | 26.1   | 900   | 35.4   | 900   | 35.4   | -     | -      | 900              | 35.4   | 900  | 35.4   |
| 1000         | 40     | 714  | 28.1   | 1000  | 39.4   | 1000  | 39.4   | -     | -      | 1000             | 39.4   | 1000 | 39.4   |
|              | 42     | 714  | 28.1   | -     | -      | -     | -      | -     | -      | 1000             | 39.4   | -    | -      |
|              | 44     | 765  | 30.1   | -     | -      | -     | -      | -     | -      | 1100             | 43.3   | -    | -      |
| 1200         | 48     | 820  | 32.3   | 1200  | 47.2   | 1200  | 47.2   | -     | -      | 1200             | 47.2   | 1200 | 47.2   |

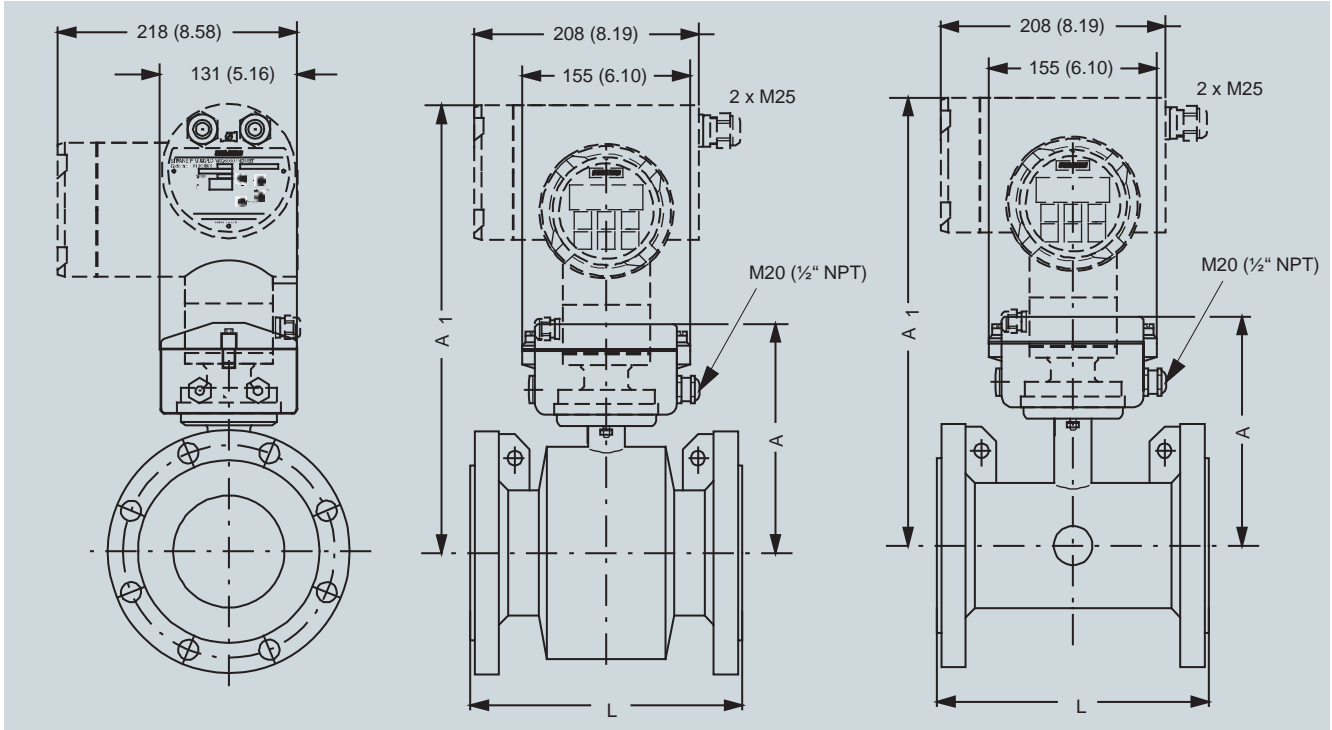
- not available

# SITRANS F flowmeters

## SITRANS F M

### MAG 5100 W

MAG 5100 W / 6000 I Compact



62

| Nominal size |        | A    |        | A <sub>1</sub> |        | L     |        |       |        |       |        |                |        |      |        |
|--------------|--------|------|--------|----------------|--------|-------|--------|-------|--------|-------|--------|----------------|--------|------|--------|
|              |        |      |        |                |        | PN 10 |        | PN 16 |        | PN 40 |        | Class 150/AWWA |        | AS   |        |
| [mm]         | [inch] | [mm] | [inch] | [mm]           | [inch] | [mm]  | [inch] | [mm]  | [inch] | [mm]  | [inch] | [mm]           | [inch] | [mm] | [inch] |
| 25           | 1      | 187  | 7.4    | 340            | 13.4   | -     | -      | -     | -      | 200   | 7.9    | 200            | 7.9    | 200  | 7.87   |
| 40           | 1½     | 197  | 7.8    | 350            | 13.8   | -     | -      | -     | -      | 200   | 7.9    | 200            | 7.9    | 200  | 7.87   |
| 50           | 2      | 188  | 7.4    | 341            | 13.4   | -     | -      | 200   | 7.9    | -     | -      | 200            | 7.9    | 200  | 7.87   |
| 65           | 2½     | 194  | 7.6    | 347            | 13.7   | -     | -      | 200   | 7.9    | -     | -      | 200            | 7.9    | 200  | 7.87   |
| 80           | 3      | 200  | 7.9    | 353            | 13.9   | -     | -      | 200   | 7.9    | -     | -      | 200            | 7.9    | 200  | 7.87   |
| 100          | 4      | 207  | 8.1    | 360            | 14.2   | -     | -      | 250   | 9.8    | -     | -      | 250            | 9.8    | 250  | 9.84   |
| 125          | 5      | 217  | 8.5    | 370            | 14.6   | -     | -      | 250   | 9.8    | -     | -      | 250            | 9.8    | 250  | 9.84   |
| 150          | 6      | 232  | 9.1    | 385            | 15.2   | -     | -      | 300   | 11.8   | -     | -      | 300            | 11.8   | 300  | 11.81  |
| 200          | 8      | 257  | 10.1   | 410            | 16.1   | 350   | 13.8   | 350   | 13.8   | -     | -      | 350            | 13.8   | 350  | 13.78  |
| 250          | 10     | 284  | 11.2   | 437            | 17.2   | 450   | 17.7   | 450   | 17.7   | -     | -      | 450            | 17.7   | 450  | 17.72  |
| 300          | 12     | 310  | 12.2   | 463            | 18.2   | 500   | 19.7   | 500   | 19.7   | -     | -      | 500            | 19.7   | 500  | 19.69  |
| 350          | 14     | 382  | 15.0   | 535            | 21.1   | 550   | 21.7   | 550   | 21.7   | -     | -      | 550            | 21.7   | 550  | 21.65  |
| 400          | 16     | 407  | 16.0   | 560            | 22.1   | 600   | 23.6   | 600   | 23.6   | -     | -      | 600            | 23.6   | 600  | 23.62  |
| 450          | 18     | 438  | 17.2   | 591            | 23.3   | 600   | 23.6   | 600   | 23.6   | -     | -      | 600            | 23.6   | 600  | 23.62  |
| 500          | 20     | 463  | 18.2   | 616            | 24.3   | 600   | 23.6   | 600   | 23.6   | -     | -      | 600            | 23.6   | 600  | 23.6   |
| 600          | 24     | 514  | 20.2   | 667            | 26.3   | 600   | 23.6   | 600   | 23.6   | -     | -      | 600            | 23.6   | 600  | 23.6   |
| 700          | 28     | 564  | 22.2   | 717            | 28.2   | 700   | 27.6   | 700   | 27.6   | -     | -      | 700            | 27.6   | 700  | 27.6   |
| 750          | 30     | 591  | 23.3   | 744            | 29.3   | -     | -      | -     | -      | -     | -      | 750            | 29.5   | 750  | -      |
| 800          | 32     | 616  | 24.3   | 779            | 30.7   | 800   | 31.5   | 800   | 31.5   | -     | -      | 800            | 31.5   | 800  | 31.5   |
| 900          | 36     | 663  | 26.1   | 826            | 32.5   | 900   | 35.4   | 900   | 35.4   | -     | -      | 900            | 35.4   | 900  | 35.4   |
| 1000         | 40     | 714  | 28.1   | 877            | 34.5   | 1000  | 39.4   | 1000  | 39.4   | -     | -      | 1000           | 39.4   | 1000 | 39.4   |
|              | 42     | 714  | 28.1   | 877            | 34.5   | -     | -      | -     | -      | -     | -      | 1000           | 39.4   | -    | -      |
|              | 44     | 765  | 30.1   | 928            | 36.5   | -     | -      | -     | -      | -     | -      | 1100           | 43.3   | -    | -      |
| 1200         | 48     | 820  | 32.3   | 983            | 38.7   | 1200  | 47.2   | 1200  | 47.2   | -     | -      | 1200           | 47.2   | 1200 | 47.2   |

- not available



#### Weight

| Nominal size |        | PN 10 |       | PN 16 |       | PN 40 |       | Class 150/AWWA |       | AS   |       |
|--------------|--------|-------|-------|-------|-------|-------|-------|----------------|-------|------|-------|
| [mm]         | [inch] | [kg]  | [lbs] | [kg]  | [lbs] | [kg]  | [lbs] | [kg]           | [lbs] | [kg] | [lbs] |
| 25           | 1      | -     | -     | -     | -     | 4     | 9     | 4              | 9     | 4    | 9     |
| 40           | 1½     | -     | -     | -     | -     | 7     | 15    | 6              | 13    | 7    | 15    |
| 50           | 2      | -     | -     | 9     | 20    | -     | -     | 8              | 20    | 9    | 20    |
| 65           | 2½     | -     | -     | 10.7  | 24    | -     | -     | 11             | 24    | 10.7 | 24    |
| 80           | 3      | -     | -     | 11.6  | 26    | -     | -     | 13             | 28    | 11.6 | 26    |
| 100          | 4      | -     | -     | 15.2  | 33    | -     | -     | 19             | 41    | 15.2 | 33    |
| 125          | 5      | -     | -     | 20.4  | 45    | -     | -     | 24             | 52    | 20.4 | 45    |
| 150          | 6      | -     | -     | 26    | 57    | -     | -     | 29             | 64    | 26   | 57    |
| 200          | 8      | 48    | 106   | 48    | 106   | -     | -     | 56             | 124   | 48   | 106   |
| 250          | 10     | 64    | 141   | 69    | 152   | -     | -     | 79             | 174   | 69   | 152   |
| 300          | 12     | 76    | 167   | 86    | 189   | -     | -     | 110            | 243   | 86   | 189   |
| 350          | 14     | 104   | 229   | 125   | 274   | -     | -     | 139            | 307   | 115  | 254   |
| 400          | 16     | 119   | 263   | 143   | 314   | -     | -     | 159            | 351   | 125  | 277   |
| 450          | 18     | 136   | 299   | 173   | 381   | -     | -     | 182            | 400   | 141  | 311   |
| 500          | 20     | 163   | 359   | 223   | 491   | -     | -     | 225            | 495   | 189  | 418   |
| 600          | 24     | 236   | 519   | 338   | 744   | -     | -     | 320            | 704   | 301  | 664   |
| 700          | 28     | 270   | 595   | 314   | 692   | -     | -     | 273            | 602   | 320  | 704   |
| 750          | 30     | -     | -     | -     | -     | -     | -     | 329            | 725   | -    | -     |
| 800          | 32     | 346   | 763   | 396   | 873   | -     | -     | 365            | 804   | 428  | 944   |
| 900          | 36     | 432   | 951   | 474   | 1043  | -     | -     | 495            | 1089  | 619  | 1362  |
| 1000         | 40     | 513   | 1130  | 600   | 1321  | -     | -     | 583            | 1282  | 636  | 1399  |
|              | 42     | -     | -     | -     | -     | -     | -     | 687            | 1512  | -    | -     |
|              | 44     | -     | -     | -     | -     | -     | -     | 763            | 1680  | -    | -     |
| 1200         | 48     | 643   | 1415  | 885   | 1948  | -     | -     | 861            | 1896  | 813  | 1789  |

- not available

With transmitter MAG 5000 and MAG 6000 compact, weight is increased by approximately 0.8 kg (1.8 lbs), with MAG 6000 I, weight is increased by 5.5 kg (12.1 lb).

# SITRANS F flowmeters

## SITRANS F M

MAG 3100

### Overview



The SITRANS F M MAG 3100 is an electromagnetic flow sensor in a large variety that meets the demands of almost every flow application.

### Benefits

- Wide range of sizes: DN 15 to DN 2000 (½" to 78")
- Wide pressure range: PN 6 to PN 100 ANSI Class 150 / 300, AS 2129 / AS 4087. On request up to 690 bar (10000 psi)
- Wide range of electrode and liner material to fit even the most extreme process media
- Fully welded construction provides a ruggedness that suits the toughest applications and environments
- Easy commissioning, the SENSORPROM unit automatically updates settings.
- Designed to allow patented SITRANS F M in-situ verification using the SENSORPROM fingerprints.

### Application

The main applications of the SITRANS F M electromagnetic flow sensors can be found in the following fields:

- Process industry
- Chemical industry
- Steel industry
- Mining
- Utility
- Power generation & distribution
- Oil & gas / HPI
- Water & waste water

### Design

- Compact or remote mounting possible
- Easy "plug & play" field changeability of transmitter
- Ex ATEX and CSA/FM versions
- High temperature sensor for applications with temperatures up to 180 °C (356 °F)
- Approvals for PTB, OIML R 75 and OIML R 117
- Meets EEC directives: PED, 97/23/EC pressure directive for EN1092-1 flanges
- Build-in length according to ISO 13359
- Onsite or factory upgrade to IP68/NEMA 6P of a standard sensor.

### Mode of operation

The flow measuring principle is based on Faraday's law of electromagnetic induction where the sensor converts the flow into an electrical voltage proportional to the velocity of the flow.

### Integration

The complete flowmeter consists of a flow sensor and an associated transmitter MAG 5000, 6000 and 6000 I.

The flexible communication concept USM II simplifies integration and update to a variety of fieldbus systems such as HART, FOUNDATION Fieldbus H1, DeviceNet, PROFIBUS DP and PA, MODBUS RTU/RS485.

#### Technical specifications

| Version              | MAG 3100  | MAG 3100 HT (High Temperature)  | MAG 3100 P  |
|----------------------|---|---|---|
| Nominal size         | DN 15 ... DN 2000 (½" ... 78")  | DN 15 ... DN 300 (½" ... 12")   | DN 15 ... DN 300 (½" ... 12")   |
| Measuring principle  | electromagnetic induction   |   |   |
| Excitation frequency | <ul style="list-style-type: none"> <li>• DN 15 ... 65 (½" ... 2½"): 12.5 Hz</li> <li>• DN 80 ... 150 (3" ... 6"): 6.25 Hz</li> <li>• DN 200 ... 1200 (8" ... 48"): 3.125 Hz</li> <li>• DN 1400 ... 2000 (54" ... 78"): 1.5625 Hz</li> </ul> | <ul style="list-style-type: none"> <li>• DN 15 ... 65 (½" ... 2½"): 12.5 Hz</li> <li>• DN 80 ... 150 (3" ... 6"): 6.25 Hz</li> <li>• DN 200 ... 300 (8" ... 12"): 3.125 Hz</li> </ul> | <ul style="list-style-type: none"> <li>• DN 15 ... 65 (½" ... 2½"): 12.5 Hz</li> <li>• DN 80 ... 150 (3" ... 6"): 6.25 Hz</li> <li>• DN 200 ... 300 (8" ... 12"): 3.125 Hz</li> </ul> |

#### Process connection

| Flanges | MAG 3100  | MAG 3100 HT (High Temperature)   | MAG 3100 P   |
|---------|---|--|--|
|         | <p>EN 1092-1, raised face<br/>(EN 1092-1, DIN 2501 &amp; BS 4504 have the same mating dimensions)</p> <ul style="list-style-type: none"> <li>• DN 65 ... 2000 (2½" ... 48"): PN 6 (87 psi)</li> <li>• DN 200 ... 2000 (8" ... 48"): PN 10 (145 psi)</li> <li>• DN 65 ... 2000 (2½" ... 78"): PN 16 (232 psi)</li> <li>• DN 200 ... 600 (8" ... 24"): PN 25 (362 psi)</li> <li>• DN 15 ... 600 (½" ... 24"): PN 40 (580 psi)</li> <li>• DN 50 ... 300 (2" ... 12"): PN 63 (913 psi)</li> <li>• DN 25 ... 300 (1" ... 12"): PN 100 (1450 psi)</li> </ul> <p>ANSI B16.5 (~BS 1560), raised face</p> <ul style="list-style-type: none"> <li>• ½" ... 24": Class 150 (20 bar (290 psi))</li> <li>• ½" ... 24": Class 300 (50 bar (725 psi))</li> </ul> <p>AWWA C-207, flat face 28" ... 78": Class D (10 bar)</p> <p>AS 2129, raised face ½" ... 48": Table E</p> <p>AS 4087, raised face:</p> <ul style="list-style-type: none"> <li>• PN 16 (DN 50 ... 1200, 16 bar (232 psi))</li> <li>• PN 21 (DN 50 ... 600, 21 bar (304 psi))</li> <li>• PN 35 (DN 50 ... 600, 35 bar (508 psi))</li> </ul> <p>Other flanges and pressure ratings on request</p> | <p>EN 1092-1, raised face<br/>(EN 1092-1, DIN 2501 &amp; BS 4504 have the same mating dimensions)</p> <ul style="list-style-type: none"> <li>• DN 15 ... 300 (½" ... 12"): PN 40 (580 psi)</li> <li>• DN 65 ... 300 (2½" ... 12"): PN 16 (232 psi)</li> <li>• DN 200 ... 300 (8" ... 12"): PN 10 (145 psi)</li> <li>• DN 200 ... 300 (8" ... 12"): PN 25 (362 psi)</li> </ul> <p>ANSI B16.5 (~BS 1560), raised face:</p> <ul style="list-style-type: none"> <li>• ½" ... 12": Class 150 (20 bar (290 psi))</li> <li>• ½" ... 12": Class 300 (50 bar (725 psi))</li> </ul> <p>AS 2129, raised face ½" ... 12": Table E</p> <p>Other flanges and pressure ratings on request</p> | <p>EN 1092-1, raised face<br/>(EN 1092-1, DIN 2501 &amp; BS 4504 have the same mating dimensions)</p> <ul style="list-style-type: none"> <li>• DN 15 ... 50 (½" ... 2"): PN 40 (580 psi)</li> <li>• DN 65 ... 300 (2½" ... 12"): PN 16 (232 psi)</li> <li>• DN 200 ... 300 (8" ... 12"): PN 10 (145 psi)</li> </ul> <p>ANSI B16.5 (~BS 1560), raised face</p> <ul style="list-style-type: none"> <li>• ½" ... 12": Class 150 (20 bar (290 psi))</li> </ul> |

#### Rated operation conditions

| Ambient temperature (conditions also dependent on liner characteristics) | MAG 3100                          | MAG 3100 HT (High Temperature)   | MAG 3100 P                        |
|--|-----------------------------------|--|-----------------------------------|
| • Sensor   | -40 ... +100 °C (-40 ... +212 °F) | -40 ... +100 °C (-40 ... +212 °F)  | -40 ... +100 °C (-40 ... +212 °F) |
| • Sensor ATEX  | -20 ... +60 °C (-4 ... +140 °F)   | for up to 150 °C (302 °F) temperature of medium:<br>-20 ... +60 °C (-4 ... +140 °F)<br>for 150 ... 180 °C (302 ... 356 °F) temperature of medium:<br>-20 ... +50 °C (-4 ... +122 °F) | -20 ... +60 °C (-4 ... +140 °F)   |
| • With compact transmitter MAG 5000/6000                                 | -20 ... +50 °C (-4 ... +122 °F)   | -20 ... +50 °C (-4 ... +122 °F)  | -20 ... +50 °C (-4 ... +122 °F)   |
| • With compact transmitter MAG 6000 I                                    | -20 ... +60 °C (-4 ... +140 °F)   | -20 ... +60 °C (-4 ... +140 °F)  | -20 ... +60 °C (-4 ... +140 °F)   |
| • With compact transmitter MAG 6000 I Ex d                               | -10 ... +60 °C (14 ... 140 °F)    | -10 ... +60 °C (14 ... 140 °F)   | -10 ... +60 °C (14 ... 140 °F)    |

# SITRANS F flowmeters

## SITRANS F M

### MAG 3100

| Version  | MAG 3100   | MAG 3100 HT (High Temperature)  | MAG 3100 P  |
|--|--|---|---|
| <b>Operating pressure</b>  |  |   |   |
| <b>Operating pressure</b> [abs. bar] (maximum operating pressure decreases with increasing operating temperature and with stainless steel flanges) | <ul style="list-style-type: none"> <li>• Neoprene 0.01 ... 100 bar (0.15 ... 1450 psi)</li> <li>• EPDM 0.01 ... 40 bar (0.15 ... 580 psi)</li> <li>• Linatex® 0.01 ... 40 bar (0.15 ... 580 psi)</li> <li>• Ebonite 0.01 ... 100 bar (0.15 ... 1450 psi)</li> <li>• PTFE               <ul style="list-style-type: none"> <li>- DN ≤ 300 (≤ 12"): 0.3 ... 50 bar (4 ... 725 psi)</li> <li>- 350 ≤ DN ≤ 600 (14" ≤ DN ≤ 24"): 0.3 ... 40 bar (4 ... 580 psi)</li> </ul> </li> <li>• PFA               <ul style="list-style-type: none"> <li>- DN 25 ... 100 (1" ... 4"): Vacuum ... 50 bar (0.15 ... 725 psi)</li> </ul> </li> </ul> | <ul style="list-style-type: none"> <li>• PTFE Teflon               <ul style="list-style-type: none"> <li>- DN 15 ... 300 (½" ... 12") (130/180 °C (266 °F/356°F)): 0.3/0.6 ... 50 bar (4/8 ... 725 psi)</li> <li>(180 °C (356 °F) PTFE has factory mounted grounding SS rings type E &amp; SS terminal box)</li> </ul> </li> <li>• PFA               <ul style="list-style-type: none"> <li>- DN 25 ... 100 (1" ... 4"): Vacuum ... 50 bar (0.15 ... 725 psi)</li> </ul> </li> </ul> | <ul style="list-style-type: none"> <li>• PTFE Teflon               <ul style="list-style-type: none"> <li>- DN 15 ... 300 (½" ... 12"): 0.3 ... 40 bar (4 ... 580 psi)</li> </ul> </li> <li>• PFA               <ul style="list-style-type: none"> <li>- DN 15 ... 100 (1" ... 4"): Vacuum ... 50 bar (0.15 ... 725 psi)</li> </ul> </li> </ul> |
| Enclosure rating   | IP67/NEMA 4X/6 to EN 60529, 1 mH <sub>2</sub> O for 30 min<br>Option: IP68/NEMA 6P to EN 60529, 10 mH <sub>2</sub> O cont. (no ATEX)   | IP67/NEMA 4X/6 to EN 60529, 1 mH <sub>2</sub> O for 30 min<br>Option: IP68/NEMA 6P to EN 60529, 10 mH <sub>2</sub> O cont. (no ATEX)  | IP67/NEMA 4X/6 to EN 60529, 1 mH <sub>2</sub> O for 30 min<br>Option: IP68/NEMA 6P to EN 60529, 10 mH <sub>2</sub> O cont. (no ATEX)  |
| Pressure drop at 3 m/s   | As straight pipe   |   |   |
| Test pressure  | 1.5 x PN (where applicable)  |   |   |
| Mechanical load  | <ul style="list-style-type: none"> <li>• 18 ... 1000 Hz random in x, y, z, directions for 2 hours according to EN 60068-2-36</li> <li>• Sensor: 3.17 grms</li> <li>• Sensor with compact MAG 5000/6000 mounted transmitter: 3.17 grms</li> <li>• Sensor with compact MAG 6000 I/6000 I Ex mounted transmitter: 1.14 grms</li> </ul>  | <ul style="list-style-type: none"> <li>• 18 ... 1000 Hz random in x, y, z, directions for 2 hours according to EN 60068-2-36</li> <li>• Sensor: 3.17 grms</li> <li>• Sensor with compact MAG 5000/6000 mounted transmitter: 3.17 grms</li> <li>• Sensor with compact MAG 6000 I/6000 I Ex mounted transmitter: 1.14 grms</li> </ul>   | <ul style="list-style-type: none"> <li>• 18 ... 1000 Hz random in x, y, z, directions for 2 hours according to EN 60068-2-36</li> <li>• Sensor: 3.17 grms</li> <li>• Sensor with compact MAG 5000/6000 mounted transmitter: 3.17 grms</li> <li>• Sensor with compact MAG 6000 I/6000 I Ex mounted transmitter: 1.14 grms</li> </ul>             |
| Temperature of medium  | <ul style="list-style-type: none"> <li>• Neoprene 0 ... +70 °C (32 ... 158 °F)</li> <li>• EPDM -10 ... +70 °C (14 ... 158 °F)</li> <li>• Linatex® (rubber) -40 ... +70 °C (-40 ... +158 °F) (for temperatures below -20 °C (-4 °F) AISI 304 or 316 flanges must be used)</li> <li>• Ebonite 0 ... 95 °C (32 ... 203 °F)</li> <li>• PTFE -20 ... +100 °C (-4 ... +212 °F)</li> <li>• PFA -20 ... +100 °C (-4 ... +212 °F)</li> </ul>  | <ul style="list-style-type: none"> <li>• PTFE -20 ... +130 °C (-4 ... +266 °F)</li> <li>• PTFE -20 ... +180 °C (-4 ... +356 °F) Factory mounted grounding rings type E and SS terminal box. Can only be used with remote transmitter.</li> <li>• PFA -20 ... +150 °C (-4 ... +300 °F)</li> </ul>  | <ul style="list-style-type: none"> <li>• PTFE -20 ... +130 °C (-4 ... +266 °F)</li> <li>• PFA -20 ... +150 °C (-4 ... +300 °F)</li> </ul>   |
| EMC  | 89/336 ECC   | 89/336 ECC  | 89/336 ECC  |
| <b>Design</b>  |  |   |   |
| Weight   | See dimensional drawings   |   |   |
| Flange and housing material  | Carbon steel ASTM A 105, with corrosion resistant two component epoxy coating (min. 150 µm)<br>or<br>AISI 304 (1.4301) flanges and carbon steel housing, with corrosion resistant two component epoxy coating (min. 150 µm)<br>or<br>AISI 316 L (1.4404) flanges and housing, polished   | Carbon steel ASTM A 105, with corrosion resistant two component epoxy coating (min. 150 µm)<br>or<br>AISI 304 (1.4301) flanges and carbon steel housing, with corrosion resistant two component epoxy coating (min. 150 µm)<br>or<br>AISI 316 L (1.4404) flanges and housing, polished  | Carbon steel ASTM A 105, with corrosion resistant two component epoxy coating (min. 150 µm)   |
| Measuring pipe material  | AISI 304 (1.4301) (AISI 316L (1.4404) flanges and housing, polished has measuring pipe of AISI 316L (1.4435))  | AISI 304 (1.4301) (AISI 316L (1.4404) flanges and housing, polished has measuring pipe of AISI 316L (1.4435))   | AISI 304 (1.4301)   |
| Electrode material   | <ul style="list-style-type: none"> <li>• AISI 316 Ti (1.4571)</li> <li>• Hastelloy C276 (PFA: Hastelloy C22)</li> <li>• Platinum/Iridium,</li> <li>• Titanium</li> <li>• Tantalum</li> </ul>   | <ul style="list-style-type: none"> <li>• AISI 316 Ti (1.4571)</li> <li>• Hastelloy C276 (PFA: Hastelloy C22)</li> <li>• Platinum/Iridium,</li> <li>• Titanium</li> <li>• Tantalum</li> </ul>  | Hastelloy C276 (PFA: Hastelloy C22)   |
| Grounding Electrode material   | Material as measuring electrodes: Exceptions - see ordering data   | No grounding electrodes   | No grounding electrodes   |

| Version  | MAG 3100  | MAG 3100 HT (High Temperature)  | MAG 3100 P  |
|--|---|---|---|
| <b>Design (continued)</b>  |   |   |   |
| Terminal box (remote version only)   | <ul style="list-style-type: none"> <li>• Standard fibre glass reinforced polyamide</li> <li>• Option Stainless steel AISI 316 (1.4436)</li> <li>• Ex ATEX (remote version only) Stainless steel AISI 316 (1.4436)</li> </ul>  | <ul style="list-style-type: none"> <li>• Stainless steel AISI 316 (1.4436)</li> <li>• Ex ATEX (remote version only) Stainless steel AISI 316 (1.4436)</li> </ul>  | <ul style="list-style-type: none"> <li>• Standard fibre glass reinforced polyamide</li> <li>• Option Stainless steel AISI 316 (1.4436)</li> <li>• Ex ATEX (remote version only) Stainless steel AISI 316 (1.4436)</li> </ul>  |
| Cable entries  | <ul style="list-style-type: none"> <li>• Remote installation 2 x M20 or 2 x ½ NPT</li> <li>• Compact installation                             <ul style="list-style-type: none"> <li>- MAG 5000/MAG 6000: 4 x M20 or 4 x ½"NPT</li> <li>- MAG 6000 I: 2 x M25 (for supply/output)</li> <li>- MAG 6000 I Ex. d: 2 x M20 (for supply/output)</li> </ul> </li> </ul> | <ul style="list-style-type: none"> <li>• Remote installation 2 x M20 or 2 x ½ NPT</li> </ul>  | <ul style="list-style-type: none"> <li>• Remote installation 2 x M20 or 2 x ½ NPT</li> <li>• Compact installation                             <ul style="list-style-type: none"> <li>- MAG 5000/MAG 6000: 4 x M20 or 4 x ½"NPT</li> <li>- MAG 6000 I: 2 x M25 (for supply/output)</li> <li>- MAG 6000 I Ex. d: 2 x M20 (for supply/output)</li> </ul> </li> </ul> |
| <b>Certificates and approvals</b>  |   |   |   |
| Conforms to  | PED – 97/23 EC, CRN   | PED – 97/23 EC, CRN   | PED – 97/23 EC, CRN   |
| Material certificate EN 10204 3.1  | On request  | On request  | Pipe and flange certificate available as option   |
| Ex approvals   | ATEX 2G D sensor <ul style="list-style-type: none"> <li>• DN 15 ... 300: EEx d e ia IIC T4 - T6</li> <li>• DN 350 ... 2000 EEx e ia IIC T4 - T6</li> </ul> Non ATEX sensors <ul style="list-style-type: none"> <li>• FM Class 1 Div 2</li> <li>• CSA Class 1, Div 2</li> </ul>  | ATEX 2G D sensor <ul style="list-style-type: none"> <li>• DN 15 ... 300: EEx d e ia IIC T3 - T6</li> </ul> Non ATEX sensors <ul style="list-style-type: none"> <li>• FM Class 1 Div 2</li> <li>• CSA Class 1, Div 2</li> </ul>  | ATEX 2G D sensor <ul style="list-style-type: none"> <li>• DN 15 ... 300: EEx d e ia IIC T3 - T6</li> </ul> Non ATEX sensors <ul style="list-style-type: none"> <li>• FM Class 1 Div 2</li> <li>• CSA Class 1, Div 2</li> </ul>  |
| Drinking water approvals   | EPDM lining: <ul style="list-style-type: none"> <li>• WRAS (WRc, BS6920 cold water, GB)</li> <li>• ACS listed (F)</li> <li>• DVGW W270 (D)</li> <li>• Belaqua (B)</li> </ul>  |   |   |
| Custody transfer (CT) (≤ DN2000) (only together with MAG 5000/6000 CT), order as special | Cold water pattern approval - DANAK TS 22.36.001, PTB (Denmark and Germany)<br>Heat meter pattern approval - OIML R 75 (Denmark)<br>Hot water pattern approval - PTB (Germany)<br>Other media than water - OIML R 117 (Denmark)   | Cold water pattern approval - DANAK TS 22.36.001, PTB (Denmark and Germany)<br>Heat meter pattern approval - OIML R 75 (Denmark)<br>Hot water pattern approval - PTB (Germany)<br>Other media than water - OIML R 117 (Denmark) | Cold water pattern approval - DANAK TS 22.36.001, PTB (Denmark and Germany)<br>Heat meter pattern approval - OIML R 75 (Denmark)<br>Hot water pattern approval - PTB (Germany)<br>Other media than water - OIML R 117 (Denmark)   |

Technical specification for transmitter - please see transmitter pages.

# SITRANS F flowmeters

## SITRANS F M

### MAG 3100

68

| Selection and Ordering data                                  | Order No. |
|--|-----------|
| Sensor SITRANS F M MAG 3100                                  | 7ME6310 - |
| <b>Diameter</b>  |           |
| DN 15 (½") (PTFE liner only)                                 | 1 V       |
| DN 25 (1")   | 2 D       |
| DN 40 (1½")  | 2 R       |
| DN 50 (2")   | 2 Y       |
| DN 65 (2½")  | 3 F       |
| DN 80 (3")   | 3 M       |
| DN 100 (4")  | 3 T       |
| DN 125 (5")  | 4 B       |
| DN 150 (6")  | 4 H       |
| DN 200 (8")  | 4 P       |
| DN 250 (10")   | 4 V       |
| DN 300 (12")   | 5 D       |
| DN 350 (14")   | 5 K       |
| DN 400 (16")   | 5 R       |
| DN 450 (18")   | 5 Y       |
| DN 500 (20")   | 6 F       |
| DN 600 (24")   | 6 P       |
| DN 700 (28")   | 6 Y       |
| DN 750 (30")   | 7 D       |
| DN 800 (32")   | 7 H       |
| DN 900 (36")   | 7 M       |
| DN 1000 (40")  | 7 R       |
| DN 1050 (42")  | 7 U       |
| DN 1100 (44")  | 7 V       |
| DN 1200 (48")  | 8 B       |
| DN 1400 (54")  | 8 F       |
| DN 1500 (60")  | 8 K       |
| DN 1600 (66")  | 8 P       |
| DN 1800 (72")  | 8 T       |
| DN 2000 (78")  | 8 Y       |
| <b>Flange norm and pressure rating</b>                       |           |
| <u>to EN 1092-1</u>  |           |
| PN 6 (DN 65 ... 2000 (2½" ... 78"))                          | A         |
| PN 10 (DN 200 ... 2000 (8" ... 78"))                         | B         |
| PN 16 (DN 65 ... 1200 (2½" ... 48"))                         | C         |
| PN 16, non PED (DN 700 ... 2000 (28" ... 78"))               | D         |
| PN 25 (DN 200 ... 600 (8" ... 24"))                          | E         |
| PN 40 (DN 15 ... 600 (½" ... 24"))                           | F         |
| PN 63 (DN 50 ... 300 (2" ... 12")), not PTFE or PFA          | G         |
| PN 100 (DN 25 ... 300 (1" ... 12")), not PTFE or PFA         | H         |
| <u>to ANSI B16.5</u>   |           |
| Class 150 (½" ... 24")                                       | J         |
| Class 300 (½" ... 24")                                       | K         |
| <u>to AWWA C207</u>  |           |
| Class D (28" ... 78")  | L         |
| <u>to AS</u>   |           |
| 2129, table E  | M         |
| 4087, PN 16 (DN 50 ... 1200 (2" ... 48"))                    | N         |
| 4087, PN 21 (DN 50 ... 600 (2" ... 24"))                     | P         |
| 4087, PN 35 (DN 50 ... 600 (2" ... 24"))                     | Q         |
| <b>Flange material</b>                                       |           |
| Carbon steel flanges ASTM A 105                              | 1         |
| Stainless steel flanges, AISI 304                            | 2         |
| Stainless steel flanges and sensor body, AISI 316L, polished | 3         |

Please also see [www.siemens.com/SITRANSOrdering](http://www.siemens.com/SITRANSOrdering) for practical examples of ordering

| Selection and Ordering data   | Order No. |
|---|-----------|
| Sensor SITRANS F M MAG 3100   | 7ME6310 - |
| <b>Liner material</b>   |           |
| Neoprene  | 1         |
| EPDM  | 2         |
| PTFE (DN ≤ 300, PN ≤ 50 bar / ≤ 12", PN ≤ 725 psi),<br>PTFE (350 ≤ DN ≤ 600, PN ≤ 40 bar /<br>14" ≤ DN ≤ 24", PN ≤ 580 psi) | 3         |
| Ebonite   | 4         |
| Linatex (PN ≤ 40 bar (580 psi) DN ≤ 600 (24"))  | 5         |
| PFA (DN 25, 50, 80, 100 (1", 2", 3", 4"))<br>(PN ≤ 40 bar (580 psi))  | 7         |
| <b>Electrode material</b>   |           |
| (Grounding electrodes not for PTFE/PFA liner or<br>Pressure PN 100)   |           |
| AISI 316 Ti   | 1         |
| Hastelloy C276 (PFA liner: Hastelloy C22)   | 2         |
| Platinum (DN ≤ 300/12") (no grounding electrodes)   | 3         |
| Titanium (not PFA liner)  | 4         |
| Tantalum (DN ≤ 600 (24")) (no grounding electrodes)   | 5         |
| <b>Transmitter with display</b>   |           |
| Sensor for remote transmitter (Order transmitter sep.)  | A         |
| Sensor ATEX 2G D for remote transmitter (Order<br>transmitter separately)   | B         |
| MAG 6000 I, Alu. 18 ... 90 V DC, 115 ... 230 V AC   | C         |
| MAG 6000 I Alu. 18 ... 30 V DC, ATEX 2G D   | D         |
| MAG 6000 I Alu. 115 ... 230 V, ATEX 2G D  | E         |
| MAG 6000 Polyamid, 11... 30 V DC / 11...24 V AC   | H         |
| MAG 6000, Polyamid, 115/230 V AC  | J         |
| MAG 5000, Polyamid, 11... 30 V DC / 11...24 V AC  | K         |
| MAG 5000, Polyamid, 115/230 V AC  | L         |
| <b>Communication</b>  |           |
| No communication, add-on possible   | A         |
| HART  | B         |
| PROFIBUS PA Profile 3<br>(only MAG 6000/MAG 6000 I)   | F         |
| PROFIBUS DP Profile 3 (no ATEX)<br>(only MAG 6000/MAG 6000 I)   | G         |
| MODBUS RTU/RS 485 (no ATEX)<br>(only MAG 6000/MAG 6000 I)   | E         |
| FOUNDATION Fieldbus H1<br>(only MAG 6000/MAG 6000 I)  | J         |
| <b>Cable glands/terminal box</b>  |           |
| Metric: Polyamid terminal box or 6000I compact  | 1         |
| ½" NPT: Polyamid terminal box or 6000I compact  | 2         |
| Metric: SS terminal box (mandatory for Stainless<br>steel MAG 6000 Transmitter)   | 3         |
| ½" NPT: SS terminal box (mandatory for Stainless<br>steel MAG 6000 Transmitter)   | 4         |

| Selection and Ordering data  | Order code |
|--|------------|
| <b>Additional information</b>  |            |
| Please add “-Z” to Order No. and specify Order code(s) and plain text.   |            |
| Customer specific converter setup  | <b>Y20</b> |
| Tag name plate, stainless steel fixed with SS wire (add plain text)  | <b>Y17</b> |
| Tag name plate, plastic (self adhesive)  | <b>Y18</b> |
| Factory certificate according to EN 10204-2.1  | <b>C15</b> |
| Factory certificate according to EN 10204-2.2  | <b>C14</b> |
| Sensor cables wired (specify cable order no.)  | <b>Y40</b> |
| Sensor for remote transmitter's junction box potted to IP68 with wired cable (specify cable order no.) (no ATEX) | <b>Y41</b> |
| Other postproduction requirements (add desired text)   | <b>Y99</b> |

#### Description

#### Order No.

Potting kit for terminal box of SITRANS F M sensors for IP68/NEMA 6P (Not ATEX)

**FDK-085U0220**



Please use online Product selector to get latest updates.

Product selector link:

[www.pia-selector.automation.siemens.com](http://www.pia-selector.automation.siemens.com)

MAG 5000/6000 transmitters and sensors are packed in separate boxes, the final assembly takes place during installation at the customer's place. MAG 6000 I/MAG 6000 I ATEX 2G D transmitters and sensors are delivered compact mounted from factory.

Communication module will be pre-mounted in the transmitter.



# SITRANS F flowmeters

## SITRANS F M

### MAG 3100

| Selection and Ordering data  | Order No.             |
|--|-----------------------|
| <b>Sensor SITRANS F M</b>  |                       |
| <b>MAG 3100 HT (High Temperature)</b>                                  | <b>7 ME 6 3 2 0 -</b> |
| <b>Diameter</b>  |                       |
| DN 15 (1/2")   | 1 V                   |
| DN 25 (1")   | 2 D                   |
| DN 40 (1 1/2")   | 2 R                   |
| DN 50 (2")   | 2 Y                   |
| DN 65 (2 1/2")   | 3 F                   |
| DN 80 (3")   | 3 M                   |
| DN 100 (4")  | 3 T                   |
| DN 125 (5")  | 4 B                   |
| DN 150 (6")  | 4 H                   |
| DN 200 (8")  | 4 P                   |
| DN 250 (10")   | 4 V                   |
| DN 300 (12")   | 5 D                   |
| <b>Flange norm and pressure rating</b>                                 |                       |
| <u>to EN 1092-1</u>  |                       |
| PN 10 (DN 200 ... 300 (8" ... 12"))                                    | B                     |
| PN 16 (DN 65 ... 300 (2 1/2" ... 12"))                                 | C                     |
| PN 25 (DN 200 ... 300 (8" ... 12"))                                    | E                     |
| PN 40 (DN 15 ... 300 (1/2" ... 12"))                                   | F                     |
| <u>to ANSI B16.5</u>   |                       |
| Class 150 (1/2" ... 12")   | J                     |
| Class 300 (1/2" ... 12")   | K                     |
| <u>to AS</u>   |                       |
| 2129, table E  | M                     |
| <b>Flange material</b>   |                       |
| Carbon steel flanges ASTM A 105  | 1                     |
| Stainless steel flanges, AISI 304                                      | 2                     |
| Stainless steel flanges and sensor body, AISI 316L, polished           | 3                     |
| <b>Liner material</b>  |                       |
| PTFE (130 °C (266 °F))   | 2                     |
| PTFE including type E protection rings AISI 316 (180 °C (356 °F))      | 3                     |
| PFA (150 °C (302 °F)) (DN 25, 50, 80, 100 (1", 2", 3", 4"))            | 7                     |
| <b>Electrode material (no grounding electrodes)</b>                    |                       |
| AISI 316 TI  | 1                     |
| Hastelloy C276 (PFA liner: Hastelloy C22)                              | 2                     |
| Platinum   | 3                     |
| Titanium (not for PFA)   | 4                     |
| Tantalum   | 5                     |
| <b>Transmitter with display</b>  |                       |
| Sensor for remote transmitter (Order transmitter separately)           | A                     |
| Sensor ATEX 2G D for remote transmitter (Order transmitter separately) | B                     |
| MAG 6000 I, Alu. 18 ... 90 V DC, 115 ... 230 V AC                      | C                     |
| MAG 6000 I, Alu. 18 ... 30 V DC, ATEX 2G D                             | D                     |
| MAG 6000 I, Alu. 115 ... 230 V, ATEX 2G D                              | E                     |
| MAG 6000, Polyamid, 11 ... 30 V DC/11 ... 24 V AC                      | H                     |
| MAG 6000, Polyamid, 115/230 V AC                                       | J                     |
| MAG 5000, Polyamid, 11 ... 30 V DC/11 ... 24 V AC                      | K                     |
| MAG 5000, Polyamid, 115/230 V AC                                       | L                     |

| Selection and Ordering data  | Order No.             |
|--|-----------------------|
| <b>Sensor SITRANS F M</b>  |                       |
| <b>MAG 3100 HT (High Temperature)</b>  | <b>7 ME 6 3 2 0 -</b> |
| <b>Communication</b>   |                       |
| No communication, add-on possible  | A                     |
| HART   | B                     |
| PROFIBUS PA Profile 3 (only MAG 6000/MAG 6000 I)                               | F                     |
| PROFIBUS DP Profile 3 (only MAG 6000/MAG 6000 I)                               | G                     |
| MODBUS RTU/RS 485 (only MAG 6000/MAG 6000 I)                                   | E                     |
| FOUNDATION Fieldbus H1 (only MAG 6000/MAG 6000 I)                              | J                     |
| <b>Cable glands/terminal box</b>   |                       |
| Metric: Polyamid terminal box or 6000I compact                                 | 1                     |
| 1/2" NPT: Polyamid terminal box or 6000I compact                               | 2                     |
| Metric: SS terminal box (mandatory for Stainless steel MAG 6000 Transmitter)   | 3                     |
| 1/2" NPT: SS terminal box (mandatory for Stainless steel MAG 6000 Transmitter) | 4                     |

| Selection and Ordering data  | Order code |
|--|------------|
| <b>Additional information</b>  |            |
| Please add "-Z" to Order No. and specify Order code(s) and plain text. |            |
| Customer specific converter setup                                      | <b>Y20</b> |
| Tag name made, stainless steel fixed with SS wire (add plain text)     | <b>Y17</b> |
| Tag name plate, plastic (self adhesive)                                | <b>Y18</b> |
| Factory certificate according to EN 10204-2.1                          | <b>C15</b> |
| Factory certificate according to EN 10204-2.2                          | <b>C14</b> |
| Sensor cables wired (specify cable order no.)                          | <b>Y40</b> |
| Other postproduction requirements (add desired text)                   | <b>Y99</b> |

Please use online Product selector to get latest updates.

Product selector link:

[www.pia-selector.automation.siemens.com](http://www.pia-selector.automation.siemens.com)

MAG 5000/6000 transmitters and sensors are packed in separate boxes, the final assembly takes place during installation at the customer's place. MAG 6000 I/MAG 6000 I ATEX 2G D transmitters and sensors are delivered compact mounted from factory.

Communication module will be pre-mounted in the transmitter.

| Selection and Ordering data   | Order No.       |
|---|-----------------|
| <b>Sensor SITRANS F M MAG 3100 P</b>  | <b>7ME6340-</b> |
| <b>Diameter</b>   |                 |
| DN 15 (½")  | ▶ 1 V           |
| DN 25 (1")  | ▶ 2 D           |
| DN 40 (1½")   | ▶ 2 R           |
| DN 50 (2")  | ▶ 2 Y           |
| DN 65 (2½")   | ▶ 3 F           |
| DN 80 (3")  | ▶ 3 M           |
| DN 100 (4")   | ▶ 3 T           |
| DN 125 (5")   | ▶ 4 B           |
| DN 150 (6")   | ▶ 4 H           |
| DN 200 (8")   | ▶ 4 P           |
| DN 250 (10")  | ▶ 4 V           |
| DN 300 (12")  | ▶ 5 D           |
| <b>Flange norm and pressure rating</b>                                      |                 |
| <u>to EN 1092-1</u>   |                 |
| PN 10 (DN 200 ... 300 (8" ... 12"))   | ▶ B             |
| PN 16 (DN 65 ... 300 (2½" ... 12"))   | ▶ C             |
| PN 40 (DN 15 ... 50 (½" ... 2"))  | ▶ F             |
| <u>to ANSI B16.5</u>  |                 |
| Class 150 (½" ... 12")  | ▶ J             |
| <b>Flange material</b>  |                 |
| Carbon steel flanges ASTM A 105   | ▶ 1             |
| <b>Liner material</b>   |                 |
| PTFE (130 °C (266 °F))  | ▶ 3             |
| PFA (150 °C (302 °F)) (DN 25, 50, 80, 100 (1", 2", 3", 4"))                 | ▶ 7             |
| <b>Electrode material</b>   |                 |
| Hastelloy C276 (PFA: Hastelloy C22)   | ▶ 2             |
| <b>Transmitter</b>  |                 |
| Sensor for remote transmitter (Order transmitter separately)                | ▶ A             |
| Sensor ATEX 2G D for remote transmitter (Order transmitter separately)      | ▶ B             |
| MAG 6000 I, Aluminium, 18 ... 90 V DC, 115 ... 230 V AC                     | ▶ C             |
| MAG 6000 I, Aluminium, 18 ... 30 V DC, ATEX 2G D                            | ▶ D             |
| MAG 6000 I, Aluminium, 115 ... 230 V AC, ATEX 2G D                          | ▶ E             |
| MAG 6000, Polyamid, 11 ... 30 V DC/11 ... 24 V AC                           | ▶ H             |
| MAG 6000, Polyamid, 115/230 V AC  | ▶ J             |
| MAG 5000, Polyamid, 11 ... 30 V DC/11 ... 24 V AC                           | ▶ K             |
| MAG 5000, Polyamid, 115/230 V AC  | ▶ L             |
| <b>Communication</b>  |                 |
| No communication, add-on possible   | ▶ A             |
| HART  | ▶ B             |
| PROFIBUS PA Profile 3 (only MAG 6000/MAG 6000 I)                            | ▶ F             |
| PROFIBUS DP Profile 3 (no ATEX) (only MAG 6000/MAG 6000 I)                  | ▶ G             |
| MODBUS RTU/RS 485 (no ATEX) (only MAG 6000/MAG 6000 I)                      | ▶ E             |
| FOUNDATION Fieldbus H1 (only MAG 6000/MAG 6000 I)                           | ▶ J             |
| <b>Cable glands/terminal box</b>  |                 |
| Metric: Polyamid terminal box or 6000I compact                              | ▶ 1             |
| ½" NPT: Polyamid terminal box or 6000I compact                              | ▶ 2             |
| Metric SS terminal box (mandatory for stainless steel MAG 6000 transmitter) | ▶ 3             |
| ½" NPT SS terminal box (mandatory for stainless steel MAG 6000 transmitter) | ▶ 4             |

| Selection and Ordering data  | Order code |
|--|------------|
| <b>Additional information</b>  |            |
| Please add "-Z" to Order No. and specify Order code(s) and plain text.                                 |            |
| Tag name plate, stainless steel fixed with SS wire (add plain text)                                    | <b>Y17</b> |
| Tag name plate, plastic (self adhesive)  | <b>Y18</b> |
| Factory certificate according to EN 10204-2.1  | <b>C15</b> |
| Factory certificate according to EN 10204-2.2  | <b>C14</b> |
| Power cable wired (specify cable order no.)  | <b>Y40</b> |
| Sensor for remote transmitter's junction box IP68 with wired cable (specify cable order no.) (no ATEX) | <b>Y41</b> |
| Customer specific test   | <b>Y90</b> |
| Other postproduction requirements (add desired text)   | <b>Y99</b> |

Please also see [www.siemens.com/SITRANSFordering](http://www.siemens.com/SITRANSFordering) for practical examples of ordering

MAG 5000/6000 transmitters and sensors are packed in separate boxes, the final assembly takes place during installation at the customer's place. MAG 6000 I/MAG 6000 I ATEX 2G D transmitters and sensors are delivered compact mounted from factory. Communication module will be pre-mounted in the transmitter.

# SITRANS F flowmeters

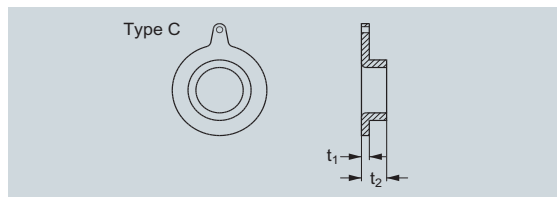
## SITRANS F M

MAG 3100

### Selection and Ordering data

#### MAG 3100 Type C Grounding and protection rings

AISI 304 grounding and protection rings **type C** for all liners except PTFE and PFA



| DN      | PN 6         | PN 10        | PN 16        | PN 25        | PN 40        | AS2129, Table E |
|---------|--------------|--------------|--------------|--------------|--------------|-----------------|
|         | Order No.    | Order No.    | Order No.    | Order No.    | Order No.    | Order No.       |
| DN 25   |              |              |              |              | FDK-083N8361 | FDK-083N8361    |
| DN 40   |              |              |              |              | FDK-083N8362 | FDK-083N8362    |
| DN 50   |              |              |              |              | FDK-083N8344 | FDK-083N8344    |
| DN 65   | FDK-083N8345 |              | FDK-083N8345 |              | FDK-083N8345 | FDK-083N8346    |
| DN 80   | FDK-083N8347 |              | FDK-083N8347 |              | FDK-083N8347 | FDK-083N8347    |
| DN 100  | FDK-083N8070 |              | FDK-083N8025 |              | FDK-083N8025 | FDK-083N8025    |
| DN 125  | FDK-083N8071 |              | FDK-083N8071 |              | FDK-083N8071 | FDK-083N8071    |
| DN 150  | FDK-083N8072 |              | FDK-083N8008 |              | FDK-083N8008 | FDK-083N8008    |
| DN 200  | FDK-083N8074 | FDK-083N8011 | FDK-083N8011 | FDK-083N8011 | FDK-083N8075 | FDK-083N8011    |
| DN 250  | FDK-083N8078 | FDK-083N8013 | FDK-083N8013 | FDK-083N8013 | FDK-083N8079 | FDK-083N8013    |
| DN 300  | FDK-083N8080 | FDK-083N8012 | FDK-083N8012 | FDK-083N8081 | FDK-083N8082 | FDK-083N8012    |
| DN 350  | FDK-083N8083 | FDK-083N8039 | FDK-083N8039 | FDK-083N8084 | FDK-083N8085 | FDK-083N8039    |
| DN 400  | FDK-083N8099 | FDK-083N8100 | FDK-083N8100 | FDK-083N8101 | FDK-083N8102 | FDK-083N8100    |
| DN 450  | FDK-083N8103 | FDK-083N8103 | FDK-083N8104 | FDK-083N8104 | FDK-083N8105 | FDK-083N8104    |
| DN 500  | FDK-083N8107 | FDK-083N8107 | FDK-083N8108 | FDK-083N8108 | FDK-083N8109 | FDK-083N8108    |
| DN 600  | FDK-083N8111 | FDK-083N8111 | FDK-083N8112 | FDK-083N8112 |              | FDK-083N8113    |
| DN 700  | FDK-083N8300 | FDK-083N8294 | FDK-083N8294 |              |              | FDK-083N8372    |
| DN 750  |              |              |              |              |              | FDK-083N8366    |
| DN 800  | FDK-083N8303 | FDK-083N8304 | FDK-083N8304 |              |              | FDK-083N8373    |
| DN 900  | FDK-083N8306 | FDK-083N8307 | FDK-083N8307 |              |              | FDK-083N8396    |
| DN 1000 | FDK-083N8309 | FDK-083N8310 | FDK-083N8310 |              |              | FDK-083N8397    |
| DN 1100 |              | FDK-083N8367 | FDK-083N8367 |              |              | FDK-083N8367    |
| DN 1200 | FDK-083N8312 | FDK-083N8313 | FDK-083N8313 |              |              | FDK-083N8398    |
| DN 1400 | FDK-083N8467 | FDK-083N8468 | FDK-083N8469 |              |              |                 |
| DN 1500 | FDK-083N8471 | FDK-083N8472 | FDK-083N8473 |              |              |                 |
| DN 1600 | FDK-083N8475 | FDK-083N8476 | FDK-083N8477 |              |              |                 |
| DN 1800 | FDK-083N8479 | FDK-083N8480 | FDK-083N8481 |              |              |                 |
| DN 2000 | FDK-083N8483 | FDK-083N8484 | FDK-083N8485 |              |              |                 |

| Size | ANSI                   |                        |
|------|------------------------|------------------------|
|      | Class 150<br>Order No. | Class 300<br>Order No. |
| 1"   | FDK-083N8361           | FDK-083N8361           |
| 1½"  | FDK-083N8362           | FDK-083N8362           |
| 2"   | FDK-083N8344           | FDK-083N8344           |
| 2½"  | FDK-083N8345           | FDK-083N8345           |
| 3"   | FDK-083N8347           | FDK-083N8347           |
| 4"   | FDK-083N8025           | FDK-083N8025           |
| 5"   | FDK-083N8071           | FDK-083N8071           |
| 6"   | FDK-083N8008           | FDK-083N8073           |
| 8"   | FDK-083N8011           | FDK-083N8076           |
| 10"  | FDK-083N8013           | FDK-083N8079           |
| 12"  | FDK-083N8012           | FDK-083N8082           |
| 14"  | FDK-083N8039           | FDK-083N8085           |
| 16"  | FDK-083N8100           | FDK-083N8102           |
| 18"  | FDK-083N8104           | FDK-083N8106           |
| 20"  | FDK-083N8107           | FDK-083N8110           |
| 24"  | FDK-083N8113           | FDK-083N8114           |

| Size | AWWA C207    |
|------|--------------|
|      | Order No.    |
| 28"  | FDK-083N8302 |
| 30"  | FDK-083N8366 |
| 32"  | FDK-083N8305 |
| 36"  | FDK-083N8308 |
| 40"  | FDK-083N8311 |
| 42"  | FDK-083N8394 |
| 44"  | FDK-083N8395 |
| 48"  | FDK-083N8314 |
| 54"  | FDK-083N8470 |
| 60"  | FDK-083N8474 |
| 66"  | FDK-083N8478 |
| 72"  | FDK-083N8482 |
| 78"  | FDK-083N8486 |

72

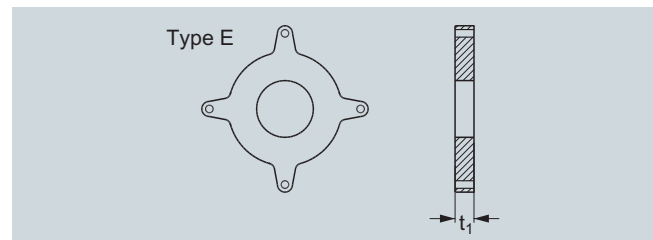
#### Selection and Ordering data

**MAG 3100, 3100 HT, MAG 3100 P Type E grounding and protection ring**

1 pc. AISI 316 grounding and protection rings **type E** for PTFE liners

**Note:**

For MAG 3100 HT High temperature version 7ME6320... for PTFE 180 °C versions. - grounding ring type E is included and factory mounted.



| DN     | PN 6<br>Order No. | PN 10<br>Order No. | PN 16<br>Order No. | PN 25<br>Order No. | PN 40<br>Order No. |
|--------|-------------------|--------------------|--------------------|--------------------|--------------------|
| DN 15  |                   |                    |                    |                    | FDK-083N8365       |
| DN 25  |                   |                    |                    |                    | FDK-083N8271       |
| DN 40  |                   |                    |                    |                    | FDK-083N8278       |
| DN 50  |                   |                    |                    |                    | FDK-083N8282       |
| DN 65  | FDK-083N8284      |                    | FDK-083N8285       |                    | FDK-083N8286       |
| DN 80  | FDK-083N8288      |                    | FDK-083N8289       |                    | FDK-083N8290       |
| DN 100 | FDK-083N8116      |                    | FDK-083N8117       |                    | FDK-083N8118       |
| DN 125 | FDK-083N8120      |                    | FDK-083N8121       |                    | FDK-083N8122       |
| DN 150 | FDK-083N8124      |                    | FDK-083N8125       |                    | FDK-083N8126       |
| DN 200 | FDK-083N8129      | FDK-083N8130       | FDK-083N8130       | FDK-083N8131       | FDK-083N8132       |
| DN 250 | FDK-083N8135      | FDK-083N8136       | FDK-083N8137       | FDK-083N8138       | FDK-083N8139       |
| DN 300 | FDK-083N8144      | FDK-083N8144       | FDK-083N8145       | FDK-083N8146       | FDK-083N8147       |
| DN 350 | FDK-083N8152      | FDK-083N8153       | FDK-083N8154       | FDK-083N8155       | FDK-083N8156       |
| DN 400 | FDK-083N8160      | FDK-083N8161       | FDK-083N8162       | FDK-083N8163       | FDK-083N8164       |
| DN 450 | FDK-083N8168      | FDK-083N8169       | FDK-083N8170       | FDK-083N8171       | FDK-083N8172       |
| DN 500 | FDK-083N8177      | FDK-083N8178       | FDK-083N8179       | FDK-083N8180       | FDK-083N8181       |
| DN 600 | FDK-083N8186      | FDK-083N8187       | FDK-083N8188       | FDK-083N8189       |                    |

Protection of PTFE liner use 2 pcs.

Earthing of PTFE lined flowmeter use 1 pc.

| Size | ANSI                   |                        |
|------|------------------------|------------------------|
|      | Class 150<br>Order No. | Class 300<br>Order No. |
| ½"   | FDK-083N8365           | FDK-083N8365           |
| 1"   | FDK-083N8272           | FDK-083N8272           |
| 1½"  | FDK-083N8279           | FDK-083N8279           |
| 2"   | FDK-083N8283           | FDK-083N8283           |
| 2½"  | FDK-083N8287           | FDK-083N8287           |
| 3"   | FDK-083N8291           | FDK-083N8292           |
| 4"   | FDK-083N8118           | FDK-083N8119           |
| 5"   | FDK-083N8122           | FDK-083N8123           |
| 6"   | FDK-083N8126           | FDK-083N8127           |
| 8"   | FDK-083N8370           | FDK-083N8133           |
| 10"  | FDK-083N8140           | FDK-083N8141           |
| 12"  | FDK-083N8148           | FDK-083N8149           |
| 14"  | FDK-083N8157           | FDK-083N8158           |
| 16"  | FDK-083N8165           | FDK-083N8166           |
| 18"  | FDK-083N8173           | FDK-083N8174           |
| 20"  | FDK-083N8182           | FDK-083N8183           |
| 24"  | FDK-083N8190           | FDK-083N8191           |

Protection of PTFE liner use 2 pcs.

Grounding of PTFE lined flowmeter use 1 pc.

| AS2129, Table E |              |
|-----------------|--------------|
| DN              | Order No.    |
| DN 15           | FDK-083N8365 |
| DN 25           | FDK-083N8272 |
| DN 40           | FDK-083N8280 |
| DN 50           | FDK-083N8281 |
| DN 65           | FDK-083N8284 |
| DN 80           | FDK-083N8293 |
| DN 100          | FDK-083N8117 |
| DN 125          | FDK-083N8121 |
| DN 150          | FDK-083N8128 |
| DN 200          | FDK-083N8134 |
| DN 250          | FDK-083N8143 |
| DN 300          | FDK-083N8151 |
| DN 350          | FDK-083N8153 |
| DN 400          | FDK-083N8161 |
| DN 450          | FDK-083N8176 |
| DN 500          | FDK-083N8185 |
| DN 600          | FDK-083N8193 |

Protection of PTFE liner use 2 pcs.

Grounding of PTFE lined flowmeter use 1 pcs.

# SITRANS F flowmeters

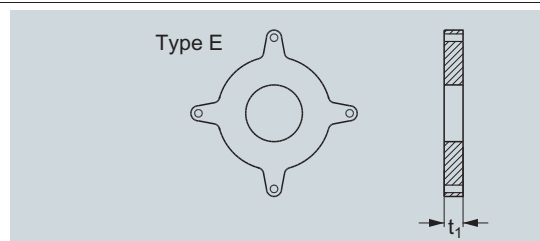
## SITRANS F M

### MAG 3100

#### Selection and Ordering data

*MAG 3100, MAG 3100 HT, MAG 3100 P type E grounding and protecting ring*

1 pc. Hastelloy C276 grounding and protection ring **type E** for PTFE liners

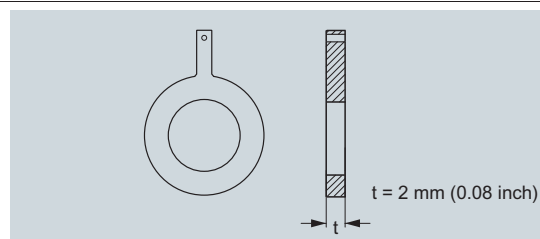


| DN     | PN 6                | PN 16               | PN 40               | Size | ANSI                | ANSI                |
|--------|---------------------|---------------------|---------------------|------|---------------------|---------------------|
|        | Order No.           | Order No.           | Order No.           |      | Class 150           | Class 300           |
|        |                     |                     |                     |      | Order No.           | Order No.           |
| DN 15  |                     |                     | <b>FDK-083N8487</b> | ½"   | <b>FDK-083N8487</b> | <b>FDK-083N8487</b> |
| DN 25  |                     |                     | <b>FDK-083N8488</b> | 1"   | <b>FDK-083N8489</b> | <b>FDK-083N8489</b> |
| DN 40  |                     |                     | <b>FDK-083N8490</b> | 1½"  | <b>FDK-083N8491</b> | <b>FDK-083N8491</b> |
| DN 50  |                     |                     | <b>FDK-083N8492</b> | 2"   | <b>FDK-083N8493</b> | <b>FDK-083N8493</b> |
| DN 65  | <b>FDK-083N8494</b> | <b>FDK-083N8495</b> | <b>FDK-083N8496</b> | 2½"  | <b>FDK-083N8497</b> | <b>FDK-083N8497</b> |
| DN 80  | <b>FDK-083N8498</b> | <b>FDK-083N8499</b> | <b>FDK-083N8500</b> | 3"   | <b>FDK-083N8501</b> | <b>FDK-083N8502</b> |
| DN 100 | <b>FDK-083N8503</b> | <b>FDK-083N8504</b> | <b>FDK-083N8505</b> | 4"   | <b>FDK-083N8506</b> | <b>FDK-083N8507</b> |

#### Selection and Ordering data

*MAG 3100, MAG 3100 HT, MAG 3100 P Grounding rings: Flat rings*

1 pc. AISI 316 grounding **flat ring** for all liners (not PTFE 180 °C)

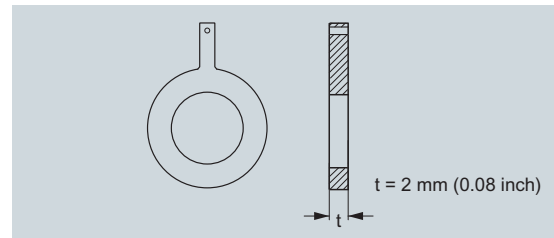


| DN     | PN 10              | PN 16              | PN 40              | Size | ANSI               | ANSI               |
|--------|--------------------|--------------------|--------------------|------|--------------------|--------------------|
|        | Order No.          | Order No.          | Order No.          |      | Class 150          | Class 300          |
|        |                    |                    |                    |      | Order No.          | Order No.          |
| DN 15  |                    |                    | <b>A5E01191969</b> | ½"   | <b>A5E01191968</b> |                    |
| DN 25  |                    |                    | <b>A5E01150880</b> | 1"   | <b>A5E01150022</b> | <b>A5E01150378</b> |
| DN 40  |                    |                    | <b>A5E01191952</b> | 1½"  | <b>A5E01191961</b> |                    |
| DN 50  |                    |                    | <b>A5E01150918</b> | 2"   | <b>A5E01151121</b> | <b>A5E01151194</b> |
| DN 65  |                    | <b>A5E01191940</b> | <b>A5E01191954</b> | 2½"  | <b>A5E01191962</b> |                    |
| DN 80  |                    | <b>A5E01152876</b> | <b>A5E01152876</b> | 3"   | <b>A5E01152910</b> | <b>A5E01153422</b> |
| DN 100 |                    | <b>A5E01158875</b> | <b>A5E01159072</b> | 4"   | <b>A5E01159146</b> | <b>A5E01159628</b> |
| DN 125 |                    | <b>A5E01191941</b> | <b>A5E01191956</b> | 5"   | <b>A5E01191963</b> |                    |
| DN 150 |                    | <b>A5E01191943</b> | <b>A5E01191957</b> | 6"   | <b>A5E01191964</b> |                    |
| DN 200 | <b>A5E01191951</b> | <b>A5E01191944</b> | <b>A5E01191958</b> | 8"   | <b>A5E01191965</b> |                    |
| DN 250 | <b>A5E01191950</b> | <b>A5E01191946</b> | <b>A5E01191959</b> | 10"  | <b>A5E01191966</b> |                    |
| DN 300 | <b>A5E01191949</b> | <b>A5E01191947</b> | <b>A5E01191960</b> | 12"  | <b>A5E01191967</b> |                    |

#### Selection and Ordering data

##### MAG 3100, MAG 3100 HT, MAG 3100 P Grounding rings : Flat rings

1 pc. Hastelloy C276 grounding **flat ring** for all liners (not PTFE 180 °C)

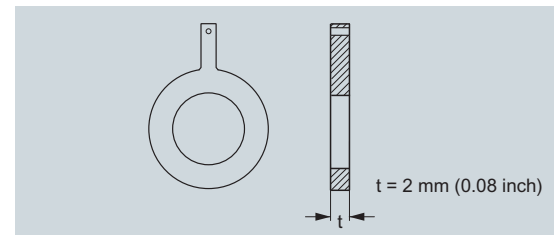


| DN     | PN 10       | PN 16       | PN 40       | Size | ANSI Class 150 | ANSI Class 300 |
|--------|-------------|-------------|-------------|------|----------------|----------------|
|        | Order No.   | Order No.   | Order No.   |      | Order No.      | Order No.      |
| DN 15  |             |             | A5E01191981 | ½"   | A5E01191989    |                |
| DN 25  |             |             | A5E01150882 | 1"   | A5E01150028    | A5E01150379    |
| DN 40  |             |             | A5E01191982 | 1½"  | A5E01191990    |                |
| DN 50  |             |             | A5E01150922 | 2"   | A5E01151124    | A5E01151197    |
| DN 65  |             | A5E01191971 | A5E01191983 | 2½"  | A5E01191991    |                |
| DN 80  |             | A5E01152889 | A5E01152889 | 3"   | A5E01152913    | A5E01153424    |
| DN 100 |             | A5E01158886 | A5E01159074 | 4"   | A5E01159150    | A5E01159629    |
| DN 125 |             | A5E01191973 | A5E01191984 | 5"   | A5E01191992    |                |
| DN 150 |             | A5E01191974 | A5E01191985 | 6"   | A5E01191993    |                |
| DN 200 | A5E01191978 | A5E01191975 | A5E01191986 | 8"   | A5E01191994    |                |
| DN 250 | A5E01191979 | A5E01191976 | A5E01191987 | 10"  | A5E01191995    |                |
| DN 300 | A5E01191980 | A5E01191977 | A5E01191988 | 12"  | A5E01191996    |                |

#### Selection and Ordering data

##### MAG 3100, MAG 3100 HT, MAG 3100 P Grounding rings : Flat rings

1 pc. Tantalum grounding **flat ring** for all liners (not PTFE 180 °C)



| DN     | PN 16       | PN 40       | Size | ANSI Class 150 | ANSI Class 300 |
|--------|-------------|-------------|------|----------------|----------------|
|        | Order No.   | Order No.   |      | Order No.      | Order No.      |
| DN 15  |             | A5E01192007 | ½"   | A5E01192010    |                |
| DN 25  |             | A5E01150883 | 1"   | A5E01150030    | A5E01150381    |
| DN 40  |             | A5E01192008 | 1½"  | A5E01192011    |                |
| DN 50  |             | A5E01150926 | 2"   | A5E01151129    | A5E01151199    |
| DN 65  | A5E01192005 | A5E01192009 | 2½"  | A5E01192012    |                |
| DN 80  | A5E01152890 | A5E01152890 | 3"   | A5E01152916    | A5E01153427    |
| DN 100 | A5E01158891 | A5E01159076 | 4"   | A5E01159156    | A5E01159631    |

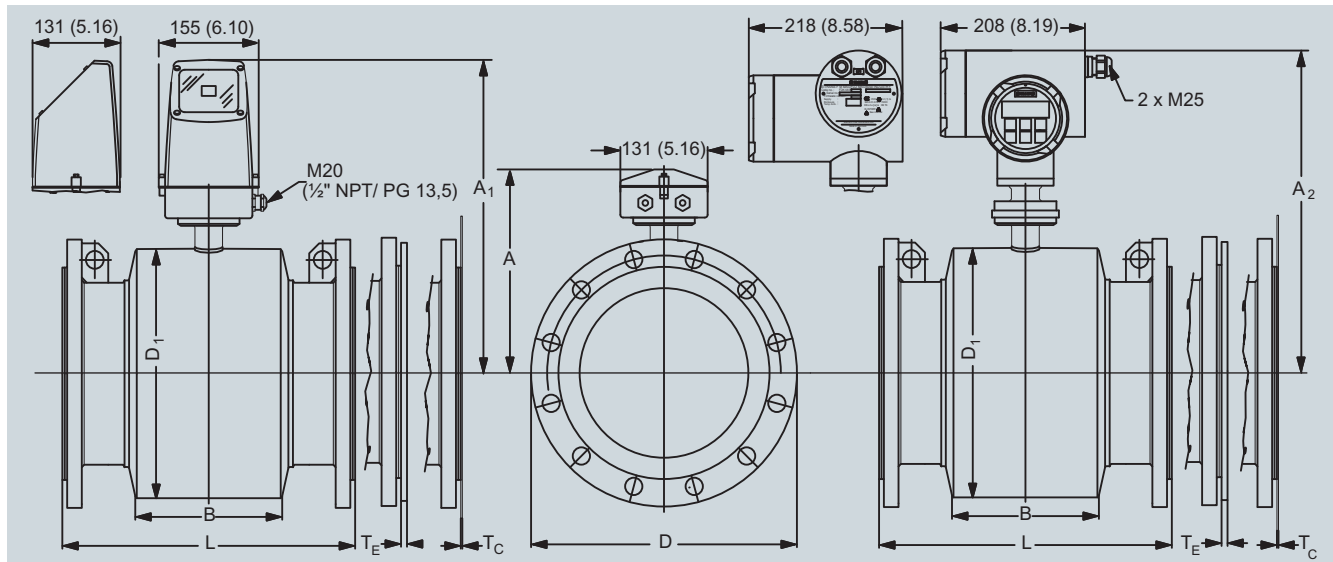
# SITRANS F flowmeters

## SITRANS F M

MAG 3100

### Dimensional drawings

MAG 3100, MAG 3100 HT, MAG 3100 P sensor with compact or remote transmitter



Metric

| DN   | A <sup>1)</sup> | A <sub>1</sub> /A <sub>2</sub> <sup>8)</sup> | B    | D <sub>1</sub> | L <sup>2)</sup> |                            |       |       |       |        |           |           |  |                          | T <sub>C</sub> <sup>3)</sup> | T <sub>E</sub> <sup>3)</sup> | T <sub>F</sub> <sup>3)</sup> | Wgt. <sup>4)</sup> |
|------|-----------------|--|------|----------------|-----------------|----------------------------|-------|-------|-------|--------|-----------|-----------|--|--------------------------|------------------------------|------------------------------|------------------------------|--------------------|
|      |                 |  |      |                | EN 1092-1-201   |                            |       |       |       |        | ANSI 16.5 |           | AS 2129 E<br>AS 4087<br>PN 16, 21,<br>35 | AWWA<br>C-207<br>Class D |                              |                              |                              |                    |
|      |                 |  |      |                | PN 6,<br>10     | PN 16/<br>PN 16 non<br>PED | PN 25 | PN 40 | PN 63 | PN 100 | Class 150 | Class 300 |  |                          |                              |                              |                              |                    |
| [mm] | [mm]            | [mm]   | [mm] | [mm]           | [mm]            | [mm]                       | [mm]  | [mm]  | [mm]  | [mm]   | [mm]      | [mm]      | [mm]                                     | [mm]                     | [mm]                         | [mm]                         | [mm]                         | [kg]               |
| 15   | 187             | 338  | 59   | 104            | -               | -                          | -     | 200   | -     | -      | 200       | 200       | 200                                      | -                        | -                            | 6                            | 2                            | 4                  |
| 25   | 187             | 338  | 59   | 104            | -               | -                          | -     | 200   | -     | 260    | 200       | 200       | 200                                      | -                        | 1.2                          | 6                            | 2                            | 5                  |
| 40   | 197             | 348  | 82   | 124            | -               | -                          | -     | 200   | -     | 280    | 200       | 200       | 200                                      | -                        | 1.2                          | 6                            | 2                            | 8                  |
| 50   | 205             | 356  | 72   | 139            | -               | -                          | -     | 200   | 276   | 300    | 200       | 200       | 200                                      | -                        | 1.2                          | 6                            | 2                            | 9                  |
| 65   | 212             | 363  | 72   | 154            | 200             | 200/-                      | -     | 200   | 320   | 350    | 200       | 272       | 200                                      | -                        | 1.2                          | 6                            | 2                            | 11                 |
| 80   | 222             | 373  | 72   | 174            | 200             | 200/-                      | -     | 272   | 323   | 340    | 272       | 272       | 200 <sup>5)</sup>                        | -                        | 1.2                          | 6                            | 2                            | 12                 |
| 100  | 242             | 393  | 85   | 214            | 250             | 250/-                      | -     | 250   | 380   | 400    | 250       | 310       | 250                                      | -                        | 1.2                          | 6                            | 2                            | 16                 |
| 125  | 255             | 406  | 85   | 239            | 250             | 250/-                      | -     | 250   | 420   | 450    | 250       | 335       | 250                                      | -                        | 1.2                          | 6                            | 2                            | 19                 |
| 150  | 276             | 427  | 85   | 282            | 300             | 300/-                      | -     | 300   | 415   | 450    | 300       | 300       | 300                                      | -                        | 1.2                          | 6                            | 2                            | 27                 |
| 200  | 304             | 455  | 137  | 338            | 350             | 350/-                      | 350   | 350   | 480   | 530    | 350       | 350       | 350                                      | -                        | 1.2                          | 8                            | 2                            | 40                 |
| 250  | 332             | 483  | 157  | 393            | 450             | 450/-                      | 450   | 450   | 550   | 620    | 450       | 450       | 450                                      | -                        | 1.2                          | 8                            | 2                            | 60                 |
| 300  | 357             | 508  | 157  | 444            | 500             | 500/-                      | 500   | 500   | 600   | 680    | 500       | 500       | 500                                      | -                        | 1.6                          | 8                            | 2                            | 80                 |
| 350  | 362             | 513  | 270  | 451            | 550             | 550/-                      | 550   | 550   | -     | -      | 550       | 550       | 550                                      | -                        | 1.6                          | 8                            | -                            | 110                |
| 400  | 387             | 538  | 270  | 502            | 600             | 600/-                      | 600   | 600   | -     | -      | 600       | 600       | 600                                      | -                        | 1.6                          | 10                           | -                            | 125                |
| 450  | 418             | 569  | 310  | 563            | 600             | 600/-                      | 600   | 600   | -     | -      | 600       | 600       | 600                                      | -                        | 1.6                          | 10                           | -                            | 175                |
| 500  | 443             | 594  | 350  | 614            | 600             | 600/-                      | 625   | 680   | -     | -      | 600       | 730       | 600 <sup>6)</sup>                        | -                        | 1.6                          | 10                           | -                            | 200                |
| 600  | 494             | 645  | 430  | 715            | 600             | 600/-                      | 750   | 800   | -     | -      | 600       | 860       | 600 <sup>7)</sup>                        | -                        | 1.6                          | 10                           | -                            | 287                |
| 700  | 544             | 695  | 500  | 816            | 700             | 875/700                    | -     | -     | -     | -      | -         | 700       | 700                                      | 700                      | 2.0                          | -                            | -                            | 330                |
| 750  | 571             | 722  | 556  | 869            | -               | -                          | -     | -     | -     | -      | -         | 750       | 750                                      | 750                      | 2.0                          | -                            | -                            | 360                |
| 800  | 606             | 757  | 560  | 927            | 800             | 1000/800                   | -     | -     | -     | -      | -         | 800       | 800                                      | 800                      | 2.0                          | -                            | -                            | 450                |
| 900  | 653             | 804  | 630  | 1032           | 900             | 1125/900                   | -     | -     | -     | -      | -         | 900       | 900                                      | 900                      | 2.0                          | -                            | -                            | 530                |
| 1000 | 704             | 906  | 670  | 1136           | 1000            | 1250/1000                  | -     | -     | -     | -      | -         | 1000      | 1000                                     | 1000                     | 2.0                          | -                            | -                            | 660                |
| 1100 | 755             | 906  | 770  | 1238           | -               | -                          | -     | -     | -     | -      | -         | 1100      | 1100                                     | 1100                     | 2.0                          | -                            | -                            | 1140               |
| 1200 | 810             | 961  | 792  | 1348           | 1200            | 1500/1200                  | -     | -     | -     | -      | -         | 1200      | 1200                                     | 1200                     | 2.0                          | -                            | -                            | 1180               |
| 1400 | 925             | 1076   | 1000 | 1675           | 1400            | -/1400                     | -     | -     | -     | -      | -         | -         | 1400                                     | 1400                     | 2.0                          | -                            | -                            | 1600               |
| 1500 | 972             | 1123   | 1020 | 1672           | 1500            | -/1500                     | -     | -     | -     | -      | -         | -         | 1500                                     | 1500                     | 3.0                          | -                            | -                            | 2460               |
| 1600 | 1025            | 1176   | 1130 | 1915           | 1600            | -/1600                     | -     | -     | -     | -      | -         | -         | 1600                                     | 1600                     | 3.0                          | -                            | -                            | 2140               |
| 1800 | 1123            | 1274   | 1250 | 1974           | 1800            | -/1800                     | -     | -     | -     | -      | -         | -         | 1800                                     | 1800                     | 3.0                          | -                            | -                            | 2930               |
| 2000 | 1223            | 1374   | 1375 | 2174           | 2000            | -/2000                     | -     | -     | -     | -      | -         | -         | 2000                                     | 2000                     | 3.0                          | -                            | -                            | 3665               |

1) 14.5 mm shorter with AISI terminal box (Ex and high temperature version)

2) When earthing flanges are used, the thickness of the earthing flange must be added to the built-in length

3) T<sub>C</sub> = Type C grounding ring, T<sub>E</sub> = Type E grounding ring (Included and factory mounted on high temperature 180 °C (356 °F) PTFE sensor), T<sub>F</sub> = Flat type grounding rings

4) Weights are approx. (for PN 16) without transmitter

5) PN 35 DN 80 = 272 mm

6) PN 35 DN 500 = 680 mm

7) PN 35 DN 600 = 750 mm

8) A<sub>2</sub> is 3 mm/0.12" shorter than A<sub>1</sub>

- not available

D = Outside diameter of flange, see flange tables



#### MAG 3100, MAG 3100 HT, MAG 3100 P sensor with compact or remote transmitter

#### Imperial

| Size  | A <sup>1)</sup> | A <sub>1</sub> /A <sub>2</sub> <sup>8)</sup> | B      | D <sub>1</sub> | L <sup>2)</sup> |                            |          |          |          |           |              |              | AS 2129 E<br>AS 4087<br>PN 16, 21,<br>35 | T <sub>C</sub> <sup>3)</sup> | T <sub>E</sub> <sup>3)</sup> | T <sub>F</sub> <sup>3)</sup> | Wgt. <sup>4)</sup> |                          |
|-------|-----------------|--|--------|----------------|-----------------|----------------------------|----------|----------|----------|-----------|--------------|--------------|--|------------------------------|------------------------------|------------------------------|--------------------|--------------------------|
|       |                 |  |        |                | EN 1092-1-201   |                            |          |          |          |           | ANSI 16.5    |              |  |                              |                              |                              |                    | AWWA<br>C-207<br>Class D |
|       |                 |  |        |                | PN 6,<br>10     | PN 16/<br>PN 16 non<br>PED | PN<br>25 | PN<br>40 | PN<br>63 | PN<br>100 | Class<br>150 | Class<br>300 |  |                              |                              |                              |                    |                          |
| [in.] | [inch]          | [inch]                                       | [inch] | [inch]         | [inch]          | [inch]                     | [inch]   | [inch]   | [inch]   | [inch]    | [inch]       | [inch]       | [in.]                                    | [in.]                        | [in.]                        | [lb]                         |                    |                          |
| ½     | 7.36            | 13.31  | 2.32   | 4.09           | -               | -                          | -        | 7.87     | -        | -         | 7.87         | 7.87         | -  | 7.87                         | -                            | 0.24                         | 0.08               | 11                       |
| 1     | 7.36            | 13.31  | 2.32   | 4.09           | -               | -                          | -        | 7.87     | -        | 10.24     | 7.87         | 7.87         | -  | 7.87                         | 0.05                         | 0.24                         | 0.08               | 13                       |
| 1½    | 7.76            | 13.70  | 3.23   | 4.88           | -               | -                          | -        | 7.87     | -        | 11.02     | 7.87         | 7.87         | -  | 7.87                         | 0.05                         | 0.24                         | 0.08               | 17                       |
| 2     | 8.07            | 14.01  | 2.83   | 5.47           | -               | -                          | -        | 7.87     | 10.87    | 11.81     | 7.87         | 7.87         | -  | 7.87                         | 0.05                         | 0.24                         | 0.08               | 28                       |
| 2½    | 8.35            | 14.29  | 2.83   | 6.06           | 7.87            | 7.87/-                     | -        | 7.87     | 12.60    | 13.78     | 7.87         | 10.71        | -  | 7.87                         | 0.05                         | 0.24                         | 0.08               | 30                       |
| 3     | 8.74            | 14.69  | 2.83   | 6.85           | 7.87            | 7.87/-                     | -        | 10.71    | 12.72    | 13.39     | 10.71        | 10.71        | -  | 7.87 <sup>5)</sup>           | 0.05                         | 0.24                         | 0.08               | 33                       |
| 4     | 9.53            | 15.47  | 3.35   | 8.43           | 9.84            | 9.84/-                     | -        | 9.84     | 14.96    | -         | 9.84         | 12.20        | -  | 9.84                         | 0.05                         | 0.24                         | 0.08               | 44                       |
| 5     | 10.04           | 15.98  | 3.35   | 9.41           | 9.84            | 9.84/-                     | -        | 9.84     | 16.54    | -         | 9.84         | 13.10        | -  | 9.84                         | 0.05                         | 0.24                         | 0.08               | 55                       |
| 6     | 10.87           | 16.81  | 5.39   | 11.10          | 11.81           | 11.81/-                    | -        | 11.81    | 16.34    | -         | 11.81        | 11.81        | -  | 11.81                        | 0.05                         | 0.24                         | 0.08               | 66                       |
| 8     | 11.97           | 17.91  | 5.39   | 13.31          | 13.78           | 13.78/-                    | 13.78    | 13.78    | 18.90    | -         | 13.78        | 13.78        | -  | 13.78                        | 0.05                         | 0.31                         | 0.08               | 110                      |
| 10    | 13.07           | 19.02  | 6.18   | 15.47          | 17.72           | 17.72/-                    | 17.72    | 17.72    | -        | -         | 17.72        | 17.72        | -  | 17.72                        | 0.05                         | 0.31                         | 0.08               | 155                      |
| 12    | 14.05           | 20.00  | 6.18   | 17.48          | 19.69           | 19.69/-                    | 19.69    | 19.69    | -        | -         | 19.69        | 19.69        | -  | 19.69                        | 0.06                         | 0.31                         | 0.08               | 176                      |
| 14    | 14.25           | 20.20  | 10.63  | 17.76          | 21.65           | 21.65/-                    | 21.65    | 21.65    | -        | -         | 21.65        | 21.65        | -  | 21.65                        | 0.06                         | 0.31                         | -                  | 242                      |
| 16    | 15.24           | 21.18  | 10.63  | 19.76          | 23.62           | 23.62/-                    | 23.62    | 23.62    | -        | -         | 23.62        | 23.62        | -  | 23.62                        | 0.06                         | 0.39                         | -                  | 275                      |
| 18    | 16.45           | 22.40  | 12.20  | 22.16          | 23.62           | 23.62/-                    | 23.62    | 23.62    | -        | -         | 23.62        | 23.62        | -  | 23.62                        | 0.06                         | 0.39                         | -                  | 385                      |
| 20    | 17.44           | 23.39  | 13.78  | 24.17          | 23.62           | 23.62/-                    | 24.61    | 26.77    | -        | -         | 23.62        | 28.70        | -  | 23.62 <sup>6)</sup>          | 0.06                         | 0.39                         | -                  | 335                      |
| 24    | 19.45           | 25.39  | 16.93  | 28.15          | 23.62           | 23.62/-                    | 29.53    | 31.50    | -        | -         | 23.62        | 33.80        | -  | 23.62 <sup>7)</sup>          | 0.06                         | 0.39                         | -                  | 630                      |
| 28    | 21.42           | 27.36  | 19.69  | 32.13          | 27.56           | 34.45/27.56                | -        | -        | -        | -         | -            | -            | 27.56                                    | 27.56                        | 0.08                         | -                            | -                  | 725                      |
| 30    | 22.48           | 28.43  | 21.89  | 34.21          | -               | -                          | -        | -        | -        | -         | -            | -            | 29.52                                    | -                            | 0.08                         | -                            | -                  | 830                      |
| 32    | 23.86           | 29.80  | 22.05  | 36.50          | 31.50           | 39.37/31.50                | -        | -        | -        | -         | -            | -            | 31.50                                    | 31.50                        | 0.08                         | -                            | -                  | 990                      |
| 36    | 25.71           | 31.65  | 24.80  | 40.63          | 35.43           | 44.29/35.43                | -        | -        | -        | -         | -            | -            | 35.43                                    | 35.43                        | 0.08                         | -                            | -                  | 1160                     |
| 40    | 27.72           | 35.67  | 26.38  | 44.72          | 39.37           | 49.21/39.37                | -        | -        | -        | -         | -            | -            | 39.37                                    | 39.37                        | 0.08                         | -                            | -                  | 1453                     |
| 42    | 27.72           | 35.67  | 26.38  | 44.72          | -               | -                          | -        | -        | -        | -         | -            | -            | 39.37                                    | -                            | 0.08                         | -                            | -                  | 1453                     |
| 44    | 29.72           | 35.67  | 30.31  | 48.74          | -               | -                          | -        | -        | -        | -         | -            | -            | 43.31                                    | 43.31                        | 0.08                         | -                            | -                  | -                        |
| 48    | 31.89           | 37.83  | 31.18  | 53.07          | 47.24           | 59.06/47.24                | -        | -        | -        | -         | -            | -            | 47.24                                    | 47.24                        | 0.08                         | -                            | -                  | 2592                     |
| 54    | 36.42           | 42.36  | 39.37  | 65.94          | 55.12           | -/55.12                    | -        | -        | -        | -         | -            | -            | 55.12                                    | -                            | 0.12                         | -                            | -                  | 2940                     |
| 60    | 38.27           | 44.21  | 40.15  | 65.83          | 59.06           | 59.06/59.06                | -        | -        | -        | -         | -            | -            | 59.06                                    | -                            | 0.12                         | -                            | -                  | 3422                     |
| 66    | 40.35           | 46.30  | 44.49  | 75.39          | 62.99           | -/62.99                    | -        | -        | -        | -         | -            | -            | 63.00                                    | -                            | 0.12                         | -                            | -                  | 3904                     |
| 72    | 44.21           | 50.16  | 49.21  | 77.72          | 70.87           | -/70.87                    | -        | -        | -        | -         | -            | -            | 70.87                                    | -                            | 0.12                         | -                            | -                  | 4846                     |
| 78    | 48.15           | 54.09  | 54.13  | 85.59          | 78.74           | -/78.74                    | -        | -        | -        | -         | -            | -            | 78.74                                    | -                            | 0.12                         | -                            | -                  | 6806                     |

1) 0.571 inch shorter with AISI terminal box (Ex and high temperature version)

2) When earthing flanges are used, the thickness of the earthing flange must be added to the built-in length

3) T<sub>C</sub> = Type C grounding ring, T<sub>E</sub> = Type E grounding ring (Included and factory mounted on high temperature 180 °C (356 °F) PTFE sensor), T<sub>F</sub> = Flat type grounding rings

4) Weights are for ANSI 150 without transmitter

5) PN 35 DN 80 = 10.70 inch

6) PN 35 DN 500 = 26.77 inch

7) PN 35 DN 600 = 29.53 inch

8) A<sub>2</sub> is 0.06" shorter than A<sub>1</sub>

- not available

D = Outside diameter of flange, see flange tables

# SITRANS F flowmeters

## SITRANS F M

### Sensor calibration

#### Selection and Ordering data

| Product designation  | Order No.                          |
|--|------------------------------------|
| <b>SITRANS F M - Electromagnetic flowmeters</b>                                  |                                    |
| <b>Calibrations/recalibration for<br/>MAG 1100, 1100 F, 5100 W and 3100</b>      |                                    |
| <i>Accessories for SITRANS F M</i>   |                                    |
| <b>Calibration</b>   | <b>FDK -<br/>O.R.<sup>2)</sup></b> |
| Standard Production calibration<br>• Zero-point 2 x 25 %, 2 x 90 % <sup>3)</sup> | -                                  |
| MAG 8000 calibration<br>• Zero-point 1 x 25 %, 1 x 100 %                         | -                                  |
| <b>Standard production calibration -<br/>Matched pair</b>                        |                                    |
| Size < DN 350 (14")  | <b>O.R.</b>                        |
| Size DN 300 ... 1200 (12" ... 48")   | <b>O.R.</b>                        |
| Larger sizes   | <b>O.R.</b>                        |
| <b>Customer specified calibration up to<br/>10 point<sup>1)</sup></b>            |                                    |
| Size ≤ DN 150 (6")   | <b>O.R.</b>                        |
| Size DN 200 ... 300 (8" ... 12")   | <b>O.R.</b>                        |
| Size DN 350 ... 600 (14" ... 24")  | <b>O.R.</b>                        |
| Size DN 700 ... 1100 (28" ... 48")   | <b>O.R.</b>                        |
| Add-on: Matched pair of any above  | <b>O.R.</b>                        |
| Larger sizes   | <b>O.R.</b>                        |
| <b>Accredited calibration ISO/IEC 17025 -<br/>Matched pair<sup>1)</sup></b>      |                                    |
| Accredited calibration report with up<br>to 21 points <sup>1)</sup>              |                                    |
| Size ≤ DN 150 (6")   | <b>O.R.</b>                        |
| Size DN 200 ... 300 (8" ... 12")   | <b>O.R.</b>                        |
| Size DN 350 ... 600 (14" ... 24")  | <b>O.R.</b>                        |
| Size DN 700 ... 1100 (28" ... 48")   | <b>O.R.</b>                        |
| Larger sizes   | <b>O.R.</b>                        |
| <b>CT-calibration and authority seal</b>   |                                    |
| Up to DN 300 (12") for PTB and DANAK   |                                    |
| Size ≤ DN 150 (6")   | <b>O.R.</b>                        |
| Size DN 200 ... 300 (8" ... 12")   | <b>O.R.</b>                        |
| Larger sizes   | <b>O.R.</b>                        |
| <b>Customer witnessed calibration</b>  |                                    |
| Any of above calibration   |                                    |
| Add-on price per sensor  | <b>O.R.</b>                        |
| Size DN 200 ... 300 (8" ... 12")   |                                    |
| Daily rates available on request for larger<br>project.                          |                                    |

1) **Size** dependent restriction on maximum 42,682 flow rates may apply.

2) **Ordering O.R.** As we need dedicated information from the customer on the individual sensor, we must have the calibration forms filed and sent together with the order.

3) MAG 5100 DN > 300/12": 1x 25% , 1x 90%.

#### Overview



SITRANS F M transmitter Transmag 2

SITRANS F M Transmag 2 is a pulsed alternating field magnetic flowmeter where the magnetic field strength is much higher than conventional DC pulsed magnetic flowmeters.

This makes it ideal for difficult applications like:

- High concentrated paper stock > 3%
- Heavy mining slurries
- Mining slurries with magnetic particles.

Transmag 2 is used with the SITRANS F M 911/E sensor, available with diameters of DN 15 to DN 600.

#### Benefits

- Fast signal processing with 16-bit technology
- Automatic recognition of sensor type and calibration data as result of SmartPLUG
- PROFIBUS PA (profile 2.0) / HART communication
- Simple menu operation with two-line display
- Self-monitoring functions
- Internal simulator (for all input and output functions)
- Monitoring of sensor using magnetizing current and reference voltage as well as wet electrode function
- Analog output and digital outputs for pulses, device status, limits, flow direction, frequency output
- Optional passive switch input for resetting the counter values or for switching off the measuring equipment (PZR)
- With pulsed alternating field for minimum conductivity of  $\geq 1 \mu\text{S}/\text{cm}$ , on request  $0.1 \mu\text{S}/\text{cm}$  depending on medium
- Split mode

#### Application

The main applications of the SITRANS F M transmitter Transmag 2 can be found in the following sectors:

- Pulp & Paper Industry
- Mining Industry

The measuring procedure with pulsed alternating field patented by Siemens AG is particularly suitable for media with a high solids content, or magnetically conducting media.

#### Design

The complete flowmeter consists of a flow sensor and an associated transmitter from the SITRANS F M Transmag 2 for pulsed alternating field. These are available as remote and compact versions (SITRANS F M 911/E compact version with Transmag 2 only possible with nominal diameters DN 65 to DN 600 (2½" to 24"). They operate according to Faradays law of induction where an electric voltage is induced in a conductor moving through a magnetic field.

#### Function

##### Function

The Transmag 2 is a microprocessor-based transmitter with a built-in alphanumeric display in several languages. The transmitters evaluate the signals from the associated electromagnetic sensors and also fulfil the task of a power supply unit which provides the magnet coils with a constant current.

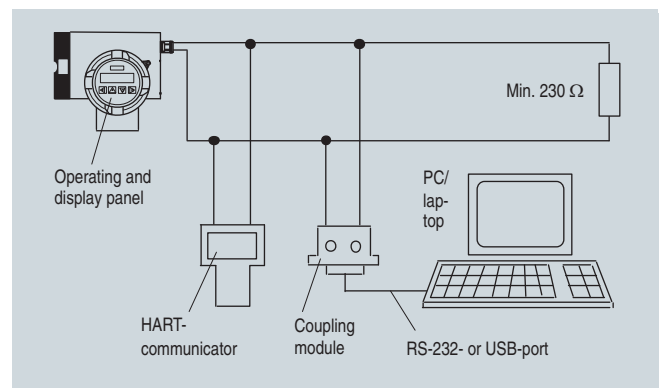
The magnetic flux density in the sensor is additionally monitored by reference coils.

Further information on connection, mode of operation and installation can be found in the data sheets for the sensors.

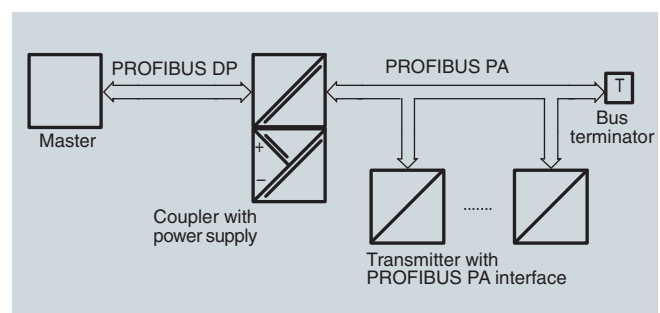
##### Displays and keypad

Operation of the Transmag 2 transmitter can be carried out using:

- Keypad and display unit
- HART communicator
- PC/laptop and SIMATIC PDM software via HART communication
- PC/laptop and SIMATIC PDM software using PROFIBUS PA communication



HART communication



PROFIBUS PA communication

# SITRANS F flowmeters

## SITRANS F M

### Transmitter Transmag 2 with sensor 911/E

#### Technical specifications

##### Mode of operation and design

|                           |  |
|---------------------------|--|
| Measuring principle       | Electromagnetic with pulsed alternating field (PAC)                      |
| Magnetic field excitation | Automatic power supply synchronization                                   |
| - 50 Hz AC power supply   | Bipolar (16.7 Hz)<br>Bipolar with prepulse (10 Hz)<br>Unipolar (8.33 Hz) |
| - 60 Hz AC power supply   | Bipolar (20 Hz)<br>Bipolar with prepulse (12 Hz)<br>Unipolar (10 Hz)     |

##### Outputs

|                      |  |
|----------------------|--|
| Electrical isolation | Outputs electrically isolated from one another and from the power supply, max. 60 V permissible against PE/equipotential bonding |
|----------------------|--|

##### Current output

|                          |  |
|--------------------------|--|
|                          | 0/4 ... 20 mA  |
|                          | Only for 20 mA / HART devices (7ME5034-0.... or 7ME5034-2....) |
| • Signal                 |  |
| - Upper limit            | 0/4 ... 20 mA, selectable                                      |
| - Failure                | 20 ... 22.5 mA   |
| • Load                   | 3.6; 20 or 24 mA   |
| - Output                 | max. 600 Ω, max. load voltage 15 V DC                          |
| - For HART communication | ≥ 250 Ω  |

|               |  |
|---------------|--|
| Communication | Via analog output with PC coupling module or HART communicator |
|---------------|--|

|            |                   |
|------------|-------------------|
| • Protocol | HART, version 5.1 |
|------------|-------------------|

##### Digital output

|                      |   |
|----------------------|---|
| Signal               |   |
| • Output             | Configurable as active or passive signals           |
| - Active signal      | 24 V DC, ≤ 24 mA, $R_i = 170 \Omega$                |
| - Passive signal     | Open collector, max. 30 V DC, 200 mA                |
| Output configuration |   |
| • Pulse              |   |
| - Pulse significance | ≤ 5000 pulses/s                                     |
| - Pulse width        | ≥ 0.1 ms  |
| • Limit frequency    | ≤ 10000 Hz  |
| • Limits             | Limits for flow and quantity, flow direction, alarm |

##### Digital output 2 (relay)

(only 7ME5034-0....)

|                        |   |
|------------------------|---|
| Relay                  | NC or NO function                                   |
| • Rating               | Max. 5 W, max. 50 V AC/DC, max. 200 mA              |
| • Output configuration | Limits for flow and quantity, flow direction, alarm |

##### Digital input (optional to digital output 2)

(only 7ME5034-2....)

|  |   |
|--|---|
| • Input function configurable as high-active or low-active | Set measured value or counter to zero   |
| • Signal voltage   | Max. 30 V DC, $R_i = 3 k$ :<br>High level: +11 ... +30 V DC<br>Low level: -30 ... +5 V DC |

##### For PROFIBUS devices

PROFIBUS PA (for PROFIBUS-devices 7ME5034-1....)

|                                |  |
|--------------------------------|--|
| • Communication                | Layer 1 and 2 according to PROFIBUS PA<br>Transmission according to IEC 1158-2<br>Layer 7 (protocol layer) according to PROFIBUS PA and DP V1 (EN 50170)<br>Device class B, device profile 2.0<br>Max. 4 simultaneous C2 connections |
| • Bus voltage                  | 9 ... 32 V DC permissible  |
| • Current consumption from bus | 10 mA; limited to ≤ 15 mA in event of fault by electrical current limitation   |

##### Accuracy under reference conditions

Measuring tolerance of pulse output

|                                   |  |
|-----------------------------------|--|
| • With $v > 0.25$ m/s (0.82 ft/s) | ≤ ±0.5% of measured value<br>±0.0012 m/s (0.0039 ft/s) |
| • With $v < 0.25$ m/s (0.82 ft/s) | ±0.0025 m/s (0.0082 ft/s)                              |

Measuring tolerance of analog output  
As pulse output plus ±0.1% conversion error ±20 μA

Repeatability  
0.2% of measured value

##### Reference conditions

|                           |  |
|---------------------------|--|
| • Process temperature     | 25 °C ±5 °C (77 °F ± 9 °F)   |
| • Ambient temperature     | 25 °C ±5 °C (77 °F ± 9 °F)   |
| • Warm-up time            | Min. 30 min  |
| • Installation conditions | Inlet pipe section ≥ 10 x DN<br>Outlet pipe section ≥ 5 x DN<br>Installed centered in pipe |
| • Medium                  | Water without gaseous or solid components  |

##### Rated operating conditions

|                                     |  |
|-------------------------------------|--|
| Installation conditions             | See also sensors   |
| Ambient temperature                 |  |
| • Remote design                     | -20 ... +60 °C (-4 ... +140 °F)  |
| • Compact design                    | -20 ... +60 °C (-4 ... +140 °F), process temperature up to 60 °C (up to 140 °F)    |
| • Display module                    | 0 ... 50 °C (32 ... 122 °F)  |
| Storage                             | -25 ... +80 °C (-13 ... +176 °F)   |
| Degree of protection                | IP67/NEMA 4X   |
| Electromagnetic compatibility (EMC) |  |
| • Emitted interference              | To EN 61326 for use in industrial areas  |
| • Noise immunity                    | To EN 61326 for use in industrial areas<br>NAMUR NE21 for use in residential areas |

#### Medium conditions

- Process temperature with compact design -20 ... +130 °C (-4 ... 266 °F) depending on sensor and ambient temperature

Minimum conductivity of medium

- With SITRANS F M 911/E sensors  $\geq 1 \mu\text{S/cm}$ , on request  $0.1 \mu\text{S/cm}$  depending on medium

#### Design

|                       |  |
|-----------------------|--|
| Weight of transmitter | 4.4 kg (9.7 lb)  |
| Compact versions      | Transmitter fixed onto metering tube                         |
| Remote version        | Transmitter must be connected to sensor using shielded cable |
| Maximum cable length  | 100 m (328 ft)   |
| Housing               | Die-cast aluminium, painted                                  |

#### Displays and keypad

|                   |   |
|-------------------|---|
| General display   | LCD, backlid, two lines with 16 characters each |
| Multi-display for | Flow, totalizer, flow velocity                  |
| Keypad            | 4 keys for entering parameters                  |

#### Power supply

corresponding to rating plate

|                     |   |
|---------------------|---|
| • AC supply         | 100 ... 250 V AC $\pm 15\%$ ,<br>47 ... 63 Hz   |
| • Power consumption | Approx. 120 ... 630 VA, depending on sensor     |
| Power failure       | Bridging of min. 1 power supply cycle (> 20 ms) |
| Line fuse           | 100 ... 230 V AC: T1.6A                         |
| Magnet current fuse | F5A / 250 V                                     |

#### Certificates and approvals

|                              |   |
|------------------------------|---|
| Pressure equipment directive | Device is not subject to the pressure equipment directive |
|------------------------------|---|

# SITRANS F flowmeters

## SITRANS F M

### Transmitter Transmag 2 with sensor 911/E

82

| Selection and Ordering data   | Order No.                       |
|---|---------------------------------|
| <b>SITRANS F M electromagnetic transmitter Transmag 2</b><br>for alternating field  | 7 ME 5 0 3 4 - ■■■■ - ■■■■ AA 0 |
| <b>Output/communication</b><br>4 ... 20 mA with HART protocol<br>PROFIBUS PA connection<br>4 ... 20 mA with HART protocol,<br>digital input | 0<br>1<br>2                     |
| <b>Auxiliary supply</b><br>110 ... 230 V AC   | AA                              |
| <b>Operator display and keypad</b><br>Without<br>With   | 0<br>1                          |
| <b>Design</b><br>Remote design<br>Compact design (DN 65 and above)  | 1<br>2                          |
| <b>Cable glands</b><br>M20/M16 x 1.5<br>½" NPT  | 1<br>2                          |

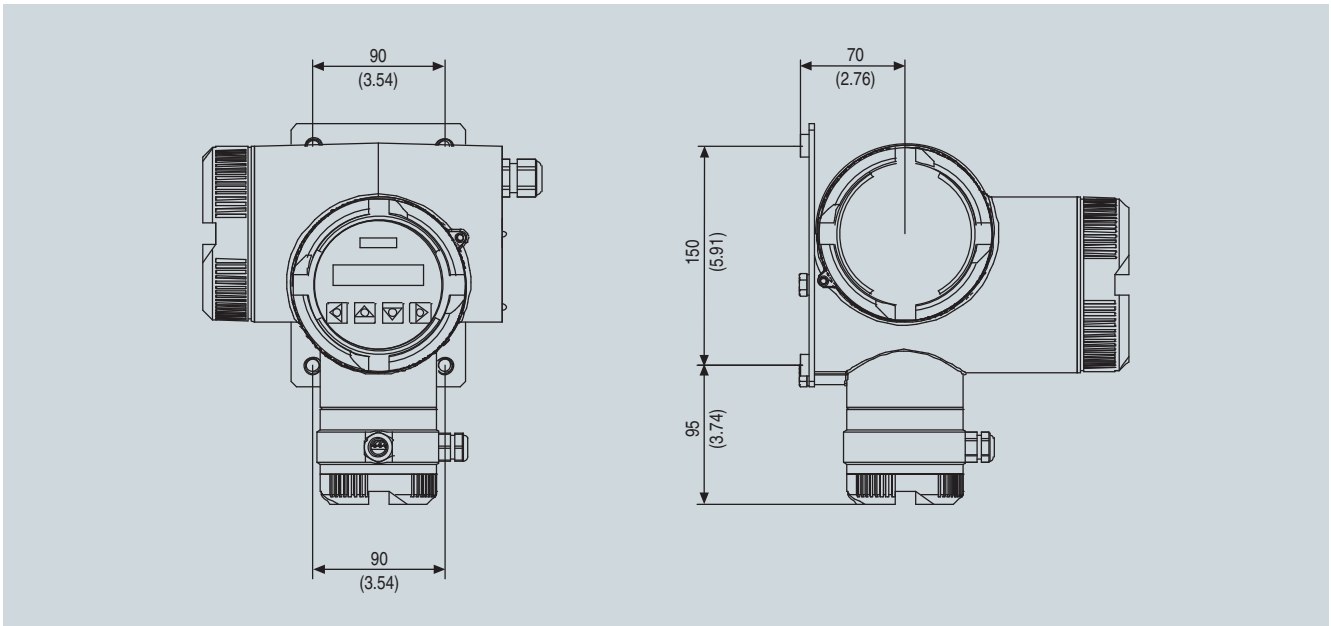
| Selection and Ordering data  | Order code |
|--|------------|
| <b>Additional information</b>  |            |
| Please add "-Z" to Order No. and specify Order code(s) and plain text.                     |            |
| Strengthened mounting bracket for wall and pipeline installation                           | A02        |
| Rating plate inscription English   | B11        |
| Measuring range, specify in plain text:<br>Y01: 0 to ... m <sup>3</sup> /h                 | Y01        |
| Pulse significance, specify in plain text:<br>Y02: 0 to ... pulses/l                       | Y02        |
| Setting of digital outputs, specify in plain text:<br>Y03: Setting of digital outputs: ... | Y03        |
| Measuring-point number (max. 8 characters), specify in plain text:<br>Y15: .....           | Y15        |
| Measuring-point description (max. 16 characters), specify in plain text:<br>Y16: .....     | Y16        |
| Stainless steel tag plate  | Y17        |
| Special design specify in plain text, state quotation                                      | Y99        |

| Selection and Ordering data   | Order No.                         | Order code |
|---|-----------------------------------|------------|
| <b>SITRANS F M Transmag 2 and sensor 911/E</b>  | 7 ME 5 9 3 0 -                    |            |
| <b>Cable for remote versions</b>  | ■ ■ ■ ■ A 0 0 - 0 ■ ■ A 0 ■ ■ ■ ■ |            |
| • Without cable   | 0 A                               |            |
| • Suitable for sensor 911/E with alternating field, IP67<br>Magnet current cable 3 x 1.0 mm <sup>2</sup> (3 x 0.0016 inch <sup>2</sup> ), electrode/reference cable 7 x 0.5 mm <sup>2</sup> (7 x 0.0008 inch <sup>2</sup> ) |                                   |            |
| - Length: 5 m (16.4 ft)   | 5 B                               |            |
| - Length: 10 m (32.8 ft)  | 5 C                               |            |
| - Specify other length: in plain text   | 5 Z                               | J 1 Y      |
| <b>Later 3-point calibration certificate for SITRANS F M</b>  |                                   |            |
| • Without   |                                   | A          |
| • For SITRANS 911E up to DN 600, 24"<br>(please specify Comm.-No. in plain text)  |                                   | B          |

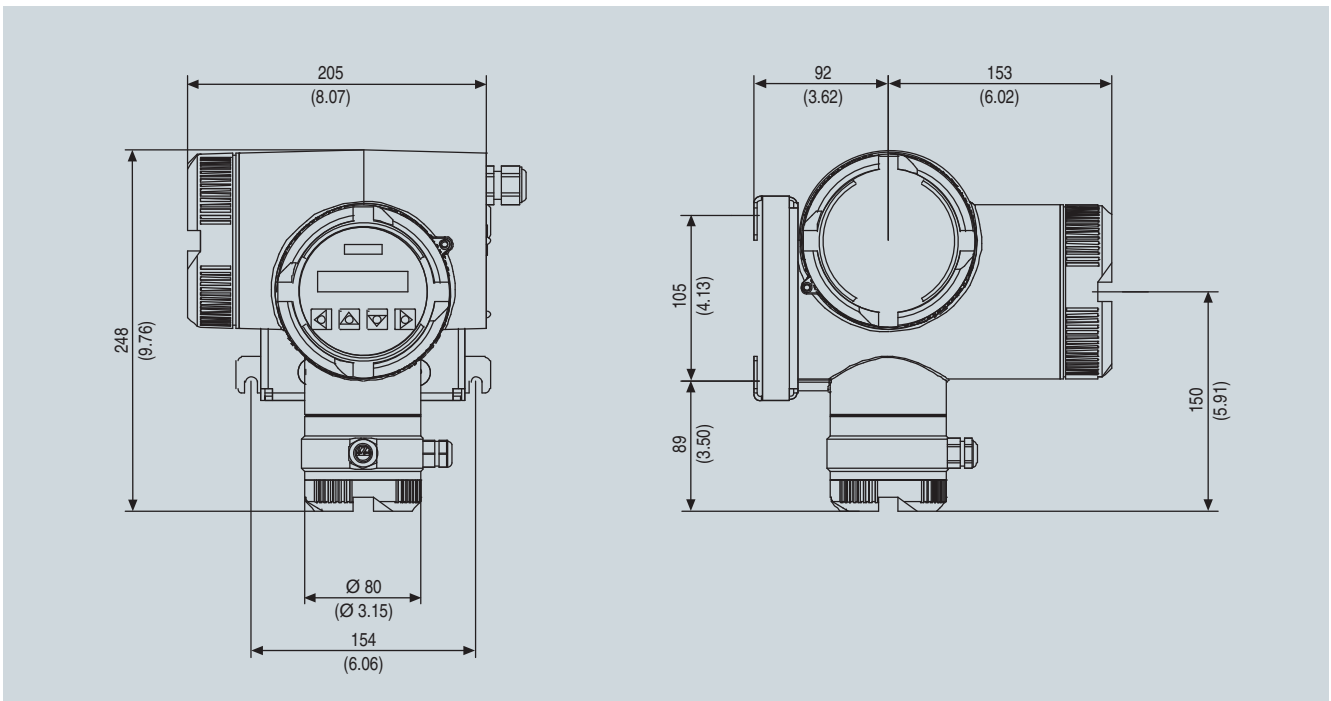
| Selection and Ordering data  | Order code |
|--|------------|
| <b>Additional information</b>  |            |
| Please add "-Z" to Order No. and specify Order code(s) and plain text. |            |
| Tag plate of stainless steel   |            |
| • Y30 - tag number (max. 16 digits, specify in plain text)             | Y17        |
| • Special design, specify quotation No./date in plain text             | Y99        |

| Selection and Ordering data                          | Order No.     |
|--|---------------|
| <b>Accessories</b>                                   |               |
| <b>Instruction Manual for SITRANS F M Transmag 2</b> |               |
| German   | A5E00102774   |
| English  | A5E00102775   |
| <b>HART modem</b>                                    |               |
| • with RS232 interface                               | ▶ 7MF4997-1DA |
| • with USB interface                                 | ▶ 7MF4997-1DB |
| <b>SIMATIC PDM</b>                                   | See Section 9 |
| ▶ Available ex stock                                 |               |

#### Dimensional drawings



SITRANS F M transmitter Transmag 2 with standard mounting plate, dimensions in mm (inch)



SITRANS F M transmitter Transmag 2 with optional mounting plate also for pipeline mounting, dimensions in mm (inch)



# SITRANS F flowmeters

## SITRANS F M

### Transmitter Transmag 2 with sensor 911/E

#### Overview



#### Benefits

- Fully-welded steel fitting
- Metering tube liners available made of hard/soft rubber, PTFE or Novolak
- Various flange connections available to EN 1092-1, ANSI B16.5
- Input amplifier with integral data component (smartPLUG) for all calibration values and customized settings if required.

#### Technical specifications

##### 911/E sensor

##### Mode of operation and design

Measuring principle Pulsed alternating field

##### Process connection

Nominal diameters DN 15 ... 600 (½" ... 24")

Metering tube connections EN 1092-1, ANSI B16.5, others on request

##### Rated operating conditions

##### Installation conditions

- Minimum process temperature
- With hard rubber liner

See system information

-20 °C (-4 °F)

Max. 90 °C (194 °F)

Option: 100 °C (212 °F)

- With PTFE liner

- 150 °C (300 °F) at 25 bar (363 psi)

- 100 °C (194 °F) at 40 bar (580 psi)

- With Novolak liner

- 130 °C (266 °F) at 40 bar (580 psi)

##### Ambient temperature limits

- Remote versions

- -20 ... +65 °C (-4 ... +149 °F)

- -20 ... +40 °C (-4 ... +104 °F) with a process temperature > 130 °C (> 266 °F)

- Compact versions from DN 65 (2½")

- -20 ... +65 °C (-4 ... +149 °F) with a process temperature ≤ 60 °C (≤ 140 °F)

- -20 ... +40 °C (-4 ... +104 °F) with a process temperature 60 ... 130 °C (140 ... 266 °F), depends on used sensor and its liner

Degree of protection

IP67/NEMA 4X

Optional IP68/NEMA 6

##### Medium conditions

Minimum conductivity

> 1 µS/cm, on request 0.1 µS/cm depending on medium

Maximum flow velocity

12 m/s (39.4 ft/s)

Full scale value of flow velocity

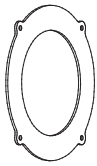
0.15 ... 12 m/s (0.49 ... 39.4 ft/s)

#### Sensor cables between sensor and transmitter

The signal voltage proportional to the flow and present at the electrodes of the EMF is only a few  $\mu\text{V}$  to mV. Superimposed on this are electrochemical interferences resulting from the contact between the electrodes and liquid, and which can be up to several Volt. Also frequently superimposed are line frequency interferences, interferences resulting from vibrations on the pipelines or signal cables, as well as strong magnetic fields in the vicinity. Sufficient shielding must therefore be provided, as well as fixed routing of the signal cables (electrode and magnet current cable) in the case of remote versions. This also applies to devices with integral preamplifier (smartPLUG). The cable length between the sensor and transmitter must not exceed 100 m (328 ft).

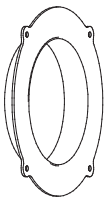
Attention must also be paid to the cable routing. Signal cables must be routed free of vibration, and protected against strong magnetic and stray fields. In case of doubt, the sensor cables must be routed in earthed steel conduit.

#### Protection washers for liners



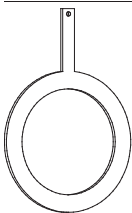
|                     |  |
|---------------------|--|
| Function            | Protection of liner during transport.  |
| Contact with medium | Yes, but the protection washers can be removed prior to installation of the sensor in the pipeline if they are not resistant to the measured medium.   |
| Material            | Stainless steel mat. No. 1.4571/316Ti, optionally Hastelloy C4 mat. No. 2.4610   |
| Material thickness  | The overall length of the sensor is increased by <ul style="list-style-type: none"> <li>• 6 mm for DN 15 to DN 150 (0.24" for 1/2" to 6") or</li> <li>• 10 mm for DN 200 to DN 600 (0.4" for 8" to 24")</li> </ul> |
| Standard            | Yes, can be used for PTFE liners up to PN 10 (MWP 145 psi) and for soft rubber; cannot be used for other liners.   |
| Order No.           | <b>7ME592x-....</b>  |

#### Protection rings for liners



|                     |  |
|---------------------|--|
| Function            | To protect the edges of liners from abrasion (e.g. gravel, sand etc.). Used mainly with soft rubber liners and for PTFE liners at high temperatures from 100 to 150 °C (212 to 300 °F).                            |
| Contact with medium | Yes, please always check resistance to measured medium.  |
| Material            | Stainless steel mat. No. 1.4571/316Ti, optionally Hastelloy C4 mat. No. 2.4610   |
| Material thickness  | The overall length of the sensor is increased by <ul style="list-style-type: none"> <li>• 6 mm for DN 15 to DN 150 (0.24" for 1/2" to 6") or</li> <li>• 10 mm for DN 200 to DN 600 (0.4" for 8" to 24")</li> </ul> |
| Standard            | No, optional for PTFE and soft rubber liners. They are required for PTFE liners of PN 16 (MWP 232 psi) or more instead of protection washers, and must be ordered separately.                                      |
| Order No.           | <b>7ME591x-....</b>  |

#### Earthing washers



|                     |   |
|---------------------|---|
| Function            | Electrical reference and earthing of the medium. Required if the pipelines are not electrically conducting or are lined (plastic pipelines, concrete pipelines etc.). All earthing rings must be connected to the earthing screw present on the sensor. |
| Contact with medium | Yes, please always check resistance to measured medium.   |
| Material            | Stainless steel mat. No. 1.4571/316Ti, or Hastelloy C4 mat. No. 2.4610  |
| Material thickness  | The overall length of the sensor is increased by 2 mm (0.08") per earthing ring.  |
| Standard            | No, only optional. Required between the medium and sensor for equipotential bonding between non-conducting pipelines or lined pipelines.  |
| Order No.           | <b>7ME590x-....</b>   |

# SITRANS F flowmeters

## SITRANS F M

### Transmitter Transmag 2 with sensor 911/E

#### Notes on pressure equipment directive

The devices are designed for liquids of danger group "Gases of fluid group 1". The categories differ according to the version, and are listed in the table below.

The minimum temperature is defined at -10 °C (14 °F) for the flange materials C22.8 (1.0460) and ST52-5 (1.0570).

The minimum temperature is defined at -20 °C (-4 °F) for the flange material 1.4571/316Ti.

#### Classification according to pressure equipment directive (PED 97/23/EC)

| Nominal diameter |               | Nominal pressure |               | Permissible media                             | Category    |
|------------------|---------------|------------------|---------------|---|-------------|
| DN               | (inches)      | PN               | (MWP psi)     |   |             |
| 15 ... 25        | (½" ... 1")   | 10 ... 40        | (145 ... 580) | Gases fluid group 1 and liquids fluid group 1 | Article 3.3 |
| 32 ... 100       | (1¼" ... 4")  | 10               | (145)         | Gases fluid group 1 and liquids fluid group 1 | I           |
| 32 ... 50        | (1¼" ... 2")  | 16               | (232)         | Gases fluid group 1 and liquids fluid group 1 | I           |
| 32 ... 40        | (1¼" ... 1½") | 25               | (363)         | Gases fluid group 1 and liquids fluid group 1 | I           |
| 100 ... 350      | (4" ... 12")  | 10               | (145)         | Gases fluid group 1 and liquids fluid group 1 | II          |
| 65 ... 200       | (2½" ... 8")  | 16               | (232)         | Gases fluid group 1 and liquids fluid group 1 | II          |
| 50 ... 125       | (2" ... 5")   | 25               | (363)         | Gases fluid group 1 and liquids fluid group 1 | II          |
| 32 ... 80        | (1¼" ... 3")  | 40               | (580)         | Gases fluid group 1 and liquids fluid group 1 | II          |
| 350 ... 600      | (14" ... 24") | 10               | (145)         | Gases fluid group 1 and liquids fluid group 1 | III         |
| 250 ... 600      | (10" ... 24") | 16               | (232)         | Gases fluid group 1 and liquids fluid group 1 | III         |
| 150 ... 600      | (6" ... 24")  | 25               | (363)         | Gases fluid group 1 and liquids fluid group 1 | III         |
| 100 ... 600      | (4" ... 24")  | 40               | (580)         | Gases fluid group 1 and liquids fluid group 1 | III         |

### Transmitter Transmag 2 with sensor 911/E

| Selection and Ordering data  | Order No. | Order code |
|--|-----------|------------|
| <b>SITRANS F M 911/E flow sensor</b>                                     | 7ME51     | 0          |
| <b>Rubber liner</b>  | 1-4       |            |
| <b>Nominal pressure</b>  | 1-4       |            |
| PN 10 (MWP 145 psi)  | 1         |            |
| PN 16 (MWP 232 psi)  | 2         |            |
| PN 25 (MWP 363 psi)  | 3         |            |
| PN 40 (MWP 580 psi)  | 4         |            |
| <b>Design</b> (transmitter to be ordered separately)                     | 1-3       |            |
| Compact, alternating field from DN 65 (2½")                              | 1         |            |
| Remote, alternating field  | 3         |            |
| <b>Liner</b>   | 1-6       |            |
| Hard rubber  | 1         |            |
| • VHE/H3b max. 90 °C (194 °F)  | 2         |            |
| • VHE/G31 up to 100 °C (212 °F)  | 3         |            |
| • VHE/181 (potable water - KTW)  | 3         |            |
| Soft rubber VWE/R61  | 4         |            |
| Neoprene BWE/DN 63   | 5         |            |
| Soft rubber VWE/1645 (potable water - KTW)                               | 6         |            |
| <b>Nominal diameter</b>  | A-Z       |            |
| DN 15 (½")   | A         |            |
| DN 20 (¾")   | B         |            |
| DN 25 (1")   | C         |            |
| DN 32 (1¼")  | D         |            |
| DN 40 (1½")  | E         |            |
| DN 50 (2")   | F         |            |
| DN 65 (2½")  | G         |            |
| DN 80 (3")   | H         |            |
| DN 100 (4")  | J         |            |
| DN 125 (5")  | K         |            |
| DN 150 (6")  | L         |            |
| DN 200 (8")  | M         |            |
| DN 250 (10")   | N         |            |
| DN 300 (12")   | P         |            |
| DN 350 (14")   | Q         |            |
| DN 400 (16")   | R         |            |
| DN 500 (20")   | S         |            |
| DN 600 (24")   | T         |            |
| Other nominal diameters: specify in plain text                           | Z         | J 1 Y      |
| <b>Connection flange</b>   | A-Z       |            |
| DIN 2501/EN 1092-1, mat. No. 1.0460/1.0570 (mild steel)                  | A         |            |
| DIN 2501/EN 1092-1, mat. No. 1.4571/316Ti                                | B         |            |
| ANSI B 16.5 RF, mat. No. 1.0432/1.0570 (mild steel), to 10 bar (145 psi) | C         |            |
| ANSI 300 RF, steel, to 20 bar (290 psi)                                  | D         |            |
| JIS 10 K, mat. No. 1.0570  | E         |            |
| Other connection form  | Z         | K 1 Y      |
| <b>Electrode material</b>  | 1-9       |            |
| Mat. No. 1.4571/316Ti  | 1         |            |
| Hastelloy C4 (mat. No. 2.4610)   | 2         |            |
| Titanium   | 3         |            |
| Tantalum   | 4         |            |
| Monel  | 5         |            |
| Platinum head with shaft, mat. No. 1.4571/316Ti                          | 7         |            |
| Other materials: specify in plain text                                   | 9         | L 1 Y      |

| Selection and Ordering data   | Order No. | Order code |
|---|-----------|------------|
| <b>SITRANS F M 911/E flow sensor</b>  | 7ME51     | 0          |
| <b>Rubber liner</b>   | 1-4       |            |
| <b>Sealing material</b>   | 1-3       |            |
| Viton   | 1         |            |
| EPDM  | 2         |            |
| Kalrez  | 3         |            |
| <b>Protection washers, protection rings</b>                                     | 0-2       |            |
| Without   | 0         |            |
| With protection washers (only for soft rubber and Neoprene; order as accessory) | 1         |            |
| With protection rings (only for soft rubber and Neoprene; order as accessory)   | 2         |            |
| <b>Cable gland</b>  | B-C       |            |
| ½" NPT  | B         |            |
| M16 x 1.5   | C         |            |
| <b>Degree of protection</b>   | B-E       |            |
| IP67/NEMA4X   | B         |            |
| IP68/NEMA6, cable length 5 m (16.4 ft)  | C         |            |
| IP68/NEMA6, cable length 10 m (32.8 ft)   | D         |            |
| IP68/NEMA6, other cable lengths (order as accessory 7ME5930...)                 | E         |            |

| Selection and Ordering data   | Order Code |
|---|------------|
| <b>Additional information</b>   |            |
| Please add "-Z" to Order No. and specify Order code(s) and plain text.  |            |
| One earthing (grounding) electrode made of mat No. 1.4571/316Ti up to DN 300 (12")                                | A01        |
| Two earthing (grounding) electrodes made of mat. No. 1.4571/316Ti above DN 350 (14")                              | A02        |
| One earthing (grounding) electrode made of Hastelloy C4/2.4610 up to DN 300 (12")                                 | A03        |
| Two earthing (grounding) electrodes made of Hastelloy C4/2.4610 above DN 350 (14")                                | A04        |
| Replaceable electrodes above DN 100 (4")  | A05        |
| Replaceable electrodes above DN 100 (4"), replaceable under pressure  | A06        |
| With 3-point calibration certificate up to DN 600 (24") or Q <sub>max</sub> > 2000 m <sup>3</sup> /h (8805 USgpm) | B06        |
| With 6-point calibration certificate up to DN 600 (24") or Q <sub>max</sub> > 2000 m <sup>3</sup> /h (8805 USgpm) | B07        |
| Rating plate inscription in English   | B11        |
| Acceptance test B to DIN 50049, Section 3.1 and EN 10204  | C12        |
| Factory certificate to EN 10204-2.2   | C14        |
| Silicone-free materials   | Y04        |
| Measuring-point number (max. 16 char.), specify in plain text. Y15:....   | Y15        |
| Measuring-point description (max. 27 char.), specify in plain text. Y16:....                                      | Y16        |
| Stainless steel tag plate   | Y17        |
| Special design, specify quotation No./date in plain text  | Y99        |

# SITRANS F flowmeters

## SITRANS F M

### Transmitter Transmag 2 with sensor 911/E

88

| Selection and Ordering data  | Order No. | Order code |
|--|-----------|------------|
| <b>SITRANS F M 911/E flow sensor</b>                                     |           |            |
| <b>Novolak liner</b>   | 7ME52     | - 0 - 0    |
| <b>Nominal pressure</b>  |           |            |
| PN 10 (MWP 145 psi)  | 1         |            |
| PN 16 (MWP 232 psi)  | 2         |            |
| PN 25 (MWP 363 psi)  | 3         |            |
| PN 40 (MWP 580 psi)  | 4         |            |
| <b>Design</b> (transmitter to be ordered separately)                     |           |            |
| Compact, alternating field from DN 65 (2½")                              | 1         |            |
| Remote, alternating field  | 3         |            |
| <b>Nominal diameter</b>  |           |            |
| DN 50 (2")   | F         |            |
| DN 65 (2½")  | G         |            |
| DN 80 (3")   | H         |            |
| DN 100 (4")  | J         |            |
| DN 125 (5")  | K         |            |
| DN 150 (6")  | L         |            |
| DN 200 (8")  | M         |            |
| DN 250 (10")   | N         |            |
| DN 300 (12")   | P         |            |
| DN 350 (14")   | Q         |            |
| DN 400 (16")   | R         |            |
| DN 500 (20")   | S         |            |
| DN 600 (24")   | T         |            |
| Other nominal diameters: specify in plain text                           | Z         | J 1 Y      |
| <b>Connection flange</b>   |           |            |
| DIN 2501/EN 1092-1, mat. No. 1.0460/1.0570 (mild steel)                  | A         |            |
| DIN 2501/EN 1092-1, mat. No. 1.4571/316Ti                                | B         |            |
| ANSI B 16.5 RF, mat. No. 1.0432/1.0570 (mild steel), to 10 bar (145 psi) | C         |            |
| ANSI 300 RF, steel, to 20 bar (290 psi)                                  | D         |            |
| JIS 10 K, mat. No. 1.0570  | E         |            |
| Other connection form  | Z         | K 1 Y      |
| <b>Electrode material</b>  |           |            |
| Mat. No. 1.4571/316Ti  | 1         |            |
| Hastelloy C4 (mat. No. 2.4610)   | 2         |            |
| Titanium   | 3         |            |
| Tantalum   | 4         |            |
| Platinum head with shaft, mat. No. 1.4571/316Ti                          | 7         |            |
| Other materials: specify in plain text                                   | 9         | L 1 Y      |
| <b>Sealing material</b>  |           |            |
| Viton  | 1         |            |
| EPDM   | 2         |            |
| Kalrez   | 3         |            |
| <b>Protection washers, protection rings</b>                              |           |            |
| Without  | 0         |            |
| With protection rings (order as accessory)                               | 2         |            |
| <b>Cable gland</b>   |           |            |
| ½" NPT   | B         |            |
| M16 x 1.5  | C         |            |

| Selection and Ordering data                                     | Order No. | Order code |
|---|-----------|------------|
| <b>SITRANS F M 911/E flow sensor</b>                            |           |            |
| <b>Novolak liner</b>  | 7ME52     | - 0 - 0    |
| <b>Degree of protection</b>                                     |           |            |
| IP67/NEMA4X   |           | B          |
| IP68/NEMA6, cable length 5 m (16.4 ft)                          |           | C          |
| IP68/NEMA6, cable length 10 m (32.8 ft)                         |           | D          |
| IP68/NEMA6, other cable lengths (order as accessory 7ME5930...) |           | E          |

| Selection and Ordering data   | Order Code |
|---|------------|
| <b>Additional information</b>   |            |
| Please add "-Z" to Order No. and specify Order code(s) and plain text.  |            |
| One earthing (grounding) electrode made of mat No. 1.4571/316Ti up to DN 300 (12")                                | A01        |
| Two earthing (grounding) electrodes made of mat. No. 1.4571/316Ti above DN 350 (14")                              | A02        |
| One earthing (grounding) electrode made of Hastelloy C4/2.4610 up to DN 300 (12")                                 | A03        |
| Two earthing (grounding) electrodes made of Hastelloy C4/2.4610 above DN 350 (14")                                | A04        |
| Replaceable electrodes above DN 100 (4"), replaceable under pressure  | A06        |
| With 3-point calibration certificate up to DN 600 (24") or Q <sub>max</sub> > 2000 m <sup>3</sup> /h (8805 USgpm) | B06        |
| With 6-point calibration certificate up to DN 600 (24") or Q <sub>max</sub> > 2000 m <sup>3</sup> /h (8805 USgpm) | B07        |
| Rating plate inscription in English   | B11        |
| Acceptance test B to DIN 50049, Section 3.1 and EN 10204  | C12        |
| Factory certificate to EN 10204-2.2   | C14        |
| Silicone-free materials   | Y04        |
| Measuring-point number (max. 16 char.), specify in plain text. Y15:....   | Y15        |
| Measuring-point description (max. 27 char.), specify in plain text. Y16:....                                      | Y16        |
| Stainless steel tag plate   | Y17        |
| Special design, specify quotation No./date in plain text  | Y99        |

### Transmitter Transmag 2 with sensor 911/E

| Selection and Ordering data  | Order No. | Order code  |
|--|-----------|-------------|
| <b>SITRANS F M 911/E flow sensor</b>                                     |           |             |
| <b>PTFE liner</b>  | 7ME53     | - 0 - 0 - 0 |
| <b>Nominal pressure</b>  |           |             |
| PN 10 (MWP 145 psi)  | 1         |             |
| PN 16 (MWP 232 psi)  | 2         |             |
| PN 25 (MWP 363 psi)  | 3         |             |
| PN 40 (MWP 580 psi)  | 4         |             |
| <b>Design</b> (transmitter to be ordered separately)                     |           |             |
| Compact, alternating field from DN 65 (2½")                              | 1         |             |
| Remote, alternating field  | 3         |             |
| <b>Nominal diameter</b>  |           |             |
| DN 25 (1")   |           | C           |
| DN 32 (1¼")  |           | D           |
| DN 40 (1½")  |           | E           |
| DN 50 (2")   |           | F           |
| DN 65 (2½")  |           | G           |
| DN 80 (3")   |           | H           |
| DN 100 (4")  |           | J           |
| DN 125 (5")  |           | K           |
| DN 150 (6")  |           | L           |
| DN 200 (8")  |           | M           |
| DN 250 (10")   |           | N           |
| DN 300 (12")   |           | P           |
| DN 350 (14")   |           | Q           |
| DN 400 (16")   |           | R           |
| DN 500 (20")   |           | S           |
| DN 600 (24")   |           | T           |
| Other nominal diameters: specify in plain text                           |           | Z           |
| <b>Connection flange</b>   |           |             |
| DIN 2501/EN 1092-1, mat. No. 1.0460/1.0570 (mild steel)                  |           | A           |
| DIN 2501/EN 1092-1, mat. No. 1.4571/316Ti                                |           | B           |
| ANSI B 16.5 RF, mat. No. 1.0432/1.0570 (mild steel), to 10 bar (145 psi) |           | C           |
| ANSI 300 RF, steel, to 20 bar (290 psi)                                  |           | D           |
| JIS 10 K, mat. No. 1.0570  |           | E           |
| Other connection form  |           | Z           |
| <b>Electrode material</b>  |           |             |
| Mat. No. 1.4571/316Ti  |           | 1           |
| Hastelloy C4 (mat. No. 2.4610)   |           | 2           |
| Titanium   |           | 3           |
| Tantalum   |           | 4           |
| Platinum head with shaft, mat. No. 1.4571/316Ti                          |           | 7           |
| Other materials: specify in plain text                                   |           | 9           |
|  |           | J 1 Y       |
|  |           | K 1 Y       |
|  |           | L 1 Y       |

| Selection and Ordering data   | Order No. | Order code  |
|---|-----------|-------------|
| <b>SITRANS F M 911/E flow sensor</b>  |           |             |
| <b>PTFE liner</b>   | 7ME53     | - 0 - 0 - 0 |
| <b>Protection washers, protection rings</b>   |           |             |
| With protection washers (included as standard with PTFE, mat. No. 1.4571/316Ti)                                   |           | 1           |
| With protection rings required for PN 16 (MWP 232 psi) and above, order as accessory)                             |           | 2           |
| With protection washers of other material (order as accessory)  |           | 3           |
| <b>Cable gland</b>  |           |             |
| ½" NPT  |           | B           |
| M16 x 1.5   |           | C           |
| <b>Degree of protection</b>   |           |             |
| IP67/NEMA4X   |           | B           |
| IP68/NEMA6, cable length 5 m (16.4 ft)  |           | C           |
| IP68/NEMA6, cable length 10 m (32.8 ft)   |           | D           |
| IP68/NEMA6, other cable lengths (order as accessory 7ME5930...)   |           | E           |
| <b>Selection and Ordering data</b>  |           | Order code  |
| <b>Additional information</b>   |           |             |
| Please add "-Z" to Order No. and specify Order code(s) and plain text.  |           |             |
| One earthing (grounding) electrode made of mat No. 1.4571/316Ti up to DN 300 (12")                                |           | A01         |
| Two earthing (grounding) electrodes made of mat. No. 1.4571/316Ti above DN 350 (14")                              |           | A02         |
| One earthing (grounding) electrode made of Hastelloy C4/2.4610 up to DN 300 (12")                                 |           | A03         |
| Two earthing (grounding) electrodes made of Hastelloy C4/2.4610 above DN 350 (14")                                |           | A04         |
| Replaceable electrodes above DN 100 (4"), replaceable under pressure  |           | A06         |
| With 3-point calibration certificate up to DN 600 (24") or Q <sub>max</sub> > 2000 m <sup>3</sup> /h (8805 USgpm) |           | B06         |
| With 6-point calibration certificate up to DN 600 (24") or Q <sub>max</sub> > 2000 m <sup>3</sup> /h (8805 USgpm) |           | B07         |
| Rating plate inscription in English   |           | B11         |
| Acceptance test B to DIN 50049, Section 3.1 and EN 10204  |           | C12         |
| Factory certificate to EN 10204-2.2   |           | C14         |
| Silicone-free materials   |           | Y04         |
| Measuring-point number (max. 16 char.), specify in plain text. Y15:....   |           | Y15         |
| Measuring-point description (max. 27 char.), specify in plain text. Y16:....                                      |           | Y16         |
| Stainless steel tag plate   |           | Y17         |
| Special design, specify quotation No./date in plain text  |           | Y99         |

# SITRANS F flowmeters

## SITRANS F M

### Transmitter Transmag 2 with sensor 911/E

90

| Selection and Ordering data                               | Order No. | Order code          |
|---|-----------|---------------------|
| <b>SITRANS F M<br/>electromagnetic flowmeter</b>          |           |                     |
| <b>Protection washers for flow sensor 911E (per pair)</b> | 7ME5922-  | ■ ■ ■ ■ ■ ■ ■ ■ ■ ■ |
| <b>Liner</b>  |           |                     |
| Hard rubber/soft rubber                                   |           | 1                   |
| PTFE  |           | 0                   |
| <b>Nominal diameter</b>                                   |           |                     |
| <i>Material 1.4571/316 Ti</i>                             |           |                     |
| DN 15 (1/2")  |           | AA                  |
| DN 20 (3/4")  |           | BA                  |
| DN 25 (1")  |           | CA                  |
| DN 32 (1 1/4")  |           | DA                  |
| DN 40 (1 1/2")  |           | EA                  |
| DN 50 (2")  |           | FA                  |
| DN 65 (2 1/2")  |           | GA                  |
| DN 80 (3")  |           | HA                  |
| DN 100 (4")   |           | JA                  |
| DN 125 (5")   |           | KA                  |
| DN 150 (6")   |           | LA                  |
| DN 200 (8")   |           | MA                  |
| DN 250 (10")  |           | NA                  |
| DN 300 (12")  |           | PA                  |
| Other nominal diameters:<br>specify in plain text         |           | ZA J 1 Y            |
| <i>Material Hastelloy C4/2.4610</i>                       |           |                     |
| DN 15 (1/2")  |           | AB                  |
| DN 20 (3/4")  |           | BB                  |
| DN 25 (1")  |           | CB                  |
| DN 32 (1 1/4")  |           | DB                  |
| DN 40 (1 1/2")  |           | EB                  |
| DN 50 (2")  |           | FB                  |
| DN 65 (2 1/2")  |           | GB                  |
| DN 80 (3")  |           | HB                  |
| DN 100 (4")   |           | JB                  |
| DN 125 (5")   |           | KB                  |
| DN 150 (6")   |           | LB                  |
| DN 200 (8")   |           | MB                  |
| DN 250 (10")  |           | NB                  |
| DN 300 (12")  |           | PB                  |
| Other nominal diameters:<br>specify in plain text         |           | ZB J 1 Y            |
| <b>Flange design</b>                                      |           |                     |
| Flange to DIN   |           | 1                   |
| Flange to ANSI  |           | 2                   |
| Flange to JIS   |           | 3                   |

| Selection and Ordering data  | Order Code |
|--|------------|
| <b>Additional information</b>  |            |
| Please add "-Z" to Order No. and specify Order code(s) and plain text. |            |
| Special design, specify quotation No./date in plain text               | <b>Y99</b> |

| Selection and Ordering data                                | Order No. | Order code          |
|--|-----------|---------------------|
| <b>SITRANS F M<br/>electromagnetic flowmeter</b>           |           |                     |
| <b>Protection rings for flow sensor 911E (per pair)</b>    | 7ME5912-  | ■ ■ ■ ■ ■ ■ ■ ■ ■ ■ |
| <b>Liner</b>   |           |                     |
| Hard rubber/soft rubber                                    |           | 1                   |
| Novolak  |           | 7                   |
| PTFE   |           | 0                   |
| <b>Nominal diameter</b>                                    |           |                     |
| <i>for PTFE, material 1.4571/316 Ti</i>                    |           |                     |
| DN 15 (1/2")   |           | AA                  |
| DN 20 (3/4")   |           | BA                  |
| DN 25 (1")   |           | CA                  |
| DN 32 (1 1/4")   |           | DA                  |
| DN 40 (1 1/2")   |           | EA                  |
| DN 50 (2")   |           | FA                  |
| DN 65 (2 1/2")   |           | GA                  |
| DN 80 (3")   |           | HA                  |
| DN 100 (4")  |           | JA                  |
| DN 125 (5")  |           | KA                  |
| DN 150 (6")  |           | LA                  |
| DN 200 (8")  |           | MA                  |
| DN 250 (10")   |           | NA                  |
| DN 300 (12")   |           | PA                  |
| Other nominal diameters:<br>specify in plain text          |           | ZA J 1 Y            |
| <i>for Hard/Soft rubber, Novolak material 1.471/316 Ti</i> |           |                     |
| DN 15 (1/2")   |           | AB                  |
| DN 20 (3/4")   |           | BB                  |
| DN 25 (1")   |           | CB                  |
| DN 32 (1 1/4")   |           | DB                  |
| DN 40 (1 1/2")   |           | EB                  |
| DN 50 (2")   |           | FB                  |
| DN 65 (2 1/2")   |           | GB                  |
| DN 80 (3")   |           | HB                  |
| DN 100 (4")  |           | JB                  |
| DN 125 (5")  |           | KB                  |
| DN 150 (6")  |           | LB                  |
| DN 200 (8")  |           | MB                  |
| DN 250 (10")   |           | NB                  |
| DN 300 (12")   |           | PB                  |
| Other nominal diameters:<br>specify in plain text          |           | ZB J 1 Y            |
| <b>Flange design</b>                                       |           |                     |
| Flange to DIN  |           | 1                   |
| Flange to ANSI   |           | 2                   |
| Flange to JIS  |           | 3                   |

| Selection and Ordering data  | Order code |
|--|------------|
| <b>Additional information</b>  |            |
| Please add "-Z" to Order No. and specify Order code(s) and plain text. |            |
| Tag plate of stainless steel   |            |
| • Y30 - tag number (max. 16 digits, specify in plain text)             | <b>Y17</b> |
| • Special design, specify quotation No./date in plain text             | <b>Y99</b> |



# SITRANS F flowmeters

## SITRANS F M

### Transmitter Transmag 2 with sensor 911/E

| Selection and Ordering data                               | Order No. | Order code |
|---|-----------|------------|
| <b>SITRANS F M<br/>electromagnetic flowmeter</b>          |           |            |
| <b>Earthing rings for flow sensor 911E<br/>(per unit)</b> | 7ME5902 - |            |
| <b>Liner</b>  |           |            |
| Hard rubber/soft rubber                                   |           | 1          |
| Novolak   |           | 7          |
| PTFE  |           | 0          |
| <b>Nominal diameter</b>                                   |           |            |
| <i>Material 1.4571/316 Ti</i>                             |           |            |
| DN 15 (1/2")  |           | AA         |
| DN 20 (3/4")  |           | BA         |
| DN 25 (1")  |           | CA         |
| DN 32 (1 1/4")  |           | DA         |
| DN 40 (1 1/2")  |           | EA         |
| DN 50 (2")  |           | FA         |
| DN 65 (2 1/2")  |           | GA         |
| DN 80 (3")  |           | HA         |
| DN 100 (4")   |           | JA         |
| DN 125 (5")   |           | KA         |
| DN 150 (6")   |           | LA         |
| DN 200 (8")   |           | MA         |
| DN 250 (10")  |           | NA         |
| DN 300 (12")  |           | PA         |
| DN 350 (14")  |           | QA         |
| DN 400 (16")  |           | RA         |
| DN 500 (20")  |           | SA         |
| DN 600 (24")  |           | TA         |
| DN 700 (28")  |           | UA         |
| DN 800 (32")  |           | VA         |
| DN 900 (36")  |           | WA         |
| DN 1000 (40")   |           | XA         |
| Other nominal diameters:<br>specify in plain text         |           | ZA J 1 Y   |
| <i>Material Hastelloy C4/2.4610</i>                       |           |            |
| DN 15 (1/2")  |           | AB         |
| DN 20 (3/4")  |           | BB         |
| DN 25 (1")  |           | CB         |
| DN 32 (1 1/4")  |           | DB         |
| DN 40 (1 1/2")  |           | EB         |
| DN 50 (2")  |           | FB         |
| DN 65 (2 1/2")  |           | GB         |
| DN 80 (3")  |           | HB         |
| DN 100 (4")   |           | JB         |
| DN 125 (5")   |           | KB         |
| DN 150 (6")   |           | LB         |
| DN 200 (8")   |           | MB         |
| DN 250 (10")  |           | NB         |
| DN 300 (12")  |           | PB         |
| DN 350 (14")  |           | QB         |
| DN 400 (16")  |           | RB         |
| DN 500 (20")  |           | SB         |
| DN 600 (24")  |           | TB         |
| Other nominal diameters:<br>specify in plain text         |           | ZB J 1 Y   |
| <b>Flange design</b>                                      |           |            |
| Flange to DIN   |           | 1          |
| Flange to ANSI  |           | 2          |
| Flange to JIS   |           | 3          |

| Selection and Ordering data  | Order code |
|--|------------|
| <b>Additional information</b>  |            |
| Please add "-Z" to Order No. and specify Order code(s) and plain text. |            |
| Special design, specify quotation No./date in plain text               | Y99        |

| Selection and Ordering data  | Order No. | Order code |
|--|-----------|------------|
| <b>SITRANS F M Transmag 2 and<br/>sensor 911/E</b>   | 7ME5930 - |            |
| <b>Cable for remote versions</b>   |           |            |
| • Without cable  |           | 0 A        |
| • Suitable for sensor 911/E with alternating field, IP67<br>Magnet current cable 3 x 1.0 mm <sup>2</sup><br>(3 x 0.0016 inch <sup>2</sup> ), electrode/reference cable 7 x 0.5 mm <sup>2</sup> (7 x 0.0008 inch <sup>2</sup> ) |           |            |
| - Length: 5 m (16.4 ft)  |           | 5 B        |
| - Length: 10 m (32.8 ft)   |           | 5 C        |
| - Specify other length: in plain text  |           | 5 Z        |
| <b>Later 3-point calibration certificate for<br/>SITRANS F M</b>   |           |            |
| • Without  |           | A          |
| • For SITRANS 911E up to DN 600, 24"<br>(please specify Comm.-No. in plain text)   |           | B          |
|  |           | J 1 Y      |

| Selection and Ordering data  | Order code |
|--|------------|
| <b>Additional information</b>  |            |
| Please add "-Z" to Order No. and specify Order code(s) and plain text. |            |
| Tag plate of stainless steel   |            |
| • Y30 - tag number (max. 16 digits, specify in plain text)             | Y17        |
| • Special design, specify quotation No./date in plain text             | Y99        |

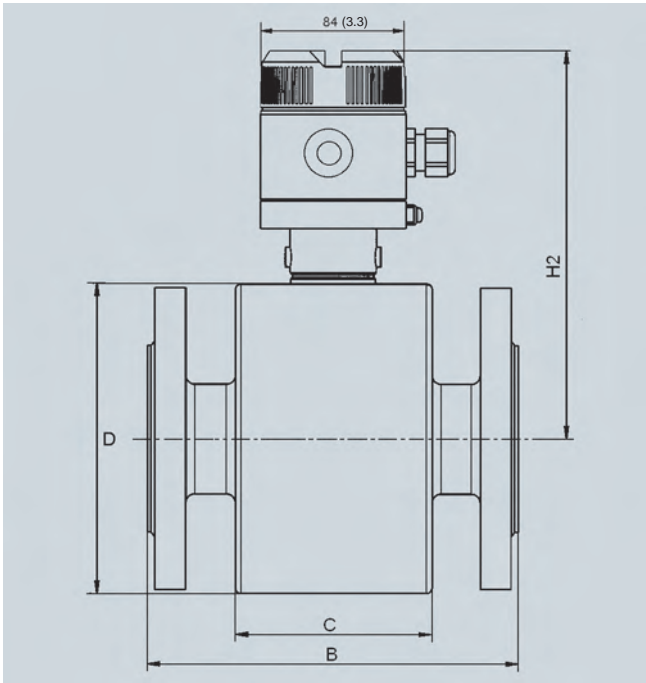
# SITRANS F flowmeters

## SITRANS F M

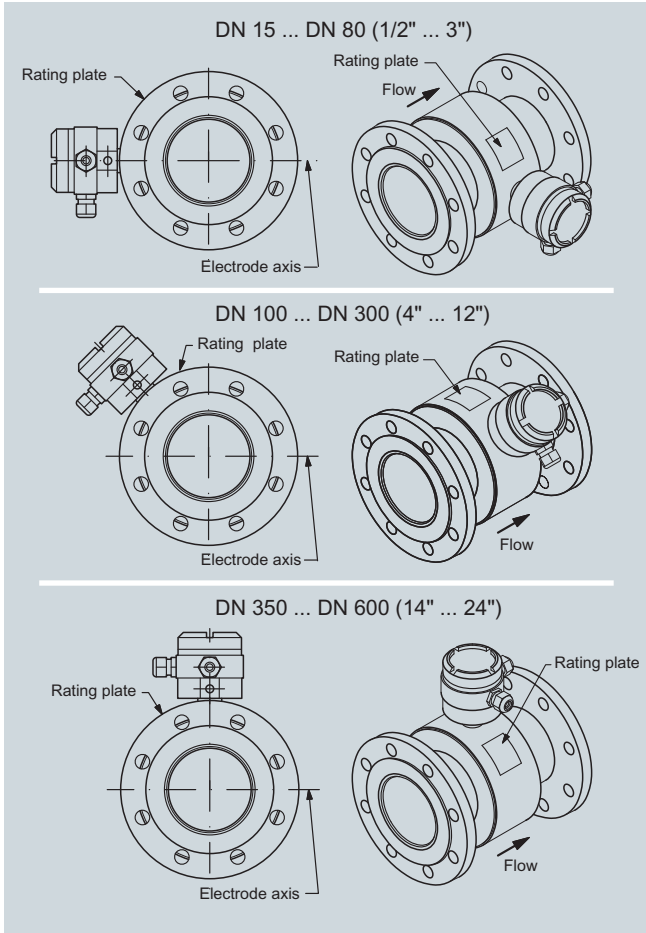
### Transmitter Transmag 2 with sensor 911/E

#### Dimensional drawings

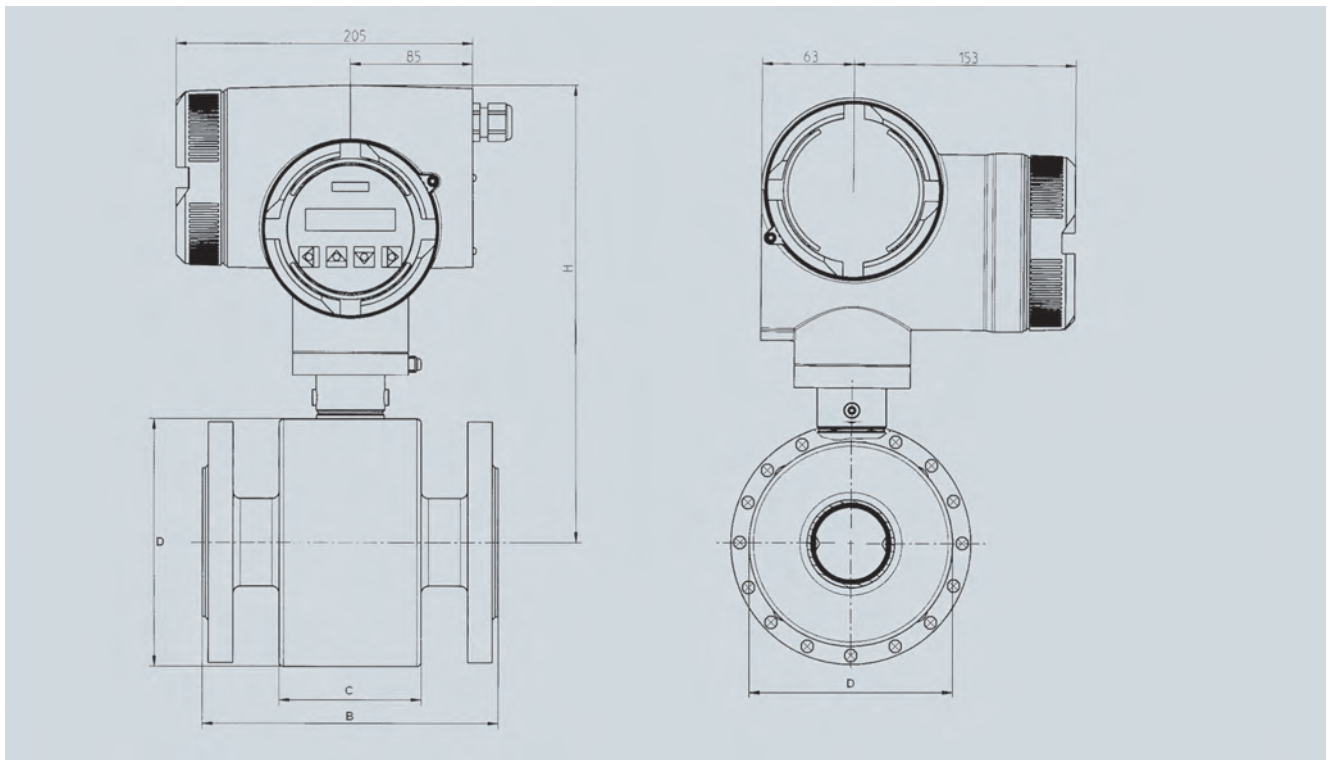
92



SITRANS F M flow sensor 911/E, remote version, dimensions in mm (inches)



Electrode placement



SITRANS F M flow sensor 911/E, compact version, dimensions in mm (inches)

Build-in length 911/E [in mm and inches]

| Nominal diameter   | DN 15                           | DN 20 | DN 25  | DN 32   | DN 40  | DN 50   | DN 65   | DN 80   | DN 100  | DN 125  | DN 150  | DN 200  | DN 250  | DN 300  | DN 350  | DN 400  | DN 500  | DN 600  |       |         |  |     |  |     |  |
|--|---------------------------------|-------|--------|---------|--------|---------|---------|---------|---------|---------|---------|---------|---------|---------|---------|---------|---------|---------|-------|---------|--|-----|--|-----|--|
|  | ½"                              | ¾"    | 1"     | 1 ¼"    | 1 ½"   | 2"      | 2 ½"    | 3"      | 4"      | 5"      | 6"      | 8"      | 10"     | 12"     | 14"     | 16"     | 20"     | 24"     |       |         |  |     |  |     |  |
|  | Build-in length B <sup>1)</sup> |       |        |         |        |         |         |         |         |         |         |         |         |         |         |         |         |         |       |         |  |     |  |     |  |
| Hard rubber version                                      |                                 |       |        | 280     |        | 330     |         | 340     |         | 370     |         | 410     |         | 470     |         | 500     |         | 550     |       | 600     |  | 650 |  | 780 |  |
| Soft rubber / neopren version                            |                                 |       |        | 280     |        | 330     |         | 340     |         | 370     |         | 410     |         | 470     |         | 500     |         | 550     |       | 600     |  | 650 |  | 780 |  |
| PTFE-liner without protection washers                    |                                 |       |        | 280     |        | 330     |         | 340     |         | 370     |         | 410     |         | 470     |         | 500     |         | 550     |       | 600     |  | 650 |  | 780 |  |
| PTFE-liner with protection washers                       |                                 |       |        | 280     |        | 330     |         | 340     |         | 370     |         | 410     |         | 470     |         | 500     |         | 550     |       | 600     |  | 650 |  | 780 |  |
| Novolak-version  |                                 |       |        |         |        | 275     | 325     | 335     | 333     | 362     |         |         | 401     | 460     | 489     | 538     | 588     | 638     | 772   |         |  |     |  |     |  |
|  | Dimensions of sensor housing    |       |        |         |        |         |         |         |         |         |         |         |         |         |         |         |         |         |       |         |  |     |  |     |  |
| Housing width C  | 170                             |       |        |         |        |         |         |         |         |         |         | 240     |         | 306     |         | 360     |         | 412     |       | 552     |  |     |  |     |  |
|  | (6.69)                          |       |        |         |        |         |         |         |         |         |         | (9.45)  |         | (12.05) |         | (14.17) |         | (16.22) |       | (21.73) |  |     |  |     |  |
| Height H with compact version                            | 281                             |       |        |         |        | 285     | 291     | 298     | 314     | 326     | 345     | 371     | 408     | 441     | 553     | 578     | 633     | 688     |       |         |  |     |  |     |  |
|  | (11.06)                         |       |        |         |        | (11.22) | (11.46) | (11.73) | (12.36) | (12.83) | (13.58) | (14.61) | (16.06) | (17.36) | (21.77) | (22.76) | (24.92) | (27.09) |       |         |  |     |  |     |  |
| Height H2 with remote version                            | 175                             |       |        |         |        | 180     | 187.5   | 195     | 215     | 230     | 252.5   | 285     | 330     | 370     | 347     | 372     | 424     | 477     |       |         |  |     |  |     |  |
|  | (6.89)                          |       |        |         |        | (7.08)  | (7.38)  | (7.68)  | (8.46)  | (9.06)  | (9.94)  | (11.22) | (12.99) | (14.57) | (13.66) | (14.65) | (16.69) | (18.78) |       |         |  |     |  |     |  |
| Housing diameter D                                       | 135                             |       |        | 169     |        | 184     | 249     | 274     |         | 298     | 324     | 394     | 442     | 492     | 469     | 536     | 631     | 746     |       |         |  |     |  |     |  |
|  | (5.315)                         |       |        | (6.654) |        | (7.244) | (9.803) | (10.79) |         | (11.73) | (12.76) | (15.51) | (17.40) | (19.37) | (18.46) | (21.10) | (24.84) | (29.37) |       |         |  |     |  |     |  |
| Weight of PN10 Version in kg (MWP 145 psi version in lb) | 8.0                             |       | 8.5    |         | 11.0   | 11.5    | 25.0    | 26      | 28      |         | 34      | 38      | 68      | 80      | 90      | 110     | 150     | 210     | 370   |         |  |     |  |     |  |
|  | (17.6)                          |       | (18.7) |         | (24.3) | (25.4)  | (55.1)  | (57.3)  | (61.7)  |         | (75.0)  | (83.8)  | (149.9) | (176.4) | (198.4) | (242.5) | (330.7) | (463)   | (860) |         |  |     |  |     |  |

<sup>1)</sup> Tolerance for build-in length: B + 0.0 mm (0.00 inches) /- 4.0 mm (-0.157 inches).  
With protection rings or washers for > DN25 + 6.0 mm, > DN200 + 10.0 mm (> 1" + 0.236 inches. > 8" + 0.394 inches)

# SITRANS F flowmeters

## SITRANS F M

Battery operated water meter  
MAG 8000/MAG 8000 CT

### Overview



MAG 8000 is a battery powered electromagnetic water meter designed according to the global water meter standard OIML R 49 and the European CEN EN 14154. The meter fulfills the special customer demands to water applications within abstraction, distribution network, revenue metering as well as irrigation. All functionalities integrated in one meter to optimize water supply and use of highly scanty resources.

MAG 8000 is a comprehensive meter which intelligent information and high performance measurement as well as the easy to install concept take cost of ownership and customer service to a new level for water meter.

Features like 6 years maintenance-free battery-powered operation and no moving parts provide long-term accuracy measurement.

### Benefits

Easy to install

- Compact or remote solution with factory mounted cable
- IP68/NEMA 6P enclosure. Sensor can be buried
- Flexible power supply - internal or external battery pack or mains power supply with battery back-up possibilities

Superior measurement

- Down to 0.2% maximum uncertainty
- OIML R 49 type approval
- Bi-directional measurement

Long lasting performance/Cost of Ownership

- Verification according to Directive 2004/22/EC of the European Parliament and Council of March 31, 2004 on measuring instruments (MID), Annex MI-001
- No moving parts means less wear and tear
- 6 years operation in typical revenue application
- Robust construction build for the application

Intelligent information, easy to access

- Advanced information on site
- Data logger for consumption profile
- Advanced statistics and diagnostics
- Add-on communication module

### Application

MAG 8000 has been developed as a stand alone water meter for applications within:

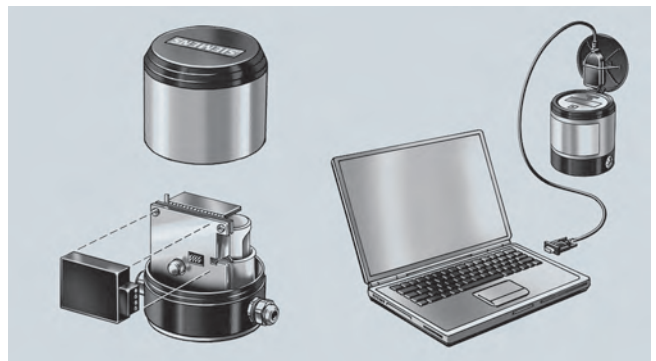
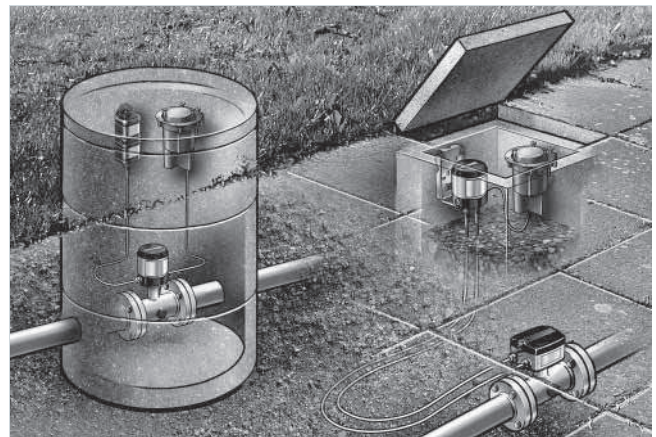
- Abstraction
- Distribution network (from treatment plant to customer)
- Revenue metering (measuring water delivered for billing purpose)
- Irrigation (measuring water delivered for billing purpose and water consumption)

### Design

MAG 8000 is designed according to OIML R 49 and CEN EN 14154 water meter standards with focus on minimized power consumption.

The product program consists of

- Basic version: For general water applications
- Advanced version: With advanced information and functionality.
- A Custody Transfer version for water billing, with type approval after OIML R 49 and verified according to MI-001 for DN 50 to DN 300
- Sensor sizes from DN 25 to 1200 (1" to 48")
- Compact and remote installation in IP68/NEMA 6P enclosure and factory mounted cable
- Flexible power supply; internal or external battery pack or mains power supply with battery back-up possibilities
- Add-on communication modules
- PC configuration SIMATIC PDM and Flow Tool PC configuration software
- Customer setting from factory



Add-on communication module (left), PC-IrDA connection (right)



#### Function

MAG 8000 is a microprocessor-based water meter with graphical display and key for optimum customer operation and information on site. The transmitter drives the magnetic field in the sensor, evaluates the flow signal from the sensor and calculates the volume passing through. It delivers the required information via the integrated pulse output or communication interfaces as part of a system solution. Its intelligent functionality, information and diagnostics ensure optimum meter performance and information to optimize water supply and billing.



MAG 8000 can be ordered as a Basic or an Advanced version. The Basic version is selected for general water applications whereas the Advanced version is for more advanced functionality and information. Both versions are configured to achieve 6 years battery operation in typical revenue applications.

MAG 8000 CT is identical to the Basic and the Advanced versions. Only difference is that revenue parameters and data are protected against manipulation. The Custody Transfer version also includes additional labels, verification and user sealings to verify the CT meter according to MID.

Some information is accessible via the display whereas all information is accessible via the IrDA and communication interface with the PC Flow Tool or PDM software. Data and parameters are registered in a EEPROM. They can all be read, but changing the information demands a software password or a hardware key attached to the printed circuit board.

| Features / Version  | MAG 8000 Basic                        | MAG 8000 Advanced                             |
|---|---------------------------------------|---|
| Measuring frequency in battery power mode (Manually selected) | 1/15, 1/30 or 1/60 Hz                 | from 6.25 to 1/60 Hz depending of sensor size |
| Output MAG 8000   | 2 FW/RV/AI/CA (max. 50 Hz pulse rate) | 2 FW/RV/AI/CA (max. 100 Hz pulse rate)        |
| Output MAG 8000 CT  | 2 FW/AI (max. 50 Hz pulse rate)       | 2 FW/AI (max. 100 Hz pulse rate)              |
| Communication   | Add-on                                | Add-on  |
| Data logger   | Yes                                   | Yes   |
| Insulation test   | -                                     | Yes   |
| Leakage detection   | -                                     | Yes   |
| Meter utilization   | -                                     | Yes   |
| Statistics  | -                                     | Yes   |
| Tariff  | -                                     | Yes   |
| Settle date (Revenue)   | -                                     | Yes   |

#### Technical specifications

##### Meter

Accuracy MAG 8000

- Standard calibration  $\pm 0.4\%$  of rate  $\pm 2\text{mm/s}$
- Extended calibration (2" ... 12"):  $\pm 0.2\%$  of rate  $\pm 2\text{mm/s}$   
dimensions DN 50 ... DN 300

Accuracy MAG 8000 CT

- Custody transfer
  - OIML R 49 for DN 50 ... DN 300, Class 1 and 2 with turn down up to Q3/Q1 = 400 at Q2/Q1 = 1.6
  - MI-001 verification for DN 50 ... DN 300, Class 2 with turn down ratio Q3/Q1 = 80, Q3/Q1 = 63 or Q3/Q1 = 25 at Q2/Q1 = 6.3

Media conductivity

Clean water > 20  $\mu\text{s/cm}$

Temperature MAG 8000

- Ambient -20 ... +60 °C (-4 ... +140 °F)
- Media 0 ... 70 °C (32 ... 158 °F)
- Storage -40 ... +70 °C (-22 ... +158 °F)

Temperature MAG 8000 CT

- Ambient -20 ... +60 °C (-4 ... +140 °F)
- Media 0.1 ... 30 °C (32 ... 70 °F)
- Storage -40 ... +70 °C (-22 ... +158 °F)

Enclosure

- IP68/NEMA 6P rating; Cable glands mounted requires Sylgard potting kit to remain IP68/NEMA 6P, otherwise IP67/NEMA 4 rating is obtained; Factory mounted cable provides IP68/NEMA 6P rating

Approvals MAG 8000

##### Drinking water approval

- NSF/ANSI Standard 61 (cold water) USA,
- WRAS (BS 6920 cold water) UK,
- ACS Listed France,
- DVGW W270 Germany,
- Belaqua (B)
- OIML R 49 pattern approval

Approvals MAG 8000 CT

##### Drinking water approval

- NSF/ANSI Standard 61 (cold water) USA,
- WRAS (BS 6920 cold water) UK,
- ACS Listed France,
- DVGW W270 Germany,
- Belaqua (B)
- OIML R 49 pattern approval
- MI-001 approval (Number: DK-0200-MI-001-002)

Conformity

- CEN EN 14154, ISO 4064
- PED: 97/23EC
- EMC: EN 61000-6-3, EN 61000-6-2, EN 61326-1

##### Sensor

Size, flange and pressure range MAG 8000

- EN 1092-1 (DIN 2501)
  - DN 25 and DN 40: PN 40
  - DN 50 ... 150: PN 16
  - DN 200 ... 1200: PN 10 or PN 16
- ANSI 16.5 Class 150 lb 1" ... 24": 20 bar (290 psi)
- AS 4087 DN 50 ... 1200: PN 16

Size, flange and pressure range MAG 8000 CT

- EN 1092-1 (DIN 2501)
  - DN 50 ... 300: PN 16
- ANSI 16.5 Class 150 lb 2" ... 12": 230 psi

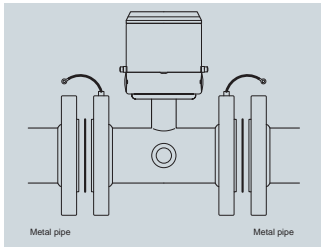
# SITRANS F flowmeters

## SITRANS F M

### Battery operated water meter MAG 8000/MAG 8000 CT

#### Sensor (continued)

- AS 4087
- Max. excitation frequency (Transmitter decide the selected excitation frequency)
- 6.25 Hz for sensor size DN 25 ... 150 (1" ... 6")
  - 3.125 Hz for sensor size DN 200 ... 600 (9" ... 24")
  - 1.5625 Hz for sensor size DN 700 ... DN 1200 (28" ... 48")
- Liner EPDM
- Electrode and grounding electrodes Hastelloy C276



Grounding straps are pre-mounted from the factory on each side of the sensor.

#### Transmitter

- Installation MAG 8000
- Integral (compact) or remote with factory mounted cable in 5, 10, 20 or 30 m lengths with IP68/NEMA 6P connectors. Connection is made at the transmitter bottom.
- Installation MAG 8000 CT
- Integral (compact) or remote with factory mounted cable in 5 or 10 m lengths with IP68/NEMA 6P connectors. Connection is made at the transmitter bottom
- MI-001 verified meters only Integral (compact) mounted.
- Enclosure
- Stainless steel top housing (AISI 316) and coated brass bottom. Remote wall mount bracket in stainless steel (AISI 304).
- Cable entries
- 2 x M20 (one gland for one cable of size 6 ... 8 mm (0.02 ... 0.026 ft) is included in the standard delivery)
- Display and key
- Display with 8 digits for main information. Index, menu and status symbols for dedicated information
  - Key for toggling through the information and reset customer totalizer and call-up function
  - Selectable default information and accessible menus:
    - Operator
    - Meter
    - Service
    - Data Logger
    - Statistic and leakage (only Advanced version)
    - Revenue and Tariffs (only Advanced version)
  - Totalized information can be displayed with 1, 2, 3 decimals or automatic adjustment for maximum resolution

#### Flow unit MAG 8000

- Europe std. Volume in m<sup>3</sup> and flow rate in m<sup>3</sup>/h
- US std. Volume in Gallon and flow rate in GPM
- Australian std. Volume in Ml and flow rate as Ml/d

#### Other units selectable:

- Volume: m<sup>3</sup> x 100, l x 100, G x 100, G x 1000, MG, CF x 100, CF x 1000, AF, Al, kl
- Flow: m<sup>3</sup>/min, m<sup>3</sup>/d, l/s, l/min, GPS, GPH, GPD, MGD, CFS, CFM, CFH
- Other units are ordered from factory or manually configured on-site by sticking a label on the display and changing the scaling factors

#### Flow unit MAG 8000 CT

- Europe std.

#### Digital output MAG 8000

#### Volume in m<sup>3</sup> and flow rate in m<sup>3</sup>/h

- 2 passive outputs (MOS), individual galvanically isolated
- Maximum load ± 35 V DC, 50 mA short circuit protected
- Output A function Programmable as pulse volume – forward – reverse – forward/net – reverse/net
- Output B function Programmable as pulse volume (like output A), alarm or call-up
- Output Max. pulse rate of 50 Hz (only Basic version) and 100 Hz (only Advanced version), pulse width of 5, 10, 50, 100, 500 ms

#### Digital output MAG 8000 CT

- 2 passive outputs (MOS), individual galvanically isolated
- Maximum load ± 35 V DC, 50 mA short circuit protected
- Output A function Programmable as pulse volume – forward
- Output B function - Alarm
- Output Max. pulse rate of 50 Hz (only Basic version) and 100 Hz (only Advanced version), pulse width of 5, 10, 50, 100, 500 ms

#### Communication

IrDA: Standard integrated infrared communication interface with MODBUS RTU protocol

#### Add-on modules:

- RS 232 serial interface with MODBUS RTU (Rx/Tx/GND), point to point with max. 15 m cable
- RS 485 serial interface with MODBUS RTU (+/-/GND), multi-drop with up to 32 devices with max. 1000 m cable

MODBUS RTU protocol is an open protocol (further information available on request) Serial speed 1200, 2400, 4800, 9600, 19200, 38400 Baud

|              |  |
|--------------|--|
| Power supply | <p>Auto detection of power source with display symbol for operation power.</p> <p>Internal battery pack: 2 D-Cell 3.6 V/33 Ah</p> <p>External battery pack: 4 D-Cell 3.6 V/66 Ah</p> <p>Mains Power supply:</p> <ul style="list-style-type: none"> <li>• 12 ... 24 V AC/DC (10 ... 32 V) 2 VA</li> <li>• 115 ... 230 V AC (85 ... 264 V) 2 VA</li> </ul> <p>Both mains power supply systems are upgradable for battery backup via internal D-Cell (3.6 V 16.5 Ah) or external battery pack. The power supply has 3 m (9.8 ft) power cable for external connection to mains supply.</p> |
|--------------|--|

### Features

#### Application Identification

Tag number (visible on display if numbers are selected) and meter location, up to 15 characters per information.

#### Time and date

Real time clock and date (max. 15 min. change per year)

#### Totalizer MAG 8000

- 2 totalizer: Forward, Reverse, Bidirectional netflow calculation and free selectable start value.
- 1 customer totalizer, following totalizer 1 setting and resettable via display key or software with logging of date and time.

#### Totalizer MAG 8000 CT

- 2 totalizer: Forward
- 1 customer totalizer, following totalizer 1 setting and resettable via display key or software with logging of date and time.

#### Measurement MAG 8000

- Free selectable volume and flow unit, where  $m^3$  and  $m^3/h$  is default in display. All other units are displayed with a display label.
- Excitation frequency in battery operation (manually selected):
  - Basic, max. selectable excitation frequency of 1/15 Hz
  - Advanced, max. selectable excitation frequency of 6.25 Hz and sensor related
  - Default excitation frequency is selected for typically 6 years operation in a revenue application;
    - 1/15 Hz for DN 25 ... 150 (1" ... 6")
    - 1/30 Hz for DN 200 ... 600 (8" ... 24")
    - 1/60 Hz for DN 700 ... 1200 (28" ... 48")
- Excitation frequency with mains power follow maximum sensor excitation frequency
- Filter constant is adjustable
- Low flow cut off, % of  $Q_n$  (Q3)
- Empty pipe detection (active symbol on display when active)
- Filter selection for mains power frequency (50/60 Hz)
- Correction factor for change flow direction or to adjust flow measurement

#### Measurement MAG 8000 CT

- Volume and flow unit, is  $m^3$  and  $m^3/h$  as default in the display, if the meter has to obtain the MI-001 certification
- Excitation frequency in battery operation (manually selected):
  - Basic, max. selectable excitation frequency of 1/15 Hz
  - Advanced, max. selectable excitation frequency of 6.25 Hz and sensor related
  - Default excitation frequency is selected for typically 6 years operation in a revenue application;
    - 1/15 Hz for DN 25 ... 150 (1" ... 6")
    - 1/30 Hz for DN 200 ... 600 (8" ... 24")
- Low flow cut-off, % of  $Q_n$  (Q3)
- Empty pipe detection (active symbol on display when active)
- Filter selection for mains power frequency (50/60 Hz)

#### Data logger

- Logging of 26 records: selectable as daily, weekly or monthly logging
- Each logging includes:
  - Consumption on totalizer 1
  - Consumption on totalizer 2
  - Alarm in current period (13 alarms)
  - Meter status (8 values)
- Alarm on high or low consumption for selected logging period
- Totalizer 1 values for all 26 periods can be read on the display

#### Alarm

- Active alarm is indicated on the display
- Monitoring of all alarms with statistic recording on each alarm
  - Total hours an alarm has been active
  - Numbers of time the alarm has been activated
  - First time an alarm appears
  - Last time the alarm disappears
- Fatal faults is monitored before each measurement and interrupt the measurement, if active
  - Signal insulation – Flow signal immunity is influenced (only Advanced version)
  - Coil current – Fault in driving magnetic sensor field
  - Amplifier – Fault in signal circuit
  - Check sum – Fault in calculation or handling of data
- Warning faults
  - Low Power – customer selectable battery alarm level or power drop out
  - Flow overflow – Flow in sensor exceeds  $Q_{max}$  (Q4) (125%  $Q_n$  (Q3))
  - Pulse overflow on output A and B – Selected pulse volume is too small compared to actual flow rate and max. output pulse rate.
  - Consumption – saved data logger consumption exceeds customer selected limit on high or low consumption
  - Leakage – Leakage detected based on customer settings (only Advanced version)
  - Empty pipe – no water in the pipe / sensor
  - Low impedance - measured electrode impedance below customer low impedance level
  - Flow limit – actual flow exceeds selected high flow limited

#### Meter status (tamper monitoring of revenue data)

Monitoring of important revenue parameters and data

- Changing totalizers 1 and 2
- Changing Tariff totalizer
- Changing Tariff settings
- Changing date and time
- Alarm has been active (see alarm log for details)
- Fault log has been reset
- Hardware parameter protection has been broken
- Meter has been repowered

#### Data protection

- All data stored in an EEPROM. Totalizers 1 and 2 are backed up every 10 min, statistic every hour and power consumption and temperature measurement every 4 hour.
- Password protection of all parameters and hardware protection of calibration and revenue parameters.

#### Battery power management

- Optimal battery information on remaining capacity.
- Calculated capacity includes all consuming elements and available battery capacity is adjusted related to change in ambient temperature.
- Numbers of power-ups
- Date and time registered for first and last time power alarm.



# SITRANS F flowmeters

## SITRANS F M

### Battery operated water meter MAG 8000/MAG 8000 CT

#### Diagnostic

- Continuous self test including
  - Coil current to drive the magnetic field
  - Signal input circuit
  - Data calculation, handling and storing
- Features
  - Alarm statistics and logging for fault analyzing
  - Electrode impedance to check actual media contact
  - Flow simulation to check pulse and communication signal chain for correct scaling
  - Number of sensor measurements (excitations)
  - Transmitter temperature (battery capacity calculation)
  - Low impedance alarm for change in media
  - Flow alarm when defined high flow exceeds
  - Verification mode for fast measure performance check
- Advanced version includes
  - Insulation „Cross-Talk“ test
  - Meter utilization
  - Consumption profile
  - Statistic flow and consumption data

#### Insulation test (only Advanced version)

Test of signal immunity against disturbance and bad installation. Test interval is selectable and measurement is interrupted during the test period of 4 min.

#### Leakage detection (only Advanced version)

Monitoring the lowest flow or volume during selected time window within 24 hours. Leakage is detected over a selectable period where monitored value exceed the possible leakage level. Min and max values are stored with date registration. Last store value visible on the display.

#### Meter Utilization (only Advanced version)

6 registers for monitoring total time the meter has operated in different flow intervals. Registered intervals are free selectable as % of  $Q_n$  (Q3)

#### Tariff (only Advanced version)

6 tariff registers count the volume delivered within the selected tariff windows, based on time of day or flow rates or a combination.

Tariff can also be used for consumption profile where consumption is related to different time intervals or flow rates.

Tariff values visible on the display.

#### Settling date (only Advanced version)

On a predefined date the totalizer 1 index value is stored. Old values are stored to show the latest two totalized 1 index values.

Settling values visible on the display.

#### Statistic (only Advanced version)

- Min. flow rate with time and date registration
- Max. flow rate with time and date registration
- Min. daily consumption with date registration
- Max. daily consumption with date registration
- Latest 7 days total and daily consumption
- Actual month consumption
- Latest month consumption

#### **PC Configuration Software**

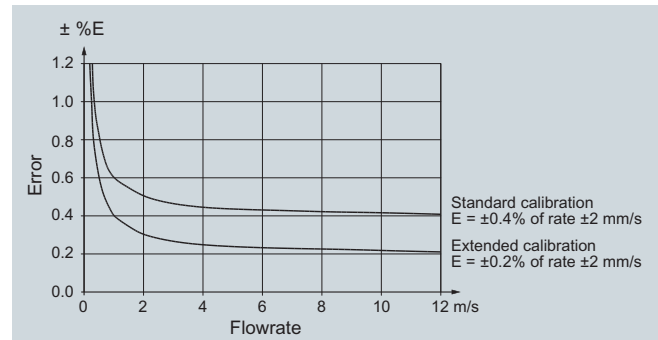
- Flow Tool for parameter configuration and data collection via IrDA interface (free download from internet).
  - Meter configuration – online and offline mode
  - Own parameter settings
  - Parameter documentation
  - Print and export of data and parameters
- Flow Tool meter device drivers version 1.0
  - Versions 1.0, 2.0 and 3.0
  - Latest version downloadable from the Internet
- PDM 6.0 Service Pack 2 – Basic and Online version

#### MAG 8000 water meter uncertainty

To ensure continuous accurate measurement, water meters must be calibrated. Calibration is conducted at SIEMENS flow facilities accredited according to ISO/IEC 17025 by DANAK and UKAS.

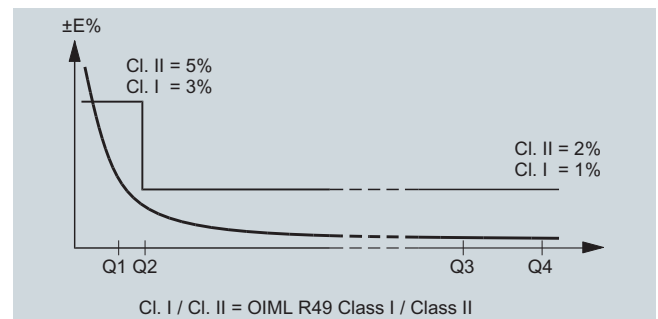
The accreditation bodies DANAK and UKAS have signed the ILAC MRA agreement (International Laboratory Accreditation Cooperation - Mutual Recognition Arrangement). Therefore the accreditation ensures international traceability and recognition of the test results in 39 countries world wide, including US (NIST traceability).

The selected calibration determines the accuracy of the meter. A standard calibration results in max  $\pm 0.4\%$  uncertainty and an extended calibration  $\pm 0.2\%$ . A calibration certificate follows every sensor and calibration data are stored in the meter unit.



#### MAG 8000 CT (Revenue program) water meter type approval

MAG 8000 CT program is type approved and verified according to international water meter standard OIML R 49. The Custody Transfer program is approved as Class I and Class II, for the sensor program from DN 50 to DN 300, at different Q3 and Q3/Q1. Q2/Q1 = 1.6 and follows standard OIML R 49 specification.



#### OIML R 49 Pattern approval specification for Class I (1%)<sup>1)</sup>

| Size             | 50 (2")   | 65 (2½")   | 80 (3")    | 100 (4")   | 125 (5")   | 150 (6")   | 200 (8")    | 250 (10")   | 300 (12")   |
|------------------|-----------|------------|------------|------------|------------|------------|-------------|-------------|-------------|
| „R“ Q3/Q1        | 250       | 250        | 250        | 250        | 250        | 250        | 250         | 250         | 160         |
| Q4 [m³/h]        | 78.75     | 125        | 200        | 312.5      | 500        | 787.5      | 1250        | 2000        | 2000        |
| <b>Q3 [m³/h]</b> | <b>63</b> | <b>100</b> | <b>160</b> | <b>250</b> | <b>400</b> | <b>630</b> | <b>1000</b> | <b>1600</b> | <b>1600</b> |
| Q2 [m³/h]        | 0.40      | 0.64       | 1.00       | 1.60       | 2.50       | 4.00       | 6.40        | 10.0        | 16.0        |
| Q1 [m³/h]        | 0.25      | 0.40       | 0.63       | 1.00       | 1.60       | 2.50       | 4.00        | 6.40        | 10.0        |

#### OIML R 49 Pattern approval specification for Class II (2%)<sup>1)</sup>

| Size             | 50 (2")   | 65 (2½")   | 80 (3")    | 100 (4")   | 125 (5")   | 150 (6")   | 200 (8")    | 250 (10")   | 300 (12")   |
|------------------|-----------|------------|------------|------------|------------|------------|-------------|-------------|-------------|
| „R“ Q3/Q1        | 400       | 400        | 400        | 400        | 400        | 400        | 400         | 400         | 250         |
| Q4 [m³/h]        | 78.75     | 125        | 200        | 312.5      | 500        | 787.5      | 1250        | 2000        | 2000        |
| <b>Q3 [m³/h]</b> | <b>63</b> | <b>100</b> | <b>160</b> | <b>250</b> | <b>400</b> | <b>630</b> | <b>1000</b> | <b>1600</b> | <b>1600</b> |
| Q2 [m³/h]        | 0.25      | 0.40       | 0.63       | 1.00       | 1.60       | 2.50       | 4.00        | 6.40        | 10.0        |
| Q1 [m³/h]        | 0.16      | 0.25       | 0.40       | 0.63       | 1.00       | 1.60       | 2.5         | 4.0         | 6.4         |

<sup>1)</sup> The product will be delivered according to requested specifications, which may deviate from the specifications of the approval frame described in tables below.

#### MAG 8000 CT (Revenue program) MI-001

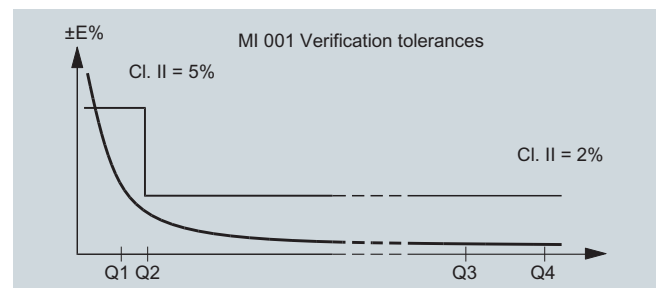
MAG 8000 CT program is type approved according to international water meter standard OIML R 49. Since the first November 2006 the MI-001 water meter directive is in force, which means that all water meters can be sold across the EU borders if the water meters contain a MI-001 label.

The MAG 8000 CT MI-001 verified and labeled products are a Class II approval according to Directive 2004/22/EC of the European Parliament and Council of March 31, 2004 on measuring instruments (MID), Annex MI-001 in the sizes from DN 50 to DN 300.

The MID certification is obtained as a modul B + D module approval according to the above mentioned directive.

Module B : Type approval according to OIML R 49

Module D : Quality insurance approval of production



# SITRANS F flowmeters

## SITRANS F M

### Battery operated water meter MAG 8000/MAG 8000 CT

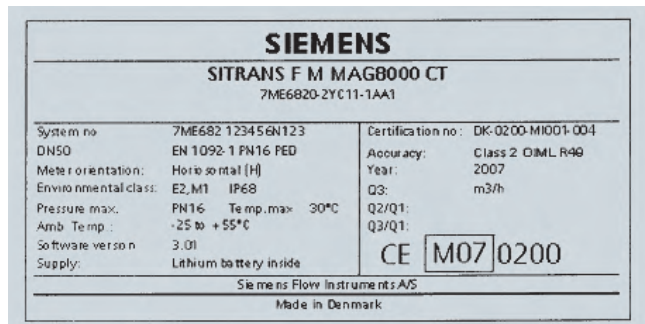
MAG 8000 CT MI-001 verified and labeled products at a given Q3 and Q3/Q4 = 1,25 and Q2/Q1 = 6,3 measuring ranges see below table:

| DN               | 50 (2")   | 65 (2½")  | 80 (3")   | 100 (4")  | 125 (5")   | 150 (6")   | 200 (8")   | 250 (10")  | 300 (12")  |
|------------------|-----------|-----------|-----------|-----------|------------|------------|------------|------------|------------|
| „R“ Q3/Q1        | 25        | 25        | 25        | 25        | 25         | 25         | 25         | 25         | 25         |
| Q4 [m³/h]        | 19        | 31        | 50        | 75        | 125        | 188        | 313        | 500        | 750        |
| <b>Q3 [m³/h]</b> | <b>15</b> | <b>25</b> | <b>40</b> | <b>60</b> | <b>100</b> | <b>150</b> | <b>250</b> | <b>400</b> | <b>600</b> |
| Q2 [m³/h]        | 3.78      | 6.30      | 10.1      | 15.1      | 25.2       | 37.8       | 63.0       | 100.8      | 151.2      |
| Q1 [m³/h]        | 0.60      | 1.00      | 1.60      | 2.40      | 4.0        | 6.0        | 10.0       | 16.0       | 24.0       |

| DN               | 50 (2")   | 65 (2½")  | 80 (3")   | 100 (4")  | 125 (5")   | 150 (6")   | 200 (8")   | 250 (10")  | 300 (12")  |
|------------------|-----------|-----------|-----------|-----------|------------|------------|------------|------------|------------|
| „R“ Q3/Q1        | 63        | 63        | 63        | 63        | 63         | 63         | 63         | 63         | 63         |
| Q4 [m³/h]        | 19        | 31        | 50        | 75        | 125        | 188        | 313        | 500        | 750        |
| <b>Q3 [m³/h]</b> | <b>15</b> | <b>25</b> | <b>40</b> | <b>60</b> | <b>100</b> | <b>150</b> | <b>250</b> | <b>400</b> | <b>600</b> |
| Q2 [m³/h]        | 1.50      | 2.50      | 4.0       | 6.0       | 10.0       | 15.0       | 25.0       | 40.0       | 60.0       |
| Q1 [m³/h]        | 0.24      | 0.40      | 0.63      | 0.95      | 1.59       | 2.38       | 3.97       | 6.35       | 9.52       |

| DN               | 50 (2")   | 65 (2½")  | 80 (3")   | 100 (4")  | 125 (5")   | 150 (6")   | 200 (8")   | 250 (10")  | 300 (12")  |
|------------------|-----------|-----------|-----------|-----------|------------|------------|------------|------------|------------|
| „R“ Q3/Q1        | 80        | 80        | 80        | 80        | 80         | 80         | 80         | 80         | 80         |
| Q4 [m³/h]        | 19        | 31        | 50        | 75        | 125        | 188        | 313        | 500        | 750        |
| <b>Q3 [m³/h]</b> | <b>15</b> | <b>25</b> | <b>40</b> | <b>60</b> | <b>100</b> | <b>150</b> | <b>250</b> | <b>400</b> | <b>600</b> |
| Q2 [m³/h]        | 1.18      | 1.97      | 3.15      | 4.73      | 7.88       | 11.81      | 19.69      | 31.50      | 47.25      |
| Q1 [m³/h]        | 0.19      | 0.31      | 0.50      | 0.75      | 1.25       | 1.88       | 3.13       | 5.00       | 7.50       |

The Label is placed on the side of the encapsulation. An example of the product label is shown below:

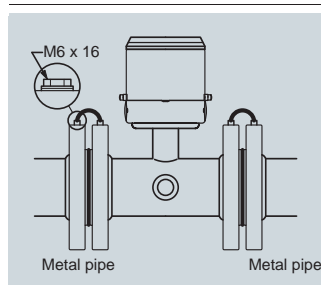


#### Installation conditions

Please refer to "System information SITRANS F M electromagnetic flowmeters".  
MAG 8000 CT has to be mounted in Integral (compact) and horizontal position only, to obtain the MI-001 certification.  
Battery packs must be installed with the top part in upwards direction to reach maximum capacity.

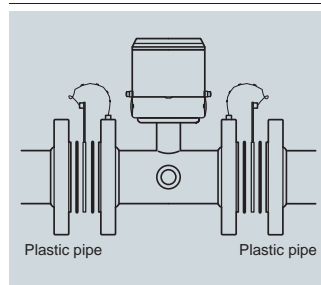
#### Bonding and grounding

The sensor body must be grounded using grounding/bonding straps and/or grounding rings to protect the flow signal against stray electrical noise and/or lightning. This ensures that the noise is carried through the sensor body and a noise-free measuring area within the sensor body.



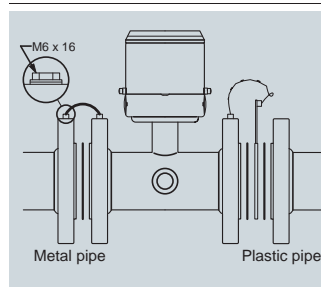
#### Metal pipelines

On metal pipelines, connect the straps to both flanges.



#### Plastic pipelines

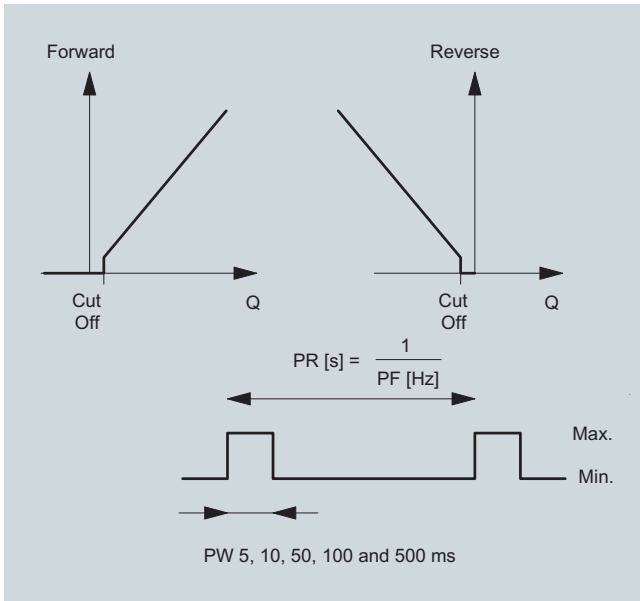
On plastic pipelines and lined metal pipes, optional grounding rings must be used at both ends.  
Grounding rings has to be ordered separately see „grounding ring KIT“



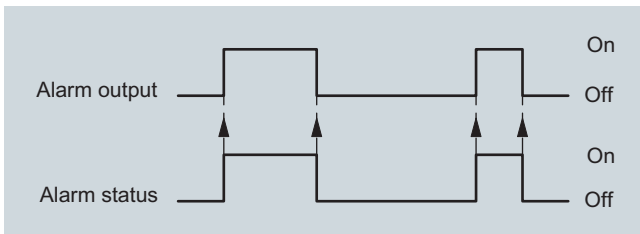
#### Combination of metal and plastic pipelines

A combination of metal and plastic requires straps for metal pipeline and grounding rings for plastic pipeline.

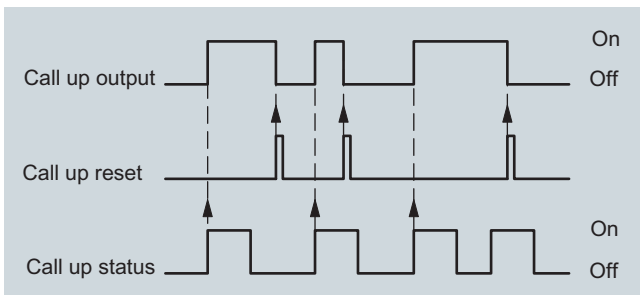
#### Output configuration MAG 8000



Pulse volume: Output A/B configured as volume per pulse, the output delivers a pulse when the preset volume has passed the selected direction, calculated on forward/reverse or Net forward/reverse flow. The volume per pulse is freely scalable, from 0.0001 to 10 000 meter-unit per pulse. PR = pulse rate and PF = pulse frequency.



Alarm: The alarm will follow the internal alarm status.



Call up: The "call-up" output is active until manually reset via key on display or via communication. The call-up function is activated when an alarm is activated.

MAG 8000 has a special net pulse output that includes bidirectional flow calculations. This is special for installations where the meter is connected to a system with only one input. The example shows that over time, the net pulse output indicates the bidirectional totalized meter calculations. Same principle for forward and reverse flow calculations.

| Flow   | Net totalizer in meter display (Bi-directional) | Pulse output forward Uni-directional mode |                  | Pulse output net forward Bi-directional mode |                  |
|--|---|---|------------------|--|------------------|
|  | Volume [m <sup>3</sup> ]                        | Internal calculation                      | Delivered volume | Internal calculation                         | Delivered volume |
|  | 0   | -   | 0                | 0  | 0                |
|  | 10  | -   | 10               | 0  | 10               |
|  | -2  | -   | 0                | -12  | 0                |
|  | 18  | -   | 20               | -12+20=                                      | 8                |
| Total accounted volume [m <sup>3</sup> ] Forward/reverse | 18F   | -   | 30F              |  | 18F              |

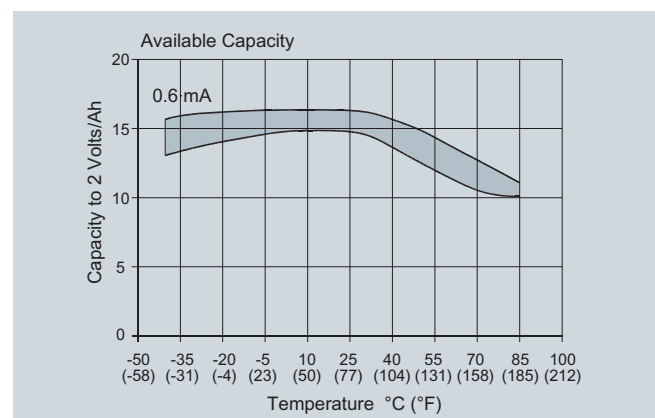
#### Output configuration MAG 8000 CT

MAG 8000 CT has same output functionality as MAG 8000, due to MI-001 is only forward flow (output A predefined) and output B as Alarm output available).

#### Battery operation time and calculation

The battery operation time depends on the connected battery pack as well as the operation condition of the meter. A program is available to calculate your expected operation time.

MAG 8000 calculates the remaining capacity every 4 hours and included all consuming elements. Calculation compensates for temperature influence on battery capacity (drawing).



# SITRANS F flowmeters

## SITRANS F M

### Battery operated water meter MAG 8000/MAG 8000 CT

The effect from other temperatures can be seen from the figure. A variation in temperature from 15 °C to 55 °C (59 to 131 °F) reduces the capacity by 17% in the table from 15 Ah to 12.5 Ah.

At typical revenue scenario of expected battery operation time can be seen in the table. For other scenario use the battery operation calculation program (Download from the Internet).

The measurement is only completed if the system has no active fatal faults or the empty pipe is active. Maximum battery specification is 10 years operation.

#### Scenario - Revenue application

|                     |   |
|---------------------|---|
| Output A            | Pulse rate max. 10 Hz   |
| Output B            | Alarm or call-up  |
| Meter dialog        | 1 hour per month  |
| Add-com             | None  |
| Temperature profile | <ul style="list-style-type: none"> <li>• 5% at 0 °C (32 °F)</li> <li>• 80% at 15 °C (59 °F)</li> <li>• 15% at 50 °C (122 °F)</li> </ul> |

| Excitation frequency (24 h operation)                 |                                   | 1/60 Hz  | 1/30 Hz  | 1/15 Hz  | 1/5 Hz    | 1.5625 Hz | 3.125 Hz | 6.25 Hz  |
|---|-----------------------------------|----------|----------|----------|-----------|-----------|----------|----------|
| Two D-Cell battery<br>33 Ah Internal<br>battery pack  | DN 25 ... 200<br>(1" ... 8")      | 8 years  | 8 years  | 6 years  | 40 months | 8 months  | 4 months | 2 months |
|   | DN 250 ... 600<br>(10" ... 24")   | 8 years  | 6 years  | 4 years  | 20 months | 4 months  | 2 months | NA       |
|   | DN 700 ... 1 200<br>(28" ... 48") | 6 years  | 4 years  | 2 years  | 1 year    | 2 months  | NA       | NA       |
| Four D-Cell battery<br>66 Ah External<br>battery pack | DN 25 ... 200<br>(1" ... 8")      | N/A      | 10 years | 10 years | 80 months | 16 months | 8 months | 4 months |
|   | DN 250 ... 600<br>(10" ... 24")   | N/A      | 10 years | 10 years | 40 months | 8 months  | 4 months | NA       |
|   | DN 700 ... 1 200<br>(28" ... 48") | 10 years | 8 years  | 4 years  | 2 years   | 4 months  | NA       | NA       |

External battery pack can be used as battery backup for mains power supply.

Serial RS 232/RS 485 add-on communication modules are designed for mains powered systems as the battery operation time will be reduced. At 1 hour communication per month (all meter data collected 2 times per day) and the module is connected, the operation time is reduced to:

- RS 232 at low excitation frequency to 10% and at high excitation frequency to 80% of calculated operation time
- RS 485 at low excitation frequency to 50% and at high excitation frequency to 90% of calculated operation time

# SITRANS F flowmeters

## SITRANS F M

Battery operated water meter  
MAG 8000/MAG 8000 CT

| Selection and Ordering data   | Order No.        |
|---|------------------|
| <b>SITRANS F M</b>  |                  |
| <b>MAG 8000 water meter</b>   | <b>7ME6810 -</b> |
| <b>Diameter</b>   |                  |
| DN 25 (1")  | 2 D              |
| DN 40 (1½")   | 2 R              |
| DN 50 (2")  | 2 Y              |
| DN 65 (2½")   | 3 F              |
| DN 80 (3")  | 3 M              |
| DN 100 (4")   | 3 T              |
| DN 125 (5")   | 4 B              |
| DN 150 (6")   | 4 H              |
| DN 200 (8")   | 4 P              |
| DN 250 (10")  | 4 V              |
| DN 300 (12")  | 5 D              |
| DN 350 (14")  | 5 K              |
| DN 400 (16")  | 5 R              |
| DN 450 (18")  | 5 Y              |
| DN 500 (20")  | 6 F              |
| DN 600 (24")  | 6 P              |
| DN 700 (28") <sup>4)</sup>  | 6 Y              |
| DN 750 (30") <sup>4)</sup>  | 7 D              |
| DN 800 (32") <sup>4)</sup>  | 7 H              |
| DN 900 (36") <sup>4)</sup>  | 7 M              |
| DN 1000 (40") <sup>4)</sup>   | 7 R              |
| DN 1050 (42") <sup>4)</sup>   | 7 T              |
| DN 1100 (44") <sup>4)</sup>   | 7 V              |
| DN 1200 (48") <sup>4)</sup>   | 8 B              |
| <b>Flange norm and pressure rating</b>  |                  |
| <u>EN 1092-1</u>  |                  |
| PN 10 (DN 200 ... 1200 (8" ... 48"))  | B                |
| PN 16 (DN 50 ... 1200 (2" ... 48"))   | C                |
| PN 16 none PED (DN 700 ... DN 1200 ( 28" ... 48"))                                  | D                |
| PN 40 (DN 25 ... 40 (1" ... 1½"))   | F                |
| <u>ANSI B16.5</u>   |                  |
| Class 150   | J                |
| <u>AS4087</u>   |                  |
| PN 16   | N                |
| <b>Sensor version</b>   |                  |
| EPDM liner and Hastelloy electrodes   | 3                |
| <b>Calibration</b>  |                  |
| Standard ± 0.4% of rate ± 2 mm/s  | 1                |
| Extended ± 0.2% of rate ± 2 mm/s DN 50 ... 300 (2" ... 12")                         | 2                |
| <b>Region version<sup>1)</sup></b>  |                  |
| Europe (m <sup>3</sup> , m <sup>3</sup> /h, 50 Hz)                                  | 1                |
| USA (Gallon, GPM, 60 Hz)  | 2                |
| Australia (ML, l/h, 50 Hz)  | 3                |
| <b>Transmitter type and installation</b>  |                  |
| Basic version integral on sensor  | A                |
| Basic version remote, 5 m (16.4 ft) mounted cable on sensor with IP68/NEMA 6P plugs | B                |
| Do - 10 m (32.8 ft)   | C                |
| Do - 20 m (65.6 ft)   | D                |
| Do - 30 m (98.4 ft)   | E                |
| Advanced version integral on sensor   | K                |
| Advanced version remote, 5 m mounted cable on sensor with IP68/NEMA 6P plugs        | L                |
| Do - 10 m (32.8 ft)   | M                |
| Do - 20 m (65.6 ft)   | N                |
| Do - 30 m (98.4 ft)   | P                |

| Selection and Ordering data  | Order No.         |
|--|-------------------|
| <b>SITRANS F M</b>   |                   |
| <b>MAG 8000 water meter</b>  | <b>7ME6810 -</b>  |
| <b>Communication interface</b>   |                   |
| No additional "add-on" communication module installed  | A                 |
| Serial RS 485 with MODBUS RTU (Terminated as end device)   | B                 |
| Serial RS 232 with MODBUS RTU  | C                 |
| <b>Power supply<sup>2)</sup></b>   |                   |
| Internal battery (no battery included)   | 0                 |
| Internal battery pack installed <sup>3)</sup>  | 1                 |
| External battery with 1.5 m (4.9 ft) power cable with IP68/NEMA 6P plugs, no battery included  | 2                 |
| 12/24 V AC/DC power supply with battery backup and 3 m (9.8 ft) power cable for external connection. (Battery not included)  | 3                 |
| 115/230 V AC power supply with battery backup and 3 m (9.8 ft) power cable for external connection. (Battery not included)   | 4                 |
| <sup>1)</sup> Integral (compact) transmitter is mandatory for MI-001 certified products<br><sup>2)</sup> MI-001 certified products only battery driven<br><sup>3)</sup> Lithium batteries are subject to special transportation regulations according to United Nations "Regulation of Dangerous Goods, UN 3090 and UN 3091". Special transport documentation is required to observe these regulations. This may influence both transport time and costs.<br><sup>4)</sup> The Diameter DN 700 (28") to DN 1200 (48") is only available as <u>remote transmitter type installation</u> . |                   |
| <b>Selection and Ordering data</b>   | <b>Order code</b> |
| <b>Additional information</b>  |                   |
| Please add "-Z" to Order No. and specify Order code(s) and plain text.   |                   |
| <b>Flow unit</b>   |                   |
| l/s  | L00               |
| MGD  | L01               |
| CFS  | L02               |
| l/min  | L03               |
| m <sup>3</sup> /min  | L04               |
| GPM  | L05               |
| CFM  | L06               |
| l/h  | L07               |
| m <sup>3</sup> /h  | L08               |
| GPH  | L09               |
| CFH  | L10               |
| GPS  | L11               |
| MI/d   | L12               |
| m <sup>3</sup> /d  | L13               |
| GPD  | L14               |
| <b>Totalizer</b>   |                   |
| Volume calculation (default totalizer 1= forward and totalizer 2 = reverse)  |                   |
| Totalizer 1 = RV, reverse flow   | L20               |
| Totalizer 1 = NET, net flow  | L22               |
| Totalizer 2 = FW, forward flow   | L30               |
| Totalizer 2 = NET, net flow  | L31               |

# SITRANS F flowmeters

## SITRANS F M

Battery operated water meter  
MAG 8000/MAG 8000 CT

### Selection and Ordering data Order code

#### Additional information

Please add “-Z” to Order No. and specify Order code(s) and plain text.

#### Volume unit

|                      |            |
|----------------------|------------|
| m <sup>3</sup>       | <b>L40</b> |
| MI                   | <b>L41</b> |
| G                    | <b>L42</b> |
| AF                   | <b>L43</b> |
| l x 100              | <b>L44</b> |
| m <sup>3</sup> x 100 | <b>L45</b> |
| G x 100              | <b>L46</b> |
| CF x 100             | <b>L47</b> |
| MG                   | <b>L48</b> |
| G x 1000             | <b>L49</b> |
| CF x 1000            | <b>L50</b> |
| AI                   | <b>L51</b> |
| kl                   | <b>L52</b> |

#### Pulse set up

(default pulse A= forward and pulse B = Alarm)

|                                      |            |
|--------------------------------------|------------|
| A function = RV, reverse flow        | <b>L62</b> |
| A function = FWnet, forward net flow | <b>L63</b> |
| A function = RVnet, reverse net flow | <b>L64</b> |
| A function = Off                     | <b>L65</b> |
| Volume per pulse A = x 0.0001        | <b>L70</b> |
| Volume per pulse A = x 0.001         | <b>L71</b> |
| Volume per pulse A = x 0.01          | <b>L72</b> |
| Volume per pulse A = x 0.1           | <b>L73</b> |
| Volume per pulse A = x 1             | <b>L74</b> |
| B function = FW, forward flow        | <b>L80</b> |
| B function = RV, forward flow        | <b>L81</b> |
| B function = FWnet, forward net flow | <b>L82</b> |
| B function = RVnet, reverse net flow | <b>L83</b> |
| B function = Alarm                   | <b>L84</b> |
| B function = Call up                 | <b>L85</b> |
| Volume per pulse B = x 0.0001        | <b>L90</b> |
| Volume per pulse B = x 0.001         | <b>L91</b> |
| Volume per pulse B = x 0.01          | <b>L92</b> |
| Volume per pulse B = x 0.1           | <b>L93</b> |
| Volume per pulse B = x 1             | <b>L94</b> |

#### Various

Protection of CT parameters **M02**

#### Data logger set up (default month logging)

DataloggerInterval = Daily **M31**  
DataloggerInterval = Weekly **M32**

#### Factory mounted cables

5 m (16.4 ft) pulse cable A+B **M81**  
5 m (16.4 ft) communication cable RS 232/RS 485 terminated as end device **M82**  
2 x 5 m (16.4 ft) pulse A+B and communication cable **M83**  
20 m (65.6 ft) pulse cable A+B **M84**  
20 m (65.6 ft) communication cable RS 232/RS 485 terminated as end device **M85**  
2 x 20 m (65.6 ft) pulse A+B and communication cable **M86**  
Cello 2 channel, input cable 3 m (9.84 ft) with Brad Harrison micro-change 3 way connector **M87**  
Cello 2 channel, input cable 5 m (16.4 ft) with MIL-C-26482 spec. connectors **M89**



| Selection and Ordering data   | Order No.      |
|---|----------------|
| <b>SITRANS F M</b>  |                |
| <b>MAG 8000 CT water meter with EPDM liner and Hastelloy electrodes</b>   | 7 ME 6 8 2 0 - |
|   | 0 -            |
| <b>Diameter</b>   |                |
| DN 50 (2")/Q3 63 m <sup>3</sup> /h (m <sup>3</sup> ) without verification or DN 50 (2")/Q3 15 m <sup>3</sup> /h (m <sup>3</sup> ) with MI-001 verification        | 2 Y            |
| DN 65 (2½")/Q3 100 m <sup>3</sup> /h (m <sup>3</sup> ) without verification or DN 65 (2½")/Q3 25 m <sup>3</sup> /h (m <sup>3</sup> ) with MI-001 verification     | 3 F            |
| DN 80 (3")/Q3 150 m <sup>3</sup> /h (m <sup>3</sup> ) without verification or DN 80 (3")/Q3 40 m <sup>3</sup> /h (m <sup>3</sup> ) with MI-001 verification       | 3 M            |
| DN 100 (4")/Q3 250 m <sup>3</sup> /h (m <sup>3</sup> ) without verification or DN 100 (4")/Q3 60 m <sup>3</sup> /h (m <sup>3</sup> ) with MI-001 verification     | 3 T            |
| DN 125 (5")/Q3 400 m <sup>3</sup> /h (m <sup>3</sup> ) without verification or DN 125 (5")/Q3 100 m <sup>3</sup> /h (m <sup>3</sup> ) with MI-001 verification    | 4 B            |
| DN 150 (6")/Q3 629 m <sup>3</sup> /h (m <sup>3</sup> ) without verification or DN 150 (6")/Q3 150 m <sup>3</sup> /h (m <sup>3</sup> ) with MI-001 verification    | 4 H            |
| DN 200 (8")/Q3 997 m <sup>3</sup> /h (m <sup>3</sup> ) without verification or DN 200 (8")/Q3 250 m <sup>3</sup> /h (m <sup>3</sup> ) with MI-001 verification    | 4 P            |
| DN 250 (10")/Q3 1600 m <sup>3</sup> /h (m <sup>3</sup> ) without verification or DN 250 (10")/Q3 400 m <sup>3</sup> /h (m <sup>3</sup> ) with MI-001 verification | 4 V            |
| DN 300 (12")/Q3 2500 m <sup>3</sup> /h (m <sup>3</sup> ) without verification or DN 300 (12")/Q3 600 m <sup>3</sup> /h (m <sup>3</sup> ) with MI-001 verification | 5 D            |
| <b>Flange norm and pressure rating</b>  |                |
| EN 1092-1   |                |
| PN 16   | C              |
| ANSI B16.5  |                |
| Class 150   | J              |
| AS4087  |                |
| PN 16   | N              |
| <b>Approval/Verification</b>  |                |
| Without verification according to OIML R 49   | 0              |
| MI-001 Q3/Q1 = 25   | 1              |
| MI-001 Q3/Q1 = 63   | 2              |
| MI-001 Q3/Q1 = 80   | 3              |
| <b>Region version</b>   |                |
| Europe (m <sup>3</sup> , m <sup>3</sup> /h, 50 Hz) <sup>1)</sup>  | 1              |
| USA (m <sup>3</sup> , m <sup>3</sup> /h, 60 Hz)   | 2              |
| <b>Transmitter type and installation</b>  |                |
| Basic version integral on sensor <sup>1)</sup>  | A              |
| Basic version remote, 5 m (16.4 ft) mounted cable on sensor with IP68/NEMA 6P plugs   | B              |
| Do - 10 m (32.8 ft)   | C              |
| Advanced version integral on sensor <sup>1)</sup>   | K              |
| Advanced version remote, 5 m mounted cable on sensor with IP68/NEMA 6P plugs  | L              |
| Do - 10 m (32.8 ft)   | M              |
| <b>Communication interface</b>  |                |
| No additional "add-on" communication module installed   | A              |
| Serial RS 485 with MODBUS RTU (Terminated as end device)  | B              |
| Serial RS 232 with MODBUS RTU   | C              |

| Selection and Ordering data   | Order No.      |
|---|----------------|
| <b>SITRANS F M</b>  |                |
| <b>MAG 8000 CT water meter with EPDM liner and Hastelloy electrodes</b>   | 7 ME 6 8 2 0 - |
|   | 0 -            |
| <b>Power supply<sup>3)</sup></b>  |                |
| Internal battery (no battery included)  | 0              |
| Internal battery pack installed <sup>2)</sup>   | 1              |
| External battery with 1.5 m (4.9 ft) power cable with IP68/NEMA 6P plugs, no battery included                               | 2              |
| 12/24 V AC/DC power supply with battery backup and 3 m (9.8 ft) power cable for external connection. (Battery not included) | 3              |
| 115/230 V AC power supply with battery backup and 3 m (9.8 ft) power cable for external connection. (Battery not included)  | 4              |

- 1) Integral (compact) transmitter is mandatory for MI-001 certified products
- 2) Lithium batteries are subject to special transportation regulations according to United Nations "Regulation of Dangerous Goods, UN 3090 and UN 3091". Special transport documentation is required to observe these regulations. This may influence both transport time and costs.
- 3) MI-001 certified products only battery driven.







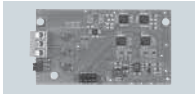


| Selection and Ordering data  | Order code |
|--|------------|
| <b>Additional information</b>  |            |
| Please add "-Z" to Order No. and specify Order code(s) and plain text.                     |            |
| <b>Pulse set up</b><br>(default pulse A = forward and pulse B = Alarm)                     |            |
| Volume per pulse A = x 0.001 m <sup>3</sup>  | L71        |
| Volume per pulse A = x 0.01 m <sup>3</sup>   | L72        |
| Volume per pulse A = x 0.1 m <sup>3</sup>  | L73        |
| Volume per pulse A = x 1 m <sup>3</sup>  | L74        |
| <b>Data logger set up</b> (default month logging)  |            |
| DataloggerInterval = Daily   | M31        |
| DataloggerInterval = Weekly  | M32        |
| <b>Factory mounted cables</b>  |            |
| 5 m (16.4 ft) pulse cable A+B  | M81        |
| 5 m (16.4 ft) communication cable RS 232/RS 485 terminated as end device                   | M82        |
| 2 x 5 m (16.4 ft) pulse A+B and communication cable  | M83        |
| 20 m (65.6 ft) pulse cable A+B   | M84        |
| 20 m (65.6 ft) communication cable RS 232/RS 485 terminated as end device                  | M85        |
| Cello 2 channel, input cable 3 m (9.84 ft) with Brad Harrison micro-change 3 way connector | M87        |
| Cello 2 channel, input cable 5 m (16.4 ft) with MIL-C-26482 spec. connectors               | M89        |






# SITRANS F flowmeters

## SITRANS F M

### Battery operated water meter MAG 8000/MAG 8000 CT

#### Accessories

| Description   | Order No.           |   |
|---|---------------------|---|
| PC Flow Tool on CD<br>(Download for free from <a href="http://www.siemens.com/flow">www.siemens.com/flow</a> )                        | <b>FDK-087L6001</b> |    |
| IrDA infrared interface adapter with USB for data acquisition with 1.2 m (3.9 ft) cable   | <b>FDK-087L4163</b> |    |
| Battery backup for mains power supply, one pc. D-cell (3.6 V, 16.5 Ah)<br>Attention on note <sup>1)</sup>                             | <b>FDK-087L4201</b> |    |
| Internal battery pack, one set D-cell (3.6 V 33 Ah) and accessories for replacement<br>Attention on note <sup>1)</sup>                | <b>FDK-087L4150</b> |    |
| External battery pack IP68/NEMA 6P with connector, four D-cell (3.6 V 66 Ah)<br>Attention on note <sup>1)</sup>                       | <b>FDK-087L4151</b> |    |
| Mains power supply 12 ... 24 V AC/DC with battery backup and 3 m (9.8 ft) power cable for external connection (no battery included)   | <b>FDK-087L4210</b> |  |
| Mains power supply 115 ... 230 V AC with battery backup up and 3 m (9.8 ft) power cable for external connection (no battery included) | <b>FDK-087L4211</b> |   |
| RS 232 add-on module, point to point communication interface with MODBUS RTU protocol   | <b>FDK-087L4212</b> |  |
| RS485 add-on module, multidrop communication interface with MODBUS RTU protocol   | <b>FDK-087L4213</b> |   |
| One cable entry 6 ... 8 mm (0.02 ... 0.026 ft)<br>M20 brass glands package (1 pc)   | <b>FDK-087L4196</b> |  |
| One cable entry 3.5 ... 5 mm (0.011 ... 0.016 ft)<br>M12 brass glands with M20 reduction. Package of 10 pcs                           | <b>FDK-087L4154</b> |  |

| Description   | Order No.           |   |
|---|---------------------|---|
| One cable entry 6 ... 8 mm (0.02 ... 0.026 ft)<br>M20 brass glands package (10 pcs)   | <b>FDK-087L4155</b> |    |
| One cable entry 8 ... 11 mm (0.026 ... 0.036 ft)<br>M20 brass glands package (10 pcs)   | <b>FDK-087L4156</b> |   |
| One cable entry 11 ... 15 mm (0.036 ... 0.049 ft)<br>M20 brass glands package (10 pcs)  | <b>FDK-087L4157</b> |   |
| Two cable entries 3.5 ... 5 mm (0.011 ... 0.016 ft)<br>M20 brass glands package (10 pcs)  | <b>FDK-087L4158</b> |   |
| Two cable entries 5.5 ... 7.5 mm (0.018 ... 0.024 ft)<br>M20 brass glands package (10 pcs)  | <b>FDK-087L4159</b> |   |
| IP68/NEMA 6P potting kit  | <b>FDK-085U0220</b> |    |
| MAG 8000 Hardware key to access protected parameters  | <b>FDK-087L4165</b> |   |
| MAG 8000 demo - training unit pack operating on Alkaline batteries. Transmitter with Flow tool CD, IrDA interface adapter and hardware key (No dangerous goods limitations) | <b>FDK-087L4080</b> |  |
| Alkaline battery for MAG 8000 demo transmitter (3 V 13 Ah)<br>(No dangerous goods limitations)  | <b>FDK-087L4142</b> |  |

<sup>1)</sup> Lithium batteries are subject to special transportation regulations according to United Nations "Regulation of Dangerous Goods, UN 3090 and UN 3091". Special transport documentation is required to observe these regulations. This may influence both transport time and costs.

# SITRANS F flowmeters

## SITRANS F M

### Battery operated water meter MAG 8000/MAG 8000 CT

MAG 8000 has built in Hastelloy grounding electrodes, when installed in PVC or coated pipelines, grounding rings must be installed additionally.

Grounding rings, type C must be used for sizes > DN 300. Grounding rings DN 25 to DN 300 in stainless steel are packed in pairs and sold as a "grounding ring kit". The corresponding order number for each of the dimensions are described in the below table.

| Dimension | Order No.   |
|-----------|-------------|
| DN 25     | A5E01002946 |
| DN 40     | A5E01002947 |
| DN 50     | A5E01002948 |
| DN 65     | A5E01002950 |
| DN 80     | A5E01002952 |
| DN 100    | A5E01002953 |
| DN 125    | A5E01002954 |
| DN 150    | A5E01002955 |
| DN 200    | A5E01002957 |
| DN 250    | A5E01002958 |
| DN 300    | A5E01002962 |



#### Spare parts

| Description  | Order No.    |
|--|--------------|
| MAG 8000 (Basic version) transmitter compact replacement kit. System number specified by ordering. No battery included | FDK-087L4166 |
| MAG 8000 (Basic version) transmitter remote replacement kit. System number specified by ordering. No battery included  | FDK-087L4202 |
| MAG 8000 (Advanced version) transmitter compact replacement kit. No battery included                                   | FDK-087L4203 |
| MAG 8000 (Advanced version) transmitter remote replacement kit. No battery included.                                   | FDK-087L4204 |
| MAG 8000 (Basic version) transmitter PCB replacement kit   | A5E01171569  |
| MAG 8000 (Advanced version) transmitter PCB replacement kit  | FDK-087L4168 |



| Description  | Order No.    |
|--|--------------|
| Enclosure top including plastic lid, screws and blank product label          | FDK-087L4167 |
| Cable for external battery pack, 1.5 m (4.92 ft) with IP68/NEMA 6P connector | FDK-087L4152 |
| Service tool kit package with various component for service and replacement. | FDK-087L4162 |
| Remote cable set 5 m (16.4 ft) with IP68/NEMA 6P plugs - PG 13.5             | FDK-087L4108 |
| Remote cable set 5 m (16.4 ft) with IP68/NEMA 6P plugs - M20                 | On request   |
| Remote cable set 10 m (32.8 ft) with IP68/NEMA 6P plugs - PG 13.5            | FDK-087L4109 |
| Remote cable set 10 m (32.8 ft) with IP68/NEMA 6P plugs - M20                | On request   |
| Remote cable set 20 m (65.6 ft) with IP68/NEMA 6P plugs - PG 13.5            | FDK-087L4110 |
| Remote cable set 20 m (65.6 ft) with IP68/NEMA 6P plugs - M20                | On request   |
| Remote cable set 30 m (98.4 ft) with IP68/NEMA 6P plugs - PG 13.5            | FDK-087L4111 |
| Remote cable set 30 m (98.4 ft) with IP68/NEMA 6P plugs - M20                | On request   |

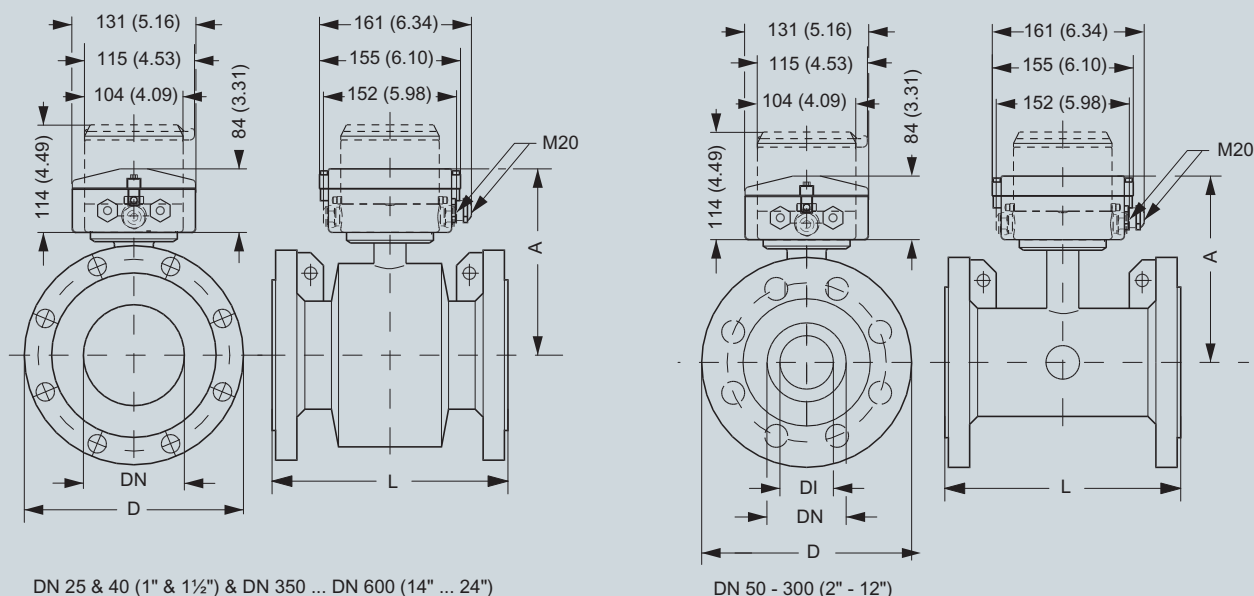


# SITRANS F flowmeters

## SITRANS F M

Battery operated water meter  
MAG 8000/MAG 8000 CT

### Dimensional drawings



108

| Nominal DN size | A          | L, lengths      |                 |                 |                     |               | D, diameter  |                  | Weight <sup>1)</sup> |      |
|-----------------|------------|-----------------|-----------------|-----------------|---------------------|---------------|--------------|------------------|----------------------|------|
|                 |            | EN 1092-1 PN 10 | EN 1092-1 PN 16 | EN 1092-1 PN 40 | ANSI 16.5 Class 150 | AS 4087 PN 16 | DI           | D                | kg                   | lbs  |
| 25 (1)          | 194 (7.7)  | -               | -               | 200             | 7.9                 | 200           | 25 (0.98)    | See flange table | 6                    | 13   |
| 40 (1½)         | 204 (8.1)  | -               | -               | 200             | 7.9                 | 200           | 40 (1.57)    | See flange table | 9                    | 20   |
| 50 (2)          | 195 (7.7)  | -               | 200             | -               | 7.9                 | 200           | 42 (1.65)    | See flange table | 11                   | 25   |
| 65 (2½)         | 201 (8)    | -               | 200             | -               | 7.9                 | 200           | 55 (2.17)    | See flange table | 13                   | 29   |
| 80 (3)          | 207 (8.2)  | -               | 200             | -               | 7.9                 | 200           | 67 (2.64)    | See flange table | 15                   | 34   |
| 100 (4)         | 214 (8.5)  | -               | 250             | -               | 9.8                 | 250           | 81 (3.19)    | See flange table | 17                   | 38   |
| 125 (5)         | 224 (8.9)  | -               | 250             | -               | 9.8                 | 250           | 101 (3.98)   | See flange table | 22                   | 50   |
| 150 (6)         | 239 (9.5)  | -               | 300             | -               | 11.8                | 300           | 131 (5.16)   | See flange table | 28                   | 63   |
| 200 (8)         | 264 (10.5) | 350             | 350             | -               | 13.8                | 350           | 169 (6.65)   | See flange table | 50                   | 113  |
| 250 (10)        | 291 (11.5) | 450             | 450             | -               | 17.7                | 450           | 212 (8.35)   | See flange table | 71                   | 160  |
| 300 (12)        | 317 (12.6) | 500             | 500             | -               | 19.7                | 500           | 265 (10.43)  | See flange table | 88                   | 198  |
| 350 (14)        | 369 (14.6) | 550             | 550             | -               | 21.7                | 550           | 350 (13.78)  | See flange table | 127                  | 279  |
| 400 (16)        | 394 (15.6) | 600             | 600             | -               | 23.6                | 600           | 400 (15.75)  | See flange table | 145                  | 318  |
| 450 (18)        | 425 (16.8) | 600             | 600             | -               | 23.6                | 600           | 450 (17.72)  | See flange table | 175                  | 384  |
| 500 (20)        | 450 (17.8) | 600             | 600             | -               | 26.8                | 600           | 500 (19.68)  | See flange table | 225                  | 494  |
| 600 (24)        | 501 (19.8) | 600             | 600             | -               | 32.3                | 600           | 600 (23.62)  | See flange table | 340                  | 747  |
| 700 (28)        | 544 (21.4) | 700             | 875             | -               | N/A                 | N/A           | 700 (27.55)  | See flange table | 316                  | 694  |
| 750 (30)        | 571 (22.5) | N/A             | N/A             | -               | N/A                 | N/A           | 750 (29.52)  | See flange table | N/A                  | N/A  |
| 800 (32)        | 606 (23.9) | 800             | 1000            | -               | N/A                 | N/A           | 800 (31.49)  | See flange table | 398                  | 1045 |
| 900 (36)        | 653 (25.7) | 900             | 1125            | -               | N/A                 | N/A           | 900 (35.42)  | See flange table | 476                  | 1045 |
| 1000 (40)       | 704 (27.7) | 1000            | 1250            | -               | N/A                 | N/A           | 1000 (39.36) | See flange table | 602                  | 1322 |
| 1050 (42)       | 704 (27.7) | N/A             | N/A             | -               | N/A                 | N/A           | 1050 (41.33) | See flange table | N/A                  | N/A  |
| 1100 (44)       | 755 (29.7) | N/A             | N/A             | -               | N/A                 | N/A           | 1100 (43.30) | See flange table | N/A                  | N/A  |
| 1200 (48)       | 810 (31.9) | 1200            | 1500            | -               | N/A                 | N/A           | 1200 (47.23) | See flange table | 887                  | 1996 |

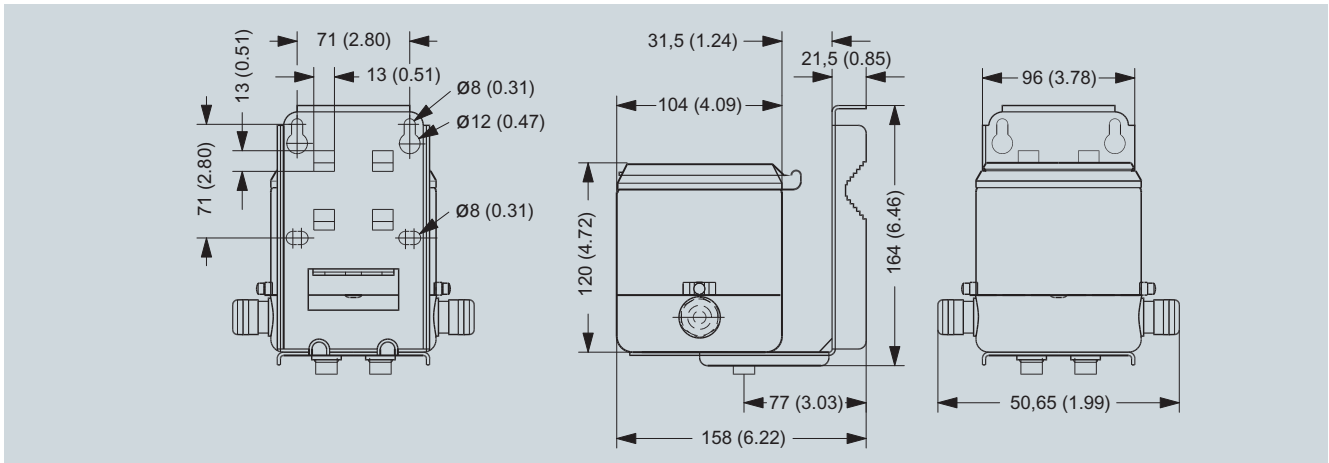
<sup>1)</sup> For remote version the sensor weight is reduced with 2 kg (4.5 lb)

# SITRANS F flowmeters

## SITRANS F M

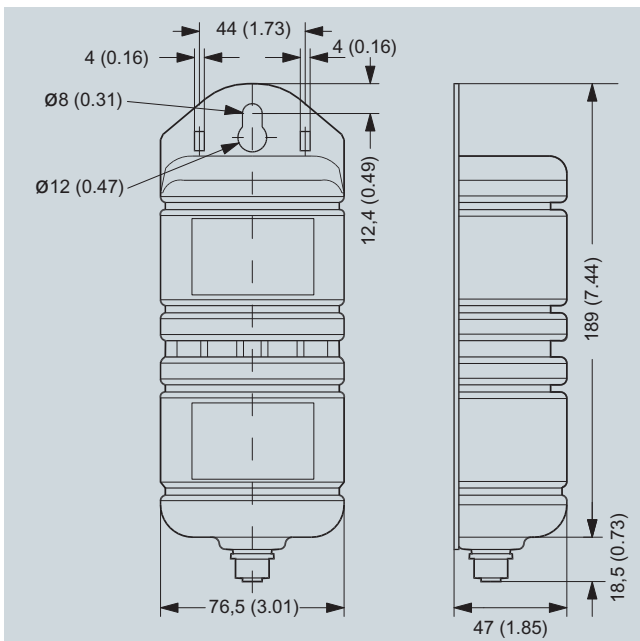
Battery operated water meter  
MAG 8000/MAG 8000 CT

### Remote version



Dimensions in mm (inch), weight 3.5 kg (8 lbs)

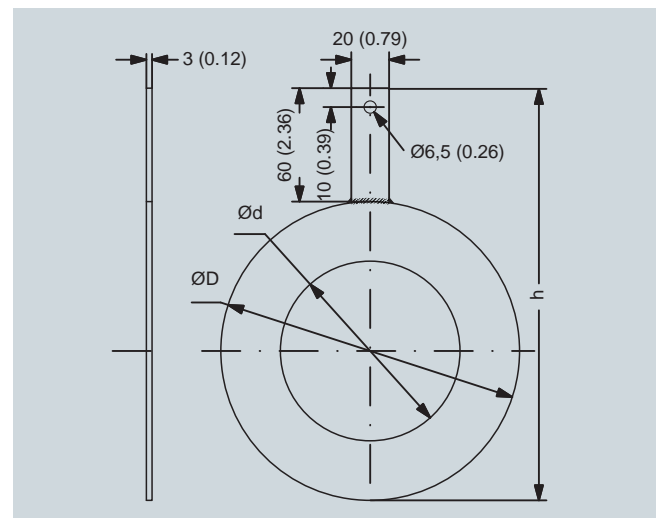
### External battery pack



Dimensions in mm (inch), weight 2.0 kg (4.5 lbs)

Battery pack has to be mounted in upwards position to ensure maximum battery capacity.

### Grounding rings



Dimensions in mm for grounding rings MAG 8000 DN 25 to DN 300

| Dimension | Internal diameter (d) | Outside diameter (D) | h   |
|-----------|-----------------------|----------------------|-----|
| DN 25     | 27                    | 68                   | 88  |
| DN 40     | 38                    | 88                   | 105 |
| DN 50     | 52                    | 100                  | 113 |
| DN 65     | 64                    | 120                  | 123 |
| DN 80     | 79                    | 133                  | 130 |
| DN 100    | 95                    | 158                  | 145 |
| DN 125    | 115                   | 188                  | 155 |
| DN 150    | 145                   | 216                  | 175 |
| DN 200    | 193                   | 268                  | 200 |
| DN 250    | 246                   | 324                  | 230 |
| DN 300    | 295                   | 374                  | 253 |

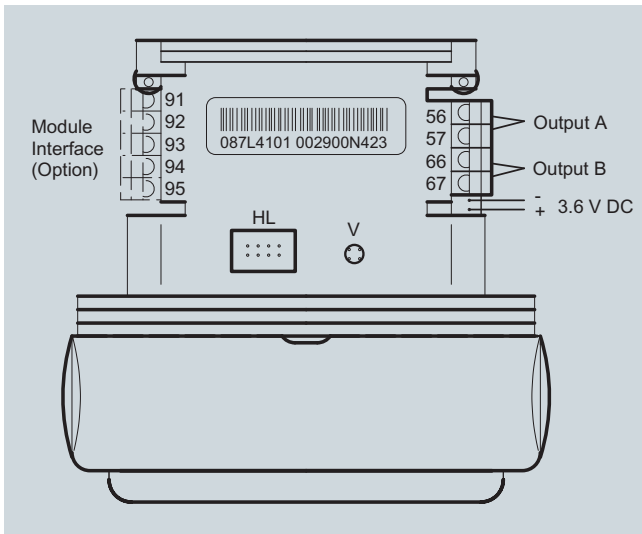
# SITRANS F flowmeters

## SITRANS F M

Battery operated water meter  
MAG 8000/MAG 8000 CT

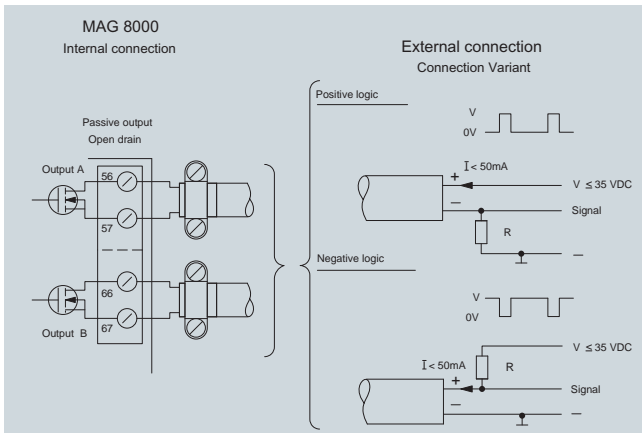
### Schematics

Electrical installation and pulse output – Connection diagram



HL = Hardware lock key connection  
V = Push button for verification mode

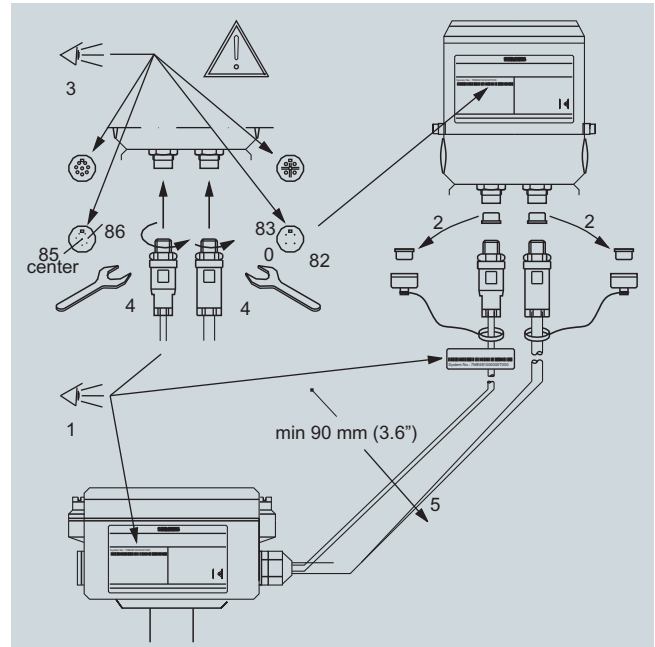
### Pulse wire connection



The pulse output can be configured as volume, alarm or call-up. The output can be connected as positive or negative logic. R = pull up/down is selected in relation to the Vx power supply and with a max. current I of 50 mA.

Use shielded cable to avoid EMC problems. Make sure the shield is correct mounted under the cable clamp (no pig tail).

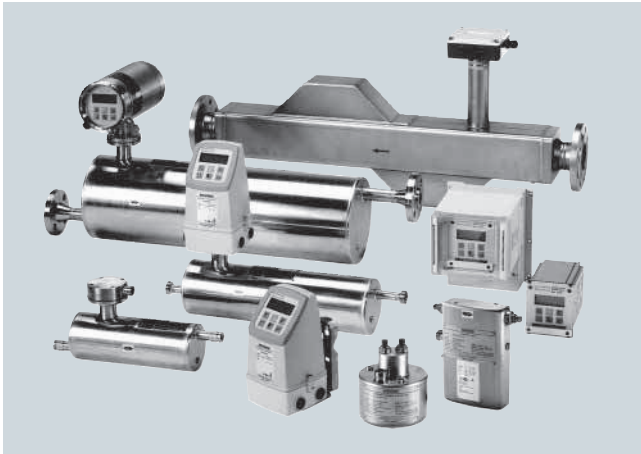
### Remote installation



Remote solutions have factory mounted sensor cable with IP68/ NEMA 6P plugs. Sensor cable has meter label (1) with system number to ensure transmitter and sensor are correct matched. The dust cover on the cable end and on the transmitter bottom must be screwed together for future protection (2). The connectors must be clean and duly fastened to secure a good signal detection (3+4).



### Overview



SITRANS F C coriolis mass flowmeters are designed for measurement of a variety of liquids and gases. The meter is a multi-parameter device offering accurate measurement of mass flow, volume flow, density, temperature and fraction.

| Transmitter                              | Page  | Compact | Re-mote | Ex-Approval | Sensor                            | Page  |
|--|-------|---------|---------|-------------|-----------------------------------|-------|
| MASS 6000 IP67 Polyamide enclosure       | 4/119 | No      | Yes     | No          | FC300 DN 4                        | 4/142 |
|  |       | No      | Yes     | No          | MASS 2100 DI 1.5                  | 4/138 |
|  |       | Yes     | Yes     | No          | MASS 2100 DI 3 ... DI 40          | 4/146 |
|  |       | No      | Yes     | No          | MASS MC2 DN 50 ... DN 150         | 4/156 |
|  |       | No      | Yes     | Yes         | MASS MC2-Ex DN 50 ... DN 150      | 4/156 |
|  |       | No      | Yes     | No          | MASS MC2 Hygienic DN 20 ... DN 80 | 4/156 |
| MASS 6000 19"                            | 4/123 | No      | Yes     | No          | FC300 DN 4                        | 4/142 |
|  |       | No      | Yes     | No          | MASS 2100 DI 1.5                  | 4/138 |
|  |       | No      | Yes     | No          | MASS 2100 DI 3 ... 40             | 4/146 |
|  |       | No      | Yes     | No          | MASS MC2 DN 50 ... DN 150         | 4/156 |
|  |       | No      | Yes     | Yes         | MASS MC2-Ex DN 50 ... DN 150      | 4/156 |
|  |       | No      | Yes     | No          | MASS MC2 Hygienic DN 20 ... DN 80 | 4/156 |
| MASS 6000 Ex 19"                         | 4/123 | No      | Yes     | Yes         | FC300 DN 4                        | 4/142 |
|  |       | No      | Yes     | Yes         | MASS 2100-Ex DI 1.5               | 4/138 |
|  |       | No      | Yes     | Yes         | MASS 2100-Ex DI 3 ... DI 40       | 4/146 |
| MASS 6000 Ex d Stainless steel enclosure | 4/130 | No      | Yes     | Yes         | FC300 DN 4                        | 4/142 |
|  |       | No      | Yes     | Yes         | MASS 2100-Ex DI 1.5               | 4/138 |
|  |       | Yes     | Yes     | Yes         | MASS 2100-Ex DI 3 ... DI 40       | 4/146 |
|  |       | No      | Yes     | No          | MASS MC2 DN 50 ... DN 150         | 4/156 |
|  |       | No      | Yes     | No          | MASS MC2 Hygienic                 | 4/156 |
| SIFLOW FC070 Standard/Ex                 | 4/134 | No      | Yes     | Yes         | all                               | 4/138 |

### Benefits

#### Greater flexibility

- Wide product program
- Uniform sensor interface enabling "plug & play" for all transmitters
- Compact or remote installation using the same transmitters and sensors

#### Easier commissioning

All SITRANS F C coriolis flowmeters feature a SENSORPROM memory unit which stores sensor calibration data and transmitter settings for the lifetime of the product.

At commissioning the flowmeter commences measurement without any initial programming.

The factory settings matching the sensor size are stored in the SENSORPROM unit. Also customer-specified settings are downloaded to the unit.

#### Easier service

- Comprehensive self-diagnosis and service menu enhances troubleshooting and meter verification.
- Transmitter replacement requires no programming. SENSORPROM automatically updates all settings after initialization.

#### Room for growth

USM II the Universal Signal Module with "plug & play" simplicity makes it easy to access and integrate the flowmeter with almost any system and bus-protocol and it ensures the flowmeter will be easy to upgrade to future communication/bus platforms.

### Application

Coriolis mass flowmeters are suitable for measuring liquids and gases. The measurement is independent of changes in process conditions/parameters such as temperature, density, pressure, viscosity, conductivity and flow profile.

Due to this versatility the meter is easy to install. The coriolis flowmeter is recognized for its high accuracy in a wide turn-down range.

**The main applications of the coriolis flowmeter can be found in all industries, such as:**

|                                |  |
|--------------------------------|--|
| <b>Chemical &amp; pharma</b>   | Detergents, bulk chemicals, pharmaceuticals, acids, alkalis  |
| <b>Food &amp; beverage</b>     | Dairy products, beer, wine, soft-drinks, plato/brix, fruit juices and pulps, bottling, CO <sub>2</sub> dosing, CIP-liquids |
| <b>Automotive</b>              | Fuel injection nozzle & pump testing, filling of AC units, engine consumption, paint robots                                |
| <b>Oil &amp; gas</b>           | Filling of gas bottles, furnace control, CNG-dispensers, Test separators, LPG  |
| <b>Water &amp; waste water</b> | Dosing of chemicals for water treatment  |



# SITRANS F flowmeters

## SITRANS F C

### System information

#### Coriolis mass flowmeters

Please see Product selector  
[www.pia-selector.automation.siemens.com](http://www.pia-selector.automation.siemens.com)  
 on the Internet, since  
 some constraints might be related to  
 some of the features



|                     |                                 |               |                           |                                      |                   |                  |                   |                           |  |
|---------------------|---------------------------------|---------------|---------------------------|--------------------------------------|-------------------|------------------|-------------------|---------------------------|--|
|                     |                                 |               |                           |                                      |                   |                  |                   |                           |  |
| MASS 2100<br>DI 1.5 | MASS 2100<br>DI 3 to<br>DI 40   | FC300<br>DN 4 | MC2<br>DN 50 to<br>DN 150 | MC2<br>Hygienic<br>DN 25 to<br>DN 80 | MASS 6000<br>IP67 | MASS 6000<br>19" | MASS 6000<br>Ex d | SIFLOW<br>FC070<br>Std/Ex |  |
| 7ME4100             | 7ME4100,<br>7ME4200,<br>7ME4210 | 7ME4400       | 7ME4300                   | 7ME4310                              | 7ME4110           | 7ME4110          | 7ME4110           | 7ME4120                   |  |

| Design                                |   |   |   |   |   |   |   |   |   |
|---------------------------------------|---|---|---|---|---|---|---|---|---|
| Compact                               |   | • |   |   |   | • |   | • |   |
| Remote                                | • | • | • | • |   | • | • | • | • |
| Transmitter enclosure                 |   |   |   |   |   |   |   |   |   |
| Polyamide, IP67/NEMA4X                |   |   |   |   |   | • |   |   |   |
| Noryl (SIMATIC S7-300), IP20/NEMA 2   |   |   |   |   |   |   |   |   | • |
| Stainless steel IP67/NEMA4X           |   |   |   |   |   |   |   | • |   |
| 19" rack IP20/NEMA2 aluminium         |   |   |   |   |   |   | • |   |   |
| Back of panel IP20/NEMA2 aluminium    |   |   |   |   |   |   | • |   |   |
| Wall mounting IP66/NEMA4 ABS plastic  |   |   |   |   |   |   | • |   |   |
| Front of panel IP66/NEMA4 ABS plastic |   |   |   |   |   |   | • |   |   |
| Communication                         |   |   |   |   |   |   |   |   |   |
| HART                                  |   |   |   |   |   | • | • | • |   |
| PROFIBUS PA                           |   |   |   |   |   | • | • | • |   |
| PROFIBUS DP                           |   |   |   |   |   | • | • |   |   |
| MODBUS RTU / RS 485                   |   |   |   |   |   | • | • |   | • |
| MODBUS RTU / RS 232                   |   |   |   |   |   |   |   |   | • |
| FOUNDATION Fieldbus H1                |   |   |   |   |   | • | • | • |   |
| DeviceNet                             |   |   |   |   |   | • | • |   |   |
| Supply voltage                        |   |   |   |   |   |   |   |   |   |
| 24 V DC                               |   |   |   |   |   |   |   |   | • |
| 24 V AC/DC                            |   |   |   |   |   | • | • | • |   |
| 115/230 V AC                          |   |   |   |   |   | • | • |   |   |
| Pipe size                             |   |   |   |   |   |   |   |   |   |
| DI 1.5 (1/16")                        | • |   |   |   |   |   |   |   |   |
| DI 3 (1/8")                           |   | • |   |   |   |   |   |   |   |
| DN 4 (1/6")                           |   |   | • |   |   |   |   |   |   |
| DI 6 (1/4")                           |   | • |   |   |   |   |   |   |   |
| DI 15 (1/2")                          |   | • |   |   |   |   |   |   |   |
| DN 20 (3/4")                          |   |   |   | • | • |   |   |   |   |
| DN 25 (1")                            |   | • |   | • | • |   |   |   |   |
| DN 40 (1 1/2")                        |   | • |   |   | • |   |   |   |   |
| DN 50 (2")                            |   |   |   | • | • |   |   |   |   |
| DN 65 (2 1/2")                        |   |   |   | • | • |   |   |   |   |
| DN 80 (3")                            |   |   |   | • | • |   |   |   |   |
| DN 100 (4")                           |   |   |   | • |   |   |   |   |   |
| DN 150 (6")                           |   |   |   | • |   |   |   |   |   |
| Process connection norms and pressure |   |   |   |   |   |   |   |   |   |
| Pipe thread                           |   |   |   |   |   |   |   |   |   |
| NPT ANSI/ASME B.20.1; PN 100          | • | • | • |   |   |   |   |   |   |
| ISO 228/1; PN 100                     | • | • | • |   |   |   |   |   |   |

• = available

<sup>1)</sup> Not available for DN 100 and DN 150 sensors

112










# SITRANS F flowmeters

## SITRANS F C

System information  
Coriolis mass flowmeters

Please see Product selector  
[www.pia-selector.automation.siemens.com](http://www.pia-selector.automation.siemens.com)  
on the Internet, since  
some constraints might be related to  
some of the features



|   |   |   |   |  |   |   |   |   |
|---|---|---|---|--|---|---|---|---|
|  |  |  |  |  |  |  |  |  |
| MASS 2100<br>DI 1.5   | MASS 2100<br>DI 3 to<br>DI 40   | FC300<br>DN 4   | MC2<br>DN 50 to<br>DN 150   | MC2<br>Hygienic<br>DN 25 to<br>DN 80   | MASS 6000<br>IP67   | MASS 6000<br>19"  | MASS 6000<br>Ex d   | SIFLOW<br>FC070<br>Std/Ex   |
| 7ME4100   | 7ME4100,<br>7ME4200,<br>7ME4210   | 7ME4400   | 7ME4300   | 7ME4310  | 7ME4110   | 7ME4110   | 7ME4110   | 7ME4120   |

| Flange                                   |   |                 |   |                 |   |   |  |   |  |
|--|---|-----------------|---|-----------------|---|---|--|---|--|
| EN 1092-1 PN 40                          |   | ●               |   | ●               |   |   |  |   |  |
| EN 1092-1 PN 100                         |   | ●               |   | ● <sup>1)</sup> |   |   |  |   |  |
| ANSI B16.5 Class 150                     |   | ●               |   | ●               |   |   |  |   |  |
| ANSI B16.5 Class 300                     |   |                 |   | ●               |   |   |  |   |  |
| ANSI B16.5 Class 600                     |   | ●               |   | ● <sup>1)</sup> |   |   |  |   |  |
| Dairy                                    |   |                 |   |                 |   |   |  |   |  |
| DIN 11851 PN 25                          |   | ●               |   | ● <sup>1)</sup> | ● |   |  |   |  |
| DIN 11851 PN 40                          |   | ●               |   |                 |   |   |  |   |  |
| DIN 11864-2A                             |   |                 |   |                 | ● |   |  |   |  |
| Clamp ISO 2852 PN 16                     |   | ●               |   |                 |   |   |  |   |  |
| ISO 2853 PN 16                           |   | ●               |   |                 |   |   |  |   |  |
| DIN 32676 Tri-Clamp PN 10/PN 16          |   |                 |   | ●               | ● |   |  |   |  |
| Others on request                        | ● | ●               | ● | ●               | ● |   |  |   |  |
| Pipe material                            |   |                 |   |                 |   |   |  |   |  |
| Stainless steel W1.4435 (316L)           | ● | ●               | ● |                 | ● |   |  |   |  |
| Stainless steel W1.4571 (316 Ti)         |   |                 |   | ●               |   |   |  |   |  |
| Hastelloy C22                            | ● | ●               | ● |                 |   |   |  |   |  |
| Hastelloy C4                             |   |                 |   | ●               |   |   |  |   |  |
| With heating jacket                      |   |                 |   |                 |   |   |  |   |  |
| Internal U - tube                        |   | ●               |   |                 |   |   |  |   |  |
| Pressure rating                          |   |                 |   |                 |   |   |  |   |  |
| PN 10                                    |   |                 |   | ●               |   |   |  |   |  |
| PN 16                                    |   | ●               |   | ●               |   |   |  |   |  |
| PN 25                                    |   | ●               |   | ●               |   |   |  |   |  |
| PN 40                                    |   | ●               |   | ●               | ● |   |  |   |  |
| PN 100                                   | ● | ●               | ● | ● <sup>2)</sup> |   |   |  |   |  |
| High-pressure version <sup>3)</sup>      | ● | ●               | ● |                 |   |   |  |   |  |
| Accuracy                                 |   |                 |   |                 |   |   |  |   |  |
| Flow error ≤ 0.1% of rate                | ● | ●               | ● |                 |   |   |  |   |  |
| Flow error ≤ 0.15% of rate               |   |                 |   | ●               | ● |   |  |   |  |
| Density error ≤ 0.001 g/cm <sup>3</sup>  | ● |                 |   | ●               | ● |   |  |   |  |
| Density error ≤ 0.0015 g/cm <sup>3</sup> |   | ● <sup>4)</sup> | ● |                 |   |   |  |   |  |
| Density error ≤ 0.0005 g/cm <sup>3</sup> |   | ●               |   |                 |   |   |  |   |  |
| Cable glands                             |   |                 |   |                 |   |   |  |   |  |
| PG 13.5                                  |   |                 |   |                 |   | ● |  |   |  |
| 1/2" NPT                                 |   |                 |   | ●               | ● | ● |  |   |  |
| M20                                      |   |                 |   | ●               | ● | ● |  | ● |  |

● = available

1) Not available for DN 150 sensor

2) Not available for DN 100 and DN 150 sensors

3) Please see technical specifications

4) DI 3 and DI 6

# SITRANS F flowmeters

## SITRANS F C

### System information Coriolis mass flowmeters

Please see Product selector  
[www.pia-selector.automation.siemens.com](http://www.pia-selector.automation.siemens.com)  
on the Internet, since  
some constraints might be related to  
some of the features



|  |                     |                                 |               |                           |                                      |                   |                  |                   |                           |
|--|---------------------|---------------------------------|---------------|---------------------------|--------------------------------------|-------------------|------------------|-------------------|---------------------------|
|  |                     |                                 |               |                           |                                      |                   |                  |                   |                           |
|  | MASS 2100<br>DI 1.5 | MASS 2100<br>DI 3 to<br>DI 40   | FC300<br>DN 4 | MC2<br>DN 50 to<br>DN 150 | MC2<br>Hygienic<br>DN 25 to<br>DN 80 | MASS 6000<br>IP67 | MASS 6000<br>19" | MASS 6000<br>Ex d | SIFLOW<br>FC070<br>Std/Ex |
|  | 7ME4100             | 7ME4100,<br>7ME4200,<br>7ME4210 | 7ME4400       | 7ME4300                   | 7ME4310                              | 7ME4110           | 7ME4110          | 7ME4110           | 7ME4120                   |

#### Approvals

##### Harzardous areas

|                        |                 |                 |                 |   |   |   |                 |   |   |
|------------------------|-----------------|-----------------|-----------------|---|---|---|-----------------|---|---|
| ATEX Zone 0            | ●               | ●               | ●               |   |   |   |                 |   |   |
| ATEX Zone 1            | ●               | ●               | ●               | ● | ● |   |                 | ● |   |
| ATEX Zone 2            | ●               | ●               | ●               | ● |   | ● | ●               | ● | ● |
| UL Class 1, Div. 1     | ● <sup>1)</sup> | ● <sup>1)</sup> | ● <sup>1)</sup> |   |   |   |                 |   |   |
| UL Class 1, Div. 2     | ● <sup>1)</sup> | ● <sup>1)</sup> | ● <sup>1)</sup> |   |   | ● | ● <sup>2)</sup> |   |   |
| CSA/FM Class 1, Div. 2 | ● <sup>1)</sup> | ● <sup>1)</sup> | ● <sup>1)</sup> |   |   | ● | ● <sup>2)</sup> |   |   |

##### Type approvals

|                     |   |   |   |   |  |   |   |   |  |
|---------------------|---|---|---|---|--|---|---|---|--|
| GOSS/Gost ( Russia) | ● | ● |   | ● |  | ● | ● | ● |  |
| CRN                 |   | ● | ● |   |  |   |   |   |  |

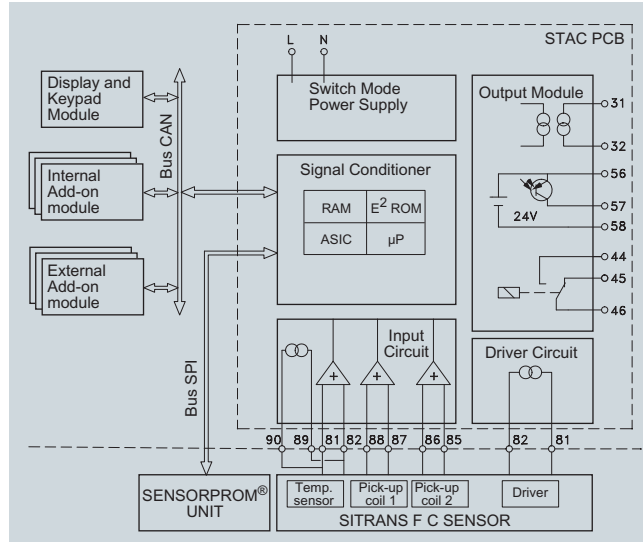
● = available

<sup>1)</sup> Sensor pressure max. 100 bar (1450 psi)

<sup>2)</sup> Only IP66 version approved

### Function

The flow measuring principle is based on coriolis law of movement. The flowmeter consists of a sensor type MASS 2100/FC300 or MC2 and a transmitter MASS 6000/SIFLOW FC070.



The SITRANS F C sensors are energized by an electro-mechanical driver circuit which oscillates the pipe at its resonant frequency.

Two pick-ups, 1 and 2 are placed symmetrically on both sides of the driver. When liquid or gas flows through the sensor, coriolis force will act on the measuring pipe and cause a pipe deflection which can be measured as a phase shift on pick-up 1 and 2. The phase shift is proportional to the mass flow rate.

The amplitude of the driver is automatically regulated via a „phase locked loop“, to ensure a stable output from the 2 pick-ups in the region of 80 to 110 mV.

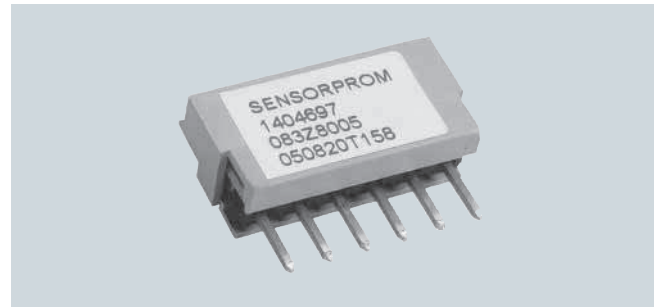
The temperature of the sensor is measured by a Pt1000, in a wheatstone configuration (4-wire).

The flow-proportional signal from the 2 pick-ups, the temperature measurement and the driver frequency are fed into the SITRANS F C transmitter for calculations of mass, volume, fraction, temperature and density.

The analog to digital conversion takes place in an ultra-low noise ASIC with 23 bit signal resolution. The signal transfer function is based on a patented DFT technology (Discrete Fourier Transformation). The ASIC is constructed as a state machine gate array, which enables fast signal processing and filtering.

The ASIC has a built-in noise filter, which can be used to improve the meters' performance if the installation and application conditions are not ideal. Typically influence from process noise such as pump pulsations, mechanical vibrations, oscillating valves can be reduced considerably.

For communication purposes the SITRANS F C MASS 6000 transmitters have a CAN interface with a Siemens specific protocol. This concept is known as the USM II (Universal Signal Module) concept. The idea is that extra output modules or communication modules can be connected to this bus, making it possible to configure the flowmeter for the precise task in hand. When the internal CAN bus detects the installed module, it is automatically programmed to factory settings via the SENSORPROM memory unit, and the new menu is visible in the MASS 6000 display.



SENSORPROM flow memory unit

Currently the USM platform handles all present and future communication protocols, e.g., PROFIBUS DP, PROFIBUS PA, HART, MODBUS, FOUNDATION Fieldbus H1 and DeviceNet.

### Integration

Installation of MASS 2100/FC300 and MC2 sensors

#### Installation requirements/System design information

The SITRANS F C mass flowmeter is suitable for in- and outdoor installations. The standard instrument meets the requirements of Protection Class IP67/NEMA 4X and IP66/NEMA 4. The flowmeter is bidirectional and can be installed in any orientation. It is important to ensure that the meter tubes are always completely filled with homogeneous fluid. Otherwise measuring errors may occur.

The corrosion resistance of the fluid-wetted materials must be evaluated.

The pressure drop through the sensor is a function of the properties of the fluid and the flow rate. The **Sizing Program** (download from <https://pia.khe.siemens.com/index.aspx?nr=11501>) can be used to calculate the pressure drop.

The following points are to be considered during installation:

The preferred flow direction is indicated by the arrow on the flowmeter. Flow in this direction will be indicated as positive.

#### Installation orientation

- MASS 2100/FC300 – sensors  
The optimal installation orientation is horizontal.
- MC2 – sensors  
The optimal installation orientation is vertical with the flow upwards.

#### Supports

- In order to support the weight of the flowmeter and to ensure reliable measurements when external effects exist (e.g. vibrations), the sensor should be installed in rigid pipelines. Two supports or hangers should be installed symmetrically and stress-free in close proximity to the process connections.

#### Shut-off devices

- To conduct a system zero adjustment, shut-off devices are required in the pipeline
  - in horizontal installations at the outlet for FC300 and MC2 and the inlet for MASS 2100.
  - in vertical installations at the inlet.
- When possible, shut-off devices should be installed both up- and downstream of the flowmeter.

# SITRANS F flowmeters

## SITRANS F C

### System information

#### Coriolis mass flowmeters

#### Installation: straight run requirements

- The mass flowmeter does not require any flow conditioning straight inlet sections. Care should be exercised to ensure that any valves, gates, sight glasses etc. do not cavitate and are not set into vibration by the flowmeter.

#### System design information

- The presence of gas bubbles in the fluid may result in erroneous measurements, particularly in the density measurement. Therefore the flowmeter should not be installed at the highest point in the system. Advantageous are installations in low pipeline sections, at the bottom of a U-section in the pipeline.
- Long drop lines downstream from the flowmeter should be avoided to prevent the meter tube from draining.
- The flowmeter should not come into contact with any other objects. Avoid attachments to the housing.
- When the cross-section of the connecting pipeline is larger than the sensor size, suitable standard reducers may be installed.
- If strong vibrations exist in the pipeline, they should be damped using elastic pipeline elements. The damping devices must be installed outside the supported flowmeter section and outside the section between the shut-off devices. The direct connection of flexible elements to the sensor should be avoided.
- Make sure that any dissolved gases, which are present in many liquids, do not outgas. The back pressure at the outlet should be at least 0.1 to 0.2 bar (0.5 to 3 psi).
- Assure that operation below the vapor pressure cannot occur when a vacuum exists in the meter tube or for fluids which boil readily.
- The sensor should not be installed in the vicinity of strong electromagnetic fields, e.g. near motors, pumps, transformers etc.
- When operating more than one meter in one or multiple interconnected pipelines, the sensors should be spaced distant from each other or the pipelines should be decoupled to prevent cross talk.

#### Zero adjustment

- In order to adjust the zero under operating conditions it must be possible to reduce the flow rate to „ZERO“ while the meter tube is completely filled. A bypass line is optimal when the process cannot be shut down. It is important for accurate measurements that during the zero adjustment there are no gas bubbles in the flowmeter. It is also important that the pressure and temperature in the meter tube be the same as that which exists during operation.

### Technical specifications

#### Flowmeter uncertainty/specifications

To ensure continuous accurate measurement, flowmeters must be calibrated. The calibration is conducted at SIEMENS flow facilities accredited according to ISO/IEC 17025 by DANAK or UKAS.

The accreditation bodies DANAK and UKAS have signed the ILAC MRA agreement (International Laboratory Accreditation Corporation - Mutual Recognition Arrangement). Therefore the accreditation ensures international traceability and recognition of the test results in 39 countries worldwide, including the US (NIST traceability).

A calibration certificate is shipped with every sensor and calibration data are stored in the SENSORPROM memory unit.

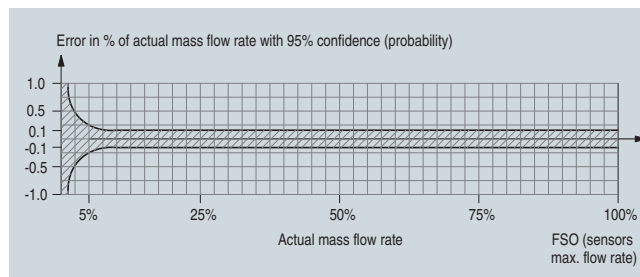
MASS 2100 sensors and MASS 6000 transmitters

|                | 5%    |         | 50%    |          | 100%   |           |
|----------------|-------|---------|--------|----------|--------|-----------|
|                | kg/h  | (lb/h)  | kg/h   | (lb/h)   | kg/h   | (lb/h)    |
| DI 1.5 (1/16") | 1     | (2.2)   | 32.5   | (71.6)   | 65     | (140)     |
| DI 3 (1/8")    | 12    | (26)    | 125    | (275)    | 250    | (550)     |
| DN 4 (1/6")    | 17.5  | (38)    | 175    | (386)    | 350    | (770)     |
| DI 6 (1/4")    | 50    | (110)   | 500    | (1 102)  | 1 000  | (2 200)   |
| DI 15 (1/2")   | 280   | (617)   | 2 800  | (6 173)  | 5 600  | (12 345)  |
| DI 25 (1")     | 1 250 | (2 756) | 12 500 | (27 558) | 25 000 | (55 100)  |
| DI 40 (1 1/2") | 2 600 | (5 732) | 26 000 | (57 320) | 52 000 | (114 600) |

- $Q_{max}$  is found at a pressure drop of 1 bar (29 psi). With increased counterpressure  $Q_{max}$  will increase.
- For flow > 5% of the sensors max. flow rate, the error can be read directly from the curve.
- For flow < 5% of the sensors max. flow rate, use the formula to calculate the error.
- The error curve is plotted from the formula:

$$E = \pm \sqrt{(0.10)^2 + \left(\frac{z \times 100}{qm}\right)^2}$$

E = Error [%]  
Z = Zero point error [kg/h]  
qm = Mass flow [kg/h]



#### Reference conditions for MASS 2100 (ISO 9104 and DIN/EN 29104)

|                      |                                    |
|----------------------|------------------------------------|
| Flow conditions      | Fully developed flow profile       |
| Temperature, medium  | 20 °C ± 2 K (68 °F ± 3.6 °F)       |
| Temperature, ambient | 20 °C ± 2 K (68 °F ± 3.6 °F)       |
| Liquid pressure      | 2 ± 1 bar                          |
| Density              | 0.997 g/cm <sup>3</sup>            |
| Brix                 | 40 °Brix                           |
| Supply voltage       | U <sub>n</sub> ± 1%                |
| Warming-up time      | 30 min.                            |
| Cable length         | 5 m between transmitter and sensor |

#### Additions in the event of deviations from reference conditions

|                               |  |
|-------------------------------|--|
| Current output                | As pulse output ± (0.1% of actual flow + 0.05% FSO)  |
| Effect of ambient temperature | <ul style="list-style-type: none"> <li>Display/frequency/pulse output: &lt; ± 0.003% / K act.</li> <li>Current output: &lt; ± 0.005% / K act.</li> </ul> |
| Effect of supply voltage      | < 0.005% of measuring value on 1% alteration   |

| Sensor type               |                      | FC300       |                | MASS 2100   |             |              |            |                |
|---------------------------|----------------------|-------------|----------------|-------------|-------------|--------------|------------|----------------|
| Sensor size               |                      | DN 4 (1/6") | DI 1.5 (1/16") | DI 3 (1/8") | DI 6 (1/4") | DI 15 (1/2") | DI 25 (1") | DI 40 (1 1/2") |
| Number of measuring pipes |                      | 1           | 1              | 1           | 1           | 1            | 1          | 1              |
| <b>Mass flow</b>          |                      |             |                |             |             |              |            |                |
| Linearity error           | % of rate            | 0.10        | 0.10           | 0.10        | 0.10        | 0.10         | 0.10       | 0.10           |
| Repeatability error       | % of rate            | 0.05        | 0.05           | 0.05        | 0.05        | 0.05         | 0.05       | 0.05           |
| Max. zero point error     | [kg/h]               | 0.010       | 0.001          | 0.010       | 0.050       | 0.200        | 1.500      | 6.000          |
| <b>Density</b>            |                      |             |                |             |             |              |            |                |
| Density error             | [g/cm <sup>3</sup> ] | 0.0015      | 0.001          | 0.0015      | 0.0015      | 0.0005       | 0.0005     | 0.0005         |
| Repeatability error       | [g/cm <sup>3</sup> ] | 0.0002      | 0.0002         | 0.0002      | 0.0002      | 0.0001       | 0.0001     | 0.0001         |
| Range                     | [g/cm <sup>3</sup> ] | 0 ... 2.9   | 0 ... 2.9      | 0 ... 2.9   | 0 ... 2.9   | 0 ... 2.9    | 0 ... 2.9  | 0 ... 2.9      |
| <b>Temperature</b>        |                      |             |                |             |             |              |            |                |
| Error                     | [°C (°F)]            | 0.5 (1)     | 0.5 (1)        | 0.5 (1)     | 0.5 (1)     | 0.5 (1)      | 0.5 (1)    | 0.5 (1)        |
| <b>Brix</b>               |                      |             |                |             |             |              |            |                |
| Error                     | [°Brix]              | 0.3         | 0.2            | 0.3         | 0.3         | 0.1          | 0.1        | 0.1            |

| Sensor type  |                                 | MC2   |                |             |             |               |
|--|---------------------------------|---|----------------|-------------|-------------|---------------|
| Sensor size (standard version)                                 |                                 | DN 50 (2")  | DN 65 (2 1/2") | DN 80 (3")  | DN 100 (4") | DN 150 (6")   |
| Sensor size (hygienic version)                                 |                                 | DN 20 (3/4"),<br>DN 25 (1"),<br>DN 40 (1 1/2"),<br>DN 50 (2")                       | DN 65 (2 1/2") | DN 80 (3")  |             |               |
| Number of measuring pipes                                      |                                 | 2   | 2              | 2           | 2           | 2             |
| <b>Mass flow:</b>  |                                 |   |                |             |             |               |
| Linearity error  | % of rate                       | 0.15  | 0.15           | 0.15        | 0.15        | 0.15          |
| Reproducibility of flowrate at rates > 5 % of Q <sub>max</sub> | % of rate                       | 0.1   | 0.1            | 0.1         | 0.1         | 0.1           |
| Max. zero point error  | [kg/h (lb/h)]                   | DN 20 0.6 (1.32),<br>DN 25 0.96 (2.12),<br>DN 40 2.85 (6.28),<br>DN 50 5.52 (12.17) | 11.34          | 14.76       | 24.96       | 330           |
| <b>Density</b>   |                                 |   |                |             |             |               |
| Density error  | (Standard) [g/cm <sup>3</sup> ] | 0.005   | 0.005          | 0.005       | 0.005       | 0.005         |
|  | (Extended) [g/cm <sup>3</sup> ] | 0.001   | 0.001          | 0.001       | 0.001       | Not available |
| Range  | [kg/dm <sup>3</sup> ]           | 0.5 ... 3.5   | 0.5 ... 3.5    | 0.5 ... 3.5 | 0.5 ... 3.5 | 0.5 ... 3.5   |
| Repeatability error  | [g/l]                           | ±0.1  | ±0.1           | ±0.1        | ±0.1        | ±0.1          |
| <b>Temperature</b>   |                                 |   |                |             |             |               |
| Error  | [°C (°F)]                       | 1.0 (1.8)   | 1.0 (1.8)      | 1.0 (1.8)   | 1.0 (1.8)   | 1.0 (1.8)     |
| <b>Brix <sup>1)</sup></b>                                      |                                 |   |                |             |             |               |
| Error  | [°Brix]                         | 0.25  | 0.25           | 0.25        | 0.25        | Not available |

<sup>1)</sup> Flow and density calibration (1 kg/m<sup>3</sup>) required.

### Flowmeter uncertainty/specifications

MC2 sensors and MASS 6000 transmitters

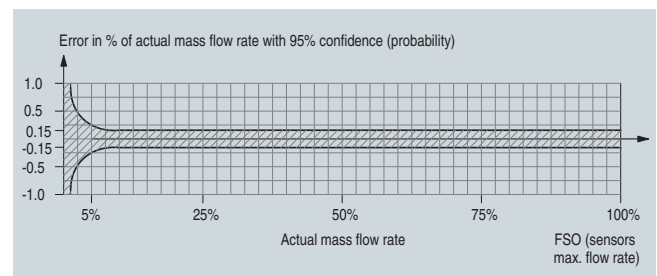
|                | 5%     |          | 50%     |           | 100%    |             |
|----------------|--------|----------|---------|-----------|---------|-------------|
|                | kg/h   | (lb/h)   | kg/h    | (lb/h)    | kg/h    | (lb/h)      |
| DN 20 (3/4")   | 150    | (330)    | 3 000   | (6 614)   | 6 000   | (13 228)    |
| DN 25 (1")     | 240    | (529)    | 4 800   | (10 582)  | 9 600   | (21 164)    |
| DN 40 (1 1/2") | 712    | (1 570)  | 14 250  | (31 416)  | 28 500  | (62 832)    |
| DN 50 (2")     | 2 130  | (4 695)  | 21 300  | (46 958)  | 42 600  | (93 900)    |
| DN 65 (2 1/2") | 4 350  | (9 590)  | 43 500  | (95 900)  | 87 000  | (191 800)   |
| DN 80 (3")     | 5 670  | (12 500) | 56 700  | (125 002) | 113 400 | (250 000)   |
| DN 100 (4")    | 9 600  | (21 164) | 96 000  | (211 643) | 192 000 | (423 300)   |
| DN 150 (6")    | 25 500 | (56 217) | 255 000 | (562 178) | 510 000 | (1 124 356) |

Flow capacity calculated at 1 bar pressure loss on water at 20 °C

$$E = \pm \sqrt{(0.15)^2 + \left(\frac{z \times 100}{qm}\right)^2}$$

E = Error [%]  
Z = Zero point error [kg/h]  
qm = Mass flow [kg/h]

Q<sub>max.</sub> at 2 bar pressure loss at 1 g/cm<sup>3</sup>



# SITRANS F flowmeters

## SITRANS F C

### System information

#### Coriolis mass flowmeters

#### Technical specifications PROFIBUS PA/DP

##### General specifications

|                         |  |
|-------------------------|--|
| PROFIBUS device profile | 3.00 Class B   |
| Certified               | Yes, according to Profile for process control devices v3.00. |
| MS0 connections         | 1  |
| MS1 connections         | 1  |
| MS2 connections         | 2  |

##### Electrical specification DP

##### Physical layer specifications

|  |   |
|--|---|
| Applicable standard                      | EN 50170 vol. 2                                   |
| Physical Layer (Transmission technology) | RS 485  |
| Transmission speed                       | ≤ 1.5 Mbits/s                                     |
| Number of stations                       | Up to 32 per line segment, (maximum total of 126) |

##### Cable specification (Type A)

|                    |   |
|--------------------|---|
| Cable design       | Two wire twisted pair   |
| Shielding          | CU shielding braid or shielding braid and shielding foil                    |
| Impedance          | 35 up to 165 Ω at frequencies from 3 ... 20 MHz                             |
| Cable capacity     | < 30 pF per meter   |
| Core diameter      | > 0.34 mm <sup>2</sup> , corresponds to AWG 22                              |
| Resistance         | < 110 Ω per km  |
| Signal attenuation | Max. 9 dB over total length of line section                                 |
| Max. bus length    | 200 m at 1500 kbit/s, up to 1.2 km at 93.75 kbit/s. Extendable by repeaters |

##### Electrical specification PA

##### Physical layer specifications

|  |   |
|--|---|
| Applicable standard                      | EN 50170  |
| Physical Layer (Transmission technology) | IEC-61158-2                                       |
| Transmission speed                       | 31.25 Kbits/second                                |
| Number of stations                       | Up to 32 per line segment, (maximum total of 126) |
| Max. basic current [I <sub>B</sub> ]     | 14 mA   |
| Fault current [I <sub>FDE</sub> ]        | 0 mA  |
| Bus voltage                              | 9 ... 32 V (non Ex)                               |

##### Preferred cable specification (Type A)

|                            |                                       |
|----------------------------|---------------------------------------|
| Cable design               | Two wire twisted pair                 |
| Conductor area (nominal)   | 0.8 mm <sup>2</sup> (AWG 18)          |
| Loop resistance            | 44 Ω/km                               |
| Impedance                  | 100 Ω ± 20%                           |
| Wave attenuation at 39 kHz | 3 dB/km                               |
| Capacitive asymmetry       | 2 nF/km                               |
| Bus termination            | Passive line termination at both      |
| Max. bus length            | Up to 1.9 km. Extendable by repeaters |

##### IS (Intrinsic Safety) data

|                             |  |
|-----------------------------|--|
| Required sensor electronics | Compact mounted SITRANS F C MASS 6000 Ex d |
| FISCO                       | Yes  |
| Max. U <sub>I</sub>         | 17.5 V                                     |
| Max. I <sub>I</sub>         | 380 mA                                     |
| Max. P <sub>I</sub>         | 5.32 V                                     |
| Max. L <sub>I</sub>         | 10 μH                                      |
| Max. C <sub>I</sub>         | 5 nF                                       |
| Max. U <sub>O</sub>         | 1.3 V                                      |
| Max. I <sub>O</sub>         | 50 μA                                      |

##### FISCO cable requirements

|                                 |                  |
|---------------------------------|------------------|
| Loop resistance R <sub>C</sub>  | 15 ... 150 Ω/km  |
| Loop inductance L <sub>C</sub>  | 0.4 ... 1 mH/km  |
| Capacitance C <sub>C</sub>      | 80 ... 200 nF/km |
| Max. Spur length in IIC and IIB | 30 m             |
| Max. Trunk length in IIC        | 1 km             |
| Max. Trunk length in IIB        | 5 km             |

##### PROFIBUS parameter support

The following parameters are accessible using a MS0 relationship from a Class 1 Master. MS0 specifies cyclic Data Exchange between a Master and a Slave.

##### Cyclic services:

| Input (Master view)         | Parameter                       | MASS 6000 |
|-----------------------------|---------------------------------|-----------|
|                             | Mass flow                       | ✓         |
|                             | Volume flow                     | ✓         |
|                             | Temperature                     | ✓         |
|                             | Density                         | ✓         |
|                             | Fraction A <sup>1)</sup>        | ✓         |
|                             | Fraction B <sup>1)</sup>        | ✓         |
|                             | Pct Fraction A <sup>1)</sup>    | ✓         |
|                             | Totalizer 1                     | ✓         |
|                             | Totalizer 2 <sup>2)</sup>       | ✓         |
|                             | Batch progress <sup>2)</sup>    | ✓         |
|                             | Batch setpoint                  | ✓         |
|                             | Batch compensation              | ✓         |
|                             | Batch status (running ...)      | ✓         |
| <b>Output (Master view)</b> | Set Totalizer 1+2               | ✓         |
|                             | Set Mode Totalizer 1+2          | ✓         |
|                             | Batch control (start, stop ...) | ✓         |
|                             | Batch setpoint                  | ✓         |
|                             | Batch compensation              | ✓         |

<sup>1)</sup> Requires a SENSORPROM containing valid fraction data.

<sup>2)</sup> Value returned is dependent on the BATCH function. When **ON**, Batch progress is returned. When **OFF**, TOTALIZER 2 is returned.



#### Overview



MASS 6000 is based on the latest developments within digital signal processing technology – engineered for high performance, fast flow step response, fast batching applications, high immunity against process noise, easy to install, commission and maintain.

The MASS 6000 transmitter delivers true multiparameter measurements i.e. mass flow, volume flow, density, temperature and fraction.

The MASS 6000 IP67 transmitter can be compact mounted on all sensors of type MASS 2100 DI 3 to DI 40, and can be used in remote version for all types of MASS 2100/MC2 and FC300 sensors.

#### Benefits

- Dedicated mass flow chip with the latest ASIC technology
- Fast batching and flow step response with an update rate of true 30 Hz
- Superior noise immunity due to a patented DFT (Discrete Fourier Transformation) algorithm
- Front end resolution better than 0.35 ns improves zero point stability and enhances dynamic turn-down ratio on flow and density accuracy
- Advanced diagnosis and service menu enhances troubleshooting and meter verification
- Built-in batch controller with compensation and monitoring comprising 2 built-in totalizers
- Multi-parameter outputs, individual configurable for mass flow, volume flow, density, temperature or fraction flow such as °BRIX or °PLATO
- Digital input for batch control, remote zero adjust or forced output mode
- All outputs can be forced to preset value for simulation, verification or calibration purposes
- User-configurable operation menu with password protection
  - 3 lines, 20 characters display in 11 languages
  - Self-explaining error handling/log in text format
  - Keypad can be used for controlling batch as start/stop/hold/reset
- SENSORPROM technology automatically configures transmitter at start-up providing:
  - Factory pre-programming with calibration data, pipe size, sensor type, output settings
  - Any values or settings changed by users are stored automatically
  - Automatically re-programming any new transmitter without loss of accuracy
  - Transmitter replacement in less than 5 minutes. True "plug & play"

- 4-wire Pt1000 temperature measurement ensures optimum accuracy on mass flow, density and fraction flow
- Fraction flow computation based on a 5th-order algorithm matching all applications
- USM II platform enables fitting of add-on bus modules without loss of functionality.
  - All modules can be fitted as true "plug & play"
  - Module and transmitter are automatically configured through the SENSORPROM
- Installation of the transmitter to the sensor is simple "plug & play" via the sensor pedestal

#### Application

SITRANS F C mass flowmeters are suitable for all applications within the entire process industry, where there is a demand for accurate flow measurement. The meter is capable of measuring both liquid and gas flow.

The main applications for the MASS 6000 IP67 transmitter can be found in:

- Food and beverage industries
- Pharmaceutical industries
- Automotive industry
- Oil and gas industry
- Power generation and utility industry
- Water and waste water industry

#### Design

The transmitter is designed in an IP67/NEMA 4X compact polyamide enclosure which can be compact mounted on the MASS 2100 sensor range DI 3 to DI 40 (1/8" to 1 1/2") and remote mounted for the entire sensor series.

The MASS 6000 IP67 is available as standard with 1 current, 1 frequency/pulse and 1 relay output and can be fitted with add-on modules for bus communication.

#### Function

The following functions are available:

- Mass flow rate, volume flow rate, density, temperature, fraction flow
- 1 current output, 1 frequency/pulse output, 1 relay output, 1 digital input
- All outputs can be individually configured with mass, volume, density etc.
- 2 built-in totalizers which can count positive, negative or net
- Low flow cut-off
- Density cut-off or empty pipe cut-off, adjustable
- Flow direction adjustable
- Error system consisting of error-log, error pending menu
- Display of operating time
- Uni/bidirectional flow measurement
- Limit switches with 1 or 2 limits, programmable for flow, density or temperature
- Noise filter setting for optimization of measurement performance under non-ideal application conditions
- Full batch controller
- Automatic zero adjustment menu, with zero point evaluation feed back
- Full service menu for effective and straight forward application and meter troubleshooting

# SITRANS F flowmeters

## SITRANS F C

### MASS 6000 IP67 compact/remote

#### Technical specifications

|                              |  |
|------------------------------|--|
| <b>Measurement of</b>        | Mass flow [kg/s (lbs/min)], volume flow [l/s (gpm)], fraction [%], °Brix, density [kg/m <sup>3</sup> , (lbs/ft <sup>3</sup> )], temperature [°C (°F)]  |
| <b>Current output</b>        |  |
| Current                      | 0 ... 20 mA or 4 ... 20 mA   |
| Load                         | < 800 Ω  |
| Time constant                | 0 ... 99.9 s adjustable  |
| <b>Digital output</b>        |  |
| Frequency                    | 0 ... 10 kHz, 50% duty cycle   |
| Time constant                | 0 ... 99.9 s adjustable  |
| Active                       | 24 V DC, 30 mA,<br>1 KΩ ≤ R <sub>load</sub> ≤ 10 KΩ,<br>short-circuit-protected  |
| Passive                      | 3 ... 30 V DC, max. 110 mA,<br>1 KΩ ≤ R <sub>load</sub> ≤ 10 KΩ  |
| <b>Relay</b>                 |  |
| Type                         | Change-over relay  |
| Load                         | 42 V/2 A peak  |
| Functions                    | Error level, error number, limit,<br>flow direction  |
| <b>Digital input</b>         | 11 ... 30 V DC (R <sub>i</sub> = 13.6 KΩ)  |
| Functionality                | Start/hold/continue batch, zero<br>point adjust, reset totalizer 1/2,<br>force output, freeze output   |
| <b>Galvanic isolation</b>    | All inputs and outputs are galva-<br>nically isolated, isolation voltage<br>500 V  |
| <b>Cut-off</b>               |  |
| Low-flow                     | 0 ... 9.9% of maximum flow   |
| <b>Limit function</b>        | Mass flow, volume flow, fraction,<br>density, sensor temperature   |
| <b>Totalizer</b>             | Two eight-digit counters for for-<br>ward, net or reverse flow   |
| <b>Display</b>               | <ul style="list-style-type: none"> <li>• Background illumination with al-<br/>phanumerical text, 3 × 20 char-<br/>acters to indicate flow rate,<br/>totalized values, settings and<br/>faults. Time constant as current<br/>output 1</li> <li>• Reverse flow indicated by nega-<br/>tive sign</li> </ul> |
| <b>Zero point adjustment</b> | Manual via keypad or remote via<br>digital input   |
| <b>Ambient temperature</b>   |  |
| Operation                    | -20 ... +50 °C (-4 ... +122 °F),<br>max. rel. humidity 80% at 31 °C<br>(87.8 °F) decreasing to 50% at<br>40 °C (104 °F) according to<br>IEC/EN/UL 61010-1  |
| Storage                      | -40 ... +70 °C (-40 ... +158 °F)<br>(Humidity max. 95%)  |
| <b>Communication</b>         | Add-on modules: HART,<br>PROFIBUS PA & DP, MODBUS<br>RTU RS 485, DeviceNet,<br>FOUNDATION Fieldbus H1  |
| <b>Enclosure</b>             |  |
| Material                     | Fibre glass reinforced polyamide   |
| Rating                       | IP67/NEMA 4X to IEC 529 and<br>DIN 40050 (1 m w.g. for 30 min.)  |
| Mechanical load              | 18 ... 1000 Hz random,<br>3.17G rms, in all directions, to<br>IEC 68-2-36  |

#### Supply voltage

|                     |   |
|---------------------|---|
| 24 V version        |   |
| • Supply            | 24 V DC/AC, 50 ... 60 Hz                                    |
| • Fluctuation       | 18 ... 30 V DC<br>20 ... 30 V AC                            |
| • Power consumption | 10 W  |
| 230 V version       |   |
| • Supply            | 87 ... 253 V AC, 50 ... 60 Hz                               |
| • Power consumption | 26 VA   |
| Fuse                |   |
| • 230 V version     | T400 mA, T 250 V (IEC 127) - not<br>replaceable by operator |
| • 24 V version      | T1 A, T 250 V (IEC 127) - not<br>replaceable by operator    |

#### EMC performance

|          |                             |
|----------|-----------------------------|
| Emission | EN/IEC 61000-6-4 (Industry) |
| Immunity | EN/IEC 61000-6-2 (Industry) |

#### NAMUR

Within the value limits according to "Allgemeine Anforderung" with error criteria A in accordance with NE 21

#### Environment

|   |   |
|---|---|
| Environmental conditions acc. to IEC/EN/UL 61010-1: | <ul style="list-style-type: none"> <li>• Altitude up to 2000 m</li> <li>• POLLUTION DEGREE 2</li> </ul> |
|---|---|

#### Maintenance

The flowmeter has a built-in error log/pending menu which should be inspected on a regular basis

#### Cable glands

Two types of cable gland are available in polyamide in the following dimensions:  
M20 or ½" NPT

### MASS 6000 IP67 compact/remote

| Selection and Ordering data   | Order No.                       |
|---|---------------------------------|
| <b>SITRANS F C MASS 6000 transmitter</b><br>Transmitter for wall mounting with wall mounting bracket, fibre glass reinforced polyamide (1 current output, 1 frq./pulse output, 1 relay output and connection board/PCB) | 7ME4110 -<br>AA0 - A            |
| <b>Version</b><br>Remote IP67/NEMA 4X enclosure   | 2                               |
| <b>Supply voltage</b><br>115/230 V AC, 50 ... 60 Hz<br>24 V AC/DC   | 1<br>2                          |
| <b>Display/Keypad</b><br>with display   | 1                               |
| <b>Serial communication</b><br>No communication<br>HART<br>PROFIBUS PA Profile 3<br>PROFIBUS DP Profile 3<br>MODBUS RTU RS 485<br>DeviceNet<br>FOUNDATION Fieldbus H1   | A<br>B<br>F<br>G<br>E<br>H<br>J |
| <b>Cable glands</b><br>M20<br>½" NPT  | 1<br>2                          |

Please also see [www.siemens.com/SITRANSFordeing](http://www.siemens.com/SITRANSFordeing) for practical examples of ordering


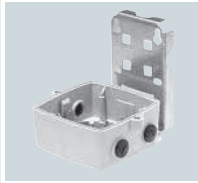
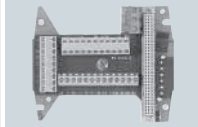


### Accessories

#### Cable glands

| Description   | Order No.                  |
|---|----------------------------|
| <b>Cable glands, screwed entries</b> type in polyamide (100 °C (212 °F)) black, 2-off |                            |
| <ul style="list-style-type: none"> <li>M20</li> <li>½" NPT</li> </ul>                 | A5E00822490<br>A5E01163775 |



### Spare parts for compact or remote IP67 version

| Description  | Order No.  |
|--|--|
| <b>MASS 6000 transmitter IP67/NEMA 4X</b><br>Fibre glass reinforced polyamide and connection board<br>1 current output<br>1 frq./pulse output<br>1 relay output  | 7ME4110-1AA10-1AA0<br>7ME4110-1AA20-1AA0               |
|   |  |
| <b>Wall mounting unit for IP67/NEMA 4X version</b> with wall bracket, without connection board but with  | FDK-085U1018<br>A5E01164211                            |
| <ul style="list-style-type: none"> <li>4 x M20 cable glands</li> <li>4 x ½" NPT cable glands</li> </ul>  |  |
|   |  |
| <b>Connection board/PCB</b><br>Supply voltage: 115/230 V / 24 V AC/DC  | FDK-083H4260   |
|   |  |
| <b>Terminal box kit</b> with   | A5E00832338 <sup>F)</sup><br>A5E00832342 <sup>F)</sup> |
| <ul style="list-style-type: none"> <li>M20 cable glands</li> <li>½" NPT cable glands</li> </ul> Change from remote to compact mounting of MASS 6000 IP67/NEMA 4X with MASS 2100.<br>The kit consists of a terminal box in polyamide, cable and connector between PCB and sensor pedestal, PCB, seal and screws (4 pcs.) for mounting on sensor |  |
| <b>Terminal box</b> with   | FDK-085U1050<br>A5E01164206                            |
| <ul style="list-style-type: none"> <li>M20 cable glands</li> <li>½" NPT cable glands</li> </ul>  |  |
|   |  |
| <b>Terminal box</b> – in polyamide exclusive of lid  | FDK-085U1002   |
| <b>Terminal box – lid</b> in polyamide   | FDK-085U1003   |
|   |  |

### Add-on module

| Description            | Order No.    |
|------------------------|--------------|
| HART                   | FDK-085U0226 |
| PROFIBUS PA Profile 3  | FDK-085U0236 |
| PROFIBUS DP Profile 3  | FDK-085U0237 |
| MODBUS RTU RS 485      | FDK-085U0234 |
| FOUNDATION Fieldbus H1 | A5E02054250  |
| DeviceNet              | FDK-085U0229 |



F) Subject to export regulations AL: 91999, ECCN: N.

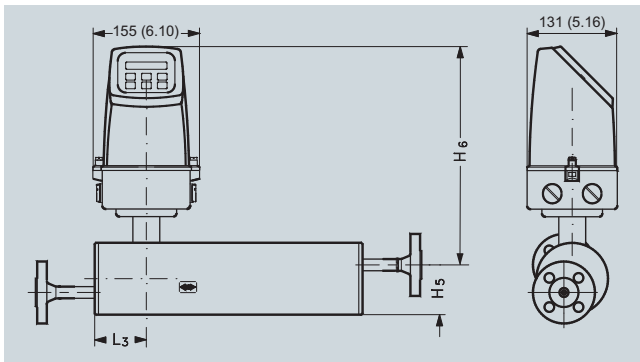
# SITRANS F flowmeters

## SITRANS F C

MASS 6000 IP67 compact/remote

### Dimensional drawings

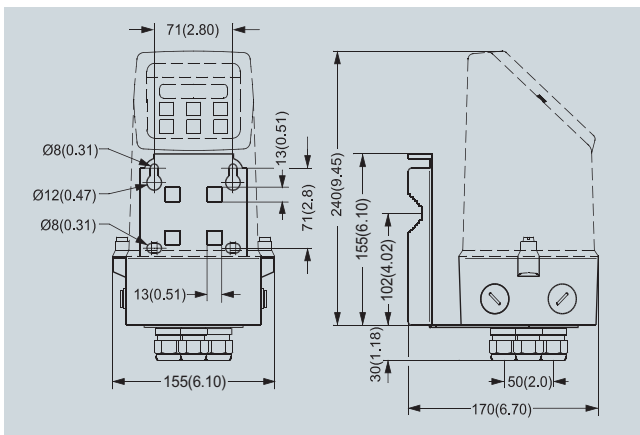
#### Compact



#### MASS 2100

| Sensor size<br>[Di (inch)] | L <sub>3</sub><br>[mm (inch)] | H <sub>5</sub><br>[mm (inch)] | H <sub>6</sub><br>[mm (inch)] | H <sub>5</sub> + H <sub>6</sub><br>[mm (inch)] |
|----------------------------|-------------------------------|-------------------------------|-------------------------------|--|
| 3 (1/8)                    | 75 (2.95)                     | 82 (3.23)                     | 306 (12.04)                   | 388 (15.28)                                    |
| 6 (1/4)                    | 62 (2.44)                     | 72 (2.83)                     | 316 (12.44)                   | 388 (15.28)                                    |
| 15 (1/2)                   | 75 (2.95)                     | 87 (3.43)                     | 326 (12.83)                   | 413 (16.26)                                    |
| 25 (1)                     | 75 (2.95)                     | 173 (6.81)                    | 330 (13.00)                   | 503 (19.80)                                    |
| 40 (1 1/2)                 | 75 (2.95)                     | 227 (8.94)                    | 330 (13.00)                   | 557 (21.93)                                    |

#### Transmitter wall mounted



### Schematics

#### Electrical connection

##### Grounding

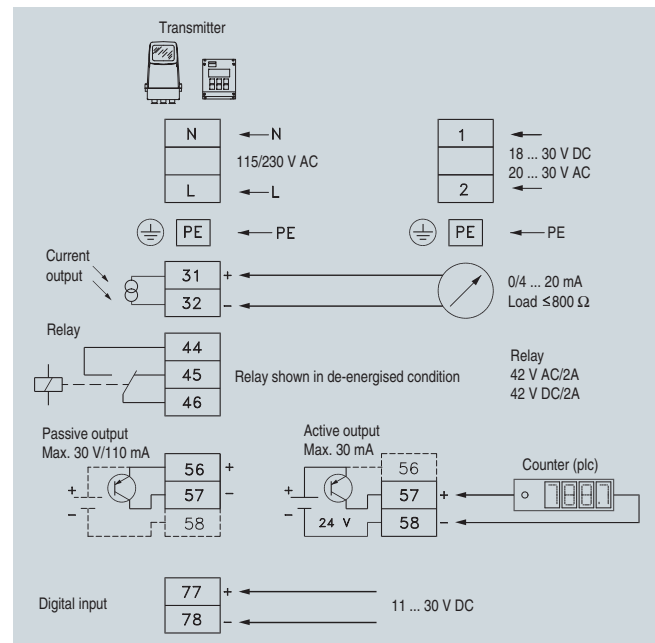
PE must be connected due to safety class 1 power supply.

##### Mechanical counters

When mounting a mechanical counter to terminals 57 and 58 (active output), a 1000 µF capacitor must be connected to the terminals 56 and 58. Capacitor + is connected to terminal 56 and capacitor - to terminal 58.

##### Output cables

If long cables are used in a noisy environment, it is recommended to use shielded cables.



### MASS 6000 for 19" insert/19" wall mounting

#### Overview



MASS 6000 is based on the latest developments within digital signal processing technology – engineered for high performance, fast flow step response, fast batching applications, high immunity against process noise, easy to install, commission and maintain.

The MASS 6000 transmitter delivers true multi parameter measurements i.e.: Mass flow, volume flow, density, temperature and fraction.

The MASS 6000 19" transmitter can be connected to all sensors of types MASS 2100/MC2/FC300 and are available in different versions depending of number of output facilities, Ex protection and grade of enclosure.

#### Benefits

- Dedicated mass flow chip with the latest ASIC technology
- Fast batching and flow step response with an update rate of true 30 Hz
- Superior noise immunity due to a patented DFT (Discrete Fourier Transformation) algorithm
- Front end resolution better than 0.35 ns improves zero point stability and enhances dynamic turn-down ratio on flow and density accuracy
- Advanced diagnosis and service menu enhances troubleshooting and meter verification
- Built-in batch controller with compensation and monitoring comprising 2 built-in totalizers
- Multi-parameter outputs, individual configurable for mass flow, volume flow, density, temperature or fraction flow such as °BRIX or °PLATO
- Many output capacities, up to 3 current, 2 frequency/pulse and 2 relay outputs (excludes the possibility of an add-on module)
- Digital input for batch-control, remote zero adjust or forced output mode
- All outputs can be forced to preset value for simulation, verification or calibration purposes
- User-configurable operation menu with password protection
  - 3 lines, 20 characters display in 11 languages
  - Self-explaining error handling/log in text format
  - Keypad can be used for controlling batch as start/stop/hold/reset

- SENSORPROM technology automatically configures transmitter at start-up providing:
  - Factory pre-programming with calibration data, pipe size, sensor type, output settings
  - Any values or settings changed by users are stored automatically
  - Automatically re-programming any new transmitter without loss of accuracy
  - Transmitter replacement in less than 5 minutes. True "plug & play"
- 4-wire Pt1000 temperature measurement ensures optimum accuracy on mass flow, density and fraction flow
- Fraction flow computation based on a 5th-order algorithm matching all applications
- USM II platform enables fitting of add-on bus modules without loss of functionality.
  - All modules can be fitted as true "plug & play"
  - Module and transmitter automatically configured through the SENSORPROM
- Transmitter available with ATEX and UL approval
- All electrical connections are easily accessible on the large back plane PCB

#### Application

SITRANS F C coriolis mass flowmeters are suitable for all applications within the entire process industry, where there is a demand for accurate flow measurement. The meter can measure both liquids and gases.

The main applications for the MASS 6000 19" transmitter can be found in:

- Chemical and pharmaceutical industries
- Food and beverage industries
- Automotive industry
- Oil and gas industry
- Power generation and utility industry
- Water and waste water industry

#### Design

The transmitter is designed as a 19" insert as base to be used in:

- 19" rack system
- Panel mounting IP66/NEMA 4
- Back of panel mounting IP20/NEMA 1
- Wall mounting IP66/NEMA 4

The MASS 6000 19" is available as standard or as ATEX-approved transmitter which is to be mounted in the safe area.

# SITRANS F flowmeters

## SITRANS F C

### MASS 6000 for 19" insert/19" wall mounting

#### Function

The following functions are available:

- Mass flow rate, volume flow rate, density, temperature, fraction flow
- 2 output versions available as standard:
  - 1 current output, 1 frequency/pulse output, 1 relay output, 1 digital input
  - 3 current outputs, 2 frequency/pulse outputs, 2 relay outputs, 1 digital input
- All outputs can be individually configured with mass, volume, density etc.
- 2 built-in totalizers which can count positive, negative or net
- Low flow cut-off
- Density cut-off or empty pipe cut-off, adjustable
- Flow direction
- Error system consisting of error-log, error pending menu
- Operating time
- Uni/bidirectional flow measurement
- Limit switches with 1 or 2 limits, programmable for flow, density or temperature
- Noise filter setting for optimization of measurement performance under non-ideal application conditions
- Full batch controller
- Automatic zero adjustment menu, with zero point evaluation feed-back
- Full service menu for effective and straight forward application and meter troubleshooting

#### Technical specifications

|                           |   |
|---------------------------|---|
| <b>Measurement of</b>     | Mass flow [kg/s (lbs/min)], volume flow [l/s (gpm)], fraction [%], °Brix, density [kg/m <sup>3</sup> (lbs/ft <sup>3</sup> )], temperature [°C (°F)] |
| <b>Current output</b>     |   |
| Current                   | 0 ... 20 mA or 4 ... 20 mA  |
| Load                      | < 800 Ω   |
| Time constant             | 0 ... 99.9 s adjustable   |
| <b>Digital output</b>     |   |
| Frequency                 | 0 ... 10 kHz, 50% duty cycle  |
| Time constant             | 0 ... 30 s adjustable   |
| Active                    | 24 V DC, 30 mA, 1 KΩ ≤ R <sub>load</sub> ≤ 10 KΩ, short-circuit-protected   |
| Passive                   | 3 ... 30 V DC, max. 110 mA, 1 KΩ ≤ R <sub>load</sub> ≤ 10 KΩ  |
| <b>Relay</b>              |   |
| Type                      | Change-over relay   |
| Load                      | 42 V/2 A peak   |
| Functions                 | Error level, error number, limit, direction   |
| <b>Digital input</b>      | 11 ... 30 V DC  |
| Functionality             | Start/hold/continue batch, zero point adjust, reset totalizer 1/2, force output, freeze output  |
| <b>Galvanic isolation</b> | All inputs and outputs are galvanically isolated, isolation voltage 500 V   |
| <b>Cut-off</b>            |   |
| Low-flow                  | 0 ... 9.9% of maximum flow  |

|                              |   |
|------------------------------|---|
| <b>Limit function</b>        | Mass flow, volume flow, fraction, density, sensor temperature   |
| <b>Totalizer</b>             | Two eight-digit counters for forward, net or reverse flow   |
| <b>Display</b>               | <ul style="list-style-type: none"> <li>• Background illumination with alphanumeric text, 3 × 20 characters to indicate flow rate, totalized values, settings and faults</li> <li>• Reverse flow indicated by negative sign</li> </ul> |
| <b>Zero point adjustment</b> | Manual via keypad or remote via digital input   |
| <b>Ambient temperature</b>   |   |
| Operation                    | -20 ... +50 °C (-4 ... +122 °F)   |
| Storage                      | -40 ... +70 °C (-40 ... +158 °F) (Humidity max. 95%)  |
| <b>Communication</b>         | Add-on modules: HART, PROFIBUS PA & DP, MODBUS RTU RS 485, DeviceNet, FOUNDATION Fieldbus H1  |
| <b>Enclosure 19"</b>         |   |
| Material                     | Aluminium/steel (DIN 41494)   |
| Rating                       | IP20/NEMA 1 to IEC 529 and DIN 40050 (1 m w.g. for 30 min.)   |
| Mechanical load              | 18 ... 1000 Hz random, 3.17G rms, in all directions, to IEC 68-2-36   |
| <b>Supply voltage</b>        | <ul style="list-style-type: none"> <li>• 87 ... 253 V AC +10% ... -10%, 50 ... 60 Hz</li> <li>• 18 ... 30 V DC or 20 ... 30 V AC</li> </ul>   |
| <b>Power consumption</b>     |   |
| 230 V AC                     | 9 VA max.   |
| 24 V DC                      | 6 W I <sub>N</sub> = 250 mA, I <sub>ST</sub> = 2 A (30 ms)  |
| <b>EMC performance</b>       |   |
| Emission                     | EN/IEC 61000-6-4 (Industry)   |
| Immunity                     | EN/IEC 61000-6-2 (Industry)   |
| <b>Ex approval</b>           | [EEEx ia] IIC, DEMKO 03 ATEX 135251X  |
| <b>Maintenance</b>           | The flowmeter has a built-in error log/pending menu which should be inspected on a regular basis  |
| <b>Fuse</b>                  | T 400 mA, T 250 V (IEC 127), not replaceable by operator  |
| <b>Cable</b>                 | <ul style="list-style-type: none"> <li>• Max. 300 m</li> <li>• C: max. 300 [pF/m]; L<sub>C</sub>/R<sub>C</sub>: max. 100 [μH/Ω]</li> <li>• The total cable capacity must be max. 200 nF</li> </ul>                                    |
| <b>Cable glands</b>          | The cable gland is available in polyamide, in dimension: PG 13.5  |



### MASS 6000 for 19" insert/19" wall mounting

| Selection and Ordering data   | Order No.  |
|---|--|
| <b>SITRANS F C MASS 6000 transmitter</b><br>Transmitter for rack and wall mounting  | <b>7 ME 4 1 1 0 -</b><br><b>2 ■■■■ - ■■ A 0</b>                                  |
| <b>Enclosure</b><br>19 inch insert IP20/NEMA 1 (rack)<br>19 inch insert in IP66/NEMA 4 (wall mounting)  | <b>C</b><br><b>E</b>   |
| <b>Output configuration</b><br>1 current, 1 frequency, 1 relay<br>3 current, 2 frequency, 2 relay   | <b>A</b><br><b>C</b>   |
| <b>Supply voltage</b><br>115/230 V AC, 50/60 Hz<br>24 V AC/DC   | <b>1</b><br><b>2</b>   |
| <b>Ex Approvals</b><br>Standard (No Ex-approval)<br>ATEX<br>UL Class 1, Div. 2 (only IP66/NEMA 4 version)   | <b>0</b><br><b>1</b><br><b>5</b>   |
| <b>Display/Keypad</b><br>With display   | <b>1</b>   |
| <b>Serial communication</b> (Only possible to connect to MASS 6000 version with 1 current output)<br>No communication<br>HART<br>PROFIBUS PA Profile 3<br>PROFIBUS DP Profile 3<br>MODBUS RTU RS 485<br>DeviceNet<br>FOUNDATION Fieldbus H1 | <b>A</b><br><b>B</b><br><b>F</b><br><b>G</b><br><b>E</b><br><b>H</b><br><b>J</b> |

#### Attention (Ex applications)!

MC2 Ex version sensors must only be connected to MASS 6000 standard. The MASS 6000 connection board must be replaced by a connection board approved FDK-083H4294 or FDK-083H4295 (see connection boards/PCB for MASS 6000 and MC2 sensors).

Please also see [www.siemens.com/SITRANSFordering](http://www.siemens.com/SITRANSFordering) for practical examples of ordering

#### Accessories

##### Enclosure

| Description   | Order No.           |
|---|---------------------|
| Enclosure in ABS plastic for front panel mounting<br>IP66/NEMA 4, for one 19" transmitter insert (21 TE)  | <b>FDK-083F5030</b> |
| Enclosure in ABS plastic for front panel mounting<br>IP66/NEMA 4, for two 19" transmitter inserts (42 TE) | <b>FDK-083F5031</b> |
| Enclosure in aluminium for back of panel mounting<br>IP20/NEMA 1, for one 19" transmitter insert (21 TE)  | <b>FDK-083F5032</b> |
| Enclosure in aluminium for back of panel mounting<br>IP20/NEMA 1, for two 19" transmitter inserts (42 TE) | <b>FDK-083F5033</b> |
| Front cover (7 TE)  | <b>FDK-083F4525</b> |

#### Cable glands

| Description   | Order No.           |
|---|---------------------|
| <b>Cable glands, screwed entries type PG 13.5</b> in nickel-plated brass, 2-off               | <b>FDK-083G3140</b> |
| <b>Cable glands, screwed entries type PG 13.5</b> in polyamide (100 °C (212 °F)) black, 2-off | <b>FDK-083G0228</b> |



#### Spare parts 19" versions

##### Enclosure (without PCB, connection board)

| Description  | Order No.           |
|--|---------------------|
| Enclosure in ABS plastic for wall mounting<br>IP66/NEMA 4, for one 19" transmitter insert (21 TE)  | <b>FDK-083F5037</b> |
| Enclosure in ABS plastic for wall mounting<br>IP66/NEMA 4, for two 19" transmitter inserts (42 TE) | <b>FDK-083F5038</b> |



#### Add-on module

Note:

Only possible to connect to MASS 6000 versions with 1 current output

| Description            | Order No.           |
|------------------------|---------------------|
| HART                   | <b>FDK-085U0226</b> |
| PROFIBUS PA Profile 3  | <b>FDK-085U0236</b> |
| PROFIBUS DP Profile 3  | <b>FDK-085U0237</b> |
| MODBUS RTU RS 485      | <b>FDK-085U0234</b> |
| FOUNDATION Fieldbus H1 | <b>A5E02054250</b>  |
| DeviceNet              | <b>FDK-085U0229</b> |



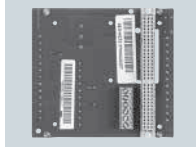
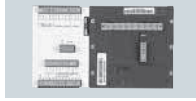


# SITRANS F flowmeters

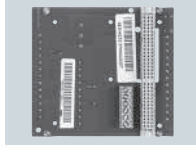
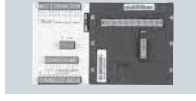
## SITRANS F C

### MASS 6000 for 19" insert/19" wall mounting


Connection boards/PCB for MASS 6000 and MASS 2100 sensors

| Description   | Version           | Order No.           |   |
|---|-------------------|---------------------|---|
| Connection board MASS 6000 for 19" rack mounting version              | 24 V<br>115/230 V | <b>FDK-083H4272</b> |  |
| Connection board MASS 6000 EEx [ia] IIC for 19" rack mounting version | 24 V<br>115/230 V | <b>FDK-083H4273</b> |   |
| Connection board MASS 6000 for 19" wall mounting version              | 24 V<br>115/230 V | <b>FDK-083H4274</b> |  |
| Connection board MASS 6000 EEx [ia] IIC for 19" wall mounting version | 24 V<br>115/230 V | <b>FDK-083H4275</b> |   |

Connection boards/PCB for MASS 6000 and MC2 sensors

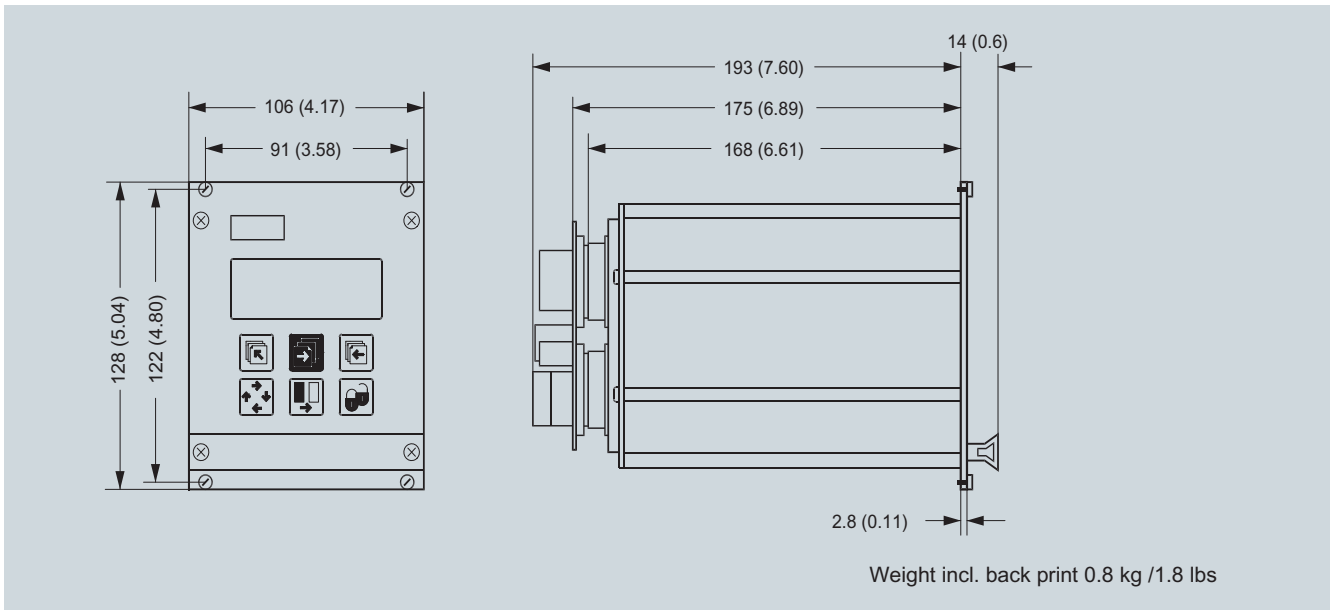
| Description   | Version           | Order No.           |   |
|---|-------------------|---------------------|---|
| Connection board MASS 6000 for 19" rack mounting version  | 24 V<br>115/230 V | <b>FDK-083H4272</b> |  |
| Connection board MASS 6000 for Ex application <sup>1)</sup> and 19" rack mounting version (connection board MASS 6000 to MC2 sensors Ex-approved) | 24 V<br>115/230 V | <b>FDK-083H4294</b> |   |
| Connection board MASS 6000 for 19" wall mounting version  | 24 V<br>115/230 V | <b>FDK-083H4274</b> |  |
| Connection board MASS 6000 for Ex application <sup>1)</sup> and 19" wall mounting version (connection board MASS 6000 to MC2 sensors Ex-approved) | 24 V<br>115/230 V | <b>FDK-083H4295</b> |   |

<sup>1)</sup> Attention (Ex application): MC2 Ex version sensors must only be connected to connection board FDK-083H4294 or FDK-083H4295.

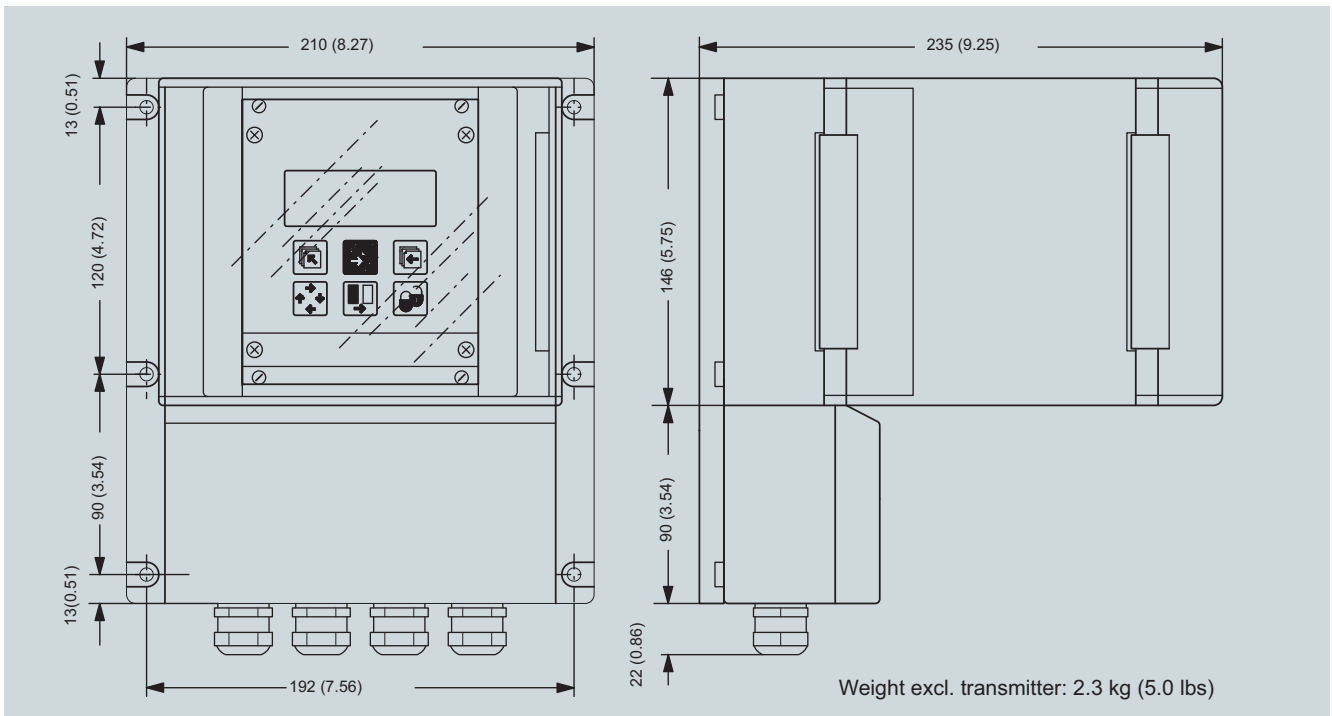
| Description  | Order No.           |   |
|--|---------------------|---|
| Wall mounting enclosure for MASS 6000 19" version IP66/NEMA 4 (21 TE) with connection board/PCB for Ex application connected to MC2 Ex sensors | <b>FDK-083H4296</b> |  |

**Dimensional drawings**

Transmitter 19" insert



Transmitter 19" wall mounting

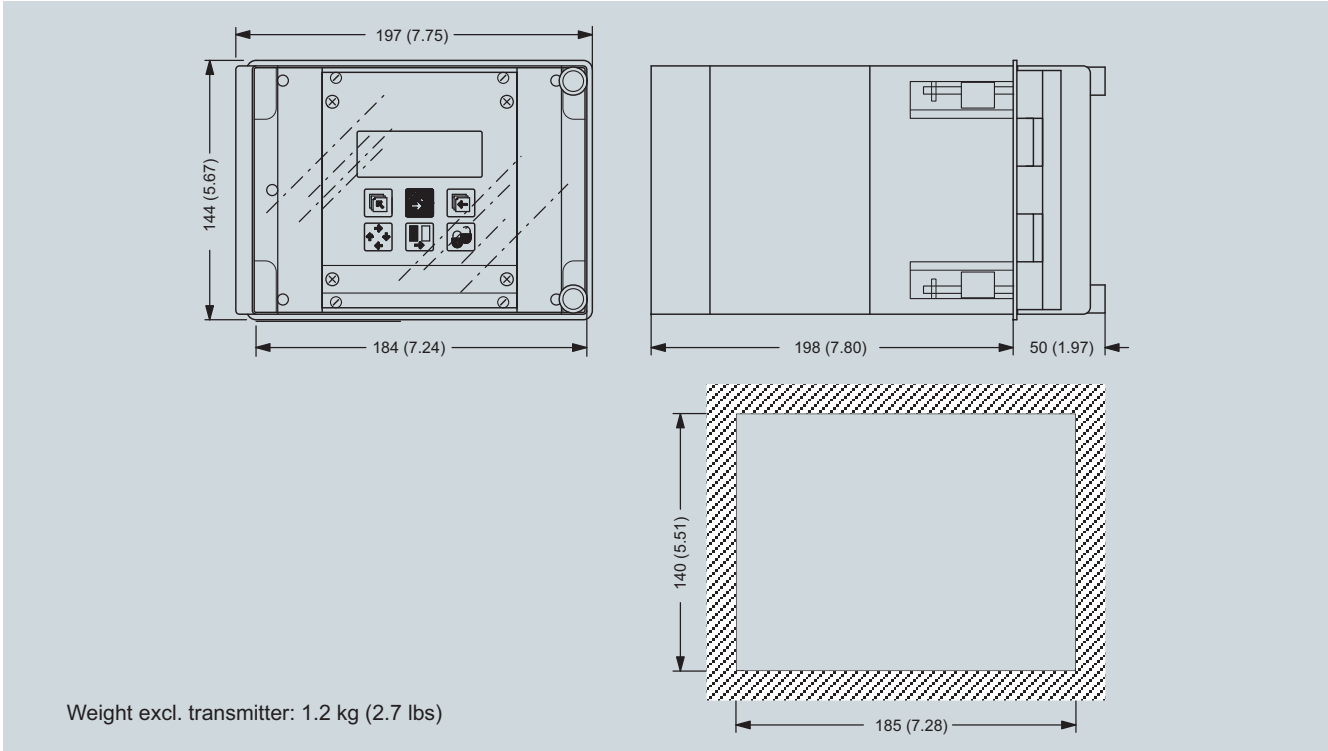


# SITRANS F flowmeters

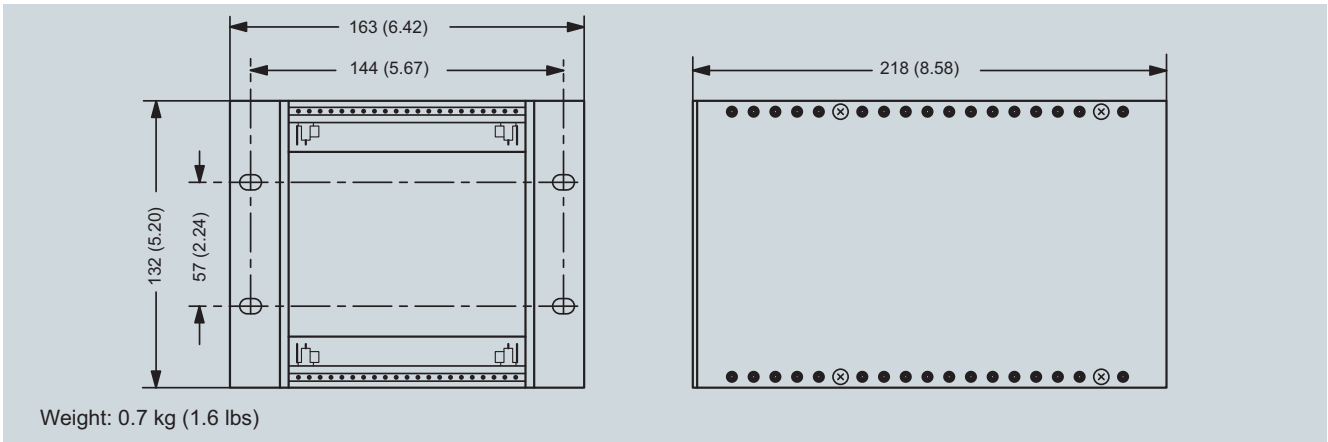
## SITRANS F C

### MASS 6000 for 19" insert/19" wall mounting

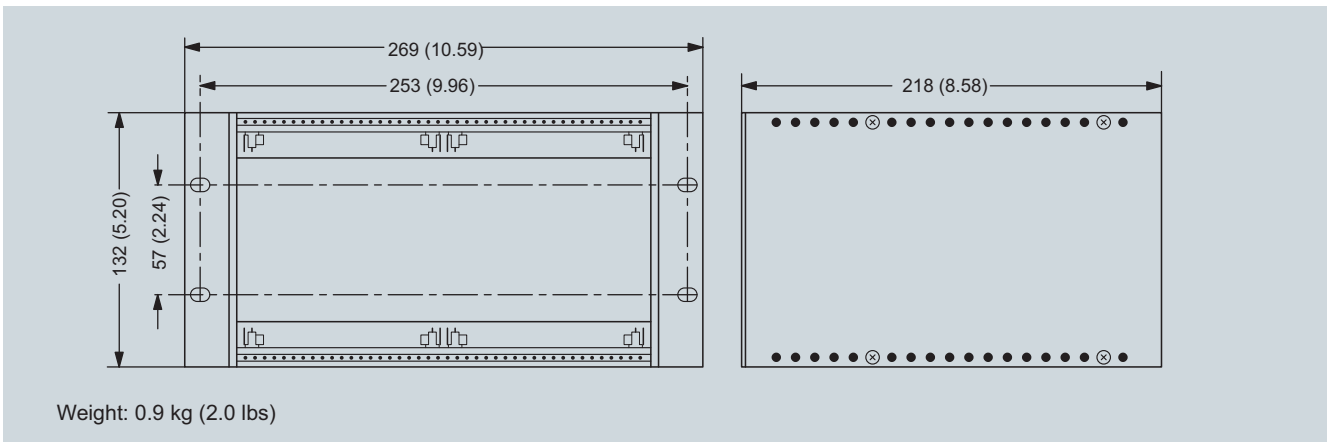
Transmitter 19" front of panel



Transmitter back of panel



Transmitter back of panel, 42 TE



#### Schematics

##### Electrical connection

###### Grounding

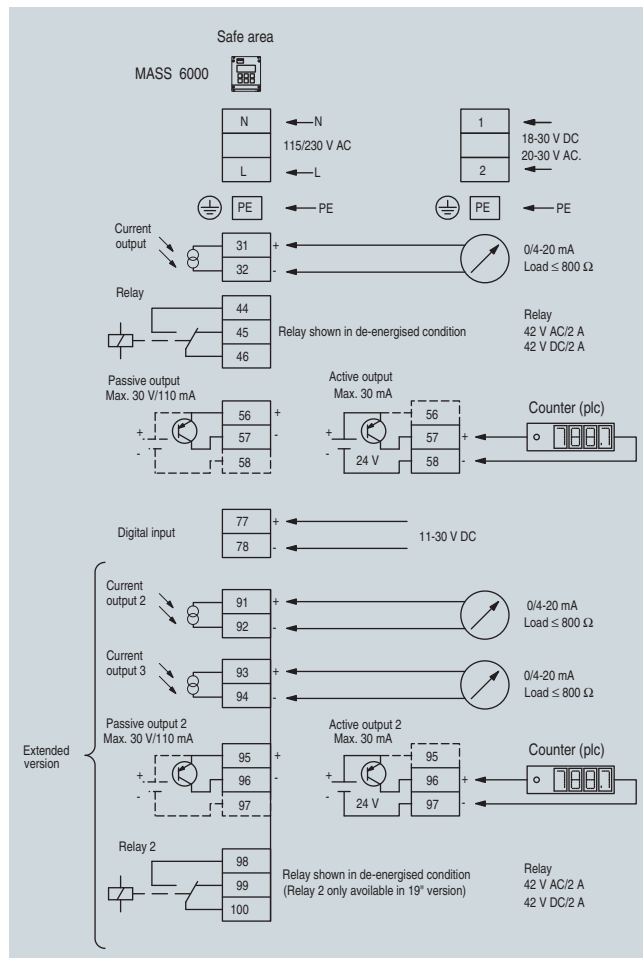
PE must be connected due to safety class 1 power supply.

###### Mechanical counters

When mounting a mechanical counter to terminals 57 and 58 (active output), a 1000  $\mu$ F capacitor must be connected to the terminals 56 and 58. Capacitor + is connected to terminal 56 and capacitor - to terminal 58.

###### Output cables

If long cables are used in noisy environment, it is recommended to use shielded cables.



# SITRANS F flowmeters

## SITRANS F C

### MASS 6000 Ex d compact/remote

#### Overview



MASS 6000 is based on the latest developments within digital signal processing technology – engineered for high performance, fast flow step response, fast batching applications, high immunity against process noise, easy to install, commission and maintain.

The MASS 6000 transmitter delivers true multiparameter measurements i.e.: Mass flow, volume flow, density, temperature and fraction flow.

The MASS 6000 Ex d transmitter is manufactured in stainless steel (AISI 316L) and able to withstand harsh installation conditions in hazardous applications within the process and chemical industry. The conservative choice of material guarantees the user a low cost of ownership and a long trouble-free life-time. The Ex d can be compact mounted on all sensors of type MASS 2100 DI 3 to DI 40, and can be used in remote version for all types of MASS 2100.

#### Benefits

- Fully stainless steel flameproof EEx d enclosure, ensuring optimum cost of ownership
- Intrinsically safe keypad and display directly programmable in hazardous area
- ATEX-approved transmitter which can be mounted in hazardous area Zone 1 or Zone 2
- Sensor and transmitter interface intrinsically safe EEx ia IIC
- Exchange of transmitter directly in hazardous area without shut-down of process pipe line due to ia IIC sensor/transmitter interface
- Dedicated mass flow chip with the latest ASIC technology
- Fast batching and flow step response with an update rate of true 30 Hz
- Superior noise immunity due to a patented DFT (Discrete Fourier Transformation) algorithm
- Front end resolution better than 0.35 ns improves zero point stability and enhances dynamic turn-down ratio on flow and density accuracy
- Advanced diagnosis and service menu enhances troubleshooting and meter verification
- Built-in batch controller with compensation and monitoring comprising 2 built-in totalizers
- Multi-parameter outputs, individual configurable for mass flow, volume flow, density, temperature or fraction flow such as °BRIX or °PLATO
- 1 current output, 1 frequency/pulse and 1 relay as standard output
- Current output can be selected as passive or active output

- Digital input for batch-control, remote zero adjust or forced output mode
- All outputs can be forced to preset value for simulation, verification or calibration purposes
- User-configurable operation menu with password protection
  - 3 lines, 20 characters display in 11 languages
  - Self-explaining error handling/log in text format
  - Keypad can be used for controlling batch as start/stop/hold/reset
- SENSORPROM technology automatically configures transmitter at start-up providing:
  - Factory pre-programming with calibration data, pipe size, sensor type, output settings
  - Any values or settings changed by users are stored automatically
  - Automatically re-programming any new transmitter without loss of accuracy
  - Transmitter replacement in less than 5 minutes. True "plug & play"
- 4-wire Pt1000 temperature measurement ensures optimum accuracy on mass flow, density and fraction flow
- Fraction flow computation based on a 5th-order algorithm matching all applications
- USM II platform enables fitting of add-on bus modules without loss of functionality
  - All modules can be fitted as true "plug & play"
  - Module and transmitter automatically configured through the SENSORPROM
- Installation of the transmitter to the sensor is simple "plug & play" via the sensor pedestal

#### Application

SITRANS F C mass flowmeters are suitable for all applications within the entire process industry where there is a demand for accurate flow measurement in hazardous area. The meter can measure both liquids and gases.

The main applications for the MASS 6000 Ex d transmitter can be found in:

- Chemical process industry
- Pharmaceutical industries
- Automotive industry
- Oil and gas industry
- Power generation and utility industry

#### Design

The transmitter is designed in an Ex d compact stainless steel enclosure which can be compact mounted on the MASS 2100 sensor range DI 3 to DI 40, and remote mounted for the entire sensor series.

The MASS 6000 Ex d is available as standard with 1 current, 1 frequency/pulse and 1 relay output and can be fitted with add-on modules for bus communication

- Flameproof „d“ enclosure
- Enclosure stainless steel, IP67/NEMA 4X as compact and IP66/NEMA 4 as remote
- Supply voltage 24 V AC/DC.
- MASS 6000 Ex d is ATEX approved together with all MASS 2100 sensors

#### Function

The following functions are available:

- Mass flow rate, volume flow rate, density, temperature, fraction flow
- 1 current output, 1 frequency/pulse output, 1 relay output, 1 digital input
- All outputs can be individually configured with mass, volume, density etc.
- 2 built-in totalizers which can count positive, negative or net
- Low flow cut-off
- Density cut-off or empty pipe cut-off, adjustable
- Flow direction
- Error system consisting of error-log, error pending menu
- Operating time
- Uni/bidirectional flow measurement
- Limit switches with 1 or 2 limits, programmable for flow, density or temperature
- Noise filter setting for optimization of measurement performance under non-ideal application conditions
- Full batch controller
- Automatic zero adjustment menu, with zero point evaluation feed back
- Full service menu for effective and straight forward application and meter troubleshooting

#### Technical specifications

|  |   |
|--|---|
| <b>Measurement of</b>                          | Mass flow [kg/s (lbs/min)], volume flow [l/s (gpm)], fraction [%], °Brix, density [kg/m <sup>3</sup> (lbs/ft <sup>3</sup> )], temperature [°C (°F)] |
| <b>Current output</b>                          | Classified EEx ia, selectable as active or passive outputs. Default setting is active mode.   |
| Current  | 0 ... 20 mA or 4 ... 20 mA  |
| Load   | < 350 Ω   |
| Time constant                                  | 0 ... 99.9 s adjustable   |
| <b>Current characteristics</b>                 |   |
| Active mode                                    | U <sub>o</sub> = 24 V, I <sub>o</sub> = 82 mA, P <sub>o</sub> = 0.5 W, C <sub>o</sub> = 125 nF, L <sub>o</sub> = 2.5 mH                             |
| Passive mode (max input from external barrier) | U <sub>i</sub> = 30 V, I <sub>i</sub> = 100 mA, P <sub>i</sub> = 0.75 W, C <sub>i</sub> = 52 nF, L <sub>i</sub> = 100 μH                            |
| <b>Digital output</b>                          |   |
| Frequency                                      | 0 ... 10 kHz, 50% duty cycle  |
| Time constant                                  | 0.1 ... 30 s adjustable   |
| Passive  | 6 ... 30 V DC, max. 110 mA, 1 KΩ ≤ R <sub>load</sub> ≤ 10 KΩ  |
| <b>Output characteristics</b>                  |   |
| Active mode                                    | Not available   |
| Passive mode (max input from external barrier) | U <sub>i</sub> = 30 V, I <sub>i</sub> = 100 mA, P <sub>i</sub> = 0.75 W, C <sub>i</sub> = 52 nF, L <sub>i</sub> = 100 μH                            |
| <b>Relay</b>                                   |   |
| Type   | Change-over relay   |
| Load   | 30 V/100 mA   |
| Functionality                                  | Error level, error number, limit, direction   |
| Output characteristics                         | U <sub>i</sub> = 30 V, I <sub>i</sub> = 100 mA, P <sub>i</sub> = 0.75 W, C <sub>i</sub> = 0 nF, L <sub>i</sub> = 0 mH                               |

|  |  |
|--|--|
| <b>Digital input</b>                           | 11 ... 30 V DC (R <sub>i</sub> = 13.6 KΩ)  |
| Functionality                                  | Start/hold/continue batch, zero point adjust, reset totalizer 1/2, force output, freeze output   |
| Output characteristics                         | U <sub>i</sub> = 30 V, I <sub>i</sub> = 3.45 mA, P <sub>i</sub> = 0.10 W, C <sub>i</sub> = 0 nF, L <sub>i</sub> = 0 mH   |
| <b>Galvanic isolation</b>                      | All inputs and outputs are galvanically isolated, isolation voltage 500 V  |
| <b>Cut-off</b>                                 |  |
| Low-flow                                       | 0 ... 9.9% of maximum flow   |
| Empty pipe                                     | Detection of empty sensor  |
| Density  | 0 ... 2.9 g/cm <sup>3</sup>  |
| <b>Totalizer</b>                               | Two eight-digit counters for forward, net or reverse flow  |
| <b>Display</b>                                 | <ul style="list-style-type: none"> <li>• Background illumination with alphanumeric text, 3 × 20 characters to indicate flow rate, totalized values, settings and faults. Time constant as current output</li> <li>• Reverse flow indicated by negative sign</li> </ul> |
| <b>Zero point adjustment</b>                   | Manual via keypad or remote via digital input  |
| <b>Ambient temperature</b>                     |  |
| Operation                                      | -20 ... +50 °C (-4 ... +122 °F)  |
| Storage  | -40 ... +70 °C (-40 ... +158 °F) (Humidity max. 95%)   |
| <b>Communication</b>                           | Add-on modules: HART, PROFIBUS PA, FOUNDATION Fieldbus H1  |
| <b>HART</b>                                    |  |
| Active mode                                    | U <sub>o</sub> = 6.88 V, I <sub>o</sub> = 330 mA, P <sub>o</sub> = 0.57 W, C <sub>o</sub> = 20 nF, L <sub>o</sub> = 100 μH   |
| Passive mode (max input from external barrier) | U <sub>i</sub> = 10 V, I <sub>i</sub> = 200 mA, P <sub>i</sub> = 0.5 W, C <sub>i</sub> = 0 nF, L <sub>i</sub> = 0 μH   |
| <b>PROFIBUS PA</b>                             |  |
| Active mode                                    | Not available  |
| Passive mode                                   | U <sub>i</sub> = 17.5 V, I <sub>i</sub> = 380 mA, P <sub>i</sub> = 5.32 W, C <sub>i</sub> = 5 nF, L <sub>i</sub> = 10 μH   |
| <b>FOUNDATION Fieldbus H1</b>                  |  |
| Active mode                                    | Not available  |
| Passive mode                                   | U <sub>i</sub> = 17.5 V, I <sub>i</sub> = 380 mA   |
| <b>Enclosure</b>                               |  |
| Material                                       | Stainless steel AISI 316 W 1.4435  |
| Rating   | <ul style="list-style-type: none"> <li>• Compact mounted on sensor: IP67/NEMA 4X to IEC 529 and DIN 40050</li> <li>• Remote mounted: IP66/NEMA 4 to IEC 529 and DIN 40050</li> </ul>   |
| Load   | 18 ... 1000 Hz random, 1.14 G rms, in all directions, to IEC 68-2-36, Curve E  |

# SITRANS F flowmeters

## SITRANS F C

### MASS 6000 Ex d compact/remote

#### Technical specifications (continued)

##### Supply voltage

24 V AC

- Range 20 ... 30 V AC
- Power consumption 6 VA  $I_N = 250$  mA,  $I_{ST} = 2$  A (30 ms)
- Power supply The power supply shall be from a safety isolating transformer. Maximal cable core is 1.5 mm<sup>2</sup>

24 V DC

- Range 18 ... 30 V DC
- Power consumption 6 VA  $I_N = 250$  mA,  $I_{ST} = 2$  A (30 ms)
- Power supply The power supply shall be from a safety isolating transformer. Maximal cable core is 1.5 mm<sup>2</sup>

##### EMC performance

Emission EN 50081-1 (Light industry)  
Immunity EN 50082-2 (Industry)

##### NAMUR

Within the value limits according to "Allgemeine Anforderung" with error criteria A in accordance with NE 21

##### Ex approval

EEx-de [ia/lb] IIC T6, DEMKO 03 ATEX 135253X

Temperature class:

Process liquid temperature:

- T6
  - T5
  - T4
  - T3
- $T < 85$  °C (185 °F)
  - $85$  °C  $< T < 100$  °C (185 °F  $< T < 212$  °F)
  - $100$  °C  $< T < 135$  °C (212 °F  $< T < 275$  °F)
  - $135$  °C  $< T < 180$  °C (275 °F  $< T < 356$  °F)

#### Selection and Ordering data

Order No.

**SITRANS F C MASS 6000 transmitter**  
Transmitter Ex d for remote mounting inclusive of wall mounting kit

7ME4110-  
2■■■■-■■A■

##### Enclosure

Ex d SS with 5 m (16.5 ft) cable  
Ex d SS with 10 m (32.8 ft) cable  
Ex d SS with 25 m (82.0 ft) cable

G  
H  
J

##### Output configuration

1 current, 1 frequency, 1 relay

A

##### Supply voltage

24V AC/DC

2

##### Ex approvals

ATEX

1

##### Display/Keypad

With display

1

##### Serial communication

No communication  
HART  
PROFIBUS PA Profile 3  
DeviceNet  
FOUNDATION Fieldbus H1

A  
B  
F  
H  
J

##### Cable gland

M20


1

Note:  
Only communication modules with Ex approvals are allowed.

Please also see [www.siemens.com/SITRANSOrdering](http://www.siemens.com/SITRANSOrdering) for practical examples of ordering


#### Selection and ordering data



##### Spare parts for MASS 6000 Ex d

| Description  | Order No.          |   |
|--|--------------------|---|
| <b>MASS 6000 Ex d transmitter</b><br>1 current output<br>1 frq./pulse output<br>1 relay output<br>24 V AC/DC | 7ME4110-1FA21-1AA0 |  |

| Description  | Order No.    |
|--|--------------|
| <b>Wall mounting kit for remote Ex d</b><br>inclusive of sensor cable of |              |
| • 5 m  | FDK-083H0231 |
| • 10 m   | FDK-083H0232 |
| • 25 m   | FDK-083H0233 |

Add-on module for remote and compact MASS 6000 Ex d

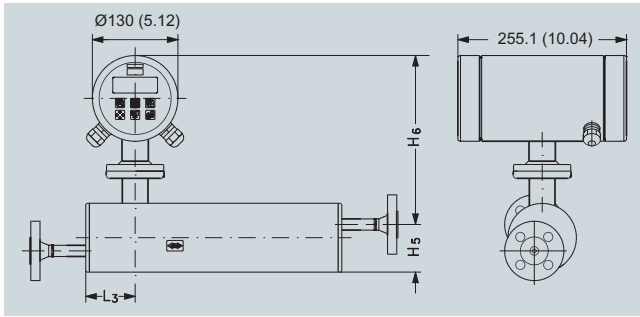
| Description            | Order No.    |   |
|------------------------|--------------|---|
| HART                   | FDK-085U0226 |  |
| PROFIBUS PA Profile 3  | FDK-085U0236 |   |
| FOUNDATION Fieldbus H1 | A5E02054250  |   |
| DeviceNet              | FDK-085U0229 |   |

| Description   | Order No.    |   |
|---|--------------|---|
| <b>Ex d transmitter insert</b>  | FDK-083H3061 |  |
| <b>Front lid</b>  | FDK-085U2373 |  |
| <b>Screws and washers between pedestal and sensor</b><br>(4 pcs.), seal (1 pc.) | FDK-085U2374 |   |
| <b>Package display unit</b>   | FDK-083H0235 |   |



#### Dimensional drawings

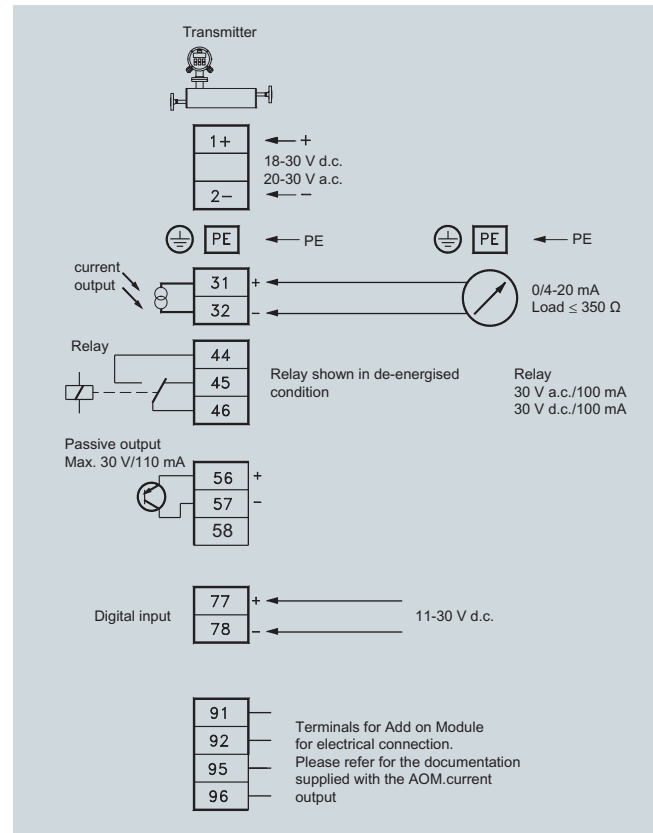
##### MASS 6000 Ex d compact version



| Sensor size [Di (inch)] | L <sub>3</sub> [mm (inch)] | H <sub>5</sub> [mm (inch)] | H <sub>6</sub> [mm (inch)] | H <sub>5</sub> + H <sub>6</sub> [mm (inch)] |
|-------------------------|----------------------------|----------------------------|----------------------------|---|
| 3 (1/8)                 | 75 (2.95)                  | 82 (3.23)                  | 247 (9.72)                 | 329 (12.95)                                 |
| 6 (1/4)                 | 62 (2.44)                  | 72 (2.83)                  | 257 (10.12)                | 329 (12.95)                                 |
| 15 (1/2)                | 75 (2.95)                  | 87 (3.43)                  | 267 (10.51)                | 354 (13.94)                                 |
| 25 (1)                  | 75 (2.95)                  | 173 (6.81)                 | 271 (10.67)                | 444 (17.48)                                 |
| 40 (1 1/2)              | 75 (2.95)                  | 227 (8.94)                 | 271 (10.67)                | 498 (19.61)                                 |

#### Schematics

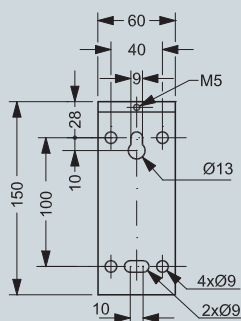
##### Electrical connection compact or remote



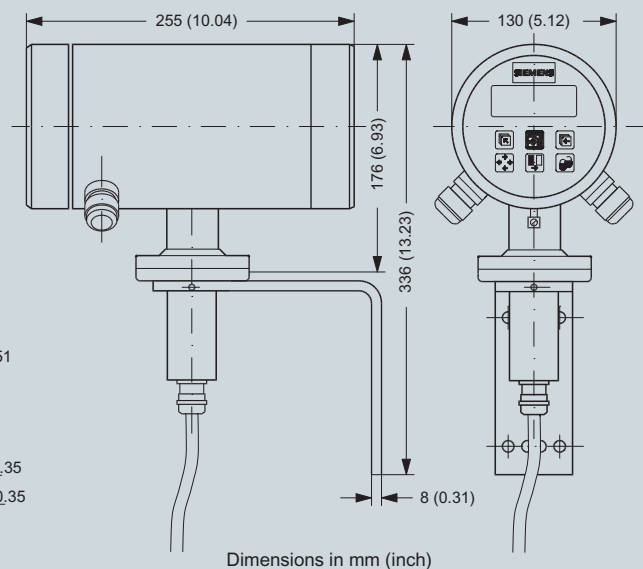
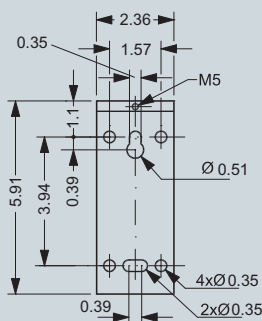
##### MASS 6000 Ex d remote version

Weight: 3 kg (6.6 lbs)

Dimensions in mm



Dimensions in inch



# SITRANS F flowmeters

## SITRANS F C

### SIFLOW FC070

#### Overview



SIFLOW FC070 is based on the latest developments within the digital processing technology – engineered for high performance, fast flow step response, immunity against process generated noise, easy to install, commission and maintain.

SIFLOW FC070 is available in two versions:

- SIFLOW FC070 Standard
- SIFLOW FC070 Ex

The SIFLOW FC070 transmitter delivers true multi-parameter measurements i.e. mass flow, volume flow, density, temperature and fraction.

SIFLOW FC070 is designed for integration in a variety of automation systems, i.e.

- Central mounted in S7-300, C7
- Decentralized in ET 200M for use with S7-300 and S7-400 as PROFIBUS DP masters
- Decentralized in ET 200M for use with any automation system using standardized PROFIBUS DP masters
- Stand-alone via a MODBUS RTU master, i.e. SIMATIC PDM

The SIFLOW FC070 transmitter can be connected to all sensors of types MASS 2100, MC2 and FC300.

#### Benefits

- Easy integration in SIMATIC S7 and PCS 7
- Support of SIMATIC PDM configuration tool via MODBUS
- Dedicated mass flow chip with high-performance ASIC technology
- True 30 Hz update rate securing fast batching and step response
- Superior noise immunity due to a patented DFT (Discrete Fourier Transformation) algorithm
- Front end resolution better than 0.35 ns improves zero point stability and enhances dynamic turn-down ratio on flow and density accuracy
- Advanced diagnostics enhancing troubleshooting and meter verification
- Built-in batch controller with two-stage control and compensation
- Digital outputs for direct batch control, frequency/pulse

- MODBUS RTU RS 232/485 interface for connection to SIMATIC PDM or any other MODBUS master
- Digital input for batch control, zero adjust
- Extensive simulation options for measurement values, I/O and errors easy communication/fault-finding
- Multiple LED's for easy indication of flow, error and I/O state
- SENSORPROM technology automatically configures the transmitter during start-up providing:
  - Factory pre-programming with calibration data, pipe size, sensor type and I/O settings
  - Any values or settings changed by the user is stored automatically
  - Automatically re-programming of a new transmitter, without loss of settings and accuracy
  - Transmitter replacement in less than 30 seconds
- Four-wire Pt1000 measurement ensuring optimum accuracy mass flow, density and fraction flow
- Fraction flow computation based on a 5th-order algorithm matching all applications

#### Application

SIFLOW FC070 mass flowmeters are suitable for all applications within the entire process industry, where there is a demand for accurate flow measurement. The meters are suitable for measuring on liquid and gas.

The main applications for the SIFLOW FC070 transmitter can be found in the following industries:

- Food and beverage
- Pharmaceutical
- Automotive
- Oil and gas
- Power generation and utility
- Water and waste water

#### Design

SIFLOW FC070 is designed in an IP20 SIMATIC S7-300 enclosure and for use in central and de-central cabinets where sensors: FC300, MASS 2100 and MC2 are remotely mounted.

#### Function

The following key functionalities are available:

- Mass flow rate, volume flow rate, density, temperature and fraction flow
- Two built-in totalizers which can freely be set for counting mass, volume or fraction
- 1 frequency/pulse/batch output, 1 two-stage batch output, 1 digital input
- Low flow cut-off
- Empty pipe detection
- Noise filter settings for different applications
- Simulation
- Two-stage batch controller
- Automatic zero point adjustment with zero point evaluation feed back
- Limit functionality
- Comprehensive status and error reporting

#### Technical specifications

|                                     |  |
|-------------------------------------|--|
| Measurement of                      | Mass flow, volume flow, density, sensor temperature, fraction A flow, fraction B flow, fraction A in %   |
| Measurement functions               |  |
| • Totalizer 1                       | Totalization of mass flow, volume-flow, fraction A, fraction B   |
| • Totalizer 2                       | Totalization of mass flow, volume-flow, fraction A, fraction B   |
| • Single and 2-stage batch function | Batching function with the use of one or two outputs for dosing in high and low speed  |
| • 4 programmable limits             | 4 programmable high/low limits for mass flow, volume flow density, sensor temperature, fraction A flow, fraction B flow, fraction A in %. Limits will generate an alarm if reached.                                |
| <b>Digital input</b>                |  |
| Functions                           | Start batch, stop batch, start/stop batch, hold/continue batch, reset totalizer 1, reset totalizer 2, reset totalizer 1 and 2, zero adjust, force frequency output, freeze frequency output                        |
| High signal                         | <ul style="list-style-type: none"> <li>Nominal voltage: 24 V DC</li> <li>Lower limit: 15 V DC</li> <li>Upper limit: 30 V DC</li> <li>Current: 2 ... 15 mA</li> </ul>   |
| Low signal                          | <ul style="list-style-type: none"> <li>Nominal voltage: 0 V DC</li> <li>Lower limit: -3 V DC</li> <li>Upper limit: 5 V DC</li> <li>Current: -15 ... 15 mA</li> </ul>   |
| Input                               | Approx. 10 k $\Omega$  |
| Switching                           | Max. 100 Hz.   |
| <b>Digital output 1 and 2</b>       |  |
| Functions                           | <ul style="list-style-type: none"> <li>Output 1: Pulse, frequency, quadrature pulse, quadrature frequency 2-stage batch, batch</li> <li>Output 2: Quadrature pulse, quadrature frequency, 2-stage batch</li> </ul> |
| Voltage supply                      | 3 ... 30 V DC (passive output)   |
| Switching current                   | Max. 30 mA at 30 V DC  |
| Voltage drop                        | $\leq$ 3 V DC at max. current  |
| Leakage current                     | $\leq$ 0.4 mA at max. voltage 30 V DC  |
| Load resistance                     | 1 ... 10 k $\Omega$  |
| Switching frequency                 | 0 ... 12 kHz 50% duty cycle  |
| Functions                           | Pulse, frequency, quadrature pulse, quadrature frequency 2-stage batch, batch  |
| <b>Communication</b>                |  |
| MODBUS RS 232C                      | <ul style="list-style-type: none"> <li>Max. baudrate: 115 200 baud</li> <li>Max. line length: 15 m at 115 200 baud</li> <li>Signal level: according to EIA-RS 232C</li> </ul>                                      |

|  |  |
|--|--|
| MODBUS RS 485  | <ul style="list-style-type: none"> <li>Max. baudrate: 115 200 baud</li> <li>Max. line length: 1200 m at 115 200 baud</li> <li>Signal level: according to EIA-RS 485</li> <li>Bus termination: Integrated. Can be enabled by inserting wire jumpers.</li> </ul> |
| <b>Galvanic isolation</b>  |  |
| All inputs, outputs and communication interfaces are galvanically isolated. Isolation voltage: 500 V   |  |
| <b>Power</b>   |  |
| Supply   | 24 V DC nominal  |
| Tolerance  | 20.4 V DC ... 28.8 V DC  |
| Consumption  | Max. 6 W   |
| Fuse   | T1 A/125 V, not replaceable by operator  |
| <b>Environment</b>   |  |
| Ambient temperature  | <ul style="list-style-type: none"> <li>Storage -40 ... +70 °C (-40 ... +158 °F)</li> <li>Operation 0 ... 60 °C (32 ... 140 °F)</li> </ul>  |
| Operation conditions   | Horizontally mounted rail. For vertically mounted rail, the maximum operating temperature is +45 °C (+113 °F).   |
| Altitude   | <ul style="list-style-type: none"> <li>Operation: -1000 ... 2000 m (pressure 795 ... 1080 hPa)</li> </ul>  |
| <b>Enclosure</b>   |  |
| Material   | Noryl, color: anthracite   |
| Rating   | IP20/NEMA 2 according to IEC 60529   |
| Mechanical load  | According to SIMATIC standards (S7-300 devices)  |
| <b>Approvals</b>   |  |
| SIFLOW FC070 Standard  | CE, C-UL, ATEX II 3G EEx nA IIC  |
| SIFLOW FC070 Ex  | CE, C-UL, UL Haz.Loc., FM, ATEX II 3G EEx nA II T4 and II (1) G [EEx ia] IIC   |
| <b>Electromagnetic compatibility</b>   |  |
| Requirements of EMC law; Noise immunity according to IEC 61000-6-2, tested according to: IEC 61000-4-2, 61000-4-3, IEC 61000-4-4, IEC 61000-4-5, IEC 61000-4-6 |  |
| Emitted interference according to EN 50081-2, tested according to EN 55011, class A, group 1   |  |
| <b>NAMUR</b>   |  |
| Within the limits according to "Allgemeine Anforderung" with error criteria A in accordance with NE21  |  |
| <b>Programming tools</b>   |  |
| SIMATIC S7   | Configuration trough backplane P-BUS and PLC program   |
| SIMATIC PCS7   | Configuration trough backplane P-BUS and PLC/WinCC face-plates   |
| SIMATIC PDM  | Through MODBUS port RS 232C and RS 485   |

# SITRANS F flowmeters

## SITRANS F C

### SIFLOW FC070

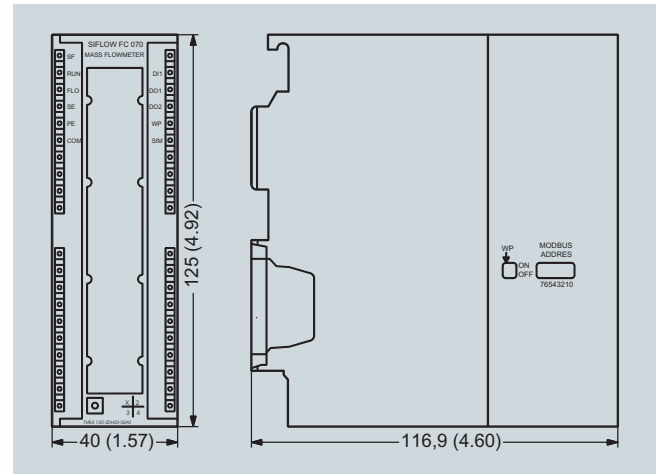
#### Selection and Ordering Data

| Description   | Order No.                 |
|---|---------------------------|
| <b>SIFLOW FC070 flow transmitter</b><br>Remember to order 40 pin front plug connector.    | <b>7ME4120-2DH20-0EA0</b> |
| <b>40 pin front plug</b> with screw contacts  | <b>6ES7392-1AM00-0AA0</b> |
| <b>SIFLOW FC070 Ex flow transmitter</b><br>Remember to order 20 pin front plug connector. | <b>7ME4120-2DH21-0EA0</b> |
| <b>20 pin front plug</b> with screw contacts  | <b>6ES7392-1AJ00-0AA0</b> |

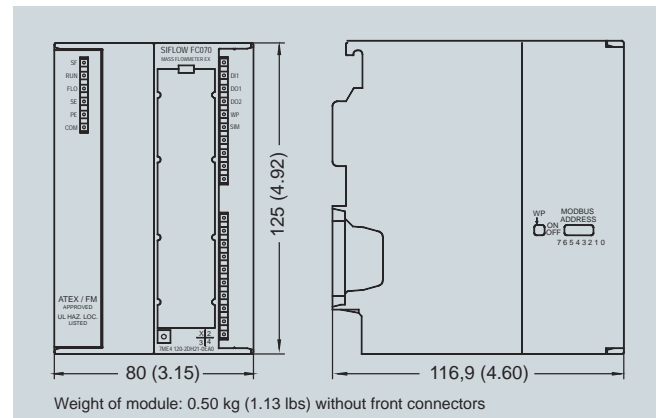
#### Accessories

| Description  | Order No.                  |
|--|----------------------------|
| Cable with multiplug for connecting MASS 2100 and FC300 sensors  |                            |
| • 5 m (16.4 ft)  | <b>FDK-083H3015</b>        |
| • 10 m (32.8 ft)   | <b>FDK-083H3016</b>        |
| • 25 m (82 ft)   | <b>FDK-083H3017</b>        |
| • 50 m (164 ft)  | <b>FDK-083H3018</b>        |
| • 75 m (246 ft)  | <b>FDK-083H3054</b>        |
| • 150 m (492 ft)   | <b>FDK-083H3055</b>        |
| Cable without multiplug for connecting MC2 sensors   |                            |
| • 10 m (32 ft)   | <b>FDK-083H3001</b>        |
| • 25 m (82 ft)   | <b>FDK-083H3002</b>        |
| • 75 m (246 ft)  | <b>FDK-083H3003</b>        |
| • 150 m (492 ft)   | <b>FDK-083H3004</b>        |
| SIMATIC S7-300 rail<br>The mechanical mounting rack of the SIMATIC S7-300  |                            |
| • 160 mm (6.3")  | <b>6ES7 390-1AB60-0AA0</b> |
| • 482 mm (18.9")   | <b>6ES7 390-1AE80-0AA0</b> |
| • 530 mm (20.8")   | <b>6ES7 390-1AF30-0AA0</b> |
| • 830 mm (32.7")   | <b>6ES7 390-1AJ30-0AA0</b> |
| • 2000 mm (78.7")  | <b>6ES7 390-1BC00-0AA0</b> |
| Shield connecting element<br>For mounting on S7-300 rail.<br>80 mm wide with 2 rows for 4 shield terminal elements each (no shield terminal elements included) | <b>6ES7390-5AA00-0AA0</b>  |
| Shield terminal element for 1 cable with 3 to 8 mm in dia. 2 pieces  | <b>6ES7390-5BA00-0AA0</b>  |
| Shield terminal element for 1 cable with 4 to 13 mm in dia. 2 pieces   | <b>6ES7390-5CA00-0AA0</b>  |
| SIFLOW FC070 Demo suitcase   | <b>A5E01075465</b>         |
| Power supply   | <b>6ES7307-1BA00-0AA0</b>  |

#### Dimensional drawings



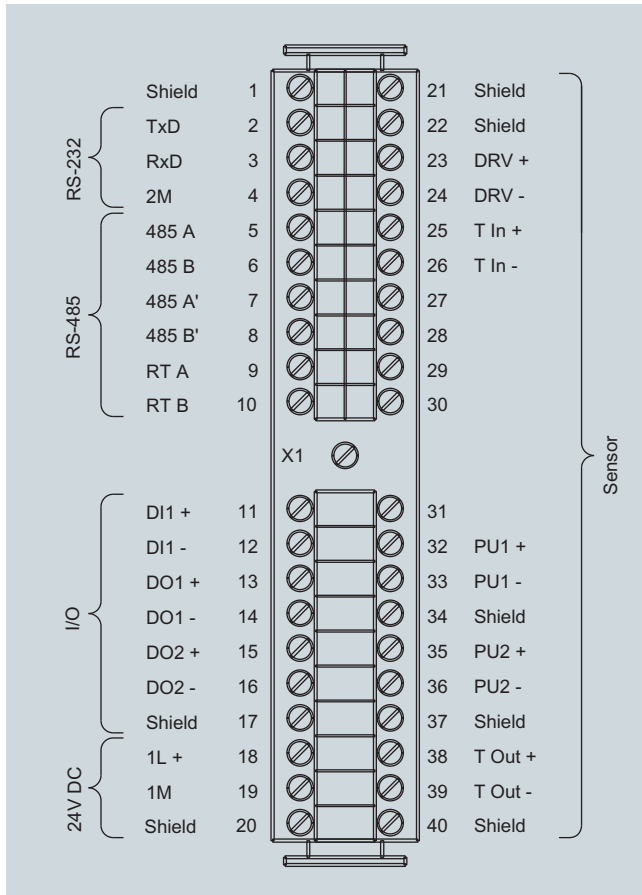
SIFLOW FC070, dimensions in mm (inch)



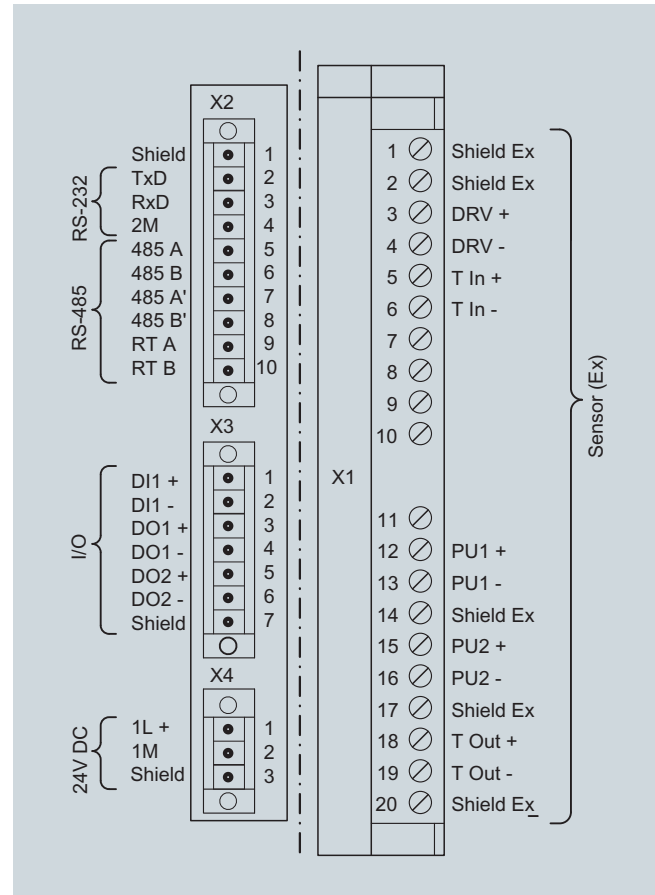
SIFLOW FC070 Ex, dimensions in mm (inch)

Weight of module: 0.50 kg (1.13 lbs) without front connectors

Schematics



SIFLOW FC070, electrical connection



SIFLOW FC070 Ex, electrical connection

# SITRANS F flowmeters

## SITRANS F C

### MASS 2100 DI 1.5

#### Overview



MASS 2100 DI 1.5 is suitable for low flow measurement applications of a variety of liquids and gases.

The sensor offers superior performance in terms of flow accuracy, turn-down range and density accuracy. The ease of installation through a "plug & play" mechanical and electrical interface ensures optimum performance and operation.

The sensor delivers true multi-parameter measurements i.e.: Mass flow, volume flow, density, temperature and fraction.

#### Benefits

- High accuracy better than 0.1% of mass flow rate
- Large dynamic turn-down range better than 500:1, from 65 kg/h to a few g/h
- Densitometer performance available through a density accuracy better than 0.001 g/cm<sup>3</sup> with a repeatability better than 0.0002 g/cm<sup>3</sup>
- Single continuous tube design, with no internal welds, reductions or flow splitters offers optimal hygiene, safety and CIP cleanability for food & beverage and pharmaceutical applications
- Market's biggest wall thickness, ensuring optimal life-time and corrosion resistance and high-pressure durability
- Balanced pipe design with little mechanical energy-loss, ensures optimal performance and stability under non-ideal and unstable process conditions (pressure, temperature, density-changes etc.)
- 4-wire Pt1000 temperature measurement ensures optimum accuracy on mass flow, density and fraction flow
- Multi-plug electrical connector & SENSORPROM enables true "plug & play". Installation and commissioning in less than 10 min.
- Intrinsically safe EEx ia design as standard
- Sensor pipe available in high-quality AISI 316L stainless steel W 1.4435 or Hastelloy C22 W 2.4602 offering optimum corrosion resistance
- Dual-drive pick-up and driver construction facilitate ultra low-weight pipe construction giving the markets' smallest and most stable zero point
- Rugged and space-saving sensor design in stainless steel matching all environments
- High-pressure program as standard
- The sensor calibration factor is also valid for gas measurement

#### Application

In many industries such as the food & beverage or pharmaceutical industry, accurate recipe control means everything. The MASS 2100 DI 1.5 has demonstrated superior performance in numerous applications and field trials relating to accuracy and turn-down ratio. It is today the preferred meter for research and development and mini-plant applications for liquid or gas measurement, where measuring small quantities is important.

**The main applications for the MASS 2100 DI 1.5 sensor can be found in:**

|                                     |  |
|-------------------------------------|--|
| <b>Chemical industry</b>            | Liquid and gas measurement within Miniplant and R&D, dosing of additives and catalysts   |
| <b>Cosmetic industry</b>            | Dosing of essence & fragrances   |
| <b>Pharmaceutical industry</b>      | High-speed dosing and coating of pills, filling of ampuls/injectors  |
| <b>Food &amp; beverage industry</b> | Dosing of flavourings, colours and additives, density measurement, in-line<br>Measurement of liquid or gaseous CO <sub>2</sub> |
| <b>Automotive industry</b>          | Fuel injection nozzle & pump testing, filling of AC units, engine consumption, paint robots, ABS test-beds                     |

#### Design

The MASS 2100 sensor consists of a single bent tube in a double omega pipe configuration, welded directly to the process connectors at each end.

The sensor is available in 2 material configurations, AISI 316L or Hastelloy C22 with 1/4" NPT or 1/4" ISO process connections.

The enclosure is made in stainless steel AISI 316L W 1.4404 with a grade of encapsulation of IP65/NEMA 4.

The sensor is available in either a standard version with a maximum liquid temperature of 125 °C (257 °F) or a high-temperature version, with raised electrical connector for 180 °C (356 °F).

The sensor can be installed in horizontal or vertical position. The enclosed single quick release clamp fitting which, along with its compact design and single multi-plug electrical connector, will keep installation costs and time to a minimum as shown below.





#### Function

The measuring principle is based on coriolis force of movement, see "System information SITRANS F C coriolis mass flowmeters".

#### Integration

The sensor can be connected to all MASS 6000 transmitters for remote installation only.

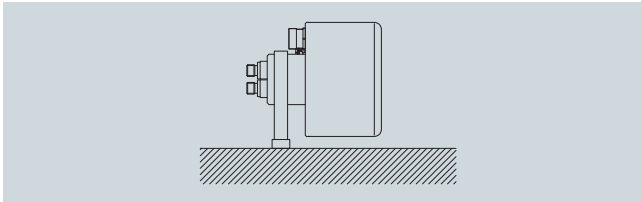
All sensors are delivered with a SENSORPROM containing all information about calibration data, identity and factory pre-programming of transmitter settings

#### Installation guidelines MASS 2100 DI 1.5 (1/16")

##### Installation of MASS 2100 sensor

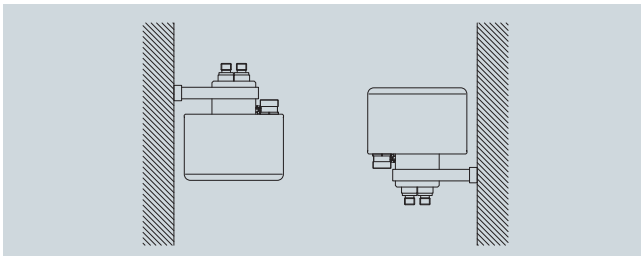
- The optimal installation is horizontal. If vertical mounting is necessary, upward flow is recommended to facilitate the removal of air bubbles. To remove the air from the sensor the flow speed in the sensor must be at least 1 m/s. If there are solid particles in the liquid, especially in connection with low flow, it is recommended that the sensor be mounted horizontally with inlet flange uppermost so that particles are more easily flushed out. To ensure that the sensor does not become partially empty, there must be sufficient counter-pressure on the unit min. 0.1 to 0.2 bar (1.45 to 2.9 psi).
- Mount the sensor on a vibration-free wall or steel frame.
- Locate the sensor low in the system in order to avoid an under-pressure in the sensor separating air/gas in the liquid.
- Ensure that the sensor is not emptied of liquid (during normal operation) otherwise incorrect measurement will occur.

##### Horizontal



Liquid and gas application

##### Vertical



Liquid application (left), gas application (right)

#### Technical specifications

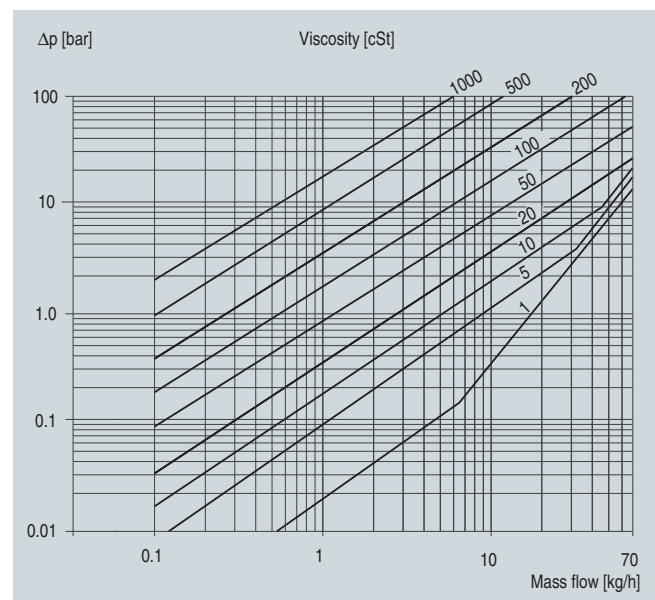
|   |  |
|---|--|
| <b>Versions</b>   | DI 1.5 (1/16")   |
| <b>Inside pipe diameter</b> (sensor consists of one continuous pipe)  | 1.5 mm (0.06")   |
| <b>Pipe wall thickness</b>  | 0.25 mm (0.010")   |
| <b>Mass flow measuring range</b>  | 0 ... 65 kg/h (0 ... 143 lb/h)                                     |
| <b>Density</b>  | 0 ... 2.9 g/cm <sup>3</sup> (0 ... 0.10 lb/inch <sup>3</sup> )     |
| <b>Fraction e.g.</b>  | 0 ... 100 °Brix  |
| <b>Temperature</b>  |  |
| Standard  | -50 ... +125 °C (-58 ... +257 °F)                                  |
| High-temperature version  | -50 ... +180 °C (-58 ... +356 °F)                                  |
| <b>Liquid pressure measuring pipe <sup>1)</sup></b>   |  |
| Stainless steel   | 230 bar (3336 psi) at 20 °C (68 °F)                                |
| Hastelloy C22   | 365 bar (5294 psi) at 20 °C (68 °F)                                |
| <b>Materials</b>  |  |
| Measuring pipe and connection   | W 1.4435 (AISI 316L) (stainless steel)<br>W 2.4602 (Hastelloy C22) |
| <b>Enclosure and enclosure material <sup>2)</sup></b>   |  |
| IP66/NEMA 4 and W 1.4404 (AISI 316L) (stainless steel)  |  |
| <b>Connection thread</b>  |  |
| ISO 228/1   | G1/4" male   |
| ANSI/ASME B1.20.1   | 1/4" NPT male  |
| <b>Cable connection</b>   |  |
| Multiple plug connection to sensor 5 x 2 x 0.35 mm <sup>2</sup> twisted and screened in pairs, ext. Ø 12 mm |  |
| <b>Ex-version</b>   |  |
| EEx ia IIC T3-T6, DEMKO 03, ATEX 135252X  |  |
| <b>Weight approx.</b>   | 2.6 kg (5.73 lb)   |

<sup>1)</sup> According to DIN 2413, DIN 17457

<sup>2)</sup> Housing is not rated for pressure containment.

For accuracy specifications see "System information SITRANS F C".

#### Pressure drop



MASS 2100 DI 1.5 (1/16"), pressure drop for density = 1000 kg/m<sup>3</sup>



# SITRANS F flowmeters

## SITRANS F C

### MASS 2100 DI 1.5

140

| Selection and Ordering data  | Order No.       | Order code |
|--|-----------------|------------|
| <b>SITRANS F C Flow sensors</b>  |                 |            |
| <b>MASS 2100 DI 1.5 (1/16") sensor, without heating jacket <sup>1)</sup></b>                     | <b>7ME4100-</b> |            |
|  | <b>1 A</b>      |            |
|  | <b>1 B</b>      |            |
|  | <b>2 A</b>      |            |
|  | <b>2 B</b>      |            |
| <b>Diameter</b>  |                 |            |
| Stainless steel W 1.4435/316L  |                 |            |
| DI 1.5, max. 125 °C (257 °F)   |                 |            |
| DI 1.5, max. 180 °C (356 °F)   |                 |            |
| W 2.4602/Hastelloy C22   |                 |            |
| DI 1.5, max. 125 °C (257 °F)   |                 |            |
| DI 1.5, max. 180 °C (356 °F)   |                 |            |
| <b>Pressure</b>  |                 |            |
| PN 100   |                 |            |
| PN 230 (316L)  |                 |            |
| PN 365 (C22)   |                 |            |
| <b>Process connection/flange</b>   |                 |            |
| Pipe thread  |                 |            |
| G 1/4" male  |                 |            |
| 1/4" NPT male  |                 |            |
| <b>Configuration</b>   |                 |            |
| Standard   |                 |            |
| Density  |                 |            |
| Brix/Plato   |                 |            |
| Fraction (specification required)  |                 |            |
| <b>Cable</b>   |                 |            |
| No cable   |                 |            |
| 5 m (16 ft) cable  |                 |            |
| 10 m (32 ft) cable   |                 |            |
| 25 m (82 ft) cable   |                 |            |
| 50 m (164 ft) cable  |                 |            |
| 75 m (246 ft) cable  |                 |            |
| 150 m (492 ft) cable   |                 |            |
| <b>Calibration</b>   |                 |            |
| Standard calibration 3 flow x 2 points   |                 |            |
| Standard calibration matched pair 3 flow x 2 points  |                 |            |
| Accredited calibration matched pair 5 flow x 2 points (DANAK)                                    |                 |            |
| Extended calibration customer-specified select Y60, Y61, Y62 or Y63 (see additional information) |                 |            |

<sup>1)</sup> Not possible to order DI 1.5 sensor with heat jacket

Please also see [www.siemens.com/SITRANSFordering](http://www.siemens.com/SITRANSFordering) for practical examples of ordering

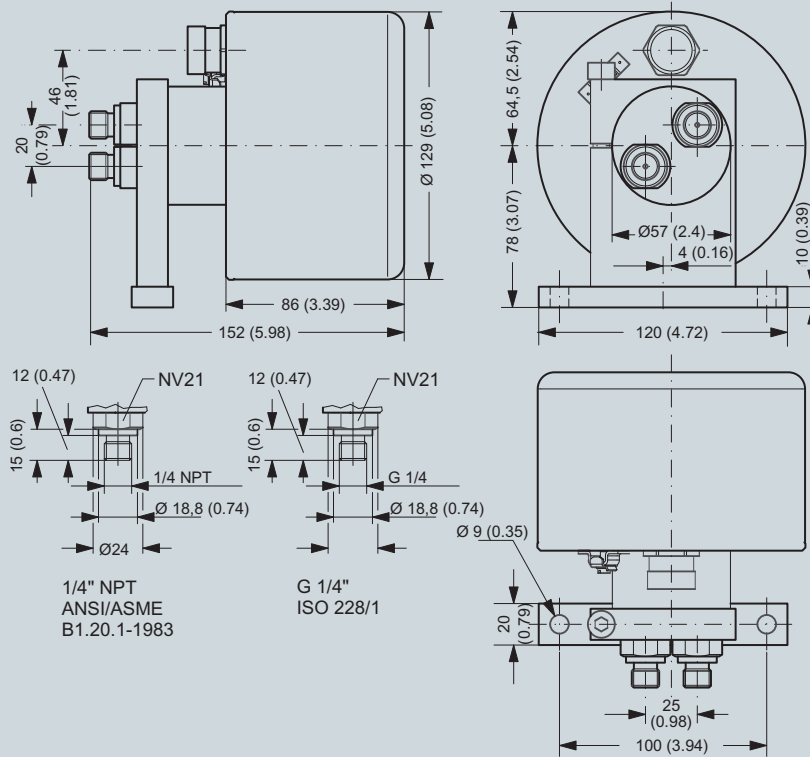
| Selection and Ordering data  | Order code |
|--|------------|
| <b>Additional information</b>  |            |
| Please add "-Z" to Order No. and specify Order code(s) and plain text. |            |
| Pressure testing certificate PED: 97/23/EC                             | <b>C11</b> |
| Material certificate EN 10204-3.1B                                     | <b>C12</b> |
| Welding certificate NDT-Penetrant: ISO 3452                            | <b>C13</b> |
| Factory certificate according to EN 10204 2.2                          | <b>C14</b> |
| Factory certificate according to EN 10204 2.1                          | <b>C15</b> |
| Tag name plate, stainless steel  | <b>Y17</b> |
| Tag name plate, plastic  | <b>Y18</b> |
| Customer-specific transmitter setup                                    | <b>Y20</b> |
| Customer-specified, matched pair (5x2)                                 | <b>Y60</b> |
| Customer-specified calibration (5x2)                                   | <b>Y61</b> |
| Customer-specified, matched pair (10x1)                                | <b>Y62</b> |
| Customer-specified calibration (10x1)                                  | <b>Y63</b> |
| Special version  | <b>Y99</b> |

### Spare parts

| Description  | Order No.           |                     |
|--|---------------------|---------------------|
| <b>Multiple plug for cable mounting</b>  | <b>FDK-083H5056</b> |                     |
| Description  | Length              | Order No.           |
| <b>Cable with multiple plug</b>  | 5 m (16.4 ft)       | <b>FDK-083H3015</b> |
| Standard blue cable between MASS 6000 and MASS 2100, 5 x 2 x 0.34 mm <sup>2</sup> twisted and screened in pairs. | 10 m (32.8 ft)      | <b>FDK-083H3016</b> |
| Temperature range -20 °C ... +110 °C (-4 °F ... +230 °F)   | 25 m (82 ft)        | <b>FDK-083H3017</b> |
|  | 50 m (164 ft)       | <b>FDK-083H3018</b> |
|  | 75 m (246 ft)       | <b>FDK-083H3054</b> |
|  | 150 m (492 ft)      | <b>FDK-083H3055</b> |
| Description  | Order No.           |                     |
| <b>2 kB SENSORPROM unit</b><br>(Sensor Serial No. and Order No. must be specified by ordering)                   | <b>FDK-083H4410</b> |                     |

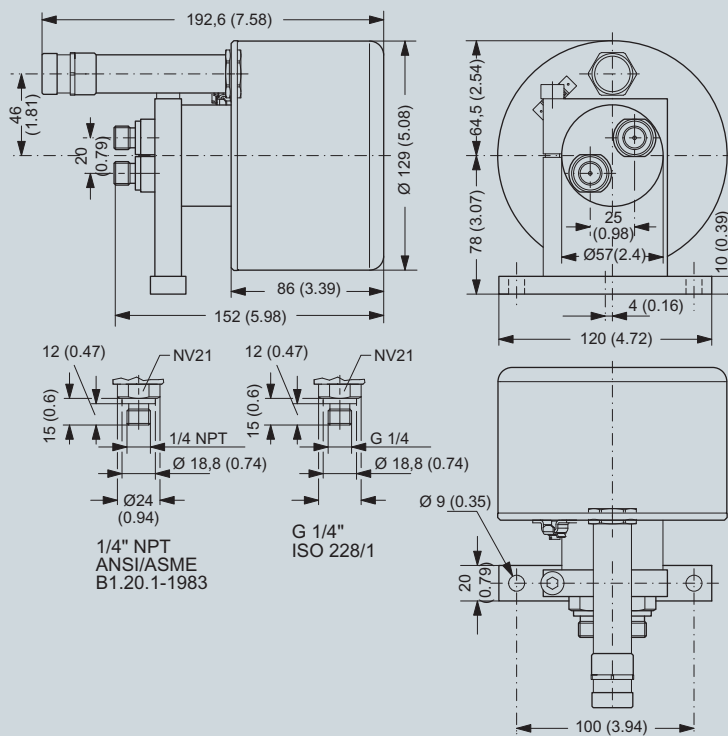
#### Dimensional drawings

MASS 2100 DI 1.5 (1/16")



Dimensions in mm (inch)

MASS 2100 DI 1.5 High-temperature version to 180 °C (356 °F)



Dimensions in mm (inch)

# SITRANS F flowmeters

## SITRANS F C

### SITRANS FC300

#### Overview



SITRANS FC300 is a compact coriolis mass sensor suitable for flow measurement of a variety of liquids and gases.

The sensor offers superior performance in terms of flow accuracy, turn-down range and density accuracy. The ease of installation through a „plug & play“ interface ensures optimum performance and operation.

A new designed encapsulation in stainless steel with a surprisingly low weight of only 3.5 kg (7.7 lb), ensures a rigid and robust sensor performance for a wide range of applications.

#### Benefits

- High accuracy better than 0.1% of mass flow rate
- Large dynamic turn-down range better than 100:1
- Densitometer performance available through a density accuracy better than 0.001 g/cm<sup>3</sup> (0.000036 lb/inch<sup>3</sup>) with a repeatability better than 0.0002 g/cm<sup>3</sup> (0.0000072 lb/inch<sup>3</sup>)
- One tube without internal welds, reductions or flow splitters offers optimal hygiene, safety and CIP cleanability for food & beverage and pharmaceutical applications
- Larger wall thickness, ensures optimal life-time and corrosion resistance and high-pressure durability
- Balanced pipe design with little mechanical energy loss, ensures optimal performance and stability under non-ideal and unstable process conditions (pressure, temperature, density-changes etc.)
- 4-wire Pt1000 temperature measurement ensures optimum accuracy on mass flow, density and fraction flow
- Multi-plug electrical connector & SENSORPROM enable true „plug & play“. Installation and commissioning in less than 10 min.
- Intrinsically safe Ex-design ia IIC as standard
- Sensor pipe available in high-quality AISI 316L stainless steel W 1.4435 or Hastelloy C22 W 2.4602 offering optimum corrosion resistance
- Rugged and space-saving sensor design in stainless steel matching all applications
- High-pressure program as standard
- The sensor calibration factor is also valid for gas measurement

#### Application

The industry today has an increasing demand for mass flowmeters with a reduced physical size without loss of performance. The meters must be suitable for installation in traditional process industry environment as well as OEM equipment for instance within automotive or appliance industry. Independent of industry application the meter must deliver accurate and reliable measurements. The new and versatile design of the FC300 offers this flexibility and the main applications for the SITRANS FC300 DN 4 can be found in:

|                                     |   |
|-------------------------------------|---|
| <b>Chemical industry</b>            | Liquid and gas measurement in normal as well as corrosive environments  |
| <b>Cosmetic industry</b>            | Dosing of essence & fragrances  |
| <b>Pharmaceutical industry</b>      | High-speed dosing and coating of pills, filling of ampuls/injectors   |
| <b>Food &amp; beverage industry</b> | Filling, dosing of flavorings, colors and additives, in-line density measurement<br>Measurement and dosing of liquid or gaseous CO <sub>2</sub> |
| <b>Automotive industry</b>          | Fuel injection nozzle & pump testing, filling of AC units, engine consumption, paint robots, ABS test-beds                                      |

#### Design

The FC300 sensor consists of a single tube bent in double omega pipe geometry, welded directly to the process connectors at each end. The sensor is available in 2 material configurations, AISI 316L or Hastelloy C22 with 1/4"-NPT or G1/4"-ISO process connections.

The enclosure is made of stainless steel AISI 316L W 1.4409 with a grade of encapsulation of IP66/NEMA4. The enclosure has a very robust design and with an overall size of 130 x 200 x 60 mm (5.12" x 7.87" x 2.36") the sensor is very compact and requires only little installation space.

The sensor can be delivered in a standard version with a maximum liquid temperature of 115 °C (239 °F) or a high-temperature version, with raised electrical connector for 180 °C (356 °F).

The sensor can be installed in horizontal or vertical position. The sensor can be mounted directly on any given plane surface or if desired with the enclosed quick release clamp fitting which, along with its compact design and multi-plug electrical connector, will keep installation costs and time to a minimum.

#### Function

The measuring principle is based on coriolis force of movement, see "System information SITRANS F C coriolis mass flowmeters".

#### Integration

The sensor can be connected to all MASS 6000 transmitters for remote installation only.

All sensors are delivered with a SENSORPROM containing all information about calibration data, identity and factory pre-programming of transmitter settings

#### Installation guidelines for SITRANS FC300 sensor

Horizontal installation as shown in figure A is recommended with gas or liquid applications.

This installation is also recommended when the flow is low or the liquid contains solid particles or air bubbles.

Horizontal installation as shown in figure B can be used for liquid applications especially where the flow velocity exceeds 1 m/s.

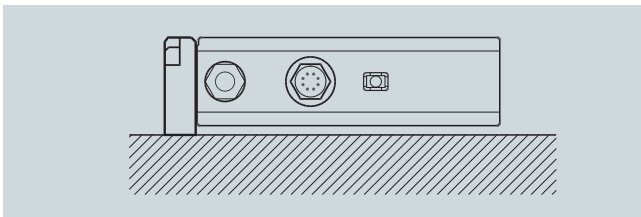
Vertical installation as shown in figure C can be used for liquid or gas applications.

For liquid applications upwards flow is recommended to facilitate the removal of air bubbles and to avoid partly emptying of the sensor.

For gas applications we recommend to place the flow inlet on the sensor high and the outlet low to remove impurities and oil films.

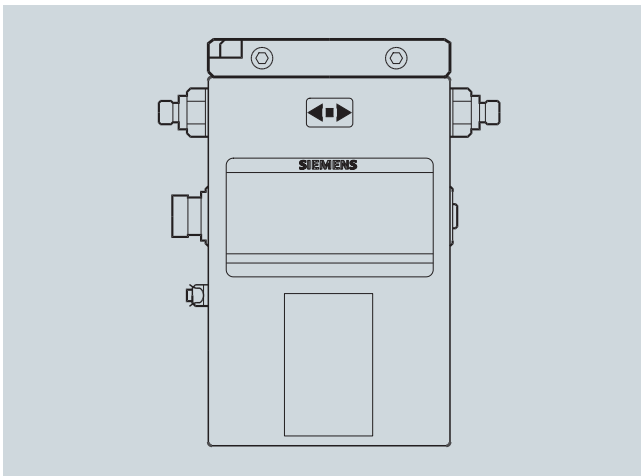
- To ensure that the sensor does not become partly empty, there must be a sufficient counter-pressure on the unit min. 0.1 to 0.2 bar.
- Mount the sensor on a vibration-free and plane wall or steel frame
- Locate the sensor low in the system in order to avoid under-pressure in the sensor separating air/gas in the liquid.
- Ensure that the sensor is not emptied of liquid (during normal operation) otherwise incorrect measurement will occur.

Horizontal mounting (recommended) (fig. A)



Liquid or gas (low to high flow)

Horizontal mounting (fig. B)



Liquid or gas (medium to high flow)

#### Technical specifications

|  |  |
|--|--|
| Sensor size  | DN 4 (1/6")  |
| <b>Mass flow</b>                                   |  |
| Measuring range                                    | 0 ... 350 kg/h (0 ... 772 lb/h)                                    |
| Accuracy, mass flow                                | 0.1% of rate   |
| Repeatability                                      | 0.05 of rate   |
| Max. zero point error                              | 0.010 kg/h (0.022 lb/h)  |
| <b>Density</b>                                     |  |
| Density range                                      | 0 ... 2.9 g/cm <sup>3</sup><br>(0 ... 0.105 lb/inch <sup>3</sup> ) |
| Density error                                      | 0.0015 g/cm <sup>3</sup><br>(0.000036 lb/inch <sup>3</sup> )       |
| Repeatability error                                | 0.0002 g/cm <sup>3</sup><br>(0.0000072 lb/inch <sup>3</sup> )      |
| <b>Temperature</b>                                 |  |
| Standard   | -40 ... +115 °C (-40 ... +239 °F)                                  |
| High-temperature version                           | -40 ... +180 °C (-40 ... +356 °F)                                  |
| Temperature error                                  | 0.5 °C   |
| <b>Brix</b>  |  |
| Measuring range                                    | 0 ... 100 Brix   |
| Brix error   | 0.3 Brix   |
| <b>Inside pipe diameter</b>                        |  |
| Stainless steel version                            | 3.5 mm (0.14")   |
| Hastelloy version                                  | 3.0 mm (0.12")   |
| <b>Pipe wall thickness</b>                         |  |
| Stainless steel version                            | 0.25 mm (0.0098")  |
| Hastelloy version                                  | 0.5 mm (0.0196")   |
| <b>Liquid pressure measuring pipe<sup>1)</sup></b> |  |
| Stainless steel                                    | 130 bar (1885 psi) at 20 °C<br>(68 °F)                             |
| Hastelloy C22                                      | 410 bar (5945 psi) at 20 °C<br>(68 °F)                             |
| <b>Materials</b>                                   |  |
| Measuring pipe and connection                      | W 1.4435 (AISI 316L) Stainless steel                               |
| <b>Enclosure<sup>2)</sup></b>                      |  |
| Material   | W 1.4404 (AISI 316L) Stainless steel                               |
| Enclosure grade                                    | IP67/NEMA4   |
| <b>Connection thread</b>                           |  |
| ISO 228/1  | G1/4" male   |
| ANSI/ASME B1.20.1                                  | 1/4" NPT male  |
| <b>Ex approval</b>                                 |  |
|  | EEx ia IIC T3-T6<br>05ATEX138072X<br>UL/CSA                        |
| <b>Weight</b>                                      | 3.5 kg (7.7 lb)  |
| <b>Dimensions</b>                                  | 135 x 205 x 58 mm<br>(5.31" x 8.07" x 2.28")                       |

<sup>1)</sup> According to DIN 2413, DIN 17457

<sup>2)</sup> Housing is not rated for pressure containment.

# SITRANS F flowmeters

## SITRANS F C

### SITRANS FC300

#### Selection and Ordering data

| Order No.  | Order code |
|--|------------|
| <b>SITRANS F C Flow sensors</b>  |            |
| <b>SITRANS FC300 DN 4 (1/6") sensor, without heating jacket<sup>1)</sup></b>                     |            |
| 7ME4400-   | -A         |
| <b>Pipe material and temperature</b>   |            |
| Stainless steel W 1.4435/316L  | 1 G        |
| 115 °C (239 °F)  | 1 H        |
| 180 °C (356 °F)  |            |
| W 2.4602/Hastelloy C22   | 2 G        |
| 115 °C (239 °F)  | 2 H        |
| 180 °C (356 °F)  |            |
| <b>Pressure</b>  |            |
| PN 100   | D          |
| PN 130 (316L)  | G          |
| PN 410 (C22)   | Q          |
| <b>Process connection</b>  |            |
| Pipe thread  |            |
| G 1/4" male  | 1 0        |
| 1/4" NPT male  | 1 1        |
| <b>Configuration</b>   |            |
| Standard   | 1          |
| Density  | 2          |
| Brix/Plato   | 3          |
| Fraction (specification required)  | 9          |
| <b>Cable</b>   |            |
| No cable   | A          |
| 5 m (16 ft) cable  | B          |
| 10 m (32 ft) cable   | C          |
| 25 m (82 ft) cable   | D          |
| 50 m (164 ft) cable  | E          |
| 75 m (246 ft) cable  | F          |
| 150 m (492 ft) cable   | G          |
| <b>Calibration</b>   |            |
| Standard calibration 3 flow x 2 points   | 1          |
| Standard calibration matched pair 3 flow x 2 points  | 2          |
| Accredited calibration matched pair 5 flow x 2 points (DANAK)                                    | 3          |
| Extended calibration customer-specified select Y60, Y61, Y62 or Y63 (see additional information) | 8          |

<sup>1)</sup> Not possible to order DN 4 sensor with heating jacket

#### Selection and Ordering data

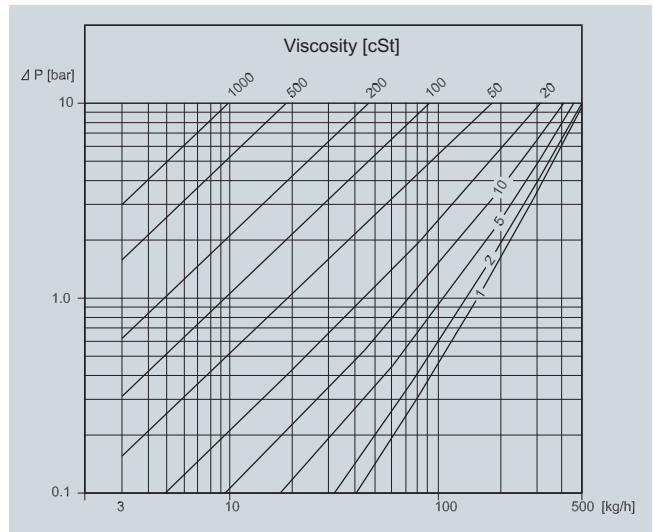
| Order code   |            |
|--|------------|
| <b>Additional information</b>  |            |
| Please add "-Z" to Order No. and specify Order code(s) and plain text. |            |
| Pressure testing certificate PED: 97/23/EC                             | <b>C11</b> |
| Material certificate EN 10204-3.1B                                     | <b>C12</b> |
| Welding certificate NDT-Penetrant: ISO 3452                            | <b>C13</b> |
| Factory certificate according to EN 10204 2.2                          | <b>C14</b> |
| Factory certificate according to EN 10204 2.1                          | <b>C15</b> |
| Tag name plate, stainless steel  | <b>Y17</b> |
| Tag name plate, plastic  | <b>Y18</b> |
| Customer-specific transmitter setup                                    | <b>Y20</b> |
| Customer-specified, matched pair (5x2)                                 | <b>Y60</b> |
| Customer-specified calibration (5x2)                                   | <b>Y61</b> |
| Customer-specified, matched pair (10x1)                                | <b>Y62</b> |
| Customer-specified calibration (10x1)                                  | <b>Y63</b> |
| Special version  | <b>Y99</b> |

#### Spare parts

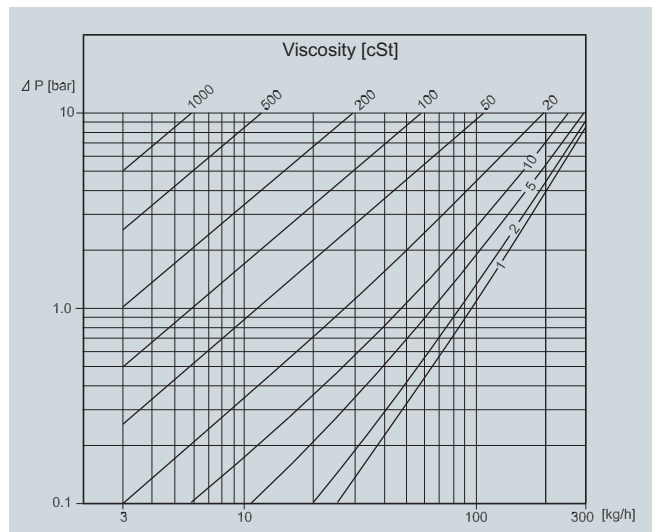
| Description  | Order No.           |                     |
|--|---------------------|---------------------|
| <b>Multiple plug for cable mounting</b>  | <b>FDK-083H5056</b> |                     |
| <b>Description</b>   | <b>Length</b>       | <b>Order No.</b>    |
| <b>Cable with multiple plug</b>  | 5 m (16.4 ft)       | <b>FDK-083H3015</b> |
| Standard blue cable between MASS 6000 and MASS 2100, 5 x 2 x 0.34 mm <sup>2</sup> twisted and screened in pairs. | 10 m (32.8 ft)      | <b>FDK-083H3016</b> |
| Temperature range -20 °C ... +110 °C (-4 °F ... +230 °F)   | 25 m (82 ft)        | <b>FDK-083H3017</b> |
|  | 50 m (164 ft)       | <b>FDK-083H3018</b> |
|  | 75 m (246 ft)       | <b>FDK-083H3054</b> |
|  | 150 m (492 ft)      | <b>FDK-083H3055</b> |
| <b>Description</b>   | <b>Order No.</b>    |                     |
| <b>2 kB SENSORPROM unit</b>  | <b>FDK-083H4410</b> |                     |
| (Sensor Serial No. and Order No. must be specified by ordering)  |                     |                     |

#### Characteristic curves

##### Pressure drop

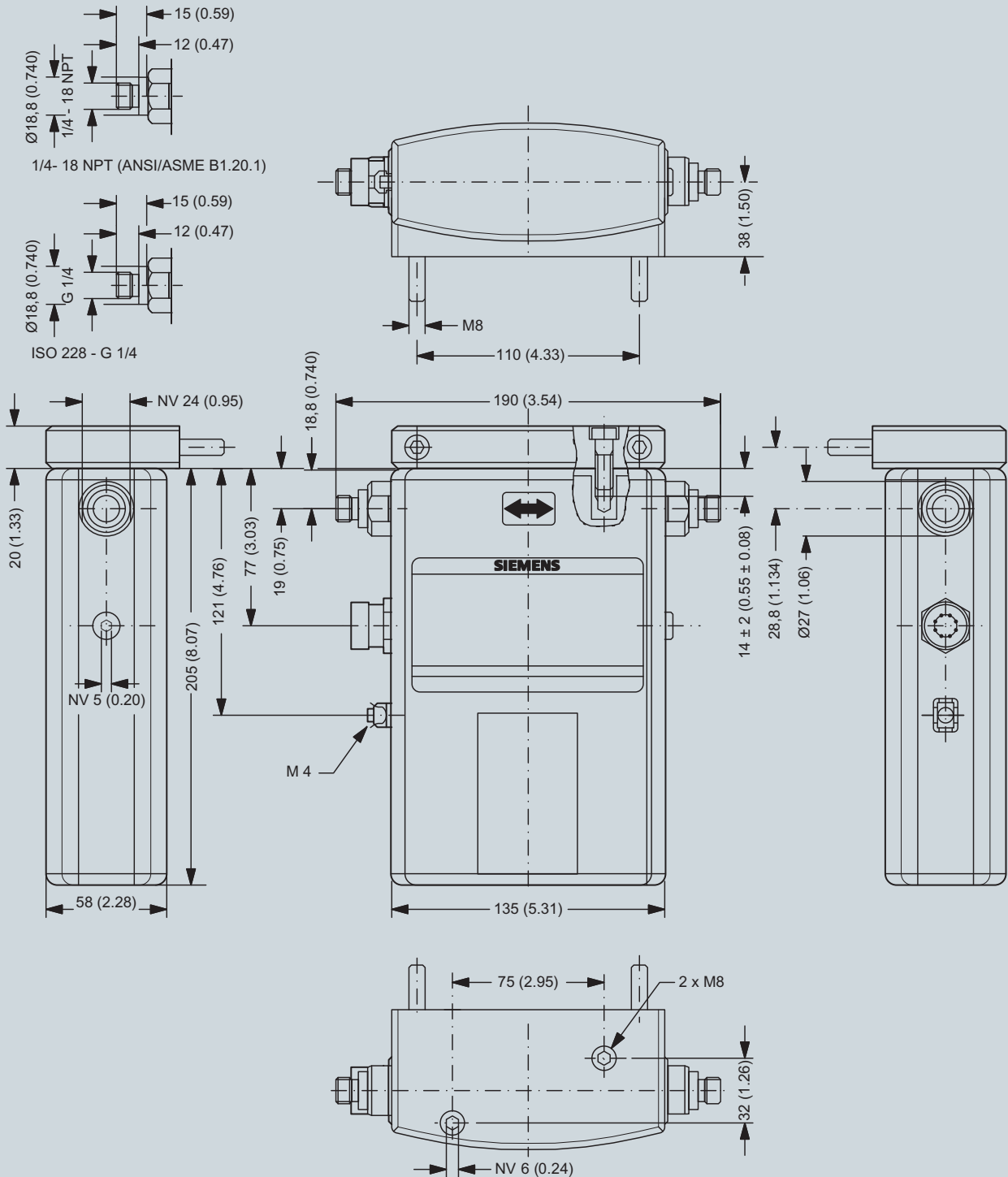


Stainless steel 316L



Hastelloy C22

Dimensional drawings



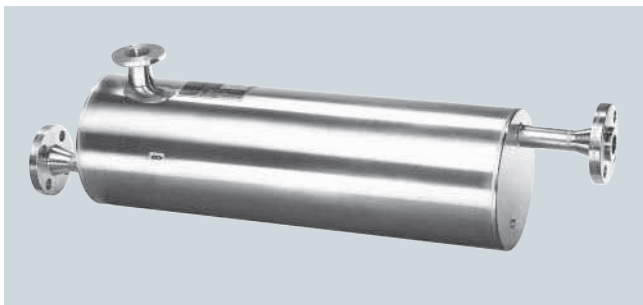
SITRANS FC300, dimensions in mm (inch)

# SITRANS F flowmeters

## SITRANS F C

MASS 2100 DI 3 to DI 40

### Overview



MASS 2100 DI 3 to DI 40 is suitable for accurate mass flow measurement of a variety of liquids and gases.

The sensor offers superior performance in terms of flow accuracy, turn-down range and density accuracy. The ease of installation through a "plug & play" mechanical and electrical interface ensures optimum performance and operation.

The sensor delivers true multi-parameter measurements i.e.: Mass flow, volume flow, density, temperature and fraction.

### Benefits

- High accuracy better than 0.1% of mass flow rate
- Large dynamic turn-down range better than 500:1
- Densitometer performance available through a density accuracy better than 0.0005 g/cm<sup>3</sup> with a repeatability better than 0.0001 g/cm<sup>3</sup>
- Single continuous tube design, with no internal welds, reductions or flow splitters offers optimal hygiene, safety and CIP cleanability for food & beverage and pharmaceutical applications
- Markets' biggest wall thickness, ensuring optimal life-time and corrosion resistance and high-pressure durability
- Full bore design provides lower pressure loss due to same internal diameter throughout the entire sensor.
- Balanced pipe design with little mechanical energy loss, ensures optimal performance and stability under non-ideal and unstable process conditions (pressure, temperature, density changes etc.)
- 4-wire Pt1000 temperature measurement ensures optimum accuracy on mass flow, density and fraction flow
- Multi-plug electrical connector & SENSORPROM enables true "plug & play". Installation and commissioning in less than 10 min.
- Intrinsically safe Ex-design ia IIC as standard, making service in hazardous area possible without having to demount the sensor if a compact Ex d transmitter needs service
- Sensor pipe available in high-quality AISI 316L stainless steel W 1.4435 or Hastelloy C22 W 2.4602 offering optimum corrosion resistance
- Centre-block design decouples process noise from the environment such as vibrations, pulsations, pressure shocks etc. making installation flexible and versatile
- Rugged and space-saving sensor design in stainless steel matching all environments
- High-pressure program as standard
- The sensor calibration factor is also valid for gas measurement
- Uniform sensor interface matching all transmitter versions at the same time whether it is compact IP67/NEMA 4X, compact Ex d or remote installation, one sensor fits all

### Application

Coriolis mass flowmeters are suitable for measuring all liquids and gases. The measurement is independent of changes in process conditions/parameters such as temperature, density, pressure, viscosity, conductivity and flow profile.

Due to this versatility the meter is easy to install and the coriolis flowmeter is recognized for its high accuracy in a wide turn-down range which is a paramount in many applications.

**The main applications of the coriolis flowmeter can be found in all industries, such as:**

|                                |  |
|--------------------------------|--|
| <b>Chemical &amp; pharma</b>   | Detergents, bulk chemicals, pharmaceuticals, acids, alkalis  |
| <b>Food &amp; beverage</b>     | Dairy products, beer, wine, soft-drinks, plato/brix, fruit juices and pulps, bottling, CO <sub>2</sub> dosing, CIP-liquids |
| <b>Automotive</b>              | Fuel injection nozzle & pump testing, filling of AC units, engine consumption, paint robots                                |
| <b>Oil &amp; gas</b>           | Filling of gas bottles, furnace control, CNG-dispensers, test separators, LPG  |
| <b>Water &amp; waste water</b> | Dosing of chemicals for water treatment  |

The wide variety of combinations and versions from the modular system means that ideal adaptation is possible to each measuring task.

### Design

The MASS 2100 sensor consists of a single bent tube in a double bent pipe configuration, welded directly to the process connectors at each end.

The centre-block is brazed onto the sensor pipes from the outside acting as a mechanical low pass filter.

The sensor is available in 2 material configurations, AISI 316L or Hastelloy C22 with a wide variety of process connections.

The enclosure is made in stainless steel AISI 316L W 1.4404 with a grade of encapsulation of IP66/NEMA 4.

The sensor is as standard EEx ia approved, intrinsically safe

The sensor can be installed in horizontal or vertical position. In horizontal position the sensor is self draining.

**Heating Jacket:** All the sensors MASS 2100, DI 3 to DI 40, can optionally be equipped with a heating coil to avoid solidification of sensitive fluids during down-time or period between discontinuing processes. This feature gives the user an alternative to the costly electrical heating normally used, as it gives the freedom to choose either hot water, superheated steam or hot oil, to maintain a constant temperature inside the sensor.



#### Function

The measuring principle is based on coriolis law of movement, see "System information SITRANS F C coriolis mass flowmeters".

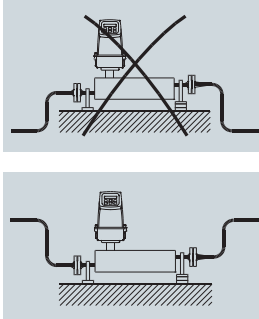
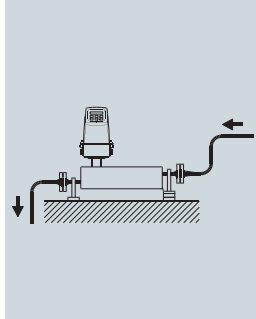
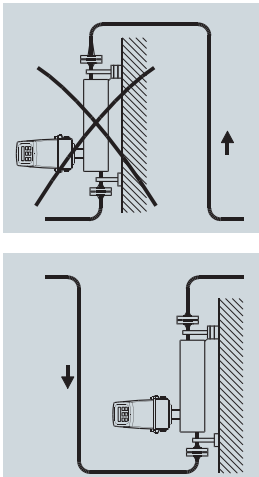
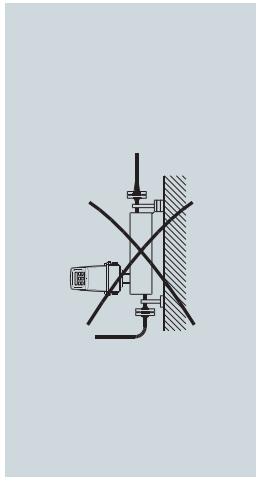
#### Integration

The sensor can be connected to all MASS 6000 transmitters for compact as well as remote installation.

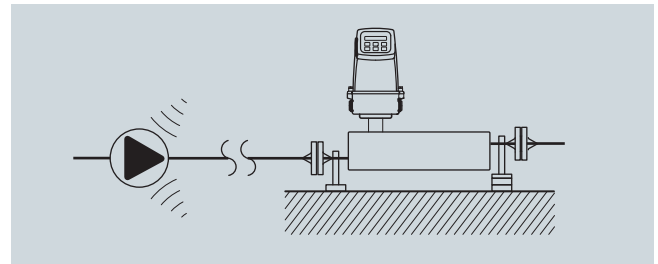
All sensors are delivered with a SENSORPROM containing all information about calibration data, identity and factory pre-programming of transmitter settings.

#### Installation guidelines MASS 2100 DI 3 ... DI 40 (1/8" ... 1 1/2")

##### Installation of sensor

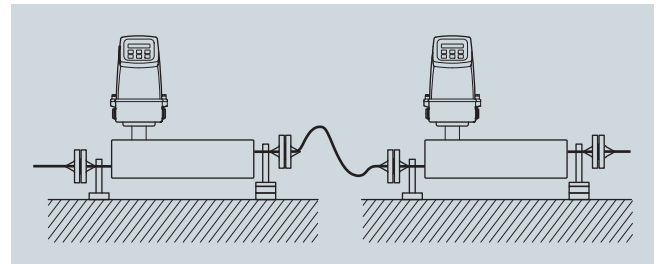
|            | Liquid  | Gas   |
|------------|---|---|
| Horizontal |   |   |
| Vertical   |  |  |

If the liquid is volatile or contains solid particles, vertical mounting is not recommended.



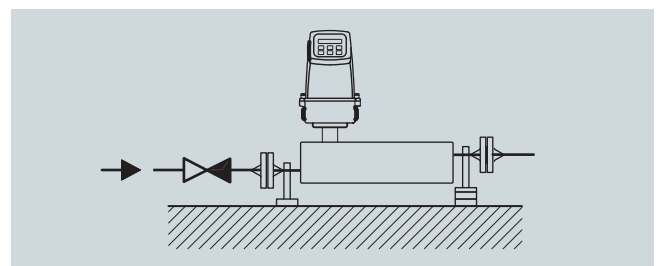
#### Vibration

Always locate the flowmeter as far away as possible from components that generate mechanical vibration in the piping.



#### Cross talk

Cross talk between sensors mounted close to each other may disturb the measurement. To avoid cross talk never mount more than one meter on each frame and mount flexible hose connections between the sensors as shown.



#### Zero point adjustment

To facilitate zero point adjustment a shut-off valve should always be mounted in connection with the sensor as a proper zero point setting is essential for a good accuracy.

# SITRANS F flowmeters

## SITRANS F C

MASS 2100 DI 3 to DI 40

### Technical specifications

| Versions   | mm (inch)                                 | DI 3 (1/8)  | DI 6 (1/4)                | DI 15 (5/8)                | DI 25 (1)                   | DI 40 (1 1/2)                |
|--|---|---|---------------------------|----------------------------|-----------------------------|------------------------------|
| <b>Inside pipe diameter</b> (sensor consists of one continuous pipe) | mm (inch)                                 | 3.0 (0.12)  | 6.0 (0.24)                | 14.0 (0.55)                | 29.7 (1.17)                 | 43.1 (1.70)                  |
| <b>Pipe wall thickness</b>   | mm (inch)                                 | 0.5 (0.02)  | 1.0 (0.04)                | 1.0 (0.04)                 | 2.0 (0.08)                  | 2.6 (0.10)                   |
| <b>Mass flow measuring range</b>                                     | kg/h (lb/h)                               | 0 ... 250 (0 ... 550)   | 0 ... 1.000 (0 ... 2.200) | 0 ... 5.600 (0 ... 12.345) | 0 ... 25.000 (0 ... 55.100) | 0 ... 52.000 (0 ... 114.600) |
| <b>Density</b>   | g/cm <sup>3</sup> (lb/inch <sup>3</sup> ) | 0 ... 2.9 (0 ... 0.10)  |                           |                            |                             |                              |
| <b>Fraction e.g.</b>   | °Brix                                     | 0 ... 100   |                           |                            |                             |                              |
| <b>Temperature</b>   |   |   |                           |                            |                             |                              |
| Standard   | °C (°F)                                   | -50 ... +180 °C (-58 ... +356 °F)   |                           |                            |                             |                              |
| <b>Liquid pressure measuring pipe<sup>1)</sup></b>                   |   |   |                           |                            |                             |                              |
| Stainless steel  | bar (psi)                                 | 230 (3336)  | 265 (3844)                | 130 (1885)                 | 110 (1595)                  | 105 (1523)                   |
| Hastelloy C22  | bar (psi)                                 | 350 (5076)  | 410 (5946)                | 200 (2900)                 | 185 (2683)                  | not available                |
| <b>Materials</b>   |   |   |                           |                            |                             |                              |
| Measuring pipe, flange and thread connection                         |   | W 1.4435 (AISI 316L) (Stainless steel)  |                           |                            |                             |                              |
|  |   | W 2.4602 (Hastelloy C22)  |                           |                            |                             | not available                |
| <b>Enclosure and enclosure material</b>                              |   | IP65 (NEMA 4) and W 1.4404 (AISI 316L) (Stainless steel),<br><b>housing is not rated for pressure containment</b> |                           |                            |                             |                              |
| <b>Process connections<sup>2)</sup></b>                              |   |   |                           |                            |                             |                              |
| <b>Flange</b>  |   |   |                           |                            |                             |                              |
| EN 1092-1, PN 40   |   |   | DN 10                     | DN 15                      | DN 25                       | DN 40                        |
| ANSI B16.5, Class 150  |   |   | 1/2"                      | 1/2"                       | 1"                          | 1 1/2"                       |
| ANSI B16.5, Class 600 (Class 300)                                    |   |   | 1/2"                      | 1/2"                       | 1"                          | 1 1/2"                       |
| <b>Dairy screwed connection (PN 16/25/40)<sup>3)</sup></b>           |   |   |                           |                            |                             |                              |
| DIN 11851  |   |   | DN 10                     | DN 15                      | DN 32                       | DN 40                        |
| ISO 2853/BS 4825 part 4 (SS3351)                                     |   |   | 25 mm                     | 25 mm                      | 38 mm                       | 51 mm                        |
| <b>Dairy clamp connection (PN 16)<sup>3)</sup></b>                   |   |   |                           |                            |                             |                              |
| ISO 2852/BS 4825 part 3 (SMS3016)                                    |   |   | 25 mm                     | 25 mm                      | 38 mm                       | 51 mm                        |
| <b>Thread</b>  |   |   |                           |                            |                             |                              |
| ISO 228/1, PN 100  |   | G 1/4" female   | G 1/4" male               | G 1/2" male                | G 1" male                   | G 2" male                    |
| ANSI/ASME B1.20.1, PN 100  |   | 1/4" NPT female   | 1/4" NPT male             | 1/2" NPT male              | 1" NPT male                 | 2" NPT male                  |
| <b>Cable connection</b>  |   | Multiple plug connection to sensor 5 x 2 x 0.35 mm <sup>2</sup> twisted and screened in pairs, ext. Ø 12 mm       |                           |                            |                             |                              |
| <b>Ex-version</b>  |   | EEx ia IIC T3-T6, DEMKO 03 ATEX 135252X   |                           |                            |                             |                              |
| <b>Weight approx.</b>  | kg (lb)                                   | 4 (8.8)   | 8 (17.6)                  | 12 (26.5)                  | 48 (105.8)                  | 70 (154.5)                   |

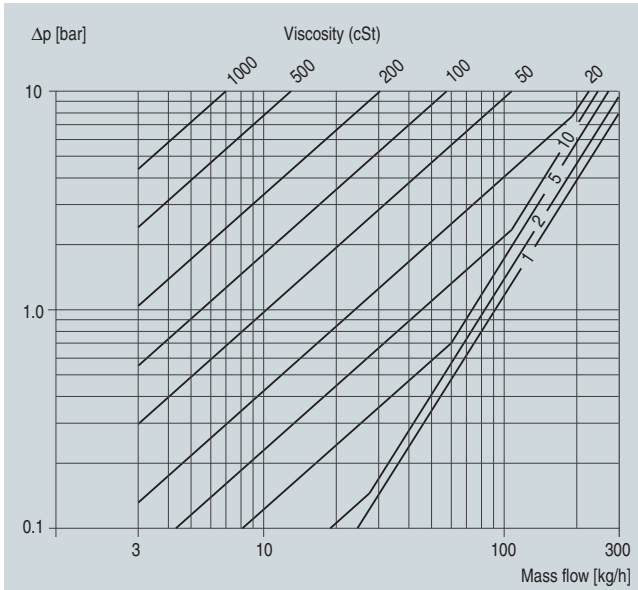
<sup>1)</sup> Max. at 20 °C (68 °F), DIN 2413, DIN 17457

<sup>2)</sup> Other connections to order, see "Selection and Ordering data"

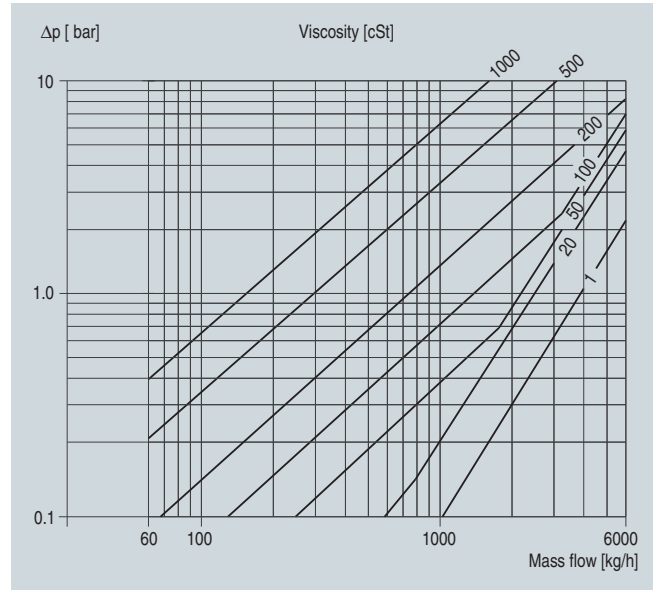
<sup>3)</sup> Material, W 1.4401 or corresponding

For accuracy specification see "System information SITRANS F C".

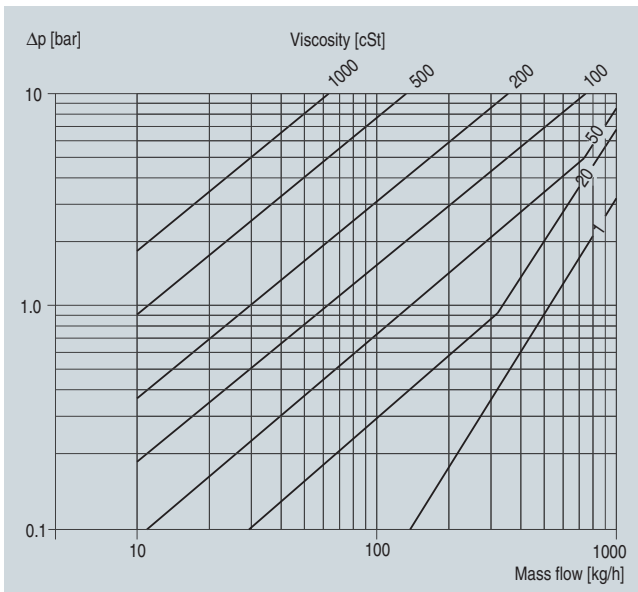
#### Pressure drop



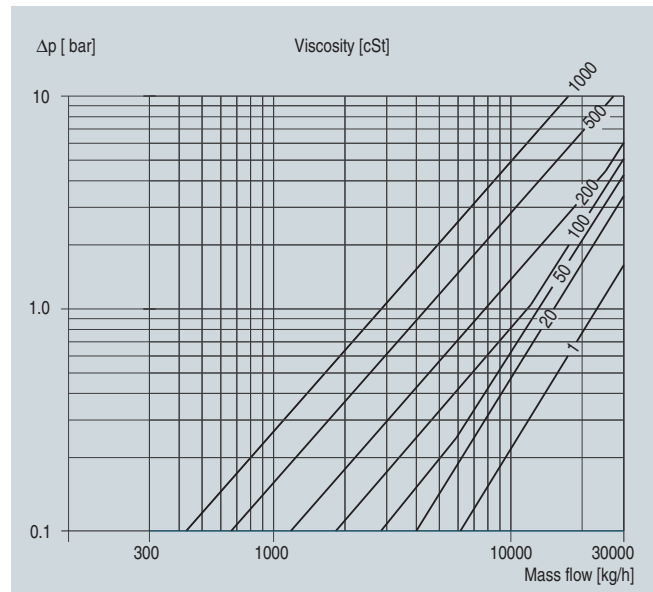
MASS 2100 DI 3 (1/8"), pressure drop for density = 1000 kg/m<sup>3</sup>



MASS 2100 DI 15 (1/2"), pressure drop for density = 1000 kg/m<sup>3</sup>



MASS 2100 DI 6 (1/4"), pressure drop for density = 1000 kg/m<sup>3</sup>



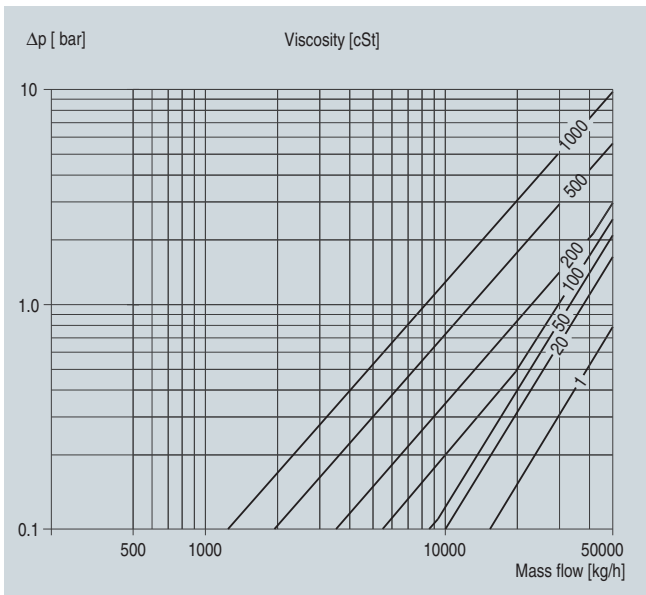
MASS 2100 DI 25 (1"), pressure drop for density = 1000 kg/m<sup>3</sup>

# SITRANS F flowmeters

## SITRANS F C

### MASS 2100 DI 3 to DI 40

150



MASS 2100 DI 40 (1½"), pressure drop for density = 1000 kg/m<sup>3</sup>

| Selection and Ordering data                            | Order No. | Order code |
|--|-----------|------------|
| <b>SITRANS F C sensors</b>                             |           |            |
| <b>MASS 2100 without heating jacket</b>                | 7ME4100-  |            |
| <b>MASS 2100 heated, DN 15 connection</b>              | 7ME4200-  |            |
| <b>MASS 2100 heated, ½ inch, ANSI B16.5 connection</b> | 7ME4210-  |            |
| <b>Diameter</b>  |           |            |
| Stainless steel W 1.4435/316L<br>DI 3 (PN 100/PN 230)  | 1C        |            |
| DI 6   | 1D        |            |
| DI 15  | 1E        |            |
| DI 25  | 1F        |            |
| DI 40  | 1G        |            |
| W 2.4602/Hastelloy C22<br>DI 3 (PN 100/PN 350)         | 2C        |            |
| DI 6   | 2D        |            |
| DI 15  | 2E        |            |
| DI 25  | 2F        |            |
| <b>Pressure</b>  |           |            |
| PN 16 (DI 6, DI 15, DI 25 and DI 40)                   | A         |            |
| PN 25 (DI 6, DI 15, DI 25 and DI 40)                   | B         |            |
| PN 40 (DI 6, DI 15, DI 25 and DI 40)                   | C         |            |
| PN 100 (DI 3, DI 6, DI 15, DI 25 and DI 40)            | D         |            |
| PN 105 (DI 40, 2", 316L)                               | E         |            |
| PN 110 (DI 25, 1", 316L)                               | F         |            |
| PN 130 (DI 15, ½", 316L)                               | G         |            |
| PN 185 (DI 25, 1", Hastelloy C22)                      | J         |            |
| PN 200 (DI 15, ½", Hastelloy C22)                      | K         |            |
| PN 230 (DI 3, ¼", 316L)                                | L         |            |
| PN 265 (DI 6, ¼", 316L)                                | M         |            |
| PN 350 (DI 3, ¼", Hastelloy C22)                       | N         |            |
| PN 410 (DI 6, ¼", Hastelloy C22)                       | Q         |            |
| Class 150 (DI 6, DI 15, DI 25 and DI 40)               | R         |            |
| Class 600 (DI 6, DI 15, DI 25 and DI 40)               | S         |            |
| <b>Process connection/flange</b>                       |           |            |
| Pipe thread  |           |            |
| G ¼"   | 10        |            |
| ¼" NPT   | 11        |            |
| G ½"   | 12        |            |
| ½" NPT   | 13        |            |
| G 1"   | 14        |            |
| 1" NPT   | 15        |            |
| G 2"   | 16        |            |
| 2" NPT   | 17        |            |
| Flange EN1092-1 Form B                                 |           |            |
| DN 10 (PN 40/PN 100)                                   | 20        |            |
| DN 15 (PN 40/PN 100)                                   | 21        |            |
| DN 25 (PN 40/PN 100)                                   | 22        |            |
| DN 40 (PN 40/PN 100)                                   | 23        |            |
| DN 50 (PN 40/PN 100)                                   | 24        |            |
| Flange ASME/ANSI B 16.5                                |           |            |
| ½" (class 150/class 600)                               | 30        |            |
| ¾" (class 150/class 600)                               | 31        |            |
| 1" (class 150/class 600)                               | 32        |            |
| 1 ½" (class 150/class 600)                             | 33        |            |
| 2" (class 150/class 600)                               | 34        |            |

Please also see [www.siemens.com/SITRANSFordering](http://www.siemens.com/SITRANSFordering) for practical examples of ordering

| Selection and Ordering data   | Order No. | Order code |
|---|-----------|------------|
| <b>SITRANS F C sensors</b>  |           |            |
| <b>MASS 2100 without heating jacket</b>   | 7ME4100-  |            |
| <b>MASS 2100 heated, DN 15 connection</b>   | 7ME4200-  |            |
| <b>MASS 2100 heated, ½ inch, ANSI B16.5 connection</b>  | 7ME4210-  |            |
| <b>Dairy screwed connection DIN 11851</b>   |           |            |
| DN 10 (PN 40)   | 40        |            |
| DN 15 (PN 40)   | 41        |            |
| DN 25 (PN 40)   | 42        |            |
| DN 32 (PN 40)   | 43        |            |
| DN 40 (PN 25)   | 44        |            |
| DN 50 (PN 25)   | 45        |            |
| DN 65 (PN 25)   | 46        |            |
| <b>Dairy clamp connection ISO 2852</b>  |           |            |
| Cone down the sensor in order to obtain self-drainage with connectors ISO 2852  |           |            |
| 25 mm (PN 16)   | 50        |            |
| 38 mm (PN 16)   | 51        |            |
| 51 mm (PN 16)   | 52        |            |
| <b>Dairy screwed connection ISO 2853</b>  |           |            |
| 25 mm (PN 16)   | 60        |            |
| 38 mm (PN 16)   | 61        |            |
| 51 mm (PN 16)   | 62        |            |
| <b>Configuration/calibration type</b>   |           |            |
| Standard  | 1         |            |
| Density   | 2         |            |
| Brix/Plato  | 3         |            |
| Fraction (specification required)   | 9         | N O Y      |
| <b>Transmitter compact mounted on sensor</b>  |           |            |
| No transmitter, sensor only   | A         |            |
| MASS 6000, Ex d, stainless steel enclosure, 1 current, 1 freq./pulse and 1 relay output, 24 V AC/DC with EEx-de [ia/ib] T3 -T6 Ex-approval. | B         |            |
| MASS 6000, IP67, Polyamide enclosure, cable glands M20, 1 current, 1 freq./pulse and 1 relay output, 24 V AC/DC.                            | C         |            |
| MASS 6000, IP67, Polyamide enclosure, cable glands M20, 1 current, 1 freq./pulse and 1 relay output, 115/230 V AC 50/60 Hz                  | D         |            |
| MASS 6000, IP67, Polyamide enclosure, cable glands ½" NPT, 1 current, 1 freq./pulse and 1 relay output, 24 V AC/DC                          | E         |            |
| MASS 6000, IP67, Polyamide enclosure, cable glands ½" NPT, 1 current, 1 freq./pulse and 1 relay output, 115/230 V AC 50/60 Hz, ½" NPT       | F         |            |
| <b>Cable</b>  |           |            |
| No cable  | A         |            |
| 5 m (16 ft) cable   | B         |            |
| 10 m (32 ft) cable  | C         |            |
| 25 m (82 ft) cable  | D         |            |
| 50 m (164 ft) cable   | E         |            |
| 75 m (246 ft) cable   | F         |            |
| 150 m (492 ft) cable  | G         |            |
| <b>Calibration/verification</b>   |           |            |
| Standard calibration 3 flow x 2 points  | 1         |            |
| Stand. calibration matched pair 3 flow x 2 points   | 2         |            |
| Accredited calibration matched pair 5 flow x 2 points (DANAK)   | 3         |            |
| Extended calibration customer-specified select Y60, Y61, Y62 or Y63 (see additional information)  | 8         |            |

# SITRANS F flowmeters

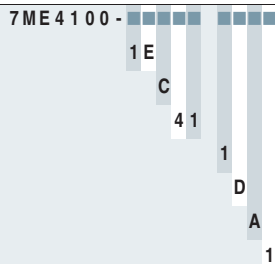
## SITRANS F C

### MASS 2100 DI 3 to DI 40

#### Dairy MLFB example

##### MASS 2100

Sensor size DI 15, W 1.4435/316L  
 PN 40  
 DN 15 connector  
 Standard configuration/calibration  
 MASS 6000 IP67 compact mounted  
 No cable  
 Standard calibration, 3 flow x 2 points



#### Selection and Ordering data

Order code

#### Additional information

Please add "-Z" to Order No. and specify Order code(s) and plain text.

|  |            |
|--|------------|
| Pressure testing certificate PED: 97/23/EC   | <b>C11</b> |
| Material certificate EN 10204-3.1B   | <b>C12</b> |
| Welding certificate NDT X-ray: EN 25817/B<br>DI 3 sensor only: NDT-Penetrant: ISO 3452 | <b>C13</b> |
| Factory certificate according to EN 10204 2.2  | <b>C14</b> |
| Factory certificate according to EN 10204 2.1  | <b>C15</b> |
| Tag name plate, stainless steel  | <b>Y17</b> |
| Tag name plate, plastic  | <b>Y18</b> |
| Customer-specific transmitter setup  | <b>Y20</b> |
| Customer-specified, matched pair (5x2)   | <b>Y60</b> |
| Customer-specified calibration (5x2)   | <b>Y61</b> |
| Customer-specified, matched pair (10x1)  | <b>Y62</b> |
| Customer-specified calibration (10x1)  | <b>Y63</b> |
| Special version  | <b>Y99</b> |

#### Selection and Ordering data

#### Accessories

| Description   | Dimension | Order No.           |
|---|-----------|---------------------|
| Mating parts for hygienic fittings<br>DIN 11851<br>Includes:<br>• 2 unions<br>• 2 mating parts (for welding in)<br>• 2 EPDM gaskets | DN 10     | <b>FDK-085U1016</b> |
|   | DN 15     | <b>FDK-085U1017</b> |
|   | DN 25     | <b>FDK-085U1019</b> |
|   | DN 32     | <b>FDK-085U1020</b> |
|   | DN 40     | <b>FDK-085U1021</b> |
|   | DN 50     | <b>FDK-085U1022</b> |
| Mating parts for hygienic clamp<br>ISO 2852<br>Includes:<br>• 2 clamps<br>• 2 mating parts<br>• 2 EPDM gaskets                      | 25 mm     | <b>FDK-085U1029</b> |
|   | 40 mm     | <b>FDK-085U1031</b> |
|   | 50 mm     | <b>FDK-085U1032</b> |

#### Gaskets for MASS 2100

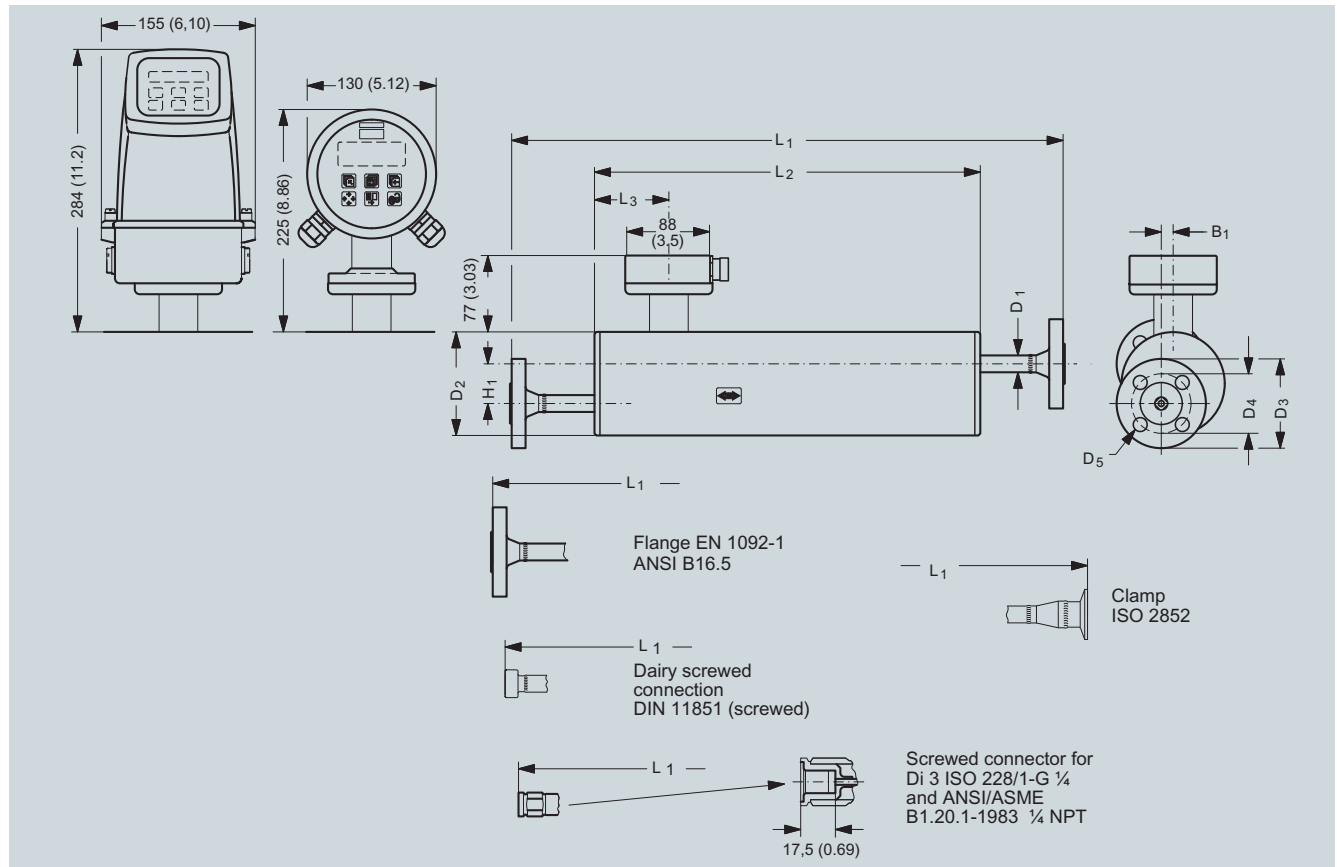
| Description   | Dimension | Order No.           |
|---|-----------|---------------------|
| 2 EPDM gaskets with collar for mounting set DIN 11851 | DN 10     | <b>FDK-085U1006</b> |
|   | DN 15     | <b>FDK-085U1007</b> |
|   | DN 25     | <b>FDK-085U1009</b> |
|   | DN 32     | <b>FDK-085U1010</b> |
|   | DN 40     | <b>FDK-085U1011</b> |
|   | DN 50     | <b>FDK-085U1012</b> |
|   | DN 65     | <b>FDK-085U1013</b> |

#### Spare parts

| Description   | Length         | Order No.           |
|---|----------------|---------------------|
| <b>Cable with multiple plug</b><br>Standard blue cable between MASS 6000 and MASS 2100, 5 x 2 x 0.34 mm <sup>2</sup> twisted and screened in pairs.<br>Temperature range -20 °C ... +110 °C (-4 °F ... +230 °F) | 5 m (16.4 ft)  | <b>FDK-083H3015</b> |
|   | 10 m (32.8 ft) | <b>FDK-083H3016</b> |
|   | 25 m (82 ft)   | <b>FDK-083H3017</b> |
|   | 50 m (164 ft)  | <b>FDK-083H3018</b> |
|   | 75 m (246 ft)  | <b>FDK-083H3054</b> |
|   | 150 m (492 ft) | <b>FDK-083H3055</b> |
| <b>Adapter for MASS 2100</b>  |                | <b>FDK-083L8889</b> |
| <b>Multiple plug for cable mounting</b>   |                | <b>FDK-083H5056</b> |
| <b>2 kB SENSORPROM unit</b><br>(Sensor Serial No. and Order No. must be specified by ordering)  |                | <b>FDK-083H4410</b> |

#### Dimensional drawings

##### MASS 2100 sensor



Dimension in mm (inch)

| Sensor size     | Connections                               |                 |       | L1  | L2  | L3   | H1  | B1 | D1   | D2  | D3    | D4    | D5   |
|-----------------|---|-----------------|-------|-----|-----|------|-----|----|------|-----|-------|-------|------|
| (inch)          | Type                                      | Pressure rating | Size  | mm  | mm  | mm   | mm  | mm | mm   | mm  | mm    | mm    | mm   |
| DI 3<br>(1/8")  | Pipe thread ISO 228/1 - G 1/4             | PN 100          | 1/4"  | 400 | 280 | 75.0 | 60  | 0  | 21.3 | 104 | -     | -     | -    |
|                 | Pipe thread ANSI/ASME B 1.20.1 - 1/4" NPT | PN 100          | 1/4"  | 400 | 280 | 75.0 | 60  | 0  | 21.3 | 104 | -     | -     | -    |
| DI 6<br>(1/4")  | Flange EN 1092-1                          | PN 100          | DN 10 | 580 | 390 | 62.0 | 40  | 12 | 17.0 | 104 | 100   | 70.0  | 14.0 |
|                 | Flange EN 1092-1                          | PN 40           | DN 10 | 560 | 390 | 62.0 | 40  | 12 | 17.0 | 104 | 90.0  | 60.0  | 14.0 |
|                 | Flange ANSI B16.5                         | Class 150       | 1/2"  | 624 | 390 | 62.0 | 40  | 12 | 17.0 | 104 | 88.9  | 60.5  | 15.7 |
|                 | Flange ANSI B16.5                         | Class 600       | 1/2"  | 608 | 390 | 62.0 | 40  | 12 | 17.0 | 104 | 95.3  | 66.5  | 15.7 |
|                 | Screwed connection DIN 11851              | PN 40           | DN 10 | 532 | 390 | 62.0 | 40  | 12 | 17.0 | 104 | -     | -     | -    |
|                 | Clamp ISO 2852                            | PN 16           | 25 mm | 570 | 390 | 62.0 | 40  | 12 | 17.0 | 104 | -     | -     | -    |
| DI 15<br>(1/2") | Flange EN 1092-1                          | PN 100          | DN 15 | 634 | 444 | 75.0 | 44  | 20 | 21.3 | 129 | 105   | 75.0  | 14.0 |
|                 | Flange EN 1092-1                          | PN 40           | DN 15 | 620 | 444 | 75.0 | 44  | 20 | 21.3 | 129 | 95.0  | 65.0  | 14.0 |
|                 | Flange ANSI B16.5                         | Class 150       | 1/2"  | 639 | 444 | 75.0 | 44  | 20 | 21.3 | 129 | 88.9  | 60.5  | 15.7 |
|                 | Flange ANSI B16.5                         | Class 600       | 1/2"  | 660 | 444 | 75.0 | 44  | 20 | 21.3 | 129 | 95.3  | 66.5  | 15.7 |
|                 | Screwed connection DIN 11851              | PN 40           | DN 15 | 586 | 444 | 75.0 | 44  | 20 | 21.3 | 129 | -     | -     | -    |
|                 | Clamp ISO 2852                            | PN 16           | 25 mm | 624 | 444 | 75.0 | 44  | 20 | 21.3 | 129 | -     | -     | -    |
| DI 25<br>(1")   | Flange EN 1092-1                          | PN 100          | DN 25 | 970 | 700 | 74.5 | 126 | 25 | 33.7 | 219 | 140.0 | 100.0 | 18.0 |
|                 | Flange EN 1092-1                          | PN 40           | DN 25 | 934 | 700 | 74.5 | 126 | 25 | 33.7 | 219 | 115.0 | 85.0  | 14.0 |
|                 | Flange ANSI B16.5                         | Class 150       | 1"    | 967 | 700 | 74.5 | 126 | 25 | 33.7 | 219 | 108.0 | 79.2  | 15.7 |
|                 | Flange ANSI B16.5                         | Class 600       | 1"    | 992 | 700 | 74.5 | 126 | 25 | 33.7 | 219 | 124.0 | 88.9  | 19.1 |
|                 | Screwed connection DIN 11851              | PN 40           | DN 32 | 922 | 700 | 74.5 | 126 | 25 | 33.7 | 219 | -     | -     | -    |
|                 | Clamp ISO 2852                            | PN 16           | 38 mm | 940 | 700 | 74.5 | 126 | 25 | 33.7 | 219 | -     | -     | -    |



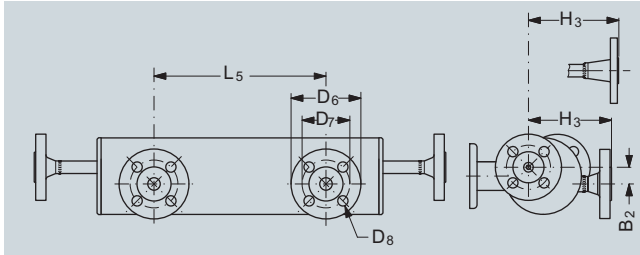
# SITRANS F flowmeters

## SITRANS F C

### MASS 2100 DI 3 to DI 40

| Sensor size    | Connections                             |                 |       | L1 mm   | L2 mm   | L3 mm   | H1 mm   | B1 mm   | D1 mm   | D2 mm   | D3 mm   | D4 mm   | D5 mm   |
|----------------|---|-----------------|-------|---------|---------|---------|---------|---------|---------|---------|---------|---------|---------|
| DI 40<br>(1½") | Flange EN 1092-1                        | PN 100          | DN 40 | 1100    | 850     | 71.5    | 180     | 0       | 48.3    | 273     | 170.0   | 125.0   | 22.0    |
|                | Flange EN 1092-1                        | PN 40           | DN 40 | 1064    | 850     | 71.5    | 180     | 0       | 48.3    | 273     | 150.0   | 110.0   | 18.0    |
|                | Flange ANSI B16.5                       | Class 150       | 1½"   | 1100    | 850     | 71.5    | 180     | 0       | 48.3    | 273     | 127.0   | 98.6    | 15.7    |
|                | Flange ANSI B16.5                       | Class 600       | 1½"   | 1128    | 850     | 71.5    | 180     | 0       | 48.3    | 273     | 155.4   | 114.3   | 22.4    |
|                | Screwed connection DIN 11851            | PN 25           | DN 50 | 1090    | 850     | 71.5    | 180     | 0       | 48.3    | 273     | -       | -       | -       |
|                | Clamp ISO 2852                          | PN 25           | 51 mm | 1062    | 850     | 71.5    | 180     | 0       | 48.3    | 273     | -       | -       | -       |
| Sensor size    | Connections                             |                 |       | L1 inch | L2 inch | L3 inch | H1 inch | B1 inch | D1 inch | D2 inch | D3 inch | D4 inch | D5 inch |
| DI (inch)      | Type                                    | Pressure rating | Size  |         |         |         |         |         |         |         |         |         |         |
| DI 3<br>(1/8") | Pipe thread ISO 228/1 - G¼              | PN 100          | ¼"    | 15.75   | 11.02   | 2.95    | 2.36    | 0       | 0.84    | 4.09    | -       | -       | -       |
|                | Pipe thread ANSI/ASME B 1.20.1 - ¼" NPT | PN 100          | ¼"    | 15.75   | 11.02   | 2.95    | 2.36    | 0       | 0.84    | 4.09    | -       | -       | -       |
| DI 6<br>(¼")   | Flange EN 1092-1                        | PN 100          | DN 10 | 22.83   | 15.35   | 2.44    | 1.57    | 0.47    | 0.67    | 4.09    | 3.94    | 2.76    | 0.55    |
|                | Flange EN 1092-1                        | PN 40           | DN 10 | 22.05   | 15.35   | 2.44    | 1.57    | 0.47    | 0.67    | 4.09    | 3.54    | 2.36    | 0.55    |
|                | Flange ANSI B16.5                       | Class 150       | ½"    | 24.57   | 15.35   | 2.44    | 1.57    | 0.47    | 0.67    | 4.09    | 3.5     | 2.38    | 0.62    |
|                | Flange ANSI B16.5                       | Class 600       | ½"    | 23.94   | 15.35   | 2.44    | 1.57    | 0.47    | 0.67    | 4.09    | 3.75    | 2.62    | 0.62    |
|                | Screwed connection DIN 11851            | PN 40           | DN 10 | 20.94   | 15.35   | 2.44    | 1.57    | 0.47    | 0.67    | 4.09    | -       | -       | -       |
|                | Clamp ISO 2852                          | PN 16           | 25 mm | 22.44   | 15.35   | 2.44    | 1.57    | 0.47    | 0.67    | 4.09    | -       | -       | -       |
| DI 15<br>(½")  | Flange EN 1092-1                        | PN 100          | DN 15 | 24.96   | 17.48   | 2.95    | 1.73    | 0.79    | 0.84    | 5.08    | 2.95    | 4.13    | 0.55    |
|                | Flange EN 1092-1                        | PN 40           | DN 15 | 24.41   | 17.48   | 2.95    | 1.73    | 0.79    | 0.84    | 5.08    | 3.74    | 2.56    | 0.55    |
|                | Flange ANSI B16.5                       | Class 150       | ½"    | 25.16   | 17.48   | 2.95    | 1.73    | 0.79    | 0.84    | 5.08    | 3.5     | 2.38    | 0.62    |
|                | Flange ANSI B16.5                       | Class 600       | ½"    | 25.98   | 17.48   | 2.95    | 1.73    | 0.79    | 0.84    | 5.08    | 3.75    | 2.62    | 0.62    |
|                | Screwed connection DIN 11851            | PN 40           | DN 15 | 23.07   | 17.48   | 2.95    | 1.73    | 0.79    | 0.84    | 5.08    | -       | -       | -       |
|                | Clamp ISO 2852                          | PN 16           | 25 mm | 24.57   | 17.48   | 2.95    | 1.73    | 0.79    | 0.84    | 5.08    | -       | -       | -       |
| DI 25<br>(1")  | Flange EN 1092-1                        | PN 100          | DN 25 | 38.19   | 27.56   | 2.93    | 4.96    | 0.98    | 1.33    | 8.62    | 3.94    | 5.51    | 0.71    |
|                | Flange EN 1092-1                        | PN 40           | DN 25 | 36.77   | 27.56   | 2.93    | 4.96    | 0.98    | 1.33    | 8.62    | 4.53    | 3.35    | 0.55    |
|                | Flange ANSI B16.5                       | Class 150       | 1"    | 38.07   | 27.56   | 2.93    | 4.96    | 0.98    | 1.33    | 8.62    | 4.25    | 3.12    | 0.62    |
|                | Flange ANSI B16.5                       | Class 600       | 1"    | 39.06   | 27.56   | 2.93    | 4.96    | 0.98    | 1.33    | 8.62    | 4.88    | 3.50    | 0.75    |
|                | Screwed connection DIN 11851            | PN 40           | DN 32 | 36.30   | 27.56   | 2.93    | 4.96    | 0.98    | 1.33    | 8.62    | -       | -       | -       |
|                | Clamp ISO 2852                          | PN 16           | 38 mm | 37.01   | 27.56   | 2.93    | 4.96    | 0.98    | 1.33    | 8.62    | -       | -       | -       |
| DI 40<br>(1½") | Flange EN 1092-1                        | PN 100          | DN 40 | 43.31   | 33.46   | 2.81    | 7.09    | 0       | 1.9     | 10.75   | 4.92    | 6.69    | 0.87    |
|                | Flange EN 1092-1                        | PN 40           | DN 40 | 41.89   | 33.46   | 2.81    | 7.09    | 0       | 1.9     | 10.75   | 5.91    | 4.33    | 0.71    |
|                | Flange ANSI B16.5                       | Class 150       | 1½"   | 43.31   | 33.46   | 2.81    | 7.09    | 0       | 1.9     | 10.75   | 5       | 3.88    | 0.62    |
|                | Flange ANSI B16.5                       | Class 600       | 1½"   | 44.41   | 33.46   | 2.81    | 7.09    | 0       | 1.9     | 10.75   | 6.12    | 4.50    | 0.88    |
|                | Screwed connection DIN 11851            | PN 25           | DN 50 | 42.91   | 33.46   | 2.81    | 7.09    | 0       | 1.9     | 10.75   | -       | -       | -       |
|                | Clamp ISO 2852                          | PN 25           | 51 mm | 41.81   | 33.46   | 2.81    | 7.09    | 0       | 1.9     | 10.75   | -       | -       | -       |

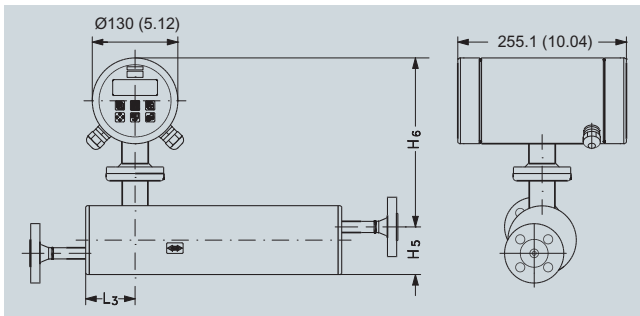
#### MASS 2100 sensor with "heating jacket"



Dimensions in mm (inch)

| Sensor size    | Connec-<br>tions heated |                 |       | L5          | L3        | H3            | B2          | D6         | D7          | D8          |
|----------------|-------------------------|-----------------|-------|-------------|-----------|---------------|-------------|------------|-------------|-------------|
| DI (inch)      | Type                    | Pressure rating | Size  | mm (inch)   | mm (inch) | mm (inch)     | mm (inch)   | mm (inch)  | mm (inch)   | mm (inch)   |
| DI 3 (1/8")    | EN 1092-1               | PN 40           | DN 15 | 234 (9.21)  | 75 (2.95) | 122 (4.8)     | 22 (0.87)   | 95 (3.74)  | 65.0 (2.56) | 14.0 (0.55) |
|                | ANSI B16.5              | Class 150       | 1/2"  | 234 (9.21)  | 75 (2.95) | 131.6 (5.18)  | 22 (0.87)   | 88.9 (3.5) | 60.5 (2.38) | 15.7 (0.62) |
| DI 6 (1/4")    | EN 1092-1               | PN 40           | DN 15 | 234 (9.21)  | 62 (2.44) | 112 (4.41)    | 22.7 (0.89) | 95 (3.74)  | 65.0 (2.56) | 14.0 (0.55) |
|                | ANSI B16.5              | Class 150       | 1/2"  | 234 (9.21)  | 62 (2.44) | 121.6 (4.79)  | 22.7 (0.89) | 88.9 (3.5) | 60.5 (2.38) | 15.7 (0.62) |
| DI 15 (1/2")   | EN 1092-1               | PN 40           | DN 15 | 234 (9.21)  | 75 (2.95) | 126.5 (4.98)  | 31.5 (1.24) | 95 (3.74)  | 65.0 (2.56) | 14.0 (0.55) |
|                | ANSI B16.5              | Class 150       | 1/2"  | 234 (9.21)  | 75 (2.95) | 136.1 (5.36)  | 31.5 (1.24) | 88.9 (3.5) | 60.5 (2.38) | 15.7 (0.62) |
| DI 25 (1")     | EN 1092-1               | PN 40           | DN 15 | 420 (16.54) | 75 (2.93) | 213.6 (8.41)  | 60 (2.36)   | 95 (3.74)  | 65.0 (2.56) | 14.0 (0.55) |
|                | ANSI B16.5              | Class 150       | 1/2"  | 420 (16.54) | 75 (2.93) | 223.2 (8.79)  | 60 (2.36)   | 88.9 (3.5) | 60.5 (2.38) | 15.7 (0.62) |
| DI 40 (1 1/2") | EN 1092-1               | PN 40           | DN 15 | 500 (19.68) | 71 (2.81) | 267.5 (10.53) | 43 (1.69)   | 95 (3.74)  | 65.0 (2.56) | 14.0 (0.55) |
|                | ANSI B16.5              | Class 150       | 1/2"  | 500 (19.68) | 71 (2.81) | 277.1 (10.91) | 43 (1.69)   | 88.9 (3.5) | 60.5 (2.38) | 15.7 (0.62) |

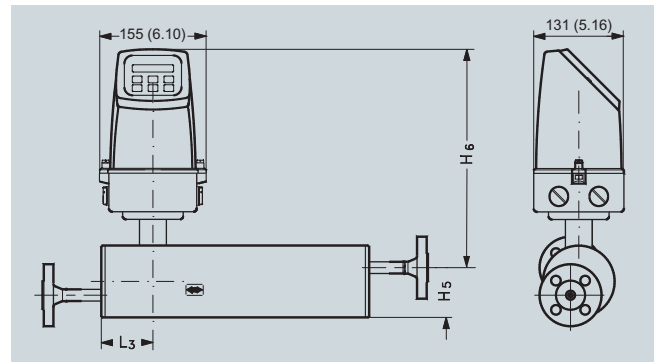
#### MASS 2100 and MASS 6000 Ex d compact version



Dimensions in mm (inch)

| Sensor size<br>[DI (inch)] | L <sub>3</sub><br>[mm (inch)] | H <sub>5</sub><br>[mm (inch)] | H <sub>6</sub><br>[mm (inch)] | H <sub>5</sub> + H <sub>6</sub><br>[mm (inch)] |
|----------------------------|-------------------------------|-------------------------------|-------------------------------|--|
| 3 (1/8)                    | 75 (2.95)                     | 82 (3.23)                     | 247 (9.72)                    | 329 (12.95)                                    |
| 6 (1/4)                    | 62 (2.44)                     | 72 (2.83)                     | 257 (10.12)                   | 329 (12.95)                                    |
| 15 (1/2)                   | 75 (2.95)                     | 87 (3.43)                     | 267 (10.51)                   | 354 (13.94)                                    |
| 25 (1)                     | 75 (2.95)                     | 173 (6.81)                    | 271 (10.67)                   | 444 (17.48)                                    |
| 40 (1 1/2)                 | 75 (2.95)                     | 227 (8.94)                    | 271 (10.67)                   | 498 (19.61)                                    |

#### MASS 2100 and MASS 6000 IP67 compact version



Dimensions in mm (inch)

| Sensor size<br>[DI (inch)] | L <sub>3</sub><br>[mm (inch)] | H <sub>5</sub><br>[mm (inch)] | H <sub>6</sub><br>[mm (inch)] | H <sub>5</sub> + H <sub>6</sub><br>[mm (inch)] |
|----------------------------|-------------------------------|-------------------------------|-------------------------------|--|
| 3 (1/8)                    | 75 (2.95)                     | 82 (3.23)                     | 306 (12.04)                   | 388 (15.28)                                    |
| 6 (1/4)                    | 62 (2.44)                     | 72 (2.83)                     | 316 (12.44)                   | 388 (15.28)                                    |
| 15 (1/2)                   | 75 (2.95)                     | 87 (3.43)                     | 326 (12.83)                   | 413 (16.26)                                    |
| 25 (1)                     | 75 (2.95)                     | 173 (6.81)                    | 330 (13.00)                   | 503 (19.80)                                    |
| 40 (1 1/2)                 | 75 (2.95)                     | 227 (8.94)                    | 330 (13.00)                   | 557 (21.93)                                    |

# SITRANS F flowmeters

## SITRANS F C

### SITRANS F C MC2

#### Overview



SITRANS F C MC2 is available as a standard version (DN 50 to DN 150 (2" to 6")) and a hygienic, EHEDG-certified version (DN 20 to DN 80 (¾" to 3")). MC2 and MC2 hygienic are suitable for accurate mass flow measurement of a variety of liquids and gases.

The sensor offers superior performance in terms of flow accuracy, turn-down range and density accuracy and delivers true multi-parameter measurements i.e.: mass flow, volume flow, density, temperature and fraction flow.

The very compact sensor construction makes installation and commissioning of even the largest sizes very straight forward and easy.

#### Benefits

- High accuracy better than 0.15% of mass flow rate
- Large dynamic turn-down range
- Densitometer performance available through a density accuracy better than 0.001 g/cm<sup>3</sup>
- Space-saving split-flow sensor design facilitating low pressure loss
- Parallel S-tube design and optimal oriented inductive sensors enhances accuracy and turn-down range
- Self-draining in both horizontal and vertical position
- Rigid enclosure design reduces the influence from pipeline vibration and thermal stress
- 4-wire Pt100 temperature measurement ensures optimum accuracy on mass flow, density and fraction flow
- SENSORPROM enables true "plug & play". Installation and commissioning in less than 10 min.
- Safe Ex-design EEx em [ib] IIC
- Sensor pipe available in high-quality AISI 316L stainless steel W 1.4571 or Hastelloy C4 W 2.4610 offering optimum corrosion resistance
- The sensor calibration factor is also valid for gas measurement

#### Application

Coriolis mass flowmeters are suitable for measuring all liquids and gases. The measurement is independent of changes in process conditions/parameters such as temperature, density, pressure, viscosity, conductivity and flow profile.

Due to this versatility the meter is easy to install and the coriolis flowmeter is recognized for its high accuracy in a wide turn-down range which is a paramount in many applications.

**The main applications of the coriolis flowmeter can be found in all industries, such as:**

|  |  |
|--|--|
| <b>Chemical &amp; pharma</b>               | Detergents, bulk chemicals, pharmaceuticals, acids, alkalis  |
| <b>Food &amp; beverage EDEHG-certified</b> | Dairy products, beer, wine, soft-drinks, plato/brix, fruit juices and pulps, bottling, CO <sub>2</sub> dosing, CIP-liquids |
| <b>Oil &amp; gas</b>                       | Gas measurement, furnace control, test separators, LPG, oil bunkering  |
| <b>Water &amp; waste water</b>             | Dosing of chemicals for water treatment  |

The wide variety of combinations and versions from the modular system means that ideal adaptation is possible to each measuring task.

#### Design

The MC2 sensor consists of 2 parallel measuring pipes, welded directly onto a flow-splitter at each end to eliminate a direct coupling to the process connectors and significantly reduce effects from external vibrations.

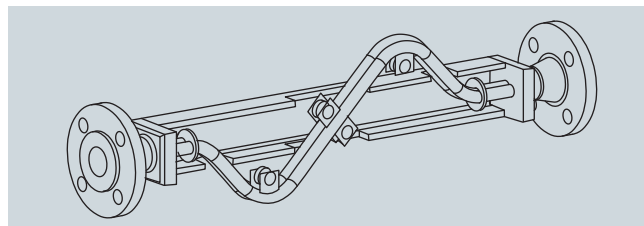
The flow-splitters are welded onto a rigid sensor housing which acts as a mechanical low-pass filter.

The sensor is available in 2 material configurations, AISI 316L or Hastelloy C4 with a wide variety of process connections.

The enclosure is made of stainless steel AISI W 304 1.4301 with a grade of encapsulation of IP67/NEMA 4.

The sensor is Ex-approved EEx em [ib] IIC

The sensor can be installed in horizontal or vertical position, and is self-draining in both positions.



MC2 is based on increased safety and can therefore only be connected to: MASS 6000 19" or SIFLOW FC070 Ex standard versions which have to be remote mounted in the safe area. For all non-hazardous applications the complete MASS 6000 transmitter program can be used.



Hazardous area  
Zone 1 + 2



Safe area

#### Function

The measuring principle is based on coriolis law of movement, see "System information coriolis mass flowmeters".

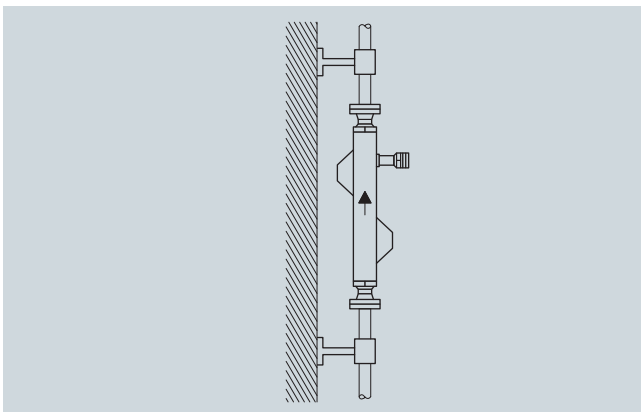
#### Integration

##### Installation guidelines MC2 DN 50 ... DN 150

##### Installation of sensor

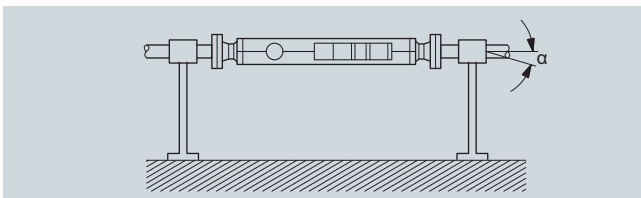
The optimal installation orientation is a vertical installation with an upward flow as shown in the following figure. This has the advantage that any solids contained in the fluid will settle downward and gas bubbles will move upward out of the meter tube when the flow rate is zero. Additionally, it is easy to drain the meter tube. Deposits can thereby be avoided.

##### Vertical orientation:

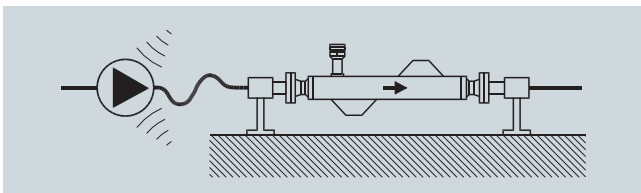


Vertical installation self-draining (upward flow)

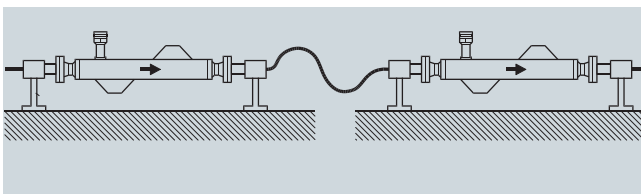
##### Horizontal orientation, self-draining



##### Avoid vibrations

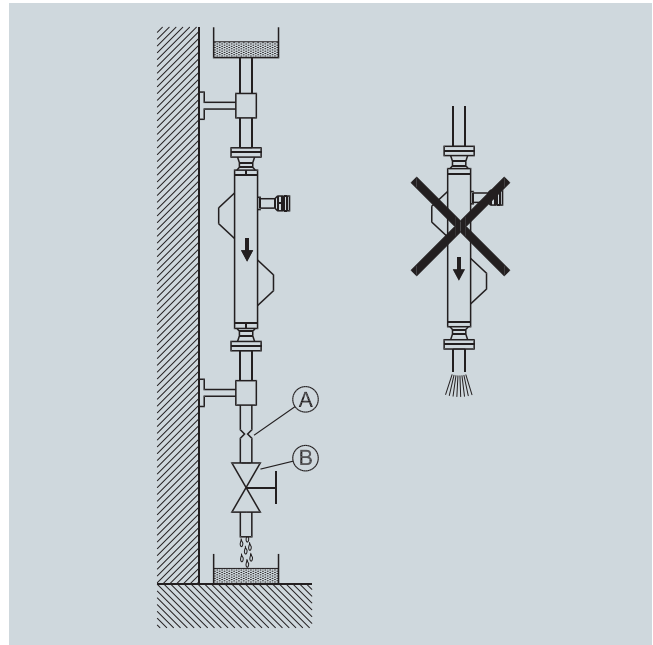


##### Avoid cross talk



##### Installation in a drop line

Mount with reduction or orifice to prevent partially draining (A) orifice, pipe constriction (B) valve.



Installation in a drop line

# SITRANS F flowmeters

## SITRANS F C

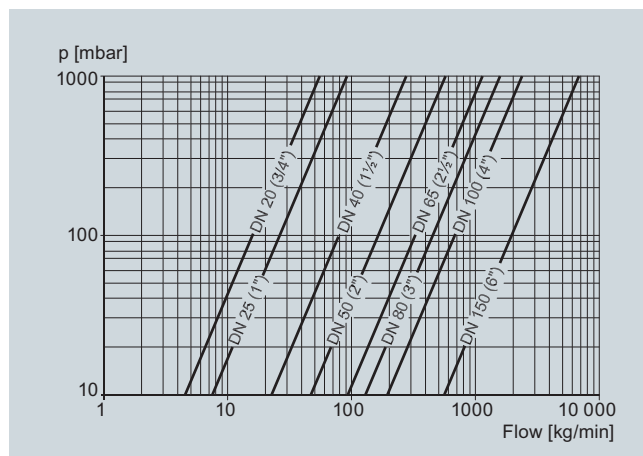
### SITRANS F C MC2

#### Technical specifications

| Versions  | mm (inch)                                 | 20 (¾)  | 25 (1)         | 40 (1½)         | 50 (2)           | 65 (2½)           | 80 (3)            | 100 (4)           | 150 (6)             |              |
|---|---|---|----------------|-----------------|------------------|-------------------|-------------------|-------------------|---------------------|--------------|
| <b>Inside pipe diameter</b>   | 2 x mm (inch)                             | 8.0 (0.31)  | 10.0 (0.39)    | 16.0 (0.63)     | 22.0 (0.87)      | 29.0 (1.14)       | 34.0 (1.34)       | 43.1 (1.69)       | 76.1 (2.99)         |              |
| <b>Pipe wall thickness</b>  | mm (inch)                                 | 1.0 (0.04)  | 1.0 (0.04)     | 1.0 (0.04)      | 1.5 (0.06)       | 1.5 (0.06)        | 2.0 (0.08)        | 2.6 (0.10)        | 3.2 (0.13)          |              |
| <b>Mass flow measuring range at pressure drop of 2 bar (29 psi) at 1 g/cm<sup>3</sup> (0.036 lb/inch<sup>3</sup>)</b> | kg/h (lb/h)                               | 6 000 (13 227)  | 9 000 (19 841) | 28 500 (62 831) | 55 200 (121 695) | 113 400 (250 000) | 147 600 (325 401) | 249 600 (550 273) | 660 000 (1 455 049) |              |
| <b>Density</b>  | g/cm <sup>3</sup> (lb/inch <sup>3</sup> ) | 0.5 ... 3.5 (0.18 ... 0.126)  |                |                 |                  |                   |                   |                   |                     |              |
| <b>Fraction e.g. Brix</b>   | °Brix                                     | 0 ... 100   |                |                 |                  |                   |                   |                   |                     | Not possible |
| <b>Temperature</b>  |   |   |                |                 |                  |                   |                   |                   |                     |              |
| Standard-version  |   | -50 ... +180 °C (-58 ... +356 °F)   |                |                 |                  |                   |                   |                   |                     |              |
| Ex-version  |   | -20 ... +180 °C (-4 ... +356 °F)  |                |                 |                  |                   |                   |                   |                     |              |
| <b>Liquid pressure measuring pipe</b>   |   | 20  | 25             | 40              |                  |                   |                   |                   |                     |              |
| Stainless steel (DIN 2413, 20 °C (68 °F))   | bar (psi)                                 | 100 (1450)  | 100 (1450)     | 100 (1450)      | 100 (1450)       | 100 (1450)        | 100 (1450)        | 40 (580)          | 40 (580)            |              |
| <b>Materials</b>  |   |   |                |                 |                  |                   |                   |                   |                     |              |
| Measuring pipe  |   | SS 1.4571 or Hastelloy C4   |                |                 |                  |                   |                   |                   |                     |              |
| Flange  |   | SS 1.4571 or Hastelloy C4   |                |                 |                  |                   |                   |                   |                     |              |
| <b>Enclosure</b>  |   | IP67  |                |                 |                  |                   |                   |                   |                     |              |
| Enclosure material/connection box   |   | W 1.4301/aluminium, max. pressure 40 bar (580 psi)                            |                |                 |                  |                   |                   |                   |                     |              |
| <b>Process connections</b>  |   | See dimensional drawings  |                |                 |                  |                   |                   |                   |                     |              |
| Electrical connections  |   | Screw terminals, M 20   |                |                 |                  |                   |                   |                   |                     |              |
| Cable   |   | 5 x 2 x 0.35 mm <sup>2</sup> twisted and screened in pairs, ext. Ø 12 mm      |                |                 |                  |                   |                   |                   |                     |              |
| Cable length  |   | 10, 25, 75 or 150 m (32, 80, 240 or 480 ft.)                                  |                |                 |                  |                   |                   |                   |                     |              |
| <b>Ex-version</b>   |   |   |                |                 |                  |                   |                   |                   |                     |              |
| ATEX 1443X  |   | ≤ DN 40: II 1/2 EEx em [ib] IIC T2-T6<br>≥ DN 50: II 2G EEx em [ib] IIC T2-T6 |                |                 |                  |                   |                   |                   |                     |              |
| <b>Weight approx.</b>   | kg (lb)                                   | 13 (28)   | 14 (31)        | 18 (40)         | 34 (75)          | 47 (104)          | 58 (128)          | 91 (201)          | 261 (573)           |              |

For accuracy specifications see „System information Coriolis mass flowmeters“.

#### Pressure drop



| Selection and Ordering data   | Order No.       | Order code |
|---|-----------------|------------|
| <b>SITRANS F C flow sensors MC2</b>   | <b>7ME4300-</b> |            |
| <b>Nominal diameter</b>   |                 |            |
| W 1.4571/316Ti  |                 |            |
| DN 50   | 1 A             |            |
| DN 65   | 1 B             |            |
| DN 80   | 1 C             |            |
| DN 100  | 1 D             |            |
| DN 150  | 1 E             |            |
| Hastelloy C4  |                 |            |
| DN 50   | 2 A             |            |
| DN 65   | 2 B             |            |
| DN 80   | 2 C             |            |
| DN 100  | 2 D             |            |
| DN 150  | 2 E             |            |
| <b>Nominal pressure</b>   |                 |            |
| PN 40   | A               |            |
| PN 100  | B               |            |
| Class 150   | C               |            |
| Class 300   | D               |            |
| Class 600   | E               |            |
| Clamps/screwed-connections  | F               |            |
| <b>Process connections</b>  |                 |            |
| Flange EN 1092-1  |                 |            |
| DN 50 (PN 40/PN 100)  |                 | 2 0        |
| DN 65 (PN 40/PN 100)  |                 | 2 1        |
| DN 80 (PN 40/PN 100)  |                 | 2 2        |
| DN 100 (PN 40)  |                 | 2 3        |
| DN 150 (PN 40)  |                 | 2 4        |
| Flange ASME/ANSI  |                 |            |
| 2" (class 150/300/600)  |                 | 3 0        |
| 2 ½" (class 150/300/600)  |                 | 3 1        |
| 3" (class 150/300/600)  |                 | 3 2        |
| 4" (class 150/300)  |                 | 3 3        |
| 6" (class 150/300)  |                 | 3 4        |
| Dairy screwed connection to DIN 11851   |                 |            |
| DN 50 (PN 25)   |                 | 4 0        |
| DN 65 (PN 25)   |                 | 4 1        |
| DN 80 (PN 25)   |                 | 4 2        |
| DN 100 (PN 25)  |                 | 4 3        |
| Dairy clamp connection DIN 32676 Tri-clamp  |                 |            |
| 50 mm clamp (PN 16)   |                 | 5 0        |
| 66 mm clamp (PN 10)   |                 | 5 1        |
| 81 mm clamp (PN 10)   |                 | 5 2        |
| 100 mm clamp (PN 10)  |                 | 5 3        |
| Aseptic nut flange DIN 11864-2 form A for pipes dimensioned by DIN 11866          |                 |            |
| DN 40 (1½")   |                 | 6 0        |
| DN 50 (2")  |                 | 6 1        |
| DN 65 (2½")   |                 | 6 2        |
| DN 80 (3")  |                 | 6 3        |
| DN 100 (4")   |                 | 6 4        |
| <b>Configuration</b>  |                 |            |
| Flow and density (5 kg/m <sup>3</sup> )   |                 | 1          |
| Flow, Brix/Plato and density (1 kg/m <sup>3</sup> ) <sup>1)</sup>                 |                 | 2          |
| Density (1 kg/m <sup>3</sup> ) <sup>1)</sup>                                      |                 | 5          |
| Fraction (specified by customer) and density (1 kg/m <sup>3</sup> ) <sup>1)</sup> |                 | 9          |
|   |                 | N O Y      |

| Selection and Ordering data                            | Order No.       | Order code |
|--|-----------------|------------|
| <b>SITRANS F C flow sensors MC2</b>                    | <b>7ME4300-</b> |            |
| <b>Ex-approval</b>                                     |                 |            |
| Standard, without explosion protection                 |                 | A          |
| With explosion protection: Ex, ATEX, FM Class I, Div 1 |                 | B          |
| <b>Cable</b>   |                 |            |
| No cable (see accessories)                             |                 | A          |
| <b>Calibration</b>                                     |                 |            |
| Standard   |                 | 1          |
| Matched pair   |                 | 2          |

<sup>1)</sup> Extended density and fraction not possible with DN 150.

Please also see [www.siemens.com/SITRANSforordering](http://www.siemens.com/SITRANSforordering) for practical examples of ordering

#### Dairy MLFB example

##### MC2 sensor

Sensor size DN 80.  
material W 1.4571/316Ti  
Nominal pressure: Clamps  
DIN 11851, DN 80, PN 25



Configuration/calibration type: flow and density (5 kg/m<sup>3</sup>)  
Without Ex approval  
No cable  
Standard calibration

| Order code |
|------------|
| 7ME4300-   |
| 1 C        |
| F          |
| 4 2        |
| 1          |
| A          |
| A          |
| 1          |

| Selection and Ordering data  | Order code |
|--|------------|
| <b>Additional information</b>  |            |
| Please add "-Z" to Order No. and specify Order code(s) and plain text. |            |
| Pressure testing certificate PED: 97/23/EC                             | C11        |
| Material certificate EN 10204-31B                                      | C12        |
| Welding certificate NDT X-ray: EN 25817/B                              | C13        |
| Factory certificate according to EN 10204 2.2                          | C14        |
| Factory certificate according to EN 10204 2.1                          | C15        |
| Tag name plate, stainless steel  | Y17        |
| Tag name plate, plastic  | Y18        |
| Customer-specific transmitter setup                                    | Y20        |
| Customer-specified, matched pair (5 x 2)                               | Y60        |
| Customer-specified calibration (5 x 2)                                 | Y61        |
| Customer-specified, matched pair (10 x 1)                              | Y62        |
| Customer-specified calibration (10 x 1)                                | Y63        |
| Special version  | Y99        |

#### Accessories

| Description  | Order No.    |
|--|--------------|
| <b>Cables from MC2 sensor to MASS 6000 transmitter</b> |              |
| 10 m (32 ft)   | FDK-083H3001 |
| 25 m (80 ft)   | FDK-083H3002 |
| 75 m (240 ft)  | FDK-083H3003 |
| 150 m (480 ft)   | FDK-083H3004 |

#### Spare parts

| Description  | Order No.    |
|--|--------------|
| <b>2 kB SENSORPROM unit</b><br>(Sensor Serial No. and Order No. must be specified by ordering) | FDK-083H4410 |

# SITRANS F flowmeters

## SITRANS F C

### SITRANS F C MC2

160


| Selection and Ordering data   | Order No.       | Order code |
|---|-----------------|------------|
| <b>SITRANS F C flow sensors</b><br><b>MC2 for Hygienic applications only</b>            | <b>7ME4310-</b> |            |
| <b>Nominal diameter</b><br>W 1.4435/316L  |                 |            |
| DN 20   | 1 A             |            |
| DN 25   | 1 B             |            |
| DN 40   | 1 C             |            |
| DN 50   | 1 D             |            |
| DN 65   | 1 E             |            |
| DN 80   | 1 F             |            |
| <b>Nominal pressure 40 bar, PN 25</b><br>Clamps/screwed-connections                     | F               |            |
| <b>Pressure and Process connections</b><br><u>Dairy screwed connection to DIN 11851</u> |                 |            |
| DN 20 (¾"), PN 25   | 4 0             |            |
| DN 25 (1"), PN 25   | 4 1             |            |
| DN 40 (1½"), PN 25  | 4 2             |            |
| DN 50 (2"), PN 25   | 4 3             |            |
| DN 65 (2½"), PN 25  | 4 4             |            |
| DN 80 (3"), PN 25   | 4 5             |            |
| <u>Dairy clamp connectors for DIN 32676</u><br><u>Tri-clamp</u>                         |                 |            |
| 20 mm clamp   | 4 7             |            |
| 26 mm clamp   | 4 8             |            |
| 38 mm clamp   | 4 9             |            |
| 50 mm clamp   | 5 0             |            |
| 66 mm clamp   | 5 1             |            |
| 81 mm clamp   | 5 2             |            |
| <u>Aseptic connectors DIN 11864-2 Form A for</u><br><u>DIN tubes</u>                    |                 |            |
| DN 20   | 5 8             |            |
| DN 25   | 5 9             |            |
| DN 40   | 6 0             |            |
| DN 50   | 6 1             |            |
| DN 65   | 6 2             |            |
| DN 80   | 6 3             |            |
| <b>Configuration</b>  |                 |            |
| Flow and density (5 kg/m <sup>3</sup> )   | 1               |            |
| Flow, Brix/Plato and density (5 kg/m <sup>3</sup> ) <sup>1)</sup>                       | 2               |            |
| Density (1 kg/m <sup>3</sup> ) <sup>1)</sup>  | 5               |            |
| Flow, fraction (customer specified application from the net)                            | 9               | N 0 Y      |
| <b>Ex-approval</b>  |                 |            |
| Standard, without explosion protection  | A               |            |
| With explosion protection: Ex, ATEX, FM Class I, Div 1                                  | B               |            |
| <b>Cable</b>  |                 |            |
| No cable (see accessories)  | A               |            |
| <b>Calibration</b>  |                 |            |
| Standard  | 1               |            |
| Matched pair  | 2               |            |

<sup>1)</sup> Extended density and fraction not possible with DN 150.

Please also see [www.siemens.com/SITRANSOrdering](http://www.siemens.com/SITRANSOrdering) for practical examples of ordering

| Selection and Ordering data   | Order code |
|---|------------|
| <b>Additional information</b><br>Please add "-Z" to Order No. and specify Order code(s) and plain text. |            |
| Pressure testing certificate PED: 97/23/EC  | <b>C11</b> |
| Material certificate EN 10204-31B   | <b>C12</b> |
| Welding certificate NDT X-ray: EN 25817/B   | <b>C13</b> |
| Factory certificate according to EN 10204 2.2   | <b>C14</b> |
| Factory certificate according to EN 10204 2.1   | <b>C15</b> |
| Tag name plate, stainless steel   | <b>Y17</b> |
| Tag name plate, plastic   | <b>Y18</b> |
| Customer-specific transmitter setup   | <b>Y20</b> |
| Customer specified, matched pair (5x2)  | <b>Y60</b> |
| Customer-specified calibration (5x2)  | <b>Y61</b> |
| Customer-specified, matched pair (10x1)   | <b>Y62</b> |
| Customer-specified calibration (10x1)   | <b>Y63</b> |
| Special version   | <b>Y99</b> |

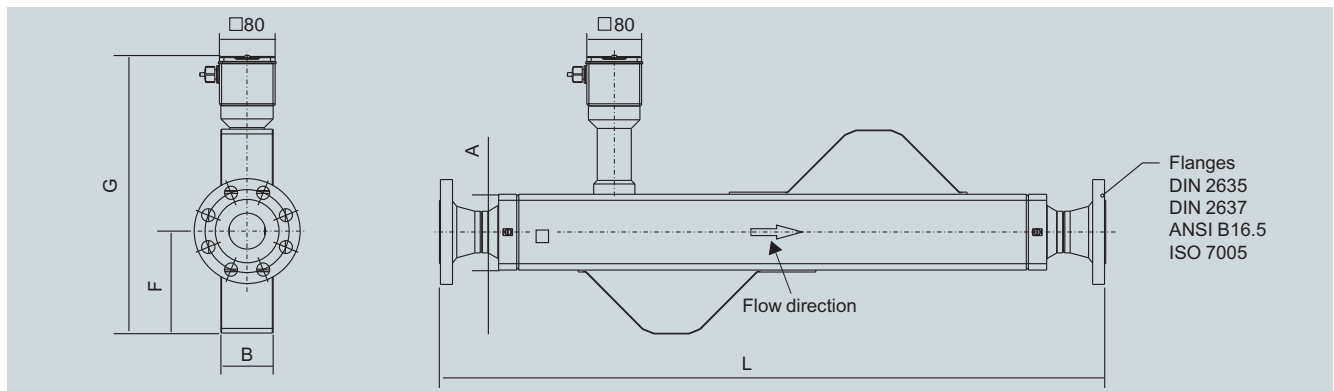
| Description  | Order No.           |
|--|---------------------|
| <b>Accessories</b>   |                     |
| <b>Cables from MC2 sensor to MASS 6000 transmitter</b>   |                     |
| 10 m (32 ft)   | <b>FDK-083H3001</b> |
| 25 m (80 ft)   | <b>FDK-083H3002</b> |
| 75 m (240 ft)  | <b>FDK-083H3003</b> |
| 150 m (480 ft)   | <b>FDK-083H3004</b> |
| <b>Spare parts</b>   |                     |
| <b>2 kB SENSORPROM unit</b><br>(Sensor Serial No. and Order No. must be specified by ordering) | <b>FDK-083H4410</b> |

| Dairy MLFB example   | Order code      |
|--|-----------------|
| <b>MC2 sensor</b>  | <b>7ME4310-</b> |
| Sensor size DN40 material 1.4435/316L  | 1 C             |
| Nominal pressure: Clamp  | F               |
| DIN 11851, DN 40, PN 25  | 4 2             |
|  |                 |
| Configuration/calibration type: flow and density (5 kg/m <sup>3</sup> )              | 1               |
| Without Ex approval  | A               |
| No cable   | A               |
| Standard calibration   | 1               |



#### Dimensional drawings

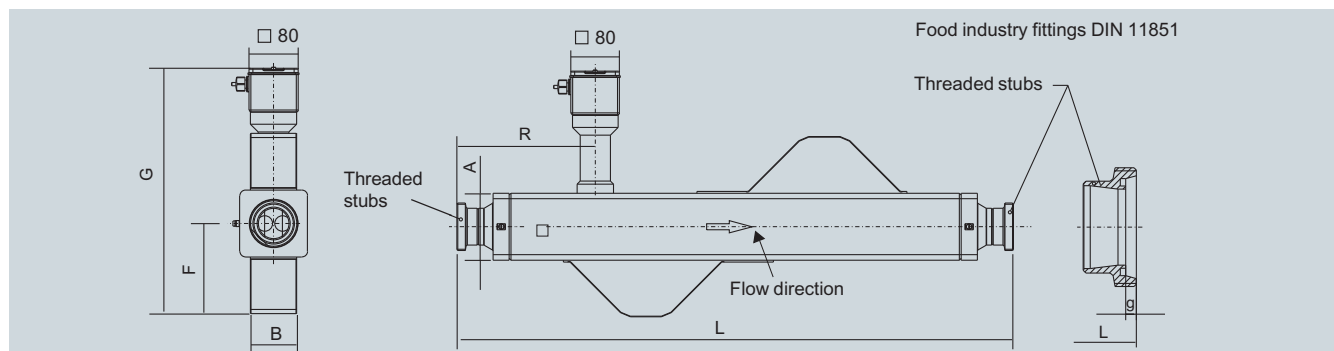
Remote design, flanged construction, DIN/ANSI



| Meter size |     | Process connection size |     | L [mm (inch)]      |                |                 |              |              |              | G <sup>1)</sup> [mm (inch)] | F [mm (inch)] | B [mm (inch)] | A [mm (inch)] | Weight kg |
|------------|-----|-------------------------|-----|--------------------|----------------|-----------------|--------------|--------------|--------------|-----------------------------|---------------|---------------|---------------|-----------|
| Inch       | DN  | Inch                    | DN  | DIN 11864-2 form A | DIN 2635 PN 40 | DIN 2637 PN 100 | ANSI CL 150  | ANSI CL 300  | ANSI CL 600  |                             |               |               |               |           |
| 2          | 50  | 2                       | 50  | 918 (36.14)        | 940 (37.01)    | 979 (38.54)     | 970 (38.19)  | 980 (38.58)  | 1001 (39.41) | 403 (15.87)                 | 148 (5.83)    | 80 (3.15)     | 110 (4.33)    | 34        |
|            |     | 2½                      | 65  | 1081 (42.56)       | 1100 (43.31)   | 1148 (45.20)    | 1218 (47.95) | 1228 (48.35) | 1248 (49.13) |                             |               |               |               | 38        |
| 2½         | 65  | 2                       | 50  | 1197 (47.13)       | 1220 (48.03)   | 1259 (49.57)    | 1250 (49.21) | 1260 (49.61) | 1281 (50.43) | 429 (16.89)                 | 164 (6.64)    | 97 (3.82)     | 130 (5.12)    | 43        |
|            |     | 2½                      | 65  | 1081 (42.56)       | 1100 (43.31)   | 1148 (45.20)    | 1218 (47.95) | 1228 (48.35) | 1249 (49.17) |                             |               |               |               | 47        |
|            |     | 3                       | 80  | 1200 (47.24)       | 1220 (48.03)   | 1260 (49.61)    | 1240 (48.82) | 1260 (49.61) | 1282 (50.47) |                             |               |               |               | 50        |
| 3          | 80  | 2½                      | 65  | 1310 (51.57)       | 1330 (52.36)   | 1378 (54.25)    | 1365 (53.74) | 1375 (54.13) | 1396 (54.96) | 456 (17.95)                 | 186 (7.32)    | 108 (4.25)    | 140 (5.51)    | 56        |
|            |     | 3                       | 80  | 1200 (47.24)       | 1220 (48.03)   | 1260 (49.61)    | 1240 (48.82) | 1260 (49.61) | 1282 (50.47) |                             |               |               |               | 58        |
|            |     | 4                       | 100 | 1463 (57.60)       | 1480 (58.27)   | 1530 (60.24)    | 1500 (59.06) | 1520 (59.84) | 1568 (61.73) |                             |               |               |               | 69        |
| 4          | 100 | 3                       | 80  | 1618 (63.70)       | 1640 (64.57)   | 1680 (66.14)    | 1660 (65.35) | 1680 (66.14) | 1702 (67.01) | 500 (19.69)                 | 215 (8.46)    | 131 (5.16)    | 170 (6.69)    | 84        |
|            |     | 4                       | 100 | 1463 (57.60)       | 1480 (58.27)   | 1530 (60.24)    | 1500 (59.06) | 1520 (59.84) | 1568 (61.73) |                             |               |               |               | 91        |
|            |     | 6                       | 150 | N/A                | 1778 (69.92)   | N/A             | 1806 (71.10) | 1826 (71.89) | N/A          |                             |               |               |               | 120       |
| 6          | 150 | 6                       | 150 | N/A                | 2040 (80.31)   | N/A             | 2070 (81.50) | 2090 (82.28) | N/A          | 613 (24.13)                 | 285 (11.22)   | 190 (7.84)    | 260 (9.84)    | 260       |

<sup>1)</sup> For EEx add 54 mm

Remote design, food industry fittings, DIN 11851



| Meter size |     | Process connection size |     | L [mm (inch)] | g [mm (inch)] | G <sup>1)</sup> [mm (inch)] | F [mm (inch)] | B [mm (inch)] | A [mm (inch)] | R [mm (inch)] | Weight kg   |    |
|------------|-----|-------------------------|-----|---------------|---------------|-----------------------------|---------------|---------------|---------------|---------------|-------------|----|
| Inch       | DN  | Inch                    | DN  |               |               |                             |               |               |               |               |             |    |
| 2          | 50  | 2                       | 50  | Rd 78 x 1/6   | 918 (36.14)   | 7 (0.28)                    | 403 (15.87)   | 148 (5.83)    | 80 (3.15)     | 110 (4.33)    | 177 (6.97)  | 30 |
|            |     | 2½                      | 65  | Rd 95 x 1/6   | 1081 (42.56)  | 8 (0.31)                    |               |               |               |               | 254 (10.00) | 34 |
| 2½         | 65  | 2                       | 50  | Rd 78 x 1/6   | 1197 (47.13)  | 7 (0.28)                    | 429 (16.89)   | 164 (6.46)    | 97 (3.82)     | 130 (5.12)    | 291 (11.46) | 40 |
|            |     | 2½                      | 65  | Rd 95 x 1/6   | 1081 (42.56)  | 8 (0.31)                    |               |               |               |               | 227 (10.91) | 44 |
|            |     | 3                       | 80  | Rd 110 x 1/6  | 1200 (47.24)  | 8 (0.31)                    |               |               |               |               | 281 (11.06) | 47 |
| 3          | 80  | 2½                      | 65  | Rd 95 x 1/6   | 1310 (51.57)  | 8 (0.31)                    | 456 (17.95)   | 186 (7.32)    | 108 (4.25)    | 140 (5.51)    | 319 (12.56) | 54 |
|            |     | 3                       | 80  | Rd 110 x 1/6  | 1200 (47.24)  | 8 (0.31)                    |               |               |               |               | 258 (10.16) | 56 |
|            |     | 4                       | 100 | Rd 110 x 1/6  | 1463 (57.60)  | 10 (0.39)                   |               |               |               |               | 381 (15.00) | 60 |
| 4          | 100 | 3                       | 80  | Rd 110 x 1/6  | 1618 (63.70)  | 8 (0.31)                    | 500 (19.69)   | 215 (8.46)    | 131 (5.16)    | 170 (6.69)    | 401 (15.79) | 82 |
|            |     | 4                       | 100 | Rd 130 x ¼    | 1463 (57.60)  | 10 (0.39)                   |               |               |               |               | 314 (12.36) | 86 |

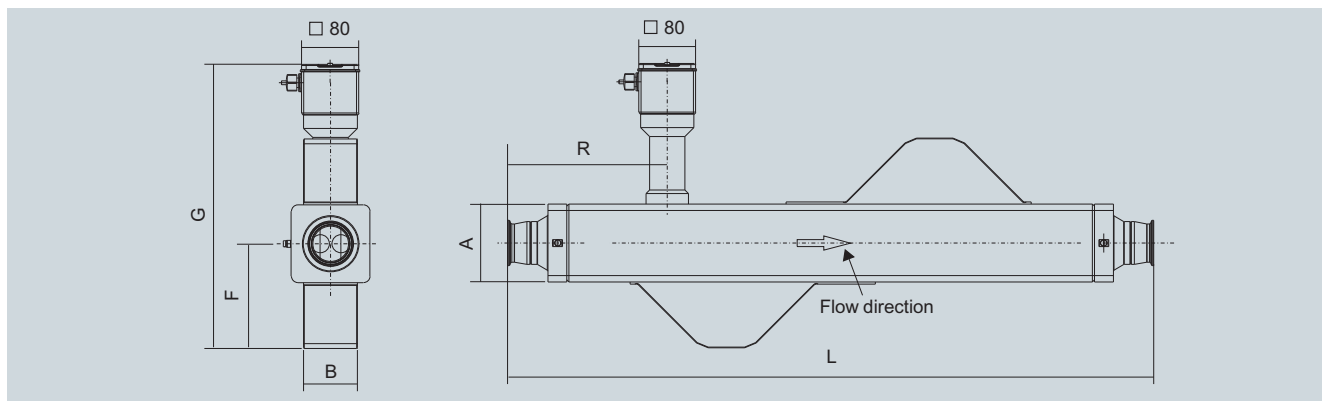
<sup>1)</sup> For EEx add 54 mm

# SITRANS F flowmeters

## SITRANS F C

### SITRANS F C MC2

Remote design, Tri-clamp DIN 32676 (ISO 2852)



Dimensions in mm (inch)

| Meter size |     | Process connection size |     | L [mm (inch)]<br>± 3 | G <sup>1)</sup> [mm (inch)] | F [mm (inch)] | B [mm (inch)] | A [mm (inch)] | R [mm (inch)] | Weight [kg] |    |
|------------|-----|-------------------------|-----|----------------------|-----------------------------|---------------|---------------|---------------|---------------|-------------|----|
| Inch       | DN  | Inch                    | DN  |                      |                             |               |               |               |               |             |    |
| 2          | 50  | 2                       | 50  | 913 (35.94)          | 403 (15.87)                 | 148 (5.83)    | 80 (3.15)     | 110 (4.33)    | 225 (8.86)    | 26          |    |
|            |     | 2½                      | 65  | 1073 (42.24)         |                             |               |               |               |               | 305 (12.01) | 27 |
| 2½         | 65  | 2                       | 50  | 1192 (46.93)         | 429 (16.89)                 | 164 (6.64)    | 97 (3.82)     | 130 (5.12)    | 335 (13.19)   | 36          |    |
|            |     | 2½                      | 65  | 1073 (42.24)         |                             |               |               |               |               | 275 (10.83) | 37 |
|            |     | 3                       | 80  | 1180 (46.46)         |                             |               |               |               |               | 328 (12.91) | 38 |
| 3          | 80  | 2½                      | 65  | 1302 (51.26)         | 456 (17.95)                 | 186 (7.32)    | 108 (4.25)    | 140 (5.51)    | 378 (14.88)   | 45          |    |
|            |     | 3                       | 80  | 1180 (46.46)         |                             |               |               |               |               | 296 (11.65) | 44 |
|            |     | 4                       | 100 | 1448 (57.01)         |                             |               |               |               |               | 430 (16.93) | 46 |
| 4          | 100 | 3                       | 80  | 1598 (62.91)         | 500 (19.69)                 | 215 (8.46)    | 131 (5.16)    | 170 (6.69)    | 440 (17.32)   | 71          |    |
|            |     | 4                       | 100 | 1448 (57.01)         |                             |               |               |               |               | 365 (14.37) | 69 |

<sup>1)</sup> For EEx add 54 mm

#### Process Connections

- Flanges DIN/ASME
- Tri-Clamp DIN 32676
  - DN 15 to DN 50: Series 3
  - DN 65 to DN 100: Series 1
- Food Industry fittings DIN 11851

The max. allowable operating pressure is a function of the process connection type, the fluid temperature, the bolts and the gaskets.

#### Pressure Rating

- PN 16, PN 40, PN 100 (to DN 80 (3"))
  - Class 150, Class 300, Class 600 (to DN 80 (3"))

#### Housing as secondary containment

- Max. 40 bar

#### Pressure Equipment Directive 97/23/EG

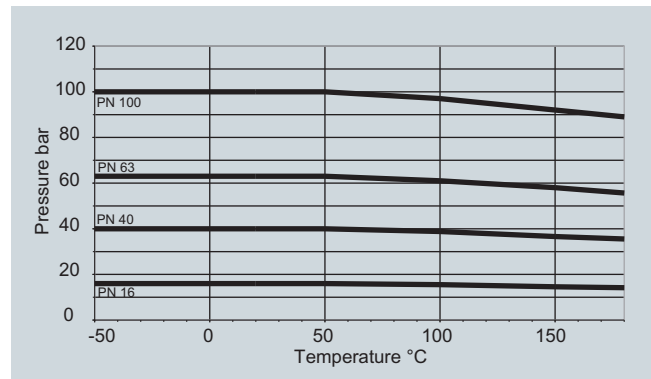
- Conformity evaluation category III, fluid group 1, gas, diamgramme 6

Corrosion resistance of measuring pipe material to measuring medium has to be considered.

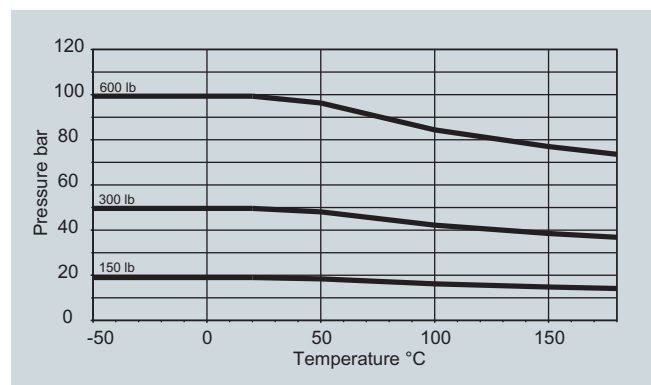
#### Material strength for process connections

| Process connection          | Size       |          | PS <sub>max.</sub><br>bar (psi g) | TS <sub>max.</sub><br>°C (°F) | TS <sub>min.</sub><br>°C (°F) |
|-----------------------------|------------|----------|-----------------------------------|-------------------------------|-------------------------------|
|                             | DN         | Inch     |                                   |                               |                               |
| Thread acc.<br>DIN 11851    | 15 ... 40  | ½ ... 1½ | 40 (580)                          | 140 (284)                     | -40 (-40)                     |
|                             | 50 ... 100 | 2 ... 4  | 25 (363)                          | 140 (284)                     | -40 (-40)                     |
| Tri-Clamp acc.<br>DIN 32676 | 15 ... 50  | ½ ... 2  | 16 (232)                          | 120 (248)                     | -40 (-40)                     |
|                             | 65 ... 100 | 2½ ... 4 | 10 (145)                          | 120 (248)                     | -40 (-40)                     |

#### Material Loads Curves for Flanged Flowmeters



DIN-Flanges SS 1.4571/316Ti to DN 100 (4")



ASME-Flanges SS 1.4571/316Ti to DN 100 (4")

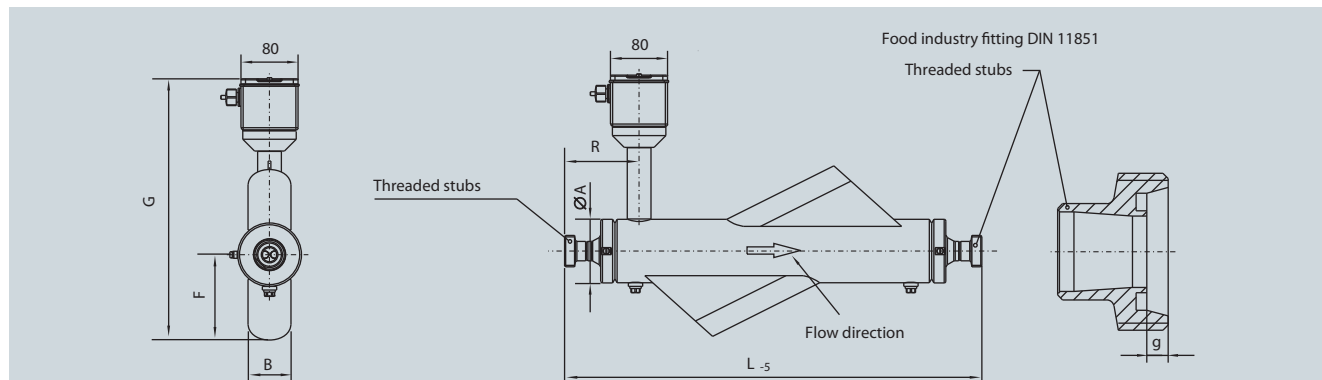
# SITRANS F flowmeters

## SITRANS F C

### SITRANS F C MC2

#### Dimensional drawings

Remote Design, Food Industry Fitting, DIN 11851



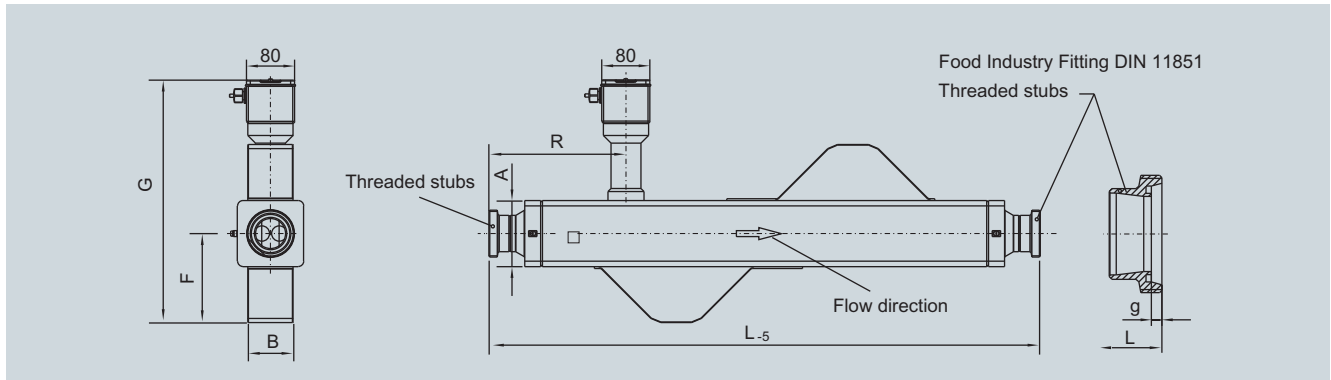
Dimensions in mm (inch)

| DN (Size) |      | Process connections |      |            | L <sub>5</sub> | g         | G           | F          | B         | ØA        | R          | Weight |
|-----------|------|---------------------|------|------------|----------------|-----------|-------------|------------|-----------|-----------|------------|--------|
| DN        | inch | DN                  | inch |            | mm (inch)      | mm (inch) | mm (inch)   | mm (inch)  | mm (inch) | mm (inch) | mm (inch)  | kg     |
| 20        | ¾"   | 15                  | ½"   | Rd34 x 1/8 | 672 (26.46)    | 4 (0.16)  | 358 (14.94) | 127 (5.00) | 66 (2.60) | 89 (3.50) | 152 (5.98) | 13     |
|           |      | 20                  | ¾"   | Rd44 x 1/6 | 583 (22.95)    | 6 (0.24)  |             |            |           |           | 102 (4.02) |        |
|           |      | 25                  | 1"   | Rd52 x 1/6 | 683 (26.89)    | 7 (0.28)  |             |            |           |           | 152 (5.98) |        |
| 25        | 1"   | 20                  | ¾"   | Rd44 x 1/6 | 743 (29.25)    | 6 (0.24)  | 358 (14.94) | 127 (5.00) | 66 (2.60) | 89 (3.50) | 162 (6.38) | 14     |
|           |      | 25                  | 1"   | Rd52 x 1/6 | 643 (25.31)    | 7 (0.28)  |             |            |           |           | 112 (4.11) |        |
|           |      | 40                  | 1½"  | Rd65 x 1/6 | 786 (30.94)    | 7 (0.28)  |             |            |           |           | 185 (7.28) |        |



If this connection is supplied with an EHEDG-certified device, the device nominal sizes must correspond with the connection nominal sizes!

Remote Design, Food Industry Fitting, DIN 11851



Dimensions in mm (inch)

| DN (Size) |      | Process connections |      |             | L <sub>-5</sub> | g         | G           | F          | B          | ∅A         | R           | Weight |
|-----------|------|---------------------|------|-------------|-----------------|-----------|-------------|------------|------------|------------|-------------|--------|
| DN        | inch | DN                  | inch |             | mm (inch)       | mm (inch) | mm (inch)   | mm (inch)  | mm (inch)  | mm (inch)  | mm (inch)   | kg     |
| 40        | 1½"  | 25                  | 1    | Rd52 x 1/6  | 864 (34.02)     | 7 (0.28)  | 374 (14.72) | 129 (5.08) | 64 (2.52)  | 90 (3.54)  | 218 (8.58)  | 16     |
|           |      | 40                  | 1½   | Rd65 x 1/6  | 761 (29.96)     | 7 (0.28)  |             |            |            |            | 164 (6.46)  | 18     |
|           |      | 50                  | 2"   | Rd78 x 1/6  | 918 (36.14)     | 7 (0.28)  |             |            |            |            | 241 (9.49)  | 19     |
| 50        | 2"   | 40                  | 1½   | Rd65 x 1/6  | 1025 (40.35)    | 7 (0.28)  | 403 (15.87) | 148 (5.83) | 80 (3.15)  | 110 (4.33) | 233 (9.17)  | 28     |
|           |      | 50                  | 2"   | Rd78 x 1/6  | 918 (36.14)     | 7 (0.28)  |             |            |            |            | 177 (6.97)  | 30     |
|           |      | 65                  | 2½   | Rd95 x 1/6  | 1081 (42.56)    | 8 (0.31)  |             |            |            |            | 254 (10.00) | 34     |
| 65        | 2½"  | 50                  | 2"   | Rd78 x 1/6  | 1197 (47.13)    | 7 (0.28)  | 429 (16.89) | 164 (6.46) | 97 (3.82)  | 130 (5.12) | 291 (11.46) | 40     |
|           |      | 65                  | 2½   | Rd95 x 1/6  | 1081 (42.56)    | 8 (0.31)  |             |            |            |            | 227 (8.94)  | 44     |
|           |      | 80                  | 3"   | Rd110 x 1/4 | 1200 (47.24)    | 8 (0.31)  |             |            |            |            | 281 (11.06) | 47     |
| 80        | 3"   | 65                  | 2½   | Rd95 x 1/6  | 1310 (51.57)    | 8 (0.31)  | 456 (17.95) | 186 (7.32) | 108 (4.25) | 140 (5.51) | 319 (12.56) | 54     |
|           |      | 80                  | 3"   | Rd110 x 1/4 | 1200 (47.24)    | 8 (0.31)  |             |            |            |            | 258 (10.16) | 56     |
|           |      | 100                 | 4"   | Rd130 x 1/4 | 1463 (57.60)    | 10 (0.39) |             |            |            |            | 381 (15.00) | 60     |
| 100       | 4"   | 80                  | 3"   | Rd110 x 1/4 | 1618 (63.70)    | 8 (0.31)  | 500 (19.68) | 215 (8.46) | 131 (5.16) | 170 (6.69) | 401 (15.79) | 82     |
|           |      | 100                 | 4"   | Rd130 x 1/4 | 1463 (57.60)    | 10 (0.39) |             |            |            |            | 314 (12.36) | 86     |



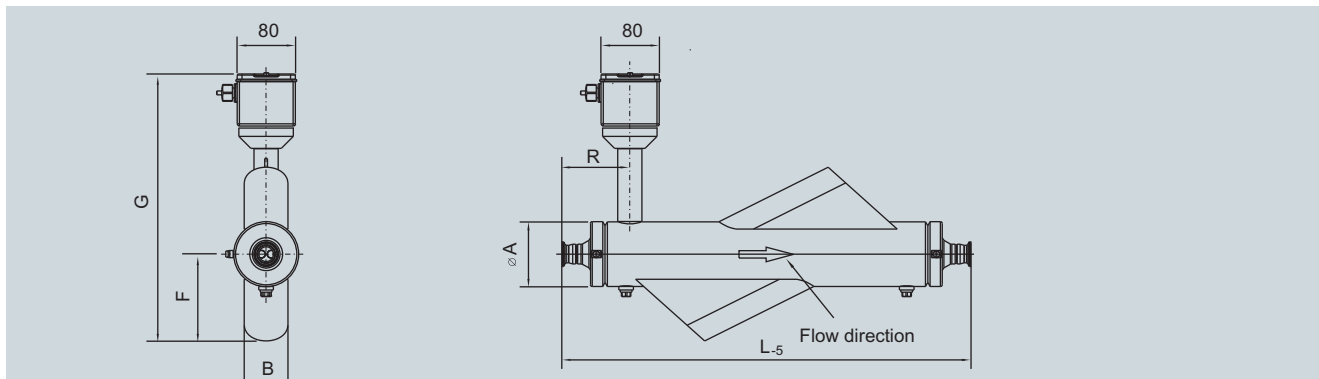
If this connection is supplied with an EHEDG-certified device, the device nominal sizes must correspond with the connection nominal sizes!

# SITRANS F flowmeters

## SITRANS F C

### SITRANS F C MC2

Remote Design, Tri-Clamp DIN 32676



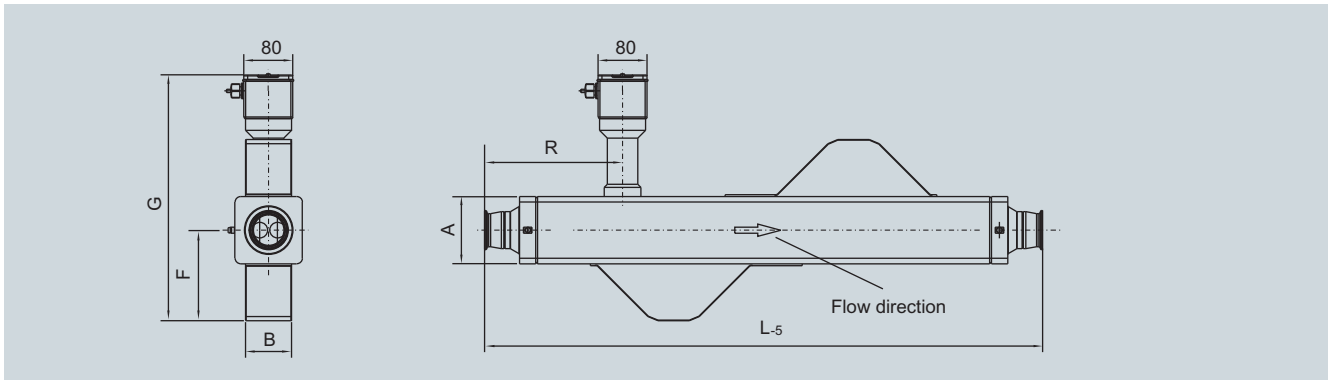
Dimensions in mm (inch)

| DN (Size) |      | Process connections |           | L <sub>5</sub> | G           | F          | B         | ØA        | R          | Weight |
|-----------|------|---------------------|-----------|----------------|-------------|------------|-----------|-----------|------------|--------|
| DN        | inch | DN                  |           | mm (inch)      | mm (inch)   | mm (inch)  | mm (inch) | mm (inch) | mm (inch)  | kg     |
| 20        | ¾"   | 15 (½")             | DIN 32676 | 656 (25.83)    | 358 (14.09) | 127 (5.00) | 66 (2.60) | 89 (3.50) | 140 (5.51) | 12     |
|           |      | 20 (¾")             |           | 561 (22.09)    |             |            |           |           | 92 (3.62)  |        |
|           |      | 25 (1")             |           | 661 (26.02)    |             |            |           |           | 142 (5.59) |        |
| 25        | 1"   | 20 (¾")             | DIN 32676 | 721 (28.39)    | 358 (14.09) | 127 (5.00) | 66 (2.60) | 89 (3.50) | 152 (5.98) | 13     |
|           |      | 25 (1")             |           | 621 (24.45)    |             |            |           |           | 102 (4.02) |        |
|           |      | 40 (1½")            |           | 773 (30.43)    |             |            |           |           | 180 (7.09) |        |



If this connection is supplied with an EHEDG-certified device, the device nominal sizes must correspond with the connection nominal sizes!

Remote Design, Tri-Clamp DIN 32676



Dimensions in mm (inch)

| DN (Size) |      | Process connections |      | L-5          | G           | F          | B          | ØA         | R           | Weight |
|-----------|------|---------------------|------|--------------|-------------|------------|------------|------------|-------------|--------|
| DN        | inch | DN                  | inch | mm (inch)    | mm (inch)   | mm (inch)  | mm (inch)  | mm (inch)  | mm (inch)   | kg     |
| 40        | 1½"  | 25                  | 1    | 842 (33.15)  | 374 (14.72) | 129 (5.08) | 64 (2.52)  | 90 (3.54)  | 242 (9.53)  | 17     |
|           |      | 40                  | 1½   | 748 (29.45)  |             |            |            |            | 195 (7.68)  | 17     |
|           |      | 50                  | 2"   | 913 (35.94)  |             |            |            |            | 278 (10.94) | 18     |
| 50        | 2"   | 40                  | 1½   | 1012 (39.84) | 403 (15.87) | 148 (5.83) | 80 (3.15)  | 110 (4.33) | 275 (10.83) | 27     |
|           |      | 50                  | 2"   | 913 (35.94)  |             |            |            |            | 225 (8.86)  | 26     |
|           |      | 65                  | 2½   | 1073 (42.24) |             |            |            |            | 305 (12.01) | 27     |
| 65        | 2½"  | 50                  | 2"   | 1192 (46.93) | 429 (16.89) | 164 (6.46) | 97 (3.82)  | 130 (5.12) | 335 (13.19) | 36     |
|           |      | 65                  | 2½   | 1073 (42.24) |             |            |            |            | 275 (10.83) | 37     |
|           |      | 80                  | 3"   | 1180 (46.46) |             |            |            |            | 328 (12.91) | 38     |
| 80        | 3"   | 65                  | 2½   | 1302 (51.26) | 456 (17.95) | 186 (7.32) | 108 (4.25) | 140 (5.51) | 378 (14.88) | 45     |
|           |      | 80                  | 3"   | 1180 (46.46) |             |            |            |            | 296 (11.65) | 44     |
|           |      | 100                 | 4"   | 1448 (57.01) |             |            |            |            | 430 (16.93) | 46     |
| 100       | 4"   | 80                  | 3"   | 1598 (62.91) | 500 (19.68) | 215 (8.46) | 131 (5.16) | 170 (6.69) | 440 (17.32) | 71     |
|           |      | 100                 | 4"   | 1448 (57.01) |             |            |            |            | 365 (14.37) | 69     |



If this connection is supplied with an EHEDG-certified device, the device nominal sizes must correspond with the connection nominal sizes!



# SITRANS F flowmeters

## SITRANS F US

### System information and selection guide

#### Overview

Siemens offers two types of ultrasonic flowmeters, in-line flowmeters and clamp-on flowmeters. This offers the end user the maximum flexibility to choose the technology that best fits his needs. The following chapter shows the in-line versions.



SITRANS F US in-line ultrasonic flowmeters measure flow of electrically conductive and non-conductive liquids.

#### Application

In-line ultrasonic flowmeters are suitable for measuring the flow of liquids with good acoustic permeability, independent of conductivity, viscosity, temperature, density and pressure.

- max. 3% solids
- max. 3% air and gas
- max. 350 cSt

The main applications can be found in the following sectors:

- Raw water intake for water treatment plants
- Treated waste water
- Power generation and utility
- Oil and gas industry and petrochemical industry
- Irrigation systems
- Cooling water plants within the industry and in power stations
- Plants transporting non-conductive liquids
- HART/4 to 20 mA output
- PROFIBUS PA
- ATEX
- MODBUS







#### Benefits

SITRANS F US ultrasonic in-line flowmeters measure liquids with good acoustic permeability, independent of conductivity, viscosity, temperature, density and pressure.

- Sensor sizes from DN 50 to 1200 mm (2" to 48"), optional down to DN 25 (1")
- Standard with calibration certificate
- In-line retrofit as 1 and 2 track up to DN 4000 (160")
- Dedicated transmitter portfolio for HVAC, power generation, utility and general industry as well as more demanding applications
- Custody transfer approvals within district heating
- Compact and remote transmitter installation
- Comprehensively self-diagnostic for error indication and logging
- Exchange of the transducers without interrupting operation
- HART, PROFIBUS PA and MODBUS communication
- ATEX
- Mains or battery-powered solutions
- Battery lifetime of up to 8 year

Please see Product selector on the Internet, since some constraints might be related to some of the features:  
[www.pia-selector.automation.siemens.com](http://www.pia-selector.automation.siemens.com)



|   |   |  |   |   |   |
|---|---|--|---|---|---|
|  |  |  |  |  |  |
| SONO 3300/<br>FUS060  | SONO 3100/<br>FUS060  | SONOKIT/<br>FUS060   | FUE380  | FUS380  | FUS880  |
| 7ME3300...  | 7ME3100...  | 7ME3210.../<br>7ME3220...  | 7ME3410...  | 7ME3400   | 7ME...  |

| Industry   |                          |                 |                 |                 |     |     |
|--|--------------------------|-----------------|-----------------|-----------------|-----|-----|
| Water, treated waste water                       | XXX                      | XX              | XXX             |                 | XXX | XX  |
| Irrigation                                       | XX                       | XX              | XXX             |                 | XXX | XXX |
| Utility, district heating water, cooling         | XXX                      | XX              | XXX             | XXX             | XXX |     |
| Utility, district heating, CT approvals required |                          |                 |                 | XXX             | XXX |     |
| Oil  | XX                       | XXX             | XX              |                 | X   |     |
| Cryogenic fluids (only on request)               |                          | XXX             |                 |                 |     |     |
| On- and Offshore applications                    | XX                       | XXX             | XX              |                 | X   |     |
| Chemical   | XXX                      | XXX             | X               |                 |     |     |
| Design   |                          |                 |                 |                 |     |     |
| Electronic compact mounted                       |                          |                 |                 | ●               | ●   |     |
| Electronic remote mounted                        | ●                        | ●               | ●               | ●               | ●   | ●   |
| Transducers can be replaced under pressure       |                          | ●               | ●               |                 |     |     |
| Retrofit on existing steel pipes/non-weldable    |                          |                 | ●               |                 |     | ●   |
| Transmitter enclosure                            |                          |                 |                 |                 |     |     |
| Polyamid, IP67                                   |                          |                 |                 | ●               | ●   | ●   |
| Die-cast aluminium (painted), IP65               | ●                        | ●               | ●               |                 |     |     |
| Communication                                    |                          |                 |                 |                 |     |     |
| HART   | ●                        | ●               | ●               |                 |     |     |
| PROFIBUS PA                                      | ●                        | ●               | ●               |                 |     |     |
| MODBUS RTU / RS 232 and RS 485                   |                          |                 |                 | ●               | ●   | ●   |
| Power supply                                     |                          |                 |                 |                 |     |     |
| 3.6 V Battery                                    |                          |                 |                 | ●               | ●   | ●   |
| 115 ... 230 V AC                                 | ●                        | ●               | ●               | ●               | ●   | ●   |
| 115 ... 230 V AC and 3.6 V battery backup        |                          |                 |                 | ●               | ●   | ●   |
| 24 V AC/DC                                       | ●                        | ●               | ●               |                 |     |     |
| Accuracy   |                          |                 |                 |                 |     |     |
| 0.25% (with 4-track system on request)           |                          | ●               |                 |                 |     |     |
| 0.50%  | ●                        | ●               | ●               | ●               | ●   | ●   |
| Sensor design                                    |                          |                 |                 |                 |     |     |
| 1 track ultrasonic measurement (special request) |                          | ● <sup>1)</sup> | ● <sup>3)</sup> |                 |     | ●   |
| 2 track ultrasonic measurement                   | ●                        | ●               | ●               | ●               | ●   | ●   |
| 4 track ultrasonic measurement                   |                          | ●               | ●               |                 |     |     |
| Dimension  |                          |                 |                 |                 |     |     |
| DN 25 ... 40 <sup>2)</sup>                       | 1" ... 1½" <sup>2)</sup> |                 | ● <sup>1)</sup> |                 |     |     |
| DN 50  | 2"                       | ●               | ● <sup>1)</sup> |                 | ●   | ●   |
| DN 65  | 2½"                      | ●               | ● <sup>1)</sup> |                 | ●   | ●   |
| DN 80  | 3"                       | ●               | ● <sup>1)</sup> |                 | ●   | ●   |
| DN 100   | 4"                       | ●               | ●               | ● <sup>3)</sup> | ●   | ●   |
| DN 125   | 5"                       | ●               | ●               | ● <sup>3)</sup> | ●   | ●   |
| DN 150   | 6"                       | ●               | ●               | ● <sup>3)</sup> | ●   | ●   |
| DN 200   | 8"                       | ●               | ●               | ●               | ●   | ●   |
| DN 225   | 9"                       | ●               | ●               | ●               | ●   | ●   |
| DN 250   | 10"                      | ●               | ●               | ●               | ●   | ●   |
| DN 300   | 12"                      | ●               | ●               | ●               | ●   | ●   |
| DN 350   | 14"                      |                 | ●               | ●               | ●   | ●   |
| DN 400   | 16"                      |                 | ●               | ●               | ●   | ●   |
| DN 500   | 20"                      |                 | ●               | ●               | ●   | ●   |
| DN 600   | 24"                      |                 | ●               | ●               | ●   | ●   |
| DN 700   | 28"                      |                 | ●               | ●               | ●   | ●   |

X = can be used, XX = often used, XXX = most often used, ● = available

<sup>1)</sup> Also available as 1-track solution on request (down to DN 25 (1"))

<sup>3)</sup> SONOKIT 1-Track DN100 to DN2400 and 2-track DN200 to DN4000

<sup>2)</sup> Only SONO 3100 1-track (special request)

# SITRANS F flowmeters

## SITRANS F US

### System information and selection guide

Please see Product selector on the Internet, since some constraints might be related to some of the features:  
[www.pia-selector.automation.siemens.com](http://www.pia-selector.automation.siemens.com)



|                      |                      |                           |            |         |        |
|----------------------|----------------------|---------------------------|------------|---------|--------|
|                      |                      |                           |            |         |        |
| SONO 3300/<br>FUS060 | SONO 3100/<br>FUS060 | SONOKIT/<br>FUS060        | FUE380     | FUS380  | FUS880 |
| 7ME3300...           | 7ME3100...           | 7ME3210.../<br>7ME3220... | 7ME3410... | 7ME3400 | 7ME... |

#### Dimension (continued)

|                  |              |  |   |                 |   |   |   |
|------------------|--------------|--|---|-----------------|---|---|---|
| DN 800           | 32"          |  | ● | ●               | ● | ● | ● |
| DN 900           | 36"          |  | ● | ●               | ● | ● | ● |
| DN 1000          | 40"          |  | ● | ●               | ● | ● | ● |
| DN 1200          | 48"          |  | ● | ●               | ● | ● | ● |
| DN 1400 ... 4000 | 54" ... 160" |  |   | ● <sup>3)</sup> |   |   |   |

#### Process connection

|                          |   |   |  |   |   |  |
|--------------------------|---|---|--|---|---|--|
| Flanges                  | ● | ● |  | ● | ● |  |
| Flangeless (for weld-in) |   | ● |  |   |   |  |

#### Flanges Norm

|            |   |   |  |   |   |  |
|------------|---|---|--|---|---|--|
| EN 1092-1  | ● | ● |  | ● | ● |  |
| EN 1759-1  | ● | ● |  |   |   |  |
| ANSI B16.5 |   | ● |  |   |   |  |

#### Pressure rating

|            |   |                 |   |   |   |   |
|------------|---|-----------------|---|---|---|---|
| PN 6       |   |                 | ● |   |   | ● |
| PN 10      | ● | ●               | ● | ● | ● |   |
| PN 16      | ● | ●               | ● | ● | ● |   |
| PN 25      |   | ●               | ● | ● | ● |   |
| PN 40      | ● | ●               | ● | ● | ● |   |
| Class 150  |   | ●               |   |   |   |   |
| Class 300  |   | ●               |   |   |   |   |
| PN 160     |   | ● <sup>4)</sup> |   |   |   |   |
| Class 2500 |   | ● <sup>4)</sup> |   |   |   |   |

#### Pipe, flange and transducer material

|                 |   |            |            |   |   |   |
|-----------------|---|------------|------------|---|---|---|
| Carbon steel    | ● | ●          | ●          | ● | ● |   |
| Stainless steel |   | ●          | ●          |   |   |   |
| Die cast bronze |   |            |            | ● | ● |   |
| Other materials |   | on request | on request |   |   | ● |

#### Media temperature

|      |       |   |                       |   |                 |                 |
|------|-------|---|-----------------------|---|-----------------|-----------------|
| °C   | °F    |   |                       |   |                 |                 |
| -200 | -328  |   | ● <sup>1) 2) 4)</sup> |   |                 |                 |
| -20  | -4    |   | ●                     | ● |                 |                 |
| -10  | +14   | ● | ●                     | ● |                 |                 |
| +2   | +35.6 | ● | ●                     | ● | ●               | ●               |
| +60  | +140  | ● | ●                     | ● | ●               | ●               |
| +120 | +248  | ● | ●                     | ● | ● <sup>5)</sup> | ● <sup>5)</sup> |
| +150 | +302  | ● | ●                     | ● | ● <sup>6)</sup> | ● <sup>6)</sup> |
| +160 | +320  | ● | ●                     | ● | ●               | ●               |
| +190 | +374  |   | ●                     | ● | ●               | ●               |
| +200 | +392  |   | ●                     | ● | ●               | ●               |
| +250 | +482  |   | ● <sup>4)</sup>       |   |                 |                 |

#### Measuring principle

|                        |   |   |   |   |   |   |
|------------------------|---|---|---|---|---|---|
| Transit time principle | ● | ● | ● | ● | ● | ● |
|------------------------|---|---|---|---|---|---|

X = can be used, XX = often used, XXX = most often used, ● = available

1) Also available as 1-track solution on request (down to DN 25 (1"))

2) Only SONO 3100 1-track (special request)

3) SONOKIT 1-Track DN100 to DN2400 and 2-track DN200 to DN4000






4) Only on special request

5) Compact

6) Pipe material bronze brass

Please see Product selector on the Internet, since some constraints might be related to some of the features:  
[www.pia-selector.automation.siemens.com](http://www.pia-selector.automation.siemens.com)



|   |   |  |   |   |               |
|---|---|--|---|---|---------------|
|  |  |  |  |  |               |
| <b>SONO 3300/<br/>FUS060</b>  | <b>SONO 3100/<br/>FUS060</b>  | <b>SONOKIT/<br/>FUS060</b>   | <b>FUE380</b>   | <b>FUS380</b>   | <b>FUS880</b> |
| <b>7ME3300...</b>   | <b>7ME3100...</b>   | <b>7ME3210.../<br/>7ME3220...</b>  | <b>7ME3410...</b>   | <b>7ME3400</b>  | <b>7ME...</b> |

#### Approvals

##### Custody transfer approval for energy metering

|   |   |   |   |   |   |  |
|---|---|---|---|---|---|--|
| MID class 2   |   |   |   | ● |   |  |
| EN 1434 class 2 (Heat meter approval)               |   |   |   | ● |   |  |
| OIML R 75 class 2 (Heat meter approval)             |   |   |   | ● |   |  |
| PTB, Germany  |   |   |   | ● |   |  |
| Other country specific type approval available for: |   |   |   |   |   |  |
| - Russia (GOSS/GOST)                                | ● | ● | ● | ● | ● |  |
| - Rumania   | ● | ● | ● | ● | ● |  |
| - China   |   |   |   | ● |   |  |

##### Ex approval

|           |   |   |   |  |  |  |
|-----------|---|---|---|--|--|--|
| Ex d ATEX |   | ● | ● |  |  |  |
| Ex i ATEX | ● | ● | ● |  |  |  |

**X** = can be used, **XX** = often used, **XXX** = most often used, ● = available

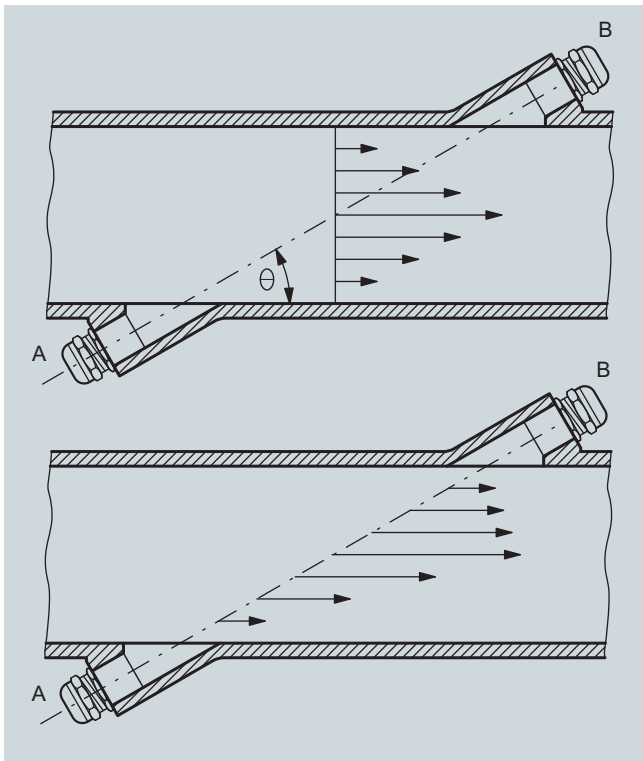
# SITRANS F flowmeters

## SITRANS F US

### System information and selection guide

#### Function

##### Physical principle



Velocity distribution along sound path

A sound wave traveling in the same direction as the liquid flow arrives at point B from point A in a shorter time than the sound wave traveling against the direction of flow (from point B to A). The difference in sound transit time indicates the flow velocity in the pipe.

Since delay time is measured at short intervals both in and against flow direction, viscosity and temperature have no influence on measurement accuracy.

##### Measuring principle

In SITRANS F US flowmeters the two ultrasonic transducers are placed at an angle  $\theta$  in relation to the pipe axis. The transducers function as transmitters and receivers of the ultrasonic signals. Measurement is performed by determining the time the ultrasonic signal takes to travel with and against the flow. The principle can be expressed as follows:

$$v = K \cdot (t_{B,A} - t_{A,B}) / (t_{A,B} \cdot t_{B,A}) = K \cdot \Delta t / t^2$$

$v$  = Average flow velocity

$t$  = Transit time

$K$  = Proportional pipe geometry factor

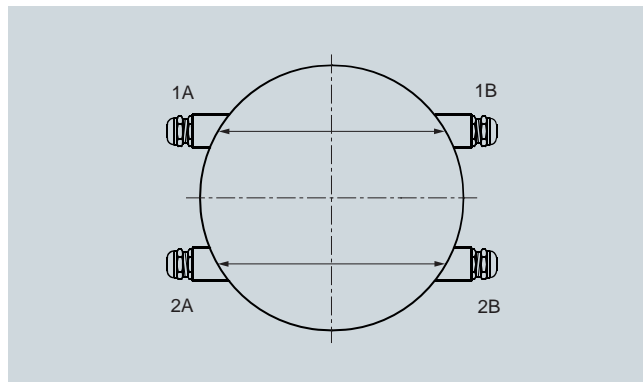
This measuring principle offers the advantage that it is independent of variations in the actual sound velocity of the liquid, i.e. independent of the temperature.

Proportional factor  $K$  is determined by wet calibration.

##### Direct signal processing

The ultrasonic signal is sent directly between the transducers. The advantage gained sending signals from point to point is an extremely good signal strength.

##### 2-track solution



Ultrasonic 2-track flowmeter with 4 transducers. In the upper track transducers 1A / 1B and in the lower track 2A / 2B are displayed.

The accuracy of ultrasonic flowmeters depends on the pipe geometry before and after the flowmeter and the number of ultrasonic measuring tracks.

When water flows through a pipe, it has a tendency to swirl and/or flow with different velocities inside the pipe, depending on the pipe design.

A 2-track ultrasonic flowmeter offers:

- less sensitivity to upstream obstruction like bends, pumps or valves.
- high security in the measurements as the meter continues to measure even if, for some reason, one track stops working.

Typical straight inlet requirements are upstream  $10 \times D_i$  ( $D_i$  = diameter of the flowmeter) and downstream  $3 \times D_i$ .

Typical accuracy that can be reached with 2-track ultrasonic flowmetering is  $\pm 0.5\%$  with installations according to above demands.

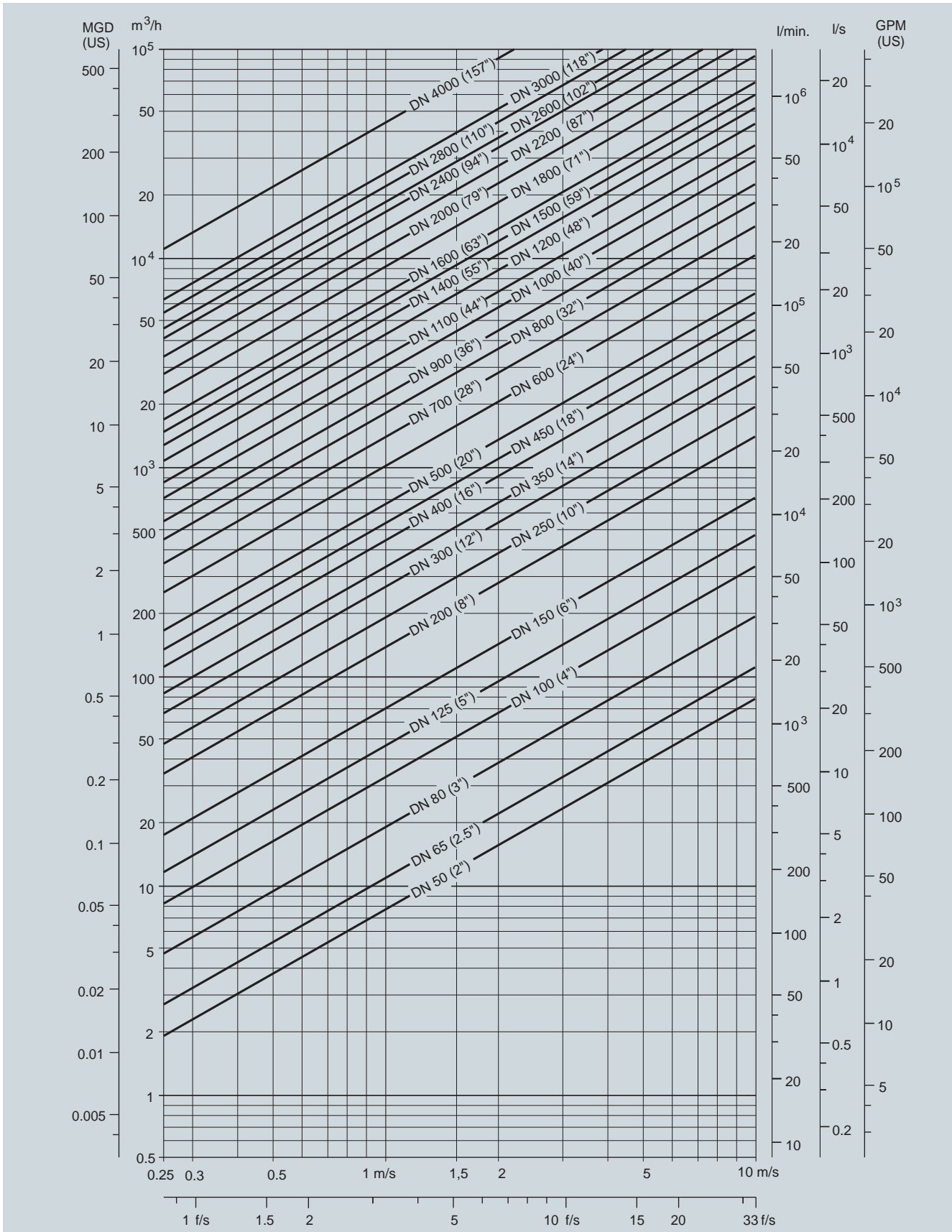
##### 4-track ultrasonic flowmeters

Some applications require accuracy under extreme short inlet conditions and swirl that cannot be obtained with 2-track solutions.

For these applications we can offer a 4-track solution – customer-specified – according to actual inlet conditions.

Please contact Siemens Flow Instruments for specific applications.

#### Technical specifications



Nominal size and flow

# SITRANS F flowmeters

## SITRANS F US

### System information and selection guide

#### Guidelines for selection of sensor

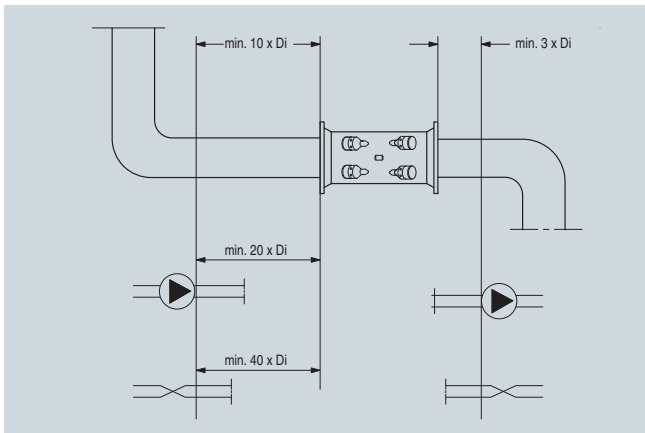
- Min. measuring range: 0 ... 0.25 m/s
- Max. measuring range: 0 ... 10 m/s

Normally nominal flow velocity is within the measuring range 1 ... 3 m/s.

#### Flow velocity calculation formula:

- $v = (4 \times Q_{\max}) / (\pi \times D_i^2 \times 3600)$
- v in m/s,  $Q_{\max}$  in m<sup>3</sup>/h,  $D_i$  in m

#### Inlet and outlet conditions



Recommended inlets and outlets

To maximize performance inlet and outlet must be straight. There must be a certain distance between flowmeter and bends, pumps and valves. It is also important to centre the flowmeter in relation to pipe flanges and gaskets.

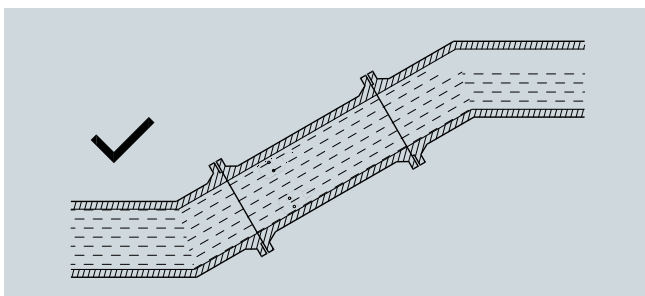
Valves must always be installed after the flowmeter. The only exception is installation of the sensor in a vertical pipe. In this case a valve below the sensor is necessary to allow zero point adjustment. It is important to select a valve which does not alter the flow when fully open.

#### Recommended inlet/outlet

|                             | SONO 3300,<br>SONO 3100,<br>SONOKIT 2-track | FUS380/FUE380 <sup>1)</sup> | SONOKIT<br>1-track |
|-----------------------------|---|-----------------------------|--------------------|
| 90° bend                    | 10 x $D_i$                                  | 10 x $D_i$                  | 20 x $D_i$         |
| Fully opened valve          | 10 x $D_i$                                  | 10 x $D_i$                  | 20 x $D_i$         |
| Partially opened valve      | 40 x $D_i$                                  | 40 x $D_i$                  | 40 x $D_i$         |
| 2 x 90° bends in same plane | 15 x $D_i$                                  | 15 x $D_i$                  | 25 x $D_i$         |
| 2 x 90° bends in two planes | 20 x $D_i$                                  | 20 x $D_i$                  | 40 x $D_i$         |
| Outlet                      | 3 x $D_i$                                   | 3 x $D_i$                   | 3 x $D_i$          |

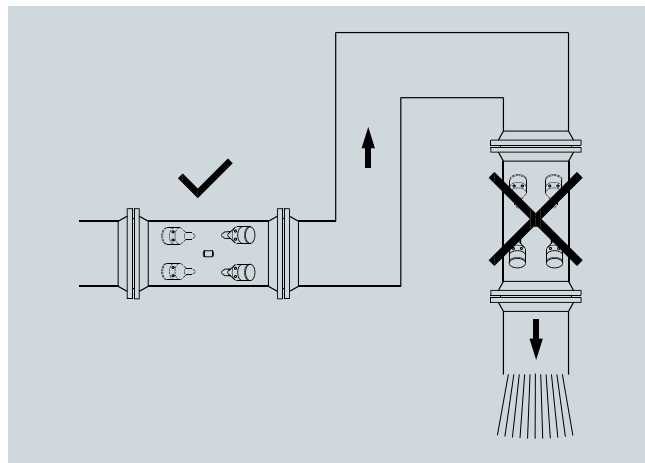
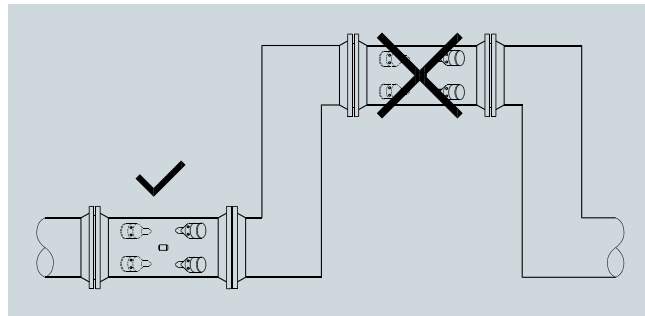
<sup>1)</sup> Inlet for FUE380 with MID approval should be for sizes  $\geq$  DN 80: 1.5 m

The sensor must always be completely filled with liquid:

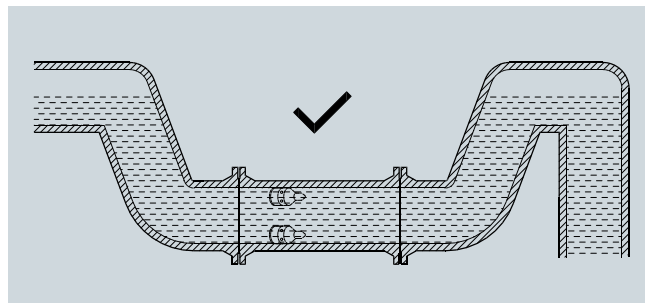


The following installations must be avoided:

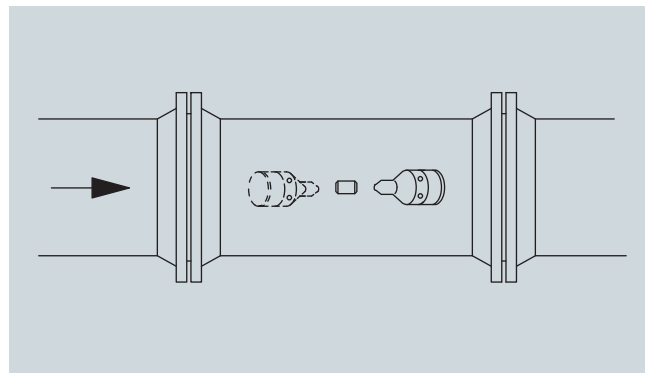
- Installation at the highest point of the pipe system
- Installation in vertical pipes with free outlet



With partially full pipes or pipes with free outlet the flowmeter should be located in a U-shaped tube:

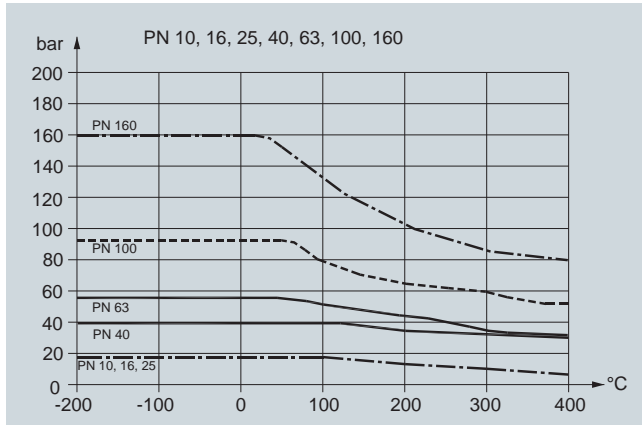


Installing the transducers in horizontal position is recommended:

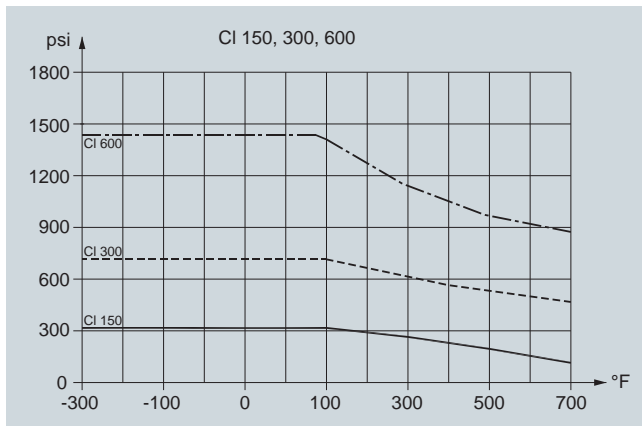




#### Pressure-temperature curve to EN (DIN) flanges



#### Pressure-temperature curve to ANSI B16.5 flanges



**Note:** The pressure-temperature curves only assist in the selection of a system. No responsibility is taken for the correctness of the information. For exact data please refer to the PED requirements.

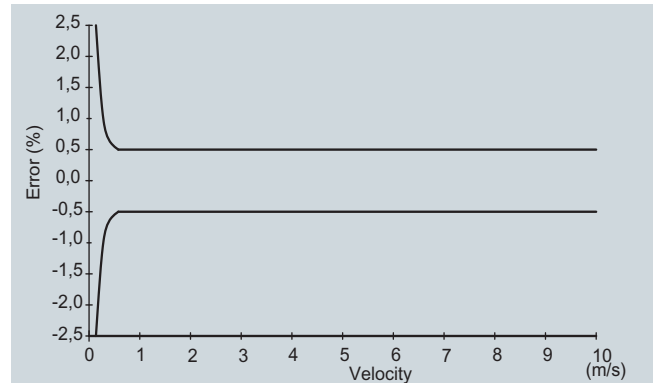
#### Reference conditions

To ensure maximum accuracy sensor and transmitter must be calibrated together.

Flowmeter calibration data are stored in the internal EPROM of the transmitters FUS060 or FUS080.

The system accuracy refers to the following systems:

SONO 3300/FUS060, SONO 3100/FUS060<sup>1)</sup>.



|                                       |  |
|---------------------------------------|--|
| Fluid                                 | Water  |
| Fluid temperature                     | 22 ± 5 °C  |
| Ambient temperature                   | 22 ± 5 °C  |
| Supply voltage                        | AC 115/230 V +10 ... -15%<br>DC 24 V +25 ... -15%,<br>AC 24 V ±15% |
| Straight inlet length                 | 20 x D <sub>i</sub>  |
| Rangeability                          | 0 ... 1 m/s to 0 ... 10 m/s  |
| Repeatability                         | Better than 0.25% in the range<br>0.5 ... 10 m/s                   |
| Linearity                             |  |
| • Reynolds number<br>1000 < Re < 5000 | Better than 1%   |
| • Reynolds number > 5000              | Better than 0.5%   |

<sup>1)</sup> Only systems with transmitter FUS060. For systems with transmitter FUS080 see chapter on FUS380 and FUE380.

#### Additional effects of deviations from reference conditions

- Current output: As frequency output (± 0.1% of actual flow +0.05% FSO)
- Effect of ambient temperature: Frequency/pulse output: < 0.005% SPAN/K
- Current output: < ± 0.0075% SPAN/K
- Effect of supply voltage: 0.005% of measuring value at 1% change

# SITRANS F flowmeters

## SITRANS F US

### Transmitter FUS060

#### Overview



SITRANS FUS060 transmitter

SITRANS FUS060 is a transit time based transmitter designed for ultrasonic flowmetering with any sensor in the FUS in-line series up to DN 4000. SITRANS FUS060 is engineered for high performance and is suitable for 1-, 2- and 4-tracks flowmeters.

#### Benefits

- Superior signal resolution for optimum turn down ratio
- Simple menu-based local operation with two-line display and four optical input elements, for unlimited use in potentially explosive atmospheres
- Self-monitoring and diagnostic
- Operate up to 4-tracks
- ATEX II 2G Ex dem [ia/ib] IIC T6/T4/T3
- Remote installation up to 120 m from sensor
- 1 analog output (4 to 20 mA) standard with HART-protocol, 1 digital frequency or pulse output, 1 relay output for limit, alarms, flow direction
- PROFIBUS PA Profile 2, 1 digital frequency or pulse output

#### Design

The transmitter type FUS060 is designed for remote installation in non-hazardous or hazardous areas.

The transmitter is designed for use in a flowmeter system together with sensors type SONOKIT, SONO 3300 and SONO 3100.

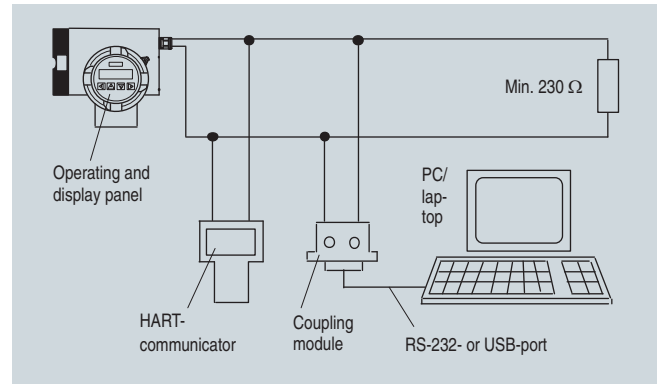
The FUS060 is ordered as part of a complete flowmeter system. It can be ordered separately as spare part and manually programmed with the sensor data.

#### Function

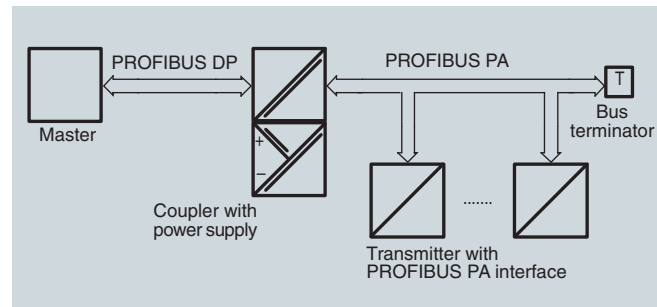
##### Displays and keypad

Operation of the SITRANS FUS060 transmitter can be carried out using:

- Keypad and display unit
- HART communicator
- PC/laptop and SIMATIC PDM software via HART communication
- PC/laptop and SIMATIC PDM software using PROFIBUS PA communication

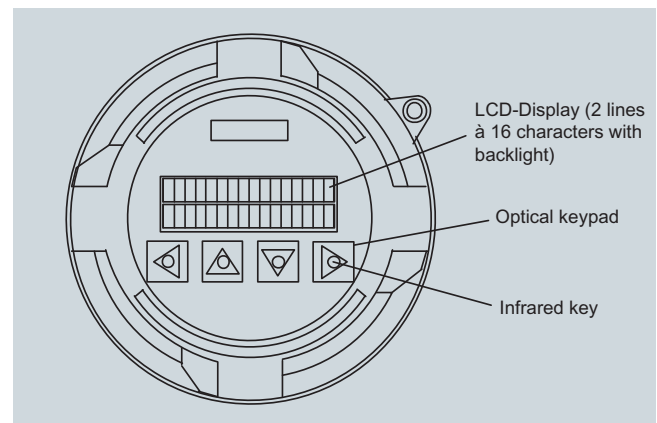


HART communication



PROFIBUS PA communication

The operating and display panel permits simple operation without supplementary equipment. It is not necessary to open the housing. All changes to a setting can therefore also be carried out in the potentially explosive atmosphere.



Operating and display panel

The individual functions and parameters are selected using a hierarchical, multi-language input menu and four infrared keys. The parameters can be specifically selected and modified using codes, e.g.:

- Operating parameters such as measuring range, physical dimensions, device information
- Limits for flow, totalizer, ultrasonic velocity or ultrasonic amplitude
- Noise suppression using damping, error stages and hysteresis
- Display parameters (freely-configurable display)
- Display in volume or mass dimensions
- Density as constant input value for conversion of volume into mass dimensions
- Forward/backward measurement
- Flow direction
- Diagnostics functions and control values
- Functions of the PROFIBUS PA output: flow, net quantity (volume or mass), ultrasonic velocity, ultrasonic amplitude, forward quantity (volume or mass), backward quantity (volume or mass)
- Functions of the analog output: flow, ultrasonic velocity or ultrasonic amplitude
- Functions of digital output 1: pulse output, frequency output, limit, flow direction or device status
- Functions of digital output 2: limit, flow direction or device status
- Simulation of output signal via analog output, digital output 1 and digital output 2

The HART protocol is implemented via the analog output (current output). Using this communication facility, the device can be parameterized with a PC/laptop and SIMATIC PDM software in addition to local operation.

In the SITRANS F version with PROFIBUS PA, the analog output is replaced by the digital PROFIBUS PA output. The device can then be parameterized via PROFIBUS communication and with SIMATIC PDM in addition to local operation.

#### Technical specifications

##### Input

|  |  |
|--|--|
| Nominal diameters and measuring ranges | 2-track DN 50 ... DN 4000 (optionally also for 1 and 4-track)                  |
| Max. cable length                      | 120 m (395 ft) (shielded coaxial cable) and for Ex-versions max. 3 m (9.84 ft) |

##### Output

|   |  |
|---|--|
| Analog output   |  |
| • Signal range  | 4 ... 20 mA  |
| • Upper limit   | 20 ... 22.5 mA, adjustable   |
| • Signal on alarm   | 3.6 mA, 22 mA, or 24 mA  |
| • Load  | Max. 600 Ω;<br>≥ 230 Ω for HART communication<br>≤ 330 Ω for HART Ex-version                   |
| • Only PROFIBUS PA version:   | Analog output omitted, is replaced by digital PROFIBUS PA interface                            |
| Digital output 1  |  |
| • Active or passive signal, can be configured with positive or negative logic | Active: 24 V DC, ≤ 24 mA, R <sub>i</sub> = 300 Ω<br>Passive: open collector, 30 V DC, ≤ 200 mA |
| • For explosion protection (ATEX version)                                     | Passive: open collector 30 V DC, ≤ 100 mA  |
| • Only PROFIBUS PA version:   | Only passive signals for digital output 1  |

|   |  |
|---|--|
| • Output function, configurable                           | Pulse output <ul style="list-style-type: none"> <li>• Adjustable pulse significance ≤ 5000 pulses/s</li> <li>• Adjustable pulse width ≥ 0.1 ms</li> </ul> Frequency response <ul style="list-style-type: none"> <li>• f<sub>END</sub> selectable up to 10 kHz</li> </ul> Limit for flow, totalizers, ultrasonic velocity or ultrasonic amplitude device status, flow direction |
| Digital output 2  |  |
| • Relay, NC or NO contact                                 | Switching capacity max. 5 W<br>Max. 50 V DC, max. 200 mA DC<br>Self-resetting fuse,<br>R <sub>i</sub> = 9 Ω  |
| • For explosion protection (ATEX version)                 | Max. 30 V DC, max 100 mA DC, 50 mA AC (cf. EC-Type Examination certificate)  |
| • Output function, configurable                           | Limit for flow, ultrasonic velocity or ultrasonic amplitude flow direction device status   |
| • Only PROFIBUS PA version:                               | Digital output 2 omitted   |
| Communication via analog output 4 ... 20 mA               |  |
| • PC/laptop or HART communicator with SITRANS F flowmeter |  |
| - Load with connection of coupling module                 | 230 ... 500 Ω (max. 330 Ω for Ex-version)  |
| - Load with connection of HART communicator               | 230 ... 600 Ω  |
| - Cable   | 2-wire shielded ≤ 3 km (≤ 1.86 miles)<br>Multi-core shielded ≤ 1.5 km (≤ 0.93 miles)   |
| - Protocol  | HART, version 5.1  |
| Communication via PROFIBUS PA interface                   |  |
|   | Layers 1 + 2 according to PROFIBUS PA<br>Communication system according to IEC 1158-2<br>Layer 7 (protocol layer) according to PROFIBUS DP, EN 50170 standard  |
| • Power supply  | Separate supply, four-wire device<br>Permissible bus voltage 9 ... 32 V<br>See certificates and approvals  |
| • Current consumption from bus                            | 10 mA; ≤ 15 mA in event of error with electronic current limiting  |
| Electrical isolation                                      |  |
|   | Outputs electrically isolated from power supply and from one another   |
| <b>Accuracy</b>   |  |
| Error in measurement (at reference conditions)            |  |
| • Pulse output  | ≤ ± 0.5% of measured value at 0.5 ... 10 m/s or<br>≤ ± 0.25/V[m/s]% of measured value at flow < 0.5 m/s  |
| • Analog output   | As pulse output plus ± 0.1% of measured value, ± 20 μA   |
| • Repeatability   | ≤ ± 0.25% of measured value at 0.5 ... 10 m/s  |
| Reference conditions                                      |  |
| • Process temperature                                     | 25 °C ± 5 °C (77 °F ± 9 °F)  |
| • Ambient temperature                                     | 25 °C ± 5 °C (77 °F ± 9 °F)  |
| • Warming-up time   | 30 min.  |
| Installation conditions                                   |  |
|   | Upstream section > 10 x DN and downstream section > 5 x DN   |

# SITRANS F flowmeters

## SITRANS F US

### Transmitter FUS060

#### Rated operation conditions

##### Ambient conditions

Ambient temperature

- Operation -20 ... +50 °C (-4 ... +122 °F)
- In potentially explosive atmospheres Observe temperature classes
- Storage -25 ... +80 °C (-13 ... +176 °F)

Enclosure rating

IP65 (NEMA 4)

Electromagnetic compatibility

For use in industrial environments

- Emitted interference To EN 61000-6-3 (Light industry)
- Noise immunity To EN 61000-6-2 (Industry)

##### Medium conditions

- Process temperature -200 ... +250 °C (-328 ... +482 °F)
- Gases/solids Influence accuracy of measurement (approx. max. 3% gases or solids)

#### Design

Separate version

Transmitter is connected to the transducers via 3 ... 120 m (9.8 ... 395 ft) long specially shielded cables (coaxial cable)  
For ATEX versions mounted in the Ex area only with 3 m long cables.

Enclosure material

Die-cast aluminum, painted

Wall mounting bracket (standard and special)

Stainless steel (standard: always incl.)

Weight of transmitter

4.4 kg (9.7 lb)

Electrical connection

Cable glands:  

- 2 x M20 (HART) / M25 (Profibus) or
- 2 x 1/2"-NPT (HART) and transducers:  
 - 2/4 x M16 or  
 - 2/4 x 1/2" NPT (cable glands always incl.)

#### Displays and controls

Display

LCD, two lines with 16 characters each

- Multi-display: 2 freely-selectable values are displayed simultaneously in two lines

Flow, volume, mass flow, mass, flow velocity, speed of sound, ultrasonic signal information, current, frequency, alarm information

Operation

4 infrared keys, hierarchical menu prompting with codes

#### Power supply

Supply voltage

- Standard version 120 ... 230 V AC ± 15% (50/60 Hz) or 19 ... 30 V DC / 21 ... 26 V AC
- Ex version 19 ... 30 V DC / 21 ... 26 V AC

Power failure

No effect for at least 1 period (> 20 ms)

Power consumption

Approx. 10 VA / 10 W

#### Certificates and approvals

Explosion protection

ATEX II 2G Ex dem [ia/ib] IIC T6/T4/T3

#### Coaxial cable

##### Standard Coaxial cable (75 Ω)

Coaxial cable with SMB straight plug on one end for the FUS060 connector



Outside diameter

Ø 5.8 mm

Length

3, 15, 30, 60, 90, 120 m (9.84, 49.21, 98.43, 196.85, 295.28, 393.70 ft) between sensor and transmitter

Material (outside jacket)

black PE

Ambient temperature

-10 ... +70 °C (14 ... 158 °F)

##### High temperature Coaxial cable (75 Ω)

Coaxial cable with SMB straight plug on one end for the FUS060 connector

Outside diameter

Ø 5.13 mm (first 0.3 m (0.98 ft) part to the transducer), Ø 5.8 mm (for remaining cable to the transmitter - with SMB plug at the end) and between these is a black hot melt junction Ø 16 mm (length 70 mm)

Length

3, 15, 30, 60, 90, 120 m (9.84, 49.21, 98.43, 196.85, 295.28, 393.70 ft) between sensor and transmitter (max 3 m 9.84 ft) transducer cable length for Ex area mounted transmitters)

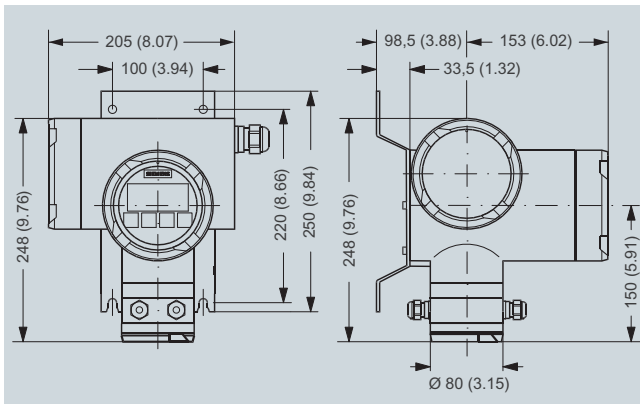
Material (outside jacket)

Brown PTFE (0.3 m (0.98 ft) part) and black PE (for remaining cable)

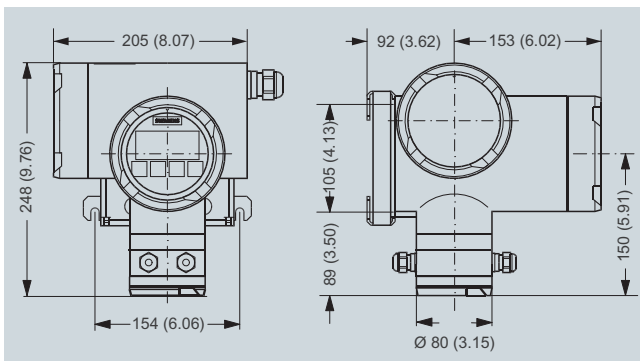
Ambient temperature

-200 ... +200 °C (-328 ... +392 °F) (brown PTFE transducer part) and -10 ... +70 °C (14 ... 158 °F) (black PE for remaining transmitter cable part)

#### Dimensional drawings

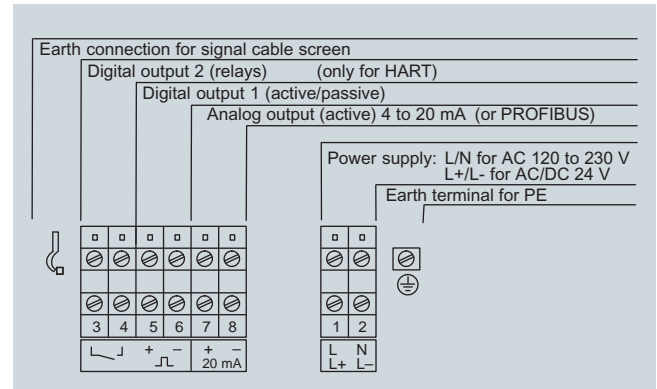


SITRANS FUS060 with standard mounting bracket, dimensions in mm (inch)



SITRANS FUS060 with optional special mounting bracket, dimensions in mm (inch)

#### Schematics



Electrical connection SITRANS FUS060

#### Transmitter FUS060 accessories and spare parts

SITRANS FUS060 transmitter, available standard and Ex versions

**The transmitter configuration is made in the flowmeter order codes (together with the sensors). Here only for spare part ordering.**

| Description                                       | Version                           | Enclosure                   | Supply                          | Order No.                 |
|---|-----------------------------------|-----------------------------|---------------------------------|---------------------------|
| FUS060, 230 V, HART, Metric cable glands          | Transmitter for remote connection | IP65 (NEMA 4)               | 115 ... 230 V AC 50/60 Hz       | <b>7ME3050-2BA10-1BA1</b> |
| FUS060, 230 V, HART, Imperial cable glands        | Transmitter for remote connection | IP65 (NEMA 4)               | 115 ... 230 V AC 50/60 Hz       | <b>7ME3050-2BA10-1BA2</b> |
| FUS060, 230 V, PROFIBUS, Metric cable glands      | Transmitter for remote connection | IP65 (NEMA 4)               | 115 ... 230 V AC 50/60 Hz       | <b>7ME3050-2BA10-1DA1</b> |
| FUS060, 230 V, PROFIBUS, Imperial cable glands    | Transmitter for remote connection | IP65 (NEMA 4)               | 115 ... 230 V AC 50/60 Hz       | <b>7ME3050-2BA10-1DA2</b> |
| FUS060, 24 V, HART, Metric cable glands           | Transmitter for remote connection | IP65 (NEMA 4)               | 19 ... 30 V DC / 21 ... 26 V AC | <b>7ME3050-2BA20-1BA1</b> |
| FUS060, 24 V, HART, Imperial cable glands         | Transmitter for remote connection | IP65 (NEMA 4)               | 19 ... 30 V DC / 21 ... 26 V AC | <b>7ME3050-2BA20-1BA2</b> |
| FUS060, 24 V, PROFIBUS, Metric cable glands       | Transmitter for remote connection | IP65 (NEMA 4)               | 19 ... 30 V DC / 21 ... 26 V AC | <b>7ME3050-2BA20-1DA1</b> |
| FUS060, 24 V, PROFIBUS, Imperial cable glands     | Transmitter for remote connection | IP65 (NEMA 4)               | 19 ... 30 V DC / 21 ... 26 V AC | <b>7ME3050-2BA20-1DA2</b> |
| FUS060, ATEX, 24 V, HART, Metric cable glands     | Transmitter for remote connection | IP65 (NEMA 4) ATEX approval | 19 ... 30 V DC / 21 ... 26 V AC | <b>7ME3050-2BA21-1CA1</b> |
| FUS060, ATEX, 24 V, PROFIBUS, Metric cable glands | Transmitter for remote connection | IP65 (NEMA 4) ATEX approval | 19 ... 30 V DC / 21 ... 26 V AC | <b>7ME3050-2BA21-1EA1</b> |
















# SITRANS F flowmeters


## SITRANS F US

### Transmitter FUS060

#### SITRANS FUS060 spare parts

| Type/description   | Order No.                         |   | Type/description  | Order No.          |   |
|--|-----------------------------------|---|---|--------------------|---|
| Operating/Display module for FUS060                                    | <b>7ME5933-0AC00</b>              |    | M20 cable gland set for FUS060 (M20) power and output connection, grey PA plastic, 2 pcs.<br>• cables Ø 6 ... 12 mm (0.24" ... 0.47")<br>• -40 ... 100 °C (-40 ... 212 °F)  | <b>A5E02246350</b> |    |
| Electronics cover with glass plate (non Ex)                            | <b>7ME5933-0AC01<sup>F)</sup></b> |    | M20 cable gland set for FUS060 ATEX version power and output connection, PA plastic, 1 x in blue (ATEX Ex-i) and 1 x grey (ATEX Ex-e)<br>• cables Ø 5 ... 9 mm (0.20" ... 0.35")<br>• -20 ... 95 °C (-4 ... 203 °F) | <b>A5E02246356</b> |    |
| Cover for sensor cable and gasket                                      | <b>7ME5933-0AC02</b>              |    | 1/2" NPT cable gland set for FUS060 (NPT) power and output connection, grey PA plastic, 2 pcs.<br>• cables Ø 6 ... 12 mm (0.24" ... 0.47")<br>• -40 ... 100 °C (-40 ... 212 °F)                                     | <b>A5E02246396</b> |    |
| Cover for mains supply/communication                                   | <b>7ME5933-0AC03<sup>F)</sup></b> |    | M25 cable gland set for the FUS060 PA (M25) power and output connection, grey PA plastic, 2 pcs.<br>• cables Ø 9 ... 16 mm (0.35" ... 0.63")<br>• -40 ... 100 °C (-40 ... 212 °F)                                   | <b>A5E02246378</b> |   |
| Standard wall mounting bracket for SITRANS FUS060 transmitter          | <b>7ME5933-0AC04</b>              |  | M16 x 1.5 cable gland set for FUS060 (M16) sensor connection, brass chrome, 2 pcs. and 2 pcs. blind<br>• cables Ø 5 ... 9 mm (0.20" ... 0.35")<br>• -20 ... 105 °C (-4 ... 221 °F)                                  | <b>A5E02246369</b> |  |
| Special wall-/pipe mounting bracket kit for SITRANS FUS060 transmitter | <b>7ME5933-0AC05</b>              |  | 1/2" NPT cable gland set for FUS060 (NPT) sensor connection, 4 pcs. M16 bush to 1/2" NPT and 4 pcs. 1/2" NPT grey PA plastic glands<br>• cables Ø 5 ... 9 mm (0.20" ... 0.35")<br>• -20 ... 100 °C (-4 ... 212 °F)  | <b>A5E02247877</b> |  |
| Safety clamp for electronic cover with glass plate (7ME5933-0AC01)     | <b>7ME5933-0AC06</b>              |  |   |                    |   |

#### Cables for FUS060

| Type/description   | Length m (ft) | Order No.                       |   |
|--|---------------|---------------------------------|---|
| Coaxial cable for FUS060, (75 Ω, max. 70 °C (158 °F), black PVC) (2 pcs.)  | 3 (9.84)      | <b>A5E00875101</b>              |  |
|  | 15 (49.21)    | <b>A5E00861432</b>              |   |
|  | 30 (98.43)    | <b>A5E01278662</b>              |   |
|  | 60 (196.85)   | <b>A5E01278682</b>              |   |
|  | 90 (295.28)   | <b>A5E01278687</b>              |   |
|  | 120 (393.70)  | <b>A5E01278698</b>              |   |
| High temp. coaxial cable for FUS060; with 0.3 m brown PTFE high temp. transducer part, max. 200 °C (392 °F) and black PVC for remaining transmitter part with SMB plug, max. 70 °C (158 °F); (impedance 75 Ω) (2 pcs.) | 3 (9.84)      | <b>A5E00875105<sup>F)</sup></b> |   |
|  | 15 (49.21)    | <b>A5E00861435</b>              |   |
|  | 30 (98.43)    | <b>A5E01196952<sup>F)</sup></b> |   |

F) Subject to export regulations AL: 91999, ECCN: N.



#### Overview



The combination of SONO 3300 sensor and FUS060 transmitter is ideal for applications within the general industry. Measurements are independent of liquid temperature, density, pressure and conductivity. Transducers cannot be replaced.

#### Benefits

- Robust remote transmitter FUS060
- Robust design for industrial applications
- Measures all liquids less than 350 cSt, conductive or non-conductive
- No pressure drop
- Reliable and accurate flow measurements
- Long-time stability
- ATEX approval

#### Application

The main application for SONO 3300/FUS060 ultrasonic flowmeter is measurement of volume.

SONO 3300/FUS060 can be used for water and treated waste water, oil and liquefied gases, hot water / cooling systems.

#### Design

The SONO 3300/FUS060 consists of a casted sensor (DN 50 to 150 (2" to 6")), welded pipes (DN 200 to 300 (8" to 12")) and a transmitter FUS060.

The transmitter can only be mounted separately.

The internal signal cables from transducers to sensor connection box are protected from an aggressive environment by stainless steel pipes.

#### Sensor installation

See system information

#### Technical specifications

**Transmitter specifications for the type SITRANS FUS060 see page 4/176 ff.**

#### 2-track sensor with flanges and integrated transducers

##### Error in measurement

Error in measurement at reference conditions; % of measured value  $v > 0.5 \dots 10 \text{ m/s}$ ,  $\pm 0.5\%$  of rate ( $v = \text{flow speed}$ )

SONO 3300 DN 50 and DN 65:  
For Reynolds numbers  
 $1000 < R_e < 5000$ :  $\pm 1.5\%$

Max. flow velocity

10 m/s (32 ft/s)

Nominal size

DN 50, DN 65, DN 80, DN 100, DN 125, DN 150, DN 200, DN 250, DN 300 (2" ... 12")

Media/surface temperature

Separate version:  $-10 \dots +160 \text{ }^\circ\text{C}$   
(14 ... 320  $^\circ\text{F}$ )

Ambient temperature (sensor)

Separate version:  $-20 \dots +60 \text{ }^\circ\text{C}$   
(-4 ... +140  $^\circ\text{F}$ )

Storage:  $-40 \dots +85 \text{ }^\circ\text{C}$   
(-40 ... +185  $^\circ\text{F}$ )

Enclosure

Standard version: IP67  
(NEMA 4X/NEMA 6)

ATEX version: As standard, but with ATEX approval (see below)

##### Process connections

PN designated  
EN 1092-1

• DN 50 ... 300 (2" ... 12"),  
PN 40

• DN 100 ... 300 (4" ... 12"),  
PN 16

• DN 200 ... 300 (8" ... 12"),  
PN 10

Class designated  
EN 1759-1

• DN 50 ... 300 (2" ... 12"),  
class 150

• DN 50 ... 300 (2" ... 12"),  
class 300

Transducer

Integrated version welded into pipe

##### Materials

Pipe

• DN 50 ... 150 (2" ... 6");  
Steel EN 1.113145-16Mn5

• DN 200 ... 300 (8" ... 12"): Steel  
EN 1.0345-P235GH

Flange

• DN 50 ... 300 (2" ... 12");  
EN 1.0025-S235JRG2

Class

ASTM A105

Transducer

Stainless steel AISI 316 or similar

##### Certificates and approvals

Material certificate

The standard sensor is supplied with a Siemens Flow Instruments certificate of conformity. Extended material certificate is optionally available.

NDT examination report

Available on request

Ex approval

System ATEX approval for SONO 3300 with remote transmitter FUS060-Ex (ATEX II 2G Ex dem [ia/ib] IIC T6/T4/T3)

The sensors are approved according to EU directive 97/23/EC dated 29 May 1997 regarding fluid group 1, classified in category III. Design according to EN 13480 (PED Directive).



# SITRANS F flowmeters

## SITRANS F US

### Flowmeter SONO 3300/FUS060

#### Coaxial cable between sensor SONO 3300 and transmitter FUS060

**Standard Coaxial cable (75 Ω)** Coaxial cable with SMB straight plug on one end for the FUS060 connector

|                           |  |
|---------------------------|--|
| Outside diameter          | Ø 5.8 mm   |
| Length                    | 3, 15, 30, 60, 90, 120 m<br>(9.84, 49.21, 98.43, 196.85, 295.28, 393.70 ft) between sensor and transmitter |
| Material (outside jacket) | black PE   |
| Ambient temperature       | -10 ... +70 °C<br>(14 ... 158 °F)  |



**High temperature Coaxial cable (75 Ω)** Coaxial cable with SMB straight plug on one end for the FUS060 connector

|                           |  |
|---------------------------|--|
| Outside diameter          | Ø 5.13 mm (first 0.3 m (0.98 ft) part to the transducer), Ø 5.8 mm (for remaining cable to the transmitter - with SMB plug at the end) and between these is a black hot melt junction Ø 16 mm (length 70 mm) |
| Length                    | 3, 15, 30, 60, 90, 120 m<br>(9.84, 49.21, 98.43, 196.85, 295.28, 393.70 ft) between sensor and transmitter (max. 3 m (9.84 ft) transducer cable length for Ex area mounted transmitters)                     |
| Material (outside jacket) | Brown PTFE (0.3 m (0.98 ft) part) and black PE (for remaining cable)   |
| Ambient temperature       | -200 ... +200 °C<br>(-328 ... +392 °F) (brown PTFE transducer part) and<br>-10 ... +70 °C<br>(14 ... 158 °F) (black PE for remaining transmitter cable part)   |

| Selection and Ordering data   |                                     | Order No.       | Order code |
|---|-------------------------------------|-----------------|------------|
| <b>Sensor SONO 3300 with transmitter FUS060</b>   |                                     | 7ME3300-        |            |
|   |                                     | 0 -             |            |
| <b>Diameter</b>   | <b>Qn setting [m<sup>3</sup>/h]</b> |                 |            |
| DN 50 (2")  | 10                                  | 1 A             |            |
| DN 50 (2")  | 26                                  | 1 B             |            |
| DN 50 (2")  | 60                                  | 1 D             |            |
| DN 65 (2½")   | 15                                  | 1 E             |            |
| DN 65 (2½")   | 42                                  | 1 F             |            |
| DN 65 (2½")   | 100                                 | 1 H             |            |
| DN 80 (3")  | 20                                  | 1 J             |            |
| DN 80 (3")  | 60                                  | 1 K             |            |
| DN 80 (3")  | 150                                 | 1 M             |            |
| DN 100 (4")   | 36                                  | 1 N             |            |
| DN 100 (4")   | 100                                 | 1 P             |            |
| DN 100 (4")   | 230                                 | 1 R             |            |
| DN 125 (5")   | 50                                  | 1 S             |            |
| DN 125 (5")   | 150                                 | 1 T             |            |
| DN 125 (5")   | 360                                 | 1 V             |            |
| DN 150 (6")   | 80                                  | 2 A             |            |
| DN 150 (6")   | 220                                 | 2 B             |            |
| DN 150 (6")   | 500                                 | 2 D             |            |
| DN 200 (8")   | 120                                 | 2 E             |            |
| DN 200 (8")   | 380                                 | 2 F             |            |
| DN 200 (8")   | 900                                 | 2 H             |            |
| DN 250 (10")  | 200                                 | 2 J             |            |
| DN 250 (10")  | 600                                 | 2 K             |            |
| DN 250 (10")  | 1400                                | 2 M             |            |
| DN 300 (12")  | 300                                 | 2 N             |            |
| DN 300 (12")  | 850                                 | 2 P             |            |
| DN 300 (12")  | 2200                                | 2 R             |            |
| <b>Flange norm and pressure rating</b><br>(All sizes are not available in all pressure ratings)       |                                     |                 |            |
| System without sensor - only transmitter FUS060 as spare part - settings as defined by this Order No. |                                     | A <sup>1)</sup> |            |
| <u>EN 1092-1</u>  |                                     |                 |            |
| PN 10 (DN 200 ... 300 (8" ... 12"))   |                                     | B               |            |
| PN 16 (DN 80 ... 300 (3" ... 12"))  |                                     | C               |            |
| PN 40 (DN 50 ... 300 (2" ... 12"))  |                                     | E               |            |
| <u>ANSI B16.5</u>   |                                     |                 |            |
| class 150 (DN 50 ... 300 (2" ... 12"))  |                                     | H               |            |
| class 300 (DN 50 ... 300 (2" ... 12"))  |                                     | J               |            |
| <b>Sensor type (approval) and transmitter mounting</b>  |                                     |                 |            |
| IP67 standard, remote transmitter   |                                     | 1               |            |
| IP67 Ex-version (ATEX), remote transmitter (Ex-version)   |                                     | 3               |            |
| <b>Cable gland entries in FUS060 and SONO 3300</b>  |                                     |                 |            |
| Cable glands M20 in sensor and in transmitter M25/20/16 x 1.5   |                                     | 1               |            |
| Cable glands ½" NPT in sensor and in transmitter ½" NPT   |                                     | 2 <sup>1)</sup> |            |
| <b>Transmitter SITRANS FUS060</b>   |                                     |                 |            |
| Without transmitter (only sensor)   |                                     | A <sup>1)</sup> |            |
| IP65 (NEMA 4), 120/230 V AC   |                                     | N               |            |
| IP65 (NEMA 4), 24 V AC/DC   |                                     | P               |            |
| IP65 (NEMA 4), 24 V AC/DC, Ex-version (ATEX)  |                                     | Q               |            |

| Selection and Ordering data                            |  | Order No. | Order code      |
|--|--|-----------|-----------------|
| <b>Sensor SONO 3300 with transmitter FUS060</b>        |  | 7ME3300-  |                 |
|  |  | 0 -       |                 |
| <b>FUS060 output module</b>                            |  |           |                 |
| Without transmitter (only sensor)                      |  |           | A <sup>1)</sup> |
| HART, 4 ... 20 mA, 1 pulse output, 1 relay             |  |           | B               |
| HART, Ex version, 4 ... 20 mA, 1 pulse output, 1 relay |  |           | C               |
| PROFIBUS PA, 1 pulse/frequency                         |  |           | D               |
| PROFIBUS PA, Ex version, 1 pulse/frequency             |  |           | E               |
| <b>Transducer coax cable</b>                           |  |           |                 |
| 2 x 3 m, max. 70 °C (158 °F)                           |  |           | 0               |
| 2 x 15 m, max. 70 °C (158 °F)                          |  |           | 1               |
| 2 x 30 m, high temp. max. 200 °C (392 °F)              |  |           | 2               |
| 2 x 30 m, max. 70 °C (158 °F)                          |  |           | 3               |
| 2 x 60 m, max. 70 °C (158 °F)                          |  |           | 4               |
| 2 x 90 m, max. 70 °C (158 °F)                          |  |           | 5               |
| 2 x 120 m, max. 70 °C (158 °F)                         |  |           | 6               |
| 2 x 3 m, high temp. max. 200 °C (392 °F)               |  |           | 7               |
| 2 x 15 m, high temp. max. 200 °C (392 °F)              |  |           | 8               |

Please also see [www.siemens.com/SITRANSforordering](http://www.siemens.com/SITRANSforordering) for practical examples of ordering

| Selection and Ordering data   | Order code           |
|---|----------------------|
| <b>Additional information</b>   |                      |
| Please add „-Z“ to Order No. and specify Order code(s) and plain text.  |                      |
| <u>Calibration</u>  |                      |
| Sensor prepared for older SONO 3000 transmitters  | A30 <sup>1) 2)</sup> |
| Production calibration DN 50 ... DN 300 (with certificate)  | Included             |
| Accredited Siemens ISO/IEC 17025 calibration for DN50 to DN150 with Qn as selected in Diameter. Verification certificate: 2 x 3 points in 10%, 25% and 100% Qn (max. flow 325 m <sup>3</sup> /h).   | D20                  |
| Accredited Siemens ISO/IEC 17025 calibration for DN125 to DN300 with Qn as selected in Diameter. Verification certificate: 2 x 3 points in 10%, 25% and 100% Qn (max. flow 1300 m <sup>3</sup> /h). | D21                  |
| <u>Material certificate</u>   |                      |
| EN 10204-3.1  | F10                  |
| EN 10204-3.1 with 100% NDT on weldings  | F11 <sup>2)</sup>    |
| <u>Tag name plate</u>   |                      |
| Stainless steel tag with 12 mm characters, max. 15 characters (add plain text)  | Y17                  |
| Self-adhesive plastic tag with 8 mm characters, max. 15 characters (add plain text)   | Y18                  |

- 1) In preparation  
2) On request



Please use online Product selector to get latest updates. Product selector link:

[www.pia-selector.automation.siemens.com](http://www.pia-selector.automation.siemens.com)

# SITRANS F flowmeters


## SITRANS F US

### Flowmeter SONO 3300/FUS060

#### Sensor SONO 3300 accessories and spare parts

##### Potting kit


| Type/description                               | Order No.           |
|--|---------------------|
| Potting kit, IP68, 10 m (32.81 ft) w.g. rating | <b>FDK-085L2403</b> |



##### Cables for SONO 3300 with FUS060

(only as spare parts)

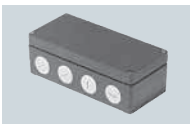
| Type/description  | Length m (ft) | Order No.                       |
|---|---------------|---------------------------------|
| Coaxial cable for FUS060, (75 Ω, max. 70 °C (158 °F), black PVC)<br>(2 pcs.)  | 3 (9.84)      | <b>A5E00875101</b>              |
|   | 15 (49.21)    | <b>A5E00861432</b>              |
|   | 30 (98.43)    | <b>A5E01278662</b>              |
|   | 60 (196.85)   | <b>A5E01278682</b>              |
|   | 90 (295.28)   | <b>A5E01278687</b>              |
|   | 120 (393.70)  | <b>A5E01278698</b>              |
| High temp. coaxial cable for FUS060; with 0.3 m brown PTFE high temp. transducer part (max. 200 °C (392 °F)) and black PVC transmitter part with SMB plug (max. 70 °C (158 °F)); impedance 75 Ω<br>(2 pcs.) | 3 (9.84)      | <b>A5E00875105<sup>F)</sup></b> |
|   | 15 (49.21)    | <b>A5E00861435</b>              |
|   | 30 (98.43)    | <b>A5E01196952<sup>F)</sup></b> |



##### Cable connection boxes

(For the connection of individually transducer cables with the FUS060 transducer cables)



| Type/description                   | Order No.           |
|------------------------------------|---------------------|
| Junction box for coax cable        | <b>FDK-085B1361</b> |
| • IP68 metal box for 4 coax cables |                     |



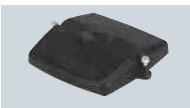
##### Cable glands (for the SONO 3300 terminal box)

(only as spare parts)

| Type | Material   | Temperature range [°C (°F)] | Order No.          |
|------|--|-----------------------------|--------------------|
| M20  | Nickel-plated brass,<br>2x cables Ø 5 ... 6 mm<br>(2 pcs.) | -25 ... +200 (-13 ... +392) | <b>A5E02246329</b> |
| M20  | Steel Ex-d; Steel ATEX Ex-d;<br>Ø 5 ... 8 mm               | -60 ... +180 (-76 ... +356) | <b>A5E02246311</b> |

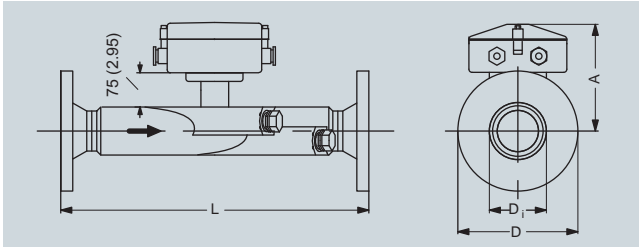



| Description                          | Order No.         |
|--------------------------------------|-------------------|
| SONO 3300 terminal box lid, in metal | <b>on request</b> |



F) Subject to export regulations AL: 91999, ECCN: N.

### Dimensional drawings of sensor SONO 3300



Sensor SONO 3300

| DN  | EN 1092-1       |       |      |       |                |       |                 |       |       |       |                |        |                 |       |       |       |                |        |      |
|-----|-----------------|-------|------|-------|----------------|-------|-----------------|-------|-------|-------|----------------|--------|-----------------|-------|-------|-------|----------------|--------|------|
|     | PN 10           |       |      |       |                |       | PN 16           |       |       |       |                |        | PN 40           |       |       |       |                |        |      |
|     | L <sup>1)</sup> |       | D    |       | D <sub>i</sub> |       | L <sup>1)</sup> |       | D     |       | D <sub>i</sub> |        | L <sup>1)</sup> |       | D     |       | D <sub>i</sub> |        |      |
| mm  | inch            | mm    | inch | mm    | inch           | mm    | inch            | mm    | inch  | mm    | inch           | mm     | inch            | mm    | inch  | mm    | inch           | mm     | inch |
| 50  |                 |       |      |       |                |       |                 |       |       |       |                |        |                 | 475   | 18.70 | 165   | 6.50           | 52.60  | 2.07 |
| 65  |                 |       |      |       |                |       |                 |       |       |       |                |        |                 | 475   | 18.70 | 185   | 7.28           | 62.70  | 2.47 |
| 80  |                 |       |      |       |                |       |                 | 380   | 14.96 | 200   | 7.87           | 78.00  | 3.07            | 400   | 15.75 | 200   | 7.87           | 78.00  | 3.07 |
| 100 |                 |       |      |       |                |       |                 | 355   | 14.72 | 220   | 8.66           | 102.40 | 4.00            | 400   | 15.75 | 235   | 9.25           | 102.40 | 4.00 |
| 125 |                 |       |      |       |                |       |                 | 375   | 14.72 | 250   | 9.84           | 128.30 | 5.05            | 400   | 15.75 | 270   | 10.63          | 128.30 | 5.05 |
| 150 |                 |       |      |       |                |       |                 | 360   | 14.17 | 285   | 11.22          | 154.20 | 6.07            | 400   | 15.75 | 300   | 11.81          | 154.20 | 6.07 |
| 200 | 400             | 15.75 | 340  | 13.39 | 207.30         | 8.16  | 400             | 15.75 | 340   | 13.39 | 207.30         | 8.16   | 450             | 17.72 | 375   | 14.76 | 206.50         | 8.13   |      |
| 250 | 400             | 15.75 | 395  | 15.55 | 260.40         | 10.25 | 400             | 15.75 | 405   | 15.94 | 260.40         | 10.25  | 500             | 19.69 | 450   | 17.72 | 258.80         | 10.19  |      |
| 300 | 400             | 15.75 | 445  | 17.52 | 309.70         | 12.19 | 420             | 16.54 | 460   | 18.11 | 309.70         | 12.19  | 500             | 19.69 | 515   | 20.28 | 307.90         | 12.12  |      |

| DN           | ANSI            |       |      |       |                |       |                 |        |      |       |                |       |      |       | Weight <sup>2)</sup> |      |             |      |     |
|--------------|-----------------|-------|------|-------|----------------|-------|-----------------|--------|------|-------|----------------|-------|------|-------|----------------------|------|-------------|------|-----|
|              | 150 lb          |       |      |       |                |       |                 | 300 lb |      |       |                |       |      |       | EN (PN 40)           |      | ANSI CL 300 |      |     |
|              | L <sup>1)</sup> |       | D    |       | D <sub>i</sub> |       | L <sup>1)</sup> |        | D    |       | D <sub>i</sub> |       | A    |       | kg                   | lbs  | kg          | lbs  |     |
| mm           | inch            | mm    | inch | mm    | inch           | mm    | inch            | mm     | inch | mm    | inch           | mm    | inch | mm    | inch                 | kg   | lbs         | kg   | lbs |
| 50 mm / 2"   | 510             | 20.08 | 152  | 5.98  | 52.6           | 2.07  | 520             | 20.47  | 165  | 6.50  | 52.6           | 2.07  | 180  | 7.09  | 14                   | 30.9 | 17          | 37.5 |     |
| 65 mm / 2½"  | 510             | 20.08 | 178  | 7.01  | 62.7           | 2.47  | 520             | 20.47  | 190  | 7.48  | 62.7           | 2.47  | 186  | 7.32  | 16                   | 35.3 | 20          | 44   |     |
| 80 mm / 3"   | 420             | 16.54 | 191  | 7.52  | 78.0           | 3.07  | 440             | 17.32  | 210  | 8.27  | 78.0           | 3.07  | 193  | 7.60  | 19                   | 42   | 23          | 51   |     |
| 100 mm / 4"  | 420             | 16.54 | 229  | 9.01  | 102.4          | 4.03  | 440             | 17.32  | 254  | 10    | 102.4          | 4.03  | 205  | 8.07  | 25                   | 55   | 35          | 78   |     |
| 125 mm / 5"  | 440             | 17.32 | 254  | 10.00 | 128.3          | 5.05  | 460             | 18.11  | 279  | 10.98 | 128.3          | 5.05  | 218  | 8.58  | 29                   | 64   | 40          | 89   |     |
| 150 mm / 6"  | 430             | 16.93 | 279  | 10.98 | 154.2          | 6.07  | 450             | 17.71  | 318  | 12.52 | 154.2          | 6.07  | 232  | 9.13  | 35                   | 78   | 50          | 111  |     |
| 200 mm / 8"  | 480             | 18.90 | 343  | 13.50 | 202.7          | 7.98  | 500             | 19.69  | 381  | 15    | 202.7          | 7.98  | 256  | 10.08 | 54                   | 119  | 72          | 160  |     |
| 250 mm / 10" | 490             | 19.29 | 406  | 15.98 | 254.5          | 10.02 | 520             | 20.47  | 444  | 17.48 | 254.5          | 10.03 | 283  | 11.14 | 85                   | 189  | 98          | 217  |     |
| 300 mm / 12" | 550             | 21.65 | 483  | 19.02 | 306.3          | 12.06 | 580             | 22.83  | 521  | 20.51 | 306.3          | 12.06 | 309  | 12.17 | 115                  | 256  | 142         | 322  |     |

<sup>1)</sup> Length tolerance (mm): DN50 ... DN100 +2/-3, DN 125 ... 200 +3/-4, DN 250 ... 300 +4/-5

<sup>2)</sup> Approximate weights without transmitter FUS060 - weight of FUS060 is 4.4 kg (9.7 lb)

# SITRANS F flowmeters

## SITRANS F US

### Flowmeter SONO 3100/FUS060

#### Overview



The combination of the SONO 3100 sensor and the FUS060 transmitter is ideal for applications where process shut-down is impossible during service and where there is a need for extreme high/low temperatures and pressures.

Transducers can easily be changed without interrupting operation. SONO 3100 can optionally be delivered as a 4-track solution for absolute best performance and accuracy.

#### Benefits

- Transducers can be replaced under pressure
- Measurement of all liquids less than 350 Cst, conductive or non-conductive
- No pressure drop
- Reliable and accurate flow measurements
- Long-time stability
- On request:
  - Special sensor material, e.g. Duplex
  - High/low temperature sensor version: +250 °C (+482 °F) / -200 °C (-328 °F) sensors
  - Pressure rating 430 bar (6235 psi)
  - 4-track sensor technology

#### Application

The main application for SONO 3100 in combination with FUS060 ultrasonic flowmeter is to measure volume flow within:

- Petrochemical industry
- Power engineering
- Water and waste water
- Oil and liquefied gases

SITRANS FUS060 holds ATEX for hazardous areas, HART and PROFIBUS PA. SONO 3100 holds ATEX Ex approval.

#### Design

The SONO 3100 in combination with FUS060 consists of a SONO 3100 sensor, transducers with O-rings or flanges depending on selection - and a FUS060 transmitter.

SONO 3100 is basically supplied in a 2-track solution with and without flanges in sizes from DN 100 to DN 1200.

4-track version is available on request.

SONO 3100 is as standard available in carbon/stainless steel from DN 100 to DN 1200.

FUS060 is designed for wall mounting only.

#### Technical specifications

**Transmitter specifications for the type SITRANS FUS060 see page 4/176 ff.**

#### 2-track sensor fitted with four SONO 3200 transducers

##### Error in measurement

|   |   |
|---|---|
| Error in measurement at reference conditions; % of measured value | $v > 0.5 \dots 10 \text{ m/s}$ , $< \pm 0.5\%$ of rate ( $v$ =flow velocity)  |
| Max flow velocity   | 10 m/s (32 ft)  |
| Nominal size  | DN 100 ... 1200 (4" ... 48")  |
| Media/surface temperature   | <ul style="list-style-type: none"> <li>• Standard: -10 °C ... +200 °C (14 ... 392 °F)</li> <li>• ATEX Ex-d version: -20 ... +180 °C (-4 ... +356 °F)</li> <li>• ATEX Ex-i version: -10 ... +190 °C (+14 ... +374 °F)</li> <li>• Specials: -200 °C (-328 °F) or up to 250 °C (482 °F)</li> </ul> |
| Ambient temperature   | -20 ... +60 °C (-4 ... +140 °F)   |
| Enclosure   | IP68 (NEMA 6)/IP68 (NEMA 6X) and ATEX (see below)   |

##### Process connections

###### PN designated, EN 1092-1

Pipe material carbon steel

- DN 200 ... 1200 (8" ... 48"), PN 10
- DN 100 ... 1200 (4" ... 48"), PN 16
- DN 200 ... 1000 (8" ... 40"), PN 25
- DN 100 ... 500 (4" ... 20"), PN 40

Pipe material stainless steel

- DN 200 ... 300 (8" ... 12"), PN 10 and PN 25
- DN 100 ... 300 (4" ... 12"), PN 16 and PN 40

###### Class designated, EN 1759-1

Pipe material carbon steel

- DN 100 ... 600 (4" ... 24") Class 150
- DN 100 ... 300 (4" ... 12") Class 300

Pipe material stainless steel

- DN 100 ... 300 (4" ... 12") Class 150 and Class 300

###### Without flanges, (weld-in version) only in carbon steel

- DN 100 ... 1200 (4" ... 48"), PN 16
- DN 200 ... 1000 (8" ... 40"), PN 25
- DN 100 ... 500 (4" ... 20"), PN 40

Transducer SONO 3200

O-ring or flange versions

##### Materials

|                           |   |
|---------------------------|---|
| Pipe                      | Steel EN 1.0345-P235GH or stainless steel EN 1.4404 - AISI 316L   |
| Flange                    |   |
| PN                        | EN 10025-S235JRG2, 1E1 or stainless steel EN 10222-5-1.4404, 13E0 |
| Class                     | ASTM A105, 1, 1 or stainless steel ASTM F316L, 2, 3               |
| Transducer body           | Stainless steel AISI 316 or similar                               |
| Transducer terminal house | Stainless steel AISI 316 or plastic PA 6.6                        |

##### Certificates and approvals

|  |   |
|--|---|
| System ATEX approval for SONO 3100 together with transmitter FUS060-Ex   | ATEX II 2G Ex dem [ia/ib] IIC T6/T4/T3 or ATEX II 2C EEx d T3-T6 with SONO 3200 Exd transducers (for standard FUS060 transmitter, installed outside of Ex zone) |
| Material certificates  | The sensor is supplied as standard with a Siemens Certificate of Conformity. Material certificate on in-line parts on request.                                  |
| NDT examination report   | Available on request  |
| The sensor SONO 3100 with transmitter FUS060 conforms to Product Family Standard EN 61326/A3 appendix A (Title: Electrical Equipment for Measurement control and laboratory use – EMC requirements). |   |

| Selection and Ordering data   |                          | Order No.       | Order code |
|---|--------------------------|-----------------|------------|
| <b>SITRANS F US SONO 3100 sensor 2-track</b>  |                          | <b>7ME3100-</b> |            |
| <b>Diameter</b>   | <b>Qn setting [m³/h]</b> |                 |            |
| DN 100 (4")   | 28                       | 1 N             |            |
| DN 100 (4")   | 100                      | 1 P             |            |
| DN 100 (4")   | 220                      | 1 R             |            |
| DN 125 (5")   | 44                       | 1 S             |            |
| DN 125 (5")   | 150                      | 1 T             |            |
| DN 125 (5")   | 350                      | 1 V             |            |
| DN 150 (6")   | 64                       | 2 A             |            |
| DN 150 (6")   | 220                      | 2 B             |            |
| DN 150 (6")   | 500                      | 2 D             |            |
| DN 200 (8")   | 110                      | 2 E             |            |
| DN 200 (8")   | 380                      | 2 F             |            |
| DN 200 (8")   | 900                      | 2 H             |            |
| DN 250 (10")  | 180                      | 2 J             |            |
| DN 250 (10")  | 600                      | 2 K             |            |
| DN 250 (10")  | 1300 <sup>1)</sup>       | 2 M             |            |
| DN 300 (12")  | 250                      | 2 N             |            |
| DN 300 (12")  | 850                      | 2 P             |            |
| DN 300 (12")  | 2000 <sup>1)</sup>       | 2 R             |            |
| DN 350 (14")  | 350                      | 2 S             |            |
| DN 350 (14")  | 1000                     | 2 T             |            |
| DN 350 (14")  | 2800 <sup>1)</sup>       | 2 V             |            |
| DN 400 (16")  | 450                      | 3 A             |            |
| DN 400 (16")  | 1300 <sup>1)</sup>       | 3 B             |            |
| DN 400 (16")  | 3600 <sup>1)</sup>       | 3 D             |            |
| DN 500 (20")  | 1300 <sup>1)</sup>       | 3 J             |            |
| DN 500 (20")  | 2200 <sup>1)</sup>       | 3 K             |            |
| DN 500 (20")  | 4200 <sup>1)</sup>       | 3 M             |            |
| DN 600 (24")  | 1300                     | 3 S             |            |
| DN 600 (24")  | 3200                     | 3 T             |            |
| DN 600 (24")  | 4200 <sup>1)</sup>       | 3 V             |            |
| DN 700 (28")  | 2000                     | 4 E             |            |
| DN 700 (28")  | 4200                     | 4 F             |            |
| DN 800 (32")  | 4200                     | 4 N             |            |
| DN 800 (32")  | 5500 <sup>1)</sup>       | 4 P             |            |
| DN 900 (36")  | 4200                     | 5 A             |            |
| DN 900 (36")  | 7500 <sup>1)</sup>       | 5 B             |            |
| DN 1000 (40")   | 4200                     | 5 J             |            |
| DN 1000 (40")   | 9000 <sup>1)</sup>       | 5 K             |            |
| DN 1200 (48")   | 4200                     | 5 S             |            |
| DN 1200 (48")   | 13200 <sup>1)</sup>      | 5 T             |            |
| <b>Flange norm and pressure rating</b><br>(All sizes are not available in all pressure ratings)         |                          |                 |            |
| System without sensor - only transmitter FUS060 as spare part - settings as defined with this Order No. |                          | A <sup>2)</sup> |            |
| <u>EN 1092-1</u>  |                          |                 |            |
| PN 10 (DN 200 ... DN 1200)  |                          | B               |            |
| PN 16 (DN 100 ... DN 1200)  |                          | C               |            |
| PN 25 (DN 200 ... DN 1000)  |                          | D               |            |
| PN 40 (DN 100 ... DN 500)   |                          | E               |            |
| <u>ANSI B16.5</u>   |                          |                 |            |
| class 150 (DN 100 ... DN 600)   |                          | H               |            |
| class 300 (DN 100 ... DN 300)   |                          | J               |            |
| <u>Pipe without flanges (weld-in version)</u>   |                          |                 |            |
| PN 10 (DN 200 ... DN 1200)  |                          | P               |            |
| PN 16 (DN 100 ... DN 1200)  |                          | Q               |            |
| PN 25 (DN 200 ... DN 1200)  |                          | R               |            |
| PN 40 (DN 100 ... DN 500)   |                          | S               |            |

| Selection and Ordering data   |  | Order No.       | Order code |
|---|--|-----------------|------------|
| <b>SITRANS F US SONO 3100 sensor 2-track</b>  |  | <b>7ME3100-</b> |            |
| <b>Pipe and flange material</b>   |  |                 |            |
| Carbon steel (DN 100 ... 1200)  |  | 1               |            |
| Stainless steel (DN 100 ... 300)  |  | 2               |            |
| <b>Transducer type and approval</b>   |  |                 |            |
| IP67 (NEMA 4X/6) PA housing, PN 40, O-ring, 50 mm, 100 °C (212 °F) (DN 100 ... 1200; SS and CS sensors)                                       |  | 1               |            |
| IP68 SS housing, PN 40, O-ring, 50 mm, 200 °C (392 °F) (DN 100 ... 1200; SS and CS sensors)   |  | 2               |            |
| IP68 SS housing, PN 40, O-ring, 50 mm, 180 °C (356 °F), Ex d ATEX approval (only with standard FUS060) (DN 100 ... 1200; SS and CS sensors)   |  | 3               |            |
| IP67 (NEMA 4X/6) PA housing, PN 40, flange, 88 mm, 100 °C (212 °F) (DN 100 ... 300; SS sensors)   |  | 4               |            |
| IP68 SS housing, PN 40, flange, 88 mm, 200 °C (392 °F) (DN 100 ... 300; SS sensors)   |  | 5               |            |
| IP68 SS housing, PN 40, flange, 88 mm, 180 °C (356 °F), Ex d ATEX approval (only with standard FUS060) (DN 100 ... 300; SS sensors)           |  | 6               |            |
| IP68 SS housing, PN 40, O-ring, 50 mm, 190 °C (374 °F), Ex i ATEX approval (only with FUS060 Ex-version) (DN 100 ... 1200; SS and CS sensors) |  | 7               |            |
| IP68 SS housing, PN 40, flange, 88 mm, 190 °C (374 °F), Ex i ATEX approval (only with FUS060 Ex-version) (DN 100 ... 300; SS sensors)         |  | 8               |            |
| <b>Cable gland entries</b>  |  |                 |            |
| Cable glands M20 in transducers and in transmitter M25/20/16 x 1.5  |  | 1               |            |
| Cable glands ½" NPT in transducers and in transmitter   |  | 2               |            |
| <b>Transmitter SITRANS FUS060</b>   |  |                 |            |
| Without transmitter (only sensor)   |  | A <sup>1)</sup> |            |
| IP65 (NEMA 4), 120/230 V AC   |  | N               |            |
| IP65 (NEMA 4), 24 V AC/DC   |  | P               |            |
| IP65 (NEMA 4), 24 V AC/DC ATEX Ex version   |  | Q               |            |
| <b>Module</b>   |  |                 |            |
| Without transmitter (only sensor)   |  | A <sup>1)</sup> |            |
| HART, 1 pulse output, 1 relay   |  | B               |            |
| HART Ex, 1 pulse output, 1 relay  |  | C               |            |
| PROFIBUS PA, 1 pulse/frequency  |  | D               |            |
| PROFIBUS PA, Ex, 1 pulse/frequency  |  | E               |            |
| <b>Transducer coax cable</b>  |  |                 |            |
| 4 x 3 m, max. 70 °C (158 °F)  |  | 0               |            |
| 4 x 15 m, max. 70 °C (158 °F)   |  | 1               |            |
| 4 x 30 m, high temp. max. 200 °C (392 °F)   |  | 2               |            |
| 4 x 30 m, max. 70 °C (158 °F)   |  | 3               |            |
| 4 x 60 m, max. 70 °C (158 °F)   |  | 4               |            |
| 4 x 90 m, max. 70 °C (158 °F)   |  | 5               |            |
| 4 x 120 m, max. 70 °C (158 °F)  |  | 6               |            |
| 4 x 3 m, high temp. max. 200 °C (392 °F)  |  | 7               |            |
| 4 x 15 m, high temp. max. 200 °C (392 °F)   |  | 8               |            |

<sup>1)</sup> Reduced Q value during calibration (Qn setting unchanged)

<sup>2)</sup> In preparation

Please also see [www.siemens.com/SITRANSOrdering](http://www.siemens.com/SITRANSOrdering) for practical examples of ordering

# SITRANS F flowmeters

## SITRANS F US

### Flowmeter SONO 3100/FUS060

| Selection and Ordering data | Order code |
|-----------------------------|------------|
|-----------------------------|------------|

#### Additional information

Please add „-Z“ to Order No. and specify Order code(s) and plain text.

#### Calibration

Production calibration DN 100 ... DN 1200 (with certificate) **Included**

Theoretical calibration DN 500 ... DN 1200 **D03**

Accredited Siemens ISO/IEC 17025 calibration for DN100 to DN500/600 with Qn as selected in diameter. Verification certificate: 2 x 3 points in 10%, 25% and 100% Qn (max. flow 1235/1300 m<sup>3</sup>/h). **D21**

Accredited Siemens ISO/IEC 17025 calibration for DN300 to DN700 with Qn as selected in diameter. Verification certificate: 2 x 3 points in 10%, 25% and 100% Qn (max. flow 4200 m<sup>3</sup>/h). **D22**

Accredited Siemens ISO/IEC 17025 calibration for DN800 to DN1200 with Qn as selected in diameter. Verification certificate: 2 x 3 points in 10%, 25% and 100% Qn (max. flow 4200 m<sup>3</sup>/h). **D23**

Accredited - Third Party ISO/IEC 17025 calibration for DN100 to DN600 with Qn as selected in diameter. Verification certificate: 2 x 3 points in 10%, 25% and 100% Qn (max. flow 1300 m<sup>3</sup>/h). **D31**

Accredited - Third Party ISO/IEC 17025 calibration for DN300 to DN700 with Qn as selected in diameter. Verification certificate: 2 x 3 points in 10%, 25% and 100% Qn (max. flow 4200 m<sup>3</sup>/h). **D32**

Accredited - Third Party ISO/IEC 17025 calibration for DN800 to DN1200 with Qn as selected in diameter. Verification certificate: 2 x 3 points in 10%, 25% and 100% Qn (max. flow 7000 m<sup>3</sup>/h). **D33**

Accredited - Third Party ISO/IEC 17025 calibration for DN100 to DN600 with Qn as selected in diameter. Verification certificate: 2 x 3 points in 10%, 25% and 100% Qn (max. flow 1300 m<sup>3</sup>/h). **D31**

#### Material certificate

EN 10204-3.1 **F10**

EN 10204-3.1 and 100% NDT on weldings, DN 100 ... DN 400 **F11**

EN 10204-3.1 and 100% NDT on weldings, DN 500 ... DN 700 **F12**

EN 10204-3.1 and 100% NDT on weldings, DN 800 ... DN 1200 **F13**

EN 10204-3.1 and 100% NDT on weldings, DN 800 ... DN 1200 **F13**

EN 10204-3.1 and 100% NDT on weldings, DN 800 ... DN 1200 **F13**

EN 10204-3.1 and 100% NDT on weldings, DN 800 ... DN 1200 **F13**

EN 10204-3.1 and 100% NDT on weldings, DN 800 ... DN 1200 **F13**

EN 10204-3.1 and 100% NDT on weldings, DN 800 ... DN 1200 **F13**

EN 10204-3.1 and 100% NDT on weldings, DN 800 ... DN 1200 **F13**

EN 10204-3.1 and 100% NDT on weldings, DN 800 ... DN 1200 **F13**

EN 10204-3.1 and 100% NDT on weldings, DN 800 ... DN 1200 **F13**

EN 10204-3.1 and 100% NDT on weldings, DN 800 ... DN 1200 **F13**

EN 10204-3.1 and 100% NDT on weldings, DN 800 ... DN 1200 **F13**

EN 10204-3.1 and 100% NDT on weldings, DN 800 ... DN 1200 **F13**

EN 10204-3.1 and 100% NDT on weldings, DN 800 ... DN 1200 **F13**

EN 10204-3.1 and 100% NDT on weldings, DN 800 ... DN 1200 **F13**

EN 10204-3.1 and 100% NDT on weldings, DN 800 ... DN 1200 **F13**

EN 10204-3.1 and 100% NDT on weldings, DN 800 ... DN 1200 **F13**

EN 10204-3.1 and 100% NDT on weldings, DN 800 ... DN 1200 **F13**

EN 10204-3.1 and 100% NDT on weldings, DN 800 ... DN 1200 **F13**

EN 10204-3.1 and 100% NDT on weldings, DN 800 ... DN 1200 **F13**

EN 10204-3.1 and 100% NDT on weldings, DN 800 ... DN 1200 **F13**

EN 10204-3.1 and 100% NDT on weldings, DN 800 ... DN 1200 **F13**

EN 10204-3.1 and 100% NDT on weldings, DN 800 ... DN 1200 **F13**

EN 10204-3.1 and 100% NDT on weldings, DN 800 ... DN 1200 **F13**

EN 10204-3.1 and 100% NDT on weldings, DN 800 ... DN 1200 **F13**

EN 10204-3.1 and 100% NDT on weldings, DN 800 ... DN 1200 **F13**

EN 10204-3.1 and 100% NDT on weldings, DN 800 ... DN 1200 **F13**

EN 10204-3.1 and 100% NDT on weldings, DN 800 ... DN 1200 **F13**

EN 10204-3.1 and 100% NDT on weldings, DN 800 ... DN 1200 **F13**

EN 10204-3.1 and 100% NDT on weldings, DN 800 ... DN 1200 **F13**

EN 10204-3.1 and 100% NDT on weldings, DN 800 ... DN 1200 **F13**

EN 10204-3.1 and 100% NDT on weldings, DN 800 ... DN 1200 **F13**

EN 10204-3.1 and 100% NDT on weldings, DN 800 ... DN 1200 **F13**

EN 10204-3.1 and 100% NDT on weldings, DN 800 ... DN 1200 **F13**

EN 10204-3.1 and 100% NDT on weldings, DN 800 ... DN 1200 **F13**

Please also see [www.siemens.com/SITRANSFordering](http://www.siemens.com/SITRANSFordering) for practical examples of ordering



Please use online Product selector to get latest updates. Product selector link:

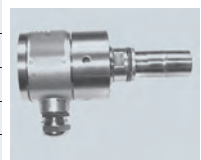
[www.pia-selector.automation.siemens.com](http://www.pia-selector.automation.siemens.com)



#### Sensor SONO 3100 accessories and spare parts

##### SONO 3200 spare parts, complete units

| Type        | Material | Gasket      | Pressure rating | Terminal housing                  | Approv.            | Temp. range [°C (°F)]         | Length mm (inch) | Order No.           |
|-------------|----------|-------------|-----------------|-----------------------------------|--------------------|-------------------------------|------------------|---------------------|
| O-ring      | 316 SS   | O-ring      | PN 40           | Plastic, PA 6.6 M20               |                    | -20 ... +100 (-4 ... +212)    | 50 (1.97)        | <b>FDK-085B5453</b> |
| O-ring      | 316 SS   | O-ring      | PN 40           | 316 SS M20                        |                    | -20 ... +200 (-4 ... +392)    | 50 (1.97)        | <b>FDK-085B5450</b> |
| O-ring      | 316 SS   | O-ring      | PN 40           | 316 SS M20                        | Ex-d <sup>1)</sup> | -20 ... +180 (-4 ... +356)    | 50 (1.97)        | <b>FDK-085B5451</b> |
| O-ring      | 316 SS   | O-ring      | PN 40           | 316 SS M20                        | Ex-i <sup>2)</sup> | -10 ... +190 (-14 ... +374)   | 50 (1.97)        | <b>A5E00836448</b>  |
| O-ring      | 316 SS   | O-ring      | PN 40           | Plastic, PA 6.6 ½" NPT            |                    | -20 ... +100 (-4 ... +212)    | 50 (1.97)        | <b>A5E00839472</b>  |
| O-ring      | 316 SS   | O-ring      | PN 40           | 316 SS ½" NPT                     |                    | -20 ... +200 (-4 ... +392)    | 50 (1.97)        | <b>A5E00839431</b>  |
| Flange      | 316 SS   | Graphite    | PN 40           | Plastic, PA 6.6 M20               |                    | -20 ... +100 (-4 ... +212)    | 88 (3.47)        | <b>FDK-085B5461</b> |
| Flange      | 316 SS   | Graphite    | PN 40           | 316 SS M20                        |                    | -20 ... +200 (-4 ... +392)    | 88 (3.47)        | <b>FDK-085B5462</b> |
| Flange      | 316 SS   | Graphite    | PN 40           | 316 SS M20                        | Ex-d <sup>1)</sup> | -20 ... +180 (-4 ... +356)    | 88 (3.47)        | <b>FDK-085B5463</b> |
| Flange      | 316 SS   | Graphite    | PN 40           | 316 SS M20                        | Ex-i <sup>2)</sup> | -10 ... +190 (-14 ... +374)   | 88 (3.47)        | <b>A5E00836465</b>  |
| Flange      | 316 SS   | Graphite    | PN 40           | Plastic, PA 6.6 ½" NPT            |                    | -20 ... +100 (-4 ... +212)    | 88 (3.47)        | <b>A5E00839479</b>  |
| Flange      | 316 SS   | Graphite    | PN 40           | 316 SS ½" NPT                     |                    | -20 ... +200 (-4 ... +392)    | 88 (3.47)        | <b>A5E00839440</b>  |
| Flange      | 316 SS   | Copper ring | PN 40           | 316 SS PG13.5 (cryogenic version) |                    | -200 ... +100 (-328 ... +212) | 88 (3.47)        | <b>FDK-085B5416</b> |
| Flat flange | 316 SS   | Flat gasket | PN 40           | 316 SS M20 (cryogenic version)    |                    | -200 ... +100 (-328 ... +212) | 88 (3.47)        | <b>on request</b>   |



##### Terminal housing

| Type  | Pressure rating | Material        | Temp. range [°C (°F)]       | Order No.           |
|---|-----------------|-----------------|-----------------------------|---------------------|
| Terminal housing (M20 cable gland)                    | N/A             | PA 6.6          | -20 ... +100 (-4 ... +212)  | <b>FDK-085B5501</b> |
| Terminal housing (M20 cable gland)                    | N/A             | ASTM 316        | -20 ... +200 (-4 ... +392)  | <b>FDK-085B5504</b> |
| Terminal housing (½" NPT cable gland)                 | N/A             | PA 6.6          | -20 ... +100 (-4 ... +212)  | <b>A5E00839460</b>  |
| Terminal housing (½" NPT cable gland)                 | N/A             | ASTM 316        | -20 ... +200 (-4 ... +392)  | <b>A5E00839427</b>  |
| Ex-d <sup>1)</sup> terminal housing (M20 cable gland) | N/A             | ASTM 316        | -20 ... +180 (-4 ... +356)  | <b>FDK-085B5505</b> |
| Ex-i <sup>2)</sup> terminal housing (M20 cable gland) | N/A             | ASTM 316        | -10 ... +190 (-14 ... +374) | <b>A5E00835255</b>  |
| Gaskets for O-ring transducer                         | PN 40           | 70 FFKM         | -20 ... +200 (-4 ... +392)  | <b>FDK-085B1098</b> |
| Gasket and 12 mm bolts and nuts for flange transducer | PN 40           | Graphite 316 SS | -20 ... +200 (-4 ... +392)  | <b>FDK-085B1083</b> |



##### SONO 3200 spare parts, transducer body without terminal housing, including insert

| Type   | Material | Gasket   | Pressure rating | Temp. range [°C (°F)]      | Length mm (inch) | Order No.           |
|--------|----------|----------|-----------------|----------------------------|------------------|---------------------|
| O-ring | 316 SS   | O-ring   | PN 40           | -20 ... +200 (-4 ... +392) | 50 (1.97)        | <b>FDK-085B1405</b> |
| Flange | 316 SS   | Graphite | PN 40           | -20 ... +200 (-4 ... +392) | 88 (3.47)        | <b>FDK-085B1464</b> |



##### SONO 3200 spare parts, transducer insert

| Type   | Temp. range [°C (°F)]      | Length mm (inch) | Order No.           |
|--------|----------------------------|------------------|---------------------|
| Insert | -20 ... +200 (-4 ... +392) | 50 (1.97)        | <b>FDK-085B1411</b> |
| Insert | -20 ... +200 (-4 ... +392) | 88 (3.47)        | <b>FDK-085B1459</b> |



<sup>1)</sup> ATEX (Ex) IIC 2G EEx d IIC T3 ... T6







<sup>2)</sup> For systems with FUS060 ATEX IIC 2G Ex dem [ia/ib] T6/T4/T3

# SITRANS F flowmeters

## SITRANS F US






### Flowmeter SONO 3100/FUS060

#### Transducer SONO 3200 gaskets


| Type   | Pressure rating | Material                | Temperature range [°C (°F)]   | Order No.           |   |
|--|-----------------|-------------------------|-------------------------------|---------------------|---|
| Gasket O-ring (3 pcs. for o-ring transducers)                  | PN 40           | FFKM <sup>1)</sup> /FKM | -20 ... +200 (-4 ... +392)    | <b>FDK-085B1089</b> |  |
| Gasket flange  | PN 40/160       | Graphite                | -20 ... +200 (-4 ... +392)    | <b>FDK-085B1080</b> |  |
| Gasket and 12 mm (0.47") bolts and nuts for flange transducers | PN 40           | Flat ring type          | -20 ... +200 (-4 ... +392)    | <b>FDK-085B1083</b> |  |
| Gasket and 16 mm (0.63") bolts and nuts for flange transducers | PN 160          | Graphite, 316 SS        | -20 ... +200 (-4 ... +392)    | <b>FDK-085B1084</b> |  |
| Gasket for cryogenics transducer with flat flange              | PN 40           | Graphite/metal          | -200 ... +100 (-328 ... +212) | <b>on request</b>   |  |
| Gasket cryogenics  | PN 40           | Copper, O-ring          | -200 ... +100 (-328 ... +212) | <b>FDK-085B1099</b> |  |

<sup>1)</sup> Chemical resistant O-ring


#### SONO 3200 cable glands

| Type/description                               | Temperature range [°C (°F)] | Appr. | Order No.          |   |
|--|-----------------------------|-------|--------------------|---|
| black PA plastic, cable Ø 5 ... 13 mm          | -20 ... 100 (-4 ... +212)   |       | <b>A5E02246304</b> |  |
| ½" NPT grey PA plastic, cable Ø 5 ... 9 mm     | -20 ... 100 (-4 ... +212)   |       | <b>A5E02246309</b> |  |
| ½" NPT chrome-plated brass, cable Ø 5 ... 9 mm | -40 ... 100 (-40 ... +212)  |       | <b>A5E02246258</b> |  |
| M20 stainless steel, cable Ø 4 ... 6 mm        | -25 ... 200 (-13 ... +392)  | Ex-i  | <b>A5E02246194</b> |  |
| M20 Stainless steel, cable Ø 5 ... 8 mm        | -60 ... 180 (-76 ... +356)  | Ex-d  | <b>A5E02246311</b> |  |

#### Accessories and spare parts

| Type/description  | Order No.           |  |
|---|---------------------|--|
| Submersible kit for transducers SONO 3200, IP68 10 m (32.81 ft) w.g. rating | <b>FDK-085L2403</b> |  |

#### Tools for transducer SONO 3200

| Type/description   | Transducer length         | Order No.           |   |
|--|---------------------------|---------------------|---|
| Extraction tool for replacement of SONO 3200 O-ring transducers under pressure (hot-tap) | 50 mm (1.97") transducers | <b>FDK-085B5331</b> |  |

#### Cables for SONO 3100 with FUS060

| Type/description  | Length m<br>(ft) | Order No.                       |
|---|------------------|---------------------------------|
| Coaxial cable for FUS060, (75 $\Omega$ , max. 70 °C (158 °F), black PVC)<br>(2 pcs.)  | 3 (9.84)         | <b>A5E00875101</b>              |
|   | 15 (49.21)       | <b>A5E00861432</b>              |
|   | 30 (98.43)       | <b>A5E01278662</b>              |
|   | 60 (196.85)      | <b>A5E01278682</b>              |
|   | 90 (295.28)      | <b>A5E01278687</b>              |
| High temp. coaxial cable for FUS060; with 0.3 m brown PTFE high temp. transducer part, max. 200 °C (392 °F) and black PVC for remaining transmitter part with SMB plug, max. 70 °C (158 °F); (impedance 75 $\Omega$ )<br>(2 pcs.) | 3 (9.84)         | <b>A5E00875105<sup>F)</sup></b> |
|   | 15 (49.21)       | <b>A5E00861435</b>              |
|   | 30 (98.43)       | <b>A5E01196952<sup>F)</sup></b> |
|   |                  |                                 |



F) Subject to export regulations AL: 91999, ECCN: N.

#### Cable connection boxes

(For the connection of individually transducer cables with the FUS060 transducer cables)

| Type/description   | Order No.           |
|--|---------------------|
| Junction box for coax cable                                  |                     |
| • IP68 metal box for 4 coax cables                           | <b>FDK-085B1361</b> |
| • IP68 EEx e plastic box for 4 coax cables, no ATEX approval | <b>FDK-085B1363</b> |

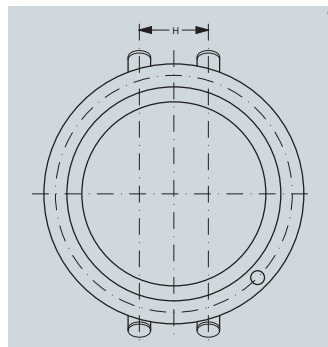
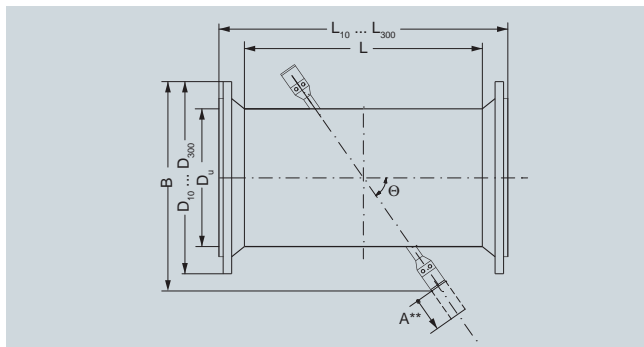


# SITRANS F flowmeters

## SITRANS F US

### Flowmeter SONO 3100/FUS060

#### Dimensional drawings of sensor SONO 3100



#### Sensor SONO 3100 with EN norm

| DN   | DU     | L <sup>1) 4)</sup> | B    | θ                | H     | PN 10                         |                 |                               | PN 16                         |                 |                               | PN 25                         |                 |                               | PN 40                         |                 |                               |
|------|--------|--------------------|------|------------------|-------|-------------------------------|-----------------|-------------------------------|-------------------------------|-----------------|-------------------------------|-------------------------------|-----------------|-------------------------------|-------------------------------|-----------------|-------------------------------|
|      |        |                    |      |                  |       | W <sub>10</sub> <sup>2)</sup> | D <sub>10</sub> | L <sub>10</sub> <sup>1)</sup> | W <sub>16</sub> <sup>2)</sup> | D <sub>16</sub> | L <sub>16</sub> <sup>1)</sup> | W <sub>25</sub> <sup>2)</sup> | D <sub>25</sub> | L <sub>25</sub> <sup>1)</sup> | W <sub>40</sub> <sup>2)</sup> | D <sub>40</sub> | L <sub>40</sub> <sup>1)</sup> |
|      | [mm]   | [mm]               | [mm] | [°]              | [mm]  | [mm]                          | [mm]            | [mm]                          | [mm]                          | [mm]            | [mm]                          | [mm]                          | [mm]            | [mm]                          | [mm]                          | [mm]            | [mm]                          |
| 100  | 114.3  | 860                | 305  | 45 <sup>3)</sup> | 42.8  | -                             | -               | -                             | 3.6                           | 220             | 960                           | -                             | -               | -                             | 3.6                           | 235             | 990                           |
| 125  | 139.7  | 862                | 325  | 45 <sup>3)</sup> | 64.5  | -                             | -               | -                             | 4.0                           | 250             | 970                           | -                             | -               | -                             | 4.0                           | 270             | 990                           |
| 150  | 168.3  | 862                | 350  | 45 <sup>3)</sup> | 78.1  | -                             | -               | -                             | 4.5                           | 285             | 970                           | -                             | -               | -                             | 4.5                           | 300             | 1010                          |
| 200  | 219.1  | 668                | 430  | 45 <sup>3)</sup> | 102.1 | 6.3                           | 340             | 790                           | 6.3                           | 340             | 790                           | 6.3                           | 360             | 820                           | 6.3                           | 375             | 840                           |
| 250  | 273.0  | 714                | 480  | 45 <sup>3)</sup> | 127.6 | 6.3                           | 395             | 850                           | 6.3                           | 405             | 850                           | 7.1                           | 425             | 890                           | 7.1                           | 450             | 920                           |
| 300  | 323.9  | 607                | 525  | 45 <sup>3)</sup> | 151.8 | 7.1                           | 445             | 740                           | 7.1                           | 460             | 760                           | 8.0                           | 485             | 790                           | 8.0                           | 515             | 830                           |
| 350  | 355.6  | 639                | 550  | 45 <sup>3)</sup> | 166.4 | 8.0                           | 405             | 770                           | 8.0                           | 520             | 800                           | 8.0                           | 555             | 840                           | 8.8                           | 580             | 880                           |
| 400  | 406.4  | 703                | 600  | 45 <sup>3)</sup> | 191.3 | 8.0                           | 565             | 850                           | 8.0                           | 580             | 875                           | 8.8                           | 620             | 925                           | 11.1                          | 660             | 975                           |
| 500  | 508.0  | 797                | 690  | 45 <sup>3)</sup> | 241.1 | 7.1                           | 670             | 950                           | 8.0                           | 715             | 980                           | 10.0                          | 730             | 1050                          | 14.2                          | 755             | 1080                          |
| 600  | 610.0  | 912                | 705  | 60               | 294.8 | 7.1                           | 780             | 1075                          | 8.8                           | 840             | 1105                          | 11.0                          | 845             | 1165                          | -                             | -               | -                             |
| 700  | 711.0  | 937                | 895  | 60               | 340.6 | 8.0                           | 895             | 1100                          | 8.8                           | 910             | 1140                          | 12.5                          | 960             | 1190                          | -                             | -               | -                             |
| 800  | 813.0  | 967                | 985  | 60               | 390.4 | 8.0                           | 1015            | 1150                          | 10.0                          | 1025            | 1180                          | 14.2                          | 1085            | 1240                          | -                             | -               | -                             |
| 900  | 914.0  | 1007               | 1070 | 60               | 445.9 | 10.0                          | 1115            | 1200                          | 10.0                          | 1125            | 1230                          | 16.0                          | 1185            | 1300                          | -                             | -               | -                             |
| 1000 | 1016.0 | 1060               | 1160 | 60               | 490.0 | 10.0                          | 1230            | 1250                          | 10.0                          | 1255            | 1300                          | 17.5                          | 1320            | 1370                          | -                             | -               | -                             |
| 1200 | 1220.0 | 1100               | 1350 | 60               | 588.0 | 8.0                           | 1340            | 1280                          | 11.0                          | 1455            | 1360                          | -                             | -               | -                             | -                             | -               | -                             |

<sup>1)</sup> Length tolerance (mm): DN100 +2/-3, DN 125 ... 200 +3/-4, DN 250 ... 400 +4/-5, DN 500 ... 1200 +5/-6

<sup>2)</sup> Wall thickness for pressure rates PN 6 ... 40

A\*\*) Space required for replacement of transducer min. 230 mm (9.1 inch). For replacement with special tool (extraction tool) see more information in „Sensor SONO 3100 accessories and spare parts“ on page 4/190.

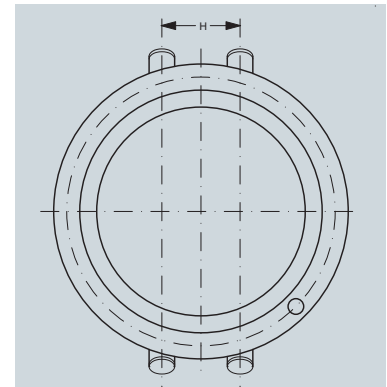
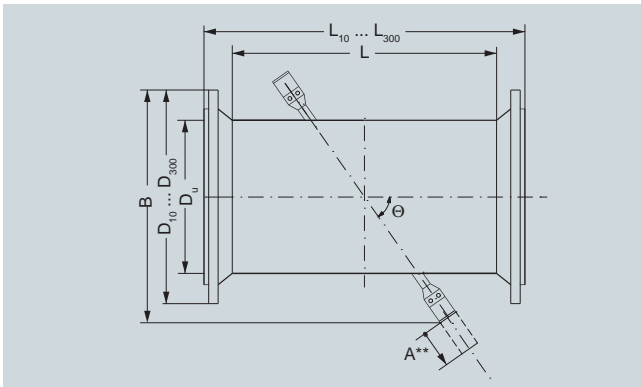
<sup>3)</sup> For all sensors with flange transducers track angle are 60°

<sup>4)</sup> L is the length of sensor versions without flanges (weld-in version)

#### SONO 3100, 2-track

| Nominal diam. | Flange type - Weight [kg] ([lbs]) |             |             |             |
|---------------|-----------------------------------|-------------|-------------|-------------|
|               | PN 10                             | PN 16       | PN 25       | PN 40       |
| DN            |                                   |             |             |             |
| 100 (4")      | -                                 | 32 (70.5)   | -           | 35 (77.2)   |
| 125 (5")      | -                                 | 38 (83.8)   | -           | 44 (97.0)   |
| 150 (6")      | -                                 | 45 (99.2)   | -           | 52 (114.6)  |
| 200 (8")      | 59 (130.0)                        | 58 (127.9)  | 70 (154.3)  | 79 (174.2)  |
| 250 (10")     | 73 (161.0)                        | 75 (163.3)  | 96 (211.6)  | 117 (257.9) |
| 300 (12")     | 83 (183.0)                        | 92 (202.8)  | 114 (251.3) | 151 (332.9) |
| 350 (14")     | 98 (216.0)                        | 113 (249.1) | 145 (322.9) | 191 (421.1) |
| 400 (16")     | 119 (262.4)                       | 141 (310.9) | 191 (421.1) | 275 (606.3) |
| 500 (20")     | 153 (337.3)                       | 207 (456.4) | 284 (626.0) | 379 (836.0) |
| 600 (24")     | 193 (425.5)                       | 276 (608.5) | 363 (800.3) | -           |
| 700 (28")     | 262 (577.6)                       | 303 (668.0) | 480 (1058)  | -           |
| 800 (32")     | 329 (725.3)                       | 400 (881.8) | 650 (1433)  | -           |
| 900 (36")     | 428 (943.6)                       | 475 (1047)  | 835 (1841)  | -           |
| 1000 (40")    | 500 (1102)                        | 594 (1010)  | 1078 (2377) | -           |
| 1200 (48")    | 680 (1496)                        | 860 (1892)  | -           | -           |

Weight of system incl. process flanges and standard O-ring transducers. For sensors with flange transducer please add approx. 10 kg (22.05 lbs). For SS terminal housings instead of the standard PA housing add approx. 5 kg (11.03 lbs).



Sensor SONO 3100 with ANSI norm

| Size (DN)   | D <sub>U</sub> | L <sup>1) 4)</sup> | B      | θ                | H      | Class 150                      |                  |                                | Class 300                      |                  |                                |
|-------------|----------------|--------------------|--------|------------------|--------|--------------------------------|------------------|--------------------------------|--------------------------------|------------------|--------------------------------|
|             |                |                    |        |                  |        | W <sub>150</sub> <sup>2)</sup> | D <sub>150</sub> | L <sub>150</sub> <sup>1)</sup> | W <sub>300</sub> <sup>2)</sup> | D <sub>300</sub> | L <sub>300</sub> <sup>1)</sup> |
| [inch (mm)] | [inch]         | [inch]             | [inch] | [°]              | [inch] | [inch]                         | [inch]           | [inch]                         | [inch]                         | [inch]           | [inch]                         |
| 4" (100)    | 4.50           | 33.86              | 12.01  | 45 <sup>3)</sup> | 1.69   | 0.14                           | 9.00             | 39.86                          | 0.25                           | 10.00            | 40.62                          |
| 5" (125)    | 5.50           | 33.94              | 12.80  | 45 <sup>3)</sup> | 2.54   | 0.15                           | 10.00            | 40.94                          | 0.27                           | 11.00            | 41.70                          |
| 6" (150)    | 6.63           | 33.94              | 13.78  | 45 <sup>3)</sup> | 3.07   | 0.16                           | 11.00            | 40.94                          | 0.30                           | 12.50            | 41.70                          |
| 8" (200)    | 8.63           | 26.30              | 16.93  | 45 <sup>3)</sup> | 4.02   | 0.16                           | 13.50            | 34.30                          | 0.29                           | 15.00            | 35.06                          |
| 10" (250)   | 10.75          | 28.11              | 18.90  | 45 <sup>3)</sup> | 5.02   | 0.18                           | 16.00            | 36.11                          | 0.34                           | 17.50            | 37.35                          |
| 12" (300)   | 12.75          | 23.90              | 20.67  | 45 <sup>3)</sup> | 5.98   | 0.20                           | 19.00            | 32.90                          | 0.39                           | 20.50            | 34.14                          |
| 14" (350)   | 14.00          | 25.16              | 21.65  | 45 <sup>3)</sup> | 6.55   | 0.21                           | 21.00            | 35.16                          | -                              | -                | -                              |
| 16" (400)   | 16.00          | 27.68              | 23.62  | 45 <sup>3)</sup> | 7.53   | 0.22                           | 23.50            | 33.74                          | -                              | -                | -                              |
| 20" (500)   | 20.00          | 31.38              | 27.17  | 45 <sup>3)</sup> | 9.49   | 0.26                           | 27.50            | 42.76                          | -                              | -                | -                              |
| 24" (600)   | 24.00          | 35.91              | 27.76  | 60               | 11.61  | 0.30                           | 32.00            | 47.91                          | -                              | -                | -                              |

<sup>1)</sup> Length tolerance (mm): 4" +0.08"/-0.12" (+2/-3mm), 5" to 8" +0.12"/-0.16" (+3/-4mm), 10" to 16" +0.16"/-0.20" (+4/-5mm), 20" to 24" +0.20"/-0.24" (+5/-6mm)

<sup>2)</sup> Minimum wall thickness for pressure rates CL150 or CL300

<sup>3)</sup> For all sensors with flange transducers track angle are 60°

<sup>4)</sup> L is the length of sensor versions without flanges (weld-in version)

A\*\*) Space required for replacement of transducer min. 230 mm (9.1 inch). For replacement with special tool (extraction tool) see more information in „Sensor SONO 3100 accessories and spare parts“ on page 4/189.

Approximate weights for SONO 3100 sensor with ANSI B16.5 flanges

| Nominal diam. | Nominal diam. | Weight [kg] ([lbs]) <sup>1)</sup> |       |       |       |
|---------------|---------------|-----------------------------------|-------|-------|-------|
|               |               | CL150                             |       | CL300 |       |
| [inch]        | [mm]          | [kg]                              | [lbs] | [kg]  | [lbs] |
| 4"            | 100           | 32                                | 70.5  | 35    | 77.2  |
| 5"            | 125           | 38                                | 83.8  | 44    | 97.0  |
| 6"            | 150           | 45                                | 99.2  | 52    | 114.6 |
| 8"            | 200           | 58                                | 127.9 | 79    | 174.2 |
| 10"           | 250           | 75                                | 165.3 | 117   | 257.9 |
| 12"           | 300           | 92                                | 202.8 | 151   | 332.9 |
| 14"           | 350           | 113                               | 249.1 | -     | -     |
| 16"           | 400           | 141                               | 310.9 | -     | -     |
| 20"           | 500           | 207                               | 456.4 | -     | -     |
| 24"           | 600           | 276                               | 608.5 | -     | -     |

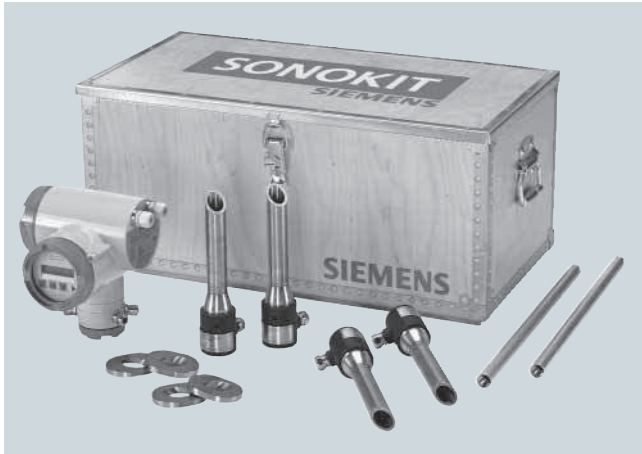
<sup>1)</sup> Weight of system incl. process flanges and standard O-ring transducers.  
For sensors with flange transducer please add approx. 10 kg (22.05 lbs).  
For SS terminal housings instead of the standard PA housing add approx. 5 kg (11.03 lbs).

# SITRANS F flowmeters

## SITRANS F US

### Flowmeter SONOKIT (with FUS060)

#### Overview



SONOKIT is a transit time based ultrasonic flowmeter for retrofitting on existing pipelines.

The kit includes all necessary parts and special tools to make the installation as 1- or 2-track flowmeter.

The set is made for installation on empty pipes or pipes under pressure without process shut-down (hot-tap).

Please contact Siemens for further information on hot-tap tools and instructions.

SONOKIT has in-line transducers (in contact with media) which assure superior accuracy and performance.

#### Benefits

- Cost-effective solution – contains all the necessary components for retrofitting
- SONOKIT is easy to install in pipeline sizes DN 200 to DN 4000 (8" to 160") 1-track DN 100 to DN 2400 (4" to 96") – without process shut-down or flow interruption
- No bypass installation necessary – withstands pressures up to 40 bar (580 psi) and media temperatures between -20 °C and +200 °C (-4 °F and +392 °F)
- High accuracy – the bigger the pipe, the more accurate the result
- Solid construction and no moving parts for a 100% maintenance and obstruction-free flowmeter
- The SONOKIT comes with transducers in IP68 enclosure
- Available in a robust version that can be buried and withstands constant flooding
- In-line transducers assure superior accuracy and performance
- Automatic calculation of the calibration factor when pipe geometry data are entered in the transmitter
- Transmitter versions with HART or PROFIBUS PA

#### Application

- Raw water intake for water treatment plants
- Water distribution systems
- Irrigation systems
- Power generation (energy and water)
- District heating plants
- Cooling water plants within the industry and in power stations
- Systems within the oil and refinery business
- Sewage treatment plants
- Plants transporting non-conductive liquids

#### Design

The SONOKIT package box contains all necessary parts to build an ultrasonic flowmeter on existing pipes depending on choices at ordering:

- Papers to wrap around pipes for alignment of sensors
- Transducer alignment tools
- Mounting plates, transducer holders and SONO 3200 transducers
- Transducer cables
- SITRANS FUS060 transmitter for wall mounting
- 4-track version is available on request

#### Technical specifications

**Transmitter specifications for the type SITRANS FUS060 see page 4/176 ff.**

#### Accuracy

Typical, depending on accuracy of measurements of installation

- 2-Track:  $\leq \pm (0.5 \dots 1.5 \%)$
- 1-Track:  $\leq \pm (1 \dots 3 \%)$

Note:

Accuracy depends on the accuracy of the measurements taken at location. This means that inaccurate measurements of angles, distance between transducers, wall thickness and pipe diameter have a direct effect on the accuracy. Values measured are entered into the memory of the FUS060 transmitter.

#### Requirements for pipes

##### Requirements for pipes

|                           |  |
|---------------------------|--|
| <b>Size</b>               | DN 100 ... DN 4000 (4" ... 160")   |
| Line pressure             | max. 40 bar (580 psi)  |
| Media/surface temperature | <ul style="list-style-type: none"> <li>• Standard version: -20 ... +100 °C (-4 ... +212 °F)</li> <li>• High temp. version: -20 ... +200 °C (-4 ... 392 °F)</li> <li>• ATEX Ex-d version: -20 ... +180 °C (-4 ... +356 °F)</li> <li>• ATEX Ex-i version: -10 ... +190 °C (14 ... 374 °F)</li> </ul> |
| Ambient temperature       | -20 ... +60 °C (-4 ... +140 °F)  |

##### Transducer enclosure/approvals/certificates

|                       |  |
|-----------------------|--|
| Standard version      | IP67 (NEMA 6) / IP68 (NEMA 6X)   |
| Ex approval           | <p>System ATEX approval for SONO 3200 Ex i transducers together with transmitter FUS060-Ex:</p> <p>ATEX II 2G Ex dem [ia/Ib] IIC T6/T4/T3 or</p> <p>ATEX II 2G EEx d T3-T6 with SONO 3200 Ex d transducers (for standard FUS060 transmitter, installed outside of Ex zone)</p> |
| Material certificates | EN 10204-3.1 material certificate on transducer mounting parts   |

##### Transducer materials

|                  |  |
|------------------|--|
| Terminal housing | Standard version: PA 6.6, 100 °C (212 °F) or stainless steel AISI 316, 200 °C (392 °F) |
| Transducer body  | Standard version: Stainless steel AISI 316, 200 °C (392 °F)                            |

### Flowmeter SONOKIT (with FUS060)

#### Materials of existing pipeline

|                 |  |
|-----------------|--|
| Steel           | Transducer holder: EN 10273 or EN 10216 (P235GH)<br>Mounting plates: EN 10273 or EN 10216 (P235GH)             |
| Concrete        | Transducer holder: Stainless steel AISI 316 or similar<br>Mounting plates: (not included)                      |
| Stainless steel | Transducer holder: Stainless steel AISI 316 or similar<br>Mounting plates: Stainless steel AISI 316 or similar |

#### Pipe wall thickness

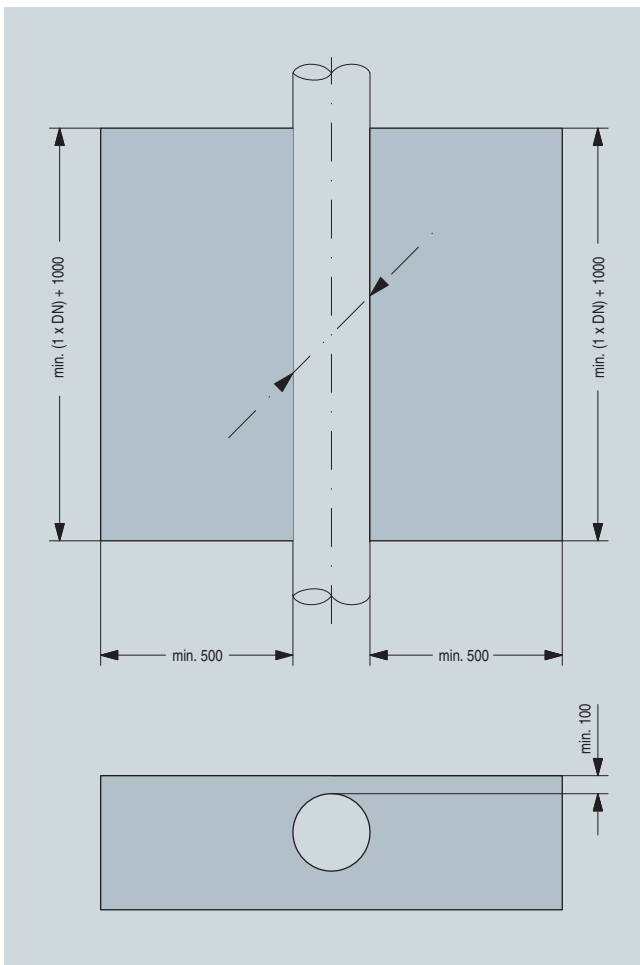
|  |   |
|--|---|
| Steel pipe (AISI 316 and St. 37.2 or corresponding material) | Transducer and holder available in length $L = 160$ , allowing a pipe wall thickness up to 20 mm (0.79")                              |
| Concrete pipe  | Transducer and holder available in length $L = 230$ , allowing a pipe wall thickness up to 200 mm (7.9") and pipe sizes $\geq$ DN 600 |

#### Dimension of the package box

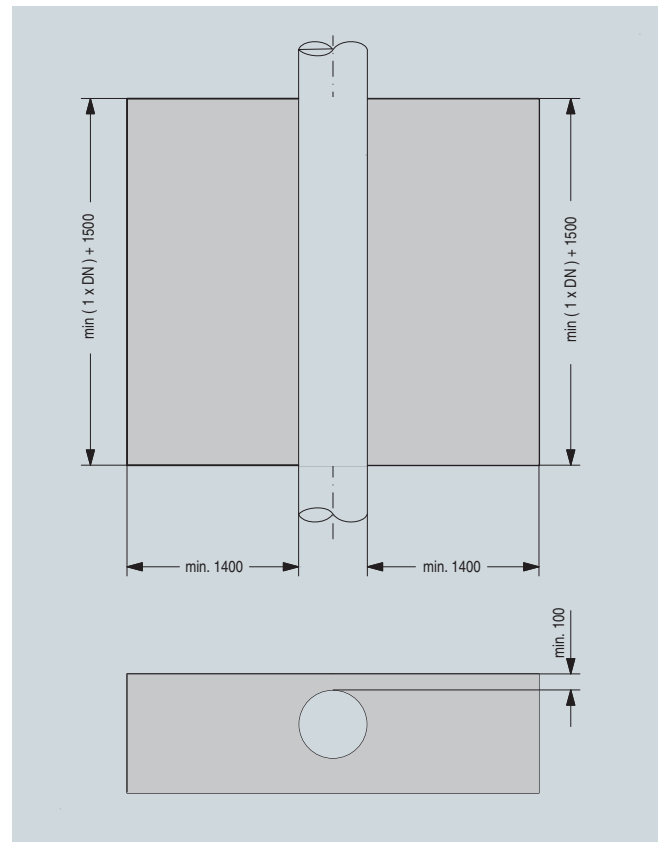
(L x W x H) 820 x 420 x 360 mm (32.3" x 16.6" x 14.2")

#### Installation requirements

The space requirements (in mm) around the pipe for retrofitting a SITRANS F US ultrasonic flowmeter type SONOKIT are given below:



Empty pipe installation



Hot-tap installation



# SITRANS F flowmeters

## SITRANS F US

### Flowmeter SONOKIT (with FUS060)

196

| Selection and Ordering data   |                                     | Order No. |
|---|-------------------------------------|-----------|
| <b>SITRANS F US SONOKIT</b><br>1-track sensor   |                                     | 7ME3210 - |
| <b>Diameter</b>   | <b>Qn setting [m<sup>3</sup>/h]</b> |           |
| DN 100 (4")   | 100                                 | 1 P       |
| DN 125 (5")   | 150                                 | 1 T       |
| DN 150 (6")   | 220                                 | 2 B       |
| DN 200 (8")   | 380                                 | 2 F       |
| DN 250 (10")  | 600                                 | 2 K       |
| DN 300 (12")  | 850                                 | 2 P       |
| DN 350 (14")  | 1000                                | 2 T       |
| DN 400 (16")  | 1300                                | 3 B       |
| DN 450 (18")  | 1700                                | 3 F       |
| DN 500 (20")  | 2200                                | 3 K       |
| DN 550 (22")  | 2600                                | 3 P       |
| DN 600 (24")  | 3200                                | 3 T       |
| DN 650 (26")  | 3600                                | 4 B       |
| DN 700 (28")  | 4200                                | 4 F       |
| DN 750 (30")  | 4800                                | 4 K       |
| DN 800 (32")  | 5500                                | 4 P       |
| DN 900 (36")  | 7500                                | 5 B       |
| DN 1000 (40")   | 9000                                | 5 K       |
| DN 1100 (44")   | 10000                               | 5 P       |
| DN 1200 (48")   | 13200                               | 5 T       |
| DN 1300 (52")   | 14000                               | 6 A       |
| DN 1400 (56")   | 16800                               | 6 C       |
| DN 1500 (60")   | 19000                               | 6 E       |
| DN 1600 (64")   | 22800                               | 6 G       |
| DN 1700 (68")   | 25000                               | 6 J       |
| DN 1800 (72")   | 27600                               | 6 L       |
| DN 1900 (76")   | 31000                               | 6 N       |
| DN 2000 (80")   | 36000                               | 6 Q       |
| DN 2100 (84")   | 37000                               | 6 S       |
| DN 2200 (88")   | 42000                               | 6 U       |
| DN 2300 (92")   | 45000                               | 6 W       |
| DN 2400 (96")   | 51000                               | 7 A       |
| <b>Installation method</b>  |                                     |           |
| Empty pipe  |                                     | A         |
| Hot tap, mounting under pressure  |                                     | B         |
| SONOKIT for tapping band (DN 200 ... DN 1800) (Tapping band to be ordered separately) <sup>1)</sup> |                                     | C         |
| <b>Transducer holder</b>  |                                     |           |
| None (for tapping band)   |                                     | 0         |
| Carbon steel, length = 160 mm, mounting plates in carbon steel                                      |                                     | 1         |
| Stainless steel, length = 160 mm, mounting plates in stainless steel                                |                                     | 2         |
| Stainless steel, length = 230 mm, for concrete pipe (DN 600 ... DN 2400)                            |                                     | 3         |
| <b>Transducer type and approval</b>   |                                     |           |
| IP67 (NEMA 4X/6) PA housing, PN 40, O-ring, 100 °C (212 °F), no approval                            |                                     | 1         |
| IP68 SS housing, PN 40, O-ring, 180 °C (356 °F), Ex d, ATEX approval (only with standard FUS060)    |                                     | 2         |
| IP68 PA housing, Sylgard potting kit, PN 40, O-ring, 100 °C (212 °F), no approval                   |                                     | 3         |
| IP68 SS housing, Sylgard potting kit, PN 40, O-ring, 200 °C (392 °F), no approval                   |                                     | 4         |
| IP68 SS housing, PN 40, SS, O-ring, 190 °C (374 °F), Ex i type, ATEX approval (only with FUS060 Ex) |                                     | 5         |

| Selection and Ordering data  |  | Order No. |
|--|--|-----------|
| <b>SITRANS F US SONOKIT</b><br>1-track sensor                      |  | 7ME3210 - |
| <b>Cable gland entries</b>   |  |           |
| Cable glands M20 in transducers and in transmitter M25/20/16 x 1.5 |  | 1         |
| Cable glands ½" NPT in transducers and in transmitter              |  | 2         |
| <b>Transmitter SITRANS FUS060</b>                                  |  |           |
| IP65 (NEMA 4), 120/230 V AC  |  | N         |
| IP65 (NEMA 4), 24 V AC/DC  |  | P         |
| IP65 (NEMA 4), 24 V AC/DC Ex version                               |  | Q         |
| <b>Module</b>  |  |           |
| HART, 1 pulse output, 1 relay                                      |  | B         |
| HART Ex version, 1 pulse output, 1 relay                           |  | C         |
| PROFIBUS PA, 1 pulse/frequency                                     |  | D         |
| PROFIBUS PA, Ex version, 1 pulse/frequency                         |  | E         |
| <b>Transducer coax cable</b>                                       |  |           |
| 2 x 3 m, max. 70 °C (158 °F)                                       |  | 0         |
| 2 x 15 m, max. 70 °C (158 °F)                                      |  | 1         |
| 2 x 30 m, high temp. max. 200 °C (392 °F)                          |  | 2         |
| 2 x 30 m, max. 70 °C (158 °F)                                      |  | 3         |
| 2 x 60 m, max. 70 °C (158 °F)                                      |  | 4         |
| 2 x 90 m, max. 70 °C (158 °F)                                      |  | 5         |
| 2 x 120 m, max. 70 °C (158 °F)                                     |  | 6         |
| 2 x 3 m, high temp. max. 200 °C (392 °F)                           |  | 7         |
| 2 x 15 m, high temp. max. 200 °C (392 °F)                          |  | 8         |
| Special version (add order code):                                  |  |           |
| No transducer cable, cable length 2 x 3 m                          |  | 9 R0A     |
| No transducer cable, cable length 2 x 15 m                         |  | 9 R0B     |
| No transducer cable, cable length 2 x 30 m                         |  | 9 R0C     |
| No transducer cable, cable length 2 x 60 m                         |  | 9 R0D     |
| No transducer cable, cable length 2 x 90 m                         |  | 9 R0E     |
| No transducer cable, cable length 2 x 120 m                        |  | 9 R0F     |

<sup>1)</sup> Tapping band via special request

| Selection and Ordering data  |  | Order code |
|--|--|------------|
| <b>Additional information</b>  |  |            |
| Please add „-Z“ to Order No. and specify Order code(s) and plain text.               |  |            |
| <b>Material certificate</b>  |  |            |
| EN 10204-3.1, transducer body material   |  | F30        |
| EN 10204-3.1, transducer holder material   |  | F31        |
| EN 10204-3.1, mounting plate material  |  | F32        |
| <b>Tag name plate</b>  |  |            |
| Stainless steel tag with 12 mm characters (max. 15 characters) (add plain text)      |  | Y17        |
| Self-adhesive plastic tag with 8 mm characters (max. 15 characters) (add plain text) |  | Y18        |

Please also see [www.siemens.com/SITRANSOrdering](http://www.siemens.com/SITRANSOrdering) for practical examples of ordering.



Please use online Product selector to get latest updates. Product selector link:

[www.pia-selector.automation.siemens.com](http://www.pia-selector.automation.siemens.com)

| Selection and Ordering data   |                                     | Order No.        |
|---|-------------------------------------|------------------|
| <b>SITRANS F US SONOKIT</b>   |                                     | <b>7ME3220 -</b> |
| <b>2-track sensor</b>   |                                     | <b>7ME3220 -</b> |
| <b>Diameter</b>   | <b>Qn setting [m<sup>3</sup>/h]</b> |                  |
| DN 200 (8")   | 380                                 | 2 F              |
| DN 250 (10")  | 600                                 | 2 K              |
| DN 300 (12")  | 850                                 | 2 P              |
| DN 350 (14")  | 1000                                | 2 T              |
| DN 400 (16")  | 1300                                | 3 B              |
| DN 450 (18")  | 1700                                | 3 F              |
| DN 500 (20")  | 2200                                | 3 K              |
| DN 550 (22")  | 2600                                | 3 P              |
| DN 600 (24")  | 3200                                | 3 T              |
| DN 650 (26")  | 3600                                | 4 B              |
| DN 700 (28")  | 4200                                | 4 F              |
| DN 750 (30")  | 4800                                | 4 K              |
| DN 800 (32")  | 5500                                | 4 P              |
| DN 900 (36")  | 7500                                | 5 B              |
| DN 1000 (40")   | 9000                                | 5 K              |
| DN 1100 (44")   | 10 000                              | 5 P              |
| DN 1200 (48")   | 13 200                              | 5 T              |
| DN 1300 (52")   | 14 000                              | 6 A              |
| DN 1400 (56")   | 16 800                              | 6 C              |
| DN 1500 (60")   | 19 000                              | 6 E              |
| DN 1600 (64")   | 22 800                              | 6 G              |
| DN 1700 (68")   | 25 000                              | 6 J              |
| DN 1800 (72")   | 27 600                              | 6 L              |
| DN 1900 (76")   | 31 000                              | 6 N              |
| DN 2000 (80")   | 36 000                              | 6 Q              |
| DN 2100 (84")   | 37 000                              | 6 S              |
| DN 2200 (88")   | 42 000                              | 6 U              |
| DN 2300 (92")   | 45 000                              | 6 W              |
| DN 2400 (96")   | 51 000                              | 7 A              |
| DN 2500 (100")  | 53 000                              | 7 C              |
| DN 2600 (104")  | 60 000                              | 7 E              |
| DN 2700 (108")  | 62 000                              | 7 G              |
| DN 2800 (112")  | 72 000                              | 7 J              |
| DN 2900 (116")  | 71 000                              | 7 L              |
| DN 3000 (120")  | 78 000                              | 7 N              |
| DN 3100 (124")  | 82 000                              | 7 Q              |
| DN 3200 (128")  | 85 000                              | 7 S              |
| DN 3300 (132")  | 92 000                              | 7 U              |
| DN 3400 (136")  | 100 000                             | 7 W              |
| DN 3500 (140")  | 100 000                             | 8 A              |
| DN 3600 (144")  | 110 000                             | 8 C              |
| DN 3700 (148")  | 120 000                             | 8 E              |
| DN 3800 (152")  | 130 000                             | 8 G              |
| DN 3900 (156")  | 130 000                             | 8 J              |
| DN 4000 (160")  | 144 000                             | 8 L              |
| <b>Installation method</b>  |                                     |                  |
| Empty pipe  |                                     | A                |
| Hot tap, mounting under pressure  |                                     | B                |
| SONOKIT for tapping band (DN 200 ... DN 1800) (tapping band to be ordered separately) <sup>1)</sup> |                                     | C                |
| <b>Transducer holder</b>  |                                     |                  |
| None (for tapping band)   |                                     | 0                |
| Carbon steel, length = 160 mm, mounting plates in carbon steel                                      |                                     | 1                |
| Stainless steel, length = 160 mm, mounting plates in stainless steel                                |                                     | 2                |
| Stainless steel, length = 230 mm, for concrete pipe (DN 600 ... DN 4000)                            |                                     | 3                |

<sup>1)</sup> Tapping band via special request

| Selection and Ordering data   |  | Order No.        |
|---|--|------------------|
| <b>SITRANS F US SONOKIT</b>   |  | <b>7ME3220 -</b> |
| <b>2-track sensor</b>   |  | <b>7ME3220 -</b> |
| <b>Transducer type and approval</b>   |  |                  |
| IP67 (NEMA 4X/6) PA housing, PN 40, O-ring, 100 °C (212 °F), no approval                          |  | 1                |
| IP68 SS housing, PN 40, O-ring, 180 °C (356 °F), EEx-d, ATEX approval (only with standard FUS060) |  | 2                |
| IP68 PA housing, Sylgard potting kit, PN 40, SS, O-ring, 100 °C (212 °F), no approval             |  | 3                |
| IP68 SS housing, Sylgard potting kit, PN 40, SS, O-ring, 200 °C (392 °F), no approval             |  | 4                |
| IP68 SS housing, PN 40, O-ring, 190 °C (374 °F), EEx-i, ATEX approval (only with FUS060 Ex)       |  | 5                |
| <b>Cable gland entires</b>  |  |                  |
| Cable glands M20 in transducers and in transmitter M25/20/16 x 1.5                                |  | 1                |
| Cable glands ½" NPT in transducers and in transmitter   |  | 2                |
| <b>Transmitter SITRANS FUS060</b>   |  |                  |
| IP65 (NEMA 4), 120/230 V AC   |  | N                |
| IP65 (NEMA 4), 24 V AC/DC   |  | P                |
| IP65 (NEMA 4), 24 V AC/DC Ex version  |  | Q                |
| <b>Module</b>   |  |                  |
| HART, 1 pulse output, 1 relay   |  | B                |
| HART Ex version, 1 pulse output, 1 relay  |  | C                |
| PROFIBUS PA, 1 pulse/frequency  |  | D                |
| PROFIBUS PA, Ex version, 1 pulse/frequency  |  | E                |
| <b>Transducer coax cable</b>  |  |                  |
| 4 x 3 m, max. 70 °C (158 °F)  |  | 0                |
| 4 x 15 m, max. 70 °C (158 °F)   |  | 1                |
| 4 x 30 m, high temp. max. 200 °C (392 °F)   |  | 2                |
| 4 x 30 m, max. 70 °C (158 °F)   |  | 3                |
| 4 x 60 m, max. 70 °C (158 °F)   |  | 4                |
| 4 x 90 m, max. 70 °C (158 °F)   |  | 5                |
| 4 x 120 m, max. 70 °C (158 °F)  |  | 6                |
| 4 x 3 m, high temp. max. 200 °C (392 °F)  |  | 7                |
| 4 x 15 m, high temp. max. 200 °C (392 °F)   |  | 8                |
| Special version (add order code):   |  |                  |
| No transducer cable, cable length 4 x 3 m   |  | 9 R O A          |
| No transducer cable, cable length 4 x 15 m  |  | 9 R O B          |
| No transducer cable, cable length 4 x 30 m  |  | 9 R O C          |
| No transducer cable, cable length 4 x 60 m  |  | 9 R O D          |
| No transducer cable, cable length 4 x 90 m  |  | 9 R O E          |
| No transducer cable, cable length 4 x 120 m   |  | 9 R O F          |

# SITRANS F flowmeters

## SITRANS F US

### Flowmeter SONOKIT (with FUS060)

| Selection and Ordering data | Order code |
|-----------------------------|------------|
|-----------------------------|------------|

#### **Additional information**

Please add „-Z“ to Order No. and specify Order code(s) and plain text.

#### Material certificate

|  |            |
|--|------------|
| EN 10204-3.1, transducer body material   | <b>F30</b> |
| EN 10204-3.1, transducer holder material | <b>F31</b> |
| EN 10204-3.1, mounting plate material    | <b>F32</b> |

#### Tag name plate

|  |            |
|--|------------|
| Stainless steel tag with 12 mm characters (max. 15 characters) (add plain text)      | <b>Y17</b> |
| Self-adhesive plastic tag with 8 mm characters (max. 15 characters) (add plain text) | <b>Y18</b> |

Please also see [www.siemens.com/SITRANSFordering](http://www.siemens.com/SITRANSFordering) for practical examples of ordering.

198



**Please use online Product selector to get latest updates. Product selector link:**

[www.pia-selector.automation.siemens.com](http://www.pia-selector.automation.siemens.com)

### SONOKIT accessories and spare parts

#### SONO 3200 spare parts, complete transducer with ½"-NPT cable glands

| Transducer type | Material | Gasket | Pressure rating | Terminal housing | Approval | Temperature range [°C (°F)]              | Length [mm (inch)] | Order No.   |
|-----------------|----------|--------|-----------------|------------------|----------|--|--------------------|-------------|
| O-ring          | 316 SS   | O-ring | PN 40           | Plastic PA 6.6   |          | -20 ... +100 (-4 ... +212)               | 160 (6.3)          | A5E00839476 |
| O-ring          | 316 SS   | O-ring | PN 40           | 316 SS           |          | -20 ... +200 <sup>1)</sup> (-4 ... +392) | 160 (6.3)          | A5E00839435 |
| O-ring          | 316 SS   | O-ring | PN 40           | Plastic PA 6.6   |          | -20 ... +100 (-4 ... +212)               | 230 (9.41)         | A5E00839477 |
| O-ring          | 316 SS   | O-ring | PN 40           | 316 SS           |          | -20 ... +200 <sup>1)</sup> (-4 ... +392) | 230 (9.41)         | A5E00839437 |



<sup>1)</sup> 316 SS housing for -20 ... +200 °C (-4 ... +392 °F) media temp. but cable glands only for -20 ... +100 °C (-4 ... +212 °F) ambient temp.

#### SONO 3200 spare parts, complete transducer with M20 cable glands

| Transducer type | Material | Gasket               | Pressure rating | Terminal housing | Approval           | Temperature range [°C (°F)]              | Length [mm (inch)] | Order No.    |
|-----------------|----------|----------------------|-----------------|------------------|--------------------|--|--------------------|--------------|
| O-ring          | 316 SS   | O-ring               | PN 40           | Plastic PA 6.6   |                    | -20 ... +100 (-4 ... +212)               | 160 (6.3)          | FDK-085B5454 |
| O-ring          | 316 SS   | O-ring <sup>1)</sup> | PN 40           | 316 SS           |                    | -20 ... +200 <sup>2)</sup> (-4 ... +392) | 160 (6.3)          | FDK-085B5455 |
| O-ring          | 316 SS   | O-ring               | PN 40           | Plastic PA 6.6   |                    | -20 ... +100 (-4 ... +212)               | 230 (9.41)         | FDK-085B5458 |
| O-ring          | 316 SS   | O-ring <sup>1)</sup> | PN 40           | 316 SS           | Ex-d <sup>3)</sup> | -20 ... +180 (-4 ... +356)               | 160 (6.3)          | FDK-085B5452 |
| O-ring          | 316 SS   | O-ring               | PN 40           | 316 SS           | Ex-i <sup>4)</sup> | -10 ... +190 (14 ... 374)                | 160 (6.3)          | A5E00836462  |
| O-ring          | 316 SS   | O-ring               | PN 40           | 316 SS           |                    | -20 ... +200 <sup>2)</sup> (-4 ... +392) | 230 (9.41)         | FDK-085B5459 |



<sup>1)</sup> Chemical resistant O-ring

<sup>2)</sup> 316 SS housing for -20 ... +200 °C (-4 ... +392 °F) media temp. but cable glands only for -20 ... +100 °C (-4 ... +212 °F) ambient temp.

<sup>3)</sup> ATEX (Ex) IIC 2G EEx d IIC T3 ... T6

<sup>4)</sup> For systems with FUS060 ATEX IIC 2G Ex dem [ia/ib] T6/T4/T3

#### SONO 3200 spare parts, transducer terminal housing with M20 cable glands

| Type   | Order No.    |
|--|--------------|
| Material: PA 6.6, Temperature range: -20 ... +100 °C (-4 ... +212 °F)                        | FDK-085B5501 |
| Material: AISI 316, Temperature range: -20 ... +200 °C (-4 ... +392 °F)                      | FDK-085B5504 |
| Material: AISI 316, Ex-d <sup>1)</sup> , Temperature range: -20 ... +180 °C (-4 ... +356 °F) | FDK-085B5505 |
| Material: AISI 316, Ex-i <sup>2)</sup> , Temperature range: -10 ... +190 °C (14 ... 374 °F)  | A5E00835255  |



<sup>1)</sup> ATEX (Ex) IIC 2G EEx d IIC T3 ... T6

<sup>2)</sup> For systems with FUS060 ATEX IIC 2G Ex dem [ia/ib] T6/T4/T3

#### SONO 3200 spare parts, transducer terminal housing with ½"-NPT cable glands

| Type  | Order No.   |
|---|-------------|
| Material: PA 6.6, Temperature range: -20 ... +100 °C (-4 ... +212 °F)   | A5E00839460 |
| Material: AISI 316, Temperature range: -20 ... +200 °C (-4 ... +392 °F) | A5E00839427 |



#### SONO 3200 spare parts transducer body with insert

| Temperature range [°C (°F)] | Gasket               | Length [mm (inch)] | Order No.    |
|-----------------------------|----------------------|--------------------|--------------|
| -20 ... +200 (-4 ... +392)  | O-ring <sup>1)</sup> | 160 (6.3)          | FDK-085B1406 |
| -20 ... +200 (-4 ... +392)  | O-ring               | 230 (9.41)         | FDK-085B5511 |




<sup>1)</sup> Chemical resistant O-ring

# SITRANS F flowmeters


## SITRANS F US

### Flowmeter SONOKIT (with FUS060)

#### SONO 3200 spare parts, transducer insert


| Temperature range [°C (°F)] | Length [mm (inch)] | Order No.    |   |
|-----------------------------|--------------------|--------------|---|
| -20 ... +200 (-4 ... +392)  | 160 (6.3)          | FDK-085B1419 |  |
| -20 ... +200 (-4 ... +392)  | 230 (9.41)         | FDK-085B1420 |   |

#### Transducer SONO 3200 gasket



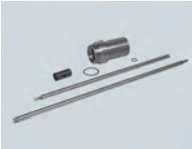

| Type  | Pressure rating | Material                | Temperature range [°C (°F)] | Order No.    |   |
|---|-----------------|-------------------------|-----------------------------|--------------|---|
| Gasket O-ring (3 pcs. for O-ring transducers) | PN 40           | FFKM <sup>1)</sup> /FKM | -20 ... +200 (-4 ... +392)  | FDK-085B1089 |  |

<sup>1)</sup> Chemical resistant O-ring

#### Potting kit for SONO 3200 terminal housing

| Type/description  | Order No.    |   |
|---|--------------|---|
| Submersible kit for transducers SONO 3200, IP68 10 m (32.81 ft) w.g. rating | FDK-085L2403 |  |

#### Tools for SONO 3200 transducers and SONOKIT

| Type/description   | Order No.    |   |
|--|--------------|---|
| Extraction tool for replacement of SONO 3200 O-ring transducers under pressure (hot-tap)<br>Transducer length: |              |  |
| • 160 mm (6.3")  | FDK-085B5333 |   |
| • 230 mm (9.1")  | FDK-085B5335 |   |
| Angle measurement tool for SONOKIT   | FDK-085B5330 |  |
| Hot-tap drilling tool for SONOKIT  | FDK-085B5392 |  |
| Alignment tool for SONOKIT (for pipe sizes DN 300 ... DN 1200)   | FDK-085B5393 |  |

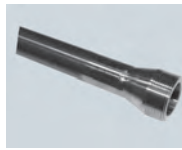
#### Cables for SONOKIT SONO 3200 transducers with FUS060

| Type/description   | Length m (ft) | Order No.                       |
|--|---------------|---------------------------------|
| Coaxial cable for FUS060, (75 Ω, max. 70 °C (158 °F), black PVC) (2 pcs.)  | 3 (9.84)      | <b>A5E00875101</b>              |
|  | 15 (49.21)    | <b>A5E00861432</b>              |
|  | 30 (98.43)    | <b>A5E01278662</b>              |
|  | 60 (196.85)   | <b>A5E01278682</b>              |
|  | 90 (295.28)   | <b>A5E01278687</b>              |
|  | 120 (393.70)  | <b>A5E01278698</b>              |
| High temp. coaxial cable for FUS060; with 0.3 m brown PTFE high temp. transducer part, max. 200 °C (392 °F) and black PVC transmitter part with SMB plug, max. 70 °C (158 °F); (impedance 75 Ω) (2 pcs.) | 3 (9.84)      | <b>A5E00875105<sup>F)</sup></b> |
|  | 15 (49.21)    | <b>A5E00861435</b>              |
|  | 30 (98.43)    | <b>A5E01196952<sup>F)</sup></b> |



#### Transducer holder for SONOKIT SONO 3200 transducers

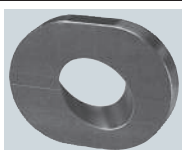
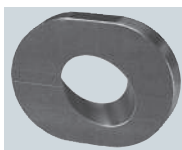
| Type/description   | Order No.           |
|--|---------------------|
| <b>1-track</b>   |                     |
| • 160 mm (6.3") stainless steel 45°, DN 100 ... DN 150 (4" ... 6")       | <b>FDK-085L1103</b> |
| • 160 mm (6.3") carbon steel 45°, DN 100 ... DN 150 (4" ... 6")          | <b>FDK-085L1102</b> |
| • 230 mm (9.1") for concrete pipe 60°, DN 600 ... DN 2400 (24" ... 96")  | <b>FDK-085L1107</b> |
| • 160 mm (6.3") stainless steel 60°, DN 200 ... DN 2400 (8" ... 96")     | <b>FDK-085L1105</b> |
| • 160 mm (6.3") carbon steel 60°, DN 200 ... DN 2400 (8" ... 96")        | <b>FDK-085L1104</b> |
| <b>2-track</b>   |                     |
| • 230 mm (9.1") for concrete pipe 60°, DN 600 ... DN 4000 (24" ... 160") | <b>FDK-085L1111</b> |
| • 160 mm (6.3") stainless steel 60°, DN 200 ... DN 4000 (8" ... 160")    | <b>FDK-085L1109</b> |
| • 160 mm (6.3") carbon steel 60°, DN 200 ... DN 4000 (8" ... 160")       | <b>FDK-085L1108</b> |



The part which is welded onto the pipe is either stainless steel or carbon steel.

#### Mounting plate for SONOKIT SONO 3200 transducers

| Type/description   | Order No.           |
|--|---------------------|
| <b>1-track</b>   |                     |
| • Stainless steel plate, 45°, DN 100 ... DN 150 (4" ... 6")    | <b>FDK-085L1113</b> |
| • Carbon steel plate, 45°, DN 100 ... DN 150 (4" ... 6")       | <b>FDK-085L1112</b> |
| • Stainless steel plate, 60°, DN 200 ... DN 2400 (8" ... 96")  | <b>FDK-085L1115</b> |
| • Carbon steel plate, 60°, DN 200 ... DN 2400 (8" ... 96")     | <b>FDK-085L1114</b> |
| <b>2-track</b>   |                     |
| • Stainless steel plate, 60°, DN 200 ... DN 4000 (8" ... 160") | <b>FDK-085L1119</b> |
| • Carbon steel plate, 60°, DN 200 ... DN 4000 (8" ... 160")    | <b>FDK-085L1118</b> |



The mounting plates are either completely in stainless steel or carbon steel.

#### Cable connection boxes

(For the connection of individual transducer cables with the FUS060 transducer cables)

| Type/description  | Order No.           |
|---|---------------------|
| Junction box for coax cable                                     |                     |
| • IP68 metal box for 2 coaxial cables                           | <b>FDK-085B1360</b> |
| • IP68 metal box for 4 coaxial cables                           | <b>FDK-085B1361</b> |
| • IP68 EEx e plastic box for 2 coaxial cables, no ATEX approval | <b>FDK-085B1362</b> |
| • IP68 EEx e plastic box for 4 coaxial cables, no ATEX approval | <b>FDK-085B1363</b> |



#### SONO 3200 cable glands

| Type/description                               | Temperature range [°C (°F)] | Appr. | Order No.          |
|--|-----------------------------|-------|--------------------|
| black PA plastic, cable Ø 5 ... 13 mm          | -20 ... 100 (-4 ... +212)   |       | <b>A5E02246304</b> |
| ½" NPT grey PA plastic, cable Ø 5 ... 9 mm     | -20 ... 100 (-4 ... +212)   |       | <b>A5E02246309</b> |
| ½" NPT chrome-plated brass, cable Ø 5 ... 9 mm | -40 ... 100 (-40 ... +212)  |       | <b>A5E02246258</b> |
| M20 stainless steel, cable Ø 4 ... 6 mm        | -25 ... 200 (-13 ... +392)  | Ex-i  | <b>A5E02246194</b> |
| M20 stainless steel, cable Ø 5 ... 8 mm        | -60 ... 180 (-76 ... +356)  | Ex-d  | <b>A5E02246311</b> |





# SITRANS F flowmeters

## SITRANS F US

### Flowmeter SITRANS FUS380 standard

#### Overview



The 2-track flowmeter SITRANS FUS380 comes as battery or mains-powered and is designed to measure water flow in district heating plants, local networks, boiler stations, substations, chiller plants and other general water applications.

The type-approved flowmeter version is named SITRANS FUE380 - see page 4/208.

Technically, the meter types SITRANS FUS380 and SITRANS FUE380 are completely identical, only difference is the calibration limit and the type approval for custody transfer.

#### Benefits

- Battery-powered up to 6 years
- 115/230 V mains-powered with back-up battery option in case of mains power failure
- Fast measuring frequency 20 Hz/0.5 Hz (230 V AC/Battery)
- Easy one-button straight forward display
- 2-track measuring principle for optimum accuracy
- Compact or remote mounting
- Measures on all district water qualities and water conductivities
- No pressure drop
- Long-term stability
- 2 galvanically isolated digital outputs for easy connection to a calculator (potential-free)
- Bidirectional measurement, with 2 totalizers and outputs
- Dynamic range  $Q_{\min}:Q_{\max}$  up to 1:400
- MODBUS RTU/RS 232, RS 485

#### Application

The main application for SITRANS FUS380 is measurement of water flow or water flow in heat meter systems in district heating networks or chilled water.

#### Design

The 2-track design of SITRANS FUS380 ensures maximum accuracy under short inlet conditions. The flowmeter consists of a flow sensor pipe, 4 transducers/transducer cables and a transmitter SITRANS FUS080.

The unit is available in a compact or a remote version with up to 30 meter distance from flowmeter to transmitter. When ordering a compact version the transducer cables are pre-mounted and ready for installation.

Compact mounting is only possible up to 120 °C (248 °F). The sensor must be isolated to protect transmitter from heat. The transmitter is available in an IP67/NEMA 4X/6 enclosure.

#### Integration

The flowmeter digital output is often used as input for an energy meter or as input for digital systems for remote reading.

SITRANS FUS380 has two digital output functions that can be individually selected, and optional MODBUS RTU communication modules.

Pulse output rate is defined when ordering.

If the flowmeter forms part of an energy meter system for custody transfer, no further approvals are needed, except possible local approvals on the flowmeter.



#### Configuration SITRANS FUS380

##### Selection guide SITRANS FUS380, standard version

| DN   | Q <sub>s</sub> (m <sup>3</sup> /h) | Q <sub>max</sub> (m <sup>3</sup> /h)<br>(105% of Q <sub>s</sub> ) | Q <sub>p</sub> (m <sup>3</sup> /h) | Q <sub>i</sub> (m <sup>3</sup> /h)<br>(1:100 of Q <sub>p</sub> ) | Cut-off (m <sup>3</sup> /h)<br>(50% of Q <sub>i</sub> ) | Cut-off<br>(% of Q <sub>max</sub> ) | Typical pulse<br>value <sup>1)</sup> (l/pulse) |
|------|------------------------------------|---|------------------------------------|--|---|-------------------------------------|--|
| 50   | 15                                 | 15.75   | 15                                 | 0.15   | 0.075   | 0.48                                | 1  |
| 50   | 45                                 | 47.25   | 15                                 | 0.15   | 0.075   | 0.16                                | 1  |
| 50   | 45                                 | 47.25   | 30                                 | 0.3  | 0.150   | 0.32                                | 1  |
| 65   | 25                                 | 26.25   | 25                                 | 0.25   | 0.125   | 0.48                                | 1  |
| 65   | 72                                 | 75.6  | 25                                 | 0.25   | 0.125   | 0.17                                | 1  |
| 65   | 72                                 | 75.6  | 50                                 | 0.5  | 0.250   | 0.33                                | 1  |
| 80   | 40                                 | 42  | 40                                 | 0.4  | 0.200   | 0.48                                | 2.5  |
| 80   | 120                                | 126   | 40                                 | 0.4  | 0.200   | 0.16                                | 2.5  |
| 80   | 120                                | 126   | 80                                 | 0.8  | 0.400   | 0.32                                | 2.5  |
| 100  | 60                                 | 63  | 60                                 | 0.6  | 0.300   | 0.48                                | 2.5  |
| 100  | 180                                | 189   | 60                                 | 0.6  | 0.300   | 0.16                                | 2.5  |
| 100  | 240                                | 252   | 120                                | 1.2  | 0.600   | 0.24                                | 2.5  |
| 125  | 10                                 | 10.5  | 100                                | 1  | 0.500   | 4.76                                | 2.5  |
| 125  | 280                                | 294   | 100                                | 1  | 0.500   | 0.17                                | 2.5  |
| 125  | 400                                | 420   | 200                                | 2  | 1.000   | 0.24                                | 2.5  |
| 150  | 150                                | 157.5   | 150                                | 1.5  | 0.750   | 0.48                                | 10   |
| 150  | 420                                | 441   | 150                                | 1.5  | 0.750   | 0.17                                | 10   |
| 150  | 560                                | 588   | 300                                | 3  | 1.500   | 0.26                                | 10   |
| 200  | 250                                | 262.5   | 250                                | 2.5  | 1.250   | 0.48                                | 10   |
| 200  | 700                                | 735   | 250                                | 2.5  | 1.250   | 0.17                                | 10   |
| 200  | 900                                | 945   | 500                                | 5  | 2.500   | 0.26                                | 10   |
| 250  | 400                                | 420   | 400                                | 4  | 2.000   | 0.48                                | 10   |
| 250  | 1120                               | 1176  | 400                                | 4  | 2.000   | 0.17                                | 10   |
| 250  | 1400                               | 1470  | 800                                | 8  | 4.000   | 0.27                                | 10   |
| 300  | 560                                | 588   | 560                                | 5.6  | 2.800   | 0.48                                | 50   |
| 300  | 1560                               | 1638  | 560                                | 5.6  | 2.800   | 0.17                                | 50   |
| 300  | 2100                               | 2205  | 1120                               | 11.2   | 5.600   | 0.25                                | 50   |
| 350  | 750                                | 787.5   | 750                                | 7.5  | 3.750   | 0.48                                | 50   |
| 350  | 2100                               | 2205  | 750                                | 7.5  | 3.750   | 0.17                                | 50   |
| 350  | 2800                               | 2940  | 1500                               | 15   | 7.500   | 0.26                                | 50   |
| 400  | 950                                | 997.5   | 950                                | 9.5  | 4.750   | 0.48                                | 50   |
| 400  | 2660                               | 2793  | 950                                | 9.5  | 4.750   | 0.17                                | 50   |
| 400  | 3600                               | 3780  | 1900                               | 19   | 9.500   | 0.25                                | 50   |
| 500  | 1475                               | 1548.75   | 1475                               | 14.75  | 7.375   | 0.48                                | 100  |
| 500  | 4130                               | 4336.5  | 1475                               | 14.75  | 7.375   | 0.17                                | 100  |
| 500  | 5500                               | 5775  | 2950                               | 29.5   | 14.750  | 0.26                                | 100  |
| 600  | 2150                               | 2257.5  | 2150                               | 21.5   | 10.750  | 0.48                                | 100  |
| 600  | 6020                               | 6321  | 2150                               | 21.5   | 10.750  | 0.17                                | 100  |
| 600  | 8000                               | 8400  | 4300                               | 43   | 21.500  | 0.26                                | 100  |
| 700  | 2900                               | 3045  | 2900                               | 29   | 14.500  | 0.48                                | 100  |
| 700  | 8120                               | 8526  | 2900                               | 29   | 14.500  | 0.17                                | 100  |
| 700  | 10 800                             | 11 340  | 5800                               | 58   | 29.000  | 0.26                                | 100  |
| 800  | 3800                               | 3990  | 3800                               | 38   | 19.000  | 0.48                                | 100  |
| 800  | 10 640                             | 11 172  | 3800                               | 38   | 19.000  | 0.17                                | 100  |
| 800  | 14 200                             | 14 910  | 7600                               | 76   | 38.000  | 0.25                                | 100  |
| 900  | 5000                               | 5250  | 3800                               | 50   | 25.000  | 0.48                                | 100  |
| 900  | 14 000                             | 14 700  | 5000                               | 50   | 25.000  | 0.17                                | 100  |
| 900  | 20 000                             | 21 000  | 5000                               | 100  | 50.000  | 0.24                                | 100  |
| 1000 | 6000                               | 6300  | 3800                               | 60   | 30.000  | 0.48                                | 100  |

# SITRANS F flowmeters

## SITRANS F US

### Flowmeter SITRANS FUS380 standard

| DN   | Q <sub>s</sub> (m <sup>3</sup> /h) | Q <sub>max</sub> (m <sup>3</sup> /h)<br>(105% of Q <sub>s</sub> ) | Q <sub>p</sub> (m <sup>3</sup> /h) | Q <sub>i</sub> (m <sup>3</sup> /h)<br>(1:100 of Q <sub>p</sub> ) | Cut-off (m <sup>3</sup> /h)<br>(50% of Q <sub>i</sub> ) | Cut-off<br>(% of Q <sub>max</sub> ) | Typical pulse<br>value <sup>1)</sup> (l/pulse) |
|------|------------------------------------|---|------------------------------------|--|---|-------------------------------------|--|
| 1000 | 16 800                             | 17 640  | 6000                               | 60   | 30.000  | 0.17                                | 100  |
| 1000 | 24 000                             | 25 200  | 12 000                             | 120  | 60.000  | 0.24                                | 100  |
| 1200 | 9000                               | 9450  | 3800                               | 90   | 45.000  | 0.48                                | 100  |
| 1200 | 25 200                             | 26 460  | 9000                               | 90   | 45.000  | 0.17                                | 100  |
| 1200 | 36 000                             | 37 800  | 18 000                             | 180  | 90.000  | 0.24                                | 100  |

The values Q<sub>i</sub>, Q<sub>p</sub> and Q<sub>s</sub> are shown on the system label of the FUS380. Q<sub>i</sub> (Q<sub>min</sub>) means the minimal and Q<sub>p</sub> (Q<sub>nom</sub>) the nominal flow rate. Q<sub>s</sub> is the highest operatable flow rate. The maximum flow rate (Q<sub>max</sub>) is 105% of Q<sub>s</sub>. The low flow cut-off is 50 % of Q<sub>i</sub>.

In order to obtain best pulse output resolution in the range Q<sub>min</sub> to Q<sub>s</sub> of approx. 100 Hz at Q<sub>s</sub>, two or three flow values for every dimension can be selected at ordering. Therefore the ordering data table also shows Q<sub>p</sub> (Q<sub>n</sub>). This flow rate is between Q<sub>i</sub> (Q<sub>min</sub>) and Q<sub>s</sub> and indicates the normal or typical flow.

<sup>1)</sup> Typical pulse values for SITRANS FUS380. Other pulse values are possible - see Selection and Ordering data table.

204

#### Technical specifications for SITRANS FUS380

|                             |  |
|-----------------------------|--|
| Pipe design                 | 2-track sensor with flanges and integrated transducers wet-calibrated from factory   |
| Nominal size welded version | DN 50, 65, 80, 100, 125, 150, 200, 250, 300, 350, 400, 500, 600, 700, 800, 900, 1000, 1200   |
| Pressure rate               | PN 16, PN 25, PN 40 EN 1092-1  |
| Pipe material               | <ul style="list-style-type: none"> <li>• DN 100 ... DN 1200: Carbon Steel EN 1.0345 / p235 GH, painted in light-gray.</li> <li>• DN 50 ... 80: Die-cast bronze G-CuSn10/W2.1050.01 (EN1982)</li> </ul> |
| Transducer design           | <ul style="list-style-type: none"> <li>• DN 100 ... DN 1200: Integrated version and welded onto the pipe</li> <li>• DN 50 ... DN 80: Screwed into the pipe</li> </ul>                                  |
| Transducer material         | Stainless steel (AISI 316/1.4404)/brass (CuZn36Pb2as)  |

#### Sensor operating conditions

|                           |  |
|---------------------------|--|
| Storage                   | -40 ... +85 °C (-40 ... +185 °F)   |
| Media/surface temperature | DN 100 ... DN 1200:<br><ul style="list-style-type: none"> <li>• Remote: 2 ... 200 °C (35.6 ... 392 °F)</li> </ul> DN 50 ... DN 80:<br><ul style="list-style-type: none"> <li>• Remote: 2 ... 150 °C (35.6 ... 302 °F)</li> </ul> DN 50 ... DN 1200:<br><ul style="list-style-type: none"> <li>• Compact: 2 ... 120 °C (35.6 ... 248 °F)</li> </ul> |
| Degree of protection      | Sensor connection IP67/NEMA 4X/6   |
| Max. flow velocity        | DN 50 ... DN 1200:<br>9 m/s (29.5 ft/s)  |

#### Transmitter

|                      |   |
|----------------------|---|
| Display              | LCD, 8 digits, additional 2 digits and symbols for status information   |
| Push button          | One push button for display information   |
| Communication        | IrDA – optical communication interface with MODBUS RTU protocol<br><br>Add-on modules:<br><ul style="list-style-type: none"> <li>• RS 232 serial interface with MODBUS RTU (Rx/Tx/GND), point to point with max. 15 m cable</li> <li>• RS 485 serial interface with MODBUS RTU (+/-/GND), multi-drop with up to 32 devices with max. 1000 m cable</li> </ul> MODBUS RTU protocol is an open protocol (further information available on request)<br>Serial speed 1200, 2400, 4800, 9600, 19200, 38400 Baud |
| Enclosure            | IP67/NEMA 4X/6 to EN 60529 and DIN 40050  |
| Temperature ambient  | 0 ... 60 °C (32 ... 140 °F)   |
| Temperature storage  | -40 ... +85 °C (-40 ... +185 °F) (battery included)   |
| Installation         | Compact on sensor: max. 120 °C (248 °F),<br>Separate: max. 30 m (98.4 ft) from transmitter  |
| Mechanical vibration | 2 g, 1 ... 800 Hz sinusoidal in all directions to IEC 68-2-6  |
| Design               | Fibre-glass reinforced polyamide  |
| Power supply         | <ul style="list-style-type: none"> <li>• Battery: replaceable 3.6 V LiSOCl (Lithium Thionyl Chloride) dual battery pack 32 Ah or single battery 16 Ah</li> <li>• Mains: 87 ... 265 V AC (50 ... 60 Hz)</li> </ul>   |
| Measuring rate       | Battery mode: 0.5 Hz<br>Mains supply: 20 Hz<br>Back-up mode: 0.5 Hz (at mains supply drop)  |
| Digital output       | Two passive individual galvanically isolated MOS relay outputs, A and B, max. ± 35 V AC/DC, 50 mA   |
| Max pulse frequency  | 100 Hz at Q <sub>max</sub>  |

|                  |  |
|------------------|--|
| Alarm indication | Track 1 (F1), track 2 (F2), internal failure (F3, F4), Low battery indication (F5), Qmax overflow (F6), pulse overflow (F7, F8), internal data logger warning (F9) |
| Cable length     | Max. 30 m (98.4 ft) between transmitter and sensor   |
| EMC              | <ul style="list-style-type: none"> <li>Emission EN 61000-6-4</li> <li>Immunity EN 61000-6-2</li> </ul>   |

|   | <b>FUS380</b>   |
|---|---|
| Flow value setting                        | Predefined settings according to dimension  |
| Approval                                  | No approval   |
| Flow rate $v_f$                           | 0.02 ... 9 m/s (0.065 ... 29.5 ft/s)  |
| Output A                                  | Pulse: forward, reverse, forward net, reverse net (Preset: forward)   |
| Output B                                  | Pulse (forward, reverse, forward net, reverse net, alarm, call-up (Preset: alarm))  |
| Pulse value A & B (depending on DN value) | 0.1 l/p, 0.25 l/p, 0.5 l/p, 1 l/p, 2.5 l/p, 10 l/p, 25 l/p, 50 l/p, 100 l/p, 250 l/p, 500 l/p, 1 m <sup>3</sup> /p, 2.5 m <sup>3</sup> /p, 5 m <sup>3</sup> /p, 10 m <sup>3</sup> /p, 25 m <sup>3</sup> /p, 50 m <sup>3</sup> /p, 100 m <sup>3</sup> /p, 250 m <sup>3</sup> /p, 500 m <sup>3</sup> /p, 1000 m <sup>3</sup> /p |
| Pulse width                               | 5/10/20/50/100/200/500 ms   |
| Flow unit setup                           | Preset: m <sup>3</sup> /h   |
| Volume unit setup                         | Preset: m <sup>3</sup>  |

#### SITRANS FUS380 uncertainty

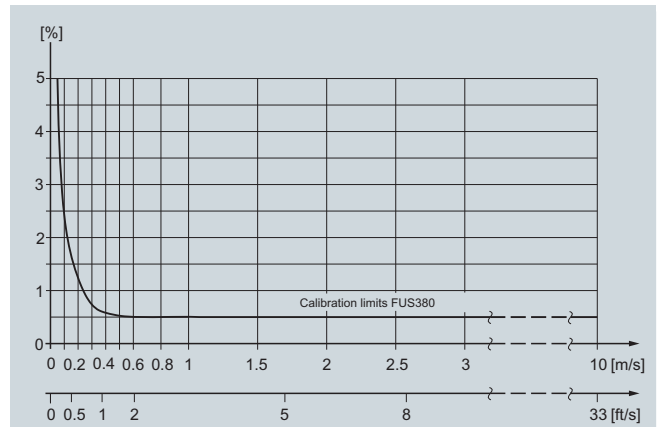
To ensure continuous accurate measurement, flowmeters must be calibrated. The calibration is conducted at SIEMENS flow facilities accredited according to ISO/IEC 17025 by DANAK or UKAS.

The accreditation bodies DANAK and UKAS have signed the ILAC MRA agreement (International Laboratory Accreditation Corporation - Mutual Recognition Arrangement). Therefore the accreditation ensures international traceability and recognition of the test results in 39 countries worldwide, including the US (NIST traceability).

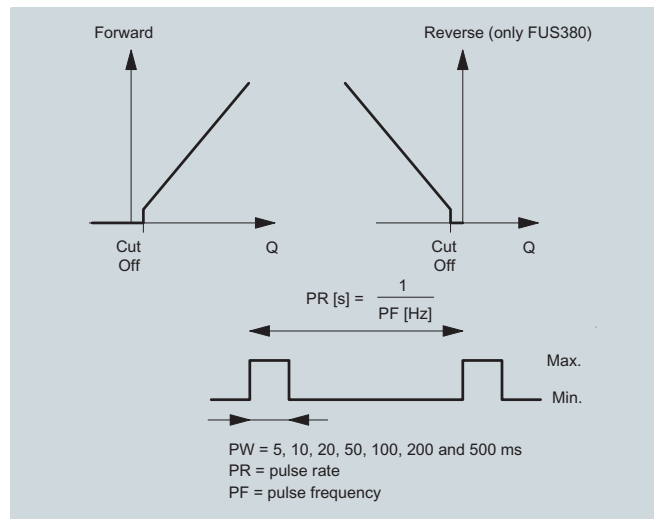
A standard calibration certificate is shipped with every SITRANS FUS380.

#### Accuracy SITRANS FUS380:

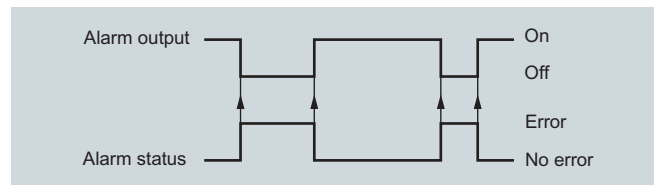
Standard calibration: Better than 0.5% of rate,  $0.5 \text{ m/s} < v < 8 \text{ m/s}$   
 $v < 0.5 \text{ m/s}$ ,  $0.5 + 0.25/v$  [%]



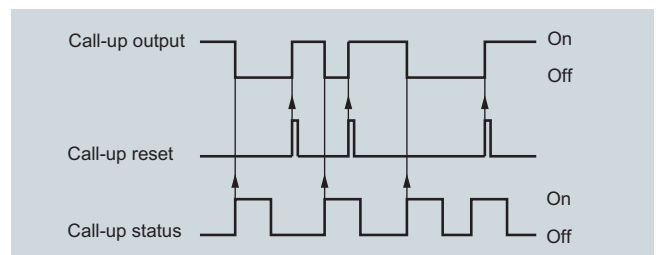
#### Output configuration SITRANS FUS380



Pulse volume: output A/B configured as volume per pulse, calculated on forward/reverse or net forward/reverse flow. The volume per pulse is free scaleable (via PDM software).



Pulse output B can be used as stated above or as alarm or call-up function.



Call-up: the call-up output is active until manually reset by use of PDM program. The call-up function is activated when an alarm is activated.

# SITRANS F flowmeters

## SITRANS F US

### Flowmeter SITRANS FUS380 standard

206

**Selection and Ordering data** Order No. Order code  
**Flowmeter SITRANS FUS380 (standard)** 7ME3400 -

| Diameter                 | Flow setting [m <sup>3</sup> /h]<br>Qp (Qn) <sup>1</sup> Qs |        |     |
|--------------------------|---|--------|-----|
| DN 50 (2") <sup>2</sup>  | 15  | 15     | 1 A |
| DN 50 (2") <sup>2</sup>  | 15  | 45     | 1 C |
| DN 50 (2") <sup>2</sup>  | 30  | 45     | 1 D |
| DN 65 (2½") <sup>2</sup> | 25  | 25     | 1 E |
| DN 65 (2½") <sup>2</sup> | 25  | 72     | 1 G |
| DN 65 (2½") <sup>2</sup> | 50  | 72     | 1 H |
| DN 80 (3") <sup>2</sup>  | 40  | 40     | 1 J |
| DN 80 (3") <sup>2</sup>  | 40  | 120    | 1 L |
| DN 80 (3") <sup>2</sup>  | 80  | 120    | 1 M |
| DN 100 (4")              | 60  | 60     | 1 N |
| DN 100 (4")              | 60  | 180    | 1 Q |
| DN 100 (4")              | 120   | 240    | 1 R |
| DN 125 (5")              | 100   | 100    | 1 S |
| DN 125 (5")              | 100   | 280    | 1 U |
| DN 125 (5")              | 200   | 400    | 1 V |
| DN 150 (6")              | 150   | 150    | 2 A |
| DN 150 (6")              | 150   | 420    | 2 C |
| DN 150 (6")              | 300   | 560    | 2 D |
| DN 200 (8")              | 250   | 250    | 2 E |
| DN 200 (8")              | 250   | 700    | 2 G |
| DN 200 (8")              | 500   | 900    | 2 H |
| DN 250 (10")             | 400   | 400    | 2 J |
| DN 250 (10")             | 400   | 1120   | 2 L |
| DN 250 (10")             | 800   | 1400   | 2 M |
| DN 300 (12")             | 560   | 560    | 2 N |
| DN 300 (12")             | 560   | 1560   | 2 Q |
| DN 300 (12")             | 1120  | 2100   | 2 R |
| DN 350 (14")             | 750   | 750    | 2 S |
| DN 350 (14")             | 750   | 2100   | 2 U |
| DN 350 (14")             | 1500  | 2800   | 2 V |
| DN 400 (16")             | 950   | 950    | 3 A |
| DN 400 (16")             | 950   | 2660   | 3 C |
| DN 400 (16")             | 1900  | 3600   | 3 D |
| DN 500 (20")             | 1475  | 1475   | 3 J |
| DN 500 (20")             | 1475  | 4130   | 3 L |
| DN 500 (20")             | 2950  | 5500   | 3 M |
| DN 600 (24")             | 2150  | 2150   | 3 S |
| DN 600 (24")             | 2150  | 6020   | 3 U |
| DN 600 (24")             | 4300  | 8000   | 3 V |
| DN 700 (28")             | 2900  | 2900   | 4 E |
| DN 700 (28")             | 2900  | 8120   | 4 G |
| DN 700 (28")             | 5800  | 10 800 | 4 H |
| DN 800 (32")             | 3800  | 3800   | 4 N |
| DN 800 (32")             | 3800  | 10 640 | 4 Q |
| DN 800 (32")             | 7600  | 14 200 | 4 R |
| DN 900 (36")             | 5000  | 5000   | 5 A |
| DN 900 (36")             | 5000  | 14 000 | 5 C |
| DN 900 (36")             | 10000   | 20 000 | 5 D |
| DN 1000 (40")            | 6000  | 6000   | 5 J |
| DN 1000 (40")            | 6000  | 16 800 | 5 L |
| DN 1000 (40")            | 12 000  | 24 000 | 5 M |
| DN 1200 (48")            | 9000  | 9000   | 5 S |
| DN 1200 (48")            | 9000  | 25 200 | 5 U |
| DN 1200 (48")            | 18 000  | 36 000 | 5 V |

**Selection and Ordering data** Order No. Order code  
**Flowmeter SITRANS FUS380 (standard)** 7ME3400 -

| <b>Flange norm and pressure rating</b>  |   |      |
|---|---|------|
| System without sensor - only a transmitter FUS080 as spare part - settings as defined with this order no. | A |      |
| <u>EN 1092-1 Flanges</u>  |   |      |
| PN 16 (DN 100 ... DN 1200)  | C |      |
| PN 25 (DN 200 ... DN 1000)  | D |      |
| PN 40 (DN 50 ... DN 250) <sup>3</sup>   | E |      |
| <b>Compact / remote connection</b>  |   |      |
| Compact version, max. 120 °C (248 °F) up to DN 800  | 0 |      |
| <u>Remote version, max. 150/200 °C (302/392 °F)</u>   |   |      |
| 5 m (16.4 ft)   | 2 |      |
| 10 m (32.8 ft)  | 3 |      |
| 20 m (65.6 ft)  | 4 |      |
| 30 m (98.4 ft)  | 5 |      |
| <b>Pulse output value setup</b>   |   |      |
| 0.1 l/p (option for DN 50 ... DN 65) with 5 ms  | 1 |      |
| 1 l/p (typical for DN 50 ... DN 65) with 5 ms   | 2 |      |
| 2.5 l/p (typical for DN 80 ... DN 125) with 5 ms  | 3 |      |
| 10 l/p (typical for DN 150 ... DN 250) with 5 ms  | 4 |      |
| 50 l/p (typical for DN 300 ... DN 400) with 5 ms  | 5 |      |
| 100 l/p (typical for DN 500 ... DN 1200) with 5 ms  | 6 |      |
| 250 l/pulse   | 7 |      |
| 1 m <sup>3</sup> /pulse   | 8 |      |
| 0.25 l/pulse  | 9 | NOA  |
| 0.5 l/pulse   | 9 | NOB  |
| 5 l/pulse   | 9 | NOC  |
| 25 l/pulse  | 9 | NO D |
| 500 l/pulse   | 9 | NO E |
| 2.5 m <sup>3</sup> /pulse   | 9 | NO F |
| 5 m <sup>3</sup> /pulse   | 9 | NO G |
| 10 m <sup>3</sup> /pulse  | 9 | NO H |
| 25 m <sup>3</sup> /pulse  | 9 | NO J |
| 50 m <sup>3</sup> /pulse  | 9 | NO K |
| 100 m <sup>3</sup> /pulse   | 9 | NO L |
| 250 m <sup>3</sup> /pulse   | 9 | NO M |
| 500 m <sup>3</sup> /pulse   | 9 | NO N |
| 1000 m <sup>3</sup> /pulse  | 9 | NO P |
| <b>Transmitter SITRANS FUS080</b>   |   |      |
| IP67/NEMA 4X/6 115 ... 230 V AC   | B |      |
| IP67/NEMA 4X/6 3.6 V battery version D, incl. dual battery pack   | D |      |
| IP67/NEMA 4X/6 115 ... 230 V AC, including 3.6 V single battery backup                                    | E |      |
| IP67/NEMA 4X/6 3.6 V battery version (no battery pack included) <sup>4</sup>                              | G |      |
| <b>Pulse width setup</b>  |   |      |
| 5 ms (standard)   | 2 |      |
| 10 ms   | 3 |      |
| 20 ms   | 4 |      |
| 50 ms   | 5 |      |
| 100 ms  | 6 |      |
| 200 ms  | 7 |      |
| 500 ms  | 8 |      |

1) Q<sub>p</sub> (Q<sub>n</sub>) is the normal or typical flow. Q<sub>p</sub> and Q<sub>s</sub> is shown on the system label.  
 2) Pipe material bronze brass.  
 3) PN 40 standard for DN 50 ... DN 80 die-cast bronze pipes.  
 4) Lithium batteries are subject to special transportation regulations according to United Nations "Regulation of Dangerous Goods, UN 3090 and UN 3091". Special transport documentation is required to observe these regulations. This may influence both transport time and costs.

| Selection and Ordering data  | Order code      |
|--|-----------------|
| <b>Additional information</b>  |                 |
| Please add „-Z“ to Order No. and following add-on code(s) with plain text.   |                 |
| <b>Calibration / certificate FUS380</b>  |                 |
| Production calibration for DN 50 ... DN 1200 with $Q_n$ as selected in diameter<br>Calibration protocol: 2 x 3 points, $Q_i$ , 10% $Q_p$ and $Q_p$<br>(max. 4200 m <sup>3</sup> /h).               | <b>Included</b> |
| Accredited Siemens ISO/IEC 17025 calibration for DN 50 ... DN 200 with $Q_n$ as selected in diameter.<br>Certificate: 2 x 3 points, $Q_i$ , 10% $Q_p$ and $Q_p$<br>(max. 250 m <sup>3</sup> /h).   | <b>D20</b>      |
| Accredited Siemens ISO/IEC 17025 calibration for DN 100 ... DN 500 with $Q_n$ as selected in diameter.<br>Certificate: 2 x 3 points, $Q_i$ , 10% $Q_p$ and $Q_p$<br>(max. 1300 m <sup>3</sup> /h). | <b>D21</b>      |
| Accredited Siemens ISO/IEC 17025 calibration, DN 300 ... DN 1200 with $Q_n$ as selected in diameter.<br>Certificate: 2 x 3 points, $Q_i$ , 10% $Q_p$ and $Q_p$<br>(max. 4200 m <sup>3</sup> /h).   | <b>D22</b>      |
| Output B as reverse flow pulses.<br>No calibration/verification.   | <b>E21</b>      |
| <b>Material certificate</b>  |                 |
| EN 10204-3.1   | <b>F10</b>      |
| <b>Tag name plate</b>  |                 |
| Stainless steel tag with 12 mm characters,<br>max. 15 characters (add plain text)  | <b>Y17</b>      |
| Self-adhesive plastic tag with 8 mm characters,<br>max. 15 characters (add plain text)   | <b>Y18</b>      |

**For accessories and spare parts see end of following chapter on FUE380.**

#### MLFB Ordering example

Customer requires a flowmeter:

- DN 250, PN 25, compact version (media temperature max. 120 °C (248 °F)), mains power version.
- Material certificate and metal tag name plate.
- Pulse output for for 10 l/pulse and min. 5 ms pulse width.

#### Ordering:

FUS380: **7ME3400-2LD00-4BA2-Z, F10, Y17**



**Please use online Product selector to get latest updates. Product selector link:**

[www.pia-selector.automation.siemens.com](http://www.pia-selector.automation.siemens.com)

# SITRANS F flowmeters

## SITRANS F US

### Flowmeter FUE380 with approval

#### Overview



The 2-track flowmeter SITRANS FUE380 comes as battery or mains-powered and is designed to measure water flow in district heating plants, local networks, boiler stations, substations, chiller plants and other general water applications.

The flowmeter FUE380 is approved according to heat meter standards EN 1434 class 2, OIML R 75 class 2 and MID class 2. Metrological parameters are protected against manipulation. The type-approved flowmeter version is named SITRANS FUE380. For a standard flowmeter type FUS380 without a type approval, see separate FUS380 chapter.

Technically, the meter types SITRANS FUS380 and SITRANS FUE380 are completely identical, only difference is the calibration limit and the type approval for custody transfer.

#### Benefits

- Battery-powered up to 6 years
- 115/230 V mains-powered with back-up battery option in case of mains power failure
- Fast measuring frequency 20 Hz/0.5 Hz (230 V AC/Battery)
- Easy one-button straight forward display
- 2-track measuring principle for optimum accuracy
- Compact or remote mounting
- Measures on all district water qualities and water conductivities
- No pressure drop
- Long-term stability
- 2 galvanically isolated digital outputs for easy connection to a calculator (potential-free)
- Bidirectional measurement, with 2 totalizers and outputs
- Dynamic range  $Q_i:Q_p$  up to 1:50/100 or max. range  $Q_i:Q_s$  up to 1:400
- MODBUS RTU/RS 232, RS 485

#### Application

The main application for SITRANS FUE380 is measurement of water flow or water flow in heat meter systems for custody transfer in district heating networks or chilled water.

Combined with an energy calculator and a pair of temperature sensors, SITRANS FUE380 can be used as part of an energy meter system. For this purpose Siemens offers energy calculator SITRANS FUE950.

#### Design

The 2-track design of SITRANS FUE380 ensures maximum accuracy under short inlet conditions. The flowmeter consists of a flow sensor pipe, 4 transducers/transducer cables and an approved transmitter SITRANS FUS080.

The unit is available in a compact or a remote version with up to 30 meter distance from flowmeter to transmitter. When ordering a compact version the transducer cables are pre-mounted and ready for installation.

Compact mounting is only possible up to 120 °C (248 °F). The sensor must be isolated to protect transmitter from heat. The transmitter is available in an IP67/NEMA 4X/6 enclosure.

#### Integration

The flowmeter digital output is often used as input for an energy meter or as input for digital systems for remote reading.

SITRANS FUE380 has two digital output functions that can be individually selected, and optional MODBUS RTU communication modules.

Pulse output rate is defined when ordering.

If the flowmeter forms part of an energy meter system for custody transfer, no further approvals are needed, except possible local approvals on the flowmeter.

#### Configuration SITRANS FUE380 type-approved

#### Selection guide SITRANS FUE380, type-approved flowmeter

| DN  | Q <sub>s</sub> (m <sup>3</sup> /h) | Q <sub>max</sub> (m <sup>3</sup> /h)<br>(105% of Q <sub>s</sub> ) | Q <sub>p</sub> (m <sup>3</sup> /h) | Q <sub>i</sub> (m <sup>3</sup> /h)<br>(1:50 of Q <sub>p</sub> ) | Q <sub>i</sub> (m <sup>3</sup> /h)<br>(1:100 of Q <sub>p</sub> ) | Cut-off (m <sup>3</sup> /h)<br>(50% of Q <sub>i</sub> ) | Cut-off<br>(% of Q <sub>max</sub> ) | Typical pulse<br>value <sup>1)</sup><br>(l/pulse) |
|-----|------------------------------------|---|------------------------------------|---|--|---|-------------------------------------|---|
| 50  | 30                                 | 31.5  | 15 <sup>2)</sup>                   | 0.3   | 0.15   | 0.075   | 0.24                                | 1   |
| 50  | 45                                 | 47.25   | 15 <sup>2)</sup>                   | 0.3   | 0.15   | 0.075   | 0.16                                | 1   |
| 50  | 45                                 | 47.25   | 30 <sup>3)</sup>                   | -   | 0.30   | 0.150   | 0.32                                | 1   |
| 65  | 50                                 | 52.5  | 25 <sup>2)</sup>                   | 0.5   | 0.25   | 0.125   | 0.24                                | 1   |
| 65  | 72                                 | 75.6  | 25 <sup>2)</sup>                   | 0.5   | 0.25   | 0.125   | 0.17                                | 1   |
| 65  | 72                                 | 75.6  | 50 <sup>3)</sup>                   | -   | 0.50   | 0.250   | 0.33                                | 1   |
| 80  | 80                                 | 84  | 40 <sup>2)</sup>                   | 0.8   | 0.40   | 0.200   | 0.24                                | 2.5   |
| 80  | 120                                | 126   | 40 <sup>2)</sup>                   | 0.8   | 0.40   | 0.200   | 0.16                                | 2.5   |
| 80  | 120                                | 126   | 80 <sup>3)</sup>                   | -   | 0.80   | 0.400   | 0.32                                | 2.5   |
| 100 | 120                                | 126   | 60 <sup>2)</sup>                   | 1.2   | 0.60   | 0.300   | 0.24                                | 2.5   |
| 100 | 180                                | 189   | 60 <sup>2)</sup>                   | 1.2   | 0.60   | 0.300   | 0.16                                | 2.5   |
| 100 | 180                                | 189   | 120 <sup>3)</sup>                  | -   | 1.20   | 0.600   | 0.32                                | 2.5   |
| 125 | 200                                | 210   | 100 <sup>2)</sup>                  | 2.0   | 1.00   | 0.500   | 0.24                                | 2.5   |
| 125 | 280                                | 294   | 100 <sup>2)</sup>                  | 2.0   | 1.00   | 0.500   | 0.17                                | 2.5   |
| 125 | 280                                | 294   | 200 <sup>3)</sup>                  | -   | 2.00   | 1.000   | 0.34                                | 2.5   |
| 150 | 300                                | 315   | 150 <sup>2)</sup>                  | 3.0   | 1.50   | 0.750   | 0.24                                | 10  |
| 150 | 420                                | 441   | 150 <sup>2)</sup>                  | 3.0   | 1.50   | 0.750   | 0.17                                | 10  |
| 150 | 420                                | 441   | 300 <sup>3)</sup>                  | -   | 3.00   | 1.500   | 0.34                                | 10  |
| 200 | 500                                | 525   | 250 <sup>2)</sup>                  | 5.0   | 2.50   | 1.250   | 0.24                                | 10  |
| 200 | 700                                | 735   | 250 <sup>2)</sup>                  | 5.0   | 2.50   | 1.250   | 0.17                                | 10  |
| 200 | 700                                | 735   | 500 <sup>3)</sup>                  | -   | 5.00   | 2.500   | 0.34                                | 10  |
| 250 | 800                                | 840   | 400 <sup>2)</sup>                  | 8.0   | 4.00   | 2.000   | 0.24                                | 10  |
| 250 | 1120                               | 1176  | 400 <sup>2)</sup>                  | 8.0   | 4.00   | 2.000   | 0.17                                | 10  |
| 250 | 1120                               | 1176  | 800 <sup>3)</sup>                  | -   | 8.00   | 4.000   | 0.34                                | 10  |
| 300 | 1120                               | 1176  | 560 <sup>2)</sup>                  | 11.2  | 5.60   | 2.800   | 0.24                                | 50  |
| 300 | 1560                               | 1638  | 560 <sup>2)</sup>                  | 11.2  | 5.60   | 2.800   | 0.17                                | 50  |
| 300 | 1560                               | 1638  | 1120 <sup>3)</sup>                 | -   | 11.20  | 5.600   | 0.34                                | 50  |
| 350 | 1500                               | 1575  | 750 <sup>2)</sup>                  | 15.0  | 7.50   | 3.750   | 0.24                                | 50  |
| 350 | 2100                               | 2205  | 750 <sup>2)</sup>                  | 15.0  | 7.50   | 3.750   | 0.17                                | 50  |
| 350 | 2100                               | 2205  | 1500 <sup>3)</sup>                 | -   | 15.00  | 7.500   | 0.34                                | 50  |
| 400 | 1900                               | 1995  | 950 <sup>2)</sup>                  | 19.0  | 9.50   | 4.750   | 0.24                                | 50  |
| 400 | 2660                               | 2793  | 950 <sup>2)</sup>                  | 19.0  | 9.50   | 4.750   | 0.17                                | 50  |
| 400 | 2660                               | 2793  | 1900 <sup>3)</sup>                 | -   | 19.00  | 9.500   | 0.34                                | 50  |
| 500 | 2950                               | 3097.5  | 1475 <sup>2)</sup>                 | 29.5  | 14.75  | 7.375   | 0.24                                | 100   |
| 500 | 4130                               | 4336.5  | 1475 <sup>2)</sup>                 | 29.5  | 14.75  | 7.375   | 0.17                                | 100   |
| 500 | 4130                               | 4336.5  | 2950 <sup>3)</sup>                 | -   | 29.50  | 14.750  | 0.34                                | 100   |
| 600 | 4300                               | 4515  | 2150 <sup>2)</sup>                 | 43.0  | 21.50  | 10.750  | 0.24                                | 100   |
| 600 | 6020                               | 6321  | 2150 <sup>2)</sup>                 | 43.0  | 21.50  | 10.750  | 0.17                                | 100   |
| 600 | 6020                               | 6321  | 4300 <sup>3)</sup>                 | -   | 43.00  | 21.500  | 0.34                                | 100   |
| 700 | 5800                               | 6090  | 2900 <sup>2)</sup>                 | 58.0  | 29.00  | 14.500  | 0.24                                | 100   |
| 700 | 8120                               | 8526  | 2900 <sup>2)</sup>                 | 58.0  | 29.00  | 14.500  | 0.17                                | 100   |
| 700 | 8120                               | 8526  | 5800 <sup>3)</sup>                 | -   | 58.00  | 29.000  | 0.34                                | 100   |
| 800 | 7600                               | 7980  | 3800 <sup>2)</sup>                 | 76.0  | 38.00  | 19.000  | 0.24                                | 100   |
| 800 | 10 640                             | 11 172  | 3800 <sup>2)</sup>                 | 76.0  | 38.00  | 19.000  | 0.17                                | 100   |
| 800 | 10 640                             | 11 172  | 7600 <sup>3)</sup>                 | -   | 76.00  | 38.000  | 0.34                                | 100   |
| 900 | 10 000                             | 10 500  | 5000 <sup>2)</sup>                 | 100.0   | 50.00  | 25.000  | 0.24                                | 100   |
| 900 | 14 000                             | 14 700  | 5000 <sup>2)</sup>                 | 100.0   | 50.00  | 25.000  | 0.17                                | 100   |
| 900 | 14 000                             | 14 700  | 10 000 <sup>3)</sup>               | -   | 100.00   | 50.000  | 0.34                                | 100   |



# SITRANS F flowmeters

## SITRANS F US

### Flowmeter FUE380 with approval

| DN   | Q <sub>s</sub> (m <sup>3</sup> /h) | Q <sub>max</sub> (m <sup>3</sup> /h)<br>(105% of Q <sub>s</sub> ) | Q <sub>p</sub> (m <sup>3</sup> /h) | Q <sub>i</sub> (m <sup>3</sup> /h)<br>(1:50 of Q <sub>p</sub> ) | Q <sub>i</sub> (m <sup>3</sup> /h)<br>(1:100 of Q <sub>p</sub> ) | Cut-off (m <sup>3</sup> /h)<br>(50% of Q <sub>i</sub> ) | Cut-off<br>(% of Q <sub>max</sub> ) | Typical pulse<br>value <sup>1)</sup><br>(l/pulse) |
|------|------------------------------------|---|------------------------------------|---|--|---|-------------------------------------|---|
| 1000 | 12 000                             | 12 600  | 6000 <sup>2)</sup>                 | 120.0   | 60.00  | 30.000  | 0.24                                | 100   |
| 1000 | 16 800                             | 17 640  | 6000 <sup>2)</sup>                 | 120.0   | 60.00  | 30.000  | 0.17                                | 100   |
| 1000 | 16 800                             | 17 640  | 12 000 <sup>3)</sup>               | -   | 120.00   | 60.000  | 0.34                                | 100   |
| 1200 | 18 000                             | 18 900  | 9000 <sup>2)</sup>                 | 180.0   | 90.00  | 45.000  | 0.24                                | 100   |
| 1200 | 25 200                             | 26 460  | 9000 <sup>2)</sup>                 | 180.0   | 90.00  | 45.000  | 0.17                                | 100   |
| 1200 | 25 200                             | 26 460  | 18 000 <sup>3)</sup>               | -   | 180.00   | 90.000  | 0.34                                | 100   |

Dynamic range Q<sub>i</sub>:Q<sub>p</sub>: better than 1:100 or 1:50 according to EN 1434, OIML R 75 class 2 and MID class 2.

Q<sub>i</sub> (Q<sub>min</sub>) means the minimal and Q<sub>p</sub> (Q<sub>nom</sub>) the nominal flow rate according to the approval requirements.

Q<sub>s</sub> is the highest operatable flow rate. The maximum flow rate (Q<sub>max</sub>) is 105 % of Q<sub>s</sub>. The low flow cut-off is 50 % of Q<sub>i</sub>.

Q<sub>i</sub>, Q<sub>p</sub> and Q<sub>s</sub> are shown on the system label of the FUE380.

In order to obtain best pulse output resolution in the range Q<sub>min</sub> to Q<sub>s</sub> of approx. 100 Hz at Q<sub>s</sub>, two or three flow values for every dimension can be selected at ordering. Therefore the ordering data table also shows Q<sub>p</sub> (Q<sub>n</sub>). This flow rate is between Q<sub>i</sub> (Q<sub>min</sub>) and Q<sub>s</sub> and indicates the normal or typical flow according to the approval requirements.

<sup>1)</sup> In connection with SITRANS FUE950 - other pulse values - see Selection and Ordering data table.

<sup>2)</sup> EN 1434 and MID flow values

<sup>3)</sup> OIML R 75 and MID flow values

210

### Technical specifications SITRANS FUE380

|                                      |  |  |
|--------------------------------------|--|--|
| Pipe design                          | 2-track sensor with flanges and integrated transducers wet-calibrated from factory   | Add-on modules:  |
| Nominal size welded version          | DN 50, 65, 80, 100, 125, 150, 200, 250, 300, 350, 400, 500, 600, 700, 800, 900, 1000, 1200   | <ul style="list-style-type: none"> <li>RS 232 serial interface with MODBUS RTU (Rx/Tx/GND), point to point with max. 15 m cable</li> <li>RS 485 serial interface with MODBUS RTU (+/-/GND), multi-drop with up to 32 devices with max. 1000 m cable</li> </ul> |
| Pressure rate                        | PN 16, PN 25, PN 40 EN 1092-1  | MODBUS RTU protocol is an open protocol (further information available on request)   |
| Pipe material                        | <ul style="list-style-type: none"> <li>DN 100 ... DN 1200: Carbon Steel EN 1.0345/P235 GH, painted in light-gray.</li> <li>DN 50 ... DN 80: Die-cast bronze G-CuSn10/W2.1050.01 (EN1982)</li> </ul>  | Serial speed 1200, 2400, 4800, 9600, 19200, 38400 Baud   |
| Transducer design                    | <ul style="list-style-type: none"> <li>DN 100 ... DN 1200: Integrated version and welded onto the pipe</li> <li>DN 50 ... DN 80: Screwed into the pipe</li> </ul>  | Enclosure  |
| Transducer material                  | Stainless steel (AISI 316/1.4404)/brass (CuZn <sub>36</sub> Pb <sub>2</sub> As)  | IP67/NEMA 4X/6 to EN 60529 and DIN 40050   |
| <b>Sensor operating conditions</b>   |  | Temperature ambient  |
| Storage                              | -40 ... +85 °C (-40 ... +185 °F)   | 0 ... 60 °C (32 ... 140 °F)<br>MID: Climatic class -10 ... +55 °C (-14 ... +131 °F)  |
| Media/surface temperature            | DN 100 ... DN 1200: <ul style="list-style-type: none"> <li>Remote: 2 ... 200 °C (35.6 ... 392 °F)</li> <li>MID: min. +15 °C/+59 °F</li> </ul> DN 50 ... DN 80: <ul style="list-style-type: none"> <li>Remote: 2 ... 150 °C (35.6 ... 302 °F)</li> <li>MID: min. +15 °C/+59 °F</li> </ul> DN 50 ... DN 1200: <ul style="list-style-type: none"> <li>Compact: 2 ... 120 °C (35.6 ... 248 °F)</li> <li>MID: min. +15 °C/+59 °F</li> </ul> | Temperature storage  |
| Degree of protection                 | Sensor connection IP67/NEMA 4X/6   | -40 ... +85 °C (-40 ... +185 °F)<br>(battery included)   |
| Max. flow velocity at Q <sub>s</sub> | DN 50 ... DN 1200: 7 m/s (22.9 ft/s)   | Installation   |
| <b>Transmitter</b>                   |  | Compact on sensor: max. 120 °C (248 °F),<br>Separate: max. 30 m (98.4 ft) from transmitter   |
| Display                              | LCD, 8 digits, additional 2 digits and symbols for status information  | Mechanical vibration   |
| Push button                          | One push button for display information  | 2 g, 1 ... 800 Hz sinusoidal in all directions to IEC 68-2-6   |
| Communication                        | IrDA – optical communication interface with MODBUS RTU protocol  | Design   |
|                                      |  | Fibre glass reinforced polyamide   |
|                                      |  | Power supply   |
|                                      |  | <ul style="list-style-type: none"> <li>Battery: replaceable 3.6 V LiSOCl (Lithium Thionyl Chloride) dual battery pack 32 Ah or single battery 16 Ah</li> <li>Mains: 87 ... 265 V AC (50 ... 60 Hz)</li> </ul>  |
|                                      |  | Measuring rate   |
|                                      |  | Battery mode: 0.5 Hz<br>Mains supply: 20 Hz<br>Back-up mode: 0.5 Hz (at mains supply drop)   |
|                                      |  | Digital output   |
|                                      |  | Two passive individual galvanically isolated MOS relay outputs, A and B, max. ± 35 V AC/DC, 50 mA  |
|                                      |  | Max pulse frequency  |
|                                      |  | 100 Hz at Q <sub>max</sub>   |
|                                      |  | Alarm indication   |
|                                      |  | Track 1 (F1), track 2 (F2), internal failure (F3, F4), Low battery indication (F5), Q <sub>max</sub> overflow (F6), pulse overflow (F7, F8), internal data logger warning (F9)   |

|              |  |
|--------------|--|
| Cable length | Max. 30 m (98.4 ft) between transmitter and sensor   |
| EMC          | <ul style="list-style-type: none"> <li>Emission EN 61000-6-4</li> <li>Immunity EN 61000-6-2</li> <li>MID: Environment class E2 and M1</li> </ul>               |
| Approvals    | <ul style="list-style-type: none"> <li>EN 1434 and OIML R 75 Class 2 (PTB approval based on EN1434)</li> <li>MID class 2 approval and certification</li> </ul> |

#### Type-dependent settings

|   | FUE380  |
|---|---|
| Flow value                                | Predefined according to EN 1434 / OIML R 75 / MID   |
| Approval                                  | Country specific  |
| Flow rate $v_f$                           | 0.02 ... 7 m/s (0.065 ... 22.9 ft/s)  |
| Output A                                  | Preset: Forward pulses  |
| Output B                                  | Preset: Alarm   |
| Pulse value A & B (depending on DN value) | Preset: See scheme - previous page<br>Preset for SITRANS FUE950 or free selectable depending on flow rate ( $Q_s$ ) |
| Pulse width                               | Preset: 5 ms  |
| Flow unit setup                           | Preset: $m^3/h$   |
| Volume unit setup                         | Preset: $m^3$   |

#### SITRANS FUE380 uncertainty

To ensure continuous accurate measurement, flowmeters must be calibrated. The calibration is conducted at SIEMENS flow facilities accredited according to ISO/IEC 17025 by DANAK or UKAS.

The accreditation bodies DANAK and UKAS have signed the ILAC MRA agreement (International Laboratory Accreditation Corporation - Mutual Recognition Arrangement). Therefore the accreditation ensures international traceability and recognition of the test results in 39 countries worldwide, including the US (NIST traceability).

A standard calibration certificate is shipped with every SITRANS FUE380.

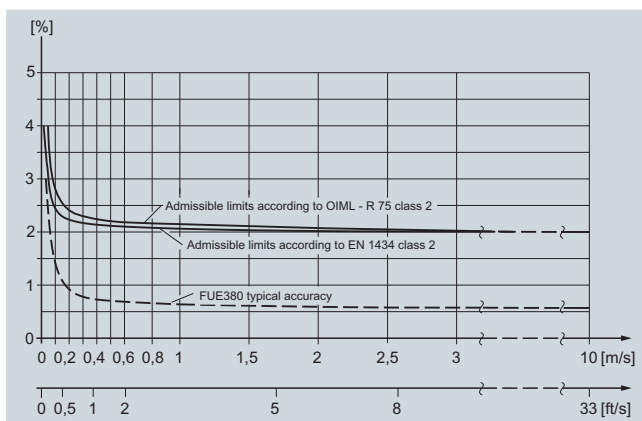
#### Typical accuracy SITRANS FUE380:

$$0.5 + 0.02 Q_p/Q [\%]$$

$Q_p$  according to EN 1434/OIML requirements.

Example: DN 100,  $Q_p = 60 m^3/h$  at  $Q = 1.2 m^3/h$ :

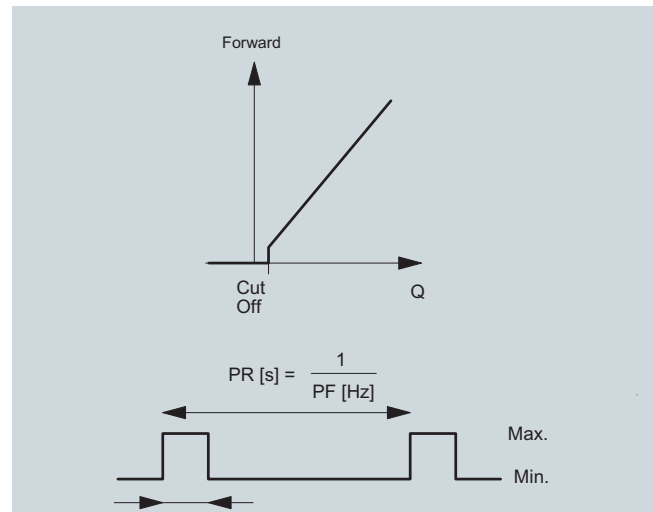
Accuracy = typical 1.5 %



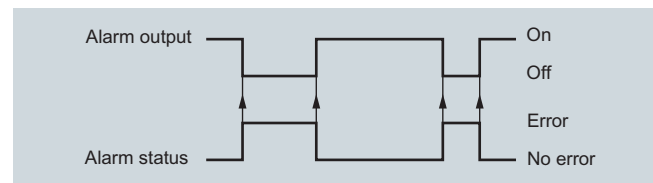
SITRANS FUE380 fulfils the requirements

$E_f = \pm (2 + 0.02 Q_p/Q_i)$  max.  $\pm 5\%$ , according to EN 1434 and OIML R 75, class 2 or MID class 2 requirements.

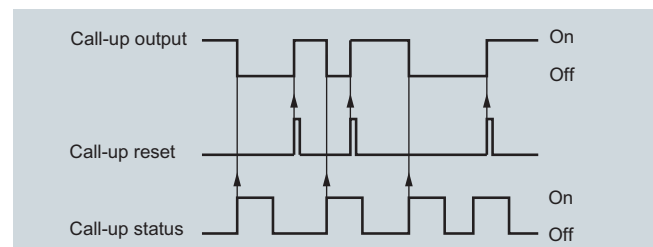
#### Output configuration SITRANS FUE380



Pulse volume: output A/B configured as volume per pulse, calculated on forward/reverse or net forward/reverse flow. The volume per pulse is freely scaleable (via PDM software) if the sealing is open.



Pulse output B can be used as stated above or as alarm or call-up function.



Call-up: the call-up output is active until manually reset by use of PDM program. The call-up function is activated when an alarm is activated.

# SITRANS F flowmeters

## SITRANS F US

### Flowmeter FUE380 with approval

212

| Selection and Ordering data                     |   |        | Order No. | Order code   | Selection and Ordering data   |   |  | Order No. | Order code   |
|---|---|--------|-----------|--------------|---|---|--|-----------|--------------|
| <b>Flowmeter SITRANS FUE380 (type-approved)</b> |   |        | 7         | ME 3 4 1 0 - | <b>Flowmeter SITRANS FUE380 (type-approved)</b>   |   |  | 7         | ME 3 4 1 0 - |
| <b>Diameter</b>                                 | <b>Flow setting [m<sup>3</sup>/h]<br/>Qp[m<sup>3</sup>/h]<sup>1)</sup> Qs [m<sup>3</sup>/h]</b> |        |           |              | <b>Flange norm and pressure rating</b>  |   |  |           |              |
| DN 50 (2") <sup>2)</sup>                        | 15 <sup>3)</sup>  | 30     | 1         | B            | System without sensor - only a transmitter  |   |  |           |              |
| DN 50 (2") <sup>2)</sup>                        | 15 <sup>3)</sup>  | 45     | 1         | C            | <u>EN 1092-1</u>  |   |  |           |              |
| DN 50 (2") <sup>2)</sup>                        | 30 <sup>4)</sup>  | 45     | 1         | D            | PN 16 (DN 100 ... DN 1200)  | C |  |           |              |
| DN 65 (2½") <sup>2)</sup>                       | 25 <sup>3)</sup>  | 50     | 1         | F            | PN 25 (DN 200 ... DN 1000)  | D |  |           |              |
| DN 65 (2½") <sup>2)</sup>                       | 25 <sup>3)</sup>  | 72     | 1         | G            | PN 40 (DN 50 ... DN 250) <sup>5)</sup>  | E |  |           |              |
| DN 65 (2½") <sup>2)</sup>                       | 50 <sup>4)</sup>  | 72     | 1         | H            | <b>Compact / remote connection</b>  |   |  |           |              |
| DN 80 (3") <sup>2)</sup>                        | 40 <sup>3)</sup>  | 80     | 1         | K            | Compact version, max. 120 °C (248 °F)   | 0 |  |           |              |
| DN 80 (3") <sup>2)</sup>                        | 40 <sup>3)</sup>  | 120    | 1         | L            | <u>Remote version, max. 200 °C (392 °F)</u>   |   |  |           |              |
| DN 80 (3") <sup>2)</sup>                        | 80 <sup>4)</sup>  | 120    | 1         | M            | 5 m (16.4 ft)   | 2 |  |           |              |
| DN 100 (4")                                     | 60 <sup>3)</sup>  | 120    | 1         | P            | 10 m (32.8 ft)  | 3 |  |           |              |
| DN 100 (4")                                     | 60 <sup>3)</sup>  | 180    | 1         | Q            | 20 m (65.6 ft)  | 4 |  |           |              |
| DN 100 (4")                                     | 120 <sup>4)</sup>   | 180    | 1         | R            | 30 m (98.4 ft)  | 5 |  |           |              |
| DN 125 (5")                                     | 100 <sup>3)</sup>   | 200    | 1         | T            | <b>Approvals / pulse output</b>   |   |  |           |              |
| DN 125 (5")                                     | 100 <sup>3)</sup>   | 280    | 1         | U            | Without approval (neutral)  | 0 |  |           |              |
| DN 125 (5")                                     | 200 <sup>4)</sup>   | 280    | 1         | V            | Selectable pulse output (following code can be 1 ... 9)   |   |  |           |              |
| DN 150 (6")                                     | 150 <sup>3)</sup>   | 300    | 2         | B            | With approval marks   | 1 |  |           |              |
| DN 150 (6")                                     | 150 <sup>3)</sup>   | 420    | 2         | C            | Selectable pulse output (following code can be 1 ... 9)   |   |  |           |              |
| DN 150 (6")                                     | 300 <sup>4)</sup>   | 420    | 2         | D            | With approval marks and seal  | 2 |  |           |              |
| DN 200 (8")                                     | 250 <sup>3)</sup>   | 500    | 2         | F            | Selectable pulse output (following code can be 1 ... 9)   |   |  |           |              |
| DN 200 (8")                                     | 250 <sup>3)</sup>   | 700    | 2         | G            | Without approval (neutral) Preset pulse output for FUE950 energy meter (following code must be 2 ... 6) | 3 |  |           |              |
| DN 200 (8")                                     | 500 <sup>4)</sup>   | 700    | 2         | H            | With approval marks   | 4 |  |           |              |
| DN 250 (10")                                    | 400 <sup>3)</sup>   | 800    | 2         | K            | Preset pulse output for FUE950 energy meter (following code must be 2 ... 6, dimension depending )      |   |  |           |              |
| DN 250 (10")                                    | 400 <sup>3)</sup>   | 1120   | 2         | L            | With approval marks and seal  | 5 |  |           |              |
| DN 250 (10")                                    | 800 <sup>4)</sup>   | 1120   | 2         | M            | Preset pulse output for FUE950 energy meter (following code must be 2 ... 6)                            |   |  |           |              |
| DN 300 (12")                                    | 560 <sup>3)</sup>   | 1120   | 2         | P            | <b>Pulse output value setup</b>   |   |  |           |              |
| DN 300 (12")                                    | 560 <sup>3)</sup>   | 1560   | 2         | Q            | 0.1 l/p (option for DN 50 ... DN 65) with 5 ms  | 1 |  |           |              |
| DN 300 (12")                                    | 1120 <sup>4)</sup>  | 1560   | 2         | R            | 1 l/p (typical for DN 50 ... DN 65) with 5 ms   | 2 |  |           |              |
| DN 350 (14")                                    | 750 <sup>3)</sup>   | 1500   | 2         | T            | 2.5 l/p (typical for DN 80 ... DN 125) with 5 ms  | 3 |  |           |              |
| DN 350 (14")                                    | 750 <sup>3)</sup>   | 2100   | 2         | U            | 10 l/p (typical for DN 150 ... DN 250) with 5 ms  | 4 |  |           |              |
| DN 350 (14")                                    | 1500 <sup>4)</sup>  | 2100   | 2         | V            | 50 l/p (typical for DN 300 ... DN 400) with 5 ms  | 5 |  |           |              |
| DN 400 (16")                                    | 950 <sup>3)</sup>   | 1900   | 3         | B            | 100 l/p (typical for DN 500 ... DN 1200) with 5 ms  | 6 |  |           |              |
| DN 400 (16")                                    | 950 <sup>3)</sup>   | 2660   | 3         | C            | <b>Optional pulse values</b>  |   |  |           |              |
| DN 400 (16")                                    | 1900 <sup>4)</sup>  | 2660   | 3         | D            | 250 l/pulse   | 7 |  |           |              |
| DN 500 (20")                                    | 1475 <sup>3)</sup>  | 2950   | 3         | K            | 1 m <sup>3</sup> /pulse   | 8 |  |           |              |
| DN 500 (20")                                    | 1475 <sup>3)</sup>  | 4130   | 3         | L            | 0.25 l/pulse  | 9 |  |           | NOA          |
| DN 500 (20")                                    | 2950 <sup>4)</sup>  | 4130   | 3         | M            | 0.5 l/pulse   | 9 |  |           | NOB          |
| DN 600 (24")                                    | 2150 <sup>3)</sup>  | 4300   | 3         | T            | 5 l/pulse   | 9 |  |           | NOC          |
| DN 600 (24")                                    | 2150 <sup>3)</sup>  | 6020   | 3         | U            | 25 l/pulse  | 9 |  |           | NOE          |
| DN 600 (24")                                    | 4300 <sup>4)</sup>  | 6020   | 3         | V            | 500 l/pulse   | 9 |  |           | NOF          |
| DN 700 (28")                                    | 2900 <sup>3)</sup>  | 5800   | 4         | F            | 2.5 m <sup>3</sup> /pulse   | 9 |  |           | NOG          |
| DN 700 (28")                                    | 2900 <sup>3)</sup>  | 8120   | 4         | G            | 5 m <sup>3</sup> /pulse   | 9 |  |           | NOH          |
| DN 700 (28")                                    | 5800 <sup>4)</sup>  | 8120   | 4         | H            | 10 m <sup>3</sup> /pulse  | 9 |  |           | NOI          |
| DN 800 (32")                                    | 3800 <sup>3)</sup>  | 7600   | 4         | P            | 25 m <sup>3</sup> /pulse  | 9 |  |           | NOJ          |
| DN 800 (32")                                    | 3800 <sup>3)</sup>  | 10 640 | 4         | Q            | 50 m <sup>3</sup> /pulse  | 9 |  |           | NOK          |
| DN 800 (32")                                    | 7600 <sup>4)</sup>  | 10 640 | 4         | R            | 100 m <sup>3</sup> /pulse   | 9 |  |           | NOL          |
| DN 900 (36")                                    | 5000 <sup>3)</sup>  | 10 000 | 5         | B            | 250 m <sup>3</sup> /pulse   | 9 |  |           | NOM          |
| DN 900 (36")                                    | 5000 <sup>3)</sup>  | 14 000 | 5         | C            | 500 m <sup>3</sup> /pulse   | 9 |  |           | NON          |
| DN 900 (36")                                    | 10 000 <sup>4)</sup>  | 14 000 | 5         | D            | 1000 m <sup>3</sup> /pulse  | 9 |  |           | NOO          |
| DN 1000 (40")                                   | 6000 <sup>3)</sup>  | 12 000 | 5         | K            |   |   |  |           |              |
| DN 1000 (40")                                   | 6000 <sup>3)</sup>  | 16 800 | 5         | L            |   |   |  |           |              |
| DN 1000 (40")                                   | 12 000 <sup>4)</sup>  | 16 800 | 5         | M            |   |   |  |           |              |
| DN 1200 (48")                                   | 9000 <sup>3)</sup>  | 18 000 | 5         | T            |   |   |  |           |              |
| DN 1200 (48")                                   | 9000 <sup>3)</sup>  | 25 200 | 5         | U            |   |   |  |           |              |
| DN 1200 (48")                                   | 18 000 <sup>4)</sup>  | 25 200 | 5         | V            |   |   |  |           |              |

For notes 1) to 8) see next page

| Selection and Ordering data   | Order No.       | Order code |
|---|-----------------|------------|
| <b>Flowmeter SITRANS FUE380 (type-approved)</b>                               | <b>7ME3410-</b> |            |
| <b>Transmitter SITRANS FUE080</b>   |                 |            |
| IP67/NEMA 4X/6 115 ... 230 V AC   |                 | <b>B</b>   |
| IP67/NEMA 4X/6 3.6 V battery version D, incl. dual battery pack               |                 | <b>D</b>   |
| IP67/NEMA 4X/6 115 ... 230 V AC, including 3.6 V single battery backup        |                 | <b>E</b>   |
| IP67/NEMA 4X/6 3.6 V battery version (no battery pack included) <sup>6)</sup> |                 | <b>G</b>   |
| <b>Country / approval type <sup>7)</sup></b>                                  |                 |            |
| Neutral, no approval mark   |                 | <b>A</b>   |
| Denmark <sup>8)</sup> , EN 1434/OIML R 75                                     |                 | <b>E</b>   |
| Finland <sup>8)</sup> , EN 1434/OIML R 75                                     |                 | <b>F</b>   |
| Germany <sup>8)</sup> , EN 1434 (PTB approval, DN 80 ... DN 1200)             |                 | <b>G</b>   |
| Russia, EN 1434/OIML R 75   |                 | <b>M</b>   |
| Ukraine, EN1434/OIML R 75   |                 | <b>P</b>   |
| China   |                 | <b>Z</b>   |
| MID-Approval, (EN 1434/OIML R 75), English                                    |                 | <b>R</b>   |
| MID-Approval, (EN 1434/OIML R 75), German                                     |                 | <b>S</b>   |
| MID-Approval, (EN 1434/OIML R 75), Polish                                     |                 | <b>T</b>   |
| MID-Approval, (EN 1434/OIML R 75), French                                     |                 | <b>U</b>   |
| <b>Pulse width setup</b>  |                 |            |
| 5 ms (standard)   |                 | <b>2</b>   |
| 10 ms   |                 | <b>3</b>   |
| 20 ms   |                 | <b>4</b>   |
| 50 ms   |                 | <b>5</b>   |
| 100 ms  |                 | <b>6</b>   |
| 200 ms  |                 | <b>7</b>   |
| 500 ms  |                 | <b>8</b>   |

- 1)  $Q_p$  ( $Q_n$ ) is the normal flow according to the approval requirements.  $Q_p$  and  $Q_s$  is shown on the system label.
- 2) Pipe material bronze brass
- 3) EN 1434 flow values
- 4) OIML R 75 flow values
- 5) PN 40 standard for DN 50 ... DN 80 die-cast bronze pipes
- 6) Lithium batteries are subject to special transportation regulations according to United Nations "Regulation of Dangerous Goods, UN 3090 and UN 3091". Special transport documentation is required to observe these regulations. This may influence both transport time and costs.
- 7) Other countries in progress
- 8) In Europe the MID approval is the standard, please use following selections.

Please also see [www.siemens.com/SITRANSFordering](http://www.siemens.com/SITRANSFordering) for practical examples of ordering.

| Selection and Ordering data   | Order code      |
|---|-----------------|
| <b>Additional information</b>   |                 |
| Please add „Z“ to Order No. and following add-on code(s) with plain text.   |                 |
| <b>Calibration / certificate FUE380</b>   |                 |
| Approval, verification and sealing as defined with the order number. See order code.  |                 |
| Production calibration for DN 50 ... DN 1200 with $Q_n$ as selected in diameter<br>Calibration protocol: 2 x 3 points, $Q_i$ , 10% $Q_p$ and $Q_p$ (max. 4200 m <sup>3</sup> /h).               | <b>Included</b> |
| Accredited Siemens ISO/IEC 17025 calibration for DN 50 ... DN 200 with $Q_n$ as selected in diameter.<br>Certificate: 2 x 3 points, $Q_i$ , 10% $Q_p$ and $Q_p$ (max. 250 m <sup>3</sup> /h).   | <b>D20</b>      |
| Accredited Siemens ISO/IEC 17025 calibration for DN 100 ... DN 500 with $Q_n$ as selected in diameter.<br>Certificate: 2 x 3 points, $Q_i$ , 10% $Q_p$ and $Q_p$ (max. 1300 m <sup>3</sup> /h). | <b>D21</b>      |
| Accredited Siemens ISO/IEC 17025 calibration, DN 300 ... DN 1200 with $Q_n$ as selected in diameter.<br>Certificate: 2 x 3 points, $Q_i$ , 10% $Q_p$ and $Q_p$ (max. 4200 m <sup>3</sup> /h).   | <b>D22</b>      |
| Output B as reverse flow pulses.<br>No calibration/verification.  | <b>E21</b>      |
| <b>Material certificate</b>   |                 |
| EN 10204-3.1  | <b>F10</b>      |
| <b>Tag name plate</b>   |                 |
| Stainless steel tag with 12 mm characters, max. 15 characters (add plain text)  | <b>Y17</b>      |
| Self-adhesive plastic tag with 8 mm characters, max. 15 characters (add plain text)   | <b>Y18</b>      |

#### MLFB Ordering example

Customer requires a flowmeter for custody transfer:

- DN 250, PN 25, compact version (media temperature max. 120 °C), battery version.
- Type-approved according to EN 1434, verified and sealed for Germany.
- Material certificate and metal tag name plate.
- Pulse output for energymeter SITRANS FUE950.

#### Ordering:

FUE380: **7ME3410-2LD05-4DG2-Z, F10, Y17**

Example of appropriate energy meter:

Energy meter type: **FUE950-03110-0R1CB-10300-DK2-00012**



Please use online Product selector to get latest updates.  
Product selector link:  
[www.pia-selector.automation.siemens.com](http://www.pia-selector.automation.siemens.com)














# SITRANS F flowmeters

## SITRANS F US

### Flowmeter FUS380 and FUE380

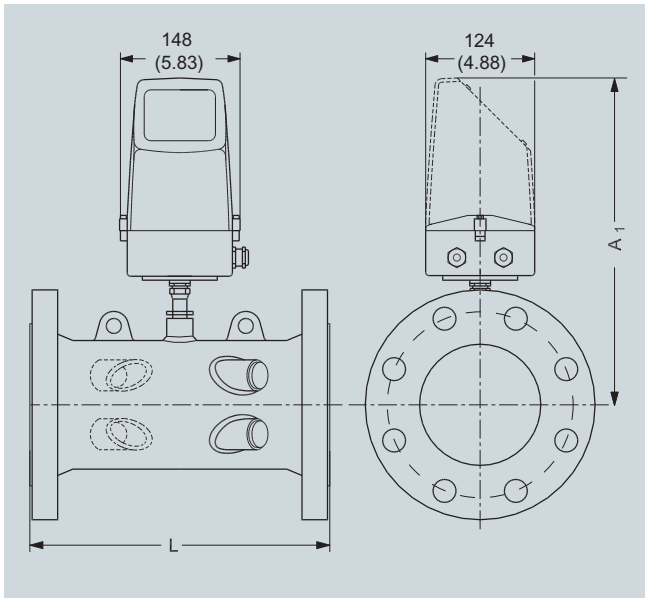
#### Accessories and spare parts for Flowmeter FUS380 and FUE380

##### SITRANS FUS380/FUE380 - Spare parts

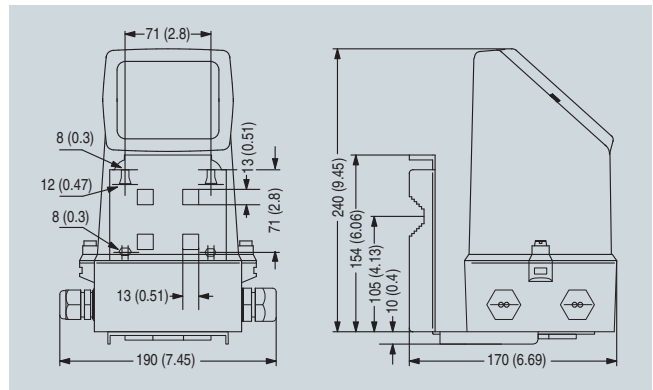
| Type/description  | Order No.                       |   | Type/description  | Order No.                       |   |
|---|---------------------------------|---|---|---------------------------------|---|
| Dual battery pack (6 year life-time) 33 Ah  | <b>FDK-087H2255</b>             |    | 5 m (16.4 ft) cable set (4 pcs.) for DN 50 ... DN 80 (2" ... 3") remote mounting  | <b>A5E01208092<sup>F)</sup></b> |  |
| Single battery back-up to main supply 13.5 Ah   | <b>FDK-087L4201</b>             |    | 10 m (32.8 ft) cable set (4 pcs.) for DN 50 ... DN 80 (2" ... 3") remote mounting   | <b>A5E01208114<sup>F)</sup></b> |   |
| Battery cover for transmitter FUS080  | <b>A5E00694468</b>              |    | 20 m (65.6 ft) cable set (4 pcs.) for DN 50 ... DN 80 (2" ... 3") remote mounting   | <b>A5E01208117<sup>F)</sup></b> |   |
| PG 13.5 set (2 pcs.) for main cable/pulse cable   | <b>FDK-083G0228</b>             |    | 30 m (98.4 ft) cable set (4 pcs.) for DN 50 ... DN 80 (2" ... 3") remote mounting   | <b>A5E01208121<sup>F)</sup></b> |   |
| PG 13.5 set (2 pcs.) for dual coax cable (6 mm)   | <b>A5E00694500</b>              |   | 1 m (3.28 ft) cable set (4 pcs.) for DN 50 ... DN 80 (2" ... 3") for compact version  | <b>A5E01208126<sup>F)</sup></b> |   |
| SITRANS FUS/FUE380 wall mounting kit for remote transmitter mounting, including connection plate (DN 50 ... DN 1200/2" ... 48")                   | <b>A5E00694509</b>              |  | 5 m (16.4 ft) cable set (4 pcs.) for DN 100 ... DN 1200 (4" ... 48") remote mounting  | <b>A5E00695476<sup>F)</sup></b> |   |
| SITRANS FUS/FUE380 terminal box for compact transmitter mounting, including connection plate, (bronze sensors only, DN 50 ... DN 80/2" ... 3")    | <b>A5E01208138<sup>F)</sup></b> |  | 10 m (32.8 ft) cable set (4 pcs.) for DN 100 ... DN 1200 (4" ... 48") remote mounting   | <b>A5E00695479<sup>F)</sup></b> |   |
| SITRANS FUS/FUE380 terminal box for compact transmitter mounting, including connection plate, (steel sensors only, DN 100 ... DN 1200/4" ... 48") | <b>A5E00694660<sup>F)</sup></b> |  | 20 m (65.6 ft) cable set (4 pcs.) for DN 100 ... DN 1200 (4" ... 48") remote mounting   | <b>A5E00695480<sup>F)</sup></b> |   |
| Brace (holder) for optical IrDA eye   | <b>A5E00695277</b>              |  | 30 m (98.4 ft) cable set (4 pcs.) for DN 100 ... DN 1200 (4" ... 48") remote mounting   | <b>A5E00695483<sup>F)</sup></b> |   |
| IrDA infrared interface adapter with USB for data acquisition with 1.2 m (3.9 ft) cable   | <b>FDK-087L4163</b>             |  | 1 m (3.28 ft) cable set (4 pcs.) for DN 100 ... DN 1200 (4" ... 48") for compact version  | <b>A5E00695486<sup>F)</sup></b> |   |
| RS 232 add-on module, point to point communication interface with MODBUS RTU protocol   | <b>FDK-087L4212</b>             |  | <b>Process Device Manager SIMATIC PDM</b><br><b>SIMATIC PDM Single Point V6.0</b><br><b>6ES7658-3HX06-0YA5</b><br>For operation and parameterization of one field device, communication using PROFIBUS DP/PA or HART modem, incl. 1 TAG<br><b>Cannot</b> be expanded by further functions or TAG option/power-pack 5 languages (German, English, French, Spanish, Italian) executes with Windows 2000 Professional or Windows XP Professional |                                 |   |
| RS 485 add-on module, multi-drop communication interface with MODBUS RTU protocol   | <b>FDK-087L4213</b>             |  |   |                                 |   |

Downloads for DEVICE description FUE380  
<http://support.automation.siemens.com/WW/view/en/17320235>

#### Dimensional drawings



#### Transmitter IP67/NEMA 4X/6, wall mounting



215

#### Pipe Dimensions for FUS380 and FUE380

| Size | PN 16      |        | PN 25      |        | PN 40     |        | A1   | Lift hug |
|------|------------|--------|------------|--------|-----------|--------|------|----------|
|      | L          | Weight | L          | Weight | L         | Weight |      |          |
| DN   | mm         | kg     | mm         | kg     | mm        | kg     | mm   |          |
| 50   | -          | -      | -          | -      | 300 +0/-2 | 10     | 350  | No       |
| 65   | -          | -      | -          | -      | 300 +0/-2 | 15     | 360  | No       |
| 80   | -          | -      | -          | -      | 350 +0/-3 | 18     | 370  | No       |
| 100  | 350 +0/-2  | 15     | -          | -      | 350 +0/-3 | 18     | 375  | No       |
| 125  | 350 +0/-2  | 18     | -          | -      | 350 +0/-3 | 24     | 380  | No       |
| 150  | 500 +0/-3  | 28     | -          | -      | 500 +0/-3 | 34     | 390  | Yes      |
| 200  | 500 +0/-3  | 38     | 500 +0/-3  | 47     | 500 +0/-3 | 55     | 414  | Yes      |
| 250  | 600 +0/-3  | 60     | 600 +0/-3  | 76     | 600 +0/-3 | 91     | 440  | Yes      |
| 300  | 500 +0/-3  | 66     | 500 +0/-3  | 81     | -         | -      | 466  | Yes      |
| 350  | 550 +0/-3  | 94     | 550 +0/-3  | 121    | -         | -      | 495  | Yes      |
| 400  | 600 +0/-3  | 124    | 600 +0/-3  | 153    | -         | -      | 507  | Yes      |
| 500  | 625 +0/-3  | 176    | 625 +0/-3  | 235    | -         | -      | 558  | Yes      |
| 600  | 750 +0/-3  | 244    | 750 +0/-3  | 292    | -         | -      | 609  | Yes      |
| 700  | 875 +0/-3  | 258    | 875 +0/-3  | 416    | -         | -      | 660  | Yes      |
| 800  | 1000 +0/-3 | 338    | 1000 +0/-3 | 562    | -         | -      | 710  | Yes      |
| 900  | 1230 +6/-6 | 475    | 1300 +6/-6 | 835    | -         | -      | 810  | No       |
| 1000 | 1300 +6/-6 | 594    | 1370 +6/-6 | 1078   | -         | -      | 910  | No       |
| 1200 | 1360 +6/-6 | 860    | -          | -      | -         | -      | 1110 | No       |

#### Notes:

- Weight for transmitter/electronics 1.5 kg (3.3 lb)
- - Means not available
- All weights are **approximately**
- For flange values - see norm EN 1092-1

# SITRANS F flowmeters

## SITRANS F US

### Flowmeter FUS380 and FUE380

| Size | PN 16          |        | PN 25          |        | PN 40          |        | A1    | Lift hug |
|------|----------------|--------|----------------|--------|----------------|--------|-------|----------|
|      | L              | Weight | L              | Weight | L              | Weight |       |          |
| inch | inch           | lb     | inch           | lb     | inch           | lb     | inch  |          |
| 2    | -              | -      | -              | -      | 12 +0/-0.08    | 22     | 14    | No       |
| 2½   | -              | -      | -              | -      | 12 +0/-0.08    | 33     | 14.4  | No       |
| 3    | -              | -      | -              | -      | 14 +0/-0.08    | 40     | 14.8  | No       |
| 4    | 13.77 +0/-0.08 | 33     | -              | -      | 13.77 +0/-0.12 | 40     | 15    | No       |
| 5    | 13.77 +0/-0.08 | 40     | -              | -      | 13.77 +0/-0.12 | 53     | 15.2  | No       |
| 6    | 19.68 +0/-0.12 | 62     | -              | -      | 19.68 +0/-0.12 | 75     | 15.6  | Yes      |
| 8    | 19.68 +0/-0.12 | 84     | 19.68 +0/-0.12 | 104    | 19.68 +0/-0.12 | 121    | 16.30 | Yes      |
| 10   | 23.62 +0/-0.12 | 132    | 23.62 +0/-0.12 | 168    | 23.62 +0/-0.12 | 201    | 17.32 | Yes      |
| 12   | 19.68 +0/-0.12 | 146    | 19.68 +0/-0.12 | 179    | -              | -      | 18.35 | Yes      |
| 14   | 21.65 +0/-0.12 | 207    | 21.65 +0/-0.12 | 267    | -              | -      | 19.8  | Yes      |
| 16   | 23.62 +0/-0.12 | 273    | 23.62 +0/-0.12 | 337    | -              | -      | 19.96 | Yes      |
| 20   | 24.61 +0/-3    | 419    | 24.61 +0/-0.12 | 538    | -              | -      | 21.97 | Yes      |
| 24   | 29.53 +0/-0.12 | 668    | 29.53 +0/-0.12 | 805    | -              | -      | 23.98 | Yes      |
| 28   | 34.45 +0/-0.12 | 796    | 34.45 +0/-0.12 | 1217   | -              | -      | 25.98 | Yes      |
| 32   | 39.37 +0/-0.12 | 1089   | 39.37 +0/-0.12 | 1698   | -              | -      | 27.95 | Yes      |
| 36   | 39.2 +0/-0.24  | 1047   | 52.00 +0/-0.24 | 1841   | -              | -      | 32.4  | No       |
| 40   | 52 +0/-0.24    | 1310   | 54.80 +0/-0.12 | 2376   | -              | -      | 36.4  | No       |
| 48   | 54.4 +0/-0.24  | 1892   | -              | -      | -              | -      | 44.4  | No       |

#### Notes:

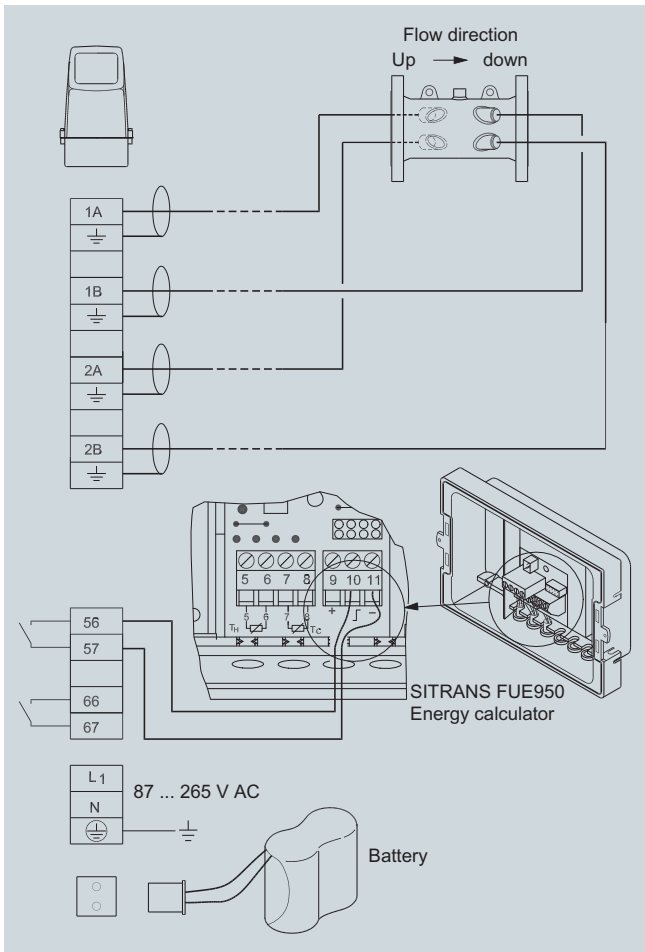
- Weight for transmitter/electronics 1.5 kg (3.3 lb)
- - Means not available
- All weights are **approximate**
- For flange values - see norm EN 1092-1

216



### Schematics

#### Electrical connection FUS380 and FUE380



The scheme shows the transducer cable connections between transmitter terminals and respective transducer and the electrical connection of the energy calculator SITRANS FUE950.

# SITRANS F flowmeters

## SITRANS F US

### SITRANS FUE950 energy calculator

#### Overview



SITRANS FUE950 is a universal thermal energy calculator, which meets the requirements of OIML R 75 class 4 and EN 1434. SITRANS FUE950 has been developed for the SITRANS FUS380/FUE380 and alternatively MAG 5000/6000.

SITRANS FUE950 is modular in construction and can by order be fitted with optional modules depending on the application.

SITRANS FUE950 can be used for up to 25 000 m<sup>3</sup>/h.

#### Benefits

##### Basic functions

- High-accuracy thermal energy metering
- Optical data reading in accordance with EN 1434
- Choice of battery, 230 V AC or 24 V AC
- Instantaneous values for energy/volume flow
- 24 months memory
- Error logging with date and time

##### Additional functions

- Battery backup of real-time clock in the event of power failure
- Tariff functions
- Read-out of account date

##### Add-on modules

- Plug-in module with data output, pulse output for accumulated energy and water or output signal for failure
- Plug-in module with data output and 2 extra pulse inputs
- Plug-in module for M-bus communication and 2 extra pulse inputs

##### Advanced functions for cooling/heating applications

- Separate totalizer registers for cooling/heating applications
- Zero point calibration of  $\Delta\theta$  for cooling systems

#### Application

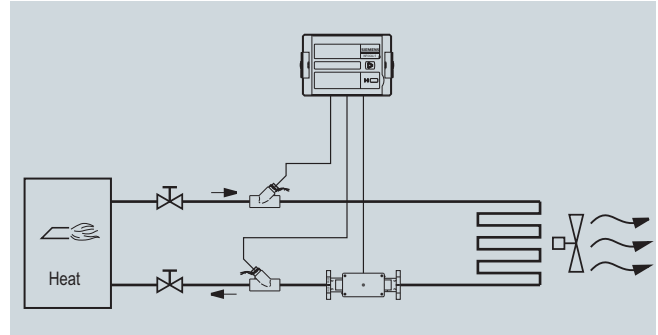
Energy calculation in:

- District heating applications
- Chilled water applications
- Combined cooling/heating applications

##### Application

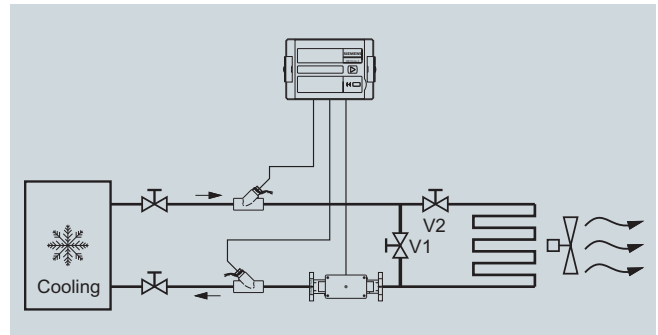
SITRANS FUE950 is able to handle 3 types of applications:

Type: OF/OR:



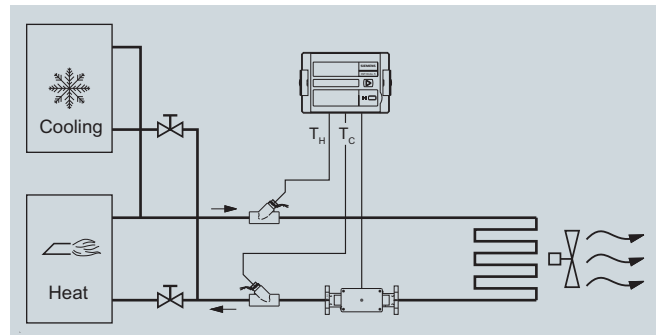
Hot water applications

Type: CF/CR:



Chilled water applications

Type: SF/SR:

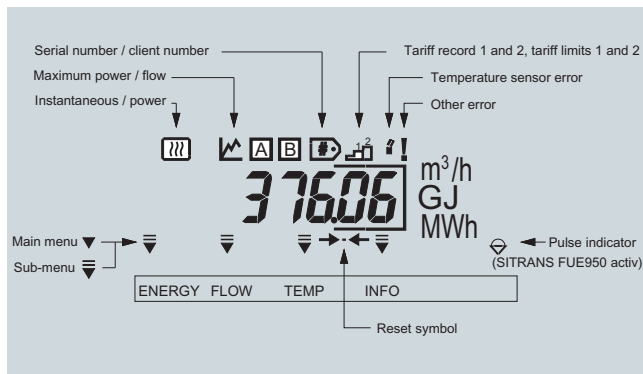


Combined cooling/heating applications

## Design

SITRANS FUE950 has an easy-read 8-digit LCD display with associated pictograms for the various functions. As the display has been made for several applications, there will be figures/ symbols which are not used for normal district heating applications.

SITRANS FUE950 has only one operating button. The display will always be configured for the application chosen, and for the selected display settings. In normal operation, the display will show cumulative energy values.



### Displays and output pulses

Units: kWh (only DN50,  $Q_p=15, 30$ ), MWh, GJ; all decimal points are statically.

The places after the decimal point of displayed values are indicated by the selected size and flow rate. The last decimal point are used as the pulse value and unit for the optional output modules.

## Function

### Technical

Calculation of energy is based on the following formula:

$$\text{Energy} = \text{Volume} \times (T_{\text{Hot}} - T_{\text{Cold}}) \times K_{\text{factor}} (T_i)$$

Volume: Volume [ $\text{m}^3$ ] of a given amount of water

$T_{\text{Hot}}$ : Measured temperature in the flow

$T_{\text{Cold}}$ : Measured temperature in the return

$K_{\text{factor}} (T_i)$ : Thermal coefficient of enthalpy and heat content

The energy calculation is made by a counter and depends on flowmeter size, pulse frequency and legal requirements.

The calculator always carries out at least one energy calculation every 10 minutes if the flowmeter has not sent enough pulses to prompt an energy calculation.

### Permanent memory/account date reading

The LOG of the calculator is read every 10 minutes with all cumulative values: Date,  $\Sigma$  energy,  $\Sigma$  water,  $\Sigma$  records 1 and 2, peak values of energy or flow, counter records A and B, date/time and info code.

### Energy/volume

#### Maximum

Energy and volume can be output for the previous three months with associated dates when the maximum power occurred. Integration time can be set to 15, 30 or 60 minutes.

Standard factory setting: peak volume: 15 minutes.; peak energy: 60 minutes.

#### Error handling

If SITRANS FUE950 records an error, this will be indicated by a "!".

The following errors can be detected:

- F1 Forward temperature sensor is interrupted or short-circuited.
- F2 Return temperature sensor is interrupted or short-circuited.
- F3 Internal equipment error.
- F4 Differential temperature high and no flow for 48 hours.
- F5 Water flow exceeds preset  $Q_s$ .

### Zero point calibration of differential temperature (only types CF/CR)

Cooling systems always operate with a small  $\Delta t$  and a relatively high flow rate. For technical reasons no sensor pair provides completely accurate temperature difference measurements when the sensor temperature difference between forward and return flow is close to zero.

SITRANS FUE950 type CF/CR contains a special zero point calibration routine that can be activated in order to minimize the temperature difference measuring failure.

Normally, the zero point calibration is not needed, but can be activated out in order to obtain maximum accuracy in the energy calculation.

The zero point calibration function requires a short circuit between forward and return sensor in the cooling system – e.g. by installing a valve V1 (See application drawing).

### Optical output

SITRANS FUE950 is fitted with an optical infra-red send/receive port in accordance with IEC 61107.

Protocol standard, EN 60870-3 (M-bus protocol).

A reader head with a permanent magnet in accordance with EN 1434 can be used for programming/altering programming of readout data, configuration data, etc. The reader head can also be used to change measuring data.

### Add-on modules

#### BUS communication

SITRANS FUE950 needs a special adapter cable to communicate with a PC. To access the terminals, it is necessary to use one of the supplementary modules – pulse output or input module, which, in addition to specific terminals - both have 3 terminals for connection to a PC.

#### Pulse output module

Module contains 3 terminals for DATA, REQUEST and GND. There are also 2 x 2 terminals for CE, CV/Alarm. Both outputs are galvanically separated.

Pulse sequence CE: 1 pulse per change in the least significant digit in the energy unit and resolution selected.

Pulse sequence CV: 1 pulse per change in the least significant digit in the volume unit and resolution selected.

#### Pulse input module/flow 2

If flowmeter 2 is used in a heating system, flowmeter 1 must always be placed in the flow and flowmeter 2 in the return.

The module contains 3 terminals for flowmeter 2 and 3 terminals for DATA, REQUEST and GND.

2 x 2 terminals for counters A and B, and 3 terminals for flow 2 input.

#### M-bus module

The M-bus protocol is in accordance with EN 1434-3 and EN 60870-5.

For communication with an M-bus, it is necessary to fit SITRANS FUE950 with an add-on module.

The M-bus module contains, in addition to terminals for BUS connection, terminals for counter inputs A and B.

#### Fitting/Installation

SITRANS FUE950 can only be wall mounted or panel mounted.

# SITRANS F flowmeters

## SITRANS F US

### SITRANS FUE950 energy calculator

#### Integration

SITRANS FUE950 is a multi-purpose energy calculator which meets the requirements of EN 1434. Further, the energy calculator has been specially developed to receive volume pulses from SITRANS FUS380/FUE380 or alternatively MAG 5000/6000.

#### Technical specifications

| Approved in accordance with | Heat meter EN 1434                          | Chilled water EN 1434 pr. A1 |
|-----------------------------|---|------------------------------|
| Temperature range           | $\theta$ : 0 ... 170 °C                     | $\theta$ : 2 ... 30 °C       |
| Differential temperature    | $\Delta\theta$ : 3 ... 150 K                | $\Delta\theta$ : 2 ... 20 K  |
| Accuracy                    | Max. $\pm (0.5 + 3K/\Delta\theta)$ [%]      |                              |
| Flow range                  | $Q_n (Q_p) \leq 25000 \text{ m}^3/\text{h}$ |                              |
| Environment class           | A   |                              |

#### Temperature input

|                          |                              |
|--------------------------|------------------------------|
| Measuring range          | 0 ... 170 °C (32 ... 338 °F) |
| Differential temperature | 1 ... 170 K (1.8 ... 306 °F) |
| Sensor type              | Pt500                        |
| Sensor connection        | 2-wire                       |
| Measurement resolution   | 0.01 °C (0.018 °F)           |

#### Flow input 1

|                 |  |
|-----------------|--|
| Pulse/frequency | $\leq 400 \text{ Hz}$ (The combined pulse frequency at flow 1, in pulse input A and B may not exceed 400 Hz, whether they are used one at a time or simultaneously.) |
| Pulse ON time   | $\geq 0.5 \text{ ms}$  |
| Pulse OFF time  | $\geq 1.5 \text{ ms}$  |

#### Bus output

|            |                                      |
|------------|--------------------------------------|
| Protocol   | EN 60870-5                           |
| Connection | Open collector, 2400/300 baud, 3.6 V |

#### Optical connection

|            |                                 |
|------------|---------------------------------|
| Protocol   | EN 60870-5                      |
| Connection | Optical eye, 600 baud, EN 61107 |

#### Pulse output CE and CV/Alarm

|                     |   |
|---------------------|---|
| ON time             | $> 30 \text{ ms}$ , max 10 Hz pulse frequency |
| ON Current          | $\leq 10 \text{ mA}$                          |
| External supply     | $\leq 24 \text{ V DC}$                        |
| OFF time with alarm | Approx. 1 hour                                |

#### Supply data

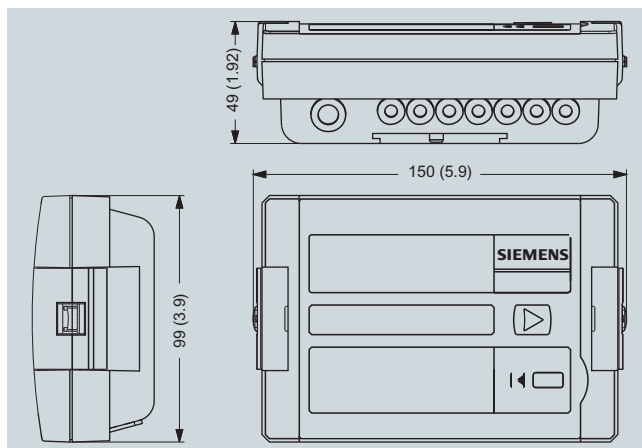
|                     |   |
|---------------------|---|
| Internal voltage    | 3.6 +0.1/-0.4 V DC  |
| Current consumption | Typically 45 $\mu\text{A}$  |
| Battery             | 3.6 V lithium D cell  |
| Battery lifetime    | Typically 8 years, 10 years with independently powered flowmeter              |
| Power supply        | 230 V AC +15/-30% 50/60 Hz<br>24 V AC   |
| Battery backup      | 3.0 V CR 2032 cell (only in calculators with extra functions - MM = 0A,T0,TA) |

#### Environment/safety

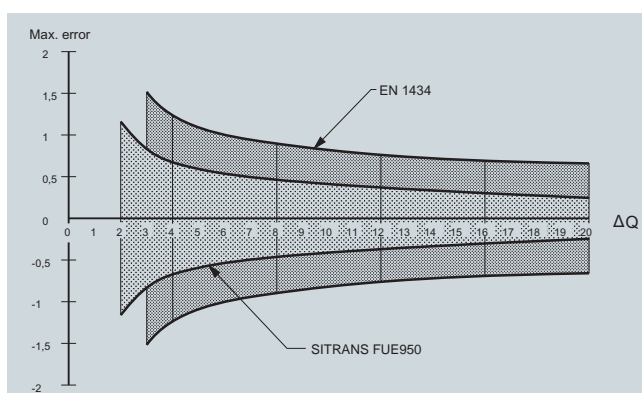
|                     |  |
|---------------------|--|
| Generally           | EN 1434  |
| Ambient temperature | 5 ... 55 °C (41 °F ... 131 °F)                 |
| Storage temperature | -25 ... +70 °C (-13 ... +158 °F)               |
| Enclosure           | IP54 in accordance with IEC 529                |
| Vibrations          | 1g, 1 & 1000 Hz in accordance with IEC 68-2-34 |
| Free fall           | IEC 68-2-34                                    |
| EMC                 | EN 1434 (EN 50081-1 / 50082-1)                 |
| Personal safety     | EN 60730                                       |

#### Materials

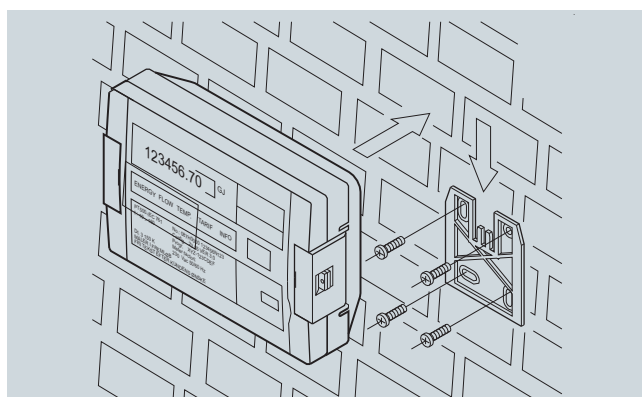
|                     |                               |
|---------------------|-------------------------------|
| Top                 | PC Lexan 141R Transparent 111 |
| Pipe/wall fitting   | PA 6,6 GF25                   |
| Other plastic parts | ABS Cycolac GPM500            |
| Gaskets             | Neopren                       |
| Rubber bushing      | EPDM 50                       |



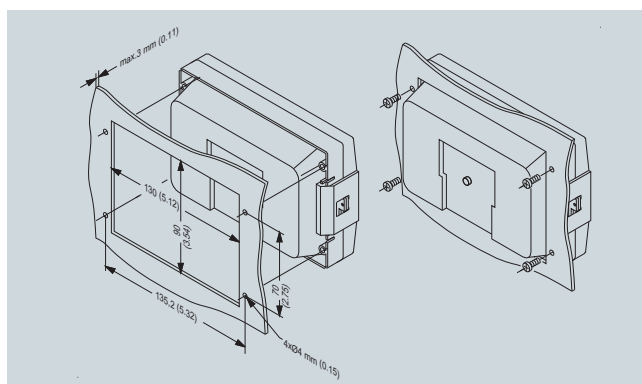
Dimensions



Accuracy curves



Wall mounting



Panel mounting

#### Selection and Ordering data

Note:

SITRANS FUE950 is not listed in the standard SIEMENS ordering set-up. Therefore, when placing an order for SITRANS FUE950, the **build-up code** mentioned below must be used and sent to order management at

Siemens Flow Instruments (SFI). SFI generates an FDK or No. that holds the required data for the order and for the logistics treatment via the order handling system.

| Selection and Ordering data  |                                       |                | Build-up code           |   |   |   |
|--|---------------------------------------|----------------|-------------------------|---|---|---|
| <b>Calculator</b>  |                                       |                | <b>SITRANS FUE950 -</b> |   |   |   |
| <b>Calculator for SITRANS FUE380/FUS380<sup>1)</sup></b>                                   |                                       |                |                         |   |   |   |
| <b>Size</b>  | <b>Q<sub>s</sub>: m<sup>3</sup>/h</b> | <b>l/pulse</b> |                         |   |   |   |
| DN 50  | 15 ... 45                             | 1              | 0                       | 3 | 0 | 0 |
| DN 65  | 25 ... 72                             | 1              | 0                       | 3 | 0 | 1 |
| DN 80  | 40 ... 120                            | 2.5            | 0                       | 3 | 0 | 3 |
| DN 100   | 60 ... 180                            | 2.5            | 0                       | 3 | 0 | 6 |
| DN 125   | 100 ... 280                           | 2.5            | 0                       | 3 | 0 | 7 |
| DN 150   | 150 ... 420                           | 10             | 0                       | 3 | 0 | 9 |
| DN 200   | 250 ... 700                           | 10             | 0                       | 3 | 1 | 1 |
| DN 250   | 400 ... 1120                          | 10             | 0                       | 3 | 1 | 2 |
| DN 300   | 560 ... 1560                          | 50             | 0                       | 3 | 1 | 3 |
| DN 350   | 750 ... 2100                          | 50             | 0                       | 3 | 1 | 4 |
| DN 400   | 950 ... 2660                          | 50             | 0                       | 3 | 1 | 5 |
| DN 500   | 1475 ... 4130                         | 100            | 0                       | 3 | 1 | 7 |
| DN 600   | 2150 ... 6 020                        | 100            | 0                       | 3 | 1 | 8 |
| DN 700   |                                       |                |                         |   |   |   |
| to   | 2900 ... 16 800                       | 100            | 0                       | 3 | 2 | 0 |
| DN 1000  |                                       |                |                         |   |   |   |
| DN 1200  | 6000 ... 36 000                       | 100            | 0                       | 3 | 2 | 1 |
| <b>Calculator for SITRANS F M</b>  |                                       |                |                         |   |   |   |
| <b>Size</b>  |                                       | <b>l/pulse</b> |                         |   |   |   |
| DN 6 ... DN 15   |                                       | 1              | 0                       | 0 | 0 | 1 |
| DN 25 ... DN 50  |                                       | 10             | 0                       | 0 | 1 | 0 |
| DN 65 ... DN 150   |                                       | 100            | 0                       | 0 | 2 | 6 |
| DN 200 ... DN 500 <sup>2)</sup>  |                                       | 1000           | 0                       | 0 | 3 | 1 |
| <b>Calculator setting</b>  |                                       |                |                         |   |   |   |
| For district heating, flowmeter in forward pipe  |                                       |                | O                       | F |   |   |
| For district heating, flowmeter in return pipe   |                                       |                | O                       | R |   |   |
| For chilled water, flowmeter in forward pipe (cold pipe) <sup>3)</sup>                     |                                       |                | C                       | F |   |   |
| For chilled water, flowmeter in return pipe (hot pipe) <sup>2)</sup>                       |                                       |                | C                       | R |   |   |
| For combined cooling/heating, flowmeter in forward pipe (hot pipe in winter) <sup>2)</sup> |                                       |                | S                       | F |   |   |
| For combined cooling/heating, flowmeter in return pipe (cold pipe in winter) <sup>2)</sup> |                                       |                | S                       | R |   |   |
| <b>Temperature sensor type</b>   |                                       |                |                         |   |   |   |
| Pt500, no sensor included  |                                       |                |                         |   | 1 | 0 |
| Pt100, no sensor included  |                                       |                |                         |   | 3 | 0 |
| Pt500, 2-wire, pocket sensor, 6 mm:  |                                       |                |                         |   |   |   |
| • 1.5 m cable  |                                       |                |                         |   | 1 | C |
| • 3 m cable  |                                       |                |                         |   | 1 | D |
| • 5 m cable  |                                       |                |                         |   | 1 | E |
| • 10 m cable   |                                       |                |                         |   | 1 | F |
| • 20 m cable   |                                       |                |                         |   | 1 | G |
| <b>Temperature sensor pocket sets</b>  |                                       |                |                         |   |   |   |
| No pockets   |                                       |                |                         |   |   | 0 |
| Brass pocket 40 mm   |                                       |                |                         |   |   | A |
| Brass pocket 85 mm   |                                       |                |                         |   |   | B |
| Brass pocket 120 mm  |                                       |                |                         |   |   | C |
| Steel pocket 85 mm   |                                       |                |                         |   |   | K |
| Steel pocket 120 mm  |                                       |                |                         |   |   | L |
| Steel pocket 155 mm  |                                       |                |                         |   |   | M |
| Steel pocket 210 mm  |                                       |                |                         |   |   | N |

| Selection and Ordering data                |  | Build-up code           |  |  |   |
|--|--|-------------------------|--|--|---|
| <b>Calculator</b>                          |  | <b>SITRANS FUE950 -</b> |  |  |   |
| <b>Voltage supply</b>                      |  |                         |  |  |   |
| No power supply included                   |  |                         |  |  | 0 |
| 3.6 V battery supply                       |  |                         |  |  | 1 |
| 230 V AC supply                            |  |                         |  |  | 2 |
| 24 V AC supply                             |  |                         |  |  | 3 |
| <b>Optional modules</b>                    |  |                         |  |  |   |
| No modules                                 |  |                         |  |  | 0 |
| Data input, input A & B                    |  |                         |  |  | 1 |
| Data output, 2 pulse output                |  |                         |  |  | 2 |
| M-bus module and input A & B               |  |                         |  |  | 3 |
| <b>Display units</b>                       |  |                         |  |  |   |
| GJ   |  |                         |  |  | 1 |
| KWh (only DN 50)                           |  |                         |  |  | 2 |
| MWh  |  |                         |  |  | 3 |
| Gcal                                       |  |                         |  |  | 4 |
| <b>Extra functions</b>                     |  |                         |  |  |   |
| Standard (no extra functions)              |  |                         |  |  | 0 |
| Accounting date                            |  |                         |  |  | 0 |
| Tariff function                            |  |                         |  |  | 0 |
| <b>Country code</b>                        |  |                         |  |  |   |
| Neutral (no approval marks)                |  |                         |  |  | 0 |
| country code <sup>1)</sup>                 |  |                         |  |  | X |
| <b>Verification</b>                        |  |                         |  |  |   |
| Without type approval mark                 |  |                         |  |  | 0 |
| With type approval mark (country specific) |  |                         |  |  | 1 |
| With approval mark and verification        |  |                         |  |  | 2 |

- Available approvals for SITRANS FUE950 energy calculator: DK (Denmark), DE (Germany), HR (Croatia)
- For larger dimensions the FUE950 can be used up to 36 000 m<sup>3</sup>/h. Please comply the maximal pulse output frequency (CV freq. max. 10 Hz).
- Only in neutral version - not available with approval marks

Please also see [www.siemens.com/SITRANSFordering](http://www.siemens.com/SITRANSFordering) for practical examples of ordering.

# SITRANS F flowmeters

## SITRANS F US

### SITRANS FUE950 energy calculator

#### Ordering example



#### Example:

Calculator for a DN 1000  $Q_p = 6\,000\text{ m}^3/\text{h}$  FUE380 flowmeter.

- DN 1000, with 100 l/pulse output setting
- District heating, flowmeters in forward
- PT 500, 2-wire, pocket sensor with 1.5 m cable
- 210 mm stainless steel
- 230 V AC supply
- Data output and 2 pcs. pulse output
- MWh as unit in the display
- No extra functions
- DE (Germany) as country code
- With approval mark and verification

**Please note** that SITRANS FUE950 is not a part of the order number structure.

The **build-up code** has to be mailed to our customer service in Nordborg and you will get a FDK- number back which can be used to place the order.

Build up code: **SITRANS FUE950-03200-0F1CN-22300-DE2**

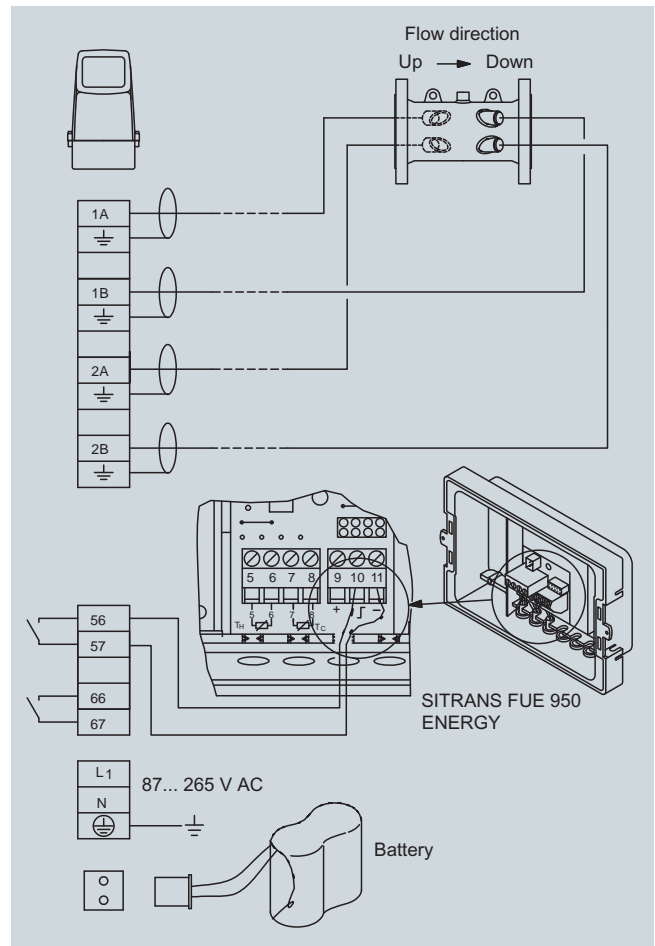
#### SITRANS FUE950 accessories and spare parts

##### Calculator SITRANS FUE950

| Type/description  | Order No.           |
|---|---------------------|
| <u>Accessories for calculator</u>                         |                     |
| Data/pulse input module                                   | <b>FDK-087H0111</b> |
| Data/pulse output module                                  | <b>FDK-087H0110</b> |
| M-bus slave module/input module                           | <b>FDK-087H0109</b> |
| Infrared optical head for data acquisition                | <b>FDK-087H0108</b> |
| Bracket for SITRANS FUE950 wall mounting (12 pcs)         | <b>FDK-087H0117</b> |
| Cable for data acquisition PC/D-sub 9F/3-wire             | <b>FDK-087H0121</b> |
| Verification equipment for calculator                     | <b>FDK-087H0122</b> |
| 3.6 V DC-cell for SITRANS FUE950                          | <b>FDK-087H0113</b> |
| 230 V AC supply module for SITRANS FUE950                 | <b>FDK-087H0114</b> |
| 24 V AC supply module for SITRANS FUE950                  | <b>FDK-087H0115</b> |
| 3.0 V battery CR 2032 for SITRANS FUE950 (10 pcs.)        | <b>FDK-087H0116</b> |
| Re-programming tool (complete set)                        | <b>FDK-087H0134</b> |
| <u>Pocket for temperature sensor Pt500 (2 pcs.)</u>       |                     |
| Brass pocket G $\frac{1}{2}$ B x 40 mm (PN 16)            | <b>FDK-087H0104</b> |
| Brass pocket G $\frac{1}{2}$ B x 85 mm (PN 16)            | <b>FDK-087H0105</b> |
| Brass pocket G $\frac{1}{2}$ B x 120 mm (PN 16)           | <b>FDK-087H0106</b> |
| Stainless steel pocket G $\frac{1}{2}$ B x 85 mm (PN 25)  | <b>FDK-087H0100</b> |
| Stainless steel pocket G $\frac{1}{2}$ B x 120 mm (PN 25) | <b>FDK-087H0101</b> |
| Stainless steel pocket G $\frac{1}{2}$ B x 155 mm (PN 25) | <b>FDK-087H0102</b> |
| Stainless steel pocket G $\frac{1}{2}$ B x 210 mm (PN 25) | <b>FDK-087H0103</b> |

Please also see [www.siemens.com/SITRANSFordering](http://www.siemens.com/SITRANSFordering) for practical examples of ordering.

### Electrical connection for SITRANS FUS380/FUE950



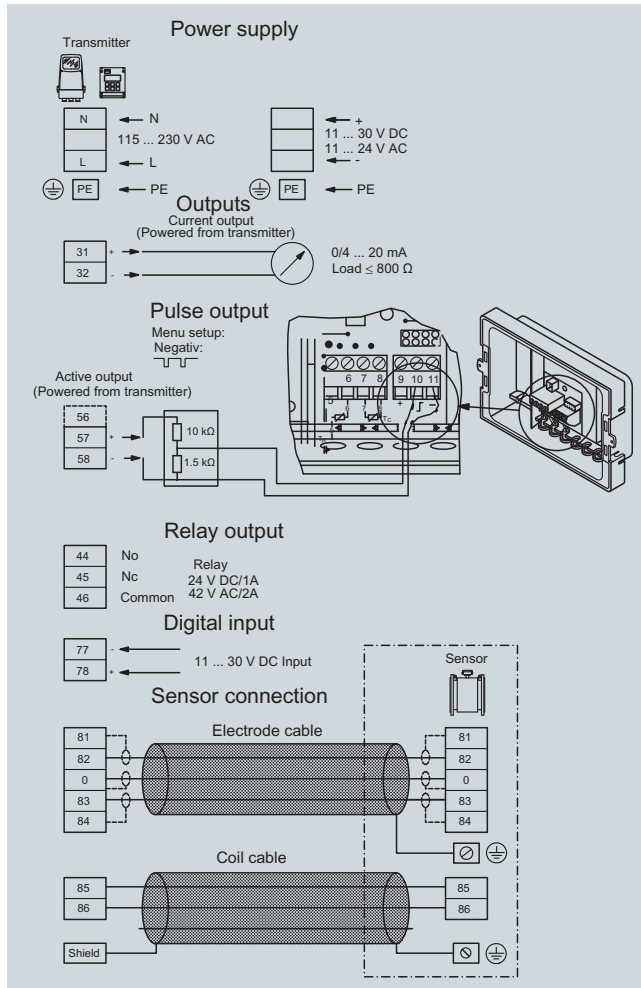
### Schematics

#### Electrical connection for SITRANS FM electromagnetic flowmeters MAG 5000/6000 and SITRANS FUE950 in combination

2 resistors are required to obtain a correct transmission of pulses, when MAG 5000/6000 is connected together with a SITRANS FUE950 as a heat meter.

The 2 resistors are to be mounted between terminals 57 and 58 in the MAG terminal socket. Moreover, the resistors used are respectively 10 kΩ and 1.5 kΩ.

Resistors are not part of our accessories list.



The diagram shows the correct connection between SITRANS FUE950 and MAG 5000/6000.



# SITRANS F flowmeters

## SITRANS F US

### SITRANS FUS880 (retrofit kit)

#### Overview



The SITRANS FUS880 is a battery-powered irrigation flowmeter, designed for pipes measuring from DN 200 up to DN 1200 (8" up to 48") in diameter. The SITRANS FUS880 gives you the ability to install the flowmeter underground retrofitting onto existing pipelines. This ultrasonic transient time irrigation flowmeter is used for full pipe flow measurements. Pipe material may be PVC or concrete and pipe construction may be single wall or double wall, smooth or corrugated.

The flowmeter produces a signal proportional to the velocity of the flow (flow rate) as the liquid flows past the ultrasonic sensors.

SITRANS FUS880 has transducers in the flow (in-line) which assures superior accuracy and superior performance when compared to doppler or many other types of flow measurement systems.

#### Benefits

- Cost-effective solution - contains all the necessary components for retrofitting onto existing pipe
- Battery-operated - Maintenance-free up to 6 years
- SITRANS FUS880 is easy to install in pipeline sizes from DN 200 up to DN 1200 (8" up to 48") in diameter
- The transmitter display shows both accumulated volume and instantaneous flow rate
- The flowmeter provides a digital signal that can be sent directly to a PLC/RTU/DCS
- Solid construction with no moving parts for a 100% maintenance and obstruction-free flowmeter
- The SITRANS FUS880 transmitter comes within an IP67 enclosure
- Sensor can easily be buried and withstand constant flooding
- Automatic calculation of the calibration factor when pipe geometry data are entered in the signal transmitter
- Pipe material may be polyvinylchloride (PVC) or concrete
- Pipe construction may be single wall or double wall, smooth or corrugated

#### Application

- Irrigation systems
- Irrigation distribution systems
- Pumping stations
- Canal laterals
- On-farm outlets
- Water well production
- Drip and sprinkler irrigation
- Center pivot systems
- Potable water

#### Design

The SITRANS FUS880 set contains all necessary parts to build up an ultrasonic flowmeter on existing pipes depending on choices at ordering:

- Templates to wrap around pipes for alignment of sensors
- Transducer threading tool
- Thread adapters
- Transducer alignment tools
- Mounting plugs or saddles as well as FUS880 transmitter dependant upon the specifics at time of ordering and required mounting hardware
- Cables

#### Technical specifications

##### SITRANS FUS880

#### Accuracy

Typical  $\leq \pm 2.0\%$ , dependant upon the accuracy of measurements of tube diameter and during installation

#### Note:

Flow system measurement performance depends on the accuracy of the measurements taken at time of installation. This means that inaccurate measurements of angles, distance between transducers, wall thickness and pipe diameter have a direct effect on the accuracy as these values measured are entered into the memory of the FUS880 transmitter and used in part of the calculation of flow rate.

#### Requirements for pipes

|      |                                  |
|------|----------------------------------|
| Size | DN 200 ... DN 1200 (8" ... 48" ) |
|------|----------------------------------|

#### Transmitter Enclosure

|                             |  |
|-----------------------------|--|
| Rating                      | IP67 rated enclosure   |
| Material                    | Fibre glass reinforced polyamide   |
| Terminal box                | PA 6.6, 100 °C (212 °F)  |
| Transducer element          | AISI 316 Stainless Steel 200 °C (392 °F)                                     |
| <u>2000 Corrugated PVC</u>  | Transducer holder: Polyvinyl chloride<br>Mounting saddle: Polyvinyl chloride |
| • Line pressure max.        | Pressure rating per spec. ASTM D-1784 (5.5 bar (80 psi))                     |
| • Liquid temperature max.   | Temperature rating per spec. ASTM D-1784 (60 °C (140 °F))                    |
| <u>Pro21 Corrugated PVC</u> | Transducer holder: Polyvinyl chloride<br>Mounting saddle: Polyvinyl chloride |
| • Line pressure max.        | Pressure rating per spec. ASTM D-1784 (5.5 bar (80 psi))                     |
| • Liquid temperature max.   | Temperature rating per spec. ASTM D-1784 (60 °C (140 °F))                    |

|                           |  |
|---------------------------|--|
| <u>PVC Solid PIP 80</u>   | Transducer holder: Polyvinyl chloride<br>Mounting saddle: Polyvinyl chloride   |
| • Line pressure max.      | Pressure rating per spec. ASTM D-1784 (5.5 bar (80 psi))   |
| • Liquid temperature max. | Temperature rating per spec. ASTM D-1784 (60 °C (140 °F))  |
| <u>Concrete</u>           | Transducer holder: Polyvinyl chloride<br>Mounting saddle: Polyvinyl chloride   |
| • Line pressure max.      | Pressure rating per spec. ASTM D-1784 (5.5 bar (80 psi))   |
| • Liquid temperature max. | Temperature rating per spec. ASTM D-1784 (60 °C (140 °F))<br>Structural Epoxy joint meets spec. ASTM D1002 (118 bar or 1710 psi) |

#### Pipe wall thickness

|                      |   |
|----------------------|---|
| A2000 Corrugated PVC | 25 ... 50 mm (1" ... 2")  |
| Pro21 Corrugated PVC | 25 ... 50 mm (1" ... 2")  |
| PVC Solid PIP 80     | Less than 25 mm (1")  |
| Concrete             | <ul style="list-style-type: none"> <li>• 51 ... 57 mm (2" ... 2.25")</li> <li>• 57 ... 64 mm (2.25" ... 2.5")</li> <li>• 70 ... 76 mm (2.75" ... 3")</li> <li>• 76 ... 83 mm (3" ... 3.25")</li> <li>• 89 ... 95 mm (3.5" ... 3.75")</li> <li>• 95 ... 100 mm (3.75" ... 4")</li> <li>• 108 ... 114 mm (4.25" ... 4.50")</li> </ul> |

#### More information

##### Installation requirement

The space requirements around the pipe for retrofitting an ultrasonic flowmeter type SITRANS FUS880 are given below:

It is important to prepare excavation site for a safe and efficient installation. An underground pipe needs to be exposed so that there is a minimum of 1.52 m (5 ft) or more of working space on either side of the pipe. The length of the trench should exceed the template length by 1.83 m (6 ft) or more.

##### Pipe support:

Ensure that an unearthed pipe has sufficient support beneath it to prevent deformation or breakage.

##### Cave-in:

Always brace trench walls. Follow all applicable (e.g. municipal, company, customer, site, union) construction guidelines.

##### Epoxy:

Follow all safety recommendations listed by the epoxy manufacturer. Use proper protection equipment, such as gloves, safety glasses, clothing, etc. Read the labels on the epoxy cans before mixing. Note all safety related statements and temperature recommendations in particular. For additional information, see the epoxy manufacturer's internet site.

##### Pipe template:

Templates are printed on a durable material, such as Mylar, and are resistant to normal contaminants. Do not expose the template to excessive moisture or excessive periods of sunlight, heat and cold temperatures. Always roll and store the template in its' shipping tube. Do not stretch or fold as this could permanently damage the template.

##### Installation overview:

##### Installation steps

Installation of the SITRANS FUS880 is accomplished with the following steps.

1. Expose and clean the pipe.
2. Mark a centerline on the pipe.
3. Place the template on the pipe and tape it securely to the pipe.
4. Mark the locations of the sensor mounting holes on the pipe.
5. Drill the sensor mounting holes in the pipe.
6. Clean and de-burr the sensor mounting area.
7. Measure up the pipe circumference C, the wall thickness WT and calculate OD and ID.
8. Epoxy and screw the saddle sensor holder to the pipe.
9. Assemble and install the sensors-holders.
10. Measure up the actual sensor-location to see if re-calibration is needed.
11. Assemble and install the sensors.
12. Install sensor wiring and conduit.
13. Install the transmitter and connect the sensor wiring.
14. Check the transmitter configuration.
15. Test the installation thoroughly and run a flow test.
16. Fill in the "Site Acceptance Form".
17. Cover the pipe.

For detailed instruction in installation please refer to User Manual Order no.: FDK:521HAP0553.

# SITRANS F flowmeters

## SITRANS F US

### SITRANS FUS880 (retrofit kit)

226

| Selection and Ordering data   | Order No.      |
|---|----------------|
| <b>SITRANS F US</b><br>Ultrasonic flowmeters                            | 7 ME 3 4 4 0 - |
| <b>SITRANS FUS880 PVC (Solid) (PIP80)</b><br>SONOKIT<br>Battery-powered |                |
| <b>Pipe diameter</b>  |                |
| DN 200 (8")   | 2 F            |
| DN 250 (10")  | 2 K            |
| DN 300 (12")  | 2 P            |
| DN 380 (15")  | 2 M            |
| DN 450 (18")  | 3 F            |
| DN 530 (21")  | 3 M            |
| DN 600 (24")  | 3 T            |
| DN 680 (27")  | 4 D            |
| <b>Wall thickness</b>   |                |
| Less than 25 mm (1")  | B              |
| <b>Pipe material</b>  |                |
| PVC (Solid) (PIP80)   | 1              |
| <b>Track configuration</b>  |                |
| 1-track   | 1              |
| 2-track X-configuration   | 3              |
| <b>Region version</b>   |                |
| EU, US  | 2              |
| <b>Transmitters</b>   |                |
| SITRANS FUS080, IP67, Battery-powered                                   | D              |
| <b>Template</b>   |                |
| Standard  | A              |
| <b>Cable length</b>   |                |
| 20 m (65.6 ft) with gland   | 4              |

| Selection and Ordering data                             | Order code |
|---|------------|
| <b>Further designs</b>                                  |            |
| Please add „-Z“ to Order No. and specify Order code(s). |            |
| <b>Add on units of measure</b>                          |            |
| Flow unit GPM   | L01        |
| Flow unit CFS   | L02        |
| Flow unit m <sup>3</sup> /h                             | L03        |
| Flow unit MGD   | L05        |
| Volume unit US Gal                                      | L42        |
| Volume unit m <sup>3</sup> /h                           | L44        |
| Volume unit US Gal x 100                                | L46        |
| Volume unit US Gal x 1000                               | L49        |
| Volume unit US Mgal                                     | L48        |
| Volume unit AcF (Acre Feet)                             | L43        |
| Volume unit Acl (Acre Inch)                             | L51        |

| Selection and Ordering data  | Order No.      |
|--|----------------|
| <b>SITRANS F US</b><br>Ultrasonic flowmeters                                     | 7 ME 3 4 4 0 - |
| <b>SITRANS FUS880 A2000 Corrugated PVC</b><br>SONOKIT 1-track<br>Battery-powered |                |
| <b>Pipe diameter</b>   |                |
| DN 380 (15")   | 2 V            |
| DN 450 (18")   | 3 F            |
| DN 530 (21")   | 3 M            |
| DN 600 (24")   | 3 T            |
| DN 750 (30")   | 4 K            |
| DN 900 (36")   | 5 B            |
| <b>Wall thickness</b>  |                |
| 25 ... 50 mm (1" ... 2")   | C              |
| <b>Pipe material</b>   |                |
| PVC Corrugated A2000   | 3              |
| <b>Track configuration</b>   |                |
| 1-track  | 1              |
| <b>Region version</b>  |                |
| EU, US   | 2              |
| <b>Transmitter</b>   |                |
| SITRANS FUS080, IP67, Battery-powered  | D              |
| <b>Template</b>  |                |
| Standard   | A              |
| <b>Cable length</b>  |                |
| 20 m (65.6 ft) with gland  | 4              |

| Selection and Ordering data                             | Order code |
|---|------------|
| <b>Further designs</b>                                  |            |
| Please add „-Z“ to Order No. and specify Order code(s). |            |
| <b>Add on units of measure</b>                          |            |
| Flow unit GPM   | L01        |
| Flow unit CFS   | L02        |
| Flow unit m <sup>3</sup> /h                             | L03        |
| Flow unit MGD   | L05        |
| Volume unit US Gal                                      | L42        |
| Volume unit m <sup>3</sup> /h                           | L44        |
| Volume unit US Gal x 100                                | L46        |
| Volume unit US Gal x 1000                               | L49        |
| Volume unit US Mgal                                     | L48        |
| Volume unit AcF (Acre Feet)                             | L43        |
| Volume unit Acl (Acre Inch)                             | L51        |

| Selection and Ordering data  | Order No.                  |
|--|----------------------------|
| <b>SITRANS F US Ultrasonic flowmeters</b>                                  | <b>7 ME 3 4 4 0 -</b>      |
| <b>SITRANS FUS880 Pro21 Corrugated PVC SONOKIT 1-track Battery-powered</b> | <b>■ ■ ■ ■ ■ - ■ ■ ■ ■</b> |
| <b>Pipe diameter</b>   |                            |
| DN 750 (30")   | 4 K                        |
| DN 840 (33")   | 4 P                        |
| DN 900 (36")   | 5 B                        |
| DN 1050 (42")  | 5 M                        |
| DN 1200 (48")  | 5 T                        |
| <b>Wall thickness</b>  |                            |
| 25 ... 50 mm (1" ... 2")   | C                          |
| <b>Pipe material</b>   |                            |
| PVC Pro21 Corrugated   | 2                          |
| <b>Track configuration</b>   |                            |
| 1-track  | 1                          |
| <b>Region version</b>  |                            |
| EU, US   | 2                          |
| <b>Transmitter</b>   |                            |
| SITRANS FUS080, IP67, battery-powered                                      | D                          |
| <b>Template</b>  |                            |
| Standard   | A                          |
| <b>Cable length</b>  |                            |
| 20 m (65.6 ft) with gland  | 4                          |

| Selection and Ordering data                             | Order code |
|---|------------|
| <b>Further designs</b>                                  |            |
| Please add „-Z“ to Order No. and specify Order code(s). |            |
| <b>Add on units of measure</b>                          |            |
| Flow unit GPM   | L01        |
| Flow unit CFS   | L02        |
| Flow unit m <sup>3</sup> /h                             | L03        |
| Flow unit MGD   | L05        |
| Volume unit US Gal                                      | L42        |
| Volume unit m <sup>3</sup> /h                           | L44        |
| Volume unit US Gal x 100                                | L46        |
| Volume unit US Gal x 1000                               | L49        |
| Volume unit US Mgal                                     | L48        |
| Volume unit AcF (Acre Feet)                             | L43        |
| Volume unit Acl (Acre Inch)                             | L51        |

| Selection and Ordering data                                    | Order No.                  |
|--|----------------------------|
| <b>SITRANS F US Ultrasonic flowmeters</b>                      | <b>7 ME 3 4 4 0 -</b>      |
| <b>SITRANS FUS880 Concrete SONOKIT 1-track Battery-powered</b> | <b>■ ■ ■ ■ ■ - ■ ■ ■ ■</b> |
| <b>Pipe diameter</b>   |                            |
| DN 300 (12")   | 2 P                        |
| DN 380 (15")   | 2 V                        |
| DN 450 (18")   | 3 F                        |
| DN 530 (21")   | 3 M                        |
| DN 600 (24")   | 3 T                        |
| DN 680 (27")   | 4 D                        |
| DN 750 (30")   | 4 K                        |
| DN 900 (36")   | 5 B                        |
| DN 1050 (42")  | 5 M                        |
| <b>Wall thickness</b>  |                            |
| 51 ... 57 mm (2" ... 2.25")                                    | D                          |
| 57 ... 64 mm (2.25" ... 2.5")                                  | E                          |
| 70 ... 76 mm (2.75" ... 3")                                    | F                          |
| 76 ... 83 mm (3" ... 3.25")                                    | G                          |
| 89 ... 95 mm (3.5" ... 3.75")                                  | H                          |
| 95 ... 100 mm (3.75" ... 4")                                   | J                          |
| 108 ... 114 mm (4.25" ... 4.5")                                | K                          |
| <b>Pipe material</b>   |                            |
| Concrete   | 4                          |
| <b>Track configuration</b>                                     |                            |
| 1-track  | 1                          |
| <b>Region version</b>  |                            |
| EU, US   | 2                          |
| <b>Transmitter</b>   |                            |
| SITRANS FUS080, IP67, battery-powered                          | D                          |
| <b>Template</b>  |                            |
| Standard   | A                          |
| <b>Cable length</b>  |                            |
| 20 m (65.6 ft) with gland                                      | 4                          |

| Selection and Ordering data                             | Order code |
|---|------------|
| <b>Further designs</b>                                  |            |
| Please add „-Z“ to Order No. and specify Order code(s). |            |
| <b>Add on units of measure</b>                          |            |
| Flow unit GPM   | L01        |
| Flow unit CFS   | L02        |
| Flow unit m <sup>3</sup> /h                             | L03        |
| Flow unit MGD   | L05        |
| Volume unit US Gal                                      | L42        |
| Volume unit m <sup>3</sup> /h                           | L44        |
| Volume unit US Gal x 100                                | L46        |
| Volume unit US Gal x 1000                               | L49        |
| Volume unit US Mgal                                     | L48        |
| Volume unit AcF (Acre Feet)                             | L43        |
| Volume unit Acl (Acre Inch)                             | L51        |

# SITRANS F flowmeters

## SITRANS F US

### SITRANS FUS880 (retrofit kit)

| Selection and Ordering data   | Order No.                 |
|---|---------------------------|
| <i>Accessories and Spare parts</i>  |                           |
| <b>SITRANS F US Ultrasonic flowmeters</b>                                       |                           |
| <b>FUS880 transmitter</b><br>includes 2 transducers and 20 m (65.6 ft) of cable | <b>7ME3440-0AA01-2DA4</b> |
| <b>FUS880 Installation pipe template</b>  |                           |
| <u>Template, PVC PIP 80</u>   |                           |
| DN 250 (10")  | <b>TGX:16347-80</b>       |
| DN 300 (12")  | <b>TGX:16347-81</b>       |
| DN 380 (15")  | <b>TGX:16347-82</b>       |
| DN 450 (18")  | <b>TGX:16347-83</b>       |
| DN 530 (21")  | <b>TGX:16347-84</b>       |
| DN 600 (24")  | <b>TGX:16347-85</b>       |
| DN 680 (27")  | <b>TGX:16347-86</b>       |
| <u>Template, Concrete</u>   |                           |
| DN 300 (12")  | <b>TGX:16347-90</b>       |
| DN 380 (15")  | <b>TGX:16347-91</b>       |
| DN 400 (16")  | <b>TGX:16347-89</b>       |
| DN 450 (18")  | <b>TGX:16347-92</b>       |
| DN 530 (21")  | <b>TGX:16347-93</b>       |
| DN 600 (24")  | <b>TGX:16347-94</b>       |
| DN 680 (27")  | <b>TGX:16347-95</b>       |
| DN 750 (30")  | <b>TGX:16347-96</b>       |
| DN 900 (36")  | <b>TGX:16347-97</b>       |
| DN 1050 (42")   | <b>TGX:16347-98</b>       |
| Template, pipe DN 900 (36") PVC, A2000 corrugated                               | <b>TGX:16347-100</b>      |
| Template, pipe DN 1050 (42") Pro21 corrugated                                   | <b>TGX:16347-101</b>      |
| <b>FUS880 Installation spare kit</b>  |                           |
| <u>Concrete kit, Sensor mounting</u>  |                           |
| 51 ... 57 mm (2" ... 2.25")   | <b>TGX:16347-213K</b>     |
| 57 ... 64 mm (2.25" ... 2.5")   | <b>TGX:16347-214K</b>     |
| 70 ... 76 mm (2.75" ... 3")   | <b>TGX:16347-215K</b>     |
| 76 ... 83 mm (3" ... 3.25")   | <b>TGX:16347-216K</b>     |
| 89 ... 95 mm (3.5" ... 3.75")   | <b>TGX:16347-217K</b>     |
| 95 ... 100 mm (3.75" ... 4")  | <b>TGX:16347-218K</b>     |
| 108 ... 114 mm (4.25" ... 4.5")   | <b>TGX:16347-212K</b>     |
| <u>PVC kit, Sensor Mounting</u>   |                           |
| DN 300 (12")  | <b>TGX:16347-219K</b>     |
| DN 380 (15")  | <b>TGX:16347-220K</b>     |
| DN 450 (18")  | <b>TGX:16347-221K</b>     |
| DN 530 (21")  | <b>TGX:16347-222K</b>     |
| DN 600 (24")  | <b>TGX:16347-223K</b>     |
| DN 680 (27")  | <b>TGX:16347-224K</b>     |
| Corrugated PVC kit, DN 900 (36") A2000  | <b>TGX:16347-225K</b>     |
| Corrugated PVC kit, DN 1050 (42") Pro21   | <b>TGX:16347-226K</b>     |
| <b>FUS880 spares</b>  |                           |
| <u>Holder - Saddle</u>  |                           |
| DN 250 (10") PIP 80 PVC Saddle  | <b>TGX:16347-165</b>      |
| DN 300 (12") PIP 80 PVC Saddle  | <b>TGX:16347-166</b>      |
| DN 380 (15") PIP 80 PVC Saddle  | <b>TGX:16347-168</b>      |
| DN 450 (18") PIP 80 PVC Saddle  | <b>TGX:16347-170</b>      |
| DN 530 (21") PIP 80 PVC Saddle  | <b>TGX:16347-174</b>      |
| DN 600 (24") PIP 80 PVC Saddle  | <b>TGX:16347-175</b>      |
| DN 680 (27") PIP 80 PVC Saddle  | <b>TGX:16347-177</b>      |

| Selection and Ordering data                               | Order No.                 |
|---|---------------------------|
| <u>Holder - Plug</u>                                      |                           |
| 51 ... 57 mm (2" ... 2.25") Cement sensor holder, PVC     | <b>TGX:16347-120</b>      |
| 57 ... 64 mm (2.25" ... 2.5") Cement sensor holder, PVC   | <b>TGX:16347-121</b>      |
| 70 ... 76 mm (2.75" ... 3") Cement sensor holder, PVC     | <b>TGX:16347-122</b>      |
| 76 ... 83 mm (3" ... 3.25") Cement sensor holder, PVC     | <b>TGX:16347-123</b>      |
| 89 ... 95 mm (3.5" ... 3.75") Cement sensor holder, PVC   | <b>TGX:16347-124</b>      |
| 102 ... 108 (4" ... 4.25") Cement sensor holder, PVC      | <b>TGX:16347-125</b>      |
| 108 ... 114 mm (4.25" ... 4.5") Cement sensor holder, PVC | <b>TGX:16347-127</b>      |
| A2000 - DN 900 (36") ID                                   | <b>TGX:16347-134</b>      |
| PRO-21 - DN 1050 (42") ID                                 | <b>TGX:16347-135</b>      |
| <u>Straps -Kits</u>                                       |                           |
| Strap kit for -134 & -135 plugs                           | <b>TGX:16347-235</b>      |
| Strap kit for -120, -121, -122, -123 plugs                | <b>TGX:16347-236</b>      |
| Strap kit for -124 & -125 plugs                           | <b>TGX:16347-237</b>      |
| Strap kit for -127 plug                                   | <b>TGX:16347-238</b>      |
| <u>Adhesive</u>   |                           |
| 1 lb epoxy  | <b>A6X30004048</b>        |
| <u>Adapter</u>  |                           |
| Conduit adapter   | <b>A6X30003981</b>        |
| <u>Tools</u>  |                           |
| Sensor Wrench   | <b>TGX:16347-111</b>      |
| Alignment Tool  | <b>TGX:16347-137</b>      |
| <b>Documentation</b>                                      |                           |
| Manual  | <b>FDK:521HAP0553</b>     |
| <b>Converter</b>  |                           |
| FUS880 converter kit for 2 track SYS                      | <b>7ME3440-0AA03-2DA4</b> |

#### Note:

Installation spares kit include:

#### Concrete kit:


2 transducer mounting plugs, 2 straps, mounting hardware, epoxy, conduit adapter, installation guide

#### PVC kit:

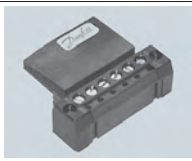
2 transducer mounting saddles, mounting hardware, epoxy, conduit adapter, installation guide

### Accessories and spare parts for SITRANS F US SONOFLO


#### Accessories for transmitter SONO 3000

| Description  | Order No.           |   |
|--|---------------------|---|
| Wall mounting kit for 7ME3150-1AA10-1AA0 and 7ME3150-1AA20-1AA0, using 4 x coaxial sensor cables, wall brackets, PG 13.5 cable glands. | <b>FDK-085F5027</b> |  |


#### SENSORPROM memory unit for sensors with SONO 3000 transmitters

| Description   | Order No.           |   |
|---|---------------------|---|
| SENSORPROM memory unit for SITRANS F US systems with transmitter type SONO 3000<br>When ordering: Inform on sensor Order No. and Serial No. | <b>FDK-085B5329</b> |  |

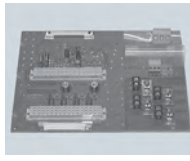

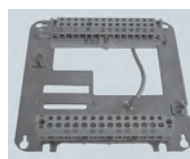
#### Terminal housing with PG 13.5 cable glands

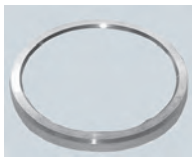
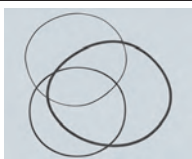
| Type  | Order No.           |  |
|---|---------------------|--|
| Material: PA 6.6, Temperature range: -20 ... +100 °C (-4 ... +212 °F)   | <b>FDK-085B1403</b> |  |
| Material: AISI 316, Temperature range: -20 ... +200 °C (-4 ... +392 °F) | <b>FDK-085B1402</b> |  |

#### SONO 3200 spare parts, complete units

| Type   | Material | Gasket   | Pressure rating | Terminal housing/<br>cable gland | Approv. | Temp. range [°C (°F)]      | Length<br>mm (inch) | Order No.         |   |
|--------|----------|----------|-----------------|----------------------------------|---------|----------------------------|---------------------|-------------------|---|
| Flange | 316 SS   | Graphite | PN40            | 316 SS/M20                       |         | -20 ... +200 (-4 ... +392) | 158 (6.22)          | <b>On request</b> |  |

#### Spare parts for transmitter SONO 3000

| Description  | Order No.           |   |
|--|---------------------|---|
| SONO 3000 19" back print for IP65 (NEMA 4) wall mounting 230 V version                                   | <b>FDK-085F5327</b> |  |
| SONO 3000 assembly plate for coaxial connection in the SONO 3300 sensor and wall mounting connection box | <b>FDK-085L1023</b> |  |
| SONO 3000 assembly base plate  | <b>FDK-085L1015</b> |  |

| Description                                      | Order No.           |   |
|--|---------------------|---|
| SONO 3000 EEx d, front glass incl. frame         | <b>FDK-085U2109</b> |  |
| SONO 3000 EEx d, gaskets for transmitter housing | <b>FDK-085U2002</b> |  |
| SONO 3300 / FUS060 connection kit                | <b>On request</b>   |   |

#### Spare parts/accessories SONOCAL 3000 and SONO 3000/3300 CT spare parts, transducer cables




| Description   | Order No.           |
|---|---------------------|
| Coaxial cable with transducer connection for sensor type SONO 3300-CT (1 pc.) |                     |
| 1 x 10 m (32.8 ft)  | <b>FDK-085L2400</b> |
| 1 x 20 m (65.6 ft)  | <b>FDK-085L2401</b> |
| 1 x 30 m (98.4 ft)  | <b>FDK-085L2402</b> |

# SITRANS F flowmeters

## SITRANS F US

Accessories or spare parts for older flowmeter systems type SITRANS F US SONOFLO

*SONO 3200 / SONO 3000 PG 13.5 cable glands (each 1 pc.)*

| Type    | Material                                   | Temperature range [°C (°F)]   | Approval           | Order No.          |   |
|---------|--|-------------------------------|--------------------|--------------------|---|
| PG 13.5 | Nickel-plated brass, cable<br>Ø 6 ... 8 mm | -20 ... +100<br>(-4 ... +212) |                    | <b>A5E02247692</b> |  |
| PG 13.5 | Stainless steel, cable<br>Ø 5 ... 6 mm     | -20 ... +200<br>(-4 ... +392) |                    | <b>A5E02247682</b> |  |
| PG 13.5 | Stainless steel, cable<br>Ø 6 ... 8 mm     | -20 ... +200<br>(-4 ... +392) | Ex-d <sup>1)</sup> | <b>A5E02247711</b> |  |

<sup>1)</sup> No ATEX

230



#### Overview



SITRANS F US clamp-on ultrasonic flowmeters provide highly accurate measurement while minimizing installation time and maintenance expense.

#### Benefits

- Easy installation; no need to cut pipe or stop flow
- Minimal maintenance; external transducers do not require periodic cleaning
- No moving parts to foul or wear
- No pressure drop or energy loss
- Wide turn-down ratio
- Choice of single, dual or multiple channel versions and a variety of enclosures - to suit your operating conditions and requirements

#### Application

SITRANS F US clamp-on ultrasonic flowmeters have six product families, each targeting specific applications:

**FUS1010 and FUP1010** General purpose flowmeters are suitable for a wide variety of liquid applications, including the following:

- Water industry
  - Raw water
  - Potable water
  - Chemicals
- Wastewater industry
  - Raw sewage
  - Effluent
  - Sludges
  - Mixed liquor
  - Chemicals
- HVAC industry
  - Chillers
  - Condensers
  - Hot & cold water systems
- Power industry
  - Nuclear
  - Fossil
  - Hydroelectric
- Processing industry
  - Process control
  - Batching
  - Rate indication
  - Volumetric and mass measurement

**FUE1010 Energy flowmeters** are ideally suited to thermal energy/power industry applications, including:

- Chilled water sub-metering
- Hot water sub-metering
- Condenser water
- Glycol
- Thermal storage
- Lake source cooling

**FUH1010 Oil flowmeters** are ideal for applications carrying crude oil, refined petroleum or liquefied gas. There are three application areas: Interface detectors, volumetric flowmeters and mass or standard volume flowmeters

#### Interface detectors/density meters

- Precise identification of interfaces on multi-liquid pipelines
- Rapid and precise scraper "pig" indication
- Product identification
- Density indication

#### Viscosity compensated volumetric flowmeters

- Applications with multiple liquids having a wide viscosity range
- Automatic gross volume compensation due to viscosity changes

#### Standard volume (net) mass flowmeters

- Standard (net) volume flow measurement
- Suitable for use in leak detection systems
- Mass flow output measurement
- Interface detection
- Scraper ("pig") detection
- Chemical and petrochemical processing

**FUG1010 Gas flowmeters** are ideal for most natural and process gas industry applications, including:

- Checkmetering
- Allocation
- Flow survey verification
- Lost and unaccounted for (LAUF) analysis
- Production
- Storage

**FUS1020 General purpose flowmeters** are suitable for most clean liquid applications, including the following:

- Water & wastewater industry
  - Potable water
  - Wastewater, influent & effluent
  - Processed sewage, sludge
- Chemical feed industry
  - Sodium hypochlorite
  - Sodium hydroxide
- HVAC & power industries
  - Coolant flow
  - Fuel flow
- Process control
  - Chemicals
  - Pharmaceuticals

# SITRANS F flowmeters

## SITRANS F US

### Clamp-on ultrasonic flowmeters Thickness gauge

#### Overview



The thickness gauge is used to measure the wall thickness of the pipe that a clamp-on ultrasonic flowmeter is installed on. The wall thickness value is a vital factor in the flow computation model and a prerequisite for precise clamp-on ultrasonic flow measurement. When measuring any pipe wall thickness the thickness gauge can also be used as a stand-alone tool used to measure the wall thickness of any metallic or non-metallic pipe materials capable of acting as an ultrasonic wave conductor.

#### Benefits

The thickness gauge is an indispensable tool in accurate clamp-on ultrasonic flow measurement. For a flowmeter to measure correctly it needs to know the exact wall thickness of the pipe it is measuring on. Since even the smallest miscalculation can have a major effect on the flow reading, the pipe thickness gauge has to be extremely precise. This is why the standard probe operates at a 5 MHz frequency making it capable of measuring pipe thickness ranging from 0.1 to 200 mm (0.03" to 7.9") with a very high resolution of up to 0.1 mm (0.004").

#### Application

The thickness gauge can be used in any field application where there is a need for flow measurement including but not limited to:

- Water and wastewater
- Energy measurement
- Oil and gas industries

#### Design

The hand-held micro-processor controlled gauge is designed to measure the thickness of various metallic or non-metallic pipe. Such materials include steel, aluminum, titanium, plastics and ceramics. Measurement results are shown in either inches or millimeter; only a simple pre-calibration to a known thickness or sound velocity is required. The simple-to-read 4-digit LCD display featuring a basic user friendly menu is easily navigable with only three conveniently located push buttons. The lightweight computing unit weighs a mere 150 g (5.3 oz) making it ideal for quick and easy on-site pipe wall thickness measurement and with two AAA alkaline batteries trouble-free operation is ensured for 250 hours.

#### Function

The thickness gauge measurement is based on the transit time ultrasonic wave propagation principle: a high frequency ultrasonic beam is shot into the pipe being measured through a probe acting as a sender and receiver. When the probe subsequently retrieves that same signal, an internal counter calculates the time taken for the signals to be sent and received through the pipe. This value is used to evaluate the speed of sound through the pipe and consequently, the thickness of the pipe wall.

#### Technical specifications

##### Thickness gauge

|                        |  |
|------------------------|--|
| Display type           | 4-digit LCD                                  |
| Display resolution     | 0.01 mm (0.001")                             |
| Measurement units      | Metric and imperial                          |
| Sound velocity range   | 1 000 to 9 999 m/s<br>(3 280 to 32 805 ft/s) |
| Operating temperature  | -10 ... +50 °C (14 ... 122 °F)               |
| Update range           | 4 Hz   |
| Frequency              | 5 MHz  |
| Power source           | 2 x 1.5 V AAA dry cells                      |
| Power consumption      | Working current is less than 3 mA            |
| Battery life           | Approx. 250 h on a set of batteries          |
| Dimensions (W x H x D) | 61 x 108 x 28 mm<br>(2.4 x 4.3 x 1.1")       |
| Weight                 | 150 g (5.3 oz)                               |

#### Selection and Ordering data

Order No.

##### Thickness gauge

**7ME3951-0TG20**

#### System information and selection guide

| SITRANS F US Clamp-on meters  | FUS1010<br>(Standard) | FUS1020<br>(Basic) | FUP1010<br>(Portable) | FUE1010<br>(Energy) | FUH1010<br>(Oil) | FUG1010<br>(Gas) |
|---|-----------------------|--------------------|-----------------------|---------------------|------------------|------------------|
| <b>Industry/Applications</b>  |                       |                    |                       |                     |                  |                  |
| Water and aqueous solutions   | X                     | X                  | X                     |                     |                  |                  |
| Utility district heating, cooling   | X                     |                    | X                     | X                   |                  |                  |
| Chemical  | X                     | X                  | X                     |                     |                  |                  |
| Hydrocarbons/Petrochemical, multiple products or varying viscosity, liquefied gases, net and gross volume |                       |                    |                       |                     | X                |                  |
| Hydrocarbons (Single product with limited viscosity range) gross volume                                   | X                     |                    |                       |                     | X                |                  |
| Very low flow (<10 lpm) in small pipes  | X                     | X                  | X                     |                     |                  |                  |
| Natural gas   |                       |                    |                       |                     |                  | X                |
| Process gas   |                       |                    |                       |                     |                  | X                |
| Slurries or liquids with high percentage of undissolved gases   | X                     |                    | X                     |                     |                  |                  |
| High temperature liquids > 120 °C (248 °F)  | X <sup>1)</sup>       | X <sup>1)</sup>    | X <sup>1)</sup>       | X <sup>1)</sup>     | X <sup>1)</sup>  |                  |
| Aerospace or hydraulic test   | X <sup>2)</sup>       |                    | X <sup>2)</sup>       |                     |                  |                  |
| Refrigeration liquids   | X                     | X                  | X                     | X                   |                  |                  |
| Food products   | X                     | X                  | X                     |                     |                  |                  |
| <b>Design</b>   |                       |                    |                       |                     |                  |                  |
| Field clamp-on (non-intrusive)  | X                     | X                  | X                     | X                   | X                | X                |
| Doppler (Reflexor) hybrid capability  | X                     |                    | X                     | X                   |                  |                  |
| Standard volume or mass flow; per API 2540  |                       |                    |                       |                     | X                |                  |
| Interface detection   |                       |                    |                       |                     | X                |                  |
| Density output  |                       |                    |                       |                     | X                |                  |
| Standard volume or mass flow; per AGA 8   |                       |                    |                       |                     |                  | X                |
| Differential temperature with energy calculation  |                       |                    |                       | X                   |                  |                  |
| Temperature measurement   | X                     |                    | X                     | X                   | X                | X                |
| Analog input  | X                     |                    | X                     | X                   | X                | X                |
| Large graphics display (optional)   | X                     |                    | X                     | X                   | X                | X                |
| Diagnostic PC software (DataView)   | X                     | X                  | X                     | X                   | X                | X                |
| <b>Number of acoustic beams and channels</b>  |                       |                    |                       |                     |                  |                  |
| 1-channel   | X                     | X                  | X                     | X                   | X                | X                |
| 2-path  | X                     | X                  | X                     | X                   | X                | X                |
| 2-channel w/ arithmetic function  | X                     | X                  | X                     | X                   |                  |                  |
| 4-path / (special order)  | X                     |                    |                       |                     | X                | X                |
| 4-channel w/ sum of active channels   | X                     |                    |                       |                     |                  |                  |
| <b>Transmitter enclosure</b>  |                       |                    |                       |                     |                  |                  |
| IP65 (NEMA 4)   |                       | X                  |                       |                     |                  |                  |
| IP65 (NEMA 4X)  | X                     |                    |                       | X                   | X                | X                |
| IP67  |                       |                    | X                     |                     |                  |                  |
| IP40 (NEMA 1)   |                       |                    |                       | X                   |                  |                  |
| IP65 (NEMA 7) Compact   | X                     |                    |                       |                     | X                | X                |
| IP66 (NEMA 7) Wall mount  | X                     |                    |                       |                     | X                | X                |

<sup>1)</sup> Special order high temperature clamp-on transducer

<sup>2)</sup> Special order Aerospace clip-on transducer recommended

<sup>3)</sup> Available with portable energy systems

# SITRANS F flowmeters

## SITRANS F US

### System information and selection guide

| SITRANS F US Clamp-on meters  | FUS1010<br>(Standard) | FUS1020<br>(Basic) | FUP1010<br>(Portable) | FUE1010<br>(Energy) | FUH1010<br>(Oil) | FUG1010<br>(Gas) |
|---|-----------------------|--------------------|-----------------------|---------------------|------------------|------------------|
| <b>Power Supply</b>   |                       |                    |                       |                     |                  |                  |
| Internal battery operation  |                       |                    | X                     | X <sup>1)</sup>     |                  |                  |
| Battery charger (100 ... 240 V AC 50 ... 60 Hz) with country specific line cord |                       |                    | X                     | X <sup>1)</sup>     |                  |                  |
| 90 ... 240 V AC, 50 ... 60 Hz   | X                     | X                  |                       | X                   | X                | X                |
| 9 ... 36 V DC   | X                     | X                  |                       | X                   | X                | X                |
| <b>Size (larger sizes are available as special order)</b>                       |                       |                    |                       |                     |                  |                  |
| 6.5 ... 1220 mm (0.25" ... 48")   | X                     | X                  | X                     |                     |                  |                  |
| 38 ... 1220 mm (1.5" ... 48")   |                       |                    |                       | X                   | X                | X                |
| <b>Approvals</b>  |                       |                    |                       |                     |                  |                  |
| FM / CSA CLASS I DIV 1 <sup>2)</sup>  | X                     |                    |                       | X                   | X                | X                |
| ATEX  | X                     |                    |                       |                     | X                | X                |
| UL / ULc / CE <sup>3)</sup>   |                       | X                  | X                     | X                   |                  |                  |

<sup>1)</sup> Available with portable energy systems

<sup>2)</sup> NEMA 4X associated equipment in DIV 2 connected to DIV 1 transducers, NEMA 7 explosionproof equipment in DIV 1 connected to DIV 1 transducers.

<sup>3)</sup> Ordinary, unclassified locations only

### Transducer type selection guide

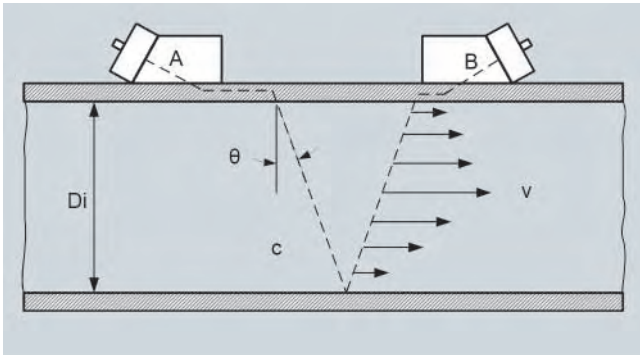
| Application condition. Note all that apply before making selection | Standard transducers supported in MLFB |                                |                                | Notes   |
|--|--|--------------------------------|--------------------------------|---|
|  | Standard clamp-on<br>High precision    | Standard clamp-on<br>Universal | Standard Doppler<br>(Reflexor) |   |
| <b>Media</b>   |  |                                |                                |   |
| General survey (clean liquids) on steel and non-steel pipes        |  | X                              | O                              |   |
| General survey (clean liquids) on a limited range of steel pipes   | X                                      |                                | O                              |   |
| Moderately aerated liquid or slurry                                | X                                      |                                |                                |   |
| Highly aerated liquid or slurry                                    | O                                      | O                              | X                              | High temperature Doppler transducers also available as special order                            |
| Permanent installation on steel pipe (clean liquids)               | X                                      |                                | O                              |   |
| Installation in offshore or corrosive environment                  | O                                      | O                              | O                              | Transducers available with corrosion resistance as special order                                |
| Liquid temperature greater than 120 °C (248 °F)                    | O                                      | O                              | O                              | High temp metal block transducers available as special order (to 230 °C (446 °F))               |
| Operation on single pipeline flowing multiple products             | X                                      | O                              |                                |   |
| Natural gas or process gas   | X                                      | O                              | O                              | Consult sales specialist for all gas applications   |
| <b>Pipe material</b>   |  |                                |                                |   |
| Steel pipe with liquid temperature > 60 °C (140 °F)                | X                                      | X                              |                                | Special order high precision transducers can be request for temps > 60 °C but < 120 °C (248 °F) |
| Steel  | X                                      |                                | O                              |   |
| Steel pipe with diameter/wall thickness ratio <10                  | O                                      | X                              |                                |   |
| Non-steel pipe material (copper, ductile iron, cast iron, etc.)    | O                                      | X                              |                                | High precision transducers can also be used on plastic and aluminum pipes                       |
| Wall thickness > 25.4 mm (1")                                      | O                                      | X                              |                                |   |

O = not suitable X = preferred choice

#### Function

##### Operating Principle

The SITRANS FUS1010 system is a transit-time ultrasonic meter that provides exceptional performance using a non-invasive clamp-on approach. Ultrasonic transducers transmit and receive acoustic signals directly through the existing pipe wall, where the fluid refraction angle is governed by Snell's law of refraction.



Clamp-on transducer mounted in a reflect configuration

The beam refraction angle is calculated as follows:

$$\sin \theta = c / V_{\phi}$$

$c$  = Velocity of sound in fluid

$V_{\phi}$  = Phase velocity (a constant in the pipe wall)

The flowmeter automatically compensates for any change in fluid sound velocity (or beam angle) in response to variations in the average transit-time between transducers A and B. By subtracting the computed fixed times (within the transducers and pipe wall) from the measured average transit-time, the meter can then infer the required transit-time in the fluid ( $T_{\text{Fluid}}$ ).

The Sound waves traveling in the same direction as flow ( $T_{A,B}$ ) arrive earlier than sound waves traveling against the direction of flow ( $T_{B,A}$ ). This time difference ( $\Delta t$ ) is used to compute the line integrated flow velocity ( $v$ ) as shown in the equation below:

$$v = V_{\phi} / 2 \cdot \Delta t / T_{\text{Fluid}}$$

Once the raw flow velocity is determined, the fluid Reynolds number ( $Re$ ) must be determined to properly correct for fully developed flow profile. This requires the entry of the fluid's kinematic viscosity ( $\text{visc}$ ) as shown in the equations below, where  $Q$  represents the final flow profile compensated volumetric flow rate.

$$Re = Di \cdot v / \text{visc} \cdot Q = K(Re) \cdot (\pi / 4 \cdot Di^2) \cdot v$$

$v$  = Flow velocity

$\text{visc} = \mu / \rho$  = (dynamic viscosity / density)

$K(Re)$  = Reynolds flow profile compensation

In all wetted type ultrasonic flowmeters the meter constants are configured prior to leaving the factory. As this is not possible with clamp-on meters, the settings must be made by the customer at the time of installation. These settings include pipe diameter, wall thickness, liquid viscosity, etc.

SITRANS Clamp-On meters that include temperature sensing can be configured to dynamically infer changes in fluid viscosity for the purpose of computing the most accurate flow profile compensation ( $K_{Re}$ ).

##### Ultrasonic Transducer Types

Two basic types of Clamp-On transducers can be selected for use with the SITRANS FUS1010 flowmeter. The lower cost "universal" transducer is the most common type in the industry and is suitable for most single liquid application where the sound ve-

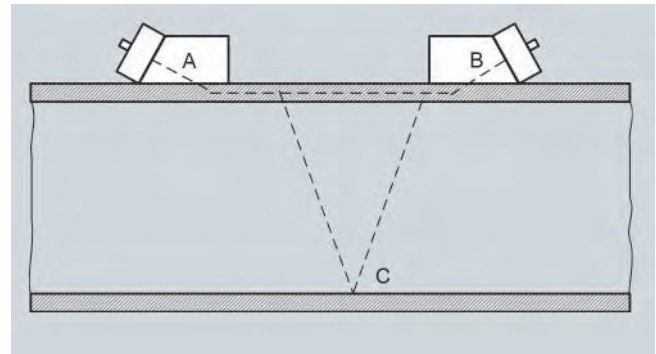
locity does not vary much. This transducer type can be used on any sonically conductive pipe material (including steel) making it well suited for portable survey applications. Universal transducers are selected based on the pipe diameter range alone, so wall thickness is not important to the selection process.

The second transducer type is the patented WideBeam transducer (called high precision), which utilizes the pipe wall as a kind of loudspeaker to optimize the signal to noise ratio and provide a wider area of vibration. This makes this kind of transducer less sensitive to any change in the fluid medium.

The WideBeam transducer is designed for steel pipes, but can also be used with aluminum, titanium and plastic pipe. It is the preferred transducer for HPI and gas applications. Note that unlike the universal type, this transducer selection is dependent only on the pipe's wall thickness.

##### Automatic Zero Drift Correction (ZeroMatic Path™)

When WideBeam transducers are installed in the "Reflect" mode configuration shown below, the acoustic signal travels in two different paths between transducers A and B. One path "ACB" travels through the pipe wall and fluid, while the other path "AB" never enters the fluid medium.



This later path provides the meter with a reference signal that is completely independent of flow rate and can therefore be used as a measure of transducer "mis-match". By continually analyzing this pipe wall signal the FUS1010 meter can dynamically correct for flow errors caused by zero drift.

##### Multi-Channel Flowmeters

For improved flow profile averaging, redundancy, or better cost per measurement, Clamp-On meters can be supplied with 1 or 2 measurement channel, with 4 channel meters supplied as special order.

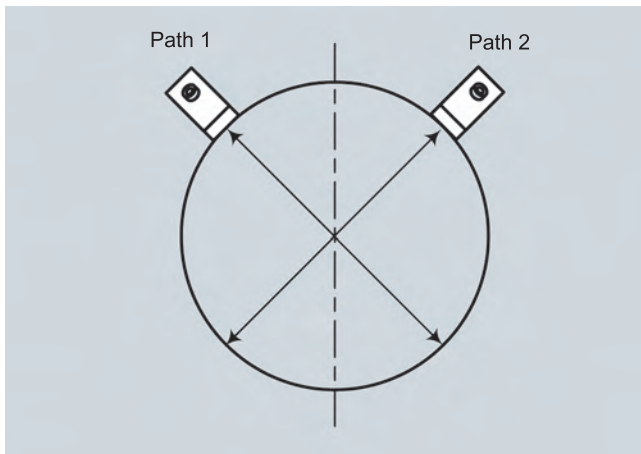
In the standard FUS, FUP, FUE systems, these channels can be installed on separate independent lines or in a multi-beam installation as shown below. This choice is made during meter setup, where either a multi-beam (two beams on same pipe) or multi-channel installation can be selected.



# SITRANS F flowmeters

## SITRANS F US

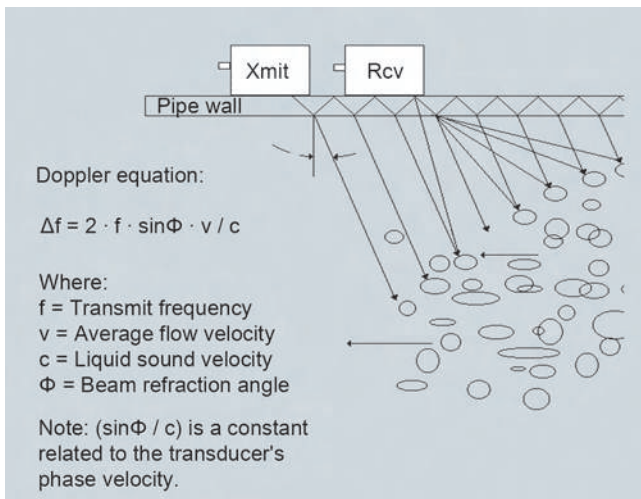
### System information and selection guide



Dual Beam installation example

#### Doppler (Reflexor®) Operation

The Doppler measurement technique relies on the reflection of sound energy off tiny gas bubbles or suspended particles to create a doppler shift in the fixed frequency acoustic transmit signal, as shown below.



When de-demodulated using FFT signal processing, this doppler shifted frequency ( $\Delta f$ ) can be used to measure the flow rate as described in the associated doppler equations below.

Although the standard transit-time measurement system is very tolerant of high levels of liquid aeration and high solids content, there will be cases where insufficient signal will be available for operation with transit-time mode. For these cases the FUS, FUP and FUE meters can be ordered with this optional doppler capability, which requires an additional doppler transducer.

#### SITRANS meter family description

##### SITRANS FUS1010 flowmeters

The FUS1010 system is a basic function permanent (or dedicated) clamp-on meter that is available with a full range of safety approvals, I/Os and enclosure types. This meter can be used in a wide range of applications but does not include the special functions found in the hydrocarbon FUH and energy FUE flowmeters.

The FUS1010 meter is typically programmed with a fixed viscosity and specific gravity entry, which can limit the mass flow and volumetric flow accuracy when highly variable (multi-product) liquid properties flow through the same pipeline.

If this meter is ordered with the Type 3 hardware and program configuration, it will have the ability to accommodate clamp-on

RTDs, or an analog input from a temperature transmitter. With an active measurement of liquid temperature the meter can then be programmed to compensate for changes in liquid density and viscosity by means of a "UniMass" table (for advanced users).

##### SITRANS FUS1020 flowmeters

The FUS1020 system has the same basic function of the FUS1010 system, but does not include the same I/O capability or safety approval rating of the FUS1010. This basic meter is intended for single liquid applications that do not require these additional features. Note that the FUS1020 is not available with hazardous area approvals.

##### SITRANS FUP1010 Portable meters

The FUP1010 meter has all the capabilities of the FUS1010 meter, but in a battery powered portable configuration. This meter is ideal for general flow survey work where high accuracy is required. Note that the FUP meter is not available with hazardous areas approvals.

##### SITRANS FUE1010 Energy meters

By combining clamp-on transit-time flow measurement with accurate temperature differential measurement, the FUE1010 system provides a solution to thermal energy metering with no interruption of service. Energy measurement can be provided for water, ethylene glycol and brine solutions or steam condensate.

Absolute and differential temperature measurement is accomplished with the use of 2 matched 1 k $\Omega$  RTD elements installed on the supply and return side of the heating or cooling system. Efficiency calculation (kW/ton, EER or COP) is also available in systems with the optional analog input capability, which allow the meter to accept a power meter output.

The FUE1010 system is available in both dedicated (IP65 (NEMA 4X)) and portable configurations (IP40).

##### SITRANS FUG1010 Gas meters

This unique Clamp-On gas meter uses the same WideBeam transit-time operating principle described above. However, due to the very low density and sound velocity characteristics of gases, this meter requires a high gain signal amplifier and the installation of a pipe damping material.

The pipe damping material consists of an adhesive backed viscoelastic film that is designed to attenuate any stray acoustic transmit energy that may otherwise interfere with the transit-time gas signal. Damping material installation requires a clean (grease free) pipe surface with well bonded paint.

The Clamp-On gas meter is capable of operation on most gases (natural gas, oxygen, nitrogen, carbon monoxide, etc) with a typical minimum operating pressure of 10 barg (145 psig). Low molecular weight gases such as helium or hydrogen can also be measured, but at a higher minimum pressure. **Be sure to contact a Siemens clamp-on specialist before placing a gas system order.**

Standard volume computation: The FUG1010 gas meter is not designed with the same capabilities of a volume compensating flow computer but it can provide a standard volume or mass flow output for fixed gas compositions. All FUG1010 Gas meters include analog input capability that can be used for pressure and temperature compensation. With the installation of an AGA8 lookup table this meter can dynamically adjust the compressibility factor ( $Z_{act}$ ) in response to changes in gas pressure and temperature, as indicate below:

$$\text{Std. Rate} = Q_{act} \cdot P_{act}/P_{base} \cdot T_{base}/T_{act} \cdot Z_{base}/Z_{act}$$

##### SITRANS FUH1010 Hydrocarbon meters

There are two models of flowmeters included in the FUH1010 family, a viscosity compensated model, used for applications that will flow a wide range of viscosity, and a standard volume (Mass) model. Both models rely on a variable referred to as "liquid", which is used to infer the liquid's viscosity and optionally

the liquid's density. This variable represents the measured liquid sonic velocity compensated by the operating temperature and pressure, so for a given liquid product the measured liquid output will remain constant over a wide range of pressure or temperature.

#### PV (Viscosity Compensation) Option:

This is the lower cost FUH meter option that uses the liquid variable to infer only the actual liquid viscosity. This meter does NOT provide the standard volume, mass flow, liquid identification or density output available in the DV meter option described below. The PV meter is suitable for any petroleum application where actual volume required as the input to an external RTU or flow computer.

#### DV (Standard Volume) Option:

This Liquid variable can also be used to identify the liquid's name (gasoline, fuel oil, crude oil, etc) as well as its physical properties (specify gravity, API, viscosity and compressibility) at base conditions. With this information the meter can be configured to output a temperature and pressure compensated (Standard) volume flow rate using the API 2540 and API MPMS chapter 11.2.1 methods as shown below.

#### **Correction for Temperature:**

Compute Thermal Expansion Coefficient ( $\alpha_b$ ):

$$\alpha_b = KO / \rho_b^2 + K1 / \rho_b$$

where: KO and K1 are constants dependent on type of liquid and  $\rho_b$  is the liquid density at base conditions

Compute temperature correction factor ( $K_T$ ):

$$K_T = \rho_b * \text{EXP}(-\alpha_b \Delta T (1 + 0.8 \alpha_b \Delta T))$$

where:  $\Delta T = (T - \text{base temperature})$

#### **Correction for Pressure:**

Compute Compressibility Factor (F):

$$F = \text{EXP}(A + B T + (C + D T) / \rho_b^2)$$

where: A, B, C and D are constants, and "T" is liquid temperature

Compute pressure correction factor ( $K_p$ ):

$$K_p = 1 / (1 - F (P_{\text{act}} - P_{\text{base}}) * 10^{-4})$$

**Final Volume Correction:**  $Q_{\text{std}} = Q_{\text{act}} * K_t * K_p$

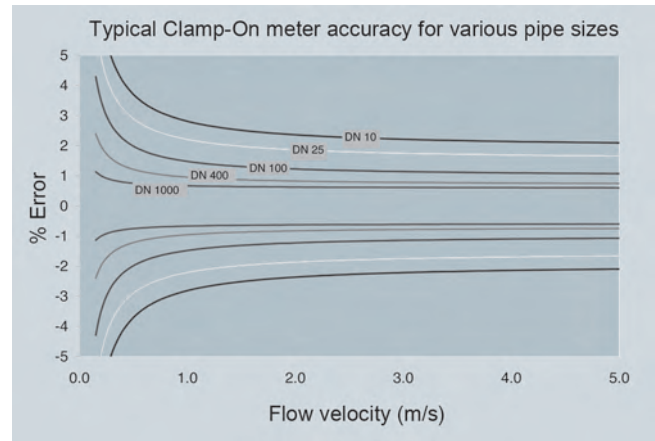
Available outputs from this meter include: API, Density, Mass Flowrate, Standard Volume Flowrate and Liquid Identification.

#### B (Interface Detection) Option:

This meter option is designed to provide all the Non-Flow capabilities of a DV meter, making it an ideal non-intrusive alternative to a densitometer, interface detector or pig detector. Be aware that this meter does NOT measure flow rate.

#### General Installation Guidelines for transit-time Clamp-On Transducers

- Minimum measuring range: 0 to  $\pm 0.3$  m/s velocity (see meter accuracy graph below for more detail)
- Maximum measuring range: 0 to  $\pm 12$  m/s ( $\pm 30$  m/s for high precision transducers). Final flow range determination requires application review



- Pipe must be completely full within the transducer installation volume for accurate flow measurement!
- Typical MINIMUM straight pipe requirements are: 10 Diameters upstream / 5 Diameters downstream. Additional straight run is required for double out-of-plane elbows and partially open valves. A minimum of 20 upstream diameters is recommended for clamp-on gas systems
- Transducers should be installed at least 20° off vertical for horizontal pipes. This reduces the chance of beam interference from gas buildup at the top of the pipe
- Operation inside the Reynolds transition region, between  $1000 < Re < 5000$  should be avoided for best accuracy
- Submersible and direct burial installations can be accommodated. Consult sales representative for details
- Ultrasonic coupling compound is provided with all transducer orders. Insure that a permanent coupling compound is used for long term installations
- Refer to the "Transducer type selection guide" to insure proper application of the equipment



# SITRANS F flowmeters

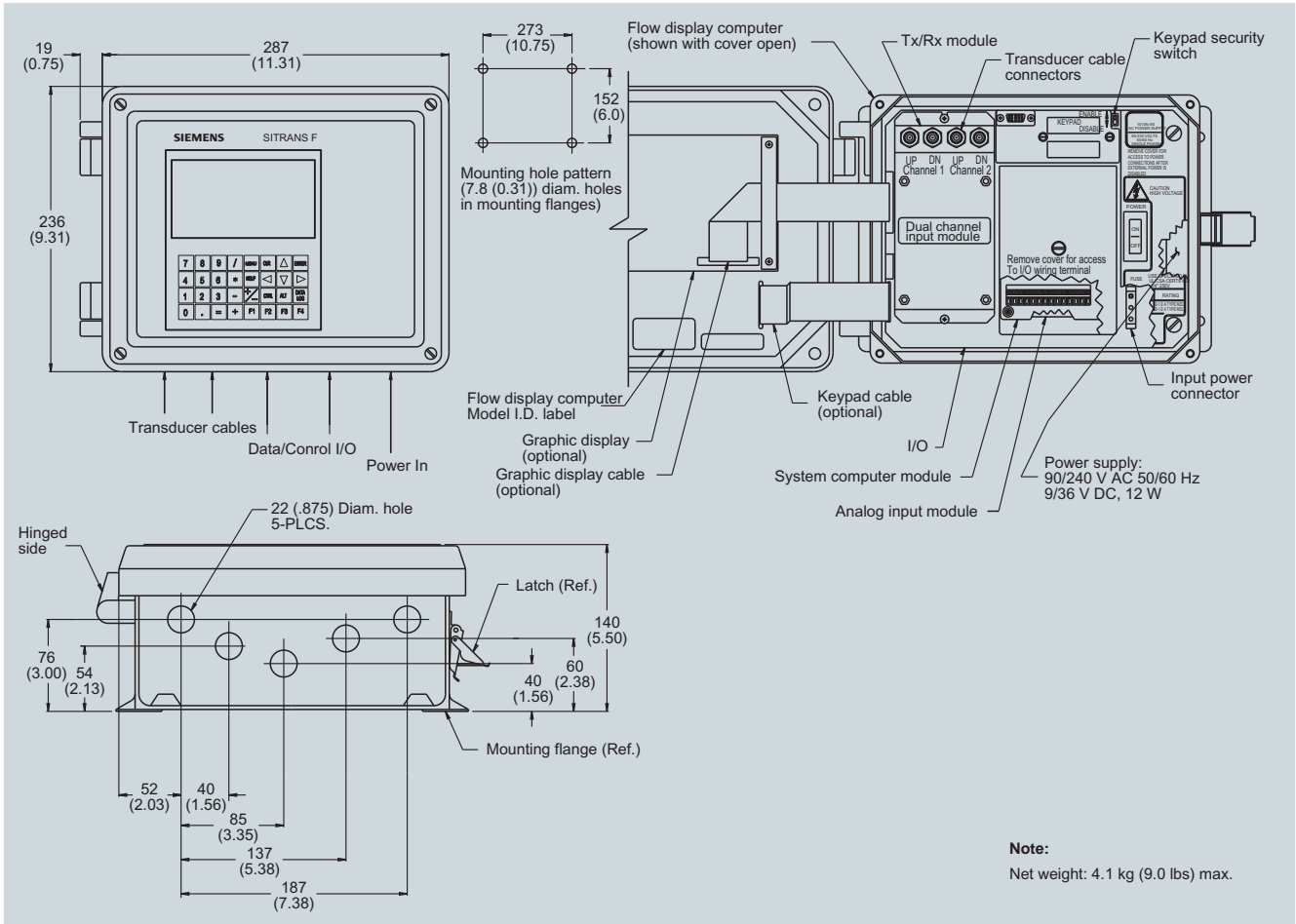
## SITRANS F US

### System information and selection guide

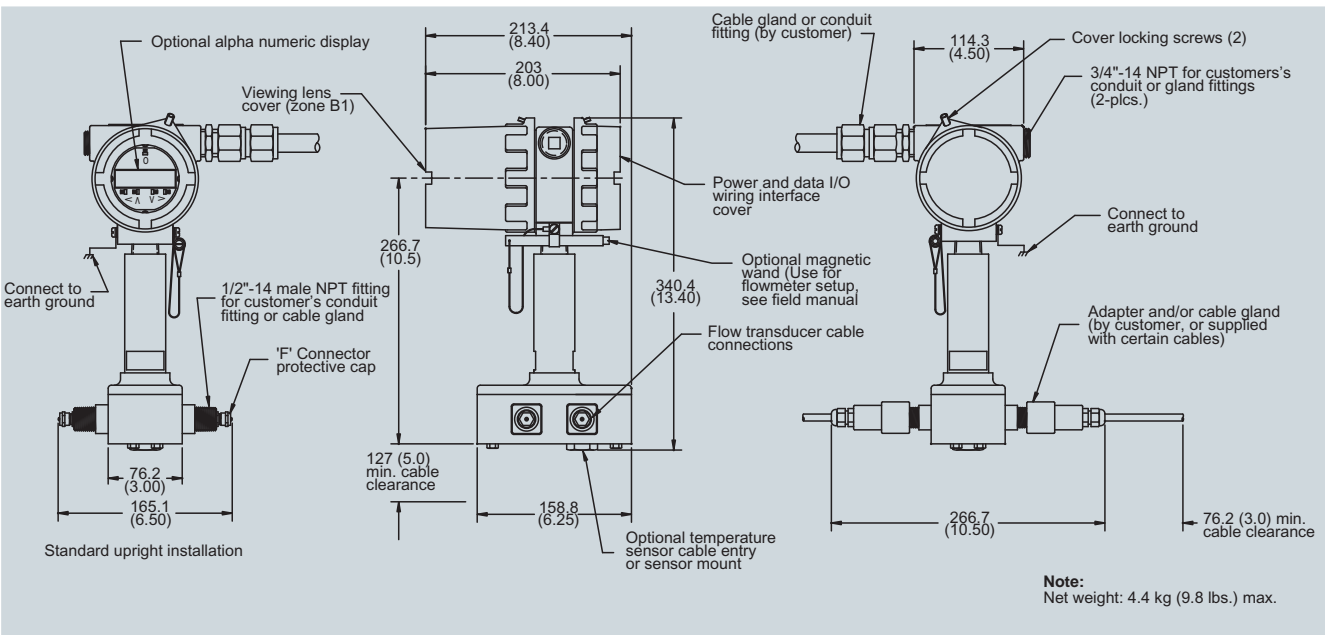
238

#### Dimensional drawings

#### FUS1010, FUE1010, FUH1010 and FUG1010 IP65 (NEMA 4X) Enclosure



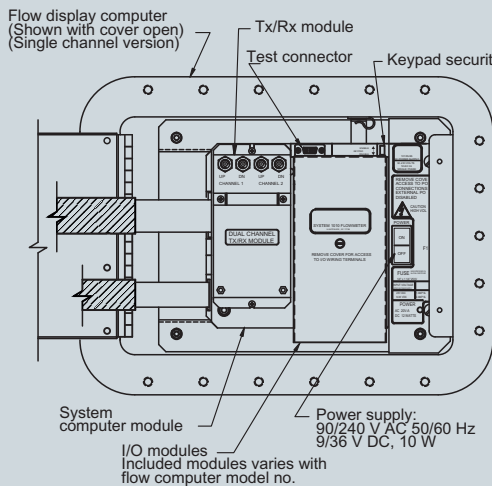
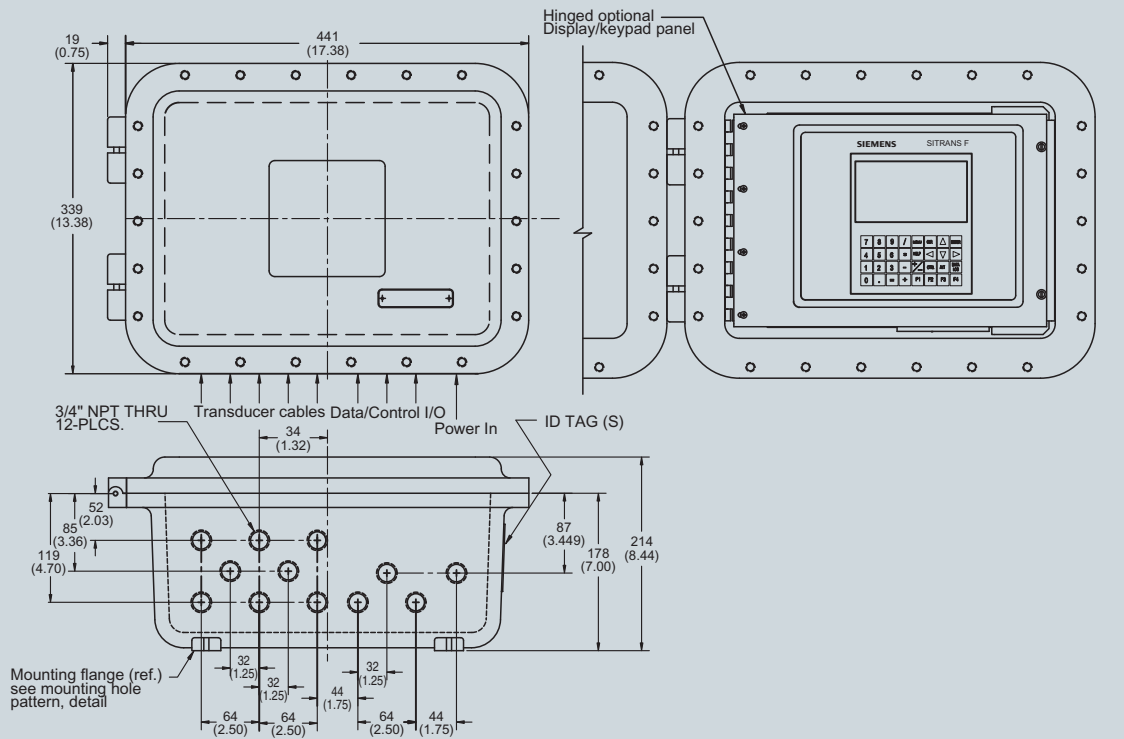
#### FUS1010, FUH1010 and FUG1010 IP65 (NEMA 7) Compact explosionproof enclosure



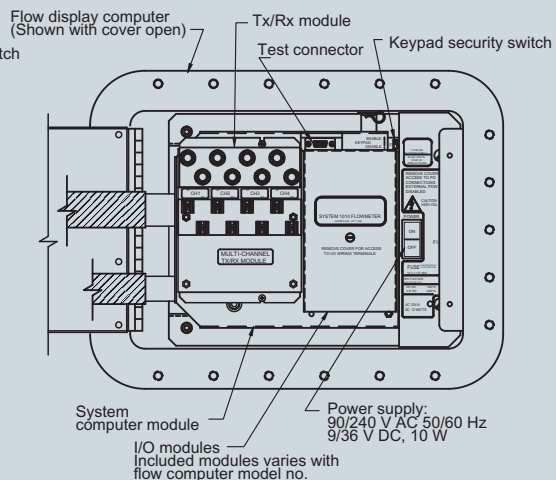
# SITRANS F flowmeters SITRANS F US

## System information and selection guide

### FUS1010 and FUH1010 IP66 (NEMA 7) Wall mount explosionproof enclosure



**Single / Dual channel flowmeter**



**Multi-channel flowmeter**

**Note:**  
Net weight: 29 kg (64.0 lbs) max.

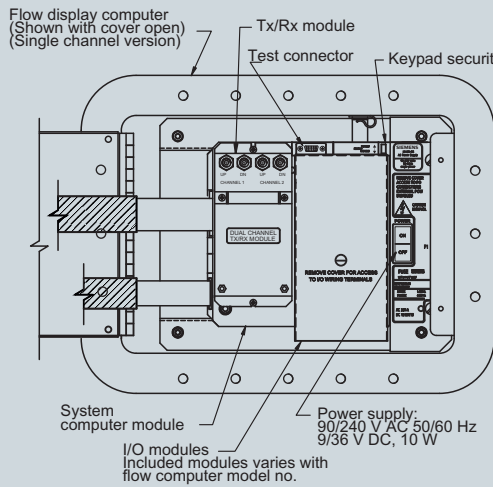
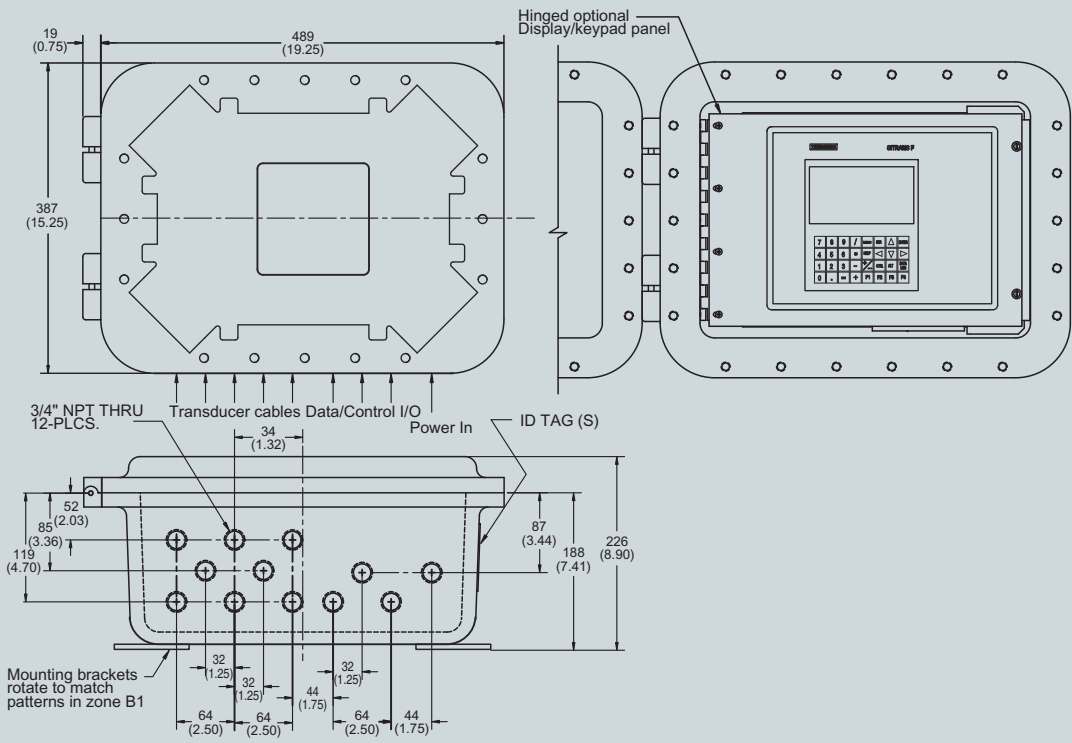
# SITRANS F flowmeters

## SITRANS F US

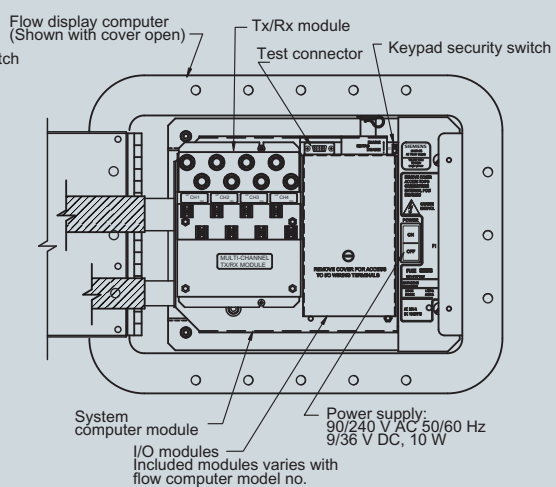
### System information and selection guide

FUG1010 IP66 (NEMA 7) wall mount explosionproof enclosure

240



Single / Dual channel flowmeter



Multi-channel flowmeter

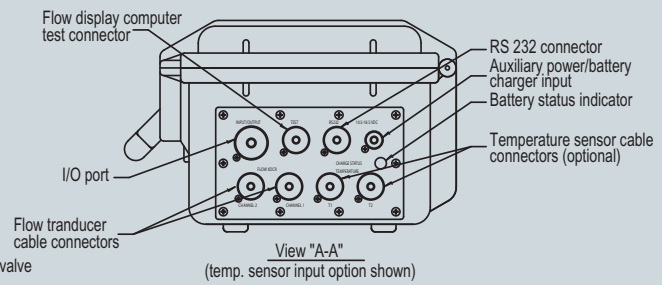
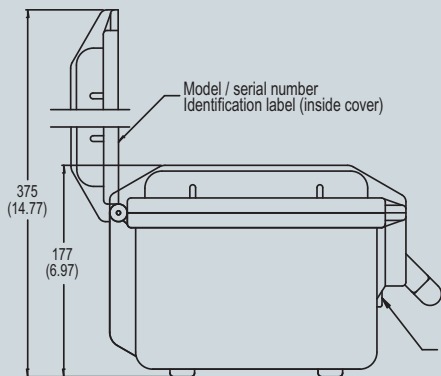
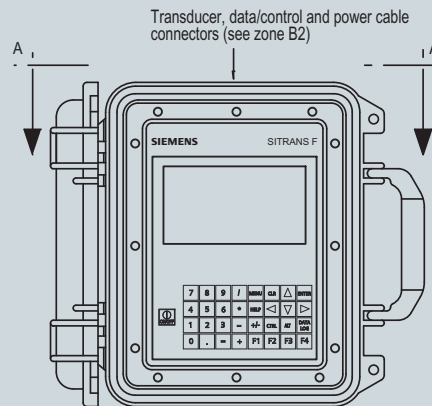
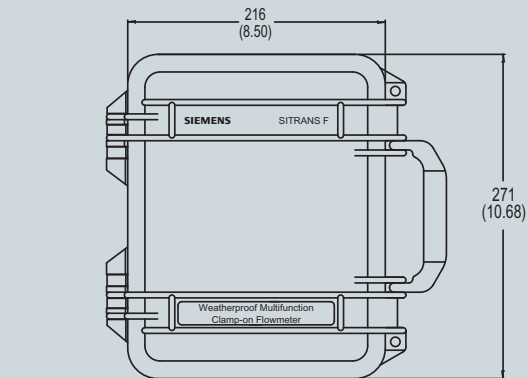
**Note:**  
Net weight: 45 kg (99.0 lbs) max.

# SITRANS F flowmeters

## SITRANS F US

### System information and selection guide

#### FUP1010 IP67 Weatherproof impact resistant enclosure



**Note:**  
Net weight: 3.64 kg (8.0 lbs.)

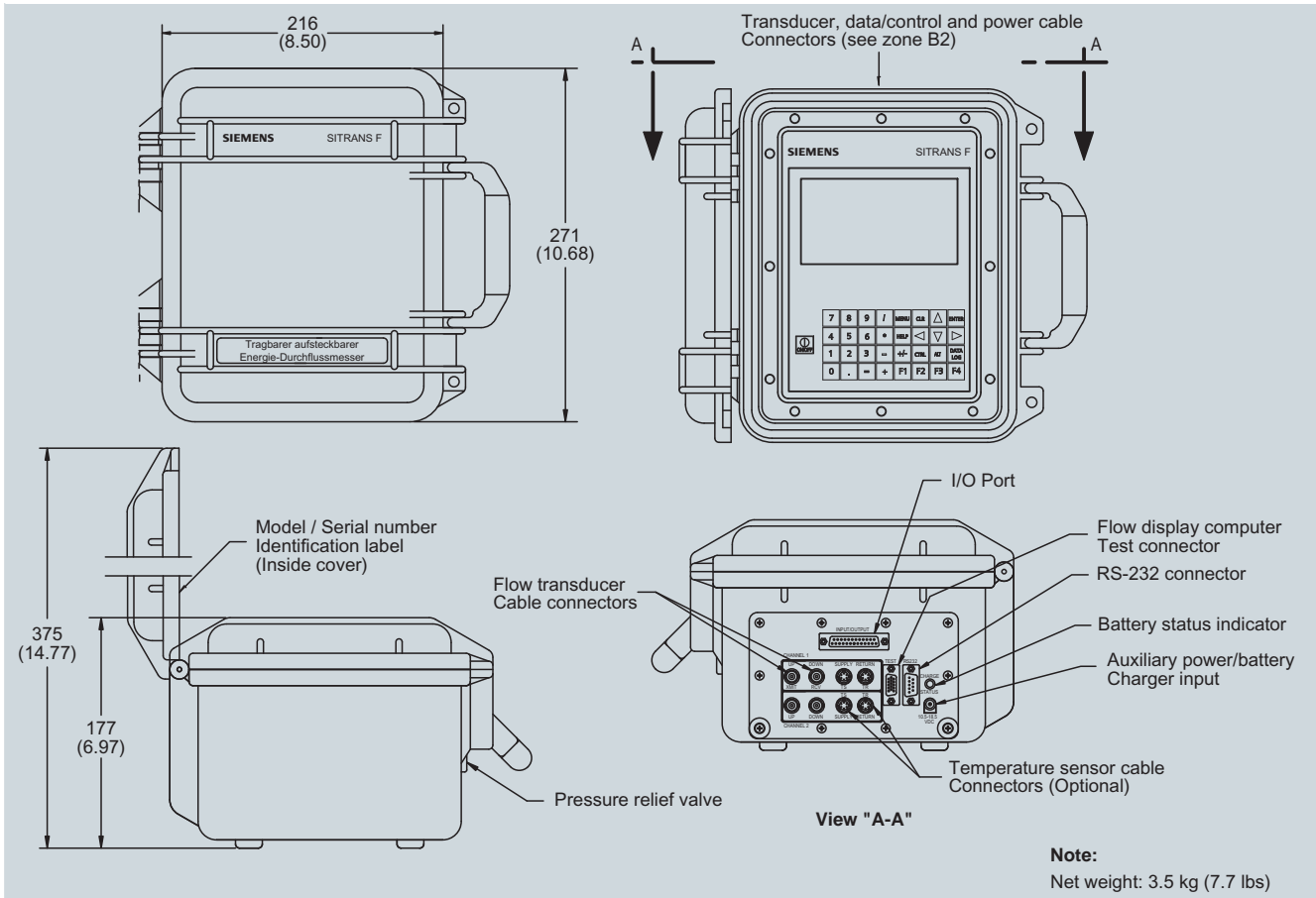
# SITRANS F flowmeters

## SITRANS F US

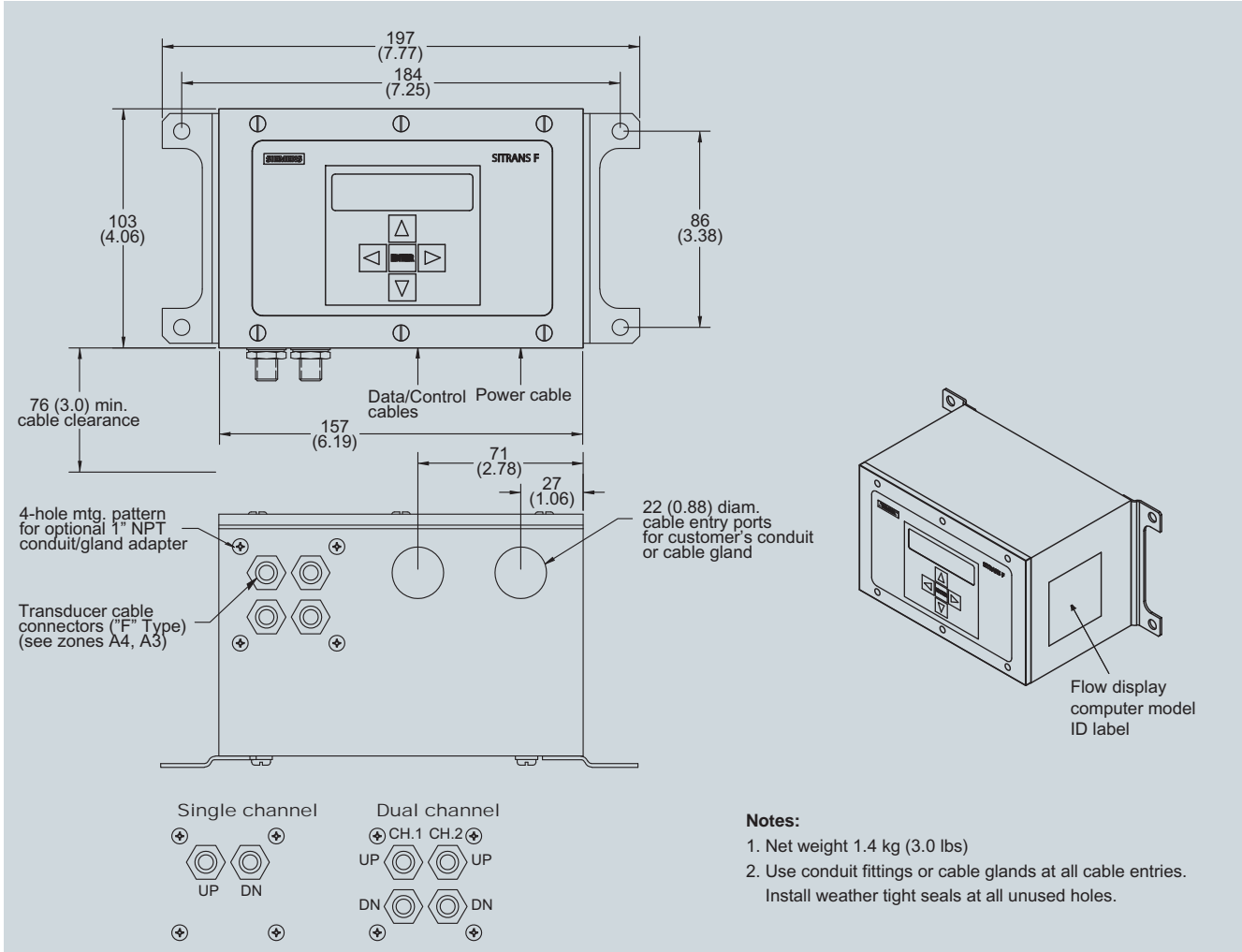
### System information and selection guide

FUE1010 IP40 (NEMA 1) Portable impact resistant enclosure

242



### FUS1020 IP65 (NEMA 4) Wall mount enclosure



**Notes:**

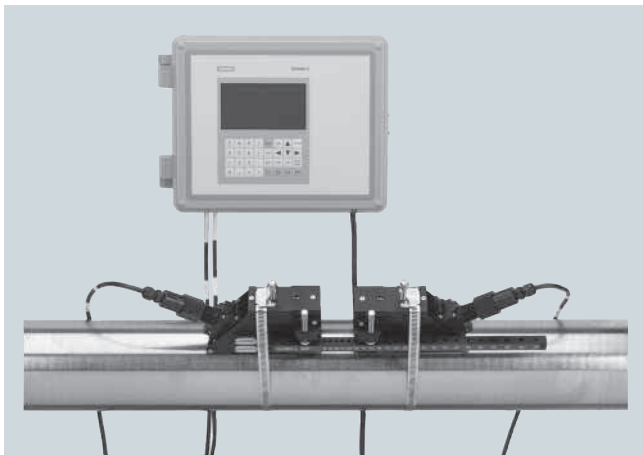
1. Net weight 1.4 kg (3.0 lbs)
2. Use conduit fittings or cable glands at all cable entries. Install weather tight seals at all unused holes.

# SITRANS F flowmeters

## SITRANS F US

### SITRANS FUS1010 Standard clamp-on

#### Overview



SITRANS FUS1010 is the most versatile clamp-on ultrasonic flow display computer available today. It can operate in either Wide-Beam Transit-Time or Reflexor (Doppler) mode, making it suitable for virtually any liquid, even those with high aeration or suspended solids.

SITRANS FUS1010 is available in single, dual and optional four beam configurations, with your choice of IP65 (NEMA 4X) or IP65 (NEMA 7) and IP66 (NEMA 7) explosionproof enclosures.

#### Benefits

- Versatility; there is no need to change meters when operating conditions change
- Easy installation; no need to cut pipe or stop flow
- Minimal maintenance; external transducers do not require periodic cleaning
- No moving parts to foul or wear
- No pressure drop or energy loss
- Wide turn-down ratio
- Choice of single channel or dual channel/dual path, with doppler capability. Four channel/four beam optional.
  - Optional four channels allow measurement of four independent pipes at the same time, reducing overall ownership costs
  - Dual mode allows for transit time and reflexor operation at the same time on the same pipe
  - Dual path allows for two sets of transducers to be set up on one pipe and averaged for higher accuracy
- Zeromatic Path automatically sets zero without stopping flow and reduces zero drift, even at low flow

#### Application

FUS1010 is suitable for a wide variety of liquid applications, including the following:

- Water industry
  - Raw water
  - Potable water
  - Chemicals
- Wastewater industry
  - Raw sewage
  - Effluent
  - Sludges
  - Mixed liquor
  - Chemicals
- HVAC industry
  - Chillers
  - Condensers
  - Hot and cold water systems
- Power industry
  - Nuclear
  - Fossil
  - Hydroelectric
- Processing industry
  - Process control
  - Batching
  - Rate indication
  - Volumetric and mass measurement

#### Design

FUS1010 is available in three configurations:

- IP65 (NEMA 4X) enclosure constructed of fiberglass reinforced polyester with stainless steel hardware and polyester keypad
  - Single channel
  - Dual channel / dual path
  - Four channel (optional)
- IP65 (NEMA 7) Compact explosionproof enclosure constructed of cast aluminum with glass window, stainless steel hardware
  - Single channel
  - Dual channel / dual path
- IP66 (NEMA 7) Wall mount explosionproof enclosure constructed of cast aluminum, stainless steel hardware, optional glass window
  - Single channel
  - Dual channel / dual path
  - Four channel (optional)

#### Function

- IP65 (NEMA 4X) and IP66 (NEMA 7) flow display computers have integral 33 button keypads and large (128 x 240 pixel) graphic displays visible up to 12 m (40 ft) away
- IP65 (NEMA 7) compact flow display computer has a 2 x 16 Alphanumeric LCD display
- Current, voltage, status alarm, frequency and RS232 outputs (see specification section for details)
- Optional current, voltage and temperature inputs (see specification section for details)
- Zeromatic Path automatically sets zero
- Bidirectional flow operation
- 1 MByte data logger with both site and data logger storage
- English, spanish, german, italian and french language options



#### Technical specifications

SITRANS FUS1010, IP65 (NEMA 4X) Flow display computer



#### Enclosure IP65 (NEMA 4X)

##### Input

|                                   |   |
|-----------------------------------|---|
| Flow range                        | $\pm 12$ m/s ( $\pm 40$ ft/s), bidirectional  |
| Pipe size                         | 6.4 mm ... 9.14 m (0.25" ... 360")  |
| Optional inputs<br>Single channel | <ul style="list-style-type: none"> <li>• Current: 2 x 4 ... 20 mA DC</li> <li>• Voltage: 2 x 0 ... 10 V DC</li> <li>• Temperature: 2 x 4 wire 1 k<math>\Omega</math> RTD</li> </ul> |

##### Output

|                         |  |
|-------------------------|--|
| Type 3 outputs          | <ul style="list-style-type: none"> <li>• Current: 2 x 4 ... 20 mA DC (1 k<math>\Omega</math> at 30 V DC)</li> <li>• Voltage: 2 x 0 ... 10 V DC (5 k<math>\Omega</math> min.)</li> <li>• Status Alarm: 4 x SPDT relays</li> <li>• Mercury wetted relays</li> <li>• Frequency: 2 x 0 ... 5 kHz</li> <li>• RS232</li> </ul> |
| Optional Type 3 outputs | <ul style="list-style-type: none"> <li>• Mercury wetted relays</li> <li>• Expanded I/Os (4 additional 4 ... 20 mA outputs) with form c relays</li> <li>• Expanded I/Os with Mercury wetted relays</li> <li>• uniMass capability with 1 RTD input and 4 x 4 ... 20 mA analog input</li> </ul>                             |

##### Accuracy

|                     |  |
|---------------------|--|
| Accuracy            | $\pm 0.5\%$ ... $1.0\%$ of flow,<br>for velocities greater than 0.3 m/s<br>(1 ft/s)<br>$\pm 0.0015$ ... $0.003$ m/s<br>( $\pm 0.005$ ... $0.01$ ft/s),<br>for velocities less than 0.3 m/s<br>(1 ft/s) |
| Batch repeatability | $\pm 0.15\%$ of flow,<br>for velocities greater than 0.3 m/s<br>(1 ft/s)<br>$\pm 0.0005$ m/s ( $\pm 0.0015$ ft/s),<br>for velocities less than 0.3 m/s<br>(1 ft/s)                                     |

##### Data refresh rate

5 Hz

#### Rated operation conditions

|                      |  |
|----------------------|--|
| Degree of protection | IP65 (NEMA 4X)   |
| Liquid temperature   | <ul style="list-style-type: none"> <li>• Standard -40 ... +120 °C (-40 ... +250 °F)</li> <li>• Optional -40 ... +230 °C (-40 ... +450 °F)</li> </ul> |
| Ambient temperature  | -18 ... +60 °C (0 ... 140 °F)  |

#### Design

|            |   |
|------------|---|
| Dimensions | see SITRANS F US Clamp-on "System info and selection guide" |
| Weight     | see diagrams  |

#### Power supply

90 ... 240 V AC, 50 ... 60 Hz,  
30 VA or  
9 ... 36 V DC, 12 W

#### Indication and operation

|                    |   |
|--------------------|---|
| Data logger memory | 1 MByte                                   |
| Display            | 128 x 240 pixel LCD with back-light       |
| Keypad             | 33 keypad buttons with tactile feedback   |
| Language options   | English, spanish, german, italian, french |

#### Certificates and approvals

|                         |  |
|-------------------------|--|
| FM and CSA ratings      | I.S. Class I, II, Div 1<br>N-I Class I, Div 2<br>S Class II, Div 2                     |
| ATEX ratings            |  |
| • Flow display computer | Ex II (1) G [EEx ia] IIC<br>Ex II 3 (1) G EEx nC [ia] IIC T5                           |
| • Transducers           | Ex II 1 G EEx ia IIC T5<br>Ex II 2 G EEx m II T5 (for use with flowmeter in safe area) |

# SITRANS F flowmeters

## SITRANS F US

### SITRANS FUS1010 Standard clamp-on

SITRANS FUS1010, IP65 (NEMA 7) Compact explosionproof



#### Enclosure IP65 (NEMA 7)

##### Input

|                                   |   |
|-----------------------------------|---|
| Flow range                        | $\pm 12$ m/s ( $\pm 40$ ft/s), bidirectional  |
| Pipe size                         | 6.4 mm ... 9.14 m (0.25" ... 360")  |
| Optional inputs<br>single channel | <ul style="list-style-type: none"> <li>• Current: 1 x 4 ... 20 mA DC</li> <li>• Temperature: 2 x 4 wire 1 k<math>\Omega</math> RTD</li> </ul> |

##### Output

|         |  |
|---------|--|
| Outputs | <ul style="list-style-type: none"> <li>• Current (externally powered):<br/>1 x 4 ... 20 mA DC<br/>(1 k<math>\Omega</math> at 30 V DC)</li> <li>• Status Alarm: 1 x Isolated open collector</li> <li>• Frequency: 2 x 0 ... 5 kHz</li> <li>• RS232</li> </ul> |
|---------|--|

##### Accuracy

|                     |  |
|---------------------|--|
|                     | $\pm 0.5\%$ ... $1.0\%$ of flow,<br>for velocities greater than 0.3 m/s<br>(1 ft/s)<br>$\pm 0.0015$ ... $0.003$ m/s<br>( $\pm 0.005$ ... $0.01$ ft/s),<br>for velocities less than 0.3 m/s<br>(1 ft/s) |
| Batch repeatability | $\pm 0.15\%$ of flow,<br>for velocities greater than 0.3 m/s<br>(1 ft/s)<br>$\pm 0.0005$ m/s ( $\pm 0.0015$ ft/s),<br>for velocities less than 0.3 m/s<br>(1 ft/s)                                     |

**Data refresh rate** 5 Hz

##### Rated operation conditions

|                      |  |
|----------------------|--|
| Degree of protection | IP65 (NEMA 7)  |
| Liquid temperature   | <ul style="list-style-type: none"> <li>• Standard -40 ... +120 °C (-40 ... +250 °F)</li> <li>• Optional -40 ... +230 °C (-40 ... +450 °F)</li> </ul> |
| Ambient temperature  | -18 ... +60 °C (0 ... 140 °F)  |

##### Design

|            |  |
|------------|--|
| Dimensions | see SITRANS F US Clamp-on<br>"System info and selection guide" |
| Weight     | see diagrams   |

**Power supply** 90 ... 240 V AC, 50 ... 60 Hz,  
15 VA or  
9 ... 36 V DC, 10 W

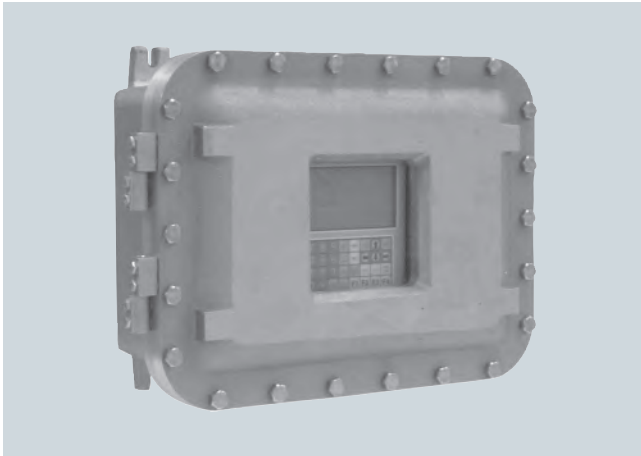
##### Indication and operation

|                    |  |
|--------------------|--|
| Data logger memory | 1 MByte                                      |
| Display            | 2 x 16 alphanumeric LCD display              |
| Keypad             | 5 Magnetic hall effect switches              |
| Language options   | English, spanish, german, italian,<br>french |

##### Certificates and approvals

|                          |  |
|--------------------------|--|
| FM and CSA ratings       | XP Class I, Div 1<br>D-I Class II, Div 1<br>I.S. Class I, Div 1<br>N-I Class I, Div 2<br>S Class II, Div 2 |
| ATEX ratings             |  |
| • Flow display computer  | Ex II 2 (1) G EEx d [ia] IIB + H2 T5   |
| • Transducers            | Ex II 1 G EEx ia IIC T5  |
| INMETRO ratings (Brazil) |  |
| • Flow display computer  | BR Ex d [ia] IIC T5  |
| • Transducers            | BR-Ex ia IIC T5<br>-50 °C $\leq$ Ta $\leq$ +60 °C  |

SITRANS FUS1010, IP66 (NEMA 7) Wall mount explosionproof enclosure



#### Enclosure IP66 (NEMA 7)

##### Input

|                                   |   |
|-----------------------------------|---|
| Flow range                        | ± 12 m/s (± 40 ft/s), bidirectional   |
| Pipe size                         | 6.4 mm ... 9.14 m (0.25" ... 360")  |
| Optional Inputs<br>single channel | <ul style="list-style-type: none"> <li>• Current: 2 x 4 ... 20 mA DC</li> <li>• Voltage: 2 x 0 ... 10 V DC</li> <li>• Temperature: 2 x 4 wire 1 kΩ RTD</li> </ul> |

##### Output

|                           |   |
|---------------------------|---|
| Outputs<br>single channel | <ul style="list-style-type: none"> <li>• Current: 2 x 4 ... 20 mA DC (1 kΩ at 30 V DC)</li> <li>• Voltage: 2 x 0 ... 10 V DC (5 kΩ min.)</li> <li>• Status Alarm: 4 x SPDT Relays</li> <li>• Frequency: 2 x 0 ... 5 kHz</li> <li>• RS232</li> </ul> |
|---------------------------|---|

##### Accuracy

|                     |   |
|---------------------|---|
| Accuracy            | ± 0.5% ... 1.0% of flow,<br>for velocities greater than 0.3 m/s<br>(1 ft/s)<br>± 0.0015 ... 0.003 m/s<br>(± 0.005 ... 0.01 ft/s),<br>for velocities less than 0.3 m/s<br>(1 ft/s) |
| Batch repeatability | ± 0.15% of flow,<br>for velocities greater than 0.3 m/s<br>(1 ft/s)<br>± 0.0005 m/s (± 0.0015 ft/s),<br>for velocities less than 0.3 m/s<br>(1 ft/s)                              |

|                          |      |
|--------------------------|------|
| <b>Data refresh rate</b> | 5 Hz |
|--------------------------|------|

##### Rated operation conditions

|                      |                                   |
|----------------------|-----------------------------------|
| Degree of protection | IP66 (NEMA 7)                     |
| Liquid temperature   |                                   |
| • Standard           | -40 ... +120 °C (-40 ... +250 °F) |
| • Optional           | -40 ... +230 °C (-40 ... +450 °F) |
| Ambient temperature  | -18 ... +60 °C (0 ... 140 °F)     |

##### Design

|            |  |
|------------|--|
| Dimensions | see SITRANS F US Clamp-on<br>"System info and selection guide" |
| Weight     | see diagrams   |

|                     |   |
|---------------------|---|
| <b>Power supply</b> | 90 ... 240 V AC, 50 ... 60 Hz,<br>30 VA or<br>9 ... 36 V DC, 12 W |
|---------------------|---|

##### Indication and operation

|                    |   |
|--------------------|---|
| Data logger memory | 1 MByte                                   |
| Display            | 128 x 240 pixel LCD with back-light       |
| Keypad             | 33 keypad buttons with tactile feedback   |
| Language options   | English, spanish, german, italian, french |

##### Certificates and approvals

|                          |  |
|--------------------------|--|
| FM and CSA ratings       | XP Class I, Div 1<br>D-I Class II, Div 1<br>I.S. Class I, Div 1<br>N-I Class I, Div 2<br>S Class II, Div 2 |
| ATEX ratings             |  |
| • Flow display computer  | Ex II (1) G [EEx ia] IIC<br>Ex II 3 (1) G EEx nC [ia] IIC T5<br>Ex II 2 (1) G EEx d [ia IIC] IIB + H2 T5   |
| • Transducers            | Ex II 1 G EEx ia IIC T5  |
| INMETRO ratings (Brazil) |  |
| • Flow display computer  | [BR-Ex ia] IIC<br>BR-Ex nC [ia] IIC T5<br>BR-Ex d [ia IIC] IIB + H2 T5                                     |
| • Transducers            | BR-Ex ia IIC T5<br>-50 °C ≤ Ta ≤ +60 °C  |


# SITRANS F flowmeters

## SITRANS F US

### SITRANS FUS1010 Standard clamp-on

248

| Selection and Ordering data   | Order No. | Ord. code | Selection and Ordering data   | Order No. | Ord. code |
|---|-----------|-----------|---|-----------|-----------|
| <b>SITRANS FUS1010 Standard clamp-on</b>  |           |           | <b>SITRANS FUS1010 Standard clamp-on</b>  |           |           |
| <ul style="list-style-type: none"> <li>• IP65 (NEMA 4X) K) <b>7ME3530-</b></li> <li>• IP65 (NEMA 7) compact K) <b>7ME3531-</b></li> <li>• IP66 (NEMA 7) wall mounted K) <b>7ME3532-</b></li> <li>• IP66 (NEMA 7) with display window K) <b>7ME3533-</b></li> </ul>  |           |           | <ul style="list-style-type: none"> <li>• IP65 (NEMA 4X) K) <b>7ME3530-</b></li> <li>• IP65 (NEMA 7) compact K) <b>7ME3531-</b></li> <li>• IP66 (NEMA 7) wall mounted K) <b>7ME3532-</b></li> <li>• IP66 (NEMA 7) with display window K) <b>7ME3533-</b></li> </ul>  |           |           |
| <b>Number of channels/ultrasonic beams</b><br>Single channel 1<br>Dual channel / Dual beam 2<br>Special: Four channel / Four Beam (NEMA 4X and NEMA 7 wall mount only) 9 <b>H 1 A</b>   |           |           | <b>Transducer for channel 1</b><br>(includes pipe mounting kit and spacer bar for indicated max. OD listed) See „Transducer selection charts“ for specifications.<br><br>no transducer <b>A</b><br>A2 universal to 2"/track mount <b>B</b><br>B3 universal to 5"/track mount <b>C</b><br>C3 universal to 13"/mounting frame <b>D</b><br>D3 universal to 24"/mounting frame <b>E</b><br>E2 universal to 48"/mounting frame <sup>1)</sup> <b>F</b>  |           |           |
| <b>Flowmeter functions and I/O configurations</b><br>includes graphic or digital display and Reflexor capability for all except IP65 (NEMA 7) compact units<br><br><u>IP65 (NEMA 4X) and IP66 (NEMA 7 wall mounted) units</u><br><ul style="list-style-type: none"> <li>• Type 3 option adder <b>C</b> <ul style="list-style-type: none"> <li>- 2 x 0 ... 10 V</li> <li>- 2 x 4 ... 20 mA</li> <li>- 2 x pulse output</li> <li>- 4 x relay C type</li> <li>- UniMass capability with 2 x RTD input and</li> <li>- 4 x 4 ... 20 mA analog input</li> </ul> </li> </ul> |           |           | For the following A1H to D4H transducers, temperature range is -40 °C to 65 °C (-41 °F to 150 °F), nominal 21 °C (70 °F):<br>A1H (high precision) to 3"/track mount <b>G</b><br>A2H (high precision) to 3"/track mount <b>H</b><br>A3H (high precision) to 3"/track mount <b>J</b><br>B1H (high precision) to 5"/track mount <b>K</b><br>B2H (high precision) to 5"/track mount <b>L</b><br>C1H (high precision) to 24"/mounting frame <b>M</b><br>C2H (high precision) to 24"/mounting frame <b>N</b><br>D1H (high precision) to 48"/mounting frame <sup>2)</sup> <b>P</b><br>D2H (high precision) to 48"/mounting frame <sup>2)</sup> <b>Q</b><br>D4H (high precision) to 48"/mounting frame <sup>2)</sup> <b>R</b><br><br>Doppler to 12" with strap kit (not for IP65 (NEMA 7)) <b>S</b> |           |           |
| <u>IP65 (NEMA 7) compact units</u><br><ul style="list-style-type: none"> <li>• Type 3 option adder <b>F</b> <ul style="list-style-type: none"> <li>- 1 x 4 ... 20 mA (Loop) and 1 x status (open collector) <b>per channel</b></li> <li>- 1 x pulse output for single channel units only</li> <li>- UniMass capability with 1 RTD input and</li> <li>- 1 x analog input <b>per channel</b></li> </ul> </li> </ul>   |           |           | Other versions (different size, mount, type or pipe larger than DN 1200 (48"), or corrosion resistant), add Order code and plain text. <b>Z</b> <b>P 1 Y</b><br><br>High temperature transducer size 2 for up to 230 °C (446 °F) (30 to 200 mm diam. (1.18 to 7.67 inch diam.)) <b>Z</b> <b>P 1 A</b><br><br>High temperature transducer size 3 for up to 230 °C (446 °F) (150 to 610 mm diam. (5.90 to 24 inch diam.)) <b>Z</b> <b>P 1 B</b><br><br>High temperature transducer size 4 for up to 230 °C (446 °F) (400 to 1200 mm diam. (15.75 to 47.25 inch diam.)) <b>Z</b> <b>P 1 C</b>  |           |           |
| <b>Meter power options</b><br>90 ... 240 V AC <b>A</b><br>9 ... 36 V DC (except compact NEMA 7) <b>B</b><br>9 ... 36 V DC negative GND (compact only) <b>J</b><br>9 ... 36 V DC positive GND (compact only) <b>K</b>  |           |           | For the following B1H to D4H transducers, temperature range is -1 °C up to 104 °C (30 °F up to 220 °F), nominal 65 °C (150 °F):<br>B1H (high temperature range HP) <b>Z</b> <b>P 1 K</b><br>B2H (high temperature range HP) <b>Z</b> <b>P 1 L</b><br>C1H (high temperature range HP) <b>Z</b> <b>P 1 M</b><br>C2H (high temperature range HP) <b>Z</b> <b>P 1 N</b><br>D1H (high temperature range HP) <sup>2)</sup> <b>Z</b> <b>P 1 P</b><br>D2H (high temperature range HP) <sup>2)</sup> <b>Z</b> <b>P 1 Q</b><br>D4H (high temperature range HP) <sup>2)</sup> <b>Z</b> <b>P 1 R</b>  |           |           |
| <b>Communication options</b><br>RS232 (standard) 0<br>MODBUS (dedicated only, excludes NEMA 7 compact) 1  |           |           | Supplied spacer bar supports pipes up to 1050 mm (42 inches). For pipes larger than 1050 mm (42 inches) purchase also, spare part 7ME3960-0MS40 (1012BN-4) <b>1)</b><br>Supplied spacer bar supports pipes up to 750 mm (30 inches). For pipes larger than 750 mm (30 inches) purchase also, spare part 7ME3960-0MS40 (1012BN-4) <b>2)</b><br>K) Subject to export regulations AL: N, ECCN: 5A991X.   |           |           |
| <b>RTD temperature sensor</b><br>(includes mounting hardware for pipes between 1.5" and 24" outer diameter)<br><br>No RTDs 0<br>1 x standard clamp-on RTD 1<br>2 x standard clamp-on RTD 2<br>1 x submersible clamp-on RTD 3<br>2 x submersible clamp-on RTD 4<br>Special (for insert style RTDs), describe RTD length, thermowell and lagging 9 <b>N 1 Y</b><br>1 x Insertion style RTD with thermowell and lagging 9 <b>N 1 A</b><br>2 x Insertion style RTD with thermowell and lagging 9 <b>N 1 B</b>   |           |           |   |           |           |

| Selection and Ordering data   | Order No. | Ord. code       |
|---|-----------|-----------------|
| <b>SITRANS FUS1010 Standard clamp-on</b>  |           |                 |
| • IP65 (NEMA 4X)  | K)        | <b>7ME3530-</b> |
| • IP65 (NEMA 7) compact   | K)        | <b>7ME3531-</b> |
| • IP66 (NEMA 7) wall mounted  | K)        | <b>7ME3532-</b> |
| • IP66 (NEMA 7) with display window   | K)        | <b>7ME3533-</b> |
|    |           |                 |
| <b>Transducer for channel 2</b><br>(includes pipe mounting kit for indicated max. OD listed)<br>See „Transducer selection charts“ for specifications. |           |                 |
| no transducer   |           | <b>A</b>        |
| A2 universal to 2"/track mount  |           | <b>B</b>        |
| B3 universal to 5"/track mount  |           | <b>C</b>        |
| C3 universal to 13"/mounting frame  |           | <b>D</b>        |
| D3 universal to 24"/mounting frame  |           | <b>E</b>        |
| E2 universal to 48"/mounting frame <sup>1)</sup>  |           | <b>F</b>        |
| For the following A1H to D4H transducers, temperature range is -40 °C to 65 °C (-41 °F to 150 °F), nominal 21 °C (70 °F):                             |           |                 |
| A1H (high precision) to 3"/track mount  |           | <b>G</b>        |
| A2H (high precision) to 3"/track mount  |           | <b>H</b>        |
| A3H (high precision) to 3"/track mount  |           | <b>J</b>        |
| B1H (high precision) to 5"/track mount  |           | <b>K</b>        |
| B2H (high precision) to 5"/track mount  |           | <b>L</b>        |
| C1H (high precision) to 24"/mounting frame  |           | <b>M</b>        |
| C2H (high precision) to 24"/mounting frame  |           | <b>N</b>        |
| D1H (high precision) to 48"/mounting frame <sup>2)</sup>  |           | <b>P</b>        |
| D2H (high precision) to 48"/mounting frame <sup>2)</sup>  |           | <b>Q</b>        |
| D4H (high precision) to 48"/mounting frame <sup>2)</sup>  |           | <b>R</b>        |
| Doppler to 12" with chain or strap kit (not for IP65 (NEMA 7))  |           | <b>S</b>        |
| Other versions (different size, mount, type or pipe larger than DN 1200 (48"), or corrosion resistant), add Order code and plain text.                |           |                 |
| High temperature transducer size 2 for up to 230 °C (446 °F) (30 to 200 mm diam. (1.18 to 7.67 inch diam.))   | Z         | <b>Q 1 A</b>    |
| High temperature transducer size 3 for up to 230 °C (446 °F) (150 to 610 mm diam. (5.90 to 24 inch diam.))  | Z         | <b>Q 1 B</b>    |
| High temperature transducer size 4 for up to 230 °C (446 °F) (400 to 1200 mm diam. (15.75 to 47.25 inch diam.))                                       | Z         | <b>Q 1 C</b>    |
| For the following B1H to D4H transducers, temperature range is -1 °C up to 104 °C (30 °F up to 220 °F), nominal 65 °C (150 °F):                       |           |                 |
| B1H (high temperature range HP)   | Z         | <b>Q 1 K</b>    |
| B2H (high temperature range HP)   | Z         | <b>Q 1 L</b>    |
| C1H (high temperature range HP)   | Z         | <b>Q 1 M</b>    |
| C2H (high temperature range HP)   | Z         | <b>Q 1 N</b>    |
| D1H (high temperature range HP) <sup>2)</sup>   | Z         | <b>Q 1 P</b>    |
| D2H (high temperature range HP) <sup>2)</sup>   | Z         | <b>Q 1 Q</b>    |
| D4H (high temperature range HP) <sup>2)</sup>   | Z         | <b>Q 1 R</b>    |
| <b>Approvals</b>  |           |                 |
| FM/CSA  |           | <b>1</b>        |
| ATEX  |           | <b>2</b>        |
| INMETRO (Brazil)  |           | <b>3</b>        |
| Special ATEX EEx m<br>add Order code and plain text:<br>Length of integral cable: .....   |           | <b>9 R 1 Y</b>  |

| Selection and Ordering data  | Order code |
|--|------------|
| <b>Further designs</b>   |            |
| Please add „-Z“ to Order No. and specify Order code(s).  |            |
| Cable assembly for transducers (add for No. of channels)<br>See „Transducer cable selection chart“ | <b>K..</b> |
| Cable assembly for RTDs (add for No. of RTDs)<br>See „RTD cable selection chart“                   | <b>R..</b> |
| Cable termination kit (for one cable pair)   |            |
| • Termination for standard, plenum and armored transducer cable                                    | <b>T01</b> |
| • Termination for submersible transducer cable   | <b>T11</b> |
| • RTD cable termination kit for standard RTD   | <b>T21</b> |
| • RTD cable termination kit for submersible RTD  | <b>T31</b> |
| • Insert RTD cable termination kit   | <b>T41</b> |
| Languages (Meter and Documentation), English (default)   |            |
| • German   | <b>B10</b> |
| • French   | <b>B12</b> |
| • Spanish  | <b>B13</b> |
| • Italian  | <b>B14</b> |
| Wet flow transfer calibration (priced on request)  |            |
| • 6 point up to 4 inch (DN 100)  | <b>D10</b> |
| • 6 point up to 5 to 8 inch (DN 125 to DN 200)   | <b>D11</b> |
| • 6 point up to 10 to 12 inch (DN 250 to DN 300)   | <b>D12</b> |
| • 6 point up to 14 to 16 inch (DN 350 to DN 400)   | <b>D13</b> |
| • 6 point up to 18 to 20 inch (DN 450 to DN 500)   | <b>D14</b> |
| • 6 point up to 22 to 24 inch (DN 550 to DN 600)   | <b>D15</b> |
| • 6 point up to 26 to 30 inch (DN 650 to DN 750)   | <b>D16</b> |
| • 6 point up to 32 to 36 inch (DN 800 to DN 900)   | <b>D17</b> |
| Tag name plate   |            |
| • Stainless steel tag with 3.2 mm (0.13 inch) character size (26 characters max.)                  | <b>Y17</b> |
| • Stainless steel tag with 3.2 mm (0.13 inch) character size (68 characters max.)                  | <b>Y19</b> |

<sup>1)</sup> Supplied spacer bar supports pipes up to 1050 mm (42 inches). For pipes larger than 1050 mm (42 inches) purchase also, spare part 7ME3960-0MS40 (1012BN-4).

<sup>2)</sup> Supplied spacer bar supports pipes up to 750 mm (30 inches). For pipes larger than 750 mm (30 inches) purchase also, spare part 7ME3960-0MS40 (1012BN-4).

K) Subject to export regulations AL: N, ECCN: 5A991X.

# SITRANS F flowmeters

## SITRANS F US

### SITRANS FUS1010 Standard clamp-on

#### MLFB example

##### Application example

A clamp-on meter is required for a 12" carbon steel jet fuel line, with a wall thickness of 12.7 mm (0.5"). Meter electronics is to be located in a Class I Div 2 area only 18 m (60 ft) from the pipeline. 12 V DC power is available at the site.

Dual beam operation is desired for improved accuracy and redundant measurement.

MLFB Order No.: **7ME3530-2AB00-0QQ1-Z**  
**K03 + K03**

#### Selection and Ordering data

- FUS1010 meter family
- IP65 (NEMA 4X) enclosure
- Dual Beam
- Standard I/O option
- 9 ... 36 V DC power option
- RS232 Standard
- No RTD required
- Transducer code for path 1
- Transducer code for path 2
- FM approval required
- 30 m (100 ft) transducer cable for path 1
- 30 m (100 ft) transducer cable for path 2

| Order No.                          | Ord. code   |
|------------------------------------|-------------|
| 7 ME 3 5 3 0 - 2 A B 0 - 0 Q Q 1 Z | K 0 3 K 0 3 |

#### Transducer cable selection chart

##### Transducer cable codes for length and type options

| Cable length m (ft) | Standard (PVC jacket)<br>-40...+80 °C<br>(-40...+176 °F) | Submersible (polyethylene jacket)<br>-40...+80 °C<br>(-40...+176 °F) | Plenum Rated (teflon jacket)<br>-40...+200 °C<br>(-40...+392 °F) | Armored<br>-40...+80 °C<br>(-40...+176 °F) |
|---------------------|--|--|--|--|
| <b>Order code</b>   |  |  |  |  |
| 6 (20)              | <b>K01</b>   | <b>K11</b>   | <b>K21</b>   | <b>K31</b>                                 |
| 15 (50)             | <b>K02</b>   | <b>K12</b>   | <b>K22</b>   | <b>K32</b>                                 |
| 30 (100)            | <b>K03</b>   | <b>K13</b>   | <b>K23</b>   | <b>K33</b>                                 |
| 46 (150)            | <b>K04</b>   | <b>K14</b>   | <b>K24</b>   | <b>K34</b>                                 |
| 61 (200)            | <b>K05</b>   | <b>K15</b>   | <b>K25</b>   | <b>K35</b>                                 |
| 91 (300)            | <b>K06</b>   | <b>K16</b>   | <b>K26</b>   | <b>K36</b>                                 |

#### RTD cable selection chart

##### RTD cable codes for length and type

| Cable length m (ft) | Standard (teflon wrapped)<br>-40 ... +200 °C<br>(-40 ... +392 °F) | Submersible (extruded jacket)<br>-40 ... +200 °C<br>(-40 ... +392 °F) |
|---------------------|---|---|
| <b>Order code</b>   |   |   |
| 6 (20)              | <b>R01</b>  | <b>R11</b>  |
| 15 (50)             | <b>R02</b>  | <b>R12</b>  |
| 30 (100)            | <b>R03</b>  | <b>R13</b>  |
| 46 (150)            | <b>R04</b>  | <b>R14</b>  |
| 61 (200)            | <b>R05</b>  | <b>R15</b>  |
| 91 (300)            | <b>R06</b>  | <b>R16</b>  |

#### Transducer selection charts

##### Universal transducers for any pipe material

| Transducer | Order Code | Outer diameter range (mm) |       | Outer diameter range (inches) |      |
|------------|------------|---------------------------|-------|-------------------------------|------|
|            |            | min.                      | max.  | min.                          | max. |
| A2         | <b>B</b>   | 12.7                      | 50.8  | 0.5                           | 2    |
| B3         | <b>C</b>   | 19                        | 127   | 0.75                          | 5    |
| C3         | <b>D</b>   | 51                        | 305   | 2                             | 12   |
| D3         | <b>E</b>   | 203                       | 610   | 8                             | 24   |
| E2         | <b>F</b>   | 254                       | 6 096 | 10                            | 240  |

##### High precision transducers for steel pipe with outer diameter/wall thickness ratio >10

| Transducer | Order Code | Pipe wall (mm) |       | Pipe wall (inches) |      |
|------------|------------|----------------|-------|--------------------|------|
|            |            | min.           | max.  | min.               | max. |
| A1H        | <b>G</b>   | 0.64           | 1.02  | 0.025              | 0.04 |
| A2H        | <b>H</b>   | 1.02           | 1.52  | 0.04               | 0.06 |
| A3H        | <b>J</b>   | 1.52           | 2.03  | 0.06               | 0.08 |
| B1H        | <b>K</b>   | 2.03           | 3.05  | 0.08               | 0.12 |
| B2H        | <b>L</b>   | 3.05           | 4.06  | 0.12               | 0.16 |
| C1H        | <b>M</b>   | 4.06           | 5.84  | 0.16               | 0.23 |
| C2H        | <b>N</b>   | 5.84           | 8.13  | 0.23               | 0.32 |
| D1H        | <b>P</b>   | 8.13           | 11.18 | 0.32               | 0.44 |
| D2H        | <b>Q</b>   | 11.18          | 15.75 | 0.44               | 0.62 |
| D4H        | <b>R</b>   | 15.75          | 31.75 | 0.62               | 1.25 |

**Mainstream offering SITRANS FUS1010 (Dedicated standard)**

| Selection and Ordering data  | Order No.                                 | Order code      |
|--|---|-----------------|
| <b>SITRANS FUS1010 Standard clamp-on</b>                                   | K) 7ME353 - 0 -                           | K02 + K02 + R02 |
| <b>Design (Includes cable glands)</b>                                      | 0   |                 |
| IP65 (NEMA 4X)   |   |                 |
| <b>Number of channels/ultrasonic beams</b>                                 | 1<br>2                                    |                 |
| Single channel<br>Dual channel/Dual beam                                   |   |                 |
| <b>Flowmeter functions and I/O configurations</b>                          | C   |                 |
| includes graphic display and Reflexor capability                           |   |                 |
| Type 3 option adder  |   |                 |
| • UniMass capability with 2 x RTD input                                    |   |                 |
| • 4 x 4 ... 20 mA analog input   |   |                 |
| <b>Meter power options</b>   | A   |                 |
| 90 ... 240 V AC  |   |                 |
| <b>Communication options</b>   | 0   |                 |
| RS 232 (standard)  |   |                 |
| <b>RTD temperature sensor</b>  | 0<br>3<br>4                               |                 |
| (includes mounting hardware for pipes between 1.5" and 24" outer diameter) |   |                 |
| No RTDs  |   |                 |
| 1 x submersible clamp-on RTD   |   |                 |
| 2 x submersible clamp-on RTD   |   |                 |
| <b>Transducer for channel 1</b>  | A<br>C<br>D<br>E<br>F<br>M<br>N<br>P<br>Q |                 |
| (includes pipe mounting kit and spacer bar for indicated max. OD listed)   |   |                 |
| See „Transducer selection charts“ for specifications.                      |   |                 |
| no transducer  |   |                 |
| B3 universal to 5"/track mount   |   |                 |
| C3 universal to 13"/mounting frame   |   |                 |
| D3 universal to 24"/mounting frame   |   |                 |
| E2 universal to 48"/mounting frame   |   |                 |
| C1H (high precision) to 24"/mounting frame                                 |   |                 |
| C2H (high precision) to 24"/mounting frame                                 |   |                 |
| D1H (high precision) to 48"/mounting frame                                 |   |                 |
| D2H (high precision) to 48"/mounting frame                                 |   |                 |
| <b>Transducer for channel 2</b>  | A<br>C<br>D<br>E<br>F<br>M<br>N<br>P<br>Q |                 |
| (includes pipe mounting kit for indicated max. OD listed)                  |   |                 |
| See „Transducer selection charts“ for specifications.                      |   |                 |
| no transducer  |   |                 |
| B3 universal to 5"/track mount   |   |                 |
| C3 universal to 13"/mounting frame   |   |                 |
| D3 universal to 24"/mounting frame   |   |                 |
| E2 universal to 48"/mounting frame   |   |                 |
| C1H (high precision) to 24"/mounting frame                                 |   |                 |
| C2H (high precision) to 24"/mounting frame                                 |   |                 |
| D1H (high precision) to 48"/mounting frame                                 |   |                 |
| D2H (high precision) to 48"/mounting frame                                 |   |                 |
| <b>Approvals</b>   | 1<br>2                                    |                 |
| FM/CSA (default)   |   |                 |
| ATEX EExia   |   |                 |

Mainstream product offering represents 4 to 6 weeks delivery time

K) Subject to export regulations AL: N, ECCN: 5A991X.

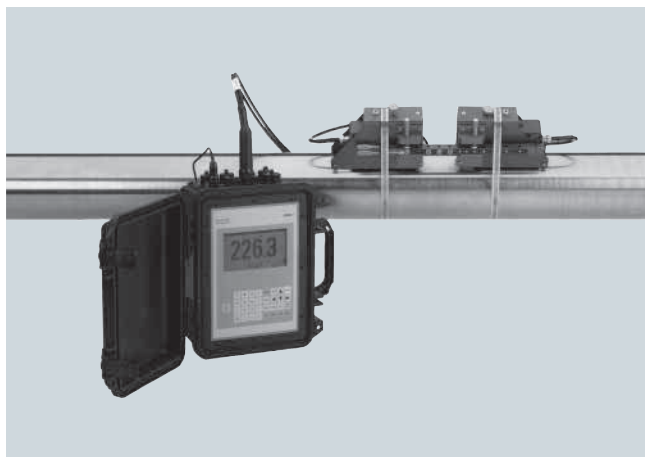


# SITRANS F flowmeters

## SITRANS F US

### SITRANS FUP1010 Portable clamp-on

#### Overview



SITRANS FUP1010 clamp-on non-intrusive ultrasonic flow display computer offers maximum versatility plus battery power for portable field use. It can operate in either WideBeam Transit-Time or reflexor (Doppler) mode, making it suitable for virtually any liquid, even those with high aeration or suspended solids.

SITRANS FUP1010 is available in single and dual channel or dual path configurations, with IP67 weatherproof enclosure.

#### Benefits

- Battery power facilitates field use; the meter is easily transported from one installation to another – saving time for surveys, monitoring and temporary installations
- Weatherproof model can be used outdoors and left in place without concern for rain damage
- Weatherproof model's rugged plastic case enables it to withstand rough treatment that would destroy most other meters
- Versatility - there is no need to change meters when operating conditions change
- Easy installation; no need to cut pipe or stop flow
- Minimal maintenance; external transducers do not require periodic cleaning
- No moving parts to wear or foul
- No pressure drop or energy loss
- Wide turn-down ratio
- Choice of single or dual channel models minimizes total cost
- Zeromatic Path automatically sets zero without stopping flow and reduces zero drift, even at low flow
- Note that the FUP1010 flow display computer is not available with hazardous area approvals

#### Application

FUP1010 is suitable for a wide variety of liquid applications, including the following:

- Water industry
  - Raw water
  - Potable water
  - Chemicals
- Wastewater industry
  - Raw sewage
  - Effluent
  - Sludges
  - Mixed liquor
  - Chemicals
- HVAC industry
  - Chillers
  - Condensers
  - Hot and cold water systems
  - Thermal energy rate and total
- Power industry
  - Nuclear
  - Fossil
  - Hydroelectric
- Processing industry
  - Process control
  - Batching
  - Rate indication
  - Volumetric and mass measurement

#### Design

- IP67 Weatherproof / Impact resistant enclosure constructed of mineral reinforced copolymer polypropylene
  - Single channel
  - Dual channel / dual path

#### Function

- Integral 33 button keypad and large (128 x 240 pixel) graphic display visible up to 12 m (40 ft) away
- Current, voltage, frequency and RS232 outputs (see specification section for details)
- Optional current, voltage and temperature inputs (see specification section for details)
- Zeromatic Path automatically sets zero
- Bi-directional flow operation
- 1 MByte data logger with both site and data logger storage
- English, spanish, german, italian and french language options

#### Technical specifications

##### SITRANS FUP1010

###### Input

|                                 |   |
|---------------------------------|---|
| Flow range                      | ± 12 m/s (± 40 ft/s), bidirectional   |
| Pipe size                       | 6.4 mm ... 9.14 m (0.25" ... 360")  |
| Optional inputs, single channel | <ul style="list-style-type: none"> <li>• Current: 2 x 4 ... 20 mA DC</li> <li>• Voltage: 2 x 0 ... 10 V DC</li> <li>• Temperature: 2 x 4 wire 1 kΩ RTD</li> </ul> |

###### Output

|         |  |
|---------|--|
| Outputs | <ul style="list-style-type: none"> <li>• Current: 2 x 4 ... 20 mA DC (1 kΩ at 30 V DC)</li> <li>• Voltage: 2 x 0 ... 10 V DC (5 kΩ minimum)</li> <li>• Status Alarm: 4 x SPDT Relays</li> <li>• Frequency: 2 x 0 ... 5000 Hz</li> <li>• RS232</li> </ul> |
|---------|--|

###### Accuracy

|                     |  |
|---------------------|--|
| Accuracy            | ± 0.5% ... 2% of flow, for velocities greater than 0.3 m/s (1 ft/s)<br>± 0.0015 ... 0.006 m/s (± 0.005 ... 0.02 ft/s), for velocities less than 0.3 m/s (1 ft/s) |
| Batch repeatability | ± 0.15% of flow, for velocities greater than 0.3 m/s (1 ft/s)<br>± 0.0005 m/s (± 0.0015 ft/s), for velocities less than 0.3 m/s (1 ft/s)                         |

###### Rated operation conditions

|                      |   |  |
|----------------------|---|--|
| Degree of protection | <ul style="list-style-type: none"> <li>• Weatherproof/impact resistant</li> </ul> | <ul style="list-style-type: none"> <li>• IP67</li> </ul>               |
| Liquid temperature   | <ul style="list-style-type: none"> <li>• Standard</li> <li>• Optional</li> </ul>  | -40 ... +120 °C (-40 ... +250 °F)<br>-40 ... +230 °C (-40 ... +450 °F) |
| Ambient temperature  |   | -18 ... +60 °C (0 ... 140 °F)  |

###### Design

|            |   |
|------------|---|
| Dimensions | see SITRANS F US Clamp-on "System info and selection guide" |
| Weight     | see diagrams  |

###### Power supply

|                   |                       |
|-------------------|-----------------------|
| Power             | Internal NiCd battery |
| Battery operation | 4 hours               |

###### Indication and operation

|                     |   |
|---------------------|---|
| Data logger memory  | 1 MByte                                   |
| Site storage memory | 50 sites minimum                          |
| Display             | 128 x 240 pixel LCD with back-light       |
| Keypad              | 33 keypad buttons with tactile feedback   |
| Language options    | English, spanish, german, italian, french |

###### Certificates and approvals

|                             |   |
|-----------------------------|---|
| Unclassified locations only | UL<br>ULc<br>CE:<br><ul style="list-style-type: none"> <li>• LVD IEC 61010-1; CB Test Certificate</li> <li>• EMC EN61000-6-2, -4</li> </ul> |
|-----------------------------|---|

# SITRANS F flowmeters

## SITRANS F US

### SITRANS FUP1010 Portable clamp-on

254

| Selection and Ordering data  | Order No. | Ord. code                     |
|--|-----------|-------------------------------|
| <b>SITRANS FUP1010 Portable clamp-on</b>   |           |                               |
| • IP67 weather proof battery powered   | D)        | <b>7ME3510-</b>               |
|  |           | ■ ■ ■ ■ ■ - 0 ■ ■ 0 ■ ■ ■ ■ ■ |
| <b>Number of channels/ultrasonic beams</b>   |           |                               |
| Single channel   | 1         |                               |
| Dual channel / Dual beam   | 2         |                               |
| <b>Standard flowmeter types and I/O configurations</b>   |           |                               |
| • Type 3 option adder  | C         |                               |
| - Reflexor capable   |           |                               |
| - Graphic display  |           |                               |
| - 2 x 0 ... 10 V   |           |                               |
| - 2 x 4 ... 20 mA  |           |                               |
| - 2 x pulse outputs  |           |                               |
| - 4 x status logic   |           |                               |
| - 2 x 4 ... 20 mA analog in  |           |                               |
| - 1 x RTD per channel  |           |                               |
| <b>Transducer cables</b><br>(select proper quantity for active channels)                       |           |                               |
| No transducer cable  | A         |                               |
| <u>IP67 (weather proof) only</u>   |           |                               |
| 1 x PVC-jacket, length 6 m (20 ft)<br>(for IP67 NEMA 6) <sup>2)</sup>                          | B         |                               |
| 2 x PVC-jacket, length 6 m (20 ft)<br>(for IP67 NEMA 6) <sup>2)</sup>                          | C         |                               |
| 1 x PVC-jacket, length 15 m (50 ft)<br>(for IP67 NEMA 6) <sup>2)</sup>                         | D         |                               |
| 2 x PVC-jacket, length 15 m (50 ft)<br>(for IP67 NEMA 6) <sup>2)</sup>                         | E         |                               |
| Other versions<br>add Order code and plain text.   | Z         |                               |
| <b>RTD temperature sensor</b><br>(for type 3 meter only, mounting hardware and cable included) |           |                               |
| No RTDs  | 0         |                               |
| <u>IP67 (weather proof) only</u>   |           |                               |
| 1 x standard clamp-on RTD (NEMA 6) with<br>6 m (20 ft) cable <sup>1)</sup>                     | 5         |                               |
| 2 x standard clamp-on RTD (NEMA 6) with<br>6 m (20 ft) cable <sup>1)</sup>                     | 6         |                               |
| 1 x standard clamp-on RTD (NEMA 6) with<br>15 m (50 ft) cable <sup>1)</sup>                    | 7         |                               |
| 2 x standard clamp-on RTD (NEMA 6) with<br>15 m (50 ft) cable <sup>1)</sup>                    | 8         |                               |
| Other versions<br>add Order code and plain text.   | 9         | L 1 Y                         |
| <b>Battery charger options</b>   |           |                               |
| no battery charger   | 0         |                               |
| Charger Type A for Europe (CEE7/7)   | 1         |                               |
| Charger Type C for Australia (AS3112)  | 2         |                               |
| Charger Type D for U.K. (BS1363)   | 3         |                               |
| Charger Type J for Japan (JIS8303)   | 4         |                               |
| Charger Type K for U.S. (NEMA 5-15P)   | 5         |                               |
| Charger Type L for Switzerland (SEV1011)   | 6         |                               |
| Special: External battery for extended service,<br>add Order code and plain text.              | 9         | M 1 Y                         |
| External 4 hours battery with US plug for IP67<br>(NEMA 6) Portable                            | 9         | M 1 B                         |
| External 4 hours battery with European plug<br>for IP67 Portable                               | 9         | M 1 D                         |

| Selection and Ordering data  | Order No. | Ord. code                     |
|--|-----------|-------------------------------|
| <b>SITRANS FUP1010 Portable clamp-on</b>   |           |                               |
| • IP67 weather proof battery powered   | D)        | <b>7ME3510-</b>               |
|  |           | ■ ■ ■ ■ ■ - 0 ■ ■ 0 ■ ■ ■ ■ ■ |
| <b>Transducer for channel 1</b><br>(includes pipe mounting kit and spacer bar for indicated max. outer diameter listed)<br>See „Transducer selection charts“ for specifications. |           |                               |
| no transducer  |           | A                             |
| A2 universal to 2"/track mount   |           | B                             |
| B3 universal to 5"/track mount   |           | C                             |
| C3 universal to 13"/mounting frame   |           | D                             |
| D3 universal to 24"/mounting frame   |           | E                             |
| E2 universal to 48"/mounting frame <sup>3)</sup>   |           | F                             |
| For the following A1H to D4H transducers, temperature range is -40 °C to 65 °C (-41 °F to 150 °F), nominal 21 °C (70 °F):  |           |                               |
| A1H (high precision) to 3"/track mount   |           | G                             |
| A2H (high precision) to 3"/track mount   |           | H                             |
| A3H (high precision) to 3"/track mount   |           | J                             |
| B1H (high precision) to 5"/track mount   |           | K                             |
| B2H (high precision) to 5"/track mount   |           | L                             |
| C1H (high precision) to 24"/mounting frame   |           | M                             |
| C2H (high precision) to 24"/mounting frame   |           | N                             |
| D1H (high precision) to 48"/mounting frame <sup>4)</sup>   |           | P                             |
| D2H (high precision) to 48"/mounting frame <sup>4)</sup>   |           | Q                             |
| D4H (high precision) to 48"/mounting frame <sup>4)</sup>   |           | R                             |
| Doppler to 12" with chain kit  |           | S                             |
| Other versions (different size, mount, type or pipe larger than DN 1200 (48"), or corrosion resistant), add Order code and plain text.   | Z         | P 1 Y                         |
| High temperature transducer size 2 for up to 230 °C (446 °F) (30 to 200 mm diam. (1.18 to 7.67 inch diam.))  | Z         | P 1 A                         |
| High temperature transducer size 3 for up to 230 °C (446 °F) (150 to 610 mm diam. (5.90 to 24 inch diam.))   | Z         | P 1 B                         |
| High temperature transducer size 4 for up to 230 °C (446 °F) (400 to 1200 mm diam. (15.75 to 47.25 inch diam.))  | Z         | P 1 C                         |
| For the following B1H to D4H transducers, temperature range is -1 °C up to 104 °C (30 °F up to 220 °F), nominal 65 °C (150 °F):  |           |                               |
| B1H (high temperature range HP)  | Z         | P 1 K                         |
| B2H (high temperature range HP)  | Z         | P 1 L                         |
| C1H (high temperature range HP)  | Z         | P 1 M                         |
| C2H (high temperature range HP)  | Z         | P 1 N                         |
| D1H (high temperature range HP) <sup>2)</sup>  | Z         | P 1 P                         |
| D2H (high temperature range HP) <sup>2)</sup>  | Z         | P 1 Q                         |
| D4H (high temperature range HP) <sup>2)</sup>  | Z         | P 1 R                         |

**Approvals:** No options (UL, ULc, CE by default)

<sup>1)</sup> -40 ... +200 °C (-40 ... +392 °F)

<sup>2)</sup> -40 ... +80 °C (-40 ... +176 °F)

<sup>3)</sup> Supplied spacer bar supports pipes up to 1050 mm (42 inches). For pipes larger than 1050 mm (42 inches) purchase also, spare part 7ME3960-0MS40 (1012BN-4)

<sup>4)</sup> Supplied spacer bar supports pipes up to 750 mm (30 inches). For pipes larger than 750 mm (30 inches) purchase also, spare part 7ME3960-0MS40 (1012BN-4)



# SITRANS F flowmeters

## SITRANS F US

### SITRANS FUP1010 Portable clamp-on

#### Transducer Selection Charts

##### Universal transducers for any pipe material

| Transducer | Order Code | Outer diameter range (mm) |      | Outer diameter range (inches) |     |
|------------|------------|---------------------------|------|-------------------------------|-----|
|            |            | min                       | max  | min                           | max |
| A2         | <b>B</b>   | 12.7                      | 50.8 | 0.5                           | 2   |
| B3         | <b>C</b>   | 19                        | 127  | 0.75                          | 5   |
| C3         | <b>D</b>   | 51                        | 305  | 2                             | 12  |
| D3         | <b>E</b>   | 203                       | 610  | 8                             | 24  |
| E2         | <b>F</b>   | 254                       | 6096 | 10                            | 240 |

##### High precision transducers for steel pipe with outer diameter/wall thickness ratio > 10

| Transducer | Order Code | Pipe wall (mm) |       | Pipe wall (inches) |      |
|------------|------------|----------------|-------|--------------------|------|
|            |            | min            | max   | min                | max  |
| A1H        | <b>G</b>   | 0.64           | 1.02  | 0.025              | 0.04 |
| A2H        | <b>H</b>   | 1.02           | 1.52  | 0.04               | 0.06 |
| A3H        | <b>J</b>   | 1.52           | 2.03  | 0.06               | 0.08 |
| B1H        | <b>K</b>   | 2.03           | 3.05  | 0.08               | 0.12 |
| B2H        | <b>L</b>   | 3.05           | 4.06  | 0.12               | 0.16 |
| C1H        | <b>M</b>   | 4.06           | 5.84  | 0.16               | 0.23 |
| C2H        | <b>N</b>   | 5.84           | 8.13  | 0.23               | 0.32 |
| D1H        | <b>P</b>   | 8.13           | 11.17 | 0.32               | 0.44 |
| D2H        | <b>Q</b>   | 11.18          | 15.75 | 0.44               | 0.62 |
| D4H        | <b>R</b>   | 15.75          | 31.75 | 0.62               | 1.25 |

#### Mainstream offering SITRANS FUP1010 Portables (excluding energy)

| Selection and Ordering data   | Order No.  |
|---|--|
| <b>SITRANS FUP1010 Portable clamp-on</b>  |  |
| • IP67 Weather proof battery powered  | D) <b>7ME3510-</b>   |
|   | <b>- 0 0 0</b>   |
| <b>Number of channels/ultrasonic beams</b><br>Dual channel  | <b>2</b>   |
| <b>Standard flowmeter types and I/O configurations</b>  | <b>C</b>   |
| • Type 3 option adder<br>- 2 x 4 ... 20 mA analog in<br>- 2 x RTD input   | <b>A</b><br><b>B</b>   |
| <b>Transducer cables</b><br>(select proper quantity of active channels)<br>No transducer cable<br>1 x PVC-jacket, length 6 m (20 ft) (for NEMA 6)   | <b>0</b><br><b>1</b>   |
| <b>RTD temperature sensor</b><br>(for type 3 meter only, mounting hardware and cable included)<br>No RTDs<br>1 x standard clamp-on RTD (NEMA 12) with 6 m (20 ft) cable   | <b>0</b><br><b>1</b><br><b>5</b>   |
| <b>Battery charger options</b><br>no battery charger<br>Charger Type A for Europe (CEE7/7)<br>Charger Type K for U.S. (NEMA 5-15P)  | <b>0</b><br><b>1</b><br><b>5</b>   |
| <b>Transducer for channel 1</b><br>(includes pipe mounting kit and spacer bar for indicated max. outer diameter listed)<br>See „Transducer selection charts“ for specifications.  | <b>A</b><br><b>C</b><br><b>D</b><br><b>E</b><br><b>F</b><br><b>M</b><br><b>N</b><br><b>P</b><br><b>Q</b> |
| no transducer<br>B3 universal to 5"/track mount<br>C3 universal to 13"/mounting frame<br>D3 universal to 24"/mounting frame<br>E2 universal to 48"/mounting frame<br>C1H (high precision) to 24"/mounting frame<br>C2H (high precision) to 24"/mounting frame<br>D1H (high precision) to 48"/mounting frame<br>D2H (high precision) to 48"/mounting frame | <b>A</b><br><b>C</b><br><b>D</b><br><b>E</b><br><b>F</b><br><b>M</b><br><b>N</b><br><b>P</b><br><b>Q</b> |
| <b>Transducer for channel 2</b><br>(includes pipe mounting kit and spacer bar for indicated max. outer diameter listed)<br>See „Transducer selection charts“ for specifications.  | <b>A</b><br><b>C</b><br><b>D</b><br><b>E</b><br><b>F</b><br><b>M</b><br><b>N</b><br><b>P</b><br><b>Q</b> |
| no transducer<br>B3 universal to 5"/track mount<br>C3 universal to 13"/mounting frame<br>D3 universal to 24"/mounting frame<br>E2 universal to 48"/mounting frame<br>C1H (high precision) to 24"/mounting frame<br>C2H (high precision) to 24"/mounting frame<br>D1H (high precision) to 48"/mounting frame<br>D2H (high precision) to 48"/mounting frame | <b>A</b><br><b>C</b><br><b>D</b><br><b>E</b><br><b>F</b><br><b>M</b><br><b>N</b><br><b>P</b><br><b>Q</b> |

Mainstream product offering represents 4 to 6 weeks delivery time

D) Subject to export regulations AL: N, ECCN: EAR99H.

#### Overview



The SITRANS FUP1010 clamp-on check metering kit is an all-inclusive water and wastewater kit developed especially for verifying the accuracy and performance of any brand or type of flowmeter. The meter's portability makes it capable of verifying the performance of meters based on any existing flow measurement principle: orifice, electromagnetic, ultrasonic, rotary piston, coriolis, etc. It accurately computes flow over an extremely wide range and measures practically all conductive or non-conductive clean or moderately aerated liquids or liquids with suspended solids.

#### Benefits

- Performance check or verification of any type or brand of flowmeter
- Field use is facilitated by meter portability and 1 hour quick charge for 4 hours of normal operation
- Weatherproof model withstands even severe weather conditions
- 1 MByte datalogger capability downloadable to PC via included RS 232 cable
- Performs fast, easy and cost-efficient on-site measurement of any convoluted pipe from 25.4 mm to 9.14 m (1" to 360")
- Delivered as an all-inclusive kit with all the equipment needed to conduct performance and verification tests (cables, multiple transducers, flow computer etc.)
- Comes in a sturdy rolling case with a telescope handle that holds all the equipment needed to conduct performance and verification tests

#### Application

The SITRANS FUP1010 check meter measures practically all conductive or non-conductive clean or moderately aerated liquids or liquids with suspended solids. This basic feature enables the performance check and verification of existing meters used in various water and wastewater applications such as:

- Water industry
  - Raw water
  - Potable water
  - Chemicals
- Wastewater industry
  - Raw sewage
  - Effluent
  - Sludges
  - Mixed liquor
  - Chemicals

#### Design

- IP67 weatherproof/impact resistant enclosure, constructed of mineral reinforced copolymer polypropylene
- Single channel

#### Function

- Integral 33 button keypad and large (128 x 240 pixel) graphic display visible up to 12 m (40 ft) away
- Current, voltage, frequency and RS 232 outputs (see Technical specification section for details)
- Optional current, voltage and temperature inputs (see specification section for details)
- Zeromatic Path automatically sets zero
- Bi-directional flow operation
- 1 MByte data logger with both site and data logger storage
- English, spanish, german, italian and french language options

#### Technical specifications

##### Check metering kit

|                   |                                  |
|-------------------|----------------------------------|
| Pipe sizes        | 25.4 mm ... 9.14 m (1 ... 360")  |
| Accuracy          | ±0.5 % ... ±2.0 % of flow rate   |
| Flow range        | 12 m/s (40 ft/s) bidirectional   |
| Media temperature | -40 ... +104 °C (-20 ... 220 °F) |
| Enclosure ratings | IP67 (waterproof)                |

See page 4/253 for complete technical specifications

##### Certificates and approvals

|                        |                        |
|------------------------|------------------------|
| Unclassified locations | UL                     |
| Classified locations   | ULc                    |
|                        | CE:                    |
|                        | • LVD IEC 61010-1      |
|                        | • EMC EN 61000-6-2, -4 |

#### Selection and Ordering data

| Selection and Ordering data                 |   | Order No.             |
|---|---|-----------------------|
| <b>Portable clamp-on check metering kit</b> |   | <b>CQO:FUPW-WWKIT</b> |
| <i>Content of delivery</i>                  |   |                       |
| 1   | Single channel portable submersible flow computer |                       |
| 1 pair                                      | Universal transducer C3                           |                       |
| 1 pair                                      | Universal transducer E2                           |                       |
| 1 pair                                      | Doppler transducers                               |                       |
| 1 pair                                      | Mounting Ezclamp (2 mounting Ezclamp chains)      |                       |
| 1   | Ladder chain                                      |                       |
| 1   | Battery charger                                   |                       |
| 1 pair                                      | 20 ft transducer cable                            |                       |
| 1   | Cable - 1010WP/WDP to PC                          |                       |
| 1   | PinStop spacer bar (universal)                    |                       |
| 1   | Flow case   |                       |
| 1   | Flow computer manual                              |                       |
| 1   | Laminated card set                                |                       |
| 1   | Certificate of intrinsic calibration              |                       |

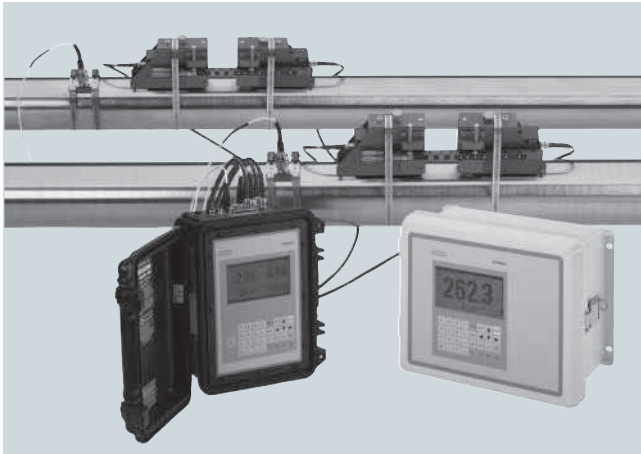


# SITRANS F flowmeters

## SITRANS F US

### SITRANS FUE1010 Energy clamp-on

#### Overview



SITRANS FUE1010 is a highly accurate clamp-on non-intrusive ultrasonic flow display computer for revenue grade thermal energy sub-metering and energy efficiency distribution monitoring, with a real time coefficient of performance (COP) for HVAC systems.

SITRANS FUE1010 is available in single and dual channel or dual path configurations, with your choice of IP65 (NEMA 4X) dedicated wall mount or IP40 (NEMA 1) portable enclosures.

#### Benefits

- Measures energy rate and total consumption with highest accuracy available
- Accurately measures at both low flow rates and low differential temperatures
- Easy installation; no need to cut pipe or stop flow
- Minimal maintenance; external transducers do not require periodic cleaning
- No moving parts to foul or wear
- No pressure drop or energy loss
- Wide turn-down ratio
- Choice of single or dual channel / dual path or dual mode operation:
  - Dual channel operation reduces the cost for the system on a per channel measurement basis and permits measuring hot and chilled water lines at the same time
  - Dual path capability insures high flow measurement accuracy on installations with less than desirable piping runs
- Ability to operate in either Wide-Beam Transit-time or reflexor (Doppler) mode for applications with high aeration
- Zeromatic Path automatically sets zero without stopping flow and reduces zero drift, even at low flow

#### Application

FUE1010 is ideally suited to thermal energy / power industry applications, including:

- Chilled water sub-metering
- Hot water sub-metering
- Condenser water
- Glycol
- Thermal storage
- Lake source cooling

#### Design

FUE1010 is available in three configurations:

- IP65 (NEMA 4X) Enclosure constructed of fiberglass reinforced polyester with stainless steel hardware and polyester keypad
  - Single channel
  - Dual channel / dual path
- IP40 (NEMA 1) Portable Impact Resistant Enclosure constructed of mineral reinforced copolymer polypropylene
  - Dual channel / dual path

#### Function

- Flow display computer has an integral 33 button keypad and large (128 x 240 pixel) graphic display visible up to 12 m (40 ft) away
- 4-wire 1000  $\Omega$  platinum RTD's for supply and return temperature measurements are precision matched to within 0.01 °C (0.02 °F)
- Temperature is factory calibrated with built-in field calibrator
- Built-in energy/BTU mode
- Detection of aeration and cavitation caused by worn or damaged impellers, misaligned shafts, etc.
- Reverse flow and empty pipe detection
- Chiller efficiency analysis: accepts an independent analog input representing kW usage for calculation of the following functions which can be selected for data logging or output purposes:
  - Cooling load (kW/ton)
  - Coefficient of performance (COP)
  - Energy efficiency ratio (EER)
- Optional current inputs
- Digital communication options:
  - MODBUS / Metasys N2 (IP65 (NEMA 4X) only)
  - RS232 Serial digital port (standard)
- Zeromatic Path automatically sets zero
- Bi-directional flow operation
- 1 MByte data logger with both site and data logger storage
- English, spanish, german, italian and french language options



#### Technical specifications

##### SITRANS FUE1010

#### Input

|                                    |   |
|------------------------------------|---|
| Flow range                         | 0 ... 12 m/s (0 ... 40 ft/s),<br>bi-directional   |
| Flow sensitivity                   | 0.0003 m/s (0.001 ft/s)   |
| Pipe size                          | 6.4 mm ... 9.14 m (0.25" ... 360")  |
| Optional Inputs,<br>single channel | <ul style="list-style-type: none"> <li>• Current: 2 x 4 ... 20 mA</li> <li>• Voltage: 2 x 0 ... 10 V DC</li> <li>• Temperature: 2 x 4 wire 1 k<math>\Omega</math> RTD</li> <li>• Totalizer commands (clear/hold)</li> </ul> |

#### Output

|                         |   |
|-------------------------|---|
| Type 3 outputs          | <ul style="list-style-type: none"> <li>• Current: 2 x 4 ... 20 mA DC (1 k<math>\Omega</math> at 30 V DC)</li> <li>• Voltage: 2 x 0 ... 10 V DC (5 k<math>\Omega</math> minimum)</li> <li>• Status Alarm: 4 x SPDT Relays</li> <li>• Mercury wetted relays</li> <li>• Frequency: 2 x 0 ... 5000 Hz</li> <li>• RS232</li> </ul> |
| Optional Type 3 outputs | <ul style="list-style-type: none"> <li>• Mercury wetted relays</li> <li>• Expanded I/Os (4 additional 4 ... 20 mA outputs) with form c relays</li> <li>• Expanded I/Os with Mercury wetted relays</li> </ul>  |

#### Accuracy

|                     |   |
|---------------------|---|
| Accuracy            | $\pm 0.5\%$ ... $1.0\%$ of flow,<br>for velocities greater than 0.3 m/s<br>(1 ft/s)<br>$\pm 0.0015$ ... $0.003$ m/s<br>$(\pm 0.005$ ... $0.01$ ft/s),<br>for velocities less than 0.3 m/s<br>(1 ft/s) |
| Batch repeatability | $\pm 0.15\%$ of flow,<br>for velocities greater than 0.3 m/s<br>(1 ft/s)<br>$\pm 0.0005$ m/s ( $\pm 0.0015$ ft/s),<br>for velocities less than 0.3 m/s<br>(1 ft/s)                                    |

#### Rated operation conditions

|                        |  |
|------------------------|--|
| Degree of protection   | Dedicated wall mount enclosure:<br>IP65 (NEMA 4X)<br>Portable enclosures:<br>IP40 (NEMA 1) |
| Liquid Temperature     |  |
| • Standard             | -40 ... +120 °C (-40 ... +250 °F)  |
| • Optional             | -40 ... +230 °C (-40 ... +450 °F)  |
| Transducer temperature |  |
| • Standard             | -40 ... +120 °C (-40 ... +250 °F)  |
| • Optional             | -62 ... +232 °C (-80 ... +450 °F)  |
| Ambient temperature    | -18 ... +60 °C (0 ... 140 °F)  |

#### Design

|            |  |
|------------|--|
| Dimensions | see SITRANS F US Clamp-on<br>"System info and selection guide" |
| Weight     | see diagrams   |

#### Power supply

90 ... 240 V AC, 50 ... 60 Hz,  
30 VA or  
9 ... 36 V DC, 12 W

#### Indication and operation

|                    |   |
|--------------------|---|
| Data logger memory | 1 Mbyte of storage                        |
| Display            | 128 x 240 pixel LCD with back-light       |
| Keypad             | 33 keypad buttons with tactile feedback   |
| Language options   | English, spanish, german, italian, french |

#### Certificates and approvals

|                                |  |
|--------------------------------|--|
| FM and CSA ratings             | I.S. Class I, II, Div 1<br>NI Class I, Div 2<br>S Class II, Div 2                      |
| ATEX ratings                   |  |
| • Flow display computer        | Ex II (1) G [EEx ia] IIC<br>Ex II 3 (1) G EEx nC [ia] IIC T5                           |
| • Transducers                  | Ex II 1 G EEx ia IIC T5<br>Ex II 2 G EEx m II T5 (for use with flowmeter in safe area) |
| Dedicated wall mount enclosure | CE<br>• EMC EN61000-6-2, -4  |
| Portable enclosures            | UL<br>ULc<br>CE<br>• LVD IEC 61010-1; CB Test Certificate<br>• EMC EN61000-6-2, -4     |

# SITRANS F flowmeters

## SITRANS F US

### SITRANS FUE1010 Energy clamp-on

260

| Selection and Ordering data  | Order No. | Ord. code |
|--|-----------|-----------|
| <b>SITRANS FUE1010 Energy clamp-on</b>   |           |           |
| • Dedicated IP65 (NEMA 4X)   | K)        | 7ME3500-  |
| • Portables IP40 (NEMA 1) battery powered  | K)        | 7ME3502-  |
| - 0  |           |           |
| <b>Number of channels/ultrasonic beams</b>   |           |           |
| <b>Dedicated meter</b>   |           |           |
| <u>Dedicated meter</u>   |           |           |
| Single channel   | 1         |           |
| Dual channel / Dual beam   | 2         |           |
| <u>Portables</u>   |           |           |
| Dual channel / Dual beam   | 4         |           |
| <b>Flowmeter functions and I/O configurations</b>  |           |           |
| • Portable Type 3 option adder<br>- Reflexor capability<br>- Graphic display<br>- 2 x 0 ... 10 V<br>- 2 x 4 ... 20 mA<br>- 2 x pulse output<br>- 4 x status logic<br>- Energy efficiency COP/EER output<br>- 2 x 4 ... 20 mA analog input  | C         |           |
| • Dedicated Type 3 option adder<br>- Reflexor capability<br>- Graphic display<br>- 2 x 0 ... 10 V<br>- 2 x 4 ... 20 mA<br>- 2 x pulse output<br>- 4 x relay C type<br>- Energy efficiency COP/EER output<br>- 2 x 4 ... 20 mA analog input | F         |           |
| • Specials (Expanded I/O and or Mercury wetted relays for dedicated only)<br>Add Order code and plain text.  | Z         | J 1 Y     |
| • Type 3 with Mercury wetted relays  | Z         | J 1 A     |
| • Type 3 with expanded I/Os (4 additional 4 ... 20 mA outputs) and form C relay  | Z         | J 1 B     |
| • Type 3 with expanded I/Os and Mercury wetted relays  | Z         | J 1 C     |
| <b>Meter power options</b>   |           |           |
| 90 ... 230 V AC (Dedicated only)   | A         |           |
| 9 ... 36 V DC (Dedicated only)   | B         |           |
| Charger Type A for Europe (CEE7/7)   | C         |           |
| Charger Type C for Australia (AS3112)  | D         |           |
| Charger Type D for U.K. (BS1363)   | E         |           |
| Charger Type J for Japan (JIS8303)   | F         |           |
| Charger Type K for U.S. (NEMA 5-15P)   | G         |           |
| Charger Type L for Switzerland (SEV1011)   | H         |           |
| No Charger   | J         |           |
| Other versions (External battery for extended service with portable meter)<br>Add Order code and plain text.   | Z         | K 1 Y     |
| External 4 hours battery with US plug for Portable   | Z         | K 1 A     |
| External 4 hours battery with European plug for Portable   | Z         | K 1 B     |
| <b>Communication options</b>   |           |           |
| RS232 (standard)   | 0         |           |
| MODBUS (dedicated only)  | 1         |           |

| Selection and Ordering data   | Order No. | Ord. code |
|---|-----------|-----------|
| <b>SITRANS FUE1010 Energy clamp-on</b>  |           |           |
| • Dedicated IP65 (NEMA 4X)  | K)        | 7ME3500-  |
| • Portables IP40 (NEMA 1) battery powered   | K)        | 7ME3502-  |
| - 0   |           |           |
| <b>RTD temperature sensor</b><br>(includes mounting hardware for pipes above 1.5" outer diameter)   |           |           |
| No RTDs (Note: temperature input is required for energy system)   | 0         |           |
| 1 x pair standard clamp-on RTD (NEMA 4X only)   | 1         |           |
| 2 x pair standard clamp-on RTD (for dual channel NEMA 4X only)  | 2         |           |
| 1 x pair standard clamp-on RTD (NEMA 1 portable)  | 3         |           |
| 2 x pair standard clamp-on RTD (for dual channel NEMA 1 portable)   | 4         |           |
| Special (for insert style RTDs), dedicated only   | 9         | M 1 Y     |
| 1 x Insertion style RTD with thermowell and lagging   | 9         | M 1 A     |
| 2 x Insertion style RTD with thermowell and lagging   | 9         | M 1 B     |
| <b>Transducer for channel 1</b><br>(includes pipe mounting kit and spacer bar for indicated max. outer diameter listed)<br>See „Transducer selection charts“ for specifications.  |           |           |
| No transducer   |           | A         |
| A2 universal to 2"/track mount  |           | B         |
| B3 universal to 5"/track mount  |           | C         |
| C3 universal to 13"/mounting frame  |           | D         |
| D3 universal to 24"/mounting frame  |           | E         |
| E2 universal to 48"/mounting frame <sup>1)</sup>  |           | F         |
| For the following A1H to D4H transducers, temperature range is -40 °C to 65 °C (-41 °F to 150 °F), nominal 21 °C (70 °F):   |           |           |
| A1H (high precision) to 3"/track mount  |           | G         |
| A2H (high precision) to 3"/track mount  |           | H         |
| A3H (high precision) to 3"/track mount  |           | J         |
| B1H (high precision) to 5"/track mount  |           | K         |
| B2H (high precision) to 5"/track mount  |           | L         |
| C1H (high precision) to 24"/mounting frame  |           | M         |
| C2H (high precision) to 24"/mounting frame  |           | N         |
| D1H (high precision) to 48"/mounting frame <sup>2)</sup>  |           | P         |
| D2H (high precision) to 48"/mounting frame <sup>2)</sup>  |           | Q         |
| D4H (high precision) to 48"/mounting frame <sup>2)</sup>  |           | R         |
| Doppler to 12" with chain or strap kit  |           | S         |
| Other versions (different size, mount, type or pipe larger than DN 1200 (48"), or corrosion resistant), add Order code and plain text.  | Z         | P 1 Y     |
| High temperature transducer size 2 for up to 230 °C (446 °F) (30 to 200 mm diam. (1.18 to 7.67 inch diam.))   | Z         | P 1 A     |
| <sup>1)</sup> Supplied spacer bar supports pipes up to 1050 mm (42 inches). For pipes larger than 1050 mm (42 inches) purchase also, spare part 7ME3960-OMS40 (1012BN-4).<br><sup>2)</sup> Supplied spacer bar supports pipes up to 750 mm (30 inches). For pipes larger than 750 mm (30 inches) purchase also, spare part 7ME3960-OMS40 (1012BN-4).<br>K) Subject to export regulations AL: N, ECCN: 5A991X. |           |           |

| Selection and Ordering data  | Order No.   | Ord. code |
|--|-------------|-----------|
| <b>SITRANS FUE1010 Energy clamp-on</b>   |             |           |
| • Dedicated IP65 (NEMA 4X)   | K) 7ME3500- |           |
| • Portables IP40 (NEMA 1) battery powered  | K) 7ME3502- |           |
| - 0  |             |           |
| <b>Transducer for channel 1 (continued)</b>  |             |           |
| High temperature transducer size 3 for up to 230 °C (446 °F) (150 to 610 mm diam. (5.90 to 24 inch diam.))                             | Z           | P 1 B     |
| High temperature transducer size 4 for up to 230 °C (446 °F) (400 to 1200 mm diam. (15.75 to 47.25 inch diam.))                        | Z           | P 1 C     |
| For the following B1H to D4H transducers, temperature range is -1 °C up to 104 °C (30 °F up to 220 °F), nominal 65 °C (150 °F):        |             |           |
| B1H (high temperature range HP)  | Z           | P 1 K     |
| B2H (high temperature range HP)  | Z           | P 1 L     |
| C1H (high temperature range HP)  | Z           | P 1 M     |
| C2H (high temperature range HP)  | Z           | P 1 N     |
| D1H (high temperature range HP) <sup>2)</sup>  | Z           | P 1 P     |
| D2H (high temperature range HP) <sup>2)</sup>  | Z           | P 1 Q     |
| D4H (high temperature range HP) <sup>2)</sup>  | Z           | P 1 R     |
| <b>Transducer for channel 2</b>  |             |           |
| (includes pipe mounting kit for indicated max. outer diameter listed) See „Transducer selection charts“ for specifications.            |             |           |
| no transducer  | A           |           |
| A2 universal to 3"/track mount   | B           |           |
| B3 universal to 5"/track mount   | C           |           |
| C3 universal to 13"/mounting frame   | D           |           |
| D3 universal to 24"/mounting frame   | E           |           |
| E2 universal to 48"/mounting frame <sup>1)</sup>   | F           |           |
| For the following A1H to D4H transducers, temperature range is -40 °C to 65 °C (-41 °F to 150 °F), nominal 21 °C (70 °F):              |             |           |
| A1H (high precision) to 3"/track mount   | G           |           |
| A2H (high precision) to 3"/track mount   | H           |           |
| A3H (high precision) to 3"/track mount   | J           |           |
| B1H (high precision) to 5"/track mount   | K           |           |
| B2H (high precision) to 5"/track mount   | L           |           |
| C1H (high precision) to 24"/mounting frame   | M           |           |
| C2H (high precision) to 24"/mounting frame   | N           |           |
| D1H (high precision) to 48"/mounting frame <sup>2)</sup>   | P           |           |
| D2H (high precision) to 48"/mounting frame <sup>2)</sup>   | Q           |           |
| D4H (high precision) to 48"/mounting frame <sup>2)</sup>   | R           |           |
| Doppler to 12" with chain or strap kit   | S           |           |
| Other versions (different size, mount, type or pipe larger than DN 1200 (48"), or corrosion resistant), add Order code and plain text. | Z           | Q 1 Y     |
| High temperature transducer size 2 for up to 230 °C (446 °F) (30 to 200 mm diam. (1.18 to 7.67 inch diam.))                            | Z           | Q 1 A     |
| High temperature transducer size 3 for up to 230 °C (446 °F) (150 to 610 mm diam. (5.90 to 24 inch diam.))                             | Z           | Q 1 B     |
| High temperature transducer size 4 for up to 230 °C (446 °F) (400 to 1200 mm diam. (15.75 to 47.25 inch diam.))                        | Z           | Q 1 C     |

| Selection and Ordering data  | Order No.   | Ord. code |
|--|-------------|-----------|
| <b>SITRANS FUE1010 Energy clamp-on</b>   |             |           |
| • Dedicated IP65 (NEMA 4X)   | K) 7ME3500- |           |
| • Portables IP40 (NEMA 1) battery powered  | K) 7ME3502- |           |
| - 0  |             |           |
| <b>Transducer for channel 2 (continued)</b>  |             |           |
| For the following B1H to D4H transducers, temperature range is -1 °C up to 104 °C (30 °F up to 220 °F), nominal 65 °C (150 °F):  |             |           |
| B1H (high temperature range HP)  | Z           | Q 1 K     |
| B2H (high temperature range HP)  | Z           | Q 1 L     |
| C1H (high temperature range HP)  | Z           | Q 1 M     |
| C2H (high temperature range HP)  | Z           | Q 1 N     |
| D1H (high temperature range HP) <sup>2)</sup>  | Z           | Q 1 P     |
| D2H (high temperature range HP) <sup>2)</sup>  | Z           | Q 1 Q     |
| D4H (high temperature range HP) <sup>2)</sup>  | Z           | Q 1 R     |
| <b>Approvals</b>   |             |           |
| FM/CSA/CE Dedicated  |             | 1         |
| UL/ULc/CE Portable   |             | 2         |
| <sup>1)</sup> Supplied spacer bar supports pipes up to 1050 mm (42 inches). For pipes larger than 1050 mm (42 inches) purchase also, spare part 7ME3960-OMS40 (1012BN-4) |             |           |
| <sup>2)</sup> Supplied spacer bar supports pipes up to 750 mm (30 inches). For pipes larger than 750 mm (30 inches) purchase also, spare part 7ME3960-OMS40 (1012BN-4)   |             |           |
| K) Subject to export regulations AL: N, ECCN: 5A991X.  |             |           |

# SITRANS F flowmeters

## SITRANS F US

### SITRANS FUE1010 Energy clamp-on

#### Selection and Ordering data

##### Further designs

Please add „-Z“ to Order No. and specify Order code(s).

| Selection and Ordering data  | Order code |
|--|------------|
| Cable assembly for transducers (add for # of channels)<br>See „Transducer cable selection chart“ | <b>K..</b> |
| Cable assembly for RTDs (add for # of RTDs)<br>See „RTD cable selection chart“                   | <b>R..</b> |
| Cable termination kit (for one cable pair) dedicated only  |            |
| • Termination for standard, plenum and armored transducer cable                                  | <b>T01</b> |
| • Termination for submersible transducer cable   | <b>T11</b> |
| • RTD cable termination kit for standard RTD   | <b>T21</b> |
| • RTD cable termination kit for submersible RTD  | <b>T31</b> |
| • Insert RTD cable termination kit   | <b>T41</b> |
| Wet flow transfer calibration (priced on request)  |            |
| • 6 point up to 4 inch (DN 100)  | <b>D10</b> |
| • 6 point up to 5 to 8 inch (DN 125 to DN 200)   | <b>D11</b> |
| • 6 point up to 10 to 12 inch (DN 250 to DN 300)   | <b>D12</b> |
| • 6 point up to 14 to 16 inch (DN 350 to DN 400)   | <b>D13</b> |
| • 6 point up to 18 to 20 inch (DN 450 to DN 500)   | <b>D14</b> |
| • 6 point up to 22 to 24 inch (DN 550 to DN 600)   | <b>D15</b> |
| • 6 point up to 26 to 30 inch (DN 650 to DN 750)   | <b>D16</b> |
| • 6 point up to 32 to 36 inch (DN 800 to DN 900)   | <b>D17</b> |
| Tag name plate   |            |
| • Stainless steel tag with 3.2 mm (0.13 inch) character size (26 characters max.)                | <b>Y17</b> |
| • Stainless steel tag with 3.2 mm (0.13 inch) character size (68 characters max.)                | <b>Y19</b> |

#### MLFB example

##### Application example

A dedicated clamp-on energy meter is required for two separate return lines. Both will use clamp-on RTDs for the supply and return lines. AC power is available and data access will be via MODBUS communication.

Pipe 1 is a DN150 (6") schedule 40 carbon steel line  
Pipe 2 is a DN 300 (12") ductile iron line

MLFB Order No.: **7ME3500-2DA10-2NE0-Z**  
**K03 + K05 + R03 + R05 + R02 + R03**

#### Selection and Ordering data

| Selection and Ordering data                  | Order No.         | Ord. code    |
|--|-------------------|--------------|
| <b>FUE1010 meter family</b>                  | <b>7 ME 3 5 0</b> |              |
| IP65 (NEMA 4X) enclosure                     | 0                 |              |
| Dual channel                                 | 2                 |              |
| Dedicated Type 1 I/O option                  | D                 |              |
| 90 ... 230 V AC power option                 | A                 |              |
| MODBUS option                                | 1                 |              |
| 2 pairs of clamp-on RTDs                     | 2                 |              |
| Transducer code for 6" pipe                  | N                 |              |
| Transducer code for 12" pipe                 | E                 |              |
| No approval required                         | 0                 |              |
| 30 m (100 ft) transducer cable for channel 1 |                   | <b>K 0 3</b> |
| 61 m (200 ft) transducer cable for channel 1 |                   | <b>K 0 5</b> |
| 30 m (100 ft) cable for RTD 1                |                   | <b>R 0 3</b> |
| 61 m (200 ft) cable for RTD 2                |                   | <b>R 0 5</b> |
| 15 m (50 ft) cable for RTD 3                 |                   | <b>R 0 2</b> |
| 30 m (100 ft) cable for RTD 4                |                   | <b>R 0 3</b> |

#### Transducer selection charts

##### Universal transducers for any pipe material

| Transducer | Order code | Outer diameter range (mm) |      | Outer diameter range (inches) |     |
|------------|------------|---------------------------|------|-------------------------------|-----|
|            |            | min                       | max  | min                           | max |
| A2         | <b>B</b>   | 12.7                      | 50.8 | 0.5                           | 2   |
| B3         | <b>C</b>   | 19                        | 127  | 0.75                          | 5   |
| C3         | <b>D</b>   | 51                        | 305  | 2                             | 12  |
| D3         | <b>E</b>   | 203                       | 610  | 8                             | 24  |
| E2         | <b>F</b>   | 254                       | 6096 | 10                            | 240 |

##### High precision transducers for steel pipe with outer diameter/wall thickness ratio > 10

| Transducer | Order code | Pipe wall (mm) |       | Pipe wall (inches) |      |
|------------|------------|----------------|-------|--------------------|------|
|            |            | min            | max   | min                | max  |
| A1H        | <b>G</b>   | 0.64           | 1.02  | 0.025              | 0.04 |
| A2H        | <b>H</b>   | 1.02           | 1.52  | 0.04               | 0.06 |
| A3H        | <b>J</b>   | 1.52           | 2.03  | 0.06               | 0.08 |
| B1H        | <b>K</b>   | 2.03           | 3.05  | 0.08               | 0.12 |
| B2H        | <b>L</b>   | 3.05           | 4.06  | 0.12               | 0.16 |
| C1H        | <b>M</b>   | 4.06           | 5.84  | 0.16               | 0.23 |
| C2H        | <b>N</b>   | 5.84           | 8.13  | 0.23               | 0.32 |
| D1H        | <b>P</b>   | 8.13           | 11.18 | 0.32               | 0.44 |
| D2H        | <b>Q</b>   | 11.18          | 15.75 | 0.44               | 0.62 |
| D4H        | <b>R</b>   | 15.75          | 31.75 | 0.62               | 1.25 |

#### Transducer cable selection chart

##### Transducer cable codes for length and type options

| Cable length m (ft) | Standard (PVC jacket)        | Submersible <sup>1)</sup> (polyethylene jacket) | Plenum Rated (teflon jacket)  | Armored <sup>1)</sup>        |
|---------------------|------------------------------|---|-------------------------------|------------------------------|
|                     | -40...+80 °C (-40...+176 °F) | -40...+80 °C (-40...+176 °F)                    | -40...+200 °C (-40...+392 °F) | -40...+80 °C (-40...+176 °F) |
|                     | Order code                   |   |                               |                              |
| 6 (20)              | <b>K01</b>                   | <b>K11</b>                                      | <b>K21</b>                    | <b>K31</b>                   |
| 15 (50)             | <b>K02</b>                   | <b>K12</b>                                      | <b>K22</b>                    | <b>K32</b>                   |
| 30 (100)            | <b>K03</b>                   | <b>K13</b>                                      | <b>K23</b>                    | <b>K33</b>                   |
| 46 (150)            | <b>K04</b>                   | <b>K14</b>                                      | <b>K24</b>                    | <b>K34</b>                   |
| 61 (200)            | <b>K05</b>                   | <b>K15</b>                                      | <b>K25</b>                    | <b>K35</b>                   |
| 91 (300)            | <b>K06</b>                   | <b>K16</b>                                      | <b>K26</b>                    | <b>K36</b>                   |

<sup>1)</sup> Submersible and armored transducer cable is not available for portable versions.

#### RTD cable selection chart

##### RTD cable codes for length and type

| Cable length m (ft) | Standard (teflon wrapped)         | Insert <sup>1)</sup>              |
|---------------------|-----------------------------------|-----------------------------------|
|                     | -40 ... +200 °C (-40 ... +392 °F) | -40 ... +200 °C (-40 ... +392 °F) |
|                     | Order code                        |                                   |
| 6 (20)              | <b>R01</b>                        | <b>R21</b>                        |
| 15 (50)             | <b>R02</b>                        | <b>R22</b>                        |
| 30 (100)            | <b>R03</b>                        | <b>R23</b>                        |
| 46 (150)            | <b>R04</b>                        | <b>R24</b>                        |
| 61 (200)            | <b>R05</b>                        | <b>R25</b>                        |
| 91 (300)            | <b>R06</b>                        | <b>R26</b>                        |

<sup>1)</sup> Submersible RTD cable is not available for portable versions.



#### Overview



The SITRANS FUE1010 dual channel clamp-on check metering kit is an all inclusive HVAC chilled water kit developed especially for verifying the accuracy and performance of any brand or type of flowmeter. The meter's portability makes it capable of verifying the performance of meters based on any existing flow measurement principle: electromagnetic, vortex, insertion turbine, or ultrasonic. Perfect for areas where no metering exists. Ideal for balancing building performance. It accurately computes flow over an extremely wide range and measures practically all conductive or non-conductive clean or moderately aerated liquids or liquids with suspended solids. Dual channel models can measure two separate applications at the same time.

#### Benefits

- Performance check or verification of any type or brand of flowmeter
- Measures energy rate and total consumption with highest accuracy available
- Accurately measures at both low flow rates and low differential temperatures
- Field use is facilitated by meter portability and 1 hour quick charge for 4 hours of normal operation
- 1 MByte datalogger capability downloadable to PC via included RS232 cable
- Performs fast, easy and cost-efficient on-site measurement of any convoluted pipe from 25.4 mm to 9.14 m (1.0" to 360")
- Delivered as an all inclusive kit with all the equipment needed to conduct performance and verification tests (cables, multiple transducers, flow computer etc.)
- Comes in a sturdy rolling case with a telescope handle that holds all the equipment needed to conduct performance and verification tests

#### Application

The SITRANS FUE1010 check meter kit is a highly accurate clamp-on non-intrusive ultrasonic flow display computer for revenue grade thermal energy sub-metering and energy efficiency distribution monitoring, with a real time coefficient of performance (COP) for HVAC systems. This kit is ideal for applications which include:

- Chilled water sub-metering
- Condenser water
- Potable water
- Ammonia and glycol
- River and lake water
- Lake source cooling

#### Design

- IP40 (NEMA 1) Impact resistant enclosure, constructed of flame retardant ABS with polycarbonate display and polyester keypad
- Dual channel

#### Function

- Integral 33 button keypad and large (128 x 240 pixel) graphic display visible up to 12 m (40 ft) away
- 4-wire 1000  $\Omega$  platinum RTD's for supply and return temperature measurements are precision matched to within 0.01  $^{\circ}\text{C}$  (0.02  $^{\circ}\text{F}$ )
- Chiller efficiency analysis: accepts an independent analog input representing kW usage for calculation of the following functions which can be selected for data logging or output purposes:
  - Cooling load (kW/ton)
  - Coefficient of performance (COP)
  - Energy efficiency ratio (EER)
- Temperature is factory calibrated with built-in field calibrator
- Built-in energy/BTU mode
- Detection of aeration and cavitation caused by worn or damaged impellers, misaligned shafts, etc.
- Current, voltage, frequency and RS232 outputs (see specification section for details)
- Optional current, voltage and temperature inputs (see specification section for details)
- Zeromatic Path automatically sets zero
- Bi-directional flow operation
- 1 MByte data logger with both site and data logger storage
- English, spanish, german, italian and french language options

#### Technical specifications

##### Check metering kit

|                   |   |
|-------------------|---|
| Pipe sizes        | 25.4 mm to 9.14 m (1 ... 360")                                    |
| Accuracy          | $\pm 0.5\%$ ... $\pm 2.0\%$ of flow rate                          |
| Flow range        | 12 m/s (40 ft/s) bidirectional                                    |
| Media temperature | -40 ... +104 $^{\circ}\text{C}$ (-40 ... 220 $^{\circ}\text{F}$ ) |
| Enclosure ratings | IP40 (NEMA 1) impact resist                                       |

See page 4/259 for complete technical specifications

##### Certificates and approvals

|                        |                        |
|------------------------|------------------------|
| Unclassified locations | UL                     |
| Classified locations   | ULc                    |
|                        | CE:                    |
|                        | • LVD IEC 61010-1      |
|                        | • EMC EN 61000-6-2, -4 |

#### Selection and Ordering data

##### HVAC chilled water and energy check metering kit

Order No.

**CQO:FUEHVACKIT**

##### Content of delivery

|        |   |
|--------|---|
| 1      | Dual channel portable submersible flow computer |
| 1 pair | Universal transducers C3                        |
| 1 pair | Doppler transducers                             |
| 1 pair | High precision transducers C2                   |
| 1 pair | High precision transducers D1                   |
| 2 pair | RTDs  |
| 2 pair | Mounting Ezclamp (4 mounting Ezclamp chains)    |
| 1      | Battery charger                                 |
| 2 pair | 6.09 m (20 ft) transducer cables                |
| 1      | RS 232 cable                                    |
| 4      | RTD cable                                       |
| 4      | Mountings for RTDs                              |
| 1      | PinStop spacer bar (universal)                  |
| 2      | F connector to BHC                              |
| 1      | Flow case                                       |
| 1      | Flow computer manual                            |
| 1      | Laminated card set                              |
| 1      | Certificate of intrinsic calibration            |

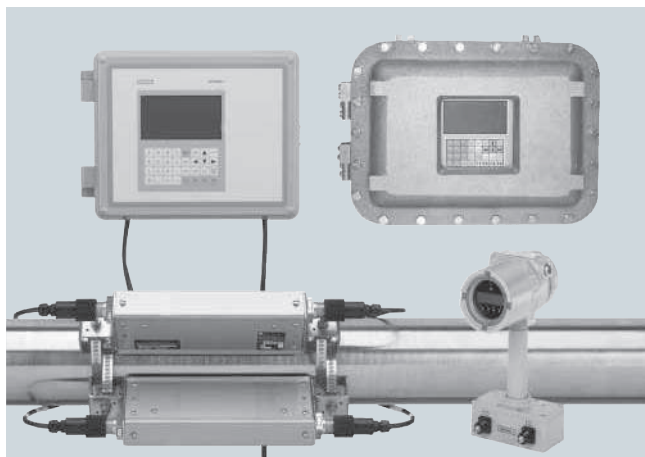


# SITRANS F flowmeters

## SITRANS F US

### SITRANS FUH1010 Oil clamp-on

#### Overview



SITRANS FUH1010 clamp-on non-intrusive ultrasonic flowmeter is ideal for applications carrying crude oil, refined petroleum or liquefied gas.

SITRANS FUH1010 has three application areas: Interface detectors, volumetric flowmeters and mass or standard volume flowmeters.

#### Benefits

##### For all FUH1010 products

- Easy installation; no need to cut pipe or stop flow
- Minimal maintenance; external transducers do not require periodic cleaning
- No moving parts to foul or wear
- No pressure drop or energy loss
- Wide turn-down ratio, 30:1
- Choice of single, dual, or optional, three or four beam versions.
  - Single beam version reduces initial investment
  - Two or optional three and four beam versions provide higher accuracy, especially where limited straight run or poor flow profile exists
- Wide-Beam technology
  - Helps provide improved accuracy over a wide range of liquid conditions and flow rates
  - Accommodates pipelines transporting multiple liquid products
- Zeromatic Path automatically corrects for zero drift without stopping flow

##### Interface detectors / Density meters (“interface detector”)

- Outputs liquid density and API as a direct replacement for intrusive densitometers
- Exceptional repeatability is maintained, independent of changes in temperature, pressure or viscosity
- No need for straight run

##### Viscosity compensated volumetric flowmeters (“precision volume”)

- Moderate cost
- Precise measurement is maintained with automatic „Reynolds Number“ compensation for temperature and viscosity changes

##### Standard volume (net) or mass flowmeters (“standard volume / mass”)

- Exceptional repeatability is maintained, independent of changes in temperature, density or viscosity
- Batch interface and product quality diagnostics provided
- Density and API outputs provided
- Scraper („pig“) detection provided

#### Application

##### Interface detectors / Density meters

- Precise identification of interfaces on multi-liquid pipelines
- Rapid and precise scraper “pig” indication
- Product identification
- Density indication

##### Viscosity compensated volumetric flowmeters

- Applications with multiple liquids having a wide viscosity range
- Automatic gross volume compensation due to viscosity changes

##### Standard volume (net) mass flowmeters

- Standard (net) volume flow measurement
- Suitable for use in leak detection systems
- Mass flow output measurement
- Interface detection
- „Pig“ detection
- Chemical and petrochemical processing

#### Design

FUH1010 is available in three enclosures:

- IP65 (NEMA 4X) Enclosure constructed of fiberglass reinforced polyester with stainless steel hardware and polyester keypad
  - Single beam
  - Dual beam
  - Optional four beam
- IP65 (NEMA 7) Compact explosionproof enclosure constructed of cast aluminum with glass window, stainless steel hardware
  - Single beam
  - Dual beam (option)
- IP66 (NEMA 7) Wall mount explosionproof enclosure constructed of cast aluminum, stainless steel hardware, optional glass window
  - Single beam
  - Dual beam
  - Four beam (optional)

#### Function

- IP65 (NEMA 4X) and IP66 (NEMA 7) flow meters have integral 33 button keypads and large (128 x 240 pixel) graphic displays visible up to 12 m (40 ft) away
- IP65 (NEMA 7) compact flow meters has a 2 x 16 alphanumeric LCD display
- Current, voltage, status alarm, frequency and RS232 outputs (see specification section for details)
- Analog inputs (see specification section for details)
- Zeromatic Path automatically corrects for zero drift
- Bidirectional flow operation
- 1 MByte data logger with both site and data logger storage
- English, spanish, german, italian and french language options

#### Technical specifications

##### SITRANS FUH1010

##### Specifications for interface detectors

###### Accuracy

|               |                   |
|---------------|-------------------|
| Accuracy      | ± 0.05 of API No. |
| Repeatability | ± 0.01 of API No. |

##### Specifications for volumetric and mass flowmeters

###### Input

|                  |  |
|------------------|--|
| Flow range       | ± 12 m/s (± 40 ft/s), bidirectional            |
| Flow sensitivity | 0.0003 m/s (0.001 ft/s), flow rate independent |

###### Accuracy

|                       |  |
|-----------------------|--|
| Calibratable accuracy | ± 0.15% ... 0.3% of flow, depending on version |
| Batch repeatability   | ± 0.05% of flow, maximum                       |

##### Specifications for all FUH1010 products

###### Input

|               |  |
|---------------|--|
| Pipe size     | 6.4 mm ... 9.14 m (0.25" ... 360")   |
| Analog inputs | <ul style="list-style-type: none"> <li>Current: 4 x 4 ... 20 mA (IP65 (NEMA 7) enclosure has (2))</li> </ul> |

###### Output

|                  |  |
|------------------|--|
| Standard outputs | <ul style="list-style-type: none"> <li>Current: 2 x 4 ... 20 mA (1 kΩ at 30 VDC)</li> <li>Voltage: 2 x 0 ... 10 V DC (5 kΩ minimum) (None for IP65 (NEMA 7) enclosure)</li> <li>1 x 0 ... 5 kHz Pulse Rate, Digital Quad. (None for IP65 (NEMA 7) enclosure)</li> <li>RS232 Serial Port</li> </ul>   |
| Enhanced outputs | <ul style="list-style-type: none"> <li>MODBUS (not for IP65 (NEMA 7) enclosure)</li> <li>RS232 standard</li> <li>Up to 4 x additional 4 ... 20 mA (not for IP65 (NEMA 7) enclosure)</li> <li>4 x Mercury wetted relays (not for IP65 (NEMA 7) enclosure)</li> <li>Up to 4 x digital pulse (not for IP65 (NEMA 7) enclosure)</li> </ul>   |
| Status/Alarm I/O | <ul style="list-style-type: none"> <li>4 x Programmable relays (not for IP65 (NEMA 7) enclosure)</li> <li>2 x Optically coupled output logic gates (for IP65 (NEMA 7) enclosure, only)</li> <li>1 x Totalizer clear switch input (not for IP65 (NEMA 4X) enclosure)<sup>1)</sup></li> <li>1 x Totalizer hold switch input (not for IP65 (NEMA 7) enclosure)<sup>1)</sup></li> <li>1 x Opto iso. totalizer clear switch input (for IP65 (NEMA 7) enclosure, only)<sup>1)</sup></li> <li>1 x Opto iso. totalizer hold switch input (for IP65 (NEMA 7) enclosure, only)<sup>1)</sup></li> </ul> |

###### Accuracy

|                   |  |
|-------------------|--|
| Zero Drift        | 0.0003 m/s (0.001 ft/s), with Zero-Matic Path active (not provided for interface detector) |
| Data refresh rate | 5 Hz (80 Hz output for flow rate available on special order)                               |

###### Rated operation conditions

|   |  |
|---|--|
| Degree of protection  | IP65 (NEMA 4X)   |
| <ul style="list-style-type: none"> <li>Wall mount enclosure</li> <li>Compact explosionproof</li> <li>Wall mount explosionproof</li> </ul> | <ul style="list-style-type: none"> <li>IP65 (NEMA 7)</li> <li>IP66 (NEMA 7)</li> </ul>   |
| Liquid temperature  | <ul style="list-style-type: none"> <li>Standard -40 ... +120 °C (-40 ... +250 °F)</li> <li>Optional -40 ... +230 °C (-40 ... +450 °F)</li> </ul> |
| Ambient temperature   | -18 ... +60 °C (0 ... 140 °F)  |

###### Design

|            |   |
|------------|---|
| Dimensions | see SITRANS F US Clamp-on „System info and selection guide“ |
| Weight     | see diagrams  |

###### Power supply

|  |  |
|--|--|
| <ul style="list-style-type: none"> <li>IP65 (NEMA 4X) and IP66 (NEMA 7) Wall Mount</li> <li>IP65 (NEMA 7) Compact</li> </ul> | <ul style="list-style-type: none"> <li>90 ... 240 V AC, 50 ... 60 Hz, 30 VA or 9 ... 36 V DC, 12 W</li> <li>90 ... 240 V AC, 50 ... 60 Hz, 15 VA or 9 ... 36 V DC, 10 W</li> </ul> |
|--|--|

###### Indication and operation

|                    |  |
|--------------------|--|
| Data logger memory | 1 MByte  |
| Display            | <ul style="list-style-type: none"> <li>IP65 (NEMA 4X) and IP66 (NEMA 7) Enclosures 128 x 240 pixel LCD with backlight</li> <li>IP65 (NEMA 7) Enclosure 2 x 16 Alphanumeric LCD Display</li> </ul>      |
| Keypad             | <ul style="list-style-type: none"> <li>IP65 (NEMA 4X) and IP66 (NEMA 7) Enclosures 33 keypad buttons with tactile feedback</li> <li>IP65 (NEMA 7) Enclosure 5 Magnetic hall effect switches</li> </ul> |
| Language options   | English, Spanish, German, Italian, French  |

<sup>1)</sup> Totalizer switch inputs are not provided for the interface detector

# SITRANS F flowmeters

## SITRANS F US

### SITRANS FUH1010 Oil clamp-on

#### Certificates and approvals

##### IP65 (NEMA 4X) flow display computer ratings

|                  |   |
|------------------|---|
| FM and CSA       | I.S. Class I, II, Div 1<br>N-I Class I, Div 2<br>S Class II, Div 2  |
| ATEX             | <ul style="list-style-type: none"> <li>• Flowmeter:<br/>Ex II (1) G [EEx ia] IIC<br/>EX II 3 (1) G EEx nC [ia] IIC T5</li> <li>• Transducers:<br/>Ex II 1 G EEx ia IIC T5<br/>Ex II 2 G EEx m II T5 for use with flowmeter in safe area only</li> </ul> |
| INMETRO (Brazil) | <ul style="list-style-type: none"> <li>• Flowmeter:<br/>[BR-Ex ia] IIC<br/>BR-Ex nC [ia] IIC T5</li> <li>• Transducers:<br/>BR-Ex ia IIC T5<br/>-50 °C ≤ Ta ≤ +60 °C</li> </ul>   |

##### IP65 (NEMA 7) compact explosionproof enclosure ratings

|                  |   |
|------------------|---|
| FM and CSA       | XP T5 Class I, Div 1<br>D-I Class II, Div 1<br>I.S. Class I, Div 1<br>N-I Class I, Div 2<br>S Class II, Div 2   |
| ATEX             | <ul style="list-style-type: none"> <li>• Flowmeter:<br/>Ex II 2 (1) G EEx d [ia] IIB + H2 T5</li> <li>• Transducers:<br/>Ex II 1 G EEx ia IIC T5</li> </ul> |
| INMETRO (Brazil) | <ul style="list-style-type: none"> <li>• Flowmeter:<br/>BR-Ex d [ia] IIC T5</li> <li>• Transducers:<br/>BR-Ex ia IIC T6<br/>-50 °C ≤ Ta ≤ +60 °C</li> </ul> |

##### IP66 (NEMA 7) wall mount explosionproof enclosure ratings

|                  |   |
|------------------|---|
| FM and CSA       | XP Class I, Div 1<br>D-I Class II, Div 1<br>I.S. Class I, Div 1<br>N-I Class I, Div 2<br>S Class II, Div 2  |
| ATEX             | <ul style="list-style-type: none"> <li>• Flowmeter:<br/>Ex II (1) G [EEx ia] IIC<br/>Ex II 3 (1) G EEx nC [ia] IIC T5<br/>Ex II 2 (1) G EEx d [ia IIC] IIB + H2 T5</li> <li>• Transducers:<br/>Ex II 1 G EEx ia IIC T5</li> </ul> |
| INMETRO (Brazil) | <ul style="list-style-type: none"> <li>• Flowmeter:<br/>[BR-Ex ia] IIC<br/>BR-Ex nC [ia] IIC T5<br/>BR-Ex d [ia IIC] IIB + H2 T5</li> <li>• Transducers:<br/>BR-Ex ia IIC T5<br/>-50 °C ≤ Ta ≤ +60 °C</li> </ul>                  |





#### Transducer Selection Chart

High precision transducers for steel pipe with outer diameter/wall thickness ratio >10

| Transducer | Order Code | Pipe wall (mm) |       | Pipe wall (inches) |       |
|------------|------------|----------------|-------|--------------------|-------|
|            |            | min.           | max.  | min.               | max.  |
| A1H        | <b>G</b>   | 0.64           | 1.02  | 0.025              | 0.04  |
| A2H        | <b>H</b>   | 1.02           | 1.52  | 0.04               | 0.06  |
| A3H        | <b>J</b>   | 1.52           | 2.03  | 0.06               | 0.08  |
| B1H        | <b>K</b>   | 2.03           | 3.05  | 0.08               | 0.12  |
| B2H        | <b>L</b>   | 3.05           | 4.06  | 0.12               | 0.16  |
| C1H        | <b>M</b>   | 4.06           | 5.84  | 0.16               | 0.23  |
| C2H        | <b>N</b>   | 5.84           | 8.13  | 0.23               | 0.32  |
| D1H        | <b>P</b>   | 8.13           | 11.18 | 0.32               | 0.44  |
| D2H        | <b>Q</b>   | 11.18          | 15.75 | 0.44               | 0.62  |
| D4H        | <b>R</b>   | 15.75          | 31.75 | 0.62               | 1.25  |
| B3H        | <b>T</b>   | 2.7            | 3.3   | 0.106              | 0.128 |
| D3H        | <b>U</b>   | 7.4            | 9.0   | 0.293              | 0.354 |

#### Transducer Cable Selection Chart

Transducer cable codes for length and type options

| Cable length<br>m (ft) | Standard<br>(PVC<br>jacket)     | Submersible<br>(polyethylene<br>jacket) | Plenum Rated<br>(teflon jacket)  | Armored                         |
|------------------------|---------------------------------|---|----------------------------------|---------------------------------|
|                        | -40...+80 °C<br>(-40...+176 °F) | -40...+80 °C<br>(-40...+176 °F)         | -40...+200 °C<br>(-40...+392 °F) | -40...+80 °C<br>(-40...+176 °F) |
| <b>Order code</b>      |                                 |   |                                  |                                 |
| 6 (20)                 | <b>K01</b>                      | <b>K11</b>                              | <b>K21</b>                       | <b>K31</b>                      |
| 15 (50)                | <b>K02</b>                      | <b>K12</b>                              | <b>K22</b>                       | <b>K32</b>                      |
| 30 (100)               | <b>K03</b>                      | <b>K13</b>                              | <b>K23</b>                       | <b>K33</b>                      |
| 46 (150)               | <b>K04</b>                      | <b>K14</b>                              | <b>K24</b>                       | <b>K34</b>                      |
| 61 (200)               | <b>K05</b>                      | <b>K15</b>                              | <b>K25</b>                       | <b>K35</b>                      |
| 91 (300)               | <b>K06</b>                      | <b>K16</b>                              | <b>K26</b>                       | <b>K36</b>                      |

#### RTD Cable Selection Chart

RTD cable codes for length and type

| Cable length m (ft) | Standard (teflon<br>wrapped)         | Submersible<br>(extruded jacket)     |
|---------------------|--------------------------------------|--------------------------------------|
|                     | -40 ... +200 °C<br>(-40 ... +392 °F) | -40 ... +200 °C<br>(-40 ... +392 °F) |
| <b>Order code</b>   |                                      |                                      |
| 6 (20)              | <b>R01</b>                           | <b>R11</b>                           |
| 15 (50)             | <b>R02</b>                           | <b>R12</b>                           |
| 30 (100)            | <b>R03</b>                           | <b>R13</b>                           |
| 46 (150)            | <b>R04</b>                           | <b>R14</b>                           |
| 61 (200)            | <b>R05</b>                           | <b>R15</b>                           |
| 91 (300)            | <b>R06</b>                           | <b>R16</b>                           |

# SITRANS F flowmeters

## SITRANS F US

### SITRANS FUH1010 Oil clamp-on

Mainstream offering SITRANS FUH1010 (Hydrocarbon liquid meter)

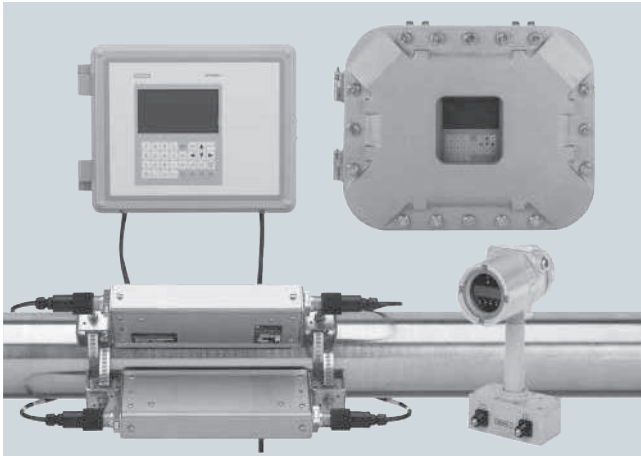
| Selection and Ordering data   | Order No.                       | Order code            |
|---|---------------------------------|-----------------------|
| <b>SITRANS FUS1010 Oil clamp-on</b>   | K) 7 ME 3 6 0 - - - - 0 - - - - | K 1 2 + K 1 2 + R 1 2 |
| <b>Design (Includes cable glands)</b>   | 0                               |                       |
| IP65 (NEMA 4X)  |                                 |                       |
| <b>Number of ultrasonic beams/meter type</b>  | 4                               |                       |
| Dual beam (DV-Standard Volume/Mass)   |                                 |                       |
| <b>Flowmeter functions and I/O configurations</b>   | A                               |                       |
| includes graphic or digital display, IP66 (BNB6665 (NEMA 4X)) and IP66 (NEMA 7 wall mounted) units: |                                 |                       |
| Standard  |                                 |                       |
| • Graphic display   |                                 |                       |
| • 4x 4 ... 20 mA analog input   |                                 |                       |
| • 2x 0 ... 10 V   |                                 |                       |
| • 2x 4 ... 20 mA  |                                 |                       |
| • 2x pulse outputs  |                                 |                       |
| • 4 Mercury wetted relays   |                                 |                       |
| • 2x RTD input  |                                 |                       |
| <b>Meter power options</b>  | A                               |                       |
| 90 ... 240 V AC   |                                 |                       |
| <b>Communication options</b>  | 0                               |                       |
| RS 232 (standard)   |                                 |                       |
| <b>RTD temperature sensor</b>   |                                 | 0                     |
| (includes mounting hardware for pipes above 1.5" outer diameter)                                    |                                 | 3                     |
| No RTDs (Note: Temperature input is required for FUH1010 systems)                                   |                                 |                       |
| 1 x submersible clamp-on RTD  |                                 |                       |
| <b>Transducer for channel 1</b>   |                                 | A                     |
| (includes pipe mounting kit and spacer bar for indicated max. outer diam. listed)                   |                                 | M                     |
| no transducer   |                                 | N                     |
| C1H (high precision) to 24"/mounting frame  |                                 | P                     |
| C2H (high precision) to 24"/mounting frame  |                                 | Q                     |
| D1H (high precision) to 48"/mounting frame  |                                 |                       |
| D2H (high precision) to 48"/mounting frame  |                                 |                       |
| <b>Transducer for channel 2</b>   |                                 | A                     |
| (includes pipe mounting kit and spacer bar for indicated max. OD listed)                            |                                 | M                     |
| See „Transducer selection charts“ for specifications.   |                                 | N                     |
| no transducer   |                                 | P                     |
| C1H (high precision) to 24"/mounting frame  |                                 | Q                     |
| C2H (high precision) to 24"/mounting frame  |                                 |                       |
| D1H (high precision) to 48"/mounting frame  |                                 |                       |
| D2H (high precision) to 48"/mounting frame  |                                 |                       |
| <b>Approvals</b>  |                                 | 1                     |
| FM/CSA (default)  |                                 | 2                     |
| ATEX EExia  |                                 |                       |

Mainstream product offering represents 4 to 6 weeks delivery time

K) Subject to export regulations AL: N, ECCN: 5A991X.



#### Overview



SITRANS FUG1010 clamp-on non-intrusive ultrasonic flow display computer is ideal for natural and process gas applications, including checkmetering, allocation, production, storage and gas fired power station applications.

SITRANS FUG1010 is available in single, dual and optional four beam configurations, with your choice of IP65 (NEMA 4X) or IP65 (NEMA 7) and IP66 (NEMA 7) explosionproof enclosures.

#### Benefits

- Easy installation; no need to cut pipe or stop flow
- Minimal maintenance; external transducers do not require periodic cleaning
- No moving parts to foul or wear as found in turbine and PD meters
- Eliminates the pressure drop or energy loss in orifice metering
- Wide turn-down ratio
- Choice of single, dual or optional four beam versions
  - Single beam version reduces initial investment
  - Multiple beam versions provide higher accuracy, especially with limited straight run and poor flow profile conditions
  - In diametric reflect mode configuration, the meter is less sensitive to crossflow and swirl
- Wide-Beam technology provides improved accuracy over a wide range of flow velocity and operating pressure
- Zeromatic Path automatically sets zero without stopping flow and reduces zero drift, even at low flow
- Tolerant of most wet gas conditions
- Immune to most pressure reducing valve noise
- Optional rugged stainless steel transducer enclosure permits permanent and direct burial installations
- Easy to use "DataView" diagnostic software

#### Application

SITRANS FUG1010 is ideal for most natural and process gas industry applications, including:

- Checkmetering
- Allocation
- Flow survey verification
- Lost and unaccounted for (LAUF) gas analysis
- Production
- Storage

#### Design

FUG1010 is available in three enclosures:

- IP65 (NEMA 4X) enclosure constructed of fiberglass reinforced polyester with stainless steel hardware and polyester keypad
  - Single beam
  - Dual beam
  - Four beam (optional)
- IP65 (NEMA 7) Compact explosionproof enclosure constructed of cast aluminum with glass window, stainless steel hardware
  - Single beam
  - Dual beam
- IP66 (NEMA 7) Wall mount explosionproof enclosure constructed of cast aluminum stainless steel hardware, optional glass window
  - Single beam
  - Dual beam
  - Four beam (optional)

#### Function

- IP65 (NEMA 4X) and IP66 (NEMA 7) flow display computers have integral 33 button keypads and large (128 x 240 pixel) graphic displays visible up to 12 m (40 ft) away
- IP65 (NEMA 7) compact flow display computer has a 2 x 16 alphanumeric LCD display
- Current, voltage, frequency and RS232 outputs (see specification section for details)
- Analog inputs for pressure and temperature
- Zeromatic Path automatically compensates for zero flow drift
- Bidirectional flow operation
- 1 Mbyte data logger with both site and data logger storage
- English, spanish, german, italian and french language options
- Internal AGA-8 table for fixed gas composition is available for standard volume computation
- Complete application and operation diagnostics, to assure calibration and operational integrity
- Upward compatibility and compliance with AGA-10 speed of sound measurement practice

# SITRANS F flowmeters

## SITRANS F US

### SITRANS FUG1010 Gas clamp-on

#### Technical specifications

##### SITRANS FUG1010

###### Input

|                  |  |
|------------------|--|
| Flow range       | ± 30 m/s (± 100 ft/s), bidirectional   |
| Flow sensitivity | 0.0003 m/s (0.001 ft/s), flow rate independent   |
| Minimum pressure | 7 ... 10 bar (100 ... 145 psi), typical (gas composition and application dependent; plastic pipes support operation at atmospheric pressure) |

Pipe size 25 mm ... 1.52 m (1" ... 60") (for other sizes, consult factory)

Analog inputs Current: 4 x 4 ... 20 mA, programmable (IP65 (NEMA 7) enclosure has 2 x 4 ... 20 mA, programmable)

###### Output

|                  |  |
|------------------|--|
| Standard outputs | <ul style="list-style-type: none"> <li>• Current: 2 x 4 ... 20 mA, a programmable, standard Additional 2 x optional, except IP65 (NEMA 7)</li> <li>• Voltage: 2 x 0 ... 10 V DC, menu programmable (None for IP65 (NEMA 7) enclosure)</li> <li>• 2 x Open collector digital pulses (quadrature) (None for IP65 (NEMA 7) enclosure)</li> <li>• 2 x 0 ... 5 kHz, TTL pulse square wave + (None for IP65 (NEMA 7) enclosure)</li> <li>• 1 x Optically isolated digital pulse &amp; source, IP65 (NEMA 7) enclosure only</li> <li>• RS232 Serial Port</li> </ul>   |
| Enhanced outputs | <ul style="list-style-type: none"> <li>• MODBUS (RS485/422/232) (not for IP65 (NEMA 7))</li> </ul>   |
| Status/Alarm I/O | <ul style="list-style-type: none"> <li>• 4 x programmable form C relays (not for IP65 (NEMA 7) enclosure)</li> <li>• 4 x programmable N.O. Mer. Wet. Relays optional (not for IP65 (NEMA 7) enclosure)</li> <li>• 2 x Optically coupled output logic gates (for IP65 (NEMA 7) enclosure, only)</li> <li>• 1 Totalizer clear switch input (not for IP65 (NEMA 7))</li> <li>• 1 Totalizer hold switch input (not for IP65 (NEMA 7) enclosure)</li> <li>• 1 x Opto iso. totalizer clear switch input (for IP65 (NEMA 7) enclosure, only)</li> <li>• 1 x Opto iso. totalizer hold switch input (for IP 65 (NEMA 7) enclosure, only)</li> </ul> |

###### Accuracy

|                   |   |
|-------------------|---|
| Typical accuracy  | 1 % ... 2 % of actual volume reading (higher accuracy is pipe condition and flow profile dependent)                   |
| Repeatability     | 0.05 % ... 0.1 %, of actual volume reading, for 1.5 ... 30 m/s (5 ... 100 ft/s) velocities (pipe condition dependent) |
| Zero drift        | 0.0003 m/s (0.001 ft/s), with Zero-Matic Path active  |
| Data refresh rate | 5 Hz (80 Hz optional)   |

###### Rated operation conditions

|                             |  |
|-----------------------------|--|
| Degree of protection        |  |
| • Wall mount enclosure      | IP65 (NEMA 4X)   |
| • Compact explosionproof    | IP65 (NEMA 7)  |
| • Wall mount explosionproof | IP66 (NEMA 7)  |
| Gas temperature             | -40 ... +60 °C (-40 ... +140 °F) (for higher temperatures consult factory) |
| Ambient temperature         | -18 ... +60 °C (0 ... 140 °F)  |

###### Design

|            |   |
|------------|---|
| Dimensions | see SITRANS F US Clamp-on „System info and selection guide“ |
| Weight     | see diagrams  |

###### Power supply

|  |   |
|--|---|
| • For IP65 (NEMA 4X) and IP66 (NEMA 7) | • 90 ... 240 V AC, 50 ... 60 Hz (30 VA) or 9 ... 36 V DC (12 W) |
| • For IP65 (NEMA 7):                   | • 90 ... 240 V AC, 50 ... 60 Hz (15 VA) or 9 ... 36 V DC (10 W) |

###### Indication and operation

|   |   |
|---|---|
| Data logger memory                            | 1 Mbyte, programmable for 17 data functions |
| Display                                       |   |
| • IP65 (NEMA 4X) and IP66 (NEMA 7) enclosures | 128 x 240 pixel LCD with backlight          |
| • IP65 (NEMA 7) enclosure                     | 2 x 16 alphanumeric LCD display             |
| Keypad  |   |
| • IP65 (NEMA 4X) and IP66 (NEMA 7) Enclosures | 33 keypad buttons with tactile feedback     |
| • IP65 (NEMA 7) Enclosure                     | 5 magnetic hall effect switches             |
| Language options                              | English, spanish, german, italian, french   |

#### Certificates and approvals

##### IP65 (NEMA 4X) flow display computer ratings

|                  |  |
|------------------|--|
| FM and CSA       | I.S. Class I, II, Div 1<br>N-I Class I, Div 2<br>S Class II, Div 2   |
| ATEX             | <ul style="list-style-type: none"> <li>• Flowmeter:<br/>Ex II (1) G [EEx ia] IIC<br/>Ex II 3 (1) G EEx nC [ia] IIC T5</li> <li>• Transducers:<br/>Ex II 1 G EEx ia IIC T5<br/>Ex II 2 G EEx m II T5 (for use with flowmeter in safe area)</li> </ul> |
| INMETRO (Brazil) | <ul style="list-style-type: none"> <li>• Flowmeter:<br/>[BR-Ex ia] IIC<br/>BR-Ex nC [ia] T5</li> <li>• Transducers:<br/>BR-Ex ia IIC T5 IP65<br/>-50 °C ≤ Ta ≤ +60 °C</li> </ul>   |

##### IP65 (NEMA 7) compact explosionproof enclosure ratings

|                  |   |
|------------------|---|
| FM and CSA       | XP Class I, Div 1<br>D-I Class II, Div 1<br>I.S. Class I, Div 1<br>N-I Class I, Div 2<br>S Class II, Div 2  |
| ATEX             | <ul style="list-style-type: none"> <li>• Flowmeter:<br/>Ex II 2 (1) G EEx d [ia] IIB + H2 T5</li> <li>• Transducers:<br/>Ex II 1 G EEx ia IIC T5</li> </ul>           |
| INMETRO (Brazil) | <ul style="list-style-type: none"> <li>• Flowmeter:<br/>BR-Ex d [ia] IIB + H2 T5</li> <li>• Transducers:<br/>BR-Ex ia IIC T6 IP65<br/>-50 °C ≤ Ta ≤ +60 °C</li> </ul> |

##### IP66 (NEMA 7) wall mount explosionproof enclosure ratings

|                  |   |
|------------------|---|
| FM and CSA       | XP Class I, Div 1<br>D-I Class II, Div 1<br>I.S. Class I, Div 1<br>N-I Class I, Div 2<br>S Class II, Div 2  |
| ATEX             | <ul style="list-style-type: none"> <li>• Flowmeter:<br/>Ex II (1) G [EEx ia] IIC<br/>Ex II 3 (1) G EEx nC [ia] IIC T5<br/>Ex II 2 (1) G EEx d [ia IIC] IIB+H2 T5</li> <li>• Transducers:<br/>Ex II 1 G EEx ia IIC T5</li> </ul> |
| INMETRO (Brazil) | <ul style="list-style-type: none"> <li>• Flowmeter:<br/>[BR-Ex ia] IIC<br/>BR-Ex nC [ia] IIC T5<br/>BR-Ex d [ia IIC] IIB + H2 T5</li> <li>• Transducers:<br/>BR-Ex ia IIC T5<br/>-50 °C ≤ Ta ≤ +60 °C</li> </ul>                |

# SITRANS F flowmeters

## SITRANS F US

### SITRANS FUG1010 Gas clamp-on

276

| Selection and Ordering data   | Order No. | Ord. code    | Selection and Ordering data   | Order No. | Ord. code      |
|---|-----------|--------------|---|-----------|----------------|
| <b>SITRANS FUG1010 Gas meter clamp-on</b>   |           |              | <b>SITRANS FUG1010 Gas meter clamp-on</b>   |           |                |
| <ul style="list-style-type: none"> <li>• IP65 (NEMA 4X) K) <b>7ME3610-</b></li> <li>• IP65 (NEMA 7) compact K) <b>7ME3611-</b></li> <li>• IP66 (NEMA 7) wall mounted K) <b>7ME3612-</b></li> <li>• IP66 (NEMA 7) wall mounted with display window K) <b>7ME3613-</b></li> </ul>   |           |              | <ul style="list-style-type: none"> <li>• IP65 (NEMA 4X) K) <b>7ME3610-</b></li> <li>• IP65 (NEMA 7) compact K) <b>7ME3611-</b></li> <li>• IP66 (NEMA 7) wall mounted K) <b>7ME3612-</b></li> <li>• IP66 (NEMA 7) wall mounted with display window K) <b>7ME3613-</b></li> </ul>   |           |                |
| <b>Number of channels/ultrasonic beams</b><br>Single beam 1<br>Dual beam 2<br>Special: Four beam (NEMA 4X and NEMA 7 wall mount only) 9   |           |              | <b>Transducer for channel 1</b><br>(includes pipe mounting kit and spacer bar for indicated max. outer diameter listed)<br>See „Transducer selection chart“ for specifications.<br><br>no transducer  |           |                |
| <b>Flowmeter functions and I/O configurations</b> (includes graphic or digital display)<br><u>IP65 (NEMA 4X) and IP66 (NEMA 7 wall mounted) units</u><br><ul style="list-style-type: none"> <li>• Standard (all but Compact NEMA 7) A               <ul style="list-style-type: none"> <li>- Graphic display</li> <li>- 4 x 4 ... 20 mA analog input</li> <li>- 2 x 0 ... 10 V</li> <li>- 2 x 4 ... 20 mA analog output</li> <li>- 2 x pulse output</li> <li>- 4 x relay C type</li> <li>- 2 x RTD input</li> </ul> </li> <li>• Enhanced I/O option B               <ul style="list-style-type: none"> <li>- additional 2 x 4 ... 20 mA</li> <li>- Mercury wetted relays</li> <li>- 4 x digital pulse outputs (2 x open collector and 2 x 0 ... 5 V TTL)</li> </ul> </li> </ul> |           |              | For the following A1H to D4H transducers, temperature range is -40 °C to 65 °C (-41 °F to 150 °F), nominal 21 °C (70 °F):<br>B1H (high precision) to 5"/track mount K<br>B2H (high precision) to 5"/track mount L<br>B3H (high precision) to 5"/track mount T<br>C1H (high precision) to 24"/mounting frame M<br>C2H (high precision) to 24"/mounting frame N<br>D1H (high precision) to 48"/mounting frame <sup>1)</sup> P<br>D2H (high precision) to 48"/mounting frame <sup>1)</sup> Q<br>D3H (high precision) to 48"/mounting frame <sup>1)</sup> U<br>D4H (high precision) to 48"/mounting frame <sup>1)</sup> R   |           |                |
| <u>IP65 (NEMA 7) compact units</u><br><ul style="list-style-type: none"> <li>• Standard D               <ul style="list-style-type: none"> <li>- Digital display</li> <li>- 2 x 4 ... 20 mA (loop)</li> <li>- 2 x 4 ... 20 mA analog input</li> <li>- 2 x status (open collector)</li> <li>- 1 x RTD input</li> </ul> </li> <li>• Digital pulse option E               <ul style="list-style-type: none"> <li>1 x digital pulse open collector output</li> </ul> </li> <li>• Mercury wetted relays for standard meter Z</li> <li>• Dry contact form C relays for enhanced I/O meter Z</li> </ul>  |           |              | Other versions (different size, mount, type or pipe larger than DN 1200 (48") or corrosion resistant), add Order code and plain text.<br><br>For the following B1H to D4H transducers, temperature range is -1 °C up to 104 °C (30 °F up to 220 °F), nominal 65 °C (150 °F):<br>B1H (high temperature range HP) Z P 1 K<br>B2H (high temperature range HP) Z P 1 L<br>B3H (high temperature range HP) Z P 1 T<br>C1H (high temperature range HP) Z P 1 M<br>C2H (high temperature range HP) Z P 1 N<br>D1H (high temperature range HP) <sup>1)</sup> Z P 1 P<br>D2H (high temperature range HP) <sup>1)</sup> Z P 1 Q<br>D3H (high temperature range HP) <sup>1)</sup> Z P 1 U<br>D4H (high temperature range HP) <sup>1)</sup> Z P 1 R |           |                |
| <b>Meter power options</b><br>90 ... 240 V AC A<br>9 ... 36 V DC (except compact NEMA 7) B<br>9 ... 36 V DC negative GND (Compact only) J<br>9 ... 36 V DC positive GND (Compact only) K  |           |              | <b>Transducer for channel 2</b><br>(includes pipe mounting kit and spacer bar for indicated max. outer diameter listed)<br>See „Transducer selection chart“ for specifications.<br><br>no transducer  |           |                |
| <b>Communication options</b><br>RS232 (standard) 0<br>MODBUS (excludes NEMA 7 Compact) 1  |           |              | For the following A1H to D4H transducers, temperature range is -40 °C to 65 °C (-41 °F to 150 °F), nominal 21 °C (70 °F):<br>B1H (high precision) to 5"/track mount K<br>B2H (high precision) to 5"/track mount L<br>B3H (high precision) to 5"/track mount T<br>C1H (high precision) to 24"/mounting frame M<br>C2H (high precision) to 24"/mounting frame N<br>D1H (high precision) to 48"/mounting frame <sup>1)</sup> P<br>D2H (high precision) to 48"/mounting frame <sup>1)</sup> Q<br>D3H (high precision) to 48"/mounting frame <sup>1)</sup> U<br>D4H (high precision) to 48"/mounting frame <sup>1)</sup> R   |           |                |
| <b>RTD temperature sensor</b><br>(includes mounting hardware for pipes above 1.5" outer diameter)<br><br>No RTDs 0<br>1 x standard clamp-on RTD 1<br>2 x standard clamp-on RTD 2<br>1 x submersible clamp-on RTD 3<br>2 x submersible clamp-on RTD 4<br>Special (for insert style RTDs) 9   |           |              | <sup>1)</sup> Supplied spacer bar supports pipes up to 750 mm (30 inches). For pipes larger than 750 mm (30 inches) purchase also, spare part 7ME3960-OMS40 (1012BN-4).<br>K) Subject to export regulations AL: N, ECCN: 5A991X.  |           |                |
|   |           | <b>H 1 A</b> |   |           | <b>A</b>       |
|   |           |              |   |           | <b>Z P 1 Y</b> |
|   |           |              |   |           | <b>Z P 1 K</b> |
|   |           |              |   |           | <b>Z P 1 L</b> |
|   |           |              |   |           | <b>Z P 1 T</b> |
|   |           |              |   |           | <b>Z P 1 M</b> |
|   |           |              |   |           | <b>Z P 1 N</b> |
|   |           |              |   |           | <b>Z P 1 P</b> |
|   |           |              |   |           | <b>Z P 1 Q</b> |
|   |           |              |   |           | <b>Z P 1 U</b> |
|   |           |              |   |           | <b>Z P 1 R</b> |
|   |           |              |   |           | <b>A</b>       |
|   |           |              |   |           | <b>K</b>       |
|   |           |              |   |           | <b>L</b>       |
|   |           |              |   |           | <b>T</b>       |
|   |           |              |   |           | <b>M</b>       |
|   |           |              |   |           | <b>N</b>       |
|   |           |              |   |           | <b>P</b>       |
|   |           |              |   |           | <b>Q</b>       |
|   |           |              |   |           | <b>U</b>       |
|   |           |              |   |           | <b>R</b>       |
|   |           |              |   |           | <b>0</b>       |
|   |           |              |   |           | <b>1</b>       |
|   |           |              |   |           | <b>0</b>       |
|   |           |              |   |           | <b>1</b>       |
|   |           |              |   |           | <b>2</b>       |
|   |           |              |   |           | <b>3</b>       |
|   |           |              |   |           | <b>4</b>       |
|   |           |              |   |           | <b>9</b>       |
|   |           |              |   |           | <b>N 1 Y</b>   |

| Selection and Ordering data   | Order No.   | Ord. code |
|---|-------------|-----------|
| <b>SITRANS FUG1010 Gas meter clamp-on</b>   |             |           |
| • IP65 (NEMA 4X)  | K) 7ME3610- |           |
| • IP65 (NEMA 7) compact   | K) 7ME3611- |           |
| • IP66 (NEMA 7) wall mounted  | K) 7ME3612- |           |
| • IP66 (NEMA 7) wall mounted with display window  | K) 7ME3613- |           |
|   | 0 -         |           |
| <b>Transducer for channel 2 (continued)</b>   |             |           |
| Other versions (different size, mount, type or pipe larger than DN 1200 (48") or corrosion resistant), add Order code and plain text. | Z           | Q 1 Y     |
| For the following B1H to D4H transducers, temperature range is -1 °C up to 104 °C (30 °F up to 220 °F), nominal 65 °C (150 °F):       |             |           |
| B1H (high temperature range HP)   | Z           | Q 1 K     |
| B2H (high temperature range HP)   | Z           | Q 1 L     |
| B3H (high temperature range HP)   | Z           | Q 1 T     |
| C1H (high temperature range HP)   | Z           | Q 1 M     |
| C2H (high temperature range HP)   | Z           | Q 1 N     |
| D1H (high temperature range HP)   | Z           | Q 1 P     |
| D2H (high temperature range HP)   | Z           | Q 1 Q     |
| D3H (high temperature range HP)   | Z           | Q 1 U     |
| D4H (high temperature range HP)   | Z           | Q 1 R     |
| <b>Approvals</b>  |             |           |
| FM/CSA (default)  |             | 1         |
| ATEX  |             | 2         |
| INMETRO (Brazil)  |             | 3         |
| Special ATEX EEx m  |             | 9 R 1 Y   |
| Add Order code and plain text:  |             |           |
| Length of integral cable: .....   |             |           |

K) Subject to export regulations AL: N, ECCN: 5A991X.

| Selection and Ordering data   | Order code |
|---|------------|
| <b>Further designs</b>  |            |
| Please add „-Z“ to Order No. and specify Order code(s).                                       |            |
| Cable assembly for transducers (add for # of beams)<br>See „Transducer cable selection chart“ | K..        |
| Cable assembly for RTDs (add for # of RTDs)<br>See „RTD cable selection chart“                | R..        |
| Cable termination kit (for one cable pair)  |            |
| • Termination for standard, plenum and armored transducer cable                               | T01        |
| • Termination for submersible transducer cable  | T11        |
| • RTD cable termination kit for standard RTD  | T21        |
| • RTD cable termination kit for submersible RTD   | T31        |
| • Insert RTD cable termination kit  | T41        |
| Languages (Meter and Documentation)   |            |
| • German  | B10        |
| • French  | B12        |
| • Spanish   | B13        |
| • Italian   | B14        |
| Tag name plate  |            |
| • Stainless steel tags with 3.2 mm (0.13 inch) characters (26 characters max.)                | Y17        |
| • Stainless steel tags with 3.2 mm (0.13 inch) characters (68 characters max.)                | Y19        |

#### MLFB example

#### Application example

A clamp-on meter is required for a 300 mm (12") carbon steel gas line with a wall thickness of 12.7 mm (0.5"). Meter electronics is to be located in a Class I Div 2 area only 18 m (60 ft) from the pipeline. 12 V DC power is available at the site.

Dual beam operation is desired for improved accuracy and redundant measurement. Pulse output will be primary flow data source.

MLFB Order No.: **7ME3610-2BB00-0QQ1-Z**  
**K03 + K03**

| Selection and Ordering data                | Order No.    | Ord. code |
|--|--------------|-----------|
| <b>FUG1010 meter family</b>                | 7 ME 3 6 1 - | 0 -       |
| IP65 (NEMA 4X) enclosure                   | 0            |           |
| Dual beam                                  | 2            |           |
| Custody Transfer option with digital pulse | B            |           |
| 9 ... 36 V DC power option                 | B            |           |
| RS232 Standard                             | 0            |           |
| No RTD required                            | 0            |           |
| Transducer code for path 1                 | Q            |           |
| Transducer code for path 2                 | Q            |           |
| FM approval required                       | 1            |           |
| 30 m (100 ft) transducer cable for path 1  |              | K 0 3     |
| 30 m (100 ft) transducer cable for path 2  |              | K 0 3     |

# SITRANS F flowmeters

## SITRANS F US

### SITRANS FUG1010 Gas clamp-on

#### Transducer Selection Chart

High precision transducers for steel pipe with outer diameter/wall thickness ratio >10

| Transducer | Order Code | Pipe wall (mm) |      | Pipe wall (inches) |       |
|------------|------------|----------------|------|--------------------|-------|
|            |            | min.           | max. | min.               | max.  |
| B1H        | <b>K</b>   | 2.0            | 3.0  | 0.08               | 0.12  |
| B2H        | <b>L</b>   | 3.0            | 4.1  | 0.12               | 0.16  |
| B3H        | <b>T</b>   | 2.7            | 3.3  | 0.106              | 0.128 |
| C1H        | <b>M</b>   | 4.1            | 5.8  | 0.16               | 0.23  |
| C2H        | <b>N</b>   | 5.8            | 8.1  | 0.23               | 0.32  |
| D1H        | <b>P</b>   | 8.1            | 11.2 | 0.32               | 0.44  |
| D2H        | <b>Q</b>   | 11.2           | 15.7 | 0.44               | 0.62  |
| D3H        | <b>U</b>   | 7.4            | 9.0  | 0.293              | 0.354 |
| D4H        | <b>R</b>   | 15.7           | 31.8 | 0.62               | 1.25  |

#### Transducer Cable Selection Chart

##### Transducer cable codes for length and type options

| Cable length<br>m (ft) | Standard<br>(PVC<br>jacket)     | Submersible<br>(polyethylene<br>jacket) | Plenum Rated<br>(teflon jacket)  | Armored                         |
|------------------------|---------------------------------|---|----------------------------------|---------------------------------|
|                        | -40...+80 °C<br>(-40...+176 °F) | -40...+80 °C<br>(-40...+176 °F)         | -40...+200 °C<br>(-40...+392 °F) | -40...+80 °C<br>(-40...+176 °F) |
| <b>Order code</b>      |                                 |   |                                  |                                 |
| 6 (20)                 | <b>K01</b>                      | <b>K11</b>                              | <b>K21</b>                       | <b>K31</b>                      |
| 15 (50)                | <b>K02</b>                      | <b>K12</b>                              | <b>K22</b>                       | <b>K32</b>                      |
| 30 (100)               | <b>K03</b>                      | <b>K13</b>                              | <b>K23</b>                       | <b>K33</b>                      |
| 46 (150)               | <b>K04</b>                      | <b>K14</b>                              | <b>K24</b>                       | <b>K34</b>                      |
| 61 (200)               | <b>K05</b>                      | <b>K15</b>                              | <b>K25</b>                       | <b>K35</b>                      |
| 91 (300)               | <b>K06</b>                      | <b>K16</b>                              | <b>K26</b>                       | <b>K36</b>                      |

#### RTD Cable Selection Chart

##### RTD cable codes for length and type

| Cable length m (ft) | Standard (teflon<br>wrapped)         | Submersible<br>(extruded jacket)     |
|---------------------|--------------------------------------|--------------------------------------|
|                     | -40 ... +200 °C<br>(-40 ... +392 °F) | -40 ... +200 °C<br>(-40 ... +392 °F) |
| <b>Order code</b>   |                                      |                                      |
| 6 (20)              | <b>R01</b>                           | <b>R11</b>                           |
| 15 (50)             | <b>R02</b>                           | <b>R12</b>                           |
| 30 (100)            | <b>R03</b>                           | <b>R13</b>                           |
| 46 (150)            | <b>R04</b>                           | <b>R14</b>                           |
| 61 (200)            | <b>R05</b>                           | <b>R15</b>                           |
| 91 (300)            | <b>R06</b>                           | <b>R16</b>                           |

#### Mainstream offering SITRANS FUG1010 (Gas meter)

| Selection and Ordering data  | Order No.           | Order code            |
|--|---------------------|-----------------------|
| <b>SITRANS FUG1010 Gas Meter Clamp-on</b>  | K) 7 ME 3 6 1 - 0 - | K 1 2 + K 1 2 + R 1 2 |
| <b>Design (Includes cable glands)</b>  | 0                   |                       |
| IP65 (NEMA 4X)   |                     |                       |
| <b>Number of ultrasonic beams</b>  | 2                   |                       |
| Dual beam  |                     |                       |
| <b>Flowmeter functions and I/O configurations</b>  | C                   |                       |
| includes graphic or digital display  |                     |                       |
| <ul style="list-style-type: none"> <li>Enhanced I/O option                             <ul style="list-style-type: none"> <li>additional 2 x 4 ... 20 mA</li> <li>Mercury wetted relays</li> <li>4 x digital pulse outputs (2 x open collector and 2 x 0 ... 5 V TTL)</li> </ul> </li> </ul> |                     |                       |
| <b>Meter power options</b>   | A                   |                       |
| 90 ... 240 V AC  | B                   |                       |
| 9 ... 36 V, DC (except compact NEMA 7)   |                     |                       |
| <b>Communication options</b>   | 0                   |                       |
| RS 232 (standard)  | 1                   |                       |
| Modbus (dedicated only, excludes NEMA 7 compact)   |                     |                       |
| <b>RTD temperature sensor</b>  |                     | 0                     |
| (includes mounting hardware for pipes above 1.5" outer diameter)   |                     | 3                     |
| No RTDs (Note: Temperature input is required for Energy systems)   |                     | 4                     |
| 1 x submersible clamp-on RTD   |                     |                       |
| 2 x submersible clamp-on RTD   |                     |                       |
| <b>Transducer for channel 1</b>  |                     | A                     |
| (includes pipe mounting kit and spacer bar for indicated max. OD listed)   |                     | N                     |
| See „Transducer selection charts“ for specifications.  |                     | P                     |
| no transducer  |                     | Q                     |
| C2H (high precision) to 24"/mounting frame   |                     | R                     |
| D1H (high precision) to 48"/mounting frame   |                     |                       |
| D2H (high precision) to 48"/mounting frame   |                     |                       |
| D4H (high precision) to 48"/mounting frame   |                     |                       |
| <b>Transducer for channel 2</b>  |                     | A                     |
| (includes pipe mounting kit and spacer bar for indicated max. OD listed)   |                     | N                     |
| See „Transducer selection charts“ for specifications.  |                     | P                     |
| no transducer  |                     | Q                     |
| C2H (high precision) to 24"/mounting frame   |                     | R                     |
| D1H (high precision) to 48"/mounting frame   |                     |                       |
| D2H (high precision) to 48"/mounting frame   |                     |                       |
| D4H (high precision) to 48"/mounting frame   |                     |                       |
| <b>Approvals</b>   |                     | 1                     |
| FM/CSA (default)   |                     | 2                     |
| ATEX EExia   |                     |                       |

Mainstream product offering represents 4 to 6 weeks delivery time

K) Subject to export regulations AL: N, ECCN: 5A991X.

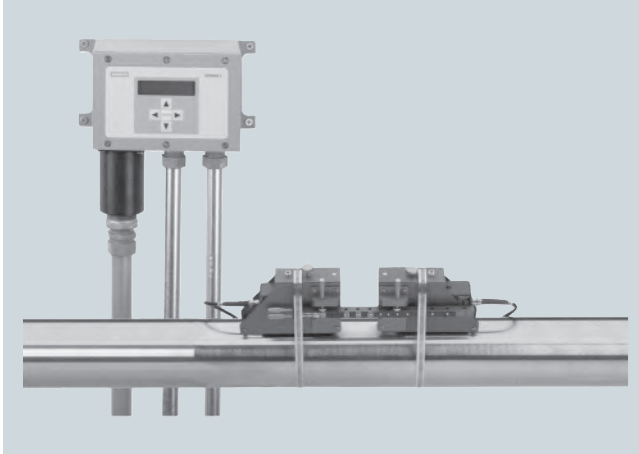


# SITRANS F flowmeters

## SITRANS F US

### SITRANS FUS1020 Basic clamp-on

#### Overview



SITRANS FUS1020 offers reliable flow measurement at a much lower cost than other clamp-on ultrasonic flowmeters, with flow rate accuracy of 1% or better for most applications.

#### Benefits

- Easy installation; no need to cut pipe or stop flow
- Minimal maintenance; external transducers do not require periodic cleaning
- No moving parts to wear or foul
- No pressure drop or energy loss
- Compact, integral design reduces installation cost
- Wide turn-down ratio
- Choice of single or dual channel operation
- Transducers are matched to the pipe material and have menu-driven location
- Wide-Beam technology ensures high performance
- Zeromatic Path automatically sets zero without stopping flow and eliminates zero drift

#### Application

FUS1020 is suitable for most clean liquid applications, including the following:

- Water & wastewater industry
  - Potable water
  - Wastewater, influent & effluent
  - Processed sewage, sludge
- Chemical feed industry
  - Sodium hypochlorite
  - Sodium hydroxide
- HVAC & power industries
  - Coolant flow
  - Fuel flow
- Process control
  - Chemicals
  - Pharmaceuticals

The FUS1020 flowmeter is not available with hazardous areas approval.

#### Design

- IP65 (NEMA 4) wall mount constructed of powder coated steel enclosure with powder coated aluminum cover, stainless steel hardware, optional stainless steel housing
- Single and dual channel versions are available

#### Function

- 2x16 integral alphanumeric display and 5 key keypad for installation menu and data display
- Assignable 4 ... 20 mA isolated loop-powered output
- TTL flow pulse rate output
- RS232 digital communication port
- DB9 connector for PC communication
- Assignable open collector alarm output (40 V DC max)
- Batch totalizer start-stop control line
- Internal calibration security switch
- Remote PC installation menu
- Zeromatic Path automatically sets zero
- Bidirectional flow operation
- 1 MByte data logger with both site & data logger storage

#### Technical specifications

##### SITRANS FUS1020

#### Input

|                  |   |
|------------------|---|
| Flow range       | ± 12 m/s (± 40 ft/s), bi-directional          |
| Flow sensitivity | 0.0003 m/s (0.001 ft/s) flow rate independent |

#### Output

|                  |   |
|------------------|---|
| Outputs          | <ul style="list-style-type: none"> <li>• Current: 4 ... 20 mA                             <ul style="list-style-type: none"> <li>1 x for single channel</li> <li>2 x for dual channel</li> </ul> </li> <li>• 1 x 0 ... 5 kHz pulse rate, digital isolated, single channel only</li> <li>• RS232 serial port</li> </ul>  |
| Optional output  | <ul style="list-style-type: none"> <li>• Current:                             <ul style="list-style-type: none"> <li>1 x 4 ... 20 mA, programmable, single channel only</li> </ul> </li> </ul>  |
| Status/Alarm I/O | <ul style="list-style-type: none"> <li>• Programmable form a relays (optional)                             <ul style="list-style-type: none"> <li>1 x for single channel</li> <li>2 x for dual channel</li> </ul> </li> <li>• Optically coupled totalizer hold switch inputs                             <ul style="list-style-type: none"> <li>1 x for single channel</li> <li>2 x for dual channel</li> </ul> </li> <li>• Optically isolated totalizer reset switch, single channel only</li> </ul> |

#### Accuracy

|                     |   |
|---------------------|---|
| Accuracy            | ± 0.5 % ... 1.0 % of flow   |
| Batch repeatability | ± 0.15%   |
| Zero Drift          | 0.1% of rate; 0.0003 m/s (0.001 ft/s), with zeromatic path active |
| Data refresh rate   | 5 Hz  |

#### Rated operation conditions

|                      |               |
|----------------------|---------------|
| Degree of protection | IP65 (NEMA 4) |
|----------------------|---------------|

#### Design

|                        |  |
|------------------------|--|
| Weight                 | 1.4 kg (3.0 lbs)                                 |
| Dimensions (W x H x D) | 197 x 103 x 109 mm<br>(7.77 x 4.06 x 4.3 inches) |

#### Power supply

|  |   |
|--|---|
|  | 100 ... 240 V AC @ 15 VA or<br>9 ... 36 V DC @ 10 W |
|--|---|

#### Certificates and approvals

|                             |  |
|-----------------------------|--|
| Unclassified locations only | <ul style="list-style-type: none"> <li>UL Listing</li> <li>ULc Listing</li> <li>CE:                             <ul style="list-style-type: none"> <li>• LVD IEC 61010-1; CB report</li> <li>• EMC EN 61000-6-2, -4</li> </ul> </li> </ul> |
|-----------------------------|--|

| Selection and Ordering data   | Order No.   | Ord. code |
|---|-------------|-----------|
| <b>SITRANS FUS1020 Basic clamp-on, IP65 (NEMA 4)</b>  | D) 7ME3570- | 00-0      |
| <b>Number of channels/ultrasonic beams</b>  |             |           |
| Single channel  | 1           |           |
| Dual channel / Dual beam  | 2           |           |
| <b>Flowmeter functions and I/O configurations</b>   |             |           |
| • Blind system<br>- 1 x 4 ... 20 mA <b>per channel</b><br>- 1 x pulse out (for single channel only)   | A           |           |
| • With display  | E           |           |
| • With display and 1 x additional analog output (single channel only)   | F           |           |
| • With display and with SPST relay  | G           |           |
| • With display and 1 x additional analog output and SPST relay (single channel only)  | H           |           |
| <b>Meter power options</b>  |             |           |
| 90 ... 240 V AC   | A           |           |
| 9 ... 36 V DC   | B           |           |
| <b>Transducer for channel 1</b><br>(includes pipe mounting kit for indicated max. outer diameter listed)<br>See „Transducer selection charts“ for specifications. |             |           |
| no transducer   | A           |           |
| A2 universal to 2"/track mounting   | B           |           |
| B3 universal to 5"/track mounting   | C           |           |
| C3 universal to 13"/mounting frame  | D           |           |
| D3 universal to 24"/mounting frame  | E           |           |
| E2 universal to 48"/mounting frame <sup>1)</sup>  | F           |           |
| A1H (high precision) to 3"/trackless mount.   | G           |           |
| A2H (high precision) to 3"/trackless mount.   | H           |           |
| A3H (high precision) to 3"/trackless mount.   | J           |           |
| B1H (high precision) to 5"/trackless mount.   | K           |           |
| B2H (high precision) to 5"/trackless mount.   | L           |           |
| C1H (high precision) to 24"/trackless mount.  | M           |           |
| C2H (high precision) to 24"/trackless mount.  | N           |           |
| D1H (high precision) to 48"/trackless mount. <sup>2)</sup>  | P           |           |
| D2H (high precision) to 48"/trackless mount. <sup>2)</sup>  | Q           |           |
| Other versions (different size, mount, type or pipe larger than DN 1200 (48"), or corrosion resistant), add Order Code and plain text.                            | Z           | P 1 Y     |
| High temperature transducer size 2 for up to 230 °C (446 °F) (30 to 200 mm diam. (1.18 to 7.67 inch diam.))   | Z           | P 1 A     |
| High temperature transducer size 3 for up to 230 °C (446 °F) (150 to 610 mm diam. (5.90 to 24 inch diam.))  | Z           | P 1 B     |
| High temperature transducer size 4 for up to 230 °C (446 °F) (400 to 1200 mm diam. (15.75 to 47.25 inch diam.))   | Z           | P 1 C     |
| <b>Transducer for channel 2</b><br>(includes pipe mounting kit for indicated max. outer diameter listed)<br>See „Transducer selection charts“ for specifications. |             |           |
| no transducer   | A           |           |
| A2 universal to 2"/track mounting   | B           |           |
| B3 universal to 5"/track mounting   | C           |           |
| C3 universal to 13"/mounting frame  | D           |           |
| D3 universal to 24"/mounting frame  | E           |           |
| E2 universal to 48"/mounting frame <sup>1)</sup>  | F           |           |

| Selection and Ordering data  | Order No.   | Ord. code |
|--|-------------|-----------|
| <b>SITRANS FUS1020 Basic clamp-on, IP65 (NEMA 4)</b>   | D) 7ME3570- | 00-0      |
| <b>Transducer for channel 2 (continued)</b>  |             |           |
| A1H (high precision) to 3"/trackless mount.  |             | G         |
| A2H (high precision) to 3"/trackless mount.  |             | H         |
| A3H (high precision) to 3"/trackless mount.  |             | J         |
| B1H (high precision) to 5"/trackless mount.  |             | K         |
| B2H (high precision) to 5"/trackless mount.  |             | L         |
| C1H (high precision) to 24"/trackless mount.   |             | M         |
| C2H (high precision) to 24"/trackless mount.   |             | N         |
| D1H (high precision) to 48"/trackless mount. <sup>2)</sup>   |             | P         |
| D2H (high precision) to 48"/trackless mount. <sup>2)</sup>   |             | Q         |
| Other versions (different size, mount, type or pipe larger than DN 1200 (48"), or corrosion resistant), add Order Code and plain text. |             | Z Q 1 Y   |
| High temperature transducer size 2 for up to 230 °C (446 °F) (30 to 200 mm diam. (1.18 to 7.67 inch diam.))                            |             | Z Q 1 A   |
| High temperature transducer size 3 for up to 230 °C (446 °F) (150 to 610 mm diam. (5.90 to 24 inch diam.))                             |             | Z Q 1 B   |
| High temperature transducer size 4 for up to 230 °C (446 °F) (400 to 1200 mm diam. (15.75 to 47.25 inch diam.))                        |             | Z Q 1 C   |
| <b>Approvals</b>   |             |           |
| no approval options (UL, ULc, CE by default)   |             | 0         |

| Selection and Ordering data  | Order code   |
|--|--|
| <b>Further designs</b><br>Please add „-Z“ to Order No. and specify Order code(s).  |  |
| Cable assembly for transducers (add for # of channels)<br>See „Transducer cable selection chart“   | K..  |
| Cable termination kit (for one cable pair)<br>• Transducer cable termination for standard and plenum cable   | T01  |
| Languages (Meter and Documentation), English (default)<br>• German<br>• French<br>• Spanish<br>• Italian   | B10<br>B12<br>B13<br>B14                             |
| Wet flow transfer calibration (priced on request)<br>• 6 point up to DN 100 (4 inch)<br>• 6 point up to DN 125 to DN 200 (5 to 8 inch)<br>• 6 point up to DN 250 to DN 300 (10 to 12 inch)<br>• 6 point up to DN 350 to DN 400 (14 to 16 inch)<br>• 6 point up to DN 450 to DN 500 (18 to 20 inch)<br>• 6 point up to DN 550 to DN 600 (22 to 24 inch)<br>• 6 point up to DN 650 to DN 750 (26 to 30 inch)<br>• 6 point up to DN 800 to DN 900 (32 to 36 inch) | D10<br>D11<br>D12<br>D13<br>D14<br>D15<br>D16<br>D17 |
| Tag name plate<br>• Stainless steel tags with 3.2 mm (0.13 inch) character size (26 characters max.)<br>• Stainless steel tags with 3.2 mm (0.13 inch) character size (68 characters max.)   | Y17<br>Y19   |

<sup>1)</sup> Supplied spacer bar supports pipes up to 1050 mm (42 inches). For pipes larger than 1050 mm (42 inches) purchase also, spare part 7ME3960-OMS40 (1012BN-4)

<sup>2)</sup> Supplied spacer bar supports pipes up to 750 mm (30 inches). For pipes larger than 750 mm (30 inches) purchase also, spare part 7ME3960-OMS40 (1012BN-4)



*Mainstream offering SITRANS FUS1020 (Dedicated basic standard)*

| Selection and Ordering data   | Order No.          | Order code            |
|---|--------------------|-----------------------|
| <b>SITRANS FUS1020 Basic Clamp-on</b>   | D) 7ME357 - 00 - 0 | K02 + K02 +           |
| <b>Design</b>   | 0                  |                       |
| IP65 (NEMA 4)   |                    |                       |
| <b>Number of channels/ultrasonic beams</b>  | 1<br>2             |                       |
| Single channel  |                    |                       |
| Dual channel/Dual beam  |                    |                       |
| <b>Flowmeter functions and I/O configurations</b>   | E                  |                       |
| With display  |                    |                       |
| <b>Meter power options</b>  | A                  |                       |
| 90 ... 240 V AC   |                    |                       |
| <b>Transducer for channel 1</b><br>(includes pipe mounting kit for indicated max. OD listed)<br>See „Transducer selection charts“ for specifications. |                    | A<br>C<br>D<br>E<br>F |
| no transducer   |                    |                       |
| B3 universal to 5"/track mount  |                    |                       |
| C3 universal to 13"/mounting frame  |                    |                       |
| D3 universal to 24"/mounting frame  |                    |                       |
| E2 universal to 48"/mounting frame  |                    |                       |
| <b>Transducer for channel 2</b><br>(includes pipe mounting kit for indicated max. OD listed)<br>See „Transducer selection charts“ for specifications. |                    | A<br>C<br>D<br>E<br>F |
| no transducer   |                    |                       |
| B3 universal to 5"/track mount  |                    |                       |
| C3 universal to 13"/mounting frame  |                    |                       |
| D3 universal to 24"/mounting frame  |                    |                       |
| E2 universal to 48"/mounting frame  |                    |                       |
| <b>Approvals</b>  |                    | 0                     |
| No approval options   |                    |                       |
| <b>Languages (Meter, Labels and Documentation)</b>  |                    | B 1 0                 |
| German  |                    |                       |

Mainstream product offering represents 4 to 6 weeks delivery time


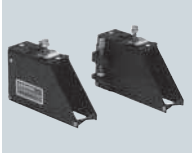
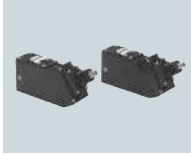




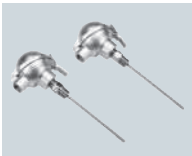



D) Subject to export regulations AL: N, ECCN: EAR99H.








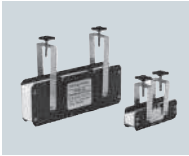
# SITRANS F flowmeters


## SITRANS F US

### Accessories/Spare parts for clamp-on

#### Accessories/Spare parts for Clamp-on ultrasonic flowmeters

| Description   | Order No.      |   | Description  | Order No.      |   |
|---|----------------|---|--|----------------|---|
| <b>Universal Portable Transducers</b><br>Selected generally for portable systems where a wide variety of pipes are to be measured. Since they are selected based on diameter only, a wide range of pipe sizes and materials can be covered with a minimum number of transducers. These can also be selected as a cost savings on applications where accuracy standard accuracy is sufficient.   | D) 7ME3951-... |    | <b>Mounting Frames</b><br>These items are useful in simplifying transducer installation. They are strapped to the pipe first then the transducers are installed, making the installation less cumbersome and more precise. They also enable easy repeated mounting of the transducers assuring conformation to the original transducer positioning. They may be left in place at each measurement location where periodic flow surveys are conducted to simplify subsequent installations and ensure repeatable results. | D) 7ME3960-... |    |
| <b>High Precision Transducers</b><br>Selected generally for dedicated meters since the need to cover a range of pipes is not a requirement. They provide the highest accuracy achievable by the meters and therefore should be selected whenever higher accuracy/repeatability is required. They are only applicable to steel pipes but no other metals, and are selected solely by wall thickness.   | D) 7ME3950-... |    | <b>Spacer Bars</b><br>Transducers are required to be mounted at a set distance from each other as determined by pipe size and medium being measured. The spacer bar simplifies this requirement by eliminating the need to undertake a precise dimensional measurement. The flowmeter will specify a specific spacing index which is easily accommodated with the marked indices on the bar.   | D) 7ME3960-... |    |
| <b>High Temperature transducers</b><br>Are selected whenever pipe temperature will exceed 250 °F (120 °C) up to a maximum of 450 °F (232 °C). They are universal type and can therefore be used on any pipe material and are selected by pipe diameter.   | D) 7ME3950-... |   | <b>Clamp-On RTD's</b><br>1000 Ω platinum RTD's for use where temperature is required. Used with Energy Meters to record supply/return temperature. For this purpose precision matched pairs (to 0.02 °C) are supplied. Single RTD's are also used with FUH and FUG meters to enable live calculations of "Liquident" and Standard Volume Correction.   | D) 7ME3950-... |  |
| <b>Weld Seal Mount</b><br>These provide the most secure and strongest mounting of the flow transducers. They are generally selected for "High End" meter types where maximum performance criteria applies. They accommodate high precision transducers designed to mount inside these enclosures. May be welded to the pipe if so desired by the customer. They come in 2-piece or 1-piece configurations depending upon the application pipe size and type (Liquid/Gas). | D) 7ME3960-... |  | <b>Insert RTD's</b><br>Are identical to clamp-on RTD's as described above except that they are inserted into the pipe (In a Thermowell). They provide more precise and quicker responding temperature measurement. They are selected when precise temperature measurement of the actual liquid or gas is required as opposed to pipe "skin temperature". Since they project into the pipe they cannot be used in pipeline that undergo periodic "pigging".   | D) 7ME3950-... |  |
| <b>Mounting tracks</b><br>Typically used on smaller pipes for easier and more stable mounting for dedicated universal style transducer size A or B, also available for dedicated high precision transducer size A or B.   | D) 7ME3960-... |  | <b>Standard Cable (Flow Transducer or RTD)</b><br>Selected for general purpose installations where no special application requirements exist.  | D) 7ME3960-... |  |
|   |                |   | <b>Submersible Cable (Flow Transducer)</b><br>Polyethylene jacketed, for locations that experience periodic or continual submersion of the flow transducers.   | D) 7ME3960-... |  |

| Description  | Order No.      |   |
|--|----------------|---|
| <b>Plenum Cable (Flow Transducer or RTD)</b><br>For temperatures above 180 °F. Teflon jacketed to withstand high temperatures, is used when high temp transducers are specified.   | D) 7ME3960-... |    |
| <b>Armored Cable (Flow Transducer)</b><br>Double shielded cable, selected when cable will not be installed in conduit between meter and transducers.   | D) 7ME3960-... |    |
| <b>Temperature sensor cable</b><br>Cable to connect field installed RTD to flow meter, available in Teflon wrapped, plenum or submersible grade. Typically used for FUE, FUH and FUG series meters where a temperature sensor is employed.   | D) 7ME3960-... |    |
| <b>Straps</b><br>Used to fasten transducers or mounting frames to pipe for dedicated meter installations. Stainless steel construction for corrosion resistance.   | D) 7ME3960-... |    |
| <b>Chains (EZ clamps)</b><br>Used to fasten portable transducers or mounting frames to pipe. Thumbscrews eliminate need for hand tools when mounting transducers, and allow for easy on/off operations.  | D) 7ME3960-... |   |
| <b>Ultrasonic Couplant</b><br>Fills any voids between transducer emitting surface and pipe wall to allow maximum energy transfer between transducer and pipe. Several different types of couplants are employed as determined by the application conditions and type of installation (Temporary or permanent). | D) 7ME3960-... |  |
| <b>Damping Material</b><br>Used with gas meters, and required as part of their transducer installation. This material absorbs excess ultrasonic energy from the pipe wall to enable the meter to detect and operate with low amplitude transducer signals normally associated with Clamp-on Gas applications.  | D) 7ME3960-... |  |
| <b>Test Block</b><br>Used for checking operation of a meter and transducers prior to a field installation, or as a troubleshooting tool. Selected by transducer size, each block accommodates 2 transducer sizes. Available only for universal transducers.  | D) 7ME3960-... |  |

| Description  | Order No.      |   |
|--|----------------|---|
| <b>Termination Kit (Flow Transducer or RTD)</b><br>Provides the connectors, labels and shrink tubing or other associated hardware to complete the termination of a specific cable type. These can be provided in cases where users will be purchasing bulk cable directly and cutting to length at their site, or when existing cable length is to be altered. Selected by cable type. | D) 7ME3960-... |  |



# SITRANS F flowmeters

## SITRANS F US

### Accessories/Spare parts for clamp-on

286

| Selection and Ordering data  | Order No.                  |
|--|----------------------------|
| <i>Spare parts (System)</i>  |                            |
| <b>SITRANS FUS clamp-on</b>  | <b>7ME3940 -</b>           |
| <b>Power supplies, batteries and chargers</b>                      |                            |
| Power supply 110 ... 230 V AC                                      |                            |
| • for IP65 (NEMA 4X) or IP66 (NEMA 7 Wall mount)                   | D) <b>0PA00</b>            |
| • for FUS1020  | D) <b>1PA00</b>            |
| • for IP65 (NEMA 7) Compact  | D) <b>2PA00</b>            |
| Power supply 9 ... 36 V DC   |                            |
| • for IP65 (NEMA 4X) or IP66 (NEMA7 Wall mount)                    | K) <b>0PB00</b>            |
| • for FUS1020  | D) <b>1PB00</b>            |
| • negative ground for NEMA 7 Compact                               | D) <b>2PJ00</b>            |
| • positive ground for NEMA 7 Compact                               | D) <b>2PK00</b>            |
| Portable meter batteries and accessories                           |                            |
| • Internal battery (Portable meters only)                          | D) <b>3PP00</b>            |
| • External 4-hour battery for portable meters                      | D) <b>3BB00</b>            |
| • Charger for external 4-hour battery (for US)                     | D) <b>3BC10</b>            |
| • Charger for external 4-hour battery (for Europe)                 | D) <b>3BC20</b>            |
| • 4-hour battery charger adapter for NEMA 6, weatherproof portable | D) <b>3BA00</b>            |
| IP67 Portable meter charger  |                            |
| • Type A for Europe (CEE7/7)                                       | D) <b>3PC00</b>            |
| • Type C for Australia (AS3112)                                    | D) <b>3PD00</b>            |
| • Type D for UK (BS1363)   | D) <b>3PE00</b>            |
| • Type J for Japan (JIS8303)                                       | D) <b>3PF00</b>            |
| • Type K for US (NEMA 5-15P)                                       | D) <b>3PG00</b>            |
| • Type L for Switzerland (SEV1011)                                 | D) <b>3PH00</b>            |
| IP40 Portable meter charger  |                            |
| • Type A for Europe (CEE7/7)                                       | D) <b>4PC00</b>            |
| • Type C for Australia (AS3112)                                    | D) <b>4PD00</b>            |
| • Type D for UK (BS1363)   | D) <b>4PE00</b>            |
| • Type J for Japan (JIS8303)                                       | D) <b>4PF00</b>            |
| • Type K for US (NEMA 5-15P)                                       | D) <b>4PG00</b>            |
| • Type L for Switzerland (SEV1011)                                 | D) <b>4PH00</b>            |
| <b>System computer modules</b>                                     |                            |
| Modbus converter module  | D) <b>CQO-1015N-5M</b>     |
| Mounting kit (type 1) for Modbus converter module                  | D) <b>CQO-1015N-5M-MK1</b> |
| Mounting kit (type 2) for Modbus converter module                  | D) <b>CQO-1015N-5M-MK2</b> |
| Mounting kit (type 3) for Modbus converter module                  | D) <b>CQO-1015N-5M-MK3</b> |
| Field configuration kit with manual, for Modbus converter module   | D) <b>CQO-1015N-5M-FK1</b> |
| <b>Pipe mounting brackets</b>                                      |                            |
| 2 inch pipe mounting bracket for IP65 (NEMA 7)                     | D) <b>CQO-1012XMB-1</b>    |
| 2 inch pipe mounting bracket for IP65 (NEMA 4X)                    | D) <b>CQO-1012NMB-1</b>    |

| Selection and Ordering data  | Order No.             |
|--|-----------------------|
| <i>Spare parts (Transducers)</i>   |                       |
| <b>SITRANS FUS clamp-on</b>  |                       |
| <b>Meter type</b>  |                       |
| Dedicated (FUS1010, FUG1010, FUH1010, FUE1010, FUS1020)  | D) <b>7ME3950 -</b>   |
| Portable (FUP1010 or FUE1010)  | D) <b>7ME3951 - 0</b> |
| <b>Approvals</b>   |                       |
| UL, ULc, CE (FUS1020 and Portable only)  | <b>0</b>              |
| FM/CSA hazardous (classified) locations  | <b>1</b>              |
| ATEX Ex II 1G EEx ia IIC T5 (not for RTDs)   | <b>2</b>              |
| INMETRO (not for RTDs)   | <b>3</b>              |
| <b>Spare transducer code</b>   |                       |
| <u>For liquid flow transducers pipe ranges please refer to transducer selection chart in the FUS1010 section</u> |                       |
| <u>Liquid flow transducers for use with mounting frames or tracks (including portable)</u>                       |                       |
| A2 universal   | <b>LB00</b>           |
| B3 universal   | <b>LC00</b>           |
| C3 universal   | <b>LD00</b>           |
| D3 universal   | <b>LE00</b>           |
| E2 universal <sup>1)</sup>   | <b>LF00</b>           |
| A1H (high precision)   | <b>LG00</b>           |
| A2H (high precision)   | <b>LH00</b>           |
| A3H (high precision)   | <b>LJ00</b>           |
| B1H (high precision)   | <b>LK00</b>           |
| B2H (high precision)   | <b>LL00</b>           |
| B3H (high precision)   | <b>LT00</b>           |
| C1H (high precision)   | <b>LM00</b>           |
| C2H (high precision)   | <b>LN00</b>           |
| D1H (high precision) <sup>2)</sup>   | <b>LP00</b>           |
| D2H (high precision) <sup>2)</sup>   | <b>LQ00</b>           |
| D3H (high precision) <sup>2)</sup>   | <b>LU00</b>           |
| D4H (high precision) <sup>2)</sup>   | <b>LR00</b>           |
| Doppler  | <b>LS00</b>           |
| <u>High precision liquid transducer for weld seal enclosures</u>   |                       |
| B1H (high precision, weld seal)  | <b>SK00</b>           |
| B2H (high precision, weld seal)  | <b>SL00</b>           |
| B3H (high precision, weld seal)  | <b>ST00</b>           |
| C1H (high precision, weld seal)  | <b>SM00</b>           |
| C2H (high precision, weld seal)  | <b>SN00</b>           |
| D1H (high precision, weld seal)  | <b>SP00</b>           |
| D2H (high precision, weld seal)  | <b>SQ00</b>           |
| D3H (high precision, weld seal)  | <b>SU00</b>           |
| D4H (high precision, weld seal)  | <b>SR00</b>           |
| <u>High temperature universal liquid transducers</u>   |                       |
| Note: not available with INMETRO approval  |                       |
| High temp. transducer size 1 for up to 230 °C (12.7 to 100 mm diam.)   | <b>LA10</b>           |
| High temp. transducer size 2 for up to 230 °C (30 to 200 mm diam.)   | <b>LA20</b>           |
| High temp. transducer size 3 for up to 230 °C (150 to 600 diam.)   | <b>LA30</b>           |
| High temp. transducer size 4 for up to 230 °C (400 to 1200 diam.)  | <b>LA40</b>           |

<sup>1)</sup> Supplied spacer bar supports pipes up to 1050 mm (42 inches). For pipes larger than 1050 mm (42 inches) purchase also, spare part 7ME3960-0MS40 (1012BN-4)

<sup>2)</sup> Supplied spacer bar supports pipes up to 750 mm (30 inches). For pipes larger than 750 mm (30 inches) purchase also, spare part 7ME3960-0MS40 (1012BN-4)

D) Subject to export regulations AL: N, ECCN: EAR99H.  
K) Subject to export regulations AL: N, ECCN: 5A991X.



| Selection and Ordering data   | Order No.             |
|---|-----------------------|
| <i>Spare parts (Transducers)</i>  |                       |
| <b>SITRANS FUS clamp-on</b>   |                       |
| <b>Meter type</b>   |                       |
| Dedicated (FUS1010, FUG1010, FUH1010, FUE1010, FUS1020)   | D) <b>7ME3950 -</b>   |
| Portable (FUP1010 or FUE1010)   | D) <b>7ME3951 - 0</b> |
| <u>FUS1020 High precision liquid flow transducer</u>  |                       |
| A1H (high precision FUS 1020)   | <b>0LG10</b>          |
| A2H (high precision FUS 1020)   | <b>0LH10</b>          |
| A3H (high precision FUS 1020)   | <b>0LJ10</b>          |
| B1H (high precision FUS 1020)   | <b>0LK10</b>          |
| B2H (high precision FUS 1020)   | <b>0LL10</b>          |
| C1H (high precision FUS 1020)   | <b>0LM10</b>          |
| C2H (high precision FUS 1020)   | <b>0LN10</b>          |
| D1H (high precision FUS 1020) <sup>1)</sup>   | <b>0LP10</b>          |
| D2H (high precision FUS 1020) <sup>1)</sup>   | <b>0LQ10</b>          |
| <u>For gas flow transducers pipe ranges please refer to transducer selection chart in the FUG1010 section</u> |                       |
| <u>High precision gas flow transducers for use with mounting frames or tracks</u>                             |                       |
| B1H (high precision)  | <b>GK00</b>           |
| B2H (high precision)  | <b>GL00</b>           |
| B3H (high precision)  | <b>GT00</b>           |
| C1H (high precision)  | <b>GM00</b>           |
| C2H (high precision)  | <b>GN00</b>           |
| D1H (high precision)  | <b>GP00</b>           |
| D2H (high precision)  | <b>GQ00</b>           |
| D3H (high precision)  | <b>GU00</b>           |
| D4H (high precision)  | <b>GR00</b>           |
| <u>High precision gas transducer for weld seal enclosures</u>   |                       |
| B1H (high precision, weld seal)   | <b>HK00</b>           |
| B2H (high precision, weld seal)   | <b>HL00</b>           |
| B3H (high precision, weld seal)   | <b>HT00</b>           |
| C1H (high precision, weld seal)   | <b>HM00</b>           |
| C2H (high precision, weld seal)   | <b>HN00</b>           |
| D1H (high precision, weld seal)   | <b>HP00</b>           |
| D2H (high precision, weld seal)   | <b>HQ00</b>           |
| D3H (high precision, weld seal)   | <b>HU00</b>           |
| D4H (high precision, weld seal)   | <b>HR00</b>           |
| <u>Standard RTD transducers (not for energy systems)</u>  |                       |
| Standard clamp-on RTD   | <b>1TA00</b>          |
| Submersible clamp-on RTD (not for portable)   | <b>1TB00</b>          |
| Insertion style RTD pair (size 1), 140 mm (5.5 inch)  | <b>1TJ00</b>          |
| Insertion style RTD pair (size 2), 216 mm (8.5 inch)  | <b>1TJ01</b>          |
| Insertion style RTD pair (size 3), 292 mm (11.5 inch)   | <b>1TJ02</b>          |
| Insertion style RTD pair (size 4), 368 mm (14.5 inch)   | <b>1TJ03</b>          |

| Selection and Ordering data   | Order No.             |
|---|-----------------------|
| <i>Spare parts (Transducers)</i>  |                       |
| <b>SITRANS FUS clamp-on</b>   |                       |
| <b>Meter type</b>   |                       |
| Dedicated (FUS1010, FUG1010, FUH1010, FUE1010, FUS1020)                         | D) <b>7ME3950 -</b>   |
| Portable (FUP1010 or FUE1010)   | D) <b>7ME3951 - 0</b> |
| <u>Standard for energy system (matched pair)</u>                                |                       |
| Standard clamp-on RTD   | <b>1TA10</b>          |
| Insertion style RTD pair (size 1) for Energy system FUE1010, 140 mm (5.5 inch)  | <b>1TJ10</b>          |
| Insertion style RTD pair (size 2) for Energy system FUE1010, 216 mm (8.5 inch)  | <b>1TJ11</b>          |
| Insertion style RTD pair (size 3) for Energy system FUE1010, 292 mm (11.5 inch) | <b>1TJ12</b>          |
| Insertion style RTD pair (size 4) for Energy system FUE1010, 368 mm (14.5 inch) | <b>1TJ13</b>          |

<sup>1)</sup> Supplied spacer bar supports pipes up to 750 mm (30 inches). For pipes larger than 750 mm (30 inches) purchase also, spare part 7ME3960-0MS40 (1012-BN-4)

# SITRANS F flowmeters

## SITRANS F US

### Accessories/Spare parts for clamp-on

288

| Selection and Ordering data   | Order No.         |
|---|-------------------|
| <i>Spare parts (Miscellaneous)</i>  |                   |
| <b>SITRANS FUS clamp-on</b>   | D) 7ME 3 9 6 0 -  |
| <b>Meter design</b>   |                   |
| IP65 (NEMA 4X) or IP66 (NEMA 7 wall mount)  | 0                 |
| IP65 (NEMA 4) FUS1020   | 1                 |
| IP65 (NEMA 7) Compact   | 2                 |
| IP67 Weather proof portable   | 3                 |
| IP40 (NEMA 1) Portable  | 4                 |
| <b>Dedicated transducer mounting hardware</b>   |                   |
| Transducer mounting frames for  |                   |
| • Universal transducer size B (for pipes >125 mm (5 inch))  | D) CQO-1012FN-PB  |
| • Universal transducer size C   | 0 MC 0 0          |
| • Universal transducer size D   | 0 MC 0 1          |
| • Universal transducer size E   | 0 MC 0 2          |
| • High precision transducer size B (for pipes >125 mm (5 inch))                                   | D) CQO-1012FNH-PB |
| • High precision transducer size C  | 0 MD 0 0          |
| • High precision transducer size D  | 0 MD 0 1          |
| Spacer bars (for indexing transducers on pipe)  |                   |
| • Spacer bars for pipes to 200 mm/8 inch (liquid), 600 mm / 24 inch (gas)                         | 0 MS 1 0          |
| • Spacer bars for pipes to 500 mm/20 inch (liquid), DN 1200 / 48 inch (gas)                       | 0 MS 2 0          |
| • Spacer bars for pipes to 800 mm/32 inch (liquid)  | 0 MS 3 0          |
| • Spacer bars for pipes to 1200 mm/48 inch (liquid)<br>Only use in conjunction with 7ME3960-0MS30 | 0 MS 4 0          |
| Mounting straps for mounting frames (slotted stainless steel)                                     |                   |
| • For pipes from DN 50 to DN 150  | 0 SM 0 0          |
| • For pipes from DN 50 to DN 300  | 0 SM 1 0          |
| • For pipes from DN 300 to DN 600   | 0 SM 2 0          |
| • For pipes from DN 600 to DN 1200  | 0 SM 3 0          |
| • For pipes from DN 1200 to DN 1500   | 0 SM 4 0          |
| • For pipes from DN 1500 to DN 2100   | 0 SM 5 0          |
| • For pipes from DN 2100 to DN 3000   | 0 SM 6 0          |
| Weld seal mounting enclosures for liquid and gas transducers                                      |                   |
| • Single enclosure for size B high precision  | 0 WS 1 0          |
| • Single enclosure for size C high precision  | 0 WS 2 0          |
| • Single enclosure for size D high precision  | 0 WS 3 0          |
| • Single enclosure for size E universal   | 0 WS 4 0          |
| • Dual enclosure for size C high precision  | 0 WD 2 0          |
| • Dual enclosure for size D high precision  | 0 WD 3 0          |
| • Dual enclosure for size E universal   | 0 WD 4 0          |
| Stainless steel bands for weld seal enclosure mounting  |                   |
| • Mounting strap for pipe diameter to 300 mm (13 inch)  | 0 SM 0 1          |
| • Mounting strap for pipe diameter to 600 mm (24 inch)  | 0 SM 1 1          |
| • Mounting strap for pipe diameter to 1200 mm (48 inch)   | 0 SM 2 1          |
| • Mounting strap for pipe diameter to 1500 mm (60 inch)   | 0 SM 3 1          |
| • Mounting strap for pipe diameter to 2130 mm (84 inch)   | 0 SM 4 1          |
| • Mounting strap for pipe diameter to 3050 mm (120 inch)  | 0 SM 5 1          |

| Selection and Ordering data   | Order No.           |
|---|---------------------|
| <i>Spare parts (Miscellaneous)</i>  |                     |
| <b>SITRANS FUS clamp-on</b>   | D) 7ME 3 9 6 0 -    |
| Transducer mounting tracks (aluminium with mounting straps) for pipes < 125 mm (5 inch)                                   |                     |
| • Universal transducer size A or B  | 0 MA 0 0            |
| • High precision transducer size A or B   | 0 MB 0 0            |
| Stainless mounting tracks for high temp 991 transducers   |                     |
| • Size 1 high temp transducer pair  | D) CQO-992MTNHMSH-1 |
| • Size 2 high temp transducer pair  | D) CQO-992MTNHMSH-2 |
| • Size 3 high temp transducer pair  | D) CQO-992MTNHMSH-3 |
| • Size 4 high temp transducer pair  | D) CQO-992MTNHMSH-4 |
| Clamp-on RTD mounting hardware for dedicated systems  |                     |
| • RTD mounting hardware for dedicated system: 152 to 610 mm (6 to 24 inch)  | 0 MR 0 0            |
| • RTD mounting hardware for dedicated system: 12.7 to 50.8 mm (0.5 to 2 inch)   | 0 MR 0 1            |
| • RTD mounting hardware for dedicated system: 31.8 to 203.2 mm (1.25 to 8 inch)   | 0 MR 0 2            |
| • RTD mounting hardware for dedicated system: 508 to 1219 mm (20 to 48 inch)  | 0 MR 0 4            |
| • Junction box for clamp on RTD's   | D) CQO-992ECJ       |
| <b>Portable transducer mounting hardware</b>  |                     |
| Transducer mounting frames  |                     |
| • Universal transducer size B (for pipes >125 mm (5 inch))  | D) CQO-1012FP-PB    |
| • Universal transducer size C   | 3 MC 0 0            |
| • Universal transducer size D   | 3 MC 0 1            |
| • Universal transducer size E   | 3 MC 0 2            |
| • High precision transducer size B (for pipes > 125 mm (5 inch))  | D) CQO-1012FPH-PB   |
| • High precision transducer size C  | 3 MD 0 0            |
| • High precision transducer size D  | 3 MD 0 1            |
| Spacer bar (for indexing portable transducers)  |                     |
|   | 3 MS 0 0            |
| Mounting chain and EZ clamp hardware  |                     |
| • EZ clamp hardware set for DN 25 to DN 600 (1 to 24 inch); handles all transducers except "D" size HP and "E" size univ. | D) CQO-1012Z-1      |
| • EZ clamp hardware set for DN 25 to DN 600 (1 to 24 inch) for "D" size HP and "E" size universal                         | D) CQO-1012Z-2      |
| • Mounting chain for portable transducers: 4 x 760 mm lengths   | 3 CM 1 0            |
| • Mounting chain for portable transducers: 2 x 760 mm and 2 x 1500 mm lengths   | 3 CM 2 0            |
| Transducer mounting tracks for portable transducers (aluminum with mounting chains) for pipes < 125 mm (5 inch) for       |                     |
| • Universal transducer size A or B  | 3 MA 0 0            |
| • High precision transducer size A or B   | 3 MB 0 0            |
| RTD mounting hardware for portable system   |                     |
|   | 3 MR 0 0            |
| Transducer connector adaptors   |                     |
| • "F" connector to BNC adapter (order 2 per transducer set)   | D) CQO-1012NFPA     |

| Selection and Ordering data  | Order No.               |
|--|-------------------------|
| <i>Spare parts (Miscellaneous)</i>   |                         |
| <b>SITRANS FUS clamp-on</b>  | D) <b>7ME3960 -</b>     |
| <b>Insert RTD Thermowells</b>  |                         |
| • Thermowell std. duty uninsulated pipe 140 mm (5.5 inch)  | D) <b>CQO-1012TW-1</b>  |
| • Thermowell std. duty uninsulated pipe 216 mm (8.5 inch)  | D) <b>CQO-1012TW-2</b>  |
| • Thermowell std. duty uninsulated pipe 292 mm (11.5 inch)   | D) <b>CQO-1012TW-3</b>  |
| • Thermowell std. duty with lagging 140 mm (5.5 inch)  | D) <b>CQO-1012TW-1L</b> |
| • Thermowell std. duty with lagging 216 mm (8.5 inch)  | D) <b>CQO-1012TW-2L</b> |
| • Thermowell std. duty with lagging 292 mm (11.5 inch)   | D) <b>CQO-1012TW-3L</b> |
| <b>Transducer cables for</b><br>(Use „Transducer cable selection chart“ to complete Order No. with ##) |                         |
| • IP65 (NEMA 4X) or IP 66 (NEMA 7 wall mount)  | <b>0CK##</b>            |
| • IP65 (NEMA 4) FUS 1020   | <b>1CK##</b>            |
| • IP65 (NEMA 7) Compact  | <b>2CK##</b>            |
| • IP67 Weather proof portable  | <b>3CK##</b>            |
| • IP40 (NEMA 1) Energy portable  | <b>4CK##</b>            |
| <b>RTD cables for</b><br>(Use „Transducer cable selection chart“ to complete Order No. with ##)        |                         |
| • All dedicated systems (except FUS 1020)  | <b>0CR##</b>            |
| • IP67 Weather proof portable  | <b>3CR##</b>            |
| • IP40 (NEMA 1) Energy portable  | <b>4CR##</b>            |
| <b>Dedicated cable termination kits</b>  |                         |
| • Standard, plenum and armored transducer cable (NEMA 4X and NEMA 7 wall)                              | <b>0CT01</b>            |
| • Submersible transducer cable (NEMA 4X and NEMA 7 wall)   | <b>0CT11</b>            |
| • Standard and plenum transducer cable (FUS1020)   | <b>1CT01</b>            |
| • Standard, plenum and armored transducer cable (compact NEMA 7)                                       | <b>2CT01</b>            |
| • Submersible transducer cable (compact NEMA 7)  | <b>2CT11</b>            |
| • Clamp-on RTD cable termination kit for standard RTD  | <b>0CT21</b>            |
| • Clamp-on RTD cable termination kit for submersible RTD   | <b>0CT31</b>            |
| • Insert RTD cable termination kit   | <b>0CT41</b>            |

| Selection and Ordering data   | Order No.             |
|---|-----------------------|
| <i>Spare parts (Miscellaneous)</i>  |                       |
| <b>SITRANS FUS clamp-on</b>   | D) <b>7ME3960 -</b>   |
| <b>Ultrasonic couplants</b>   |                       |
| • Temporary water based for portable systems: 350 ml (12 oz): -34 ... +38 °C (-30 ... +100 °F)    | <b>0UC10</b>          |
| • Permanent synthetic polymer based: 90 ml (3 oz) -40 ... +190 °C (-40 ... +375 °F)               | <b>0UC20</b>          |
| • Permanent high temp fluoroether: 12 ml (0.4 oz): -40 ... +230 °C (-40 ... +450 °F)              | <b>0UC30</b>          |
| • Permanent high temp fluoroether: 163 ml (5.5 oz): -40 ... +230 °C (-40 ... +450 °F)             | <b>0UC31</b>          |
| • Permanent vulcanizing silicone rubber couplant: 90 ml (3 oz): -40 ... +120 °C (-40 ... +250 °F) | D) <b>CQO-CC112</b>   |
| • Permanent high temp silicone grease: 12 ml (0.4 oz): -40 ... +230 °C (-40 ... +450 °F)          | D) <b>CQO-CC117</b>   |
| • Permanent high temp silicone grease: 150 ml (5 oz): -40 ... +230 °C (-40 ... +450 °F)           | D) <b>CQO-CC117A</b>  |
| • Couplant for submersible transducer applications  | D) <b>CQO-CC120</b>   |
| <b>Pipe damping films for FUG gas systems</b>   |                       |
| • B1, B2, B3, C1 and C2 transducers   | <b>0DM10</b>          |
| • D1 and D3 transducers   | <b>0DM20</b>          |
| • D2 transducer   | <b>0DM30</b>          |
| • D4 transducer   | <b>0DM40</b>          |
| <b>Serial RS232 Cables and I/O Adapters</b>   |                       |
| • RS232 Cable for all dedicated meters  | <b>0CS00</b>          |
| • RS232 Cable for IP66 Weather proof portable meter   | <b>3CS00</b>          |
| • RS232 Cable for IP40 Portable meter   | <b>4CS00</b>          |
| • I/O adapter for IP66 Weather proof portable meter   | <b>3AD00</b>          |
| <b>Universal Transducer Test Blocks</b>   |                       |
| • Test block for size A and B universal transducers   | <b>0TB10</b>          |
| • Test block for size C and D universal transducers   | <b>0TB20</b>          |
| <b>Field Manuals</b>  |                       |
| • CD with documentation for SITRANS F US Clamp-on ultrasonic flowmeters (English)                 | D) <b>CQO-CDM0001</b> |

# SITRANS F flowmeters

## SITRANS F US

### Accessories/Spare parts for clamp-on

#### Transducer cable selection chart (Dedicated, Pair)

| Transducer cable codes for length and type options |   |  |  |  |
|--|---|--|--|--|
| Cable length<br>m (ft)                             | Standard<br>-40...+80 °C<br>(-40...+176 °F) | Submersible<br>-40...+80 °C<br>(-40...+176 °F) | Plenum<br>-40...+200 °C<br>(-40...+392 °F) | Armored<br>-40...+80 °C<br>(-40...+176 °F) |
| Order code   |   |  |  |  |
| 6 (20)   | <b>K01</b>                                  | <b>K11</b>                                     | <b>K21</b>                                 | <b>K31</b>                                 |
| 15 (50)  | <b>K02</b>                                  | <b>K12</b>                                     | <b>K22</b>                                 | <b>K32</b>                                 |
| 30 (100)   | <b>K03</b>                                  | <b>K13</b>                                     | <b>K23</b>                                 | <b>K33</b>                                 |
| 46 (150)   | <b>K04</b>                                  | <b>K14</b>                                     | <b>K24</b>                                 | <b>K34</b>                                 |
| 61 (200)   | <b>K05</b>                                  | <b>K15</b>                                     | <b>K25</b>                                 | <b>K35</b>                                 |
| 91 (300)   | <b>K06</b>                                  | <b>K16</b>                                     | <b>K26</b>                                 | <b>K36</b>                                 |

#### Transducer cable selection chart (FUP1010, Portable FUE1010, pair)

| Transducer cable codes for length and type options |  |   |
|--|--|---|
| Cable length<br>m (ft)                             | Standard<br>-40 ... + 80 °C<br>(-40 ... +176 °F) | Plenum<br>-40 ... + 200 °C<br>(-40 ... +392 °F) |
| Order Code   |  |   |
| 6 (20)   | <b>K01</b>                                       | <b>K21</b>                                      |
| 15 (50)  | <b>K02</b>                                       | <b>K22</b>                                      |
| 30 (100)   | <b>K03</b>                                       | <b>K23</b>                                      |

#### RTD cable selection chart (Dedicated, each)

| RTD cable codes for length and type |  |   |   |   |
|-------------------------------------|--|---|---|---|
| Cable length<br>m (ft)              | Standard<br>-40 ... +200 °C<br>(-40 ... +392 °F) | Submersible<br>-40 ... +200 °C<br>(-40 ... +392 °F) | for insert RTD<br>-40 ... +200 °C<br>(-40 ... 392 °F) | for submersible insert RTD<br>-40 ... +200 °C<br>(-40 ... 392 °F) |
| Order code                          |  |   |   |   |
| 6 (20)                              | <b>R01</b>                                       | <b>R11</b>  | <b>R21</b>  | <b>R31</b>  |
| 15 (50)                             | <b>R02</b>                                       | <b>R12</b>  | <b>R22</b>  | <b>R32</b>  |
| 30 (100)                            | <b>R03</b>                                       | <b>R13</b>  | <b>R23</b>  | <b>R33</b>  |
| 46 (150)                            | <b>R04</b>                                       | <b>R14</b>  | <b>R24</b>  | <b>R34</b>  |
| 61 (200)                            | <b>R05</b>                                       | <b>R15</b>  | <b>R25</b>  | <b>R35</b>  |
| 91 (300)                            | <b>R06</b>                                       | <b>R16</b>  | <b>R26</b>  | <b>R36</b>  |

#### RTD cable selection chart (FUP1010, Portable FUE1010, each)

| RTD cable codes for length and type options |   |
|---|---|
| Cable length<br>m (ft)                      | IP67<br>-40 ... + 200 °C<br>(-40 ... +392 °F) |
| Order Code                                  |   |
| 6 (20)                                      | <b>R11</b>                                    |
| 15 (50)                                     | <b>R12</b>                                    |
| 30 (100)                                    | <b>R13</b>                                    |

#### Accessories - Mainstream offering

| Description                                     | Recommended safety stock | Order No.               |
|---|--------------------------|-------------------------|
| Insert RTD size 1                               | 5                        | D) <b>7ME3950-1TJ10</b> |
| Thermowell size 1 w/lagging                     | 5                        | D) <b>CQO:1012TW-1L</b> |
| EZ Clamp 1 ... 24 inch                          | 20                       | D) <b>CQO:1012Z-1</b>   |
| Junction Box for Clamp RTD                      | 10                       | D) <b>CQO:992ECJ</b>    |
| Term kit standard, Plenum, Armored sensor cable | 50                       | D) <b>7ME3960-0CT01</b> |
| Term kit Submersible sensor cable               | 50                       | D) <b>7ME3960-0CT11</b> |
| C1 Weld seal                                    | 12                       | D) <b>7ME3960-0WS20</b> |
| D1 Weld Seal                                    | 12                       | D) <b>7ME3960-0WS30</b> |
| C2 Weld Seal                                    | 12                       | D) <b>7ME3960-0WD20</b> |
| D2 Weld Seal                                    | 12                       | D) <b>7ME3960-0WD30</b> |
| Straps size 2                                   | 50                       | D) <b>7ME3960-0SM11</b> |
| Straps size 3                                   | 20                       | D) <b>7ME3960-0SM21</b> |
| Straps size 4                                   | 8                        | D) <b>7ME3960-0SM31</b> |
| Weld seal transducers C2 FM                     | 14                       | D) <b>7ME3950-1SN00</b> |
| Weld seal transducers D1 FM                     | 14                       | D) <b>7ME3950-1SP00</b> |
| Weld seal transducers D2 FM                     | 12                       | D) <b>7ME3950-1SQ00</b> |
| Weld seal transducers D4 FM                     | 8                        | D) <b>7ME3950-1SR00</b> |
| Weld seal transducers C2 ATEX                   | 14                       | D) <b>7ME3950-2SN00</b> |
| Weld seal transducers D1 ATEX                   | 14                       | D) <b>7ME3950-2SP00</b> |
| Weld seal transducers D2 ATEX                   | 12                       | D) <b>7ME3950-2SQ00</b> |
| Weld seal transducers D4 ATEX                   | 8                        | D) <b>7ME3950-2SR00</b> |
| Weld seal transducers Gas C2 FM                 | 14                       | D) <b>7ME3950-1HN00</b> |
| Weld seal transducers Gas D1 FM                 | 14                       | D) <b>7ME3950-1HP00</b> |
| Weld seal transducers Gas D2 FM                 | 12                       | D) <b>7ME3950-1HQ00</b> |
| Weld seal transducers Gas D4 FM                 | 6                        | D) <b>7ME3950-1HR00</b> |
| Weld seal transducers Gas C2 ATEX               | 14                       | D) <b>7ME3950-2HN00</b> |
| Weld seal transducers Gas D1 ATEX               | 14                       | D) <b>7ME3950-2HP00</b> |
| Weld seal transducers Gas D2 ATEX               | 12                       | D) <b>7ME3950-2HQ00</b> |
| Weld seal transducers Gas D4 ATEX               | 6                        | D) <b>7ME3950-2HR00</b> |

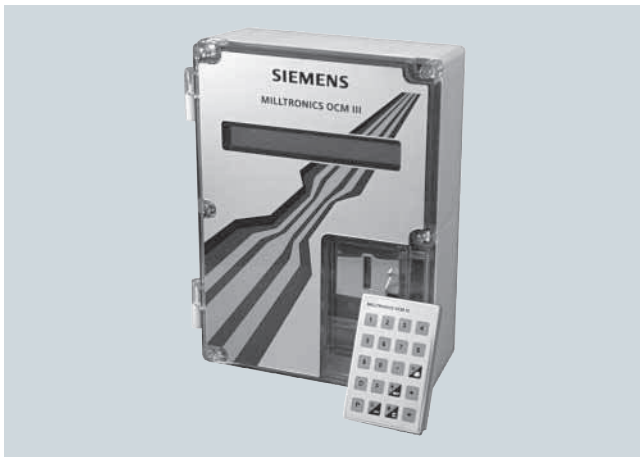
Mainstream product offering represents 4 to 6 weeks delivery time.

# SITRANS F flowmeters

## Continuous measurement - Open channel flow

OCM III

### Overview



The OCM III is a high accuracy ultrasonic flow monitor for open channels.

### Benefits

- Influent and effluent monitor
- BS 3680 calculations provide exceptional accuracy in measuring flow
- 1 to 24 months data log, subject to logging rate
- RS-232 serial communication
- High accuracy on unique or non-standard weirs and flumes
- AC and DC operation. Automatically switches to battery operation for uninterrupted power
- Dual power input
- Low power remote monitoring
- Flow Reporter software available for remote monitoring, configuration and data retrieval

### Application

In addition to monitoring flowrate in sewage works, OCM III can monitor industrial discharge, rainfall/storm water studies, in-flow/infiltration studies and sewer system evaluations. As well as being compatible with many standard weirs and flumes, the programmable head versus flow curve (up to 16 points) accurately defines flow rate on unique or non-standard weirs and flumes.

The OCM III has data logging and is adjustable from once per minute to once a day. It records the average flow rate for that time period. Daily, it records minimum/maximum of temperature and flow rates, and the time they occurred, as well as the daily total. Advanced functions include variable rate logging. It can be pre-programmed to log at a higher rate when needed. Under steady conditions, the OCM III automatically logs less frequently to conserve data log space.

The OCM III has two-way communication via RS-232 with a modem or a bi-polar current loop with a current-to-voltage communication converter. Data logs can be downloaded to a file that can be manipulated into a spreadsheet or ASCII format.

### Technical specifications

#### Mode of Operation

Measuring range<sup>1)</sup> 0.3 to 1.2 m (1 to 4 ft) or 0.6 to 3 m (2 to 10 ft)

#### Output

Transducer Echomax<sup>®</sup> XRS-5, 44 kHz  
Relays 3 alarm/control relays, 1 SPDT Form C contact per relay, rated 5 A at 250 V AC non-inductive or 30 V DC

|              |   |
|--------------|---|
| mA output    | 0/4 to 20 mA, isolated  |
| • Max. load  | 1 K $\Omega$ max. load  |
| • Resolution | 5 $\mu$ A   |
| • Isolation  | 300 V AC continuous   |
| • DC output  | +24 V DC, 20 mA average to 200 mA at 1/10 duty cycle max. 0 to 20 |

#### Accuracy

|                      |  |
|----------------------|--|
| Error in measurement | $\pm$ 1 mm/m, calculated error less than 0.02% |
| Resolution           | 0.2 mm (0.007")                                |

#### Rated operating conditions

##### Installation conditions

|                       |                |
|-----------------------|----------------|
| Location              | Indoor/outdoor |
| Installation category | II             |
| Pollution degree      | 4              |

##### Ambient conditions

|                                 |                               |
|---------------------------------|-------------------------------|
| Ambient temperature (enclosure) | -20 to +50 °C (-5 to +122 °F) |
|---------------------------------|-------------------------------|

#### Design

|                                  |                      |
|----------------------------------|----------------------|
| Weight                           | 2.3 kg (5.1 lbs)     |
| Material (enclosure)             | Polycarbonate        |
| Degree of protection (enclosure) | IP65/Type 4X/NEMA 4X |

#### Cable

|                                 |  |
|---------------------------------|--|
| Transducer and mA output signal | <ul style="list-style-type: none"> <li>• Transducer: co-axial to be RG62-A/U low capacity</li> <li>• mA output signal to be 2 copper conductors, twisted, with foil shield/drain wire, 300 V 0.5 to 0.75 mm<sup>2</sup> (22 to 18 AWG)</li> <li>• Relay/power to be copper conductors per local requirements to meet 250 V 5 A contact rating</li> </ul> |
|---------------------------------|--|

|  |                |
|--|----------------|
| Max. separation between transducer and transceiver | 183 m (600 ft) |
|--|----------------|

#### Displays and controls

|             |   |
|-------------|---|
| Programming | LCD 5 x 7 dot matrix display with 2 lines of 40 characters each   |
| Memory      | Via removable programmer and communication link   |
|             | 3 V battery (NEDA 5003LC or equivalent), operating life 1 year, SuperCap capacitor for back-up during battery replacement |

#### Power supply

|            |  |
|------------|--|
| AC version | 100/115/200/230 V AC $\pm$ 15%, 50/60 Hz, 20 VA max. |
| DC version | 9 to 30 V DC, 8 W max.                               |

#### Certificates and approvals

CE, FM, CSA<sub>NRTL/C</sub>, MCERTS, C-TICK<sup>2)</sup>

#### Communication

RS-232 or  $\pm$  20 mA bipolar current loop, 300, 600, 1200, 2400, 4800, 9600, 19200 baud

#### Options

|                    |  |
|--------------------|--|
| Temperature sensor | TS-2   |
| Remote monitoring  | Flow Reporter, a Windows <sup>®</sup> -based configuration software and data extractor |
| Velocity sensor    | Consult with factory   |

<sup>1)</sup> Program range is defined as the empty distance to the face of the transducer plus any range extension

<sup>2)</sup> EMC performance available upon request  
Windows<sup>®</sup> is a registered trademark of Microsoft Corporation

# SITRANS F flowmeters

## Continuous measurement - Open channel flow

### OCM III

| Selection and Ordering data  | Order No.  |
|--|--|
| <b>OCM III</b><br>High accuracy ultrasonic flow monitor for open channels.   | C) <b>7ML1002-</b><br>A 0  |
| <b>Input voltage</b><br>AC, voltage selector switch  | 0  |
| <b>Enclosure</b><br>Wall mount, standard enclosure<br>Wall mount, 6 entries, M20 holes <sup>1)</sup>                                   | A<br>B   |
| <b>Approvals</b><br>CSA <sup>ANRTLIC</sup> , FM, CE (EN61326), C-TICK<br>CE <sup>2)</sup>  | 5<br>6   |
| <b>Instruction manual</b><br>English<br>French<br>Spanish<br>German  | C) <b>7ML1998-5AB01</b><br>C) <b>7ML1998-1AB11</b><br>C) <b>7ML1998-1AB21</b><br>C) <b>7ML1998-1AB31</b> |
| Note: The instruction manual should be ordered as a separate line on the order.  |  |
| This device is shipped with the Siemens Milltronics manual CD containing the complete ATEX Quick Start and instruction manual library. |  |
| <b>Required equipment</b><br><u>TS-2 Temperature Sensor</u>  |  |
| TS-2, 1 m cable  | C) <b>7ML1812-1AA1</b>   |
| TS-2, 5 m cable  | C) <b>7ML1812-2AA1</b>   |
| TS-2, 10 m cable   | C) <b>7ML1812-3AA1</b>   |
| TS-2, 30 m cable   | C) <b>7ML1812-4AA1</b>   |
| TS-2, 50 m cable   | C) <b>7ML1812-5AA1</b>   |
| TS-2, 70 m cable   | C) <b>7ML1812-6AA1</b>   |
| TS-2, 90 m cable   | C) <b>7ML1812-7AA1</b>   |
| TS-2 Instruction manual  | C) <b>7ML1998-1EW01</b>  |
| Note: The TS-2 instruction manual should be ordered as a separate line item on the order.  |  |
| <b>Accessories</b>   |  |
| Handheld programmer  | <b>7ML1830-2AA</b>   |
| Tag, stainless steel, 12 x 45 mm (0.47 x 1.77"), one text line, suitable for enclosure   | <b>7ML1930-1AC</b>   |
| M20 cable gland kit (6 M20 cable glands, 6 M20 nuts, 3 stop plugs)   | <b>7ML1830-1GM</b>   |
| Flow Reporter software license   | B) <b>7ML1930-1AK</b>  |
| Flow Reporter Kit (includes disk, authorization code and cable)  | B) <b>7ML1930-1AL</b>  |
| <b>Spare parts</b>   |  |
| Card, Mother, main   | C) <b>7ML1830-1MG</b>  |
| Card, daughter/display   | C) <b>7ML1830-1LT</b>  |
| Card, LCD  | <b>7ML1830-1KY</b>   |
| Eprom  | C) <b>7ML1830-1KW</b>  |
| Battery  | C) <b>7ML1830-1JV</b>  |
| OCM III Lid overlay  | <b>7ML1830-1KV</b>   |

1) Available with approval option 6 only

2) Available with enclosure option B only

B) Subject to export regulations AL: N, ECCN: EAR99S

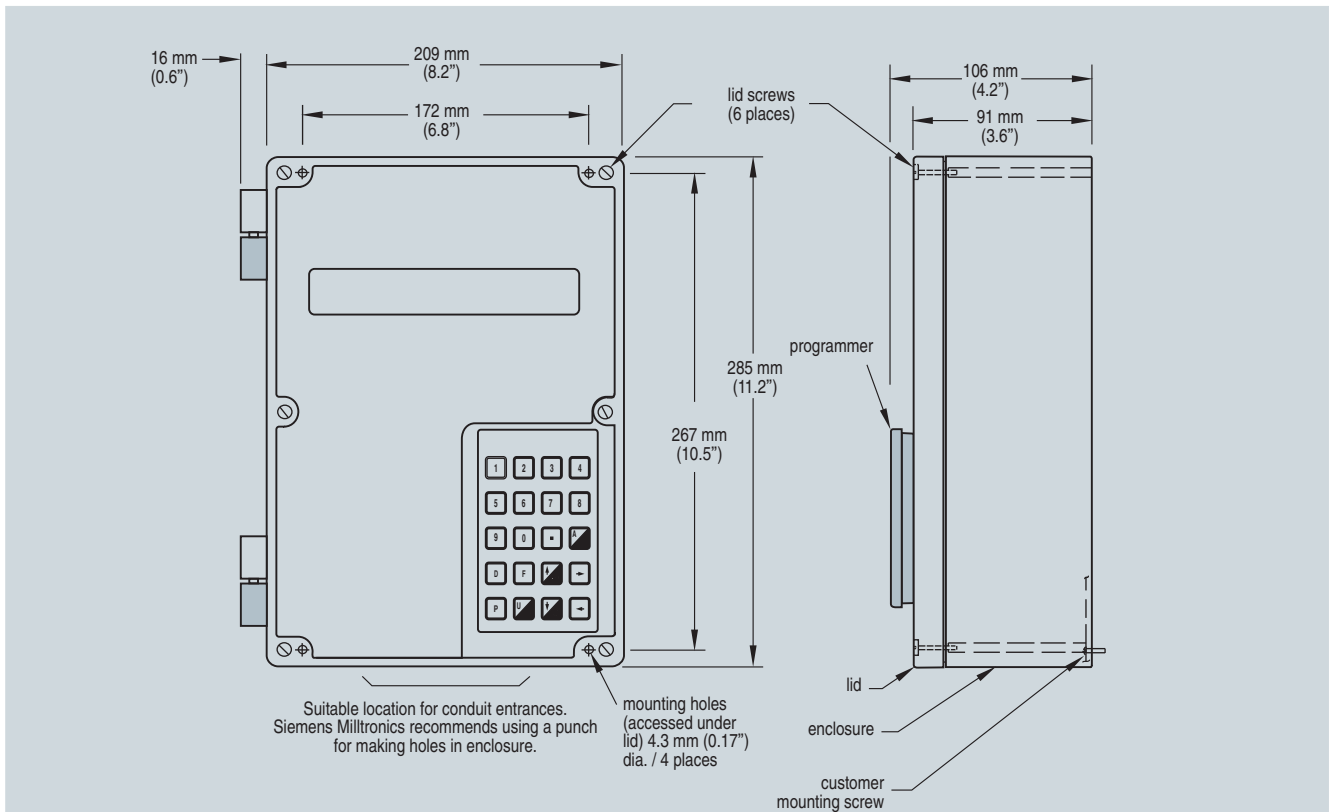
C) Subject to export regulations AL: N, ECCN: EAR99

# SITRANS F flowmeters

## Continuous measurement - Open channel flow

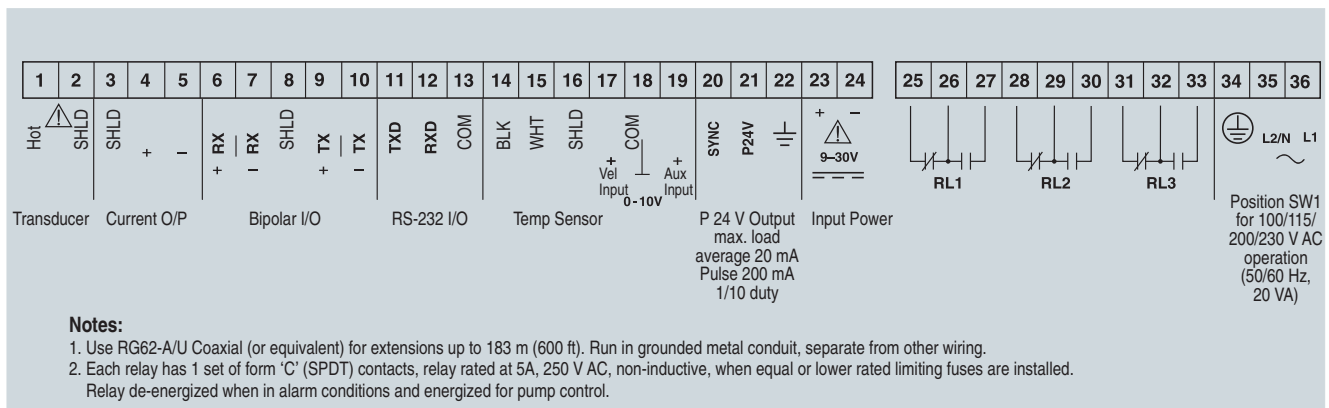
OCM III

### Dimensional drawings



OCM III dimensions

### Schematics



OCM III connections

293



# SITRANS F flowmeters

## SITRANS F X

### SITRANS FX300

#### Overview



SITRANS F X vortex flowmeters provide accurate volumetric and mass flow measurement of steam, gases and liquids as an all-in-one solution with integrated temperature and pressure compensation.

#### Benefits

- All devices have 2-wire technology and HART communication
- Temperature compensation for saturated steam as standard feature
- Integrated temperature and pressure compensation enabling direct compensation of density
- Pressure, temperature and flow can be read at a single point. No additional installation of pressure and temperature sensors
- Direct measurement of energy
- Optimum process reliability thanks to Intelligent Signal Processing (ISP) - stable readings, free of external perturbations
- Fully welded stainless steel construction with high corrosion, pressure and temperature resistance
- Maintenance-free sensor design
- Ready to use due to plug & play feature. No additional cabling work
- Minimal pressure drop

#### Application

The SITRANS FX300 is a compact flowmeter in a single or dual transmitter version, suitable for measuring industrial steam, gases, as well as conductive and non-conductive liquids. E.g. steam (saturated steam, superheated steam), industrial gases (compressed air, nitrogen, liquefied gases, flue gases), and conductive and non-conductive liquids (demineralized water, boiler feed water, solvents, heat transfer oil).

The main applications of SITRANS FX300 can be found in the following sectors:

- Chemical
- Petrochemical
- Oil & Gas
- Power plants
  - Air
  - Heating
  - Cooling
  - Chilling
- Food & beverage
  - Pharmaceutical
  - Sugar refineries
  - Dairies
  - Breweries
  - Production of soft drinks
- Refining
- Water & waste water

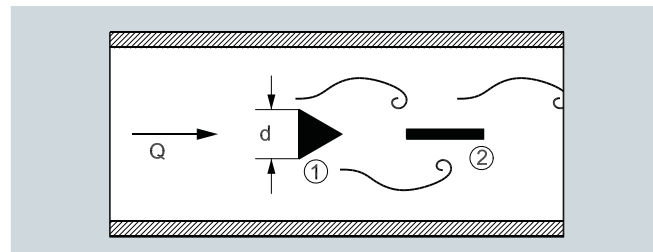
#### System Overview

| Version  | Single transmitter |                 |                                     | Dual transmitter |
|----------|--------------------|-----------------|-------------------------------------|------------------|
|          | Standard           | Pressure sensor | Pressure sensor and isolation valve | Standard         |
| Options  |                    |                 |                                     |                  |
| Flange   |                    |                 |                                     |                  |
| Sandwich |                    |                 |                                     |                  |

#### Function

##### Operating Principle

SITRANS F X vortex flowmeters measure flow rate by detecting the frequency at which alternating vortices are shed from a bluff body inserted into the flow stream. This principle of measurement is known as Von Karman's vortex street principle: alternating vortices form behind an object in a stream. The frequency of the alternating vortices is proportional to the flow rate. The passage of a vortex causes a slight stress on a pick-up placed downstream of the bluff body. The stress is picked up and counted as pressure surges by a dual Piezo crystal placed inside the wing.



① = Bluff Body, ② = Pick-up

The flowmeter calculates the flow velocity using the following equation:

$$Q = A \cdot V = A \cdot d / St \cdot f = 101,93 \cdot f / K \text{ [m}^3\text{/h]}$$

Where:

- Q = flow rate [m<sup>3</sup>/h]
- f = vortex shedding frequency [Hz]
- K = calibration constant [pulses/ft<sup>3</sup>]
- d = diameter of the bluff body [m]
- St = Strouhal Number
- A = cross-section area [m<sup>2</sup>]
- V = flow velocity [m/s]

#### Requirements

In order to generate the vortex streets, the medium must have a minimum velocity:

- For steam and gases, the flow rate must be 2 to 80 m/s (6.6 to 262 ft/s)
- For liquids the flow rate must be 0.4 to 10 m/s (1.3 to 32.8 ft/s)

### Design

SITRANS FX300 volumetric and mass flowmeter is available in the following configurations:

#### SITRANS FX300 Single transmitter

The single transmitter is available as a flange or sandwich solution in the following versions:

- **Vortex standard flowmeter**  
Measurement with integrated temperature sensor as standard feature
- **Vortex flowmeter with pressure sensor**  
Measurement with integrated temperature and pressure sensors for compensation of gases, wet gases, gas mixtures or steam (for energy measurement).
- **Vortex flowmeter with pressure sensor and isolation valve**  
Allowing the pressure sensor to be shut off for the purpose of pressure or leak testing of the pipeline or for being exchanged without interrupting the process. Using the built-in two-way valve, the pressure sensor can also be calibrated and tested at a later time.

#### SITRANS FX300 Dual transmitter

This is a genuine redundant system with two independent sensors and two converters providing twofold functional reliability and availability of the measurement. This variant is optimally suited for measurements in multi-product pipelines.

The dual converter is available as:

- **Vortex standard flowmeter**  
Measurement with temperature sensor for saturated steam compensation as standard feature

### Technical specifications

| Input  |   |
|--|---|
| Measuring range limits   | See „Dimensional Drawings“  |
| Media pressure   | 1 ... 100 bar<br>(Higher pressures on request)                        |
| Output   |   |
| Current output   |   |
| • Measuring range  | 4 ... 20 mA   |
| • Over range   | 20.8 mA ± 1 % (105 % ± 1 %)   |
| • Load   |   |
| - min.   | 100 Ω   |
| - max.   | $R_{\max} = (U_{\text{Power Supply}} - 14 \text{ V}) / 22 \text{ mA}$ |
| • Error signal   | NAMUR NE 43   |
| • Maximum output   | 22 mA (112.5 %)   |
| • Multidrop mode   | 4 mA  |
| Digital output   |   |
| • Communication  | HART  |
| • Physical layer   | FSK   |
| • Device category  | Transmitter   |
| Pulse Output   |   |
| (Passive pulse output, needs separate power supply. Pulse output has to be defined in the Option menu Y47 totalizer or energy unit has to be entered.<br>E.g.: 1 pulse/kg or 1 pulse/10 m <sup>3</sup> ) |   |
| • Pulse frequency  | Max. 0.5 Hz   |
| • Power supply   | Min. 24 V DC as NAMUR or  |
| • Non-Ex version   | open < 1 mA, max. 36 V,<br>closed 100 mA, $U < 2 \text{ V}$           |
| • Ex version   | open < 1 mA, max. 30 V,<br>closed 100 mA, $U < 2 \text{ V}$           |

### Accuracy

Standard version

- For liquids  
-  $Re \geq 20\,000$  ± 0.75 %
- For steam and gases  
-  $Re \geq 20\,000$  ± 1 %
- For steam, gases and liquids  
-  $10\,000 < Re < 20\,000$  ± 2 %

Pressure and temperature-compensated version

- For liquids  
-  $10\,000 < Re < 20\,000$  ± 2 %  
-  $Re \geq 20\,000$  ± 0.75 %
- For gases and steam  
-  $10\,000 < Re < 20\,000$  ± 2.5 %  
-  $Re \geq 20\,000$  ± 1.5 %

Repeatability ± 0,1 %

### Installation conditions

(At different conditions, e.g. installation after control valve, bends or reductions, please refer to the operating instructions.)

- Inlet run ≥ 20 x DN
- Outlet run ≥ 5 x DN

### Software

Uncompensated for gases, steam and liquids, but temperature-compensated for saturated steam Select 1

Density-compensated by temperature and pressure for superheated steam, no energy calculation Select 4

Gross heat

When the device has to operate as an energy calculation device Select 5

In options Y51 to Y56 add information regarding:

- Y51 Variable current output
- Y52 Power unit  
Select one of the following units from power units table in Y52: kJ/h, MJ/h, GJ/h, Btu/h, kcal/h, kW, MW or special (custom)
- Y53 Fullscale power value
- Y54 Variable pulse output
- Y55 Totalizer on/off
- Y56 Configures for totalizer select one of the following units from energy units table in Y56: kJ, MJ, GJ, Btu th, kcal, kWh, MWh or special (custom).

Gases and wet gases

Select 7

Wet gases

Select Y49 and enter relative humidity in %

FAD - Free Air Delivery

When the device has to operate close to a compressor

Select 8

In Y81 to Y87 add information regarding:

- Y81 Inlet suction temperature
- Y82 Atmosphere pressure
- Y83 Pressure drop filter
- Y84 Inlet relative humidity
- Y85 Actual revolutions per minute (of compressor)
- Y86 Rated rpm of compressor
- Y87 Outlet relative humidity. This information is available from compressor supplier.

Mixed gases

When the fluid is a gas mixture, make an SDR request (sheet available on intranet) and fill in gas names and amount in %

# SITRANS F flowmeters

## SITRANS F X

### SITRANS FX300

#### Rated operation conditions

|                      |   |
|----------------------|---|
| Ambient temperature  |   |
| • Non-Ex version     | -40 ... +85 °C (-40 ... +185 °F)  |
| • Ex version         | -40 ... +65 °C (-40 ... +149 °F)  |
| Storage temperature  | -50 ... +85 °C (-58 ... +185 °F)  |
| Media temperature    | -40 ... +240 °C (-40 ... +464 °F)   |
| Density              | Taken into consideration when rating  |
| Viscosity            | < 10 cP   |
| Reynolds number      | 10 000 ... 2 300 000  |
| Media pressure limit | Max. 100 bar<br>(Higher pressure on request.<br>Make an SDR request, sheet available on intranet) |

#### Design

|   |  |
|---|--|
| Material  |  |
| • Sensor: house/pick-up                           | 1.4404(316L)/1.4435(316L)<br>Hastelloy C22 available<br>(make an SDR request, sheet available on intranet)   |
| • Housing: transmitter                            | Aluminium<br>Aluminium (paint petrol) for increased requirement  |
| • Sensor gaskets: for pick-up and pressure sensor | 1.4435(316L)/FPM or FFKM<br>FPM (Viton®) by steam and non-aggressive gases.<br>FFKM (Kalrez®) by chlorine and other aggressive gases (only available together with a pressure sensor). |
| Process connections                               | Flange norm EN 1092-1 form B1/B2 or ASME B16.5 RF.<br>Other flanges on request.<br>Make an SDR request, sheet available on intranet  |
| • Flange version                                  | DN 15 ... 300 (½ ... 12")  |
| • Sandwich version                                | DN 15 ... 100 (½ ... 4")   |
| Degree of protection                              | IP66/IP67  |
| Dimensions and weights                            | See „Dimensional Drawings“   |

#### Display and operating interface

|               |                                 |
|---------------|---------------------------------|
| Local display | 2 lines, 10 characters per line |
| Languages     | German, English, French         |

#### Power supply

|                    |                |
|--------------------|----------------|
| • Standard version | 14 ... 36 V DC |
| • Ex version       | 14 ... 30 V DC |

#### Certificates and approvals

|                      |                             |
|----------------------|-----------------------------|
| Explosion protection |                             |
| • ATEX               | II 2G EEx d ia [ia] IIC T6  |
| • FM US/C            | Class I, II, III, Div 1 & 2 |

#### Calibration

All flowmeters will be delivered with a 3 point calibration certificate

#### Material Certificate

Certificate of compliance, pressure test, material certificate, material in acc. of NACE and PMI of pressure bearing metal parts.

#### Cleaning

Choice Cleaning Class1 when fluid is oxygen or contains chloride.

#### Certificates

X-ray test on pressurized weldings and dye penetration test on pressure bearing weldings

Dye penetration test

| Selection and Ordering data   |                    | Order No.      |
|---|--------------------|----------------|
| <b>SITRANS FX300 Flanged Single transmitter and T<sub>max</sub> = 240 °C (464 °F)</b> |                    | 7 ME 2 6 0 0 - |
| <b>Connection size</b>  | <b>Sensor size</b> |                |
| DN 15 (½")  | DN 15              | 1 A            |
| DN 25 (1")  | DN 25              | 2 B            |
| DN 40 (1½")   | DN 40              | 2 K            |
| DN 50 (2")  | DN 50              | 2 R            |
| DN 80 (3")  | DN 80              | 3 L            |
| DN 100 (4")   | DN 100             | 3 S            |
| DN 150 (6")   | DN 150             | 4 M            |
| DN 200 (8")   | DN 200             | 4 T            |
| DN 250 (10")  | DN 250             | 4 W            |
| DN 300 (12")  | DN 300             | 5 E            |
| <b>Flange norm and nominal pressure</b>   |                    |                |
| <b>Form B1/B2</b>   | <b>EN 1092-1</b>   |                |
| PN 10   | DN 200 ... 300     | A              |
| PN 16   | DN 50 ... 300      | B              |
| PN 25   | DN 200 ... 300     | C              |
| PN 40   | DN 15 ... 300      | D              |
| PN 63   | DN 50 ... 150      | E              |
| PN 100  | DN 15 ... 150      | F              |
| <b>RF</b>   | <b>ASME B16.5</b>  |                |
| 150 lb  | ½ ... 12"          | J              |
| 300 lb  | ½ ... 12"          | K              |
| 600 lb  | ½ ... 6"           | L              |
| <b>Sensor material/Gasket</b>   |                    |                |
| Stainless steel 1.4404 (316L)/1.4435 (316L)/FPM                                       |                    | 1              |
| Stainless steel 1.4404 (316L)/1.4435 (316L)/FFKM                                      |                    | 5              |
| <b>Transmitter design</b>   |                    |                |
| Compact, none cable   |                    | 1              |
| <b>Approval and cable gland</b>   |                    |                |
| Non Ex, M20x1,5   |                    | 1              |
| Non Ex, ½" NPT  |                    | 2              |
| ATEX, M20x1,5   |                    | 4              |
| ATEX, ½" NPT  |                    | 5              |
| FM US/C, M20x1.5  |                    | 6              |
| FM US/C, ½" NPT   |                    | 7              |
| <b>Transmitter, display and communication</b>   |                    |                |
| With display, HART  |                    | A              |
| <b>Pressure sensor and isolation valve</b>  |                    |                |
| Without pressure sensor   |                    | A              |
| With pressure sensor, range:  |                    |                |
| 4 bar   |                    | B              |
| 6 bar   |                    | D              |
| 10 bar  |                    | E              |
| 16 bar  |                    | G              |
| 25 bar  |                    | H              |
| 40 bar  |                    | K              |
| 60 bar  |                    | L              |
| 100 bar   |                    | N              |
| With isolation valve and pressure sensor, range:                                      |                    |                |
| 4 bar   |                    | P              |
| 6 bar   |                    | Q              |
| 10 bar  |                    | R              |
| 16 bar  |                    | S              |
| 25 bar  |                    | U              |
| 40 bar  |                    | V              |
| 60 bar  |                    | W              |
| 100 bar   |                    | Y              |

| Selection and Ordering data   |  | Order No.      |
|---|--|----------------|
| <b>SITRANS FX300 Flanged Single transmitter and T<sub>max</sub> = 240 °C (464 °F)</b>   |  | 7 ME 2 6 0 0 - |
| <b>Software</b>   |  |                |
| Uncompensated for gases, wet gases, steam and liquids, respectively, temperature compensation for saturated steam                 |  | 1              |
| Density compensation for superheated steam  |  | 4              |
| Density compensation for superheated steam and setting of Gross heat Opt. Y51 ... Y56 for Energy measuring                        |  | 5              |
| Density compensation for gases and wet gases and setting of Relative humidity at opt. Y49   |  | 7              |
| Density compensation for gases, wet gases and setting of FAD - free air delivery Opt. Y49 and Y81 ... Y87 for Compressor settings |  | 8              |

| Selection and Ordering data  |  | Order code |
|--|--|------------|
| <b>Further designs</b>   |  |            |
| Please add "-Z" to Order No. and specify Order code.   |  |            |
| <b>Converter housing material</b>  |  |            |
| Aluminium for increased requirement, color: petrol green   |  | A10        |
| <b>Material certificate</b>  |  |            |
| Certificate of compliance EN 10204-2.1   |  | C10        |
| Pressure test + 3.1 accordance EN 10204  |  | C11        |
| Material certificate pressure parts + certificate 3.1  |  | C12        |
| Material in accordance with NACE MR 0175-01  |  | C13        |
| PMI of pressure bearing metal parts + certificate 3.1  |  | C14        |
| Material certificate pressure parts + PMI/certificate 3.1  |  | C15        |
| <b>Calibration certificate FX300</b>   |  |            |
| As standard the flow device has a 3-point calibration certificate.                               |  |            |
| Calibration certificate (5 point)  |  | D11        |
| <b>Hardness test</b>   |  |            |
| Hardness test on pressure bearing parts + 3.1 Equotip LD procedure according to NACE MR 0175-01  |  | H30        |
| <b>Cleaning for oil and fat</b>  |  |            |
| Class 1 increased requirement (customer-specified)   |  | K46        |
| Class 1 and 3.1 (EN 10204)   |  | K48        |
| <b>Certificates</b>  |  |            |
| X-ray test on pressurized weldings   |  | M56        |
| Dye penetration test on pressure bearing weldings  |  | M58        |
| <b>Tag name plate</b>  |  |            |
| Stainless steel tag with 3 mm characters, max. 2 x 8 characters (40 x 20 mm, add plain text)     |  | Y17        |
| Stainless steel tag with 2,5 mm characters, max. 8 x 40 characters (120 x 46 mm, add plain text) |  | Y18        |

# SITRANS F flowmeters

## SITRANS F X

### SITRANS FX300

| Selection and Ordering data | Order code |
|-----------------------------|------------|
|-----------------------------|------------|

**Additional data**

Please add "-Z" to Order No. and specify Order code and plain text.

**Input process data**

|   |            |
|---|------------|
| Medium: Specify steam, gas, liquid or customised                              | <b>Y40</b> |
| Temperature: Specify max./operating temperature and units                     | <b>Y41</b> |
| Pressure: Specify max./operating pressure and units                           | <b>Y42</b> |
| Density; (only by customized medium):<br>Specify medium density and units     | <b>Y43</b> |
| Viscosity; (only by customized medium):<br>Specify medium viscosity and units | <b>Y44</b> |
| Flow rate: Specify min./max. flow rate and units                              | <b>Y45</b> |
| Setting of pulse output: Specify totalizer or energy unit (1 pulse/unit)      | <b>Y47</b> |
| Relative humidity (amount in %)   | <b>Y49</b> |

**Settings of gross heat**

|  |            |
|--|------------|
| Variable current output  | <b>Y51</b> |
| Power unit (specify: kJ/h, MJ/h, GJ/h, Btu/h, kcal/h, kW, MW or special(custom))     | <b>Y52</b> |
| Fullscale power value  | <b>Y53</b> |
| Variable pulse output  | <b>Y54</b> |
| Totalizer on/off   | <b>Y55</b> |
| Configure totalizer (specify: kJ, MJ, GJ, Btu th, kcal, kWh, MWh or special(custom)) | <b>Y56</b> |

**Settings of FAD**

|   |            |
|---|------------|
| Inlet suction temperature   | <b>Y81</b> |
| Atmosphere pressure   | <b>Y82</b> |
| Pressure drop filter  | <b>Y83</b> |
| Inlet relative humidity   | <b>Y84</b> |
| Actual revolutions per minute (of compressor)                                       | <b>Y85</b> |
| Rated Rpm of compressor   | <b>Y86</b> |
| Outlet relative humidity<br>This information is available from compressor supplier. | <b>Y87</b> |

| Selection and Ordering data   |                    | Order No.                              |
|---|--------------------|--|
| <b>SITRANS FX300 Sandwich</b><br><b>Single transmitter and T<sub>max</sub> = 240 °C (464 °F)</b>                                  |                    | 7 ME 2 7 0 0 -                         |
| <b>Connection size</b>  | <b>Sensor size</b> | 1 A<br>2 B<br>2 K<br>2 R<br>3 L<br>3 S |
| DN 15 (½")  | DN 15              |  |
| DN 25 (1")  | DN 25              |  |
| DN 40 (1½")   | DN 40              |  |
| DN 50 (2")  | DN 50              |  |
| DN 80 (3")  | DN 80              |  |
| DN 100 (4")   | DN 100             |  |
| <b>Nominal pressure</b>   |                    |  |
| <b>EN</b>   |                    |  |
| PN 16   | DN 50 ... 100      | B                                      |
| PN 40   | DN 15 ... 100      | D                                      |
| PN 63   | DN 50 ... 100      | E                                      |
| PN 100  | DN 15 ... 100      | F                                      |
| <b>ASME</b>   |                    |  |
| 150 lb  | ½ ... 4"           | J                                      |
| 300 lb  | ½ ... 4"           | K                                      |
| 600 lb  | ½ ... 4"           | L                                      |
| <b>Sensor material/Gasket</b>   |                    |  |
| Stainless steel 1.4404 (316L)/1.4435 (316L)/FPM   |                    | 1                                      |
| Stainless steel 1.4404 (316L)/1.4435 (316L)/FFKM  |                    | 5                                      |
| <b>Transducer design</b>  |                    |  |
| Compact, no cable   |                    | 1                                      |
| <b>Approval and cable gland</b>   |                    |  |
| Non Ex, M20x1,5   |                    | 1                                      |
| Non Ex, ½" NPT  |                    | 2                                      |
| ATEX, M20x1,5   |                    | 4                                      |
| ATEX, ½" NPT  |                    | 5                                      |
| FM US/C, M20x1.5  |                    | 6                                      |
| FM US/C, ½" NPT   |                    | 7                                      |
| <b>Transmitter, display and communication</b>   |                    |  |
| With display, HART  |                    | A                                      |
| <b>Pressure sensor and isolation valve</b>  |                    |  |
| Without pressure sensor   |                    | A                                      |
| With pressure sensor, range:  |                    |  |
| 4 bar   |                    | B                                      |
| 6 bar   |                    | D                                      |
| 10 bar  |                    | E                                      |
| 16 bar  |                    | G                                      |
| 25 bar  |                    | H                                      |
| 40 bar  |                    | K                                      |
| 60 bar  |                    | L                                      |
| 100 bar   |                    | N                                      |
| With isolation valve and pressure sensor, range:  |                    |  |
| 4 bar   |                    | P                                      |
| 6 bar   |                    | Q                                      |
| 10 bar  |                    | R                                      |
| 16 bar  |                    | S                                      |
| 25 bar  |                    | U                                      |
| 40 bar  |                    | V                                      |
| 60 bar  |                    | W                                      |
| 100 bar   |                    | Y                                      |
| <b>Software</b>   |                    |  |
| Uncompensated for gases, wet gases, steam and liquids respectively temperature compensation for saturated steam                   |                    | 1                                      |
| Density compensation for superheated steam  |                    | 4                                      |
| Density compensation for superheated steam and setting of Gross heat Opt. Y51 ... Y56 for Energy measuring                        |                    | 5                                      |
| Density compensation for gases and wet gases and setting of Relative humidity at opt. Y49   |                    | 7                                      |
| Density compensation for gases, wet gases and setting of FAD - free air delivery Opt. Y49 and Y81 ... Y87 for Compressor settings |                    | 8                                      |

| Selection and Ordering data  | Order code |
|--|------------|
| <b>Further designs</b><br>Please add "-Z" to Order No. and specify Order code.   |            |
| <b>Converter housing material</b><br>Aluminium for increased requirement, color: petrol green                              | <b>A10</b> |
| <b>Material certificate</b><br>Certificate of compliance EN 10204-2.1  | <b>C10</b> |
| Pressure test + 3.1 accordance EN 10204  | <b>C11</b> |
| Material certificate pressure parts + certificate 3.1  | <b>C12</b> |
| Material in accordance with NACE MR 0175-01  | <b>C13</b> |
| PMI of pressure bearing metal parts + certificate 3.1  | <b>C14</b> |
| Material certificate pressure parts + PMI/certificate 3.1  | <b>C15</b> |
| <b>Calibration certificate FX300</b><br>As standard the flow device has a 3-point calibration certificate.                 |            |
| Calibration certificate (5-point)  | <b>D11</b> |
| <b>Hardness test</b><br>Hardness test on pressure bearing parts + 3.1<br>Equotip LD procedure according to NACE MR 0175-01 | <b>H30</b> |
| <b>Cleaning for oil and fat</b><br>Class 1 increased requirement (customer-specified)                                      | <b>K46</b> |
| Class 1 and 3.1 (EN 10204)   | <b>K48</b> |
| <b>Certificates</b><br>X-ray test on pressurized weldings  | <b>M56</b> |
| Dye penetration test on pressure bearing weldings  | <b>M58</b> |
| <b>Tag name plate</b><br>Stainless steel tag with 3 mm characters, max. 2 x 8 characters (40 x 20 mm, add plain text)      | <b>Y17</b> |
| Stainless steel tag with 2,5 mm characters, max. 8 x 40 characters (120 x 46 mm, add plain text)                           | <b>Y18</b> |

# SITRANS F flowmeters

## SITRANS F X

### SITRANS FX300

| Selection and Ordering data | Order code |
|-----------------------------|------------|
|-----------------------------|------------|

**Additional data**

Please add "-Z" to Order No. and specify Order code and plain text.

**Input process data**

|  |            |
|--|------------|
| Medium: Specify steam, gas, liquid and customised                          | <b>Y40</b> |
| Temperature: Specify max./operating temperature and units                  | <b>Y41</b> |
| Pressure: Specify max./operating pressure and units                        | <b>Y42</b> |
| Density: (only by customized medium): Specify medium density and units     | <b>Y43</b> |
| Viscosity: (only by customized medium): Specify medium viscosity and units | <b>Y44</b> |
| Flow rate: Specify min./max. flow rate and units                           | <b>Y45</b> |
| Setting of pulse output: Specify totalizer or energy unit (1 pulse/unit)   | <b>Y47</b> |
| Relative humidity (amount in %)  | <b>Y49</b> |

**Settings of gross heat**

|  |            |
|--|------------|
| Variable current output  | <b>Y51</b> |
| Power unit (specify: kJ/h, MJ/h, GJ/h, Btu/h, kcal/h, kW, MW or special(custom))     | <b>Y52</b> |
| Fullscale power value  | <b>Y53</b> |
| Variable pulse output  | <b>Y54</b> |
| Totalizer on/off   | <b>Y55</b> |
| Configure totalizer (specify: kJ, MJ, GJ, Btu th, kcal, kWh, MWh or special(custom)) | <b>Y56</b> |

**Settings of FAD**

|   |            |
|---|------------|
| Inlet suction temperature   | <b>Y81</b> |
| Atmosphere pressure   | <b>Y82</b> |
| Pressure drop filter  | <b>Y83</b> |
| Inlet relative humidity   | <b>Y84</b> |
| Actual revolutions per minute (of compressor)                                       | <b>Y85</b> |
| Rated Rpm of compressor   | <b>Y86</b> |
| Outlet relative humidity<br>This information is available from compressor supplier. | <b>Y87</b> |

300



| Selection and Ordering data   |                    | Order No.      |
|---|--------------------|----------------|
| <b>SITRANS FX300 Flanged</b><br><b>Dual transmitter and T<sub>max</sub> = 240 °C (464 °F)</b>                   |                    | 7 ME 2 8 0 0 - |
| <b>Connection size</b>  | <b>Sensor size</b> |                |
| DN 40 (1½")   | DN 40              | 2 K            |
| DN 50 (2")  | DN 50              | 2 R            |
| DN 80 (3")  | DN 80              | 3 L            |
| DN 100 (4")   | DN 100             | 3 S            |
| DN 150 (6")   | DN 150             | 4 M            |
| DN 200 (8")   | DN 200             | 4 T            |
| DN 250 (10")  | DN 250             | 4 W            |
| DN 300 (12")  | DN 300             | 5 E            |
| <b>Flange norm and nominal pressure</b>   |                    |                |
| <b>Form B1/B2</b>   | <b>EN 1092-1</b>   |                |
| PN 10   | DN 200 ... 300     | A              |
| PN 16   | DN 50 ... 300      | B              |
| PN 25   | DN 200 ... 300     | C              |
| PN 40   | DN 40 ... 300      | D              |
| PN 63   | DN 50 ... 150      | E              |
| PN 100  | DN 40 ... 150      | F              |
| <b>RF</b>   | <b>ASME B16.5</b>  |                |
| 150 lb  | 1½ ... 12"         | J              |
| 300 lb  | 1½ ... 12"         | K              |
| 600 lb  | 1½ ... 6"          | L              |
| <b>Sensor material/Gasket</b>   |                    |                |
| Stainless steel 1.4404 (316L)/1.4435 (316L)/FPM   |                    | 1              |
| Stainless steel 1.4404 (316L)/1.4435 (316L)/FFKM  |                    | 5              |
| <b>Transducer design</b>  |                    |                |
| Compact, no cable   |                    | 1              |
| <b>Approval and cable gland</b>   |                    |                |
| Non Ex, M20x1,5   |                    | 1              |
| Non Ex, ½" NPT  |                    | 2              |
| ATEX, M20x1,5   |                    | 4              |
| ATEX, ½" NPT  |                    | 5              |
| FM US/C, M20x1.5  |                    | 6              |
| FM US/C, ½" NPT   |                    | 7              |
| <b>Transmitter, display and communication</b>   |                    |                |
| With display, HART  |                    | A              |
| <b>Pressure sensor and isolation valve</b>  |                    |                |
| Without pressure sensor   |                    | A              |
| <b>Software</b>   |                    |                |
| Uncompensated for gases, wet gases, steam and liquids respectively temperature compensation for saturated steam |                    | 1              |

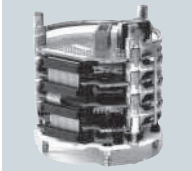



| Selection and Ordering data  | Order code |
|--|------------|
| <b>Further designs</b><br>Please add "-Z" to Order No. and specify Order code.   |            |
| <b>Converter housing material</b><br>Aluminium for increased requirement, color: petrol green                              | <b>A10</b> |
| <b>Material certificate</b><br>Certificate of compliance EN 10204-2.1  | <b>C10</b> |
| Pressure test + 3.1 accordance EN 10204  | <b>C11</b> |
| Material certificate pressure parts + certificate 3.1  | <b>C12</b> |
| Material in accordance with NACE MR 0175-01  | <b>C13</b> |
| PMI of pressure bearing metal parts + certificate 3.1  | <b>C14</b> |
| Material certificate pressure parts + PMI/certificate 3.1  | <b>C15</b> |
| <b>Calibration certificate FX300</b><br>As standard the flow device has a 3-point calibration certificate.                 |            |
| Calibration certificate (5-point)  | <b>D11</b> |
| <b>Hardness test</b><br>Hardness test on pressure bearing parts + 3.1<br>Equotip LD procedure according to NACE MR 0175-01 | <b>H30</b> |
| <b>Cleaning for oil and fat</b><br>Class 1 increased requirement (customer-specified)                                      | <b>K46</b> |
| Class 1 and 3.1 (EN 10204)   | <b>K48</b> |
| <b>Certificates</b><br>X-ray test on pressurized weldings  | <b>M56</b> |
| Dye penetration test on pressure bearing weldings  | <b>M58</b> |
| <b>Tag name plate</b><br>Stainless steel tag with 3 mm characters, max. 2 x 8 characters (40 x 20 mm, add plain text)      | <b>Y17</b> |
| Stainless steel tag with 2,5 mm characters, max. 8 x 40 characters (120 x 46 mm, add plain text)                           | <b>Y18</b> |
| <b>Additional data</b><br>Please add "-Z" to Order No. and specify Order code and plain text.                              |            |
| <b>Input process data</b><br>Medium: Specify steam, gas, liquid and customised   | <b>Y40</b> |
| Temperature: Specify max./operating temperature and units  | <b>Y41</b> |
| Pressure: Specify max./operating pressure and units  | <b>Y42</b> |
| Density; (only by customized medium): Specify medium density and units   | <b>Y43</b> |
| Viscosity; (only by customized medium): Specify medium viscosity and units   | <b>Y44</b> |
| Flow rate: Specify min./max. flow rate and units   | <b>Y45</b> |
| Setting of pulse output;<br>Specify totalizer or energy unit (1 pulse/unit)  | <b>Y47</b> |
| Relative humidity (amount in %)  | <b>Y49</b> |

# SITRANS F flowmeters

## SITRANS F X

### SITRANS FX300

#### Accessories or spare parts for SITRANS FX300

| Description  | Order No.   |   |
|--|-------------|---|
| Seal disc 21,8-12-0,1  | A5E02181439 |   |
| Socket only for DN 15/25 ; 1/2"  | On request  |   |
| Socket only for DN 15/25 ; 1"  | On request  |   |
| Pickup 1.4404  | On request  |   |
| O-ring pickup  | A5E02181464 |   |
| O-ring for pressure screw 17,13 x 2,62-FPM-70  | A5E02181488 |   |
| Pressure sensor 4/6/10/16/25/40/60/100 bar   | On request  |   |
| Cover gasket O-Ring 91,67 x 3,5  | A5E02181492 |   |
| Converter housing gasket 59,35,5-2-N   | A5E02181495 |   |
| O-ring DIN3771-20 x 1-FPM  | A5E02181515 |   |
| O-ring 10x2-NBR  | A5E02181525 |   |
| DUBOX plug, 5-pole-RM2   | A5E02181527 |   |
| Electronic   |             |   |
| • Basic D-HART   | A5E02181531 |   |
| • Steam D-HART   | A5E02181541 |   |
| • Gas D-HART   | A5E02181544 |   |
| Display  | A5E02181558 |  |
| Cable feedthrough 10-pole (non Ex).<br>O-ring for cable feedthrough 21,89 x 2,62<br>10-pole plug       | A5E02181562 |   |
| Sensor replacement (incl. Seal disc, pickup, O-rings for pickup, and pressure screw                    |             |   |
| • DN 15 (incl. 1/2" socket)  | A5E02181087 |  |
| • DN 25 (incl. 1" socket)  | A5E02181116 |   |
| • DN 40 ... 100  | A5E02181152 |   |
| • DN 150 ... 300   | A5E02275105 |   |
| Pressure sensor replacement (Incl. pressure sensor, DUBOX plug, 2 O-rings and calibration certificate) |             |   |
| • 4 bar (58 psi)   | A5E02181157 |  |
| • 6 bar (87 psi)   | A5E02181175 |   |
| • 10 bar (145 psi)   | A5E02181180 |   |
| • 16 bar (232 psi)   | A5E02181221 |   |
| • 25 bar (363 psi)   | A5E02181307 |   |
| • 40 bar (580 psi)   | A5E02181316 |   |
| • 60 bar (870 psi)   | A5E02181322 |   |
| • 100 bar (1450 psi)   | A5E02181437 |   |

#### Description

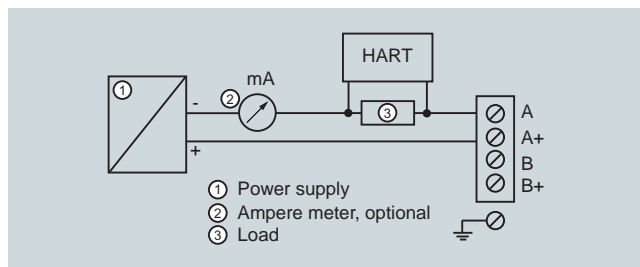
Service Toolbox for changing software (basic, steam and gas) and different settings in the electronic.

#### Order No.

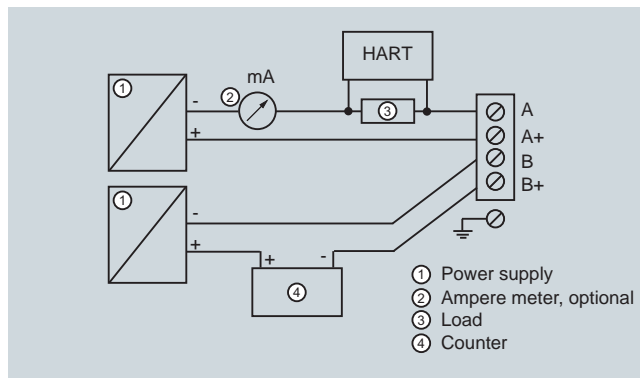
A5E02375819



#### Schematics

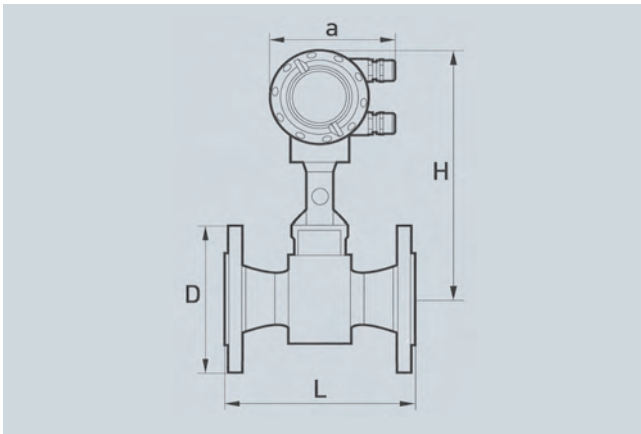


Load for HART communication

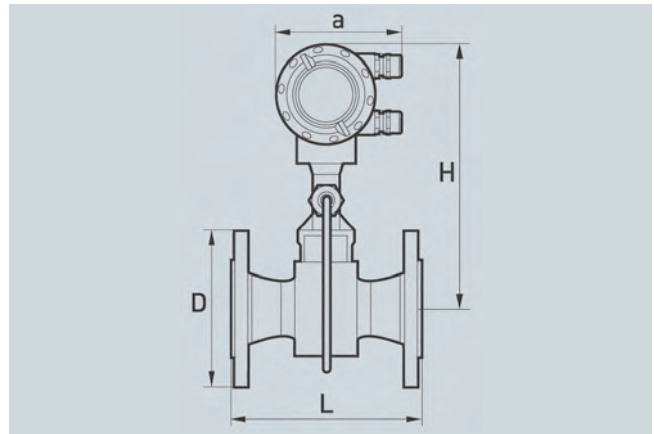


Connection pulse output

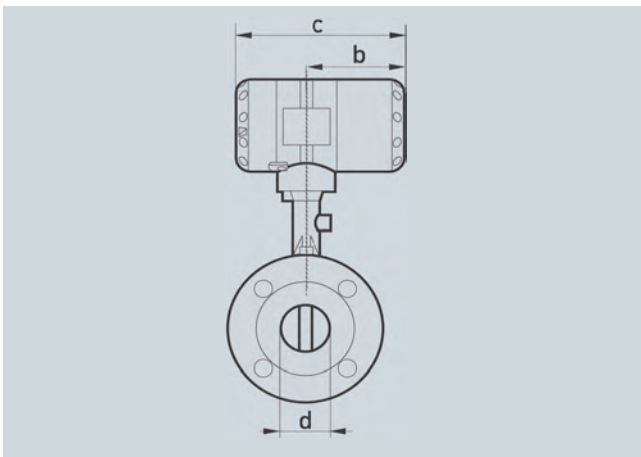
Dimensional drawings



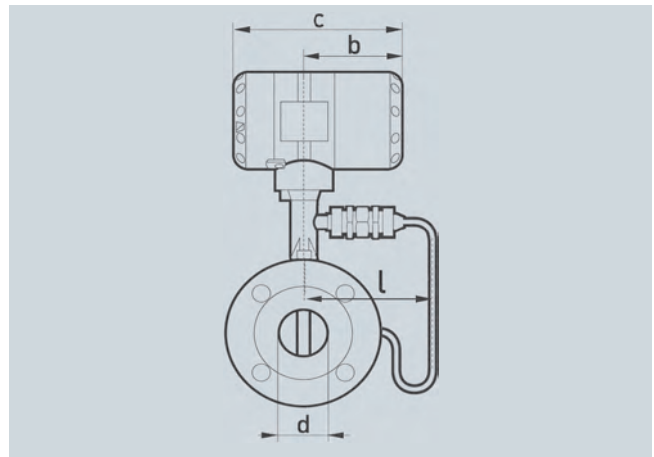
Flange version, frontal view, a = 133 mm (5.24 inches)



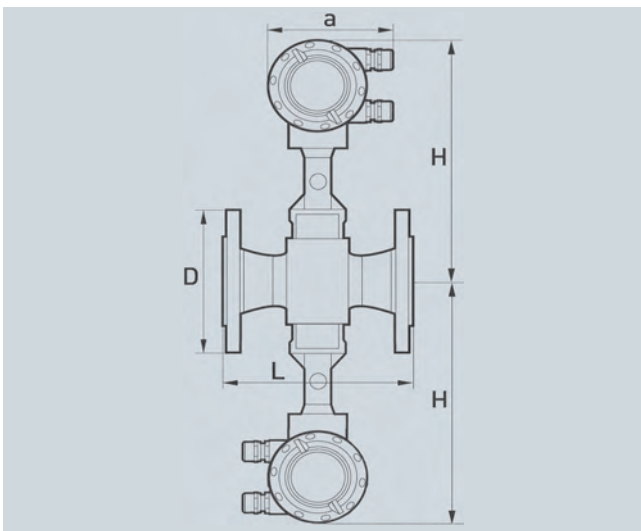
Flange version, frontal view, a = 133 mm (5.24 inches)



Flange version, side view, b = 105 mm (4.13 inches),  
c = 179 mm (7.05 inches)



Flange version, side view, b = 105 mm (4.13 inches),  
c = 179 mm (7.05 inches)



Flange version, dual converter, specified weight + 2.80 kg (6.17 lb)

# SITRANS F flowmeters

## SITRANS F X

### SITRANS FX300

#### Flange version EN1092-1

| Size | Pressure rating | Dimensions [mm (inches)] |    |               |             |             | Weight [kg (lb)] |            |                                  |                                     |
|------|-----------------|--------------------------|----|---------------|-------------|-------------|------------------|------------|----------------------------------|-------------------------------------|
|      |                 | DN                       | PN | d             | D           | L           | H                | I          | Flowmeter (with pressure sensor) | Flowmeter (without pressure sensor) |
| 15   | 40              |                          |    | 17.3 (0.68)   | 95 (3.74)   | 200 (7.87)  | 265 (10.43)      | 144 (5.67) | 6.1 (13.45)                      | 5.5 (12.13)                         |
| 15   | 100             |                          |    | 17.3 (0.68)   | 105 (4.13)  | 200 (7.87)  | 265 (10.43)      | 144 (5.67) | 7.1 (15.65)                      | 6.5 (14.33)                         |
| 25   | 40              |                          |    | 28.5 (1.12)   | 115 (4.53)  | 200 (7.87)  | 265 (10.43)      | 144 (5.67) | 7.9 (17.42)                      | 7.3 (16.09)                         |
| 25   | 100             |                          |    | 28.5 (1.12)   | 140 (5.51)  | 200 (7.87)  | 265 (10.43)      | 144 (5.67) | 9.9 (21.83)                      | 9.3 (20.50)                         |
| 40   | 40              |                          |    | 43.1 (1.70)   | 150 (5.91)  | 200 (7.87)  | 270 (10.63)      | 144 (5.67) | 10.8 (23.81)                     | 10.2 (22.49)                        |
| 40   | 100             |                          |    | 42.5 (1.67)   | 170 (6.69)  | 200 (7.87)  | 270 (10.63)      | 144 (5.67) | 14.8 (32.63)                     | 14.2 (31.31)                        |
| 50   | 16              |                          |    | 54.5 (2.15)   | 165 (6.50)  | 200 (7.87)  | 275 (10.83)      | 144 (5.67) | 12.7 (28.00)                     | 12.1 (26.68)                        |
| 50   | 40              |                          |    | 54.5 (2.15)   | 165 (6.50)  | 200 (7.87)  | 275 (10.83)      | 144 (5.67) | 12.9 (28.44)                     | 12.3 (27.12)                        |
| 50   | 63              |                          |    | 54.5 (2.15)   | 180 (7.09)  | 200 (7.87)  | 275 (10.83)      | 144 (5.67) | 16.9 (37.26)                     | 16.3 (35.94)                        |
| 50   | 100             |                          |    | 53.9 (2.12)   | 195 (7.68)  | 200 (7.87)  | 275 (10.83)      | 144 (5.67) | 18.4 (40.57)                     | 17.8 (39.24)                        |
| 80   | 16              |                          |    | 82.5 (3.25)   | 200 (7.87)  | 200 (7.87)  | 290 (11.42)      | 154 (6.06) | 17.4 (38.36)                     | 16.8 (37.04)                        |
| 80   | 40              |                          |    | 82.5 (3.25)   | 200 (7.87)  | 200 (7.87)  | 290 (11.42)      | 154 (6.06) | 19.4 (42.77)                     | 18.8 (41.45)                        |
| 80   | 63              |                          |    | 81.7 (3.22)   | 215 (8.46)  | 200 (7.87)  | 290 (11.42)      | 154 (6.06) | 23.4 (51.59)                     | 22.8 (50.27)                        |
| 80   | 100             |                          |    | 80.9 (3.19)   | 230 (9.06)  | 200 (7.87)  | 290 (11.42)      | 154 (6.06) | 27.4 (60.41)                     | 26.8 (59.08)                        |
| 100  | 16              |                          |    | 107.1 (4.22)  | 220 (8.66)  | 250 (9.84)  | 310 (12.20)      | 164 (6.46) | 22 (48.50)                       | 21.4 (47.18)                        |
| 100  | 40              |                          |    | 107.1 (4.22)  | 235 (9.25)  | 250 (9.84)  | 310 (12.20)      | 164 (6.46) | 25 (55.12)                       | 24.4 (53.79)                        |
| 100  | 63              |                          |    | 106.3 (4.19)  | 250 (9.84)  | 250 (9.84)  | 310 (12.20)      | 164 (6.46) | 30 (66.14)                       | 29.4 (64.82)                        |
| 100  | 100             |                          |    | 104.3 (4.11)  | 265 (10.43) | 250 (9.84)  | 310 (12.20)      | 164 (6.46) | 36 (79.37)                       | 35.4 (78.04)                        |
| 150  | 16              |                          |    | 159.3 (6.27)  | 285 (11.22) | 300 (11.81) | 325 (12.80)      | 174 (6.85) | 35.8 (78.93)                     | 35.2 (77.60)                        |
| 150  | 40              |                          |    | 159.3 (6.27)  | 300 (11.81) | 300 (11.81) | 325 (12.80)      | 174 (6.85) | 41.8 (92.15)                     | 41.2 (90.83)                        |
| 150  | 63              |                          |    | 157.1 (6.19)  | 345 (13.58) | 300 (11.81) | 325 (12.80)      | 174 (6.85) | 59.8 (131.84)                    | 59.2 (130.51)                       |
| 150  | 100             |                          |    | 154.1 (6.07)  | 355 (13.98) | 300 (11.81) | 325 (12.80)      | 174 (6.85) | 67.8 (149.47)                    | 67.2 (148.15)                       |
| 200  | 10              |                          |    | 206.5 (8.13)  | 340 (13.39) | 300 (11.81) | 350 (13.78)      | 194 (7.64) | 38.4 (84.66)                     | 37.8 (83.33)                        |
| 200  | 16              |                          |    | 206.5 (8.13)  | 340 (13.39) | 300 (11.81) | 350 (13.78)      | 194 (7.64) | 38.4 (84.66)                     | 37.8 (83.33)                        |
| 200  | 25              |                          |    | 206.5 (8.13)  | 360 (14.17) | 300 (11.81) | 350 (13.78)      | 194 (7.64) | 47.4 (104.50)                    | 46.8 (103.18)                       |
| 200  | 40              |                          |    | 206.5 (8.13)  | 375 (14.76) | 300 (11.81) | 350 (13.78)      | 194 (7.64) | 55.4 (122.14)                    | 54.8 (120.81)                       |
| 250  | 10              |                          |    | 260.4 (10.25) | 395 (15.55) | 380 (14.96) | 370 (14.57)      | 224 (8.82) | 58.0 (127.87)                    | 57.4 (126.55)                       |
| 250  | 16              |                          |    | 260.4 (10.25) | 405 (15.94) | 380 (14.96) | 370 (14.57)      | 224 (8.82) | 59.0 (130.07)                    | 58.4 (128.75)                       |
| 250  | 25              |                          |    | 258.8 (10.19) | 425 (16.73) | 380 (14.96) | 370 (14.57)      | 224 (8.82) | 75.0 (165.35)                    | 74.4 (164.02)                       |
| 250  | 40              |                          |    | 258.8 (10.19) | 450 (17.72) | 380 (14.96) | 370 (14.57)      | 224 (8.82) | 93.0 (205.03)                    | 92.4 (203.71)                       |
| 300  | 10              |                          |    | 309.7 (12.19) | 445 (17.52) | 450 (17.72) | 395 (15.55)      | 244 (9.61) | 76.3 (168.21)                    | 75.7 (166.89)                       |
| 300  | 16              |                          |    | 309.7 (12.19) | 460 (18.11) | 450 (17.72) | 395 (15.55)      | 244 (9.61) | 82.8 (182.54)                    | 82.2 (181.22)                       |
| 300  | 25              |                          |    | 307.9 (12.12) | 485 (19.09) | 450 (17.72) | 395 (15.55)      | 244 (9.61) | 99.3 (218.92)                    | 98.7 (217.60)                       |
| 300  | 40              |                          |    | 307.9 (12.12) | 515 (20.28) | 450 (17.72) | 395 (15.55)      | 244 (9.61) | 128.1 (282.41)                   | 127.5 (281.09)                      |

#### Flange version ASME B16.5

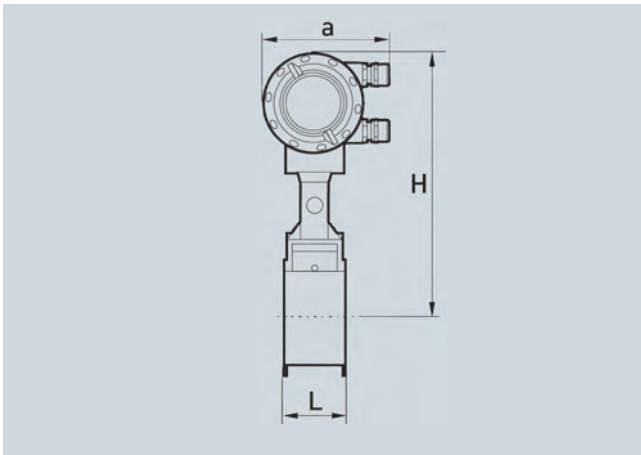
| Size  | Pressure rating | Dimensions [mm (inches)] |             |             |             |            | Weight [kg (lb)] |                |
|-------|-----------------|--------------------------|-------------|-------------|-------------|------------|------------------|----------------|
|       |                 | DN                       | class       | d           | D           | L          | H                | I              |
| 1/2   | 150             | 15.8 (0.62)              | 90 (3.54)   | 200 (7.87)  | 265 (10.43) | 144 (5.67) | 5.1 (11.24)      | 4.5 (9.92)     |
| 1/2   | 300             | 15.8 (0.62)              | 95 (3.74)   | 200 (7.87)  | 265 (10.43) | 144 (5.67) | 5.5 (12.13)      | 4.9 (10.80)    |
| 1/2   | 600             | 13.9 (0.55)              | 95 (3.74)   | 200 (7.87)  | 265 (10.43) | 144 (5.67) | 5.7 (12.57)      | 5.1 (11.24)    |
| 1     | 150             | 26.6 (1.05)              | 110 (4.33)  | 200 (7.87)  | 265 (10.43) | 144 (5.67) | 6.8 (14.99)      | 6.2 (13.67)    |
| 1     | 300             | 26.6 (1.05)              | 125 (4.92)  | 200 (7.87)  | 265 (10.43) | 144 (5.67) | 7.8 (17.20)      | 7.2 (15.87)    |
| 1     | 600             | 24.3 (0.96)              | 125 (4.92)  | 200 (7.87)  | 265 (10.43) | 144 (5.67) | 8.1 (17.86)      | 7.5 (16.53)    |
| 1 1/2 | 150             | 40.9 (1.61)              | 125 (4.92)  | 200 (7.87)  | 270 (10.63) | 144 (5.67) | 8.9 (19.62)      | 8.3 (18.30)    |
| 1 1/2 | 300             | 40.9 (1.61)              | 155 (6.10)  | 200 (7.87)  | 270 (10.63) | 144 (5.67) | 11 (24.25)       | 10.4 (22.93)   |
| 1 1/2 | 600             | 38.1 (1.50)              | 155 (6.10)  | 200 (7.87)  | 270 (10.63) | 144 (5.67) | 12 (26.46)       | 11.4 (25.13)   |
| 2     | 150             | 52.6 (2.07)              | 150 (5.91)  | 200 (7.87)  | 275 (10.83) | 144 (5.67) | 11.6 (25.57)     | 11 (24.25)     |
| 2     | 300             | 52.6 (2.07)              | 165 (6.50)  | 200 (7.87)  | 275 (10.83) | 144 (5.67) | 13 (28.66)       | 12.4 (27.34)   |
| 2     | 600             | 49.3 (1.94)              | 165 (6.50)  | 200 (7.87)  | 275 (10.83) | 144 (5.67) | 14.5 (31.97)     | 13.9 (30.64)   |
| 3     | 150             | 78 (3.07)                | 190 (7.48)  | 200 (7.87)  | 290 (11.42) | 154 (6.06) | 20.4 (44.97)     | 19.8 (43.65)   |
| 3     | 300             | 78 (3.07)                | 210 (8.27)  | 200 (7.87)  | 290 (11.42) | 154 (6.06) | 23.4 (51.59)     | 22.8 (50.27)   |
| 3     | 600             | 73.7 (2.90)              | 210 (8.27)  | 200 (7.87)  | 290 (11.42) | 154 (6.06) | 24.4 (53.79)     | 23.8 (52.47)   |
| 4     | 150             | 102.4 (4.03)             | 230 (9.06)  | 250 (9.84)  | 310 (12.20) | 164 (6.46) | 24 (52.91)       | 23.4 (51.59)   |
| 4     | 300             | 102.4 (4.03)             | 255 (10.04) | 250 (9.84)  | 310 (12.20) | 164 (6.46) | 32 (70.55)       | 31.4 (69.23)   |
| 4     | 600             | 97.2 (3.83)              | 275 (10.83) | 250 (9.84)  | 310 (12.20) | 164 (6.46) | 41 (90.39)       | 40.4 (89.07)   |
| 6     | 150             | 154.2 (6.07)             | 280 (11.02) | 300 (11.81) | 325 (12.80) | 174 (6.85) | 36.8 (81.13)     | 36.2 (79.81)   |
| 6     | 300             | 154.2 (6.07)             | 320 (12.60) | 300 (11.81) | 325 (12.80) | 174 (6.85) | 51.8 (114.20)    | 51.2 (112.88)  |
| 6     | 600             | 146.3 (5.76)             | 355 (13.98) | 300 (11.81) | 325 (12.80) | 174 (6.85) | 76.8 (169.31)    | 46.2 (101.85)  |
| 8     | 150             | 202.7 (7.98)             | 345 (13.58) | 300 (11.81) | 350 (13.78) | 194 (7.64) | 50.6 (111.55)    | 50.0 (110.23)  |
| 8     | 300             | 202.7 (7.98)             | 380 (14.96) | 300 (11.81) | 350 (13.78) | 194 (7.64) | 75.4 (166.23)    | 74.8 (164.91)  |
| 10    | 150             | 254.5 (10.02)            | 405 (15.94) | 380 (14.96) | 370 (14.57) | 224 (8.82) | 75.0 (165.35)    | 74.4 (164.02)  |
| 10    | 300             | 254.5 (10.02)            | 455 (17.91) | 380 (14.96) | 370 (14.57) | 224 (8.82) | 107.0 (235.89)   | 106.4 (234.57) |
| 12    | 150             | 304.8 (12.00)            | 485 (19.09) | 450 (17.72) | 395 (15.55) | 244 (9.61) | 106.9 (235.67)   | 106.3 (234.35) |
| 12    | 300             | 304.8 (12.00)            | 520 (20.47) | 450 (17.72) | 395 (15.55) | 244 (9.61) | 151.9 (334.88)   | 151.3 (333.56) |

# SITRANS F flowmeters

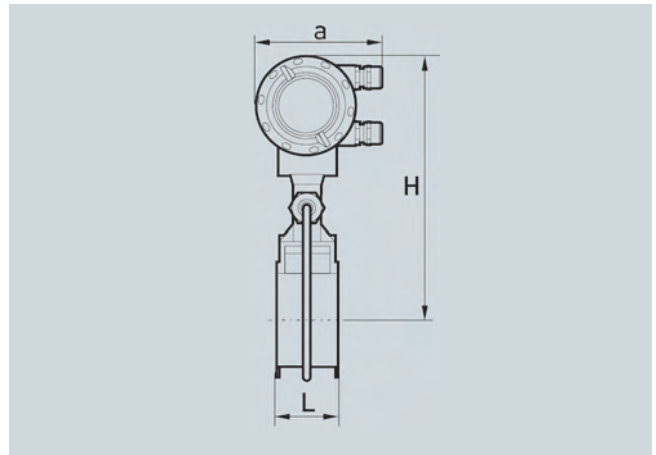
## SITRANS F X

### SITRANS FX300

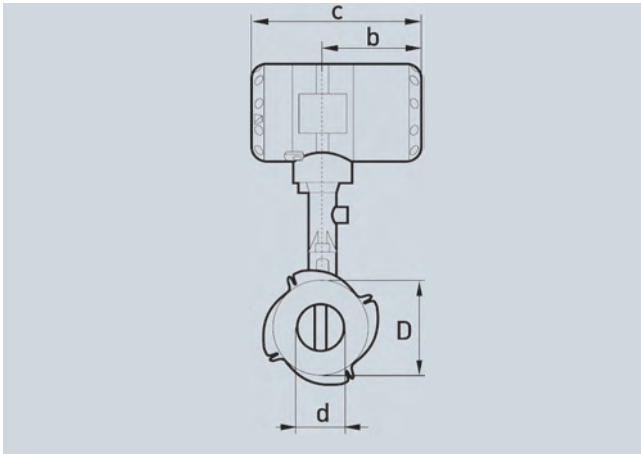
306



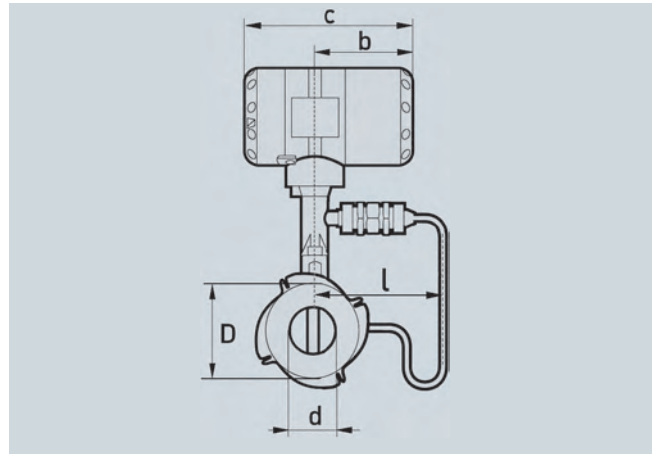
Sandwich version, front view, a = 133 mm (5.24 inches)



Sandwich version, front view, a = 133 mm (5.25 inches)



Sandwich version, side view, b = 105 mm (4.13 inches), c = 179 mm (7.05 inches)



Sandwich version, side view, b = 105 mm (4.13 inches), c = 179 mm (7.05 inches)

#### Sandwich version EN

| Size | Pressure rating | Dimensions [mm (inches)] |            |           |             |            | Weight [kg (lb)]                 |                                     |
|------|-----------------|--------------------------|------------|-----------|-------------|------------|----------------------------------|-------------------------------------|
|      |                 | d                        | D          | L         | H           | I          | Flowmeter (with pressure sensor) | Flowmeter (without pressure sensor) |
| DN   | PN              |                          |            |           |             |            |                                  |                                     |
| 15   | 16 ... 100      | 16 (0.63)                | 45 (1.77)  | 65 (2.56) | 265 (10.43) | 144 (5.67) | 4.1 (9.04)                       | 3.5 (7.72)                          |
| 25   | 16 ... 100      | 24 (0.94)                | 65 (2.56)  | 65 (2.56) | 265 (10.43) | 144 (5.67) | 4.9 (10.80)                      | 4.3 (9.48)                          |
| 40   | 16 ... 100      | 38 (1.50)                | 82 (3.23)  | 65 (2.56) | 270 (10.63) | 144 (5.67) | 5.5 (12.13)                      | 4.9 (10.80)                         |
| 50   | 16 ... 100      | 50 (1.97)                | 102 (4.02) | 65 (2.56) | 275 (10.83) | 144 (5.67) | 6.6 (14.55)                      | 6 (13.23)                           |
| 80   | 16 ... 100      | 74 (2.91)                | 135 (5.31) | 65 (2.56) | 290 (11.42) | 155 (6.10) | 8.8 (19.40)                      | 8.2 (18.08)                         |
| 100  | 16 ... 100      | 97 (3.82)                | 158 (6.22) | 65 (2.56) | 310 (12.20) | 164 (6.46) | 10.1 (22.27)                     | 9.5 (20.94)                         |

#### Sandwich version ASME

| Size | Pressure rating | Dimensions [mm (inches)] |            |           |             |            | Weight [kg (lb)]                 |                                     |
|------|-----------------|--------------------------|------------|-----------|-------------|------------|----------------------------------|-------------------------------------|
|      |                 | d                        | D          | L         | H           | I          | Flowmeter (with pressure sensor) | Flowmeter (without pressure sensor) |
| DN   | class           |                          |            |           |             |            |                                  |                                     |
| ½"   | 150, 300        | 16 (0.63)                | 45 (1.77)  | 65 (2.56) | 265 (10.43) | 144 (5.67) | 4.1 (9.04)                       | 3.5 (7.72)                          |
| ½"   | 600             | 16 (0.55)                | 45 (1.77)  | 65 (2.56) | 265 (10.43) | 144 (5.67) | 4.1 (9.04)                       | 3.5 (7.72)                          |
| 1"   | 150, 300, 600   | 24 (0.94)                | 65 (2.56)  | 65 (2.56) | 265 (10.43) | 144 (5.67) | 4.9 (10.80)                      | 4.3 (9.48)                          |
| 1½"  | 150, 300, 600   | 38 (1.50)                | 82 (3.23)  | 65 (2.56) | 270 (10.63) | 144 (5.67) | 5.5 (12.13)                      | 4.9 (10.80)                         |
| 2"   | 150, 300, 600   | 50 (1.97)                | 102 (4.02) | 65 (2.56) | 275 (10.83) | 144 (5.67) | 6.6 (14.55)                      | 6 (13.23)                           |
| 3"   | 150, 300, 600   | 74 (2.91)                | 135 (5.31) | 65 (2.56) | 290 (11.42) | 155 (6.10) | 8.8 (19.40)                      | 8.2 (18.08)                         |
| 4"   | 150, 300, 600   | 97 (3.82)                | 158 (6.22) | 65 (2.56) | 310 (12.20) | 164 (6.46) | 10.1 (22.27)                     | 9.5 (20.94)                         |



# SITRANS F flowmeters

## SITRANS F X

### SITRANS FX300

#### Flow tables

##### Measuring Range Limits

| Size            |                  | Q <sub>min</sub>              | Q <sub>max</sub>              | Q <sub>min</sub>               | Q <sub>max</sub>               |
|-----------------|------------------|-------------------------------|-------------------------------|--------------------------------|--------------------------------|
| DN to EN 1092-1 | DN to ASME B16.5 | EN 1092-1 [m <sup>3</sup> /h] | EN 1092-1 [m <sup>3</sup> /h] | ASME B16.5 [m <sup>3</sup> /h] | ASME B16.5 [m <sup>3</sup> /h] |
| <b>Water</b>    |                  |                               |                               |                                |                                |
| 15              | ½"               | 0.45                          | 5.07                          | 0.44                           | 4.94                           |
| 25              | 1"               | 0.81                          | 11.40                         | 0.81                           | 11.40                          |
| 40              | 1½"              | 2.04                          | 28.58                         | 2.04                           | 28.58                          |
| 50              | 2"               | 3.53                          | 49.48                         | 3.53                           | 49.48                          |
| 80              | 3"               | 7.74                          | 108.37                        | 7.74                           | 108.37                         |
| 100             | 4"               | 13.30                         | 186.22                        | 13.30                          | 186.21                         |
| 150             | 6"               | 30.13                         | 421.86                        | 30.13                          | 421.86                         |
| 200             | 8"               | 56.6                          | 792.42                        | 56.60                          | 792.42                         |
| 250             | 10"              | 90.48                         | 1 266.8                       | 90.48                          | 1 266.8                        |
| 300             | 12"              | 131.41                        | 1 839.8                       | 131.41                         | 1 839.8                        |

Values based on water at 20 °C (68 °F) and 1.013 bar<sub>abs</sub> (14.7 psi<sub>abs</sub>)

##### Air

|     |     |         |          |         |          |
|-----|-----|---------|----------|---------|----------|
| 15  | ½"  | 6.80    | 25.33    | 6.72    | 24.70    |
| 25  | 1"  | 10.20   | 81.43    | 10.20   | 81.43    |
| 40  | 1½" | 25.35   | 326.63   | 25.35   | 326.63   |
| 50  | 2"  | 43.89   | 565.49   | 43.89   | 565.49   |
| 80  | 3"  | 96.14   | 1 238.64 | 96.14   | 1 238.60 |
| 100 | 4"  | 165.19  | 2 128.27 | 165.19  | 2 128.27 |
| 150 | 6"  | 374.23  | 4 821.60 | 374.23  | 4 821.60 |
| 200 | 8"  | 702.95  | 9 056.8  | 702.95  | 9 056.8  |
| 250 | 10" | 1 123.7 | 14 478.0 | 1 123.7 | 14 478.0 |
| 300 | 12" | 1 632.1 | 21 028.0 | 1 632.1 | 21 028.0 |

Values based on air at 20 °C (68 °F) and 1.013 bar<sub>abs</sub> (14.7 psi<sub>abs</sub>)

##### Flow rate limits

| Product          | Nominal diameters |                | Minimum flow rates                 | Maximum flow rates                |
|------------------|-------------------|----------------|------------------------------------|-----------------------------------|
|                  | to EN             | to ASME        | [m/s]                              | [m/s]                             |
| Liquids          | DN 15 ... DN 300  | DN ½"...DN 12" | $0.5 \times (998/\rho)^{0.5 \ 1)}$ | $7 \times (998/\rho)^{0.47 \ 1)}$ |
| Gas, steam/vapor | DN 15 ... DN 300  | DN ½"...DN 12" | $6 \times (1.29/\rho)^{0.5 \ 2)}$  | $7 \times (998/\rho)^{0.47 \ 3)}$ |

$\rho$  = operating density [kg/m<sup>3</sup>]

<sup>1)</sup> Minimum flow rate 0.4 m/s (1.3 ft/s), maximum flow rate 10 m/s (32.8 ft/s)

<sup>2)</sup> Minimum flow rate 2 m/s (6.6 ft/s), maximum flow rate 80 m/s (262 ft/s)

<sup>3)</sup> Minimum flow rate 2 m/s (6.6 ft/s), maximum flow rate 80 m/s (262 ft/s); DN 15: 45 m/s (148 ft/s) and DN 25: 70 m/s (230 ft/s)

#### Measuring range saturated steam: 1 to 7 bar

| Overpressure [bar]           |                  | 1       |          | 3.5     |          | 5.2     |          | 7       |         |
|------------------------------|------------------|---------|----------|---------|----------|---------|----------|---------|---------|
| Density [kg/m <sup>3</sup> ] |                  | 1.13498 |          | 2.4258  |          | 3.27653 |          | 4.16732 |         |
| Temperature [°C]             |                  | 120.6   |          | 148.2   |          | 160.4   |          | 170.6   |         |
| Flow [kg/h]                  |                  | min.    | max.     | min.    | max.     | min.    | max.     | min.    | max.    |
| DN to EN 1092-1              | DN to ASME B16.5 |         |          |         |          |         |          |         |         |
| 15                           | ½"               | 5.87    | 28.75    | 7.68    | 61.46    | 8.93    | 83.01    | 10.06   | 105.57  |
| 25                           | 1"               | 11.82   | 92.42    | 17.28   | 197.53   | 20.09   | 266.81   | 22.66   | 339.35  |
| 40                           | 1½"              | 29.64   | 370.71   | 43.33   | 792.33   | 50.63   | 1 070.2  | 56.8    | 1 361.2 |
| 50                           | 2"               | 51.31   | 641.82   | 75.02   | 1 371.8  | 87.19   | 1 852.8  | 98.33   | 2 356.6 |
| 80                           | 3"               | 112.41  | 1 405.8  | 164.33  | 3 004.7  | 191     | 4 058.4  | 215.39  | 5 161.8 |
| 100                          | 4"               | 193.14  | 2 415.5  | 282.36  | 5 162.7  | 328.16  | 6 973.3  | 370.09  | 8 869.2 |
| 150                          | 6"               | 437.56  | 5 472.4  | 639.69  | 11 696   | 743.45  | 15 798   | 838.44  | 20 093  |
| 200                          | 8"               | 821.9   | 10 279.0 | 1 201.6 | 21 970.0 | 1 396.5 | 29 675.0 | 1 574.9 | 37 743  |
| 250                          | 10"              | 1 313.9 | 16 433.0 | 1 920.9 | 35 122.0 | 2 232.5 | 47 439.0 | 2 517.7 | 60 337  |
| 300                          | 12"              | 1 908.3 | 23 866.0 | 2 789.8 | 51 010.0 | 3 242.4 | 68 899.0 | 3 656.6 | 87 630  |

#### Measuring range saturated steam: 10.5 to 20 bar

| Overpressure [bar]           |                  | 10.5    |         | 14      |         | 17.5    |         | 20      |         |
|------------------------------|------------------|---------|---------|---------|---------|---------|---------|---------|---------|
| Density [kg/m <sup>3</sup> ] |                  | 5.88803 |         | 7.60297 |         | 9.31702 |         | 10.5442 |         |
| Temperature [°C]             |                  | 186.2   |         | 198.5   |         | 208.7   |         | 215     |         |
| Flow [kg/h]                  |                  | min.    | max.    | min.    | max.    | min.    | max.    | min.    | max.    |
| DN to EN 1092-1              | DN to ASME B16.5 |         |         |         |         |         |         |         |         |
| 15                           | ½"               | 12.78   | 149.17  | 16.51   | 192.61  | 20.23   | 236.04  | 22.89   | 267.12  |
| 25                           | 1"               | 26.93   | 479.46  | 30.6    | 619.11  | 33.87   | 758.69  | 36.04   | 858.62  |
| 40                           | 1½"              | 67.51   | 1 878.2 | 76.72   | 2 150.7 | 84.93   | 2 395.3 | 90.35   | 2 557.7 |
| 50                           | 2"               | 116.89  | 3 251.7 | 132.82  | 3 723.4 | 147.03  | 4 147   | 156.42  | 4 428.1 |
| 80                           | 3"               | 256.03  | 7 122.4 | 290.93  | 8 155.8 | 322.06  | 9 083.7 | 342.62  | 9 699.3 |
| 100                          | 4"               | 439.91  | 12 238  | 499.9   | 14 013  | 553.38  | 15 608  | 588.69  | 16 666  |
| 150                          | 6"               | 996.62  | 27 725  | 1 132.5 | 31 747  | 1 253.7 | 35 359  | 1 333.7 | 37 756  |
| 200                          | 8"               | 1 872.1 | 52 079  | 2 127.3 | 59 634  | 2 354.9 | 66 419  | 2 505.2 | 70 921  |
| 250                          | 10"              | 2 992.7 | 83 254  | 3 400.7 | 95 333  | 3 764.6 | 106 180 | 4 004.9 | 113 380 |
| 300                          | 12"              | 4 346.5 | 120 920 | 4 939.1 | 138 460 | 5 467.5 | 154 210 | 5 816.5 | 164 660 |

# SITRANS F flowmeters

## SITRANS F X

### SITRANS FX300

Measuring range saturated steam: 15 to 100 psig

| Overpressure [psig]            |                  | 15      |         | 50      |         | 75      |         | 100     |         |
|--------------------------------|------------------|---------|---------|---------|---------|---------|---------|---------|---------|
| Density [lbs/ft <sup>3</sup> ] |                  | 0.0719  |         | 0.1497  |         | 0.2036  |         | 0.2569  |         |
| Temperature [°F]               |                  | 249.98  |         | 297.86  |         | 320.36  |         | 338.184 |         |
| Flow [lbs/h]                   |                  | min.    | max.    | min.    | max.    | min.    | max.    | min.    | max.    |
| DN to EN 1092-1                | DN to ASME B16.5 |         |         |         |         |         |         |         |         |
| 15                             | ½"               | 12.95   | 64.35   | 16.83   | 133.87  | 19.62   | 182.02  | 22.04   | 229.63  |
| 25                             | 1"               | 26.25   | 206.83  | 37.86   | 430.3   | 44.15   | 585.06  | 49.59   | 738.09  |
| 40                             | 1½"              | 65.81   | 829.61  | 94.92   | 1 726   | 110.68  | 2 346.7 | 124.32  | 2 960.5 |
| 50                             | 2"               | 113.94  | 1 436.3 | 164.34  | 2 988   | 191.63  | 4 062.9 | 215.23  | 5 125.6 |
| 80                             | 3"               | 249.57  | 3 146.1 | 360     | 6 545.3 | 419.74  | 8 899.4 | 471.45  | 11 227  |
| 100                            | 4"               | 428.81  | 5 405.7 | 618.51  | 11 246  | 721.21  | 15 291  | 810.06  | 19 291  |
| 150                            | 6"               | 971.47  | 12 246  | 1 401.2 | 25 478  | 1 633.9 | 34 642  | 1 835.2 | 43 703  |
| 200                            | 8"               | 1 824.8 | 23 004  | 2 632.1 | 47 859  | 3 069.1 | 65 072  | 3 447.2 | 82 092  |
| 250                            | 10"              | 2 917.2 | 36 774  | 4 207.7 | 76 508  | 4 906.4 | 104 030 | 5 510.8 | 131 230 |
| 300                            | 12"              | 4 236.8 | 53 410  | 6 111.1 | 111 120 | 7 125.8 | 151 080 | 8 003.6 | 190 600 |

Measuring range saturated steam: 150 to 300 psig

| Overpressure [psig]            |                  | 150     |         | 200     |         | 250     |         | 300     |         |
|--------------------------------|------------------|---------|---------|---------|---------|---------|---------|---------|---------|
| Density [lbs/ft <sup>3</sup> ] |                  | 0.3627  |         | 0.4681  |         | 0.5735  |         | 0.6792  |         |
| Temperature [°F]               |                  | 366.08  |         | 388.04  |         | 406.22  |         | 422.06  |         |
| Flow [lbs/h]                   |                  | min.    | max.    | min.    | max.    | min.    | max.    | min.    | max.    |
| DN to EN 1092-1                | DN to ASME B16.5 |         |         |         |         |         |         |         |         |
| 15                             | ½"               | 27.79   | 324.21  | 35.86   | 418.47  | 43.94   | 512.66  | 52.04   | 607.12  |
| 25                             | 1"               | 58.93   | 1 042.1 | 66.94   | 1 345.1 | 74.1    | 1 647.8 | 80.63   | 1 951.5 |
| 40                             | 1½"              | 147.72  | 4 107.2 | 167.83  | 4 702.8 | 185.76  | 5 237   | 202.15  | 5 728   |
| 50                             | 2"               | 255.75  | 7 111.9 | 290.56  | 8 141.9 | 321.6   | 9 066.8 | 350     | 9 917   |
| 80                             | 3"               | 560.19  | 15 578  | 636.44  | 17 834  | 704.43  | 19 860  | 766.6   | 21 722  |
| 100                            | 4"               | 962.54  | 26 766  | 1 093.5 | 30 643  | 1 210.4 | 34 124  | 1 317.2 | 37 324  |
| 150                            | 6"               | 2 180.6 | 60 639  | 2 477.4 | 69 421  | 2 742.1 | 77 307  | 2 984   | 84 556  |
| 200                            | 8"               | 4 096.1 | 113 900 | 4 653.6 | 130 400 | 5 150.7 | 145 210 | 5 605.2 | 158 830 |
| 250                            | 10"              | 6 548.1 | 182 090 | 7 439.3 | 208 460 | 8 234.1 | 232 140 | 8 960.6 | 253 910 |
| 300                            | 12"              | 9 510.2 | 264 460 | 10 805  | 302 760 | 11 959  | 337 150 | 13 014  | 368 770 |

We supply:

- **SITRANS FM Magflo**
- **SIEMENS MAG 1100**
- **SIEMENS MAG 3100**
- **SIEMENS MAG 5100**
- **SIEMENS MAG 8000**
- **other Siemens products**

Eltra Trade s.r.o. supplies full range of SIEMENS SITRANS F products with the best prices and delivery terms.

STAY UPDATED



**Best prices**



**The fastest supply**



**Best level technical support**



**Customers in over 100 countries**



To find out stock ability and delivery time to your region, please contact our manager.



[info@eltra-trade.com](mailto:info@eltra-trade.com)