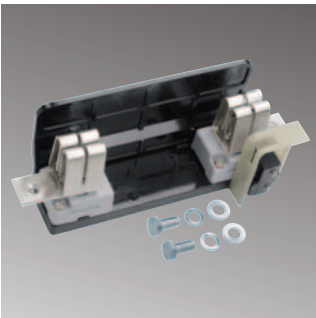


Basic Efficiency

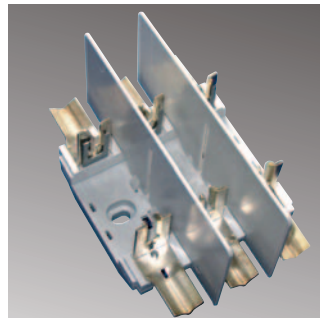
**NH Fuse-Bases
up to 1500 V**



**NH Fuse-Bases
1-pole**



**NH Fuse-Bases
3-pole**



**NH Fuse-Bases,
SILAS**





Content

NH Fuse-Bases 690 V AC for baseplate, busbar and supporting rail mounting	58
Accessories	60
Technical Data	see page 63

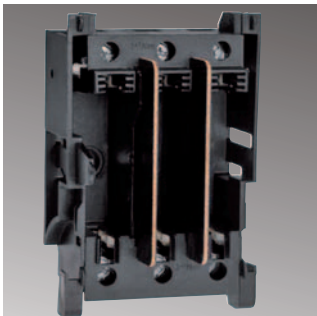
System

The EFEN NH Fuse-Bases successfully provide a simple way to integrate NH Fuse-Links into a power distribution system. The product-range includes size 000 to 3L for all common installation systems as well as special applications. A wide assortment of accessories completes this product-range.

Features

The special advantage of the open NH Fuse-Bases is the application of NH Fuse-Links with high power dissipation such as gR Fuse-Links which are especially used to secure machinery. Due to the accessory-line, a protection against contact can also be obtained subsequently.

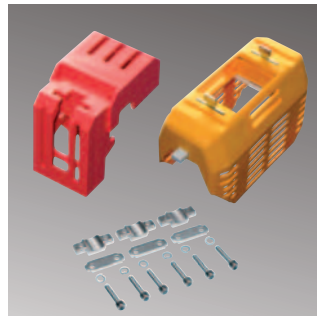
**NH Fuse-Base,
3-pole, size 000
for baseplate and supporting rails**



**NH Fuse-Base
for busbar mounting**



Accessories



NH Fuse-Bases 690 V AC - 1500 V AC, acc. to VDE 0636 T201 / IEC 60269-2-1



33600.0020

NH Fuse-Bases 690 V AC

Properties:

- 1-pole for baseplate mounting, without phase barrier and contact cover
- including the material for cable connection. (Exception V-clamps)

Description	Size	Amps	Order-No.	PU	PG	Sur. Ag	Sur. Cu	Price €/pc.
Multiple use terminal with pressure plates for cable 1,5 - 50 mm ²	00	125	33600.0030	12	NU 1	0,003	0,009	11,40
Flat terminal M8	00	160	33600.0010	12	NU 1	0,003	0,009	9,30
Inserted screw nut M8	00	160	33600.0020	12	NU 1	0,003	0,009	12,40
Multiple use terminal with pressure plates and prism 1,5 - 70 mm ²	00	160	33600.0040	12	NU 1	0,003	0,009	13,50
V-stamped (clamps not included)	00	160	33600.0050	12	NU 1	0,003	0,009	9,30
Clamb for 2 x 35 mm ²	00	160	33600.0060	12	NU 1	0,003	0,009	13,50
Flat terminal M10	1	250	33627.0010	3	NU 1	0,007	0,026	26,90
Inserted screw nut M10	1	250	33627.0020	3	NU 1	0,007	0,026	30,00
V-stamped (clamps not included)	1	250	33627.0050	3	NU 1	0,007	0,026	24,80
Flat terminal M10	2	400	33632.0010	3	NU 1	0,013	0,046	36,20
Inserted screw nut M10	2	400	33632.0020	3	NU 1	0,013	0,046	39,30
V-stamped (clamps not included)	2	400	33632.0050	3	NU 1	0,013	0,046	33,60
Flat terminal M12	3	630	33035.0020	3	NU 1	0,014	0,059	50,70
Inserted screw nut M10	3	630	33036.0020	3	NU 1	0,014	0,059	50,70



33608.0010

NH Fuse-Bases 690 V AC

Properties:

- 3-pole for baseplate mounting, including 2 phase barriers and without contact cover
- including the material for cable connection. (Exception V-clamps)

Description	Size	Amps	Order-No.	PU	PG	Sur. Ag	Sur. Cu	Price €/pc.
Multiple use terminal with pressure plates for cable 1,5 - 50 mm ²	00	125	33608.0030	4	NU 1	0,007	0,015	41,40
Flat terminal M8	00	160	33608.0010	4	NU 1	0,007	0,015	26,90
Inserted screw nut M8	00	160	33608.0020	4	NU 1	0,007	0,015	35,20
Multiple use terminal with pressure plates and prism for cable 1,5 - 70 mm ²	00	160	33608.0040	4	NU 1	0,007	0,015	45,50
V-stamped (clamps not included)	00	160	33608.0050	4	NU 1	0,007	0,015	32,10
Clamb for 2 x 35 mm ²	00	160	33608.0060	4	NU 1	0,007	0,015	40,40
Flat terminal M10	1	250	33631.0010	1	NU 1	0,020	0,077	103,00
Inserted screw nut M10	1	250	33631.0020	1	NU 1	0,020	0,077	120,10
V-stamped (clamps not included)	1	250	33631.0050	1	NU 1	0,020	0,077	98,30
Flat terminal M10	2	400	33633.0010	1	NU 1	0,040	0,138	115,90
Inserted screw nut M10	2	400	33633.0020	1	NU 1	0,040	0,138	129,40
V-stamped (clamps not included)	2	400	33633.0050	1	NU 1	0,020	0,077	109,70
Flat terminal M12	3	630	33037.0010	1	NU 1	0,042	0,197	167,70

NH Fuse-Bases 690 V AC - 1500 V AC, acc. to VDE 0636 T201 / IEC 60269-2-1



33602.0020

NH Fuse-Bases 690 V AC

Properties:

- 1-pole for mounting onto supporting rails, without phase barrier and contact cover
- including the material for cable connection. (Exception V-clamps)

Description	Size	Amps	Order-No.	PU	PG	Sur. Ag	Sur. Cu	Price €/pc.
Multiple use terminal with pressure plates for cable 1,5 - 50 mm ²	00	125	33602.0030	12	NU 1	0,003	0,009	12,40
Flat terminal M8	00	160	33602.0010	12	NU 1	0,003	0,009	10,40
Inserted screw nut M8	00	160	33602.0020	12	NU 1	0,003	0,009	11,40
Multiple use terminal with pressure plates and prism for cable 1,5 - 70 mm ²	00	160	33602.0040	12	NU 1	0,003	0,009	15,50
V-stamped (clamps not included)	00	160	33602.0050	12	NU 1	0,003	0,009	10,40
Clamp for 2 x 35 mm ²	00	160	33602.0060	12	NU 1	0,003	0,009	14,50



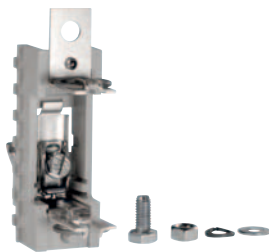
33125.0010

NH Fuse-Bases 690 V AC, Gr. 000

Properties:

- 3-pole for mounting on supporting rails or baseplates

Description	Size	Amps	Order-No.	PU	PG	Sur. Ag	Sur. Cu	Price €/pc.
Box terminal 1,5 - 50 mm ² , for supporting rails	000	100	33125.0010	10	NU 1	0,005	0,017	32,10



33003.0020

NH Fuse-Bases 690 V AC

Properties:

- 1-pole for busbar mounting, including 2 phase barriers and without contact cover

Description	Size	Amps	Order-No.	PU	PG	Sur. Ag	Sur. Cu	Price €/pc.
Flat terminal M8, mounting by clamps	00	160	33001.0020	10	NU 1	0,004	0,011	12,40
Flat terminal M8, mounting by hooks	00	160	33003.0020	10	NU 1	0,004	0,011	15,50
Flat terminal M12 mounting by screws	1-3	250-630	33135.0010	3	NU 1	0,016	0,077	56,90



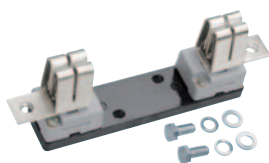
33120.0010

NH Fuse-Bases 690 V AC

Properties:

- 1-pole for baseplate mounting and for mounting onto supporting rail

Description	Size	Amps	Order-No.	PU	PG	Sur. Ag	Sur. Cu	Price €/pc.
Flat terminal M8, baseplate mounting	00	160	33120.0010	10	NU 1	0,002	0,006	9,30
Flat terminal M8, for supporting rails	00	160	33120.0070	10	NU 1	0,002	0,006	11,40



33039.0010

NH Fuse-Bases 1500 V AC

Properties:

- NH Fuse-Bases for the size 3L, baseplate mounting

Description	Size	Amps	Order-No.	PU	PG	Sur. Ag	Sur. Cu	Price €/pc.
Inserted screw nut M12, without micro switch	3L	425	33039.0010	1	NU 1	0,024	0,066	102,50
Inserted screw nut M12, with micro switch	3L	425	33041.0010	1	NU 1	0,024	0,066	159,40
Inserted screw nut M16, without micro switch	3L	630	33040.0010	1	NU 1	0,028	0,102	117,00
Inserted screw nut M16, with micro switch	3L	630	33042.0010	1	NU 1	0,028	0,102	198,70

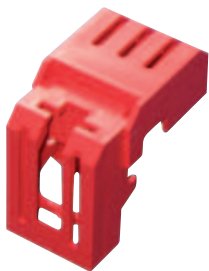
**NH Fuse-Bases 690 V AC - 1500 V AC
acc. to VDE 0636 T201 / IEC 60269-2-1**
Accessories


90181.0100

Phase barrier
Properties:

- for NH Fuse-Bases (series 336...)

Description	Size	Amps	Order-No.	PU	PG	Sur. Ag	Sur. Cu	Price €/pc.
Phase barrier	00		30744.0100	1	NU 1			2,10
Phase barrier	00		30780.0100	1	NU 1			1,05
Phase barrier short 130 mm	00		90181.0100	1	NU 1			2,10
Phase barrier long for V-terminal 152 mm	00		90181.0200	1	NU 1			2,10
Phase barrier 210 mm	1		90184.0100	1	NU 1			3,10
Phase barrier 240 mm	2		90184.0200	1	NU 1			3,10
Phase barrier	3		30846.0100	1	NU 1			3,10



90182.0100

Contact cover
Properties:

- for NH Fuse-Bases (series 336...)

Description	Size	Amps	Order-No.	PU	PG	Sur. Ag	Sur. Cu	Price €/pc.
Contact cover	00		31009.0100	1	NU 1			1,05
Contact cover short	00		90182.0100	1	NU 1			2,10
Contact cover long for V-terminal	00		90182.0200	1	NU 1			2,10
Contact cover	1		90185.0100	1	NU 1			3,10
Contact cover	2		90185.0200	1	NU 1			3,10



90186.0100

Fuse cover
Properties:

- for NH Fuse-Bases (series 336...)

Description	Size	Amps	Order-No.	PU	PG	Sur. Ag	Sur. Cu	Price €/pc.
Fuse cover	00		90183.0100	1	NU 1			2,10
Fuse cover	1-2		90186.0100	1	NU 1			9,30



85246.0100

V-clamp
Properties:

- for NH Fuse-Bases (series 336...)

Description	Size	Amps	Order-No.	PU	PG	Sur. Ag	Sur. Cu	Price €/pc.
V-clamp 35 - 70 sm	00		85246.0100	1	netto			3,25
V-clamp up to 240 mm ²	1-3		85542.0100	1	netto			on demand



33680.0010

Neutral bar

Description	Size	Amps	Order-No.	PU	PG	Sur. Ag	Sur. Cu	Price €/pc.
Neutral bar with flat terminal M8	00	160	33680.0010	1	NU 1	0,003	0,009	9,30

NH Fuse-Bases 690 V AC - 1500 V AC, 3-pole, Series SILAS Accessories



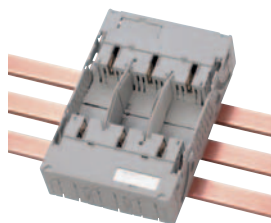
33300.0000

For baseplate mounting

Properties:

- compact NH-Fuse-Base for baseplate mounting

Description	Size	Amps	Order-No.	PU	PG	Sur. Ag	Sur. Cu	Price €/pc.
Multiple use terminal (screw M8)	00		33300.0000	1	NT SILAS	0,010	0,002	34,20
Box terminal 1,5 to 70mm ²	00		33301.0000	1	NT SILAS	0,010	0,016	37,30
Multiple use terminal (screw M10)	1		33320.0000	1	NT SILAS	0,022	0,030	112,80
Multiple use terminal (screw M10)	2		33330.0000	1	NT SILAS	0,033	0,466	148,00



33304.0000

For busbar mounting on 60 mm systems by hook contacting

Properties:

- compact NH-Fuse-Base for busbar mounting

Description	Size	Amps	Order-No.	PU	PG	Sur. Ag	Sur. Cu	Price €/pc.
Multiple use terminal (screw M8)	00	160	33304.0000	1	NT SILAS	0,013	0,020	56,90
Box terminal 1,5-70mm ²	00	160	33305.0000	1	NT SILAS	0,013	0,020	59,00
Multiple use terminal (screw M10)	1	250	33321.0000	1	NT SILAS	0,022	0,072	136,60
Multiple use terminal (screw M10)	2	400	33331.0000	1	NT SILAS	0,036	0,194	187,30



36996.0010

Fuse cover series SILAS

Description	Size	Amps	Order-No.	PU	PG	Sur. Ag	Sur. Cu	Price €/pc.
Fuse cover size 00	00		36996.0010	1	NT SILAS			3,10



36934.0010

Pressure plates for Cu-Conductor se, sm an laminated copper

Properties:

- Easy supplementation for the connection of Cu conductors, se, sm und laminated copper
- 1 Set = 3 pcs.

Description	Size	Amps	Order-No.	PU	PG	Sur. Ag	Sur. Cu	Price €/pc.
6 - 50 mm ²	00		36934.0010	1	NT SILAS			2,30
70 - 150 mm ²	1		36936.0010	1	NT SILAS			19,00
120 - 240 mm ²	2		36997.0010	1	NT SILAS			32,00
150 - 300 mm ²	3		36981.0010	1	NT SILAS			68,00



36975.0010

Contact prism for copper and aluminium

Properties:

- Easy supplementation for the connection of Cu- and Al conductor
- 1 Set = 3 pcs.

Description	Size	Amps	Order-No.	PU	PG	Sur. Ag	Sur. Cu	Price €/pc.
6 - 70 mm ²	00		36975.0010	1	NT SILAS			7,40
70 - 150 mm ²	1		36942.0010	1	NT SILAS			39,00
120 - 240 mm ²	2		36943.0010	1	NT SILAS			62,00

NH Fuse-Bases 690 V AC - 1500 V AC, 3-pole Series SILAS Accessories



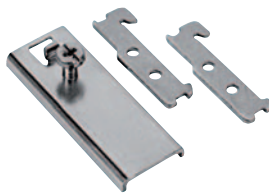
36982.0010

Contact prism for two copper and aluminium conductors

Properties:

- Supplement for the connection of two cables
- 1 Set = 3 pcs.

Description	Size	Amps	Order-No.	PU	PG	Sur. Ag	Sur. Cu	Price €/pc.
2 x 35 - 70 mm ²	1		36982.0010	1	NT SILAS			82,00
35 - 150 mm ²	1		36992.0010	1	NT SILAS			16,00
2 x 70 - 120 mm ²	2		36983.0010	1	NT SILAS			94,00
95 - 300 mm ²	2 - 3		36994.0010	1	NT SILAS			21,00
2 x 150 - 185 mm ²	3		36984.0010	1	NT SILAS			106,00



36937.0010

Quick fixing set

Properties:

- Quick fixing onto supporting rails with spacing 125 or 150 mm

Description	Size	Amps	Order-No.	PU	PG	Sur. Ag	Sur. Cu	Price €/pc.
Quick fixing set for supporting rails, distance 125 or 150 mm	00-1	160-250	36937.0010	1	NT SILAS			5,25



36994.0010

Box terminal

Properties:

- Supplement from screws to clamps
- 1 Set = 3 pcs.

Description	Size	Amps	Order-No.	PU	PG	Sur. Ag	Sur. Cu	Price €/pc.
35 - 150 mm ²	1	250	36992.0010	1	NT SILAS			16,00
95 - 300 mm ²	2 - 3	400-630	36994.0010	1	NT SILAS			21,00

Product overview Standard-Fuse-bases

Size Nominal current (A)	00 125/160	1 250	2 400	3 630
1-pole, Baseplate mounting	•	•	•	•
3-pole, Baseplate mounting	•	•	•	•
Busbar mounting Size 00 - 3	•	•	•	•
Supporting-rail mounting	•			

Product overview Special designs

Size	000	3L
1-pole, AC 1500 V		•
3-pole, Supporting-rail mounting	•	

Product overview NH Fuse-Bases, series SILAS, 3-pole

Size Nominal current (A)	00 125/160	1 250	2 400
Baseplate mounting	•	•	•
Supporting-rail mounting	•	•	•

Technical Data acc. to VDE 0636 T201/IEC 60269-2-1

For NH Fuse-Links acc. to DIN 43620/1	Size	000	00	1	2	3	3L
Rated current I_N	A	125	160	250	400	630	630
Rated voltage U_N	V	690					
Current type and rated frequency		AC 50Hz					
Rated insulation voltage U_i	V	690					
r.m.s value of the power-frequency test voltage for 60s	V	2500					
Maximum cut-off current / (when protected by NH Fuse-Links)	kA	25	25	38	48	70	25
Permissible ambient temperature	°C	-25 till +55					
Degree of protection DIN/EN 60529/VDE 0470 T1	IP	IP 3x	IP 00				
Maximum power dissipation of the NH Fuse-Links	W	12	12	32	45	60	132
Weight without NH Fuse-Links 1-pole	kg	-	0,14	0,34	0,41	0,62	1,6
Weight without NH Fuse-Links 3-pole	kg	0,33	0,52	1,03	1,22	-	-

Tightening torques for terminal and busbar mounting

Size	NH 000	NH 00	NH 1	NH 2	NH 3
Typ of terminal	Tightening Torques Nm				
Universal terminal (Screw-type)	-	12	20	20	20
Pressure plates with screws	-	3	6	8	8
Pressure plates with screws and contact prism	-	3	6	8	8
Busbar contacting	-	6	6	8	8
Box terminal	4,5	4,5	12	20	20

NH Fuse-Bases 1-pole for baseplate mounting / supporting-rail mounting

Technical data

NH Fuse-Bases size 00-3, for baseplate mounting

Description	Size	Amps I _n	Order no.	Description	Pack	Weight in kg
Multiple use terminal with pressure plates for cable 1,5–50 mm ²	00	125	33600.0030	NH-UNT 00 125A U3U3	12	0,14
with flat terminal, screw and nut M8	00	160	33600.0010	NH-UNT 00 160A L4L4	12	0,14
with inserted nut and screw M8	00	160	33600.0020	NH-UNT 00 160A G4G4	12	0,14
Multiple use terminal with pressure plates and prism for cable 1,5–70 mm ²	00	160	33600.0040	NH-UNT 00 160A U4U4	12	0,14
with V-stamped (clamps not included)	00	160	33600.0050	NH-UNT 00 160A V2V2	3	0,14
Clamp for 2 x 35 mm ²	00	160	33600.0060	NH-UNT 00 160A S9S9	3	0,14
Neutral bar with flat terminal	00	160	33680.0010	NULLSCHIENE 00L4L4	10	0,120
flat terminal M8	00	160	33120.0010	NH-UNT 00 160A G4G4	10	0,120
with flat terminal, screw and nut M10	1	250	33627.0010	NH-UNT 1 250A L5L5	3	0,34
with inserted nut and screw M10	1	250	33627.0020	NH-UNT 1 250A G5G5	3	0,34
with V-stamped (clamps not included)	1	250	33627.0050	NH-UNT 1 250A V2V2	3	0,34
with flat terminal, screw and nut M10	2	400	33632.0010	NH-UNT 2 400A L5L5	3	0,41
with inserted nut and screw M10	2	400	33632.0020	NH-UNT 2 400A G5G5	3	0,41
with V-stamped (clamps not included)	2	400	33632.0050	NH-UNT 2 400A V2V2	3	0,41
with flat terminal, screw and nut M12	3	630	33035.0020	NH-UNT 3 L6L6	3	0,62
with inserted screw nut M10	3	630	33036.0020	NH-UNT 3 G5G5	3	0,62

NH Fuse-Bases size 00, for mounting onto supporting rails

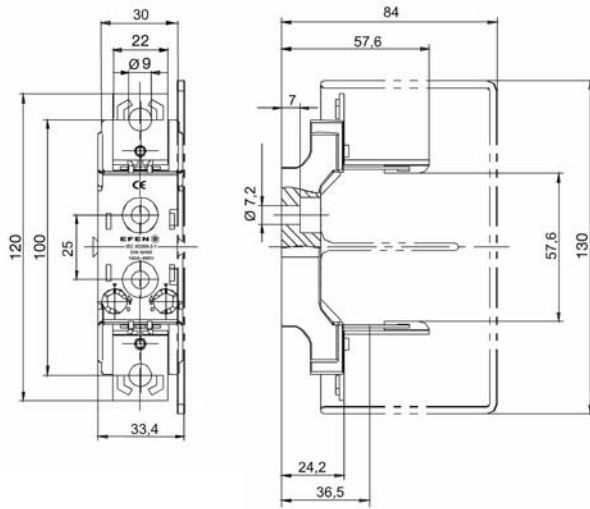
Description	Size	Amps I _n	Order no.	Description	Pack	Weight in kg
with flat terminal, screw and nut M8	00	160	33602.0010	NH-UNT 00 160A HB L4L4	12	0,14
with inserted nut and screw M8	00	160	33602.0020	NH-UNT 00 160A HB G4G4	12	0,14
Multiple use terminal with pressure plates for cable 1,5-50 mm ²	00	125	33602.0030	NH-UNT 00 125A HB U3U3	12	0,14
Multiple use terminal with pressure plates and prism for cable 1,5-70 mm ²	00	160	33602.0040	NH-UNT 00 160A HB U4U4	12	0,14
with V-stamped (clamps not included)	00	160	33602.0050	NH-UNT 00 160A HB V2V2	12	0,14
Clamp for 2 x 35 mm ²	00	160	33602.0060	NH-UNT 00 160A HB S9S9	12	0,14
Flat terminal M8	00	160	33120.0070	NH-Unt 00 160 A HN G4G4	10	0,130

NH Fuse-Bases

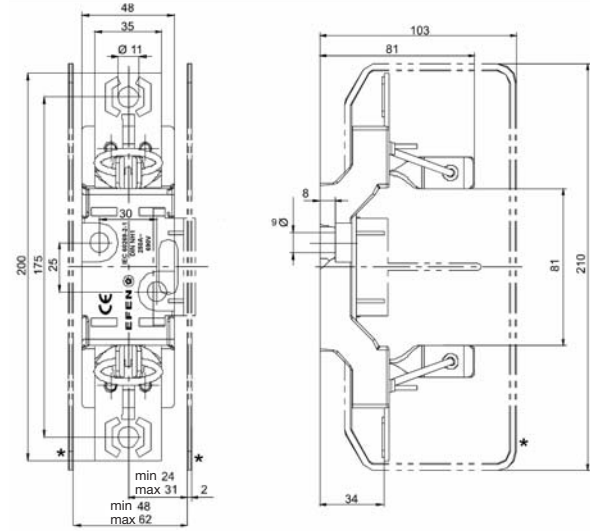
1-pole for baseplate mounting / supporting-rail mounting

Dimensions drawings

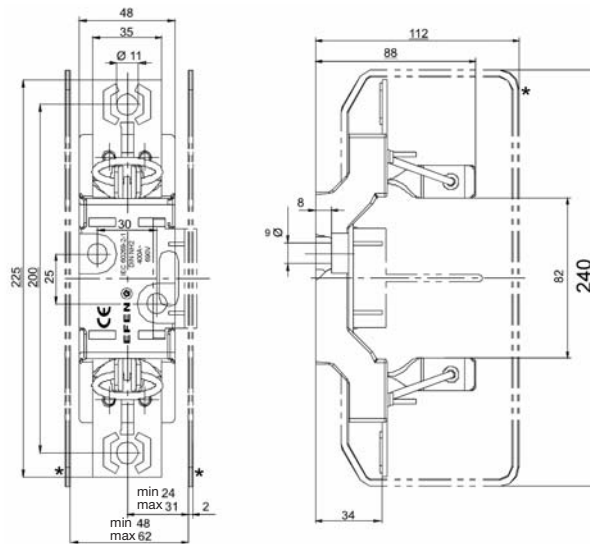
Size 00, row 336....



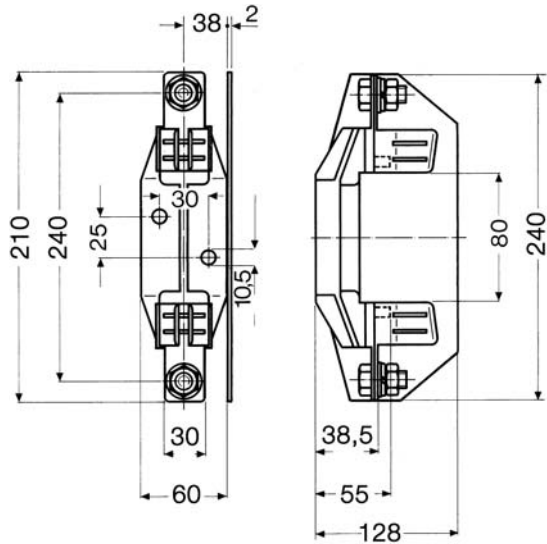
Size 1, row 336...



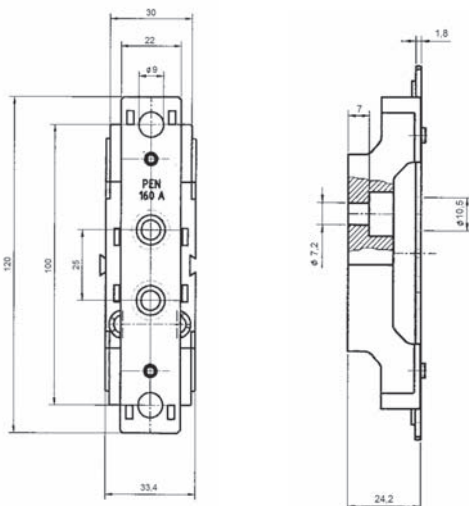
Size 2, row 336...



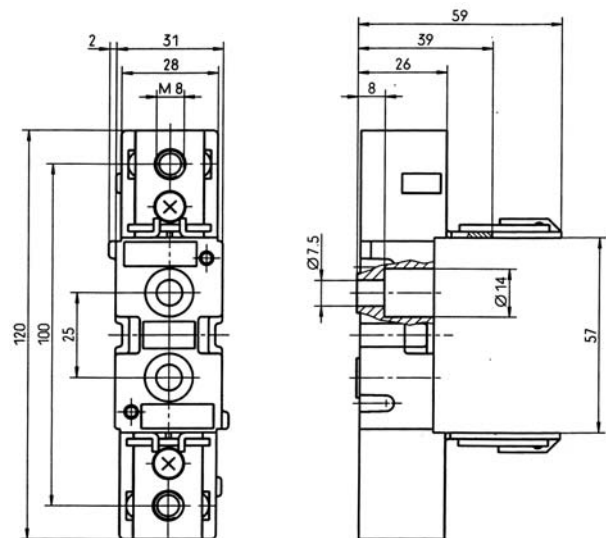
Size 3, row 3303....



Neutral bar Size 00



NH Fuse-Base Size 00 33120....



NH Fuse-Bases 1-pole for busbar mounting / baseplate mounting

Technical data

NH-Fuse-Bases size 00-3, for busbar mounting acc. to DIN 43870

Description	Size	Amps I _n	Order no.	Description	Pack	Weight in kg
Flat terminal M8, Mounting by clamps	00	160	33003.0020	NH-UNT 00 160A SB F2L4	10	0,14
Flat terminal M8, Mounting by hooks	00	160	33001.0020	NH-UNT 00 160A SB F1L4	10	0,14
Flat terminal M12, Mounting by screws	1-3	250-630	33135.0010	NH-UNT 1-3 SB SH L6	3	0,14

NH-Fuse-Bases size 3L, 1500 V AC, for baseplate mounting

Description	Size	Amps I _n	Order no.	Description	Pack	Weight in kg
Inserted screw nut M12	3L	425	33039.0010	NH-UNT 3L 1500 V G6 G6	1	1,24
Inserted screw nut M16	3L	630	33040.0010	NH-UNT 3L 1500 V G8 G8	1	1,24

NH-Fuse-Bases size 3L, 1500 V AC, for baseplate mounting, with striker

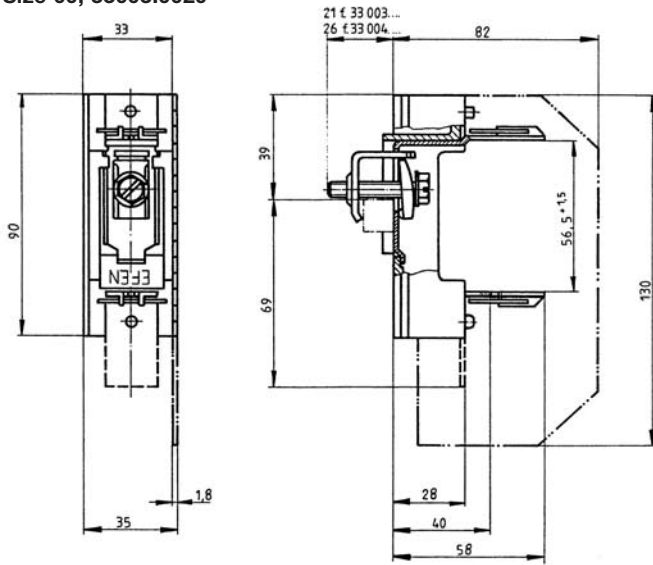
Description	Size	Amps I _n	Order no.	Description	Pack	Weight in kg
Inserted screw nut M12	3L	425	33041.0010	NH-UNT 3L 1500 V Ms G6 G6	1	1,24
Inserted screw nut M16	3L	630	33042.0010	NH-UNT 3L 1500 V Ms G8 G8	1	1,24

NH Fuse-Bases

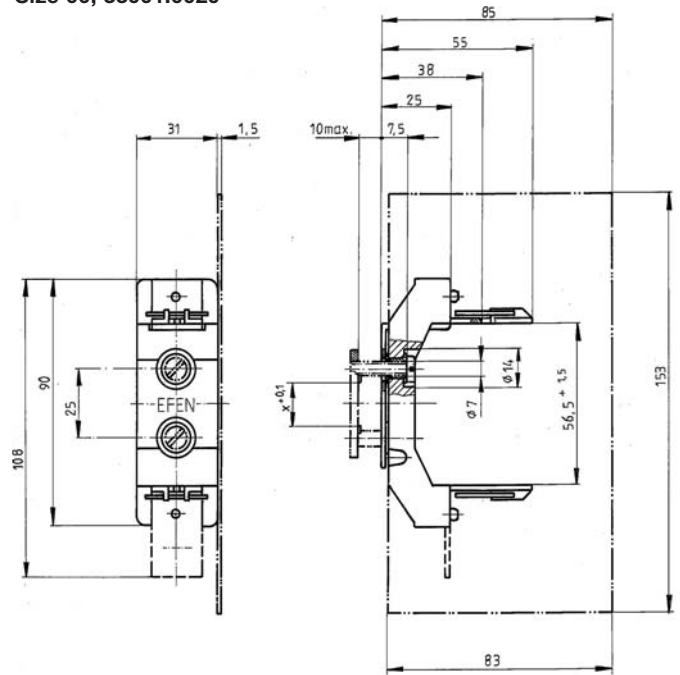
1-pole for busbar mounting / baseplate mounting

Dimensions drawings

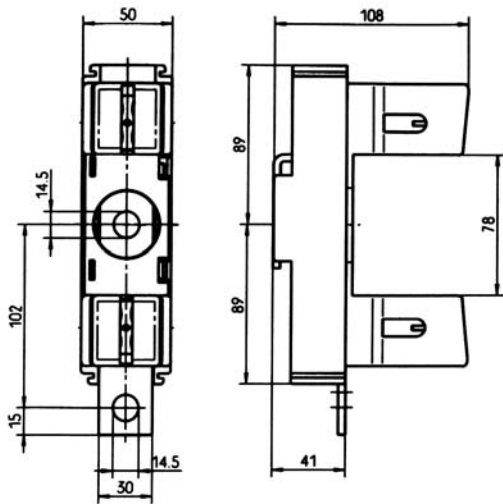
Size 00, 33003.0020



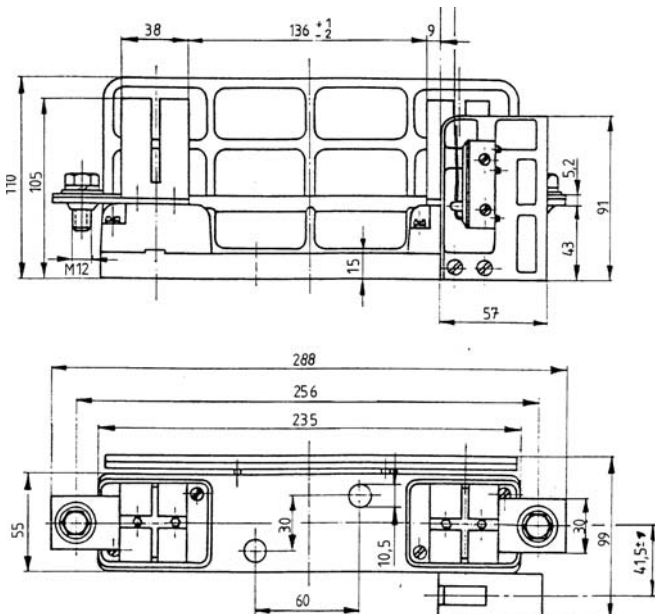
Size 00, 33001.0020



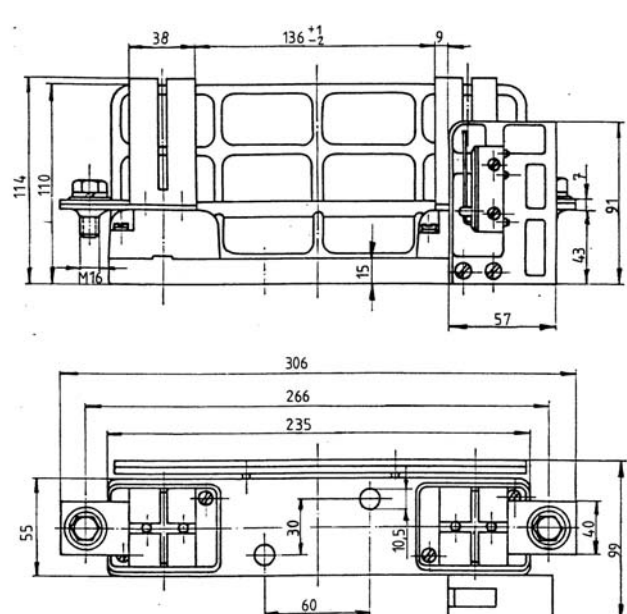
Size 3, 33135.0010



Size 3L / Inserted screw nut M12, 425 A, 33039.0010/33040.0010



Inserted screw nut M16, 630 A 33041.0010/33042.0010



NH Fuse-Bases 3-pole for baseplate- or supporting-rail mounting

Technical data

NH Fuse-Base 690 V AC, 3-pole for baseplate- or supporting-rail mounting

Description	Size	Amps I _n	Order no.	Description	Pack	Weight in kg
Flat terminal M8	00	160	33608.0010	NH-UNT 00 3P 160A L4L4	4	0,52
Inserted screw nut M8	00	160	33608.0020	NH-UNT 00 3P 160A G4G4	4	0,52
Multiple use terminal with pressure plates for cable für Kabel 1,5–50 mm ²	00	125	33608.0030	NH-UNT 00 3P 125A U3U3	4	0,52
Multiple use terminal with pressure plates and prism for cable 1,5–70 mm ²	00	160	33608.0040	NH-UNT 00 3P 160A U4U4	4	0,52
V-stamped (clamps not included)	00	160	33608.0050	NH-UNT 00 3P 160A V2V2	4	0,52
Clamp for 2 x 35 mm ²	00	160	33608.0060	NH-UNT 00 3P 160A S9S9	4	0,52
Flat terminal M10	1	250	33631.0010	NH-UNT 1 3P 250A L5L5	1	1,03
Inserted screw nut M10	1	250	33631.0020	NH-UNT 1 3P 250A G5G5	1	1,03
V-stamped (clamps not included)	1	250	33631.0050	NH-UNT 1 3P 250A V2V2	1	1,03
Flat terminal M10	2	400	33633.0010	NH-UNT 2 3P 400A L5L5	1	1,22
Inserted screw nut M10	2	400	33633.0020	NH-UNT 2 3P 400A G5G5	1	1,22
V-stamped (clamps not included)	2	400	33633.0050	NH-UNT 2 3P 400A V2V2	1	1,22
Flat terminal M12	3	630	33037.0010	NH-UNT 3 3P L6L6	1	2,57

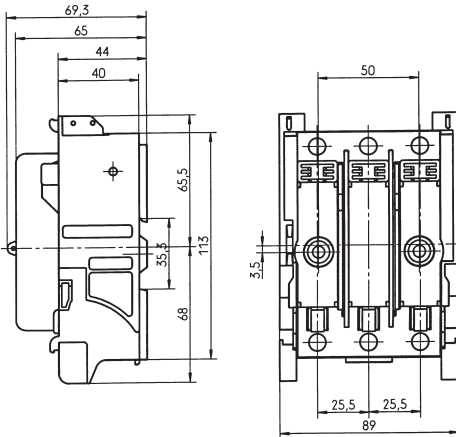
NH Fuse-Base 690V AC, 3-pole for supporting-rail mounting

Description	Size	Amps I _n	Order no.	Description	Pack	Weight in kg
Box terminal 1,5–50 mm ²	000	100	33125.0010	NH-UNT 000 3P 160A HB R4R4	10	0,33

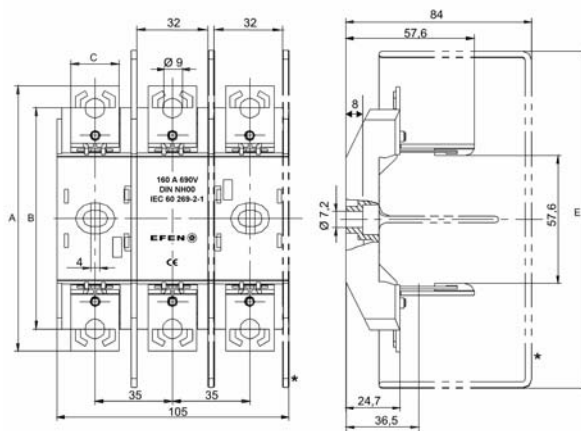
NH Fuse-Bases 3-pole for baseplate- or supporting-rail mounting

Dimensions drawings

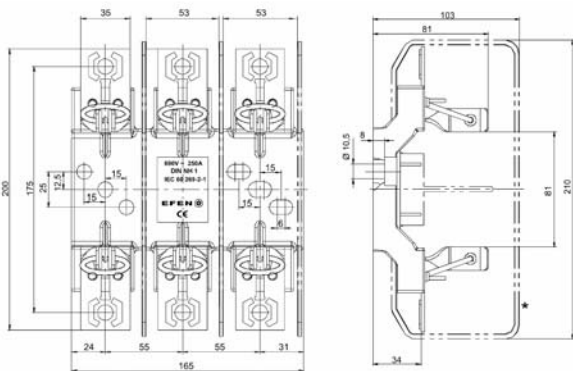
Size 000, 33125.0010



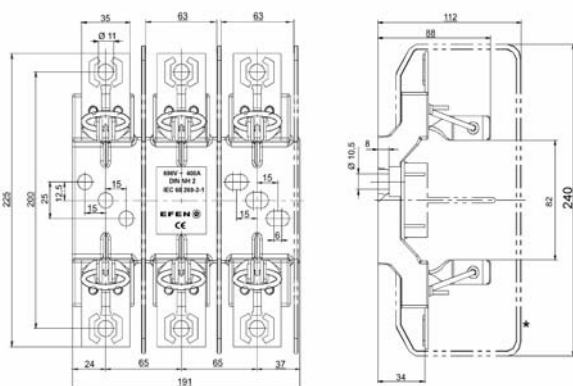
Size 00, row 336...



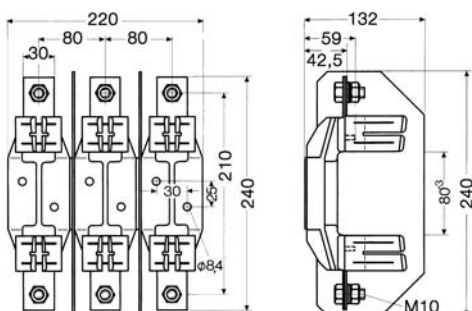
Size 1, row 336...



Size 2, row 336...



Size 3, 33037.0010



NH Fuse-Bases SILAS 690 V AC 3-pole, Size 00-2

Technical data

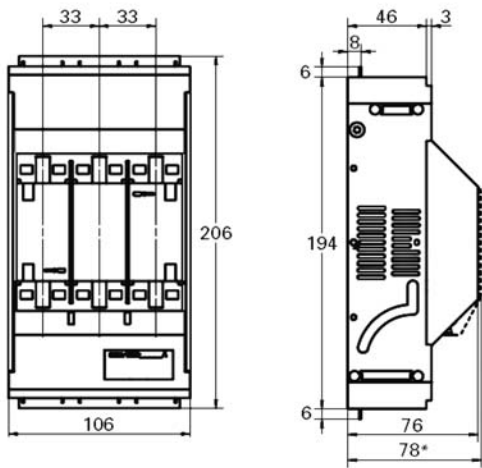
For baseplate mounting

Description	Size	Amps I _n	Order no.	Description	Pack	Weight in kg
Multiple use terminal (screw M8)	00	160	33300.0000	SILAS NH-UNT 00 3P G4G4	1	0,50
Box terminal 2,5-95 mm ²	00	160	33301.0000	SILAS NH-UNT 00 3P RR	1	0,60
Multiple use terminal (screw M10)	1	250	33320.0000	SILAS NH-UNT 1 3P G5G5	1	1,40
Multiple use terminal (screw M10)	2	400	33330.0000	SILAS NH-UNT 2 3P G5G5	1	2,10

For busbar mounting on 60 mm systems with hook contacting

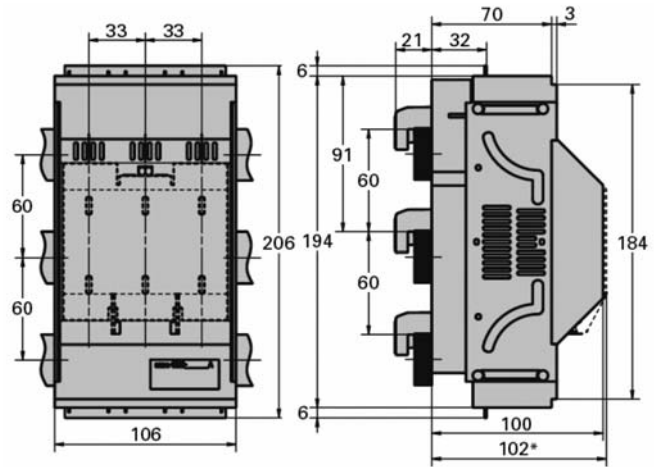
Description	Size	Amps I _n	Order no.	Description	Pack	Weight in kg
Multiple use terminal (screw M8)	00	160	33304.0000	SILAS NH-UNT 00 SB 3P G4	1	0,60
Box terminal 2,5-95 mm ²	00	160	33305.0000	SILAS NH-UNT 00 SB 3P R	1	0,60
Multiple use terminal (screw M10)	1	250	33321.0000	SILAS NH-UNT 1 SB 60 3P G5	1	1,50
Multiple use terminal (screw M10)	2	400	33331.0000	SILAS NH-UNT 2 SB 60 3P G5	1	2,40

Size 00



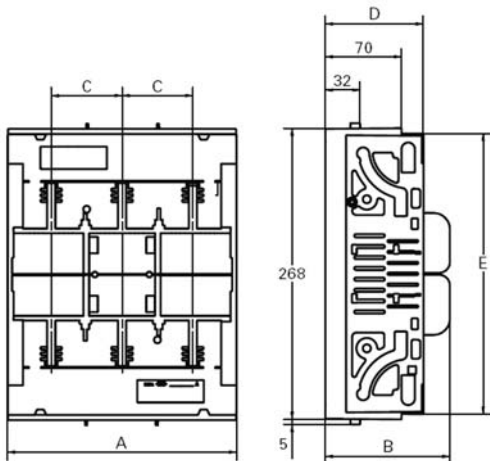
* = with fuse cover

Busbar mounting Size 00

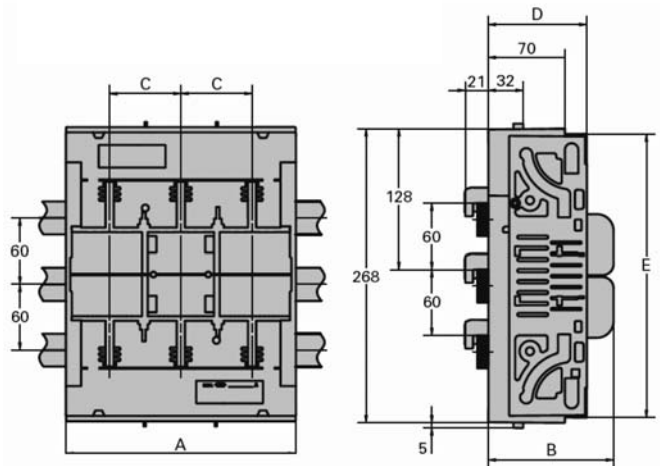


* = with fuse cover

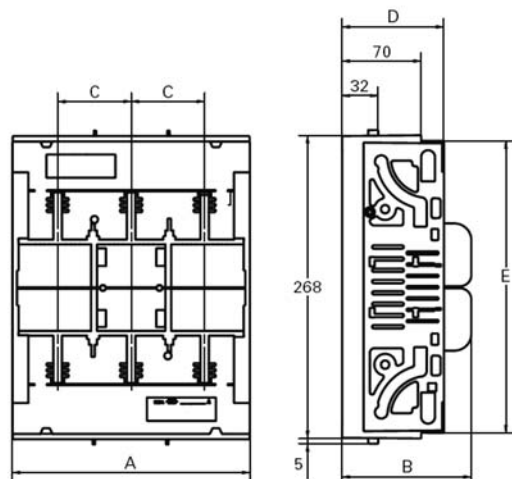
Size 1



Busbar mounting Size 1



Size 2



Busbar mounting Size 2

