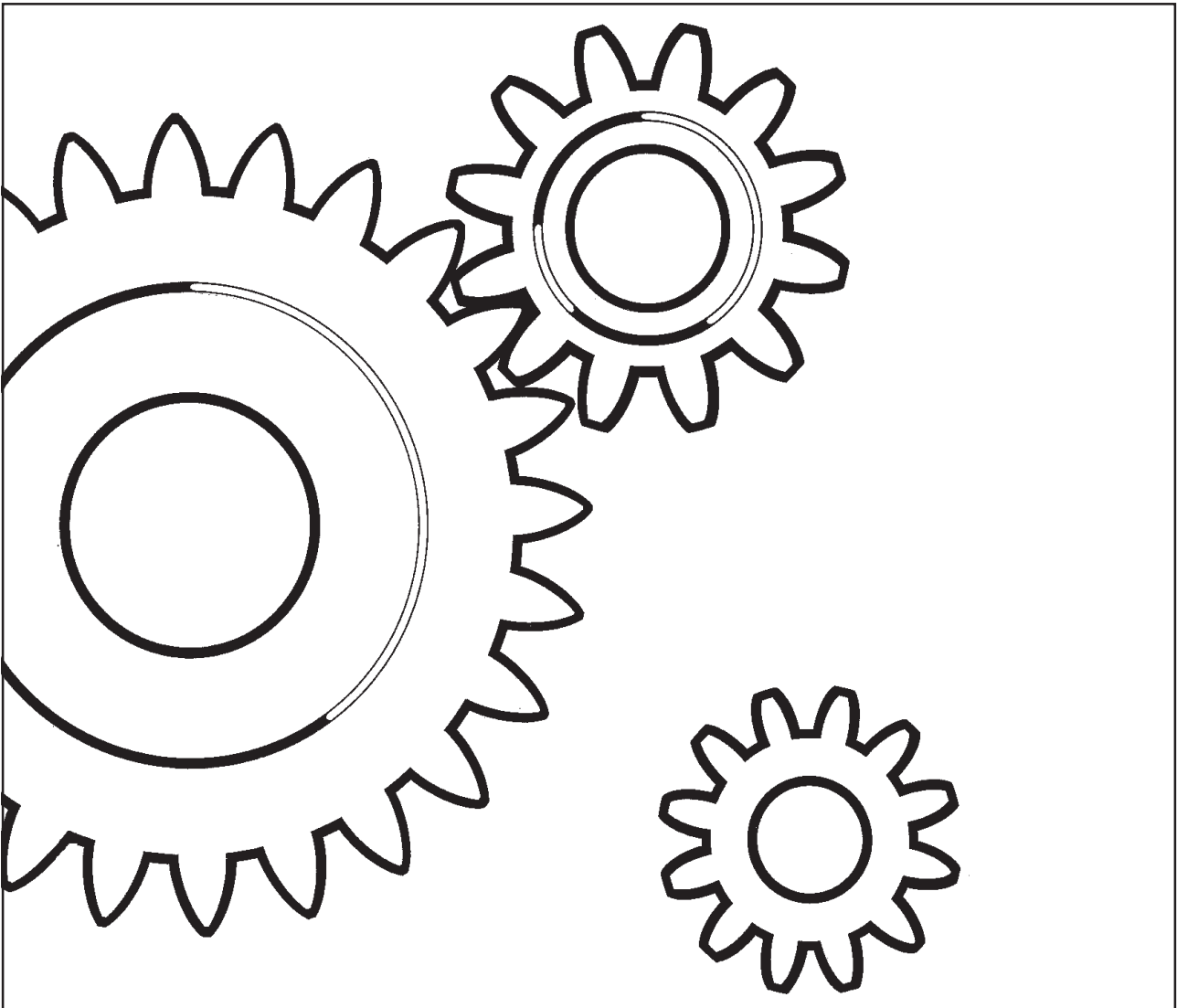


**DYNAPAC**  
**CA402D**  
**SPARE PARTS**  
**CATALOGUE**  
**SCA402D-2EN4**



***DYNAPAC***

Part of the Atlas Copco Group

Box 504, SE-371 23 Karlskrona, Sweden

Phone: +46 455 30 60 00, Fax: +46 455 30 60 10

[www.dynapac.com](http://www.dynapac.com)



## **Vibratory Roller CA402D**

### **Spare Parts Catalogue SCA402D-2EN4**

*Valid from roller serial number:*

*\*69410402\*-*

*Diesel engines:*

*DEUTZ BF4M2012C*

*Published catalogue issues valid for these rollers:*

<i>Catalogue</i>	<i>Issue date</i>	<i>Valid for serial numbers</i>
<i>SCA402D-2EN1</i>	<i>2003-03</i>	<i>Replaced by SCA402D-2EN2</i>
<i>SCA402D-2EN2</i>	<i>2004-11</i>	<i>Replaced by SCA402D-2EN3</i>
<i>SCA402D-2EN3</i>	<i>2006-01</i>	<i>Replaced by SCA402D-2EN4</i>
<i>SCA402D-2EN4</i>	<i>2008-09</i>	<i>*69410402*-</i>



**RESERVDLSBESTÄLLNING**

Följande uppgifter ska lämnas vid beställning av reservdelar för att undvika leveransfel:

1. Maskintyp.
2. Vältens serienummer.
3. Antal av önskad reservdel.
4. Reserdelens artikelnummer.
5. Reservdelens benämning.
6. Måttuppgifter vid beställning av metervara.

**ORDERING SPARE PARTS**

To avoid errors in delivery, please give the following information when ordering spare parts:

1. Type of machine.
2. Roller serial number.
3. Quantity required.
4. Part number.
5. Parts denomination.
6. Dimensions when ordering per length.

**ERSATZTEILBESTELLUNG**

Zur Vermeidung von Fehllieferungen sind bei der Bestellung von Ersatzteilen folgende Angaben zu machen:

1. Maschinentyp.
2. Herstellungsnummer.
3. Bestellmenge. (Quantity)
4. Ersatzteilnummer. (Part N°)
5. Ersatzteilbenennung. (Denomination)
6. Massangaben bei Bestellung von Meterware.

**ORDINI DI RICAMBI**

Per evitare errori nelle consegne di ricambi, Vi preghiamo di comunicarci le seguenti informazioni al momento dell'ordinazione:

1. Tipo di macchina.
2. Numero di serie della macchina.
3. Quantità dei pezzi desiderati. (Quantity)
4. Numero di codice del pezzo. (Part N°)
5. Descrizione del pezzo di ricambio. (Denomination)
6. Misura, in caso di ordine per metro.

**PEDIDO DE RECAMBIOS**

Para evitar errores en las entregas, deberán indicarse los siguientes datos al hacer un pedido de recambios:

1. Tipo de máquina.
2. Número de serie.
3. Cantidad de piezas deseadas. (Quantity)
4. Número de artículo de la pieza de recambio. (Part N°)
5. Denominación de la pieza. (Denomination)
6. Indíquese la medida al solicitar un artículo que se expide por metros.

**COMMANDE DE PIÉCES DE RECHANGE**

Les indications suivantes doivent être fournies lors de la commande de pièces de rechange, afin d'éviter toute erreur de livraison:

1. Type de machine.
2. Numéro de série.
3. Quantité désirée de pièce de rechange. (Quantity)
4. Numéro de la pièce de rechange. (Part N°)
5. Dénomination de la pièce de rechange. (Denomination)
6. Longueur en cas de commande au mètre.

**YOUR AGENT/DEALER:**





## PÄRMETIKETT

För att undvika fel vid reservdelsbeställning finns här nedan två etiketter som passar i fickorna på pärmarnas ryggar. På dessa kan man se från vilket vältnummer av aktuell maskin reservdelskatalogen gäller. Gör så här:

1. Tag denna sida ur pärmen.
2. Klipp ut etiketten till **VÄNSTER** (1) och sätt in den i fickan på **DENNA** pärmens rygg.
3. Finns det en etikett till **HÖGER** (2), kan denna användas på pärmen för **FÖREGÅENDE** utgåva av denna katalog.
4. Kasta detta papper.

## KATALOG-BESCHRIFTUNG

Zur Vermeidung von Fehlern bei der Ersatzteilbestellung benutzen Sie bitte die unteren Beschriftungen, um die Kataloge auf der Rückseite zu kennzeichnen. Auf der Beschriftung ist angegeben, für welche Maschinennummern der jeweilige Katalog gültig ist. Ablauf:

1. Nehmen Sie dieses Blatt aus dem Katalog.
2. Schneiden Sie die **LINKE** Beschriftung (1) aus. Schieben Sie die Beschriftung in die tasche auf **DEM** Katalogrücke.
3. Sollte die Beschriftung unten **RECHTS** (2) mitgeliefert werden, kennzeichnen Sie damit bitte die **ÄLTERE** Ausführung dieses Kataloges.
4. Den Rest dieses Blattes bitte vernichten.

## ETIQUETA PARA LA CARPETA

Para evitar errores al pedir repuestos utilicen las etiquetas abajo descritas para identificar los catálogos en la parte trasera de la carpeta. En la etiqueta se ven los números de referencia de la serie para la cual es válido el catálogo. Instrucciones:

1. Quitar esta página de la carpeta.
2. Corta la etiqueta **IZQUIERDA** (1) y ponerla en **ESTA** carpeta en la parte trasera.
3. Si hay una etiqueta en la parte **DERECHA** (2) se puede utilizar en la carpeta para el catálogo que **PRECEDE** a esta.
4. Tirar esta hoja.

## BINDER LABEL

To avoid errors when ordering spare parts use the labels below to identify the catalogues on the back of the binder. The label contain the serial number range for which the catalogue is valid. Do like this:

1. Remove this page from the binder.
2. Cut out the **LEFT** label (1) and put it on **THIS** binders back.
3. If there is a label to the **RIGHT** (2), it can be used on the binder for **PRECEDING** issue of this catalogue.
4. Throw away this paper.

## ETICHETTAPOSTASULRACCOGLITORE

Per evitare errori quando ordinate pezzi di ricambio, usate le etichette in calce che servono ad identificare i cataloghi sul retro del raccoglitore. L'etichetta indica il numero di matricola delle macchine prese in considerazione nel catalogo.

1. Rimuovete questa pagina dal raccoglitore.
2. Ritagliate l'etichetta posta a **SINISTRA** (1) e ponetela sul retro **DEL** raccoglitore.
3. Se trovate anche un'etichetta sulla **DESTRA** (2), ritagliatela e ponetela sul raccoglitore relativo alla **PRECEDENTE** edizione del catalogo.
4. Distruggete questo foglio.

## ETIQUETAGE DU CATALOGUE

Afin d'éviter des erreurs lors de commandes de pièces de rechange, nous vous conseillons d'apposer les marquages ci-dessous à l'arrière du classeur, pour identifier les catalogues. Ce marquage indique les numéros de série pour lesquels le catalogue est adapté. Il convient de procéder de la façon suivante:

1. Retirez cette page du classeur.
2. Découpez l'étiquette de **GAUCHE** (1), et apposez-la à l'arrière de **CE** catalogue.
3. Si il y a une étiquette à **DROITE** (2), vous pourrez l'apposer sur le classeur de l'édition **PRECEDENTE** du catalogue.
4. Détruire cette feuille.

1.







**TABLE OF CONTENTS**

**Page**

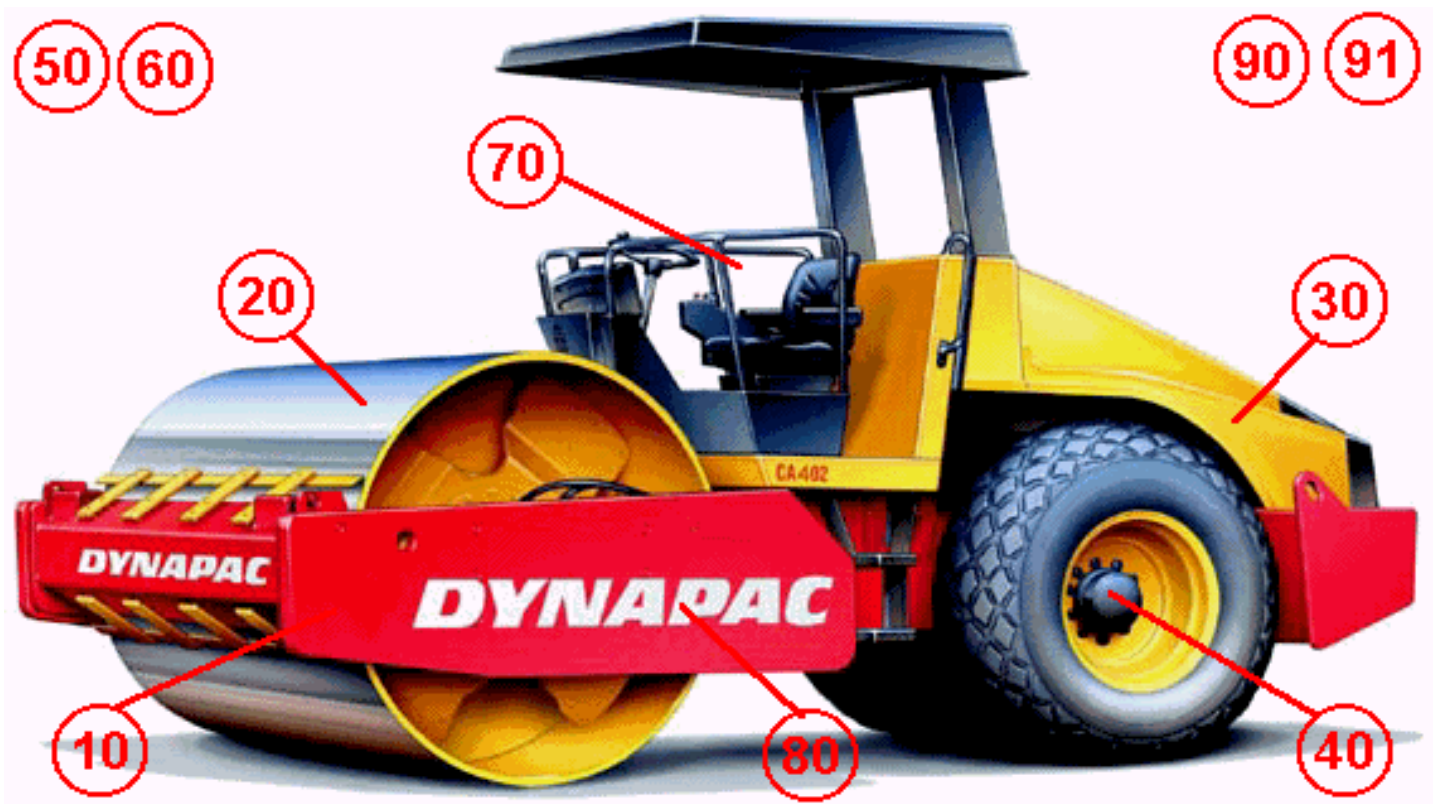
<b>CA402D SN 69410402 - 69411199</b>	<b>2</b>
<b>Service kits</b>	<b>4</b>
Service kits	6
939568    Service kit 50 h	8
939569    Service kit 500 h	10
939570    Service kit 1000 h	12
<b>Repair kits</b>	<b>14</b>
938558    Steering hitch kit	16
938894    Eccentric shaft kit	18
938891    Drum rotation kit	20
938881    Shock absorber kit, drum	22
<b>Frame</b>	<b>24</b>
Frames	26
Beam	28
Scrapers, Spring Steel Up to 69410460	30
Scrapers, Spring Steel From 69410461	32
Scrapers, Urethan Rubber Option Up to 69410460	34
Scrapers, Urethan Rubber Option From 69410461	36
Hitch	38
Structure	40
Hood latch control Option	44
Noise suppression, air inlet Option	46
Drum shroud Option From 69410461	48
<b>Drum</b>	<b>50</b>
Drum	52
Drum cartridge Vibration side Up to 69411001	54
Drum cartridge Vibration side From 69411002	56
Drum cartridge Drive side Up to 69411001	58
Drum cartridge Drive side From 69411002	60
372987    Drum gear	62
<b>Engine</b>	<b>64</b>
Engine Deutz BF4M2012C Up to 69410483	66
Engine Deutz BF4M2012C From 69410484	68
Cooling system	70
Combustion air system Up to 69410403	74
Combustion air system From 69410404	76
Fuel system	78
Exhaust system	80
High mounted exhaust system Option	82
<b>Transmission</b>	<b>84</b>
Rear axle and wheels Up to 69410720	86
Rear axle and wheels From 69410721 Up to 69410839	88
Rear axle and wheels From 69410840	90
383857    Rear axle	92
Differential with limited slip	94
Differential housing and brakes	96
Planet gear	98
383856    Rear axle No-Spin, Option	100
Differential with No-Spin	102
Differential housing and brakes	96
Planet gear	104

	<b>Hydraulic system</b> .....	<b>106</b>
	Propulsion system, Front .....	108
371509	Propulsion motor .....	110
	Propulsion system, Rear .....	112
374137	Propulsion motor Up to ECN03096 .....	116
373361	Propulsion motor From ECN03096 .....	120
	Vibration system .....	124
380145	Hydraulic motor, vibration .....	126
	Steering system .....	128
392002	Steering cylinder Up to 69410926 .....	130
375031	Steering cylinder Up to 69410926 .....	132
372424	Pilot valve, steering .....	134
	Brake system .....	136
	Hydraulic oil tank .....	138
	Hydraulic oil tank .....	140
	Central test panel hydraulic .....	142
	Dual speed drum drive Option .....	144
	<b>Electrical equipment</b> .....	<b>146</b>
	Electric system .....	148
	Relay and Fuses .....	150
	Instrument box .....	152
	Instrument panel Main .....	154
	Instrument panel Upper left .....	156
	Instrument panel Upper right .....	158
	Instrument panel Lower left .....	160
	Instrument panel Lower right .....	162
	Emergency stop panel Up to ECN03096 .....	164
	Emergency stop panel From ECN03096 .....	166
	Driving lights Option .....	168
	Working lights Option .....	172
	Rotating beacon Option .....	174
	Compaction meter Option Up to 69410405 .....	176
	Compaction meter Option From 69410406 .....	178
	Speedometer and frequency meter Option Up to 69410483 .....	180
	Speedometer and frequency meter Option From 69410484 .....	182
	Tachograph, platform Option .....	184
	Tachograph, cab Option .....	186
	Tachograph, simple cab Option .....	188
	Back-up alarm Option .....	190
	Back-up alarm Option .....	192
	Protecting cover, Headlight Option .....	194
	Field computer assembly Option .....	196
	Compaction Analyzer Option From 69410406 .....	198
	Geodynamic Compaction indicator Option .....	200
	<b>Drivers platform</b> .....	<b>202</b>
	Drivers platform .....	204
	Drivers platform, for cab .....	206
	Drivers seat Standard platform .....	208
	Drivers seat Turn-over platform .....	210
	Drivers seat Turn-over in cab .....	212
359918	Steering column .....	214
	Steering system .....	216
	Turning Controls .....	218
	Turning Carrier .....	220
	Forward and reverse control .....	222
	Speed limiter Option .....	224
	Engine control Up to 69410460 .....	226

**TABLE OF CONTENTS**

**Page**

	Engine control From 69410461 .....	228
	Rops and fops .....	230
	Cab 383030 .....	232
	Cab Interior .....	234
	Cab Inside panels .....	236
	Cab Screens .....	238
	Cab Door .....	242
	Cab Wipers front and rear .....	244
	Cab Mirror, Sun curtain .....	246
	Cab Electric .....	248
	Cab Heater system .....	250
385434	Cab heater, cpl .....	252
	Cab Cable harness .....	254
	Cab Work lights .....	256
	Cab Exterior, rear mirror .....	258
	Radio and cassette/cd player Option .....	260
	Cab, 12V contact From 69410406 .....	262
	Rear mirror Option .....	264
	Simple Cab mounting Option .....	266
	Cab 380656 .....	268
	Cab Screens .....	270
	Cab Door, left side .....	274
	Cab Interior rear mirror .....	276
	Wiper arm with blade, front .....	278
	Cab Electric .....	280
	Cab mounting .....	282
	Cab 378308 .....	284
	Cab Screens .....	286
	Cab Door, left side .....	290
	Cab Interior rear mirror .....	276
	Wiper arm with blade, front .....	278
	Cab Electric .....	280
	<b>Decals .....</b>	<b>292</b>
	Decals .....	294
	Decals .....	296
	<b>Standard equipment .....</b>	<b>298</b>
	Standard equipment .....	300
	<b>Optional equipment .....</b>	<b>302</b>
	Tool equipment .....	304
	SMV-sign, First aid box .....	306
	Canopy .....	308
	Air conditioner assembly .....	310
	Condensor assembly .....	312
	Compressor assembly .....	314
	Evaporator assembly .....	316
	Anti-spin CA Up to ECN04171 .....	318
	Anti-spin CA From ECN04171 .....	320
	Anti spin, Potentiometer installation .....	322
	Anti spin, Hydraulic .....	324
	Roof hatch .....	326
	Scraper and beam .....	328
	Fire extinguisher assembly .....	330
	Heater, Simple cab Option .....	332
385222	Heater .....	334



**CA402D SN 69410402 - 69411199**

<b>Ref. No.</b>	<b>Part No.</b>	<b>Rem.</b>	<b>Qty</b>	<b>Description</b>	<b>Code</b>
1				Service kits ( Page 4 )	
2				Repair kits ( Page 14 )	
10				Frame ( Page 24 )	
20				Drum ( Page 50 )	
30				Engine ( Page 64 )	
40				Transmission ( Page 84 )	
50				Hydraulic system ( Page 106 )	
60				Electrical equipment ( Page 146 )	
70				Drivers platform ( Page 202 )	
80				Decals ( Page 292 )	
90				Standard equipment ( Page 298 )	
91				Optional equipment ( Page 302 )	



**Service kits**

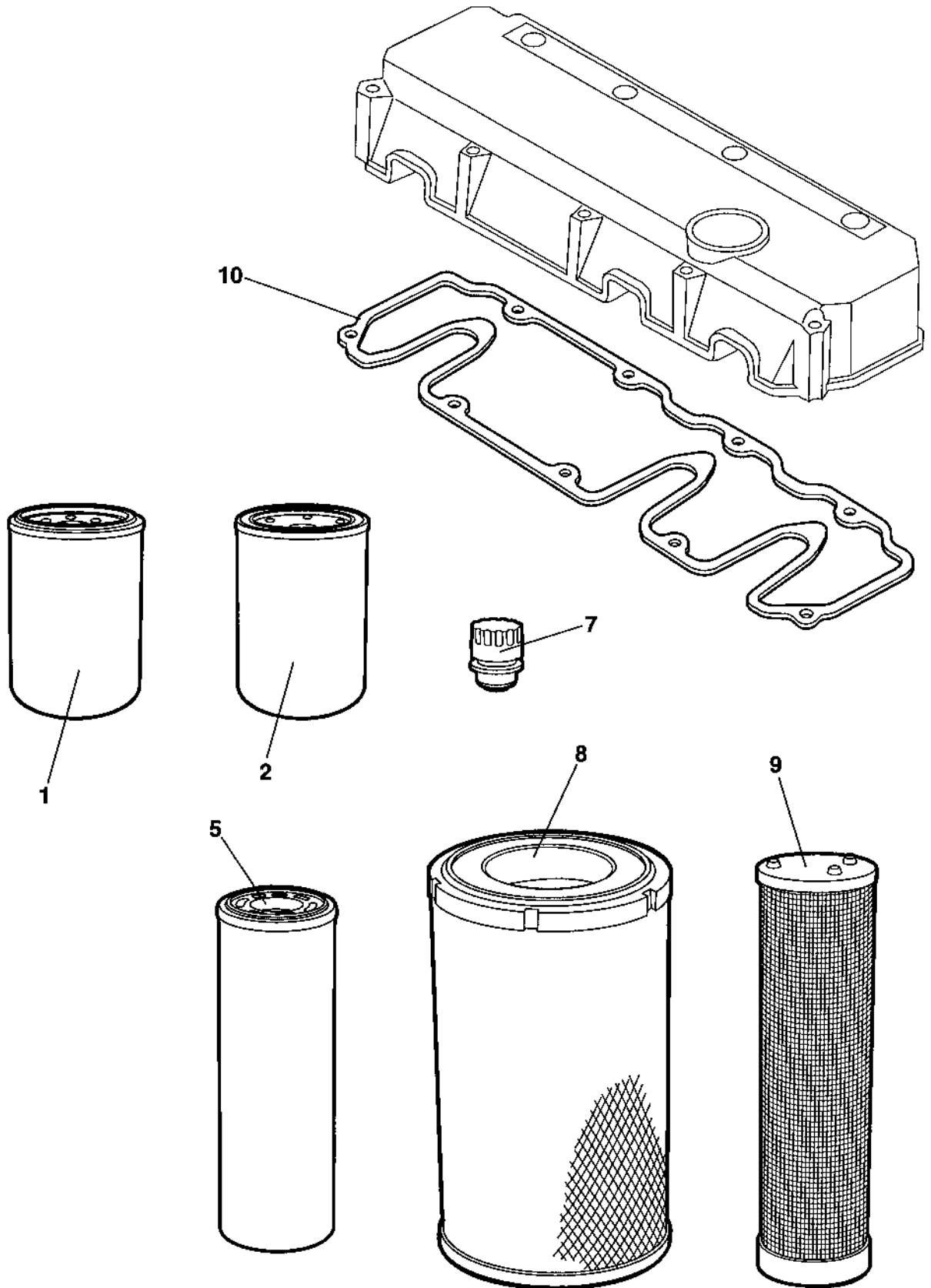
Ref. No.	Part No.	Rem.	Qty	Description	Code
-1				Service kits ( Page 6 )	
1	939568			Service kit ( Page 8 )	50 h
2	939569			Service kit ( Page 10 )	500 h
3	939570			Service kit ( Page 12 )	1000 h





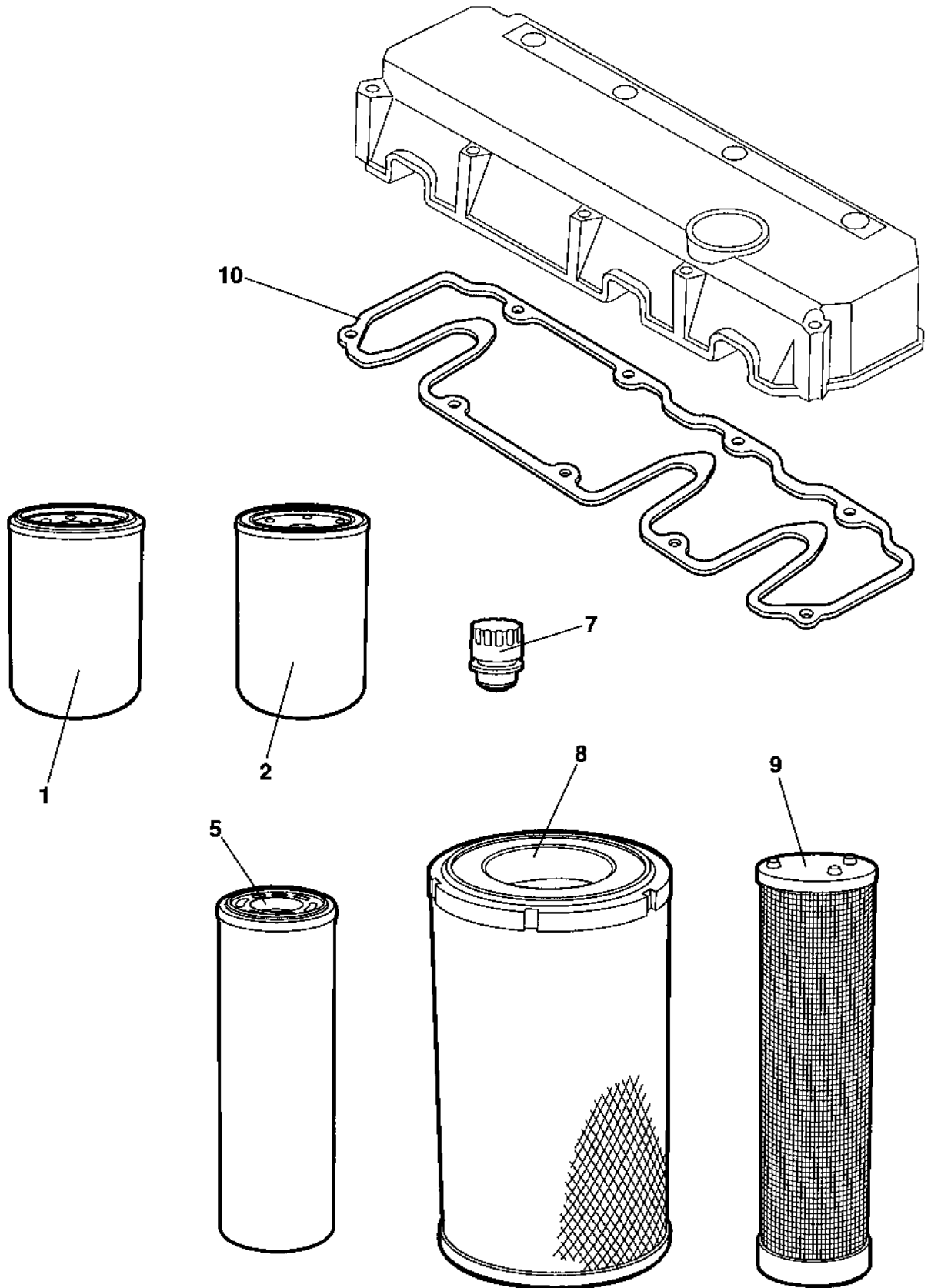
**Service kits**

<b>Ref. No.</b>	<b>Part No.</b>	<b>Rem. Qty</b>	<b>Description</b>	<b>Code</b>
1	939568		Service kit ( Page 8 )	50 h
2	939569		Service kit ( Page 10 )	500 h
3	939570		Service kit ( Page 12 )	1000 h



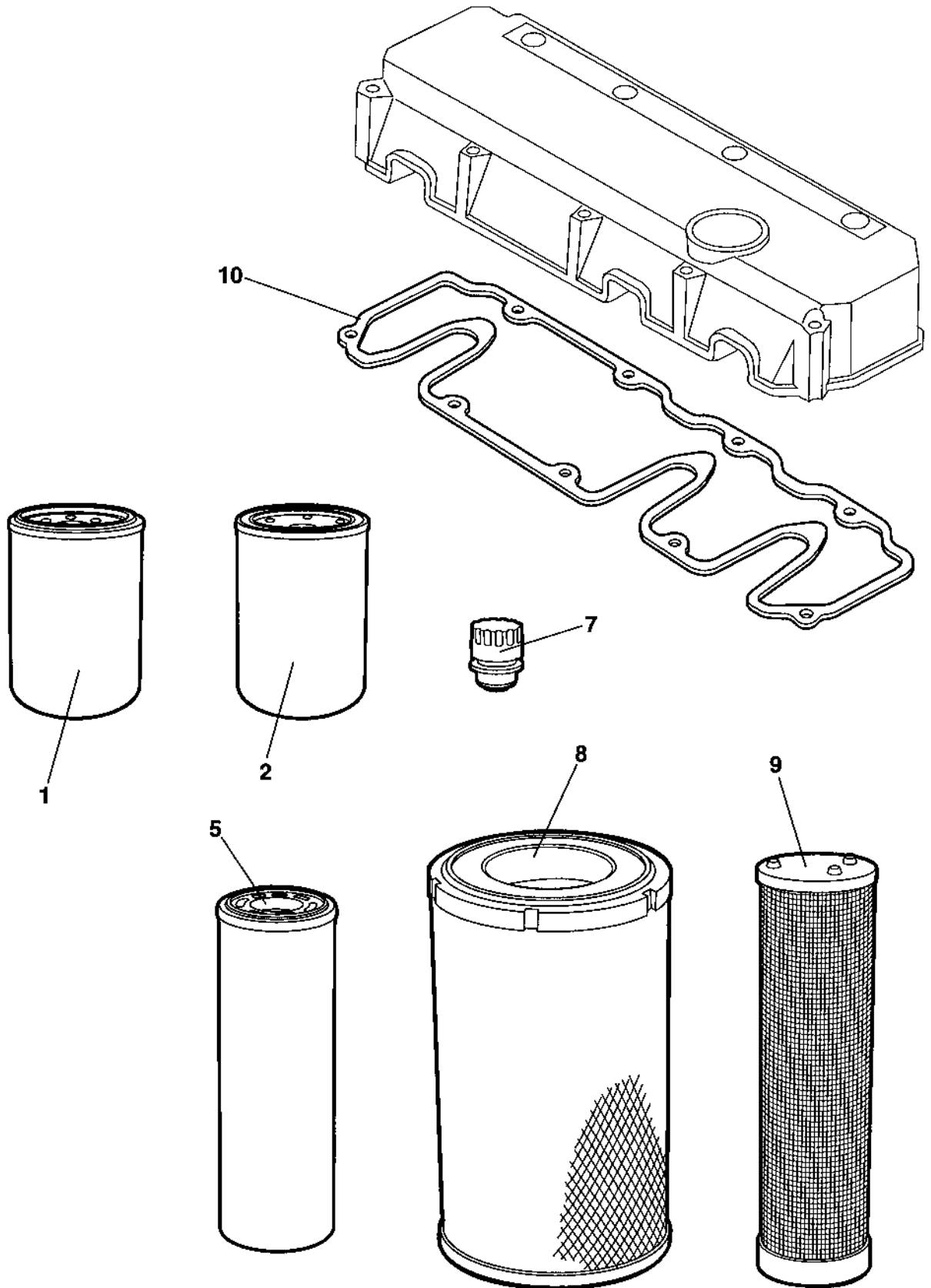
**939568 Service kit 50 h**

<b>Ref. No.</b>	<b>Part No.</b>	<b>Rem.</b>	<b>Qty</b>	<b>Description</b>	<b>Code</b>
	939568			Service kit ( Page 8 )	50 h
1	903942	1		Oil filter element	A
2	939581	1		Fuel filter element	A
5	372229	2		Hydraulic oil filter element	A



**939569 Service kit 500 h**

<b>Ref. No.</b>	<b>Part No.</b>	<b>Rem.</b>	<b>Qty</b>	<b>Description</b>		<b>Code</b>
	939569			Service kit ( Page 10 )	500 h	
1	903942		1	Oil filter element		A
2	939581		1	Fuel filter element		A
8	908450	1	1	Air filter element,	Main	A
1)	Main					



**939570 Service kit 1000 h**

<b>Ref. No.</b>	<b>Part No.</b>	<b>Rem.</b>	<b>Qty</b>	<b>Description</b>	<b>Code</b>
	939570			Service kit ( Page 12 )	1000 h
1	903942		1	Oil filter element	A
2	939581		1	Fuel filter element	A
5	372229		2	Hydraulic oil filter element	A
7	357138		1	Ventilating filter	A
8	394686	1	1	Air filter element, main	A
9	394687	2	1	Air filter element, safety	A
10	939562		1	Valve cover gasket	
1)	Main				
2)	Safety				





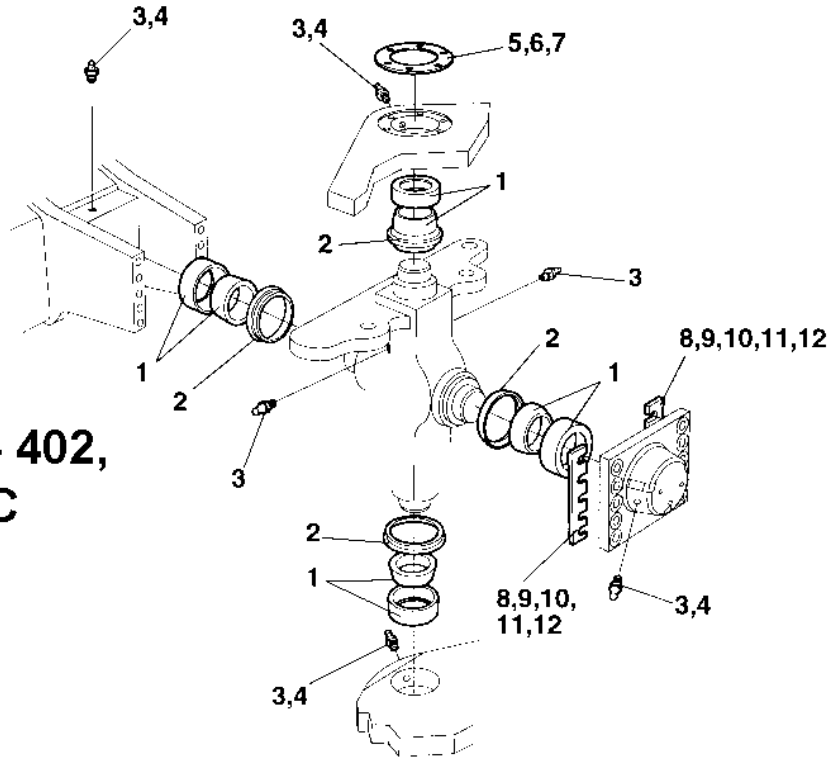
**Repair kits**

<b>Ref. No.</b>	<b>Part No.</b>	<b>Rem. Qty</b>	<b>Description</b>	<b>Code</b>
5	938558		Steering hitch kit ( Page 16 )	
10	938894		Eccentric shaft kit ( Page 18 )	
20	938891		Drum rotation kit ( Page 20 )	
30	938881		Shock absorber kit, drum ( Page 22 )	

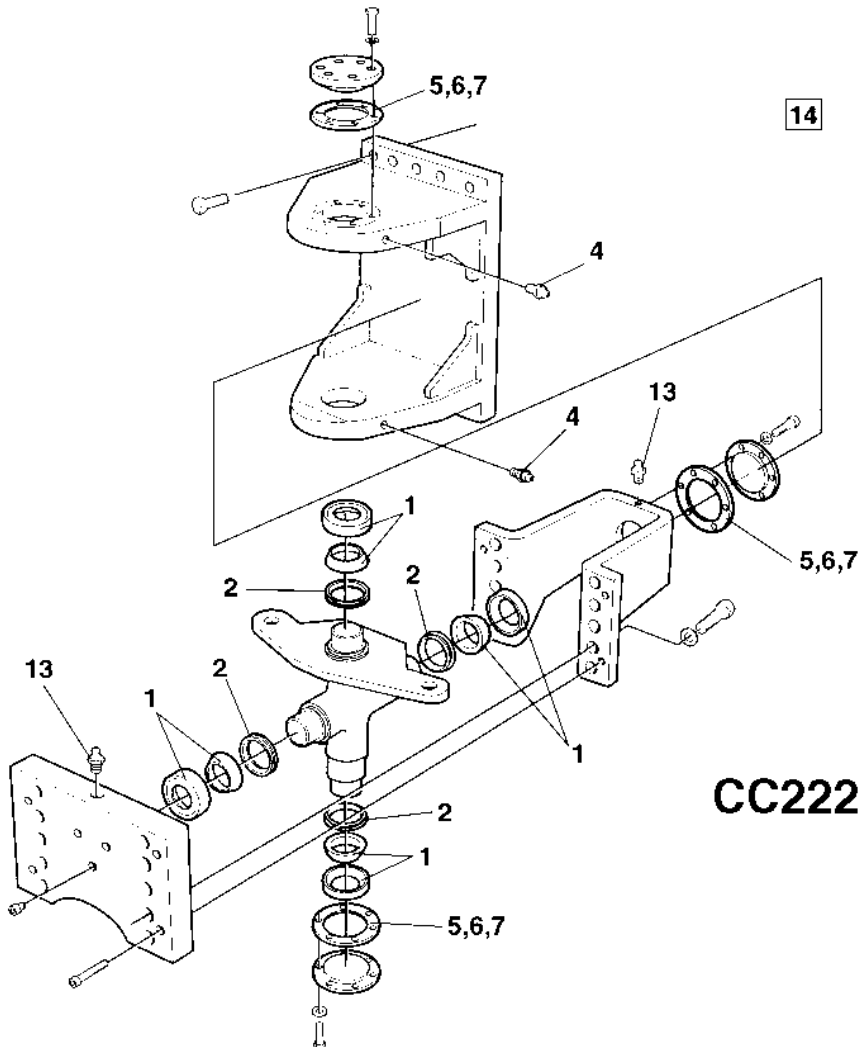
**938558 Steering hitch kit**

938558

**CA150 - 402,  
CC501/C**



**14**



**CC222-622/C**

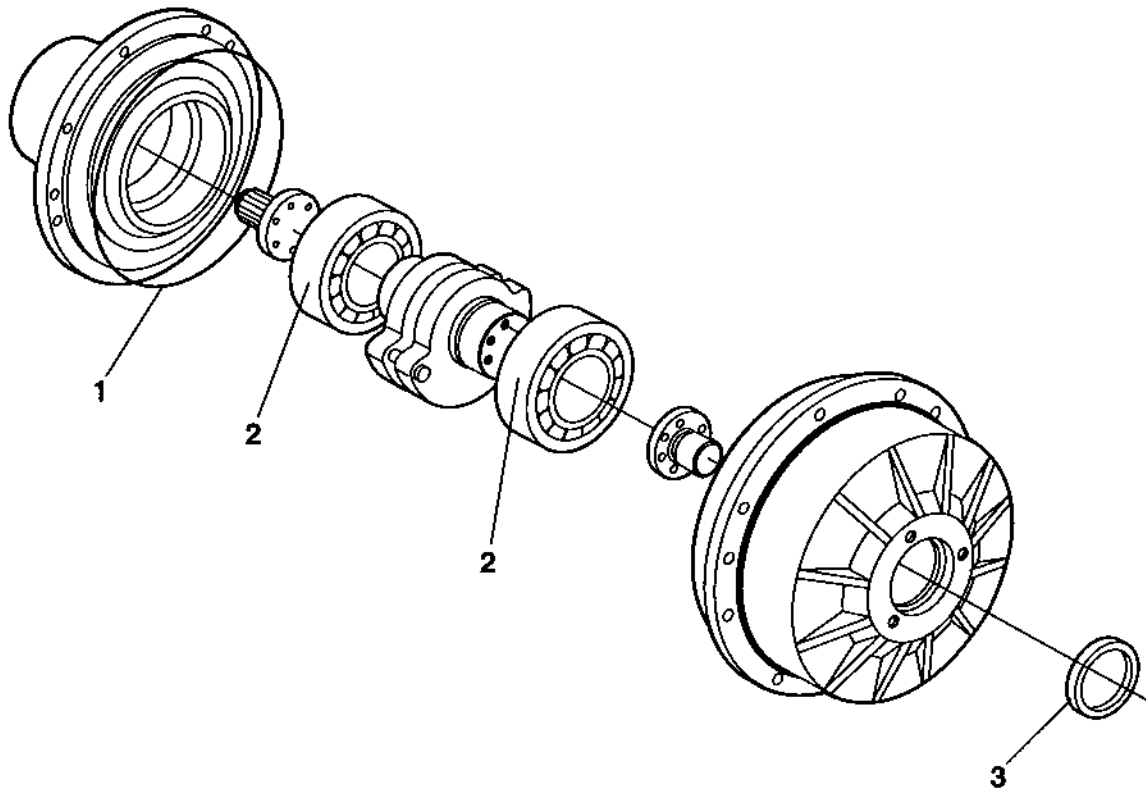
**938558 Steering hitch kit**

Ref. No.	Part No.	Rem.	Qty	Description	Code
	938558			Steering hitch kit ( Page 16 )	
1	100040		4	Axial ball bearing	D
2	167032		4	Lip-type oil seal	D
3	310008	2	3	Grease nipple	D
4	926214		2	Grease fitting	D
5	337045		3	Shim	T=1,0 mm D
6	345874		3	Shim	T=0,35 mm D
7	345875		3	Shim	T=0,10 mm D
8	345871	1	2	Shim	T=1,0 mm D
9	345872	1	2	Shim	T=0,35 mm D
10	345873	1	2	Shim	T=0,10 mm D
11	380993	1	2	Shim	T = 2,0 mm D
12	384498	1	2	Shim	T = 0,15 mm D
13	929863	3	1	Grease nipple	D
14	904663		1	Lube grease	" DYNAPAC special approved "
15			1	Instructions	

- 1) Valid for CA150-402 and CC501/C
- 2) Valid for CC501/C
- 3) Valid for CC222/232/322/422/432/522/622/C

**938894 Eccentric shaft kit**

**VALS3**

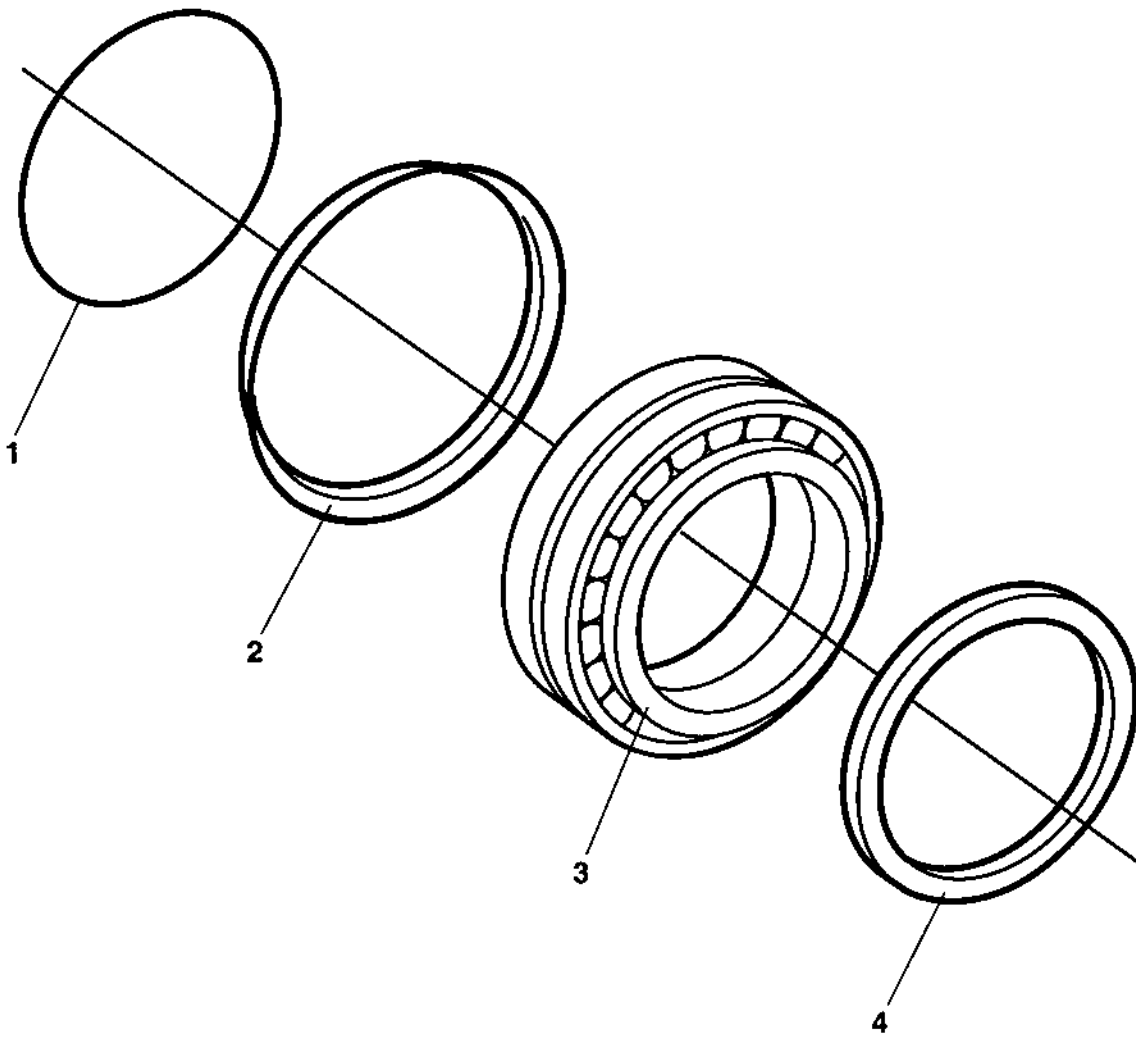


**938894 Eccentric shaft kit**

<b>Ref. No.</b>	<b>Part No.</b>	<b>Rem.</b>	<b>Qty</b>	<b>Description</b>	<b>Code</b>
	938894			Eccentric shaft kit ( Page 18 )	
1	900776		1	O-ring	D
2	900784		2	Cylinder roller bearing	
3	900782		1	Seal ring	D

**938891 Drum rotation kit**

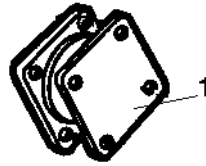
**RAMLAGER**



**938891 Drum rotation kit**

<b>Ref. No.</b>	<b>Part No.</b>	<b>Rem. Qty</b>	<b>Description</b>	<b>Code</b>
	938891		Drum rotation kit ( Page 20 )	
1	160105	1	O-ring 70	D
2	929447	1	V-ring	D
3	116041	1	Taper roller bearing	D
4	386272	1	Sealing	D

**938881 Shock absorber kit, drum**  
**SHOCK ABSORB.**





**938881 Shock absorber kit, drum**

<b>Ref. No.</b>	<b>Part No.</b>	<b>Rem.</b>	<b>Qty</b>	<b>Description</b>	<b>Code</b>
	938881			Shock absorber kit, drum ( Page 22 )	
1	801187		14	Shock absorber	B

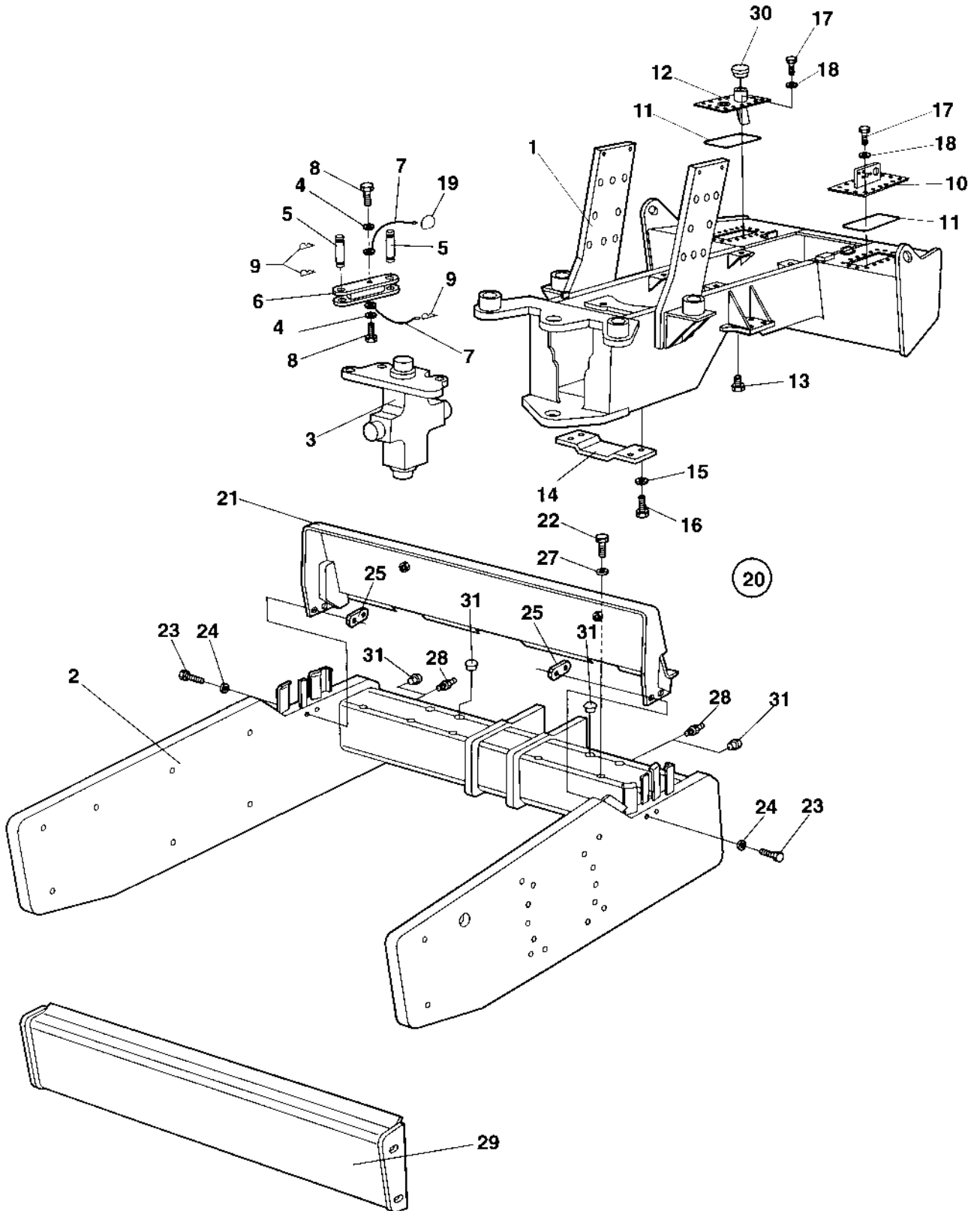


**Frame**

<b>Ref. No.</b>	<b>Part No.</b>	<b>Rem.</b>	<b>Qty</b>	<b>Description</b>	<b>Code</b>
10				Frames ( Page 26 )	
20				Beam ( Page 28 )	
30				Scrapers, Spring Steel Up to 69410460 ( Page 30 )	
35				Scrapers, Spring Steel From 69410461 ( Page 32 )	
40				Scrapers, Urethan Rubber Up to 69410460 ( IOption4 )	
45				Scrapers, Urethan Rubber From 69410461 ( IOption6 )	
70				Hitch ( Page 38 )	
90				Structure ( Page 40 )	
100				Hood latch control ( Page 44 )	Option
120				Noise suppression, air inlet ( Page 46 )	Option
130				Drum shroud From 69410461 ( Page 48 )	Option

**Frames**

16085-1



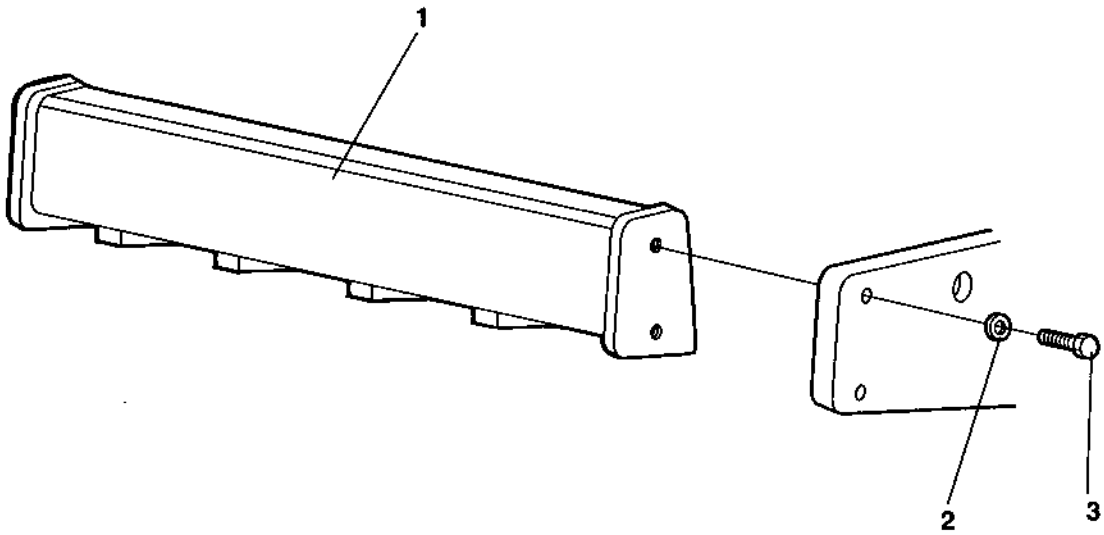
**Frames**

Ref. No.	Part No.	Rem.	Qty	Description	Code
1	386835		1	Tractor frame	
2	383807		1	Drum frame Up to 69410460	
	376863		1	Drum frame From 69410461	
3			1	Hitch ( Page 38 )	
4	904230		2	Washer	
5	347119		2	Shaft	D
6	374744		1	Safety rod	
7	343775		2	Wire	
8	500043		2	Screw	
9	635061		3	Hair clip	D
10	386871		1	Cover	
11	372709		2	O-ring	D
12	388186		1	Cover	
13	813391		1	Magnetic plug	D
14	372087		1	Protective plate	
15	904557		4	Washer	
16	500029		4	Screw	
17	500188		32	Screw	M8-1,25x14 8,8
18	904229		32	Washer	
19	357488		1	Spring	
20			1	Drum shroud, cpl	Option
21	372844	A	1	.Drum shroud Up to 69410460	
22	500029		4	.Screw	
23	500033		4	.Screw	M10-1,5x60 8,8
24	904230		4	.Washer	
25	376045		2	.Holder	
27	904557		4	.Washer	
28				Not used on this model	
29			1	Scraper beam	
30	373460		1	Fuel cap	D
31	902919		8	Plug	

A) For new Drum shroud see section "Drum shroud Option".

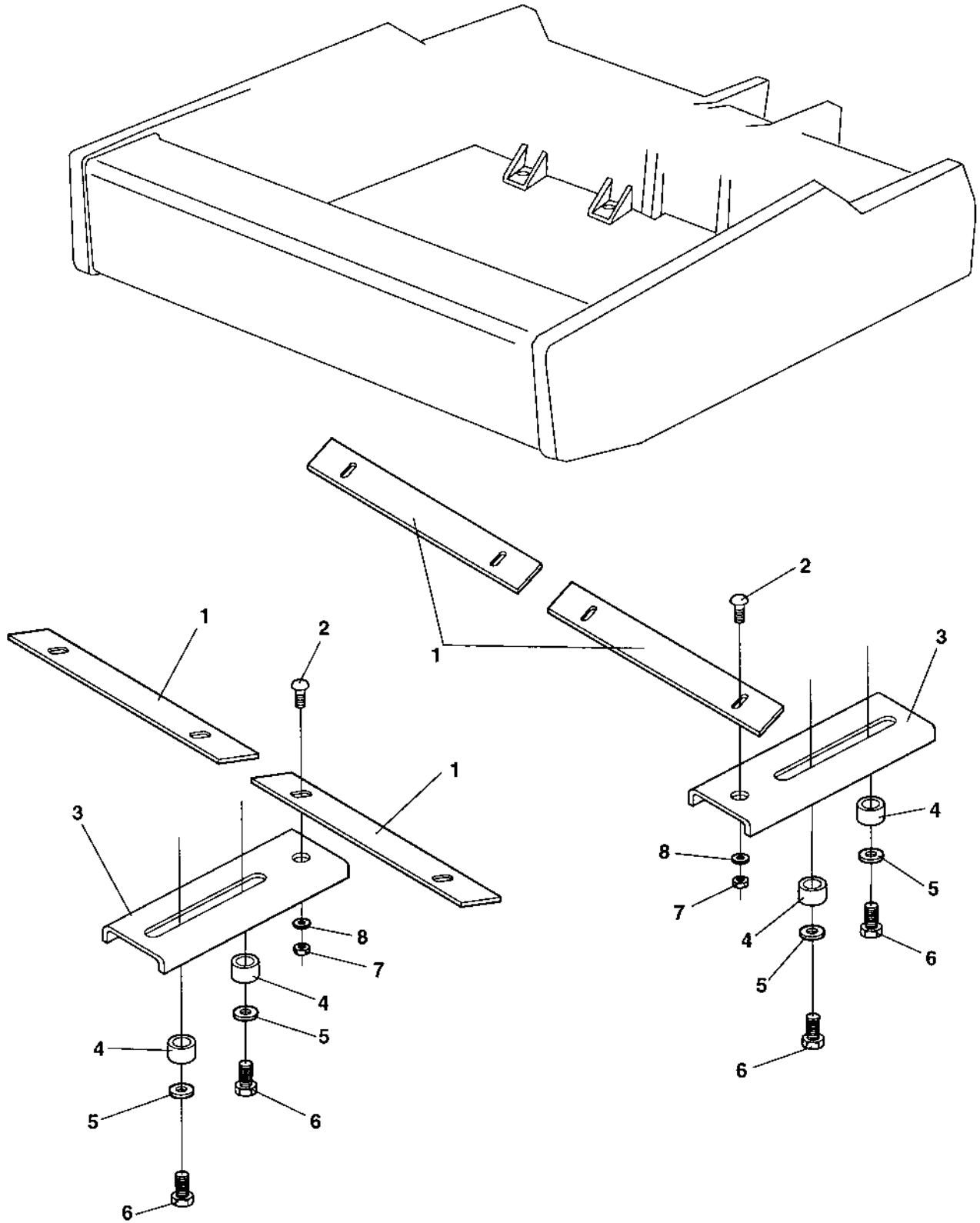
**Beam**

**17753**



**Beam**

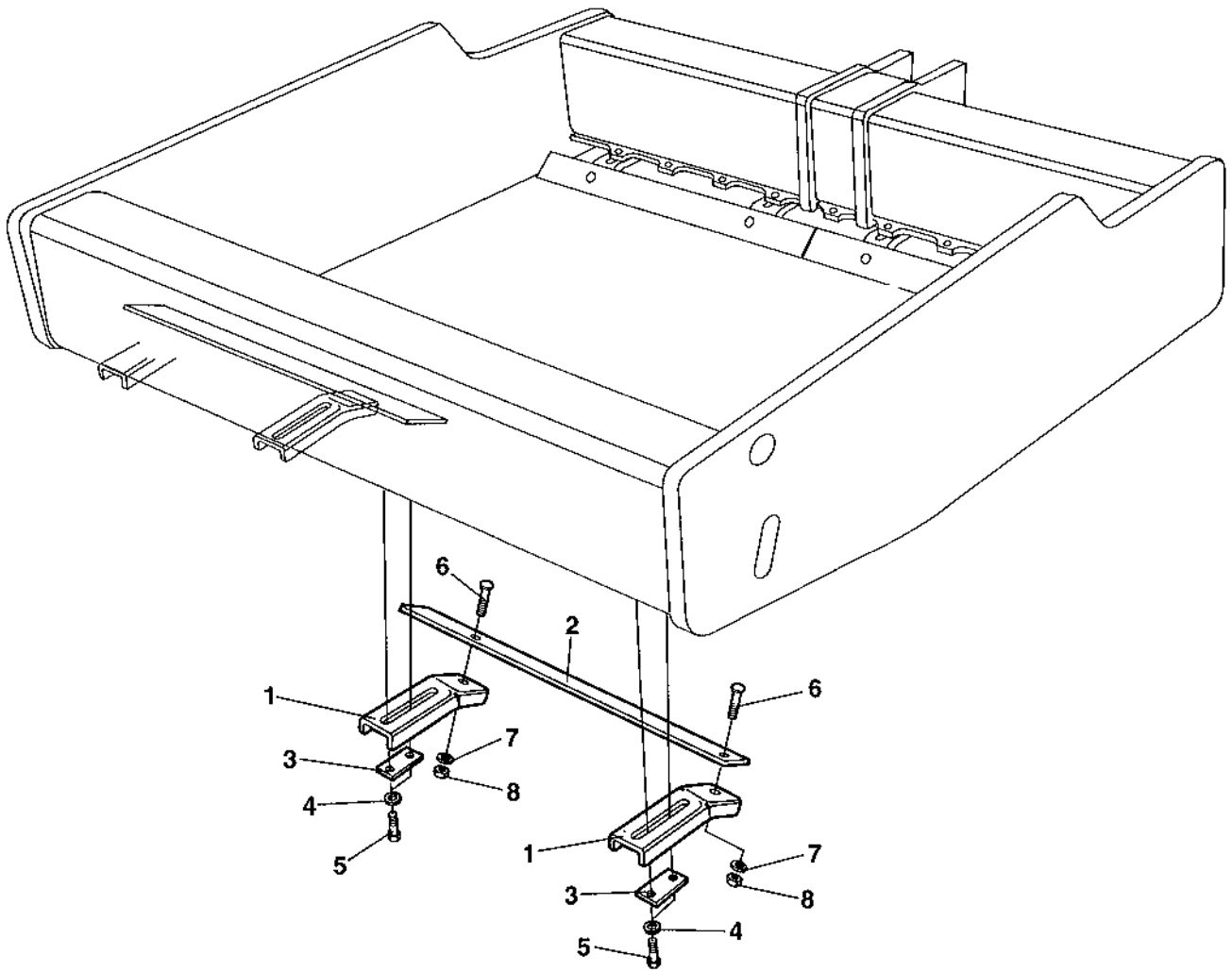
<b>Ref. No.</b>	<b>Part No.</b>	<b>Rem. Qty</b>	<b>Description</b>	<b>Code</b>
1	383810	1	Cross beam Up to 69410460	
	376862	1	Cross beam From 69410461	
2	904234	4	Washer	
3	925671	4	Screw	M24-3,0x140 8,8





**Scrapers, Spring Steel**

<b>Ref. No.</b>	<b>Part No.</b>	<b>Rem.</b>	<b>Qty</b>	<b>Description</b>	<b>Code</b>
1	381603		4	Scraper blade	B
2	791227		4	Screw	M12x40
3	383863		8	Scraper bracket	
4	384114		16	Spacer	
5	904232		16	Washer	
6	500070		16	Screw	M16x50
7	586019		8	Lock nut	
8	904703		8	Washer	



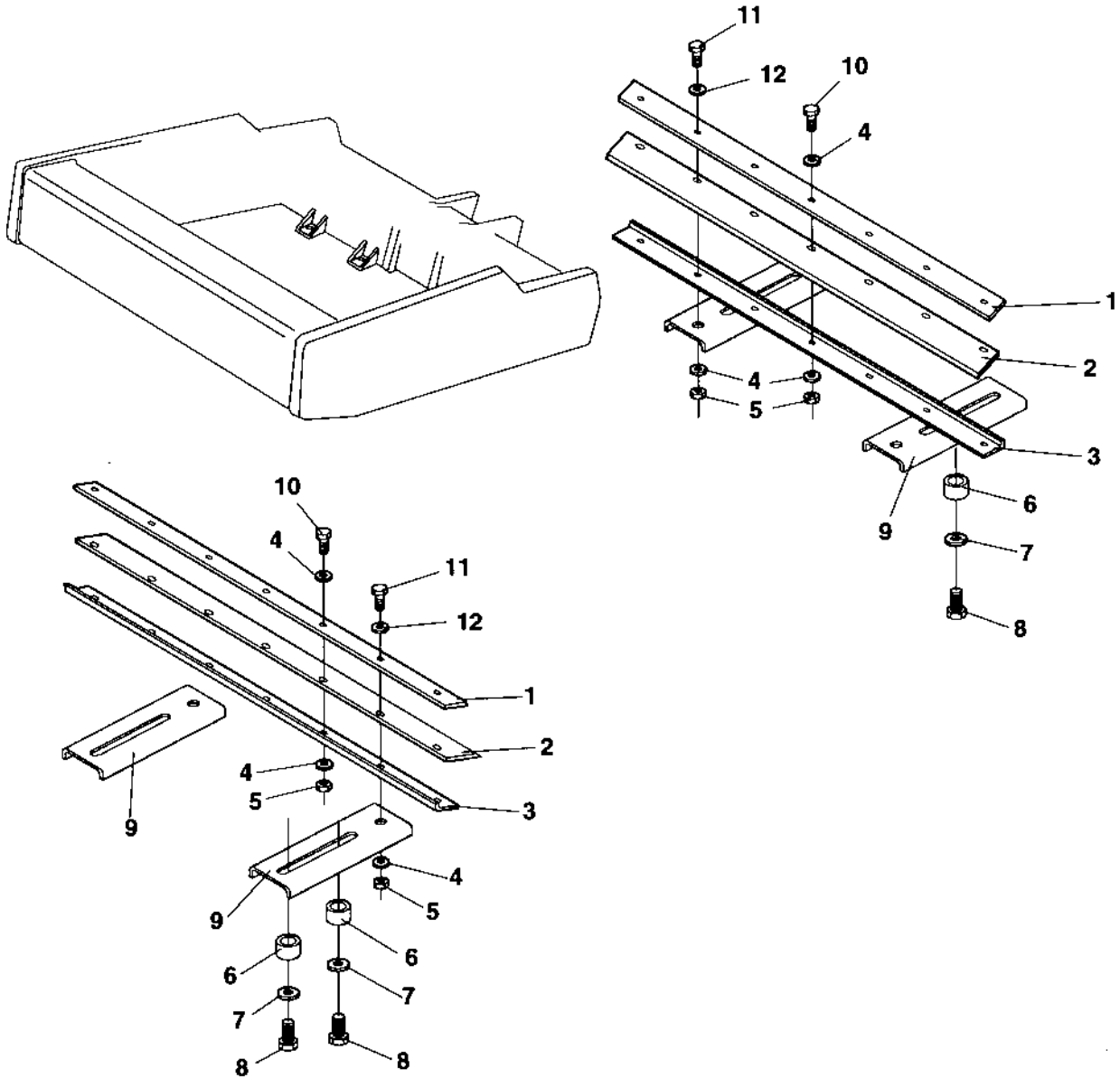
**Scrapers, Spring Steel**

Ref. No.	Part No.	Rem.	Qty	Description	Code
1	376819		8	Scraper bracket	
2	376829		4	Scraper	
3	376622		8	Holder	
4	904232		16	Washer	
5	500076		16	Screw	M16x55
6	791948	A	8	Bolt	M12x40H 8,8
7	904703		8	Washer	
8	586019		8	Lock nut	

A) Cup square neck bolt.

Scrapers, Urethan Rubber Option

17646

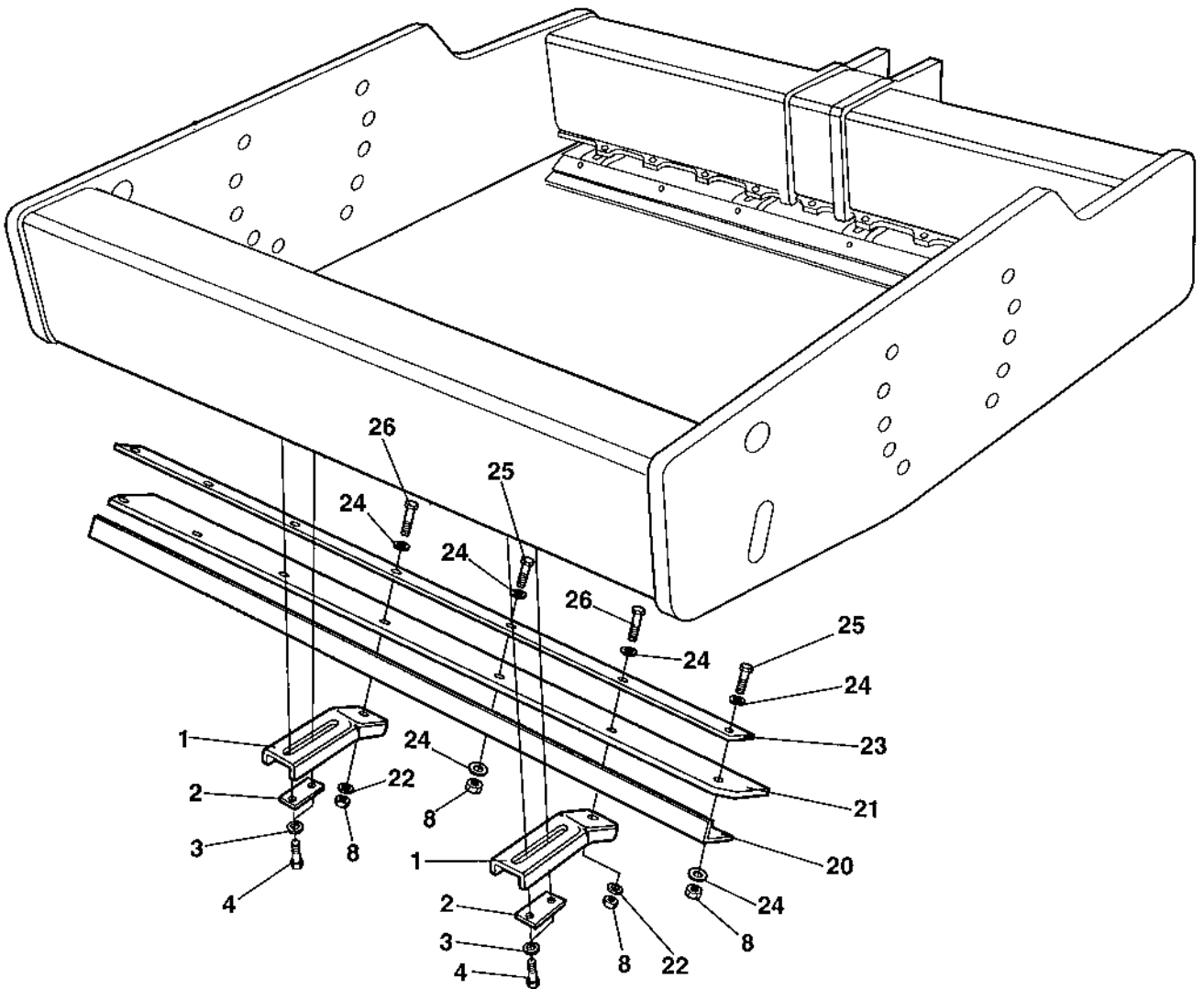


**Scrapers, Urethan Rubber Option**

<b>Ref. No.</b>	<b>Part No.</b>	<b>Rem.</b>	<b>Qty</b>	<b>Description</b>	<b>Code</b>
1	384052		2	Scraper bracket	
2	358033		2	Scraper blade	B
3	384051		2	Scraper bracket	
4	904231		28	Washer	
5	586019		18	Lock nut	
6	384114		16	Spacer	
7	904232		16	Washer	
8	500070		16	Screw	M16x50
9	383863		8	Scraper bracket	
10	500056		10	Screw	
11	500049		8	Screw	
12	904213		8	Washer	

**Scrapers, Urethan Rubber Option**

18014



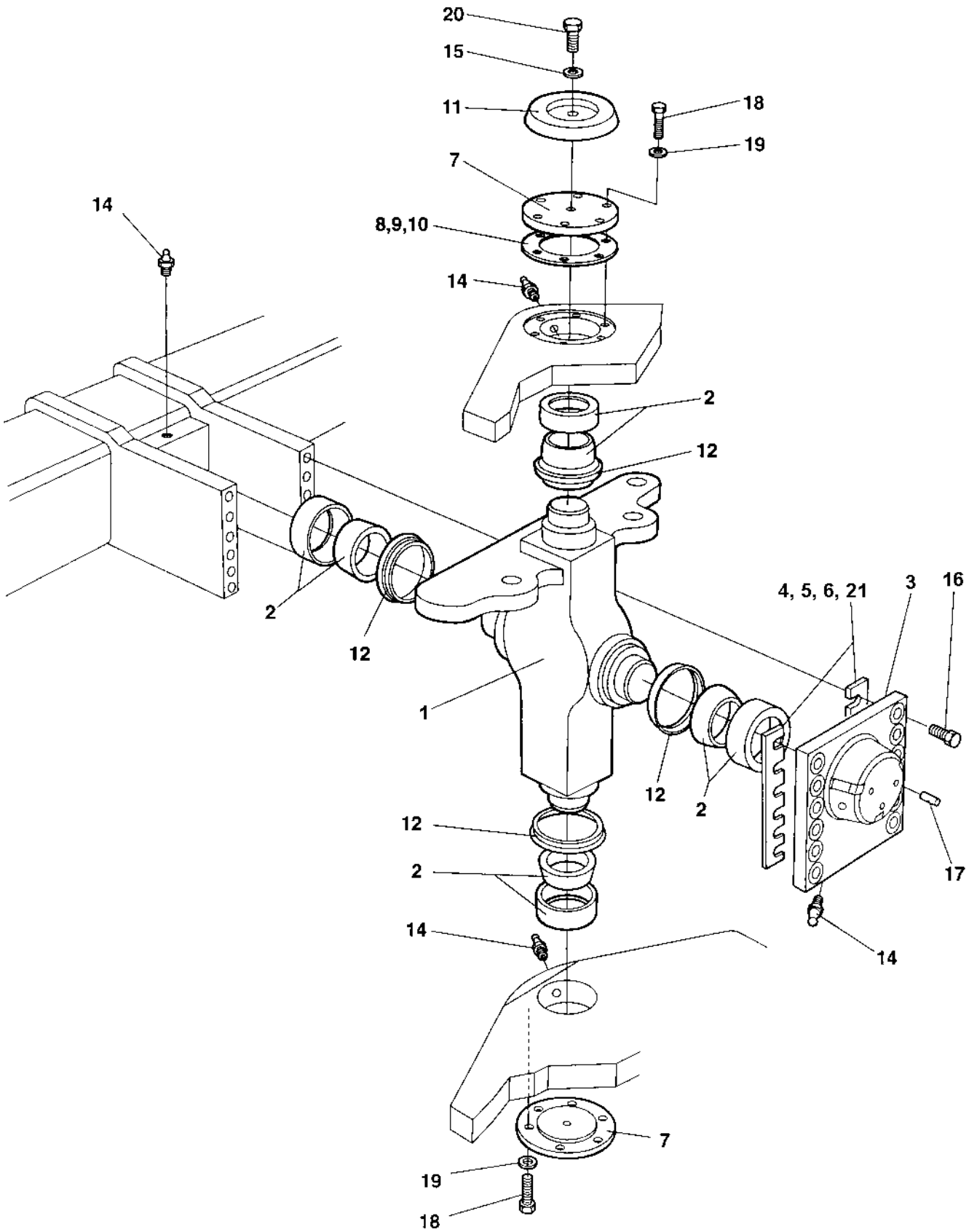
**Scrapers, Urethan Rubber Option**

Ref. No.	Part No.	Rem.	Qty	Description	Code
1	376819	A	8	Scraper bracket	
2	376622	A	8	Holder	
3	904232		16	Washer	
4	500076		16	Screw	M16x55
8	586019		18	Lock nut	
20	376825	A	2	Scraper bracket	
21	358033	A	2	Scraper blade	B
22	904213		8	Washer	
23	376826	A	2	Scraper bracket	
24	904231		28	Washer	
25	500056		10	Screw	
26	500049		8	Screw	

A) Mounted on the front and rear of the drum.

**Hitch**

**16083**



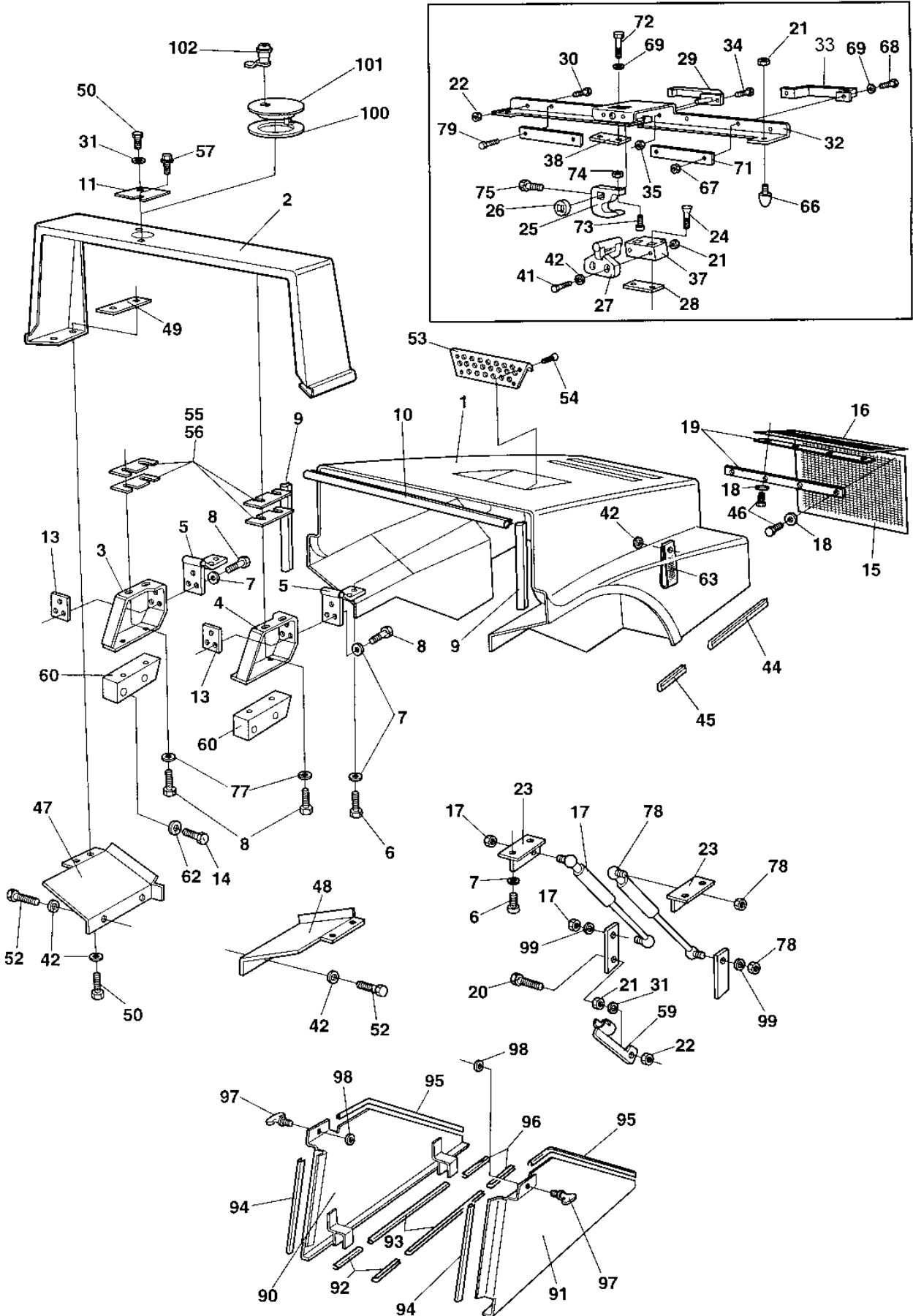


Hitch

Ref. No.	Part No.	Rem.	Qty	Description	Code
1	374900		1	Hitch	
2	100040		4	Axial ball bearing	D
3	373421		1	Bearing cover	
4	345871	N		Shim	T=1,0 mm D
5	345872	N		Shim	T=0,35 mm D
6	345873	N		Shim	T=0,10 mm D
7	337042		2	Bearing cover	
8	337045	N		Shim	T=1,0 mm D
9	345874	N		Shim	T=0,35 mm D
10	345875	N		Shim	T=0,10 mm D
11	343159		1	Cover	
12	167032		4	Lip-type oil seal	D
14	926214		4	Grease fitting	D
15	904229		1	Washer	
16	500287		12	Screw	
17	910995		3	Stop screw	
18	500037		12	Screw	
19	904231		12	Washer	
20	500018		1	Screw	M8-1,25x12 8,8
21	380993	N		Shim	T = 2,0 mm D
	384498	N		Shim	T = 0,15 mm D

Structure

17057-2



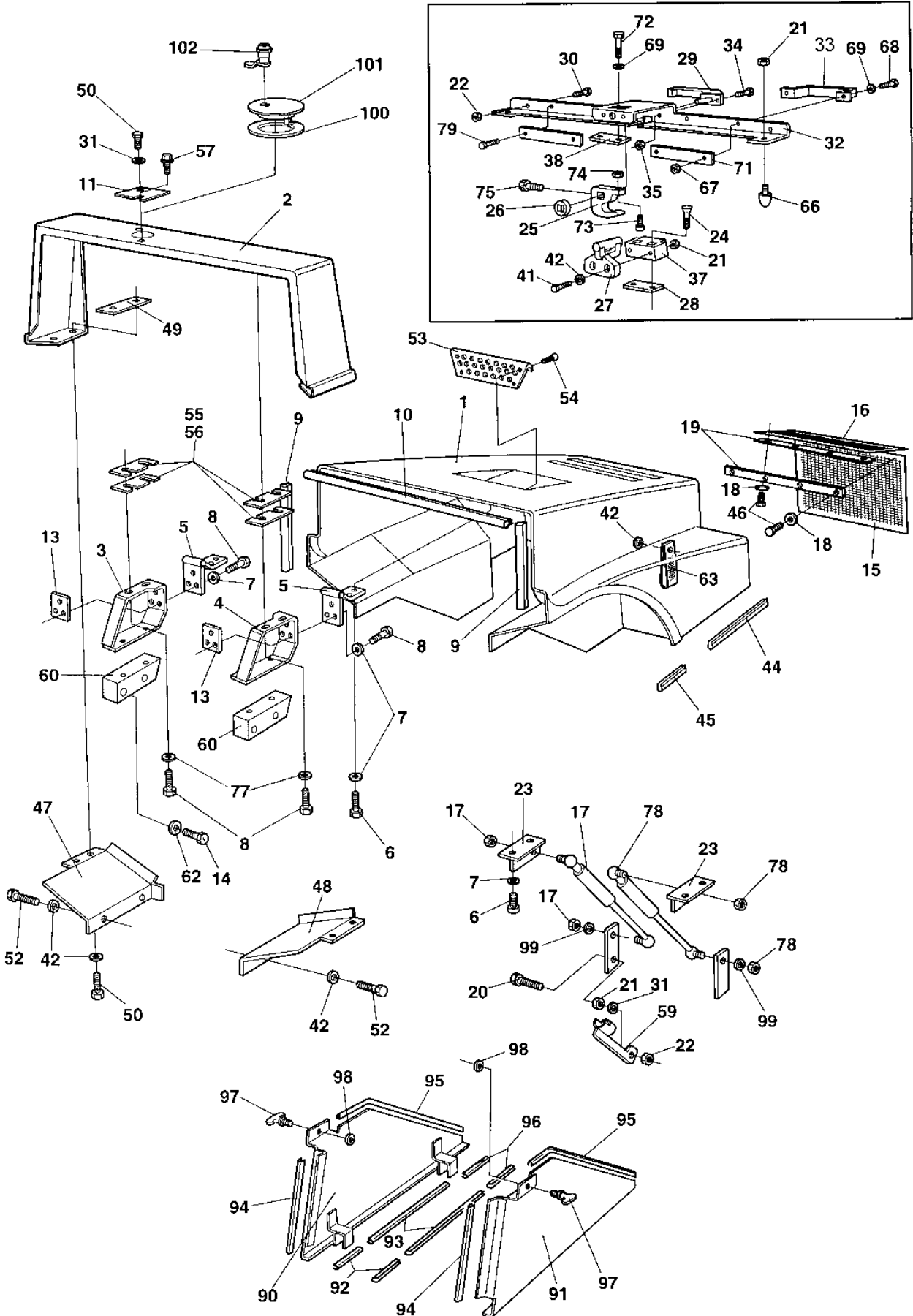
Structure

Ref. No.	Part No.	Rem.	Qty	Description	Code
1	372066		1	Hood	
2	387176		1	Protective hood	
3	374797	A	1	Clamp	
4	374798	B	1	Clamp	
5	371366		2	Hinge	D
6	500028		10	Screw	
7	904557		16	Washer	
8	500030		10	Screw	
9	902166	C	2XL	Edge trim	
10	902166	D	1XL	Edge trim	
11	373955		2	Cover	
13	374799		2	Holder plate	
14	500133		4	Screw	
15	374017		1	Grid	
16	372695		1	Grid	
17	382384	I	1	Gas spring	D
	382387	R	1	Gas spring	
18	927974		19	Washer	5x19x1
19	202047	E	NXL	Rubber strip	
20	904241		1	Screw	M8x40
21	570005		5	Nut	
22	902286		3	Lock nut	
23	372608		2	Bracket	
24	903732		2	Screw	
25	382130		1	Hook	
26	382335		1	Spacer sleeve	
27	382131		1	Lock clamp	
28	380109		1	Holder	
29	382165		1	Locking handle	
	902866		1	.Key	Marked "455"
30	927637		2	Screw	M8x35
31	904556		4	Washer	
32	382129		1	Holder plate	
33	904874		1	Grab handle	D
34	535011		2	Screw	
35	902284		2	Nut	M5
37	382132		1	Holder	
38	382336		1	Holder	
41	500026		2	Screw	M8-1,25x60 8,8
42	904640		11	Washer	
44	902166	G	1XL	Edge trim	
45	902166	H	1XL	Edge trim	
46	904244		17	Screw	
47	373204	I	1	Holder plate	

- A) Right
- B) Left
- C) L = 0.940 m
- D) L = 0.630 m
- E) Total length = 4.170 m
- G) L = 0.280 m
- H) L = 0.170 m
- I) Right side
- R) With noise suppression mounted, Option

Structure

17057-2



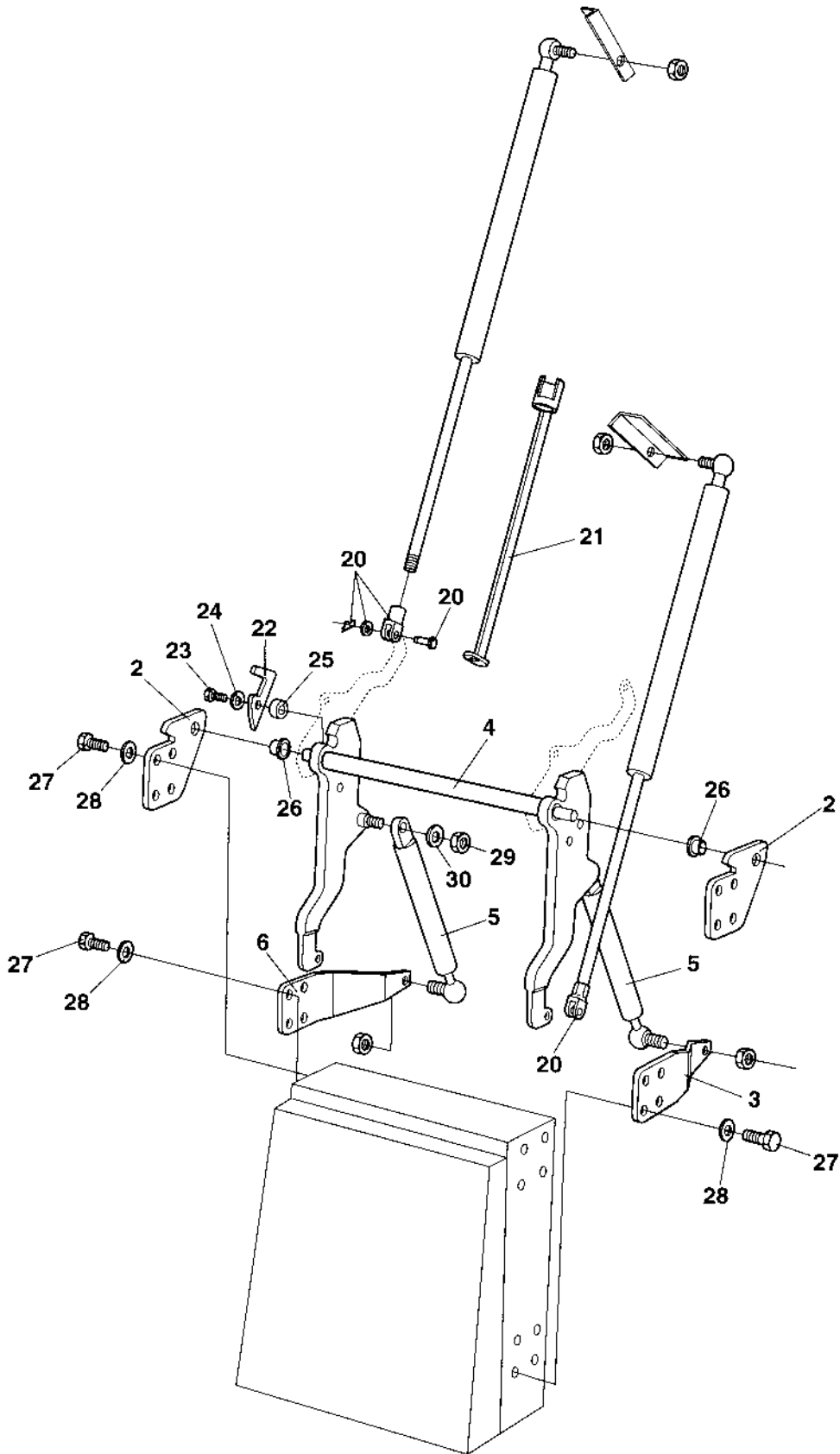
Structure

Ref. No.	Part No.	Rem.	Qty	Description	Code
48	373203	J	1	Holder plate	
49	373309		2	Holder plate	
50	500021		6	Screw	
52	500019		4	Screw	
53	372575		1	Grid	
54	901767		4	Screw	ST3,5x9,5 Black
55	373956	N		Shim	
56	373957	N		Shim	
57	500505		2	Screw	M8x20 8.8
59	382382		1	Safety rod	
60	381989		2	Holder	
62	904231		4	Washer	
63	374854		1	Grab handle	
66	925629		2	Shock absorber	
67	902285		2	Lock nut	
68	500088		2	Screw	M6x40
69	904228		4	Washer	
71	382355		2	Holder plate	
72	500013		2	Screw	
73	500040		1	Screw	
74	570004		1	Nut	M6
75	500018		1	Screw	M8-1,25x12 8,8
77	904567		4	Washer	10,5x28x6 HB305
78	382384	J	1	Gas spring	D
	382387	R	1	Gas spring	
79	541507		2	Screw	
90	373197	K	1	Cover, right	
91	373196	K	1	Cover, left	
92	202056	L	2XL	.Edge trim	
93	202056	M	2XL	.Edge trim	
94	202056	N	2XL	.Edge trim	
95	904076	O	2XL	.Edge trim	
96	202056	P	2XL	.Edge trim	
97	904075		2	Quick lock	
98	926985		2	Quick lock washer	
99	904230		2	Washer	
100	375681	K	1	Gasket	
101	375678	K	1	Cover	
102	372658	K	1	Lock	
	902866		1	.Key	Marked "455" D

- J) Left side
- K) Option
- L) L = 0.140 m
- M) L = 0.660 m
- N) L = 0.320 m
- O) L = 0.970 m
- P) L = 0.220 m
- R) With noise suppression mounted, Option

Hood latch control Option

17108

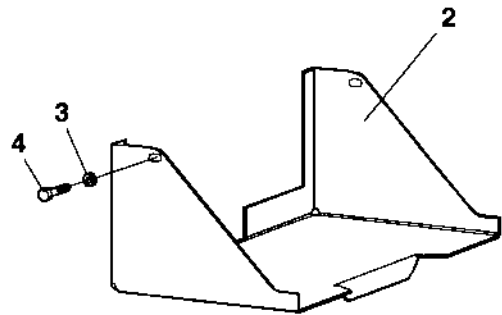
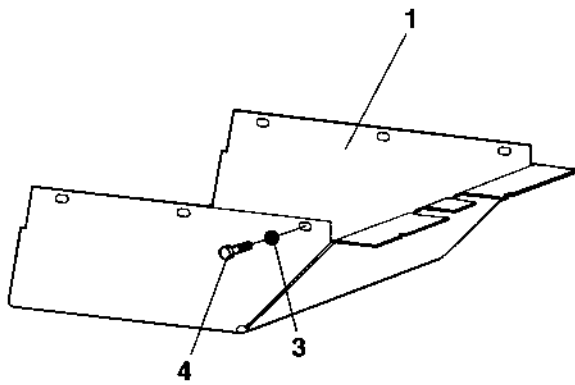


**Hood latch control Option**

<b>Ref. No.</b>	<b>Part No.</b>	<b>Rem.</b>	<b>Qty</b>	<b>Description</b>	<b>Code</b>
2	374592		2	Holder	
3	374589		1	Lever, right	
4	374585		1	Lever	
5	904409		2	Gas spring	
6	374590		1	Lever, left	
20	416404		2	Yoke	
21	382558		1	Safety rod	
22	374591		1	Lock	
23	500029		1	Screw	
24	904230		1	Washer	
25	371767		1	Spacer	
26	904407		2	Flange bearing	
27	500022		16	Screw	
28	904229		16	Washer	
29	904563		2	Lock nut	M6
30	904228		2	Washer	

Noise suppression, air inlet Option

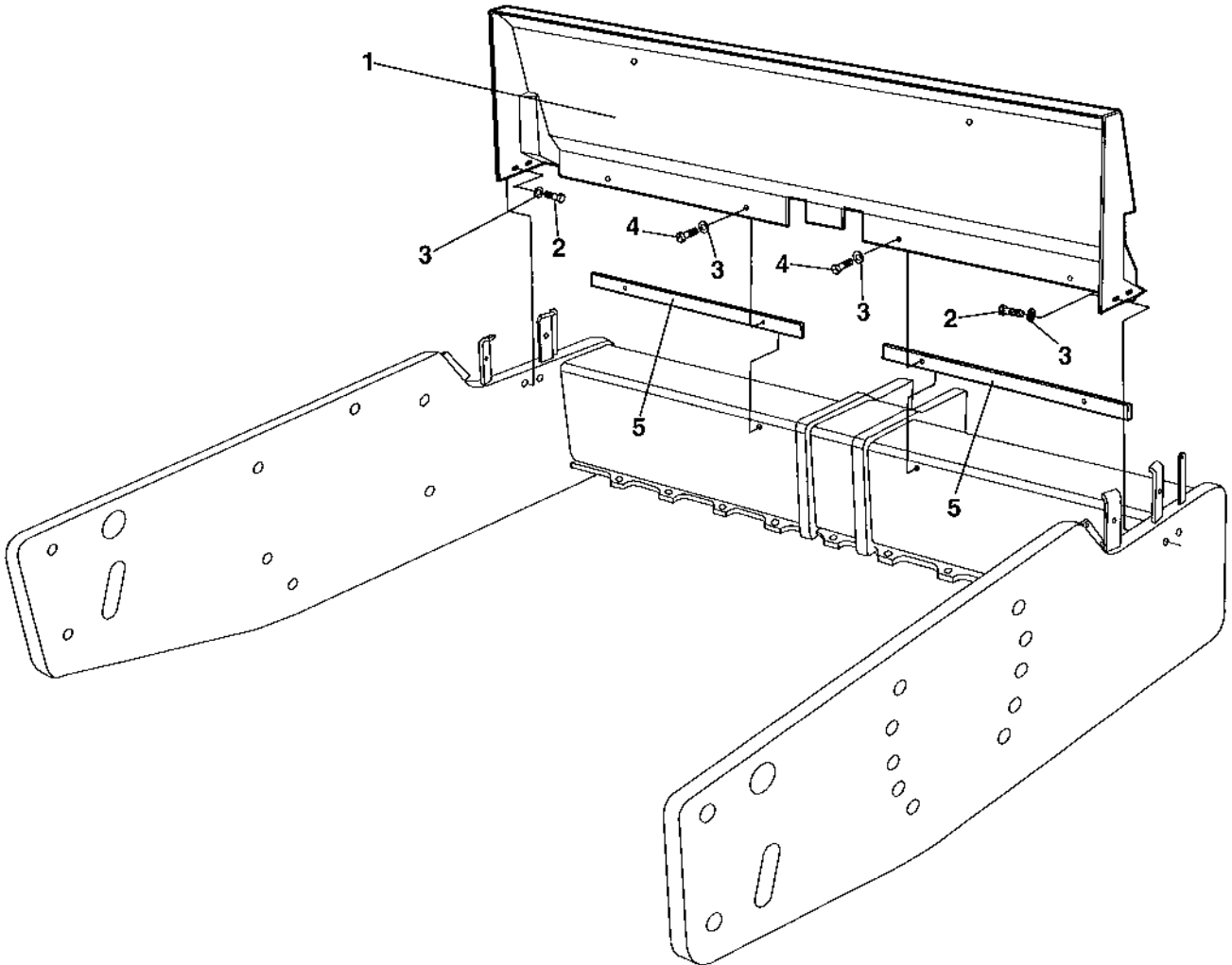
17654





Noise suppression, air inlet Option

Ref. No.	Part No.	Rem.	Qty	Description	Code
1	374583		1	Air inlet plate	
2	374567		1	Air inlet plate	
3	904640		8	Washer	
4	500053		8	Screw	



**Drum shroud Option**

<b>Ref. No.</b>	<b>Part No.</b>	<b>Rem.</b>	<b>Qty</b>	<b>Description</b>	<b>Code</b>
1	376945		1	Drum shroud	
2	500029		4	Screw	
3	904567		8	Washer	10,5x28x6 HB305
4	500240		4	Screw	M10x40H 8,8
5	376944		2	Spacer	

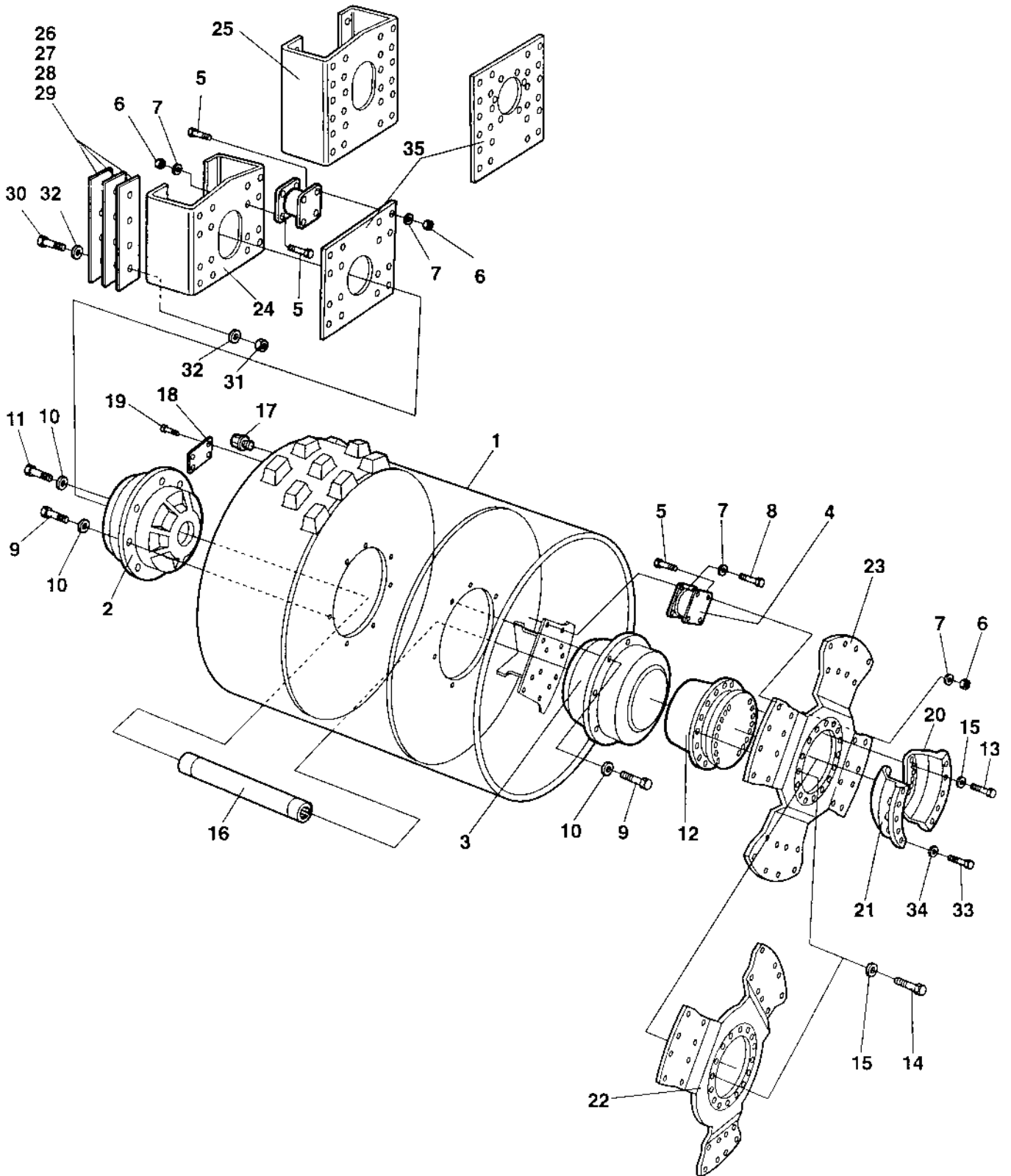


**Drum**

<b>Ref. No.</b>	<b>Part No.</b>	<b>Rem.</b>	<b>Qty</b>	<b>Description</b>	<b>Code</b>
10				Drum ( Page 52 )	
30				Drum cartridge Up to 69411001 ( Page 54 )	Vibration side
31				Drum cartridge From 69411002 ( Page 56 )	Vibration side
50				Drum cartridge Up to 69411001 ( Page 58 )	Drive side
51				Drum cartridge From 69411002 ( Page 60 )	Drive side
60	372987			Drum gear ( Page 62 )	C

**Drum**

**16118**



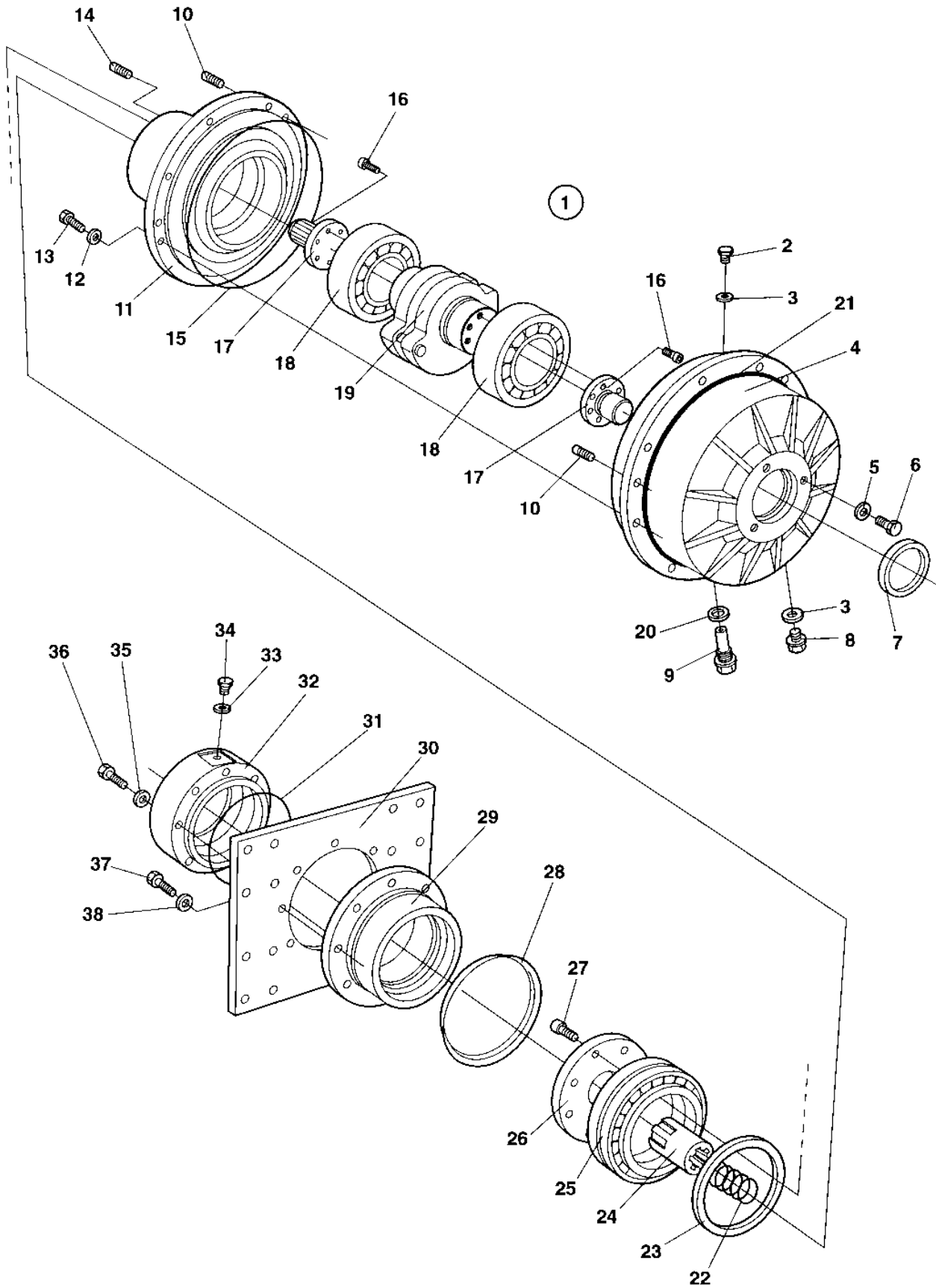
**Drum**

Ref. No.	Part No.	Rem.	Qty	Description	Code
1	372527		1	Drum	
2				Drum cartridge Up to 69411001 ( Page 54 )	Vibration side
				Drum cartridge From 69411002 ( Page 56 )	Vibration side
3				Drum cartridge Up to 69411001 ( Page 58 )	Drive side
				Drum cartridge From 69411002 ( Page 60 )	Drive side
4	801187		14	Shock absorber	B
5	500194		80	Screw	
6	570007		80	Hexagon nut	M12
7	904231		112	Washer	
8	500051		32	Screw	
9	500082		23	Screw	M16x70
10	384114		24	Spacer Up to 69411001	
	904232		24	Washer From 69411002	
11	384121		1	Air breather screw	B
12	372987		1	Drum gear ( Page 62 )	C
13	903919		16	Screw	
14	903281		16	Screw	
15	904233		32	Washer	
16	349682		1	Drive shaft	
17	232210		1	Plug	
18	343801		1	Sign plate	
19	527002		4	Drive screw	
20	373442	A	1	Gear holder	
21	373443	B	1	Gear holder	
22				Not used on this model	
23	372230		1	Drive disc	
24				Not used on this model	
25	355677		1	Bracket	
26	345678		N	Shim	T = 1,5 mm
27	345679		N	Shim	T = 3 mm
28	345884		N	Shim	T = 6 mm
29	345885		N	Shim	T = 8 mm
30	903633		6	Screw	M20x150 10,9
31	901145		6	Lock nut	M20-10
32	904233		12	Washer	
33	500147		10	Screw	M24x130
34	904234		10	Washer	
35	343480		1	Holder plate	

- A) Right
- B) Left

**Drum cartridge Vibration side**

16961



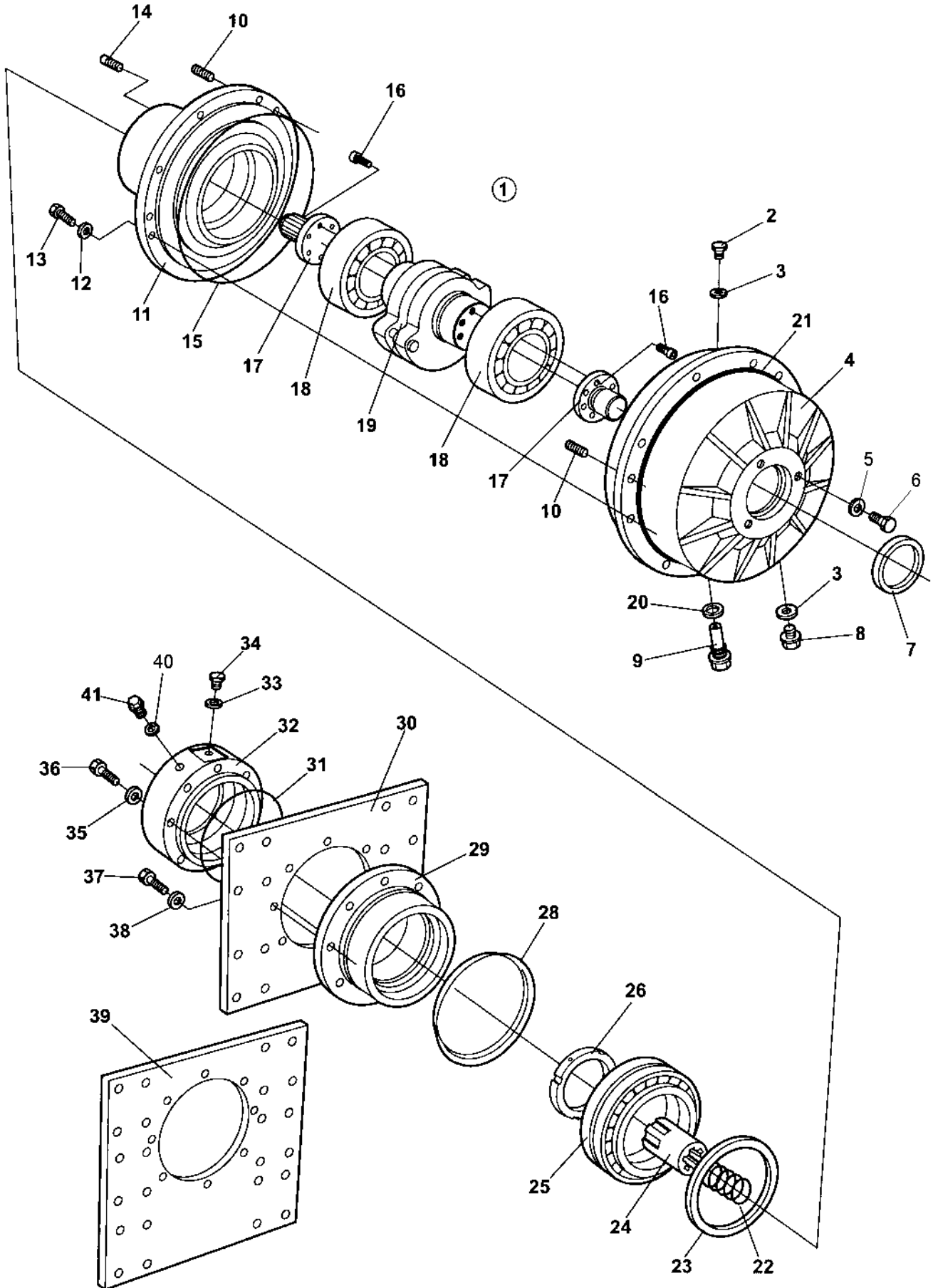


**Drum cartridge Vibration side**

Ref. No.	Part No.	Rem.	Qty	Description	Code
1	937627		1	Drum cartridge	
2	343744		1	.Magnetic plug	D
3	162017		2	.Seal ring	D
4	384382		1	.Bearing housing inner	
5	162027		3	.Sealing	D
6	500163		3	.Screw	M12x16
7	900782		1	.Seal ring	D
8	232210		1	.Plug	
9	381634		1	.Plug	
10	900775		6	.Plug	
11	356029		1	.Bearing housing outer	
12	904232		12	.Washer	
13	500082		12	.Screw	M16x70
14	901828		6	.Set screw	
15	900776		1	.O-ring	D
16	791156		16	.Screw	M10-1,5x55 12,9
17	380018		2	.Splined shaft	
18	900784		2	.Cylinder roller bearing	
19	381760		1	.Eccentric shaft	
20	162011		1	.Washer, sealing	D
21	904737		1	O-ring	
22	349715		1	Spring	
23	167023		1	Seal ring	D
24	381027		1	Splined sleeve	
25	116041		1	Taper roller bearing	D
26	381028		1	Bearing cover	
27	791933		8	Screw	M8x40
28	929447		1	V-ring	D
29	343318		1	Bearing housing	D
30	343322		1	Holder plate	
31	160105		1	O-ring 70	D
32	380967		1	Motor adapter	
33	162018		1	Sealing	D
34	370231		1	Plug	
35	904231		4	Washer	
36	500196		4	Screw	M12-1,75x80 8.8
37	500082		8	Screw	M16x70
38	384114		8	Spacer	

**Drum cartridge Vibration side**

18388-1

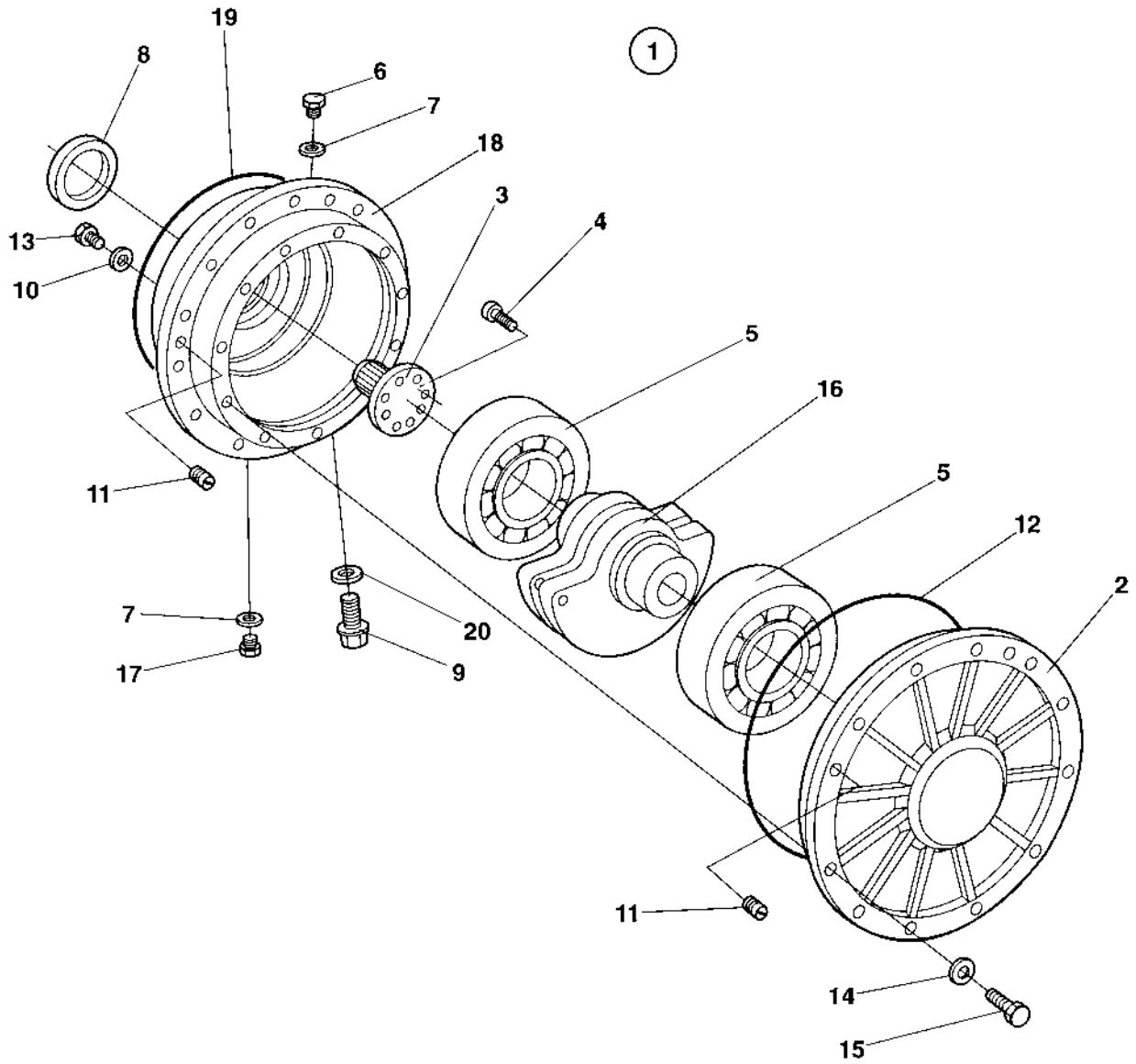


**Drum cartridge Vibration side**

Ref. No.	Part No.	Rem.	Qty	Description	Code
1	945591		1	Drum cartridge	
2	343744		1	.Magnetic plug	D
3	162017		2	.Seal ring	D
4	379880		1	.Bearing housing inner	
5	162027		3	.Sealing	D
6	500163		3	.Screw	M12x16
7	900782		1	.Seal ring	D
8	232210		1	.Plug	
9	381634		1	.Plug	
10	900775		6	.Plug	
11	379878		1	.Bearing housing outer	
12	904232		12	.Washer	
13	500082		12	.Screw	M16x70
14	903189		3	.Stop screw	
15	900776		1	.O-ring	D
16	791156		16	.Screw	M10-1,5x55 12,9
17	380018		2	.Splined shaft	
18	390896		2	.Spherical roller bearing	D
19	381760		1	.Eccentric shaft	
20	162011		1	.Washer, sealing	D
21	904737		1	O-ring	
22	349715		1	Spring	
23	167023		1	Seal ring	D
24	381027		1	Splined sleeve	
25	116041		1	Taper roller bearing	D
26	390897		1	Shaft nut	
28	929447		1	V-ring	D
29	343318		1	Bearing housing	D
30			1	Not used on this model	D
31	160105		1	O-ring 70	D
32	390771		1	Motor adapter	
33	162018		1	Sealing	D
34	370231		1	Plug	
35	904231		4	Washer	
36	500196		4	Screw	M12-1,75x80 8.8
37	500082		8	Screw	M16x70
38	384114		8	Spacer	
39	343480		1	Holder plate	
40	162024		1	Washer, sealing	
41	903190		1	Steel plug	

Drum cartridge Drive side

16963

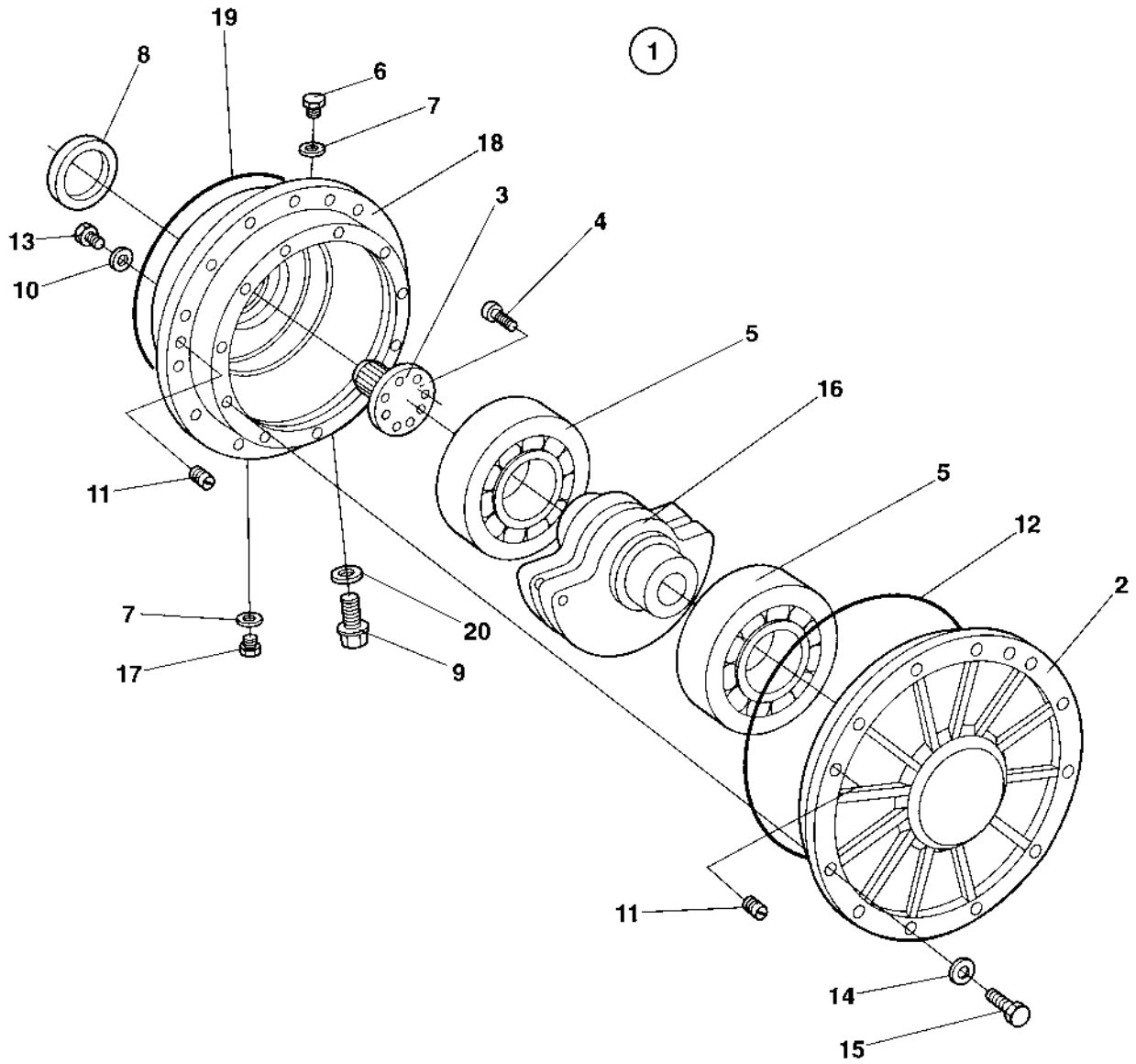


## Drum cartridge Drive side

Ref. No.	Part No.	Rem.	Qty	Description	Code
1	937626		1	Drum cartridge	
2	356028		1	.Bearing housing outer	
3	380018		1	.Splined shaft	
4	791156		8	.Screw	M10-1,5x55 12,9
5	900784		2	.Cylinder roller bearing	
6	343744		1	.Magnetic plug	D
7	162017		2	.Seal ring	D
8	900782		1	.Seal ring	D
9	381634		1	.Plug	
10	162027		3	.Sealing	D
11	900775		6	.Plug	
12	900776		1	.O-ring	D
13	500163		3	.Screw	M12x16
14	904232		12	.Washer	
15	500082		12	.Screw	M16x70
16	381760		1	.Eccentric shaft	
17	232210		1	.Plug	
18	384382		1	.Bearing housing inner	
19	904737		1	.O-ring	
20	162011		1	.Washer, sealing	D

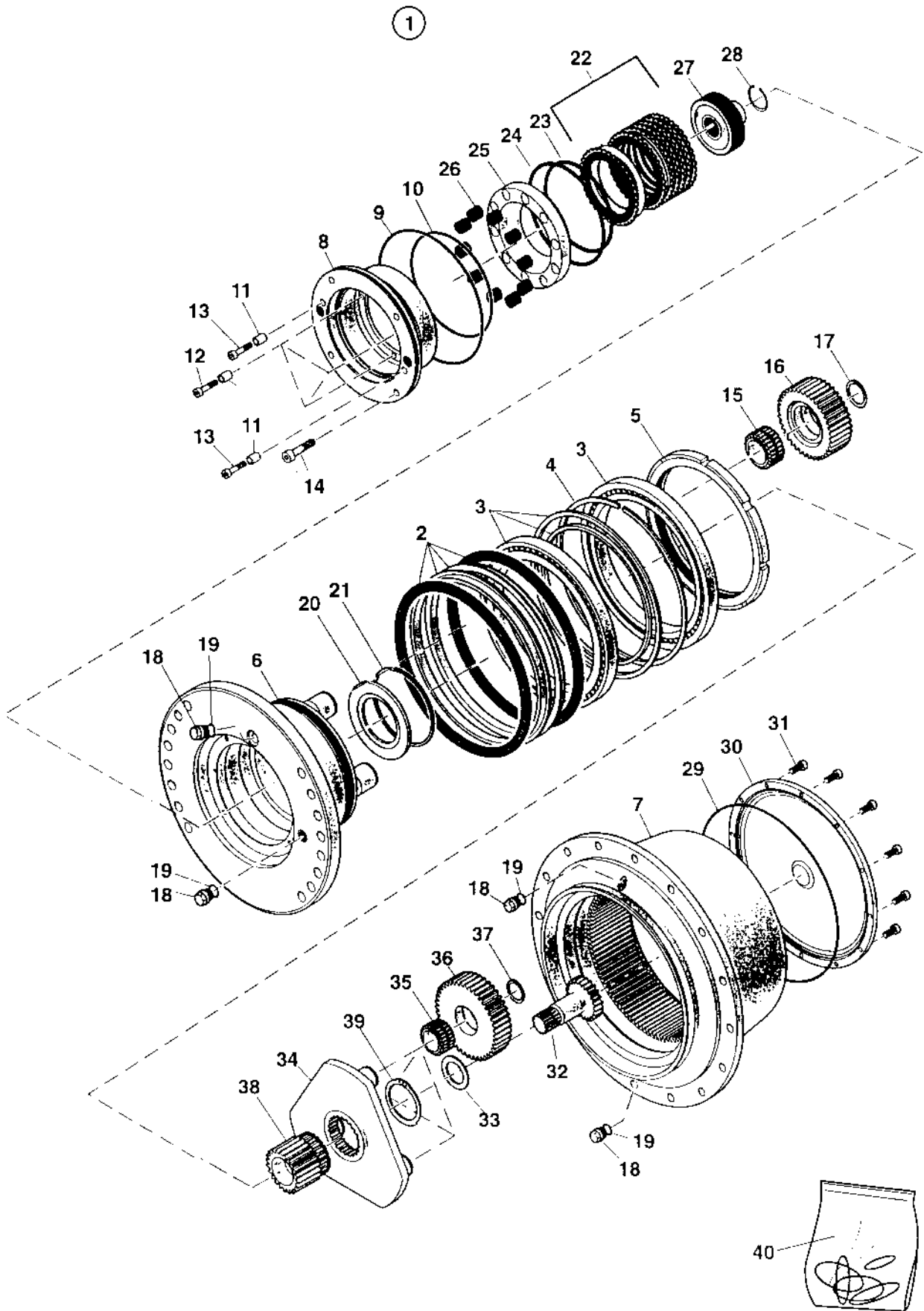
Drum cartridge Drive side

16963



## Drum cartridge Drive side

Ref. No.	Part No.	Rem.	Qty	Description	Code
1	945585		1	Drum cartridge	
2	379876		1	.Bearing housing outer	
3	380018		1	.Splined shaft	
4	791156		8	.Screw	M10-1,5x55 12,9
5	390896		2	.Spherical roller bearing	D
6	343744		1	.Magnetic plug	D
7	162017		2	.Seal ring	D
8	900782		1	.Seal ring	D
9	381634		1	.Plug	
10	162027		3	.Sealing	D
11	900775		6	.Plug	
12	900776		1	.O-ring	D
13	500163		3	.Screw	M12x16
14	904232		12	.Washer	
15	500082		12	.Screw	M16x70
16	381760		1	.Eccentric shaft	
17	232210		1	.Plug	
18	379880		1	.Bearing housing inner	
19	904737		1	.O-ring	
20	162011		1	.Washer, sealing	D





**372987 Drum gear**

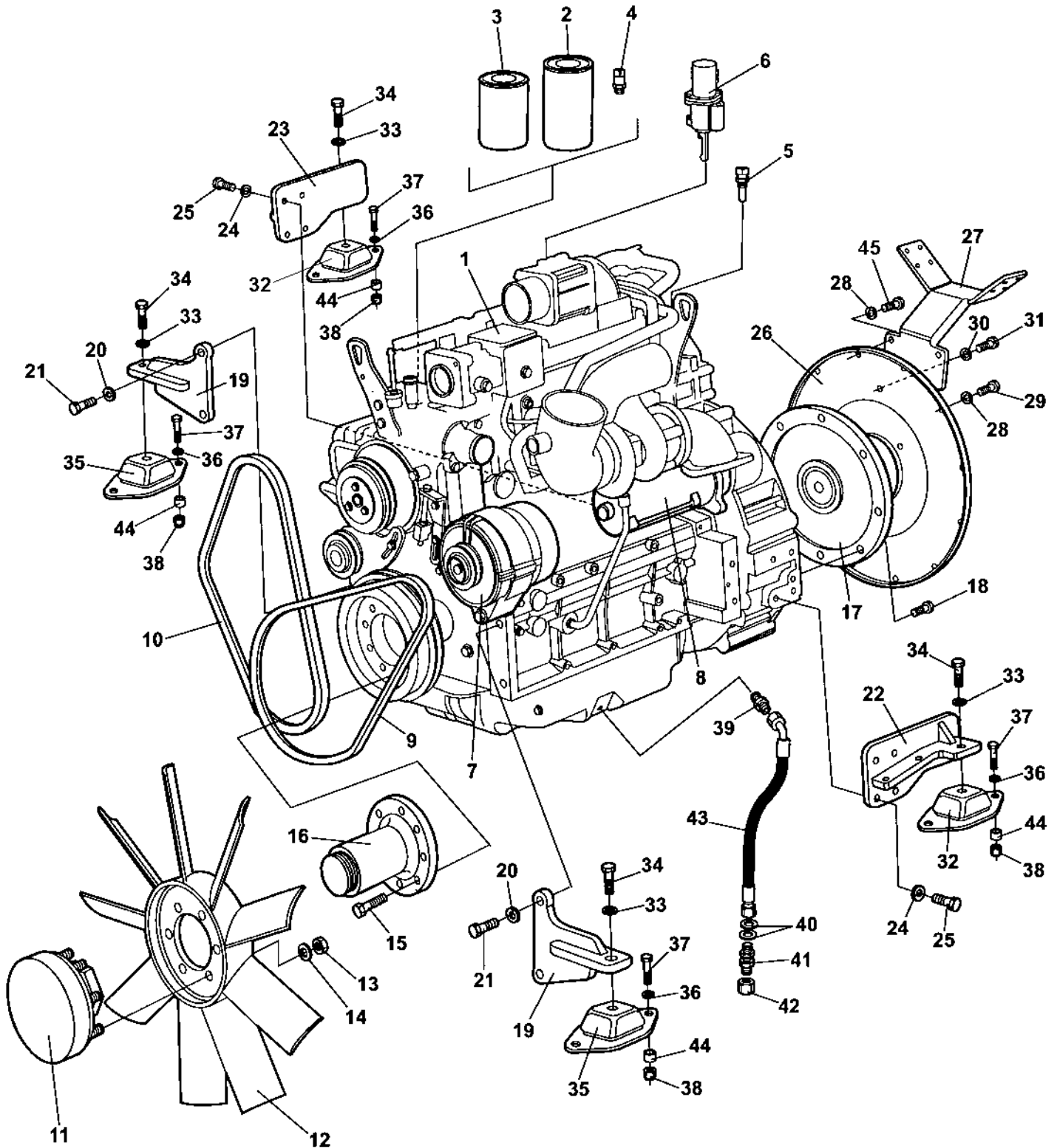
Ref. No.	Part No.	Rem.	Qty	Description	Code
1			1	Drum gear, cpl	D
2	935859		1	.Seal	
3	935860		1	.Roller bearing	
4	935861		1	.Spring ring	
5	935862		1	.Nut	
6	935863		1	.Hub	
7	935864		1	.Hollow wheel	
8	935865		1	.Adapter	
9	935866	A	1	.O-ring	
10	935867	A	1	.O-ring	
11	935868		5	.Bushing	
12	935869		3	.Screw	
13	935870		2	.Screw	
14	935871		4	.Screw	
15	935872		4	.Roller bearing	
16	935873		4	.Planet gear	
17	935421		4	.Retaining ring	
18	935394		4	.Plug	
19	935395	A	4	.Seal ring	
20	935398		1	.Plate	
21	935399		1	.Spring ring	
22	935400		1	.Brake disc kit	
23	935401	A	1	.O-ring	
24	935402	A	1	.O-ring	
25	935403		1	.Piston	
26	935404		10	.Spring	
27	935874		1	.Coupling	
28	935875		1	.Retaining ring	
29	935413	A	1	.O-ring	
30	935414		1	.Cover	
31	935415		12	.Screw	
32	935876		1	.Sun wheel	
33	935877		1	.Spacer	
34	935878		1	.Planet carrier	
35	935879		3	.Roller bearing	
36	935880		3	.Planet gear	
37	935881		3	.Retaining ring	
38	935882		1	.Sun wheel	
39	935883		1	.Retaining ring	
40	935380		1	Seal kit	

A) Incl. in item 40



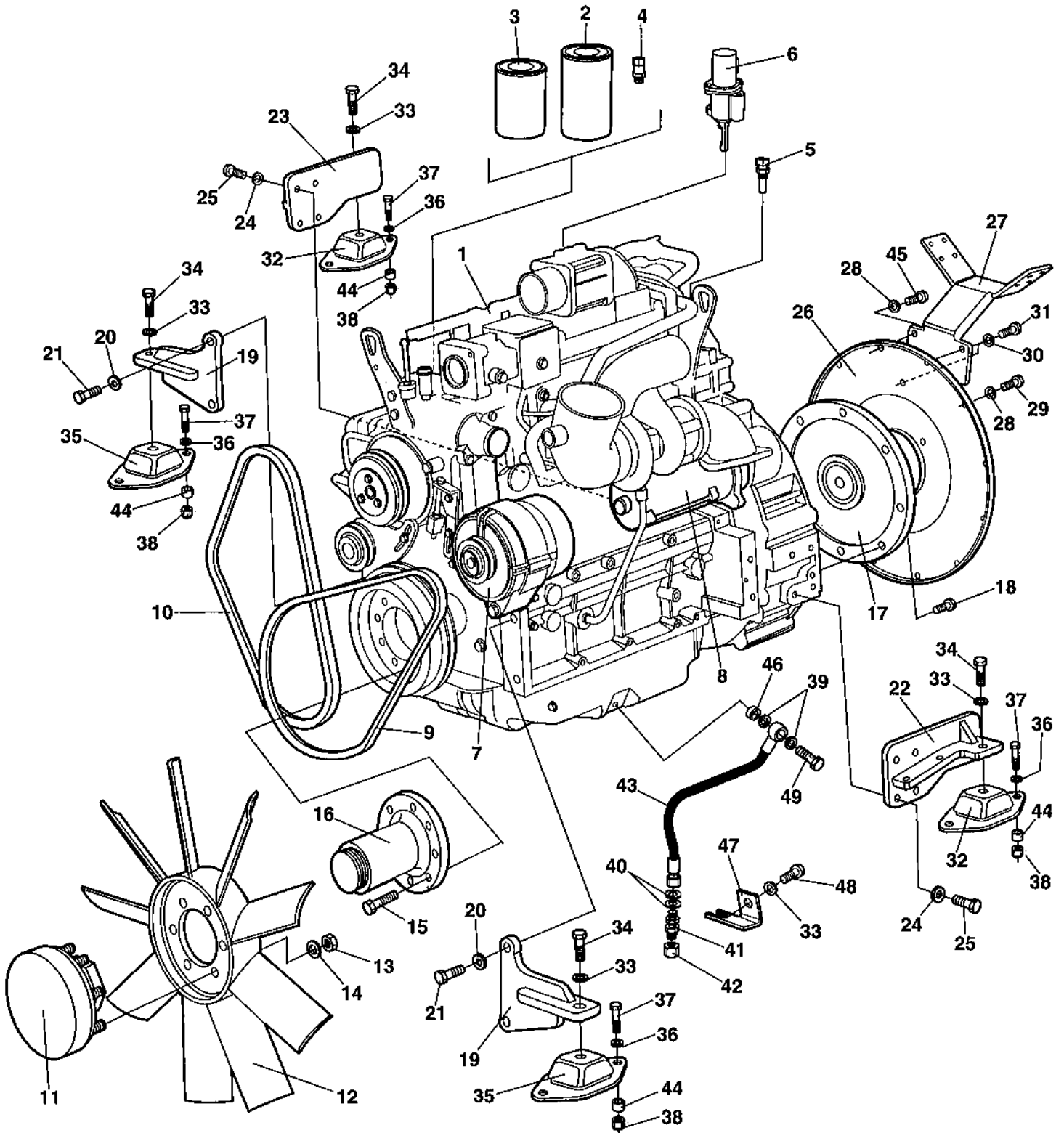
**Engine**

<b>Ref. No.</b>	<b>Part No.</b>	<b>Rem. Qty</b>	<b>Description</b>	<b>Code</b>
10			Engine Up to 69410483 ( Page 66 )	Deutz BF4M2012C
11			Engine From 69410484 ( Page 68 )	Deutz BF4M2012C
20			Cooling system ( Page 70 )	
30			Combustion air system Up to 69410403 ( Page 74 )	
35			Combustion air system From 69410404 ( Page 76 )	
40			Fuel system ( Page 78 )	
50			Exhaust system ( Page 80 )	
60			High mounted exhaust system ( Page 82 )	Option



Engine Deutz BF4M2012C

Ref. No.	Part No.	Rem.	Qty	Description	Code
1	386926		1	Engine	
2	903942		1	.Oil filter element	A
3	939581		1	.Fuel filter element	A
4	939419		1	.Oil pressure sender	
5	939416		1	.Oil temp sender	
6	939415		1	.Fuel solenoid	D
7	939417		1	.Alternator	C
	939418		1	..Charging relay	
8	939431		1	.Starter	C
9	939420		1	.V-belt	Alternator
10	939421		1	.V-belt	Waterpump and Fan
11	939423		1	.Fan coupling	
12	939422		1	.Fan	
13	939424		6	.Nut	
14	939425		6	.Washer	
15	939427		9	.Bolt	
16	939426		1	.Fan adapter	
17	370229		1	Coupling, cpl	
18	508053		8	Screw	
19	387107		2	Engine bracket	Rear
20	904232		4	Washer	
21	500093		4	Screw	M16x40
22	387108		1	Engine bracket	Front, right side
23	387109		1	Engine bracket	Front, left side
24	904638		8	Washer	12x22x2
25	500037		8	Screw	
26	372772		1	Bracket	
27	372358		1	Bracket	
28	904637		12	Washer	
29	500028		10	Screw	
30	904229		1	Washer	
31	500053		1	Screw	
32	387128		2	Shock absorber	
33	904232		4	Washer	
34	500070		4	Screw	M16x50
35	387129		2	Shock absorber	
36	904703		8	Washer	
37	500195		8	Screw	
38	586019		8	Lock nut	
39	234382		1	Adapter Up to ECN 03065	
	904210		1	Adapter From ECN 03065	
40	904234		2	Washer	
41	230516		1	Adapter	
42	230384		1	Cap	
43	387708		1	Oil drain hose Up to ECN 03065	
	388779		1	Oil drain hose From ECN 03065	
44	375152		8	Spacer	
45	500029		2	Screw	

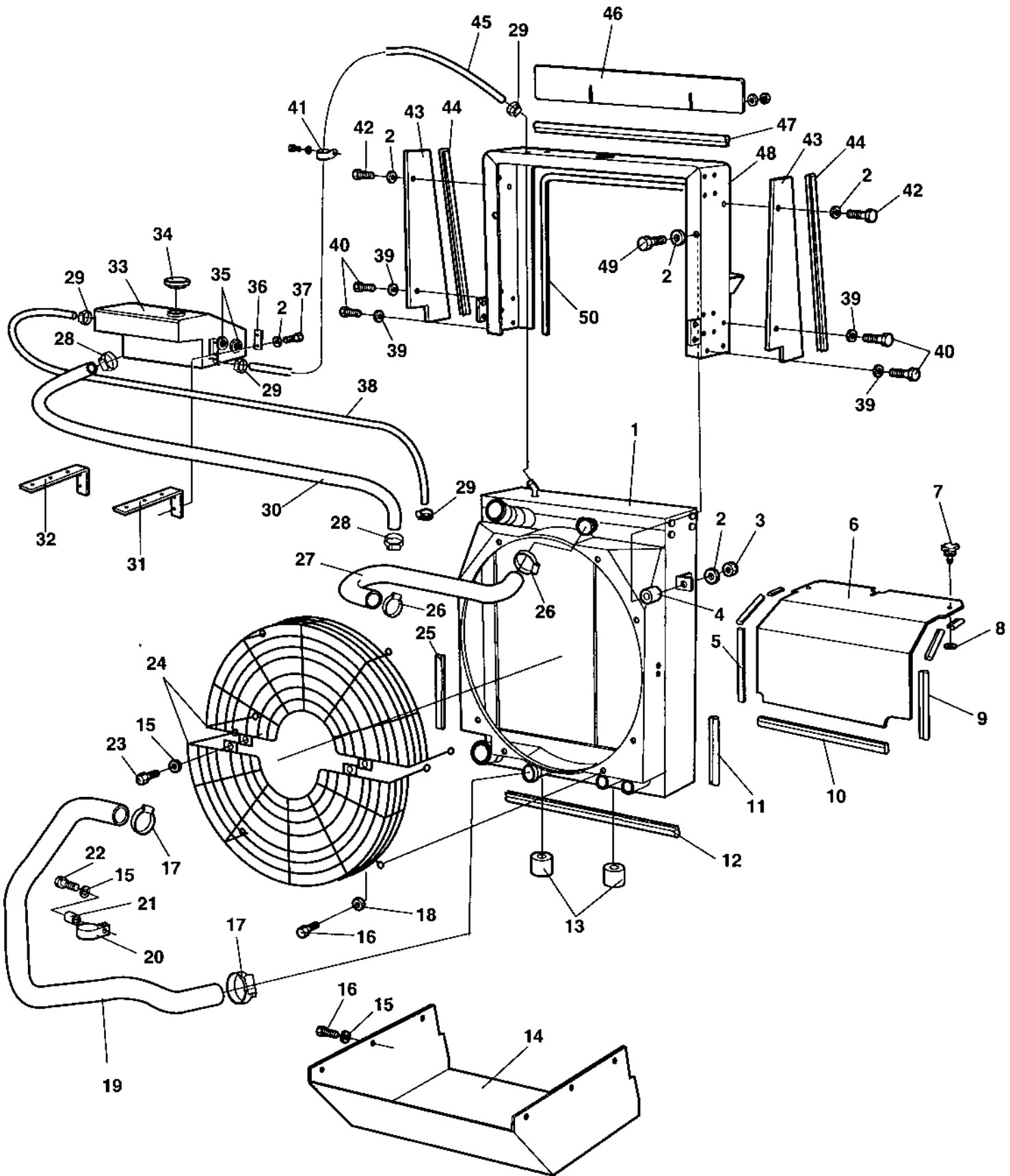


Engine Deutz BF4M2012C

Ref. No.	Part No.	Rem.	Qty	Description	Code
1	386926		1	Engine	
2	903942		1	.Oil filter element	A
3	939581		1	.Fuel filter element	A
4	939419		1	.Oil pressure sender	
5	939416		1	.Oil temp sender	
6	939415		1	.Fuel solenoid	D
7	939417		1	.Alternator	C
	939418		1	..Charging relay	
8	939431		1	.Starter	C
9	939420		1	.V-belt	Alternator B
10	939421		1	.V-belt	Waterpump and Fan B
11	939423		1	.Fan coupling	
12	939422		1	.Fan	
13	939424		6	.Nut	
14	939425		6	.Washer	
15	939427		9	.Bolt	
16	939426		1	.Fan adapter	
17	370229		1	Coupling, cpl	
18	508053		8	Screw	
19	387107		2	Engine bracket	Rear
20	904232		4	Washer	
21	500093		4	Screw	M16x40
22	387108		1	Engine bracket	Front, right side
23	387109		1	Engine bracket	Front, left side
24	904638		8	Washer	12x22x2
25	500037		8	Screw	
26	372772		1	Bracket	
27	372358		1	Bracket	
28	904637		12	Washer	
29	500028		10	Screw	
30	904229		1	Washer	
31	500053		1	Screw	
32	387128		2	Shock absorber	
33	904232		5	Washer	
34	500070		4	Screw	M16x50
35	387129		2	Shock absorber	D
36	904703		8	Washer	
37	500195		8	Screw Up to ECN04250	
	500194		8	Screw From ECN04250	
38	586019		8	Lock nut	
39	330331		2	Washer	18,2x23,9x1,5
40	904233		2	Washer	
41	230515		1	Connector	
42	330383		1	Cap hydraulic	
43	389138		1	Hydraulic hose	
44	375152		8	Spacer Up to ECN04250	
	904703		8	Washer From ECN04250	
45	500029		2	Screw	
46	371727		1	Sleeve	
47	388855		1	Bracket	
48	500154		1	Screw	M16-2,0x25 8,8
49	747691		1	Hollow screw	

**Cooling system**

17752





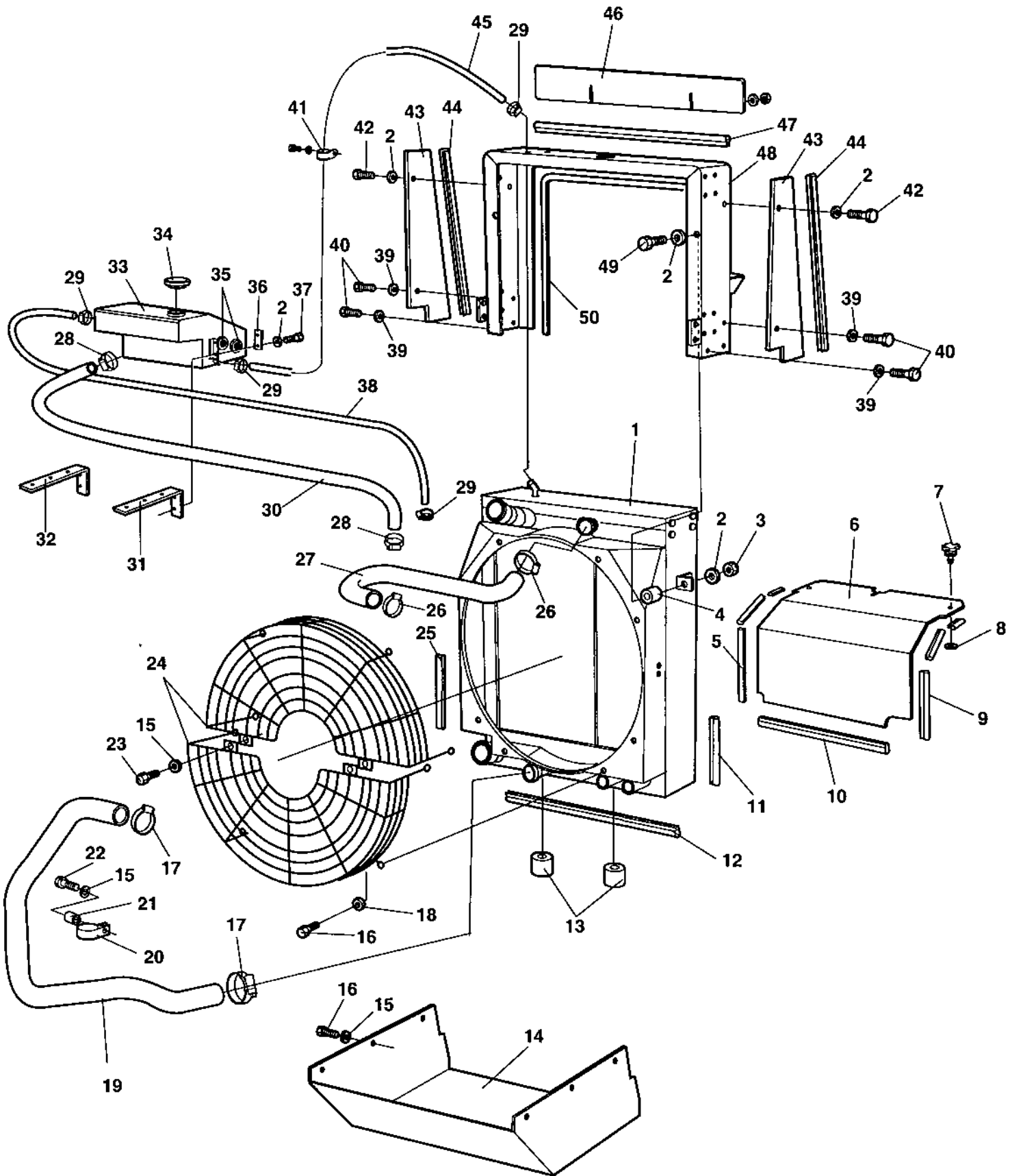
**Cooling system**

Ref. No.	Part No.	Rem.	Qty	Description	Code
1	386844		1	Radiator Up to 69410607	
	377707		1	Radiator From 69410608	
2	904228		10	Washer	
3	902285		2	Lock nut	
4	371774		2	Shock absorber	
5	902166	A	1	Edge trim	
6	386853		1	Air inlet plate	
7	904486		2	Quick lock	
8	926985		2	Quick lock washer	
9	902166	B	1	Edge trim	
10	902166	C	1	Edge trim	
11	202041	D	1	Rubber strip	
12	902166	E	1	Edge trim Up to ECN 03065	
	202056	J	1	Edge trim From ECN 03065	
13	904551		2	Shock absorber	
14	386943		1	Air leading plate	
15	904229		9	Washer	
16	500053		14	Screw Up to ECN 03065	
	500053		19	Screw From ECN 03065	
17	313010		2	Hose clamp	
18	904640		8	Washer	
19	387124		1	Coolant hose	
20	904352		1	Clamp	32x8,4x20
21	370222		1	Spacer sleeve	
22	904241		1	Screw	M8x40
23	500018		2	Screw	M8-1,25x12 8,8
24	386904		2	Fan guard	
25	202041	D	1	Rubber strip	
26	313010		2	Hose clamp	
27	386847		1	Coolant hose	
28	313004		2	Hose clamp	
29	313075		4	Hose clamp	
30	387217	F	1	Coolant hose	
31	386850		1	Bracket	
32	386851		1	Bracket	
33	386848		1	Expansion tank	
34	903714		1	Cap	
35	372597		2	Level glass	
36	381413		2	Washer	
37	500040		4	Screw	
38	387218		1	Rubber hose	
39	904230		4	Washer	
40	500029		4	Screw	
41	921050		1	Clamp	
42	500040		4	Screw	
43	371959		2	Air leading plate	
44	902166	G	2	Edge trim	
45	387217		1	Coolant hose	
46	387680		1	Air inlet	
47	288129	H	1	Edge trim	

- A) L=0,330 m
- B) L=0,450 m
- C) L=0,690 m
- D) L=0,310 m
- E) L=0,580 m
- F) L=1,4 m
- G) L=0,470 m
- H) L=0,730 m
- J) L=0,565 m

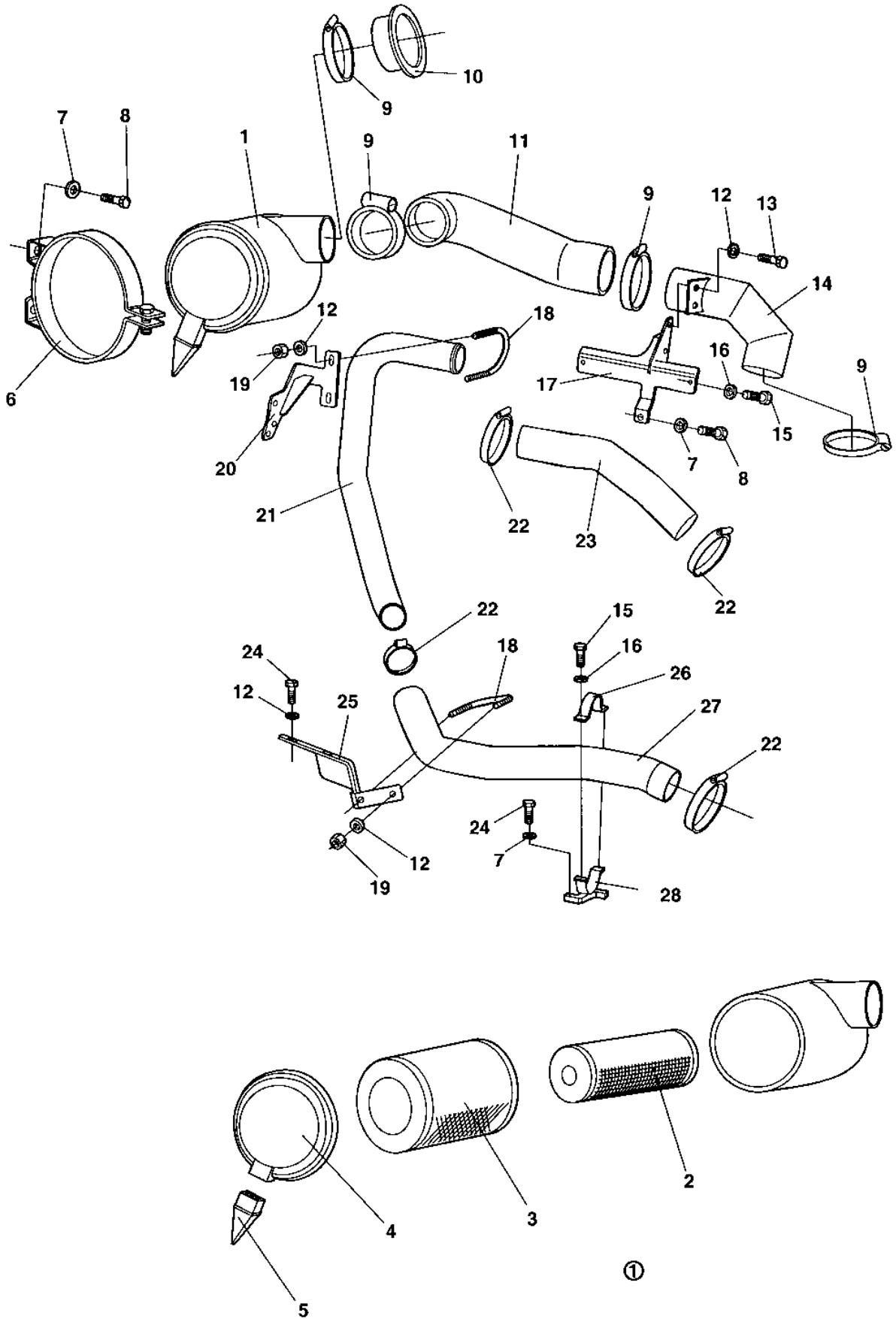
**Cooling system**

17752



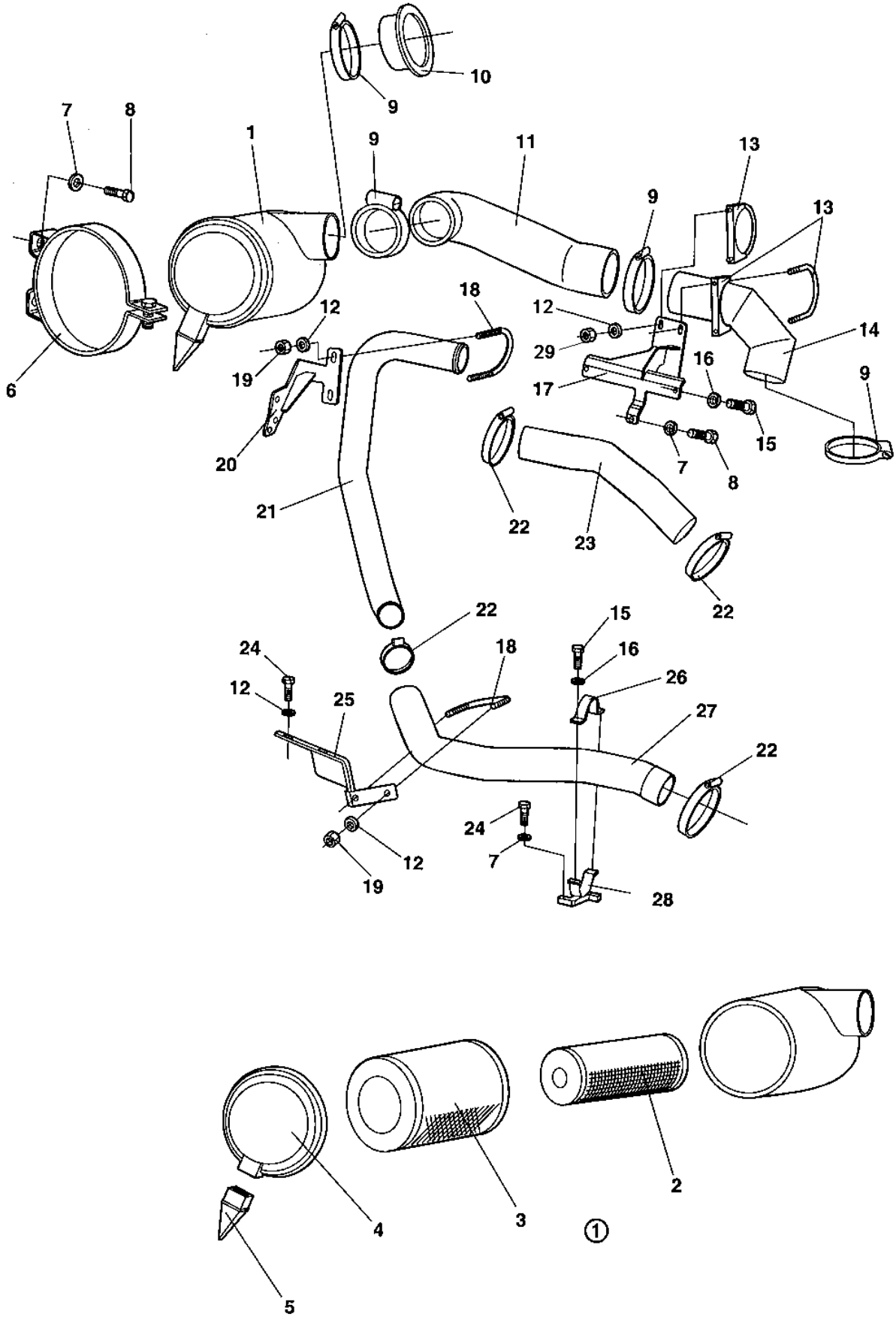
**Cooling system**

Ref. No.	Part No.	Rem.	Qty	Description	Code
48	386845		1	Cooler frame Up to ECN 03065	
	389145		1	Cooler frame From ECN 03065	
49	500012		2	Screw	
50	288129	I	1	Edge trim	
I)	L=1,60 m				



Combustion air system

Ref. No.	Part No.	Rem.	Qty	Description	Code
1	370953		1	Air cleaner	
2	394687		1	.Air filter element, safety	A
3	394686		1	.Air filter element, main	A
4	908452		1	.Cover	
5	908399		1	.Vacuator valve	D
6	813791		2	Mounting band	
7	904229		9	Washer	
8	500019		5	Screw	
9	904060		4	Hose clamp	
10	348309		1	Rubber bushing	
11	386820		1	Air inlet hose	
12	904640		8	Washer	
13	500053		2	Screw	
14	386819		1	Air inlet pipe	
15	500013		5	Screw	
16	904228		5	Washer	
17	388187		1	Holder	
18	814261		2	Clamp	
19	902286		4	Lock nut	
20	387032		1	Bracket	
21	386842		1	Charge air tube	
22	386966		5	Hose clamp	2.3/4"-3.5/8"
23	386879		1	Air inlet hose	
24	500022		6	Screw	
25	386942		1	Bracket	
26	387178		2	Holder	
27	386843		1	Air inlet hose	
28	387186		2	Holder	

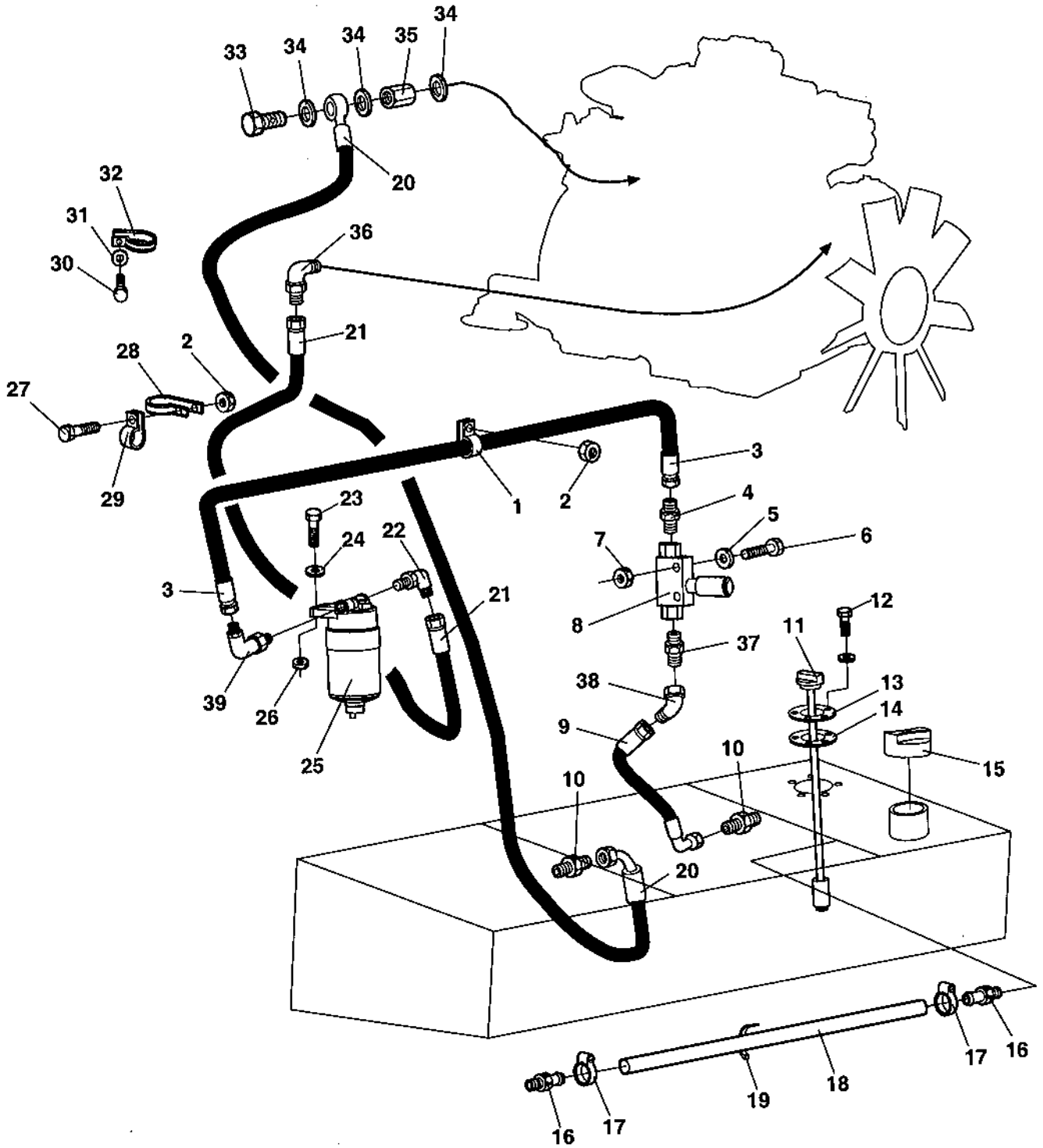


Combustion air system

Ref. No.	Part No.	Rem.	Qty	Description	Code
1	370953		1	Air cleaner	
2	394687		1	.Air filter element, safety	A
3	394686		1	.Air filter element, main	A
4	908452		1	.Cover	
5	908399		1	.Vacuator valve	D
6	813791		2	Mounting band	
7	904229		9	Washer	
8	500019		5	Screw	
9	904060		4	Hose clamp	
10	348309		1	Rubber bushing	
11	386820		1	Air inlet hose	
12	904640		8	Washer	
13	923269		2	Clamp	
14	388111		1	Air inlet pipe	
15	500013		5	Screw	
16	904228		7	Washer	
17	388088		1	Holder	
18	814261		2	Clamp	
19	902286		4	Lock nut	
20	387032		1	Bracket	
21	386842		1	Charge air tube	
22	386966		5	Hose clamp	2.3/4"-3.5/8"
23	386879		1	Air inlet hose	
24	500022		6	Screw	
25	386942		1	Bracket	
26	387178		2	Holder	
27	386843		1	Air inlet hose	
28	387186		2	Holder	
29	586003		4	Lock nut	

Fuel system

17760





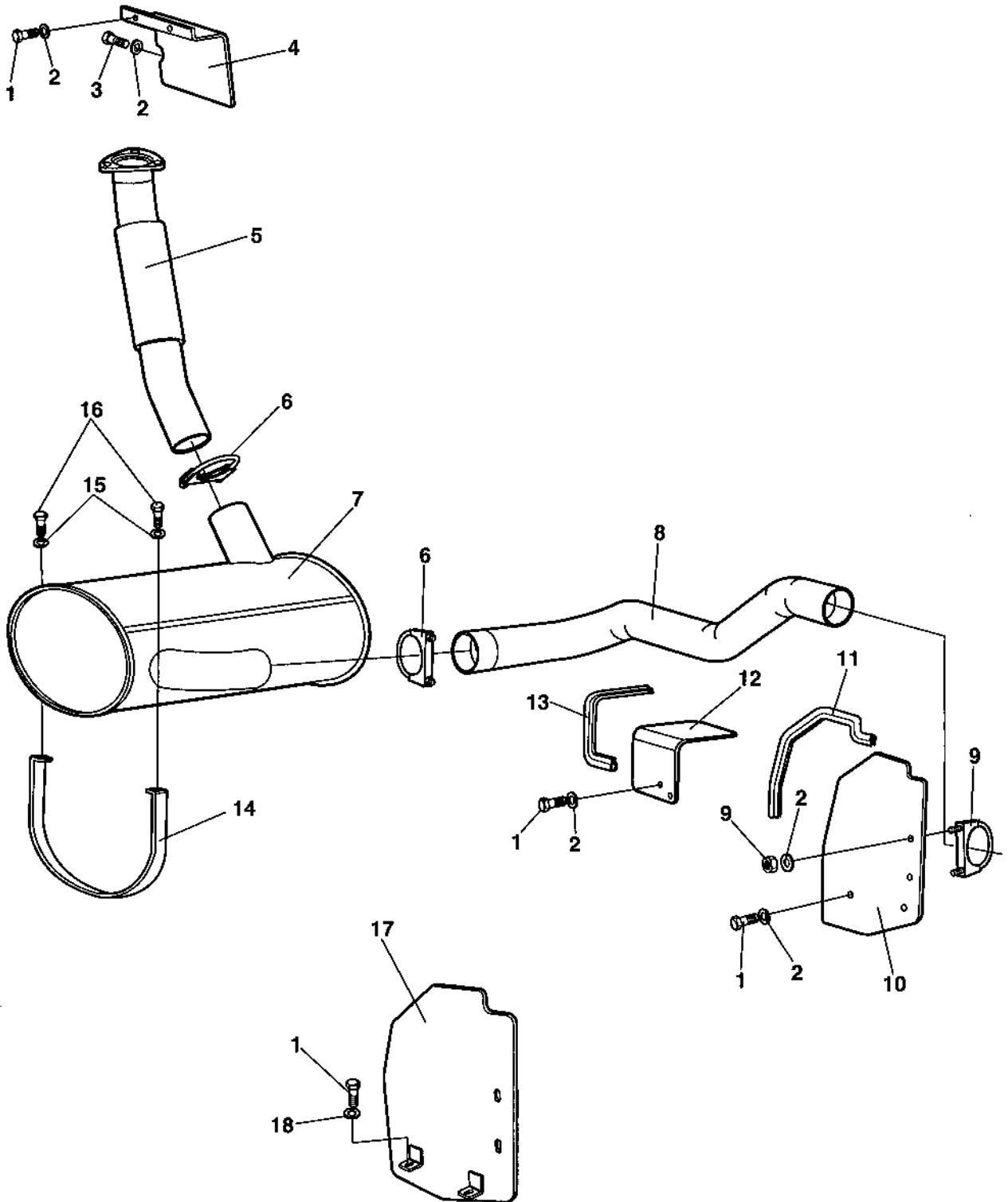
**Fuel system**

Ref. No.	Part No.	Rem.	Qty	Description	Code
1	903670		2	Clamp Up to ECN 03065	
	921031		2	Clamp From ECN 03065	
2	902285		3	Lock nut	
3	386957		1	Fuel hose Up to ECN 03065	
	388144		1	Fuel hose From ECN 03065	
4	925723		1	Connector Up to ECN 03065	
	234382		1	Adapter From ECN 03065	
5	904639		3	Washer	6,7x14x1,5
6	500079		2	Screw	M6-1x50 8,8
7	902285		2	Lock nut	
8	939466		1	Fuel pump	
9	386934		1	Fuel hose	
10	334117		2	Adapter	
11	387112		1	Fuel sender	
12	904206		5	Screw	
13	372718		1	Lid	
14	370745		1	Flange, cpl	
15	373460		1	Fuel cap	D
16	373574		2	Hose connection	
17	313002		2	Hose clamp	13-20 mm
18	244054	A	1	Hose reinforced	
19	313041		N	Cable ties	L=186 mm
20	386958		1	Fuel hose	
21	386956		1	Fuel hose	
22	928908		1	Adapter	
23	500030		2	Screw	
24	904230		2	Washer	
25	939467		1	Fuel filter, cpl	
	939468		1	.Fuel filter element	
26	586018		2	Lock nut	
27	500040		1	Screw	
28	921050		1	Clamp	
29	903670		1	Clamp	
30	500043		1	Screw	
31	904230		1	Washer	
32	921104		1	Clamp	
33			1	Hollow screw	
34	747282		3	Copper washer	
35	387994		1	Spacer	
36	928908		1	Adapter	
37	925723		1	Connector	
38	234662		1	Elbow 45	
39	928908		1	Adapter Up to ECN 03065	
	791575		1	Elbow 45, O-ring From ECN 03065	

A) L=0,700 m

**Exhaust system**

17750-1



**Exhaust system**

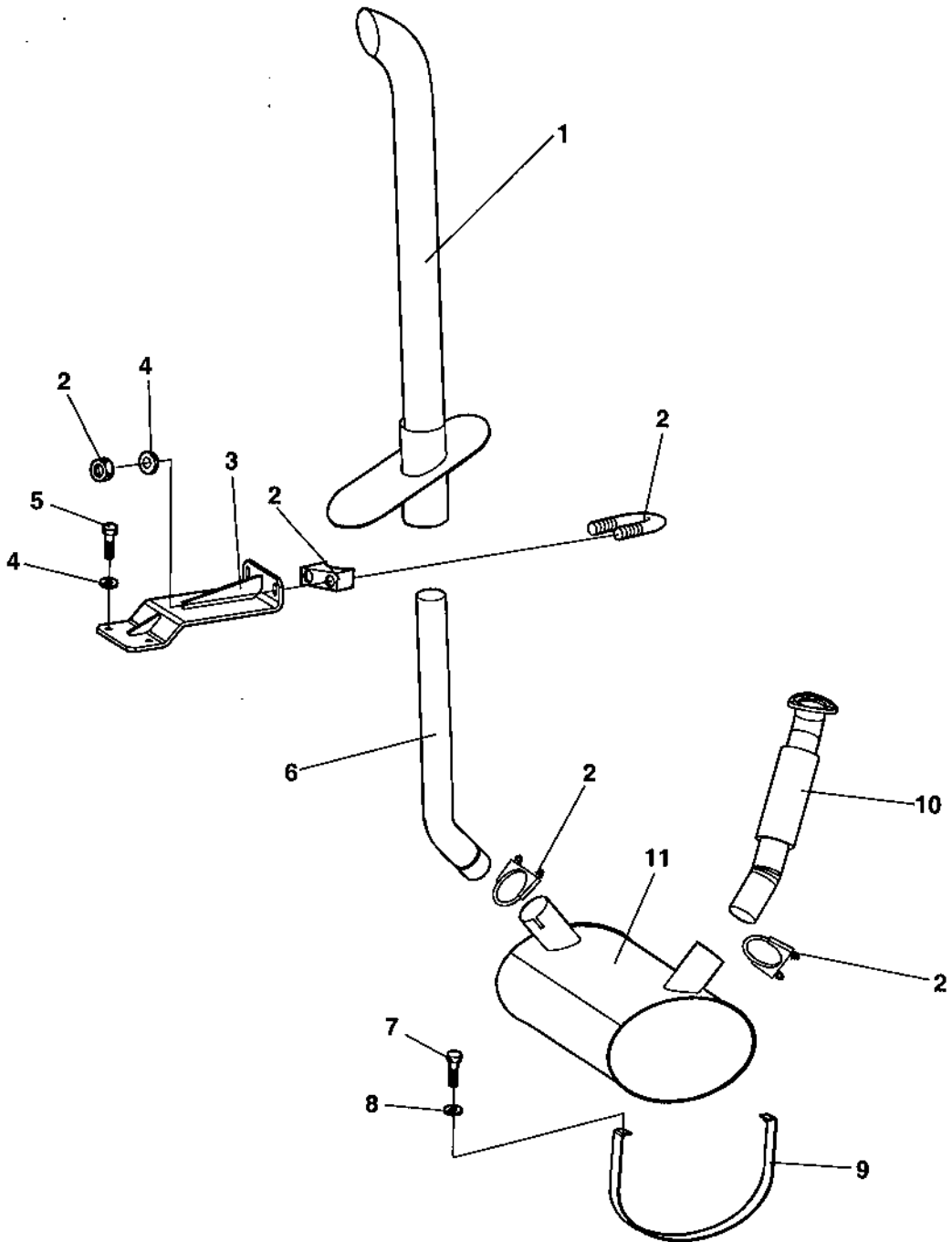
Ref. No.	Part No.	Rem.	Qty	Description	Code
1	500053		6	Screw	
2	904229		9	Washer Up to 69410540	
	904229		7	Washer From 69410541	
3	500021		1	Screw	
4	387159		1	Thermal guard	
5	386841		1	Exhaust pipe	
6	313094		2	Pipe clamp	
7	387086		1	Muffler	
8	386937		1	Exhaust hose	
9	313093		1	Pipe clamp	
10	386952		1	Thermal guard Up to 69410540	
11	902166	A	1	Edge trim	
12	386954		1	Thermal guard	
13	902166	B	1	Edge trim	
14	386789		2	Clamp	
15	904640		4	Washer	
16	500022		4	Screw	
17	377098		1	Thermal guard From 69410541	
18	904640		2	Washer From 69410541	

A) L=80 mm

B) L=0,41 M

High mounted exhaust system Option

17856



**High mounted exhaust system Option**

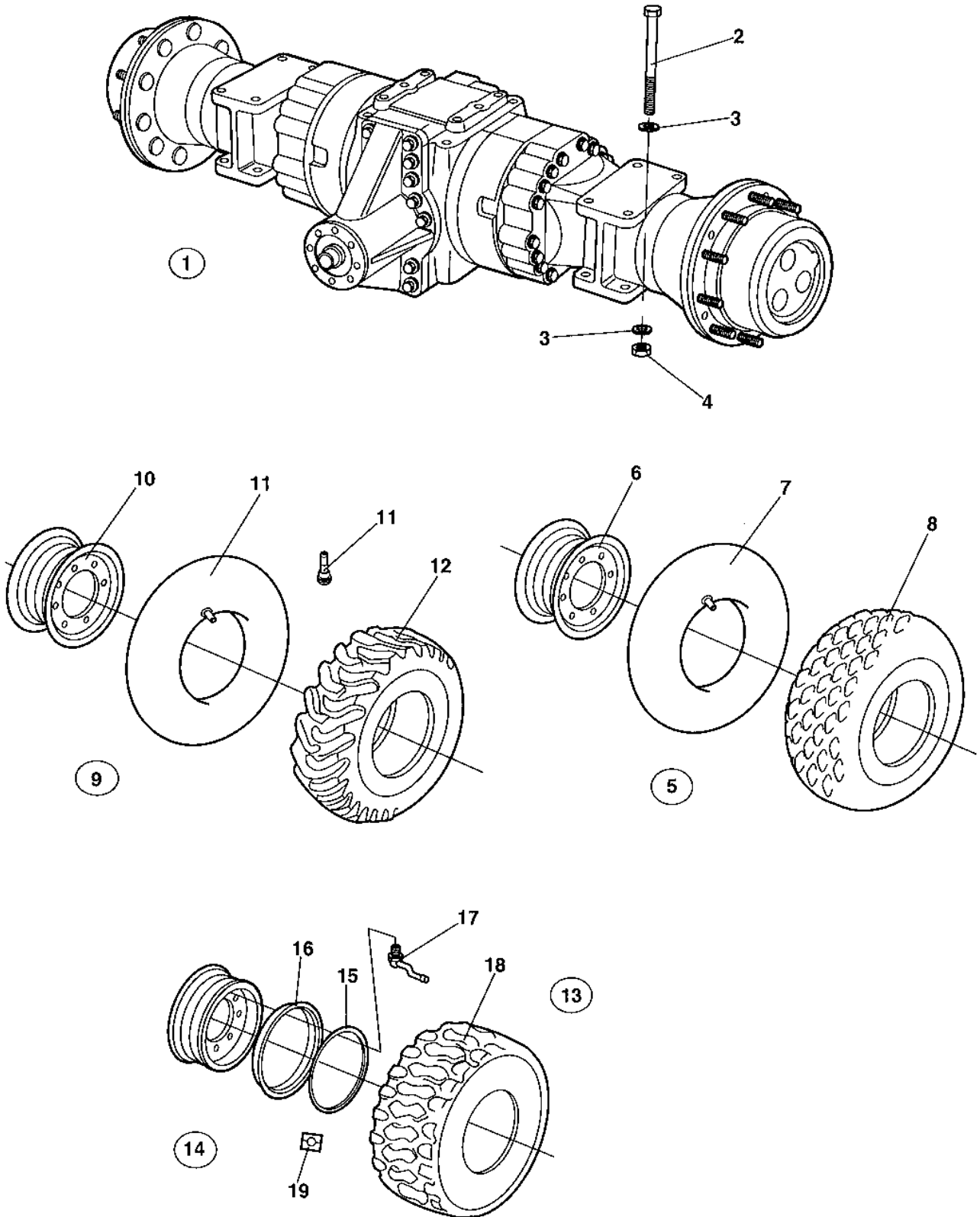
<b>Ref. No.</b>	<b>Part No.</b>	<b>Rem.</b>	<b>Qty</b>	<b>Description</b>	<b>Code</b>
1	375182		1	Exhaust pipe	
2	313094		3	Pipe clamp	
3	375041		1	Bracket	
4	904229		5	Washer	
5	500053		2	Screw	
6	386962		1	Exhaust pipe	
7	500022		4	Screw	
8	904640		4	Washer	
9	386789		2	Clamp	
10	386841		1	Exhaust pipe	
11	386973		1	Muffler	



**Transmission**

<b>Ref. No.</b>	<b>Part No.</b>	<b>Rem.</b>	<b>Qty</b>	<b>Description</b>	<b>Code</b>
15				Rear axle and wheels Up to 69410720 ( Page 86 )	
16				Rear axle and wheels From 69410721 Up to 69410839 ( Page 88 )	
17				Rear axle and wheels From 69410840 ( Page 90 )	
21	383857			Rear axle ( Page 92 )	
70	383856			Rear axle ( Page 100 )	No-Spin, Option

15984-1





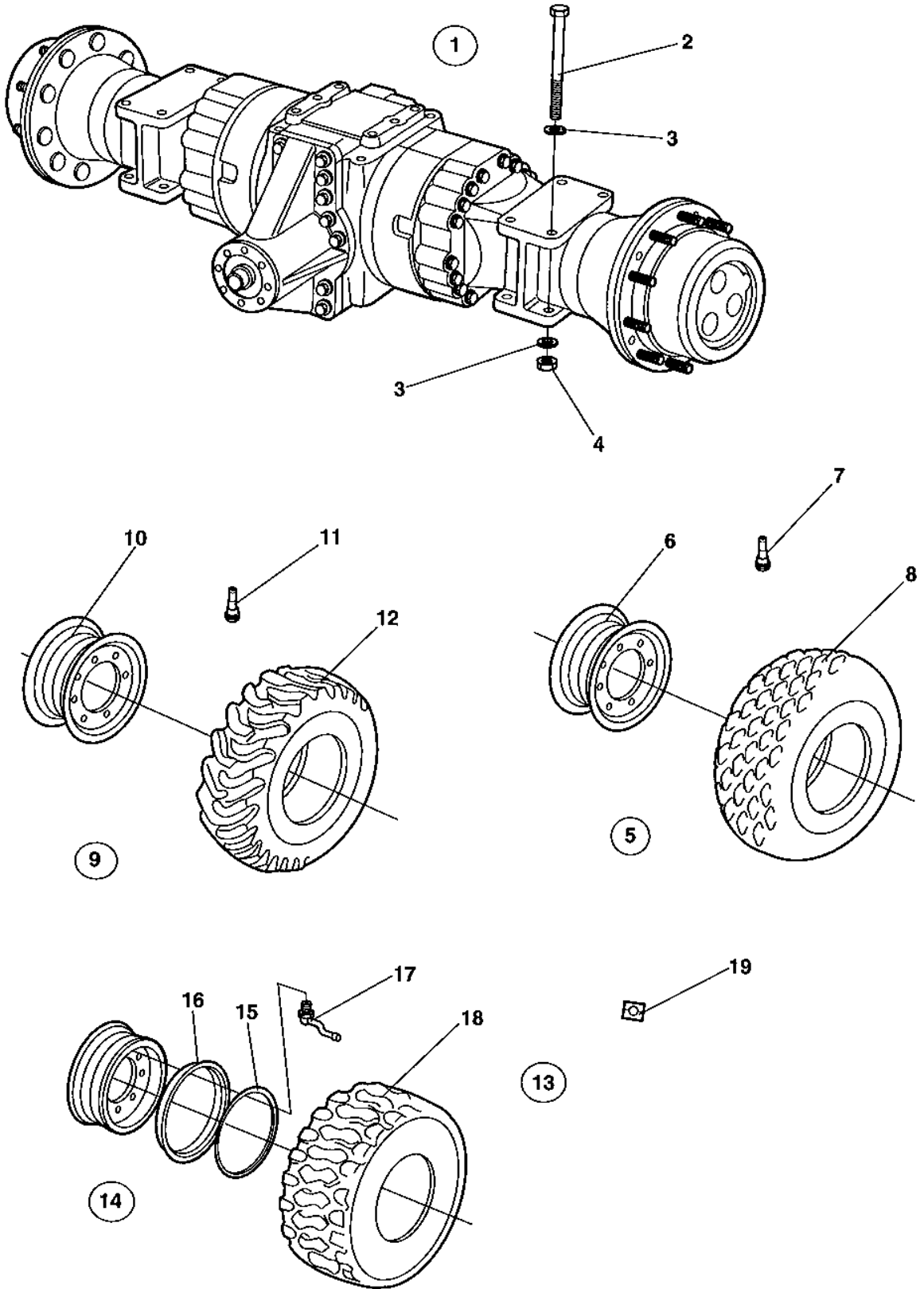
Rear axle and wheels

Ref. No.	Part No.	Rem.	Qty	Description	Code
1	383857		1	Rear axle ( Page 92 )	
2	929217		8	Screw	
3	904233		16	Washer	
4	901145		8	Lock nut	M20-10
5	383976		2	Wheel, cpl	
	383977	A	2	Wheel, cpl	
	388145	A,G	1	Wheel, cpl	
	388146	G	1	Wheel, cpl	
6	383933		1	.Rim	
7	813380		1	.Inner tube	D
8	813379		1	.Tyre	D
	791573	J,G	1	.Tyre	D
9	383980	B	1	Tractor wheel, cpl	
	383981	C	1	Tractor wheel, cpl	
	383978	D	1	Tractor wheel, cpl	
	383979	E	1	Tractor wheel, cpl	
10	383956		1	.Rim	
11	373176		1	.Tube	D
	902239	K	1	.Air charging valve	B
12	373131		1	.Tyre	D
13	383974	F	2	Wheel, tubeless, cpl	
	383975	A	2	Wheel, tubeless, cpl	
14	383955		1	.Rim cpl	
15	901443		1	..Snap ring	
16	901444		1	..Side ring	
17	901219		1	.Air charging valve	
18	901218		1	.Tyre	D
19	355983	H	2	Decal "TYRE PRESSURE"	200kPa/29psi
	903985	I	2	Decal "SAFETY", "TYRE IN BALLAST"	

- A) Liquidfilled, option
- B) Left, option
- C) Right, option
- D) Liquidfilled, IRight, option
- E) Liquidfilled, Left, option
- F) Option
- G) For Chinese market only.
- H) Used with item 383974. 383975
- I) Used with item 383977, 383978, 383979
- J) Used together with 388145 and 388146.
- K) Used together with Non Liquefilled Tubless Tractor tyres.

**Rear axle and wheels**

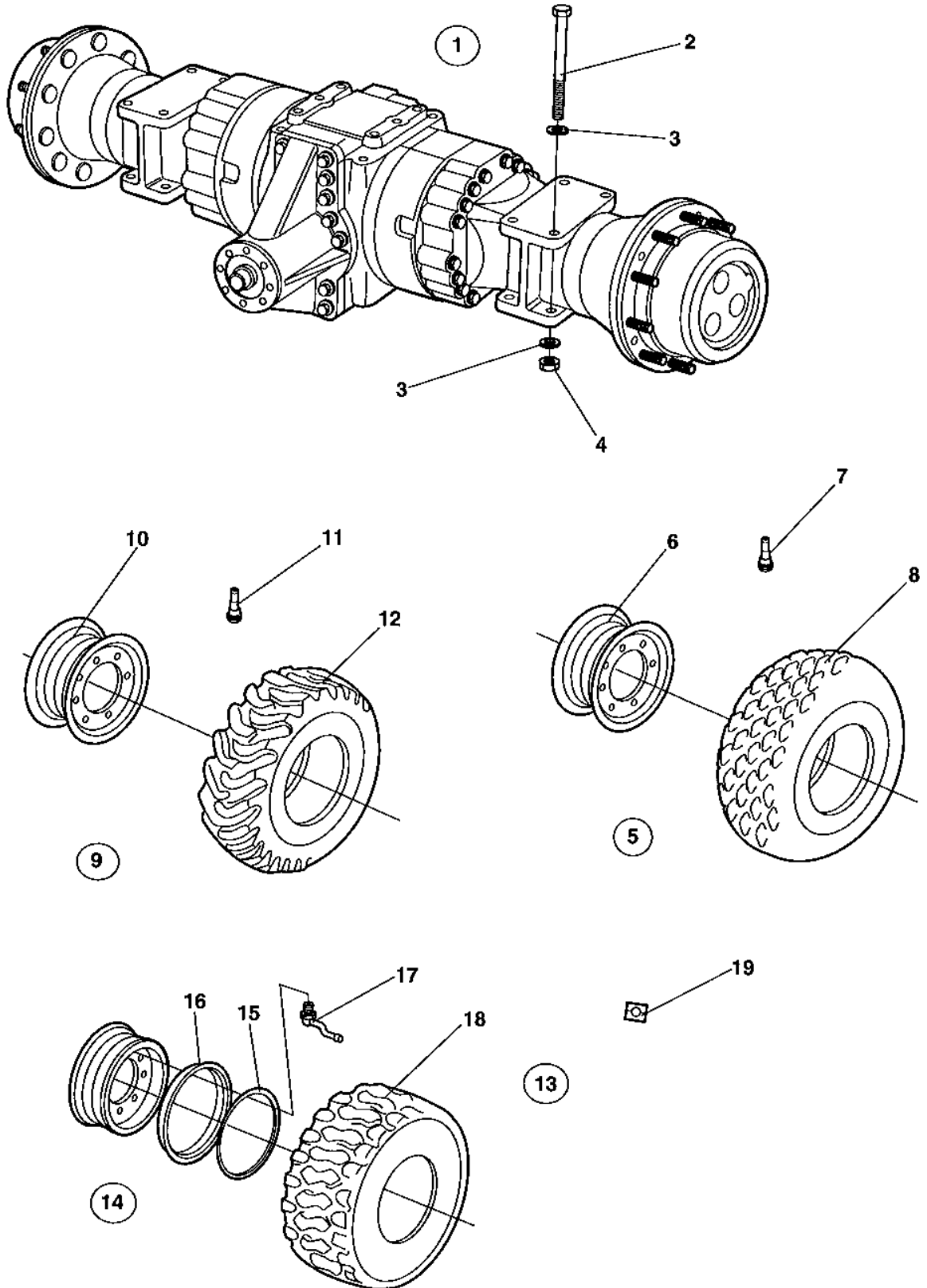
18225-1



Rear axle and wheels

Ref. No.	Part No.	Rem.	Qty	Description	Code
1	383857		1	Rear axle ( Page 92 )	
2	929217		8	Screw	
3	904233		16	Washer	
4	901145		8	Lock nut	M20-10
5	379631		2	Wheel, cpl	
	379691	A	2	Wheel, cpl	
	388145	A,G	1	Wheel, cpl	
	388146	G	1	Wheel, cpl	
6	383933		1	.Rim	
7	792261		1	.Air charging valve	Straight
8	379632		1	.Tyre	B
	791573	J,G	1	.Tyre	D
9	379412	B	1	Tractor wheel, cpl	
	379411	C	1	Tractor wheel, cpl	
	379413	D	1	Tractor wheel, cpl	
	379414	E	1	Tractor wheel, cpl	
10	383933		1	.Rim	
11	792261		1	.Air charging valve	Straight
12	379410		1	.Tyre	B
13	383974	F	2	Wheel, tubeless, cpl	D
	383975	K	2	Wheel, tubeless, cpl	
14	383955		1	.Rim cpl	
15	901443		1	..Snap ring	
16	901444		1	..Side ring	
17	791175		1	.Air charging valve	
	791176		1	.Valve foot	
18	901218		1	.Tyre	D
19	355983	H	2	Decal "TYRE PRESSURE"	200kPa/29psi
	903985	I	2	Decal "SAFETY", "TYRE IN BALLAST"	

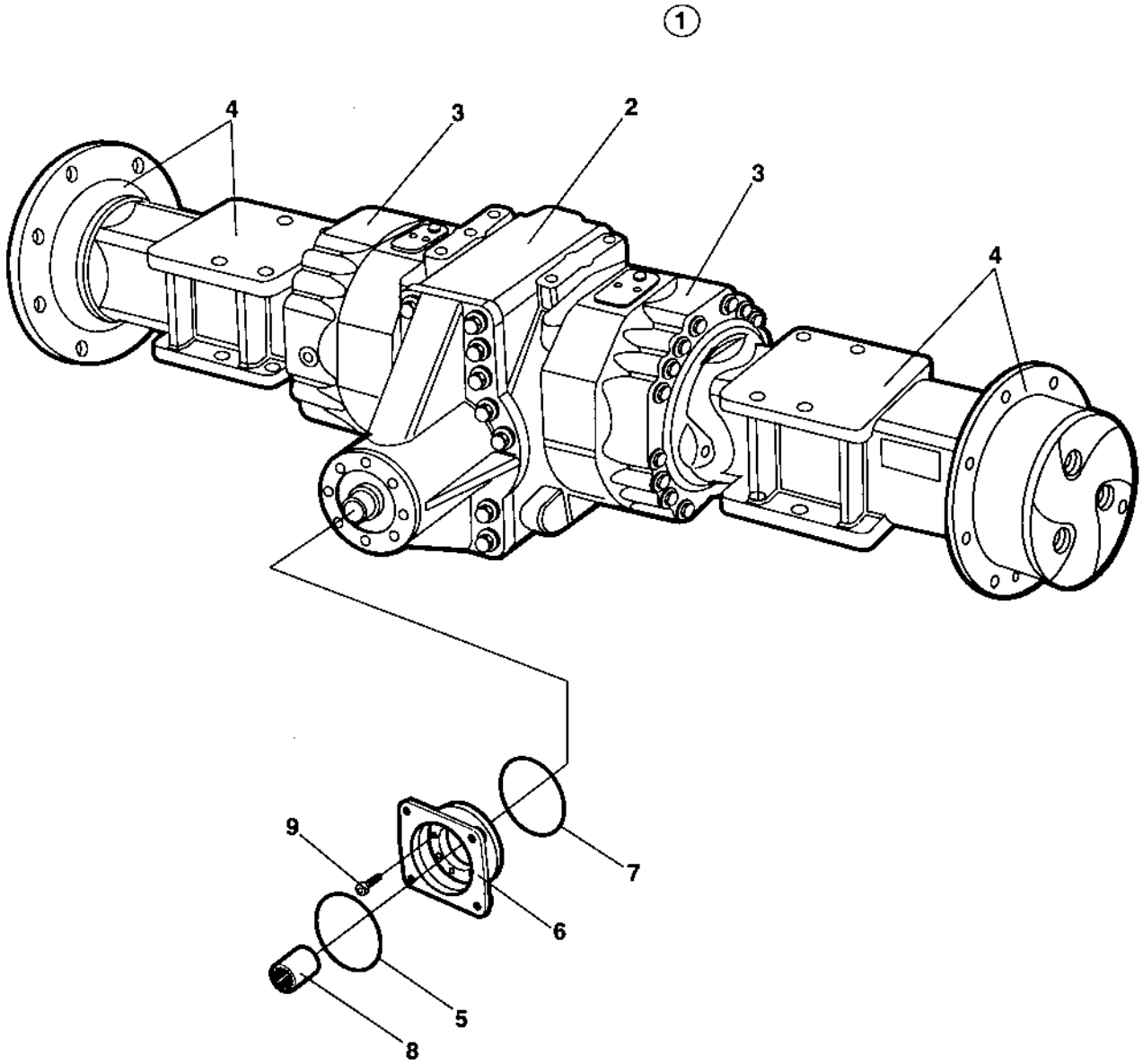
- A) Liquidfilled, option.
- B) Left, option.
- C) Right, option.
- D) Liquidfilled tyre, right, option.
- E) Liquidfilled tyre, left, option.
- F) Option, Michelin branded.
- G) For Chinese market only.
- H) Used with item 13, 383974. 383975.
- I) Used with Liqued filled tyres.
- J) Used together with 388145 and 388146.
- K) Liquidfilled, option, Michelin branded.



Rear axle and wheels

Ref. No.	Part No.	Rem.	Qty	Description	Code
1	383857		1	Rear axle ( Page 92 )	
2	929217		8	Screw	
3	904233		16	Washer	
4	901145		8	Lock nut	M20-10
5	379631		2	Wheel, cpl	
	379691	A	2	Wheel, cpl	
	388145	A,G	1	Wheel, cpl	
	388146	G	1	Wheel, cpl	
6	383933		1	.Rim	
7	792261		1	.Air charging valve	Straight
8	379632		1	.Tyre	B
	791573	J,G	1	.Tyre	D
9	390588	B	1	Tractor wheel, cpl	
	390587	C	1	Tractor wheel, cpl	
	390759	D	1	Tractor wheel, cpl	
	390760	E	1	Tractor wheel, cpl	
10	383933		1	.Rim	
11	792261		1	.Air charging valve	Straight
12	390589		1	.Tyre	B
13	383974	F	2	Wheel, tubeless, cpl	D
	383975	K	2	Wheel, tubeless, cpl	
14	383955		1	.Rim cpl	
15	901443		1	..Snap ring	
16	901444		1	..Side ring	
17	791175		1	.Air charging valve	
	791176		1	.Valve foot	
18	901218		1	.Tyre	D
19	355983	H	2	Decal "TYRE PRESSURE"	200kPa/29psi
	903985	I	2	Decal "SAFETY", "TYRE IN BALLAST"	

- A) Liquidfilled, option.
- B) Left, option.
- C) Right, option.
- D) Liquidfilled tyre, right, option.
- E) Liquidfilled tyre, left, option.
- F) Option, Michelin branded.
- G) For Chinese market only.
- H) Used with item 13, 383974. 383975.
- I) Used with Liqueed filled tyres.
- J) Used together with 388145 and 388146.
- K) Liquidfilled, option, Michelin branded.

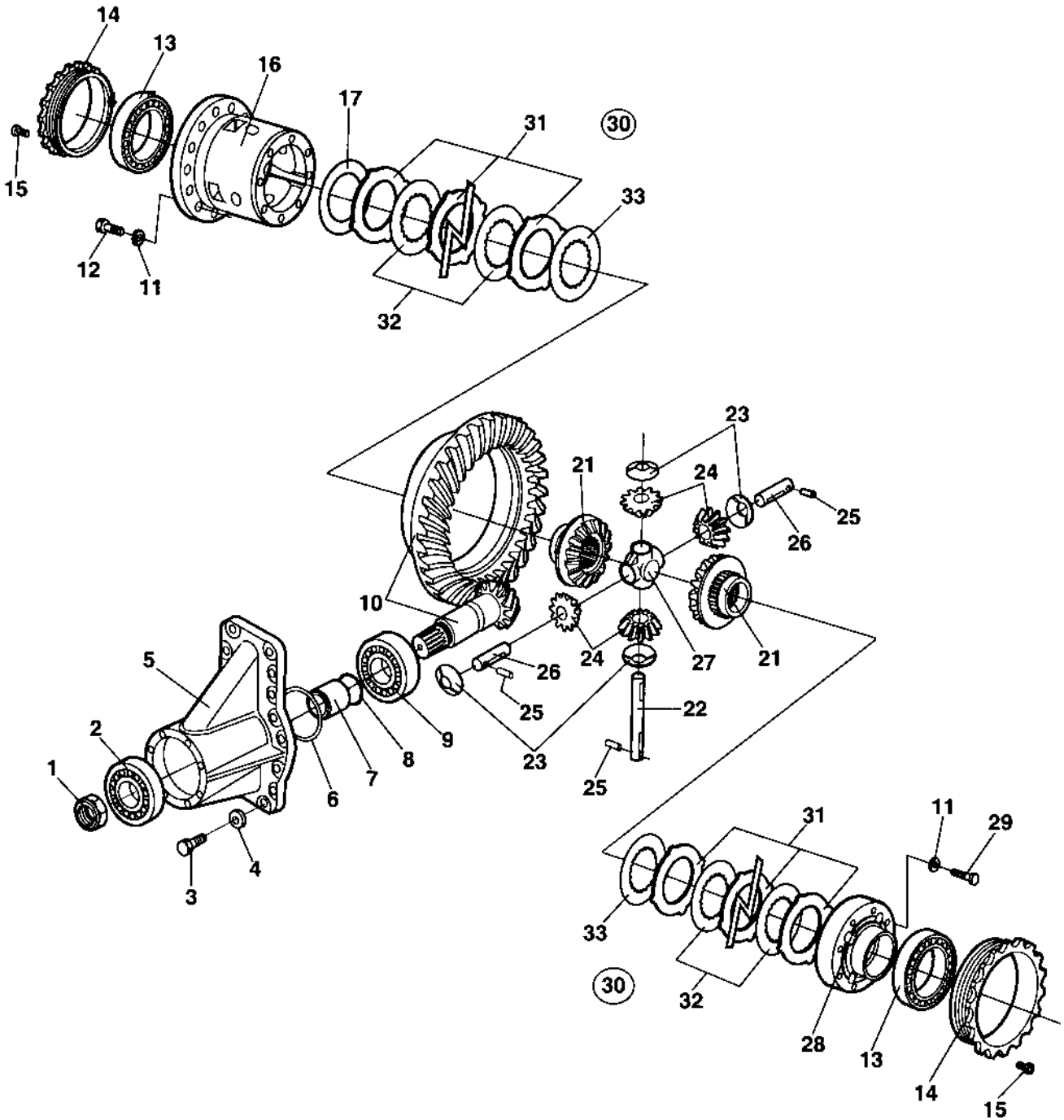


**383857 Rear axle**

Ref. No.	Part No.	Rem.	Qty	Description	Code
1			1	Rear axle	
2			1	.Differential with limited slip ( Page 94 )	
3			2	.Differential housing and brakes ( Page 96 )	
4			2	.Planet gear ( Page 98 )	
5	909584		1	O-ring	D
6	909583		1	Flange	
7	929648		1	O-ring	D
8	901834		1	Splined sleeve	
9	909582		8	Screw	

Differential with limited slip

17672



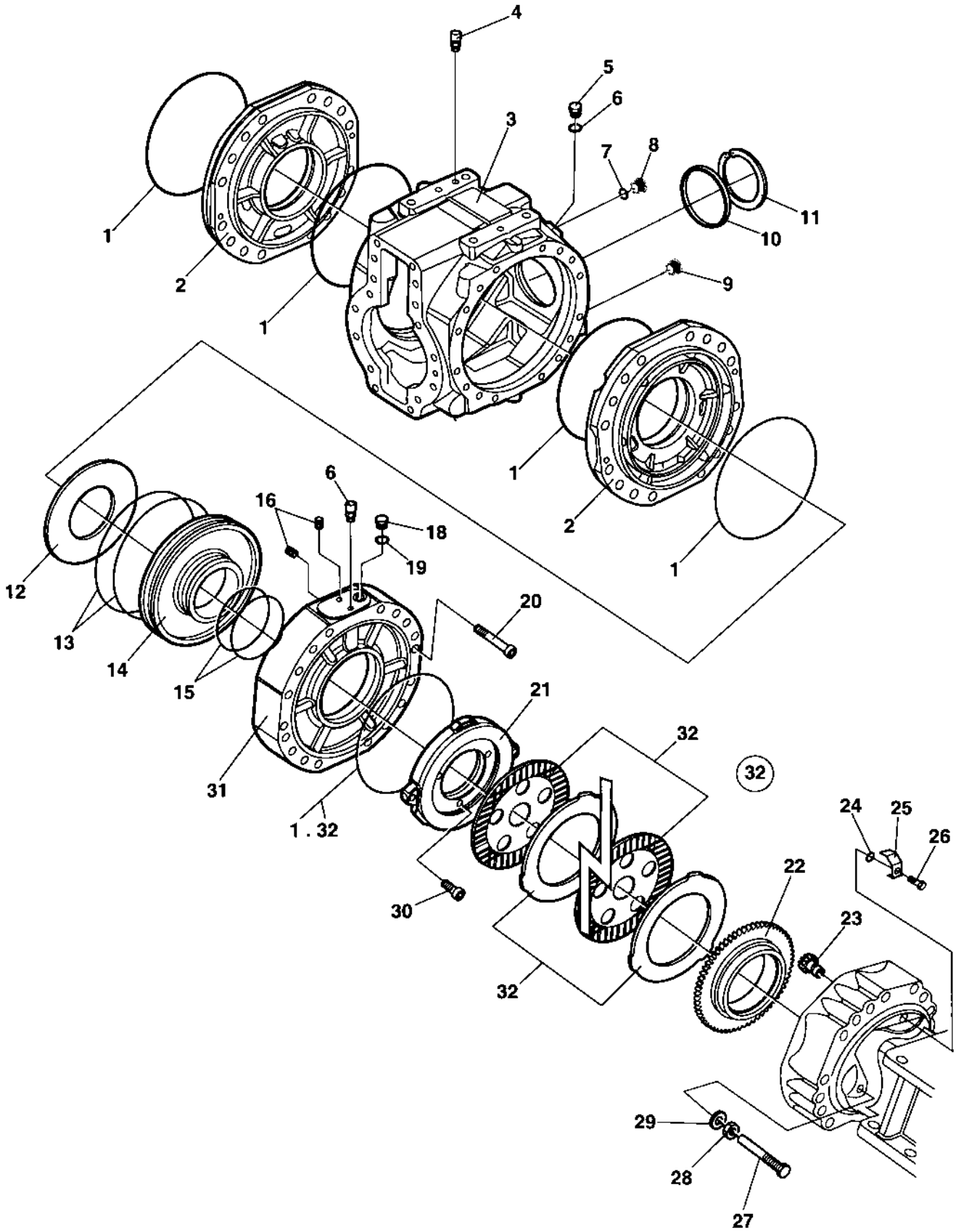


Differential with limited slip

Ref. No.	Part No.	Rem.	Qty	Description	Code
1	929638		1	Nut	
2	909574		1	Roller bearing	
3	939257		16	Bolt	
4	909572		16	Spring washer	
5	908485		1	Housing	
6	909568		1	Shim	0,10mm
	909569		1	Shim	0,20mm
	909570		1	Shim	0,50mm
	939258		1	Shim	0,15mm
7	909567		1	Spacer	
8	939259		1	Shim	0,15mm
	909580		1	Shim	0,20mm
	909576		1	Shim	0,30mm
	929644		1	Shim	0,40mm
	939260		1	Shim	0,50mm
9	909581		1	Roller bearing	
10	212553		1	Bevel gear set	
11	929628		16	Washer	
12	929629		16	Screw	
13	923342		1	Bearing	
14	939261		2	Nut	
15	938989		2	Screw	
16	909550		1	Differential carrier	
17	909551		1	Shim	0,30mm
	909552		1	Shim	0,40mm
	909553		1	Shim	0,10mm
21	909558		2	Differential gear	
22	909566		1	Shaft	
23	909559		4	Friction washer	
24	939262		4	Differential pinion	
25	909561		3	Rolled pin	
26	909560		2	Shaft	
27	909565		1	Shaft retainer	
28	909562		1	Differential carrier cover	
29	909563		8	Screw	
30	935644		2	Disc kit	D
31			10	.Limited slip disc	D
32			8	.Limited slip disc	D
33			2	.Limited slip disc	D

**Differential housing and brakes**

17670

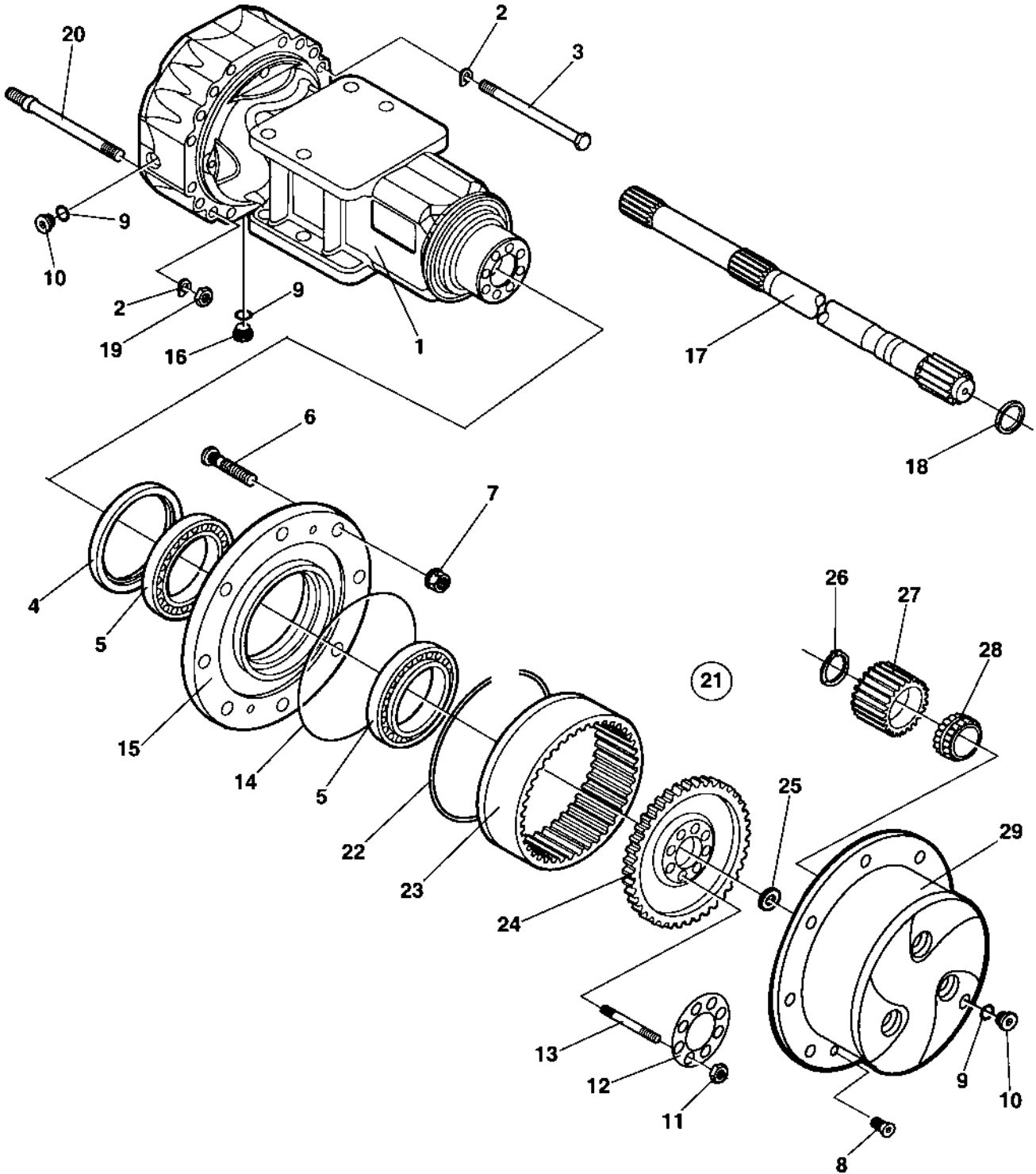


Differential housing and brakes

Ref. No.	Part No.	Rem.	Qty	Description	Code
1	909609		6	O-ring	D
2	939255		2	Cover	
3	939256		1	Housing	
4	938984		1	Vent nipple	
5	909544		2	Screw	
6	938983		2	Sealing washer	
7	909607		1	Seal	D
8	909596		1	Plug	
9	926810		1	Magnetic plug	
10	938296		1	Plug	
11	929617		1	Lock ring	
12	909616		2	Spring	
13	909618		4	O-ring	D
14	939280		2	Piston	
15	909619		4	O-ring	D
16	939281		4	Bolt	
17	938984		2	Vent nipple	
18	939282		2	Bolt	
19	939036		2	Sealing washer	
20	939035		4	Screw	
21	939283		2	Disc	
22	939285		2	Ring	
23	909622		2	Pinion	
24	900966		2	O-ring	D
25	939286		2	Lock plate	
26	909624		2	Screw	
27	909626		4	Bolt	
28	900957		4	Nut	
29	926847		4	Sealing washer	
30	939026		6	Screw	
31	939287		2	Cover	
32	939284		2	Brake disc kit	
			12	.Brake disc	
			12	.Brake disc	
	909609		2	.O-ring	D

**Planet gear**

17673

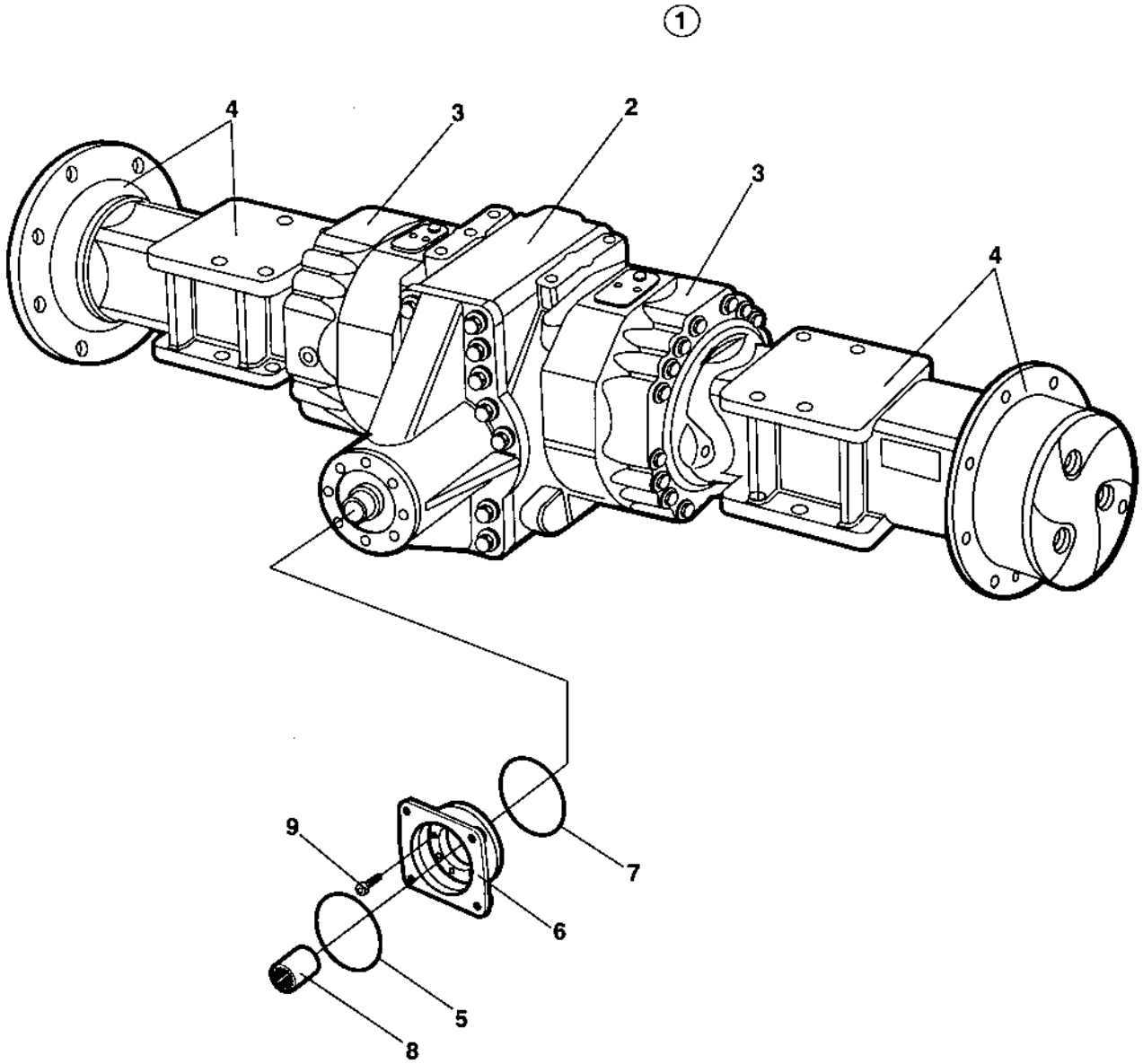


**Planet gear**

Ref. No.	Part No.	Rem.	Qty	Description	Code
1	939263		2	Axle case	
2	939003		32	Spring washer	
3	939264		24	Bolt	
4	939265		2	Seal	
5	939266		4	Bearing	
6	926781		20	Wheel screw	
7	901987		20	Wheel nut	
8	939015		4	Screw	
9	330333		6	Copper washer	D
10	909596		4	Plug	
11	939016		20	Nut	
12	939275		2	Lock plate	
13	939017		20	Stud	
14	929612		2	O-ring	
15	939276		2	Wheel hub	
16	938985		2	Magnetic plug	
17	939277		2	Half shaft	
18	909586		2	Seal	D
19	939019		8	Nut	
20	939278		8	Stud	
21	939279		2	Planet gear carrier Cpl.	
22	939267		2	.Circlip	
23	939268		2	.Ring gear	
24	939269		2	.Ring gear support	
25	939270		2	.Washer	
26	939271		6	.Seal	
27	939272		6	.Planet gear	
28	939273		6	.Bearing	
29	939274		2	.Planet gear carrier	

**383856 Rear axle No-Spin, Option**

17671

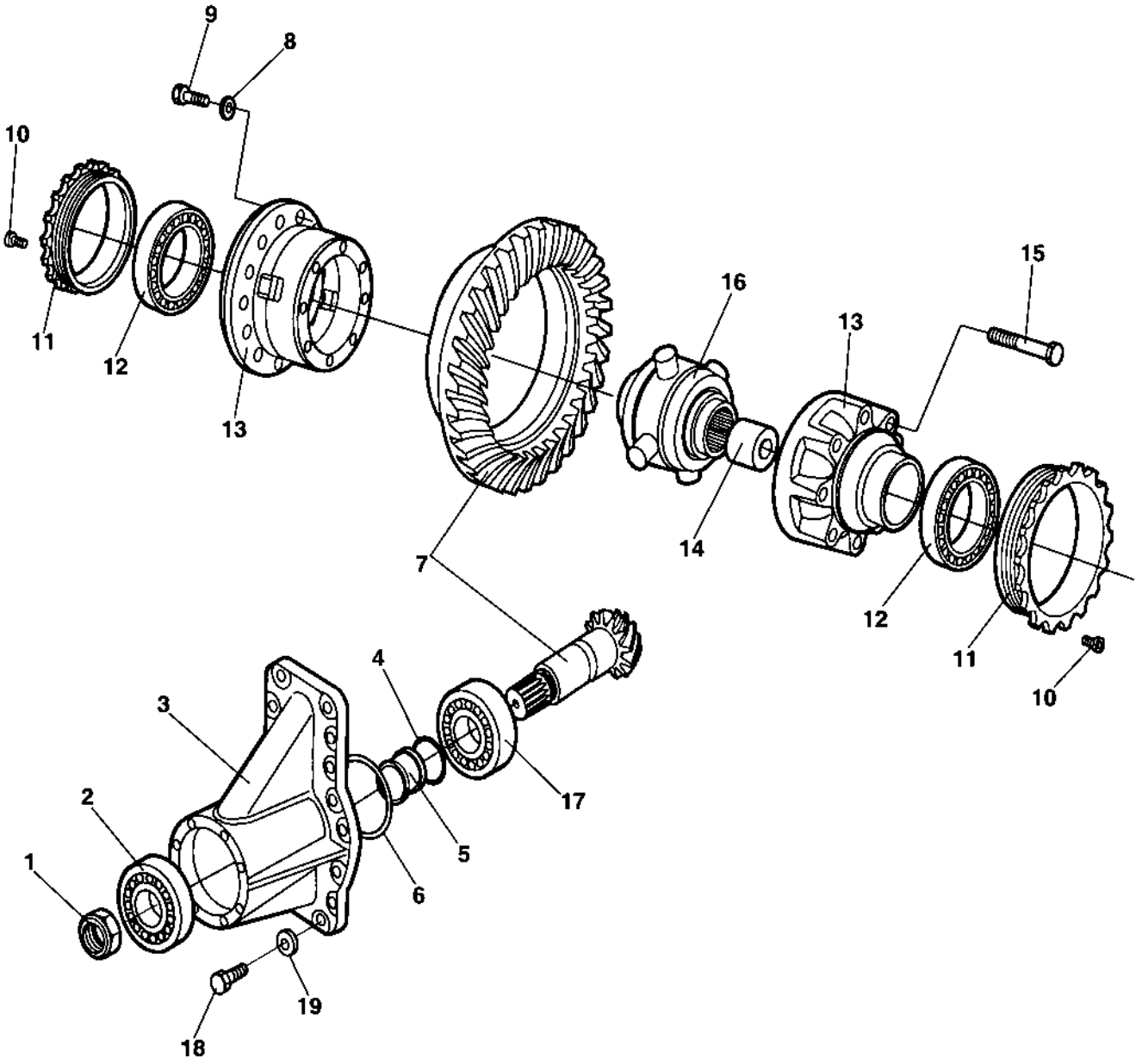


**383856 Rear axle No-Spin, Option**

<b>Ref. No.</b>	<b>Part No.</b>	<b>Rem.</b>	<b>Qty</b>	<b>Description</b>	<b>Code</b>
1			1	Rear axle	
2			1	.Differential ( Page 102 )	with No-Spin
3			2	.Differential housing and brakes ( Page 96 )	
4			2	.Planet gear ( Page 104 )	
5	909584		1	O-ring	D
6	909583		1	Flange	
7	929648		1	O-ring	D
8	901834		1	Splined sleeve	
9	909582		8	Screw	

**Differential with No-Spin**

17689



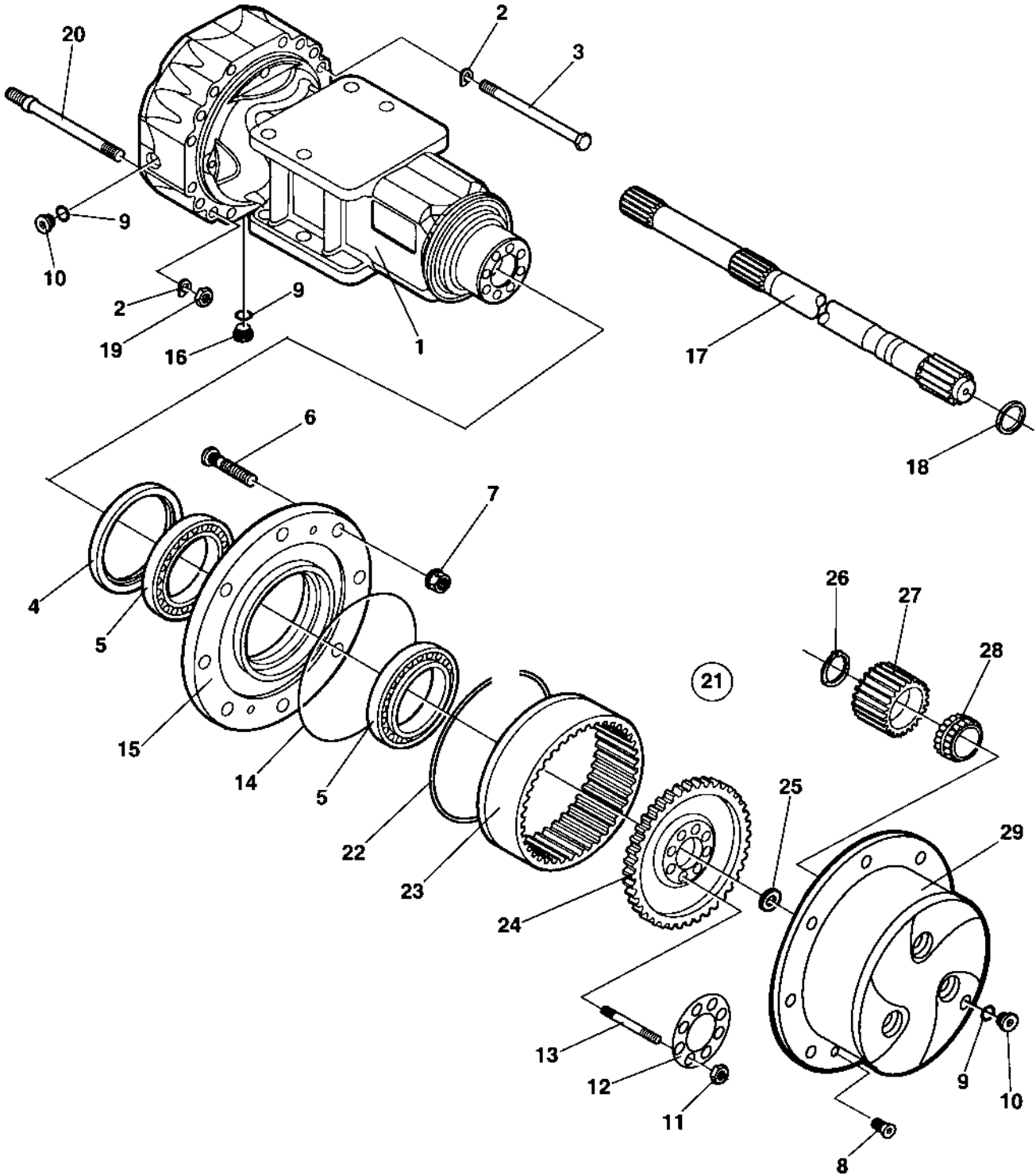


Differential with No-Spin

Ref. No.	Part No.	Rem.	Qty	Description	Code
1	929638		1	Nut	
2	909574		1	Roller bearing	
3	908485		1	Housing	
4	939259		1	Shim	0,15mm
	909580		1	Shim	0,20mm
	909576		1	Shim	0,30mm
	929644		1	Shim	0,40mm
	939260		1	Shim	0,50mm
5	909567		1	Spacer	
6	909568		1	Shim	0,10mm
	909569		1	Shim	0,20mm
	909570		1	Shim	0,50mm
	939258		1	Shim	0,15mm
7	212553		1	Bevel gear set	
8	929628		16	Washer	
9	929629		16	Screw	
10	938989		2	Screw	
11	939261		2	Nut	
12	923342		1	Bearing	
13	929630		1	Differential case	
14	929631		1	Spacer	
15	929625		8	Screw	
16	929626		1	Non-spin unit	
17	909581		1	Roller bearing	
18	939257		16	Bolt	
19	909572		16	Spring washer	

**Planet gear**

17673



**Planet gear**

Ref. No.	Part No.	Rem.	Qty	Description	Code
1	939263		2	Axle case	
2	939003		32	Spring washer	
3	939264		24	Bolt	
4	939265		2	Seal	
5	939266		4	Bearing	
6	926781		20	Wheel screw	
7	901987		20	Wheel nut	
8	939015		4	Screw	
9	330333		6	Copper washer	D
10	909596		4	Plug	
11	939016		20	Nut	
12	939275		2	Lock plate	
13	939017		20	Stud	
14	929612		2	O-ring	
15	939276		2	Wheel hub	
16	938985		2	Magnetic plug	
17	939277		2	Half shaft	
18	909586		2	Seal	D
19	939019		8	Nut	
20	939278		8	Stud	
21	939351		2	Planet gear carrier Cpl.	
22	939267		2	.Circlip	
23	939268		2	.Ring gear	
24	939269		2	.Ring gear support	
25	939270		2	.Washer	
26	939271		8	.Seal	
27	939272		8	.Planet gear	
28	939273		8	.Bearing	
29	939349		2	.Planet gear carrier	

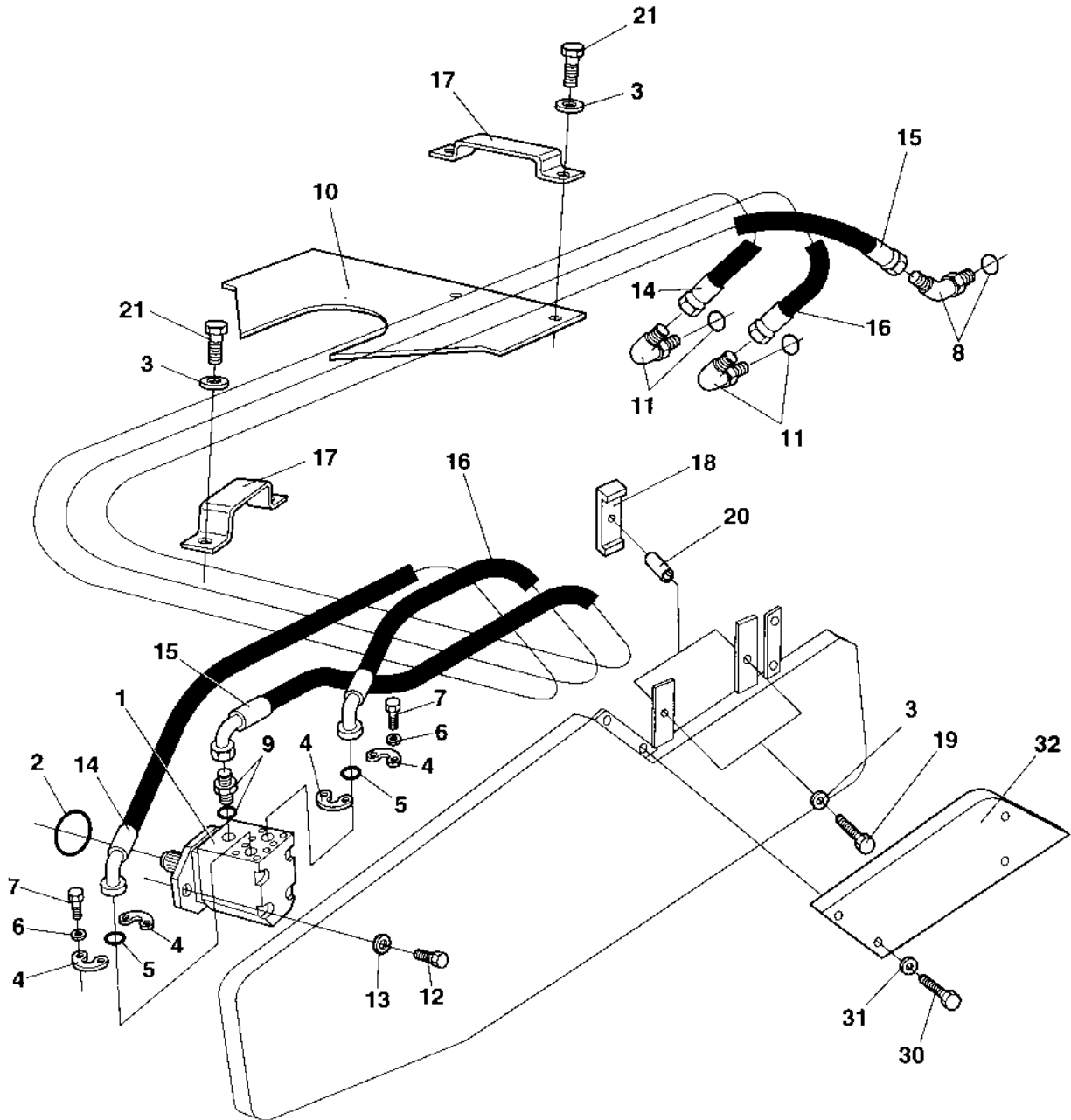


**Hydraulic system**

<b>Ref. No.</b>	<b>Part No.</b>	<b>Rem.</b>	<b>Qty</b>	<b>Description</b>	<b>Code</b>
10				Propulsion system, Front ( Page 108 )	
13	371509			Propulsion motor ( Page 110 )	C
15				Propulsion system, Rear ( Page 112 )	
17	374137			Propulsion motor Up to ECN03096 ( Page 116 )	C
18	373361			Propulsion motor From ECN03096 ( Page 120 )	C
20				Vibration system ( Page 124 )	
25	380145			Hydraulic motor, vibration ( Page 126 )	C
30				Steering system ( Page 128 )	
36	375031			Steering cylinder Up to 69410926 ( Page 132 )	C
37	372424			Pilot valve, steering ( Page 134 )	C
40				Brake system ( Page 136 )	
45				Hydraulic oil tank ( Page 138 )	
47				Hydraulic oil tank ( Page 140 )	
50				Central test panel hydraulic ( Page 142 )	
60				Dual speed drum drive ( Page 144 )	Option

**Propulsion system, Front**

16613

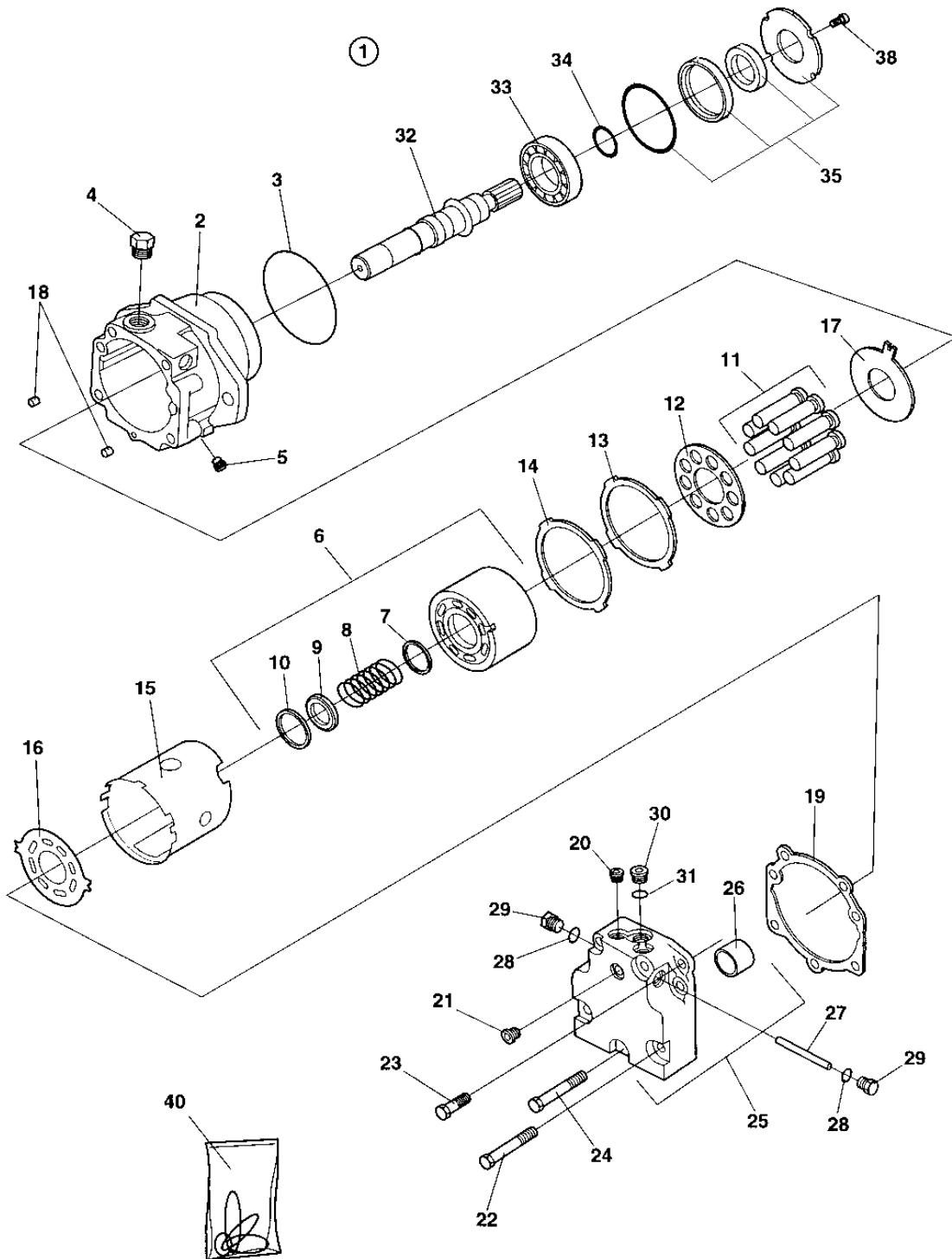


## Propulsion system, Front

Ref. No.	Part No.	Rem.	Qty	Description	Code
1	371509		1	Propulsion motor ( Page 110 )	C
2	904058		1	O-ring	
3	904230		6	Washer	
4	923384		4	Flange half	
5	904005		2	O-ring	
6	904638		8	Washer	12x22x2
7	502132		8	Screw	UNC 7/16" x 22
8	334132		1	Elbow 45, O-ring	
9	334138		1	Adapter	
10	372235		1	Hose guard	
11	813499		2	Elbow 90, O-ring	
12	500101		2	Screw	M20x50
13	903290		2	Washer	21x36x6
14	483119		1	Hydraulic hose	
15	483190		1	Hydraulic hose	
16	483120		1	Hydraulic hose	
17	373016		2	Hose clamp	
18	373270		2	Hose clamp	
19	500032		2	Screw	M10 x 55
20	373423		2	Spacer	
21	500029		4	Screw	
30	500019		4	Screw	
31	904229		4	Washer	
32	375490		1	Cover	

**371509 Propulsion motor**

16542





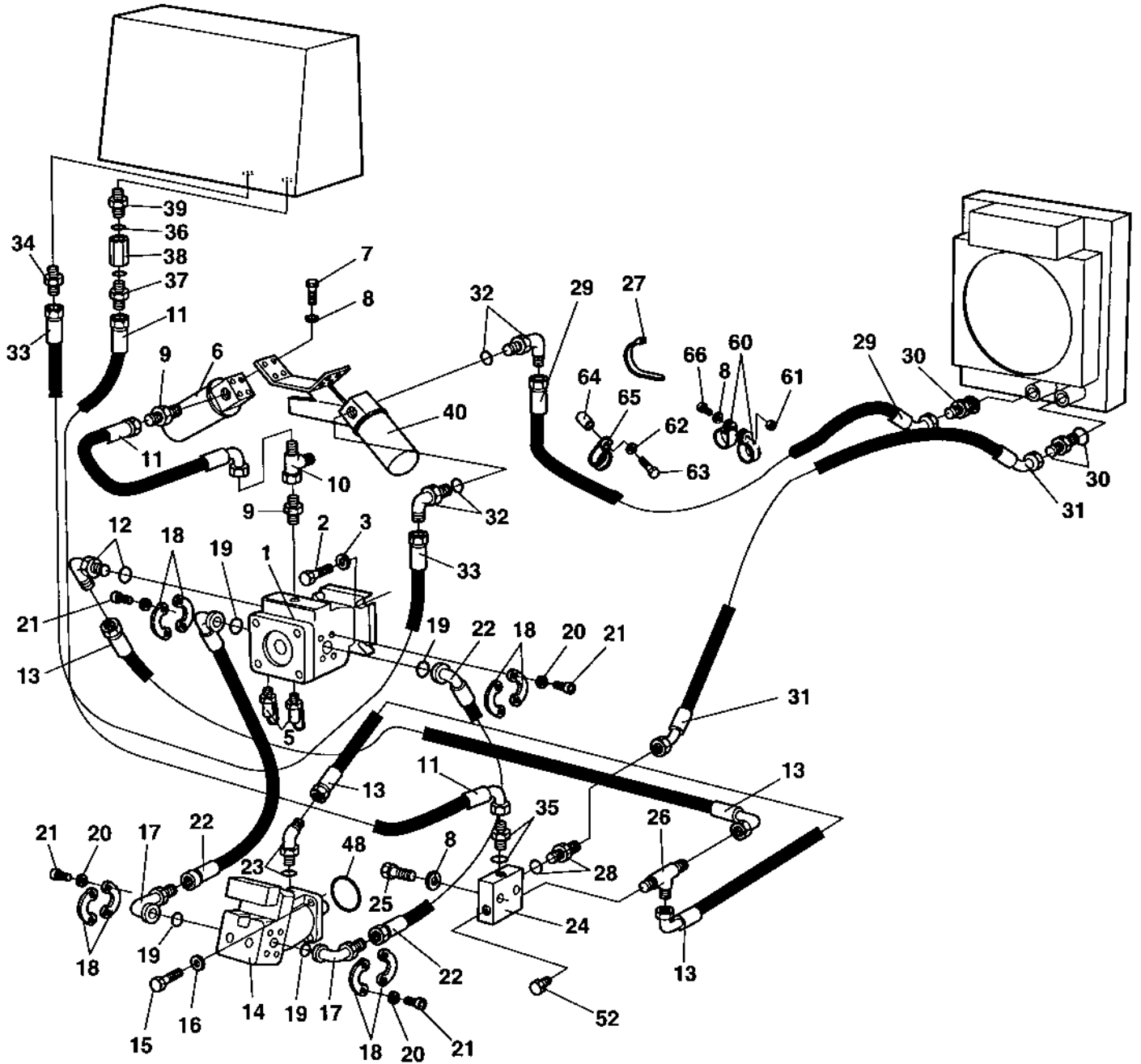
**371509 Propulsion motor**

Ref. No.	Part No.	Rem.	Qty	Description	Code
1			1	Hydraulic motor, Cpl	
2	937274		1	.Housing	
3	937275	1	1	.O-ring	
4	902928		2	.Plug	
	901453	1	2	..O-ring	
5	908432		1	.Plug	
6	937277		1	.Cylinder block, cpl	
7	935619		1	..Spacer	
8	937278		1	..Spring	
9	935621		1	..Spring retainer	
10	935622		1	..Ring retainer	
11	903570		9	.Piston	D
12	903571		1	.Pressure plate	D
13	935623		1	.Retainer guide	
14	935624		1	.Shim	
15	935625		1	.Holder	
16	935626		1	.Valve plate	
17	937279		1	.Thrust plate	
18	813822		2	.Pin	
19	935629	1	1	.Gasket	D
20	358388		2	.Plug	
21	908432		1	.Plug	
22	909252		4	.Screw	
23	909253		2	.Screw	
24	935630		1	.Screw	
25	937280		1	.End cap, cpl	
26	903053		1	..Bushing	
27	909255		1	.Spool	
28	923087	1	2	.O-ring	D
29	358388		2	.Plug	
30	935853		1	.Plug	
31	926658	1	1	.O-ring	D
32	935631		1	.Shaft	
33	901465		1	.Bearing	
34	901467		1	.Ring	
35	950368		1	.Shaft seal kit	
38	908773		3	.Screw	
40	937283		1	Seal kit	

1) Includes in item 40, Seal kit

**Propulsion system, Rear**

17730



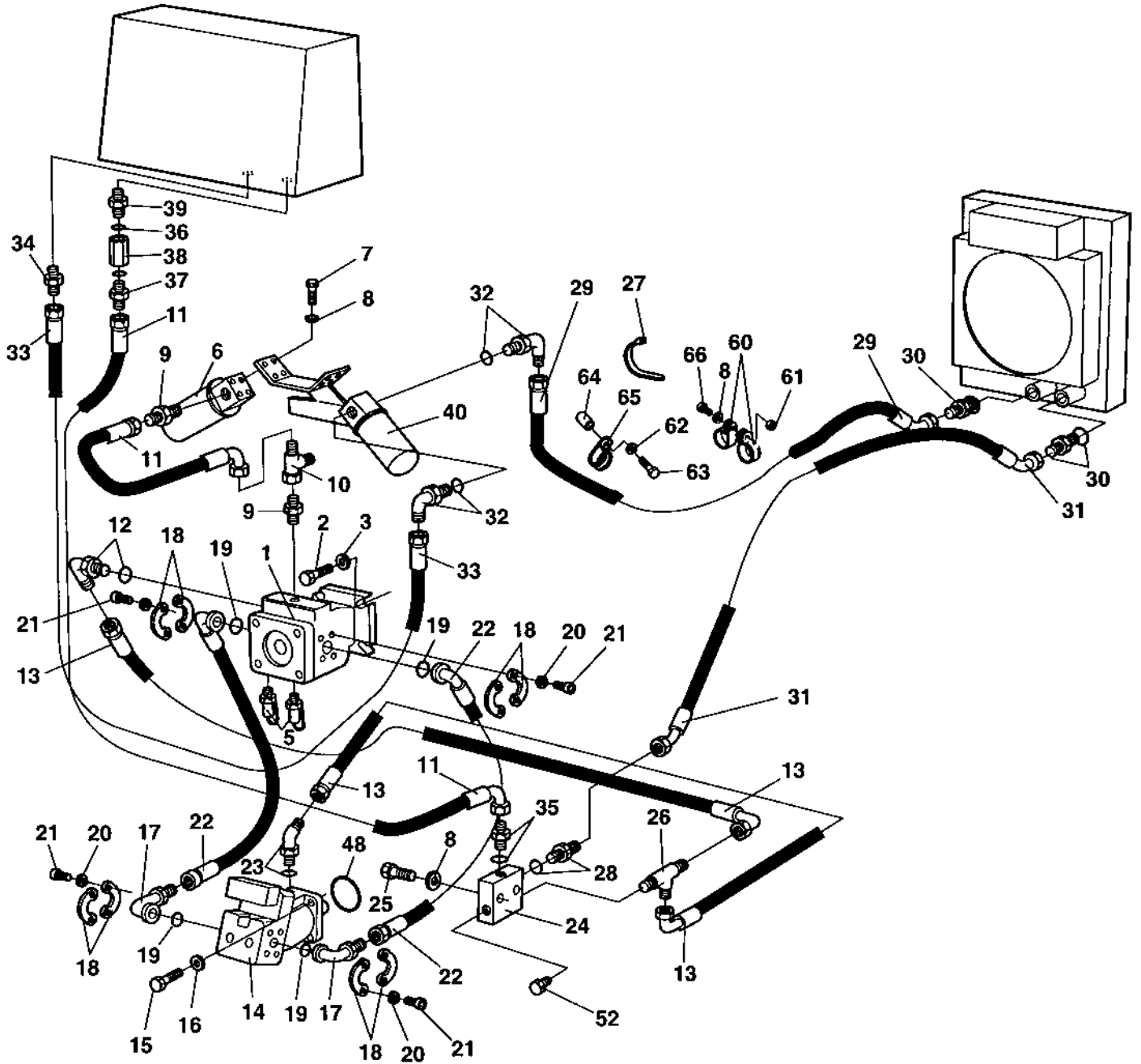
**Propulsion system, Rear**

Ref. No.	Part No.	Rem.	Qty	Description	Code
1	380830		1	Propulsion pump	C
	938170		1	.Control valve, cpl	
	938252		1	..Solenoid valve	
	938253		1	..Neutral start switch	
2	500037		4	Screw Up to 69X11001	
	500046		4	Screw From 69X11002	
3	615045		4	Conical spring washer Up to 69X11001	
	904213		4	Washer From 69X11002	
5	900229		2	Measuring nipple	D
6	359550	D	1	Hydraulic oil filter, cpl	
	359551		1	.Filter head	
	359552		1	.Cleaning filter element	Maximum 50 hours use
	372229	E	1	Hydraulic oil filter element	A
7	500028		8	Screw	
8	904230		10	Washer	
9	334468		2	Adapter	
10	234243		1	T-connector	
11	482182		2	Hydraulic hose	D
12	813499		1	Elbow 90, O-ring	
13	482391		2	Hydraulic hose	
14	374137		1	Propulsion motor Up to ECN03096 ( Page 116 )	C
	373361		1	Propulsion motor From ECN03096 ( Page 120 )	C
15	500263		4	Screw	M18x60
16	604012		4	Washer Up to 69X11001	19,3x31,3x4
	904793		4	Washer From 69X11002	19x34x3
17	900604		2	Adapter	
18	923384		8	Flange half	
19	904005		4	O-ring	
20	904638		16	Washer	12x22x2
21	502132		16	Screw	UNC 7/16" x 22
22	483033		2	Hydraulic hose	
23	334132		1	Elbow 45, O-ring	
24	345243		1	Connection block	
25	500109		2	Screw	M10-1,5x65 8,8
26	234875		1	Tee-connector o-ring	
27	313102	N		Cable ties	
28	334140		1	Adapter	
29	483527		1	Hydraulic hose	
30	234958		2	Connector	
31	483616		1	Hydraulic hose	
32	334163		2	Adapter	
33	483037		1	Hydraulic hose	
34	234909		1	Straight connector	
35	334138		1	Adapter	
36	162008		1	Seal washer	
37	923371		1	Adapter	
38	374059		1	Check valve	
39	904282		1	Adapter	
40	372435	C	1	Hydraulic oil filter, cpl	
	372436		1	.Filter head	
	359552		1	.Cleaning filter element	Maximum 50 hours use
	372229	E	1	Hydraulic oil filter element	A
45	372235		1	Hose guard	
48	902581		1	O-ring	D
52	232222		1	Plug	
60	923008		2	Clamp	
61	902287		1	Nut	

C) Return  
D) Suction  
E) Spare part for ordinary service

**Propulsion system, Rear**

17730

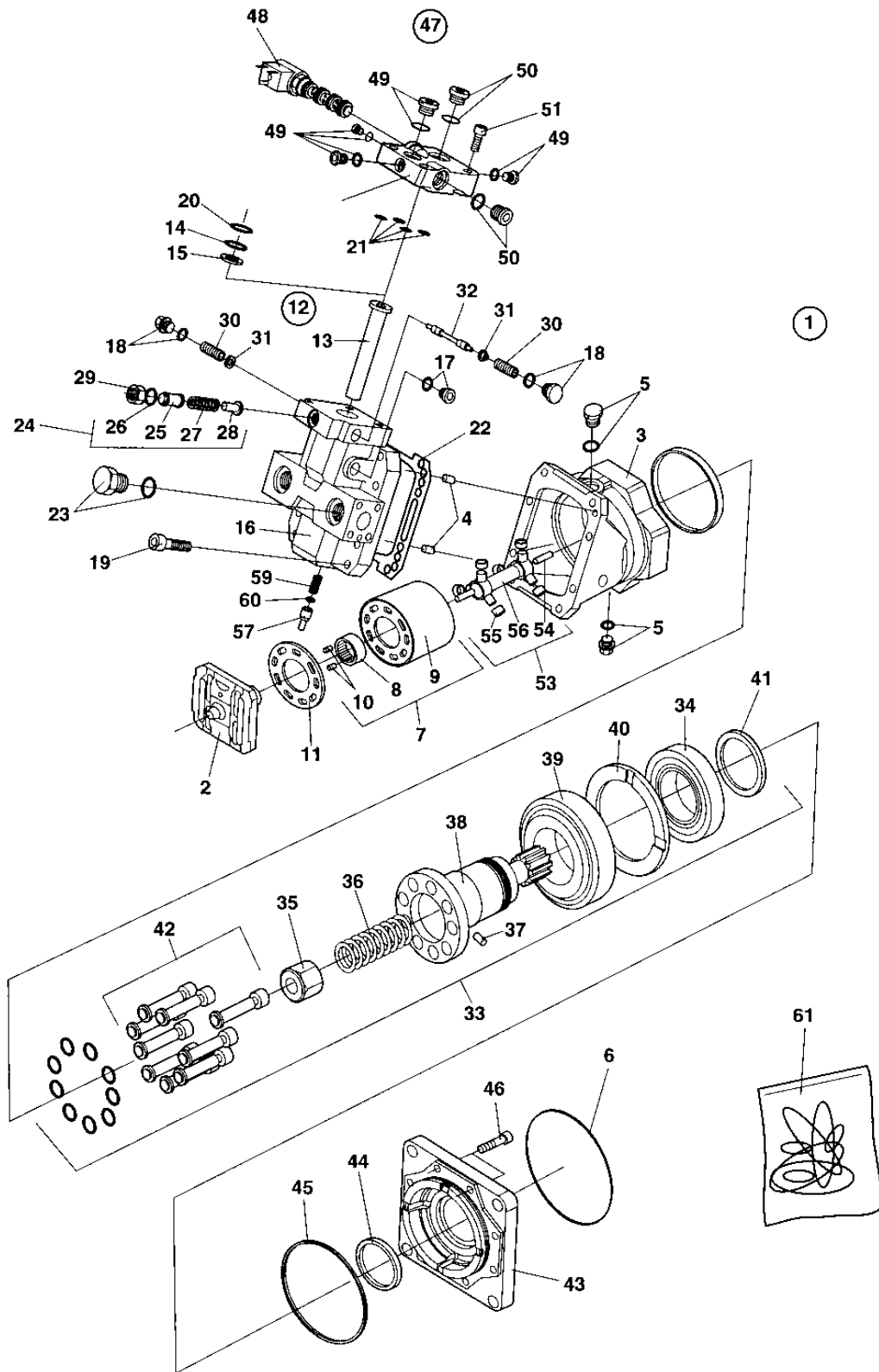


**Propulsion system, Rear**

<b>Ref. No.</b>	<b>Part No.</b>	<b>Rem.</b>	<b>Qty</b>	<b>Description</b>	<b>Code</b>
62	904231		1	Washer	
63	500013		1	Screw	
64	387698		1	Spacer sleeve	
65	791513		1	Pipe clamp	
66	500031		1	Screw	

**374137 Propulsion motor**

16523



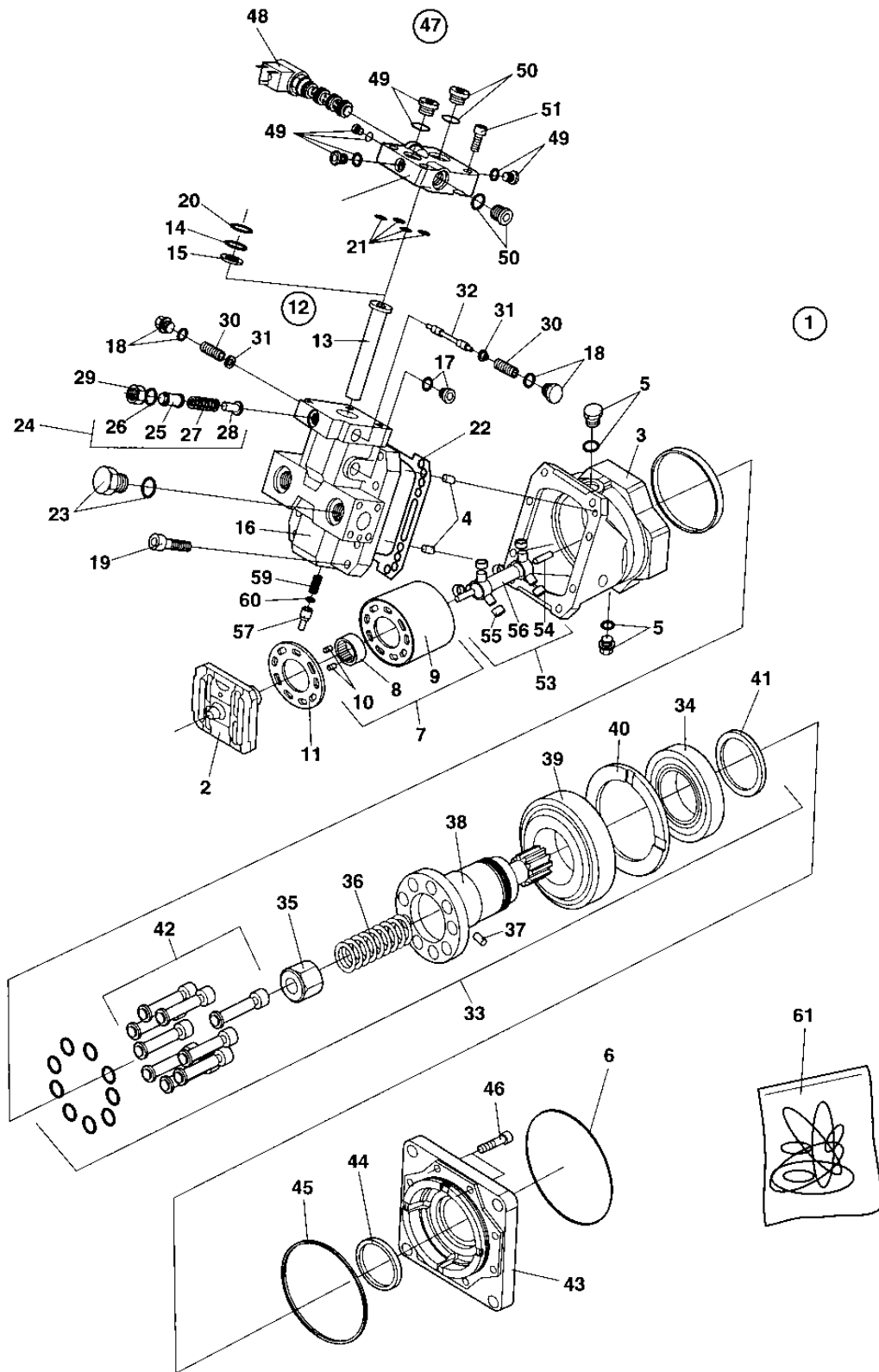
**374137 Propulsion motor**

Ref. No.	Part No.	Rem.	Qty	Description	Code
1			1	Hydraulic motor, Cpl	
2	935521		1	.Valve segment	
3	902926		1	.Housing	
4	813822		2	.Pin	
5	902928		2	.Plug	
	901453	1	2	..O-ring	
6	902581	1	1	.O-ring	D
7	902929		1	.Cylinder block	
8			1	..Bush	
9			1	..Cylinder block	
10			2	..Pin	
11	902930		1	.Bearing plate	D
12	935527		1	.Piston assembly	
13	935526		1	..Piston	
14	935525	1	1	..O-ring	D
15	935524	1	1	..Seal plug	D
16	935530		1	.End cap	
17	908432		1	.Plug	
18	935741		2	.Plug, cpl	
19	902944		8	.Screw	
20	935531	1	1	.O-ring	D
21	908443	1	5	.Rect. seal	
22	908427	1	1	.Gasket	D
23	902928		2	.Plug	
	901453	1	2	..O-ring	
24	936589		1	.Loop Flushing assy.	
25			1	..Adjusting screw	
26	926658	1	1	..O-ring	D
27	902957		1	..Spring	
28	901464		1	..Valve cone	D
29	902959		1	..Nut	
30	935749		2	.Spring	
31	935750		2	.Spring retainer	
32	935533		1	.Spool	
33	902960		1	.Shaft, cpl	
34			1	..Bearing	
35			1	..Spring guide	
36			1	..Spring	
37			1	..Pin	
38			1	..Shaft	
39			1	..Bearing	
40			1	..Spacer	
41			1	..Nut	
42	936592		9	..Piston assembly	
43	902961		1	.Flange	
44	935536		1	.Shaft seal	55x75x12 D
	945757	1	1	.Shaft seal	55x70x7 D
45	935664	1	1	.O-ring	D
46	936591		8	.Screw	
47	935543		1	.Electric hydraulic control	
48	908435		1	..Solenoid valve assy	
49	908426		4	..Plug, cpl	
50	908432		2	..Plug	
51	935544		4	..Screw	
52	935545		1	..Valve housing	
53	902984		1	.Shaft, cpl	
54			2	..Pin	
55			6	..Roller	
56			1	..Shaft	

1) Includes in Seal kit item 61

**374137 Propulsion motor**

16523





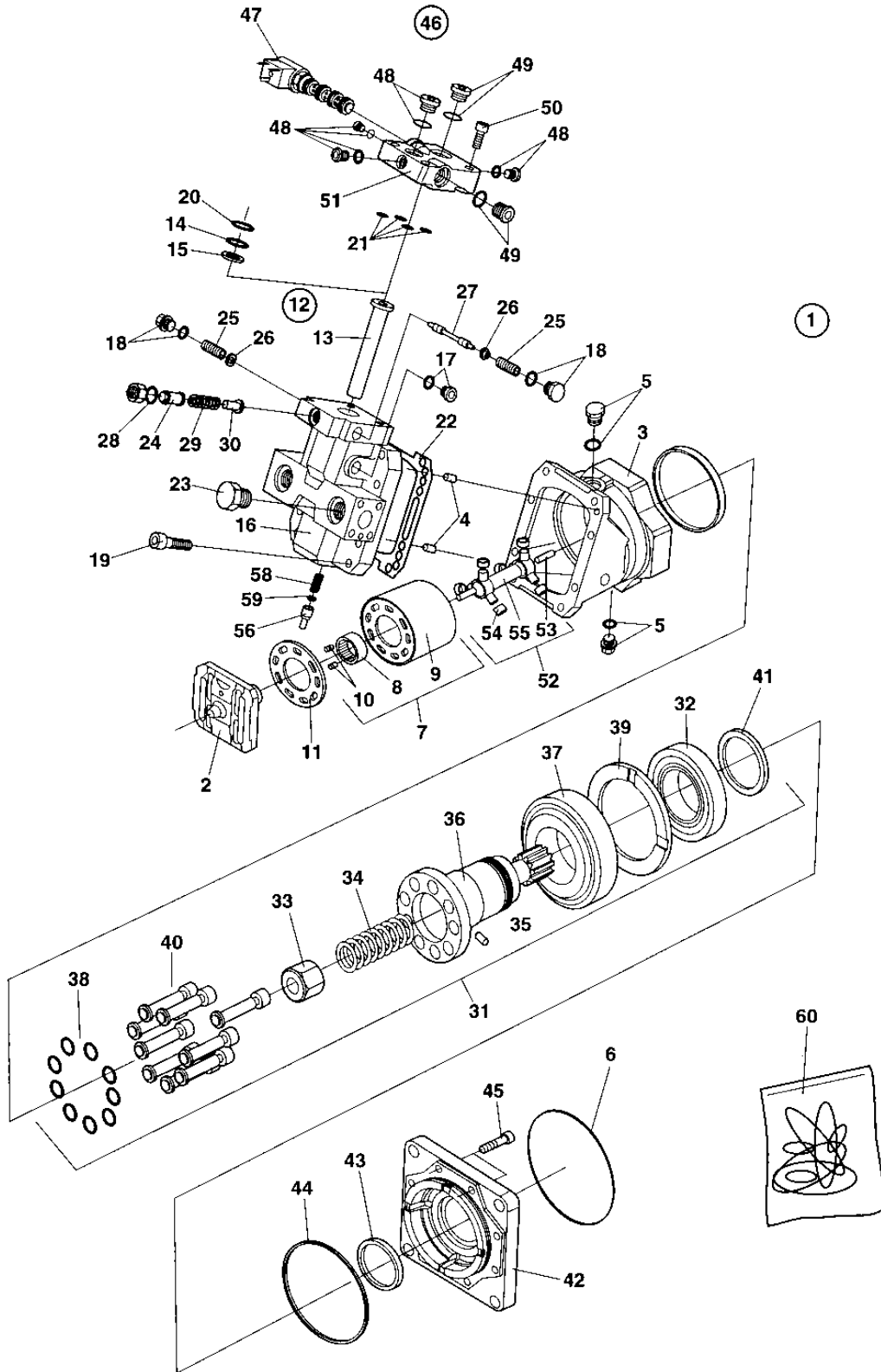
**374137 Propulsion motor**

Ref. No.	Part No.	Rem.	Qty	Description	Code
57	902996		1	.Cap	
58	936593		2	.Orifice	
59	902995		1	.Headless screw	
60	909525	1	1	.Nut	
61	935520		1	Seal kit	D

1) Includes in Seal kit item 61

**373361 Propulsion motor**

16654



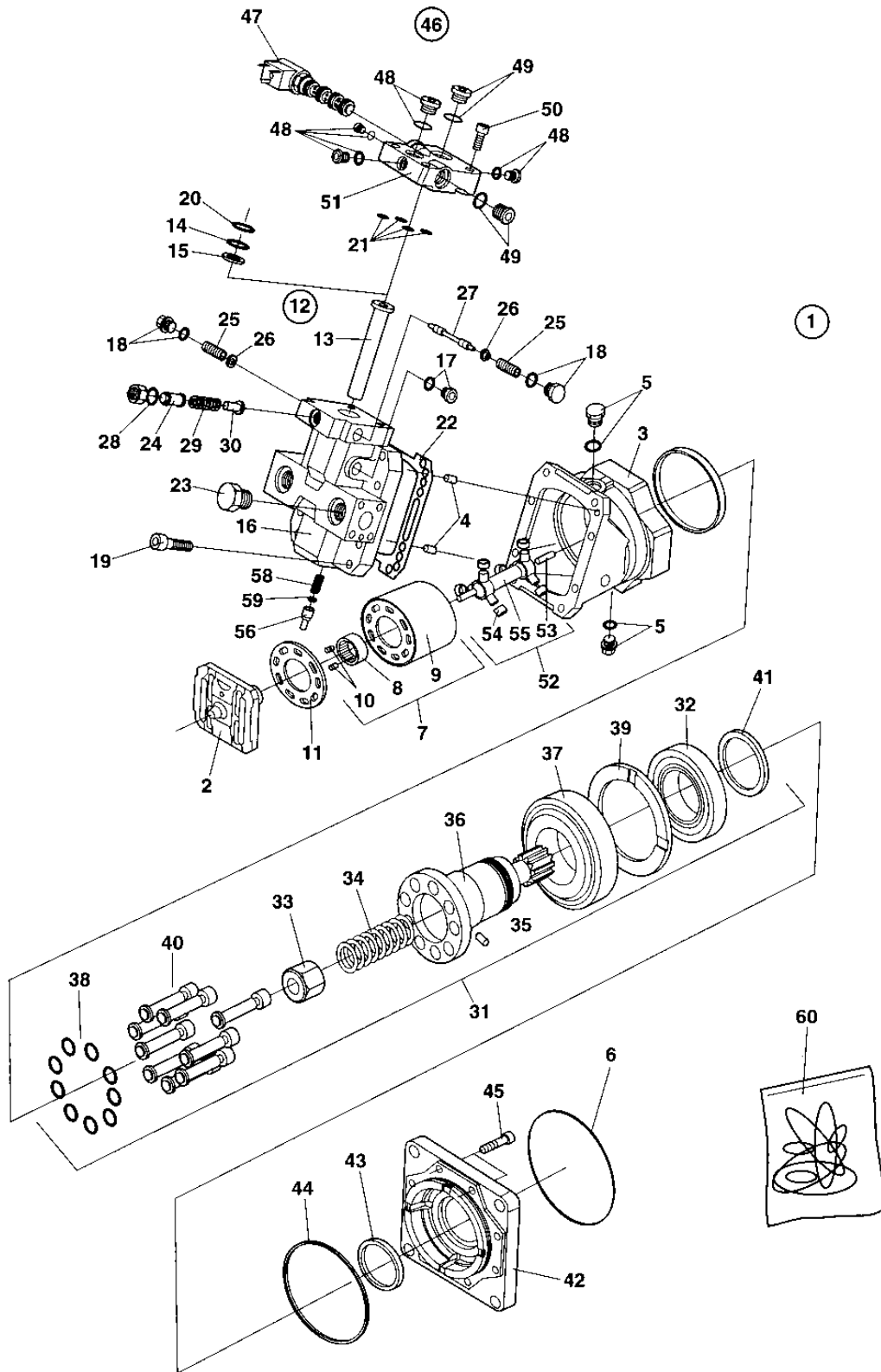
**373361 Propulsion motor**

Ref. No.	Part No.	Rem.	Qty	Description	Code
1			1	Hydraulic motor, Cpl	D
2	935521		1	.Valve segment	
3	908422		1	.Housing	
4	813822		2	.Pin	
5	902928		2	.Plug	
	901453	1	2	..O-ring	
6	902581	1	1	.O-ring	D
7	902929		1	.Cylinder block	
8			1	..Bush	
9			1	..Cylinder block	
10			2	..Pin	
11	902930		1	.Bearing plate	D
12	935527		1	.Piston assembly	
13	935526		1	..Piston	
14	935525	1	1	..O-ring	D
15	935524	1	1	..Seal plug	D
16	935530		1	.End cap	
17	908432		1	.Plug	
18	935741		2	.Plug, cpl	
19	902944		8	.Screw	
20	935531	1	1	.O-ring	D
21	908443	1	5	.Rect. seal	
22	908427	1	1	.Gasket	D
23	902928		2	.Plug	
	901453	1	2	..O-ring	
24			1	.Adapter	
25	935749		2	.Spring	
26	935750		2	.Spring retainer	
27	935533		1	.Spool	
28	813618	1	1	.O-ring	D
29			1	.Spring	D
30			1	.Valve cone	D
31	902960		1	.Shaft, cpl	
32			1	..Roller bearing	
33			1	..Spring guide	
34			1	..Spring	
35			1	..Pin	
36			1	..Shaft	
37			1	..Roller bearing	
38			9	..Piston ring	
39			1	..Spacer	
40			9	..Piston	
41			1	..Nut	
42	902961		1	.Flange	
43	935536		1	.Shaft seal	55x75x12 D
	945757	1	1	.Shaft seal	55x70x7 D
44	935664	1	1	.O-ring	D
45	902962		8	.Screw	
46	935543		1	.Electric hydraulic control	
47	908435		1	..Solenoid valve assy	
48	908426		4	..Plug, cpl	
49	908432		2	..Plug	
50	935544		4	..Screw	
51	935545		1	..Valve housing	
52	902984		1	.Shaft, cpl	
53			2	..Pin	
54			6	..Roller	
55			1	..Shaft	
56	902996		1	.Cap	

1) Included in seal kit item 60

**373361 Propulsion motor**

16654



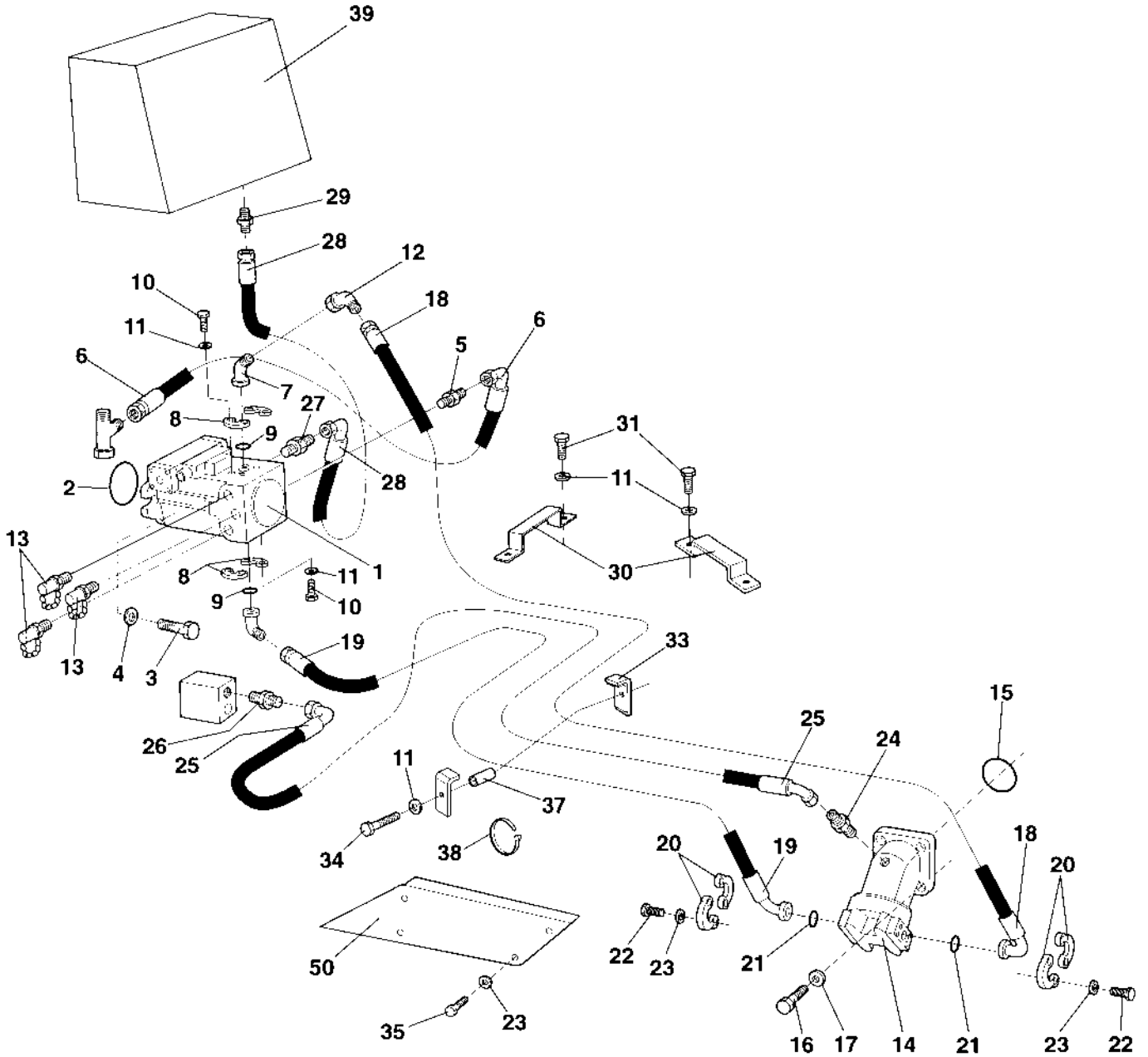
**373361 Propulsion motor**

Ref. No.	Part No.	Rem.	Qty	Description	Code
57	936593		2	.Orifice	
58	937363		1	.Shaft	
59	909525	1	1	.Nut	
60	935520		1	Seal kit	D

1) Included in seal kit item 60

**Vibration system**

16615

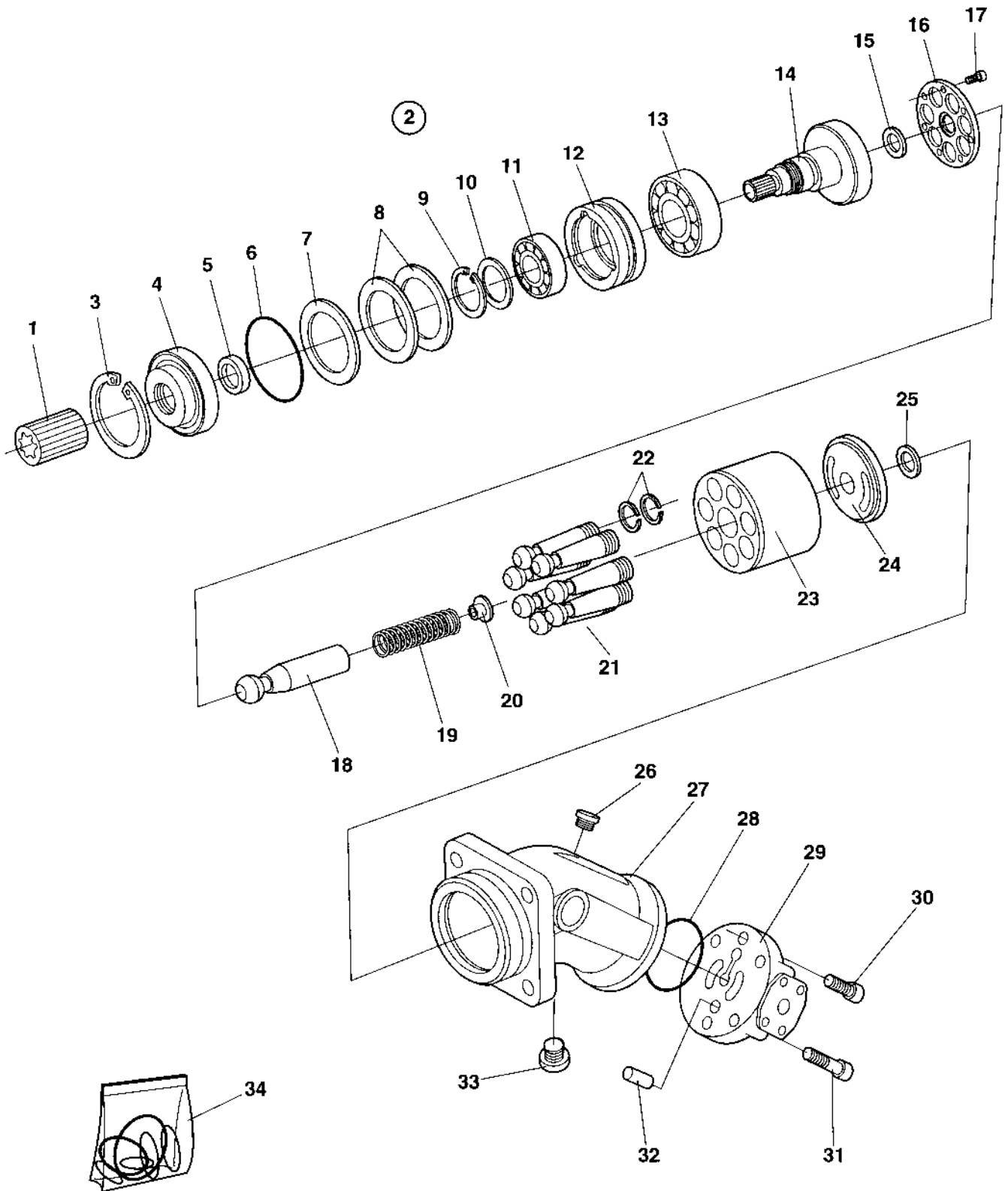


Vibration system

Ref. No.	Part No.	Rem.	Qty	Description	Code
1	383958		1	Vibration pump	C
2	903877		1	O-ring	
3	502078		2	Screw	
4	904232		2	Washer	
5	234382		1	Adapter	
6	483286		1	Hydraulic hose	
7	904767		2	Flange adapter	
8	929226		4	Flange half	
9	904773		2	O-ring	
10	500030		8	Screw	
11	904230		14	Washer	
12	904781		1	Adapter	
13	901157		3	Measuring nipple	D
14	380145		1	Hydraulic motor, vibration ( Page 126 )	C
15	160132		1	O-ring	D
16	500194		4	Screw	
17	904231		4	Washer	
18	483500		1	Hydraulic hose	
19	483501		1	Hydraulic hose	
20	900430		4	Flange half	
21	904774		2	O-ring	
22	502019		8	Screw	
23	904229		12	Washer	
24	334121		1	Straight connector	
25	483031		1	Hydraulic hose	
26	334122		1	Adapter	
27	901155		1	Connector	
28	483024		1	Hydraulic hose	
29	334205		1	Straight connector	
30	373017		2	Hose clamp	
31	500028		4	Screw	
33	373270		2	Hose clamp	
34	500032		2	Screw	M10 x 55
35	500019		4	Screw	
37	373424		2	Spacer	
38	313102		N	Cable ties	
39			1	Hydraulic oil tank Up to 69X10405 ( Page 138 )	
			1	Hydraulic oil tank From 69X10406 ( Page 140 )	
50	375489		1	Cover	

**380145 Hydraulic motor, vibration**

16978

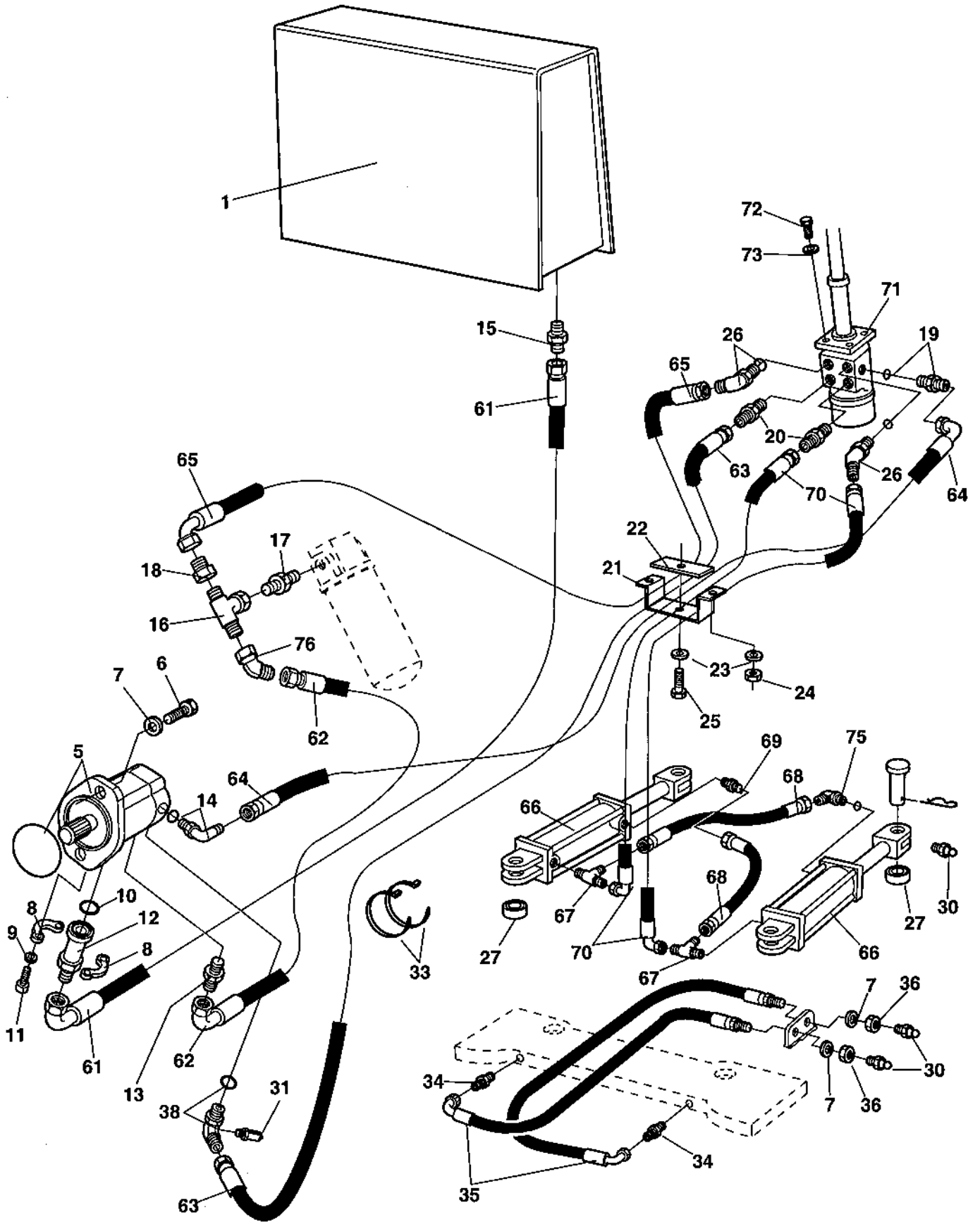




**380145 Hydraulic motor, vibration**

Ref. No.	Part No.	Rem.	Qty	Description	Code
			1	Hydraulic motor, vibration	
1	340863		1	..Splined sleeve	D
2	380078		1	..Hydraulic motor, vibration	
3	901387		1	..Snap ring	
4	937261		1	..Cover	
5	937264	1	1	..Seal ring	
6	937265	1	1	..O-ring	
7	901390		1	..Shim	T=0,3 mm
8	901389		2	..Shim	T=0,1 mm
9	938042		1	..Retaining ring	
10	938041		1	..Back-up plate	
11	901386		1	..Bearing	
12	937260		1	..Bearing ring	
13	901385		1	..Bearing	
14	938040		1	..Shaft	
15	937262		1	..Washer	
16	903495		1	..Retaining plate	
17	903494		7	..Screw	
18	938030		1	..Pin	
19	938036		1	..Spring	
20	938035		1	..Spring collar	
21	938031		7	..Piston	
	938038		1	...Piston	
22	938039		2	...Sealing ring	
23	938002		1	..Cylinder	
24	901391		1	..Pressure plate	
25	938037		1	..Washer	
26	937995		1	..Screw	
27	937256		1	..Housing	
28	937258	1	1	..O-ring	
29	937257		1	..Plate	
30	902655		2	..Screw	
31	927350		4	..Screw	
32	937993		1	..Pin	
33	937259	1	1	..Screw	
34	937674		1	..Seal kit	

1) Included in seal kit, item 34

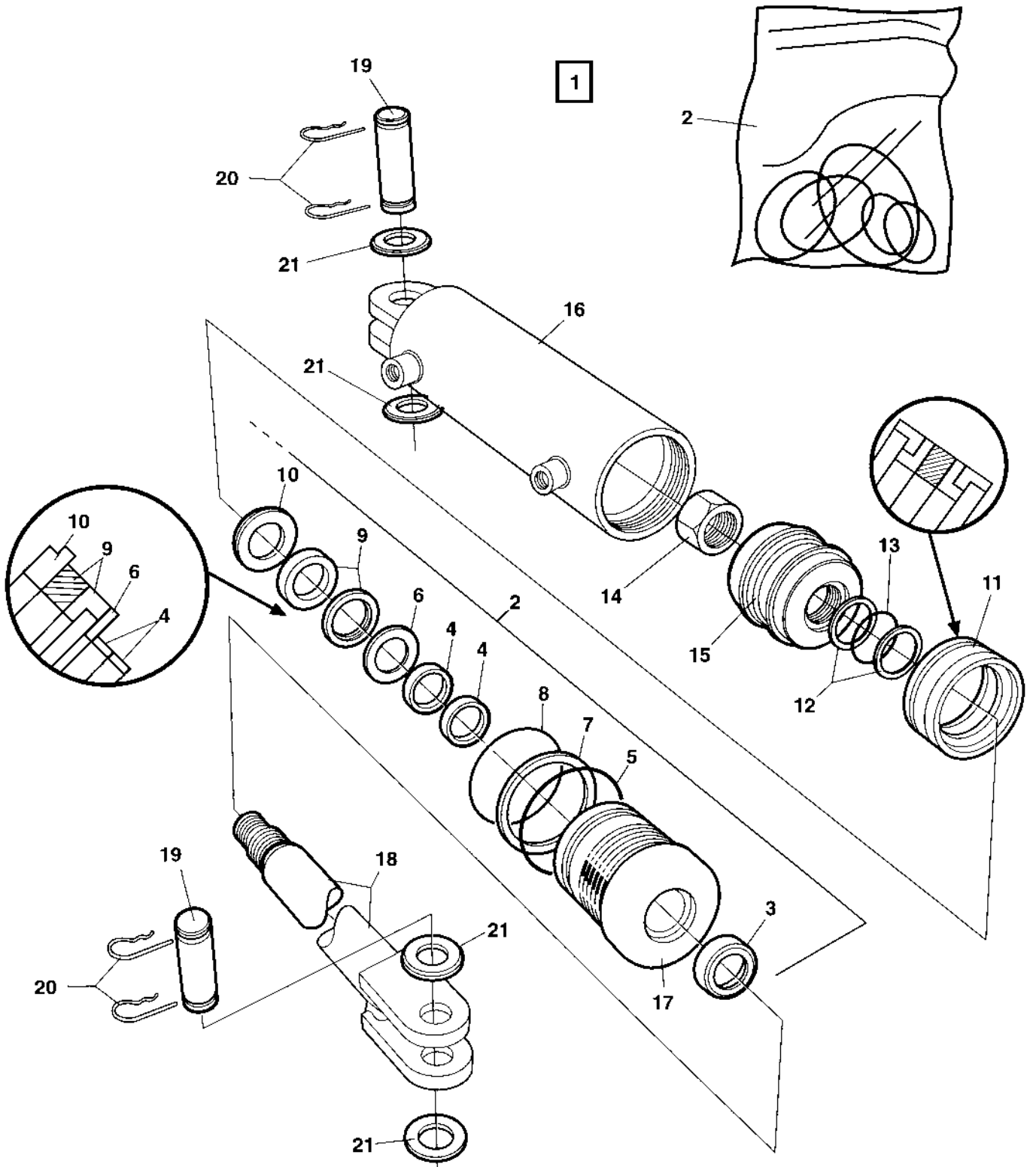


Steering system

Ref. No.	Part No.	Rem.	Qty	Description	Code
1			1	Hydraulic oil tank Up to 69X10405 ( Page 138 )	
			1	Hydraulic oil tank From 69X10406 ( Page 140 )	
5	387407		1	Steering pump	C
6	500463		2	Screw	M12x30
7	904638		4	Washer	12x22x2
8	232097		2	Flange half	
9	904637		2	Washer	
10	904005		1	O-ring	
11	508029		4	Screw	M10-1,5x30H 8,8
12	372625		1	Connector	
13	334158		1	Adapter	
14	334203		1	Elbow 90, O-ring	
15	234626		1	Adapter	
16	234900		1	T-connector	
17	334468		1	Adapter	
18	234667		1	Reducer	
19	334143		1	Straight connector	
20	334121		2	Straight connector	
21	372513		1	Hose clamp	
22	372514		1	Hose clamp	
23	904229		3	Washer	
24	586003		2	Lock nut	
25	500023		1	Screw	M8-1,25x40 8,8
26	813500		2	Elbow 45, O-ring	
27	813316		4	Ball bushing	D
30	926214		4	Grease fitting	D
31	910161		1	Measuring nipple	D
33	313102		N	Cable ties	
34	371669		2	Straight connector	
35	903812		2	Hydraulic hose	
36	903831		2	Nut	M12
38	388061		1	Adapter	
61	483614		1	Hydraulic hose	
62	482767		1	Hydraulic hose	
63	482435		1	Hydraulic hose	
64	483615		1	Hydraulic hose	
65	483061		1	Hydraulic hose	
66	375031		2	Steering cylinder Up to 69410926 ( Page 132 )	C
	392002		2	Steering cylinder From 69410927 ( Page 130 )	C
67	234218		2	Tee connector	
68	483109		2	Hydraulic hose	
69	334121		1	Straight connector	
70	483026		2	Hydraulic hose	
71	372424		1	Pilot valve, steering ( Page 134 )	C
72	502034		4	Screw	UNC 3/8 - 16
73	904230		4	Washer	
75	813500		1	Elbow 45, O-ring	
76	334248		1	Elbow 45, O-ring	

**392002 Steering cylinder**

16490

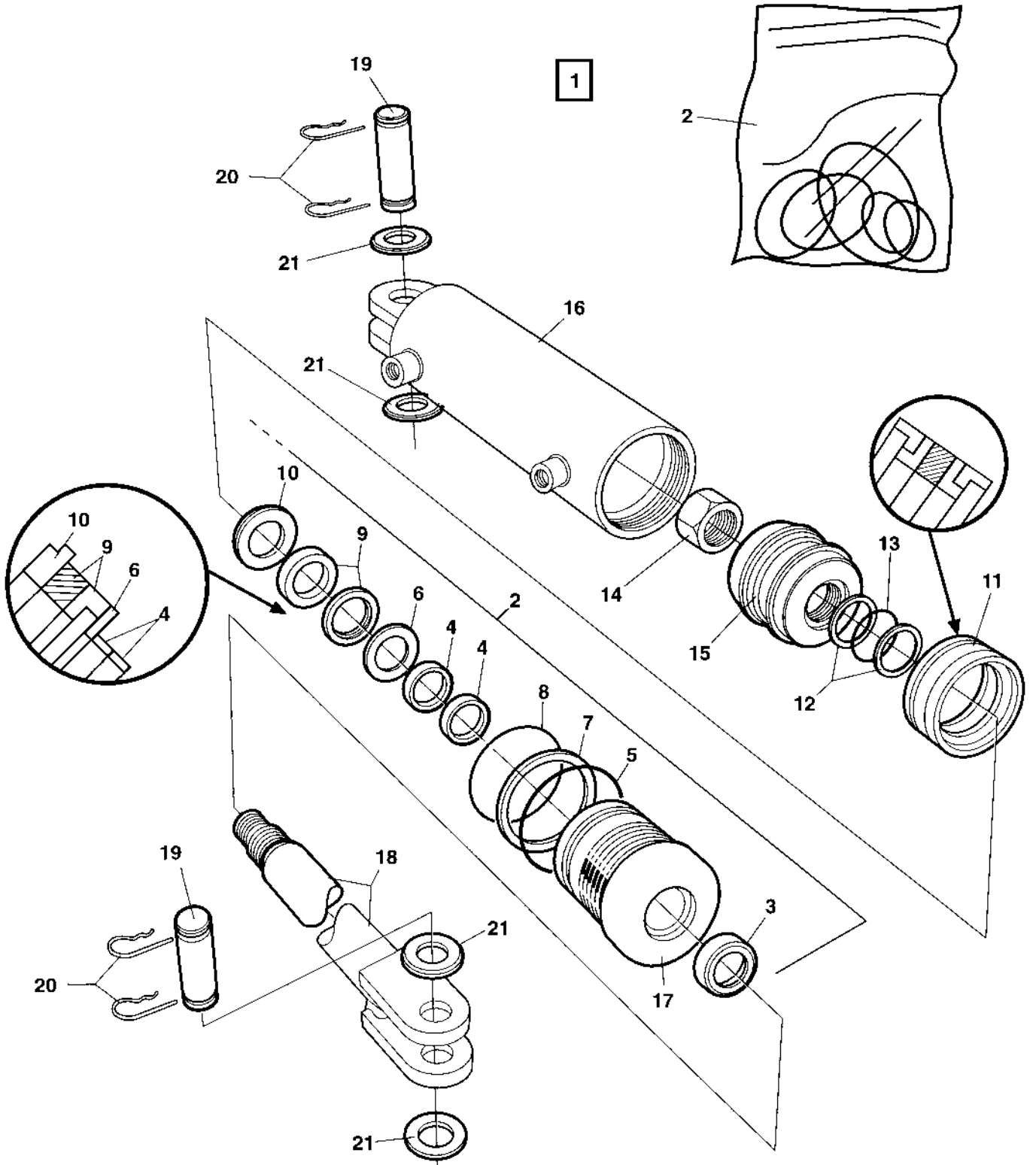


**392002 Steering cylinder**

Ref. No.	Part No.	Rem.	Qty	Description	Code
1	392002		1	Steering cylinder ( Page 130 )	C
2	392100		1	..Seal kit	
3			1	..Seal	
4			2	..Seal	
5			1	..O-ring	
6			1	..Back-up ring	
7			1	..Back-up ring	
8			1	..O-ring	
9			1	..Seal	
10			1	..Retaining ring	
11			1	..Seal	
12			2	..Back-up ring	
13			1	..O-ring	
14			1	..Lock nut	
15			1	..Piston block	
16			1	..Cylinder	
17			1	..Steering	
18	392105		1	..Piston rod	
19	392103		2	..Shaft	D
20	635061		4	..Hair clip	D
21	600016		4	..Washer	
				26x45x4	

**375031 Steering cylinder**

16490

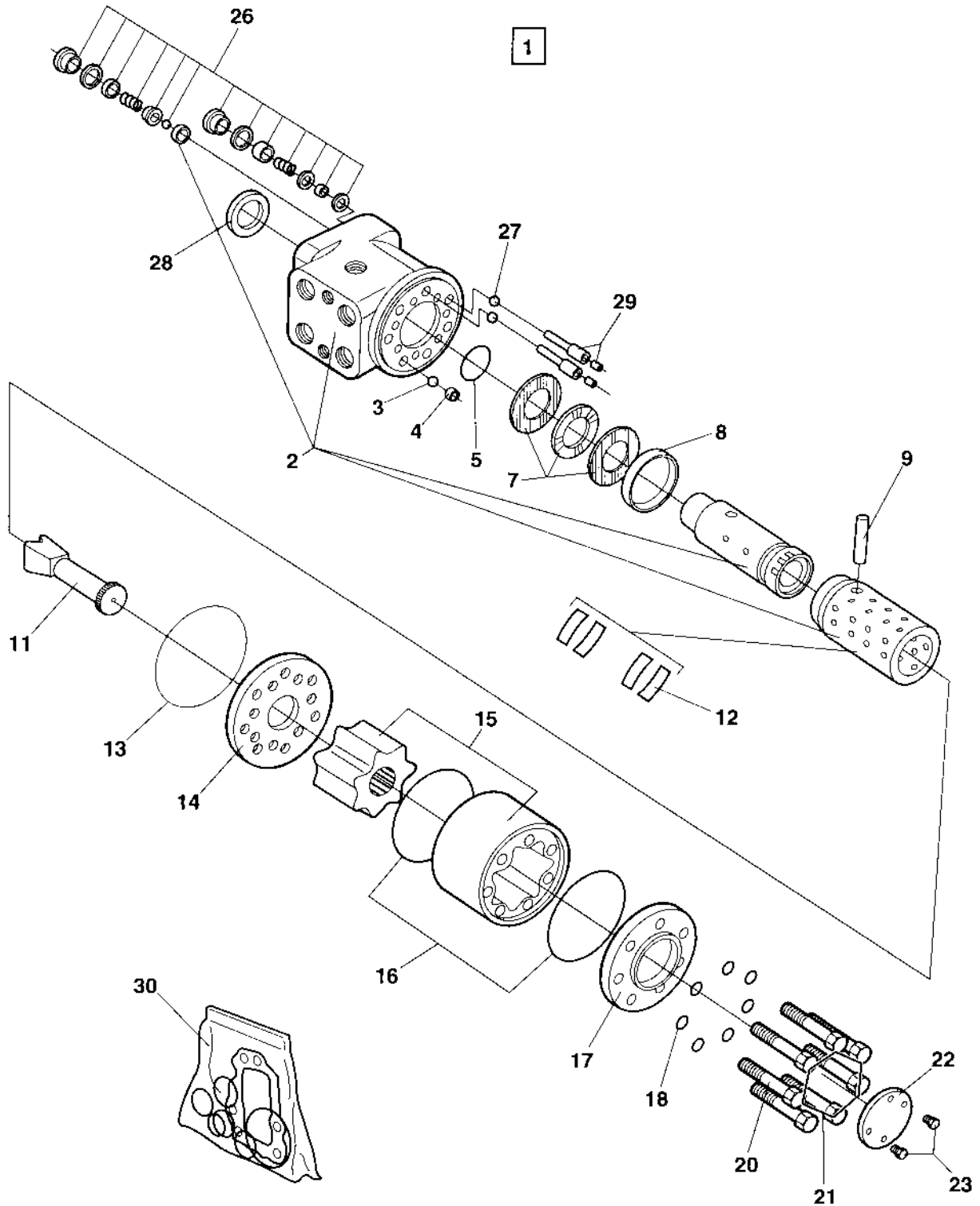


**375031 Steering cylinder**

Ref. No.	Part No.	Rem.	Qty	Description	Code
1			1	Steering cylinder, cpl	
2	904145		1	.Seal kit	D
3			1	..Seal	D
4			2	..Seal	D
5			1	..O-ring	D
6			1	..Back-up ring	D
7			1	..Back-up ring	D
8			1	..O-ring	D
9			1	..Seal	D
10			1	..Retaining ring	D
11			1	..Seal	D
12			2	..Back-up ring	D
13			1	..O-ring	D
14			1	..Lock nut	D
15	904143		1	.Piston block	
16	936267		1	.Cylinder	
17	903619		1	.Steering	
18	936268		1	.Piston rod	
19	347119		2	.Shaft	D
20	635061		4	.Hair clip	D
21	600016		4	.Washer	
				26x45x4	

**372424 Pilot valve, steering**

15981





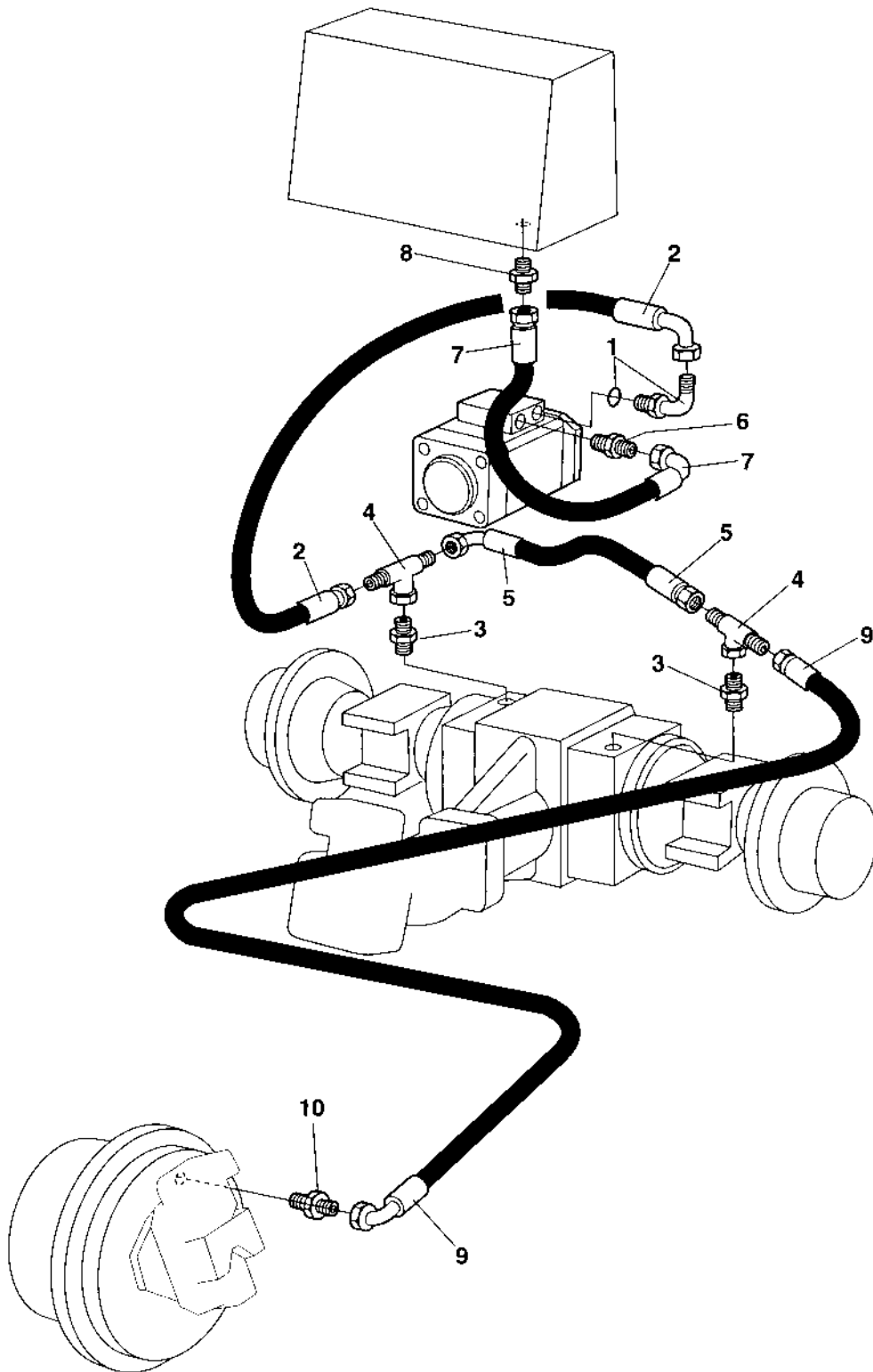
**372424 Pilot valve, steering**

Ref. No.	Part No.	Rem.	Qty	Description	Code
1			1	Pilot valve, cpl	
2			1	.Housing , spool and sleeve , cpl	
3	480468		1	.Ball	
4	480446		1	.Threaded bushing	D
5		1	1	.O-ring	D
7	911620		1	.Bearing	D
8	480449		1	.Ring	
9	480447		1	.Cross pin	
11	902861		1	.Cardan shaft	
12	909211		1	.Set of springs	
13		1	1	.O-ring	
14	902862		1	.Valve plate	
15	903457		1	.Gear wheel set	
16		1	2	.O-ring	
17	480450		1	.End cap	
18		1	7	.Washer	
20	480456		1	.Screw with hole	
21	935428		6	.Screw	
22			1	.Name plate	
23			2	.Screw	
26	929012		2	.Shock valve	22,5-24,0 MPa
27	929013		2	.Ball	
28		1	1	.Seal ring	
29	929014		2	.Rolled pin	
30	935429		1	.Seal kit	

1) Included in seal kit item 30

**Brake system**

16617

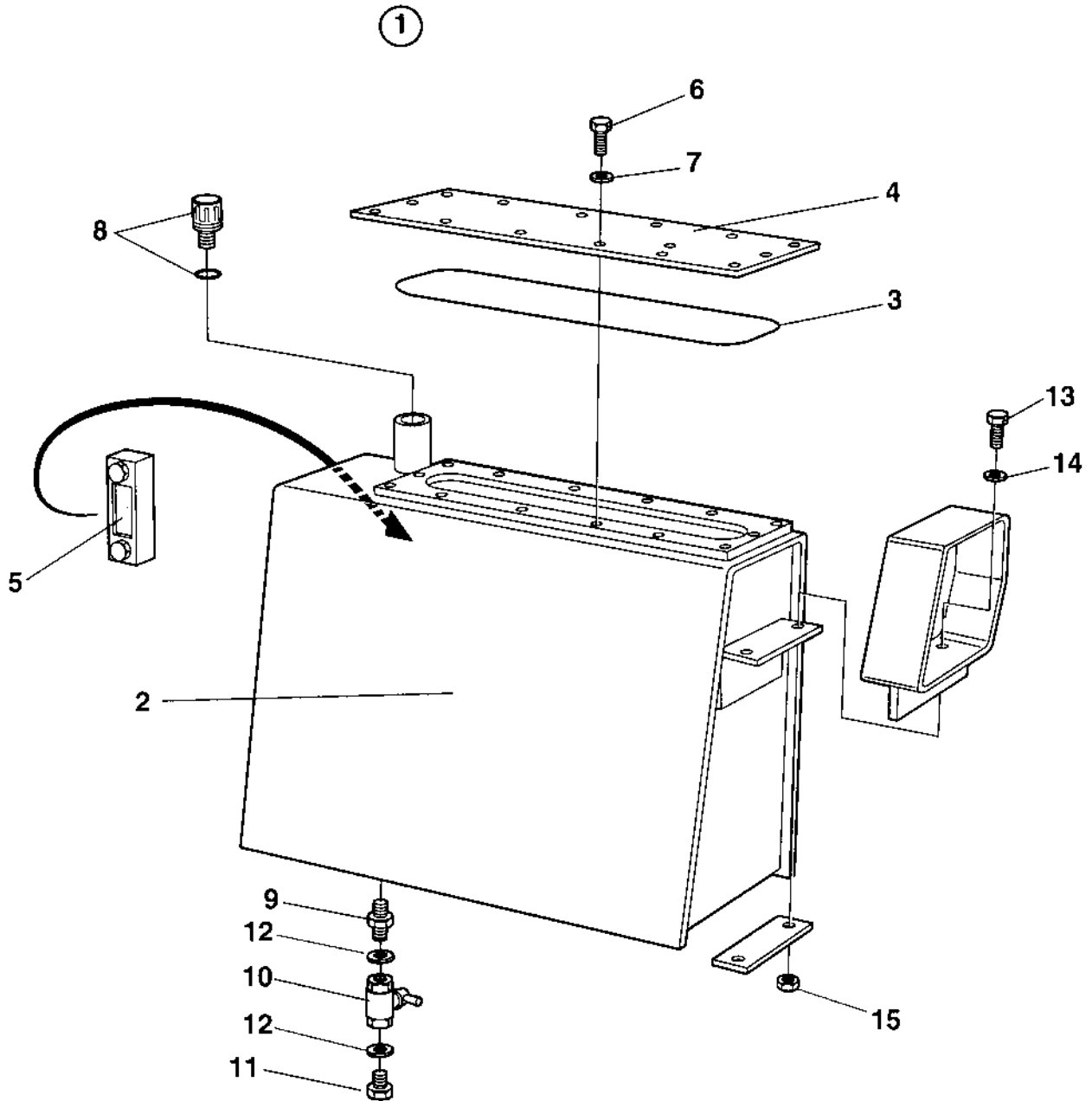


**Brake system**

Ref. No.	Part No.	Rem.	Qty	Description	Code
1	334389	A	1	Connector	
2	482056		1	Hydraulic hose	
3	900552		2	Adapter	
4	234888		2	Tee-connector	
5	482399		1	Hydraulic hose	
6	234843	B	1	Adapter	
7	482516		1	Hydraulic hose	
8	334205		1	Straight connector	
9	483122		1	Hydraulic hose	
10	925723		1	Connector	

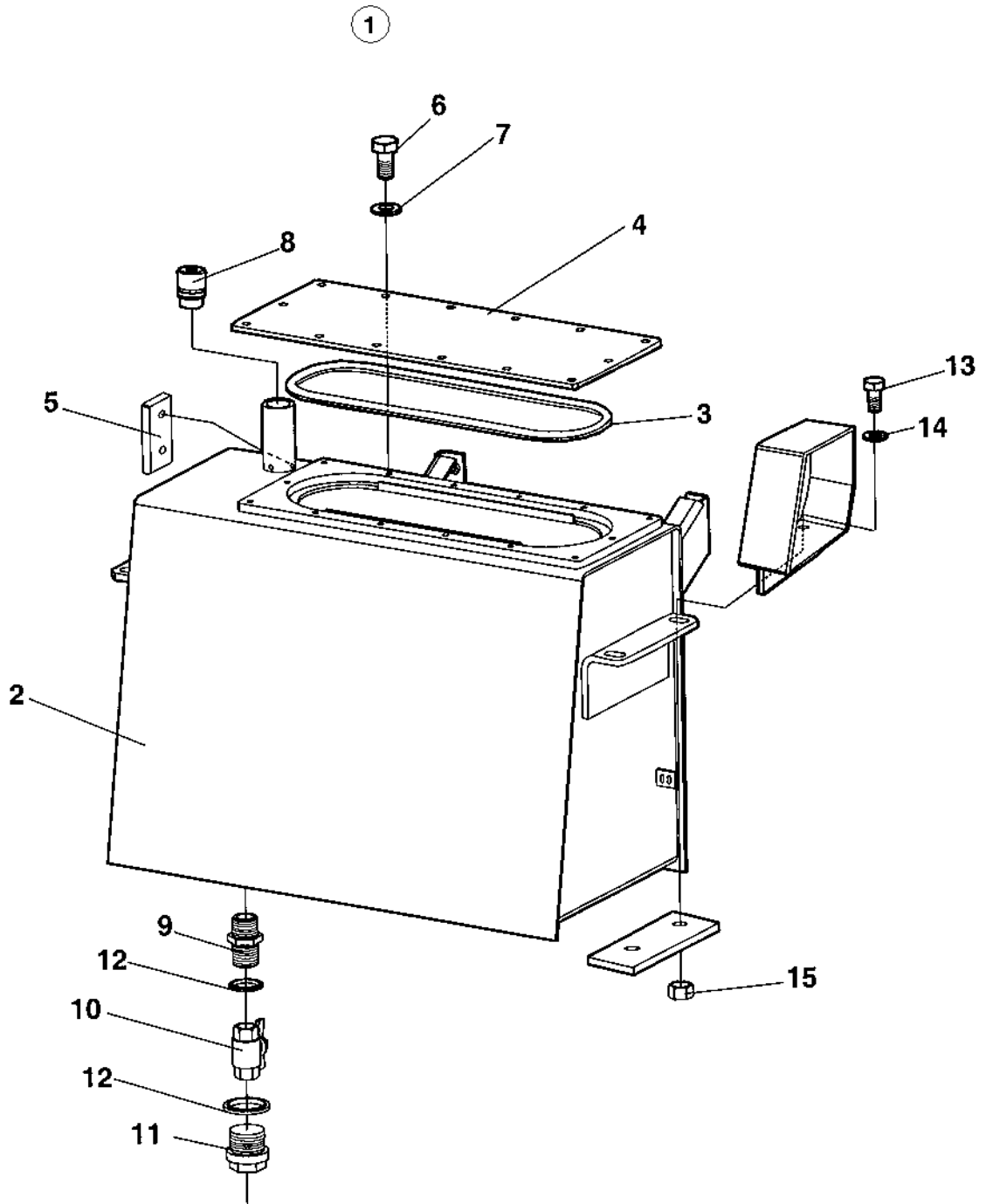
A) Port X7 on pump

B) Port L4 on pump



## Hydraulic oil tank

Ref. No.	Part No.	Rem.	Qty	Description	Code
1	372044		1	Hydraulic oil tank, cpl	
2	372029		1	.Hydraulic oil tank	
3	349880		1	.O-ring	
4	349879		1	.Cover	
5	989151		1	.Oil level glass	D
6	500019		14	.Screw	
7	904229		14	.Washer	
8	357138		1	.Ventilating filter	A
9	791119		1	.Adapter	G3/4
10	233304		1	.Ball valve	
11	232039		1	.Plug	G3/4
12	791120		2	.Sealing washer	
13	500192		4	Screw	M10x80
14	904567		4	Washer	10,5x28x6 HB305
16	570006		4	Nut	

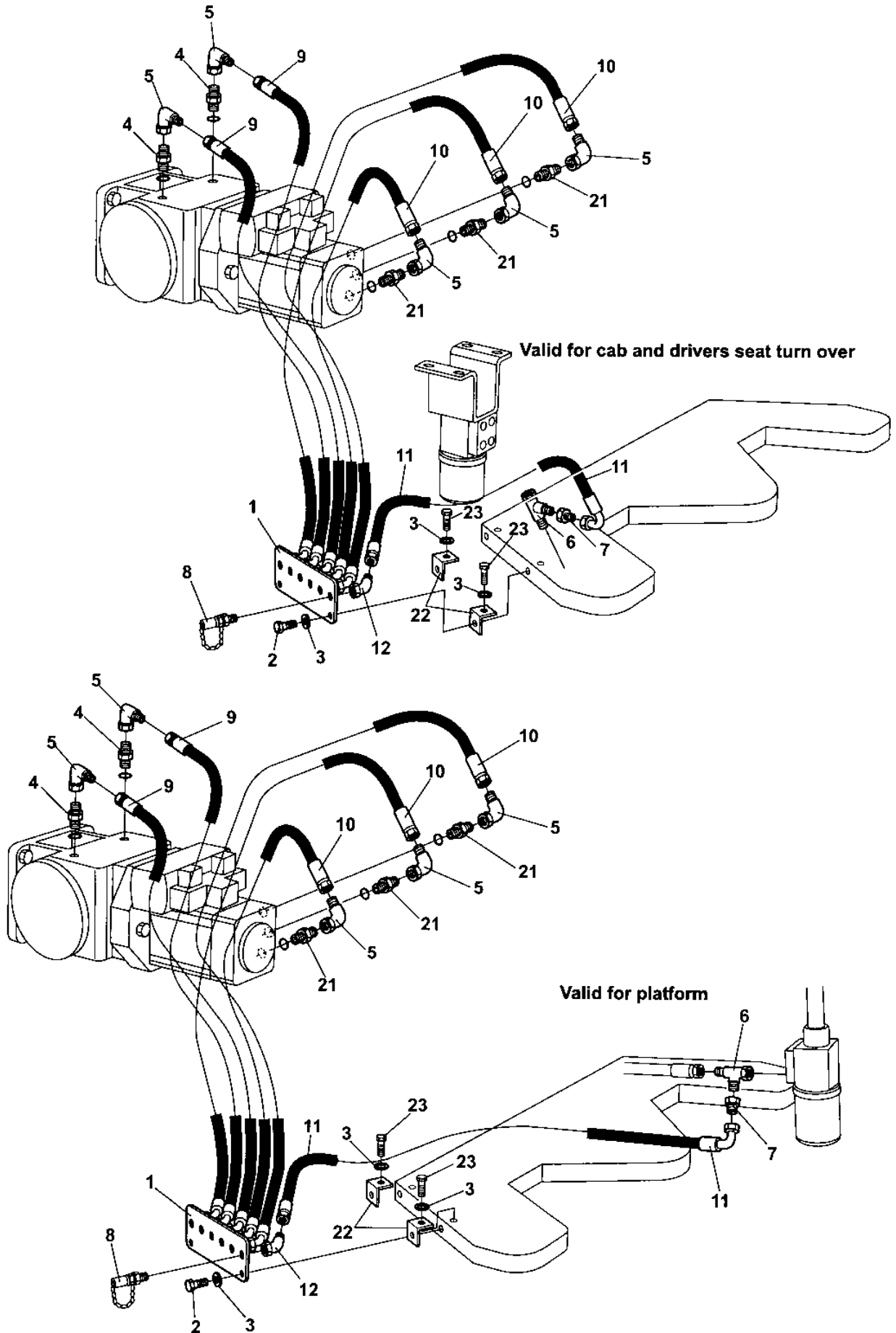


## Hydraulic oil tank

Ref. No.	Part No.	Rem.	Qty	Description	Code
1	389151		1	Hydraulic oil tank, cpl	
2	389152		1	.Hydraulic oil tank	
3	349880		1	.O-ring	
4	349879		1	.Cover	
5	989151		1	.Oil level glass	D
6	500019		14	.Screw	
7	904229		14	.Washer	
8	357138		1	.Ventilating filter	A
9	791119		1	.Adapter	G3/4
10	233304		1	.Ball valve	
11	232039		1	.Plug	G3/4
12	791120		2	.Sealing washer	
13	500192		4	Screw	M10x80
14	904567		4	Washer	10,5x28x6 HB305
15	570006		4	Nut	

Central test panel hydraulic

17119-2



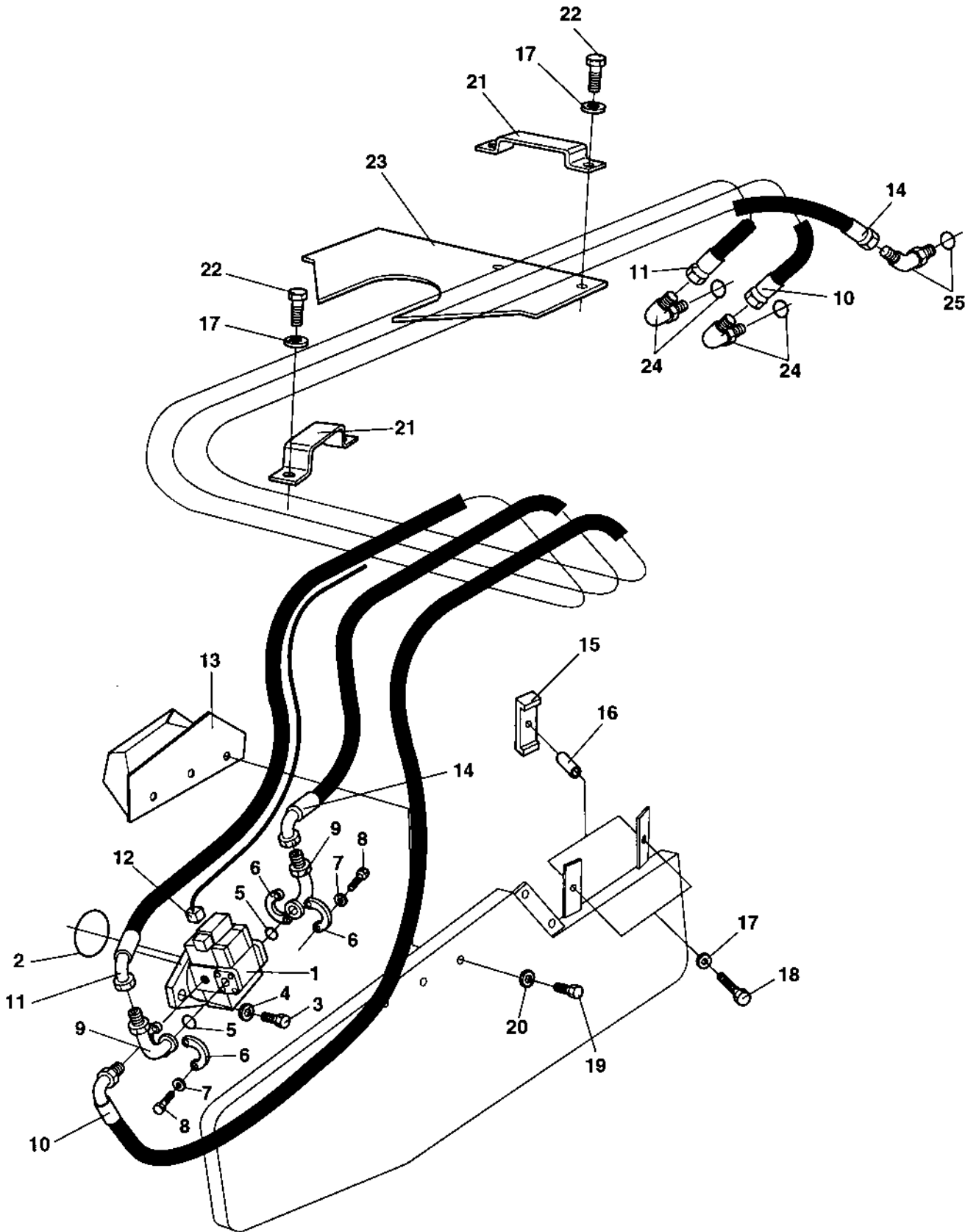


## Central test panel hydraulic

Ref. No.	Part No.	Rem.	Qty	Description	Code
1	374028		1	Test panel	
2	500053		2	Screw	
3	904229		4	Washer	
4	234388		2	Connector	
5	334196		5	Elbow 90	
6	334135		1	Tee-connector	
7	334264		1	Reducing	
8	356348		6	Measuring nipple	D
9	483188		2	Hydraulic hose	
10	483445		3	Hydraulic hose	
11	482726		1	Hydraulic hose	
12	234622		1	Elbow 45	
21	902125		3	Connector	
22	908136		2	Bracket	
23	500018		2	Screw	M8-1,25x12 8,8

Dual speed drum drive Option

17293



Dual speed drum drive Option

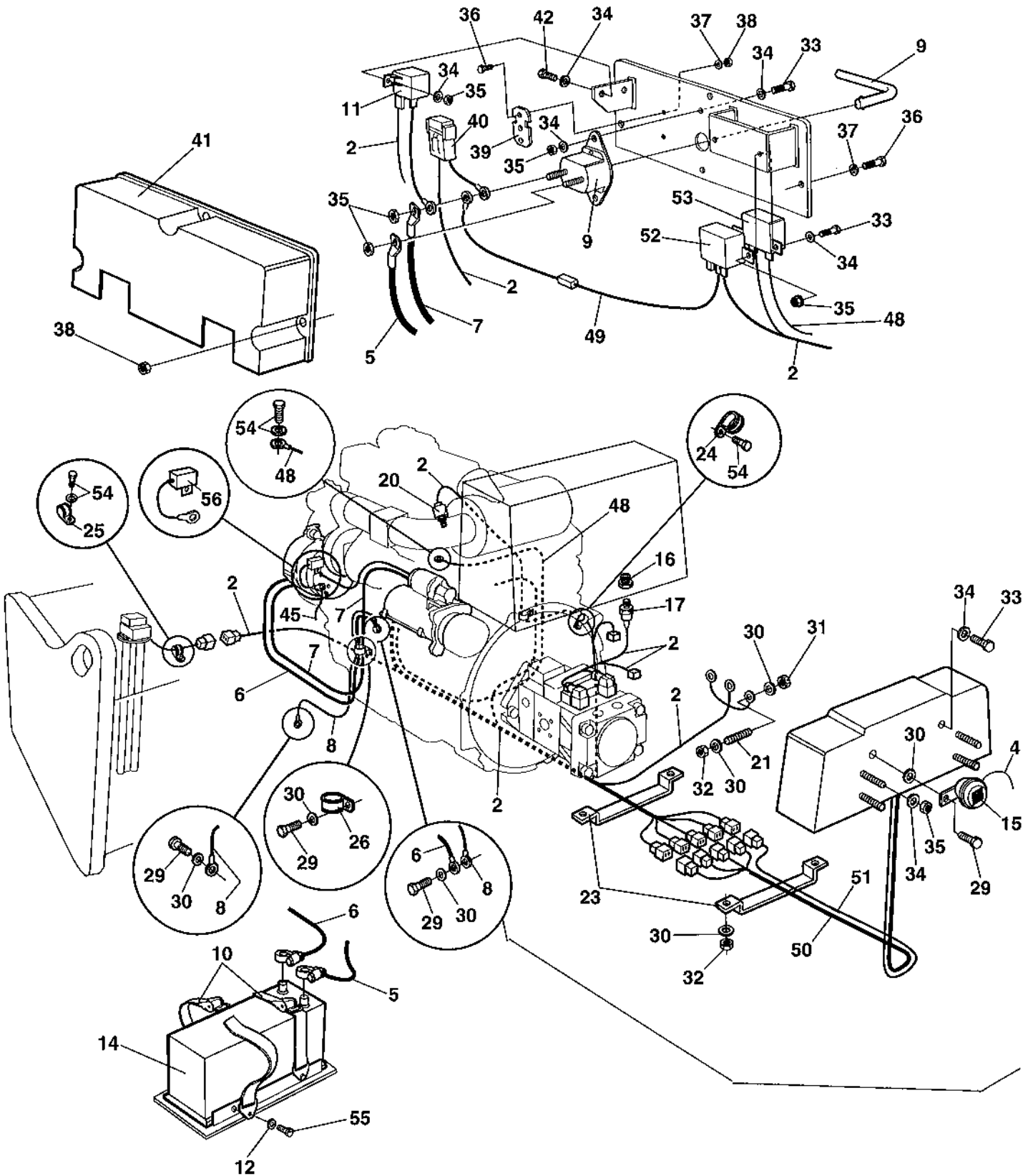
Ref. No.	Part No.	Rem.	Qty	Description	Code
1	372989		1	Hydraulic motor, dual speed Up to ECN03096	
	389565		1	Hydraulic motor, dual speed From ECN03096	
2	904058		1	O-ring	
3	500101		2	Screw	M20x50
4	903290		2	Washer	21x36x6
5	904005		2	O-ring	
6	923384		4	Flange half	
7	604008		8	Washer	
8	502132		8	Screw	UNC 7/16" x 22
9	903750		2	Elbow	
10	483114		1	Hydraulic hose	
11	483115		1	Hydraulic hose	
12	372206		1	Cable harness	
13	374251		1	Protecting cover	
14	483116		1	Hydraulic hose	
15	373270		2	Hose clamp	
16	373423		2	Spacer	
17	904229		6	Washer	
18	500032		2	Screw	M10 x 55
19	500077		3	Screw	
20	904230		3	Washer	
21	373016		2	Hose clamp	
22	500029		4	Screw	
23	372235		1	Hose guard	
24	813499		2	Elbow 90, O-ring	
25	334132		1	Elbow 45, O-ring	



Ref. No.	Part No.	Rem.	Qty	Description	Code
100				Electric system ( Page 148 )	
150				Relay and Fuses ( Page 150 )	
200				Instrument box ( Page 152 )	
310				Instrument panel ( Page 154 )	Main
325				Instrument panel ( Page 156 )	Upper left
350				Instrument panel ( Page 158 )	Upper right
375				Instrument panel ( Page 160 )	Lower left
400				Instrument panel ( Page 162 )	Lower right
500				Emergency stop panel Up to ECN03096 ( Page 164 )	
510				Emergency stop panel From ECN03096 ( Page 166 )	
555				Driving lights ( Page 168 )	Option
565				Working lights ( Page 172 )	Option
570				Rotating beacon ( Page 174 )	Option
580				Compaction meter Up to 69410405 ( Page 170	Option
581				Compaction meter From 69410406 ( Page 170	Option
590				Speedometer and frequency meter Up to 694	Option( Page 180 )
595				Speedometer and frequency meter From 694	Option( Page 182 )
605				Tachograph, platform ( Page 184 )	Option
607				Tachograph , cab ( Page 186 )	Option
608				Tachograph, simple cab ( Page 188 )	Option
610				Back-up alarm ( Page 190 )	Option
615				Back-up alarm ( Page 192 )	Option
620				Protecting cover, Headlight ( Page 194 )	Option
630				Field computer assembly ( Page 196 )	Option
640				Compaction Analyzer From 69410406 ( Page	Option
650				Geodynamic Compaction indicator ( Page 20	Option

**Electric system**

17737-1



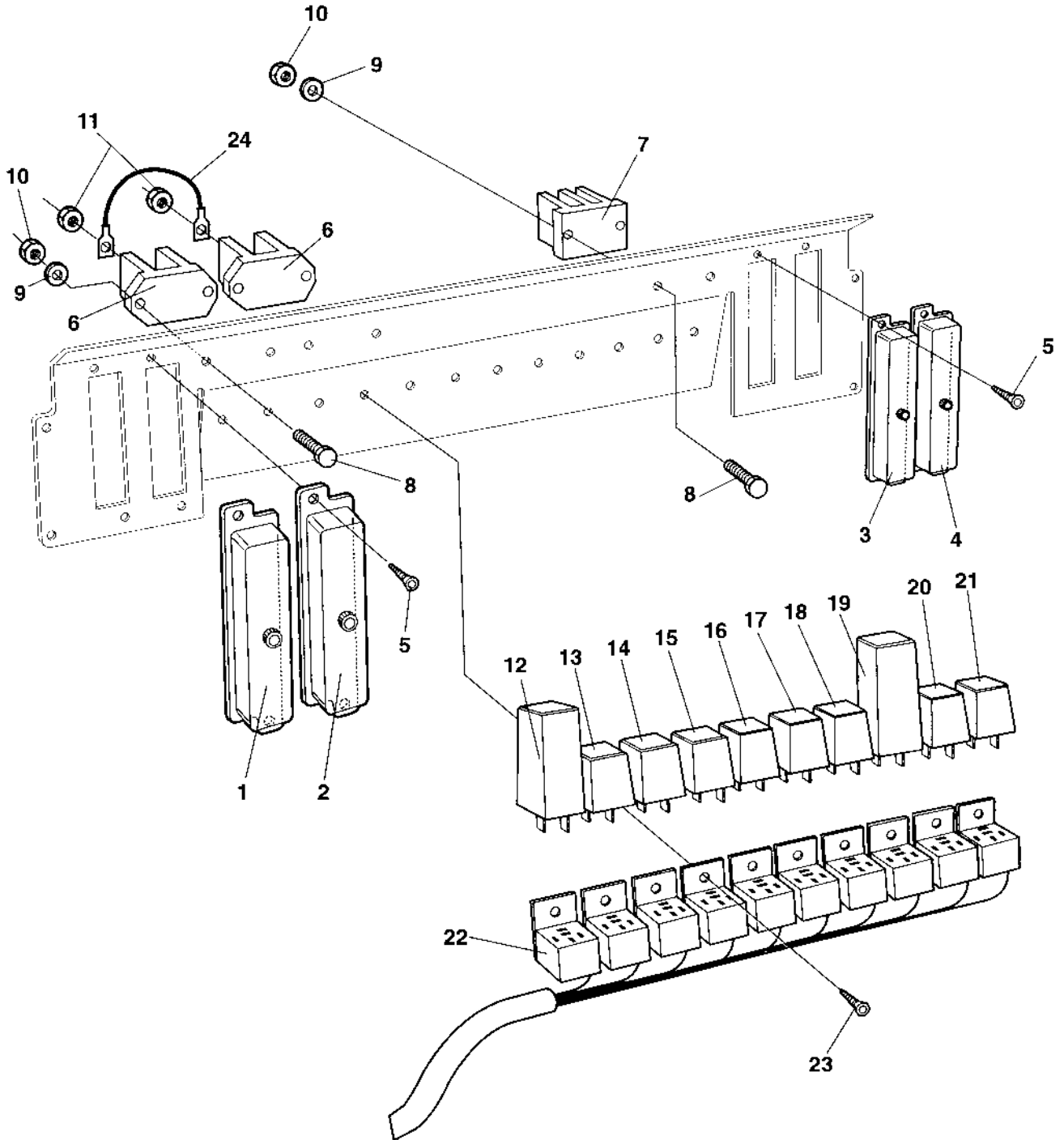
**Electric system**

Ref. No.	Part No.	Rem.	Qty	Description	Code
2	386902		1	Cable harness	
4	372997		1	Cable harness	
5	791503		1	Battery cable	
6	791504		1	Battery cable	
7	791507		1	Connection cable, coarse	
8	791508		1	Connection cable, coarse	
9	930150		1	Battery switch	D
	928021		1	.Key	D
10	791371		2	Strap	
11	904448	1	1	Relay	D
12	904228		4	Washer	
14	470021		1	Battery	
15	999027		1	Horn	D
16	813434		1	Reducer	
17	903631		1	Temperature sensor	Hydraulic oil D
20	924737		1	Indicator	
21	903768		3	Threaded stud	
23	372649		2	Cable holder	
24	921080		2	Clamp	
25	921072		1	Clamp	
26	921116		1	Clamp	
29	500053		4	Screw	
30	904229		14	Washer	
31	570005		4	Nut	
32	586003		7	Lock nut	
33	500040		6	Screw	
34	904639		15	Washer	6,7x14x1,5
35	902285		11	Lock nut	
36	500006		5	Screw	M5x16
37	904281		9	Washer	
38	902284		6	Nut	M5
39	904036		1	Fuse holder	
40	904037		1	Fuse	30A D
	904032		1	Fuse holder	
41	373891		1	Cover	
42	513012		2	Screw	M6x20 10,9
45	791512		1	Connection cable	
48	387221		1	Cable harness	
49	387220		1	Cable harness	
	791477		1	.Fuse holder	
	791514		1	.Fuse	100A - Blue D
50	381615		1	Cable harness	
51	387005		1	Cable harness	
52	939464		1	Pre-heater relay	
53	939465		1	Heater control module	
54			0	Existing	
55	500012		4	Screw	
56	791045		1	Capacitor From 69410588	

1) Start relay

**Relay and Fuses**

16843





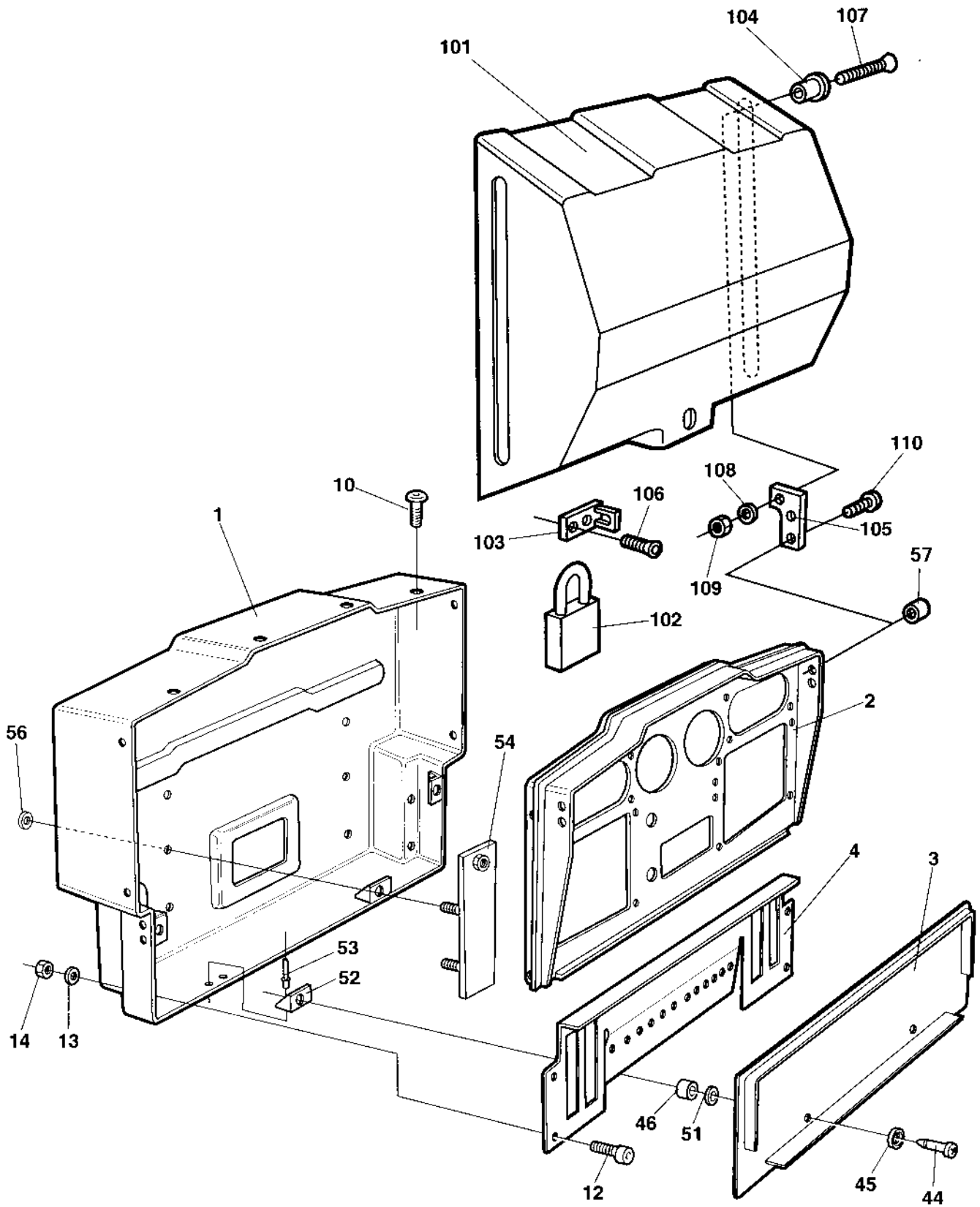
**Relay and Fuses**

Ref. No.	Part No.	Rem.	Qty	Description	Code
1	901256		1	Fuse box	
	908110		1	.Cover	
	901224		N	Fuse	3A D
	901225		N	Fuse	5A B
	901226		N	Fuse	7.5A
	901227		N	Fuse	10A B
	903741		N	Fuse	20A Yellow Medium B
2	901256		1	Fuse box	
	901240		1	Connector	
3	901256		1	Fuse box	
4	901256		1	Fuse box	
5	901767		8	Screw	ST3,5x9,5 Black
6	392930		2	Junction box	
7	903625		1	Junction block	
8	533013		6	Screw	M4x20
9	904698		6	Washer	
10	923976		6	Nut	
11	570004		2	Nut	M6
12	382782		1	Relay, VBS	D
13	287598	A	1	Relay	12V-30A
14	287597	B	1	Relay	D
16	287597	D	1	Relay	D
17	287597	E	1	Relay	D
18	287597	F	1	Relay	D
19	904989		1	Flash relay	Option D
20	287598	G	1	Relay	12V-30A
21	287598	H	1	Relay	12V-30A
22	357562		10	Relay holder	
23	902223		9	Screw	
24	903970		1	Cable	

- A) Main relay
- B) Horn relay
- D) Fuel level relay
- E) Back-up alarm relay
- F) Light relay
- G) Brake relay
- H) Air Condition relay

**Instrument box**

17021

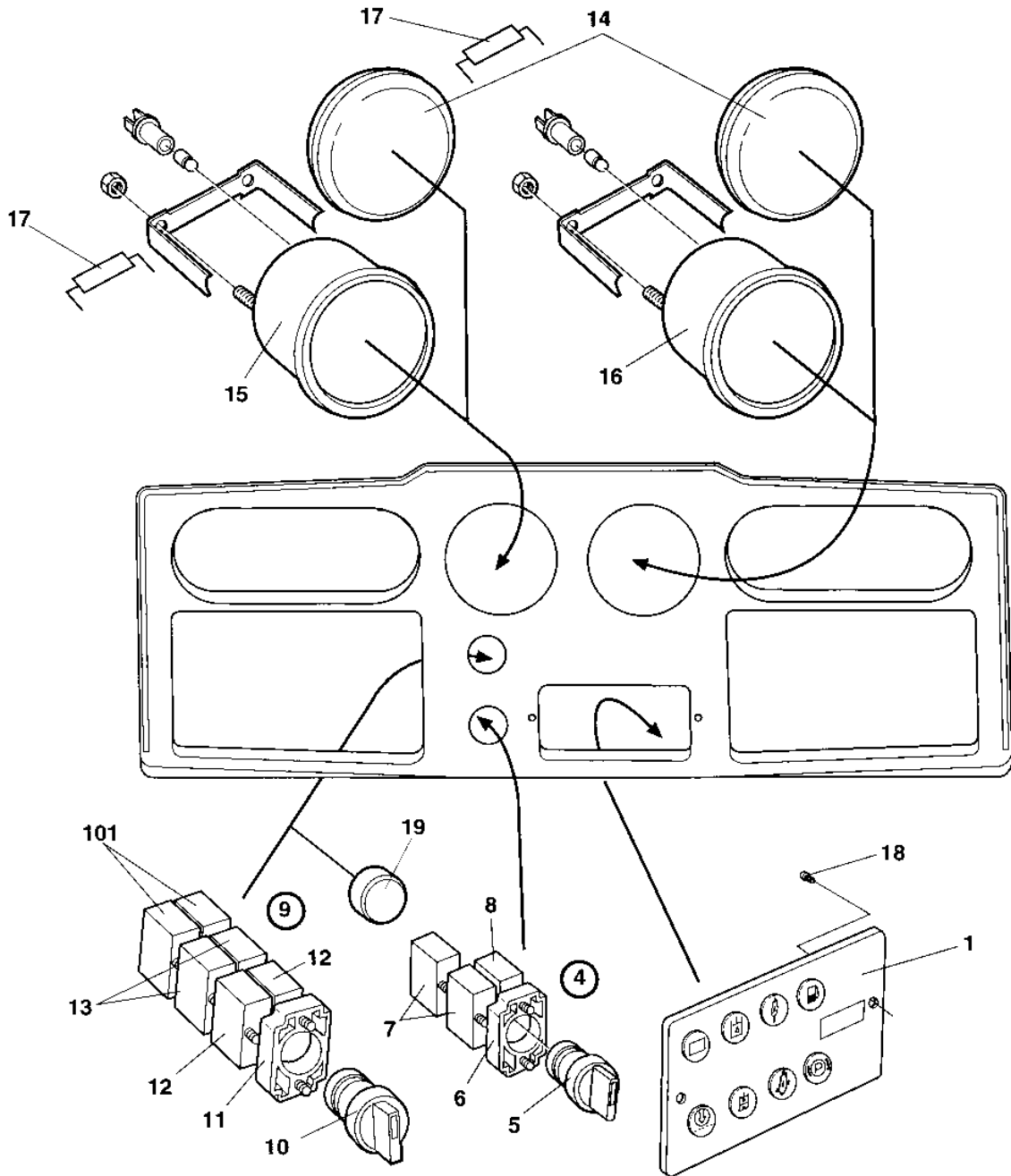
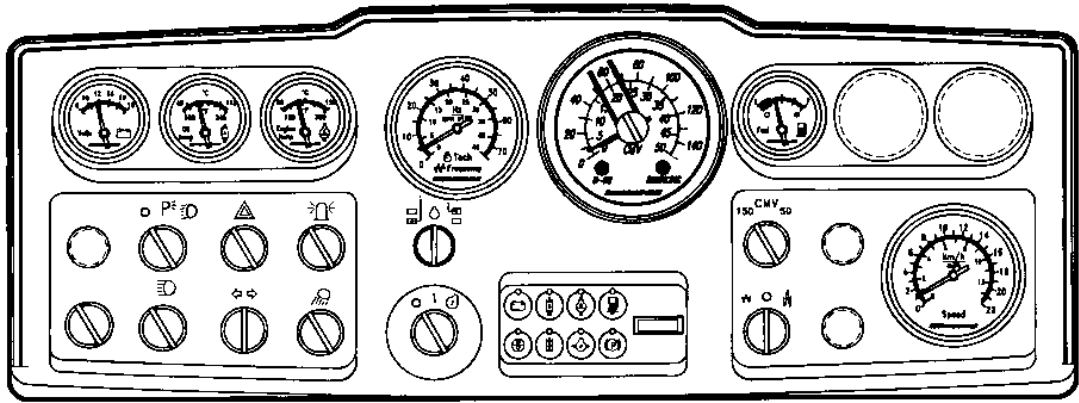


**Instrument box**

Ref. No.	Part No.	Rem.	Qty	Description	Code
1	374098		1	Instrument box	
2	374379		1	Control panel	
3	359845		1	Cover	
4	370165		1	Relay bracket	
10	903658		8	Screw	M5x10
12	500040		4	Screw	
13	904228		4	Washer	
14	902285		4	Lock nut	
44	903599		4	Trunnion	
45	903600		4	Rubber washer	
46	903601		4	Washer	
51	903678		4	Rubber washer	
52	903602		4	Locking device	
53	903436		8	Blind rivet	
54	374099		2	Bracket	
56	903961		4	Washer	
57	903653		4	Plug	
100		A	1	Control panel cover	
101	372103		1	Cover	
102	358881		1	Pad lock	
103	372104		1	Eyelet	
104	357855		2	Bushing	
105	372105		2	Bracket	
106	904207		2	Screw	
107	904208		2	Screw	
108	904228		2	Washer	
109	586002		2	Lock nut	
110	903658		4	Screw	M5x10
A)	Option				

**Instrument panel Main**

17020



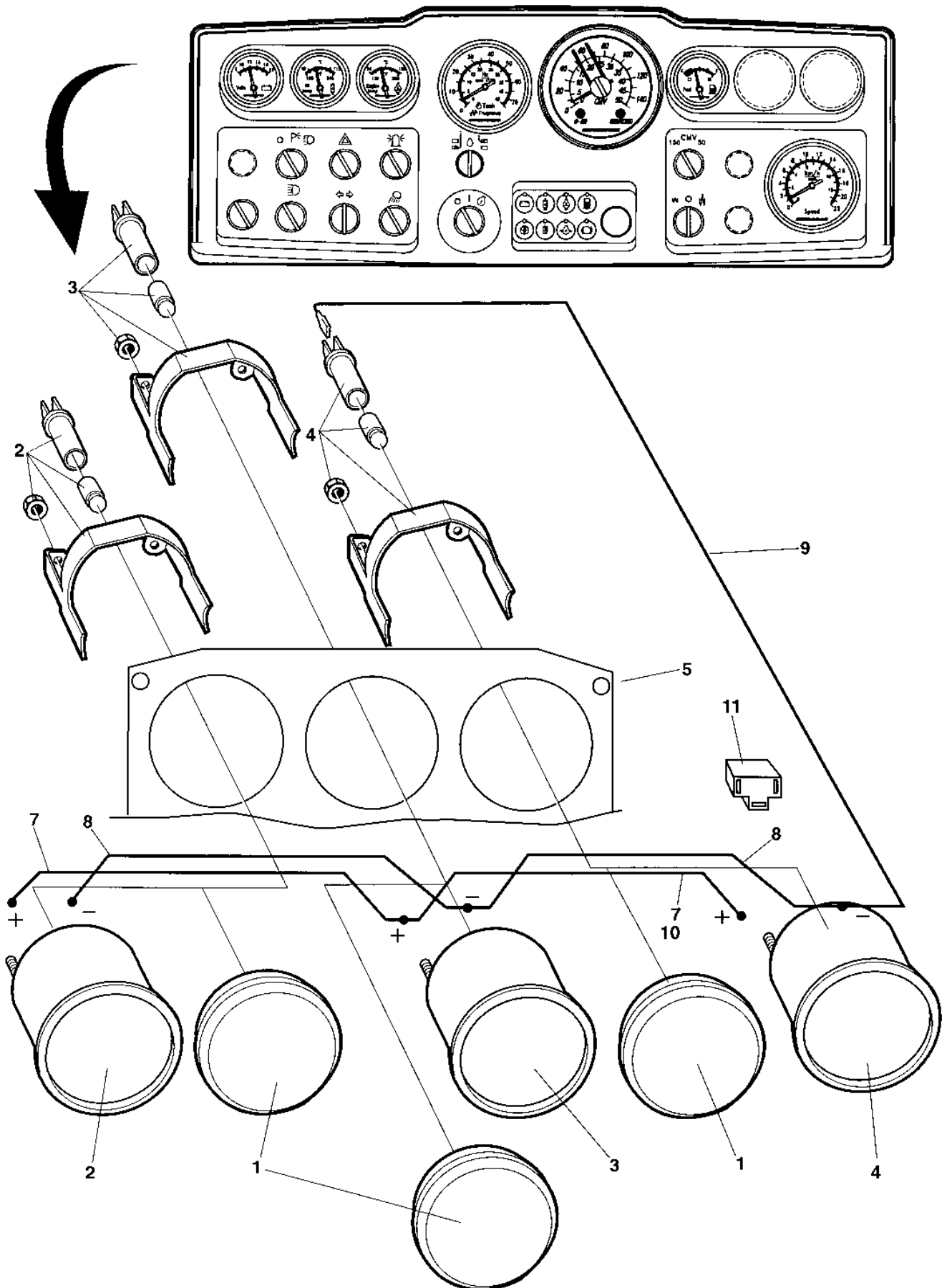
**Instrument panel Main**

Ref. No.	Part No.	Rem.	Qty	Description	Code
1	380660		1	Display	D
4		B	1	Switch	D
5	932050		1	.Switch	
6	903876		1	.Connector	
7	930154		2	.Contact piece, NC	
8	930163		1	.Contact piece, NO	D
9			1	.Frequency/tacho selector	D
10	932058		1	.Switch	
11	903876		1	.Connector	
12	930163		2	.Contact piece, NO	D
13	930154		2	.Contact piece, NC	
14	345139		2	Hole plug	
15	371275		1	Tachometer and frequency meter	
			1	Bulb	
16	372663		1	Speedometer	
			1	Bulb	
17	357526		2	Resistor	
18	903657		2	Screw	
19	911456		1	Hole plug	
101	930163	C	2	Contact piece, NO	D

- B) Start
- C) Option tachograph

Instrument panel Upper left

15989

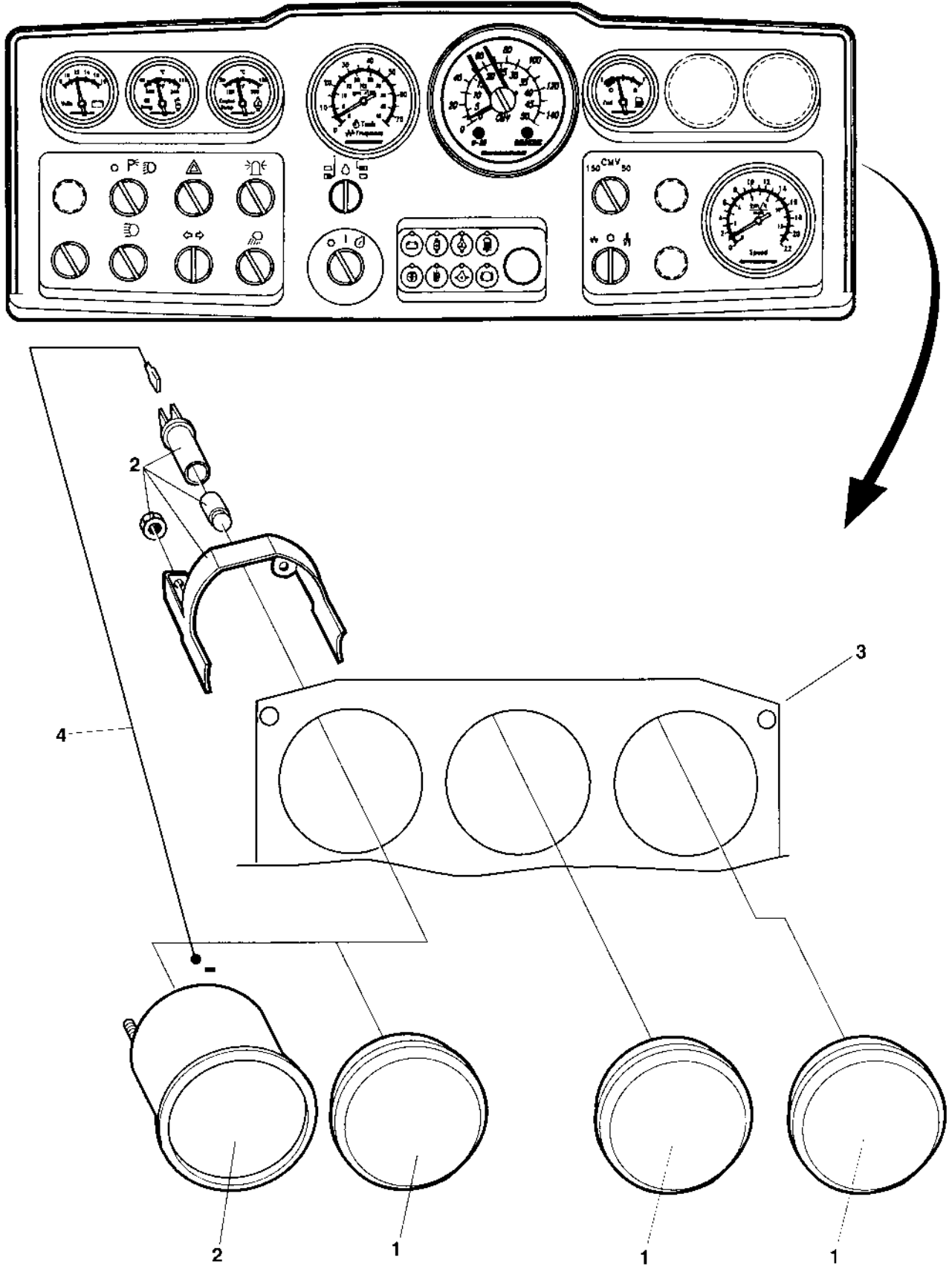


**Instrument panel Upper left**

<b>Ref. No.</b>	<b>Part No.</b>	<b>Rem.</b>	<b>Qty</b>	<b>Description</b>	<b>Code</b>
1	345870		3	Plug	
2	359340		1	Voltmeter	D
	355258		1	.Lamp holder	
	985012		1	.Bulb	D
3	359341		1	Temperature meter, hydraulic oil	Option
	355258		1	.Lamp holder	D
	985012		1	.Bulb	D
4	381874		1	Water temperature gauge	Option
	904890		1	.Lamp holder	
	904889		1	.Bulb	
5			1	Control panel plate	
7	343550		1	Connection cable	
8	903927		2	Cable	
9	904016		3	Cable	
10	343551		1	Cable	
11	904819		1	Contact	

Instrument panel Upper right

15991



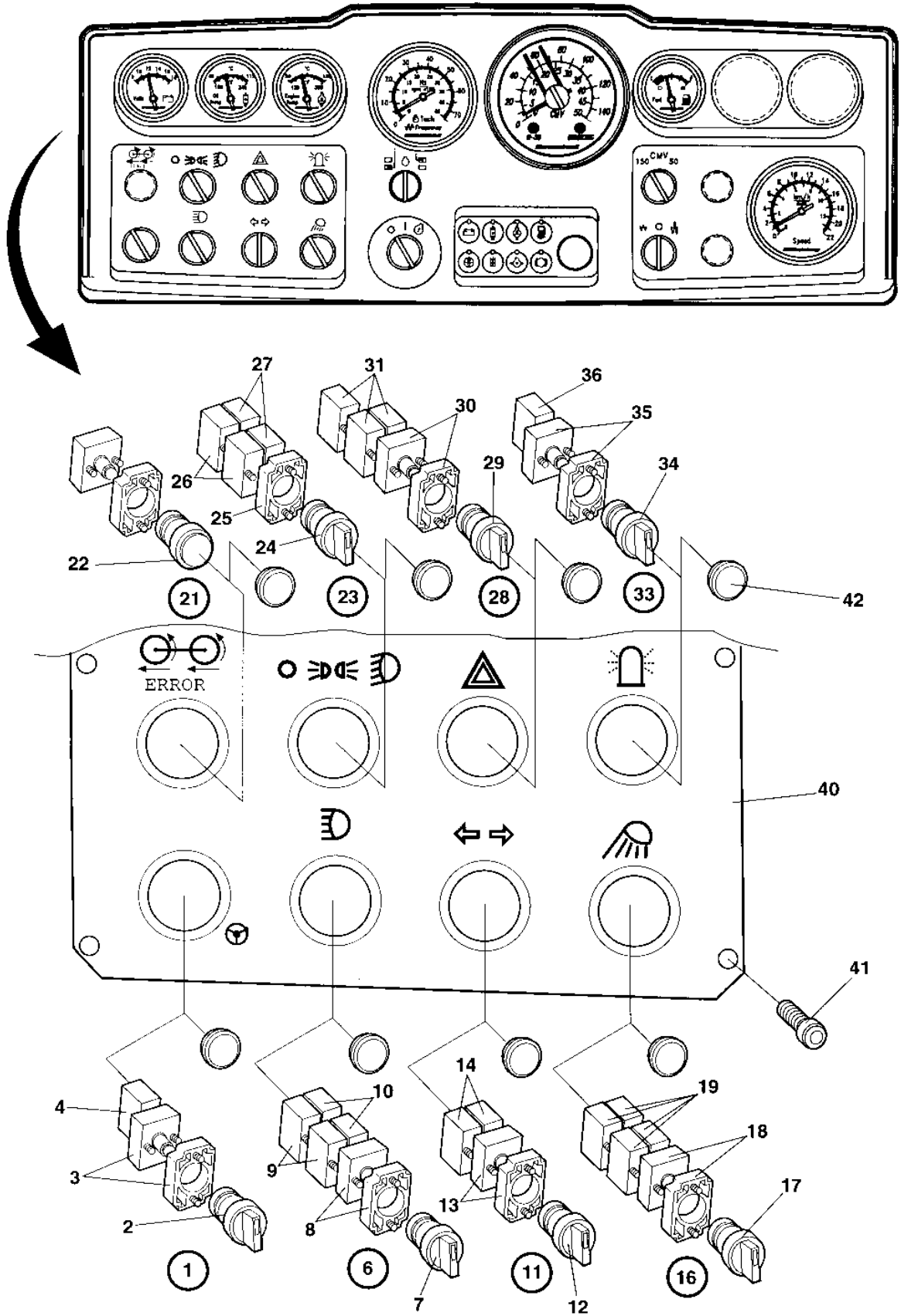


## Instrument panel Upper right

Ref. No.	Part No.	Rem.	Qty	Description	Code
1	345870		3	Plug	
2	359343		1	Fuel gauge	D
	355258		1	.Lamp holder	
	985012		1	.Bulb	D
			1	Fuel level sender	D
			2	Water level sender	D
3			1	Control panel plate	D
4	904016		1	Cable	

Instrument panel Lower left

17035



Instrument panel Lower left

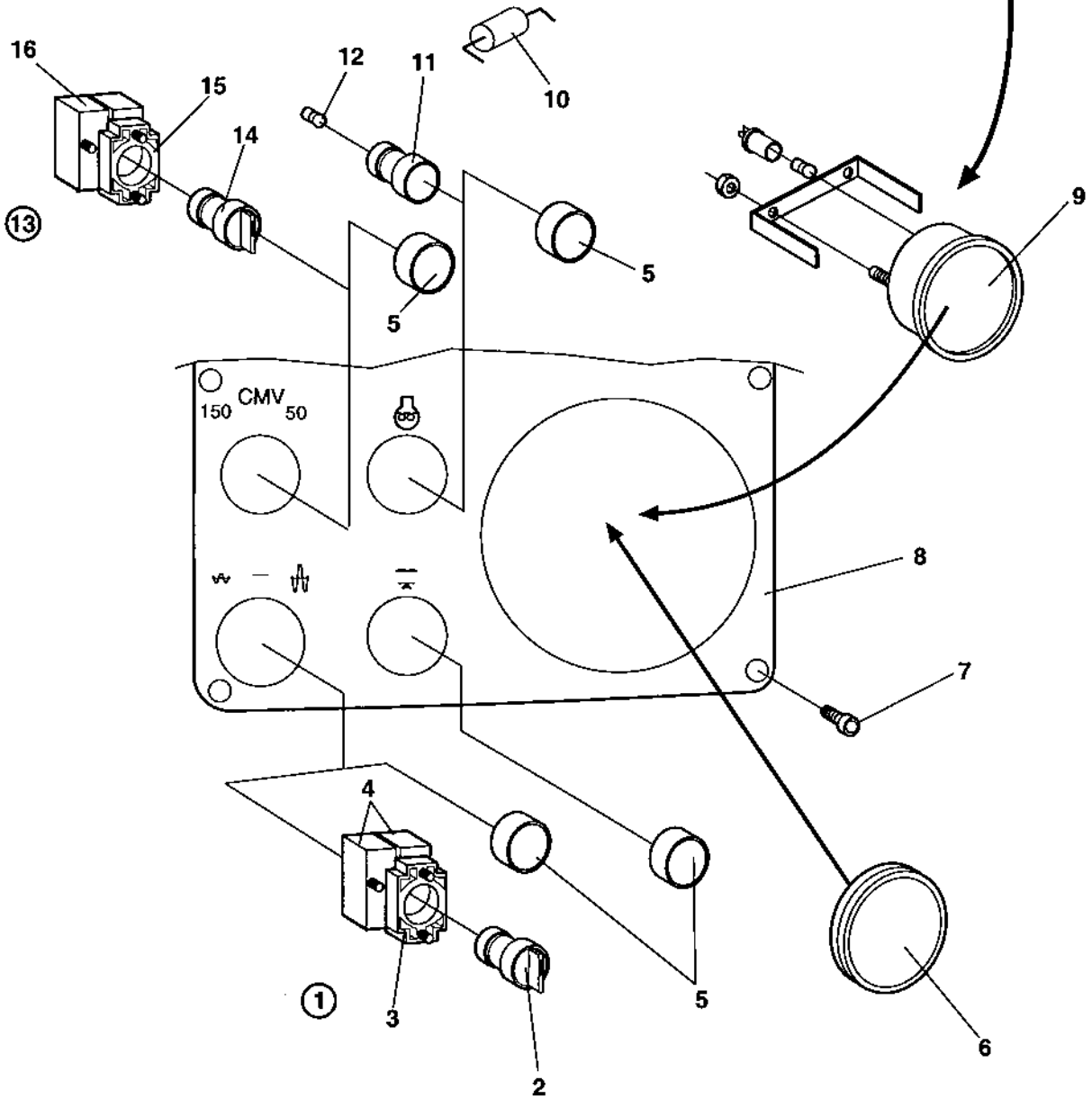
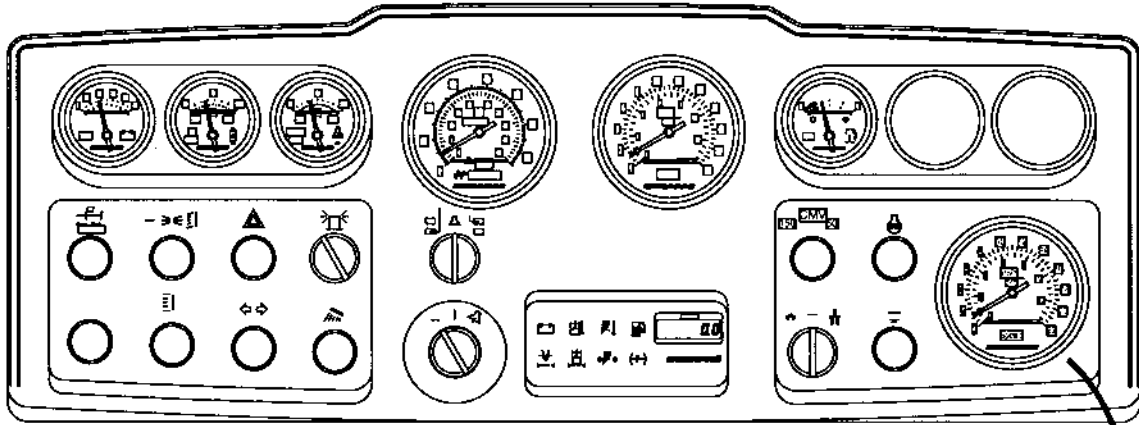
Ref. No.	Part No.	Rem.	Qty	Description	Code
6		C	1	Switch, cpl	
7	932057	M	1	Switch	
8	903875		1	.Flange with light	
	985012		1	Bulb	D
9	930154		2	.Contact piece, NC	
10	930163		2	.Contact piece, NO	D
11		D	1	Switch, cpl	D
12	930161	E	1	.Switch	D
13	903875		1	.Flange with light	
	985012		1	Bulb	D
14	930163		2	.Contact piece, NO	D
16		F	1	Switch, cpl	D
17	930166	B	1	.Switch	D
18	903875		1	.Flange with light	
	985012		1	Bulb	D
19	930163		4	.Contact piece, NO	D
21	985146	A	1	Pilot lamp cpl	D
	985012		1	Bulb	D
22	932034	G	1	.Lamp glass, Red	
23		H	1	Switch, cpl	
24	932058	I	1	.Switch	
25	903876		1	.Connector	
26	930154		2	.Contact piece, NC	
27	930163		2	.Contact piece, NO	D
28		J	1	Switch, cpl	D
29	932056	G	1	.Switch	D
30	903875		1	.Flange with light	
	985012		1	Bulb	D
31	930163		3	.Contact piece, NO	D
33		L	1	.Switch, cpl	D
34	930166	B	1	.Switch	D
35	903875		1	.Flange with light	
	985012		1	Bulb	D
36	930163		1	.Contact piece, NO	D
40	372665		1	Control panel plate	
41	903657		6	Screw	
42	911456	K	-	Hole plug	

Red

- A) Anti spin
- B) Yellow
- C) Main beam
- D) Direction indicator
- E) Green
- F) Working light
- G) Red
- H) Parking/dipped beam
- I) Black
- J) Hazard flasher
- K) Quantity as required
- L) Rotating beacon
- M) Blue

Instrument panel Lower right

17764



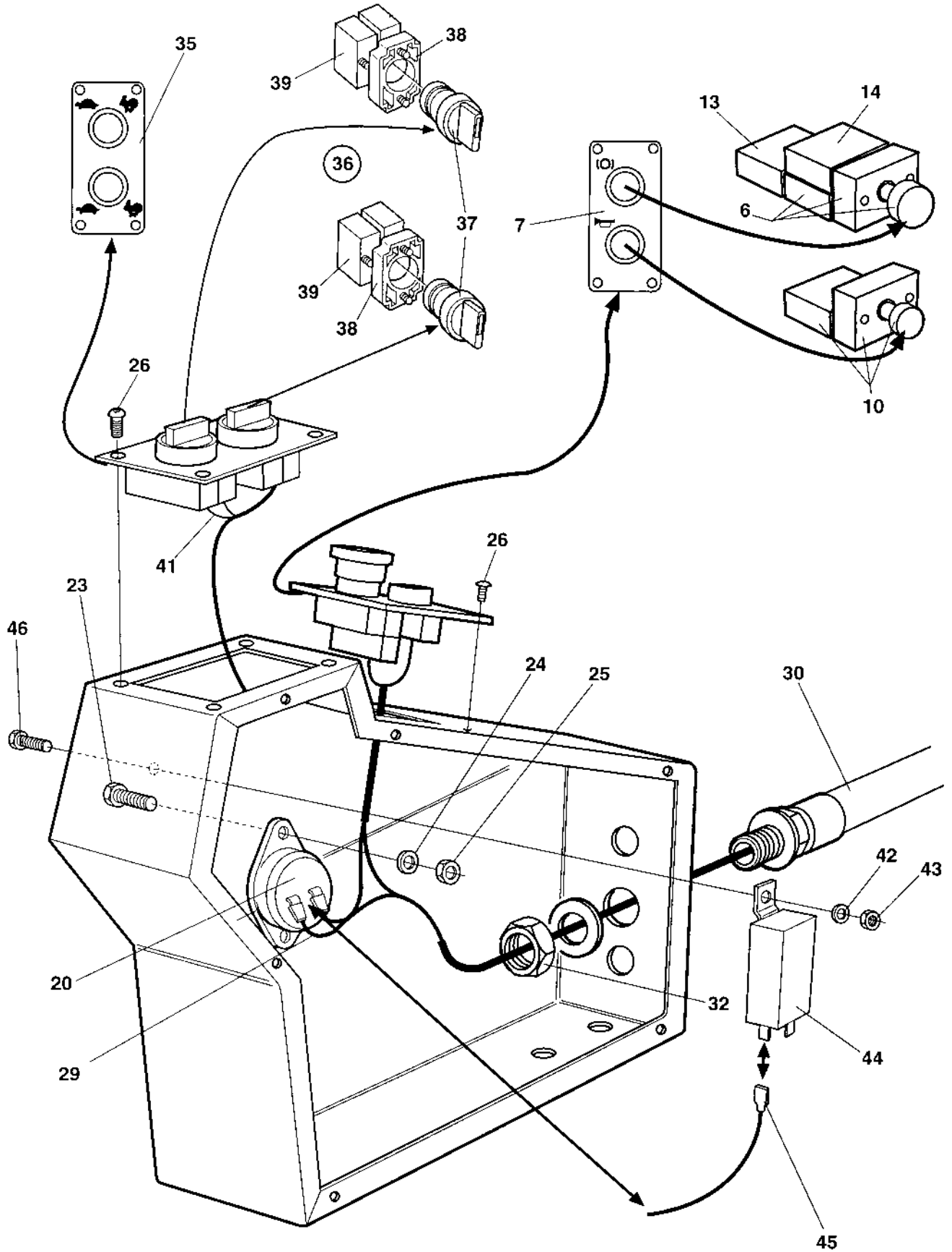
Instrument panel Lower right

Ref. No.	Part No.	Rem.	Qty	Description	Code
1		A	1	Switch, cpl	
2	932058	B	1	.Switch	
3	903876		1	.Connector	
4	930163		2	.Contact piece, NO	D
5	911456		4	Hole plug	
6	345139		1	Hole plug	
7	903657		6	Screw	
8	387133		1	Control panel	
9	372663		1	Speedometer	
10	357526		1	Resistor	
11	985145		1	Pilot lamp cpl	Green
12	985012		1	Bulb	D
13		C	1	Switch, cpl	D
14	930192	B	1	.Switch	D
15	903876		1	.Connector	
16	930163		1	.Contact piece, NO	D

- A) Amplitude selector
- B) Black
- C) Cmv selector

**Emergency stop panel**

15963-1



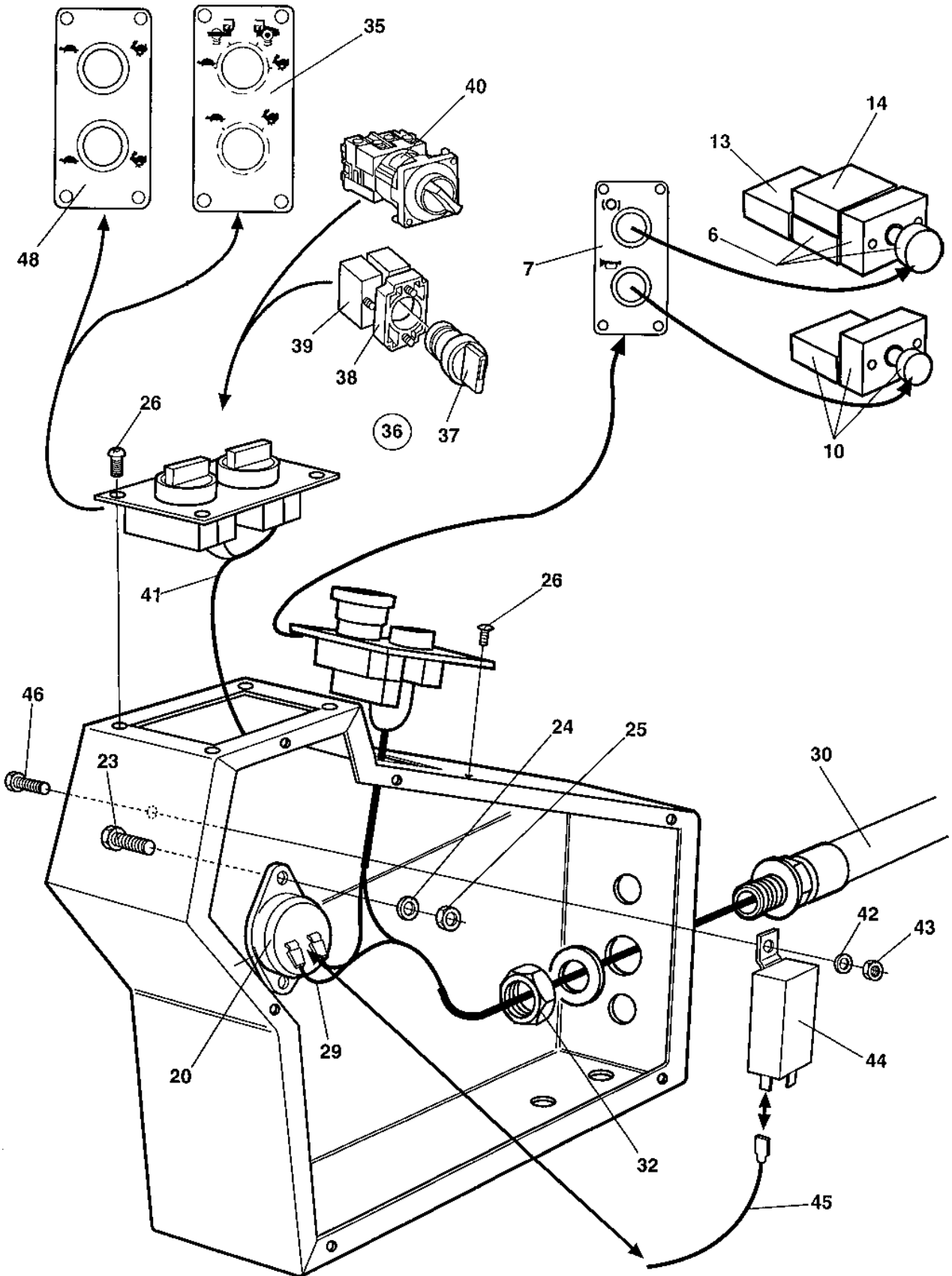
**Emergency stop panel**

Ref. No.	Part No.	Rem.	Qty	Description	Code
6	930200		1	Emergency stop	
	930154		1	.Contact piece, NC	
7	359941		1	Control panel plate	
10	932032	A	1	Push button	
	930163		1	.Contact piece, NO	D
13	930154		1	Contact piece, NC	
14	930163		1	Contact piece, NO	D
20	355301		1	Buzzer	D
23	500086		1	Screw	
24	904698		1	Washer	
25	570002		1	Nut	M4
26	904206		8	Screw	
29	960792		1	Cable	
30	372204		1	Cable harness	
32	791253		1	Nut	
35	372749		1	Control panel plate	
36		B	2	Switch, cpl	
37	930192	C	1	.Switch	D
38	903876		1	.Connector	
39	930163		1	.Contact piece, NO	D
41	343551		1	Cable	
42	904228		1	Washer	
43	586002		1	Lock nut	
44	904704	D	1	Relay	
45	380708	D	1	Cable harness	
46	904206		1	Screw	

- A) Horn
- B) Speed low/high
- C) Black
- D) Interlock, Option

Emergency stop panel

18063

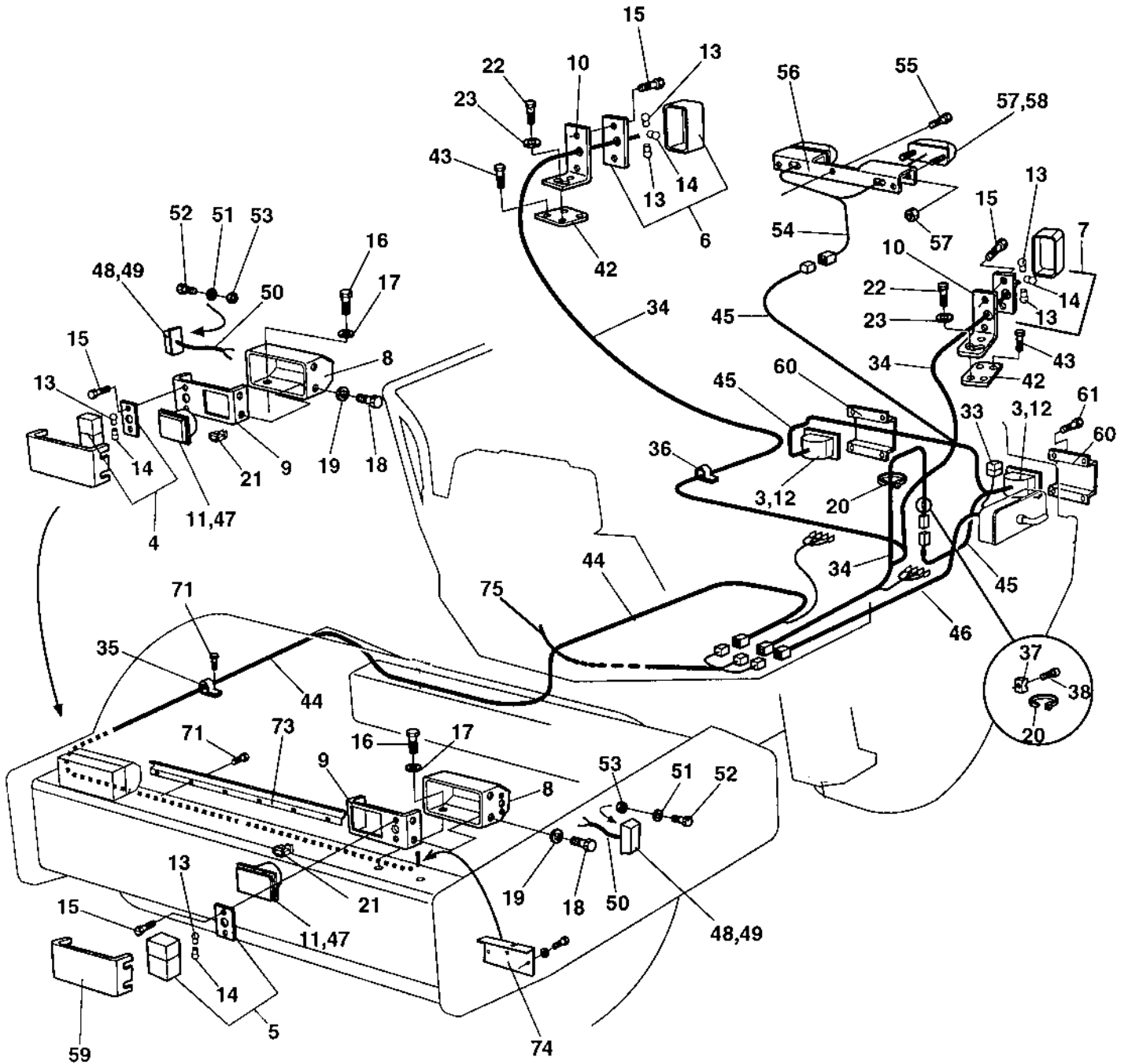




**Emergency stop panel**

Ref. No.	Part No.	Rem.	Qty	Description	Code
6	930200		1	Emergency stop	
	930154		1	.Contact piece, NC	
7	359941		1	Control panel plate	
10	932032	A	1	Push button	
	930163		1	.Contact piece, NO	D
13	930154		1	Contact piece, NC	
14	930163		1	Contact piece, NO	D
20	355301		1	Buzzer	D
23	500086		1	Screw	
24	904698		1	Washer	
25	570002		1	Nut	M4
26	904206		8	Screw	
	903658		8	Screw	M5x10
29	960792		1	Cable	
30	372204		1	Cable harness	
32	791253		1	Nut	
35	389075		1	Control panel plate	
36		F	2	Switch, cpl	
37	930192	C	1	.Switch	D
38	903876		1	.Connector	
39	930163		1	.Contact piece, NO	D
40	389119	B	1	Switch	
41	343550	E	1	Connection cable	
42	904228		1	Washer	
43	586002		1	Lock nut	
44	904704	D	1	Relay	
45	380708	D	1	Cable harness	
46	904206		1	Screw	
48	372749	E	1	Control panel plate	

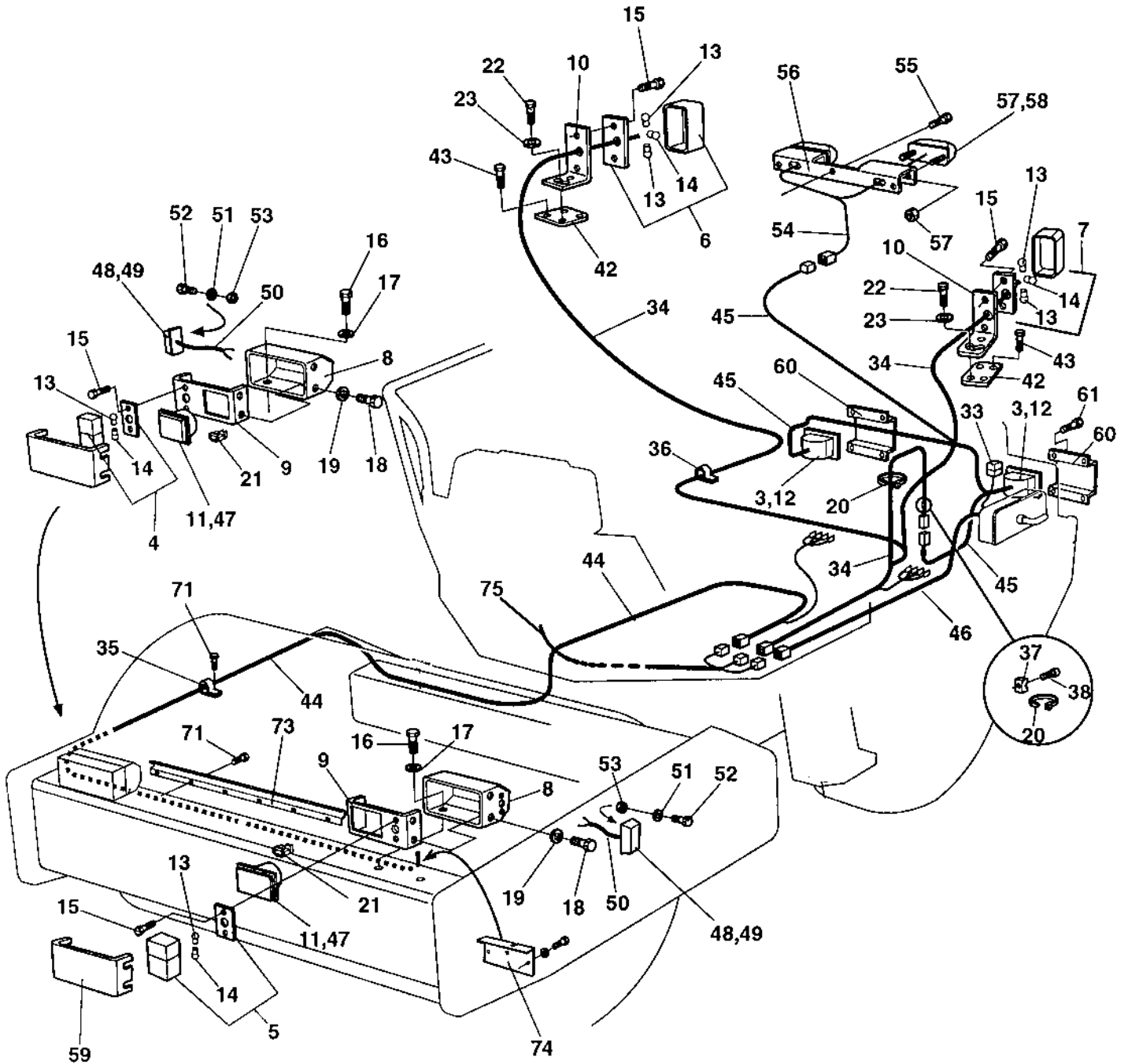
- A) Horn
- B) Option. Traction control, 4-way switch.
- C) Black
- D) Interlock, Option
- E) Option.
- F) One switch is option and used together with item 48.



Driving lights Option

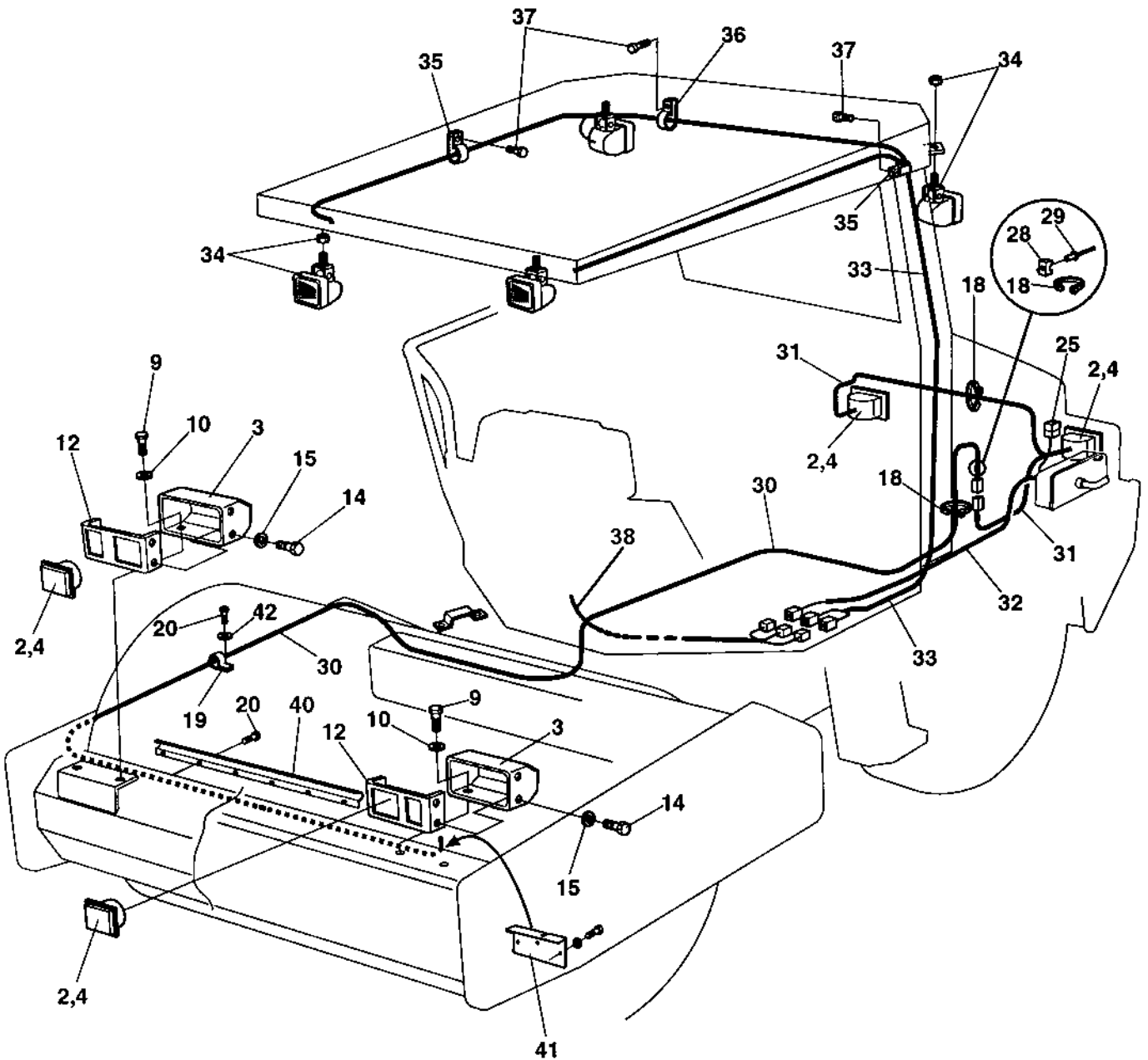
Ref. No.	Part No.	Rem.	Qty	Description		Code
3	902227		2	Work light		
4	904316	A	1	Direction lamp		
	937107		1	.Lamp glass		
5	904315	B	1	Direction lamp		
	937106		1	.Lamp glass		
6	904318	C	1	Direction lamp		
	937109		1	.Lamp glass		
7	904317	D	1	Direction lamp		
	937108		1	.Lamp glass		
8	374029		2	Lamp shield		
9	374030		2	Bracket		
10	374089		2	Bracket		
11	900790		2	Bulb	60/55w H4	B
12	901369		2	Bulb	55w H3	B
13	928502		6	Bulb	21w	B
14	985014		4	Bulb	5w	B
15	533010		8	Screw		
16	500043		6	Screw		
17	904230		6	Washer		
18	500040		8	Screw		
19	904228		8	Washer		
20	925802		11	Cable ties	L=142 mm	
21	903899		2	Connector		
22	500019		4	Screw		
23	904229		4	Washer		
27	541703		14	Screw	M6x16	
28	313041	N		Cable ties	L=186 mm	
33	904038		1	Fuse	40A	D
34	374168		1	Cable harness		
35	921028		6	Clamp		
36	921028		6	Clamp		
37	904543		3	Cable tie holder		
38	903852		3	Screw	ST4,2x13	
42	374088		2	Holder plate		
43	513009		4	Screw		
44	374194		1	Cable harness		
45	374195		1	Cable harness		
46	373184		1	Cable harness		
47	902066		2	Headlight		
	904313	E	2	Headlight		
48	902064		2	Direction lights		
49	985013		2	Bulb	12V,5W	B
50	374526		2	Cable harness		
51	904281		4	Washer		
52	926611		4	Screw		
53	586001		4	Lock nut		
54	374196		1	Cable harness		
55	903969		3	Screw	ST4,8x19 Black	
56	374184		1	Licence plate light bracket		
57	929455		2	Licence plate light		
58	985013		2	Bulb	12V,5W	B
59	374120		2	Protecting cover		
60	374327		2	Protecting cover		
61	541535		8	Screw		
71	500012		9	Screw		

- A) Front right
- B) Front left
- C) Rear right
- D) Rear left
- E) Left hand asymmet.



**Driving lights Option**

<b>Ref. No.</b>	<b>Part No.</b>	<b>Rem.</b>	<b>Qty</b>	<b>Description</b>	<b>Code</b>
73	384162		1	Cable holder	
74	384163		2	Protection	
75	385263		1	Cable harness	

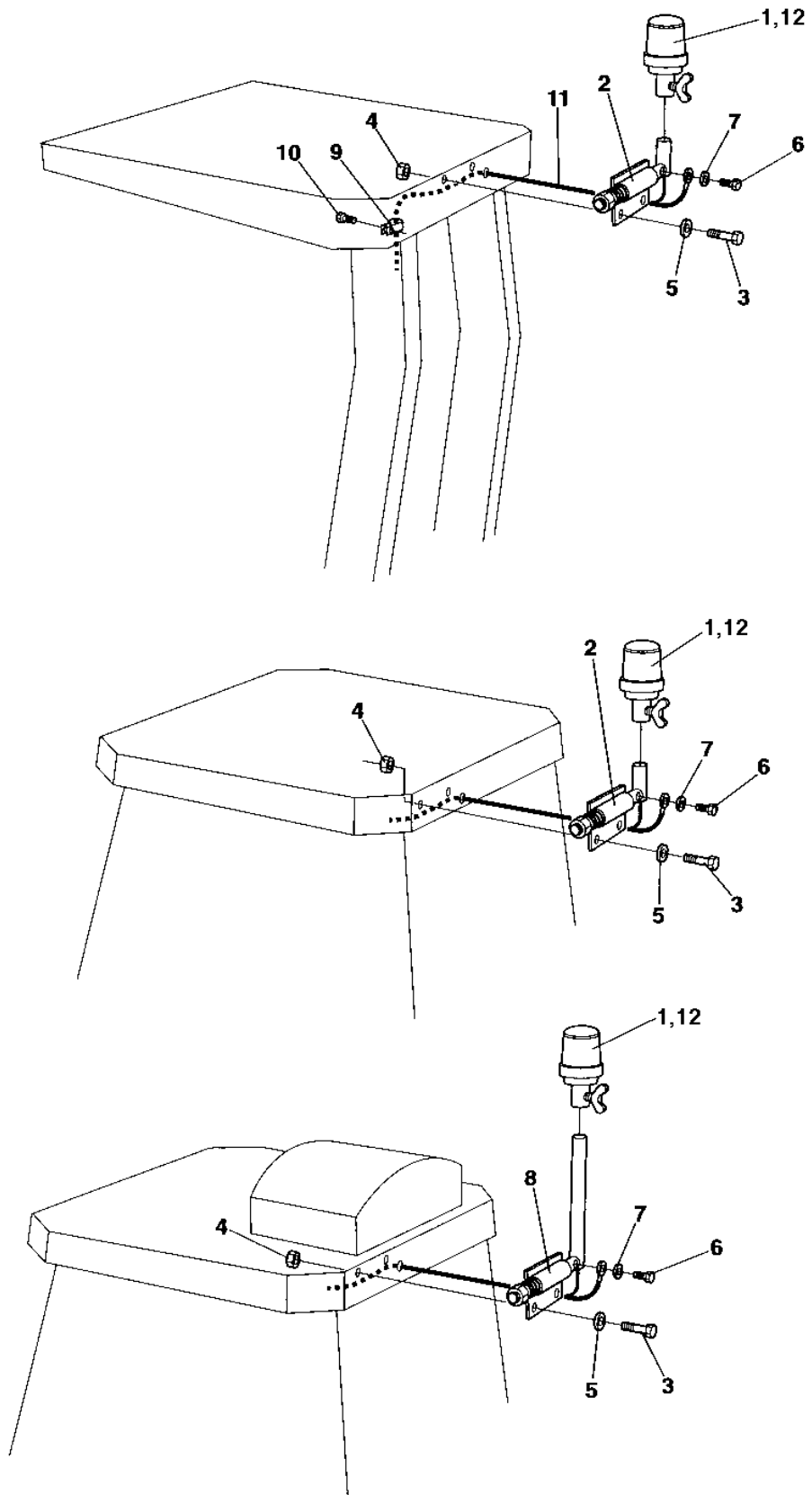


**Working lights Option**

Ref. No.	Part No.	Rem.	Qty	Description	Code
2	902227		4	Work light	
3	374029		2	Lamp shield	
4	901369		4	Bulb	55w H3
9	500043		6	Screw	
10	904230		6	Washer	
11			0	Not used on this model	
12	374030		2	Bracket	
14	500040		8	Screw	
15	904228		9	Washer	
18	925802		9	Cable ties	L=142 mm
19	921039		12	Pipe clamp	
20	500012		12	Screw	
25	904038		1	Fuse	40A
28	904543		3	Cable tie holder	
29	903852		3	Screw	ST4,2x13
30	373359		1	Cable harness	
31	373360		1	Cable harness	
32	373184		1	Cable harness	
33	372758		1	Cable harness	
34	904314		4	Work lamp	
35	921039		10	Pipe clamp	
36	921031		3	Clamp	
37	541702		13	Screw	M6x12
38	372759		1	Cable harness	
40	384162		1	Cable holder	
41	384163		2	Protection	
42	904228		12	Washer	

**Rotating beacon Option**

16850





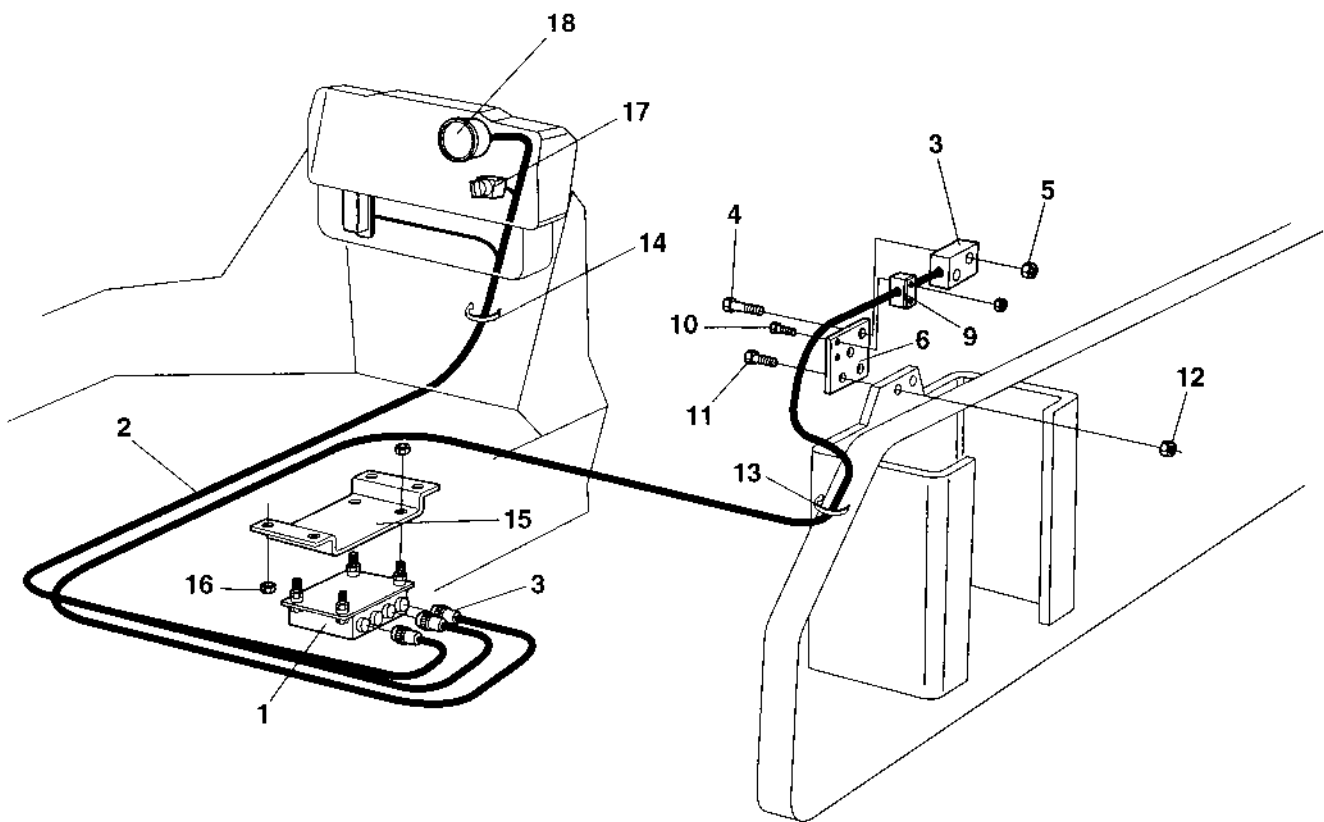
**Rotating beacon Option**

Ref. No.	Part No.	Rem.	Qty	Description	Code
1	999011	1	1	Rotating beacon	D
2	358452		1	Lamp holder	
3	500021		2	Screw	
4	586003		2	Lock nut	
5	904229		2	Washer	
6	500013		1	Screw	
7	904228		1	Washer	
8	371364		1	Lamp holder	
9	921039		1	Pipe clamp	
10	541702		1	Screw	M6x12
11	374398		1	Cable harness	
12	389577	2	1	Rotating beacon	D

- 1) Replaced by item 12, P/N 389577
- 2) Replaces item 1, P/N 999011

Compaction meter Option

17096

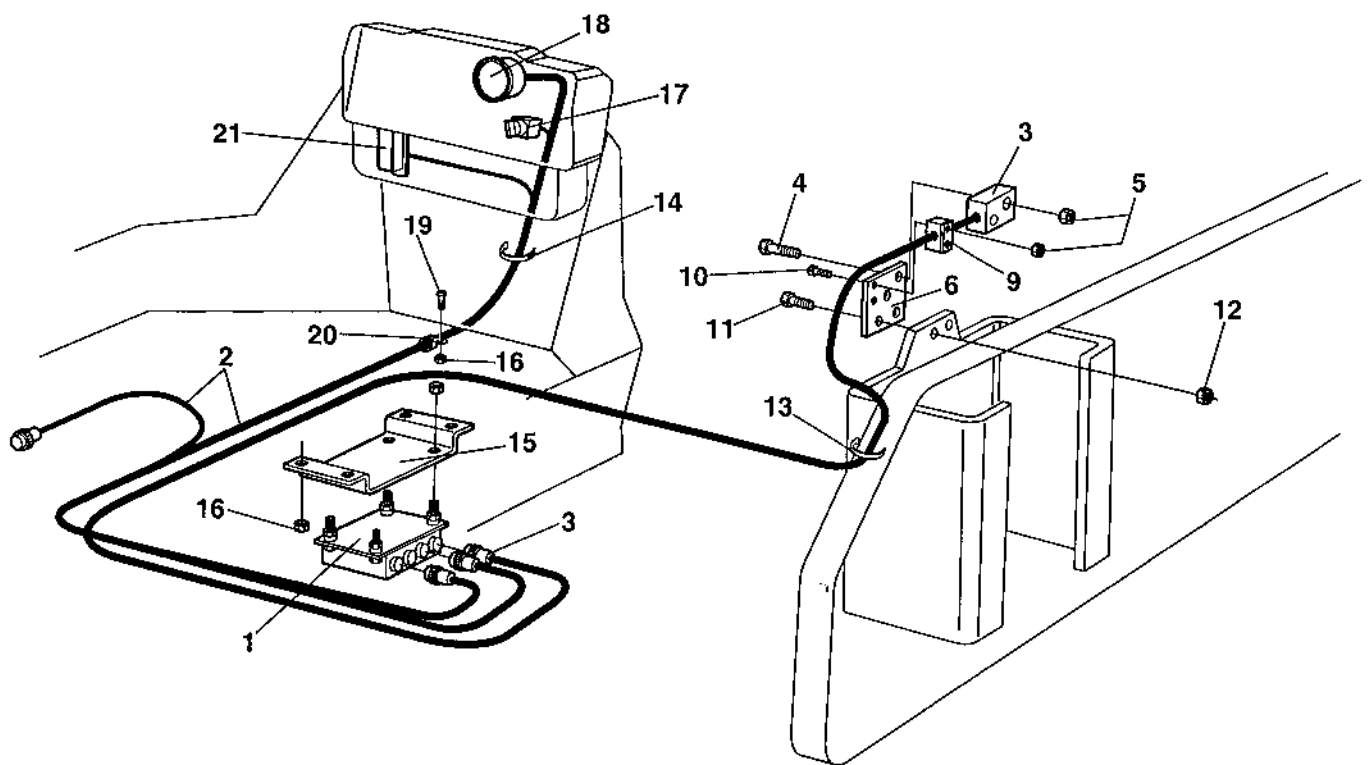


Compaction meter Option

Ref. No.	Part No.	Rem.	Qty	Description	Code
1	372008		1	Processor comp.meter	
2	372784		1	Cable harness	
3	348213		1	Sensor, cpl	
4	500079		2	Screw	M6-1x50 8,8
5	902285		4	Lock nut	
6	373140		1	Bracket	
9	902496		1	Clamp	
10	500079		2	Screw	M6-1x50 8,8
11	500194		2	Screw	
12	902288		2	Nut	M12
13	313102		15	Cable ties	
14	313041		15	Cable ties	L=186 mm
15	372836		1	Bracket	
16	902286		4	Lock nut	
17	930151		1	Switch	D
18	383452		1	Compaction meter	
	904890		2	.Lamp holder	
	904889		2	.Bulb	

Compaction meter Option

18064

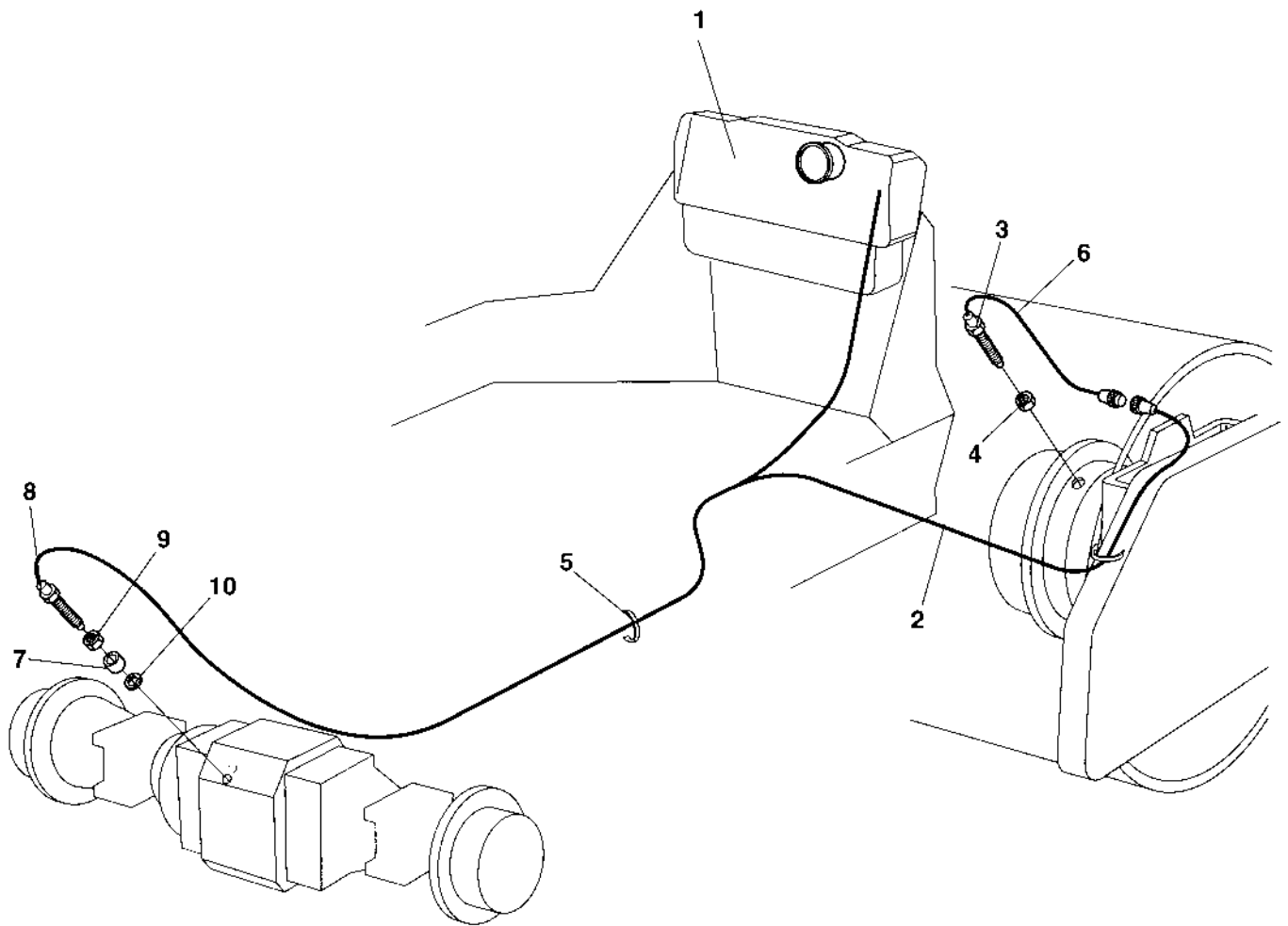


Compaction meter Option

Ref. No.	Part No.	Rem.	Qty	Description	Code
1	388210		1	Processor comp.meter	
2	388211		1	Cable harness	
3	348213		1	Sensor, cpl	
4	500079		2	Screw	M6-1x50 8,8
5	902285		4	Lock nut	
6	373140		1	Bracket	
9	902496		1	Clamp	
10	500079		2	Screw	M6-1x50 8,8
11	500194		2	Screw	
12	902288		2	Nut	M12
13	313102		15	Cable ties	
14	313041		15	Cable ties	L=186 mm
15	372836		1	Bracket	
16	902286		5	Lock nut	
17	930151		1	Switch	D
18	383452		1	Compaction meter	
	904890		2	.Lamp holder	
	904889		2	.Bulb	
19	500047		1	Screw	M8-1,25x35 8,8
20	921072		1	Clamp	
21	901224		1	Fuse	3A D

**Speedometer and frequency meter Option**

17095



**Speedometer and frequency meter Option**

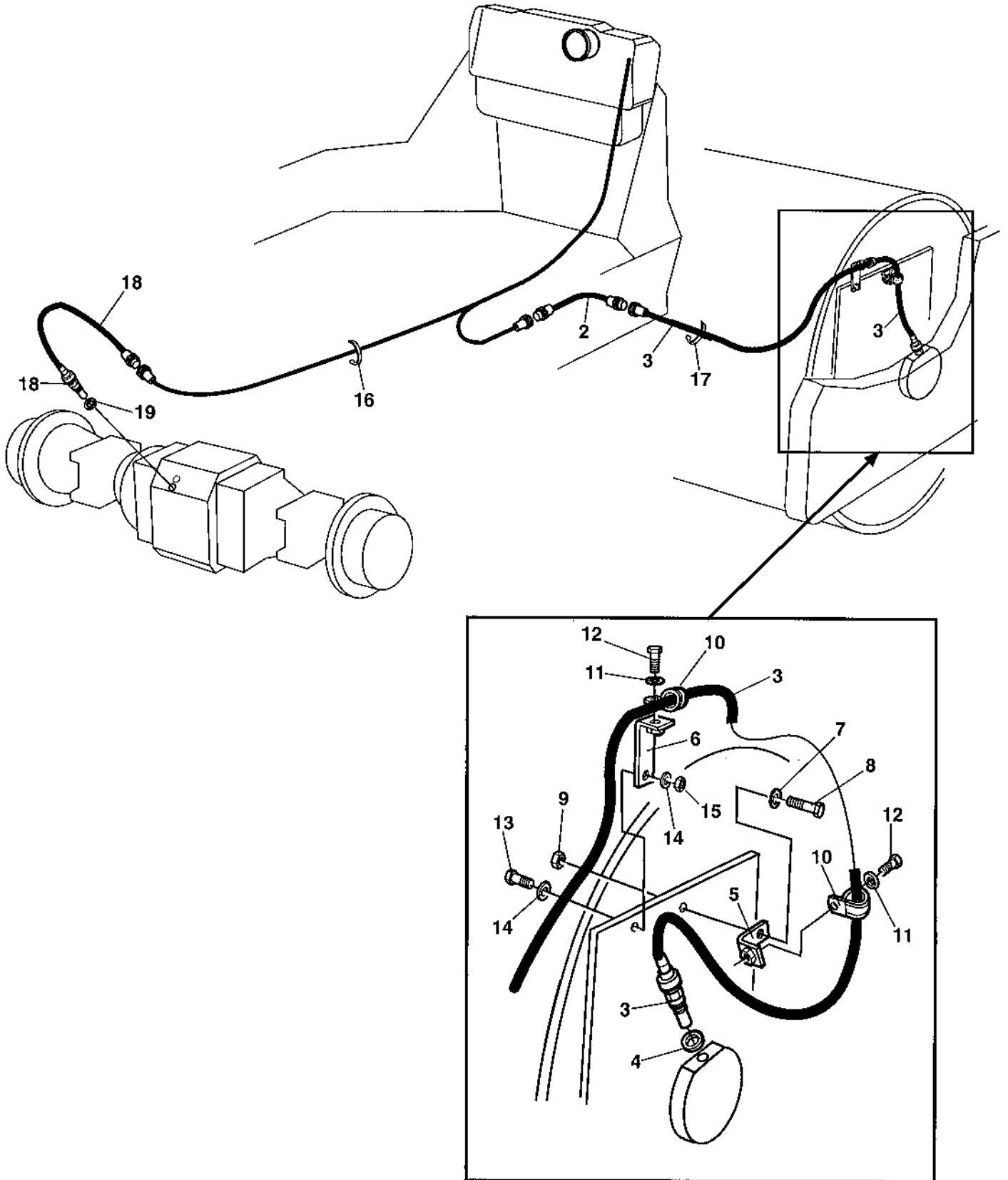
Ref. No.	Part No.	Rem.	Qty	Description	Code
1			1	Control panel	D
2	372205		1	Cable harness	
3	372618	A	1	Sensor	3/4-16
4	801669		1	.Thru-seal nut	
5	313041		N	Cable ties	L=186 mm
6	925802		N	Cable ties	L=142 mm
7	371727		2	Sleeve	
8	384069	B	1	.Sensor	
9	903770		1	.Nut	
10	903769		1	.Sealing	

A) Tacho/Frequency meter

B) Speedometer

**Speedometer and frequency meter Option**

**18017**





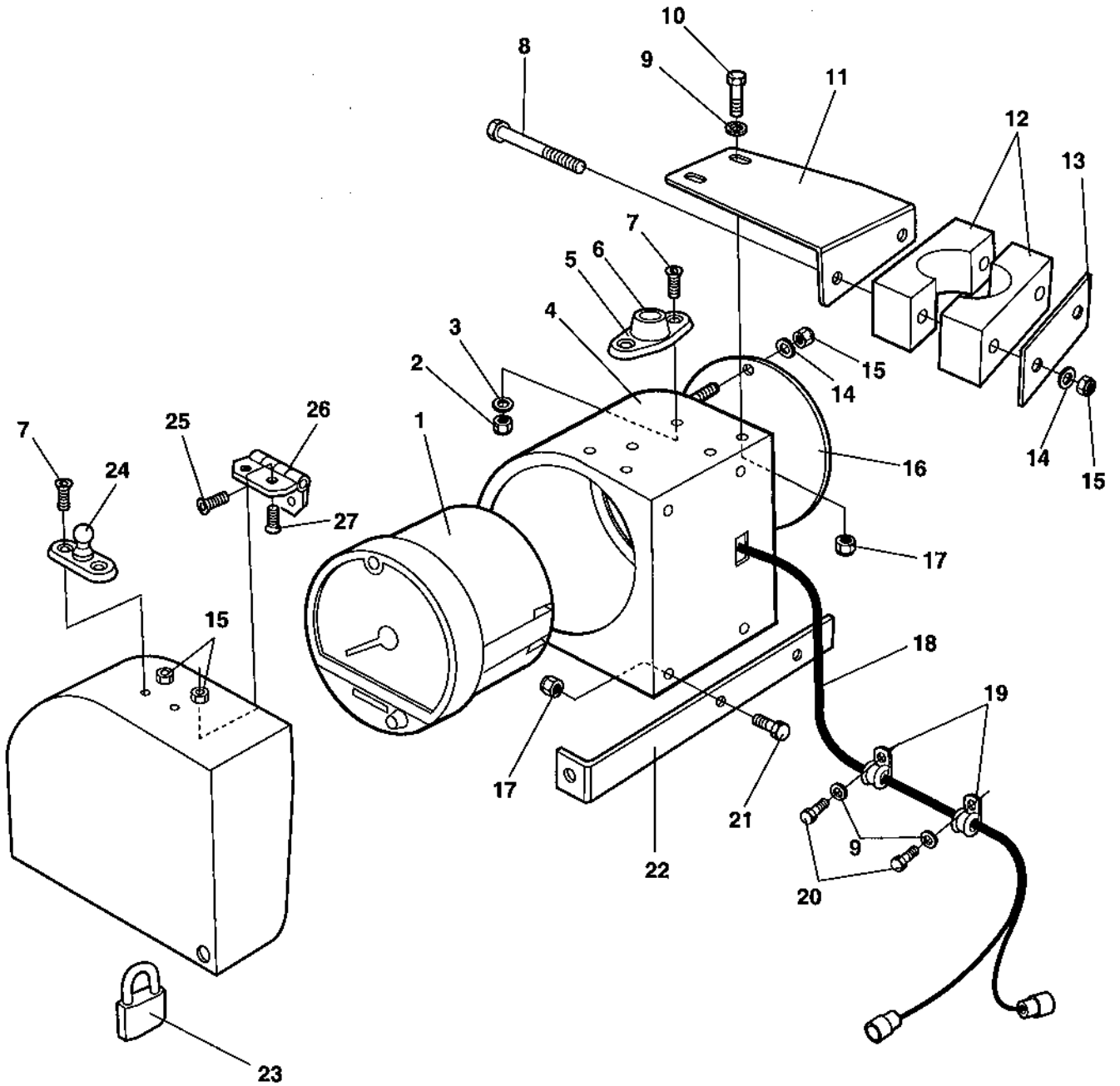
**Speedometer and frequency meter Option**

Ref. No.	Part No.	Rem.	Qty	Description	Code
2	376937		1	Cable harness	
3	376935	A	1	Sensor	
4	801669		1	.Thru-seal nut	
5	376936		1	Holder	
6	376938		1	Holder	
7	904231		1	Washer	
8	500056		1	Screw	
9	586019		1	Lock nut	
10	921078		2	Clamp	
11	904228		2	Washer	
12	500013		2	Screw	
13	500103		1	Screw	M12x60H 8,8
14	904213		2	Washer	
15	570007		1	Hexagon nut	M12
16	313041		N	Cable ties	L=186 mm
17	313102		N	Cable ties	
18	384069	B	1	Sensor	
19	903769		1	.Sealing	

- A) Tacho/Frequency meter
- B) Speedometer

Tachograph, platform Option

17805

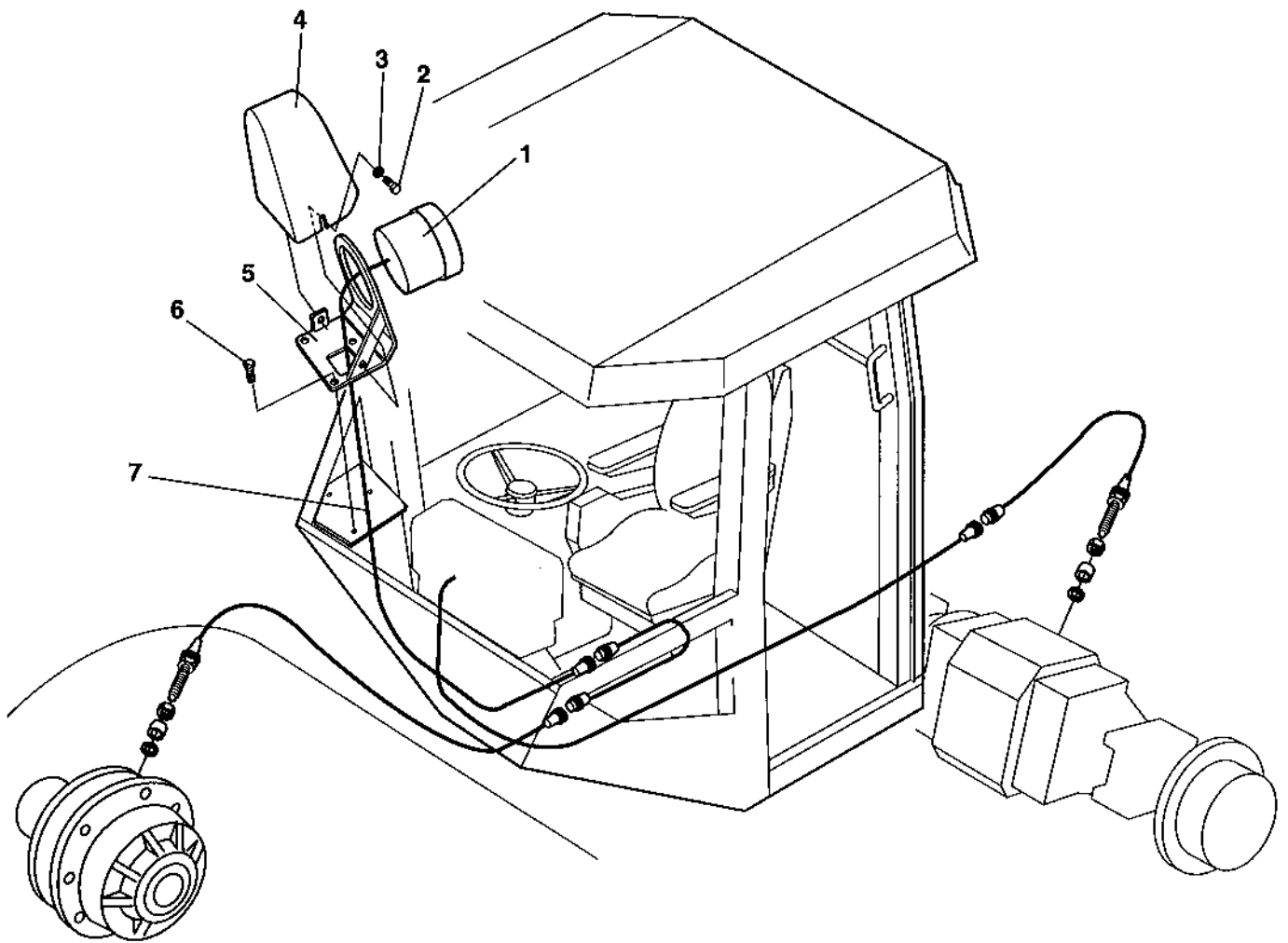


**Tachograph, platform Option**

Ref. No.	Part No.	Rem.	Qty	Description	Code
1	901209		1	Tachograph	
2	923976		4	Nut	
3	904698		4	Washer	
4	355132		1	Tachograph box	
5	904907		1	Door bumper	
6	904908		1	Rubber part	
7	535004		4	Screw	M4x16
8	500292		2	Screw	M6x75
9	904281		12	Washer	
10	500006		2	Screw	M5x16
11	382549		1	Bracket	
12	904340		1	Pipe clamp	
13	924791		1	Cover plate	
14	904228		8	Washer	
15	586002		6	Lock nut	
16	355135		1	Tachograph cover	
17	586001		6	Lock nut	
18	372497		1	Cable harness	
19	921031		3	Clamp	
20	500006		3	Screw	M5x16
21	500060		1	Screw	M5-0,8x20 8.8
22	385551		1	Holder plate	
23	358881		1	Pad lock	
24	904909		1	Door bumper	
25	535014		2	Screw	
26	903907		1	Hinge	
27	535013		2	Screw	

**Tachograph , cab Option**

17806

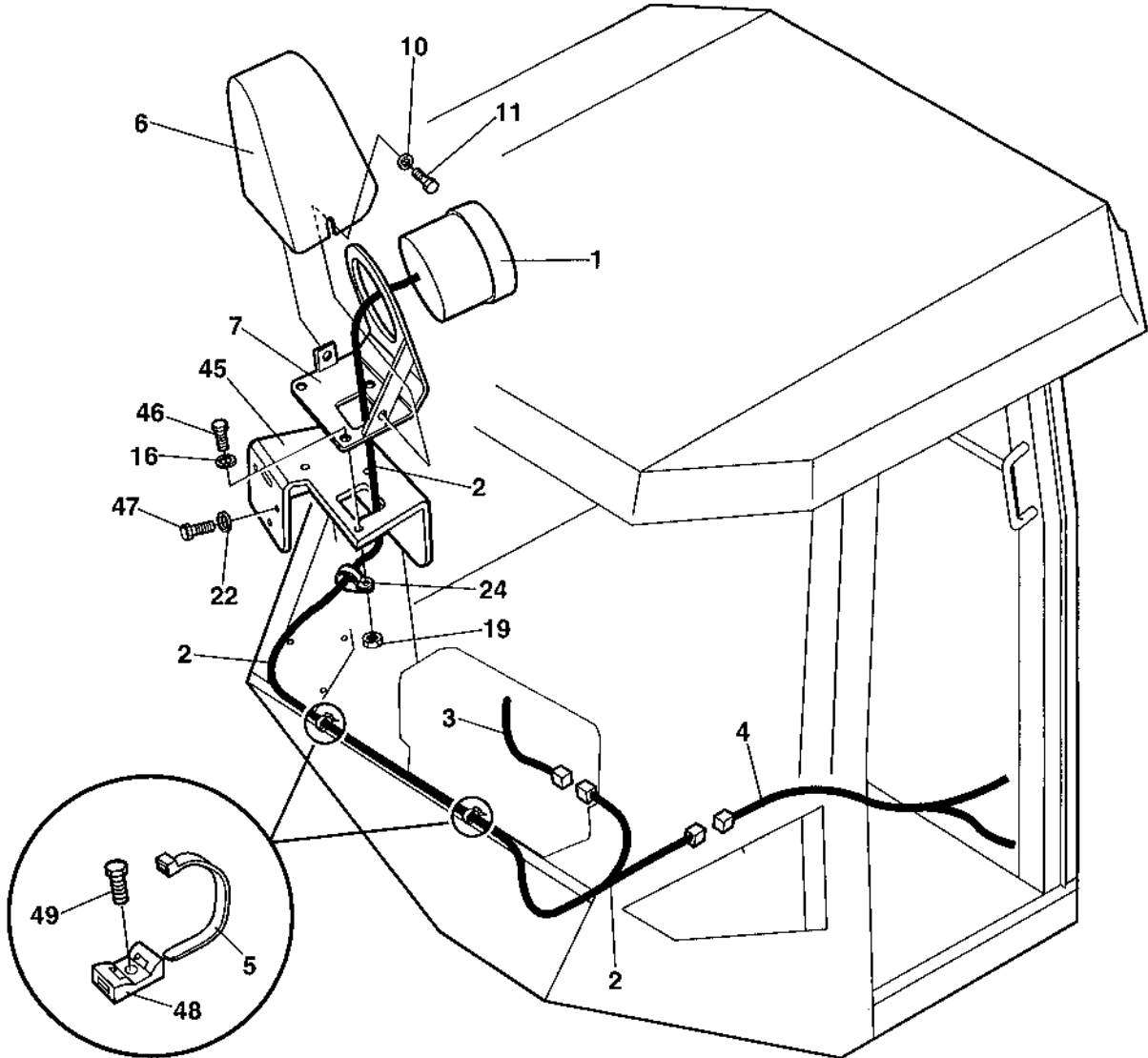


**Tachograph , cab Option**

<b>Ref. No.</b>	<b>Part No.</b>	<b>Rem.</b>	<b>Qty</b>	<b>Description</b>	<b>Code</b>
1	901209		1	Tachograph	
2	500004		2	Screw	M5 0,8x12 8,8
3	904281		2	Washer	
4	385527		1	Cover	
5	385526		1	Holder plate	
6	541704		3	Screw	
7	385542		1	Cable harness	

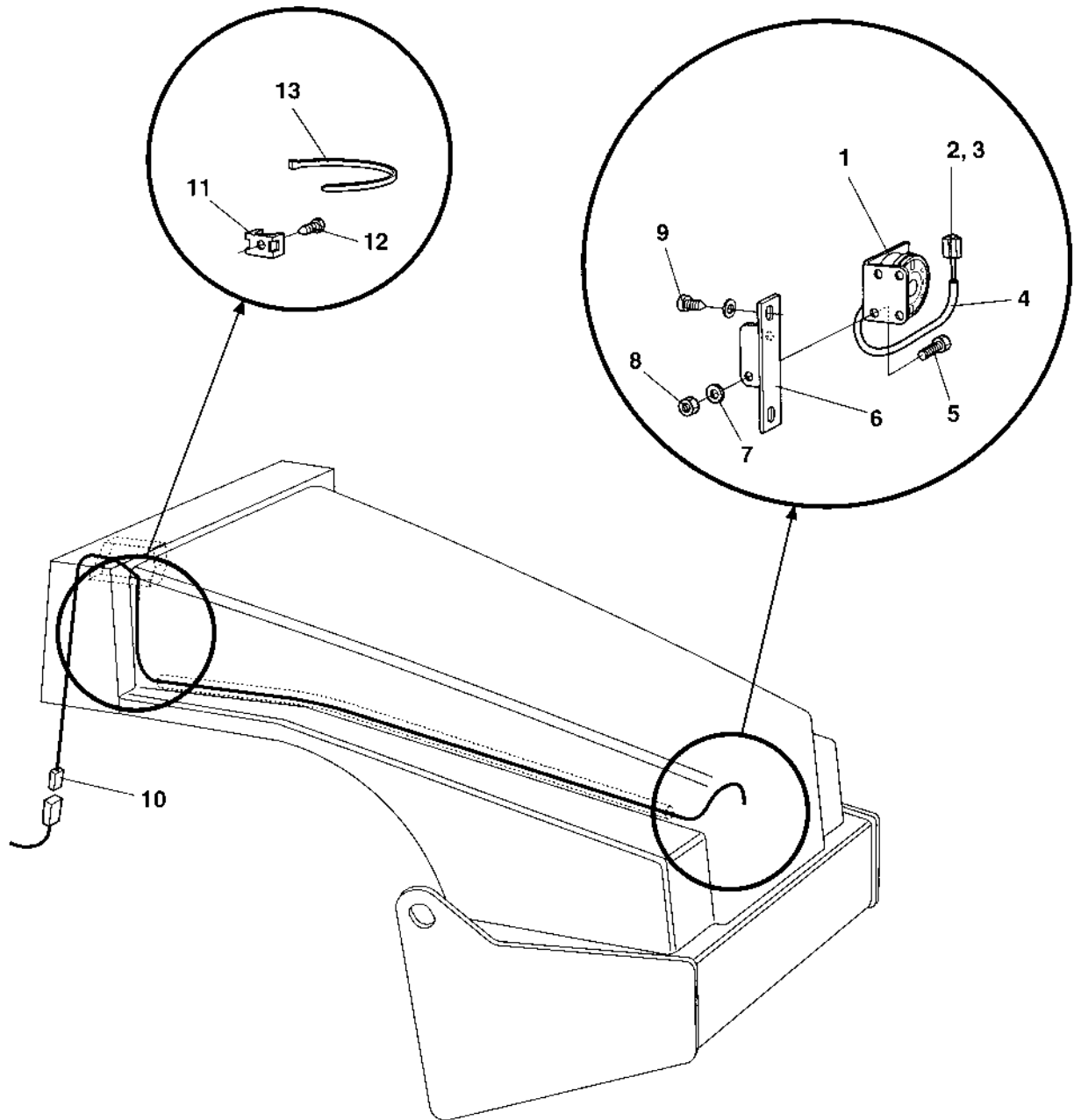
Tachograph, simple cab Option

18161



Tachograph, simple cab Option

Ref. No.	Part No.	Rem.	Qty	Description	Code
1	901209		1	Tachograph	
2	372497		1	Cable harness	
	908496		1	.Grommet	
	903717		1	.Resistor	470 ohm, 0.5w
3	372496		1	Cable harness	
4	372495		1	Cable harness	
	904015		1	.Fuse holder	
	904140		1	.Fuse	0.5A
5	313041	N		Cable ties	L=186 mm
6	385527		1	Cover	
7	385526		1	Holder plate	
10	904281		2	Washer	
11	500004		2	Screw	M5 0,8x12 8,8
16	904228		3	Washer	
19	586002		1	Lock nut	
22	904229		3	Washer	
24	921031		1	Clamp	
45	378110		1	Bracket	
46	500075		3	Screw	M6-1,0x25 8.8
47	500053		3	Screw	
48	904543		2	Cable tie holder	
49	903852		2	Screw	ST4,2x13





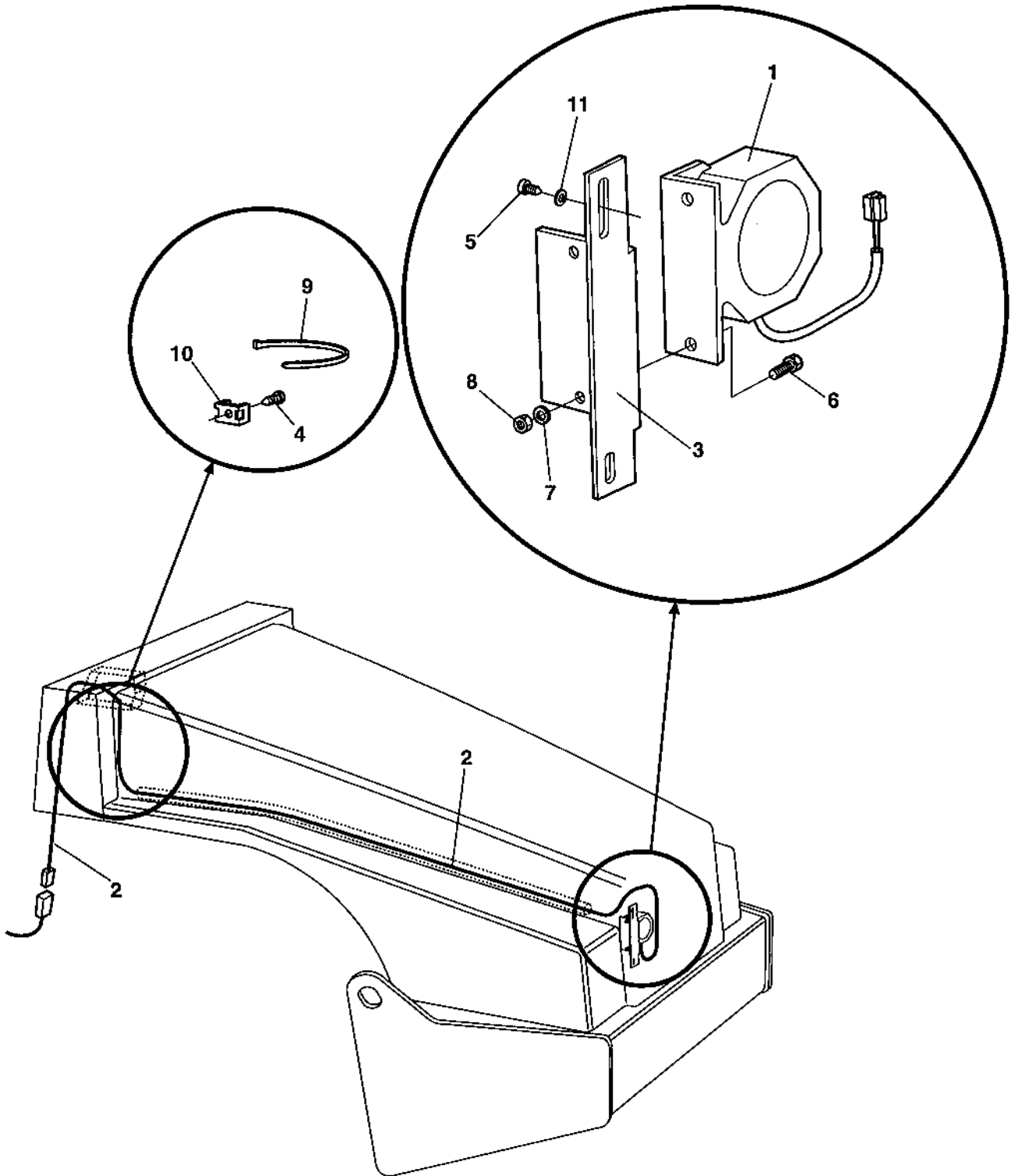
**Back-up alarm Option**

Ref. No.	Part No.	Rem.	Qty	Description	Code
1	900798		1	Buzzer	
2	901766		1	Connector	2-POL
3	903897		2	Push-on terminal male	
4	244002	A	1	Plastic hose	
5	500004		2	Screw	M5 0,8x12 8,8
6	374140		1	Bracket	
7	904281		2	Washer	
8	586001		2	Lock nut	
9	903969		2	Screw	ST4,8x19 Black
10	373286		1	Cable harness	
11	904543		3	Cable tie holder	
12	903852		3	Screw	ST4,2x13
13	925802	N		Cable ties	L=142 mm

A) L=150 mm

**Back-up alarm Option**

17983



**Back-up alarm Option**

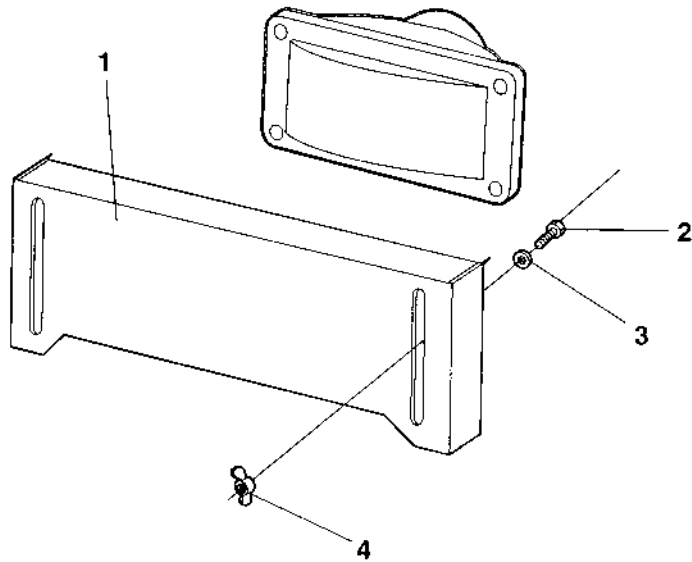
<b>Ref. No.</b>	<b>Part No.</b>	<b>Rem.</b>	<b>Qty</b>	<b>Description</b>	<b>Code</b>
1	904910		1	Back-up alarm	
2	373286	A	1	Cable harness	
3	376896		1	Bracket	
4	903852		3	Screw	ST4,2x13
5	903969		2	Screw	ST4,8x19 Black
6	500013		2	Screw	
7	904228		2	Washer	
8	586002		2	Lock nut	
9	925802		N	Cable ties	L=142 mm
10	904543		3	Cable tie holder	
11		B		Existing washer	

A) Not valid for machines equipped with working/driving lights.

B) Use existing washers on grid.

Protecting cover, Headlight Option

17344

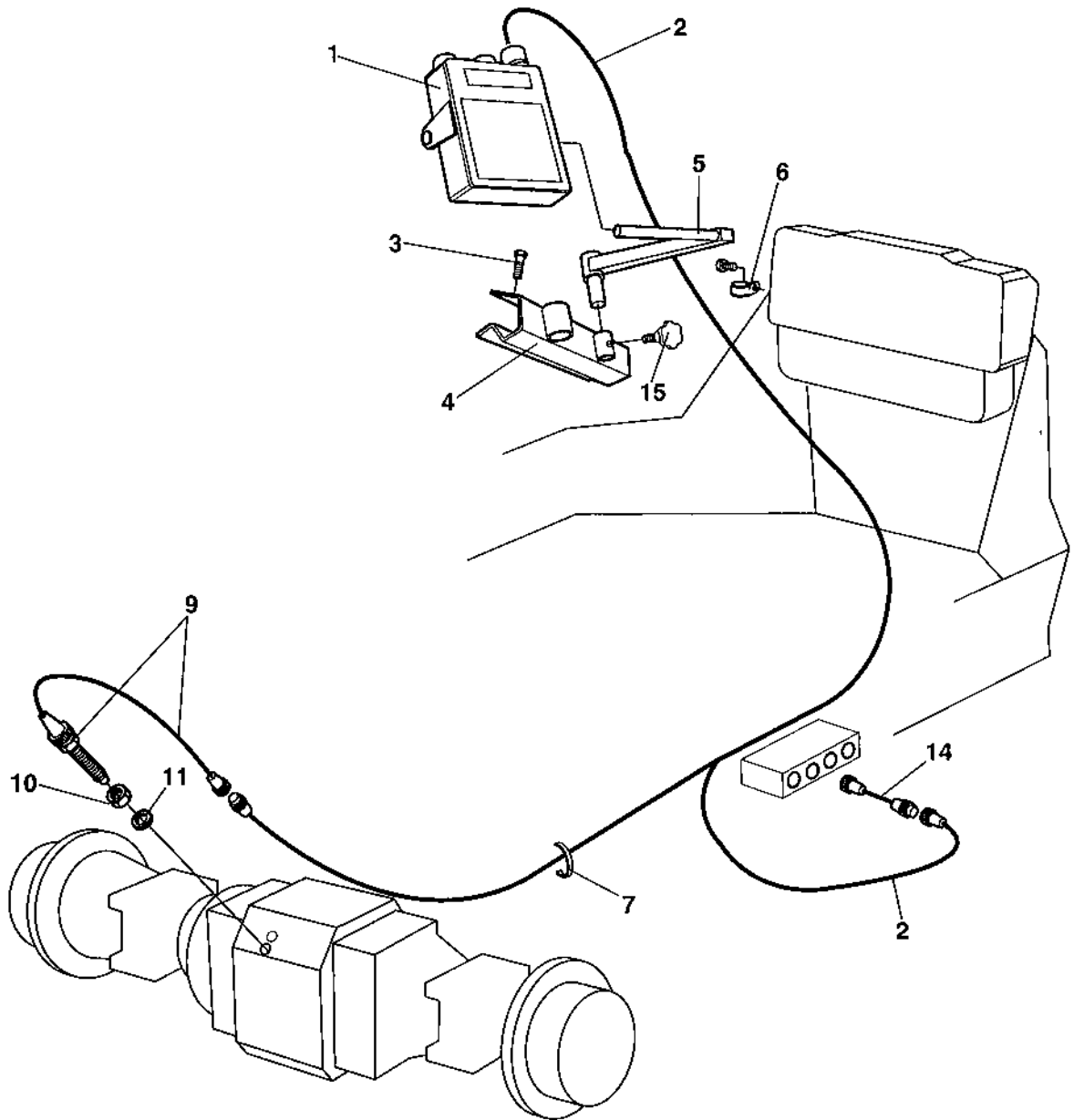


**Protecting cover, Headlight Option**

<b>Ref. No.</b>	<b>Part No.</b>	<b>Rem.</b>	<b>Qty</b>	<b>Description</b>	<b>Code</b>
1	376068		1	Protecting plate	
2	500013		2	Screw	
3	904228		2	Washer	
4	582006		2	Wing nut	

Field computer assembly Option

17804-2



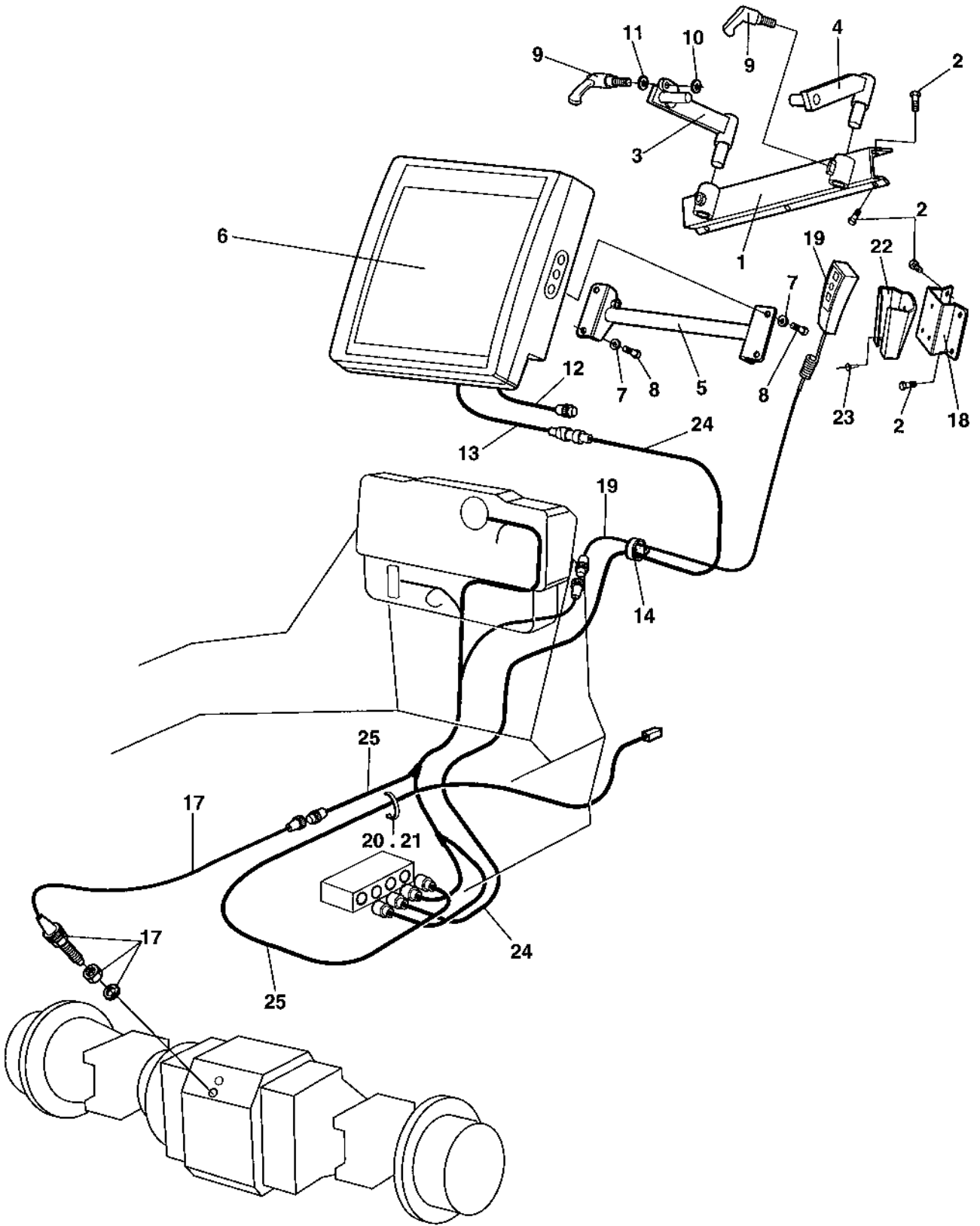
**Field computer assembly Option**

<b>Ref. No.</b>	<b>Part No.</b>	<b>Rem.</b>	<b>Qty</b>	<b>Description</b>	<b>Code</b>
1	373860		1	Field computer	
2	384070		1	Cable harness	
3	541703		5	Screw	M6x16
4	373979		1	Bracket	
5	373980		1	Lever	
6	921065		2	Clamp	
7	313041		N	Cable ties	L=186 mm
9		A	1	Sensor	
10			1	.Nut	
11			1	.Sealing	
14	389786		1	Cable harness	
15	499162		1	Hand knob	

A) See section "Speedometer and Frequency meter".

**Compaction Analyzer Option**

17913





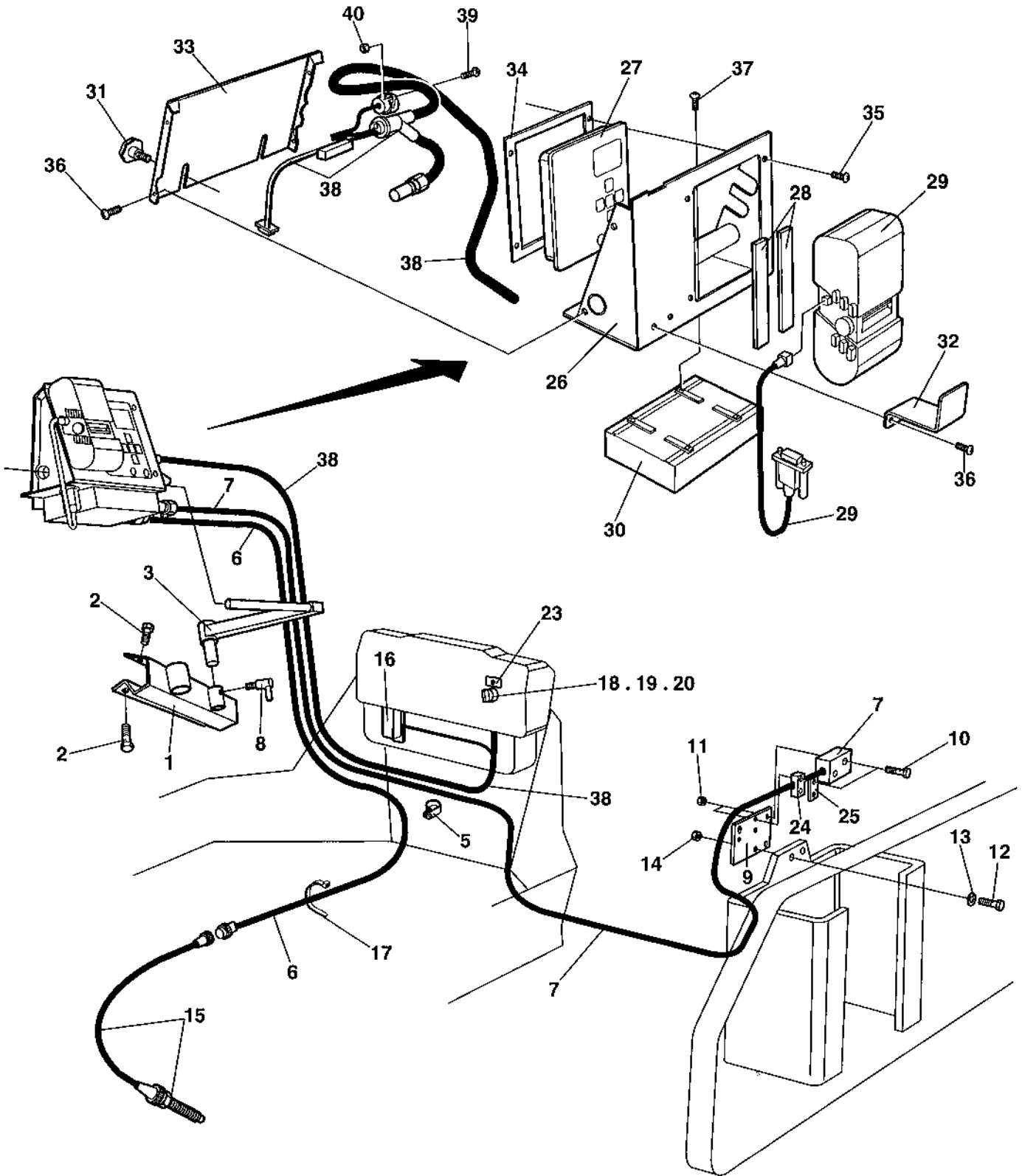
**Compaction Analyzer Option**

Ref. No.	Part No.	Rem.	Qty	Description	Code
1	387968		1	Holder	
2	938686		10	Screw	
3	387969		1	Lever	
4	388189		1	Lever	
5	387571		1	Computer holder	
6	388209		1	Computer	
7	904228		4	Washer	
8	500013		4	Screw	
9	791452		3	Lock handle	
10	904640		1	Washer	
11	904229		1	Washer	
12	388214	A	1	Cable harness	
13	388213		1	Cable harness	
14	921046		5	Clamp	
17		B		Sensor	
18	389591		1	Bracket	
19	388212		1	Control box	
20	313041		N	Cable ties	L=186 mm
21	313102		N	Cable ties	
22	387941		1	Control box holder	
23	624021		3	Pop rivet	
24	389570		1	Cable harness	
25		C		Cable harness	

- A) Connected to 12V contact on Cab.
- B) See section "Speedometer and Frequency meter".
- C) See section "Compaction meter".

**Geodynamic Compaction indicator Option**

18162



**Geodynamic Compaction indicator Option**

Ref. No.	Part No.	Rem.	Qty	Description	Code
1	373979		1	Bracket	
2	541703		5	Screw	M6x16
3	373980		1	Lever	
5	921046		3	Clamp	
6	386645		1	Cable harness	
7	386646		1	Cable harness with sensor	
8	791452		1	Lock handle	
9	373140		1	Bracket	
10	500016		4	Screw	
11	902285		4	Lock nut	
12	500194		2	Screw	
13	904231		2	Washer	
14	902288		2	Nut	M12
15		A	1	Sensor	
16	901224		1	Fuse	3A
17	313041		N	Cable ties	L=186 mm
18	932056		1	Switch	D
19	930165		1	Contact block	
20	985012		1	Bulb	D
23	387283		1	Decal	
24	791453		1	Pipe clamp block	
25	791454		1	Cover plate	
26	386298		1	Holder	
27	387280		1	Display unit	
28	926911	B	2XL	Rubber strip	
29	387282		1	Printer	
			1	.Printer cable	
30	387281		1	Processor	
31	499162		1	Hand knob	
32	386300		1	Holder	
33	386301		1	Cover plate	
34	386299		1	Display holder	
35	791171		4	Screw	
36	904206		6	Screw	
37	904289		4	Screw	
38	386647	C	1	Cable harness	
39	900528		2	Screw	
40	928927		2	Lock nut	

A) See section "Speedometer and Frequency meter".

B) L=0,240MM

C) C1-cable

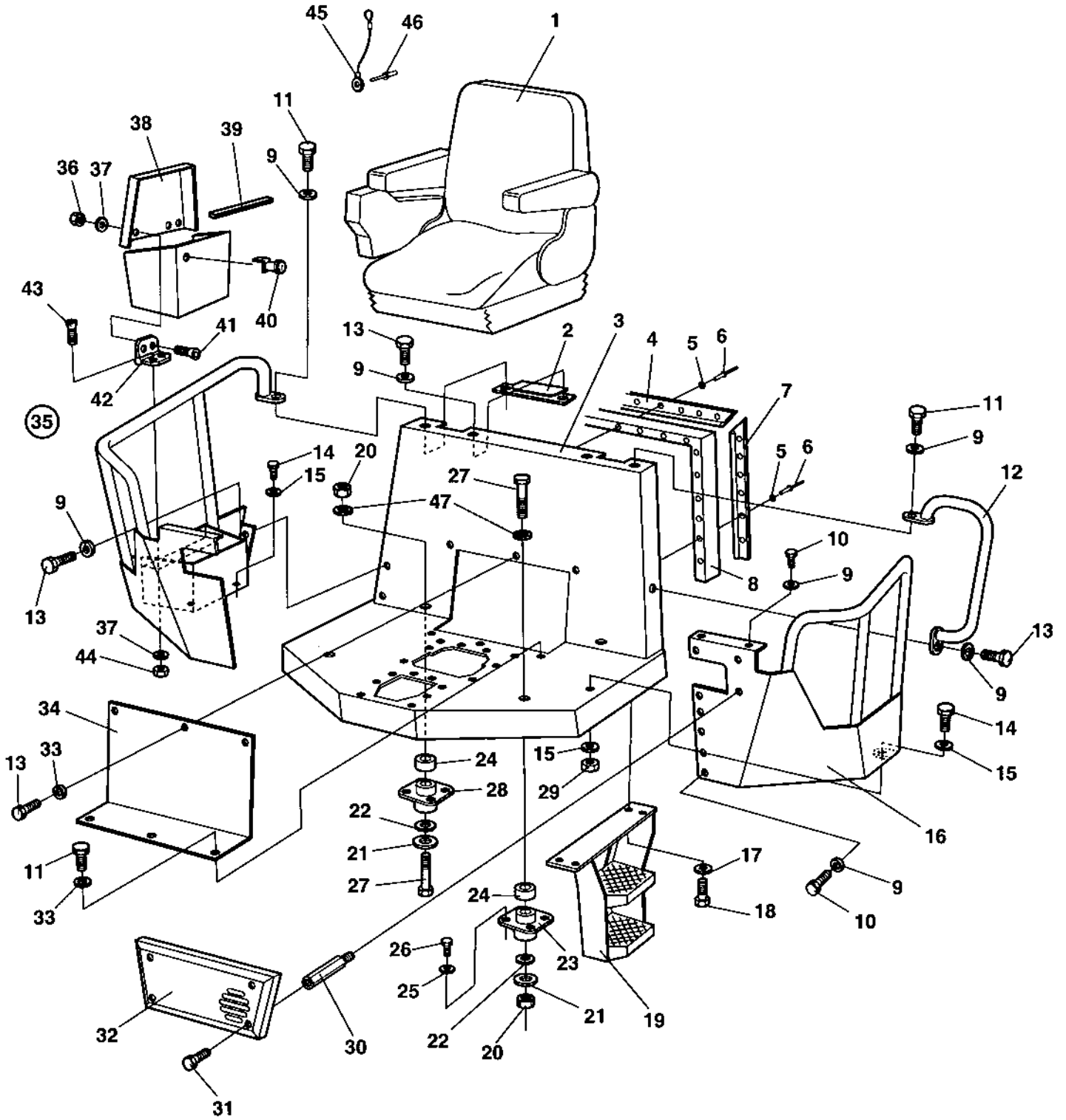


**Drivers platform**

Ref. No.	Part No.	Rem.	Qty	Description	Code
10				Drivers platform ( Page 204 )	
16				Drivers platform, for cab ( Page 206 )	
17				Drivers seat ( Page 208 )	Standard platform
21				Drivers seat ( Page 210 )	Turn-over platform
25				Drivers seat ( Page 212 )	Turn-over in cab
27	359918			Steering column ( Page 214 )	C
29				Steering system ( Page 216 )	
30				Turning ( Page 218 )	Controls
40				Turning ( Page 220 )	Carrier
50				Forward and reverse control ( Page 222 )	
57				Speed limiter ( Page 224 )	Option
60				Engine control Up to 69410460 ( Page 226 )	
61				Engine control From 69410461 ( Page 228 )	
90				Rops and fops ( Page 230 )	
96				Cab ( Page 232 )	383030
200				Cab ( Page 256 )	Work lights
220				Cab ( Page 258 )	Exterior, rear mirror
260				Radio and cassette/cd player ( Page 260 )	Option
265				Cab, 12V contact From 69410406 ( Page 262 )	
270				Rear mirror ( Page 264 )	Option
500				Simple Cab mounting ( Page 266 )	Option
510				Cab ( Page 268 )	380656
520				Cab mounting ( Page 282 )	
530				Cab ( Page 284 )	378308

**Drivers platform**

17754



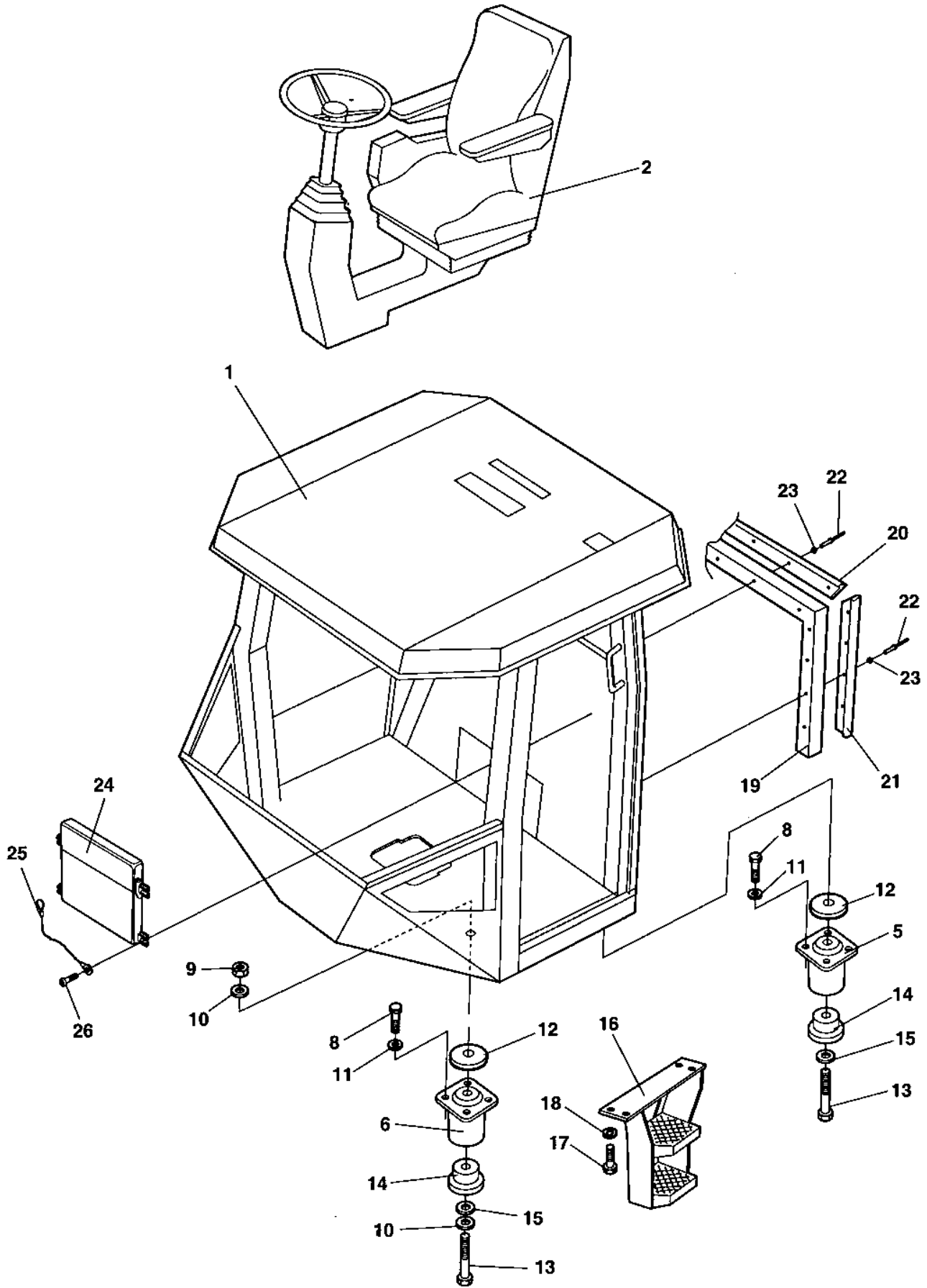
**Drivers platform**

Ref. No.	Part No.	Rem.	Qty	Description	Code
1			1	Drivers seat ( Page 208 )	Standard platform
			1	Drivers seat	Turn-over platform
			1	Forward and reverse control ( Page 222 )	
			1	Engine control ( Page 226 )	
2	380727		2	Cover	
3	371100		1	Platform	
4	372785		1	List	
5	927974		13	Washer	5x19x1
6	904433		13	Blind rivet	
7	372786		2	List	
8	372494	A	1	Rubber strip	
9	904229		22	Washer	
10	500019		7	Screw	
11	500021		7	Screw	
12	371202	B	1	Hand rail	
13	500053		10	Screw	
14	500031		5	Screw	
15	904557		10	Washer	
16	371967	B	1	Operator protection	
17	904230		6	Washer	
18	500029		9	Screw	
19	376252		1	Step	
20	586022		4	Lock nut	M20-8
21	347512		4	Washer	
22	903290		4	Washer	21x36x6
23	370255	C	2	Shock absorber	
24	374471		4	Spacer	
25	904231		16	Washer	
26	500195		16	Screw	
27	500226		4	Screw	M20-2.5x180 8,8
28	372757	D	2	Shock absorber	
29	570006		5	Nut	
30	904941		4	Spacer screw	
31	904206		4	Screw	
32	382849		1	Protecting cover	
33	904640		18	Washer	
34	372053		1	Cover	
35	371966	E	1	Operator protection	
36	581018		4	.Nut	
37	904228		8	.Washer	
38	376079		1	.Cover	
39	202028	F	1	.Edge trim	
40	376118		1	.Lock	
	902866		2	..Key	Marked "455"
41	535013		4	.Screw	
42	903907		2	.Hinge	
43	535015		4	.Screw	
44	586002		4	.Lock nut	
45	384584		1	Wire	
46	904855		1	Blind rivet	
47	904233		4	Washer	

- A) L = 2.400 m
- B) Left
- C) Front
- D) Rear
- E) Right
- F) L=0,736 m

**Drivers platform, for cab**

17650-1





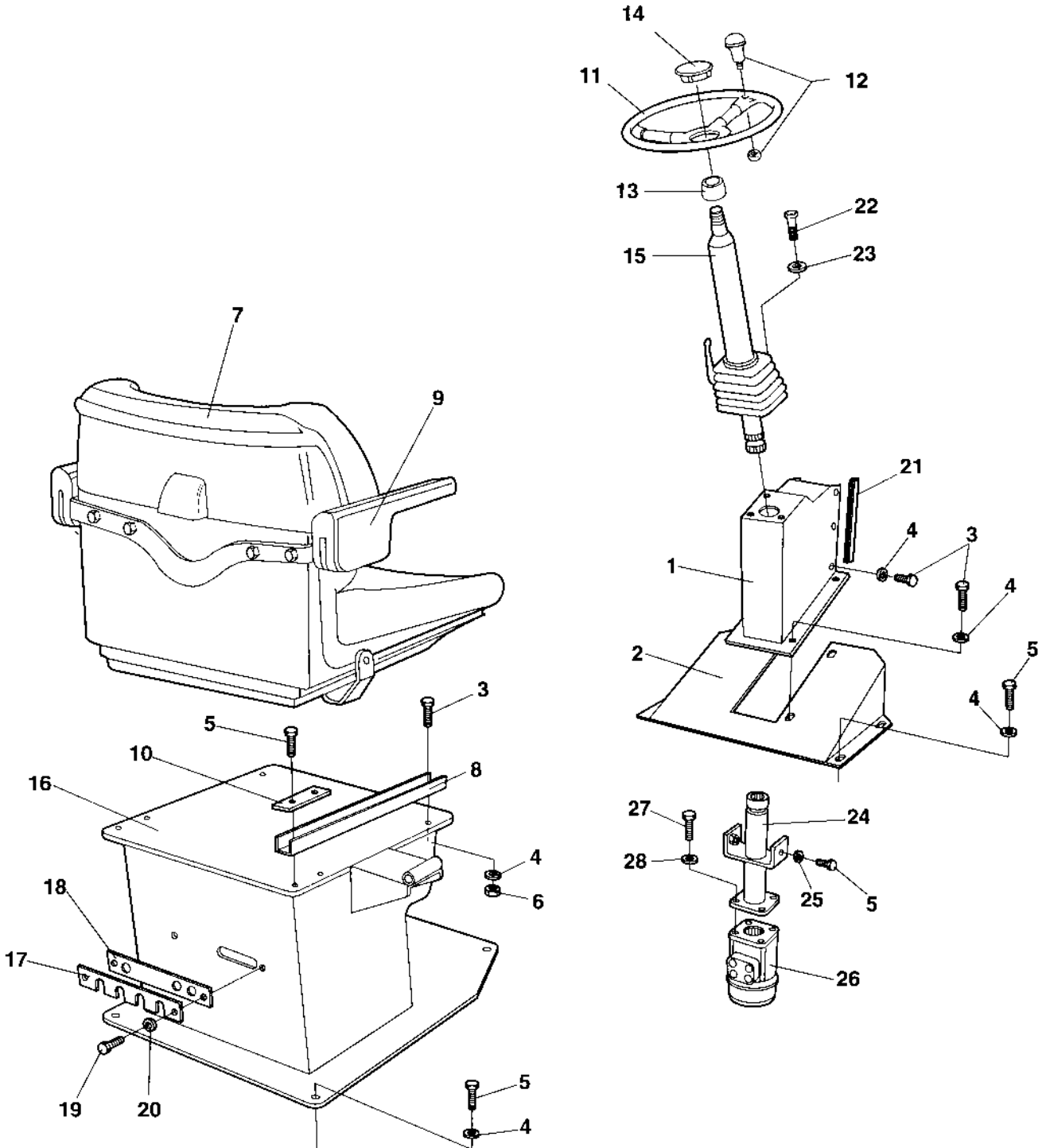
**Drivers platform, for cab**

Ref. No.	Part No.	Rem.	Qty	Description	Code
1			1	Cab ( Page 232 )	383030
2				Drivers seat ( Page 212 )	Turn-over in cab
				Forward and reverse control ( Page 222 )	
				Engine control ( Page 226 )	
5	374606		2	Shock absorber	Green
6	374607		2	Shock absorber	Yellow
8	500195		16	Screw	
9	901145		4	Lock nut	M20-10
10	904233		6	Washer	
11	904231		16	Washer	
12	384759		4	Spacer	
13	791218		4	Screw	M20x200
14	372457		4	Back-up ring	
15	903290		4	Washer	21x36x6
16	376252		1	Step	
17	500029		6	Screw	
18	904230		6	Washer	
19	372494	A	1XL	Rubber strip	
20	372785		1	List	
21	372786		2	List	
22	904433		13	Blind rivet	
23	927974		13	Washer	5x19x1
24	383705		1	Instruction book holder	
25	357643		1	Wire	
26	791226		4	Screw	

A) L = 2,400 m

**Drivers seat Standard platform**

16010-1



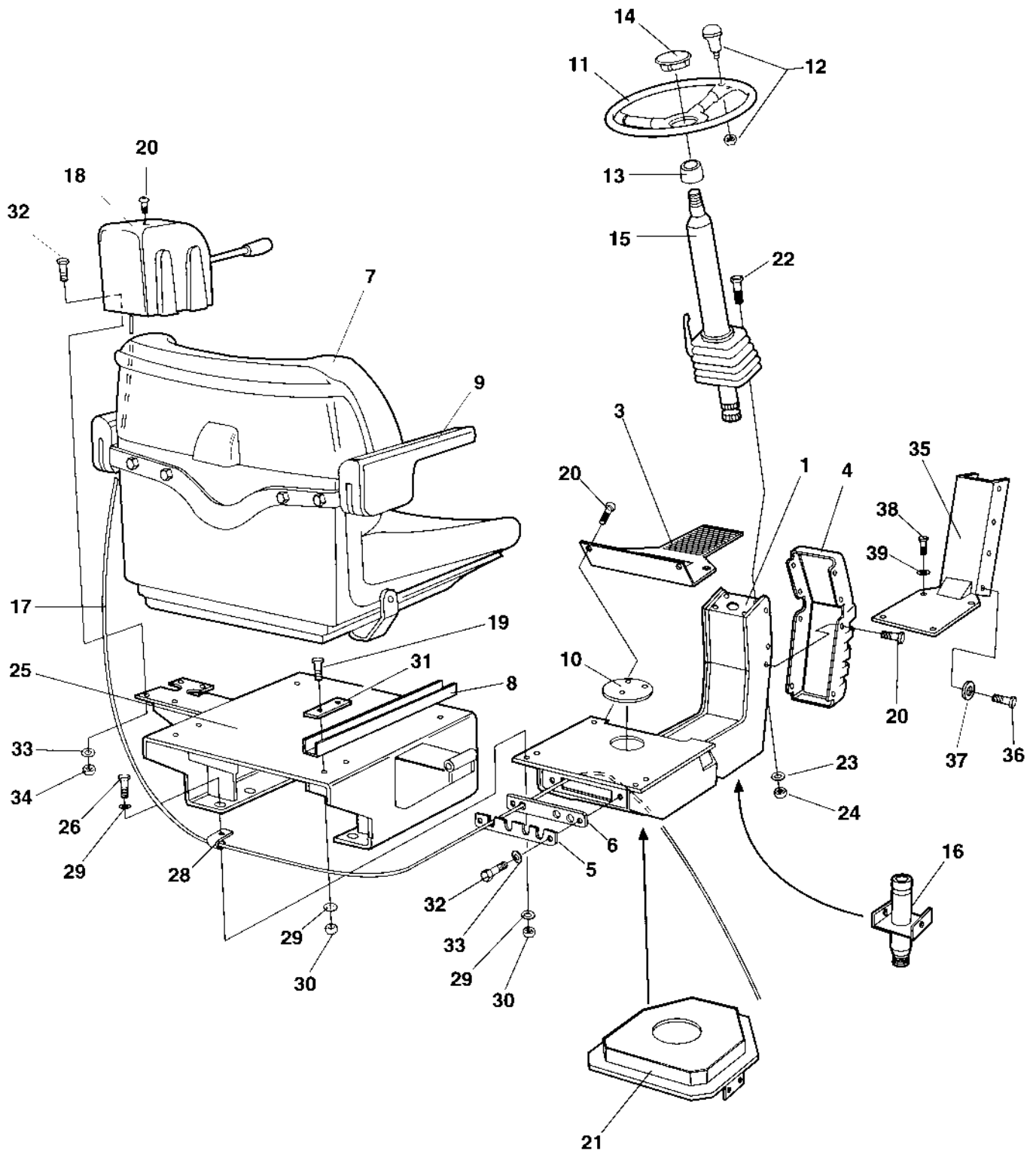
Drivers seat Standard platform

Ref. No.	Part No.	Rem.	Qty	Description	Code
1	371968		1	Steering console	
2	371213		1	Foot rest	
3	500053		12	Screw	
4	904229		24	Washer	
5	500021		14	Screw	
6	570005		6	Nut	
7	370234		1	Drivers seat	
8		A	1	Slide rail	
9			1	Arm rest, left	
			1	Arm rest, right	
10	370235		2	Holder plate	
11	372964		1	Steering wheel, cpl	
			1	.Steering wheel	
12	935614		1	.Turning knob	D
13			1	.Insert adapter	D
14	935613		1	.Cover	
15	359918		1	Steering column ( Page 214 )	C
16	371270		1	Seat frame	
17	359914		1	Cover	
18	359915		1	Grommet	
19	500075		2	Screw	M6-1,0x25 8.8
20	904228		2	Washer	
21	202028	B	2XL	Edge trim	
22	500029		3	Screw	
23	904557		3	Washer	
24	370977		1	Linkage shaft	
25	904640		2	Washer	
26			1	Steering valve	
27	502034		4	Screw	UNC 3/8 - 16
28	904230		4	Washer	

- A) One pair  
B) L = 0.290 m

Drivers seat Turn-over platform

17036



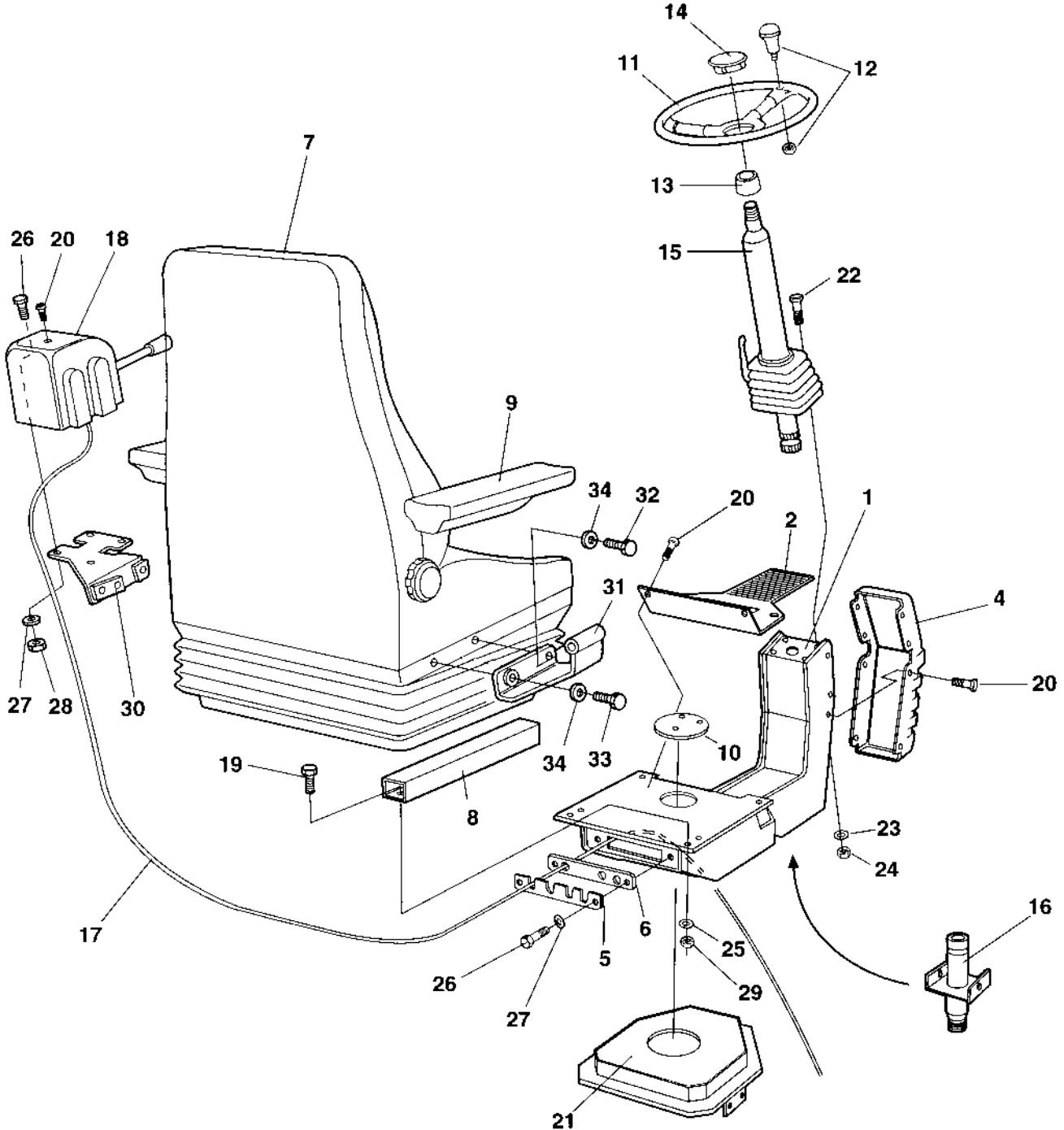
Drivers seat Turn-over platform

Ref. No.	Part No.	Rem.	Qty	Description	Code
1	359900		1	Seat frame	
3	381400		1	Bearing cover	
4	359574		1	Cover	
5	359914		1	Cover	
6	359915		1	Grommet	
7	370234		1	Drivers seat	
8		A	1	Slide rail	
9			1	Arm rest, left	
			1	Arm rest, right	
10	359920		1	Plug	
11	372964		1	Steering wheel, cpl	
			1	.Steering wheel	
12	935614		1	.Turning knob	D
13			1	.Insert adapter	D
14	935613		1	.Cover	
15	359918		1	Steering column ( Page 214 )	C
16			1	Steering system ( Page 216 )	
17			1	Turning	Controls
18	359419		1	Control cover	
19	500053		6	Screw	
20	904206		16	Screw	
21			1	Turning	Carrier
22	500028		3	Screw	
23	904557		3	Washer	
24	570006		3	Nut	
25	370211		1	Seat frame	
26	500021		6	Screw	
27	603019		6	Washer	
28	921104		1	Clamp	
29	904229		18	Washer	
30	570005		12	Nut	
31	370235		2	Holder plate	
32	500040		6	Screw	
33	904228		6	Washer	
34	586002		4	Lock nut	
35	371407		1	Cover	
36	500019		8	Screw	
37	904229		12	Washer	
38	500021		4	Screw	
39	904229		1	Washer	
100	348331		1	Seat cover	D

A) One pair

**Drivers seat Turn-over in cab**

17037



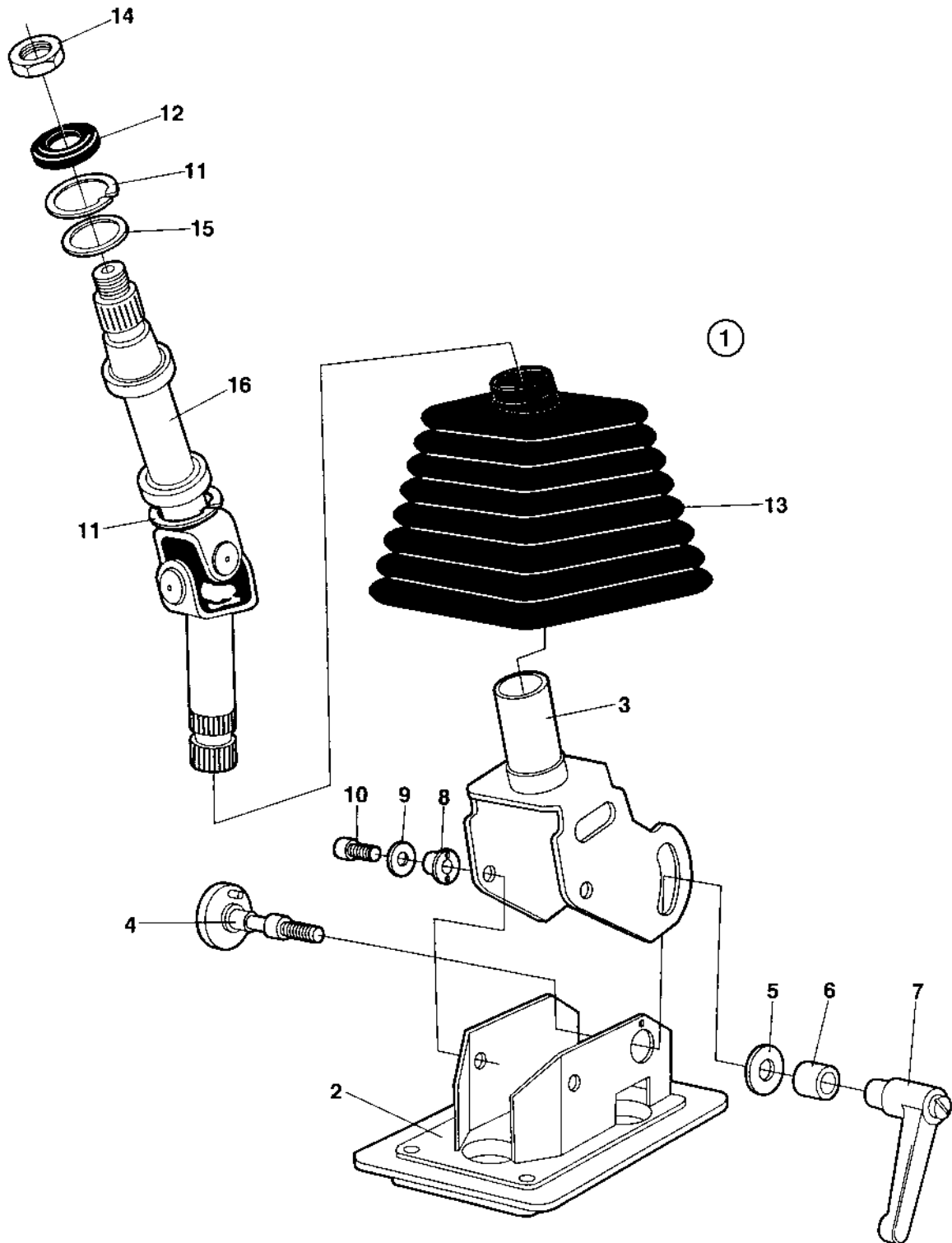
Drivers seat Turn-over in cab

Ref. No.	Part No.	Rem.	Qty	Description	Code
1	359900		1	Seat frame	
2	381400		1	Bearing cover	
4	359574		1	Cover	
5	359914		1	Cover	
6	359915		1	Grommet	
7	359917		1	Drivers seat	
8		A	1	Slide rail	
9			1	Arm rest, left	
			1	Arm rest, right	
10	359920		1	Plug	
11	372964		1	Steering wheel, cpl	
			1	.Steering wheel	
12	935614		1	.Turning knob	D
13			1	.Insert adapter	D
14	935613		1	.Cover	
15	359918		1	Steering column ( Page 214 )	C
16			1	Steering system ( Page 216 )	
17			1	Turning ( Page 218 )	Controls
18	359419		1	Control cover	
19	500053		6	Screw	
20	904206		14	Screw	
21			1	Turning ( Page 220 )	Carrier
22	500028		3	Screw	
23	904557		3	Washer	
24	570006		3	Nut	
25	904229		6	Washer	
26	500040		6	Screw	
27	904228		6	Washer	
28	586002		4	Lock nut	
29	570005		6	Nut	
30	359972		1	Control cable holder	
31	359971		1	Control cable holder	
32	500031		2	Screw	
33	903914		2	Screw	
34	904230		4	Washer	

A) One pair

**359918 Steering column**

15944





**359918 Steering column**

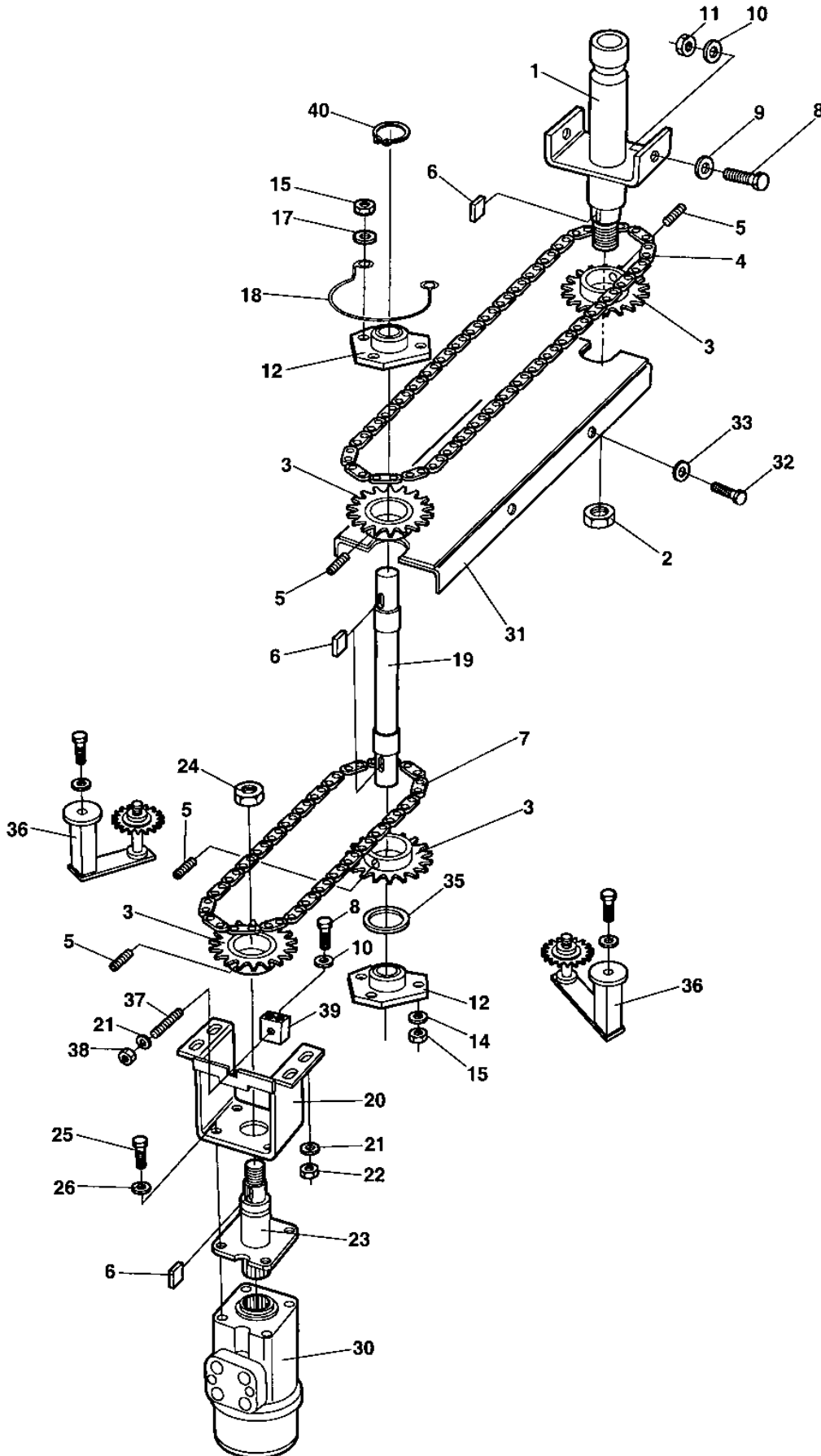
Ref. No.	Part No.	Rem.	Qty	Description	Code
1	359918		1	Steering column ( Page 214 )	C
2	935229	A	1	.Frame	
3	935230	B	1	.Frame	
4	935231		1	.Screw	
5	935232		1	.Washer	
6	935233		1	.Sleeve	
7	935234		1	.Lever	
8	935235		2	.Washer	
9	935236		2	.Washer	
10	935237		2	.Screw	
11	935238		2	.Retaining ring	
12	935239		1	.Seal	
13	935240		1	.Bellows	
14	935241		1	.Nut	
15	935242		1	.Washer	
16	935243		1	.Cardan shaft	

A) Lower

B) Upper

**Steering system**

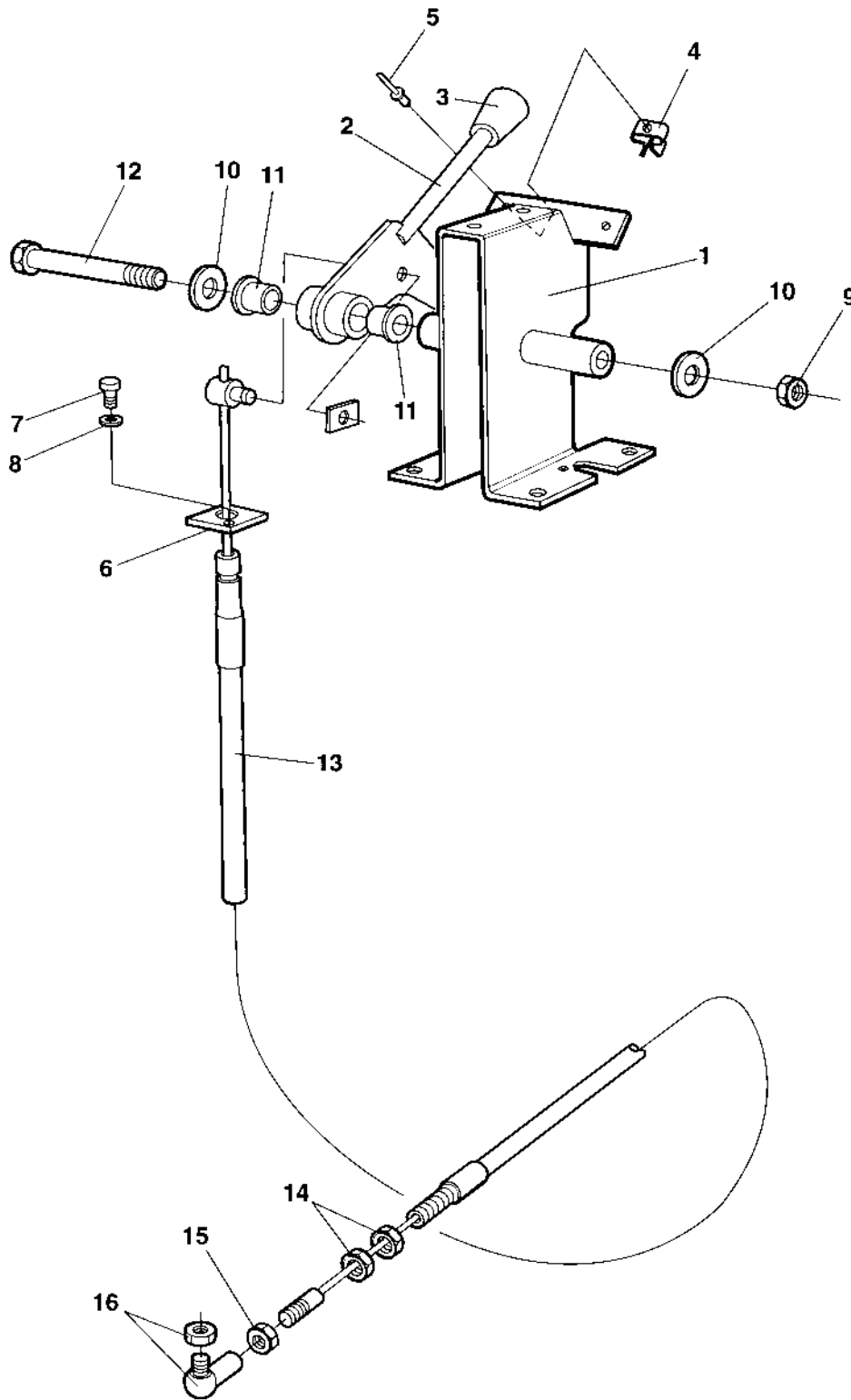
17038-1



**Steering system**

Ref. No.	Part No.	Rem.	Qty	Description	Code
1	359919		1	Shaft	
2			1	.Nut	
3	359916		4	Chain wheel	D
4	359921		1	Chain	D
5	516051		4	Set screw	
6	350009		4	Flat key	D
7	372653	A	1	Chain	
	372654	B	1	Chain	
8	500021		3	Screw	
9	904734		2	Washer	
10	904229		3	Washer	
11	586003		2	Lock nut	
12	903917	C	2	Bearing outer	
	903918	D	2	Bearing inner	
14	904228		4	Washer	
15	586002		6	Lock nut	
17	603001		2	Washer	
18	372672		1	Chain guard	
19	374933	A	1	Shaft	
	374934	B	1	Shaft	
20	381567	E	1	Bracket	
21	904640		5	Washer	
22	586003		4	Lock nut	
23	370978		1	Linkage shaft	
24			1	.Nut	
25	502036		4	Screw	3/8"-16UNCx11/4"8.8
26	904230		4	Washer	
30			1	Steering valve	
31	381403		1	Chain supporter	
32	500040		4	Screw	
33	904735		4	Washer	
35	904214		1	Washer	
36	904739		2	Chain tensioner	
37	904802		1	Threaded stud	
38	586003		1	Lock nut	
39	381571		1	Bracket	
40	150004		1	Retaining ring	

- A) For cab
- B) For platform
- C) Outer
- D) Inner
- E) Steering valve

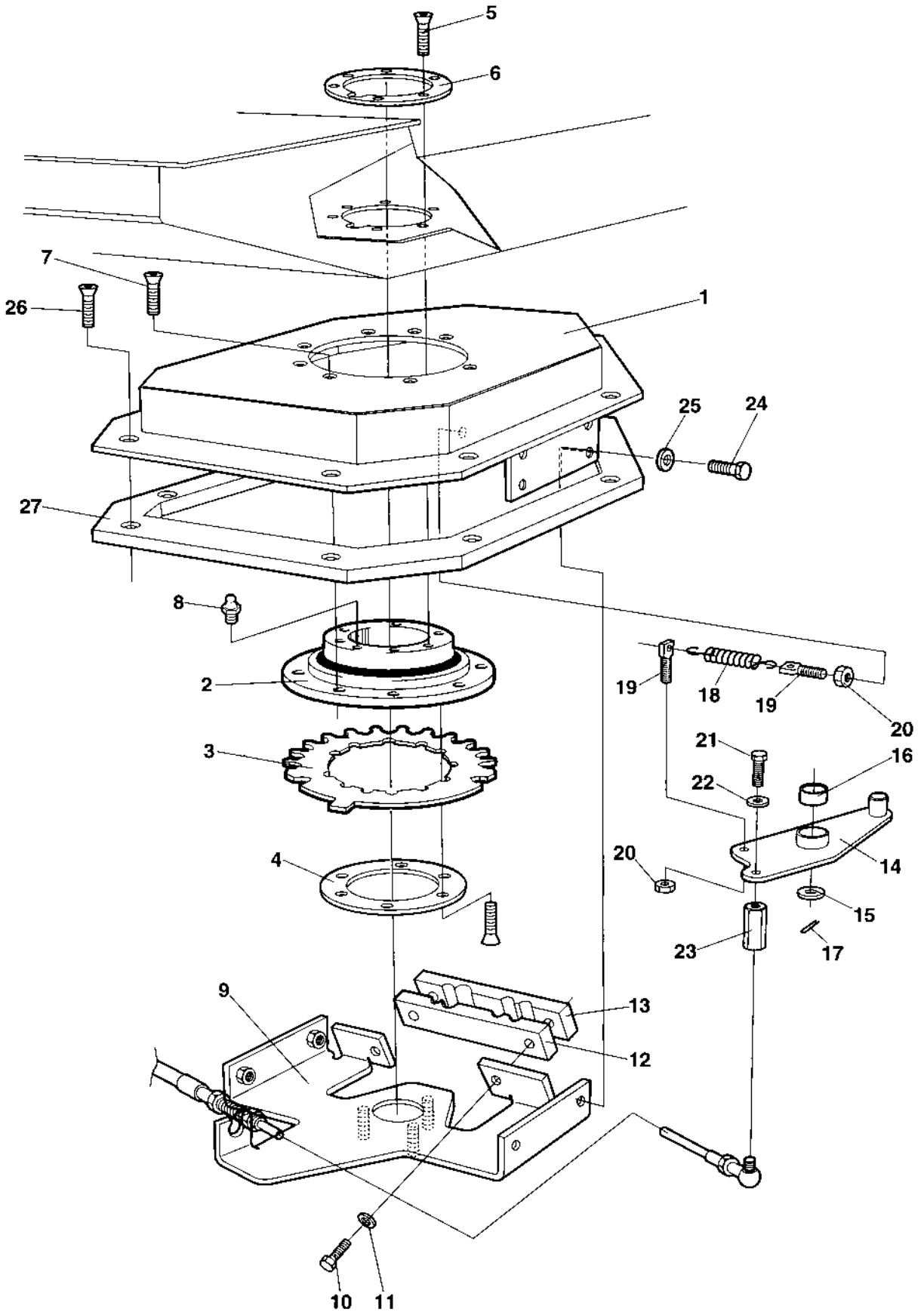


**Turning Controls**

Ref. No.	Part No.	Rem.	Qty	Description	Code
1	935771		1	Framing	
2	909745		1	Lever	
3	908190		1	Ball knob	
4	908189		1	Lever lock	
5	624016		1	Blind rivet	
6	908188		1	Cable holder	
7	533024		1	Screw	
8	615041		1	Washer	5,3x11
9	586002		1	Lock nut	
10	928381		2	Washer	6,4x18x1,6
11	908187		2	Plain bearing	
12	500169		1	Screw	
13	935774	A	1	Cable, cpl	D
14	927233		2	.Nut	
15	570004		1	.Nut	M6
16	416034		1	Ball joint	D
A)	Turning				

**Turning Carrier**

17041



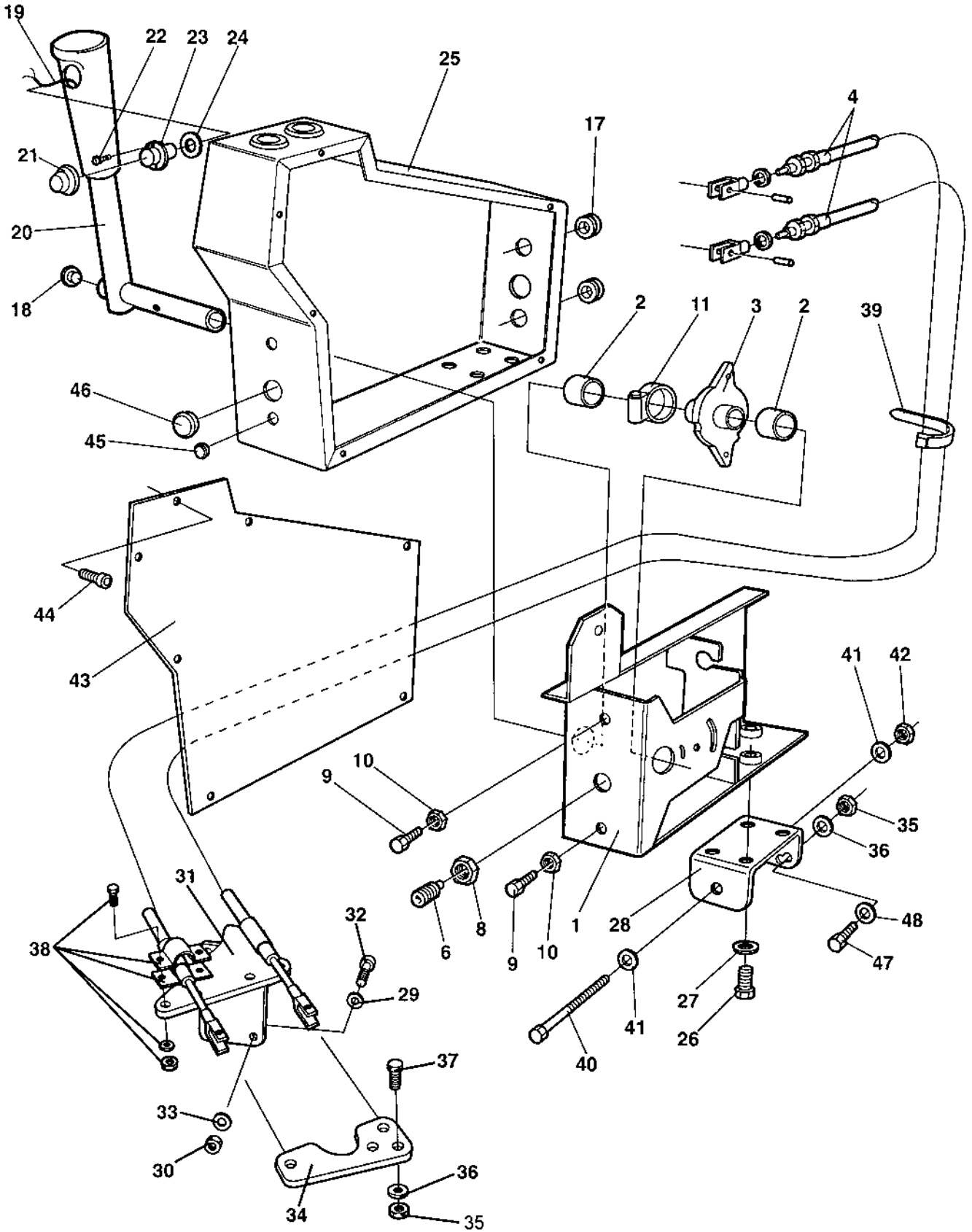
Turning Carrier

Ref. No.	Part No.	Rem.	Qty	Description	Code
1	371374		1	Bearing housing	
2	359125		1	Ball bearing	
3	370955		1	Locking disc	
4	372966	A	1	Lock ring	
5	902520		12	Screw	
6	372965	B	1	Lock ring	
7	513003		8	Screw	
8	926214		1	Grease fitting	D
9	371418		1	Bracket	
10	508056		2	Screw	M8x40
11	904229		2	Washer	
12	372961		1	Clamp	
13	372671		1	Clamp	
14	374417	C	1	Coupling link	
15	904231		1	Washer	
16	359820		1	Bushing	
17	630035		1	Split pin	D
18	359043		1	Spring	D
19	359818		2	Spring collar	
20	573008		2	Nut	M8
21	500013		1	Screw	
22	904228		1	Washer	
23	373547	D	1	Spacer	
	372459	E	1	Spacer	
24	500021		4	Screw	
25	904556		4	Washer	
26	513013	D	8	Screw	
	903644	E	8	Screw	
27	372083	F	1	Spacer	

- A) Lower
- B) Upper
- C) For turning
- D) Platform
- E) Cab
- F) Only for cab

Forward and reverse control

17465

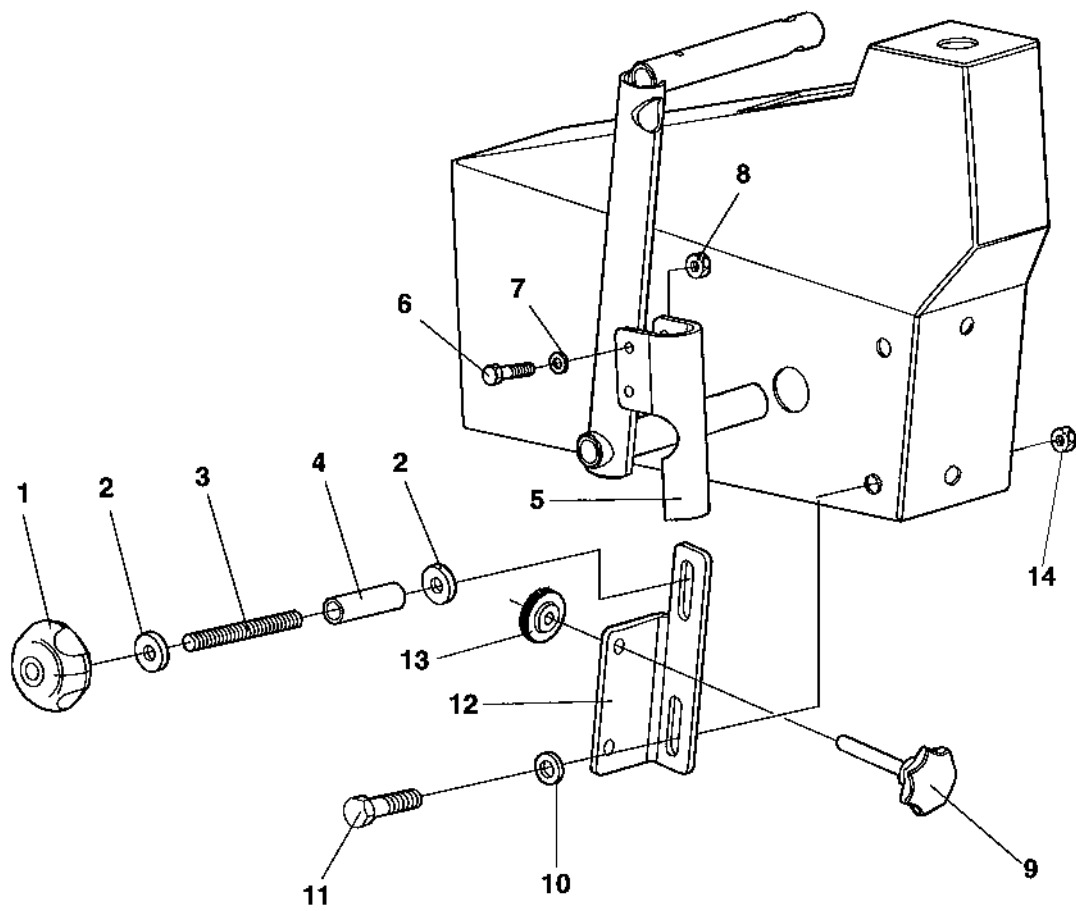




Forward and reverse control

Ref. No.	Part No.	Rem.	Qty	Description	Code
1	909747		1	Framing	
2	908200		2	Bearing	
3	909748		1	Cam disc	
4	935225	A	2	Cable	
	573004		4	.Nut	
	908193		2	.Fork	
6	922325		1	Spring ball plunger	D
8	573004		1	Nut	
9	533038		2	Screw	
10	570004		2	Nut	M6
11	313147		1	Hose clip	
17	909122		2	Grommet	
18	902203		1	Plug	
19	372782		1	Cable harness	
20	359575		1	Control lever	
21	348481		1	Cover	D
22	371009		2	Screw	
23	928497		1	Push button	D
24	395325		1	Washer	
25	372322		1	Control cover	
26	500053		2	Screw	
27	904229		2	Washer	
28	381676	B	1	Bracket	
29	904229		3	Washer	
30	904556		3	Washer	
31	382884		1	Control bracket	
32	947680		3	Screw	M8-1,25x25 10.9
33	904229		3	Washer	
34	372568		1	Control bracket	
35	586003		3	Lock nut	
36	904229		3	Washer	
37	500021		2	Screw	
38	465013		2	Clamp	D
39	313041	N		Cable ties	L=186 mm
40	500267		1	Screw	M12x120 8,8 FZB
41	904231		2	Washer	
42	586019		1	Lock nut	
43	372321		1	Cover	
44	903658		7	Screw	M5x10
45	900986		2	Plug	
46	287373		1	Plug	
47	508092		1	Screw	
48	904229	C	1	Washer	

- A) Forward/reverse
- B) Regarding "double hole". Upper hole for standard seat. Lower hole for accessorie seat.
- C) Only in use on standard seat

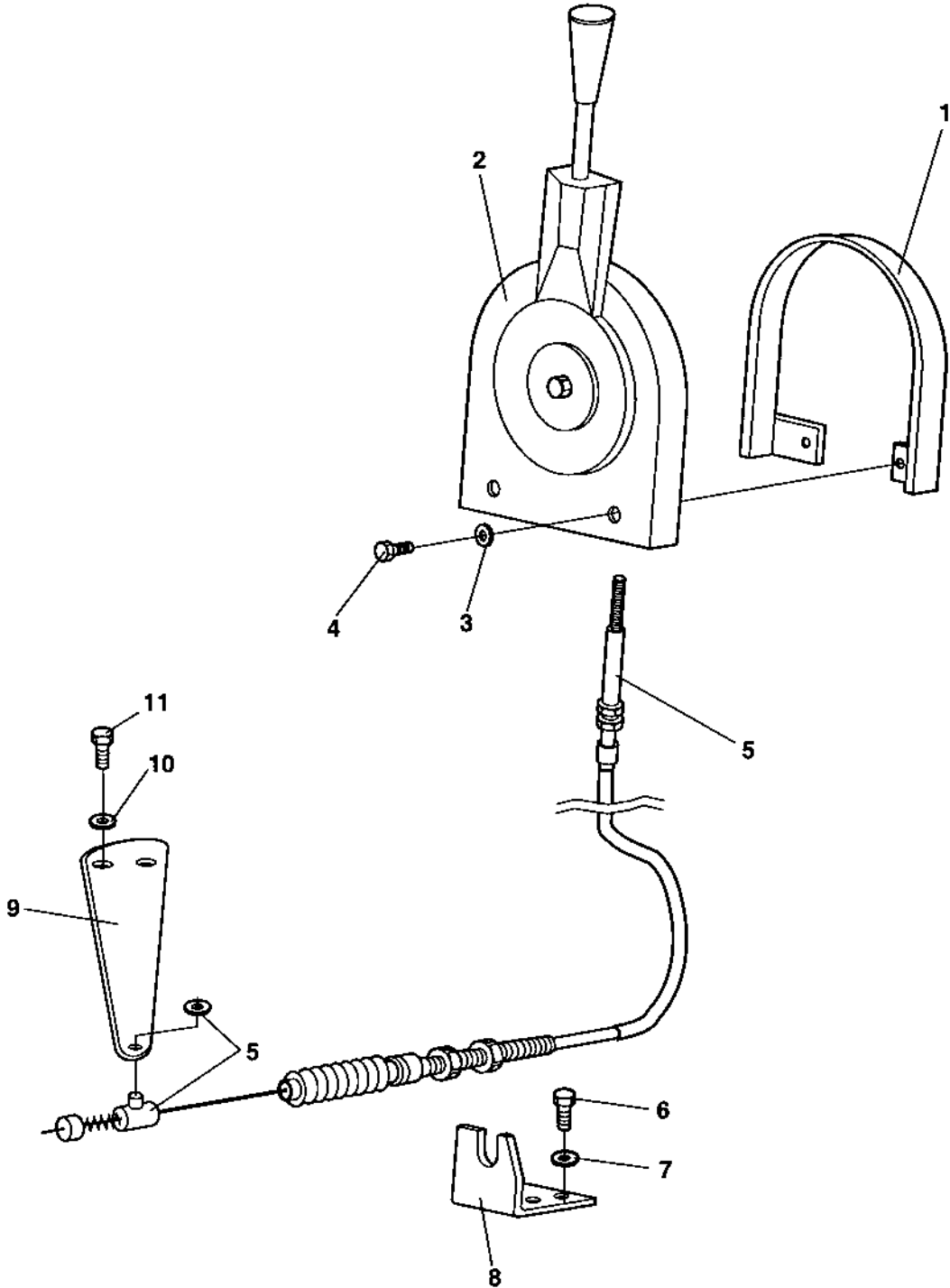


**Speed limiter Option**

<b>Ref. No.</b>	<b>Part No.</b>	<b>Rem.</b>	<b>Qty</b>	<b>Description</b>	<b>Code</b>
1	904290		1	Hand knob	
2	904640		2	Washer	
3	791313		1	Threaded stud	M8x85
4	386003		1	Spacer sleeve	
5	386002		1	Lever holder	
6	500186		2	Screw	
7	904228		4	Washer	
8	586002		2	Lock nut	
9	791314		1	Handle knob	
10	904556		1	Washer	
11	500053		1	Screw	
12	385994		1	Bracket	
13	791312		2	Letter nut	
14	586003		2	Lock nut	

**Engine control**

17755

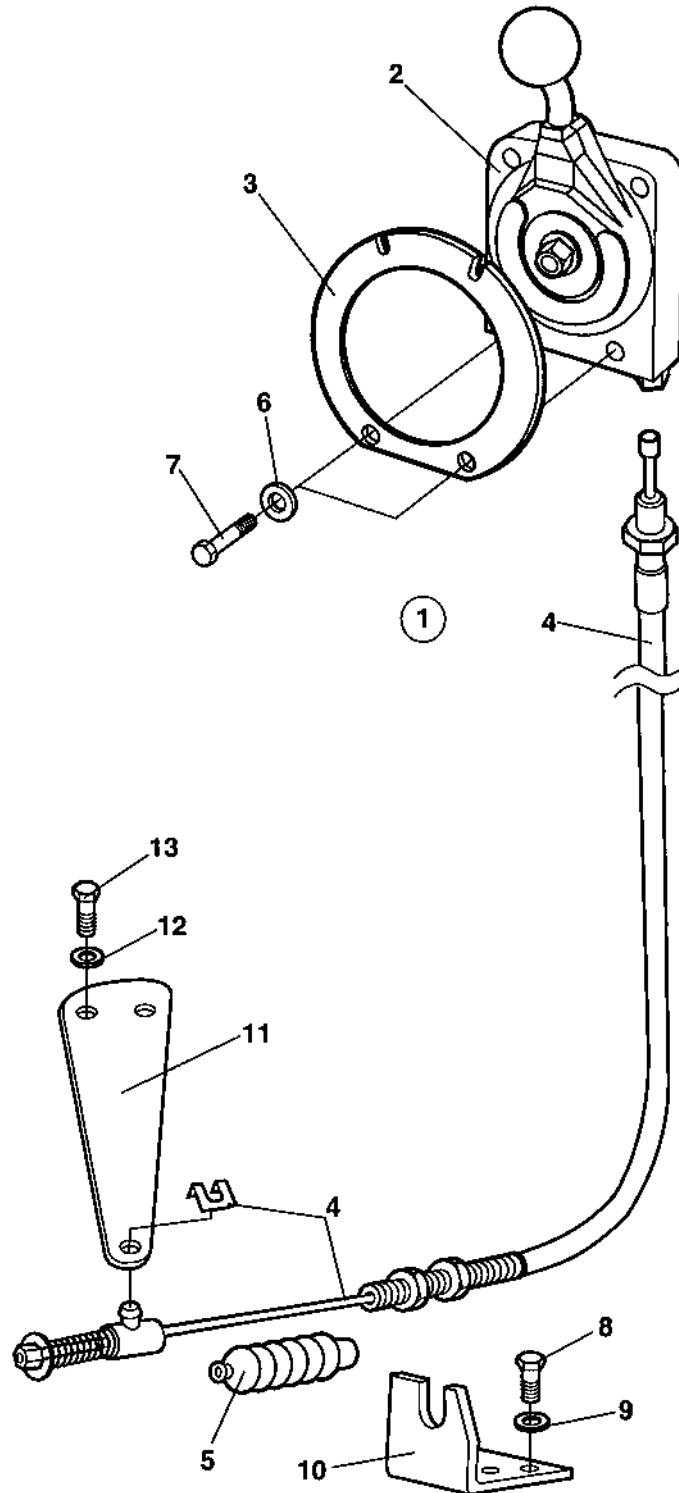


**Engine control**

<b>Ref. No.</b>	<b>Part No.</b>	<b>Rem.</b>	<b>Qty</b>	<b>Description</b>	<b>Code</b>
1	382225		1	Yoke	
2	382213		1	Control	
3	904228		4	Washer	
4	500015		2	Screw	M6-1x30 8,8
5	388163		1	Cable	D
6	500028		2	Screw	
7	904230		2	Washer	
8	388015		1	Control bracket	
9	387998		1	Control lever	D
10	904228		2	Washer	
11	500012		2	Screw	

Engine control

17987



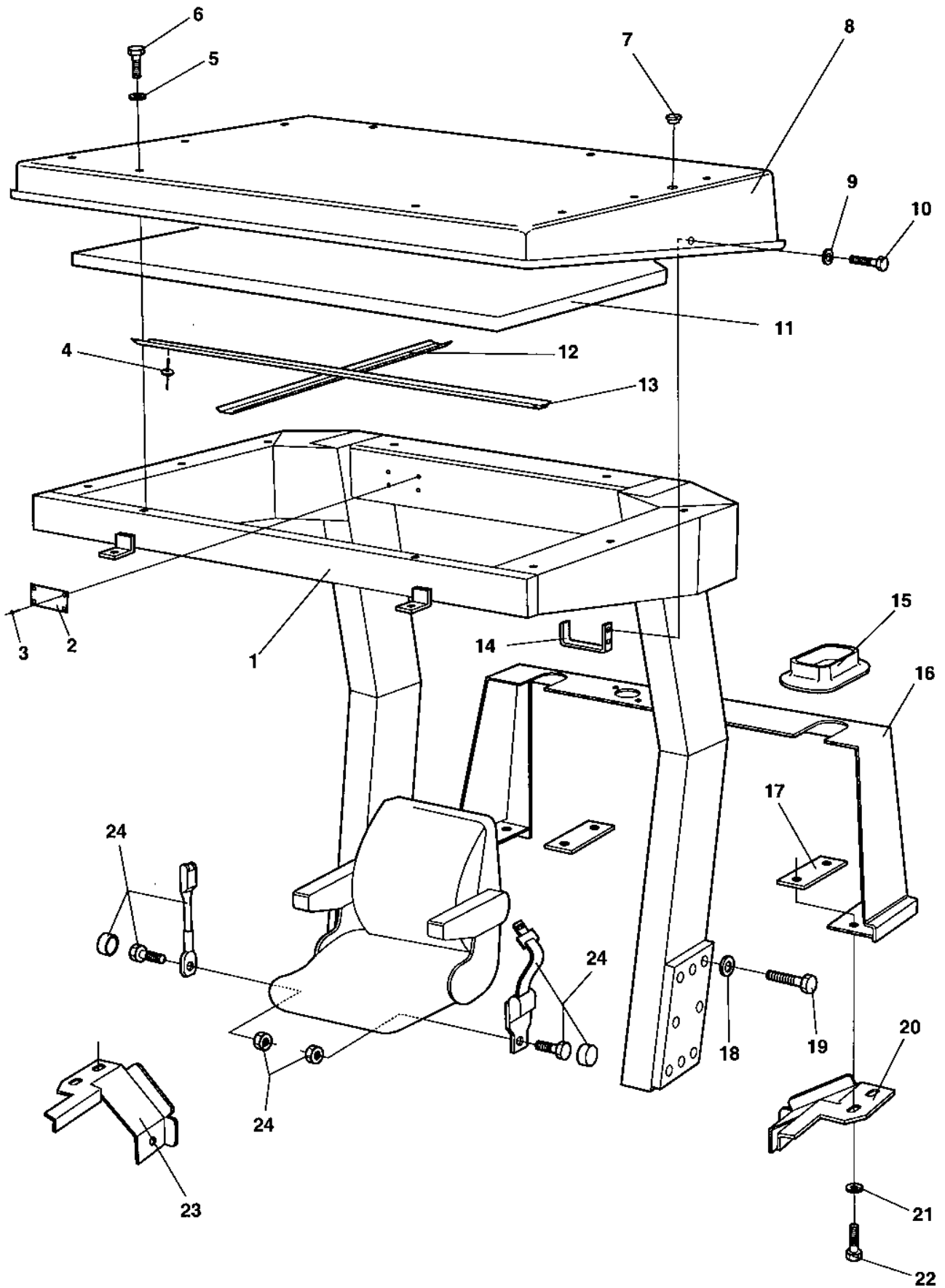
**Engine control**

Ref. No.	Part No.	Rem.	Qty	Description	Code
1	389174		1	Throttle control, cpl	
2	389175		1	.Control	
3	389177		1	.Snap plate	
4	389183	A	1	.Throttle cable	D
5	382349		1	.Bellows	
6	904228		2	Washer	
7	500015		2	Screw	M6-1x30 8,8
8	500028		2	Screw	
9	904230		2	Washer	
10	388015		1	Control bracket	
11	387998		1	Control lever	D
12	904228		2	Washer	
13	500012		2	Screw	

A) L=3100MM

**Rops and fops**

17738





**Rops and fops**

Ref. No.	Part No.	Rem.	Qty	Description	Code
1	372743		1	Rops	
2	370803		1	.Sign, rops	
3	624016		4	.Blind rivet	
4	904619		12	Blind rivet	
5	904734		23	Washer	
6	500239		19	Screw	M8-1.25x50
7	904180		2	Plug	
8	372745		1	Fops roof	
9	904734		4	Washer	
10	500100		4	Screw	
11	372678		1	Absorbent	
12	376489		2	Absorbent holder	
13	376488		1	Absorbent holder	
14	383225		2	Hook	
15	372489		2	Rubber seal	
16	387175		1	Protecting cover	
17			2	Holder plate	
18	904234		12	Washer	
19	904562		12	Screw	
20	373854		1	Holder plate	
21	904640		4	Washer	
22	500021		4	Screw	
23	373855		1	Holder plate	
24	370766		1	Seat belt	
	383200	A	1	Seat belt	3"
A)	Option 3"				

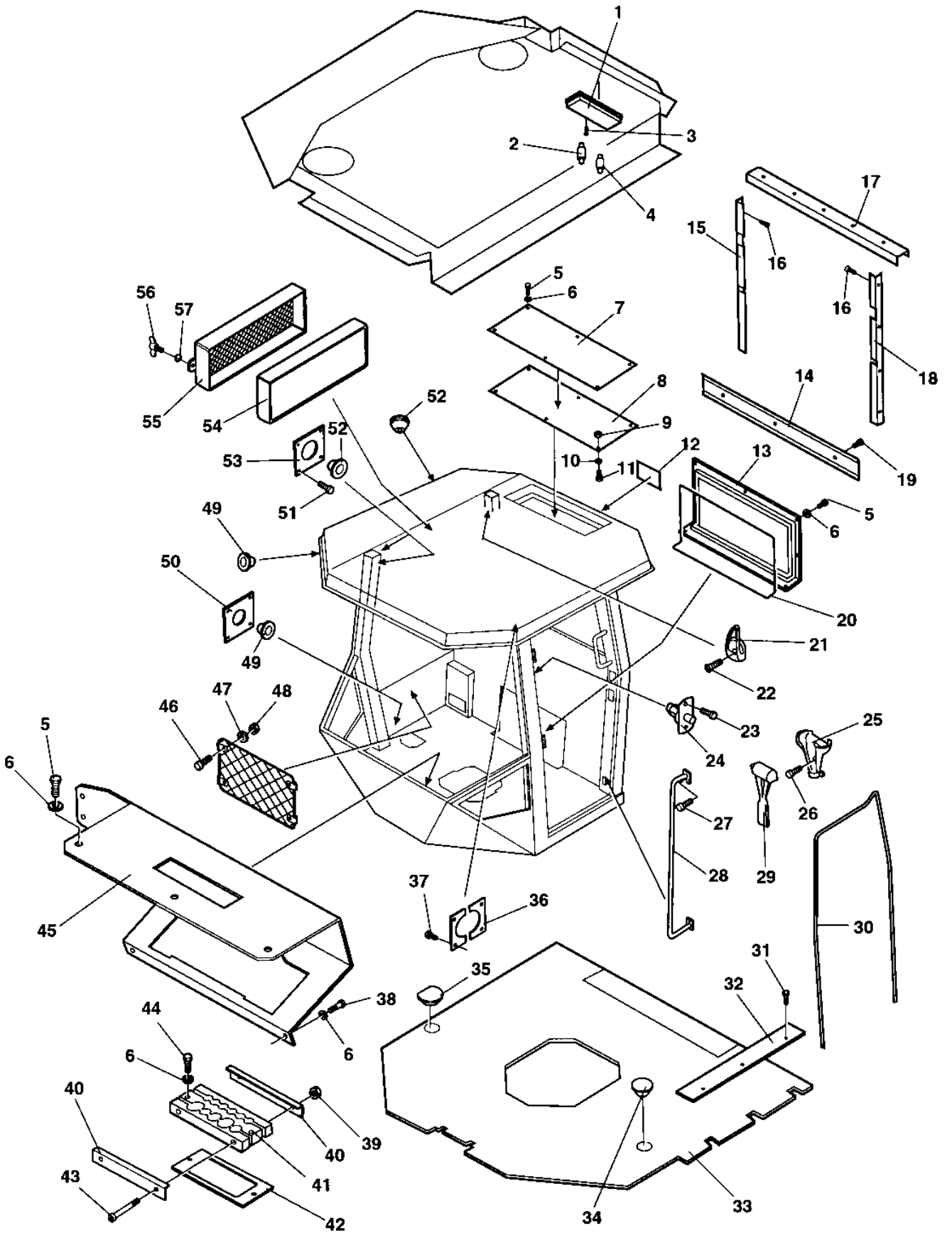


**Cab 383030**

<b>Ref. No.</b>	<b>Part No.</b>	<b>Rem.</b>	<b>Qty</b>	<b>Description</b>	<b>Code</b>
300				Cab ( Page 234 )	Interior
310				Cab ( Page 236 )	Inside panels
320				Cab ( Page 238 )	Screens
330				Cab ( Page 242 )	Door
340				Cab ( Page 244 )	Wipers front and rear
350				Cab ( Page 246 )	Mirror, Sun curtain
360				Cab ( Page 248 )	Electric
370				Cab ( Page 250 )	Heater system
380	385434			Cab heater, cpl ( Page 252 )	
390				Cab ( Page 254 )	Cable harness

**Cab Interior**

17678



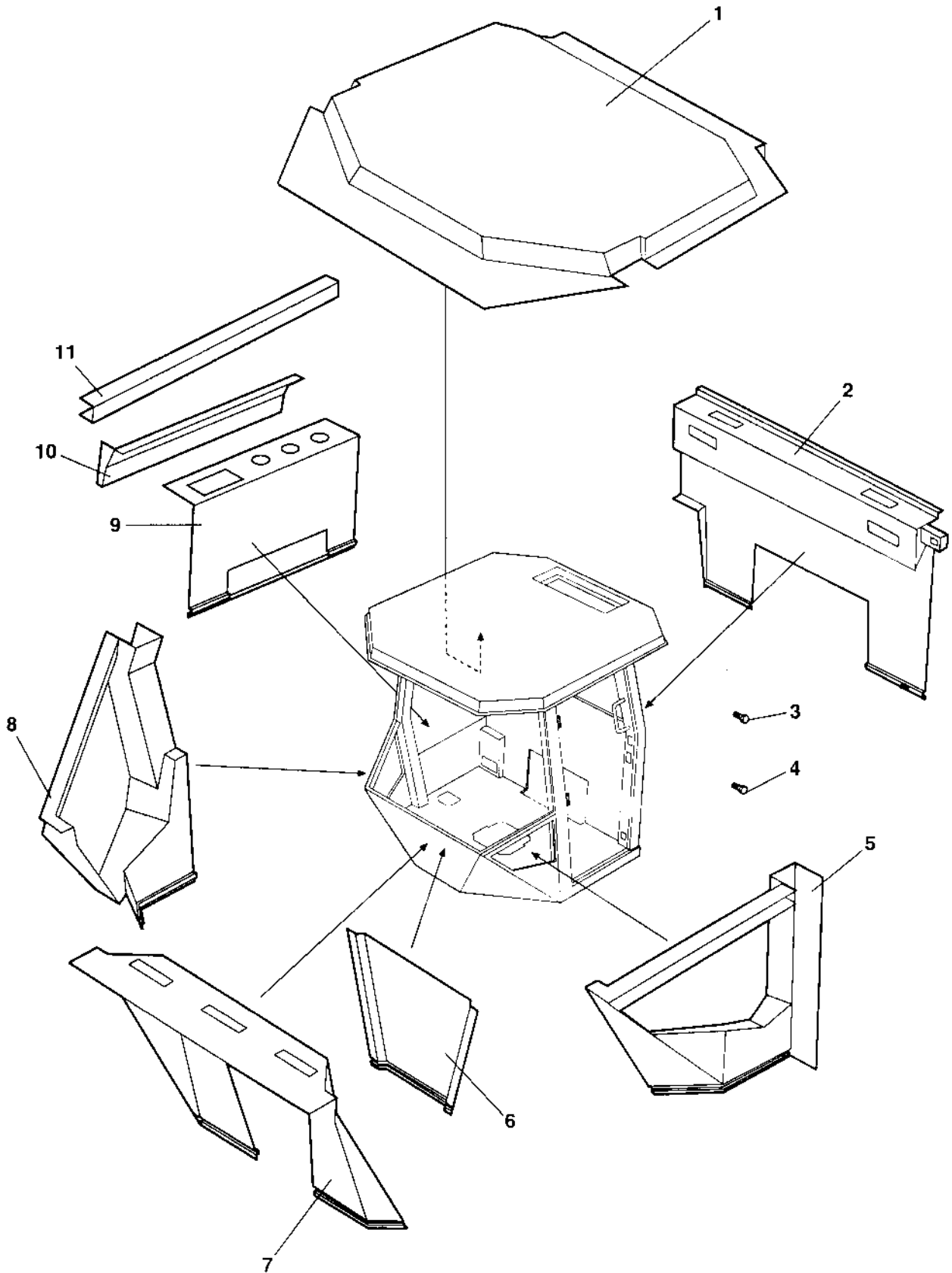
**Cab Interior**

Ref. No.	Part No.	Rem.	Qty	Description	Code
1	908515		1	Inner light	
2	985013		1	Bulb	12V,5W B
3	541535		2	Screw	
4	985051		1	Bulb	12V,10W B
5	500053		22	Screw	
6	904229		31	Washer	
7	938678		1	Cover	
8	938679		1	Cover	
9	586003		18	Lock nut	
10	904229		31	Washer	
11	500053		22	Screw	
12	935589		1	Decal	
13	935590		1	Cover plate	
14	938675		1	List	
15	938672		1	List	
16	938671		4	Screw	
17	938674		1	List	
18	938673		1	List	
19	938671		3	Screw	
20	908587	A	2	Edge trim	
21	908505		1	Hook	
22	938676		2	Screw	
23	925784		2	Screw	
24	908500		1	Door switch	
25	908506		1	Holder	
26	938670		2	Screw	
27	938677		2	Screw	
28	935591		1	Handle	
29	908507		1	Emergency hammer	
30	908499	B	1	Rubber list	
31	535007		9	Screw	M5x16
32	935578		1	Edge trim	
33	935577		1	Floor material	
34	908512		1	Cover	
35	935579		1	Cover	
36	935580		2	Bracket	
37	500004		16	Screw	M5 0,8x12 8,8
38	500018		6	Screw	M8-1,25x12 8,8
39	586003		10	Lock nut	
40	935583		2	Holder plate	
41	935582		1	Grommet kit	
42	935581		1	Metal gasket	
43	500115		2	Screw	M8-1,25x90 8.8
44	500047		2	Screw	M8-1,25x35 8,8
45	935584		1	Panel plate	
46	535007		4	Screw	M5x16
47	904281		4	Washer	
48	586001		4	Lock nut	
49	909510		9	Grommet	
50	935585		1	Bracket	
51	500004		16	Screw	M5 0,8x12 8,8
52	908496		5	Grommet	
53	935586		2	Bracket	
54	908502		1	Filter	A
55	908501		1	Filter frame	
56	908504		2	Handle	
57	908503		2	O-ring	

A) L=2 M  
B) L=5,0 M

**Cab Inside panels**

17679

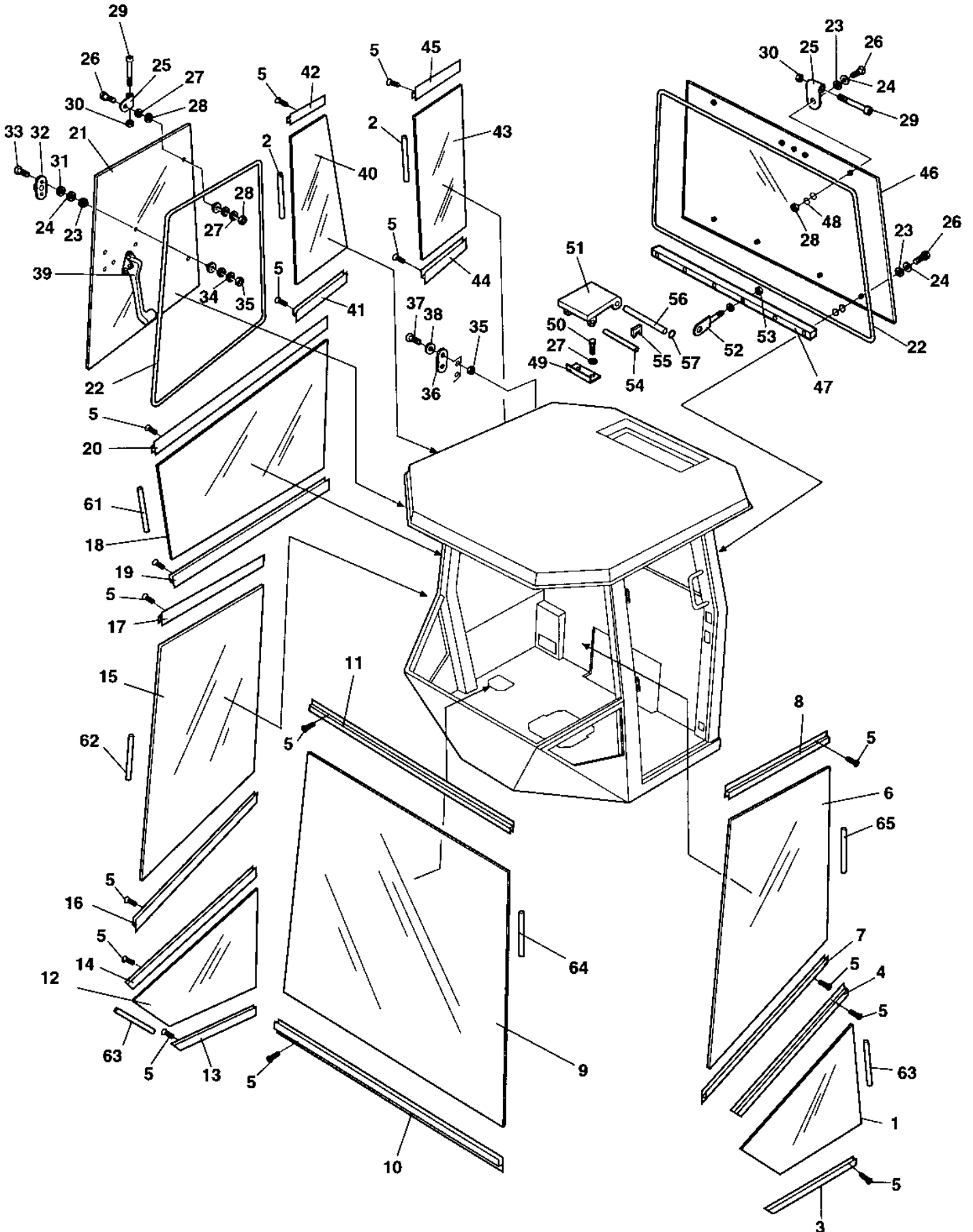


**Cab Inside panels**

<b>Ref. No.</b>	<b>Part No.</b>	<b>Rem. Qty</b>	<b>Description</b>	<b>Code</b>
1	938681	1	Panel	
2	938685	1	Panel	
3	938677	50	Screw	
4	937932		Screw	
5	935600	1	Panel	
6	935599	1	Panel	
7	935598	1	Panel	
8	938684	1	Panel	
9	938683	1	Panel	
10	938682	1	Panel	
11	935594	1	Panel	

**Cab Screens**

17680





**Cab Screens**

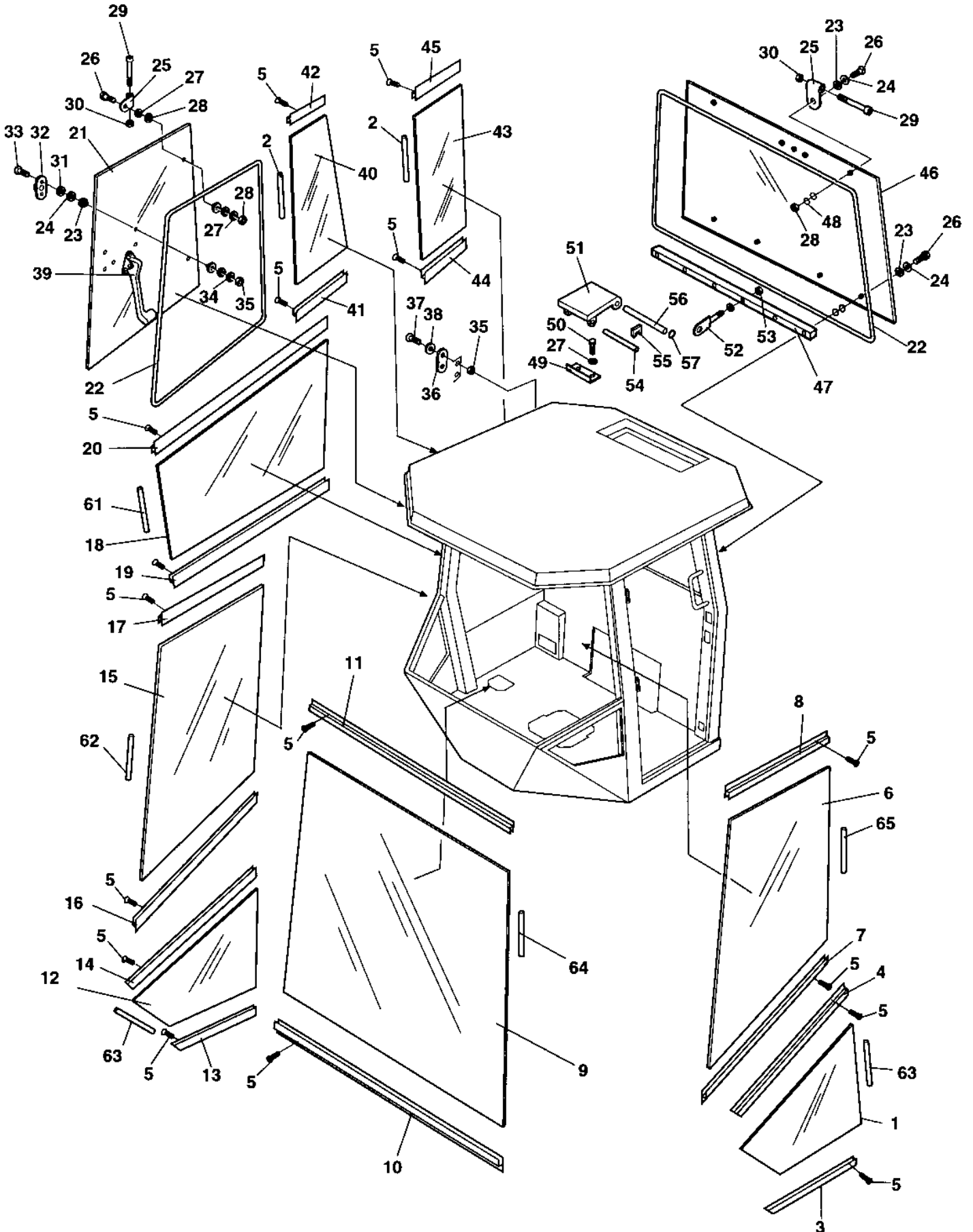
Ref. No.	Part No.	Rem.	Qty	Description	Code
1	937380		1	Screen	
2	908545	A	2	Seal list	
3	935278		1	List	
4	935279		1	List	
5	937932		80	Screw	
6	937381		1	Screen, left	
8	935281		1	List	
9	937382		1	Screen	
10	935282		1	List	
11	935283		1	List	
12	937383		1	Screen	
13	935284		1	List	
14	935285		1	List	
15	937384		1	Screen	
16	935286		1	List	
17	935287		1	List	
18	937385		1	Screen	
19	935288		1	List	
20	935289		1	List	
21	938290		1	Screen	
22	908499	B	1	Rubber list	
23	935271		20	Washer, Flexible rubber	
24	935272		20	Washer, Black	
25	9335273		4	Hinge	
26	935274		8	Screw	
27	936277		4	Washer	
28	586003		18	Lock nut	
29	936934		4	Screw	M10x100
30	936935		4	Nut	M10
31	935275		2	Rubber washer	
32	935276		2	Bracket	
33	936600		2	Screw	
34	936601		2	Washer	
35	936602		4	Nut	M5
36	935277		2	Lock pin	
37	535007		9	Screw	M5x16
38	904281		6	Washer	
39	935290		1	Window lock, right	
40	938291		1	Screen	
41	935291		1	List	
42	938658		1	List	
43	938292		1	Screen	
44	935293		1	List	
45	938659		1	List	
46	937389		1	Screen	
47	935295		1	Screen holder	
48	935296		2	Washer	
49	935297		1	Bracket	
50	500019		7	Screw	
51	935298		2	Bracket	
52	935299		2	Bolt	
53	570004		4	Nut	M6
54	935300		1	Shaft	

A) L=1,4 m

B) L=2,7 m

**Cab Screens**

17680

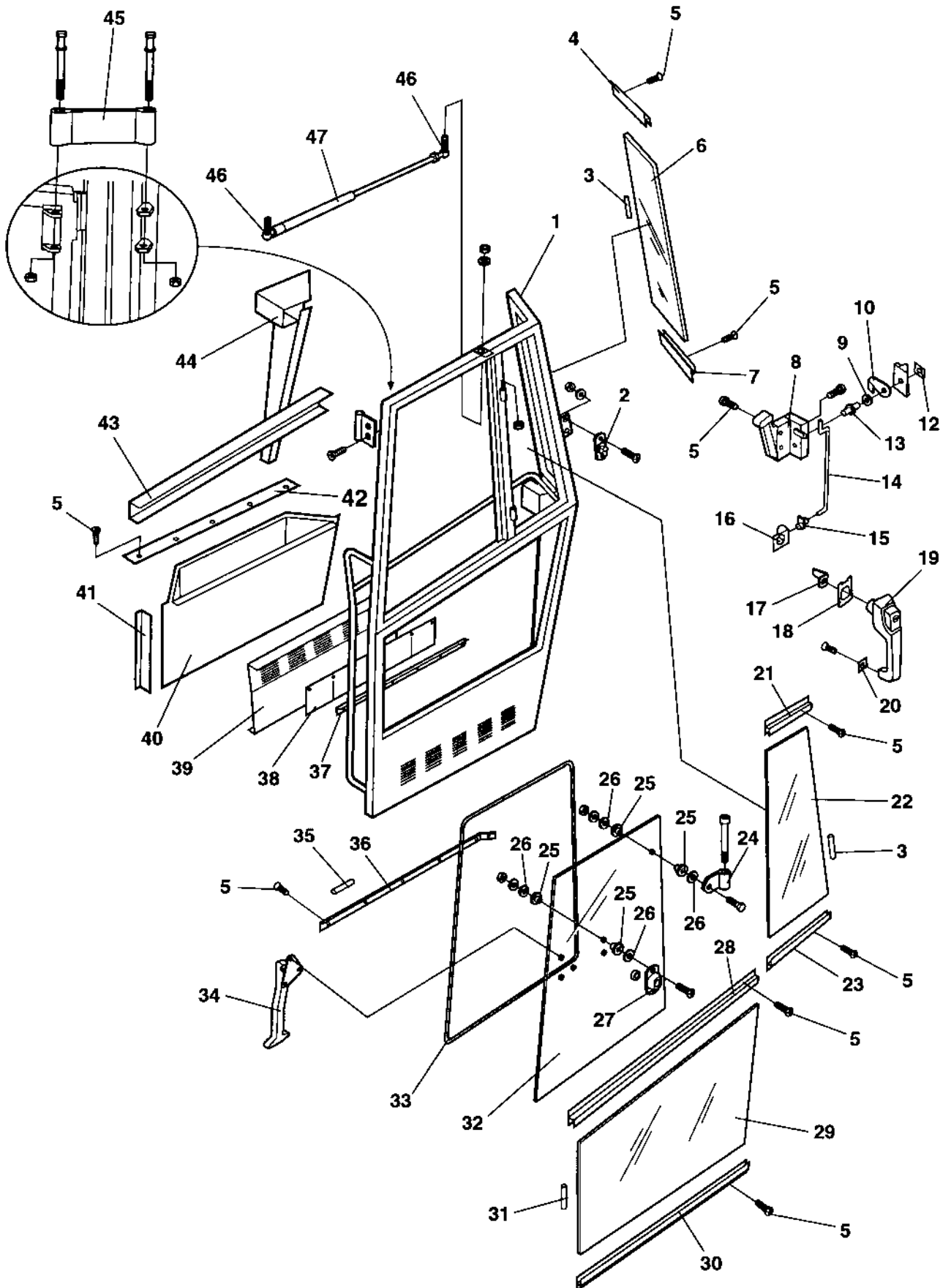


**Cab Screens**

Ref. No.	Part No.	Rem.	Qty	Description	Code
55	935301		2	Lock	
56	935302		1	Rod	
57	935303		1	Ring	
61	908545	C	1	Seal list	
62	908545	D	1	Seal list	
63	908545	E	2	Seal list	
64	908545	F	1	Seal list	
65	908545	G	1	Seal list	
C)	L=1,1 M				
D)	L=1,9 M				
E)	L=0,8 M				
F)	L=2,1 M				
G)	L=0,9 M				

**Cab Door**

17681



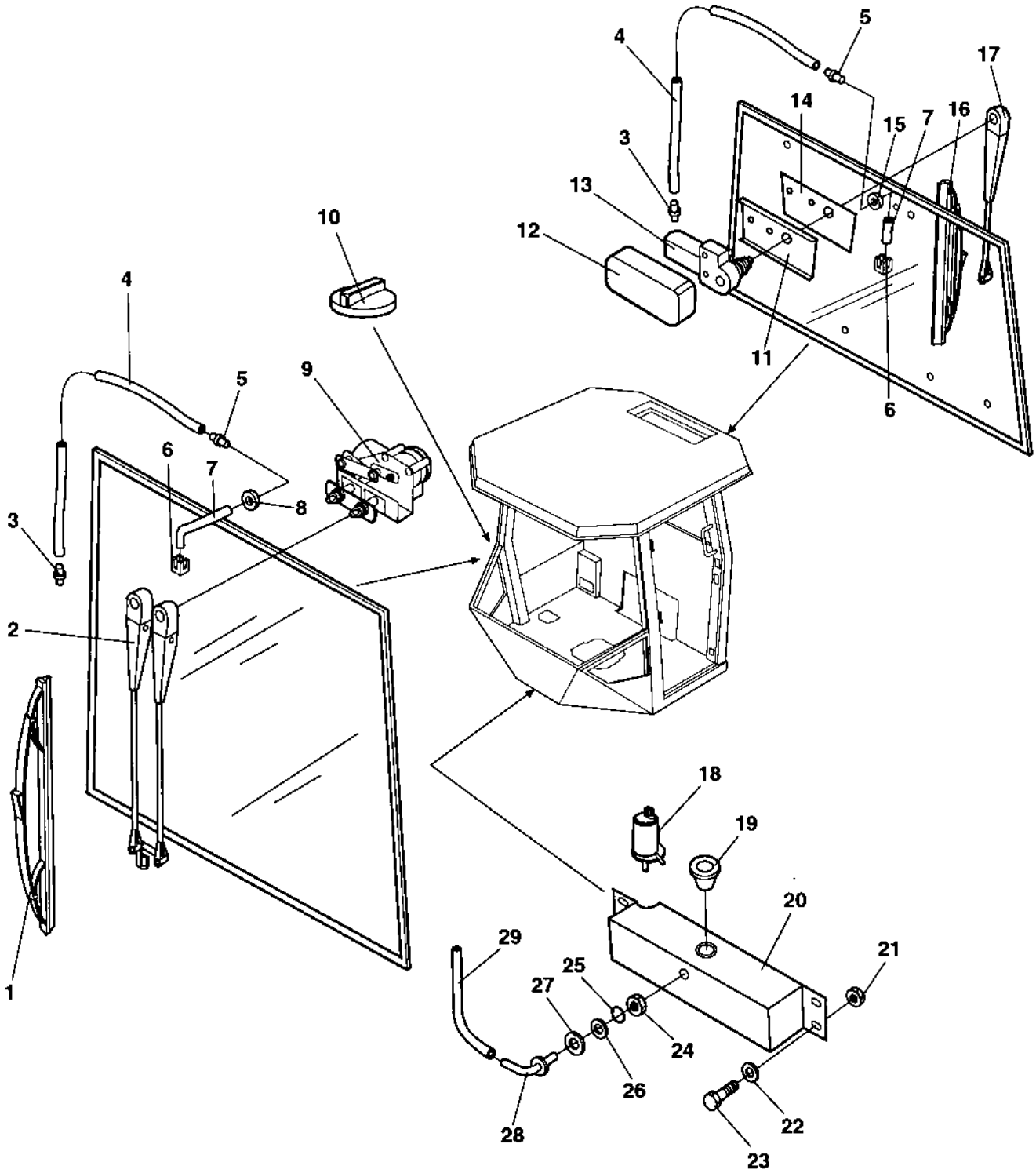
**Cab Door**

Ref. No.	Part No.	Rem.	Qty	Description	Code
	938224		1	Door, cpl	
1	938016		1	.Door frame	
2	935277		2	.Lock pin	
3	908545	A	2	.Seal list	
4	935268		1	.List	
5	937932		80	.Screw	
6	937391		1	.Screen	
7	935267		1	.List	
8	938017		1	.Lock	
9	908581		1	.Washer	
10	908582		1	.Cover	
12	908583		1	.Bracket	
13	908580		1	.Lock pin	
14	935250		1	.Rod	
15	935249		1	.Retainer	
16	935248		1	.Turning mechanism	
17	935247		1	.Leader	
18	935246		1	.Seal	
19	935244		1	.Door handle with key	
20	935245		1	.Seal	
21	935270		1	.List	
22	937392		1	.Screen	
23	935269		1	.List	
24	935273		2	.Hinge	
25	935271		4	.Washer, Flexible rubber	
26	935272		4	.Washer, Black	
27	935276		1	.Bracket	
28	935266		1	.List	
29	937390		1	.Screen	
30	935265		1	.List	
31	908545	B	1	.Seal list	
32	937393		1	.Screen	
33	908499		1	.Rubber list	
34	935253		1	.Lock	
35	908987	C	1	.Seal	
36	935255		1	.List	
37	935256		1	.List	
38	935257		1	.Ventilating grill	
39	935258		1	.Panel plate	
40	935260		1	.Panel	
41	935261		1	.Panel	
42	935262		1	.Support list	
43	935263		1	.Panel	
44	938043		1	.Panel	
45	938024		1	.Door stop	
46	937121		2	.Ball joint	
47	938018		1	.Gas spring	

- A) L=1,4 M
- B) L=1,1 M
- C) L=0,75 M

**Cab Wipers front and rear**

17682



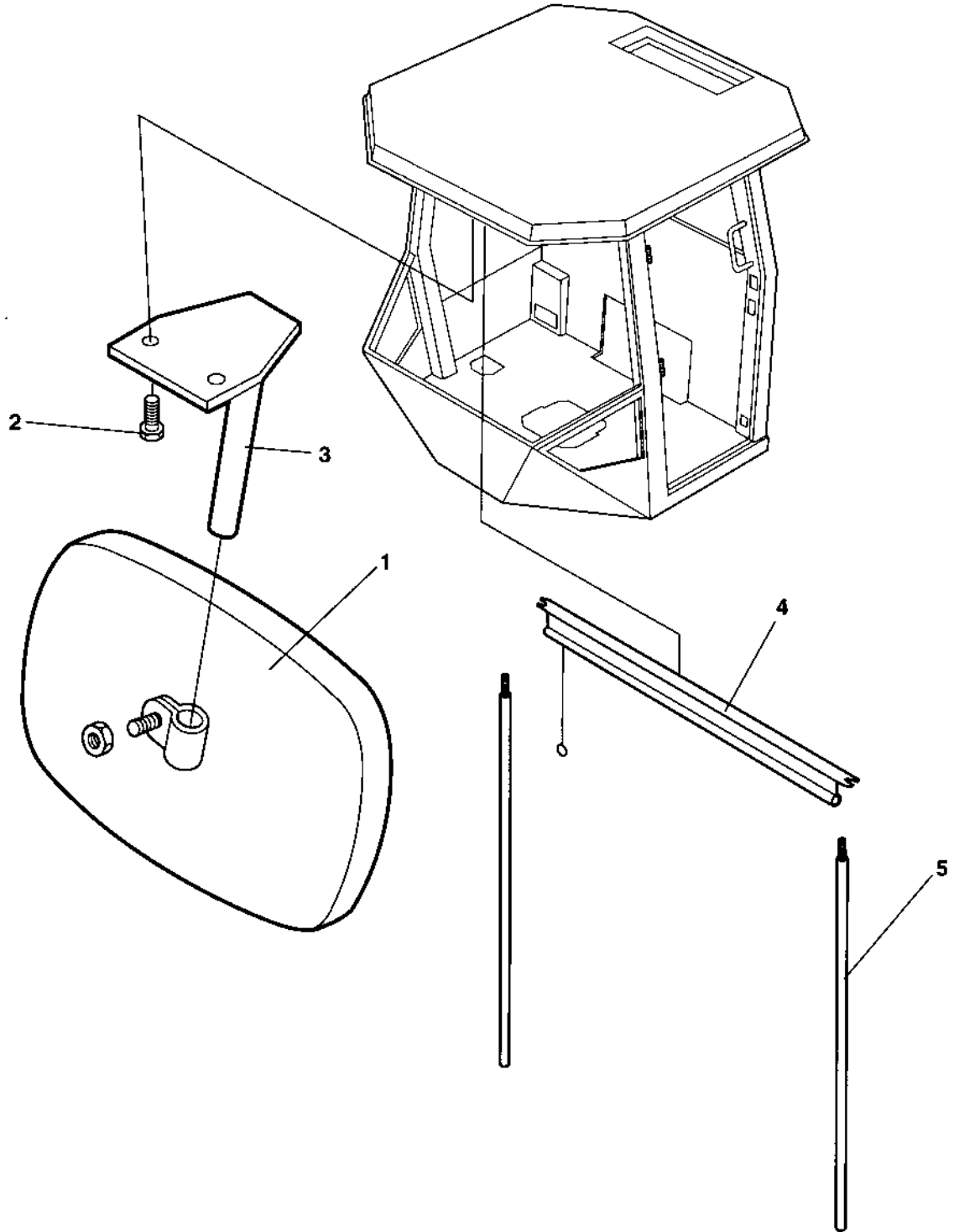
**Cab Wipers front and rear**

Ref. No.	Part No.	Rem.	Qty	Description	Code
1	905306		1	Wiper blade	
2	905305		1	Wiper arm	
3	908564		2	Check valve	
4	908563	A	2	Plastic hose	
5	938136		2	Elbow adapter	90
6	908559		2	Nozzle	
7	908560	B	2	Rubber hose	
8	909510		1	Grommet	
9	905304		1	Wiper motor	
10	904114		1	Fuel cap	D
11	905309		1	Holder plate	
12	905308		1	Protecting cover	
13	905307		1	Wiper motor	
14	905310		1	Shim	
15	908497		1	Grommet	
16	905312		1	Wiper blade	
17	905311		1	Wiper arm	
18	935335		1	Pump	
19	938660		1	Grommet	
20	935334		1	Water reservoir	
21	586002		4	Lock nut	
22	904228		4	Washer	
23	500075		4	Screw	M6-1,0x25 8.8
24	938661		1	Nut	
25	938662		1	O-ring	
26	938664		1	Washer	
27	938663		1	Washer	
28	938665		1	Adapter	
29	938666		1	Hose	

- A) L=5,0 M
- B) L=1.0 M

**Cab Mirror, Sun curtain**

17683



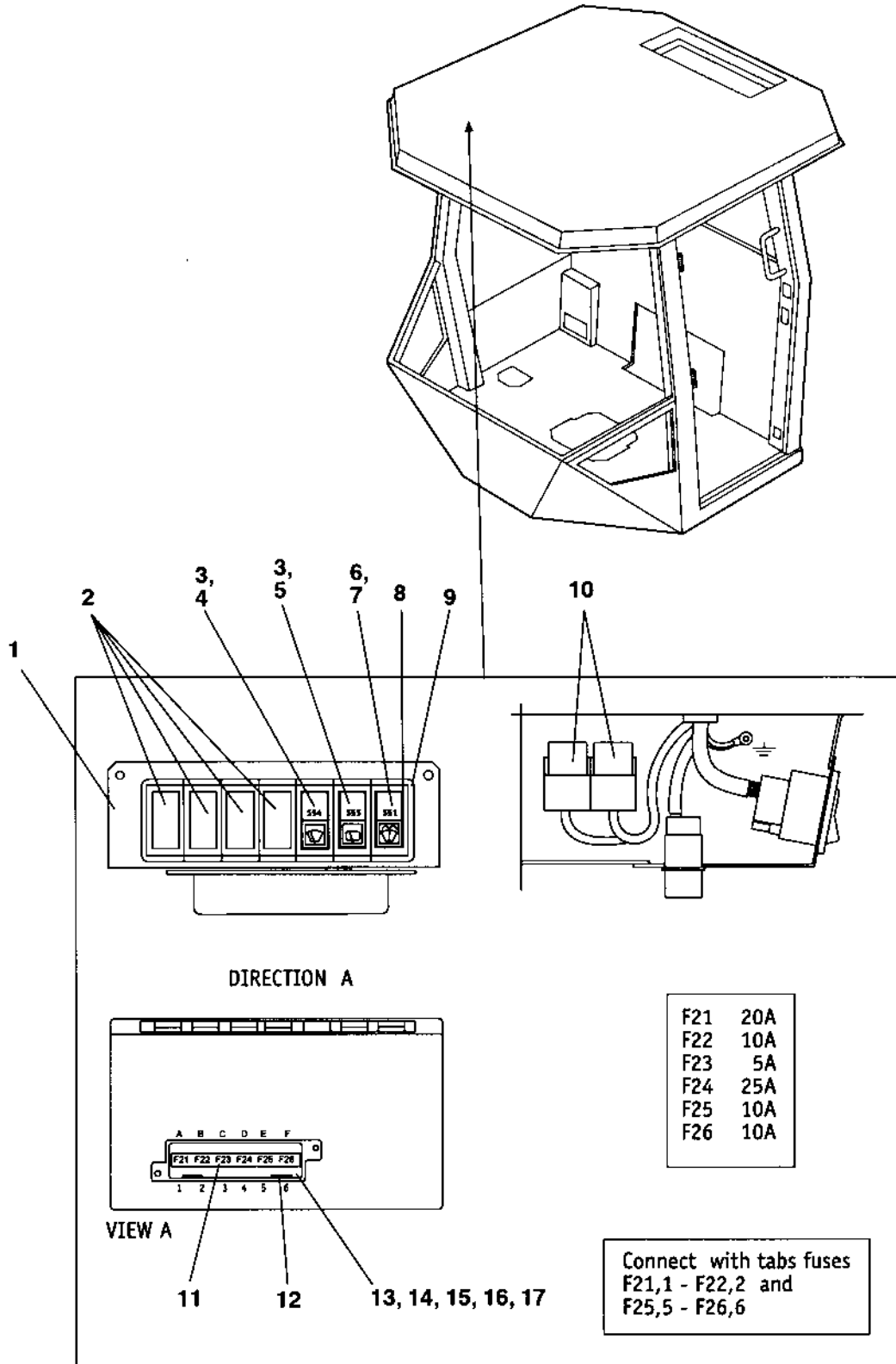


**Cab Mirror, Sun curtain**

Ref. No.	Part No.	Rem.	Qty	Description	Code
1	908624		1	Rear mirror	
2	500006		2	Screw	M5x16
3	908623		1	Bracket	
4	938667		1	Sun curtain	
5	938668		1	Sun curtain, bar kit	

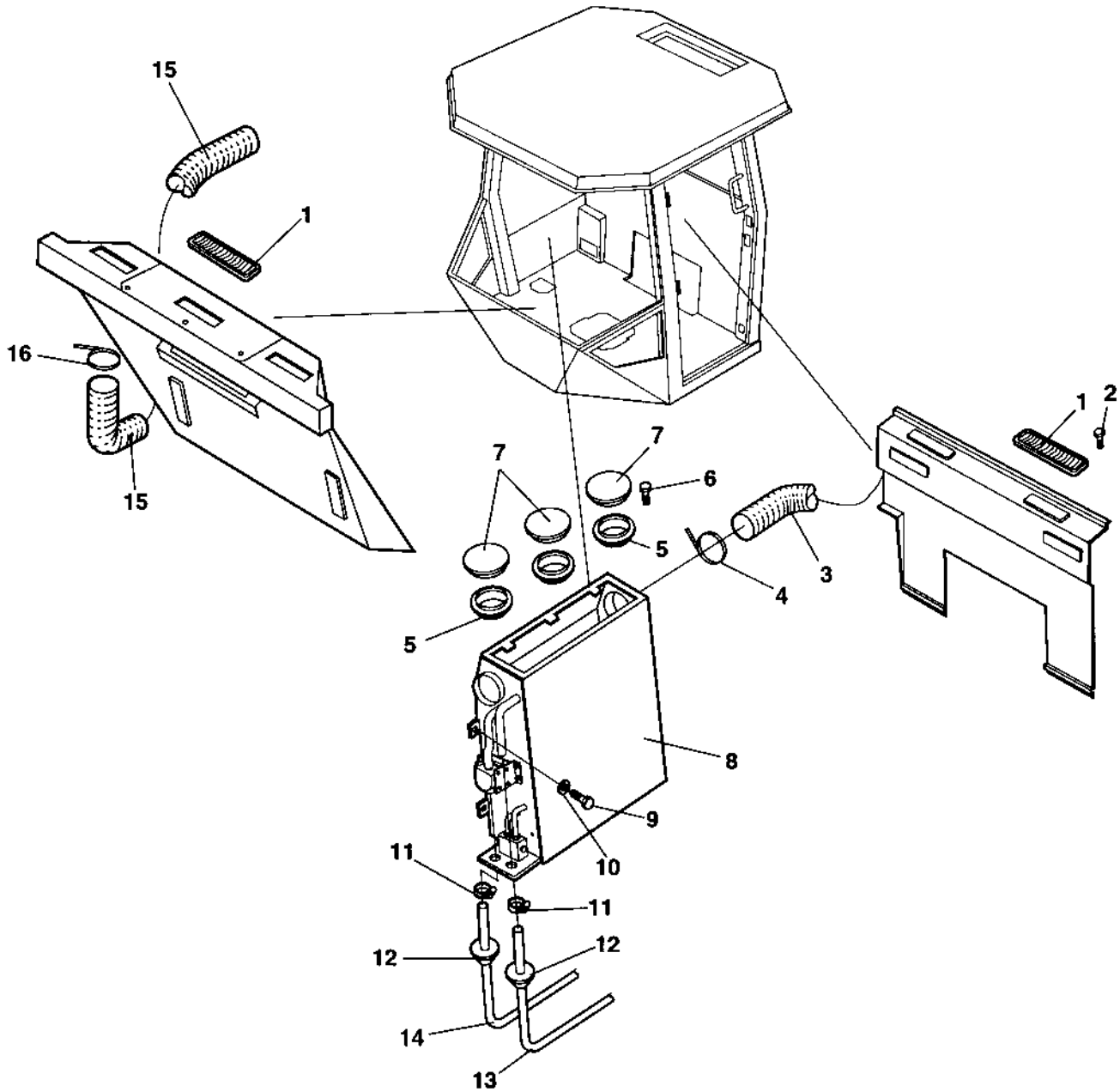
**Cab Electric**

17684



**Cab Electric**

Ref. No.	Part No.	Rem.	Qty	Description	Code
1	908611		1	Bracket	
2	908607		4	Cover	
3	908617		2	Switch	
4	908605		1	Symbol, wiper	
5	938687		1	Symbol, wiper	
6	908618		1	Symbol, washer	
7	908603		1	Switch	
8	908610		2	Modular panel	
9	908606		5	Modular panel	
10	938022		1	Relay	
11	938688		1	Decal	
12	901240		2	Connector	
13	908613		1	Fuse box	
14	901225		1	Fuse	5A B
15	903741		1	Fuse	20A Yellow Medium B
16	901229		1	Fuse	25A B
17	901227		3	Fuse	10A B



**Cab Heater system**

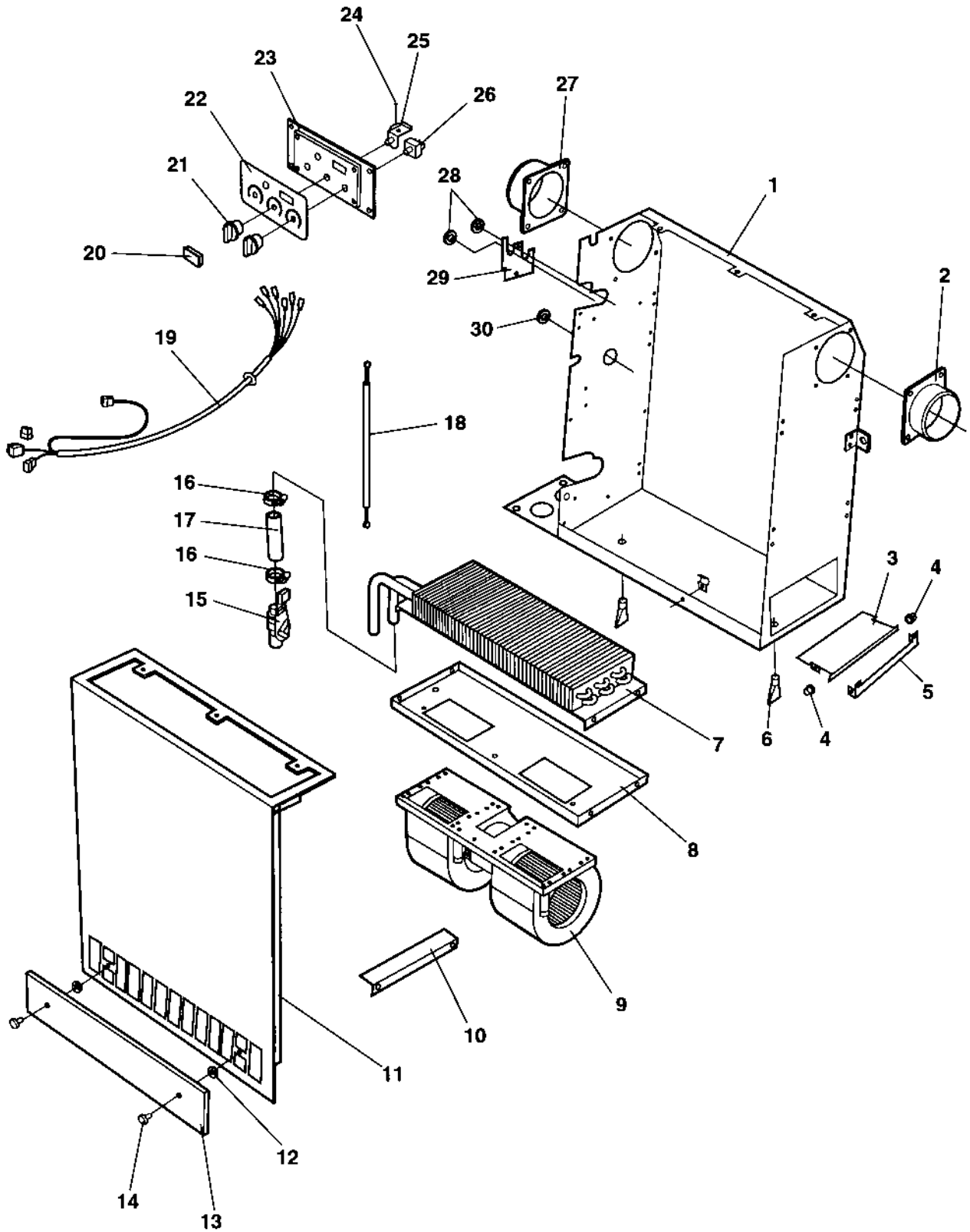
Ref. No.	Part No.	Rem.	Qty	Description	Code
1	908598		11	Nozzle	
2	938680		22	Screw	
3	935572		1	Hose	
4	935570		1	Clamp	
5	385443		3	Ring	
6	938691		9	Screw	
7	385442		3	Air nozzle	
8	385434		1	Cab heater, cpl ( Page 252 )	
9	500015		7	Screw	M6-1x30 8,8
10	904229		7	Washer	
11	313003		2	Hose clamp	D
12	908496		5	Grommet	
13	937737	A	1	Hose	
14	937737	B	1	Hose	
15	908599		1	Hose	
16	908600		2	Clamp	

A) L=3,6 M

B) L=2,8 M

**385434 Cab heater, cpl**

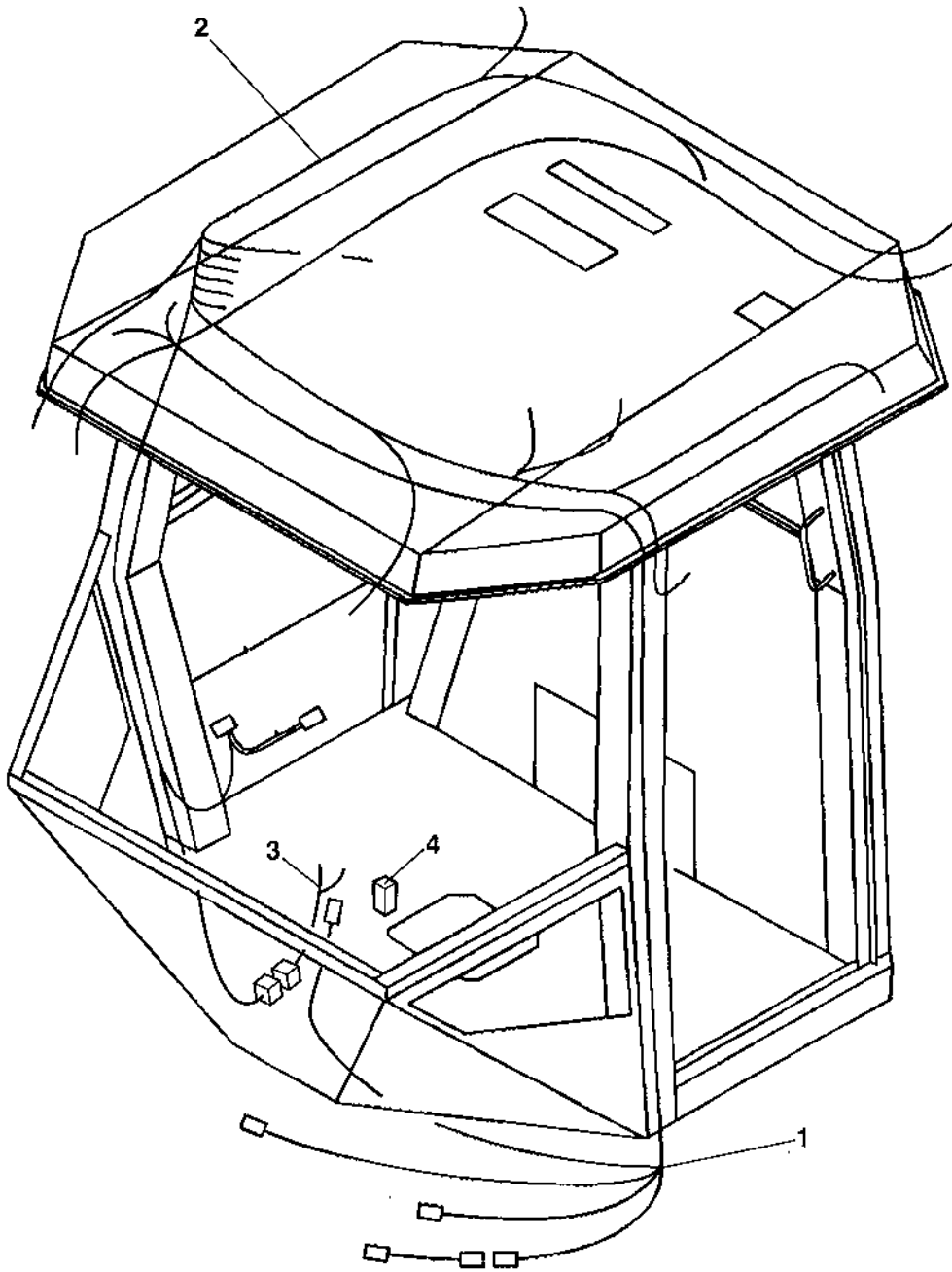
17686



**385434 Cab heater, cpl**

Ref. No.	Part No.	Rem.	Qty	Description	Code
1	938625		1	Casing	
2	938633		1	Hose adapter	
3	938629		1	Cover	
4	938635		2	Sleeve	
5	938630		1	Bracket	
6	938636		2	Drain valve	
7	938639		1	Heater coil	
8	938627		1	Fan bracket	
9	938638		1	Fan	
10	938641		1	Coil bracket	
11	938626		1	Cover	
12	938643		1	Plug	
13	938640		1	Cover	
14	938634		2	Knob	
15	939693	A	1	Heater control valve	
16	313003		2	Hose clamp	D
17	384881		1	Hose	
18	938645		1	Bowden cable	
19	938647		1	Cable harness	
20	938643		1	Plug	
21	938620		2	Knob	
22	938618		1	Decal	
23	938617		1	Control panel	
24	385134		1	Lock washer	
25	938621		1	Rotary control	
26	938622		1	Switch	
27	938632		1	Hose adapter	
28	384927		2	Grommet	
29	938628		1	Cover	
30	938644		1	Cap	

A) Replaces Heater control valve P/N 938642.

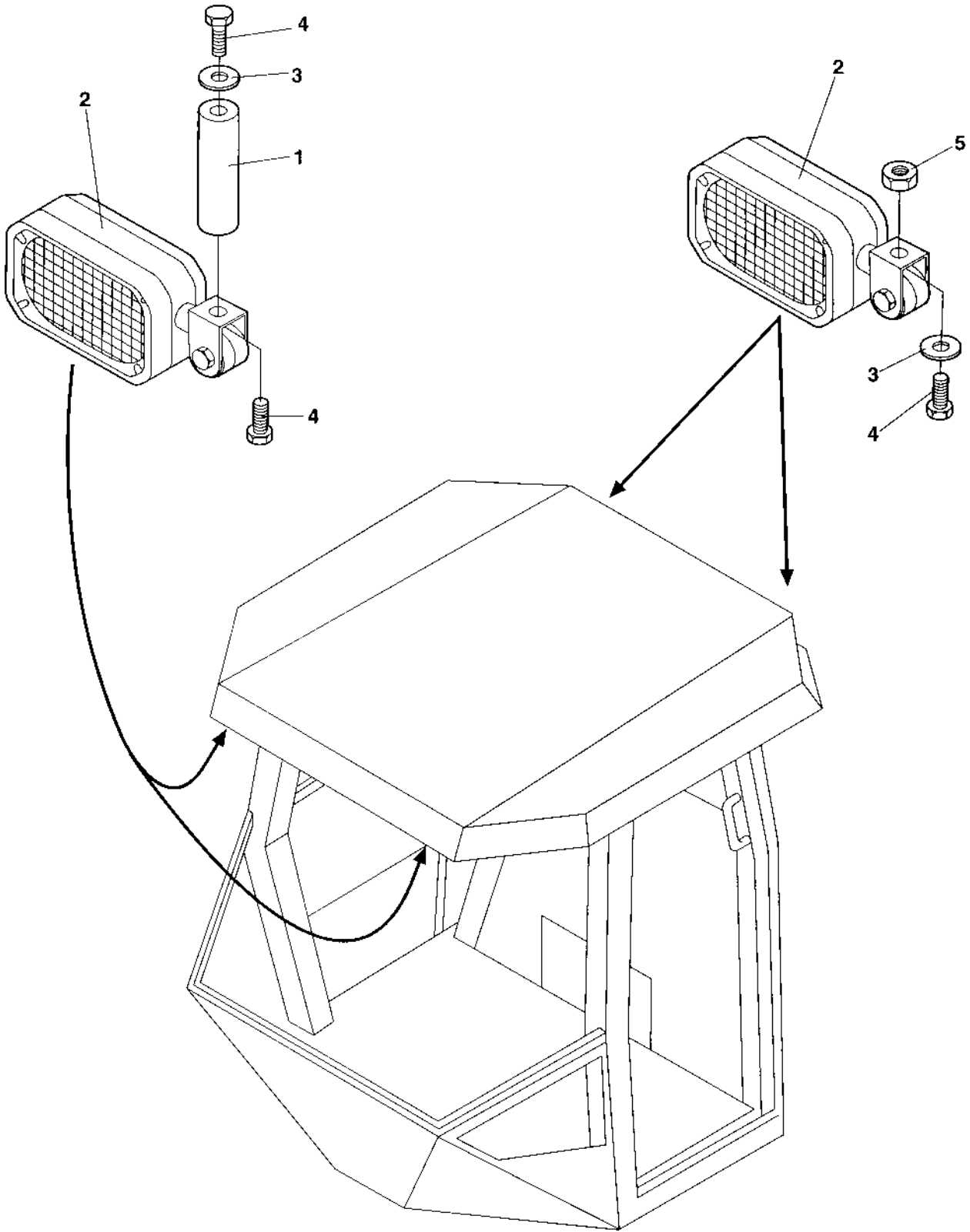




**Cab Cable harness**

Ref. No.	Part No.	Rem.	Qty	Description	Code
1	938689		1	Cable harness	
2	938690		1	Cable harness	
3	388981	A	1	Cable harness	
4	901227	A	1	Fuse	10A B

A) Used together with 12V contact.

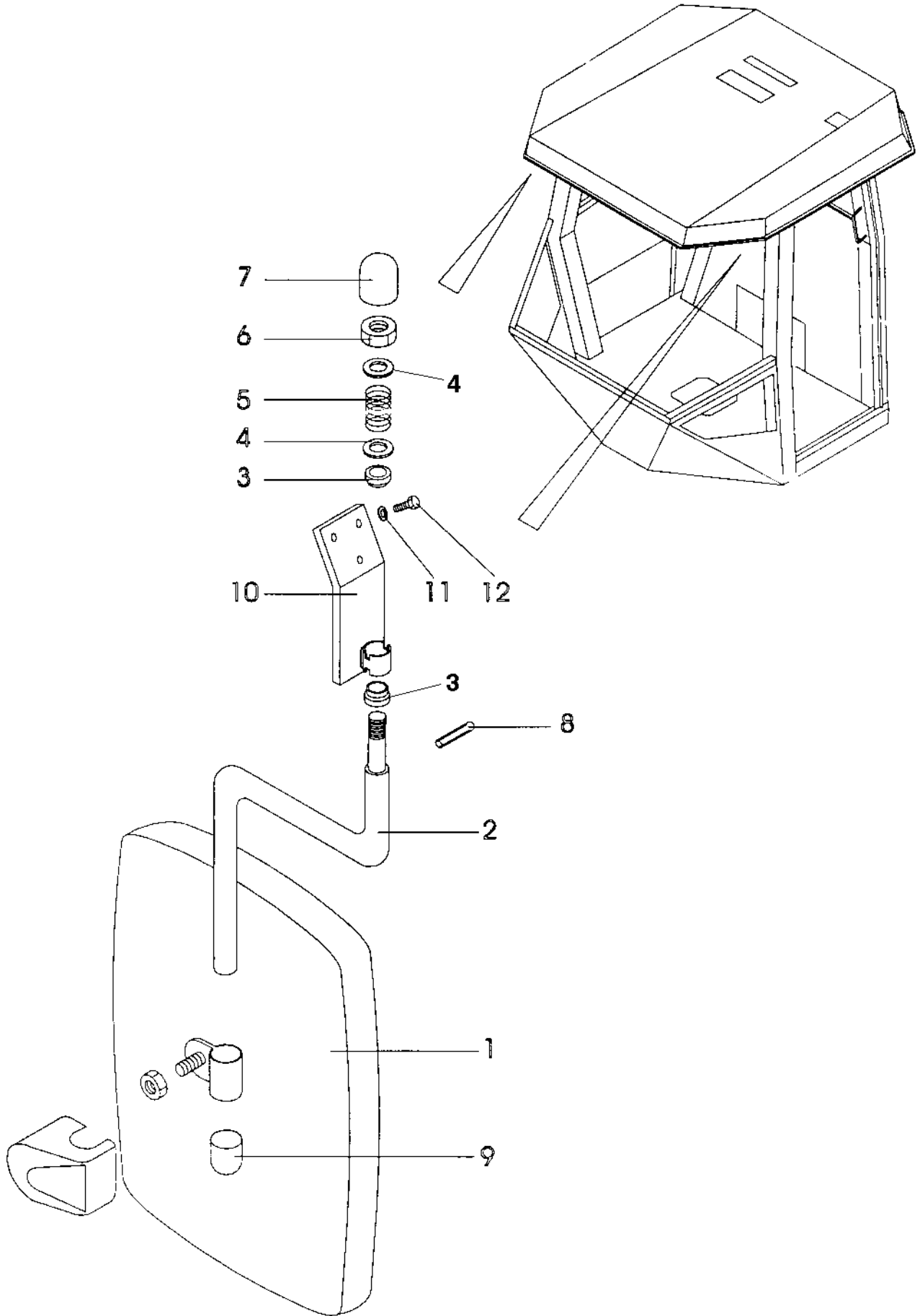


**Cab Work lights**

<b>Ref. No.</b>	<b>Part No.</b>	<b>Rem.</b>	<b>Qty</b>	<b>Description</b>	<b>Code</b>
1	908359		2	Distance	
2	908267		4	Working light	D
3	904229		4	Washer	
4	500019		6	Screw	
5	586003		2	Lock nut	

**Cab Exterior, rear mirror**

**16009**



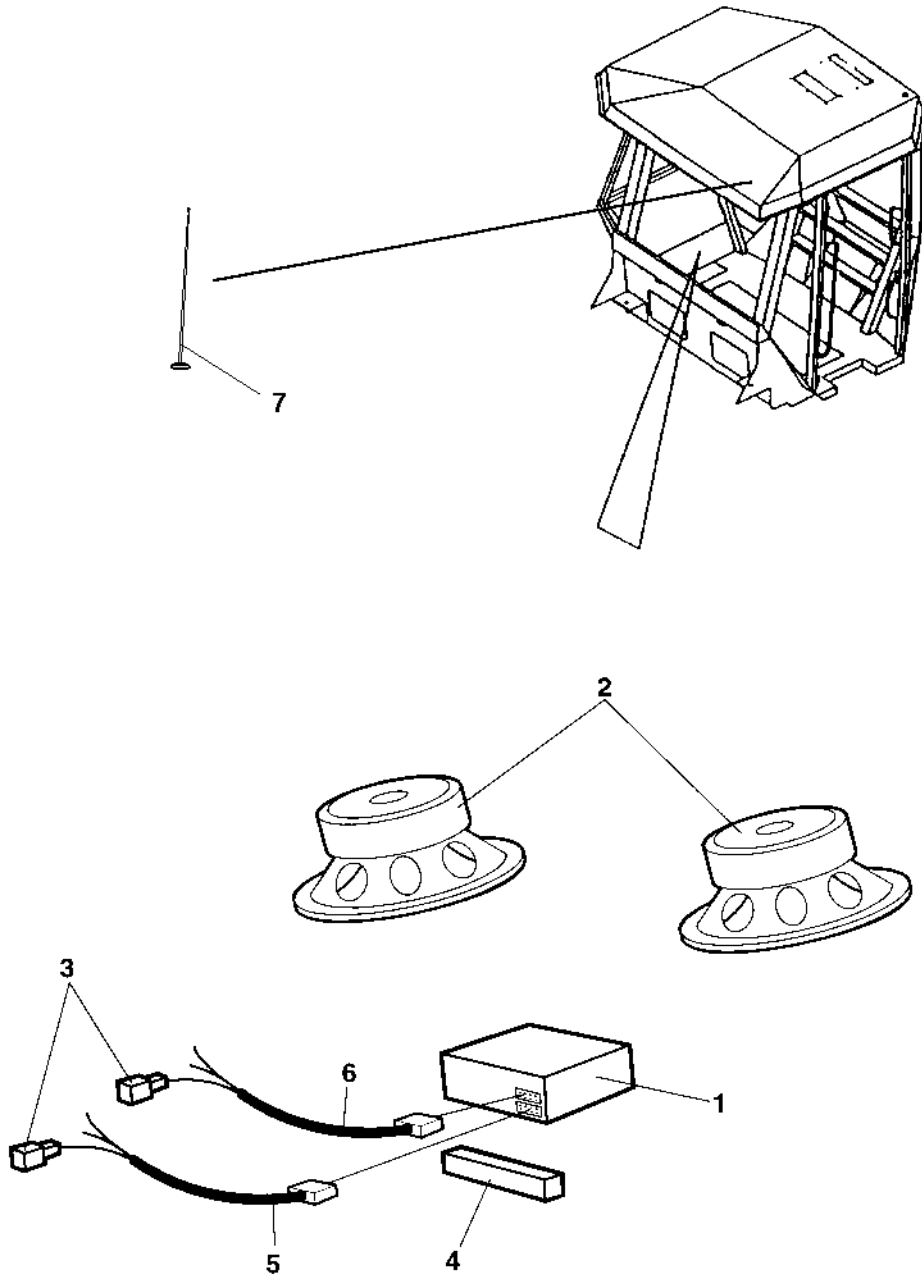
**Cab Exterior, rear mirror**

Ref. No.	Part No.	Rem.	Qty	Description	Code
1	371730	A	2	Rear view mirror, cpl	
	908265		1	.Rear view mirror	
2	908355		1	.Arm	
3	908625		2	.Sleeve	
4	904232		2	.Washer	
5	908626		1	.Spring	
6	586021		1	.Nut	M16
7	908627		1	.Cap	
8	629066		1	.Spirol pin	
9	908628		1	.Cap	
10	908361		1	.Bracket	
11	904229		6	Washer	
12	500019		6	Screw	

A) Option

Radio and cassette/cd player Option

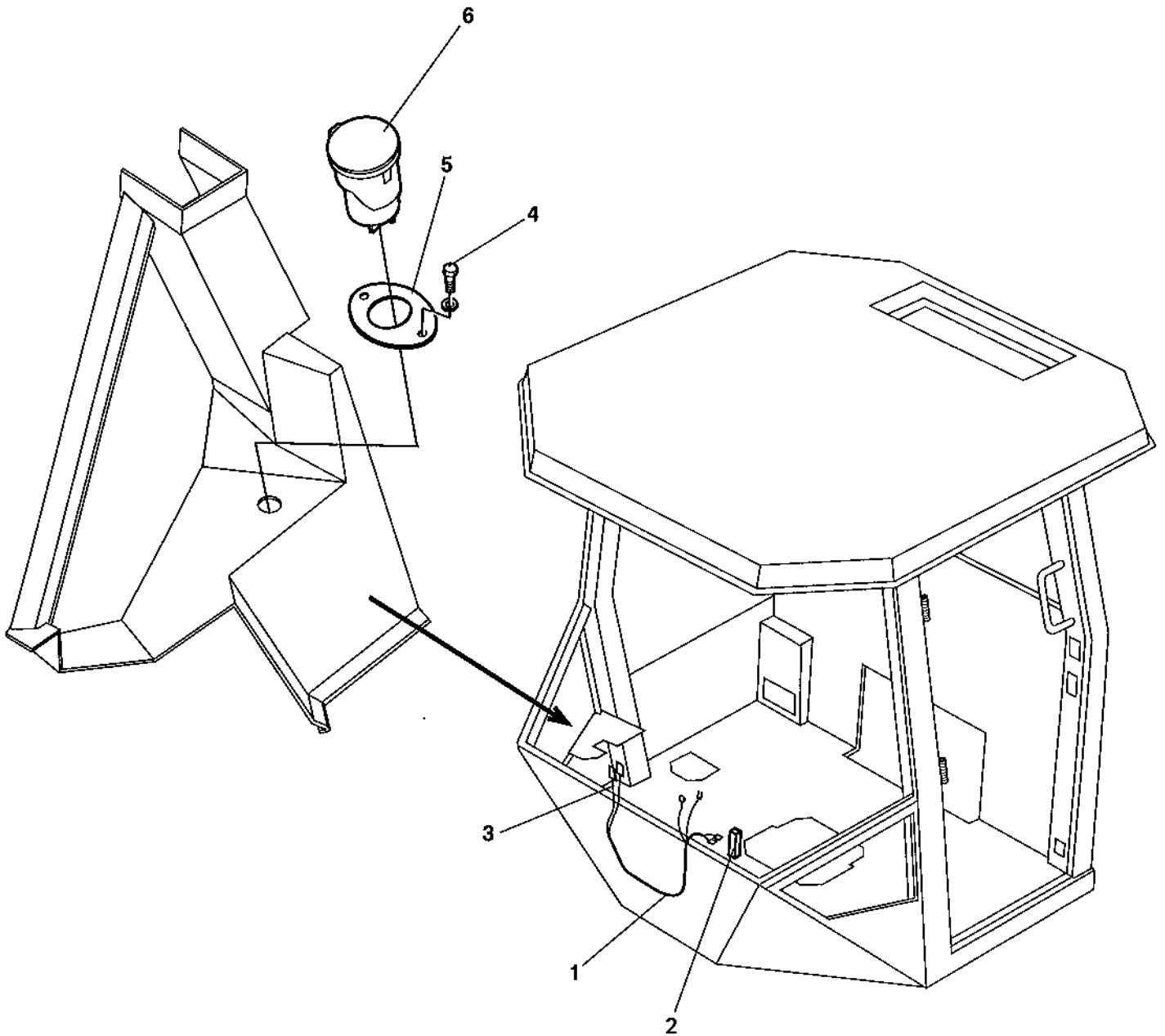
15883-1



**Radio and cassette/cd player Option**

<b>Ref. No.</b>	<b>Part No.</b>	<b>Rem.</b>	<b>Qty</b>	<b>Description</b>	<b>Code</b>
1	904939		1	Radio and cassette player	
	791967		1	Radio and cd player	
2	791968	A	1	Loud speakers	
3	927403	B	7	Terminal	
4	202043	C	1XL	Rubber strip	
5	904969		1	Power connection	
6	904970		1	Speaker connection	
7	937165		1	Antenna	

- A) 2 pcs
- B) Female
- C) L=0.2 m



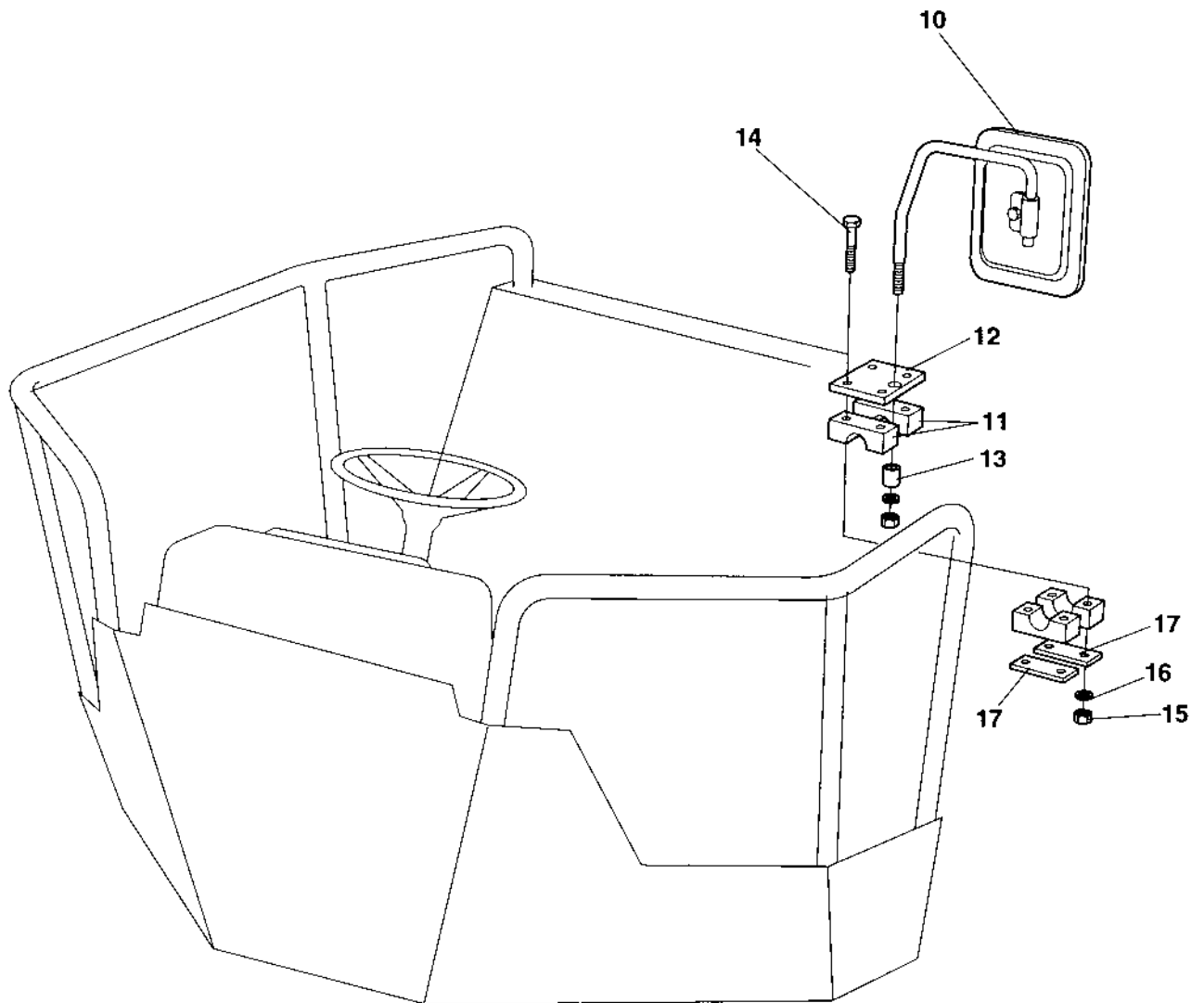


**Cab, 12V contact**

<b>Ref. No.</b>	<b>Part No.</b>	<b>Rem.</b>	<b>Qty</b>	<b>Description</b>	<b>Code</b>
1	388981		1	Cable harness	
2	901227		1	Fuse	10A
3	939603		1	Cable harness	
4	938691		2	Screw	
5	939521		1	Sign	12V
6	939522		1	Contact	12V

**Rear mirror Option**

17120

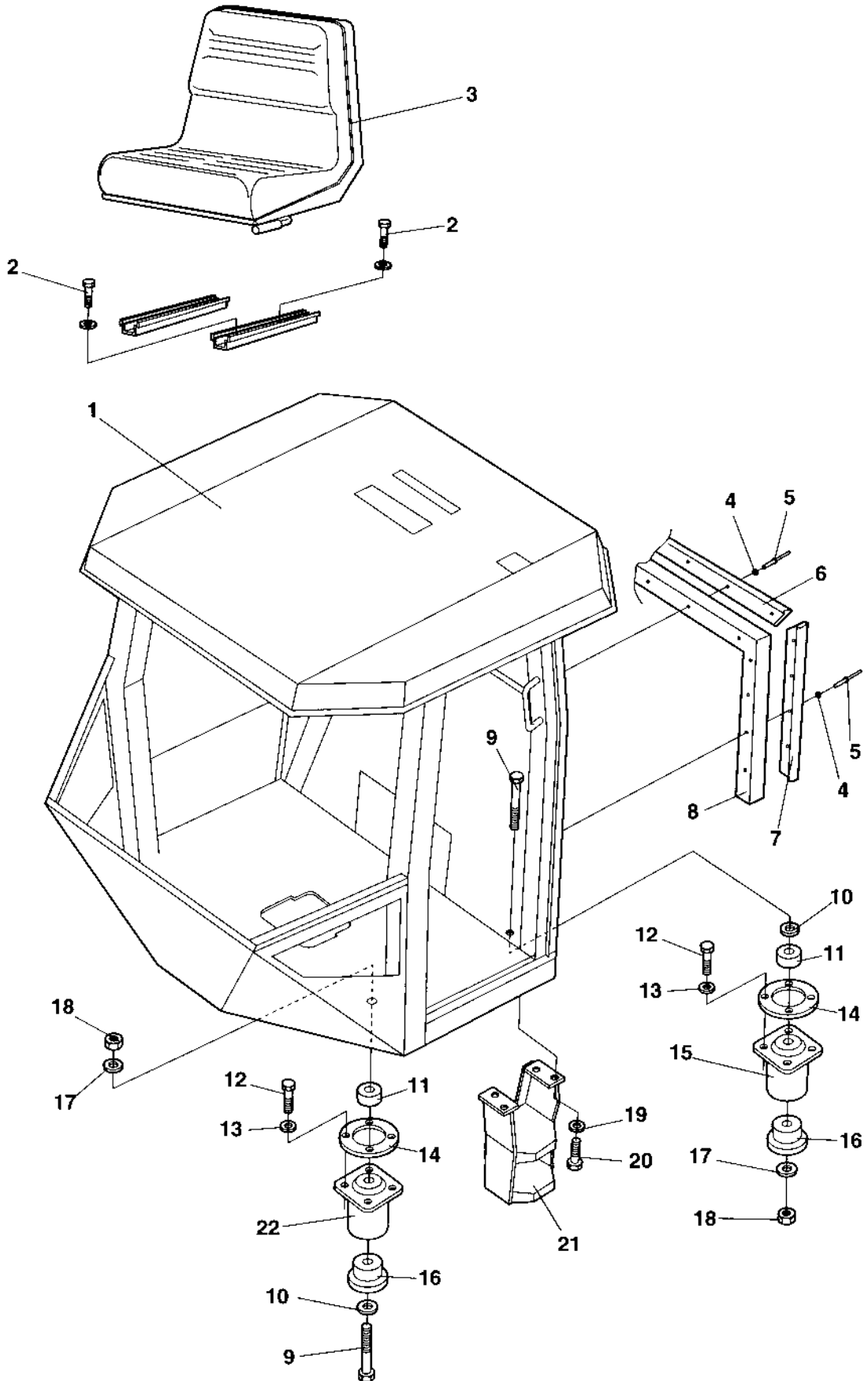


**Rear mirror Option**

<b>Ref. No.</b>	<b>Part No.</b>	<b>Rem. Qty</b>	<b>Description</b>	<b>Code</b>
10	355705	2	Rear mirror	D
11	904340	4	Pipe clamp	
12	374577	2	Holder plate	
13	343748	2	Spacer sleeve	
14	500292	8	Screw	M6x75
15	586002	8	Lock nut	
16	904228	8	Washer	
17	924791	4	Cover plate	

Simple Cab mounting Option

16966



Simple Cab mounting Option

Ref. No.	Part No.	Rem.	Qty	Description	Code
1				Cab ( Page 268 )	380656
2	508005		4	Screw	
3	370234		1	Drivers seat	
	936283		1	.Seat switch	D
	909535	E,F	1	.Sliding rail	Left D
	909536	G	1	.Sliding rail	Right D
4	927974		13	Washer	5x19x1
5	904433		13	Blind rivet	
6	372785		1	List	
7	372786		2	List	
8	372494	A	N	Rubber strip	
9	903905		4	Screw	
10	904233		4	Washer	
11	370258		4	Spacer washer	
12	500121		16	Screw	M12x65 8,8
13	904231		16	Washer	
14	359998		4	Back-up ring	
15	374606	B	2	Shock absorber	Green D
16	372457		4	Back-up ring	
17	903290		4	Washer	21x36x6
18	901145		4	Lock nut	M20-10
19	904230		4	Washer	
20	500029		4	Screw	
21	376252		1	Step	
22	374607	C	2	Shock absorber	Yellow D

- A) L=2400 mm
- B) Rear
- C) Front
- E) With handle
- F) Left
- G) Right

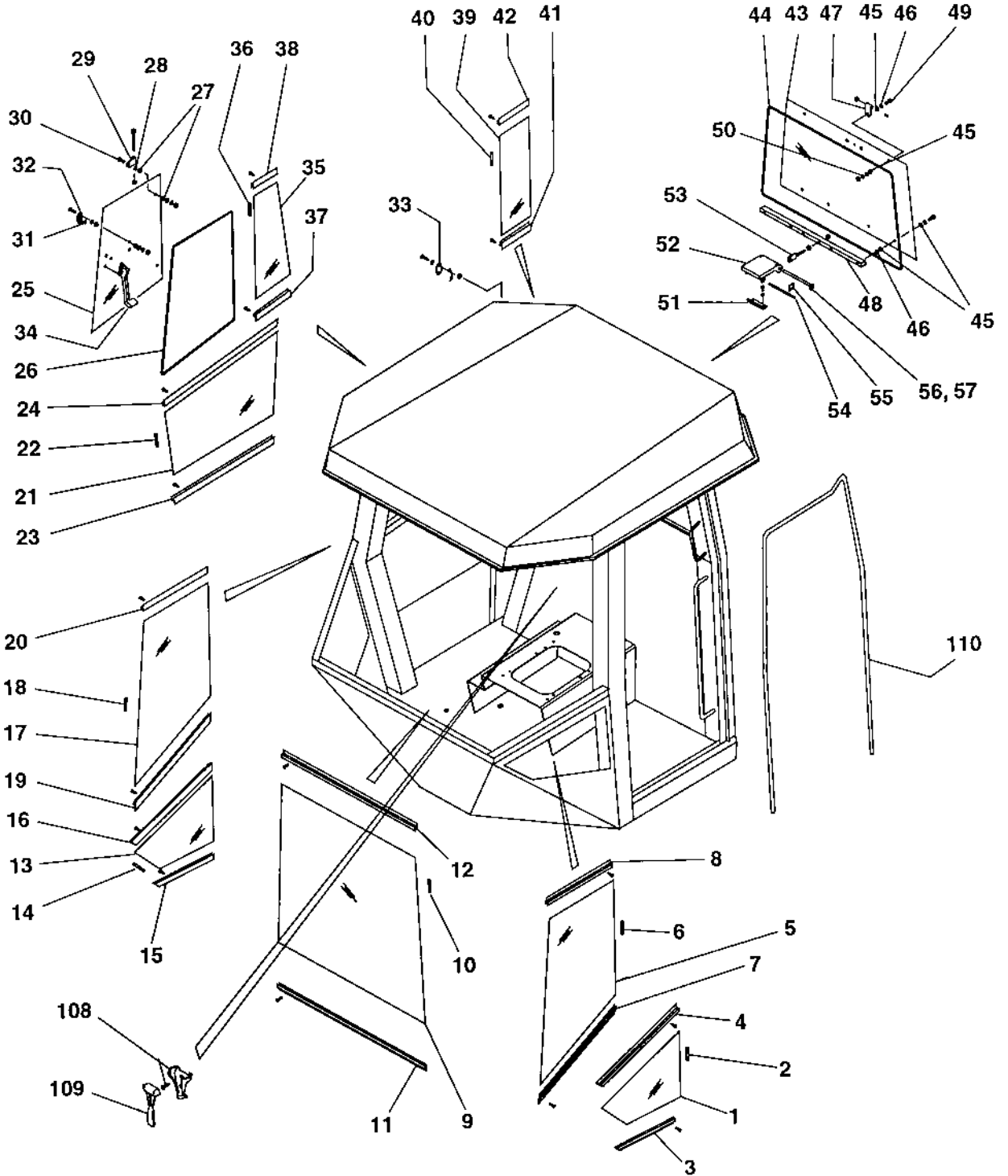


**Cab 380656**

<b>Ref. No.</b>	<b>Part No.</b>	<b>Rem.</b>	<b>Qty</b>	<b>Description</b>	<b>Code</b>
130				Cab ( Page 270 )	Screens
140				Cab ( Page 274 )	Door, left side
150				Cab ( Page 276 )	Interior rear mirror
170				Wiper arm with blade, front ( Page 278 )	
180				Cab ( Page 280 )	Electric

**Cab Screens**

17435





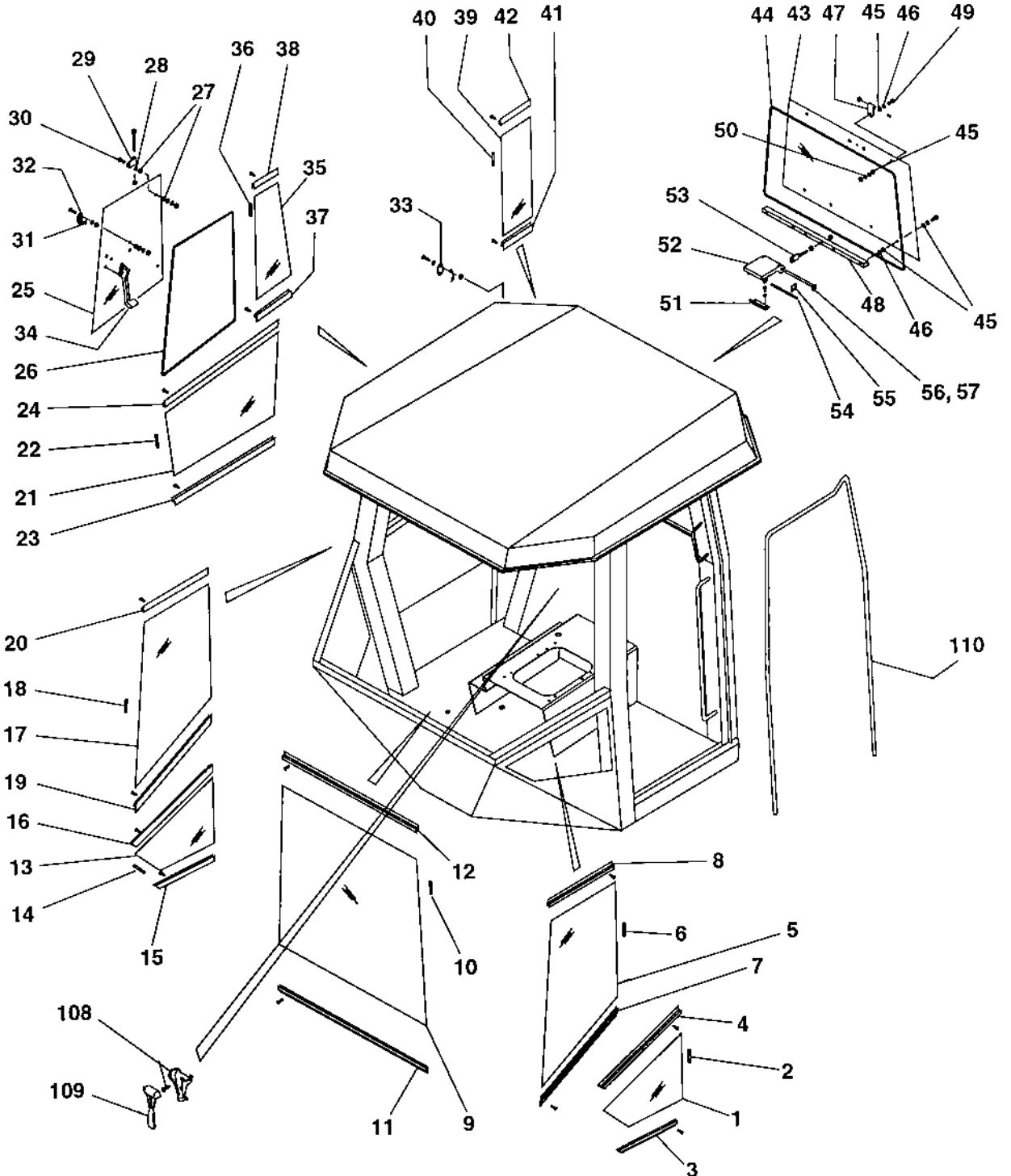
**Cab Screens**

Ref. No.	Part No.	Rem.	Qty	Description	Code
1	937380		1	Screen	
2	908545		XL	Seal list	
3	935278		1	List	
4	935279		1	List	
5	937381		1	Screen, left	
6	908545		XL	Seal list	
7	935280		1	List	
8	935281		1	List	
9	937382		1	Screen	
10	908545	B	1	Seal list	
11	935282		1	List	
12	935283		1	List	
13	937383		1	Screen	
14	908545		XL	Seal list	
15	935284		1	List	
16	935285		1	List	
17	937384		1	Screen	
18	908545	A	1	Seal list	
19	935286		1	List	
20	935287		1	List	
21	937385		1	Screen	
22	908545	A	1	Seal list	
23	935288		1	List	
24	935289		1	List	
25	937386		1	Screen	
26	908499	B	1	Rubber list	
27	935271		8	Washer, Flexible rubber	
28	935272		8	Washer, Black	
29	935273		2	Hinge	
30	935274		2	Screw	
31	935275		1	Rubber washer	
32	935276		1	Bracket	
33	935277		1	Lock pin	
34	935290		1	Window lock, right	
35	937387		1	Screen	
36	908545	A	1	Seal list	
37	935291		1	List	
38	935292		1	List	
39	937388	A	1	Screen	
40	908545	A	1	Seal list	
41	935293		1	List	
42	935294		1	List	
43	937389		1	Screen	
44	908499	C	1	Rubber list	
45	935271		12	Washer, Flexible rubber	
46	935272		12	Washer, Black	
47	935273		2	Hinge	
48	935295		1	Screen holder	
49	935274		6	Screw	
50	935296		2	Washer	
51	935297		1	Bracket	
52	935298		2	Bracket	
53	935299		1	Bolt	
54	935300		1	Shaft	
55	935301		2	Lock	
56	935302		1	Rod	

- A) L=1 m
- B) L=2 m
- C) L=3 m

**Cab Screens**

17435

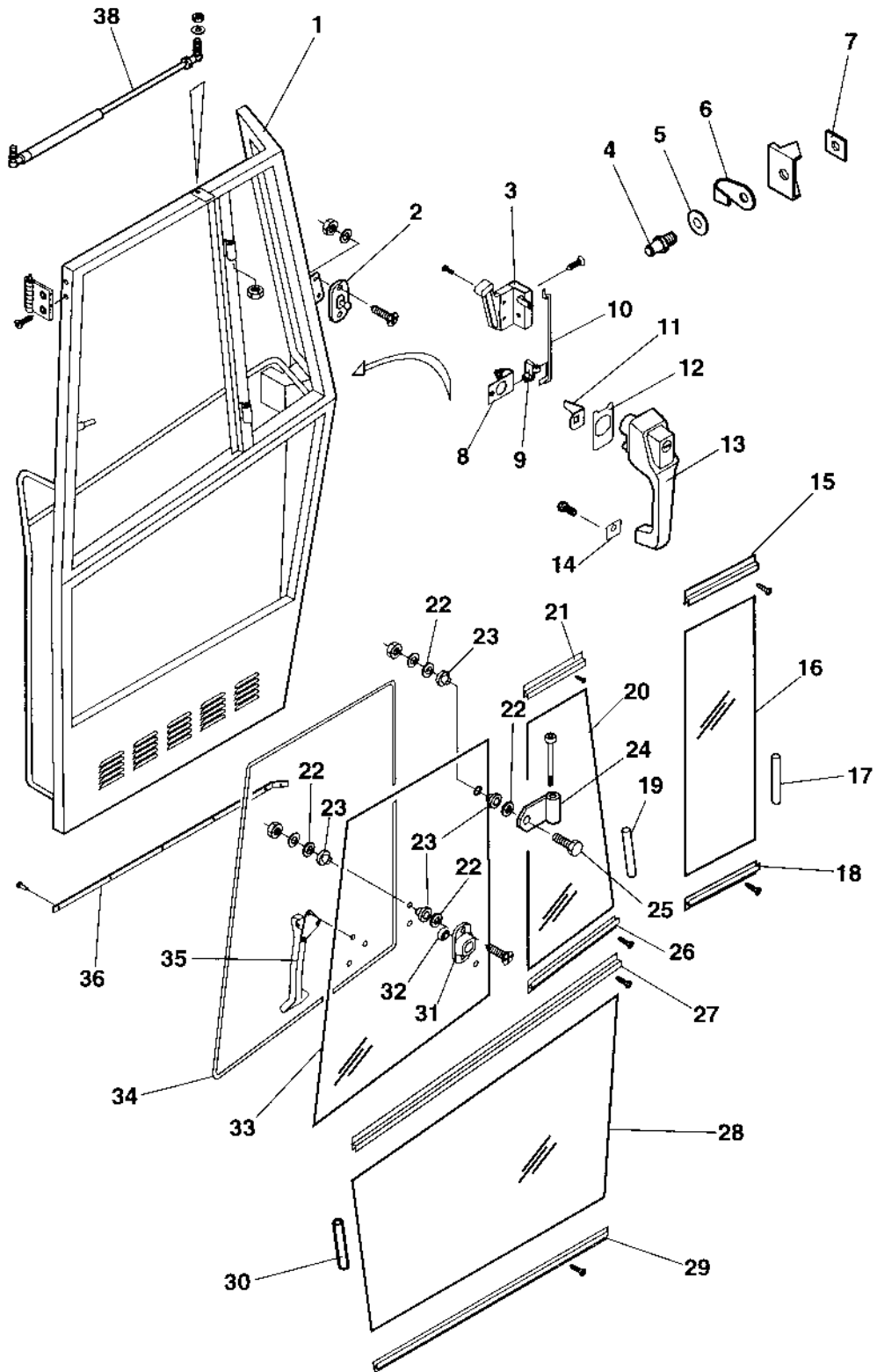


**Cab Screens**

Ref. No.	Part No.	Rem.	Qty	Description	Code
57	935303		1	Ring	
108	908506		1	Holder	
109	908507		1	Emergency hammer	
110	908499	D	1	Rubber list	
D)	L=5 m				

**Cab Door, left side**

16967-1



**Cab Door, left side**

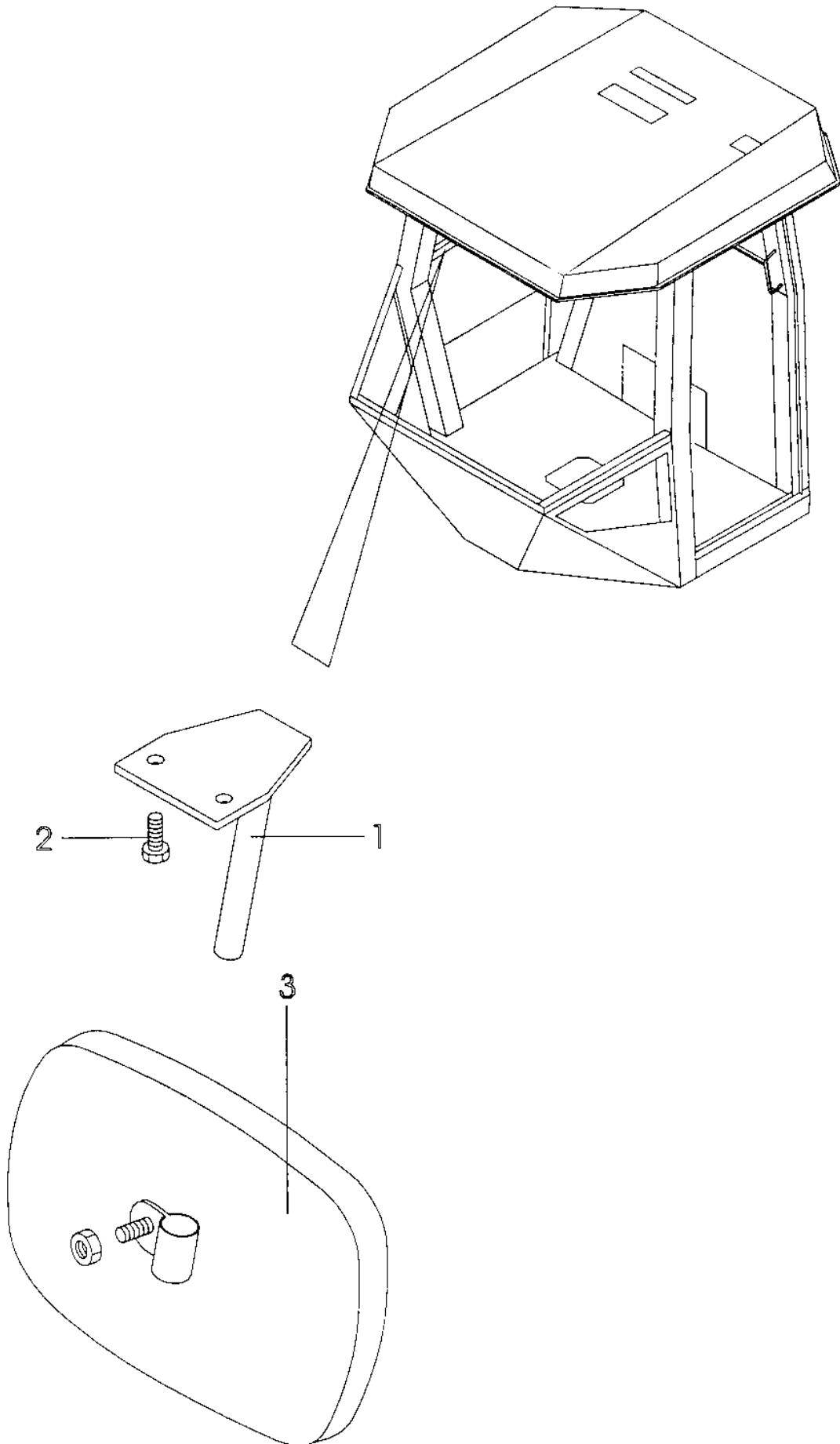
Ref. No.	Part No.	Rem.	Qty	Description	Code
	940678		1	Door, cpl	
1	938045		1	.Door frame	
2	935277		1	.Lock pin	
3	938017		1	.Lock	
4	908580		1	.Lock pin	
5	908581		1	.Washer	
6	908582		1	.Cover	
7	908583		1	.Bracket	
8	935248		1	.Turning mechanism	
9	935249		1	.Retainer	
10	935250		1	.Rod	
11	935247		1	.Leader	
12	935246		1	.Seal	
13	935244		1	.Door handle with key	
14	935245		1	.Seal	
15	935268		1	.List	
16	937391		1	.Screen	
17	908545	A	1	.Seal list	
18	935267		1	.List	
19	908545	A	1	.Seal list	
20	937392		1	.Screen	
21	935270		1	.List	
22	935272		8	.Washer, Black	
23	935271		8	.Washer, Flexible rubber	
24	935273		2	.Hinge	
25	935274		2	.Screw	
26	935269		1	.List	
27	935266		1	.List	
28	937390		1	.Screen	
29	935265		1	.List	
30	908545	A	1	.Seal list	
31	935276		1	.Bracket	
32	935275		1	.Rubber washer	
33	937393		1	.Screen	
34	908499	B	1	.Rubber list	
35	935253		1	.Lock	
36	938101		XL	.Brush profile	
38	938018		1	.Gas spring	

A) L=1 m

B) L=2 m

**Cab Interior rear mirror**

**16008**

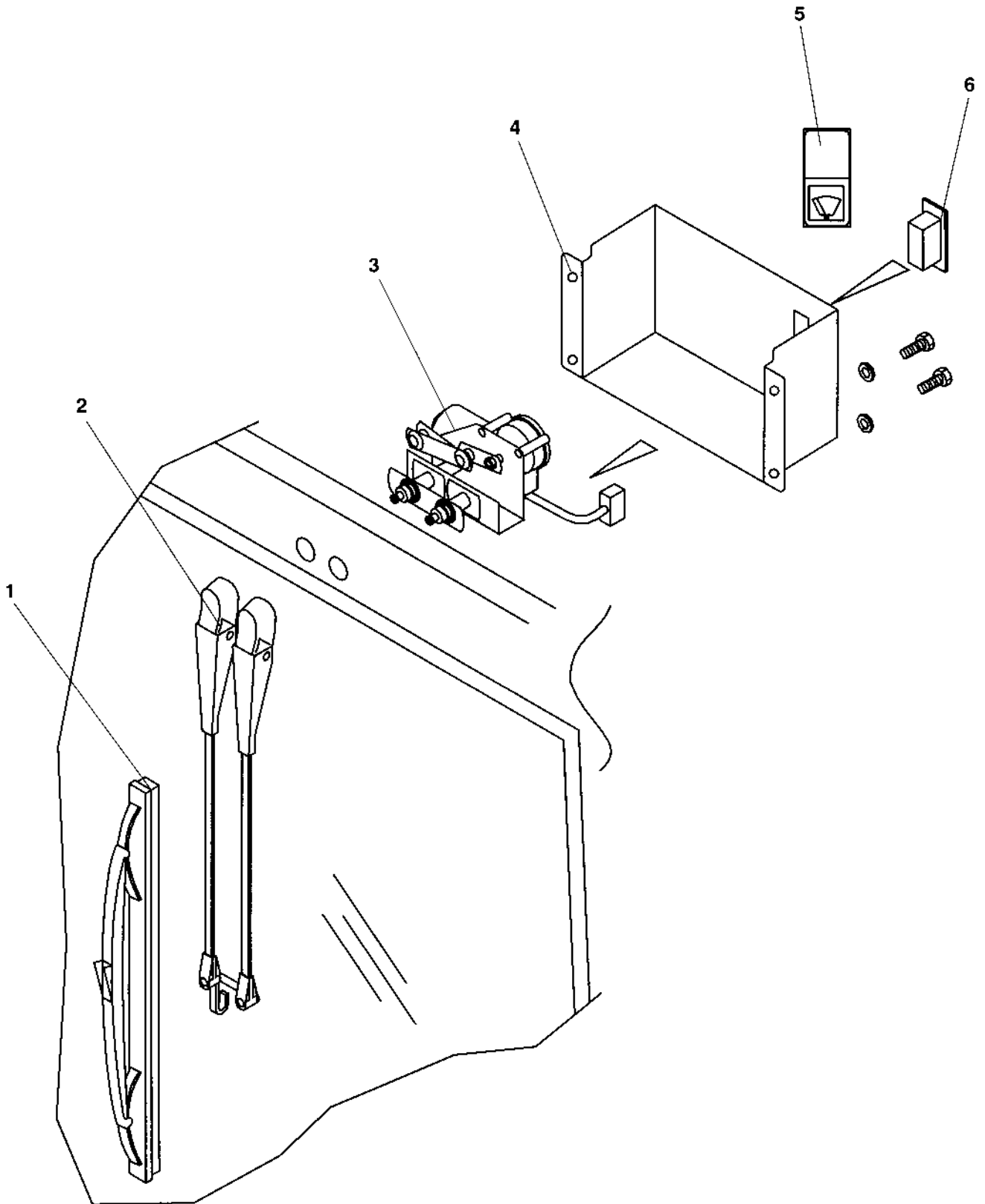


**Cab Interior rear mirror**

<b>Ref. No.</b>	<b>Part No.</b>	<b>Rem.</b>	<b>Qty</b>	<b>Description</b>	<b>Code</b>
1	908623		1	Bracket	
2	535005		2	Screw	M5x12
3	908624		1	Rear mirror	

Wiper arm with blade, front

16968



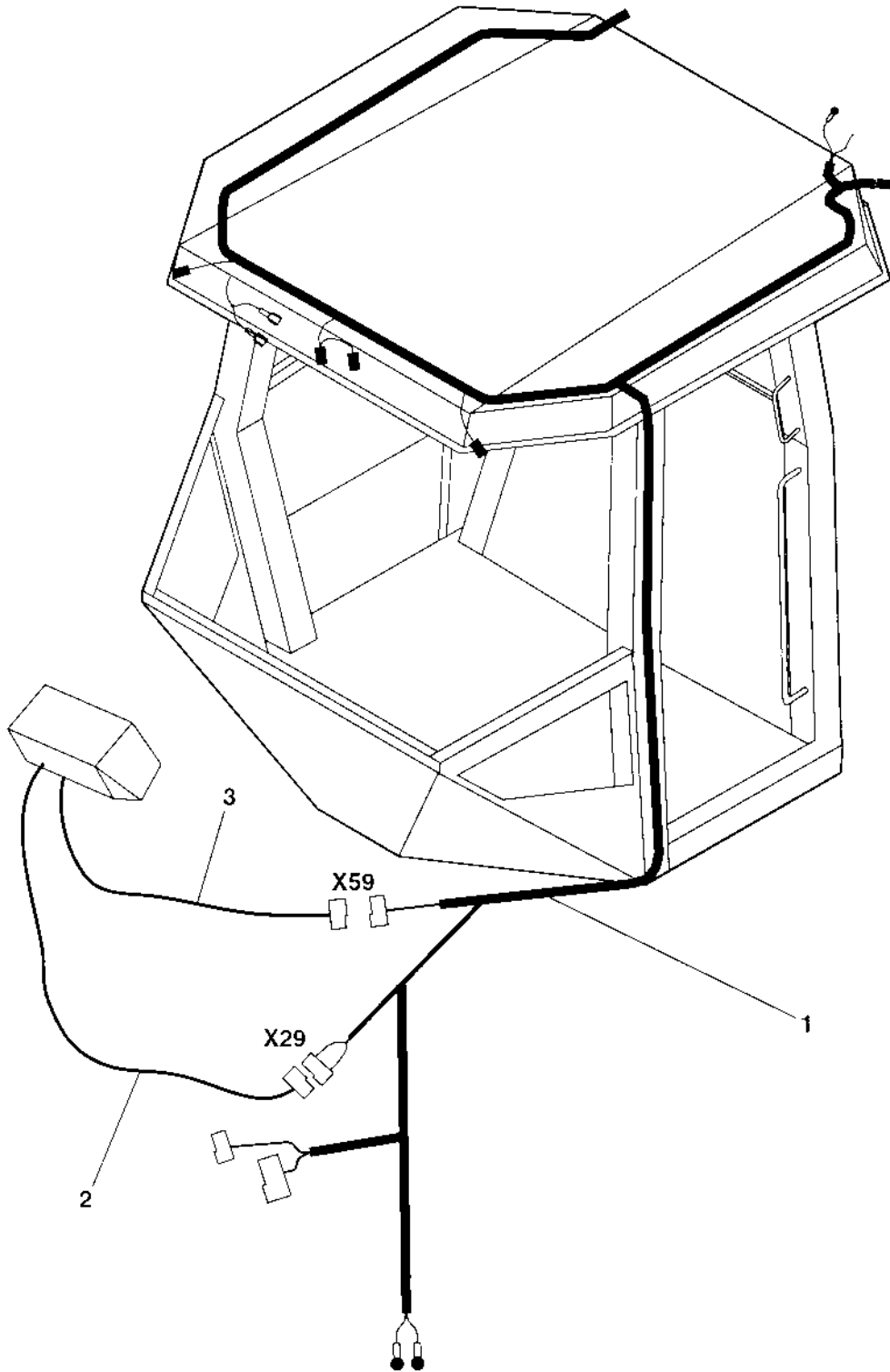


**Wiper arm with blade, front**

<b>Ref. No.</b>	<b>Part No.</b>	<b>Rem.</b>	<b>Qty</b>	<b>Description</b>	<b>Code</b>
1	905306		1	Wiper blade	
2	905305		1	Wiper arm	
3	905304		1	Wiper motor	
4	937871		1	Cover	
5	908605		1	Symbol, wiper	
6	908617		1	Switch	

**Cab Electric**

17377



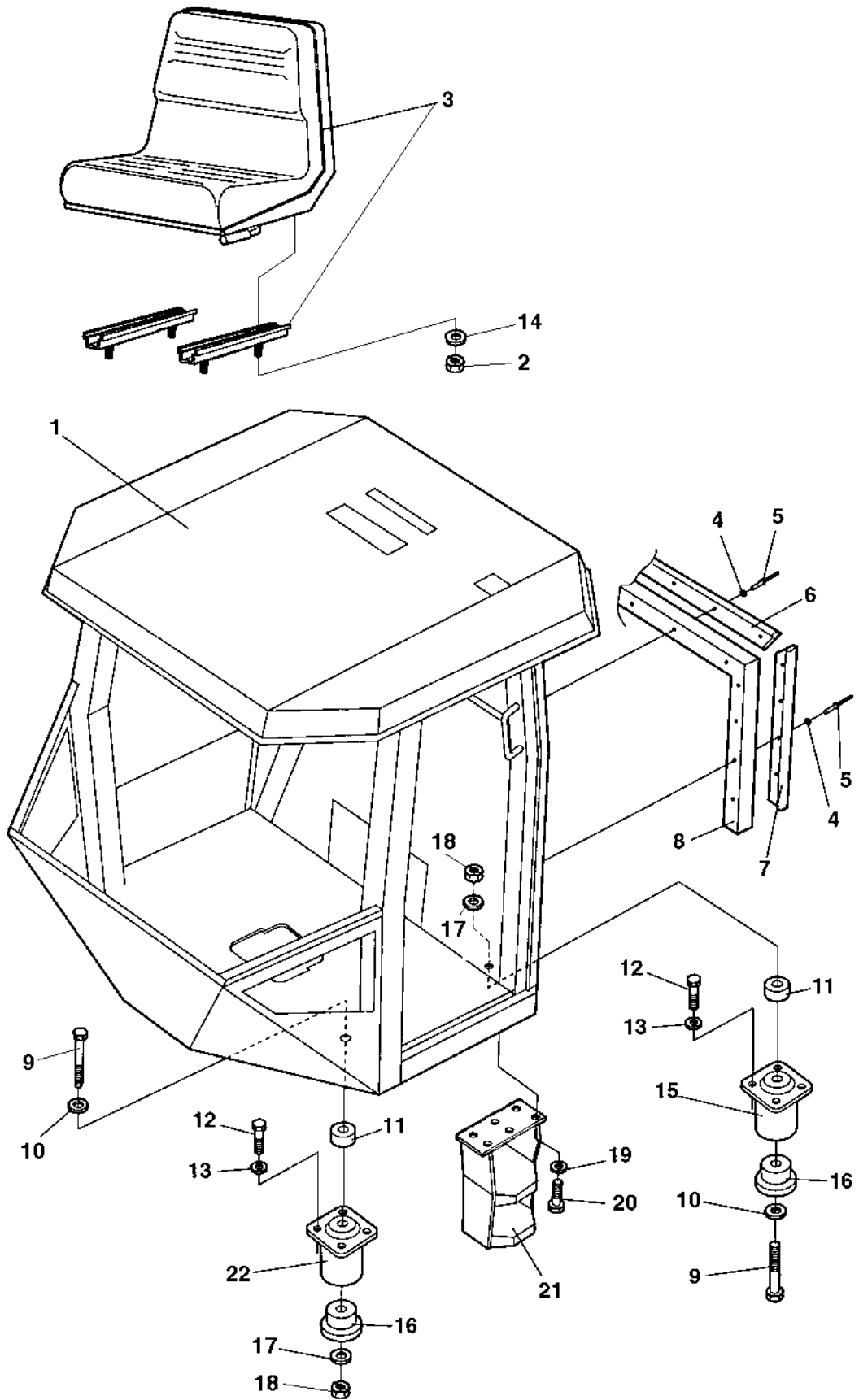
**Cab Electric**

Ref. No.	Part No.	Rem.	Qty	Description	Code
1	937870	A	1	Cable harness	
2	384403	B	1	Cable harness	
3	384402	C	1	Cable harness	

- A) Main supply
- B) Horn
- C) Windshield wiper

**Cab mounting**

18429



**Cab mounting**

Ref. No.	Part No.	Rem.	Qty	Description		Code
1				Cab ( Page 284 )	378308	
2	570005		4	Nut		
3	377518	D	1	Drivers seat, cpl		
4	927974		13	Washer	5x19x1	
5	904433		13	Blind rivet		
6	372785		1	List		
7	382582		2	List		
8	372494	A	N	Rubber strip		
9	791218		4	Screw	M20x200	
10	904233		4	Washer		
11	384759		4	Spacer		
12	500195		16	Screw		
13	904231		16	Washer		
14	904229		4	Washer		
15	374606	B	2	Shock absorber	Green	D
16	372457		4	Back-up ring		
17	903290		4	Washer	21x36x6	
18	901145		4	Lock nut	M20-10	
19	904230		6	Washer		
20	500029		6	Screw		
21	376252		1	Step		
22	374607	C	2	Shock absorber	Yellow	D
23	382397		2	Spacer		

- A) L=2400 mm
- B) Rear
- C) Front
- D) Option

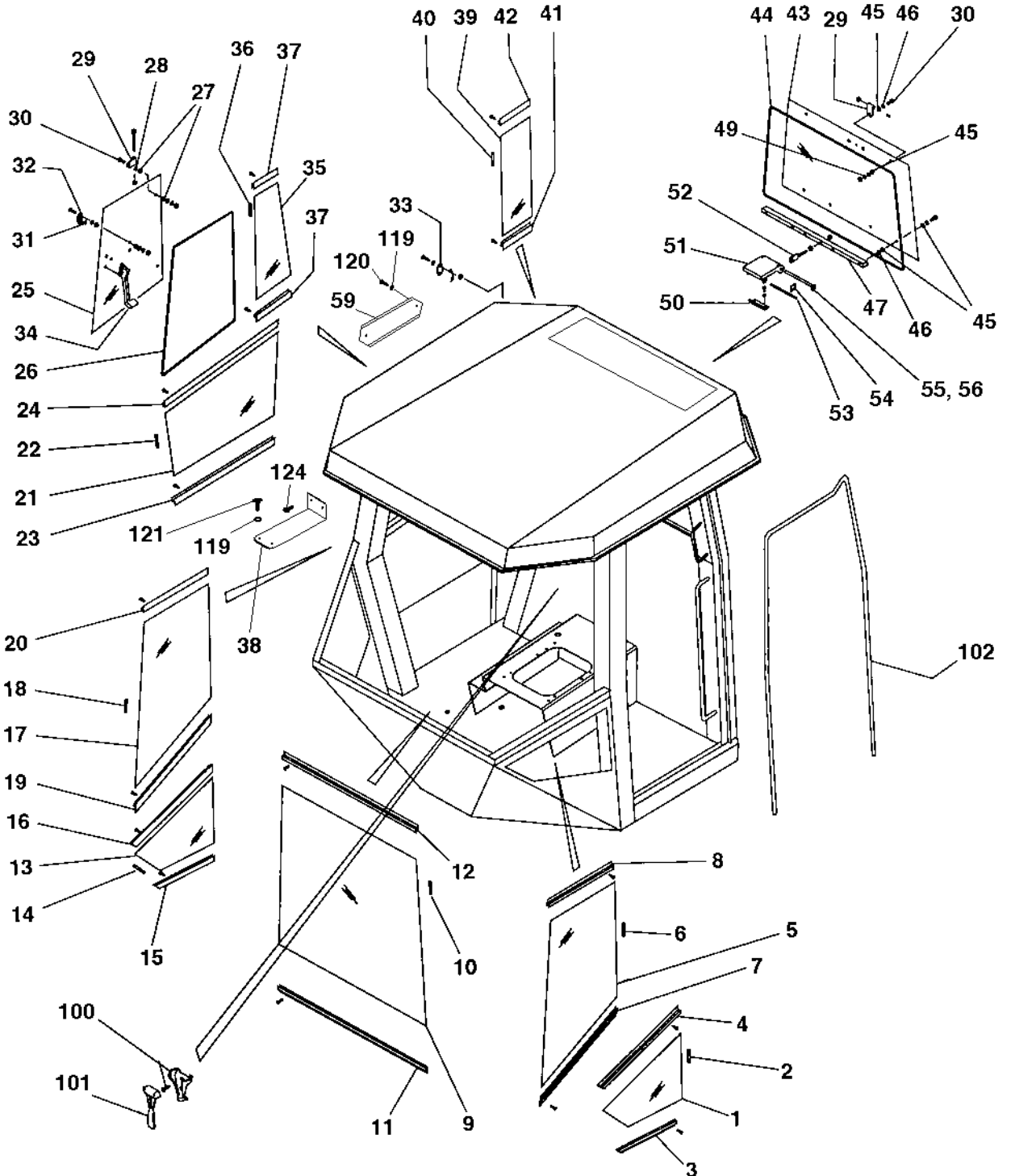


**Cab 378308**

<b>Ref. No.</b>	<b>Part No.</b>	<b>Rem.</b>	<b>Qty</b>	<b>Description</b>	<b>Code</b>
130				Cab ( Page 286 )	Screens
140				Cab ( Page 290 )	Door, left side
150				Cab ( Page 276 )	Interior rear mirror
170				Wiper arm with blade, front ( Page 278 )	
180				Cab ( Page 280 )	Electric

**Cab Screens**

18431





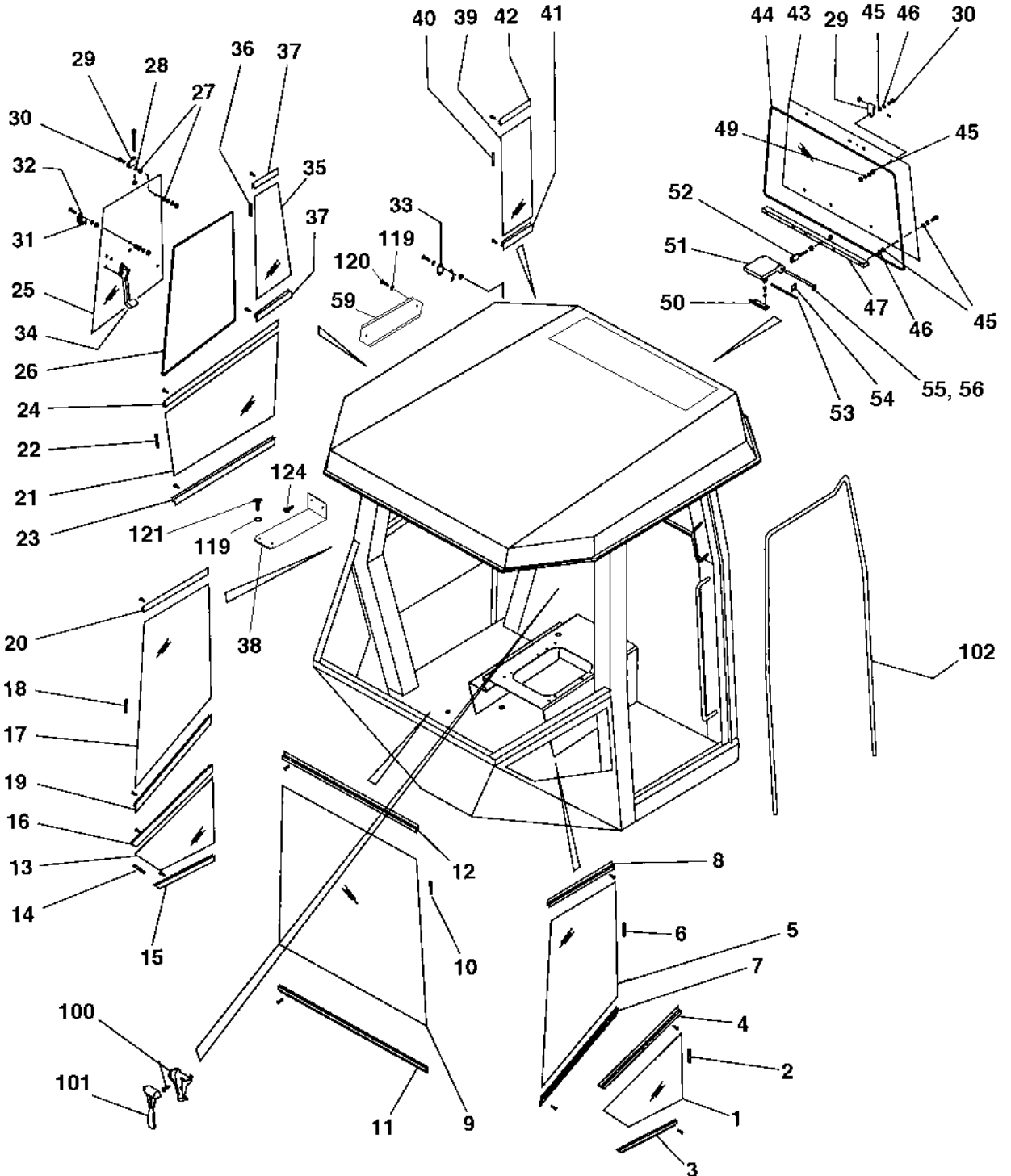
**Cab Screens**

Ref. No.	Part No.	Rem.	Qty	Description	Code
1	937380		1	Screen	
2	908545		XL	Seal list	
3	935278		1	List	
4	935279		1	List	
5	937381		1	Screen, left	
6	908545		XL	Seal list	
7	935280		1	List	
8	935281		1	List	
9	937382		1	Screen	
10	908545	D	1	Seal list	
11	935282		1	List	
12	935283		1	List	
13	937383		1	Screen	
14	908545		XL	Seal list	
15	935284		1	List	
16	935285		1	List	
17	937384		1	Screen	
18	908545	C	1	Seal list	
19	935286		1	List	
20	935287		1	List	
21	937385		1	Screen	
22	908545	A	1	Seal list	
23	935288		1	List	
24	935289		1	List	
25	938290		1	Screen	
26	908499	E	1	Rubber list	
27	935271		8	Washer, Flexible rubber	
28	935272		8	Washer, Black	
29	935273		4	Hinge	
30	935274		4	Screw	
31	935275		1	Rubber washer	
32	935276		1	Bracket	
33	935277		1	Lock pin	
34	935290		1	Window lock, right	
35	938291		1	Screen	
36	908545	B	1	Seal list	
37	935291		1	List	
38	379608		1	Cover	
39	938292		1	Screen	
40	908545	B	1	Seal list	
41	935293		1	List	
42	938659		1	List	
43	937389		1	Screen	
44	908499	F	1	Rubber list	
45	935271		12	Washer, Flexible rubber	
46	935272		12	Washer, Black	
47	935295		1	Screen holder	
49	935296		2	Washer	
50	935297		1	Bracket	
51	935298		2	Bracket	
52	935299		1	Bolt	
53	935300		1	Shaft	
54	935301		2	Lock	

- A) L=1100 mm
- B) L=1400 mm
- C) L=1900 mm
- D) L=2100 mm
- E) L=2700 mm
- F) L=3300 mm

**Cab Screens**

18431

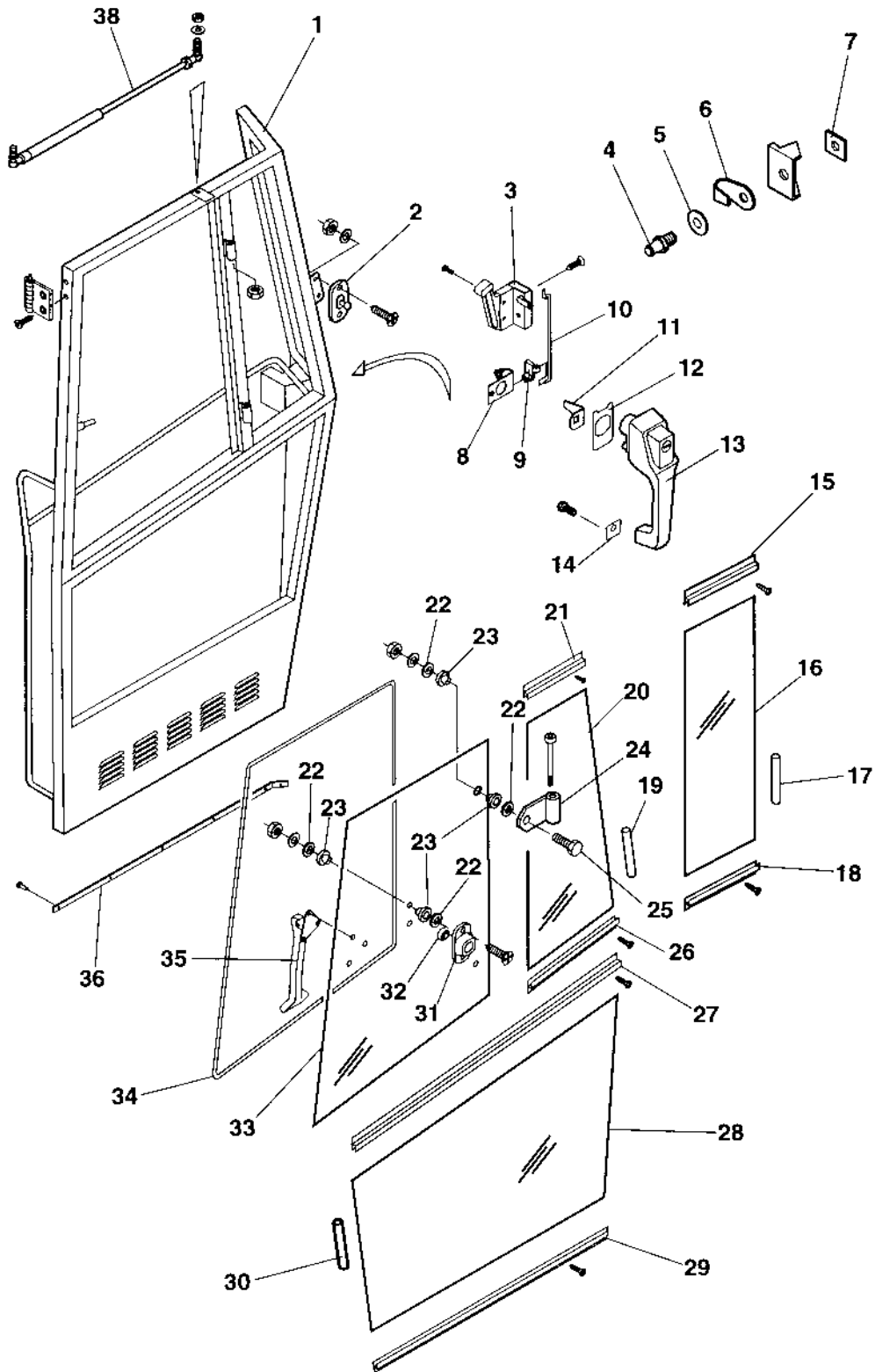


**Cab Screens**

Ref. No.	Part No.	Rem.	Qty	Description	Code
55	935302		1	Rod	
56	935303		1	Ring	
59	379236		1	Cover	
100	908506		1	Holder	
101	908507		1	Emergency hammer	
102	908499	G	1	Rubber list	
119	904229		16	Washer	
120	500019		14	Screw	
121	500053		2	Screw	
124	903782		2	Screw	M5x12
G)	L=5 m				

**Cab Door, left side**

16967-1



**Cab Door, left side**

Ref. No.	Part No.	Rem.	Qty	Description	Code
	940678		1	Door, cpl	
1	390927		1	.Door frame	
2	935277		1	.Lock pin	
3	938017		1	.Lock	
4	908580		1	.Lock pin	
5	908581		1	.Washer	
6	908582		1	.Cover	
7	908583		1	.Bracket	
8	935248		1	.Turning mechanism	
9	935249		1	.Retainer	
10	935250		1	.Rod	
11	935247		1	.Leader	
12	935246		1	.Seal	
13	935244		1	.Door handle with key	
14	935245		1	.Seal	
15	935268		1	.List	
16	937391		1	.Screen	
17	908545	A	1	.Seal list	
18	935267		1	.List	
19	908545	A	1	.Seal list	
20	937392		1	.Screen	
21	935270		1	.List	
22	935272		8	.Washer, Black	
23	935271		8	.Washer, Flexible rubber	
24	935273		2	.Hinge	
25	935274		2	.Screw	
26	935269		1	.List	
27	935266		1	.List	
28	937390		1	.Screen	
29	935265		1	.List	
30	908545	B	1	.Seal list	
31	935276		1	.Bracket	
32	935275		1	.Rubber washer	
33	937393		1	.Screen	
34	908499	C	1	.Rubber list	
35	935253		1	.Lock	
36	938101		XL	.Brush profile	
38	938018		1	.Gas spring	

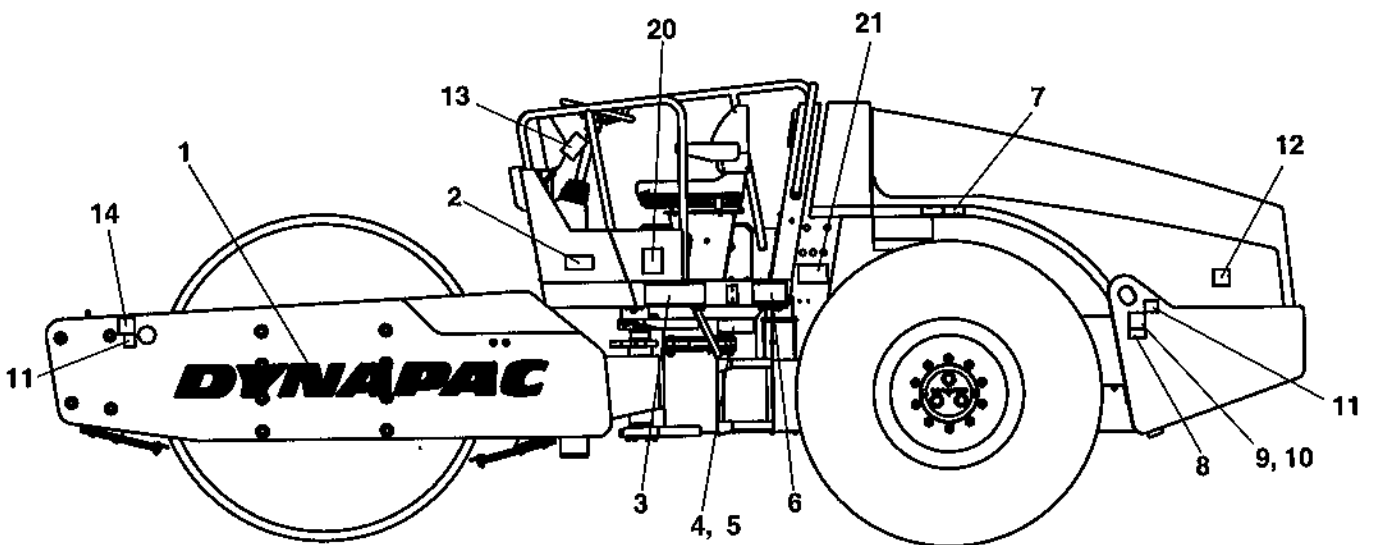
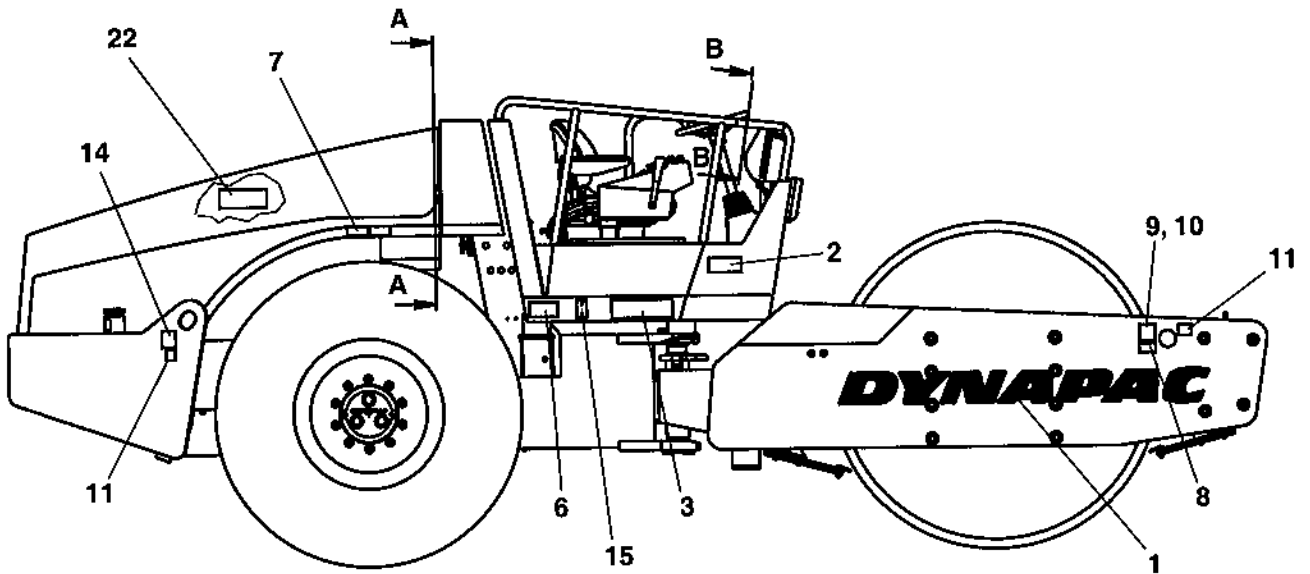
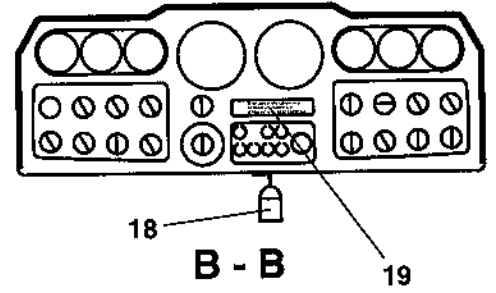
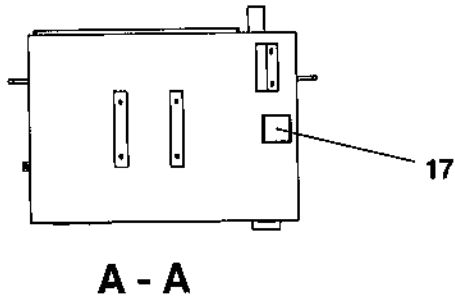
- A) L=1400 mm
- B) L=1100 mm
- C) L=2700 mm



**Decals**

<b>Ref. No.</b>	<b>Part No.</b>	<b>Rem.</b>	<b>Qty</b>	<b>Description</b>	<b>Code</b>
10				Decals ( Page 294 )	
20				Decals ( Page 296 )	

**Decals**  
17018-3





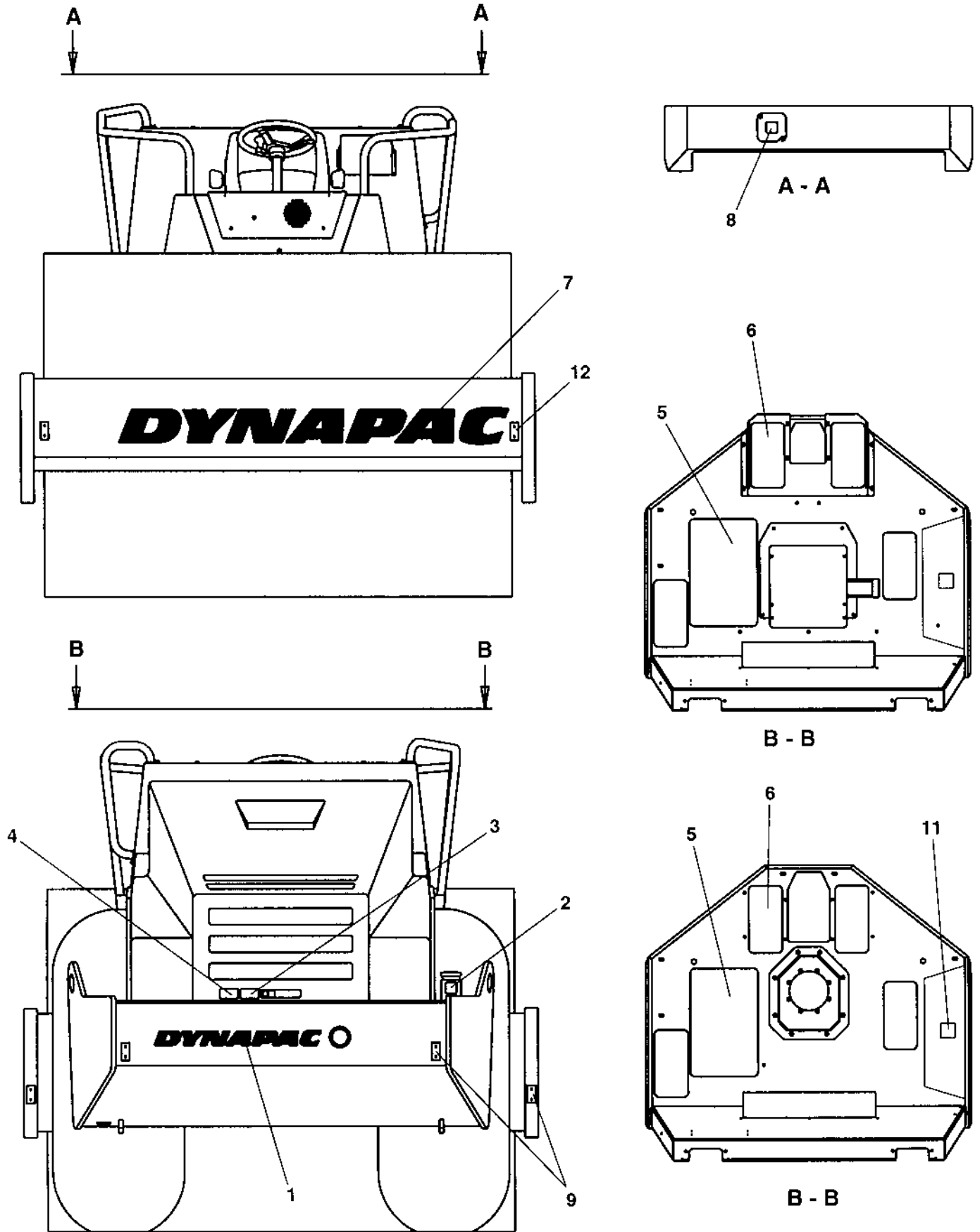
**Decals**

Ref. No.	Part No.	Rem.	Qty	Description	Code
1	904068		2	Decal "DYNAPAC"	L=1770 mm
2	903422		2	Decal "SAFETY"	
3	904546		2	Decal "MODEL CODE"	
4		E	1	Product identification plate	
		A,E	1	Product identification plate CE	
5	624005		4	Blind rivet	3,2x6,1
6	903459		2	Decal "SAFETY"	
7	349220		2	Decal "TYRE PRESSURE"	
8	908229		2	Safety decal	
9	904870		2	Lifting sign	
10	624005		8	Blind rivet	3,2x6,1
11	382751		4	Decal "TIE DOWN POINT"	
12	904835		1	Decal "BATTERY POWER"	
13	384160		1	Loading/Unloading instruction	
14	588176		2	Decal "LIFT POINT"	
15	377744		2	Reflector, yellow	B
17	272373		1	Decal "HYDRAULIC OIL"	
18	358881		1	Pad lock	
19	349248SE		1	Decal "WARNING"	Swedish
	349248EN		1	Decal "WARNING"	English
	349248DE		1	Decal "WARNING"	German
	349248IT		1	Decal "WARNING"	Italian
	349248ES		1	Decal "WARNING"	Spanish
	349248FR		1	Decal "WARNING"	French
	349248NO		1	Decal "WARNING"	Norwegian
	349248DK		1	Decal "WARNING"	Danish
	349248FI		1	Decal "WARNING"	Finnish
	349248PT		1	Decal "WARNING"	Portuguese
	349248NL		1	Decal "WARNING"	Dutch
	349248GR		1	Decal "WARNING"	Greek
	349248IS		1	Decal "WARNING"	Icelandic
	349248CN		1	Decal "WARNING"	Chinese
20	791276		1	Decal "Sound power level"	106dB
	791278		1	Decal "Sound power level"	108dB
	791275		1	Decal "Sound power level"	105dB
	791277		1	Decal "Sound power level"	107dB
21	791094		1	Decal "RUS 127 approved"	Option
22	791642		1	Decal "WARNING"	Use of starting fluid prohib.

- A) With CE-Mark
- E) Not available as sparepart

Decals

17017-1

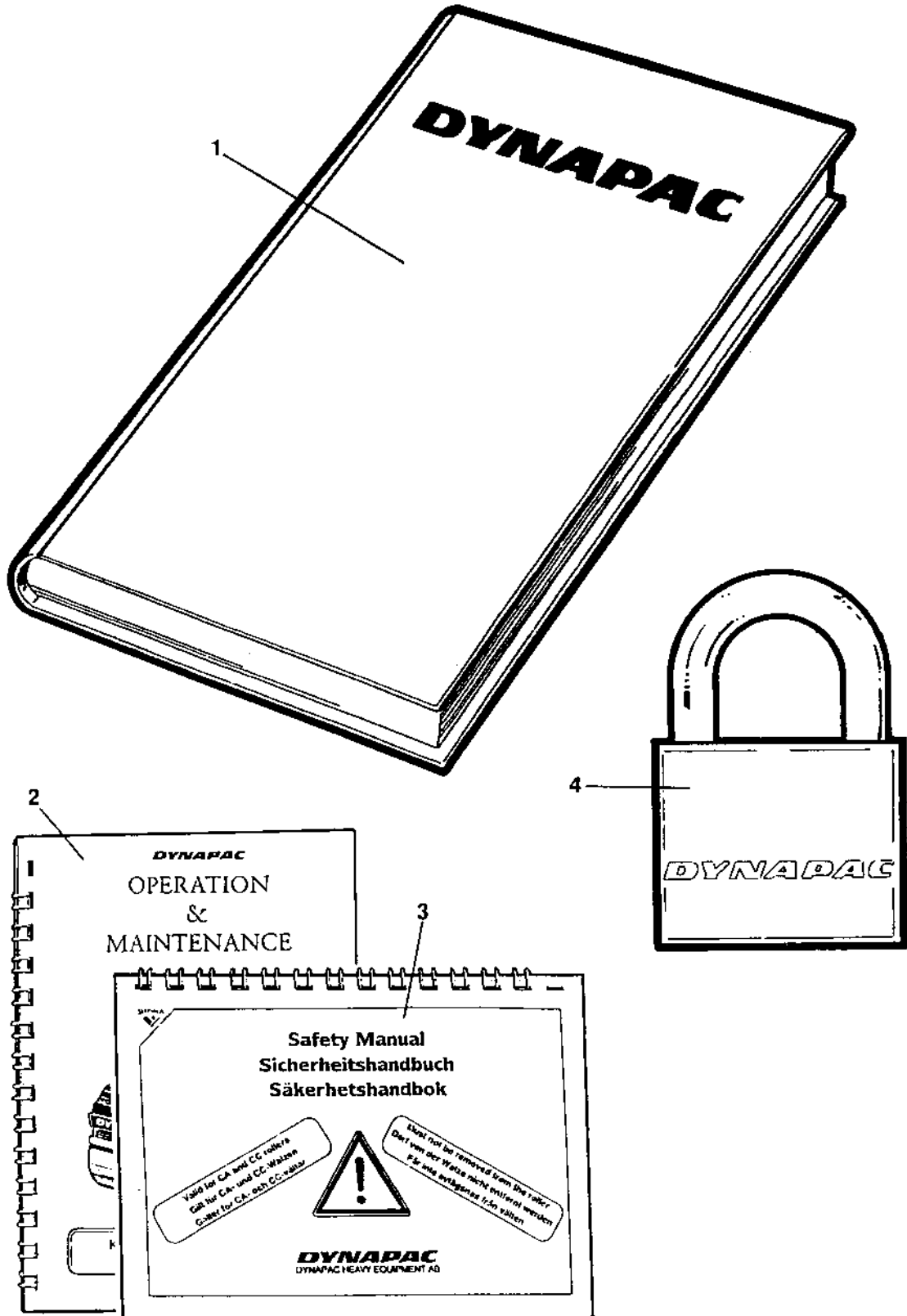


**Decals**

<b>Ref. No.</b>	<b>Part No.</b>	<b>Rem.</b>	<b>Qty</b>	<b>Description</b>	<b>Code</b>
1	904069		1	Decal "DYNAPAC"	L=760 mm
2	991658		1	Decal "FUEL"	
3	903423		1	Decal "SAFETY"	
4	903424		1	Decal "HOT SURFACE"	
5	373364		1	Slip protection	
6	373363		4	Slip protection	
7	904068		1	Decal "DYNAPAC"	L=1770 mm
8	272372		1	Decal "HYDRAULIC OIL"	
	904601		1	Decal "BIO HYDRAULIC OIL"	
9	377742		4	Reflector, red	B
11	903425		1	Decal "SAFETY MANUAL"	
12	377743		2	Reflector, white	B



<b>Ref. No.</b>	<b>Part No.</b>	<b>Rem.</b>	<b>Qty</b>	<b>Description</b>	<b>Code</b>
10				Standard equipment ( Page 300 )	



Ref. No.	Part No.	Rem.	Qty	Description	Code
1			1	Documentation	OMS252
			1	.Warranty registration card	
			1	.Operation instruction	O252
			1	.Maintenance instruction	M252
			1	.Spare parts catalogue	SCA402
			1	.Instruction manual	Deutz BF4M2012C
2			1	.Operation / maintenance instruction	OM252
3			1	.Safety manual	RSAFE
4	358881		1	Pad lock	



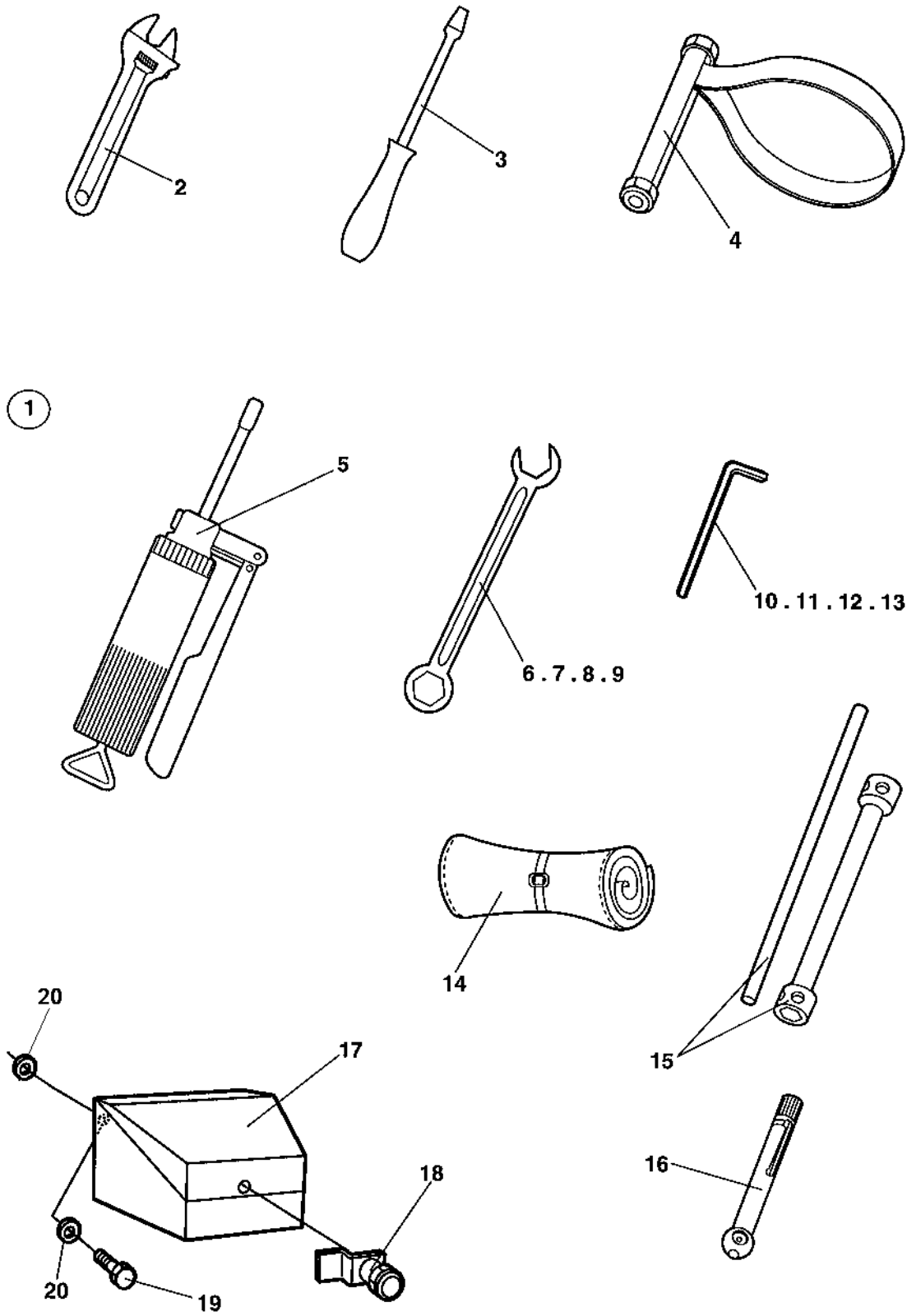


**Optional equipment**

<b>Ref. No.</b>	<b>Part No.</b>	<b>Rem.</b>	<b>Qty</b>	<b>Description</b>	<b>Code</b>
10				Tool equipment ( Page 304 )	
20				SMV-sign, First aid box ( Page 306 )	
30				Canopy ( Page 308 )	
80				Air conditioner assembly ( Page 310 )	
90				Condensor assembly ( Page 312 )	
100				Compressor assembly ( Page 314 )	
110				Evaporator assembly ( Page 316 )	
120				Anti-spin CA Up to ECN04171 ( Page 318 )	
125				Anti-spin CA From ECN04171 ( Page 320 )	
130				Anti spin, Potentiometer installation ( Page 322 )	
140				Anti spin, Hydraulic ( Page 324 )	
150				Roof hatch ( Page 326 )	
170				Scraper and beam ( Page 328 )	
180				Fire extinguisher assembly ( Page 330 )	
190				Heater, Simple cab ( Page 332 )	Option

Tool equipment

17111-1

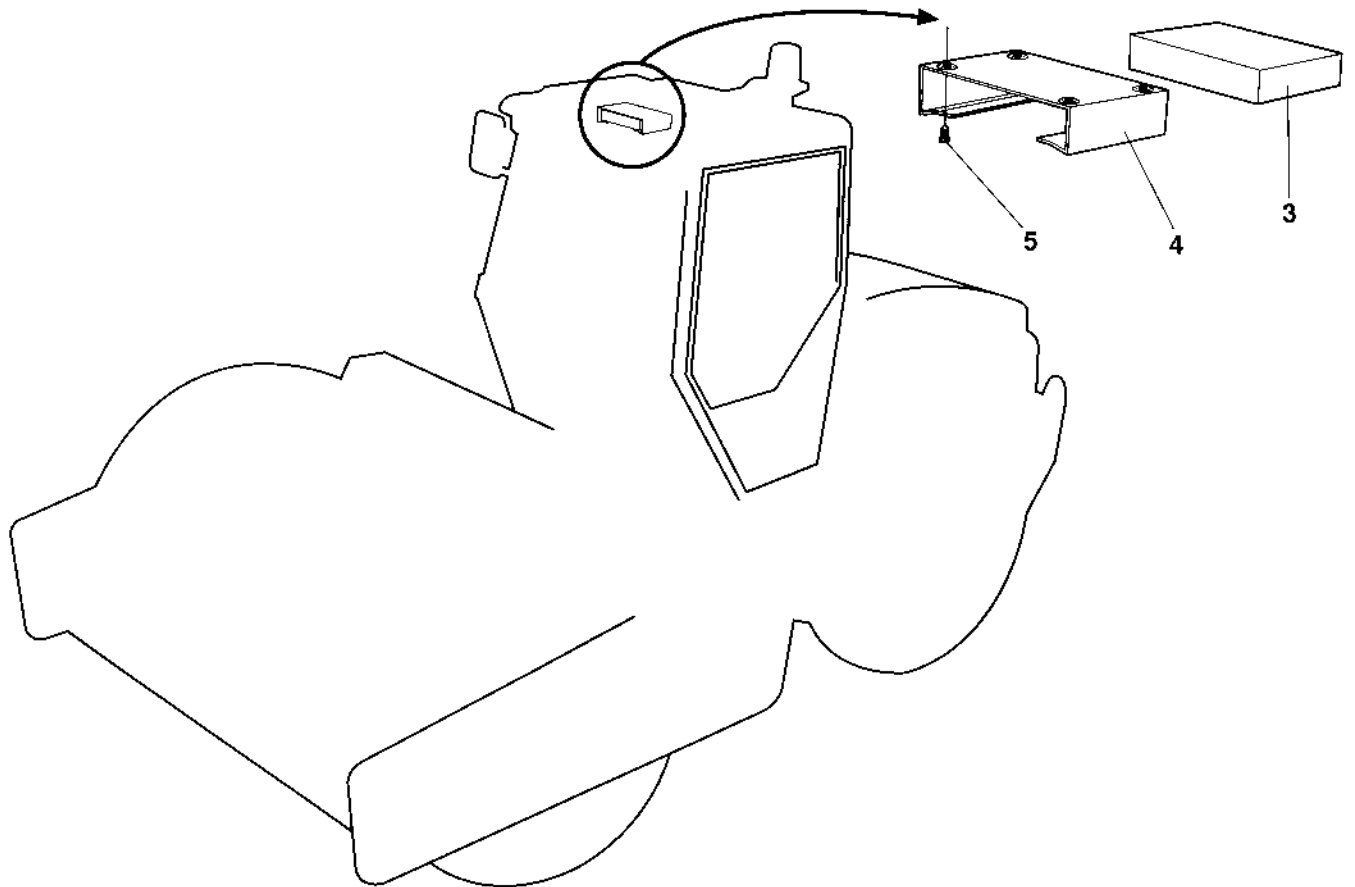
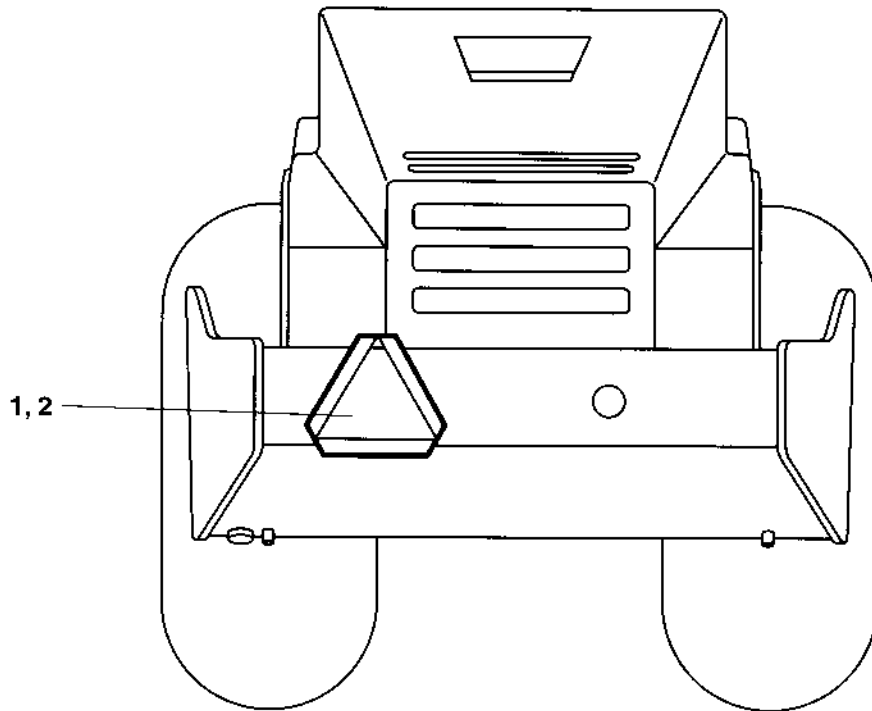


## Tool equipment

Ref. No.	Part No.	Rem.	Qty	Description	Code
1	355890		1	Tool set Cpl	
2			1	.Adjustable wrench	
3			1	.Screw driver	
4	902610		1	.Belt pliers	
5	311016		1	.Grease gun	
6			1	.Open end spanner	10mm
7			1	.Open end spanner	13mm
8			1	.Open end spanner	16mm
9			1	.Open end spanner	18mm
10			1	.Allen wrench	10mm
11			1	.Allen wrench	12mm
12			1	.Allen wrench	6mm
13			1	.Allen wrench	8mm
14			1	.Tool bag	
15			1	.Wheel nut key	30/32mm
16	901220		1	.Pressure gauge	
17	372837		1	Tool box	
18	372658		1	.Lock	
19	500021		3	Screw	
20	904640		6	Washer	

**SMV-sign, First aid box**

17113

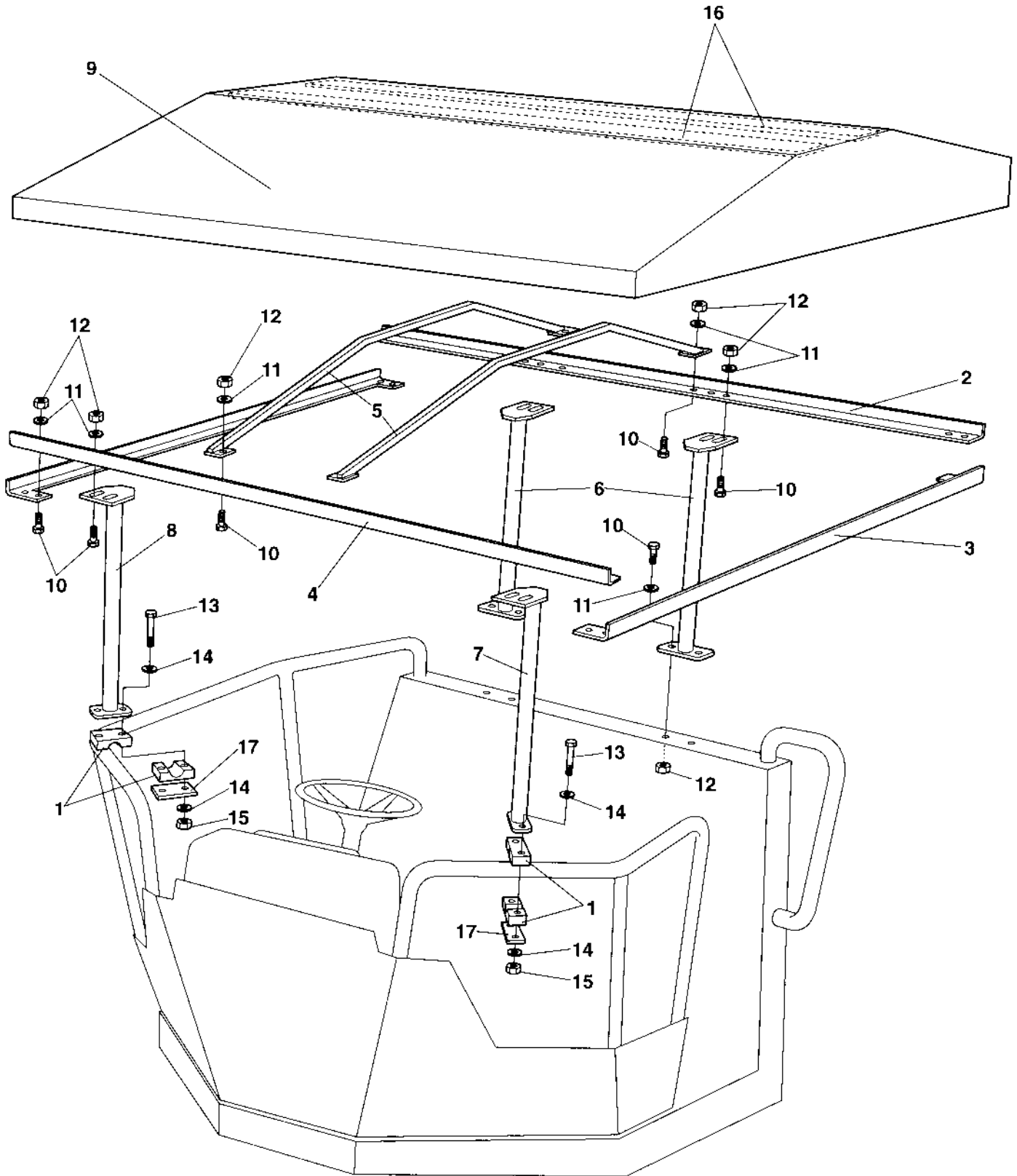


**SMV-sign, First aid box**

<b>Ref. No.</b>	<b>Part No.</b>	<b>Rem.</b>	<b>Qty</b>	<b>Description</b>	<b>Code</b>
1	476019		1	SMV sign	D
2	624005		6	Blind rivet	3,2x6,1
3	902508		1	First aid kit	
4	371837		1	Holder	
5	903969		4	Screw	ST4,8x19 Black

**Canopy**

17121

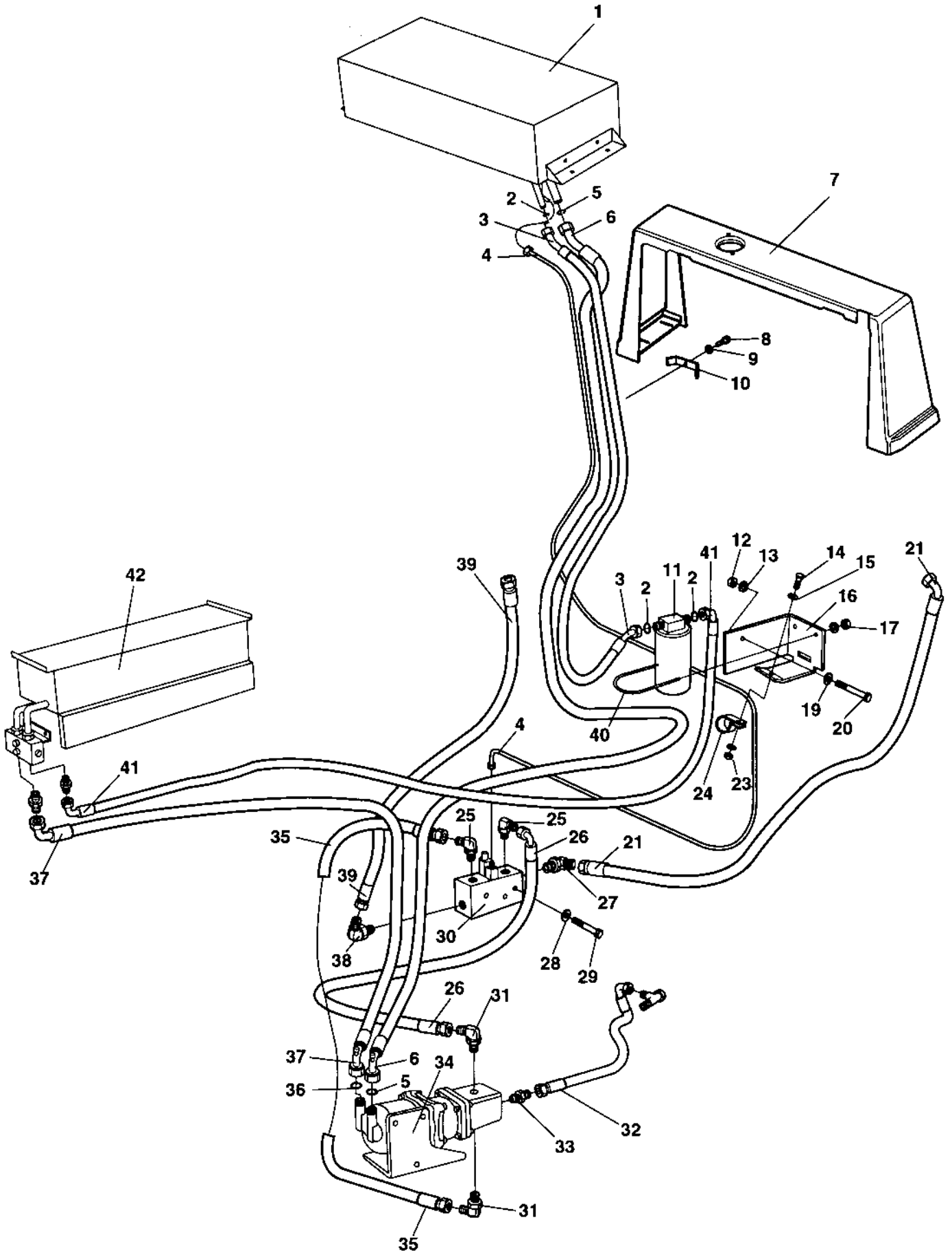


**Canopy**

<b>Ref. No.</b>	<b>Part No.</b>	<b>Rem.</b>	<b>Qty</b>	<b>Description</b>	<b>Code</b>
1	904340		2	Pipe clamp	
2	373746		1	Canopy profile	
3	373747		2	Canopy profile	
4	373748		1	Canopy profile	
5	373749		4	Canopy rib	
6	373750		2	Canopy anchor	
7	373752		1	Canopy anchor	
8	373756		1	Canopy anchor	
9	373906		1	Roof	
10	500021		24	Screw	
11	904229		44	Washer	
12	586003		20	Lock nut	
13	500153		4	Screw	
14	904228		8	Washer	
15	586002		4	Lock nut	
16	373907		2	Lath	
17	924791		2	Cover plate	

**Air conditioner assembly**

17674



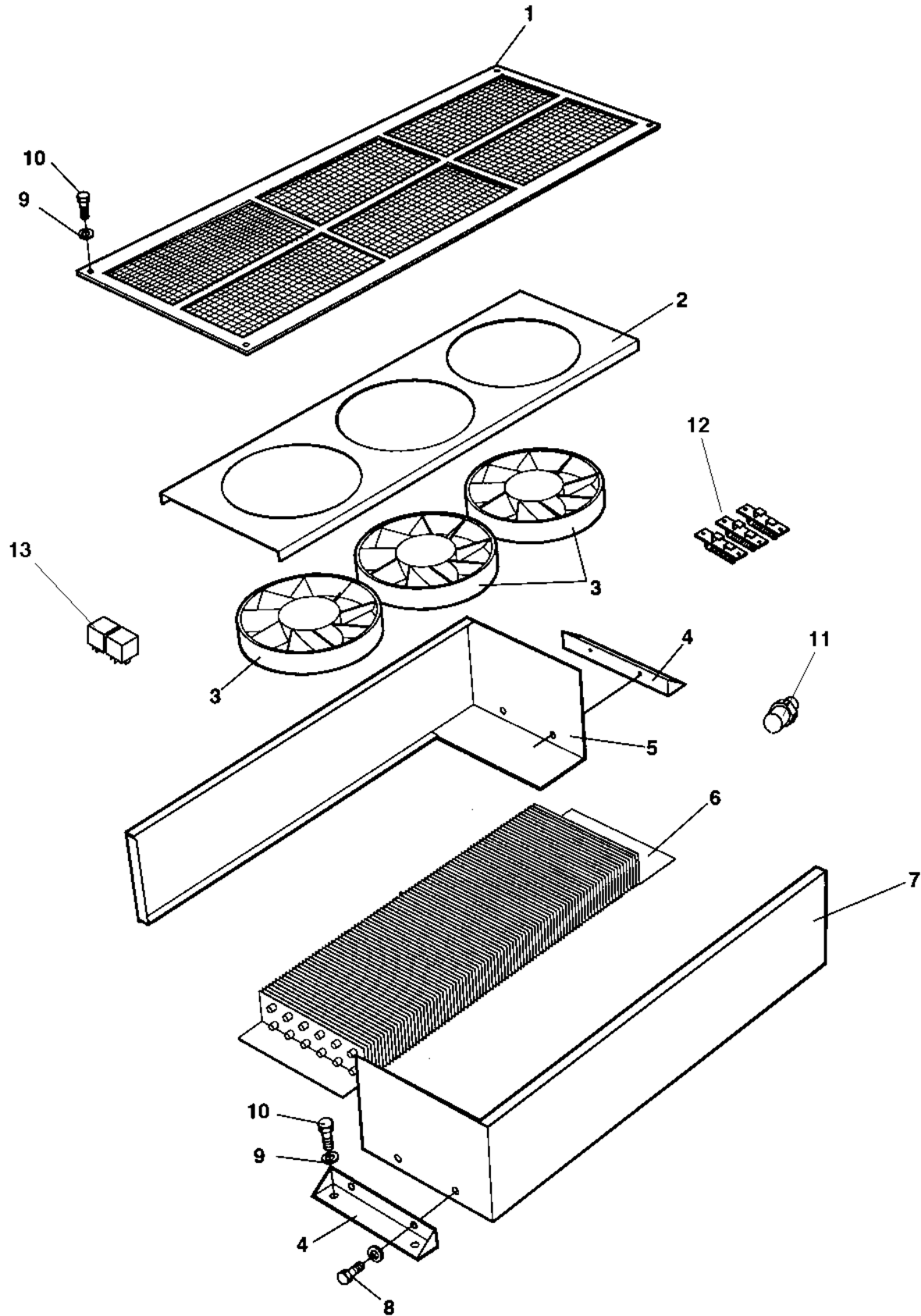


**Air conditioner assembly**

Ref. No.	Part No.	Rem.	Qty	Description	Code
1	383413		1	Condenser, cpl	
2	384877		4	O-ring	
3	384876		1	Hose	
4	384190		1	Cable harness	
5	384878		4	O-ring	
6	384874		1	Hose	
7	385152		1	Protecting cover	
8	500023		3	Screw	M8-1,25x40 8,8
9	904229		3	Washer	
10	346230		3	Clamp	
11	383424		1	Drying filter	
12	570006		1	Nut	
13	904567		1	Washer	10,5x28x6 HB305
14	500013		1	Screw	
15	904228		4	Washer	
16	383409		1	Holder	
	904165		1	Safety decal	Toxic gases
17	586003		2	Lock nut	
19	904230		1	Washer	
20	500192		1	Screw	M10x80
21	483480		1	Hydraulic hose	
23	570004		1	Nut	M6
24	921056		2	Clamp	
25	334604		3	Elbow 90, O-ring	
26	483548		1	Hydraulic hose	
27	234131		1	Elbow 45, O-ring	
28	904229		2	Washer	
29	500239		2	Screw	M8-1.25x50
30	370720	A	1	Direction control valve	
	379204	B	1	Direction control valve	
31	234990		2	Elbow 90	
32	482328		1	Hydraulic hose	
33	234659		1	Straight o-ring connector	
34			1	Compressor assembly ( Page 314 )	
35	483548		1	Hydraulic hose	
36	384879		2	O-ring	
37	384873		1	Hose	
38	334135		1	Tee-connector	
39	381011727		1	Hydraulic hose	
40	313093		1	Pipe clamp	
41	384875		1	Hose	
42			1	Evaporator assembly ( Page 316 )	

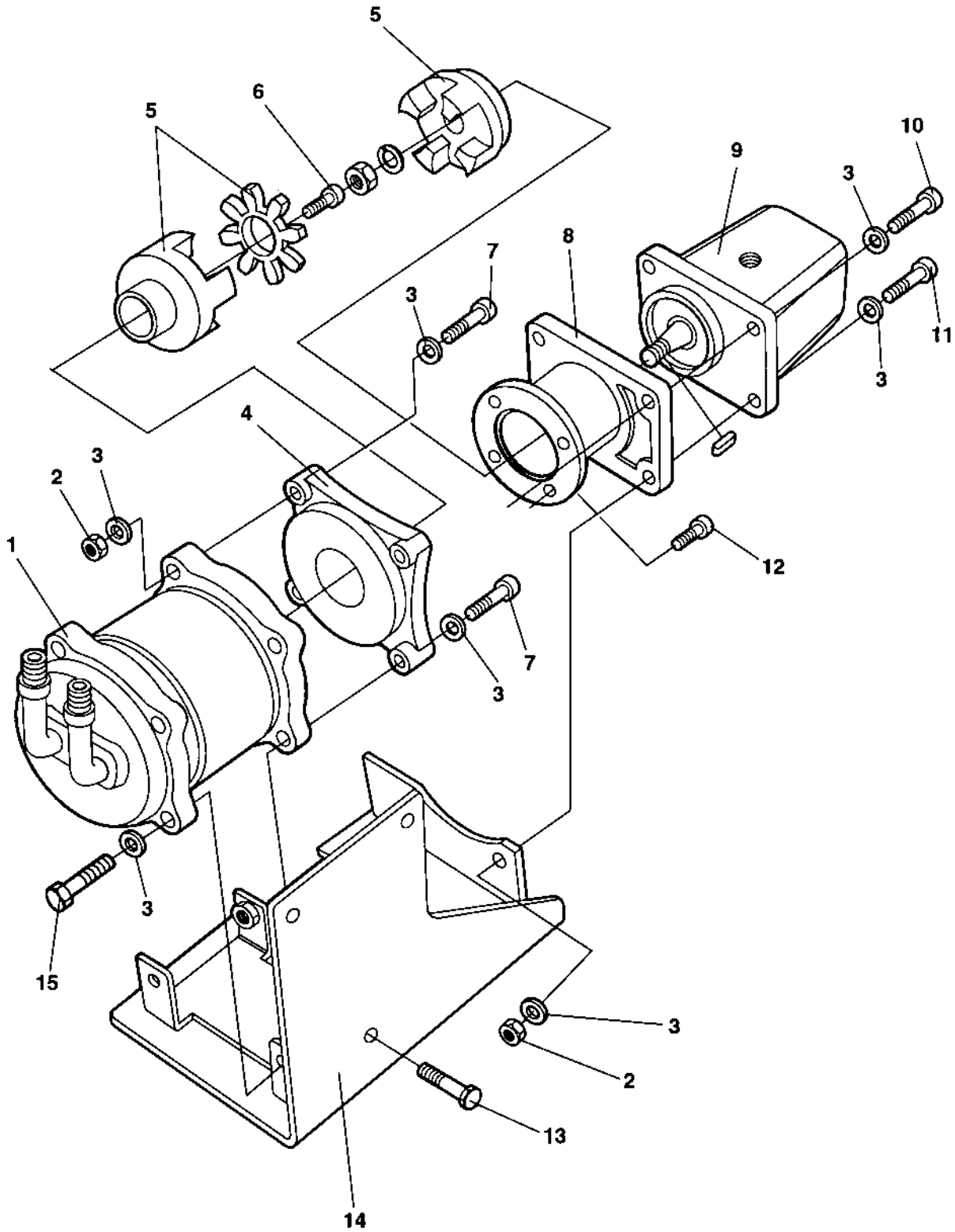
A) Replaced by P/N 379204.

B) Replaces P/N 370720.



**Condensor assembly**

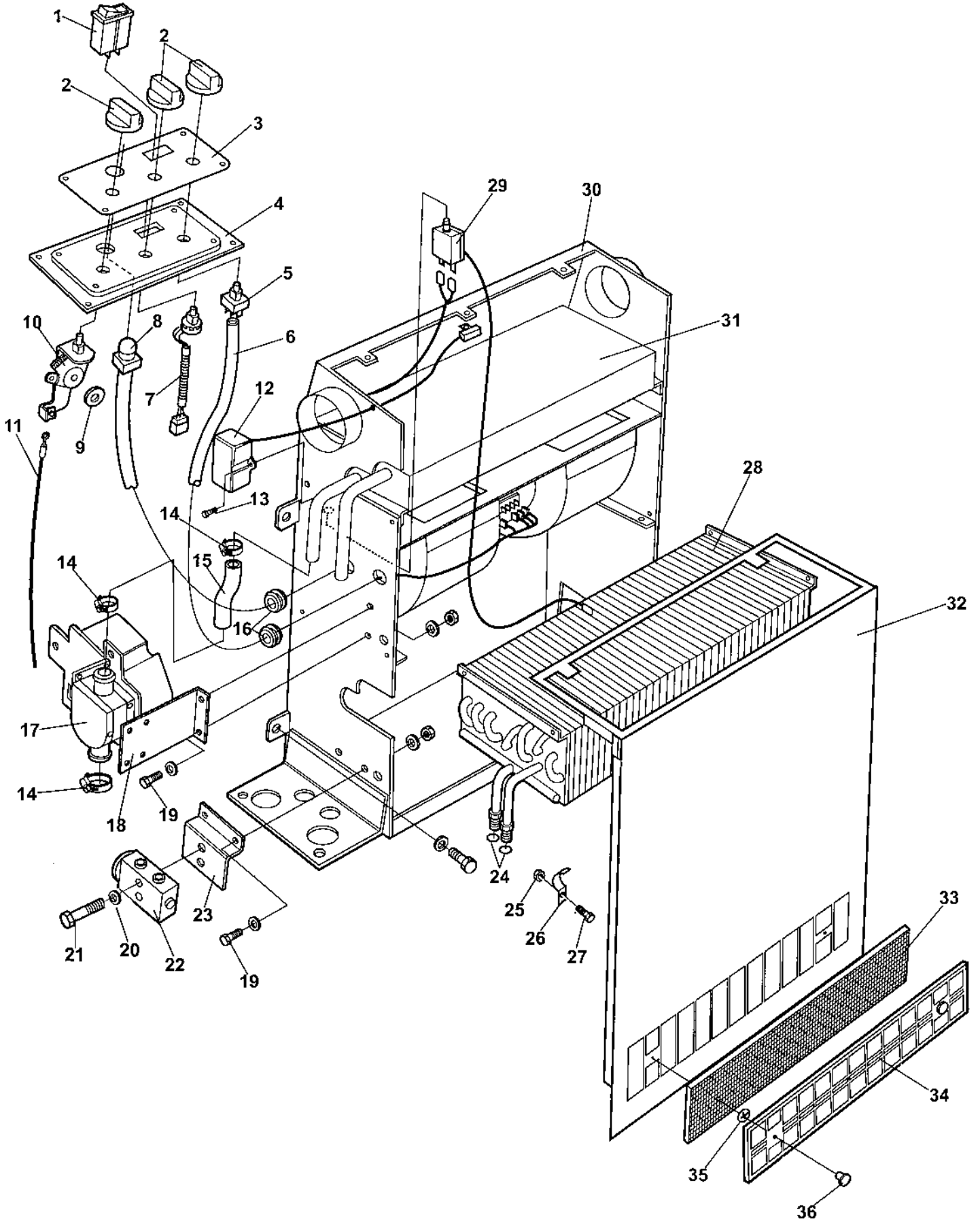
<b>Ref. No.</b>	<b>Part No.</b>	<b>Rem.</b>	<b>Qty</b>	<b>Description</b>	<b>Code</b>
1	384589		1	Cover	
2	938599		1	Fan bracket	
3	938603		3	Fan	
4	938600		2	Condensor bracket	
5	938598		1	Cover	
6	938602		1	Condensor Coil	
7	938597		1	Cover	
8	901832		4	Screw	
9	500022		6	Screw	
10	904229		6	Washer	
11	938605		1	Pressure switch	
12	938606		3	Resistor	
13	287598		2	Relay	12V-30A



**Compressor assembly**

Ref. No.	Part No.	Rem.	Qty	Description	Code
1	383417		1	Compressor	
2	570005		4	Nut	
3	904229		14	Washer	
4	383419		1	Connector	
5	383422		1	Coupling	
	945505		1	.Cog wheel	
6	508001		1	Screw	M6x12
7	500026		4	Screw	M8-1,25x60 8,8
8	383418		1	Connector	
9	383420		1	Hydraulic motor	
10	508027		2	Screw	
11	508057		2	Screw	
12	508092		4	Screw	
13	500067		3	Screw	
14	383410		1	Bracket	
15	500047		2	Screw	M8-1,25x35 8,8

17677-1

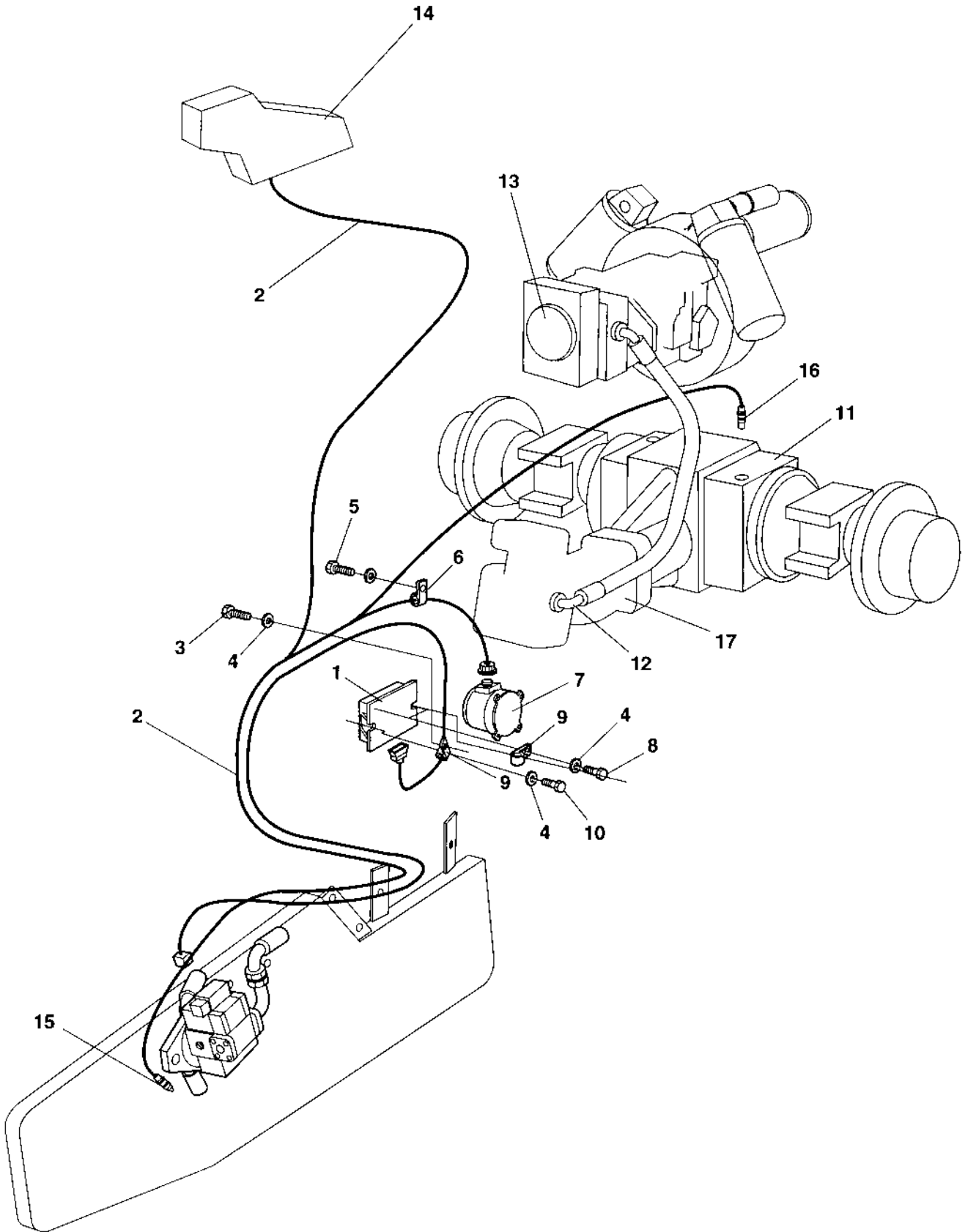


**Evaporator assembly**

Ref. No.	Part No.	Rem.	Qty	Description	Code
1	938619		1	Switch	
2	938620		3	Knob	
3	938618		1	Decal	
4	938617		1	Control panel	
5	938622		1	Switch	
6	938631		1	Cable harness	
7	938623		1	Potentiometer	
8	938624		1	Sensor	
9	385134		1	Lock washer	
10	938621		1	Rotary control	
11	384762		1	Wire	
12	384187		1	Ecc-Box	
13	791144		6	Screw	
14	313003		3	Hose clamp	D
15	384881		1	Hose	
16	384927		1	Grommet	
17	383425		1	Electronic valve	
18	384174		1	Holder	
19	903782		4	Screw	M5x12
20	904228		2	Washer	
21	500061		2	Screw	M6-1X35 8,8
22	384176		1	Valve	
23	384177		1	Holder	
24	384878		2	O-ring	
25	923976		1	Nut	
26	384880		1	Wire clamp	
27	500086		1	Screw	
28	383414		1	Evaporator	
29	384897		1	Thermostat	
30	938625		1	Casing	
31	938639		1	Heater coil	
32	938626		1	Cover	
33	384761		1	Air filter element	
34	384760		1	Filter grill	
35	939413		2	Starlock	
36	938634		2	Knob	

**Anti-spin CA**

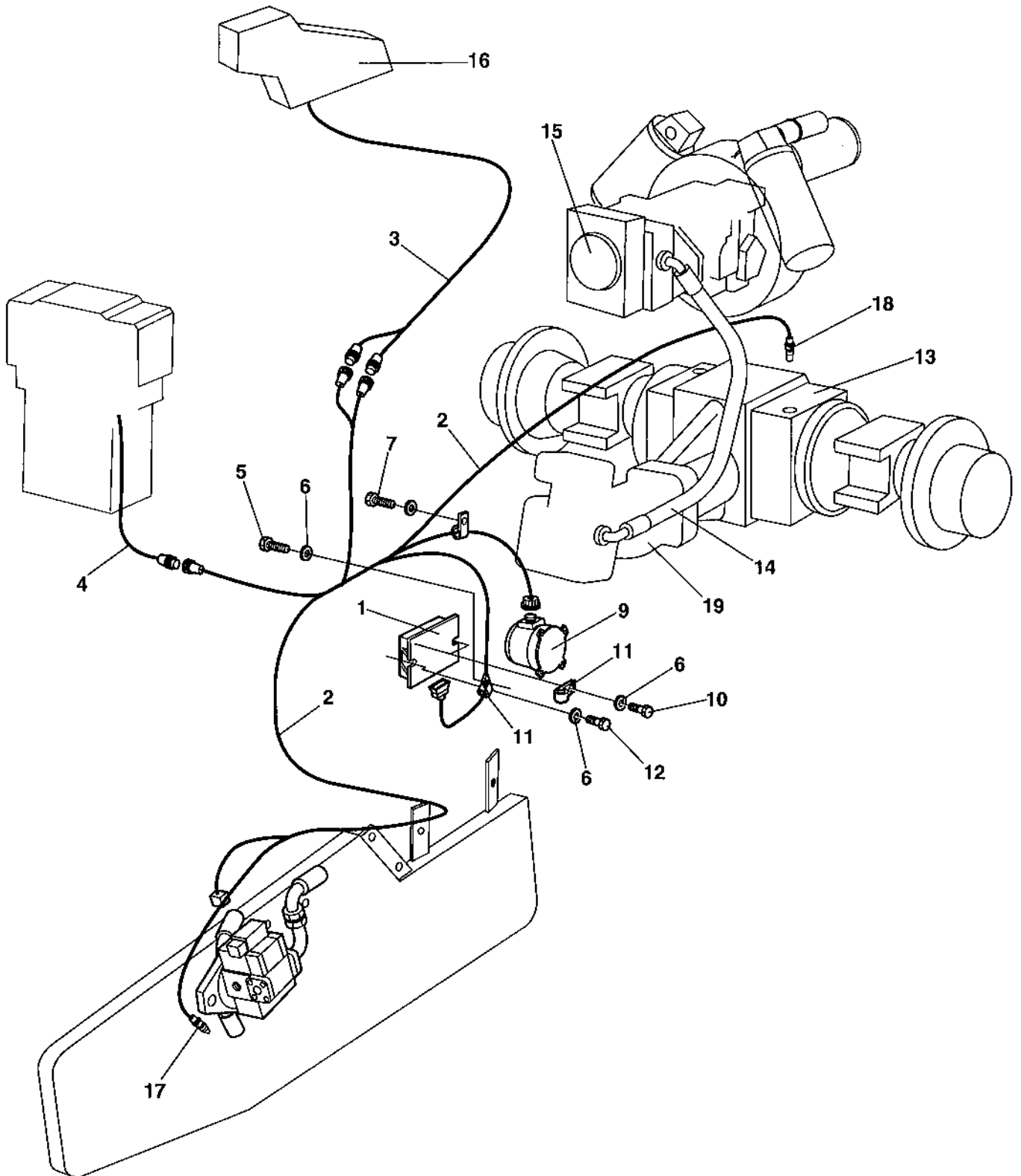
17343





**Anti-spin CA**

Ref. No.	Part No.	Rem.	Qty	Description	Code
1	382098		1	Control unit	
2	382070		1	Cable harness	
3	500019		1	Screw	
4	904734		3	Washer	
5	925846		1	Screw	
6	921039		1	Pipe clamp	
7	373902		1	Sensor	
8	500022		1	Screw	
9	960727		2	Clamp	
10	500021		1	Screw	
11	383856		1	Rear axle ( Page 100 )	No-Spin, Option
12	483483		2	Hydraulic hose	
13	382133		1	Hydraulic pump	
14				Anti spin, Potentiometer installation ( Page 322 )	
15	904217		1	Sensor	
16	904216		1	Sensor	
17	382089		1	Hydraulic motor	

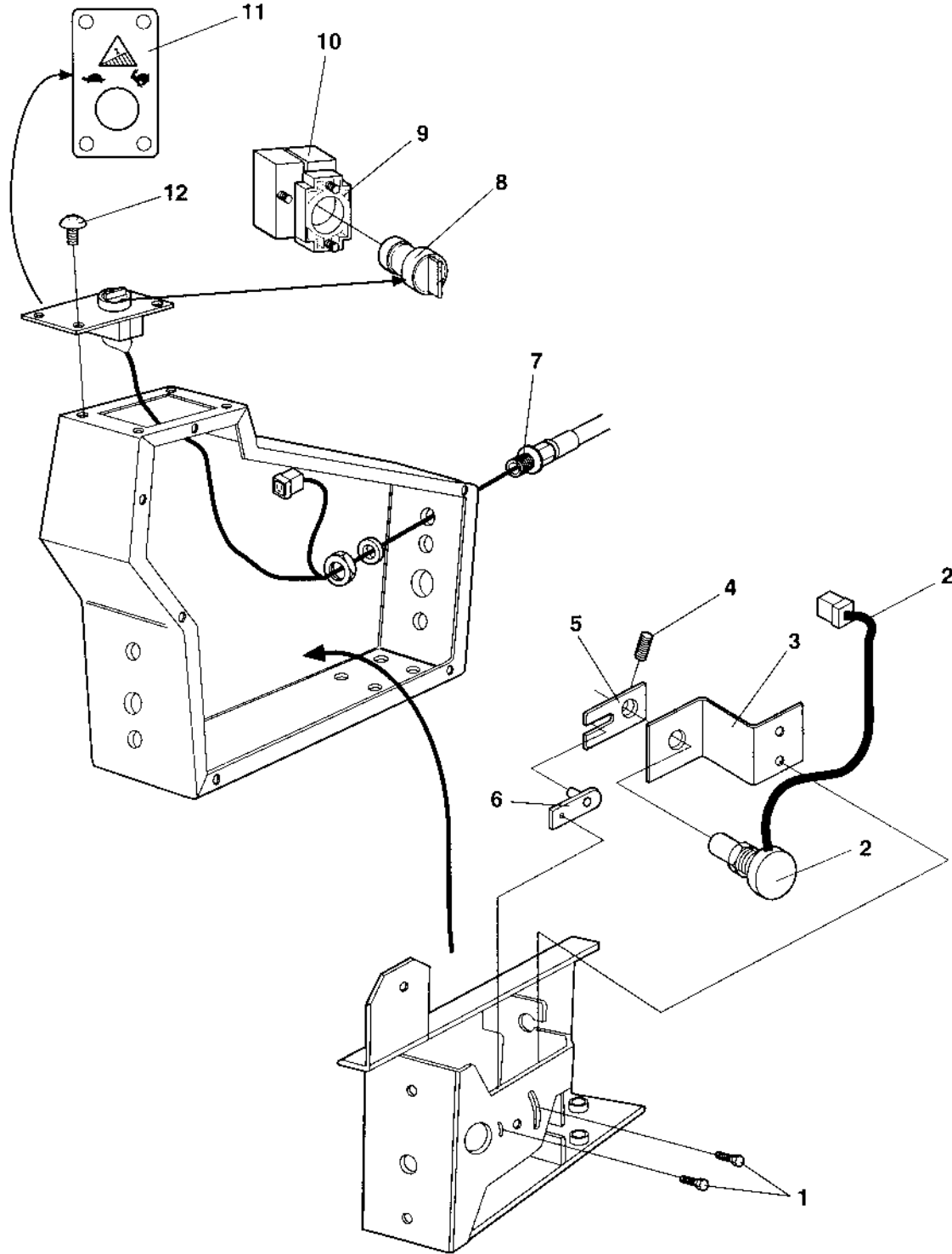


**Anti-spin CA**

<b>Ref. No.</b>	<b>Part No.</b>	<b>Rem.</b>	<b>Qty</b>	<b>Description</b>	<b>Code</b>
1	382098		1	Control unit	
2	378131		1	Cable harness	
3	378132		1	Cable harness	
4	378133		1	Cable harness	
5	500019		1	Screw	
6	904734		3	Washer	
7	925846		1	Screw	
8	921039		1	Pipe clamp	
9	373902		1	Sensor	
10	500022		1	Screw	
11	960727		2	Clamp	
12	500021		1	Screw	
13	383856		1	Rear axle ( Page 100 )	No-Spin, Option
14	483483		2	Hydraulic hose	
15	382133		1	Hydraulic pump	
16				Anti spin, Potentiometer installation ( Page 322 )	
17	904217		1	Sensor	
18	904216		1	Sensor	
19	382089		1	Hydraulic motor	

**Anti spin, Potentiometer installation**

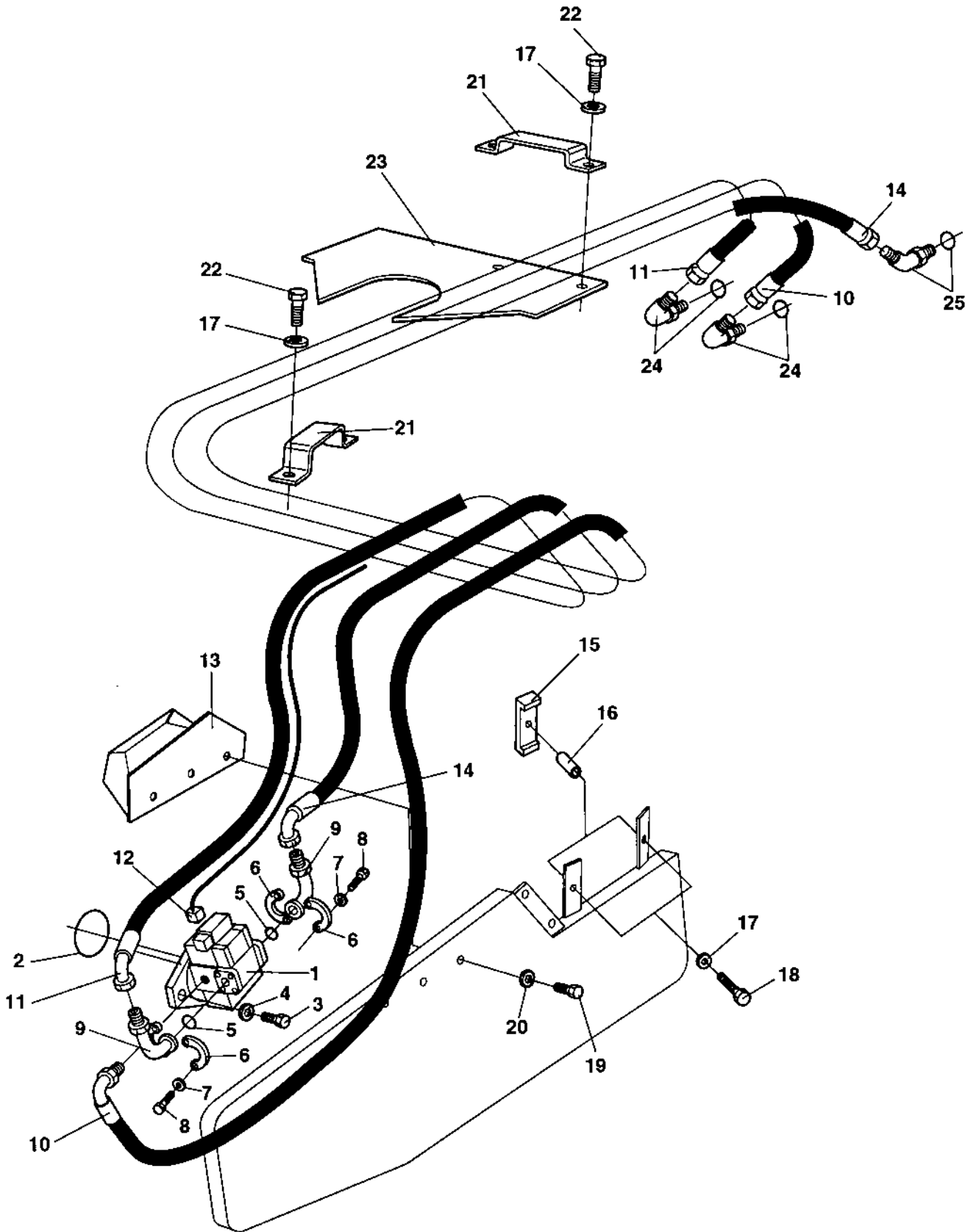
17356



**Anti spin, Potentiometer installation**

Ref. No.	Part No.	Rem.	Qty	Description	Code
1	533008		3	Screw	
2	374190		1	Potentiometer	
3	373901	A	1	Bracket	
4	904227	A	1	Set screw	M3 x 4
5	373903	A	1	Clevis	
6	373905		1	Plate	
7	382070		1	Cable harness	
8	932058		1	Switch	
9	903876		1	Connector	
10	932060		1	Contact block	
11	382071		1	Control panel plate	
12	904206		4	Screw	

A) Removes with new part: 374190



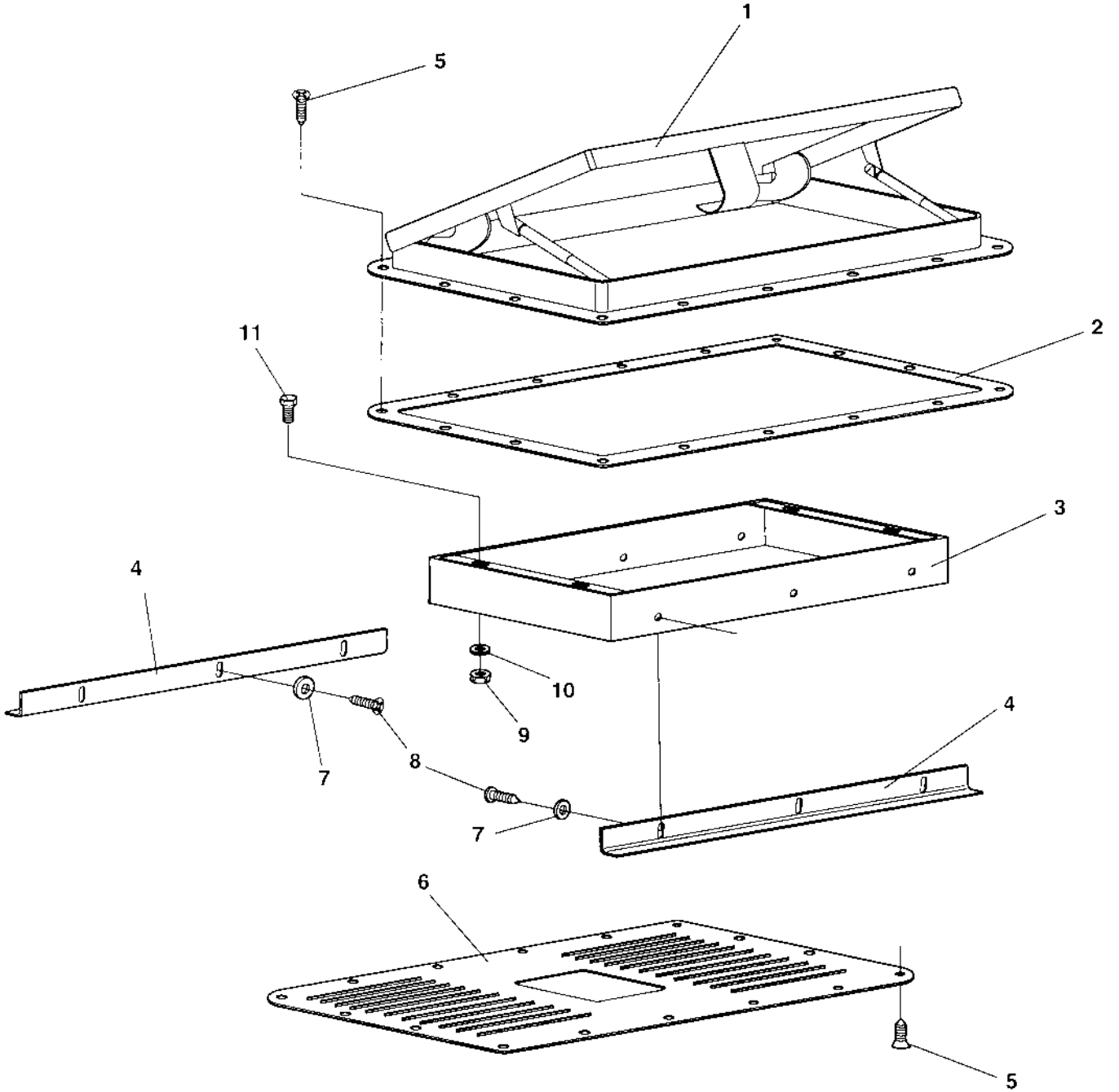
**Anti spin, Hydraulic**

Ref. No.	Part No.	Rem.	Qty	Description	Code
1	382088		1	Hydraulic motor	Anti spin
2	904058		1	O-ring	
3	500101		2	Screw	M20x50
4	903290		2	Washer	21x36x6
5	904005		2	O-ring	
6	923384		4	Flange half	
7	604008		8	Washer	
8	502132		8	Screw	UNC 7/16" x 22
9	903750		2	Elbow	
10	483114		1	Hydraulic hose	
11	483115		1	Hydraulic hose	
12		A	1	Cable harness	
13	374251		1	Protecting cover	
14	483116		1	Hydraulic hose	
15	373270		2	Hose clamp	
16	373423		2	Spacer	
17	904229		6	Washer	
18	500032		2	Screw	M10 x 55
19	500077		3	Screw	
20	904230		3	Washer	
21	373016		2	Hose clamp	
22	500029		4	Screw	
23	372235		1	Hose guard	
24	813499		2	Elbow 90, O-ring	
25	334132		1	Elbow 45, O-ring	

A) See section "Anti spin CA".

**Roof hatch**

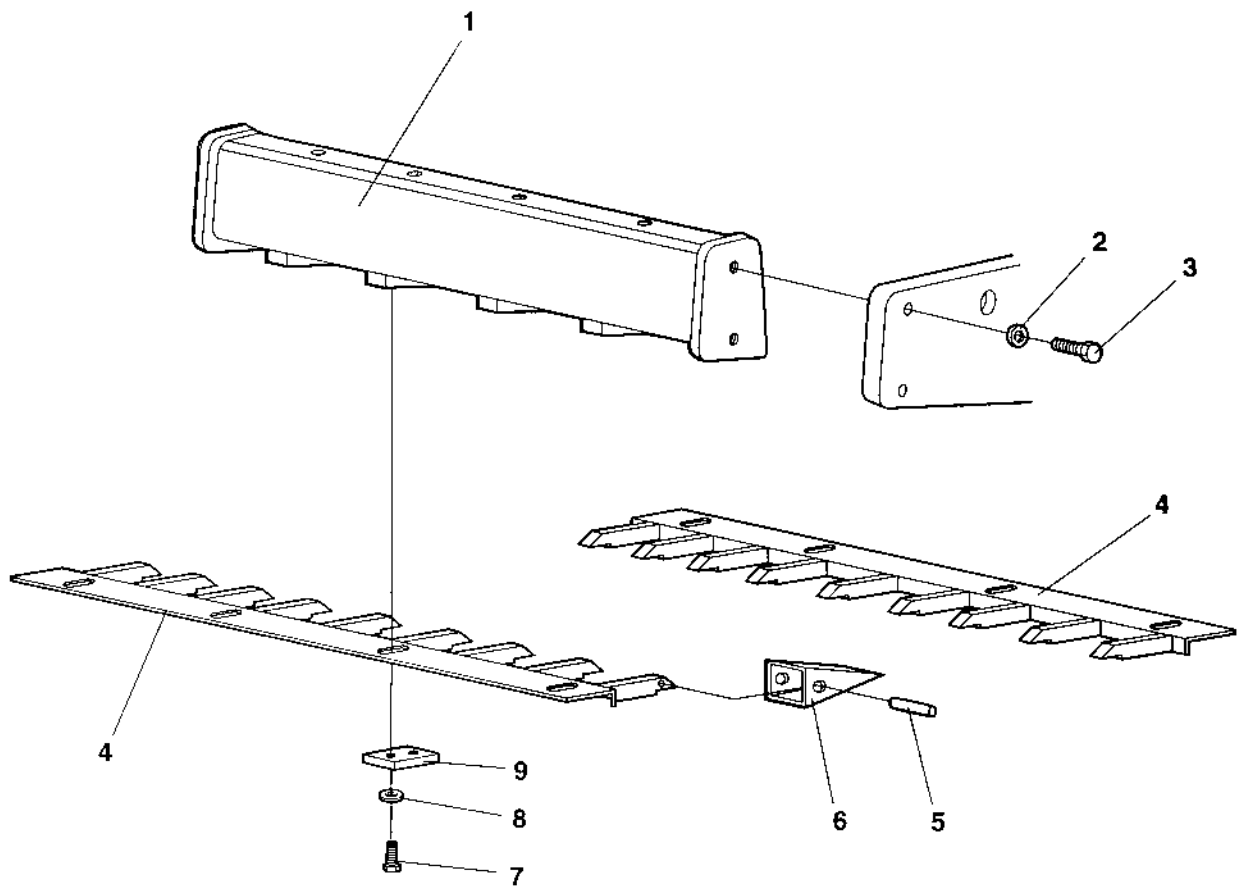
17374





**Roof hatch**

<b>Ref. No.</b>	<b>Part No.</b>	<b>Rem.</b>	<b>Qty</b>	<b>Description</b>	<b>Code</b>
1	384958		1	Roof hatch	
2	384954		1	Support plate	
3	382699		1	Inner roof insert	
4	383002		2	Inner roof holder	
5	904906		32	Screw	
6	382700		1	Inner cover	
7	601001		6	Washer	
8	903852		6	Screw	ST4,2x13
9	570004		4	Nut	M6
10	904228		4	Washer	
11	500040		4	Screw	

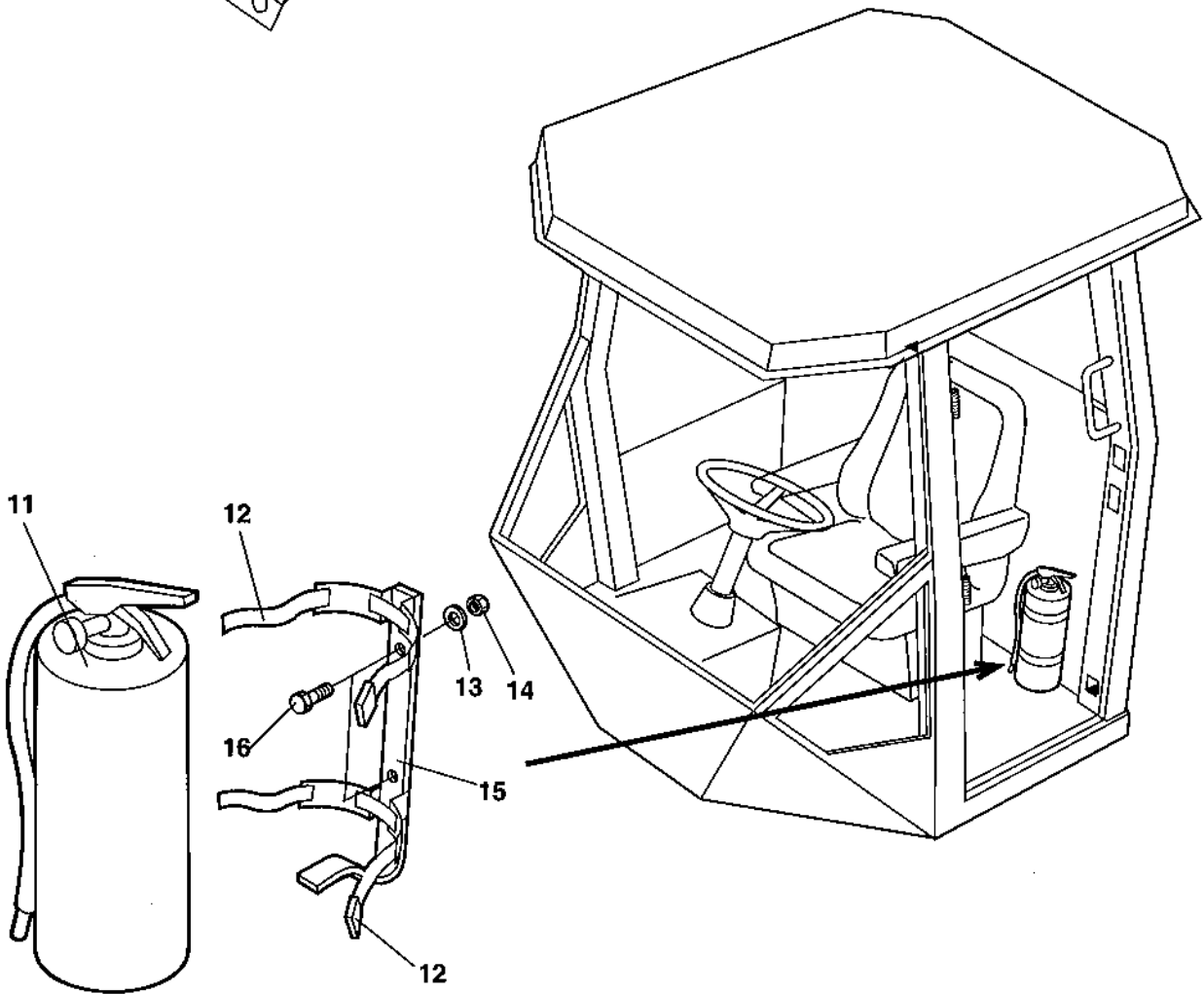
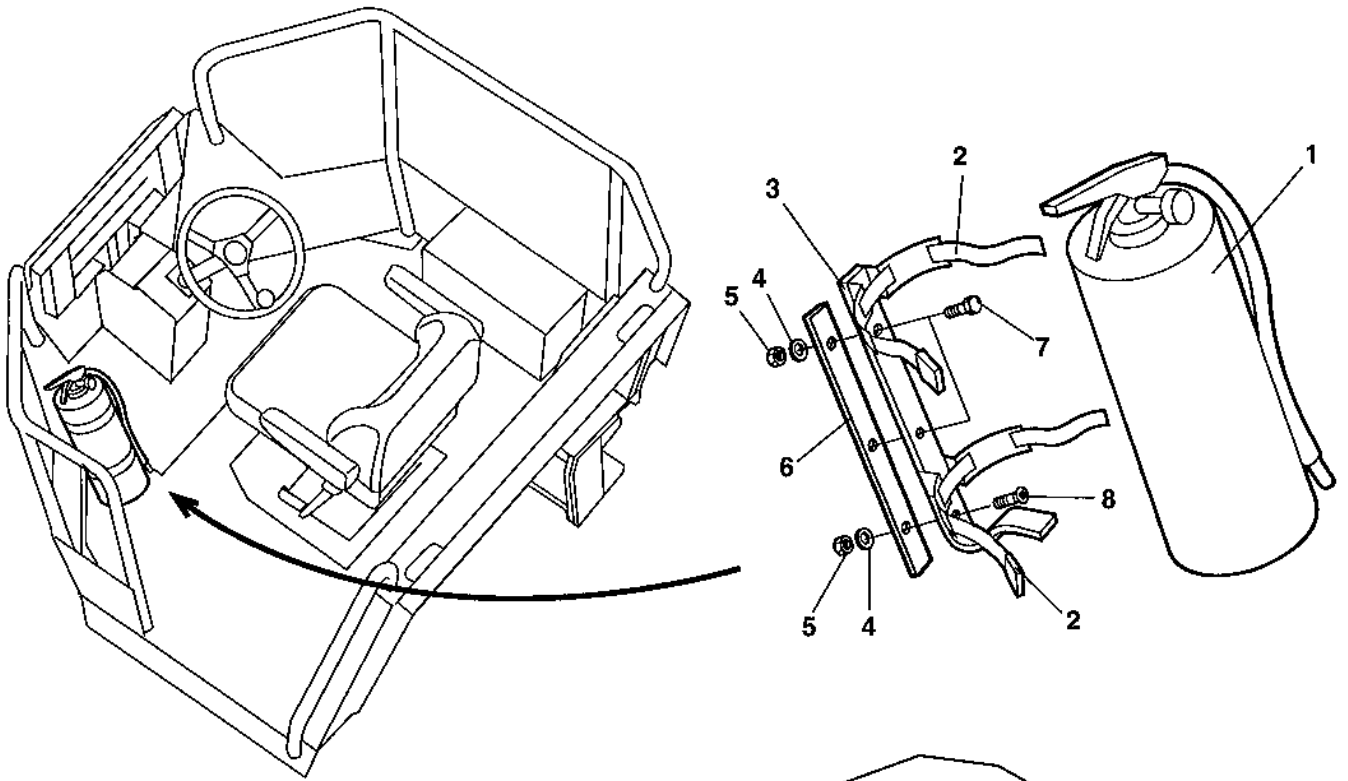


**Scraper and beam**

<b>Ref. No.</b>	<b>Part No.</b>	<b>Rem. Qty</b>	<b>Description</b>	<b>Code</b>	
1		1	Cross beam		
2	904234	4	Washer		
3	500147	4	Screw	M24x130	
4	344962	2	Scraper		
5	801631	18	Flexible pin	56,5x40	B
6	383844	18	Tooth		B
7	500102	16	Screw	M16x45	
8	615046	16	Conical spring washer	17x39	
9	355639	8	Bracket		

**Fire extinguisher assembly**

17810

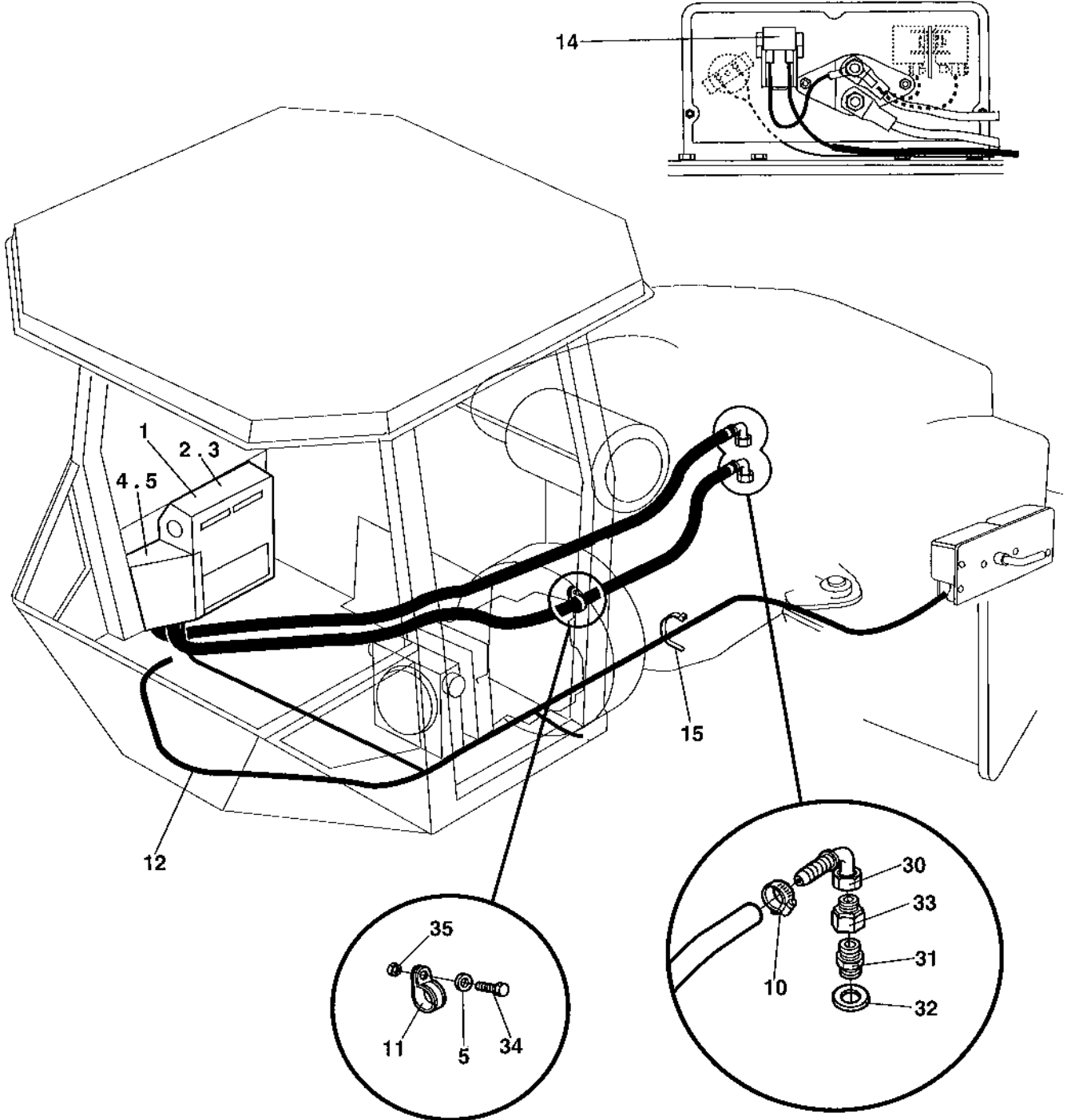


**Fire extinguisher assembly**

<b>Ref. No.</b>	<b>Part No.</b>	<b>Rem.</b>	<b>Qty</b>	<b>Description</b>	<b>Code</b>
1		NA		Fire extinguisher	4 Kg
2	791102		2	Toggle fastener belt	
3	904994		1	Bracket	
4	904230		5	Washer	
5	570006		3	Nut	
6	383932		1	Bracket	
7	500029		2	Screw	
8	513025		1	Screw	
11		NA		Fire extinguisher	4 Kg
12	791102		2	Toggle fastener belt	
13	904230		4	Washer	
14	570006		2	Nut	
15	904994		1	Bracket	
16	500028		2	Screw	

Heater, Simple cab Option

18163



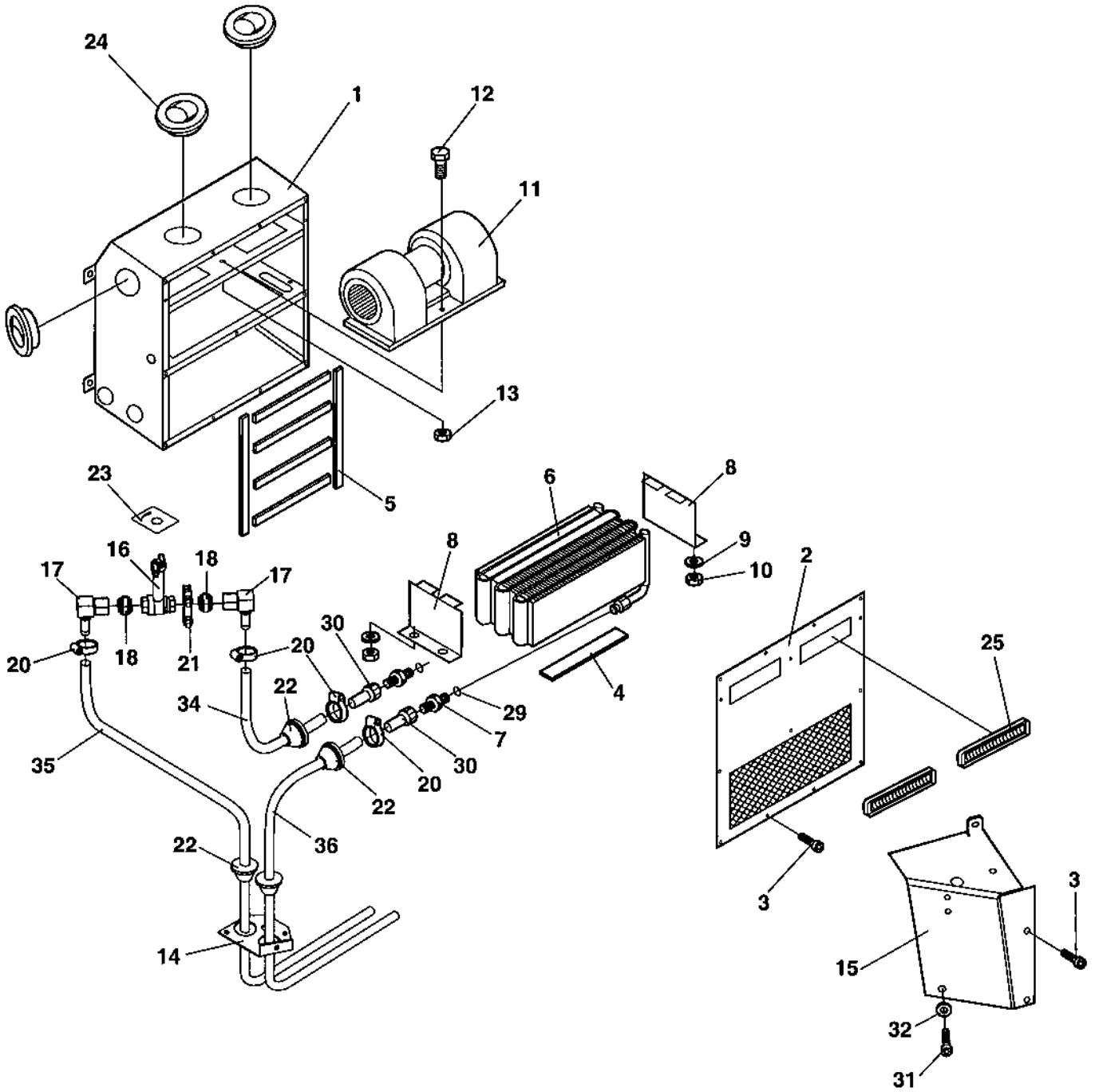
**Heater, Simple cab Option**

Ref. No.	Part No.	Rem.	Qty	Description	Code
1	385222		1	Heater ( Page 334 )	
2	500019		4	Screw	
3	904229		4	Washer	
4	500013		2	Screw	
5	904228		4	Washer	
10	313002		2	Hose clamp	13-20 mm
11	921063		1	Clamp	
12	387466		1	Cable harness	
14	904294	A	1	Fuse	
15	313102	N		Cable ties	
30	791920		2	Hose connection	
31	791466		2	Adapter	
32	330334		2	Copper washer	26x31x2
33	791921		2	Adapter	
34	500040		1	Screw	
35	902285		1	Lock nut	

A) 20A, Yellow High.

**385222 Heater**

17784





**385222 Heater**

Ref. No.	Part No.	Rem.	Qty	Description	Code
1	938587		1	Heater box	
2	938588		1	Cover plate	
3	935259		15	Screw	
4	908587	A	1	Edge trim	
5	935556	B	1	Sealing	
6	908585		1	Radiator	
7	908589		2	Connector	
8	935557		2	Heater element bracket	
9	904228		4	Washer	
10	570004		4	Nut	M6
11	908595		1	Fan, cpl	
12	500006		1	Screw	M5x16
13	586001		1	Lock nut	
14	938589		1	Plate	
15	938590		1	Control panel	
16	937738		1	Ball valve w. lever	
17	937742		2	Connector	
18	937741		23	Connector	
20	313003		4	Hose clamp	D
21	923984		1	Clamp	
22	908496		1	Grommet	
23	938856		1	Cable harness	Work light
24	908513		3	Nozzle	
25	908598		2	Nozzle	
29	908588		2	O-ring	
30	935558		2	Adapter	
31	500013		1	Screw	
32	904735		1	Washer	
34	937737	C	1	Hose	
35	937737	D	1	Hose	
36	937737	E	1	Hose	

- A) L=2,5 m
- B) L=1 m
- C) L=0,7 m
- D) L=3,6 m
- E) L=3,6 m



**NUMERICAL INDEX**

Part Number	Page	Part Number	Page	Part Number	Page
100040	17,39	313093	81,311	349248DE	295
116041	21,55,57	313094	81,83	349248DK	295
150004	217	313102	113,125,129,177	349248EN	295
160105	21,55,57		179,183,199,333	349248ES	295
160132	125	313147	223	349248FI	295
162008	113	330331	69	349248FR	295
162011	55,57,59,61	330333	99,105	349248GR	295
162017	55,57,59,61	330334	333	349248IS	295
162018	55,57	330383	69	349248IT	295
162024	57	334117	79	349248NL	295
162027	55,57,59,61	334121	125,129	349248NO	295
167023	55,57	334122	125	349248PT	295
167032	17,39	334132	109,113,145,325	349248SE	295
202028	205,209	334135	143,311	349682	53
202041	71	334138	109,113	349715	55,57
202043	261	334140	113	349879	139,141
202047	41	334143	129	349880	139,141
202056	43,71	334158	129	350009	217
212553	95,103	334163	113	355132	185
230384	67	334196	143	355135	185
230515	69	334203	129	355258	157,159
230516	67	334205	125,137	355301	165,167
232039	139,141	334248	129	355639	329
232097	129	334264	143	355677	53
232210	53,55,57,59,61	334389	137	355705	265
232222	113	334468	113,129	355890	305
233304	139,141	334604	311	355983	87,89,91
234131	311	337042	39	356028	59
234218	129	337045	17,39	356029	55
234243	113	340863	127	356348	143
234382	67,79,125	343159	39	357138	13,139,141
234388	143	343318	55,57	357488	27
234622	143	343322	55	357526	155,163
234626	129	343480	53,57	357562	151
234659	311	343550	157,167	357643	207
234662	79	343551	157,165	357855	153
234667	129	343744	55,57,59,61	358033	35,37
234843	137	343748	265	358388	111
234875	113	343775	27	358452	175
234888	137	343801	53	358881	153,185,295,301
234900	129	344962	329	359043	221
234909	113	345139	155,163	359125	221
234958	113	345243	113	359340	157
234990	311	345678	53	359341	157
244002	191	345679	53	359343	159
244054	79	345870	157,159	359419	211,213
272372	297	345871	17,39	359550	113
272373	295	345872	17,39	359551	113
287373	223	345873	17,39	359552	113
287597	151	345874	17,39	359574	211,213
287598	151,313	345875	17,39	359575	223
288129	71,73	345884	53	359818	221
310008	17	345885	53	359820	221
311016	305	346230	311	359845	153
313002	79,333	347119	27,133	359900	211,213
313003	251,253,317,335	347512	205	359914	209,211,213
313004	71	348213	177,179	359915	209,211,213
313010	71	348309	75,77	359916	217
313041	79,169,177,179	348331	211	359917	213
	181,183,189,197	348481	223	359918	203,209,211,213
	199,201,223	349220	295		215
313075	71	349248CN	295	359919	217

**NUMERICAL INDEX**

Part Number	Page	Part Number	Page	Part Number	Page
359920	211,213	372322	223	373203	41
359921	217	372358	67,69	373204	41
359941	165,167	372424	107,129,135	373270	109,125,145,325
359971	213	372435	113	373286	191,193
359972	213	372436	113	373309	43
359998	267	372457	207,267,283	373359	173
370165	153	372459	221	373360	173
370211	211	372489	231	373361	107,113,121,123
370222	71	372494	205,207,267,283	373363	297
370229	67,69	372495	189	373364	297
370231	55,57	372496	189	373421	39
370234	209,211,267	372497	185,189	373423	109,145,325
370235	209,211	372513	129	373424	125
370255	205	372514	129	373442	53
370258	267	372527	53	373443	53
370720	311	372568	223	373460	27,79
370745	79	372575	43	373547	221
370766	231	372597	71	373574	79
370803	231	372608	41	373746	309
370953	75,77	372618	181	373747	309
370955	221	372625	129	373748	309
370977	209	372649	149	373749	309
370978	217	372653	217	373750	309
371009	223	372654	217	373752	309
371100	205	372658	43,305	373756	309
371202	205	372663	155,163	373854	231
371213	209	372665	161	373855	231
371270	209	372671	221	373860	197
371275	155	372672	217	373891	149
371364	175	372678	231	373901	323
371366	41	372695	41	373902	319,321
371374	221	372709	27	373903	323
371407	211	372718	79	373905	323
371418	221	372743	231	373906	309
371509	107,109,111	372745	231	373907	309
371669	129	372749	165,167	373955	41
371727	69,181	372757	205	373956	43
371730	259	372758	173	373957	43
371767	45	372759	173	373979	197,201
371774	71	372772	67,69	373980	197,201
371837	307	372782	223	374017	41
371959	71	372784	177	374028	143
371966	205	372785	205,207,267,283	374029	169,173
371967	205	372786	205,207,267	374030	169,173
371968	209	372836	177,179	374059	113
372008	177	372837	305	374088	169
372029	139	372844	27	374089	169
372044	139	372961	221	374098	153
372053	205	372964	209,211,213	374099	153
372066	41	372965	221	374120	169
372083	221	372966	221	374137	107,113,117,119
372087	27	372987	51,53,63	374140	191
372103	153	372989	145	374168	169
372104	153	372997	149	374184	169
372105	153	373016	109,145,325	374190	323
372204	165,167	373017	125	374194	169
372205	181	373131	87	374195	169
372206	145	373140	177,179,201	374196	169
372229	9,13,113	373176	87	374251	145,325
372230	53	373184	169,173	374327	169
372235	109,113,145,325	373196	43	374379	153
372321	223	373197	43	374398	175

**NUMERICAL INDEX**

Part Number	Page	Part Number	Page	Part Number	Page
374417	221	379410	89	382700	327
374471	205	379411	89	382751	295
374526	169	379412	89	382782	151
374567	47	379413	89	382849	205
374577	265	379414	89	382884	223
374583	47	379608	287	383002	327
374585	45	379631	89,91	383200	231
374589	45	379632	89,91	383225	231
374590	45	379691	89,91	383409	311
374591	45	379876	61	383410	315
374592	45	379878	57	383413	311
374606	207,267,283	379880	57,61	383414	317
374607	207,267,283	380018	55,57,59,61	383417	315
374744	27	380078	127	383418	315
374797	41	380109	41	383419	315
374798	41	380145	107,125,127	383420	315
374799	41	380660	155	383422	315
374854	43	380708	165,167	383424	311
374900	39	380727	205	383425	317
374933	217	380830	113	383452	177,179
374934	217	380967	55	383705	207
375031	107,129,133	380993	17,39	383807	27
375041	83	381011727	311	383810	29
375152	67,69	381027	55,57	383844	329
375182	83	381028	55	383856	85,101,319,321
375489	125	381400	211,213	383857	85,87,89,91,93
375490	109	381403	217	383863	31,35
375678	43	381413	71	383932	331
375681	43	381567	217	383933	87,89,91
376045	27	381571	217	383955	87,89,91
376068	195	381603	31	383956	87
376079	205	381615	149	383958	125
376118	205	381634	55,57,59,61	383974	87,89,91
376252	205,207,267,283	381676	223	383975	87,89,91
376488	231	381760	55,57,59,61	383976	87
376489	231	381874	157	383977	87
376622	33,37	381989	43	383978	87
376819	33,37	382070	319,323	383979	87
376825	37	382071	323	383980	87
376826	37	382088	325	383981	87
376829	33	382089	319,321	384051	35
376862	29	382098	319,321	384052	35
376863	27	382129	41	384069	181,183
376896	193	382130	41	384070	197
376935	183	382131	41	384114	31,35,53,55,57
376936	183	382132	41	384121	53
376937	183	382133	319,321	384160	295
376938	183	382165	41	384162	169,173
376944	49	382213	227	384163	171,173
376945	49	382225	227	384174	317
377098	81	382335	41	384176	317
377518	283	382336	41	384177	317
377707	71	382349	229	384187	317
377742	297	382355	43	384190	311
377743	297	382382	43	384382	55,59
377744	295	382384	41,43	384402	281
378110	189	382387	41,43	384403	281
378131	321	382397	283	384498	17,39
378132	321	382549	185	384584	205
378133	321	382558	45	384589	313
379204	311	382582	283	384759	207,283
379236	289	382699	327	384760	317

**NUMERICAL INDEX**

Part Number	Page	Part Number	Page	Part Number	Page
384761	317	386956	79	389119	167
384762	317	386957	79	389138	69
384873	311	386958	79	389145	73
384874	311	386962	83	389151	141
384875	311	386966	75,77	389152	141
384876	311	386973	83	389174	229
384877	311	387005	149	389175	229
384878	311,317	387032	75,77	389177	229
384879	311	387086	81	389183	229
384880	317	387107	67,69	389565	145
384881	253,317	387108	67,69	389570	199
384897	317	387109	67,69	389577	175
384927	253,317	387112	79	389591	199
384954	327	387124	71	389786	197
384958	327	387128	67,69	390587	91
385134	253,317	387129	67,69	390588	91
385152	311	387133	163	390589	91
385222	333,335	387159	81	390759	91
385263	171	387175	231	390760	91
385434	233,251,253	387176	41	390771	57
385442	251	387178	75,77	390896	57,61
385443	251	387186	75,77	390897	57
385526	187,189	387217	71	390927	291
385527	187,189	387218	71	392002	129,131
385542	187	387220	149	392100	131
385551	185	387221	149	392103	131
385994	225	387280	201	392105	131
386002	225	387281	201	392930	151
386003	225	387282	201	394686	13,75,77
386272	21	387283	201	394687	13,75,77
386298	201	387407	129	395325	223
386299	201	387466	333	416034	219
386300	201	387571	199	416404	45
386301	201	387680	71	465013	223
386645	201	387698	115	470021	149
386646	201	387708	67	476019	307
386647	201	387941	199	480446	135
386789	81,83	387968	199	480447	135
386819	75	387969	199	480449	135
386820	75,77	387994	79	480450	135
386835	27	387998	227,229	480456	135
386841	81,83	388015	227,229	480468	135
386842	75,77	388061	129	482056	137
386843	75,77	388088	77	482182	113
386844	71	388111	77	482328	311
386845	71	388144	79	482391	113
386847	71	388145	87,89,91	482399	137
386848	71	388146	87,89,91	482435	129
386850	71	388163	227	482516	137
386851	71	388186	27	482726	143
386853	71	388187	75	482767	129
386871	27	388189	199	483024	125
386879	75,77	388209	199	483026	129
386902	149	388210	179	483031	125
386904	71	388211	179	483033	113
386926	67,69	388212	199	483037	113
386934	79	388213	199	483061	129
386937	81	388214	199	483109	129
386942	75,77	388779	67	483114	145,325
386943	71	388855	69	483115	145,325
386952	81	388981	255,263	483116	145,325
386954	81	389075	167	483119	109

**NUMERICAL INDEX**

Part Number	Page	Part Number	Page	Part Number	Page
483120	109	500053	289	516051	217
483122	137	500056	35,37,183	527002	53
483188	143	500060	185	533008	323
483190	109	500061	317	533010	169
483286	125	500067	315	533013	151
483445	143	500070	31,35,67,69	533024	219
483480	311	500075	189,209,245	533038	223
483483	319,321	500076	33,37	535004	185
483500	125	500077	145,325	535005	277
483501	125	500079	79,177,179	535007	235,239
483527	113	500082	53,55,57,59,61	535011	41
483548	311	500086	165,167,317	535013	185,205
483614	129	500088	43	535014	185
483615	129	500093	67,69	535015	205
483616	113	500100	231	541507	43
499162	197,201	500101	109,145,325	541535	169,235
500004	187,189,191,235	500102	329	541702	173,175
500006	149,185,247,335	500103	183	541703	169,197,201
500012	73,149,169,173	500109	113	541704	187
	227,229	500115	235	570002	165,167
500013	43,75,77,115,175	500121	267	570004	43,151,219,223
	183,193,195,199	500133	41		239,311,327,335
	221,311,333,335	500147	53,329	570005	41,149,209,211
500015	227,229,251	500153	309		213,283,315
500016	201	500154	69	570006	139,141,205,211
500018	39,43,71,143,235	500163	55,57,59,61		213,311,331
500019	43,75,77,109,125	500169	219	570007	53,183
	139,141,169,205	500186	225	573004	223
	211,239,257,259	500188	27	573008	221
	289,319,321,333	500192	139,141,311	581018	205
500021	43,81,175,205	500194	53,69,125,177	582006	195
	209,211,217,221		179,201	586001	169,185,191,235
	223,231,305,309	500195	67,69,205,207		335
	319,321		283	586002	153,165,167,185
500022	45,75,77,81,83	500196	55,57		189,193,205,211
	313,319,321	500226	205		213,217,219,225
500023	129,311	500239	231,311		245,265,309
500026	41,315	500240	49	586003	77,129,149,175
500028	41,67,69,113,125	500263	113		217,223,225,235
	211,213,227,229	500267	223		239,257,309,311
	331	500287	39	586018	79
500029	27,45,49,67,69	500292	185,265	586019	31,33,35,37,67
	71,109,145,205	500463	129		69,183,223
	207,209,267,283	500505	43	586021	259
	325,331	502019	125	586022	205
500030	41,79,125	502034	129,209	588176	295
500031	115,205,213	502036	217	600016	131,133
500032	109,125,145,325	502078	125	601001	327
500033	27	502132	109,113,145,325	603001	217
500037	39,67,69,113	508001	315	603019	211
500040	43,71,79,149,153	508005	267	604008	145,325
	169,173,211,213	508027	315	604012	113
	217,327,333	508029	129	615041	219
500043	27,79,169,173	508053	67,69	615045	113
500046	113	508056	221	615046	329
500047	179,235,315	508057	315	624005	295,307
500049	35,37	508092	223,315	624016	219,231
500051	53	513003	221	624021	199
500053	47,67,69,71,75	513009	169	629066	259
	81,83,143,149	513012	149	630035	221
	189,205,209,211	513013	221	635061	27,131,133
	213,223,225,235	513025	331	747282	79

**NUMERICAL INDEX**

Part Number	Page	Part Number	Page	Part Number	Page
747691	69	900552	137	902581	113,117,121
791045	149	900604	113	902610	305
791094	295	900775	55,57,59,61	902655	127
791102	331	900776	19,55,57,59,61	902861	135
791119	139,141	900782	19,55,57,59,61	902862	135
791120	139,141	900784	19,55,59	902866	41,43,205
791144	317	900790	169	902919	27
791156	55,57,59,61	900798	191	902926	117
791171	201	900957	97	902928	111,117,121
791175	89,91	900966	97	902929	117,121
791176	89,91	900986	223	902930	117,121
791218	207,283	901145	53,87,89,91,207	902944	117,121
791226	207		267,283	902957	117
791227	31	901155	125	902959	117
791253	165,167	901157	125	902960	117,121
791275	295	901209	185,187,189	902961	117,121
791276	295	901218	87,89,91	902962	121
791277	295	901219	87	902984	117,121
791278	295	901220	305	902995	119
791312	225	901224	151,179,201	902996	117,121
791313	225	901225	151,249	903053	111
791314	225	901226	151	903189	57
791371	149	901227	151,249,255,263	903190	57
791452	199,201	901229	249	903281	53
791453	201	901240	151,249	903290	109,145,205,207
791454	201	901256	151		267,283,325
791466	333	901369	169,173	903422	295
791477	149	901385	127	903423	297
791503	149	901386	127	903424	297
791504	149	901387	127	903425	297
791507	149	901389	127	903436	153
791508	149	901390	127	903457	135
791512	149	901391	127	903459	295
791513	115	901443	87,89,91	903494	127
791514	149	901444	87,89,91	903495	127
791573	87,89,91	901453	111,117,121	903570	111
791575	79	901464	117	903571	111
791642	295	901465	111	903599	153
791920	333	901467	111	903600	153
791921	333	901766	191	903601	153
791933	55	901767	43,151	903602	153
791948	33	901828	55	903619	133
791967	261	901832	313	903625	151
791968	261	901834	93,101	903631	149
792261	89,91	901987	99,105	903633	53
801187	23,53	902064	169	903644	221
801631	329	902066	169	903653	153
801669	181,183	902125	143	903657	155,161,163
813316	129	902166	41,71,81	903658	153,167,223
813379	87	902203	223	903670	79
813380	87	902223	151	903678	153
813391	27	902227	169,173	903714	71
813434	149	902239	87	903717	189
813499	109,113,145,325	902284	41,149	903732	41
813500	129	902285	43,71,79,149,153	903741	151,249
813618	121		177,179,201,333	903750	145,325
813791	75,77	902286	41,75,77,177,179	903768	149
813822	111,117,121	902287	113	903769	181,183
814261	75,77	902288	177,179,201	903770	181
900229	113	902496	177,179	903782	289,317
900430	125	902508	307	903812	129
900528	201	902520	221	903831	129



**NUMERICAL INDEX**

Part Number	Page	Part Number	Page	Part Number	Page
903852	169,173,189,191 193,327	904229	141,143,145,149 169,175,189,199 205,209,211,213	904640	81,83,199,205 209,217,225,231 305
903875	161		217,221,223,235	904663	17
903876	155,161,163,165 167,323		251,257,259,283	904698	151,165,167,185
903877	125		289,309,311,313	904703	31,33,67,69
903897	191		315,325,333	904704	165,167
903899	169	904230	27,43,45,71,79	904734	217,231,319,321
903905	267		109,113,125,129	904735	217,335
903907	185,205		145,169,173,205	904737	55,57,59,61
903914	213		207,209,213,217	904739	217
903917	217		227,229,267,283	904767	125
903918	217		311,325,331	904773	125
903919	53	904231	35,37,39,43,53	904774	125
903927	157		55,57,113,125	904781	125
903942	9,11,13,67,69		183,201,205,207	904793	113
903961	153		221,223,267,283	904802	217
903969	169,191,193,307	904232	31,33,35,37,53	904819	157
903970	151		55,57,59,61,67	904835	295
903985	87,89,91		69,125,259	904855	205
904005	109,113,129,145 325	904233	53,69,87,89,91	904870	295
904015	189	904234	205,207,267,283	904874	41
904016	157,159	904241	29,53,67,231,329	904889	157,177,179
904032	149	904244	41,71	904890	157,177,179
904036	149	904281	41	904906	327
904037	149		149,169,185,187	904907	185
904038	169,173	904282	189,191,235,239	904908	185
904058	109,145,325	904289	113	904909	185
904060	75,77	904290	201	904910	193
904068	295,297	904294	225	904939	261
904069	297	904313	333	904941	205
904075	43	904314	169	904969	261
904076	43	904315	173	904970	261
904114	245	904316	169	904989	151
904140	189	904317	169	904994	331
904143	133	904318	169	905304	245,279
904145	133	904340	169	905305	245,279
904165	311	904340	185,265,309	905306	245,279
904180	231	904352	71	905307	245
904206	79,165,167,201 205,211,213,323	904407	45	905308	245
904207	153	904409	45	905309	245
904208	153	904433	205,207,267,283	905310	245
904210	67	904448	149	905311	245
904213	35,37,113,183	904486	71	905312	245
904214	217	904543	169,173,189,191	908110	151
904216	319,321		193	908136	143
904217	319,321	904546	295	908187	219
904227	323	904551	71	908188	219
904228	43,45,71,75,77 149,153,165,167 169,173,175,183 185,189,193,195 199,205,209,211 213,217,221,225 227,229,245,265 309,311,317,327 333,335	904556	41,221,223,225	908189	219
		904557	27,41,205,209	908190	219
			211,213	908193	223
		904562	231	908200	223
		904563	45	908229	295
		904567	43,49,139,141	908265	259
			311	908267	257
		904601	297	908355	259
		904619	231	908359	257
		904637	67,69,129	908361	259
		904638	67,69,109,113	908399	75,77
904229	27,39,45,67,69 71,75,77,81,83 109,125,129,139		129	908422	121
		904639	79,149	908426	117,121
		904640	41,47,71,75,77	908427	117,121

**NUMERICAL INDEX**

Part Number	Page	Part Number	Page	Part Number	Page
908432	111,117,121	909510	235,245	923269	77
908435	117,121	909525	119,123	923342	95,103
908443	117,121	909535	267	923371	113
908450	11	909536	267	923384	109,113,145,325
908452	75,77	909544	97	923976	151,185,317
908485	95,103	909550	95	923984	335
908496	189,235,251,335	909551	95	924737	149
908497	245	909552	95	924791	185,265,309
908499	235,239,243,271	909553	95	925629	43
	273,275,287,289	909558	95	925671	29
	291	909559	95	925723	79,137
908500	235	909560	95	925784	235
908501	235	909561	95	925802	169,173,181,191
908502	235	909562	95		193
908503	235	909563	95	925846	319,321
908504	235	909565	95	926214	17,39,129,221
908505	235	909566	95	926611	169
908506	235,273,289	909567	95,103	926658	111,117
908507	235,273,289	909568	95,103	926781	99,105
908512	235	909569	95,103	926810	97
908513	335	909570	95,103	926847	97
908515	235	909572	95,103	926911	201
908545	239,241,243,271	909574	95,103	926985	43,71
	275,287,291	909576	95,103	927233	219
908559	245	909580	95,103	927350	127
908560	245	909581	95,103	927403	261
908563	245	909582	93,101	927637	41
908564	245	909583	93,101	927974	41,205,207,267
908580	243,275,291	909584	93,101		283
908581	243,275,291	909586	99,105	928021	149
908582	243,275,291	909596	97,99,105	928381	219
908583	243,275,291	909607	97	928497	223
908585	335	909609	97	928502	169
908587	235,335	909616	97	928908	79
908588	335	909618	97	928927	201
908589	335	909619	97	929012	135
908595	335	909622	97	929013	135
908598	251,335	909624	97	929014	135
908599	251	909626	97	929217	87,89,91
908600	251	909745	219	929226	125
908603	249	909747	223	929447	21,55,57
908605	249,279	909748	223	929455	169
908606	249	910161	129	929612	99,105
908607	249	910995	39	929617	97
908610	249	911456	155,161,163	929625	103
908611	249	911620	135	929626	103
908613	249	921028	169	929628	95,103
908617	249,279	921031	79,173,185,189	929629	95,103
908618	249	921039	173,175,319,321	929630	103
908623	247,277	921046	199,201	929631	103
908624	247,277	921050	71,79	929638	95,103
908625	259	921056	311	929644	95,103
908626	259	921063	333	929648	93,101
908627	259	921065	197	929863	17
908628	259	921072	149,179	930150	149
908773	111	921078	183	930151	177,179
908987	243	921080	149	930154	155,161,165,167
909122	223	921104	79,211	930161	161
909211	135	921116	149	930163	155,161,163,165
909252	111	922325	223		167
909253	111	923008	113	930165	201
909255	111	923087	111	930166	161

**NUMERICAL INDEX**

Part Number	Page	Part Number	Page	Part Number	Page
930192	163,165,167	935277	287,291	935572	251
930200	165,167	935278	239,271,287	935577	235
932032	165,167	935279	239,271,287	935578	235
932034	161	935280	271,287	935579	235
932050	155	935281	239,271,287	935580	235
932056	161,201	935282	239,271,287	935581	235
932057	161	935283	239,271,287	935582	235
932058	155,161,163,323	935284	239,271,287	935583	235
932060	323	935285	239,271,287	935584	235
9335273	239	935286	239,271,287	935585	235
935225	223	935287	239,271,287	935586	235
935229	215	935288	239,271,287	935589	235
935230	215	935289	239,271,287	935590	235
935231	215	935290	239,271,287	935591	235
935232	215	935291	239,271,287	935594	237
935233	215	935292	271	935598	237
935234	215	935293	239,271,287	935599	237
935235	215	935294	271	935600	237
935236	215	935295	239,271,287	935613	209,211,213
935237	215	935296	239,271,287	935614	209,211,213
935238	215	935297	239,271,287	935619	111
935239	215	935298	239,271,287	935621	111
935240	215	935299	239,271,287	935622	111
935241	215	935300	239,271,287	935623	111
935242	215	935301	239,271,287	935624	111
935243	215	935302	241,271,287	935625	111
935244	243,275,291	935303	241,271,289	935626	111
935245	243,275,291	935334	245	935629	111
935246	243,275,291	935335	245	935630	111
935247	243,275,291	935380	63	935631	111
935248	243,275,291	935394	63	935644	95
935249	243,275,291	935395	63	935664	117,121
935250	243,275,291	935398	63	935741	117,121
935253	243,275,291	935399	63	935749	117,121
935255	243	935400	63	935750	117,121
935256	243	935401	63	935771	219
935257	243	935402	63	935774	219
935258	243	935403	63	935853	111
935259	335	935404	63	935859	63
935260	243	935413	63	935860	63
935261	243	935414	63	935861	63
935262	243	935415	63	935862	63
935263	243	935421	63	935863	63
935265	243,275,291	935428	135	935864	63
935266	243,275,291	935429	135	935865	63
935267	243,275,291	935520	119,123	935866	63
935268	243,275,291	935521	117,121	935867	63
935269	243,275,291	935524	117,121	935868	63
935270	243,275,291	935525	117,121	935869	63
935271	239,243,271,275	935526	117,121	935870	63
		935527	117,121	935871	63
935272	239,243,271,275	935530	117,121	935872	63
		935531	117,121	935873	63
935273	243,271,275,287	935533	117,121	935874	63
		935536	117,121	935875	63
935274	239,271,275,287	935543	117,121	935876	63
		935544	117,121	935877	63
935275	239,271,275,287	935545	117,121	935878	63
		935556	335	935879	63
935276	239,243,271,275	935557	335	935880	63
		935558	335	935881	63
935277	239,243,271,275	935570	251	935882	63

**NUMERICAL INDEX**

Part Number	Page	Part Number	Page	Part Number	Page
935883	63	937995	127	938638	253
936267	133	938002	127	938639	253,317
936268	133	938016	243	938640	253
936277	239	938017	243,275,291	938641	253
936283	267	938018	243,275,291	938643	253
936589	117	938022	249	938644	253
936591	117	938024	243	938645	253
936592	117	938030	127	938647	253
936593	119,121	938031	127	938658	239
936600	239	938035	127	938659	239,287
936601	239	938036	127	938660	245
936602	239	938037	127	938661	245
936934	239	938038	127	938662	245
936935	239	938039	127	938663	245
937106	169	938040	127	938664	245
937107	169	938041	127	938665	245
937108	169	938042	127	938666	245
937109	169	938043	243	938667	247
937121	243	938045	275	938668	247
937165	261	938101	275,291	938670	235
937256	127	938136	245	938671	235
937257	127	938170	113	938672	235
937258	127	938224	243	938673	235
937259	127	938252	113	938674	235
937260	127	938253	113	938675	235
937261	127	938290	239,287	938676	235
937262	127	938291	239,287	938677	235,237
937264	127	938292	239,287	938678	235
937265	127	938296	97	938679	235
937274	111	938558	15,17	938680	251
937275	111	938587	335	938681	237
937277	111	938588	335	938682	237
937278	111	938589	335	938683	237
937279	111	938590	335	938684	237
937280	111	938597	313	938685	237
937283	111	938598	313	938686	199
937363	123	938599	313	938687	249
937380	239,271,287	938600	313	938688	249
937381	239,271,287	938602	313	938689	255
937382	239,271,287	938603	313	938690	255
937383	239,271,287	938605	313	938691	251,263
937384	239,271,287	938606	313	938856	335
937385	239,271,287	938617	253,317	938881	15,23
937386	271	938618	253,317	938891	15,21
937387	271	938619	317	938894	15,19
937388	271	938620	253,317	938983	97
937389	239,271,287	938621	253,317	938984	97
937390	243,275,291	938622	253,317	938985	99,105
937391	243,275,291	938623	317	938989	95,103
937392	243,275,291	938624	317	939003	99,105
937393	243,275,291	938625	253,317	939015	99,105
937626	59	938626	253,317	939016	99,105
937627	55	938627	253	939017	99,105
937674	127	938628	253	939019	99,105
937737	251,335	938629	253	939026	97
937738	335	938630	253	939035	97
937741	335	938631	317	939036	97
937742	335	938632	253	939255	97
937870	281	938633	253	939256	97
937871	279	938634	253,317	939257	95,103
937932	237,239,243	938635	253	939258	95,103
937993	127	938636	253	939259	95,103

**NUMERICAL INDEX**

Part Number	Page	Part Number	Page	Part Number	Page
939260	95,103	945591	57		
939261	95,103	945757	117,121		
939262	95	947680	223		
939263	99,105	950368	111		
939264	99,105	960727	319,321		
939265	99,105	960792	165,167		
939266	99,105	985012	157,159,161,163		
939267	99,105		201		
939268	99,105	985013	169,235		
939269	99,105	985014	169		
939270	99,105	985051	235		
939271	99,105	985145	163		
939272	99,105	985146	161		
939273	99,105	989151	139,141		
939274	99	991658	297		
939275	99,105	999011	175		
939276	99,105	999027	149		
939277	99,105				
939278	99,105				
939279	99				
939280	97				
939281	97				
939282	97				
939283	97				
939284	97				
939285	97				
939286	97				
939287	97				
939349	105				
939351	105				
939413	317				
939415	67,69				
939416	67,69				
939417	67,69				
939418	67,69				
939419	67,69				
939420	67,69				
939421	67,69				
939422	67,69				
939423	67,69				
939424	67,69				
939425	67,69				
939426	67,69				
939427	67,69				
939431	67,69				
939464	149				
939465	149				
939466	79				
939467	79				
939468	79				
939521	263				
939522	263				
939562	13				
939568	5,7,9				
939569	5,7,11				
939570	5,7,13				
939581	9,11,13,67,69				
939603	263				
939693	253				
940678	275,291				
945505	315				
945585	61				