

IMPORTANT: THIS IS DATED INFORMATION. Parts must be ordered from a dealer or distributor. **Hearth and Home Technologies does not sell directly to consumers.** Provide model number and serial number when requesting service parts from your dealer or distributor.



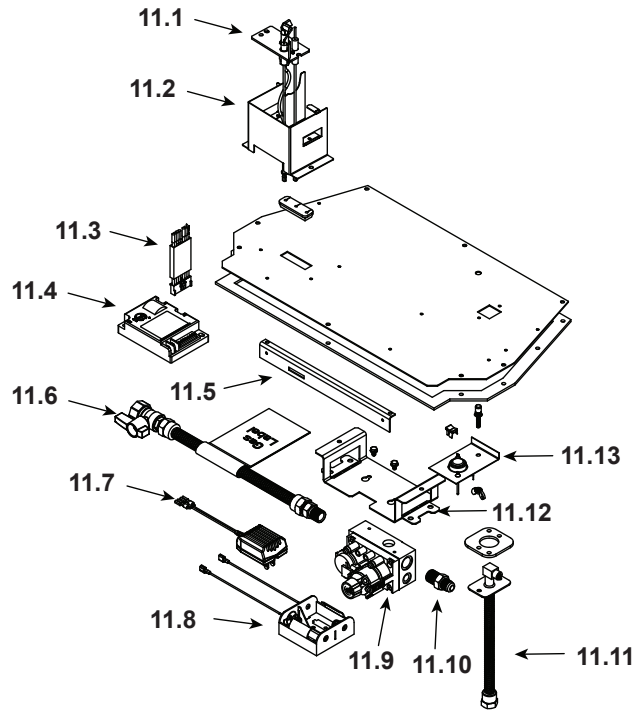
**Stocked  
at Depot**

ITEM	DESCRIPTION	COMMENTS	PART NUMBER	
1	Base Pan	No longer available	2204-100	
2	Burner		SRV2204-007-BK	Y
3	Burner Leg	No longer available	2204-103	
4	On/Off Rheostat		SRV100-510A	Y
5	Control Panel	No longer available	2203-110	
6	Rheostat Knob		SRV100-512	Y
7	Glass Door Assembly	No longer available	GLA-339	
8	Junction Box Assembly	No longer available	2203-300	Y
9	Blower		GFK-160A	
10	Cover Plate	No longer available	060-219	

No one builds a better fire

Beginning Manufacturing Date: Sept 2009  
Ending Manufacturing Date: Sept 2010

### #11 Valve Assembly



IMPORTANT: THIS IS DATED INFORMATION. Parts must be ordered from a dealer or distributor. **Hearth and Home Technologies does not sell directly to consumers.** Provide model number and serial number when requesting service parts from your dealer or distributor.



**Stocked  
at Depot**

ITEM	DESCRIPTION	COMMENTS	PART NUMBER	
11.1	Pilot Assembly NG		SRV2090-012	Y
	Pilot Assembly LP	Convert NG pilot assembly to LP pilot assembly using SRV2098-512 LP pilot orifice		
11.2	Pilot Bracket	<b>No longer available</b>	2203-112	
11.3	Wire Assembly		SRV593-590	Y
11.4	Control Module		SRV593-592	Y
11.5	Bracket	<b>No longer available</b>	319-120	
11.6	Flex Ball Valve Assembly		SRV302-320	Y
11.7	Transformer		SRV593-593	Y
11.8	Battery Pack		SRV593-594	Y
11.9	Valve NG		750-500	Y
	Valve LP		750-501	Y
11.10	Brass Connector	PKG of 5	303-315/5	Y
11.11	Flexible Gas Connector		SRV7000-156	Y
11.12	Valve Bracket	<b>No longer available</b>	319-146	
11.13	Temp Sensor Switch		SRV046-018A	Y
	Orifice NG (#38C)		582-838	Y
	Orifice LP (#52C)		SRV582-852	Y

Additional service part numbers appear on following page.



Service Parts

COSMO-GXT-IPI

No one builds a better fire

Beginning Manufacturing Date: Sept 2009
Ending Manufacturing Date: Sept 2010

IMPORTANT: THIS IS DATED INFORMATION. Parts must be ordered from a dealer or distributor. Hearth and Home Technologies does not sell directly to consumers. Provide model number and serial number when requesting service parts from your dealer or distributor.



Stocked at Depot

Table with 5 columns: ITEM, DESCRIPTION, COMMENTS, PART NUMBER, Stocked at Depot. Rows include items like Beads, Black, Decorative Front, Firebrace Termination Assembly, Flex Pipe Handle, Gasket, Valve Plate, Glass Latch Assembly, Glass Refractory, Back, Glass Refractory, Side, Remote Wire Assembly, Touch Up Paint, Wire Assembly, Conversion Kit NG, Conversion Kit LP, Pilot Orifice NG, Pilot Orifice LP, Regulator NG, and Regulator LP.