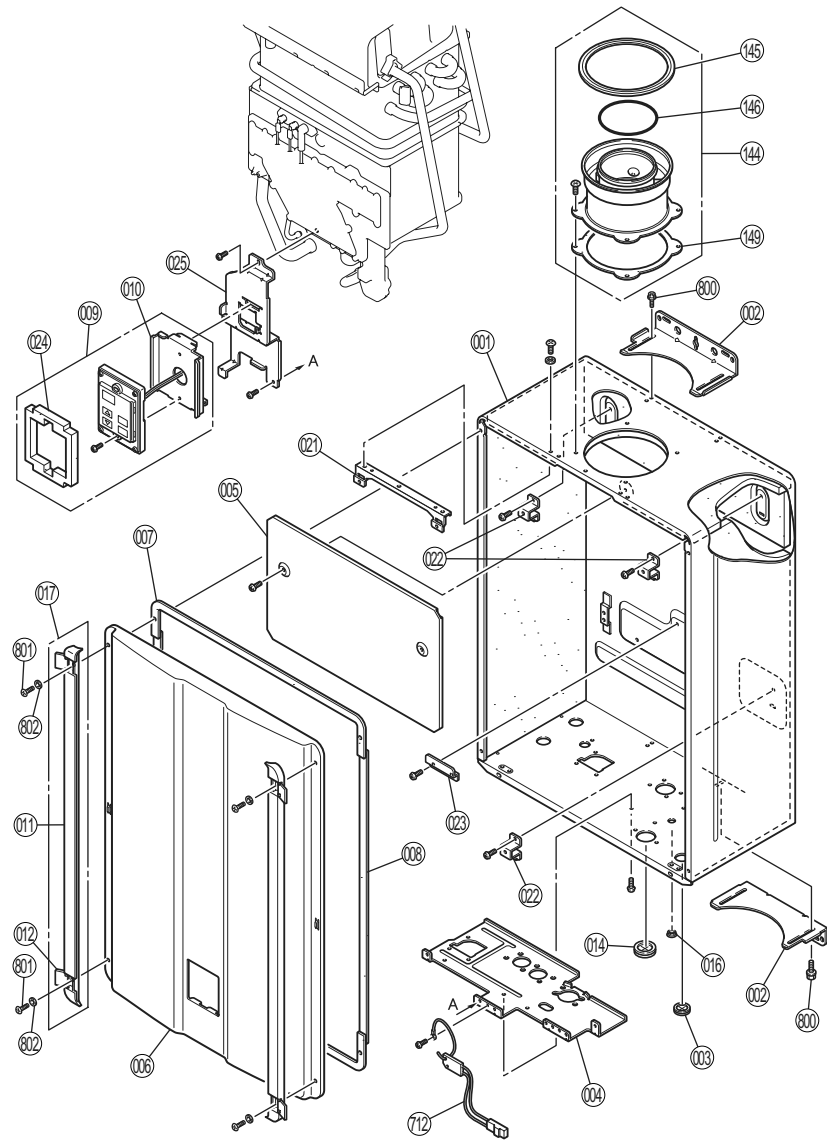
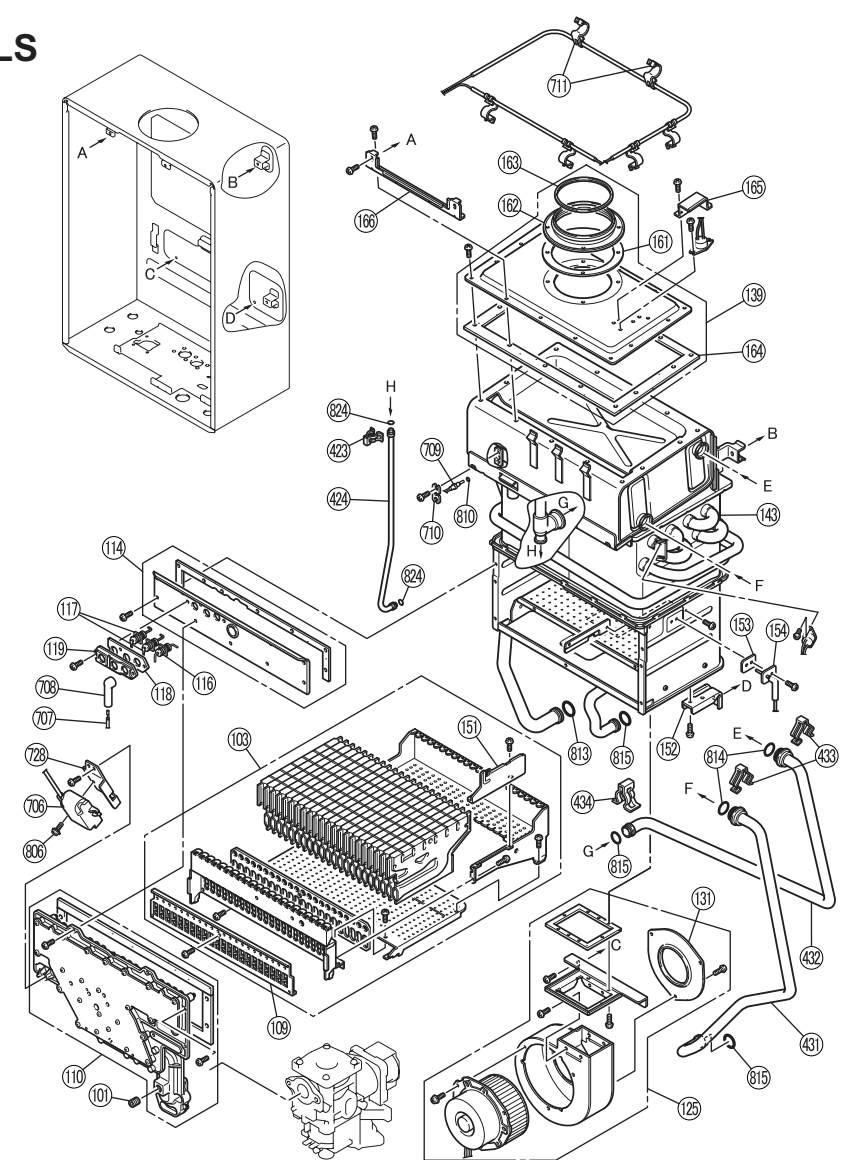


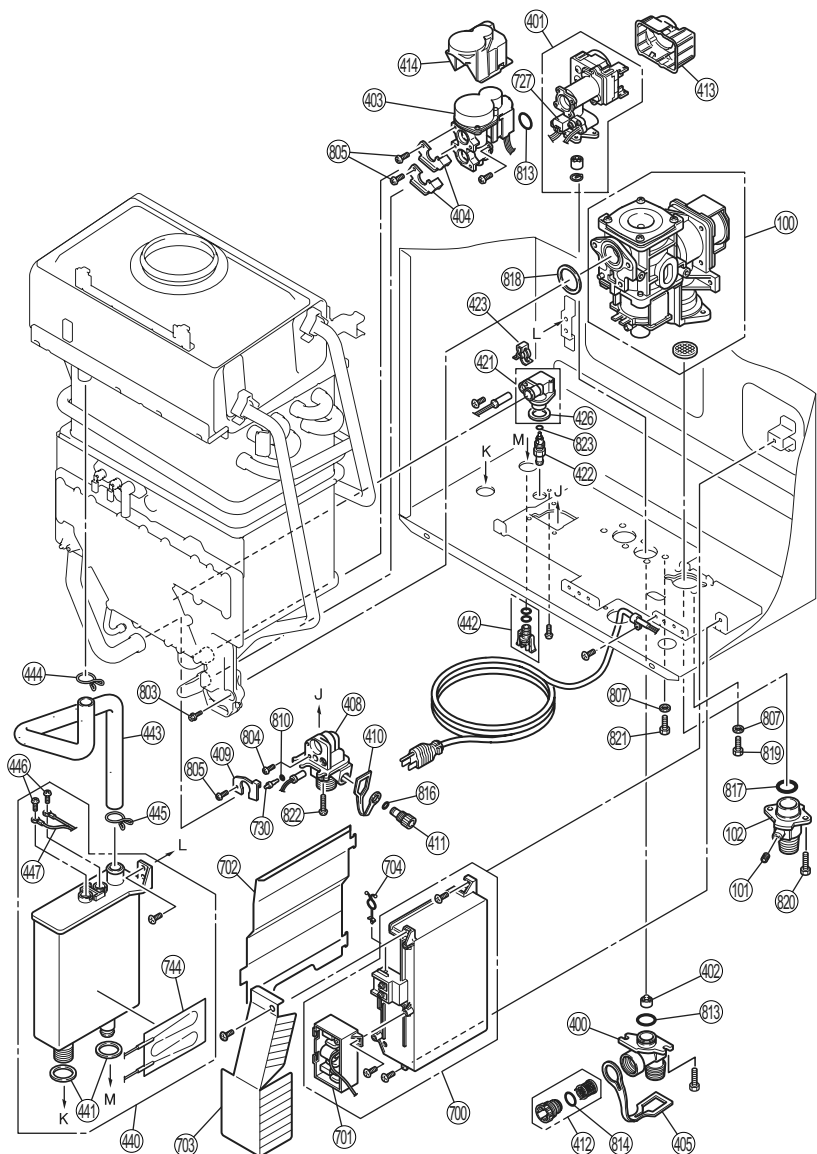
EXPLODED VIEW - CABINET



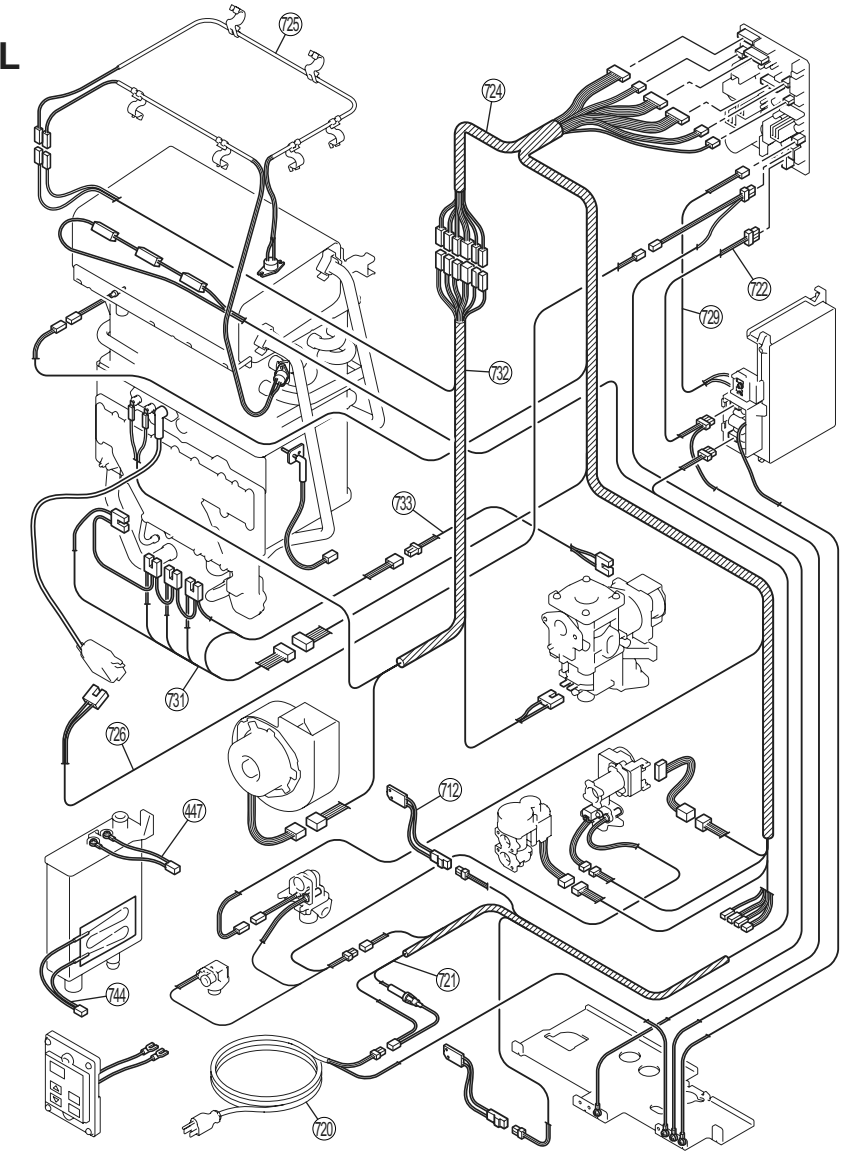
EXPLODED VIEW - INTERNALS



EXPLODED VIEW - INTERNALS



EXPLODED VIEW - ELECTRICAL



PARTS LIST

Item	Description	Part Number	Qty	Item	Description	Part Number	Qty	Item	Description	Part Number	Qty
001	Main Body	109000142	1	153	Burner Sensor Gasket	109000149	1	712	Frost Sensing Switch	105000097	2
002	Wall Bracket	109000143	2	154	Burner Thermistor	105000100	1	713	Anti Frost Heater 120V	105000098	1
003	Rubber Bushing	109000015	1	161	Outlet pipe packing	109000161	1	715	Valve Heater 120V Assembly	105000099	1
004	Connection Reinforcement Panel	109000118	1	162	Outlet pipe	107000064	1	716	Anti Frost Heater Clip B	105000026	2
005	Heat Protection Plae	H73-065	1	163	O-ring	108000018	2	717	Anti Frost Heater Clip A	AU124-618X01	1
006	Front Panel	109000144	1	164	Packing	109000162	2	718	Anti Frost Heater Clip C	105000027	1
007	Gasket - Top and Bottom	109000120	2	165	OHS cover	109000163	1	719	Inlet Air Thermistor	105000029	1
008	Gasket - Side	109000121	2	166	Reinforcement Bracket	109000129	1	720	Power Cord	105000030	1
009	Temperature Controller	103000021	1	400	Water Inlet 3/4" NPT	H73-501-2	1	721	Fuse Harness	105000101	1
010	Temperature Controller Bracket	109000156	1	401	Water Flow Servo and Sensor Assembly	107000055	1	722	Power Harness	105000107	1
011	Screw Cover	109000122	2	402	Rectifier	M8D1-15X01	1	723	Solenoid Valve Harness	105000102	1
012	Screw Cover Lid	109000150	4	403	By-pass Flow Assembly	M6J-1-4	1	724	Sensor Harness	105000103	1
014	Rubber Bushing	U245-125	1	404	Stop Bracket	AH69-310	2	725	Thermal Fuse Harness Assembly	105000104	1
016	Packing	109000016	1	405	Plug Band	109000018	1	726	Ignitor Harness	105000112	1
017	Screw Cover Assembly	109000123	2	408	Hot Water Outlet 3/4" NPT	107000056	1	727	Flow sensor	105000041	1
021	Reinforcement Bracket	109000124	1	409	Stop Bracket	U211-322X01	1	728	Ignitor Attachment Plate	109000165	1
022	Attachment Bracket	109000125	3	410	Plug Band (small)	109000019	1	729	Temperature Controller Harness	105000042	1
023	Reinforcement Bracket	U273-113	1	411	Drain Valve	107000021	1	730	Thermistor	105000108	1
024	Temperature Controller Packing	109000157	1	412	Water Filter Assembly	H98-510-S	1	731	Solenoid Connection Harness	105000109	1
025	Temperature Controller Bracket	109000145	1	413	Cover	109000130	1	732	AWG#18 Harness	105000110	1
100	Gas Controller Assembly	106000034	1	421	Drain Connection	107000057	1	733	Connection Harness	105000111	1
101	Test port set screw	109000151	2	422	Drain Plug	107000058	1	743	Secondary Heat Exchanger Heater	107000063	1
102	Gas Connection 3/4" NPT	CU195-1866	1	423	Clip	109000131	2	744	Heater and Harness	105000106	1
103	Burner Unit Assembly LPG	106000024	1	424	Connecting Pipe	107000059	1	800	Screw	ZIHD0510UK	8
103	Burner Unit Assembly NG	106000035	1	426	Packing	109000153	1	801	Screw	CP-30580-3	4
109	Damper LPG	106000025	1	431	Connecting Pipe - Inlet	107000060	1	802	Washer	CF83-41430	4
109	Damper NG	106000039	1	432	Connecting Pipe - HEX	107000061	1	803	Screw	CP-30627-414	3
110	Manifold Assembly NG	106000036	1	433	Clip	109000132	2	804	Screw	U217-449	1
110	Manifold Assembly LPG	106000037	1	434	Clip	109000133	1	805	Screw	ZAA0408UK	3
113	Pressure Point Sealing Screw	C10D-5	1	440	Condensate Trap	109000134	1	806	Screw	CP-80452	1
114	Combustion Chamber Sight Glass Plate	106000038	1	441	Packing	109000154	2	807	Washer	AU48-174X01	2
116	Electrode	H73-120	1	442	Condensate Trap Plug	109000135	1	810	O-ring	M10B-2-4	2
117	Flame Rod	105000093	2	443	Condensate Drain Tube	109000136	1	811	O-ring	M10B-2-3	1
118	Electrode Packing	109000126	1	444	Band	109000137	1	812	O-ring	M10B-2-6	2
119	Electrode Holder	109000127	1	445	Band	109000138	1	813	O-ring	M10B-2-18	3
121	Tube Joint	109000146	1	446	Screw	109000155	2	814	O-ring	M10B-2-16	3
122	Vent Tube	109000147	1	447	Conection Harness	105000105	1	815	O-ring	M10B-2-14	4
125	Fan Motor All Assembly	108000037	1	700	PC Board	105000094	1	816	O-ring	M10B-2-7	1
131	φ40 Bell Mouth	109000158	1	701	Surge Protector	105000014	1	817	O-ring	M10B-1-24	1
132	Combustion Chamber Fan Bracket	109000148	1	701	Surge Protector with Terminals	BU195-1873-2X01	1	818	Packing	C36E3-7	1
135	Air Inlet Box All Assembly	108000038	1	702	PC Board Cover Side	109000164	1	819	Screw	ZQAA0512UK	2
139	Air Inlet Duct	108000039	1	703	PC Board Cover Front	109000139	1	820	Screw	ZQAA0514UK	4
143	Heat Exchanger Assembly	107000062	1	704	Clip	109000140	1	821	Screw	ZQAA0508UK	2
144	Flue Connection Assembly	108000040	1	706	Ignitor	105000018	1	822	Screw	ZBA0512UK	3
145	O-ring	108000017	1	707	High TensionCord	105000095	1	823	O-ring	M10B-2-5	1
146	O-ring	108000018	1	708	Electrode Sleeve	AU206-218	1	824	O-ring	M10B-2-6	2
149	Gasket	109000159	1	709	Thermistor	105000096	1	888	Tech Sheet	100000149	1
151	Burner Attachment Bracket	109000160	1	710	Thermistor Clip Large	CP-90172	1	889	Manual	100000150	1
152	Reinforcement Bracket	109000128	1	711	Thermal Fuse Clip	109000141	5	900	Front Panel Label	100000148	1