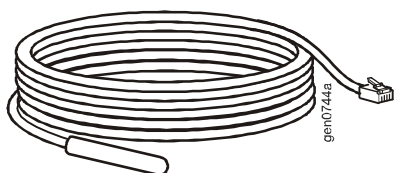


Temperature Sensor (AP9335T) Installation Instructions

Inventory



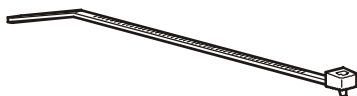
3.96-m (13-ft) temperature sensor (1)



#6 x 3/4-in sheet
metal screw (1)



#8 wall anchor (1)



203-mm (8-in) tie wrap (5)



19-mm x 19-mm (3/4-in x 3/4-in)
adhesive cable tie holder (3)



Wire clip (6)

Installation

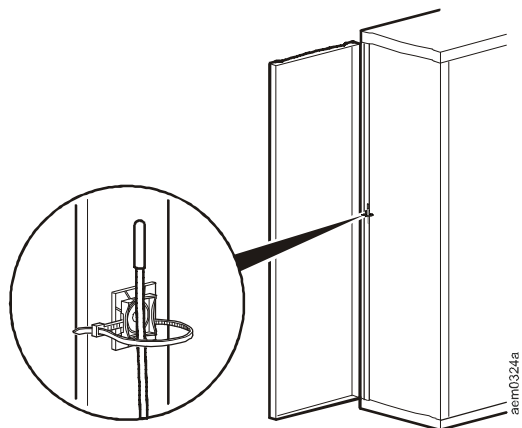


Caution: To avoid damaging the sensor, do not use a tie wrap or wire clip directly on the sensor when securing it. Use a tie wrap or wire clip, as shown in these instructions, about half an inch from the end of the sensor.

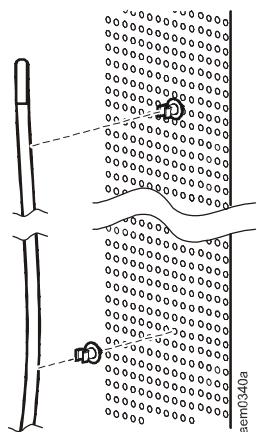


Note: Use adhesive cable tie holders, tie wraps, and wire clips to secure the sensor cable.

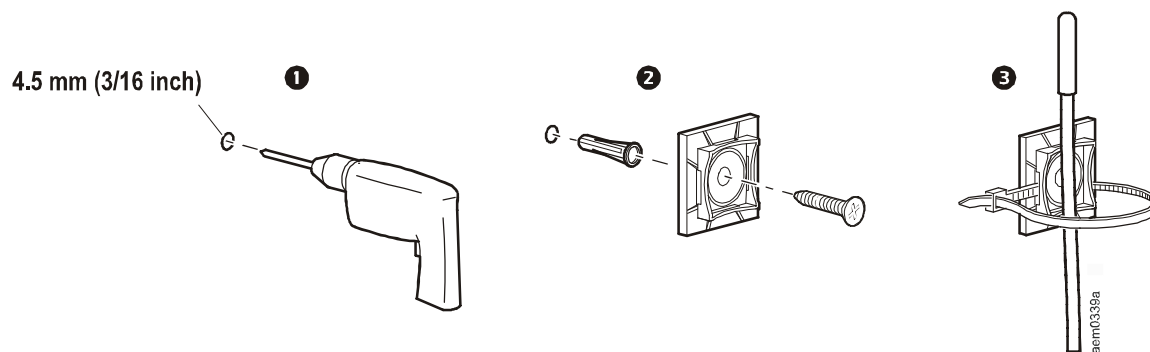
Vertical rail



Door



Wall



Customer support and warranty information is available at our Web site, www.apc.com.

© 2010 Schneider Electric. All rights reserved. The Schneider Electric logo is owned by Schneider Electric Industries, S.A.S., or its affiliated companies.

990-3505A
03/2010