

APC Next Generation Rack ATS

Automatic switching power redundancy for single corded equipment.



Next Generation Rack ATS with multiple outlets eliminate the need for a secondary Rack PDU downstream of Rack ATS.

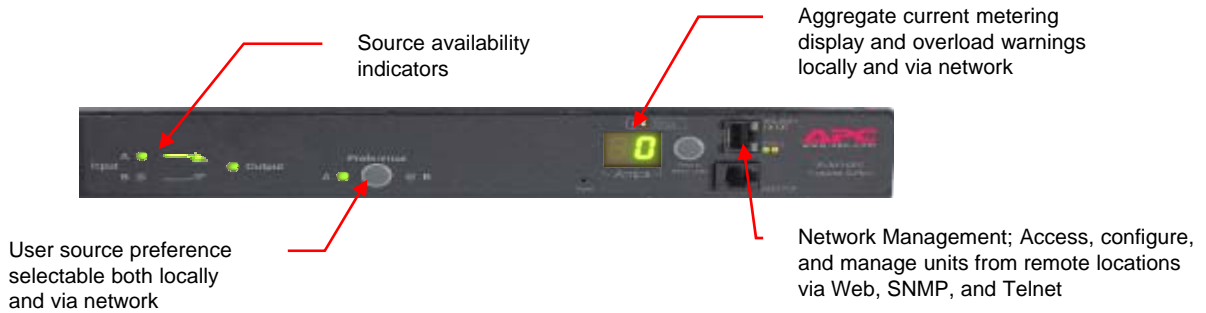
- > Seamless power transfer
- > Continuous source monitoring
- > Current monitoring and alarms
- > Robust out-of-phase switching with firmware revision 357 or greater
- > Network management interface
- > Multiple outlets

The APC Rack Automatic Transfer Switch (ATS) is a high availability switch that provides redundant power to connected equipment and has two input power cords, one for each AC source. The Rack ATS supplies power to the connected load from a primary AC source. If that primary source becomes unavailable, the Rack ATS automatically transfers loads to the secondary source. The transfer time from one source to the other is seamless to the connected equipment, as the switching occurs safely between the two input sources regardless of any phase differences. The units have built-in network connectivity, which allows for remote management through Web, SNMP, or Telnet interfaces.

With the Next Generation of Rack ATS, end users can take advantage of many new features. With multiple outlets, several devices can be plugged directly into the Rack ATS without the need for an additional Rack PDU. Current monitoring and alarms help prevent downtime to the equipment by providing aggregate current measurements and warnings when power consumption draws near the maximum rating of the Rack ATS. Built-in network and local interfaces allow for custom configuration settings for added flexibility. The Rack ATS product family includes a variety of input and output connections to distribute 100/120V, 200/208V, or 230V power to multiple outlets. Having a variety of inputs and outputs allow users to adapt to varying power distribution requirements.

Rack ATS Features

Front Panel interface



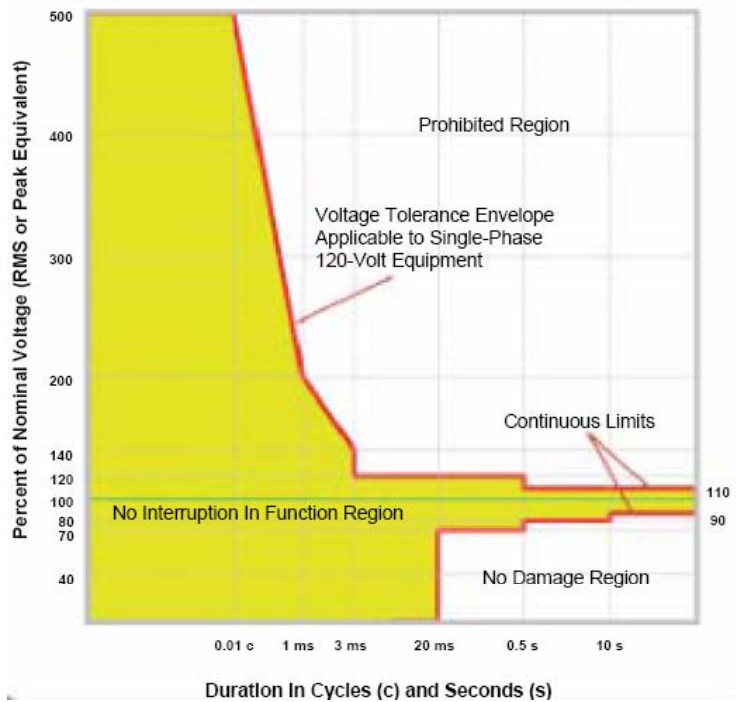
Seamless power transfer

APC Rack ATS units switch power seamlessly to IT equipment. Per the ITI Curve, typical power supplies will operate 20ms after AC voltage drops to zero. The IEEE 1100-1999 standard also references the ITI curve. The SSI (Server System Infrastructure) standard recommends a hold-up time for power supplies to be a minimum of 21 ms for a voltage range of 100-240V.

APC Rack ATS units switch sources under these industry standard times. The switching time includes the time for the built-in intelligence to determine whether the voltage and frequency are in range. Any point of failure in the electronics does not cause a drop out of the output voltage because the unit incorporates redundancy of its electronic circuitry to avoid fault tolerance.

- 8 - 12ms typical
- 16ms max at 60 Hz when configured to high sensitivity
- 18ms max at 50 Hz when configured to high sensitivity

ITI (CBEMA) Curve
(Revised 2000)



Rack ATS Features

Robust out-of-phase switching

To prevent relay welding, both hot and neutral lines are switched using a break-before-make system so there is no cross-connection of sources, regardless of the phase between sources.

- AC sources are isolated prior to switching outputs, eliminating the chances of relays welding at contacts
- Sources can be up to 180 degrees out-of-phase
- **** Firmware revision 357 or greater must be installed ****



Current monitoring and alarms

Current monitoring and alarms help prevent downtime by providing aggregate current measurements and warnings when power consumption draws near the maximum rating of the Rack ATS.

- Aggregate current metering display
- Overload warnings locally and via network
- Fully customizable settings

Load Management

Present Load
Load: 4.6 Amps [Normal Load]

Thresholds

Overload Alarm: Amps
Near Overload Warning: Amps
Low Load Warning: Amps

Continuous source monitoring

With a built-in intelligent interface, APC Rack ATS units can monitor both sources for voltage and frequency fluctuation.

- "Real time" monitoring of input voltage and frequency
- Auto detection of nominal frequency
- User Configurable voltage and frequency range settings

ATs Status

Source A selected, Switchover Possible

Selected Source:	Source A
Preferred Source:	Source A
Switch Status:	OK
Front Panel:	Unlocked
Source A:	Selected
Source B:	OK
Phase Sync:	In sync
Voltage Out:	OK

Power Supplies

Source A 24V PS:	OK
Source B 24V PS:	OK
+12V PS:	OK
-12V PS:	OK
5V PS:	OK

Network management interface

User interface allows remote access to unit status and settings locally and remotely. Fully configurable menu options give users the flexibility to set unit options.

- Access via Web (ethernet), telnet (serial), and SNMP
- Compatible with APC InfraStruxure Management Devices
- Built in network management card

Overview

Active Alarms: No Alarms Present

Device Status
Source A selected, Switchover Possible
Load: 2.4 Amps

ATs Parameters

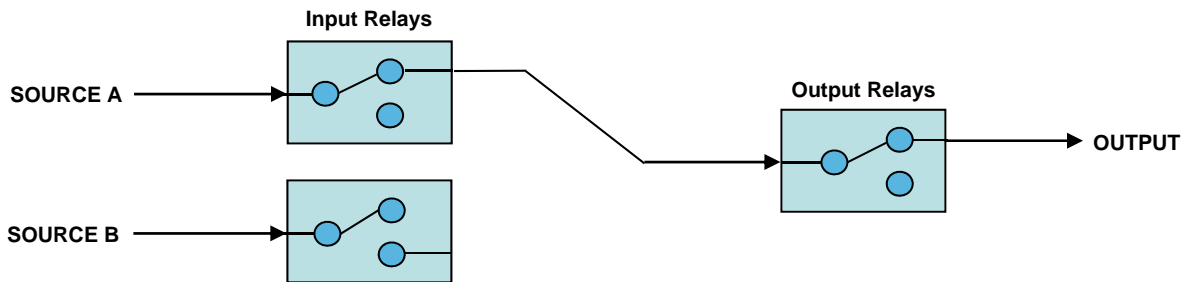
Model:	AP750
Name:	APC
Control:	APC Customer
Location:	APC
Rating:	16, 16A
User:	Administrator
UpTime:	0 Days 0 Hours 0 Minutes

Recent Device Events

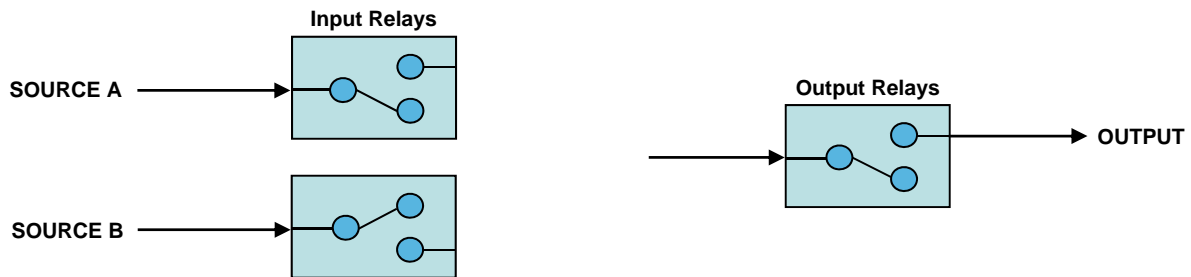
Date	Time	Event
06/18/2001	07:55:41	Automatic Transfer Switch: ATs Communication established.
06/18/2001	07:55:27	Automatic Transfer Switch: 7-Segment display hardware initialized.
06/18/2001	07:55:27	Automatic Transfer Switch: Phase Lead/Phase-lag hardware initialized.
06/18/2001	07:55:27	Automatic Transfer Switch: Overload threshold Configuration change.
06/18/2001	07:55:27	Automatic Transfer Switch: Near Overload threshold Configuration change.

“Break Before Make” Switching Sequence

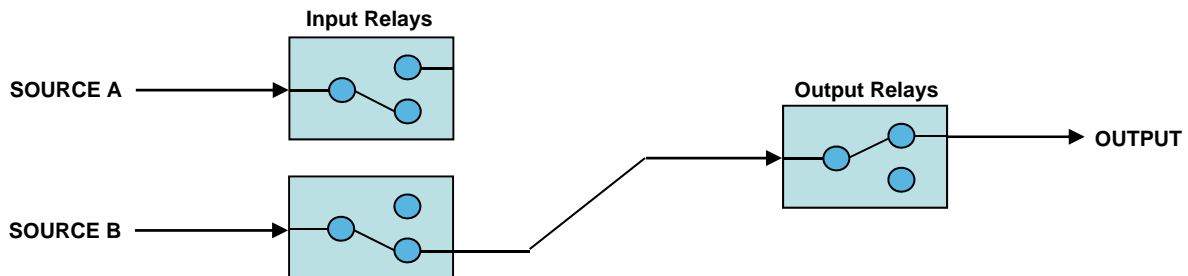
NOTE: Each relay block shown below represents two relays, each breaking individual lines (including neutral).



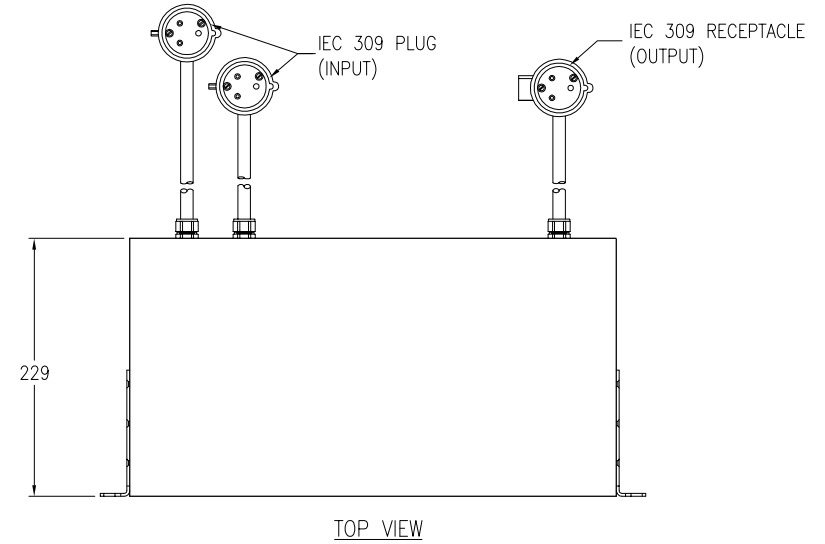
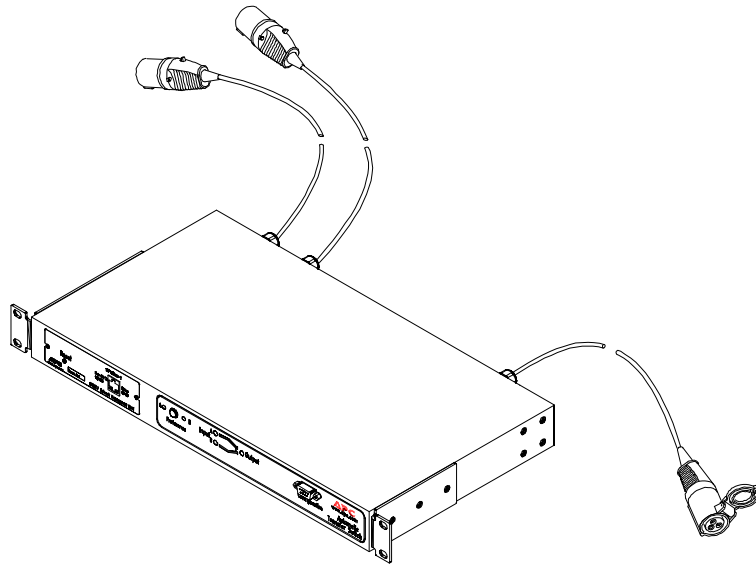
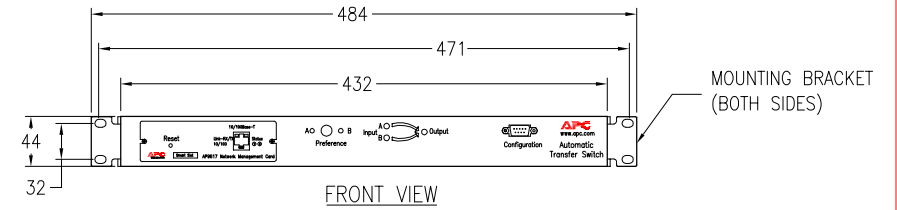
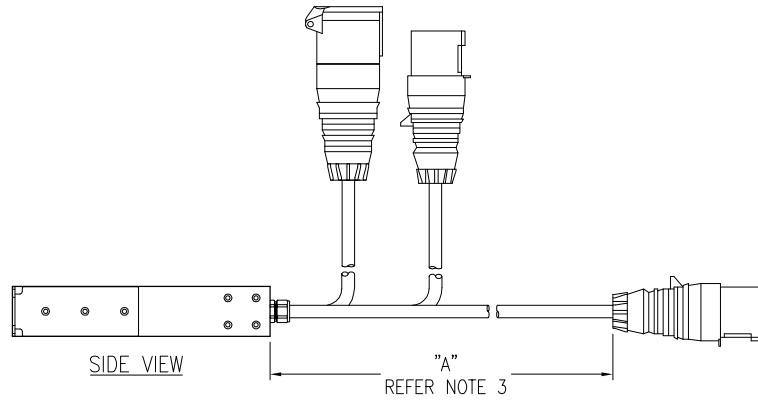
Source A is providing power to the outlets, while Source B is isolated from the system.



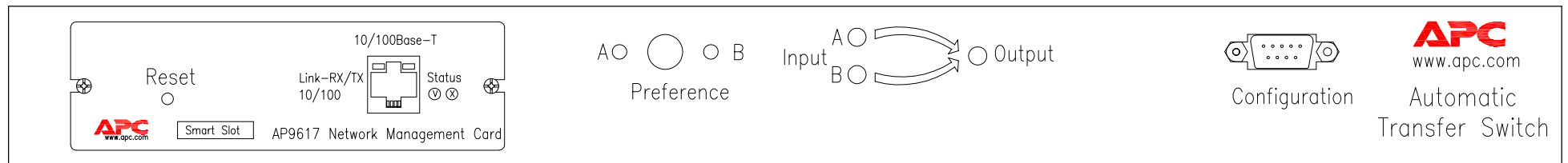
Firmware detects that source A is out of the user specified tolerance range. The input power from Source A is removed, then the output is disconnected. This eliminates the chances of a relay welding and allows for out-of-phase switching. (via firmware version 357 or greater) Crucial timing is controlled through the firmware.



Relays are engaged and power is transferred to source B. Total transfer time is 8-12 ms (typical).



ISOMETRIC VIEW



FRONT PANEL, ENLARGED

NOTES:

1. ALL DIMENSIONS ARE IN MILLIMETERS.
2. NET WEIGHT IS 3.9Kg. SHIPPING WEIGHT IS 6.4Kg.
3. LENGTH A = 914mm FOR INPUT AND OUTPUT CORDS.

THIS DRAWING AND SPECIFICATIONS HEREIN ARE THE PROPERTY OF AMERICAN POWER CONVERSION AND SHALL NOT BE COPIED, REPRODUCED OR USED IN WHOLE OR IN PART, AS THE BASIS FOR THE MANUFACTURE OR SALE OF ITEMS WITHOUT WRITTEN PERMISSION FROM APC. THIS DRAWING IS BASED UPON LATEST AVAILABLE INFORMATION AND IS SUBJECT TO CHANGE WITHOUT NOTICE.

TITLE:
AUTOMATIC TRANSFER SWITCH
1 PHASE, 16A, 230V

DWG NO: AP7722
REV: 2
DRAWN: JAYAPRAKASH 26/09/05
CHECKED: B.H.NIELSEN/M.SALOKHE 26/09/05
PROJECT: SUBMITTAL DRAWING SHEET 1 OF 1
ENGINEER: C.LARSEN/S.WAGH 26/09/05

PROJECTION
APC
AMERICAN POWER CONVERSION
132 FARBRIGGSDS RD
WEST KINGSTON, RI 02892