



INTRODUCING THE

 **dedolight**<sup>®</sup>

PRECISION LIGHTING INSTRUMENTS

**FOCUSING LED LIGHTS**

**TURBO SERIES**  
(THE WHISPER LIGHT)

ENGLISH 04/2019



# INTRODUCING THE TURBO SERIES OF DEDOLIGHT FOCUSING LED LIGHTS

NEW CONFIGURATION,  
SMALL FIXTURE,  
HIGH OUTPUT.  
SUPER SILENT  
ACTIVE COOLING.  
IDEAL FOR  
THE SMALL TEAM.



The actual light sources have now nearly doubled in performance in a housing similar to our DLED4 (40W unit), but now operated with 2x90W in the bicolor version.

Although these light heads provide significantly higher light output, and in spite of the added cooling devices, the weight of these light heads is still identical with the original DLED4, 40W light head.

Only the ballast has grown somewhat, to accommodate the increased power. Alternative power supplies still allow battery operation.

The bicolor versions are continuously adjustable from 2700K all the way to 6500K. Pure monochrome versions in daylight or tungsten are also available.



The noise level of the whisper cooling will surprise you – even under the most critical conditions.

Kits can include soft boxes, imager/projection attachments. Complete 3-light-kits (DLED7) with plenty of accessories are still light enough for checked-in baggage on flights, packed in super sturdy cases with wheels and pull-out handle.



# DEDOLIGHT DLED TURBO SERIES DLED7

## SMALL PACKAGE, DRASTICALLY ENHANCED OUTPUT ACTIVE COOLING – SILENT

Basic size is identical to the now very well accepted DLED4. Small, compact, elegant focusing, robust with double helical focusing mechanism. Now including a very quiet active cooling system enabling the use of much higher wattage LED light sources. Provides drastically enhanced light output. See comparison of the photometrics.

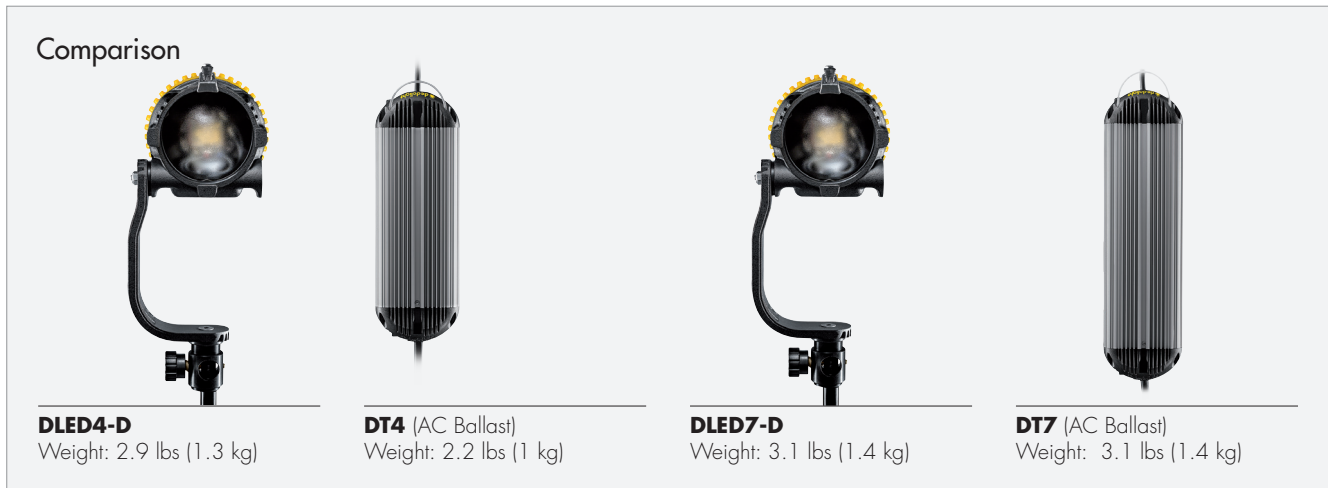
- Available in monochrome versions as daylight or tungsten.
- Also available as bicolor, tunable 2700K to over 6500K.
- Available with DMX as pole-operated versions (optional).

One of the most desirable, fully portable, very capable lighting packages for the small team with all the known dedolight advantages plus optional battery operation. For interview lighting, such small lights, when used as key or fill light, may possibly be regarded as relatively aggressive because of the drastically enhanced output. The use of the optional soft box turns it into a beautiful, gentle light source with a much larger area for pleasing lighting and still sufficient output to cover most everyday situations.

Works perfectly with the third DLED7 light as a highly focusable and tunable back light or accent light.

For delicate and moody background projection. When such background projections are lifted slightly out of focus, you can easily create the illusion of a 3-dimensional world and depth.

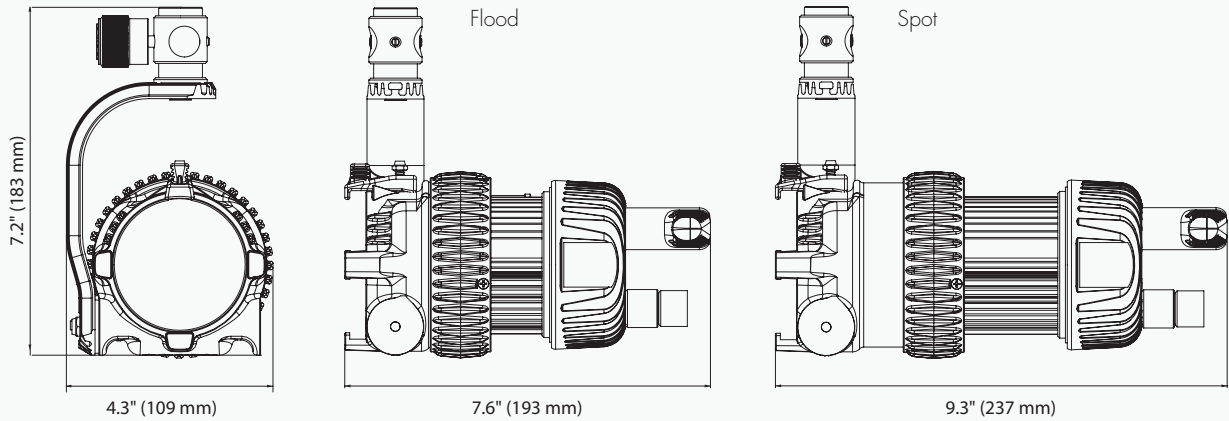
Maybe the most versatile and unique tool for professional lighting, for use in the smallest team as well as for the highest demands in big blockbuster projects.



Light Head (Focus Range)	DLED4-D (60°-4°)	DLED4-BI (D) (60°-4°)	Turbo Series		DLED9-D (50°-4°)	DLED9-BI (D) (50°-4°)	Arri 300 (55°-15°)
			DLED7-D (60°-6°)	DLED7-BI (D) (60°-8°)			
Lux Flood at 1m	1,500	1,580	2,500	2,600	5,080	5,050	4,500
Lux Spot at 1m	14,500	12,100	38,000	21,000	60,000	43,000	16,803
Power Consumption	41 W	44 W	90 W	90 W	90 W	90 W	304 W

# DLED7 TURBO TECHNICAL DATA

## DLED7-D, DLED7-T, DLED7-BI



### FOCUSING LED LIGHT HEAD: DLED7-D, DLED7-T, DLED7-BI

Focus Range (Intensity Range)	60°- 6° (1:20) with optional aspheric wide-angle attachment: 85- 54°
Focus Control	One complete turn on focus ring
Power	Max. Power Consumption 90W Even for bicolor version, which operates, alternating between 2x90W light sources
Mounting	5/8" (16 mm) receptacle and 1 1/8" (28 mm) stud
Operating Position	Any
Tilt Control	Permanent friction
Accessory Holder	3" (76 mm) diameter
Safety	Protection Class III, SELV, IP20
Cooling	Active Silent Cooling
UV	No UV radiation
Weight	2.9lb (1,300g)

### DLED7-D Focusing LED Light Head. Daylight approx. 5600K

Distance	Meter	1	2	3	4	5
	Feet	3'	6'	9'	12'	15'
Flood	Lux	2,500	625	278	156	100
	Foot Candle	232	58	26	15	9.3
Medium	Lux	4,675	1,169	519	292	187
	Foot Candle	435	109	48	27	17.4
Spot	Lux	38,000	9,500	4,222	2,375	1,520
	Foot Candle	3,532	883	392	221	141

### DLED7-T Focusing LED Light Head. Tungsten approx. 3200K

Distance	Meter	1	2	3	4	5
	Feet	3'	6'	9'	12'	15'
Flood	Lux	2,250	563	250	141	90
	Foot Candle	209	52	23	13	8.4
Medium	Lux	4,208	1,070	476	263	168
	Foot Candle	391	99	44	24	16
Spot	Lux	31,000	7,750	3,444	1,938	1,240
	Foot Candle	2,881	720	320	180	115

### DLED7-BI Focusing LED Light Head. Bicolor measured at 5600K – daylight

Color temperature continuously adjustable from 2700 – 6500K

Distance	Meter	1	2	3	4	5
	Feet	3'	6'	9'	12'	15'
Flood	Lux	2,600	650	289	163	104
	Foot Candle	243	61	27	15	9.7
Medium	Lux	4,680	1,170	520	293	187
	Foot Candle	435	109	48	27	17.4
Spot	Lux	21,000	5,250	2,333	1,313	840
	Foot Candle	1,952	488	217	122	78

Bicolor in tungsten function ~ 18% lower output



# POWER OPTIONS FOR DLED7 TURBO



## DLED7-D

## DLED7-T

## DLED7-BI

Turbo light head for mobile application with various ballast versions available (see on the left)

### DT7



AC ballast for DLED7-D/DLED7-T Turbo monocolour light head

DT7	
Size	10.35 x 2.8 x 2" 263 x 72 x 50 mm
Weight	3.1 lbs 1,400g

### DT7-BI



AC ballast for DLED7-BI Turbo bicolor light head

DT7-BI	
Size	10.35 x 2.8 x 2" 263 x 72 x 50 mm
Weight	3.1 lbs 1,400g

### DT7-BAT-AB



DC ballast with D-Tap cable for Turbo monocolour light heads. 10,8-36V DC input range.

DT7-BAT-AB	
Size	8.4 x 2.8 x 2" 213 x 72 x 50 mm
Weight	1.3 lbs 610g

### DT7-BI-BAT-AB (Bicolor)

DC ballast with D-Tap cable for Turbo bicolor light heads.



DT7-BI-BAT-AB	
Size	8.4 x 2.8 x 2" 213 x 72 x 50 mm
Weight	1.4 lbs 650g

## STUDIO OPTIONS:

### DLED7SE-D

Turbo Studio Version



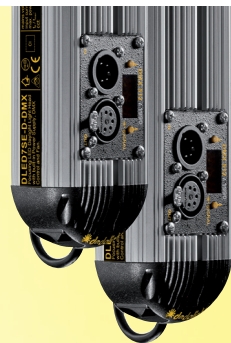
### DLED7SE-D-PO

as Pole Operated Version



### DLED7SE-D-DMX

as DMX Version



### Battery operation (DC) with DT7-(BI)-BAT-AB

- connect DC ballast directly to:

#### DLBCA2-V

Battery holder and belt holder for V-Mount or Anton/Bauer Gold Mount battery



#### DLBCA2-AB



- or use adapter cable:

#### DDTAP-XLR

Cable 65 - 130 cm (25 - 51") with 4-pin XLR connector, coiled. Weight: 8.8 oz. (250 g)

#### DDTAP-CAR

Cable with 12 V cigarette light connector. Weight: 3.4 oz. (95 g)

Other DC cables on request.

### AC operation with DT7-(BI)-BAT-AB

#### DLPS36-100

AC power supply with D-Tap connector to operate DT7-(BI)-BAT-AB from mains power.

Size: 5.9 x 2.2 x 1.2"  
(150 x 55 x 30 mm)

Weight: 16.9 oz. (480 g)



#### DDTAP-EXT5

Extension cable for power supplies with D-Tap connector, 16.4 ft long (5 m). Weight: 4.9 oz. (140 g)



# DEDOLIGHT DLED3 TURBO SERIES

The smallest version, same size as the well-known DLED2, which features 20W, or as bicolor 2 x 20W, now working with a highly effective 40W or double 40W system for bicolor.

Active cooling in a silent version, enabling drastically enhanced output.

Complete, versatile lighting kit in a handbag format, with the full range of light-shaping and imaging capabilities.

Soft boxes, optionally available, for gentle, pleasing soft light application.

Most probably the smallest, most versatile lighting kit. Small enough to be allowed as cabin baggage.



**DLED3-D**

**DLED3-T**

**DLED3-BI**

## Comparison



**DLED2**

Weight: 17.5 oz. (495 g)



**DT2-BAT**

Weight: 4.9 oz. (140 g)



**DT2-BI-BAT**

Weight: 4.9 oz. (140 g)



**DLED3 Turbo**

Weight: 16.8 oz. (475 g)



**DT3-BAT**

Size: 4.5 x 2.8 x 2"  
(113 x 72 x 50 mm)  
Weight: 12.7 oz. (360 g)



**DT3-BI-BAT**

Size: 5.6 x 2.8 x 2"  
(143 x 72 x 50 mm)  
Weight: 12.7 oz. (460 g)

Operate DT3-(BI-)BAT from mains power (AC):



**DLPS 12-60**

12V/60W  
Size: 5.9 x 2.2 x 1.2"  
(150 x 55 x 30 mm)  
Weight: 11.5 oz. (325 g)



**DDCC-EXT5**

Extension cable for power supplies with Mini Jack connector, 16.4 ft long (5m),  
Weight: 4.9 oz. (140g)

Cables for battery operation (DC):

**DDCC-DTAPS**

Cable 28 cm / 11" with Anton/Bauer D-Tap connector.  
Weight: 1 oz. (30g),

**DDCC-CAR**

Cable, 1.8 m (6') with cigarette light connector,  
Weight: 3.4 oz. (95 g),

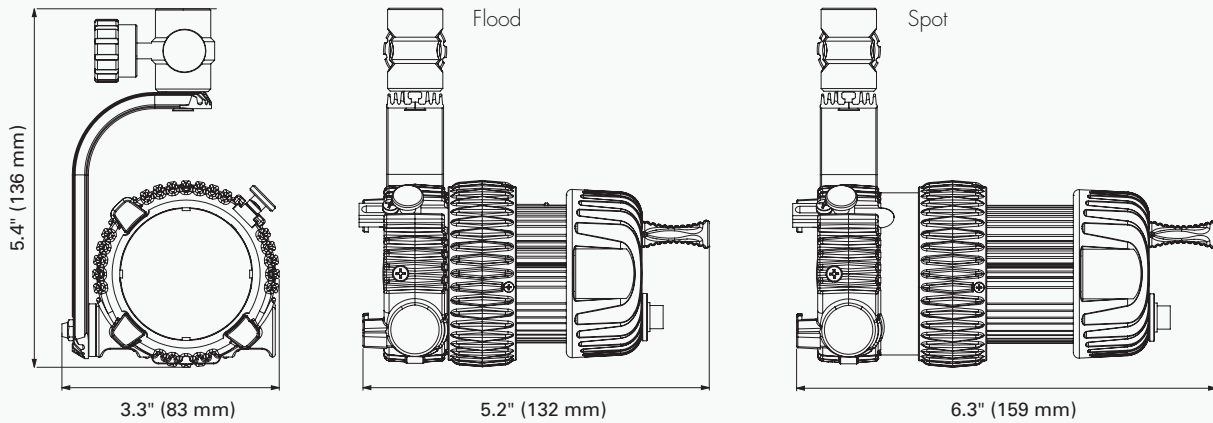
*Other DC cables on request.*

Light (Focus Range)	DLED2-D (50°-5°)	DLED2-BI (D) (50°-5°)	Turbo Serie	
			DLED3-D (50°-6°)	DLED3-BI (D) (50°-8°)
Lux Flood at 1m	810	820	1,350	1,400
Lux Spot at 1m	5,250	3,350	8,100	5,000
Power Consumption	20W	20W	40W	40W
DLED3 Bicolor tungsten 18% lower output				



# DLED3 TURBO TECHNICAL DATA

## DLED3-D, DLED3-T, DLED3-BI



### FOCUSING LED LIGHT HEAD: DLED3-D, DLED3-T, DLED3-BI

Focus Range (Intensity Range)	50°-5° (1:7)
Focus Control	3/4 turn on focus ring
Power	Max. Power Consumption 40W, even for bicolor version, alternating between two 40W light sources.
Mounting	5/8" (16mm) receptacle
Operating Position	Any
Tilt Control	Adjustable friction
Accessory Holder*	Ø 2.3" (58mm)
Safety	Protection Class III, SELV, IP20
Cooling	Active Silent Cooling
UV	No UV radiation
Weight	1.8 lb (800g)
* for mounting the unique range of DLED3 front-end accessories	

### DLED3-D Focusing LED Light Head. Daylight approx. 5600K

Distance	Meter	1	2	3	4	5
	Feet	3'	6'	9'	12'	15'
Flood	Lux	1,350	338	150	84	54
	Foot Candle	126	31	14	8	5
Medium	Lux	2,511	629	279	156	100
	Foot Candle	237	58	26	15	9.3
Spot	Lux	8,100	2,025	900	506	324
	Foot Candle	753	188	84	47	30

### DLED3-T Focusing LED Light Head. Tungsten approx. 3200K

Distance	Meter	1	2	3	4	5
	Feet	3'	6'	9'	12'	15'
Flood	Lux	1,170	293	130	73	47
	Foot Candle	109	27	12	7	4.4
Medium	Lux	1,942	486	216	121	78
	Foot Candle	181	45	20	11.3	7.2
Spot	Lux	4,350	1,088	483	272	174
	Foot Candle	404	101	45	25	16.2

### DLED3-BI Focusing LED Light Head. Bicolor measured at 5600K – daylight

Color temperature continuously adjustable from 2700 – 6500K

Distance	Meter	1	2	3	4	5
	Feet	3'	6'	9'	12'	15'
Flood	Lux	1,400	355	160	89	58
	Foot Candle	130	33	15	8	5
Medium	Lux	2,860	883	410	221	148
	Foot Candle	266	82	38	21	14
Spot	Lux	5,000	1,310	538	328	194
	Foot Candle	465	122	50	30	18

Bicolor in tungsten function ~ 18 % lower output

# DEDOLIGHT LED MICRO KITS



## **The smallest - most versatile – portable studio. Ideal for the mini team, even for the single shooter.**

Professional lighting, shrunk to incredible minimal size – without compromising power and creative variety.

Looks like puppet lights, packs King Kong performance

Our new super silent Dedolight turbo technology made it possible to pack power and function of our larger LED focusing lights into these miniature bodies.

■ Bicolor:  
Allows to adapt to most ambient light situations by a mere turn of the control button

■ Bicolor:  
Allows gentle hues of color temperature for subtle, yet convincing variations within key and fill light and background perception. Effortless creative control of mood and beauty

- Two softboxes for gentle lighting
- Imager/projection attachment for background – gobos, effect filters, printed gel projection (I-phone pictures print out on any color office printer) for instant illusion of surroundings and space perception
- Miniature lighting stands, packed in a puppet-sized bag, but come to “real” height with included extensions
- Miniature AC-DC power supplies allow shooting for limitless time
- BPU batteries system (optional) allows “anywhere” use for two hours without recharge
- The only limitation is in your own prejudice – believing that it is impossible to perform professional work with such unexpected creativity with unprecedented miniature size
- The entire complete kit is suitable and permissible for airplane carry-on baggage (by size and weight)
- Add the miraculous parallel beam intensifier DPBA610: multiplying the already outstanding spot performance by 500 % - open the gateway to creative Dedolight Lightstream – the revolutionary world of reflected light





# TURBO KITS - DLED3 MICRO KITS

## DLED3 3 LIGHT MICRO LED KIT – WITH SOFT CASE

### SLT3-3-BI-B 3 Light MICRO LED Kit bicolor - Basic

(3x DLED3 TURBO LED) AC/DC

3 DLED3-BI	Focusing 40W TURBO LED bicolor light head
3 DT3-BI-BAT	DC dimmable ballast for DLED3-BI TURBO LED bicolor light heads for use with batteries. Input 11 - 18V DC.
3 DDCC-DTAPS	Cable 28 cm / 11" with Anton/Bauer connector
3 DBDS8	Standard 8-leaf barn door for DLED2/DLED3 light heads
2 DSBSXS	dedoflex mini soft box 30x30x23 cm
2 DLGRIDXS	Grid (40°) for mini soft box
2 DLSR67	Speedring for mini soft box to fit DLED2/3 LED lights
3 DLPS12-60	Mains power supply for DT3(BI)-BAT (A/E/G/J/U 100 - 240 V AC, please specify power connector)
3 DDCC-EXT5	Extension cable for 12V power supply, 5m long
1 DSCS	Soft case, small
1 SDSTM3	Stand kit with 3x DSTM, 2x DSTFX40 and DSCSTM3 soft bag

Size: 53 x 24 x 23 (20.9" x 9.5" x 9.1") / Weight: 8 kg (17.6 lbs)



### SLT3-3-D-B 3 Light MICRO LED Kit daylight - Basic

(3x DLED3 TURBO LED) AC/DC

Same as SLT3-3-BI-B, but as 40 W TURBO daylight system with DLED3-D, DT3-BAT ballasts instead of bicolor units.

### SLT3-3-BI-S 3 Light MICRO LED Kit bicolor - STANDARD

(3x DLED3 TURBO LED) AC/DC

3 DLED3-BI	Focusing 40W TURBO LED bicolor light head
3 DT3-BI-BAT	DC dimmable ballast for DLED3-BI TURBO LED bicolor light heads for use with batteries. Input 11 - 18V DC.
3 DDCC-DTAPS	Cable 28 cm / 11" with Anton/Bauer connector
3 DBDS8	Standard 8-leaf barn door for DLED2/DLED3 light heads
1 DP1S	Universal projection attachment/imager incl. 60mm lens for DLED2/DLED3 LED light heads. Incl. .DPGHS
1 DPGSETS	Gobo set for DP1S imagers
2 DSBSXS	dedoflex mini soft box 30x30x23 cm
2 DLGRIDXS	Grid (40°) for mini soft box
2 DLSR67	Speedring for mini soft box to fit DLED2/3 LED lights
3 DLPS12-60	Mains power supply for DT3(BI)-BAT (A/E/G/J/U 100 - 240 V AC, please specify power connector)
3 DDCC-EXT5	Extension cable for 12V power supply, 5m long
1 DSCS	Soft case, small
1 SDSTM3	Stand kit with 3x DSTM, 2x DSTFX40 and DSCSTM3 soft bag

Size: 53 x 24 x 23 (20.9" x 9.5" x 9.1") / Weight: 8.4 kg (18.5 lbs)



### SLT3-3-D-S 3 Light MICRO LED Kit daylight - STANDARD

(3x DLED3 TURBO LED) AC/DC

Same as SLT3-3-BI-S, but as 40 W TURBO daylight system with DLED3-D, DT3-BAT ballasts instead of bicolor units.

# TURBO KITS - DLED3 MICRO KITS

## SLT3-3-BI-M 3 Light MICRO LED Kit

**bicolor - MASTER**  
(3x DLED3 TURBO LED) AC/DC

- 3 DLED3-BI Focusing 40W TURBO LED bicolor light head
- 3 DT3-BI-BAT DC dimmable ballast for DLED3-BI TURBO LED bicolor light heads for use with batteries. Input 11 - 18V DC. Cable 28 cm / 11" with Anton/Bauer connector
- 3 DDCC-DTAPS Cable 28 cm / 11" with Anton/Bauer connector
- 3 DBDS8 Standard 8-leaf barn door for DLED2/DLED3 light heads
- 1 DP1S Universal projection attachment/imager incl. 60mm lens for DLED2/DLED3 LED light heads. Incl .DPGHS
- 1 DPGSETS Gobo set for DP1S imagers
- 2 DSBSXS dedoflex mini soft box 30x30x23 cm
- 2 DLGRIDXS Grid (40°) for mini soft box
- 2 DLSR67 Speedring for mini soft box to fit DLED2/3 LED lights
- 3 DLPS12-60 Mains power supply for DT3-(BI)-BAT (A / E / G / J / U) 100 - 240 V AC, please specify power connector)
- 3 DDCC-EXT5 Extension cable for 12V power supply, 5m long
- 3 LiTH 95 SI Batteries with internal charger
- 3 DLBCA2-V Belt adapter for V-Mount batteries with holding plate for DT3-(BI)-BAT power supplies. D-TAP power out socket
- 2 DSCS Soft case, small
- 1 SDSTM3 Stand kit with 3x DSTM, 2x DSTFX40 and DSCSTM3 soft bag

Size (2x): 53 x 24 x 23 (20.9" x 9.5" x 9.1")  
Weight (main case): 8.4 kg (18.5 lbs)  
Weight (BAT case): 5.3 kg (11.7 lbs)



## SLT3-3-D-M 3 Light MICRO LED Kit

**daylight - MASTER**  
(3x DLED3 TURBO LED) AC/DC

Same as SLT3-3-BI-M, but as 40 W TURBO daylight system with DLED3-D, DT3-BAT ballasts instead of bicolor units.





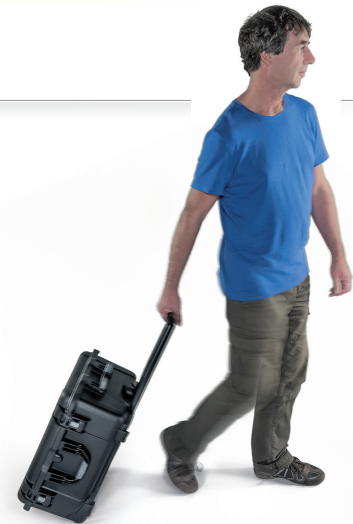
# TURBO KITS - DLED7 KITS

## DLED7 3 LIGHT KIT – WITH HARD CASE

### KLT7-3-BI 3 Light LED Kit - bicolor (3x DLED7 TURBO LED) AC

- 3 DLED7-BI dedolight focusing LED light head, bicolor
- 3 DT7-BI Power supply for DLED7 bicolor LED light heads
- 3 DPLS Light shield ring
- 3 DBD8 Standard barn door (eight leaves)
- 2 DLSR70 Speedring for CLASSIC Series and DLED4 light heads
- 2 DSBSXS dedoflex mini soft box 30x30x23cm (12x12x9")
- 2 DLGRIDXS Grid (40°), fits mini soft box
- 1 DP1.1 Imager projection attachment
- 1 DPGH Steel gobo holder (size ,M')
- 1 DPGSET Gobo set (six popular steel gobos, size ,M')
- 3 DFH Gel filter holder
- 1 DGW Gel filter set, warm tone (fits Classic Series filter holder)
- 1 DGMD Gel filter set, mixed diffusion (fits Classic Series filter holder)
- 1 DGCOL Gel filter set, color effect (fits Classic Series filter holder)
- 3 DFX glasses Three structur glass filters with holder DFXT6-R / DFXT10-B / DFXT11-P
- 2 DPACP Accessory pouch
- 1 CLAMP1 dedolight clamp
- 3 DST dedolight stands
- 1 DCHDW1 Hard case with handle and wheels

Size: 57.9 x 46.5 x 29.7 cm (22.8 x 18.3 x 11.7")  
Weight: 19.90 kg (43.9 lbs)



### KLT7-3-D 3 Light LED Kit - daylight (3x DLED7 TURBO LED) AC

Same as KLT7-3-BI, but as 90 W TURBO daylight system with DLED7-D, DT7 ballasts instead of bicolor units.



## OUR NEW FLAGSHIP

DLED10-BI

DLED10-D

**These lights are extremely powerful.  
Compact and versatile.**



### **DLED10-BI**

A bicolor light works with 220W light sources, allowing color temperature from 2700K all the way to 6500K.

### **DLED10-D**

Daylight version 300W.

Both of these lights look identical, but need differently sized ballasts.

They all share the following advantages.

- Compact construction
- Aspherical optics
- Perfect performance
- Perfect light distribution
- Perfect color
- Super quiet innovative cooling system

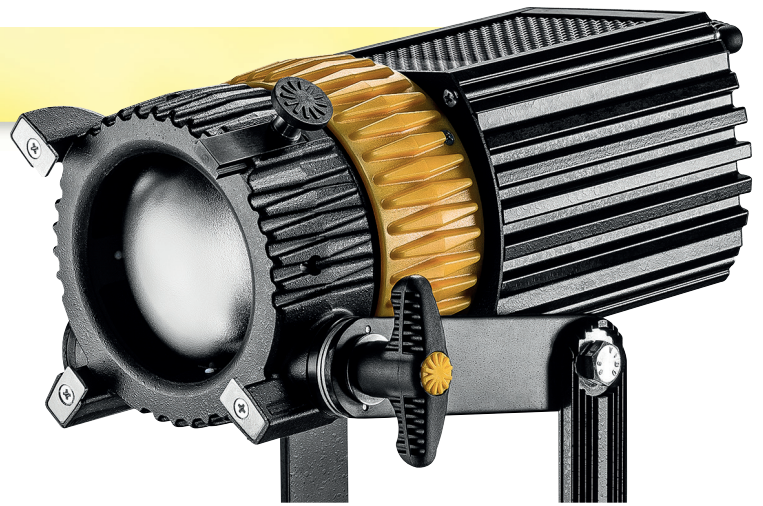
### **SETDLED10-BI - SET**

incl.:

- **DLED10-BI** Light head bicolor
- **DT10-BI** Ballast bicolor and mains cable
- **DPOW10** Cable to light head
- **DPLS400** Light shield ring
- **DBD400** 8-leaf barn door

Option:

- **DEB400H** stand mounting accessory



**Both versions permit the use of optical accessories.**

- Non-spherical wide-angle attachment DLWA400R
- DP400 Imager / projection attachment with interchangeable modules for different tasks and interchangeable lenses serve super precise light/shadow shaping and projections, the best west and east of the Mississippi.
- 8-leaf barn door DBD400
- Use of different soft boxes with speed ring DLSR8

The unprecedented miracle parallel beam intensifier in two versions. An amazing optical achievement.

The smaller one doubles the light output, the larger one enhances the light output six times over the performance of the incredible spot position, opening the doors to the creative dedolight Lightstream system and the work with reflected light. (see description of such adapters on pages 16 and 17)

### **SETDLED10-D - SET**

incl.:

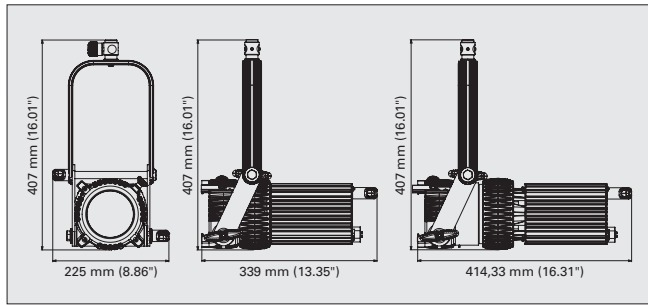
- **DLED10-D** Light head daylight
- **DT10** Ballast daylight and mains cable
- **DPOW10** Cable to light head
- **DPLS400** Light shield ring
- **DBD400** 8-leaf barn door

Option:

- **DEB400H** stand mounting accessory



# TECHNICAL DATA: DLED10-BI AND DLED10-D



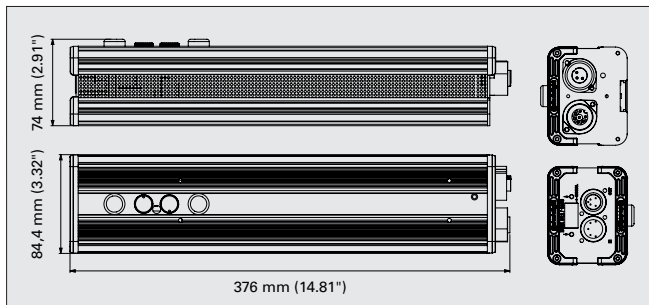
	DLED10-BI Bicolor		DLED10-D Daylight
<b>Focusing range (with wide-angle attachment)</b>	50° - 4° (75° - 44°)		50° - 4° (75° - 44°)
<b>Intensity range</b>	1 : 4		1 : 6,6
<b>Power consumption</b>	245 W		308 W
<b>Color temperature</b>	2700 - 6500 K		5600 K
<b>Focus control</b>	1 ¾ turns on focus ring		1 ¾ turns on focus ring
<b>Mounting</b>	16 mm (5/8 ") receptacle and 28 mm (1 1/8 ") stud		16 mm (5/8 ") receptacle and 28 mm (1 1/8 ") stud
<b>Operating position</b>	Any		Any
<b>Tilt control</b>	Tilt pivot on right side of light head		Tilt pivot on right side of light head
<b>Accessory slot</b>	Ø 129 mm (5.1") diameter		Ø 129 mm (5.1") diameter
<b>Cooling</b>	Extremely quiet hightec cooling system		Extremely quiet hightec cooling system
<b>Safety</b>	IP20		IP20
<b>Size</b>	389 x 198 x 356 mm (15.3 x 7.8 x 14")		389 x 198 x 356 mm (15.3 x 7.8 x 14")
<b>Weight</b>	4,2 kg (9.3 lbs)		4,2 kg (9.3 lbs)
	daylight	tungsten	daylight
<b>CRI Ra</b>	95	97	95
<b>CRI Re</b>	92	96	94
<b>TLCI</b>	95	97	96
<b>Delta UV</b>	-0.0047	-0.0008	-0.0017

DLED10-BI Bicolor		in daylight function 5600 K					
Distance	Meter	1	2	3	4	5	10
Flood	Lux	12.600	3.150	1.400	788	504	126
Medium	Lux	16.632	4.158	1.848	1.040	665	166
Spot	Lux	49.194	12.299	5.466	3.075	1.968	492
DLED10-BI Bicolor		in tungsten function 3200 K					
Flood	Lux	10.395	2.599	1.155	650	416	104
Medium	Lux	13.725	3.431	1.525	858	549	137
Spot	Lux	42.003	10.501	4.667	2.625	1.680	420

DLED10-D Daylight							
Distance	Meter	1	2	3	4	5	10
Flood	Lux	17,100	4,275	1,900	1,068	684	171
Medium	Lux	22,230	5,558	2,470	1,389	889	222
Spot	Lux	112,500	28,125	12,500	7,031	4,500	1,125

# BALLASTS FOR DLED10 LIGHTS – TECHNICAL DATA:

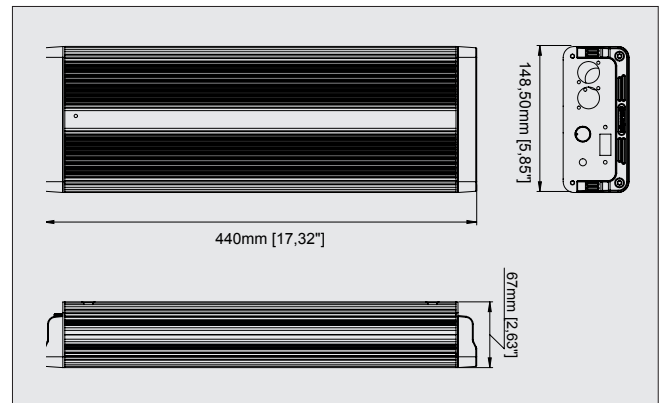
## DT10-BI for DLED10-BI light head



Input voltage	90 V - 264 V
Output voltage	max. 48 V
Watt	350 W
Dimming range	100 - 0 %
Control	Dimming knob, DMX control
Safety	SELV, Protection Class I, IP20
Input cable	DCAB3A-SW 5 m (16.4')
Cable to light head	separate: DPOW10 = 7 m (23')
Mounting	Cable loop, option: stand mounting DEB400H (incl. CLAMP-D)
Size	377 x 84,4 x 74 mm (14.8 x 3.3 x 2.9")
Weight	2,2 kg (4.9 lbs)



## DT10 for DLED10-D light head

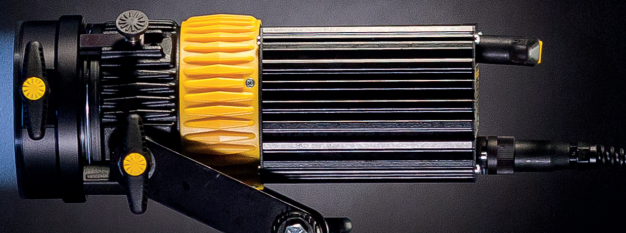


Input voltage	90 V - 264 V
Output voltage	max. 48 V
Watt	320 W
Dimming range	100 - 0 %
Control	Dimming knob, DMX control
Safety	SELV, Protection Class I, IP20
Input cable	DCAB3A-SW = 5 m (16.4')
Cable to light head	separate: DPOW10 = 7 m (23')
Mounting	Cable loop, option: stand mounting DEB400H (incl. CLAMP-D)
Size	440 x 148,5 x 67 mm (17.3 x 5.8 x 2.6")
Weight	5,2 kg (11.5 lbs)





# PARALLEL BEAM INTENSIFIERS



Focusing dedolights have always excelled by their unique and unprecedented optical design, using non-spherical lenses. The system was awarded twice by the Academy of Motion Picture Arts and Sciences, and was also awarded with an Emmy and many other prizes.

Not only the unique light distribution in all focus positions, but also the extreme focus range (change of intensity between flood and spot) has not been achieved by any other professional lighting system.

Beyond that we are proud of our ‚clean-beam concept‘, having a precision beam with total homogeneity within and little or no stray light outside.

We have always had co-designed other optical accessories, like the non-spherical wide-angle attachment, and the incomparable imagers / projection attachments.

Precision lighting instruments.

This system has now been expanded by unbelievable parallel beam

intensifiers, enhancing the stunning spot performance by an incredible increase in output, up to an additional 500% over the spot performance.

This leads to the revolutionary practice of multi-reflected light, the dedolight Lightstream system (see separate brochure). This provides the perfect illusion of natural light coming from a far distance. Unbelievable for most of the practitioners. You need to see it and try it to believe it. Even in confined spaces you can create the illusion of a light that comes from far away, by the function of the virtual light source, part of the near-parallel beam performance.

With the choice of reflectors, drama productions can be lit with a minimum of lighting instruments, tremendous savings in time and economy, providing a unique structured character of lighting. Add the tunability of color temperature on the bicolor lights, and you have an endless variety of creative options.

‚At will‘ you can soften and influence the character further by the addition of our new Ledraptor soft lights.

The parallel beam intensifiers are provided in different sizes / diameters. For the mobile team, as an occasional accessory, the small diameter may be suitable.

For the miraculous performance, the parallel beam intensifiers, which integrate a larger lens – with a larger diameter than the front lens of the lighting instrument, perform the miraculous increase.

It should be noted that the original light in spot position of course is focused to the well-known spot position, whilst when you add the parallel beam intensifier, you will go to the flood position of the light head, to achieve the near-parallel beam output.

Sometimes this parallel beam has a wonderful character and an incredible reach, but may not cover a multitude of reflectors at the same time. Here you have the option to refocus the light head, to increase the diameter of the exiting beam, to cover larger or a multitude of reflectors simultaneously.

# PROPERTIES & PHOTOMETRICS

		Flood-Spot angle		spot position of light head 2m distance	flood position 2m + parallel beam intensifier (attachment)	spot position of light head 4m distance	flood position 4m + parallel beam intensifier (attachment)	+% in comparison to spot position	Product code of parallel beam intensifier (attachment)	
<b>DLED3</b>										
<b>DLED3-D</b>	daylight	50° - 6°	lux	4.800	11.125	1.200	2.781	132% more light	<b>DPBA-B16</b>	smallest package
			fc	446	1.034	111	258			
<b>DLED3-D</b>	daylight	50° - 6°	lux	4.800	32.000	1.200	7.600	533% more light	<b>DPBA-610</b>	best
			fc	446	2.973	111	706			
<b>DLED3-T</b>	tungsten	50° - 6°	lux	4.650	10.600	1.190	2.450	106% more light	<b>DPBA-B16</b>	smallest package
			fc	432	985	111	228			
<b>DLED3-T</b>	tungsten	50° - 6°	lux	4.650	28.000	1.190	8.050	502% more light	<b>DPBA-610</b>	best
			fc	432	2.601	111	748			
<b>DLED3-BI</b>	daylight	50° - 8°	lux	1.138	4.550	285	1.138	200% more light	<b>DPBA-B16</b>	smallest package
			fc	106	423	26	106			
<b>DLED3-BI</b>	daylight	50° - 8°	lux	1.450	8.800	390	2.050	426% more light	<b>DPBA-610</b>	best
			fc	135	818	36	190			
<b>DLED3-BI</b>	tungsten	50° - 8°	lux	838	3.275	210	819	190% more light	<b>DPBA-B16</b>	smallest package
			fc	78	304	19	76			
<b>DLED3-BI</b>	tungsten	50° - 8°	lux	1.203	7.304	324	1.702	426% more light	<b>DPBA-610</b>	best
			fc	112	679	30	158			

<b>DLED7 *</b>										
<b>DLED7-D</b>	daylight	60° - 6°	lux	8.500	13.800	2.125	3.450	62% more light	<b>DPBA-L7</b>	smallest package
			fc	790	1.282	197	321			
<b>DLED7-D</b>	daylight	60° - 6°	lux	6.750	20.000	1.688	5.000	196% more light	<b>DPBA-710</b>	fine
			fc	627	1.859	157	465			
<b>DLED7-D</b>	daylight	60° - 6°	lux	7.900	34.500	1.975	8.625	237% more light	<b>DPBA-714</b>	best
			fc	734	3.205	183	801			
<b>DLED7-T</b>	tungsten	60° - 6°	lux	6.100	11.800	1.525	2.950	93% more light	<b>DPBA-L7</b>	smallest package
			fc	567	1.096	142	274			
<b>DLED7-T</b>	tungsten	60° - 6°	lux	6.600	20.500	1.650	5.250	210% more light	<b>DPBA-710</b>	fine
			fc	613	1.905	153	488			
<b>DLED7-T</b>	tungsten	60° - 6°	lux	7.800	33.000	1.950	8.250	223% more light	<b>DPBA-714</b>	best
			fc	725	3066	181	766			
<b>DLED7-BI</b>	daylight	60° - 8°	lux	5.850	10.600	1.463	2.650	81% more light	<b>DPBA-710</b>	fine
			fc	544	985	136	246			
<b>DLED7-BI</b>	daylight	60° - 8°	lux	6.300	18.800	1.575	4.700	198% more light	<b>DPBA-714</b> (from SN: 1650)	best
			fc	585	1.747	146	437			
<b>DLED7-BI</b>	tungsten	60° - 8°	lux	4.950	9.150	1.238	2.288	85% more light	<b>DPBA-710</b>	fine
			fc	460	850	115	213			
<b>DLED7-BI</b>	tungsten	60° - 8°	lux	5.400	15.000	1.350	3.750	178% more light	<b>DPBA-714</b> (from SN: 1650)	best
			fc	502	1.394	125	348			

		Flood-Spot angle		spot position of light head 2m distance	flood position 2m + parallel beam intensifier (attachment)	spot position of light head 4m distance	flood position 4m + parallel beam intensifier (attachment)	+% in comparison to spot position	Product code of parallel beam intensifier (attachment)	
<b>DLED9</b>										
<b>DLED9-D</b>	daylight	50° - 4°	lux	14.200	37.500	3.550	9.375	164% more light	<b>DPBA-14</b>	fine
			fc	1.319	3.484	330	871			
<b>DLED9-D</b>	daylight	50° - 4°	lux	15.200	58.000	3.800	14.500	282% more light	<b>DPBA-1419</b>	best
			fc	1.413	5.390	353	1.348			
<b>DLED9-T</b>	tungsten	50° - 4°	lux	8.600	27.000	2.150	6.750	213% more light	<b>DPBA-14</b>	fine
			fc	799	2.508	200	627			
<b>DLED9-T</b>	tungsten	50° - 4°	lux	9.200	35.880	2.300	8.970	290% more light	<b>DPBA-1419</b>	best
			fc	855	3.335	214	834			
<b>DLED9-BI</b>	daylight	50° - 4°	lux	9.250	17.300	2.313	4.325	87% more light	<b>DPBA-14</b>	fine
			fc	859	1.607	215	402			
<b>DLED9-BI</b>	daylight	50° - 4°	lux	8.600	40.400	2.150	10.100	370% more light	<b>DPBA-1419</b>	best
			fc	799	3.755	200	939			
<b>DLED9-BI</b>	tungsten	50° - 4°	lux	7.500	13.500	1.875	3.375	80% more light	<b>DPBA-14</b>	fine
			fc	697	1.254	174	314			
<b>DLED9-BI</b>	tungsten	50° - 4°	lux	7.040	33.000	1.760	8.250	369% more light	<b>DPBA-1419</b>	best
			fc	654	3.067	164	767			

<b>DLED10</b>										
<b>DLED10-D</b>	daylight	50° - 5°	lux	28.575	50.625	7.144	12.656	77% more light	<b>DPBA-14</b>	fine
			fc	2.656	4.705	664	1.176			
<b>DLED10-D</b>	daylight	50° - 5°	lux	26.000	138.000	6.500	34.500	431% more light	<b>DPBA-1419</b>	best
			fc	2.416	12.825	604	3.206			
<b>DLED10-BI</b>	daylight	50° - 5°	lux	14.400	23.625	3.600	5.906	64% more light	<b>DPBA-14</b>	fine
			fc	1.338	2.196	335	549			
<b>DLED10-BI</b>	daylight	50° - 5°	lux	16.000	64.400	4.000	16.100	303% more light	<b>DPBA-1419</b>	best
			fc	1.487	5.985	372	1.496			
<b>DLED10-BI</b>	tungsten	50° - 5°	lux	11.664	19.136	2.916	4.784	64% more light	<b>DPBA-14</b>	fine
			fc	1.084	1.778	271	445			
<b>DLED10-BI</b>	tungsten	50° - 5°	lux	14.200	56.800	3.550	14.200	300% more light	<b>DPBA-1419</b>	best
			fc	1.320	5.279	330	1.320			

\*) For some lights, there are up to 3 choices of parallel beam intensifiers  
Different areas of application demand different size/ weight.  
Smaller and lighter devices may be more suitable for smaller lighting kit.  
Extreme performance can be found with some larger, heavier, but also higher priced options.



# PRINTED GEL PROJECTIONS

Most of the cameras we use still work with one eye only, and are therefore suitable for the creation of two-dimensional images.

Sometimes we can support our story and the images when we create the illusion of a larger space with depth, and can better direct the attention of our viewer to the object of desire.

We can provide the illusion of depth and space with our lighting, creating different layers of depth, also called 'zoning'.

Sometimes, when the background is suitable, we can also project gobo patterns, background effect filters and images. When those are pulled slightly out of focus, we enhance the illusion of space, depth and three-dimensionality of our images.

Our focusing LED lights with our exceptional imagers / projection attachments provide easy access to such projections and creative controls.

Of course, gobos and our background effect filters in different colors and structures can be used on any of our lights. We also offer special devices for the projection of slides, which on hot lights would suffer if they are not protected by our solutions.

With LED lights we have a minimum of forward directed heat and can therefore add one more exciting method.

For some interview or documentary subjects we can quickly take a picture with our smartphone, print the picture on any type of color office printer, using a transparent gel, which does not need to be a heat-resisting gel.

For projections from an angle we can distort the picture in the PhotoShop program. Cut out the gel to correct size, to be inserted into the imager / projection attachment. Project now any kind of suitable background.

The Turbo Series of our LED lights of course supports such practices eminently, since here we have high output, leaving enough brightness for such projections over interesting distances and with suitable projection areas/diameters – possible even for the smallest team

When such a projection is shown in perfect focus, you will see pixels, reminding us of French Pointillist painters (Seurat, Signac or Pissarro). When we defocus the projection slightly, the pixels disappear and we achieve a gentle colored picture.

We will not have full color saturation, nor will we have the projection of full black, because of the nature of this process, but this even enhances the illusion of a background at a further distance, possibly suggesting a slight haze between the camera and the background.

With the bicolor version of our LED lights we can adjust the color temperature of the background gel projection, to match the color temperature of the lighting on our talent, or we can gain another dimension by contrasting the color temperature on the background projection in relation to the lighting on our talent.

Additionally, we can create a sandwich, using a steel gobo together with the printed gel. This way, when we show a window or a door pattern created by the gobo, we have the full contrast and the full black, which seems to add another layer of depth and distance to the image shown by the printed gel with the more gentle and pastel colors.

All quick and easy, but possibly enhancing our story tremendously.

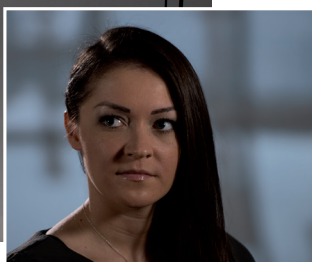


# SETUP



Picture shows three of our LED lights and background projection.

Picture printed on gel combined with gobo (window).



Picture shows setup with 3 DLED4 lights, background projection with DLED4 (40 W) light head plus imager.



The dedolight DLED series has been enthusiastically received for mobile light as well as studios, due to its unique dedolight optical advantages.

Patented, non-spherical system, very special LED light sources, designed, developed and built exclusively to cooperate with the dedolight optical system, transferring all of the known dedolight precision lighting advantages.

Highest efficiency enabling battery operation.

Perfect light distribution and color quality. Bicolor version tunable from 2,700 up to 6,500 Kelvin.



Picture above shows increased depth illusion, enhanced by placing background (book shelf projection) out of focus.

Picture shows lighting setup using 11 LED lights. Showing slide projection for book shelf background. Picture should serve as illustration for lighting setup, showing different layers of depth, 3-dimensional impression, also for possible focus shift from books in foreground to 2 persons in dialogue and further to single person reading.



These pictures lit with 3 DLED7 Turbo lights, background projection from slide.



### Dedo Weigert Film GmbH

Karl-Weinmair-Straße 10  
D-80807 Munich, Germany

Phone: +49-(0)89-356 16 01

Fax: +49-(0)89-356 60 86

info@dedoweigertfilm.de

www.dedoweigertfilm.de