

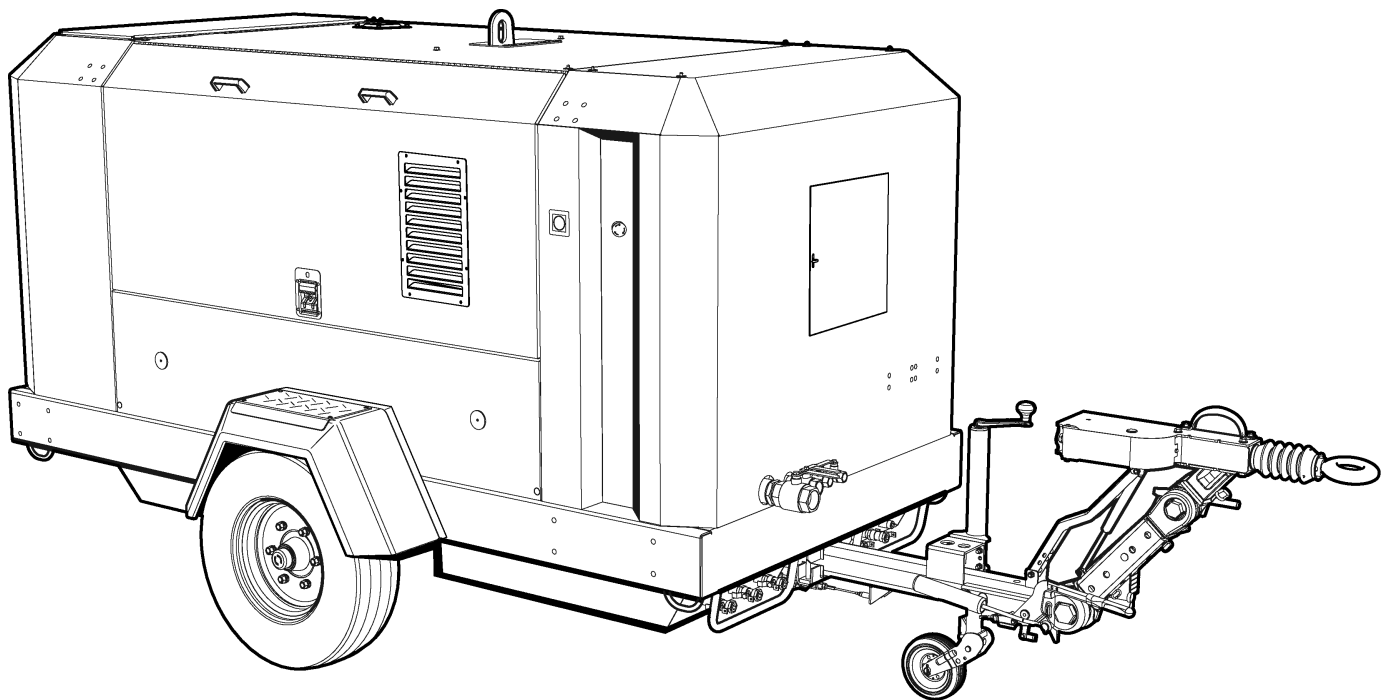


## Portable Power

**12/154**

**PARTS MANUAL**

**SERIAL No : 705500 - 707000**





**Portable Power**

# CONTENTS

## RUNNING GEAR

RUNNING GEAR - (Fixed Height) - (Braked) .....	3
RUNNING GEAR - (Fixed Height) - (Braked) .....	5
RUNNING GEAR - (Fixed Height) - (Braked) .....	9
RUNNING GEAR - (Variable Height) - (Braked) .....	11
RUNNING GEAR - (Variable Height) - (Braked) .....	13
RUNNING GEAR - (Variable Height) - (Braked) .....	19
RUNNING GEAR - (Variable Height) - (Braked - KHD) .....	21
RUNNING GEAR - (Variable Height) - (Braked - KHD) .....	23

## MAIN FRAME

ENCLOSURE .....	31
ENCLOSURE .....	37
ENCLOSURE .....	41
ENCLOSURE - (central drains) .....	43
DECALS AND DOCUMENTATION .....	45
DECALS AND DOCUMENTATION .....	47

## CONTROL AND ELECTRICAL SYSTEM

INSTRUMENTATION / ELECTRICS .....	49
INSTRUMENTATION / ELECTRICS .....	53
INSTRUMENTATION / ELECTRICS .....	55

## AIR END

AIREND ASSEMBLY .....	57
AIREND ASSEMBLY .....	59
AIREND ASSEMBLY .....	61
AIREND ASSEMBLY .....	63
AIREND ASSEMBLY .....	65
AIREND ASSEMBLY .....	67
AIREND ASSEMBLY .....	69
OIL/AIR PIPING .....	71
OIL/AIR PIPING .....	73
OIL/AIR PIPING .....	75
MINIMUM PRESSURE VALVE .....	79
REGULATION SYSTEM .....	81

## POWER UNIT

ENGINE ASSEMBLY .....	85
CRANKCASE BREATHER .....	87
ALTERNATOR .....	89
EXHAUST RECIRCULATION .....	91
FUEL SYSTEM .....	93
FUEL FILTER .....	97
FUEL PUMP .....	99
FUEL SYSTEM ACCESSORIES .....	101
THERMOSTAT .....	103
AIR INTAKE CONNECTION .....	105
FULL FLOW OIL FILTER .....	107
OIL LEVEL GAUGE .....	109

OIL FILLER ARRANGEMENT .....	111
OIL PAN GASKET .....	113
AFTERTREATMENT DEVICE .....	115
ENGINE CONTROL MODULE .....	117
INJECTOR PLUMBING .....	119
TURBOCHARGER .....	121
STARTER MOTOR .....	123
VALVE COVER ARRANGEMENT .....	125
FAN BELT .....	127
BELT TENSIONER .....	129
ENGINE ELECTRICAL HARNESS .....	131
AIR INTAKE .....	133
EXHAUST SYSTEM .....	135
COOLING SYSTEM .....	141
COOLING SYSTEM .....	143

## ACCESSORIES & OPTIONS

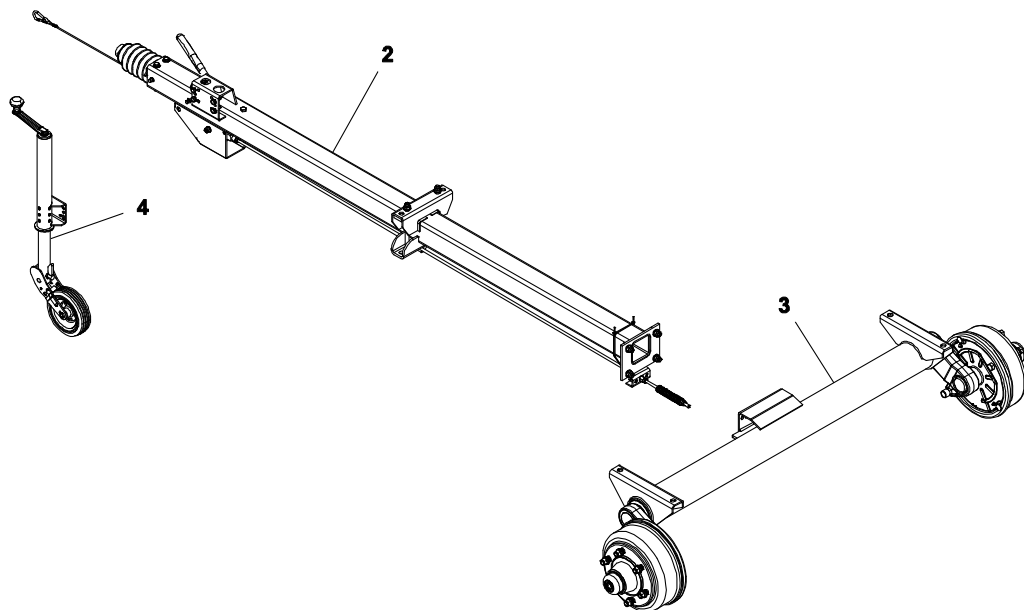
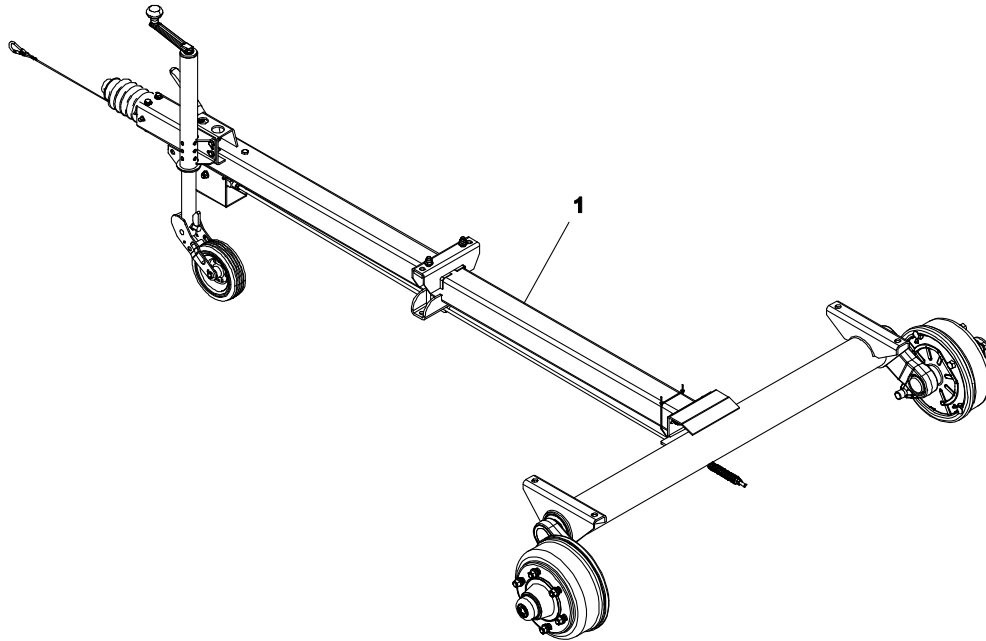
OPTION - BUMPER LIGHTS / WHEEL CHOCKS .....	145
OPTION - BUMPER LIGHTS / WHEEL CHOCKS .....	149
OPTION - SHIPPING / PERMANENT MOUNT .....	151
OPTION - HOSE CARRIER .....	153
OPTION - OVERSPEED VALVE .....	155
OPTION - SPARK ARRESTOR .....	157
OPTION - DUAL PRESSURE FIELD KIT .....	159
OPTION - LOW FUEL WARNING KIT .....	161
OPTION - WHEEL NUT INDICATORS .....	163
OPTION - AFTERCOOLER + WATER SEPARATOR .....	165
OPTION - AFTERCOOLER + IQ FILTERS .....	169
OPTION - AFTERCOOLER + IQ FILTERS .....	173
OPTION - LIGHTING PLUG ADAPTOR .....	175

## MAINTENANCE ITEMS

FLUIDS .....	177
AIR DELIVERY HOSE .....	179
AIR HOSE FITTINGS .....	181
SERVICE TOOLS .....	183
CONNECTOR REPAIR KITS .....	187
ENGINE MAINTENANCE ITEMS .....	189
MAINTENANCE KIT - (50 hours) .....	191
MAINTENANCE KIT - (500 hours) .....	193
MAINTENANCE KIT - (1000 hours) .....	195
MAINTENANCE KIT - (Separator Filter Element) .....	197
MAINTENANCE KIT - (Filter Elements) .....	199
RECOMMENDED PARTS - (1 unit) - (for 1 year operation) .....	201

**12/154\_46663721\_B\_06-16**

**RUNNING GEAR  
(Fixed Height)  
(Braked)**

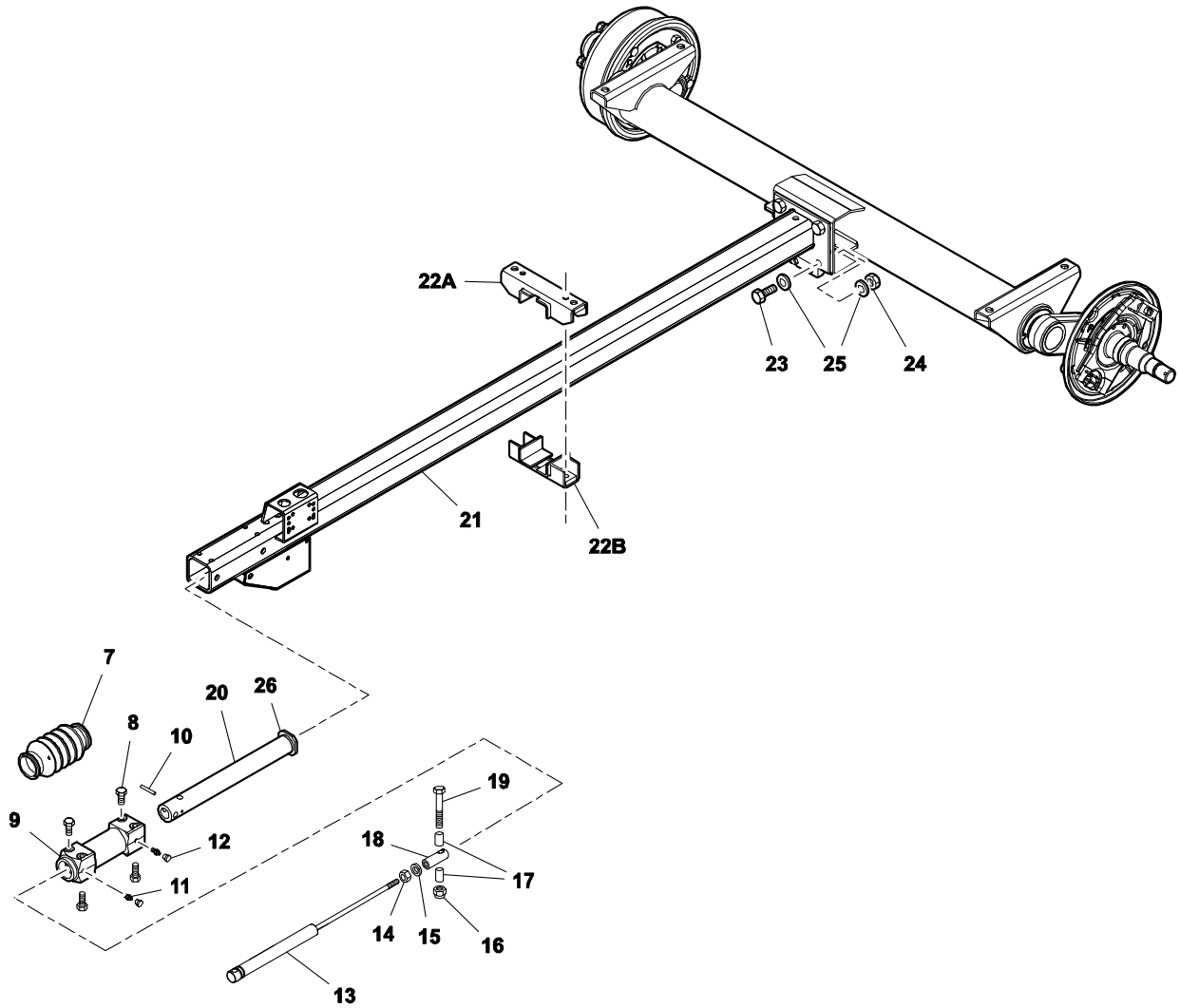
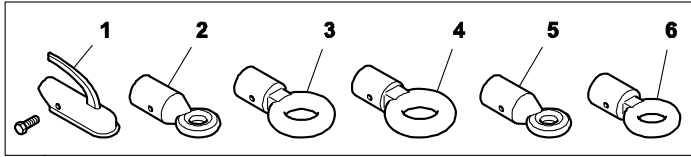


T4707\_00  
03/14

**RUNNING GEAR  
(Fixed Height)  
(Braked)**

Item	Part Number	Description	Remarks	Serial Number	Qty
1	46655204	RUNNING GEAR ASSEMBLY	W/Ref. 2-4		1
2	23372949	DRAWBAR ASSEMBLY			1
3	46655649	AXLE ASSEMBLY			1
4	46670446	JOCKEY WHEEL ASSEMBLY			1

# RUNNING GEAR (Fixed Height) (Braked)



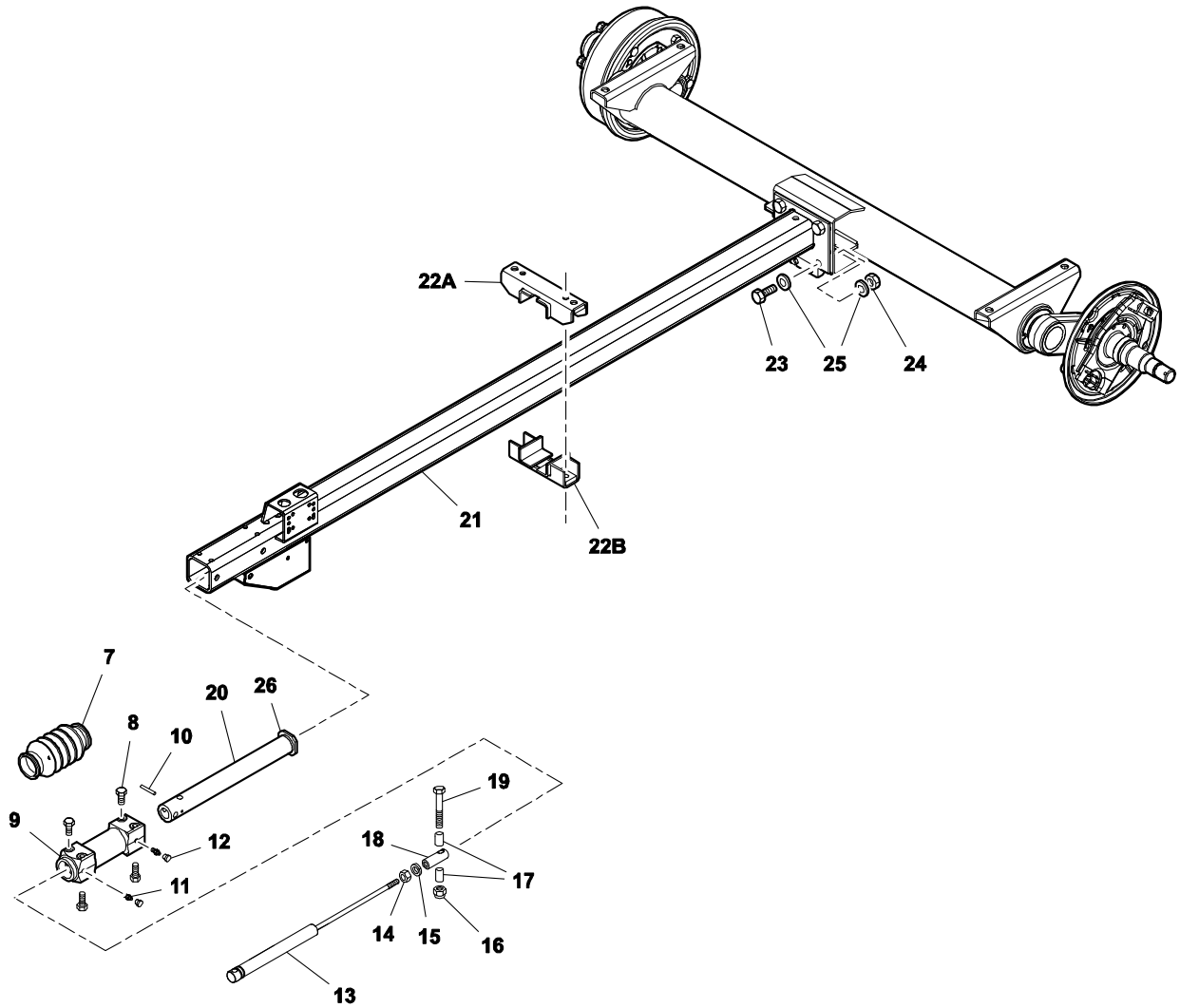
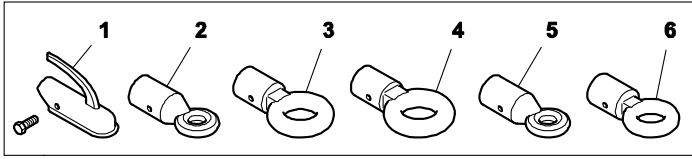
T4701\_00  
03/14



**RUNNING GEAR  
(Fixed Height)  
(Braked)**

Item	Part Number	Description	Remarks	Serial Number	Qty
1	46569661	HITCH, BALL	(50 mm)		1
1	22207815	HITCH, BALL	(non-standard) - (50 mm)		1
2	22177588	EYE, TOWING	(Ø 40 mm)		1
2	46569700	EYE, TOWING	(non-standard)(UK) - (Ø 40 mm)		1
3	22097823	EYE, TOWING	(Ø 68 mm)		1
3	46569682	EYE, TOWING	(non-standard) - (Ø 68 mm)		1
4	22177620	EYE, TOWING	(Ø 76 mm)		1
5	46569701	EYE, TOWING	(non-standard)(Italy) - (Ø 45 mm)		1
6	46569685	EYE, TOWING	(non-standard) - (Ø 50 mm)		1
7	46551408	KIT, COVER			1
8	22241350	BOLT			8
9	22250450	TUBE			1
10	22251599	PIN			1
11	22241095	NIPPLE, GREASE			2
12	22391858	CAP, GREASE NIPPLE			2
13	22251243	SHOCK ABSORBER			1
14	22051577	NUT			1
15	22051585	RING			1
16	22051494	NUT			1
17	22051551	BUSH			2
18	22051544	JOINT			1
19	22251482	BOLT			1
20	22250518	SLIDER			1
21	22250583	DRAWBAR			1
22	46559525	CLAMP, UPPER	(A)		1
22	46550526	CLAMP, LOWER	(B)		1
23		BOLT	NAP - Order Ref. 27		4
24		LOCKNUT	NAP - Order Ref. 27		4
25		WASHER	NAP - Order Ref. 27		8
26	46551382	RING, STOP			1
27	46651380	KIT, CONNECTING	W/Ref. 23-25		1

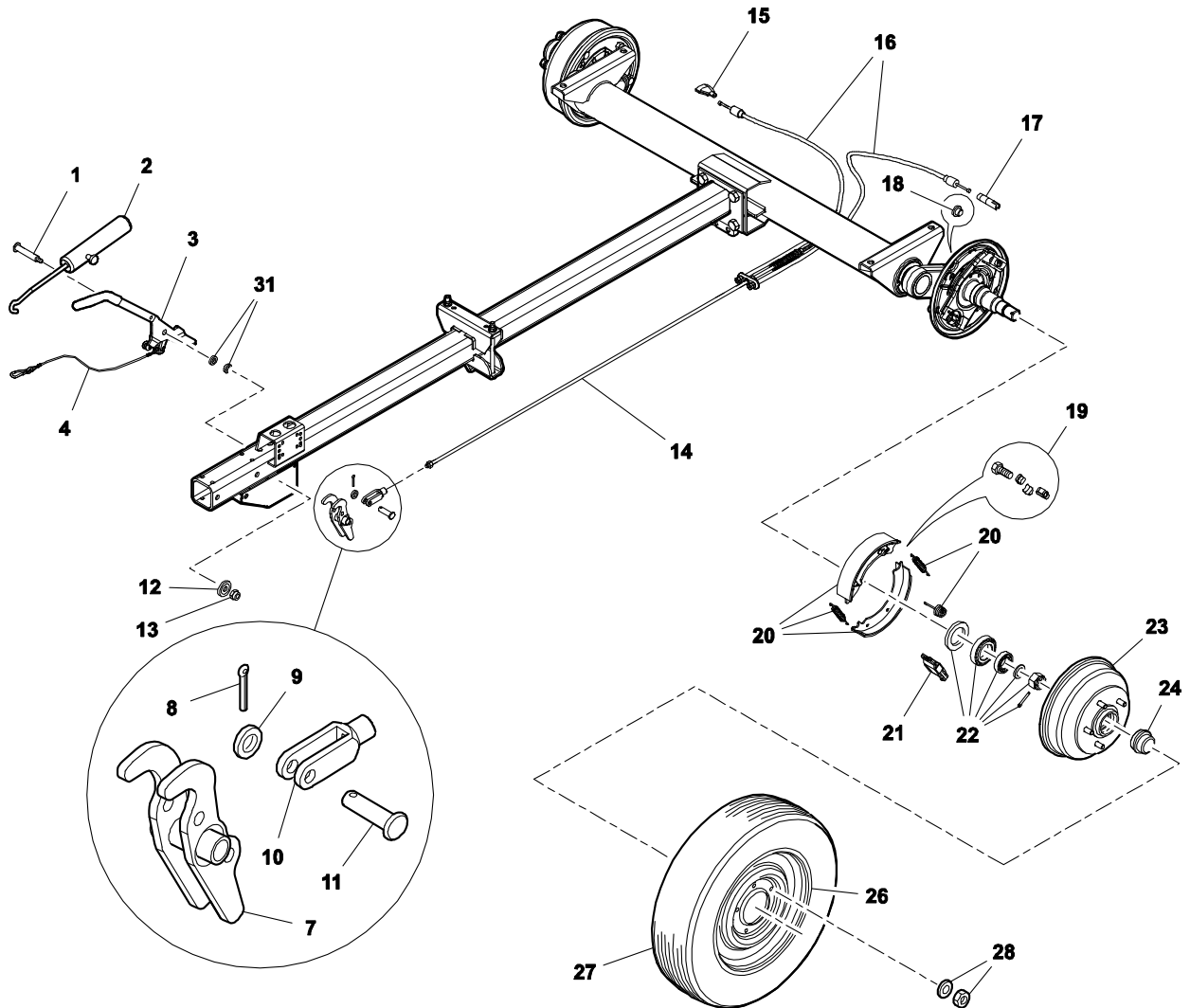
# RUNNING GEAR (CONT'D) (Fixed Height) (Braked)



T4701\_00  
03/14



# RUNNING GEAR (Fixed Height) (Braked)

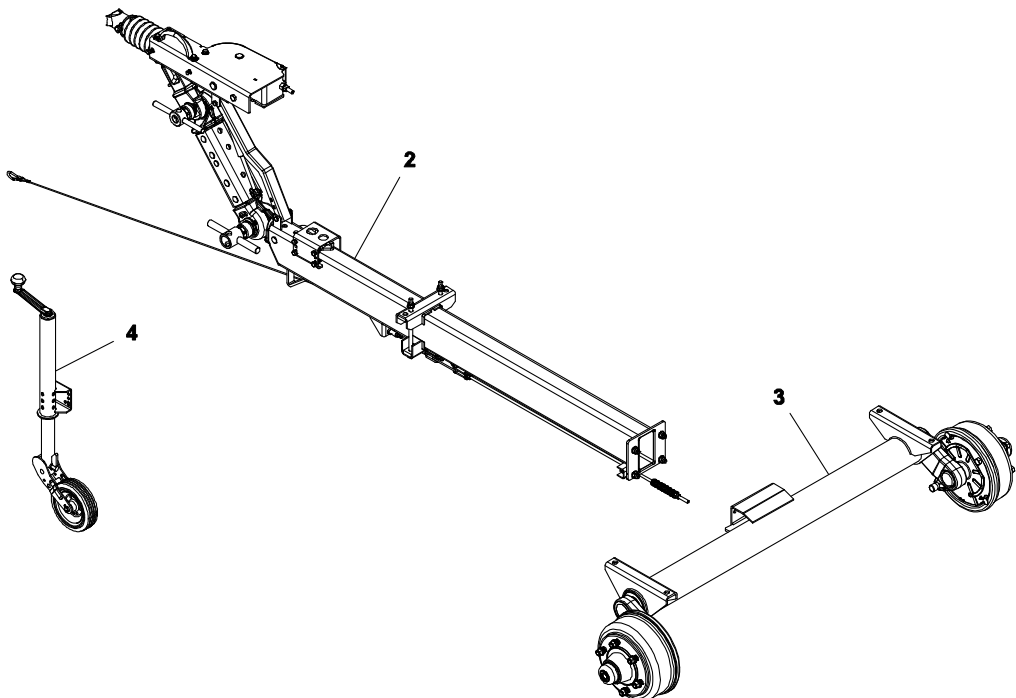
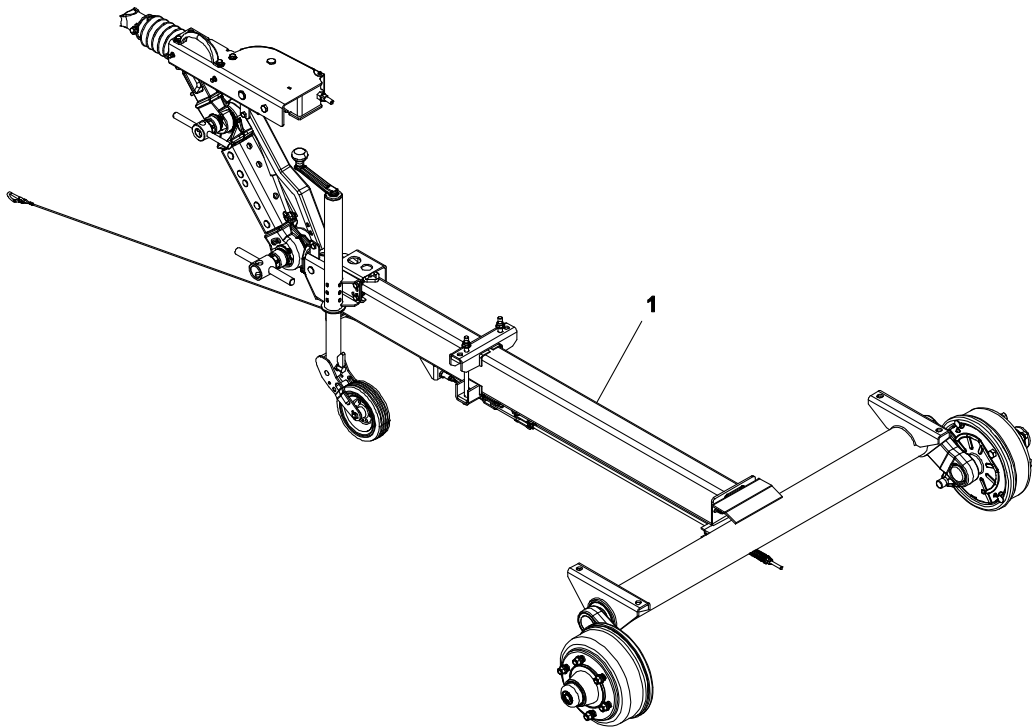


T4702\_00  
03/14

**RUNNING GEAR  
(Fixed Height)  
(Braked)**

Item	Part Number	Description	Remarks	Serial Number	Qty
1	46518205	BOLT			21
2	46670246	SPRING			1
3	46651463	HANDBRAKE LEVER ASSEMBLY			1
4	22051841	CABLE			1
5	46551496	KIT, BRAKE OVERHAUL	W/Ref. 17-19,21 - (order one per machine)		1
6	46670250	BRAKE HUB COMPLETE	W/Ref. 22,23,28 - (order two per machine)		2
7	46670251	CONVERSION LEVER ASSEMBLY			1
8	22357693	PIN			1
9	46670248	WASHER			1
10	46670249	CLEVIS			1
11	46670619	PIN			1
12	22104806	WASHER			1
13	22051494	NUT			1
14	46518213	COMPENSATOR			1
15	46551497	KIT, COVER			2
16	46551383	CABLE, BRAKE			2
17		CONNECTOR	NAP - Order Ref. 5		2
18		COVER	NAP - Order Ref. 5		4
19		KIT, ADJUSTING	NAP - Order Ref. 5		2
20	80027980	KIT, BRAKE SHOE	(order one per machine)		1
21		EXPANDER	NAP - Order Ref. 5		2
22	46670247	KIT, BEARING			2
23	46670618	HUB ASSEMBLY			2
24	46670252	COVER			2
25	46653623	WHEEL AND TYRE ASSEMBLY	W/Ref. 26-27		2
26	46656661	WHEEL			1
27	46656662	TYRE			1
28	46551516	KIT, CONNECTING			1
29	46651381	KIT, EXPANDING KEY	W/Ref. 17,21		1
30	46670253	KIT, CONVERSION LEVER	W/Ref. 7-11		1
31	22241376	WASHER			2

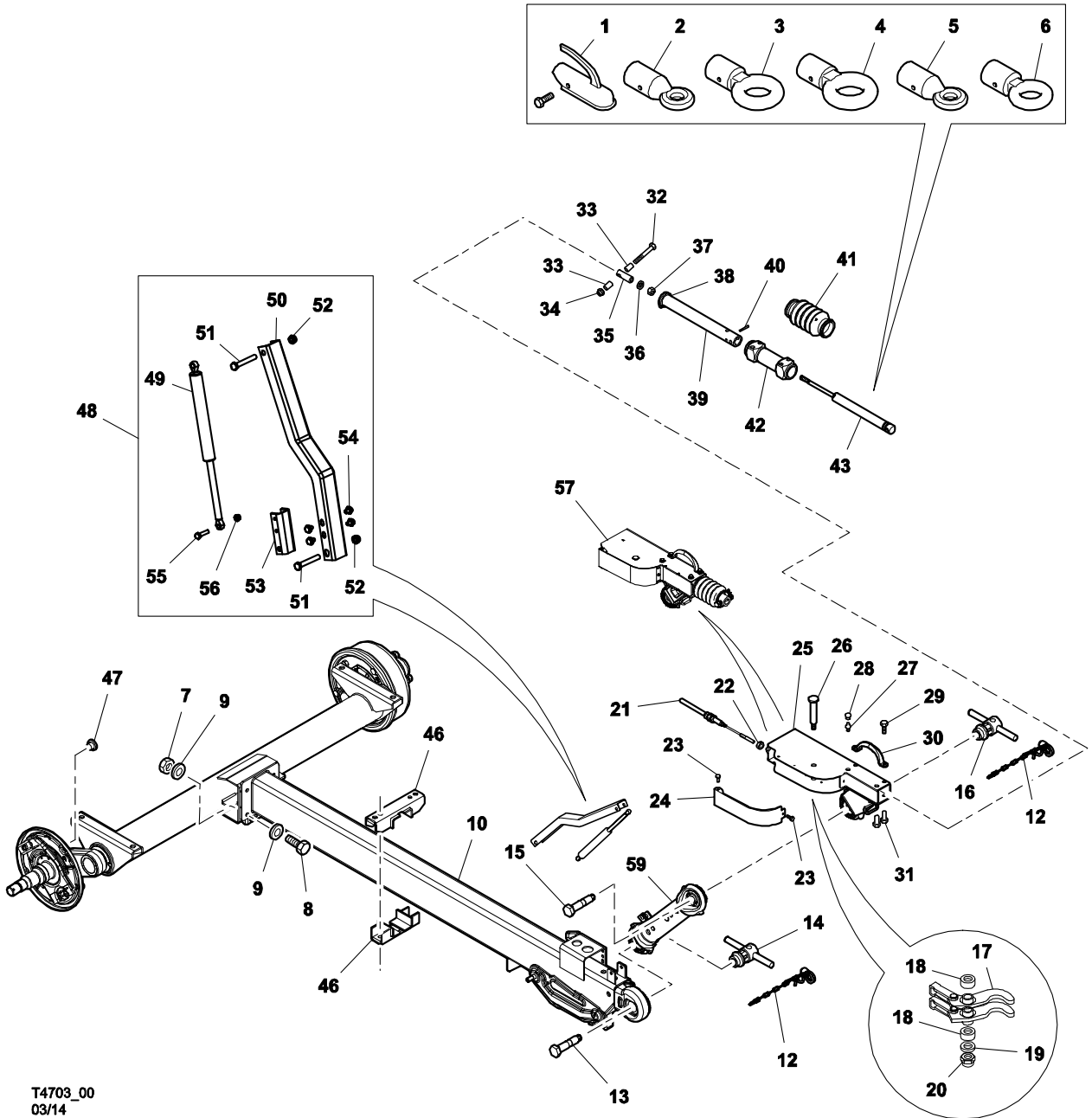
**RUNNING GEAR  
(Variable Height)  
(Braked)**



T4708\_00  
03/14



# RUNNING GEAR (Variable Height) (Braked)



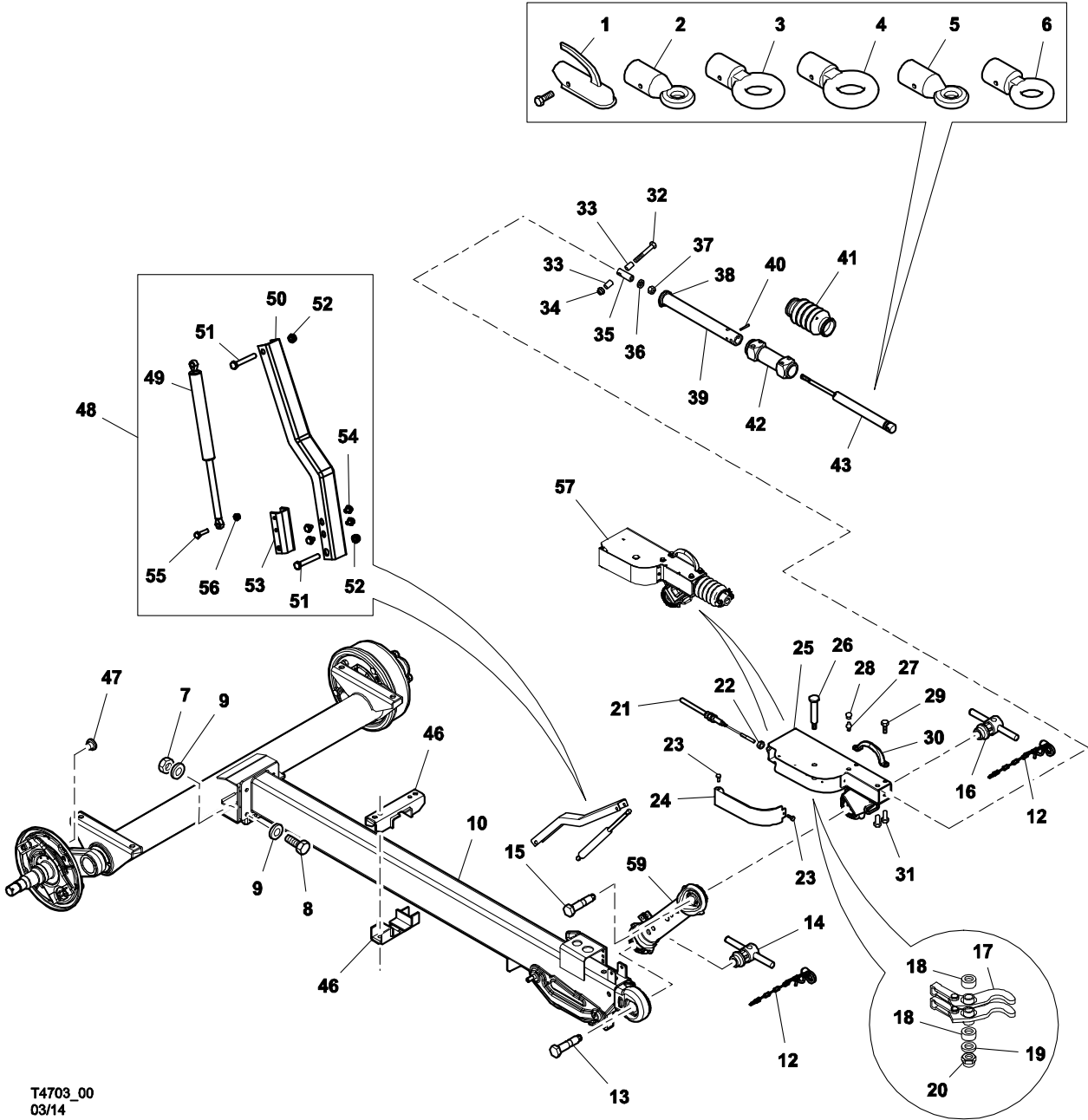
T4703\_00  
03/14



**RUNNING GEAR  
(Variable Height)  
(Braked)**

Item	Part Number	Description	Remarks	Serial Number	Qty
1	46569661	HITCH, BALL	(50 mm)		1
1	22207815	HITCH, BALL	(non-standard) - (50 mm)		1
2	22177588	EYE, TOWING	(Ø 40 mm)		1
2	46569700	EYE, TOWING	(non-standard)(UK) - (Ø 40 mm)		1
3	22207823	EYE, TOWING	(Ø 68 mm)		1
3	46569682	EYE, TOWING	(non-standard) - (Ø 68 mm)		1
4	22177620	EYE, TOWING	(Ø 76 mm)		1
5	46569701	EYE, TOWING	(non-standard)(Italy) - (Ø 45 mm)		1
6	46569685	EYE, TOWING	(non-standard) - (Ø 50 mm)		1
7		LOCKNUT	NAP - Order Ref. 11		4
8		BOLT	NAP - Order Ref. 11		4
9		WASHER	NAP - Order Ref. 11		8
10	46670254	DRAWBAR			1
11	46651380	KIT, CONNECTING	W/Ref. 7-9		1
12	22051734	CLIP ASSEMBLY			1
13		BOLT	NAP - Order Ref. 44		1
14		HANDLE	NAP - Order Ref. 44		1
15		BOLT	NAP - Order Ref. 45		1
16		HANDLE	NAP - Order Ref. 45		1
17	46670255	CONVERSION LEVER ASSEMBLY			1
18	46670256	WASHER			2
19	22104806	WASHER			1
20	22051494	NUT			1
21	46551207	CABLE			1
22	22241558	NUT			1
23		BOLT	NAP - Order Ref. 57		1
24	46670257	COVER			1
25	46670258	COUPLING, WELDED			1
26	46670259	BOLT			1
27	22241095	NIPPLE, GREASE			2
28	22391858	CAP, GREASE NIPPLE			2

# RUNNING GEAR (CONT'D) (Variable Height) (Braked)

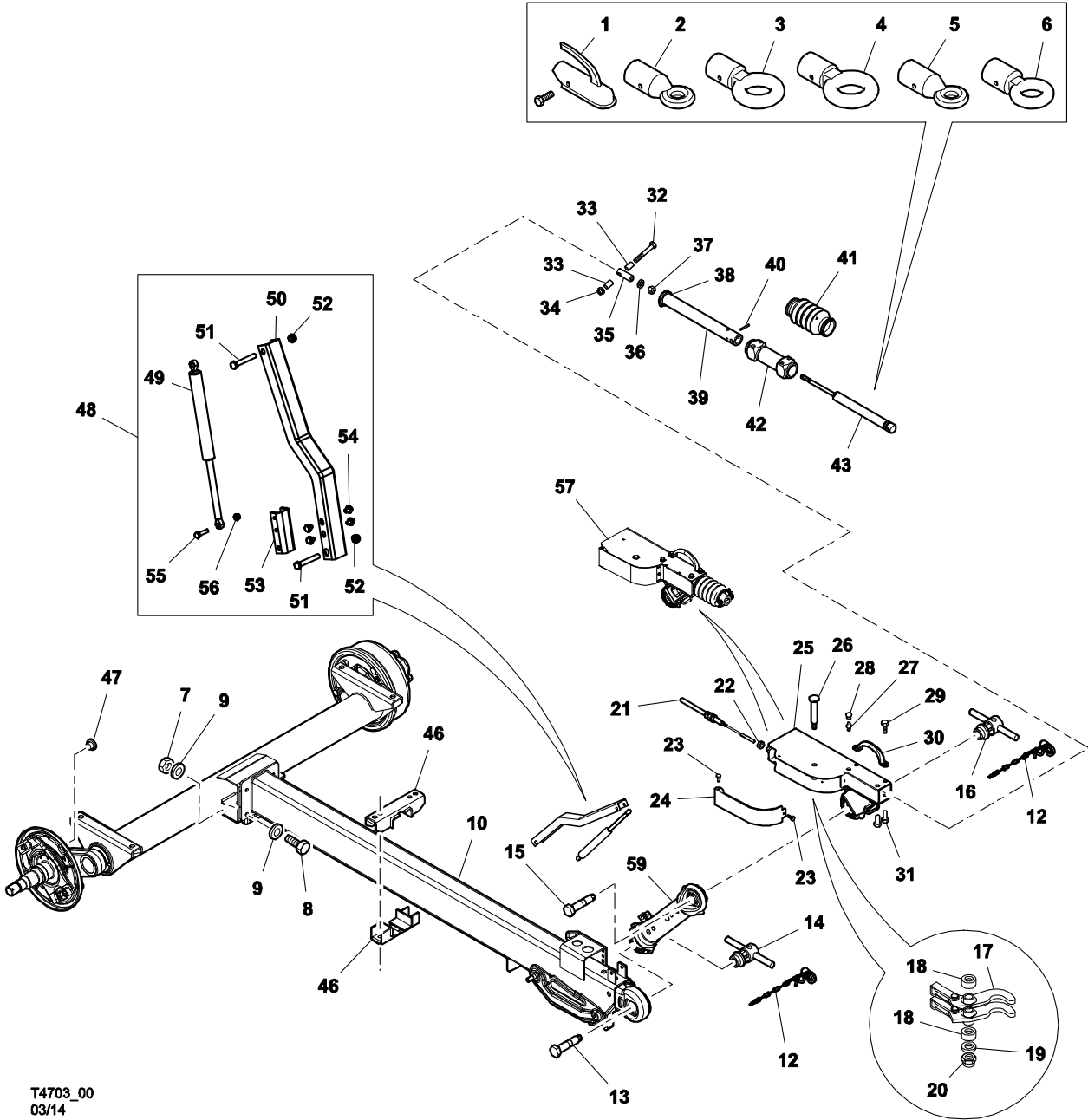


T4703\_00  
03/14

**RUNNING GEAR (CONT'D)**  
**(Variable Height)**  
**(Braked)**

Item	Part Number	Description	Remarks	Serial Number	Qty
29	22241368	SCREW			2
30	22250864	HANDLE			1
31	22241350	BOLT			6
32	22251409	BOLT			1
33	22051551	BUSH			2
34	22051494	NUT			1
35	22051544	JOINT			1
36	22051585	RING			1
37	22051577	NUT			1
38	46551382	RING, STOP			1
39	22250518	SLIDER			1
40	46518197	PIN			1
41	46551408	KIT, COVER			1
42	46670262	TUBE			1
43	22251243	SHOCK ABSORBER			1
44	46651402	PIVOT ASSEMBLY	W/Ref. 12-14		1
45	46670261	PIVOT ASSEMBLY	W/Ref. 12, 15-16		1
46	46670263	CLAMP ASSEMBLY			1
47		COVER	NAP		2
48	22251326	LINK ASSEMBLY	W/Ref. 49-56		1
49	23179310	DAMPER			1
50		ARM	NAP - Order Ref. 48		1
51		SCREW	NAP - Order Ref. 48		2
52	22392260	NUT	NAP - Order Ref. 48		2
53		U-PROFILE	NAP - Order Ref. 48		1
54		SCREW	NAP - Order Ref. 48		4
55		SCREW	NAP - Order Ref. 48		1
56		NUT	NAP - Order Ref. 48		1
57	46670265	HEAD ASSEMBLY	W/Ref. 23-43		2
58	46651399	KIT, CONNECTING	W/Ref. 32-34		1
59	46670447	ADJUSTABLE LINK ASSEMBLY			1

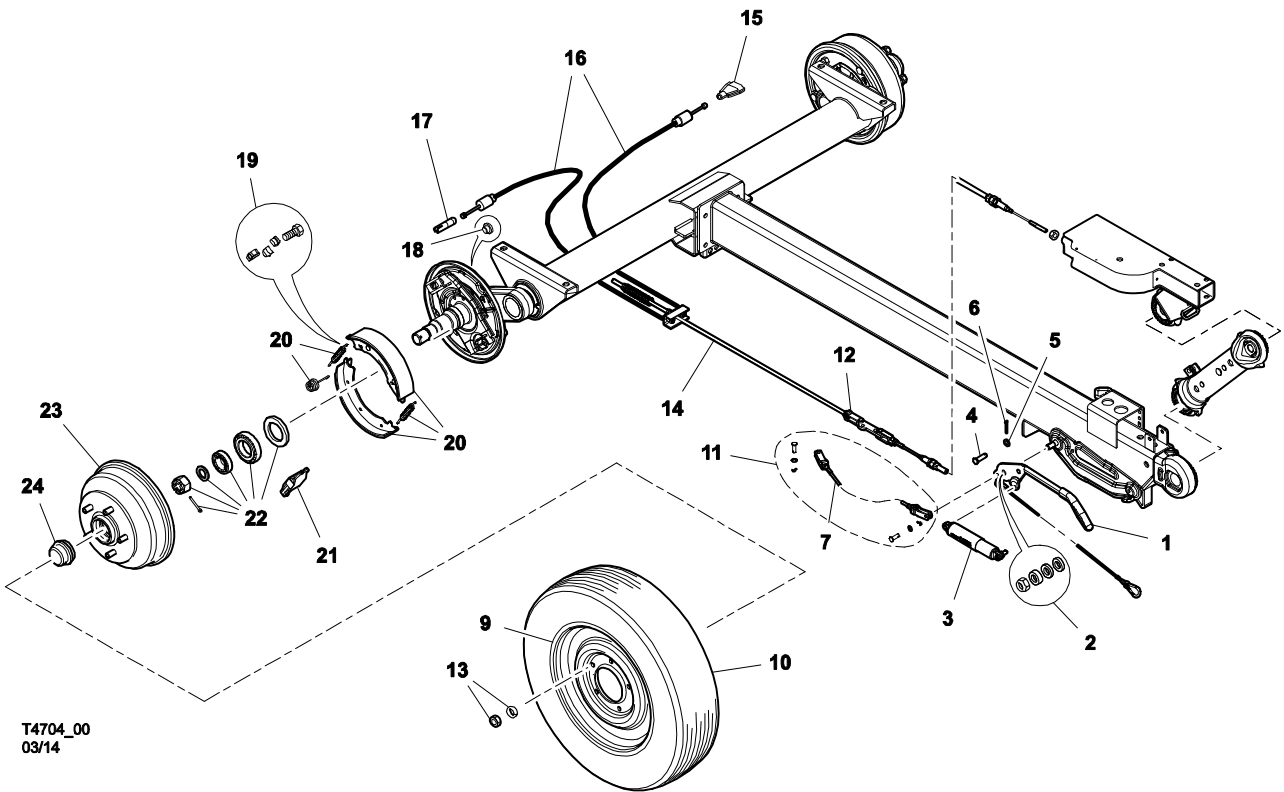
**RUNNING GEAR (CONT'D)**  
**(Variable Height)**  
**(Braked)**



T4703\_00  
 03/14



**RUNNING GEAR  
(Variable Height)  
(Braked)**

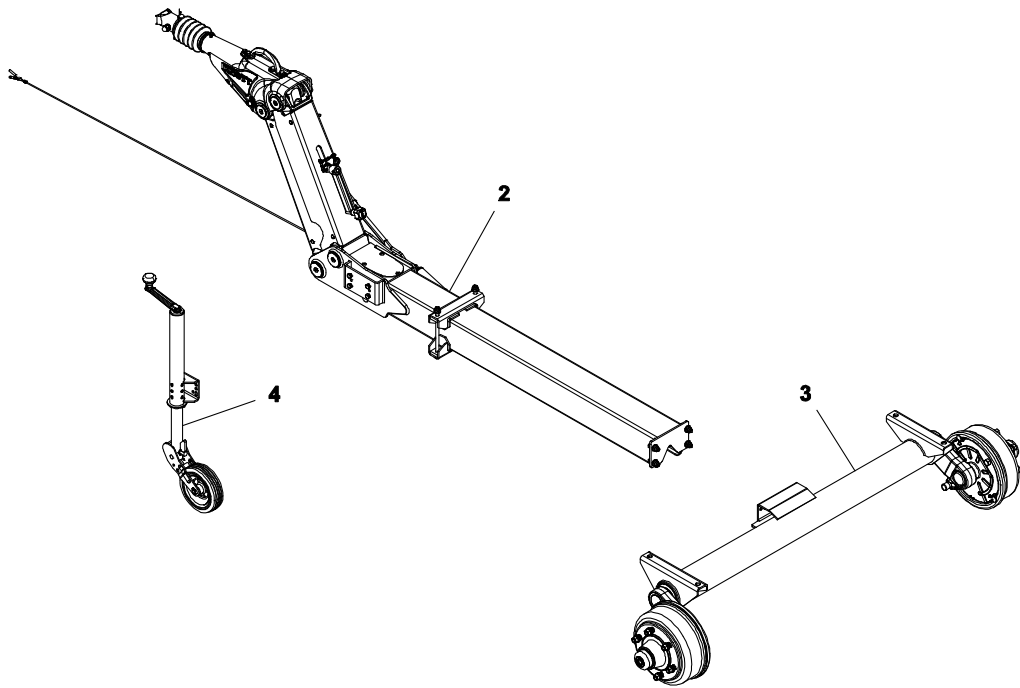
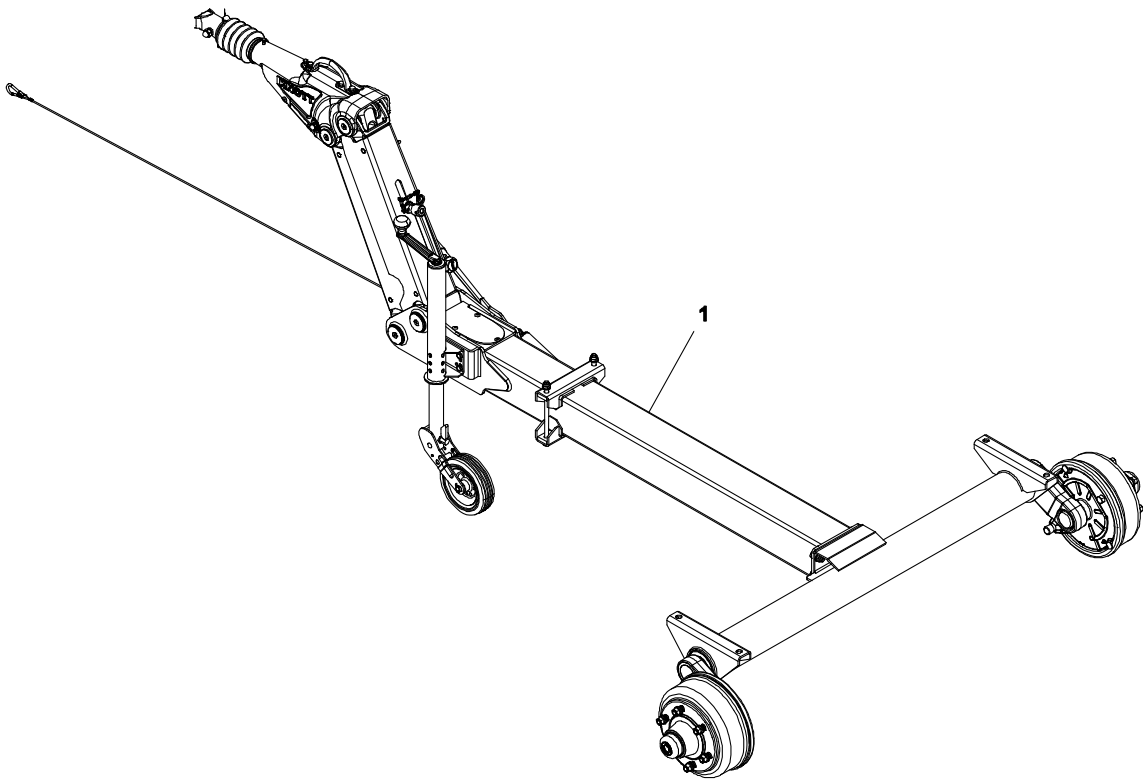


T4704\_00  
03/14

**RUNNING GEAR  
(Variable Height)  
(Braked)**

Item	Part Number	Description	Remarks	Serial Number	Qty
1	46651397	LEVER ASSEMBLY			1
2	46670620	KIT, CONNECTING			1
3	46651401	SET, SPRING			1
4	22241160	PIN			1
5	22241491	WASHER			1
6	22357693	PIN			1
7	46670268	CABLE			1
8	46653623	WHEEL AND TYRE ASSEMBLY	W/Ref. 9-10		1
9	46656661	WHEEL			1
10	46656662	TYRE			1
11	46670266	CABLE ASSEMBLY			1
12	46670250	BRAKE HUB COMPLETE	W/Ref. 13,22,23 - (order two per machine)		2
13	46551516	KIT, CONNECTING			2
14	46670621	BRAKE ROD ASSEMBLY			1
15	46551497	KIT, COVER			2
16	46551383	CABLE, BRAKE			2
17		CONNECTOR	NAP		2
18		COVER	NAP - Order Ref. 25		2
19		KIT, ADJUSTING	NAP - Order Ref. 25		2
20	80027980	KIT, BRAKE SHOE	(order one per machine)		1
21		EXPANDER	NAP - Order Ref. 25		1
22	46670247	KIT, BEARING	724753P02		2
23	46670618	HUB ASSEMBLY			2
24	46670252	COVER			2
25	46551496	KIT, BRAKE OVERHAUL	W/Ref. 18,19,21 - (order one per machine)		1

**RUNNING GEAR  
(Variable Height)  
(Braked - KHD)**

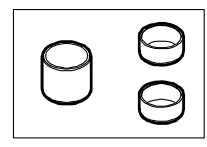
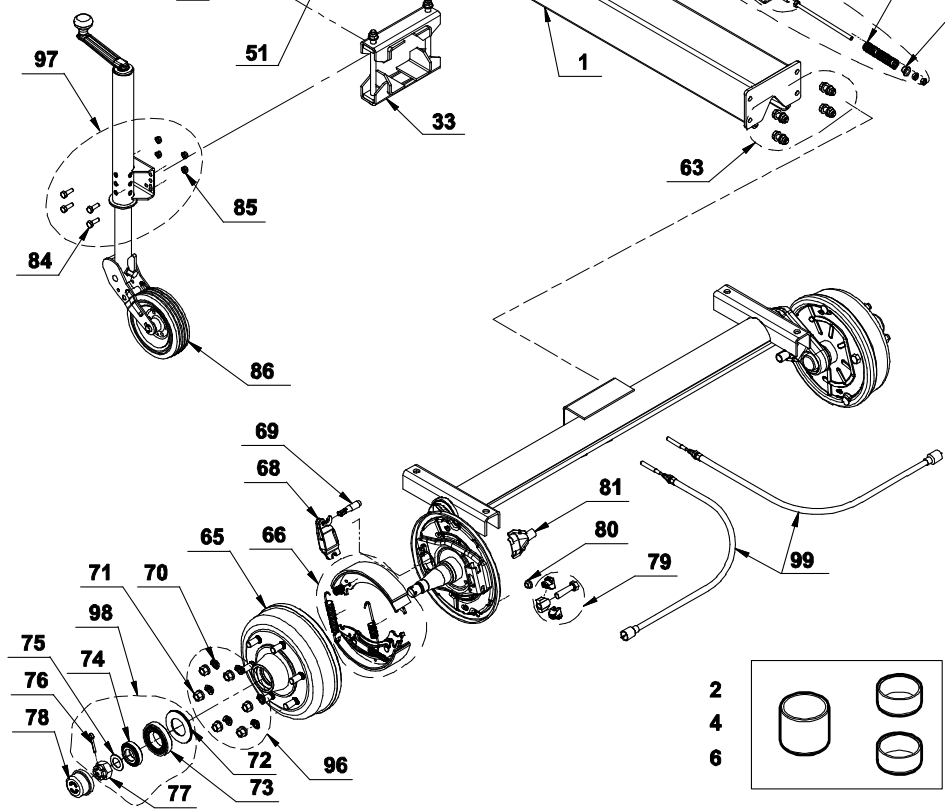
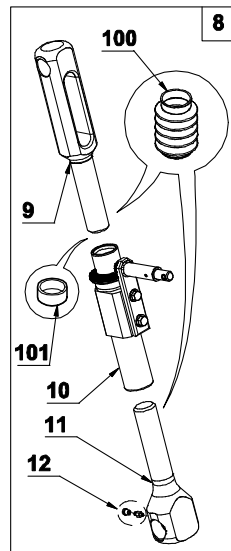
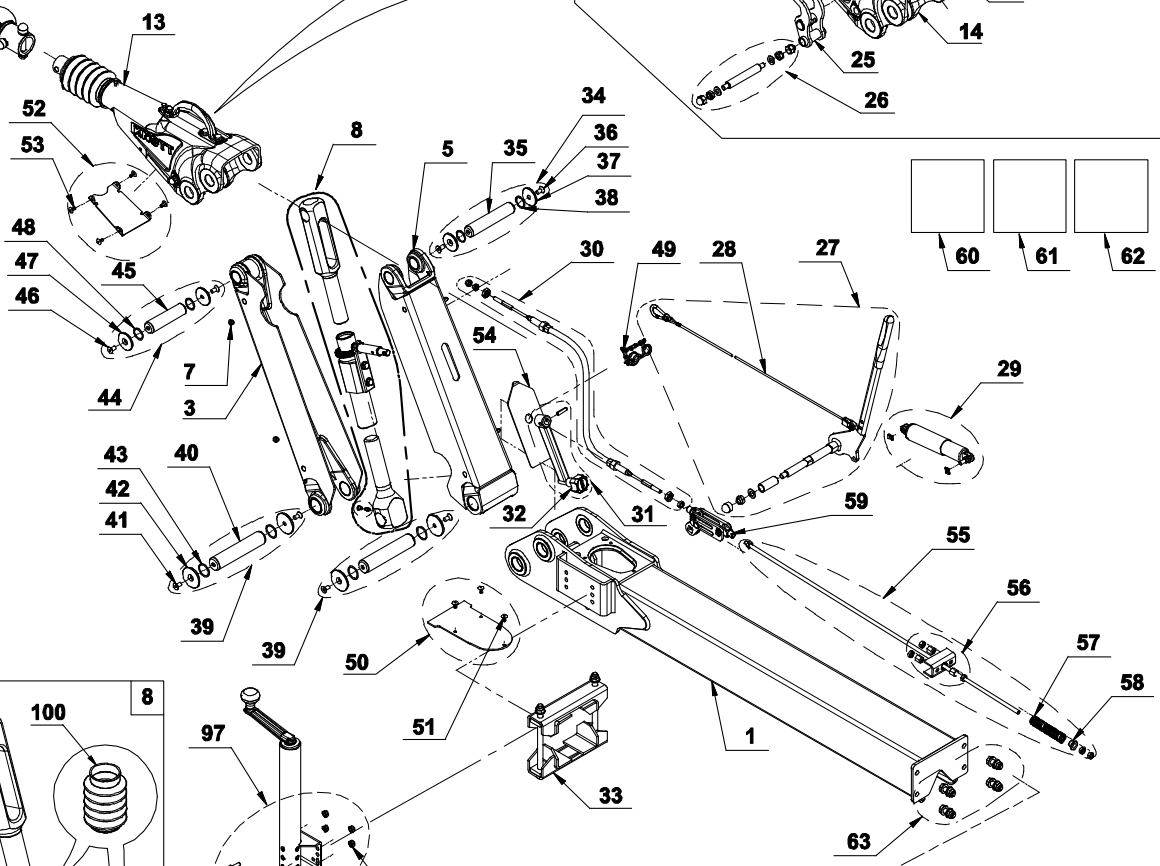
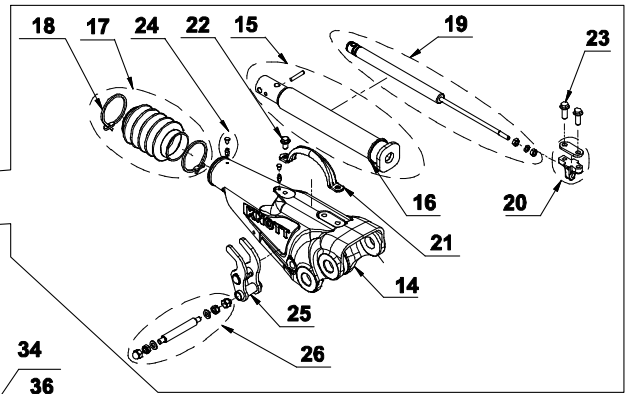
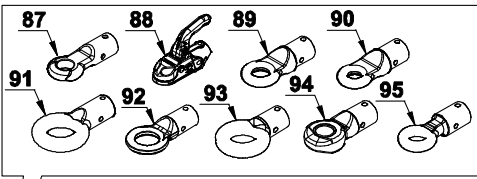


T4706\_00  
03/14





# RUNNING GEAR (Variable Height) (Braked - KHD)



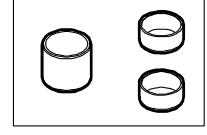
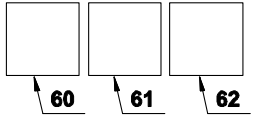
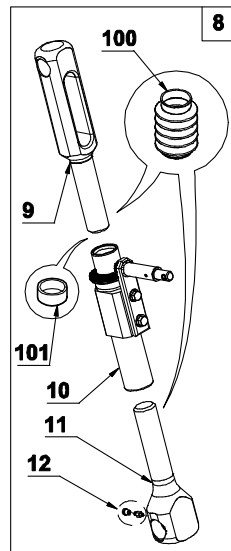
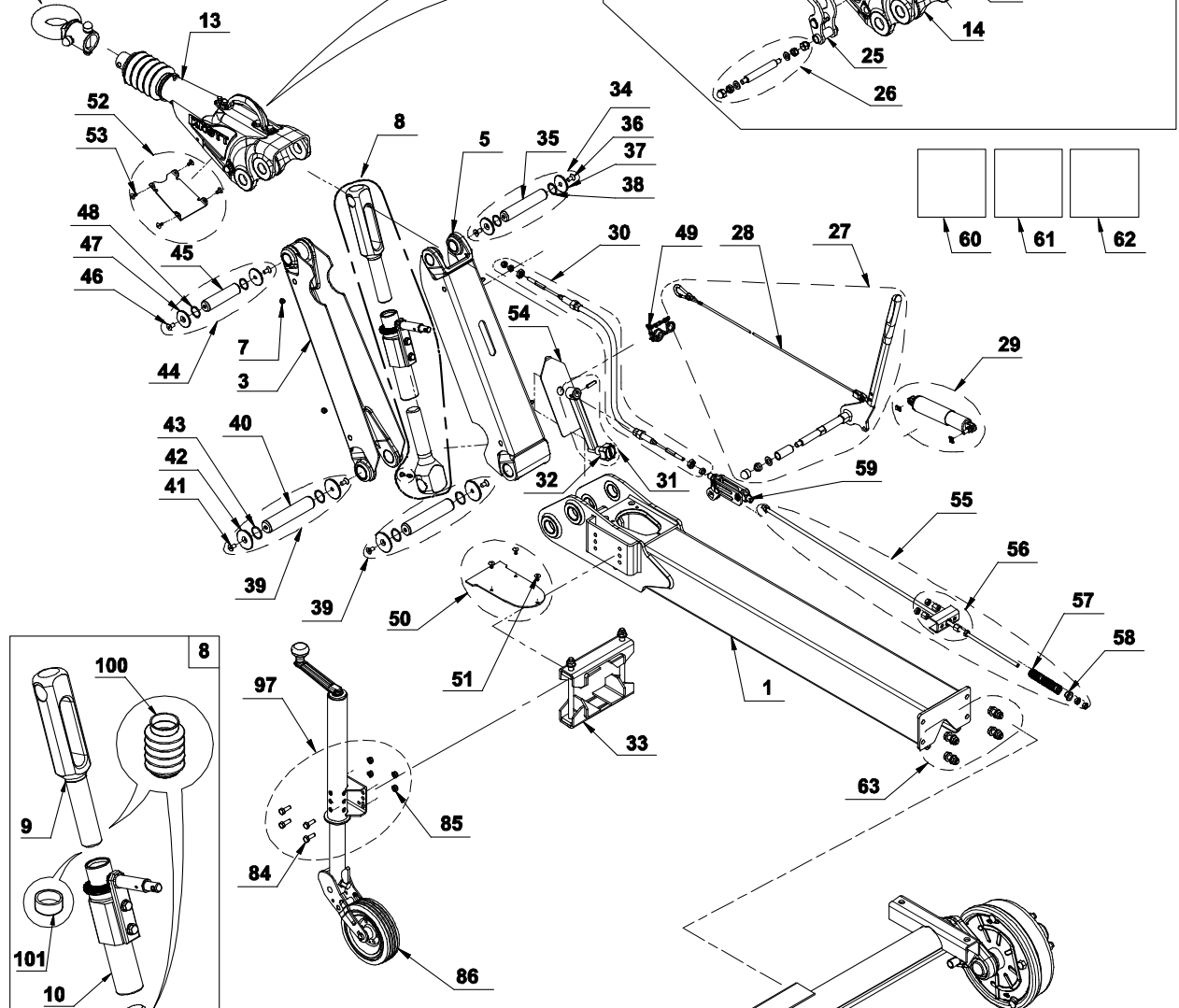
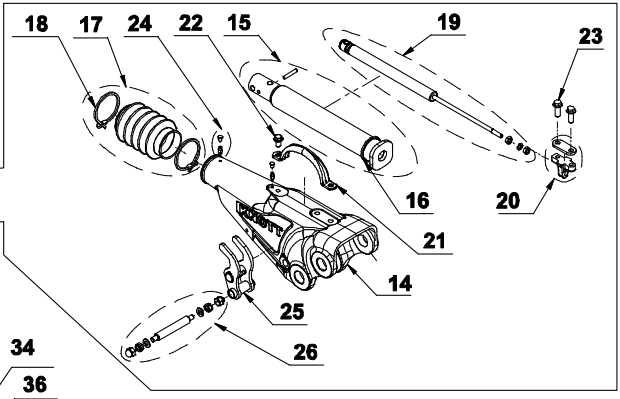
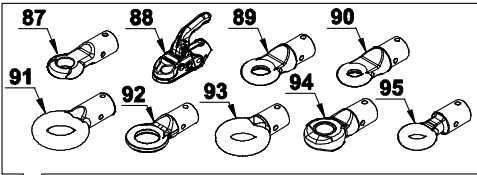
T4705\_00  
04/14

**RUNNING GEAR  
(Variable Height)  
(Braked - KHD)**

Item	Part Number	Description	Remarks	Serial Number	Qty
1	46670271	DRAWBAR	W/Ref. 2		1
2	46551483	SET, BUSH			1
3	46551401	UPPER ARM ASSEMBLY	W/Ref. 4		1
4	46551484	SET, BUSH			1
5	46551402	LOWER ARM ASSEMBLY	W/Ref. 6-7		1
6	46551485	SET, BUSH			1
7		COVER	NAP - Order Ref. 5		2
8	46551514	CENTRING MECHANISM ASSEMBLY	W/Ref. 9-12,100,101		1
9		SCREW	NAP - Order Ref. 8		1
10		NUT, ADJUSTMENT	NAP - Order Ref. 8		1
11		SCREW	NAP - Order Ref. 8		1
12	46551409	NIPPLE, GREASE			1
13	46551420	HOUSING ASSEMBLY	W/Ref. 14-26		1
14	46551380	HOUSING			1
15	46551412	ROD, PISTON			1
16	46551382	RING, STOP			1
17	46551408	KIT, COVER	W/Ref. 18		1
18		CABLE, TIE	NAP - Order Ref. 17		2
19	46551404	ABSORBER, SHOCK			1
20	46551486	BRACKET ASSEMBLY			1
21	22250864	HANDLE			1
22	22241350	BOLT			1
23	46551391	SCREW			2
24	46551409	NIPPLE, GREASE			1
25	46551417	LEVER ASSEMBLY			1
26	46551487	PIVOT ASSEMBLY			1
27	46670272	HANDBRAKE LEVER ASSEMBLY	W/Ref. 28		1
28		CABLE	NAP - Order Ref. 27		1
29	46551403	SPRING ASSEMBLY			1
30	46551416	BRAKE CABLE ASSEMBLY			1
31	46670273	HANDLE ASSEMBLY	W/Ref. 32		1

# RUNNING GEAR (CONT'D)

(Variable Height)  
(Braked - KHD)



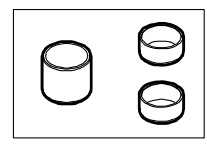
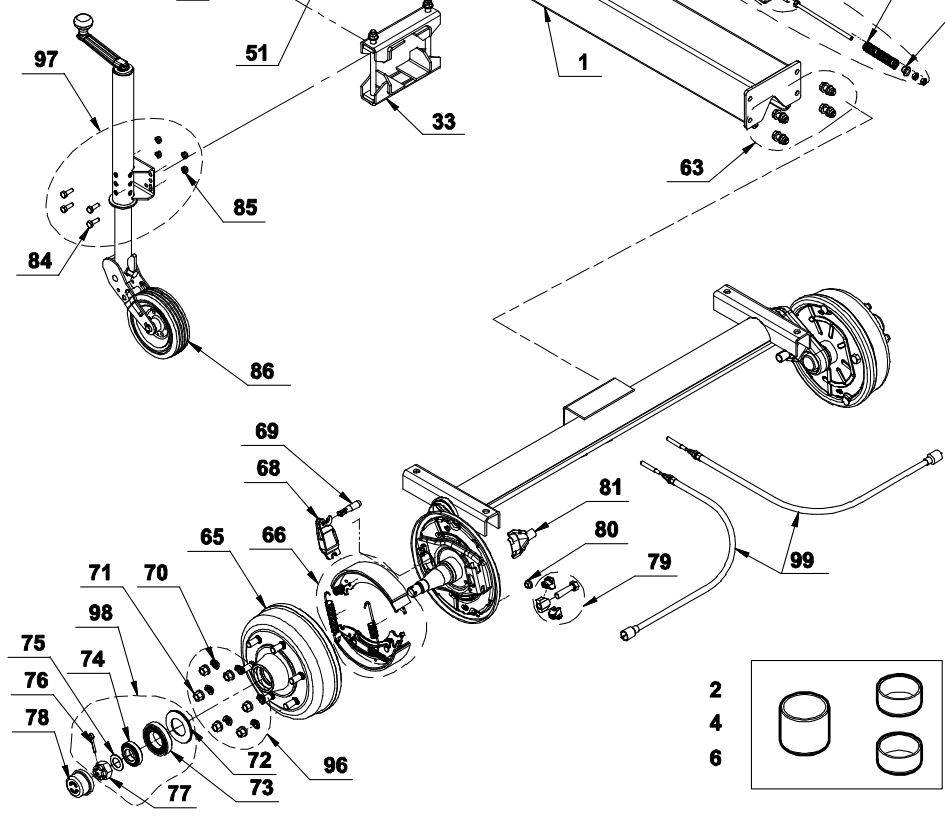
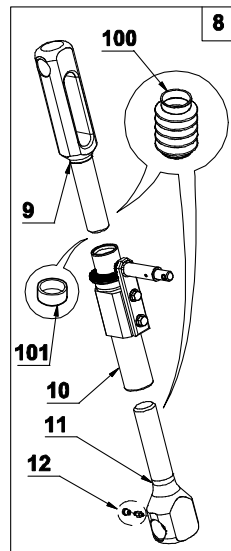
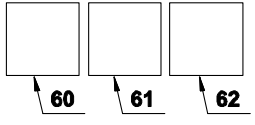
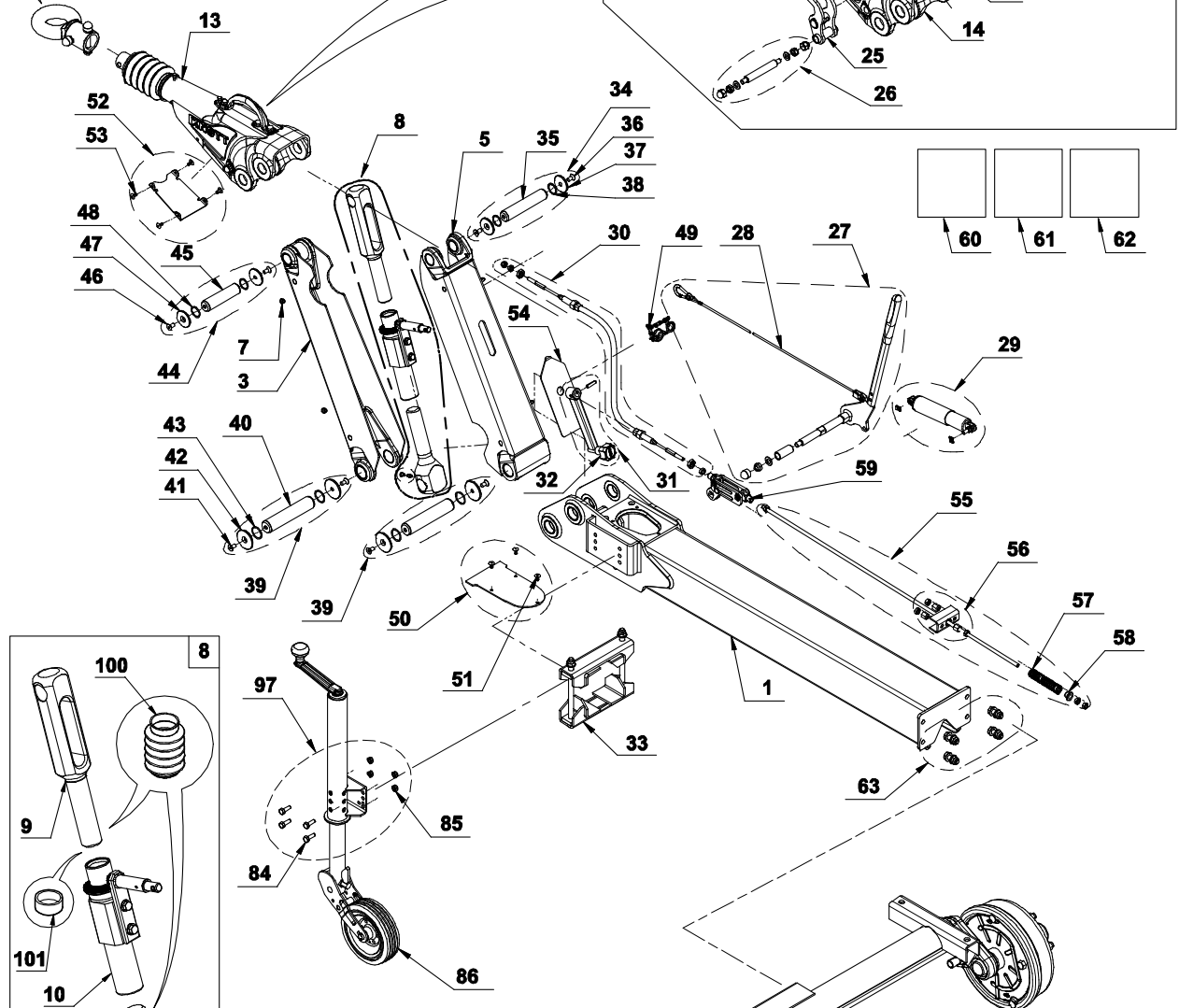
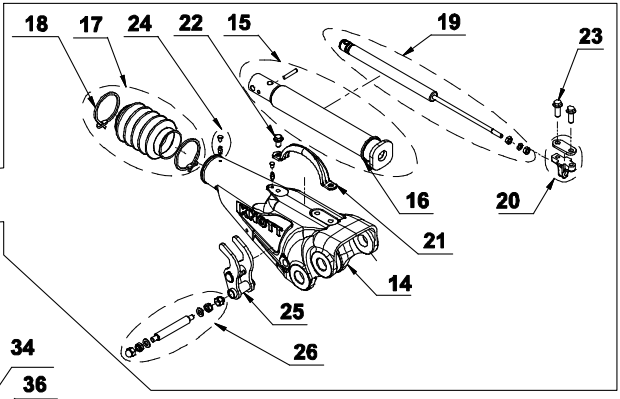
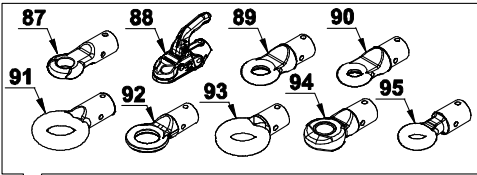
T4705\_00  
04/14

**RUNNING GEAR (CONT'D)**  
**(Variable Height)**  
**(Braked - KHD)**

Item	Part Number	Description	Remarks	Serial Number	Qty
32		KNOB	NAP - Order Ref. 31		1
33	46551418	JIG, CLAMPING			1
34	46670274	PIVOT ASSEMBLY	W/Ref. 35-38		1
35		BOLT	NAP - Order Ref. 34		1
36		SCREW	NAP - Order Ref. 34		2
37		WASHER	NAP - Order Ref. 34		2
38		SEAL	NAP - Order Ref. 34		2
39	46670279	PIVOT ASSEMBLY	W/Ref. 40-43		2
40		PIN, PIVOT	NAP - Order Ref. 39		1
41		SCREW	NAP - Order Ref. 39		2
42		WASHER	NAP - Order Ref. 39		2
43		SEAL	NAP - Order Ref. 39		2
44	46670448	PIVOT ASSEMBLY	W/Ref. 45-48		1
45		PIN, PIVOT	NAP - Order Ref. 44		1
46		SCREW	NAP - Order Ref. 44		2
47		WASHER	NAP - Order Ref. 44		2
48		SEAL	NAP - Order Ref. 44		2
49	46551422	CLIP, SPRING			1
50	46551491	SHIELD ASSEMBLY	W/Ref. 51		1
51		RIVET	NAP - Order Ref. 50		3
52	46551492	SHIELD ASSEMBLY	W/Ref. 53		1
52	46670281	SHIELD			1
53		RIVET	NAP - Order Ref. 52		4
54	46551400	SHIELD			1
55	46551384	ROD ASSEMBLY	W/Ref. 56-58		1
56		COUPLING ASSEMBLY	W/Ref. 57-58 - NAP - Order Ref. 55		1
57		SPRING	NAP - Order Ref. 55		1
58		BUSH	NAP - Order Ref. 55		1
59	46551415	LEVER ASSEMBLY			1
60	46551406	DECAL	(English/German)		1
61	46551407	DECAL	(English/French)		1

# RUNNING GEAR (CONT'D)

(Variable Height)  
(Braked - KHD)



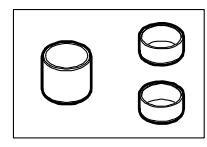
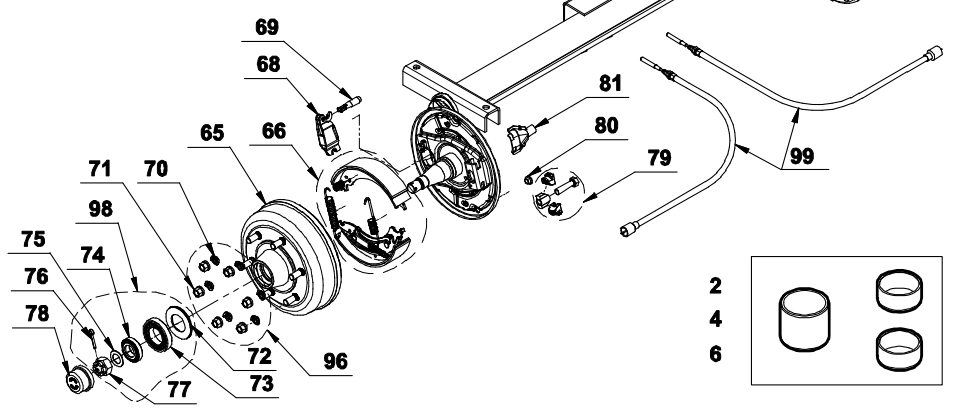
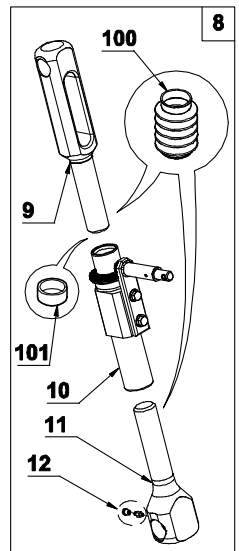
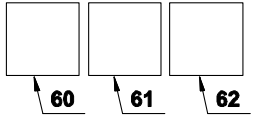
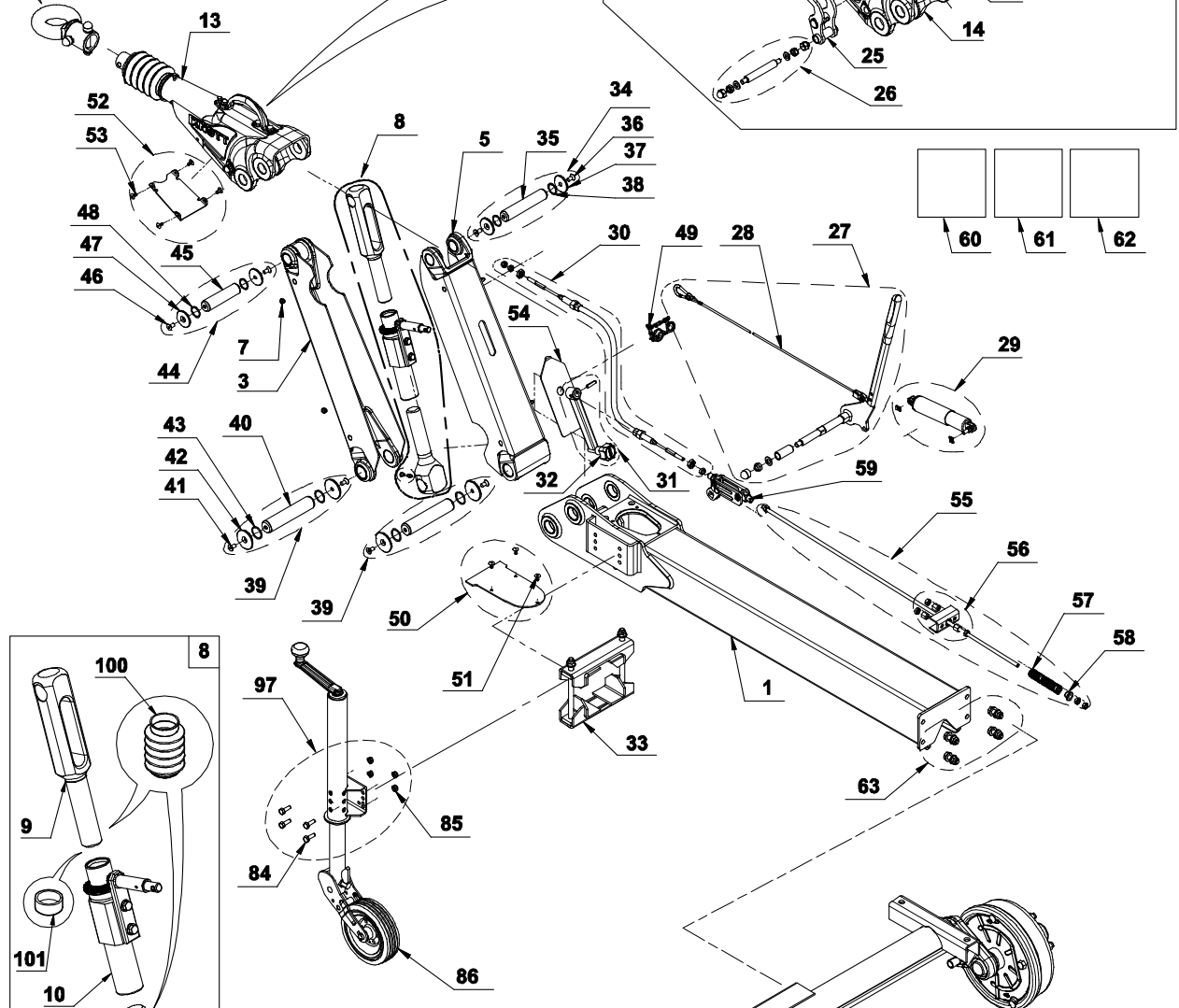
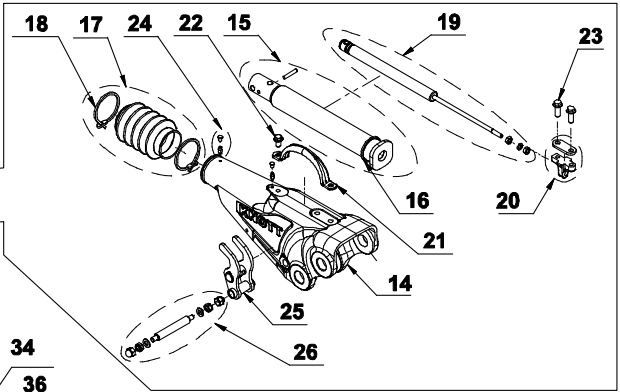
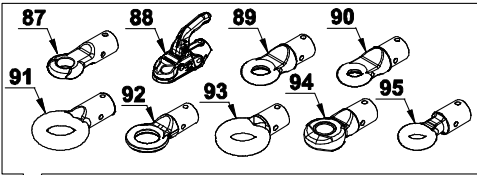
T4705\_00  
04/14

**RUNNING GEAR (CONT'D)**  
**(Variable Height)**  
**(Braked - KHD)**

Item	Part Number	Description	Remarks	Serial Number	Qty
62	46551405	DECAL	(English/German)		1
63	46651380	KIT, CONNECTING			2
64	46670250	BRAKE HUB COMPLETE	W/Ref. 65,71-77 - (order two per machine)		2
65	46670282	HUB ASSEMBLY			1
66	80027980	KIT, BRAKE SHOE	(order one per machine)		1
67	46551496	KIT, BRAKE OVERHAUL	W/Ref. 68,69,79,80 - (order one kit per machine)		1
68		EXPANDER	NAP - Order Ref. 67		2
69		CONNECTOR	NAP - Order Ref. 67		2
70		LOCKWASHER	NAP - Order Ref. 96		6
71		NUT	NAP - Order Ref. 96		6
72		SPACER	NAP - Order Ref. 98		1
73		BEARING	NAP - Order Ref. 98		1
74		BEARING	NAP - Order Ref. 98		1
75		WASHER	NAP - Order Ref. 98		1
76		PIN	NAP - Order Ref. 98		1
77		LOCKNUT	NAP - Order Ref. 98		1
78	46670252	COVER			1
79		KIT, ADJUSTING	NAP - Order Ref. 67		2
80		COVER	NAP - Order Ref. 67		2
81	46551497	KIT, COVER	W/Ref. 82-83		2
82		COVER	NAP - Order Ref. 81		2
83		CAP	NAP - Order Ref. 81		1
84		BOLT	NAP - Order Ref. 97		4
85	22392260	NUT	NAP - Order Ref. 97		4
86	22182075	JOCKEY WHEEL ASSEMBLY			1
87	22177588	EYE, TOWING	(Ø 40 mm)		1
88	46569661	HITCH, BALL	(50 mm)		1
88	22207815	HITCH, BALL	(non-standard) - (50 mm)		1
89	22177687	EYE, TOWING	(Ø 50 mm)		1
90	46551378	EYE, TOWING			1
91	22177620	EYE, TOWING	(Ø 76 mm)		1

# RUNNING GEAR (CONT'D)

(Variable Height)  
(Braked - KHD)



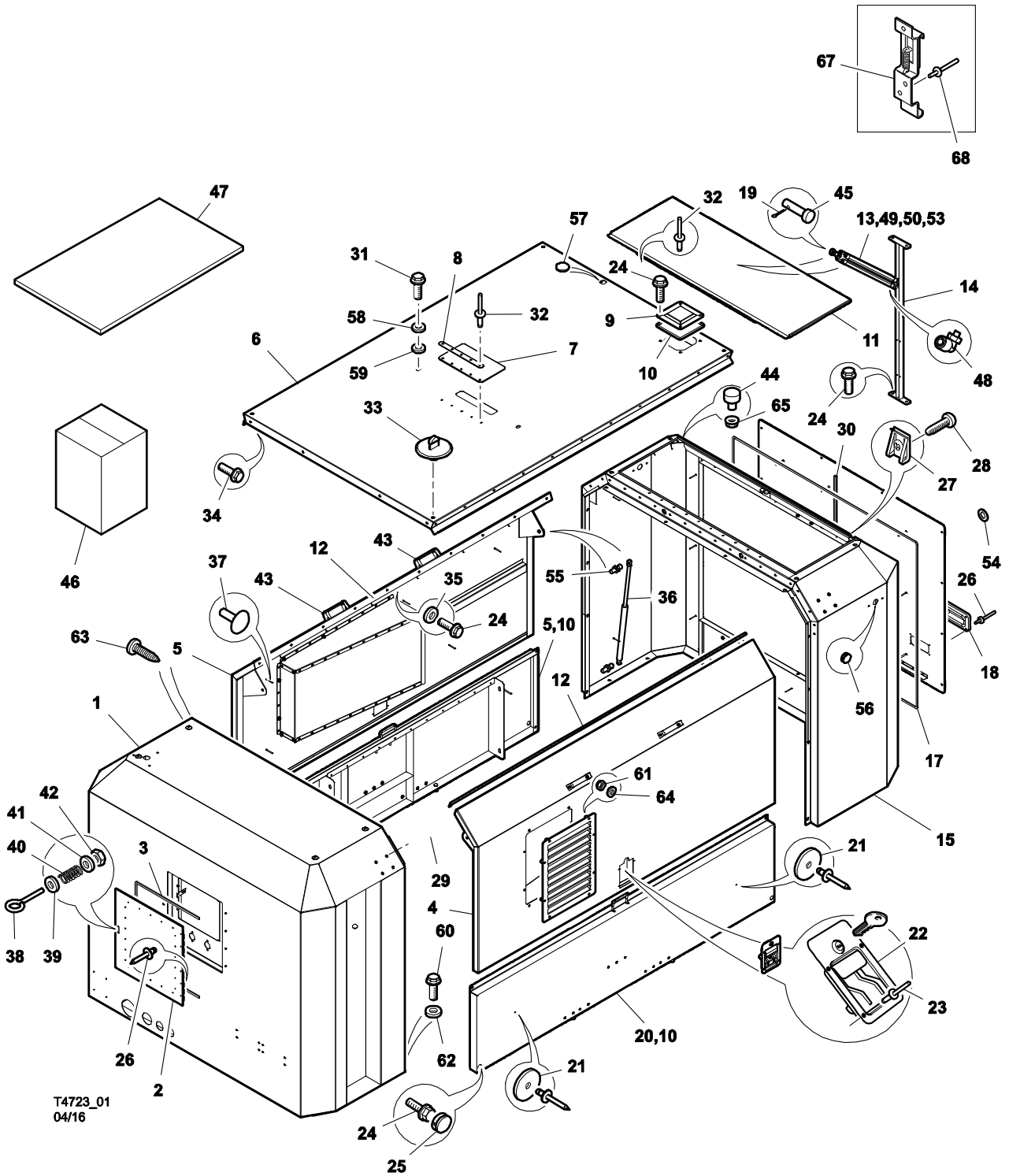
T4705\_00  
04/14



**RUNNING GEAR (CONT'D)**  
**(Variable Height)**  
**(Braked - KHD)**

Item	Part Number	Description	Remarks	Serial Number	Qty
92	22207823	EYE, TOWING	(Ø 68 mm)		1
93	46569682	EYE, TOWING	(non-standard) - (Ø 68 mm)		1
94	46569685	EYE, TOWING	(non-standard) - (Ø 50 mm)		1
95	46551424	EYE, TOWING			1
96	46551516	KIT, CONNECTING	W/Ref. 70-71 - (order two per machine)		2
97	46551498	KIT, CONNECTING	W/Ref. 84-85		1
98	46670247	KIT, BEARING	W/Ref. 72-77 - (order two per machine)		2
99	46670283	CABLE, BRAKE			2
100		COVER	NAP - Order Ref. 8		2
101		TUBE	NAP - Order Ref. 8		1

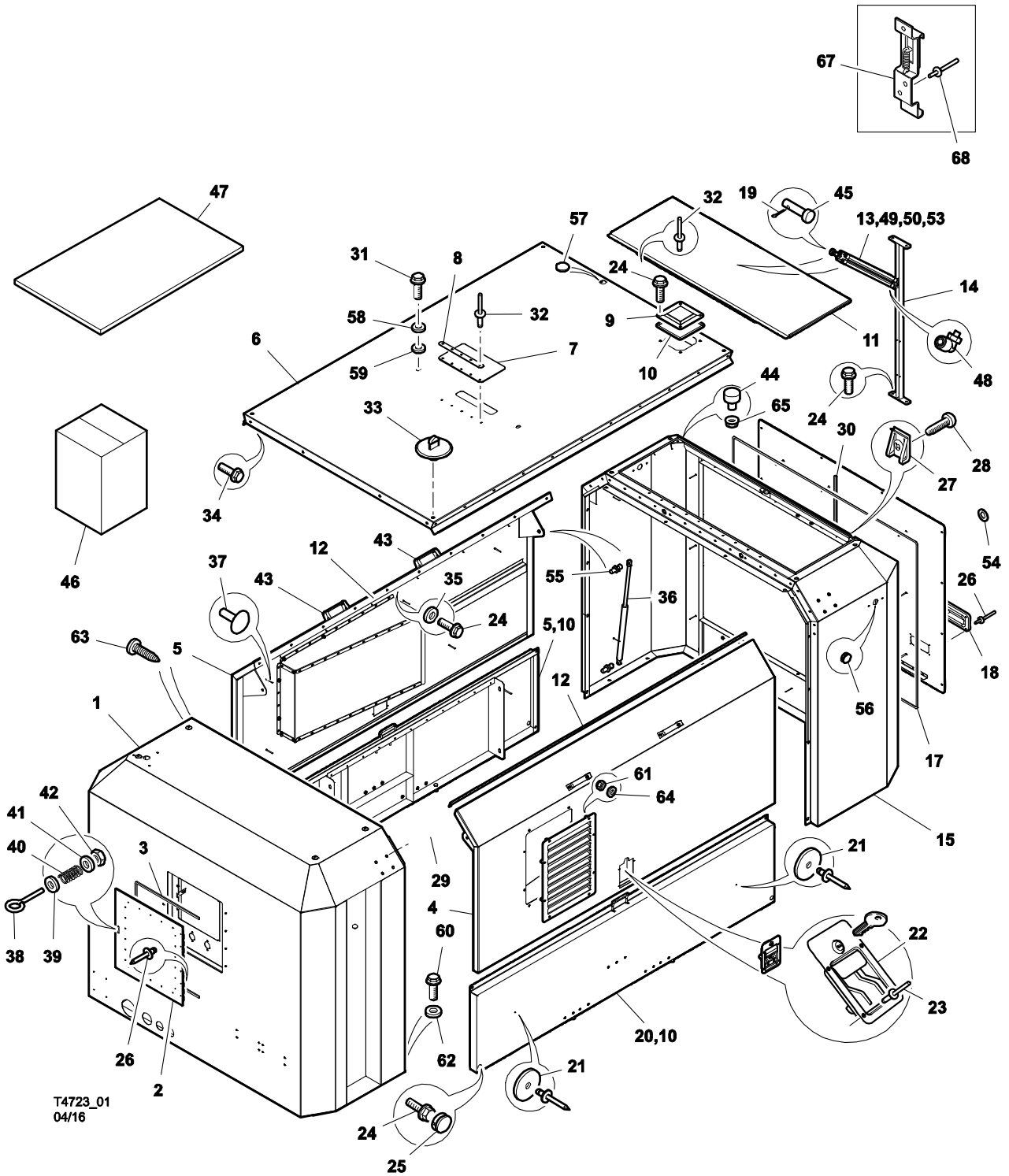
# ENCLOSURE



## ENCLOSURE

Item	Part Number	Description	Remarks	Serial Number	Qty
1	46641499	ENCLOSURE ASSEMBLY, FRONT	W/Ref. 2		1
1	46641582	ENCLOSURE FRONT, BARE METAL			1
2	46641619	DOOR, INSTRUMENT PANEL			1
3	46502332	SEAL	1,16 m long		1
4	46638424	DOOR ASSEMBLY, LEFT	W/Ref. 6		1
4	46624059	DOOR, BARE			1
5	46638423	DOOR ASSEMBLY, RIGHT	W/Ref. 6		1
5	46623979	DOOR, BARE			1
6	46624120	AIR INLET, DOOR			1
7	23138464	COVER			1
8	23094683	PLATE			1
9	46652532	COVER			1
10	22716039	SEAL	order as required		x
11	23333222	PANEL, HINGED			1
12	23071103	HINGE			2
13	23333834	CYLINDER			1
14	23333826	SUPPORT			1
15	46655235	ENCLOSURE ASSEMBLY, REAR			1
15	46666911	ENCLOSURE REAR, BARE METAL			1
16	23302771	ENCLOSURE REAR, BARE METAL			1
17	22716039	SEAL	4,3 m long		1
18	92824010	HANDLE			2
19	23346158	PIN, COTTER			1
20	46655237	PANEL ASSEMBLY, LEFT			1
20	23101157	ENCLOSURE SIDE LH, BARE METAL			1
21	92121243	REFLECTOR, AMBER			4
22	22375877	LATCH			2
22	36794345	CYLINDER, KEY			1
22	35612746	KEY, REPLACEMENT			1
23	36794816	RIVET			8
24	96728480	SCREW	order as required - (M8 x 16)		x

# ENCLOSURE (CONT'D)

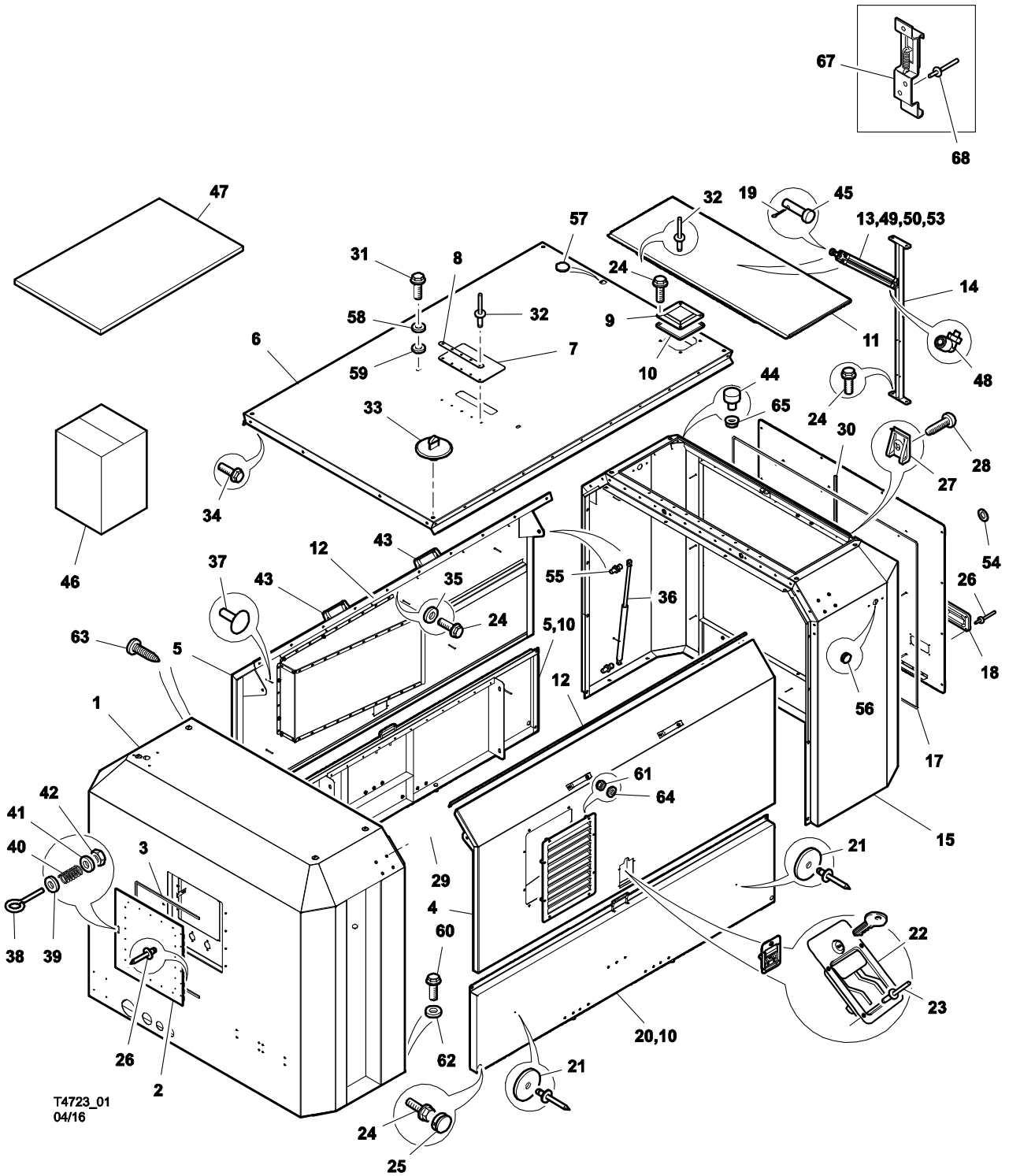


T4723\_01  
04/16

## ENCLOSURE (CONT'D)

Item	Part Number	Description	Remarks	Serial Number	Qty
25	92783281	PLUG	order as required		x
26	92271923	RIVET			12
27	35256452	RECEPTACLE	order as required		x
28	35256429	STUD	order as required		x
29	23367956	PLUG	order as required		x
30	22068373	SEAL	0,4 m long		2
31	96737556	SCREW			2
32	22054498	RIVET			15
33	23143506	PLUG			12
34	36797652	SCREW	order as required		x
35	23192651	WASHER			16
36	22663173	SPRING, GAS			4
37	46570819	RETAINER	order as required		x
38	35607829	BOLT, EYE			1
39	95935029	WASHER			1
40	35607837	SPRING			1
41	36772028	WASHER			1
42	95923298	NUT			1
43	46538740	HANDLE			4
44	46539821	RUBBER BLOCK			3
45	23346141	PIN			1
46	46541140	KIT, CYLINDER SERVICE			1
47	92949742	FOAM FIELD KIT (with adhesive)	1,9 m x 1,5 m x 25 mm (7' x 5' x 1")		1
47	92949767	FOAM FIELD KIT (with adhesive)	1,9 m x 1,5 m x 50 mm (7' x 5' x 2")		1
47	92949759	FOAM FIELD KIT (with adhesive)	0,95 m x 1,5 m x 25 mm (3' x 5' x 1")		1
47	92949775	FOAM FIELD KIT (with adhesive)	0,95 m x 1,5 m x 50 mm (3' x 5' x 2")		1
47	46592579	FOAM FIELD KIT (no adhesive)	1,9 m x 1,5 m x 50 mm (7' x 5' x 2")		1
47	46592580	FOAM FIELD KIT (no adhesive)	0,95 m x 1,5 m x 50 mm (3' x 5' x 2")		1
48	46576399	ELBOW			1
49	23351273	INSULATION			1
50	92861640	TIE, CABLE	(350 mm)		5

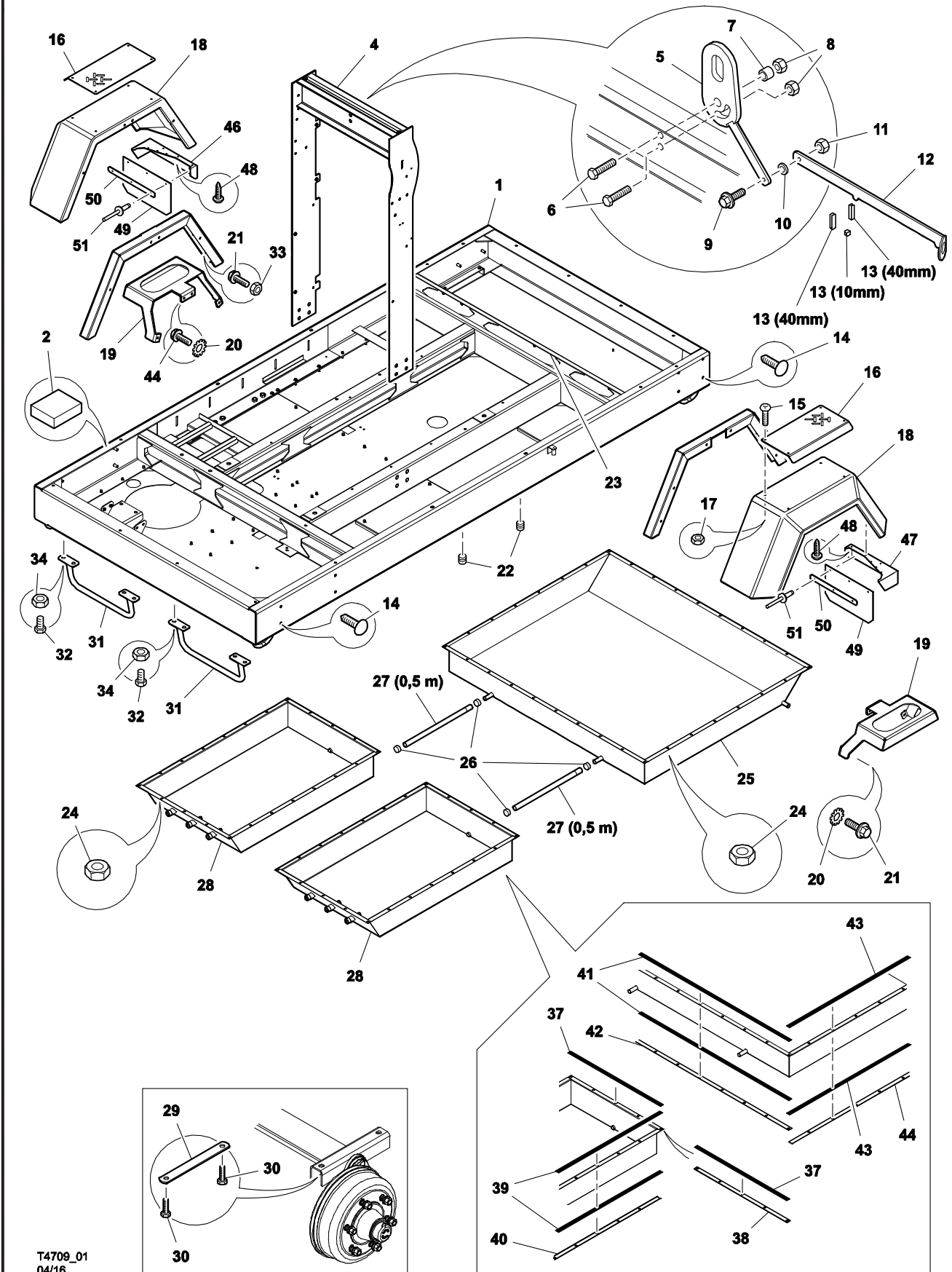
# ENCLOSURE (CONT'D)



**ENCLOSURE (CONT'D)**

Item	Part Number	Description	Remarks	Serial Number	Qty
51	46655236	PANEL ASSEMBLY, RIGHT			1
51	23070444	ENCLOSURE SIDE RH, BARE METAL			1
52	46636631	ENCLOSURE ASSEMBLY, TOP			1
52	46652513	ENCLOSURE TOP, BARE			1
53	46579359	INSULATION			1
54	35256445	WASHER, RETAINING			13
55	35337328	STUD, BALL			8
56	46539268	PLUG			2
57	46552221	PLUG			2
58	46556659	WASHER			2
59	46594459	SEAL, FOAM			2
60	92101112	SCREW			12
61	92304559	NUT			16
62	92304609	WASHER			6
63	92890037	PLUG			4
64	96701396	WASHER			16
65	96704176	NUT			3
66	46663692	OPTION, NUMBER PLATE CLIPS	optional - W/Ref. 67-68		1
67	92962547	CLIP, NUMBER PLATE	optional		2
68	92281369	RIVET	optional		6

# ENCLOSURE



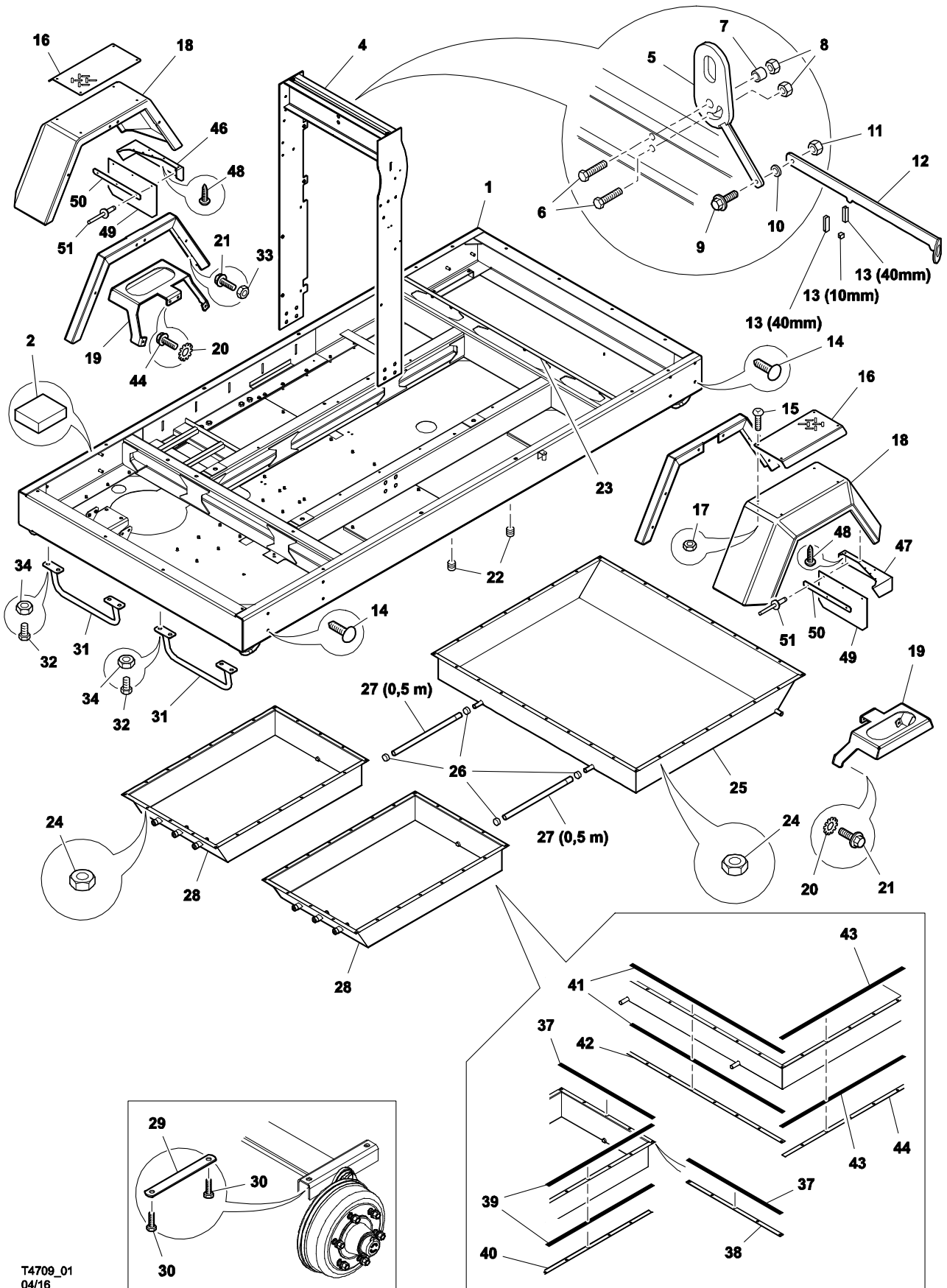
T4709\_01  
04/16



## ENCLOSURE

Item	Part Number	Description	Remarks	Serial Number	Qty
1	46655202	FRAME			1
2	46502225	BLOCK, RUBBER			4
4	46656676	BAIL, LIFTING			1
5	23105752	EYE			1
6	96703962	SCREW			2
7	23114358	SPACER			1
8	92311695	LOCKNUT			2
9	36889608	SCREW	(M8-1.25 x 25)		1
10	46502092	WASHER			1
11	96704606	NUT			1
12	46502043	HANDLE, LIFTING BAIL			1
13	46502035	PROTECTOR	order as required		x
14	23367956	PLUG			16
15	23283419	SCREW			8
16	23283401	COVER			2
17	92829316	NUT			8
18	46666844	MUDGUARD			2
19	46666839	SUPPORT			2
20	96745229	WASHER			16
21	96704408	SCREW			20
22	23367857	PLUG			4
23	36793040	SCREW			8
24	96704606	NUT			89
25	46602480	TANK			1
26	46501862	CLAMP			5
27	22307763	HOSE	(19 mm ID)		2
28	46602479	TANK			2
29	46567079	WASHER, LOCKING			2
30	35375591	SCREW			4
31	46502134	PROTECTOR			2
32	35375591	SCREW			8

# ENCLOSURE (CONT'D)

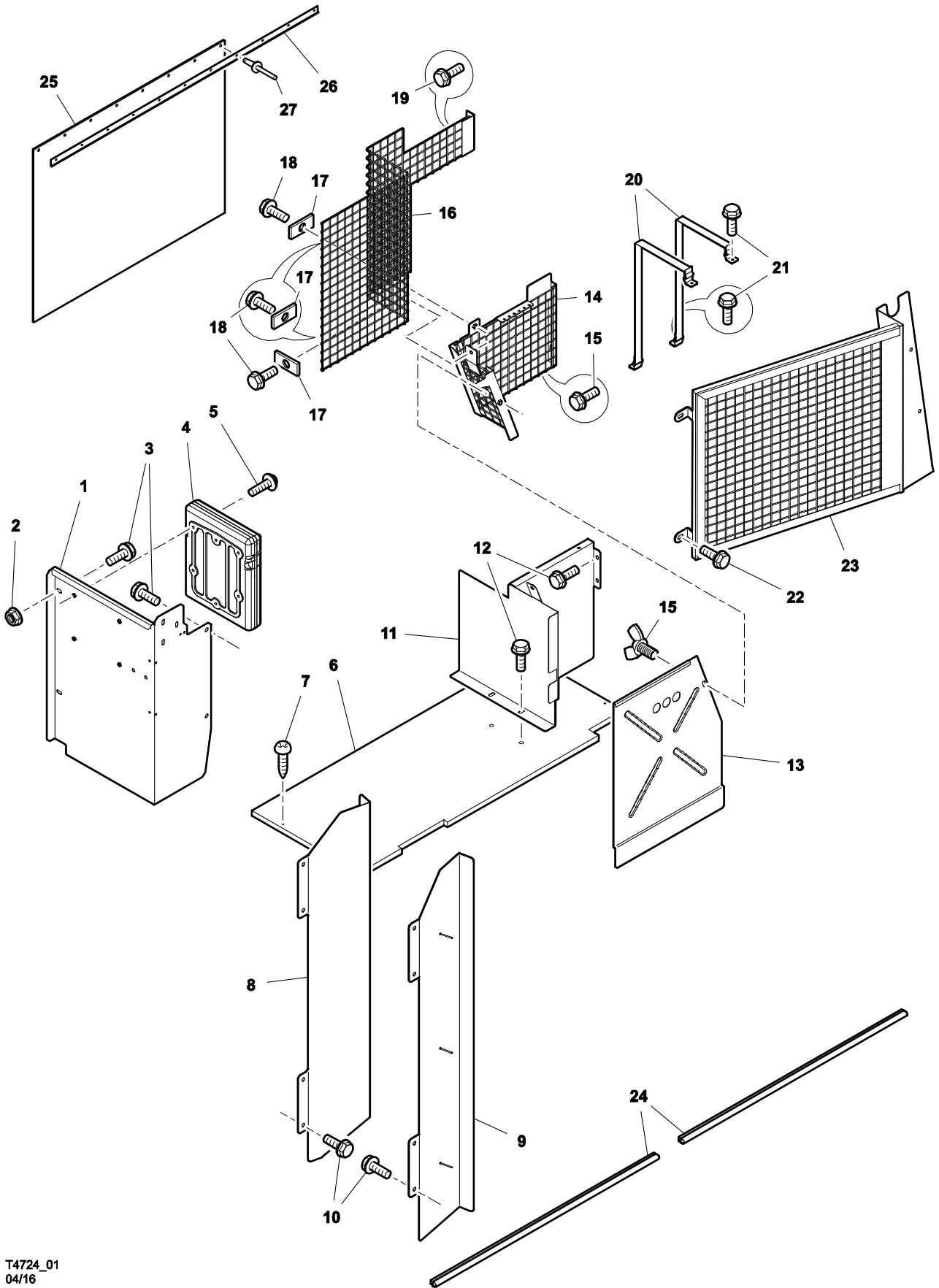


T4709\_01  
04/16

## ENCLOSURE (CONT'D)

Item	Part Number	Description	Remarks	Serial Number	Qty
33	96703459	NUT			12
34	96747068	NUT			2
37	23145600	SEAL			4
38	46576422	STRIP, STRENGTHENING			4
39	23145618	SEAL			4
40	46576421	STRIP, STRENGTHENING			4
41	23145584	SEAL			2
42	46576419	STRIP, STRENGTHENING			2
43	23145592	SEAL			2
44	46576420	STRIP, STRENGTHENING			2
45	36889608	SCREW	(M8-1.25 x 25)		4
46	46671616	BRACKET	optional - CE units only		1
47	46671617	BRACKET	optional - CE units only		1
48	92789205	SCREW	optional - CE units only		12
49	46680257	FLAP, RAIN	optional - CE units only		2
50	46671620	PLATE	optional - CE units only		2
51	46560699	RIVET	optional - CE units only		6

# ENCLOSURE

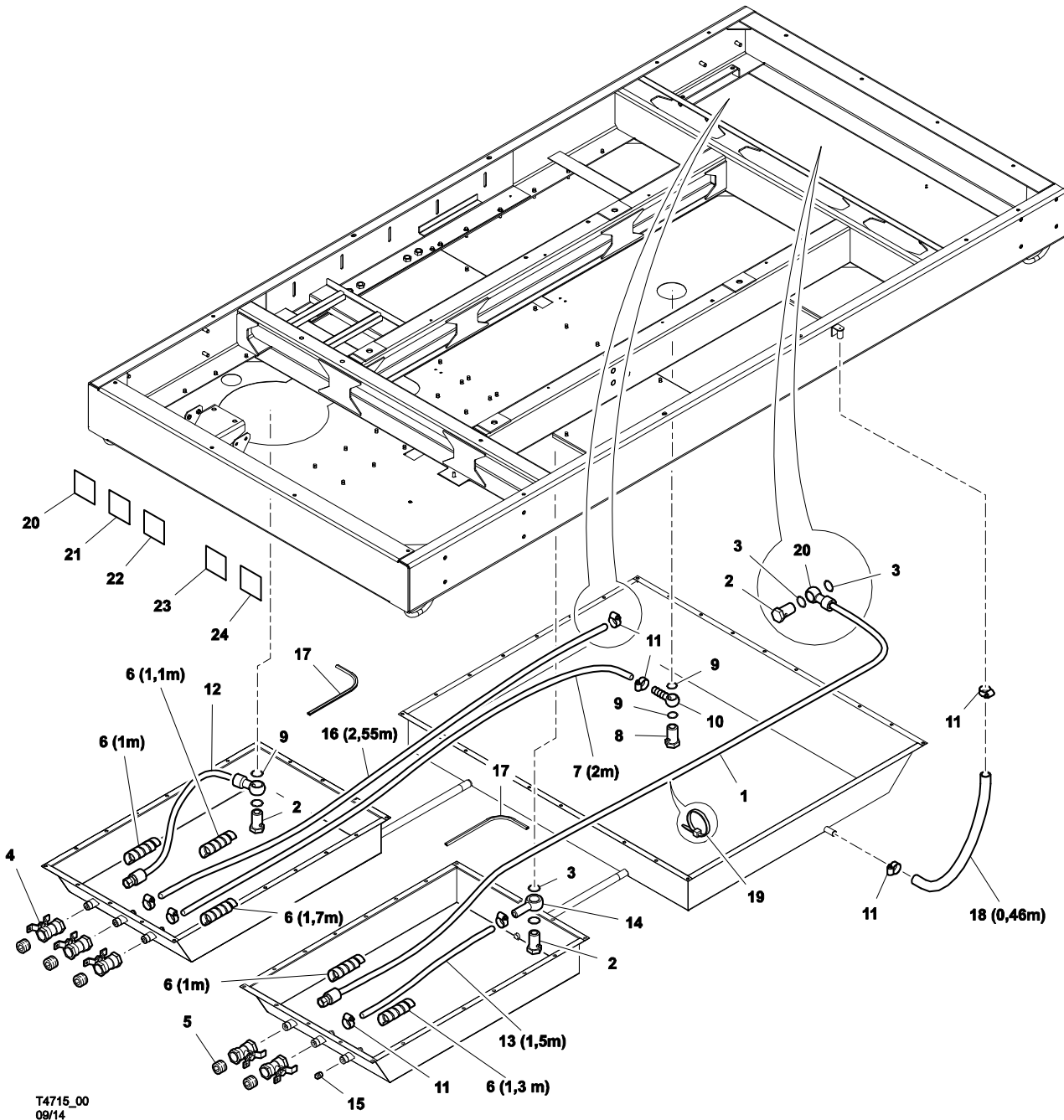


T4724\_01  
04/16

## ENCLOSURE

Item	Part Number	Description	Remarks	Serial Number	Qty
1	46655233	TOOLBOX, FRONT			1
2	36881886	NUT			2
3	96728480	SCREW	(M8 x 16)		4
4	22990816	POUCH, LITERATURE			1
5	22897839	SCREW			4
6	46650905	TOOLBOX, BOTTOM			1
7	23367691	SCREW			4
8	23129208	BAFFLE			1
9	23129224	BAFFLE			1
10	92972140	SCREW			8
11	46666537	PANEL, TOOLBOX			1
12	96728480	SCREW	(M8 x 16)		4
13	46666528	PANEL			1
14	46666324	GUARD			1
15	46688571	SCREW			4
16	46666329	GUARD			1
17	23199565	WASHER			4
18	96727193	SCREW			4
19	96728480	SCREW	(M8 x 16)		2
20	46650058	STRAP			2
21	92398122	SCREW			4
22	96728480	SCREW	(M8 x 16)		4
23	46666414	GUARD			1
24	92119957	SEAL			4
25	46653270	PROTECTOR, TOOLBOX			1
26	46502548	HOLDER, PROTECTION			1
27	22054498	RIVET			11

# ENCLOSURE (central drains)

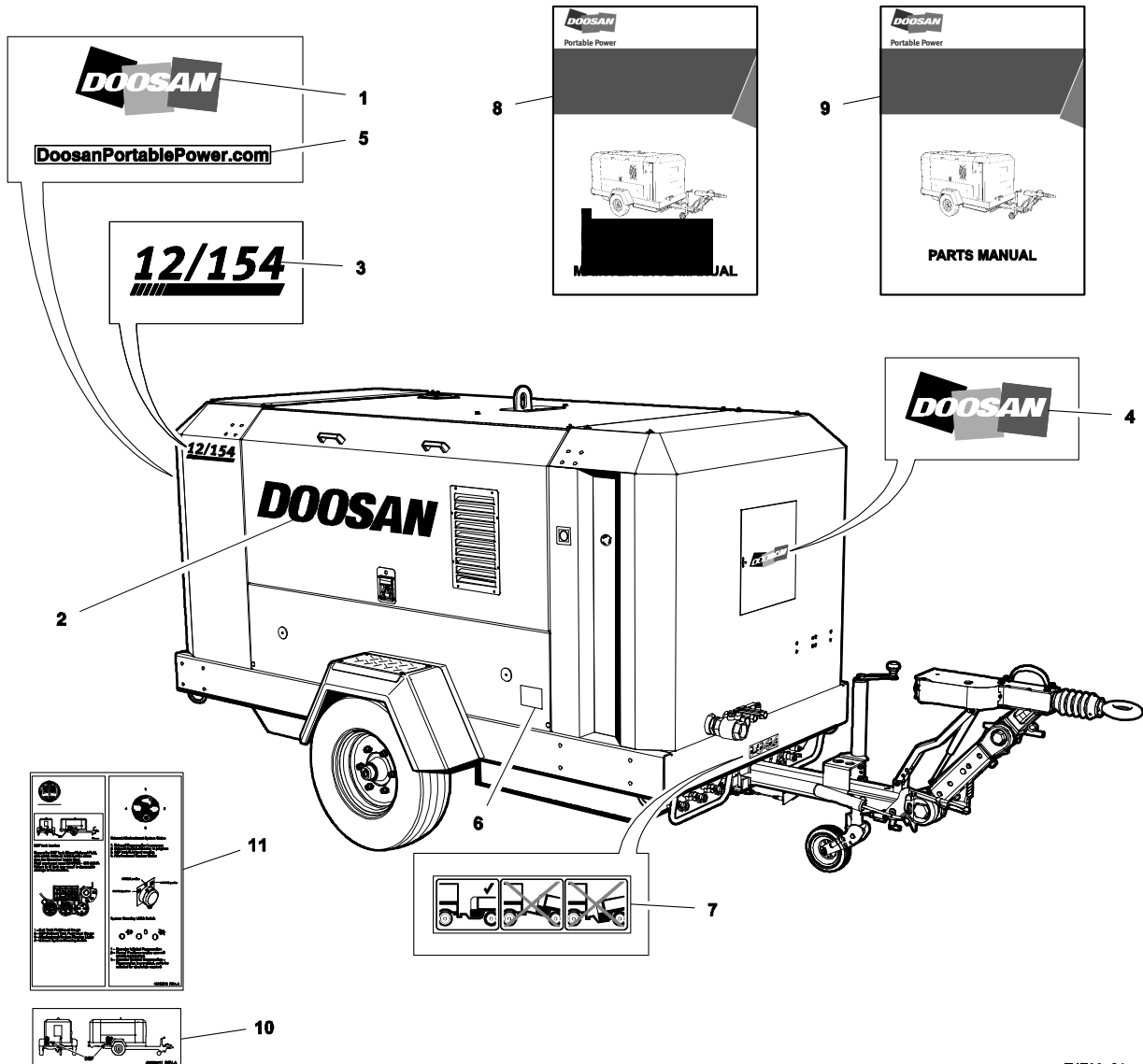


T4715\_00  
09/14

**ENCLOSURE  
(central drains)**

Item	Part Number	Description	Remarks	Serial Number	Qty
1	46668265	HOSE	bulk - sold per metre		x
2	23174923	BOLT, BANJO			3
3	23254402	RING, COPPER			6
4	36777399	VALVE, BALL			5
5	95947149	PLUG			5
6	46551700	PROTECTOR	order as required		x
7	35326578	HOSE	bulk - sold per metre		x
8	23174949	BOLT, BANJO			1
9	23174931	RING, COPPER			2
10	23190549	FITTING, BANJO			1
11	95220844	CLAMP			6
12	23122088	HOSE, OIL SEPARATOR	bulk - sold per metre		x
13	23190515	HOSE, FUEL	bulk - sold per metre		x
14	23190556	BANJO STRAIGHT			1
15	92354661	PLUG			1
16	23174980	HOSE	bulk - sold per metre - (20 mm ID)		x
17	22293419	SEAL, U-PROFILE			2
18	23028574	HOSE	bulk - sold per metre		x
19	92281427	TIE, CABLE			9
20	54629977	DECAL, ISO CENTRAL DRAIN	(separator tank drain) 'G'		1
21	54629977	DECAL, ISO CENTRAL DRAIN	(engine coolant drain) 'B'		1
22	54629977	DECAL, ISO CENTRAL DRAIN	(engine oil drain) 'E'		1
23	54629977	DECAL, ISO CENTRAL DRAIN	(compressor coolant drain) 'F'		1
24	54629977	DECAL, ISO CENTRAL DRAIN	(fuel tank drain) 'D'		1

# DECALS AND DOCUMENTATION



T4728\_01  
04/16





# DECALS AND DOCUMENTATION



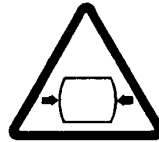
1



2



3



4



6



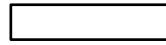
7



8

6.5 bar

9



12



5



10



11



13



14



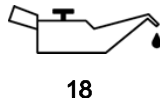
15



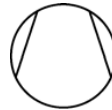
16



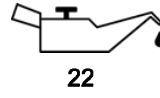
17



18



19



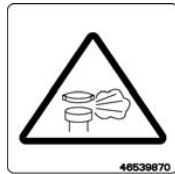
22



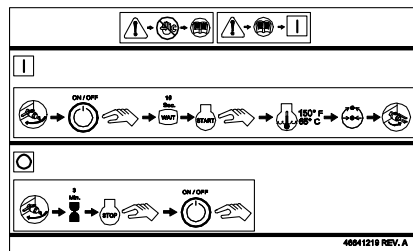
23

6 bar

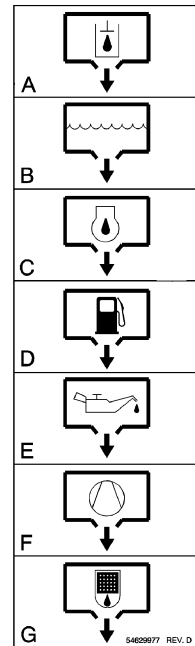
24



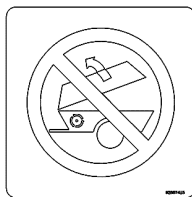
25



20



21

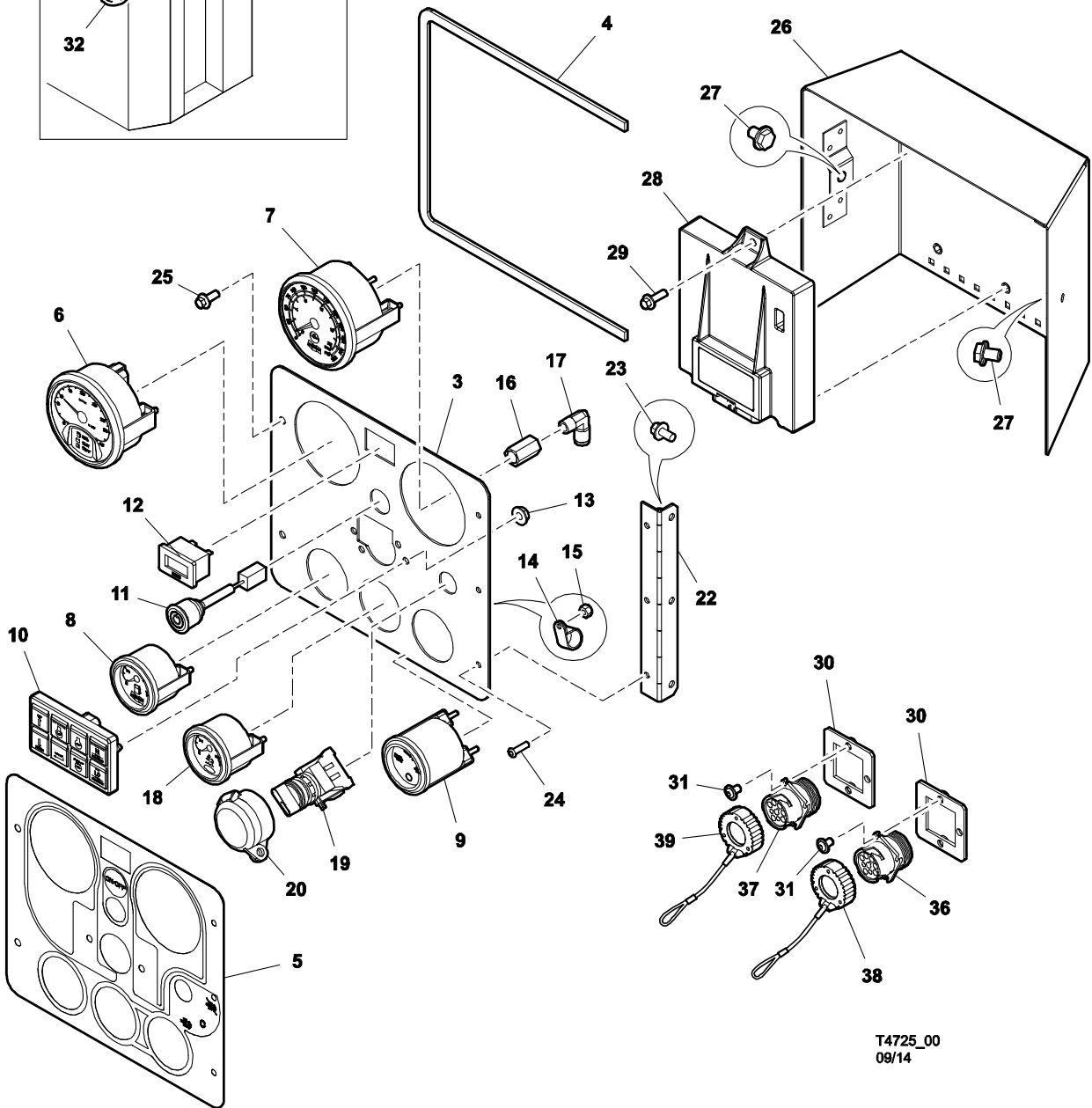
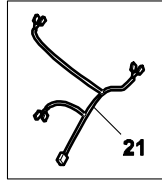
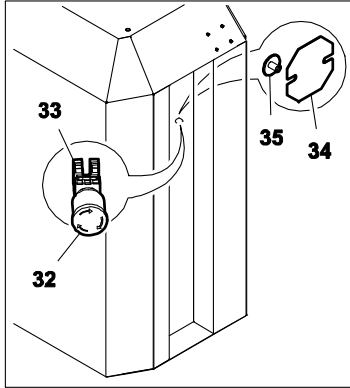


26

## DECALS AND DOCUMENTATION

Item	Part Number	Description	Remarks	Serial Number	Qty
1	92930593	DECAL, ELECTRIC SHOCK			1
2	92867530	DECAL, HOT SURFACE			1
3	92930601	DECAL, CORROSIVE SUBSTANCE			1
4	92930585	DECAL, PRESSURISED VESSEL			1
5	92930668	DECAL, NO MAINT/READ MANUAL			1
6	93165959	DECAL, ROTATING FAN			5
7	92867449	DECAL, REFER TO HANDBOOK			2
8	92930650	DECAL, EMERGENCY STOP			2
9	93181873	DECAL, TYRE PRESSURE			2
10	92930627	DECAL, GENERAL WARNING			2
11	46556990	DECAL, ULTRA LOW SULFUR DIESEL FUEL			1
12	93190486	DECAL, COOLANT LEVEL			1
13	93171262	DECAL, LIFT/TIE POINT			6
14	93465383	DECAL, SERVICE VALVE			1
15	89298491	DECAL, PROTEC OIL			1
16	92976042	DECAL, EXHAUST GAS DISCHARGE			1
17	46553802	DECAL, DO NOT USE AS STEP			1
18	93171270	DECAL, ENGINE OIL FILL			1
19	93171288	DECAL, COOLANT FILL			2
20	46641219	DECAL, OPERATING INSTRUCTIONS			1
21	54629977	DECAL, ISO CENTRAL DRAIN			1
22	93178945	DECAL, OIL FILL SYMBOL XP			1
23	46653480	DECAL, WATER LEVEL			1
24	46653481	DECAL, PRESSURE	(6 BAR)		2
25	46539870	DECAL, HOT LIQUID SYMBOL			1
26	92867415	DECAL, CLOSE DOORS			1

# INSTRUMENTATION / ELECTRICS

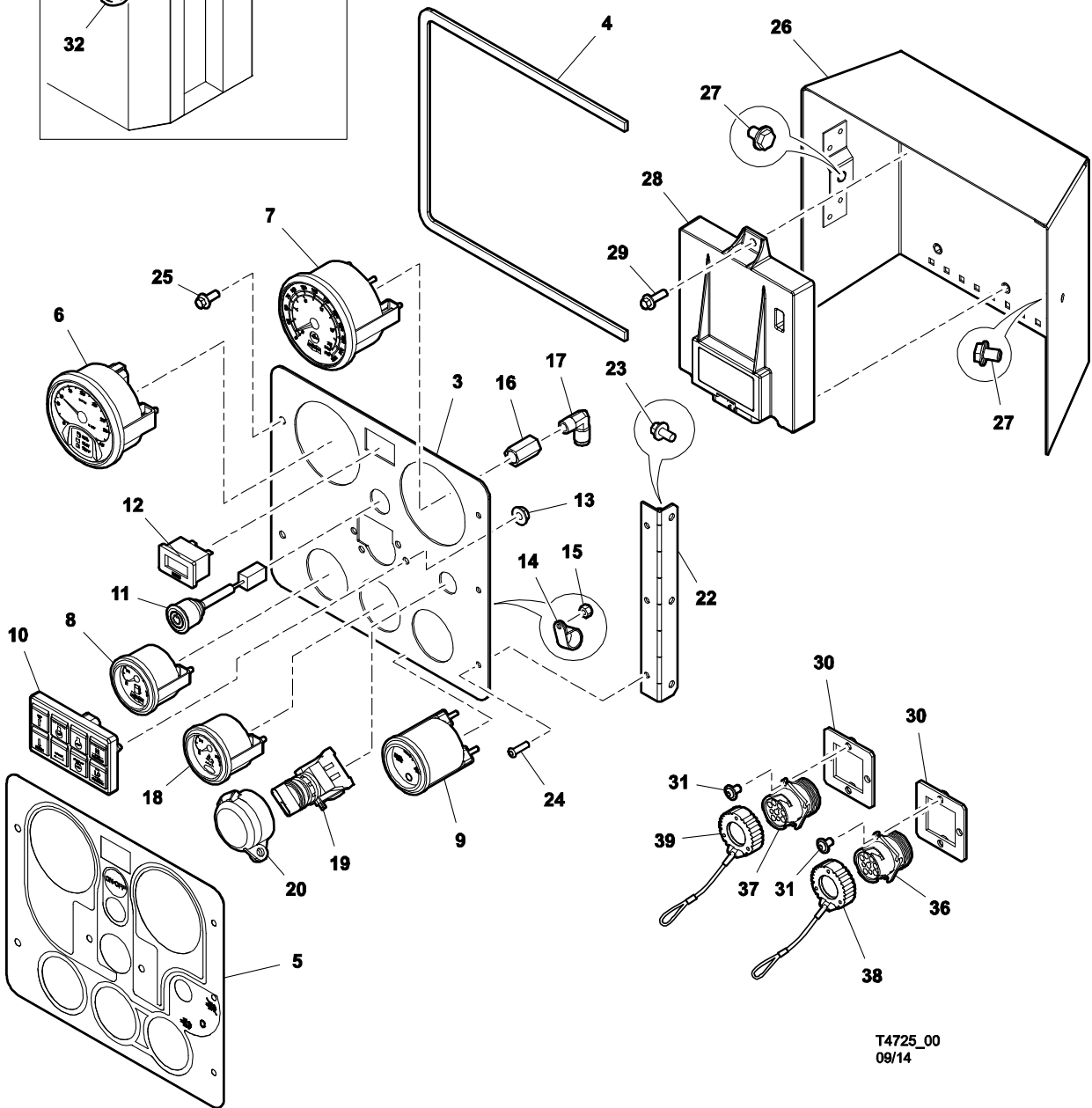
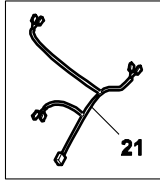
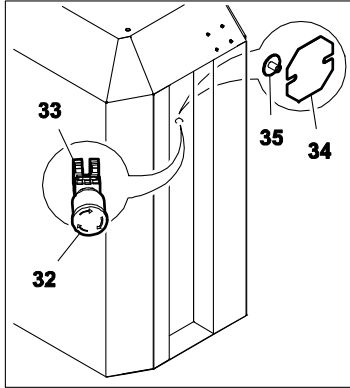


T4725\_00  
09/14

## INSTRUMENTATION / ELECTRICS

Item	Part Number	Description	Remarks	Serial Number	Qty
1	46641520	CONTROL PANEL	W/Ref. 2-21		1
2	46641522	PANEL, FRONT	W/Ref. 3-5		1
3	46641525	PANEL, INSTRUMENT			1
4	22617666	SEAL			1
5	46641527	DECAL			1
6	46632434	GAUGE, TACHOMETER			1
7	46558800	GAUGE, PRESSURE			1
8	46565479	GAUGE, FUEL LEVEL			1
9	46652536	GAUGE, OPERATOR INTERFACE			1
10	46585699	KEYPAD			1
11	46605159	SWITCH			1
12	46557109	HOURMETER			1
13	36898104	NUT			2
14	46564986	CLAMP			2
15	95928800	NUT			2
16	46557961	ADAPTOR			1
17	54403266	ELBOW			1
18	46636464	GAUGE, DEF LEVEL			1
19	46556142	SWITCH, SELECTOR			1
20	46556145	PROTECTION, SWITCH			1
21	46647765	HARNESS, CONTROL PANEL			1
22	46627719	HINGE			1
23	96705058	SCREW			3
24	92271923	RIVET			3
25	96704531	SCREW			2
26	46666342	COVER			1
27	93150977	SCREW			2
28	46551938	CONTROLLER, TITAN			1
29	36898096	SCREW			3
30	23296445	HOLDER, SOCKET			2
31	22897839	SCREW			4

# INSTRUMENTATION / ELECTRICS (CONT'D)

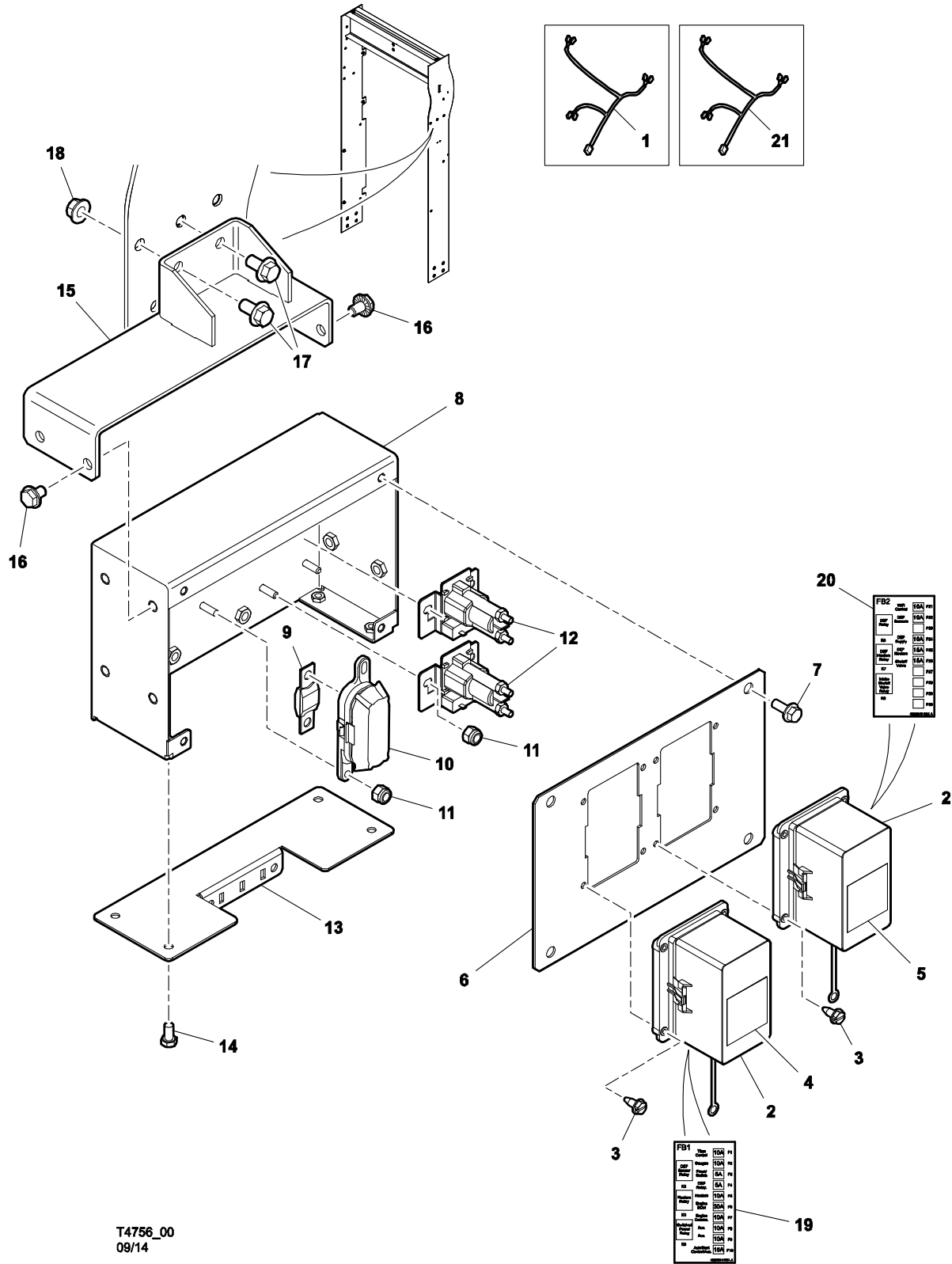


T4725\_00  
09/14

**INSTRUMENTATION / ELECTRICS (CONT'D)**

Item	Part Number	Description	Remarks	Serial Number	Qty
32	89303127	SWITCH, EMERGENCY STOP			2
33	89303135	BLOCK, CONTACT			2
34	46539763	COVER, STOP BUTTON			2
35	46570819	RETAINER			4
36	46652827	SOCKET, ELECTRICAL			1
37	22871875	SOCKET, ELECTRICAL			1
38	46652650	CAP, DUST W/LANYARD			1
39	23366768	CAP, DUST W/LANYARD			1

# INSTRUMENTATION / ELECTRICS



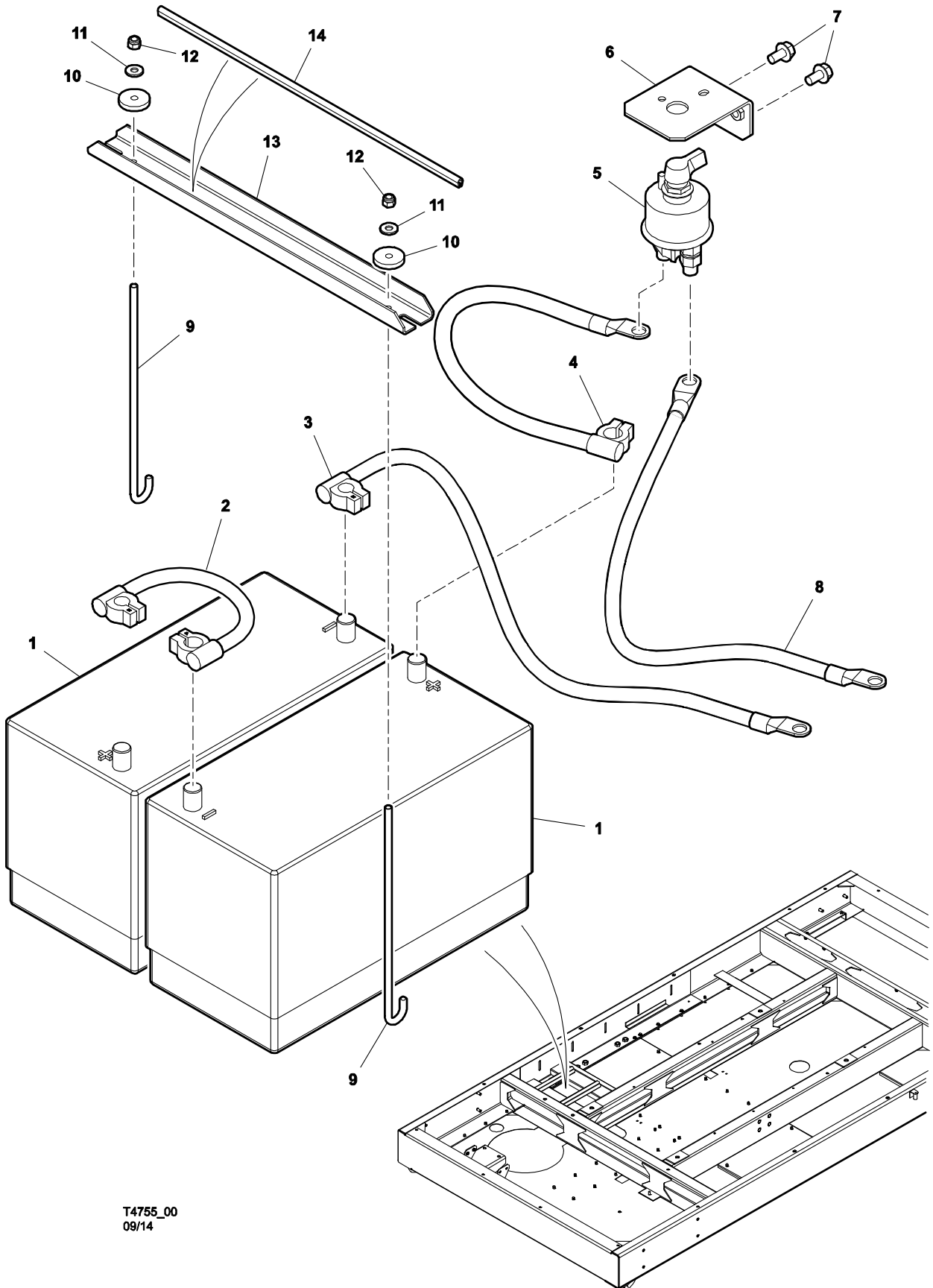
T4756\_00  
09/14



## INSTRUMENTATION / ELECTRICS

Item	Part Number	Description	Remarks	Serial Number	Qty
1	46647919	HARNESS, COMPRESSOR			1
2	46611559	FUSE / RELAY CENTER ASSEMBLY			2
3	35252279	SCREW			8
4	46574381	DECAL			1
5	46575499	DECAL			1
6	46620180	COVER			1
7	96742689	SCREW			4
8	46652590	BOX, RELAY MOUNTING			1
9	46561563	FUSE	(150 A)		1
10	46561862	HOLDER, FUSE			1
11	92829316	NUT			6
12	36853521	RELAY, STARTER / AIR PREHEAT			2
13	46652968	COVER			1
14	35307818	SCREW			4
15	46652700	BRACKET			1
16	93150977	SCREW			4
17	92472638	SCREW			2
18	36879195	NUT			1
19	46656814	DECAL			1
20	46656815	DECAL, RELAY CENTER			1
21	46655212	HARNESS, ENGINE			1

# INSTRUMENTATION / ELECTRICS

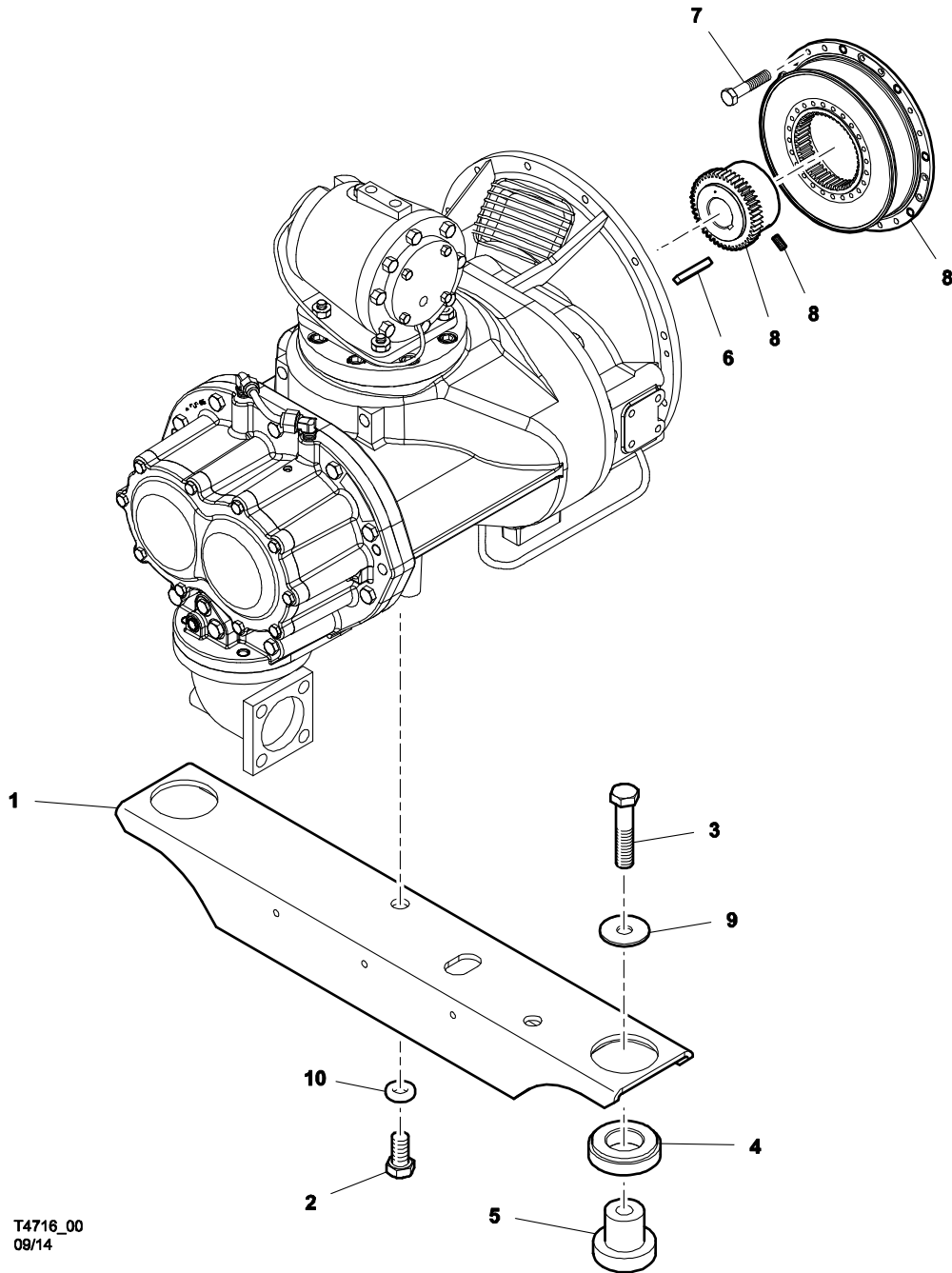


T4755\_00  
09/14

**INSTRUMENTATION / ELECTRICS**

Item	Part Number	Description	Remarks	Serial Number	Qty
1	22413876	BATTERY			2
2	23256761	JUMPER, BATTERY			1
3	23129406	CABLE, NEGATIVE			1
4	54511282	CABLE, POSITIVE			1
5	36896975	SWITCH, BATTERY ISOLATOR			1
6	46540795	BRACKET			1
7	96728480	SCREW	(M8 x 16)		2
8	23129398	CABLE, POSITIVE			1
9	46656660	BOLT			2
10	36853265	WASHER			2
11	95935029	WASHER			2
12	92829316	NUT			2
13	46541165	HOLD DOWN, BATTERY			1
14	22293419	SEAL, U-PROFILE	0,4 m long		1

# AIREND ASSEMBLY

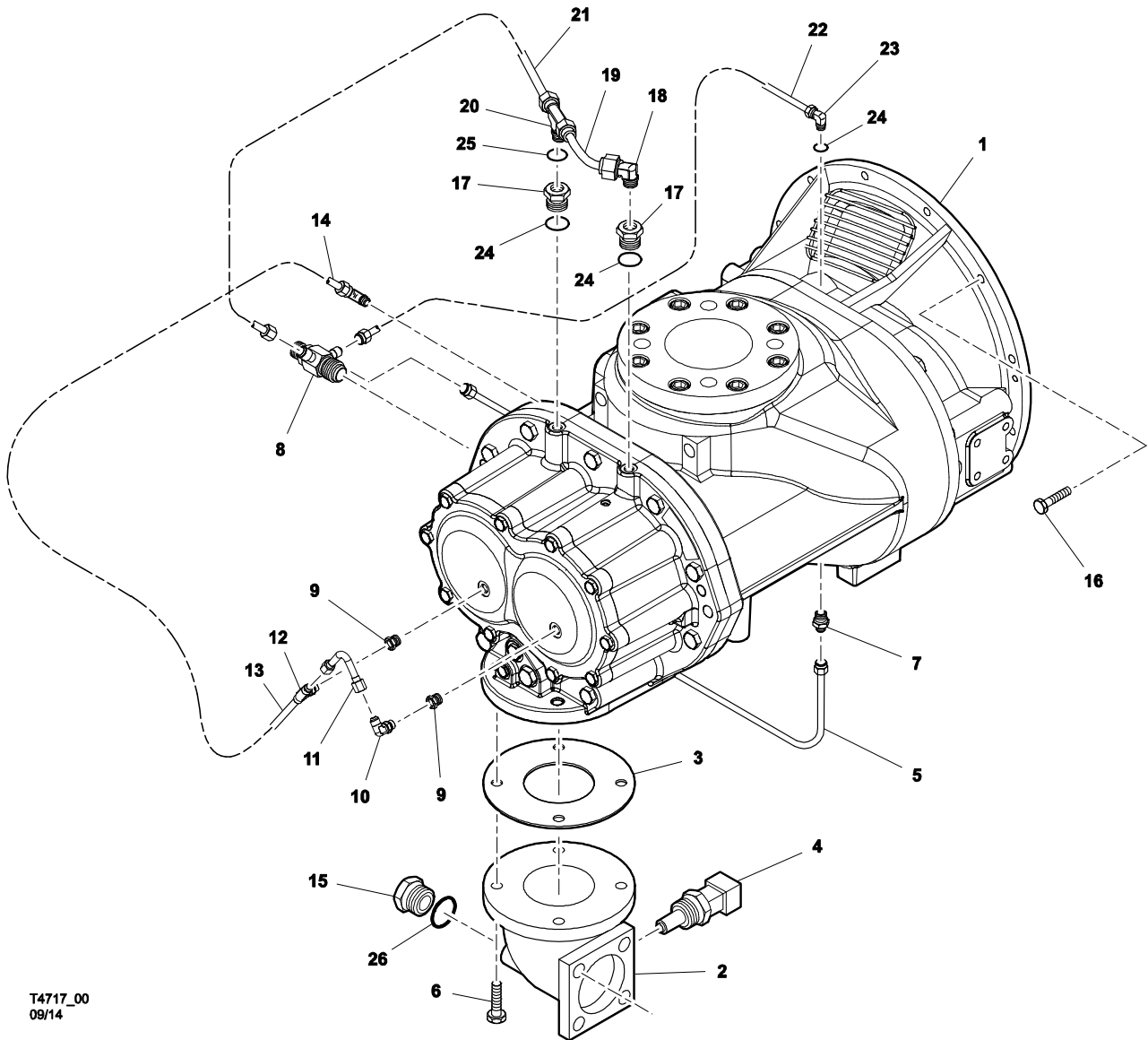


T4716\_00  
09/14

# AIREND ASSEMBLY

Item	Part Number	Description	Remarks	Serial Number	Qty
1	23077563	BRACKET			1
2	35375591	SCREW			2
3	96701503	BOLT			2
4	36845170	SPACER			2
5	35318229	MOUNT			2
6	35364975	KEY			1
7	95686333	SCREW			8
8	23094709	COUPLING ASSEMBLY			1
9	35327212	WASHER			2
10	93545580	WASHER			2

# AIREND ASSEMBLY

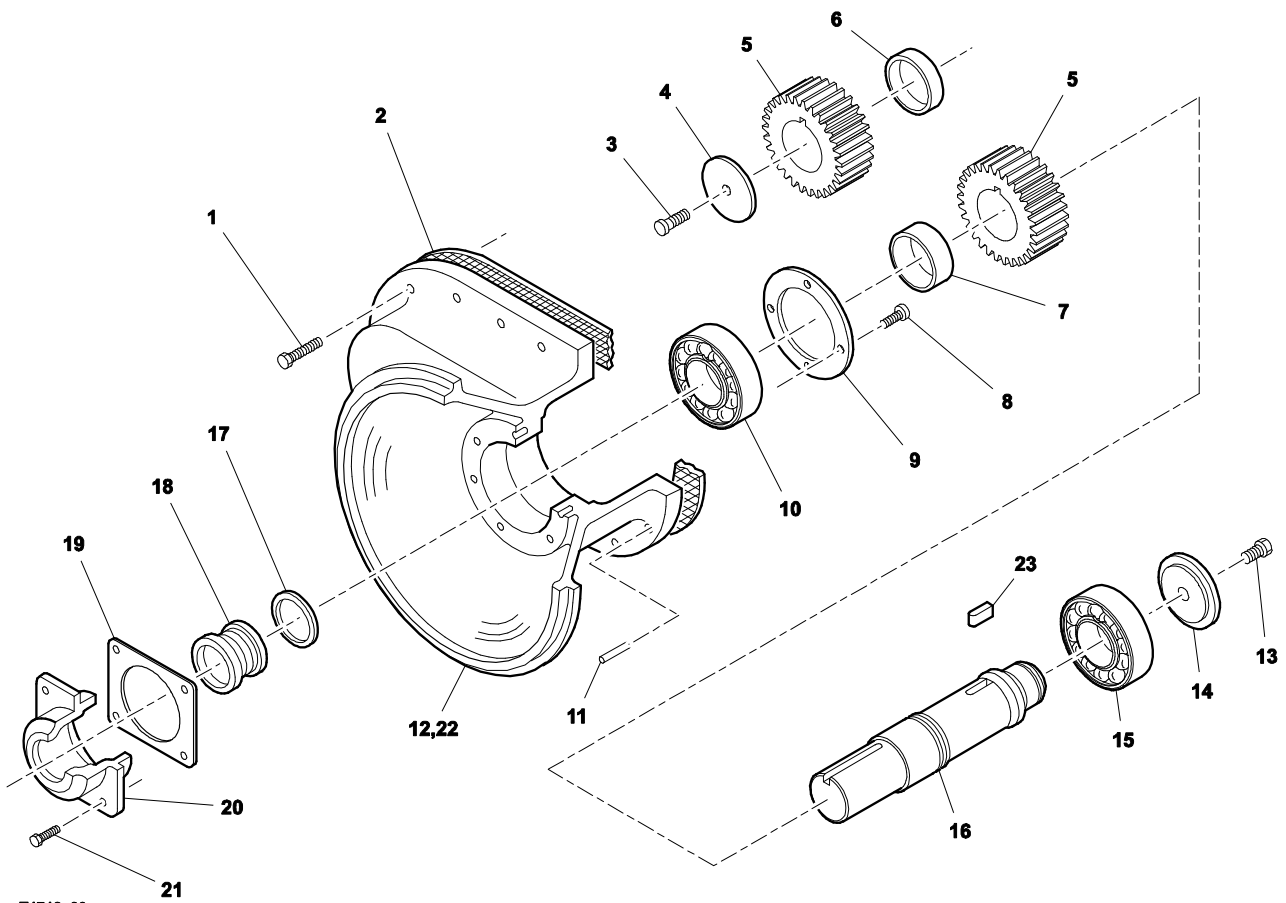


T4717\_00  
09/14

## AIREND ASSEMBLY

Item	Part Number	Description	Remarks	Serial Number	Qty
1	36010643	AIREND ASSEMBLY			1
2	22247340	ELBOW, DISCHARGE			1
3	35575570	GASKET, AIREND DISCHARGE			1
4	36898922	SENSOR, TEMPERATURE	(air discharge)		1
5	23162233	TUBE, AIREND OIL			1
6	35375385	SCREW			4
7	95949491	PLUG			1
8	36845154	MANIFOLD, OIL			1
9	36846095	CONNECTOR, O-RING			2
10	35286491	ELBOW			1
11	36846111	TUBE ASSEMBLY			1
12	36846129	TEE			1
13	36846103	TUBE, BEARING OIL SCAVENGE			1
14	35305622	ELBOW			1
15	95949491	PLUG			1
16	36880995	SCREW			12
17	35287945	BUSH, REDUCING			2
18	35279827	ELBOW			1
19	36795482	TUBE ASSEMBLY			1
20	35279843	TEE			1
21	36846087	TUBE, BEARING OIL SUPPLY			1
22	22189591	TUBE, AIREND OIL			1
23	35279876	ELBOW			1
24	35279959	O-RING			3
25	35278571	O-RING			1
26	35278589	O-RING			1

# AIREND ASSEMBLY



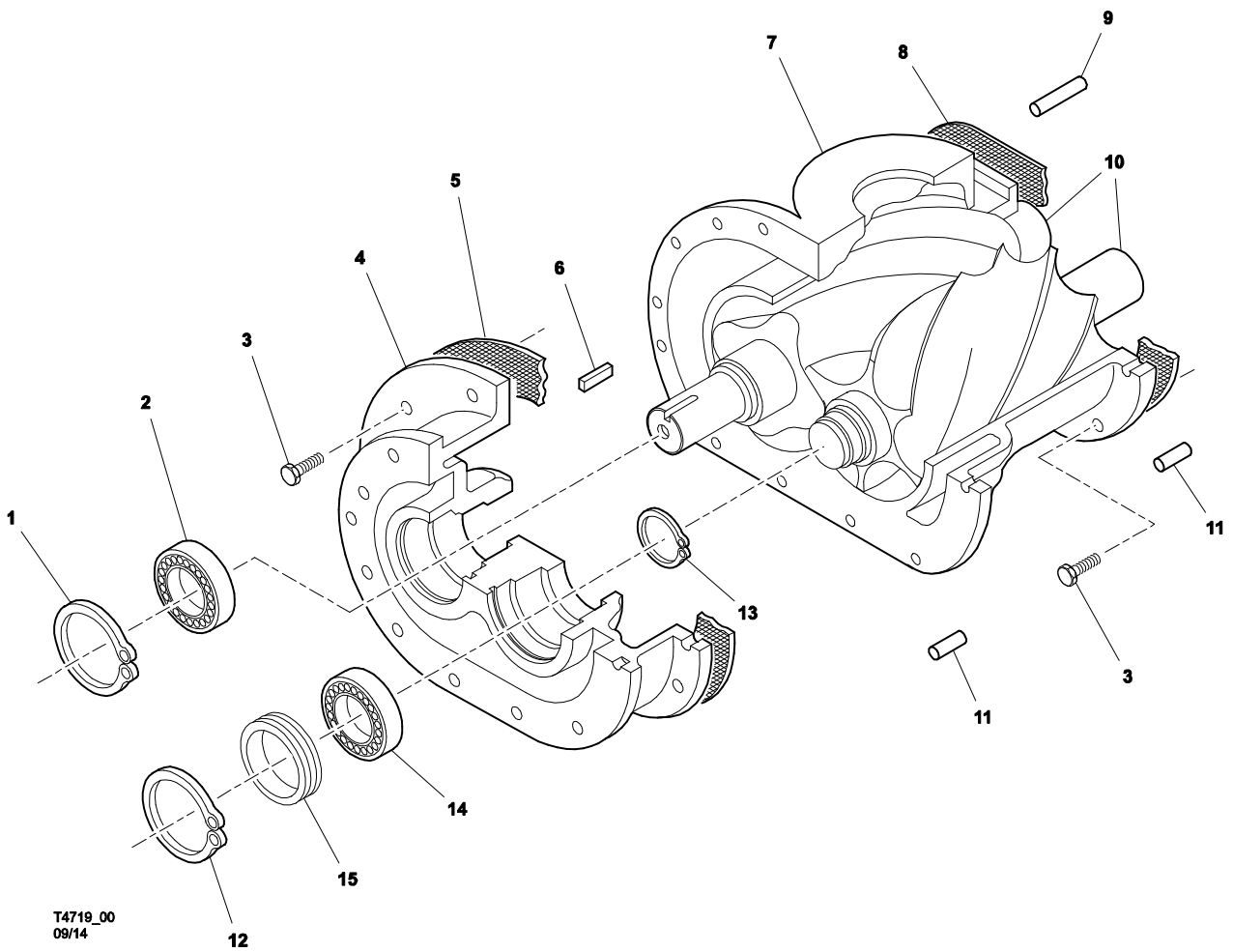
T4718\_00  
09/14



**AIREND ASSEMBLY**

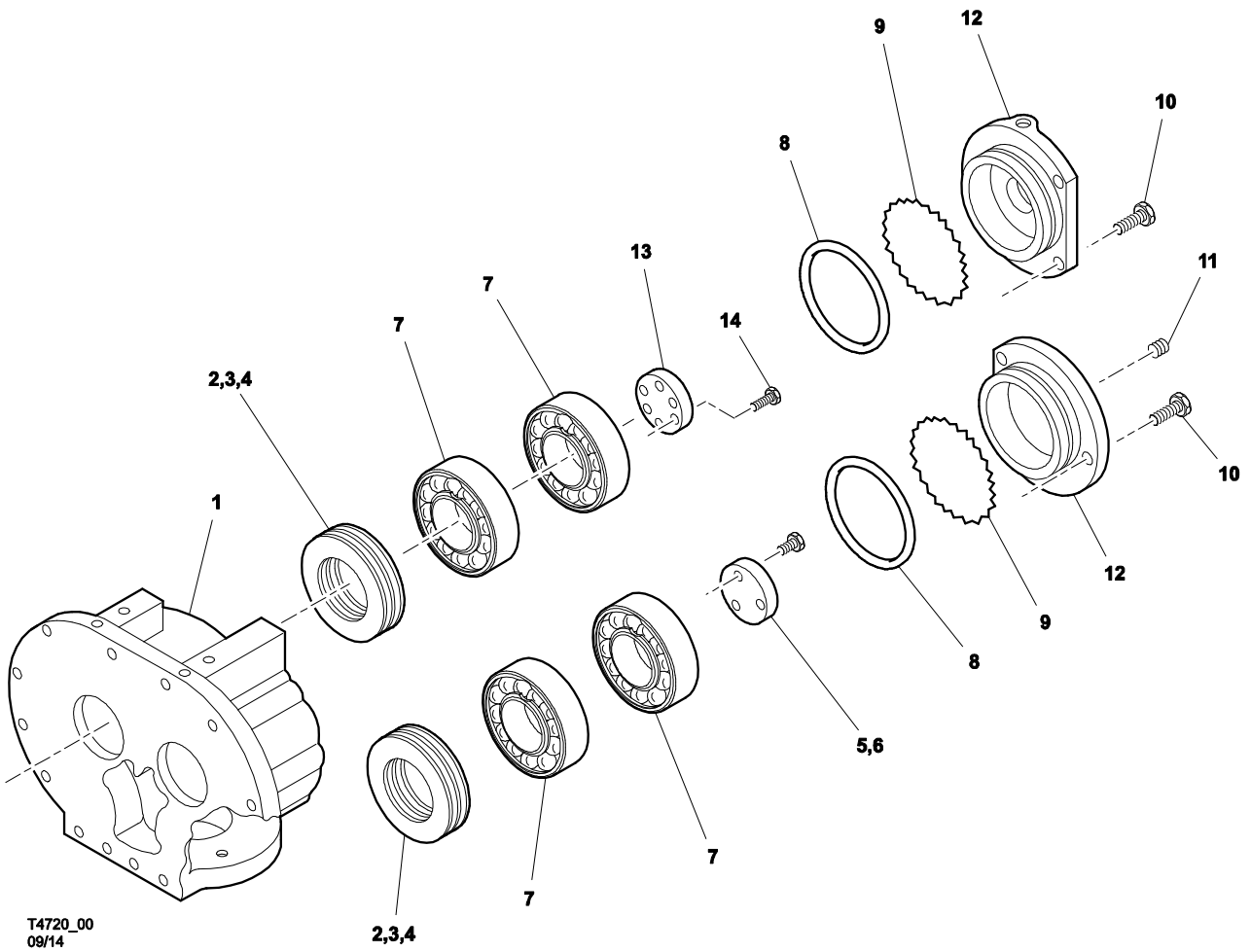
Item	Part Number	Description	Remarks	Serial Number	Qty
1	96716162	SCREW			8
2	39437637	GASKET			1
3	35108372	SCREW, SOCKET HEAD			1
4	35255827	PLATE, CLAMP			1
5	36751659	GEAR SET			1
6	35262716	SPACER			1
7	35269224	SPACER, BEARING			1
8	95264149	SCREW			4
9	35573070	PLATE, RETAINING			1
10	35601517	BEARING, BALL			1
11	95239919	PIN, DOWEL			2
12	35996164	CASE, GEAR			1
13	35336304	SCREW, SOCKET HEAD CAP			1
14	36764785	CAP, GUIDE			1
15	35313568	BEARING			1
16	36780906	SHAFT, DRIVE			1
17	95200945	NUT, BEARING LOCK			1
18	35593508	SEAL, OIL			1
19	35210087	GASKET			1
20	35592757	COVER, OIL SEAL			1
21	96712187	SCREW			6
22	36798205	GUARD, GEAR CASE			2
23	35361328	KEY			1

# AIREND ASSEMBLY





# AIREND ASSEMBLY

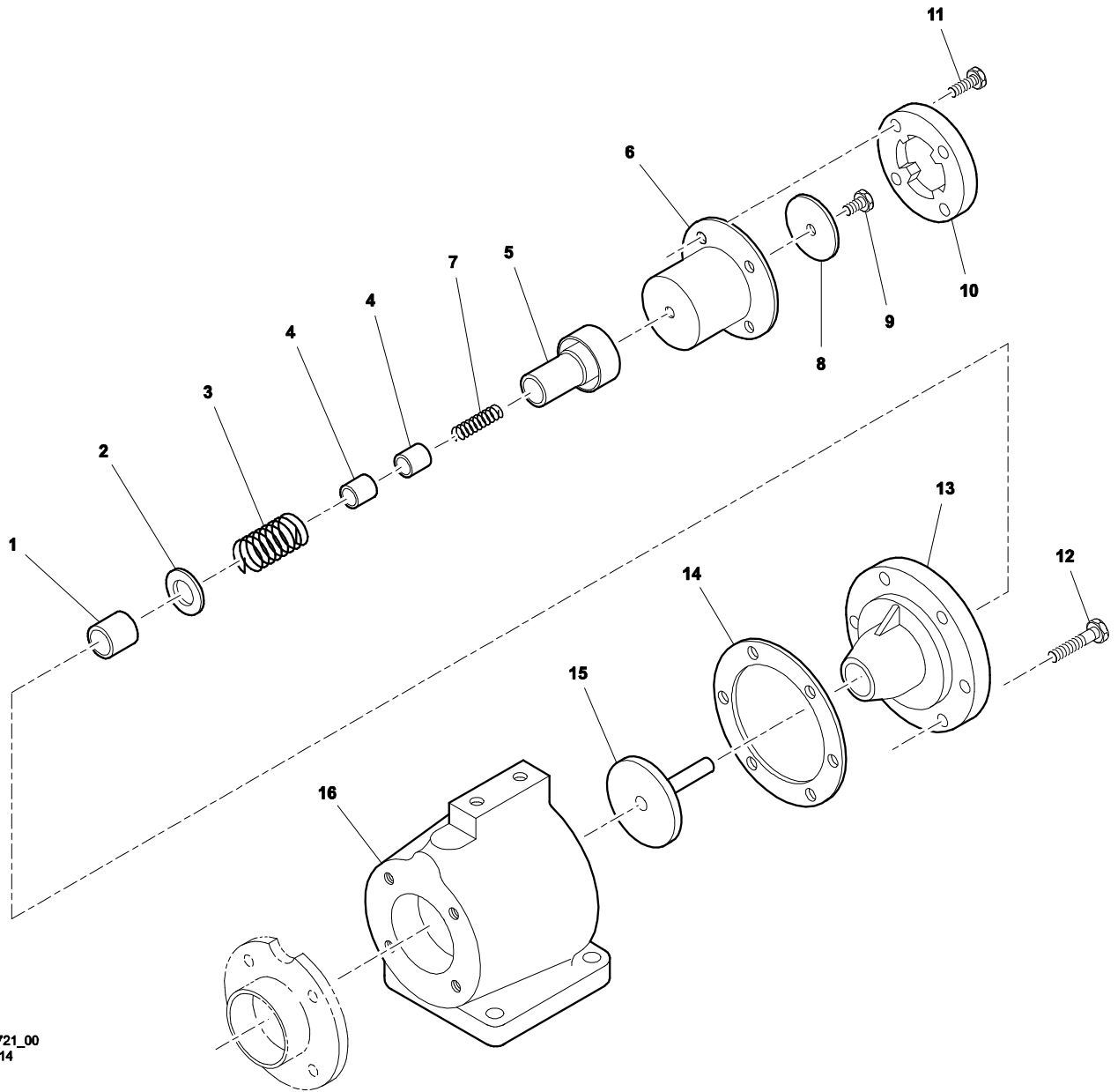


T4720\_00  
09/14

# AIREND ASSEMBLY

Item	Part Number	Description	Remarks	Serial Number	Qty
1	36769404	HOUSING, REAR BEARING			1
2	35313600	SHIM, .002			4
3	35313618	SHIM, .003			4
4	35364769	SHIM, .010			2
5	35262690	PLATE, CLAMP			1
6	35104108	SCREW, HEX HEAD			3
7	39437595	BEARING, TAPERED ROLLER			4
8	95358131	O-RING			2
9	35354448	SHIM SET			2
10	96712187	SCREW			6
11	95938205	PLUG			1
12	36500832	COVER, REAR BEARING			2
13	39435441	PLATE, CLAMP			1
14	95494167	SCREW			8

# AIREND ASSEMBLY

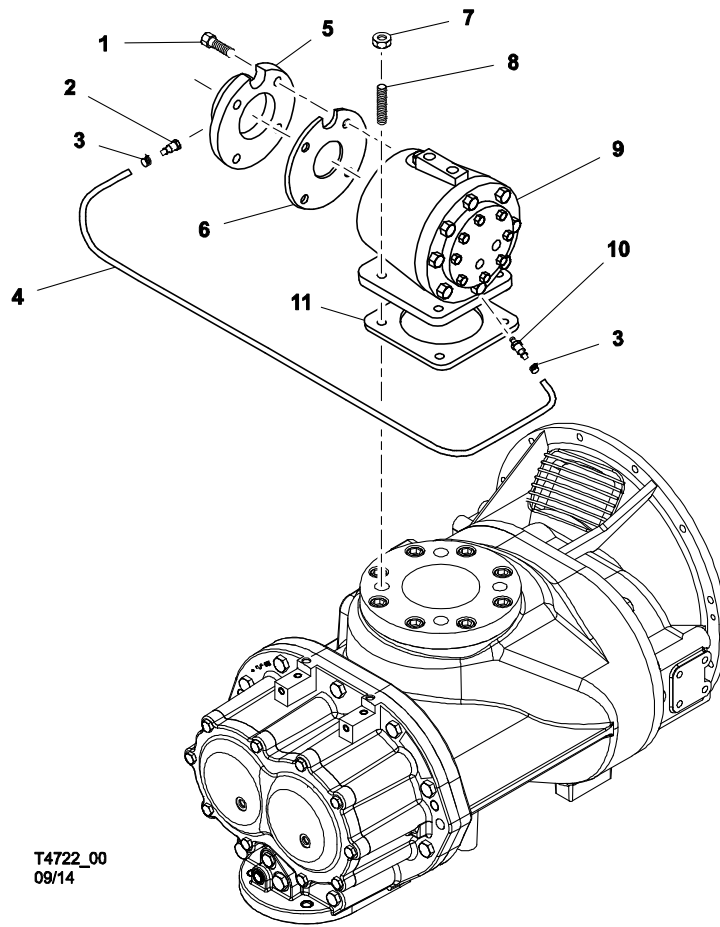


T4721\_00  
09/14

### AIREND ASSEMBLY

Item	Part Number	Description	Remarks	Serial Number	Qty
1	35318013	BUSH, HOUSING			1
2	35317205	WASHER, PISTON	(43 mm)		1
3	35322767	SPRING, PISTON			1
4	35318005	BUSH, PISTON			2
5	35588193	PISTON, UNLOADER			1
6	35317197	DIAPHRAGM			1
7	35321603	SPRING			1
8	35317239	WASHER, PISTON	(64 mm)		1
9	35321595	SCREW			1
10	36849461	COVER, PISTON			1
11	35271162	SCREW			4
12	96702287	SCREW			6
13	35833227	HOUSING, PISTON			1
14	35588300	GASKET, PISTON			1
15	35591122	VALVE, UNLOADER			1
16	36849543	BODY, UNLOADER			1
17	46550520	KIT, UNLOADER OVERHAUL			1
18	36011567	VALVE ASSEMBLY, UNLOADER	W/Ref. 1-16		1

# AIREND ASSEMBLY



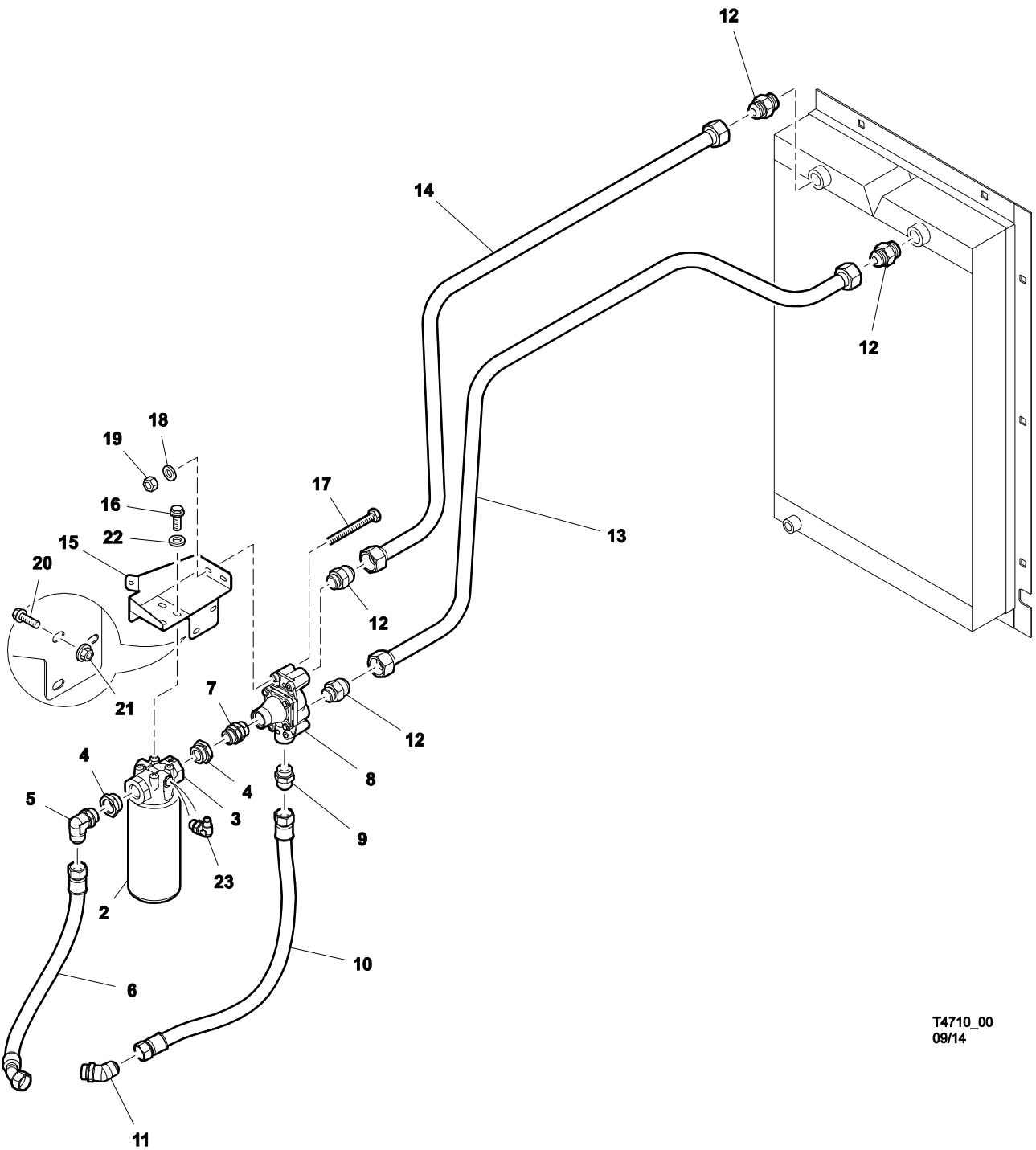
T4722\_00  
09/14



### AIREND ASSEMBLY

Item	Part Number	Description	Remarks	Serial Number	Qty
1	96702816	SCREW			4
2	35316587	ADAPTOR, BARBED			1
3	35377621	CLAMP, SPRING			2
4	35282292	TUBING, TYGON	(3,2 mm (1/8") ID)		1
5	35843168	FLANGE, UNLOADER INLET			1
6	35588318	GASKET, UNLOADER INLET			1
7	96701750	NUT, HEX			4
8	35323450	STUD			4
9	36011567	VALVE ASSEMBLY, UNLOADER			1
10	35323542	ADAPTOR, UNLOADER			1
11	35589589	GASKET, UNLOADER TO AIREND			1

# OIL/AIR PIPING

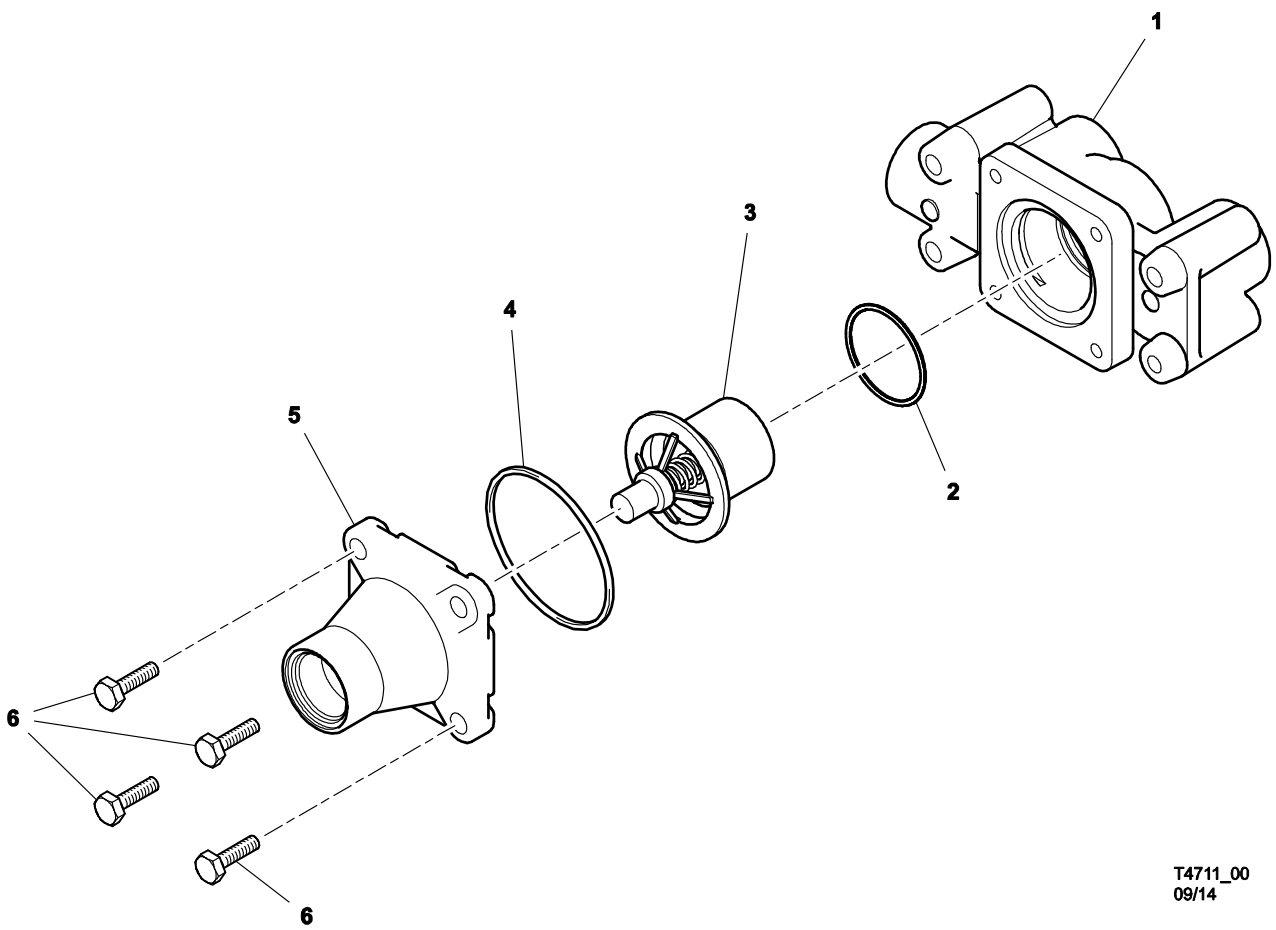


T4710\_00  
09/14

## OIL/AIR PIPING

Item	Part Number	Description	Remarks	Serial Number	Qty
1	36897429	OIL FILTER ASSEMBLY	W/Ref. 2-3		1
2	36897346	ELEMENT, OIL FILTER	(airend)		1
3	36897437	HEAD, OIL FILTER			1
4	95954913	REDUCER			2
5	95938171	ELBOW			1
6	23117252	HOSE ASSEMBLY			1
7	95954921	ADAPTOR			1
8	23137953	VALVE, TEMPERATURE BYPASS			1
9	95938148	CONNECTOR			1
10	23152127	HOSE, ASSEMBLY			1
11	95992632	ELBOW			1
12	95315289	CONNECTOR			4
13	46636606	TUBE ASSEMBLY			1
14	46636607	TUBE ASSEMBLY			1
15	23118193	BRACKET			1
16	95934550	SCREW			4
17	35288422	BOLT			2
18	96701396	WASHER			2
19	96704606	NUT			2
20	36889608	SCREW	(M8-1.25 x 25)		3
21	36881886	NUT			3
22	95935037	WASHER			4
23	95365094	ELBOW			1

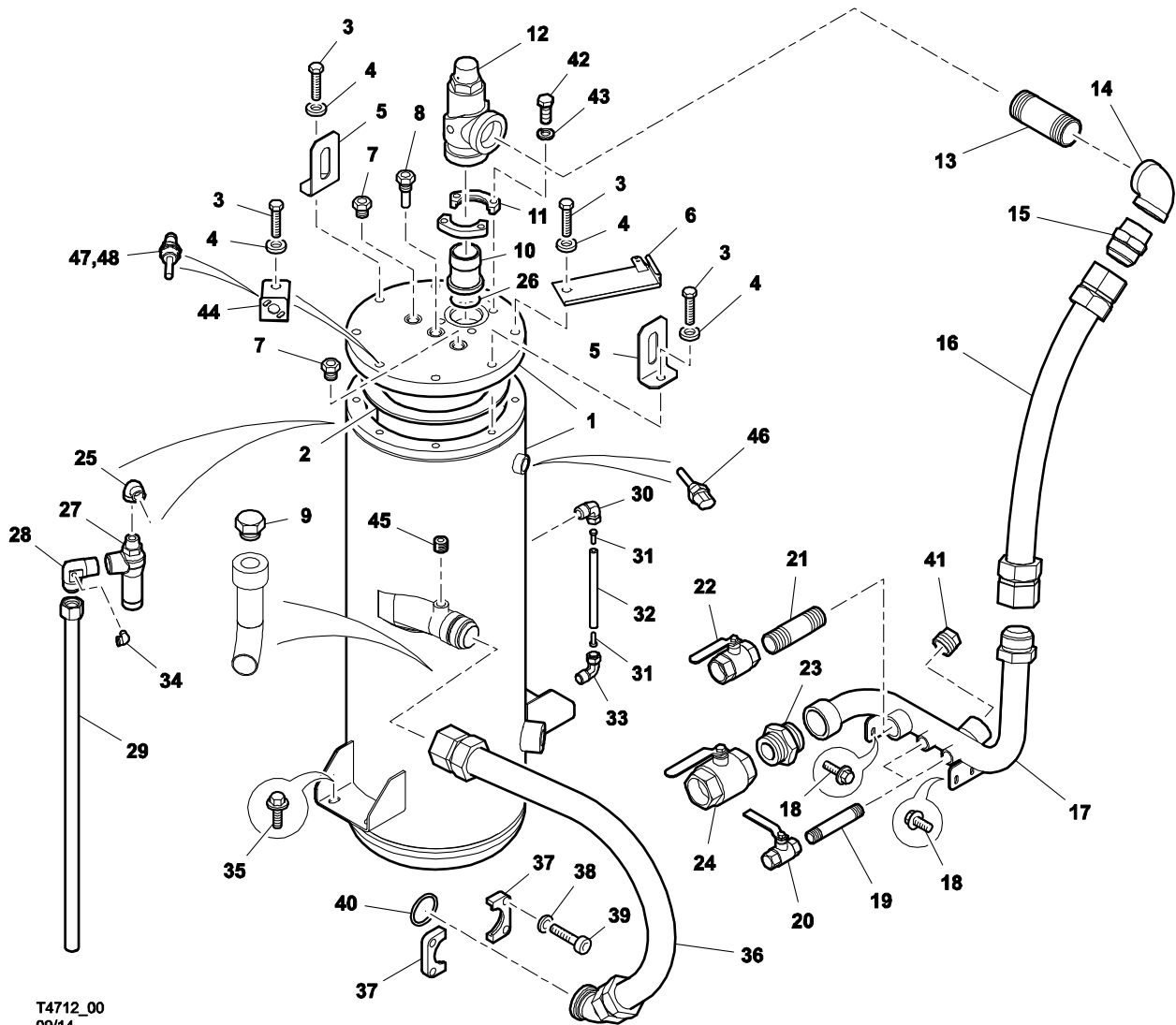
# OIL/AIR PIPING



T4711\_00  
09/14



# OIL/AIR PIPING

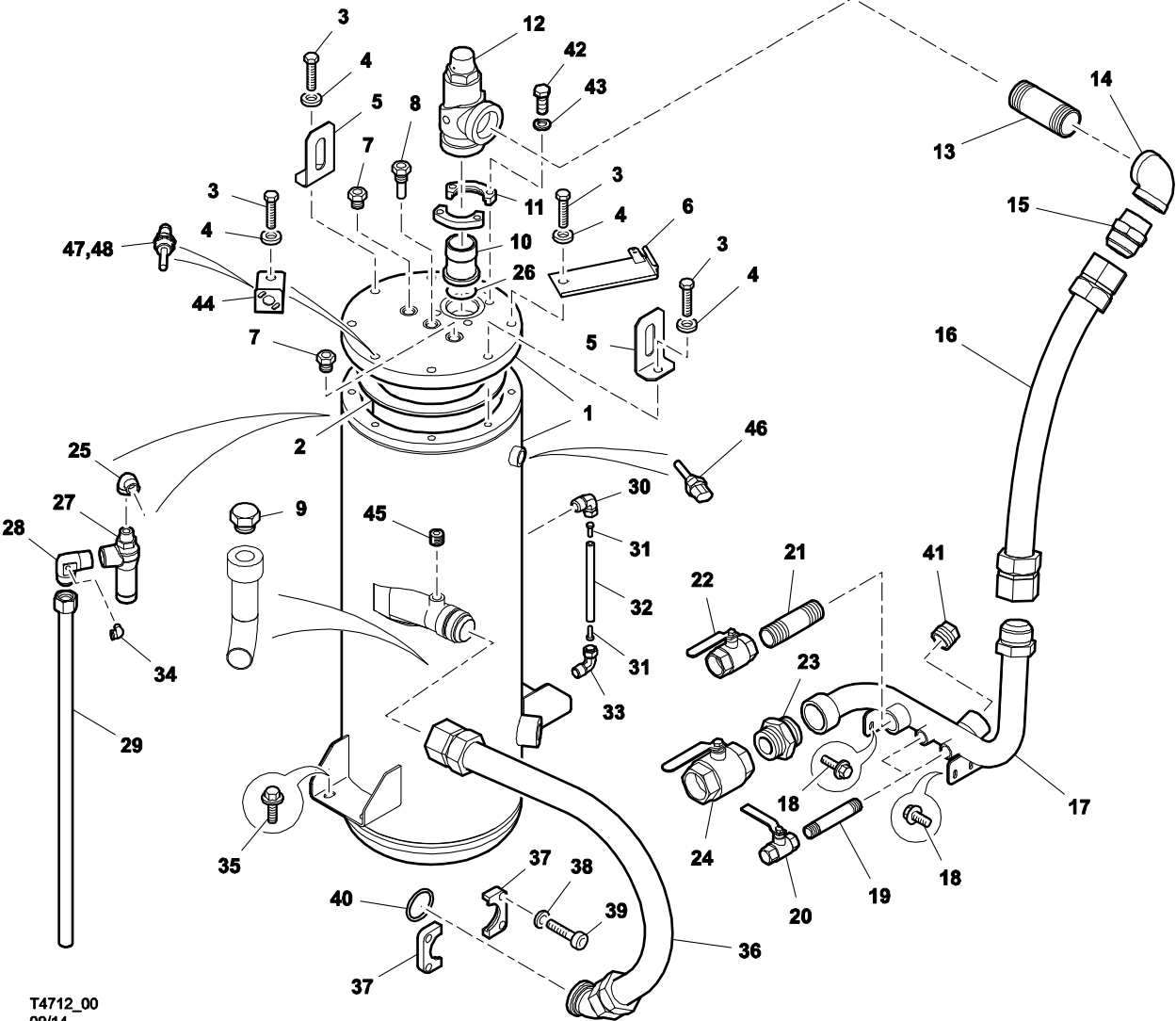


T4712\_00  
09/14

## OIL/AIR PIPING

Item	Part Number	Description	Remarks	Serial Number	Qty
1	23053523	TANK, SEPARATOR			1
2	22111975	ELEMENT, SEPARATOR			1
3	96703962	SCREW			8
4	93545580	WASHER			8
5	36785012	BRACKET			2
6	23196488	BRACKET			1
7	95773032	ADAPTOR			2
8	54721337	ADAPTOR			1
9	35579630	PLUG			1
10	46540068	CONNECTOR			1
11	35292143	CLAMP			2
12	35598770	VALVE, MINIMUM PRESSURE			1
13	95285615	NIPPLE			1
14	95946281	ELBOW			1
15	35335124	CONNECTOR			1
16	23148257	HOSE ASSEMBLY			1
17	23081623	MANIFOLD			1
18	96728480	SCREW	(M8 x 16)		4
19	92076447	NIPPLE			2
20	92294461	VALVE, BALL	(3/4" BSP)		2
21	92076454	NIPPLE			1
22	92111228	VALVE, BALL	(1 1/4" BSP)		1
23	22208334	ADAPTOR			1
24	92530047	VALVE, BALL	(2" BSP)		1
25	95928172	ELBOW			1
26	95357976	O-RING			1
27	23389620	VALVE, SAFETY			1
28	46623741	ELBOW			1
29	22226906	TUBE			1
30	22685481	ELBOW			1
31	22685507	INSERT, TUBE			2

# OIL/AIR PIPING (CONT'D)



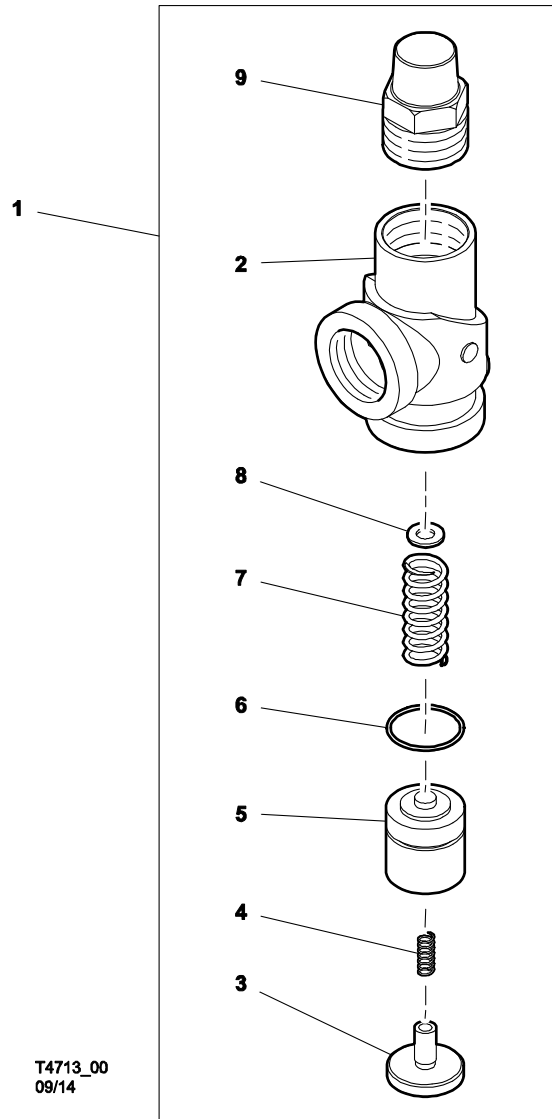
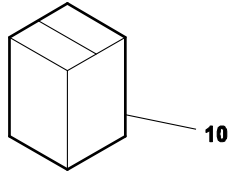
T4712\_00  
09/14



**OIL/AIR PIPING (CONT'D)**

Item	Part Number	Description	Remarks	Serial Number	Qty
32	22685523	TUBE, SIGHT GAUGE			1
33	22685499	ELBOW			1
34	95757183	ELBOW			1
35	96727177	SCREW			4
36	54688015	HOSE, DISCHARGE			1
37	35292143	CLAMP			2
38	95934683	WASHER, LOCK			4
39	96716162	SCREW			4
40	95357976	O-RING			1
41	95941639	PLUG			1
42	46551501	BOLT			4
43	95934683	WASHER, LOCK			4
44	46623448	BRACKET			1
45	95928255	PLUG			1
46	23294820	SENSOR, TEMPERATURE			1
47	23294838	SENSOR, TEMPERATURE			1
48	36853505	NUT			1

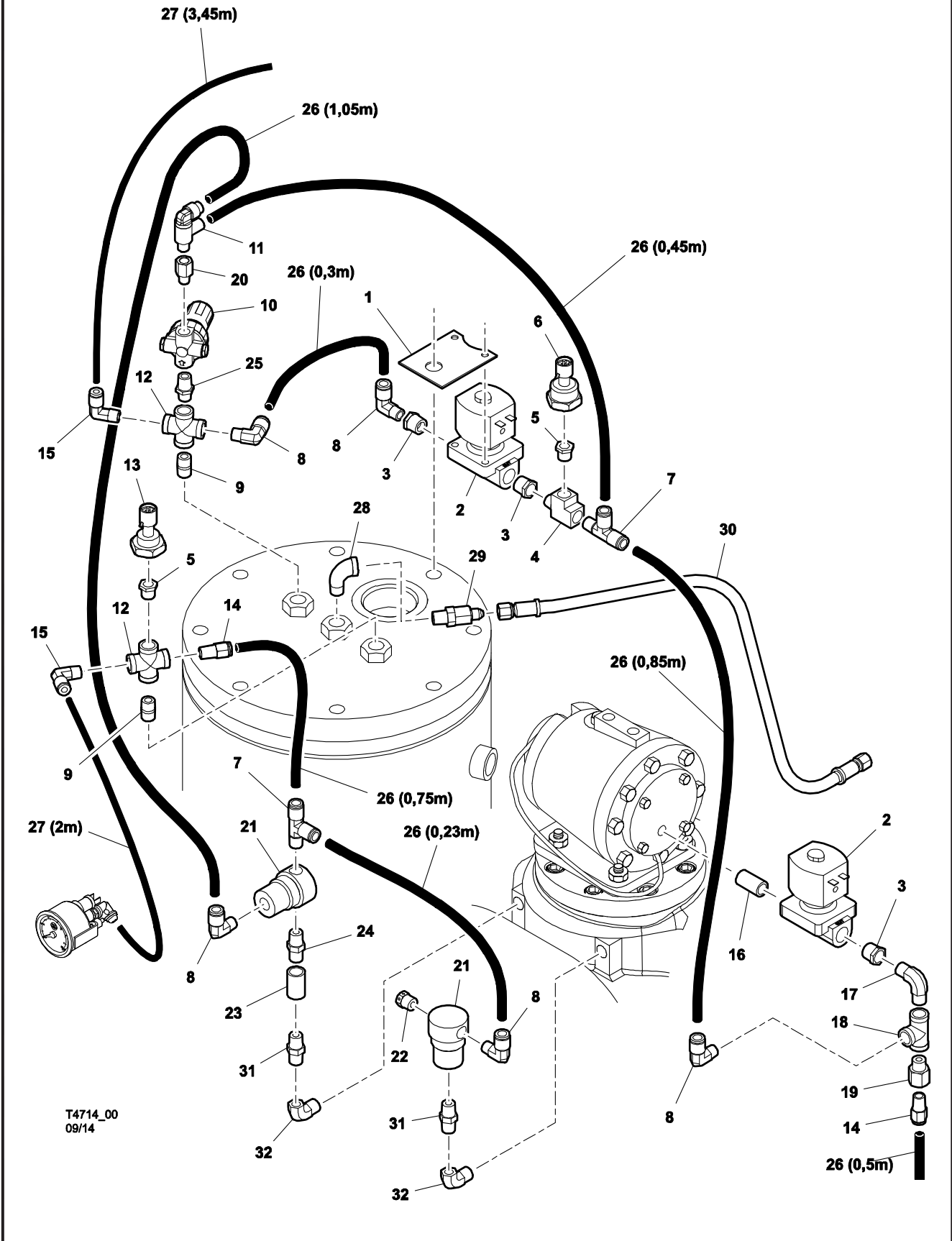
# MINIMUM PRESSURE VALVE



### MINIMUM PRESSURE VALVE

Item	Part Number	Description	Remarks	Serial Number	Qty
1	35598770	VALVE, MINIMUM PRESSURE	W/Ref. 2-9		1
2	35367333	BODY, MINIMUM PRESSURE VALVE			1
3	35367317	CV ASSEMBLY			1
4	35367358	SPRING			1
5	35367325	PISTON			1
6	35367374	O-RING			1
7	35367366	SPRING			1
8	95935003	WASHER			1
9	22242150	CAP			1
10	22218622	KIT, SERVICE MPV			1

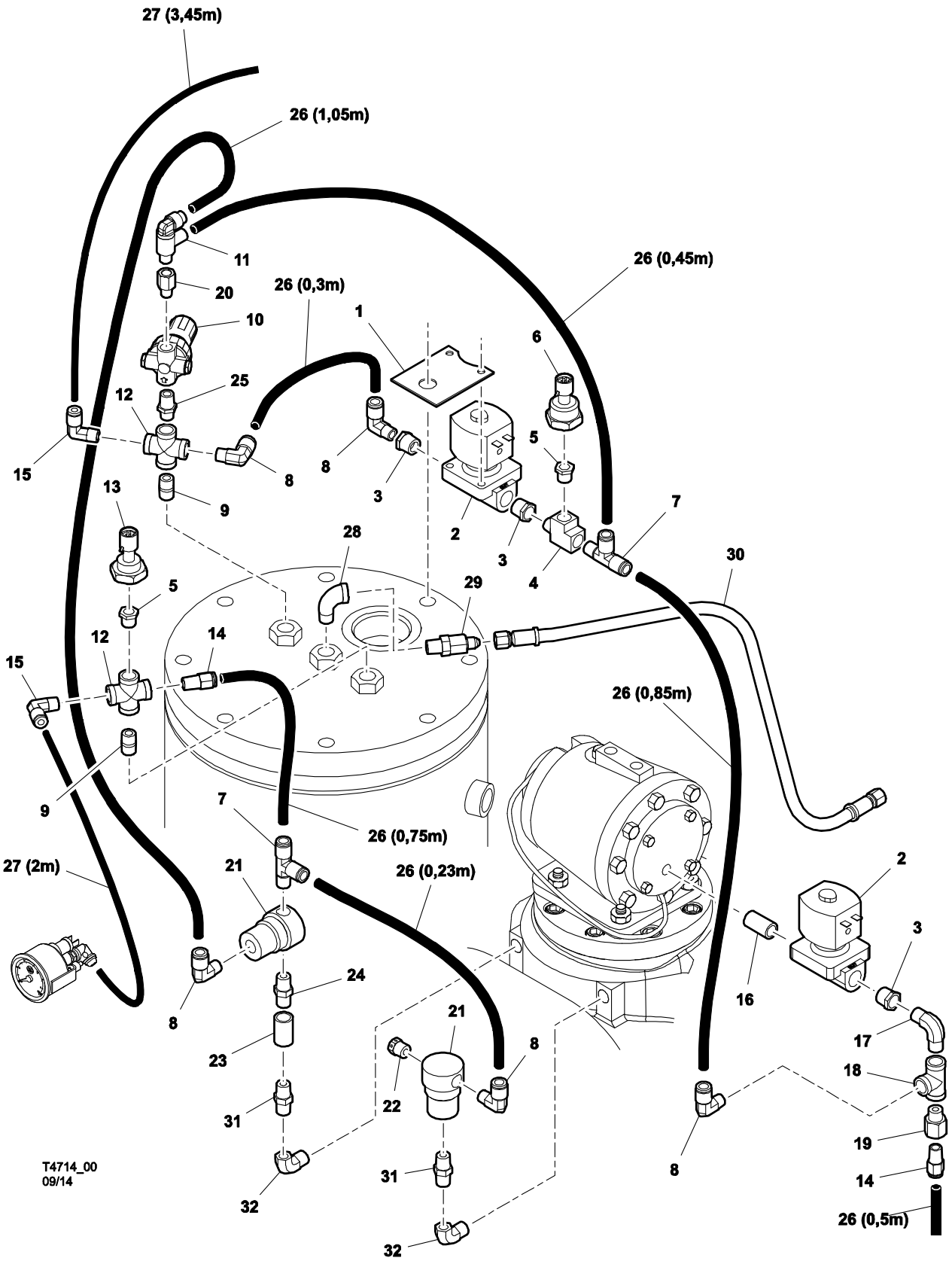
# REGULATION SYSTEM



## REGULATION SYSTEM

Item	Part Number	Description	Remarks	Serial Number	Qty
1	22383244	BRACKET			1
2	36840841	VALVE, SOLENOID			2
3	95940748	BUSH, REDUCING			3
4	35114545	TEE			1
5	95930301	BUSH			2
6	36920825	TRANSDUCER, PRESSURE	(0-100 psi)		1
7	35369503	TEE			2
8	35369354	ELBOW			5
9	95667341	NIPPLE			2
10	46553810	REGULATOR, PRESSURE			1
11	46539714	ELBOW			1
12	95954293	CROSS			2
13	54765946	TRANSDUCER, PRESSURE	(0-500 psi)		1
14	35369347	CONNECTOR			2
15	54403266	ELBOW			2
16	95092318	NIPPLE			1
17	95364469	ELBOW			1
18	95954194	TEE			1
19	46622654	ADAPTOR, ORIFICE			1
20	54625702	ADAPTOR			1
21	35322379	VALVE, BLOWDOWN			2
22	36766756	ORIFICE, SILENCER			1
23	95952990	COUPLING			1
24	35248145	VALVE, CHECK			1
25	46557840	CONNECTOR			1
26	35356484	TUBE, NYLON	bulk - sold per metre		x
27	92490358	TUBE, NYLON	bulk - sold per metre - (6 mm OD)		x
28	95944666	ELBOW			1
29	36840411	VALVE, CHECK			1
30	35282920	HOSE ASSEMBLY			1
31	46656632	ADAPTOR			2

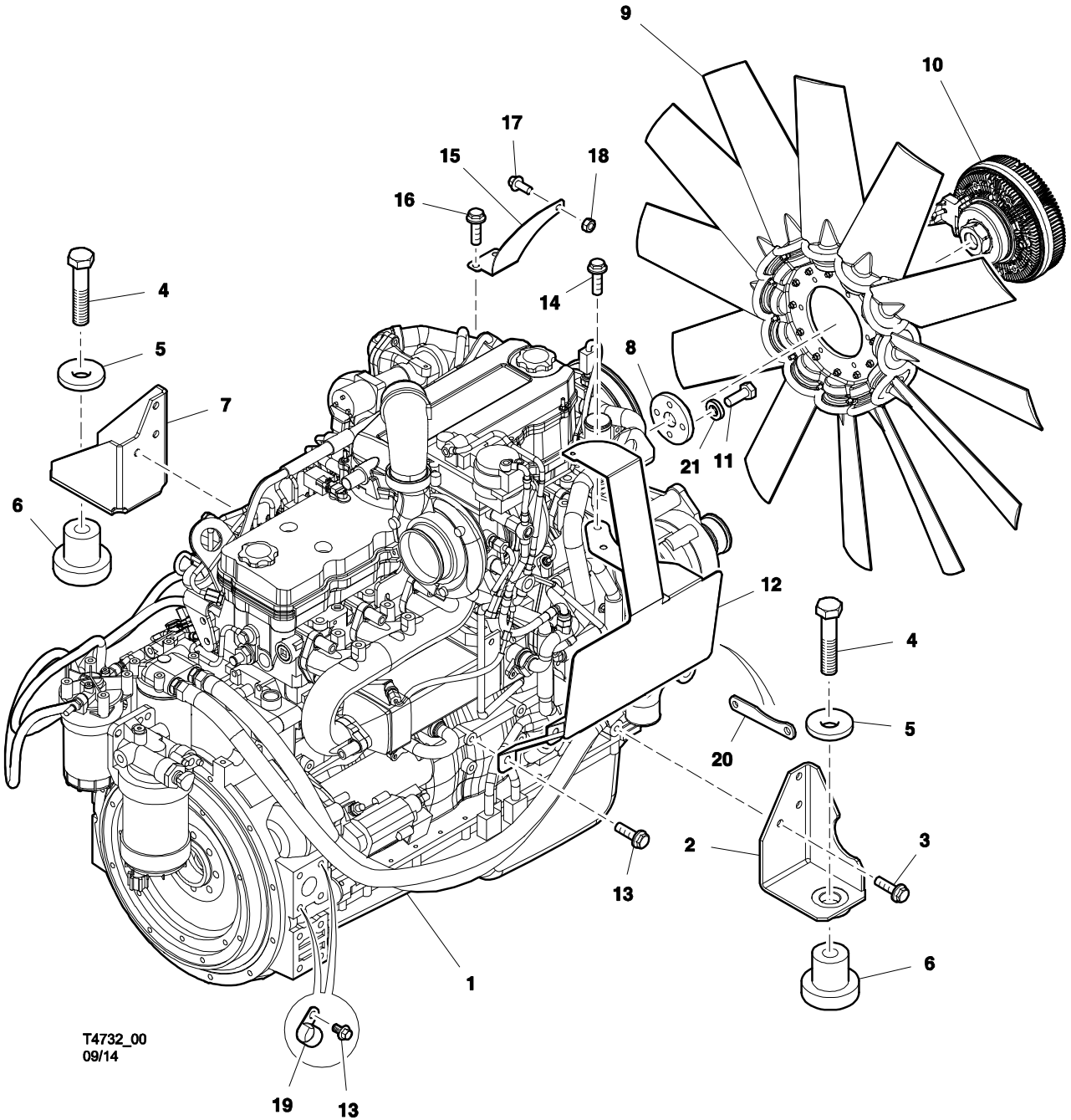
# REGULATION SYSTEM (CONT'D)



T4714\_00  
09/14



# ENGINE ASSEMBLY



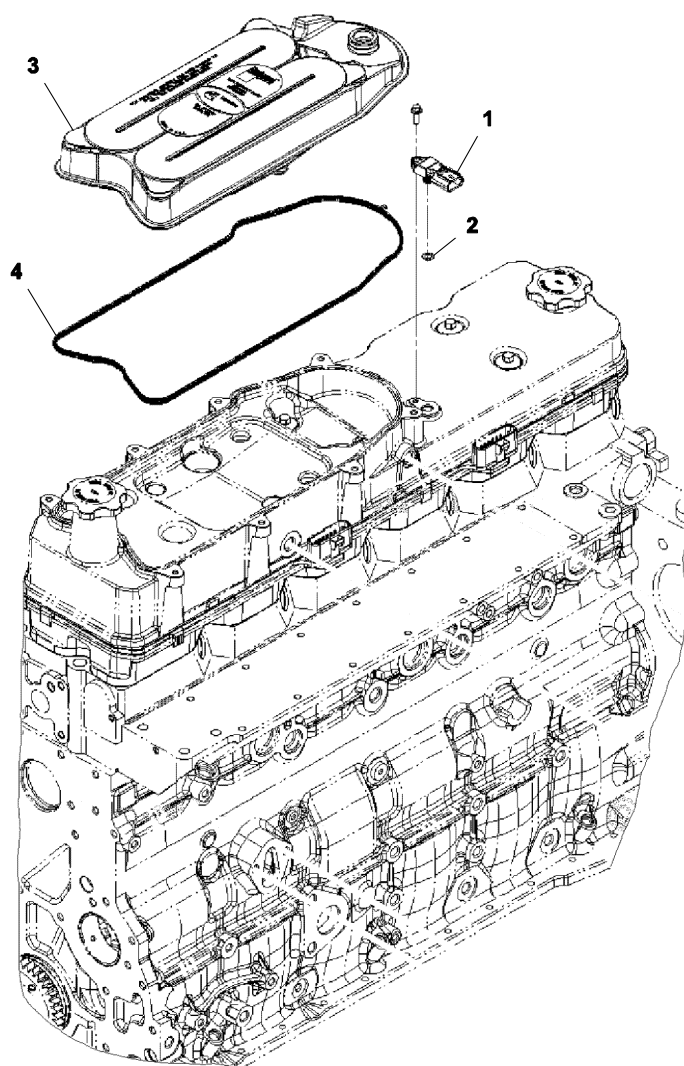
T4732\_00  
09/14



## ENGINE ASSEMBLY

Item	Part Number	Description	Remarks	Serial Number	Qty
1	46633460	ENGINE			1
2	46650630	BRACKET			1
3	96727177	SCREW			6
4	96701503	BOLT			2
5	35327212	WASHER			2
6	35318229	MOUNT			2
7	23078124	BRACKET			1
8	46627663	SPACER, FAN			1
9	46637543	FAN			1
10	46627739	CLUTCH, FAN			1
11	92280981	SCREW			4
12	46615919	SHIELD, HEAT			1
13	92176114	SCREW			4
14	92472638	SCREW			2
15	46655216	BRACKET, FAN CLUTCH			1
16	92472638	SCREW			2
17	96704408	SCREW			1
18	96701370	NUT			1
19	35113885	CLIP, HOSE			2
20	46668338	BRACKET, ALTERNATOR			1
21	92304674	LOCKWASHER			4

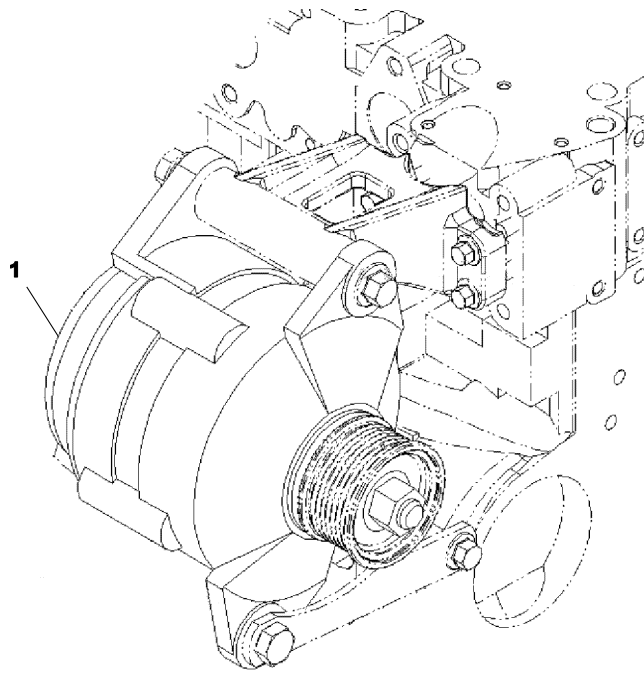
# CRANKCASE BREATHER



T4734\_00  
09/14



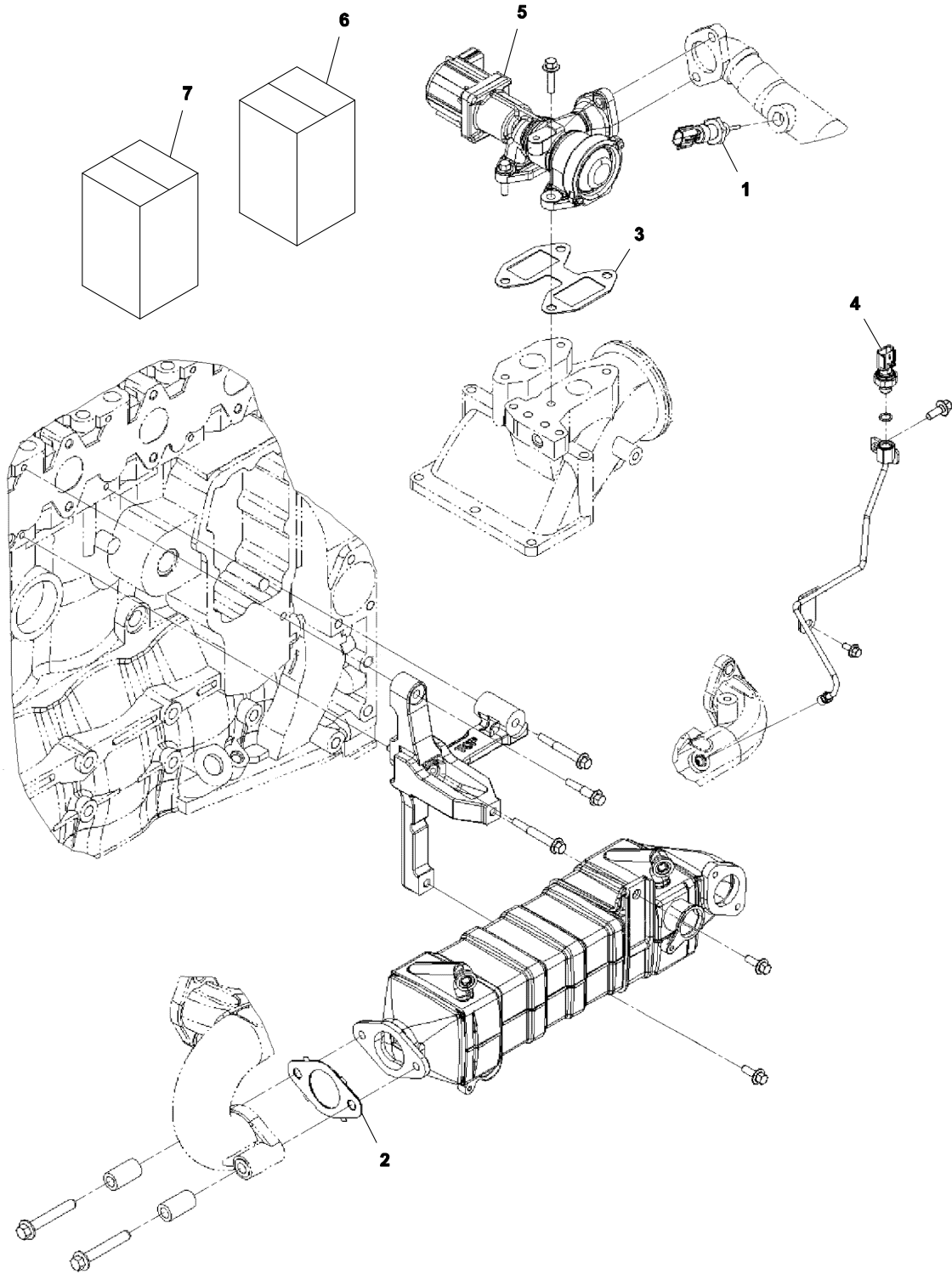
# ALTERNATOR



T4735\_00  
09/14



# EXHAUST RECIRCULATION

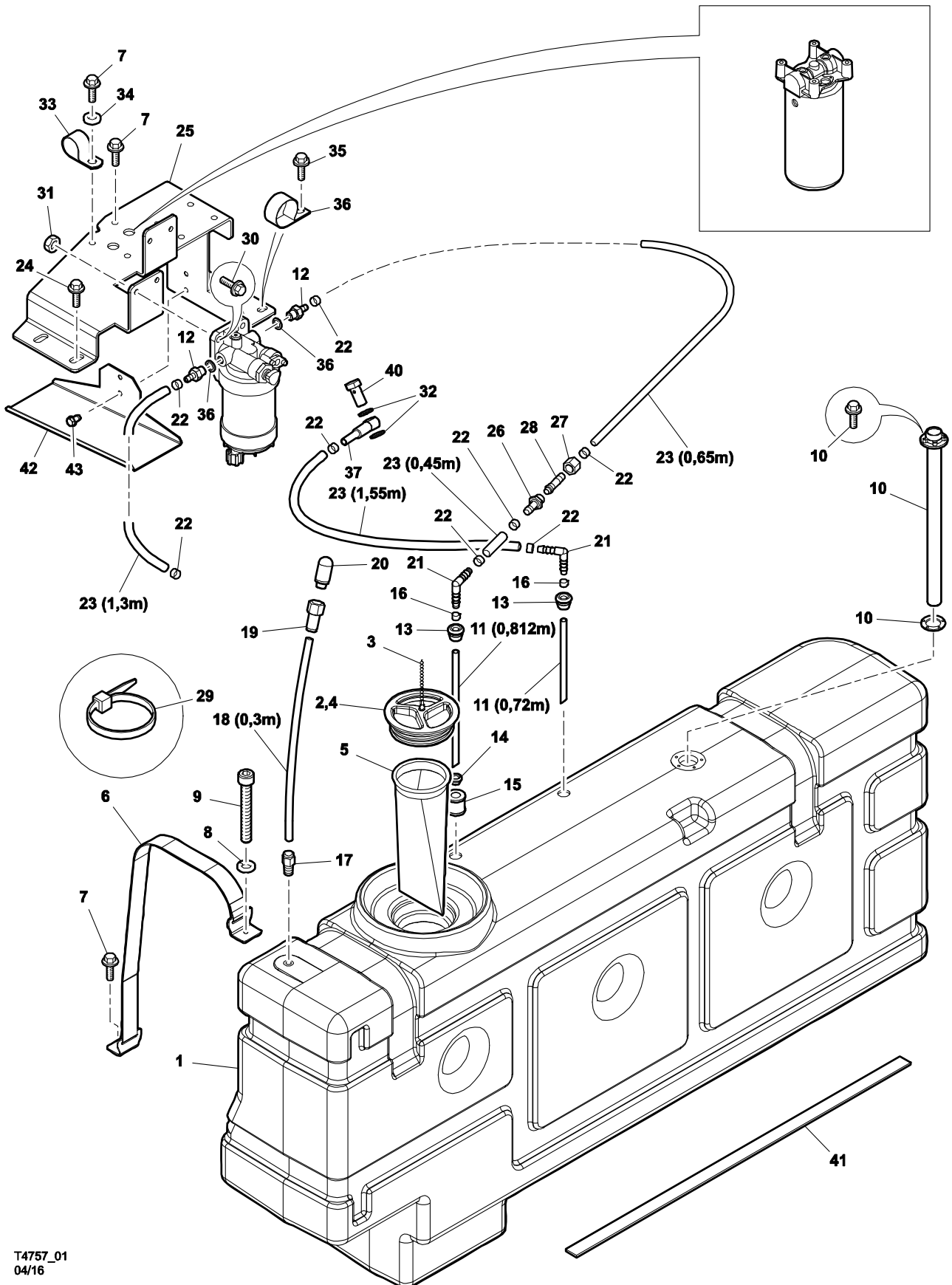


T4736\_00  
09/14

**EXHAUST RECIRCULATION**

Item	Part Number	Description	Remarks	Serial Number	Qty
1	46551102	SENSOR, TEMPERATURE			1
2	46670452	GASKET			1
3	46551032	GASKET			1
4	46551111	SENSOR, PRESSURE			1
5	46670453	VALVE			1
6	46551327	KIT, EGR COOLER SERVICE			1
7	46670454	KIT, EGR VALVE			1

# FUEL SYSTEM



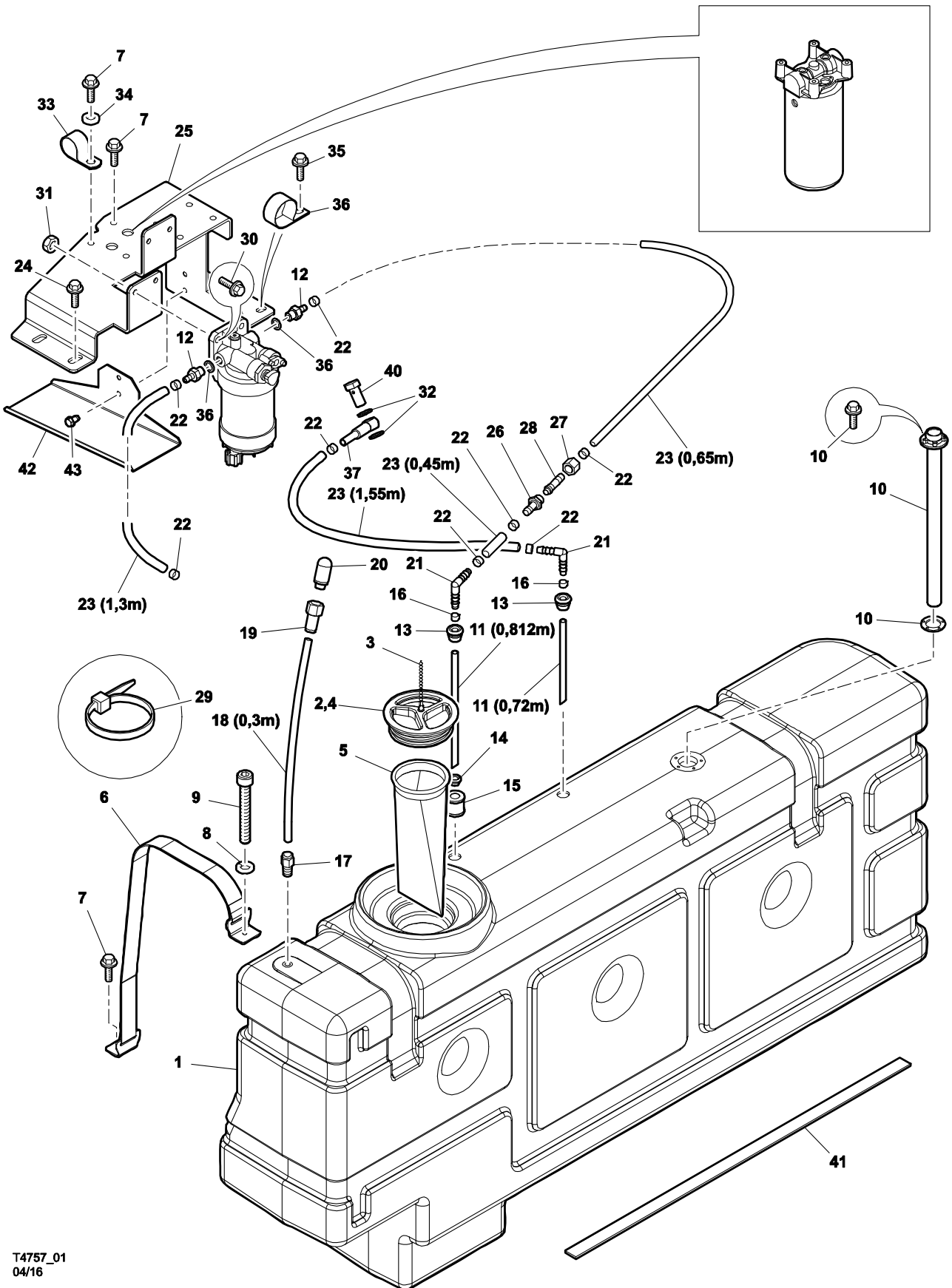
T4757\_01  
04/16



## FUEL SYSTEM

Item	Part Number	Description	Remarks	Serial Number	Qty
1	23083041	TANK, FUEL			1
2	89230759	CAP			1
3	92814243	CHAIN ASSEMBLY			1
4	89230767	O-RING			1
5	23238074	FILTER			1
6	23156052	STRAP			2
7	96704408	SCREW			6
8	92304666	LOCKWASHER			2
9	46502779	SCREW, CAP HEAD			2
10	46666634	SENDER, FUEL LEVEL			1
11	46501573	TUBE, NYLON	bulk - sold per metre		x
12	46668252	CONNECTOR, BARBED			2
13	23205701	GROMMET			2
14	46501581	GROMMET			1
15	92808666	FILTER, FUEL			1
16	22921092	CLIP, RETAINING			2
17	35369347	CONNECTOR			1
18	35356484	TUBE, NYLON			1
19	35369339	CONNECTOR			1
20	35322395	SILENCER, PNEUMATIC			1
21	54580154	ELBOW, BARBED			2
22	22817365	CLIP, RETAINING			8
23	35363498	HOSE	bulk - sold per metre - (8 mm (5/16") ID)		x
24	92176114	SCREW			2
25	46630559	BRACKET			1
26	46538674	CONNECTOR			1
27	46538690	NUT			1
28	46538666	CONNECTOR			1
29	92281427	TIE, CABLE			17
30	92708999	SCREW			2
31	96701370	NUT			2

# FUEL SYSTEM (CONT'D)

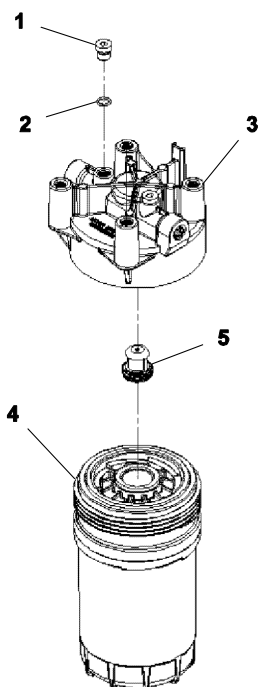


T4757\_01  
04/16

### FUEL SYSTEM (CONT'D)

Item	Part Number	Description	Remarks	Serial Number	Qty
32	92788926	WASHER, SEALING			2
33	35119395	CLAMP			1
34	92304609	WASHER			1
35	36880995	SCREW			4
36	35119718	CLIP, RETAINING			2
37	46631786	FITTING, BANJO			1
38	23102478	FUEL TANK ASSEMBLY	W/Ref. 1-4		1
39	23240013	CAP ASSEMBLY	W/Ref. 2-4		1
40	46631687	BOLT, BANJO			1
41	46502787	SEAL	order as required		x
42	46680612	BRACKET			1
43	92972140	SCREW			2

# FUEL FILTER

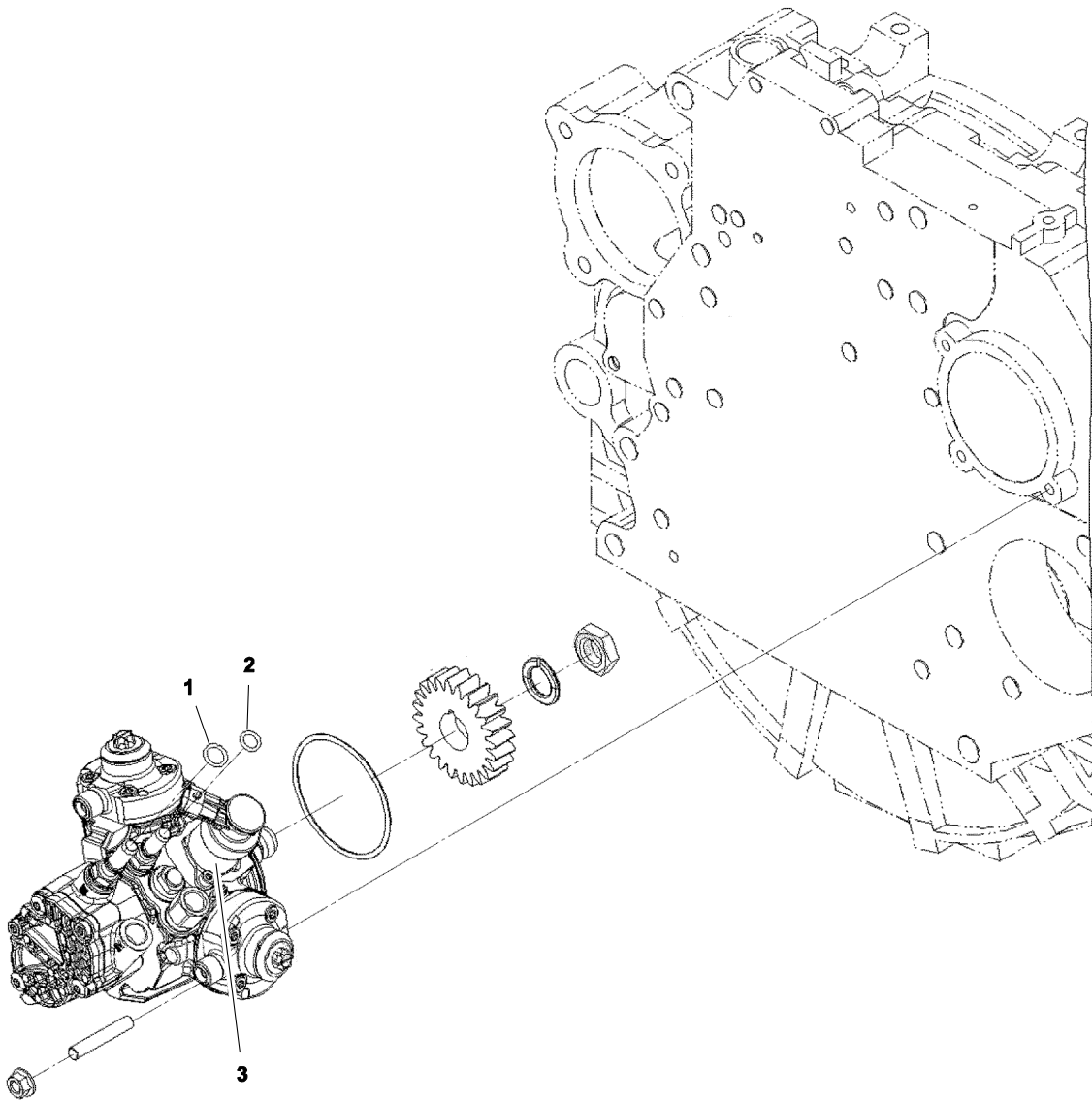


T4737\_00  
09/14

# FUEL FILTER

Item	Part Number	Description	Remarks	Serial Number	Qty
1	46518700	PLUG			1
2	15900079	O-RING			1
3	46670455	HEAD, FUEL FILTER			1
4	46645085	ELEMENT, FUEL FILTER			1
5	46645084	SCREEN, FILTER			1

# FUEL PUMP

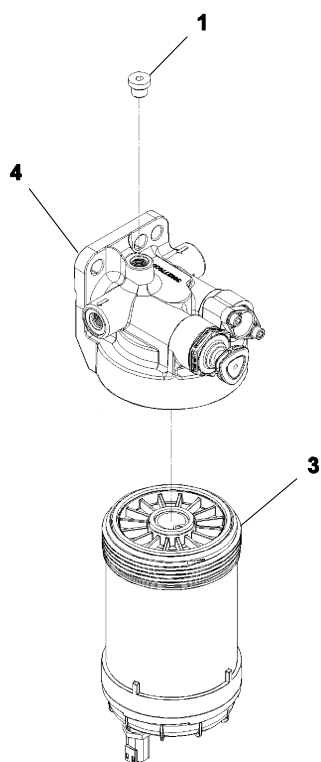


T4738\_00  
09/14

### FUEL PUMP

Item	Part Number	Description	Remarks	Serial Number	Qty
1	46645086	O-RING			1
2	46645087	O-RING			1
3	46670457	ACTUATOR			1

# FUEL SYSTEM ACCESSORIES



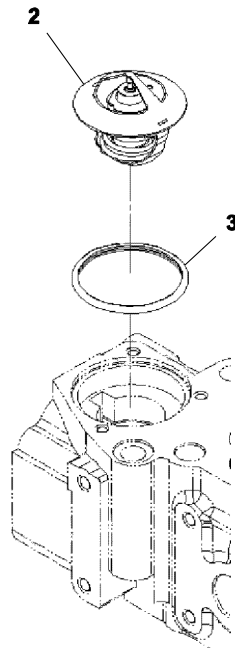
T4739\_00  
09/14



## FUEL SYSTEM ACCESSORIES

Item	Part Number	Description	Remarks	Serial Number	Qty
1	80027923	PLUG			1
2	46670458	FUEL FILTER ASSEMBLY	W/Ref. 3-4		1
3	46670459	ELEMENT, FUEL FILTER			1
4	46670460	HEAD, FUEL FILTER			1

# THERMOSTAT

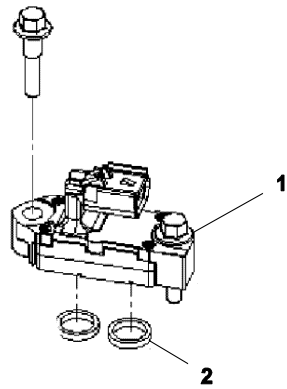


T4740\_00  
09/14

**THERMOSTAT**

Item	Part Number	Description	Remarks	Serial Number	Qty
1	46518460	THERMOSTAT ASSEMBLY	W/Ref. 2-3		1
2	46670461	ELEMENT, THERMOSTAT			1
3	46518486	SEAL			1

# AIR INTAKE CONNECTION

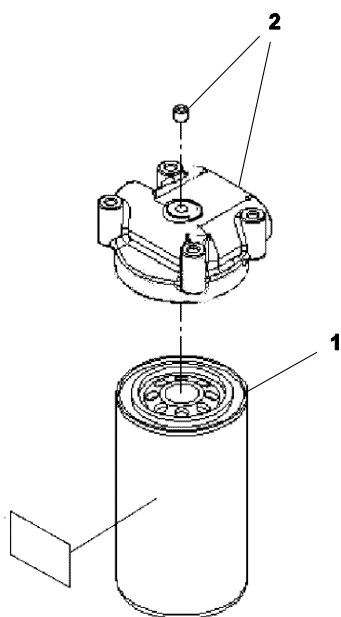


T4741\_00  
09/14

## AIR INTAKE CONNECTION

Item	Part Number	Description	Remarks	Serial Number	Qty
1	46670462	SENSOR, PRESSURE			1
2	46670463	SEAL			2

# FULL FLOW OIL FILTER

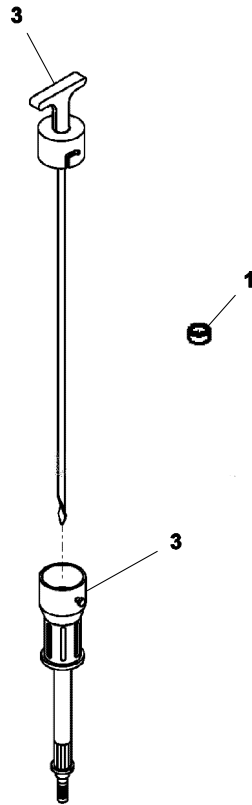


T4742\_00  
09/14

**FULL FLOW OIL FILTER**

Item	Part Number	Description	Remarks	Serial Number	Qty
1	46558720	ELEMENT, OIL FILTER			1
2	46628859	HEAD, OIL FILTER			1

# OIL LEVEL GAUGE



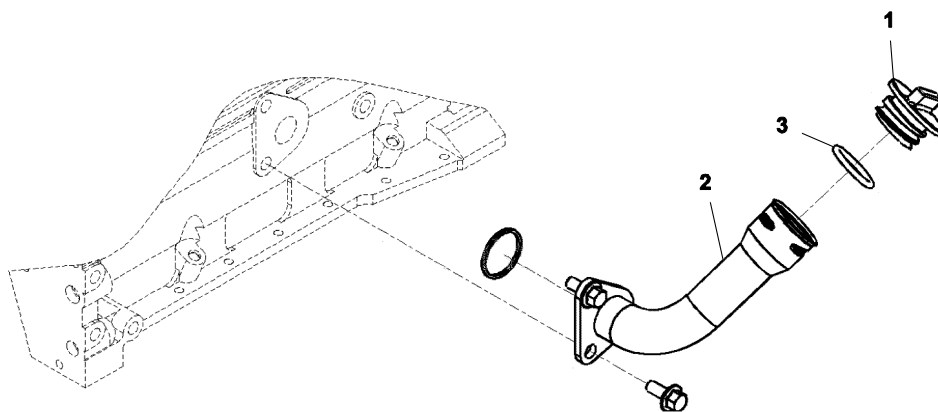
T4743\_00  
09/14



# OIL LEVEL GAUGE

Item	Part Number	Description	Remarks	Serial Number	Qty
1	46518999	PLUG, EXPANSION			4
2	46670464	TUBE, OIL GAUGE			1
3	46670465	DIPSTICK			1

# OIL FILLER ARRANGEMENT

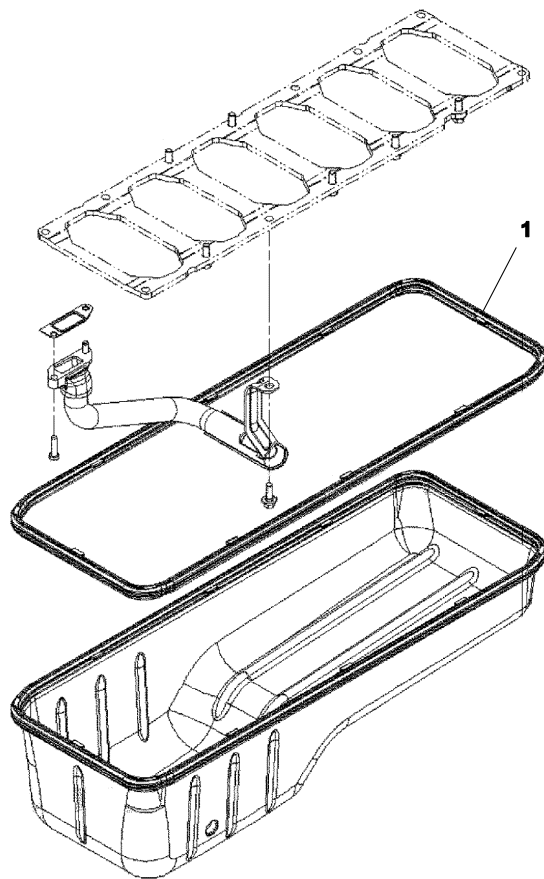


T4744\_00  
09/14

## OIL FILLER ARRANGEMENT

Item	Part Number	Description	Remarks	Serial Number	Qty
1	46645091	CAP, OIL FILLER			1
2	46519146	O-RING			1

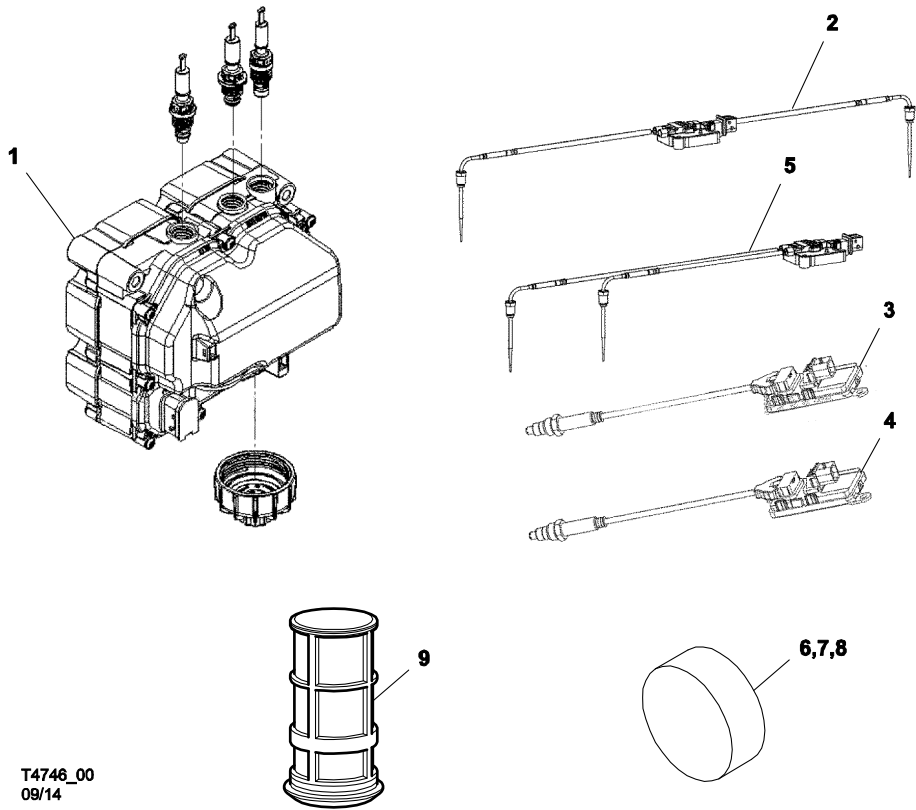
# OIL PAN GASKET



T4745\_00  
09/14



# AFTERTREATMENT DEVICE

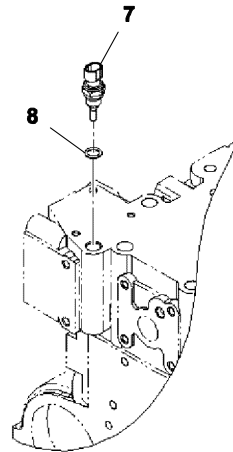
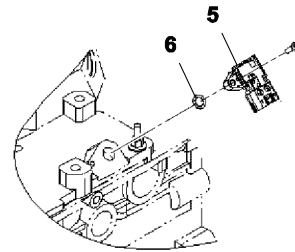
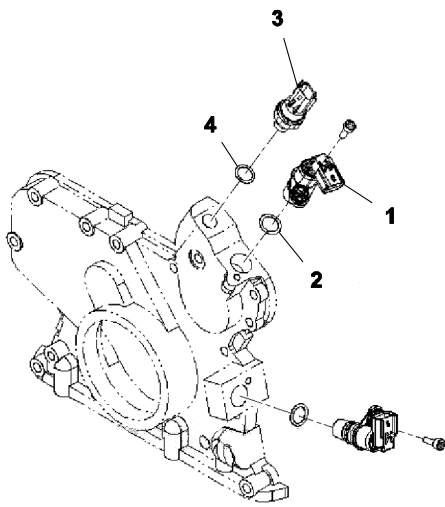


T4746\_00  
09/14

## AFTERTREATMENT DEVICE

Item	Part Number	Description	Remarks	Serial Number	Qty
1	46670467	PUMP, DEF			1
2	46670468	SENSOR, TEMPERATURE			1
3	46670469	SENSOR, NITROGEN OXIDE			1
4	46670470	SENSOR, NITROGEN OXIDE			1
5	46670471	SENSOR, TEMPERATURE			1
6		ELEMENT, CATALYST	NAP		1
7		ELEMENT, CATALYST	NAP		1
8		ELEMENT, CATALYST	NAP		1
9	46652904	ELEMENT, DEF PUMP			1

# ENGINE CONTROL MODULE



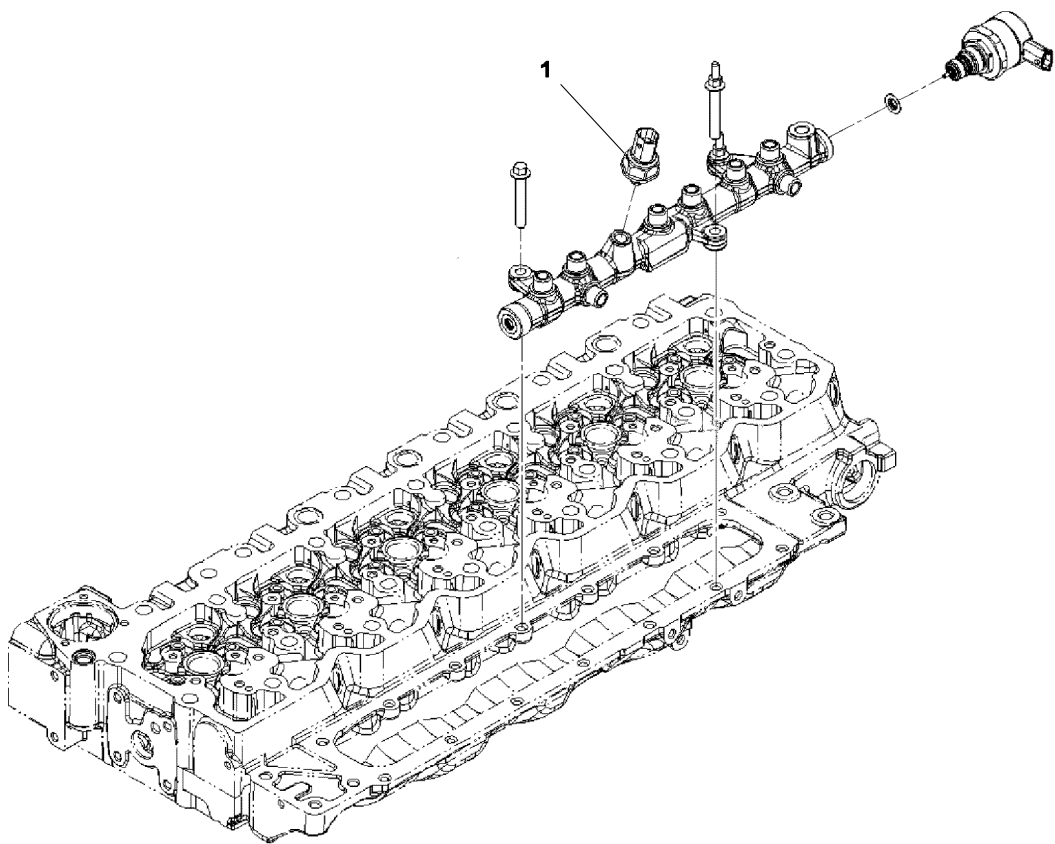
T4747\_00  
09/14



## ENGINE CONTROL MODULE

Item	Part Number	Description	Remarks	Serial Number	Qty
1	46551096	SENSOR, CRANK POSITION			2
2	80028293	SEAL			1
3	15901945	SWITCH, OIL PRESSURE			1
4	46645093	O-RING			1
5	46670472	SENSOR, TEMPERATURE			1
6	80028202	O-RING			1
7	23061898	SENSOR, TEMPERATURE			1
8	15901952	O-RING			1

# INJECTOR PLUMBING

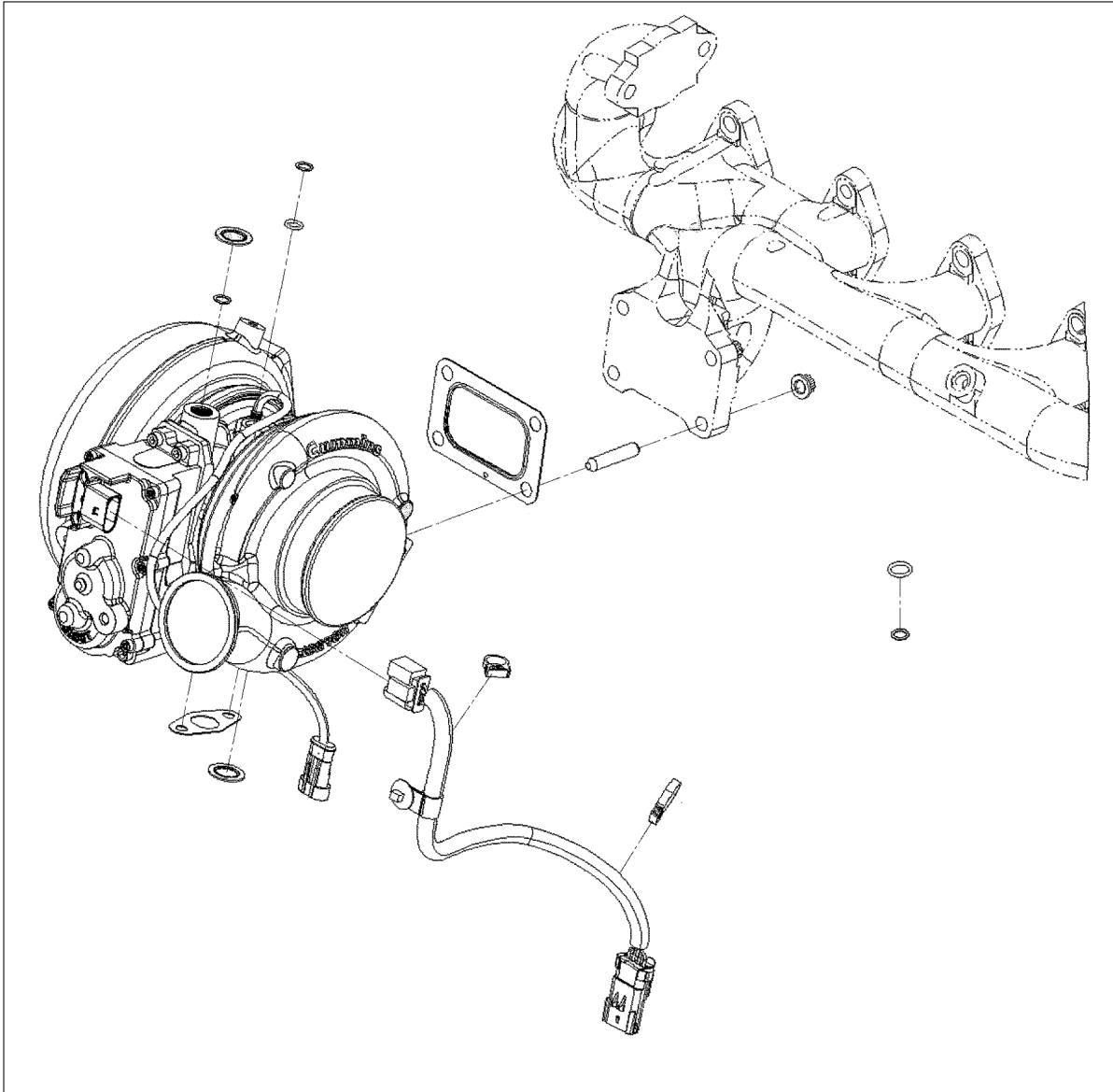


T4748\_00  
09/14

# INJECTOR PLUMBING

Item	Part Number	Description	Remarks	Serial Number	Qty
1	46670473	SENSOR, PRESSURE			1

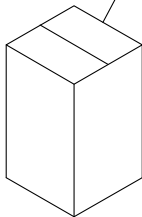
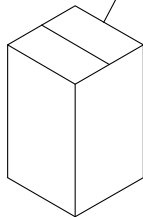
# TURBOCHARGER



1

2

3

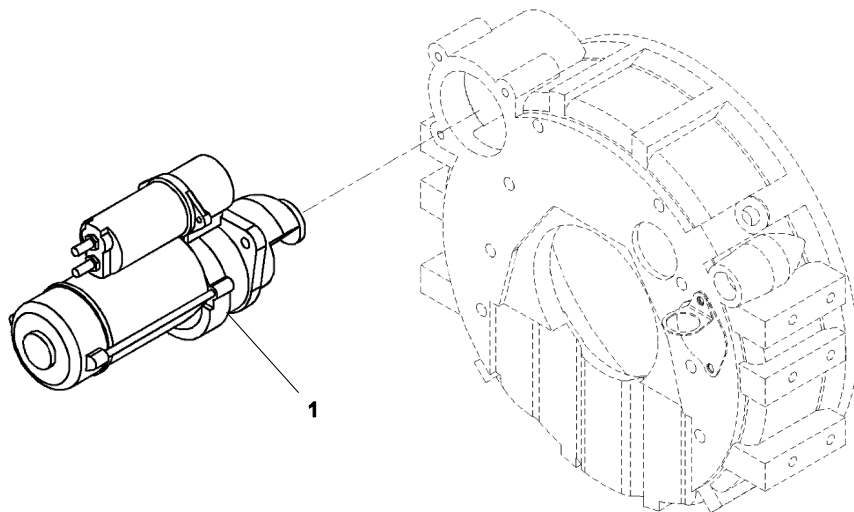


T4749\_00  
09/14

# TURBOCHARGER

Item	Part Number	Description	Remarks	Serial Number	Qty
1	46670474	KIT, TURBOCHARGER			1
2	46670475	KIT, ACTUATOR			1
3	46670476	KIT, SENSOR			1

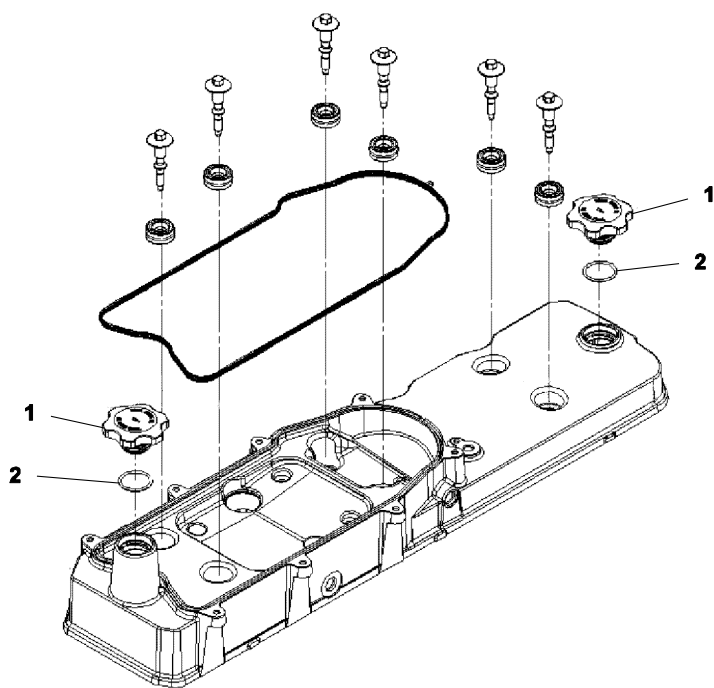
# STARTER MOTOR



T4750\_00  
09/14



# VALVE COVER ARRANGEMENT

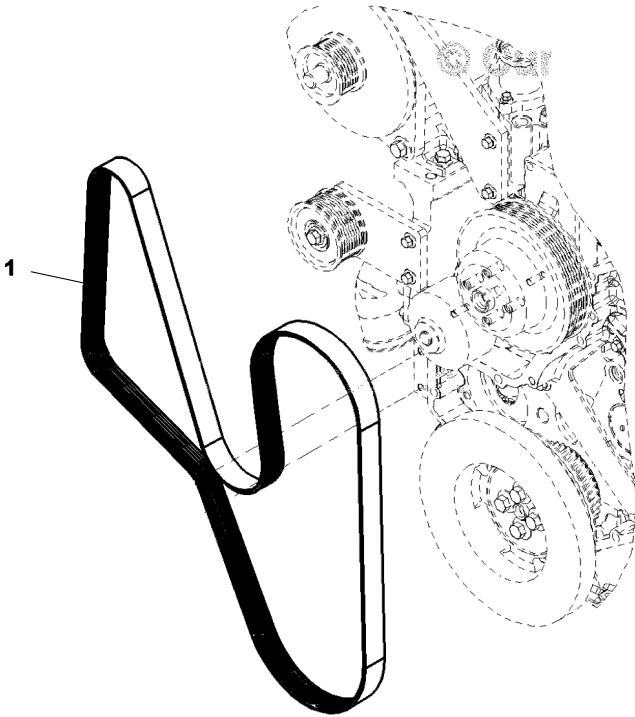


T4751\_00  
09/14





FAN BELT

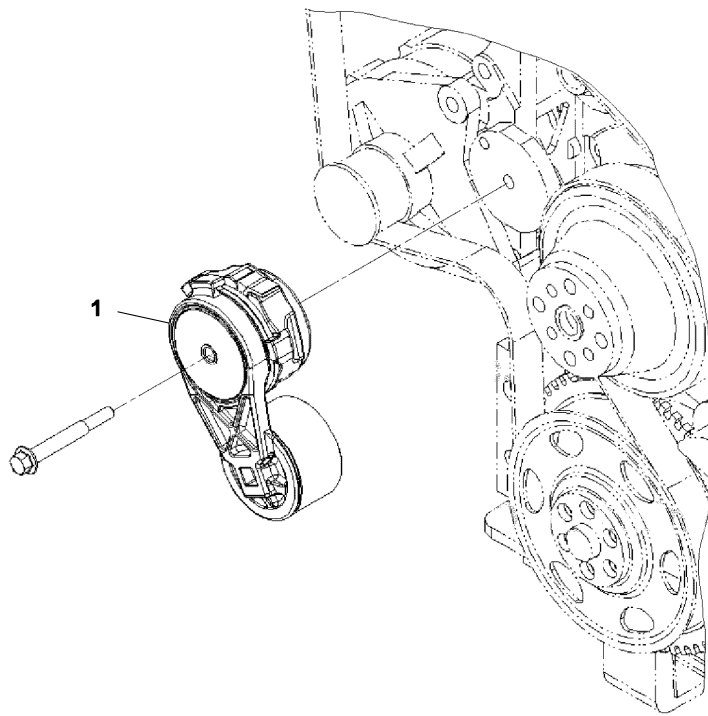


T4752\_00  
09/14

**FAN BELT**

Item	Part Number	Description	Remarks	Serial Number	Qty
1	46652177	BELT, FAN			1
1	46663891	BELT, FAN	(optional) - (antistatic)		1

# BELT TENSIONER

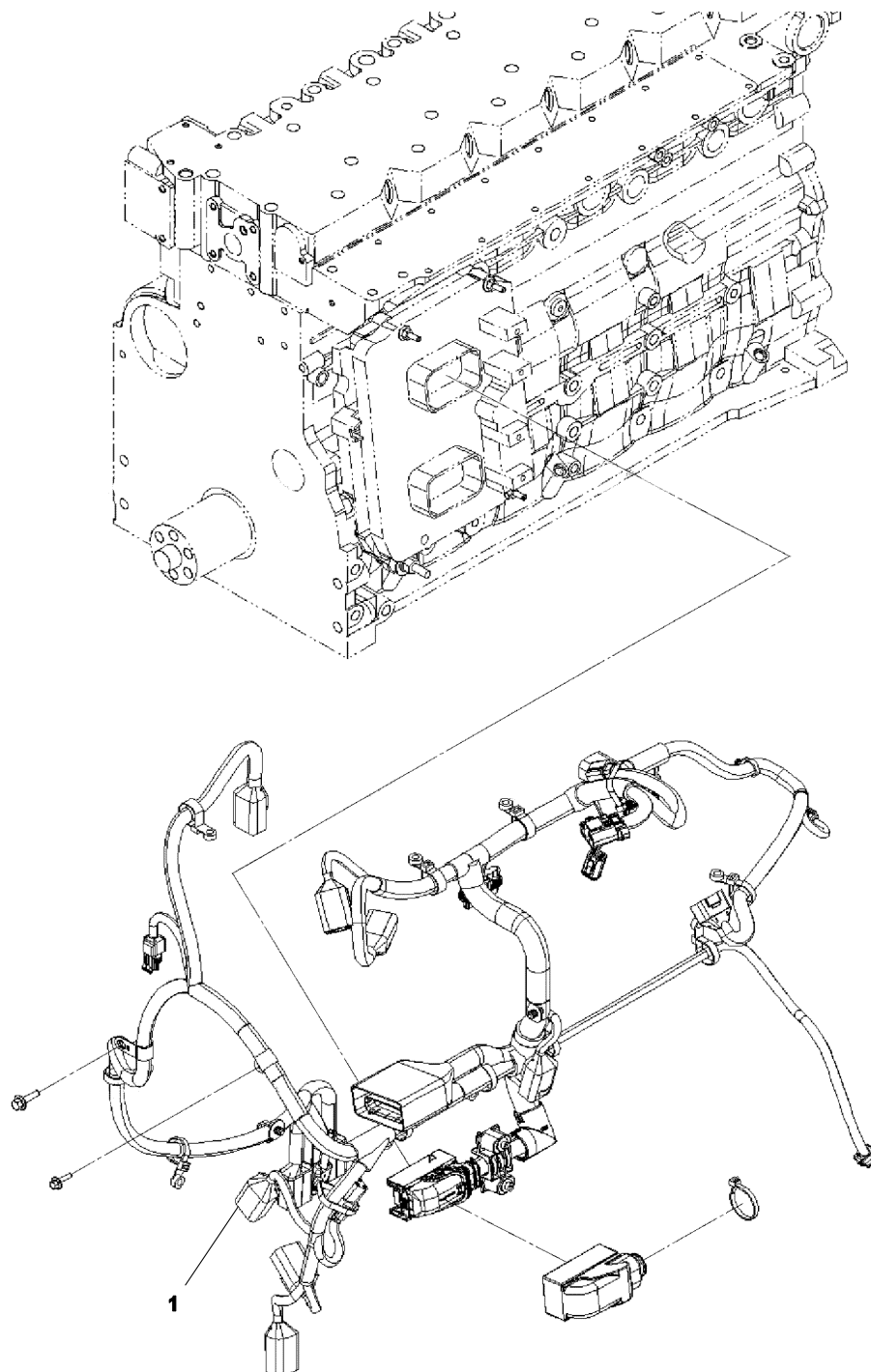


T4753\_00  
09/14

### BELT TENSIONER

Item	Part Number	Description	Remarks	Serial Number	Qty
1	46670478	TENSIONER, BELT			1

# ENGINE ELECTRICAL HARNESS

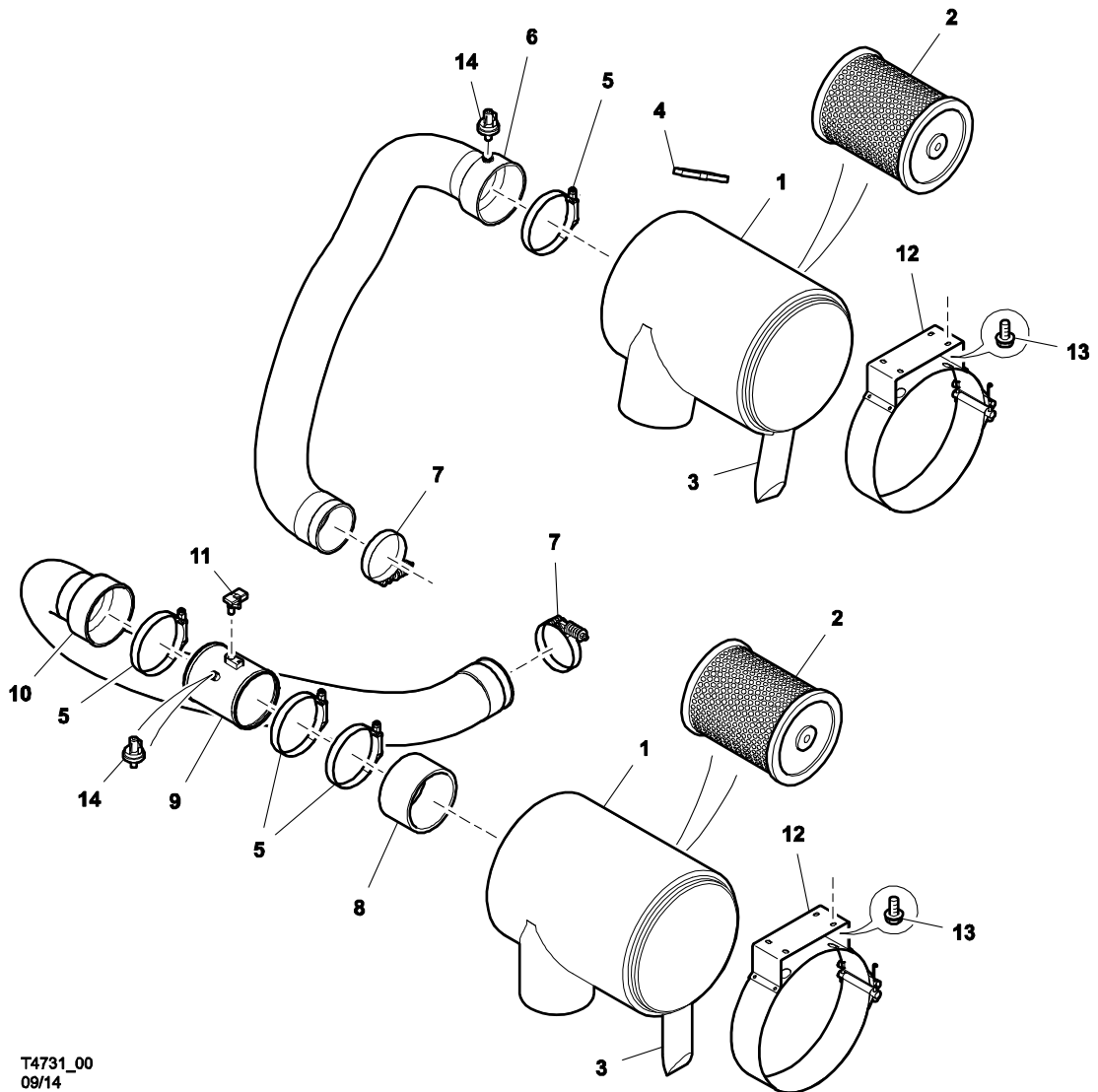


T4754\_00  
09/14

# ENGINE ELECTRICAL HARNESS

Item	Part Number	Description	Remarks	Serial Number	Qty
1	46670479	HARNES, ENGINE			1

# AIR INTAKE

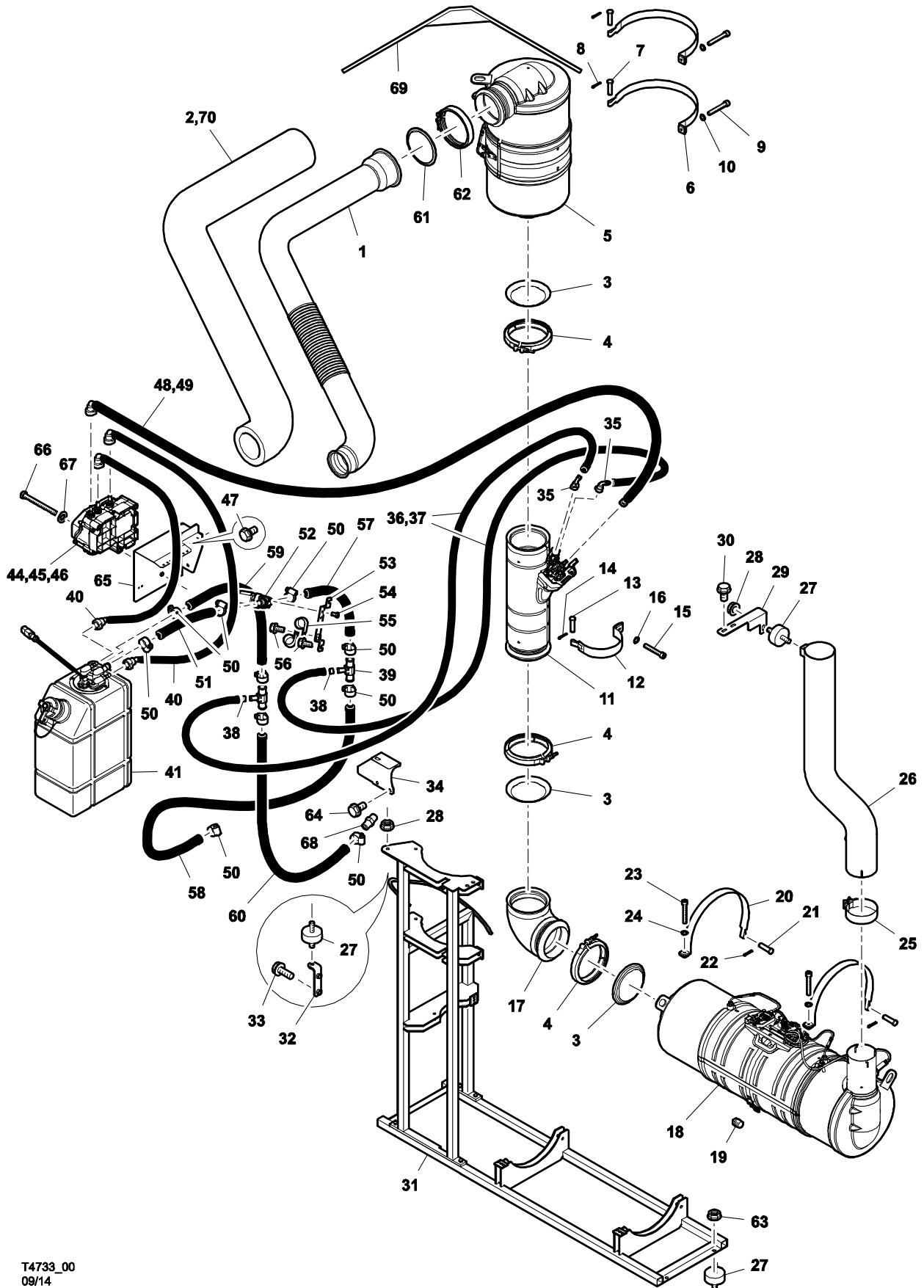


T4731\_00  
09/14





# EXHAUST SYSTEM

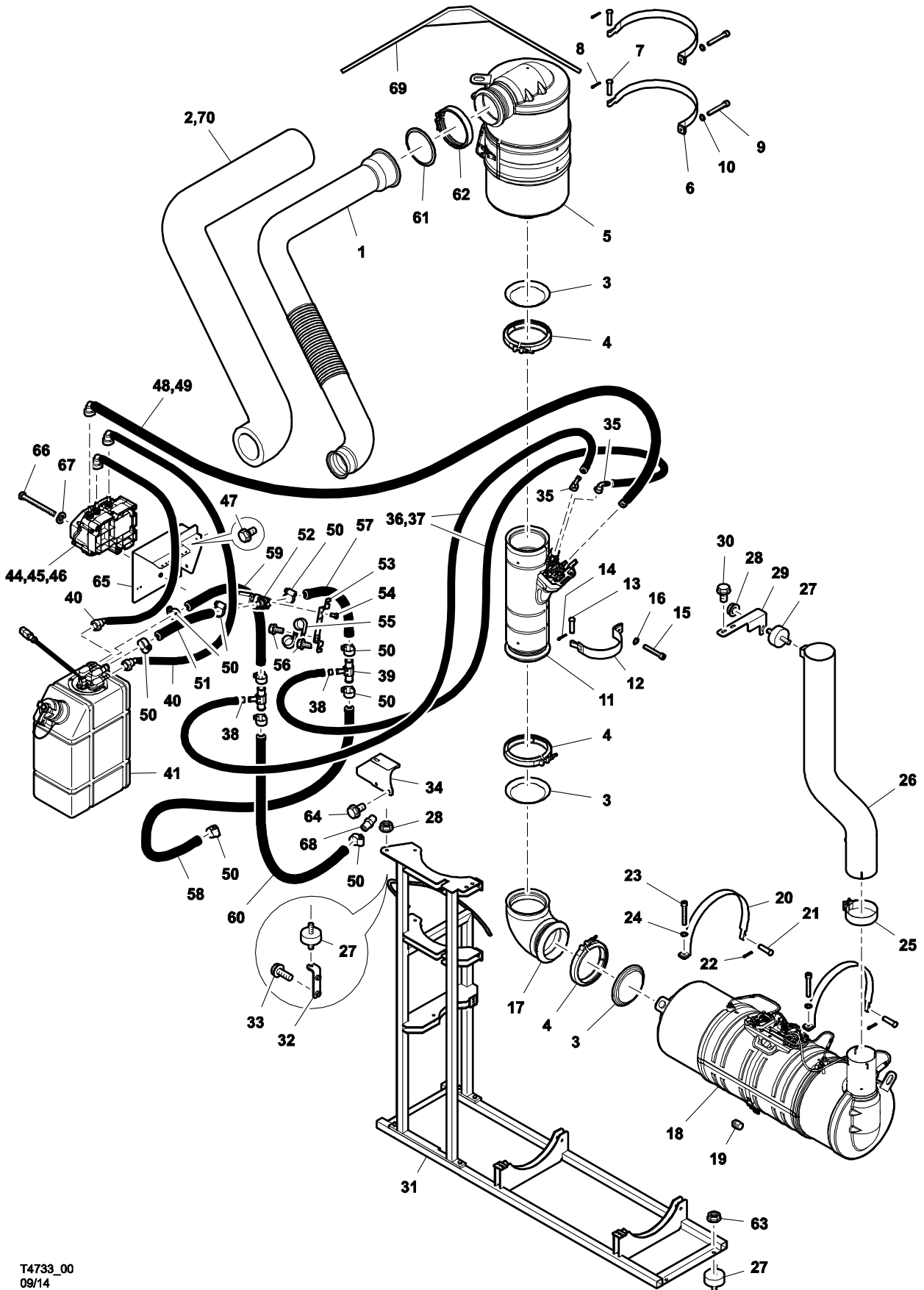


T4733\_00  
09/14

## EXHAUST SYSTEM

Item	Part Number	Description	Remarks	Serial Number	Qty
1	46653060	PIPE, EXHAUST			1
2	46614496	INSULATION			1
3	46651289	GASKET			3
4	46651291	CLAMP			3
5	46636063	DEVICE, AFTERTREATMENT			1
6	46667995	BRACKET			2
7	36869246	PIN			2
8	95928867	PIN, COTTER			2
9	46502779	SCREW, CAP HEAD			2
10	46502092	WASHER			2
11	46636062	REACTOR, DECOMPOSITION			1
12	46668081	BRACKET			1
13	36869246	PIN			1
14	95928867	PIN, COTTER			1
15	46502779	SCREW, CAP HEAD			1
16	46502092	WASHER			2
17	46651266	ELBOW			1
18	46636061	DEVICE, AFTERTREATMENT			1
19	92354661	PLUG			1
20	46667995	BRACKET			2
21	36869246	PIN			2
22	95928867	PIN, COTTER			2
23	46502779	SCREW, CAP HEAD			2
24	46502092	WASHER			2
25	46649600	CLAMP			1
26	46651267	PIPE			1
27	23093867	MOUNT			6
28	92473594	NUT			2
29	46651296	BRACKET			1
30	93150977	SCREW			2
31	46642195	BRACKET			1

# EXHAUST SYSTEM (CONT'D)

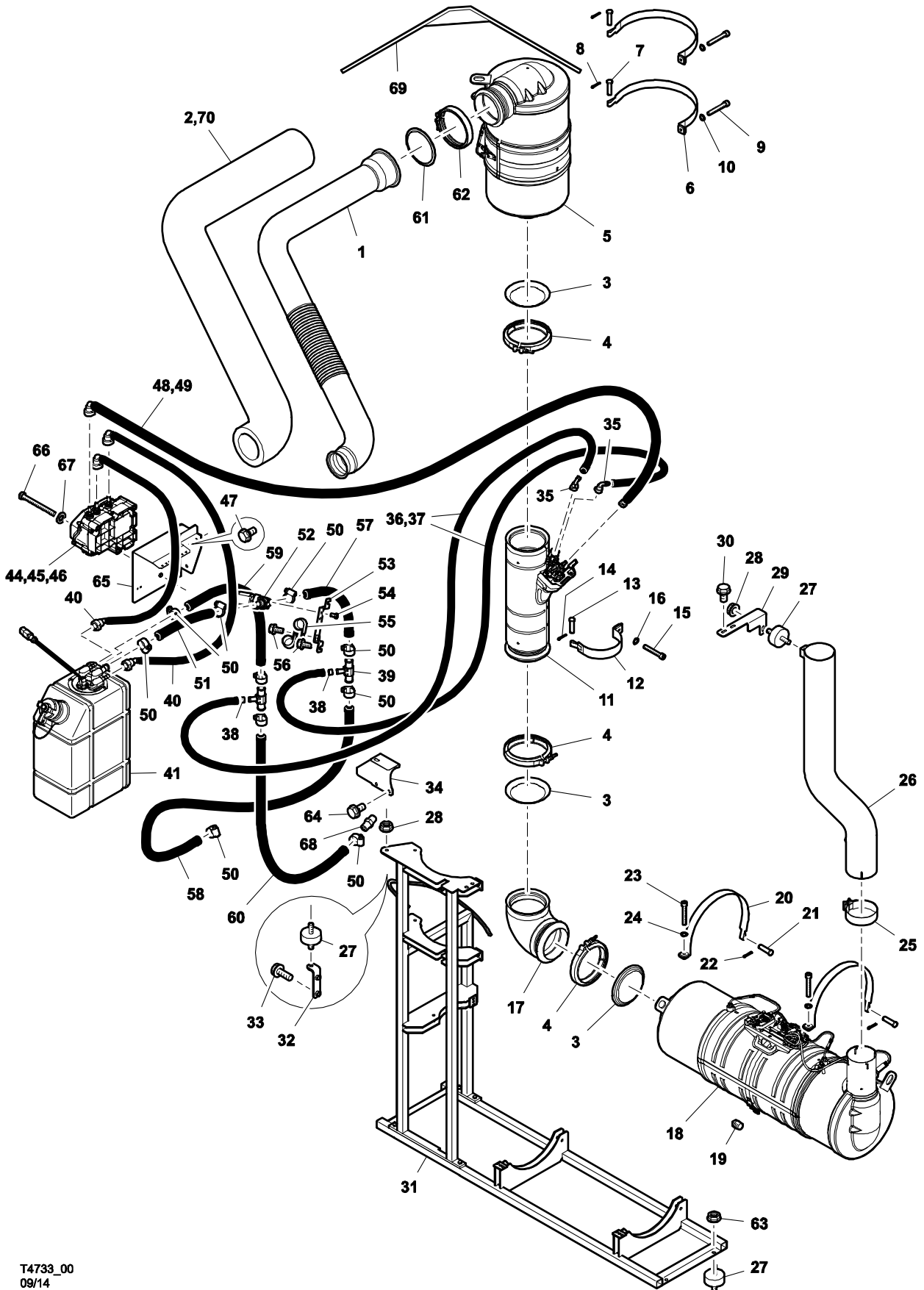


T4733\_00  
09/14

## EXHAUST SYSTEM (CONT'D)

Item	Part Number	Description	Remarks	Serial Number	Qty
32	46642705	BRACKET			1
33	92472638	SCREW			2
34	46668109	COVER			1
35	46642662	CONNECTOR			2
36	35285600	HOSE	1,5 m long - (9.5 mm (3/8") ID)		2
37	46668231	PROTECTOR, HOSE			2
38	22817365	CLIP, RETAINING			4
39	46642639	TEE			2
40	46651065	HOSE			2
41	46636391	TANK			1
42	46666634	SENDER, FUEL LEVEL			1
43	46672769	CAP, FILLER			1
44	46670467	PUMP, DEF			1
45	46652904	ELEMENT, DEF PUMP			1
46	46652904	ELEMENT, DEF PUMP			1
47	96704408	SCREW			3
48	46666111	HOSE			1
49	46668232	PROTECTOR, HOSE			1
50	95220844	CLAMP			10
51	35326578	HOSE	0,22 m long		1
52	46642638	VALVE			1
53	46650947	BRACKET			1
54	46641490	SCREW			2
55	35225085	CLAMP			2
56	96728480	SCREW	(M8 x 16)		3
57	35326578	HOSE	0,19 m long		1
58	35326578	HOSE	2,0 m long		1
59	35326578	HOSE	0,39 m long		1
60	35326578	HOSE	2,7 m long		1
61	46651519	GASKET			1
62	46635919	CLAMP			1

# EXHAUST SYSTEM (CONT'D)

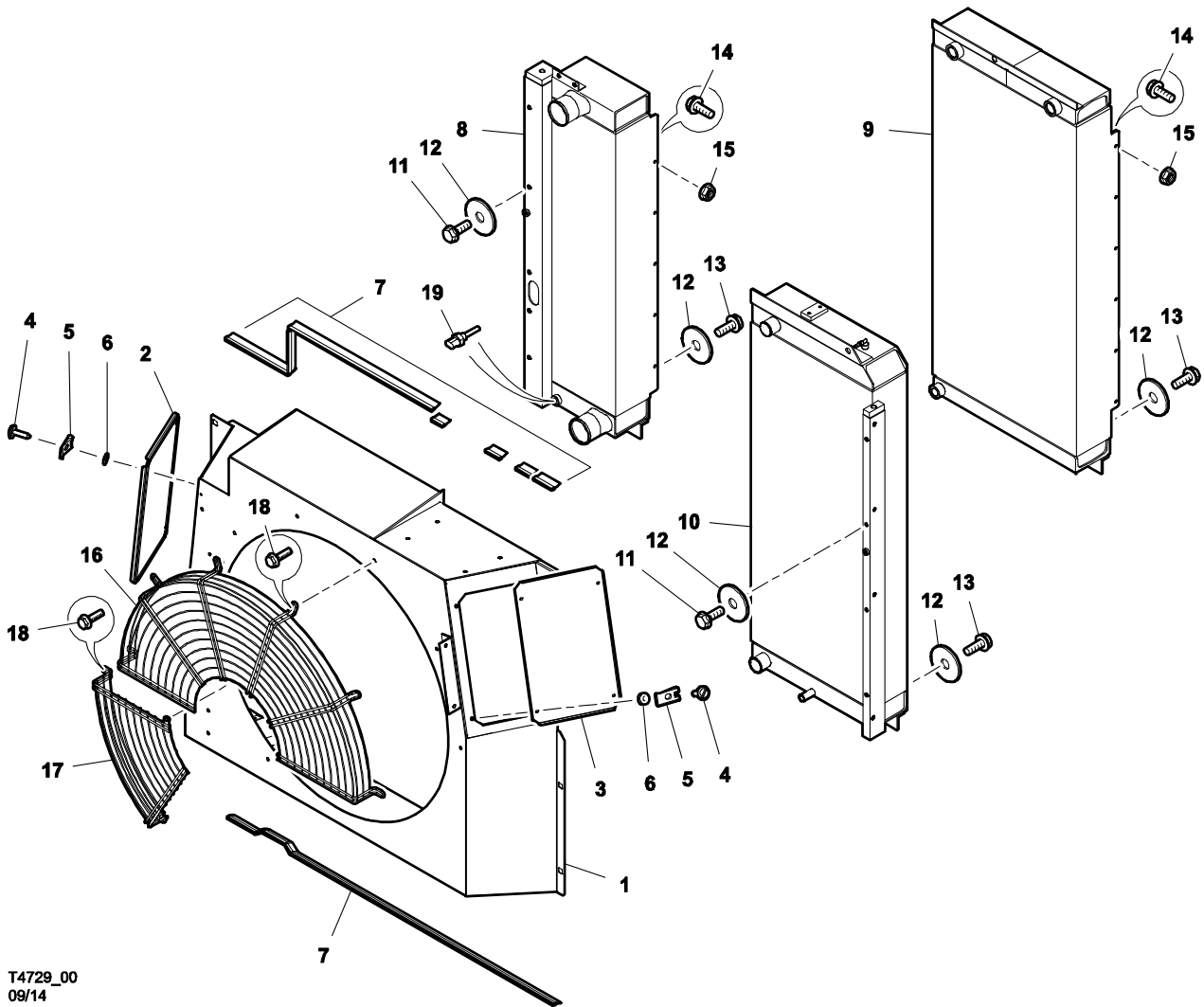


T4733\_00  
09/14

## EXHAUST SYSTEM (CONT'D)

Item	Part Number	Description	Remarks	Serial Number	Qty
63	36879195	NUT			4
64	96704408	SCREW			2
65	46644181	BRACKET			1
66	96721154	SCREW			3
67	92061480	WASHER			3
68	46664262	ADAPTOR			1
69	46668138	INSULATION, EXHAUST			1
70	54721105	WIRE, RETAINING			1

# COOLING SYSTEM



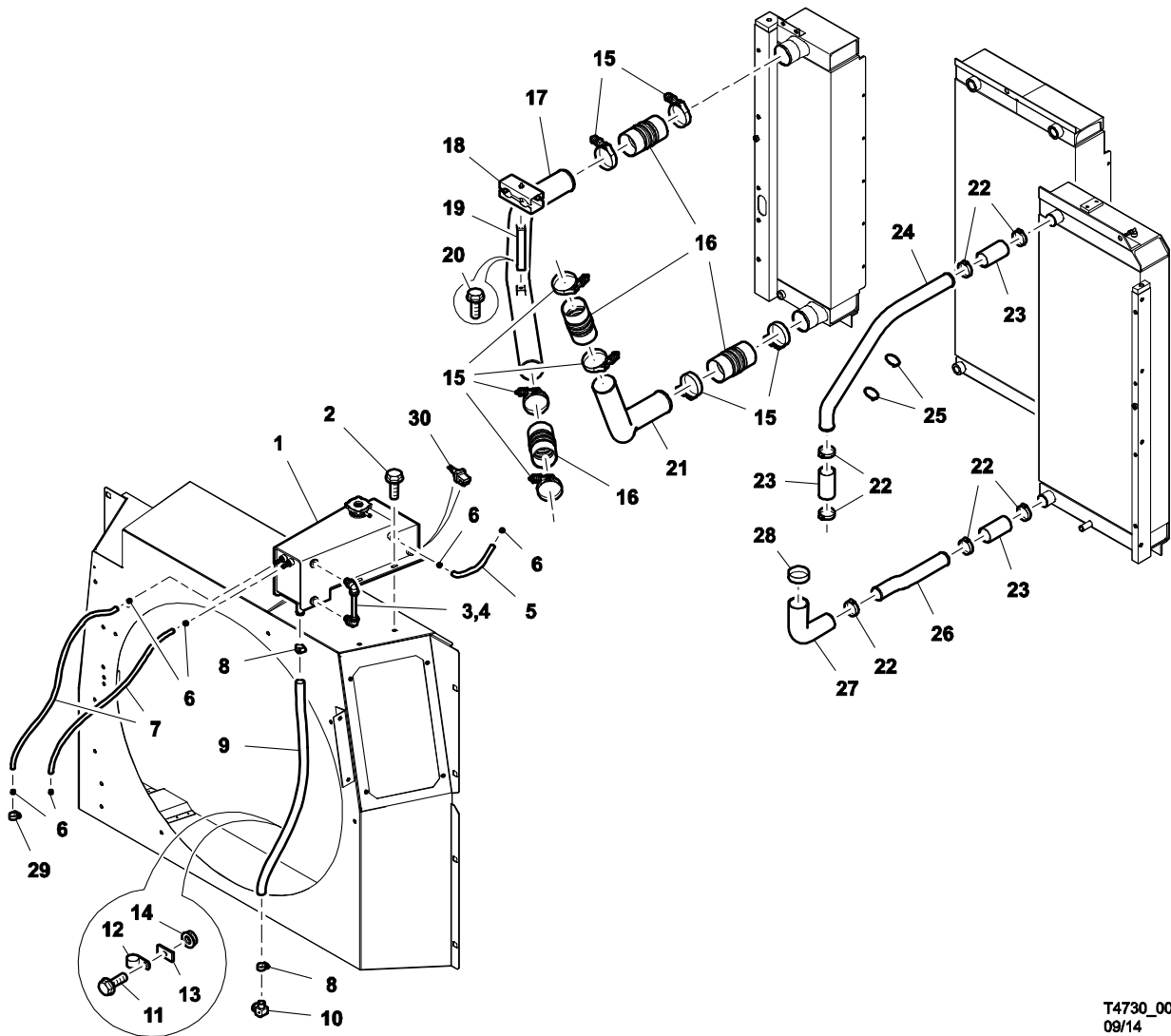
T4729\_00  
09/14



**COOLING SYSTEM**

Item	Part Number	Description	Remarks	Serial Number	Qty
1	46637539	SHROUD, FAN			1
2	46648040	DOOR, SHROUD (RIGHT)			1
3	46638301	DOOR, SHROUD (LEFT)			1
4	35256429	STUD			8
5	35256445	WASHER, RETAINING			8
6	35256452	RECEPTACLE			8
7	46538377	SEAL			AR
8	46633484	COOLER, AIR			1
9	46633482	COOLER, OIL			1
10	46633481	COOLER, WATER			1
11	96728480	SCREW	(M8 x 16)		9
12	23192651	WASHER			15
13	92101112	SCREW			17
14	92101112	SCREW			11
15	36881886	NUT			11
16	46550977	GUARD, FAN			1
17	46550978	GUARD, FAN			1
18	96728480	SCREW	(M8 x 16)		9
19	23294820	SENSOR, TEMPERATURE			1

# COOLING SYSTEM

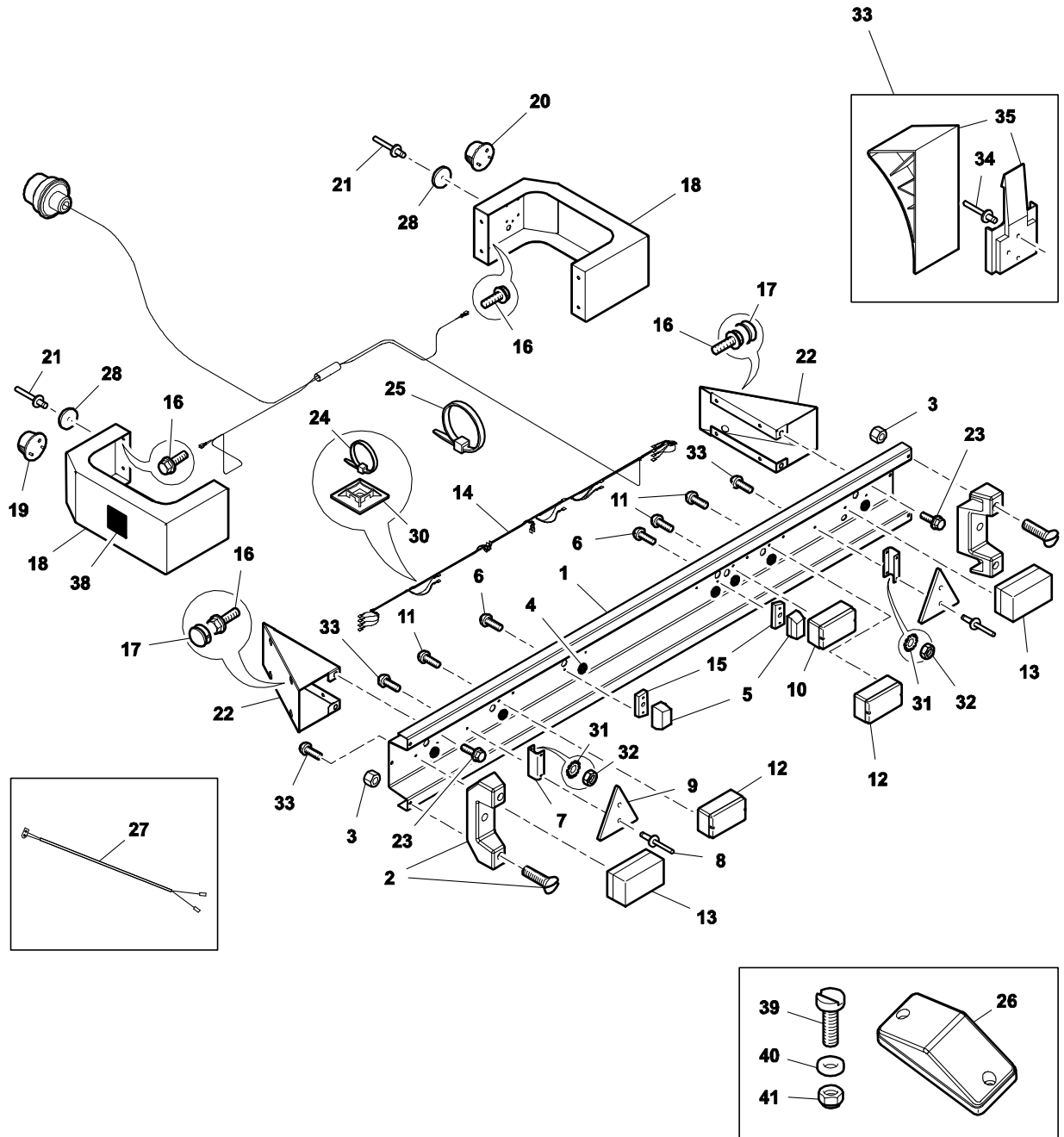


T4730\_00  
09/14

## COOLING SYSTEM

Item	Part Number	Description	Remarks	Serial Number	Qty
1	46652242	TANK, EXPANSION			1
2	96704408	SCREW			4
3	54403191	ELBOW			2
4	46652335	SIGHTGLASS			1
5	35363498	HOSE	(0,35 m long) - (8 mm (5/16") ID)		1
6	22817365	CLIP, RETAINING			5
7	35363498	HOSE	(0,85 m long) - (8 mm (5/16") ID)		2
8	95220844	CLAMP			2
9	23174980	HOSE	(0,9 m long) - (20 mm ID)		1
10	46650636	ELBOW			1
11	96704408	SCREW			2
12	35114081	CLAMP			1
13	23199565	WASHER			1
14	96701370	NUT			2
15	22144513	CLAMP			8
16	22144497	CONNECTOR, FLEXIBLE			4
17	46666323	TUBE, AIR COOLER INLET			1
18	46667123	BRACKET			1
19	46667125	BRACKET			1
20	96728480	SCREW	(M8 x 16)		1
21	46604084	PIPE, AIR COOLER OUTLET			1
22	92253129	CLAMP			7
23	23114895	CONNECTOR, WATER			3
24	46603799	TUBE, WATER INLET			1
25	92281427	TIE, CABLE			2
26	46604100	TUBE, WATER OUTLET			1
27	46636950	ELBOW, REDUCING			1
28	22307649	CLAMP			1
29	35296342	CLIP, RETAINING			1
30	22769186	SENSOR, COOLANT LEVEL			1

# OPTION - BUMPER LIGHTS / WHEEL CHOCKS

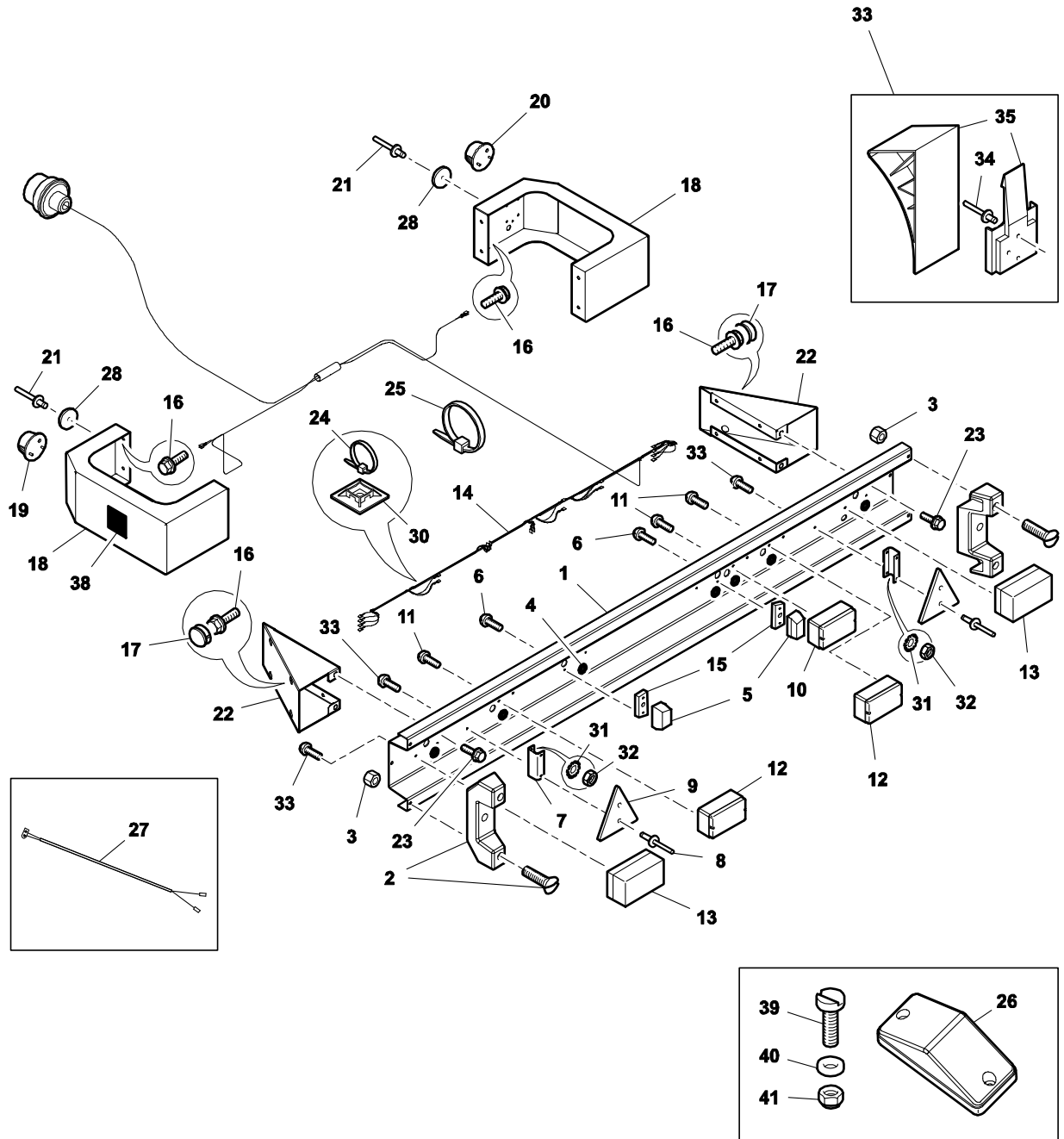


T4726\_01  
03/16

## OPTION - BUMPER LIGHTS / WHEEL CHOCKS

Item	Part Number	Description	Remarks	Serial Number	Qty
1	23205529	BUMPER			1
2	54614870	BUMPER, END STOP			2
3	96704606	NUT			6
4	46500021	GROMMET			7
5	92901230	LAMP, REGISTRATION PLATE			2
6	23251705	SCREW			4
7	22073183	BRACKET			2
8	22054498	RIVET			4
9	92721331	REFLECTOR, RED			2
10	23212863	LAMP, REVERSE			1
11	96705728	SCREW			6
12	93477388	LAMP, FOG			2
13	92901222	LAMP, TAIL/STOP/FLASH			2
14	23205537	HARNESS			1
15	46540217	PLINTH			2
16	96728480	SCREW	(M8 x 16)		16
17	92783281	PLUG			8
18	46666896	POD, FRONT SIDE			2
19	46669973	LIGHT			1
20	46669974	LIGHT			1
21	92766690	RIVET			8
22	23207897	BRACKET BUMPER			2
23	92176114	SCREW			4
24	92281427	TIE, CABLE			18
25	92861640	TIE, CABLE	(350 mm)		2
26	46552110	LAMP, END OUTLINE			2
27	46552118	HARNESS, OUTLINE LAMP			2
28	92085729	REFLECTOR, WHITE			2
30	93524007	PLATE, CABLE TIE			2
31	46556648	WASHER			4
32	96705132	NUT			12

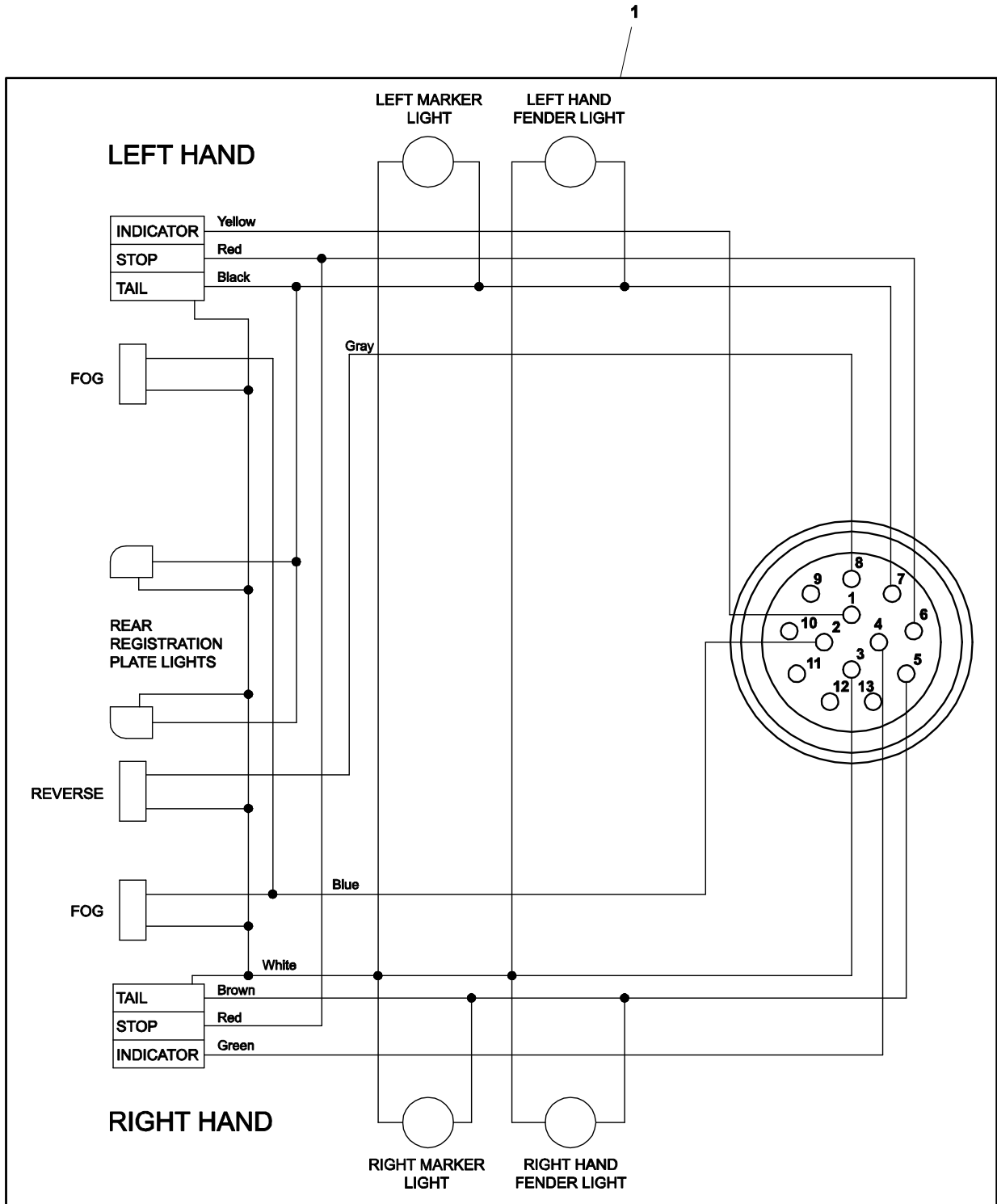
OPTION - BUMPER LIGHTS / WHEEL CHOCKS (CONT'D)



T4726\_01  
03/16



# OPTION - BUMPER LIGHTS / WHEEL CHOCKS

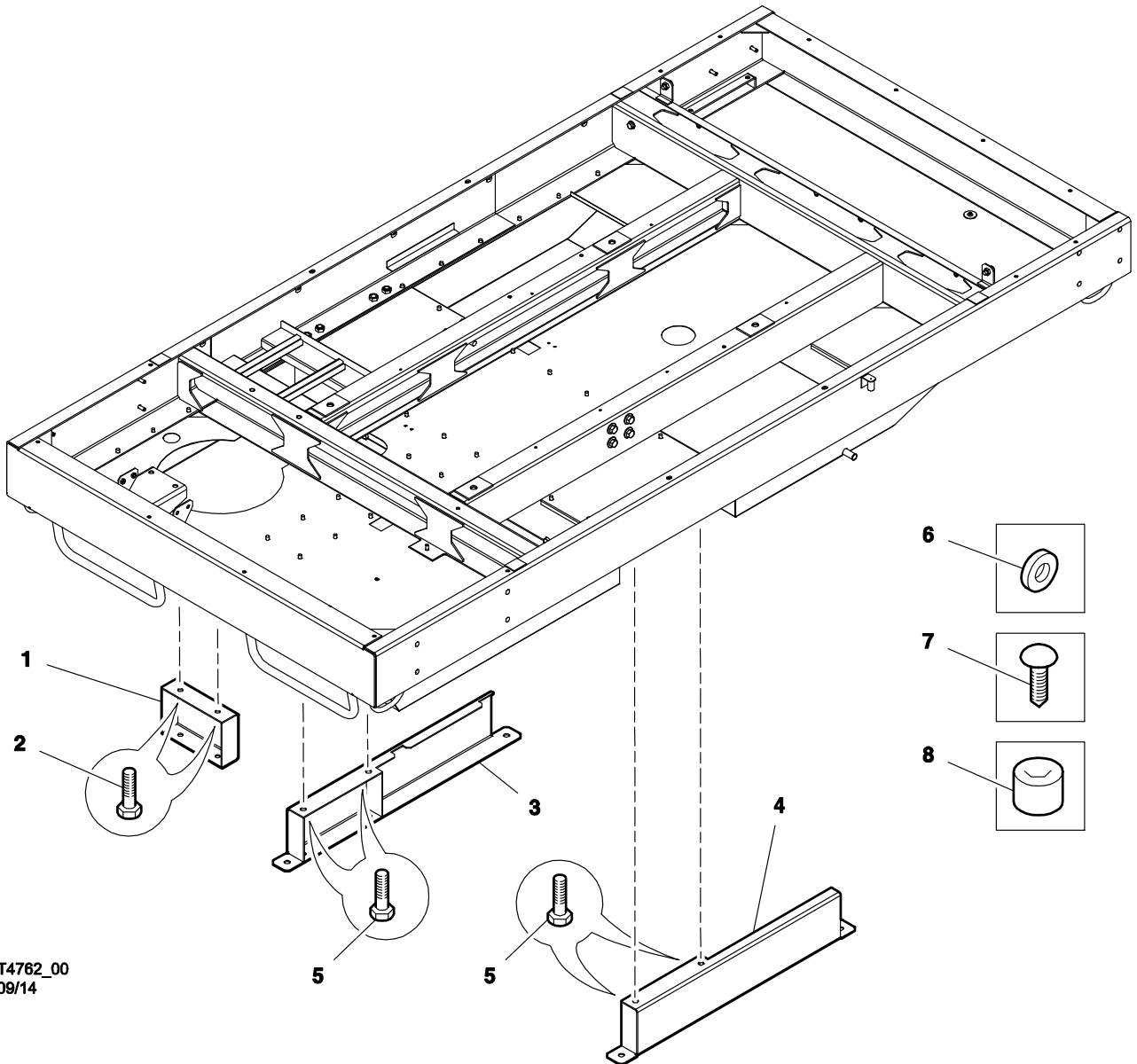


T4727\_00  
09/14





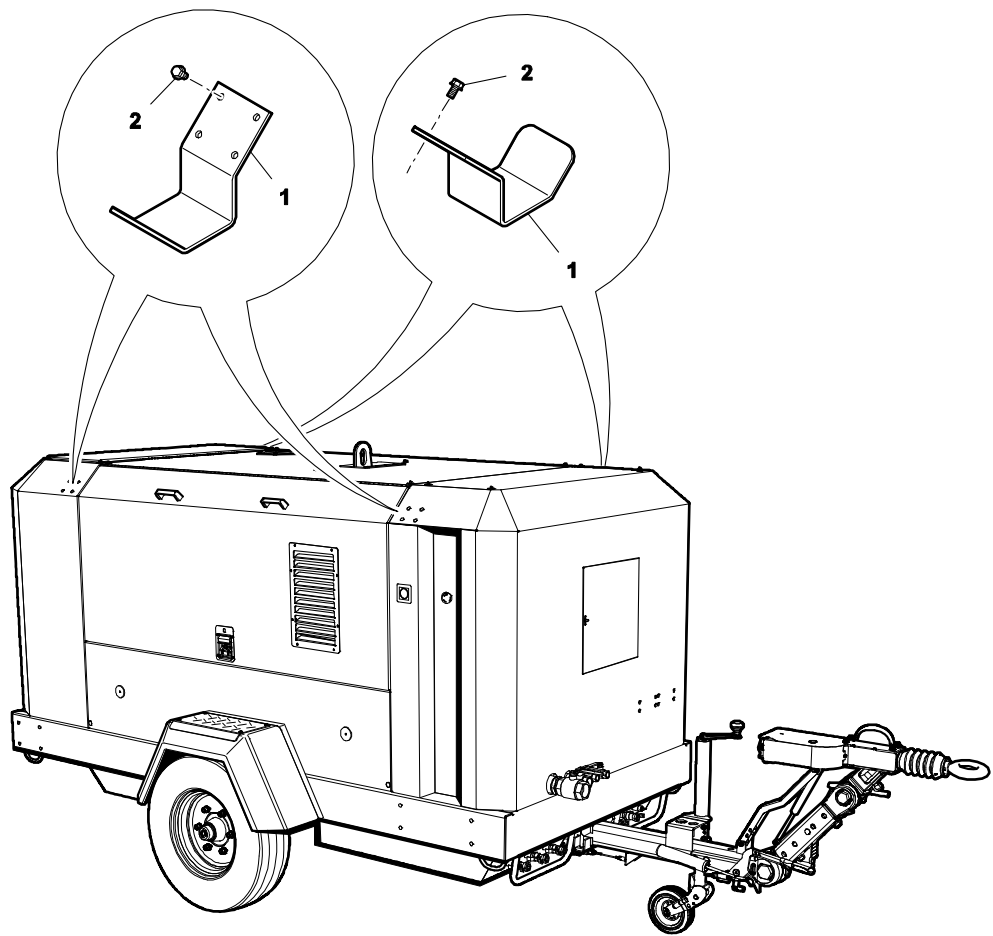
OPTION - SHIPPING / PERMANENT MOUNT



T4762\_00  
09/14



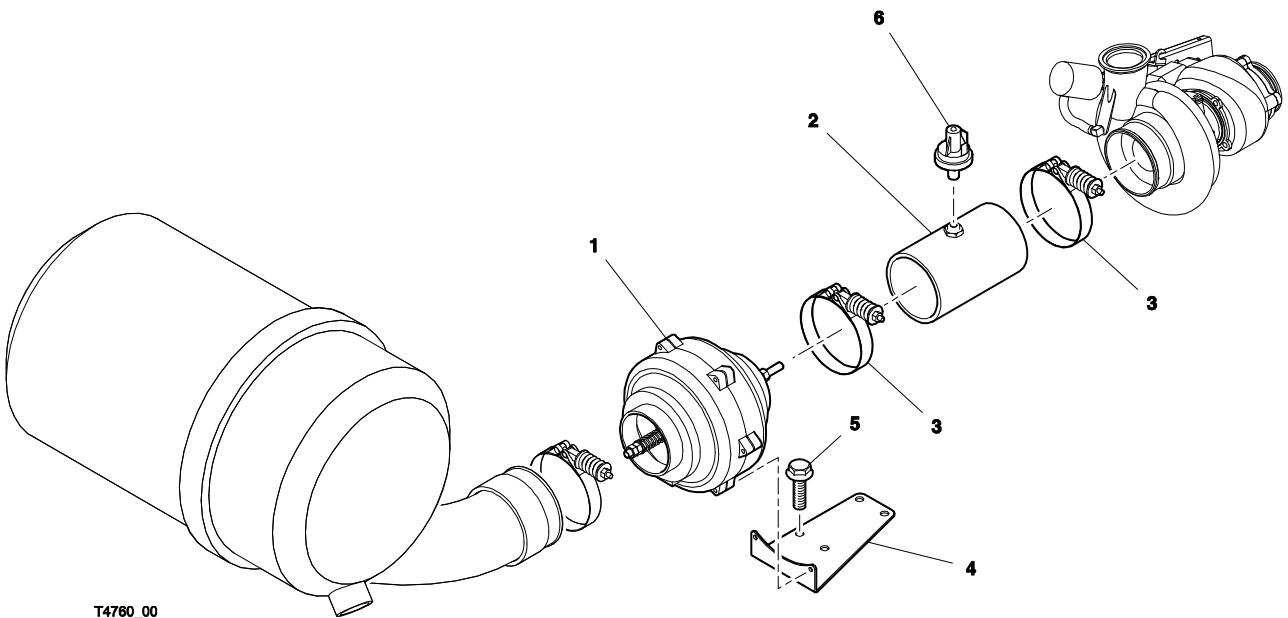
# OPTION - HOSE CARRIER



T4759\_00  
09/14



# OPTION - OVERSPEED VALVE

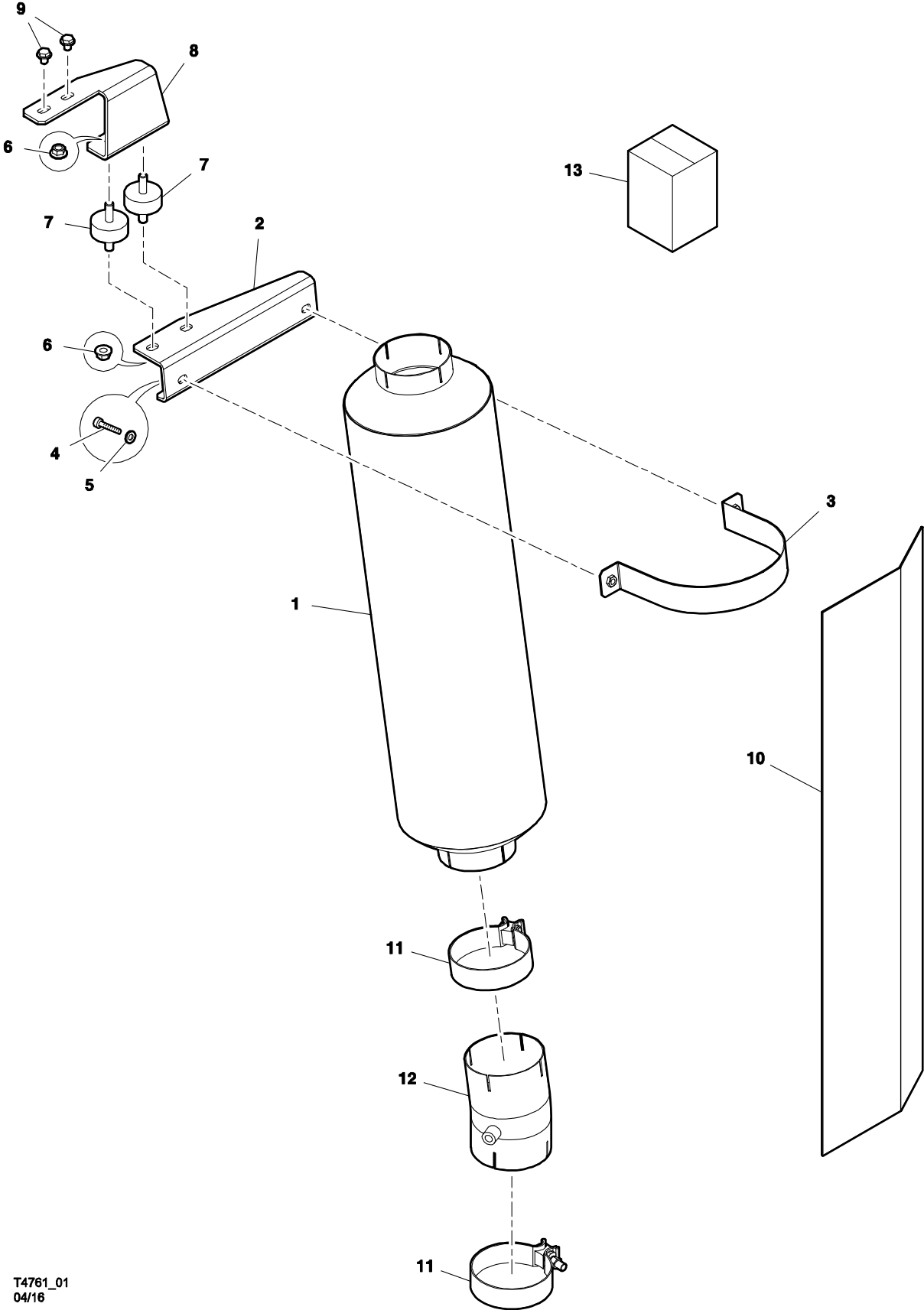


T4760\_00  
09/14

**OPTION - OVERSPEED VALVE**

Item	Part Number	Description	Remarks	Serial Number	Qty
1	46652880	VALVE, OVERSPEED			1
2	46663654	HOSE			1
3	36897668	CLAMP			2
4	46653721	BRACKET			1
5	96727169	SCREW	(M10-1.50 x 20)		4
6	46663638	SWITCH, VACUUM			1
7	46671083	OPTION, OVERSPEED VALVE	W/Ref. 1-6		1

OPTION - SPARK ARRESTOR



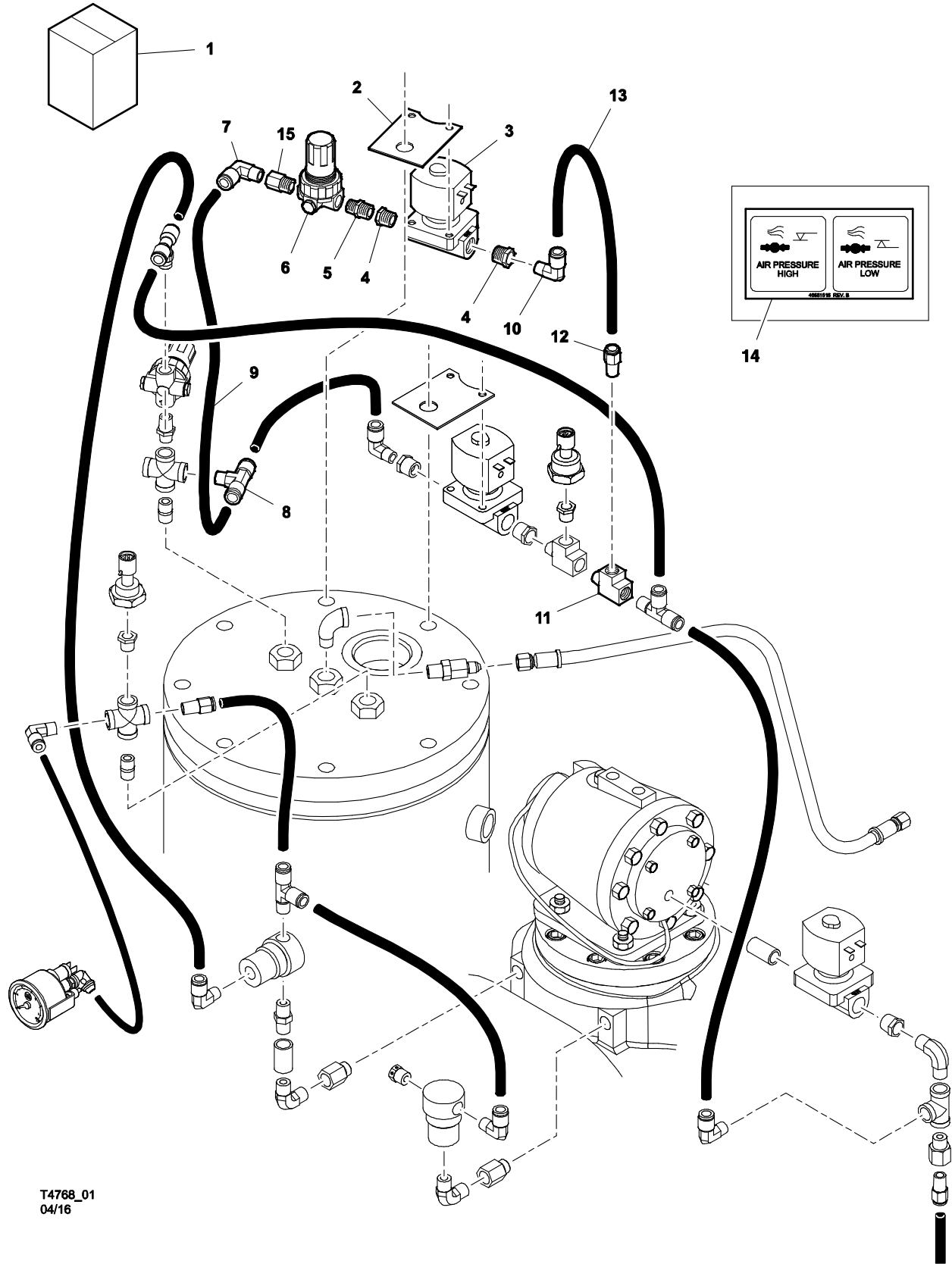
T4761\_01  
04/16



### OPTION - SPARK ARRESTOR

Item	Part Number	Description	Remarks	Serial Number	Qty
1	46663306	ARRESTOR, SPARK			1
2	46663314	BRACKET			1
3	46663313	CLAMP			1
4	35317148	SCREW			2
5	92061480	WASHER			2
6	36879195	NUT			4
7	23093867	MOUNT			2
8	46663311	BRACKET			1
9	93150977	SCREW			2
10	23339146	INSULATION			1
11	46649600	CLAMP			2
12	46663307	PIPE			1
13	46653720	OPTION, SPARK ARRESTOR	W/Ref. 1-12		1

# OPTION - DUAL PRESSURE FIELD KIT

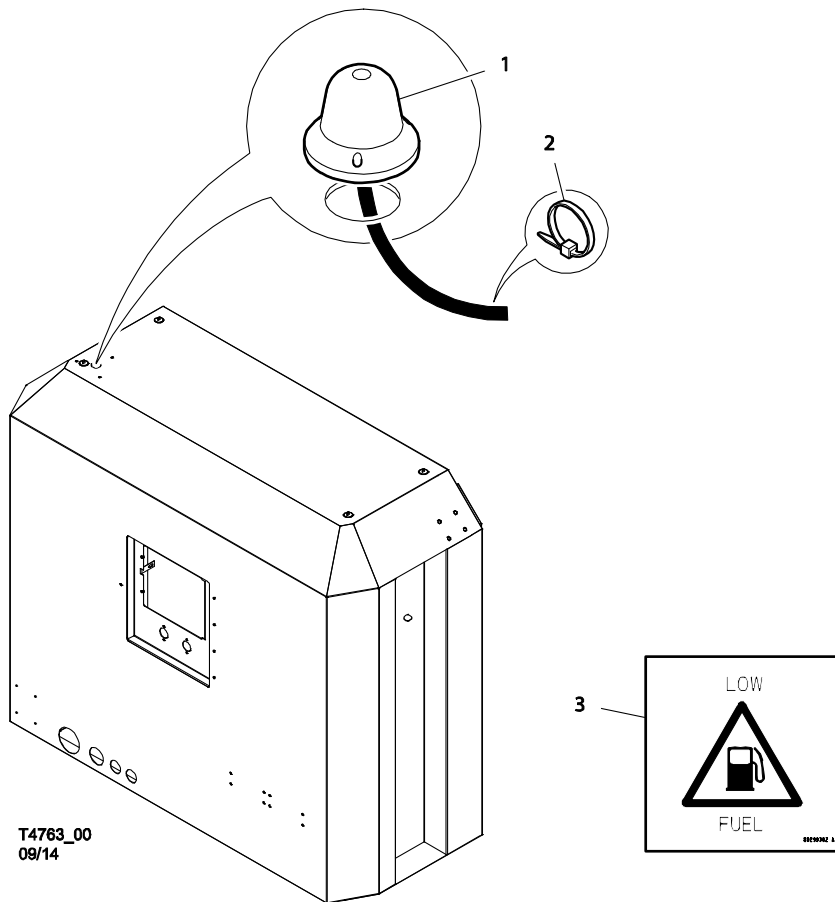


T4768\_01  
04/16

**OPTION - DUAL PRESSURE FIELD KIT**

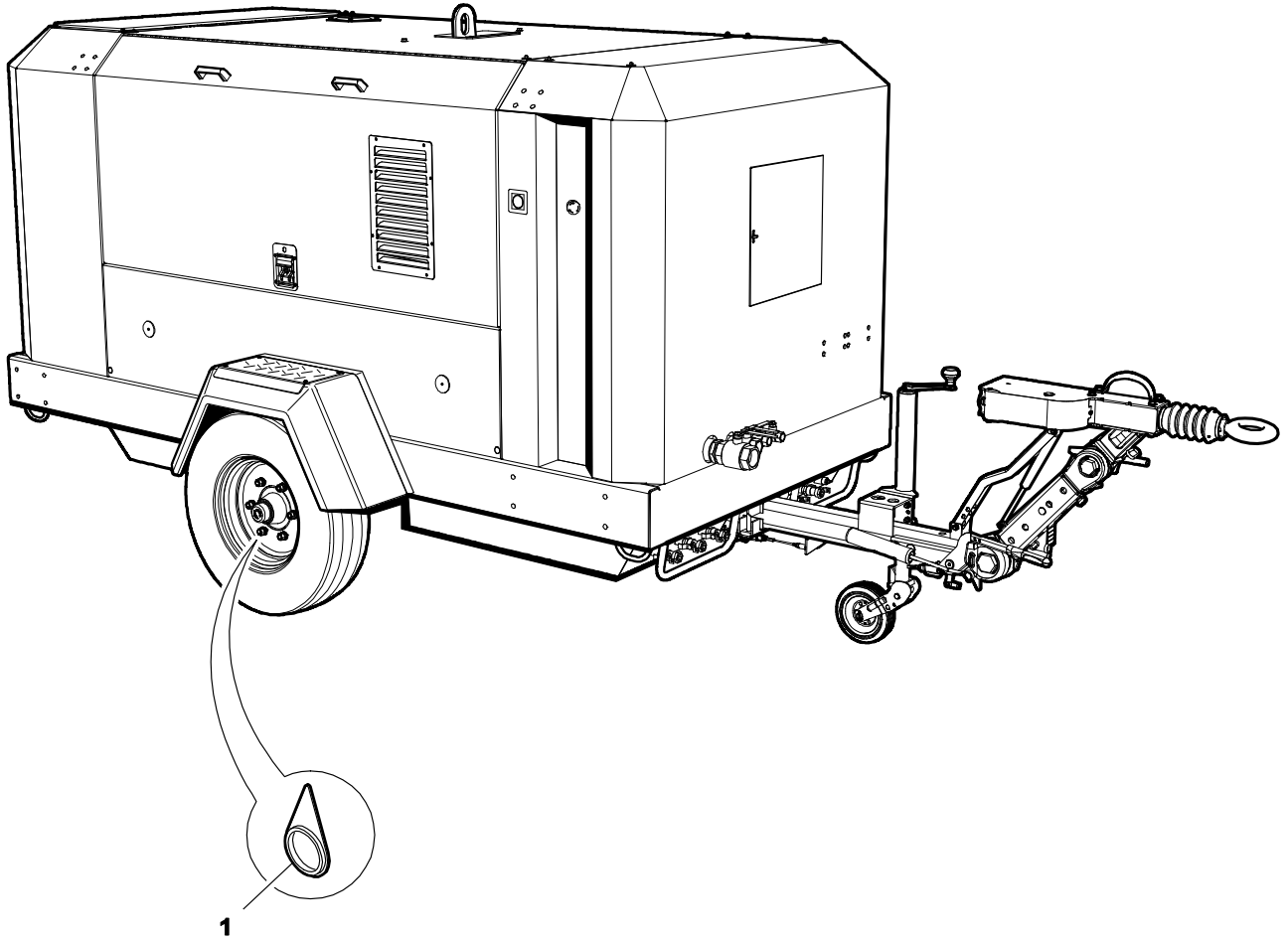
Item	Part Number	Description	Remarks	Serial Number	Qty
1	46671084	DUAL PRESSURE FIELD KIT	W/Ref. 2-15		1
2	22383244	BRACKET			1
3	36840841	VALVE, SOLENOID			1
4	95940748	BUSH, REDUCING			1
5	46622211	ADAPTOR			1
6	46553810	REGULATOR, PRESSURE			1
7	35369354	ELBOW			1
8	35373976	TEE			1
9	35356484	TUBE, NYLON	0,45 m long		2
10	35369354	ELBOW			1
11	35114545	TEE			1
12	35369347	CONNECTOR			1
13	35356484	TUBE, NYLON	0,4 m long		1
14	46551616	DECAL, DUAL PRESSURE			1
15	54625702	ADAPTOR			1

# OPTION - LOW FUEL WARNING KIT





OPTION - WHEEL NUT INDICATORS

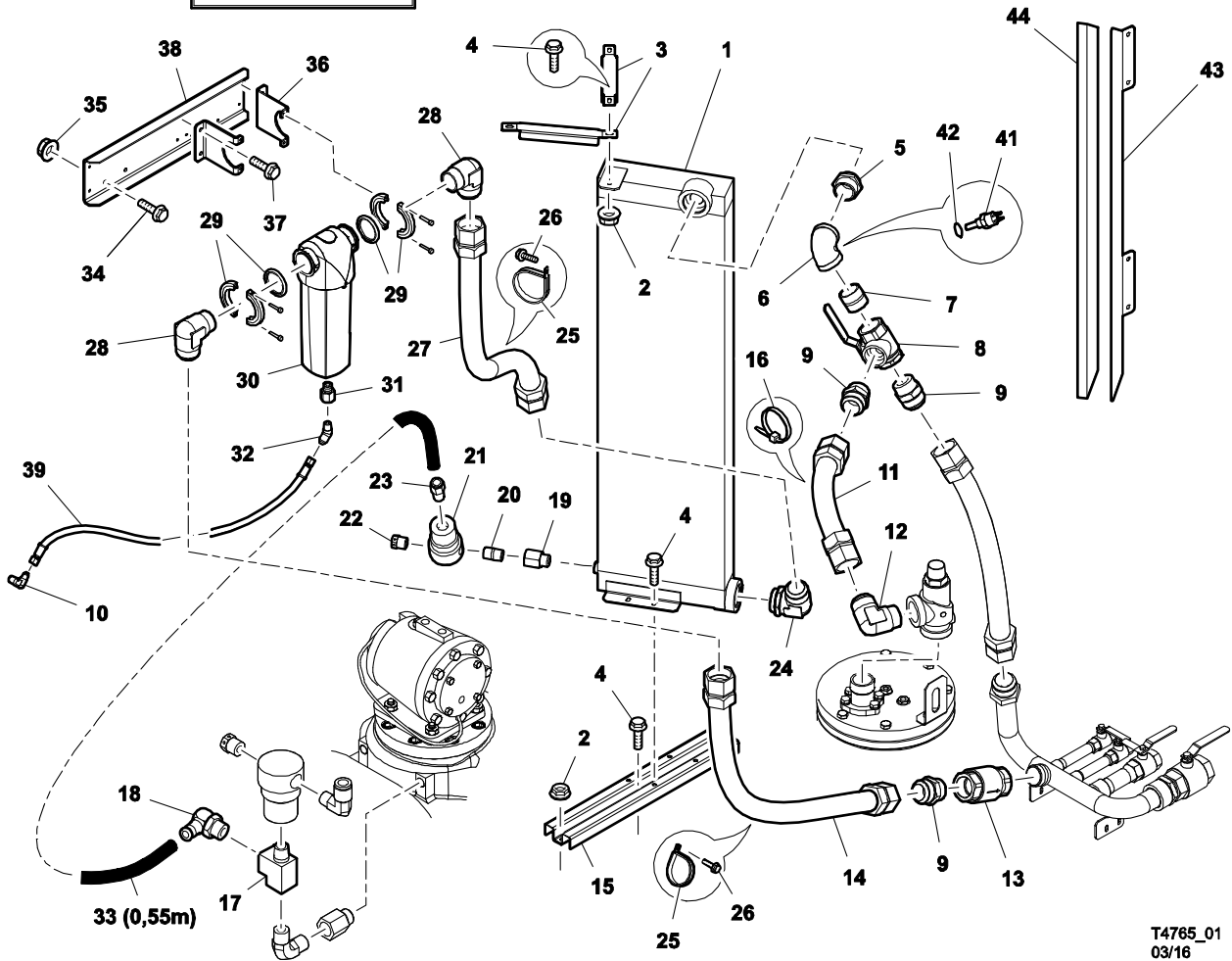
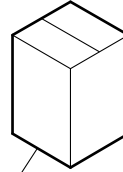
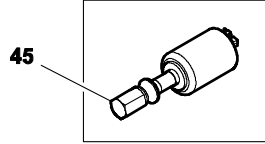
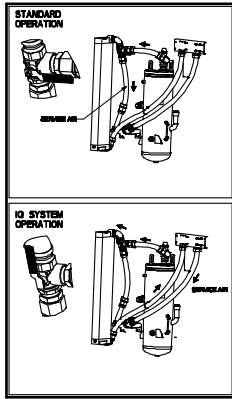


T4764\_00  
09/14

**OPTION - WHEEL NUT INDICATORS**

Item	Part Number	Description	Remarks	Serial Number	Qty
1	23128515	INDICATOR, WHEEL NUT	(24 mm)		12

# OPTION - AFTERCOOLER + WATER SEPARATOR



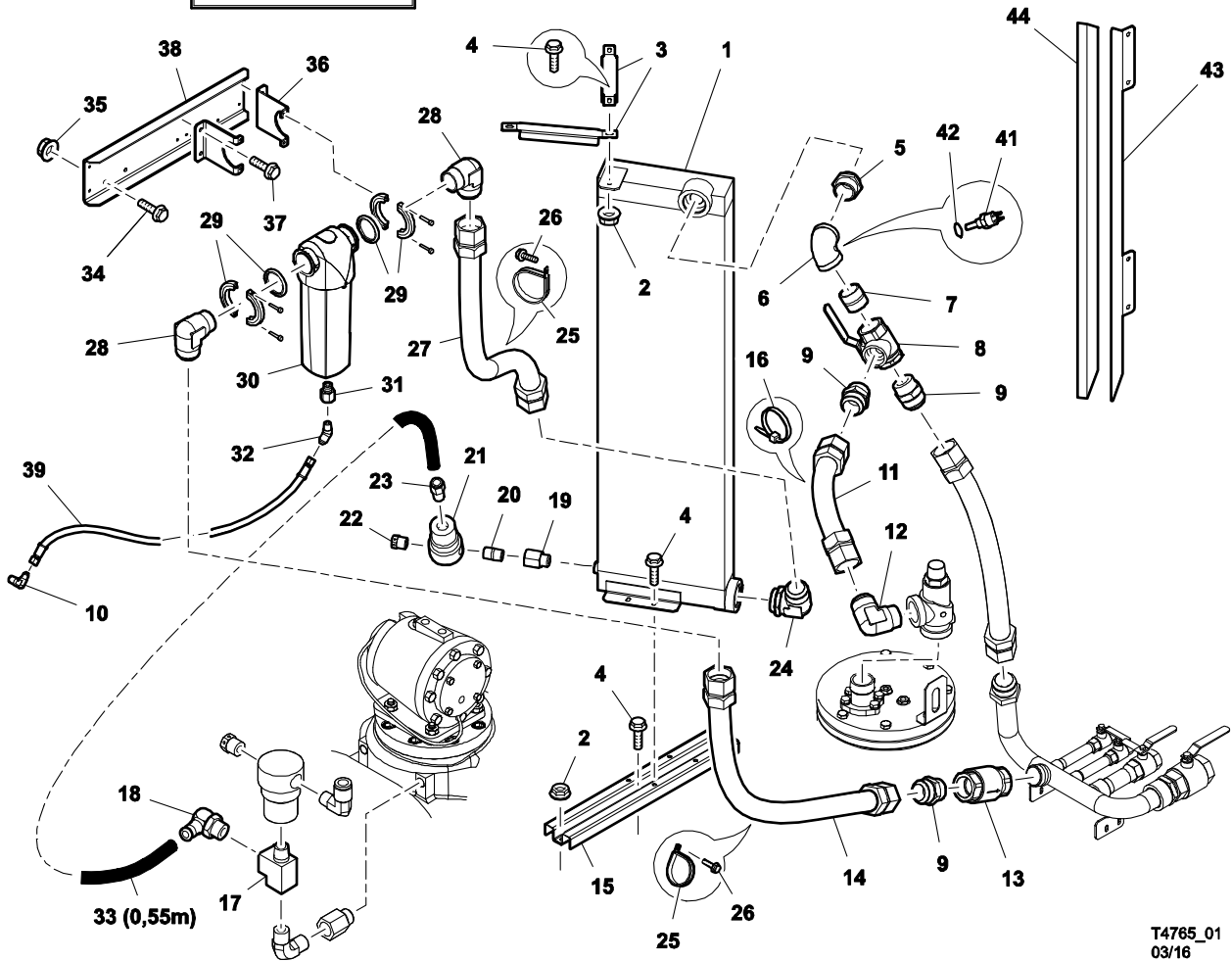
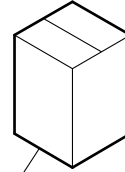
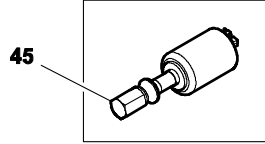
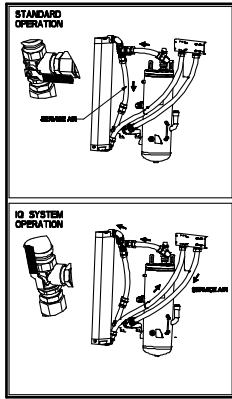
T4765\_01  
03/16



## OPTION - AFTERCOOLER + WATER SEPARATOR

Item	Part Number	Description	Remarks	Serial Number	Qty
1	23315864	AFTERCOOLER			1
2	92398114	NUT	(M8)		3
3	46539441	SUPPORT			2
4	92101112	SCREW			7
5	46551500	CONNECTOR			1
6	46669372	ELBOW			1
7	95732004	CONNECTOR			1
8	36922987	VALVE			1
9	35335124	CONNECTOR			3
10	35283464	ELBOW			1
11	23218464	HOSE ASSEMBLY			1
12	36786127	ELBOW			1
13	36920221	VALVE, CHECK			1
14	23218498	HOSE ASSEMBLY			1
15	46539409	BRACKET			1
16	92281427	TIE, CABLE			6
17	35114545	TEE			1
18	35369354	ELBOW			1
19	35302314	ADAPTOR			1
20	95667341	NIPPLE			3
21	35322379	VALVE, BLOWDOWN			1
22	36766756	ORIFICE, SILENCER			1
23	35369347	CONNECTOR			1
24	95944740	ELBOW			1
25	46668263	CLAMP			2
26	36898096	SCREW			2
27	23218480	HOSE ASSEMBLY			1
28	95286910	ELBOW			2
29	23187420	KIT, CLAMP			2
30	23193667	FILTER, WATER SEPARATOR			1
31	96746334	ADAPTOR			1

# OPTION - AFTERCOOLER + WATER SEPARATOR (CONT'D)

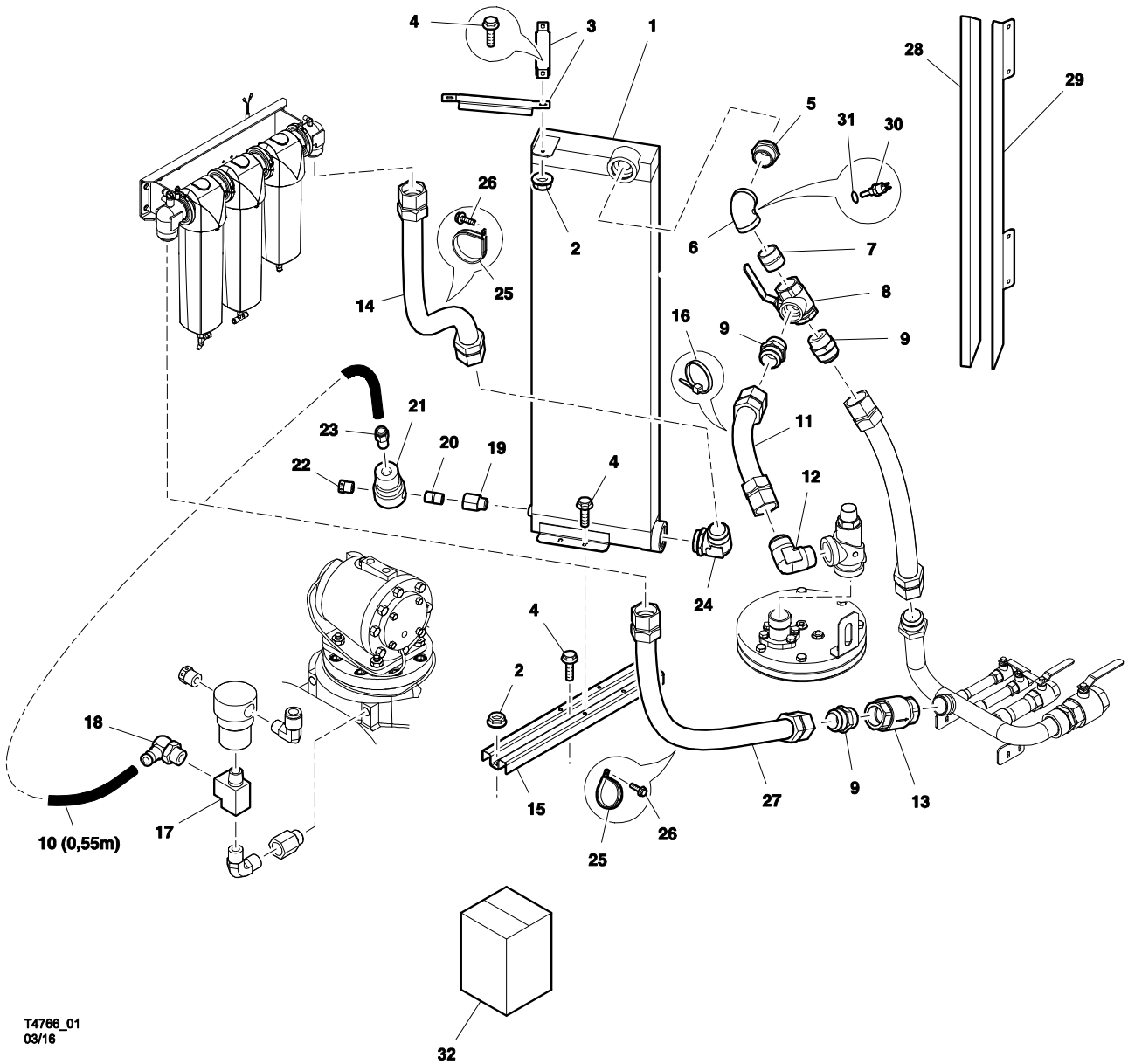


T4765\_01  
03/16

**OPTION - AFTERCOOLER + WATER SEPARATOR (CONT'D)**

Item	Part Number	Description	Remarks	Serial Number	Qty
32	95302170	ELBOW			1
33	35356484	TUBE, NYLON			1
34	36889608	SCREW	(M8-1.25 x 25)		4
35	36881886	NUT			4
36	23194210	BRACKET			2
37	22959936	SCREW			4
38	23342066	BRACKET			1
39	46663245	HOSE ASSEMBLY			1
40	46551506	DECAL, OMEGA IQ OPTION			1
41	46669371	SENSOR			1
42	46671659	O-RING			1
43	46669517	BRACKET			1
44	46669622	FOAM			1
45	23343221	FLOAT, DRAIN			1
46	46671081	OPTION, AFTERCOOLER, WS FIELD KIT	W/Ref.1-43		1

# OPTION - AFTERCOOLER + IQ FILTERS

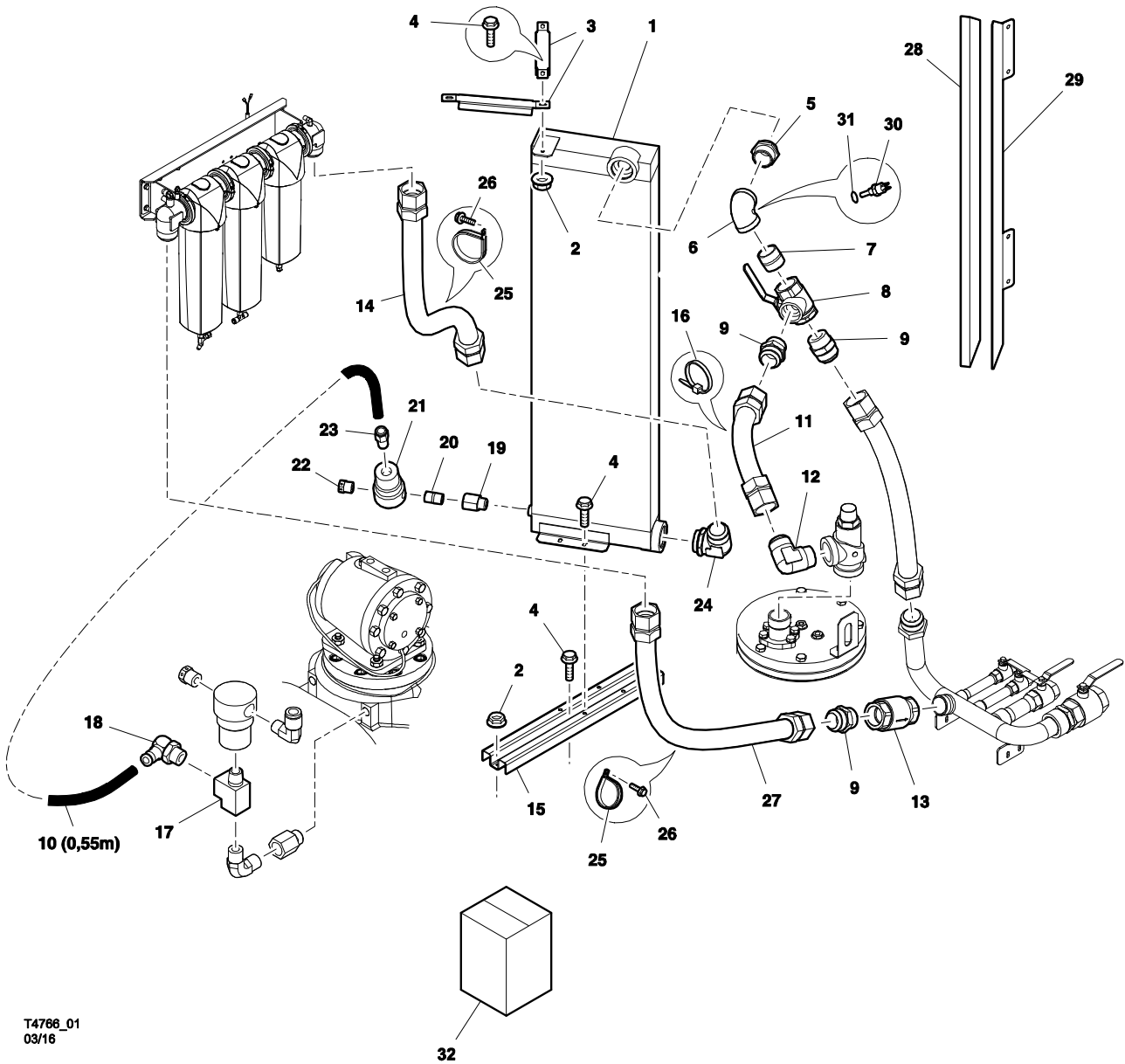


T4766\_01  
03/16

## OPTION - AFTERCOOLER + IQ FILTERS

Item	Part Number	Description	Remarks	Serial Number	Qty
1	23315864	AFTERCOOLER			1
2	92398114	NUT	(M8)		3
3	46539441	SUPPORT			2
4	92101112	SCREW			7
5	46551500	CONNECTOR			1
6	46669372	ELBOW			1
7	95732004	CONNECTOR			1
8	36922987	VALVE			1
9	35335124	CONNECTOR			3
10	35356484	TUBE, NYLON			1
11	23218464	HOSE ASSEMBLY			1
12	36786127	ELBOW			1
13	36920221	VALVE, CHECK			1
14	23218498	HOSE ASSEMBLY			1
15	46539409	BRACKET			1
16	92281427	TIE, CABLE			6
17	35114545	TEE			1
18	35369354	ELBOW			1
19	35302314	ADAPTOR			1
20	95667341	NIPPLE			3
21	35322379	VALVE, BLOWDOWN			1
22	36766756	ORIFICE, SILENCER			1
23	35369347	CONNECTOR			1
24	95944740	ELBOW			1
25	46668263	CLAMP			2
26	36898096	SCREW			2
27	23218480	HOSE ASSEMBLY			1
28	46669622	FOAM			1
29	46669517	BRACKET			1
30	46669371	SENSOR			1
31	46671659	O-RING			1

# OPTION - AFTERCOOLER + IQ FILTERS (CONT'D)

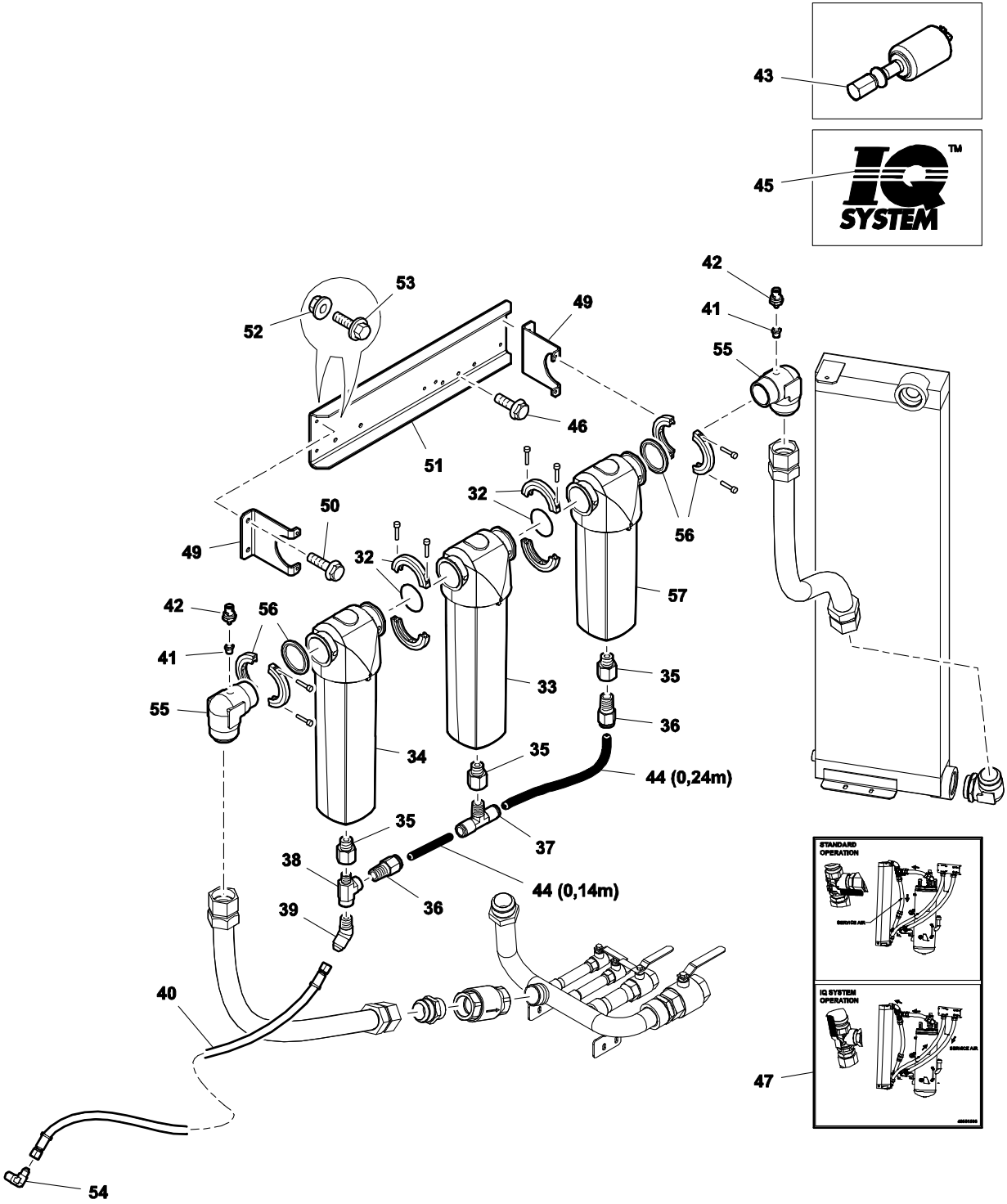


T4766\_01  
03/16

## OPTION - AFTERCOOLER + IQ FILTERS (CONT'D)

Item	Part Number	Description	Remarks	Serial Number	Qty
32	46671082	OPTION, AFTERCOOLER, WS IQ FILTERS FIELD KIT	W/Ref. 1-57		1

OPTION - AFTERCOOLER + IQ FILTERS



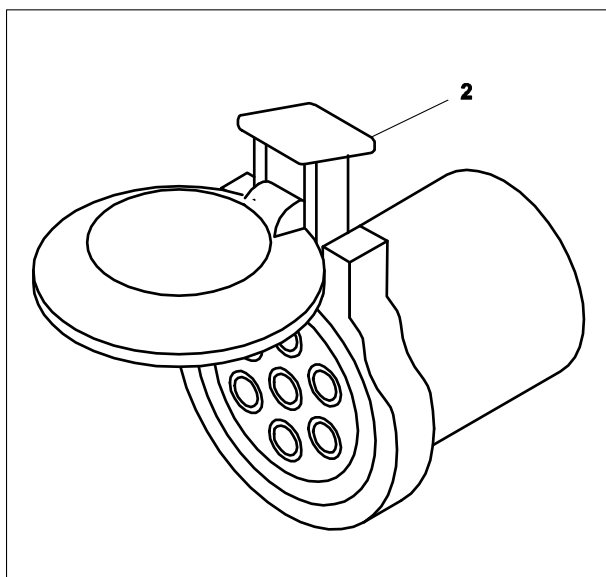
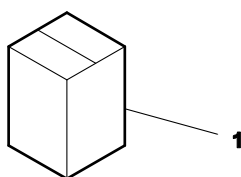
T4767\_00  
09/14



## OPTION - AFTERCOOLER + IQ FILTERS

Item	Part Number	Description	Remarks	Serial Number	Qty
32	23187388	KIT, CLAMP			2
33	23193675	FILTER IQ, PRIMARY			1
33	23212491	ELEMENT, PRIMARY FILTER			1
34	23193683	FILTER IQ, SECONDARY			1
34	23212509	ELEMENT, SECONDARY FILTER			1
35	96746334	ADAPTOR			3
36	35379700	CONNECTOR			3
37	35369396	TEE			1
38	39127287	TEE			1
39	95302170	ELBOW			1
40	46663245	HOSE ASSEMBLY			1
41	95930301	BUSH			2
42	54496773	TRANSDUCER, PRESSURE	(0-225 psi)		2
43	23343221	FLOAT, DRAIN			1
44	35356484	TUBE, NYLON			5
45	36534766	DECAL, IQ SMALL			1
46	36797652	SCREW			2
47	46551506	DECAL, OMEGA IQ OPTION			1
48	35369354	ELBOW			1
49	23194210	BRACKET			2
50	22959936	SCREW			4
51	23342066	BRACKET			1
52	36881886	NUT			4
53	36889608	SCREW	(M8-1.25 x 25)		4
54	35283464	ELBOW			1
55	23273774	ELBOW			2
56	23187420	KIT, CLAMP			2
57	23193667	FILTER, WATER SEPARATOR			1

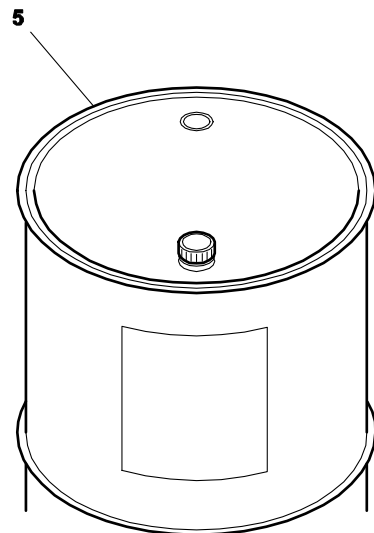
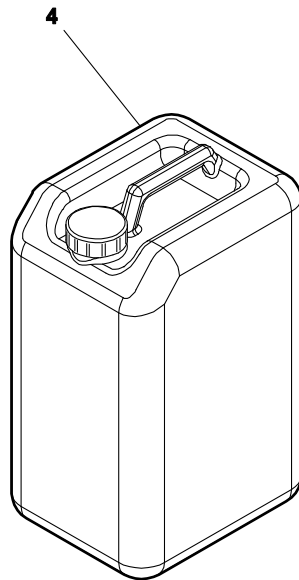
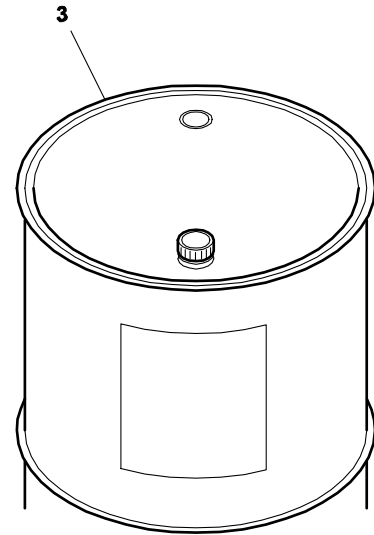
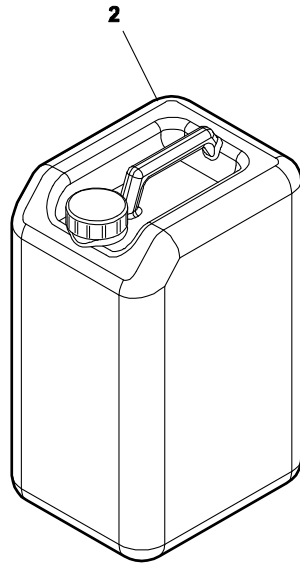
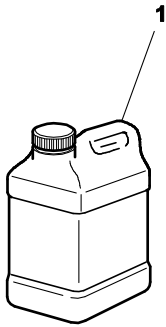
# OPTION - LIGHTING PLUG ADAPTOR



T4769\_00  
10/14



# FLUIDS



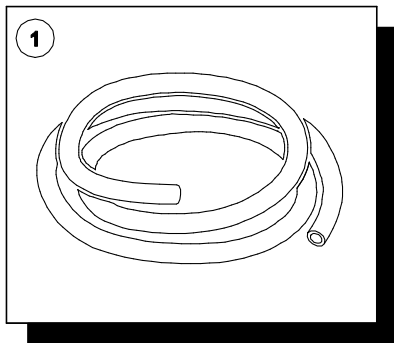
T2591\_01  
07/12



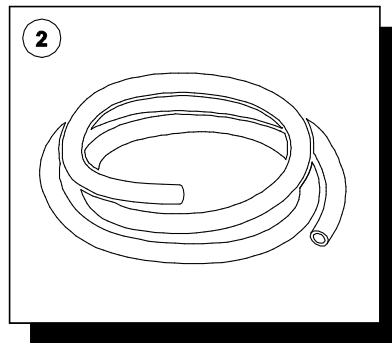
## AIR DELIVERY HOSE

This range of air delivery hose is readily available in the two most commonly used sizes of 3/4" and 1" I/D, in three lengths; 15m (50') complete with fittings, 4m (13') complete with fittings and random lengths. Please note the CPN given for the random lengths is a per metre measurement, therefore when ordering please specify the number of metres required.

The chart is by no means exhaustive, additional sizes or fitted lengths can be made available on request to suit your individual needs. Similarly the chart only gives details of air delivery hose at 15.5 bar (225 psi) working pressures. Should you require higher working pressures or different types of hose please contact Portable Power Aftermarket, via your normal channels.



Hose  
I.D.: 19 mm (3/4")  
O.D.: 30 mm  
Working pressure: 15.5 bar (225 psi)  
Burst pressure: 46.54 bar (675 psi)  
Weight: 0.580 kg/m

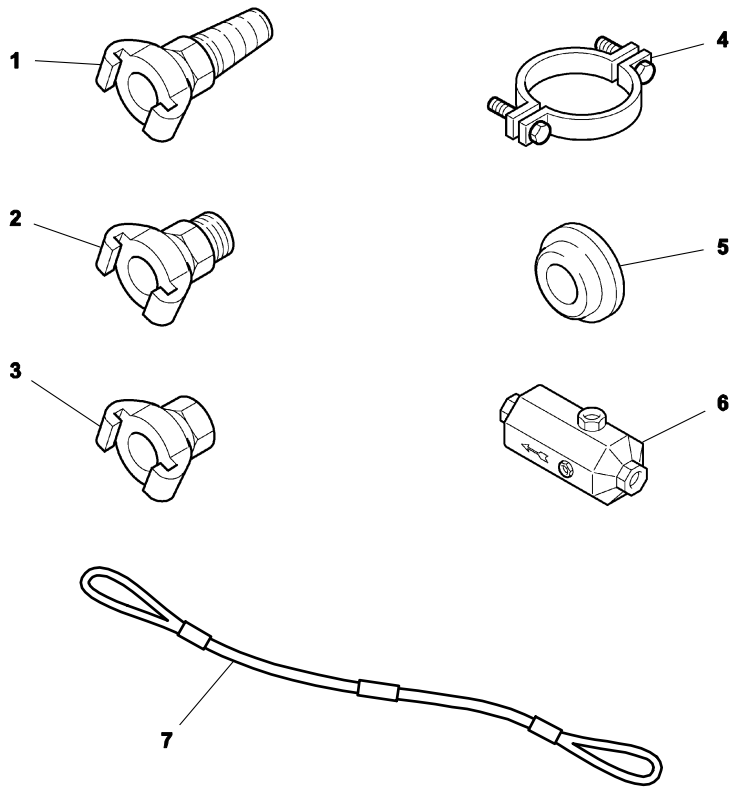


Hose  
I.D.: 25 mm (1")  
O.D.: 36 mm  
Working pressure: 15.5 bar (225 psi)  
Burst pressure: 46.54 bar (675 psi)  
Weight: 0.830 kg/m

T2593\_00  
02/11



## AIR HOSE FITTINGS



Some air tools are manufactured with an integral oil supply built into the handle. In cases where no such supply exists a lubricator installed within the air line ensures that air tools operate at peak efficiency and reduce costly repair and downtime.

The lubricator should be located as near to the tool as possible but satisfactory lubrication will be provided if installed as far away as 25ft (7.62m). Immediately upon operation of an air tool a fog of oil is automatically injected into the air stream and lubrication of the tool will continue as long as there is oil in the lubricator.

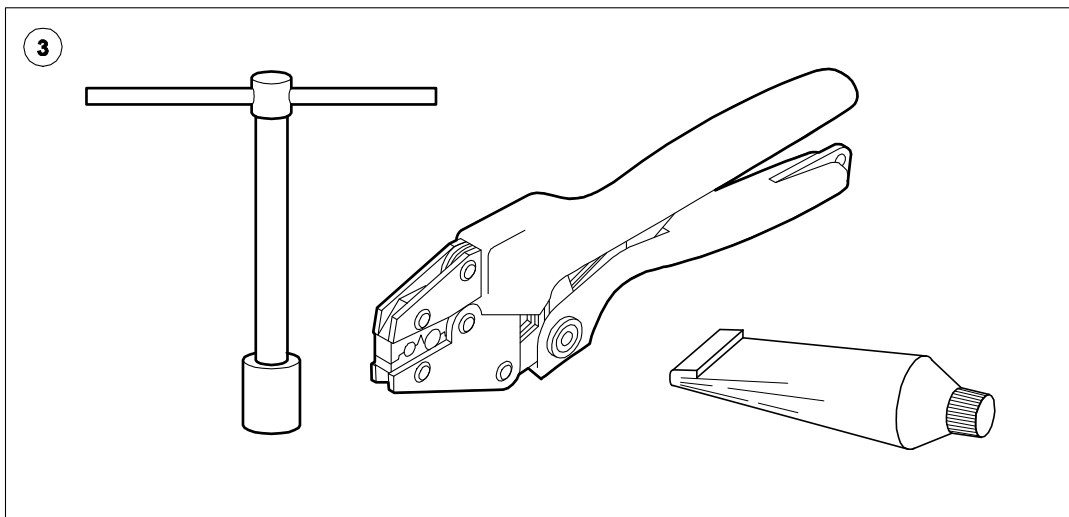
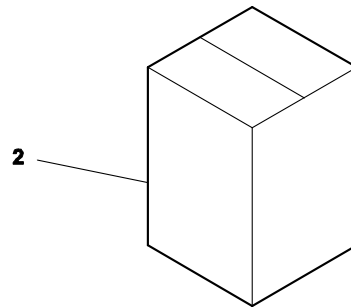
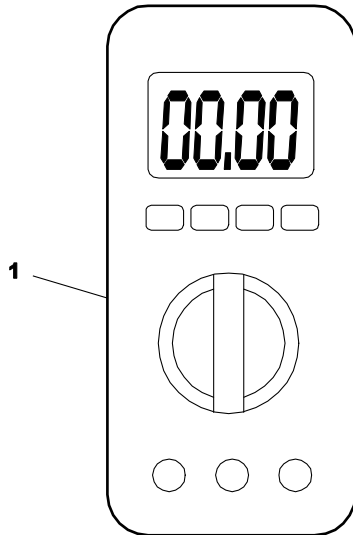
The oil supply, which is adjustable, is easily checked through the pressure proof window, and refilling is made simple by use of a large filler cap. Whenever the cap is removed it automatically vents the reservoir pressure allowing refilling without shutting down the air supply.

T2594\_01  
07/12





# SERVICE TOOLS

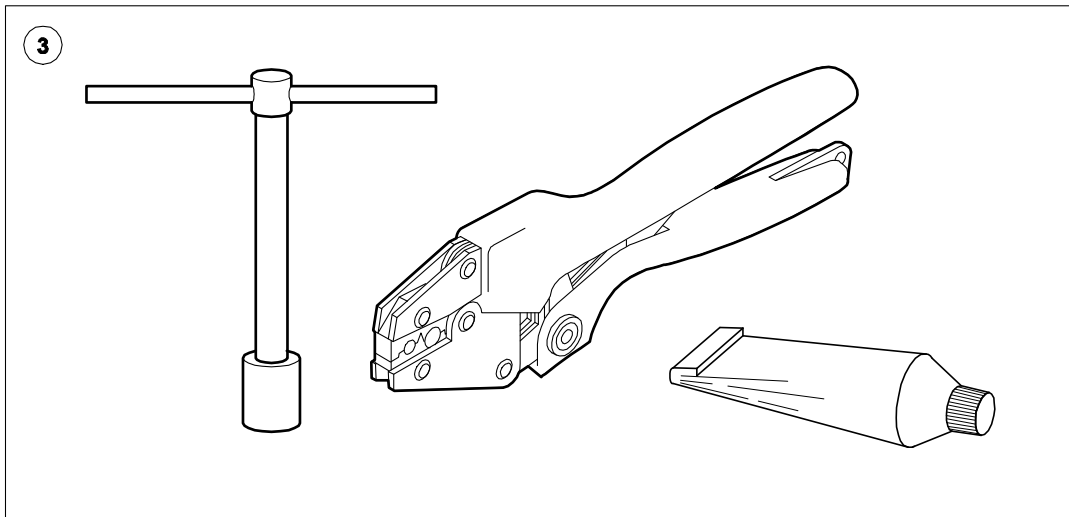
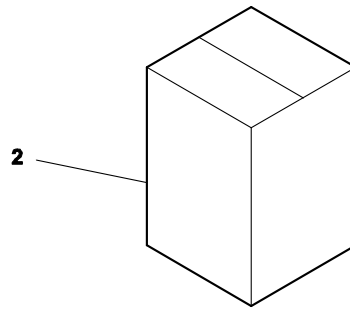
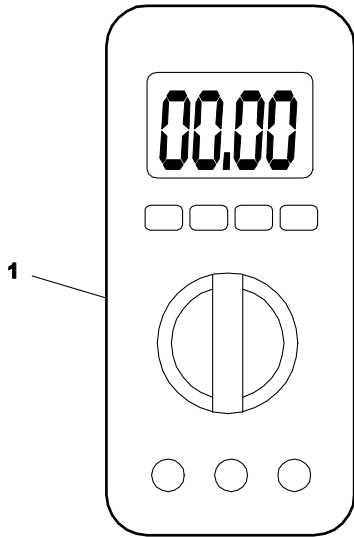


T2595\_01  
08/12

## SERVICE TOOLS

Item	Part Number	Description	Remarks	Serial Number	Qty
1	22216691	DIGITAL MULTIMETER	(fluke 87)		1
1	22216733	METER CASE, FLUKE			1
1	22216709	TEST LEAD SET, FLUKE			1
1	22216725	WIRE INSULATION PIERCING PROBE, FLUKE			1
2	22147540	KIT, TEST ADAPTERS			1
2	22146393	KIT, DEUTSCH TERMINAL REMOVAL TOOL	(size 20 through 8)		1
3	22281588	WRENCH, T- HANDLE HEX	5/32"		1
3	22282107	SCREW DRIVER, HEX	5/32"		1
3	22282172	FLEX DRIVER	3/4"		1
3	54740675	SERIAL CABLE, HEAVY DUTY	RS232		1
3	54699640	DEUTCH TERMINAL REMOVAL	tool size 20		1
3	54699632	DEUTCH TERMINAL REMOVAL	size 16		1
3	46490942	DEUTCH TERMINAL REMOVAL	size 14		1
3	54699624	DEUTCH TERMINAL REMOVAL	size 12		1
3	54699616	DEUTCH TERMINAL REMOVAL	size 8		1
3	54699657	DEUTCH WEDGELOCK AND TERMINAL REMOVAL TOOL			1
3	22216667	DEUTSCH TERMINAL CRIMP TOOL			1
3	54729660	PACKARD WEATHER- PACK TERMINAL REMOVAL TOOL			1
3	54749643	PACKARD METRI- PACK TERMINAL REMOVAL TOOL			1
3	46490959	PACKARD METRI- PACK TERMINAL REMOVAL TOOL			1
3	22254734	PACKARD WEATHER- PACK TERMINAL CRIMP TOOL			1
3	22216683	PACKARD METRI- PACK TERMINAL CRIMP TOOL			1
3	22255974	PACKARD METRI- PACK TERMINAL CRIMP TOOL			1
3	46490967	PACKARD METRI- PACK TERMINAL CRIMP TOOL			1
3	46490975	PACKARD METRI- PACK TERMINAL CRIMP TOOL			1
3	54749544	RTD SIMULATOR			1
3	54749551	THERMISTOR SIMULATOR			1
3	22073878	THERMISTOR SIMULATOR			1
3	22168868	PRESSURE TRANSDUCER SIMULATOR			1
3	54729710	ELECTRICAL CONTACT CLEANER			1
3	22409114	ELECTRICAL GREASE			1

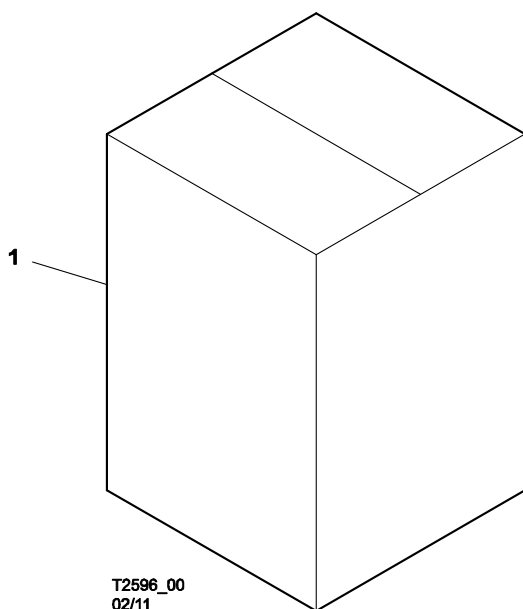
SERVICE TOOLS (CONT'D)



T2595\_01  
08/12

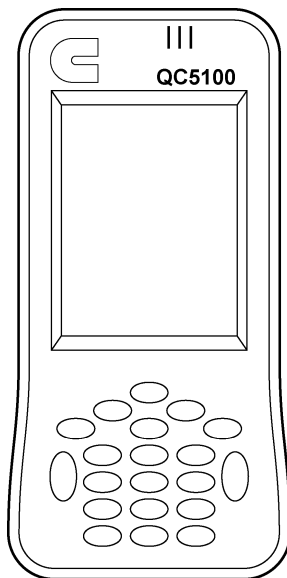


# CONNECTOR REPAIR KITS





## ENGINE MAINTENANCE ITEMS



### NOTE:

- PowerSpec CE reads Cummins engine configuration settings
- PowerSpec CE transfers a HotSpec created by the PowerSpec PC application to your Cummins engine
- PowerSpec CE reads active and inactive faults
- PowerSpec CE clears inactive faults
- PowerSpec CE reads and resets vehicle trip data
- QuickCheck CE reads electronic engine and vehicle subsystem data
- QuickCheck CE reads engine/vehicle operating parameters
- QuickCheck CE reads and stores active and inactive faults
- QuickCheck CE reads and stores dataplate information
- Stored information on the QC5100 handheld computer can be downloaded to a PC with an ActiveSync operation
- Operating parameters displayed by QuickCheck CE can be changed using QC Configurator

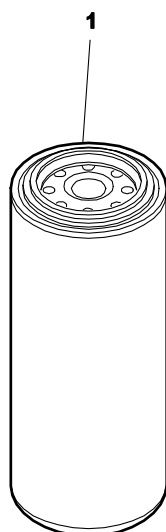
More information can be found in Service Letter SL 40006-EN

T3286\_00  
08/12





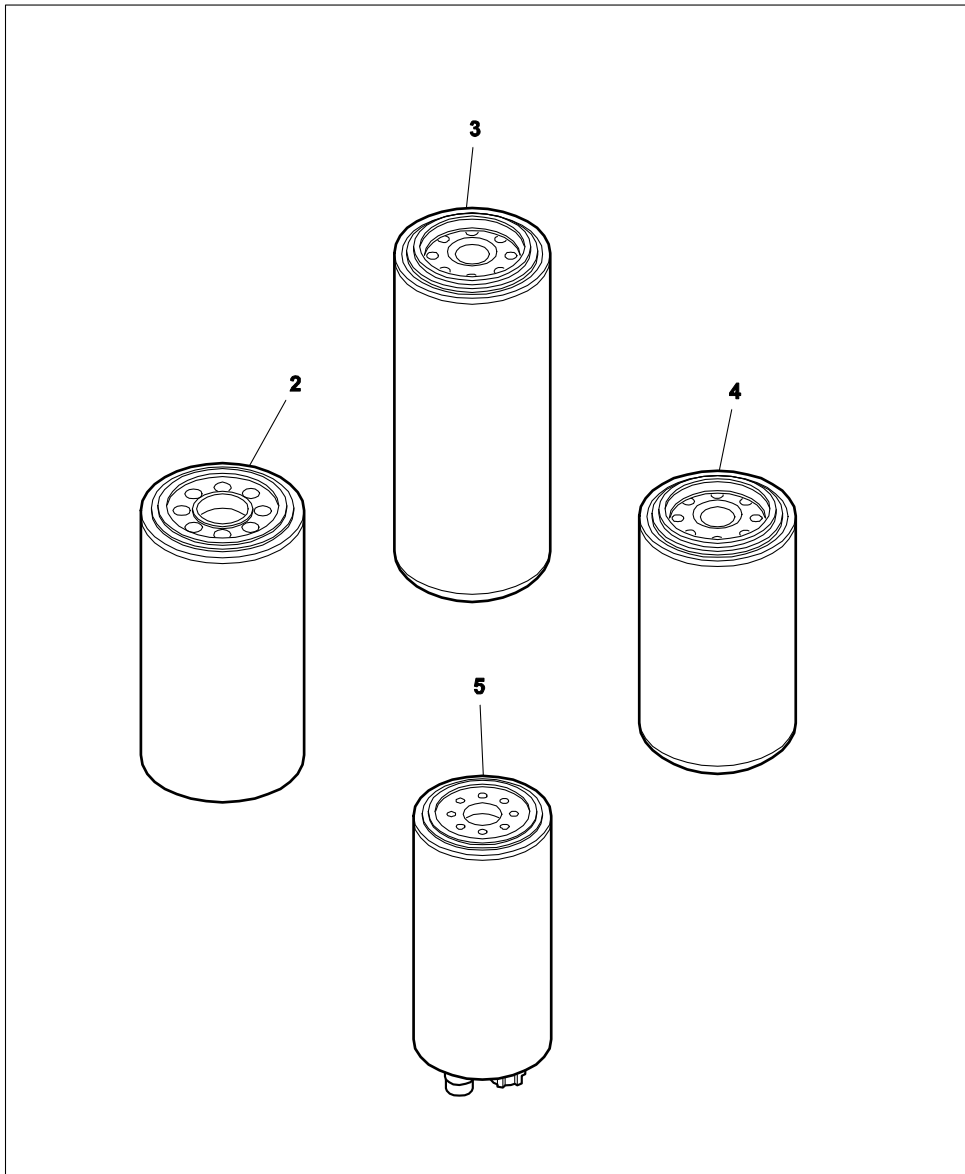
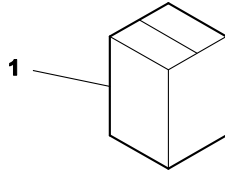
**MAINTENANCE KIT  
(50 hours)**



T4770\_00  
10/14



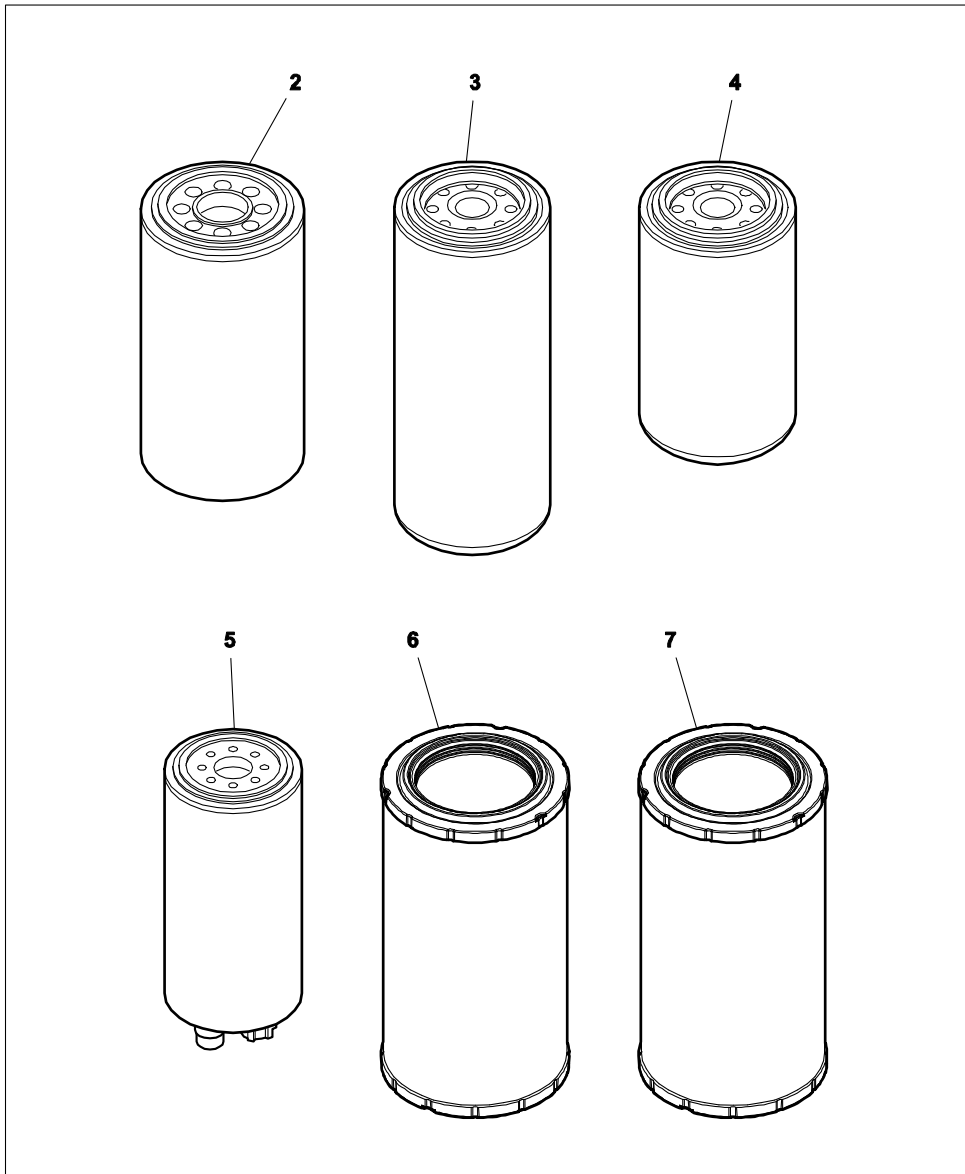
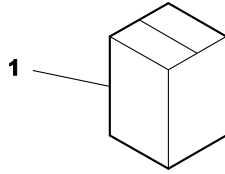
**MAINTENANCE KIT  
(500 hours)**



T4771\_00  
10/14



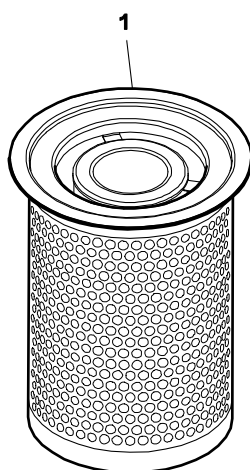
**MAINTENANCE KIT  
(1000 hours)**



T4772\_00  
10/14



**MAINTENANCE KIT  
(Separator Filter Element)**

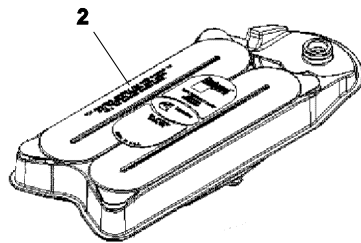
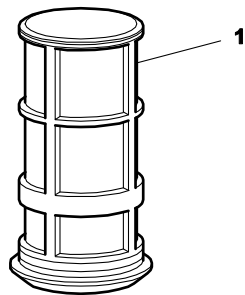


T4773\_00  
10/14





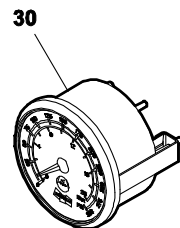
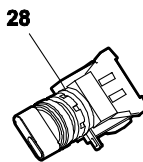
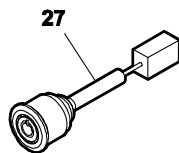
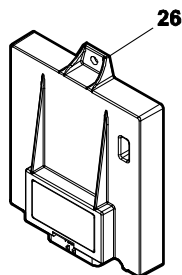
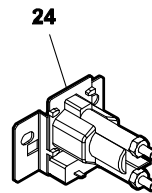
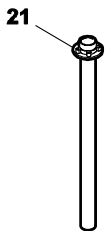
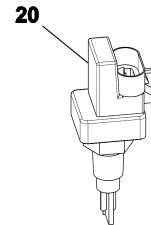
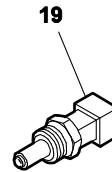
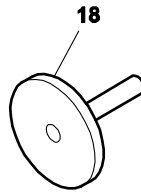
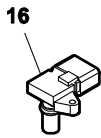
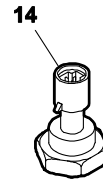
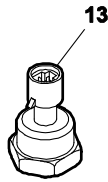
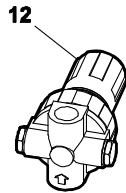
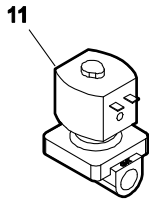
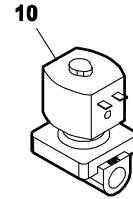
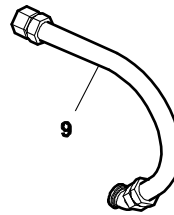
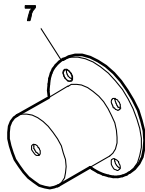
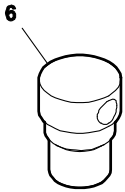
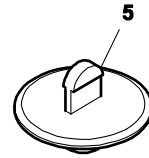
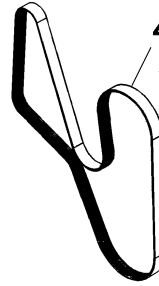
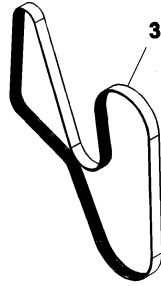
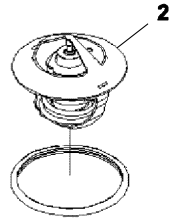
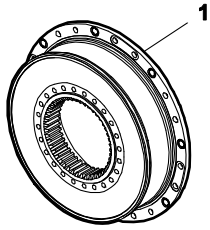
**MAINTENANCE KIT  
(Filter Elements)**



T4774\_00  
10/14



**RECOMMENDED PARTS**  
**(1 unit)**  
**(for 1 year operation)**



T4775\_00  
10/14

**RECOMMENDED PARTS  
(1 unit)  
(for 1 year operation)**

Item	Part Number	Description	Remarks	Serial Number	Qty
1	23094709	COUPLING ASSEMBLY	(airend)		1
2	46518460	THERMOSTAT ASSEMBLY			1
3	46652177	BELT, FAN			1
4	46663891	BELT, FAN	(optional) - (antistatic)		1
5	23143506	PLUG			1
6	35322379	VALVE, BLOWDOWN			1
7	35317197	DIAPHRAGM	(unloader)		1
9	54688015	HOSE, DISCHARGE			1
10	36840841	VALVE, SOLENOID	(unloader)		1
11	36840841	VALVE, SOLENOID	(start / run)		1
12	46553810	REGULATOR, PRESSURE			1
13	36920825	TRANSDUCER, PRESSURE	(0-100 psi)		1
14	54765946	TRANSDUCER, PRESSURE	(0-500 psi)		1
15	22663173	SPRING, GAS			4
16	36847838	SENSOR, AIR RESTRICTION			2
17	89303127	SWITCH, EMERGENCY STOP			2
18	35591122	VALVE, UNLOADER			1
19	36898922	SENSOR, TEMPERATURE			1
20	22769186	SENSOR, COOLANT LEVEL			1
21	23129240	SENDER UNIT, FUEL LEVEL			1
22	36896975	SWITCH, BATTERY ISOLATOR			1
23	46561563	FUSE	(engine inlet heater) - (150 A)		1
24	36853521	RELAY, STARTER / AIR PREHEAT			2
26	46551938	CONTROLLER, TITAN			1
27	46605159	SWITCH			1
28	46556142	SWITCH, SELECTOR			1
29	46566779	SENSOR, TBAP			1
30	46558800	GAUGE, PRESSURE			1

Intentionally left blank

# NUMERICAL INDEX

Part Number	Denomination	WAS	Page	Subgroup
15900079	O-RING		97	FUEL FILTER
15901945	SWITCH, OIL PRESSURE		117	ENGINE CONTROL MODULE
15901952	O-RING		117	ENGINE CONTROL MODULE
22051494	NUT		5 9 13	RUNNING GEAR RUNNING GEAR RUNNING GEAR
22051544	JOINT		5 13	RUNNING GEAR RUNNING GEAR
22051551	BUSH		5 13	RUNNING GEAR RUNNING GEAR
22051577	NUT		5 13	RUNNING GEAR RUNNING GEAR
22051585	RING		5 13	RUNNING GEAR RUNNING GEAR
22051734	CLIP ASSEMBLY		13	RUNNING GEAR
22051841	CABLE		9	RUNNING GEAR
22054498	RIVET		31 41 145	ENCLOSURE ENCLOSURE OPTION - BUMPER LIGHTS / WHEEL CHOCK
22062335	DECAL, SOUND POWER		45	DECALS AND DOCUMENTATION
22068373	SEAL		31	ENCLOSURE
22073183	BRACKET		145	OPTION - BUMPER LIGHTS / WHEEL CHOCK
22073878	THERMISTOR SIMULATOR		183	SERVICE TOOLS
22097823	EYE, TOWING		5	RUNNING GEAR
22104806	WASHER		9 13	RUNNING GEAR RUNNING GEAR
22111975	ELEMENT, SEPARATOR		75 197	OIL/AIR PIPING MAINTENANCE KIT
22144497	CONNECTOR, FLEXIBLE		143	COOLING SYSTEM
22144513	CLAMP		143	COOLING SYSTEM
22146393	KIT, DEUTSCH TERMINAL R		183	SERVICE TOOLS
22147540	KIT, TEST ADAPTERS		183	SERVICE TOOLS
22168868	PRESSURE TRANSDUCER S		183	SERVICE TOOLS
22177588	EYE, TOWING		5 13 23	RUNNING GEAR RUNNING GEAR RUNNING GEAR
22177620	EYE, TOWING		5 13 23	RUNNING GEAR RUNNING GEAR RUNNING GEAR
22177687	EYE, TOWING		23	RUNNING GEAR
22182075	JOCKEY WHEEL ASSEMBLY		23	RUNNING GEAR
22189591	TUBE, AIREND OIL		59	AIREND ASSEMBLY
22207815	HITCH, BALL		5 13 23	RUNNING GEAR RUNNING GEAR RUNNING GEAR
22207823	EYE, TOWING		13 23	RUNNING GEAR RUNNING GEAR
22208334	ADAPTOR		75	OIL/AIR PIPING

Part Number	Denomination	WAS	Page	Subgroup
22216667	DEUTSCH TERMINAL CRIMP		183	SERVICE TOOLS
22216683	PACKARD METRI- PACK TE		183	SERVICE TOOLS
22216691	DIGITAL MULTIMETER		183	SERVICE TOOLS
22216709	TEST LEAD SET, FLUKE		183	SERVICE TOOLS
22216725	WIRE INSULATION PIERCIN		183	SERVICE TOOLS
22216733	METER CASE, FLUKE		183	SERVICE TOOLS
22218622	KIT, SERVICE MPV		79	MINIMUM PRESSURE VALVE
22226906	TUBE		75	OIL/AIR PIPING
22241095	NIPPLE, GREASE		5 13	RUNNING GEAR RUNNING GEAR
22241160	PIN		19	RUNNING GEAR
22241350	BOLT		5 13 23	RUNNING GEAR RUNNING GEAR RUNNING GEAR
22241368	SCREW		13	RUNNING GEAR
22241376	WASHER		9	RUNNING GEAR
22241491	WASHER		19	RUNNING GEAR
22241558	NUT		13	RUNNING GEAR
22242150	CAP		79	MINIMUM PRESSURE VALVE
22247340	ELBOW, DISCHARGE		59	AIREND ASSEMBLY
22250450	TUBE		5	RUNNING GEAR
22250518	SLIDER		5 13	RUNNING GEAR RUNNING GEAR
22250583	DRAWBAR		5	RUNNING GEAR
22250864	HANDLE		13 23	RUNNING GEAR RUNNING GEAR
22251243	SHOCK ABSORBER		5 13	RUNNING GEAR RUNNING GEAR
22251326	LINK ASSEMBLY		13	RUNNING GEAR
22251409	BOLT		13	RUNNING GEAR
22251482	BOLT		5	RUNNING GEAR
22251599	PIN		5	RUNNING GEAR
22252050	XHP 605 COMPRESSOR OIL		177	FLUIDS
22252076	XHP 605 COMPRESSOR OIL		177	FLUIDS
22252100	XHP 405 COMPRESSOR OIL		177	FLUIDS
22252126	XHP 405 COMPRESSOR OIL		177	FLUIDS
22252969	KIT, WIRE TERMINAL REPAI		187	CONNECTOR REPAIR KITS
22252993	KIT, WEDGE CONNECTOR R		187	CONNECTOR REPAIR KITS
22253017	KIT, ADHESIVE LINED HEAT		187	CONNECTOR REPAIR KITS
22254403	LIGHT, STROBE		161	OPTION - LOW FUEL WARNING KIT
22254734	PACKARD WEATHER- PACK		183	SERVICE TOOLS
22254775	KIT, FUSES ASSORTMENT O		187	CONNECTOR REPAIR KITS
22255974	PACKARD METRI- PACK TE		183	SERVICE TOOLS
22281588	WRENCH, T- HANDLE HEX		183	SERVICE TOOLS
22282107	SCREW DRIVER, HEX		183	SERVICE TOOLS
22282172	FLEX DRIVER		183	SERVICE TOOLS



Part Number	Denomination	WAS	Page	Subgroup
			55	INSTRUMENTATION / ELECTRICS
22307649	CLAMP		143	COOLING SYSTEM
22307763	HOSE		37	ENCLOSURE
22357693	PIN		9 19	RUNNING GEAR RUNNING GEAR
22375877	LATCH		31	ENCLOSURE
22383244	BRACKET		81 159	REGULATION SYSTEM OPTION - DUAL PRESSURE FIELD KIT
22391858	CAP, GREASE NIPPLE		5 13	RUNNING GEAR RUNNING GEAR
22392260	NUT		13 23	RUNNING GEAR RUNNING GEAR
22409114	ELECTRICAL GREASE		183	SERVICE TOOLS
22413876	BATTERY		55	INSTRUMENTATION / ELECTRICS
22617666	SEAL		49	INSTRUMENTATION / ELECTRICS
22663173	SPRING, GAS		31 201	ENCLOSURE RECOMMENDED PARTS
22685481	ELBOW		75	OIL/AIR PIPING
22685499	ELBOW		75	OIL/AIR PIPING
22685507	INSERT, TUBE		75	OIL/AIR PIPING
22685523	TUBE, SIGHT GAUGE		75	OIL/AIR PIPING
22716039	SEAL		31	ENCLOSURE
22769186	SENSOR, COOLANT LEVEL		143 201	COOLING SYSTEM RECOMMENDED PARTS
22817365	CLIP, RETAINING		93 135 143	FUEL SYSTEM EXHAUST SYSTEM COOLING SYSTEM
22871875	SOCKET, ELECTRICAL		49	INSTRUMENTATION / ELECTRICS
22897839	SCREW		41 49	ENCLOSURE INSTRUMENTATION / ELECTRICS
22921092	CLIP, RETAINING		93	FUEL SYSTEM
22959936	SCREW		165 173	OPTION - AFTERCOOLER + WATER SEPAR OPTION - AFTERCOOLER + IQ FILTERS
22990816	POUCH, LITERATURE		41	ENCLOSURE
23028574	HOSE		43	ENCLOSURE
23053523	TANK, SEPARATOR		75	OIL/AIR PIPING
23061898	SENSOR, TEMPERATURE		117	ENGINE CONTROL MODULE
23070444	ENCLOSURE SIDE RH, BAR		31	ENCLOSURE
23071103	HINGE		31	ENCLOSURE
23077563	BRACKET		57	AIREND ASSEMBLY
23078124	BRACKET		85	ENGINE ASSEMBLY
23081623	MANIFOLD		75	OIL/AIR PIPING
23083041	TANK, FUEL		93	FUEL SYSTEM
23093867	MOUNT		135 157	EXHAUST SYSTEM OPTION - SPARK ARRESTOR
23094683	PLATE		31	ENCLOSURE
23094709	COUPLING ASSEMBLY		57 201	AIREND ASSEMBLY RECOMMENDED PARTS

Part Number	Denomination	WAS	Page	Subgroup
23102478	FUEL TANK ASSEMBLY		93	FUEL SYSTEM
23103781	BRACKET, SUPPORT		133	AIR INTAKE
23105752	EYE		37	ENCLOSURE
23114358	SPACER		37	ENCLOSURE
23114895	CONNECTOR, WATER		143	COOLING SYSTEM
23117252	HOSE ASSEMBLY		71	OIL/AIR PIPING
23118193	BRACKET		71	OIL/AIR PIPING
23122088	HOSE, OIL SEPARATOR		43	ENCLOSURE
23128515	INDICATOR, WHEEL NUT		163	OPTION - WHEEL NUT INDICATORS
23129208	BAFFLE		41	ENCLOSURE
23129224	BAFFLE		41	ENCLOSURE
23129240	SENDER UNIT, FUEL LEVEL		201	RECOMMENDED PARTS
23129398	CABLE, POSITIVE		55	INSTRUMENTATION / ELECTRICS
23129406	CABLE, NEGATIVE		55	INSTRUMENTATION / ELECTRICS
23137953	VALVE, TEMPERATURE BYP		71	OIL/AIR PIPING
23138464	COVER		31	ENCLOSURE
23143506	PLUG		31 201	ENCLOSURE RECOMMENDED PARTS
23145584	SEAL		37	ENCLOSURE
23145592	SEAL		37	ENCLOSURE
23145600	SEAL		37	ENCLOSURE
23145618	SEAL		37	ENCLOSURE
23148257	HOSE ASSEMBLY		75	OIL/AIR PIPING
23152127	HOSE, ASSEMBLY		71	OIL/AIR PIPING
23156052	STRAP		93	FUEL SYSTEM
23162233	TUBE, AIREND OIL		59	AIREND ASSEMBLY
23174923	BOLT, BANJO		43	ENCLOSURE
23174931	RING, COPPER		43	ENCLOSURE
23174949	BOLT, BANJO		43	ENCLOSURE
23174980	HOSE		43 143	ENCLOSURE COOLING SYSTEM
23179310	DAMPER		13	RUNNING GEAR
23187388	KIT, CLAMP		173	OPTION - AFTERCOOLER + IQ FILTERS
23187420	KIT, CLAMP		165 173	OPTION - AFTERCOOLER + WATER SEPAR OPTION - AFTERCOOLER + IQ FILTERS
23190515	HOSE, FUEL		43	ENCLOSURE
23190549	FITTING, BANJO		43	ENCLOSURE
23190556	BANJO STRAIGHT		43	ENCLOSURE
23192651	WASHER		31 141	ENCLOSURE COOLING SYSTEM
23193667	FILTER, WATER SEPARATO		165 173	OPTION - AFTERCOOLER + WATER SEPAR OPTION - AFTERCOOLER + IQ FILTERS
23193675	FILTER IQ, PRIMARY		173	OPTION - AFTERCOOLER + IQ FILTERS
23193683	FILTER IQ, SECONDARY		173	OPTION - AFTERCOOLER + IQ FILTERS
23194210	BRACKET		165 173	OPTION - AFTERCOOLER + WATER SEPAR OPTION - AFTERCOOLER + IQ FILTERS

Part Number	Denomination	WAS	Page	Subgroup
23199565	WASHER		41 143	ENCLOSURE COOLING SYSTEM
23205511	BUMPER ASSEMBLY		145	OPTION - BUMPER LIGHTS / WHEEL CHOCK
23205529	BUMPER		145	OPTION - BUMPER LIGHTS / WHEEL CHOCK
23205537	HARNESS		145 149	OPTION - BUMPER LIGHTS / WHEEL CHOCK OPTION - BUMPER LIGHTS / WHEEL CHOCK
23205701	GROMMET		93	FUEL SYSTEM
23207897	BRACKET BUMPER		145	OPTION - BUMPER LIGHTS / WHEEL CHOCK
23212491	ELEMENT, PRIMARY FILTER		173	OPTION - AFTERCOOLER + IQ FILTERS
23212509	ELEMENT, SECONDARY FIL		173	OPTION - AFTERCOOLER + IQ FILTERS
23212863	LAMP, REVERSE		145	OPTION - BUMPER LIGHTS / WHEEL CHOCK
23218464	HOSE ASSEMBLY		165 169	OPTION - AFTERCOOLER + WATER SEPAR OPTION - AFTERCOOLER + IQ FILTERS
23218480	HOSE ASSEMBLY		165 169	OPTION - AFTERCOOLER + WATER SEPAR OPTION - AFTERCOOLER + IQ FILTERS
23218498	HOSE ASSEMBLY		165 169	OPTION - AFTERCOOLER + WATER SEPAR OPTION - AFTERCOOLER + IQ FILTERS
23221625	SKID, FRONT		151	OPTION - SHIPPING / PERMANENT MOUNT
23221633	SKID, SIDE LH		151	OPTION - SHIPPING / PERMANENT MOUNT
23221641	SKID, SIDE RH		151	OPTION - SHIPPING / PERMANENT MOUNT
23238074	FILTER		93	FUEL SYSTEM
23240013	CAP ASSEMBLY		93	FUEL SYSTEM
23251705	SCREW		145	OPTION - BUMPER LIGHTS / WHEEL CHOCK
23254402	RING, COPPER		43	ENCLOSURE
23256761	JUMPER, BATTERY		55	INSTRUMENTATION / ELECTRICS
23273774	ELBOW		173	OPTION - AFTERCOOLER + IQ FILTERS
23283401	COVER		37	ENCLOSURE
23283419	SCREW		37	ENCLOSURE
23294820	SENSOR, TEMPERATURE		75 141	OIL/AIR PIPING COOLING SYSTEM
23294838	SENSOR, TEMPERATURE		75	OIL/AIR PIPING
23296445	HOLDER, SOCKET		49	INSTRUMENTATION / ELECTRICS
23302771	ENCLOSURE REAR, BARE M		31	ENCLOSURE
23315864	AFTERCOOLER		165 169	OPTION - AFTERCOOLER + WATER SEPAR OPTION - AFTERCOOLER + IQ FILTERS
23333222	PANEL, HINGED		31	ENCLOSURE
23333826	SUPPORT		31	ENCLOSURE
23333834	CYLINDER		31	ENCLOSURE
23339146	INSULATION		157	OPTION - SPARK ARRESTOR
23342066	BRACKET		165 173	OPTION - AFTERCOOLER + WATER SEPAR OPTION - AFTERCOOLER + IQ FILTERS
23343221	FLOAT, DRAIN		165 173	OPTION - AFTERCOOLER + WATER SEPAR OPTION - AFTERCOOLER + IQ FILTERS
23346141	PIN		31	ENCLOSURE
23346158	PIN, COTTER		31	ENCLOSURE
23351273	INSULATION		31	ENCLOSURE
23366768	CAP, DUST W/LANYARD		49	INSTRUMENTATION / ELECTRICS

Part Number	Denomination	WAS	Page	Subgroup
23367857	PLUG		37 151	ENCLOSURE OPTION - SHIPPING / PERMANENT MOUNT
23367956	PLUG		31 37 151	ENCLOSURE ENCLOSURE OPTION - SHIPPING / PERMANENT MOUNT
23372949	DRAWBAR ASSEMBLY		3	RUNNING GEAR
23389620	VALVE, SAFETY		75	OIL/AIR PIPING
35104108	SCREW, HEX HEAD		65	AIREND ASSEMBLY
35108372	SCREW, SOCKET HEAD		61	AIREND ASSEMBLY
35113885	CLIP, HOSE		85	ENGINE ASSEMBLY
35114081	CLAMP		143	COOLING SYSTEM
35114545	TEE		81 159 165 169	REGULATION SYSTEM OPTION - DUAL PRESSURE FIELD KIT OPTION - AFTERCOOLER + WATER SEPAR OPTION - AFTERCOOLER + IQ FILTERS
35119395	CLAMP		93	FUEL SYSTEM
35119718	CLIP, RETAINING		93	FUEL SYSTEM
35161025	CLAMP		133	AIR INTAKE
35210087	GASKET		61	AIREND ASSEMBLY
35225085	CLAMP		135	EXHAUST SYSTEM
35248145	VALVE, CHECK		81	REGULATION SYSTEM
35252279	SCREW		53	INSTRUMENTATION / ELECTRICS
35255827	PLATE, CLAMP		61	AIREND ASSEMBLY
35256429	STUD		31 141	ENCLOSURE COOLING SYSTEM
35256445	WASHER, RETAINING		31 141	ENCLOSURE COOLING SYSTEM
35256452	RECEPTACLE		31 141	ENCLOSURE COOLING SYSTEM
35262690	PLATE, CLAMP		65	AIREND ASSEMBLY
35262716	SPACER		61	AIREND ASSEMBLY
35269224	SPACER, BEARING		61	AIREND ASSEMBLY
35270131	SPACER, BEARING		63	AIREND ASSEMBLY
35271162	SCREW		67	AIREND ASSEMBLY
35278571	O-RING		59	AIREND ASSEMBLY
35278589	O-RING		59	AIREND ASSEMBLY
35279827	ELBOW		59	AIREND ASSEMBLY
35279843	TEE		59	AIREND ASSEMBLY
35279876	ELBOW		59	AIREND ASSEMBLY
35279959	O-RING		59	AIREND ASSEMBLY
35282292	TUBING, TYGON		69	AIREND ASSEMBLY
35282920	HOSE ASSEMBLY		81	REGULATION SYSTEM
35283464	ELBOW		165 173	OPTION - AFTERCOOLER + WATER SEPAR OPTION - AFTERCOOLER + IQ FILTERS
35285600	HOSE		135	EXHAUST SYSTEM
35286491	ELBOW		59	AIREND ASSEMBLY
35287945	BUSH, REDUCING		59	AIREND ASSEMBLY

Part Number	Denomination	WAS	Page	Subgroup
35292143	CLAMP		75	OIL/AIR PIPING
35296342	CLIP, RETAINING		143	COOLING SYSTEM
35302314	ADAPTOR		165 169	OPTION - AFTERCOOLER + WATER SEPAR OPTION - AFTERCOOLER + IQ FILTERS
35305622	ELBOW		59	AIREND ASSEMBLY
35307818	SCREW		53	INSTRUMENTATION / ELECTRICS
35313535	BEARING, CYLINDRICAL RO		63	AIREND ASSEMBLY
35313568	BEARING		61	AIREND ASSEMBLY
35313600	SHIM, .002		65	AIREND ASSEMBLY
35313618	SHIM, .003		65	AIREND ASSEMBLY
35316587	ADAPTOR, BARBED		69	AIREND ASSEMBLY
35317148	SCREW		157	OPTION - SPARK ARRESTOR
35317197	DIAPHRAGM		67 201	AIREND ASSEMBLY RECOMMENDED PARTS
35317205	WASHER, PISTON		67	AIREND ASSEMBLY
35317239	WASHER, PISTON		67	AIREND ASSEMBLY
35318005	BUSH, PISTON		67	AIREND ASSEMBLY
35318013	BUSH, HOUSING		67	AIREND ASSEMBLY
35318229	MOUNT		57 85	AIREND ASSEMBLY ENGINE ASSEMBLY
35321595	SCREW		67	AIREND ASSEMBLY
35321603	SPRING		67	AIREND ASSEMBLY
35322379	VALVE, BLOWDOWN		81 165 169 201	REGULATION SYSTEM OPTION - AFTERCOOLER + WATER SEPAR OPTION - AFTERCOOLER + IQ FILTERS RECOMMENDED PARTS
35322395	SILENCER, PNEUMATIC		93	FUEL SYSTEM
35322767	SPRING, PISTON		67	AIREND ASSEMBLY
35323450	STUD		69	AIREND ASSEMBLY
35323542	ADAPTOR, UNLOADER		69	AIREND ASSEMBLY
35326578	HOSE		43 135	ENCLOSURE EXHAUST SYSTEM
35327212	WASHER		57 85	AIREND ASSEMBLY ENGINE ASSEMBLY
35332915	PIN, LOCATOR		63	AIREND ASSEMBLY
35335124	CONNECTOR		75 165 169	OIL/AIR PIPING OPTION - AFTERCOOLER + WATER SEPAR OPTION - AFTERCOOLER + IQ FILTERS
35336304	SCREW, SOCKET HEAD CA		61	AIREND ASSEMBLY
35337328	STUD, BALL		31	ENCLOSURE
35354448	SHIM SET		65	AIREND ASSEMBLY
35356484	TUBE, NYLON		81 93 159 165 169 173	REGULATION SYSTEM FUEL SYSTEM OPTION - DUAL PRESSURE FIELD KIT OPTION - AFTERCOOLER + WATER SEPAR OPTION - AFTERCOOLER + IQ FILTERS OPTION - AFTERCOOLER + IQ FILTERS
35361328	KEY		61	AIREND ASSEMBLY
35363498	HOSE		93	FUEL SYSTEM

Part Number	Denomination	WAS	Page	Subgroup
35364306	LUBRICATOR, AIR LINE		181	AIR HOSE FITTINGS
35364314	LUBRICATOR, AIR LINE		181	AIR HOSE FITTINGS
35364322	LUBRICATOR, AIR LINE		181	AIR HOSE FITTINGS
35364769	SHIM, .010		65	AIREND ASSEMBLY
35364975	KEY		57	AIREND ASSEMBLY
35367317	CV ASSEMBLY		79	MINIMUM PRESSURE VALVE
35367325	PISTON		79	MINIMUM PRESSURE VALVE
35367333	BODY, MINIMUM PRESSURE		79	MINIMUM PRESSURE VALVE
35367358	SPRING		79	MINIMUM PRESSURE VALVE
35367366	SPRING		79	MINIMUM PRESSURE VALVE
35367374	O-RING		79	MINIMUM PRESSURE VALVE
35369339	CONNECTOR		93	FUEL SYSTEM
35369347	CONNECTOR		81	REGULATION SYSTEM
			93	FUEL SYSTEM
			159	OPTION - DUAL PRESSURE FIELD KIT
			165	OPTION - AFTERCOOLER + WATER SEPAR
			169	OPTION - AFTERCOOLER + IQ FILTERS
35369354	ELBOW		81	REGULATION SYSTEM
			159	OPTION - DUAL PRESSURE FIELD KIT
			165	OPTION - AFTERCOOLER + WATER SEPAR
			169	OPTION - AFTERCOOLER + IQ FILTERS
			173	OPTION - AFTERCOOLER + IQ FILTERS
35369396	TEE		173	OPTION - AFTERCOOLER + IQ FILTERS
35369503	TEE		81	REGULATION SYSTEM
35371103	LUBRICATOR, AIR LINE		181	AIR HOSE FITTINGS
35371111	LUBRICATOR, AIR LINE		181	AIR HOSE FITTINGS
35371129	LUBRICATOR, AIR LINE		181	AIR HOSE FITTINGS
35373976	TEE		159	OPTION - DUAL PRESSURE FIELD KIT
35375385	SCREW		59	AIREND ASSEMBLY
35375591	SCREW		37	ENCLOSURE
			57	AIREND ASSEMBLY
			151	OPTION - SHIPPING / PERMANENT MOUNT
35377621	CLAMP, SPRING		69	AIREND ASSEMBLY
35379700	CONNECTOR		173	OPTION - AFTERCOOLER + IQ FILTERS
35393990	HOSE		179	AIR DELIVERY HOSE
35518497	GASKET, FRONT BEARING		63	AIREND ASSEMBLY
35573070	PLATE, RETAINING		61	AIREND ASSEMBLY
35575570	GASKET, AIREND DISCHAR		59	AIREND ASSEMBLY
35579630	PLUG		75	OIL/AIR PIPING
35588193	PISTON, UNLOADER		67	AIREND ASSEMBLY
35588300	GASKET, PISTON		67	AIREND ASSEMBLY
35588318	GASKET, UNLOADER INLET		69	AIREND ASSEMBLY
35589589	GASKET, UNLOADER TO AIR		69	AIREND ASSEMBLY
35591122	VALVE, UNLOADER		67	AIREND ASSEMBLY
			201	RECOMMENDED PARTS
35592757	COVER, OIL SEAL		61	AIREND ASSEMBLY
35593508	SEAL, OIL		61	AIREND ASSEMBLY
35598770	VALVE, MINIMUM PRESSUR		75	OIL/AIR PIPING

Part Number	Denomination	WAS	Page	Subgroup
35601517	BEARING, BALL		61	AIREND ASSEMBLY
35607829	BOLT, EYE		31	ENCLOSURE
35607837	SPRING		31	ENCLOSURE
35609361	BEARING, CYLINDRICAL RO		63	AIREND ASSEMBLY
35612746	KEY, REPLACEMENT		31	ENCLOSURE
35833227	HOUSING, PISTON		67	AIREND ASSEMBLY
35843168	FLANGE, UNLOADER INLET		69	AIREND ASSEMBLY
35996164	CASE, GEAR		61	AIREND ASSEMBLY
36008241	ROTOR SET		63	AIREND ASSEMBLY
36010643	AIREND ASSEMBLY		59	AIREND ASSEMBLY
36011567	VALVE ASSEMBLY, UNLOAD		67 69	AIREND ASSEMBLY AIREND ASSEMBLY
36500832	COVER, REAR BEARING		65	AIREND ASSEMBLY
36534766	DECAL, IQ SMALL		173	OPTION - AFTERCOOLER + IQ FILTERS
36751659	GEAR SET		61	AIREND ASSEMBLY
36764785	CAP, GUIDE		61	AIREND ASSEMBLY
36766756	ORIFICE, SILENCER		81 165 169	REGULATION SYSTEM OPTION - AFTERCOOLER + WATER SEPAR OPTION - AFTERCOOLER + IQ FILTERS
36769404	HOUSING, REAR BEARING		65	AIREND ASSEMBLY
36772028	WASHER		31	ENCLOSURE
36777399	VALVE, BALL		43	ENCLOSURE
36780906	SHAFT, DRIVE		61	AIREND ASSEMBLY
36782019	ELEMENT, THERMOSTATIC		73	OIL/AIR PIPING
36785012	BRACKET		75	OIL/AIR PIPING
36786127	ELBOW		165 169	OPTION - AFTERCOOLER + WATER SEPAR OPTION - AFTERCOOLER + IQ FILTERS
36788172	SEAL		73	OIL/AIR PIPING
36793040	SCREW		37	ENCLOSURE
36794345	CYLINDER, KEY		31	ENCLOSURE
36794816	RIVET		31	ENCLOSURE
36795482	TUBE ASSEMBLY		59	AIREND ASSEMBLY
36797652	SCREW		31 173	ENCLOSURE OPTION - AFTERCOOLER + IQ FILTERS
36798205	GUARD, GEAR CASE		61	AIREND ASSEMBLY
36840411	VALVE, CHECK		81	REGULATION SYSTEM
36840841	VALVE, SOLENOID		81 159 201	REGULATION SYSTEM OPTION - DUAL PRESSURE FIELD KIT RECOMMENDED PARTS
36845154	MANIFOLD, OIL		59	AIREND ASSEMBLY
36845170	SPACER		57	AIREND ASSEMBLY
36846087	TUBE, BEARING OIL SUPPL		59	AIREND ASSEMBLY
36846095	CONNECTOR, O-RING		59	AIREND ASSEMBLY
36846103	TUBE, BEARING OIL SCAVE		59	AIREND ASSEMBLY
36846111	TUBE ASSEMBLY		59	AIREND ASSEMBLY
36846129	TEE		59	AIREND ASSEMBLY
36847838	SENSOR, AIR RESTRICTION		133	AIR INTAKE

Part Number	Denomination	WAS	Page	Subgroup
36849461	COVER, PISTON		67	AIREND ASSEMBLY
36849543	BODY, UNLOADER		67	AIREND ASSEMBLY
36853265	WASHER		55	INSTRUMENTATION / ELECTRICS
36853505	NUT		75	OIL/AIR PIPING
36853521	RELAY, STARTER / AIR PRE		53 201	INSTRUMENTATION / ELECTRICS RECOMMENDED PARTS
36869246	PIN		135	EXHAUST SYSTEM
36876779	COVER, OTBV		73	OIL/AIR PIPING
36879195	NUT		53 135 157	INSTRUMENTATION / ELECTRICS EXHAUST SYSTEM OPTION - SPARK ARRESTOR
36880995	SCREW		59 93	AIREND ASSEMBLY FUEL SYSTEM
36881886	NUT		41 71 141 165 173	ENCLOSURE OIL/AIR PIPING COOLING SYSTEM OPTION - AFTERCOOLER + WATER SEPAR OPTION - AFTERCOOLER + IQ FILTERS
36889608	SCREW		37 71 153 165 173	ENCLOSURE OIL/AIR PIPING OPTION - HOSE CARRIER OPTION - AFTERCOOLER + WATER SEPAR OPTION - AFTERCOOLER + IQ FILTERS
36896975	SWITCH, BATTERY ISOLATO		55 201	INSTRUMENTATION / ELECTRICS RECOMMENDED PARTS
36897346	ELEMENT, OIL FILTER		71 191 193 195	OIL/AIR PIPING MAINTENANCE KIT MAINTENANCE KIT MAINTENANCE KIT
36897429	OIL FILTER ASSEMBLY		71	OIL/AIR PIPING
36897437	HEAD, OIL FILTER		71	OIL/AIR PIPING
36897668	CLAMP		155	OPTION - OVERSPEED VALVE
36898096	SCREW		49 165 169	INSTRUMENTATION / ELECTRICS OPTION - AFTERCOOLER + WATER SEPAR OPTION - AFTERCOOLER + IQ FILTERS
36898104	NUT		49	INSTRUMENTATION / ELECTRICS
36898922	SENSOR, TEMPERATURE		59 201	AIREND ASSEMBLY RECOMMENDED PARTS
36920221	VALVE, CHECK		165 169	OPTION - AFTERCOOLER + WATER SEPAR OPTION - AFTERCOOLER + IQ FILTERS
36920825	TRANSDUCER, PRESSURE		81 201	REGULATION SYSTEM RECOMMENDED PARTS
36922987	VALVE		165 169	OPTION - AFTERCOOLER + WATER SEPAR OPTION - AFTERCOOLER + IQ FILTERS
39127287	TEE		173	OPTION - AFTERCOOLER + IQ FILTERS
39435441	PLATE, CLAMP		65	AIREND ASSEMBLY
39437595	BEARING, TAPERED ROLLE		65	AIREND ASSEMBLY
39437629	GASKET, REAR BEARING H		63	AIREND ASSEMBLY
39437637	GASKET		61	AIREND ASSEMBLY
39703921	HOUSING, FRONT BEARING		63	AIREND ASSEMBLY
39748942	HOUSING, ROTOR		63	AIREND ASSEMBLY



Part Number	Denomination	WAS	Page	Subgroup
46490942	DEUTCH TERMINAL REMOV		183	SERVICE TOOLS
46490959	PACKARD METRI- PACK TE		183	SERVICE TOOLS
46490967	PACKARD METRI- PACK TE		183	SERVICE TOOLS
46490975	PACKARD METRI- PACK TE		183	SERVICE TOOLS
46490983	KIT, DEUTSCH CONNECTOR		187	CONNECTOR REPAIR KITS
46491296	KIT, PACKARD CONNECTOR		187	CONNECTOR REPAIR KITS
46491304	KIT, CATERPILLAR C9, C15,		187	CONNECTOR REPAIR KITS
46491312	KIT, OTC AND AUTOSTART		187	CONNECTOR REPAIR KITS
46491320	AMP AMPSEAL TERMINAL C		183	SERVICE TOOLS
46491338	MOLEX 1.5 TERMINAL CRIM		183	SERVICE TOOLS
46491346	MOLEX 0.6 TERMINAL CRIM		183	SERVICE TOOLS
46491361	MOLEX 0.6 TERMINAL REMO		183	SERVICE TOOLS
46491411	KIT, JOHN DEERE AND YAN		187	CONNECTOR REPAIR KITS
46491429	KIT, CUMMINS QSX15 ENGIN		187	CONNECTOR REPAIR KITS
46491502	KIT, SECU AND REMOTE CO		187	CONNECTOR REPAIR KITS
46491569	KIT, CUMMINS OSL9 AND Q		187	CONNECTOR REPAIR KITS
46491653	MOLEX 1.5 TERMINAL REMO		183	SERVICE TOOLS
46500021	GROMMET		145	OPTION - BUMPER LIGHTS / WHEEL CHOCK
46501573	TUBE, NYLON		93	FUEL SYSTEM
46501581	GROMMET		93	FUEL SYSTEM
46501862	CLAMP		37	ENCLOSURE
46502035	PROTECTOR		37	ENCLOSURE
46502043	HANDLE, LIFTING BAIL		37	ENCLOSURE
46502092	WASHER		37	ENCLOSURE
			135	EXHAUST SYSTEM
46502134	PROTECTOR		37	ENCLOSURE
46502225	BLOCK, RUBBER		37	ENCLOSURE
46502332	SEAL		31	ENCLOSURE
46502548	HOLDER, PROTECTION		41	ENCLOSURE
46502779	SCREW, CAP HEAD		93	FUEL SYSTEM
			135	EXHAUST SYSTEM
46502787	SEAL		93	FUEL SYSTEM
46518098	TOOL, DIAGNOSTIC		189	ENGINE MAINTENANCE ITEMS
46518197	PIN		13	RUNNING GEAR
46518205	BOLT		9	RUNNING GEAR
46518213	COMPENSATOR		9	RUNNING GEAR
46518460	THERMOSTAT ASSEMBLY		103	THERMOSTAT
			201	RECOMMENDED PARTS
46518486	SEAL		103	THERMOSTAT
46518700	PLUG		97	FUEL FILTER
46518999	PLUG, EXPANSION		109	OIL LEVEL GAUGE
46519146	O-RING		111	OIL FILLER ARRANGEMENT
46538377	SEAL		141	COOLING SYSTEM
46538666	CONNECTOR		93	FUEL SYSTEM
46538674	CONNECTOR		93	FUEL SYSTEM
46538690	NUT		93	FUEL SYSTEM

Part Number	Denomination	WAS	Page	Subgroup
46538740	HANDLE		31	ENCLOSURE
46539268	PLUG		31	ENCLOSURE
46539409	BRACKET		165 169	OPTION - AFTERCOOLER + WATER SEPAR OPTION - AFTERCOOLER + IQ FILTERS
46539441	SUPPORT		165 169	OPTION - AFTERCOOLER + WATER SEPAR OPTION - AFTERCOOLER + IQ FILTERS
46539714	ELBOW		81	REGULATION SYSTEM
46539763	COVER, STOP BUTTON		49	INSTRUMENTATION / ELECTRICS
46539821	RUBBER BLOCK		31	ENCLOSURE
46539870	DECAL, HOT LIQUID SYMBO		47	DECALS AND DOCUMENTATION
46540068	CONNECTOR		75	OIL/AIR PIPING
46540217	PLINTH		145	OPTION - BUMPER LIGHTS / WHEEL CHOCK
46540795	BRACKET		55	INSTRUMENTATION / ELECTRICS
46541140	KIT, CYLINDER SERVICE		31	ENCLOSURE
46541165	HOLD DOWN, BATTERY		55	INSTRUMENTATION / ELECTRICS
46541223	NUT		145	OPTION - BUMPER LIGHTS / WHEEL CHOCK
46550520	KIT, UNLOADER OVERHAUL		67	AIREND ASSEMBLY
46550526	CLAMP, LOWER		5	RUNNING GEAR
46550643	ADAPTER, LIGHTING PLUG		175	OPTION - LIGHTING PLUG ADAPTOR
46550977	GUARD, FAN		141	COOLING SYSTEM
46550978	GUARD, FAN		141	COOLING SYSTEM
46551029	VALVE, VACUATOR		133	AIR INTAKE
46551032	GASKET		91	EXHAUST RECIRCULATION
46551040	SEAL		125	VALVE COVER ARRANGEMENT
46551096	SENSOR, CRANK POSITION		117	ENGINE CONTROL MODULE
46551102	SENSOR, TEMPERATURE		91	EXHAUST RECIRCULATION
46551104	SENSOR, PRESSURE		87	CRANKCASE BREATHER
46551111	SENSOR, PRESSURE		91	EXHAUST RECIRCULATION
46551207	CABLE		13	RUNNING GEAR
46551221	CJ4 ENGINE OIL (CJ-4 15W-4		177	FLUIDS
46551222	CJ4 ENGINE OIL (CJ-4 15W-4		177	FLUIDS
46551223	CJ4 ENGINE OIL (CJ-4 15W-4		177	FLUIDS
46551327	KIT, EGR COOLER SERVICE		91	EXHAUST RECIRCULATION
46551378	EYE, TOWING		23	RUNNING GEAR
46551380	HOUSING		23	RUNNING GEAR
46551382	RING, STOP		5 13 23	RUNNING GEAR RUNNING GEAR RUNNING GEAR
46551383	CABLE, BRAKE		9 19	RUNNING GEAR RUNNING GEAR
46551384	ROD ASSEMBLY		23	RUNNING GEAR
46551391	SCREW		23	RUNNING GEAR
46551400	SHIELD		23	RUNNING GEAR
46551401	UPPER ARM ASSEMBLY		23	RUNNING GEAR
46551402	LOWER ARM ASSEMBLY		23	RUNNING GEAR
46551403	SPRING ASSEMBLY		23	RUNNING GEAR

Part Number	Denomination	WAS	Page	Subgroup
46551405	DECAL		23	RUNNING GEAR
46551406	DECAL		23	RUNNING GEAR
46551407	DECAL		23	RUNNING GEAR
46551408	KIT, COVER		5 13 23	RUNNING GEAR RUNNING GEAR RUNNING GEAR
46551409	NIPPLE, GREASE		23	RUNNING GEAR
46551412	ROD, PISTON		23	RUNNING GEAR
46551415	LEVER ASSEMBLY		23	RUNNING GEAR
46551416	BRAKE CABLE ASSEMBLY		23	RUNNING GEAR
46551417	LEVER ASSEMBLY		23	RUNNING GEAR
46551418	JIG, CLAMPING		23	RUNNING GEAR
46551420	HOUSING ASSEMBLY		23	RUNNING GEAR
46551422	CLIP, SPRING		23	RUNNING GEAR
46551424	EYE, TOWING		23	RUNNING GEAR
46551483	SET, BUSH		23	RUNNING GEAR
46551484	SET, BUSH		23	RUNNING GEAR
46551485	SET, BUSH		23	RUNNING GEAR
46551486	BRACKET ASSEMBLY		23	RUNNING GEAR
46551487	PIVOT ASSEMBLY		23	RUNNING GEAR
46551491	SHIELD ASSEMBLY		23	RUNNING GEAR
46551492	SHIELD ASSEMBLY		23	RUNNING GEAR
46551496	KIT, BRAKE OVERHAUL		9 19 23	RUNNING GEAR RUNNING GEAR RUNNING GEAR
46551497	KIT, COVER		9 19 23	RUNNING GEAR RUNNING GEAR RUNNING GEAR
46551498	KIT, CONNECTING		23	RUNNING GEAR
46551500	CONNECTOR		165 169	OPTION - AFTERCOOLER + WATER SEPAR OPTION - AFTERCOOLER + IQ FILTERS
46551501	BOLT		75	OIL/AIR PIPING
46551506	DECAL, OMEGA IQ OPTION		165 173	OPTION - AFTERCOOLER + WATER SEPAR OPTION - AFTERCOOLER + IQ FILTERS
46551514	CENTRING MECHANISM AS		23	RUNNING GEAR
46551516	KIT, CONNECTING		9 19 23	RUNNING GEAR RUNNING GEAR RUNNING GEAR
46551616	DECAL, DUAL PRESSURE		159	OPTION - DUAL PRESSURE FIELD KIT
46551700	PROTECTOR		43	ENCLOSURE
46551938	CONTROLLER, TITAN		49 201	INSTRUMENTATION / ELECTRICS RECOMMENDED PARTS
46552110	LAMP, END OUTLINE		145	OPTION - BUMPER LIGHTS / WHEEL CHOCK
46552118	HARNESS, OUTLINE LAMP		145	OPTION - BUMPER LIGHTS / WHEEL CHOCK
46552221	PLUG		31	ENCLOSURE
46553802	DECAL, DO NOT USE AS ST		47 145	DECALS AND DOCUMENTATION OPTION - BUMPER LIGHTS / WHEEL CHOCK
46553810	REGULATOR, PRESSURE		81	REGULATION SYSTEM

Part Number	Denomination	WAS	Page	Subgroup
			201	RECOMMENDED PARTS
46556142	SWITCH, SELECTOR		49	INSTRUMENTATION / ELECTRICS
			201	RECOMMENDED PARTS
46556145	PROTECTION, SWITCH		49	INSTRUMENTATION / ELECTRICS
46556647	SCREW		145	OPTION - BUMPER LIGHTS / WHEEL CHOCK
46556648	WASHER		145	OPTION - BUMPER LIGHTS / WHEEL CHOCK
46556659	WASHER		31	ENCLOSURE
46556990	DECAL, ULTRA LOW SULFU		47	DECALS AND DOCUMENTATION
46557109	HOURMETER		49	INSTRUMENTATION / ELECTRICS
46557458	KIT, LIGHTING PLUG ADAPT		175	OPTION - LIGHTING PLUG ADAPTOR
46557840	CONNECTOR		81	REGULATION SYSTEM
46557961	ADAPTOR		49	INSTRUMENTATION / ELECTRICS
46558720	ELEMENT, OIL FILTER		107	FULL FLOW OIL FILTER
			193	MAINTENANCE KIT
			195	MAINTENANCE KIT
46558800	GAUGE, PRESSURE		49	INSTRUMENTATION / ELECTRICS
			201	RECOMMENDED PARTS
46559525	CLAMP, UPPER		5	RUNNING GEAR
46560699	RIVET		37	ENCLOSURE
46561563	FUSE		53	INSTRUMENTATION / ELECTRICS
			201	RECOMMENDED PARTS
46561862	HOLDER, FUSE		53	INSTRUMENTATION / ELECTRICS
46564986	CLAMP		49	INSTRUMENTATION / ELECTRICS
46565479	GAUGE, FUEL LEVEL		49	INSTRUMENTATION / ELECTRICS
46566779	SENSOR, TBAP		133	AIR INTAKE
			201	RECOMMENDED PARTS
46567079	WASHER, LOCKING		37	ENCLOSURE
46569661	HITCH, BALL		5	RUNNING GEAR
			13	RUNNING GEAR
			23	RUNNING GEAR
46569682	EYE, TOWING		5	RUNNING GEAR
			13	RUNNING GEAR
			23	RUNNING GEAR
46569685	EYE, TOWING		5	RUNNING GEAR
			13	RUNNING GEAR
			23	RUNNING GEAR
46569700	EYE, TOWING		5	RUNNING GEAR
			13	RUNNING GEAR
46569701	EYE, TOWING		5	RUNNING GEAR
			13	RUNNING GEAR
46570819	RETAINER		31	ENCLOSURE
			49	INSTRUMENTATION / ELECTRICS
46573860	DECAL, DOOSAN TRI-COLO		45	DECALS AND DOCUMENTATION
46573861	DECAL, DOOSAN TRI-COLO		45	DECALS AND DOCUMENTATION
46573924	DECAL, DOOSAN LOGO		45	DECALS AND DOCUMENTATION
46574381	DECAL		53	INSTRUMENTATION / ELECTRICS
46575499	DECAL		53	INSTRUMENTATION / ELECTRICS
46576399	ELBOW		31	ENCLOSURE
46576419	STRIP, STRENGTHENING		37	ENCLOSURE

Part Number	Denomination	WAS	Page	Subgroup
46576421	STRIP, STRENGTHENING		37	ENCLOSURE
46576422	STRIP, STRENGTHENING		37	ENCLOSURE
46579359	INSULATION		31	ENCLOSURE
46585699	KEYPAD		49	INSTRUMENTATION / ELECTRICS
46592579	FOAM FIELD KIT (no adhesiv		31	ENCLOSURE
46592580	FOAM FIELD KIT (no adhesiv		31	ENCLOSURE
46594459	SEAL, FOAM		31	ENCLOSURE
46602479	TANK		37	ENCLOSURE
46602480	TANK		37	ENCLOSURE
46603799	TUBE, WATER INLET		143	COOLING SYSTEM
46604084	PIPE, AIR COOLER OUTLET		143	COOLING SYSTEM
46604100	TUBE, WATER OUTLET		143	COOLING SYSTEM
46605159	SWITCH		49 201	INSTRUMENTATION / ELECTRICS RECOMMENDED PARTS
46611559	FUSE / RELAY CENTER ASS		53	INSTRUMENTATION / ELECTRICS
46614496	INSULATION		135	EXHAUST SYSTEM
46615281	AIR CLEANER ASSEMBLY		133	AIR INTAKE
46615919	SHIELD, HEAT		85	ENGINE ASSEMBLY
46620180	COVER		53	INSTRUMENTATION / ELECTRICS
46622211	ADAPTOR		159	OPTION - DUAL PRESSURE FIELD KIT
46622654	ADAPTOR, ORIFICE		81	REGULATION SYSTEM
46623448	BRACKET		75	OIL/AIR PIPING
46623741	ELBOW		75	OIL/AIR PIPING
46623979	DOOR, BARE		31	ENCLOSURE
46623983	HOUSING, OTVB		73	OIL/AIR PIPING
46624059	DOOR, BARE		31	ENCLOSURE
46624120	AIR INLET, DOOR		31	ENCLOSURE
46627615	DECAL, HORIZONTAL POSIT		45	DECALS AND DOCUMENTATION
46627663	SPACER, FAN		85	ENGINE ASSEMBLY
46627719	HINGE		49	INSTRUMENTATION / ELECTRICS
46627739	CLUTCH, FAN		85	ENGINE ASSEMBLY
46628859	HEAD, OIL FILTER		107	FULL FLOW OIL FILTER
46630559	BRACKET		93	FUEL SYSTEM
46631399	ALTERNATOR		89	ALTERNATOR
46631400	MOTOR, STARTING		123	STARTER MOTOR
46631687	BOLT, BANJO		93	FUEL SYSTEM
46631786	FITTING, BANJO		93	FUEL SYSTEM
46632434	GAUGE, TACHOMETER		49	INSTRUMENTATION / ELECTRICS
46633460	ENGINE		85	ENGINE ASSEMBLY
46633481	COOLER, WATER		141	COOLING SYSTEM
46633482	COOLER, OIL		141	COOLING SYSTEM
46633484	COOLER, AIR		141	COOLING SYSTEM
46635919	CLAMP		135	EXHAUST SYSTEM
46636061	DEVICE, AFTERTREATMENT		135	EXHAUST SYSTEM
46636062	REACTOR, DECOMPOSITIO		135	EXHAUST SYSTEM

Part Number	Denomination	WAS	Page	Subgroup
46636391	TANK		135	EXHAUST SYSTEM
46636464	GAUGE, DEF LEVEL		49	INSTRUMENTATION / ELECTRICS
46636606	TUBE ASSEMBLY		71	OIL/AIR PIPING
46636607	TUBE ASSEMBLY		71	OIL/AIR PIPING
46636631	ENCLOSURE ASSEMBLY, T		31	ENCLOSURE
46636950	ELBOW, REDUCING		143	COOLING SYSTEM
46637539	SHROUD, FAN		141	COOLING SYSTEM
46637543	FAN		85	ENGINE ASSEMBLY
46637700	TUBE		133	AIR INTAKE
46637779	HOSE		133	AIR INTAKE
46637783	HOSE		133	AIR INTAKE
46638301	DOOR, SHROUD (LEFT)		141	COOLING SYSTEM
46638423	DOOR ASSEMBLY, RIGHT		31	ENCLOSURE
46638424	DOOR ASSEMBLY, LEFT		31	ENCLOSURE
46641219	DECAL, OPERATING INSTRU		47	DECALS AND DOCUMENTATION
46641490	SCREW		135	EXHAUST SYSTEM
46641499	ENCLOSURE ASSEMBLY, FR		31	ENCLOSURE
46641520	CONTROL PANEL		49	INSTRUMENTATION / ELECTRICS
46641522	PANEL, FRONT		49	INSTRUMENTATION / ELECTRICS
46641525	PANEL, INSTRUMENT		49	INSTRUMENTATION / ELECTRICS
46641527	DECAL		49	INSTRUMENTATION / ELECTRICS
46641582	ENCLOSURE FRONT, BARE		31	ENCLOSURE
46641619	DOOR, INSTRUMENT PANEL		31	ENCLOSURE
46642195	BRACKET		135	EXHAUST SYSTEM
46642638	VALVE		135	EXHAUST SYSTEM
46642639	TEE		135	EXHAUST SYSTEM
46642662	CONNECTOR		135	EXHAUST SYSTEM
46642705	BRACKET		135	EXHAUST SYSTEM
46644181	BRACKET		135	EXHAUST SYSTEM
46645084	SCREEN, FILTER		97	FUEL FILTER
46645085	ELEMENT, FUEL FILTER		97	FUEL FILTER
			193	MAINTENANCE KIT
			195	MAINTENANCE KIT
46645086	O-RING		99	FUEL PUMP
46645087	O-RING		99	FUEL PUMP
46645091	CAP, OIL FILLER		111	OIL FILLER ARRANGEMENT
46645093	O-RING		117	ENGINE CONTROL MODULE
46647765	HARNESS, CONTROL PANE		49	INSTRUMENTATION / ELECTRICS
46647919	HARNESS, COMPRESSOR		53	INSTRUMENTATION / ELECTRICS
46648040	DOOR, SHROUD (RIGHT)		141	COOLING SYSTEM
46649600	CLAMP		135	EXHAUST SYSTEM
			157	OPTION - SPARK ARRESTOR
46650058	STRAP		41	ENCLOSURE
46650630	BRACKET		85	ENGINE ASSEMBLY
46650636	ELBOW		143	COOLING SYSTEM
46650905	TOOLBOX, BOTTOM		41	ENCLOSURE

Part Number	Denomination	WAS	Page	Subgroup
46650947	BRACKET		135	EXHAUST SYSTEM
46651065	HOSE		135	EXHAUST SYSTEM
46651266	ELBOW		135	EXHAUST SYSTEM
46651267	PIPE		135	EXHAUST SYSTEM
46651289	GASKET		135	EXHAUST SYSTEM
46651291	CLAMP		135	EXHAUST SYSTEM
46651296	BRACKET		135	EXHAUST SYSTEM
46651380	KIT, CONNECTING		5 13 23	RUNNING GEAR RUNNING GEAR RUNNING GEAR
46651381	KIT, EXPANDING KEY		9	RUNNING GEAR
46651397	LEVER ASSEMBLY		19	RUNNING GEAR
46651399	KIT, CONNECTING		13	RUNNING GEAR
46651401	SET, SPRING		19	RUNNING GEAR
46651402	PIVOT ASSEMBLY		13	RUNNING GEAR
46651463	HANDBRAKE LEVER ASSEM		9	RUNNING GEAR
46651519	GASKET		135	EXHAUST SYSTEM
46652177	BELT, FAN		127 201	FAN BELT RECOMMENDED PARTS
46652242	TANK, EXPANSION		143	COOLING SYSTEM
46652335	SIGHTGLASS		143	COOLING SYSTEM
46652513	ENCLOSURE TOP, BARE		31	ENCLOSURE
46652532	COVER		31	ENCLOSURE
46652536	GAUGE, OPERATOR INTERF		49	INSTRUMENTATION / ELECTRICS
46652590	BOX, RELAY MOUNTING		53	INSTRUMENTATION / ELECTRICS
46652650	CAP, DUST W/LANYARD		49	INSTRUMENTATION / ELECTRICS
46652700	BRACKET		53	INSTRUMENTATION / ELECTRICS
46652827	SOCKET, ELECTRICAL		49	INSTRUMENTATION / ELECTRICS
46652880	VALVE, OVERSPEED		155	OPTION - OVERSPEED VALVE
46652904	ELEMENT, DEF PUMP		115 135 199	AFTERTREATMENT DEVICE EXHAUST SYSTEM MAINTENANCE KIT
46652968	COVER		53	INSTRUMENTATION / ELECTRICS
46653060	PIPE, EXHAUST		135	EXHAUST SYSTEM
46653270	PROTECTOR, TOOLBOX		41	ENCLOSURE
46653403	DECAL, MODEL NUMBER		45	DECALS AND DOCUMENTATION
46653480	DECAL, WATER LEVEL		47	DECALS AND DOCUMENTATION
46653481	DECAL, PRESSURE		47	DECALS AND DOCUMENTATION
46653623	WHEEL AND TYRE ASSEMB		9 19	RUNNING GEAR RUNNING GEAR
46653720	OPTION, SPARK ARRESTOR		157	OPTION - SPARK ARRESTOR
46653721	BRACKET		155	OPTION - OVERSPEED VALVE
46654581	HOSE		133	AIR INTAKE
46655202	FRAME		37	ENCLOSURE
46655204	RUNNING GEAR ASSEMBLY		3	RUNNING GEAR
46655206	RUNNING GEAR ASSEMBLY		11	RUNNING GEAR

Part Number	Denomination	WAS	Page	Subgroup
46655212	HARNES, ENGINE		53	INSTRUMENTATION / ELECTRICS
46655216	BRACKET, FAN CLUTCH		85	ENGINE ASSEMBLY
46655233	TOOLBOX, FRONT		41	ENCLOSURE
46655235	ENCLOSURE ASSEMBLY, R		31	ENCLOSURE
46655236	PANEL ASSEMBLY, RIGHT		31	ENCLOSURE
46655237	PANEL ASSEMBLY, LEFT		31	ENCLOSURE
46655626	DRAWBAR ASSEMBLY		11	RUNNING GEAR
46655648	DRAWBAR ASSEMBLY		21	RUNNING GEAR
46655649	AXLE ASSEMBLY		3	RUNNING GEAR
			11	RUNNING GEAR
46656632	ADAPTOR		81	REGULATION SYSTEM
46656633	ELBOW		81	REGULATION SYSTEM
46656660	BOLT		55	INSTRUMENTATION / ELECTRICS
46656661	WHEEL		9	RUNNING GEAR
			19	RUNNING GEAR
46656662	TYRE		9	RUNNING GEAR
			19	RUNNING GEAR
46656676	BAIL, LIFTING		37	ENCLOSURE
46656744	DECAL, WEB SITE		45	DECALS AND DOCUMENTATION
46656814	DECAL		53	INSTRUMENTATION / ELECTRICS
46656815	DECAL, RELAY CENTER		53	INSTRUMENTATION / ELECTRICS
46656869	AXLE ASSEMBLY		21	RUNNING GEAR
46663245	HOSE ASSEMBLY		165	OPTION - AFTERCOOLER + WATER SEPAR
			173	OPTION - AFTERCOOLER + IQ FILTERS
46663306	ARRESTOR, SPARK		157	OPTION - SPARK ARRESTOR
46663307	PIPE		157	OPTION - SPARK ARRESTOR
46663311	BRACKET		157	OPTION - SPARK ARRESTOR
46663313	CLAMP		157	OPTION - SPARK ARRESTOR
46663314	BRACKET		157	OPTION - SPARK ARRESTOR
46663638	SWITCH, VACUUM		155	OPTION - OVERSPEED VALVE
46663654	HOSE		155	OPTION - OVERSPEED VALVE
46663692	OPTION, NUMBER PLATE CL		31	ENCLOSURE
46663697	BUMPER LIGHT OPTION FIE		145	OPTION - BUMPER LIGHTS / WHEEL CHOCK
46663720	MANUAL, OPERATION AND		45	DECALS AND DOCUMENTATION
46663721	MANUAL, PARTS CATALOG		45	DECALS AND DOCUMENTATION
46663891	BELT, FAN		127	FAN BELT
			201	RECOMMENDED PARTS
46664262	ADAPTOR		135	EXHAUST SYSTEM
46666111	HOSE		135	EXHAUST SYSTEM
46666323	TUBE, AIR COOLER INLET		143	COOLING SYSTEM
46666324	GUARD		41	ENCLOSURE
46666329	GUARD		41	ENCLOSURE
46666342	COVER		49	INSTRUMENTATION / ELECTRICS
46666414	GUARD		41	ENCLOSURE
46666528	PANEL		41	ENCLOSURE
46666537	PANEL, TOOLBOX		41	ENCLOSURE



Part Number	Denomination	WAS	Page	Subgroup
			135	EXHAUST SYSTEM
46666839	SUPPORT		37	ENCLOSURE
46666844	MUDGUARD		37	ENCLOSURE
46666896	POD, FRONT SIDE		145	OPTION - BUMPER LIGHTS / WHEEL CHOCK
46666911	ENCLOSURE REAR, BARE M		31	ENCLOSURE
46667123	BRACKET		143	COOLING SYSTEM
46667125	BRACKET		143	COOLING SYSTEM
46667995	BRACKET		135	EXHAUST SYSTEM
46668081	BRACKET		135	EXHAUST SYSTEM
46668109	COVER		135	EXHAUST SYSTEM
46668138	INSULATION, EXHAUST		135	EXHAUST SYSTEM
46668231	PROTECTOR, HOSE		135	EXHAUST SYSTEM
46668232	PROTECTOR, HOSE		135	EXHAUST SYSTEM
46668252	CONNECTOR, BARBED		93	FUEL SYSTEM
46668263	CLAMP		165 169	OPTION - AFTERCOOLER + WATER SEPAR OPTION - AFTERCOOLER + IQ FILTERS
46668265	HOSE		43	ENCLOSURE
46668338	BRACKET, ALTERNATOR		85	ENGINE ASSEMBLY
46669371	SENSOR		165 169	OPTION - AFTERCOOLER + WATER SEPAR OPTION - AFTERCOOLER + IQ FILTERS
46669372	ELBOW		165 169	OPTION - AFTERCOOLER + WATER SEPAR OPTION - AFTERCOOLER + IQ FILTERS
46669517	BRACKET		165 169	OPTION - AFTERCOOLER + WATER SEPAR OPTION - AFTERCOOLER + IQ FILTERS
46669622	FOAM		165 169	OPTION - AFTERCOOLER + WATER SEPAR OPTION - AFTERCOOLER + IQ FILTERS
46669973	LIGHT		145	OPTION - BUMPER LIGHTS / WHEEL CHOCK
46669974	LIGHT		145	OPTION - BUMPER LIGHTS / WHEEL CHOCK
46670242	KIT, TUBE		5	RUNNING GEAR
46670243	SHOCK ABSORBER ASSEM		5	RUNNING GEAR
46670244	KIT, CONNECTING		5	RUNNING GEAR
46670245	CLAMP ASSEMBLY		5	RUNNING GEAR
46670246	SPRING		9	RUNNING GEAR
46670247	KIT, BEARING		9 19 23	RUNNING GEAR RUNNING GEAR RUNNING GEAR
46670248	WASHER		9	RUNNING GEAR
46670249	CLEVIS		9	RUNNING GEAR
46670250	BRAKE HUB COMPLETE		9 19 23	RUNNING GEAR RUNNING GEAR RUNNING GEAR
46670251	CONVERSION LEVER ASSE		9	RUNNING GEAR
46670252	COVER		9 19 23	RUNNING GEAR RUNNING GEAR RUNNING GEAR
46670253	KIT, CONVERSION LEVER		9	RUNNING GEAR
46670254	DRAWBAR		13	RUNNING GEAR
46670255	CONVERSION LEVER ASSE		13	RUNNING GEAR

Part Number	Denomination	WAS	Page	Subgroup
46670257	COVER		13	RUNNING GEAR
46670258	COUPLING, WELDED		13	RUNNING GEAR
46670259	BOLT		13	RUNNING GEAR
46670261	PIVOT ASSEMBLY		13	RUNNING GEAR
46670262	TUBE		13	RUNNING GEAR
46670263	CLAMP ASSEMBLY		13	RUNNING GEAR
46670265	HEAD ASSEMBLY		13	RUNNING GEAR
46670266	CABLE ASSEMBLY		19	RUNNING GEAR
46670267	KIT, CONNECTING		13	RUNNING GEAR
46670268	CABLE		19	RUNNING GEAR
46670271	DRAWBAR		23	RUNNING GEAR
46670272	HANDBRAKE LEVER ASSEM		23	RUNNING GEAR
46670273	HANDLE ASSEMBLY		23	RUNNING GEAR
46670274	PIVOT ASSEMBLY		23	RUNNING GEAR
46670279	PIVOT ASSEMBLY		23	RUNNING GEAR
46670281	SHIELD		23	RUNNING GEAR
46670282	HUB ASSEMBLY		23	RUNNING GEAR
46670283	CABLE, BRAKE		23	RUNNING GEAR
46670446	JOCKEY WHEEL ASSEMBLY		3 11 21	RUNNING GEAR RUNNING GEAR RUNNING GEAR
46670447	ADJUSTABLE LINK ASSEMB		13	RUNNING GEAR
46670448	PIVOT ASSEMBLY		23	RUNNING GEAR
46670449	SEAL		87	CRANKCASE BREATHER
46670450	ELEMENT		87 199	CRANKCASE BREATHER MAINTENANCE KIT
46670451	GASKET		87	CRANKCASE BREATHER
46670452	GASKET		91	EXHAUST RECIRCULATION
46670453	VALVE		91	EXHAUST RECIRCULATION
46670454	KIT, EGR VALVE		91	EXHAUST RECIRCULATION
46670455	HEAD, FUEL FILTER		97	FUEL FILTER
46670457	ACTUATOR		99	FUEL PUMP
46670458	FUEL FILTER ASSEMBLY		101	FUEL SYSTEM ACCESSORIES
46670459	ELEMENT, FUEL FILTER		101 193 195	FUEL SYSTEM ACCESSORIES MAINTENANCE KIT MAINTENANCE KIT
46670460	HEAD, FUEL FILTER		101	FUEL SYSTEM ACCESSORIES
46670461	ELEMENT, THERMOSTAT		103	THERMOSTAT
46670462	SENSOR, PRESSURE		105	AIR INTAKE CONNECTION
46670463	SEAL		105	AIR INTAKE CONNECTION
46670464	TUBE, OIL GAUGE		109	OIL LEVEL GAUGE
46670465	DIPSTICK		109	OIL LEVEL GAUGE
46670466	GASKET, OIL PAN		113	OIL PAN GASKET
46670467	PUMP, DEF		115 135	AFTERTREATMENT DEVICE EXHAUST SYSTEM
46670468	SENSOR, TEMPERATURE		115	AFTERTREATMENT DEVICE

Part Number	Denomination	WAS	Page	Subgroup
46670470	SENSOR, NITROGEN OXIDE		115	AFTERTREATMENT DEVICE
46670471	SENSOR, TEMPERATURE		115	AFTERTREATMENT DEVICE
46670472	SENSOR, TEMPERATURE		117	ENGINE CONTROL MODULE
46670473	SENSOR, PRESSURE		119	INJECTOR PLUMBING
46670474	KIT, TURBOCHARGER		121	TURBOCHARGER
46670475	KIT, ACTUATOR		121	TURBOCHARGER
46670476	KIT, SENSOR		121	TURBOCHARGER
46670477	CAP, FILLER		125	VALVE COVER ARRANGEMENT
46670478	TENSIONER, BELT		129	BELT TENSIONER
46670479	HARNES, ENGINE		131	ENGINE ELECTRICAL HARNES
46670618	HUB ASSEMBLY		9 19	RUNNING GEAR RUNNING GEAR
46670619	PIN		9	RUNNING GEAR
46670620	KIT, CONNECTING		19	RUNNING GEAR
46670621	BRAKE ROD ASSEMBLY		19	RUNNING GEAR
46671081	OPTION, AFTERCOOLER, W		165	OPTION - AFTERCOOLER + WATER SEPAR
46671082	OPTION, AFTERCOOLER, W		169	OPTION - AFTERCOOLER + IQ FILTERS
46671083	OPTION, OVERSPEED VALV		155	OPTION - OVERSPEED VALVE
46671084	DUAL PRESSURE FIELD KIT		159	OPTION - DUAL PRESSURE FIELD KIT
46671099	KIT-500 HOURS		193	MAINTENANCE KIT
46671100	KIT-1000 HOURS		195	MAINTENANCE KIT
46671101	ELEMENT, AIR FILTER		133 195	AIR INTAKE MAINTENANCE KIT
46671616	BRACKET		37	ENCLOSURE
46671617	BRACKET		37	ENCLOSURE
46671620	PLATE		37	ENCLOSURE
46671659	O-RING		165 169	OPTION - AFTERCOOLER + WATER SEPAR OPTION - AFTERCOOLER + IQ FILTERS
46672769	CAP, FILLER		135	EXHAUST SYSTEM
46680257	FLAP, RAIN		37	ENCLOSURE
46680511	DECAL, DEF TANK LOCATIO		45	DECALS AND DOCUMENTATION
46680512	DECAL, DEF TANK INFORMA		45	DECALS AND DOCUMENTATION
46680612	BRACKET		93	FUEL SYSTEM
46688571	SCREW		41	ENCLOSURE
54403191	ELBOW		143	COOLING SYSTEM
54403266	ELBOW		49 81	INSTRUMENTATION / ELECTRICS REGULATION SYSTEM
54444427	CLAMP		133	AIR INTAKE
54496773	TRANSDUCER, PRESSURE		173	OPTION - AFTERCOOLER + IQ FILTERS
54511282	CABLE, POSITIVE		55	INSTRUMENTATION / ELECTRICS
54580154	ELBOW, BARBED		93	FUEL SYSTEM
54614870	BUMPER, END STOP		145	OPTION - BUMPER LIGHTS / WHEEL CHOCK
54625702	ADAPTOR		81 159	REGULATION SYSTEM OPTION - DUAL PRESSURE FIELD KIT
54629977	DECAL, ISO CENTRAL DRAI		43 47	ENCLOSURE DECALS AND DOCUMENTATION

Part Number	Denomination	WAS	Page	Subgroup
			201	RECOMMENDED PARTS
54699616	DEUTCH TERMINAL REMOV		183	SERVICE TOOLS
54699624	DEUTCH TERMINAL REMOV		183	SERVICE TOOLS
54699632	DEUTCH TERMINAL REMOV		183	SERVICE TOOLS
54699640	DEUTCH TERMINAL REMOV		183	SERVICE TOOLS
54699657	DEUTCH WEDGELOCK AND		183	SERVICE TOOLS
54721105	WIRE, RETAINING		135	EXHAUST SYSTEM
54721337	ADAPTOR		75	OIL/AIR PIPING
54729660	PACKARD WEATHER- PACK		183	SERVICE TOOLS
54729710	ELECTRICAL CONTACT CLE		183	SERVICE TOOLS
54740675	SERIAL CABLE, HEAVY DUT		183	SERVICE TOOLS
54749544	RTD SIMULATOR		183	SERVICE TOOLS
54749551	THERMISTOR SIMULATOR		183	SERVICE TOOLS
54749643	PACKARD METRI- PACK TE		183	SERVICE TOOLS
54765946	TRANSDUCER, PRESSURE		81	REGULATION SYSTEM
			201	RECOMMENDED PARTS
80027923	PLUG		101	FUEL SYSTEM ACCESSORIES
80027980	KIT, BRAKE SHOE		9	RUNNING GEAR
			19	RUNNING GEAR
			23	RUNNING GEAR
80028202	O-RING		117	ENGINE CONTROL MODULE
80028293	SEAL		117	ENGINE CONTROL MODULE
89230759	CAP		93	FUEL SYSTEM
89230767	O-RING		93	FUEL SYSTEM
89292973	PRO-TEC COMPRESSOR OI		177	FLUIDS
89292981	PRO-TEC COMPRESSOR OI		177	FLUIDS
89298491	DECAL, PROTEC OIL		47	DECALS AND DOCUMENTATION
89299382	DECAL, LOW FUEL BEACON		161	OPTION - LOW FUEL WARNING KIT
89299754	CARRIER, HOSE		153	OPTION - HOSE CARRIER
89303127	SWITCH, EMERGENCY STO		49	INSTRUMENTATION / ELECTRICS
			201	RECOMMENDED PARTS
89303135	BLOCK, CONTACT		49	INSTRUMENTATION / ELECTRICS
89310718	HOSE		179	AIR DELIVERY HOSE
89311716	PRO-TEC ENGINE OIL		177	FLUIDS
89311724	PRO-TEC ENGINE OIL		177	FLUIDS
92047331	HOSE		179	AIR DELIVERY HOSE
92050376	SCREW		145	OPTION - BUMPER LIGHTS / WHEEL CHOCK
92061480	WASHER		135	EXHAUST SYSTEM
			157	OPTION - SPARK ARRESTOR
92063296	COUPLING, MALE		181	AIR HOSE FITTINGS
92063379	COUPLING, HOSE		181	AIR HOSE FITTINGS
92063387	CLAMP, HOSE		181	AIR HOSE FITTINGS
92076447	NIPPLE		75	OIL/AIR PIPING
92076454	NIPPLE		75	OIL/AIR PIPING
92085729	REFLECTOR, WHITE		145	OPTION - BUMPER LIGHTS / WHEEL CHOCK
92101112	SCREW		31	ENCLOSURE
			141	COOLING SYSTEM

Part Number	Denomination	WAS	Page	Subgroup
			169	OPTION - AFTERCOOLER + IQ FILTERS
92111228	VALVE, BALL		75	OIL/AIR PIPING
92112226	HOSE		179	AIR DELIVERY HOSE
92119957	SEAL		41	ENCLOSURE
92121243	REFLECTOR, AMBER		31	ENCLOSURE
92150978	COUPLING, HOSE		181	AIR HOSE FITTINGS
92150986	CLAMP, HOSE		181	AIR HOSE FITTINGS
92176114	SCREW		85 93 145	ENGINE ASSEMBLY FUEL SYSTEM OPTION - BUMPER LIGHTS / WHEEL CHOCK
92178524	COUPLING, CLAW		181	AIR HOSE FITTINGS
92178532	COUPLING, FEMALE		181	AIR HOSE FITTINGS
92178565	SEAL		181	AIR HOSE FITTINGS
92253129	CLAMP		143	COOLING SYSTEM
92271915	RIVET		145	OPTION - BUMPER LIGHTS / WHEEL CHOCK
92271923	RIVET		31 49	ENCLOSURE INSTRUMENTATION / ELECTRICS
92280981	SCREW		85	ENGINE ASSEMBLY
92281369	RIVET		31	ENCLOSURE
92281427	TIE, CABLE		43 93 143 145 161 165 169	ENCLOSURE FUEL SYSTEM COOLING SYSTEM OPTION - BUMPER LIGHTS / WHEEL CHOCK OPTION - LOW FUEL WARNING KIT OPTION - AFTERCOOLER + WATER SEPAR OPTION - AFTERCOOLER + IQ FILTERS
92294461	VALVE, BALL		75	OIL/AIR PIPING
92304559	NUT		31	ENCLOSURE
92304609	WASHER		31 93	ENCLOSURE FUEL SYSTEM
92304666	LOCKWASHER		93	FUEL SYSTEM
92304674	LOCKWASHER		85	ENGINE ASSEMBLY
92311695	LOCKNUT		37	ENCLOSURE
92340439	WASHER		145	OPTION - BUMPER LIGHTS / WHEEL CHOCK
92354661	PLUG		43 135	ENCLOSURE EXHAUST SYSTEM
92398114	NUT		165 169	OPTION - AFTERCOOLER + WATER SEPAR OPTION - AFTERCOOLER + IQ FILTERS
92398122	SCREW		41	ENCLOSURE
92472638	SCREW		53 85 135	INSTRUMENTATION / ELECTRICS ENGINE ASSEMBLY EXHAUST SYSTEM
92473594	NUT		135	EXHAUST SYSTEM
92490358	TUBE, NYLON		81	REGULATION SYSTEM
92530047	VALVE, BALL		75	OIL/AIR PIPING
92708999	SCREW		93	FUEL SYSTEM
92721331	REFLECTOR, RED		145	OPTION - BUMPER LIGHTS / WHEEL CHOCK
92737840	HOSE		179	AIR DELIVERY HOSE
92737857	HOSE		179	AIR DELIVERY HOSE

Part Number	Denomination	WAS	Page	Subgroup
92737980	COUPLING, MALE		181	AIR HOSE FITTINGS
92737998	COUPLING, FEMALE		181	AIR HOSE FITTINGS
92738004	COUPLING, FEMALE		181	AIR HOSE FITTINGS
92766690	RIVET		145	OPTION - BUMPER LIGHTS / WHEEL CHOCK
92783281	PLUG		31 145	ENCLOSURE OPTION - BUMPER LIGHTS / WHEEL CHOCK
92788926	WASHER, SEALING		93	FUEL SYSTEM
92789205	SCREW		37	ENCLOSURE
92808666	FILTER, FUEL		93	FUEL SYSTEM
92814243	CHAIN ASSEMBLY		93	FUEL SYSTEM
92824010	HANDLE		31	ENCLOSURE
92829316	NUT		37 53 55	ENCLOSURE INSTRUMENTATION / ELECTRICS INSTRUMENTATION / ELECTRICS
92861640	TIE, CABLE		31 133 145	ENCLOSURE AIR INTAKE OPTION - BUMPER LIGHTS / WHEEL CHOCK
92867415	DECAL, CLOSE DOORS		47	DECALS AND DOCUMENTATION
92867449	DECAL, REFER TO HANDBO		47	DECALS AND DOCUMENTATION
92867530	DECAL, HOT SURFACE		47	DECALS AND DOCUMENTATION
92890037	PLUG		31	ENCLOSURE
92899293	WHEEL CHOCK AND HOLDE		145	OPTION - BUMPER LIGHTS / WHEEL CHOCK
92901222	LAMP, TAIL/STOP/FLASH		145	OPTION - BUMPER LIGHTS / WHEEL CHOCK
92901230	LAMP, REGISTRATION PLAT		145	OPTION - BUMPER LIGHTS / WHEEL CHOCK
92930585	DECAL, PRESSURISED VES		47	DECALS AND DOCUMENTATION
92930593	DECAL, ELECTRIC SHOCK		47	DECALS AND DOCUMENTATION
92930601	DECAL, CORROSIVE SUBST		47	DECALS AND DOCUMENTATION
92930627	DECAL, GENERAL WARNING		47	DECALS AND DOCUMENTATION
92930650	DECAL, EMERGENCY STOP		47	DECALS AND DOCUMENTATION
92930668	DECAL, NO MAINT/READ MA		47	DECALS AND DOCUMENTATION
92949742	FOAM FIELD KIT (with adhesi		31	ENCLOSURE
92949759	FOAM FIELD KIT (with adhesi		31	ENCLOSURE
92949767	FOAM FIELD KIT (with adhesi		31	ENCLOSURE
92949775	FOAM FIELD KIT (with adhesi		31	ENCLOSURE
92962547	CLIP, NUMBER PLATE		31	ENCLOSURE
92972140	SCREW		41 93	ENCLOSURE FUEL SYSTEM
92976042	DECAL, EXHAUST GAS DISC		47	DECALS AND DOCUMENTATION
93150977	SCREW		49 53 135 157	INSTRUMENTATION / ELECTRICS INSTRUMENTATION / ELECTRICS EXHAUST SYSTEM OPTION - SPARK ARRESTOR
93165959	DECAL, ROTATING FAN		47	DECALS AND DOCUMENTATION
93171262	DECAL, LIFT/TIE POINT		47	DECALS AND DOCUMENTATION
93171270	DECAL, ENGINE OIL FILL		47	DECALS AND DOCUMENTATION
93171288	DECAL, COOLANT FILL		47	DECALS AND DOCUMENTATION
93178945	DECAL, OIL FILL SYMBOL X		47	DECALS AND DOCUMENTATION

Part Number	Denomination	WAS	Page	Subgroup
93190486	DECAL, COOLANT LEVEL		47	DECALS AND DOCUMENTATION
93465383	DECAL, SERVICE VALVE		47	DECALS AND DOCUMENTATION
93477388	LAMP, FOG		145	OPTION - BUMPER LIGHTS / WHEEL CHOCK
93524007	PLATE, CABLE TIE		145	OPTION - BUMPER LIGHTS / WHEEL CHOCK
93545580	WASHER		57 75	AIREND ASSEMBLY OIL/AIR PIPING
95022307	O-RING		73	OIL/AIR PIPING
95092318	NIPPLE		81	REGULATION SYSTEM
95200945	NUT, BEARING LOCK		61	AIREND ASSEMBLY
95220844	CLAMP		43 135 143	ENCLOSURE EXHAUST SYSTEM COOLING SYSTEM
95223178	RING, SNAP		63	AIREND ASSEMBLY
95223194	RING, SNAP		63	AIREND ASSEMBLY
95223806	RING, SNAP		63	AIREND ASSEMBLY
95239919	PIN, DOWEL		61	AIREND ASSEMBLY
95239927	PIN		63	AIREND ASSEMBLY
95264149	SCREW		61	AIREND ASSEMBLY
95285615	NIPPLE		75	OIL/AIR PIPING
95286910	ELBOW		165	OPTION - AFTERCOOLER + WATER SEPAR
95302170	ELBOW		165 173	OPTION - AFTERCOOLER + WATER SEPAR OPTION - AFTERCOOLER + IQ FILTERS
95315289	CONNECTOR		71	OIL/AIR PIPING
95357976	O-RING		75	OIL/AIR PIPING
95358131	O-RING		65	AIREND ASSEMBLY
95364469	ELBOW		81	REGULATION SYSTEM
95365094	ELBOW		71	OIL/AIR PIPING
95381109	KEY		63	AIREND ASSEMBLY
95494167	SCREW		65	AIREND ASSEMBLY
95667341	NIPPLE		81 165 169	REGULATION SYSTEM OPTION - AFTERCOOLER + WATER SEPAR OPTION - AFTERCOOLER + IQ FILTERS
95686333	SCREW		57	AIREND ASSEMBLY
95732004	CONNECTOR		165 169	OPTION - AFTERCOOLER + WATER SEPAR OPTION - AFTERCOOLER + IQ FILTERS
95757183	ELBOW		75	OIL/AIR PIPING
95773032	ADAPTOR		75	OIL/AIR PIPING
95923298	NUT		31	ENCLOSURE
95928172	ELBOW		75	OIL/AIR PIPING
95928255	PLUG		75	OIL/AIR PIPING
95928800	NUT		49	INSTRUMENTATION / ELECTRICS
95928867	PIN, COTTER		135	EXHAUST SYSTEM
95930301	BUSH		81 173	REGULATION SYSTEM OPTION - AFTERCOOLER + IQ FILTERS
95934550	SCREW		71	OIL/AIR PIPING
95934683	WASHER, LOCK		75	OIL/AIR PIPING
95935003	WASHER		79	MINIMUM PRESSURE VALVE

Part Number	Denomination	WAS	Page	Subgroup
			55	INSTRUMENTATION / ELECTRICS
95935037	WASHER		71	OIL/AIR PIPING
95935052	WASHER		151	OPTION - SHIPPING / PERMANENT MOUNT
95938148	CONNECTOR		71	OIL/AIR PIPING
95938171	ELBOW		71	OIL/AIR PIPING
95938205	PLUG		65	AIREND ASSEMBLY
95940748	BUSH, REDUCING		81 159	REGULATION SYSTEM OPTION - DUAL PRESSURE FIELD KIT
95941639	PLUG		75	OIL/AIR PIPING
95944666	ELBOW		81	REGULATION SYSTEM
95944740	ELBOW		165 169	OPTION - AFTERCOOLER + WATER SEPAR OPTION - AFTERCOOLER + IQ FILTERS
95946281	ELBOW		75	OIL/AIR PIPING
95947149	PLUG		43	ENCLOSURE
95949491	PLUG		59	AIREND ASSEMBLY
95952990	COUPLING		81	REGULATION SYSTEM
95954194	TEE		81	REGULATION SYSTEM
95954293	CROSS		81	REGULATION SYSTEM
95954913	REDUCER		71	OIL/AIR PIPING
95954921	ADAPTOR		71	OIL/AIR PIPING
95992632	ELBOW		71	OIL/AIR PIPING
96701370	NUT		85 93 143	ENGINE ASSEMBLY FUEL SYSTEM COOLING SYSTEM
96701396	WASHER		31 71	ENCLOSURE OIL/AIR PIPING
96701503	BOLT		57 85	AIREND ASSEMBLY ENGINE ASSEMBLY
96701750	NUT, HEX		69	AIREND ASSEMBLY
96702287	SCREW		67	AIREND ASSEMBLY
96702659	SCREW		73	OIL/AIR PIPING
96702816	SCREW		69	AIREND ASSEMBLY
96703459	NUT		37	ENCLOSURE
96703962	SCREW		37 75	ENCLOSURE OIL/AIR PIPING
96704176	NUT		31	ENCLOSURE
96704408	SCREW		37 85 93 135 143	ENCLOSURE ENGINE ASSEMBLY FUEL SYSTEM EXHAUST SYSTEM COOLING SYSTEM
96704531	SCREW		49	INSTRUMENTATION / ELECTRICS
96704606	NUT		37 71 145	ENCLOSURE OIL/AIR PIPING OPTION - BUMPER LIGHTS / WHEEL CHOCK
96705058	SCREW		49	INSTRUMENTATION / ELECTRICS
96705132	NUT		145	OPTION - BUMPER LIGHTS / WHEEL CHOCK
96705728	SCREW		145	OPTION - BUMPER LIGHTS / WHEEL CHOCK
96712187	SCREW		61	AIREND ASSEMBLY



Part Number	Denomination	WAS	Page	Subgroup
96716162	SCREW		61	AIREND ASSEMBLY
			63	AIREND ASSEMBLY
			75	OIL/AIR PIPING
96719810	SCREW		151	OPTION - SHIPPING / PERMANENT MOUNT
96721154	SCREW		135	EXHAUST SYSTEM
96727169	SCREW		155	OPTION - OVERSPEED VALVE
96727177	SCREW		75	OIL/AIR PIPING
			85	ENGINE ASSEMBLY
96727193	SCREW		41	ENCLOSURE
96728480	SCREW		31	ENCLOSURE
			41	ENCLOSURE
			55	INSTRUMENTATION / ELECTRICS
			75	OIL/AIR PIPING
			133	AIR INTAKE
			135	EXHAUST SYSTEM
			141	COOLING SYSTEM
143	COOLING SYSTEM			
145	OPTION - BUMPER LIGHTS / WHEEL CHOCK			
96737556	SCREW		31	ENCLOSURE
96742689	SCREW		53	INSTRUMENTATION / ELECTRICS
96745229	WASHER		37	ENCLOSURE
96746334	ADAPTOR		165	OPTION - AFTERCOOLER + WATER SEPAR
			173	OPTION - AFTERCOOLER + IQ FILTERS
96747068	NUT		37	ENCLOSURE
97319941	CHECK, SAFETY		181	AIR HOSE FITTINGS



**Portable Power**



**Portable Power**



**Portable Power**