

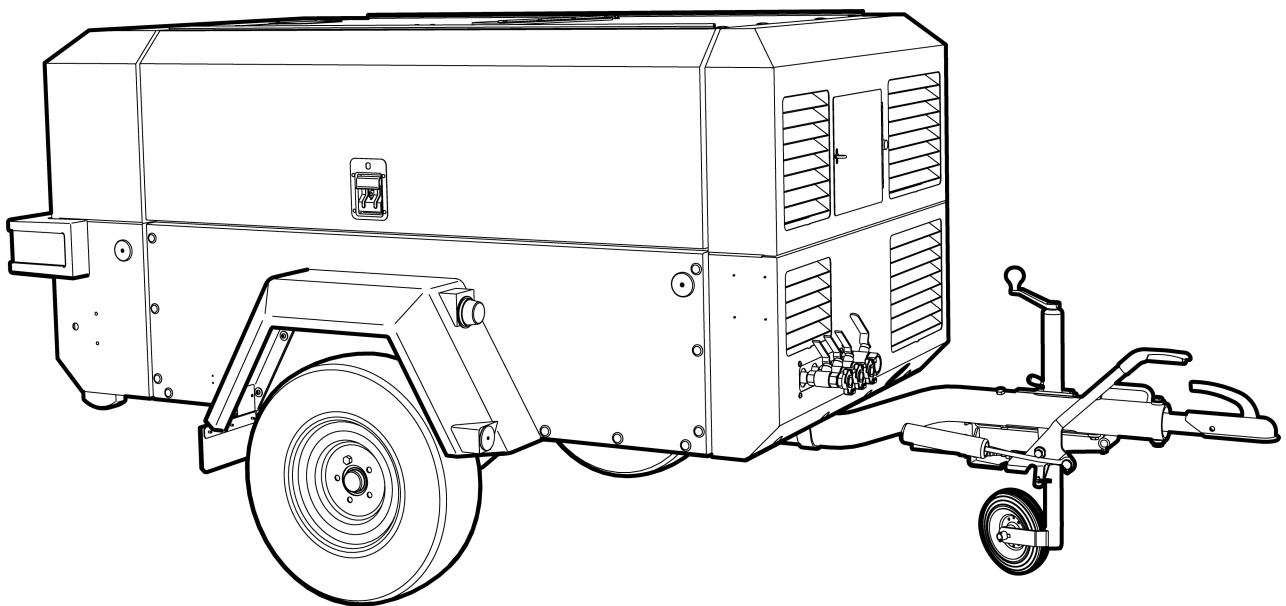


Portable Power

7/73 - 10/53

PARTS MANUAL

SERIAL No : 543500 -> 543999





Portable Power

CONTENTS

RUNNING GEAR

RUNNING GEAR - (fixed height braked)	3
RUNNING GEAR - (variable height braked)	7

MAIN FRAME

MAIN FRAME	13
ENCLOSURE - (lower)	15
ENCLOSURE - (upper)	19
DECALS AND DOCUMENTATION	23
DECALS AND DOCUMENTATION	25

CONTROL AND ELECTRICAL SYSTEM

INSTRUMENTATION AND ELECTRICS	27
INSTRUMENTATION AND ELECTRICS	31

AIR END

AIREND ASSEMBLY	33
AIREND ASSEMBLY	35
AIR INTAKE - (airend)	37
OIL/AIR PIPING	39
OIL/AIR PIPING	41
OIL/AIR PIPING	43
SEPARATOR TANK	45
REGULATION SYSTEM - (-> #####)	49
REGULATION SYSTEM - (##### ->)	53

POWER UNIT

ENGINE ASSEMBLY	57
THERMOSTAT	59
ALTERNATOR	61
EXHAUST RCN AIR PIPING	63
EXHAUST RECIRCULATION	65
FUEL FILTER LOCATION	67
FUEL PUMP	69
FUEL WATER SEPARATOR	71
AIR INTAKE MANIFOLD	73
FULL FLOW OIL FILTER	75
OIL LEVEL GAUGE	77
OIL LUBRICATING PUMP	79
OIL FILL ARRANGEMENT	81
OIL PAN	83
ENGINE CONTROL MODULE	85
INJECTOR	87
TURBOCHARGER	89
STARTER MOTOR	91
TURBOCHARGER ARRANGEMENT	93
THERMOSTAT HOUSING	95
VALVE COVER	97
WATER PUMP DRIVE	99
ENGINE WIRING HARNESS	101

COOLING SYSTEM - (coolers and guards)	103
FUEL SYSTEM	107
AIR INTAKE - (engine)	109
EXHAUST SYSTEM	111

ACCESSORIES & OPTIONS

OPTION - AFTERCOOLER	113
OPTION - IQ FILTERS	117
OPTION - LUBRICATOR	121
OPTION - OVERSPEED VALVE	123
OPTION - BUNDED BASE - (includes central drains)	125
OPTION - CENTRAL DRAINS	129
OPTION - EMERGENCY STOP BUTTON	131
OPTION - SPARK ARRESTOR	133
OPTION - BATTERY DISCONNECT	135
OPTION - ROAD LIGHTS	137
OPTION - ROAD LIGHTS - DRIVING LIGHTS PROTECTION	139
OPTION - LED ROAD LIGHTS	141
OPTION - LED ROAD LIGHTS PROTECTION	143
OPTION - SHIPPING SKID	145
OPTION - SKID MOUNTING	147
OPTION - TRUCK MOUNTING	149
OPTION - WHEEL NUT INDICATORS	151
OPTION - WHEEL CHOCKS	153

MAINTENANCE ITEMS

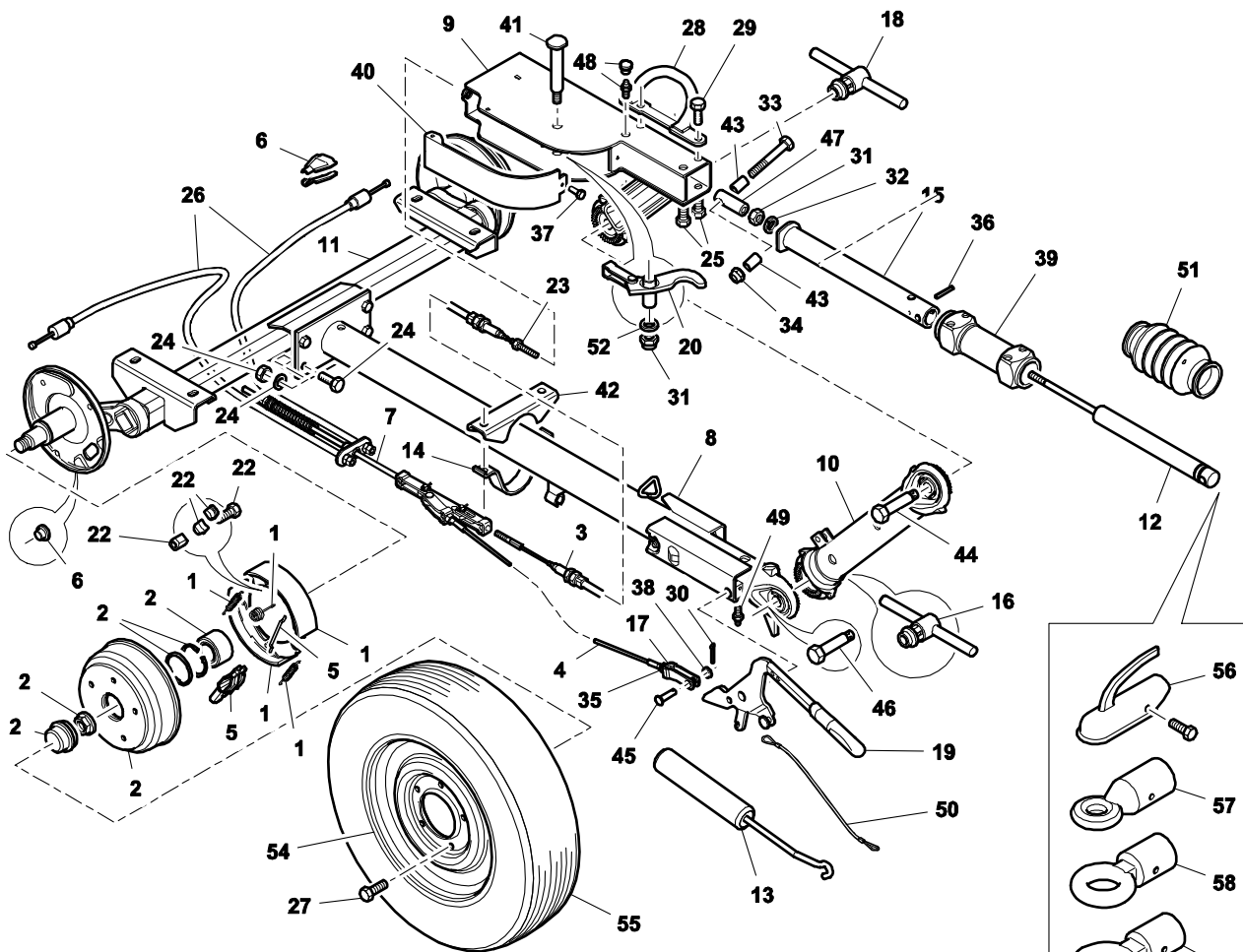
MAINTENANCE KIT - (500 hours)	155
MAINTENANCE KIT - (1000 hours)	157
MAINTENANCE KIT - (separator filter)	159
MAINTENANCE KIT - (brake pads)	161
RECOMMENDED SPARES	163
RECOMMENDED SPARES	165
FLUIDS	167
AIR DELIVERY HOSE	169
AIR HOSE FITTINGS	171
SERVICE TOOLS	173
CONNECTOR REPAIR KITS	177

7/73-10/53_46674189-E_11/17

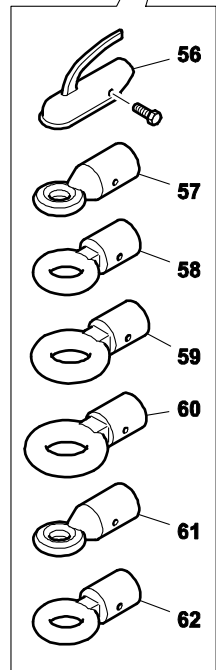
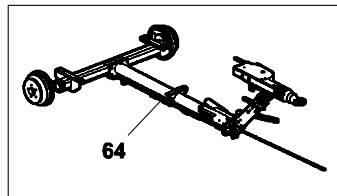
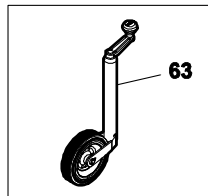
**RUNNING GEAR
(fixed height braked)**

Item	Part Number	Description	Remarks	Serial Number	Qty
1	80024565	BRAKE SHOE PACK	(order one per machine)		1
2	46677013	DRUM ASSEMBLY COMPLETE	(order two per machine)		1
3	46677014	BRAKE ROD ASSEMBLY			1
4	18034124	CABLE			1
5	46676995	LEVER ASSEMBLY			1
6	80029218	KIT, EXPANDING KEY	(order one per machine)		1
7	46656681	CABLE COVER ASSEMBLY	(order two per machine)		2
8	22444368	DRAWBAR ASSEMBLY			1
9	22241467	AXLE TUBE ASSEMBLY			1
10	22051841	CABLE			1
11	46550548	KIT, DAMPER			1
12	46517454	PISTON			1
13	46677015	HANDBRAKE LEVER ASSEMBLY	W/Ref. 10		1
14	46677007	CLAMP			1
15	22241442	CLAMP			1
16		KIT, ADJUSTER WEDGE	(order two per machine)		2
17	22241368	SCREW			4
18	46676996	KIT, LEVER COMPLETE			1
19	46678556	KIT, CONNECTING			1
20	22051411	SLIDER			1
21	46670267	KIT, CONNECTING			1
22	46551800	KIT, GREASE NIPPLE	(including cover)		2
23	22125579	WHEEL AND TYRE ASSEMBLY	W/Ref. 24,25		2
24	22125587	WHEEL			1
25	22125595	TYRE	(185R14C 8PR)		1
26	22051510	COVER			1
27	46656685	KIT, CONNECTING			1
28	22241517	PIN			1
29	22067003	CLAMP ASSEMBLY			1
30	80029069	KIT, CONNECTING			1
31	46517447	CLIP, RETAINING			2

RUNNING GEAR (variable height braked)



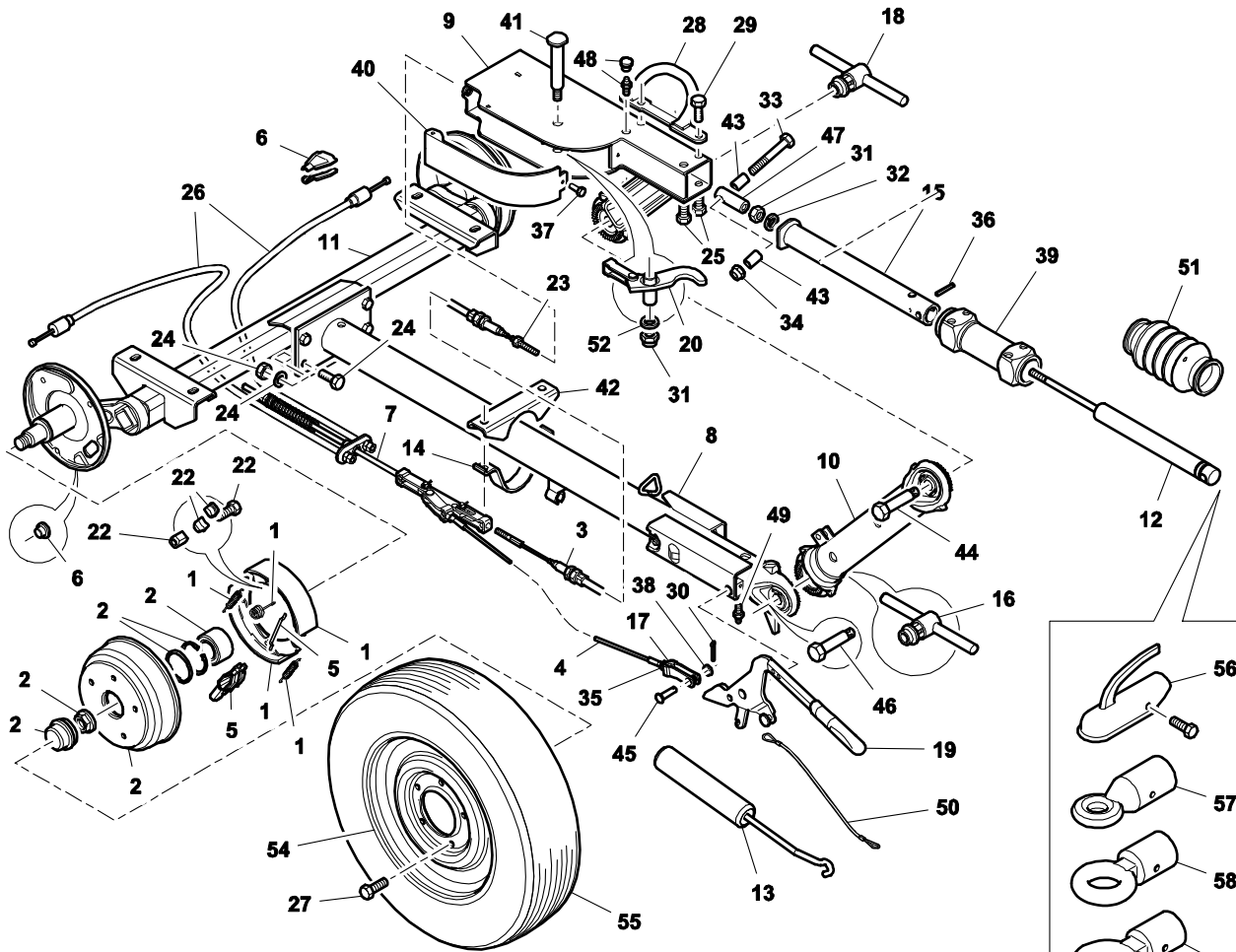
T4988_01
04/17



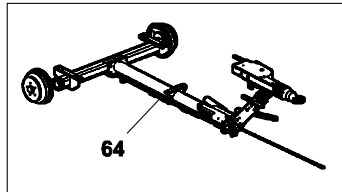
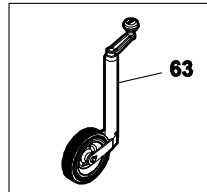
**RUNNING GEAR
(variable height braked)**

Item	Part Number	Description	Remarks	Serial Number	Qty
1	80024565	BRAKE SHOE PACK	(order one per machine)		1
2	46677013	DRUM ASSEMBLY COMPLETE	(order two per machine)		2
3	18034124	CABLE			1
4	22241152	CABLE			1
5	80029218	KIT, EXPANDING KEY	(order one per machine)		2
6	46656681	CABLE COVER ASSEMBLY	(order two per machine)		2
7	22126395	COMPENSATOR			1
8	22241061	DRAWBAR			1
9	22241079	HOUSING			1
10	22241087	ARM, LINK			1
11	22241467	AXLE TUBE ASSEMBLY			1
12	22241475	ABSORBER, SHOCK			1
13	22182802	SPRING			1
14	22051742	CLAMP			1
15	22051411	SLIDER			1
16	22051718	HANDLE			1
17	22241483	CLEVIS			1
18	22051692	HANDLE			1
19	22066823	LEVER, HANDBRAKE			1
20	22066914	LEVER, TRANSMISSION			1
22		KIT, ADJUSTER WEDGE	(order two per machine)		2
23	22051577	NUT			1
24	46656685	KIT, CONNECTING			1
25	22241343	SCREW			4
26	22241145	CABLE			2
27	46678556	KIT, CONNECTING			1
28	22241434	HANDLE			1
29	22241350	BOLT			2
30	22241566	PIN, RETAINING			1
31	22051577	NUT			1
32	22051585	RING			1

RUNNING GEAR (CONT'D) (variable height braked)



- 56
- 57
- 58
- 59
- 60
- 61
- 62

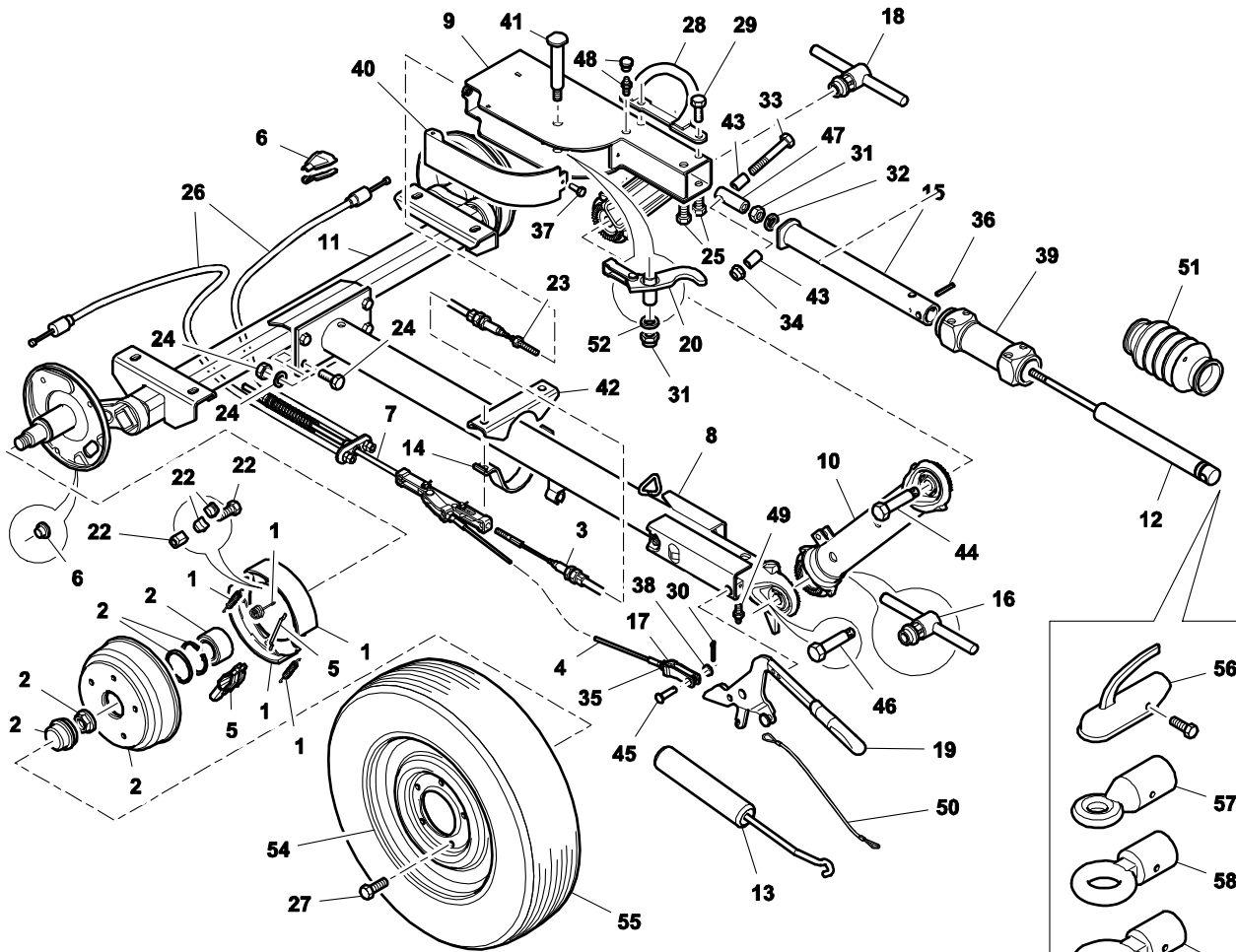


T4988_01
04/17

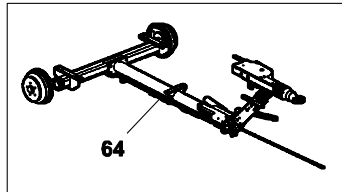
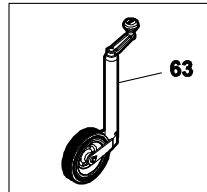
RUNNING GEAR (CONT'D)
(variable height braked)

Item	Part Number	Description	Remarks	Serial Number	Qty
33	22241541	BOLT			1
34	22051494	NUT			2
35	22051577	NUT			2
36	22241517	PIN			1
37	22241533	SCREW			3
38	22241491	WASHER			2
39	22241038	SLIDER			1
40	22241046	COVER			1
41	22241053	BOLT			1
42	22241442	CLAMP			1
43	22051551	BUSH			2
44	22051700	BOLT			1
45	22241160	PIN			1
46	22241178	BOLT			1
47	22051544	JOINT			1
48	46551800	KIT, GREASE NIPPLE	(including cover)		2
49	22241400	NIPPLE			1
50	22241418	CABLE			1
51	22051510	COVER			1
52	22104806	WASHER			1
53	22125579	WHEEL AND TYRE ASSEMBLY	W/Ref. 54-55		2
54	22125587	WHEEL			2
55	22125595	TYRE	(185R14C 8PR)		2
56	22212013	HITCH, BALL	(50 mm)		1
56	46569660	HITCH, BALL	(non-standard) - (50 mm)		1
57	54774500	EYE, TOWING	(Ø 40 mm)		1
57	46569699	EYE, TOWING	(non-standard)(UK) - (Ø 40 mm)		1
58	54774518	EYE, TOWING	(Ø 50 mm)		1
58	46569683	EYE, TOWING	(non-standard) - (Ø 50 mm)		1
59	54774534	EYE, TOWING	(Ø 68 mm)		1
59	46569679	EYE, TOWING	(non-standard) - (Ø 68 mm)		1

RUNNING GEAR (CONT'D) (variable height braked)

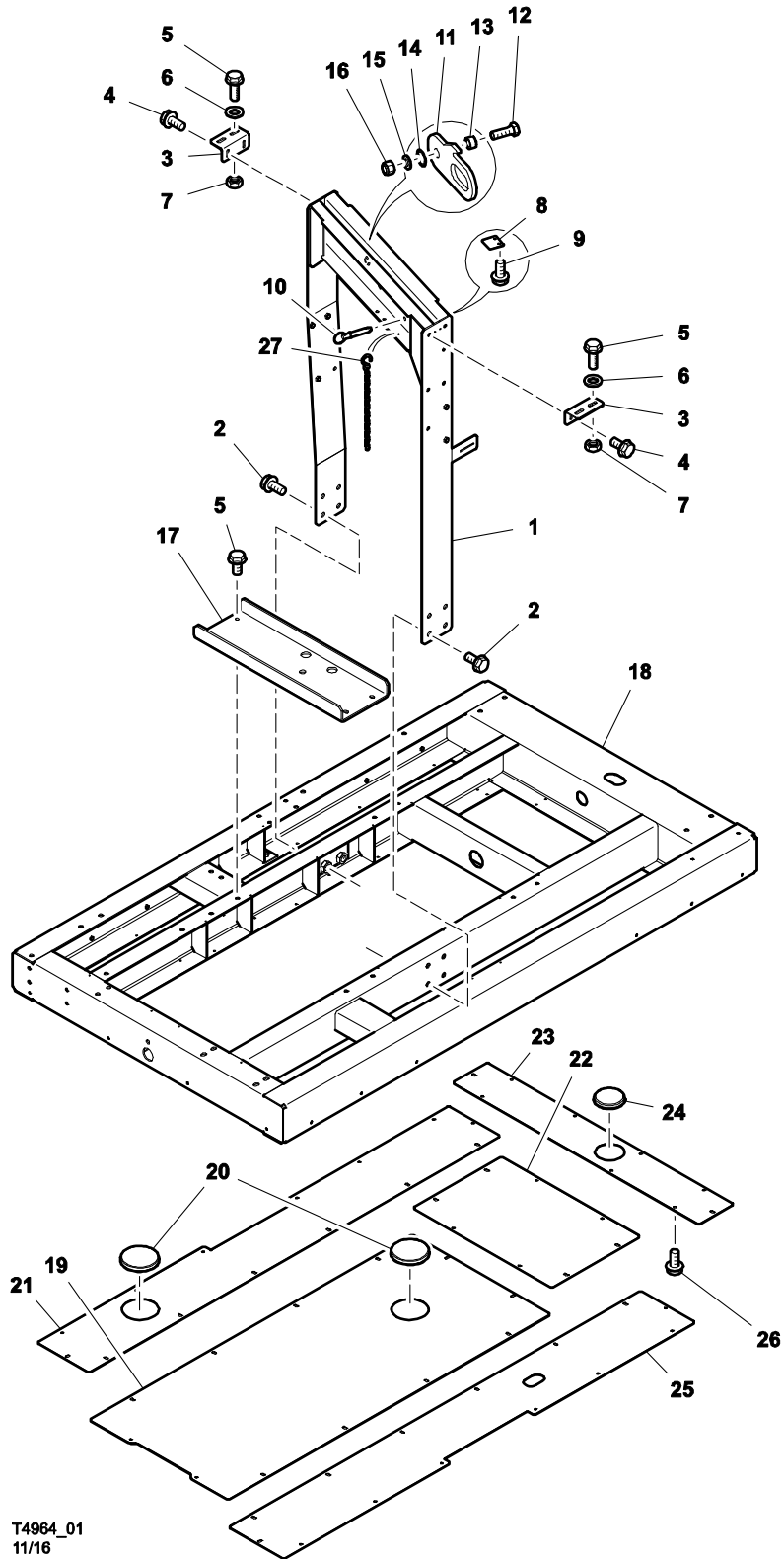


- 56
- 57
- 58
- 59
- 60
- 61
- 62



T4988_01
04/17

MAIN FRAME

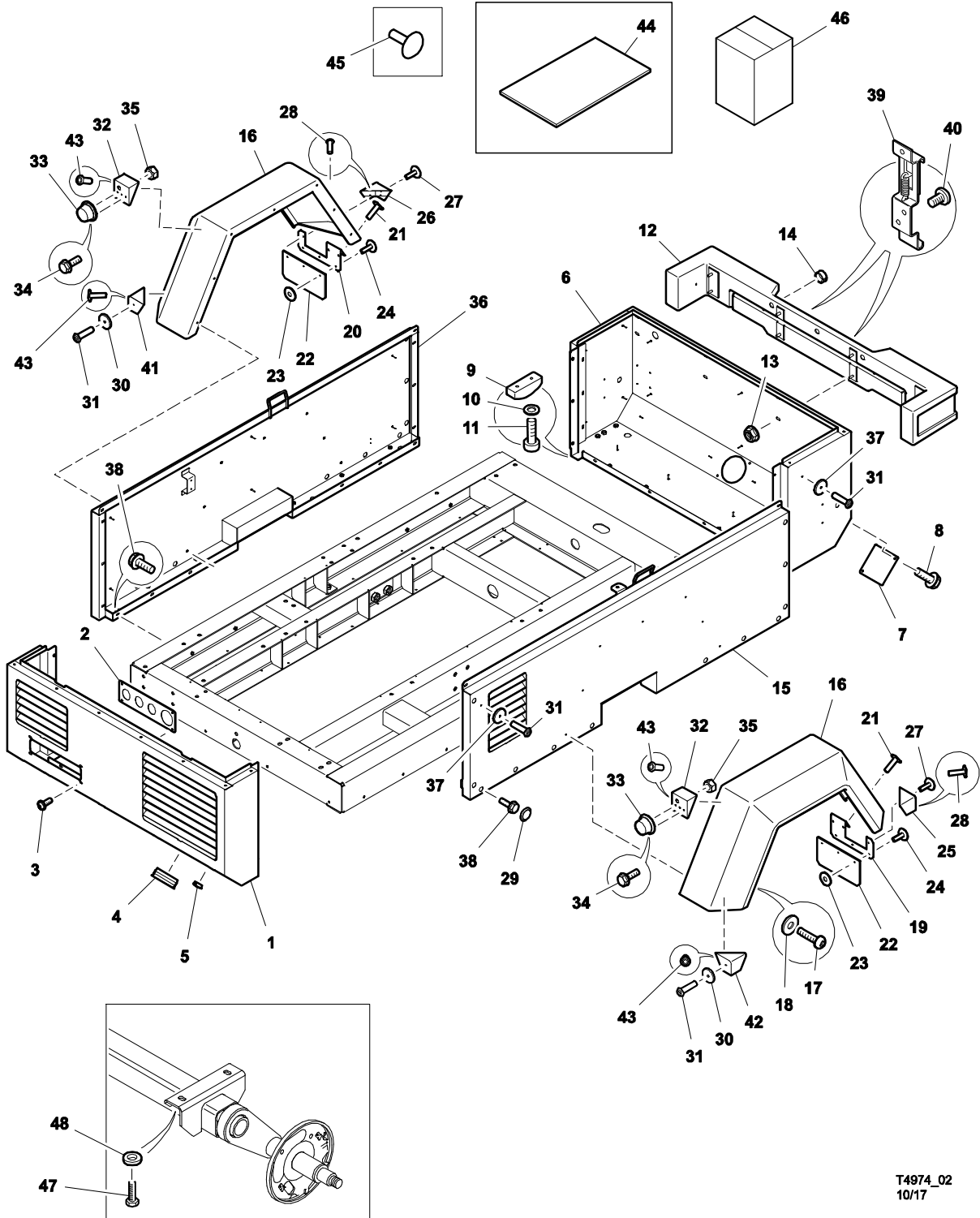


T4964_01
11/16

MAIN FRAME

Item	Part Number	Description	Remarks	Serial Number	Qty
1	46646239	BAIL, LIFTING			1
2	92398627	SCREW			8
3	46656931	BRACKET, LIFTING BAIL			2
4	96704408	SCREW			4
5	96704408	SCREW			8
6	92304609	WASHER			4
7	96735543	NUT			4
8	46651173	BRACKET, LIFTING EYE			1
9	96738695	SCREW			2
10	46654913	PIN			1
11	46651172	EYE, LIFTING			1
12	96703962	SCREW			1
13	54629787	SPACER			1
14	54592126	WASHER, SPRING			1
15	93545580	WASHER			1
16	96704630	NUT			1
17	46643083	BRACKET			1
18	46649379	FRAME			1
19	46666716	PANEL			1
20	22773949	CAP	(100 mm)		2
21	46651109	PANEL			1
22	46651106	PANEL			1
23	46651107	PANEL			1
24	46664391	CAP			1
25	46651108	PANEL			1
26	96738695	SCREW			58
27	46678331	CHAIN			1

ENCLOSURE (lower)

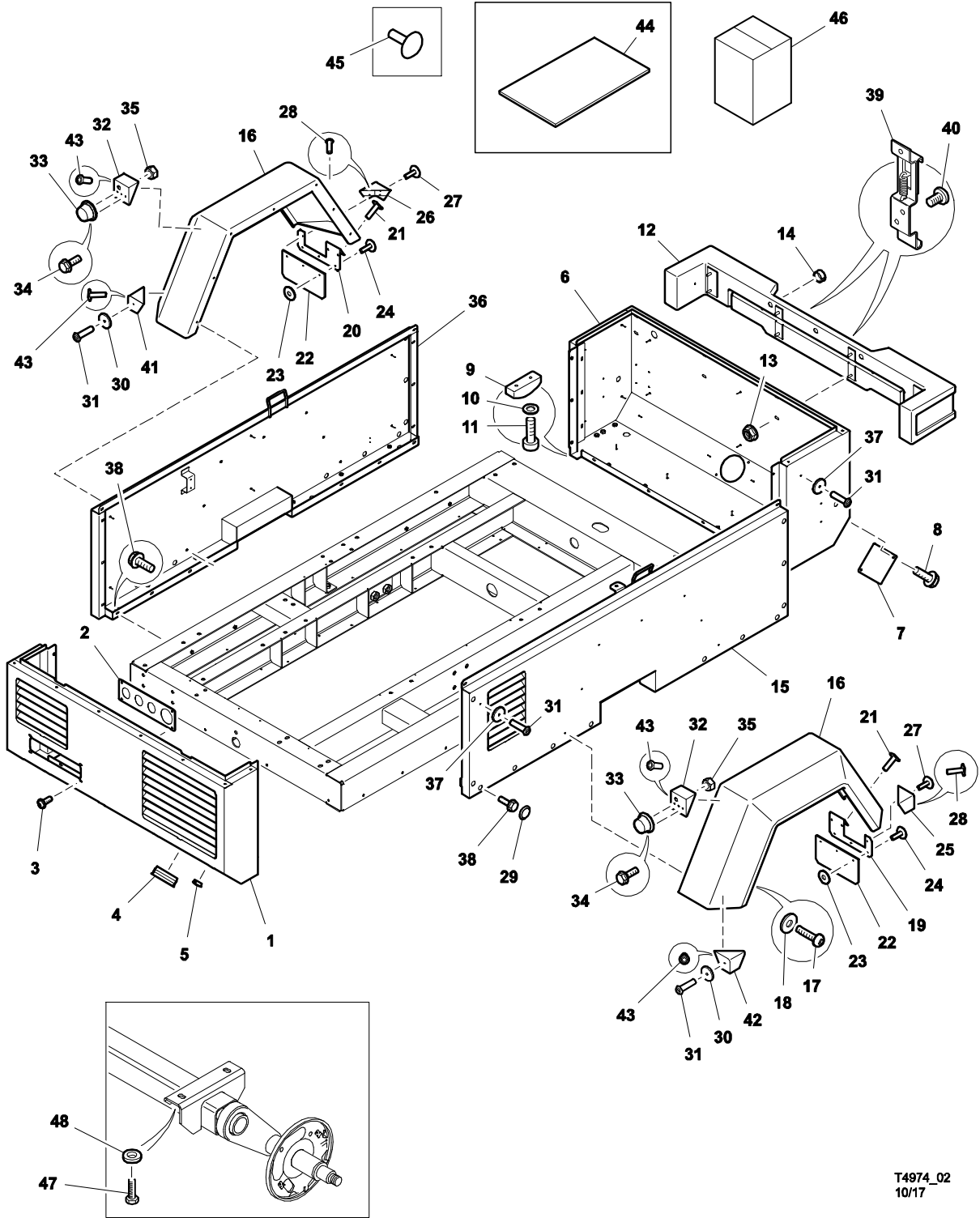


T4974_02
10/17

**ENCLOSURE
(lower)**

Item	Part Number	Description	Remarks	Serial Number	Qty
1	46672036	PANEL ASSEMBLY			1
1	46664392	PANEL	(painted)		1
2	46663210	COVER			1
3	46672836	SCREW			4
4	46669223	CAP			1
5	23053499	PLUG			3
6	46672040	PANEL ASSEMBLY			1
6	46664422	PANEL	(painted)		1
7	46666123	COVER			1
8	96738695	SCREW			2
9	89257067	PROTECTOR			2
10	96701396	WASHER			4
11	92421429	CAPSCREW, SOCKET HEAD			4
12	92816982	BAR, BUMPER			1
13	92398114	NUT	(M8)		8
14	92783281	PLUG			4
15	46672507	PANEL ASSEMBLY			1
15	46650048	PANEL	(painted)		1
16	92816974	MUDGUARD			2
17	46673731	SCREW			14
18	23076656	WASHER			14
19	46671819	BRACKET	(CE version only)		1
20	46671820	BRACKET	(CE version only)		1
21	22855258	RIVET	(CE version only)		4
22	46671822	GUARD	(CE version only)		2
23	23076656	WASHER	(CE version only)		6
24	46560699	RIVET	(CE version only)		6
25	93173359	BRACKET, REFLECTOR RH	(CE version only)		1
26	93173342	BRACKET, REFLECTOR LH	(CE version only)		1
27	22855258	RIVET	(CE version only)		2
28	92271915	RIVET	(CE version only)		2

ENCLOSURE (CONT'D) (lower)

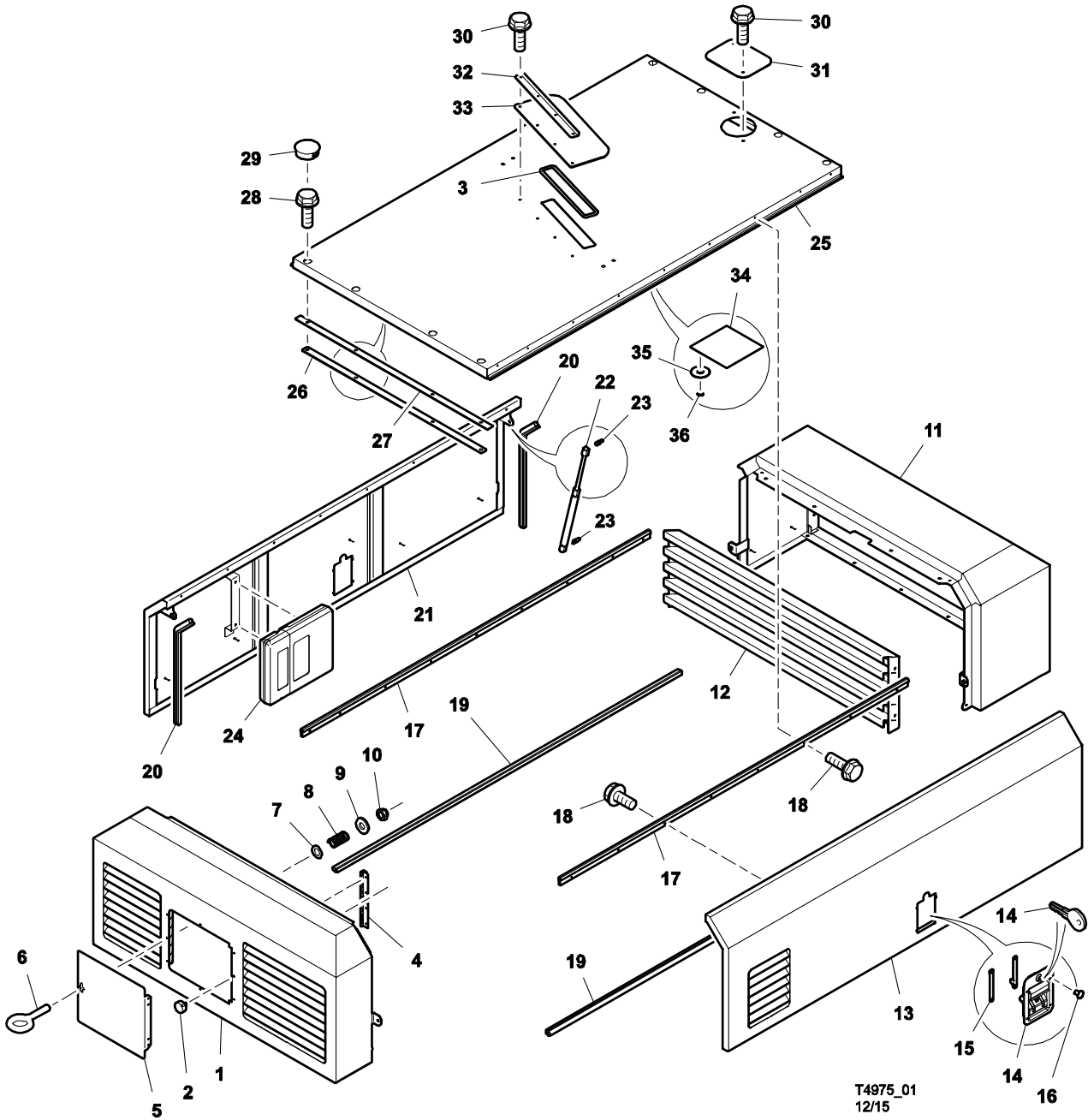


T4974_02
10/17

ENCLOSURE (CONT'D)
(lower)

Item	Part Number	Description	Remarks	Serial Number	Qty
29	54772041	PLUG			24
30	92085729	REFLECTOR, WHITE			2
31	92271923	RIVET			6
32	54687801	BRACKET			2
33	46691564	LIGHTS, FRONT SIDE	(left and right)		1
34	22125165	SCREW			4
35	96705132	NUT			4
36	46672042	PANEL ASSEMBLY			1
36	46653176	PANEL	(painted)		1
37	92121243	REFLECTOR, AMBER			4
38	92096015	SCREW			AR
39	92962547	CLIP, NUMBER PLATE	optional		2
40	92789205	SCREW	optional		6
41	93173359	BRACKET, REFLECTOR RH			1
42	93173342	BRACKET, REFLECTOR LH			1
43	92271915	RIVET			6
44	92949742	FOAM FIELD KIT (with adhesive)	1,9 m x 1,5 m x 25 mm (7' x 5' x 1")		1
44	92949767	FOAM FIELD KIT (with adhesive)	1,9 m x 1,5 m x 50 mm (7' x 5' x 2")		1
44	92949759	FOAM FIELD KIT (with adhesive)	0,95 m x 1,5 m x 25 mm (3' x 5' x 1")		1
44	92949775	FOAM FIELD KIT (with adhesive)	0,95 m x 1,5 m x 50 mm (3' x 5' x 2")		1
44	46592579	FOAM FIELD KIT (no adhesive)	1,9 m x 1,5 m x 50 mm (7' x 5' x 2")		1
44	46592580	FOAM FIELD KIT (no adhesive)	0,95 m x 1,5 m x 50 mm (3' x 5' x 2")		1
45	46570819	RETAINER			AR
46	23134257	KIT, DATA TAG	optional		1
47	96701198	SCREW			6
48	46552157	WASHER			6

ENCLOSURE (upper)

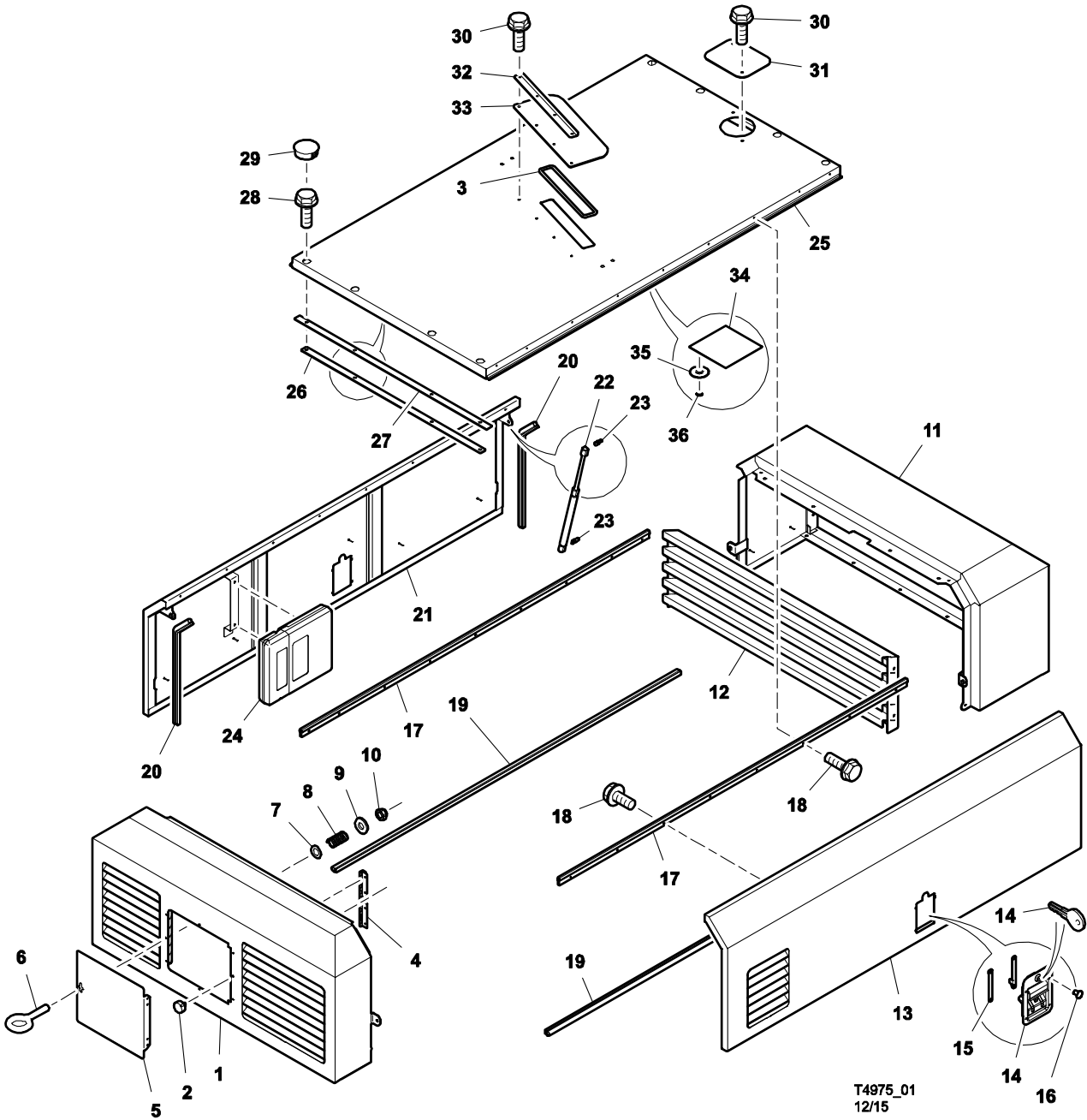


T4975_01
12/15

ENCLOSURE (upper)

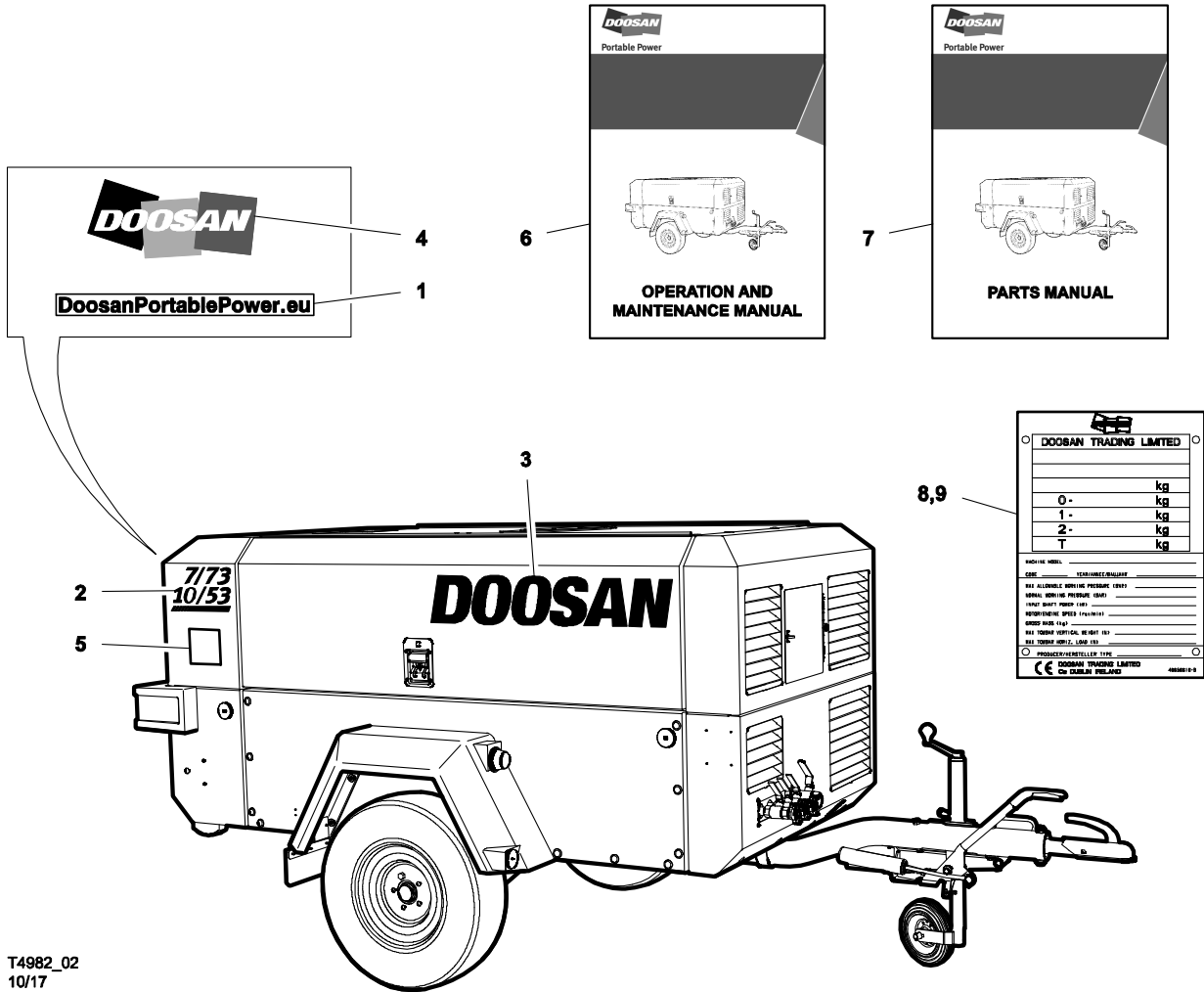
Item	Part Number	Description	Remarks	Serial Number	Qty
1	46672035	PANEL ASSEMBLY			1
1	46650050	PANEL	(painted)		1
2	46540399	MOUNT, RUBBER STOPPER			1
3	22293419	SEAL, U-PROFILE	0,63 m long		1
4	46671117	HINGE			1
5	46653112	DOOR			1
6	46629499	PIN			1
7	36772028	WASHER			1
8	35607837	SPRING			1
9	95935029	WASHER			1
10	92304542	NUT			1
11	46672039	PANEL ASSEMBLY			1
11	46650446	PANEL	(painted)		1
12	46672508	LOUVRE			1
13	46672037	DOOR ASSEMBLY			1
13	46655735	DOOR	(painted)		1
14	36793602	LATCH			2
14	36794345	CYLINDER, KEY	(optional)		2
14	35612746	KEY, REPLACEMENT	(optional)		2
15	46643081	WASHER, LATCH			4
16	46643090	SCREW			8
17	92816743	HINGE			2
18	92184811	SCREW			34
19	92119957	SEAL	1,72 m long		2
20	92119957	SEAL	0,48 m long		4
21	46672038	DOOR ASSEMBLY			1
21	46655736	DOOR	(painted)		1
22	54443213	SPRING			4
23	35337328	STUD, BALL			8
24	22990816	POUCH, LITERATURE			1
25	46672012	PANEL ASSEMBLY			1

ENCLOSURE (CONT'D)
(upper)



T4975_01
12/15

DECALS AND DOCUMENTATION



T4982_02
10/17

DECALS AND DOCUMENTATION



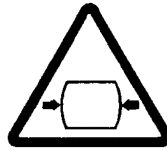
1



2



3



4



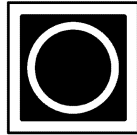
5



6



7



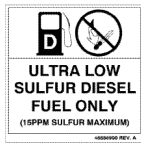
8



9



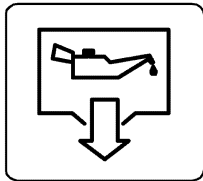
10



11



14



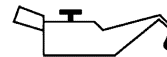
12



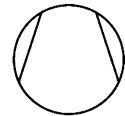
13



17



18



19



15



16

4.5 bar

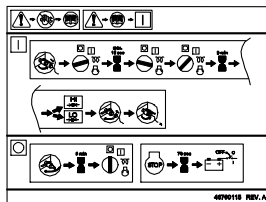
20



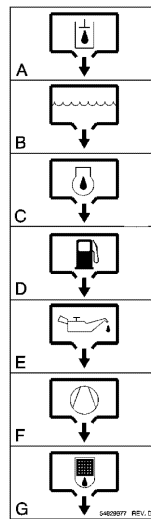
22

Maintenance Oils and Fluids		
Ultimate Protection for your investment		
Oils		
Interval	Quantity	Part number
300 hours	Crucial 2 grade	4897000
300 hours	Crucial 15 grade	4897000
300 hours	Assault Filter	4897000
Fluids		
Fluid	Description	Part number
Pro-Tec	Engine Oil	4897000
Pro-Tec	ATF/Transmission Oil	4897000
Pro-Tec	Hydraulic Oil	4897000
Pro-Tec	Grease	4897000

21



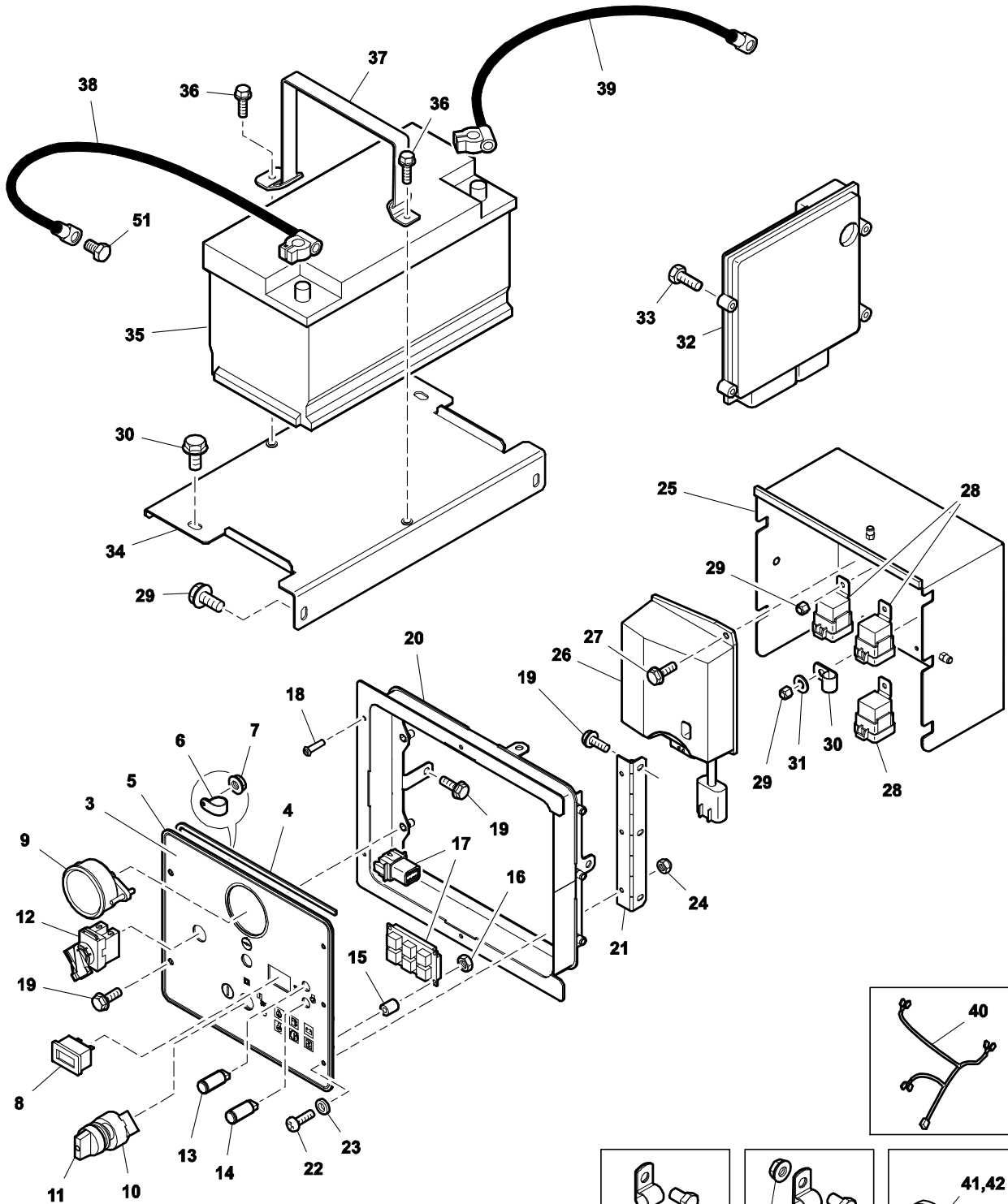
22



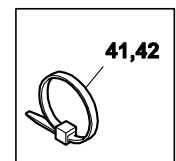
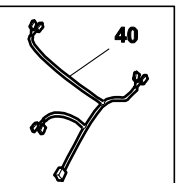
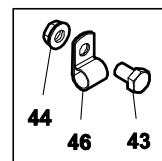
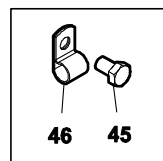
23

T4986_02
10/17

INSTRUMENTATION AND ELECTRICS



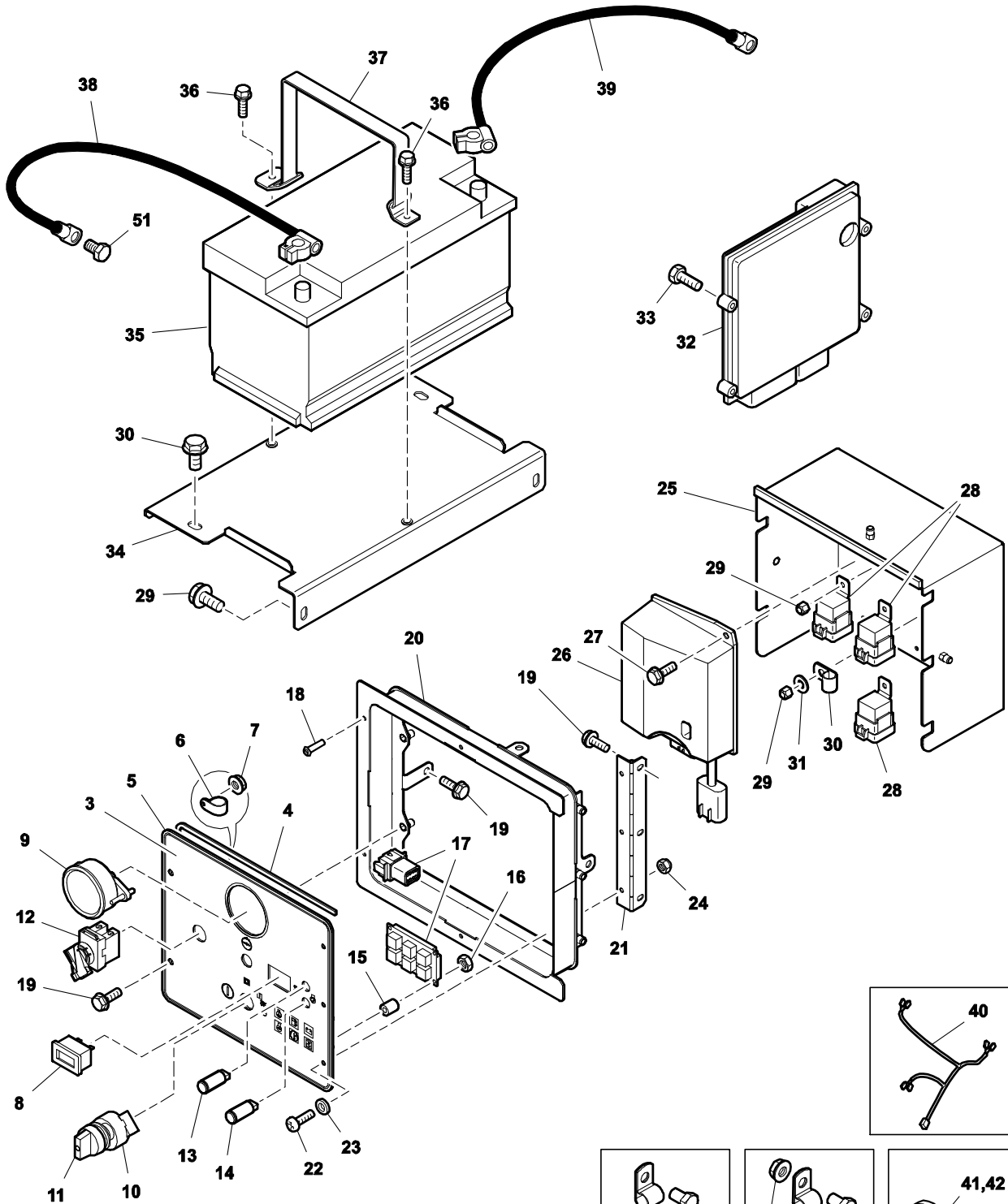
T4976_02
10/17



INSTRUMENTATION AND ELECTRICS

Item	Part Number	Description	Remarks	Serial Number	Qty
1	46666610	PANEL, CONTROL	W/Ref. 2-17		1
2	46666612	PANEL, FRONT	W/Ref. 3-5		1
3	46666611	DECAL			1
4	22617666	SEAL	0,788 m long		1
5	46666613	PANEL			1
6	46564986	CLAMP			1
7	96728274	NUT			1
8	46557109	HOURMETER			1
9	93531184	GAUGE, PRESSURE			1
10	22127385	SWITCH, START	W/Ref. 11		1
11	22134118	KNOB ASSEMBLY			1
12	46666609	SWITCH, PRESSURE			1
13	46666629	LAMP, LED			1
14	46666630	LAMP, LED			1
15	46653286	BUSH			4
16	92340371	NUT			4
17	46653284	LED PANEL ASSEMBLY			1
18	92271923	RIVET			4
19	36898096	SCREW			8
20	46632002	SUPPORT			1
21	46627719	HINGE			1
22	54470968	SCREW			3
23	92340439	WASHER			3
24	46541223	NUT			3
25	46640199	COVER			1
26	46491999	CONTROLLER			1
27	96738695	SCREW			2
28	36878361	RELAY, WEATHERPROOF	(12 V)		3
29	96704580	NUT			4
30	35222538	CLIP, RETAINING			1
31	95935029	WASHER			1

INSTRUMENTATION AND ELECTRICS (CONT'D)

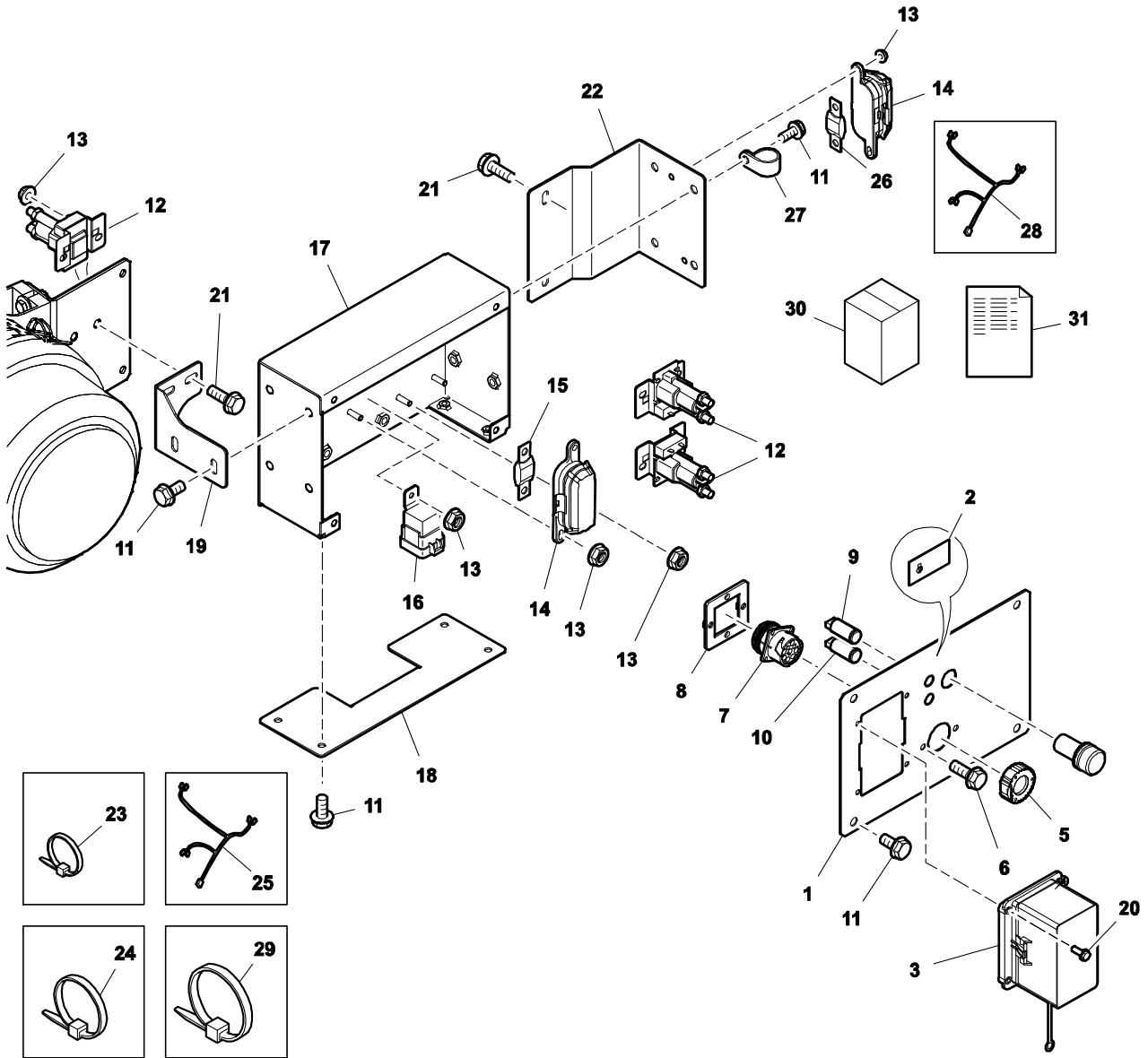


T4976_02
10/17

INSTRUMENTATION AND ELECTRICS (CONT'D)

Item	Part Number	Description	Remarks	Serial Number	Qty
32	46678734	ENGINE CONTROL UNIT			1
33	92339688	SCREW			4
34	46701051	BRACKET			1
35	22176655	BATTERY			1
36	36898096	SCREW			2
37	22277628	STRAP			
38	46672825	CABLE, BATTERY NEGATIVE			1
39	46672829	CABLE, BATTERY POSITIVE			1
40	46680760	HARNESS ASSEMBLY	(QSF 2.8 S3B) - (compressor and engine)		1
40	46681206	HARNESS ASSEMBLY	(QSF 2.8 S3B) - (compressor and engine)		1
41	92281427	TIE, CABLE			1
42	92861640	TIE, CABLE	(350 mm)		3
43	36889608	SCREW	(M8-1.25 x 25)		1
44	92398114	NUT	(M8)		1
45	96719869	SCREW			2
46	35119395	CLAMP			3

INSTRUMENTATION AND ELECTRICS

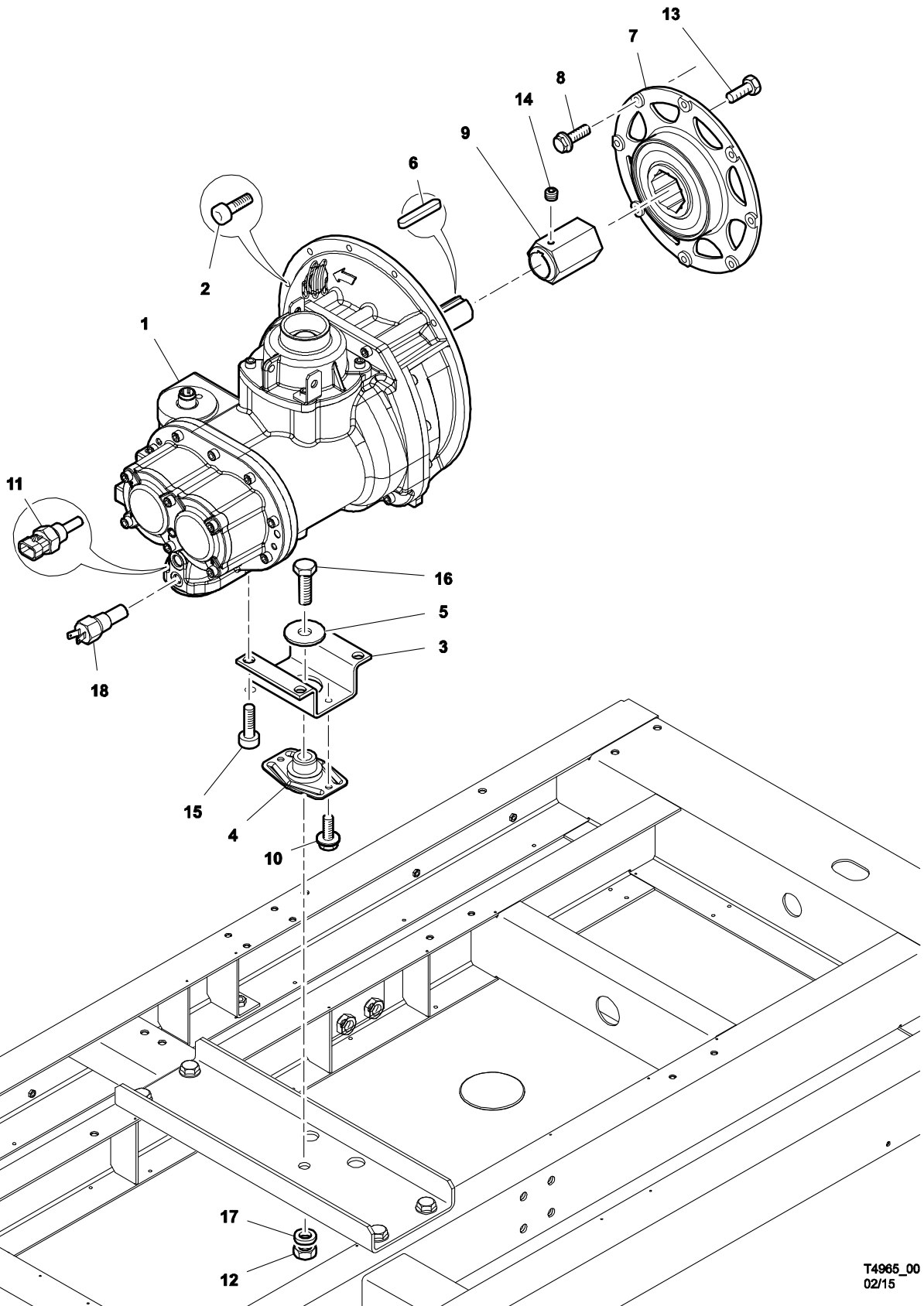


T4977_02
11/17

INSTRUMENTATION AND ELECTRICS

Item	Part Number	Description	Remarks	Serial Number	Qty
1	46652969	COVER			1
2	46671223	DECAL			1
3	46611559	FUSE / RELAY CENTER ASSEMBLY			1
4	46672512	SWITCH			1
5	23366768	CAP, DUST W/LANYARD			1
6	36898096	SCREW			2
7	22871875	SOCKET, ELECTRICAL			1
8	23296445	HOLDER, SOCKET			1
9	46666629	LAMP, LED			1
10	46666630	LAMP, LED			1
11	93150977	SCREW			14
12	36856250	RELAY			3
13	36898104	NUT			12
14	46561862	HOLDER, FUSE			2
15	46561563	FUSE	(150 A)		1
16	36878361	RELAY, WEATHERPROOF	(12 V)		1
17	46652590	BOX, RELAY MOUNTING			1
18	46652968	COVER			1
19	46649324	BRACKET			1
20	22125165	SCREW			4
21	96704408	SCREW			4
22	46649323	BRACKET			1
23	35356591	TIE, CABLE			2
24	92281427	TIE, CABLE			10
25	46571979	HARNESS, WIRING	(engine intake heater)		1
26	46606279	FUSE	(125 A)		1
27	35222538	CLIP, RETAINING			1
28	46690353	HARNESS			1
29	92861640	TIE, CABLE	(350 mm)		3
30	46690739	KIT, RETROFIT	W/Ref. 33 - (harness and fuse modification)		1
31	46690883	INSTRUCTIONS, HARNESS AND FUSE MODIFICATION			1

AIREND ASSEMBLY

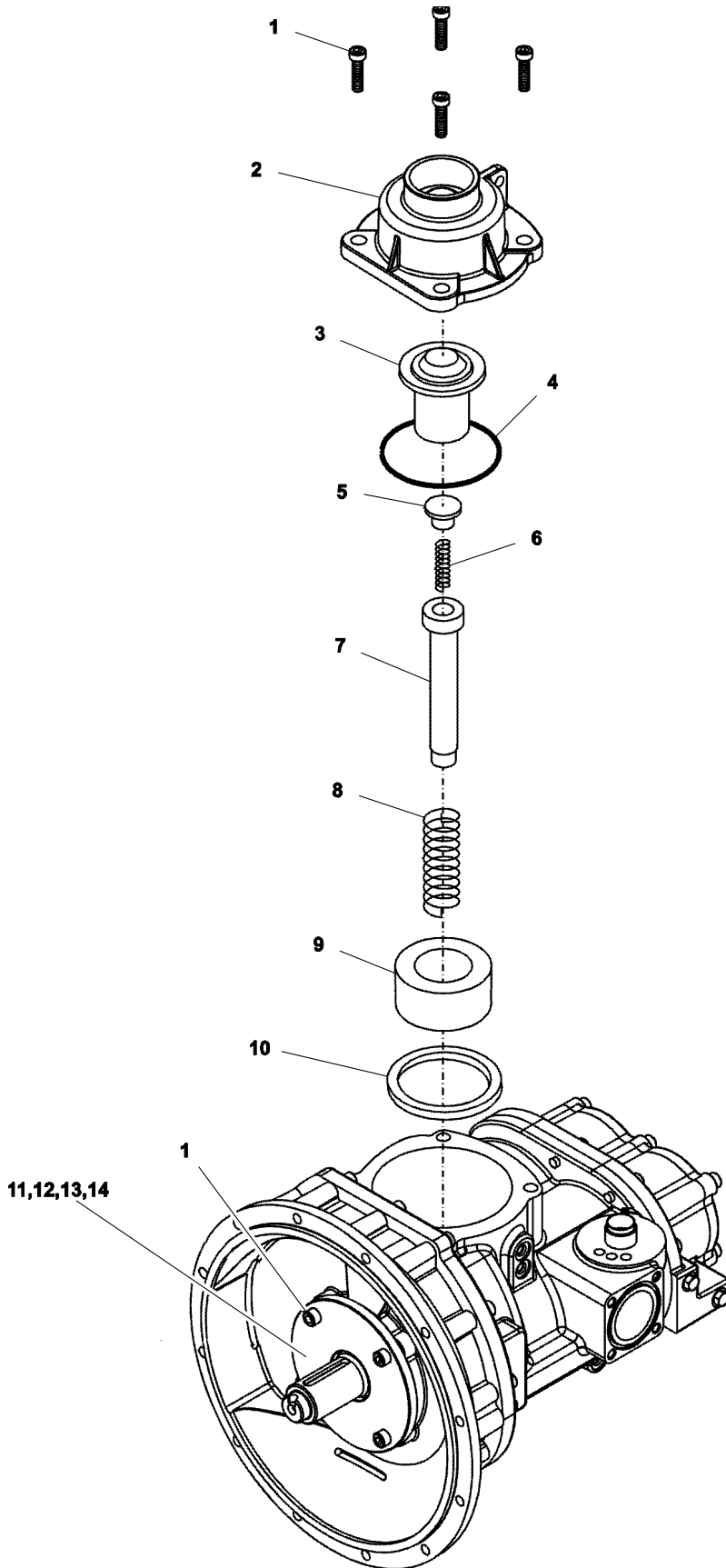


T4965_00
02/15

AIREND ASSEMBLY

Item	Part Number	Description	Remarks	Serial Number	Qty
1	46671355	AIREND			1
2	46624284	SCREW			10
3	46651680	BRACKET			1
4	54471057	ISOLATOR			1
5	92533520	WASHER			1
6	36769289	KEY			1
7	22314348	COUPLING			1
8	36880995	SCREW			8
9	46577619	HUB, HEX COUPLING			1
10	92972140	SCREW			2
11	46626400	SENSOR, TEMPERATURE			1
12	92311695	LOCKNUT			1
13	92280981	SCREW			4
14	95376943	SET SCREW			1
15	92750454	SCREW			4
16	92875061	BOLT			1
17	93545580	WASHER			1
18	46670666	SENSOR, TEMPERATURE			1

AIREND ASSEMBLY

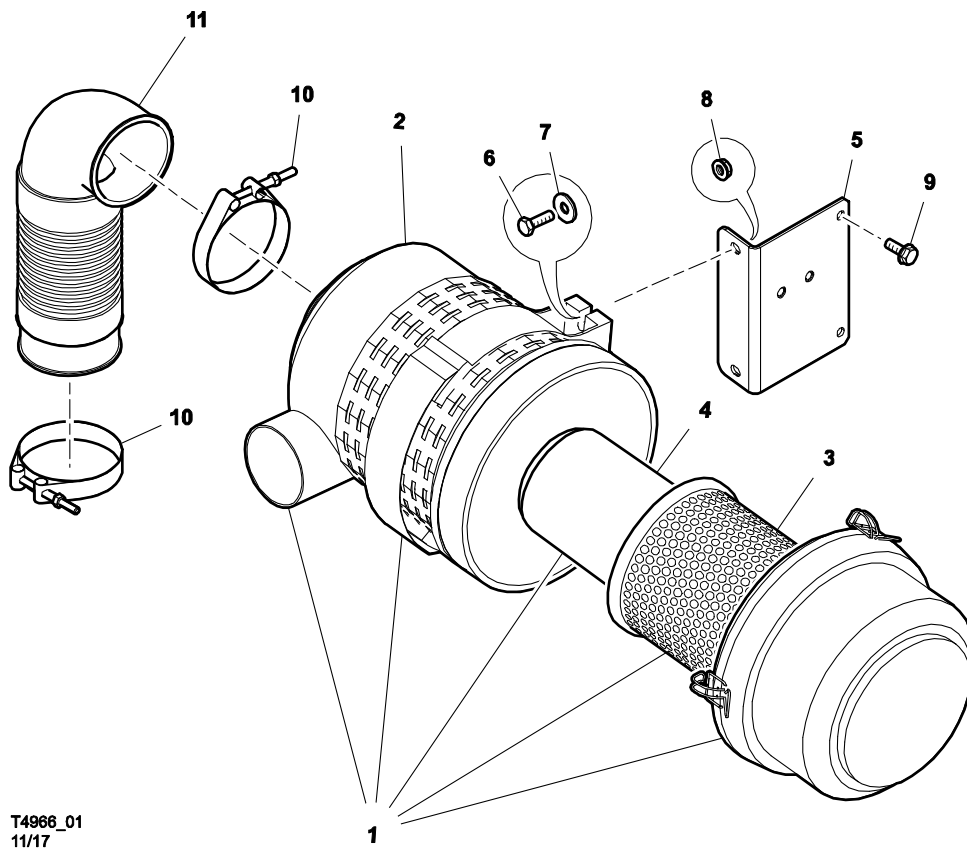


T4972_00
05/15

AIREND ASSEMBLY

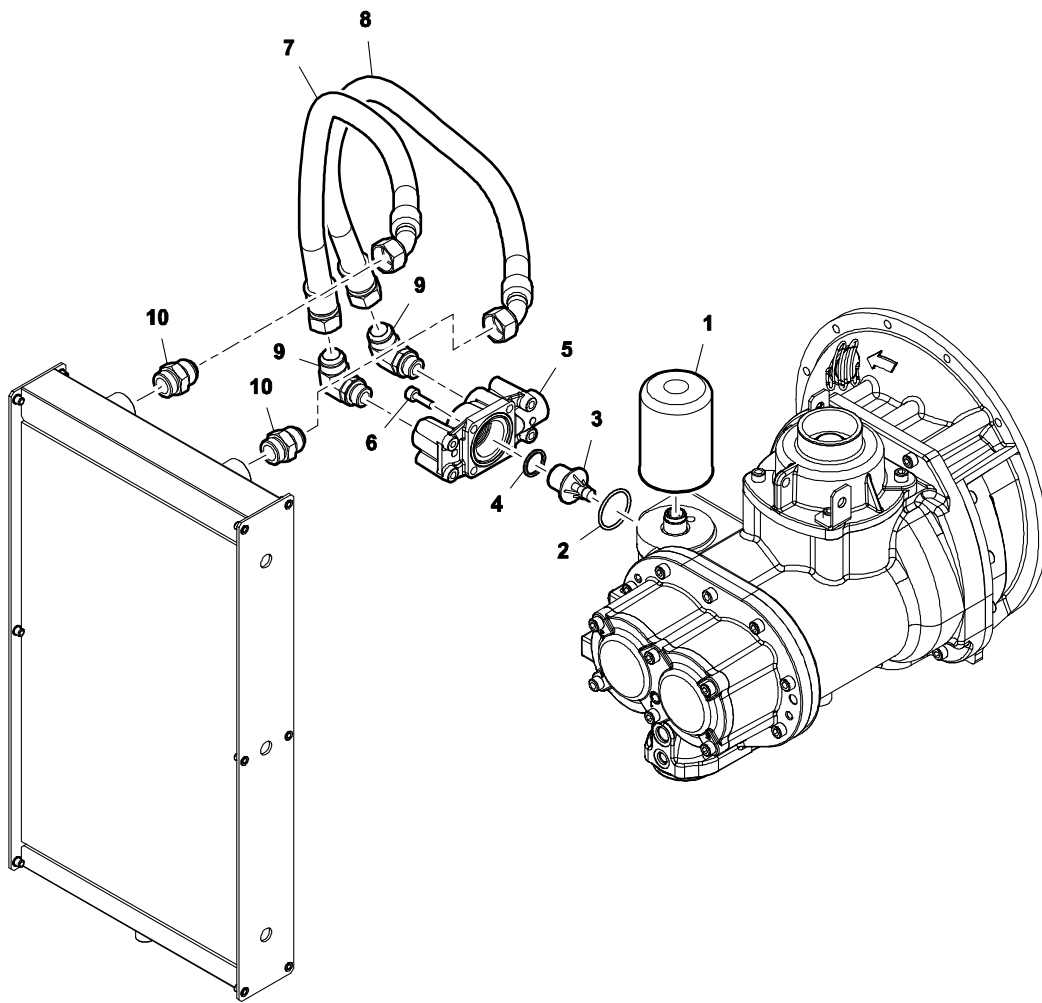
Item	Part Number	Description	Remarks	Serial Number	Qty
1	96702170	SCREW			4
2	46553553	COVER, INLET			1
3	36511623	VALVE, UNLOADER			1
4	95058053	O-RING			1
5	35379817	CLIP, RETAINING			1
6	35376342	SPRING			1
7	35611557	STEM			1
8	35376334	SPRING			1
9	35611615	PISTON			1
10	35376359	SEAL			1
11	46553542	COVER			1
12	39322284	SEAL			1
13	46553557	O-RING			1
14	46553556	BEARING			1

AIR INTAKE (airend)



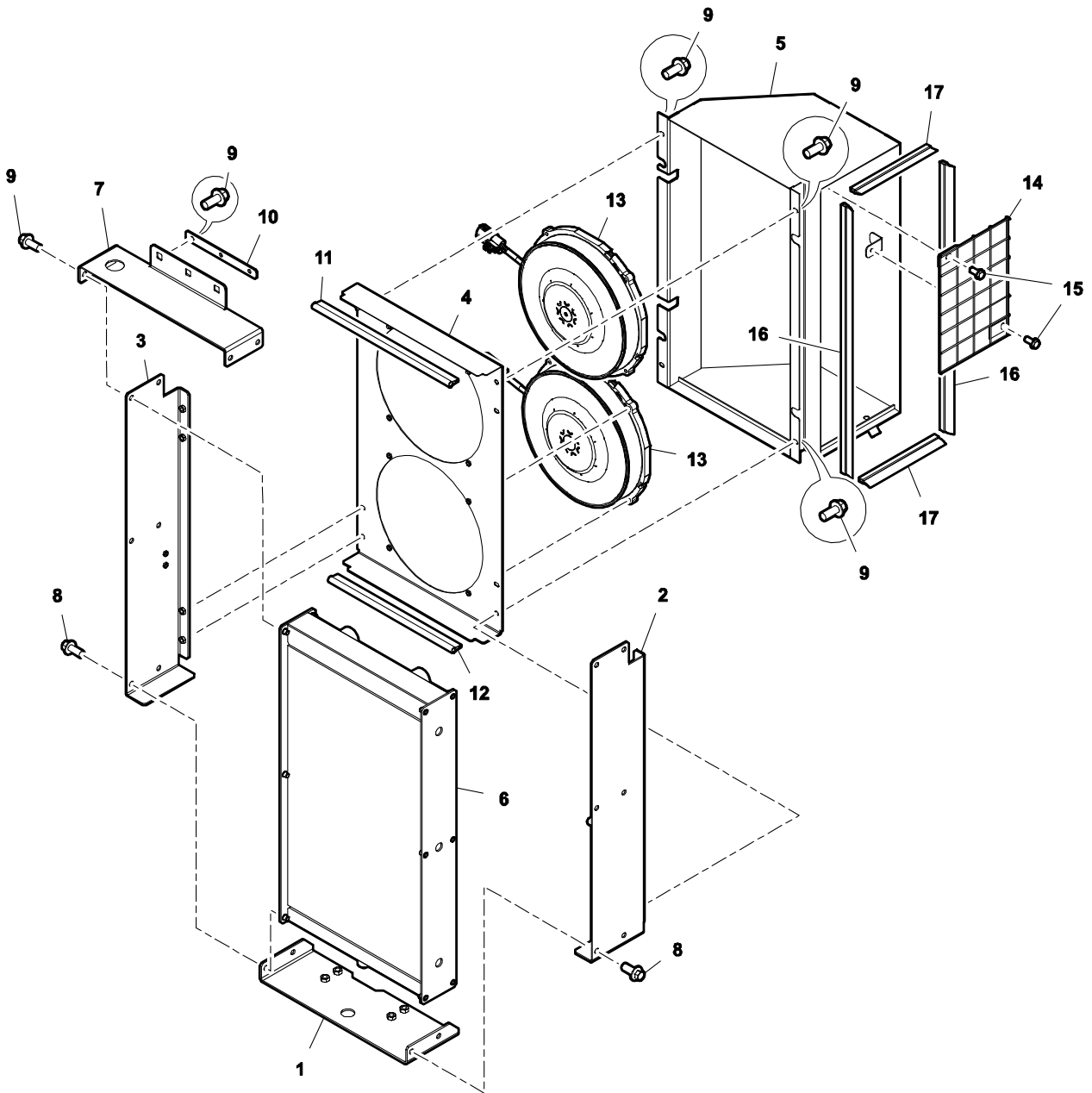
T4966_01
11/17

OIL/AIR PIPING



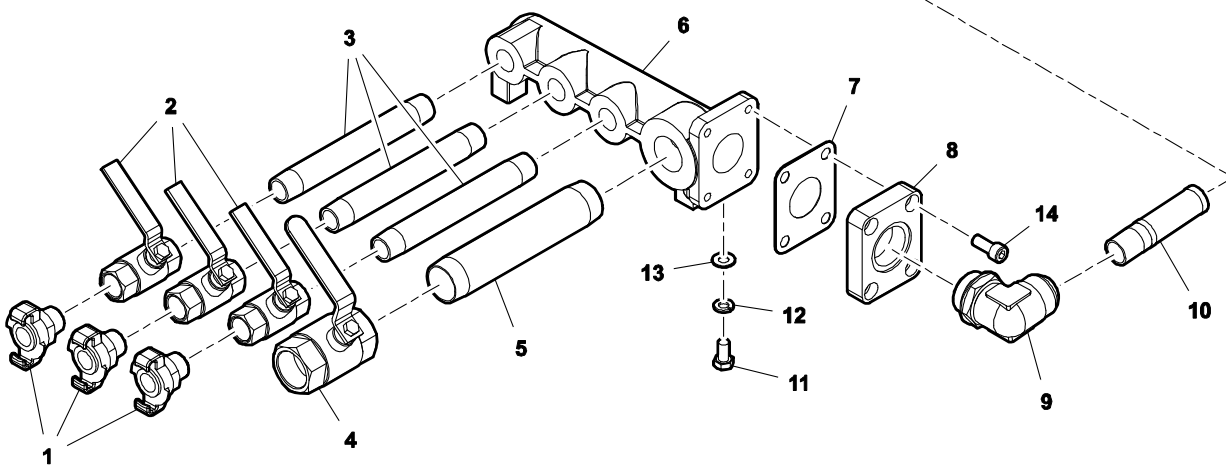
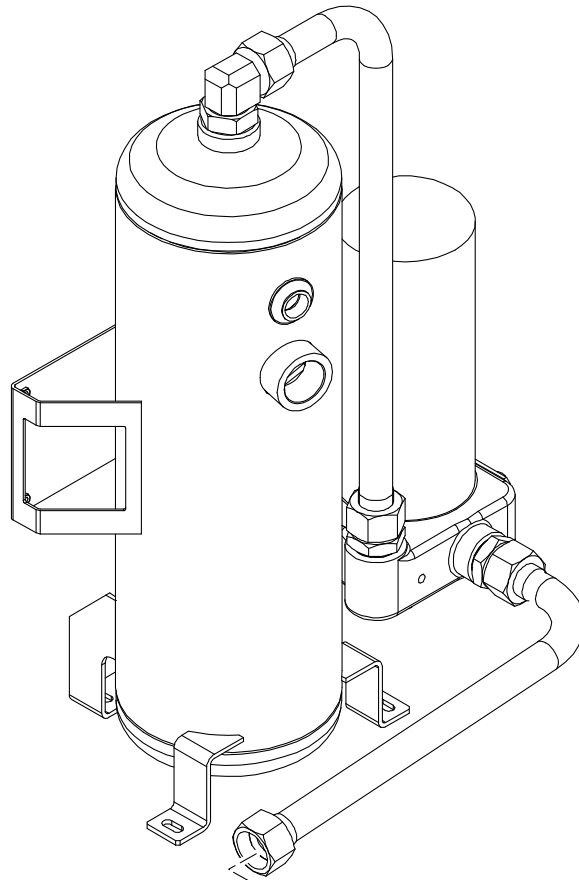
T4971_00
02/15

OIL/AIR PIPING



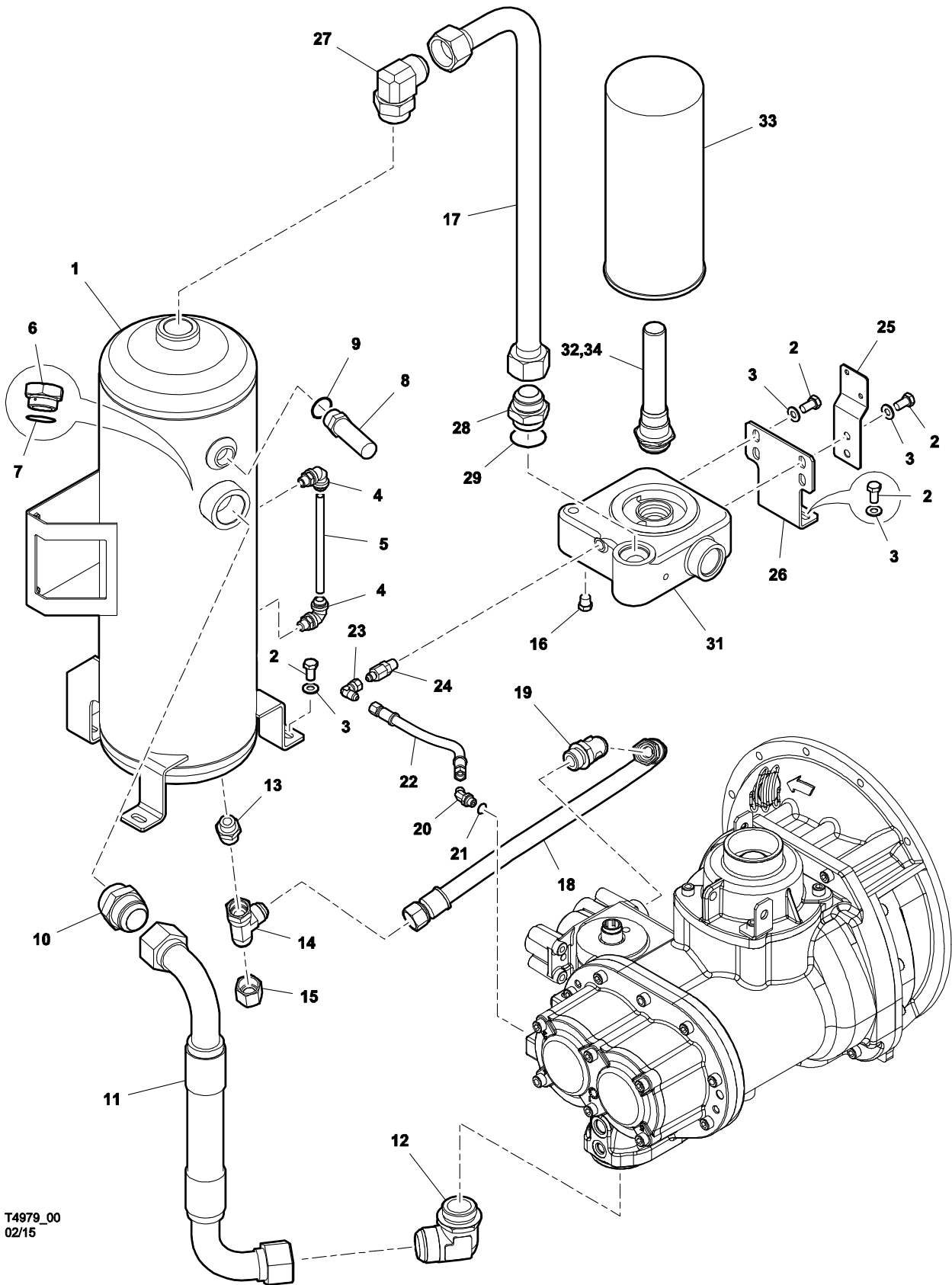
T4973_00
02/15

OIL/AIR PIPING



T4939_00
05/15

SEPARATOR TANK

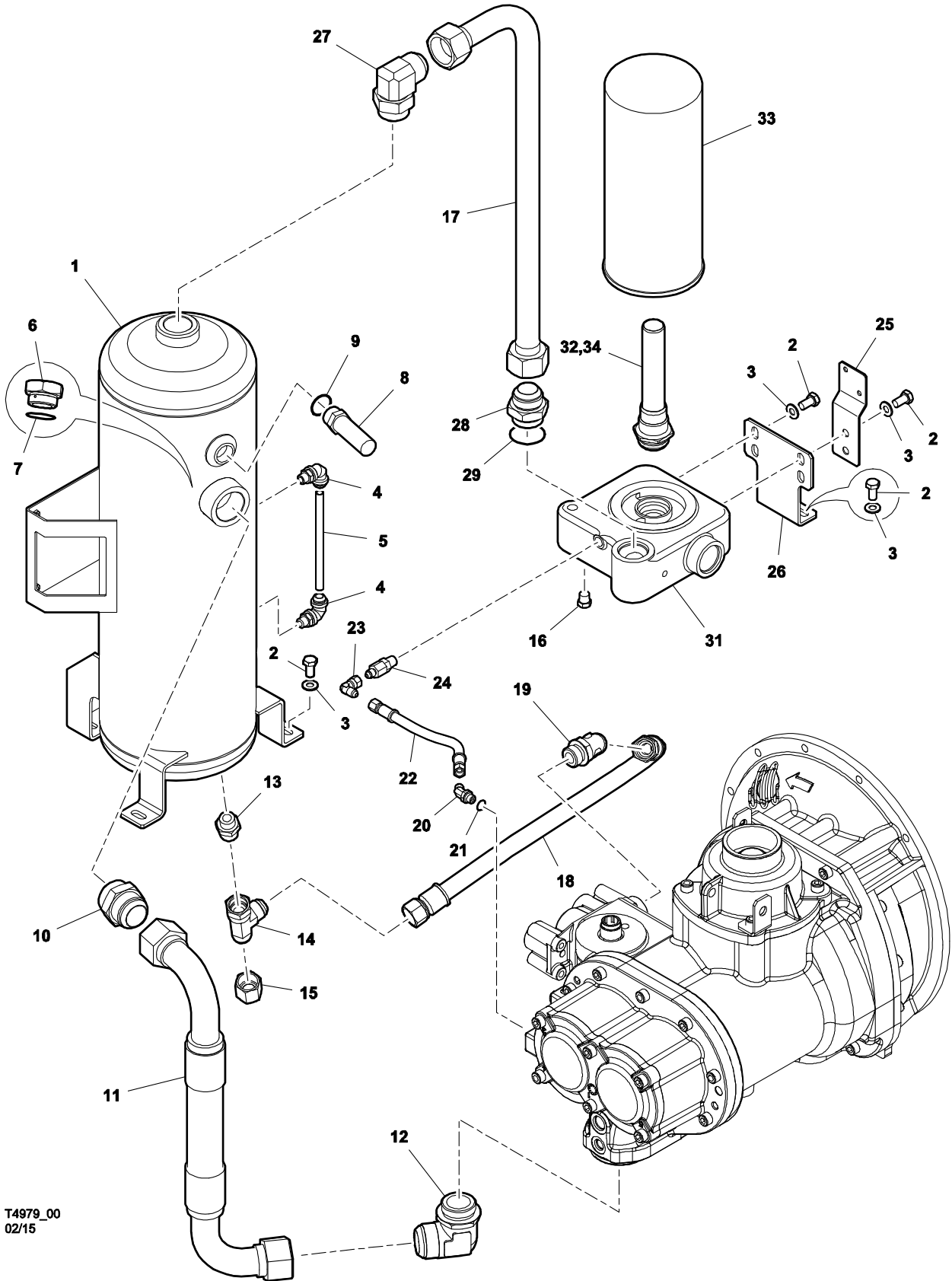


T4979_00
02/15

SEPARATOR TANK

Item	Part Number	Description	Remarks	Serial Number	Qty
1	46648000	TANK, SEPARATOR			1
2	96702279	SCREW			10
3	95935037	WASHER			10
4	54403191	ELBOW			2
5	92823921	SIGHT-GLASS			1
6	35579630	PLUG			1
7	35279942	O-RING			1
8	46689105	VALVE, SAFETY			1
9	92290162	SEAL			1
10	46647203	ADAPTOR			1
11	46646280	TUBE ASSEMBLY			1
12	95431292	ELBOW			1
13	92123223	ADAPTOR			1
14	35287739	TEE			1
15	35369214	CAP			1
16	95916367	PLUG			1
17	46643099	TUBE ASSEMBLY			1
18	35330844	HOSE ASSEMBLY			1
19	35294750	ELBOW			1
20	35279884	ELBOW	W/Ref. 21		1
21	35279959	O-RING			1
22	35282904	HOSE ASSEMBLY			1
23	35290352	ELBOW			1
24	36840437	ADAPTOR			1
25	46648099	BRACKET			1
26	46648059	BRACKET			1
27	92123231	ELBOW			1
28	35279785	ADAPTOR	W/Ref. 29		1
29	35279942	O-RING			1
30	46629380	SEPARATOR HEAD ASSEMBLY	W/Ref. 31-34		1
31	46624440	BASE, FILTER			1

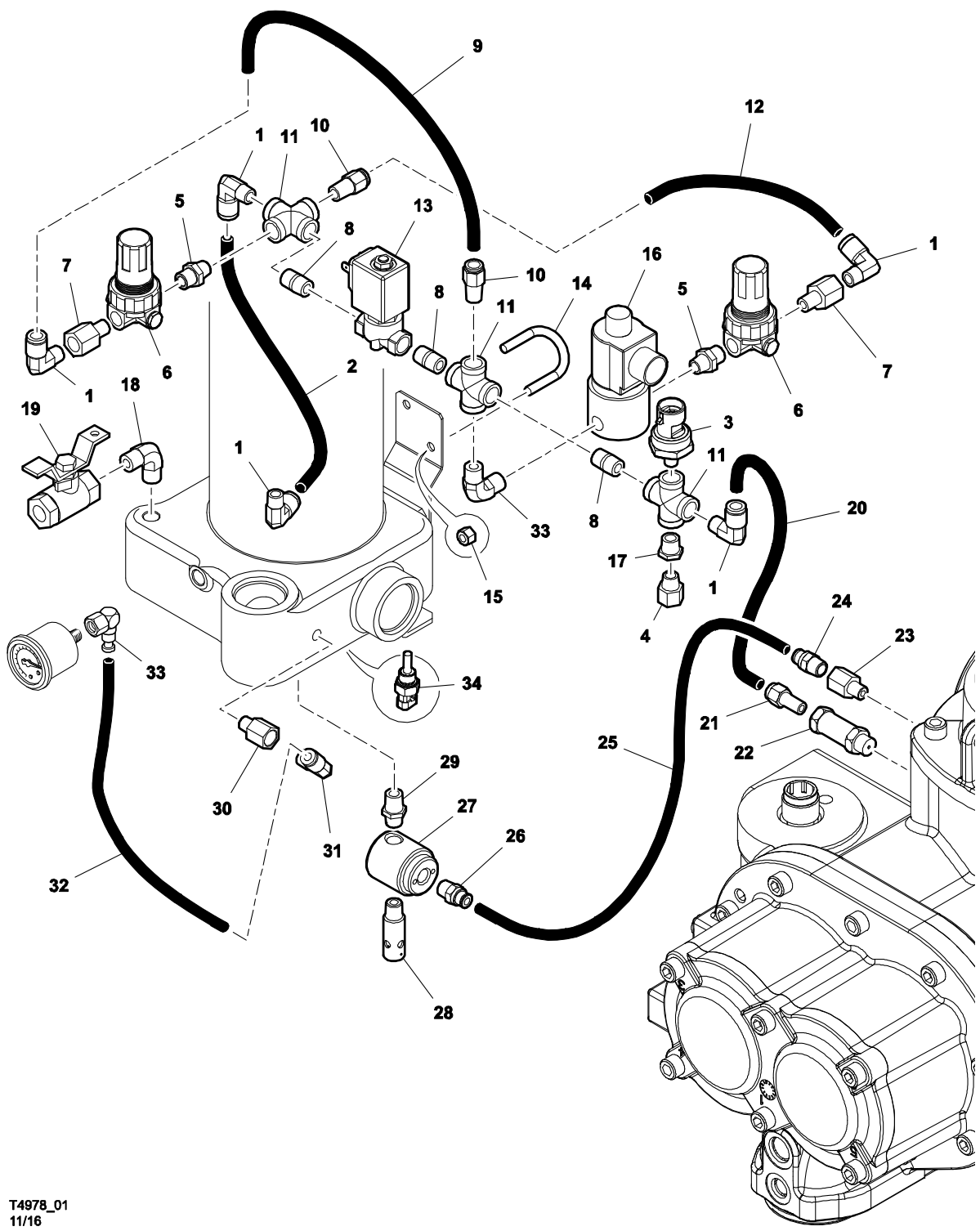
SEPARATOR TANK (CONT'D)



T4979_00
02/15

REGULATION SYSTEM

(-> #####)

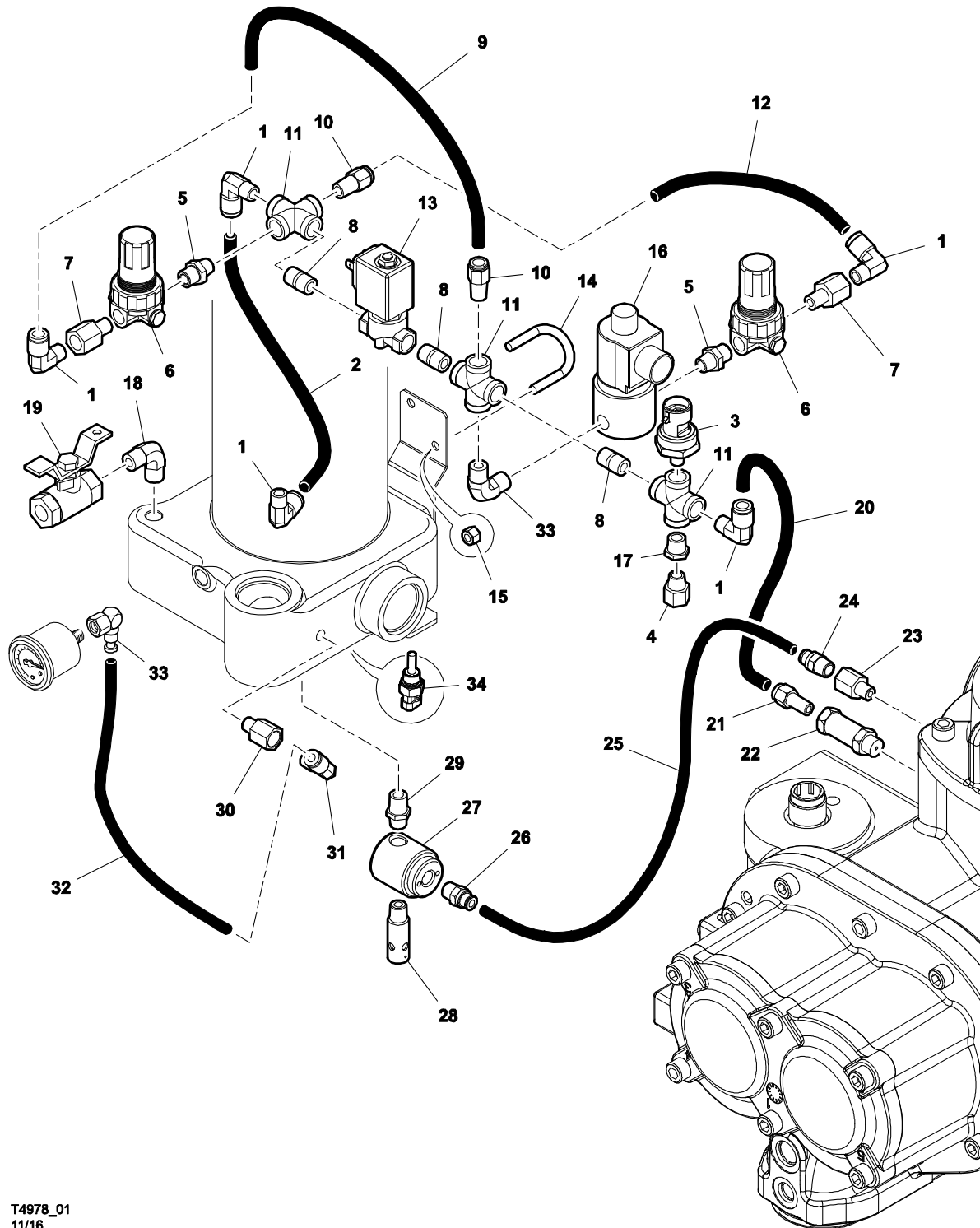


T4978_01
11/16

REGULATION SYSTEM
(-> ####)

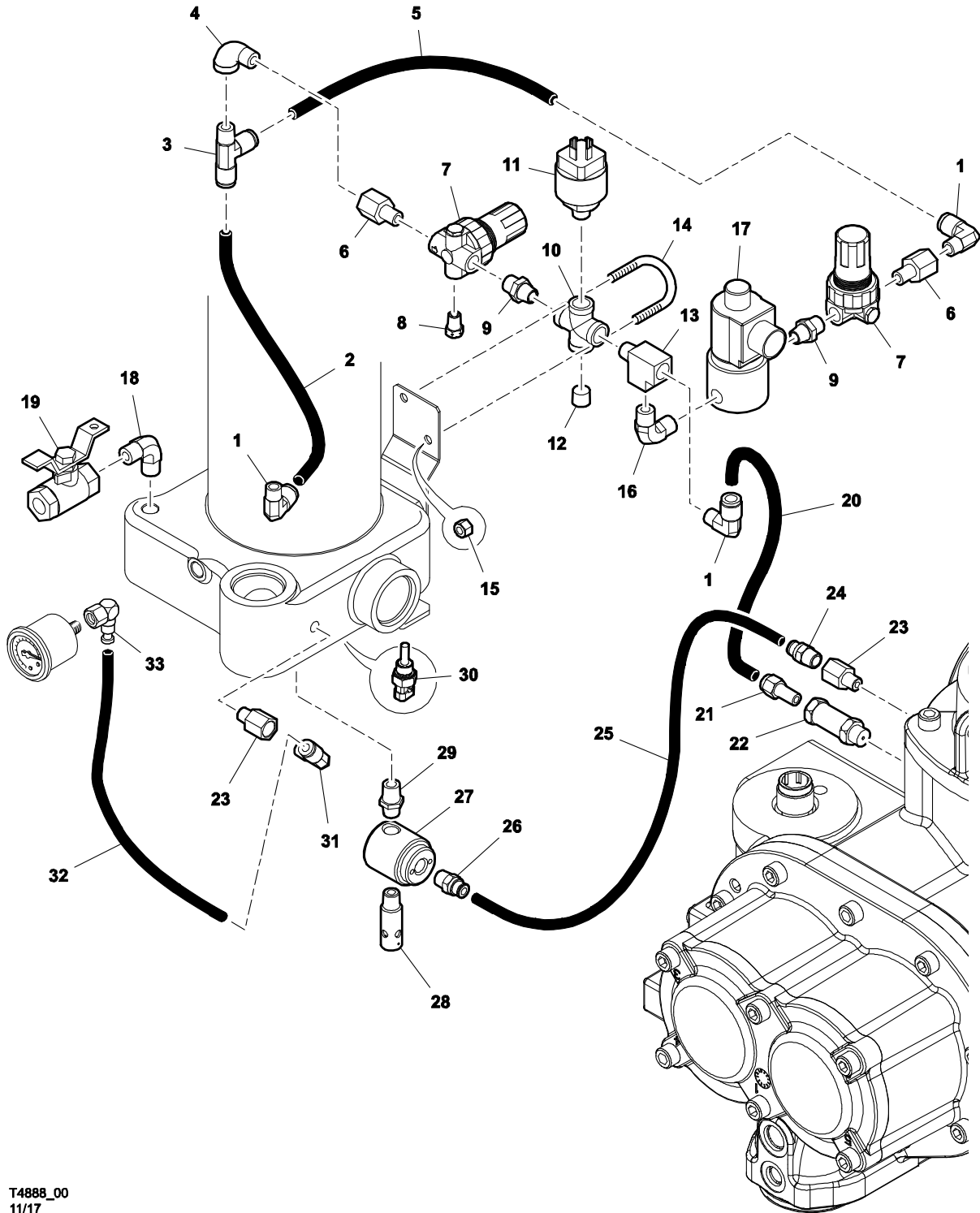
Item	Part Number	Description	Remarks	Serial Number	Qty
1	35369354	ELBOW			5
2	35356484	TUBE, NYLON	0,32 m long		1
3	46673774	TRANSDUCER, PRESSURE			1
4	46630665	ORIFICE			1
5	46622211	ADAPTOR			2
6	46635923	REGULATOR, PRESSURE			2
7	54625702	ADAPTOR			2
8	95667341	NIPPLE			3
9	35356484	TUBE, NYLON	0,41 m long		1
10	35369347	CONNECTOR			2
11	95954293	CROSS			3
12	35356484	TUBE, NYLON	0,31 m long		1
13	46626320	VALVE, SOLENOID			1
14	35166404	BOLT, U			1
15	95923298	NUT			2
16	46555970	VALVE, SOLENOID			1
17	95930301	BUSH			1
18	95364469	ELBOW			1
19	35324839	VALVE, BALL			1
20	35356484	TUBE, NYLON	0,3 m long		1
21	35379700	CONNECTOR			1
22	46673582	VALVE, CHECK			1
23	46624007	ADAPTOR			2
24	92788959	ADAPTOR			1
25	92490358	TUBE, NYLON	0,42 m long - (6 mm OD)		1
26	92788959	ADAPTOR			1
27	54748363	VALVE, BLOWDOWN			1
28	92549369	ORIFICE, SILENCER			1
29	46557840	CONNECTOR			1
30	46624007	ADAPTOR			1
31	54403266	ELBOW			1

REGULATION SYSTEM (CONT'D)
(-> #####)



T4978_01
11/16

REGULATION SYSTEM (#### ->)

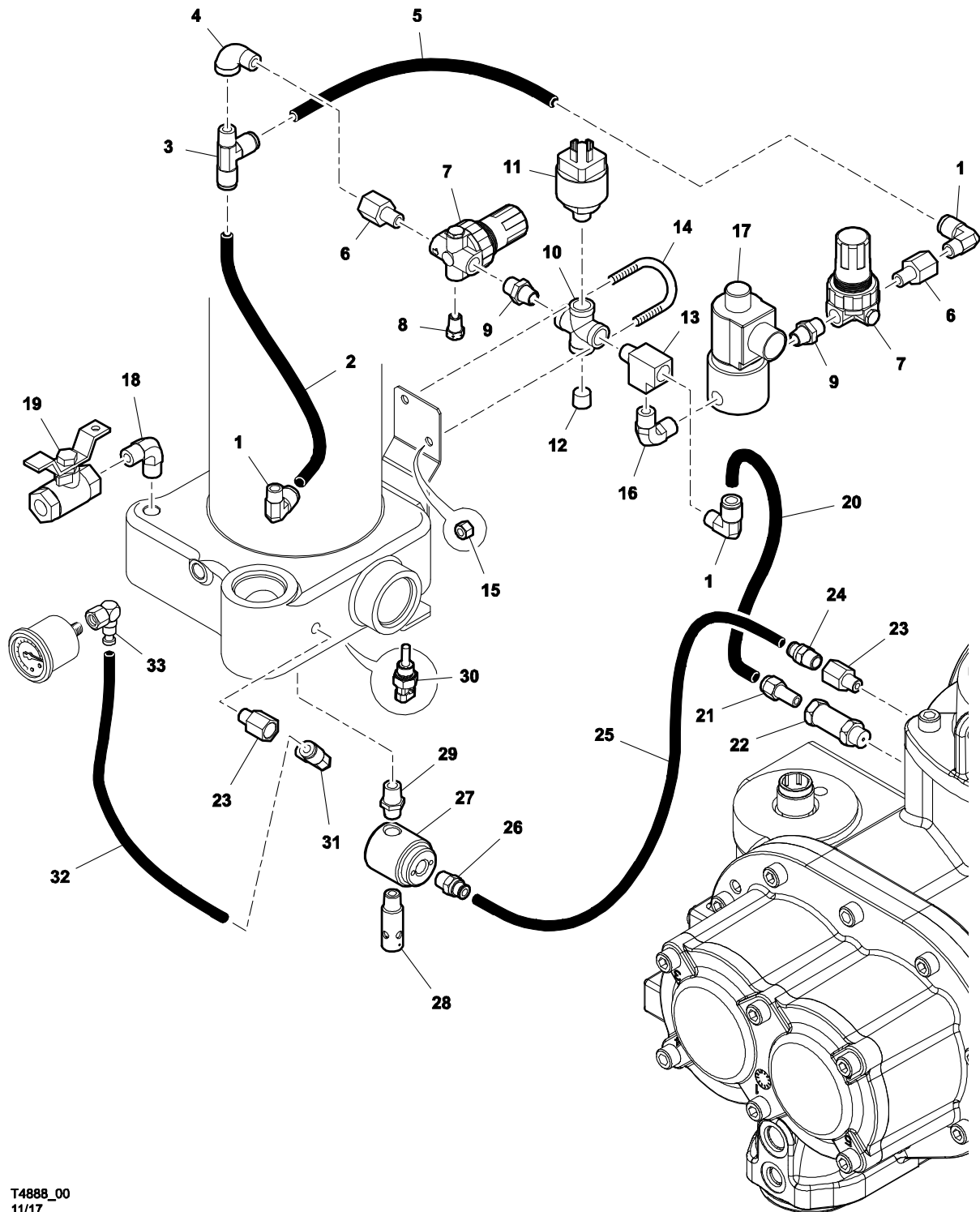


T4888_00
11/17

REGULATION SYSTEM
(#### ->)

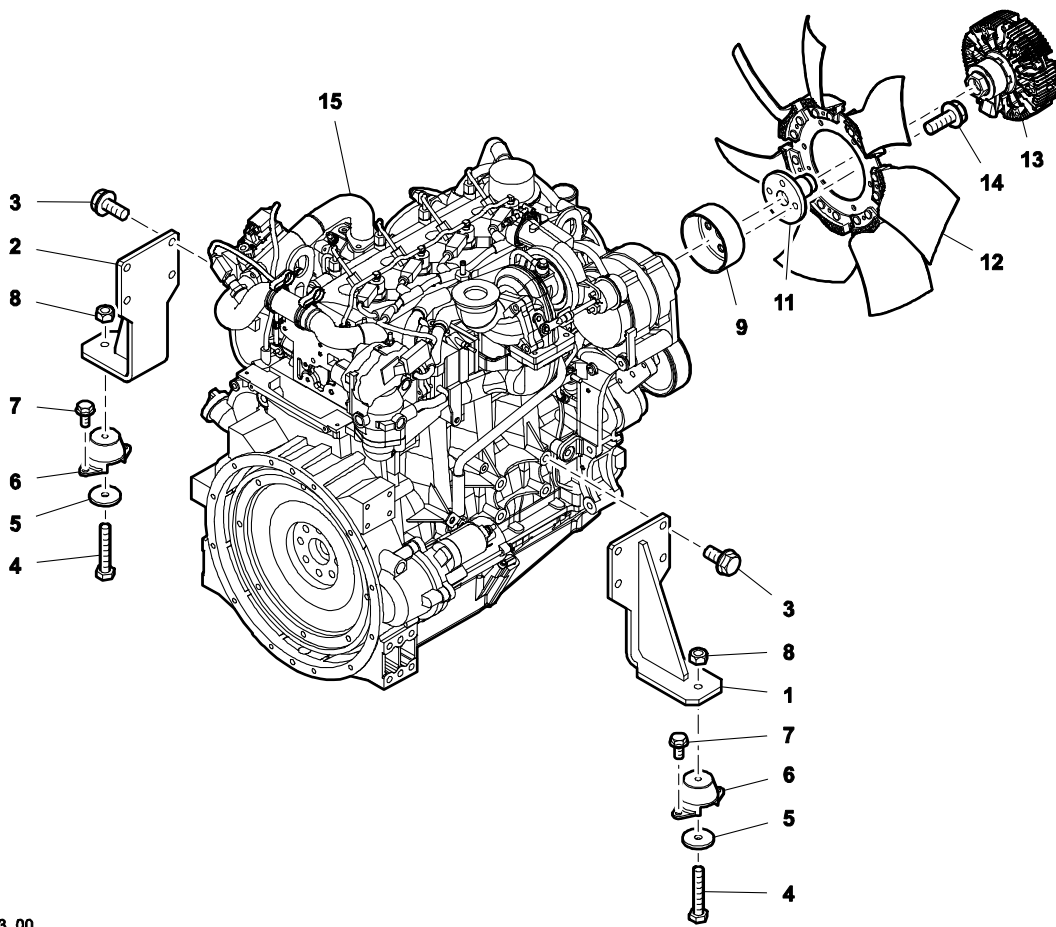
Item	Part Number	Description	Remarks	Serial Number	Qty
1	35369354	ELBOW			3
2	35356484	TUBE, NYLON	0,15 m long		1
3	35369503	TEE			1
4	95944666	ELBOW			1
5	35356484	TUBE, NYLON	0,25 m long		1
6	54625702	ADAPTOR			2
7	46635923	REGULATOR, PRESSURE			2
8	46699477	ORIFICE			1
9	46622211	ADAPTOR			2
10	95954293	CROSS			1
11	46673774	TRANSDUCER, PRESSURE			1
12	95928230	PLUG			1
13	35114545	TEE			1
14	35166404	BOLT, U			1
15	95923298	NUT			2
16	95364469	ELBOW			1
17	46555970	VALVE, SOLENOID			1
18	95364469	ELBOW			1
19	35324839	VALVE, BALL			1
20	35356484	TUBE, NYLON	0,275 m long		1
21	35379700	CONNECTOR			1
22	46673582	VALVE, CHECK			1
23	46624007	ADAPTOR			2
24	92788959	ADAPTOR			1
25	92490358	TUBE, NYLON	0,42 m long - (6 mm OD)		1
26	92788959	ADAPTOR			1
27	54748363	VALVE, BLOWDOWN			1
28	92549369	ORIFICE, SILENCER			1
29	46557840	CONNECTOR			1
30	46626400	SENSOR, TEMPERATURE			1
31	54403266	ELBOW			1

REGULATION SYSTEM (CONT'D)
(#### ->)



T4888_00
11/17

ENGINE ASSEMBLY

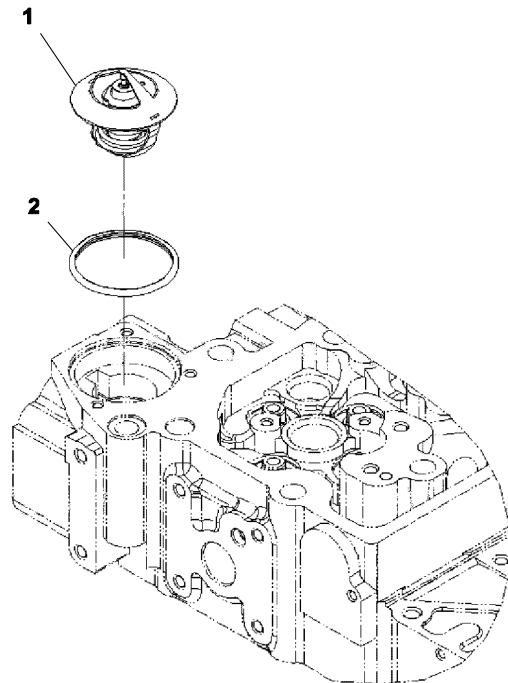


T4963_00
05/15

ENGINE ASSEMBLY

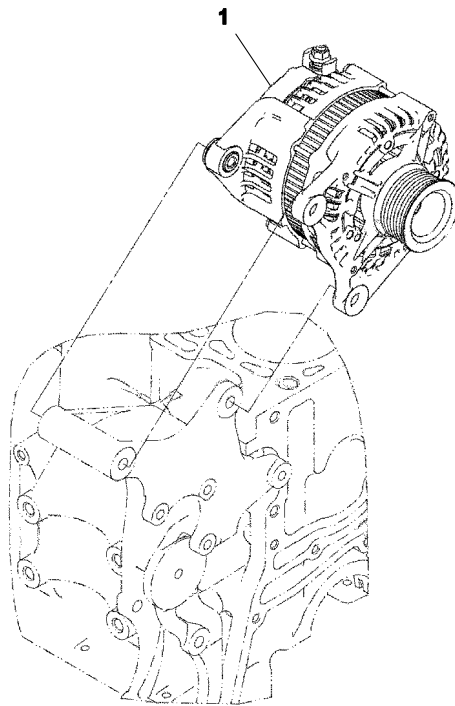
Item	Part Number	Description	Remarks	Serial Number	Qty
1	46643088	BRACKET			1
2	46643085	BRACKET			1
3	92398627	SCREW			8
4	92472935	SCREW			2
5	92058429	WASHER			2
6	36875565	MOUNT			2
7	96704408	SCREW			4
8	92304567	NUT			2
9	46652839	HUB			1
10	46670615	CLUTCH ASSEMBLY			1
11	46671097	SPACER			1
12	46652270	FAN			1
13	46652269	CLUTCH			1
14	36880995	SCREW			4
15	46642101	ENGINE			1

THERMOSTAT



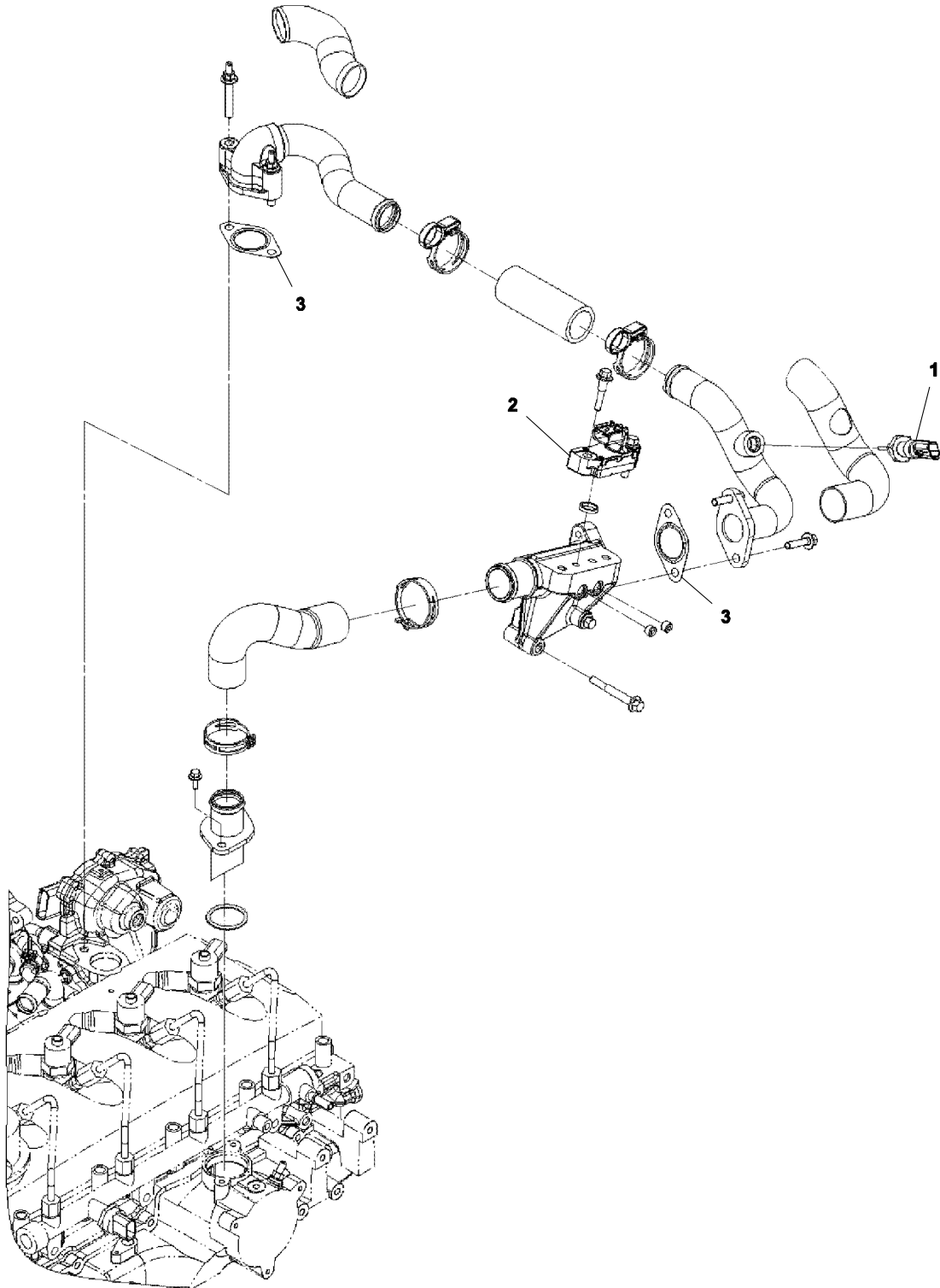
T4940_00
01/15

ALTERNATOR



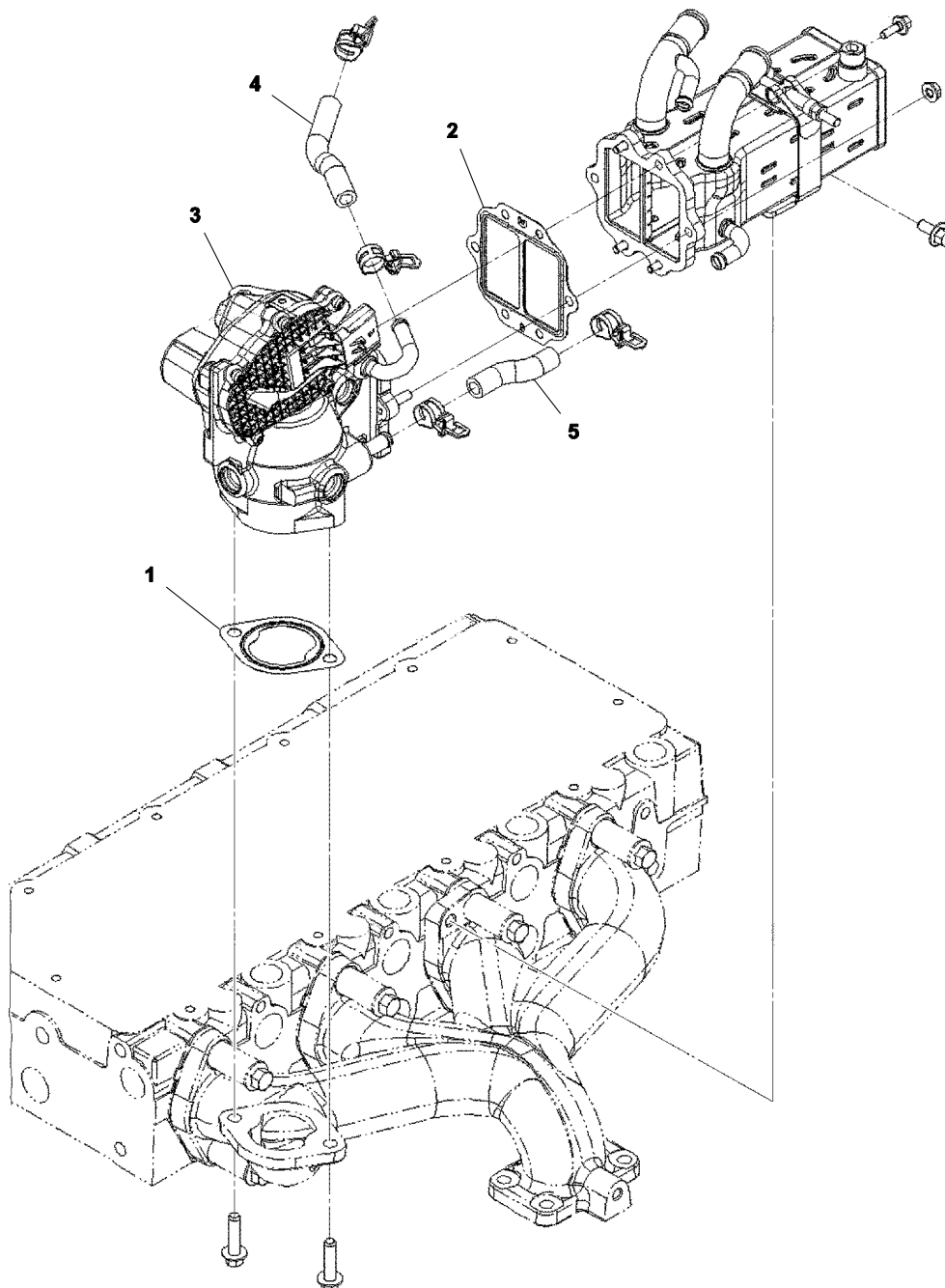
T4941_00
01/15

EXHAUST RCN AIR PIPING



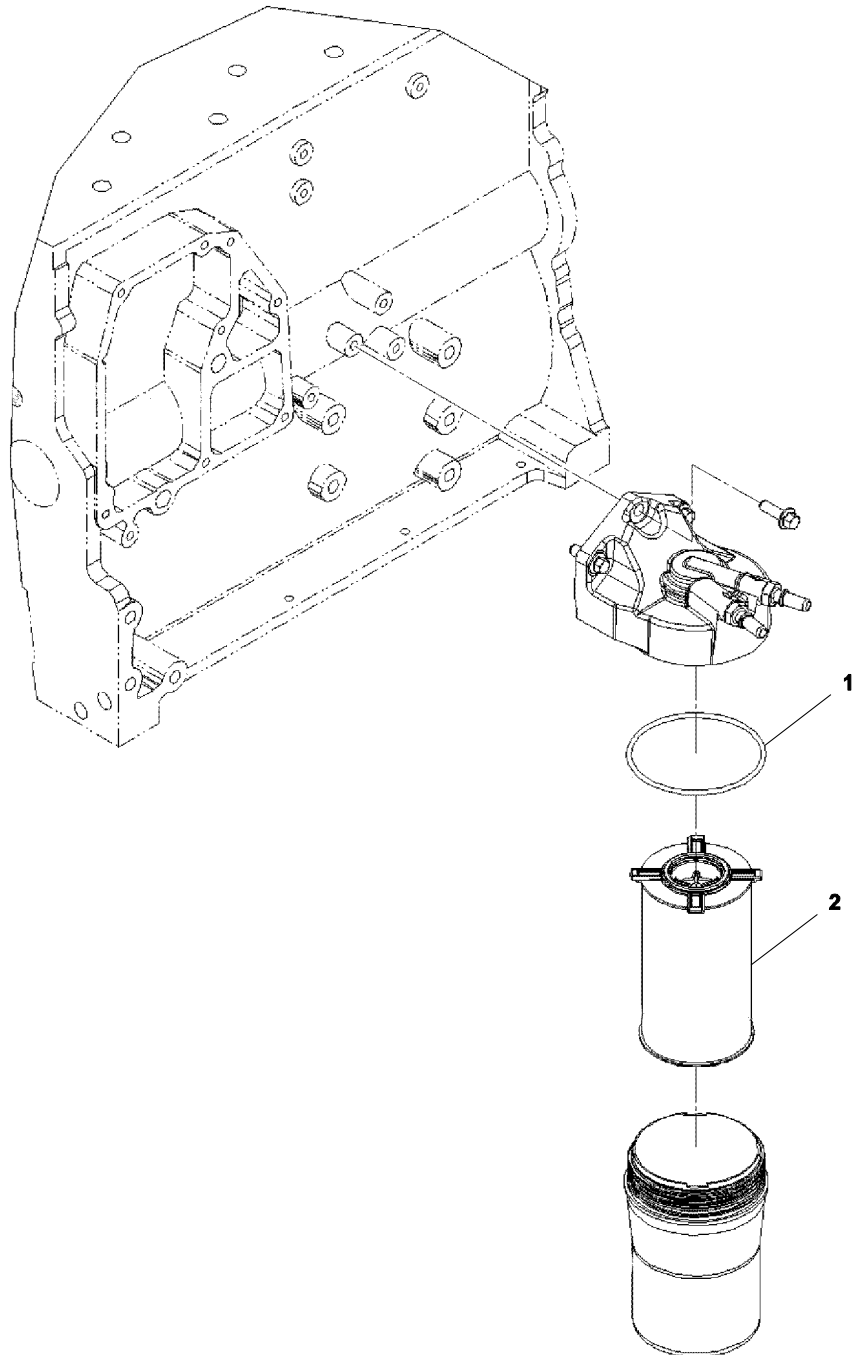
T4942_00
01/15

EXHAUST RECIRCULATION



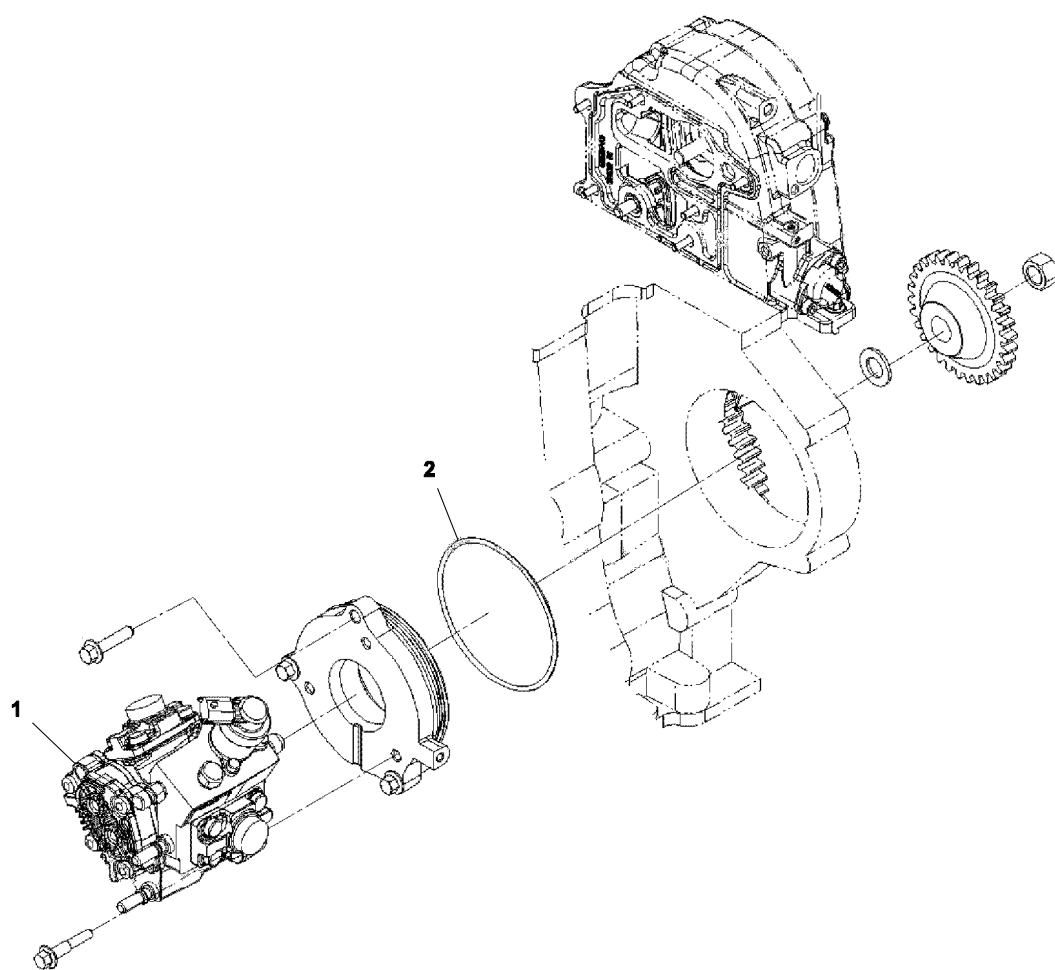
T4943_00
01/15

FUEL FILTER LOCATION



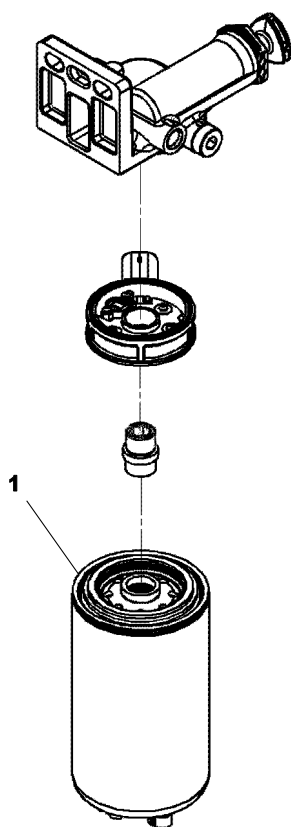
T4944_00
01/15

FUEL PUMP



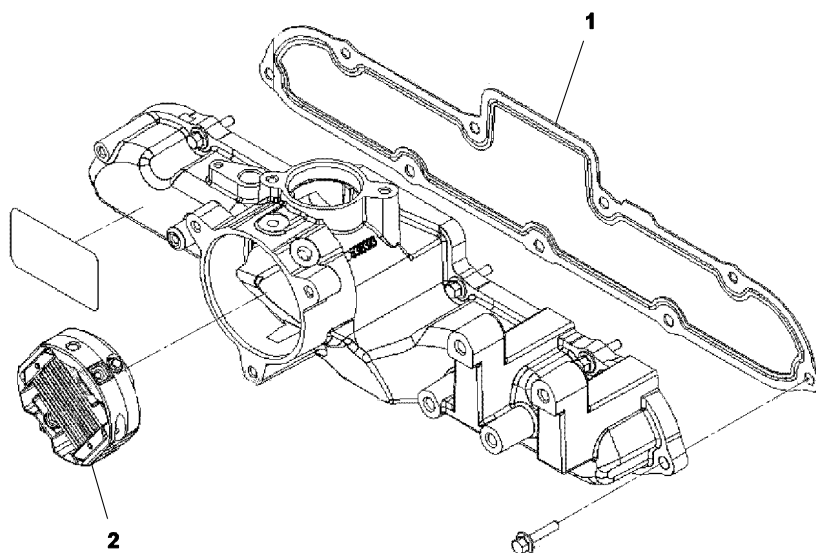
T4945_00
01/15

FUEL WATER SEPARATOR



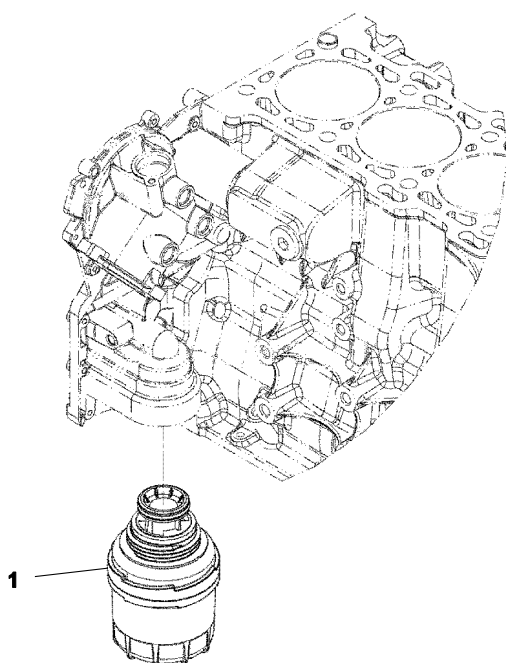
T4946_00
01/15

AIR INTAKE MANIFOLD



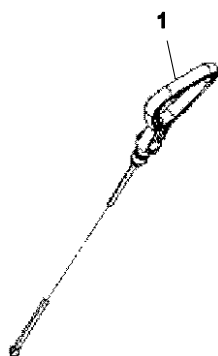
T4947_00
01/15

FULL FLOW OIL FILTER



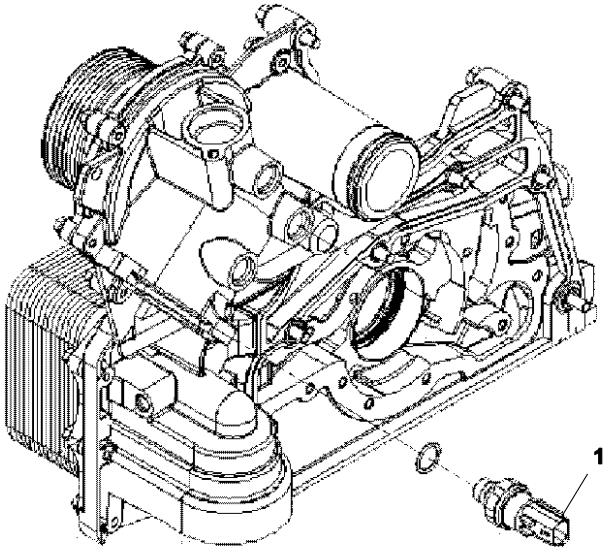
T4948_00
01/15

OIL LEVEL GAUGE



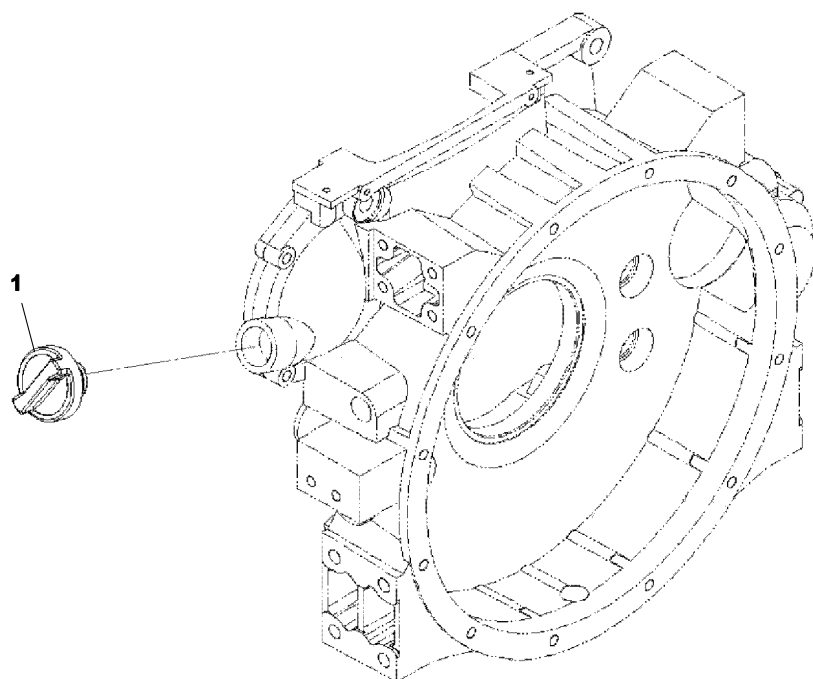
T4949_00
01/15

OIL LUBRICATING PUMP



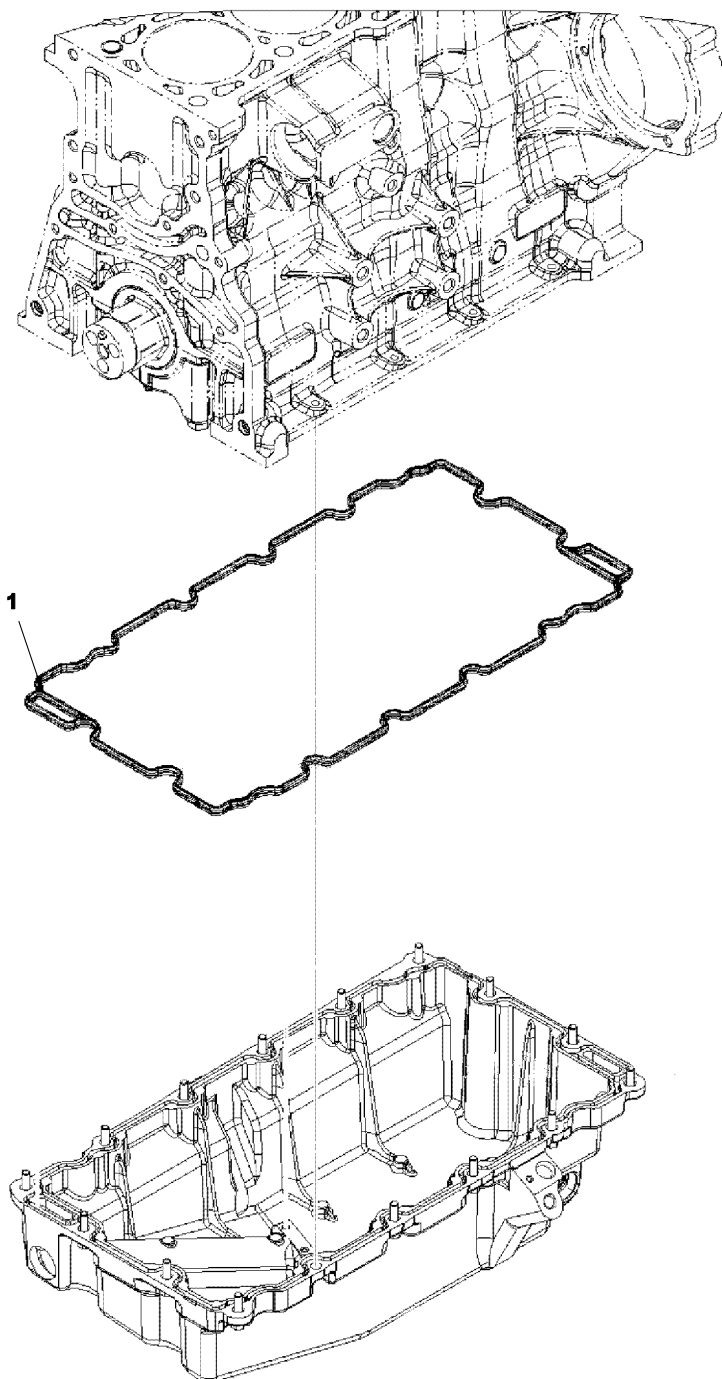
T4950_00
01/15

OIL FILL ARRANGEMENT



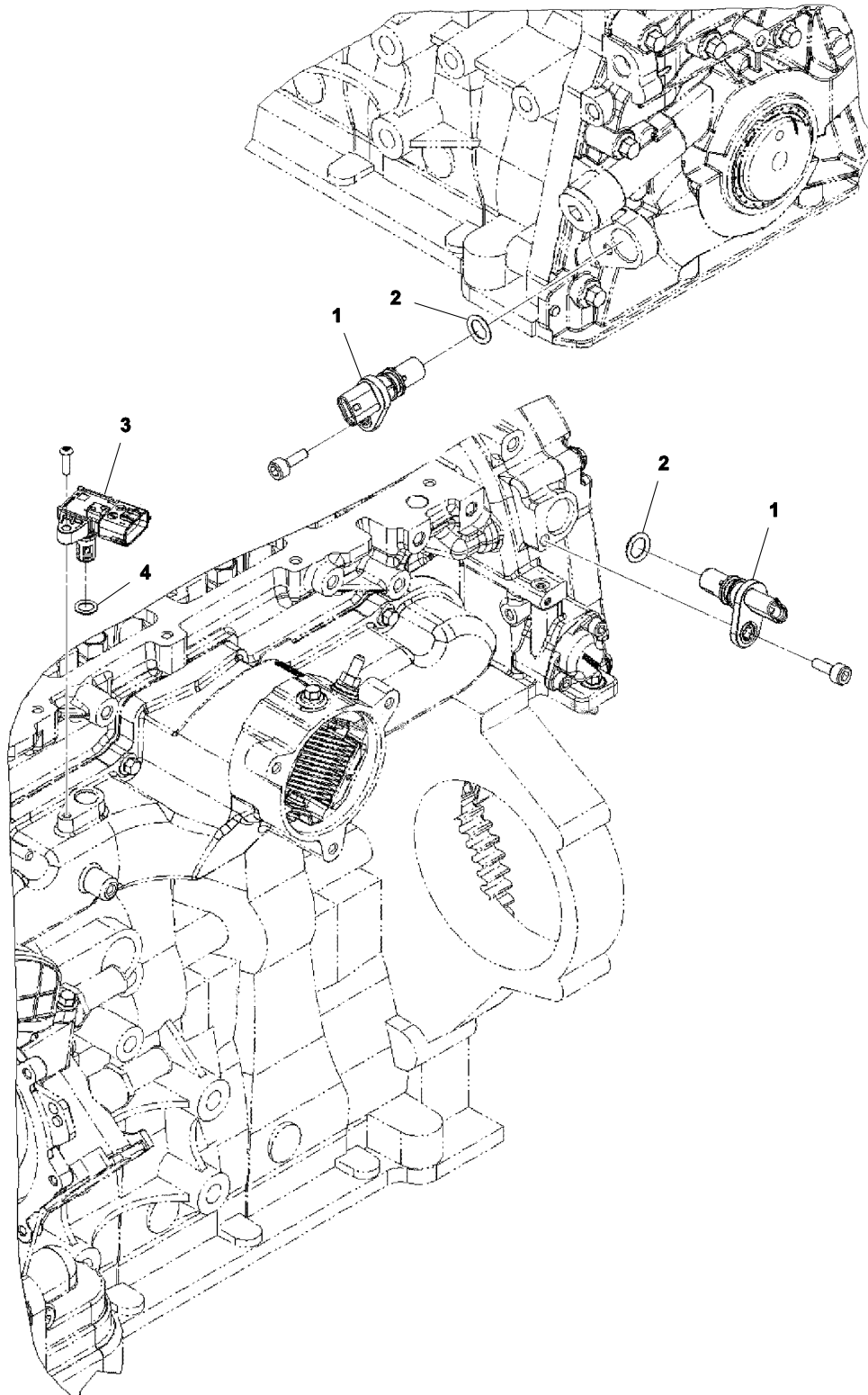
T4951_00
01/15

OIL PAN



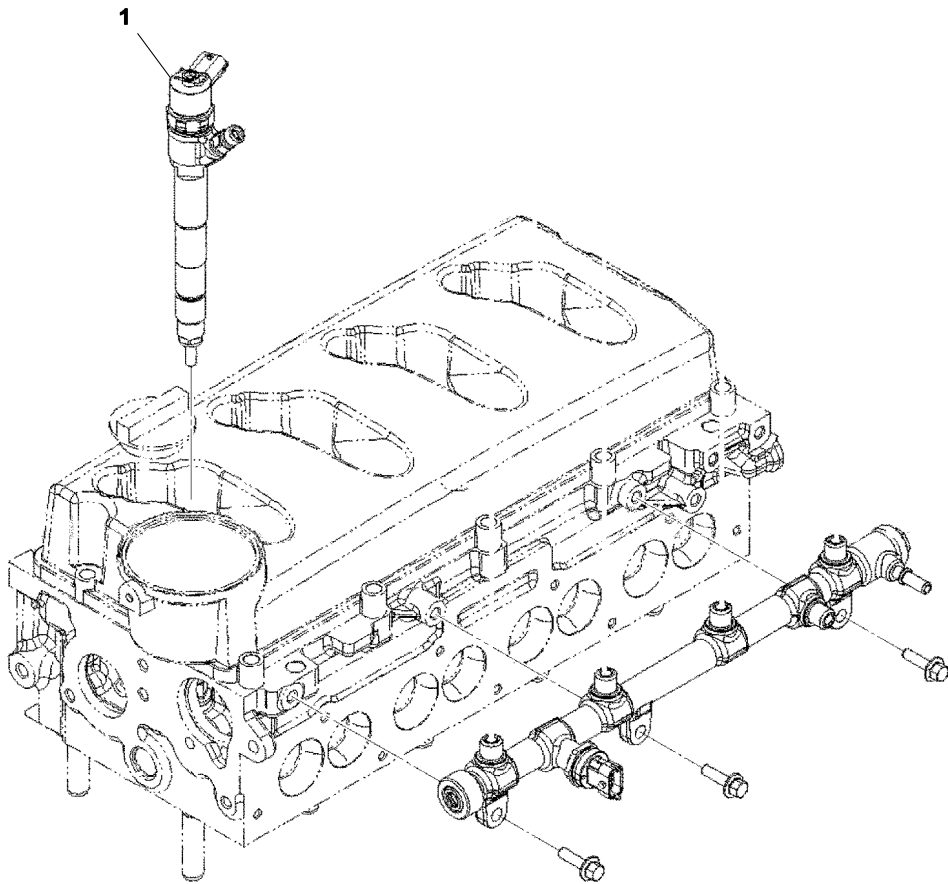
T4952_00
01/15

ENGINE CONTROL MODULE



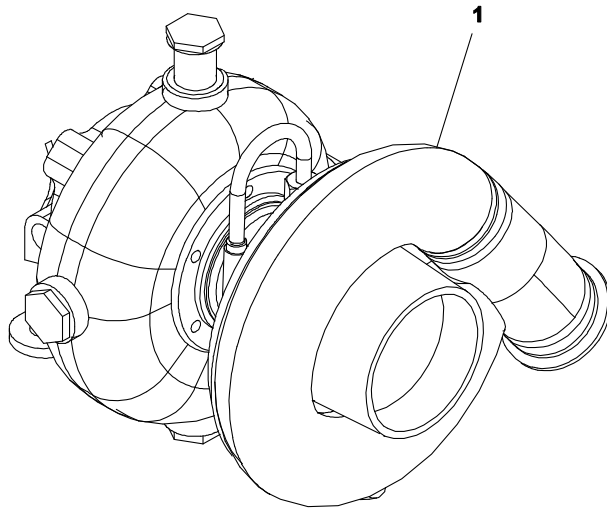
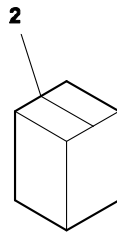
T4954_00
01/15

INJECTOR



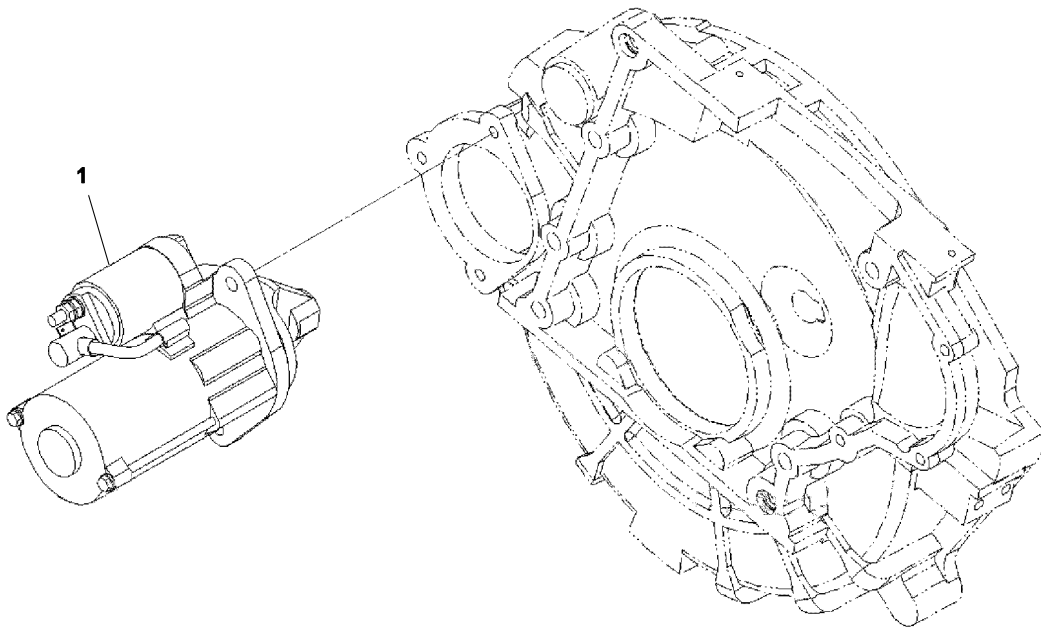
T4955_00
01/15

TURBOCHARGER



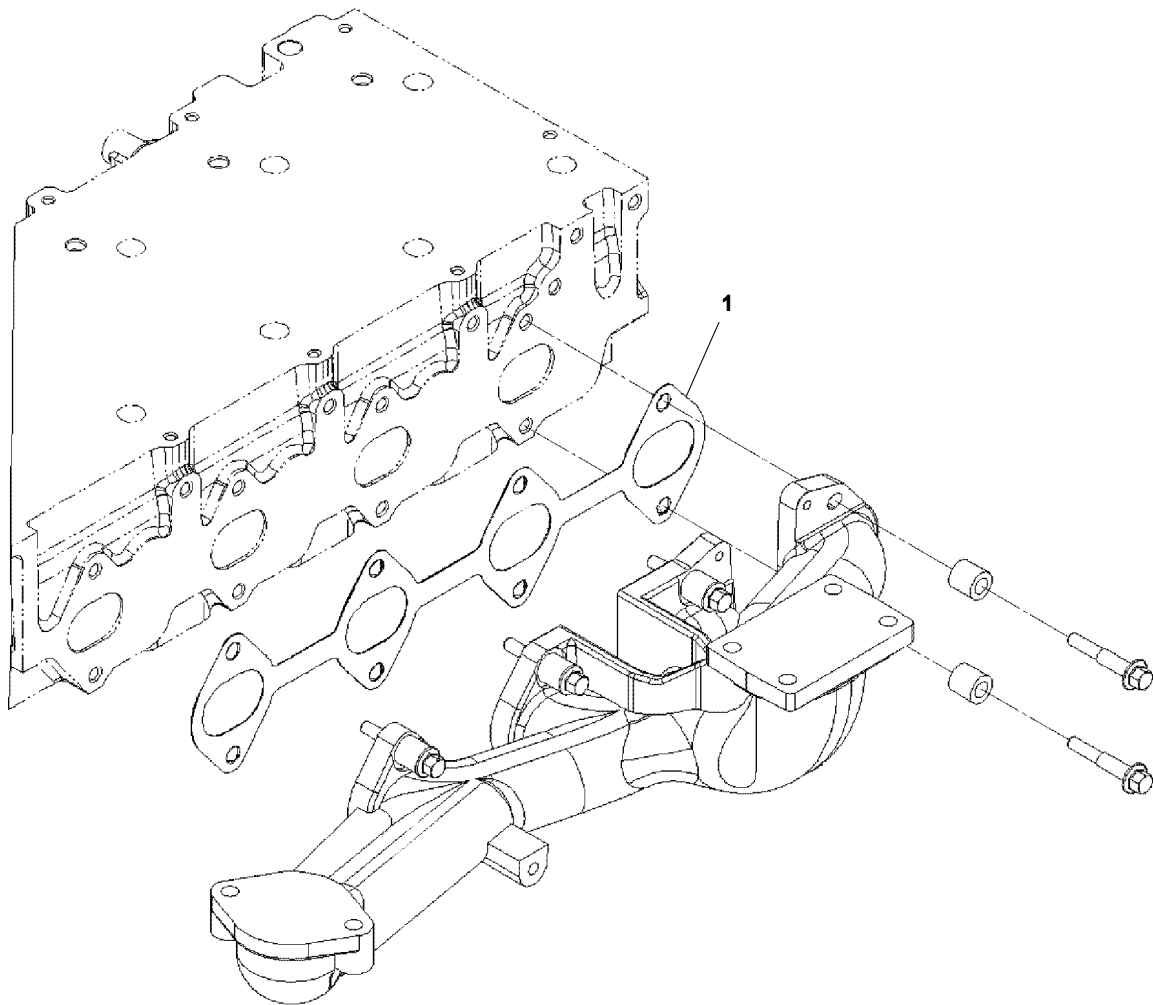
T4956_00
05/15

STARTER MOTOR



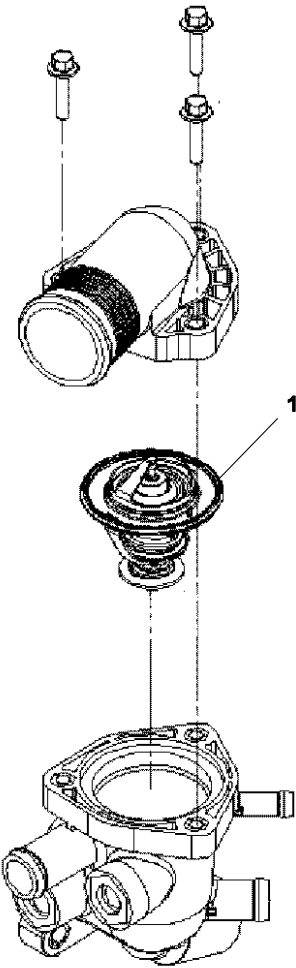
T4957_00
01/15

TURBOCHARGER ARRANGEMENT



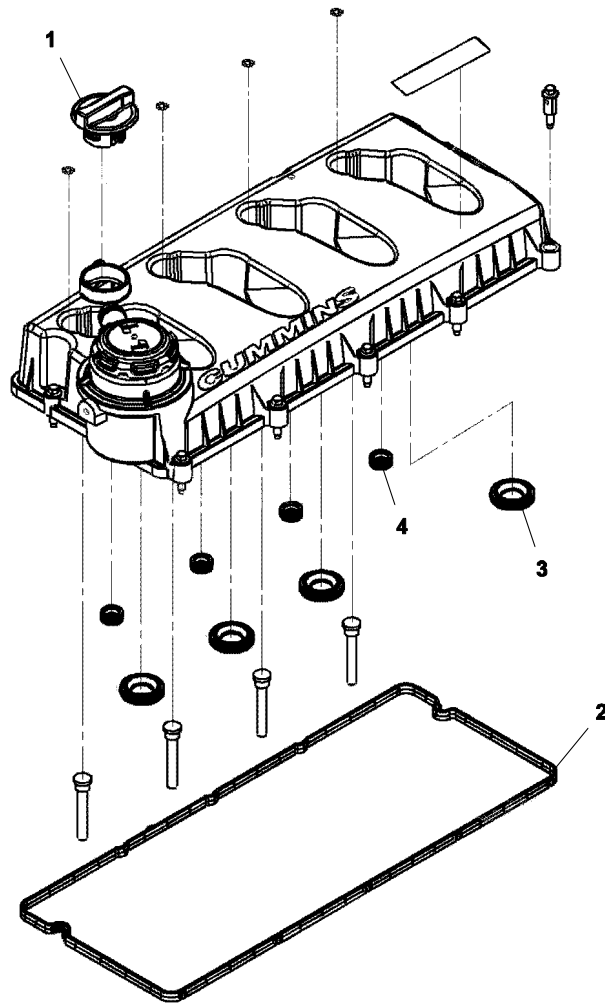
T4958_00
01/15

THERMOSTAT HOUSING



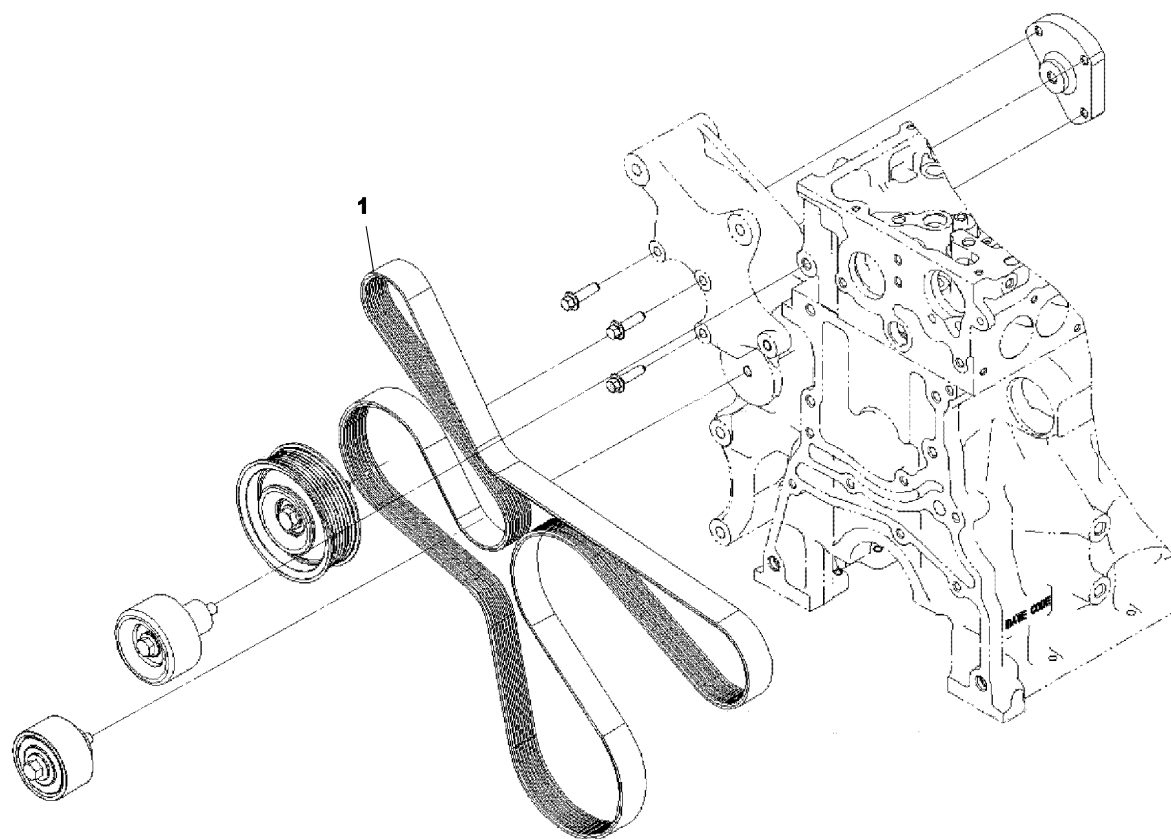
T4959_00
01/15

VALVE COVER



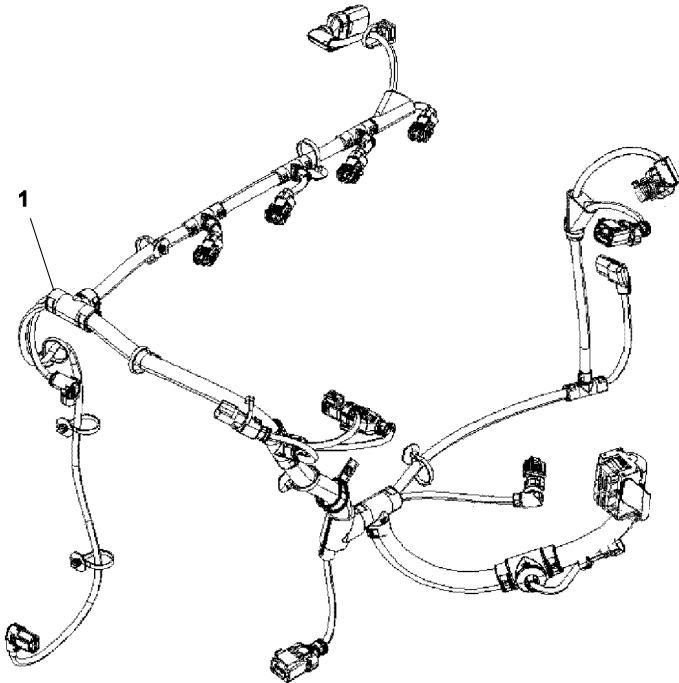
T4960_00
01/15

WATER PUMP DRIVE



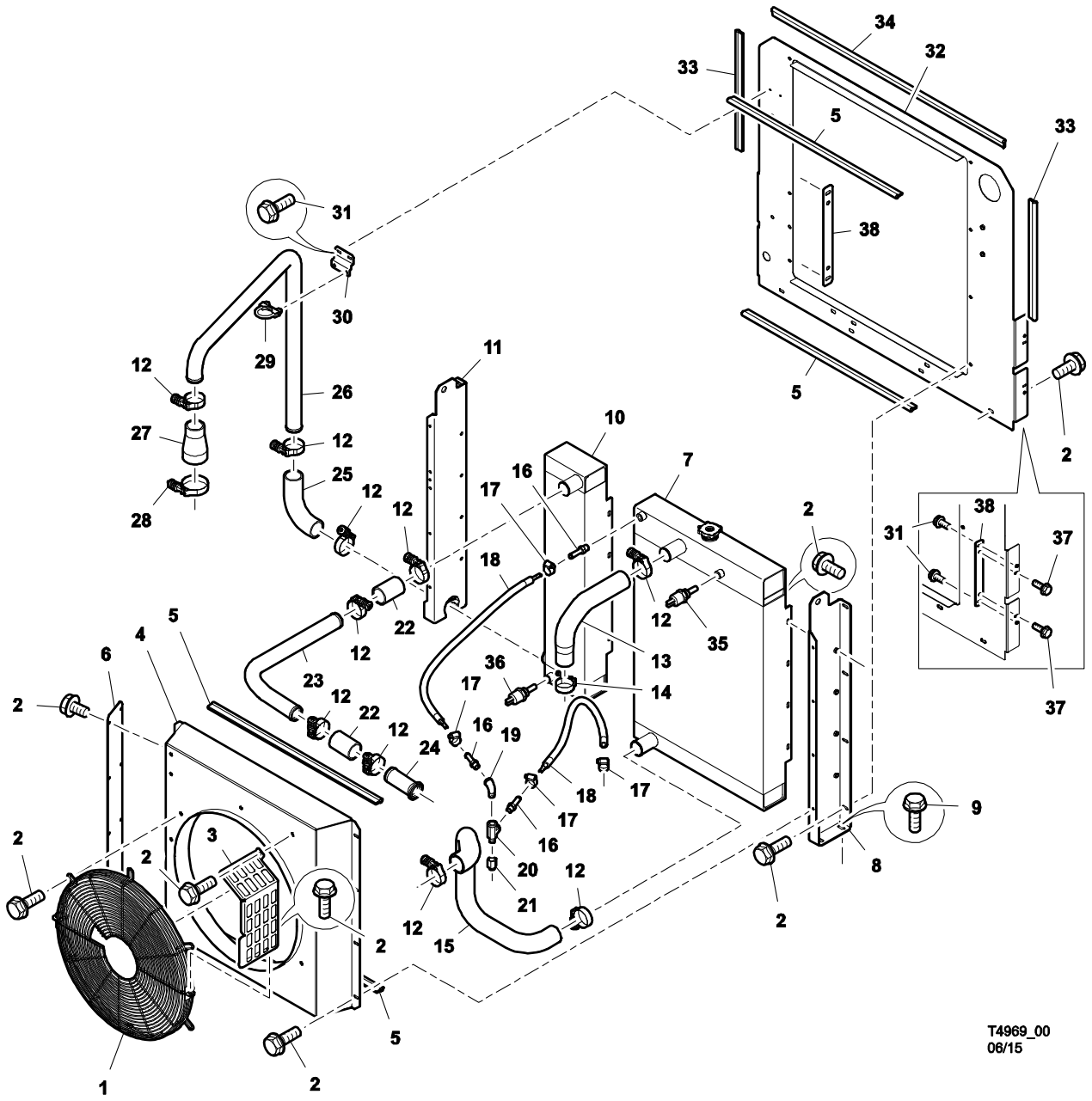
T4961_00
01/15

ENGINE WIRING HARNESS



T4962_00
01/15

COOLING SYSTEM (coolers and guards)

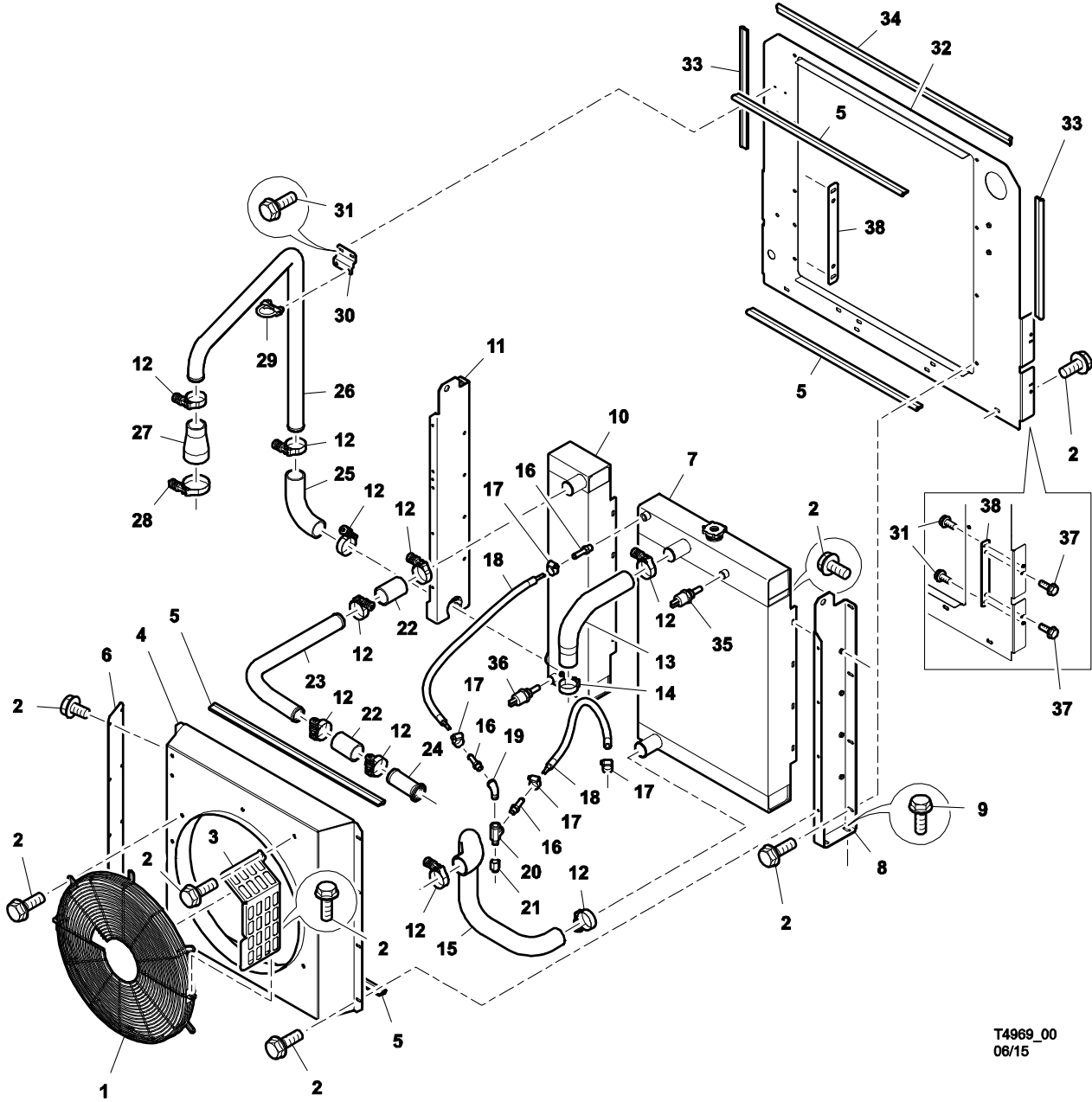


T4969_00
06/15

**COOLING SYSTEM
(coolers and guards)**

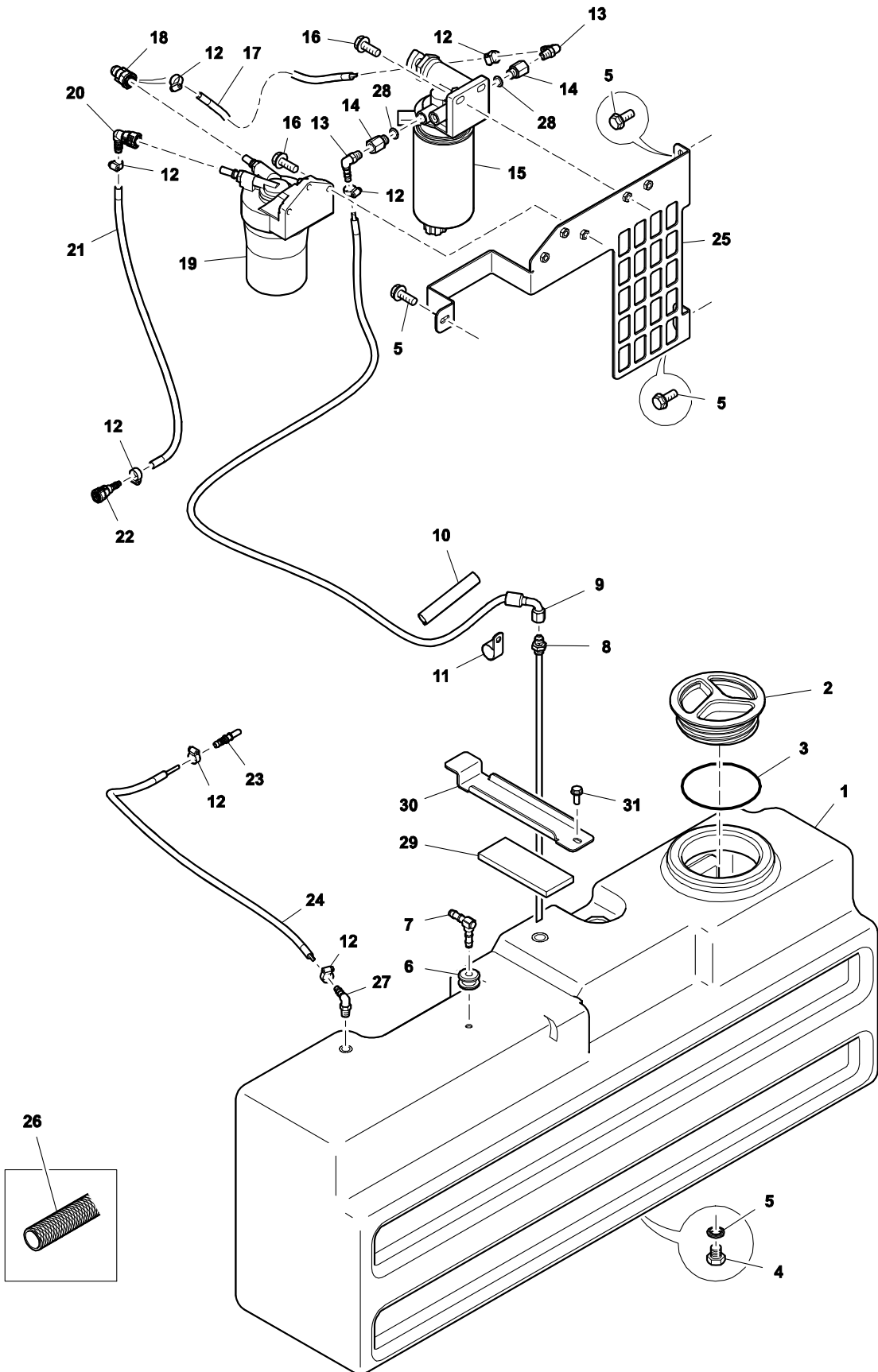
Item	Part Number	Description	Remarks	Serial Number	Qty
1	46654842	GUARD, FAN			1
2	96704408	SCREW			AR
3	46655183	GUARD			1
4	46643277	SHROUD, FAN			1
5	92899699	SEAL	0,72 m long		4
6	46651930	COVER			1
7	46651539	RADIATOR			1
8	46650533	BAFFLE			1
9	92472638	SCREW			4
10	46651540	COOLER			1
11	46643276	BAFFLE			1
12	22189302	CLAMP			18
13	46646287	HOSE			1
14	23071475	CLAMP			1
15	46646288	HOSE			1
16	46649619	CONNECTOR			3
17	95264776	CLAMP			4
18	35285600	HOSE	0,65 m long - (9.5 mm (3/8") ID)		2
19	95944666	ELBOW			1
20	46547840	TEE			1
21	22246714	ADAPTOR			1
22	46651897	HOSE			2
23	46655234	TUBE			1
24	46655243	TUBE			1
25	46646289	HOSE			1
26	46646285	TUBE			1
27	46651929	HOSE, REDUCING			1
28	22969208	CLAMP			1
29	22417406	CLAMP			1
30	46651932	BRACKET			1
31	96738695	SCREW			6

COOLING SYSTEM (CONT'D) (coolers and guards)



T4969_00
06/15

FUEL SYSTEM

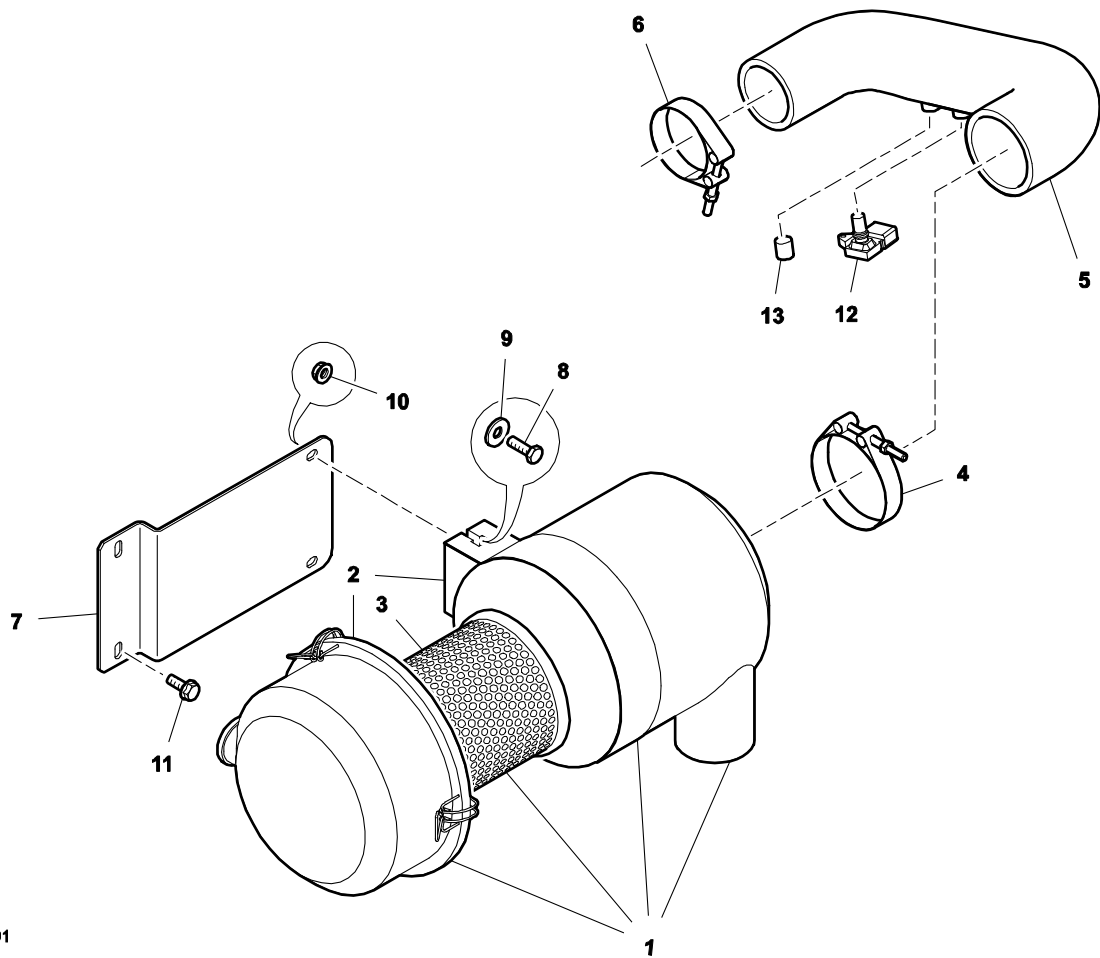


T4970_02
10/17

FUEL SYSTEM

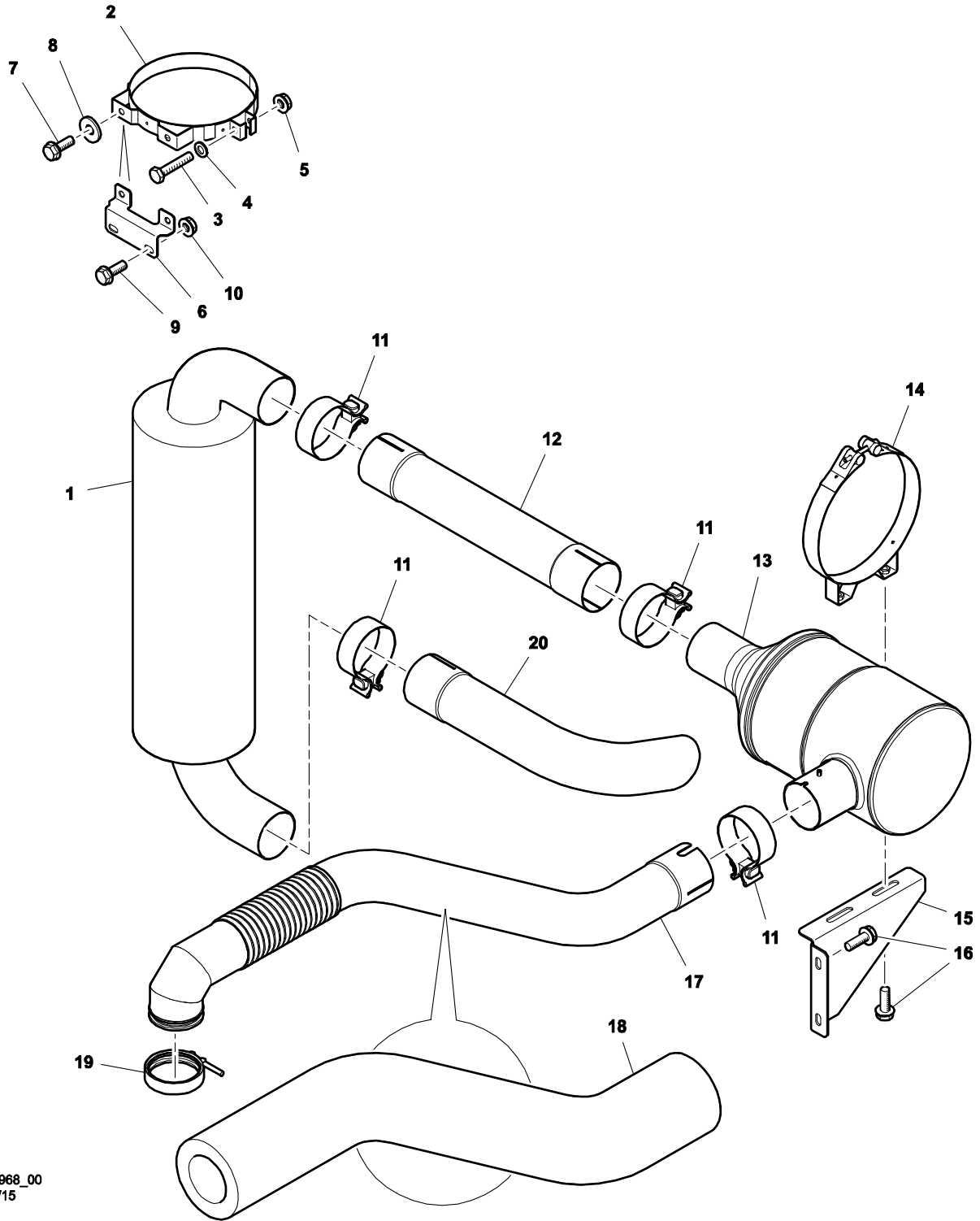
Item	Part Number	Description	Remarks	Serial Number	Qty
1	46699987	FUEL TANK ASSEMBLY	W/Ref. 2-5		1
2	89230759	CAP			1
3	89230767	O-RING			1
4	92871367	PLUG			1
5	92293661	WASHER			1
6	89257489	GROMMET			1
7	89257497	ELBOW, BARBED			1
8	22163760	DROP-TUBE			1
9	46653096	HOSE ASSEMBLY			1
10	46561125	SLEEVE			1
11	35225085	CLAMP			1
12	35296342	CLIP, RETAINING			7
13	54485222	ELBOW			2
14	54720719	ADAPTOR			2
15	46653057	WATER SEPARATOR ASSEMBLY			1
16	36889608	SCREW	(M8-1.25 x 25)		5
17	35363498	HOSE	(8 mm (5/16") ID)		1
18	46700997	CONNECTOR			1
19	46653058	FUEL FILTER ASSEMBLY			1
20	46688459	CONNECTOR			1
21	35363498	HOSE	(8 mm (5/16") ID)		1
22	46669279	CONNECTOR			1
23	46672183	CONNECTOR			1
24	35363498	HOSE	(8 mm (5/16") ID)		1
25	46668500	BRACKET			1
26	23027097	COVER, STEEL BRAID	optional - order as required		x
27	46643082	ELBOW			1
28	46679485	O-RING			2
29	46672720	PAD, RUBBER			1
30	46650046	STRAP			1
31	96704408	SCREW			5

AIR INTAKE (engine)



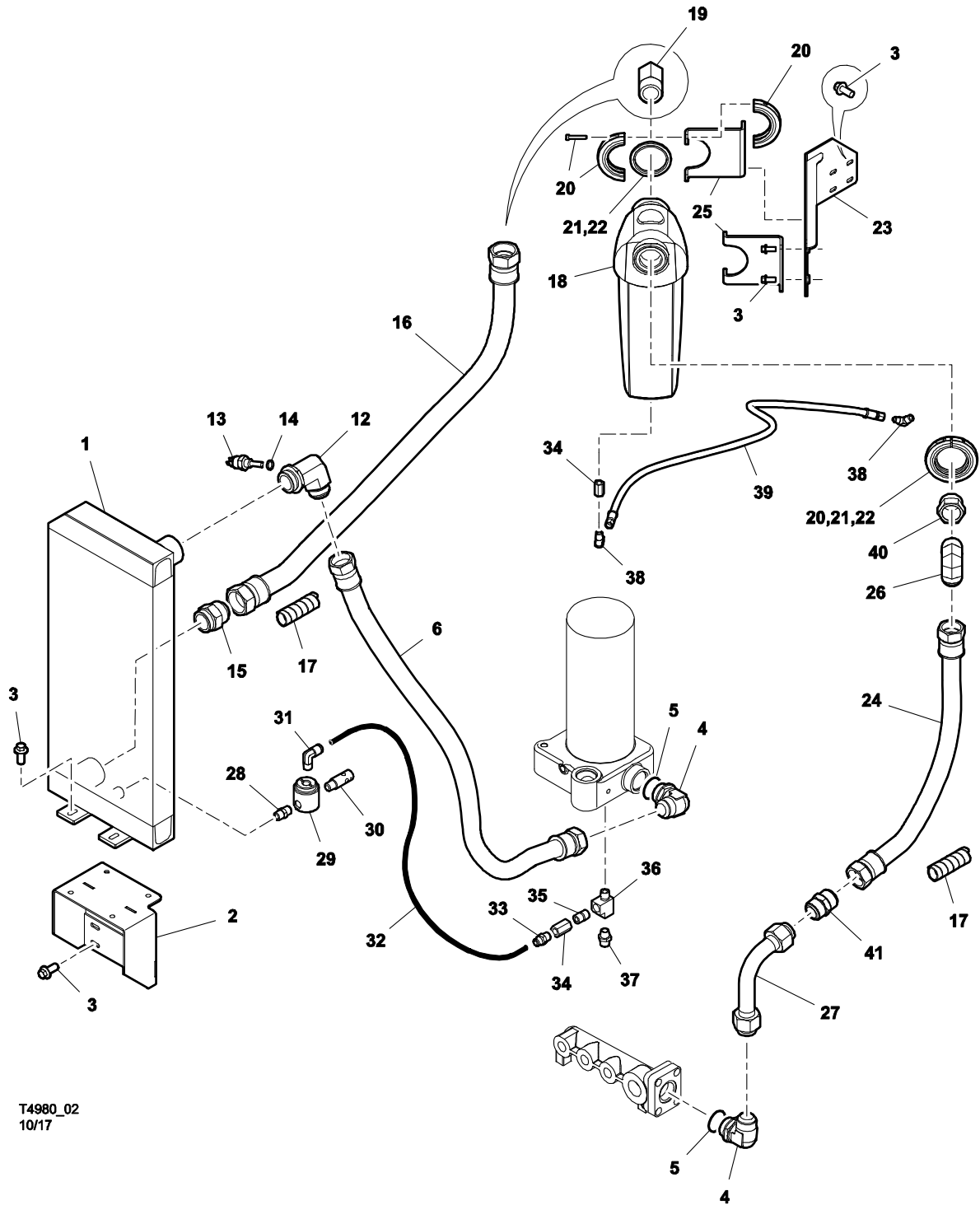
T4967_01
10/17

EXHAUST SYSTEM



T4968_00
02/15

OPTION - AFTERCOOLER

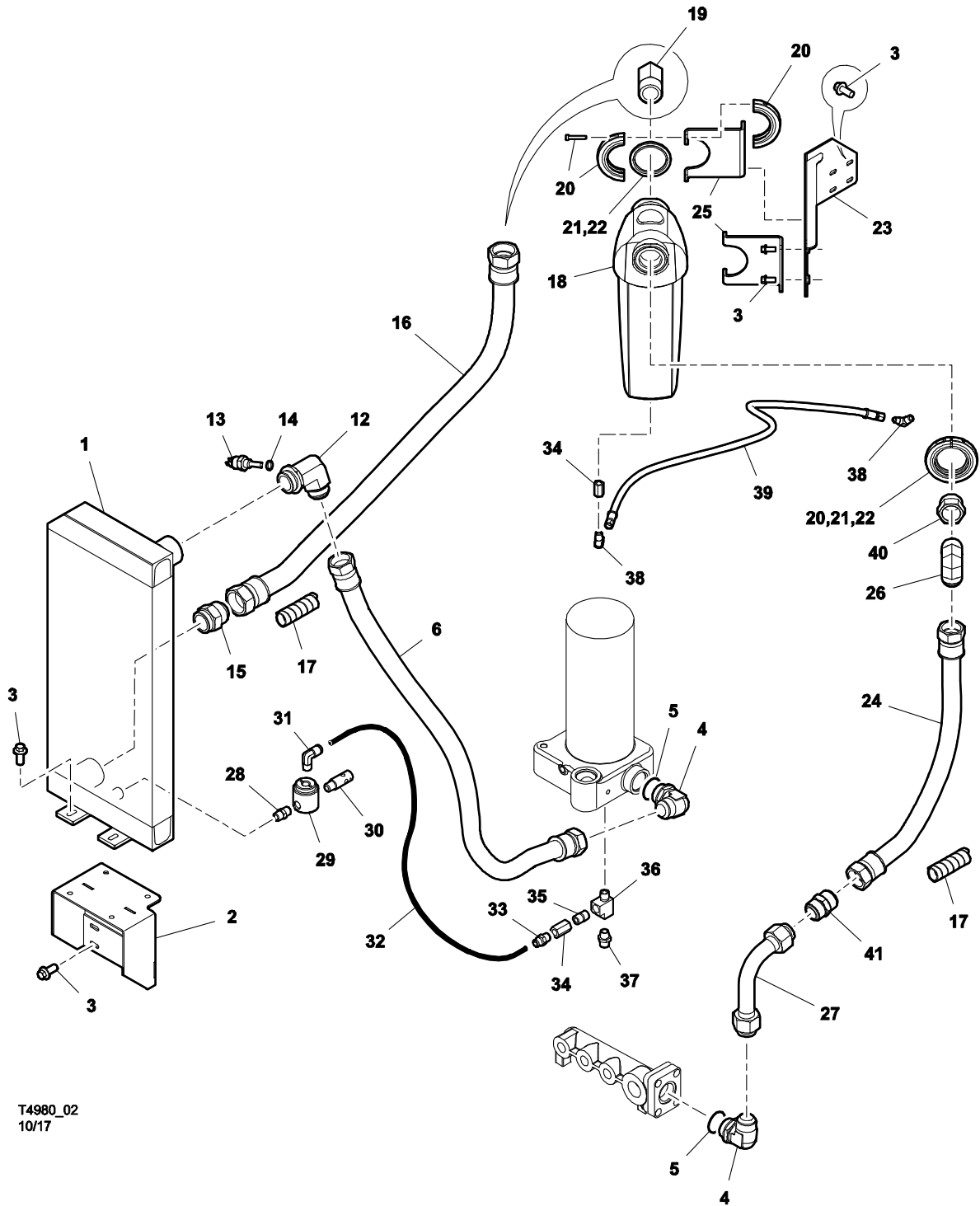


T4980_02
10/17

OPTION - AFTERCOOLER

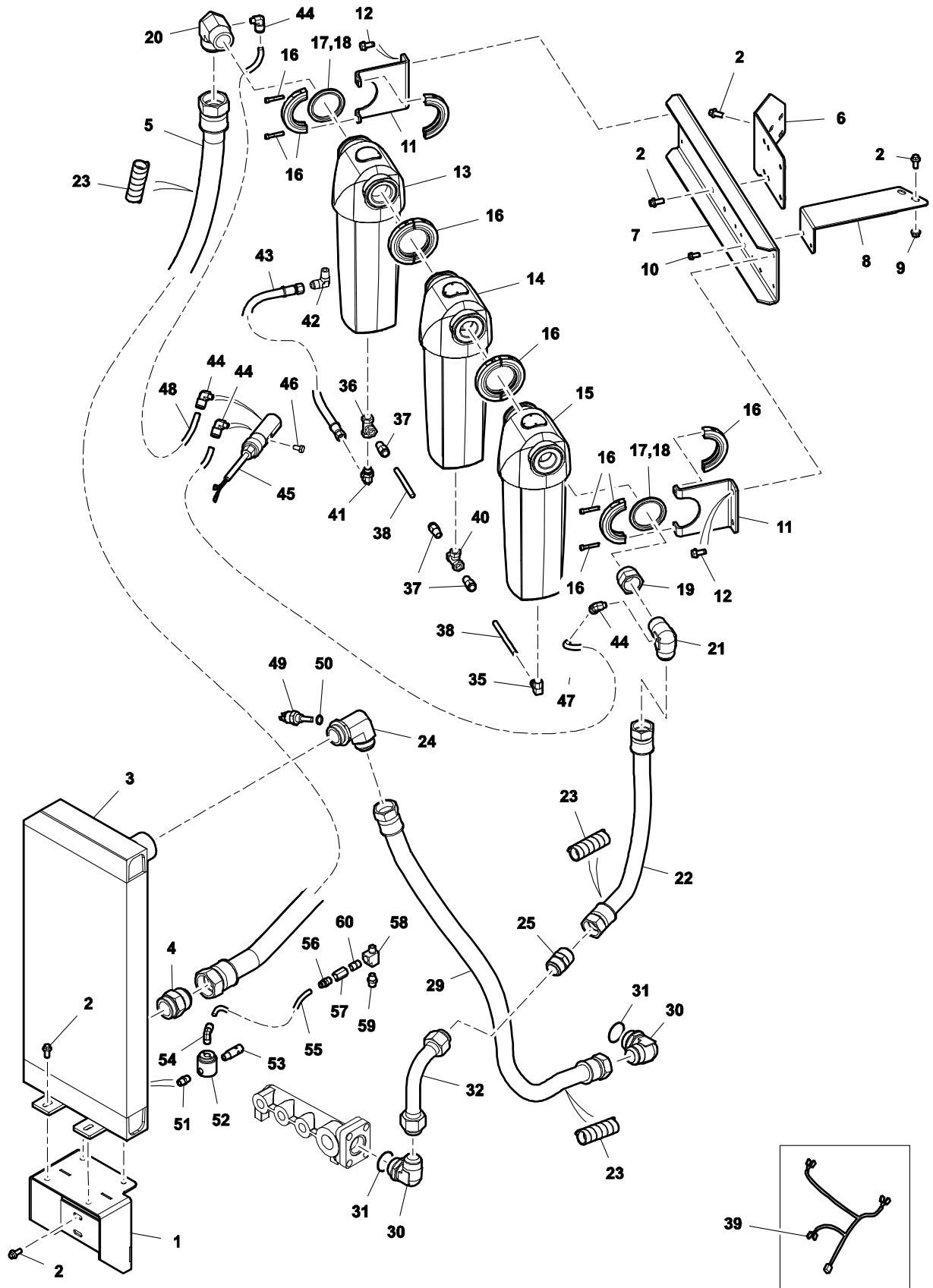
Item	Part Number	Description	Remarks	Serial Number	Qty
1	46651219	AFTERCOOLER			1
2	46651216	BRACKET			1
3	96704408	SCREW			16
4	35279777	ELBOW	W/Ref. 5		2
5	35279942	O-RING			2
6	46694558	HOSE ASSEMBLY			1
12	46694554	ELBOW			1
13	46669371	SENSOR			1
14	46671659	O-RING			1
15	35296409	ADAPTOR			1
16	35142116	HOSE ASSEMBLY			1
17	46556568	PROTECTOR, HOSE	0,11 m long		2
18	46551660	SEPARATOR, WATER			1
19	22506034	ELBOW			1
20	23187388	KIT, CLAMP	W/Ref. 21		2
21	23187438	O-RING			1
22	46701332	SPACER			2
23	46654694	BRACKET			1
24	35228170	HOSE ASSEMBLY			1
25	23194210	BRACKET			2
26	46551709	ELBOW			1
27	46700881	TUBE ASSEMBLY			1
28	92005701	NIPPLE			1
29	54748363	VALVE, BLOWDOWN			1
30	92549369	ORIFICE, SILENCER			1
31	92794270	ELBOW			1
32	92490358	TUBE, NYLON	0,55 m long - (6 mm OD)		1
33	92788959	ADAPTOR			1
34	46557961	ADAPTOR			2
35	95667341	NIPPLE			1
36	35114545	TEE			1

OPTION - AFTERCOOLER (CONT'D)



T4980_02
10/17

OPTION - IQ FILTERS

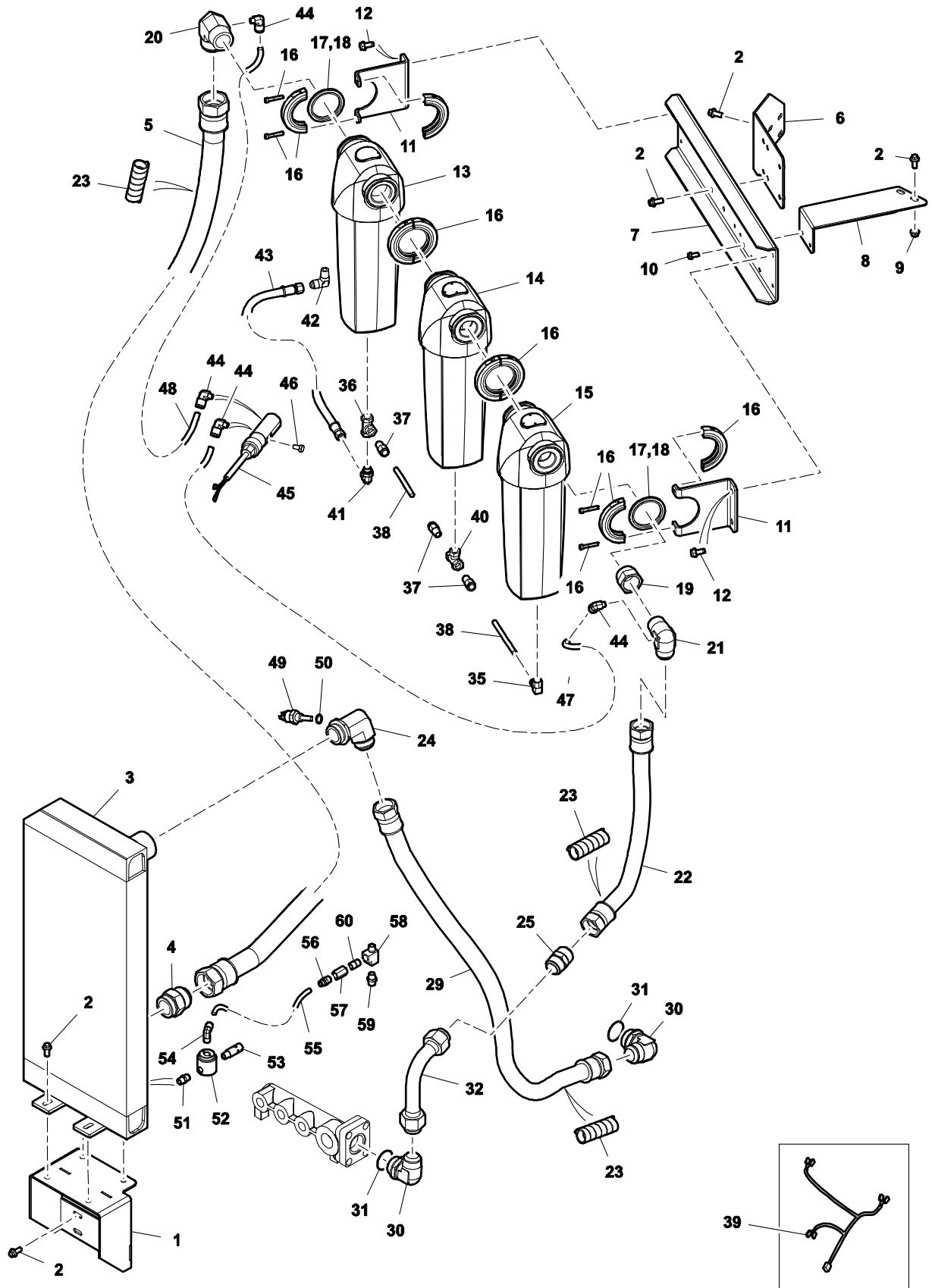


T4925_02
10/17

OPTION - IQ FILTERS

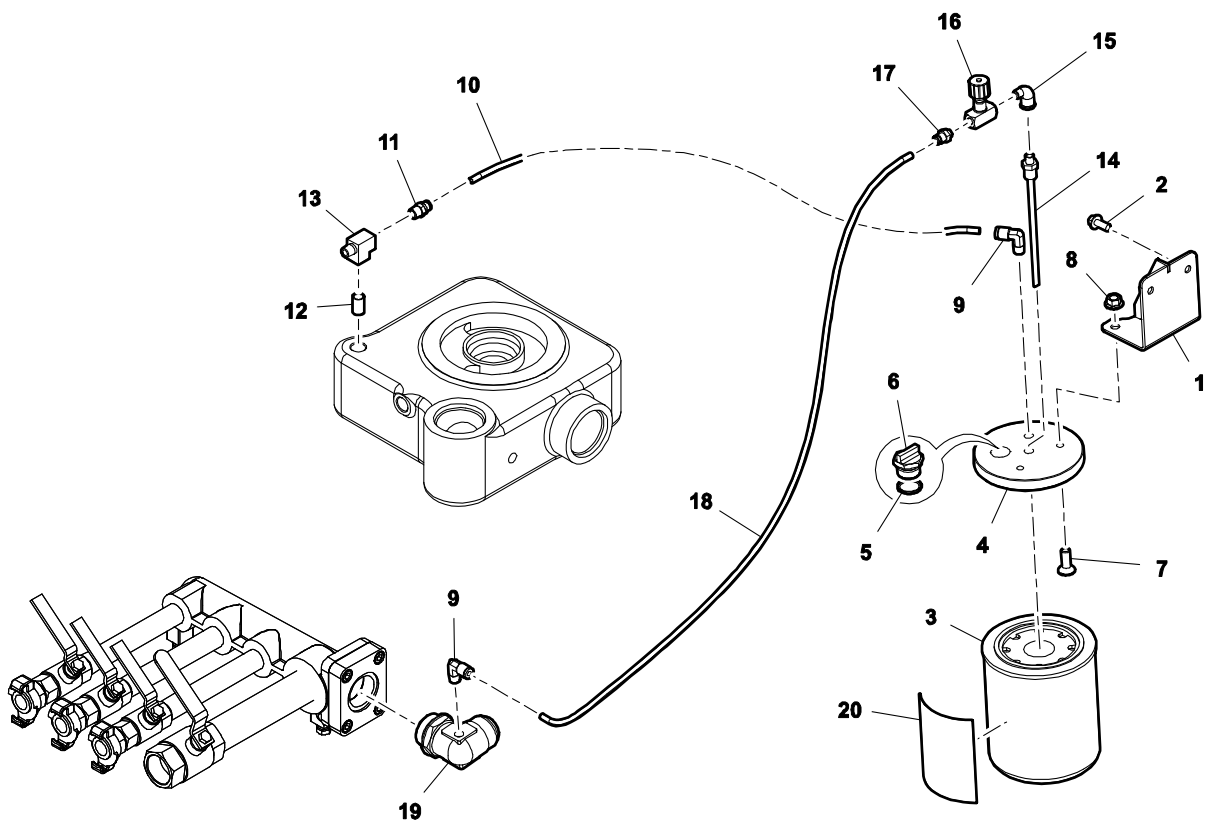
Item	Part Number	Description	Remarks	Serial Number	Qty
1	46651216	BRACKET			1
2	96704408	SCREW			18
3	46651219	AFTERCOOLER			1
4	35296409	ADAPTOR			1
5	35142116	HOSE ASSEMBLY			1
6	46646922	BRACKET			1
7	54761630	BRACKET			1
8	46654690	BRACKET			1
9	92398114	NUT	(M8)		2
10	92096015	SCREW			2
11	23194210	BRACKET			2
12	35279025	SCREW			4
13	46551660	SEPARATOR, WATER			1
14	46551657	FILTER, PRIMARY			1
15	46551658	FILTER, SECONDARY			1
16	23187388	KIT, CLAMP	W/Ref. 17		4
17	23187438	O-RING			1
18	46701332	SPACER			2
19	46701362	BUSHING			1
20	46676694	ELBOW			1
21	46701331	ELBOW			1
22	35228212	HOSE ASSEMBLY			1
23	46690397	PROTECTOR, HOSE			3
24	46694554	ELBOW			1
25	92767979	CONNECTOR			1
29	46694558	HOSE ASSEMBLY			1
30	35279777	ELBOW			2
31	35279942	O-RING			2
32	46700881	TUBE ASSEMBLY			1
35	92799444	ELBOW			1
36	92354729	TEE			1

OPTION - IQ FILTERS (CONT'D)



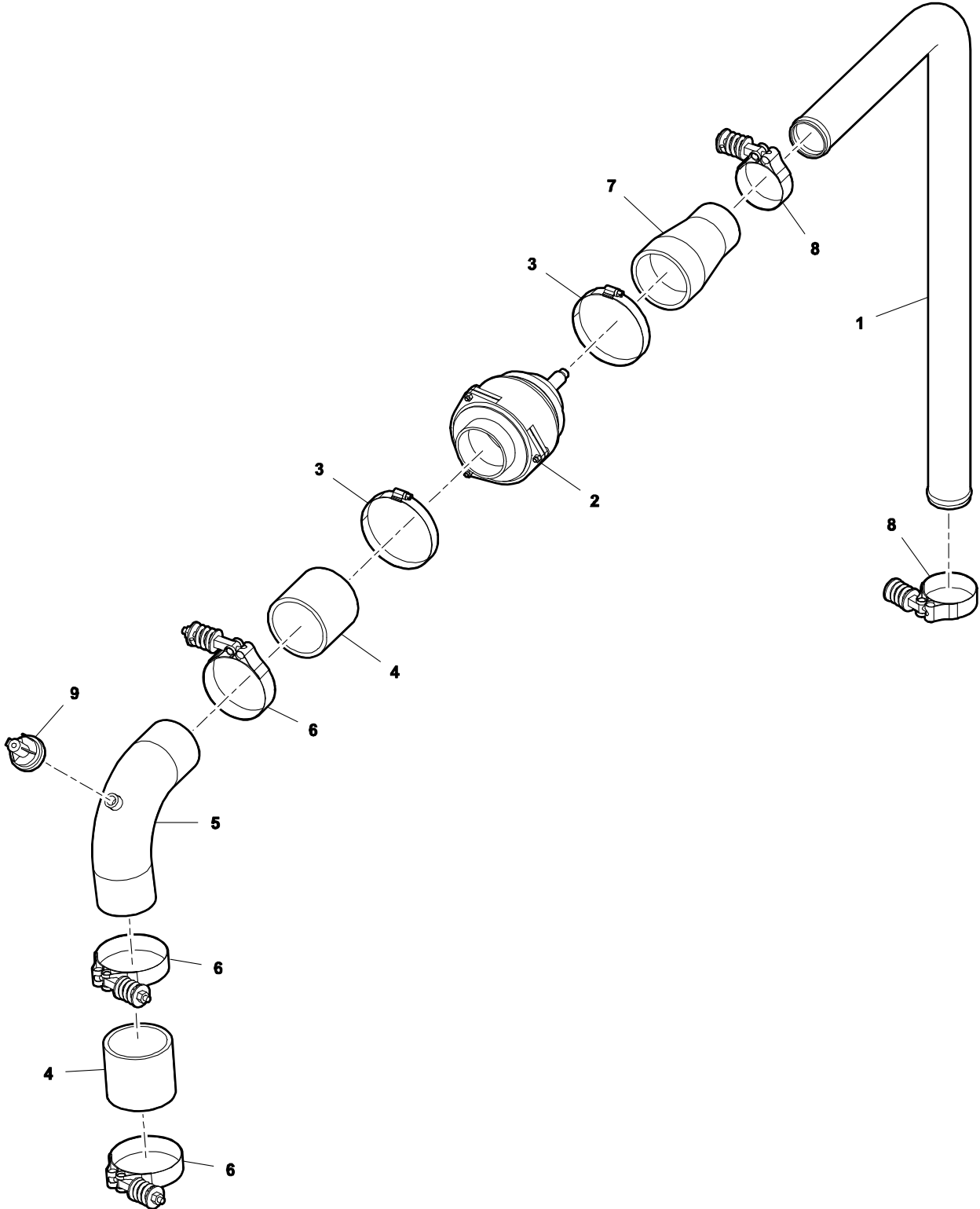
T4925_02
10/17

OPTION - LUBRICATOR



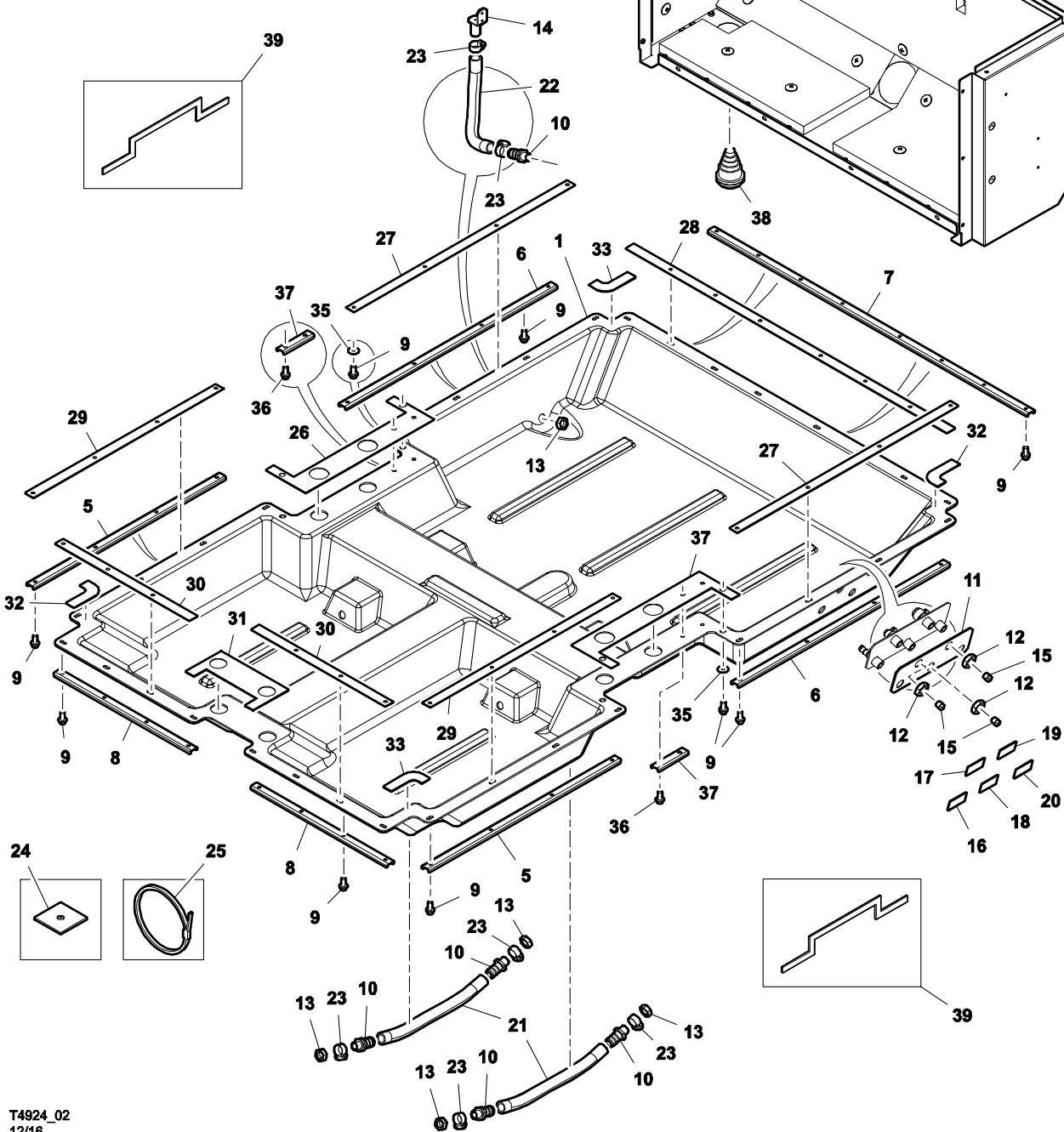
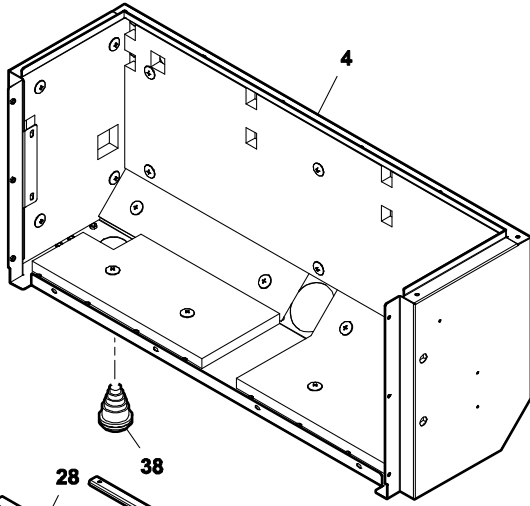
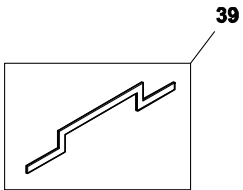
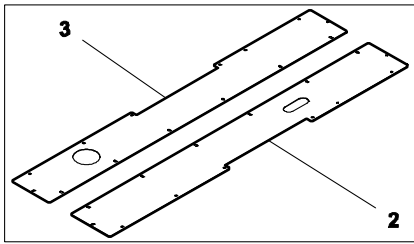
T4931_00
08/15

OPTION - OVERSPEED VALVE



T4928_00
08/15

OPTION - BUNDED BASE
(includes central drains)

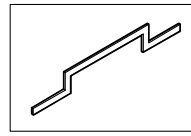
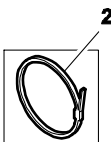
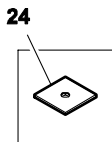
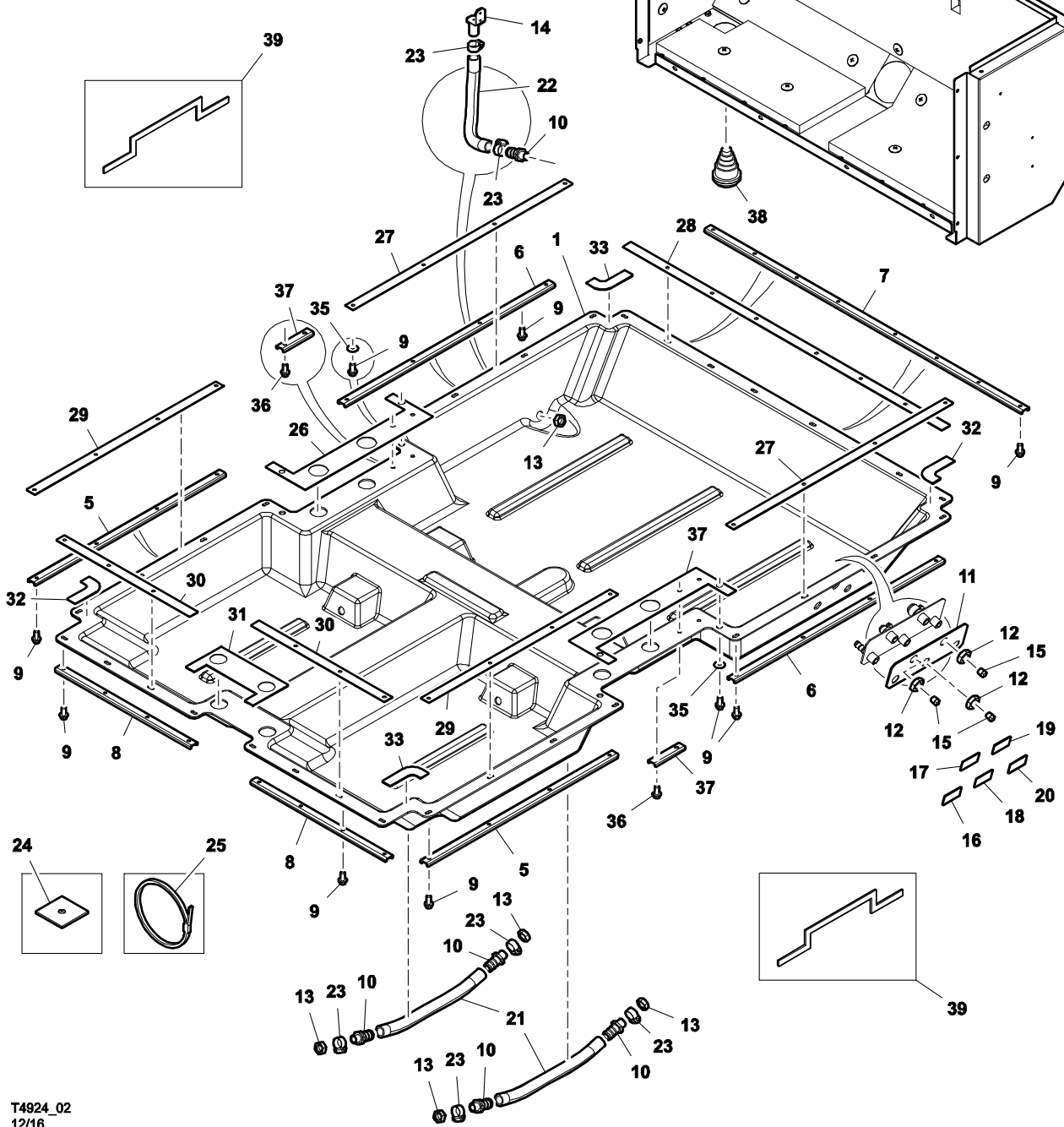
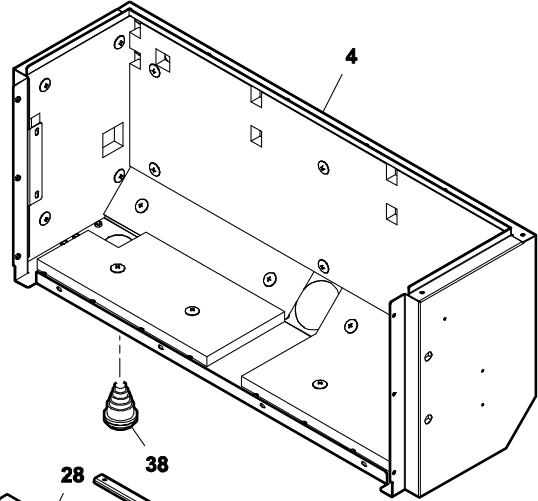
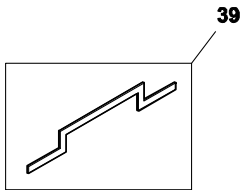
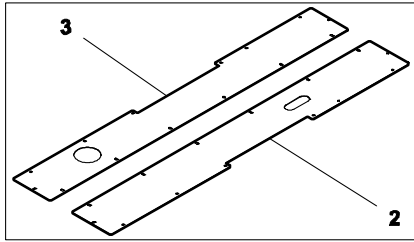


T4924_02
12/16

**OPTION - BUNDED BASE
(includes central drains)**

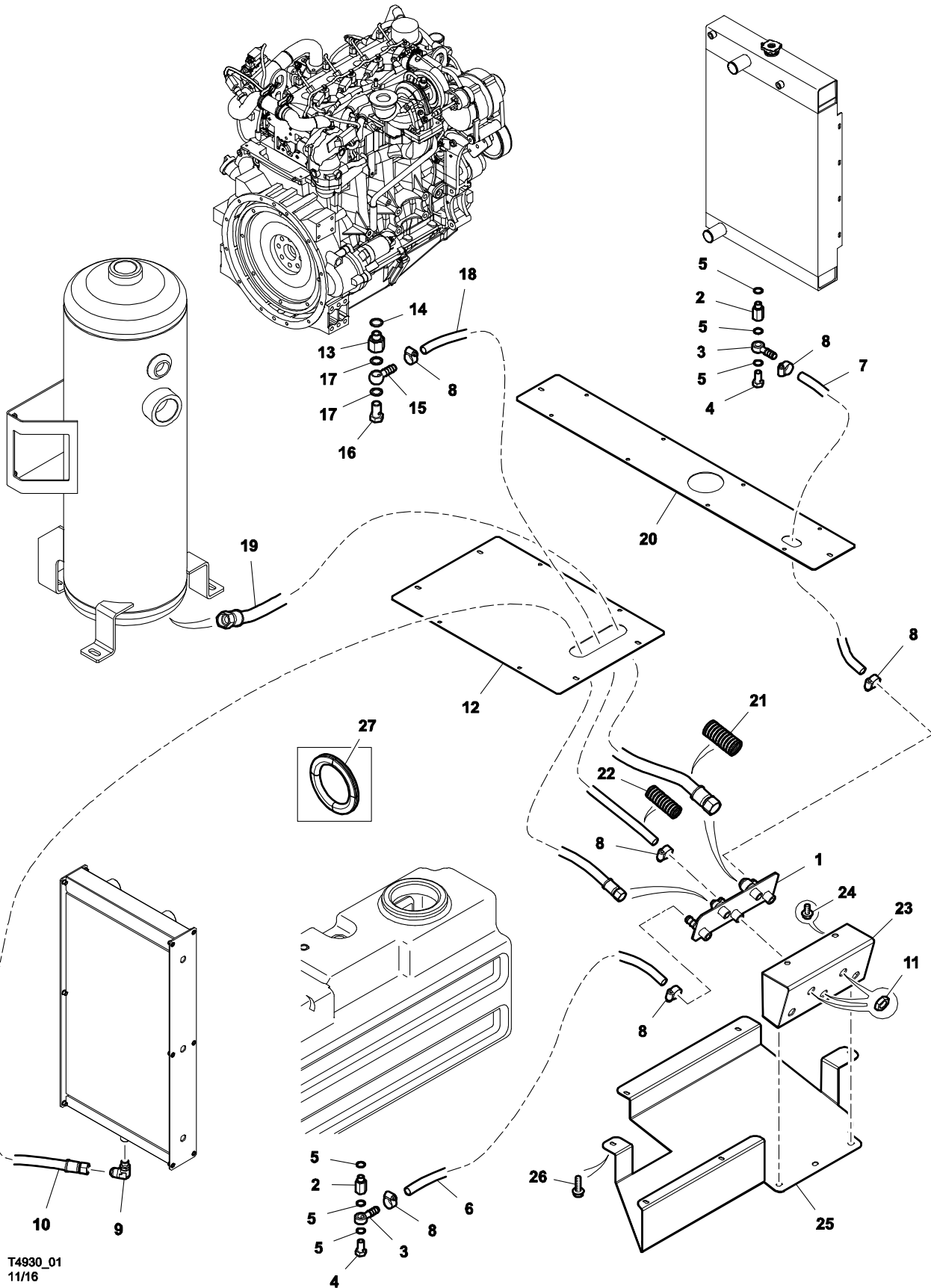
Item	Part Number	Description	Remarks	Serial Number	Qty
1	46648627	SUMP			1
2	46690827	PANEL			1
3	46690828	PANEL			1
4	46687794	CANOPY ASSEMBLY			1
4	46689180	CANOPY ASSEMBLY	(used with spark arrestor option)		1
5	46653123	STRIP, STRENGTHENING			2
6	46679540	STRIP, STRENGTHENING			2
7	46679541	STRIP, STRENGTHENING			1
8	46653124	STRIP, STRENGTHENING			2
9	36898096	SCREW			36
10	46666141	CONNECTOR			5
11	46667127	GASKET			1
12	46668085	NUT			3
13	46668082	NUT			5
14	46666160	SUPPORT			1
15	92354661	PLUG			5
16	54629977	DECAL, ISO CENTRAL DRAIN	(fuel tank drain) 'D'		1
17	54629977	DECAL, ISO CENTRAL DRAIN	(compressor coolant drain) 'F'		1
18	54629977	DECAL, ISO CENTRAL DRAIN	(engine oil drain) 'C'		1
19	54629977	DECAL, ISO CENTRAL DRAIN	(separator tank drain) 'G'		1
20	54629977	DECAL, ISO CENTRAL DRAIN	(engine coolant drain) 'B'		1
21	23028574	HOSE	0,35 m long		2
22	23028574	HOSE	0,32 m long		1
23	95220844	CLAMP			6
24	93524007	PLATE, CABLE TIE			3
25	92281427	TIE, CABLE			3
26	46680755	SEAL			1
27	46680757	SEAL			2
28	46680758	SEAL			1
29	46680754	SEAL			2
30	46680740	SEAL			2

OPTION - BUNDED BASE (CONT'D)
 (includes central drains)



T4924_02
 12/16

OPTION - CENTRAL DRAINS

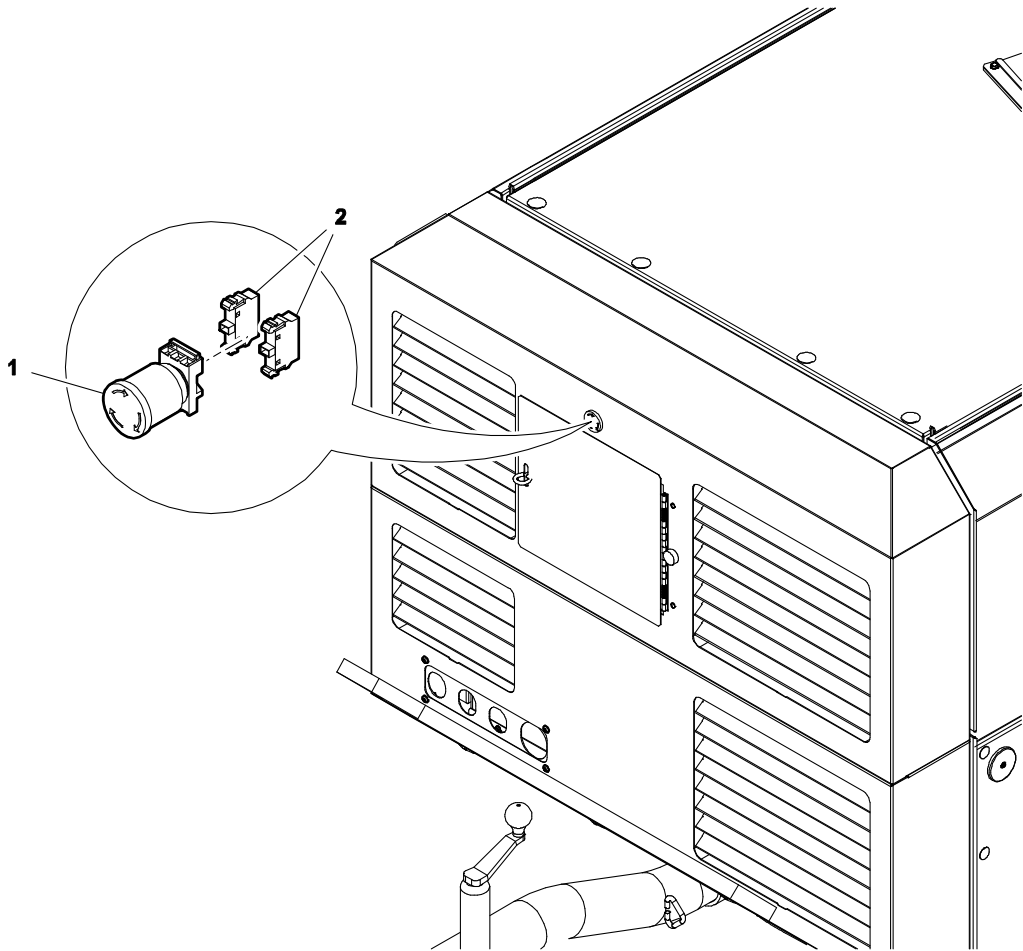
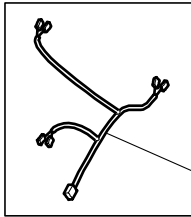


T4930_01
11/16

OPTION - CENTRAL DRAINS

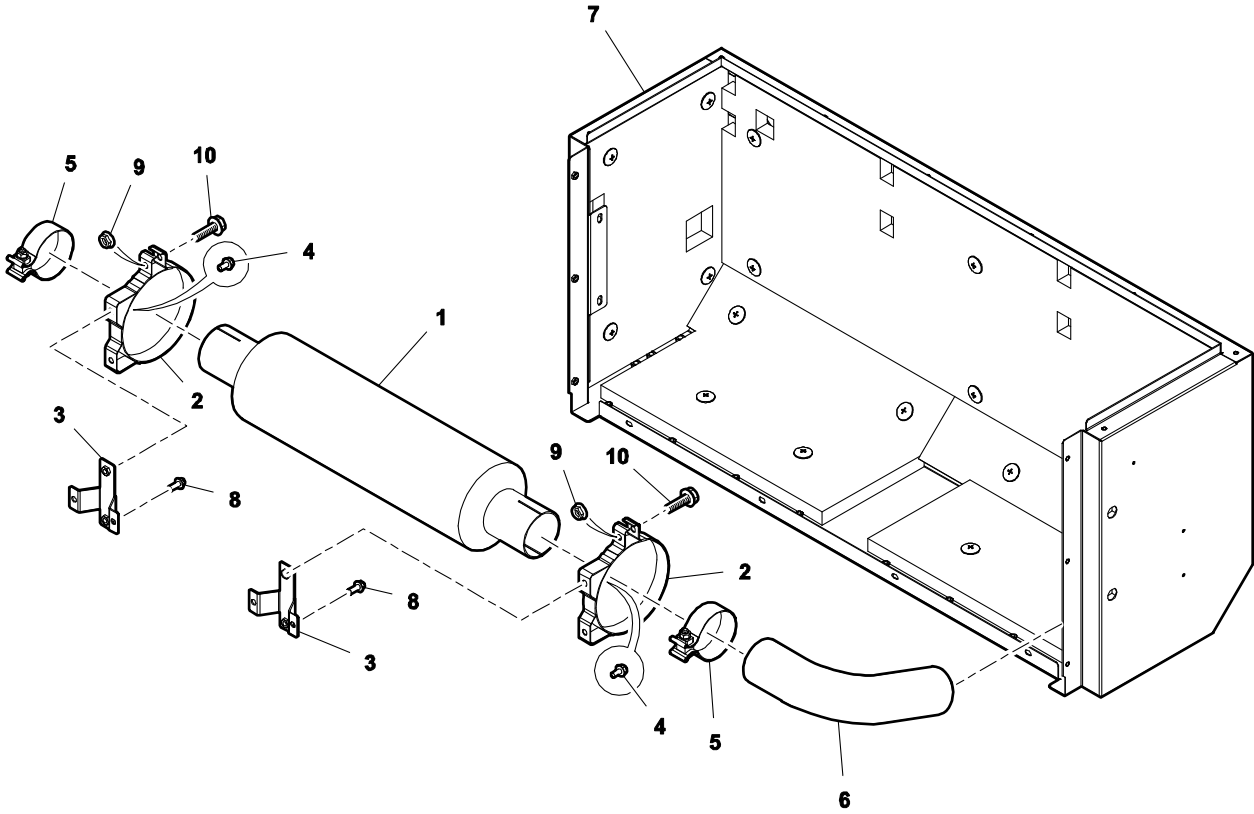
Item	Part Number	Description	Remarks	Serial Number	Qty
1	46667126	MANIFOLD			1
2	23282031	SPACER			2
3	23344146	FITTING, BANJO			2
4	23276306	BOLT, BANJO			2
5	23344088	WASHER, COPPER			6
6	23287766	HOSE	0,382 m long - (13 mm ID)		1
7	23291693	HOSE	0,475 m long - (13 mm ID)		1
8	95220844	CLAMP			6
9	35287937	ELBOW			1
10	46656389	HOSE			1
11	46668085	NUT			3
12	46655740	PANEL			1
13	46668345	SPACER			1
14	46679608	O-RING			1
15	46553618	FITTING, BANJO			1
16	46553620	BOLT, BANJO			1
17	46679659	O-RING			2
18	23098296	HOSE	0,890 m long - (13 mm ID)		1
19	22138853	HOSE ASSEMBLY			1
20	46655739	PANEL			1
21	46551700	PROTECTOR	0,3 m long		1
22	46689344	PROTECTOR	0,7 m long		1
23	46678211	MANIFOLD	(not used with bunded base option)		1
24	92472638	SCREW			2
25	46678212	COVER	(not used with bunded base option - machines with running gear only)		1
26	96705058	SCREW	(machines with running gear only)		3
27	22293419	SEAL, U-PROFILE	order as required		x

OPTION - EMERGENCY STOP BUTTON



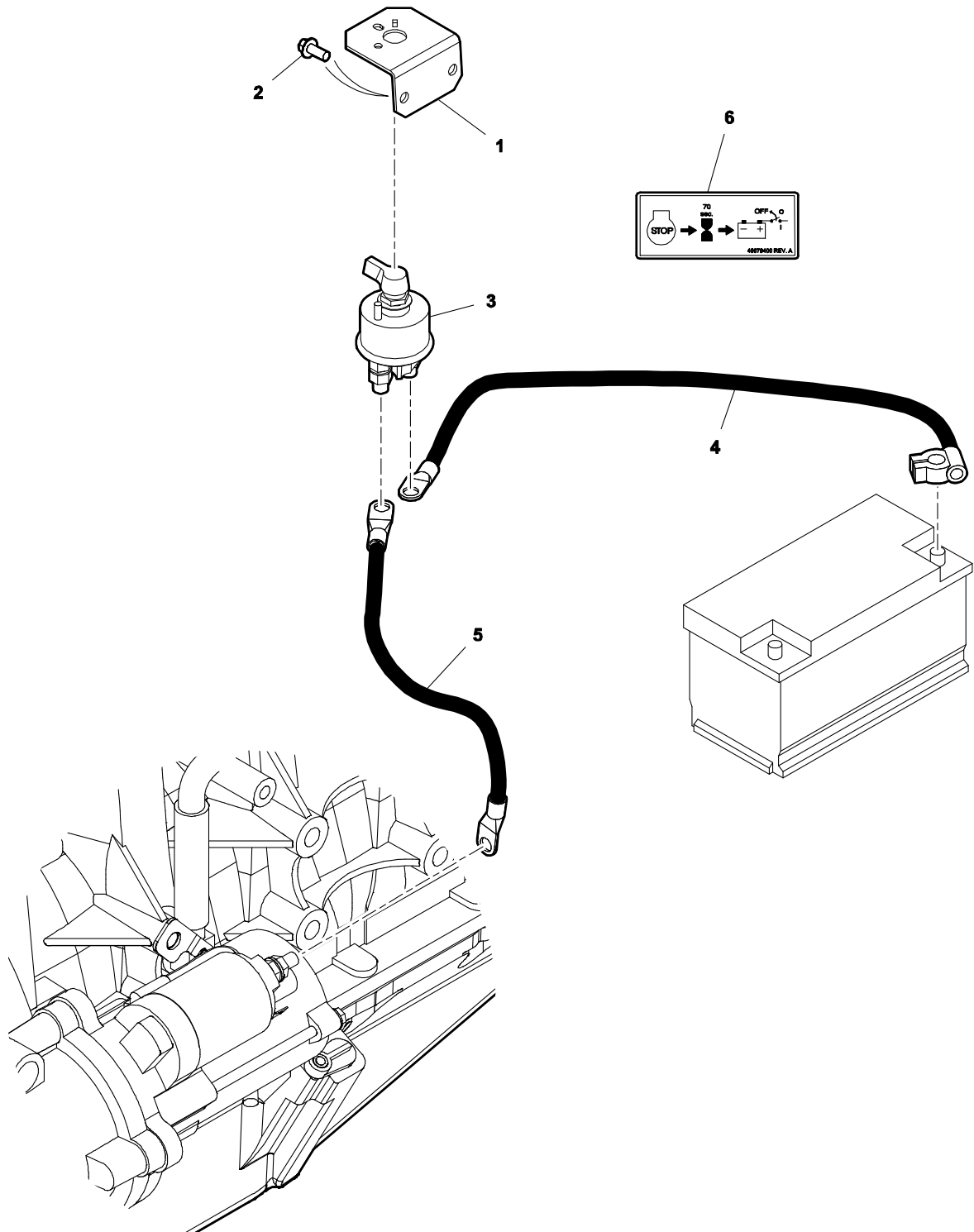
T4926_00
08/15

OPTION - SPARK ARRESTOR



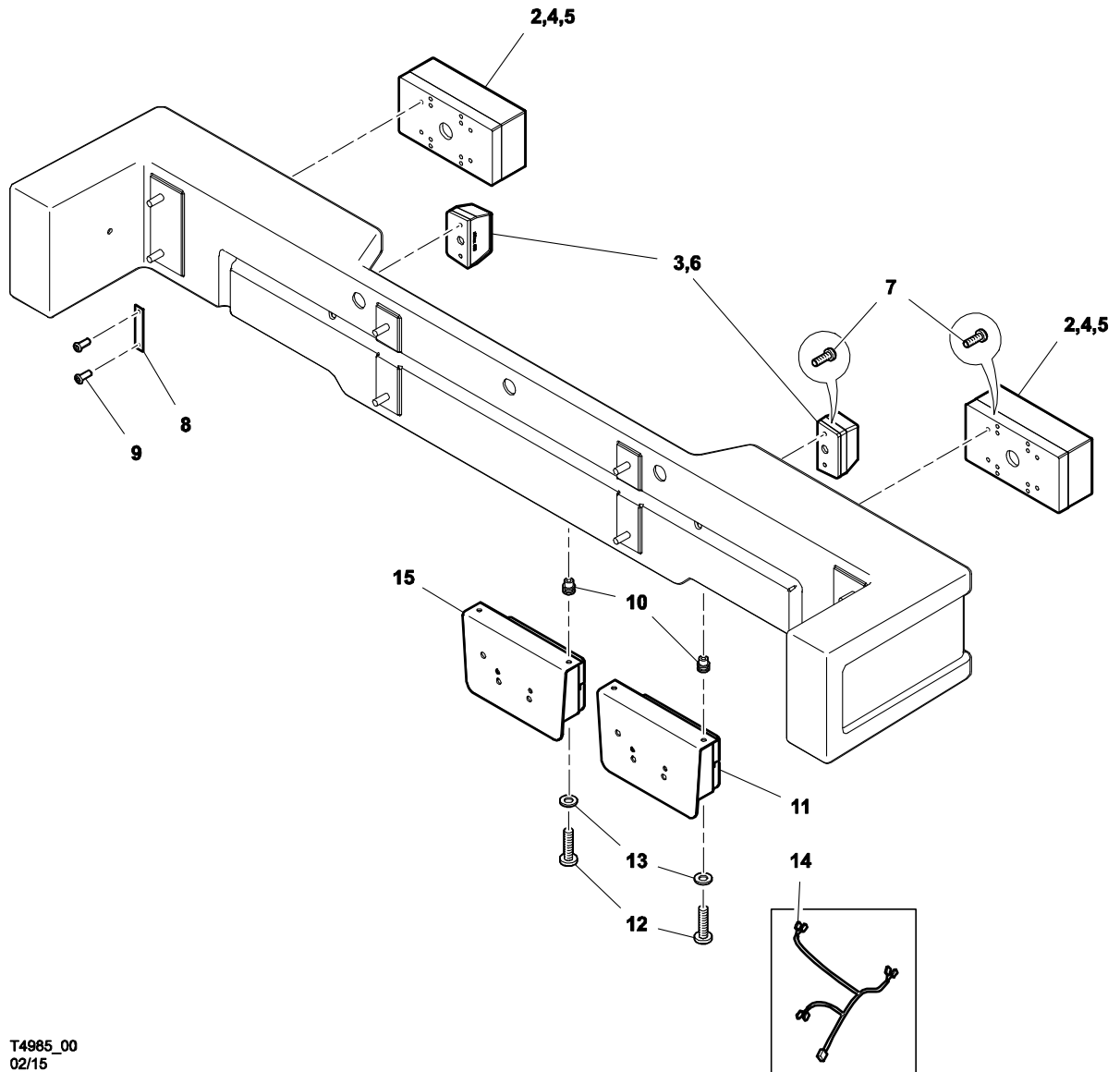
T4935_00
08/15

OPTION - BATTERY DISCONNECT



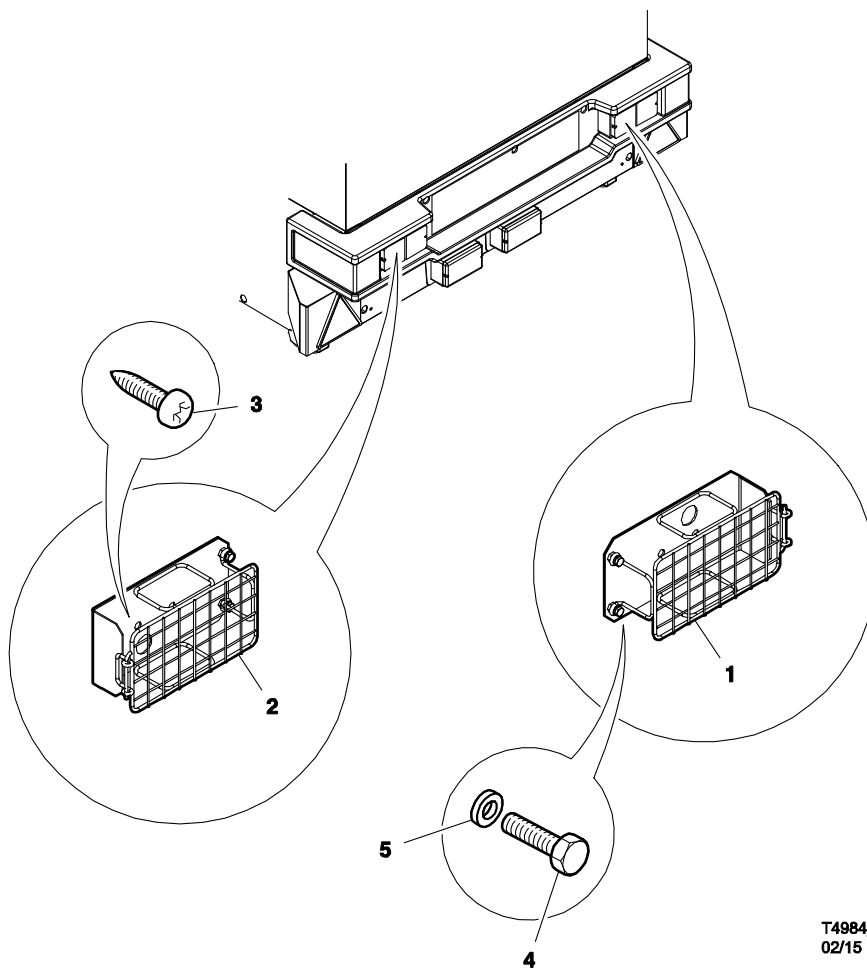
T4927_00
08/15

OPTION - ROAD LIGHTS



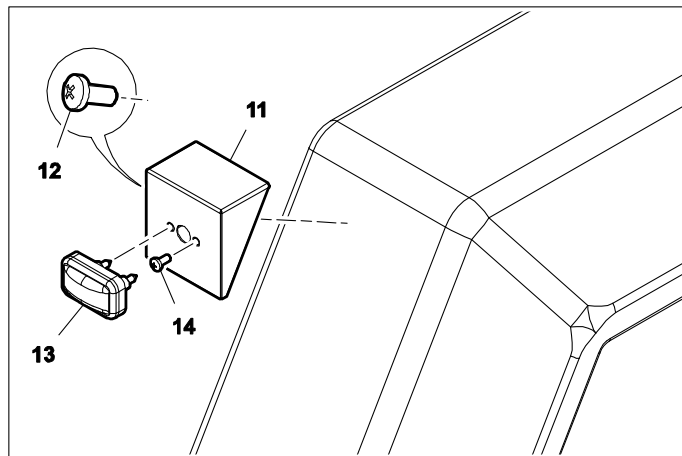
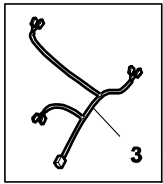
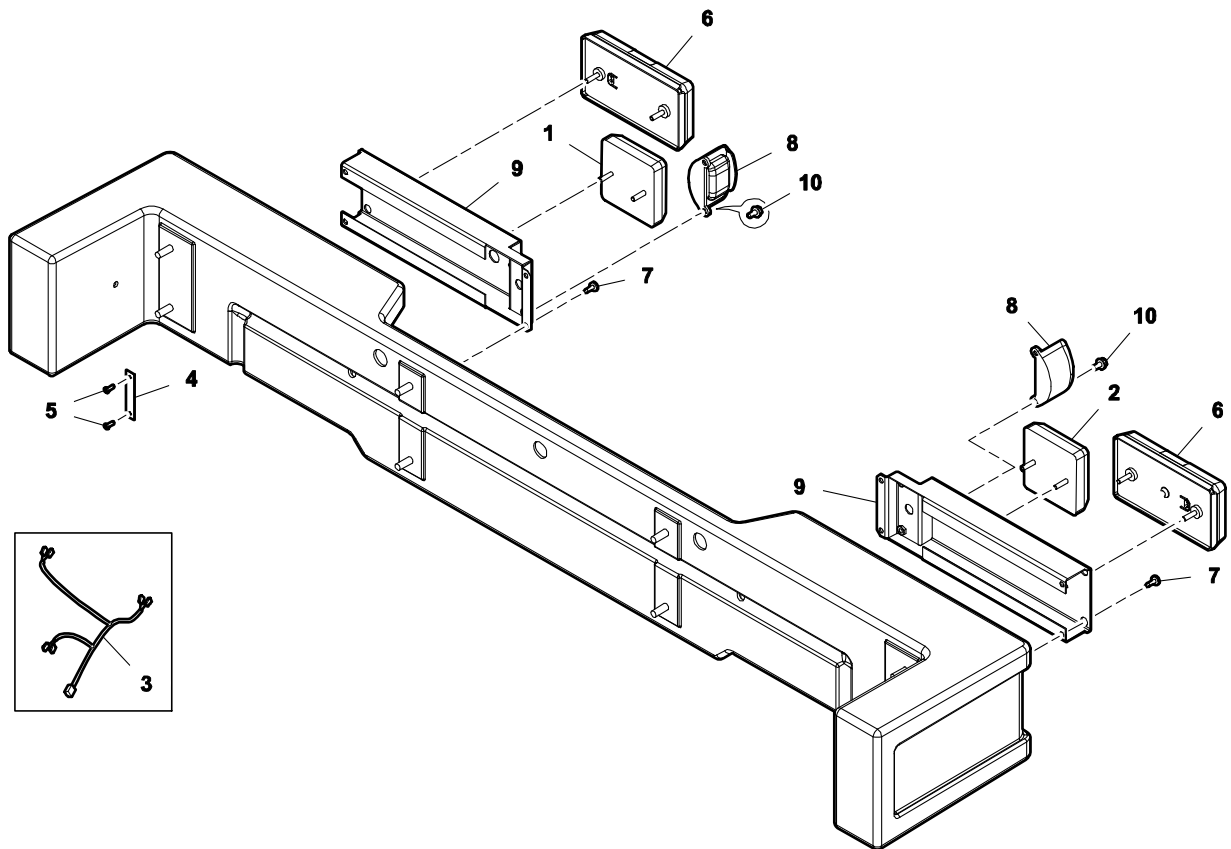
T4985_00
02/15

OPTION - ROAD LIGHTS - DRIVING LIGHTS PROTECTION



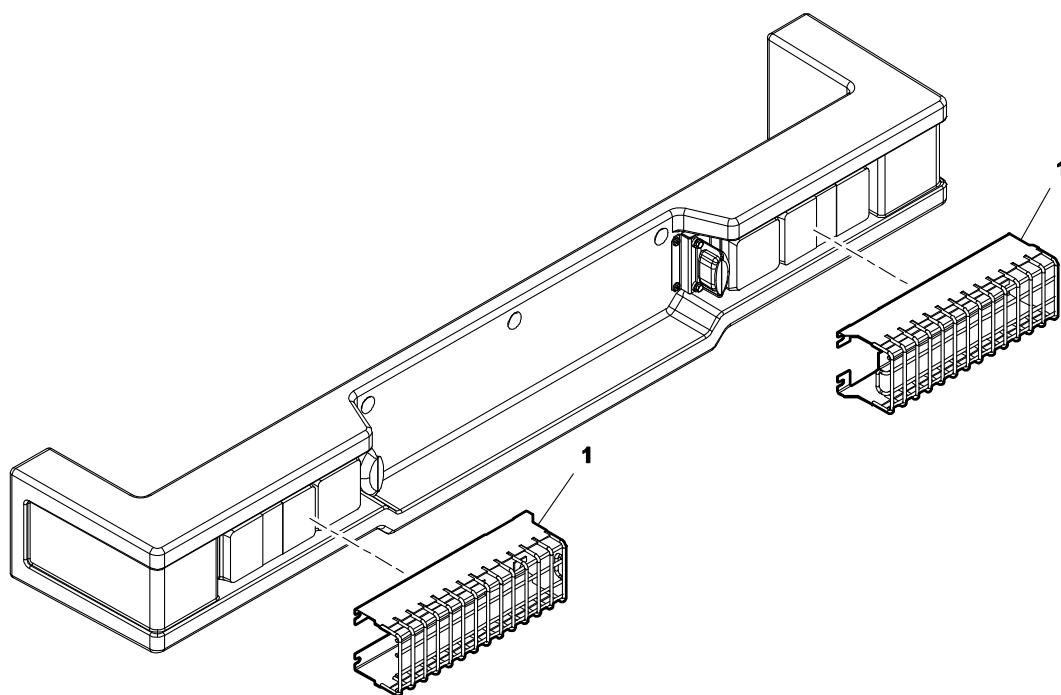
T4984_00
02/15

OPTION - LED ROAD LIGHTS



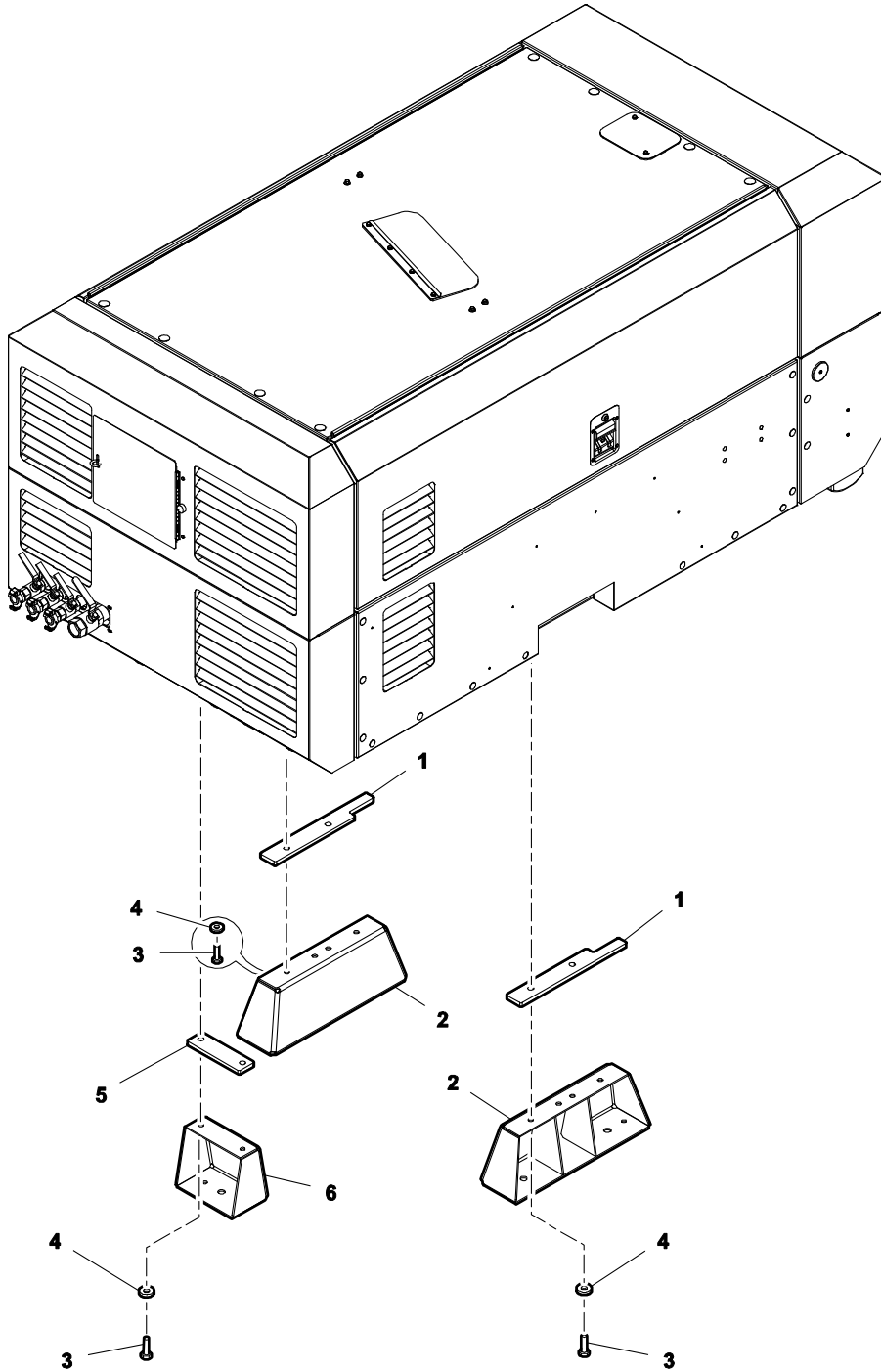
T4890_00
12/16

OPTION - LED ROAD LIGHTS PROTECTION



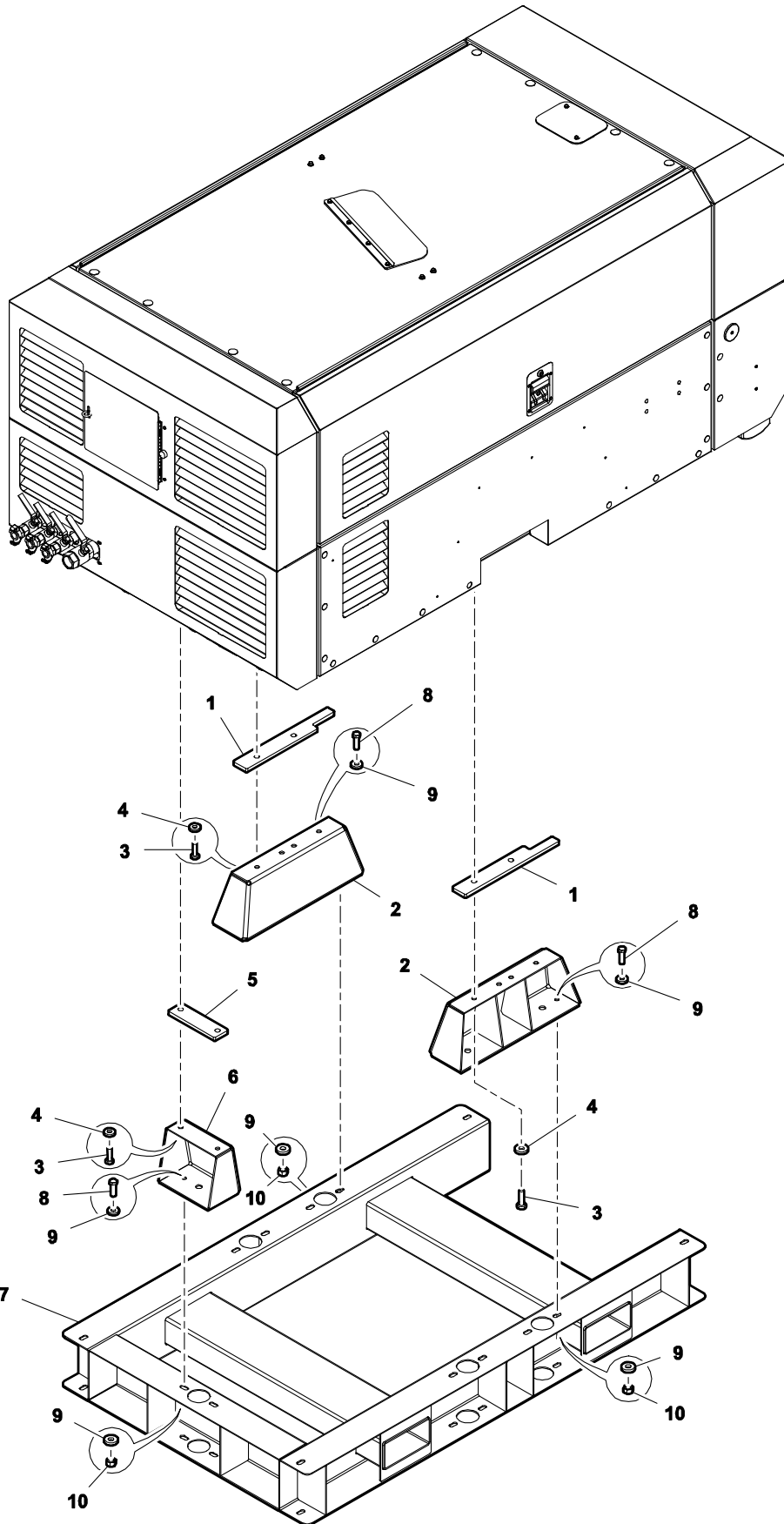
T4889_00
12/16

OPTION - SHIPPING SKID



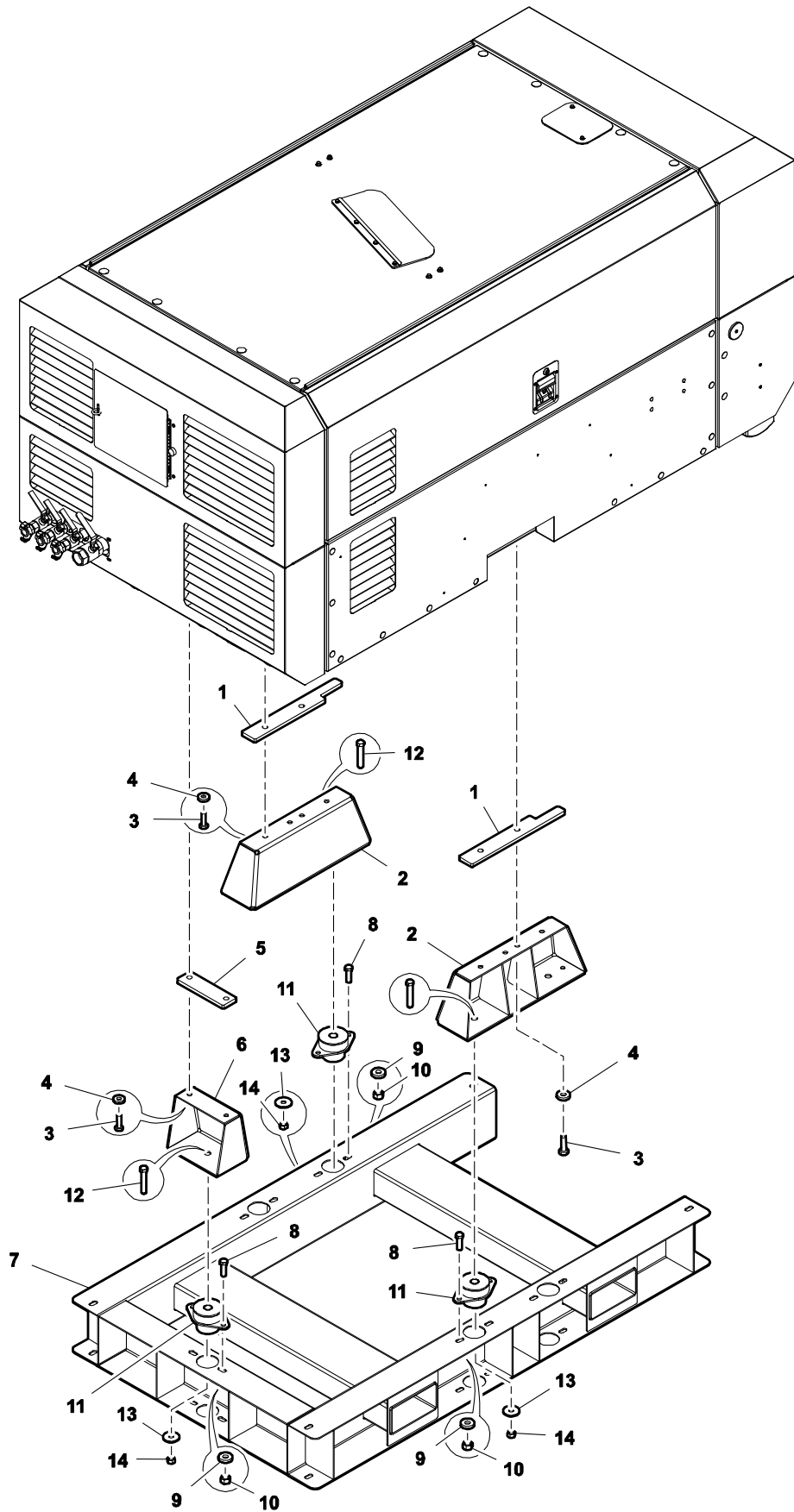
T4932_01
11/16

OPTION - SKID MOUNTING



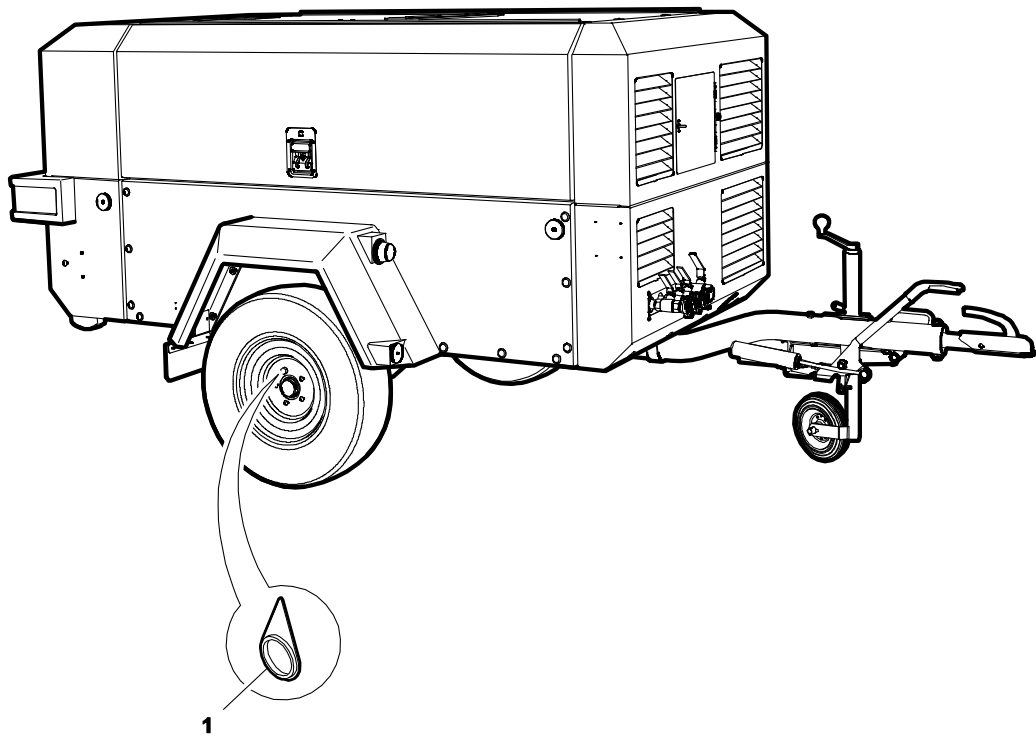
T4934_01
11/16

OPTION - TRUCK MOUNTING



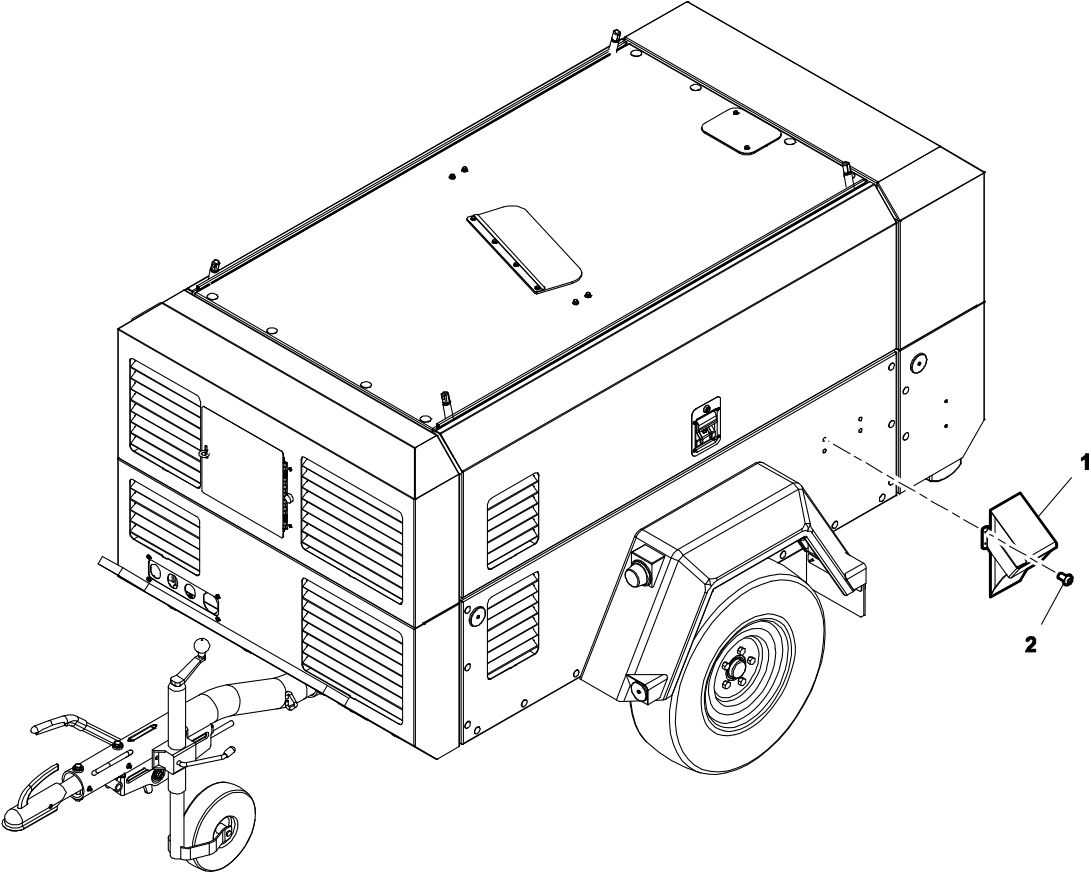
T4933_01
11/16

OPTION - WHEEL NUT INDICATORS



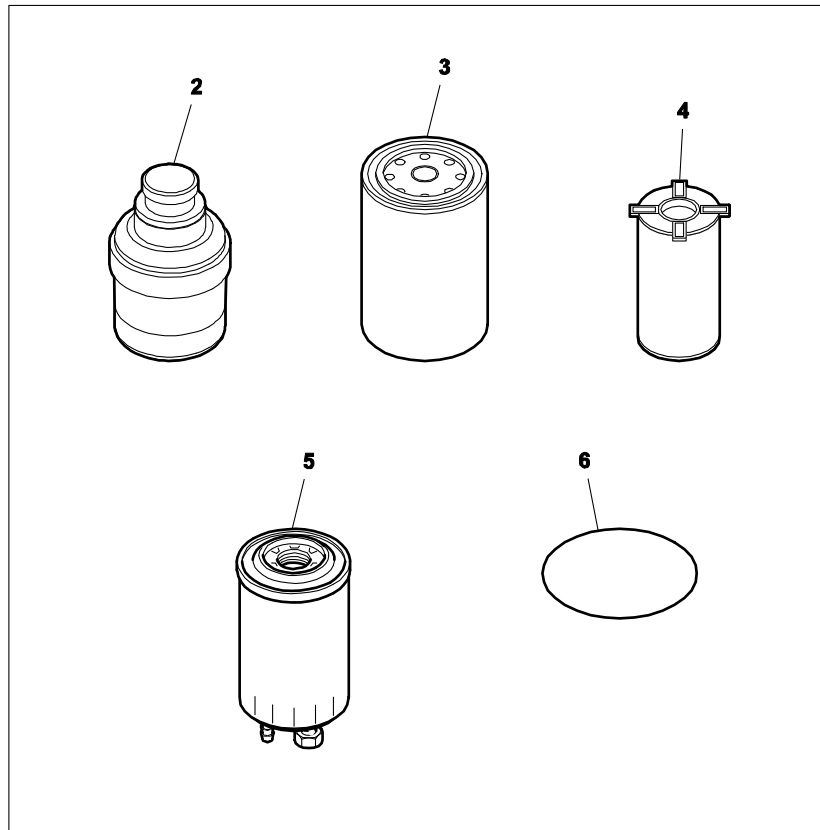
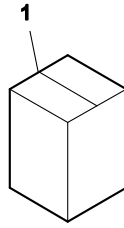
T4983_00
02/15

OPTION - WHEEL CHOCKS



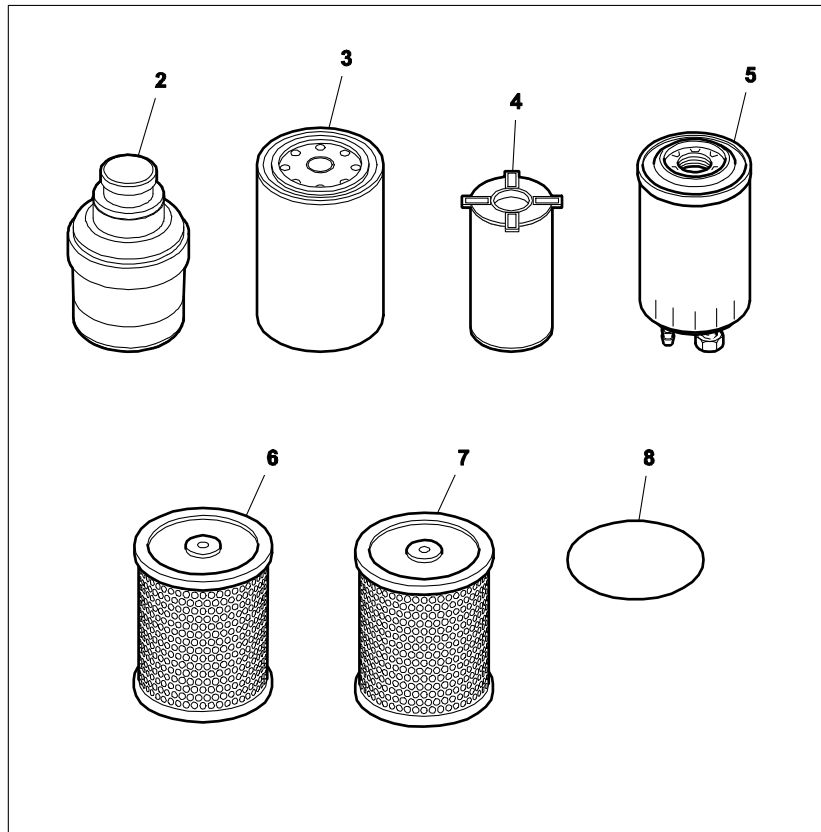
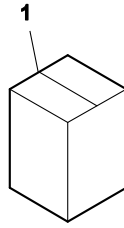
T4929_00
08/15

**MAINTENANCE KIT
(500 hours)**



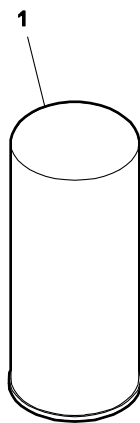
T4937_01
09/16

MAINTENANCE KIT (1000 hours)



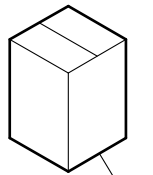
T4938_01
09/16

**MAINTENANCE KIT
(separator filter)**

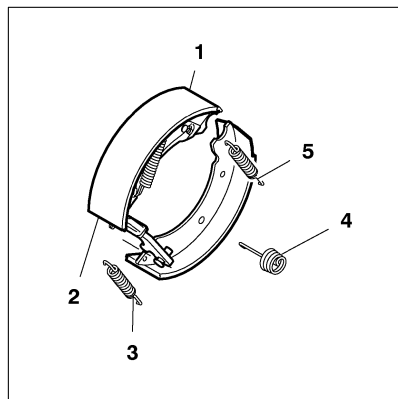


T4936_00
05/15

**MAINTENANCE KIT
(brake pads)**

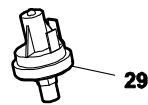
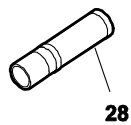
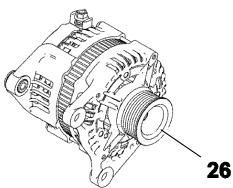
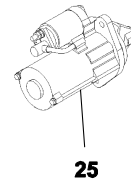
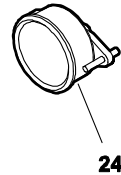
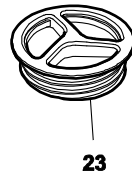
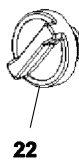
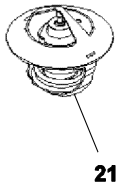
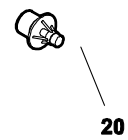
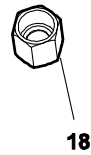
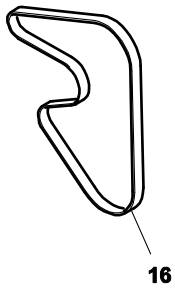
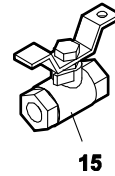
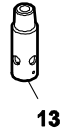
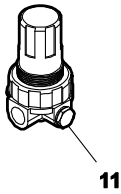
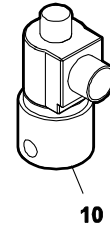
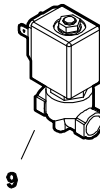
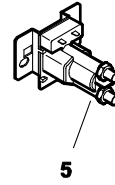
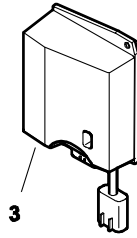
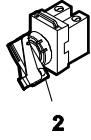
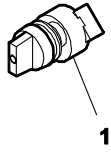


6



T4999_00
06/15

RECOMMENDED SPARES

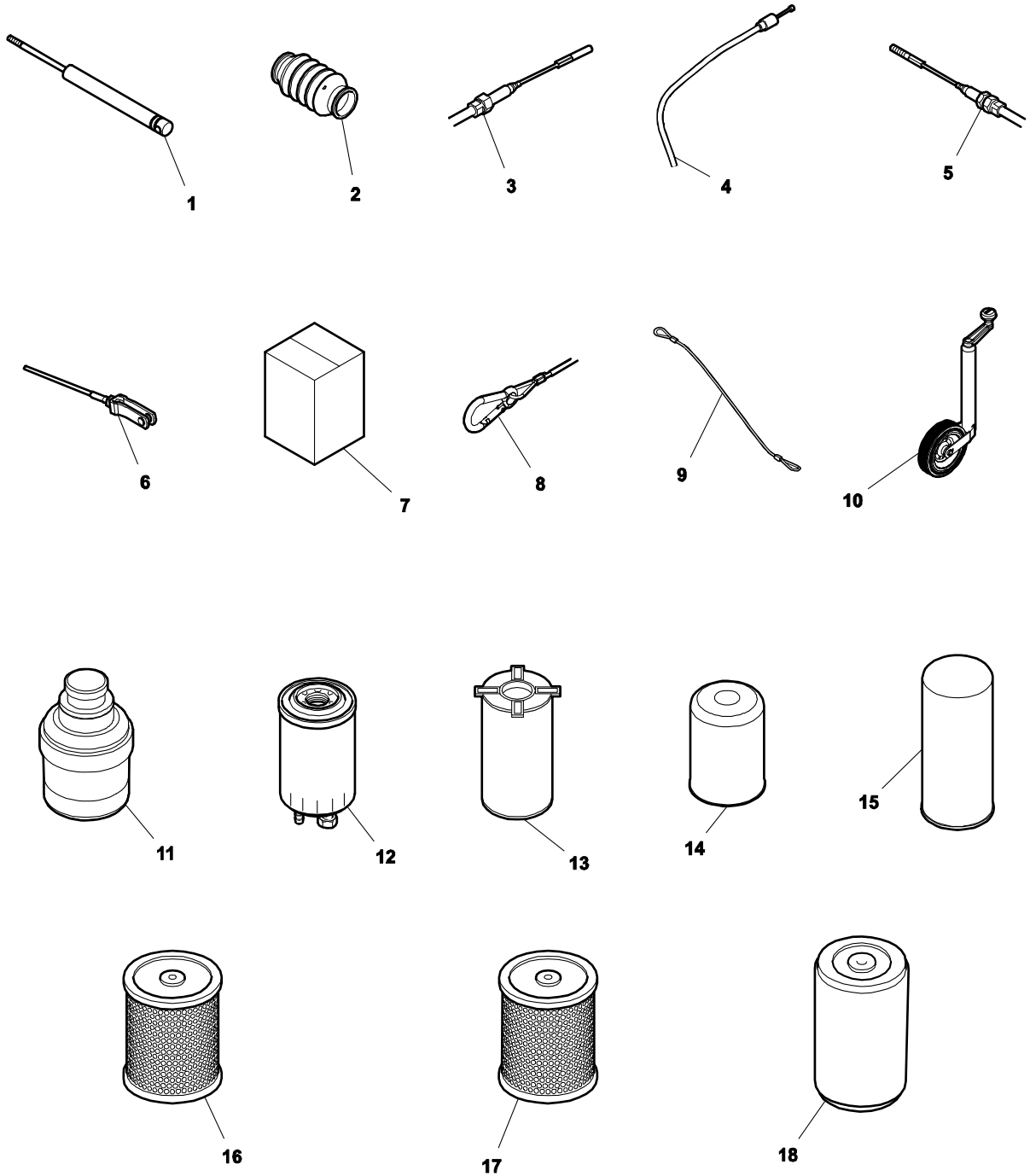


T4996_00
05/15

RECOMMENDED SPARES

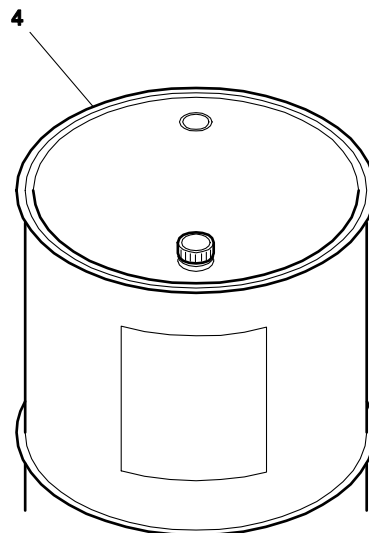
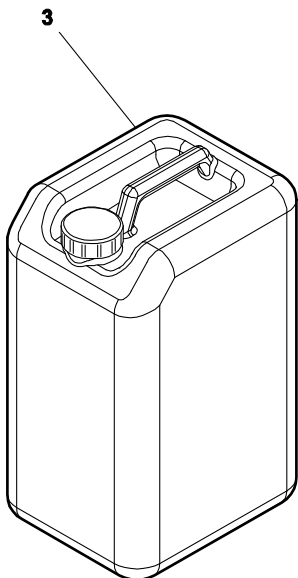
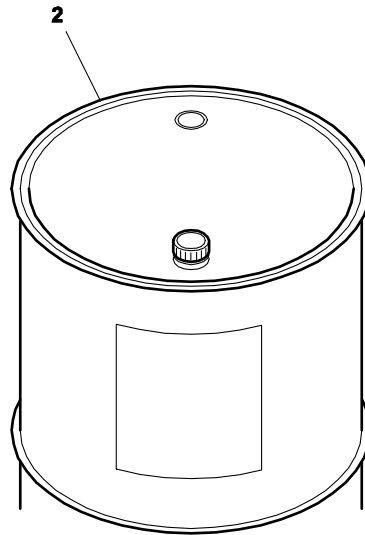
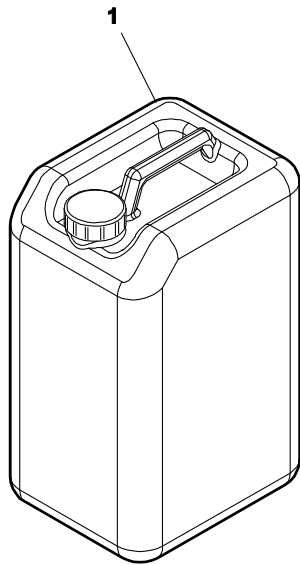
Item	Part Number	Description	Remarks	Serial Number	Qty
1	22127385	SWITCH, START			1
2	46666609	SWITCH, PRESSURE			1
3	46491999	CONTROLLER			1
4	36878361	RELAY, WEATHERPROOF	(12 V)		1
5	36856250	RELAY			1
6	46561563	FUSE	(150 A)		1
7	46666629	LAMP, LED			1
8	46666630	LAMP, LED			1
9	46626320	VALVE, SOLENOID			1
10	46555970	VALVE, SOLENOID			1
11	46635923	REGULATOR, PRESSURE			1
12	54748363	VALVE, BLOWDOWN			1
13	92549369	ORIFICE, SILENCER			1
14	46673582	VALVE, CHECK			1
15	35324839	VALVE, BALL			1
16	46674220	V-BELT			1
17	46689105	VALVE, SAFETY			1
18	35369214	CAP			1
19	22314348	COUPLING			1
20	22195820	ELEMENT, THERMOSTATIC VALVE			1
21	46674190	THERMOSTAT			1
22	46674209	CAP, FILLER			1
23	89230759	CAP			1
24	93531184	GAUGE, PRESSURE			1
25	46674214	MOTOR, STARTER			1
26	46674192	ALTERNATOR			1
27	54443213	SPRING			1
28	22454425	ORIFICE, SONIC			1
29	36847838	SENSOR, AIR RESTRICTION			1

RECOMMENDED SPARES



T4988_00
05/15

FLUIDS

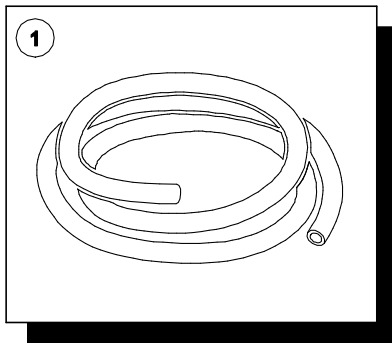


T2591_01
07/12

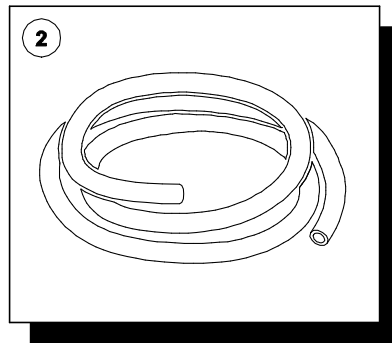
AIR DELIVERY HOSE

This range of air delivery hose is readily available in the two most commonly used sizes of 3/4" and 1" I/D, in three lengths; 15m (50') complete with fittings, 4m (13') complete with fittings and random lengths. Please note the CPN given for the random lengths is a per metre measurement, therefore when ordering please specify the number of metres required.

The chart is by no means exhaustive, additional sizes or fitted lengths can be made available on request to suit your individual needs. Similarly the chart only gives details of air delivery hose at 15.5 bar (225 psi) working pressures. Should you require higher working pressures or different types of hose please contact Portable Power Aftermarket, via your normal channels.



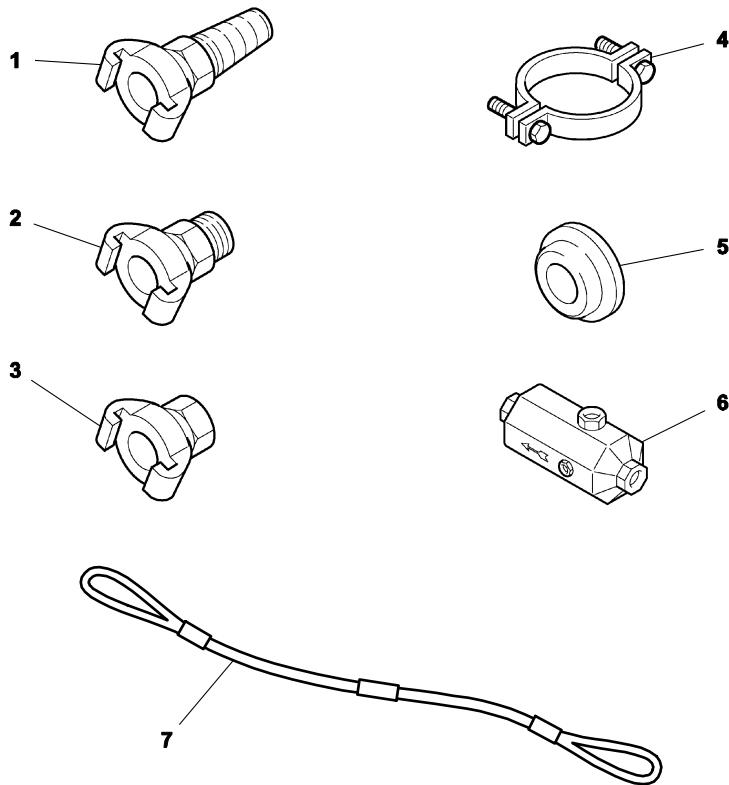
Hose
I.D.: 19 mm (3/4")
O.D.: 30 mm
Working pressure: 15.5 bar (225 psi)
Burst pressure: 46.54 bar (675 psi)
Weight: 0.580 kg/m



Hose
I.D.: 25 mm (1")
O.D.: 36 mm
Working pressure: 15.5 bar (225 psi)
Burst pressure: 46.54 bar (675 psi)
Weight: 0.830 kg/m

T2593_00
02/11

AIR HOSE FITTINGS



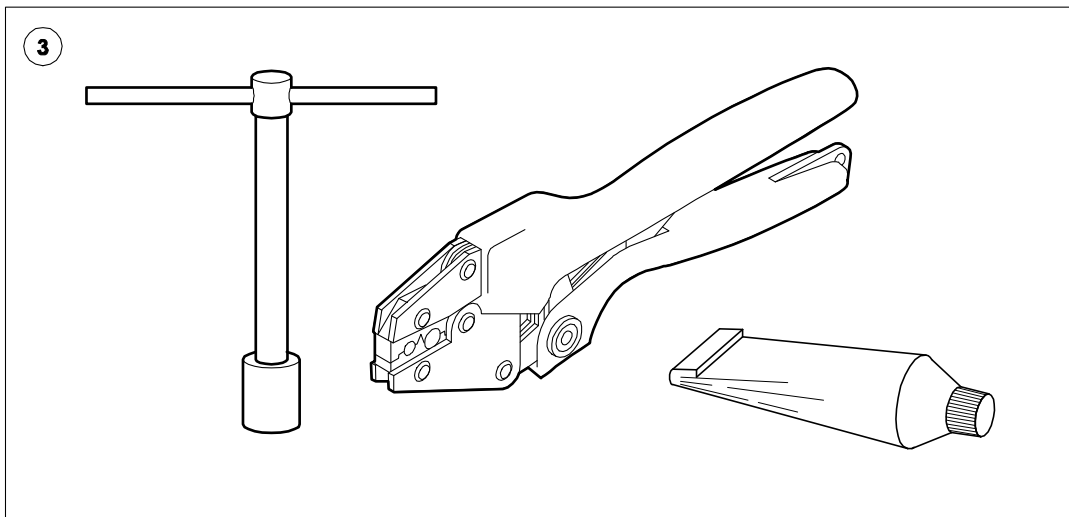
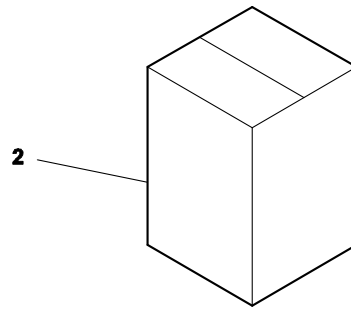
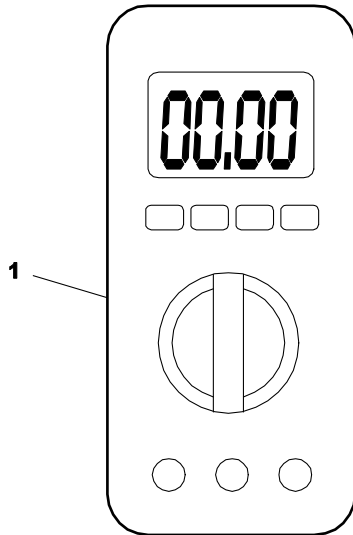
Some air tools are manufactured with an integral oil supply built into the handle. In cases where no such supply exists a lubricator installed within the air line ensures that air tools operate at peak efficiency and reduce costly repair and downtime.

The lubricator should be located as near to the tool as possible but satisfactory lubrication will be provided if installed as far away as 25ft (7.62m). Immediately upon operation of an air tool a fog of oil is automatically injected into the air stream and lubrication of the tool will continue as long as there is oil in the lubricator.

The oil supply, which is adjustable, is easily checked through the pressure proof window, and refilling is made simple by use of a large filler cap. Whenever the cap is removed it automatically vents the reservoir pressure allowing refilling without shutting down the air supply.

T2594_01
07/12

SERVICE TOOLS

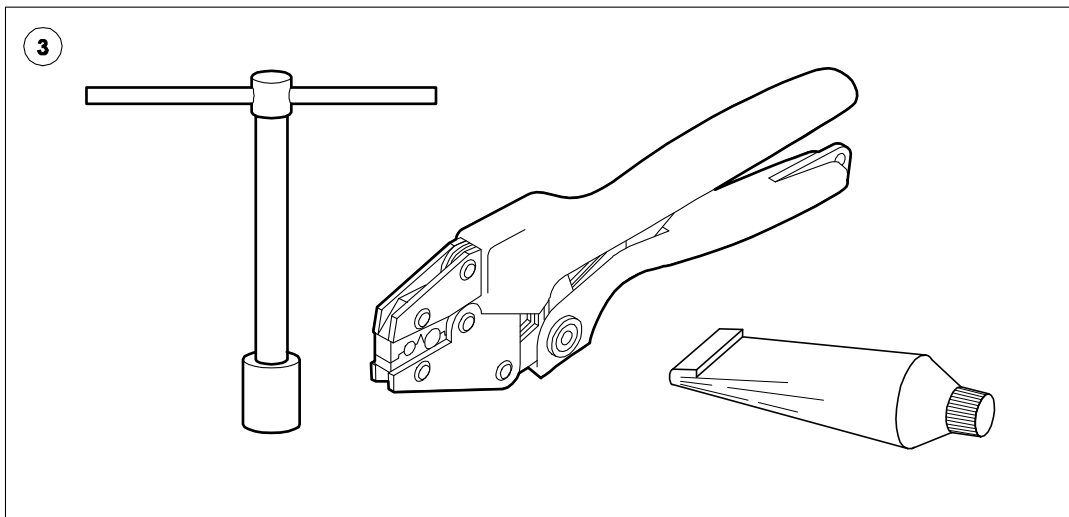
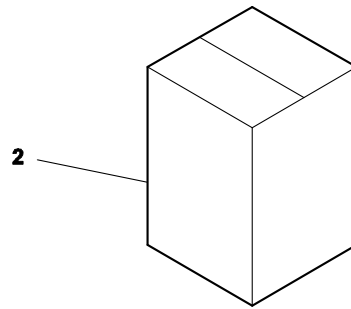
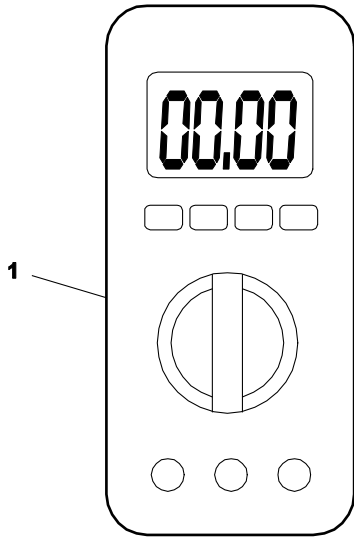


T2595_01
08/12

SERVICE TOOLS

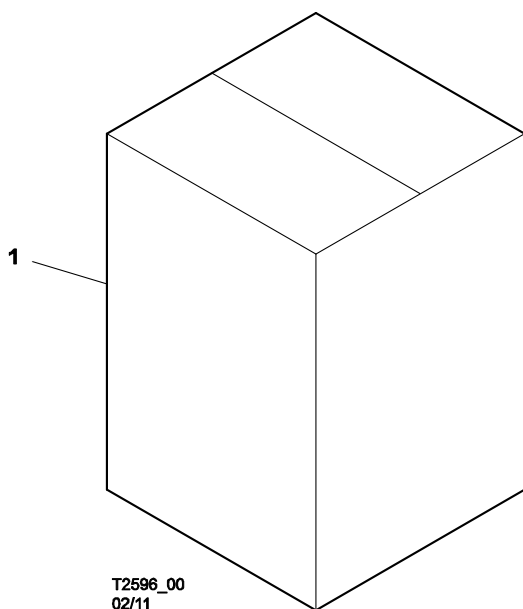
Item	Part Number	Description	Remarks	Serial Number	Qty
1	22216691	DIGITAL MULTIMETER	(fluke 87)		1
1	22216733	METER CASE, FLUKE			1
1	22216709	TEST LEAD SET, FLUKE			1
1	22216725	WIRE INSULATION PIERCING PROBE, FLUKE			1
2	22147540	KIT, TEST ADAPTERS			1
2	22146393	KIT, DEUTSCH TERMINAL REMOVAL TOOL	(size 20 through 8)		1
3	22281588	WRENCH, T- HANDLE HEX	5/32"		1
3	22282107	SCREW DRIVER, HEX	5/32"		1
3	22282172	FLEX DRIVER	3/4"		1
3	54740675	SERIAL CABLE, HEAVY DUTY	RS232		1
3	54699640	DEUTCH TERMINAL REMOVAL	tool size 20		1
3	54699632	DEUTCH TERMINAL REMOVAL	size 16		1
3	46490942	DEUTCH TERMINAL REMOVAL	size 14		1
3	54699624	DEUTCH TERMINAL REMOVAL	size 12		1
3	54699616	DEUTCH TERMINAL REMOVAL	size 8		1
3	54699657	DEUTCH WEDGELOCK AND TERMINAL REMOVAL TOOL			1
3	22216667	DEUTSCH TERMINAL CRIMP TOOL			1
3	54729660	PACKARD WEATHER- PACK TERMINAL REMOVAL TOOL			1
3	54749643	PACKARD METRI- PACK TERMINAL REMOVAL TOOL			1
3	46490959	PACKARD METRI- PACK TERMINAL REMOVAL TOOL			1
3	22254734	PACKARD WEATHER- PACK TERMINAL CRIMP TOOL			1
3	22216683	PACKARD METRI- PACK TERMINAL CRIMP TOOL			1
3	22255974	PACKARD METRI- PACK TERMINAL CRIMP TOOL			1
3	46490967	PACKARD METRI- PACK TERMINAL CRIMP TOOL			1
3	46490975	PACKARD METRI- PACK TERMINAL CRIMP TOOL			1
3	54749544	RTD SIMULATOR			1
3	54749551	THERMISTOR SIMULATOR			1
3	22073878	THERMISTOR SIMULATOR			1
3	22168868	PRESSURE TRANSDUCER SIMULATOR			1
3	54729710	ELECTRICAL CONTACT CLEANER			1
3	22409114	ELECTRICAL GREASE			1

SERVICE TOOLS (CONT'D)



T2595_01
08/12

CONNECTOR REPAIR KITS



Intentionally left blank

NUMERICAL INDEX

Part Number	Denomination	WAS	Page	Subgroup
			79	OIL LUBRICATING PUMP
15902968	SEAL		69	FUEL PUMP
18034124	CABLE		3	RUNNING GEAR
			7	RUNNING GEAR
			165	RECOMMENDED SPARES
22051411	SLIDER		3	RUNNING GEAR
			7	RUNNING GEAR
22051494	NUT		7	RUNNING GEAR
22051510	COVER		3	RUNNING GEAR
			7	RUNNING GEAR
			165	RECOMMENDED SPARES
22051544	JOINT		7	RUNNING GEAR
22051551	BUSH		7	RUNNING GEAR
22051577	NUT		3	RUNNING GEAR
			7	RUNNING GEAR
22051585	RING		7	RUNNING GEAR
22051692	HANDLE		7	RUNNING GEAR
22051700	BOLT		7	RUNNING GEAR
22051718	HANDLE		7	RUNNING GEAR
22051742	CLAMP		7	RUNNING GEAR
22051841	CABLE		3	RUNNING GEAR
			165	RECOMMENDED SPARES
22064356	RIVET		23	DECALS AND DOCUMENTATION
22066823	LEVER, HANDBRAKE		7	RUNNING GEAR
22066914	LEVER, TRANSMISSION		7	RUNNING GEAR
22067003	CLAMP ASSEMBLY		3	RUNNING GEAR
22073878	THERMISTOR SIMULATOR		173	SERVICE TOOLS
22104806	WASHER		3	RUNNING GEAR
			7	RUNNING GEAR
22125165	SCREW		15	ENCLOSURE
			31	INSTRUMENTATION AND ELECTRICS
22125173	RUNNING GEAR ASSEMBLY		7	RUNNING GEAR
22125181	RUNNING GEAR ASSEMBLY		3	RUNNING GEAR
22125579	WHEEL AND TYRE ASSEMBL		3	RUNNING GEAR
			7	RUNNING GEAR
22125587	WHEEL		3	RUNNING GEAR
			7	RUNNING GEAR
22125595	TYRE		3	RUNNING GEAR
			7	RUNNING GEAR
22126395	COMPENSATOR		7	RUNNING GEAR
22126437	JOCKEY WHEEL ASSEMBLY		3	RUNNING GEAR
			7	RUNNING GEAR
			165	RECOMMENDED SPARES
22127385	SWITCH, START		27	INSTRUMENTATION AND ELECTRICS
			163	RECOMMENDED SPARES
22134118	KNOB ASSEMBLY		27	INSTRUMENTATION AND ELECTRICS
22138853	HOSE ASSEMBLY		129	OPTION - CENTRAL DRAINS

Part Number	Denomination	WAS	Page	Subgroup
22147540	KIT, TEST ADAPTERS		173	SERVICE TOOLS
22163760	DROP-TUBE		107	FUEL SYSTEM
22168868	PRESSURE TRANSDUCER SI		173	SERVICE TOOLS
22176655	BATTERY		27	INSTRUMENTATION AND ELECTRICS
22182802	SPRING		7	RUNNING GEAR
22189302	CLAMP		103 123	COOLING SYSTEM OPTION - OVERSPEED VALVE
22195820	ELEMENT, THERMOSTATIC		39 163	OIL/AIR PIPING RECOMMENDED SPARES
22212013	HITCH, BALL		3 7	RUNNING GEAR RUNNING GEAR
22216667	DEUTSCH TERMINAL CRIMP		173	SERVICE TOOLS
22216683	PACKARD METRI- PACK TER		173	SERVICE TOOLS
22216691	DIGITAL MULTIMETER		173	SERVICE TOOLS
22216709	TEST LEAD SET, FLUKE		173	SERVICE TOOLS
22216725	WIRE INSULATION PIERCIN		173	SERVICE TOOLS
22216733	METER CASE, FLUKE		173	SERVICE TOOLS
22241038	SLIDER		7	RUNNING GEAR
22241046	COVER		7	RUNNING GEAR
22241053	BOLT		7	RUNNING GEAR
22241061	DRAWBAR		7	RUNNING GEAR
22241079	HOUSING		7	RUNNING GEAR
22241087	ARM, LINK		7	RUNNING GEAR
22241145	CABLE		7 165	RUNNING GEAR RECOMMENDED SPARES
22241152	CABLE		7 165	RUNNING GEAR RECOMMENDED SPARES
22241160	PIN		7	RUNNING GEAR
22241178	BOLT		7	RUNNING GEAR
22241343	SCREW		7	RUNNING GEAR
22241350	BOLT		7	RUNNING GEAR
22241368	SCREW		3	RUNNING GEAR
22241400	NIPPLE		7	RUNNING GEAR
22241418	CABLE		7 165	RUNNING GEAR RECOMMENDED SPARES
22241434	HANDLE		7	RUNNING GEAR
22241442	CLAMP		3 7	RUNNING GEAR RUNNING GEAR
22241467	AXLE TUBE ASSEMBLY		3 7	RUNNING GEAR RUNNING GEAR
22241475	ABSORBER, SHOCK		7 165	RUNNING GEAR RECOMMENDED SPARES
22241483	CLEVIS		7	RUNNING GEAR
22241491	WASHER		7	RUNNING GEAR
22241517	PIN		3 7	RUNNING GEAR RUNNING GEAR
22241533	SCREW		7	RUNNING GEAR

Part Number	Denomination	WAS	Page	Subgroup
22241566	PIN, RETAINING		7	RUNNING GEAR
22246714	ADAPTOR		103	COOLING SYSTEM
22252050	XHP 605 COMPRESSOR OIL		167	FLUIDS
22252076	XHP 605 COMPRESSOR OIL		167	FLUIDS
22252100	XHP 405 COMPRESSOR OIL		167	FLUIDS
22252126	XHP 405 COMPRESSOR OIL		167	FLUIDS
22252969	KIT, WIRE TERMINAL REPAI		177	CONNECTOR REPAIR KITS
22252993	KIT, WEDGE CONNECTOR R		177	CONNECTOR REPAIR KITS
22253017	KIT, ADHESIVE LINED HEAT		177	CONNECTOR REPAIR KITS
22254734	PACKARD WEATHER- PACK		173	SERVICE TOOLS
22254775	KIT, FUSES ASSORTMENT O		177	CONNECTOR REPAIR KITS
22255974	PACKARD METRI- PACK TER		173	SERVICE TOOLS
22272611	AIR FILTER ASSEMBLY		37	AIR INTAKE
22277628	STRAP		27	INSTRUMENTATION AND ELECTRICS
22281588	WRENCH, T- HANDLE HEX		173	SERVICE TOOLS
22282107	SCREW DRIVER, HEX		173	SERVICE TOOLS
22282172	FLEX DRIVER		173	SERVICE TOOLS
22293419	SEAL, U-PROFILE		19 129	ENCLOSURE OPTION - CENTRAL DRAINS
22307433	SEAL		121	OPTION - LUBRICATOR
22314348	COUPLING		33 163	AIREND ASSEMBLY RECOMMENDED SPARES
22392260	NUT		3	RUNNING GEAR
22409114	ELECTRICAL GREASE		173	SERVICE TOOLS
22417406	CLAMP		103	COOLING SYSTEM
22444368	DRAWBAR ASSEMBLY		3	RUNNING GEAR
22454425	ORIFICE, SONIC		43 163	OIL/AIR PIPING RECOMMENDED SPARES
22506034	ELBOW		113	OPTION - AFTERCOOLER
22538508	SCREW		125	OPTION - BUNDED BASE
22610950	O-RING		45	SEPARATOR TANK
22617666	SEAL		27	INSTRUMENTATION AND ELECTRICS
22664494	DECAL, SOUND POWER		23	DECALS AND DOCUMENTATION
22752117	CABLE		135	OPTION - BATTERY DISCONNECT
22769186	SENSOR, COOLANT LEVEL		103	COOLING SYSTEM
22773949	CAP		13	MAIN FRAME
22855258	RIVET		15	ENCLOSURE
22871875	SOCKET, ELECTRICAL		31	INSTRUMENTATION AND ELECTRICS
22969208	CLAMP		103 123	COOLING SYSTEM OPTION - OVERSPEED VALVE
22990816	POUCH, LITERATURE		19	ENCLOSURE
22997050	FOG LAMP ASSEMBLY		137	OPTION - ROAD LIGHTS
23001597	BULB		137	OPTION - ROAD LIGHTS
23027097	COVER, STEEL BRAID		107	FUEL SYSTEM
23028574	HOSE		125	OPTION - BUNDED BASE
23053499	PLUG		15	ENCLOSURE

Part Number	Denomination	WAS	Page	Subgroup
23071475	CLAMP		103	COOLING SYSTEM
23076656	WASHER		15 125	ENCLOSURE OPTION - BUNDED BASE
23098296	HOSE		129	OPTION - CENTRAL DRAINS
23128507	INDICATOR, WHEEL NUT		151	OPTION - WHEEL NUT INDICATORS
23134257	KIT, DATA TAG		15	ENCLOSURE
23181704	BULB		137	OPTION - ROAD LIGHTS
23182470	NUT		137	OPTION - ROAD LIGHTS
23187388	KIT, CLAMP		113 117	OPTION - AFTERCOOLER OPTION - IQ FILTERS
23187438	O-RING		113 117	OPTION - AFTERCOOLER OPTION - IQ FILTERS
23190192	ELEMENT, FUEL FILTER		71 155 157 165	FUEL WATER SEPARATOR MAINTENANCE KIT MAINTENANCE KIT RECOMMENDED SPARES
23194210	BRACKET		113 117	OPTION - AFTERCOOLER OPTION - IQ FILTERS
23213077	REVERSE LAMP ASSEMBLY		137	OPTION - ROAD LIGHTS
23276306	BOLT, BANJO		129	OPTION - CENTRAL DRAINS
23279078	ELEMENT, OIL FILTER		39 155 157 165	OIL/AIR PIPING MAINTENANCE KIT MAINTENANCE KIT RECOMMENDED SPARES
23282031	SPACER		129	OPTION - CENTRAL DRAINS
23287766	HOSE		129	OPTION - CENTRAL DRAINS
23291693	HOSE		129	OPTION - CENTRAL DRAINS
23294820	SENSOR, TEMPERATURE		103	COOLING SYSTEM
23296445	HOLDER, SOCKET		31	INSTRUMENTATION AND ELECTRICS
23334717	HOUSING, OTBV		39	OIL/AIR PIPING
23344088	WASHER, COPPER		129	OPTION - CENTRAL DRAINS
23344146	FITTING, BANJO		129	OPTION - CENTRAL DRAINS
23358997	HOSE ASSEMBLY		113	OPTION - AFTERCOOLER
23359441	HARNESS		137	OPTION - ROAD LIGHTS
23366768	CAP, DUST W/LANYARD		31	INSTRUMENTATION AND ELECTRICS
35114545	TEE		53 113 117 121	REGULATION SYSTEM OPTION - AFTERCOOLER OPTION - IQ FILTERS OPTION - LUBRICATOR
35119395	CLAMP		27	INSTRUMENTATION AND ELECTRICS
35142116	HOSE ASSEMBLY		113 117	OPTION - AFTERCOOLER OPTION - IQ FILTERS
35166404	BOLT, U		49 53	REGULATION SYSTEM REGULATION SYSTEM
35222017	CLAMP		123	OPTION - OVERSPEED VALVE
35222538	CLIP, RETAINING		27 31	INSTRUMENTATION AND ELECTRICS INSTRUMENTATION AND ELECTRICS
35225085	CLAMP		107	FUEL SYSTEM
35228170	HOSE ASSEMBLY		113	OPTION - AFTERCOOLER

Part Number	Denomination	WAS	Page	Subgroup
35279025	SCREW		117	OPTION - IQ FILTERS
35279777	ELBOW		43 113 117	OIL/AIR PIPING OPTION - AFTERCOOLER OPTION - IQ FILTERS
35279785	ADAPTOR		45	SEPARATOR TANK
35279884	ELBOW		45	SEPARATOR TANK
35279934	ELBOW		117	OPTION - IQ FILTERS
35279942	O-RING		45 113 117	SEPARATOR TANK OPTION - AFTERCOOLER OPTION - IQ FILTERS
35279959	O-RING		45	SEPARATOR TANK
35282904	HOSE ASSEMBLY		45	SEPARATOR TANK
35283001	HOSE ASSEMBLY		117	OPTION - IQ FILTERS
35285600	HOSE		103	COOLING SYSTEM
35287739	TEE		45	SEPARATOR TANK
35287937	ELBOW		129	OPTION - CENTRAL DRAINS
35290352	ELBOW		45	SEPARATOR TANK
35294628	GASKET, MANIFOLD		43	OIL/AIR PIPING
35294750	ELBOW		45	SEPARATOR TANK
35296342	CLIP, RETAINING		107	FUEL SYSTEM
35296409	ADAPTOR		113 117	OPTION - AFTERCOOLER OPTION - IQ FILTERS
35300516	XHP 1001 COMPRESSOR OIL		167	FLUIDS
35324839	VALVE, BALL		49 53 163	REGULATION SYSTEM REGULATION SYSTEM RECOMMENDED SPARES
35330844	HOSE ASSEMBLY		45	SEPARATOR TANK
35337328	STUD, BALL		19	ENCLOSURE
35356484	TUBE, NYLON		49 53 117	REGULATION SYSTEM REGULATION SYSTEM OPTION - IQ FILTERS
35356591	TIE, CABLE		31	INSTRUMENTATION AND ELECTRICS
35363498	HOSE		107	FUEL SYSTEM
35364306	LUBRICATOR, AIR LINE		171	AIR HOSE FITTINGS
35364314	LUBRICATOR, AIR LINE		171	AIR HOSE FITTINGS
35364322	LUBRICATOR, AIR LINE		171	AIR HOSE FITTINGS
35369214	CAP		45 163	SEPARATOR TANK RECOMMENDED SPARES
35369347	CONNECTOR		49	REGULATION SYSTEM
35369354	ELBOW		49 53	REGULATION SYSTEM REGULATION SYSTEM
35369503	TEE		53	REGULATION SYSTEM
35370386	ELBOW		117	OPTION - IQ FILTERS
35371103	LUBRICATOR, AIR LINE		171	AIR HOSE FITTINGS
35371111	LUBRICATOR, AIR LINE		171	AIR HOSE FITTINGS
35371129	LUBRICATOR, AIR LINE		171	AIR HOSE FITTINGS
35376334	SPRING		35	AIREND ASSEMBLY
35376342	SPRING		35	AIREND ASSEMBLY

Part Number	Denomination	WAS	Page	Subgroup
35376359	SEAL		35	AIREND ASSEMBLY
35379700	CONNECTOR		49 53	REGULATION SYSTEM REGULATION SYSTEM
35379817	CLIP, RETAINING		35	AIREND ASSEMBLY
35393990	HOSE		169	AIR DELIVERY HOSE
35579630	PLUG		45	SEPARATOR TANK
35607837	SPRING		19	ENCLOSURE
35611557	STEM		35	AIREND ASSEMBLY
35611615	PISTON		35	AIREND ASSEMBLY
35612746	KEY, REPLACEMENT		19	ENCLOSURE
36511623	VALVE, UNLOADER		35	AIREND ASSEMBLY
36710036	MANIFOLD, SERVICE		43	OIL/AIR PIPING
36769289	KEY		33	AIREND ASSEMBLY
36772028	WASHER		19	ENCLOSURE
36788172	SEAL		39	OIL/AIR PIPING
36793602	LATCH		19	ENCLOSURE
36794345	CYLINDER, KEY		19	ENCLOSURE
36840437	ADAPTOR		45	SEPARATOR TANK
36847838	SENSOR, AIR RESTRICTION		123 163	OPTION - OVERSPEED VALVE RECOMMENDED SPARES
36856250	RELAY		31 163	INSTRUMENTATION AND ELECTRICS RECOMMENDED SPARES
36875565	MOUNT		57	ENGINE ASSEMBLY
36878361	RELAY, WEATHERPROOF		27 31 163	INSTRUMENTATION AND ELECTRICS INSTRUMENTATION AND ELECTRICS RECOMMENDED SPARES
36880995	SCREW		33 57	AIREND ASSEMBLY ENGINE ASSEMBLY
36881886	NUT		133	OPTION - SPARK ARRESTOR
36889608	SCREW		27 107	INSTRUMENTATION AND ELECTRICS FUEL SYSTEM
36896975	SWITCH, BATTERY ISOLATO		135	OPTION - BATTERY DISCONNECT
36898096	SCREW		27 31 103 125	INSTRUMENTATION AND ELECTRICS INSTRUMENTATION AND ELECTRICS COOLING SYSTEM OPTION - BUNDED BASE
36898104	NUT		31	INSTRUMENTATION AND ELECTRICS
36899615	INDICATOR		117	OPTION - IQ FILTERS
36923928	ORIFICE, SILENCER		117	OPTION - IQ FILTERS
39322284	SEAL		35	AIREND ASSEMBLY
46490942	DEUTCH TERMINAL REMOV		173	SERVICE TOOLS
46490959	PACKARD METRI- PACK TER		173	SERVICE TOOLS
46490967	PACKARD METRI- PACK TER		173	SERVICE TOOLS
46490975	PACKARD METRI- PACK TER		173	SERVICE TOOLS
46490983	KIT, DEUTSCH CONNECTOR		177	CONNECTOR REPAIR KITS
46491296	KIT, PACKARD CONNECTOR		177	CONNECTOR REPAIR KITS
46491304	KIT, CATERPILLAR C9, C15,		177	CONNECTOR REPAIR KITS

Part Number	Denomination	WAS	Page	Subgroup
46491320	AMP AMPSEAL TERMINAL C		173	SERVICE TOOLS
46491338	MOLEX 1.5 TERMINAL CRIM		173	SERVICE TOOLS
46491346	MOLEX 0.6 TERMINAL CRIM		173	SERVICE TOOLS
46491361	MOLEX 0.6 TERMINAL REMO		173	SERVICE TOOLS
46491411	KIT, JOHN DEERE AND YAN		177	CONNECTOR REPAIR KITS
46491429	KIT, CUMMINS QSX15 ENGIN		177	CONNECTOR REPAIR KITS
46491502	KIT, SECU AND REMOTE CO		177	CONNECTOR REPAIR KITS
46491569	KIT, CUMMINS OSL9 AND QS		177	CONNECTOR REPAIR KITS
46491653	MOLEX 1.5 TERMINAL REMO		173	SERVICE TOOLS
46491825	NIPPLE, FILTER AIR-OIL		45	SEPARATOR TANK
46491999	CONTROLLER		27 163	INSTRUMENTATION AND ELECTRICS RECOMMENDED SPARES
46517447	CLIP, RETAINING		3	RUNNING GEAR
46517454	PISTON		3	RUNNING GEAR
46517603	SCREW		3	RUNNING GEAR
46538377	SEAL		41	OIL/AIR PIPING
46540399	MOUNT, RUBBER STOPPER		19	ENCLOSURE
46541223	NUT		27	INSTRUMENTATION AND ELECTRICS
46547840	TEE		103	COOLING SYSTEM
46547980	ELBOW		113	OPTION - AFTERCOOLER
46550548	KIT, DAMPER		3	RUNNING GEAR
46550964	CABLE		3	RUNNING GEAR
46551102	SENSOR, TEMPERATURE		63	EXHAUST RCN AIR PIPING
46551222	CJ4 ENGINE OIL (CJ-4 15W-4		167	FLUIDS
46551223	CJ4 ENGINE OIL (CJ-4 15W-4		167	FLUIDS
46551657	FILTER, PRIMARY		117	OPTION - IQ FILTERS
46551658	FILTER, SECONDARY		117	OPTION - IQ FILTERS
46551660	SEPARATOR, WATER		113 117	OPTION - AFTERCOOLER OPTION - IQ FILTERS
46551700	PROTECTOR		129	OPTION - CENTRAL DRAINS
46551709	ELBOW		113	OPTION - AFTERCOOLER
46551800	KIT, GREASE NIPPLE		3 7	RUNNING GEAR RUNNING GEAR
46552157	WASHER		15 145 147 149	ENCLOSURE OPTION - SHIPPING SKID OPTION - SKID MOUNTING OPTION - TRUCK MOUNTING
46553542	COVER		35	AIREND ASSEMBLY
46553553	COVER, INLET		35	AIREND ASSEMBLY
46553556	BEARING		35	AIREND ASSEMBLY
46553557	O-RING		35	AIREND ASSEMBLY
46553618	FITTING, BANJO		129	OPTION - CENTRAL DRAINS
46553620	BOLT, BANJO		129	OPTION - CENTRAL DRAINS
46553655	EYE, TOWING		3 7	RUNNING GEAR RUNNING GEAR
46555970	VALVE, SOLENOID		49 53	REGULATION SYSTEM REGULATION SYSTEM

Part Number	Denomination	WAS	Page	Subgroup
46556516	NUT		149	OPTION - TRUCK MOUNTING
46556568	PROTECTOR, HOSE		113	OPTION - AFTERCOOLER
46556647	SCREW		141	OPTION - LED ROAD LIGHTS
46556990	DECAL, ULTRA LOW SULFU		25	DECALS AND DOCUMENTATION
46557109	HOURLMETER		27	INSTRUMENTATION AND ELECTRICS
46557579	SCREW		139	OPTION - ROAD LIGHTS - DRIVING LIGHTS P
46557840	CONNECTOR		49 53	REGULATION SYSTEM REGULATION SYSTEM
46557961	ADAPTOR		113 117	OPTION - AFTERCOOLER OPTION - IQ FILTERS
46560699	RIVET		15	ENCLOSURE
46561125	SLEEVE		107	FUEL SYSTEM
46561563	FUSE		31 163	INSTRUMENTATION AND ELECTRICS RECOMMENDED SPARES
46561862	HOLDER, FUSE		31	INSTRUMENTATION AND ELECTRICS
46564986	CLAMP		27	INSTRUMENTATION AND ELECTRICS
46566779	SENSOR, TBAP		109	AIR INTAKE
46569660	HITCH, BALL		3 7	RUNNING GEAR RUNNING GEAR
46569679	EYE, TOWING		3 7	RUNNING GEAR RUNNING GEAR
46569683	EYE, TOWING		3 7	RUNNING GEAR RUNNING GEAR
46569699	EYE, TOWING		3 7	RUNNING GEAR RUNNING GEAR
46570819	RETAINER		15	ENCLOSURE
46571979	HARNESS, WIRING		31	INSTRUMENTATION AND ELECTRICS
46573861	DECAL, DOOSAN TRI-COLO		23	DECALS AND DOCUMENTATION
46573923	DECAL, DOOSAN LOGO		23	DECALS AND DOCUMENTATION
46577619	HUB, HEX COUPLING		33	AIREND ASSEMBLY
46584939	CLAMP		111 133	EXHAUST SYSTEM OPTION - SPARK ARRESTOR
46592579	FOAM FIELD KIT (no adhesive		15	ENCLOSURE
46592580	FOAM FIELD KIT (no adhesive		15	ENCLOSURE
46595939	DECAL, EXHAUST GAS WAR		25	DECALS AND DOCUMENTATION
46606279	FUSE		31	INSTRUMENTATION AND ELECTRICS
46611559	FUSE / RELAY CENTER ASS		31	INSTRUMENTATION AND ELECTRICS
46622211	ADAPTOR		49 53 113 117	REGULATION SYSTEM REGULATION SYSTEM OPTION - AFTERCOOLER OPTION - IQ FILTERS
46624007	ADAPTOR		49 53	REGULATION SYSTEM REGULATION SYSTEM
46624284	SCREW		33 39	AIREND ASSEMBLY OIL/AIR PIPING
46624440	BASE, FILTER		45	SEPARATOR TANK
46625012	BRACKET		121	OPTION - LUBRICATOR
46626320	VALVE, SOLENOID		49 163	REGULATION SYSTEM RECOMMENDED SPARES

Part Number	Denomination	WAS	Page	Subgroup
46626400	SENSOR, TEMPERATURE		33 49 53	AIREND ASSEMBLY REGULATION SYSTEM REGULATION SYSTEM
46627719	HINGE		27	INSTRUMENTATION AND ELECTRICS
46629380	SEPARATOR HEAD ASSEMB		45	SEPARATOR TANK
46629499	PIN		19	ENCLOSURE
46630665	ORIFICE		49	REGULATION SYSTEM
46632002	SUPPORT		27	INSTRUMENTATION AND ELECTRICS
46635923	REGULATOR, PRESSURE		49 53 163	REGULATION SYSTEM REGULATION SYSTEM RECOMMENDED SPARES
46640199	COVER		27	INSTRUMENTATION AND ELECTRICS
46642101	ENGINE		57	ENGINE ASSEMBLY
46643081	WASHER, LATCH		19	ENCLOSURE
46643082	ELBOW		107	FUEL SYSTEM
46643083	BRACKET		13	MAIN FRAME
46643085	BRACKET		57	ENGINE ASSEMBLY
46643088	BRACKET		57	ENGINE ASSEMBLY
46643090	SCREW		19	ENCLOSURE
46643099	TUBE ASSEMBLY		45	SEPARATOR TANK
46643101	BRACKET, OIL COOLER		41	OIL/AIR PIPING
46643176	MUFFLER, DOC		111	EXHAUST SYSTEM
46643200	PIPE		111	EXHAUST SYSTEM
46643201	MUFFLER		111	EXHAUST SYSTEM
46643216	BRACKET		37	AIR INTAKE
46643218	BRACKET		109	AIR INTAKE
46643276	BAFFLE		103	COOLING SYSTEM
46643277	SHROUD, FAN		103	COOLING SYSTEM
46643399	SHROUD, ELECTRIC FAN		41	OIL/AIR PIPING
46646239	BAIL, LIFTING		13	MAIN FRAME
46646260	BAFFLE		103	COOLING SYSTEM
46646280	TUBE ASSEMBLY		45	SEPARATOR TANK
46646283	BRACKET		111	EXHAUST SYSTEM
46646285	TUBE		103	COOLING SYSTEM
46646287	HOSE		103	COOLING SYSTEM
46646288	HOSE		103	COOLING SYSTEM
46646289	HOSE		103	COOLING SYSTEM
46646922	BRACKET		117	OPTION - IQ FILTERS
46647203	ADAPTOR		45	SEPARATOR TANK
46648000	TANK, SEPARATOR		45	SEPARATOR TANK
46648059	BRACKET		45	SEPARATOR TANK
46648099	BRACKET		45	SEPARATOR TANK
46648627	SUMP		125	OPTION - BUNDED BASE
46649323	BRACKET		31	INSTRUMENTATION AND ELECTRICS
46649324	BRACKET		31	INSTRUMENTATION AND ELECTRICS
46649379	FRAME		13	MAIN FRAME

Part Number	Denomination	WAS	Page	Subgroup
46650044	BRACKET, OIL COOLER		41	OIL/AIR PIPING
46650046	STRAP		107	FUEL SYSTEM
46650048	PANEL		15	ENCLOSURE
46650049	BRACKET, OIL COOLER		41	OIL/AIR PIPING
46650050	PANEL		19	ENCLOSURE
46650076	PANEL		19	ENCLOSURE
46650446	PANEL		19	ENCLOSURE
46650533	BAFFLE		103	COOLING SYSTEM
46651106	PANEL		13	MAIN FRAME
46651107	PANEL		13	MAIN FRAME
46651108	PANEL		13	MAIN FRAME
46651109	PANEL		13	MAIN FRAME
46651172	EYE, LIFTING		13	MAIN FRAME
46651173	BRACKET, LIFTING EYE		13	MAIN FRAME
46651174	COVER		19	ENCLOSURE
46651175	BRACKET		19	ENCLOSURE
46651176	BRACE, COOLER		41	OIL/AIR PIPING
46651216	BRACKET		113 117	OPTION - AFTERCOOLER OPTION - IQ FILTERS
46651219	AFTERCOOLER		113 117	OPTION - AFTERCOOLER OPTION - IQ FILTERS
46651290	COOLER, OIL		41	OIL/AIR PIPING
46651539	RADIATOR		103	COOLING SYSTEM
46651540	COOLER		103	COOLING SYSTEM
46651680	BRACKET		33	AIREND ASSEMBLY
46651897	HOSE		103	COOLING SYSTEM
46651929	HOSE, REDUCING		103 123	COOLING SYSTEM OPTION - OVERSPEED VALVE
46651930	COVER		103	COOLING SYSTEM
46651932	BRACKET		103	COOLING SYSTEM
46651933	TAILPIPE		111	EXHAUST SYSTEM
46652066	CLAMP		111	EXHAUST SYSTEM
46652105	PRO-TEC ENGINE OIL		167	FLUIDS
46652106	PRO-TEC ENGINE OIL		167	FLUIDS
46652269	CLUTCH		57	ENGINE ASSEMBLY
46652270	FAN		57	ENGINE ASSEMBLY
46652590	BOX, RELAY MOUNTING		31	INSTRUMENTATION AND ELECTRICS
46652682	VALVE, OVERSPEED		123	OPTION - OVERSPEED VALVE
46652683	TUBE		123	OPTION - OVERSPEED VALVE
46652684	ELBOW		123	OPTION - OVERSPEED VALVE
46652686	HOSE		123	OPTION - OVERSPEED VALVE
46652735	ELEMENT, SEPARATOR		45 159 165	SEPARATOR TANK MAINTENANCE KIT RECOMMENDED SPARES
46652839	HUB		57	ENGINE ASSEMBLY
46652937	BRACKET		135	OPTION - BATTERY DISCONNECT

Part Number	Denomination	WAS	Page	Subgroup
46652969	COVER		31	INSTRUMENTATION AND ELECTRICS
46653057	WATER SEPARATOR ASSEM		107	FUEL SYSTEM
46653058	FUEL FILTER ASSEMBLY		107	FUEL SYSTEM
46653096	HOSE ASSEMBLY		107	FUEL SYSTEM
46653112	DOOR		19	ENCLOSURE
46653123	STRIP, STRENGTHENING		125	OPTION - BUNDED BASE
46653124	STRIP, STRENGTHENING		125	OPTION - BUNDED BASE
46653176	PANEL		15	ENCLOSURE
46653284	LED PANEL ASSEMBLY		27	INSTRUMENTATION AND ELECTRICS
46653286	BUSH		27	INSTRUMENTATION AND ELECTRICS
46653350	SCREW		149	OPTION - TRUCK MOUNTING
46653456	COVER		19	ENCLOSURE
46654690	BRACKET		117	OPTION - IQ FILTERS
46654694	BRACKET		113	OPTION - AFTERCOOLER
46654842	GUARD, FAN		103	COOLING SYSTEM
46654910	ARRRESTOR, SPARK		133	OPTION - SPARK ARRESTOR
46654912	BRACKET		133	OPTION - SPARK ARRESTOR
46654913	PIN		13	MAIN FRAME
46655182	GUARD		41	OIL/AIR PIPING
46655183	GUARD		103	COOLING SYSTEM
46655217	PIPE, EXHAUST		111	EXHAUST SYSTEM
46655234	TUBE		103	COOLING SYSTEM
46655243	TUBE		103	COOLING SYSTEM
46655735	DOOR		19	ENCLOSURE
46655736	DOOR		19	ENCLOSURE
46655739	PANEL		129	OPTION - CENTRAL DRAINS
46655740	PANEL		129	OPTION - CENTRAL DRAINS
46656389	HOSE		129	OPTION - CENTRAL DRAINS
46656616	PLATE, DATA		23	DECALS AND DOCUMENTATION
46656642	BRACKET		111	EXHAUST SYSTEM
46656675	HOSE ASSEMBLY		39	OIL/AIR PIPING
46656677	HOSE ASSEMBLY		39	OIL/AIR PIPING
46656681	CABLE COVER ASSEMBLY		3 7	RUNNING GEAR RUNNING GEAR
46656685	KIT, CONNECTING		3 7	RUNNING GEAR RUNNING GEAR
46656693	KIT, PIVOT		7	RUNNING GEAR
46656744	DECAL, WEB SITE		23	DECALS AND DOCUMENTATION
46656866	HOUSING		109	AIR INTAKE
46656921	HOUSING		37	AIR INTAKE
46656931	BRACKET, LIFTING BAIL		13	MAIN FRAME
46656979	BRACKET		111	EXHAUST SYSTEM
46657068	NIPPLE		43	OIL/AIR PIPING
46657069	NIPPLE		43	OIL/AIR PIPING
46663056	INSULATION		111	EXHAUST SYSTEM

Part Number	Denomination	WAS	Page	Subgroup
46663210	COVER		15	ENCLOSURE
46664261	SHROUD, OIL COOLER		41	OIL/AIR PIPING
46664372	LIGHT, LED REGISTRATION		141	OPTION - LED ROAD LIGHTS
46664373	LIGHT, LED REAR		141	OPTION - LED ROAD LIGHTS
46664374	LIGHT, LED FOG		141	OPTION - LED ROAD LIGHTS
46664375	LIGHT, LED REVERSE		141	OPTION - LED ROAD LIGHTS
46664391	CAP		13	MAIN FRAME
46664392	PANEL		15	ENCLOSURE
46664422	PANEL		15	ENCLOSURE
46666123	COVER		15	ENCLOSURE
46666141	CONNECTOR		125	OPTION - BUNDED BASE
46666160	SUPPORT		125	OPTION - BUNDED BASE
46666609	SWITCH, PRESSURE		27 163	INSTRUMENTATION AND ELECTRICS RECOMMENDED SPARES
46666610	PANEL, CONTROL		27	INSTRUMENTATION AND ELECTRICS
46666611	DECAL		27	INSTRUMENTATION AND ELECTRICS
46666612	PANEL, FRONT		27	INSTRUMENTATION AND ELECTRICS
46666613	PANEL		27	INSTRUMENTATION AND ELECTRICS
46666629	LAMP, LED		27 31 163	INSTRUMENTATION AND ELECTRICS INSTRUMENTATION AND ELECTRICS RECOMMENDED SPARES
46666630	LAMP, LED		27 31 163	INSTRUMENTATION AND ELECTRICS INSTRUMENTATION AND ELECTRICS RECOMMENDED SPARES
46666716	PANEL		13	MAIN FRAME
46667126	MANIFOLD		129	OPTION - CENTRAL DRAINS
46667127	GASKET		125	OPTION - BUNDED BASE
46668082	NUT		125	OPTION - BUNDED BASE
46668085	NUT		125 129	OPTION - BUNDED BASE OPTION - CENTRAL DRAINS
46668345	SPACER		129	OPTION - CENTRAL DRAINS
46668447	HOSE		109	AIR INTAKE
46668500	BRACKET		107	FUEL SYSTEM
46669223	CAP		15	ENCLOSURE
46669279	CONNECTOR		107	FUEL SYSTEM
46669371	SENSOR		113 117	OPTION - AFTERCOOLER OPTION - IQ FILTERS
46669627	DECAL, MODEL NUMBER 7/7		23	DECALS AND DOCUMENTATION
46670261	PIVOT ASSEMBLY		7	RUNNING GEAR
46670267	KIT, CONNECTING		3	RUNNING GEAR
46670462	SENSOR, PRESSURE		63	EXHAUST RCN AIR PIPING
46670615	CLUTCH ASSEMBLY		57	ENGINE ASSEMBLY
46670666	SENSOR, TEMPERATURE		33	AIREND ASSEMBLY
46671097	SPACER		57	ENGINE ASSEMBLY
46671117	HINGE		19	ENCLOSURE
46671200	FAN, ELECTRIC		41	OIL/AIR PIPING
46671219	WASHER PLATE		41	OIL/AIR PIPING

Part Number	Denomination	WAS	Page	Subgroup
46671223	DECAL		31	INSTRUMENTATION AND ELECTRICS
46671355	AIREND		33	AIREND ASSEMBLY
46671659	O-RING		113 117	OPTION - AFTERCOOLER OPTION - IQ FILTERS
46671819	BRACKET		15	ENCLOSURE
46671820	BRACKET		15	ENCLOSURE
46671822	GUARD		15	ENCLOSURE
46672012	PANEL ASSEMBLY		19	ENCLOSURE
46672035	PANEL ASSEMBLY		19	ENCLOSURE
46672036	PANEL ASSEMBLY		15	ENCLOSURE
46672037	DOOR ASSEMBLY		19	ENCLOSURE
46672038	DOOR ASSEMBLY		19	ENCLOSURE
46672039	PANEL ASSEMBLY		19	ENCLOSURE
46672040	PANEL ASSEMBLY		15	ENCLOSURE
46672042	PANEL ASSEMBLY		15	ENCLOSURE
46672183	CONNECTOR		107	FUEL SYSTEM
46672507	PANEL ASSEMBLY		15	ENCLOSURE
46672508	LOUVRE		19	ENCLOSURE
46672512	SWITCH		31	INSTRUMENTATION AND ELECTRICS
46672548	LIGHTING ASSEMBLY		137	OPTION - ROAD LIGHTS
46672720	PAD, RUBBER		107	FUEL SYSTEM
46672776	SEAL		19	ENCLOSURE
46672824	CABLE, BATTERY POSITIVE		135	OPTION - BATTERY DISCONNECT
46672825	CABLE, BATTERY NEGATIVE		27	INSTRUMENTATION AND ELECTRICS
46672829	CABLE, BATTERY POSITIVE		27	INSTRUMENTATION AND ELECTRICS
46672830	HARNESS		131	OPTION - EMERGENCY STOP BUTTON
46672836	SCREW		15	ENCLOSURE
46673582	VALVE, CHECK		49 53 163	REGULATION SYSTEM REGULATION SYSTEM RECOMMENDED SPARES
46673731	SCREW		15	ENCLOSURE
46673774	TRANSDUCER, PRESSURE		49 53	REGULATION SYSTEM REGULATION SYSTEM
46674184	MANUAL, OPERATION AND		23	DECALS AND DOCUMENTATION
46674185	MANUAL, OPERATION AND		23	DECALS AND DOCUMENTATION
46674186	MANUAL, OPERATION AND		23	DECALS AND DOCUMENTATION
46674187	MANUAL, OPERATION AND		23	DECALS AND DOCUMENTATION
46674188	MANUAL, OPERATION AND		23	DECALS AND DOCUMENTATION
46674189	MANUAL, PARTS CATALOGU		23	DECALS AND DOCUMENTATION
46674190	THERMOSTAT		59 163	THERMOSTAT RECOMMENDED SPARES
46674191	SEAL		97	VALVE COVER
46674192	ALTERNATOR		61 163	ALTERNATOR RECOMMENDED SPARES
46674193	GASKET, INJECTOR		97	VALVE COVER
46674194	GASKET		93	TURBOCHARGER ARRANGEMENT

Part Number	Denomination	WAS	Page	Subgroup
46674196	VALVE		65	EXHAUST RECIRCULATION
46674197	GASKET		83	OIL PAN
46674198	SEAL		85	ENGINE CONTROL MODULE
46674199	HOSE		65	EXHAUST RECIRCULATION
46674200	PUMP, FUEL		69	FUEL PUMP
46674201	GASKET		73	AIR INTAKE MANIFOLD
46674202	HEATER, INTAKE AIR		73	AIR INTAKE MANIFOLD
46674203	ELEMENT, OIL FILTER		75	FULL FLOW OIL FILTER
			155	MAINTENANCE KIT
			157	MAINTENANCE KIT
			165	RECOMMENDED SPARES
46674204	CARTRIDGE, FUEL FILTER		67	FUEL FILTER LOCATION
			155	MAINTENANCE KIT
			157	MAINTENANCE KIT
			165	RECOMMENDED SPARES
46674205	GASKET		65	EXHAUST RECIRCULATION
46674206	SENSOR, POSITION		85	ENGINE CONTROL MODULE
46674208	DIPSTICK		77	OIL LEVEL GAUGE
46674209	CAP, FILLER		81	OIL FILL ARRANGEMENT
			163	RECOMMENDED SPARES
46674210	INJECTOR		87	INJECTOR
46674211	TURBOCHARGER		89	TURBOCHARGER
46674212	SEAL		67	FUEL FILTER LOCATION
			155	MAINTENANCE KIT
			157	MAINTENANCE KIT
46674213	KIT, TURBOCHARGER		89	TURBOCHARGER
46674214	MOTOR, STARTER		91	STARTER MOTOR
			163	RECOMMENDED SPARES
46674215	CAP, FILLER		97	VALVE COVER
46674216	SEAL		59	THERMOSTAT
46674217	GASKET		65	EXHAUST RECIRCULATION
46674218	GASKET		63	EXHAUST RCN AIR PIPING
46674219	THERMOSTAT		95	THERMOSTAT HOUSING
46674220	V-BELT		99	WATER PUMP DRIVE
			163	RECOMMENDED SPARES
46674221	SEAL		97	VALVE COVER
46674222	HARNESS		101	ENGINE WIRING HARNESS
46674241	ELBOW		121	OPTION - LUBRICATOR
46674507	SCREW		133	OPTION - SPARK ARRESTOR
46674690	V-BELT, ANTI-STATIC		99	WATER PUMP DRIVE
46674983	FRAME		147	OPTION - SKID MOUNTING
			149	OPTION - TRUCK MOUNTING
46676621	BRACKETS		145	OPTION - SHIPPING SKID
			147	OPTION - SKID MOUNTING
			149	OPTION - TRUCK MOUNTING
46676622	BRACKET		145	OPTION - SHIPPING SKID
			147	OPTION - SKID MOUNTING
			149	OPTION - TRUCK MOUNTING
46676694	ELBOW		117	OPTION - IQ FILTERS

Part Number	Denomination	WAS	Page	Subgroup
46676995	LEVER ASSEMBLY		3	RUNNING GEAR
46676996	KIT, LEVER COMPLETE		3	RUNNING GEAR
46677007	CLAMP		3	RUNNING GEAR
46677013	DRUM ASSEMBLY COMPLET		3 7	RUNNING GEAR RUNNING GEAR
46677014	BRAKE ROD ASSEMBLY		3	RUNNING GEAR
46677015	HANDBRAKE LEVER ASSEM		3	RUNNING GEAR
46677017	BRACKET		3	RUNNING GEAR
46677018	PIN		3	RUNNING GEAR
46677474	ISOLATOR		149	OPTION - TRUCK MOUNTING
46677499	WASHER		149	OPTION - TRUCK MOUNTING
46678089	KIT, 500 HOURS		155	MAINTENANCE KIT
46678090	KIT, 1000 HOURS		157	MAINTENANCE KIT
46678211	MANIFOLD		129	OPTION - CENTRAL DRAINS
46678212	COVER		129	OPTION - CENTRAL DRAINS
46678331	CHAIN		13	MAIN FRAME
46678556	KIT, CONNECTING		3 7	RUNNING GEAR RUNNING GEAR
46678734	ENGINE CONTROL UNIT		27	INSTRUMENTATION AND ELECTRICS
46678819	PLATE		103	COOLING SYSTEM
46679400	DECAL, BATTERY DISCONN		135	OPTION - BATTERY DISCONNECT
46679485	O-RING		107	FUEL SYSTEM
46679540	STRIP, STRENGTHENING		125	OPTION - BUNDED BASE
46679541	STRIP, STRENGTHENING		125	OPTION - BUNDED BASE
46679608	O-RING		129	OPTION - CENTRAL DRAINS
46679659	O-RING		129	OPTION - CENTRAL DRAINS
46679688	MANUAL, OPERATION AND		23	DECALS AND DOCUMENTATION
46680085	WASHER		145 147 149	OPTION - SHIPPING SKID OPTION - SKID MOUNTING OPTION - TRUCK MOUNTING
46680090	WASHER		145 147 149	OPTION - SHIPPING SKID OPTION - SKID MOUNTING OPTION - TRUCK MOUNTING
46680093	SCREW		145 147 149	OPTION - SHIPPING SKID OPTION - SKID MOUNTING OPTION - TRUCK MOUNTING
46680309	LIGHT, LED POSITION		141	OPTION - LED ROAD LIGHTS
46680310	BRACKET		141	OPTION - LED ROAD LIGHTS
46680489	TAILPIPE		133	OPTION - SPARK ARRESTOR
46680613	CANOPY ASSEMBLY		133	OPTION - SPARK ARRESTOR
46680740	SEAL		125	OPTION - BUNDED BASE
46680742	SEAL		125	OPTION - BUNDED BASE
46680744	SEAL		125	OPTION - BUNDED BASE
46680745	SEAL		125	OPTION - BUNDED BASE
46680754	SEAL		125	OPTION - BUNDED BASE
46680755	SEAL		125	OPTION - BUNDED BASE
46680757	SEAL		125	OPTION - BUNDED BASE

Part Number	Denomination	WAS	Page	Subgroup
46680760	HARNESS ASSEMBLY		27	INSTRUMENTATION AND ELECTRICS
46680772	SEAL		125	OPTION - BUNDED BASE
46681206	HARNESS ASSEMBLY		27	INSTRUMENTATION AND ELECTRICS
46684566	PLUG		125	OPTION - BUNDED BASE
46687794	CANOPY ASSEMBLY		125	OPTION - BUNDED BASE
46688459	CONNECTOR		107	FUEL SYSTEM
46688979	SHIELD, HEAT		19	ENCLOSURE
46688999	SHIELD, HEAT		45	SEPARATOR TANK
46689105	VALVE, SAFETY		45	SEPARATOR TANK
			163	RECOMMENDED SPARES
46689180	CANOPY ASSEMBLY		125	OPTION - BUNDED BASE
			133	OPTION - SPARK ARRESTOR
46689344	PROTECTOR		129	OPTION - CENTRAL DRAINS
46690353	HARNESS		31	INSTRUMENTATION AND ELECTRICS
46690397	PROTECTOR, HOSE		117	OPTION - IQ FILTERS
46690415	BRACKET		125	OPTION - BUNDED BASE
46690639	SEAL		125	OPTION - BUNDED BASE
46690739	KIT, RETROFIT		31	INSTRUMENTATION AND ELECTRICS
46690827	PANEL		125	OPTION - BUNDED BASE
46690828	PANEL		125	OPTION - BUNDED BASE
46690883	INSTRUCTIONS, HARNESS A		31	INSTRUMENTATION AND ELECTRICS
46691260	DECAL, MAINTENANCE KITS		25	DECALS AND DOCUMENTATION
46691564	LIGHTS, FRONT SIDE		15	ENCLOSURE
46694554	ELBOW		113	OPTION - AFTERCOOLER
			117	OPTION - IQ FILTERS
46694558	HOSE ASSEMBLY		113	OPTION - AFTERCOOLER
			117	OPTION - IQ FILTERS
46695141	GRILLE, LED LIGHTS		143	OPTION - LED ROAD LIGHTS PROTECTION
46695487	BRACKET, LED LIGHTS		141	OPTION - LED ROAD LIGHTS
46695530	HARNESS, LED LIGHTS		141	OPTION - LED ROAD LIGHTS
46699477	ORIFICE		53	REGULATION SYSTEM
46699987	FUEL TANK ASSEMBLY		107	FUEL SYSTEM
46700039	HOSE		37	AIR INTAKE
46700115	DECAL, START SEQUENCE		25	DECALS AND DOCUMENTATION
46700881	TUBE ASSEMBLY		113	OPTION - AFTERCOOLER
			117	OPTION - IQ FILTERS
46700997	CONNECTOR		107	FUEL SYSTEM
46701051	BRACKET		27	INSTRUMENTATION AND ELECTRICS
46701331	ELBOW		117	OPTION - IQ FILTERS
46701332	SPACER		113	OPTION - AFTERCOOLER
			117	OPTION - IQ FILTERS
46701362	BUSHING		113	OPTION - AFTERCOOLER
			117	OPTION - IQ FILTERS
54403191	ELBOW		45	SEPARATOR TANK
54403266	ELBOW		49	REGULATION SYSTEM
			53	REGULATION SYSTEM
54443213	SPRING		19	ENCLOSURE

Part Number	Denomination	WAS	Page	Subgroup
54470968	SCREW		27	INSTRUMENTATION AND ELECTRICS
54471057	ISOLATOR		33	AIREND ASSEMBLY
54485222	ELBOW		107	FUEL SYSTEM
54573191	PLATE, ADAPTOR		43	OIL/AIR PIPING
54592126	WASHER, SPRING		13	MAIN FRAME
54625702	ADAPTOR		49 53	REGULATION SYSTEM REGULATION SYSTEM
54626452	ELEMENT, AIR FILTER		37 157 165	AIR INTAKE MAINTENANCE KIT RECOMMENDED SPARES
54629787	SPACER		13	MAIN FRAME
54629977	DECAL, ISO CENTRAL DRAIN		25 125	DECALS AND DOCUMENTATION OPTION - BUNDED BASE
54673785	CLAMP		133	OPTION - SPARK ARRESTOR
54687801	BRACKET		15	ENCLOSURE
54699616	DEUTCH TERMINAL REMOV		173	SERVICE TOOLS
54699624	DEUTCH TERMINAL REMOV		173	SERVICE TOOLS
54699632	DEUTCH TERMINAL REMOV		173	SERVICE TOOLS
54699640	DEUTCH TERMINAL REMOV		173	SERVICE TOOLS
54699657	DEUTCH WEDGELOCK AND		173	SERVICE TOOLS
54720719	ADAPTOR		107	FUEL SYSTEM
54729660	PACKARD WEATHER- PACK		173	SERVICE TOOLS
54729710	ELECTRICAL CONTACT CLE		173	SERVICE TOOLS
54740675	SERIAL CABLE, HEAVY DUT		173	SERVICE TOOLS
54748363	VALVE, BLOWDOWN		49 53 113 117 163	REGULATION SYSTEM REGULATION SYSTEM OPTION - AFTERCOOLER OPTION - IQ FILTERS RECOMMENDED SPARES
54749544	RTD SIMULATOR		173	SERVICE TOOLS
54749551	THERMISTOR SIMULATOR		173	SERVICE TOOLS
54749643	PACKARD METRI- PACK TER		173	SERVICE TOOLS
54751532	ELEMENT, AIR FILTER		37 165	AIR INTAKE RECOMMENDED SPARES
54761630	BRACKET		117	OPTION - IQ FILTERS
54772041	PLUG		15	ENCLOSURE
54774492	EYE, TOWING		3 7	RUNNING GEAR RUNNING GEAR
54774500	EYE, TOWING		3 7	RUNNING GEAR RUNNING GEAR
54774518	EYE, TOWING		3 7	RUNNING GEAR RUNNING GEAR
54774534	EYE, TOWING		3 7	RUNNING GEAR RUNNING GEAR
54774542	EYE, TOWING		3 7	RUNNING GEAR RUNNING GEAR
80024565	BRAKE SHOE PACK		3 7 161	RUNNING GEAR RUNNING GEAR MAINTENANCE KIT

Part Number	Denomination	WAS	Page	Subgroup
80028202	O-RING		85	ENGINE CONTROL MODULE
80028210	SENSOR, PRS TEMPERATU		85	ENGINE CONTROL MODULE
80029069	KIT, CONNECTING		3	RUNNING GEAR
80029218	KIT, EXPANDING KEY		3 7	RUNNING GEAR RUNNING GEAR
89204721	AIR FILTER ASSEMBLY		109	AIR INTAKE
89230759	CAP		107 163	FUEL SYSTEM RECOMMENDED SPARES
89230767	O-RING		107	FUEL SYSTEM
89232474	ELEMENT, AIR FILTER		109 157 165	AIR INTAKE MAINTENANCE KIT RECOMMENDED SPARES
89257067	PROTECTOR		15	ENCLOSURE
89257489	GROMMET		107	FUEL SYSTEM
89257497	ELBOW, BARBED		107	FUEL SYSTEM
89292973	PRO-TEC COMPRESSOR OIL		167	FLUIDS
89292981	PRO-TEC COMPRESSOR OIL		167	FLUIDS
89293708	BULB		137	OPTION - ROAD LIGHTS
89298491	DECAL, PROTEC OIL		25	DECALS AND DOCUMENTATION
89303127	SWITCH, EMERGENCY STOP		131	OPTION - EMERGENCY STOP BUTTON
89303135	BLOCK, CONTACT		131	OPTION - EMERGENCY STOP BUTTON
89310718	HOSE		169	AIR DELIVERY HOSE
92005701	NIPPLE		113 117	OPTION - AFTERCOOLER OPTION - IQ FILTERS
92042233	CLAMP, BAND		109	AIR INTAKE
92047331	HOSE		169	AIR DELIVERY HOSE
92058429	WASHER		57	ENGINE ASSEMBLY
92063296	COUPLING, MALE		171	AIR HOSE FITTINGS
92063379	COUPLING, HOSE		171	AIR HOSE FITTINGS
92063387	CLAMP, HOSE		171	AIR HOSE FITTINGS
92085729	REFLECTOR, WHITE		15	ENCLOSURE
92096015	SCREW		15 19 41 117	ENCLOSURE ENCLOSURE OIL/AIR PIPING OPTION - IQ FILTERS
92101112	SCREW		41	OIL/AIR PIPING
92101773	PLATE, RETAINER		19 45	ENCLOSURE SEPARATOR TANK
92104264	PROTECTOR		19 45	ENCLOSURE SEPARATOR TANK
92111228	VALVE, BALL		43	OIL/AIR PIPING
92112226	HOSE		169	AIR DELIVERY HOSE
92117696	CLAMP		37 109	AIR INTAKE AIR INTAKE
92119957	SEAL		19	ENCLOSURE
92121243	REFLECTOR, AMBER		15	ENCLOSURE
92123207	ELBOW		117	OPTION - IQ FILTERS
92123223	ADAPTOR		45	SEPARATOR TANK

Part Number	Denomination	WAS	Page	Subgroup
92123231	ELBOW		45	SEPARATOR TANK
92150978	COUPLING, HOSE		171	AIR HOSE FITTINGS
92150986	CLAMP, HOSE		171	AIR HOSE FITTINGS
92178524	COUPLING, CLAW		43 171	OIL/AIR PIPING AIR HOSE FITTINGS
92178532	COUPLING, FEMALE		171	AIR HOSE FITTINGS
92178565	SEAL		171	AIR HOSE FITTINGS
92184811	SCREW		19	ENCLOSURE
92185016	ELBOW		121	OPTION - LUBRICATOR
92271915	RIVET		15 141	ENCLOSURE OPTION - LED ROAD LIGHTS
92271923	RIVET		15 27	ENCLOSURE INSTRUMENTATION AND ELECTRICS
92280981	SCREW		33	AIREND ASSEMBLY
92281427	TIE, CABLE		27 31 125	INSTRUMENTATION AND ELECTRICS INSTRUMENTATION AND ELECTRICS OPTION - BUNDED BASE
92290162	SEAL		45	SEPARATOR TANK
92293661	WASHER		107	FUEL SYSTEM
92294461	VALVE, BALL		43	OIL/AIR PIPING
92304351	SCREW		37 109	AIR INTAKE AIR INTAKE
92304542	NUT		19	ENCLOSURE
92304567	NUT		57	ENGINE ASSEMBLY
92304583	WASHER		137	OPTION - ROAD LIGHTS
92304609	WASHER		13 111	MAIN FRAME EXHAUST SYSTEM
92304674	LOCKWASHER		43	OIL/AIR PIPING
92311695	LOCKNUT		33	AIREND ASSEMBLY
92329283	WASHER		43	OIL/AIR PIPING
92339688	SCREW		27	INSTRUMENTATION AND ELECTRICS
92340371	NUT		27	INSTRUMENTATION AND ELECTRICS
92340439	WASHER		27	INSTRUMENTATION AND ELECTRICS
92354661	PLUG		125	OPTION - BUNDED BASE
92354729	TEE		117	OPTION - IQ FILTERS
92368075	RIVET		137 141	OPTION - ROAD LIGHTS OPTION - LED ROAD LIGHTS
92398114	NUT		15 27 37 109 111 117	ENCLOSURE INSTRUMENTATION AND ELECTRICS AIR INTAKE AIR INTAKE EXHAUST SYSTEM OPTION - IQ FILTERS
92398627	SCREW		13 57	MAIN FRAME ENGINE ASSEMBLY
92421429	CAPSCREW, SOCKET HEAD		15	ENCLOSURE
92472109	SCREW		111	EXHAUST SYSTEM
92472638	SCREW		103 129	COOLING SYSTEM OPTION - CENTRAL DRAINS

Part Number	Denomination	WAS	Page	Subgroup
92473594	NUT		121	OPTION - LUBRICATOR
92490358	TUBE, NYLON		49	REGULATION SYSTEM
			53	REGULATION SYSTEM
			113	OPTION - AFTERCOOLER
			117	OPTION - IQ FILTERS
			121	OPTION - LUBRICATOR
92533520	WASHER		33	AIREND ASSEMBLY
92549369	ORIFICE, SILENCER		49	REGULATION SYSTEM
			53	REGULATION SYSTEM
			113	OPTION - AFTERCOOLER
			117	OPTION - IQ FILTERS
			163	RECOMMENDED SPARES
92687664	WASHER		37	AIR INTAKE
			109	AIR INTAKE
92725837	ELBOW		49	REGULATION SYSTEM
92737840	HOSE		169	AIR DELIVERY HOSE
92737857	HOSE		169	AIR DELIVERY HOSE
92737972	COUPLING, FEMALE		171	AIR HOSE FITTINGS
92737980	COUPLING, MALE		171	AIR HOSE FITTINGS
92737998	COUPLING, FEMALE		171	AIR HOSE FITTINGS
92738004	COUPLING, FEMALE		171	AIR HOSE FITTINGS
92750454	SCREW		33	AIREND ASSEMBLY
92766690	RIVET		153	OPTION - WHEEL CHOCKS
92767979	CONNECTOR		113	OPTION - AFTERCOOLER
			117	OPTION - IQ FILTERS
92783281	PLUG		15	ENCLOSURE
92788959	ADAPTOR		49	REGULATION SYSTEM
			53	REGULATION SYSTEM
			113	OPTION - AFTERCOOLER
			117	OPTION - IQ FILTERS
			121	OPTION - LUBRICATOR
92789205	SCREW		15	ENCLOSURE
			137	OPTION - ROAD LIGHTS
			141	OPTION - LED ROAD LIGHTS
92793173	ADAPTOR		121	OPTION - LUBRICATOR
92794270	ELBOW		113	OPTION - AFTERCOOLER
			117	OPTION - IQ FILTERS
			121	OPTION - LUBRICATOR
92799378	TUBE, NYLON		117	OPTION - IQ FILTERS
92799444	ELBOW		117	OPTION - IQ FILTERS
92803691	PLATE, RETAINING		137	OPTION - ROAD LIGHTS
			141	OPTION - LED ROAD LIGHTS
92816743	HINGE		19	ENCLOSURE
92816974	MUDGUARD		15	ENCLOSURE
92816982	BAR, BUMPER		15	ENCLOSURE
92823921	SIGHT-GLASS		45	SEPARATOR TANK
92861640	TIE, CABLE		27	INSTRUMENTATION AND ELECTRICS
			31	INSTRUMENTATION AND ELECTRICS
92866458	GRILLE		139	OPTION - ROAD LIGHTS - DRIVING LIGHTS P
92867076	GRILLE		139	OPTION - ROAD LIGHTS - DRIVING LIGHTS P

Part Number	Denomination	WAS	Page	Subgroup
92867449	DECAL, REFER TO HANDBO		25	DECALS AND DOCUMENTATION
92867530	DECAL, HOT SURFACE		25	DECALS AND DOCUMENTATION
92871367	PLUG		107	FUEL SYSTEM
92875061	BOLT		33	AIREND ASSEMBLY
92879139	CLAMP		111	EXHAUST SYSTEM
92896158	SCREW		121	OPTION - LUBRICATOR
92899293	WHEEL CHOCK AND HOLDE		153	OPTION - WHEEL CHOCKS
92899699	SEAL		41 103	OIL/AIR PIPING COOLING SYSTEM
92901222	LAMP, TAIL/STOP/FLASH		137	OPTION - ROAD LIGHTS
92901230	LAMP, REGISTRATION PLAT		137	OPTION - ROAD LIGHTS
92911288	TUBE		121	OPTION - LUBRICATOR
92919380	HOUSING		121	OPTION - LUBRICATOR
92919398	HEAD		121	OPTION - LUBRICATOR
92919554	VALVE		121	OPTION - LUBRICATOR
92919810	PLUG		121	OPTION - LUBRICATOR
92930585	DECAL, PRESSURISED VES		25	DECALS AND DOCUMENTATION
92930593	DECAL, ELECTRIC SHOCK		25	DECALS AND DOCUMENTATION
92930601	DECAL, CORROSIVE SUBST		25	DECALS AND DOCUMENTATION
92930650	DECAL, EMERGENCY STOP		25	DECALS AND DOCUMENTATION
92930668	DECAL, NO MAINT/READ MA		25	DECALS AND DOCUMENTATION
92931401	ADAPTOR		117	OPTION - IQ FILTERS
92949742	FOAM FIELD KIT (with adhesiv		15	ENCLOSURE
92949759	FOAM FIELD KIT (with adhesiv		15	ENCLOSURE
92949767	FOAM FIELD KIT (with adhesiv		15	ENCLOSURE
92949775	FOAM FIELD KIT (with adhesiv		15	ENCLOSURE
92962547	CLIP, NUMBER PLATE		15	ENCLOSURE
92972140	SCREW		33	AIREND ASSEMBLY
92972462	SCREW		139	OPTION - ROAD LIGHTS - DRIVING LIGHTS P
92976042	DECAL, EXHAUST GAS DISC		25	DECALS AND DOCUMENTATION
93150977	SCREW		31	INSTRUMENTATION AND ELECTRICS
93163897	DECAL		121	OPTION - LUBRICATOR
93165959	DECAL, ROTATING FAN		25	DECALS AND DOCUMENTATION
93171239	DECAL, ENGINE OIL DRAIN		25	DECALS AND DOCUMENTATION
93171262	DECAL, LIFT/TIE POINT		25	DECALS AND DOCUMENTATION
93171270	DECAL, ENGINE OIL FILL		25	DECALS AND DOCUMENTATION
93171288	DECAL, COOLANT FILL		25	DECALS AND DOCUMENTATION
93173342	BRACKET, REFLECTOR LH		15	ENCLOSURE
93173359	BRACKET, REFLECTOR RH		15	ENCLOSURE
93178267	DECAL, TYRE PRESSURE		25	DECALS AND DOCUMENTATION
93190486	DECAL, COOLANT LEVEL		25	DECALS AND DOCUMENTATION
93194413	DECAL, DO NOT STAND		25	DECALS AND DOCUMENTATION
93465383	DECAL, SERVICE VALVE		25	DECALS AND DOCUMENTATION
93524007	PLATE, CABLE TIE		125	OPTION - BUNDED BASE
93531184	GAUGE, PRESSURE		27	INSTRUMENTATION AND ELECTRICS

Part Number	Denomination	WAS	Page	Subgroup
93545580	WASHER		13	MAIN FRAME
			33	AIREND ASSEMBLY
95022307	O-RING		39	OIL/AIR PIPING
95058053	O-RING		35	AIREND ASSEMBLY
95220844	CLAMP		125	OPTION - BUNDED BASE
			129	OPTION - CENTRAL DRAINS
95264776	CLAMP		103	COOLING SYSTEM
95364469	ELBOW		49	REGULATION SYSTEM
			53	REGULATION SYSTEM
95368890	ELBOW		39	OIL/AIR PIPING
95376943	SET SCREW		33	AIREND ASSEMBLY
95431292	ELBOW		45	SEPARATOR TANK
95667341	NIPPLE		49	REGULATION SYSTEM
			113	OPTION - AFTERCOOLER
			117	OPTION - IQ FILTERS
			121	OPTION - LUBRICATOR
95916367	PLUG		45	SEPARATOR TANK
95923298	NUT		49	REGULATION SYSTEM
			53	REGULATION SYSTEM
95928214	PLUG		109	AIR INTAKE
95928230	PLUG		53	REGULATION SYSTEM
95930301	BUSH		49	REGULATION SYSTEM
95934774	SCREW		117	OPTION - IQ FILTERS
95935029	WASHER		19	ENCLOSURE
			27	INSTRUMENTATION AND ELECTRICS
			139	OPTION - ROAD LIGHTS - DRIVING LIGHTS P
95935037	WASHER		45	SEPARATOR TANK
95938148	CONNECTOR		39	OIL/AIR PIPING
95944666	ELBOW		53	REGULATION SYSTEM
			103	COOLING SYSTEM
95954293	CROSS		49	REGULATION SYSTEM
			53	REGULATION SYSTEM
96701198	SCREW		15	ENCLOSURE
			147	OPTION - SKID MOUNTING
			149	OPTION - TRUCK MOUNTING
96701396	WASHER		15	ENCLOSURE
			111	EXHAUST SYSTEM
96701743	NUT		147	OPTION - SKID MOUNTING
			149	OPTION - TRUCK MOUNTING
96702170	SCREW		35	AIREND ASSEMBLY
96702279	SCREW		43	OIL/AIR PIPING
			45	SEPARATOR TANK
96703962	SCREW		13	MAIN FRAME
96704408	SCREW		13	MAIN FRAME
			19	ENCLOSURE
			31	INSTRUMENTATION AND ELECTRICS
			37	AIR INTAKE
			41	OIL/AIR PIPING
			57	ENGINE ASSEMBLY
			103	COOLING SYSTEM
			107	FUEL SYSTEM

Part Number	Denomination	WAS	Page	Subgroup
			111	EXHAUST SYSTEM
			113	OPTION - AFTERCOOLER
			117	OPTION - IQ FILTERS
			121	OPTION - LUBRICATOR
			133	OPTION - SPARK ARRESTOR
			135	OPTION - BATTERY DISCONNECT
96704580	NUT		27	INSTRUMENTATION AND ELECTRICS
96704630	NUT		13	MAIN FRAME
96705058	SCREW		129	OPTION - CENTRAL DRAINS
96705132	NUT		15	ENCLOSURE
96716774	SCREW		43	OIL/AIR PIPING
96719869	SCREW		27	INSTRUMENTATION AND ELECTRICS
96728274	NUT		27	INSTRUMENTATION AND ELECTRICS
96728480	SCREW		111	EXHAUST SYSTEM
			133	OPTION - SPARK ARRESTOR
96735543	NUT		13	MAIN FRAME
96737531	SCREW		137	OPTION - ROAD LIGHTS
96738695	SCREW		13	MAIN FRAME
			15	ENCLOSURE
			27	INSTRUMENTATION AND ELECTRICS
			103	COOLING SYSTEM
96750575	SCREW		141	OPTION - LED ROAD LIGHTS
97319941	CHECK, SAFETY		171	AIR HOSE FITTINGS



Portable Power



Portable Power



Portable Power