

Cisco Video Surveillance 6000P IP Camera

Product Overview

The Cisco® Video Surveillance 6000P IP Camera is a high-definition, full-functioned video endpoint with industry-leading image quality and processing power. The camera is capable of full 1080p resolution at 30 frames per second (fps) while optimizing network usage with either H.264 or MJPEG compression. Contact closures allow integration with access control systems. With its open, standards-based design, the camera shown in Figure 1 provides an ideal platform for integration and operation as an independent device or as part of a Cisco Video Surveillance network.

Figure 1. Cisco Video Surveillance 6000P IP Camera



The Cisco Video Surveillance 6000P IP Camera offers a variety of benefits, including:

- **True high-definition video:** The camera streams crisp and clear 1080p (1920 x 1080) (2.1 megapixel) video at 30 fps while maintaining low network bandwidth.
- **Dual streaming:** The camera can stream H.264 and MJPEG video simultaneously. Each video stream can be configured with individual resolution, quality, and frame-rate settings.
- **Day/night operation:** The camera provides true day/night functionality and includes an infrared filter that automatically switches to night mode in low-light scenes. This function can be set to manual, automatic, or scheduled control.
- **Privacy regions:** The camera supports up to four user-defined privacy regions. Any video within a privacy region is masked in the video stream.
- **Local storage:** Video data can automatically be recorded to a SD card when the camera loses network connectivity.
- **Bidirectional audio:** The camera supports full-duplex audio and options for half-duplex operation.
- **Open API:** Support for ONVIF 2.0 allows for standards based interoperability and communications with other ONVIF appliances
- **Flexible power options:** The camera supports Power over Ethernet (PoE) 802.3af, 12 VDC, or 24 VAC power through an optional external power supply.

Features

Table 1 describes the features of the Cisco Video Surveillance 6000P IP Camera.

Table 1. Cisco Video Surveillance 6000P IP Camera Features

Item	Specification
Imaging device	1/2.7-in. progressive-scan CMOS
Image control	Automatic white balance (AWB), automatic gain control (AGC), automatic exposure shutter (AES), and auto and manual iris
Wide dynamic range	69 dB
Minimum illumination	<ul style="list-style-type: none"> Color mode: 0.3 lux Black and white mode: 0.05 lux
Lens selection	P-Iris lens (see below for lens options)
Lens mount	CS mount
Shutter speed	1/5 to 1/32,000 sec
Video compression	H.264 and MJPEG
Audio compression	G.711 A-Law, G.711 U-Law, G.726
Resolution and frame rate (H.264)	Refer to Tables 2 and 3
Resolution and frame rate (MJPEG)	Refer to Tables 2 and 3
Video streaming	<ul style="list-style-type: none"> Single-stream H.264 or MJPEG up to 1080p (1920 x 1080) @ 30 fps Dual-stream H.264 and MJPEG <ul style="list-style-type: none"> Primary stream programmable up to 1280 x 720 @ 30 fps Secondary stream programmable up to 960 x 544 @15 fps
Protocols	Dynamic Host Control Protocol (DHCP), Hypertext Transfer Protocol (HTTP), Secure HTTP (HTTPS), Network Time Protocol (NTP), Real-Time Transport Protocol (RTP), Real-Time Streaming Protocol (RTSP), Simple Mail Transfer Protocol (SMTP), Secure Sockets Layer/Transport Layer Security (SSL/TLS), TCP/IP, Cisco Discovery Protocol, Bonjour, Simple Network Management Protocol (SNMP), and Secure Shell (SSH) Protocol
Quality of service (QoS)	Differentiated-services-code-point (DSCP) marking and class-of-service (CoS) marking
Power	12 VDC or 24 VAC through optional external power supply, available separately PoE (802.3af)
Power consumption (max)	DC: 4.7W AC: 6.3W PoE: 6.1W

Table 2 lists the video stream support for the Cisco Video Surveillance 6000P IP Camera.

Table 2. Cisco Video Surveillance 6000P IP Camera Video Stream Support

Primary (H.264)	Maximum fps	Secondary (H.264 or MJPEG)	Maximum fps
1920 x 1080	30	NA	-
1920 x 1080	15	1024 x 576 960 x 544 768 x 432 704 x 400 640 x 368 352 x 208 320 x 192 192 x 112 160 x 96	15

Primary (H.264)	Maximum fps	Secondary (H.264 or MJPEG)	Maximum fps
1536 x 864	30	1024 x 576 960 x 544 768 x 432 704 x 400 640 x 368 352 x 208 320 x 192 192 x 112 160 x 96	15
1472 x 832	30	1024 x 576 960 x 544 768 x 432 704 x 400 640 x 368 352 x 208 320 x 192 192 x 112 160 x 96	15
1280 x 720	30	1024 x 576 960 x 544 768 x 432 704 x 400 640 x 368 352 x 208 320 x 192 192 x 112 160 x 96	15
1024 x 576	30	1024 x 576 960 x 544 768 x 432 704 x 400 640 x 368 352 x 208 320 x 192 192 x 112 160 x 96	15
960 x 544	30	960 x 544 768 x 432 704 x 400 640 x 368 352 x 208 320 x 192 192 x 112 160 x 96	15
768 x 432	30	768 x 432 704 x 400 640 x 368 352 x 208 320 x 192 192 x 112 160 x 96	15

Primary (H.264)	Maximum fps	Secondary (H.264 or MJPEG)	Maximum fps
704 x 400	30	704 x 400 640 x 368 352 x 208 320 x 192 192 x 112 160 x 96	15
640 x 368	30	640 x 368 352 x 208 320 x 192 192 x 112 160 x 96	15
352 x 208	30	352 x 208 320 x 192 192 x 112 160 x 96	15
320 x 192 192 x 112 160 x 96	30	320 x 192 192 x 112 160 x 96	15
192 x 112 160 x 96	30	192 x 112 160 x 96	15
160 x 96	30	160 x 96	15

Table 3 lists the video stream support for the Cisco Video Surveillance 6000P IP Camera for 4:3 aspect ratios.

Table 3. Cisco Video Surveillance 6000P IP Camera Video Stream Support for 4:3 Aspect Ratios

Primary (H.264)	Maximum fps*	Secondary (H.264 or MJPEG)	Maximum fps
720 x 480/576	30/25	720 x 480/576 704 x 480/576 352 x 240/288	15
704 x 480/576	30/25	704 x 480/576 352 x 240/288	15
352 x 240/288	30/25	352 x 240/288	15

Connectors

Table 4 describes the connectivity and connectors of the Cisco Video Surveillance 6000P IP Camera.

Table 4. Cisco Video Surveillance 6000P IP Camera Connectors

Item	Specification
Network connectivity	100 BASE-TX Ethernet with RJ-45 connector
Serial port	RS-485
Alarm input	One logic level programmable
Alarm output*	One logic level programmable
Storage	SD card slot
Audio	<ul style="list-style-type: none"> 3.5-mm audio jack: Audio input for optional external microphone and audio output for optional external speaker supported through Y-cable adapter Two-way (full- and half-duplex), one-way, or audio off
Power input	Terminal block (24 VAC) or DC power jack

* Not supported when the camera is used with Cisco Video Surveillance Manager.

Software

Table 5 describes the primary features of the Cisco Video Surveillance 6000P IP Camera software.

Table 5. Cisco Video Surveillance 6000P IP Camera Primary Software Features

Item	Specification
Activity detection	User-definable alerts with configurable sensitivities and thresholds, email alert, and HTTP notifications
Analog video format	NTSC and PAL
Image settings	Configurable brightness, sharpness, contrast, saturation, and white balance
Overlay capabilities	Time, date, and text
Selectable bit rate	Support for constant bit rate or variable bit rate
IP filtering	Users can enter a list of allowed or blocked IP addresses for viewing video and configuring camera settings
Discovery	Cisco Discovery Protocol and Bonjour Zero-Configuration discovery
Configuration	<ul style="list-style-type: none"> • Browser-based using Internet Explorer 8.0 or later • Two levels of user access with password protection
Security	Support for IEEE 802.1X authentication

Specifications

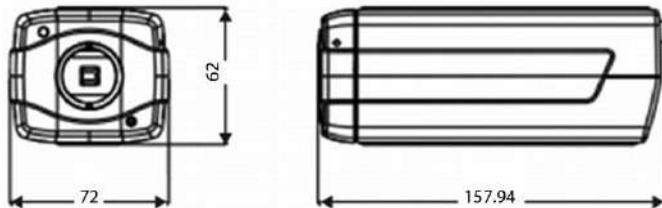
Table 6 provides mechanical specifications of the Cisco Video Surveillance 6000P IP Camera.

Table 6. Cisco Video Surveillance 6000P IP Camera Mechanical Specifications

Item	Specification		
Housing	Aluminum		
LEDs	Power, Ethernet link, and activity		
Dimensions (L x W x H)	Depth: 6.1 in. (154 mm) Width: 2.8 in. (72 mm) Height: 2.4 in. (62 mm)		
Weight	674 g		
Certifications	<table border="0"> <tr> <td style="vertical-align: top;"> Safety: <ul style="list-style-type: none"> • UL60950-1 2nd edition • CSA22.2-No.60950-1 • IEC/EN60950-1 2nd edition • IEC/EN60825 </td> <td style="vertical-align: top; padding-left: 20px;"> EMC-Requirements: <ul style="list-style-type: none"> • CISPR22 Class B • ICES-003 • EN55022 • EN55024 • EN61000-3-2/-3-3 Class A • VCCI Class B • KN22 Class B • KN24 </td> </tr> </table>	Safety: <ul style="list-style-type: none"> • UL60950-1 2nd edition • CSA22.2-No.60950-1 • IEC/EN60950-1 2nd edition • IEC/EN60825 	EMC-Requirements: <ul style="list-style-type: none"> • CISPR22 Class B • ICES-003 • EN55022 • EN55024 • EN61000-3-2/-3-3 Class A • VCCI Class B • KN22 Class B • KN24
Safety: <ul style="list-style-type: none"> • UL60950-1 2nd edition • CSA22.2-No.60950-1 • IEC/EN60950-1 2nd edition • IEC/EN60825 	EMC-Requirements: <ul style="list-style-type: none"> • CISPR22 Class B • ICES-003 • EN55022 • EN55024 • EN61000-3-2/-3-3 Class A • VCCI Class B • KN22 Class B • KN24 		
Operating temperature	14 to 122°F (-10 to 50°C) Note: The temperature range can be extended if you use an outdoor enclosure.		

Figure 2 shows the dimensions of the Cisco Video Surveillance 6000P IP Camera. All dimensions are in millimeters.

Figure 2. Cisco Video Surveillance 6000P IP Camera Dimensions



Package Contents

Table 7 describes the items that ship with the Cisco Video Surveillance 6000P IP Camera.

Table 7. Package Contents

Item
Cisco Video Surveillance 6000P IP Camera
Two L-type hex wrenches
Documentation reference card
Regulatory documentation
Power connector
Three camera identification labels

Availability

The Cisco Video Surveillance 6000P IP Camera is available through Cisco Authorized Technology Provider (ATP) Partners.

Ordering Information

Table 8 lists the part numbers for the Cisco Video Surveillance 6000P IP Camera and for the lenses that the camera supports.

Table 8. Ordering Information

Part Number	Description
CIVS-IPC-6000P	<ul style="list-style-type: none"> • HD Box IP Camera, 1080P, P-Iris
CIVS-IPCA-PWR12V	<ul style="list-style-type: none"> • 12 VDC Power Supply
Lenses	
CIVS-IPCA-VCM31-8	<ul style="list-style-type: none"> • Megapixel P- Iris Lens, 3.1-8 mm

Using the Camera with Cisco Video Surveillance Manager

Features that are marked with an asterisk (*) are not supported when using the camera with Cisco Video Surveillance Manager. Please refer to the release notes for Cisco Video Surveillance Manager 6.3 for more information:

http://www.cisco.com/en/US/docs/security/physical_security/video_surveillance/network/vsm/release_notes/6_3/vsm_rn_63.html.

Services and Support

Cisco and our certified partners can help you accelerate success and improve the return on your investment in a Cisco Physical Security solution. The Cisco lifecycle approach to services defines the requisite activities at each phase of the solution lifecycle. This approach allows you to:

- Reduce deployment costs by identifying the features that will best meet your business requirements
- Accelerate migration by assessing the readiness of your network to support the system and by developing a sound design
- Support smooth implementation through effective planning and expert installation, configuration, and integration
- Increase operational efficiency and extend the value of your investment with award-winning technical support

For more information about Cisco services, visit <http://www.cisco.com/go/services>.

Cisco Capital

Financing to Help You Achieve Your Objectives

Cisco Capital can help you acquire the technology you need to achieve your objectives and stay competitive. We can help you reduce CapEx. Accelerate your growth. Optimize your investment dollars and ROI. Cisco Capital financing gives you flexibility in acquiring hardware, software, services, and complementary third-party equipment. And there's just one predictable payment. Cisco Capital is available in more than 100 countries. [Learn more](#).

For More Information

For more information about the Cisco Video Surveillance 6000P IP Camera, please visit <http://www.cisco.com/go/physec> or contact your local account representative.



Americas Headquarters
Cisco Systems, Inc.
San Jose, CA

Asia Pacific Headquarters
Cisco Systems (USA) Pte. Ltd.
Singapore

Europe Headquarters
Cisco Systems International BV Amsterdam,
The Netherlands

Cisco has more than 200 offices worldwide. Addresses, phone numbers, and fax numbers are listed on the Cisco Website at www.cisco.com/go/offices.

Cisco and the Cisco logo are trademarks or registered trademarks of Cisco and/or its affiliates in the U.S. and other countries. To view a list of Cisco trademarks, go to this URL: www.cisco.com/go/trademarks. Third party trademarks mentioned are the property of their respective owners. The use of the word partner does not imply a partnership relationship between Cisco and any other company. (1110R)

Cisco Video Surveillance 6020 IP Camera

Product Overview

The Cisco® Video Surveillance 6020 IP Camera is a high-definition, full-functioned video endpoint with industry-leading image quality and processing power. The camera is capable of full 1080p resolution at 30 frames per second (fps) while optimizing network usage with either H.264 or MJPEG compression. Contact closures allow integration with access control systems. With its open, standards-based design, the camera provides an ideal platform for integration and operation as an independent device or as part of a Cisco Video Surveillance network.

Figure 1. Cisco Video Surveillance 6020 IP Camera



The Cisco Video Surveillance 6020 IP Camera offers a variety of benefits, including:

- **True high-definition video:** The camera streams crisp and clear 1080p (1920 x 1080) (2.1 megapixel) video at 30 fps while maintaining low network bandwidth.
- **Motorized focus and zoom:** The lens on the 6020 IP Camera's dome allows the focus and zoom to be controlled remotely, greatly simplifying installations and field of view adjustments.
- **Dual streaming:** The camera can stream H.264 and MJPEG video simultaneously. Each video stream can be configured with individual resolution, quality, and frame-rate settings.
- **Day/night operation:** The camera provides true day/night functionality and includes an infrared filter that automatically switches to night mode in low-light scenes. This function can be set to manual, automatic, or scheduled control.
- **Privacy regions:** The camera supports up to four user-defined privacy regions. Any video within a privacy region is masked in the video stream.
- **Local storage:** Video data can automatically be recorded to a microSD card when the camera loses network connectivity.
- **Bidirectional audio:** The camera supports full-duplex audio and options for half-duplex operation.
- **Open API.** Support for ONVIF 2.0 allows for standards based interoperability and communications with other ONVIF appliances.

- **Flexible power options:** The camera supports Power over Ethernet (PoE) 802.3af, 12 VDC, or 24 VAC power through an optional external power supply.
- **Medianet support:** The camera supports the Cisco Medianet interface. When connected to a Cisco switch that also supports Medianet, the switch recognizes the camera as a video endpoint and then uses SmartPort macros to set the right network parameters for the video stream on the network. In addition, the camera can be automatically discovered and configured when connected to Cisco Video Surveillance Manager 7.0, thereby minimizing installation time and cost.

Features

Table 1 describes the features of the Cisco Video Surveillance 6020 IP Camera.

Table 1. Cisco Video Surveillance 6020 IP Camera Features

Item	Specification
Imaging device	1/2.7-in. progressive-scan CMOS
Image control	Automatic white balance (AWB), automatic gain control (AGC), automatic exposure shutter (AES), and auto and manual iris
Wide dynamic range	Approximately 69 dB
Minimum illumination	<ul style="list-style-type: none"> • Color: 0.5 lux • B/W: 0.05 lux
Lens	3-9 mm DC-Iris Remote focus and zoom
Field of view	37.5° to 103.7° (horizontal) 21.6° to 71.2° (vertical) 42.6° to 111.21° (diagonal)
Camera angle adjustment	Pan: 350° Tilt: 80° Rotate: 350°
Shutter speed	1/5 to 1/32,000 sec
Video compression	H.264 and MJPEG
Audio compression	G.711 A-Law, G.711 U-Law, G.726
Resolution and frame rate (H.264)	Refer to Tables 2 and 3
Resolution and frame rate (MJPEG)	Refer to Tables 2 and 3
Video streaming	<ul style="list-style-type: none"> • Single-stream H.264 or MJPEG up to 1080p (1920 x 1080) @ 30 fps • Dual-stream H.264 and MJPEG <ul style="list-style-type: none"> ◦ Primary stream programmable up to 1280 x 720 @ 30 fps ◦ Secondary stream programmable up to 960 x 544 @ 15 fps
Protocols	Dynamic Host Control Protocol (DHCP), Hypertext Transfer Protocol (HTTP), Secure HTTP (HTTPS), Network Time Protocol (NTP), Real-Time Transport Protocol (RTP), Real-Time Streaming Protocol (RTSP), Simple Mail Transfer Protocol (SMTP), Secure Sockets Layer/Transport Layer Security (SSL/TLS), TCP/IP, Cisco Discovery Protocol, Bonjour, Simple Network Management Protocol (SNMP), and Secure Shell (SSH) Protocol
Quality of service (QoS)	Differentiated services code point (DSCP) marking and class of service (CoS) marking
Power	12 VDC or 24 VAC through optional external power supply, available separately PoE (802.3af)
Power consumption (max)	DC: 4.7W AC: 6.3W PoE: 6.2W

Table 2 lists the video stream support for the Cisco Video Surveillance 6020 IP Camera for 16:9 aspect ratios.

Table 2. Cisco Video Surveillance 6020 IP Camera Video Stream Support for 16:9 Aspect Ratios

Primary (H.264)	Maximum fps	Secondary (H.264 or MJPEG)	Maximum fps
1920 x 1080	30	NA	-
1920 x 1080	15	1024 x 576 960 x 544 768 x 432 704 x 400 640 x 368 352 x 208 320 x 192 192 x 112 160 x 96	15
1536 x 864	30	1024 x 576 960 x 544 768 x 432 704 x 400 640 x 368 352 x 208 320 x 192 192 x 112 160 x 96	15
1472 x 832	30	1024 x 576 960 x 544 768 x 432 704 x 400 640 x 368 352 x 208 320 x 192 192 x 112 160 x 96	15
1280 x 720	30	1024 x 576 960 x 544 768 x 432 704 x 400 640 x 368 352 x 208 320 x 192 192 x 112 160 x 96	15
1024 x 576	30	1024 x 576 960 x 544 768 x 432 704 x 400 640 x 368 352 x 208 320 x 192 192 x 112 160 x 96	15

Primary (H.264)	Maximum fps	Secondary (H.264 or MJPEG)	Maximum fps
960 x 544	30	960 x 544 768 x 432 704 x 400 640 x 368 352 x 208 320 x 192 192 x 112 160 x 96	15
768 x 432	30	768 x 432 704 x 400 640 x 368 352 x 208 320 x 192 192 x 112 160 x 96	15
704 x 400	30	704 x 400 640 x 368 352 x 208 320 x 192 192 x 112 160 x 96	15
640 x 368	30	640 x 368 352 x 208 320 x 192 192 x 112 160 x 96	15
352 x 208	30	352 x 208 320 x 192 192 x 112 160 x 96	15
320 x 192 192 x 112 160 x 96	30	320 x 192 192 x 112 160 x 96	15
192 x 112 160 x 96	30	192 x 112 160 x 96	15
160 x 96	30	160 x 96	15

Table 3 lists the video stream support for the Cisco Video Surveillance 6020 IP Camera for 4:3 aspect ratios.

Table 3. Cisco Video Surveillance 6020 IP Camera Video Stream Support for 4:3 Aspect Ratio

Primary (H264)	Maximum fps	Secondary (H264 or MJPEG)	Maximum fps
720 x 480/576	30/25	720 x 480/576 704 x 480/576 352 x 240/288	15
704 x 480/576	30/25	704 x 480/576 352 x 240/288	15
352 x 240/288	30/25	352 x 240/288	15

Connectors

Table 4 describes the connectivity and connectors of the Cisco Video Surveillance 6020 IP Camera.

Table 4. Cisco Video Surveillance 6020 IP Camera Connectors

Item	Specification
Network connectivity	100 BASE-TX Ethernet with RJ-45 connector
Alarm input	One logic level programmable
Alarm output*	One logic level programmable
Storage	MicroSD card slot
Audio	<ul style="list-style-type: none">• 3.5-mm audio jack: Audio input for optional external microphone and audio output for optional external speaker supported through Y-cable adapter• Two-way (full- and half-duplex), one-way, or audio off
Power input	Terminal block

* Not supported when the camera is used with Cisco Video Surveillance Manager.

Software

Table 5 describes the primary features of the Cisco Video Surveillance 6020 IP Camera software.

Table 5. Cisco Video Surveillance 6020 IP Camera Primary Software Features

Item	Specification
Activity detection	User-definable alerts with configurable sensitivities and thresholds, email alert, and HTTP notifications
Video format	NTSC and PAL
Image settings	Configurable brightness, sharpness, contrast, saturation, hue, and white balance
Overlay capabilities	Time, date, and text
Selectable bit rate	Support for constant bit rate or variable bit rate
IP filtering	Users can enter a list of allowed or blocked IP addresses for viewing video and configuring camera settings
Discovery	Cisco Discovery Protocol and Bonjour Zero-Configuration discovery
Configuration	<ul style="list-style-type: none">• Browser-based using Internet Explorer 8.0 or later• Two levels of user access with password protection
Security	Support for IEEE 802.1X authentication

Specifications

Table 6 provides mechanical specifications of the Cisco Video Surveillance 6020 IP Camera.

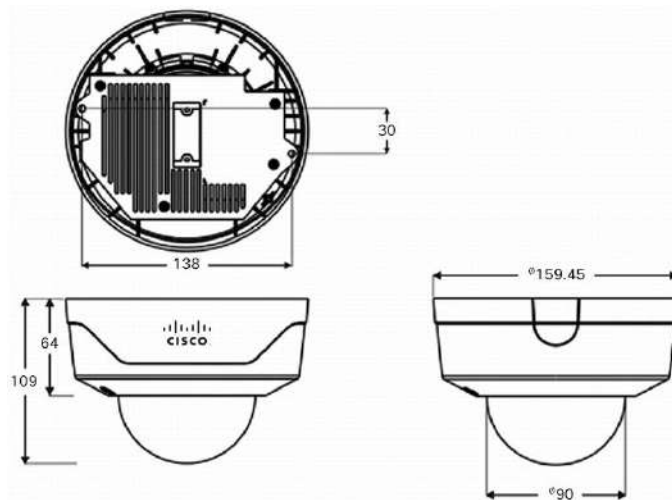
Table 6. Cisco Video Surveillance 6020 IP Camera Mechanical Specifications

Item	Specification
Housing	Aluminum
LEDs	Power and activity
Dimensions (D x H)	6.3 x 4.3 in. (160 x 109 mm)
Weight	765 g

Item	Specification	
Certifications	Safety: <ul style="list-style-type: none"> • UL60950-1 2nd edition • CSA22.2-No.60950-1 • IEC/EN60950-1 2nd edition • IEC/EN60825 	EMC Requirements: <ul style="list-style-type: none"> • CISPR22 Class B • ICES-003 • EN55022 • EN55024 • EN61000-3-2/-3-3 Class A • VCCI Class B • KN22 Class B • KN24
Operating temperature	14 to 122°F (-10 to 50°C)	

Figure 2 shows the dimensions of the Cisco Video Surveillance 6020 IP Camera. All dimensions are in millimeters.

Figure 2. Cisco Video Surveillance 6020 IP Camera Dimensions



Package Contents

Table 7 describes the items that ship with the Cisco Video Surveillance 6020 IP Camera.

Table 7. Package Contents

Item
Cisco Video Surveillance 6020 IP Camera
Installation template and alignment sticker
Screws (T4x32)
Wall anchors
DC power cable connector
Ethernet cable
Lens hood
Cisco pointer document
Cisco RoHs document
Three camera identification labels

Availability

The Cisco Video Surveillance 6020 IP Camera is available through Cisco Authorized Technology Provider (ATP) Partners.

Ordering Information

Table 8 lists the part numbers for the Cisco Video Surveillance 6020 IP Camera.

Table 8. Ordering Information

Part Number	Description
CIVS-IPC-6020	Cisco Video Surveillance IP Camera, Indoor HD Dome Body
CIVS-6KA-FLSHMNT	Indoor Flush Mount Housing
CIVS-6KA-FLSHD-S	Indoor Smoked Flush Dome
CIVS-6KA-FLSHD-C	Indoor Clear Flush Dome
CIVS-6KA-VRCNDBS	VR Conduit Base
CIVS-6KA-VRD-S	Smoked Vandal-Resistant Dome
CIVS-6KA-VRD-C	Clear Vandal-Resistant Dome
CIVS-6KA-INSURF-S	Indoor Surface Mount with Smoked Dome
CIVS-6KA-INSURF-C	Indoor Surface Mount with Clear Dome
CIVS-IPCA-PWR12V	12 VDC Power Supply
CIVS-AVCABLE	Audio Video Cable for 35xx, 6k, and 7k Series IP Cameras

Using the Camera with Cisco Video Surveillance Manager

Features that are marked with an asterisk (*) are not supported when using the camera with Cisco Video Surveillance Manager. Please refer to the release notes for Cisco Video Surveillance Manager 6.3 for more information:

http://www.cisco.com/en/US/docs/security/physical_security/video_surveillance/network/vsm/release_notes/6_3/vsm_rn_63.html.

Services and Support

Cisco and our certified partners can help you accelerate success and improve the return on your investment in a Cisco Physical Security solution. The Cisco lifecycle approach to services defines the requisite activities at each phase of the solution lifecycle. This approach allows you to:

- Reduce deployment costs by identifying the features that will best meet your business requirements
- Accelerate migration by assessing the readiness of your network to support the system and by developing a sound design
- Support smooth implementation through effective planning and expert installation, configuration, and integration
- Increase operational efficiency and extend the value of your investment with award-winning technical support

For more information about Cisco Services, please visit <http://www.cisco.com/go/services>.

For More Information

For more information about the Cisco Video Surveillance 6020 IP Camera, please visit <http://www.cisco.com/go/physec> or contact your local Cisco account representative.



Americas Headquarters
Cisco Systems, Inc.
San Jose, CA

Asia Pacific Headquarters
Cisco Systems (USA) Pte. Ltd.
Singapore

Europe Headquarters
Cisco Systems International BV Amsterdam,
The Netherlands

Cisco has more than 200 offices worldwide. Addresses, phone numbers, and fax numbers are listed on the Cisco Website at www.cisco.com/go/offices.

Cisco and the Cisco logo are trademarks or registered trademarks of Cisco and/or its affiliates in the U.S. and other countries. To view a list of Cisco trademarks, go to this URL: www.cisco.com/go/trademarks. Third party trademarks mentioned are the property of their respective owners. The use of the word partner does not imply a partnership relationship between Cisco and any other company. (1110R)

Cisco[®] Video Surveillance 6030 IP Camera

Product Overview

The Cisco[®] Video Surveillance 6030 IP Camera is an outdoor, high-definition, full-functioned video endpoint with industry-leading image quality and processing power. The camera is capable of full 1080p resolution at 30 frames per second (fps) while optimizing network usage with either H.264 or MJPEG compression. Contact closures allow integration with access control systems. With its open, standards-based design, the camera provides an ideal platform for integration and operation as an independent device or as part of a Cisco Video Surveillance network.

Figure 1. Cisco Video Surveillance 6030 IP Camera



The Cisco Video Surveillance 6030 IP Camera offers a variety of benefits, including:

- **True high-definition video:** The camera streams crisp and clear 1080p (1920 x 1080) (2.1 megapixel) video at 30 fps while maintaining low network bandwidth.
- **Motorized focus and zoom:** The lens on the 6030 IP Camera's dome allows the focus and zoom to be controlled remotely, greatly simplifying installations and field of view adjustments.
- **Outdoor-ready:** An IK10 and IP66-rated enclosure enables outdoor mounting.
- **Dual streaming:** The camera can stream H.264 and MJPEG video simultaneously. Each video stream can be configured with individual resolution, quality, and frame-rate settings.
- **Day/night operation:** The camera provides true day/night functionality and includes an infrared filter that automatically switches to night mode in low-light scenes. This function can be set to manual, automatic, or scheduled control.
- **Privacy regions:** The camera supports up to four user-defined privacy regions. Any video within a privacy region is masked in the video stream.
- **Local storage:** Video data can automatically be recorded to a microSD card when the camera loses network connectivity.
- **Bidirectional audio:** The camera supports full-duplex audio and options for half-duplex operation.

- **Open API:** Support for ONVIF 2.0 allows for standards based interoperability and communications with other ONVIF appliances.
- **Flexible power options:** The camera supports Power over Ethernet (PoE) 802.3af, 12 VDC, or 24 VAC power through an optional external power supply.
- **Medianet support:** The camera supports the Cisco Medianet interface. When connected to a Cisco switch that also supports Medianet, the switch recognizes the camera as a video endpoint and then uses SmartPort macros to set the right network parameters for the video stream on the network. In addition, the camera can be automatically discovered and configured when connected to Cisco Video Surveillance Manager 7.0, thereby minimizing installation time and cost.

Features

Table 1 describes the features of the Cisco Video Surveillance 6030 IP Camera.

Table 1. Cisco Video Surveillance 6030 IP Camera Features

Item	Specification
Imaging device	1/2.7-in. progressive-scan CMOS
Image control	Automatic white balance (AWB), automatic gain control (AGC), automatic exposure shutter (AES), and auto and manual iris
Wide dynamic range	Approximately 69 dB
Minimum illumination	<ul style="list-style-type: none"> • Color: 0.5 lux • B/W: 0.05 lux
Lens	3-9 mm DC-Iris Remote focus and zoom
Field of view	37.5° to 103.7° (horizontal) 21.6° to 71.2° (vertical) 42.6° to 111.21° (diagonal)
Camera angle adjustment	Pan: 350° Tilt: 80° Rotate: 350°
Shutter speed	1/5 to 1/32,000 sec
Video compression	H.264 and MJPEG
Audio compression	G.711 A-Law, G.711 U-Law, G.726
Resolution and frame rate (H.264)	Refer to Tables 2 and 3
Resolution and frame rate (MJPEG)	Refer to Tables 2 and 3
Video streaming	<ul style="list-style-type: none"> • Single-stream H.264 or MJPEG up to 1080p (1920 x 1080) @ 30 fps • Dual-stream H.264 and MJPEG <ul style="list-style-type: none"> ◦ Primary stream programmable up to 1280 x 720 @ 30 fps ◦ Secondary stream programmable up to 960 x 544 @ 15 fps
Protocols	Dynamic Host Control Protocol (DHCP), Hypertext Transfer Protocol (HTTP), Secure HTTP (HTTPS), Network Time Protocol (NTP), Real-Time Transport Protocol (RTP), Real-Time Streaming Protocol (RTSP), Simple Mail Transfer Protocol (SMTP), Secure Sockets Layer/Transport Layer Security (SSL/TLS), TCP/IP, Cisco Discovery Protocol, Bonjour, Simple Network Management Protocol (SNMP), and Secure Shell (SSH) Protocol
Quality of service (QoS)	Differentiated-services-code-point (DSCP) marking and class-of-service (CoS) marking
Power	12 VDC or 24 VAC through optional external power supply, available separately PoE (802.3af)

Item	Specification
Power consumption (max)	DC: 9.5W AC: 13.1W PoE: 12.72W

Table 2 lists the video stream support for the Cisco Video Surveillance 6030 IP Camera for 16:9 aspect ratios.

Table 2. Cisco Video Surveillance 6030 IP Camera Video Stream Support for 16:9 Aspect Ratios

Primary (H.264)	Maximum fps	Secondary (H.264 or MJPEG)	Maximum fps
1920 x 1080	30	NA	-
1920 x 1080	15	1024 x 576 960 x 544 768 x 432 704 x 400 640 x 368 352 x 208 320 x 192 192 x 112 160 x 96	15
1536 x 864	30	1024 x 576 960 x 544 768 x 432 704 x 400 640 x 368 352 x 208 320 x 192 192 x 112 160 x 96	15
1472 x 832	30	1024 x 576 960 x 544 768 x 432 704 x 400 640 x 368 352 x 208 320 x 192 192 x 112 160 x 96	15
1280 x 720	30	1024 x 576 960 x 544 768 x 432 704 x 400 640 x 368 352 x 208 320 x 192 192 x 112 160 x 96	15
1024 x 576	30	1024 x 576 960 x 544 768 x 432 704 x 400 640 x 368 352 x 208 320 x 192 192 x 112 160 x 96	15

Primary (H.264)	Maximum fps	Secondary (H.264 or MJPEG)	Maximum fps
960 x 544	30	960 x 544 768 x 432 704 x 400 640 x 368 352 x 208 320 x 192 192 x 112 160 x 96	15
768 x 432	30	768 x 432 704 x 400 640 x 368 352 x 208 320 x 192 192 x 112 160 x 96	15
704 x 400	30	704 x 400 640 x 368 352 x 208 320 x 192 192 x 112 160 x 96	15
640 x 368	30	640 x 368 352 x 208 320 x 192 192 x 112 160 x 96	15
352 x 208	30	352 x 208 320 x 192 192 x 112 160 x 96	15
320 x 192 192 x 112 160 x 96	30	320 x 192 192 x 112 160 x 96	15
192 x 112 160 x 96	30	192 x 112 160 x 96	15
160 x 96	30	160 x 96	15

Table 3 lists the video stream support for the Cisco Video Surveillance 6030 IP Camera for 4:3 aspect ratios.

Table 3. Cisco Video Surveillance 6030 IP Camera Video Stream Support for 4:3 Aspect Ratios

Primary (H.264)	Maximum fps	Secondary (H.264 or MJPEG)	Maximum fps
720 x 480/576	30/25	720 x 480/576 704 x 480/576 352 x 240/288	15
704 x 480/576	30/25	704 x 480/576 352 x 240/288	15
352 x 240/288	30/25	352 x 240/288	15

Connectors

Table 4 describes the connectivity and connectors of the Cisco Video Surveillance 6030 IP Camera.

Table 4. Cisco Video Surveillance 6030 IP Camera Connectors

Item	Specification
Network connectivity	100 BASE-TX Ethernet with RJ-45 connector
Alarm input	One logic level programmable
Alarm output*	One logic level programmable
Storage	MicroSD card slot
Audio	<ul style="list-style-type: none">• 3.5-mm audio jack: Audio input for optional external microphone and audio output for optional external speaker supported through Y-cable adapter• Two-way (full- and half-duplex), one-way, or audio off
Power input	Terminal block

* Not supported when the camera is used with Cisco Video Surveillance Manager.

Software

Table 5 describes the primary features of the Cisco Video Surveillance 6030 IP Camera software.

Table 5. Cisco Video Surveillance 6030 IP Camera Primary Software Features

Item	Specification
Activity detection	User-definable alerts with configurable sensitivities and thresholds, email alert, and HTTP notifications
Video format	NTSC and PAL
Image settings	Configurable brightness, sharpness, contrast, saturation, hue, and white balance
Overlay capabilities	Time, date, and text
Selectable bit rate	Support for constant bit rate or variable bit rate
IP filtering	Users can enter a list of allowed or blocked IP addresses for viewing video and configuring camera settings
Discovery	Cisco Discovery Protocol and Bonjour Zero-Configuration discovery
Configuration	<ul style="list-style-type: none">• Browser-based using Internet Explorer 8 and later• Two levels of user access with password protection
Security	Support for IEEE 802.1X authentication

Specifications

Table 6 provides mechanical specifications of the Cisco Video Surveillance 6030 IP Camera.

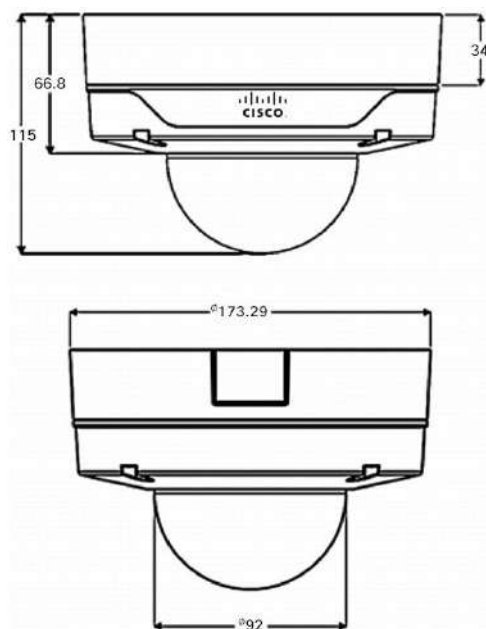
Table 6. Cisco Video Surveillance 6030 IP Camera Mechanical Specifications

Item	Specification
Housing	Aluminum
LEDs	Power and activity
Dimensions (D x H)	6.9 x 4.5 in. (174 x 115 mm)
Weight	1296 g

Item	Specification	
Certifications	Safety: <ul style="list-style-type: none"> • UL60950-1 2nd edition • CSA22.2-No.60950-1 • IEC/EN60950-1 2nd edition • IEC/EN60825 	EMC Requirements: <ul style="list-style-type: none"> • CISPR22 Class B • ICES-003 • EN55022 • EN55024 • EN61000-3-2/-3-3 Class A • VCCI Class B • KN22 Class B • KN24
Operating temperature	-40 to 131°F (-40 to 55°C) Cold startup: -40°C	

Figure 2 shows the dimensions of the Cisco Video Surveillance 6030 IP Camera. All dimensions are in millimeters.

Figure 2. Cisco Video Surveillance 6030 IP Camera Dimensions



Package Contents

Table 7 describes the items that ship with the Cisco Video Surveillance 6030 IP Camera.

Table 7. Package Contents

Item
Cisco Video Surveillance 6030 IP Camera
Installation template and alignment sticker
Bushing and connectors
L-type hex wrench
Screws and nuts
Desiccant pack
Documentation reference card
Regulatory documentation

Availability

The Cisco Video Surveillance 6030 IP Camera is available through Cisco Authorized Technology Provider (ATP) Partners.

Ordering Information

Table 8 lists the part numbers for the Cisco Video Surveillance 6030 IP Camera.

Table 8. Ordering Information

Part Number	Description
CIVS-IPC-6030	Cisco Video Surveillance IP Camera, Outdoor VR HD Dome Body
CIVS-6KA-VRD-C	Clear Vandal-Resistant Dome
CIVS-6KA-VRD-S	Smoked Vandal-Resistant Dome
CIVS-IPCA-PWR12V	12 VDC Power Supply
CIVS-AVCABLE	Audio Video Cable for 35xx, 6k, and 7k Series IP Cameras

Using the Camera with Cisco Video Surveillance Manager

Features that are marked with an asterisk (*) are not supported when using the camera with Cisco Video Surveillance Manager. Please refer to the release notes for Cisco Video Surveillance Manager 6.3 for more information:

http://www.cisco.com/en/US/docs/security/physical_security/video_surveillance/network/vsm/release_notes/6_3/vsm_rn_63.html.

Services and Support

Cisco and our certified partners can help you accelerate success and improve the return on your investment in a Cisco Physical Security solution. The Cisco lifecycle approach to services defines the requisite activities at each phase of the solution lifecycle. This approach allows you to:

- Reduce deployment costs by identifying the features that will best meet your business requirements
- Accelerate migration by assessing the readiness of your network to support the system and by developing a sound design
- Support smooth implementation through effective planning and expert installation, configuration, and integration
- Increase operational efficiency and extend the value of your investment with award-winning technical support

For more information about Cisco Services, please visit <http://www.cisco.com/go/services>.

For More Information

For more information about the Cisco Video Surveillance 6030 IP Camera, please visit <http://www.cisco.com/go/physec> or contact your local Cisco account representative.



Americas Headquarters
Cisco Systems, Inc.
San Jose, CA

Asia Pacific Headquarters
Cisco Systems (USA) Pte. Ltd.
Singapore

Europe Headquarters
Cisco Systems International BV Amsterdam,
The Netherlands

Cisco has more than 200 offices worldwide. Addresses, phone numbers, and fax numbers are listed on the Cisco Website at www.cisco.com/go/offices.

Cisco and the Cisco logo are trademarks or registered trademarks of Cisco and/or its affiliates in the U.S. and other countries. To view a list of Cisco trademarks, go to this URL: www.cisco.com/go/trademarks. Third party trademarks mentioned are the property of their respective owners. The use of the word partner does not imply a partnership relationship between Cisco and any other company. (1110R)

Printed in USA

C78-714746-02 12/13

Cisco Video Surveillance 6050 IP Camera Data Sheet

Product Overview

The Cisco® Video Surveillance 6050 IP Camera (shown in Figure 1) is a ruggedized, outdoor, high-definition video endpoint with industry-leading image quality and processing power. The camera was designed to be vibration resistant and is ideal for use in transportation applications such as buses, trains, and other moving vehicles. The IK10- and IP67-rated housing combined with a low profile also make this camera suitable for discreet placement in harsh environments. High quality video can be streamed at a full 1080p resolution at 30 frames per second (fps) while optimizing network usage with either H.264 or MJPEG compression. With its open, standards-based design, the camera provides an ideal platform for integration and operation as an independent device or as part of a Cisco Video Surveillance network.

Figure 1. Cisco Video Surveillance 6050 IP Camera



The Cisco Video Surveillance 6050 IP Camera offers a variety of benefits, including:

- **True high-definition video:** The camera streams crisp and clear 1080p (1920 x 1080) (2.1 megapixel) video at 30 fps while maintaining low network bandwidth.
- **Ruggedized construction:** Vibration and vandal resistant, the IK10- and IP67-rated housing protect the camera in demanding outdoor environments.
- **Dual streaming:** The camera can stream H.264 and MJPEG video simultaneously. Each video stream can be configured with individual resolution, quality, and frame-rate settings.
- **Privacy regions:** The camera supports up to four user-defined privacy regions. Any video within a privacy region is masked in the video stream.
- **Local storage:** Video data can automatically be recorded to a microSD card when the camera loses network connectivity.
- **Open API:** Support for ONVIF 2.0 allows for standards-based interoperability and communications with other ONVIF appliances.
- **Flexible power options:** The camera supports Power over Ethernet (PoE) 802.3af.

- **Medianet support:** The camera supports the Cisco Medianet interface. When connected to a Cisco switch that also supports Medianet, the switch recognizes the camera as a video endpoint and then uses SmartPort macros to set the right network parameters for the video stream on the network. In addition, the camera can be automatically discovered and configured when connected to Cisco Video Surveillance Manager 7.0, thereby minimizing installation time and cost.

Features

Table 1 describes the features of the Cisco Video Surveillance 6050 IP Camera.

Table 1. Cisco Video Surveillance 6050 IP Camera Features

Item	Specification
Imaging device	1/2.7-in. progressive-scan CMOS
Image control	Automatic white balance (AWB), automatic gain control (AGC), automatic exposure shutter (AES)
Wide dynamic range	Approximately 69 dB
Minimum illumination	<ul style="list-style-type: none"> • Color: 0.5 lux • B/W: 0.05 lux
Lens	<ul style="list-style-type: none"> • 2.8 mm • Fixed Iris
Field of view	<ul style="list-style-type: none"> • 37.5° to 103.7° (horizontal) • 21.6° to 71.2° (vertical) • 42.6° to 111.21° (diagonal)
Camera angle adjustment	Tilt range: 90° (0°-90°)
Shutter speed	1/5 to 1/32,000 sec
Video compression	H.264 and MJPEG
Resolution and frame rate (H.264)	Refer to Tables 2 and 3
Resolution and frame rate (MJPEG)	<ul style="list-style-type: none"> • Refer to Tables 2 and 3 • MJPEG is supported as the secondary stream only
Video streaming	<ul style="list-style-type: none"> • Single-stream H.264 or MJPEG up to 1080p (1920 x 1080) @ 30 fps • Dual-stream H.264 and MJPEG <ul style="list-style-type: none"> ◦ Primary stream programmable up to 1280 x 720 @ 30 fps ◦ Secondary stream programmable up to 960 x 544 @ 15 fps
Protocols	Dynamic Host Control Protocol (DHCP), Hypertext Transfer Protocol (HTTP), Secure HTTP (HTTPS), Network Time Protocol (NTP), Real-Time Transport Protocol (RTP), Real-Time Streaming Protocol (RTSP), Simple Mail Transfer Protocol (SMTP), Secure Sockets Layer/Transport Layer Security (SSL/TLS), TCP/IP, Cisco Discovery Protocol, Bonjour, Simple Network Management Protocol (SNMP), and Secure Shell (SSH) Protocol
Quality of service (QoS)	Differentiated-services-code-point (DSCP) marking and class-of-service (CoS) marking
Power	PoE (802.3af)
Power consumption (max)	TBD

Table 2 lists the video stream support for the Cisco Video Surveillance 6050 IP Camera for 16:9 aspect ratios.

Table 2. Cisco Video Surveillance 6050 IP Camera Video Stream Support for 16:9 Aspect Ratios

Primary (H.264)	Maximum fps	Secondary (H.264 or MJPEG)	Maximum fps
1920 x 1080	30	NA	—
1920 x 1080	15	1024 x 576 960 x 544 768 x 432 704 x 400 640 x 368 352 x 208 320 x 192 192 x 112 160 x 96	15
1536 x 864	30	1024 x 576 960 x 544 768 x 432 704 x 400 640 x 368 352 x 208 320 x 192 192 x 112 160 x 96	15
1472 x 832	30	1024 x 576 960 x 544 768 x 432 704 x 400 640 x 368 352 x 208 320 x 192 192 x 112 160 x 96	15
1280 x 720	30	1024 x 576 960 x 544 768 x 432 704 x 400 640 x 368 352 x 208 320 x 192 192 x 112 160 x 96	15
1024 x 576	30	1024 x 576 960 x 544 768 x 432 704 x 400 640 x 368 352 x 208 320 x 192 192 x 112 160 x 96	15

Primary (H.264)	Maximum fps	Secondary (H.264 or MJPEG)	Maximum fps
960 x 544	30	960 x 544 768 x 432 704 x 400 640 x 368 352 x 208 320 x 192 192 x 112 160 x 96	15
768 x 432	30	768 x 432 704 x 400 640 x 368 352 x 208 320 x 192 192 x 112 160 x 96	15
704 x 400	30	704 x 400 640 x 368 352 x 208 320 x 192 192 x 112 160 x 96	15
640 x 368	30	640 x 368 352 x 208 320 x 192 192 x 112 160 x 96	15
352 x 208	30	352 x 208 320 x 192 192 x 112 160 x 96	15
320 x 192 192 x 112 160 x 96	30	320 x 192 192 x 112 160 x 96	15
192 x 112 160 x 96	30	192 x 112 160 x 96	15
160 x 96	30	160 x 96	15

Table 3 lists the video stream support for the Cisco Video Surveillance 6050 IP Camera for 4:3 aspect ratios.

Table 3. Cisco Video Surveillance 6050 IP Camera Video Stream Support for 4:3 Aspect Ratios

Primary (H.264)	Maximum fps	Secondary (H.264 or MJPEG)	Maximum fps
1280 x 960	30	720 x 576 720 x 480 704 x 576 704 x 480 352 x 240 352 x 288	15
720 x 576	30	720 x 576 704 x 576 352 x 288	15
720 x 480	30	720 x 480 704 x 480 352 x 240	15
704 x 576	30	704 x 576 352 x 288	15
704 x 480	30	704 x 480 352 x 240	15
352 x 240	30	352 x 240	15
352 x 288	30	352 x 288	15

Connectors

Table 4 describes the connectivity and connectors of the Cisco Video Surveillance 6050 IP Camera.

Table 4. Cisco Video Surveillance 6050 IP Camera Connectors

Item	Specification
Network connectivity	100 BASE-TX Ethernet with locking M12 connector
Storage	MicroSD card slot
Power input	PoE

Table 5 describes the primary features of the Cisco Video Surveillance 6050 IP Camera software.

Table 5. Cisco Video Surveillance 6050 IP Camera Primary Software Features

Item	Specification
Activity detection	User-definable alerts with configurable sensitivities and thresholds, email alert, and HTTP notifications
Video format	NTSC and PAL
Image settings	Configurable brightness, sharpness, contrast, saturation, hue, and white balance
Overlay capabilities	Time, date, and text
Selectable bit rate	Support for constant bit rate or variable bit rate
IP filtering	Users can enter a list of allowed or blocked IP addresses for viewing video and configuring camera settings
Discovery	Cisco Discovery Protocol and Bonjour Zero-Configuration discovery
Configuration	<ul style="list-style-type: none"> Browser-based using Internet Explorer 8 and later Two levels of user access with password protection
Security	Support for IEEE 802.1X authentication

Specifications

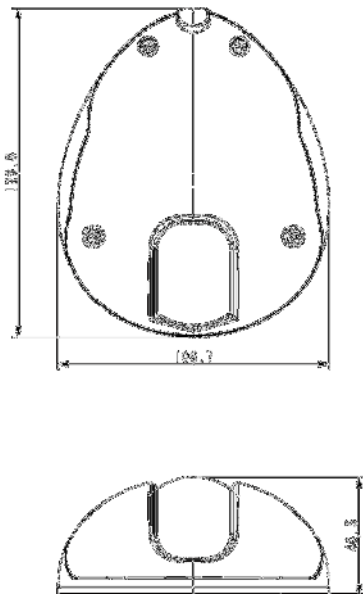
Table 6 provides mechanical specifications of the Cisco Video Surveillance 6050 IP Camera.

Table 6. Cisco Video Surveillance 6050 IP Camera Mechanical Specifications

Item	Specification		
Housing	Aluminum		
LEDs	Power and activity		
Dimensions	5.1 x 4.2 x 1.9 in. (130 x 107 x 47 mm)		
(D x H)	450 g		
Weight	<table border="0"> <tr> <td style="vertical-align: top;"> Safety: UL60950-1 2nd edition CSA22.2-No.60950-1 IEC/EN60950-1 2nd edition IEC/EN60825 </td> <td style="vertical-align: top;"> EMC Requirements: CISPR22 Class B ICES-003 EN55022 EN55024 EN61000-3-2/-3-3 Class A EN50121-4 VCCI Class B KN22 Class B KN24 </td> </tr> </table>	Safety: UL60950-1 2nd edition CSA22.2-No.60950-1 IEC/EN60950-1 2nd edition IEC/EN60825	EMC Requirements: CISPR22 Class B ICES-003 EN55022 EN55024 EN61000-3-2/-3-3 Class A EN50121-4 VCCI Class B KN22 Class B KN24
Safety: UL60950-1 2nd edition CSA22.2-No.60950-1 IEC/EN60950-1 2nd edition IEC/EN60825	EMC Requirements: CISPR22 Class B ICES-003 EN55022 EN55024 EN61000-3-2/-3-3 Class A EN50121-4 VCCI Class B KN22 Class B KN24		
Operating temperature	-13 to 122°F (-25 to 50°C)		

Figure 2 shows the dimensions of the Cisco Video Surveillance 6050 IP Camera.

Figure 2. Cisco Video Surveillance 6050 IP Camera Dimensions



All dimensions shown in millimeters

Package Contents

Table 7 describes the items that ship with the Cisco Video Surveillance 6050 IP Camera.

Table 7. Package Contents

Item
Cisco Video Surveillance 6050 IP Camera
Installation template and alignment sticker
Screwdriver
Screws and anchors
Desiccant pack
Documentation reference card
Regulatory documentation

Availability

The Cisco Video Surveillance 6050 IP Camera is available through Cisco Authorized Technology Provider (ATP) Partners.

Ordering Information

Table 8 lists the part numbers for the Cisco Video Surveillance 6050 IP Camera

Table 8. Ordering Information

Part Number	Description
CVIS-IPC-6050	Cisco Video Surveillance IP Camera, Outdoor VR HD Dome Body
CVIS-6KA-M12RJ45	M12 to RJ45 Adapter

Using the Camera with Cisco Video Surveillance Manager

Please refer to the release notes for Cisco Video Surveillance Manager 6.3 for more information:

http://www.cisco.com/en/US/docs/security/physical_security/video_surveillance/network/vsm/release_notes/6_3/vsm_rn_63.html

Services and Support

Cisco and our certified partners can help you accelerate success and improve the return on your investment in a Cisco Physical Security solution. The Cisco lifecycle approach to services defines the requisite activities at each phase of the solution lifecycle. This approach allows you to:

- Reduce deployment costs by identifying the features that will best meet your business requirements
- Accelerate migration by assessing the readiness of your network to support the system and by developing a sound design
- Support smooth implementation through effective planning and expert installation, configuration, and integration
- Increase operational efficiency and extend the value of your investment with award-winning technical support

For more information about Cisco Services, please visit <http://www.cisco.com/go/services>.

For More Information

For more information about the Cisco Video Surveillance 6050 IP Camera, please visit <http://www.cisco.com/go/physec> or contact your local Cisco account representative.



Americas Headquarters
Cisco Systems, Inc.
San Jose, CA

Asia Pacific Headquarters
Cisco Systems (USA) Pte. Ltd.
Singapore

Europe Headquarters
Cisco Systems International BV Amsterdam,
The Netherlands

Cisco has more than 200 offices worldwide. Addresses, phone numbers, and fax numbers are listed on the Cisco Website at www.cisco.com/go/offices.

Cisco and the Cisco logo are trademarks or registered trademarks of Cisco and/or its affiliates in the U.S. and other countries. To view a list of Cisco trademarks, go to this URL: www.cisco.com/go/trademarks. Third party trademarks mentioned are the property of their respective owners. The use of the word partner does not imply a partnership relationship between Cisco and any other company. (1110R)

Cisco Video Surveillance 6400E IP Camera

The Cisco[®] Video Surveillance 6400E IP Camera is an outdoor, high-definition, full-functioning video endpoint with an integrated infrared illuminator and industry-leading image quality and processing power. The camera is capable of full 1080p resolution at 30 frames per second (fps) while optimizing network usage with either H.264 or MJPEG compression. Contact closures and two-way audio allow integration with microphones, speakers, and access control systems. With its open, standards-based design, the camera, shown in Figure 1, provides an ideal platform for integration and operation as an independent device or as part of a Cisco Video Surveillance network.

The Cisco Video Surveillance 6400E IP Camera offers a variety of benefits.

- **True high-definition video:** The camera streams crisp and clear 1080p (1920 x 1080) (2.1 megapixel) video at 30 fps while maintaining low network bandwidth.
- **Motorized focus and zoom:** The lens on the 6400E IP Camera allows the focus and zoom to be controlled remotely, greatly simplifying installations and field-of-view adjustments.
- **Integrated infrared illuminator:** The infrared illuminator can light an area up to 30 meters away.
- **Outdoor-ready:** An IK10 and IP67-rated enclosure and an included mounting bracket allow for outdoor mounting straight out of the box.
- **Dual streaming:** The camera can stream H.264 and MJPEG video simultaneously. Each video stream can be configured with individual resolution, quality, and frame-rate settings.
- **Application-ready platform:** You can easily add functions by installing and running applications directly on the camera.
- **Day and night operation:** The camera provides true day or night functionality and includes an infrared filter that automatically switches to night mode in low-light scenes. This function can be set to manual, automatic, or scheduled control.
- **Privacy regions:** The camera supports up to four user-defined privacy regions. Any video within a privacy region is masked in the video stream.
- **Local storage:** Video data can automatically be recorded to an SD card continuously or when the camera loses network connectivity.
- **Bidirectional audio:** The camera supports full-duplex audio and options for half-duplex operation.
- **Open API:** Support for Open Network Video Interface Forum (ONVIF) 2.0 and Profile S allows for standards-based interoperability and communications with other ONVIF appliances.
- **Flexible power options:** The camera supports Power over Ethernet (PoE) 802.3af, 12 VDC, or 24 VAC power through an optional external power supply.
- **Mounting options:** The camera can be installed with a fixed mount or with an optional external pan-tilt mount and motorized zoom lens.

Features

Table 1 describes the features of the Cisco Video Surveillance 6400E IP Camera.

Table 1. Cisco Video Surveillance 6400E IP Camera Features

Item	Specification
Imaging device	1/2.7-in. progressive-scan complementary metal oxide semiconductor (CMOS)
Image control	Automatic white balance (AWB), automatic gain control (AGC), automatic exposure shutter (AES), and auto and manual iris
Wide dynamic range	Approximately 69 dB
Minimum illumination	<ul style="list-style-type: none"> • Color: 0.5 lux • Black and white: 0 lux w/illuminator active
Lens	3-9 mm DC-Iris Remote focus and zoom
Field of view	37.5° to 95.98° (horizontal) 21.6° to 53.80° (vertical) 42.6° to 109.46° (diagonal)
Shutter speed	1/5 to 1/32,000 sec
Video compression	H.264 and MJPEG
Audio compression	G.711 A-Law, G.711 U-Law
Resolution and frame rate (H.264)	Refer to Tables 2 and 3
Resolution and frame rate (MJPEG)	Refer to Tables 2 and 3
Video streaming	<ul style="list-style-type: none"> • Single-stream H.264 or MJPEG up to 1080p (1920 x 1080) at 30 fps • Dual-stream H.264 and MJPEG <ul style="list-style-type: none"> ◦ Primary stream programmable up to 1280 x 720 at 30 fps ◦ Secondary stream programmable up to 960 x 544 at 15 fps
Protocols	Dynamic Host Control Protocol (DHCP), Hypertext Transfer Protocol (HTTP), Secure HTTP (HTTPS), Network Time Protocol (NTP), Real-Time Transport Protocol (RTP), Real-Time Streaming Protocol (RTSP), Simple Mail Transfer Protocol (SMTP), Secure Sockets Layer/Transport Layer Security (SSL/TLS), TCP/IP, Cisco Discovery Protocol, Bonjour, Simple Network Management Protocol (SNMP), and Secure Shell (SSH) Protocol
Quality of service (QoS)	Differentiated-services-code-point (DSCP) marking and class-of-service (CoS) marking
Power	12 VDC or 24 VAC through optional external power supply, available separately PoE (802.3af)
Power consumption (maximum)	DC: 9.6 W AC: 12.5 W PoE: 12.2 W

Table 2 lists the video stream support for the Cisco Video Surveillance 6400E IP Camera for 16:9 aspect ratios.

Table 2. Cisco Video Surveillance 6400E IP Camera Video Stream Support for 16:9 Aspect Ratios

Primary (H.264)	Maximum fps	Secondary (H.264 or MJPEG)	Maximum fps
1920 x 1080	30	NA	-
1920 x 1080	15	1024 x 576 960 x 544 768 x 432 704 x 400 640 x 368 352 x 208 320 x 192 192 x 112 160 x 96	15
1536 x 864	30	1024 x 576 960 x 544 768 x 432 704 x 400 640 x 368 352 x 208 320 x 192 192 x 112 160 x 96	15
1472 x 832	30	1024 x 576 960 x 544 768 x 432 704 x 400 640 x 368 352 x 208 320 x 192 192 x 112 160 x 96	15
1280 x 720	30	1024 x 576 960 x 544 768 x 432 704 x 400 640 x 368 352 x 208 320 x 192 192 x 112 160 x 96	15
1024 x 576	30	1024 x 576 960 x 544 768 x 432 704 x 400 640 x 368 352 x 208 320 x 192 192 x 112 160 x 96	15

Primary (H.264)	Maximum fps	Secondary (H.264 or MJPEG)	Maximum fps
960 x 544	30	960 x 544 768 x 432 704 x 400 640 x 368 352 x 208 320 x 192 192 x 112 160 x 96	15
768 x 432	30	768 x 432 704 x 400 640 x 368 352 x 208 320 x 192 192 x 112 160 x 96	15
704 x 400	30	704 x 400 640 x 368 352 x 208 320 x 192 192 x 112 160 x 96	15
640 x 368	30	640 x 368 352 x 208 320 x 192 192 x 112 160 x 96	15
352 x 208	30	352 x 208 320 x 192 192 x 112 160 x 96	15
320 x 192 192 x 112 160 x 96	30	320 x 192 192 x 112 160 x 96	15
192 x 112 160 x 96	30	192 x 112 160 x 96	15
160 x 96	30	160 x 96	15

Table 3 lists the video stream support for the Cisco Video Surveillance 6400E IP Camera for 4:3 aspect ratios.

Table 3. Cisco Video Surveillance 6400E IP Camera Video Stream Support for 4:3 Aspect Ratios

Primary (H.264)	Maximum fps	Secondary (H.264 or MJPEG)	Maximum fps
720 x 480/576	30/25	720 x 480/576 704 x 480/576 352 x 240/288	15
704 x 480/576	30/25	704 x 480/576 352 x 240/288	15
352 x 240/288	30/25	352 x 240/288	15

Connectors

Table 4 describes the connectivity and connectors of the Cisco Video Surveillance 6400E IP Camera.

Table 4. Cisco Video Surveillance 6400E IP Camera Connectors

Item	Specification
Network connectivity	100 BASE-TX Ethernet with RJ-45 connector
Alarm input	One logic level programmable
Alarm output*	One logic level programmable
Storage	SD card slot
Audio	<ul style="list-style-type: none">• 3.5-mm audio jack: Audio input for optional external microphone and audio output for optional external speaker supported through Y-cable adapter• Two-way (full- and half-duplex), one-way, or audio off
Power input	Terminal block

* Not supported when the camera is used with Cisco Video Surveillance Manager.

Software

Table 5 describes the primary features of the Cisco Video Surveillance 6400E IP Camera software.

Table 5. Cisco Video Surveillance 6400E IP Camera Primary Software Features

Item	Specification
Activity detection	User-definable alerts with configurable sensitivities and thresholds, email alert, and HTTP notifications
Camera-tamper detection	User-definable alerts, email alert, and HTTP notifications
Video format	NTSC and PAL
Image settings	Configurable brightness, sharpness, contrast, saturation, hue, and white balance
Overlay capabilities	Time, date, and text
Selectable bit rate	Support for constant bit rate or variable bit rate
IP filtering	Users can enter a list of allowed or blocked IP addresses for viewing video and configuring camera settings
Discovery	Cisco Discovery Protocol and Bonjour Zero-Configuration discovery
Configuration	<ul style="list-style-type: none">• Browser-based using Internet Explorer 8.0 or later• Two levels of user access with password protection
Security	Support for IEEE 802.1X authentication

Specifications

Table 6 provides mechanical specifications of the Cisco Video Surveillance 6400E IP Camera.

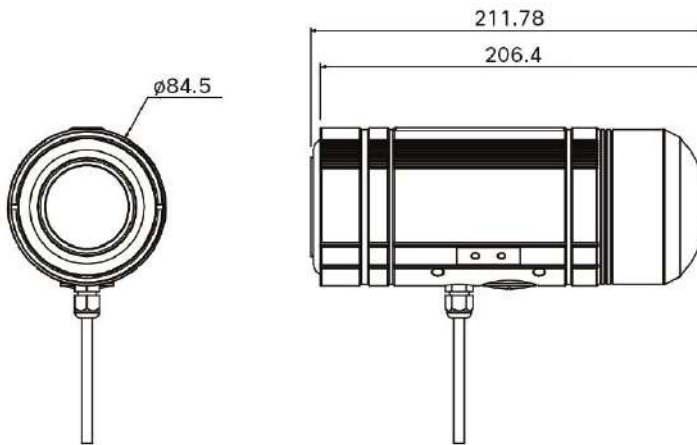
Table 6. Cisco Video Surveillance 6400E IP Camera Mechanical Specifications

Item	Specification
Housing	Aluminum
LEDs	Power and activity
Dimensions (D x L)	3.2 x 7.8 in. (81 x 199 mm)
Weight	1296 g

Item	Specification	
Certifications	Safety: UL60950-1 2 nd edition CSA22.2-No.60950-1 IEC/EN60950-1 2 nd edition IEC/EN60825	EMC-Requirements: CISPR22 Class B ICES-003 EN55022 EN55024 EN61000-3-2/-3-3 Class A VCCI Class B KN22 Class B KN24
Operating temperature	-40 to 122°F (-40 to 50°C) Cold startup: -40°C	

Figure 1 shows the dimensions of the Cisco Video Surveillance 6400E IP Camera.

Figure 1. Cisco Video Surveillance 6400E IP Camera Dimensions



Package Contents

Table 7 describes the items that ship with the Cisco Video Surveillance 6400E IP Camera.

Table 7. Package Contents

Item
Cisco Video Surveillance 6400E IP Camera
Mounting arm and bracket
Installation template
Documentation reference card
Regulatory documentation

Availability

The Cisco Video Surveillance 6400E IP Camera is available through Cisco Authorized Technology Provider (ATP) Partners.

Ordering Information

Table 8 lists the part numbers for the Cisco Video Surveillance 6400E IP Camera.

Table 8. Ordering Information

Part Number	Description
CIVS-IPC-6400E	Cisco Video Surveillance IP Camera, HD Bullet Camera, VR, IR
CIVS-IPCA-PWR12V	12 VDC power supply

Using the Camera with Cisco Video Surveillance Manager

Features that are marked with an asterisk (*) are not supported when using the camera with Cisco Video Surveillance Manager.

Services and Support

Cisco and our certified partners can help you accelerate success and improve the return on your investment in a Cisco Physical Security solution. The Cisco lifecycle approach to services defines the requisite activities at each phase of the solution lifecycle. This approach allows you to:

- Reduce deployment costs by identifying the features that will best meet your business requirements
- Accelerate migration by assessing the readiness of your network to support the system and by developing a sound design
- Support smooth implementation through effective planning and expert installation, configuration, and integration
- Increase operational efficiency and extend the value of your investment with award-winning technical support

For more information about Cisco services, visit <http://www.cisco.com/go/services>.

Cisco Capital

Financing to Help You Achieve Your Objectives

Cisco Capital can help you acquire the technology you need to achieve your objectives and stay competitive. We can help you reduce CapEx. Accelerate your growth. Optimize your investment dollars and ROI. Cisco Capital financing gives you flexibility in acquiring hardware, software, services, and complementary third-party equipment. And there's just one predictable payment. Cisco Capital is available in more than 100 countries. [Learn more](#).

For More Information

For more information about the Cisco Video Surveillance 6400E IP Camera, visit <http://www.cisco.com/go/physec> or contact your local Cisco account representative.




Americas Headquarters
Cisco Systems, Inc.
San Jose, CA

Asia Pacific Headquarters
Cisco Systems (USA) Pte. Ltd.
Singapore

Europe Headquarters
Cisco Systems International BV Amsterdam,
The Netherlands

Cisco has more than 200 offices worldwide. Addresses, phone numbers, and fax numbers are listed on the Cisco Website at www.cisco.com/go/offices.

 Cisco and the Cisco logo are trademarks or registered trademarks of Cisco and/or its affiliates in the U.S. and other countries. To view a list of Cisco trademarks, go to this URL: www.cisco.com/go/trademarks. Third party trademarks mentioned are the property of their respective owners. The use of the word partner does not imply a partnership relationship between Cisco and any other company. (1110R)