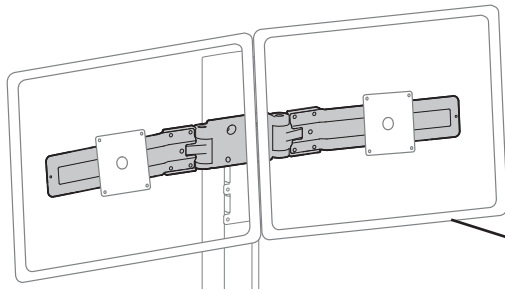
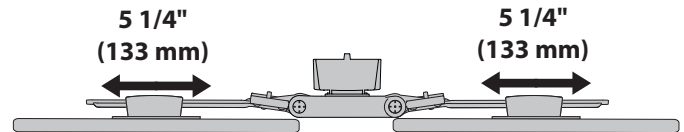
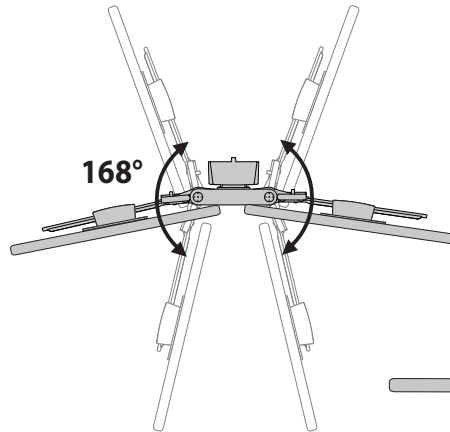
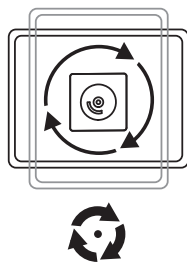


WorkFit Dual Hinge Bow Accessory



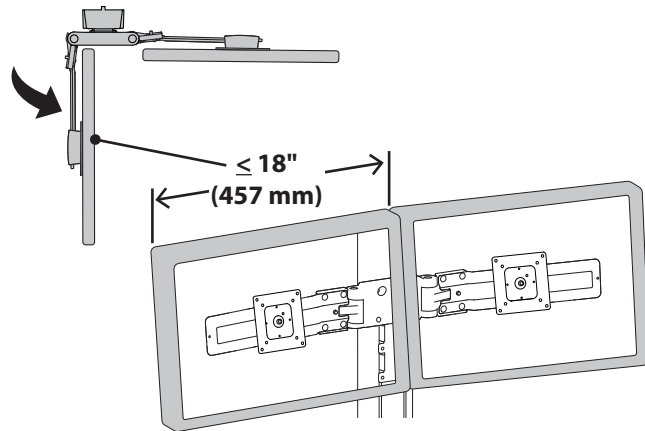
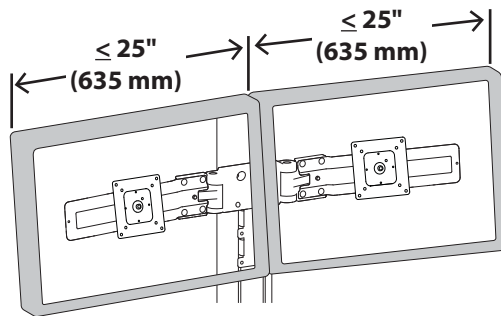
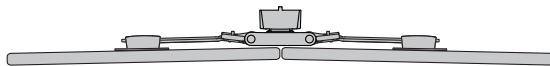
6 lbs. - 14 lbs.
(2.72 kg - 6.35 kg)

Range of Motion:

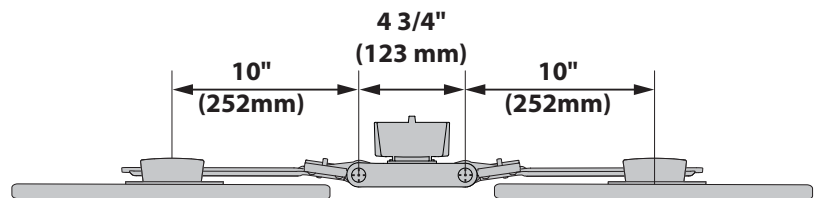
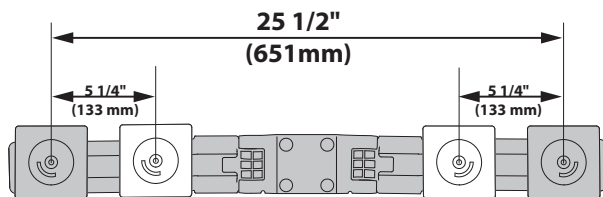


This product is intended for use with most WorkFit Dual Workstations. It is NOT compatible with WorkFit-C, WorkFit-LX, WorkFit-SR, WorkFit-D and WorkFit-DL products. When attaching to WorkFit-T, WorkFit-TL or WorkFit-PD products, an accessory dual-monitor riser kit must be in place (pt # 97-904, 97-907, 97-933-062 or 97-934-062)

Maximum Monitor Width:



Dimensions:



© 2016 Ergotron, Inc. rev. 11/20/2017 DIM-WFDualHinge Content is subject to change without notification

Americas Sales and Corporate Headquarters

St. Paul, MN USA
(800) 888-8458
+1-651-681-7600
www.ergotron.com
sales@ergotron.com

EMEA Sales

Amersfoort, The Netherlands
+31 33 45 45 600
www.ergotron.com
info.eu@ergotron.com

APAC Sales

Tokyo, Japan
www.ergotron.com
apaccustomerservice@ergotron.com

Worldwide OEM Sales

www.ergotron.com
info.oem@ergotron.com