

## **General Disclaimer**

### **One or more of the Following Statements may affect this Document**

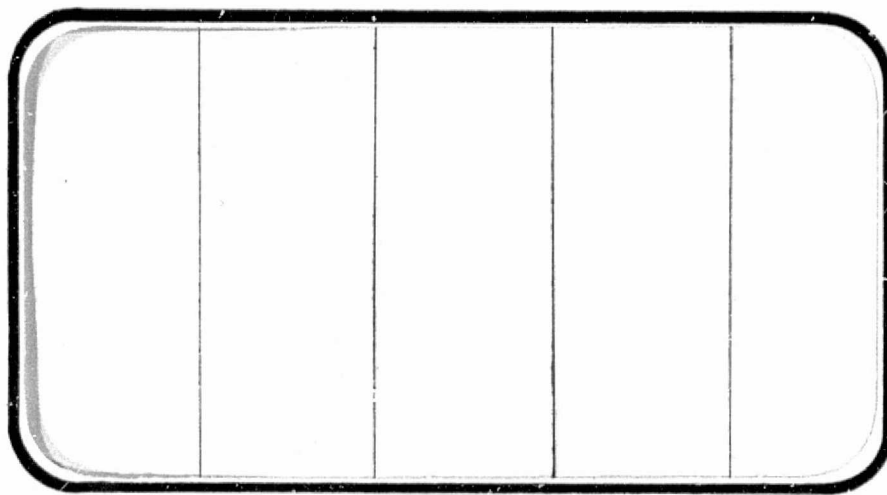
- This document has been reproduced from the best copy furnished by the organizational source. It is being released in the interest of making available as much information as possible.
- This document may contain data, which exceeds the sheet parameters. It was furnished in this condition by the organizational source and is the best copy available.
- This document may contain tone-on-tone or color graphs, charts and/or pictures, which have been reproduced in black and white.
- This document is paginated as submitted by the original source.
- Portions of this document are not fully legible due to the historical nature of some of the material. However, it is the best reproduction available from the original submission.



NATIONAL AERONAUTICS AND SPACE ADMINISTRATION

NASA CR-

141538



(NASA-CR-141538) RESULTS OF TESTS OF A  
ROCKWELL INTERNATIONAL SPACE SHUTTLE ORBITER  
(-139 CONFIGURATION) 0.0175-SCALE MODEL (NO.  
29-0) IN AEDC TUNNEL F TO DETERMINE  
HYPERSONIC HEATING EFFECTS (OH11) (Chrysler

N75-27045

Unclas  
28794



SPACE SHUTTLE

AEROTHERMODYNAMIC DATA REPORT

JOHNSON SPACE CENTER

HOUSTON, TEXAS

DATA Management services



May, 1975

DMS-DR-2141  
NASA-CR-141,538

RESULTS OF TESTS OF A  
ROCKWELL INTERNATIONAL SPACE SHUTTLE ORBITER  
(-139 CONFIGURATION) 0.0175-SCALE MODEL (NO. 29-0)  
IN AEDC TUNNEL F TO DETERMINE  
HYPERSONIC HEATING EFFECTS (OH11)

By

M. Quan  
Shuttle Aero Sciences  
Rockwell International Space Division

Prepared under NASA Contract Number NAS9-13247

By

Data Management Services  
Chrysler Corporation Space Division  
New Orleans, La. 70189

for

Engineering Analysis Division

Johnson Space Center  
National Aeronautics and Space Administration  
Houston, Texas

WIND TUNNEL TEST SPECIFICS:

Test Number AEDC F VA 354  
NASA Series Number: OH11  
Model Number: 29-0  
Test Dates: 24 October through 2 November, 1973  
Occupancy Hours: 37

FACILITY COORDINATOR:

L. L. Trimmer  
ARO, Inc.  
VKF-SH  
Arnold Air Force Station  
Tenn. 37389  
Phone: (615) 455-2611 x7377

AEROHEATING ANALYSIS ENGINEER:

C. Craig  
Rockwell International  
Space Division  
12214 Lakewood Blvd.  
Mail Code AC48  
Downey, California 90241  
Phone: (213) 922-1558

PROJECT ENGINEERS:

M. Quan  
Rockwell International  
Space Division  
12214 Lakewood Blvd.  
Mail Code AC07  
Downey, California 90241  
Phone: (213) 922-2844

A. Boudreau  
ARO, Inc.  
VKF-ADP  
Arnold Air Force Station  
Tenn. 37389  
Phone: (615) 455-2611 x7301

DATA MANAGEMENT SERVICES:

Prepared by: Liaison--D. A. Sarver, V. W. Sparks  
Operations--Maurice Moser, Jr.

Reviewed by: G. G. McDonald, J. L. Glynn *jpg.*

Approved: *N. D. Kemp* Concurrency: *J. G. Swider*  
N. D. Kemp, Manager  
Data Management Services  
J. G. Swider, Manager  
Flight Technology Branch

Chrysler Corporation Space Division assumes no responsibility for the data presented other than display characteristics.

RESULTS OF TESTS OF A  
ROCKWELL INTERNATIONAL SPACE SHUTTLE ORBITER  
(-139 CONFIGURATION) 0.0175-SCALE MODEL (NO. 29-0)  
IN AEDC TUNNEL F TO DETERMINE  
HYPERSONIC HEATING EFFECTS (OH11)

By

M. Quan, Rockwell International Space Division

ABSTRACT

This report presents the results from wind tunnel tests to determine hypersonic aerodynamic heating rates on a NASA/Rockwell Space Shuttle Orbiter.

The objectives of this test were to determine Mach number effects, if any, and to obtain overall heating rate data at high Mach numbers from 10.5 to 16. The model used was a 0.0175-scale model built to Rockwell Orbiter lines VL70-000139. The model identity number is 29-0. These tests, designated OH11, were conducted in the AEDC Tunnel F.

## TABLE OF CONTENTS

	Page
ABSTRACT	iii
INDEX OF FIGURES	2
INTRODUCTION	3
NOMENCLATURE	4
REMARKS	6
CONFIGURATIONS INVESTIGATED	7
INSTRUMENTATION	8
TEST FACILITY DESCRIPTION	10
TEST PROCEDURE	11
DATA REDUCTION	12
REFERENCES	15
TABLES	
I.    TEST CONDITIONS	16
II.   DATA SET/RUN NUMBER COLLATION SUMMARY	17
III.  MODEL DIMENSIONAL DATA	19
IV.   FUSELAGE GAUGE LOCATIONS	25
V.    WING GAUGE LOCATIONS	26
FIGURES	27
APPENDIX	
TABULATED SOURCE DATA	32

**PRECEDING PAGE BLANK NOT FILMED**

## INDEX OF FIGURES

Figure:	Title	Page
1.	Axis systems.	27
2.	Model sketches.	
a.	Shuttle Orbiter Model 29-0	28
b.	Shuttle OH11 Installation in the 54-Inch Test Section	29
3.	Model Photographs.	
a.	Side View of Model Installation	30
b.	Lower Front View of Model Installation	31

## INTRODUCTION

This report presents the test description and data obtained from wind tunnel tests conducted to determine hypersonic aerodynamic heating rates on a NASA/Rockwell Space Shuttle Orbiter configuration. Mach number effects were of special interest. The NASA/Rockwell number for this test was OH11 and the facility project number was VA 354. These tests were conducted in Tunnel F of the von Karman Facility at the Arnold Engineering Development Center (AEDC) from October 24 through November 2, 1973.

The model used was an 0.0175-scale Orbiter model based on Rockwell lines VL70-000139. The number assigned to this model was 29-0.



## NOMENCLATURE

<u>Symbol</u>	<u>Computer Printout</u>	<u>Definition</u>
B/2		wing semispan, 8.2 in.
h	H	heat-transfer coefficient determined at a particular gauge location, $Q/(T_{aw} - T_w)$
h <sub>ref</sub>	HREF	reference heat-transfer coefficient based on test section stagnation conditions on a 0.21-in. radius hemisphere, $Q_0/(T_0 - T_w)$
H <sub>0</sub>	HO	stagnation enthalpy, Btu/lbm
h <sub>w</sub>		enthalpy at model wall temperature, 134.2 Btu/lbm
	L	model length, 23.226 in.
M <sub>∞</sub>	M-INF	free-stream Mach number
P <sub>0</sub>	PO	tunnel reservoir pressure, psia
p <sub>0</sub> '	POP	stagnation pressure measured behind the free-stream normal shock, psia
p <sub>∞</sub>	P-INF	free-stream static pressure, psia
q̇	Q	heat-transfer rate, Btu/ft <sup>2</sup> -sec
q <sub>∞</sub>	Q-INF	free-stream dynamic pressure, psia
q̇ <sub>0</sub>	Q0 or Q-0	stagnation heat-transfer rate on a 0.21-in. radius hemisphere, Btu/ft <sup>2</sup> -sec
	Q1-Q89	heat-transfer gauge designations on model
q̇ <sub>ref</sub>	QREF	reference heat-transfer rate (same as q̇ <sub>0</sub> ), Btu/ft <sup>2</sup> -sec
Re <sub>∞</sub> /ft	RE/FT	Reynolds number based on free-stream conditions and 1-ft length
	RE-L	Reynolds number based on free-stream conditions and the model length of 23.226 in.

NOMENCLATURE (Concluded)

<u>Symbol</u>	<u>Computer Printout</u>	<u>Definition</u>
$\rho_\infty$	RHO-INF	free-stream density, lbm/ft <sup>3</sup>
	STO or ST-0	Stanton number for measured hemisphere stagnation heat-transfer rate, $Q_0 / [\rho_\infty (U_\infty) (H_0 - h_w)]$
$T_0$	T0	reservoir temperature, °R
$T_\infty$	T-INF	free-stream static temperature, °R
$T_{aw}$		adiabatic wall temperature, ( $T_{aw} = \eta T_0$ )
$T_w$		model wall temperature, $\approx 540^\circ\text{R}$
$U_\infty$	U-INF	free-stream velocity, ft/sec
X		axial distance along the model measured from the nose, in.
X'		axial distance along the model measured from the leading edge of the wing, in.
$\alpha$		angle of attack, deg
$\delta$		local flow deflection angle, $\alpha + \theta$ , deg
$\eta$		enthalpy recovery factor, $\eta = 0.867 + 0.133 \sin^{1.55} \delta$
$\theta$		local model surface angle relative to centerline, deg (see Table III)
$\phi$		angle between a gauge and vertical plane through the centerline of the model, deg

NOTE: Reference stagnation conditions ( $\dot{q}_{ref}$  and  $\dot{q}_0$ ) were measured on a 0.50-in. radius hemisphere and reference to a 0.21-in. radius by multiplying by

$$\sqrt{\frac{0.50}{0.21}}$$

## REMARKS

Wind tunnel tests were conducted on a 0.0175-scale model of the Rockwell International Space Shuttle Orbiter to determine aerodynamic heating rates on the vehicle. Data from these tests were compared with data from other tunnel tests. Since tunnel F has a high Mach number capability, it was of special interest to use these data for the determination of Mach number effects on heating rates.

Data were recorded using resistance thermometer slug calorimeters and co-axial surface thermocouples. Details on this instrumentation are given in the Instrumentation Section.

Model angles of attack were varied from 25° to 45° with 0° sideslip. Nominal Mach number range was from 10.5 to 16 and Reynolds number from 1.0 to  $10.0 \times 10^6$ /ft. Tunnel F operates using a constant volume reservoir with set initial charge densities. Reservoir conditions decay with time during each run, resulting in varying Mach and Reynolds numbers over a run. Initial reservoir conditions are set so that the sweep in values of the tunnel parameters will include the requested Mach/Reynolds number combination. The Run Schedule shows the nominal conditions and the Reynolds number range in which tabulated data were collected.

This test is also documented by AEDC report number AEDC-DR-74-16 (Reference 2) by A. H. Boudreau (ARO, Inc.). Much of the information contained in the following text was obtained from that source. In addition, the AEDC report contains plots of the data with some comparisons made with theory and with data obtained during another test (in tunnel B, also at AEDC).

## CONFIGURATIONS INVESTIGATED

The model tested was an 0.0175-scale model of the Space Shuttle Orbiter built to Rockwell lines VL70-000139 (designated model number 29-0). This model was fabricated from 15-5 PH stainless steel. The wing and vertical tail were each built as one solid piece. Exterior contour lines followed the control surfaces in an undeflected position.

Since the model contained no removable, deflectable, or interchangeable parts, configuration variations could not be tested. Therefore, individual components were not referred to. The run schedule merely lists the model by its number, 29-0. However, for information, the following nomenclature symbols had been assigned to the components of the configuration tested.

B <sub>17</sub>	Fuselage body
C <sub>7</sub>	Canopy
F <sub>5</sub>	Body flap
M <sub>4</sub>	OMS pods
V <sub>7</sub>	Vertical tail
W <sub>107</sub>	Wing

Component geometry is detailed in Table III.

## INSTRUMENTATION

Sixty gauges of two types were used to measure heating rates on the model surface. Locations of these gauges are shown in Figure 2a. The two types of gauges were resistance thermometer slug calorimeters (RT) and co-axial surface thermometers (co-ax).

Fourteen RT gauges were installed on model leeward surfaces. The RT gauges were built 0.250-in. diameter to be used where the heat transfer rate range was expected to be 0.05 to 50 Btu/ft<sup>2</sup>-sec. These gauges used a thin-film platinum resistance thermometer to sense the back surface temperature of an aluminum disc, the front of which was flush to the model surface. The calorimeters were optimized to measure a given range of heat flux by an appropriate selection of the aluminum disc thickness. Unfortunately, since these discs were made flat across their surface, a small deviation from model surface contour resulted across the diameter of the gauges when they were installed.

Forty-six 0.125-in. diameter co-ax thermocouple gauges were also used on this model. The surface contour of these gauges matched exactly that of the model since the thermocouple sensing surface could be worked to the model shape and still function properly. These gauges were comprised of an electrically insulated chromel wire enclosed in a constantan cylindrical jacket. A thin-film junction was made at the model surface by lightly polishing with fine sandpaper. They had a higher operating range (5 to 500 Btu/ft<sup>2</sup>-sec.) than the RT gauges and were placed in areas such as the lower surface where higher heating rates were expected. Because

## INSTRUMENTATION (Concluded)

they matched the model surface contour so well, they did not cause early boundary layer transition with its subsequent higher heating rate.

Tunnel conditions were monitored using two 1-inch diameter hemisphere-cylinders instrumented with slug calorimeters. The hemisphere-cylinders were installed at an appropriate distance from the model to eliminate shock interference. A pitot probe was located near each hemisphere-cylinder to measure the normal shock stagnation pressure. Test section pitot pressures as well as ARC chamber reservoir pressures were measured with semiconductor strain-gauge transducers.

## TEST FACILITY DESCRIPTION

The Hypervelocity Wind Tunnel (F) is an arc-driven wind tunnel of the hotshot type and capable of providing Mach numbers from about 7.5 to 20 over a unit Reynolds number range from  $0.05 \times 10^6$  to  $75 \times 10^6$  per foot. Test sections of 108-in. diameter ( $M_\infty = 14$  to 20) and 54-in. diameter ( $M_\infty = 10$  to 17) are available using a 4-deg., half-angle conical nozzle. The range of Mach numbers at a particular test station in the conical nozzle is obtained by using various throat diameters. The  $M_\infty = 8$  contoured nozzle has a 25-in. exit diameter which connects to the 54-in. diameter test section and provides a free-jet exhaust. The test gas can be either air or nitrogen. The test gas is confined in either a 2.5 cu. ft. or a 4.0 cu. ft. arc chamber where it is heated and compressed by an electric arc discharge. The increase in pressure results in a diaphragm rupture with the subsequent flow expansion through the nozzle. Test times are typically from 50 to 200 msec. Shadowgraphs and Schlieren coverage are available at both test sections.

This test was conducted in the 54-in. diameter test section of the conical nozzle for  $M_\infty = 10.1$ -16.2. Nitrogen was the test gas. The 2.5 and 4.0 ft<sup>3</sup> arc chambers were used, and useful test times up to approximately 100 msec. were obtained.

## TEST PROCEDURE

Variables for this test were Mach number, Reynolds number, and angle of attack. Prior to making a run, these variables were set with the proper facility nozzle, throat diameter, arc chamber pressure and sting angle.

The tunnel was fired with an electric arc discharge. The nitrogen within the arc chamber was heated by this discharge and the resultant increase in pressure ruptured a diaphragm, which released the gas into the nozzle.

As gas left the arc chamber, reservoir pressure declined with a resulting decay of tunnel parameters. Gauge output was scanned with a digital system. Oscillographs were also used to record the output of each channel as a back-up and for a quick look at results. As reservoir pressure declined, timewise scans of data resulted in variations of Reynolds number. Thus, a single run contained data for a range of Reynolds numbers.



## DATA REDUCTION

Output of the heat transfer gauges was converted by AEDC from direct functions of temperature vs. time to  $Q/Q_{ref}$  and  $H/H_{ref}$  vs. time. Tabulations of these values for each run are presented in the back of this report.

Statements made below on data uncertainty are based on information presented in the AEDC data report for this test, AEDC-DR-74-16 by A. H. Boudreau (ARO, Inc.).

The determination of the free-stream and reservoir conditions was based on the measured values  $p_0^*$ ,  $p_0$ , and  $\dot{q}_0$ . Uncertainties for these parameters are  $\pm 4$ ,  $\pm 5$ , and  $\pm 5$  percent, respectively, based on calibration and data acquisition accuracy as well as uncertainties associated with testing under dynamic conditions. Using the Taylor series method of error propagation resulted in the following uncertainties in tunnel conditions:

<u>Parameter</u>	<u>Uncertainty (percent)</u>
$M_\infty$	$\pm 1.5$
$Re_\infty/ft$	$\pm 10$
$T_\infty$	$\pm 6$
$\rho_\infty$	$\pm 6$
$T_0$	$\pm 4$
$H_0$	$\pm 5$

Uncertainties in heat transfer rates ( $\dot{q}$ ) were a function of flow condition, angle of attack, and location on the model. Low heat transfer rates

DATA REDUCTION (Continued)

sometimes approached the limits of the instrumentation, which resulted in higher data uncertainties. Bottom centerline gauges 34, 38, 41, 44, 47, and 50 (figure 2-a) had low outputs, so pre-amp units were used to boost the signal to noise ratio. Separate uncertainty values are provided for these gauges. The table below lists the uncertainties in the heat transfer rates by their location on the model.

<u>Location of Model</u>	<u>Range (Btu/ft<sup>2</sup>-sec)</u>	<u>Uncertainty (percent)</u>
Bottom centerline (w/o pre-amps)	$\dot{q} > 5$	$\pm 9$
	$\dot{q} < 5$	$\pm 15$
Bottom Centerline (w/ pre-amps)	$\dot{q} > 1$	$\pm 9$
Bottom of Wing	$\dot{q} > 5$	$\pm 9$
	$\dot{q} < 5$	$\pm 15$
Model Upper Surface	$\dot{q} > 0.2$	$\pm 9$
	$\dot{q} < 0.2$	$\pm 15$

The uncertainties associated with model data non-dimensionalized with free-stream conditions ( $h$ ) or stagnation conditions and free stream ( $h_{ref}$ ) are based on the uncertainties of tunnel parameters and  $\dot{q}$ 's given above. These uncertainties are propagated through the appropriate equations by the Taylor series method of error propagation to yield the following estimates of data uncertainty ( $T_w$  uncertainty considered negligible):

DATA REDUCTION (Concluded)

<u>Parameter</u>	<u>Uncertainty (Percent)</u>	<u>Comments</u>
$h$	$\pm 10$	for $\dot{q}$ with $\pm 9$ percent uncertainty
$h$	$\pm 16$	for $\dot{q}$ with $\pm 15$ percent uncertainty
$h_{ref}$	$\pm 6$	
$\dot{q}_{ref}$	$\pm 5$	
$\dot{q}/\dot{q}_{ref}$	$\pm 10$	for $\dot{q}$ with $\pm 9$ percent uncertainty
$\dot{q}/\dot{q}_{ref}$	$\pm 16$	for $\dot{q}$ with $\pm 15$ percent uncertainty
$h/h_{ref}$	$\pm 12$	for $\dot{q}$ with $\pm 9$ percent uncertainty
$h/h_{ref}$	$\pm 17$	for $\dot{q}$ with $\pm 15$ percent uncertainty

## REFERENCES

1. Wilkinson, E. E., "Pretest Information for Tests of the 0.0175-Scale Space Shuttle Vehicle Heat Transfer Model 29-0 in the AEDC Tunnel F (Test OH-11)," SD73-SH-0204, dated July 11, 1973.
2. Boudreau, A. H., "Test Results from the NASA/RI Shuttle Heating Test OH-11 in the AEDC-VKF Tunnel F," AEDC-DR-74-16, dated February 7, 1974.



TABLE II.

TEST: CH11		DATA SET/RUN NUMBER COLLATION SUMMARY							DATE: Post-test			
TUNNEL RUN	CONFIGURATION	SCHD.		Re/ft x 10 <sup>6</sup> REQUESTED	Re/ft x 10 <sup>6</sup> RANGE ATTAINED			COMMENTS	NO. OF RUNS	MACH NUMBERS		
		$\alpha$	$\beta$									
4504	29-0	25	0	1.0	1.6	TO	2.6			10.5		
4506		35		3.7	2.1	TO	6.5					
4507		30		10.0	4.0	TO	10.1					
4508		30		10.0	4.8	TO	10.0					
4509		30		6.0	5.7	TO	10.5					
4510		30		3.7	3.2	TO	6.2					
4511		25		3.7	3.4	TO	5.8					
4512		30		6.0	3.9	TO	8.1			12.0		
4513		30		3.7	1.6	TO	3.4	FAILED TO REACH DESIRED Re				
4514		30		1.0	.39	TO	2.0					
4515		30		3.7	1.7	TO	3.8			14.0		
4516		30		1.0	1.0	TO	2.5			14.0		
4517		30		1.0	.75	TO	1.5			16.0		
4518		35		3.7	1.5	TO	3.6			12.0		
4519		35		3.7	2.0	TO	3.9	B.L. TRIPPED BY PARTICLE IMPACT ON MODEL		14.0		
4520		25		3.7	1.5	TO	3.8			12.0		
4521		25		1.0	.75	TO	1.0			12.0		
4522		25		3.7	2.5	TO	3.8			14.0		

17

TEST RUN NUMBERS

1 7 13 19 25 31 37 43 49 55 61 67 73 76

COEFFICIENTS

10VAR 11 10VAR 12 11VAR

$\alpha$  OR  $\beta$   
SCHEDULES

$\alpha$  = angle of attack, deg.



TABLE III MODEL DIMENSIONAL DATA

MODEL COMPONENT : BODY - B<sub>17</sub>

GENERAL DESCRIPTION : Fuselage, 3 configuration, lightweight orbiter per Rockwell Lines VL70-000139

MODEL SCALE: 0.0175

DRAWING NUMBER: VL70-000139

DIMENSIONS :	FULL SCALE	MODEL SCALE
Length, In.	<u>1290.3</u>	<u>22.580</u>
Max Width, In.	<u>267.6</u>	<u>4.683</u>
Max Depth, In.	<u>244.5</u>	<u>4.279</u>
Fineness Ratio	<u>4.822</u>	<u>4.822</u>
Area - Ft <sup>2</sup>	<u></u>	<u></u>
Max. Cross-Sectional	<u>386.67</u>	<u>6.767</u>
Planform	<u></u>	<u></u>
Wetted	<u></u>	<u></u>
Base	<u></u>	<u></u>



TABLE III (CONT'D)

MODEL COMPONENT : CANOPY - C<sub>7</sub>

GENERAL DESCRIPTION : Configuration 3 per Rockwell Lines

VL70-000139

MODEL SCALE: 0.0175

DRAWING NUMBER: VL70-000139

DIMENSIONS :	FULL SCALE	MODEL SCALE
Length ( $X_{O=433}$ to $X_{O=578}$ ) in.F.S.	<u>145.0</u>	<u>2.538</u>
Max Width	<u>                    </u>	<u>                    </u>
Max Depth	<u>                    </u>	<u>                    </u>
Fineness Ratio	<u>                    </u>	<u>                    </u>
Area	<u>                    </u>	<u>                    </u>
Max. Cross-Sectional	<u>                    </u>	<u>                    </u>
Planform	<u>                    </u>	<u>                    </u>
Wetted	<u>                    </u>	<u>                    </u>
Base	<u>                    </u>	<u>                    </u>

TABLE III (CONT'D)

MODEL COMPONENT : BODY FLAP - F<sub>5</sub>

GENERAL DESCRIPTION : Configuration per Rockwell Lines

VL70-000139

MODEL SCALE: 0.0175

DRAWING NUMBER : VL70-000139

DIMENSIONS :	FULL SCALE	MODEL SCALE
Length , In.	<u>84.70</u>	<u>1.482</u>
Max Width, In.	<u>267.6</u>	<u>4.683</u>
Max Depth	<u>          </u>	<u>          </u>
Fineness Ratio	<u>          </u>	<u>          </u>
Area - Ft <sup>2</sup>	<u>          </u>	<u>          </u>
Max. Cross-Sectional	<u>          </u>	<u>          </u>
Planform	<u>142.5</u>	<u>0.044</u>
Wetted	<u>          </u>	<u>          </u>
Base	<u>38.096</u>	<u>0.012</u>

TABLE III (CONT'D)

MODEL COMPONENT : OMS POD - M<sub>4</sub>

GENERAL DESCRIPTION : Configuration 3 per Rockwell Lines

VL70-000139.

NOTE: M<sub>4</sub> identical to M<sub>3</sub>, except intersection to fuse. age

MODEL SCALE: 0.0175

DRAWING NUMBER : VL70-000139

DIMENSIONS :	FULL SCALE	MODEL SCALE
Length , In.	<u>346.0</u>	<u>6.055</u>
Max Width, In.	<u>108.0</u>	<u>0.890</u>
Max Depth , In.	<u>113.0</u>	<u>1.978</u>
Fineness Ratio	<u>                    </u>	<u>                    </u>
Area	<u>                    </u>	<u>                    </u>
Max. Cross-Sectional	<u>                    </u>	<u>                    </u>
Planform	<u>                    </u>	<u>                    </u>
Wetted	<u>                    </u>	<u>                    </u>
Base	<u>                    </u>	<u>                    </u>

TABLE III (CONT'D)

MODEL COMPONENT: VERTICAL - V<sub>7</sub>GENERAL DESCRIPTION: Centerline vertical tail, double-wedge airfoil  
with rounded leading edge.NOTE: Same as V<sub>5</sub>, but with manipulator housing removed.MODEL SCALE: 0.0175DRAWING NUMBER: VL70-000139

DIMENSIONS:	<u>FULL SCALE</u>	<u>MODEL SCALE</u>
TOTAL DATA		
Area (Theo) - Ft <sup>2</sup>		
Planform	<u>425.92</u>	<u>0.130</u>
Span (Theo) - In.	<u>315.72</u>	<u>5.525</u>
Aspect Ratio	<u>1.675</u>	<u>1.675</u>
Rate of Taper	<u>0.507</u>	<u>0.507</u>
Taper Ratio	<u>0.404</u>	<u>0.404</u>
Sweep-Back Angles, Degrees.		
Leading Edge	<u>45.000</u>	<u>45.000</u>
Trailing Edge	<u>26.249</u>	<u>26.249</u>
0.25 Element Line	<u>41.130</u>	<u>41.130</u>
Chords:		
Root (Theo) WP	<u>268.50</u>	<u>4.699</u>
Tip (Theo) WP	<u>108.47</u>	<u>1.898</u>
MAC	<u>199.81</u>	<u>3.497</u>
Fus. Sta. of .25 MAC	<u>1463.50</u>	<u>25.611</u>
W.P. of .25 MAC	<u>635.522</u>	<u>11.116</u>
B.L. of .25 MAC	<u>0.00</u>	<u>0.00</u>
Airfoil Section		
Leading Wedge angle - Deg.	<u>10.00</u>	<u>10.00</u>
Trailing Wedge Angle - Deg.	<u>14.920</u>	<u>14.920</u>
Leading Edge Radius	<u>2.00</u>	<u>2.00</u>
Void Area	<u>13.17</u>	<u>0.004</u>
Blanketed Area	<u>0.0</u>	<u>0.0</u>

ORIGINAL PAGE IS  
OF POOR QUALITY

TABLE III (CONL'D)

MODEL COMPONENT: WING-W 107

GENERAL DESCRIPTION: Configuration 3 per Rockwell Lines VL70-000139B

NOTE: Same as W 103, except cuff, airfoil and incidence angle.

MODEL SCALE: 0.0175

TEST NO.	DWG. NO.	
	FULL-SCALE	MODEL SCALE
<b>DIMENSIONS:</b>		
<b>TOTAL DATA</b>		
Area (Theo.) Ft <sup>2</sup>		
Planform	2690.00	0.824
Span (Theo) In.	936.68	16.392
Aspect Ratio	2.265	2.265
Rate of Taper	1.177	1.177
Taper Ratio	0.200	0.200
Dihedral Angle, degrees	3.500	3.500
Incidence Angle, degrees	0.500	0.500
Aerodynamic Twist, degrees	3.000	3.000
Sweep Back Angles, degrees		
Leading Edge	45.000	45.000
Trailing Edge	- 10.240	- 10.240
0.25 Element Line	35.209	35.209
Chords:		
Root (Theo) B.P.O.O.	689.24	12.062
Tip, (Theo) B.P.	137.85	2.412
MAC	474.81	8.309
Fus. Sta. of .25 MAC	1136.89	19.896
W.P. of .25 MAC	290.857	3.672
B.L. of .25 MAC	182.13	3.187
<b>EXPOSED DATA</b>		
Area (Theo) Ft <sup>2</sup>	1752.29	0.537
Span, (Theo) In. BP108	720.68	12.612
Aspect Ratio	2.058	2.058
Taper Ratio	0.245	0.245
Chords		
Root BP108	562.40	9.842
Tip $1.00 \frac{b}{2}$	137.85	2.412
MAC	393.03	6.878
Fus. Sta. of .25 MAC	1184.21	20.743
W.P. of .25 MAC	290.683	5.139
B.L. of .25 MAC	251.76	4.406
Airfoil Section (Rockwell Mod NASA) XXXX-64		
Root $\frac{b}{2}$ =	0.100	0.100
Tip $\frac{b}{2}$ =	0.120	0.120
Data for (1) of (2) Sides		
Leading Edge Cuff		
Planform Area Ft <sup>2</sup>	118.333	0.036
Leading Edge Intersects Fus M. L. @ Sta	500.00	8.750
Leading Edge Intersects Wing @ Sta	1083.4	18.960

TABLE IV. - FUSELAGE GAUGE LOCATIONS

Normalized Length vs. Local Model Surface Angle

FUSELAGE LOWER SURFACE CENTERLINE			RADIAL GAUGES		
			X/L = .15		
Gauge #	X/L	$\theta$ -deg	Gauge #	$\phi$ -deg	$\theta$ -deg
1	.005	52.25	10	0	3.25
2	.020	20.5	11	20°	3.25
3	.040	13.5	12	30°	3.25
6	.060	10.0			
7	.080	7.25			
8	.100	5.5			
10	.150	3.25	X/L = .30		
16	.200	2.0			
20	.250	1.25			
23	.300	1.0	23	0°	1.0
31	.400	1.0	25	40°	1.0
34	.500	1.0	26	45°	1.0
38	.600	1.0			
41	.700	1.0			
44	.800	1.0			
47	.900	-2.0			
50	1.000	-4.5			

TABLE V. - WING GAUGE LOCATIONS

WING LOWER SURFACE

25% HALFSPAN			40% HALFSPAN		
Gauge #	X/C	θ-deg	Gauge #	X/C	θ-deg
52	.082	5.35	59	.1	6.7
53	.302	2.5	60	.2	5.65
54	.447	2.65	61	.3	4.65
55	.591	2.25	62	.56	2.85
56	.736	0	63	.7	1.4
57	.881	-0.75	64	.9	-4.75
50% HALFSPAN			60% HALFSPAN		
Gauge #	X/C	θ-deg	Gauge #	X/C	θ-deg
65	.176	4.55	68	.1	4.95
66	.484	5.0	69	.2	4.8
82	.7	1.85	70	.43	5.4
			71	.6	3.5
			72	.8	-1.55
75% HALFSPAN			85% HALFSPAN		
Gauge #	X/C	θ-deg	Gauge #	X/C	θ-deg
74	.1	5.3	79	.1	5.6
			80	.3	5.35
			81	.5	4.6

Notes:

1. Positive directions of force coefficients, moment coefficients, and angles are indicated by arrows
2. For clarity, origins of wind and stability axes have been displaced from the center of gravity

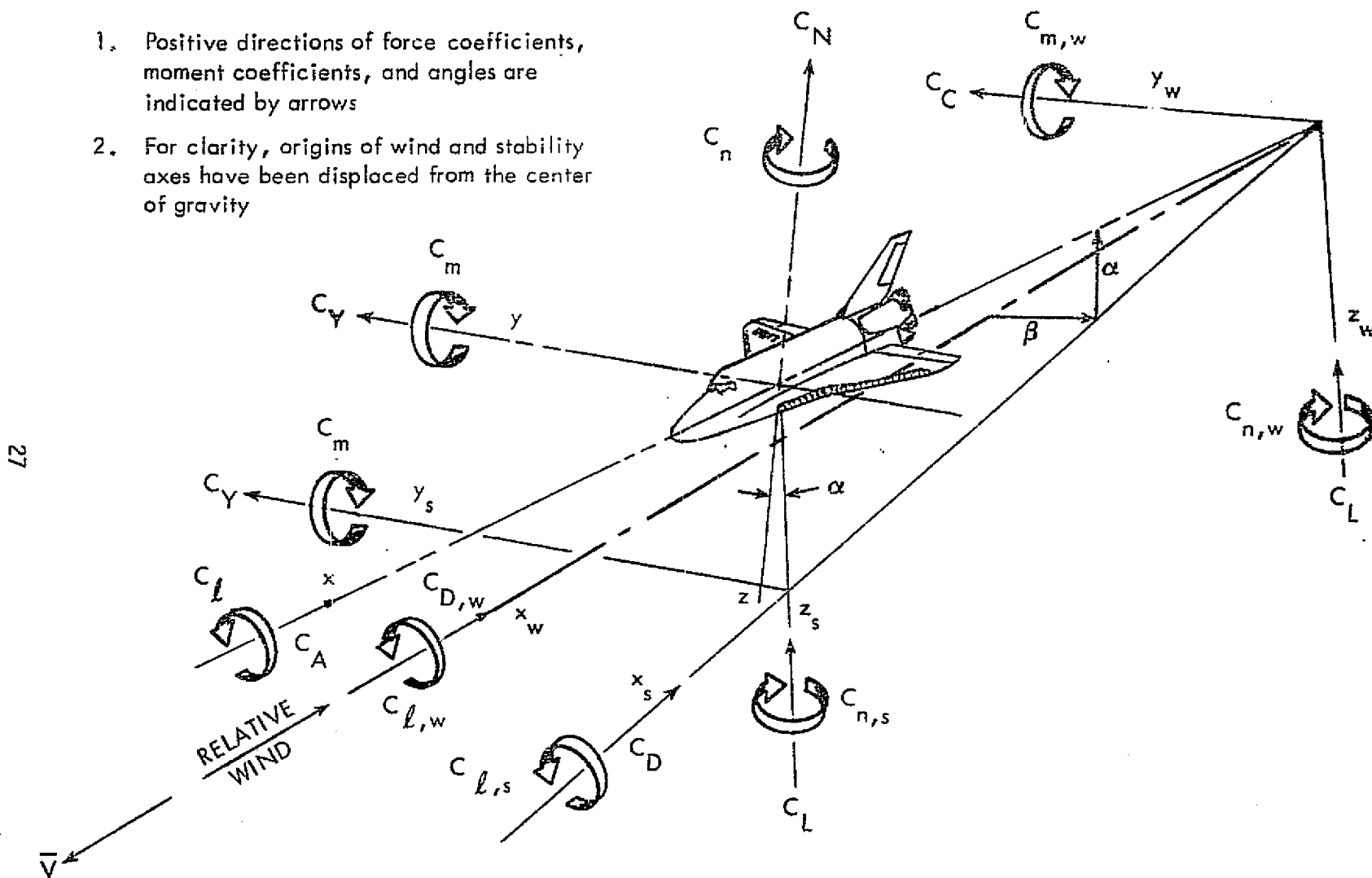


Figure 1. - Axis Systems.



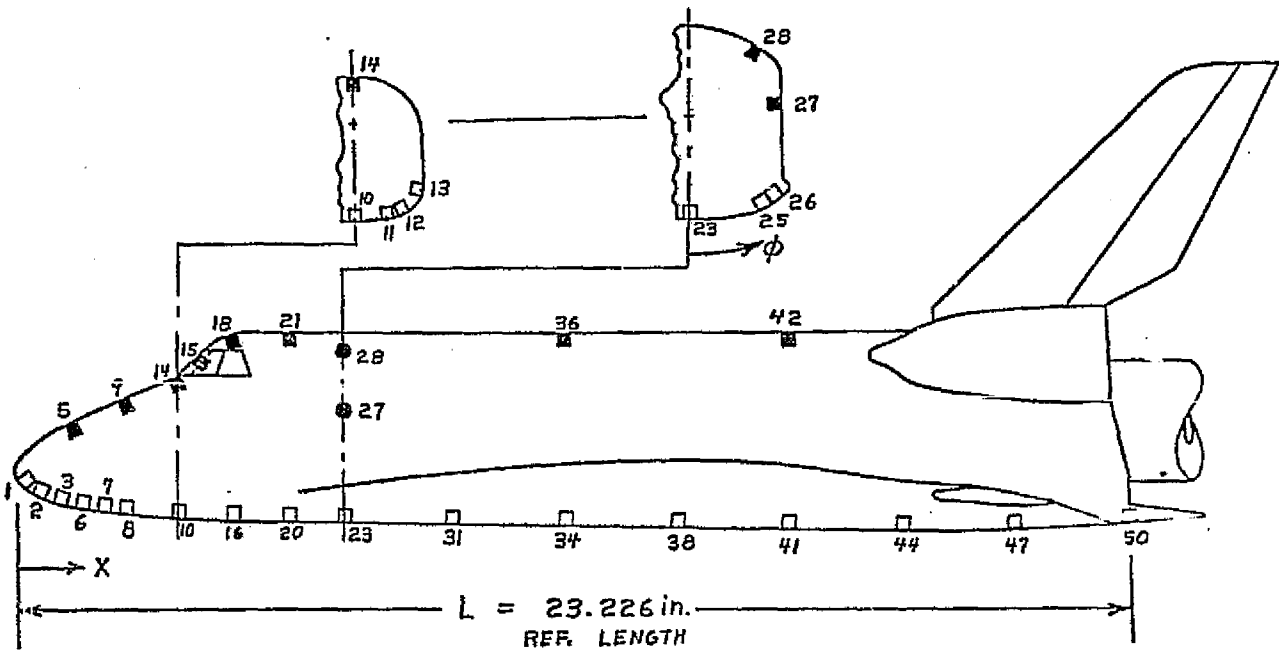
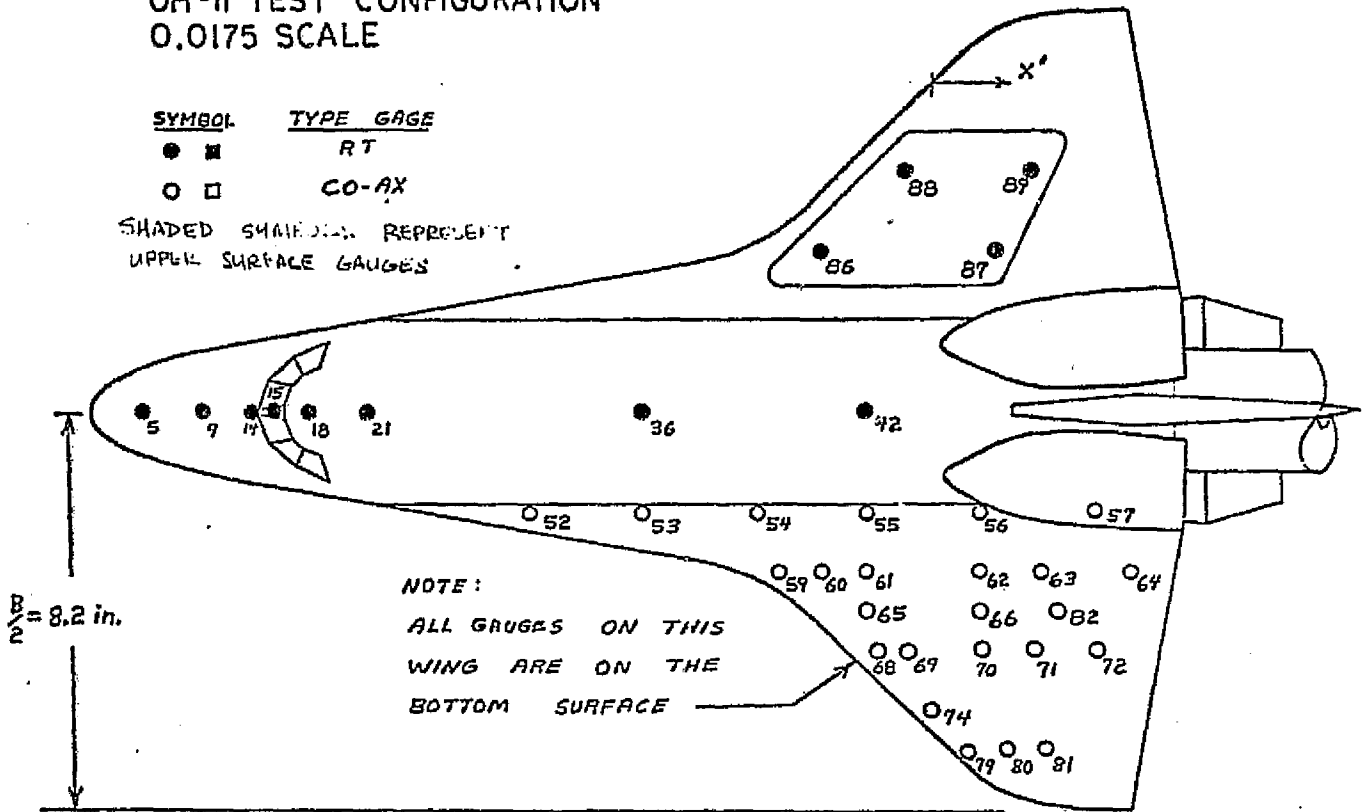
OH-11 TEST CONFIGURATION  
0.0175 SCALE

**SYMBOL**      **TYPE GAGE**

● ■              RT

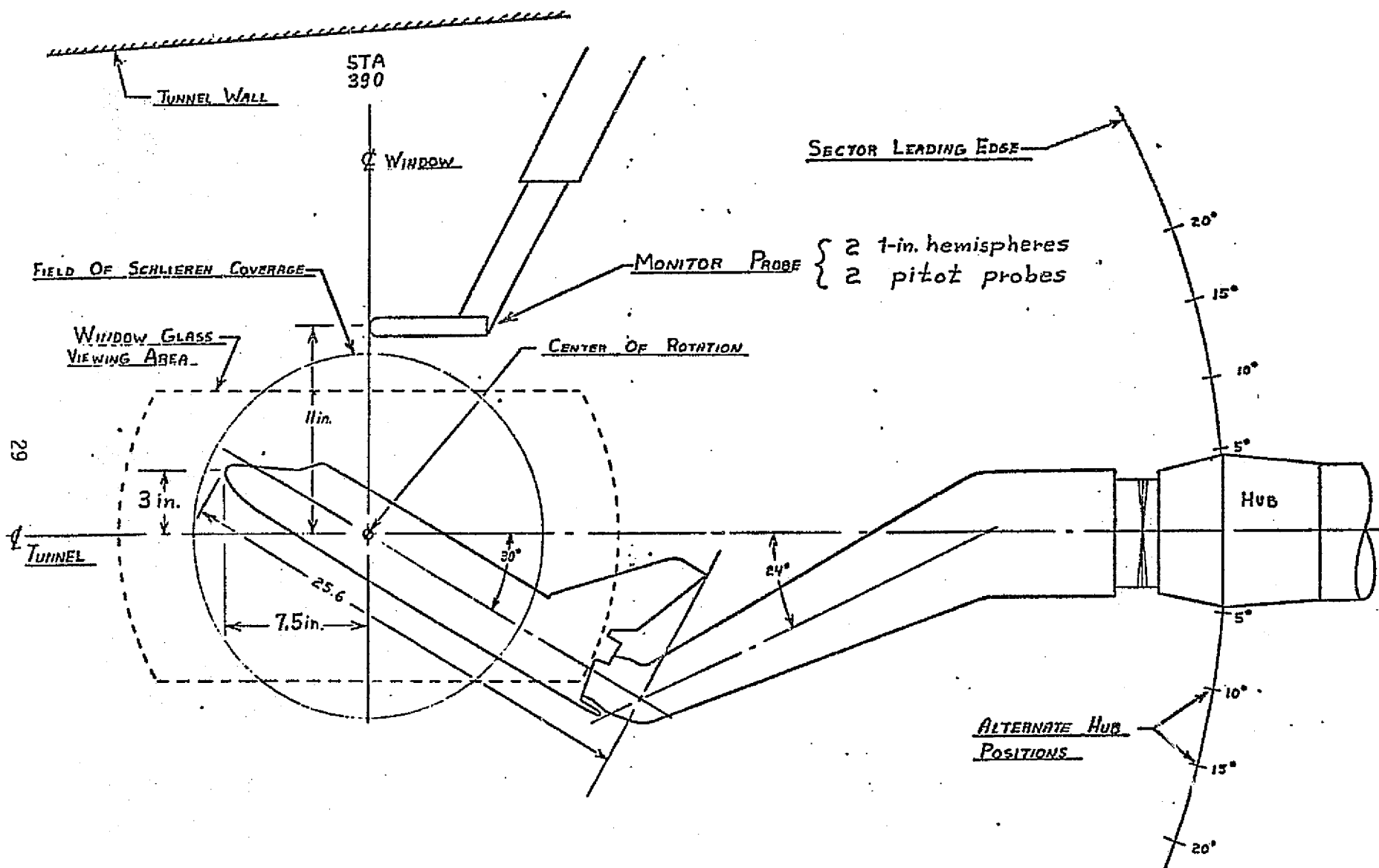
○ □              CO-AX

SHADED SYMBOLS REPRESENT  
UPPER SURFACE GAUGES



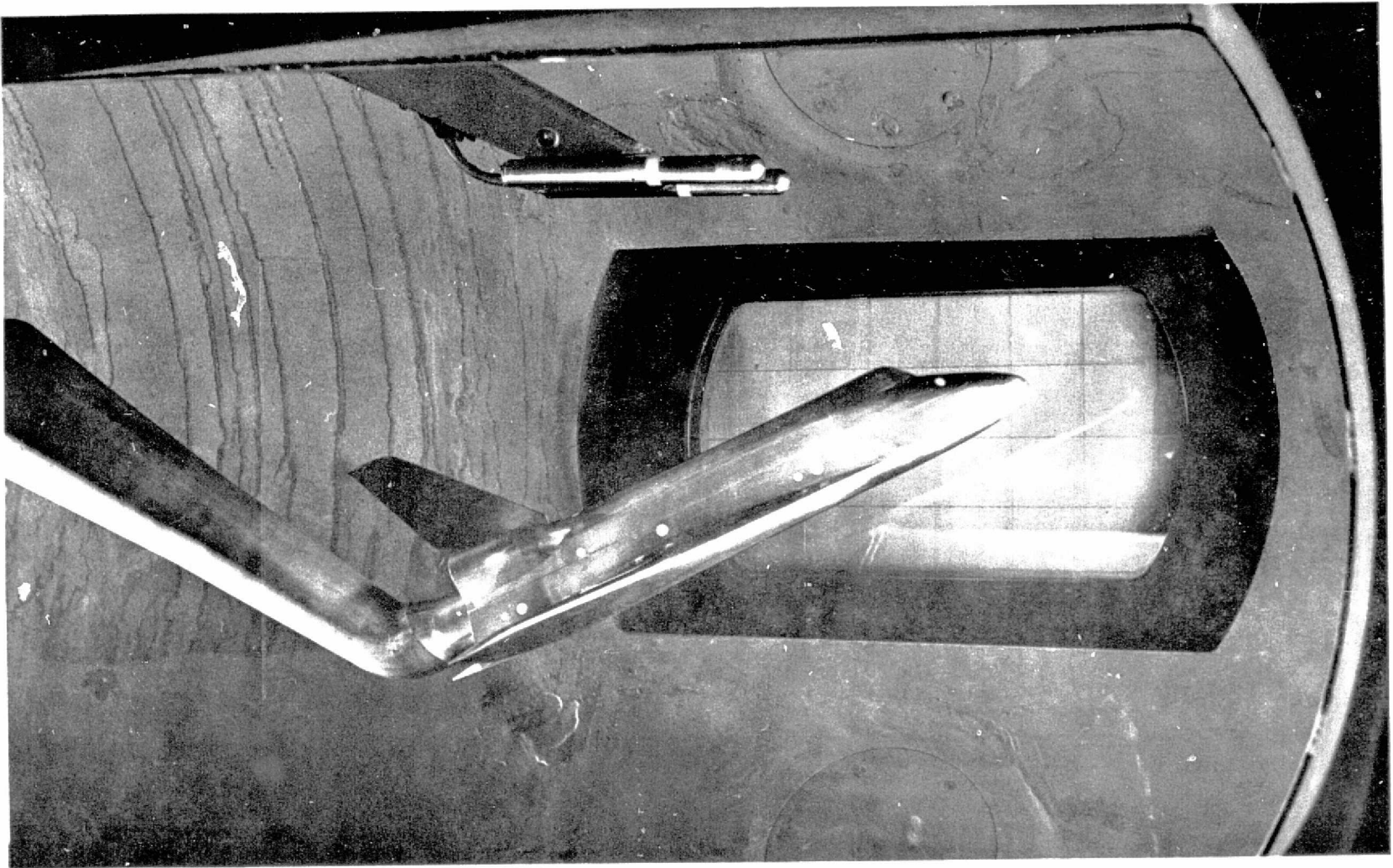
a. Shuttle Orbiter Model 29-0

Figure 2.- Model sketches.



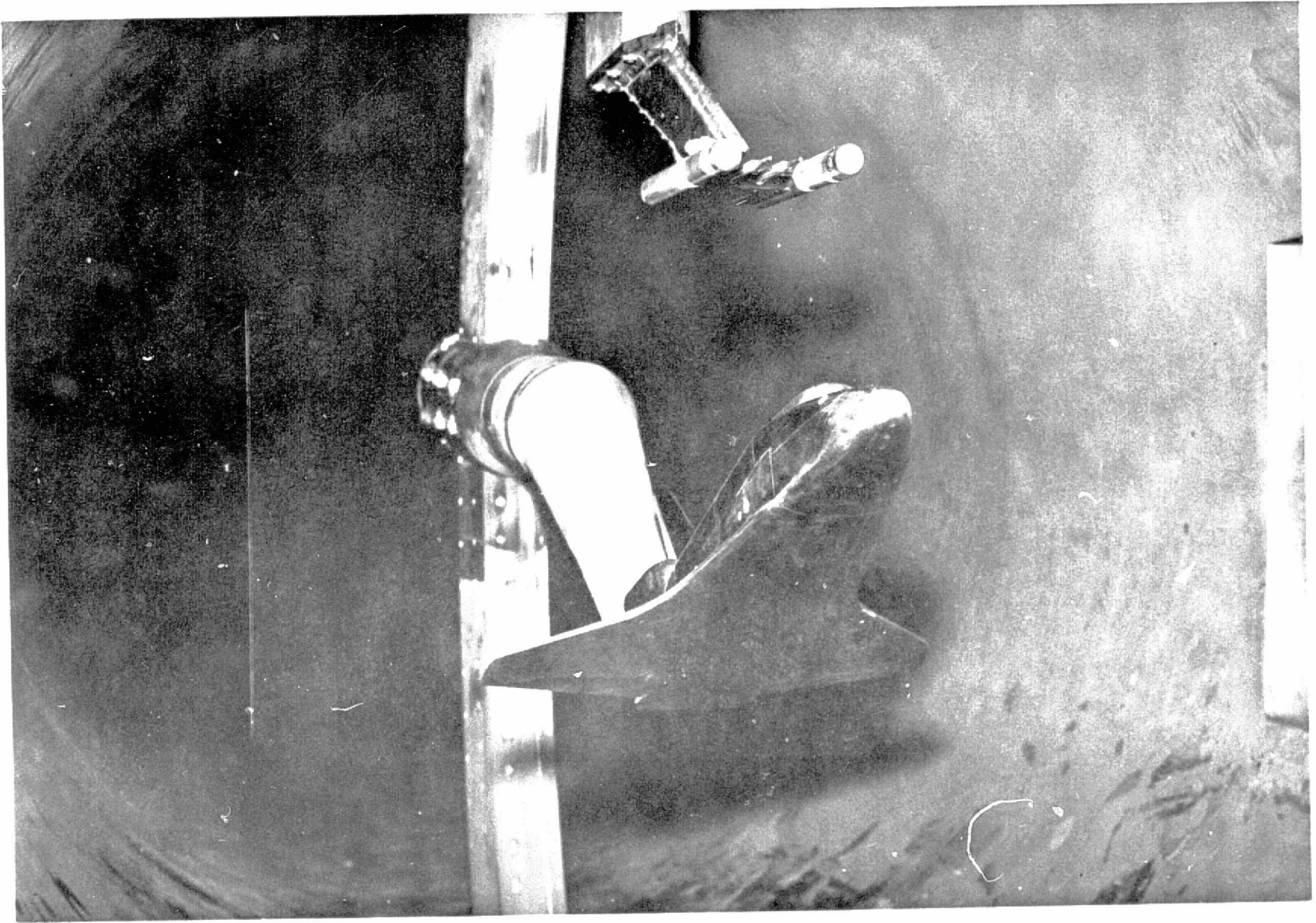
b. Shuttle OH11 Installation in the 54-Inch Test Section

Figure 2. - Concluded.



a. Side View of Model Installation

Figure 3. - Model photographs.



b. Lower Front View of Model Installation

Figure 3. - Concluded.

DATE = 10-23-73

PROJECT NUMBER VA354-21FA

ARG. INC.

ARNOLD AIR FORCE STATION, TENN.

NASA / R1 Qn-11 SHUTTLE ORBITER TEST

TEST CONDITIONS TEST GAS NITROGEN  
ANGLE OF ATTACK 25.000 DEG.

Q=0, ST=0 BASED ON .210 INCH RADIUS  
MODEL LENGTH 23.226 INCHES

TIME	P-INF	RHO-INF	T-INF	U-INF	M-INF	Q-INF	RE/FT	RE-L	PO	TO	MO	QO BTU/	STO	POP	MREF	BTU/
MSEC	PSIA	LBM/CU-FT	DEG R	FT/SEC		PSIA	X10-6	X10-6	PSIA	DEG R	BTU/LBM	SOFT-SEC		PSIA	SOFT-SEC	
60	.079412	.001542	134.5	5.57	10.13	5.705	2.6160	5.0632	3783	2660	7.181E 02	147.2	.02788	10.535	.0694	
116	.073273	.001442	109.5	5.394	10.34	3.268	1.9991	3.4693	2362	2283	6.078E 02	86.7	.03255	6.025	.0497	
128	.037908	.000913	108.5	5.392	10.38	2.861	1.7673	3.4205	2130	2283	6.072E 02	81.0	.03477	5.276	.0465	
138	.035204	.000829	111.1	5.437	10.35	2.644	1.5820	3.0619	1959	2321	6.175E 02	79.9	.03662	4.875	.0448	

NOTE: QREF is the same as QO

ORIGINAL PAGE IS  
OF POOR QUALITY

PRECEDING PAGE BLANK NOT FILMED

DATE = 10-23-73

PROJECT NUMBER VA354-21FA

ARD, INC.

ARLUND AIR FORCE STATION, TENN.

NASA / RI OR-11 SHUTTLE ORBITER TEST

## HEAT TRANSFER DATA (W / HREF)

TIME	Q1	Q2	Q3	Q6	Q7	Q8	Q10	Q11	Q12	Q13	Q16	Q23	Q25	Q26	Q31
60	.47299	.25752	.16864	.13169	.10267	.08581	.06241	.08752	.09035	.08509	.05305	.04434	.04309	.09095	.04241
116	.46708	.25435	.16825	.13676	.10341	.08684	.06190	.08628	.08995	.08228	.05302	.05032	.04243	.08692	.04575
128	.46306	.25420	.16886	.13620	.10519	.08740	.06171	.08575	.09109	.08285	.05355	.05090	.04289	.08946	.04552
138	.46304	.25796	.16377	.13557	.10390	.08791	.06242	.08512	.09193	.08279	.05298	.05143	.04286	.08572	.04537
TIME	Q34	Q38	Q41	Q44	Q47	Q50	Q52	Q53	Q54	Q55	Q56	Q57	Q59	Q60	Q61
60	.04115	.04002	.03843	.03581	.02650	.01903	.00529	.07017	.05996	.04202	.04344	.04571	.11624	.09587	.07985
116	.04255	.04392	.05135	.05719	.07041	.05116	.00180	.06318	.05530	.03988	.04572	.04542	.11909	.09074	.07803
128	.04266	.04403	.04689	.05294	.06348	.04651	.00124	.06261	.05462	.04045	.04658	.04485	.11685	.09247	.07841
138	.04320	.04206	.04400	.04812	.05863	.04298	.00062	.06257	.05362	.04144	.04772	.04458	.11453	.09012	.07684
TIME	Q62	Q63	Q64	Q65	Q66	Q68	Q69	Q70	Q71	Q72	Q74	Q79	Q80	Q81	
60	.06332	.06307	.03542	.14962	.09886	.07768	.14888	.10510	.10043	.06997	.04260	.17622	.20410	.09764	.14572
116	.06141	.05723	.03246	.14818	.10110	.07985	.15816	.09438	.08799	.07207	.04541	.17605	.20745	.10324	.08809
128	.06198	.05677	.03177	.14592	.09940	.07928	.15929	.09212	.08949	.07263	.04599	.18056	.20970	.10381	.08765
138	.06193	.05644	.03139	.14620	.09595	.07805	.16032	.09036	.08794	.07315	.04661	.18157	.21182	.10374	.08739
TIME	Q5	Q9	Q14	Q15	Q18	Q21	Q28	Q27	Q36	Q42	Q86	Q89			
60	.02356	.00812	.00400	.03179	.00789	.00200	.00183	.01401	.00720	.00354	.00286	.00127			
116	.02416	.00444	.00357	.02911	.00875	.00244	.00213	.01565	.00702	.00466	.00322	.00099			
128	.02543	.00355	.00357	.02842	.00909	.00242	.00229	.01571	.00708	.00506	.00339	.00101			
138	.02449	.00931	.00356	.02829	.00920	.00247	.00228	.01481	.00673	.00506	.00340	.00101			

DATE = 10-23-73

PROJECT NUMBER VA354-21FA

ARO, INC.

ARNOLD AIR FORCE STATION, TENN.

NASA / RI OR-11 SHUTTLE ORBITER TEST

HEAT TRANSFER DATA (O/DREF)

TIME	Q1	Q2	Q3	Q6	Q7	Q8	Q10	Q11	Q12	Q13	Q16	Q23	Q25	Q26	Q31
60	.47000	.24000	.15000	.11900	.09201	.07650	.05527	.07750	.08000	.07441	.04680	.03900	.03790	.06000	.03730
110	.46400	.24000	.15300	.12300	.09220	.07700	.05450	.07596	.07920	.07150	.04650	.04400	.03710	.07600	.04000
120	.46000	.24079	.15356	.12250	.09379	.07750	.05433	.07550	.08020	.07200	.04696	.04450	.03750	.07821	.03980
130	.46000	.23974	.14900	.12200	.09270	.07800	.05500	.07500	.08100	.07200	.04650	.04500	.03750	.07500	.03970
TIME	Q34	Q38	Q41	Q44	Q47	Q50	Q52	Q53	Q54	Q55	Q56	Q57	Q59	Q60	Q61
60	.03620	.03520	.03380	.03150	.02311	.01700	.07600	.06200	.05300	.03710	.03810	.04000	.10400	.08550	.07100
110	.03720	.03500	.04490	.05000	.06100	.04400	.07250	.05550	.04860	.03900	.03905	.03950	.10600	.08050	.06900
120	.03730	.03550	.04100	.04550	.05500	.04000	.07200	.05500	.04800	.03550	.04000	.03900	.10400	.08203	.06934
130	.03720	.03620	.03050	.04210	.05084	.03700	.07150	.05500	.04716	.03640	.04102	.03880	.10200	.08000	.06880
TIME	Q62	Q63	Q64	Q65	Q66	Q68	Q69	Q70	Q71	Q72	Q74	Q79	Q80	Q81	
60	.05600	.05290	.03100	.13300	.08800	.06050	.13250	.09350	.08950	.06200	.03720	.15700	.18200	.08700	.12955
110	.05400	.05010	.02790	.13100	.08950	.07000	.14000	.08350	.07800	.06350	.03900	.15600	.18400	.09150	.07709
120	.05450	.04970	.02731	.12900	.08800	.06900	.14100	.08150	.07932	.06400	.03990	.16000	.18600	.09200	.07750
130	.05450	.04944	.02700	.12933	.08500	.06900	.14200	.08000	.07800	.06450	.04047	.16100	.18800	.09200	.07732
TIME	Q5	Q9	Q14	Q15	Q18	Q21	Q23	Q27	Q36	Q42	Q86	Q89			
60	.02000	.00710	.00350	.02780	.00690	.00175	.00160	.01225	.00630	.00310	.00250	.00111			
110	.02100	.00820	.00310	.02530	.00760	.00212	.00165	.01360	.00610	.00405	.00280	.00088			
120	.02210	.00830	.00310	.02470	.00790	.00210	.00199	.01365	.00615	.00440	.00295	.00088			
130	.02140	.00810	.00310	.02450	.00800	.00215	.00198	.01288	.00585	.00440	.00296	.00088			

ORIGINAL PAGE IS  
OF POOR QUALITY

DATE \* 10-23-73  
PROJECT NUMBER YA354-21FA  
AHD, INC.  
ARNOLD AIR FORCE STATION, TENN.  
NASA / RI Or-11 SHUTTLE ORBITER TEST

TEST CONDITIONS TEST GAS NITROGEN  
ANGLE OF ATTACK 35.000 DEG.

Q=0 ST=0 BASED ON .210 INCH RADIUS  
MODEL LENGTH 23.226 INCHES

TIME	P-INF	RHO-INF	T-INF	U-INF	M-INF	Q-INF	RE/FT	RE=L	PO	TO	HO	QO BTU/	STO	POP	HREF	BTU/
MSEC	PSIA	LBM/CU-FT	DEG R	FT/SEC		PSIA	X10-6	X10-6	PSIA	DEG R	BTU/LBM	SOFT-SEC		PSIA	SOFT-SEC	
70	.127504	.003224	103.3	5323	10.51	9.850	6.4744	12.5312	6734	2173	5.911E 02	144.2	.01837	18.164	.0883	
100	.003494	.001812	120.4	5776	10.56	6.519	3.3880	6.9574	5032	2569	6.958E 02	150.8	.02563	12.030	.0743	
110	.074957	.001556	122.7	5828	10.55	5.845	2.9528	5.7151	4579	2618	7.085E 02	146.3	.02737	10.795	.0704	
130	.057310	.001290	116.0	5721	10.66	4.554	2.4795	4.7990	3760	2536	6.820E 02	122.6	.03030	8.408	.0615	



DATE = 10-23-73  
 PROJECT NUMBER VA354-21FA  
 ARO, INC.  
 ARNOLD AIR FORCE STATION, TENN.  
 NASA / RI OR-11 SHUTTLE ORBITER TEST

HEAT TRANSFER DATA (H / HREF)

TIME	Q1	Q2	Q3	Q6	Q7	Q8	Q10	Q11	Q12	Q13	Q16	Q23	Q25	Q26	Q31
70	.56517	.34585	.23022	.20940	.16981	.14009	.11684	.12342	.15763	.09459	.10010	.09104	.12324	.13323	.10103
100	.53015	.33469	.22042	.19569	.15933	.13728	.11407	.13820	.14588	.08759	.10239	.08172	.11275	.12037	.07068
110	.53015	.32720	.22459	.19240	.15601	.13504	.11292	.13266	.14252	.08394	.09904	.07947	.10983	.11590	.07726
130	.51552	.31373	.21513	.18244	.14845	.12602	.09985	.12753	.13715	.08248	.08962	.07623	.10506	.10827	.07402
TIME	Q34	Q38	Q41	Q44	Q47	Q50	Q52	Q53	Q54	Q55	Q56	Q57	Q59	Q61	Q62
70	.12814	.20084	.30699	.32531	.30380	.22602	.13574	.17454	.24908	.34502	.36200	.29708	.27150	.35185	.38078
100	.06311	.09939	.15461	.20762	.23404	.17468	.11336	.09789	.09144	.08964	.18277	.18980	.14113	.13325	.17900
110	.06775	.08389	.13245	.18344	.20968	.16010	.10895	.09010	.07578	.07038	.12742	.15535	.12913	.10918	.14489
130	.06146	.07970	.10655	.14543	.18484	.15416	.10031	.07806	.05962	.05503	.10638	.13884	.11637	.08741	.10986
TIME	Q63	Q74	Q85	Q86	Q82	Q69	Q70	Q72	Q74	Q79	Q80	Q81	Q85	Q89	Q14
70	.32711	.23072	.49047	.45493	.34325	.50457	.46092	.21269	.65710	.60700	.55188	.54929	.61188	.01067	.01384
100	.18972	.15509	.18137	.16148	.18946	.16748	.15257	.12688	.42515	.43566	.45779	.42932	.01156	.00990	.01328
110	.13880	.11720	.15398	.11441	.14863	.15169	.11874	.10234	.37048	.37015	.42760	.38763	.01144	.00961	.01344
130	.11144	.10007	.14035	.09823	.12121	.13324	.09553	.08907	.29443	.26643	.39541	.31581	.01146	.00945	.01420
TIME	Q15	Q18	Q21	Q28	Q27	Q36	Q42	Q36	Q88	Q89					
70	.06070	.00807	.00215	.00073	.01569	.00424	.00773	.00118	.00756	.00190					
100	.06116	.00819	.00223	.00076	.01477	.00282	.00430	.00098	.00733	.00202					
110	.05972	.00829	.00229	.00084	.01476	.00193	.00280	.00103	.00699	.00190					
130	.05853	.00876	.00234	.00110	.01443	.00159	.00206	.00136	.00750	.00222					

ORIGINAL PAGE IS  
 OF POOR QUALITY

DATE = 10-29-73  
 PROJECT NUMBER VA354-21FA  
 ARO, INC.  
 ARNOLD AIR FORCE STATION, TENN.  
 NASA / RI OM-11 SHUTTLE ORBITER TEST

HEAT TRANSFER DATA (Q/QREF)

TIME	Q1	Q2	Q3	Q6	Q7	Q8	Q10	Q11	Q12	Q13	Q16	Q23	Q25	Q25	Q31
70	.56500	.33000	.22300	.19400	.15600	.12800	.10600	.13918	.14300	.08200	.09768	.08200	.11100	.12000	.09100
100	.53000	.32300	.21500	.18200	.14700	.12600	.10400	.12600	.13300	.07650	.09300	.07400	.10210	.10900	.06400
110	.53000	.31300	.21100	.17900	.14400	.12400	.10300	.12100	.13000	.07337	.09000	.07200	.09950	.10500	.07000
130	.51537	.30000	.20200	.17000	.13692	.11600	.09100	.11623	.12500	.07200	.08137	.06900	.09510	.09800	.06700
TIME	Q34	Q38	Q41	Q44	Q47	Q50	Q52	Q53	Q54	Q55	Q56	Q57	Q59	Q61	Q62
70	.11542	.18989	.27830	.29300	.27100	.20000	.12400	.15800	.22553	.31200	.32500	.26607	.24900	.32062	.34500
100	.05715	.09000	.14000	.18800	.21000	.16000	.10400	.08900	.08321	.08147	.16500	.17095	.13000	.12200	.16300
110	.06138	.07600	.12000	.16800	.18825	.14800	.10000	.08200	.06900	.06400	.11500	.14000	.11900	.10000	.13200
130	.05563	.06400	.09026	.13200	.16578	.13721	.09200	.07098	.05424	.05000	.09600	.12500	.10900	.08000	.10000
TIME	Q63	Q64	Q65	Q66	Q68	Q69	Q70	Q72	Q74	Q79	Q80	Q81	Q85	Q89	Q14
70	.29500	.26400	.45134	.41500	.31000	.46000	.42100	.19000	.60000	.55478	.50400	.50100	.01030	.00925	.01200
100	.17200	.13400	.16000	.14800	.17200	.15300	.14000	.11400	.39000	.40000	.42000	.39300	.01010	.00865	.01160
110	.12590	.10435	.14100	.10500	.13500	.13900	.10900	.09200	.34000	.34000	.34789	.35600	.01000	.00840	.01175
130	.10100	.08900	.12042	.09000	.11000	.12200	.08800	.08000	.27000	.24500	.36200	.28900	.01000	.00825	.01240
TIME	Q15	Q18	Q21	Q28	Q27	Q36	Q42	Q80	Q88	Q89					
70	.05262	.00700	.00186	.00063	.01360	.00368	.00670	.00102	.00655	.00165					
100	.05342	.00715	.00195	.00066	.01290	.00247	.00376	.00086	.00640	.00176					
110	.05220	.00725	.00200	.00073	.01290	.00159	.00245	.00090	.00611	.00166					
130	.05109	.00765	.00204	.00096	.01260	.00139	.00180	.00119	.00655	.00194					

DATE = 10-23-73

PROJECT NUMBER VA354-21FA

ARCO, INC.

ARNOLD AIR FORCE STATION, TENN.

NASA / RT Or-11 SHUTTLE ORBITER TEST

TEST CONDITIONS

TEST GAS NITROGEN

Q=0, ST=0 BASED ON .210 INCH RADIUS

ANGLE OF ATTACK 30.000 DEG.

MODEL LENGTH 23.226 INCHES

TIME	P-INF	RHO-INF	T-INF	U-INF	M-INF	O-INF	RE/FT	RE-L	PO	TO	HO	QO BTU/	STO	POP	HHEF	BTU/
MSEC	PSIA	LBM/CU-FT	DEG R	FT/SEC		PSIA	X10-6	X10-6	PSIA	OFG R	BTU/LBM	SOFT-SEC		PSIA	SGFT-SEC	
94	.140d17	.004411	83.4	4898	10.76	11.412	10.0951	19.5391	8058	1794	4.997E 02	121.6	.01537	21.014	.0970	
98	.133716	.004003	87.2	5006	10.75	10.817	8.9478	17.3185	7754	1890	5.219E 02	124.9	.01606	19.927	.0925	
116	.111546	.003142	92.7	5119	10.66	8.877	6.7576	13.0794	6391	2004	5.460E 02	123.5	.01863	16.358	.0844	
122	.099745	.002434	91.9	5134	10.74	8.056	6.1685	11.9391	6061	2019	5.489E 02	118.6	.01963	14.846	.0802	
136	.086690	.002466	93.7	509	10.73	6.910	5.3973	10.4464	5260	1998	5.412E 02	107.6	.02100	12.732	.0738	
150	.072948	.001911	99.7	532	10.70	5.843	3.9753	7.6942	4579	2198	5.908E 02	111.0	.02386	10.774	.0670	



DATE # 10-25-73

PROJECT NUMBER VA354-21FA

ARO, INC.

ARNOLD AIR FORCE STATION, TENN.

NASA / RI OM-11 SHUTTLE ORBITER TEST

## HEAT TRANSFER DATA (Q/QREF)

TIME	Q1	Q2	Q3	Q6	Q7	Q8	Q10	Q11	Q12	Q13	Q16	Q23	Q25	Q26	Q31
94	.59500	.32861	.21200	.18000	.14000	.12300	.10000	.12600	.13585	.08637	.09800	.12400	.11300	.11750	.18000
98	.59000	.32800	.21300	.18050	.14000	.12300	.09950	.12500	.13300	.08400	.09500	.11500	.11000	.11500	.16600
116	.59000	.32800	.21800	.18461	.14400	.12400	.09400	.12200	.13500	.08400	.08700	.09400	.10385	.11050	.12800
122	.58166	.32539	.21150	.18449	.14161	.12250	.09300	.12120	.13500	.08450	.07699	.08759	.10250	.10950	.10563
136	.59000	.32700	.21845	.18000	.14248	.12250	.09000	.12100	.13500	.08600	.07600	.07138	.10350	.11000	.08000
150	.56000	.33000	.21400	.18050	.14000	.12200	.08800	.12000	.13500	.08050	.07113	.06315	.10600	.10750	.07200
TIME	Q34	Q38	Q41	Q46	Q47	Q52	Q53	Q54	Q55	Q56	Q57	Q59	Q60	Q61	Q62
94	.23500	.26676	.28000	.28400	.27000	.16217	.19800	.26700	.32900	.32900	.24600	.30500	.31200	.33775	.37900
98	.22400	.25900	.28500	.28200	.26800	.15400	.18132	.24800	.31900	.32536	.24500	.28326	.29000	.31600	.36663
116	.16500	.20500	.25000	.26000	.24700	.12400	.12400	.17800	.25900	.28700	.22600	.19600	.18900	.25000	.30000
122	.13300	.18000	.22500	.24200	.23658	.12000	.11400	.15500	.22600	.26741	.20893	.17800	.16100	.14000	.26000
136	.10100	.14200	.18000	.20700	.21600	.11004	.09300	.10000	.13700	.21000	.19485	.14801	.12000	.13000	.18500
150	.08700	.11000	.14000	.17000	.18900	.10821	.07491	.05400	.10000	.16900	.16800	.12742	.10800	.11000	.16342
TIME	Q63	Q64	Q65	Q66	Q69	Q70	Q71	Q72	Q74	Q79	Q80	Q81	Q85	Q89	
94	.30800	.19600	.46200	.42800	.32000	.38500	.47500	.40500	.19600	.55800	.49230	.42000	.47000	.01490	.00735
98	.29837	.19300	.42330	.40600	.31400	.31671	.44100	.39700	.19416	.55000	.39352	.41600	.46600	.01510	.00735
116	.25800	.16700	.25400	.28900	.27900	.17200	.29000	.35544	.18400	.52000	.24800	.38500	.43800	.01560	.00745
122	.22700	.15600	.22200	.24900	.25800	.14200	.24900	.31500	.17100	.50800	.23541	.37222	.42240	.01580	.00750
136	.17600	.13900	.16500	.19664	.20400	.09723	.11844	.19099	.14200	.48100	.23300	.35700	.40600	.01620	.00770
150	.16614	.12253	.14896	.14510	.15548	.09800	.08948	.11277	.11300	.45300	.23500	.33600	.37300	.01670	.00780
TIME	Q14	Q15	Q18	Q21	Q28	Q27	Q34	Q42	Q86	Q88	Q89				
94	.00915	.04450	.00745	.00262	.00108	.01560	.00670	.00355	.00135	.00765	.00216				
98	.00895	.04400	.00740	.00262	.00106	.01540	.00665	.00360	.00136	.00745	.00210				
116	.00780	.04120	.00740	.00261	.00104	.01490	.00660	.00390	.00140	.00710	.00190				
122	.00770	.04120	.00735	.00258	.00104	.01490	.00665	.00410	.00140	.00715	.00180				
136	.00765	.04050	.00720	.00246	.00104	.01500	.00675	.00440	.00148	.00716	.00168				
150	.00725	.04010	.00720	.00203	.00106	.01593	.00560	.00470	.00158	.00725	.00168				

ORIGINAL PAGE IS  
OF POOR QUALITY

DATE = 10-25-73  
 PROJECT NUMBER VA35A-21FA  
 ARC, INC.  
 WINDO AIR FORCE STATION, TENN.  
 NASA / RI OP-11 SHUTTLE ORBITER TEST

TEST CONDITIONS TEST GAS NITROGEN  
 ANGLE OF ATTACK 30.000 DEG.

Q=0, ST=0 BASED ON .210 INCH RADIUS  
 MODEL LENGTH 23.226 INCHES

TIME	P-INF	RHO-INF	T-INF	U-INF	M-INF	Q-INF	RE/FT	RE-L	PO	TO	HO	QO BTU/	STO	POP	HREF BTU/
MSEC	PSIA	LBH/CU-FT	DEG R	FT/SEC		PSIA	X10-6	X10-6	PSIA	DEG R	BTU/LBH	SOFT-SEC		PSIA	SOFT-SEC
80	.166341	.004035	93.7	5199	10.77	13.509	10.0148	19.3836	9666	2030	5.629E 02	159.4	.01542	24.905	.1070
102	.128876	.003050	110.4	5543	10.58	10.105	5.9679	11.5509	7277	2347	6.407E 02	165.2	.01927	18.648	.0914
106	.119062	.002873	108.2	5513	10.63	9.418	5.7032	11.0385	6944	2326	6.336E 02	156.8	.01981	17.380	.0878
124	.089812	.002326	100.9	5374	10.73	7.241	4.8270	9.3425	5643	2224	6.014E 02	127.1	.02174	13.356	.0754
130	.078233	.002164	93.5	5226	10.84	6.433	4.7547	9.2027	5212	2105	5.684E 02	111.6	.02248	11.850	.0713

DATE = 10-25-73

PROJECT NUMBER VA354-21FA

ARO, INC.

ARNOLD AIR FORCE STATION, TENN.

NASA / RI OH-11 SHUTTLE ORBITCH TEST

HEAT TRANSFER DATA (W / HREF)

TIME	G1	G2	G3	G6	G7	G8	G10	G11	G12	G13	G16	G23	G25	G26	G31
80	.62159	.37445	.23692	.20946	.17294	.15499	.13480	.17524	.17861	.11461	.13762	.15165	.15844	.16297	.21503
102	.60146	.35955	.23097	.20452	.16325	.14307	.11616	.14173	.15079	.10688	.10764	.09898	.12485	.13727	.12261
106	.57055	.35006	.23104	.20129	.15994	.13867	.11173	.14002	.15977	.10497	.10207	.08799	.12377	.13548	.11252
124	.55224	.34506	.23157	.19869	.15105	.13232	.10344	.13523	.15620	.10024	.09215	.08466	.12349	.12737	.11069
130	.55442	.32504	.22966	.17869	.15107	.13138	.09847	.13459	.15304	.09821	.09009	.08328	.12428	.12824	.09039
TIME	G34	G38	G41	G44	G47	G50	G52	G53	G54	G55	G56	G57	G59	G60	G61
80	.30331	.33160	.35908	.35447	.35431	.22208	.20254	.25338	.31516	.39898	.43602	.32896	.37761	.40567	.42490
102	.15635	.20409	.26096	.28008	.27077	.19106	.14425	.14890	.19247	.26666	.32722	.24161	.24640	.22725	.24647
106	.14244	.19466	.24754	.26330	.26750	.18732	.13763	.13663	.17574	.24657	.30927	.26363	.22057	.20514	.21691
124	.11272	.14053	.20668	.21755	.22873	.16056	.12483	.11442	.12334	.19423	.25807	.21876	.16603	.16436	.17714
130	.11185	.13347	.18077	.20920	.22361	.15646	.12030	.11581	.12362	.18567	.24937	.21703	.17734	.16693	.18868
TIME	G62	G63	G64	G65	G66	G82	G69	G70	G71	G72	G74	G79	G80	G81	G5
80	.48458	.39568	.25139	.57045	.53610	.43901	.45822	.55770	.51155	.28561	.64715	.66879	.49765	.56171	.01744
102	.37023	.32389	.21346	.31146	.34213	.34328	.22220	.25073	.35312	.21549	.56718	.29547	.42363	.49159	.01810
106	.34120	.30904	.20573	.28931	.29739	.32432	.10301	.21126	.31259	.19746	.57511	.28606	.41059	.47728	.01817
124	.27338	.24745	.17572	.21936	.21478	.23444	.13363	.15894	.18227	.15000	.53124	.25805	.37749	.42999	.01809
130	.26953	.23961	.16803	.24821	.21523	.22940	.14507	.16102	.19024	.15199	.50283	.24109	.30983	.40715	.01802
TIME	G9	G14	G15	G18	G21	G28	G27	G36	G42	G66	G68	G69			
80	.00363	.00432	.05117	.00857	.00333	.00109	.04107	.00753	.00442	.00148	.00891	.00316			
102	.00836	.00462	.04095	.00816	.00298	.00110	.02069	.00834	.00470	.00131	.00979	.00215			
106	.00840	.00451	.04055	.00805	.00291	.00112	.02047	.00805	.00477	.00138	.00942	.00205			
124	.00422	.00830	.04074	.00806	.00273	.00120	.02000	.00766	.00507	.00167	.00934	.00128			
130	.00936	.00841	.04082	.00811	.00269	.00122	.01987	.00780	.00520	.00172	.00953	.00165			

ORIGINAL PAGE IS OF POOR QUALITY

DATE # 10-25-73

PROJECT NUMBER YA35A-21FA

ARD, INC.

ARNDOLD AIR FORCE STATION, TENN.

NASA / RI OR-11 SHUTTLE ORBITER TEST

## HEAT TRANSFER DATA (Q/QREF)

TIME	Q1	Q2	Q3	Q6	Q7	Q8	Q10	Q11	Q12	Q13	Q16	Q23	Q25	Q26	Q31
80	.62000	.35200	.21805	.19100	.15600	.13900	.12000	.15600	.15900	.09900	.12200	.13400	.14000	.14400	.19000
102	.60000	.33900	.22000	.18700	.14800	.12900	.10400	.12689	.14216	.09300	.09600	.08800	.11100	.12204	.10900
106	.59316	.33000	.21900	.18400	.14500	.12500	.10000	.12532	.14300	.09130	.09100	.07820	.11000	.12041	.10000
124	.59676	.32531	.21369	.17408	.13671	.11909	.09243	.12083	.13957	.08700	.08201	.07511	.11000	.11300	.09820
130	.59292	.30580	.21161	.16284	.13646	.11800	.08779	.12000	.13645	.08500	.08000	.07371	.11000	.11350	.08000
TIME	Q34	Q38	Q41	Q44	Q47	Q50	Q52	Q53	Q54	Q55	Q56	Q57	Q59	Q60	Q61
80	.26800	.29300	.31724	.31365	.31000	.19274	.18191	.22500	.28000	.35400	.38400	.28900	.34000	.36400	.38000
102	.13900	.18500	.23200	.24900	.23848	.16700	.19000	.13300	.17200	.23800	.29000	.24900	.22300	.20500	.22200
106	.12659	.17300	.22000	.23400	.23552	.16387	.12400	.12200	.15700	.22000	.27400	.23301	.20500	.18500	.19500
124	.10000	.13000	.18336	.19300	.20100	.14000	.11230	.10200	.11000	.17300	.22822	.19300	.15000	.14800	.15900
130	.69900	.11814	.16000	.19516	.19600	.13605	.18000	.10300	.11000	.16500	.22000	.19100	.15590	.15000	.16900
TIME	Q62	Q63	Q64	Q65	Q66	Q82	Q69	Q70	Q71	Q72	Q74	Q79	Q80	Q81	Q5
80	.43000	.35008	.21000	.51000	.48000	.32900	.41000	.50000	.45576	.25026	.58000	.60000	.44609	.50227	.01550
102	.33106	.28831	.18043	.28000	.50800	.30600	.20000	.22600	.31641	.19051	.51109	.26646	.38179	.44200	.01580
106	.30500	.27500	.17918	.26000	.26764	.28900	.16460	.19036	.28000	.17410	.51807	.25794	.30993	.42900	.01580
124	.24397	.21921	.15310	.19083	.19300	.21300	.12000	.14300	.16300	.13200	.47781	.23236	.33976	.38588	.01570
130	.24000	.21253	.14000	.22224	.19300	.20404	.14000	.14457	.16975	.13342	.45133	.21658	.33200	.36401	.01560
TIME	Q9	Q14	Q15	Q18	Q21	Q28	Q27	Q36	Q42	Q86	Q88	Q89			
80	.00745	.00805	.04420	.00740	.00288	.00094	.01820	.00650	.00382	.00128	.00770	.00273			
102	.00727	.00750	.04085	.00710	.00259	.00096	.01800	.00699	.00409	.00114	.00851	.00127			
106	.00774	.00740	.04049	.00770	.00253	.00097	.01780	.00700	.00415	.00120	.00802	.00178			
124	.00800	.00720	.04022	.00700	.00237	.00104	.01736	.00665	.00440	.00145	.00811	.00167			
130	.00810	.00728	.04225	.00702	.00233	.00106	.01720	.00675	.00450	.00149	.00825	.00160			



DATE = 10-25-73

PROJECT NUMBER YA354-21FA

ARU, INC.

ARMOLO AIR FORCE STATION, TENN.

NASA / RI OM-11 SHUTTLE ORBITER TEST

TEST CONDITIONS TEST GAS NITROGEN

Q-Q: ST-Q BASED ON .210 INCH RADIUS

ANGLE OF ATTACK 30.000 DEG.

MODEL LENGTH 23.226 INCHES

TIME	P-INF	RHO-INF	T-INF	U-INF	M-INF	Q-INF	RE/FT	RE-L	PO	TO	NO	QO BTU/	STO	POP	HMEF BTU/
SECS	PSIA	LBM/CU-FT	DEG R	FT/SEC		PSIA	X10-6	X10-6	PSIA	DEG R	BTU/LBM	SQFT-SEC		PSIA	SQFT-SEC
82	.153452	.004692	85.4	4917	10.67	12.231	10.5220	20.3653	8286	1808	5.038E 02	127.4	.01493	22.523	.1005
90	.131423	.003695	92.4	5151	10.72	10.572	7.9830	15.4511	7633	2015	5.527E 02	137.3	.01721	19.486	.0931
104	.114499	.002972	100.0	5317	10.64	9.059	6.1218	11.8488	6577	2168	5.892E 02	137.6	.01912	16.705	.0846
120	.093422	.002432	92.8	5145	10.72	7.514	5.6885	11.0101	5651	2034	5.514E 02	115.3	.02038	13.847	.0772

ADDITIONAL PAGE IS

11/23/73 10:10:00 AM 73

DATE = 10-25-73

PROJECT NUMBER VA354-21FA

ARU, INC.

ARNOLD AIR FORCE STATION, TENN.

NASA / RT OM-11 SHUTTLE ORBITER TEST

## HEAT TRANSFER DATA (H / HREF)

TIME	01	02	03	04	05	06	07	08	09	10	11	12	13	14	15	16	17	18
82	.60161	.35209	.23018	.19537	.15599	.13676	.11581	.15253	.16496	.10555	.11348	.11615	.13835	.15316	.17878			
90	.59151	.33515	.22242	.18903	.15414	.13106	.10675	.13485	.15366	.09961	.10156	.09057	.12737	.13699	.12454			
104	.56942	.32399	.21540	.17979	.14598	.12734	.10060	.12364	.14339	.09690	.09336	.07673	.11848	.12694	.09253			
120	.53587	.30248	.20049	.17744	.14419	.12153	.09267	.12383	.14153	.09492	.08459	.07095	.11408	.12330	.07278			
TIME	034	038	041	044	047	050	052	053	054	055	056	057	059	060	061			
82	.27839	.32404	.36710	.35528	.33367	.22861	.15254	.14578	.28305	.39447	.43079	.32422	.32263	.37535	.41038			
90	.21511	.28827	.32176	.32040	.29776	.20474	.13391	.13969	.22182	.32133	.36122	.28848	.22219	.20928	.28187			
104	.14895	.21075	.27124	.28323	.26431	.17799	.11572	.12240	.16163	.24275	.32829	.25157	.18612	.18897	.23419			
120	.11181	.16975	.23051	.25610	.23972	.16151	.12493	.10134	.11255	.18820	.29747	.23446	.15863	.15803	.18895			
TIME	062	063	064	065	066	068	069	070	071	072	074	079	080	081	08			
82	.46209	.39231	.26172	.46114	.53435	.41249	.36876	.54313	.52378	.29335	.65064	.63876	.49575	.56915	.01726			
90	.41801	.35276	.23073	.31379	.42417	.37516	.21241	.40952	.46568	.25896	.59910	.42753	.44862	.50837	.01672			
104	.34680	.31329	.20886	.25108	.33864	.31734	.17835	.28925	.36938	.22003	.55643	.26445	.39970	.45564	.01740			
120	.31718	.26764	.18795	.21514	.28254	.27200	.11462	.22306	.30752	.18523	.52034	.24101	.36000	.41468	.01648			
TIME	09	014	015	018	021	028	027	036	042	086	088	089						
82	.00814	.01003	.04805	.00861	.00330	.00104	.01846	.00770	.00397	.00162	.00851	.00251						
90	.00807	.00857	.04656	.00776	.00309	.00104	.01753	.00758	.00397	.00159	.00790	.00229						
104	.00783	.00815	.04499	.00782	.00279	.00107	.01638	.00743	.00421	.00152	.00761	.00217						
120	.00743	.00803	.04515	.00741	.00237	.00112	.01520	.00671	.00381	.00144	.00764	.00168						

DATE \* 10-25-73

PROJECT NUMBER YA354-21FA

ARD, INC.

ARABLD AIR FORCE STATION, TENN.

NASA / RI OM-11 SHUTTLE ORBITER TEST

## HEAT TRANSFER DATA (Q/UREF)

TIME	01	02	03	06	07	08	010	011	012	013	016	023	025	026	031
82	.60000	.33000	.21100	.17700	.14000	.12200	.10250	.13500	.14600	.09050	.10000	.10200	.12150	.12450	.15700
90	.59000	.31500	.20503	.17200	.13900	.11750	.09500	.12000	.13674	.08600	.09000	.08000	.11250	.12100	.11000
104	.56400	.30500	.19900	.16400	.13200	.11450	.08980	.11037	.12800	.08400	.08300	.06800	.10500	.11250	.08200
120	.53451	.29000	.18498	.16150	.13007	.10900	.08250	.11024	.12600	.08200	.07499	.06270	.10081	.10895	.06431
TIME	034	038	041	044	047	050	052	053	054	055	056	057	059	060	061
82	.24448	.28808	.32239	.31200	.29000	.19700	.13600	.16400	.25000	.34792	.37700	.28000	.28900	.33500	.36500
90	.19000	.24756	.28421	.28300	.26042	.17762	.14000	.12400	.14700	.28500	.31800	.25000	.20000	.14773	.25200
104	.13200	.18677	.24039	.25190	.23200	.15500	.10400	.10900	.14400	.21600	.29000	.22170	.16800	.17000	.21000
120	.09881	.15000	.20900	.22630	.20976	.14019	.11200	.09000	.10000	.16700	.26200	.20600	.14244	.14181	.15900
TIME	062	063	064	065	066	067	069	070	071	072	074	079	080	081	085
82	.00842	.34500	.22500	.41000	.47544	.36331	.32815	.52000	.46400	.25535	.58000	.57000	.44200	.50012	.01480
90	.36438	.31200	.20000	.28000	.37967	.33231	.19000	.36704	.41475	.22682	.53678	.38344	.40202	.45443	.01443
104	.30400	.27400	.18000	.22500	.30400	.28200	.18000	.26000	.33000	.19340	.50000	.23786	.35922	.40851	.01509
120	.28200	.23700	.16300	.19236	.25300	.24104	.10257	.20000	.27400	.16232	.46639	.21623	.32273	.37083	.01424
TIME	09	014	015	018	021	028	027	036	042	046	088	089			
82	.00698	.00460	.04120	.00738	.00283	.00082	.01583	.00660	.00340	.00139	.00730	.00215			
90	.00647	.00740	.04020	.00670	.00267	.00040	.01514	.00655	.00343	.00137	.00682	.00192			
104	.00619	.00706	.03900	.00678	.00242	.00043	.01420	.00644	.00365	.00132	.00660	.00188			
120	.00642	.00694	.03900	.00640	.00205	.00047	.01313	.00580	.00329	.00124	.00660	.00145			

DATE = 10-26-73

PROJECT NUMBER VA354-21FA

ARO, INC.

ARABO AIR FORCE STATION, TENN.

NASA / RI OR-11 SHUTTLE ORBITER TEST

TEST CONDITIONS

TEST GAS NITROGEN

Q=0% ST=0% BASED ON .210 INCH RADIUS

ANGLE OF ATTACK 30.000 DEG.

MODEL LENGTH 23.226 INCHES

TIME	P-INF	RHO-INF	T-INF	U-INF	W-INF	Q-INF	RE/FT	RE=L	PO	TO	HO	OO BTU/	STO	POP	HREF BTU/
MSEC	PSIA	LBM/CU-FT	DEG R	FT/SEC	PSIA	X10-6	X10-6	PSIA	DEG R	BTU/LBM	SQFT-SEC	PSIA	SCFT-SEC	PSIA	SCFT-SEC
70	.122681	.003485	103.9	5451	10.53	7.523	6.1906	11.9818	6623	2197	5.973E 02	144.1	.01884	17.563	.0870
100	.079150	.002171	95.2	5228	10.75	6.398	4.6427	8.9859	5007	2111	5.692E 02	111.5	.02256	11.794	.0710
122	.059369	.001480	90.4	5103	10.74	5.279	4.1152	7.9649	4161	2016	5.424E 02	94.3	.02406	9.727	.0639
132	.058544	.001709	89.4	5077	10.77	4.752	3.7805	7.3172	3819	1997	5.368E 02	88.1	.02519	8.755	.0605
140	.058305	.001517	94.7	5196	10.71	4.416	3.2414	6.2738	3536	2101	5.625E 02	91.0	.02693	8.139	.0583



DATE = 10-25-73

PROJECT NUMBER VA35A-21FA

ARJ, INC.

AROLD AIR FORCE STATION, TENN.

NASA / RI OR-11 SHUTTLE ORBITER TEST

## HEAT TRANSFER DATA (Q/QHEF)

TIME	01	02	03	06	07	08	010	011	012	013	016	023	025	026	031
70	.54000	.31000	.20200	.17200	.17000	.11500	.08900	.11500	.12800	.07900	.08500	.08500	.09900	.10900	.09200
100	.51500	.28250	.18700	.15418	.12400	.10700	.08000	.09972	.11400	.07233	.07164	.06600	.08190	.08896	.06400
122	.51500	.29478	.18000	.15850	.12100	.10600	.08150	.10200	.11671	.07400	.07550	.07250	.09235	.09994	.07034
132	.52500	.29500	.18400	.15600	.12200	.10800	.08200	.10350	.11700	.07400	.07600	.07460	.08492	.09880	.08800
140	.52113	.29153	.19000	.15572	.12205	.10550	.08171	.10170	.11283	.07052	.07444	.07011	.08400	.09903	.08932
TIME	034	038	041	044	047	050	052	053	054	055	056	057	059	060	061
70	.17000	.16100	.22848	.25593	.22100	.15993	.13400	.13100	.15900	.20800	.22900	.21800	.19200	.14900	.21400
100	.07400	.10799	.17790	.20490	.19500	.13200	.08900	.07199	.07700	.12500	.20800	.18291	.11500	.09309	.10500
122	.07500	.10700	.16500	.19600	.18600	.12700	.08652	.06900	.06700	.12000	.19100	.17106	.11100	.09500	.09500
132	.07200	.09400	.15400	.18831	.17900	.12000	.08000	.06600	.06244	.10850	.18300	.16300	.11000	.09400	.09458
140	.06193	.09100	.14600	.18037	.17500	.11500	.07906	.06395	.05646	.10000	.17000	.15500	.10800	.09169	.08678
TIME	062	063	064	065	066	068	069	070	071	072	074	079	080	081	085
70	.28751	.25074	.16953	.25000	.31500	.26944	.19400	.28123	.32635	.18800	.48331	.24000	.36447	.41600	.01354
100	.16100	.17125	.12300	.14000	.14363	.17500	.06900	.10000	.16032	.12600	.49100	.21536	.31700	.36139	.01360
122	.15300	.15100	.11367	.13900	.11900	.13600	.06500	.07300	.10800	.08700	.38500	.21200	.31476	.34507	.01379
132	.14900	.14201	.11100	.13800	.11000	.11900	.06300	.06045	.09000	.07600	.34000	.21200	.30200	.33500	.01400
140	.14586	.14400	.11000	.12960	.09268	.11315	.05900	.05600	.07289	.07225	.29200	.21500	.24626	.32981	.01369
TIME	09	014	015	018	021	028	027	036	042	086	088	089			
70	.00650	.00700	.03832	.00635	.00212	.00070	.01424	.00600	.00368	.00130	.00620	.00167			
100	.00620	.00690	.03046	.00640	.00204	.00088	.01400	.00560	.00402	.00131	.00619	.00122			
122	.00645	.00685	.03780	.00680	.00200	.00098	.01440	.00540	.00388	.00144	.00629	.00144			
132	.00605	.00680	.03090	.00680	.00195	.00099	.01440	.00520	.00360	.00152	.00650	.00156			
140	.00680	.00653	.03000	.00659	.00198	.00099	.01390	.00520	.00340	.00158	.00665	.00161			

DATE - 10-23-73

PROJECT NUMBER RA35A-21FA

ARO, INC.

ARNOLD AIR FORCE STATION, TENN.

NASA / RI OR-11 SHUTTLE ORBITER TEST

TEST CONDITIONS TEST GAS NITROGEN

Q=0, ST=0 BASED ON .210 INCH RADIUS

ANGLE OF ATTACK 25.000 DEG.

MODEL LENGTH 23.226 INCHES

TIME	P-INF	RHO-INF	T-INF	U-INF	M-INF	Q-INF	RE/FT	RE=L	PO	TO	HO	QD BTU/	STO	POP	HREF BTU/
MSEC	PSIA	LBM/CU-FT	DEG R	FT/SEC		PSIA	X10 <sup>-6</sup>	X10 <sup>-6</sup>	PSIA	DEG R	BTU/LBM	SOFT-SEC		PSIA	SOFT-SEC
76	.110610	.002416	110.4	5421	10.35	8.291	5.0034	9.6841	5496	2272	6.140E 02	140.3	.02060	15.292	.0010
100	.084860	.002038	108.8	5372	10.33	6.340	3.9212	7.5895	4281	2246	6.029E 02	119.3	.02323	11.692	.0699
116	.068344	.001832	97.4	5133	10.43	5.205	3.7593	7.2742	3644	2052	5.501E 02	95.6	.02442	9.589	.0632
138	.059600	.001644	94.7	4994	10.30	4.422	3.3796	6.5411	2940	1943	5.212E 02	79.6	.02503	8.142	.0568

ORIGINAL PAGE IS

DATE = 10-23-73

PROJECT NUMBER VA354-21FA

ARD, INC.

ARNOLD AIR FORCE STATION, TENN.

NASA / RT OH-11 SHUTTLE ORBITER TEST

## HEAT TRANSFER DATA (H / HREF)

TIME	G1	G2	G3	G6	G7	G8	G10	G11	G12	G13	G16	G23	G25	G26	G31
76	.50836	.26914	.18147	.14173	.11218	.09588	.06816	.09770	.11644	.08517	.06272	.06172	.09266	.10159	.06864
100	.49327	.25713	.17054	.13476	.10942	.09035	.06819	.09377	.10797	.08292	.05420	.05563	.08807	.09729	.05905
116	.49841	.25690	.17107	.13508	.10848	.09211	.06563	.09359	.10916	.08330	.05444	.05461	.09083	.09852	.05749
138	.49375	.25936	.17143	.13204	.10036	.09088	.06296	.09272	.11023	.08495	.05173	.05478	.09214	.09463	.05536
TIME	G34	G38	G41	G44	G47	G50	G52	G53	G54	G55	G56	G57	G59	G60	G61
76	.09208	.10639	.14643	.17732	.16162	.11397	.09875	.08540	.08536	.10826	.15204	.14335	.13485	.12402	.12441
100	.08688	.09500	.13163	.16024	.14728	.10822	.09597	.07690	.07686	.09121	.13777	.16111	.13716	.11280	.11316
116	.06611	.09198	.12047	.14946	.14120	.10196	.09344	.07723	.07719	.08588	.13841	.15608	.14347	.11325	.11362
138	.06343	.08073	.12316	.13857	.13392	.09382	.09093	.07540	.06914	.08040	.13306	.12462	.13058	.10680	.09745
TIME	G62	G63	G64	G65	G66	G82	G69	G70	G71	G72	G74	G79	G80	G81	G85
76	.14218	.14242	.09892	.18215	.15817	.15974	.14696	.25952	.23838	.14411	.18059	.19734	.10721	.28280	.02279
100	.13087	.12003	.08734	.16413	.13564	.11986	.13572	.16933	.17035	.09228	.17874	.20581	.09941	.27830	.02211
116	.13143	.11462	.08193	.17048	.13619	.11466	.13627	.14086	.13639	.07881	.18140	.20306	.10769	.27130	.02245
138	.11462	.10941	.07047	.16103	.13087	.11500	.11388	.10860	.10866	.06977	.18190	.20208	.10612	.25070	.02275
TIME	G9	G14	G15	G18	G21	G28	G27	G36	G42	G86	G88	G89			
76	.00777	.00564	.03856	.00880	.00256	.00146	.01565	.00898	.00230	.00184	.01047	.00175			
100	.00783	.00501	.03455	.00838	.00253	.00158	.01551	.00852	.00328	.00198	****	.00129			
116	.00804	.00474	.03332	.00833	.00243	.00175	.01477	.00856	.00373	.00212	****	.00121			
138	.00836	.00476	.03117	.00865	.00245	.00203	.01474	.00859	.00409	.00232	****	.00117			



DATE = 90-23-73

PROJECT NUMBER VA354-21FA

ARO, INC.

ARNOLD AIR FORCE STATION, TENN.

NASA / RI OR-11 SHUTTLE ORBITER TEST

HEAT TRANSFER DATA (Q/UREF)

TIME	Q1	Q2	Q3	Q6	Q7	Q8	Q10	Q11	Q12	Q13	Q16	Q23	Q25	Q26	Q31
76	.50500	.25000	.16500	.12700	.10000	.08500	.06000	.08600	.10250	.07400	.05500	.05395	.08100	.08800	.06000
100	.49000	.23877	.15500	.12114	.09750	.08005	.06000	.08250	.09500	.07200	.04750	.04861	.07694	.08500	.05159
116	.49500	.23800	.15500	.12100	.09630	.08130	.05750	.08200	.09564	.07200	.04750	.04750	.07900	.08569	.05000
138	.49000	.23988	.15500	.11800	.08886	.07982	.05500	.08100	.09630	.07318	.04500	.04750	.07990	.08206	.04800
TIME	Q34	Q38	Q41	Q44	Q47	Q50	Q52	Q53	Q54	Q55	Q56	Q57	Q59	Q60	Q61
76	.08349	.04300	.12800	.15500	.14090	.09800	.04750	.07500	.07500	.09500	.13250	.12464	.12000	.11000	.11000
100	.06000	.08300	.11500	.14000	.12750	.09300	.06500	.06750	.06750	.08000	.12000	.14000	.12200	.10000	.10000
116	.05750	.08300	.11000	.13000	.12166	.08719	.05243	.06750	.06750	.07500	.12000	.13500	.12713	.10000	.10000
138	.05500	.07000	.10000	.12016	.11500	.07994	.06000	.06570	.06028	.07000	.11500	.10745	.11540	.09406	.08553
TIME	Q62	Q63	Q64	Q65	Q66	Q82	Q69	Q70	Q71	Q72	Q74	Q79	Q80	Q81	Q85
76	.12500	.12500	.08500	.16100	.14000	.14000	.13000	.23000	.21000	.12500	.16000	.17500	.09500	.25000	.01980
100	.11500	.12500	.07500	.14500	.12000	.16500	.12000	.15000	.15000	.08000	.15828	.16242	.08805	.24591	.01920
116	.11500	.10000	.07000	.15000	.12000	.10000	.12000	.12428	.11959	.06800	.16000	.17928	.09500	.23874	.01940
138	.10000	.09500	.06000	.14128	.11500	.10000	.10000	.09555	.09500	.06000	.16000	.17793	.09336	.22000	.01960
TIME	Q9	Q14	Q15	Q18	Q21	Q28	Q27	Q36	Q42	Q86	Q88	Q89			
76	.00675	.00490	.03350	.00765	.00222	.00127	.01360	.00780	.00200	.00160	.00910	.00152			
100	.00680	.00435	.03000	.00728	.00220	.00137	.01347	.00740	.00285	.00172	****	.00112			
116	.00645	.00410	.02800	.00720	.00210	.00151	.01276	.00740	.00322	.00183	****	.00105			
138	.00720	.00410	.02886	.00765	.00211	.00175	.01270	.00740	.00353	.00200	****	.00101			

ORIGINAL PAGE IS  
OF POOR QUALITY

DATE \* 10-30-73

PROJECT NUMBER VA354-21FA

ARO, INC.

ARLOLD AIR FORCE STATION, TENN.

NASA / RI OH-11 SHUTTLE ORBITER TEST

TEST CONDITIONS TEST GAS NITROGEN

Q=0, ST=0 BASED ON .210 INCH RADIUS

ANGLE OF ATTACK 30.000 DEG.

MODEL LENGTH 23.226 INCHES

TIME	P-INF	RHO-INF	T-INF	U-INF	V-INF	Q-INF	RE/FT	RE=L	PO	TO	HO	QO BTU/	STO	POP	HREF BTU/
MSEC	PSIA	LBM/CU-FY	DEG R	FT/SEC	FT/SEC	PSIA	X10-6	X10-6	PSIA	DEG R	BTU/LBM	SOFT-SEC		PSIA	SOFT-SEC
70	.113181	.003265	90.5	5754	12.13	11.658	8.0857	15.6499	14718	2412	6.835E 02	197.0	.01907	21.544	.1052
82	.100909	.002717	97.0	5897	12.01	10.188	6.4338	12.4527	12874	2554	7.184E 02	197.1	.02103	18.834	.0979
112	.073129	.002018	94.6	5782	11.92	7.277	4.8053	9.3006	9180	2502	6.911E 02	158.0	.02428	13.448	.0805
130	.062248	.001834	90.1	5596	11.83	6.192	4.4384	8.5906	7539	2368	6.475E 02	133.3	.02528	11.434	.0729

DATE = 10-30-73

PROJECT NUMBER VA354-21FA

ARO, INC.

ARNOLD AIR FORCE STATION, TENN.

NASA / RI OR-11, SHUTTLE ORBITER TEST

HEAT TRANSFER DATA (H / HREF)

TIME	01	02	03	04	05	06	07	08	09	10	11	12	13	14	15	16	17	18
70	.58641	.34029	.22277	.19125	.15430	.12456	.11083	.14785	.16180	.09757	.10250	.13974	.13757	.13709	.17979			
82	.55131	.31879	.21385	.17780	.14305	.12058	.10025	.14480	.15594	.09505	.09353	.08465	.10823	.11103	.08075			
112	.56730	.30512	.19882	.16705	.13322	.11512	.09627	.13491	.14778	.09112	.08559	.08080	.09988	.10213	.07632			
130	.53341	.30111	.19844	.15854	.12792	.11087	.09212	.12506	.14099	.08869	.08127	.07309	.09558	.10013	.07534			
TIME	034	038	041	044	047	050	052	053	054	055	056	057	059	060	061			
70	.23261	.29778	.29216	.32139	.30981	.21484	.15521	.24305	.30185	.37209	.39000	.31634	.34224	.36329	.38886			
82	.10318	.12225	.16150	.23848	.24333	.18472	.10735	.09936	.11092	.18882	.27898	.27370	.15118	.14038	.17236			
112	.09539	.09509	.12245	.15712	.16762	.13351	.10188	.09049	.09045	.11627	.16826	.18730	.13344	.12170	.13872			
130	.38540	.09445	.10156	.13156	.14754	.11605	.10054	.08618	.08241	.11201	.15054	.15941	.12261	.12190	.13229			
TIME	062	063	064	065	066	068	069	070	071	072	074	079	080	081	08			
70	.44132	.35266	.23677	.48011	.50094	.36207	.39534	.48191	.44743	.22719	.57241	.37471	.43236	.50004	.01625			
82	.26694	.24955	.18321	.22976	.21354	.24723	.09866	.15267	.15359	.11294	.53131	.24882	.34621	.45866	.01615			
112	.17855	.15417	.11876	.18872	.14190	.15447	.11093	.11294	.11748	.08370	.44302	.23237	.34551	.41717	.01559			
130	.14534	.13454	.09728	.18180	.13881	.13038	.10912	.10204	.11380	.07934	.42936	.22722	.33278	.34026	.01516			
TIME	09	014	015	018	021	028	027	036	042	026	087	088						
70	.00729	.00835	.04477	.00717	.00207	.00088	.01719	.00678	.00442	.00096	.00137	.00918						
82	.00710	.00767	.04295	.00678	.00200	.00101	.01661	.00653	.00458	.00100	.00121	.00833						
112	.00722	.00493	.04069	.00649	.00204	.00123	.01662	.00596	.00453	.00105	.00097	.00785						
130	.00724	.00689	.04021	.00661	.00218	.00130	.01565	.00546	.00450	.00117	.00154	.00775						

ORIGINAL PAGE IS



DATE = 10-30-73

PROJECT NUMBER VA35A-21FA

ARO, INC.

ARNOLD AIR FORCE STATION, TENN.

NASA / RT OR-11 SHUTTLE ORBITER TEST

TEST CONDITIONS

TEST GAS NITROGEN

Q=0, ST=0 BASED ON .210 INCH RADIUS

ANGLE OF ATTACK 30.000 DEG.

MODEL LENGTH 23.226 INCHES

TIME	P-INF	RHO-INF	T-INF	U-INF	H-INF	Q-INF	RE/FT	RE=L	PO	YO	HO	QO BTU/	STO	POP	HREF BTU/	
MSEC	PSIA	LRM/CM-FT	DEG R	FT/SEC		PSIA	X10-6	X10-6	PSIA	DFG R	BTU/LBM	SOFT-SEC		PSIA	SOFT-SEC	
84	.042442	.001119	99.1	5085	11.46	3.899	2.5016	4.8418	4428	2485	6.697E	02	110.7	.03248	7.201	.0569
92	.034759	.001085	95.7	5579	11.44	3.642	2.4644	4.7699	4093	2402	6.452E	02	101.7	.03284	6.724	.0546
112	.034541	.000998	90.4	5388	11.37	3.125	2.3180	4.4844	3402	2253	6.021E	02	83.6	.03319	5.764	.0488
132	.029132	.000861	85.3	5254	11.42	2.568	2.0685	4.0036	2865	2149	5.730E	02	71.3	.03585	4.734	.0443
158	.022955	.000662	83.0	5338	11.35	2.033	1.5454	2.9912	2272	2221	5.916E	02	65.5	.04055	3.750	.0390

ORIGINAL PAGE IS  
OF POOR QUALITY

DATE = 10-30-73

PROJECT NUMBER W354-21FA

ARO, INC.

ARNOLD AIR FORCE STATION, TENN.

NASA / RT OH-11 SHUTTLE ORBITER TEST

## HEAT TRANSFER DATA (H / MHEF)

TIME	01	02	03	06	07	08	010	011	012	013	016	023	025	026	031
84	.50756	.28079	.19452	.14961	.12113	.10241	.08026	.10591	.12263	.08255	.07050	.06511	.09542	.10103	.05978
92	.49119	.22794	.19468	.15302	.12125	.10528	.07924	.10747	.12276	.08496	.07170	.06518	.09665	.10452	.05844
112	.51126	.29720	.19282	.15947	.12701	.11106	.08501	.11465	.12864	.09096	.07637	.06760	.10252	.11041	.05746
132	.52130	.29749	.20006	.16997	.13275	.11681	.08741	.12047	.13766	.09211	.07876	.06660	.10611	.11175	.05644
158	.49522	.28138	.20048	.16979	.13039	.11389	.08841	.11831	.13691	.08986	.07886	.06425	.10371	.11273	.05749
TIME	034	038	041	044	047	050	052	053	054	055	056	057	059	060	061
84	.06002	.05555	.05135	.05500	.04815	.03082	.04692	.07933	.06227	.05479	.05115	.05041	.12133	.10402	.08880
92	.06009	.05019	.05170	.05507	.04690	.03200	.04834	.08054	.06373	.05598	.05299	.04972	.12421	.10413	.08889
112	.06196	.05033	.05033	.05746	.05095	.03095	.05566	.08522	.07061	.06284	.06210	.05211	.12724	.10768	.09243
132	.06096	.05044	.06096	.05589	.04844	.02987	.10831	.08726	.07747	.06858	.06308	.05700	.13022	.10772	.09494
158	.06007	.05636	.06538	.05185	.04552	.02409	.11031	.08800	.07625	.07073	.07409	.05894	.12730	.10884	.08648
TIME	062	063	064	065	066	082	069	070	071	072	074	079	080	081	085
84	.07310	.06381	.04243	.13343	.08907	.02341	.07877	.05576	.05570	.04752	.19386	.21028	.12239	.26644	.01582
92	.07427	.05555	.05202	.13338	.08602	.06295	.08052	.05210	.05353	.05066	.19901	.20979	.12196	.26672	.01550
112	.07840	.06631	.04244	.13702	.08652	.06539	.08571	.06444	.07377	.05906	.19743	.21983	.12223	.27845	.01554
132	.07630	.06315	.04139	.13726	.08303	.08843	.08420	.07825	.07950	.05804	.18925	.22021	.11131	.27311	.01616
158	.06724	.05695	.03903	.12504	.07582	.05127	.09243	.08781	.08499	.05909	.15937	.21661	.10561	.24974	.01636
TIME	09	014	015	018	021	028	027	036	042	086	087	088			
84	.00711	.00642	.04127	.00745	.00189	.00131	.01445	.00536	.00422	.00113	.00126	.01134			
92	.00743	.00700	.04167	.00746	.00195	.00132	.01435	.00540	.00453	.00115	.00109	.01102			
112	.00725	.00726	.04200	.00807	.00213	.00147	.01485	.00576	.00484	.00150	.00115	****			
132	.00762	.00716	.04213	.00849	.00231	.00166	.01674	.00600	.00508	.00208	.00127	****			
158	.00795	.00691	.04096	.00899	.00246	.00183	.01750	.00599	.00489	.00248	.00161	****			

DATE = 10-30-73

PROJECT NUMBER VA354-21FA

ARCO, INC.

ARNOLD AIR FORCE STATION, TENN.

NASA / RE OR-11 SHUTTLE ORBITER TEST

HEAT TRANSFER DATA (Q/QREF)

TIME	01	02	03	06	07	08	010	011	012	013	016	023	025	026	031
84	.50634	.26500	.18000	.13700	.11000	.09250	.07200	.09500	.11000	.07200	.06300	.05800	.08500	.09000	.05325
92	.49000	.21500	.18000	.14000	.11000	.09500	.07100	.09630	.11000	.07400	.06400	.05800	.08600	.09300	.05200
112	.51000	.28000	.17000	.14563	.11500	.10000	.07600	.10250	.11500	.07900	.06800	.06000	.09100	.09800	.05100
132	.52000	.28000	.18000	.15500	.12000	.10500	.07800	.10750	.12284	.07981	.07000	.05900	.09400	.09900	.05000
156	.49349	.26502	.18500	.15500	.11800	.10250	.07900	.10571	.12233	.07799	.07000	.05700	.09200	.10000	.05100
TIME	034	038	041	044	047	050	052	053	054	055	056	057	059	060	061
84	.05400	.04549	.04574	.04900	.04250	.02700	.00750	.07100	.05575	.04900	.04542	.04466	.11000	.09400	.00000
92	.05400	.05300	.04600	.04900	.04134	.02000	.00870	.07200	.05700	.05000	.04700	.04400	.11250	.09400	.00000
112	.05500	.05000	.05000	.05100	.04480	.02700	.02500	.07600	.05300	.05600	.05500	.04600	.11500	.09700	.00300
132	.05400	.05400	.05400	.04951	.04250	.02600	.02731	.07768	.06900	.06100	.05571	.05021	.11750	.09687	.00510
156	.05400	.05000	.05000	.04600	.04000	.02100	.02923	.07844	.06900	.06300	.06600	.05200	.11500	.09800	.07762
TIME	062	063	064	065	066	082	069	070	071	072	074	079	080	081	05
84	.06550	.05491	.03715	.12053	.07222	.07450	.07180	.05035	.05000	.04200	.17500	.19000	.11050	.24000	.01380
92	.06700	.05038	.04600	.12000	.07750	.07400	.07250	.04700	.04800	.04472	.18000	.18935	.11000	.24000	.01350
112	.07000	.05244	.03700	.12300	.07778	.07600	.07700	.05800	.06600	.05200	.17757	.19800	.11000	.25000	.01350
132	.06400	.05661	.03600	.12300	.07451	.07900	.00000	.07031	.07100	.05100	.17000	.19800	.10000	.24477	.01460
156	.06000	.05059	.03400	.11219	.06813	.06118	.00300	.07900	.07600	.05200	.14333	.14500	.09500	.22411	.01420
TIME	09	014	015	018	021	028	027	036	042	086	087	088			
84	.00620	.00560	.03000	.00650	.00165	.00114	.01260	.00468	.00368	.00098	.00110	.00990			
92	.00647	.00610	.03629	.00650	.00170	.00115	.01250	.00470	.00395	.00100	.00095	.00960			
112	.00630	.00631	.03700	.00701	.00185	.00128	.01250	.00500	.00420	.00130	.00100	****			
132	.00660	.00620	.03650	.00770	.00200	.00144	.01450	.00520	.00440	.00180	.00110	****			
156	.00690	.00600	.03555	.00740	.00214	.00159	.01519	.00520	.00425	.00215	.00140	****			

ORIGINAL PAGE IS OF POOR QUALITY

DATE \* 10-30-73

PROJECT NUMBER. YA354-21FA

ARO, INC.

ARNOLD AIR FORCE STATION, TENN.

NASA / RI OM-11 SHUTTLE ORBITER TEST

TEST CONDITIONS TEST GAS NITROGEN  
ANGLE OF ATTACK 30.000 DEG.

Q=0, ST=0 BASED ON .210 INCH RADIUS  
MODEL LENGTH 23.226 INCHES

TIME	P-INF	RHO-INF	T-INF	U-INF	M-INF	Q-INF	RE/FT	RE=L	PO	TO	MO	QO BTU/	STO	POP	HREF BTU/
MSEC	PSIA	LBM/CU-FT	DEG R	FT/SEC		PSIA	X10-6	X10-6	PSIA	DEG R	BTU/LBM	SOFT-SEC		PSIA	SOFT-SEC
64	.037802	.000510	162.2	6995	11.02	3.216	1.0241	1.9822	3679	3649	1.017E 03	174.7	.04638	5.960	.0562
74	.032356	.000433	145.1	7549	10.84	2.662	.8540	1.2658	3089	4202	1.180E 03	190.3	.05529	4.939	.0520
94	.025823	.000325	207.8	7720	10.74	2.046	.4713	.5122	2408	4387	1.241E 03	179.1	.06452	3.871	.0465
116	.015599	.000259	197.6	7577	10.81	1.603	.3875	.7500	1893	4242	1.195E 03	149.2	.07162	2.975	.0403



DATE \* 10-30-73

PROJECT NUMBER YA354-21FA

ARRL, INC.

ARADLU AIR FORCE STATION, TENN.

NASA / RI OM-1; SHUTTLE ORBITER TEST

## HEAT TRANSFER DATA (H / HREF)

TIME	01	02	03	06	07	08	010	011	012	013	016	023	025	026	031
64	.59128	.34270	.22278	.18697	.14881	.12896	.10493	.13530	.14634	.09290	.10308	.09225	.11103	.12027	.08558
78	.56120	.33175	.22241	.18342	.14850	.12868	.10668	.12947	.13809	.08924	.10172	.08920	.10311	.10948	.08204
98	.54100	.31701	.20892	.17031	.13715	.11806	.09683	.11838	.12939	.08127	.09061	.08064	.09576	.09556	.07429
118	.52430	.30013	.20032	.16767	.13350	.11522	.09255	.11155	.12395	.07906	.08402	.07538	.09145	.09622	.06873
TIME	034	038	041	044	047	050	052	053	054	055	056	057	059	060	061
64	.07809	.06191	.06224	.06446	.05268	.03329	.10969	.09018	.07302	.06330	.05851	.05082	.14494	.11190	.10121
78	.07539	.06652	.06094	.06209	.05365	.03263	.09422	.08806	.07267	.06630	.05920	.04957	.13826	.11106	.09748
98	.06809	.06094	.05727	.05761	.05026	.02923	.09198	.07724	.06618	.05742	.05494	.04787	.12955	.10627	.09159
118	.06051	.05986	.05543	.05543	.04873	.02813	.09148	.07342	.06401	.05745	.05640	.04622	.12551	.10398	.08780
TIME	062	063	064	065	066	068	069	070	071	072	074	079	080	081	085
64	.07575	.06532	.03039	.15612	.10441	.09198	.10337	.08151	.07174	.05093	.20396	.26130	.11529	.23298	.01756
78	.07127	.06313	.03040	.15646	.10308	.08631	.10972	.09311	.07708	.05571	.19449	.24415	.11778	.11603	.02022
98	.06835	.05976	.03484	.14677	.09626	.07959	.10527	.08758	.07923	.04909	.18772	.24620	.12335	.09615	.02009
118	.06618	.05768	.03265	.14476	.09320	.07701	.10093	.08571	.08147	.05023	.19173	.24084	.12050	.08782	.01999
TIME	09	014	015	018	021	028	027	036	042	086	087	088			
64	.00751	.00549	.03448	.00821	.00195	.00107	.01559	.00457	.00446	.00171	.00102	.01254			
78	.00771	.00525	.03274	.00843	.00201	.00189	.01525	.00487	.00418	.00209	.00105	.01248			
98	.00790	.00504	.02894	.00880	.00220	.00186	.01423	.00356	.00395	.00283	.00107	.01129			
118	.00791	.00530	.02634	.00870	.00237	.00184	.01415	.00316	.00361	.00328	.00112	.01186			

DATE = 10-30-73

PROJECT NUMBER VA35A-21FA

ARL, IAC.

ARNDOL AIR FORCE STATION, TENN.

NASA / RT OH-11 SHUTTLE ORBITER TEST

## HEAT TRANSFER DATA (Q/QREF)

TIME	01	02	03	06	07	08	010	011	012	013	016	023	025	026	031
64	.58000	.32500	.20750	.17250	.13625	.11750	.09500	.12250	.13250	.08200	.09300	.08300	.09990	.10875	.07700
78	.54000	.31500	.20750	.17000	.13625	.11750	.09700	.11750	.12532	.07900	.09200	.08100	.09300	.09875	.07400
98	.54065	.29445	.19500	.15750	.12590	.10786	.08793	.10750	.11750	.07200	.08200	.07278	.08643	.08625	.06705
114	.52817	.28500	.19250	.15500	.12250	.10522	.08400	.10125	.11250	.07000	.07600	.06800	.08250	.08680	.06200
TIME	034	038	041	044	047	050	052	053	054	055	056	057	059	060	061
64	.04900	.06200	.05000	.05800	.04700	.02950	.04990	.08148	.06600	.05715	.05250	.04550	.13250	.10200	.09200
78	.04800	.06000	.05000	.05600	.04800	.02900	.08600	.07975	.06584	.06000	.05325	.04450	.12666	.10145	.08881
98	.06200	.05500	.05169	.05200	.04500	.02600	.08400	.07000	.06000	.05200	.04900	.04300	.11875	.09713	.08349
114	.06000	.05400	.05000	.05000	.04360	.02500	.08351	.06650	.06800	.05200	.05074	.04150	.11500	.09500	.08000
TIME	062	063	064	065	066	082	069	070	071	072	074	079	080	081	05
64	.06851	.05884	.03400	.14187	.04500	.08250	.09400	.07425	.06500	.04550	.18573	.23814	.10500	.21174	.01550
78	.06515	.05700	.03273	.14250	.09400	.07803	.10000	.08500	.07000	.04990	.17750	.22300	.10750	.18569	.01790
98	.06200	.05400	.03100	.13375	.08793	.07200	.09600	.08000	.07200	.04400	.17141	.22500	.11265	.08763	.01780
114	.06000	.05227	.02900	.13146	.08500	.06963	.09200	.07825	.07400	.04300	.17500	.22000	.11000	.08000	.01770
TIME	09	014	015	018	021	028	027	036	042	086	087	088			
64	.00662	.00485	.03079	.00725	.00172	.00147	.01375	.00403	.00393	.00150	.00090	.01107			
78	.00642	.00465	.02900	.00747	.00178	.00167	.01350	.00360	.00370	.00185	.00093	.01105			
98	.00700	.00450	.02564	.00740	.00195	.00165	.01261	.00315	.00350	.00250	.00094	.01000			
114	.00700	.00469	.02336	.00770	.00210	.00162	.01253	.00280	.00320	.00290	.00099	.01050			

DATE # 10-31-73

PROJECT NUMBER WA354-21FA

ARL, INC.

ARNOLD AIR FORCE STATION, TENN.

NASA / RT OM-11 SHUTTLE ORBITER TEST

TEST CONDITIONS TEST GAS NITROGEN

Q=0 ST=0 BASED ON .210 INCH RADIUS

ANGLE OF ATTACK 30.000 DEG.

MODEL LENGTH 23.226 INCHES

TIME	P-INF	RHO-INF	T-INF	U-INF	V-INF	D-INF	RE/FT	RE-L	PO	YO	HO	OO BTU/	STO	POP	HREF BTU/
MSEC	PSIA	LBM/CU-FT	DEG R	FT/SEC		PSIA	X10-6	X10-6	PSIA	DEG R	BTU/LBM	SOFT-SEC		PSIA	SOFT-SEC
82	.035345	.001184	78.1	6428	14.59	5.274	3.7973	7.3497	17368	2926	8.445E 02	174.5	.03226	9.771	.0731
86	.034982	.001124	81.3	6525	14.52	5.159	3.5145	6.8023	16897	3016	8.703E 02	179.6	.03326	9.560	.0725
106	.032851	.000943	91.0	6406	14.31	4.709	2.7466	5.3161	15289	3285	9.476E 02	194.3	.03720	8.732	.0708
126	.029625	.000772	100.2	7486	14.20	4.179	2.1759	4.1146	13849	3560	1.027E 03	201.9	.04131	7.754	.0669
160	.024338	.000435	108.3	7239	13.95	3.589	1.0537	3.2007	11505	3735	1.073E 03	197.3	.04567	6.661	.0618

ORIGINAL PAGE IS  
OF POOR QUALITY

DATE \* 10-31-73

PROJECT NUMBER YA354-21FA

ARCO, INC.

ARNOLD AIR FORCE STATION, TENN.

NASA / HI OM-11 SHUTTLE ORBITER TEST

## HEAT TRANSFER DATA (W / HREF)

TIME	G1	G2	G3	G6	G7	G8	G10	G11	G12	G13	G16	G23	G25	G26	G31
82	.59133	.75127	.23184	.19294	.14872	.12644	.09432	.13316	.15592	.10923	.09687	.07871	.11667	.12846	.07819
86	.58132	.33412	.22609	.19029	.14796	.12157	.09487	.13785	.15755	.10617	.08528	.07813	.11326	.12962	.07813
106	.67135	.35362	.23054	.17642	.14771	.12765	.09815	.13834	.15494	.10507	.09091	.07797	.11436	.12830	.07240
126	.67133	.35333	.23628	.18949	.14750	.12627	.09392	.13240	.15371	.10345	.08649	.07519	.11120	.12788	.07228
160	.58127	.34750	.24852	.19034	.15598	.13197	.10326	.13800	.16114	.10616	.09055	.07221	.11110	.12846	.06110
TIME	G34	G38	G41	G44	G47	G50	G52	G53	G54	G55	G56	G57	G59	G60	G61
82	.39495	.11170	.12287	.13404	.14649	.11917	.11580	.10899	.09513	.09083	.11203	.14035	.14813	.13328	.12673
86	.10610	.10666	.11142	.11720	.14919	.11339	.11572	.10668	.09442	.09453	.12709	.12781	.14894	.13756	.12148
106	.07574	.08354	.08354	.08911	.09549	.07919	.11551	.10093	.08869	.09434	.10054	.11194	.15514	.13351	.12447
126	.06672	.07228	.06672	.07228	.07289	.05645	.11534	.10077	.08301	.08865	.08921	.08940	.15064	.13170	.12107
160	.26918	.06750	.07049	.06666	.07842	.05639	.11984	.10068	.08548	.08013	.078001	.07815	.15459	.12754	.11496
TIME	G62	G63	G64	G65	G66	G82	G68	G69	G70	G71	G72	G74	G79	G80	G81
82	.12424	.12735	.09084	.16844	.13248	.13371	.17114	.12555	.12032	.11486	.06889	.24163	.24691	.24468	.35369
86	.12212	.12243	.08511	.16570	.13238	.12804	.17184	.12142	.11754	.10526	.06184	.23593	.23962	.25473	.34850
106	.11080	.10014	.07354	.17045	.13215	.12772	.16335	.12120	.10926	.10130	.05991	.20905	.24185	.15598	.31972
126	.10509	.09441	.06214	.16542	.13195	.11426	.16052	.11002	.10434	.09386	.05800	.20200	.24600	.12632	.30319
160	.10355	.08878	.05643	.16499	.12381	.10154	.16938	.12018	.10629	.09018	.06065	.20210	.25205	.12613	.29358
TIME	G85	G9	G14	G15	G18	G21	G28	G27	G36	G42	G87	G88			
82	.01680	.00758	.00889	.04673	.00729	.00205	.00151	.01767	.00581	.00508	.00133	.00847			
86	.01651	.00797	.00877	.04614	.00731	.00199	.00154	.01720	.00579	.00518	.00125	.00843			
106	.01627	.00755	.00863	.04610	.00772	.00203	.00164	.01761	.00509	.00544	.00108	.00839			
126	.01648	.00764	.00816	.04421	.00805	.00210	.00170	.01417	.00536	.00549	.00096	.00816			
160	.01585	.00781	.00810	.04459	.00861	.00215	.00173	.01755	.00544	.00562	.00119	.00923			

DATE = 10-31-73

PROJECT NUMBER VA354-21FA

ARL, INC.

ARABLD AIR FORCE STATION, TENN.

NASA / RI OR-11 SHUTTLE ORBITER TEST

## HEAT TRANSFER DATA (Q/QREF)

TIME	01	02	03	06	07	08	010	011	012	013	016	023	025	026	031
82	.58000	.33231	.21522	.17725	.13560	.11470	.08500	.12000	.14051	.09584	.07800	.07046	.10444	.11500	.07000
86	.58000	.32000	.21000	.17500	.13500	.11035	.08555	.12432	.14208	.09323	.07663	.07000	.10147	.11613	.07000
100	.60000	.33500	.22000	.16250	.13500	.11608	.08668	.12500	.14000	.09250	.08185	.07000	.10267	.11519	.06500
126	.60000	.33500	.22000	.17475	.13500	.11500	.08500	.12000	.13911	.09126	.07800	.06762	.10000	.11500	.06500
160	.58000	.33000	.23154	.18305	.14287	.12029	.09352	.12500	.14596	.09375	.08174	.06500	.10000	.11563	.05500
TIME	034	038	041	044	047	050	052	053	054	055	056	057	059	060	061
82	.09500	.10000	.11000	.12000	.13000	.10500	.10500	.09800	.08557	.08162	.10000	.12500	.13485	.12096	.11649
86	.07500	.09500	.10000	.10500	.13250	.10000	.10500	.09600	.08500	.08500	.11353	.11393	.13568	.12492	.11000
100	.06800	.07500	.07500	.08000	.08500	.07000	.10500	.09100	.08000	.08500	.09000	.10000	.14157	.12147	.11291
126	.06000	.06500	.06000	.06500	.06500	.05000	.10500	.09100	.07500	.08000	.08000	.08000	.13766	.12000	.11000
160	.06227	.06112	.06311	.06000	.07000	.05000	.10919	.09100	.07730	.07238	.07000	.07000	.14595	.11630	.10453
TIME	062	063	064	065	066	068	069	070	071	072	074	079	080	081	
82	.11183	.11414	.08000	.15237	.12000	.12000	.15500	.11366	.10912	.10358	.06122	.21907	.22405	.20000	.32000
86	.11000	.11000	.07500	.15000	.12000	.11500	.15576	.11000	.10667	.09500	.05500	.21405	.21759	.20114	.31553
100	.10000	.09300	.06500	.15477	.12000	.11494	.14831	.11000	.09933	.09159	.05339	.19000	.22000	.15088	.29000
126	.09500	.08500	.05500	.15062	.12000	.10300	.14597	.10000	.09500	.08500	.05000	.18386	.22410	.11500	.27543
160	.09369	.08000	.05000	.14917	.11259	.09162	.15415	.10933	.09385	.08174	.05421	.18411	.22980	.11492	.26693
TIME	05	09	014	015	018	021	028	027	036	042	047	088			
82	.01474	.00700	.00780	.04100	.00640	.00180	.00132	.01550	.00510	.00446	.00117	.00743			
86	.01450	.00700	.00770	.04052	.00642	.00175	.00135	.01510	.00508	.00455	.00110	.00740			
100	.01433	.00700	.00760	.04059	.00640	.00178	.00144	.01550	.00536	.00478	.00095	.00739			
126	.01454	.00709	.00720	.03990	.00710	.00185	.00150	.01250	.00473	.00404	.00085	.00720			
160	.01400	.00650	.00715	.03938	.00760	.00190	.00152	.01550	.00480	.00497	.00105	.00815			

ORIGINAL PAGE IS  
UNCLASSIFIED

DATE = 10-31-73

PROJECT NUMBER VA354-21FA

ARCO, INC.

ARNOLD AIR FORCE STATION, TENN.

NASA / RT OM-11 SHUTTLE ORBITER TEST

TEST CONDITIONS

TEST GAS NITROGEN

Q=0, ST=0 BASED ON .210 INCH RADIUS

ANGLE OF ATTACK 20.000 DEG.

MODEL LENGTH 23.226 INCHES

TIME	P-INF	RHO-INF	T-INF	U-INF	H-INF	Q-INF	RE/FT	RE=L	PO	TO	HO	QD BTU/	SIO	POP	HREF BTU/
MSEC	PSIA	LB/CU-FT	DEG R	FT/SEC		PSIA	X10-6	X10-6	PSIA	DEG R	BTU/LHM	SOFT-SEC		PSIA	SOFT-SEC
110	.021104	.000787	70.1	6002	14.38	3.056	2.6263	5.0831	9680	2653	7.368E 02	111.7	.03922	5.655	.0529
120	.020150	.000675	78.0	6286	14.28	2.876	2.1193	4.1019	9220	2899	8.084E 02	121.4	.04240	5.324	.0515
130	.019151	.000575	87.0	6592	14.18	2.695	1.6981	3.2867	8789	3170	8.893E 02	133.6	.04662	4.994	.0508
174	.016696	.000415	105.1	7064	13.82	2.233	1.0866	2.1032	7092	3625	1.023E 03	146.7	.05630	4.142	.0476

DATE = 10-31-73

PROJECT NUMBER VA354-21FA

AHD, INC.

ARNOLD AIR FORCE STATION, TENN.

NASA / RI OR-11 SHUTTLE ORBITER TEST

## HEAT TRANSFER DATA (H / HREF)

TIME	Q1	Q2	Q3	Q5	Q7	Q8	Q10	Q11	Q12	Q13	Q16	Q23	Q25	Q26	Q31
110	.62146	.36518	.24111	.20170	.15939	.13813	.11015	.14390	.16411	.11321	.10721	.08370	.12042	.13201	.07749
120	.60138	.34358	.23164	.19043	.15357	.13375	.10655	.13874	.15393	.10717	.10305	.08045	.11732	.12432	.07039
130	.60136	.34448	.23452	.19283	.15329	.13623	.10633	.13989	.15229	.10461	.10227	.07804	.11427	.12541	.07124
174	.62147	.36381	.25233	.21350	.17040	.14599	.10936	.15188	.16944	.11097	.10198	.08226	.12228	.13895	.07548
TIME	Q34	Q38	Q41	Q44	Q47	Q50	Q52	Q53	Q54	Q55	Q56	Q57	Q59	Q60	Q61
110	.07346	.06497	.06945	.06980	.07347	.05124	.11885	.10863	.09363	.08928	.09831	.10698	.16516	.13034	.12187
120	.06888	.06242	.06021	.05547	.05636	.03569	.11450	.09967	.08450	.07681	.07151	.07861	.15382	.12091	.11054
130	.06649	.06243	.05797	.05128	.04779	.02870	.11284	.09768	.07988	.07220	.06429	.06722	.15901	.12099	.10755
174	.07114	.06336	.05669	.05082	.04629	.02546	.12354	.10247	.08299	.07754	.07246	.06205	.16957	.13166	.11553
TIME	Q62	Q63	Q64	Q65	Q66	Q82	Q68	Q69	Q70	Q71	Q72	Q74	Q79	Q80	Q81
110	.11139	.11243	.08037	.17455	.13281	.11173	.15824	.10797	.10209	.08672	.05757	.19604	.24856	.12714	.32134
120	.10001	.08705	.05340	.16309	.12146	.05947	.15185	.10364	.09375	.08048	.05178	.18755	.24250	.11571	.30402
130	.09204	.08040	.04759	.16000	.11902	.09731	.15155	.10343	.09026	.07526	.04941	.18167	.24202	.11009	.27582
174	.08847	.08144	.04030	.16234	.11991	.10206	.15391	.11273	.10206	.08702	.05293	.19220	.24690	.11530	.14859
TIME	Q5	Q9	Q14	Q15	Q18	Q21	Q28	Q27	Q36	Q42	Q87	Q88			
110	.01601	.00766	.00778	.04460	.00915	.00217	.00181	.01658	.00560	.00440	.00091	.00858			
120	.01653	.00764	.00724	.04161	.00912	.00214	.00177	.01539	.00536	.00474	.00088	.00855			
130	.01640	.00762	.00703	.04036	.00910	.00223	.00176	.01592	.00512	.00472	.00085	.00864			
174	.01756	.00753	.00716	.03739	.00952	.00238	.00185	.01636	.00419	.00453	.00082	.00935			

DATE = 10-31-73

PROJECT NUMBER YA354-21FA

ARD, INC.

ARNOLD AIR FORCE STATION, TENN.

NASA / RI OR-11 SHUTTLE ORBITER TEST

## HEAT TRANSFER DATA (Q/QREF)

TIME	Q1	Q2	Q3	Q6	Q7	Q8	Q10	Q11	Q12	Q13	Q16	Q23	Q25	Q26	Q31
110	.42000	.34500	.22341	.18500	.14500	.12500	.09900	.12934	.14750	.09900	.09600	.07472	.10750	.11785	.06918
120	.60000	.32500	.21500	.17500	.14000	.12130	.09600	.12500	.13868	.09400	.09250	.07200	.10500	.11127	.06300
130	.60000	.33000	.21800	.17750	.14000	.12380	.09600	.12630	.13750	.09200	.09200	.07000	.10250	.11250	.06390
174	.62000	.34500	.23500	.19696	.15600	.13300	.09900	.13750	.15339	.09793	.09200	.07400	.11000	.12500	.06790
TIME	Q34	Q38	Q41	Q44	Q47	Q50	Q52	Q53	Q54	Q55	Q56	Q57	Q59	Q60	Q61
110	.76549	.05400	.06200	.06231	.06500	.04500	.10750	.09742	.08400	.08000	.08750	.09500	.15000	.11800	.11000
120	.06165	.05587	.05389	.05009	.05000	.03144	.10380	.08960	.07600	.06900	.06382	.07000	.14000	.10971	.10000
130	.06000	.05600	.05200	.04600	.04750	.02535	.10250	.08800	.07200	.06500	.05750	.06000	.14500	.11000	.09750
174	.06400	.05700	.05100	.04500	.04130	.02255	.11250	.09257	.07500	.07000	.06500	.05555	.15500	.12000	.10500
TIME	Q62	Q63	Q64	Q65	Q66	Q68	Q69	Q70	Q71	Q72	Q74	Q79	Q80	Q81	
110	.10000	.10000	.06000	.15750	.12000	.10000	.14256	.09750	.09236	.07800	.05100	.17729	.22500	.11500	.29000
120	.09000	.07500	.04700	.14750	.11000	.08925	.13750	.09380	.08500	.07256	.04600	.17000	.22000	.10489	.27500
130	.09300	.07220	.04200	.14500	.10800	.08750	.13750	.09380	.08200	.06800	.04400	.16500	.22000	.10000	.25000
174	.09000	.07335	.04100	.14750	.10900	.09203	.14000	.10250	.09295	.07684	.04728	.17500	.22500	.14500	.13500
TIME	Q8	Q9	Q14	Q15	Q18	Q21	Q2A	Q27	Q36	Q42	Q47	Q88			
110	.01400	.00670	.00080	.03900	.00800	.00190	.00154	.01450	.00490	.00420	.00080	.00750			
120	.01450	.00670	.00035	.03650	.00800	.00188	.00155	.01350	.00470	.00416	.00077	.00750			
130	.01442	.00670	.00018	.03550	.00800	.00196	.00155	.01400	.00450	.00415	.00075	.00760			
174	.01550	.00700	.00030	.03300	.00840	.00210	.00163	.01443	.00470	.00400	.00072	.00825			



DATE # 10-31-73

PROJECT NUMBER VA354-21FA

ARO, INC.

ARNOLD AIR FORCE STATION, TENN.

NASA / RI OF-11 SHUTTLE UNHITEN TEST

TEST CONDITIONS TEST GAS NITROGEN  
ANGLE OF ATTACK 30.000 DEG.

Q=0, ST=0 BASED ON .210 INCH RADIUS  
MODEL LENGTH 23.226 INCHES

TIME	P-INF	RHO-INF	T-INF	U-INF	M-INF	Q-INF	RE/FT	RE=L	PO	TO	HO	OO HTU/	STO	POP	HREF	BTU/
MSEC	PSIA	LBM/CU-FT	DEG R	FT/SEC		PSIA	X10-6	X10-6	PSIA	DFG R	BTU/LBM	SOFT-SEC		PSIA	SGFT-SEC	
96	.011308	.000402	73.8	6945	16.22	2.092	1.4745	2.2539	13021	3421	9.817E 02	135.2	.05707	3.882	.0469	
118	.012700	.000341	98.0	7042	15.49	2.145	1.0352	2.0026	12029	4106	1.191E 03	171.8	.06245	3.986	.0482	
148	.011904	.000272	114.4	8112	15.21	1.929	.7510	1.4525	10815	4609	1.342E 03	191.1	.07170	3.587	.0470	

DATE = 10-31-73

PROJECT NUMBER VA35A-21FA

ARO, INC.

ARNOLD AIR FORCE STATION, TENN.

NASA / RI DM-11 SHUTTLE CRUISE TEST

## HEAT TRANSFER DATA (H / HREF)

TIME	01	02	03	06	07	08	010	011	012	013	016	023	025	026	031
96	.63140	.36462	.24715	.20506	.16623	.14834	.12584	.16477	.17693	.11007	.13461	.12943	.13077	.13911	.12242
110	.61122	.35815	.24271	.20345	.16354	.14345	.11993	.15763	.16534	.10623	.12499	.12422	.12477	.12755	.11646
148	.60127	.34205	.24095	.19129	.15786	.14220	.12105	.14856	.15847	.09534	.12974	.11071	.11769	.11625	.10296
TIME	034	038	041	044	047	050	052	053	054	055	056	057	059	060	061
96	.10004	.10461	.10795	.10906	.10774	.08024	.12013	.10860	.10246	.14284	.16741	.13980	.16964	.14234	.14869
110	.09482	.09760	.09760	.09750	.10176	.07430	.11234	.10604	.10357	.11842	.13346	.11701	.17205	.14236	.13726
148	.09300	.08414	.07307	.08844	.06696	.04494	.11490	.10470	.08961	.07813	.07836	.06706	.15579	.12847	.12059
TIME	062	063	064	065	066	082	068	069	070	071	072	074	079	080	081
96	.16600	.14451	.08296	.18009	.15185	.13190	.16508	.11835	.10991	.09835	.05717	.19729	.24716	.12092	.23684
110	.13744	.12187	.06944	.18040	.14568	.12172	.17445	.12625	.10404	.09245	.05249	.20059	.25570	.12472	.16254
148	.09695	.09626	.04721	.15207	.11538	.09113	.10979	.13019	.10285	.09001	.05016	.18605	.24604	.11763	.12687
TIME	05	09	014	015	018	021	028	027	036	042	087	088			
96	.01924	.00017	.00760	.03631	.00930	.00216	.00170	.01607	.00444	.00426	.00130	.01248			
110	.01910	.00751	.00791	.03142	.00904	.00227	.00175	.01582	.00373	.00384	.00101	.01017			
148	.01406	.00767	.00526	.02876	.00864	.00222	.00178	.01466	.00350	.00361	.00089	.00970			

DATE = 10-31-73

PROJECT NUMBER VA35A-21FA

ARO, INC.

ARNOLD AIR FORCE STATION, TENN.

NASA / RI OR-11 SHUTTLE ORBITER TEST

HEAT TRANSFER DATA (Q/QREF)

TIME	01	02	03	06	07	08	010	011	012	013	016	023	025	026	031
96	.63000	.34500	.23000	.18900	.15203	.13500	.11380	.14900	.16000	.09700	.12130	.11630	.11750	.12500	.11000
118	.61000	.34000	.22034	.18800	.15000	.13094	.10880	.14300	.15000	.09400	.11300	.11200	.11250	.11500	.10500
148	.60000	.32500	.22500	.17700	.14500	.13000	.11000	.13500	.14400	.08454	.11750	.10000	.10630	.10500	.09300
TIME	034	038	041	044	047	050	052	053	054	055	056	057	059	060	061
96	.09000	.09400	.09700	.09800	.09600	.07100	.10928	.09800	.09250	.12880	.15000	.12500	.15491	.12960	.13500
118	.09000	.08800	.08800	.08800	.09100	.06600	.10250	.09600	.09380	.10750	.12000	.10500	.15756	.12000	.12500
148	.08400	.07660	.06600	.06200	.06000	.04000	.10500	.09495	.08130	.07081	.07059	.06029	.14289	.11750	.11000
TIME	062	063	064	065	066	082	068	069	070	071	072	074	079	080	081
96	.15000	.13900	.07300	.16400	.13800	.11880	.15000	.10750	.10000	.08900	.05100	.18000	.22500	.11000	.21500
118	.12500	.11000	.06200	.16470	.13289	.11000	.15900	.11502	.09494	.08438	.04700	.18300	.23348	.11380	.14800
148	.08800	.07000	.04200	.14775	.10534	.08250	.15500	.11800	.09400	.08184	.04500	.17000	.22500	.10750	.11571
TIME	05	09	014	015	018	021	028	027	036	042	087	088			
96	.01700	.00720	.00070	.03200	.00820	.00190	.00150	.01416	.00391	.00375	.00115	.01100			
118	.01690	.00700	.00700	.02780	.00800	.00201	.00155	.01400	.00330	.00340	.00089	.00900			
148	.01690	.00680	.00466	.02550	.00766	.00197	.00157	.01300	.00310	.00320	.00079	.00860			

ORIGINAL PAGE IS

DATE = 10-31-73

PROJECT NUMBER VA354-21FA

ARJ, INC.

ARNOLD AIR FORCE STATION, TENN.

NASA / RI OH-11 SHUTTLE ORBITER TEST

TEST CONDITIONS TEST GAS NITROGEN  
ANGLE OF ATTACK 35.000 DEG.

Q=0, ST=0 BASED ON .210 INCH RADIUS  
MODEL LENGTH 23.226 INCHES

TIME	P-INF	RHO-INF	T-INF	U-INF	M-INF	Q-INF	RE/FT	RE=L	PO	TO	MO	QO BTU/	STO	POP	HREF BTU/
MSEC	PSIA	LRM/CU-FT	DEG R	FT/SEC		PSIA	X10-6	X10-6	PSIA	DEG R	BTU/LBM	SOFT-SEC		PSIA	SOFT-SEC
64	.062165	.001614	100.0	5808	11.61	5.869	3.6290	7.0239	6841	2556	6.984E 02	143.9	.02719	10.845	.0714
78	.049112	.001064	120.0	6314	11.54	4.576	2.1725	4.2049	5670	3000	8.250E 02	157.5	.03386	8.467	.0640
96	.038310	.000780	128.0	6527	11.56	3.582	1.5452	2.9906	4706	3198	8.824E 02	152.3	.03996	6.632	.0573
118	.031857	.000726	114.7	6159	11.54	2.969	1.5108	2.9396	3769	2890	7.854E 02	118.5	.04064	5.491	.0504

DATE = 10-2, 73

PROJECT NUMBER VA354-21FA

ARO, INC.

WHAALO AIR FORCE STATION, TENN.

NASA / RT OR-11 SHUTTLE ORBITER TEST

HEAT TRANSFER DATA (H / HREF)

TIME	C1	C2	C3	C6	C7	C8	C10	C11	C12	C13	C16	C23	C25	C26	C31
60	.59017	.35553	.23949	.20969	.17127	.15255	.12616	.11645	.17552	.10536	.11837	.11597	.13254	.13806	.10162
70	.56647	.32759	.22038	.19397	.16430	.14745	.12256	.15093	.16394	.09680	.10964	.10176	.12213	.12651	.08581
90	.51987	.30254	.21706	.18141	.15533	.13506	.11547	.13639	.14666	.08753	.10407	.09339	.11536	.11536	.07361
110	.53338	.30212	.21653	.17793	.15274	.13290	.10938	.13713	.14608	.08056	.10429	.09107	.11561	.11628	.07928
TIME	C34	C38	C41	C44	C47	C50	C52	C53	C54	C55	C56	C57	C59	C60	C61
60	.11045	.10824	.11547	.18741	.26597	.19073	.12264	.10445	.11814	.17797	.25288	.24985	.17372	.16119	.16386
70	.07776	.07620	.07041	.07741	.10421	.07826	.10733	.08979	.07987	.07331	.08827	.10505	.13374	.09769	.09880
90	.07416	.07141	.06592	.07141	.09686	.07803	.10309	.08265	.07108	.06568	.07162	.08291	.12432	.09758	.08698
110	.07157	.06612	.05742	.05088	.06617	.04476	.10326	.07921	.06848	.06074	.06074	.06808	.12454	.09532	.08608
TIME	C62	C63	C64	C65	C66	C82	C68	C69	C70	C71	C72	C74	C79	C80	C81
60	.23305	.22168	.18210	.20762	.19642	.17627	.24557	.21878	.20880	.15346	.11131	.29437	.44661	.50145	.33159
70	.09048	.09340	.07608	.14155	.10875	.09328	.10988	.15880	.11166	.08224	.06096	.23360	.25577	.34109	.20685
90	.08196	.08121	.06143	.13595	.09776	.08220	.17460	.13935	.10307	.07548	.05534	.20077	.22347	.31357	.14506
110	.08104	.07148	.04927	.13621	.09744	.08424	.17415	.14156	.10327	.08101	.06060	.20466	.22482	.24658	.14164
TIME	C5	C9	C14	C15	C18	C21	C28	C27	C36	C42	C47	C88			
60	.01144	.01019	.01003	.06127	.00836	.00240	.00109	.01591	.00155	.00228	.00192	.01376			
70	.01139	.00934	.01501	.06264	.00909	.00239	.00120	.01537	.00125	.00125	.00204	.01025			
90	.01152	.00875	.01440	.06252	.01000	.00250	.00114	.01478	.00108	.00102	.00210	.00978			
110	.01169	.00844	.01355	.06568	.01060	.00262	.00120	.01425	.00091	.00160	.00222	.00969			

ORIGINAL PAGE IS  
OF GOOD QUALITY

DATE \* 10-31-73

PROJECT NUMBER YA354-21FA

ARCO, INC.

ARCO AIR FORCE STATION, TENN.

NASA / R1 OR-11 SHUTTLE ORBITER TEST

## HEAT TRANSFER DATA (Q/OHEF)

TIME	01	02	03	06	07	08	010	011	012	013	016	023	025	026	031
60	.59000	.34000	.22500	.19500	.15800	.14000	.11500	.15000	.16000	.09200	.10750	.10500	.12000	.12500	.09200
70	.56631	.31363	.21500	.18090	.15200	.13579	.11250	.13800	.15000	.08500	.10000	.09250	.11101	.11500	.07800
90	.51473	.29000	.20451	.16935	.14391	.12452	.10578	.12495	.13436	.07700	.09500	.08500	.10500	.10500	.06700
110	.53323	.28932	.20563	.16544	.14126	.12230	.10000	.12537	.13355	.07592	.09500	.08271	.10500	.10561	.07200
TIME	034	038	041	044	047	050	052	053	054	055	056	057	059	060	061
60	.10000	.09200	.10500	.16900	.23861	.16401	.11250	.09500	.10750	.16174	.22826	.22500	.16000	.14800	.15000
70	.07250	.06527	.06400	.07000	.09390	.07000	.09960	.08197	.07295	.06688	.04800	.09500	.12358	.09000	.09076
90	.04750	.06500	.06000	.06500	.08740	.07045	.09500	.07500	.06500	.06000	.06500	.07500	.11500	.09000	.08000
110	.06500	.06006	.05215	.04621	.05956	.04000	.09494	.07226	.06250	.05537	.05500	.06152	.11500	.08775	.07902
TIME	062	063	064	065	066	068	069	070	071	072	074	079	080	081	
60	.21219	.20045	.16201	.19000	.19000	.16000	.22500	.20036	.19157	.14000	.10000	.27000	.41000	.46000	.30350
70	.09000	.08500	.06000	.13000	.10000	.04500	.17459	.14544	.10200	.07530	.05500	.21500	.23560	.30000	.19000
90	.07500	.07400	.05500	.12500	.09000	.07500	.16072	.12822	.09500	.06920	.05000	.18500	.20608	.24898	.13340
110	.07400	.06500	.04400	.12500	.09000	.08125	.10000	.13000	.09500	.07411	.05402	.18422	.20694	.28361	.13000
TIME	05	09	014	015	018	021	028	027	036	042	047	088			
60	.00999	.00450	.01400	.05350	.00730	.00210	.00055	.01389	.00135	.00199	.00168	.01202			
70	.01000	.00420	.01318	.05500	.00798	.00210	.00105	.01350	.00110	.00110	.00180	.00900			
90	.01013	.00770	.01267	.05500	.00880	.00220	.00160	.01300	.00095	.00089	.00185	.00860			
110	.01025	.00740	.01188	.05760	.00930	.00230	.00105	.01250	.00080	.00140	.00195	.00850			

DATE = 11-1-73

PROJECT NUMBER VA354-21FA

ARO, INC.

ARNOLD AIR FORCE STATION, TENN.

NASA / RI OM-11 SHUTTLE ORBITER TEST

TEST CONDITIONS TEST GAS NIT  
ANGLE OF ATTACK 35.000 DEG.

Q=0, ST=0 BASED ON .210 INCH RADIUS  
MODEL LENGTH 23.226 INCHES

TIME	P-INF	Q0-INF	T-INF	U-INF	V-INF	Q-INF	RE/FT	RE=L	PO	TO	HO	Q0 BTU/	STO	POP	WREF BTU/
MSEC	PSIA	LRM/CO-FT	DEG R	FT/SEC		PSIA	X10-6	X10-6	PSIA	DEG R	BTU/LHM	SOFT-SEC		PSIA	SCFI-SEC
86	.03463	.001264	77.8	6392	14.53	5.302	3.8515	7.4545	17074	2899	8.351E 02	172.3	.03193	9.822	.0731
108	.03508	.000969	94.6	6872	14.17	4.932	2.7405	5.3042	15409	3345	9.664E 02	203.6	.03674	9.146	.0726
142	.029134	.000749	101.6	7658	14.04	4.022	2.0258	3.9210	12753	3548	1.020E 03	196.4	.04192	7.462	.0653

This Run was tripped by roughness at  $x/L = 0.05$

DATE = 11-1-73

PROJECT NUMBER VA354-21FA

ARO, INC.

AROLD AIR FORCE STATION, TENN.

NASA / RT OR-11 SHUTTLE ORBITER TEST

## HEAT TRANSFER DATA (W / HREF)

TIME	01	02	03	06	07	08	010	011	012	013	016	023	025	026	031
86	.74021	.42812	.30248	.28968	.23786	.21515	.18812	.19669	.20736	.10945	.20857	.26423	.16294	.17065	.24923
106	.70019	.41713	.27579	.24623	.20278	.17883	.15161	.17670	.18978	.10332	.13682	.13172	.14599	.15148	.15368
142	.64754	.39609	.28003	.23534	.18611	.16704	.14165	.17543	.19069	.10430	.12575	.10965	.13434	.14255	.09869
TIME	034	038	041	044	047	050	052	053	054	055	056	057	059	060	061
86	.38205	.29176	.27389	.26198	.29779	.17903	.18263	.19731	.24452	.29618	.30918	.24568	.29238	.26611	.27559
106	.18661	.19758	.20656	.23052	.25464	.16324	.15614	.15740	.17481	.21329	.24218	.20740	.24845	.21126	.21728
142	.16965	.10965	.10464	.12610	.14376	.10579	.13866	.12666	.11460	.12020	.13195	.11901	.21046	.16236	.14653
TIME	062	063	064	065	066	082	068	069	070	071	072	074	079	080	081
86	.29894	.26722	.19596	.32688	.30470	.26359	.31562	.26676	.30434	.28417	.19412	.32618	.35848	.44571	.36715
106	.22431	.19735	.14504	.26041	.23878	.15711	.23881	.22885	.21683	.19874	.13047	.27549	.29256	.39393	.26251
142	.12636	.12748	.08415	.19543	.15181	.12033	.21081	.20072	.15164	.12522	.07731	.25362	.25527	.31416	.19283
TIME	05	09	014	015	018	021	028	027	036	042	086	088	039		
86	.01197	.00558	.01594	.06221	.00957	.00222	.00108	.01710	.00100	.00119	.00117	.01619	.00217		
106	.01142	.00480	.01468	.05847	.00908	.00238	.00124	.01707	.00114	.00124	.00128	.01334	.00238		
142	.01190	.00479	.01417	.05945	.00998	.00252	.00142	.01702	.00105	.00136	.00139	.01292	.00253		

This Run was tripped by roughness at x/L = 0.05



DATE = 11-1-73

PROJECT NUMBER VA354-21FA

ARU, INC.

ARNOLD AIR FORCE STATION, TENN.

NASA / R1 OM-11 SHUTTLE ORBITER TEST

HEAT TRANSFER DATA (Q/WPEF)

TIME	01	02	03	06	07	08	010	011	012	013	016	023	025	026	031
86	.74000	.41000	.28000	.27000	.22000	.19800	.17199	.17983	.18959	.09000	.19000	.24000	.14000	.15500	.22037
106	.70000	.40000	.26000	.23000	.18800	.16500	.14900	.16200	.17400	.09100	.12500	.12000	.13300	.13800	.14000
142	.64736	.38000	.26416	.22000	.17270	.15426	.13000	.16100	.17500	.09200	.11500	.10000	.12251	.13000	.09000

TIME	034	038	041	044	047	050	052	053	054	055	056	057	059	060	061
86	.27435	.20500	.24868	.23795	.26810	.16000	.16800	.18000	.22500	.27000	.29000	.22200	.27000	.24500	.25300
106	.17000	.18000	.19000	.21000	.23000	.14600	.14400	.14400	.16000	.19500	.22000	.18000	.23000	.15500	.20000
142	.10000	.10000	.10000	.11500	.13000	.09500	.12800	.11600	.10500	.11000	.12000	.10800	.19500	.15000	.13500

TIME	062	063	064	065	066	068	069	070	071	072	074	079	080	081	
86	.27300	.24300	.17500	.30000	.28000	.24000	.29000	.24500	.24000	.26000	.17500	.30000	.33000	.41000	.33700
106	.21000	.18000	.13000	.24000	.22000	.18000	.22000	.21000	.20000	.17500	.11900	.25404	.27000	.34331	.26000
142	.12500	.11000	.08000	.18000	.14000	.11000	.19439	.18500	.14000	.11500	.07000	.23408	.23540	.25000	.15000

TIME	085	089	014	015	018	021	028	027	036	042	086	088	089
86	.01050	.00875	.01400	.05457	.00840	.00195	.00095	.01500	.00087	.00104	.00102	.01420	.00190
106	.01050	.00775	.01243	.05150	.00800	.00210	.00189	.01503	.00100	.00109	.00113	.01175	.00209
142	.01050	.00775	.01240	.05279	.00880	.00228	.00125	.01501	.00092	.00120	.00122	.01140	.00223

This Run was tripped by roughness at  $x/L = 0.05$

DATE \* 11- 1-73

PROJECT NUMBER VA354-21FA

ARG, INC.

ARNOLD AIR FORCE STATION, TENN.

NASA / RI OR-11 SHUTTLE ORBITER TEST

TEST CONDITIONS TEST GAS NITROGEN

Q=0, ST=0 BASED ON .210 INCH RADIUS

ANGLE OF ATTACK 25.000 DEG.

MODEL LENGTH 23.226 INCHES

TIME	P-INF	RHO-INF	T-INF	U-INF	M-INF	Q-INF	RE/FT	RE-L	PO	TO	HO	QD BTU/	STO	POP	MNEF BTU/
MSEC	PSIA	LBM/CU-FT	DEG R	FT/SEC		PSIA	X10-6	X10-6	PSIA	DEG R	BTU/LBH	SOFT-SEC		PSIA	SLFT-SEC
72	.050201	.001945	95.7	5651	11.59	5.665	3.7844	7.3247	6447	2431	6.613E 02	131.2	.02675	10.462	.0694
78	.056201	.001325	110.9	6039	11.50	5.211	2.8098	5.4384	6076	2761	7.557E 02	150.7	.03029	9.634	.0679
88	.049110	.001493	117.4	6211	11.50	4.544	2.2521	4.3590	5485	2914	7.992E 02	150.0	.03323	8.406	.0632
96	.044776	.000986	118.0	6239	11.49	4.140	2.0222	3.9140	5053	2943	8.064E 02	145.0	.03503	7.658	.0603
108	.039576	.000446	119.1	6276	11.53	3.592	1.7355	3.3592	4535	2981	8.160E 02	137.3	.03791	6.646	.0562
128	.024400	.000748	100.9	5879	11.74	2.788	1.6985	3.2475	3713	2650	7.157E 02	102.4	.04003	5.192	.0485
142	.026647	.000676	103.2	5893	11.64	2.531	1.5038	2.9105	3279	2668	7.189E 02	98.2	.04215	4.676	.0462

DATE = 11-1-73

PROJECT NUMBER VA354-21FA

ARL, IAC.

ARNOLD AIR FORCE STATION, TENN.

NASA / RI OR-11 SHUTTLE ORBITER TEST

HEAT TRANSFER DATA (H / HREF)

TIME	01	02	03	06	07	08	010	011	012	013	016	023	025	026	031
72	.54856	.28464	.19299	.15756	.12455	.11024	.08610	.11953	.13822	.09639	.07278	.06720	.09411	.10380	.06160
78	.54341	.27479	.18470	.15478	.12261	.10757	.08347	.11618	.12792	.08663	.07025	.06349	.08331	.09878	.06018
84	.52324	.27318	.18140	.14607	.11922	.10517	.08114	.11149	.13536	.09250	.07132	.06586	.08913	.09238	.05781
96	.51317	.26778	.18028	.14350	.11806	.10178	.07954	.10639	.12792	.08663	.07025	.06349	.08331	.09878	.06018
108	.50310	.26203	.17477	.13794	.11124	.09016	.07653	.10129	.12103	.08319	.06740	.06119	.07989	.08839	.05666
120	.49809	.24661	.16475	.13289	.10602	.08975	.07003	.10129	.11423	.07974	.06551	.05664	.07646	.08382	.05324
142	.48305	.24141	.16151	.12725	.10321	.08749	.06662	.09431	.10730	.07891	.05928	.05154	.07561	.08186	.04775
TIME	034	038	041	044	047	050	052	053	054	055	056	057	059	060	061
72	.06274	.06160	.06274	.07700	.09397	.05746	.04230	.07267	.06016	.05000	.05149	.04547	.13732	.10121	.09701
78	.04018	.05077	.05677	.06245	.06233	.03690	.08968	.07009	.05763	.04242	.04555	.03994	.13387	.05656	.09436
84	.03668	.05228	.04447	.05101	.04645	.02290	.04113	.06720	.05528	.03453	.03979	.03702	.12542	.04506	.08861
96	.05425	.05149	.04759	.04533	.04644	.02470	.06504	.06639	.05275	.03782	.03750	.03316	.12260	.04329	.08677
108	.05211	.04888	.04312	.04069	.04205	.02070	.08757	.06490	.05198	.03443	.03635	.03384	.11978	.04941	.07846
120	.04622	.04321	.03658	.03695	.03714	.01617	.07857	.06452	.05092	.04078	.03649	.03428	.11878	.04747	.07648
142	.04320	.03959	.03665	.03653	.02974	.01475	.07743	.06338	.04977	.03856	.03705	.03428	.11597	.04633	.07647
TIME	062	063	064	065	066	082	068	069	070	071	072	074	075	080	081
72	.07373	.06608	.04350	.15234	.11832	.09728	.21522	.11534	.09094	.08151	.04640	.18013	.21146	.10919	.28515
78	.07002	.06351	.04067	.14608	.11502	.09344	.20202	.10948	.07946	.07552	.04461	.17378	.20723	.10762	.22977
84	.06765	.06001	.03651	.14024	.10924	.08763	.18450	.10090	.07498	.07090	.04176	.16792	.20133	.10521	.17387
96	.06611	.05772	.03454	.13459	.10361	.08422	.17813	.09527	.07384	.06863	.03963	.16563	.19568	.10356	.14579
108	.06310	.05525	.03240	.12894	.09798	.08023	.16799	.08975	.07270	.06748	.03782	.16201	.19003	.10067	.13658
120	.05943	.05338	.03178	.12145	.09118	.07542	.16483	.08432	.07294	.06772	.03964	.15660	.18523	.09877	.12874
142	.05879	.05336	.03177	.12055	.08706	.07314	.15220	.08149	.07405	.06443	.04123	.15165	.18389	.09651	.12435
TIME	05	09	014	015	018	021	028	027	036	042	086	088	089		
72	.02559	.00857	.00425	.03270	.00832	.00204	.00195	.01348	.00780	.00403	.00333	.01148	.00112		
78	.02512	.00879	.00411	.03103	.00845	.00203	.00199	.01342	.00731	.00411	.00334	.01108	.00111		
84	.02465	.00864	.00388	.02947	.00809	.00203	.00203	.01326	.00684	.00422	.00336	.01049	.00103		
96	.02343	.00877	.00376	.02849	.00798	.00205	.00207	.01310	.00638	.00433	.00342	.01026	.00116		
108	.02335	.00854	.00357	.02734	.00780	.00205	.00211	.01310	.00619	.00456	.00342	.00977	.00094		
120	.02287	.00823	.00355	.02630	.00755	.00206	.00215	.01247	.00572	.00480	.00354	.00964	.00089		
142	.02201	.00800	.00354	.02618	.00755	.00206	.00215	.01256	.00565	.00497	.00359	.00960	.00086		

ORIGINAL PAGE IS OF POOR QUALITY

DATE = 11-1-73  
 PROJECT NUMBER YA354-21FA  
 ARJ, IAC.  
 ARNOLD AIR FORCE STATION, TENN.  
 NASA / R1 OR-11 SHUTTLE ORBITER TEST

HEAT TRANSFER DATA (O/OHEF)

TIME	Q1	Q2	Q3	Q4	Q5	Q6	Q7	Q8	Q9	Q10	Q11	Q12	Q13	Q16	Q23	Q25	Q26	Q31
72	.54500	.26500	.17500	.14200	.11130	.09800	.07400	.10550	.12200	.08400	.06400	.05900	.08250	.09100	.05400	.05300	.08700	.05100
7h	.54000	.26000	.17300	.14000	.11000	.09600	.07400	.10300	.12000	.08100	.06300	.05800	.08250	.09100	.05300	.05300	.08700	.05100
8h	.52000	.25500	.16844	.13303	.10711	.09400	.07209	.09900	.11350	.07600	.06215	.05602	.07350	.08150	.05100	.05100	.08700	.05100
9h	.51000	.25300	.16500	.13000	.10609	.09100	.07100	.09450	.10750	.07300	.05000	.05400	.07050	.07800	.05000	.05000	.08700	.05000
10h	.50000	.24664	.16000	.12500	.10000	.08600	.06800	.09000	.10150	.07000	.05000	.05000	.06750	.07400	.05000	.05000	.08700	.05000
12h	.48500	.23000	.15500	.12007	.09500	.08000	.06200	.08350	.09500	.06900	.05229	.04533	.06650	.07200	.05000	.05000	.08700	.05000
14z	.48000	.22500	.15300	.11500	.09250	.07800	.05900	.08100	.09350	.06650	.05000	.04300	.06800	.07250	.05000	.05000	.08700	.05000
TIME	Q34	Q38	Q41	Q44	Q47	Q50	Q52	Q53	Q54	Q55	Q56	Q57	Q59	Q60	Q61			
72	.05500	.05400	.05500	.06740	.00165	.05000	.00200	.06400	.05700	.04400	.04500	.04000	.12250	.00000	.08600			
7h	.05300	.05000	.05000	.05500	.05447	.03200	.00000	.06200	.05100	.03740	.04000	.03500	.11900	.00000	.08400			
8h	.05000	.04512	.04400	.04500	.04063	.01900	.00142	.05954	.04900	.03500	.03500	.03250	.11250	.00500	.07900			
9h	.04840	.04544	.04000	.04000	.04111	.02147	.01600	.05604	.04678	.03350	.03300	.02912	.11000	.00344	.07738			
10h	.04600	.04315	.03407	.03592	.03681	.01800	.01828	.05754	.04611	.03494	.03200	.02973	.10750	.00000	.07000			
12h	.04065	.03800	.03393	.03250	.03239	.01400	.01000	.05700	.04500	.03600	.03200	.03000	.10626	.07800	.00000			
14z	.03800	.03400	.03400	.03214	.02594	.01274	.00900	.05600	.04400	.03404	.03250	.03000	.10377	.07700	.00800			
TIME	Q62	Q63	Q64	Q65	Q66	Q68	Q69	Q70	Q71	Q72	Q74	Q79	Q80	Q81				
72	.06500	.05800	.03750	.13500	.10500	.08550	.10906	.10230	.08000	.07200	.04037	.16000	.10800	.25273				
7h	.06200	.05600	.03579	.13000	.10250	.08250	.10000	.09750	.07000	.06700	.03900	.15500	.10500	.20452				
8h	.06000	.05300	.03170	.12500	.09750	.07750	.16500	.09000	.06700	.06300	.03657	.15000	.10000	.09400				
9h	.05900	.05100	.03000	.12000	.09250	.07450	.15900	.08500	.06400	.06100	.03473	.14800	.17500	.09255				
10h	.05600	.04800	.02500	.11500	.08750	.07100	.15000	.08011	.06500	.06000	.03600	.14401	.17000	.09000				
12h	.05300	.04700	.02750	.11000	.08115	.06600	.14664	.07500	.06500	.06000	.03465	.13950	.16516	.08800				
14z	.05200	.04700	.02750	.11250	.07750	.06450	.14636	.07250	.06600	.06100	.03600	.13512	.16400	.08600				
TIME	Q5	Q9	Q14	Q15	Q18	Q21	Q28	Q27	Q36	Q42	Q46	Q48	Q49					
72	.02220	.00781	.00370	.02450	.00725	.00178	.00170	.01175	.00680	.00351	.00290	.01000	.00098					
7h	.02200	.00770	.00360	.02446	.00740	.00178	.00174	.01175	.00640	.00360	.00293	.00970	.00098					
8h	.02100	.00762	.00344	.02350	.00710	.00178	.00178	.01163	.00600	.00370	.00295	.00920	.00090					
9h	.02100	.00770	.00330	.02300	.00700	.00170	.00182	.01150	.00560	.00300	.00300	.00900	.00102					
10h	.02050	.00750	.00310	.02400	.00685	.00170	.00185	.01150	.00544	.00400	.00300	.00858	.00092					
12h	.02000	.00720	.00310	.02300	.00660	.00180	.00188	.01125	.00500	.00420	.00310	.00843	.00077					
14z	.01925	.00740	.00310	.02240	.00660	.00180	.00184	.01099	.00494	.00435	.00314	.00840	.00075					

DATE = 11- 1-73  
 PROJECT NUMBER VA354-21FA  
 ARD, INC.  
 ARNOLD AIR FORCE STATION, TENN.  
 NASA / RT OR-11, SHUTTLE CRITTER TEST

TEST CONDITIONS TEST GAS NITROGEN  
 ANGLE OF ATTACK 25,000 DEG.

Q=0, ST=0 BASED ON .210 INCH RADIUS  
 MODEL LENGTH 23.226 INCHES

TIME	P-INF	RD-INF	I-INF	U-INF	H-INF	Q-INF	RE/FT	RE-L	PO	TO	HO	QD BTU/	STO	POP	HREF BTU/
MSEC	PSIA	LRM/CM-FT	DEG H	FT/SEC		PSIA	X10 <sup>-6</sup>	X10 <sup>-6</sup>	PSIA	DFG R	BTU/LBM	SOFT-SEC		PSIA	SGFT-SEC
70	.029413	.000438	175.4	7.57	10.99	2.487	.7061	1.3666	2965	3908	1.095E 03	168.0	.05500	4.612	.0499
96	.021403	.000360	155.4	6.51	11.18	1.874	.6267	1.2129	2364	3618	1.003E 03	131.1	.06033	3.472	.0426
114	.017251	.000374	129.0	6.20	11.38	1.564	.7523	1.4561	1981	2970	8.048E 02	88.9	.05687	2.893	.0366

ORIGINAL PAGE 77

DATE \* 11- 1-73  
 PROJECT NUMBER VA354-21EA  
 ARD, INC.  
 ARNOLD AIR FORCE STATION, TENN.  
 NASA / RI OR-11 SHUTTLE ORBITER TEST

HEAT TRANSFER DATA (H / HREF)

TIME	01	02	03	06	07	08	010	011	012	013	016	023	025	026	031
76	.56036	.29969	.20173	.15048	.12537	.10751	.08500	.11185	.12747	.08598	.07407	.06303	.08889	.09452	.06006
96	.44508	.26702	.16288	.13740	.11078	.09796	.07617	.10082	.11762	.08046	.06744	.05974	.07890	.08234	.05523
114	.44298	.24632	.17478	.13243	.10847	.09281	.07204	.09567	.11143	.07861	.06326	.05551	.07590	.08157	.05237
TIME	034	038	041	044	047	050	052	053	054	055	056	057	059	060	061
76	.05855	.05002	.05087	.04839	.04537	.02109	.04674	.06956	.05713	.04822	.04400	.03618	.14181	.10117	.08579
96	.05523	.05472	.04452	.04339	.04026	.01944	.04006	.06385	.05161	.04268	.03956	.03341	.13314	.05447	.04177
114	.05098	.04045	.04135	.04078	.03770	.01783	.04607	.06091	.04961	.03782	.03749	.03188	.10920	.05166	.07959
TIME	062	063	064	065	066	082	069	070	071	072	074	079	080	081	
76	.06444	.05564	.03541	.15045	.10908	.08083	.17810	.09912	.08673	.07903	.04396	.18351	.21670	.11676	.10308
96	.06342	.05351	.02475	.13952	.10031	.07647	.16166	.09035	.08395	.07612	.04312	.17264	.20366	.11003	.09486
114	.06045	.05262	.02464	.13714	.09519	.07459	.14540	.08242	.07830	.07815	.04252	.16487	.19899	.16628	.08969
TIME	05	09	014	015	018	021	024	027	036	042	086	088	089		
76	.02541	.00450	.00345	.02545	.00837	.00226	.00238	.01346	.00499	.00464	.00407	.00950	.00078		
96	.02436	.00497	.00380	.02493	.00839	.00227	.00238	.01332	.00453	.00442	.00408	.00929	.00091		
114	.02392	.01037	.00347	.02506	.00843	.00228	.00245	.01245	.00422	.00434	.00410	.00934	.00098		

DATE = 11-1-73

PROJECT NUMBER VA354-21FA

ARO, INC.

ARNOLD AIR FORCE STATION, TN

NASA / RI OR-11 SHUTTLE ORBITER TEST

## HEAT TRANSFER DATA (Q/UHEF)

TIME	01	02	03	06	07	08	010	011	012	013	016	023	025	026	031
70	.56304	.27709	.18554	.13725	.11333	.09672	.07600	.10000	.11397	.07600	.06600	.05501	.07900	.08400	.05337
90	.48200	.25700	.16000	.12500	.10000	.08800	.06800	.09000	.10500	.07100	.06000	.05300	.07000	.07305	.04900
114	.48000	.23000	.16000	.12000	.09750	.08300	.06400	.08500	.09900	.06900	.05600	.04900	.06700	.07200	.04623
TIME	034	038	041	044	047	050	052	053	054	055	056	057	059	060	061
70	.05203	.04978	.04450	.04300	.04000	.01900	.07800	.06207	.05100	.04300	.03900	.03200	.12800	.09105	.07700
90	.04900	.04500	.03450	.03850	.03543	.01700	.07189	.05688	.04600	.03800	.03500	.02950	.12000	.08490	.07328
114	.04500	.04100	.03050	.03600	.03300	.01550	.06800	.05400	.04400	.03350	.03300	.02800	.09800	.08200	.07100
TIME	062	063	064	065	066	068	069	070	071	072	074	079	080	081	
70	.05800	.04450	.03100	.13500	.09800	.07200	.15958	.08900	.07800	.07071	.03881	.16500	.19500	.18500	.09250
90	.05700	.04153	.02000	.12500	.08998	.06800	.14500	.08100	.07539	.06800	.03800	.15500	.18300	.09800	.08500
114	.05400	.04650	.02579	.12230	.08500	.06600	.14000	.07400	.07000	.05948	.03726	.14735	.17800	.09500	.08000
TIME	085	089	014	015	018	021	028	027	036	042	086	088	089		
70	.02246	.00840	.00340	.02250	.00740	.00200	.00210	.01225	.00440	.00410	.00360	.00840	.00069		
90	.02150	.00820	.00335	.02200	.00740	.00200	.00210	.01175	.00400	.00390	.00360	.00820	.00090		
114	.02100	.00810	.00340	.02200	.00740	.00200	.00215	.01128	.00370	.00385	.00360	.00820	.00086		

DATE = 11-6-73  
 PROJECT NUMBER VAS5A-21FA  
 ARCO INC.  
 ARNOLD AIR FORCE STATION, TENN.  
 NASA / RT OR-11 SHUTTLE ORBITER TEST

TEST CONDITIONS TEST GAS NITROGEN  
 ANGLE OF ATTACK 25.000 DEG.

Q=0, ST=0 BASED ON .210 INCH RADIUS  
 MODEL LENGTH 23.226 INCHES

TIME MSEC	P-INF PSIA	RHO-INF LBM/CU-FT	T-INF DEG R	U-INF FT/SEC	V-INF	W-INF	O-INF PSIA	RE/FT X10-6	RE-L X10-6	PO PSIA	YO DFG R	HO HTU/LBM	QO BTU/ SQFT-SEC	STO	POP PSIA	HREF BTU/ SQFT-SEC
74	.036383	.001185	80.2	6540	14.65	5.467	3.7673	7.2916	18440	3012	8.740E 02	186.0	.03241	10.131	.0752	
84	.034077	.001018	87.4	6193	14.58	5.008	3.0844	5.9699	17549	3247	9.433E 02	197.9	.03533	9.398	.0731	
104	.021439	.000727	88.0	6405	14.50	4.627	2.7717	5.3647	15900	3276	9.467E 02	190.0	.03706	8.579	.0694	
124	.027789	.000774	83.0	6027	14.59	4.141	2.7207	5.2658	14489	3131	8.976E 02	187.6	.03787	7.675	.0647	
142	.024613	.000790	81.4	6584	14.64	3.693	2.4899	4.8192	13232	3107	8.000E 02	155.6	.03977	6.844	.0606	



DATE 11-6-73

PROJECT NUMBER VA354-21FA

ARC, INC.

ARNOLD AIR FORCE STATION, TENN.

NASA / RI ON-11 SHUTTLE ORBITER TEST

## HEAT TRANSFER DATA (M / HREF)

TIME	G1	G2	G3	G6	G7	G8	G10	G11	G12	G13	G16	G23	G25	G26	G31
74	.41931	.32815	.21385	.17100	.13068	.10955	.08657	.11701	.13220	.09947	.07114	.06341	.10418	.11777	.06115
84	.55159	.31817	.20723	.16522	.12767	.10711	.08085	.11005	.12536	.09431	.06987	.06215	.09945	.11188	.05876
104	.58724	.29944	.20326	.15968	.12418	.10671	.08013	.10778	.12630	.09088	.06974	.05762	.09306	.10394	.05761
124	.57054	.29426	.20129	.16088	.12780	.10679	.07964	.11026	.12510	.09100	.06558	.05656	.09275	.10180	.05326
142	.56430	.29540	.19092	.15545	.12094	.10379	.07615	.11017	.12349	.08918	.06428	.05601	.09277	.10221	.05402
TIME	G34	G38	G41	G44	G47	G50	G52	G53	G54	G55	G56	G57	G59	G60	G61
74	.76228	.06341	.06341	.06988	.06166	.03341	.10959	.09246	.07889	.06545	.07722	.06600	.16932	.12570	.11542
84	.96102	.05783	.05424	.05148	.05013	.02753	.10541	.09196	.07892	.06525	.07252	.05791	.16457	.12031	.11176
104	.95423	.04471	.04406	.04067	.03645	.01949	.10044	.08888	.07197	.05742	.05778	.04985	.15521	.11151	.10064
124	.95203	.04068	.04248	.03959	.03397	.01837	.09832	.08492	.06981	.05523	.05379	.04498	.14913	.10884	.09739
142	.05168	.04877	.04299	.03847	.03255	.01818	.09945	.08434	.06767	.05524	.05219	.04661	.14783	.10341	.09453
TIME	G62	G63	G64	G65	G66	G68	G69	G70	G71	G72	G74	G79	G80	G81	
74	.09607	.08496	.05242	.21073	.14273	.10506	.22168	.17410	.15542	.11243	.06307	.18099	.21540	.11071	.21855
84	.09106	.07443	.04541	.20362	.13688	.09645	.21010	.15247	.13919	.09954	.05832	.17974	.20971	.14828	.15661
104	.08200	.06084	.04251	.19230	.12004	.08742	.19888	.14179	.12275	.08863	.04779	.17088	.20297	.10597	.13421
124	.07877	.06179	.03742	.18345	.11463	.08351	.19715	.13342	.11617	.08424	.04557	.17687	.20319	.14452	.12876
142	.07078	.07221	.03793	.17420	.11405	.08347	.20146	.13207	.11151	.08425	.04578	.17682	.20582	.10157	.11758
TIME	G85	G89	G14	G15	G18	G21	G28	G27	G36	G42	G86	G88	G89		
74	.02076	.00864	.00433	.03258	.00747	.00198	.00219	.01452	.00727	.00421	.00370	.01070	.00107		
84	.02070	.00825	.00431	.03049	.00744	.00210	.00214	.01396	.00670	.00409	.00304	.01027	.00106		
104	.02545	.00443	.00420	.02954	.00819	.00210	.00210	.01392	.00657	.00396	.00349	.01113	.00103		
124	.02502	.00910	.00404	.02948	.00796	.00210	.00214	.01393	.00648	.00343	.00364	.01148	.00100		
142	.02503	.00933	.00404	.03015	.00820	.00210	.00222	.01422	.00635	.00432	.00343	.01131	.00104		

ORIGINAL PAGE IS  
OF POOR QUALITY

DATE 11-2-73

PROJECT NUMBER VA354-21FA

ARC, INC.

ARNOLD AIR FORCE STATION, TENN.

NASA / RT OR-11 SHUTTLE ORBITER TEST

## HEAT TRANSFER DATA (Q/QREF)

TIME	Q1	Q2	Q3	Q6	Q7	Q8	Q10	Q11	Q12	Q13	Q16	Q23	Q25	Q26	Q31
74	.61551	.29900	.19002	.15500	.11750	.09800	.07695	.10400	.11750	.08735	.06300	.05600	.09200	.10400	.05400
84	.59000	.29000	.19000	.15000	.11500	.09600	.07200	.09800	.11163	.08300	.06200	.05500	.08800	.09900	.05200
104	.59369	.28000	.18042	.14500	.11188	.09566	.07137	.09600	.11250	.08000	.06190	.05100	.08308	.09200	.05099
124	.58707	.27871	.18437	.14545	.11502	.09563	.07086	.09810	.11130	.08000	.05814	.05000	.08200	.09000	.04700
142	.55092	.27695	.18643	.14145	.10883	.09293	.06774	.09800	.10985	.07839	.05698	.04950	.08200	.09034	.04775
TIME	Q34	Q38	Q41	Q44	Q47	Q50	Q52	Q53	Q54	Q55	Q56	Q57	Q59	Q60	Q61
74	.05500	.05000	.05000	.04100	.05400	.02950	.09800	.08200	.07000	.05800	.06800	.05800	.15200	.11250	.10300
84	.05400	.05100	.04800	.04600	.04400	.02400	.09443	.08163	.07016	.05794	.06400	.05100	.14800	.10787	.09992
104	.04800	.04400	.03900	.03600	.03200	.01700	.09000	.07900	.06400	.05100	.05100	.04400	.13962	.10000	.09000
124	.04000	.04300	.03800	.03500	.02478	.01600	.08800	.07539	.06200	.04900	.04742	.03950	.13000	.09750	.08700
142	.04567	.04311	.03000	.03400	.02453	.01600	.08900	.07487	.06010	.04900	.04600	.04100	.13281	.09263	.08800
TIME	Q62	Q63	Q64	Q65	Q66	Q68	Q69	Q70	Q71	Q72	Q74	Q79	Q80	Q81	
74	.02000	.02000	.04000	.18800	.12750	.09300	.19800	.15900	.13900	.10000	.05600	.16897	.19320	.04900	.19500
84	.01100	.00948	.04000	.18200	.12250	.08600	.18800	.13638	.12471	.08870	.05125	.16100	.18800	.04700	.14000
104	.07000	.06100	.03705	.17200	.10750	.07000	.17800	.12645	.11000	.07900	.04200	.15847	.18200	.04496	.12000
124	.07000	.06000	.03300	.16400	.10250	.07400	.17626	.11923	.10400	.07500	.04000	.15829	.18200	.04356	.11500
142	.07000	.06000	.03300	.16000	.10250	.07400	.18000	.11800	.09980	.07500	.04018	.16000	.18432	.04090	.10500
TIME	Q5	Q9	Q14	Q15	Q18	Q21	Q28	Q27	Q36	Q42	Q86	Q88	Q89		
74	.02350	.00759	.00300	.02061	.00700	.00173	.00192	.01275	.00638	.00370	.00325	.00940	.00094		
84	.02350	.00774	.00319	.02000	.00690	.00185	.00189	.01229	.00590	.00360	.00320	.00956	.00093		
104	.02241	.00420	.00370	.02000	.00721	.00185	.00185	.01225	.00588	.00348	.00307	.00980	.00091		
124	.02200	.00400	.00300	.02027	.00700	.00185	.00185	.01225	.00570	.00346	.00320	.01009	.00088		
142	.02200	.00420	.00345	.02050	.00721	.00185	.00185	.01250	.00558	.00300	.00345	.00994	.00091		

DATE = 11-7-73

PROJECT NUMBER X4354-21FA

ARG, INC.

ARNOLD AIR FORCE STATION, TENN.

NASA / RI ON-11 SHUTTLE ORBITER TEST

TEST CONDITIONS TEST GAS NITROGEN

ANGLE OF ATTACK 45.000 DEG.

Q=0; ST=0 BASED ON .210 INCH RADIUS

MODEL LENGTH 23.226 INCHES

TIME	P-INF	RHO-INF	I-INF	U-INF	H-INF	Q-INF	HE/FT	RE-1	PO	TO	HO	QO BTU/	STO	POP	HHEF BTU/	
MSEC	PSIA	LBH/CU-FT	DEG	FT/SEC	FT/SEC	BTU/SEC	BTU/SEC	BTU/SEC	PSIA	DEG R	BTU/LBM	SOFT-SEC	PSIA	SOFT-SEC	PSIA	SOFT-SEC
52	.071248	.001774	104.7	5048	11.45	6.541	3.8521	7.4557	7132	2588	7.087E 02	154.9	.02598	12.086	.0757	
66	.062134	.001372	118.3	6202	11.44	5.689	2.8019	5.4231	6547	2994	7.972E 02	167.3	.02964	10.524	.0711	
80	.048080	.001019	123.3	6324	11.42	4.392	2.0352	3.5392	5248	3016	8.284E 02	155.1	.03463	8.126	.0626	
94	.039685	.0009C1	115.0	6179	11.56	3.712	1.8876	3.6535	4662	2996	7.909E 02	133.7	.03651	6.866	.0567	
112	.032008	.000813	95.2	5641	11.64	3.132	2.1236	4.1102	3876	2453	6.587E 02	97.0	.03589	5.783	.0507	

DATE = 11-7-73  
 PROJECT SUMMER VASAM-21FA  
 ARCO, INC.  
 ARNOLD AIR FORCE STATION, TENN.  
 NASA / RT OH-11 SHUTTLE ORBITER TEST

HEAT TRANSFER DATA (H / HREF)

TIME	01	02	03	06	07	08	010	011	012	013	016	023	025	026	031
57	.39169	.40936	.30108	.25565	.20870	.18592	.17259	.20832	.21418	.11446	.16037	.14473	.18010	.18225	.16081
60	.54817	.37711	.27418	.24563	.19998	.17718	.15834	.19756	.19993	.10832	.13280	.11661	.15198	.15186	.10289
80	.53969	.34766	.26093	.21929	.18377	.16481	.14595	.18033	.18621	.18025	.12839	.11153	.14435	.14467	.10315
92	.51103	.32728	.24372	.19864	.17366	.15646	.13825	.16483	.17015	.09121	.12184	.10135	.12879	.12625	.08999
112	.49427	.33199	.24931	.20147	.17406	.15201	.13223	.15336	.16529	.08835	.11771	.09659	.12342	.12342	.08585
TIME	034	038	041	044	047	052	053	054	055	056	057	059	060	061	062
52	.18225	.22256	.25143	.27873	.32439	.16949	.17081	.19208	.22434	.30805	.28013	.25333	.24620	.25896	.27083
60	.11234	.19699	.11769	.16949	.21579	.13832	.11014	.11717	.10663	.14484	.17202	.14943	.12601	.11729	.14904
80	.05537	.08321	.08019	.04584	.09184	.12156	.10531	.09274	.07460	.08577	.09132	.13380	.10456	.04673	.08512
92	.09488	.07537	.07203	.07430	.07552	.11623	.09319	.09054	.07464	.07148	.08063	.12647	.09304	.02258	.08064
112	.09204	.09057	.08545	.09172	.09202	.12322	.10152	.09079	.07486	.08138	.08629	.13093	.10594	.09029	.08540
TIME	063	064	065	066	082	068	069	070	071	072	074	079	080	081	085
52	.25108	.24267	.30186	.30876	.28744	.35236	.36526	.28597	.29717	.20046	.36021	.42344	.31779	.31843	.00826
60	.14963	.14260	.15833	.13761	.16012	.23853	.16957	.14444	.14568	.11473	.25942	.26515	.17917	.17697	.00821
80	.08011	.06514	.13548	.08912	.04534	.21570	.15354	.10569	.10153	.07568	.23080	.25079	.15142	.13681	.00797
92	.07264	.06756	.12059	.08093	.08249	.18910	.12724	.09210	.08975	.07140	.21017	.21876	.14010	.12693	.00798
112	.08340	.07041	.12151	.08490	.08565	.18577	.14865	.10601	.10656	.07564	.21945	.22722	.14843	.12749	.08803
TIME	09	014	015	018	021	028	027	036	042	086	088	089			
52	.02249	.02391	.08470	.01818	.00190	.00097	.01877	.00435	.00415	.00126	.00630	.00273			
60	.02201	.02250	.08209	.01710	.00205	.00098	.01847	.00433	.00353	.00116	.00621	.00268			
80	.02052	.02132	.07047	.01640	.00222	.00100	.01757	.00349	.00296	.00107	.00604	.00251			
92	.02052	.02152	.07704	.01546	.00224	.00100	.01667	.00349	.00295	.00105	.00599	.00245			
112	.01990	.01950	.07341	.01549	.00227	.00103	.01652	.00390	.00298	.00106	.00585	.00235			



DATE = 11-7-73

PROJECT NUMBER YA354-21FR

ARC, INC.

ARMED AIR FORCE STATION, TENN.

NASA / RT 01-11 SHUTTLE ORBITER TEST

TEST CONDITIONS:

TEST GAS NITROGEN

U=0, ST=0 BASED ON .210 INCH RADIUS

ANGLE OF ATTACK 30.000 DEG.

MODEL LENGTH 23.226 INCHES.

TIME	P-INF	RHO-INF	T-INF	U-INF	N-INF	S-INF	HE/FT	RE=L	PO	TO	HO	OD HTU/	STO	POP	HREF HTU/
MSec	PSIA	LRM/CM-FT	DEG R	FT/SEC		PSIA	X10-6	X10-6	PSIA	DFG R	BTU/LBM	SOFT-SEC		PSIA	SOFT-SEC
66	.052244	.001765	93.0	5587	11.58	5.939	3.1031	7.5416	6660	2375	6.464E 02	130.2	.02576	10.966	.0769
70	.054522	.001253	110.1	6034	11.53	5.075	2.7591	5.3402	5998	2756	7.541E 02	148.4	.03066	9.383	.0669
90	.040306	.000940	112.2	6126	11.60	3.805	2.0008	3.8726	4810	2848	7.770E 02	132.0	.03563	7.037	.0572
130	.028749	.000698	107.6	6014	11.63	2.722	1.5201	2.9421	3545	2768	7.488E 02	107.6	.04168	5.032	.0483

DATE \* 11-7-73

PROJECT NUMBER VA354-21FA

ARU, INC.

ARMOLO AIR FORCE STATION, TENN.

NASA / RT 00-11 SHUTTLE ORBITER TEST

HEAT TRANSFER DATA (H / HREF)

TIME	01	02	03	06	07	08	010	011	012	013	016	023	025	026	031
60	.60000	.33846	.23147	.19898	.15497	.13668	.11124	.15519	.16665	.10941	.09614	.08770	.11988	.12848	.08320
70	.55128	.31204	.21352	.17865	.14057	.12143	.11336	.14226	.15448	.09821	.08924	.08280	.10629	.11444	.07608
90	.51409	.28258	.19499	.15615	.12845	.11031	.09328	.12524	.13686	.08898	.08187	.07385	.09843	.10415	.06707
130	.52121	.29435	.19517	.16339	.13177	.11401	.09335	.12446	.13780	.08792	.08143	.07160	.09655	.10122	.06536
TIME	034	038	041	044	047	050	052	053	054	055	056	057	059	060	061
60	.08442	.09219	.10794	.15483	.17161	.14837	.11535	.09960	.08389	.08848	.10150	.12428	.15463	.13156	.12265
70	.07552	.07049	.06490	.07008	.09283	.06023	.10161	.08688	.07237	.06465	.07294	.07873	.13420	.10152	.10182
90	.06750	.06387	.05549	.05925	.05639	.03749	.09270	.07790	.06118	.04566	.04474	.04495	.12417	.09581	.08610
130	.06144	.05818	.05259	.05058	.04515	.02015	.09457	.07796	.07014	.04904	.04219	.04273	.12429	.09709	.08300
TIME	062	063	064	065	066	068	069	070	071	072	074	079	080	081	
60	.11497	.10735	.07853	.17235	.14589	.14050	.14437	.11111	.08217	.08813	.06317	.39453	.25823	.37549	.43359
70	.08902	.08182	.05640	.14944	.10503	.10302	.13264	.09293	.06957	.06663	.04510	.25394	.23728	.29150	.34868
90	.08909	.06973	.03873	.13702	.09225	.04303	.12148	.09315	.06523	.05874	.04126	.14395	.22235	.18002	.24866
130	.06462	.06146	.03000	.14723	.08844	.08045	.12117	.09331	.06691	.06218	.04509	.16619	.22070	.11043	.28777
TIME	085	089	094	095	098	021	028	027	036	042	086	088	089		
60	.11826	.00804	.00804	.04256	.00735	.00201	.00154	.01689	.00597	.00448	.00190	.00851	.00152		
70	.01759	.00754	.00727	.03997	.00742	.00194	.00151	.01597	.00565	.00434	.00194	.00834	.00142		
90	.01620	.00719	.00602	.03879	.00787	.00192	.00146	.01460	.00542	.00445	.00205	.00844	.00123		
130	.01600	.00776	.00605	.04146	.00838	.00194	.00151	.01530	.00548	.00491	.00234	.00913	.00153		

ORIGINAL PAGE IS  
OF POOR QUALITY

DATE \* 11- 7-73

PROJECT NUMBER, W3354-21FA

ARL, INC.

ARNOLD AIR FORCE STATION, TENN.

NASA / RI OR-11 SHUTTLE ORBITER TEST

## HEAT TRANSFER DATA (U/UREF)

TIME	01	02	03	06	07	08	010	011	012	013	016	023	025	026	031
60	.54855	.31912	.21376	.18200	.14054	.12328	.09964	.13900	.14027	.09525	.08578	.07800	.10662	.11427	.07400
70	.55000	.29500	.19800	.16400	.12800	.11000	.10200	.12800	.13000	.08000	.08000	.07400	.09500	.10228	.06800
90	.51370	.26761	.18000	.14344	.11705	.10000	.09400	.11279	.12325	.07800	.07346	.06606	.08805	.09317	.06000
130	.57000	.27425	.18100	.15000	.12000	.10329	.09400	.11200	.12400	.07100	.07300	.06400	.08630	.09048	.05842
TIME	034	038	041	044	047	050	052	053	054	055	056	057	059	060	061
60	.07500	.08200	.09000	.13700	.15122	.12975	.10400	.08900	.07500	.07400	.09000	.10994	.14000	.11872	.11034
70	.06750	.06300	.05000	.06000	.08223	.08000	.09200	.07800	.06500	.05800	.06500	.07000	.12200	.09200	.09200
90	.06020	.05714	.05000	.05000	.05000	.03300	.08400	.07000	.05500	.04100	.03990	.04600	.11297	.08690	.07786
130	.05492	.05200	.04700	.04521	.04000	.02300	.09600	.07000	.06300	.04400	.03700	.03800	.11300	.08800	.07500
TIME	062	063	064	065	066	067	068	069	070	071	072	074	079	080	081
60	.10205	.09700	.06002	.15500	.13134	.12529	.13000	.10000	.07500	.07900	.05574	.35565	.23300	.33853	.39000
70	.09000	.07500	.05000	.13500	.09500	.09204	.12000	.08400	.06300	.06000	.04000	.22989	.21500	.26394	.31500
90	.06233	.05708	.03407	.12307	.08351	.07500	.10955	.08427	.05911	.05293	.03603	.16066	.20163	.14500	.27000
130	.05408	.05500	.03104	.13300	.08000	.07209	.10959	.08435	.06000	.04000	.04000	.15047	.20000	.10000	.20000
TIME	085	09	014	015	018	021	02A	027	036	042	046	048	0A9		
60	.01500	.00700	.00700	.03705	.00600	.00175	.00134	.01470	.00520	.00390	.00165	.00741	.00132		
70	.01500	.00600	.00617	.03500	.00650	.00170	.00132	.01394	.00445	.00380	.00170	.00730	.00124		
90	.01420	.00630	.00580	.03400	.00690	.00108	.00128	.01280	.00470	.00390	.00180	.00740	.00108		
130	.01471	.00600	.00600	.03666	.00760	.00170	.00132	.01340	.00480	.00430	.00205	.00800	.00134		



DATE \* 11- 7-73

PROJECT NUMBER VA354-21FA

ARG. INC.

ARNOLD AIR FORCE STATION, TENN.

NASA / RI OR-11 SHUTTLE ORBITER TEST

TEST CONDITIONS

TEST GAS NITROGEN

U=0, ST=0 BASED ON .210 INCH RADIUS

ANGLE OF ATTACK 35,000 DEG.

MODEL LENGTH 23.226 INCHES

TIME	P-INF	RHO-INF	T-INF	U-INF	M-INF	Q-INF	RE/FT	RE-L	PO	TO	HO	OO BTU/	STO	POP	HREF	BTU/
MSEC	PSIA	LB/CC-FT	DEG R	FT/SEC		PSIA	X10-6	X10-6	PSIA	DFG R	BTU/LBM	SOFT-SEC		PSIA	SOFT-SEC	
84	.034907	.001157	11.1	6530	14.55	5.320	3.6316	7.0289	17513	3014	8.715E 02	182.8	.03278	9.858	.0739	
102	.033951	.000945	93.8	6914	14.32	4.872	2.7142	5.2534	16012	3375	9.778E 02	205.3	.03722	9.037	.0724	
124	.030915	.000767	104.4	7206	14.15	4.297	2.0635	3.9439	14209	3670	1.063E 03	213.4	.04153	7.975	.0682	
150	.027539	.000526	104.9	7182	14.07	3.814	1.8295	3.5409	12468	3668	1.056E 03	199.5	.04391	7.079	.0638	

DATE = 11-7-73

PROJECT NUMBER VA354-21EA

ARJ: IAC.

ARABLO AIR FORCE STATION, TENN.

NASA / RI OR-11 SHUTTLE ORBITER TEST

## HEAT TRANSFER DATA (H / HREF)

TIME	01	02	03	06	07	08	010	011	012	013	016	023	025	026	031
84	.66120	.41335	.28147	.24255	.19016	.16939	.13989	.16796	.17719	.11030	.12065	.11440	.14222	.14803	.12760
102	.65062	.39416	.27162	.23549	.18981	.16472	.13651	.16352	.17085	.10913	.11649	.10390	.13170	.14048	.10536
124	.64017	.39704	.28611	.22990	.18958	.16668	.13504	.16507	.17861	.12008	.11803	.09850	.12932	.14027	.09206
150	.59748	.36265	.24668	.20593	.17053	.15328	.12875	.16119	.17329	.09798	.11207	.08928	.12589	.13058	.08614

TIME	034	038	041	044	047	050	052	053	054	055	056	057	059	060	061
84	.14080	.15180	.17054	.17820	.19087	.13414	.15642	.16647	.16202	.18632	.20410	.16806	.23265	.20622	.20681
102	.12073	.12512	.13170	.14487	.15054	.12109	.14682	.14810	.14605	.15831	.17522	.13787	.21926	.17873	.17923
124	.10459	.10459	.11507	.12055	.13262	.10205	.13850	.13314	.11592	.12013	.12986	.10662	.19043	.14920	.14103
150	.08430	.08767	.09315	.09370	.12163	.08903	.12458	.11337	.10172	.08191	.10440	.09361	.16579	.12743	.11350

TIME	062	063	064	065	066	082	068	069	070	072	074	079	080	081	085
84	.22708	.18239	.13230	.25042	.21747	.18654	.25013	.25024	.21722	.12634	.28707	.30020	.1907	.31352	.01142
102	.17468	.14409	.10713	.23341	.20076	.17784	.21558	.22802	.19725	.11276	.24939	.24918	.37008	.20642	.01164
124	.11083	.11222	.08241	.18441	.15173	.11499	.20555	.18930	.15349	.07947	.23824	.24118	.30568	.15733	.01176
150	.10053	.09922	.06682	.15793	.11267	.05305	.19847	.16576	.12499	.06379	.22884	.24575	.25967	.13697	.01218

TIME	09	014	015	018	021	028	027	036	042	066	089	3088
84	.00996	.01708	.06115	.00924	.00233	.00097	.01709	.00118	.00185	.00148	.00215	.00879
102	.00940	.01630	.05903	.00954	.00238	.00122	.01718	.00095	.00123	.00132	.00215	.01042
124	.00935	.01507	.05841	.01098	.00258	.00127	.01659	.00089	.00097	.00134	.00211	.01096
150	.00935	.01382	.05720	.01020	.00239	.00162	.01646	.00124	.00152	.00181	.00208	.01203

DATE \* 11- 7-73

PROJECT NUMBER VA354-21FA

ARO, INC.

ARNOLD AIR FORCE STATION, TENN.

NASA / RI OM-11 SHUTTLE CRUITCH TEST

HEAT TRANSFER DATA (Q/DREF)

TIME	Q1	Q2	Q3	Q6	Q7	Q8	Q10	Q11	Q12	Q13	Q16	Q23	Q25	Q26	Q31
H4	.66191	.39600	.26500	.22622	.17600	.15600	.12800	.15369	.16213	.09686	.11000	.10400	.12929	.13454	.11600
102	.65944	.37800	.25010	.22000	.17600	.15200	.12518	.15000	.16400	.09614	.10644	.09467	.12000	.12800	.09600
124	.64990	.38160	.27000	.21500	.17600	.15400	.12400	.15157	.16400	.10000	.10800	.08988	.11800	.12800	.08400
150	.59732	.34800	.23467	.19259	.15831	.14162	.11822	.14800	.15912	.08049	.10255	.08202	.11447	.11915	.07860
TIME	Q34	Q38	Q41	Q44	Q47	Q50	Q52	Q53	Q54	Q55	Q56	Q57	Q59	Q60	Q61
H4	.12800	.13800	.15000	.16200	.17200	.12000	.14400	.15200	.14800	.17000	.18500	.15200	.21500	.19000	.19000
102	.11800	.11400	.12000	.13200	.13600	.10916	.14543	.13562	.13370	.14476	.15920	.12500	.20300	.18500	.16500
124	.10030	.10000	.10500	.11000	.12000	.09170	.12800	.12200	.10626	.11000	.11817	.09681	.17653	.13791	.13000
150	.07665	.08000	.08500	.08550	.11006	.08000	.11505	.10388	.09325	.07500	.09500	.08500	.15368	.11778	.10462
TIME	Q62	Q63	Q64	Q65	Q66	Q82	Q68	Q69	Q70	Q72	Q74	Q79	Q80	Q81	Q5
H4	.19000	.16000	.11800	.23000	.20000	.17000	.24000	.23000	.20000	.11400	.26423	.27711	.38579	.24800	.01003
102	.16000	.13600	.09000	.21500	.18500	.16243	.19900	.21000	.18198	.10200	.23000	.23000	.34136	.19000	.01025
124	.12900	.10400	.07400	.16994	.14000	.10518	.19000	.17456	.14178	.07200	.22000	.22290	.28231	.14500	.01038
150	.09808	.09063	.06000	.14554	.10395	.08511	.10310	.15286	.11545	.05779	.21132	.22711	.24000	.12624	.01075
TIME	Q9	Q14	Q15	Q18	Q21	Q28	Q27	Q36	Q42	Q86	Q89	3088			
H4	.00875	.01500	.05370	.00812	.00205	.00985	.01500	.00104	.00162	.00130	.00189	.00808			
102	.00803	.01436	.05200	.00840	.00210	.00107	.01514	.00084	.00108	.00116	.00190	.00959			
124	.00825	.01330	.05200	.00840	.00228	.00112	.01500	.00078	.00086	.00118	.00186	.01010			
150	.00825	.01220	.05049	.00900	.00255	.00143	.01453	.00114	.00134	.00160	.00184	.01108			

ORIGINAL PAGE IS OF POOR QUALITY

DATE = 11-1-73

PROJECT NUMBER VA354-21FA

AHL, INC.

ARMED AIR FORCE STATION, IENH.

NASA / RI OR-11 SHUTTLE ORBITER TEST

TEST CONDITIONS TEST GAS NITROGEN  
ANGLE OF ATTACK 35.000 DEG.

U=0, ST=0 BASED ON .210 INCH RADIUS  
MODEL LENGTH 23.226 INCHES

TIME	P-INF	RHO-INF	T-INF	U-INF	V-INF	Q-INF	RE/FT	RE-L	PO	TO	HO	OO BTU/	STO	POP	HREF BTU/
HSEC	PSIA	LHM/CU-FT	DEG R	FT/SFC		PSIA	X10-6	X10-6	PSIA	DFG R	BTU/LHM	SOFT-SEC		PSIA	SOFT-SEC
116	.020208	.000715	73.0	6145	14.35	2.911	2.3182	4.4869	9336	2777	7.723E 02	114.6	.04085	5.388	.0512
120	.019111	.000626	78.4	6336	14.35	2.754	2.0022	3.8752	9123	2942	8.211E 02	121.3	.04378	5.101	.0505
142	.018203	.000527	90.2	6073	14.10	2.532	1.5201	2.9422	8199	3250	9.116E 02	133.7	.04886	4.692	.0493
164	.015926	.000446	93.0	6798	14.10	2.223	1.2622	2.4429	7423	3373	9.461E 02	131.5	.05338	4.121	.0464

DATE = 11-1-73

PROJECT NUMBER VA35A-21FA

ARCO, INC.

ARNOLD AIR FORCE STATION, TENN.

NASA / RI OR-11 SHUTTLE ORBITER TEST

## HEAT TRANSFER DATA (H / HREF)

TIME	Q1	Q2	Q3	Q6	Q7	Q8	Q10	Q11	Q12	Q13	Q16	Q23	Q25	Q26	Q31
116	.62018	.37608	.26545	.22547	.17963	.15661	.12763	.15327	.17079	.10846	.10994	.08596	.13644	.14878	.08156
120	.62017	.38108	.26041	.23157	.18159	.16077	.12968	.15526	.17057	.10940	.11133	.08695	.13482	.15005	.08255
142	.62017	.38567	.27589	.23861	.18397	.16228	.12570	.16019	.17081	.10681	.10536	.08653	.12905	.14093	.08127
164	.65018	.78351	.29164	.23521	.19844	.17339	.12513	.15704	.17731	.10274	.10353	.09219	.12622	.13445	.08231
TIME	Q34	Q38	Q41	Q44	Q47	Q50	Q52	Q53	Q54	Q55	Q56	Q57	Q59	Q61	Q62
116	.07935	.07715	.08938	.07271	.07196	.04309	.13601	.10753	.08883	.07900	.07738	.07090	.16691	.10903	.08988
120	.07924	.07704	.08274	.06714	.06884	.04250	.13645	.10739	.08982	.08005	.07616	.06855	.16888	.10890	.08976
142	.07721	.07249	.07340	.06590	.06093	.03794	.13018	.10776	.09073	.08098	.07600	.06402	.16859	.10898	.08715
164	.07917	.07995	.06773	.05993	.05504	.03507	.13010	.10797	.09176	.08093	.07893	.06851	.16196	.10846	.08395
TIME	Q63	Q64	Q65	Q66	Q82	Q68	Q69	Q70	Q72	Q74	Q79	Q80	Q81	Q85	Q89
116	.08146	.05820	.16141	.12525	.10773	.20044	.16565	.12511	.05997	.21764	.23920	.23937	.14721	.01227	.00959
120	.08170	.04477	.16334	.12230	.10346	.15995	.16651	.12359	.05738	.21847	.24152	.22822	.14159	.01225	.00957
142	.08008	.04662	.16091	.11561	.09448	.19766	.16732	.12474	.06033	.21670	.23949	.15453	.13438	.01245	.00943
164	.07697	.04027	.15236	.11113	.08944	.20839	.17156	.12466	.05866	.21686	.23473	.13043	.11804	.01249	.01011
TIME	Q14	Q15	Q18	Q21	Q28	Q27	Q36	Q42	Q86	Q88	Q89				
116	.01541	.00165	.01153	.00291	.00133	.01668	.00071	.00086	.00206	.00068	.00217				
120	.01529	.00224	.01156	.00296	.00143	.01616	.00080	.00103	.00211	.00066	.00204				
142	.01449	.005757	.01165	.00315	.00164	.01666	.00111	.00165	.00239	.00920	.00177				
164	.01437	.00076	.01233	.00318	.00190	.01719	.00114	.00220	.00264	.01029	.00186				

DATE = 11-1-73

PROJECT NUMBER VA354-21FA

ARD, INC.

ARNOLD AIR FORCE STATION, TENN.

NASA / RI OR-11 SHUTTLE ORBITER TEST

## HEAT TRANSFER DATA (Q/QHEF)

TIME	01	02	03	06	07	08	010	011	012	013	016	023	025	026	031
116	.62000	.39000	.25000	.21000	.16600	.14600	.11658	.14000	.15600	.09500	.10000	.07800	.12380	.13500	.07400
120	.67000	.36000	.25300	.21589	.16800	.14800	.11860	.14200	.15600	.09600	.10145	.07900	.12250	.13633	.07500
142	.62000	.36969	.26000	.22279	.17049	.14905	.11519	.13680	.15653	.09400	.09621	.07879	.11750	.12831	.07400
164	.65000	.36778	.27000	.21973	.18400	.16000	.11474	.14400	.15800	.09051	.09460	.08400	.11500	.12250	.07500
TIME	034	038	041	044	047	050	052	053	054	055	056	057	059	061	062
116	.07200	.07000	.08110	.06598	.06471	.03900	.12500	.09800	.08100	.07200	.07000	.06400	.15400	.10800	.08200
120	.07200	.07000	.07522	.06100	.06200	.03800	.12555	.09800	.08200	.07300	.06900	.06196	.15600	.10000	.08200
142	.07000	.06500	.06720	.06000	.05500	.03400	.12000	.09854	.08300	.07400	.06900	.05400	.15600	.10027	.07977
164	.07214	.05465	.06171	.05461	.04973	.03200	.12000	.09880	.08400	.07400	.07172	.06212	.14995	.09985	.07690
TIME	063	064	065	066	082	068	069	070	072	074	079	080	081	05	09
116	.07400	.05200	.14000	.11500	.09800	.18400	.15200	.11500	.05400	.20000	.22000	.22000	.13500	.01075	.00840
120	.07400	.04000	.15000	.11242	.09423	.18377	.15297	.11374	.05175	.20146	.22739	.21000	.13000	.01075	.00840
142	.07300	.04175	.14000	.10646	.08623	.18200	.15400	.11500	.05453	.19979	.22042	.14245	.12361	.01096	.00830
164	.07021	.04148	.14022	.10240	.08169	.18200	.15800	.11500	.05306	.20000	.21666	.12031	.10865	.01100	.00890
TIME	014	015	018	021	028	027	036	042	086	088	089				
116	.01350	.05400	.01010	.00255	.00116	.01461	.00062	.00075	.00180	.00760	.00190				
120	.01342	.05441	.01015	.00260	.00125	.01418	.00070	.00090	.00185	.00760	.00179				
142	.01275	.05467	.01025	.00277	.00144	.01466	.00097	.00145	.00210	.00810	.00155				
164	.01266	.05000	.01087	.00280	.00167	.01515	.00100	.00194	.00232	.00906	.00164				

DATE = 11-1-73

PROJECT NUMBER VA354-21FA

ARR. INC.

AR. OLD AIR FORCE STATION, TENN.

NASA / RI ON-11 SHUTTLE ORBITER TEST

TEST CONDITIONS TEST GAS NITROGEN  
ANGLE OF ATTACK 25.000 DEG.

Q=0, ST=0 BASED ON .210 INCH RADIUS  
MODEL LENGTH 23.226 INCHES

TIME	P-INF	RHO-INF	T-INF	U-INF	H-INF	Q-INF	RE/FT	RE=L	PO	TO	HO	QO BTU/	STO	POP	HREF BTU/
PSEC	PSIA	LBM/CU-FT	DEG R	FT/SEC		PSIA	X10-6	X10-6	PSIA	DFG R	BTU/LBM	SQFT-SEC		PSIA	SQFT-SEC
72	.032298	.000553	152.4	6.25	11.09	2.780	.9657	1.8691	3240	3494	9.674E 02	152.9	.04853	5.150	.0518
92	.025517	.000434	153.7	6.50	11.08	2.194	.7531	1.4577	2602	3523	9.744E 02	137.0	.05484	4.065	.0459
112	.019542	.000344	148.9	6.783	11.15	1.705	.6099	1.1405	2092	3465	9.555E 02	117.9	.06153	3.158	.0403
134	.016289	.000326	130.4	6.884	11.21	1.434	.6224	1.2046	1739	3107	8.458E 02	91.0	.06136	2.653	.0355

ORIGINAL PAGE IS  
OF FOUR COPIES

DATE \* 11-1-73

PROJECT NUMBER VA35A-23FA

ARCO, INC.

AR OLD AIR FORCE STATION, TENN.

NASA / RI OR-11 SHUTTLE ORBITER TEST

## HEAT TRANSFER DATA (H / HREF)

TIME	G1	G2	G3	G6	G7	G8	G10	G11	G12	G13	G16	G23	G25	G26	G31
72	.04953	.33288	.23749	.19745	.15737	.13854	.11335	.14583	.15695	.09187	.10399	.09312	.11480	.11626	.08336
92	.04515	.34349	.23423	.19471	.15520	.13949	.11842	.14984	.16128	.09636	.10389	.09431	.11546	.11844	.08554
112	.04315	.33361	.23115	.17121	.15524	.13465	.11063	.14312	.15479	.09188	.10064	.09215	.11119	.10761	.08369
130	.05636	.32349	.23145	.16933	.15334	.14202	.11532	.14649	.15142	.09329	.10255	.09203	.10851	.10773	.08867
TIME	G34	G38	G41	G44	G47	G50	G52	G53	G54	G55	G56	G57	G59	G60	G61
72	.04012	.07458	.06710	.06541	.05531	.03453	.10727	.08847	.07315	.06230	.05940	.05456	.13624	.10460	.09233
92	.04115	.07786	.07122	.06690	.06083	.03506	.10509	.08955	.07532	.06229	.05829	.05514	.13363	.10392	.09335
112	.07848	.07459	.06692	.06692	.05722	.03343	.10187	.08520	.07707	.06121	.05762	.05402	.12546	.09962	.08904
130	.08144	.07646	.06822	.06049	.05988	.03386	.10205	.08319	.07459	.05874	.05733	.05193	.12438	.09924	.08485
TIME	G62	G63	G64	G65	G66	G68	G69	G70	G72	G74	G79	G80	G81	G85	
72	.07237	.06585	.04233	.14191	.10113	.07550	.19201	.15464	.17134	.04861	.20999	.22522	.15603	.11672	.01219
92	.07711	.06761	.04458	.14049	.10223	.08205	.19503	.15803	.12024	.05271	.21671	.22953	.14343	.12214	.01219
112	.07312	.06465	.04181	.13848	.09763	.07698	.18226	.14652	.11052	.05304	.21027	.22525	.12788	.12760	.01206
130	.07130	.06545	.04359	.13961	.09563	.07507	.17910	.14408	.11072	.05222	.20022	.21058	.12556	.12600	.01209
TIME	G9	G14	G15	G18	G21	G28	G27	G36	G42	G66	G88	G89			
72	.00794	.01164	.05423	.10500	.00301	.00142	.01531	.00147	.00306	.00159	.01230	.00193			
92	.00771	.01057	.05231	.10999	.00300	.00130	.01519	.00164	.00329	.00210	.01191	.00209			
112	.00753	.00976	.05105	.11117	.00289	.00145	.01475	.00170	.00329	.00261	.01123	.00225			
130	.00751	.00887	.05004	.10994	.00267	.00141	.01365	.00173	.00319	.00276	.01104	.00225			



DATE = 11-1-73

PROJECT NUMBER VA354-21FA

ARCO, INC.

ARCO AIR FORCE STATION, TENN.

NASA / R1 ORN-11 SHUTTLE ORBITER TEST

HEAT TRANSFER DATA (Q/QREF)

TIME	Q1	Q2	Q3	Q4	Q5	Q6	Q7	Q8	Q9	Q10	Q11	Q12	Q13	Q14	Q15	Q16	Q17	Q18	Q19	Q20	Q21	Q22	Q23	Q24	Q25	Q26	Q27
72	.54938	.31922	.22000	.18454	.14600	.12791	.10400	.13380	.14400	.08100	.09508	.08490	.10466	.10600	.07600												
92	.54500	.33000	.22000	.18200	.14400	.12800	.10866	.13750	.14800	.08500	.09500	.08600	.10529	.10800	.07800												
112	.54000	.32000	.21000	.16600	.14400	.12430	.10149	.13130	.14200	.08100	.09200	.08600	.10136	.09810	.07629												
130	.55620	.31000	.21000	.15000	.14200	.13087	.10558	.13412	.13864	.08200	.09356	.08372	.09871	.09800	.08066												
TIME	Q34	Q38	Q41	Q44	Q47	Q50	Q52	Q53	Q54	Q55	Q56	Q57	Q59	Q60	Q61												
72	.07304	.06000	.06100	.06000	.05000	.03100	.04900	.08100	.06700	.05700	.05400	.04950	.12620	.04662	.08505												
92	.07400	.07100	.06500	.06100	.05500	.03148	.04700	.08200	.06900	.05700	.05300	.05003	.12380	.04600	.08600												
112	.07200	.06800	.06100	.04100	.05172	.03000	.04400	.07800	.06600	.05600	.05238	.04900	.11620	.04200	.08200												
130	.07400	.06955	.06211	.05539	.05400	.03042	.04400	.07600	.07000	.05363	.05200	.04700	.11500	.04148	.07800												
TIME	Q62	Q63	Q64	Q65	Q66	Q67	Q68	Q69	Q70	Q72	Q74	Q79	Q80	Q81	Q85												
72	.08663	.08011	.03727	.13067	.09324	.06900	.17701	.14250	.11200	.04400	.19377	.20800	.14400	.10750	.01075												
92	.07068	.06172	.04000	.13500	.09426	.07500	.17982	.14380	.11100	.04772	.20000	.21200	.13239	.11250	.01075												
112	.06700	.05960	.03750	.12750	.09000	.07035	.18800	.13500	.10700	.04800	.19400	.20800	.11800	.11750	.01063												
130	.06521	.05461	.03700	.12830	.08800	.06900	.18478	.13250	.10200	.04715	.18439	.19410	.11565	.12500	.01063												
TIME	Q9	Q14	Q15	Q18	Q21	Q28	Q27	Q36	Q42	Q86		Q88	Q89														
72	.00700	.01326	.04093	.09260	.00265	.00125	.01350	.00130	.00270	.00140		.01084	.00170														
92	.00880	.00432	.04613	.09700	.00265	.00132	.01340	.00145	.00290	.00186		.01050	.00184														
112	.00664	.00461	.04500	.09800	.00255	.00128	.01300	.00150	.00290	.00230		.00990	.00198														
130	.00660	.00720	.04400	.09400	.00235	.00124	.01200	.00142	.00280	.00243		.00970	.00198														

ORIGINAL PAGE IS  
OF POOR QUALITY