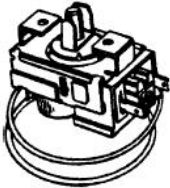
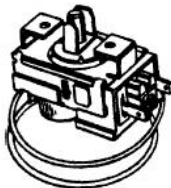
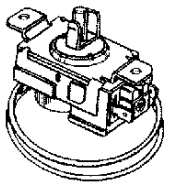
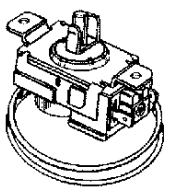
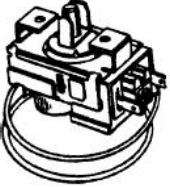
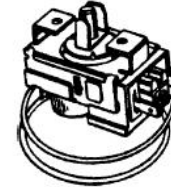
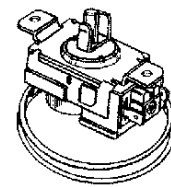
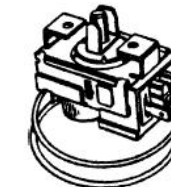
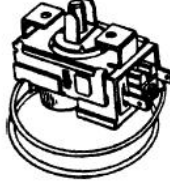
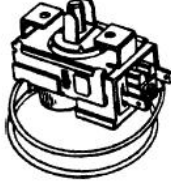
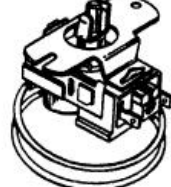
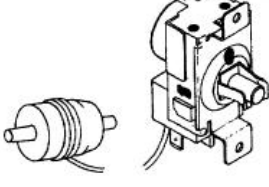
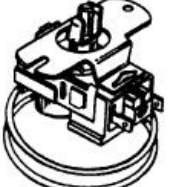
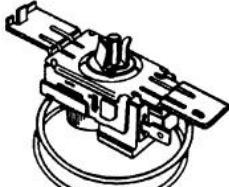


Direct Replacement Cold Controls

Electrolux		General Electric	
5303200810 GC161	5304404821 GC193	WR9X208 GC116	WR9X355 GC140
			
N.I. 40 N.O. 34	N.I. 35 N.O. 8.5	N.I. 37.5 N.O. -10.5	N.I. 36 N.O. 26
9" Cap	21" Cap	39" Cap	12" Cap
General Electric			
WR9X405 GC175	WR9X411 GC177	WR9X491 GC188	WR9X499 GC192
			
N.I. 28 N.O. 19	N.I. 32 N.O. 22	N.I. 33 N.O. 19	N.I. 38 N.O. 23
12.5" Cap	34.5" Cap	20" Cap	AIR Cap COIL
General Electric		Maytag	
WR9X501 GC178	WR9X517 GC190	68601-6 GC183	61005789 GC195
			
N.I. -5 N.O. -37.5	N.I. 37.5 N.O. 25	N.I. 40 N.O. 32	N.I. 41 N.O. 21
34.5" Cap	12" Cap	30" Cap	HEAT Cap SINK
Whirlpool		Direct Replacement Cold Controls	
819470 GC185	1123394 GC182		
		<p>Some of the most popular refrigerator cold controls are now available from SUPCO. The direct replacement series offers quick and simple installation, proper cap tube lengths, and temperature settings.</p> <p>Cap = Length of capillary tube or style N.I. = Nominal In (or Mid-range In) N.O. = Nominal Off (or Mid-range Off)</p>	
N.I. 29.5 N.O. 16.5	N.I. 29.5 N.O. 16.5		
See Cross References On Page 2 -3			

Part numbers and illustrations are intended solely for identification.

1 Items offered for sale are not represented to be manufactured by the company that built the original model.

Direct Replacement Cold Controls Cross Reference

Cutler Hammer		Electrolux (Cont.)		Gemline (Cont.)		General Electric (Cont.)	
Part No.	SUPCO No.	OEM Part No.	SUPCO No.	OEM Part No.	Supco No.	OEM Part No.	SUPCO No.
9530N567	GC185	3006112	GC161	GC188	GC188	WR9X499	GC192
9530N568	GC185	3017815	GC161	GC190	GC190	WR9X501	GC178
9530N569	GC185	3200810	GC161	GC192	GC192	WR9X5054	GC175
9530N592	GC185	5300086493	GC161	GC193	GC193	WR9X5090	GC175
9530N640	GC161	5303001453	GC161	General Electric		WR9X5092	GC175
9530N672	GC185	5303001525	GC161	OEM Part No.	SUPCO No.	WR9X5094	GC175
9530N675	GC185	5303006112	GC161	WR9X115	GC116	WR9X5101	GC175
9530N678	GC161	5303200810	GC161	WR9X125	GC116	WR9X5106	GC175
9530N712	GC185	5303321453	GC193	WR9X128	GC116	WR9X5107	GC175
9530N757	GC161	5304404821	GC193	WR9X145	GC116	WR9X5121	GC175
9530N772	GC185	5308000068	GC161	WR9X158	GC116	WR9X517	GC190
9530N787	GC185	5308002726	GC161	WR9X177	GC116	WR50X5002	GC175
9530N790	GC185	5308003635	GC161	WR9X182	GC116	General Electric Mfg.	
9530N792	GC185	5308007095	GC161	WR9X183	GC116	OEM Part No.	SUPCO No.
9530N793	GC183	5308015762	GC161	WR9X208	GC116	3ART5C167	GC195
9530N793	GC185	5308015763	GC161	WR9X209	GC116	3ART5C197	GC190
9530N805	GC185	5308017217	GC161	WR9X216	GC116	3ART5C212	GC195
9530N818	GC161	5308017218	GC161	WR9X223	GC140	3ART5LP5	GC185
9530N848	GC185	5308017445	GC161	WR9X237	GC116	3ART5MA16	GC161
9530N856	GC161	86493	GC161	WR9X239	GC140	3ART5VAA14	GC192
9530N861	GC161	G162205-01	GC161	WR9X242	GC175	3ART5VC131	GC188
9530N875	GC185	G162205-05	GC161	WR9X245	GC140	3ART5VC163	GC188
9530N888	GC185	G162205-06	GC161	WR9X246	GC140	3ART5VC44	GC183
9530N900	GC161	G162205-07	GC161	WR9X248	GC140	3ART5VC84	GC140
9531N277	GC300	G162205-10	GC161	WR9X252	GC140	3ART5VC96	GC140
9530N1075	GC183	G162205-11	GC161	WR9X255	GC175	3ART5VC99	GC140
9530N1086	GC161	G162205-12	GC161	WR9X257	GC140	3ART5VCH35	GC175
9530N1159	GC161	G162505-05	GC161	WR9X259	GC116	3ART5VG1	GC161
9530N1162	GC161	G162667	GC161	WR9X279	GC140	3ART5VG10	GC161
9530N1189	GC185	G162667-01	GC161	WR9X286	GC140	3ART5VG15	GC161
9530N1190	GC185	G162667-05	GC161	WR9X296	GC116	3ART5VG16	GC161
9530N1199	GC185	G162667-06	GC161	WR9X299	GC140	3ART5VG21	GC161
9530N1209	GC185	G162667-07	GC161	WR9X333	GC140	3ART5VG3	GC161
9530N1221	GC183	G162667-10	GC161	WR9X337	GC116	3ART5VG4	GC161
9530N1254	GC183	G162667-11	GC161	WR9X338	GC116	3ART5VG6	GC161
9530N1255	GC183	G162667-12	GC161	WR9X343	GC140	3ART5VG8	GC161
9530N1256	GC183	G162677-05	GC161	WR9X347	GC116	3ART5VH39	GC177
9530N1263	GC183	G171810-01	GC161	WR9X352	GC175	3ART5VN11	GC182
9530N1303	GC183	G185543-11	GC161	WR9X353	GC140	3ART6A11	GC116
Electrolux		R162667-11	GC161	WR9X355	GC140	3ART6A14	GC116
OEM Part No.	Supco No.	Gemline		WR9X357	GC140	3ART6A22	GC116
08000068	GC161	OEM Part No.	Supco No.	WR9X360	GC140	3ART6A25	GC116
08002726	GC161	GC116	GC116	WR9X398	GC178	3ART6A32	GC116
08003635	GC161	GC140	GC140	WR9X399	GC178	3ART6A9	GC116
08007095	GC161	GC157	GC185	WR9X401	GC175	3ART6MA4	GC116
08015762	GC161	GC161	GC161	WR9X405	GC175	3ART6VA32	GC116
08015763	GC161	GC170	GC183	WR9X411	GC177	3ART6VA4	GC116
08017217	GC161	GC175	GC175	WR9X422	GC178	3ART6VC25	GC116
08017218	GC161	GC177	GC177	WR9X446	GC177	3ART6VC32	GC116
08017445	GC161	GC178	GC178	WR9X448	GC188	3ART6VC34	GC116
3001336	GC161	GC182	GC182	WR9X458	GC188	3ART6VC36	GC116
3001453	GC161	GC183	GC183	WR9X460	GC178	3ART6VC43	GC116
3001525	GC161	GC185	GC185	WR9X491	GC188	3ART6VC44	GC116

Direct Replacement Cold Controls Cross Reference

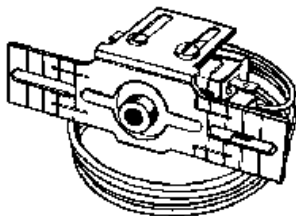
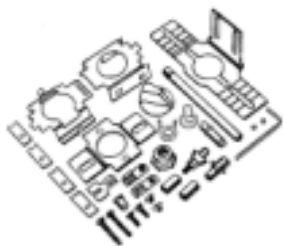
General Electric Mfg. (Cont.)		Whirlpool		Whirlpool (Cont.)	
OEM Part No.	SUPCO No.	OEM Part No.	SUPCO No.	OEM Part No.	SUPCO No.
3ART6VC45	GC116	530764	GC185	1105693	GC182
3ART6VC54	GC116	547585	GC185	1105694	GC182
3ART8VC1	GC116	548761	GC185	1107331	GC185
3ART8VC3	GC116	548762	GC185	1108001	GC185
3ART8VC4	GC116	549679	GC185	1108002	GC185
3ARTVC1	GC116	549682	GC185	1108003	GC185
Maytag		850031	GC185	1108008	GC182
OEM Part No.	SUPCO No.	850046	GC185	1108010	GC182
52881-5	GC183	850447	GC185	1108614	GC185
52881-24	GC183	850448	GC185	1114238	GC182
52881-25	GC183	850754	GC185	1114241	GC182
52881-33	GC183	850881	GC185	1115076	GC185
52881-34	GC183	850955	GC185	1123212	GC182
52881-36	GC183	850956	GC185	1123213	GC182
52881-45	GC183	850957	GC185	1123393	GC182
52881-47	GC183	851398	GC185	1123394	GC182
61005789	GC195	851399	GC185	1127884	GC182
66545-1	GC183	851400	GC185	1129617	GC182
66545-2	GC183	851612	GC185	2154974	GC182
68119-1	GC183	851931	GC185	2157229	GC182
68119-2	GC183	851932	GC185	2157231	GC182
68119-3	GC183	851933	GC185	2162293	GC182
68119-5	GC183	934382	GC185	2162425	GC182
68119-6	GC183	936055	GC185	2162427	GC182
68601-1	GC183	936056	GC185	2176748	GC182
68601-2	GC183	937272	GC185		
68601-3	GC183	937273	GC185		
68601-4	GC183	937274	GC185		
68601-5	GC183	940036	GC185		
68601-6	GC183	940037	GC185		
68601-7	GC183	940038	GC185		
68601-8	GC183	942758	GC182		
77194-4	GC195	942759	GC182		
Robertshaw		942760	GC182		
OEM Part No.	SUPCO No.	945447	GC185		
3030-116	GC116	945456	GC185		
3030-11F	GC116	978559	GC185		
3030-140	GC140	989274	GC185		
3030-14J	GC140	989275	GC185		
3030-157	GC157	989276	GC185		
3030-15G	GC157	989277	GC185		
3030-161	GC161	989278	GC185		
3030-170	GC170	989279	GC185		
3030-178	GC178	989533	GC185		
3030-17H	GC178	989534	GC185		
3030-305	GC175	989565	GC185		
3030-314	GC183	989566	GC185		
3030-31D	GC183	989569	GC185		
CC-112	GC183	989570	GC185		
CC-124	GC161	989571	GC185		
CC-157	GC183	989572	GC185		
CC-300	GC116	989574	GC185		
RC32-1561M	GC193	989699	GC185		

Universal Cold Controls

GC400 Series Cycle Defrost Controls Constant Cut-in Universal Replacement

Available
Spring 2007

The GC400 series controls have a 39°F constant cut-in to provide an automatic defrost with each compressor cycle, while maintaining safe food temperatures. The dial controls the differential, changing the cut-out temperature while maintaining a constant cut-in temperature. Universal mounting hardware insures these controls will replace wide range of controls.



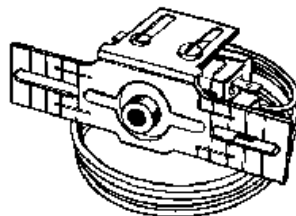
SUPCO Part No.	Calibration °F				Capillary Length
	Norm Off	Warm Off	Cold Off	Cut-In	
GC401	3	-11	-23	39	51"
GC405	12	-5	-15	39	60"
GC410	12	24	5	39	40"

Thermostats rated 125 VAC, 1/2 HP, 20 Amps F.L - 80 Amps L.R., SPST switch action.

GC500 Series Cold Controls Constant Differential Universal Replacement

Available
Spring 2007

The GC500 series constant differential controls always maintain the same difference between on and off temperature over the range of the control. The knob varies the operating temperature while the differential remains constant. These controls are ideally suited for "Frostfree" refrigerators and conventional refrigeration units. Universal mounting hardware insures these controls will replace wide range of controls.



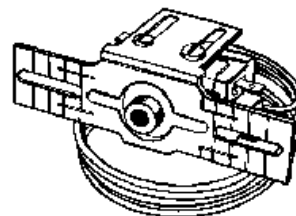
SUPCO Part No.	Normal °F		Calibration °F		Diff °F	Capillary Length
	Off	On	Warm Off	Cold On		
GC501	9	20	38	-16	11	42"
GC503	9	26	42.5	-16	17	42"
GC505	31	36	49	16	5	24"
GC506	18	31	48.5	-7	13	24"

Thermostats rated 125 VAC, 1/2 HP, 20 Amps F.L - 80 Amps L.R., SPST switch action.

GC600 Series Cold Controls Constant Differential Universal Replacement

Available
Spring 2007

The GC600 series constant differential controls always maintain the same difference between on and off temperature over the range of the control. The knob varies the operating temperature while the differential remains constant. These controls are designed for freezers, offering the most popular temperatures and capillary lengths. Universal mounting hardware insures these controls will replace wide range of controls.

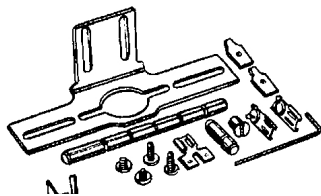


SUPCO Part No.	Normal °F		Calibration °F		Diff °F	Capillary Length
	Off	On	Warm Off	Cold On		
GC601	-5	4	22	-29	9	78"
GC602	-13	0	12	-30	13	78"
GC604	-12	6	20	-34	18	36"
GC607	-8	1	13	-23	9	31"

Thermostats rated 125 VAC, 1/2 HP, 20 Amps F.L - 80 Amps L.R., SPST switch action.

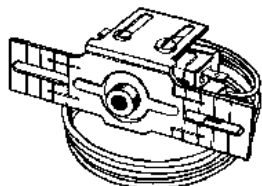
Universal Cold Controls

Available
Spring 2007



GC700 Series for Air Conditioners Universal Replacement

The GC700 series universal replacement controls give wide application coverage with a minimum of stock. The hardware accessory pack covers most major brands for a wide range of Room Air Conditioner applications.



SUPCO Part No.	Range °F		Diff °F	Capillary Details		Electrical Ratings 120 / 208 / 240 VAC		
	Off	On		Length	Style	Switch	F.I.A.L.	R.A
	GC701	52	93					
GC702	52	93	6	36"	Straight	SPST	30 A	125A
GC707	52	93	6	36"	Straight	SPDT	25A	80A



Temporary Cold Controls

- Temporary Emergency Universal Replacement
- Keeps Equipment Up & Running Until Exact Replacement or Permanent Control Is Installed
- Can Be Used As Permanent Control
- Three Mounting Options Available Suction Cup, Velcro or Screw Mounting
- Safe & Easy Installation
- Domestic & Commercial Refrigerators & Freezers

SUPCO Part No.	Temperature Range				Diff. °F	Application
	Range	Cold	Medium	Warm		
SC1000	28°F to 45°F	28°F to 34°F	33°F to 39°F	39°F to 45°F	6°F	Refrigerator
SC1002	-6°F to 40°F	-6°F to 1°F	-6°F to 40°F	-6°F to 40°F	7°F	Refrigerator / Freezer

Thermostats rated 125 VAC, 1/2 HP, 20 Amps F.L - 80 Amps L.R., SPST switch action.

Defrost Timers



EDT Series Electronic Adjustable Defrost Timers

- Universal Replacement
- Electronic Circuitry
- Adjustable Defrost Frequency 4 to 12 Hours
- Adjustable Defrost Time 10 to 35 Minutes
- Available in 115 & 208/240 Volts
- Standard Size & Mounting To Fit Most Applications
- Standard Terminal Configuration To Accommodate Most Connections
- No Ground Wire
- Dust Proof Case
- Quiet Operation & Durability
- Replaces Most Defrost Timers In Domestic & Commercial Refrigerators / Freezers

SUPCO No.	Voltage	Hertz	Max. Compressor Rating	Max. Resistive Load
EDT10	120	50 / 60	1/3 HP	10 Amp
EDT20	208 / 240	50 / 60	1/3 HP	5 Amp
EDT11	120	50 / 60	3/4 HP	20 Amp
EDT21	208 / 240	50 / 60	3/4 HP	20 Amp

Defrost Timers



Energy Saving Exact Replacement Defrost Timers



- Exact OEM Features & Specifications
- Energy Saving Plastic Construction
- Available In Bulk (200) or 12 Pack
- Domestic Refrigerators & Freezers

SUPCO Part No. 12/Box	SUPCO Part No. 200/Box	Replaces O.E.M. No.	Cycle Time Hours	Defrost Time Minutes	GP Series	Gem No.
SPA12930 (w/knob)	SPA12930XX	Maytag 10129301 Electrolux 216744400	12	32		
SPA1401AD	SPA1401XX	Admiral 66128-1 Electrolux 215846604	6	21	GP1	CC922
SPB1401F	SPB1401XX	Frigidaire 5300628518 Maytag 68233-2	8	20	GP4	CC925
SPD1401AM	SPD1401XX	Amana D70041-4 Maytag R0131577 Frigidaire 5303321915	8	32	GP19	CC926
SPG1401GE	SPG1401XX	GE WR9X330 Maytag R0168026	6	25	GP2	CC923
SPK1401GE	SPK1401XX	GE WR9X387 Maytag R0168027 Amana D7004119 Amana D7790403	10	30	GP18	CC907
SPM10530 (w/knob)	SPM10530XX	Maytag 10530703	8	21		
SPM6823-3	SPM68233XX	Maytag 68233-3 Amana D7004112 GE WR9X388	10	21	GP9	CC924
SPP1401WE	SPP1401XX	West. 5300900072	6	25	GP3	CC927

* Note for 220 Volt 50 HZ models add "21" to number (examples: SPA140121, SPB140121).
Bulk Pack in 12 pack or 200 pack only.



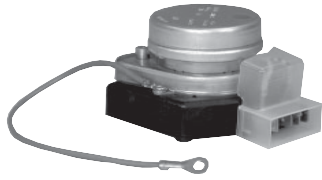
Flying Lead Timers



- Energy Saving Plastic Construction
- Direct Whirlpool Replacement
- Hardware Kit Included
- Domestic Refrigerators & Freezers

SUPCONo. 12/Box	SUPCONO. 200/Box	Replaces O.E.M. No.	Cycle Time	Defrost Time	GP Series	Gem No.	Mallory No.	Paragon No.	Uni-Line No.
SPA1403FL	SPA1403XX	WHPL 482493; Electrolux 5303917634 Maytag 68233-2 Haier 60938312 Sub-Zero 3081180	8	21	GP4 GP6 GP11 GP21	CC904 CC920 CC309 CC320	34885	E769-00 B931-00	3002-904 UX-2001-00
SPF17633	SPF176XX	WHPL 4391974 Electrolux 5303917633 Maytag 68233-1	6	21	GP1 GP20	CC901, CC922 CC304, CC306 CC311, CC315 CC319	34886 34895	A769-00 E1111-00	3002-901

Defrost Timers



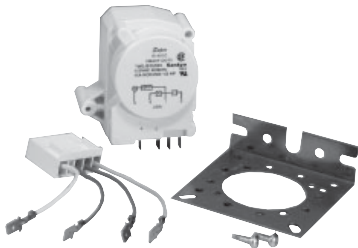
Classic Style Defrost Timers (Metal Top)

- Exact OEM Features & Specifications
- Metal Construction
- Available In 120 or 220 Volts
- Available In Bulk (75) or 12 Pack
- Hardware Kit Included
- Domestic Refrigerators & Freezers

SUPCO No. 12/Box	SUPCO NO. 75/Box	Replaces O.E.M. No.	Cycle Time	Defrost Time	GP Series	Gem No	Mallory No.	Paragon No.	Paragon No.	Uni-Line No.
SP931WP	SP931XX	WHPL 876369 WHPL 482493; Sub-Zero 3081180	8	21	GP11 GP20	CC904 CC920 CC928	34885	E769-00	E931-00	3002-904 UX-2001-00
SPG1111GE	SPG1111XX	GE WR9X330	6	25	GP2	CC900	34887	B769-00	D1111-00	3002-902
SPF1111F	SPF1111XX	Frig. 5300628518	8	20	GP4	CC902	34890	F769-00	A1111-00	3002-906
SPJ1111AM	SPJ1111XX	Amana D700414 Frig 5303321915 GE WR9X396	8	32	GP19	CC905 CC925	34982	D769-00	K1111-00	3002-905
SPL1111W	SPL1111XX	West. 5300900072	6	25	GP3	CC903	34891	G769-00	B1111-00	3002-903
SPN1111AD	SPN1111XX	WHPL 4391974 Admiral 66128-1	6	21	GP1	CC901 CC922	34886	A769-00	E1111-00	3002-901

* Note for 220 Volt 50 HZ models add "21" to number (examples: SP93121, SPG111121, etc.)

Universal Energy Saving Defrost Timers



- Universal Design Replaces Most OEM Timers
- Eight Timers Available
- Reduces Inventory
- Energy Saving Plastic Construction
- Complete Hardware Kits , Mounting Plate & Instructions Included
- Quiet Operation
- Dust Proof
- Oil Reservoir
- Oilite Bearing
- No Ground Wire Required
- 120 Volts
- 15 Amp Capacity
- UL Recognized
- CSA Certified
- Domestic Refrigerators & Freezers

SUPCO No.	Replaces O.E.M. No.	Cycle Time	Defrost Time	Uni-Line No.
SC801	WHPL 4210579 Electrolux 216744400 Maytag R0168028	12	32	3002-801
SC802*	WHPL 482493; Electrolux 5303917634 Maytag 68233-2 Sub-Zero 3081180	8	21	3002-802
SC803	Amana D7004111	8	28	3002-803
SC804*	Whirlpool 2183400	8	21	3002-804
SC806	Amana D7004106	6	25	3002-806
SC807**	West. 5300900072	6	25	3002-807
SC808	Electrolux 215846604	6	21	3002-808

* Flying lead may be wired as cumulative run time

** Westinghouse Special - timer motor wired to terminals 2 & 4

Defrost Timers



Exact Energy Saving Defrost Timers

- Exact OEM Features & Specifications
- Energy Saving Plastic Construction
- Individually Boxed
- 120 Volts
- UL Recognized
- CSA Certified
- Domestic Refrigerators & Freezers

Supco No.	Replaces O.E.M. No.	Internal	Cycle Time	Defrost Time	Volts
SC950	GE WR9X481	Resistor	6	25	120V
SC951	GE WR9X482	Resistor	8	30	120V
SC952	GE WR9X489 GE WR9X10049 Electrolux 5304406555	Capacitor	16	35	120V
SC953	GE WR9X548	Resistor	6	25	120V
SC954	GE WR9X483 GE WR9X10041 GE WR9X10075 GE WR9X10101 GE WR9X10111	Resistor	10	30	120V
SC955	GE WR9X502 GE WR9X387	Resistor	6	25	120V
SC956	GE WR9X516 GE WR9X10003	Resistor	10	25	240V
SC957	GE WR9X480 GE WR9X330	Resistor	6	25	120V
SC958	GE WR9X520	Resistor	12	44	120V
SC959	GE WR9X566 Electrolux 215846602	Capacitor	8	30	120V
SC960	SubZero 3081180	Resistor	8	21	120V



NASCORP Style Exact Energy Saving Defrost Timers

- Exact OEM Features & Specifications
- Energy Saving Plastic Construction
- 120 or 240 Volts
- Domestic Refrigerators & Freezers

SUPCO Part No. 12/Box160 / Box	SUPCO Part No.	Replaces O.E.M. No.	Cycle Time Hours	Defrost Time Mins.	GP Series	Gem No.
A1401ADO	A1401XX	Admiral 66128-1 Electrolux 215846604	6	21	GP1	CC922
B1401FO	B1401XX	Frigidaire 5300628518 Maytag 68233-2	8	20	GP4	CC925
D1401AMO	D1401XX	Amana D70041-4 Maytag R0131577 Frigidaire 5303321915	8	32	GP19	CC926
G1401GEO	G1401XX	GE WR9X330 Maytag R0168026	6	25	GP2	CC923
K1401GEO	K1401XX	GE WR9X387 Maytag R0168027 Amana D7004119 Amana D7790403	10	30	GP18	CC907

* Note for 220 Volt 50 HZ models add "21" to number (examples: A1401DO21, B1401FO21)

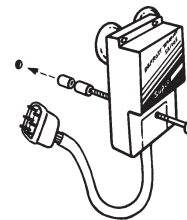
8 Bulk Pack in 12 pack or 160 pack only.

Defrost Timers



SA1005 Defrost Timer

- Allows normal refrigerator defrost operation when icemaker is removed from system.
- Direct "plug-in" fit with either suction cup or permanent screw-mounting.
- Fits All Whirlpool & Sears Refrigerators with Flexible Tray Icemakers



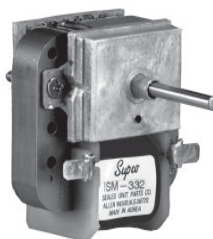
Exact Replacement Evaporator Motors

Electrolux

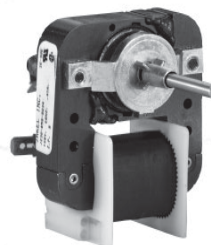
5300158289
SM336



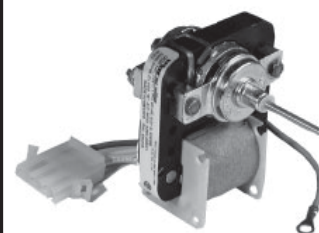
5301135914
SM332



5301137820
SM333

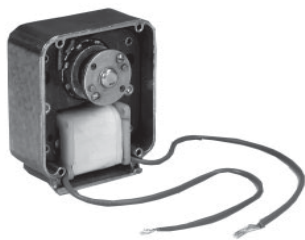


5303917278
SM378



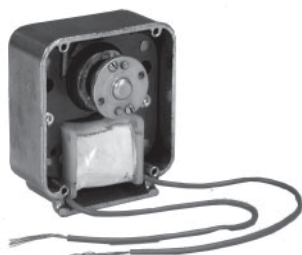
Electrolux

5303918015
SM316



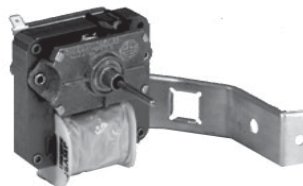
Reference: 5306599388

5306599389
SM319



General Electric

WR60X162
SM338



WR60X190
SM344



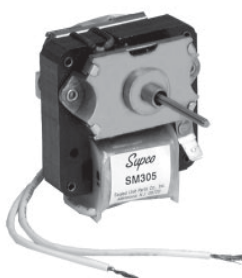
General Electric

WR60X203
SM391



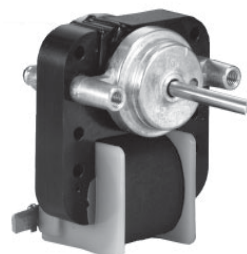
Reference: WR60X191

WR60X5073
SM305

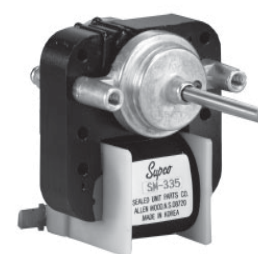


Maytag

55394-7
SM334




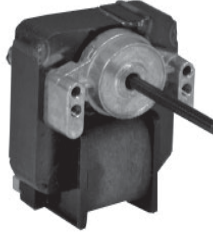

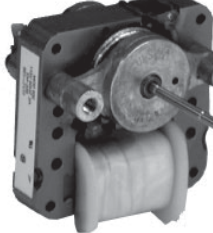
56488-2
SM335



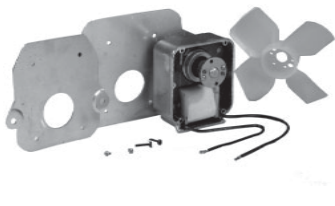
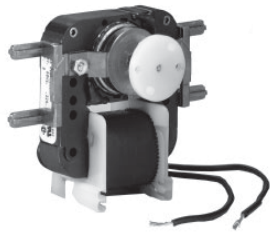
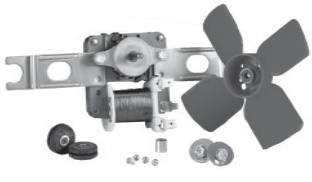
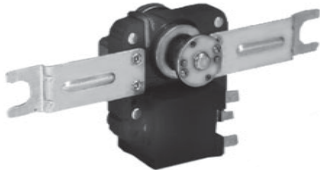
Part numbers and illustrations are intended solely for identification.
Items offered for sale are not represented to be manufactured by the company that built the original model.

Exact Replacement Evaporator Motors

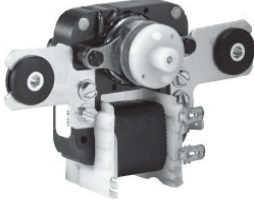
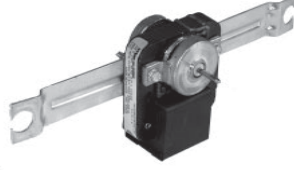
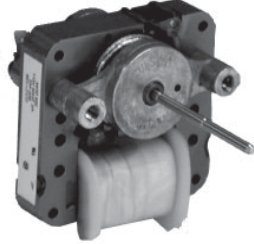
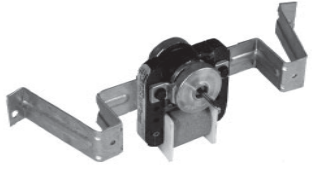
Maytag

<p>69106-2 SM362</p>	<p>C8713101 SM337</p>	<p>C8891605 SM365</p>	<p>D7241412 SM339</p>
			

Whirlpool

<p>482468 SM327</p>	<p>482469 SM328</p>	<p>482731 SM343</p>	<p>1105609 SM342</p>
 <p>Original Howard Style</p>	 <p>Original Howard Style</p>		

Whirlpool

<p>4318001 SM329</p>	<p>4389142 SM345</p>	<p>4389144 SM399</p>	<p>4389145 SM346</p>
 <p>Original Howard Style</p>			

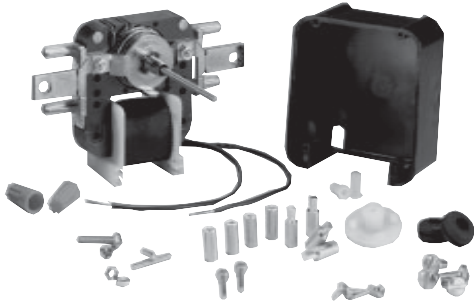
SM motors maximum operating temperature 180°F; Minimum -30°F

Part numbers and illustrations are intended solely for identification.
Items offered for sale are not represented to be manufactured by the company that built the original model.

Evaporator Motors Cross Reference

Electrolux		Electrolux (Cont.)		General Electric (Cont.)		Maytag (Cont.)		Whirlpool (Cont.)	
OEM No.	SUPCO No.	OEM No.	SUPCO No.	OEM No.	SUPCO No.	OEM No.	SUPCO No.	OEM No.	SUPCO No.
00620365	SM316	5303917278	SM378	WR60X182	SM344	C3680601	SM337	937276	SM328
00620962	SM316	5303917473	SM336	WR60X189	SM344	C3684001	SM337	938117	SM343
00621891	SM316	5303918015	SM316	WR60X190	SM344	C8713101	SM337	938124	SM328
00622462	SM316	5306599388	SM316	WR60X191	SM391	C8891601	SM365	938149	SM343
00622852	SM316	5306599389	SM316	WR60X197	SM391	C8891605	SM365	938223	SM328
00623048	SM316	56488-3	SM334	WR60X203	SM391	C8891606	SM365	938283	SM328
00623319	SM316	56488-4	SM334	WR60X5005	SM338	D7241409	SM339	938287	SM343
00625094	SM316	G000158289	SM336	WR60X5011	SM305	D7241412	SM339	938292	SM343
00627286	SM316	G000168579	SM336	WR60X5016	SM305	M0307601	SM337	938296	SM343
00627289	SM316	G000173301	SM336	WR60X5020	SM305	RA43990-1	SM335	938372	SM328
00627293	SM316	G158289	SM336	WR60X5021	SM305	Whirlpool	OEM No.	941506	SM328
00627414	SM333	G162705	SM336	WR60X5035	SM305			8112	SM343
00627879	SM332	G163939	SM336	WR60X5040	SM305	8116	SM328	941578	SM328
00628530	SM316	G165335	SM336	WR60X5047	SM305	480639	SM327	941601	SM328
00628531	SM316	G168579	SM336	WR60X5048	SM305	482415	SM328	941687	SM328
00629966	SM316	G168797	SM336	WR60X5049	SM305	482468	SM327	945523	SM328
00629968	SM316	G173301	SM336	WR60X5053	SM338	482469	SM328	946653	SM343
01135442	SM332	G176117	SM336	WR60X5054	SM305	482470	SM328	978212	SM328
01135914	SM332	G178481	SM336	WR60X5057	SM305	482470	SM343	987369	SM328
01137820	SM333	K1204667	SM336	WR60X5064	SM305	482729	SM328	989608	SM328
06598507	SM316	General Electric	OEM No.	WR60X5066	SM305	482731	SM343	989687	SM343
06599014	SM316			WR60X5073	SM305	482731	SM343	992919	SM328
06599015	SM316	WR49X5082	SM305	WR60X5074	SM305	482733	SM343	1100473	SM343
06599388	SM316	WR60X52	SM305	Maytag	OEM No.	483051	SM328	1100474	SM343
06599389	SM316	WR60X54	SM305			0054159	SM365	515235	SM327
07515434	SM316	WR60X60	SM305	0055546	SM339	517441	SM327	1100992	SM343
07516457	SM316	WR60X65	SM305	045563-01	SM335	517472	SM327	1105608	SM343
07544495	SM316	WR60X71	SM305	29425-3	SM339	519218	SM327	1105609	SM343
07546181	SM316	WR60X74	SM305	29708	SM335	520024	SM327	1107711	SM328
07546735	SM316	WR60X82	SM338	29708-1	SM335	530314	SM327	1107715	SM328
08000036	SM336	WR60X84	SM305	52121-1	SM334	530452	SM327	1108111	SM328
08004176	SM336	WR60X85	SM338	53003	SM334	530675	SM327	1118715	SM328
215213300	SM378	WR60X88	SM305	53003-1	SM334	530763	SM327	2149299	SM399
215314700	SM336	WR60X100	SM338	53706-1	SM335	531645	SM327	2154419	SM343
215348100	SM378	WR60X104	SM338	53706-2	SM335	531646	SM327	2154977	SM343
215348200	SM336	WR60X105	SM338	53767-1	SM334	531647	SM327	2162404	SM399
215360800	SM336	WR60X108	SM338	54482-1	SM335	531648	SM327	2163766	SM345
215464000	SM336	WR60X112	SM338	54482-10	SM335	531826	SM327	2166013	SM346
215464100	SM336	WR60X116	SM338	54482-2	SM335	531885	SM327	2169116	SM343
218322200	SM336	WR60X118	SM338	54482-3	SM335	547956	SM327	2169143	SM343
218394100	SM378	WR60X119	SM338	54482-4	SM335	547958	SM327	2169485	SM346
218661700	SM336	WR60X120	SM338	54482-5	SM335	548042	SM327	2176298	SM345
218718402	SM378	WR60X122	SM338	54482-8	SM335	548262	SM328	2183448	SM345
218718403	SM336	WR60X125	SM338	54482-9	SM335	548697	SM343	2183833	SM345
218878700	SM336	WR60X126	SM338	55394-1	SM334	549098	SM328	2188303	SM399
218878701	SM336	WR60X127	SM338	55394-3	SM334	549212	SM328	2200546	SM345
218878901	SM336	WR60X129	SM338	55394-5	SM334	549420	SM343	2205138	SM345
3001224	SM336	WR60X130	SM338	55394-7	SM334	631648	SM327	4318001	SM343
3001421	SM336	WR60X131	SM338	55735-1	SM334	755182	SM327	4318002	SM328
3202115	SM334	WR60X132	SM338	55735-8	SM334	756048	SM327	4389140	SM343
5300158289	SM336	WR60X160	SM338	56488-1	SM334	833752	SM327	4389141	SM328
5301135442	SM332	WR60X162	SM338	56488-2	SM334	833768	SM328	4389142	SM345
5301135914	SM332	WR60X163	SM338	56488-5	SM334	850144	SM328	4389144	SM399
5301137820	SM333	WR60X168	SM338	69106-1	SM362	851170	SM343	4389145	SM346
5303275816	SM336	WR60X171	SM338	69106-2	SM362	936162	SM343	8537621	SM343
5303310100	SM336	WR60X172	SM344	69106-4	SM362	936163	SM328	9791620	SM346
5303917277	SM336	WR60X181	SM391			936164	SM328		

Evaporator Fan Motors



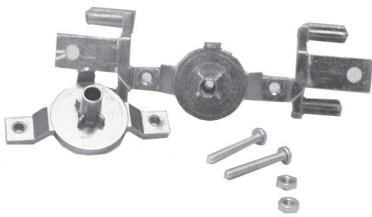
SM999 Universal Evaporator Fan Motor Kit – 120 VAC

- Prefastened Multi Fit, Break Off Mounting Bracket
- Break Off 2" Motor Shaft with Breakaways at 1/2" and 1-1/2"
- Includes All Mounting Accessories and Hardware
- Reversible Rotation
- Single Speed
- Shaft Diameter 1/8"
- Replaces Over 450 Different Evaporator Type Motors.
- Direct Replacement For The GEM 240 Series, Mars 90999 and Robertshaw 33-110, 33-112 & 33-114.



SM998 Universal Evaporator Fan Motor Kit – 220 VAC

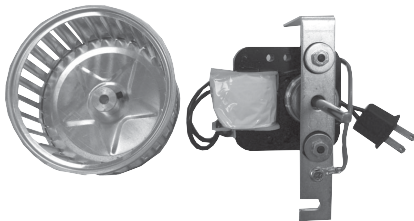
- Includes the same Features / Benefits, Applications and Specifications as the SM999, except it operates on 220 VAC 50/60 Hz.
- Direct Replacement for the Mars 90998



SM999BRKT

SM999/SM998 Kit Replacement Motor Bracket

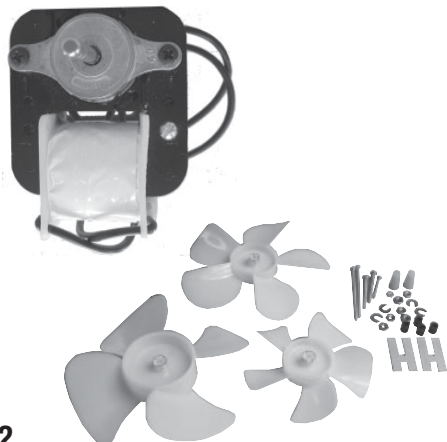
Part No.	Description
SM999	120 VAC, 3000 RPM, 1/200 H.P., .31 AMP impedance protected
SM998	220 VAC, 3000 RPM, 1/200 H.P., .31 AMP impedance protected



SM140-40A Blower Fan Assembly

- Direct replacement kit for Nutone bath fans
- Replaces Nutone motor p/n K5895 and kit p/n K5894
- Kit includes single speed motor, 3-3/4"x2" blower wheel and mounting bracket.
- Motor includes 6" wire leads with molded plug.

Part No.	Speed	RPM	Volts	AMPS	Rotation	Nutone
SM140-40A	1	2400	115	0.9	CCWSE	K5894 Motor Kit K5895 Motor Only



SM6700B Motor Kit Assembly

- Replaces Acme Miami 700
- OEM replacement for Bohn, Heatcraft, Uppco, Singer, GE 33 Series.
- Kit includes reversible motor, three fan blades, hardware kit and Instructions.
- Commercial refrigeration evaporators

Volts	Hertz	AMPS	RPM	Shaft Size	Stack Size	Bearing Type
120	60	.55	3000	3/16" x 1 1/4"	5/8"	Sleeve

SM6700B Replacement Fan Blades 3/16" Hub

FB402	4", CW, 5 wing
FB455 (Bohn 5101B)	5-9/16", CCW, 5 wing
FB550	5 1/2", CCW, 4 wing

SM999 Cross Reference

Acme Miami	Electrolux	Electrolux	Electrolux	Electrolux	GEMLINE	G.E. Mfg.
400	06598501	146620	9956921	G163865	EM309	5KSB44QS1128B
500	06598503	152646	9956922	G163939	EM310	5KSB44QS1129A
600	06598504	163865	9956924	G165335	EM311	5KSB44QSE058A
700	06598506	215213300	9956925	G168579	EM312	G.E. Appl.
800	06598507	215314700	C000028542	G168797	EM313	WR49X169
Electrolux	06599014	215348100	C000028543	G173301	EM314	WR49X5039
00598467	06599015	215348200	C000028545	G176117	EM315	WR49X5040
00620365	06599016	215360800	C000028546	G178481	EM316	WR49X5082
00620635	06599017	215464000	C000028748	G98291	EM317	WR49X5091
00620929	06599388	215464100	C000028751	K1159624	EM318	WR49X5097
00620962	06599389	216737700	C000038088	K1159782	EM319	WR60X100
00621086	06599390	218322200	C000038089	K1159808	EM320	WR60X104
00621891	06599391	218394100	C000038090	K1166476	EM321	WR60X105
00622462	07512280	218661700	C000038785	K1166681	EM322	WR60X108
00622852	07514087	218718402	C000038788	K1166971	EM323	WR60X112
00622892	07515415	218718403	C000038791	K1167246	EM324	WR60X116
00622937	07515434	218878700	C000048400	K1202158	EM325	WR60X118
00623048	07515803	218878701	C000048401	K1202159	EM327	WR60X119
00623319	07516385	218878901	C000048507	K1204665	EM328	WR60X120
00623686	07516386	2660D62H03	C000048579	K1204667	EM329	WR60X122
00625094	07516457	51141	C000048580	K1205028	EM330	WR60X125
00625647	07517873	5300158289	C000048581	K1206352	EM331	WR60X126
00627283	07543975	5300715414	C000057230	K1206353	EM332	WR60X127
00627284	07544495	5301135442	C000289296	K1206354	EM333	WR60X129
00627286	07546181	5301135914	C000289298	K1206452	EM334	WR60X130
00627289	07546735	5301137820	C000289448	K1206453	EM335	WR60X131
00627293	08000036	5303275816	C000460752	K1208099	EM336	WR60X132
00627414	08004176	5303310100	C000715414	K1209560	EM337	WR60X160
00627879	101493	5303917277	C48507	K1220352	EM338	WR60X162
00628524	104076	5303917278	F116267	K1222931	EM339	WR60X163
00628527	110968	5303917473	F58835	K1222932	F58835	WR60X168
00628530	1135442	5303918015	F82388	K1226505	G.E. Mfg.	WR60X171
00628531	1135914	5304442620	F88130	K1226507	5KSB33AS1101	WR60X172
00629965	1137820	5306599388	F88162	K1227015	5KSB33AS1104	WR60X175
00629966	1159624	5306599389	F96740	K1227017	5KSB33AS1105	WR60X178
00629968	1159782	56488-3	G000152646	K1228883	5KSB33AS1787	WR60X181
01135442	1159808	56488-4	G000158289	K1230532	5KSB33AS458B	WR60X182
01135914	116267	58835	G000168579	Gemline	5KSB33AS500	WR60X188
01137820	1166476	5903130	G000173301	EM241	5KSB33AS641	WR60X189
03001224	1202158	59176	G101493	EM242	5KSB33AS677	WR60X190
03001421	1202159	59471	G104076	EM244	5KSB33AS734	WR60X191
03202115	1204665	80719	G104372	EM245	5KSB33BS1613A	WR60X197
06540267	1204667	82169	G109216	EM247	5KSB33BS1913	WR60X203
06540268	1205028	82388	G110968	EM248	5KSB33BS1953	WR60X50
06582708	1206353	827286	G127816	EM249	5KSB33BS3015	WR60X5005
06583827	1206354	83288	G134639	EM300	5KSB33BS3015A	WR60X5006
06584668	1206452	84493	G137417	EM301	5KSB33BSE157	WR60X5009
06596499	1208099	85082	G139044	EM302	5KSB44BS0001	WR60X5010
06598256	1220352	87773	G139046	EM303	5KSB44BS0001F	WR60X5011
06598257	1222931	88130	G143259	EM304	5KSB44BS1033	WR60X5012
06598258	1222932	88138	G146620	EM305	5KSB44BS1091	WR60X5013
06598259	1226505	88162	G152646	EM306	5KSB44BS1104	WR60X5016
06598468	126119	94606	G158289	EM307	5KSB44BSE049	WR60X5019
06598499	127816	96740	G162705	EM308	5KSB44BSE054	WR60X5020

SM999 Cross Reference

G.E. Appl.	Maytag	Maytag	Maytag	Maytag	Whirlpool	Whirlpool
WR60X5021	26999	61005387	C36811-1	D7464901	2197443	548942
WR60X5022	27779	61005592	C3684001	D7464902	2200546	549098
WR60X5023	27842	627414	C36840-1	D7464903	2201212	549212
WR60X5024	28512	627879	C3689301	D74649-3	2201213	549420
WR60X5035	28513	67001509	C3689302	M0302001	2203829	552171
WR60X5040	28515	67003636	C36893-1	M0302002	2205138	566092
WR60X5046	29425-3	69106-1	C36893-2	M0303501	2214986	607058
WR60X5047	29708	69106-2	C3690101	M0303502	2219660	631648
WR60X5048	29708-1	69106-4	C3690102	M0303504	2221893	755182
WR60X5049	52121-1	78756-1	C3690103	M0303599	4318001	756048
WR60X5052	52837-1	A448-1	C36901-1	M0307601	4318002	8112
WR60X5053	52837-2	B4850-1	C36901-2	M3020-1	4389140	8116
WR60X5054	53000-1	B4850-2	C36901-3	M3020-2	4389141	833752
WR60X5057	53001-1	B5546-1	C48400	M3035-1	4389142	833768
WR60X5060	53003	B5546-4	C48507	M3035-2	4389144	850144
WR60X5064	53003-1	B5614-1	C87131	M3035-4	4389145	851170
WR60X5066	53706-1	B5640-1	C8713101	M3076-1	4389146	8537621
WR60X5068	53706-2	C25759-9	C87131-1	R0151001	4389147	936162
WR60X5073	53765-1	C282296	C8891601	R0151002	480639	936163
WR60X5074	53765-3	C303599	C8891605	R0151003	482415	936164
WR60X52	53765-6	C352561	C8891606	R0151004	482468	937276
WR60X54	53765-8	C35256-1	D7115701	R0151005	482469	938117
WR60X57	53767-1	C352567	D7115702	R0151006	482470	938124
WR60X60	54482-1	C35256-7	D7115703	R0151007	482729	938149
WR60X65	54482-10	C352582	D7115704	R0157068	482731	938223
WR60X66	54482-11	C3536301	D7115706	R0157087	482733	938283
WR60X69	54482-2	C3536307	D7115707	RA43990-1	483051	938287
WR60X71	54482-3	C35363-1	D71157-1	RA95052-1	510331	938292
WR60X74	54482-4	C35363-7	D71157-2	Whirlpool	515235	938296
WR60X82	54482-5	C3565601	D71157-3	1100473	515472	938372
WR60X84	54482-7	C3565605	D71157-4	1100474	517441	941506
WR60X85	54482-8	C35656-1	D71157-6	1100945	517472	941547
WR60X88	54482-9	C35656-5	D71157-7	1100992	517474	941578
WR60X90	55394-1	C35656-6	D7241401	1105608	519218	941601
WR60X96	553942	C35657-1	D7241402	1105609	520024	941687
Maytag	55394-2	C3575901	D7241403	1107711	530314	945523
0054159	55394-3	C3575905	D7241404	1107715	530380	946653
0054171	55394-5	C3575906	D7241406	1108111	530452	978212
0055546	55394-7	C3575907	D7241407	1118715	530675	9791620
045563-01	55394-8	C3575909	D7241409	2149299	530763	987369
10449504	55735-1	C35759-1	D7241410	2154419	531645	989608
10449508	55735-10	C3575910	D7241411	2154977	531646	989687
10513801	55735-11	C35759-10	D7241412	2162404	531647	992919
10513802	55735-8	C35759-5	D7241413	2163766	531648	
10513803	55735-9	C35759-6	D7241415	2166013	531826	
10513804	56488-1	C35759-7	D72414-4	2169116	531885	
10654201	56488-2	C35759-9	D72414-9	2169143	542954	
10654202	56488-3	C3587501	D7256201	2169485	547409	
10654205	56488-4	C3680402	D7256202	2176298	547948	
1135914	56488-5	C3680601	D7256203	2183448	547956	
12044801	61001939	C3680602	D72562-1	2183833	547958	
23265	61002107	C36806-1	D72562-2	2188303	548042	
23464	61003008	C36806-2	D72562-3	2188357	548262	
24401	61004888	C3681101	D7289701	2197381	548697	

Motors

Exact Replacement & Utility Motors



SM600 Series Utility Motor Kits

- Versatile replacement for all "C" Frame and "3 1/2" Round Style motors
- Impedance Protected
- SM670, SM672 and SM673 include fan blades FB402 and FB550
- SM675 is Thermal protection
- Available in sleeve or ball bearing design
- SM675 includes fan blade FB550 only
- Motor Kits include complete hardware and mounting kits
- Reach In Cooler & Freezer Evaporators
- Walk In Cooler & Freezer Evaporators
- Exhaust Fans
- Ventilator Fans
- Range Hoods
- Electric Unit Heaters
- Forced Air Heaters

Specifications

Part No.	Type	Volts AC	RPM	Current (AMPS)	Shaft Dimensions	Stack Size	Rotation (Reversible)	Acme Miami	Replaces Bohn	Replaces Robertshaw	Replaces MARS
SM670 ^a	Sleeve	120	3000	0.55	3/16" X 1-1/4"	5/8"	CW/CCW	600, 700, 710, 4670		14001	90971
SM671	Sleeve	120	3000	0.55	3/16" X 1-1/4"	5/8"	CW/CCW			14003	
SM672 ^a	Sleeve	240	3000	0.32	3/16" X 1-1/4"	5/8"	CW/CCW	602, 702, 4672		14005	90982
SM673 ^a	Sleeve	120	3000/1550	.55/.34	3/16" X 1-1/4"	5/8"	CW/CCW	4673		14007	
SM674	Sleeve	120	3000	0.55	3/16" X 1-1/4"	5/8"	CW/CCW			14009	
SM675 ^b	Sleeve	120/240	3000	1.0/.50	3/16" X 2-3/8"	1"	CW/CCW	7502		90970	
SM676	Sleeve	120	3000	0.5	3/16" X 1-1/4"	7/8"	CW/CCW	780		14011	
SM677	Sleeve	120	2000	0.33	3/16" X 1-1/2"	5/8"	CW/CCW			14013	
SM678	Sleeve	120	3000	0.55	3/16" X 1-1/2"	1/2"	CW/CCW			14015	
SM679	Sleeve	120	3000	0.5	7/32" X 1-1/2"	5/8"	CW/CCW			14017	
SM680	Sleeve	120	3000	0.9	3/16" X 1-1/2"	1-1/8"	CW/CCW	750		14019	90970
SM681	Sleeve	120	3000/1550	.82/.21	3/16" X 1-3/8"	5/8"	CW/CCW			14021	
SM683	Sleeve	240	3000	0.25	3/16" X 1-1/4"	7/8"	CW/CCW			14025	90970
SM684 ^c	Sleeve	120	3000/1550	.82/.21	7/32" X 2-1/4"	1"	CW/CCW				
SM685 ^d	Sleeve	120	3000/1550	.82/.21	3/16" X 1-3/4"	7/8"	CW				
SM686	Ball Bearing	120	3000	0.41	3/16" X 1-1/4"	5/8"	CW/CCW	BB600, BB700, BB710, BB4670			90948
SM687	Ball Bearing	120/240	3000	1.6/.80	3/16" X 2-3/8"	1-1/8"	CW/CCW	BB7502			
SM688	Ball Bearing	120	3000	0.86	3/16" X 1-1/2"	1-1/8"	CW/CCW	BB750			
SM690C	Sleeve	120	3000	0.4	3/16" X 1-1/2"	5/8"	CW				
SM691	Sleeve	120	3000	.80	3/16" X 1-1/4"	5/8"	CW		5007S 5036F 5018S		
SM692	Sleeve	240	3000	.40	3/16" X 1-1/4"	5/8"	CW		5007T 5018T		
SM775	Sleeve	120/240	3000	1.0/.52	3/16" X 2-3/8"	1"	CW/CCW				

^a Includes hardware kit: 2 fan blades, mounting bracket, hub adapter, 1/4" shaft adapter, & 5/16" shaft adapter.

^b Includes hardware kit: 1 fan blade, mounting bracket, hub adapter, 1/4" shaft adapter, & 5/16" shaft adapter. Motor shaft is 2-3/8" with breakoffs at 5/8" & 1-7/8" points.

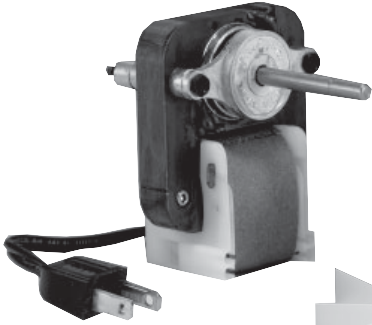
^c Direct replacement for Gaffers & Sattler, Dyna Vent and others.

^d Direct replacement for GE WB26X24, WB26X40, WB26X45 (D shaft).

Motors

SM550 Series Ventilator Motors

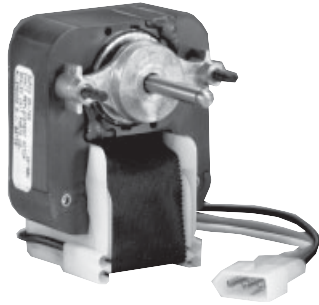
- Exact Replacement for Nutone Range Hood Ventilators
- C Frame Design
- SM550 Motor includes FB460 Impeller
- Range Hoods
- Bathroom Exhaust Fans



Supco No.	Speed	RPM	Shaft Diameter	Shaft Length	Rotation	Stack	Leads
SM550	1	3000	.217" X .181" flat	1 3/4"	CCWSE	1/2"	120 V Plug
SM551*	2	High 3000 Low 1640	.217" X .187" flat	1 7/16"	CWSE	7/8"	Molex 3 pin
SM552	1	3000	.217" X .187" flat	1 1/4"	CCWSE	3/4"	120 V Plug
SM553	1	3000	.217" X .187" flat	1 3/4"	CCWSE	3/4"	Eyelet
SM554*	2	High 3000 Low 1640	.217" X .181" flat	1 7/16"	CCWSE	7/8"	Molex 3 pin
SM555	1	3000	.217" X .187" flat	2 3/8"	CCWSE	5/8"	120 V Plug
SM140-40A	1	1400	.217" X .187" flat	2 3/8"	CCWSE	5/8"	120 V Plug
SM556	1	3000	.181" X .148" flat	1 7/8"	CCWSE	5/8"	120 V Plug

Supco No.	Gem No.	Old Nutone No.	Current Nutone	Type	Application	Model Notes	Robertshaw	Packard	Fasco
SM550	EM550/ EM750	C65878	65878000	Universal	Nutone Broan Vent Hood or Bath Vent	Universal, includes FB460 fan blade.	33-100/ VFM100	6510	K111
SM551	EM551/ EM751	C52367	52637000	Range	Vent Motor	Used on M1 through M9 series, common to many brands	33-101/ VFM101	65101	K112
SM552	EM552	C63675	63675000	Bath	Vent Motor	Used on 9415 series, 9425 series and others	33-103/ VFM103	65103	K113
SM553	EM553	C66582	66582000	Bath	Heater Motor	Used on 9415 series, 9425 series and others	33-104/ VFM104	65104	K115
SM554	EM554	C27987	27987000	Range	Vent Motor	Used on M9T & VM9T, common to many brands	33-105/ VFM105	65105	N/A
SM555	EM555 K5895	C68627	68627000	Bath	Vent Motor	Used on 9415 series, 9425 series and others	33-106/ VFM106	65106	K109
SM140-40A	N/A	C68626 C68627 K5894 Kit K5895 Motor	68626000	Vent Assembly	Motor, Bracket, & Blade	Used on 9415 series, 9425 series and others	N/A	N/A	N/A
SM556	EM556	C34484	34484000	Range	Vent Motor	Nutone & Broan 40000 series except for 40000H	N/A	N/A	N/A

Motors



SM700 Series Ventilator Motors

- Exact Replacement for Broan Ventilators
- C Frame Design
- 120 Volts / 60 Hz
- CCW Rotation
- Multi Fit To Work With Other Brand Ventilators



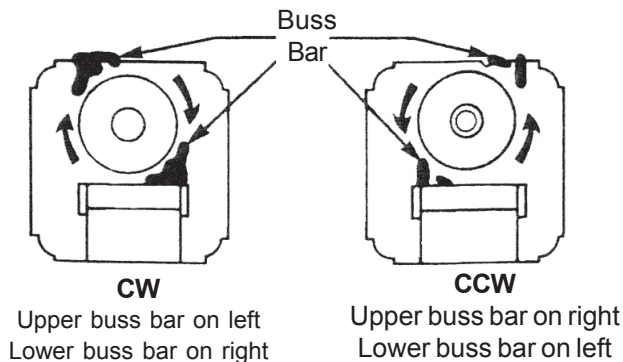
Supco No.	Shaft Speed	Shaft Diameter	Shaft Length	Stack	Leads	No.	Broan Type	Model Notes
SM700	2	7/32" w/flat	1 1/4"	3/4"	3 Pin	99080218	Range	Used on Economy Models
SM701	1	1/4" w/flat	2 3/4"	7/8"	2 Prong	99080159	Bath Heater	Used on 162 C & D- replace 9908145 if you reverse the rotation - Model 162B
SM702	1	1/4" w/flat	1 3/4"	7/8"	5 Pin	99080160	Bath Heater	Used on 160B series, 164 series (replace 99080146 if you reverse rotation for 164B & 160A series)
SM703	1	5/32" w/flat	1 1/4"	1/2"	2 Prong	99080245	Bath Heater	Used on 688 D - can
SM704	1	7/32" w/flat	1 1/2"	7/8"	2 Prong	99080166	Multiple 1973 to 2006	Used on 655 series, 657 series, 658 series, 679 series, 740 series, 741 series & others
SM705	1	.181" w/flat	1 7/8"	5/8"	2 Prong	99080216	Range	Broan 40000 series except for 40000H

* Prior to 1978 a smaller shaft was used on the 99080166, if shaft is not 7/32" order fan blade as well.

Tech Tip:

- "F" suffix on shaft length indicates flat on shaft.
- "S" suffix indicates spline shaft.
- When replacing a motor make sure that the type, voltage, amperage, wattage, rotation, shaft size, stack size and the electrical connectors are the same as the original motor.

Motor Rotation as viewed facing Shaft
 CW - Clockwise Rotation
 CCW - Counter Clockwise



Motor Rotation

To determine motor rotation:
 CW - Clockwise CCW - Counter Clockwise

- Facing shaft end of motor, locate the copper Buss Bar as indicated in illustration.
- The Buss Bar location determines shaft rotation.

Fan Blades



Exact Replacement Plastic Impellers



- Broan & Nutone Exact Replacement Impellers
- 3 Sizes Available
- Bathroom Ventilators
- Kitchen Ventilators

Tech Tip

- "F" Suffix on impeller hole indicates impeller will accommodate flat shaft.

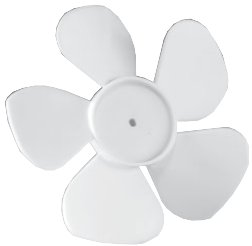
PART NO.	REPLACES MFG. NO.	BLADE O.D.	HOLE I.D.
SB001	Nutone 68920	4 5/8"	.181F
FB460	Broan 9910379H	4 9/16"	.218F
FB461	Broan 99110630	4 5/8"	.150



Plastic Blower Wheels

- 3 Sizes Available
- Bathroom Ventilators
- Kitchen Ventilators

PART NO.	SHAFT	ROTATION	BOTTOM DIAMETER	DEPTH	TOP DIAMETER	OEM PART NO.
FB250	1/8"	CW	2 1/2"	1"	2 11/16"	
FB325	3/16"	CW	3"	1"	3 1/4"	
FB590	1/4"	CW	5 3/4"	2"	6 1/8"	Nutone 59000A



Plastic Vent Hood Fan Blades

- 2 Sizes Available
- Ducted & Non Ducted Vent Hoods

PART NO.	SHAFT	DIAMETER	NO. BLADES	ROTATION	PITCH	VOLUME
FB660	7/32" w/flat	6 5/8"	5	CW	25°	High
FB665	7/32" w/flat	6 5/8"	5	CW	12°	Standard

Use with SM500 series or SM700 series that have 7/32" w/flat shaft.
Replaces Nutone 68929300 and many Broan blades



Plastic Fan Blades – General Purpose

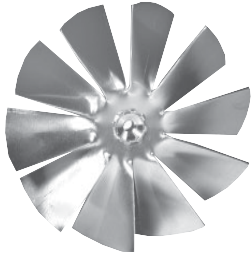
- Celcon Plastic Construction
- Light Weight Design Reduces Bearing Wear & Vibrations
- 2-1/2" to 8" Diameter Sizes Available (1/2" increments)
- Integral Hub Available In 1/8", 3/16", 1/4" & 5/16" Sizes
- Color Coded Rotation White = CW Gray = CCW
- Eliminates Bent or Misaligned Blades
- Low Air Noise
- Refrigerator & Freezer Evaporators
- Ventilators



PART NO.	SHAFT	DIAMETER	NO. OF BLADES	ROTATION	PART NO.	SHAFT	DIAMETER	NO. OF BLADES	ROTATION	PART NO.	SHAFT	DIAMETER	NO. OF BLADES	ROTATION
FB299	3/16"	2 1/2"	4	CW	FB503	5/16"	5"	5	CW	FB650	3/16"	6 1/2"	5	CW
FB300	1/8"	3"	4	CW	FB504	3/16"	5"	5	CCW	FB651	1/4"	6 1/2"	5	CW
FB301	3/16"	3"	4	CW	FB505	1/4"	5"	5	CCW	FB652	5/16"	6 1/2"	5	CW
FB302	3/16"	3 1/2"	4	CCW	FB506	5/16"	5"	5	CCW	FB701	1/4"	7"	5	CW
FB350	3/16"	3 1/2"	4	CW	FB550	3/16"	5 1/2"	4	CCW	FB702	5/16"	7"	5	CW
FB401	1/8"	4"	5	CW	FB551	1/4"	5 1/2"	4	CCW	FB703	1/4"	7"	5	CCW
FB402	3/16"	4"	5	CW	FB601	3/16"	6"	6	CW	FB704	5/16"	7"	5	CCW
FB403	1/8"	4"	5	CCW	FB602	1/4"	6"	4	CW	FB801	1/4"	8"	5	CW
FB404	3/16"	4"	5	CCW	FB603	5/16"	6"	4	CW	FB802	5/16"	8"	5	CW
FB406	1/8"	4"	4	CW	FB604	3/16"	6"	4	CCW	FB803	1/4"	8"	5	CCW
FB501	3/16"	5"	5	CW	FB605	1/4"	6"	4	CCW	FB804	5/16"	8"	5	CCW
FB502	1/4"	5"	5	CW	FB606	5/16"	6"	4	CCW					

Fan Blades

Aluminum Fan Blades - General Purpose



Tech Tip

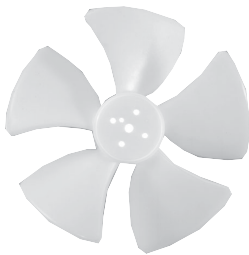
- Rotation is determined by facing air discharge

- 22 Gauge Aluminum Alloy Construction
- Light Weight Design Reduces Bearing Wear & Vibration
- 4" to 6 1/2" Diameter Sizes Available (1/2" increments)
- Slotted Set Screw Hub Sizes 3/16", 7/32" & 1/4"

- Clockwise or Counter Clockwise Rotations
- Refrigerator & Freezer Evaporators
- Ventilators

PART NO.	SHAFT	DIAMETER	NO. BLADES	ROTATION	PITCH	PART NO.	SHAFT	DIAMETER	NO. BLADES	ROTATION	PITCH
FB150	3/16"	4"	10	CW	35	FB172	1/4"	5 1/2"	4	CW	22
FB151	1/4"	4"	10	CW	35	FB173	3/16"	5 1/2"	4	CCW	22
FB152	3/16"	4"	10	CCW	35	FB174	7/32"	5 1/2"	4	CCW	22
FB153	1/4"	4"	10	CCW	35	FB175	1/4"	5 1/2"	4	CCW	22
FB156	3/16"	4 1/2"	10	CW	40	FB178	3/16"	6"	4	CW	20
FB157	1/4"	4 1/2"	10	CW	40	FB179	7/32"	6"	4	CW	20
FB158	3/16"	4 1/2"	10	CCW	40	FB180	1/4"	6"	4	CW	20
FB159	1/4"	4 1/2"	10	CCW	40	FB181	3/16"	6"	4	CCW	20
FB162	3/16"	5"	4	CW	19	FB182	7/32"	6"	4	CCW	20
FB163	7/32"	5"	4	CW	19	FB183	1/4"	6"	4	CCW	20
FB164	1/4"	5"	4	CW	19	FB186	3/16"	6 1/2"	4	CW	20
FB165	3/16"	5"	4	CCW	19	FB187	7/32"	6 1/2"	4	CW	20
FB166	7/32"	5"	4	CCW	19	FB188	1/4"	6 1/2"	4	CW	20
FB167	1/4"	5"	4	CCW	19	FB189	3/16"	6 1/2"	4	CCW	20
FB170	3/16"	5 1/2"	4	CW	22	FB190	7/32"	6 1/2"	4	CCW	20
FB171	7/32"	5 1/2"	4	CW	22	FB191	1/4"	6 1/2"	4	CCW	20

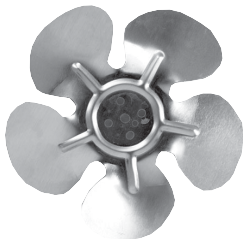
Plastic Fan Blades Direct Replacement and Hub Type



- Eight Popular Direct Replacements
- Available in Hub or Shaft Mount 1/8", 3/16"
- Clockwise & Counter Clockwise Rotations
- Refrigerator & Freezer Evaporators

PART NO.	SHAFT	DIAMETER	NO. BLADES	ROTATION	REPLACEMENT FOR
FB351	HUB	4"	5	CW	Universal Appl
FB352	HUB	4"	5	CCW	Universal Appl
FB353	HUB	4"	4	CCW	Whpl/Cldspt 513543
FB450	1/8"	4 1/2"	5	CCW	GE WR60X114
FB455	3/16"	5 9/16"	5	CCW	Bohn 5101B
FB456	1/8"	5 9/16"	5	CCW	Bohn 5036F,5007S,5018S
FB457	1/8"	4"	4	CCW	Whirlpool/482731
FB718	HUB	7"	5	CW	Admiral 62934-2, 69958-1
FB718G	HUB	7"	5	CW	GEM FB718 SubZero 3-15-032-0

Aluminum Condenser Fan Blades



- Aluminum Construction
- 9 Popular Sizes Available
- 6" to 10" Diameter
- Clockwise & Counter Clockwise Rotations
- 5 Blades
- Unit Bearing Motors with 1/4" x 20 Threaded Shafts

PART NO.	DIAMETER	NO. OF BLADES	ROTATION	PITCH
FB101	6"	5	CW	-
FB102	6"	5	CCW	-
FB103	7"	5	CCW	20°
FB104	7"	5	CW	20°
FB105	8"	5	CCW	20°
FB106	8"	5	CW	20°
FB107	8 3/4"	5	CW	20°
FB108	10"	5	CCW	29°
FB109	10"	5	CW	22°

Tech Tip

Fan Blade Rotation To determine the blade rotation.
CW- Clockwise & CCW -Counter Clockwise

1. Lay blade on a flat surface (either side up).
2. The direction of rotation is determined by observing which blade edge touches the flat surface.
3. Left side is touching the flat surface = CW.
4. Right side is touching the flat surface = CCW.

