

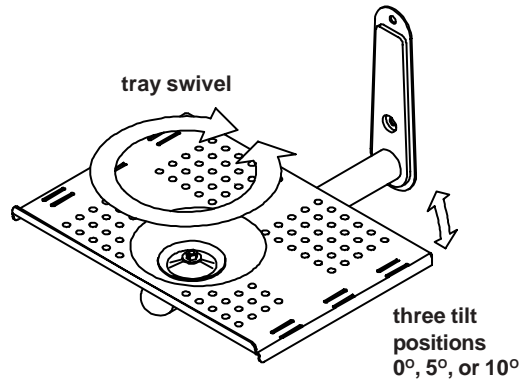
The UL listed Classic Series™ wall mounts are designed for mounting smaller TV's and Monitors. These light duty, shelf style wall mounts offer a basic, economical mounting solution for applications where theft is not a concern. The Classic Series wall mounts are ideal for mounting CCTV monitors. **CS9** models are for 9" (20-26cm) diagonal TVs. **CS13** models are for 13" (36-45cm) diagonal TVs.

Features

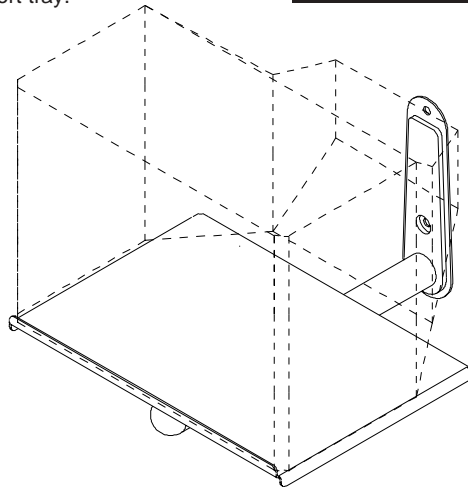
Support Tray has three tilt positions (0°, 5°, or 10°).

Safety belt included.

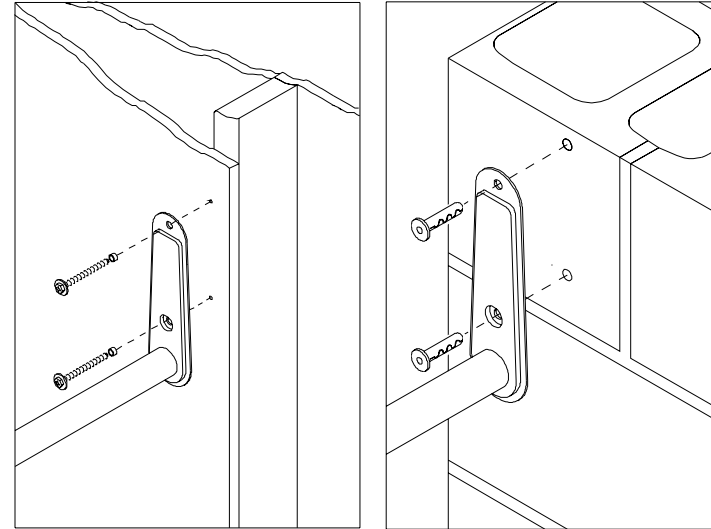
VCR mounting bracket (sold separately) attaches easily below the support tray.



See opposite side for specific dimensions.



Most of the wall mount is concealed by the TV resulting in a clean finished assembly.



Accessories

- Concrete Anchor Kit model ACC203
- Metal Stud Fasteners model ACC215
- WSP420 series wall plate



CS 9, CS 9W	Product is UL rated up to 9" TV, 50 lbs.
CS 13, CS 13W	Product is UL rated up to 13" TV, 50 lbs.

Architects Specifications:

The TV wall mount shall be a Peerless model CS ____ and shall be located where indicated on the plans. The finish shall be scratch resistant Black or White Fused Epoxy. The point of attachment must be to a wood stud, metal stud, concrete block, brick, or solid concrete wall. The TV wall mount shall be constructed primarily of heavy gauge cold rolled steel and steel tubing. It shall feature three tilt positions and swivel. Assembly and installation shall be done according to instructions provided by the manufacturer.

**TECHNICAL DATA SHEET
CLASSIC SERIES TV WALL MOUNT**

Peerless Industries, Inc.

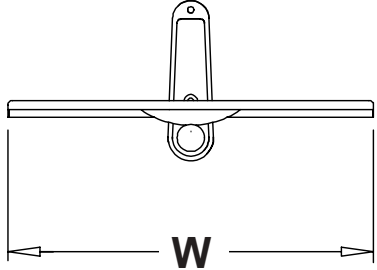
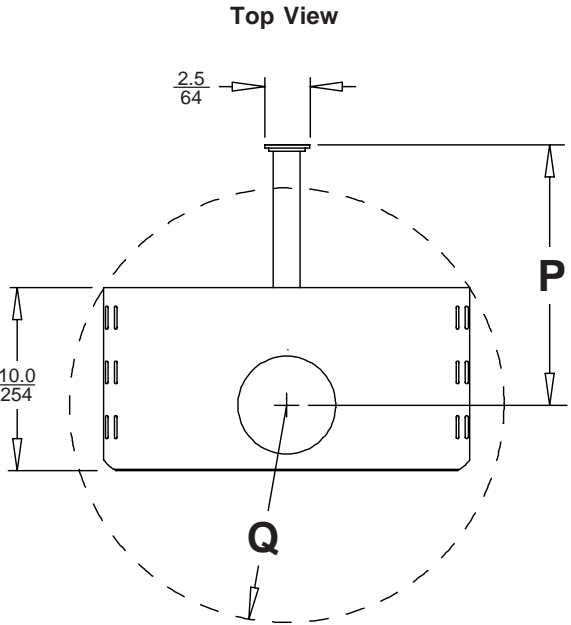
3215 W. North Ave.
Melrose Park, IL 60160

phone: (708)865-8870
fax: (708)865-2941

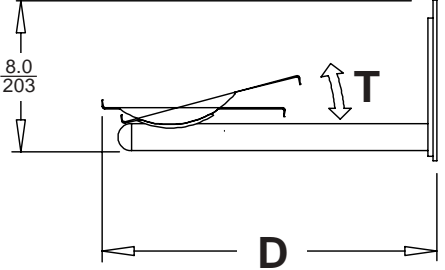
ISSUED: 3-18-96 SHEET NO:017-9503-5 8-15-03

All dimensions:

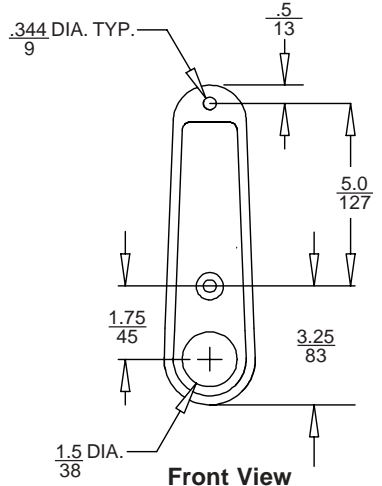
$\frac{\text{inch}}{\text{mm}}$



Front View



Side View



Front View
Wall Plate Only

	MODEL NUMBER	
	CS9, CS9W for 9" (20-26cm) TVs	CS13, CS13W for 13" (36-45cm) TVs
W	$\frac{10.0}{254}$	$\frac{14.0}{356}$
D	$\frac{14.0}{356}$	$\frac{17.75}{451}$
P	$\frac{10.5}{267}$	$\frac{14.25}{362}$
Q	$\frac{8.5}{216}$	$\frac{9.5}{241}$
T	THREE TILT POSITIONS: 0°, 5°, 10°	
WEIGHT	$\frac{5.5 \text{ lb}}{2.5 \text{ kg}}$	$\frac{6 \text{ lb}}{2.7 \text{ kg}}$
SHIPPING WEIGHT	$\frac{6.5 \text{ lb}}{2.9 \text{ kg}}$	$\frac{7 \text{ lb}}{3.2 \text{ kg}}$

© 2003 Peerless Industries, Inc. All rights reserved.
Peerless is a registered trademark of Peerless Industries, Inc.
All other brand and product names are trademarks or registered trademarks of their respective owners.