

900213

14" X 76" POLE TOP
CONCEALMENT, WOOD POLE,
ERICSSON CONFIGURATION



719.599.3400

www.concealfab.com

sales@concealfab.com

10205 Federal Drive, Building B
Colorado Springs, CO 80908

September 2019

Contents

SPECIFICATIONS 2

RECOMMENDED TOOLS..... 3

SUPPLIED PARTS & HARDWARE..... 4

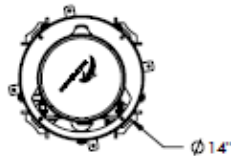
ASSEMBLY 8

SPECIFICATIONS

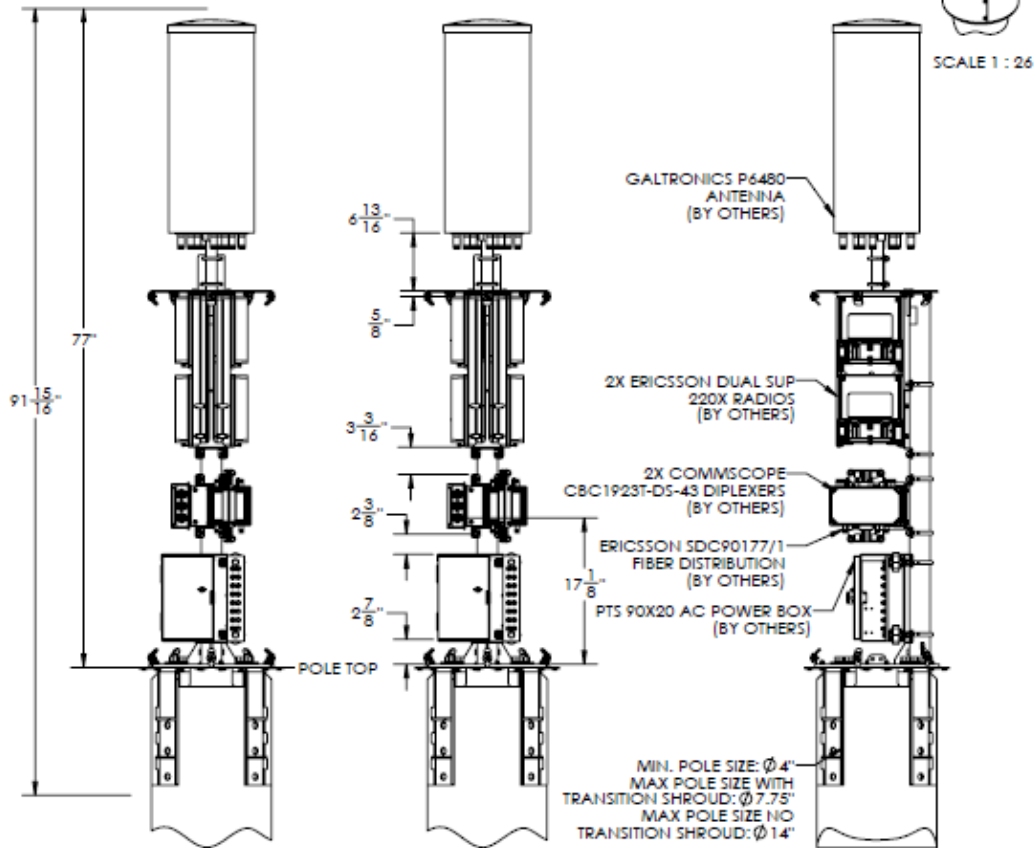
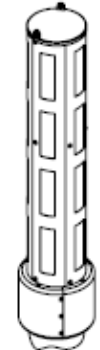
PROPOSAL DRAWING

APPROVED
 APPROVED - WITH CHANGES NOTED
 NOT APPROVED - CHANGE AS NOTED & RESUBMIT

APPROVED BY _____ DATE _____



COMMSCOPE DIPLEXER CONFIGURATION



- NOTES:
1. APPROX. WEIGHT (AS SHOWN): 99.18 LBS. (DOES NOT INCLUDE RADIO OR RF EQUIPMENT)
 2. APPROX. VOLUME (AS SHOWN): 7.71 CUBIC FT (DOES NOT INCLUDE TRANSITION SHROUD).

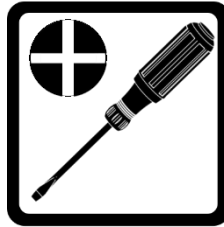
<p>1000 HERRICK DRIVE COLORADO SPRING, CO 80908 PH: 719-539-5400 FAX: 719-539-2850 SALES@CONCEALFAB.COM</p>	<p>DO NOT SCALE DRAWING</p>	<p>TITLE: 14"X76" POLE TOP CONCEALMENT, WOOD POLE, ERICSSON CONFIGURATION</p>			
		<p>DIMENSIONS ARE IN INCHES</p>			
<p>PROPRIETARY INFORMATION USE, REPRODUCTION, OR DISCLOSURE IS SUBJECT TO RESTRICTIONS SET FORTH IN ANY DISCLOSURE AGREEMENTS AND PARTNER CONTRACTUAL DOCUMENTS. © 2017 ConcealFab Corp. All Rights Reserved.</p>	<p>MODIFIED BY: JTM 02/14/19</p>	<p>NAME: DATE:</p>	<p>SCALE: 1:12</p>	<p>SHEET: B</p>	
	<p>DRAWN BY: JTM 01/09/19</p>	<p>CHECKED BY:</p>	<p>SALES NUMBER:</p>	<p>1 of 2</p>	<p>900213</p>
	<p>SALES NUMBER: 900213</p>				

RECOMMENDED TOOLS

See kit fasteners (pg. 7).



ADJUSTABLE
WRENCH

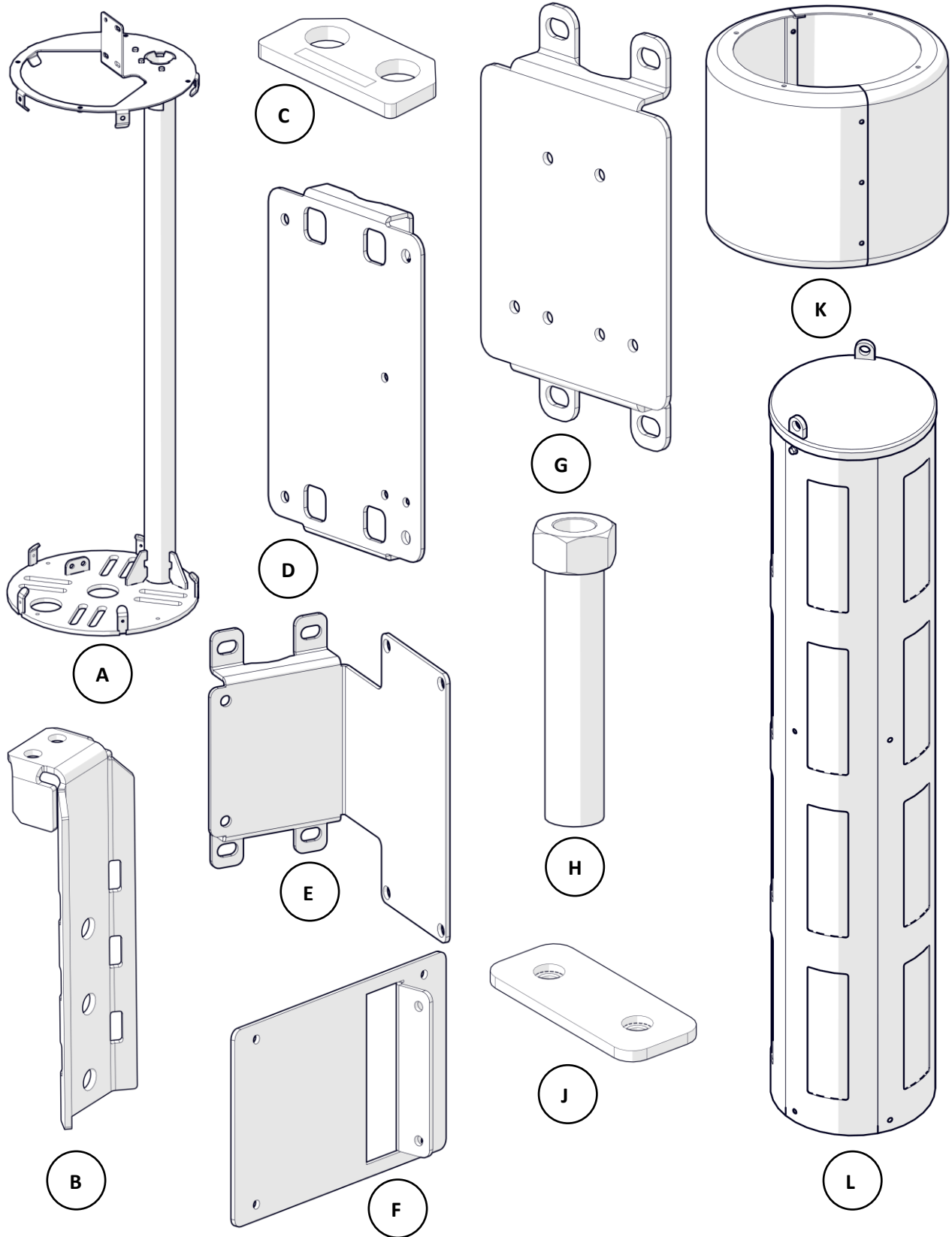


PHILLIPS
SCREWDRIVER



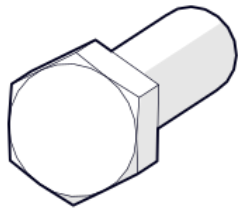
SOCKET HEAD
SCREWDRIVER

SUPPLIED PARTS & HARDWARE



PARTS				
ITEM	QTY	DESCRIPTION	SUPPLIER P/N	PKG'D
A	1	ECCENTRIC MAST	106497	
B	4	SHORT LEG, ECCENTRIC POLE TOP	105454	
C	4	ECCENTRIC WASHER	009867	
D	1	POWER EQUIPMENT BRACKET	109640	
E	1	DIPLEXER EQUIPMENT BRACKET	109685	
F	1	FIBER DISTRIBUTION BRACKET	109671	
G	1	DUAL 2203 RADIO MOUNTING BRACKET	009999	
H	1	SINGLE BOLT ADAPTER EXTENSION	104981	
J	4	TRANSITION MOUNTING TAB	109862	
K	1	TRANSITION SHROUD	109809	
L	1	ECCENTRIC CONCEALMENT SHROUD	106495	

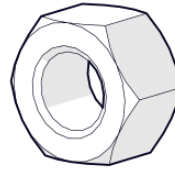
NOTE: Parts may be pre-installed for shipping.



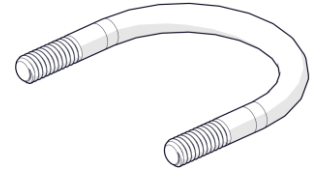
1



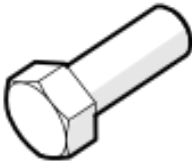
2



3



4



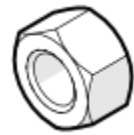
5



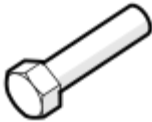
6



7



8



9



10



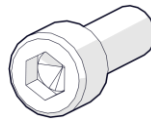
11



12



13



14



15



16



17

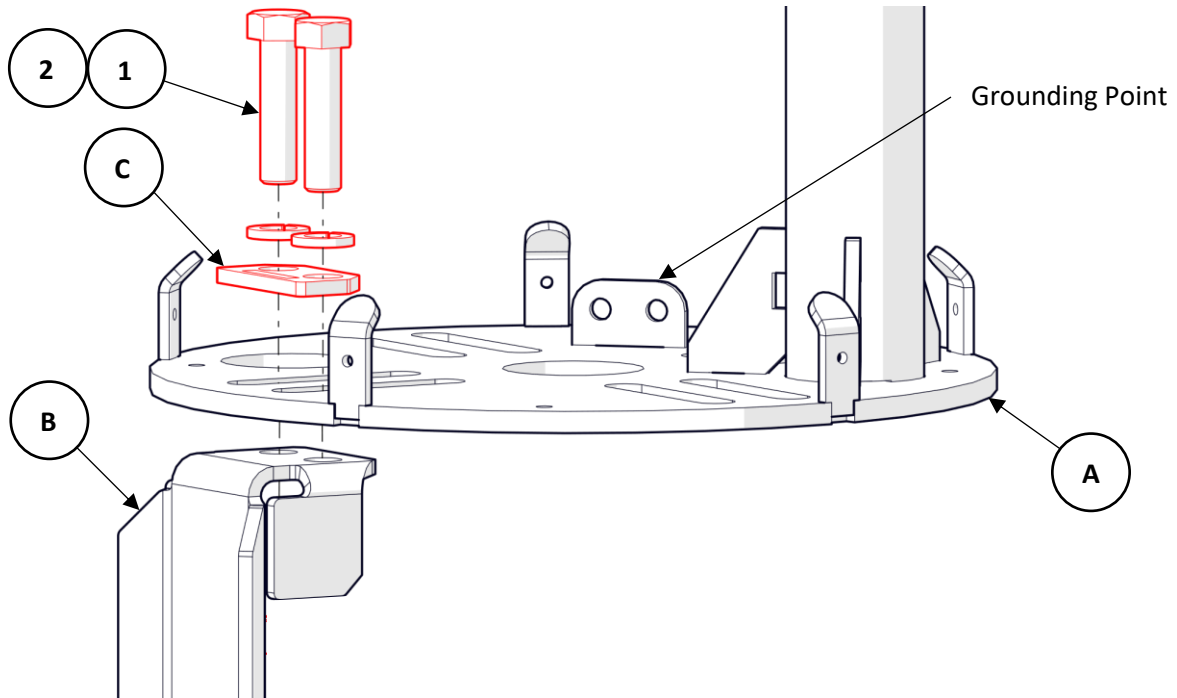
PARTS				
ITEM	QTY	DESCRIPTION	SUPPLIER P/N	PKG'D
1	8	5/8"-11 X 2 1/2" LG., HEX HEAD BOLT	003085	
2	8	5/8" LOCK WASHER	002680	
3	8	5/8"-11 HEX NUT	002681	
4	8	2" NOMINAL U-BOLT	100387	
5	2	3/8"-16 X 1" LG., HEX HEAD BOLT	003015	
6	18	3/8" LOCK WASHER	002490	
7	20	3/8" FLAT WASHER	002489	
8	18	3/8"-16 HEX NUT	002492	
9	4	1/4"-20 X 1" LG., HEX HEAD CAP SCREW	003247	
10	4	1/4"-20 X 5/8" LG., HEX HEAD CAP SCREW	004911	
11	2	1/4" LOCK WASHER	002830	
12	2	1/4" FLAT WASHER	000301	
13	22	1/4"-20 X 3/4" LG., 1" O.D., FASTENER ASSY	100345	
14	4	#10-32 X 1/2" LG., SOCKET HEAD CAP SCREW	011020	
15	6	M6 X 1mm X 14mm LG., HEX HEAD CAP SCREW	011022	
16	6	M6 LOCK WASHER	006975	
17	6	M6 FLAT WASHER	002567	

NOTE: Hardware may be pre-installed for shipping.

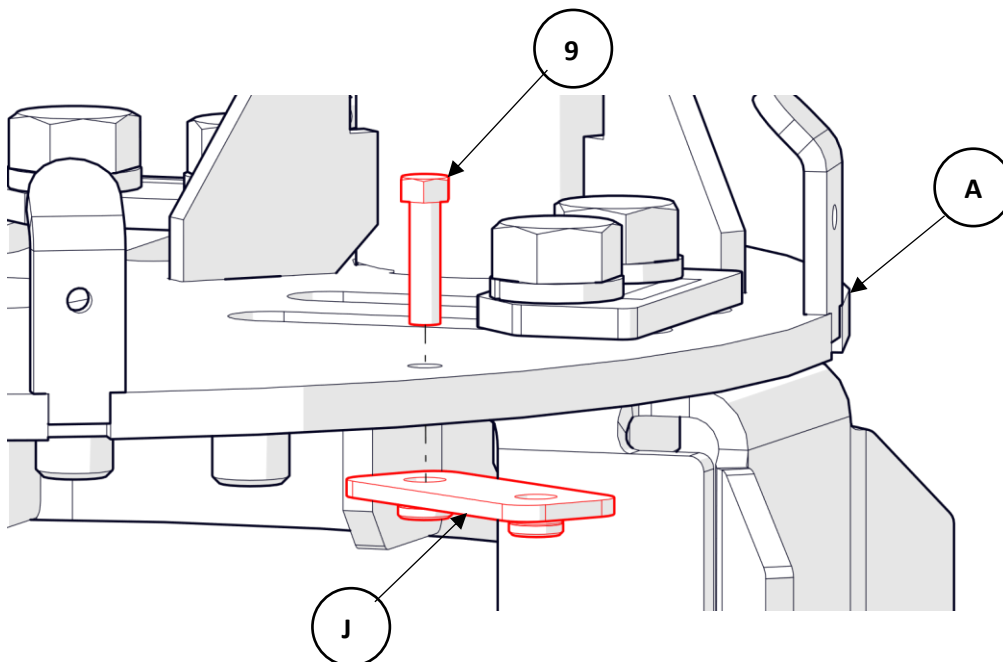
ASSEMBLY

NOTE: Parts may be pre-installed for shipping.

Install Item B to Item A using hardware provided as shown. Hardware Item 3 is welded to bottom of leg.

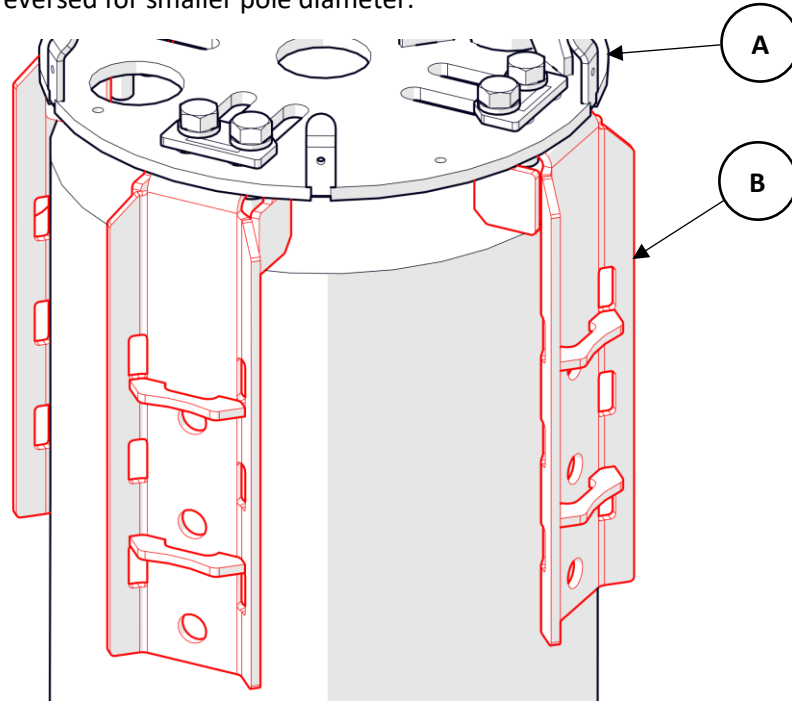


Install Item J to Item A using hardware provided as shown.

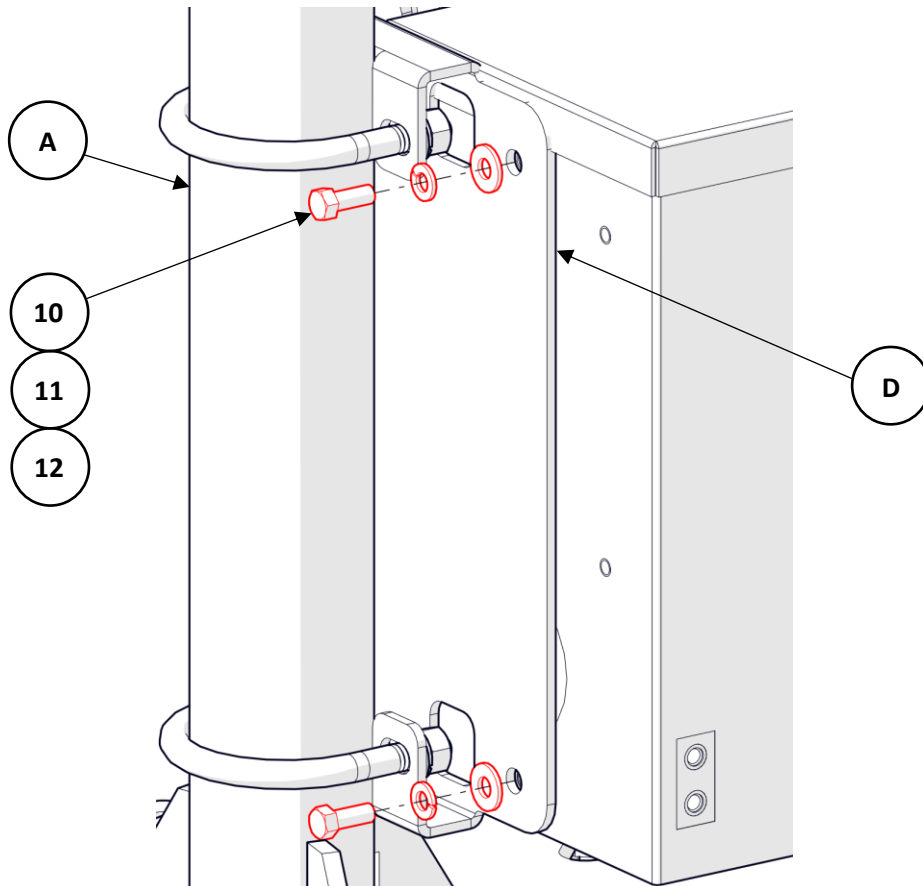


Install the assembly of Item A and Item B to pole using bolts or bands. (Not included)

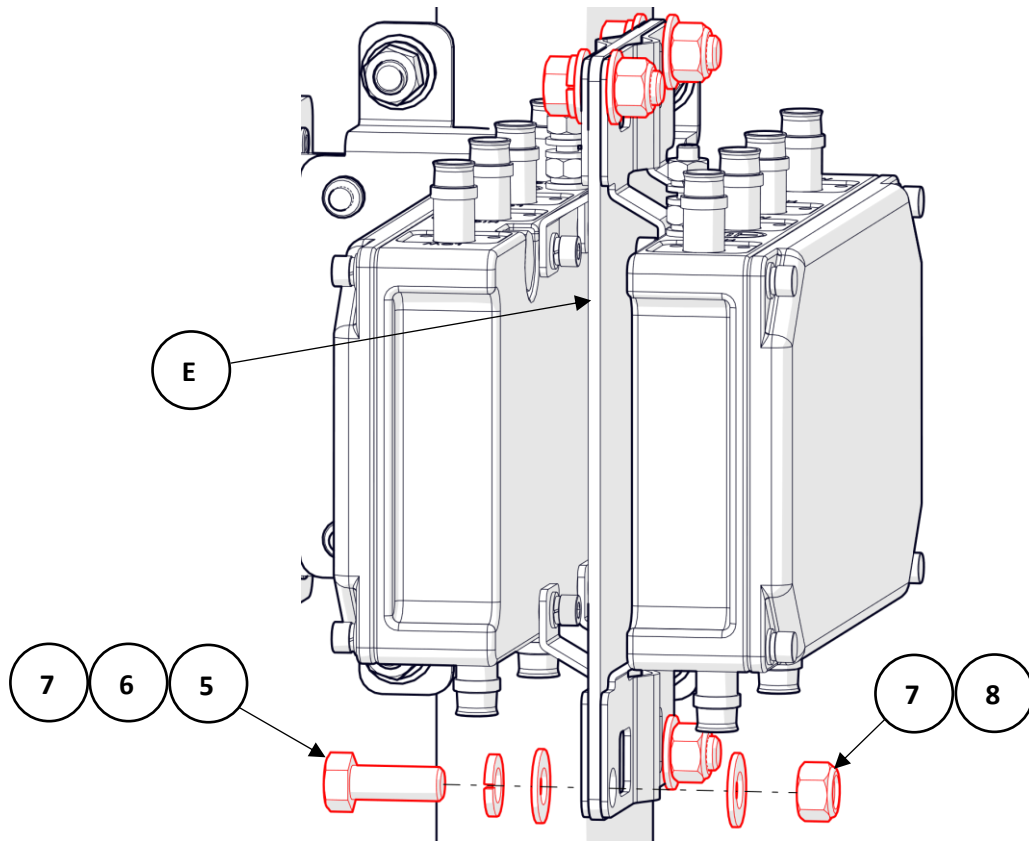
Note: Legs may be reversed for smaller pole diameter.



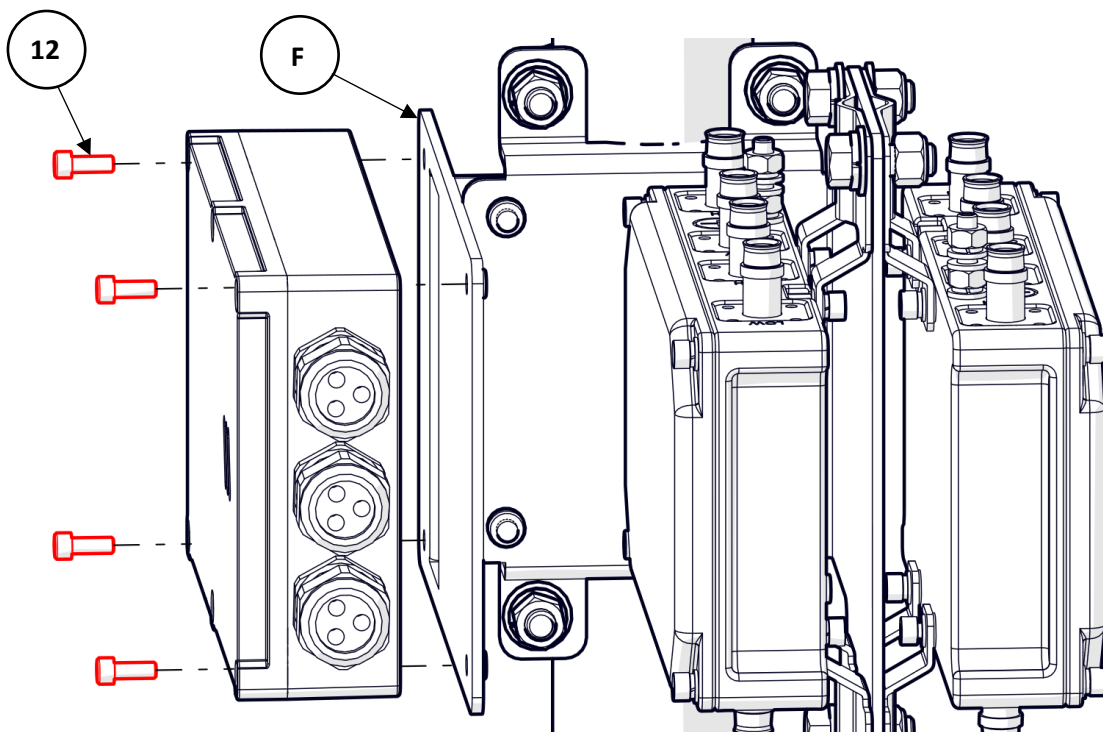
Install Distribution Panel to pre-installed Item D using hardware provided as shown.



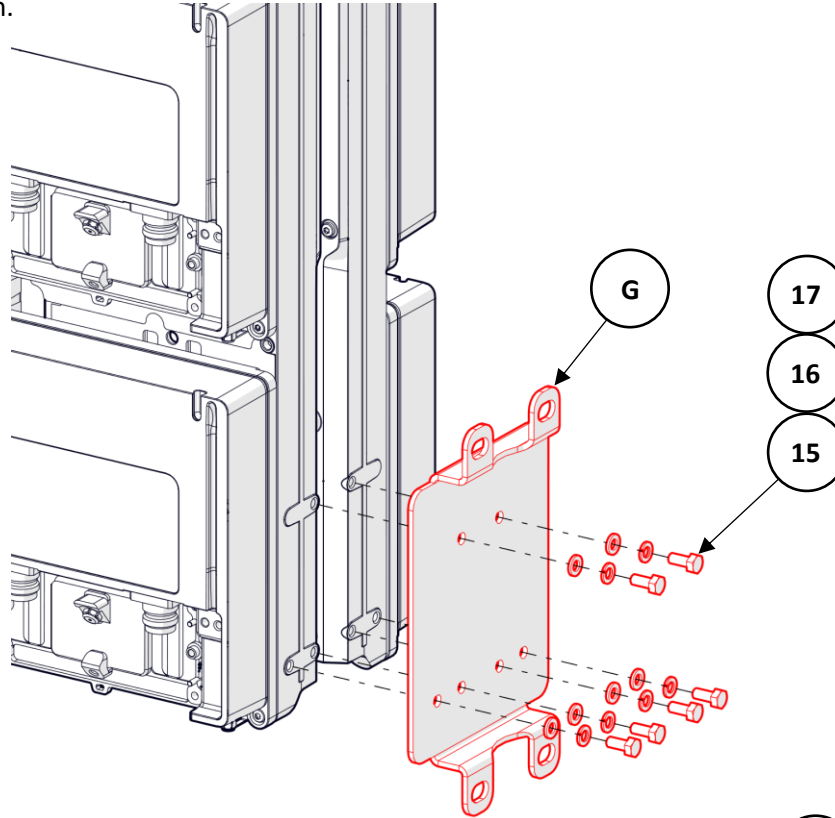
Install Dual Diplexers to pre-installed Item E using hardware provided as shown.



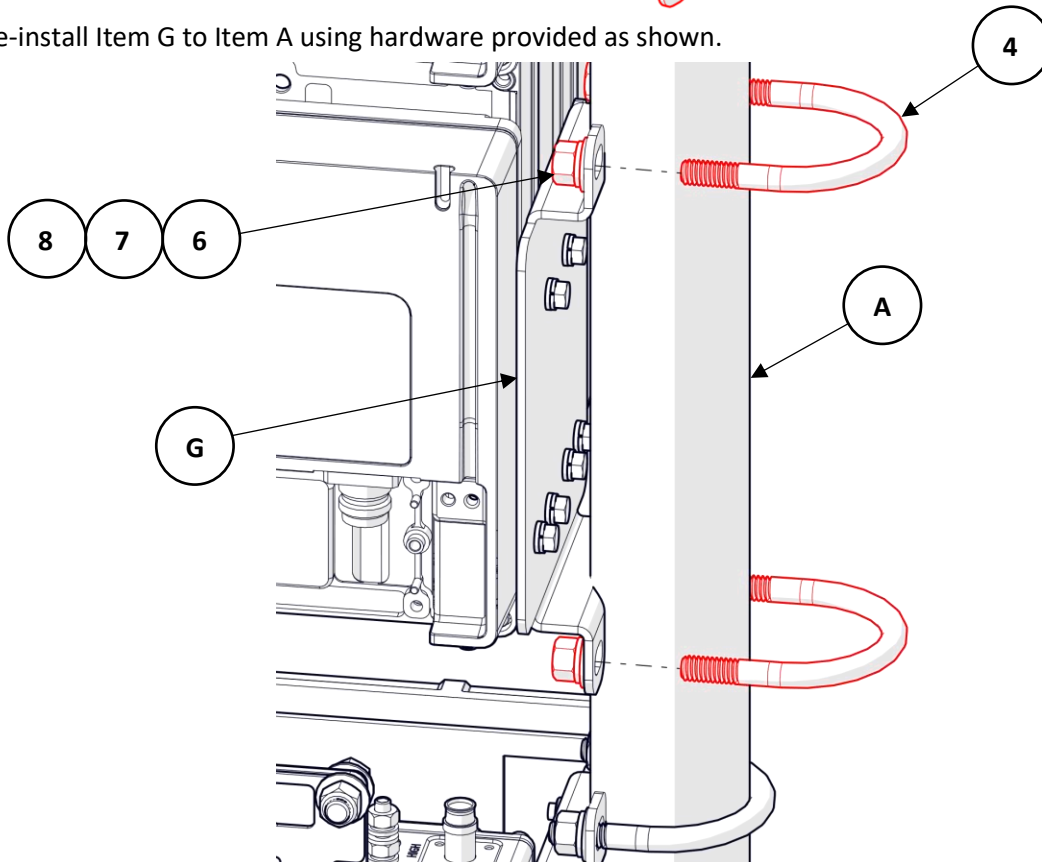
Install Fiber Box to pre-installed Item F using hardware provided as shown.



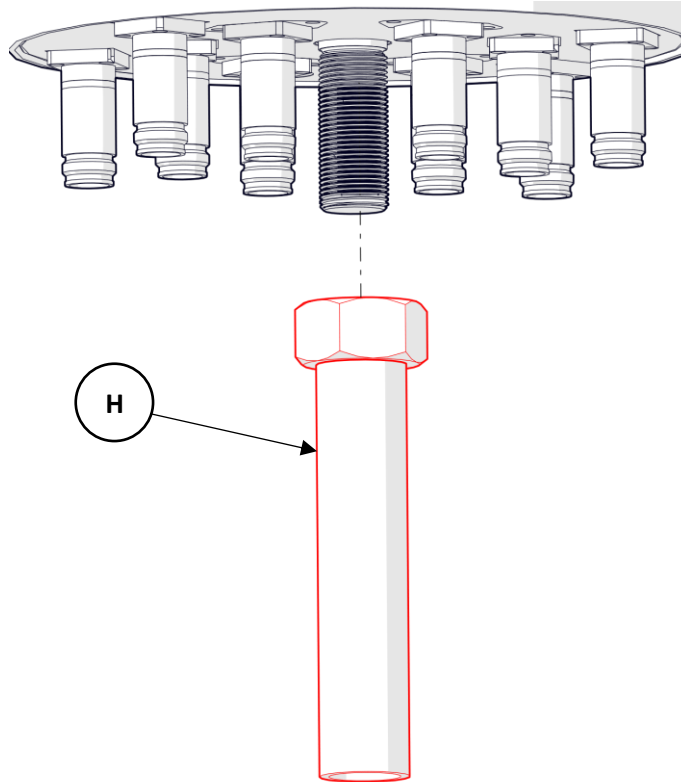
Remove pre-installed Item G from Item A. Install Dual 220X Radios to Item G using hardware provided as shown.



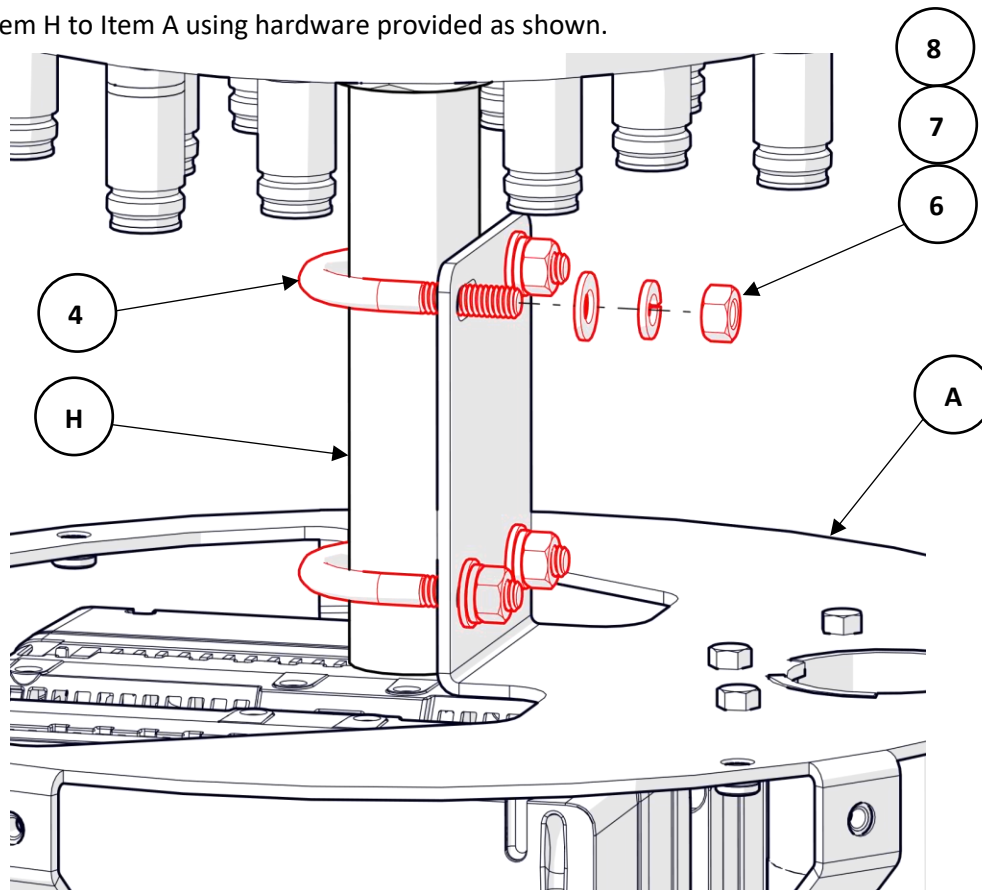
Re-install Item G to Item A using hardware provided as shown.



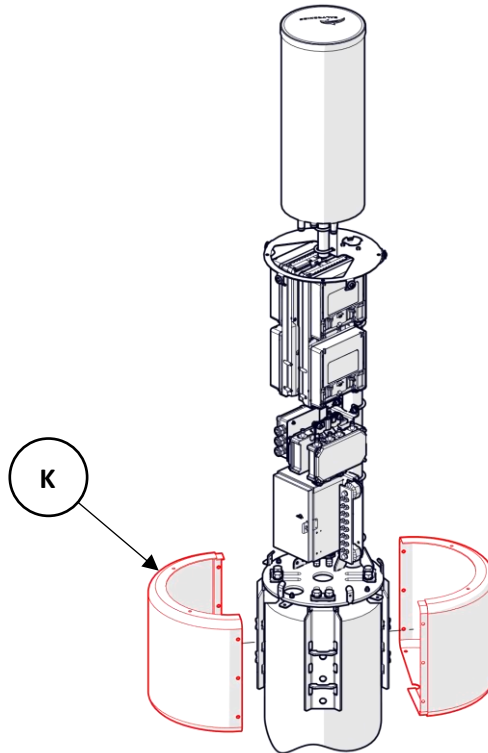
Remove pre-installed Item H from Item A. Attach antenna to Item H as shown.



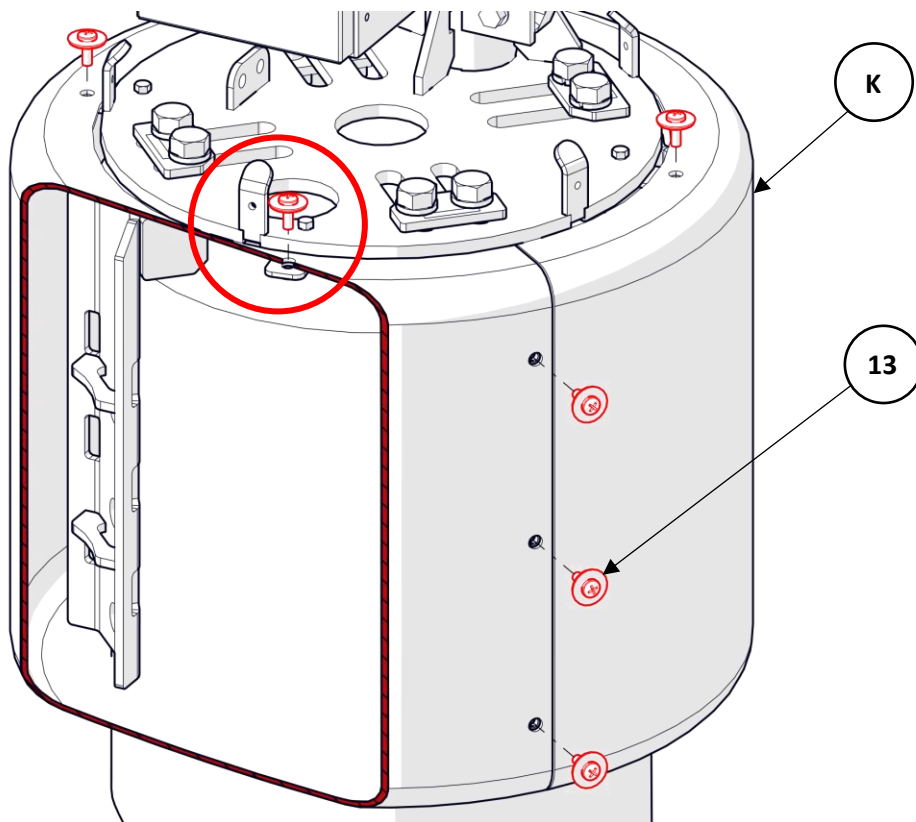
Re-install Item H to Item A using hardware provided as shown.



Enclose legs of assembly with Item K as shown. Trim bottom of Item K to pole's diameter.



Install Item K to Item J using hardware provided as shown.



Left: Enclose entire assembly with Item L as shown.

Right: Install Item L to Item A using hardware provided as shown.

