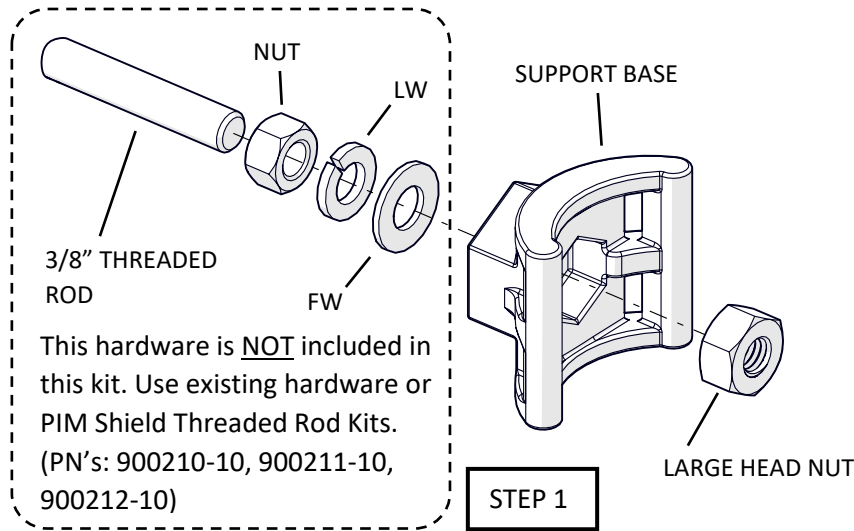


900209-10: PIM Shield Cable Support Base with Large Head Nut (sold in packages of 10)

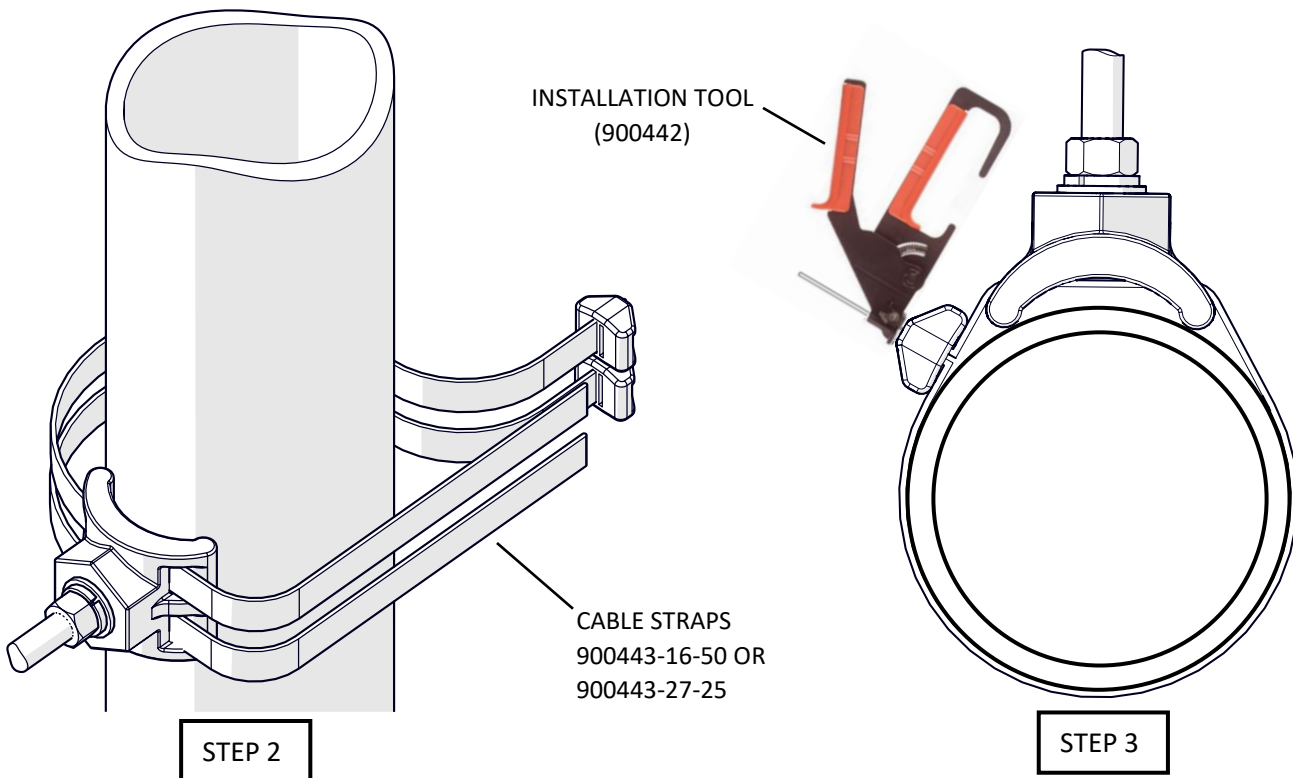
**STEP 1**

Attach Threaded Rod to PIM Shield Cable Support Base (Torque greater than 10 Ft-lb).



**STEP 2**

Pass appropriate length of PIM Shield Cable Straps through Low PIM Cable Support Base, around pipe, and back through Locking Head.



**STEP 3**

Use Cable Strap installation tool (900442 or equivalent) to tighten Cable Strap in position shown and flush-cut tail to Locking Head.