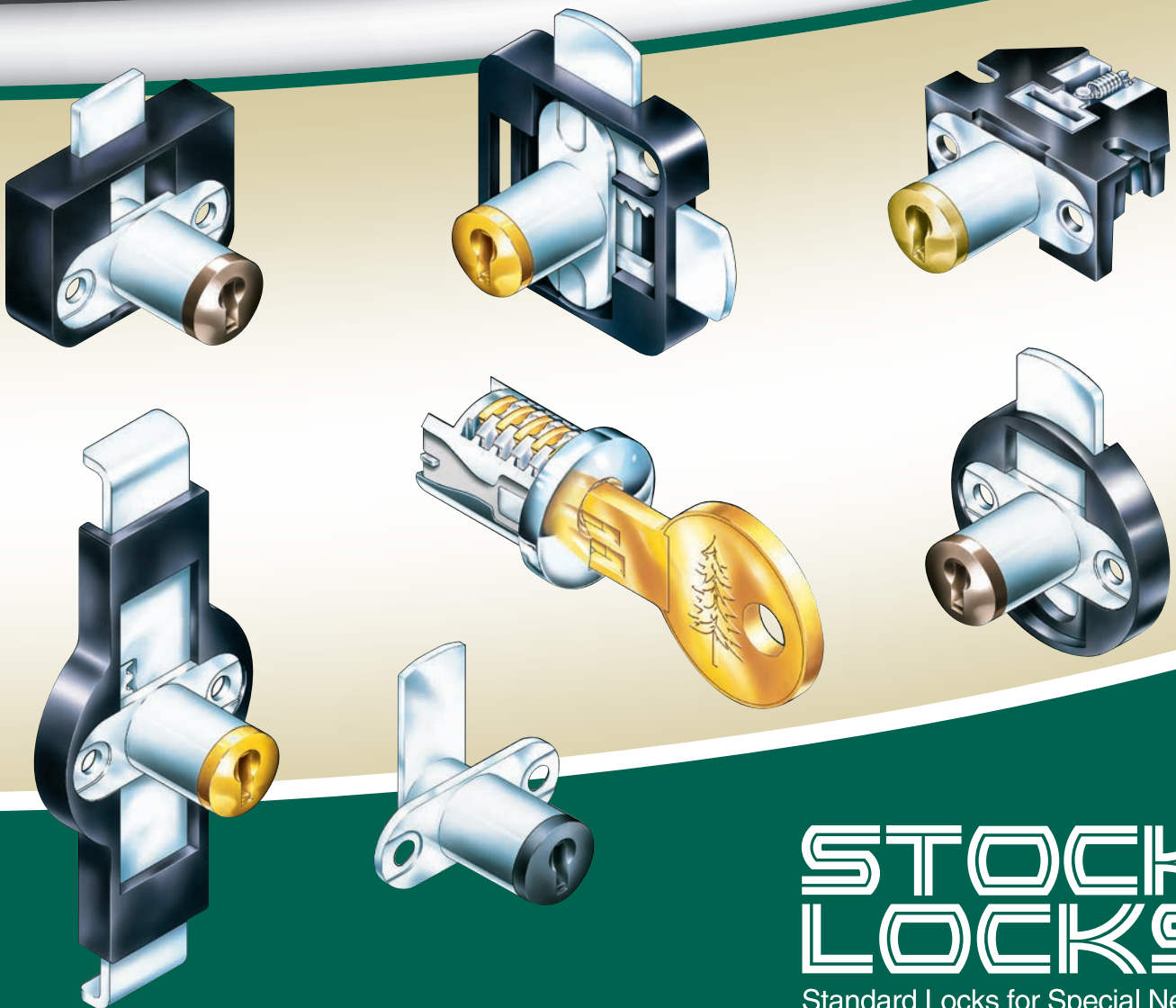




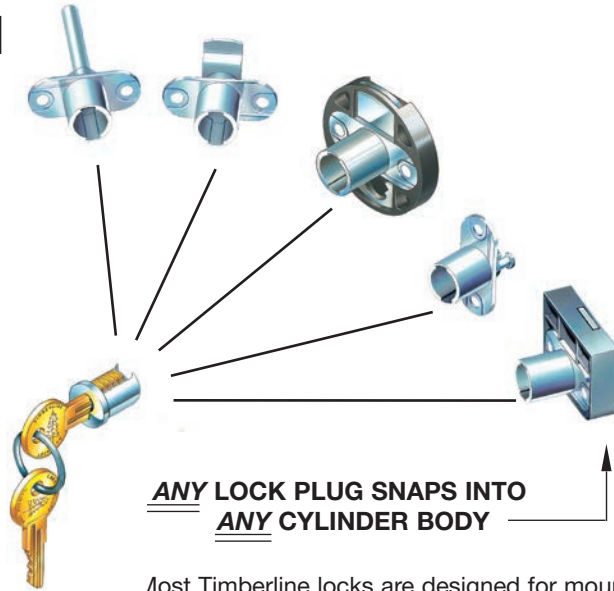
CompX<sup>®</sup>  
TIMBERLINE



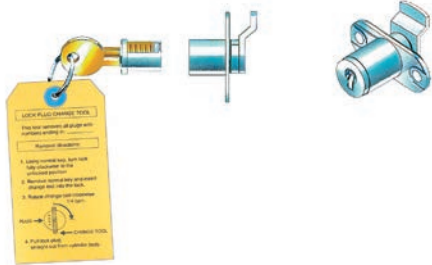
STOCK<sup>®</sup>  
LOCKS  
Standard Locks for Special Needs

# COMPX TIMBERLINE REMOVABLE LOCK PLUG SYSTEM

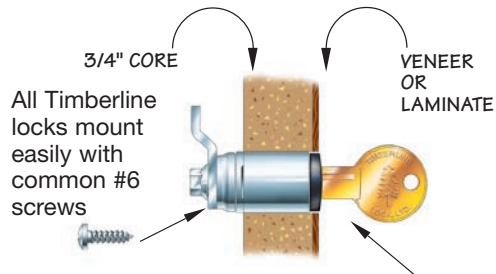
- Wide Selection of Locks to Fit Most Furniture & Cabinet Applications
- Available in Several High Quality Finishes
- Removable Lock Plugs For Complete Keying Versatility
- Pre-Packaged in Poly-bags for Easy Distribution to Your Customer



**Lock Plug + Cylinder Body = Assembled Lock**



Most Timberline locks are designed for mounting in 3/4" panels, with or without a veneer or laminate face.



All Timberline locks consist of two separate components: a Lock Plug, and a Cylinder Body. A Change Tool (D500KY, see page 7) is required to remove lock plugs from the cylinder bodies.

Most Timberline locks are used in a 16.5 mm hole (drill bit C165DB available, see page 7). Optional bezels are available (see page 7) that allow use of locks in holes from 3/4" to 7/8" in diameter.

## LOCK PLUGS FOR ALL LOCK TYPES



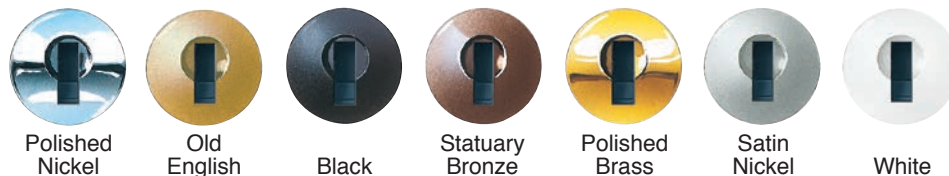
Part No.	Finish	KA Codes*	KD Codes	Case Quantity	Key Blank
C100LP-14A	Polished Nickel	10	200 †	25	D300KY
C200LP-8	Old English	10	25**	25	D300KY
C300LP-19	Black	10	200 †	25	D300KY
C400LP-20	Statuary Bronze	10	25**	25	D300KY
C500LP-3	Polished Brass	10	25**	25	D300KY
C700LP-15	Satin Nickel	10	25**	25	D300KY
C800LP	White	10	25**	25	D300KY

### Lock Features:

- Small Diameter
- High Quality/Long Life
- Solid Brass Keys
- Coded on Face & Keys
- Master-Keyed Standard
- Removable Lock Plug

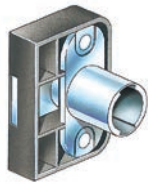
\* Key Codes Available: 100T, 101T, 102T, 103T, 104T, 105T, 106T, 107T, 108T, 109T  
 \*\* Packaged Kit of 25 Lock Plugs, One Each Keyed with Codes 110T through 134T  
 † Packaged Kit of 25 Lock Plugs, One Each Keyed with Codes 110TA - 209TA, 700TA - 799TA

### Lock Plug Finishes:





## DOOR LOCKS



290 SERIES



240 SERIES

**Application** - Surface mounted lock for locking doors.

**Operation** - 180° key rotation, CCW to lock, key removable in both locked and unlocked positions.

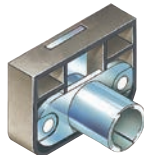
**Keying** - Order lock plug separately, see page 2.

**Packaging** - Housing is black, toughened nylon. Cylinder is unplated. Cams are zinc plated. Case quantity 25.

Part No.	Type	Cam Setback	Cam Extension*	Cam Throw	Case Quantity
C240CB	240	3/32"	15/16"	1/2"	25
C241CB	241	3/32"	1-3/8"	1/2"	25
C242CB	242	3/32"	2-5/8"	1/2"	25
C244CB	244	19/32"	1-1/2"	1/2"	25
C245CB	245	7/8"	1-1/2"	1/2"	25
C290CB	290	9/32"	13/16"	3/8"	25
C291CB	291	9/32"	1-1/4"	3/8"	25

\* Measured from center of cylinder to tip of cam in unlocked position

## DRAWER LOCKS



280 SERIES



230 SERIES

**Application** - Surface mounted lock for locking drawers.

**Operation** - 180° key rotation, CCW to lock, key removable in both locked and unlocked positions.

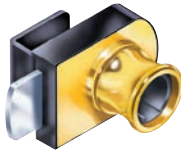
**Keying** - Order lock plug separately, see page 2.

**Packaging** - Cylinder is black, toughened nylon. Cylinder is unplated. Cams are zinc plated. Case quantity 25.

Part No.	Type	Cam Setback	Cam Extension*	Cam Throw	Case Quantity
C230CB	230	3/32"	15/16"	1/2"	25
C231CB	231	3/32"	1-3/8"	1/2"	25
C232CB	232	3/32"	2-5/8"	1/2"	25
C234CB	234	19/32"	1-1/2"	1/2"	25
C235CB	235	7/8"	1-1/2"	1/2"	25
C280CB	280	9/32"	13/16"	3/8"	25
C281CB	281	9/32"	1-1/4"	3/8"	25

\* Measured from center of cylinder to tip of cam in unlocked position

## GLASS DOOR LOCKS



**Keying** - Order lock plug separately, see page 2.

### Glass Door Lock Bore Through Style Mounts In Glass Doors Up To 3/8" Thick

**Application** - Swing style doors.

**Operation** - 90° rotation. CCW to lock. Requires 7/8" Dia. hole bored in glass centered 7/8" from edge.

Part No.	Finish	Version	Cam Setback	Case Quantity
C301CB-14A	Polished Nickel	Horizontal Mount	15/16"	10
C307CB-15	Satin Nickel	Horizontal Mount	15/16"	10
C311CB-14A	Polished Nickel	Vertical Mount	15/16"	10
C315CB-3	Polished Brass	Vertical Mount	15/16"	10
C317CB-15	Satin Nickel	Vertical Mount	15/16"	10

### Glass Door Lock Compression Mount Style Mounts On Glass Door 1/4" - 5/16" Thick

**Application** - Swing style doors.

**Operation** - 180° rotation. Lock slips onto edge of glass door at any location. Works with C185SP-19 strike plate.

Part No.	Finish	Version	Cam Throw	Case Quantity
C351CB-14A	Polished Nickel	Horizontal Mount	1/2"	10
C355CB-3	Polished Brass	Horizontal Mount	1/2"	10
C357CB-15	Satin Nickel	Horizontal Mount	1/2"	10
C361CB-14A	Polished Nickel	Vertical Mount	1/2"	10
C365CB-3	Polished Brass	Vertical Mount	1/2"	10
C367CB-15	Satin Nickel	Vertical Mount	1/2"	10

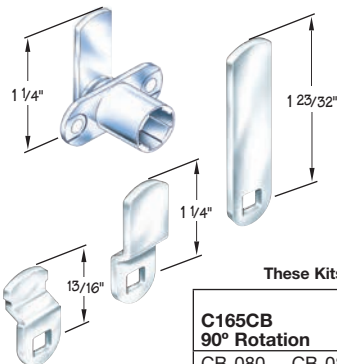
### Glass Door Lock Double Door Style Mounts On Glass Door 1/4" - 5/16" Thick

**Application** - Double swing style doors.

**Operation** - 180° rotation. Lock slips onto edge of glass door. Tab provides stop for opposing door. Works with C185SP-19 Strike Plate.

Part No.	Finish	Version	Cam Throw	Case Quantity
C371CB-14A	Polished Nickel	Vertical Mount	1/2"	10
C375CB-3	Polished Brass	Vertical Mount	1/2"	10
C377CB-15	Satin Nickel	Vertical Mount	1/2"	10

## CAM LOCK KITS C165CB, C168CB, C169CB



**Application** - Universal type lock for either doors or drawers. Each kit contains a variety of easily switched cams to accommodate most locking situations.

**Operation** - 90° & 180° cam rotation, CCW to lock.

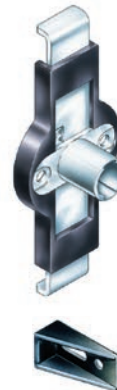
**Keying** - Order lock plug separately, see page 2.

**Packaging** - Cylinder supplied with two straight and bent cams. Bent cams have setback of 15/32". Cylinder is unplated. Case quantity 25.

These Kits will Replace the Following Timberline Cam Locks:

C165CB 90° Rotation			C168CB 180° Rotation (Horizontal)		C169CB 180° Rotation (Vertical)	
CB-080	CB-083	CB-084	CB-180	CB-183	CB-190	CB-193
CB-085	CB-087	CB-088	CB-184	CB-185	CB-194	CB-195
CB-090	CB-093	CB-094	CB-187	CB-188	CB-197	CB-198
CB-095	CB-097	CB-098				

## TWO DRAWER SIDE GANG LOCK D270CB



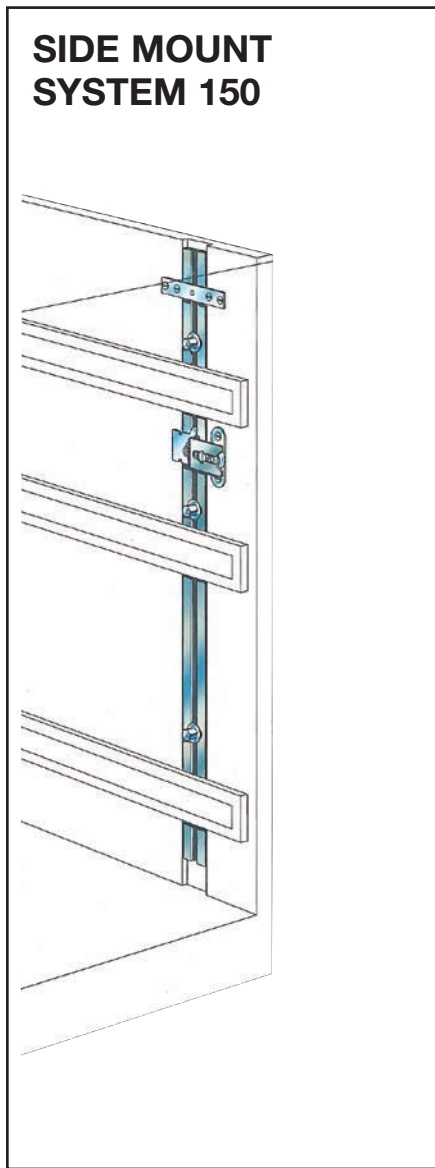
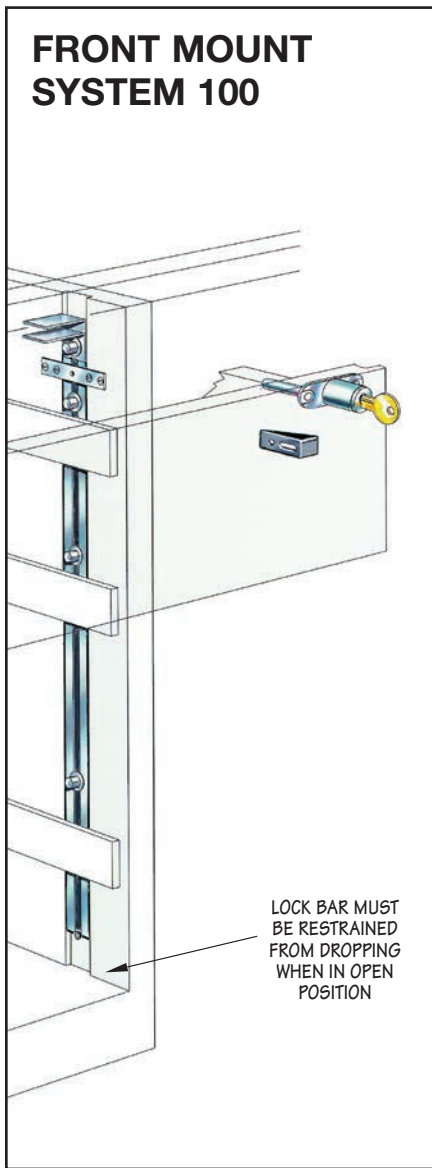
**Application** - Two drawer gang lock for locking two pedestal drawers with a single lock. Lock mounts on side of cabinet.

**Operation** - 180° key rotation, CCW to lock, key removable in both locked and unlocked positions.

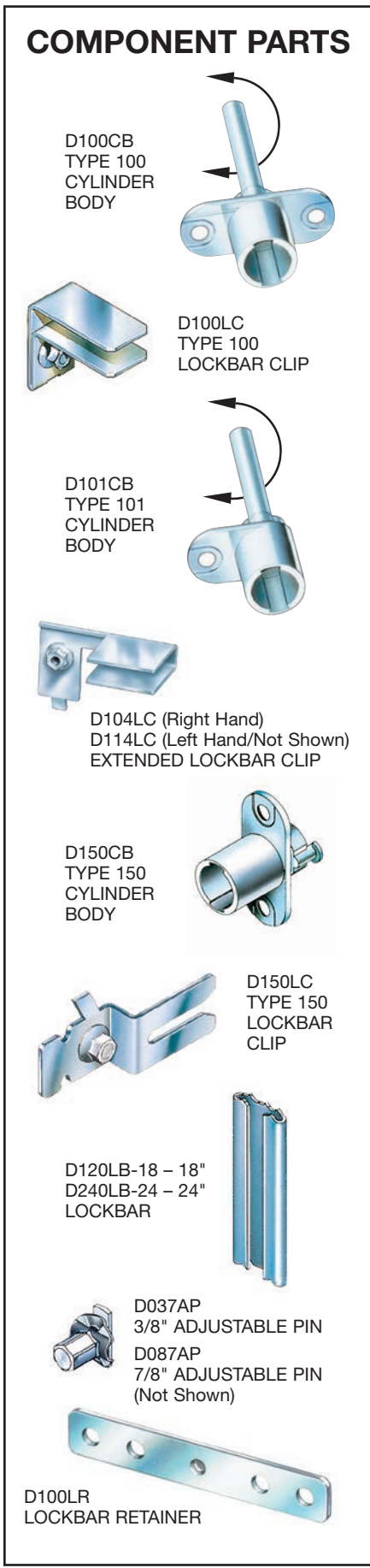
**Keying** - Order lock plug separately, see page 2.

**Packaging** - Housing supplied with two C500DC-19 Drawer Clips. Case quantity 25.

# GANG LOCKS



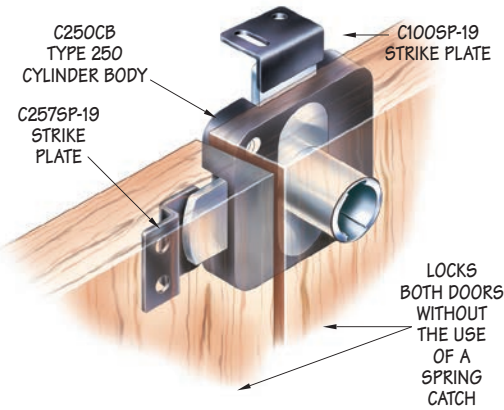
LOCK BAR MUST BE RESTRAINED FROM DROPPING WHEN IN OPEN POSITION



Part No.	Description	Case Quantity
D100KIT	Front Gang Lock Kit - Includes D100CB (1), D100LC (1), D240LB-24 (1), D037AP (4), C500DC-19 (4), D100LR (2)	25
D150KIT	Side Gang Lock Kit - Includes D150CB (1), D150LC (1), D240LB-24 (1), D037AP (4), C500DC-19 (4), D100LR (2)	25
D100CB	Front Gang Lock	25
D101CB	Front Gang Lock w/Single Mounting Ear	25
D100LC	Type 100 Lockbar Clip	25
D104LC	Extended Lockbar Clip -Right Hand	25
D114LC	Extended Lockbar Clip -Left Hand	25
D150CB	Side Gang Lock	25
D150LC	Type 150 Lockbar Clip	25
D120LB-18	Lockbar - 18"	5
D240LB-24	Lockbar - 24"	5
D037AP	3/8" Adjustable Pin	Packaged in bags of 25
D087AP	7/8" Adjustable Pin	
D100LR	Lockbar Retainer	

Note: Order lock plug separately, see page 2

## DOUBLE DOOR LOCKS



**Application** - Surface mounted lock for locking two adjacent doors. Eliminates the need for a spring catch on the door opposite the lock. Works with either overlay or inset doors.

**Operation** - 180° cam rotation, CCW to lock, key removable in both locked and unlocked positions.

**Keying** - Order lock plug separately, see page 2.

**Packaging** - Supplied with two strike plates as shown. Housing is black, toughened nylon. Cylinder is unplated. Cams are zinc plated. Case quantity 25.

Part No.	Orientation	Top Cam Setback	Top Cam Extension*	Side Cam Setback	Side Cam Extension*	Cam Throw	Case Quantity
C250CB	Normal (as shown)	3/16"	29/32"	3/32"	29/32"	1/2"	25
C251CB	Normal (as shown)	11/16"	1-17/32"	3/32"	29/32"	1/2"	25
C255CB	Opposite Mount	3/16"	29/32"	3/32"	29/32"	1/2"	25
C256CB	Opposite Mount	11/16"	1-17/32"	3/32"	29/32"	1/2"	25

\* Measured from center of cylinder to tip of cam in unlocked position

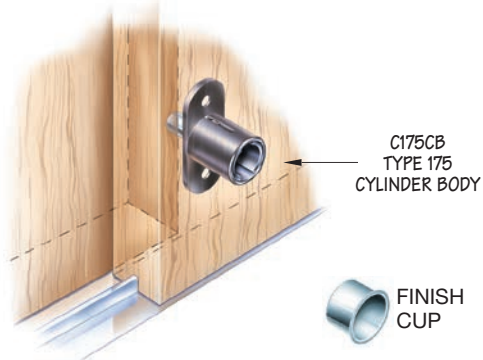
## PUSH LOCK C175CB

**Application** - For locking sliding, bypass type doors. Requires 3/4" hole in front door for cylinder.

**Operation** - Pushing in cylinder locks doors, with or without key. 45° key rotation allows cylinder to pop back out to unlock doors. Key removable in both locked and unlocked positions.

**Keying** - Order lock plug separately, see page 2.

**Packaging** - Supplied with nickel plated finish cup as shown. Housing is black, toughened nylon. Case quantity 25.



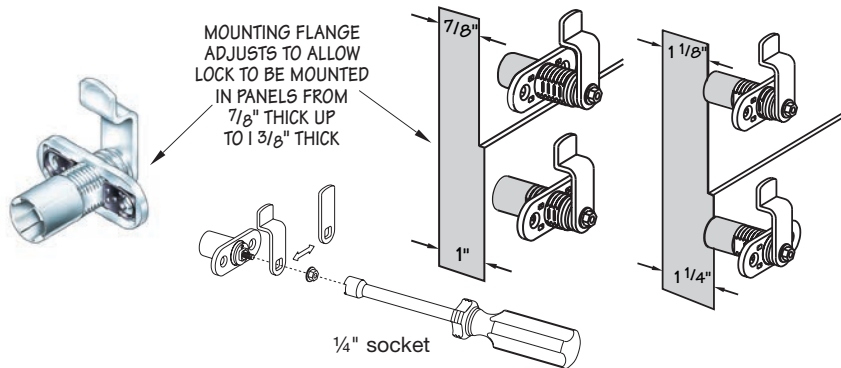
## THICK PANEL LOCK C170CB

**Application** - Universal type lock for either doors or drawers that can accommodate panel thickness from 7/8" to 1-3/8" thick.

**Operation** - 90° cam rotation, CCW to lock.

**Keying** - Order lock plug separately, see page 2.

**Packaging** - Housing supplied with straight cam and bent cam. Housings are unplated. Cams are zinc plated. Case quantity 25.



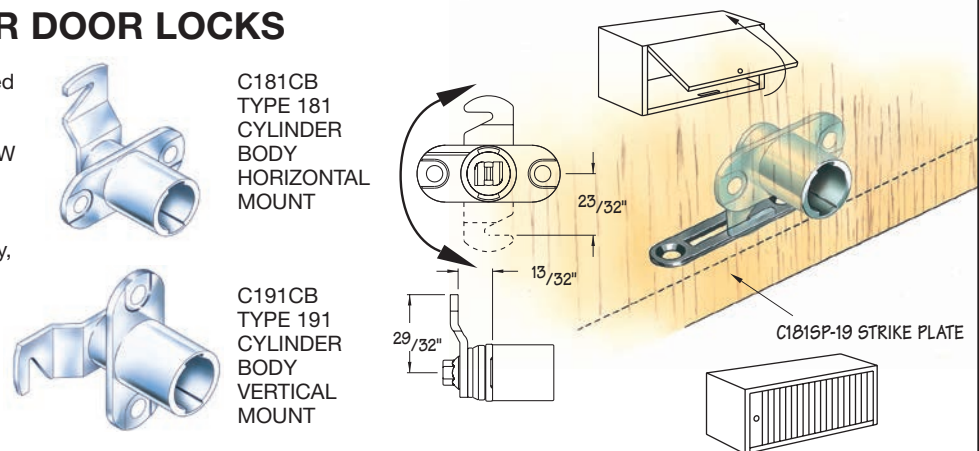
## FLIPPER/TAMBOUR DOOR LOCKS

**Application** - Cam lock with hooked cam for flipper or tambour doors.

**Operation** - 180° cam rotation, CCW to lock, key removable in both locked and unlocked positions.

**Keying** - Order lock plug separately, see page 2.

**Packaging** - Supplied with C181SP-19 strike plate. Housings are unplated, cams are zinc plated. Case quantity 25.





# MISCELLANEOUS COMPONENTS

## NEW! DOUBLE DOOR LATCH. ELIMINATE THE ELBOW CATCH.

 Watch the Double Door Latch video at [comp.com/ddl](http://comp.com/ddl)

No need to reach inside cabinet to release elbow catch.

Patent Pending.

**Application** – Allows two or three point locking for standard or wardrobe double door cabinets.

**Operation** – Either door can be closed at anytime. Secures doors with deadbolt or cam locks.

**Finish** – Black (shown) or White.

**Packaging** – Kits contain one each: latch, activator and catch; also installation instructions

**How to order:**

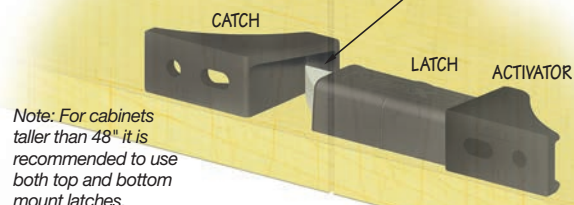
- 1: Determine location of lock — right hand or left hand
- 2: Decide where latch is needed — top or bottom mount
- 3: Choose color — black or white

Lock Placement	Top Mount Kit	Bottom Mount Kit
Lock on Right Door	D200DL-BLK Black Finish D200DL-WHT White Finish	D300DL-BLK Black Finish D300DL-WHT White Finish
Lock on Left Door	D300DL-BLK Black Finish D300DL-WHT White Finish	D200DL-BLK Black Finish D200DL-WHT White Finish

CATCH ON THE SECOND DOOR ACTS AS A SLAM LATCH AND DOES NOT REQUIRE REACHING INTO THE CABINET TO RELEASE

SIGNIFICANT ENGAGEMENT BETWEEN THE CATCH AND LATCH INCREASES SECURITY

(D300DL-BLK SHOWN)



Note: For cabinets taller than 48" it is recommended to use both top and bottom mount latches.

## THREADED BARREL CAM LOCK KIT C143CB



**Application** – Universal type lock for either doors or drawers. Kit will accommodate most locking applications for material thickness 1/16" – 1/2".

**Operation** – 90 degree cam rotation CCW to lock.

**Keying** – Order lock plugs separately, see page 2.

**Packaging** – Cylinder supplied with one straight cam, two bent cams, flange nut, hex nut and spur washer. Cylinder is black, cam plates are zinc plated.

Case quantity 25

## ANTI-TIP SYSTEMS

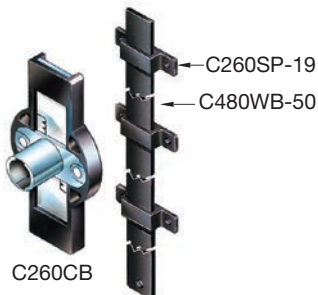
C410SN  
LINKAGE ARM  
Case quantity 25

C410DC-19  
NARROW  
DRAWER CLIP  
Packaged in bags of 25

C400DC-19  
DRAWER CLIP  
Packaged in bags of 25

C400SN  
ANTI-TIP  
SNAPPER  
Case quantity 10

## WARDROBE LOCKS



Part No.	Description	Case Quantity
C260CB	Wardrobe Lock, Vertical Mount	25
C265CB	Wardrobe Lock Horizontal Mount (Not Shown)	25
C480WB-50	Wardrobe Bar 50" Long	5
C260SP-19	Wardrobe Bar Support	Bags of 25

## LATERAL FILE LOCKS

D200AC LATERAL  
FILE ACTUATOR  
Case quantity 10

D21AWD-19  
ANTI-TIP WEDGE TYPE A  
Packaged in bags of 25

D21BWD-19  
ANTI-TIP WEDGE TYPE B

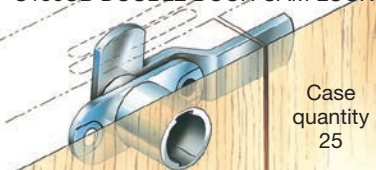
## CENTRAL LOCKS

D500AC  
DESK ACTUATOR  
Case quantity 10



D500CB  
CYLINDER BODY  
D550CB  
CYLINDER BODY  
WITH DEADBOLT  
(Not Shown)  
Case quantity 25

## C186CB-DOUBLE DOOR CAM LOCK



Case quantity 25

# TOOLS & ACCESSORIES

## KEYS

D500KY  
CHANGE TOOL

REQUIRED TO REMOVE LOCK PLUGS FROM CYLINDER BODIES.



D300KY  
KEY BLANK



D310KY  
LONG  
KEY BLANK



Part No.	Description	Case Quantity
D300KY	Timberline Key Blank	50
D310KY	Long Timberline Key Blank	50
D101KY	Master Key	25
D500KY	Change Tool	25

## BEZELS



- C100BZ-14A BEZEL NICKEL
- C200BZ-8 BEZEL OLD ENGLISH
- C300BZ-19 BEZEL BLACK
- C400BZ-20 BEZEL STATUARY BRONZE
- C500BZ-3 BEZEL BRASS
- C700BZ-15 BEZEL SATIN NICKEL
- C800BZ BEZEL WHITE

ALLOWS CYLINDER BODIES TO BE USED WITH 3/4" THROUGH 7/8" DIAMETER HOLES AND PERMITS USE OF LOCKS IN 7/8" THICK PANELS

Packaged in bags of 25.

## TOOL

C165DB  
16.5 mm  
DRILL BIT



D100SC SHAFT CLIP

Packaged in bags of 25



## FILE FRAME KITS

FITS DRAWERS WITH INSIDE DEPTH LESS THAN 26"

FFSK2-LT FOR LETTER WIDTH FILES

FFSK3-LG FOR LEGAL WIDTH FILES



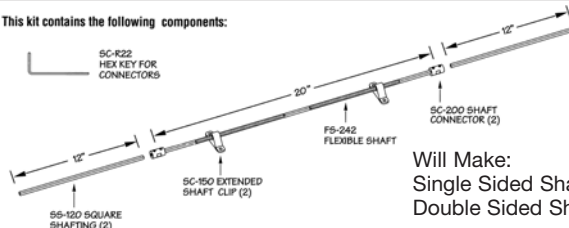
KITS SUPPLIED WITH THE COMPONENTS NEEDED TO OFFER FRONT TO BACK AND SIDE TO SIDE FILING

## SHAFT KIT

D100FS  
ADJUSTABLE  
SHAFT KIT

Case quantity 5

This kit contains the following components:



Will Make:  
Single Sided Shafts 12" - 22"  
Double Sided Shafts 24" - 44"

## RE-KEYING KIT

V72D-TL



Re-Keying Kit Replacement Parts

Order Part No.	Description	Qty./ Bag
CLW-R54	TL-454 Wafer Kit-A	100
CLW-R51	TL-451 Wafer Kit-B	100
CLW-R44	TL-444 Wafer Kit-C	100
CLW-R41	TL-441 Wafer Kit-D	100
CLW-R24	TL-424 Wafer Kit-E	100
CLW-R21	TL-421 Wafer Kit-F	100
CLW-R14	TL-414 Wafer Kit-G	100
CLW-R11	TL-411 Wafer Kit-H	100
CLK-R90	TL-4GD Guide	100
CLK-R31	TL-4SP Spring	100
CLP-P10	TL-4P1 Nickel Lock Plug	10
CLP-P20	TL-4P2 Old English Lock Plug	10
CLP-P30	TL-4P3 Black Lock Plug	10
CLP-P50	TL-4P5 Brass Lock Plug	10

## STRIKE PLATES

C100SP-19

3/16"

5/16"

C255SP-19

3/16"

C250SP-19

3/16"

C185SP-19

1 1/32"

C101SP-19

1/2"

C256SP-19

1/2"

C181SP-19

3/4"

C257SP-19

1/4"

C500DC-19

C500SP  
DOUBLE DRAWER STRIKE PLATE  
Case quantity 25

All strike plates packaged 25 per bag (unless noted).





Crafting  
*quality* products  
in **America**  
since **1903**

**CompX**  
*TIMBERLINE*

**CompX**  
*SECURITY PRODUCTS*

**MAIN OFFICE - FACTORY**

PO Box 200  
Mauldin, SC 29662  
PH: 864-297-6655  
FAX: 864-297-9987  
compX.com

**WESTERN DISTRIBUTION CENTER**

9370 Buffalo Avenue, Unit 104  
Rancho Cucamonga, CA 91730  
PH: 909-476-7933  
FAX: 909-476-8553



Reorder #: F2644-004  
August 2014  
Printed in U.S.A.

The products contained in  
this catalog are protected  
by the following patents:  
5,678,437; 6,550,874;  
1,331,036; 6,109,708.

Copyright 2014  
© CompX Security Products