

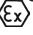
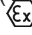
## GL Range - Glass-Reinforced Polyester



ATEX approval EExe and EEx ia. Junction boxes for use in explosive atmospheres Zone 0 - 1 - 2 and 21 - 22. This range of enclosures can be fitted with different sizes of terminals and cable entries.

Small to large EEx e and EEx i approved junction boxes, compression moulded from glass reinforced polyester. The junction boxes have Ingress Protection to IP66.

### Specification:

- IP66
- EEx e II and EEx ia IIC
- SIRA 99ATEX3200 and SIRA 99ATEX3028U
- IECEx SIR 06.0106X
- -50 deg C to + 50 deg C (T6), +55 deg C (T5), +60 deg C (T4)
-  II 2 GD,  II 1 GD T6
- Zones 0, 1, 2, 21, 22. Groups IIA, IIB, IIC
- Carbon loaded, antistatic glass-reinforced polyester UL 94/VO
- Moulded, self-colour: black

### Type:

GL 1	80 x 75 x 55 mm
GL 2	110 x 75 x 55 mm
GL 3	160 x 75 x 55 mm
GL 4	190 x 75 x 55 mm
GL 5	122 x 120 x 90 mm
GL 6	220 x 120 x 90 mm
GL 7	160 x 160 x 90 mm
GL 8	260 x 160 x 90 mm
GL 9	360 x 160 x 90 mm
GL 10	560 x 160 x 90 mm
GL 11	255 x 250 x 120 mm
GL 12	400 x 250 x 120 mm
GL 13	405 x 400 x 120 mm
GL 14	405 x 400 x 165 mm

### Pepperl & Fuchs Junction GL range box w/ terminals.

GRP, w/ terminals. Predrilled w/ threaded hole in bottom. Internal earth continuity plate in brass.

Dimension mm	Type	Terminals				Entries				Order number
		Qty.	Colour	Type	Earth	M20	M25	M32	M40	
122 x 120 x 90	GL521	10	Grey	Exe		3				<b>8001542</b>
122 x 120 x 90	GL523	10	Blue	Exia		3				<b>8002807</b>
220 x 120 x 90	GL621	21	Grey	Exe	2	6				<b>8003395</b>
220 x 120 x 90	GL623	21	Blue	Exia	2	6				<b>8004808</b>
160 x 160 x 90	GL721	16	Grey	Exe		3				<b>8002861</b>
160 x 160 x 90	GL723	16	Blue	Exia		3				<b>8002862</b>
360 x 160 x 90	GL921	25	Grey	Exe		4	0			<b>8002438</b>
360 x 160 x 90	GL923	25	Blue	Exia		4	1			<b>8002439</b>
225 x 250 x 120	GL1121	48	Grey	Exe		10	1			<b>8002808</b>
225 x 250 x 120	GL1123	48	Blue	Exia		10	1			<b>8002809</b>
400 x 250 x 120	GL1221	56	Grey	Exe		10	2	1	0	<b>8002914</b>
400 x 250 x 120	GL1223	69	Blue	Exia		10	2	1	1	<b>8002915</b>
405 x 400 x 120	GL13	138	Blue	Exia		10	2	1	1	<b>8002917</b>



**EEx e and EEx i Terminal Boxes - Glass Reinforced Polyester  
Type GL1 - 80 x 75 x 55 mm.**

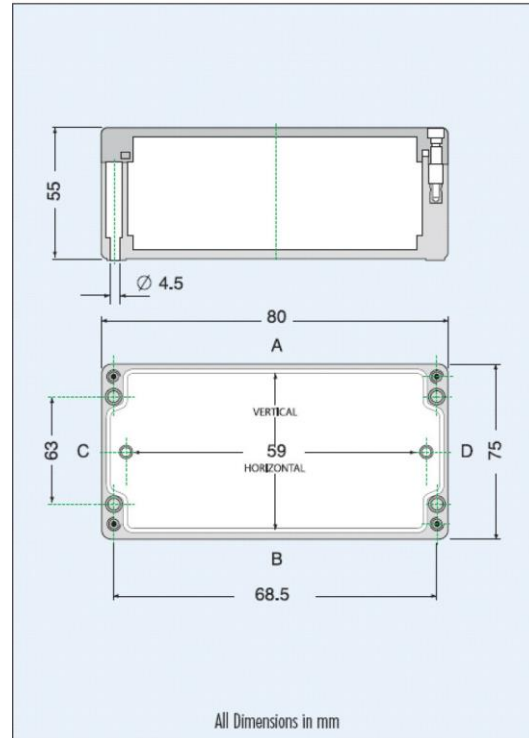
EEx e II and EEx ia IIC	Zones 0,1,2,21,22	T6	Group II Cat 1,2	ATEX/GOST/UL
-------------------------	-------------------	----	------------------	--------------

**Hazardous area specification**

Marking to 94/9/EC	Ⓔ II 2 GD, Ⓔ II 1 GD T6
Type of protection	EEx e II T6 and EEx ia IIC T6
Temperature class	T6 (-50 °C to +50 °C), T5 (+55 °C), T4 (+60 °C),
Area classification	Zones 0,1,2,21,22. Groups IIA, IIB, IIC
Certification numbers	Sira 99ATEX3200 and Sira 99ATEX3028U,
Ingress protection	IP66 EN60529:1992
Power dissipation	Maximum 7.5 Watts at +40 °C and 1.6 Watts at +50 °C. Except for dust applications where the maxima are 3.3 Watts at +40 °C and 0.8 Watts at +50 °C

**Enclosure specification**

Dimensions	80 x 75 x 55 mm
Material box	Carbon loaded, anti-static glass reinforced polyester UL 94/V0
Finish	Moulded self colour black. Other colours available on request
Weight empty	0.35 kg
Cover fixing	Captive M6 stainless steel allen head screws Optional hinges
Gasket	Silicon rubber
Earthing	Optional 6 mm. brass internal/external earth stud Optional internal earth continuity plate in galvanised steel, brass or stainless steel
Entries	Through threaded hole in body
Mounting	Integral 4.5 mm clearance holes moulded into the body



A guide to physical terminal capacity	
	MK3
Horizontal rail	1 x 15

Note: This is a guide to physical terminal capacity only. Installers must ensure that the maximum power dissipation given above is not exceeded.

A guide to entry capacity			
Gland size mm.	16	20	25
Side A+B	2	1	0
Side C+D	1	1	0

**Ordering information**

Description	EEx e Terminal Box	EEx e U Component Approved Enclosure	EEx ia Terminal Box
Enclosure only	GL101	GL102	GL103
Enclosure w/ steel earth plate	GL111	GL112	GL113
Enclosure w/ brass earth plate	GL121	GL122	GL123
Enclosure w/ stainless steel earth plate	GL131	GL132	GL133

Optional extras	
Internal/external 6 mm. brass earth stud	GL/ES
Equipment mounting plate, coated mild steel	GL1/MP
Cover hinge each	GL/HC

**EEx e and EEx i Terminal Boxes - Glass Reinforced Polyester  
Type GL2 - 110 x 75 x 55 mm.**

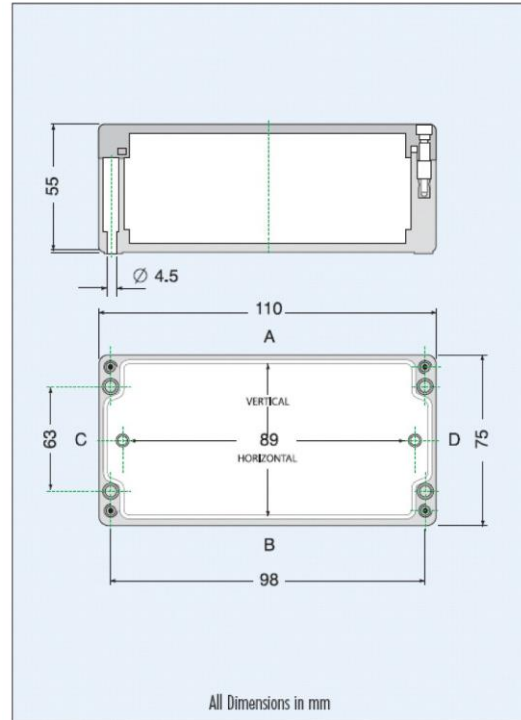
EEx e II and EEx ia IIC	Zones 0,1,2,21,22	T6	Group II Cat 1,2	ATEX/GOST/UL
-------------------------	-------------------	----	------------------	--------------

**Hazardous area specification**

Marking to 94/9/EC  $\text{Ex}$  II 2 GD,  $\text{Ex}$  II 1 GD T6  
 Type of protection EEx e II T6 and EEx ia IIC T6  
 Temperature class T6 (-50 °C to +50 °C), T5 (+55 °C), T4 (+60 °C),  
 Area classification Zones 0,1,2,21,22. Groups IIA, IIB, IIC  
 Certification numbers Sira 99ATEX3200 and Sira 99ATEX3028U,  
 Ingress protection IP66 EN60529:1992  
 Power dissipation Maximum 8.0 Watts at +40 °C and 2.0 Watts at +50 °C. Except for dust applications where the maxima are 4.0 Watts at +40 °C and 1.0 Watts at +50 °C

**Enclosure specification**

Dimensions 110 x 75 x 55 mm  
 Material box Carbon loaded, anti-static glass reinforced polyester UL 94/V0  
 Finish Moulded self colour black. Other colours available on request  
 Weight empty 0.4 kg  
 Cover fixing Captive M6 stainless steel allen head screws  
 Optional hinges  
 Gasket Silicon rubber  
 Earthing Optional 6 mm. brass internal/external earth stud  
 Optional internal earth continuity plate in galvanised steel, brass or stainless steel  
 Entries Through threaded hole in body  
 Mounting Integral 4.5 mm clearance holes moulded into the body



A guide to physical terminal capacity	
	MK3
Horizontal rail	1 x 8

Note: This is a guide to physical terminal capacity only. Installers must ensure that the maximum power dissipation given above is not exceeded.

A guide to entry capacity			
Gland size mm.	16	20	25
Side A+B	3	2	0
Side C+D	1	1	0

**Ordering information**

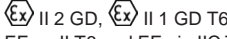
Description	EEx e Terminal Box	EEx e U Component Approved Enclosure	EEx ia Terminal Box
Enclosure only	GL201	GL202	GL203
Enclosure w/ steel earth plate	GL211	GL212	GL213
Enclosure w/ brass earth plate	GL221	GL222	GL223
Enclosure w/ stainless steel earth plate	GL231	GL232	GL233

Optional extras	
Internal/external 6 mm. brass earth stud	GL/ES
Equipment mounting plate, coated mild steel	GL2/MP
Cover hinge each	GL/HC

**EEx e and EEx i Terminal Boxes - Glass Reinforced Polyester  
Type GL3 - 160 x 75 x 55 mm.**

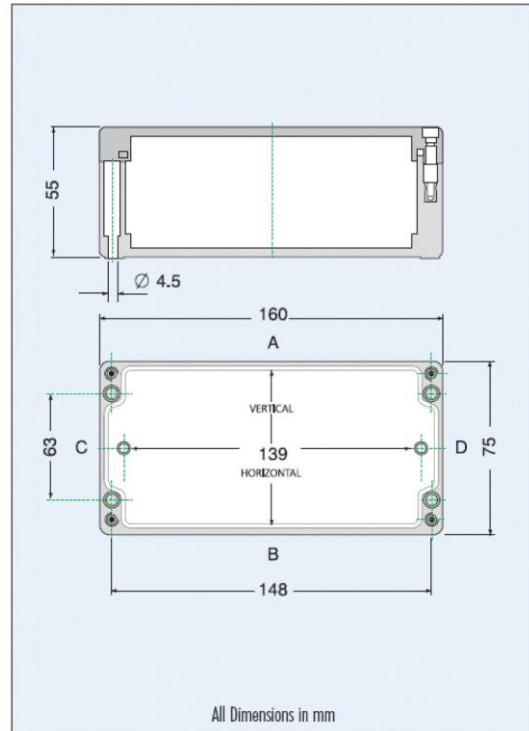
EEx e II and EEx ia IIC	Zones 0,1,2,21,22	T6	Group II Cat 1,2	ATEX/GOST/UL
-------------------------	-------------------	----	------------------	--------------

**Hazardous area specification**

Marking to 94/9/EC   
 Type of protection EEx e II T6 and EEx ia IIC T6  
 Temperature class T6 (-50 °C to +50 °C), T5 (+55 °C), T4 (+60 °C),  
 Area classification Zones 0,1,2,21,22. Groups IIA, IIB, IIC  
 Certification numbers Sira 99ATEX3200 and Sira 99ATEX3028U,  
 Ingress protection IP66 EN60529:1992  
 Power dissipation Maximum 9.0 Watts at +40 °C and 3.0 Watts at +50 °C. Except for dust applications where the maxima are 4.5 Watts at +40 °C and 1.5 Watts at +50 °C

**Enclosure specification**

Dimensions 160 x 75 x 55 mm  
 Material box Carbon loaded, anti-static glass reinforced polyester UL 94/V0  
 Finish Moulded self colour black. Other colours available on request  
 Weight empty 0.5 kg  
 Cover fixing Captive M6 stainless steel allen head screws  
 Optional hinges  
 Gasket Silicon rubber  
 Earthing Optional 6 mm. brass internal/external earth stud  
 Optional internal earth continuity plate in galvanised steel, brass or stainless steel  
 Entries Through threaded hole in body  
 Mounting Integral 4.5 mm clearance holes moulded into the body



A guide to physical terminal capacity	
	MK3
Horizontal rail	1 x 12

Note: This is a guide to physical terminal capacity only. Installers must ensure that the maximum power dissipation given above is not exceeded.

A guide to entry capacity			
Gland size mm.	16	20	25
Side A+B	5	4	0
Side C+D	1	1	0

**Ordering information**

Description	EEx e Terminal Box	EEx e U Component Approved Enclosure	EEx ia Terminal Box
Enclosure only	GL301	GL302	GL303
Enclosure w/ steel earth plate	GL311	GL312	GL313
Enclosure w/ brass earth plate	GL321	GL322	GL323
Enclosure w/ stainless steel earth plate	GL331	GL332	GL333

Optional extras	
Internal/external 6 mm. brass earth stud	GL/ES
Equipment mounting plate, coated mild steel	GL3/MP
Cover hinge each	GL/HC

**EEx e and EEx i Terminal Boxes - Glass Reinforced Polyester  
Type GL4 - 190 x 75 x 55 mm.**

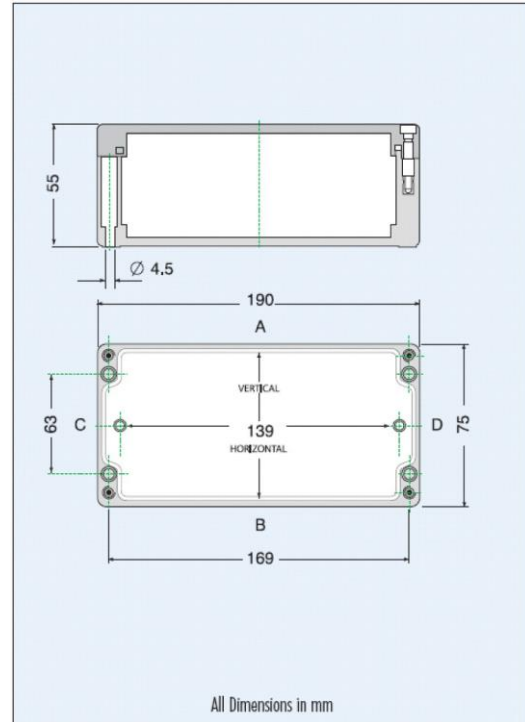
EEx e II and EEx ia IIC	Zones 0,1,2,21,22	T6	Group II Cat 1,2	ATEX/GOST/UL
-------------------------	-------------------	----	------------------	--------------

**Hazardous area specification**

Marking to 94/9/EC  $\text{Ex}$  II 2 GD,  $\text{Ex}$  II 1 GD T6  
 Type of protection EEx e II T6 and EEx ia IIC T6  
 Temperature class T6 (-50 °C to +50 °C), T5 (+55 °C), T4 (+60 °C),  
 Area classification Zones 0,1,2,21,22. Groups IIA, IIB, IIC  
 Certification numbers Sira 99ATEX3200 and Sira 99ATEX3028U,  
 Ingress protection IP66 EN60529:1992  
 Power dissipation Maximum 9.4 Watts at +40 °C and 3.5 Watts at +50 °C. Except for dust applications where the maxima are 4.7 Watts at +40 °C and 1.75 Watts at +50 °C

**Enclosure specification**

Dimensions 190 x 75 x 55 mm  
 Material box Carbon loaded, anti-static glass reinforced polyester UL 94/V0  
 Finish Moulded self colour black. Other colours available on request  
 Weight empty 0.85 kg  
 Cover fixing Captive M6 stainless steel allen head screws  
 Optional hinges  
 Gasket Silicon rubber  
 Earthing Optional 6 mm. brass internal/external earth stud  
 Optional internal earth continuity plate in galvanised steel, brass or stainless steel  
 Entries Through threaded hole in body  
 Mounting Integral 6.5 mm clearance holes moulded into the body



A guide to physical terminal capacity	
	MK3
Horizontal rail	1 x 12

Note: This is a guide to physical terminal capacity only. Installers must ensure that the maximum power dissipation given above is not exceeded.

A guide to entry capacity			
Gland size mm.	16	20	25
Side A+B	7	5	0
Side C+D	1	1	0

**Ordering information**

Description	EEx e Terminal Box	EEx e U Component Approved Enclosure	EEx ia Terminal Box
Enclosure only	GL401	GL402	GL403
Enclosure w/ steel earth plate	GL411	GL412	GL413
Enclosure w/ brass earth plate	GL421	GL422	GL423
Enclosure w/ stainless steel earth plate	GL431	GL432	GL433

Optional extras	
Internal/external 6 mm. brass earth stud	GL/ES
Equipment mounting plate, coated mild steel	GL4/MP
Cover hinge each	GL/HC

**EEx e and EEx i Terminal Boxes - Glass Reinforced Polyester  
Type GL5 - 122 x 120 x 90 mm.**

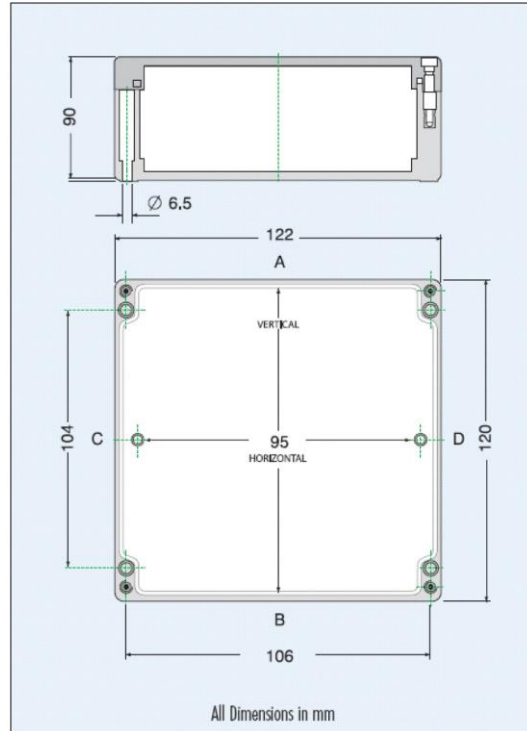
EEx e II and EEx ia IIC	Zones 0,1,2,21,22	T6	Group II Cat 1,2	ATEX/GOST/UL
-------------------------	-------------------	----	------------------	--------------

**Hazardous area specification**

Marking to 94/9/EC	Ex II 2 GD, Ex II 1 GD T6
Type of protection	EEx e II T6 and EEx ia IIC T6
Temperature class	T6 (-50 °C to +50 °C), T5 (+55 °C), T4 (+60 °C),
Area classification	Zones 0,1,2,21,22. Groups IIA, IIB, IIC
Certification numbers	Sira 99ATEX3200 and Sira 99ATEX3028U,
Ingress protection	IP66 EN60529:1992
Power dissipation	Maximum 9.4 Watts at +40 °C and 3.5 Watts at +50 °C. Except for dust applications where the maxima are 4.7 Watts at +40 °C and 1.75 Watts at +50 °C

**Enclosure specification**

Dimensions	122 x 120 x 90 mm
Material box	Carbon loaded, anti-static glass reinforced polyester UL 94/V0
Finish	Moulded self colour black. Other colours available on request
Weight empty	0.85 kg
Cover fixing	Captive M6 stainless steel allen head screws Optional hinges
Gasket	Silicon rubber
Earthing	Optional 6 mm. brass internal/external earth stud Optional internal earth continuity plate in galvanised steel, brass or stainless steel
Entries	Through threaded hole in body
Mounting	Integral 6.5 mm clearance holes moulded into the body



A guide to physical terminal capacity				
	WDU 2.5	WDU 4	WDU 6	WDU 10
Horizontal rail	1 x 14	1 x 12	1 x 9	1 x 6

Note: This is a guide to physical terminal capacity only. Installers must ensure that the maximum power dissipation given above is not exceeded.

A guide to entry capacity			
Gland size mm.	20	25	32
Side A+B	4	2	1
Side C+D	2	1	1

**Ordering information**

Description	EEx e Terminal Box	EEx e U Component Approved Enclosure	EEx ia Terminal Box
Enclosure only	GL501	GL502	GL503
Enclosure w/ steel earth plate	GL511	GL512	GL513
Enclosure w/ brass earth plate	GL521	GL522	GL523
Enclosure w/ stainless steel earth plate	GL531	GL532	GL533

Optional extras	
Internal/external 6 mm. brass earth stud	GL/ES
Equipment mounting plate, coated mild steel	GL5/MP
Cover hinge each	GL/HC

**EEx e and EEx i Terminal Boxes - Glass Reinforced Polyester  
Type GL6 - 220 x 120 x 90 mm.**

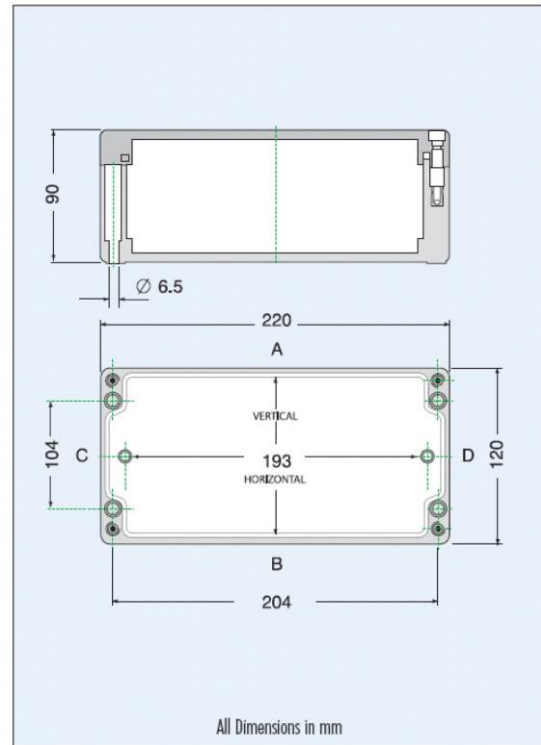
EEx e II and EEx ia IIC	Zones 0,1,2,21,22	T6	Group II Cat 1,2	ATEX/GOST/UL
-------------------------	-------------------	----	------------------	--------------

**Hazardous area specification**

Marking to 94/9/EC  $\text{Ex}$  II 2 GD,  $\text{Ex}$  II 1 GD T6  
 Type og protection EEx e II T6 and EEx ia IIC T6  
 Temperature class T6 (-50 °C to +50 °C), T5 (+55 °C), T4 (+60 °C),  
 Area classification Zones 0,1,2,21,22. Groups IIA, IIB, IIC  
 Certification numbers Sira 99ATEX3200 and Sira 99ATEX3028U,  
 Ingress protection IP66 EN60529:1992  
 Power dissipation Maximum 9.4 Watts at +40 °C and 3.5 Watts at +50 °C. Except for dust applications where the maxima are 4.7 Watts at +40 °C and 1.75 Watts at +50 °C

**Enclosure specification**

Dimensions 220 x 120 x 90 mm  
 Material box Carbon loaded, anti-static glass reinforced polyester UL 94/V0  
 Finish Moulded self colour black. Other colours available on request  
 Weight empty 1.0 kg  
 Cover fixing Captive M6 stainless steel allen head screws  
 Optional hinges  
 Gasket Silicon rubber  
 Earthing Optional 6 mm. brass internal/external earth stud  
 Optional internal earth continuity plate in galvanised steel, brass or stainless steel  
 Entries Through threaded hole in body  
 Mounting Integral 6.5 mm clearance holes moulded into the body



A guide to physical terminal capacity				
	WDU 2.5	WDU 4	WDU 6	WDU 10
Horizontal rail	1 x 34	1 x 29	1 x 21	1 x 16

Note: This is a guide to physical terminal capacity only. Installers must ensure that the maximum power dissipation given above is not exceeded.

A guide to entry capacity			
Gland size mm.	20	25	32
Side A+B	6	5	3
Side C+D	2	1	1

**Ordering information**

Description	EEx e Terminal Box	EEx e U Component Approved Enclosure	EEx ia Terminal Box
Enclosure only	GL601	GL602	GL603
Enclosure w/ steel earth plate	GL611	GL612	GL613
Enclosure w/ brass earth plate	GL621	GL622	GL623
Enclosure w/ stainless steel earth plate	GL631	GL632	GL633



Optional extras	
Internal/external 6 mm. brass earth stud	GL/ES
Equipment mounting plate, coated mild steel	GL6/MP
Cover hinge each	GL/HC



**EEx e and EEx i Terminal Boxes - Glass Reinforced Polyester  
Type GL7 - 160 x 160 x 90 mm.**

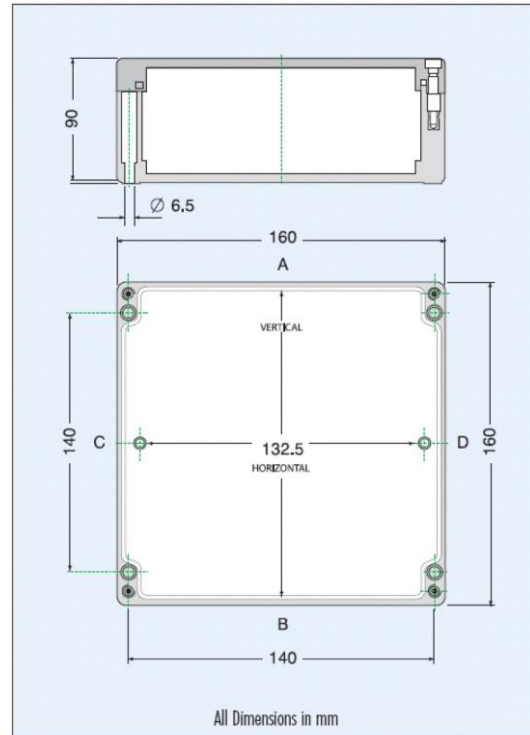
EEx e II and EEx ia IIC	Zones 0,1,2,21,22	T6	Group II Cat 1,2	ATEX/GOST/UL
-------------------------	-------------------	----	------------------	--------------

**Hazardous area specification**

Marking to 94/9/EC  II 2 GD,  II 1 GD T6  
 Type of protection EEx e II T6 and EEx ia IIC T6  
 Temperature class T6 (-50 °C to +50 °C), T5 (+55 °C), T4 (+60 °C),  
 Area classification Zones 0,1,2,21,22. Groups IIA, IIB, IIC  
 Certification numbers Sira 99ATEX3200 and Sira 99ATEX3028U,  
 Ingress protection IP66 EN60529:1992  
 Power dissipation Maximum 10.4 Watts at +40 °C and 4.3 Watts at +50 °C. Except for dust applications where the maxima are 5.2 Watts at +40 °C and 2.2 Watts at +50 °C

**Enclosure specification**

Dimensions 160 x 160 x 90 mm  
 Material box Carbon loaded, anti-static glass reinforced polyester UL 94/V0  
 Finish Moulded self colour black. Other colours available on request  
 Weight empty 1.0 kg  
 Cover fixing Captive M6 stainless steel allen head screws  
 Optional hinges  
 Gasket Silicon rubber  
 Earthing Optional 6 mm. brass internal/external earth stud  
 Optional internal earth continuity plate in galvanised steel, brass or stainless steel  
 Entries Through threaded hole in body  
 Mounting Integral 6.5 mm clearance holes moulded into the body



A guide to physical terminal capacity				
	WDU 2.5	WDU 4	WDU 6	WDU 10
Horizontal rail	1 x 14	1 x 12	1 x 9	1 x 6

Note: This is a guide to physical terminal capacity only. Installers must ensure that the maximum power dissipation given above is not exceeded.

A guide to entry capacity			
Gland size mm.	20	25	32
Side A+B	4	2	1
Side C+D	2	1	1

**Ordering information**

Description	EEx e Terminal Box	EEx e U Component Approved Enclosure	EEx ia Terminal Box
Enclosure only	GL701	GL702	GL703
Enclosure w/ steel earth plate	GL711	GL712	GL713
Enclosure w/ brass earth plate	GL721	GL722	GL723
Enclosure w/ stainless steel earth plate	GL731	GL732	GL733

Optional extras	
Internal/external 6 mm. brass earth stud	GL/ES
Equipment mounting plate, coated mild steel	GL7/MP
Cover hinge each	GL/HC

**EEx e and EEx i Terminal Boxes - Glass Reinforced Polyester  
Type GL8 - 260 x 160 x 90 mm.**

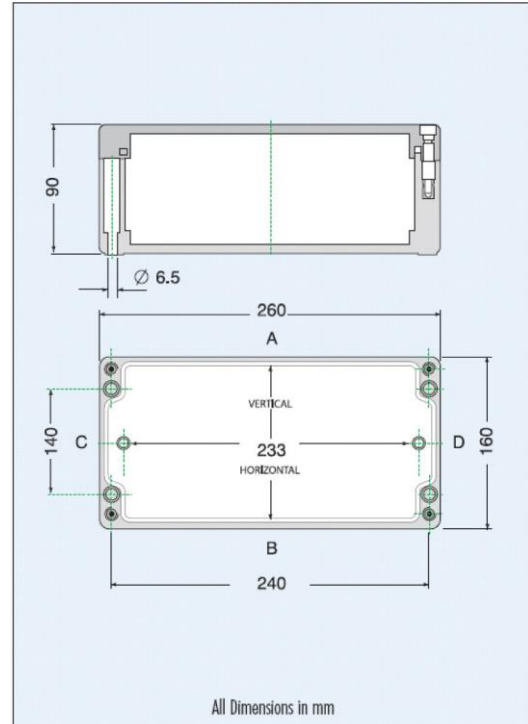
EEx e II and EEx ia IIC	Zones 0,1,2,21,22	T6	Group II Cat 1,2	ATEX/GOST/UL
-------------------------	-------------------	----	------------------	--------------

**Hazardous area specification**

Marking to 94/9/EC  $\text{Ex}$  II 2 GD,  $\text{Ex}$  II 1 GD T6  
 Type of protection EEx e II T6 and EEx ia IIC T6  
 Temperature class T6 (-50 °C to +50 °C), T5 (+55 °C), T4 (+60 °C),  
 Area classification Zones 0,1,2,21,22. Groups IIA, IIB, IIC  
 Certification numbers Sira 99ATEX3200 and Sira 99ATEX3028U,  
 Ingress protection IP66 EN60529:1992  
 Power dissipation Maximum 12.0 Watts at +40 °C and 5.0 Watts at +50 °C. Except for dust applications where the maxima are 6.0 Watts at +40 °C and 2.5 Watts at +50 °C

**Enclosure specification**

Dimensions 260 x 160 x 90 mm  
 Material box Carbon loaded, anti-static glass reinforced polyester UL 94/V0  
 Finish Moulded self colour black. Other colours available on request  
 Weight empty 1.7 kg  
 Cover fixing Captive M6 stainless steel allen head screws  
 Optional hinges  
 Gasket Silicon rubber  
 Earthing Optional 6 mm. brass internal/external earth stud  
 Optional internal earth continuity plate in galvanised steel, brass or stainless steel  
 Entries Through threaded hole in body  
 Mounting Integral 6.5 mm clearance holes moulded into the body



A guide to physical terminal capacity				
	WDU 2.5	WDU 4	WDU 6	WDU 10
Horizontal rail	1 x 40	1 x 34	1 x 25	1 x 19

Note: This is a guide to physical terminal capacity only. Installers must ensure that the maximum power dissipation given above is not exceeded.

A guide to entry capacity			
Gland size mm.	20	25	32
Side A+B	14	6	4
Side C+D	6	2	1

**Ordering information**



Description	EEx e Terminal Box	EEx e U Component Approved Enclosure	EEx ia Terminal Box
Enclosure only	GL801	GL802	GL803
Enclosure w/ steel earth plate	GL811	GL812	GL813
Enclosure w/ brass earth plate	GL821	GL822	GL823
Enclosure w/ stainless steel earth plate	GL831	GL832	GL833

Optional extras	
Internal/external 6 mm. brass earth stud	GL/ES
Equipment mounting plate, coated mild steel	GL8/MP
Cover hinge each	GL/HC

**EEx e and EEx i Terminal Boxes - Glass Reinforced Polyester  
Type GL9 - 360 x 160 x 90 mm.**

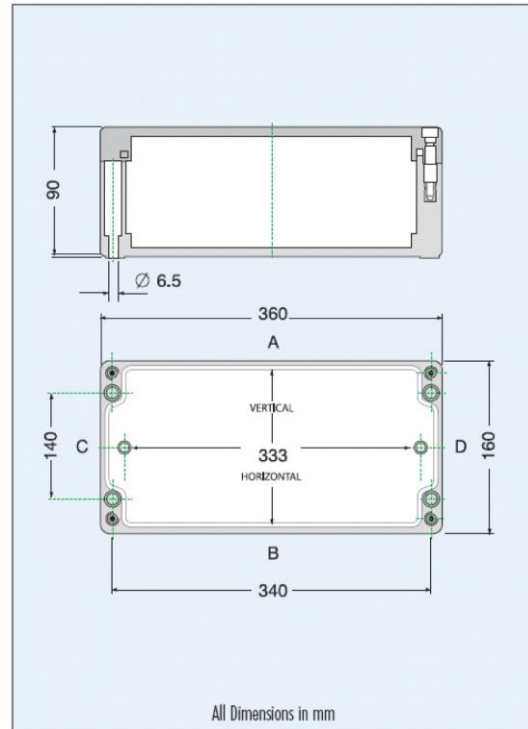
EEx e II and EEx ia IIC	Zones 0,1,2,21,22	T6	Group II Cat 1,2	ATEX/GOST/UL
-------------------------	-------------------	----	------------------	--------------

**Hazardous area specification**

Marking to 94/9/EC  II 2 GD,  II 1 GD T6  
 Type of protection EEx e II T6 and EEx ia IIC T6  
 Temperature class T6 (-50 °C to +50 °C), T5 (+55 °C), T4 (+60 °C),  
 Area classification Zones 0,1,2,21,22. Groups IIA, IIB, IIC  
 Certification numbers Sira 99ATEX3200 and Sira 99ATEX3028U,  
 Ingress protection IP66 EN60529:1992  
 Power dissipation Maximum 13.8 Watts at +40 °C and 6.2 Watts at +50 °C. Except for dust applications where the maxima are 6.9 Watts at +40 °C and 3.1 Watts at +50 °C

**Enclosure specification**

Dimensions 360 x 160 x 90 mm  
 Material box Carbon loaded, anti-static glass reinforced polyester UL 94/V0  
 Finish Moulded self colour black. Other colours available on request  
 Weight empty 2.0 kg  
 Cover fixing Captive M6 stainless steel allen head screws  
 Optional hinges  
 Gasket Silicon rubber  
 Earthing Optional 6 mm. brass internal/external earth stud  
 Optional internal earth continuity plate in galvanised steel, brass or stainless steel  
 Entries Through threaded hole in body  
 Mounting Integral 6.5 mm clearance holes moulded into the body



A guide to physical terminal capacity				
	WDU 2.5	WDU 4	WDU 6	WDU 10
Horizontal rail	1 x 60	1 x 51	1 x 37	1 x 29

Note: This is a guide to physical terminal capacity only. Installers must ensure that the maximum power dissipation given above is not exceeded.

A guide to entry capacity			
Gland size mm.	20	25	32
Side A+B	20	9	6
Side C+D	6	2	1

**Ordering information**

Description	EEx e Terminal Box	EEx e U Component Approved Enclosure	EEx ia Terminal Box
Enclosure only	GL901	GL902	GL903
Enclosure w/ steel earth plate	GL911	GL912	GL913
Enclosure w/ brass earth plate	GL921	GL922	GL923
Enclosure w/ stainless steel earth plate	GL931	GL932	GL933

Optional extras	
Internal/external 6 mm. brass earth stud	GL/ES
Equipment mounting plate, coated mild steel	GL9/MP
Cover hinge each	GL/HC

**EEx e and EEx i Terminal Boxes - Glass Reinforced Polyester**  
**Type GL10 - 560 x 160 x 90 mm.**

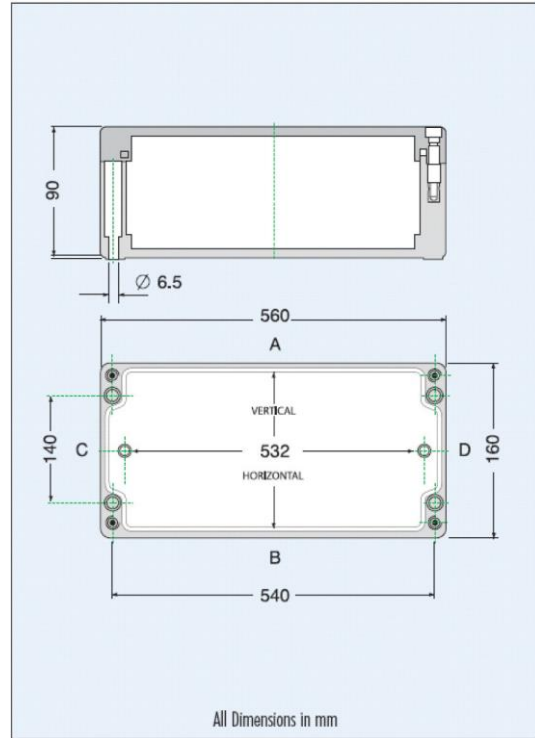
EEx e II and EEx ia IIC	Zones 0,1,2,21,22	T6	Group II Cat 1,2	ATEX/GOST/UL
-------------------------	-------------------	----	------------------	--------------

**Hazardous area specification**

Marking to 94/9/EC  $\text{Ex}$  II 2 GD,  $\text{Ex}$  II 1 GD T6  
 Type of protection EEx e II T6 and EEx ia IIC T6  
 Temperature class T6 (-50 °C to +50 °C), T5 (+55 °C), T4 (+60 °C),  
 Area classification Zones 0,1,2,21,22. Groups IIA, IIB, IIC  
 Certification numbers Sira 99ATEX3200 and Sira 99ATEX3028U,  
 Ingress protection IP66 EN60529:1992  
 Power dissipation Maximum 13.8 Watts at +40 °C and 6.2 Watts at +50 °C. Except for dust applications where the maxima are 6.9 Watts at +40 °C and 3.1 Watts at +50 °C

**Enclosure specification**

Dimensions 560 x 160 x 90 mm  
 Material box Carbon loaded, anti-static glass reinforced polyester UL 94/V0  
 Finish Moulded self colour black. Other colours available on request  
 Weight empty 3.7 kg  
 Cover fixing Captive M6 stainless steel allen head screws  
 Optional hinges  
 Gasket Silicon rubber  
 Earthing Optional 6 mm. brass internal/external earth stud  
 Optional internal earth continuity plate in galvanised steel, brass or stainless steel  
 Entries Through threaded hole in body  
 Mounting Integral 4.5 mm clearance holes moulded into the body



A guide to physical terminal capacity				
	WDU 2.5	WDU 4	WDU 6	WDU 10
Horizontal rail	1 x 100	1 x 84	1 x 62	1 x 49

Note: This is a guide to physical terminal capacity only. Installers must ensure that the maximum power dissipation given above is not exceeded.

A guide to entry capacity			
Gland size mm.	20	25	32
Side A+B	34	16	10
Side C+D	6	2	1

**Ordering information**

Description	EEx e Terminal Box	EEx e U Component Approved Enclosure	EEx ia Terminal Box
Enclosure only	GL1001	GL1002	GL1003
Enclosure w/ steel earth plate	GL1011	GL1012	GL1013
Enclosure w/ brass earth plate	GL1021	GL1022	GL1023
Enclosure w/ stainless steel earth plate	GL1031	GL1032	GL1033

Optional extras	
Internal/external 6 mm. brass earth stud	GL/ES
Equipment mounting plate, coated mild steel	GL10/MP
Cover hinge each	GL/HC

**EEx e and EEx i Terminal Boxes - Glass Reinforced Polyester  
Type GL11 - 255 x 250 x 120 mm.**

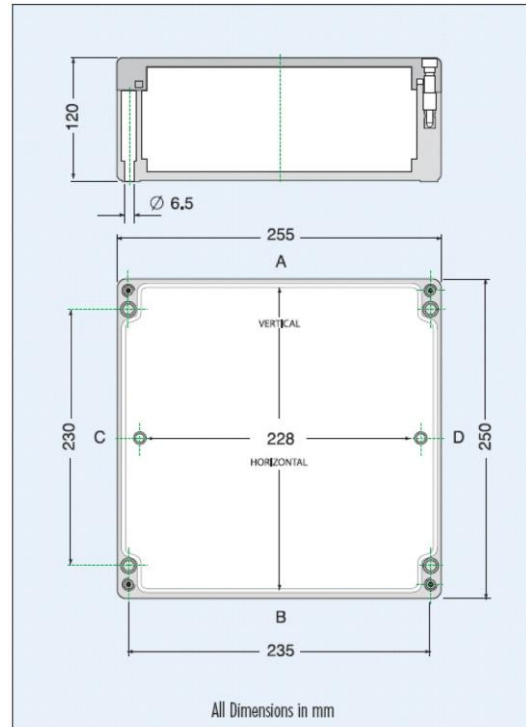
EEx e II and EEx ia IIC	Zones 0,1,2,21,22	T6	Group II Cat 1,2	ATEX/GOST/UL
-------------------------	-------------------	----	------------------	--------------

**Hazardous area specification**

Marking to 94/9/EC	Ⓔ II 2 GD, Ⓔ II 1 GD T6
Type of protection	EEx e II T6 and EEx ia IIC T6
Temperature class	T6 (-50 °C to +50 °C), T5 (+55 °C), T4 (+60 °C),
Area classification	Zones 0,1,2,21,22. Groups IIA, IIB, IIC
Certification numbers	Sira 99ATEX3200 and Sira 99ATEX3028U,
Ingress protection	IP66 EN60529:1992
Power dissipation	Maximum 15.5 Watts at +40 °C and 6.4 Watts at +50 °C. Except for dust applications where the maxima are 7.75 Watts at +40 °C and 3.2 Watts at +50 °C

**Enclosure specification**

Dimensions	255 x 250 x 120 mm
Material box	Carbon loaded, anti-static glass reinforced polyester UL 94/V0
Finish	Moulded self colour black. Other colours available on request
Weight empty	2.7 kg
Cover fixing	Captive M6 stainless steel allen head screws Optional hinges
Gasket	Silicon rubber
Earthing	Optional 6 mm. brass internal/external earth stud Optional internal earth continuity plate in galvanised steel, brass or stainless steel
Entries	Through threaded hole in body
Mounting	Integral 6.5 mm clearance holes moulded into the body



A guide to physical terminal capacity				
	WDU 2.5	WDU 4	WDU 6	WDU 10
Horizontal rail	2 x 39	2 x 33	2 x 24	2 x 18

Note: This is a guide to physical terminal capacity only. Installers must ensure that the maximum power dissipation given above is not exceeded.

A guide to entry capacity			
Gland size mm.	20	25	32
Side A+B	17	10	5
Side C+D	14	8	4

**Ordering information**

Description	EEx e Terminal Box	EEx e U Component Approved Enclosure	EEx ia Terminal Box
Enclosure only	GL1101	GL1102	GL1103
Enclosure w/ steel earth plate	GL1111	GL1112	GL1113
Enclosure w/ brass earth plate	GL1121	GL1122	GL1123
Enclosure w/ stainless steel earth plate	GL1131	GL1132	GL1133

Optional extras	
Internal/external 6 mm. brass earth stud	GL/ES
Equipment mounting plate, coated mild steel	GL11/MP
Cover hinge each	GL/HC

**EEx e and EEx i Terminal Boxes - Glass Reinforced Polyester  
Type GL12 - 400 x 250 x 120 mm.**

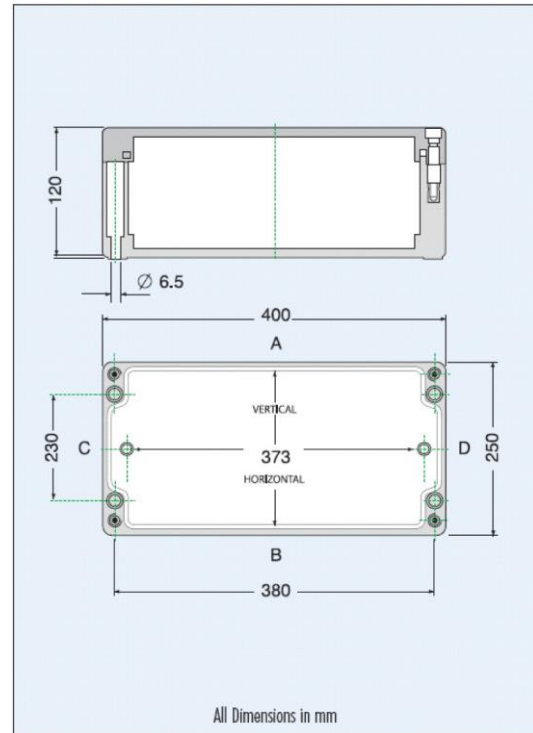
EEx e II and EEx ia IIC	Zones 0,1,2,21,22	T6	Group II Cat 1,2	ATEX/GOST/UL
-------------------------	-------------------	----	------------------	--------------

**Hazardous area specification**

Marking to 94/9/EC  $\text{Ex}$  II 2 GD,  $\text{Ex}$  II 1 GD T6  
 Type og protection EEx e II T6 and EEx ia IIC T6  
 Temperature class T6 (-50 °C to +50 °C), T5 (+55 °C), T4 (+60 °C),  
 Area classification Zones 0,1,2,21,22. Groups IIA, IIB, IIC  
 Certification numbers Sira 99ATEX3200 and Sira 99ATEX3028U,  
 Ingress protection IP66 EN60529:1992  
 Power dissipation Maximum 15.5 Watts at +40 °C and 6.4 Watts at +50 °C. Except for dust applications where the maxima are 7.75 Watts at +40 °C and 3.2 Watts at +50 °C

**Enclosure specification**

Dimensions 400 x 250 x 120 mm  
 Material box Carbon loaded, anti.static glass reinforced polyester UL 94/V0  
 Finish Moulded self colour black. Other colours available on request  
 Weight empty 3.4 kg  
 Cover fixing Captive M6 stainless steel allen head screws  
 Optional hinges  
 Gasket Silicon rubber  
 Earthing Optional 6 mm. brass internal/external earth stud  
 Optional internal earth continuity plate in galvanised steel, brass or stainless steel  
 Entries Through threaded hole in body  
 Mounting Integral 4.5 mm clearance holes moulded into the body



A guide to physical terminal capacity				
	WDU 2.5	WDU 4	WDU 6	WDU 10
Horizontal rail	2 x 68	2 x 57	2 x 42	2 x 33

Note: This is a guide to physical terminal capacity only. Installers must ensure that the maximum power dissipation given above is not exceeded.

A guide to entry capacity			
Gland size mm.	20	25	32
Side A+B	32	18	9
Side C+D	14	8	4

**Ordering information**

Description	EEx e Terminal Box	EEx e U Component Approved Enclosure	EEx ia Terminal Box
Enclosure only	GL1201	GL1202	GL1203
Enclosure w/ steel earth plate	GL1211	GL1212	GL1213
Enclosure w/ brass earth plate	GL1221	GL1222	GL1223
Enclosure w/ stainless steel earth plate	GL1231	GL1232	GL1233

Optional extras	
Internal/external 6 mm. brass earth stud	GL/ES
Equipment mounting plate, coated mild steel	GL12/MP
Cover hinge each	GL/HC

**EEx e and EEx i Terminal Boxes - Glass Reinforced Polyester  
Type GL13 - 405 x 400 x 120 mm.**

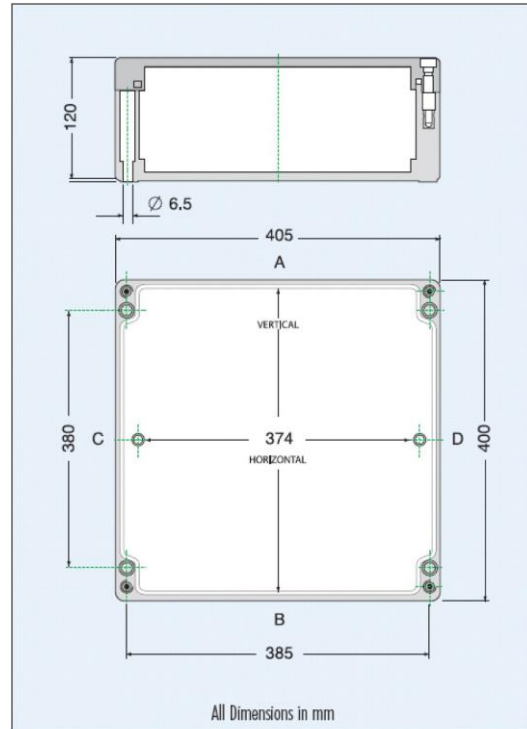
EEx e II and EEx ia IIC	Zones 0,1,2,21,22	T6	Group II Cat 1,2	ATEX/GOST/UL
-------------------------	-------------------	----	------------------	--------------

**Hazardous area specification**

Marking to 94/9/EC	Ⓔ II 2 GD, Ⓔ II 1 GD T6
Type of protection	EEx e II T6 and EEx ia IIC T6
Temperature class	T6 (-50 °C to +50 °C), T5 (+55 °C), T4 (+60 °C),
Area classification	Zones 0,1,2,21,22. Groups IIA, IIB, IIC
Certification numbers	Sira 99ATEX3200 and Sira 99ATEX3028U,
Ingress protection	IP66 EN60529:1992
Power dissipation	Maximum 31.4 Watts at +40 °C and 11.2 Watts at +50 °C. Except for dust applications where the maxima are 15.7 Watts at +40 °C and 5.6 Watts at +50 °C

**Enclosure specification**

Dimensions	405 x 400 x 120 mm
Material box	Carbon loaded, anti-static glass reinforced polyester UL 94/V0
Finish	Moulded self colour black. Other colours available on request
Weight empty	5.1 kg
Cover fixing	Captive M6 stainless steel allen head screws Optional hinges
Gasket	Silicon rubber
Earthing	Optional 6 mm. brass internal/external earth stud Optional internal earth continuity plate in galvanised steel, brass or stainless steel
Entries	Through threaded hole in body
Mounting	Integral 6.5 mm clearance holes moulded into the body



A guide to physical terminal capacity				
	WDU 2.5	WDU 4	WDU 6	WDU 10
Horizontal rail	3 x 68	3 x 57	3 x 42	3 x 33

Note: This is a guide to physical terminal capacity only. Installers must ensure that the maximum power dissipation given above is not exceeded.

A guide to entry capacity			
Gland size mm.	20	25	32
Side A+B	32	18	9
Side C+D	29	16	9

**Ordering information**

Description	EEx e Terminal Box	EEx e U Component Approved Enclosure	EEx ia Terminal Box
Enclosure only	GL1301	GL1302	GL1303
Enclosure w/ steel earth plate	GL1311	GL1312	GL1313
Enclosure w/ brass earth plate	GL1321	GL1322	GL1323
Enclosure w/ stainless steel earth plate	GL1331	GL1332	GL1333

Optional extras	
Internal/external 6 mm. brass earth stud	GL/ES
Equipment mounting plate, coated mild steel	GL13/MP
Cover hinge each	GL/HC

**EEx e and EEx i Terminal Boxes - Glass Reinforced Polyester  
Type GL14 - 405 x 400 x 165 mm.**

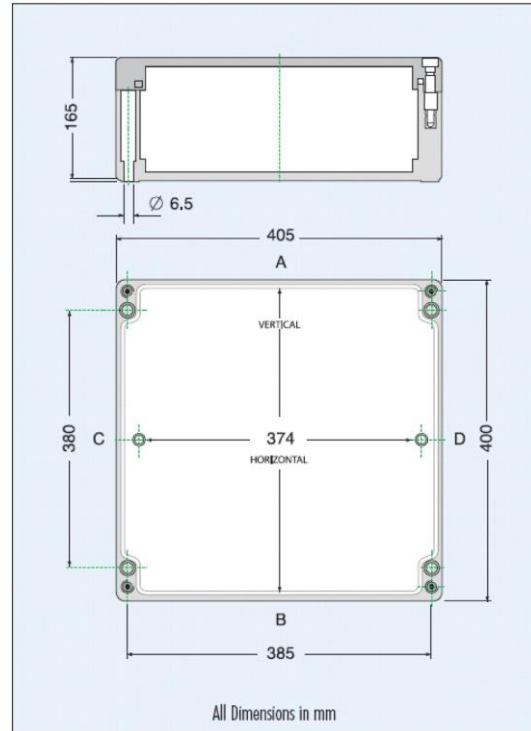
EEx e II and EEx ia IIC	Zones 0,1,2,21,22	T6	Group II Cat 1,2	ATEX/GOST/UL
-------------------------	-------------------	----	------------------	--------------

**Hazardous area specification**

Marking to 94/9/EC  $\text{Ex}$  II 2 GD,  $\text{Ex}$  II 1 GD T6  
 Type of protection EEx e II T6 and EEx ia IIC T6  
 Temperature class T6 (-50 °C to +50 °C), T5 (+55 °C), T4 (+60 °C),  
 Area classification Zones 0,1,2,21,22. Groups IIA, IIB, IIC  
 Certification numbers Sira 99ATEX3200 and Sira 99ATEX3028U,  
 Ingress protection IP66 EN60529:1992  
 Power dissipation Maximum 31.4 Watts at +40 °C and 11.2 Watts at +50 °C. Except for dust applications where the maxima are 15.7 Watts at +40 °C and 5.6 Watts at +50 °C

**Enclosure specification**

Dimensions 405 x 400 x 165 mm  
 Material box Carbon loaded, anti-static glass reinforced polyester UL 94/V0  
 Finish Moulded self colour black. Other colours available on request  
 Weight empty 5.1 kg  
 Cover fixing Captive M6 stainless steel allen head screws  
 Optional hinges  
 Gasket Silicon rubber  
 Earthing Optional 6 mm. brass internal/external earth stud  
 Optional internal earth continuity plate in galvanised steel, brass or stainless steel  
 Entries Through threaded hole in body  
 Mounting Integral 6.5 mm clearance holes moulded into the body



A guide to physical terminal capacity				
	WDU 2.5	WDU 4	WDU 6	WDU 10
Horizontal rail	3 x 68	3 x 57	3 x 42	3 x 33

Note: This is a guide to physical terminal capacity only. Installers must ensure that the maximum power dissipation given above is not exceeded.

A guide to entry capacity			
Gland size mm.	20	25	32
Side A+B	42	27	14
Side C+D	38	25	14

**Ordering information**

Description	EEx e Terminal Box	EEx e U Component Approved Enclosure	EEx ia Terminal Box
Enclosure only	GL1401	GL1402	GL1403
Enclosure w/ steel earth plate	GL1411	GL1412	GL1413
Enclosure w/ brass earth plate	GL1421	GL1422	GL1423
Enclosure w/ stainless steel earth plate	GL1431	GL1432	GL1433

Optional extras	
Internal/external 6 mm. brass earth stud	GL/ES
Equipment mounting plate, coated mild steel	GL14/MP
Cover hinge each	GL/HC