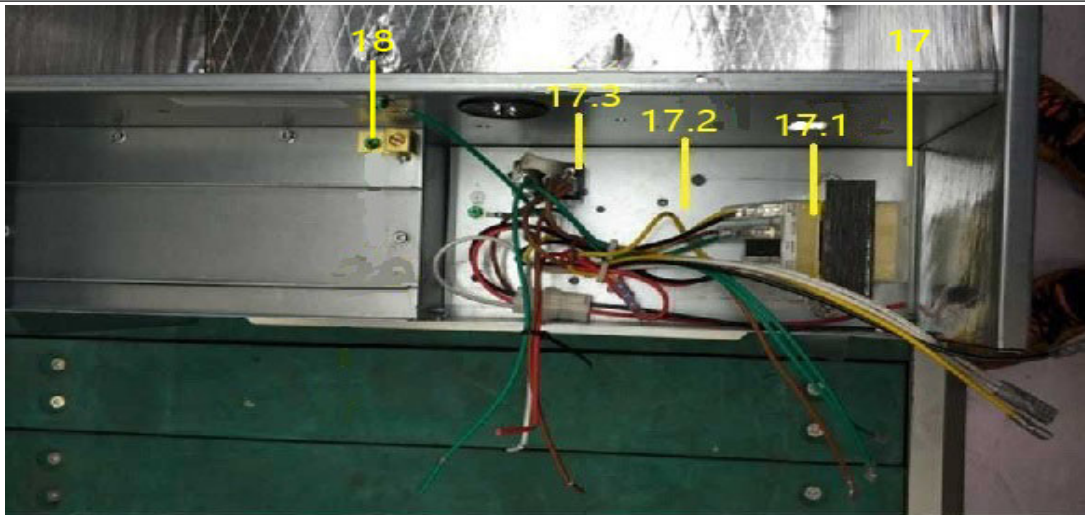
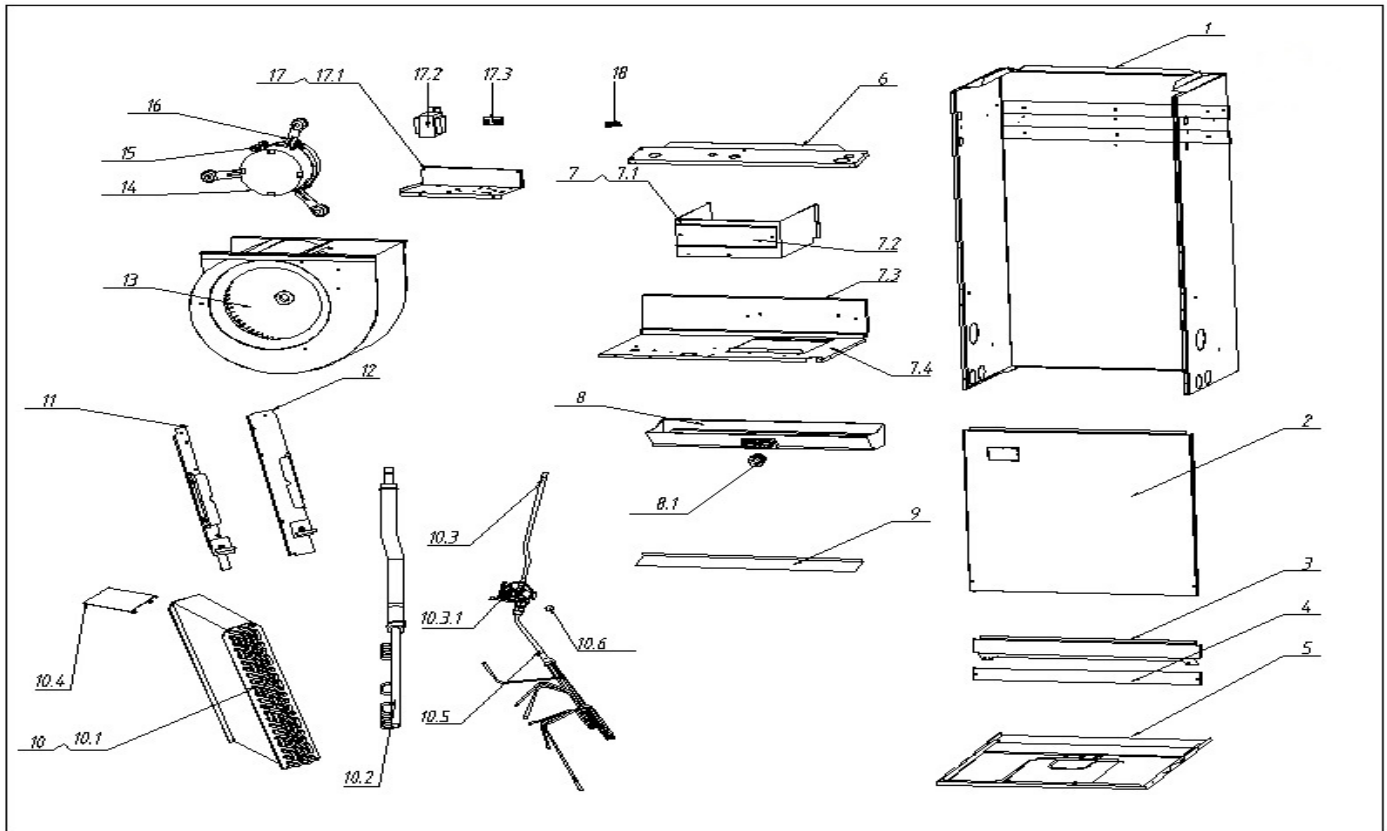


Exploded View

Model CWM5-24-15

ComfortStar®



EX_ID	Spare Parts Code	Part Name(EN)	Qty.		
1	12223000002377	Base assembly	1		
2	12223000010536	Side panel assembly	1		
3	12223000010529	Condenser connection board assembly	1		
4	12223000002181	In the interconnect board assembly	1		
5	12223000010533	Side panel assembly	1		
6	12223000002220	Components on the side	1		
7	12223000002126	Duct components	1		
7.1	12223000001960	Air duct damper	1		
7.2	12223000002111	Clapboard	1		
7.3	12223000001965	Duct under the baffle	1		
7.4	12223000002333	Wind wheel fixed plate	1		
8	12123000001080	Drainage pan assembly	1		
8.1	15500402000023	seal plug	1		
9	12223000002118	Drainage pan	1		
10	15823000004346	Evaporator assembly	1		
10.1	15823000004347	Evaporator	1		
10.2	15223000000125	Evaporator output pipe assembly	1		
10.3	15423000004443	Expansion valve ass'y	1		
10.3.1	15500213000102	Thermal expansion valve	1		
10.4	12223000005759	Evaporator windshield plate ass'y	1		
10.5	15223000000127	Distributary ass'y	1		
10.6	12100901000010	Sealing ring	1		
11	12223000010535	Condenser connection board assembly	1		
12	12223000010527	Condenser connection board assembly	1		
13	12200101000021	Wind turbine parts	1		
14	11002015000782	Brushless DC Motor	1		
15	12223000001992	Supporter of fan motor	1		
16	12223000001934	Motor bracket ass'y I	3		
17	17223000005340	E-part box ass'y	1		
17.1	12223000002176	Electrical Installation plate	1		
17.2	11203103000194	Linear Transformer	1		

17.3	17400401000208	terminal block,2P	1		
18	11201708000008	Wiring Terminal	1		