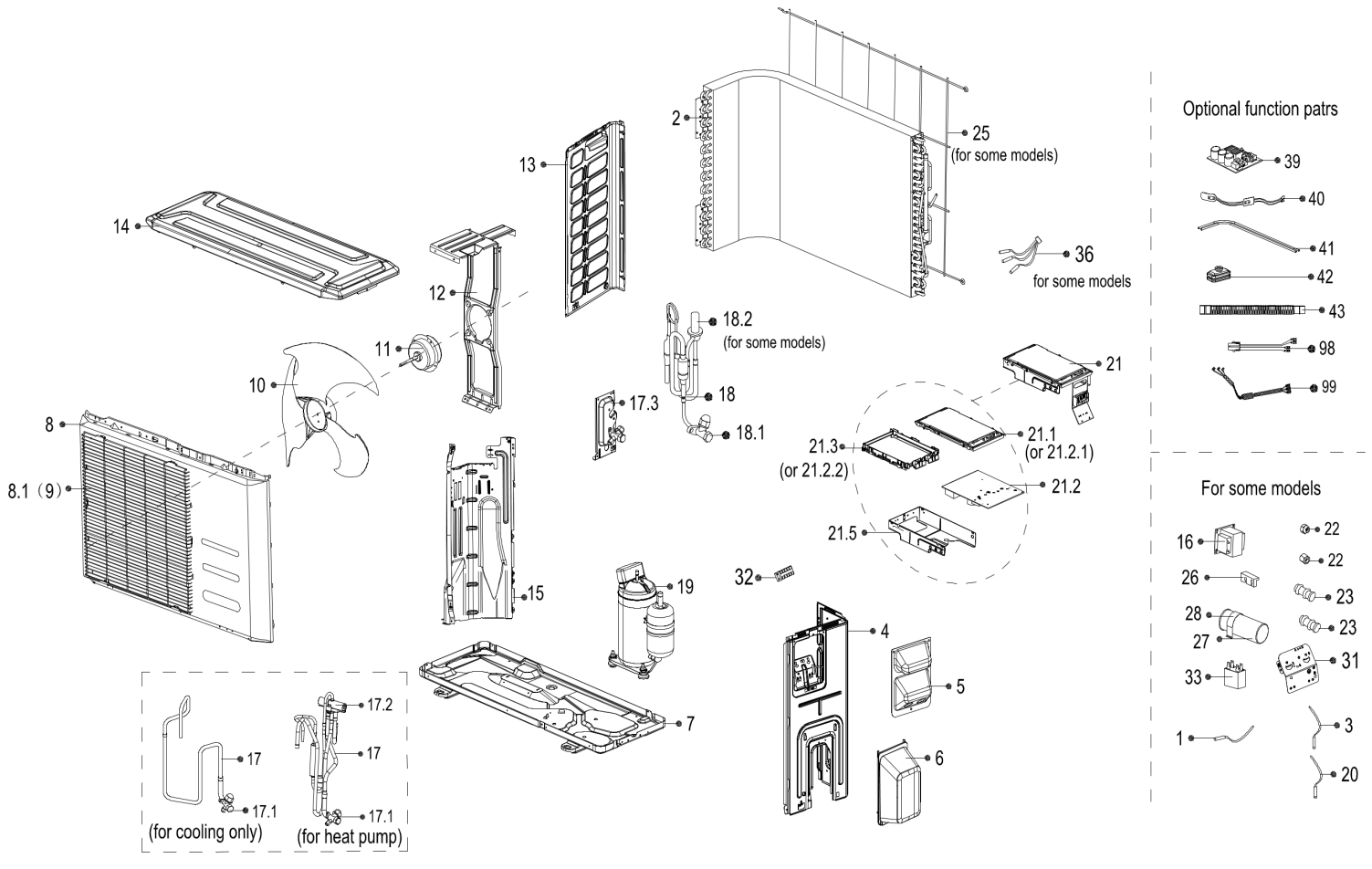


ComfortStar Model: CPG009CA(O)-B
 Power Supply : 208-230V/1Ph/60HZ

ComfortStar®



No.	PART#	Part Name	Quantity	Remark
2	15822000008140	Condenser assembly	1	
4	12222000006249	Parts fn Right Side Plate	1	
5	12222000010966	Big handle assembly	1	
6	12122000007150	Water collector	1	
7	12222000006485	Chassis Assembly	1	
8	12222000004842	Front panel assembly	1	
9	12222000007424	Air outlet grille	1	
10	12100105000057	Axial flow fan	1	
11	11002015008264	Brushless DC Motor	1	
12	12222000008924	Supporter subassembly of fan motor	1	
13	12222000006244	Left supporter	1	
14	12222000006246	Top cover assembly	1	
15	12222000006484	Partition board assembly	1	
16	17400306000019	Reactor	1	
17	15422000015932	4-way Valve Assembly	1	
17.1	15500204000021	Gas valve	1	
17.2	15500216000341	4-way valve	1	
17.3	12222000002571	Valve plate	1	
18	15422000004812	High-Voltage valve Assembly	1	
18.1	15500208000028	Liquid valve	1	

19	11103020005082	DC Inverter rotary compressor	1	
21	17222000029831	Electronic control box subassembly	1	
21.2	17122000044766	Outdoor main control board subassembly	1	
21.2.1	12222000001455	Cover of electronic control box	1	
21.2.2	12122000006913	Support of electronic control box	1	
21.5	12222000001311	Electronic installing box subassembly	1	
22	15500406000010	Copper nut (gas)	1	
22	15500406000016	Copper nut (liquid)	1	
25	12222000003986	Rear net	1	
27	17400103000052	Capacitor of compressor	1	
28	12200203000007	Capacitor clip	1	
31	12222000002259	Terminal board	1	
32	17400401000075	Terminal	1	
36	11201011000067	Combination Sensor	1	
40	17402001000559	Crankcase electric heater	1	