

# COMET

## *Kart Sales*

### *2014-2015 Performance Catalog*

**Parts**  
**Karts**  
**Engines**  
**Service**



Comet Kart Sales  
2650 West Main Street  
Greenfield, IN 46140

Phone 317.462.3413  
Fax 317.462.2740

[www.cometkartsales.com](http://www.cometkartsales.com)

# **COMET**

## ***Racing Engines***

**Comet Racing Engines are winning from Coast to Coast!  
No hype, just *lots and lots of wins!***

**2013 SKUSA SuperNats Winner in TaG Senior!**

**2013 SKUSA SuperNats Runner Up in TaG Senior!**

**Front Row Sweep for the Start of the TaG Senior  
Final with Comet Blueprinted Leopard's!**

**2013 Robopong 200 Pole and Race Winner!  
Comet Blueprinted Leopard's!**

**Multiple WKA and USPKS National Championships  
and wins in multiple classes!**



**Leopard  
IAME X30  
Yamaha Senior Pipe  
Yamaha Junior SSX  
Yamaha Rookie  
KPV Senior  
KPV Junior  
Comer K80**



**Call Comet Racing Engines 317-462-3413 or [email@cometkartsales.com](mailto:email@cometkartsales.com)**



**COMET KART SALES® - CKS MOTORSPORTS® - COMET RACING ENGINES®**

**2650 WEST MAIN STREET**

**GREENFIELD, INDIANA 46140**

**317.462.3413 PHONE 317.462.2740 FAX**

**WEBSITE WWW.COMETKARTSALES.COM**

**EMAIL EMAIL@COMETKARTSALES.COM**

**STORE HOURS (ALL TIMES EASTERN): MONDAY TO FRIDAY 9:00 AM TO 6:00 PM**

**SATURDAY 9:00 AM TO 2:00 PM**

**CLOSED SUNDAY**

***CHECK OUR WEBSITE FOR SPECIAL WINTER HOURS, TYPICALLY NOVEMBER TO MARCH***

---

**IMPORTANT ORDERING INFORMATION - COMET KART SALES ALWAYS DOES ITS BEST TO KEEP PRICE INCREASES UNDER CONTROL DURING THE YEAR. HOWEVER SOMETIMES DURING THE YEAR PRICE INCREASES MUST BE MADE AND THE CATALOG PRICE WILL NO LONGER BE ACCEPTED ON THAT ITEM OR ITEMS. WE THANK YOU FOR YOUR UNDERSTANDING IN THIS MATTER AND APPRECIATE YOUR CONTINUED BUSINESS.**

---

#### **SHIPPING INFORMATION**

\* WE ACCEPT VISA, MASTERCARD, DISCOVER, AMEX, PAYPAL

\*ORDERS PLACED BY 3:00 PM INDIANA TIME (EASTERN TIME) WILL SHIP OUT SAME DAY

\*ORDERS SHIPPED TO INDIANA ADDRESSES SUBJECT TO 7% STATE SALES TAX

\*NO RETURNS WITHOUT AUTHORIZATION \*ALL RETURNS MUST HAVE COPY OF RECEIPT

\*NO RETURNS ACCEPTED AFTER 30 DAYS \*NO RETURNS ON CLOSE OUT ITEMS, SPECIAL ORDERS, CUT TO LENGTH ITEMS, DVD'S, TAPES, SOFTWARE, BOOKS AND MAGAZINES

\*LAYAWAYS AVAILABLE ON ANY STORE ITEMS \*PRICES AND TERMS SUBJECT TO CHANGE WITHOUT NOTICE

\*ALL ORDERS ARE CHARGED SHIPPING, SHIPPING PRICE ARE DETERMINED BY DIMENSIONAL WEIGHT

---

\*COMET KART IS NOT RESPONSIBLE FOR TYPOS, DESCRIPTION AND PHOTO ERRORS OR PRICING ERRORS IN THIS CATALOG

\*DUE TO THE NATURE AND THE ENVIRONMENT OF THE PRODUCTS WE SELL AND HOW THEY ARE USED, COMET KART SALES DOES NOT GUARANTEE THE ITEMS SOLD BY US OR THE MANUFACTURERS WARRANTIES AND GUARANTEES. PLEASE FOLLOW THE WARRANTY OR GUARANTEE PROVIDED BY THE MANUFACTURER. ANY DESIGN OR MANUFACTURING DAMAGES OR DEFECTS ARE THE SOLE RESPONSIBILITY OF THE MANUFACTURER, NOT COMET KART SALES.

MOTORSPORTS ARE DANGEROUS, THE USER ASSUMES ALL RISK INCLUDING SERIOUS INJURY OR DEATH.

**\*20% RESTOCKING CHARGE, EXCEPT FOR ERRORS MADE ON OUR PART. ALL CLAIMS AND RETURNS MUST BE ACCOMPANIED BY RECEIPT. NO RETURNS AFTER 30 DAYS!**

---

## **A MESSAGE FROM COMET KART SALES**

WELCOME TO OUR 2014-2015 COMET PERFORMANCE CATALOG! IF YOU ARE NEW TO KARTING WE WELCOME YOU TO A GREAT SPORT THAT CAN BE SHARED BY THE WHOLE FAMILY AND WE HOPE KARTING BRINGS YOU YEARS AND YEARS OF EXCITEMENT AND GREAT MEMORIES. IF YOU ARE A LONG TIME KARTER WE WELCOME YOU BACK AND THANK YOU FOR YOUR CONTINUED BUSINESS!

YOU MIGHT HAVE NOTICED THAT WE DID NOT PUT OUT A 2013 CATALOG BUT FOR GOOD REASON, WE SPENT THE TIME AND RESOURCES ON A COMPLETE REDESIGN OF OUR WEBSITE COMETKARTSALES.COM. ORIGINALLY WE FIGURED THE SITE WOULD BE UP AND GOING IN ABOUT 6 MONTHS BUT IT TOOK 18 MONTHS OF WORK BEFORE WE LAUNCHED THE NEW SITE! WE HOPE YOU FIND THE LONG HOURS AND HARD WORK PUT INTO THE SITE WORTH IT. THE NEW SITE WILL ALLOW US MUCH MORE FLEXIBILITY AND FEATURES THAT THE OLD SITE COULD NOT, AS WELL AS THE ABILITY TO INCLUDE A LOT MORE INFORMATION FOR EACH PART AND DETAILED PHOTOS. WE HAVE LAUNCHED A NEW BLOG ON THE SITE WITH TECHNICAL ARTICLES ON CHASSIS SETUP AND TIPS ON KARTING IN GENERAL. WE LOOK FORWARD TO GIVING OUR CUSTOMERS THE BEST WEBSITE EXPERIENCE THAT WE CAN AND WE INVITE YOU TO CHECK IT OUT!

ONCE AGAIN THIS YEARS CATALOG HAS GROWN A FEW PAGES. WE ARE ALWAYS ON THE LOOKOUT FOR GREAT NEW PRODUCTS AND KARTING LINES TO OFFER AND IN 2013 WE ADDED THE WORLD CHAMPION BIREL KARTS AND PARTS TO OUR RANGE OF PRODUCTS. THE BIREL CHASSIS HAS BEEN A FIXTURE TO US SPRINT KARTING FOR DECADES AND WE ARE EXCITED TO FINALLY BE ABLE TO SUPPLY OUR CUSTOMERS BIREL KARTS AND PARTS. WE HAVE ALSO GREATLY EXPANDED OUR SAFETY PRODUCTS SELECTION WITH ALPINESTARS AND SPARCO RACE PRODUCTS COMING ON BOARD WITH US. WE ARE VERY EXCITED BY BOTH BRANDS AND WE HAVE A WIDE SELECTION OF SUITS, GLOVES, SHOES, RIBVESTS AND ACCESSORIES FROM EACH COMPANY IN STOCK. NOT ONLY DO THE ALPINESTARS AND SPARCO PRODUCTS LOOK GREAT, THEY ARE ALSO REASONABLY PRICED FOR THE KARTING MARKET.

COMET RACING ENGINES, OUR IN-HOUSE ENGINE PROGRAM, JUST KEEPS WINNING HUGE RACES! COMET LEOPARDS WERE FIRST AND SECOND IN TAG SENIOR AT WHAT IS ARGUABLY THE BIGGEST KART RACE IN THE COUNTRY, THE SKUSA SUPERNATS WITH ARROW DRIVERS NICHOLAS ROWE AND DAVID SERA. COMET LEOPARDS ALSO TOOK THE POLE AND THE WIN AT THE 2013 ROBOPONG 200 AT NEW CASTLE MOTORSPORTS PARK. COMET RACING ENGINES HAD MULTIPLE WINS AND CHAMPIONSHIPS IN WKA MANUFACTURERS CUP AND THE USPKS SERIES THIS SEASON, AS WELL AS NUMEROUS REGIONAL AND LOCAL EVENTS. IT'S BEEN A GREAT SEASON FOR COMET RACING ENGINES BUT OUR ENGINE SHOP IS ALWAYS WORKING HARD AND PUSHING FOR MORE HORSEPOWER GAINS WITH NUMEROUS TWO CYCLE ENGINES INCLUDING THE YAMAHA KT100, LEOPARD, X30, KPV, COMER C50 AND K80, ROTAX, VORTEX MINI ROK AND TT AND WHATEVER COMES OUT NEXT! IF YOU ARE INTERESTED IN SENDING YOUR ENGINE TO COMET GIVE US A CALL!

BY THE TIME YOU READ THIS NEW CASTLE MOTORSPORTS PARK WILL HAVE STARTED THE 2014 KARTING SEASON. THE TRACK IS LOCATED JUST OFF I-70 ABOUT 45 MINUTES EAST OF INDIANAPOLIS. NCMP'S LOCAL KART CLUB KART RACERS OF AMERICA IS BACK WITH A 14 RACE SERIES WITH CLASSES THAT RANGE FROM KID KARTS, TO LO206 AND CLONE, YAMAHA, TAG AND SHIFTER. NCMP WILL ALSO HOST A NUMBER OF TRAVELING EVENTS INCLUDING THE USPKS NATIONAL AND USPKS BANQUET, ROUTE 66 DIVISIONAL, TWO WKA MANUFACTURERS CUP NATIONALS, WKA GREAT LAKES REGIONAL RACE, SKUSA PRO KART CHALLENGE AND THE VINTAGE KARTING ASSOCIATION.

NCMP WILL ALSO HOST A FEW ONE OFF EVENTS INCLUDING THE "RACE FOR RILEY" CHARITY RACE AND THE ANNUAL ROBOPONG 200 TAG ENDURANCE RACE. IN 2013 THE ROBOPONG 200 WEEKEND INCLUDED A NEW AND VERY EXCITING CHARITY KARTING EVENT, "THE DAN WHELDON MEMORIAL KARTING CHALLENGE". DOZENS OF PROFESSIONAL RACECAR DRIVERS FROM INDYCAR AND SPORTSCAR RACING CAME OUT TO SUPPORT THE EVENT WITH OVER \$100,000 RAISED FOR THE ALZHEIMERS ASSOCIATION IN DAN'S MEMORY. PLANS ARE ALREADY UNDERWAY FOR THE 2014 RACE. IT WAS A GREAT EVENT FOR AN EVEN BETTER CAUSE AND THE SUPPORT FOR THE WHELDON FAMILY WAS INCREDIBLE. WE HAVE INCLUDED THE 2014 NCMP EVENT CALENDER TOWARDS THE BACK OF THE CATALOG. WE HOPE YOU CAN MAKE IT OUT AND RACE AT ONE OF OUR EVENTS BUT EVEN IF YOU CAN'T BRING YOUR OWN KART WE HAVE RENTAL KARTS AVAILABLE ALMOST EVERYDAY IF YOU ARE IN THE INDIANAPOLIS AREA AND WANT TO DO SOME LAPS!

WE WISH YOU GREAT SUCCESS THIS KARTING SEASON AND REMEMBER THAT WE ARE ALWAYS HERE TO PROVIDE YOU WITH ANY TECHNICAL SUPPORT YOU MAY NEED. PLEASE FEEL FREE TO CALL OR EMAIL OUR KNOWLEDGABLE STAFF, THEY CAN ADVISE YOU ON ANY QUESTIONS YOU HAVE OR HELP YOU FIND THE RIGHT PARTS FOR YOUR PROJECT! WE WILL ALSO TRAVEL TO A NUMBER OF LARGE KARTING EVENTS THIS YEAR FOR CUSTOMER SUPPORT AND PART SALES. OUR SUPPORT TRAILER WILL BE AT ALL WKA MANUFACTURERS CUP AND USPKS RACES THIS YEAR AND SOME ONE OFF EVENTS. WE HOPE TO SEE YOU THERE!

THANK YOU,  
MARK DISMORE SR., THE DISMORE FAMILY AND EVERYONE AT COMET KART SALES  
STEVE ALEXANDER, REX GRIFFIN, MARK HARRISON,  
BRANDON JENKINS, JENNY PALMER, STEVE KNIGHT, COLTEN SMITH  
DONNA DISMORE, ESTEINA ADAMS, MARK DISMORE JR.

**A**

AFTERMARKET BRAKE PADS.....	242-246
AIR BOXES.....	129, 130
AIR BOXES - LEOPARD.....	62
AIR BOXES - MINI ROK.....	73
AIR BOXES - ROTAX.....	80
AIR DENSITY GAUGE.....	227
AIR FILTERS.....	129, 130
AIR FILTER ADAPTOR BRIGGS.....	47
AIR FILTER ADAPTOR CLONE.....	44, 45
AIR FILTER ADAPTOR LEOPARD.....	62, 66
AIR FILTER ADAPTOR MINI ROK.....	71
AIR FILTER ADAPTOR PRD.....	74
AIR FILTER ADAPTOR YAMAHA.....	54, 56
AIR FILTER OIL.....	250
AIR FILTER SOCKS.....	130, 131
AIRHEART BRAKES.....	248
ALIGNMENT DISCS.....	213
ALIGNMENT LASER.....	29, 141
ALLEN WRENCHES.....	122, 124
ALPINESTARS.....	1, 5, 6, 8
ANGLE FINDER GAUGE.....	227
ANIMAL BRIGGS PARTS.....	31-41, 46-49
APPAREL (SUITS, HELMETS ETC.).....	1-16
APRON.....	10
AUTOLITE SPARK PLUGS.....	128
ARAI HELMETS.....	14
ARMADILLO RIB VEST.....	5
ARROW KARTS AND PARTS.....	142, 146-150
AVENGER EXTREME CASTOR OIL.....	50
AXLES.....	19, 157, 173, 194
AXLE RACK.....	262
AXLE SNAP RINGS.....	20
AXLE LOCK COLLARS.....	18, 19
AXLE BEARINGS.....	21
AXLE BEARING CASSETTES.....	21, 22, 144, 145, 147, 156, 175, 194
AXLE CLUTCHES.....	103, 104, 112
AXLE KEYSTOCK.....	20, 156, 173, 194
AXLE REMOVAL TOOL.....	233
AZUSA BRAKES.....	234, 235, 249
AZUSA JACKETS.....	4
AZUSA SUITS.....	3

**B**

BAGS (HELMET AND APPAREL).....	8
BALACLAVA (HEAD SOCK).....	9, 10
BAR STOOL PROJECT.....	261
BARRY CLIP, QUICK RELEASE.....	212
BATTERIES.....	63, 67, 70, 73, 76, 83, 88, 132, 141
BATTERY CHARGER.....	226
BATTERY CHARGER ROTAX.....	83
BEADMASTER TIRE TOOL.....	140
BEAD BREAKER TIRE TOOL.....	140
BEANIE HAT.....	4
BEARINGS - CHASSIS.....	21, 22
BEARING CASSETTES.....	21, 22, 144, 145, 147, 156, 175, 194
BELL HELMETS.....	13
BELL HELMET SHIELDS.....	15
BELTS AND BELT SPROCKETS.....	114, 115, 238
BELTS (SAFETY).....	8
BILLET ROD - BRIGGS.....	49
BILLET ROD - CLONE.....	44
BIREL KARTS AND PARTS.....	193-210
BLENDZALL OIL.....	250
BODYWORK.....	147, 150, 153, 168, 172, 207, 254-257
BOLT SPACERS.....	214
BOSCH SPARK PLUGS.....	128

**B**

BODYWORK BRACKETS.....	116, 212, 218, 231, 255
BOLTS.....	214-216
BOOKS.....	18
BRAKES, BRAKE PARTS.....	144, 146, 159-165, 186-191, 203-206, 233, 234, 239-249
BRAKE BIAS.....	164, 188, 200, 248
BRAKE COOLER.....	189, 248
BRAKE FLUID.....	246
BRAKE LINE/THROTTLE HOUSING.....	220
BRAVA - MARGAY.....	144, 145
BRIDGESTONE TIRES.....	139
BRIGGS CARB LINKAGE KIT.....	47, 49
BRIGGS ENGINES - NEW.....	31
BRIGGS ENGINE TOOLS.....	121, 122
BRIGGS OIL.....	250
BRIGGS PARTS.....	31-41, 46-49
BULLER JACKSHAFT KITS.....	114
BUMPERS.....	145, 147, 149, 150, 152, 153, 157, 166- 168, 172, 177, 178, 208, 209, 256, 258
BUMPER ALUMINUM BRACKETS.....	116, 218, 231, 255, 256
BURCO CLUTCH PARTS.....	127
BURRIS MOTOR MOUNTS.....	125, 126
BURRIS OIL.....	250
BURRIS PISTONS.....	50, 96, 99
BURRIS NECK COLLAR.....	5
BURRIS TIRES.....	138
BURRIS WHEELS.....	137
BYSTROM CLUTCH PARTS.....	127

**C**

CABLES AND CABLE STOPS.....	220, 225, 234
CAMERA, ON BOARD.....	222, 229
CAMSHAFTS, BRIGGS.....	33, 36, 49
CAMSHAFTS, CLONE.....	43, 46
CAMSHAFTS, TECUMSEH 10HP.....	99
CANS, FUEL.....	132
CAN EXHAUST RLV.....	115
CAR SEAT.....	10
CARB ADJUSTER.....	47
CARBURETORS AND CARB PARTS.....	33, 36, 39, 42, 52, 53, 54, 62, 66, 71, 74, 82, 92, 95, 97, 119, 121
CARB POPOFF GAUGE.....	235
CARB TOOLS, ROTAX.....	82
CARLISLE TIRES.....	140
CASSETTES, BEARINGS.....	21, 22, 144, 145, 147, 156, 175, 194
CASTOR ADJUSTER KIT.....	141, 152
CATCH TANKS, FOUR CYCLE.....	49
CHAIN.....	30
CHAIN BREAKER TOOL.....	30
CHAIN LUBE.....	250
CHAINGUARDS.....	29, 44, 48, 55, 77, 84, 127, 168, 180, 218
CHAMPION SPARK PLUGS.....	128
CHASSIS CLAMPS.....	116, 117, 144, 150, 153, 182, 212, 217, 218, 232, 231
CHASSIS PARTS.....	144-210
CHASSIS TOOLS.....	123, 124, 140, 141, 212, 226-228, 247
CHENG SHIN TIRES.....	140
CIK BODYWORK.....	147, 150, 153, 168, 172, 207, 254-257

**C**

CIRCLIPS, FOREIGN & YAMAHA.....	57
CKS SPACE CHAIN.....	30
CLEVIS.....	148, 188, 217
CLONE ENGINE.....	42
CLONE ENGINE PARTS.....	42-46, 118, 119
CLOTHING.....	4, 10
CLUTCH - BULLY.....	102
CLUTCH - COMER.....	92, 94
CLUTCH HORSTMAN.....	105-112
CLUTCH - KPV.....	91
CLUTCH - L&T.....	104, 105
CLUTCH - LEOPARD 07.....	60
CLUTCH - MY09.....	66
CLUTCH - PATRIOT.....	113
CLUTCH - ROTAX.....	85
CLUTCH - SHOE CLUTCH.....	99-101
CLUTCH - SMC.....	102-104
CLUTCH - X30.....	69
CLUTCH CABLE.....	220
CLUTCH OIL.....	250
CLUTCH SUPPORTS.....	126, 127
CLUTCH TOOLS.....	57, 62, 67, 75, 85, 90
COLLARS, AXLE.....	18, 19
COMER ENGINES AND PARTS.....	56, 92-95
COMET CLUTCHES.....	236, 237
CONICAL WASHERS.....	148, 183, 212
COOL POWER OIL.....	250
COYOTE KARTS AND PARTS.....	143, 145
CRADLE KITS.....	84, 116, 117, 147, 156, 192
CRANE CAMS & PARTS.....	49
CRASH BARS.....	145, 147, 150, 153, 168, 177, 178, 208, 209, 258
CRG KARTS & PARTS.....	152-169

**D**

DAP ENGINE PARTS.....	57
DECALS.....	166, 210, 220, 253
DENZO SPARK PLUG.....	128
DIAL CALIPERS.....	122, 123
DIAL INDICATORS.....	112, 122, 123
DID CHAIN.....	30
DIGATRON GAUGES.....	225
DIPPERS, BRIGGS.....	47
DIRECT DRIVE SPROCKETS.....	115
DOUGLAS WHEELS.....	133-136
DRILL BLOCKS.....	123
DRIVING SHOES.....	6-9
DUNLOP TIRES.....	139
DUCT TAPE.....	212
DUROMETER.....	227
DVD.....	18
DYNO CAMS.....	46, 49
DZUS FASTNERS.....	212

**E**

EAGLE EYE CHAIN ALIGNER.....	29
EAGLE KART.....	151
EK CHAIN.....	30
ELBOW PADS.....	10
ENGINES - NEW.....	31, 42, 50, 56, 58, 92, 98
ENGINE MOUNTS.....	125-128, 148, 149, 186, 196, 235
ENGINE TOOLS.....	56, 57, 82, 84, 121-124, 228
ENGINETICS BRAKES.....	242
EXHAUST CRADLE.....	116, 117, 147, 148, 156, 192
EXHAUST INSULATING WRAP.....	117



**E**

EXHAUST - Misc. Two CYCLE... 116, 117  
 EXHAUST - BRIGGS..... 118, 119  
 EXHAUST - CLONE.....45, 118, 119  
 EXHAUST - C50.....93  
 EXHAUST - K80.....94  
 EXHAUST - KP.V.....90  
 EXHAUST - LEOPARD.....61  
 EXHAUST - MINI ROK.....73  
 EXHAUST - ROK TT.....86  
 EXHAUST - ROTAX.....84  
 EXHAUST - X30.....70  
 EXHAUST - YAMAHA.....115, 116  
 EXHAUST SPRINGS.....117  
 EXP CHASSIS PARTS.....152

**F**

FA KART AND PARTS..... 170, 172-192  
 FABRIC AIR FILTERS..... 129, 130  
 FEL PRO GASKETS..... 46, 55  
 FILTER ADAPTORS..... 131  
 FILTER ADAPTOR BRIGGS..... 47  
 FILTER ADAPTOR CLONE..... 44, 45  
 FILTER ADAPTOR LEOPARD..... 62, 66  
 FILTER ADAPTOR PRD..... 74  
 FILTER ADAPTOR YAMAHA..... 54, 56  
 FILTER JACKETS, OUTERWEARS... 131  
 FILTER OIL..... 250  
 FIRESTONE TIRES..... 139  
 FLAG SET..... 228  
 FLANGETTES FOR BEARING..... 21  
 FLEX - EXHAUST..... 117  
 FLEX-T NEEDLE, YAMAHA..... 54  
 FLOOR PANS..... 144, 148, 155, 182,  
 ..... 195  
 FLYWHEEL COVERS, BRIGGS..... 46  
 FOAM AIR FILTERS..... 129, 130  
 FOREIGN ENGINE PARTS..... 50-98  
 FORMULA V TIRE TREATMENT..... 250  
 FRAME CLAMPS..... 116, 117, 144, 150,  
 ..... 153, 182, 212, 217,  
 ..... 218, 231, 232  
 FUEL AND FUEL ADDITIVES..... 250  
 FUEL JUGS..... 132  
 FUEL LINE, FUEL FILTERS..... 131, 219  
 FUEL PUMPS..... 47, 73, 82  
 FUEL TANKS..... 93, 147, 149, 167,  
 ..... 184, 195, 218, 219  
 FUEL TANK AND LINE HARDWARE. 131, 218, 219  
 FULCRUM ARM GAUGE..... 56, 122  
 FUN KART PARTS..... 139, 140, 234-238,  
 ..... 248  
 FUNNELS..... 132

**G**

GAS TANKS..... 93, 147, 149, 167,  
 ..... 184, 195, 218, 219  
 GASOLINE, RACING..... 250  
 GAUGES, DIGATRON..... 225  
 GAUGES, LONGACRE..... 226-228  
 GAUGES, MYCHRON..... 222-225  
 GEARS, BELT..... 114, 115  
 GEARS, CHAIN..... 29, 114, 115, 234  
 GEAR HOLDER (SPROCKETS)..... 30  
 GEM PRODUCTS..... 117, 127  
 GO PRO CAMERAS..... 229, 230  
 GLOVES..... 2, 6, 8, 9  
 GMAN PRODUCTS ..... 29, 47, 212, 218,  
 ..... 254  
 GOLD RINGS, YAMAHA..... 50  
 GRAPHIC KITS..... 166, 172, 210, 253  
 GRAPHIC SAVERS, LEXAN..... 254  
 GROMMETS..... 182, 213

**H**

H&M BELTS AND SPROCKETS... 114, 115  
 HARTMAN CLUTCH PARTS..... 127  
 HARDWARE - BOLTS, NUTS..... 28, 138, 214-216, 241  
 HATS..... 4  
 HEAD SOCK..... 9, 10  
 HEADER BOLTS, BRIGGS..... 119  
 HEADERS, BRIGGS..... 118, 119  
 HEADERS, TWO CYCLE..... 61, 70, 73, 75, 90,  
 ..... 116  
 HEADER HEAT WRAP..... 117  
 HEAT WRAP, THERMO..... 117  
 HEEL GRIP TAPE..... 211  
 HEGAR BRAKE KITS, PARTS..... 249  
 HELMETS..... 11-16  
 HELMET BAGS..... 8  
 HELMET RESTRAINT..... 8  
 HELMET SHIELDS..... 14-16  
 HELMET TEAROFFS..... 14, 16  
 HPV ENGINE AND PARTS..... 54, 90, 91, 108  
 HONDA CLONE PARTS..... 42-46  
 HONDA ENGINES..... 98  
 HONDA ENGINE PARTS..... 97, 98  
 HORSTMAN CLUTCHES..... 105-112  
 HORSTMAN PRODUCTS..... 105-112  
 HORSTMAN SPROCKETS..... 29  
 HOSE CLAMPS..... 117, 129, 130  
 HOT COIL - BRIGGS..... 34  
 HOUR METER FOR ENGINE..... 226  
 HUB - BRAKE..... 28, 147, 152, 164, 165,  
 ..... 174, 199, 240, 249  
 HUB - SPROCKET..... 28, 145, 147, 149,  
 ..... 154, 174, 197  
 HUB - WHEEL..... 26, 27, 144, 149,  
 ..... 155, 175, 176, 200  
 HURST AIRHEART BRAKES..... 248  
 Hyme JOINT..... 23

**I**

IAME ENGINE AND PARTS..... 56, 58-71  
 IBEA CARB AND PARTS..... 121  
 IGNITION (MOTOPLAT)..... 57  
 IMPACT EQUIPMENT BAG..... 8  
 IMPACT HELMET SHIELDS..... 16  
 IMPACT RACING HELMETS..... 12  
 IMPACT SAFETY APPAREL..... 4, 5, 9  
 INHALER FILTER CUP - BRIGGS.. 47  
 INHALER FILTER CUP - CLONE... 44, 45  
 INNER TUBES..... 139  
 INTREPID PARTS..... 152

**J**

JACKETS..... 4  
 JACKSHAFT KITS..... 114, 234-238  
 JETS, BRIGGS..... 33, 39  
 JETS, CLONE..... 42  
 JETS, MINI ROK..... 73  
 JETS, ROTAX..... 82  
 JR DRAGSTER BRAKE DISC..... 240  
 JR DRAG TORQUE CONVERTERS. 102  
 JR DRAGSTER WHEELS..... 136

**K**

K1 RACE GEAR..... 3, 5, 9  
 KART COVERS..... 214  
 KARTING BOOKS..... 18  
 KARTS, NEW..... 142-144, 151, 152,  
 ..... 170, 171, 193  
 KARTS, USED..... 258-260  
 KART STANDS..... 17  
 KEYSTOCK..... 20, 156, 173, 194  
 KING PIN ADJUSTERS..... 141, 146, 179, 199

**K**

KG BODYWORK AND NERFS..... 254-258  
 KLOTZ PRODUCTS..... 250  
 KNEE PADS..... 10  
 KOMET ENGINE PARTS (KPV).... 90, 91  
 KOSMIC KARTS AND PARTS..... 171-192

**L**

LASER CHASSIS ALIGNMENT..... 141  
 LASER CHAIN ALIGNER..... 29  
 LEAD WEIGHT..... 140, 185, 218  
 LEOPARD ENGINE..... 58  
 LEOPARD ENGINE PARTS..... 59-67  
 LINKAGE KIT, BRIGGS..... 47, 49  
 LO206 ENGINE..... 31  
 LO206 PARTS..... 37-41, 47-49, 101,  
 ..... 118  
 LOCK COLLARS..... 18, 19  
 LONGACRE GAUGES..... 226-228  
 LONGACRE SCALES..... 227  
 LTO COMET CHASSIS PARTS.... 152

**M**

MAGNESIUM COMPONENTS..... 24, 27, 28, 173-176  
 MAGNESIUM WHEELS..... 134, 136, 137, 168,  
 ..... 173, 206  
 MARGAY KARTS AND PARTS..... 143-145  
 MARGAY WHEELS..... 137  
 MASTER LINK, CHAIN..... 30  
 MAXTORQUE CLUTCHES..... 45, 101  
 MCCULLOUGH PARTS..... 95, 98  
 MCP BRAKES..... 239-241, 248  
 METRIC ROD END..... 23, 179  
 MIKUNI FUEL PUMPS..... 47, 82  
 MIKUNI CARB PARTS..... 119  
 MINI BIKE KIT AND PARTS..... 234-238, 261  
 MINI ROK..... 56, 71-73  
 MISI..... 121-123, 127  
 MOJO TIRES..... 138  
 MOLECULE SUIT CLEANER..... 3  
 MOTOPLAT IGNITION..... 57  
 MOTUL OIL..... 250  
 MOTOR MOUNTS..... 125-128, 148, 149,  
 ..... 186, 196, 235  
 MUFFLERS - BRIGGS..... 118, 119  
 MUFFLERS - CLONE..... 118, 119  
 MUFFLERS - YAMAHA..... 115  
 MYLAPS TRANSPONDER..... 228  
 MYCHRON GAUGES..... 222-224

**N**

NECK COLLARS..... 5  
 NERF BARS..... 145, 147, 150, 153,  
 ..... 168, 177, 178, 208,  
 ..... 209, 258  
 NGK SPARK PLUGS AND CAPS. 128  
 NIPPONDENSO SPARK PLUGS... 128  
 NOMEX SUIT..... 3  
 NOMEX UNDERWEAR..... 10  
 NORAM CLUTCHES..... 99, 100  
 NUMBERS, STICK ON..... 220  
 NUMBER PANELS..... 220

**O**

O&H GOLD RINGS, YAMAHA..... 50  
 ODONTAL MOUNTS..... 125  
 OILS..... 50, 71, 250  
 OIL CATCH TANKS - 4 CYCLE.... 49  
 OIL RACK FOR TRAILER..... 262, 263  
 OIL ROD DIPPER - BRIGGS..... 47  
 ORYX WHEELS..... 136  
 OTK - ORIGINAL TONY KART PARTS 170-192  
 OUTERWEARS - NYLON PREFILTERS 131

**P**

PANTS - RACING.....	4
PATRIOT CLUTCHES.....	113
PARILLA ENGINES.....	56, 58
PARILLA ENGINE PARTS.....	58-71
PAUL MARTIN MCP BRAKES.....	239-241, 248
PCR ENGINE PARTS.....	56
PEDAL ADAPTOR PLATE KIT.....	211
PEDAL CLEVIS.....	148, 188, 217
PEDAL EXTENSIONS.....	211
PEDAL GRIPS.....	211
PEDAL RODS.....	217
PFEIFER BELTS AND SPROCKETS..	114, 115
PIPES - FOUR CYCLE.....	45, 118, 119
PIPES - MISC. TWO CYCLE.....	116
PIPE - C50.....	93
PIPE - K80.....	94
PIPE - KPV.....	90
PIPE - LEOPARD.....	61
PIPE - MINI ROK.....	73
PIPE - PRD.....	75
PIPE - ROK TT.....	86
PIPE - ROTAX.....	84
PIPE - X30.....	70
PIPE - YAMAHA.....	115-117
PIPE BRACKETS - ALUMINUM.....	117
PIPE CRADLE KITS.....	116, 117
PIPE INSULATING WRAP.....	61, 117
PIPE SPRINGS.....	117
PISTONS AND RINGS - FOREIGN..	50, 57, 58, 60, 72,
.....	75, 79, 86, 91, 93,
.....	95, 96, 98
PISTONS AND RINGS - YAMAHA....	50, 96
PISTONS AND RINGS - BRIGGS....	32, 40, 99
PISTONS AND RINGS - CLONE.....	43, 44
PISTONS AND RINGS - McCULLOUGH	96
PJ1 SPRAY OIL.....	250
POP OFF CARB GAUGE.....	56
PRD ENGINE AND PARTS.....	74-76
PREFILTERS.....	129-131
PRO TOE ALIGNMENT.....	213
PROTECTOR RIB VEST.....	5
PULSE LINE.....	131
PVL IGNITION.....	57
PYROMETERS.....	227, 228

**Q**

QUARTER MIDGET PARTS.....	97, 98, 135
QUICK ADJUST KING PIN BOLT.....	152
QUICK RELEASE STEERING HUB..	23
QUICKSILVER CHASSIS PARTS.....	152

**R**

RACER TAPE.....	212
RACING SHOES.....	6-9
RACK & PINION STEERING.....	23
RACING GAS.....	250
RADIATOR.....	64, 76, 81, 84, 88,
.....	137
.....	1, 3
RAIN APPAREL.....	129
RAIN HOOD FOR AIRBOX.....	225
RATIO RITE MEASURING CUP.....	250
REDLINE OIL.....	5
RIB PAD VESTS.....	138
RIM HARDWARE.....	133-137, 173,
RIMS.....	206, 207
RINGS - BRIGGS.....	32, 36, 40, 99
RINGS - CLONE.....	43, 44
RINGS - FOREIGN.....	50, 57, 58, 60, 72,
.....	75, 79, 86, 91, 93,
.....	95, 96, 98

**R**

RINGS - McCULLOCH.....	96
RINGS - YAMAHA.....	50, 96
RING TOOLS.....	121, 122
RING FOR TIRE MOUNTING.....	140
RIPLEY BRAKE DISC.....	247
RLV HEADERS - FOUR CYCLE.....	45, 118, 119
RLV HEADERS - TWO CYCLE.....	116, 117
RLV KART STAND.....	17
RLV MUFFLERS - BRIGGS.....	118, 119
RLV MUFFLERS - YAMAHA.....	115
RLV TWO CYCLE PIPES.....	116
RLV TIRE BEAD BREAKER.....	140
ROBERTSON HEADER - 4 CYCLE..	45, 118
ROCKET SPROCKETS.....	29
ROD DIPPERS - BRIGGS.....	47
ROD - BILLET BRIGGS.....	49
ROD - BILLET CLONE.....	44
ROD END FOR TIE ROD.....	23
ROK TT ENGINE AND PARTS.....	56, 86-89
ROTAX AFTERMARKET PARTS.....	82-84
ROTAX ENGINES.....	56
ROTAX ENGINE PARTS.....	77-85
RUBBER GROMMETS.....	182, 213

**S**

SAFETY WIRE.....	123
SAFETY WIRE PLIERS.....	123
SCALES - LONGACRE.....	227
SDH MOUNTS.....	126
SEALS - BRIGGS.....	31, 33, 36-38, 41
SEALS - FOREIGN.....	50, 55, 57, 59, 65,
.....	68, 72, 75, 77, 87,
.....	91, 93, 95
SEATS.....	251, 252
SEAT BELT KITS.....	8
SEAT MOUNT HARDWARE.....	148, 210, 212, 221
SEAT PADDING KITS.....	253
SEAT STRUTS.....	183, 221
SEMEL TIRE MACHINE.....	141
SETUP BOOKS AND DVD'S.....	18
SHOCK DOCTOR.....	10
SHIFTER KART PARTS.....	30, 234
SHOES.....	6-9
SIMPSON PRODUCTS.....	3-5, 8-11
SKID PLATES.....	182
SLIPPY PIPES.....	116
SLOTTED CASTLE NUTS.....	23, 28, 145, 215, 216
SMC CLUTCHES.....	102-104
SNIPER LASER ALIGNER.....	141
SONIK TAG ENGINE PARTS.....	57
SPACERS - FRONT WHEEL.....	146, 157, 178, 199,
.....	213, 232
SPARCO.....	2, 5, 7
SPARK PLUGS.....	128
SPARK PLUG CAPS.....	34, 43, 47, 63, 70, 73,
.....	76, 87, 90, 98, 128
.....	144
SPEC TAG.....	144
SPINDLES.....	146, 150, 152, 159,
.....	165, 178, 198, 231,
.....	235, 241
SPIRALLOCKS.....	50
SPRINGS - EXHAUST.....	117
SPROCKETS - BELTS.....	114, 115
SPROCKETS - CHAIN.....	29, 114, 115, 234, 235
SPROCKET HOLDER.....	30
SPROCKET HUBS.....	28, 147, 149, 154,
.....	165, 197
STARTERS ELECTRIC.....	132
STEERING HUB.....	24, 25, 144, 146,
.....	154, 180, 197

**S**

STEERING LOCK.....	24
STEERING SHAFTS.....	23, 198
STEERING SHAFT BLOCKS.....	24
STEERING WHEELS.....	25, 145, 150, 180
STOP WATCHES.....	224
SUITS - DRIVING.....	1-3, 8
SUPER SIPHON.....	132

**T**

TACH GAUGES.....	222
TAPE MEASURES.....	140
TANKS - FUEL.....	34, 93, 167, 185,
.....	195, 218-219
TANK SUPPORT KIT - BRIGGS....	47
TAPE - RACER TAPE.....	212
TEAROFFS.....	14, 16
TECH BOOK, WKA.....	18
TECUMSEH ENGINES PARTS.....	99
TEMP GAUGES.....	222
THERMO WRAP.....	117
THERMOSTAT.....	233
THIRD BEARING SUPPORT KITS..	125-127
THROTTLE CABLES.....	220, 224
THROTTLE LINKAGE KIT - BRIGGS	47, 49
TIE ROD.....	22, 144, 146, 153,
.....	179, 202, 232
TIE ROD ENDS.....	23
TIE WRAPS.....	124
TINY TACH.....	226
TIRES.....	138-140
TIRE AIR GAUGE.....	226
TIRE BEAD BREAKER TOOLS.....	140
TIRE GROOVER KIT.....	141
TIRE PRESSURE GAUGES.....	226
TIRE PYROMETERS.....	227, 228
TIRE RACK FOR TRAILER.....	262
TIRE TREATMENTS/PREP.....	250
TIRE WARMER KIT.....	140
TIRE & WHEEL BALANCER.....	140
TILLETT SEATS.....	252
TILLOTSON CARBS AND PARTS....	62, 119, 120
TOE IN GAUGE - RLV, GEM.....	213
TOE IN GAUGE - SNIPER.....	141
TONY KART APPAREL.....	4, 10
TONY KART AND PARTS.....	170, 172-192
TOOLS.....	56, 110, 112, 121-
.....	124, 140, 141, 213,
.....	226-228, 233, 247
TOP KART - KID KART AND PARTS.	143, 169
TORQUE CONVERTER - COMET....	236-238
TORQUE CONVERTER - JR DRAG.	102
TORQUE WRENCHES.....	123
TORSION BARS AND CLAMPS.....	144, 149, 150,
.....	153, 182, 197, 217
TRACK CLAW TIRE TREATMENT...	250
TRANSPONDER AND PARTS.....	228
TRAILER ACCESSORIES.....	262, 263
TUBELESS KITS - WHEEL.....	138
TUBES - TIRE.....	139
TWIST N' STAY.....	225

**U**

UNDERPAN MATERIAL.....	254
US820 ENGINE.....	56
US820 ENGINE PARTS.....	95, 96, 98, 100,
.....	116
USED KARTS.....	258-260

**V**

- VALVE STEMS..... 138
- VAN-K TUBELESS KITS..... 138
- VAN-K RIM HALVES..... 135
- VAN-K WHEELS ONE PIECE..... 135, 136
- VAN-K WHEEL HUBS..... 26, 27
- VEST - RIB PADS..... 5
- VIDEO DVD - KARTING..... 18
- VORTEX ROK TT ENGINE & PARTS 56, 86-89
- VORTEX MINI ROK ENGINE, PARTS 56, 71-73

**W**

- WALBRO CARB - YAMAHA..... 52, 53, 54, 56
- WALBRO FUEL PUMP - BRIGGS... 47
- WASHERS..... 145, 148, 212-214
- ..... 231, 232
- WATCHES - STOP WATCHES..... 224
- WATER PUMPS AND PARTS..... 64, 232
- WEIGHTS - KART BALLAST..... 140, 185, 218
- WESTBEND 820 ENGINES..... 56

**W**

- WESTBEND 820 ENGINE PARTS. 95, 96, 100
- WHEELS..... 98, 116, 133-137, 173, 206, 207
- WHEEL BALANCER..... 140
- WHEEL BEARINGS - FRONT..... 22
- WHEEL HUBS..... 26, 27, 144, 146, 152, 154, 155, 162, 165, 168, 175, 176, 200, 201
- WHEEL SPACERS..... 146, 157, 178, 199, 213, 232
- WHEEL STUDS..... 28, 155, 175, 200
- WHEEL WEIGHTS..... 140
- WILD KART PRODUCTS..... 21-26, 28, 84, 211-213, 217, 225, 231-233
- WILLIAMS WHEELS..... 135
- WIRE - SAFETY WIRE..... 123
- WIRE PLIERS..... 123
- WIRE TIE WRAPS..... 124

**W**

- WISECO PISTONS - BRIGGS.....99
- WISECO PISTONS - YAMAHA.....96
- WORK APRON..... 10

**X**

- X30 ENGINE..... 58
- X30 ENGINE PARTS..... 68-71

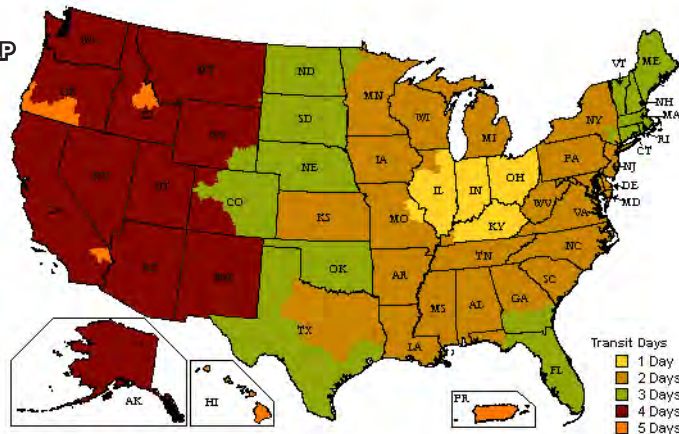
**Y**

- YAMAHA CARBS..... 52, 53, 54, 56
- YAMAHA ENGINES - NEW..... 50
- YAMAHA ENGINE PARTS..... 50-56
- YAMAHA HEADERS..... 116
- YAMAHA MUFFLERS..... 115
- YAMALUBE OIL..... 250
- YAMAHA PIPES..... 116

**Z**

- ZIP TIES..... 124

**UPS GROUND TRANSIT TIME MAP FROM GREENFIELD, IN 46140**



**COMET ALSO OFFERS RED LABEL 1 DAY SERVICE, BLUE LABEL 2 DAY SERVICE, 3 DAY SERVICE AND SATURDAY DELIVERY!**

ALL UPS SHIPPING CHARGES CALCULATED BY DIMENSIONAL WEIGHT

**US POSTAL MAIL SHIPPING AVAILABLE ON REQUEST!**

**SIZING CHARTS**

**AZUSA SUITS AND JACKETS**

Metric Size Chart	Waist	Height	Weight
28	All Sizes in Inches	43-46	40-50lbs
30		46-49	50-55
32		49-52	55-60
34		52-55	60-70
36		55-58	70-80
38		58-61	80-90
40		61-64	90-100
42		64-65	100-112
44	28	65-66	102-112
46	30	66-67	112-120
48	31	67-68	121-133
50	33	68-69	134-146
52	34	69-71	147-160
54	36	71-72	161-174
56	37	72-73	175-187
58	39	73-74	188-200
60	40	74-75	201-213
62	42	75-76	214-226

US Size Chart	Waist	Chest	Inseam	Neck to Wrist	Throat to Crotch
6	21-22"	25-26"	21"	20"	19"
8	23-24"	27-28"	22"	22"	21"
10	24-25"	28-30"	24"	23"	23"
12	26-27"	30-32"	26"	25"	25"
14	27-29"	32-33"	27"	26"	26"

US Size Chart	Waist	Chest	Inseam	Neck	Height	Weight
Small	29-30"	36-38"	29"	14 1/2"	5'5"-5'7"	115-125 lbs
Med/Sm	31-33"	38-40"	30"	15 1/2"	5'7"-5'10"	130-160 lbs
Med/SL	33-34"	40-42"	30"	15 1/2"	5'9"-5'11"	150-165 lbs
Med/Lg	35-36"	42-44"	31"	16 1/2"	5'10"-6'1"	170-185 lbs
Large	37-38"	44-46"	33"	16 1/2"	5'10"-6'1"	190-200 lbs
ExtraLarge	40-42"	46-48"	33"	17"	5'10"-6'1"	210-215 lbs



ADDITIONAL SIZING CHARTS

# K1 RACEGEAR SUIT SIZE CHART

(US)SIZE	EURO	HEIGHT(FT)	WEIGHT(LBS)	CHEST(IN)	WAIST(IN)	HIP(IN)	INSEAM(IN)	SLEEVE(IN)
7X-SMALL	20	3'7" - 4'1"	45-60	24	24	26	23	15
6X-SMALL	24	4'1" - 4'5"	60-75	25	25	26	25	18
5X-SMALL	28	4'5" - 4'7"	75-90	27	25	26	27.5	21
4X-SMALL	32	4'7" - 5'0"	80-95	28	26	27	28	22
3X-SMALL	36	5'0" - 5'4"	90-105	29	27	28	28.5	22.5
2X-SMALL	40	5'2" - 5'4"	105-120	31	28	30	29	23
X-SMALL	44	5'3" - 5'5"	110-125	31	28	32	30.5	24.5
SMALL	48	5'5" - 5'7"	120-130	33	30	35	31.5	25.5
MEDIUM	52	5'7" - 5'10"	140-150	35	32	39	32	26
MEDIUM-LARGE	54	5'10" - 6'	150-165	41	32	41	32	26
LARGE	56	5'10" - 6'	160-180	42	34	42	32.5	26.5
LARGE-X-LARGE	58	5'11" - 6'1"	175-190	44	36	44	32.5	26.5
X-LARGE	60	6'2" - 6'4"	185-205	45	38	45	33	27
XX-LARGE	64	6'4" - 6'6"	215-235	47	42	48	33.5	27.5
XXX-LARGE	68	6' 6" - 6'8"	250-275	49	46	50	34	28

## RACEWEAR JACKET SIZING CHART

### YOUTH - CHEST SIZE

- SMALL 26-28"
- MEDIUM 28-30"
- LARGE 30-32"
- XL 32-34"

### ADULT - CHEST SIZE

- SMALL 34-36"
- MEDIUM 38-40"
- LARGE 42-44"
- XL 46-48"
- XXL 50-52"



To find glove size in inches, measure around the largest part of the hand over the knuckles while making a fist, excluding the thumb.

### GLOVE SIZE

Measurement	Size
6.5	XXSmall
7.5	XSmall
7, 8.5	Small
8, 9.5	Medium
9, 10.5	Large
10, 11.5	XLarge

## K1 RACEGEAR SHOE SIZE CHART

EURO	US	CM
32	1	20.4
33	2	21.1
34	3	21.8
35	4	22.5
36	5	23.2
37	6	23.9
38	7	24.6
39	8	25.3
40	9	26
41	9.5	26.7
42	10	27.4
43	10.5	28.1
44	11	28.8
45	11.5	29.5
46	12	30.2
47	13	30.9
48	14	31.8

## K1 RACEGEAR GLOVES SIZE CHART

### SIZE INCHES

- XXXXS 3.5-4.5
- XXXS 4.5-5.5
- XXS 5.5-6.5
- XS 6.5-7.5
- SMALL 7.5-8.5
- MEDIUM 8.5-9.5
- LARGE 9.5-10.5
- X-LARGE 10.5-11.5

PLEASE MEASURE AROUND YOUR 4 FINGERS AT THE WIDEST PART.

## PANTS SIZING CHART

US Size Chart	Waist	Inseam
6	21-22"	21"
8	23-24"	22"
10	24-25"	24"
12	26-27"	26"
14	27-29"	27"

US Size Chart	Waist	Inseam
XS	29-31"	29"
SM	31-33"	30"
M	33-36"	31"
Lg	38-40"	33"
XL	42-44"	34"

**Alpinestars Karting Suits**

SEE PAGE 8 FOR THE LIMITED EDITION ALPINESTARS NRG COLLECTION!



**ALPINESTARS K-MX 9 KART RACING SUIT**

ADULT SIZES (ALL COLORS SHOWN) \$199.95  
SIZE 40-60

YOUTH SIZE COLORS - BLACK WITH WHITE TRIM \$179.95  
RED WITH WHITE TRIM \$179.95  
SIZE 120, 130, 140, 150

SFI CERTIFIED, HIGH QUALITY TECHNICAL SUIT FOR ENTRY AND INTERMEDIATE LEVEL RACERS, 3 LAYER CONSTRUCTION  
STRATEGICALLY PLACED MESH PANELS PROVIDE GREATER VENTILATION, SFI 40.1 TYPE 1 CERTIFIED  
OUTER SHELL: TWILL OXFORD POLYESTER, INNER LINER (TORSO AREA): COTTON TOWELING, INNER LINER (ARMS AND LEGS) POLYESTER MESH  
SHOULDER EPAULETS, ADJUSTABLE NECK COLLAR AND WAIST BELT FOR ADAPTABLE FIT ADJUSTMENT  
SEMI-FLOATING (3/4) SHOULDER GUSSET CONSTRUCTION WITH LYCRA PROVIDES IMPROVED FREEDOM OF MOVEMENT  
LUMBAR STRETCH PANEL FOR GREATER FLEXIBILITY AND A FLAT PROFILE 2 FLAT POCKETS



**ALPINESTARS K-MX 5 KART RACING SUIT**

ADULT SIZES (ALL COLORS SHOWN) \$299.95  
SIZES 40-60

YOUTH SIZE COLORS - ANTHRACITE/SILVER/RED \$249.95  
BLACK/SILVER/YELLOW \$249.95  
SIZE 120, 130, 140, 150

THE K-MX 5 IS A FULLY FEATURED KART RACING SUIT THAT DERIVES MANY TECHNICAL INNOVATIONS FROM ALPINESTARS RANGE OF PREMIUM AUTO RACING SUITS. STRATEGICALLY PLACED STRETCH ZONES AND AN ADVANCED FULLY FLOATING ARM CONSTRUCTION COMBINE TO OFFER EXCEPTIONAL MOBILITY WHILE DRIVING. COMPLIES TO CIK FIA LEVEL 2 HOMOLOGATION STANDARDS.

CONSTRUCTION - HIGH PERFORMANCE NYLON OUTER LAYER IS ENGINEERED FOR SUPERIOR DURABILITY AND ABRASION RESISTANCE.  
MESH PANELS POSITIONED ON THE SHOULDERS, ARMPITS AND SEAT AREA PROVIDE EXCELLENT VENTILATION PERFORMANCE.  
POLY-MESH LINING AROUND THE TORSO GREATLY ENHANCES DRIVING COMFORT.

**ALPINESTARS K-MX 1 KART RACING SUIT**

ADULT SIZES ONLY \$399.95  
SIZE 40-60



INCORPORATING THE LATEST DEVELOPMENTS IN RACING SUIT TECHNOLOGY THE K-MX 1 IS ALPINESTARS PREMIUM KARTING SUIT, DERIVED FROM TESTING AND RACING IN WORLD CHAMPIONSHIP KARTING. CIK FIA CERTIFIED, THE SUIT IS CONSTRUCTED FROM LIGHTWEIGHT, DURABLE MATERIALS, AND FEATURES INNOVATIVE STRETCH PANELS IN STRATEGIC AREAS FOR AN ERGONOMICALLY OPTIMIZED RACING FIT. CERTIFIED TO CIK FIA LEVEL 2 HOMOLOGATION STANDARDS

CONSTRUCTION - LIGHTWEIGHT CORDURA CONSTRUCTION PROVIDES DURABLE, HIGHLY ABRASION RESISTANT OUTER LAYER, SOFT FABRIC FINISH FOR ENHANCED DRIVING COMFORT. MESH PANELS STRATEGICALLY POSITIONED ON THE BACK OF THE COLLAR, TOP OF THE SHOULDER, ARMPITS, WRIST, AND SEAT AREA FOR MAXIMUM AIRFLOW POTENTIAL THROUGHOUT THE SUIT.

**ALPINESTARS KART RAIN SUIT \$99.95**

CLEAR, WATERPROOF OVER-SUIT FOR COMPETITION USE  
CONSTRUCTED FROM 100% WATERPROOF MATERIALS WITH TAPED SEAMS AND ELASTICIZED CUFFS  
PRECISE FIT MINIMIZES FLAPPING AT HIGH SPEEDS  
INNER V-SHAPED GUSSET ENABLES USE DURING HEAVY DOWNPOURS  
HIGH PROFILE COLLAR PROVIDES A COMPLETE SEAL AGAINST THE ELEMENTS  
ELASTICIZED CUFFS ON THE WRISTS AND ANKLES  
HEAVY DUTY, HEAT RESISTANT, TEXTILE SLEEVE PANELS  
SIZES - XXS-XXXL





**Sparco Karting Suits**



SEE PAGE 7 FOR SPARCO SIZING CHARTS

**SPARCO KS-3 KART RACING SUIT**

BLACK, RED, BLUE, GRAY, WHITE

YOUTH - 120, 130, 140, 150 \$230.00

ADULT - 44 XS, 48 SMALL, 52 MEDIUM, 56 LARGE, 60 XL, 64 XXL \$250.00

THE NEW KS-3 KARTING SUIT OFFERS THE ULTIMATE BALANCE OF PERFORMANCE AND VALUE. MADE FROM ABRASION-RESISTANT FABRIC AND LINED WITH SPARCO'S WELL-KNOWN SOFT COTTON TERRY, THE KS-3 IS BOTH DURABLE AND COMFORTABLE. TO DISSIPATE HEAT AND COOL THE BODY TEMPERATURE, THE KS-3 HAS INTERNAL LEG AND UNDERARM VENTS. THE KS-3 FEATURES HALF FLOATING SLEEVES AND STRATEGICALLY PLACED STRETCH PANEL AND ELASTIC FOR INCREASED MOBILITY. THIS STYLISH SINGLE TONE SUIT INCLUDES ACCENT STITCHING, CONTRASTING EXPOSED ZIPPER CLOSURE AND SPARCO SIGNATURE EPAULETTES. AVAILABLE IN CHILDREN AND ADULT SIZES IN BLACK, RED, BLUE, WHITE OR GRAY. THE ROOKIE K-3 IS CIK-FIA 2013-1 APPROVED.



**SPARCO X-LIGHT KX-8 KART RACING SUIT**

BLACK, RED, BLUE, GRAY

ADULT - 44 XS, 46, 48 SMALL, 50, 52 MEDIUM, 54, 56 LARGE, 58, 60 XL, 62, 64 XXL \$450.00

THE X-LIGHT KX-8 KARTING SUIT IS AN ULTRA LIGHTWEIGHT SUIT SPECIFICALLY DESIGNED FOR MOBILITY AND COMFORT. IT FEATURES SPECIALLY DESIGNED AIR INTAKES ON THE INNER ARMS AND THIGHS THAT HELP COOL THE DRIVER WHILE DRIVING. THE STYLISH TWO-TONE SUIT IS MADE FROM FOUR-WAY STRETCH FABRIC ON THE LOWER BACK FOR SUPERIOR COMFORT AND FIT. THE X-LIGHT KX-8 IS AVAILABLE IN BLACK/GRAY, RED/GRAY, GRAY/DARK GRAY AND BLUE/GRAY IN SIZES FROM 44 TO 64. FIA LEVEL 2 KARTING APPROVED.

**Sparco Karting Gloves**

SEE PAGE 7 FOR SPARCO SIZING CHARTS



**SPARCO HURRICANE K-3 KARTING GLOVES**

THE HURRICANE K-3 IS AN ENTRY-LEVEL KARTING GLOVE THAT OFFERS PROTECTION AND COMFORT. MADE FROM A DOUBLE-LAYER POLYIMIDE OUTER AND LINED WITH SOFT COTTON, THE HURRICANE K-3 FEATURES A PADDED PALM ENTIRELY IN SUEDE LEATHER INTERNAL SEAMS FOR IMPROVED COMFORT. THE TYPHOON K-5 IS A SINGLE TONE GLOVE WITH A CONTRASTING SUEDE PALM AND SIGNATURE SPARCO LOGOS EMBROIDERED ON THE BACK OF THE HAND. THE HURRICANE K-3 HAS ELASTIC ON THE BACK OF THE GLOVE FOR IMPROVED FIT.

XXS, XS, S, M, L, XL, XXL \$55.00



**SPARCO TYPHOON K-5 KARTING GLOVES**

THE TYPHOON K-5 IS A MID-LEVEL KARTING GLOVE THAT OFFERS PROTECTION AND COMFORT. MADE FROM A DOUBLE-LAYER POLYIMIDE OUTER AND LINED WITH SOFT COTTON, THE TYPHOON K-5 FEATURES A PADDED PALM WITH SUEDE LEATHER INSERTS AND INTERNAL SEAMS FOR IMPROVED COMFORT. THE TYPHOON K-5 HAS CONTRAST STITCHING AND PIPING AND SIGNATURE SPARCO LOGOS EMBROIDERED ON THE BACK OF THE HAND. THE TYPHOON K-5 HAS AN ADJUSTABLE VELCRO STRAP ON THE BACK OF THE GLOVE FOR IMPROVED FIT.

XXS, XS, S, M, L, XL, XXL \$65.00



**SPARCO ARROW K KARTING GLOVES**

THE ARROW K IS A BOLDLY STYLED KARTING GLOVE THAT PROVIDES INCREDIBLE GRIP AND SUPERIOR COMFORT. FEATURING AN ANATOMICALLY CORRECT PALM THAT CONTOURS TO THE NATURAL SHAPE OF THE HAND, THE PALM OF THE ARROW K GLOVE IS MADE FROM HTX, A SPARCO-EXCLUSIVE MATERIAL THAT INCREASES GRIP, COMFORT AND DEXTERITY. IT IS AN ULTRA LIGHTWEIGHT GLOVE MADE WITH WEAR-RESISTANT AND HIGH-GRIP POLYAMIDE EXTERNAL FABRIC WITH EXTERNAL SEAMS AND HIGH CONTRAST PALM AND FINGER GRIPS WITH PREMIUM SILVER ACCENTS.

XXS, XS, S, M, L, XL \$90.00



**Karting and Car Suits**



1. K1 LEVEL 1 RACE GEAR NYLON KARTING SUIT, CIK, SIZE 20 TO 68  
BLACK, RED, BLUE  
\$115.00



2. K1 APEX KARTING SUIT, TWO LAYER, CIK, SIZE 20 TO 68  
BLACK/BLUE/WHITE  
BLACK/RED/WHITE  
\$145.00



3. TONY KART SPARCO KARTING SUIT, X-LIGHT FABRIC, INTEGRATED AIR INTAKES, ABRASION RESISTANCE \$650.00



4. K1 STANDARD AUTO RACING SUIT, DOUBLE LAYER NOMEX SFI RATED FIRE SUIT, SFI 3.2A/5 RATED \$375.00  
COLORS - BLACK, RED, BLUE



5. K1 RACEGEAR SINGLE LAYER SFI COTTON PROBAN FIRE SUIT, SINGLE LAYER, MEETS SFI 3.2A/1 CERTIFICATION, LEGAL IN MANY LEAGUES INCLUDING 1/4 MIDGET, BANDELEROS, LEGENDS, SCCA SOLO \$140.00



6. **Close Out!** CURRENT INVENTORY AZUSA SUIT CORDURA OR NYLON, RED, BLACK, BLUE, YELLOW, ORANGE, SILVER, TEAL, PURPLE  
CHILDS \$69.00  
ADULT \$69.00  
XXL \$89.00



7. **Close Out!** COMET SUIT ADULT SIZE WITH NYLON, KNEE AND ELBOW PADS, POCKETS, LINER, PURPLE, YELLOW, BLUE \$65.00



8. **Close Out!** MIRI/ CARRERA/ATR SUIT VERY POPULAR, MADE IN ITALY BY MIR, BLACK, RED OR BLUE WITH BOX STITCHING, POCKETS AND CUFFS, ADULT AND CHILDS SIZES \$150.00



9. **Close Out!** TEAM COMET SUIT MADE BY MIR OF ITALY WITH COMET LOGOS, POCKETS, INNER LINER, VERY NICE \$240.00



10. **Close Out!** MIR CLEAR RAIN SUIT FITS OVER DRIVING SUIT TO KEEP DRIVER DRY  
XXS, XS, XXL  
\$150.00



11. **Close Out!** SIMPSON KARTING SUIT ADULT SIZES, KNEE PADDING, RED, BLACK, BLUE, GREEN, YELLOW \$95.00, XXL \$110.00  
NEON COLORS \$95.00



12. SIMPSON LEGENDS 2 FIRESUIT, SFI-1 RATING \$249.95  
COLOR BLACK/BLACK OR GRAY/BLACK  
ADULT S-XL  
SPECIAL ORDER



13. SIMPSON LEGEND 2 CHILDS FIRESUIT \$119.95  
CHILD SIZE XS-XL  
SPECIAL ORDER

**Molecule Suit Cleaner**



MOLECULE COMPLETE CLEANER KIT \$99.95  
INCLUDES - 4OZ SPOT  
16OZ WASH  
16OZ REFRESH  
16OZ PROTECTOR



MOLECULE TRIAL WASH KIT, INCLUDES 4OZ WASH AND 4OZ SPOT \$9.95



MOLECULE WASH KIT, INCLUDES 16OZ WASH, 16OZ SPOT \$34.95



MOLECULE 16OZ SPOT CLEANER ONLY \$19.95



MOLECULE 16OZ WASH ONLY \$19.95

**Karting Jackets**



1. **Close Out!** CURRENT INVENTORY AZUSA JACKET CHILDS AND ADULT SIZES, NYLON OR CORDURA \$48.00 XXL, XXXL \$58.00



2. SIMPSON NYLON JACKET WITH HEAT SHIELD ON ARM AND POCKETS BLACK, RED, BLUE \$125.00 XXL \$149.00



3. IMPACT KARTING JACKET WITH LEATHER HEAT SHIELD ON ARM BLACK, RED, BLUE XS THRU XXL \$119.95



4. NEW STYLE BURRIS KARTING JACKET, SOLID COLOR WITH HEAT SHIELD ON ARM, BLACK, BLUE, RED \$115.00, XXL \$125.00



5. BURRIS JACKET NYLON WITH ELASTIC WAIST BLUE ONLY SMALL, MEDIUM \$85.00 **Close Out**



6. KART RACEWEAR NYLON RACING JACKET WITH HEAT SHIELD ON RIGHT ARM RW600 CHILDS, SMALL-XL \$53.95 RW601 ADULT, SMALL-XXL \$53.95



7. KART RACEWEAR BLACK NYLON RACING JACKET WITH HEAT SHIELD ON RIGHT ARM RW700 CHILDS, SMALL-XL \$69.95 RW701 ADULT, SMALL-XXL \$74.95

RACEWEAR SIZING CHART, CHEST -  
 YOUTH SMALL 26-28"  
 YOUTH MEDIUM 28-30"  
 YOUTH LARGE 30-32"  
 YOUTH XL 32-34"  
 ADULT SMALL 34-36"  
 ADULT MEDIUM 38-40"  
 ADULT LARGE 42-44"  
 ADULT XL 46-48"  
 ADULT XXL 50-52"

**Hats**



**COMET HATS**  
 WOMANS HAT BLUE OR MUSTARD \$10.50  
 SUEDE BILL, ADJUSTABLE \$10.50



BLACK OR RED FLEXFIT HAT WITH COMET TEXT ONLY LOGO ON FRONT/COMET KART SALES.COM ON BACK \$16.00



COMET FLEX FIT HAT WITH FLAME LOGO BLUE, BLACK OR RED \$16.00



COMET BEANIE, BLACK WITH COMET TEXT LOGO \$10.00



COMET WOOL BEANIE WITH EMBROIDERED FLAME LOGO \$10.00



ARROW "X1" ADJUSTABLE HAT \$22.00



ARROW POWER TO PERFORM, BLACK HAT \$22.00



COMET RACING ENGINES FLEX FIT HAT \$16.00



NEW CASTLE MOTORSPORTS PARK HAT \$16.00



NEW CASTLE MOTORSPORTS PARK BLACK BEANIE \$10.00



SIMPSON LOGO HAT, BLACK \$19.95



WILDKART LOGO HAT \$10.00

TONY KART GREEN HAT, ADJUSTABLE STRAP \$17.00



TONY KART WHITE HAT, ADJUSTABLE STRAP \$25.00



**Karting Pants**

1. **Close Out!** AZUSA NYLON OR CORDURA KARTING PANTS CHILDS AND ADULT SIZES \$29.00





**Ribvests**



ADULT

1. VALHALLA ARMADILLO RIBVEST AND INTEGRATED CHESTPLATE  
 KID KART SFI 22-27" \$129.00  
 JUNIOR SFI 25-30" \$129.00  
 SMALL 28-37" \$119.00  
 MEDIUM 35-44" \$119.00  
 LARGE 40-49" \$119.00  
 EXTRA LARGE 46-55" \$129.00



CHILD

**WKA AND IKF RULES REQUIRE DRIVERS IN CLASSES THAT HAVE AN AGE FROM 5-12 YEARS OLD TO WEAR AN SFI APPROVED RIBVEST. THE ARMADILLO, SPARCO AND RIBTECT PLATE ARE ALL APPROVED**

**RIBTECT VEST SIZING**

KID SMALL 30, KID MEDIUM 32, KID LARGE 34  
 SMALL 36, SM 38, MEDIUM 40, ML 42  
 LARGE 44, XL 46, XXL 48

\*SIZING INFORMATION - MEASURE YOUR CHEST SIZE UNDER YOUR ARM PITS ACROSS YOUR BACK AND ACROSS YOUR CHEST, THIS MEASUREMENT PLUS ADD ONE SIZE SEEMS TO WORK REALLY WELL. EXAMPLE, YOUR CHEST MEASURES 36", A 38 VEST WILL PROBABLY BE BEST. HAVE SOMEONE HELP MEASURE YOU FOR ACCURACY.



2. K1 RACEGEAR CARBON FIBER RIBVEST, ADJUSTABLE STRAPS  
 XXXXS 26-29", XXXS 27-31"  
 XXS 29-32", XS 30-33"  
 S 34-38", M 38-40"  
 L 40-42", XL 42-48"  
 XXL 48-52"  
 \$100.00



3. K1 RACEGEAR PRO RIBVEST WITH INTERNAL PLASTIC PANELING, ADJUSTABLE STRAPS  
 XXXXS 26-29", XXXS 27-31"  
 XXS 29-32", XS 30-33"  
 S 34-38", M 38-40"  
 L 40-42", XL 42-48"  
 XXL 48-52"  
 \$60.00



6. RIBTECT CHILDS SFI APPROVED CHEST PLATE, TWO SIZES  
 SM1 AGE 5 TO 8  
 SM2 AGE 8 TO 12  
 \$129.00



4. ALPINESTARS BIONIC RIB SUPPORT  
 S/L SUIT SIZE 40-60  
 XL/XXL SUIT SIZE 52-60  
 \$139.95



5. RIBTECT 3 RIBVEST WITH ADJUSTABLE STRAPS LIKE ORIGINAL RIBTECT BUT WITH CARBON FIBER PANELS FOR INCREASED SUPPORT AND PROTECTION  
 \$199.00

**CLOSE OUT!** RIBTECT 2 RIBVEST \$125.00



8. RIBTECT RIBVEST WITH ADJUSTABLE STRAPS, HARD PLASTIC PANELING AND AN UNBEATABLE REPUTATION  
 CHILDS SIZE THRU ADULT XXL  
 \$159.00

**Neck Collars**



1. K1 NECK COLLAR WITH WEDGE SUPPORT, NYLON  
 ADULT - 5" OPENING \$35.00  
 CHILD - 4" OPENING \$29.00  
 BLACK, RED, BLUE

7. SPARCO SPK-5 RIB VEST, LIGHTWEIGHT COMPOSITE, ADJUSTABLE SHOULDER STRAPS, XS-XL \$115.00



2. VALHALLA RACING 360 DEVICE, THE HELMET COMING INTO CONTACT WITH THE UPPER VERTICAL FIN, LOCATED BEHIND THE DRIVER'S HEAD, REDUCES BACKWARDS MOVEMENT, THIS ENGAGEMENT THEN TRANSFERS THE ENERGY TO THE LOWER VERTICAL FIN LOCATED AGAINST THE DRIVER'S BACK  
 CHILD OR ADULT SIZE \$180.00



3. **New!** FREEM NECK COLLAR, LOW PROFILE, LIGHTWEIGHT, A NON-INVASIVE NECK COLLAR \$60.00  
 BLACK, RED, BLUE



4. SIMPSON NOMEMX ROUND NECK COLLAR \$38.95  
 BLACK, RED, BLUE



5. BURRIS HORSESHOE NECK COLLAR TAPERED NYLON  
 BLACK, RED, BLUE \$35.00



6. EVS R4 NECK SUPPORT MINIMIZES RISK OF AXIAL COMPRESSION, HYPERFLEXION, HYPEREXTENSION AND LATERAL HYPERFLEXION, EASY FRONT ENTRY SYSTEM, PROVIDES AMAZING RANGE OF MOTION OF HEAD, SOFT RUBBERIZED EDGES FOR INCREASED COMFORT, FULLY ADJUSTABLE SIZING  
 ADULT \$115.00, CHILDS \$98.00



7. IMPACT NECK COLLAR, BLACK, BLUE, RED \$38.00



8. K1 RACEGEAR WEDGE NECK COLLAR WITH CARBON FIBER LOOK FABRIC, ADULT AND CHILDS \$40.00



9. RACEWEAR NECK COLLAR WITH WEDGE SUPPORT NYLON \$32.00  
 ADULT OR CHILDS SIZES  
 BLACK, RED, BLUE



10. EVS R4 STICKER KIT \$14.00  
 SPECIFY ADULT OR CHILD



**Alpinestars Karting Shoes**

SEE PAGE 8 FOR THE LIMITED EDITION ALPINESTARS NRG COLLECTION!



**ALPINESTARS TECH 1-KX KART RACING SHOES \$129.95**

THE TECH 1-KX KART RACING SHOE FEATURES ALPINESTARS EXCLUSIVE RUBBER COMPOUND SOLE FOR SUPERIOR LEVELS OF GRIP IN ALL WEATHER CONDITIONS, AND AN ERGONOMIC HEEL AND FOOT COUNTER TO OFFER OPTIMIZED STABILITY AND SENSITIVITY ON THE PEDALS. THE INNOVATIVE HONEYCOMB FRAME DESIGN ON THE OUTER LATERAL AND MEDIAL SIDES PROVIDES FLEXION SUPPORT AND COMFORT.

COLORS - BLACK WHITE, BLACK YELLOW, BLACK WHITE RED, BLUE WHITE  
SIZES - 2.5, 3.5, 4.5, 5, 6, 7, 7.5, 8, 8.5, 9, 9.5, 10, 10.5, 11, 11.5, 12, 13



**ALPINESTARS TECH 1-K KART RACING SHOES \$119.95**

SPECIALLY DEVELOPED BY ALPINESTARS AUTO RACING FOOTWEAR DEPARTMENT FOR KART RACING, THE TECH 1-K IS CONSTRUCTED FROM MICROFIBER AND MESH FOR DURABILITY AND VENTILATION. THE SHOE FEATURES AN EXCLUSIVE RUBBER COMPOUND SOLE FOR GRIP AND AN INNOVATIVE FOOT COUNTER AFFORDING EXCELLENT SUPPORT, MOVEMENT AND SENSITIVITY ON THE PEDALS.

COLORS - BLACK WHITE, WHITE, WHITE ORANGE BLACK, RED WHITE, BLACK GREEN  
SIZES - 2.5, 3.5, 4.5, 5, 6, 7, 7.5, 8, 8.5, 9, 9.5, 10, 10.5, 11, 11.5, 12, 13



**ALPINESTARS TECH 1-KS CHILDS KARTING SHOES \$99.95**

COLORS - BLACK WHITE, RED WHITE  
SIZES - 12.5, 1

**Alpinestars Karting Gloves**



**ALPINESTARS TECH 1-K RACE GLOVES KARTING \$49.95**

LIGHTWEIGHT, SPANDEX MESH CONSTRUCTION FOR ENHANCED COMFORT IN WARM WEATHER CONDITIONS, SINGLE PANEL CONSTRUCTION ON THE TOP OF HAND WITH INTERGRATED PADDED KNUCKLE, OPEN MESH FOURCHETTES FOR SUPERIOR AIR FLOW, SINGLE LAYER SUEDE PALM FOR MAXIMUM FEEL, PRE-CURVED FINGER AND PALM DESIGN AIDS FIT WHILE REDUCING MATERIAL BUNCHING, DISCREET INTERNAL SEAMS, SILICONE TREATMENT ON FINGERS AND PALM IMPROVES GRIP AND FEEL, ELASTICIZED WRIST BAND CLOSURE ENSURES A SECURE FIT

COLORS - BLACK RED YELLOW, BLACK GREEN YELLOW, WHITE, BLACK WHITE, RED, BLUE  
SIZES - SMALL, MEDIUM, LARGE, MEDIUM, LARGE, XL, XXL



**ALPINESTARS TECH 1-K KARTING GLOVES \$69.95**

2 LAYER STRETCH POLY-COTTON CONSTRUCTION, GRIP TREATMENT ON PALM DESIGNED WITH SLASH DOT PATTERN FOR IMPROVED FEEL, ERGONOMICALLY POSITIONED SYNTHETIC LEATHER PATCHES ON THE PALM AND FINGERS ARE BACK WITH MEMORY FOAM FOR ENHANCED GRIP AND SHOCK DISSIPATION, PADDED KNUCKLE PROTECTION, PRE-CURVED FINGER AND PALM DESIGN AIDS FIT WHILE REDUCING MATERIAL BUNCHING, STRAIGHT-CUT CUFF WITH VELCRO WRIST CLOSURE FOR A SECURE FIT

COLORS - RED BLACK, BLACK WHITE, WHITE  
SIZES - SMALL, MEDIUM, LARGE, MEDIUM, LARGE, XL, XXL

**ALPINESTARS TECH 1-K RACE S CHILDS GLOVES \$44.95**

DESIGNED FOR AN OPTIMIZED YOUTH FIT, ALPINESTARS TECH 1-K RACE S GLOVE UTILIZES A LIGHTWEIGHT SPANDEX CONSTRUCTION THAT AFFORDS ENHANCED COMFORT IN WARM CONDITIONS WHILE OFFERING THE HIGH LEVELS OF FEEL REQUIRED FOR KART RACING

SIZES - SMALL, MEDIUM, LARGE, XL  
COLORS - RED WHITE, BLACK WHITE



**Sparco Karting Shoes**



**SPARCO K-FORMULA SL-7 KART RACING SHOES \$125.00**

COLORS - BLACK, BLUE, RED

SIZES - 28, 30, 32, 34, 36, 37, 38, 39, 40, 41, 42, 43, 44, 45, 46

THE K-FORMULA SL-7 IS THE PREMIER KARTING BOOT, PROVIDING THE PERFECT COMBINATION OF GRIP, COMFORT AND PEDAL SENSITIVITY. ITS LOW-CUT BOOT DESIGN IS MADE WITH HIGH-QUALITY SUEDE AND FEATURES CONTRASTING STITCHING AND DUAL-COLORED STRIPING WITH CONCEALED LACES AND A VELCRO CLOSURE FOR ADDED ANKLE SUPPORT. THE ANKLE IS MADE FROM FLEXIBLE NEOPRENE BELLAWS FOR IMPROVED ANKLE MOVEMENT. FOR GREATER GRIP AND COMFORT, THE K-FORMULA SL-7 FEATURES A HIGH-GRIP OUTSOLE AND A TEXCON ANATOMICAL INSOLE WITH RIGIDITY INSERTS FOR MAXIMUM SENSITIVITY AND HEAT PROTECTION.



**SPARCO K-PRO SH-5 KART RACING SHOES \$115.00**

COLORS - BLACK, BLUE, RED

SIZES - 36, 37, 38, 39, 40, 41, 42, 43, 44, 45, 46, 47, 48

THE K-PRO SH-5 IS A MID-TOP KARTING BOOT SPECIFICALLY DESIGNED TO WITHSTAND THE ELEMENTS WHILE OFFERING THE HIGHEST LEVELS OF PERFORMANCE AND COMFORT. DISTINCTLY REDESIGNED FOR 2012, THE K-PRO SH-5 FEATURES A WHITE FACE WITH BLACK SIDE ACCENTS AND CUSTOMIZABLE SUEDE HEELS AND EDGING. THE OUTER INCLUDES STRATEGICALLY PLACED LEATHER AND MESH PANELS FOR BREATHABILITY AND A DUAL VELCRO CLOSURE SYSTEM FOR INCREASED ANKLE SUPPORT. THE K-PRO SH-5 ALSO INCLUDES A REMOVABLE ANATOMICAL INTERNAL SOLE WITH A LATEX FOAM CUSHION FOR THE HIGHEST LEVEL OF COMFORT AND AN ANTI-STATIC AND FUEL-RESISTANT RUBBER SOLE.



**SPARCO K-MID SL-3 KART RACING SHOES \$105.00**

COLORS - BLACK, BLUE, RED

SIZES - 28, 30, 32, 34, 36, 37, 38, 39, 40, 41, 42, 43, 44, 45, 46, 47

THE K-MID SL-3 IS A MID-TOP DRIVING SHOE MADE FOR KARTING. MADE FROM A WATER RESISTANT SUEDE, THE K-MID SL-3 FEATURES A VELCRO STRAP FOR INCREASED ANKLE SUPPORT AND A MESH PANE FOR INCREASED BREATHABILITY. IT FEATURES A SINGLE TONE SUEDE WITH CONTRASTING SIDE ACCENTS, NEUTRAL PIPING AND SIGNATURE SPARCO LOGO EMBROIDERY. THE K-MID SL-3 HAS AN ANATOMICAL INTERNAL SOLE THAT CAN BE REMOVED FOR FITMENT AND PEDAL FEEL AND AN ANTI-STATIC AND FUEL-RESISTANT RUBBER SOLE.

**Sparco Sizing Charts**

**STANDARD SUIT SIZE CHART**

Refer to the chart below to determine your European size. If you fall in between sizes, opt for the larger size, or call your dealer for assistance.

EUROPEAN	USA	CHEST	WAIST	HIPS	HEIGHT	WEIGHT
130	XX-Small	27	24	29	49-53	65-80
140		30	26	31	54-57	80-100
150	X-Small	32	28	33	58-61	100-110
46		35	29	35	62-64	110-120
48	Small	36	30	36	63-65	120-130
50		38	31	38	65-67	130-140
52	Medium	39	32	39	67-69	140-150
54		41	34	41	68-71	150-165
56	Large	42	36	42	69-72	160-180
58		44	38	44	71-73	175-190
60	X-Large	45	40	45	72-74	185-205
62		46	42	47	73-75	195-225
64	XX-Large	47	44	48	74-76	215-235
66		48	46	49	76-78	225-250

**Shoe Conversion Chart**

European	Womens	Mens	Kids
28			10-10.5
30			12-12.5
32			1-1.5
34			3-3.5
36	4.5-5		
37	5.5-6		
38	6.5-7		
39	7.5-8	5-5.5	
40	8.5-9	6-6.5	
41	9.5-10	7-7.5	
42	10.5-11	8-8.5	
43	11.5-12	9-9.5	
44	12.5-13	10-10.5	
45	13.5-14	11-11.5	
46		12-12.5	
47		13-13.5	
48		14-14.5	

**Glove Size Chart**

Hold tape in center of palm and measure around back of hand.



Euro Size	8-x/sm	9-small	10-medium	11-large	12-XL
Inches	6 1/2 - 7 1/2	7 1/2 - 8 1/2	8 1/2 - 9 1/2	9 1/2 - 10 1/2	10 1/2 - 11 1/2



## Alpinestars NRG Collection

THE ALPINESTARS NRG COLLECTION FEATURES DISTINCTIVE AND AGGRESSIVE STYLING, GUARANTEED TO GET YOU NOTICED. ALPINESTARS OFFERS MATCHING NRG SUITS, SHOES AND GLOVES FOR THE COMPLETE NRG LOOK.

THE NRG COLLECTION WILL BE A LIMITED EDITION RUN AND ONCE THEY ARE GONE THEY ARE GONE!



1. ALPINESTARS NRG K-MX-5 KART SUIT, LIMITED EDITION \$349.95  
WHITE/GREEN/ORANGE  
BLACK/YELLOW/FLUORESCENT  
SIZES 40-60



2. ALPINESTARS TECH 1-KX NRG KART SHOES \$129.95  
WHITE/GREEN/ORANGE  
BLACK/YELLOW/FLUORESCENT  
SIZES 2.5-13



3. ALPINESTARS TECH 1-K NRG KARTING GLOVES \$74.95  
WHITE/GREEN/ORANGE  
BLACK/YELLOW/FLUORESCENT  
SIZES SMALL-XXL

## Helmet and Gear Bags



1. 23903 SIMPSON STORM PACK BAG 18LX13WX7D \$49.95



2. 23902 SIMPSON HELMET ONLY BAG 14.5LX12.5WX6.5D \$29.95



3. 23905 SIMPSON SPORT DUFFLE BAG FOR HELMET AND DRIVING GEAR 28LX13WX15D \$49.95



4. 23904 SIMPSON GEAR BAG WITH WHEELS AND HANDLE 33.5LX18WX16.5D \$199.95



5. ARROW RACING KART EQUIPMENT GEAR BAG WITH PULL HANDLE AND WHEELS 30LX16WX14T \$79.95



6. BELL HELMET ONLY BAG \$24.95



7. IMPACT HELMET ONLY BAG \$29.00



8. IMPACT RACING GEAR BAG 27LX12WX11T \$49.00



9. **Close Out!** CKS HELMET ONLY BAG FLEECE LINED \$35.00



10. HELMET ONLY LINEN BAG, VEGA LOGO \$5.00



11. ECONOMY HELMET ONLY BAG BLACK \$28.00



12. **Close Out!** MECHANIX WEAR GEAR AND HELMET BAG \$59.95



13. BURRIS HELMET AND GEAR BAG \$59.95

## Seat Belts and Restraints



1. SIMPSON 5 POINT 3" WIDE HARNESS BLACK, BLUE, RED  
29063 BOLT IN \$128.00  
29064 WRAP AROUND \$128.00



2. SIMPSON ARM RESTRAINTS DUAL OR Y STRAP, BLACK, RED, BLUE  
JUNIOR \$38.95  
ADULT \$38.95



3. SIMPSON HELMET RESTRAINT HELPS LOWER DRIVER FATIGUE BY SUPPORTING THE HELMET, BLACK, RED, BLUE \$14.95



4. SIMPSON SIDENET FOR MIDGET AND SPRINT CARS, BLACK OR RED \$69.95  
SPECIFY MIDGET, SPRINT, 1/4 MIDGET



5. 29025 SIMPSON JUNIOR 5 POINT BELT, FOR 1/4 MIDGET 2" WIDE, WRAP AROUND STYLE \$95.00  
BLACK, RED, BLUE



6. HELMET D-RING \$8.00

**Racing Shoes**



1. K1 BLACK PILOT KARTING SHOES, SIZES 1-14 \$79.00



2. **CLOSE OUT** K1 CARBONITE KARTING SHOE SUEDE, SIZES 3, 10 \$65.00



3. SIMPSON HIGH TOP NOMEX SHOE WITH VELCRO STRAPS \$105.00 BLACK, BLUE OR RED



4. SIMPSON ADRENALIN KID SHOE \$88.00 SIZES 1, 2, 3



5. SIMPSON FUSION RACING SFI SHOE \$135.00 BLACK SIZE 4-14



6. **CLOSE OUT!** SIMPSON SPRINT CAR SHOE, BLACK LEATHER AND NOMEX \$129.95



7. K1 RAIN SHOES, GOES OVER YOUR DRIVING SHOES, HELPS KEEP FEET DRY IN RAIN CONDITIONS \$29.00 S 10", M 11", L 12", XL 13"

**Headsock**



1. K1 RACEGEAR 100% COTTON KARTING HEADSOCK, MACHINE WASHABLE, REVERSE STITCH FOR COMFORT, KEEPS YOUR HELMET CLEANER AND HELPS KEEP SWEAT OUT OF YOUR EYES \$5.00 NOT FIRE RETARDANT

**Gloves**



1. **CLOSE OUT!** COMET LOGO NYLON KART GLOVES WITH HIGH GRIP PALM AND SUEDE \$29.95 BLUE, RED S-XL, BLACK - XL ONLY



2. **CLOSE OUT** K1 RACEWEAR REFLEX KART GLOVES \$29.00 REVERSE STITCHED FOR BETTER MORE COMFORTABLE FEEL STRATEGICALLY PLACED VENTS FOR COOLER HANDS TO REDUCE SWEATING PRE-CURVED FINGERS FOR BETTER FLEXIBILITY AND LESS FATIGUE COLORS - BLACK, RED, BLUE



3. **CLOSE OUT** K1 Pro 1 AUTO RACING NOMEX GLOVES SMALL-XL BLACK, RED, BLUE \$49.00



4. **CLOSE OUT** K1 Pro X RACING NOMEX GLOVES, SMALL-XL BLACK, RED, BLUE \$69.00



5. SIMPSON SPORTSMAN SINGLE LAYER NOMEX GLOVES WITH VELCRO STRAP \$68.00 BLACK, RED OR BLUE



6. SIMPSON POSIGRIP TWO LAYER NOMEX GLOVES WITH LEATHER PATCH AND VELCRO \$88.00 SIZES XXS - XL BLACK, RED, BLUE



7. IMPACT G-2 EVOLUTION NOMEX GLOVES WITH SUEDE \$98.00 BLACK, RED, BLUE



8. MECHANIX WEAR ORIGINAL GRIP GLOVE \$25.00 COLORS - BLACK, RED, BLUE, YELLOW, PURPLE



9. RACEWEAR GLOVES BLACK NYLON/LEATHER WITH VELCRO ADULT AND CHILDS SIZE \$19.95



10. G-FORCE GLOVES NOMEX ONE LAYER KIDS \$52.00 NOMEX TWO LAYER KIDS \$58.00 BLACK, RED OR BLUE ADULT GLOVES, NYLON \$52.00 BLACK ONLY, **CLOSE OUT**



11. RUBBER COATED PALM DISPOSABLE NYLON WORK GLOVES, ADULT LARGE \$2.50 PAIR 10 PAIR \$20.00



12. MECHANIX WEAR FAST FIT GLOVES \$19.95 SIZES LARGE, XL, XXL

SEE THE TWO PAGES AFTER THE INDEX FOR GLOVE SIZING CHARTS

COMET KART SALES ACCEPTS THE FOLLOWING





**Nomex Underwear**



1. G-FORCE NOMEX UNDERWEAR  
TOP \$70.00, BOTTOM \$70.00  
BLACK OR WHITE



2. SIMPSON NOMEX HEAD  
SOCK 2 HOLE OR 1 HOLE  
BLACK OR WHITE \$58.00



3. SIMPSON HELMET SKIRT TO  
KEEP OUT DIRT AND DUST, NOMEX  
RED, BLACK, WHITE, BLUE \$98.00



4. SIMPSON GAVIN CHILDS  
CAR SEAT, 3 IN 1 SEAT  
WORKS FOR KIDS 20-100  
LBS. THE GAVIN SEAT IS NOT  
AN INFANT SEAT AND IS NOT  
REAR FACING \$249.95



5. MECHANIX WEAR HEAVY DUTY  
KNEE PADS \$45.00



6. MECHANIX WEAR SHOP APRON  
BLACK \$28.00

**Shock Doctor**



1. **Close Out!** SHOCK DOCTOR  
FORMULA KNEE PADS, VELCRO STRAPS  
\$24.95

SIZES - YOUTH, SMALL

**T-Shirts and Apparel**



COMET SWEATSHIRT \$25.00  
BLACK OR GRAY



COMET EMBROIDERED  
MOISTURE SHIRT \$35.00  
BLACK, BLUE



COMET WINNING TRADITION  
T-SHIRT \$15.00  
NAVY, BLACK, GRAY



COMET RACING ENGINES TEXT  
LOGO T-SHIRT \$15.00  
BLACK, RED, BLUE, NAVY



TONY KART T-SHIRT \$18.00  
ADULT SMALL-XXL



COMET HOODED SWEATSHIRT  
WITH LOGOS ON SLEEVES  
AND CHEST, BLACK OR GRAY  
\$29.00



NEW CASTLE MOTORSPORTS  
PARK T-SHIRT, NEW DESIGN  
\$15.00  
DARK GRAY OR LIGHT RED



NEW CASTLE MOTORSPORTS  
PARK VINTAGE T-SHIRT,  
BLUE DUSK \$15.00  
XXL \$17.00



COMET RACING ENGINES  
T-SHIRT, WHITE STRESSED  
SCREEN PRINT LOGO ON DARK  
GRAY SHIRT \$15.00



COMET RACE TEAM SUBLIMATED  
SHIRT WITH COMET KART SALES AND  
COMET RACING ENGINES LOGOS,  
ADULT SMALL-XXL \$65.00



**New!** COMET RACING ENGINES  
T-SHIRT, BLUE SCREEN PRINT  
LOGO ON DARK GRAY SHIRT  
\$15.00

**Simpson Helmets**

**MSRP PRICES SHOWN, CALL COMET FOR OUR EVERYDAY LOW UNADVERTISED PRICE ON ALL SIMPSON HELMETS!**

**DON'T BUY A HELMET UNTIL YOU HAVE CALLED COMET!**

**SIMPSON HELMETS ARE TYPICALLY AVAILABLE IN WHITE OR BLACK EXCEPT WHERE NOTED**

**SPECIAL ORDER COLORS ARE AVAILABLE ON MANY HELMETS - \$25.00 - FLAT BLACK, BLUE, SILVER, RED, YELLOW, ORANGE, BRONZE, MAROON, PEARL - ALL HELMETS COME WITH CLEAR SHIELD -**

**NO RETURNS ON SPECIAL ORDER HELMETS!**



SA2010 CARBON FIBER DEVIL RAY, 2.9 LBS \$799.95



SA2010 THE SKULL HELMET \$699.95



SA2010 SPEEDWAY SHARK \$749.95



SFI 24.1 JR SPEEDWAY SHARK \$349.95 WITH FX SPEED PACKAGE \$399.95



SA2010 DIAMONDBACK \$599.95



SA2010 AIR INFORCER SHARK \$799.95



SA2010 VOYAGER \$299.95



SA2010 BANDIT \$429.95



SA2010 X BANDIT \$599.95



SA2010 VOYAGER EVOLUTION \$599.95



SA2010 SUPER BANDIT \$499.95



SA2010 SIDEWINDER VOYAGER \$599.95



M2010 OUTLAW BANDIT \$399.95



SA2010 SPEEDWAY VUDO \$749.95



SA2010 SPEEDWAY RX NOMEX 549.95  
SA2010 SPEEDWAY RX SIDEWINDER \$699.95



SA2010 FIA VENATOR HELMET \$999.95



SA2010 CARBON BANDIT \$799.95



**Impact Helmets**

**IMPACT CARBON FIBER HELMETS ALSO AVAILABLE BY SPECIAL ORDER!**

**DRAFT, AIR DRAFT, VAPOR, AIR VAPOR, EUROSPORT \$1500.00**

**MSRP PRICES SHOWN, CALL COMET FOR OUR EVERYDAY LOW UNADVERTISED PRICE ON ALL IMPACT HELMETS! DON'T BUY A HELMET UNTIL YOU HAVE CALLED COMET!**



VAPOR ULTRA LIGHTWEIGHT WITH AERODYNAMIC STYLING NOMEX \$795.00



CHARGER NOMEX \$459.95  
SUPER CHARGER, AIR \$539.00



SUPER CYCLONE HELMET \$459.00



CHAMP RADICAL CHINBAR STYLING NOMEX \$489.00



VELOCITY OPEN FACE HELMET GREAT VISIBILITY \$269.00



NITRO WITH COMPLETE AIR FILTRATION AND NOMEX HELMET SKIRT \$749.00



EUROSPORT WITH REAR AIRFOIL FOR OPEN COCKPITS \$499.00



1320 HELMET, ENTRY LEVEL \$295.00



MINI CHAMP (CHILDS) CHANGABLE INNER LINER AS CHILD GROWS \$329.00



MINI VAPOR (CHILDS) CHANGEABLE INNER LINER AS CHILD GROWS \$375.00



DRAFT ULTRA LIGHTWEIGHT WITH AERO STYLING AND ENHANCED VENTILATION \$755.00



AIR DRAFT SAME AS DRAFT WITH AIR INDUCTION NOZZLE \$795.00



SUPERSPORT HELMET \$399.00  
SUPERSPORT AIR \$434.00



AIR VAPOR SAME AS VAPOR WITH AIR INDUCTION NOZZLE \$849.00

**IMPACT HELMETS ARE AVAILABLE IN SILVER PLATINUM, GLOSS BLACK, AND GLOSS WHITE - PLEASE SPECIFY WHEN YOU ORDER**  
**FLAT BLACK \$20.00 EXTRA**

**ADDITIONAL HELMETS -**

FUELER CREW HELMET WITH LARGE EYEPORT, NOMEX \$329.00

DRAG CHAMP WITH NOMEX SKIRT \$749.00

AUTOGRAPH HELMET, NOT FOR MOTORSPORTS USE \$219.00



**Bell Helmets**

**MSRP PRICES SHOWN, CALL COMET FOR OUR EVERYDAY LOW UNADVERTISED PRICE ON ALL BELL HELMETS!  
DON'T BUY A HELMET UNTIL YOU HAVE CALLED COMET!**



GP.2 CARBON SERIES HELMET, SA2010 FIA \$799.95 MSRP



RS7 CARBON SERIES HELMET, SA2010 FIA \$1299.95 MSRP



GTX.2 PRO SERIES HELMET, SAH2010 \$599.95 MSRP



GP.2 PRO SERIES HELMET, SAH2010 \$599.95 MSRP



BR.1 RACER SERIES HELMET, SA2010 \$459.95 MSRP



GT.5 TOURING OPEN FACE HELMET SA2010 FIA \$599.95 MSRP



GP.2-CMR PRO SERIES YOUTH HELMET, WHITE, CMR2007 \$499.95 MSRP



K.1 SPORT RACER SERIES HELMET, SA2010 \$429.95 MSRP



STAR CLASSIC HELMET, SA10/FIA8858-2010 RATED, WHITE \$579.95 MSRP



DOMINATOR.2 ULTRA SERIES HELMET, SAH2010 \$759.95 MSRP



M.4 RACER SERIES HELMET, SA2010 \$399.95 MSRP



SPORT SPORT SERIES HELMET, SA2010 \$299.95 MSRP WHITE, BLACK, ORANGE



XFM-1 CLASSIC HELMET, SA2010 FIA, WHITE \$579.95 MSRP



VADOR HELMET, SA2010 RATED \$439.95 MSRP



GP.2 YOUTH, SILVER, SF124.1 RATED HELMET \$299.95 MSRP



RS7 ULTRA SERIES HELMET SA2010 FIA \$769.95 MSRP



500 TX CLASSIC HELMET, SA2010, WHITE \$499.95 MSRP



GP2.K KART RATED HELMET, K2010, WHITE \$489.95 MSRP



SPORT EV SPORT HELMET, SA2010 \$299.95 MSRP



SPORT MAG SPORT SERIES HELMET, SA2010 \$249.95 MSRP WHITE, FLAT BLACK, ORANGE



HP7 ADVANCED SERIES HELMET, SA2010 FIA, NO DUCK BILL \$3,499.95 MSRP



HP7 ADVANCED SERIES HELMET, SA2010 FIA, WITH DUCK BILL \$3,499.95 MSRP

**UNLESS MARKED, BELL HELMETS ARE AVAILABLE IN WHITE AND MATTE BLACK**

**Arai Helmets**



ARAI GP-6 PED AUTO HELMET \$1799.95, XS-XXL

USING THE SAME SHELL SHAPE AS THE F-1 GP-6RC, THE GP-6(PED) PROVIDES THE LATEST INCARNATION OF THE ICONIC ARAI "GP" SERIES AUTO RACING HELMET.

THE GP-6(PED) UTILIZES A NEW SHIELD, AS THE EYE PORT HAS BEEN ENLARGED BY 5MM ON EACH SIDE, TO INCREASE PERIPHERAL VISION. UPPER VENTILATION NOW INCORPORATES THREE LARGE, CLOSEABLE INTAKE VENTS TO DRAW MORE AIR IN, AS WELL AS TWO LARGER REAR EXHAUST COWLS WHICH PULL MORE AIR OUT. THE COMBINATION GREATLY IMPROVES VENTILATION.



ARAI SK-6 KARTING HELMET \$699.95, XS-XXL

USING THE SAME SHELL SHAPE AS THE GP-6(PED), THE SK-6 BENEFITS FROM ALL THE F1, INDYCAR AND NASCAR FEEDBACK THAT HAS LEAD TO THE MULTITUDE OF UPGRADES, IMPROVEMENTS AND INNOVATIONS THAT HAVE BEEN ADDED TO THE ALREADY LONG LIST OF FEATURES FOUND ON THE PREVIOUS SK-5 MODEL.

THE SK-6 ALSO UTILIZES THE SAME SHIELD AS THE GP-6(PED) AS WELL AS THE SAME EYEPORIT SIZE.

THE SK-6 IS SNELL KA CERTIFIES FOR KARTING USE. CONSTRUCTED USING ARAI'S PROPRIETARY "ScLc" (SUPER COMPLETE LAMINATED CONSTRUCTION) THE SK-6 IS INCREDIBLY LIGHT WEIGHT, WHILE PROVIDING INCREDIBLE SHELL STRENGTH AND FLEXIBILITY. A STRONGER SHELL ALLOWS ARAI TO USE AN EXTREMELY SOFT INTERIOR EPS LINER FOR MAXIMUM COMFORT AND EXCELLENT IMPACT ENERGY MANAGEMENT. THE SK-6, LIKE ALL ARAI SK MODELS, IS DESIGNED SPECIFICALLY WITH KARTING USE IN MIND, WITH A BRUSHED NYLON LINER FOR BETTER COMFORT, BREATHABILITY AND EASE OF WASHING.



ARAI GP-6S AUTO HELMET \$949.95, XS-XXL

USING THE SAME SHELL SHAPE AS THE GP-6(PED) & GP-6RC, THE GP-6S PROVIDES A LEVEL OF AFFORDABILITY WHILE MAINTAINING A HOST OF FEATURES AND INNOVATIONS.

THE GP-6S UTILIZES THE SAME SHIELD AS THE GP-6(PED) AS WELL AS THE SAME LARGER EYE PORT SIZE FOR INCREASED PERIPHERAL VISION.

USING THE FAMILIAR SINGLE INTAKE, SINGLE EXHAUST FOUND ON THE GP-5K THE GP-6S REPLACES, THE FORWARD VENT HAS BEEN ENLARGED TO IMPROVE AIR INTAKE AND IMPROVE OVERALL VENTILATION PERFORMANCE.

THE GP-6S, LIKE THE GP-5K THAT CAME BEFORE IT, IS DESIGNED WITH THE SPORT (HENCE THE "S" DESIGNATION) DRIVER IN MIND.

**Arai Helmet Parts**



- 1. ARAI GP-6 TEAR OFFS, PACK OF 5 \$11.95, 4 PACKS FOR \$45.00
- 2. ARAI GP-5 TEAR OFFS, PACK OF 5 \$11.95, 4 PACKS FOR \$45.00



3. ARAI PIVOT KIT, SPECIFY GP5 OR GP6 \$13.95



4. ARAI PED KIT, CLEAR PLASTIC HELMET ADD-ONS, FRONT AND REAR WINGS \$109.95



5. ARAI GP-6 SERIES HELMET LATCH KIT \$19.95

**Arai Shields**



- 1. GP-6 SERIES SHIELD IRIIDIUM, RED/GOLD, BLUE, MIRROR \$149.95
- 2. GP-6 SERIES SHIELD, FOG FREE, CLEAR \$114.95
- 3. GP-6 SERIES SHIELD, STANDARD, CLEAR, LIGHT TINT, DARK TINT, YELLOW \$89.95
- 4. GP-5 SERIES SHIELD, STANDARD, CLEAR, LIGHT TINT, DARK TINT, YELLOW \$84.95

COMET KART SALES ACCEPTS THE FOLLOWING



## Helmet Sizing Chart

INCHES	SIZE	INCHES	SIZE
21 1/4"	6 3/4"	23 7/8"	7 5/8"
21 5/8"	6 7/8"	24 1/4"	7 3/4"
22"	7"	21 1/4"	X-Small
22 3/8"	7 1/8"	21 5/8" - 22"	Small
22 3/4"	7 1/4"	22 3/8" - 22 3/4"	Medium
23 1/8"	7 3/8"	23 1/8" - 23 1/2"	Large
23 1/2"	7 1/2"	23 7/8" - 24 1/4"	X-Large

### HOW TO MEASURE FOR HELMET SIZE

THE CIRCUMFERENCE OF THE HEAD SHOULD BE MEASURED AT A POINT APPROXIMATELY ONE INCH ABOVE THE EYEBROWS IN FRONT AND AT A POINT IN THE BACK OF THE HEAD THAT RESULTS IN THE LARGEST POSSIBLE MEASUREMENT. TAKE SEVERAL MEASUREMENTS TO MAKE SURE YOU HAVE THE LARGEST ONE.

### HELMET RATINGS

DOT - DEPARTMENT OF TRANSPORTATION, LEGAL FOR STREET USE  
 SNELL 2010/M2010 - LEGAL FOR KART RACING  
 SA2010 - KARTS QUARTER MIDGETS, LEGAL FOR CARS

## Vega Helmets



### 1. VEGA TRAK SNELL K2010 FULL FACE HELMET

CHILD SIZES - SMALL, MEDIUM, LARGE, XL  
 GLOSS BLACK, FLAT BLACK, RED GRAPHICS, BLUE GRAPHICS, BLACK GRAPHICS  
 \$107.00

ADULT SIZES - XS, SMALL, MEDIUM, LARGE, XL, XXL  
 GLOSS BLACK, FLAT BLACK, RED GRAPHICS, BLUE GRAPHICS \$98.00



### 2. VEGA MOTOCROSS HELMETS, BLUE OR RED GRAPHICS DOT APPROVED \$66.00

## Bell Shields

BELL NO LONGER SELLS THE OLDER "DETENT" STYLE SHIELDS. ALL BELL HELMETS THAT WERE DETENT HELMETS MUST BE UPGRADED TO THE SRV SHIELD AND MUST USE THE SRV SHIELD CONVERSION KIT



2005742 SRV 2005  
 PIVOT KIT \$14.95

NOT SURE WHAT SHIELD TYPE YOU HAVE? HERE ARE THE BELL PIVOT KIT STYLES, JUST MATCH UP YOUR PIVOT KIT STYLE TO KNOW IF WHICH SRV OR NON-SRV SHIELD YOU NEED!



2000002 OLD STYLE  
 PIVOT KIT \$14.95



2022117 287 SRV1  
 PIVOT KIT \$14.95



2022121 276, 281  
 SRV2 PIVOT KIT \$14.95

### 1. 276 SRV SHIELD, VORTEX GT, K1 SPORT, M4

- 2002945 AMBER \$49.95
- 2001762 CLEAR \$49.95
- 2001764 LIGHT SMOKE \$49.95
- 2001766 DARK SMOKE \$49.95
- 2001768 BLUE CHROME \$69.95
- 2001770 GOLD CHROME \$69.95
- 2001772 SILVER CHROME \$69.95

### 2. 281 SRV SHIELD, VORTEX, M3, M4, BR1, SPORT

- 2001754 AMBER \$49.95
- 2001748 CLEAR \$49.95
- 2001750 LIGHT SMOKE \$49.95
- 2001752 DARK SMOKE \$49.95
- 2001756 BLUE CHROME \$69.95
- 2001758 GOLD CHROME \$69.95
- 2001760 SILVER CHROME \$69.95

### 3. 287 SRV SHIELD, 3MM, STAR GP, STAR INFUSION, GTX2, GP2

- 2025688 AMBER \$49.95
- 2025689 CLEAR \$49.95
- 2025690 LIGHT SMOKE \$49.95
- 2025691 DARK SMOKE \$49.95
- 2025692 BLUE CHROME \$69.95
- 2025694 GOLD CHROME \$69.95
- 2025693 SILVER CHROME \$69.95

### 4. HYPERSHIELD ANTI FOG SHIELD INSERT \$29.95

SPECIFY SHIELD MODEL - 276, 281, 287



5. UPDATE YOUR OLDER BELL HELMET TO THE SRV STYLE PIVOT KIT! 2016034 KIT INCLUDES TWO WASHERS THAT GO UNDER THE SHIELD TO UPDATE TO SRV \$24.95

REQUIRES SRV PIVOT KIT AND SRV SHIELD

COMET HAS SOME OF THE OLDER DETENT SHIELDS IN STOCK. ALL DETENT SHIELDS ARE CLOSE OUTS AND ONLY AVAILABLE WHILE SUPPLIES LAST!

### 6. 276 K1 SPORT, DOMINATOR, KART PRO

- 2000009 CLEAR \$45.00
- 2000075 LITE SMOKE \$45.00
- 2000014 DARK SMOKE \$45.00
- 2000073 AMBER \$45.00

2000100 FOG FREE LIGHT SMOKE \$55.00

### 7. 281 SHIELD SNELL 2005 VORTEX, M3, M3 XTRA

- 2000004 CLEAR \$45.00
- 2000049 LITE SMOKE \$45.00
- 2000020 DARK SMOKE \$45.00
- 1001 AMBER \$45.00
- 2000019 FOG FREE CLEAR \$55.00
- 1109 FOG FREE LIGHT SMOKE \$55.00
- 1107 FOG FREE DARK SMOKE \$55.00
- 1104 FOG FREE AMBER \$59.00
- 2000178 BLUE CHROME \$88.95

### 8. HORNET 286 SHIELD

- 2009583 CLEAR \$29.95
- 2009585 DARK SMOKE \$29.95



## Impact Shields



1. CLEAR SHIELD - VAPOR/CHARGER/DRAFT, SR CHAMP/NITRO, LIL CHAMP, MINI CHAMP, MINI VAPOR, AIR DRAFT, SUPER SPORT \$48.00
2. LIGHT SMOKE SHIELD - VAPOR/CHARGER/DRAFT, LIL CHAMP, MINI CHAMP, MINI VAPOR, SUPER SPORT, AIR DRAFT \$55.00
3. DARK SMOKE SHIELD - VAPOR/CHARGER/DRAFT, SR CHAMP/NITRO, LIL CHAMP, MINI CHAMP, AIR DRAFT, SUPER SPORT \$55.00
4. AMBER SHIELD - VAPOR/CHARGER/DRAFT, SR CHAMP/NITRO, MINI VAPOR \$55.00
5. URIDIUM BLUE SHIELD - VAPOR/CHARGER/DRAFT, SR CHAMP/NITRO, AIR DRAFT/SUPER SPORT, LIL CHAMP, MINI CHAMP, MINI VAPOR \$60.00
6. URIDIUM YELLOW SHIELD - VAPOR/CHARGER/DRAFT, AIR DRAFT/SUPER SPORT, MINI CHAMP, MINI VAPOR \$60.00
7. URIDIUM MIRROR SHIELD - VAPOR/CHARGER/DRAFT, AIR DRAFT/SUPER SPORT, MINI CHAMP, MINI VAPOR \$60.00

## Simpson Shields

1. RAIDER, DIAMONDBACK, BANDIT, SUPER BANDIT SHIELD - CLEAR 89400A \$44.95, SMOKE 89401A \$44.95, IRIDIUM 89402 \$69.95, AMBER 89403A \$49.95 \$44.95, MIRROR 89406 \$69.95, GREEN 89407A \$69.95, BLUE 89408A \$69.95
2. VOYAGER, SUPER VOYAGER SHIELD - CLEAR 88200A \$44.95, SMOKE 88201A \$44.95, IRIDIUM 88202 \$69.95, AMBER 88203A \$49.95 MIRROR 88206 \$69.95, GREEN 88207A \$69.95, BLUE 88208A \$69.95
3. SIDEPRO VOYAGER, AIR PRO VOYAGER - CLEAR 88300A \$44.95, SMOKE 88301A \$44.95, IRIDIUM 88303 \$69.95, AMBER 88304A \$49.95, MIRROR 88306A \$69.95, GREEN 88307A \$69.95, BLUE 88308A \$69.95
4. SIDEPRO ELITE - CLEAR 86300A \$44.95, SMOKE 86301A \$44.95, IRIDIUM 86302 \$69.95, AMBER 86303A \$49.95, MIRROR 86306A \$69.95
5. AIR ENFORCER SHARK, SIDEPRO SHARK, SPEEDWAY VUDO - CLEAR 88400A \$44.95, SMOKE 88401A \$44.95, IRIDIUM 88402 \$69.95, AMBER 88403A \$49.95, MIRROR 88406A \$69.95, GREEN 88407A \$69.95, BLUE 88408A \$69.95
6. SPEEDWAY SHARK, VALOR - CLEAR 88600A \$44.95, SMOKE 88601A \$44.95, IRIDIUM 88203 \$69.95, AMBER 88204A \$49.95, MIRROR 88606A \$69.95, GREEN 88607A \$69.95, BLUE 88608A \$69.95
7. SPEEDWAY SHARK JUNIOR - CLEAR 89200A \$44.95, SMOKE 89201A \$44.95, IRIDIUM 89203 \$69.95, AMBER 89204A \$49.95, MIRROR 89206A \$69.95, GREEN 89207A \$69.95, BLUE 89208A \$69.95
8. DEVIL RAY, STINGRAY - CLEAR 84300 \$44.95, SMOKE 84301A \$44.95, IRIDIUM 84303 \$69.95, AMBER 84304A \$49.95

## Helmet Shields

1. FIVE SNAP WRAP AROUND - YELLOW, SMOKE, CLEAR \$9.95
2. FULMER SHIELDS SMOKE - HT40, HT50, HT60 \$12.95, ENDURO \$12.95
3. BIEFFE SHIELD B3R, KB8, BR15, CLEAR OR SMOKE, \$25.95
4. HONDA SHIELD GL1200, M1246, HAWK, \$5.00
5. VETTERLINE CLEAR, SMOKE \$8.00 VETTER FIBER 100 \$8.00
6. FURY SHIELDS CLEAR \$5.00
7. JEBBS SHIELDS SMOKE \$16.00
8. THH SHIELD CHROME, GOLD, BLUE \$18.95
9. VISION SHIELD SMOKE \$20.00
10. RANGER-GRIFFIN CLEAR OR SMOKE \$10.00
11. MAXON MEGA MARK III SHIELD, SMOKE \$9.00
12. VECTOR SHIELD SMOKE OR CLEAR \$19.95 **CLOSE OUT!**
13. NITRO, VEGA, MONTEREY SHIELD CLEAR OR SMOKE \$28.00 URIDIUM SHIELDS BLUE, RED OR SILVER \$32.00, AMBER \$28.00
14. G-FORCE SNELL 2000 SMOKE OR CLEAR \$38.00
15. G-FORCE SNELL 95 SMOKE OR CLEAR \$32.00
16. ZAMP SHIELDS CLEAR, LIGHT SMOKE, DARK SMOKE \$28.00
17. ZAMP SHIELDS SILVER, CHROME \$34.00
18. TRAK SHIELD ADULT CLEAR, SMOKE \$25.00, MIRROR \$27.00
19. TRAK SHIELD CHILD CLEAR, SMOKE \$25.00, MIRROR \$27.00

## Tear Offs and Post Kits

PACK OF 20 TEAROFFS \$4.00  
10 PACKS OF TEAROFFS \$38.00



01202 BELL HELMET TEAROFFS



01201 SIMPSON STRAIGHT, VOYAGER, SUPER VOYAGER ALSO FITS VEGA AND ZAMP



SIMPSON SX



1209C SIMPSON SUPER SHARK, SHARK, VUDO



01204 SIMPSON PIGNOSE BANDIT, RX



01214 IMPACT VAPOR, CHARGER, DRAFT (NOT AIR DRAFT)



UNIVERSAL TEAR OFFS POST KIT \$3.95 EACH, TEN FOR \$37.00

PACK OF 20 TEAROFFS \$5.00  
10 PACKS OF TEAROFFS \$48.00



01215 IMPACT SR. CHAMP, NITRO



01213 IMPACT SUPERSPORT, AIR DRAFT



01212 IMPACT MINI VAPOR



00207 IMPACT MINI CHAMP

## Shield Pivot Kits



1. 2000002 BELL PIVOT KIT, OLD STYLE HELMETS \$14.95



2. 2005742 BELL 2005 SRV PIVOT KIT \$14.95



3. 2022117 BELL SRV PIVOT KIT \$14.95



4. 2022121 BELL SRV2 PIVOT KIT \$14.95



5. UPDATE YOUR OLDER BELL HELMET TO THE SRV STYLE PIVOT KIT! 2016034 KIT INCLUDES TWO WASHERS THAT GO UNDER THE SHIELD TO UPDATE TO SRV \$24.95 REQUIRES SRV PIVOT KIT AND SRV SHIELD



6. SIMPSON \$12.95 SPECIFY TYPE - VOYAGER, VUDO, RX, SX, BANDIT, SUPER BANDIT, SHARK



7. IMPACT PIVOT KIT \$10.00

8. PIVOT KITS - HJC \$8.00
9. FULMER \$9.95
10. G-FORCE \$18.00
11. VECTOR \$9.95
12. JEBBS \$4.50
13. SURE \$4.50
14. BIEFFE B3R \$7.00
15. BIEFFE BR14 \$7.00
16. ZAMP \$9.95
17. VEGA/NITRO \$9.95
18. TRAK \$6.50

**Kart Stands**



1. SQUARE TUBE STAND  
UNPAINTED \$75.00  
BLACK \$89.95



2. RLV ROLLING KART STAND  
WITH TRAY, FOLDS DOWN FOR  
TRANSPORT \$224.00



3. STREETER BIG FOOT ROLLING  
KART STAND WITH TRAY  
BLACK, RED, BLUE  
\$255.00



4. STREETER SHORTY BIG  
FOOT ROLLING KART STAND  
WITH TRAY  
BLACK, RED, BLUE  
\$255.00



5. KART STAND HAULER  
BLACK \$315.00



6. TWO LEVEL KART STAND  
PAINTED SPRINT \$315.00  
PAINTED OVAL \$350.00  
  
SPECIFY CHASSIS TYPE  
\*ITEM SHIPS BY TRUCK



7. TRIPLE LEVEL KART STAND  
PAINTED SPRINT \$405.00  
PAINTED OVAL \$495.00  
  
SPECIFY CHASSIS TYPE  
\*ITEM SHIPS BY TRUCK



8. ALUMINUM WORK TOP FOR  
TOP RACK OF DOUBLE OR TRIPLE  
STACKER STAND \$125.00  
SPECIFY SPRINT OR OVAL STAND



9. KART STACKER TIRE RACK  
ADD ON \$95.00



10. KART VERTICAL UPRIGHT  
STAND (BLACK, RED, BLUE)  
PAINTED SPRINT \$135.00  
PAINTED KID KART \$115.00  
OVAL PAINTED \$135.00



11. STREETER VERTICAL  
ROLLING KART STAND FOR  
SPRINT KART \$135.00  
BLACK



12. STREETER STATIONARY  
CRANKUP KART STAND ONE MAN  
STAND \$425.00  
SPECIFY CHASSIS TYPE



13. STREETER SUPER LIFT,  
ELECTRIC ROLLING LIFT  
BLACK, RED, BLUE  
\$725.00



14. VERTICAL KART STAND  
FOR STORAGE \$129.95  
SPECIFY AXLE SIZE  
40MM OR 50MM



15. **New!** KARTLIFT EURO  
KART STAND, STAND CAN  
FOLD FLAT FOR TRANSPORT  
OR STORAGE, SILVER 325.00



16. PRO KARTLIFT, MANUAL  
ONE PERSON KART STAND  
\$575.00



17. WINCHLIFT KARTLIFT, ONE  
PERSON KART STAND, ELECTRIC,  
YOU SUPPLY THE BATTERY  
LT UP TO 250 LBS \$600.00  
HD UP TO 300 LBS \$750.00

**SPECIFY METAL OR PLASTIC REAR BUMPER FOR ALL KARTLIFTS**



18. STREETER BIGFOOT  
REPLACEMENT CASTER SWIVEL  
WITH WHEEL AND TIRE \$38.00

19. STREETER BIGFOOT  
REPLACEMENT REAR WHEEL  
AND TIRE ASSEMBLY WITH 5/8"  
BEARING \$28.00

**Twist N' Stay**



Twist N' Stay 34" Long, Pack of Two \$5.99

EACH TWIST N' STAY HAS A SUPER STRONG CORE MADE OF FLEXIBLE STEEL ALLOY AND IS COVERED BY INDUSTRIAL GRADE FOAM. ONE TWIST N' STAY SAFELY HOLDS UP TO 300 POUNDS AND CAN BE USED AND REUSED HUNDREDS OF TIMES INDOORS OR OUT! IT'S SO EASY TO USE. LIKE ANY HOUSEHOLD TWIST WRAP, JUST TWIST AND IT STAYS!

WORKS GREAT FOR STRAPPING KARTS DOWN TO KART STANDS AND STACKER STANDS!



20. REPLACEMENT INNER TUBE  
FOR FRONT TIRE 2.80-2.50x4  
\$6.95  
FOR REAR TIRE 4.10-3.50x4  
\$6.95



21. KARTLIFT REPLACEMENT  
HOOKS  
SPECIFY CIK REAR PLASTIC  
BUMPER OR METAL REAR  
BUMPER \$55.00 PAIR

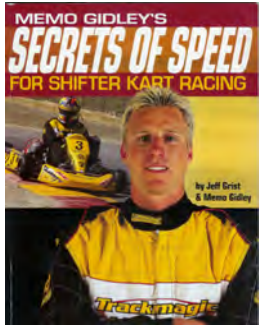


22. STREETER  
FLOOR TRAY  
REPLACEMENT  
R-PIN 3.5" \$4.00



**Karting Books**

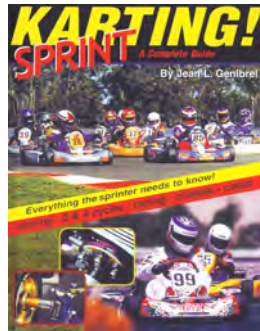
No RETURNS ON BOOKS AND DVD'S



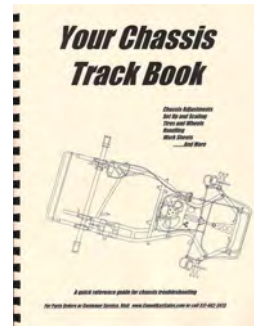
1. MEMO GIDLEY SHIFTER KART SECRETS OF SPEED BOOK \$24.95



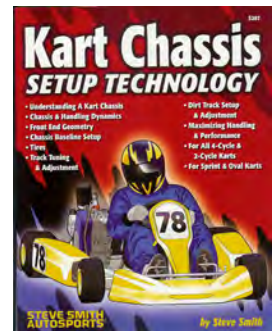
2. 4 CYCLE BRIGGS TECHNOLOGY BOOK \$20.95



3. SPRINT KARTING GUIDE BOOK \$22.95



4. YOUR CHASSIS TRACK BOOK, SETUP BOOK FOR SPRINT KARTS \$18.00



5. KART CHASSIS SETUP TECHNOLOGY BOOK \$22.95



6. BEGINNERS GUIDE TO KARTING \$24.95

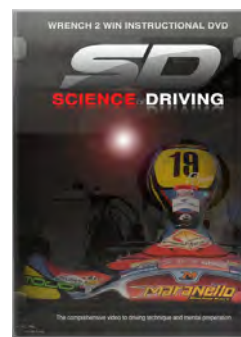


7. 2014 WORLD KARTING ASSOCIATION (WKA) TECHNICAL MANUAL \$22.00

**Karting DVD's**



1. 160MIN WINNING SETUP DVD EXPLAINING SPRINT CHASSIS SETUP, LOTS OF TIPS \$49.95



2. 110MIN SCIENCE OF DRIVING DVD, CLASS ROOM AND TRACK FOOTAGE OF SPRINT KART DRIVING \$49.95



3. 120MIN WRENCH 2 WIN DVD EXPLAINING ALL ASPECTS OF THE ROTAX ENGINE \$29.95

**Aluminum Axle Lock Collars**



1. **New!** PKT 30MM ALUMINUM 2-PIECE LOCK COLLAR WITH 6MM WIDE EXTENDED LIP AND KEYWAY, EXTENDED LIP ALLOWS USE ON SPORTSMAN KART AXLE WITHOUT HITTING THE BEARING HANGER \$18.50



2. 1" ALUMINUM AXLE COLLAR, TWO PIECE WITH KEYWAY \$7.00 EACH, FOUR \$27.60, TEN \$67.00

3. 1 1/4" ALUMINUM AXLE COLLAR, TWO PIECE WITH KEYWAY \$5.50 EACH, FOUR \$20.00, TEN \$46.00

4. 1 3/8" ALUMINUM AXLE COLLAR, TWO PIECE WITH KEYWAY \$7.50 EACH, TWO \$14.00, FOUR \$27.00

5. 30MM ALUMINUM AXLE COLLAR, TWO PIECE WITH KEYWAY \$11.00 EACH, TWO \$21.00, FOUR \$41.00

6. 35MM ALUMINUM AXLE COLLAR, TWO PIECE WITH KEYWAY \$7.50 EACH, TWO \$14.00, FOUR \$26.00

7. 40MM ALUMINUM AXLE COLLAR, TWO PIECE WITH KEYWAY \$13.00 EACH, TWO \$25.50, FOUR \$50.00

8. 50MM ALUMINUM AXLE COLLAR, TWO PIECE WITH KEYWAY \$13.00 EACH, TWO \$25.50, FOUR \$50.00

9. 1 3/4" ALUMINUM AXLE COLLAR, TWO PIECE WITH KEYWAY \$14.00 EACH, TWO \$27.00, FOUR \$52.00 **CLOSE OUT SALE!**



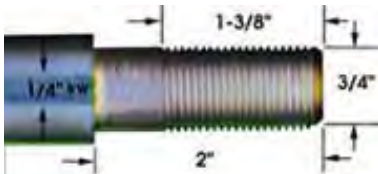
**Steel Axle Lock Collars**



1. 1", 25MM STEEL AXLE COLLAR, TWO PIECE WITH KEYWAY \$8.50 EACH, TWO \$16.00, FOUR \$31.00
2. 1 1/4" STEEL AXLE COLLAR, TWO PIECE WITH KEYWAY \$7.50, TWO \$14.00, FOUR \$27.00
3. 35MM STEEL AXLE COLLAR, TWO PIECE WITH KEYWAY \$8.00 EACH, TWO \$15.50, FOUR \$30.00
4. 1 3/8" STEEL AXLE COLLAR, TWO PIECE WITH KEYWAY \$8.00 EACH, TWO \$15.50, FOUR \$30.00
5. 40MM STEEL AXLE COLLAR, TWO PIECE WITH KEYWAY (NOT BLACK) \$15.00 EACH, TWO \$29.00, FOUR \$57.00
6. 50MM STEEL AXLE COLLAR, TWO PIECE WITH KEYWAY (NOT BLACK) \$15.00 EACH, TWO \$29.00, FOUR \$57.00

**Axles**

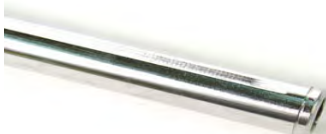
NUMBERS IN ( ) SHOW THE NUMBER OF KEYS NEEDED PER AXLE AND THE LETTER AFTER REFERS TO THE LETTER OF KEY ON THE KEY CHART ON THE NEXT PAGE



1. AZUSA 1" STEEL AXLE, PLATED, THREADED ON BOTH ENDS, LENGTH STEP TO STEP 34", 36", 38", 40" \$55.00



2. 25MM PKT KARTING 970MM AXLE, 2.1MM WALL \$109.00 (4) - E



3. 1" SOLID STEEL AXLE, SNAP RING ENDS, 38", 40" LONG \$55.00
4. 1 1/4" STEEL CHROMOLY AXLE, PLATED, LENGTH 34", 35", 36", 37", 38", 39", 40" BLACK \$65.00
5. 1 1/4" STEEL CHROMOLY AXLE, PLATED, LENGTH 42", 44", BLACK \$73.00
6. 1 1/4" STEEL THIN WALL CHROMOLY AXLE FOR PAVEMENT OVALS, .120" WALL, BLACK 35" \$69.95



7. 30MM PKT STEEL AXLE, 1060MM LONG, A2 2.1MM WALL \$145.00, A25 2.5MM WALL \$135.00, A3 3MM WALL \$169.00 (4) - E
8. 30MM TONY KART OEM AXLE, 5MM WALL, 0054.B0FIKU U SOFT, 0054.B0FIKN N MEDIUM, 0054.B0FIKH H HARD \$243.00
9. 30MM ARROW PEG KEY AXLE, 1000MM X 3.5MM WALL, 1050MM X 3.5MM WALL \$162.00



ARROW 40 AXLE

10. RIGHETTI RIDOLFI 40MM AXLE, 3MM WALL, 1040MM LONG, SOFT, MEDIUM, HARD, EXTRA HARD \$129.95 (2) - C OR D, (2) - H, I OR J
11. MARGAY 40MM BRAVA SERIES AXLES, 3MM WALL, 1040MM LONG, SOFT, MEDIUM, HARD, EXTRA HARD \$129.95 (2) - C OR D, (2) H, I OR J
12. ARROW 40MM AXLE EXTREMELY SOFT \$186.00, SOFT, MEDIUM SOFT, MEDIUM, HARD \$170.00 (4) H, I OR J
13. ARROW 40MM AXLE EXTRA SOFT PEG AXLE, 2MM WALL \$186.00 (4) C OR D
14. TONY KART 40MM OEM AXLE, 0054.D0100N 1000MM N HARD, 0054.D0100P 1000MM P SOFT, 0054.D106N 1060MM N HARD, 0054.D106P 1060MM P SOFT \$292.00



RIGHETTI, MARGAY 40 AXLE



ARROW, RIGHETTI, OTK 50 AXLE

15. ARROW 50MM AXLE, EXTREME SOFT \$250.00, SOFT \$225.00, MEDIUM \$225.00, HARD \$225.00 (4) - A
16. RIGHETTI RIDOLFI 50MM AXLE, 1040MM LONG, SOFT 2MM, MEDIUM 2.5MM, HARD 3MM \$129.95 (3) - C OR D, (1) G
17. CRG OEM 50MM AXLE, M20, S20, S25, M25 \$230.00 (4) - A
18. CRG OEM 50MM AXLE, T1, T2, T3, T4, T5, T6, T7 \$265.38 (4) - A
19. TONY KART 50MM AXLE, 0054.G0E 1030MM E EXTRA SOFT, 0054.G0U 1030MM U SOFT, 0054.G0Q 1000MM Q MEDIUM SOFT, 0054.G0N 1000MM N MEDIUM, 0054.G0N 1030MM N MEDIUM, 0054.G0H 1030MM H HARD, 0054.G0HH 1030MM EXTRA HARD \$292.00 - INBOARD SHIFTER KART AXLES ALSO AVAILABLE ON REQUEST
20. AFTERMARKET TONY KART / OTK 50MM AXLE, 1030MM LONG, KEYED FOR 100CC AND 125CC, MADE IN ITALY DIRECT REPLACEMENT, U SOFT, N MEDIUM, H HARD \$164.73
21. AFTERMARKET CRG 50MM AXLE, 1030MM LONG, KEYED FOR 100CC AND 125CC, MADE IN ITALY, DIRECT REPLACEMENT BLACK FINISH, T3 SOFT, S25 SOFT/MED, M20 MEDIUM, T1 MEDIUM HARD, T2 HARD, T5 EXTRA HARD \$164.73

**Keystock**



1. 1"x1/4"x1/4" \$2.00 EACH, TEN FOR \$19.00, FOR 1", 1 1/4" AXLES, 35MM AXLE
2. 1"x1/4"x3/16" \$2.50 EACH, LOWER PROFILE FOR THIN WALL 1 1/4" AXLE
3. 8MM X 5MM X 12" METRIC FLAT KEY STOCK, MAKE YOUR OWN KEY \$11.00

**METRIC AXLE KEY CHART**

**TWO PEG KEY - 8MM WIDE**



- A. ARROW TWO PEG KEY 60MM LONG, PEGS ARE 34MM ON CENTER X 7.5MM DIAMETER \$8.25
- B. CRG TWO PEG KEY 60MM LONG, PEGS ARE 34MM ON CENTER X 7.5MM DIAMETER \$9.50
- C. RIGHETTI TWO PEG KEY 60MM LONG, PEGS ARE 30MM ON CENTER X 6MM DIAMETER, .160" THICK \$6.50
- D. SHOCKWAVE TWO PEG KEY 60MM LONG, PEGS ARE 30MM ON CENTER X 6MM DIAMETER, .130" THICK \$7.50  
TONY KART TWO PEG KEY 0057.E0 \$14.50

**TWO PEG KEY - 6MM WIDE**



- E. PKT 60MM LONG, PEGS ARE 30MM ON CENTER X 6MM DIAMETER \$7.50
- PKT 60MM LONG, PEGS ARE 30MM ON CENTER X 7.5MM DIAMETER, FOR BIREL 30MM AXLES \$7.50

**THREE PEG KEY - 8MM WIDE**



- F. CRG THREE PEG KEY 60MM LONG, PEGS ARE 34MM ON CENTER X 7.5MM DIAMETER \$10.80
- G. RIGHETTI THREE PEG KEY 60MM LONG, PEGS ARE 30MM ON CENTER X 7.5MM DIAMETER \$7.95  
TONY KART THREE PEG KEY 0057.D0 \$20.00

**FLAT KEY - 8MM WIDE**



- H. CRG 50MM LONG X 5MM TALL \$5.20
- I. CRG 80MM LONG X 5MM TALL \$5.20
- J. RIGHETTI 60MM LONG X 5.5MM TALL \$3.50
- J. RIGHETTI 60MM LONG X 6MM TALL \$3.50
- J. RIGHETTI 60MM LONG X 7MM TALL \$3.50
- K. RIGHETTI 100MM LONG X 6MM TALL \$6.50  
TONY KART 0057.00 60MM LONG X 5MM TALL \$4.50  
TONY KART 0056.A0 40MM LONG X 7MM TALL \$4.50  
TONY KART 0056.00 60MM LONG X 7MM TALL \$4.50  
TONY KART 0056.B0 80MM LONG X 7MM TALL \$4.50  
ARROW 60MM LONG X 6MM TALL, PLATED \$4.50

**FLAT KEY - 6MM WIDE**



- L. RIGHETTI 60MM LONG X 5MM TALL \$3.50
- M. RIGHETTI 60MM LONG X 5MM TALL \$4.50

**Axle Snap Rings**



1. 1", 1 1/4" AXLE SNAP RING \$.40 EACH, TEN \$2.00
2. 1 3/8", 35MM AXLE SNAP RING \$.60 EACH, TEN \$5.00
3. 1 3/4" SNAP RING \$1.50 EACH, TEN \$14.00
4. 40MM SNAP RING \$.95 EACH, TEN \$9.00

**Safety Clips**



1. SAFETY CLIP FOR 8MM BOLT END (FOR BOLTS WITH GROOVE MACHINED IN THEM ONLY) \$1.00, TEN \$9.75



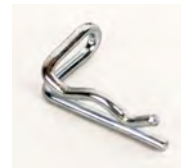
2. ROUND SAFETY CLIP  
A. 6MM - \$3.00  
B. 10MM - \$3.50



3. REUSABLE PLASTIC FUEL LINE CLIP FOR 1/4" OD LINE  
\$.85, TEN \$8.00



4. E-CLIP SAFETY CLIP  
A. 3/16" - \$.50  
B. 7/32" - \$.75  
C. 3/8" - \$.85  
D. 1/2" - \$.95



5. OTK SAFETY PIN FOR DRILLED BOLTS \$1.75, TEN \$16.50

**MORE CLIPS AVAILABLE ON PAGE 212**

**Axle Bearings**



- 1. 1" AXLE BEARING, GREASED \$12.00 EACH, TWO \$23.00, THREE \$33.75, FOUR \$44.00, TEN \$100.00
- 2. 1 1/4" FREE ROLLING BEARINGS \$14.00 EACH, TWO \$26.00, THREE \$36.00, FOUR \$46.00, TEN \$100.00



- 1. 25MM AXLE BEARING \$16.00 EACH, TWO \$30.00, THREE \$43.50, FOUR \$56.00, TEN \$130.00
- 2. 30MM AXLE BEARING \$29.95 EACH, TWO \$59.00, THREE \$88.00, FOUR \$117.00, TEN \$280.00
- 3. 40MMx80MM AXLE BEARING \$25.00 EACH, TWO \$49.00, THREE \$70.50, FOUR \$93.50 TEN \$230.00
- 4. 40MMx90MM AXLE BEARING, ALLOWS 40MM AXLE TO BE USED IN 50x90MM CASSETTES \$49.95 EACH



SKF CONCENTRA

- 5. 50MMx80MM AXLE BEARING 18MM WIDE BEARING, 35.8MM WIDE OVERALL, 2 SET SCREWS, ARROW \$37.80 EACH, TWO \$74.00, THREE \$105.00, TEN \$345.00
- 6. 50MMx80MM AXLE BEARING 18MM WIDE BEARING, 35MM WIDE OVERALL, 3 SET SCREWS, OTK \$39.95, TWO \$78.00, THREE \$114.00, TEN \$370.00
- 7. 50MMx80MM AXLE BEARING \$35.00 EACH, TWO \$69.00, THREE \$102.00
- 8. 50x80MM NARROW 18MM SKF CONCENTRA BEARING, UNIQUE ANGLED COLLAR DOES NOT PUT SET SCREW MARKS IN AXLE, REMOVABLE BEARING SHIELDS, STEEL BALLS \$179.00, CERAMIC BALLS \$249.00

**Bearing Cassettes**

ADDITIONAL BEARING CASSETTES ARE AVAILABLE FOR SPECIFIC KART MODELS IN THE CHASSIS PARTS SECTION



- 1. BEARING FLANGETTES
- A. 3 HOLE FOR 1" BEARING \$4.00 PAIR
- B. 2 HOLE FOR 1" BEARING \$4.00 PAIR
- C. 3 HOLE FOR 1 1/4" BEARING \$4.60 PAIR  
*ONE PAIR PER BEARING*



- 2. COMET LIGHTWEIGHT CASSETTE FOR 1 1/4" BEARING \$19.00 EACH, TWO \$36.00, THREE \$53.00



- 3. PERFORMANCE ADJUSTABLE CROSS OR LEAD CASSETTE WITH HARDWARE, 1 1/4" BEARING \$60.00  
40/50MM MODEL FOR MARGAY \$112.50



- 4. WILDKART 25MM CASSETTE BLACK, ORANGE WITH PINCH BOLT \$39.00



- 5. WILDKART 30MM CASSETTE RED, BLUE, BLACK, ORANGE, TITANIUM WITH PINCH BOLT \$39.00



- 6. WILDKART 40/50MM CASSETTE WITH PINCH BOLT RED, BLUE, BLACK, ORANGE, TITANIUM \$39.00



- 7. ARROW 40MM THREE HOLE BEARING CASSETTE \$49.90  
*SEE THE ARROW CHASSIS PARTS SECTION FOR MORE ARROW CASSETTES*



- 8. ARROW 30MM THREE HOLE BEARING CASSETTE \$53.00



### Bearing Cassettes Cont.

ADDITIONAL BEARING CASSETTES ARE AVAILABLE FOR SPECIFIC KART MODELS IN THE CHASSIS PARTS SECTION



9. CRG OEM BLACK CASSETTE WITH PINCH BOLT 40MM \$42.00  
SEE THE CRG CHASSIS PARTS SECTION FOR MORE CRG CASSETTES



10. COMET 50MM ALUMINUM BEARING CASSETTE, BLACK \$54.00



11. COMET 1 1/4" BEARING CASSETTE, M8 TAPPED HOLES, TENSION BOLT WITH SNAP RING, ADDITIONAL HOLE FOR SEAT STRUT \$39.00



12. COMET 40/50MM BEARING CASSETTE, M8 TAPPED HOLES, TENSION BOLT WITH SNAP RING, ADDITIONAL HOLE FOR SEAT STRUT \$39.00

### King Pin Bearings



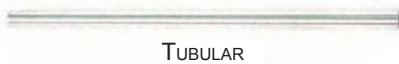
1. KING PIN BEARING 3/8" ID x 7/8" OD, VERY COMMON FOR AMERICAN KARTS \$2.80 EACH, FOUR \$11.00, TEN \$23.00
2. KING PIN BEARING 1/2" ID x 1 1/8" OD, VERY COMMON ON OVAL KARTS \$2.90 EACH, FOUR \$11.00, TEN \$24.00
3. KING PIN BEARING 7/16" ID x 1 1/8" OD, EDGE TALON \$3.00 EACH, FOUR \$11.50, TEN \$29.00
4. KING PIN BEARING METRIC 8MM ID x 22MM OD \$3.00 EACH, FOUR \$11.50, TEN \$29.00
5. KING PIN BEARING METRIC 10MM ID x 22MM OD \$3.80 EACH, FOUR \$14.50, TEN \$35.00
6. KING PIN BEARING METRIC 10MM ID x 26MM OD \$3.50 EACH, FOUR \$13.00, TEN \$32.00

### Front Wheel Bearings



1. 5/8" ID WHEEL BEARING \$3.00 EACH, FOUR \$10.00, TEN \$19.00
2. 5/8" ID WHEEL BEARING, SILVER LOW FRICTION \$4.50 EACH, FOUR \$16.00, TEN \$38.00
3. 5/8" ID WHEEL BEARING WITH SNAP RINGED FLANGE \$4.00, FOUR \$15.00, TEN \$36.00
4. 3/4" ID WHEEL BEARING \$6.00 EACH, FOUR \$22.00, TEN \$50.00
5. 3/4" ID WHEEL BEARING WITH FLANGE \$4.00 EACH, FOUR \$15.00, TEN \$36.00
6. 17MM ID x 35MM OD WHEEL BEARING \$4.50 EACH, FOUR \$17.00, TEN \$39.00
7. 17MM ID x 30MM OD TOP KART KID KART BEARING 6903ZZ \$5.50 EACH, FOUR \$21.00
8. 25MM ID x 37MM OD x 7MM WIDE INTREPID FRONT BEARING \$5.00 EACH, FOUR \$19.00
9. 25MM ID x 42MM OD x 7MM WIDE RIGHETTI FRONT HUB BEARING \$5.50 EACH, FOUR \$21.00
10. 25MM ID x 42MM OD x 12MM WIDE OTK FRONT HUB BEARING \$14.00 EACH, FOUR \$53.00

### Tie Rods



TUBULAR



WILDKART HEX



WILDKART ROUND



AFTERMARKET ARROW 8MM



ARROW ADJUSTABLE 8MM



NYLON HEAVY DUTY

1. 5/16" STEEL CHROME TUBULAR TIE ROD 9", 9 1/2", 10", 10 1/2", 11, 11 1/2" \$10.00 EACH, TWO \$19.00, 13", 14", 15" \$12.00 EACH, TWO \$23.00
2. 3/8" ALUMINUM TUBULAR TIE ROD 6" THRU 17" IN 1/2" INCREMENTS \$12.00
3. 5/16" BLACK ALUMINUM TUBULAR TIE ROD 8", 8 1/2", 9", 9 1/2", 10", 10 1/2", 11 1/2", 12 1/4" \$14.95 EACH
4. 3/8" FK HEX TIE ROD 9 1/4" \$10.00 **CLOSE OUT!**
5. CRG 8MM BLACK OEM TIE ROD 250MM, 260MM, 265MM, 270MM, 275MM, 280MM \$29.95 EACH
6. WILDKART 8MM METRIC ANODIZED TIE RODS, **HEX SHAPE**, BLACK, RED, BLUE, ORANGE, SILVER 8 3/4", 9 1/2", 9 7/8", 10", 10 1/4", 10 1/2", 10 5/8", 10 7/8" \$12.00 EACH
7. WILDKART 8MM METRIC ANODIZED TIE RODS, **ROUND SHAPE**, BLACK, RED, BLUE, ORANGE, SILVER 8 3/4", 9 1/2", 9 7/8", 10", 10 1/4", 10 1/2", 10 5/8", 10 7/8" \$14.00 EACH
8. WILDKART 8MM METRIC HEX LONG TIE ROD FOR SHIFTER 420MM, 470MM, 480MM, 490MM, 500MM \$16.00
9. 8MM TUBULAR POLISHED ALUMINUM TIE ROD 250MM, 260MM, 265MM \$12.00
10. MARGAY BRAVA ROUND ALUMINUM TITANIUM 8MM TIE ROD 9 3/4", 10 1/4" \$15.00
11. AFTERMARKET ARROW 190MM TIE ROD, 200MM TIE ROD, AX8 245MM LH TIE ROD, AX8 250MM RH TIE ROD, AX9-CIK 250MM RH AND LH, 245MM 4S LH TIE ROD, AX9-4S RH 275MM TIE ROD \$13.00
12. DPE-KTR00 ADJUSTABLE WIDTH TIE ROD WITH TIE ROD ENDS, 190MM TO 280MM \$58.00
13. OTK ORANGE OR BLUE ROUND TIE ROD 190MM, 220MM, 270MM \$29.00
14. NYLON HEAVY DUTY TIE ROD, GREAT FOR RENTAL KARTS, M8x260MM \$24.00

**Tie Rod Ends and Jam Nuts**



1. 1/4" x 1/4" MALE ROD END, RIGHT HAND OR LEFT HAND \$5.50 EACH
2. 1/4" x 1/4" FEMALE ROD END, RIGHT HAND OR LEFT HAND \$5.50 EACH
3. 5/16" x 5/16" MALE ROD END, RIGHT HAND OR LEFT HAND \$6.00 EACH, TWO \$11.50, FOUR \$22.00, TEN \$52.00
4. 5/16" x 5/16" FEMALE ROD END, RIGHT HAND ONLY \$6.95 EACH
5. 3/8" x 3/8" MALE TIE ROD END, RIGHT HAND OR LEFT HAND \$7.00 EACH, TWO \$13.00, FOUR \$25.00, TEN \$60.00
6. 3/8" x 3/8" FEMALE ROD ENDS, RIGHT HAND OR LEFT HAND \$9.00
7. 3/8" x 1/2" HOLE FEMALE ROD ENDS, RIGHT HAND OR LEFT HAND \$17.95
8. 1/2" x 1/2" MALE ROD END, RIGHT HAND OR LEFT HAND \$12.50, TWO \$24.00
9. 1/2" x 1/2" FEMALE ROD END, LEFT HAND \$13.50 EACH
10. 7/16" x 7/16" MALE ROD END, RIGHT HAND OR LEFT HAND \$9.00, TWO \$17.00
11. 5/8" x 5/8" MALE ROD END, RIGHT HAND OR LEFT HAND, USED ON OVAL KARTS \$11.00
12. 8MM MALE TIE ROD ENDS, LEFT HAND OR RIGHT HAND, GOLD PRECISION \$15.00
13. 8MM MALE TIE ROD ENDS, LEFT HAND OR RIGHT HAND, SILVER PERFORMANCE \$10.00
14. 8MM MALE TIE ROD ENDS, LEFT HAND OR RIGHT HAND, ECONOMY, CLOSE OUT! \$7.00
15. JAM NUTS 5/16" LEFT HAND \$.65, RIGHT HAND \$.2513. JAM NUTS 5/16" LEFT HAND \$.65, RIGHT HAND \$.25
16. JAM NUTS 3/8" LEFT HAND \$.55, RIGHT HAND \$.35
17. JAM NUTS 8MM LEFT HAND \$1.40, RIGHT HAND \$.80

**Steering Shafts**

- 
1. AZUSA 5/8" SPLINED STEERING SHAFT KIT 28" LONG \$23.00  
SPLINED SHAFT ONLY \$12.00, 34" \$12.95
  2. WILDKART 20MM SHAFT, FITS MOST EURO KARTS, 8MM LOWER BOLT \$36.00
  3. COYOTE 5/8" KID KART SHAFT \$46.00
  4. COMET AND COYOTE 5/8" THREE HOLE ACKERMAN STEERING SHAFT 22" \$48.00
  5. COMET 5/8" 23" CHALLENGER STEERING SHAFT \$39.50
  6. TOP KART KID KART SHAFT \$75.00
  7. MARGAY BRAVA SERIES HOLLOW 3/4" SHAFT \$68.00
  8. EDGE TALON 5/8" STEERING SHAFT \$39.50
  9. ARROW AX8 SHAFT \$41.00
  10. ARROW AX9 CIK SHAFT \$45.00
  11. ARROW AX9 4S SHAFT \$45.00
  12. CRG STEERING SHAFT 100CC OR 125CC KARTS \$72.00
  13. COMP.302.SC AFTERMARKET 470MM STEERING SHAFT FOR OTK, SHAFT DESIGN COMBINES STANDARD AND SLOTTED SHAFT ACKERMAN HOLES ON ONE STEERING SHAFT \$65.00
  14. 0005.BA OTK STEERING SHAFT 470MM, 2MM THICK \$78.00
  15. 0005.BB OTK STEERING SHAFT 490MM, 2MM THICK \$78.00
  16. 0005.F0 OTK STEERING SHAFT 470MM, 2MM THICK WITH SLOT \$78.00

**Steering Components**

- 
1. LONGACRE QUICK RELEASE STEERING HUB WORKS ON 5/8" OR 3/4" \$29.95
  2. WELD ON STEERING ARM FOR 5/8" SHAFTS \$2.50
  3. 5/8" SPLINED SHAFT SNAP RING \$.60
  - STEERING HUB NUTS FOR 5/8" SHAFT
  4. 1/2-20 x .430 CASTLE NUT \$.95
  5. 1/2-20 x .260 CASTLE NUT \$.95
  6. RACK AND PINION STEERING Box \$125.00

**Steering Blocks**



1. COMET ALUMINUM 5/8" STEERING BLOCK ONE HOLE \$6.00



2. RED ANODIZED STEERING BLOCK WITH 5/8" NEEDLE BEARING ONE HOLE, TWO HOLE, THREE HOLE BLOCKS \$16.95



3. STEERING LOCK KIT FOR 5/8", 19MM (3/4") (MARGAY), 20MM (MOST EURO KARTS, NOT BIREL) \$29.00  
REPLACEMENT PIN \$4.60



4. PLASTIC STEERING BLOCK, 5/8" \$3.00  
FOR 3/4" SHAFT \$9.95



5. PLASTIC 5/8" TWO HOLE STEERING BLOCK \$4.95



6. 20MM PLASTIC STEERING BLOCK, ONE HOLE \$7.00



7. CRG OEM PLASTIC STEERING BLOCK 20MM \$24.00



8. 20MM PLASTIC STEERING BLOCK, TWO HOLE, BLACK OR RED \$9.95



9. ARROW STEERING BLOCK 19MM WITH STEERING LOCK BOLT \$9.95



10. ARROW STEERING BLOCK FOR 20MM STEERING SHAFT (MOST EUROPEAN KARTS) WITH STEERING LOCK BOLT AND 20MM SHAFT COLLAR \$19.95

**Steering Wheel Hubs**



1. AZUSA 5/8" SPLINED HUB \$4.50 (MOST USA/OVAL KARTS)



2. MAGNESIUM ANGLED STEERING WHEEL HUB, 20MM SHAFT SIZE \$35.00



3. WILDKART 20MM ANGLED 100CC HUB, RED, BLUE, ORANGE, BLACK \$45.00



4. WILDKART 20MM ANGLED 125CC SHIFTER HUB, BLACK, RED, BLUE, ORANGE, TITANIUM \$49.95



5. WILDKART 20MM FLAT 100CC HUB, BLUE, ORANGE, BLACK, RED, TITANIUM \$25.00



6. WILDKART 20MM FLAT 125CC SHIFTER HUB, BLUE, ORANGE, BLACK, RED, TITANIUM \$45.00



7. MARGAY ANGLED HUB 3/4", 19MM \$45.00



8. MARGAY OEM FLAT HUB 3/4" \$34.00



9. CRG 100CC OEM MAGNESIUM 20MM HUB \$38.00



10. ANGLED METRIC STEERING HUB, BLACK 20MM BLACK, SILVER 19MM (ARROW) SILVER \$44.95



11. ARROW 19MM FLAT HUB \$23.95



12. AFTERMARKET OTK ANGLED STEERING HUB, 6 HOLE \$45.00



13. 12 DEGREE ANGLED STEERING WHEEL HUB EXTENSION \$20.00



14. 1/2" STEERING WHEEL HUB EXTENSION, ALUMINUM \$20.00



15. 1" STEERING WHEEL HUB EXTENSION, ALUMINUM \$20.00



16. COMP.0121 10 DEGREE SHIM, 6 BOLT OTK HUB \$22.00





17. 10 DEGREE STEERING WHEEL SHIM WITH GAUGE MOUNT, 3 BOLT & 6 BOLT \$39.50



18. 10 DEGREE STEERING WHEEL SHIM FOR 3 BOLT & 6 BOLT STEERING HUBS \$24.50

### Steering Lock Collar



1. WILDKART 20MM STEERING SHAFT LOCK COLLAR \$6.60



2. 1/4" STEERING SHAFT COLLAR \$3.90  
3. 5/8" STEERING SHAFT COLLAR \$1.15  
4. 5/16" STEERING SHAFT COLLAR \$3.00  
5. 3/8" SMALL ONE PIECE COLLAR \$3.15

### Steering Wheels



1. KG 13" FLAT TOP SUEDE WHEEL WITH BLACK LEDERFYLON HAND GRIPS \$95.00



2. KG 13" FLAT TOP, ALL SUEDE WITH BLACK SUEDE GRIP \$79.95  
**CLOSE OUT** - ALL RED WITH BLACK CENTER \$85.00



3. KG 13" LEMANS STEERING WHEEL WITH HAND GRIPS \$105.00  
BLACK WITH BLACK GRIPS  
RED WITH BLACK GRIPS  
BLUE WITH BLACK GRIPS



4. KG KARTING LEMANS STEERING WHEEL, GAUGE MOUNT BRACKET \$26.00



5. KG EXTRA WIDE 13 5/8" STEERING WHEEL MORE LEVERAGE WITH HAND GRIPS \$99.00



6. AZUSA STEERING WHEEL, RUBBER GRIPS, 12" OR 14" \$28.95



7. KG 12 3/8" ROUND ALL SUEDE WHEEL \$75.00



8. ENDURO BUTTERFLY WHEEL \$44.00



9. MYCHRON 4 SUEDE 12 3/4" WHEEL WITH GRIPS \$139.00  
BLUE, RED, BLACK - GAUGE NOT INCLUDED



10. KG RUBBER GRIP STEERING WHEEL WITH STEEL CORE 12 3/8" \$55.00



11. ALUMINUM STEERING WHEEL 14" DIAMETER \$49.95



12. ALUMINUM 13.25" OPEN TOP STEERING WHEEL WITH GAUGE MOUNT AND WEIGHT REDUCTION HOLES, ANGLED OUT AND OFFSET DRILLED HOLES \$68.00



13. BLACK KM 13.25" ALUMINUM CUT TOP STEERING WHEEL WITH GAUGE MOUNT BRACKET \$49.95



14. MYCHRON 4 OVAL KART 14" DIA., CUT TOP STEERING WHEEL WITH RUBBER GRIPS \$118.00  
GAUGE NOT INCLUDED



15. KID KART 10" LEATHER WRAP STEERING WHEEL \$88.00  
BLACK OR RED



16. ARROW X1 SUEDE STEERING WHEEL WITH EMBROIDERED ARROW LOGO, FLAT TOP AND BOTTOM \$152.50



17. ARROW STEERING WHEEL FLAT TOP, SUEDE 13" \$182.00



18. 0083.D0 2013 HIGH GRIP TONY KART STEERING WHEEL, FOR 6 HOLE STEERING HUB \$285.00  
19. 0083.CF FA KART STEERING WHEEL \$285.00

FOR ADDITIONAL CHASSIS BRAND SPECIFIC WHEEL HUBS SEE THE CHASSIS PARTS SECTION

**Metric Wheel Hubs**

FOR CHASSIS BRAND SPECIFIC SPROCKET HUBS SEE THE CHASSIS PARTS SECTION



1. WILDKART 40MM WHEEL HUBS  
 A. SHORT 65MM (2 7/16") \$43.00  
 B. MEDIUM 85MM (3 3/8") \$44.00  
 C. LONG 95MM (3 3/4") \$45.00  
 D. EXTRA LONG 125MM (4 7/8") \$54.00  
 E. XX LONG 140MM (5 1/2") \$65.00



2. WILDKART 50MM WHEEL HUBS  
 A. SHORT 75MM (2 7/8") \$45.00  
 B. MEDIUM 95MM (3 3/4") \$55.00  
 C. MEDIUM LONG 105MM (4 1/8") \$60.00  
 D. LONG 125MM (4 7/8") \$66.00



3. WILDKART 25MM WHEEL HUBS  
 A. SHORT 40MM (1 9/16") \$38.00  
 B. MEDIUM 75MM (3") \$44.00



4. WILDKART 30MM WHEEL HUBS  
 A. SHORT 65MM (2 7/16") \$44.00  
 B. MEDIUM 95MM (3 3/4") \$49.00  
 C. LONG 125MM (4 7/8") \$59.95



5. WILDKART 40MM WHEEL HUB NO LIP FOR SHIFTER FRONT HUBS OR TO NARROW REAR TRACK ON 40MM AXLES PAST THE AXLE END \$44.00



6. WILDKART 17MM FRONT HUB  
 A. SHORT 52MM (2 1/16") \$44.00  
 B. MEDIUM 84MM (3 5/16") \$49.50  
 C. LONG 95MM (3 3/4") \$55.00



7. WILDKART ADJUSTABLE WIDTH FRONT WHEEL HUB AND SLEEVE, 25MM SPINDLE SHAFT, 50MM OD \$106.00  
 8. 50MM OD SLEEVE ONLY FOR 25MM SHAFT \$46.00



10. WILD KART 25X110MM LONG FRONT WHEEL HUB \$60.00



9. WILD KART 25X80MM LONG FRONT WHEEL HUB \$58.00



11. REPLACEMENT END CAP FOR WILD KART FRONT 25MM WHEEL HUBS \$4.00



12. MARGAY METRIC PATTERN 40MM HUBS  
 A. SHORT 2 5/16" \$60.00  
 B. LONG HUB 4 5/8" \$65.00



13. COYOTE US PATTERN 40MM HUB, 5/16" STUDS  
 A. LONG 4 1/2" \$65.00  
 B. SHORT 2 1/2" \$60s.00



14. BURRIS 40MM HUB METRIC PATTERN LONG 3 5/8" \$53.00



15. BURRIS FRONT HUB 17MM BEARINGS METRIC PATTERN 2" \$36.00



16. TOP KART 25MM WHEEL HUB \$66.00



17. COMET 40MM WHEEL HUB, CAN BE USED AS METRIC OR AMERICAN PATTERN, 8MM STUDS, INCLUDES WHEEL REGISTER, TWO PINCH BOLT ALUMINUM \$46.00, BLACK \$50.00



18. INTREPID WHEEL HUB INT0070-05 50MM WHEEL HUB (75MM SHORT) \$71.00



19. ARROW DPE-WH50C90GM 50MM WHEEL HUB (90MM, 3 1/2" LONG) \$74.95



20. ARROW DPE-WH40C80T 40MM WHEEL HUB (70MM, 3" LONG) \$70.95



21. ARROW DPE-WHFD65-25 25X65MM FRONT WHEEL HUB FOR X-1 25MM SHAFTS \$69.00 EACH



22. ARROW DPE-WHFD50G FRONT WHEEL HUB 17MM (50MM WIDE) \$46.00



23. ARROW DPE-WHFD80 FRONT WHEEL HUB 17MM (80MM WIDE) \$59.00



24. ARROW 80X30MM (3 1/8") REAR WHEEL HUB, INT'L PATTERN, GUNMETAL \$58.00



25. BURRIS FRONT HUB 5/8" BEARINGS METRIC PATTERN 2" WIDE \$36.00



26. VAN K FRONT HUB, US PATTERN WITH METRIC BEARINGS 17MM \$24.95



27. CRG 40MM SHORT REAR HUB WITH LIP \$62.00 **CLOSE OUT**



28. RIGHETTI RIDOLPHI 17MM FRONT HUB 3 3/4" \$62.00





29. PREMIER EXTENDED REAR HUB, US PATTERN 3 5/8" 25MM \$31.00



30. DOUGLAS MAGNESIUM HUB 50x100MM, TWO BOLT HUB, REQUIRES (3) 8MM STUDS \$109.50 EACH



31. DOUGLAS MAGNESIUM HUB 50x115MM, THREE BOLT HUB, REQUIRES (3) 8MM STUDS \$109.50 EACH



32. PKT SHORT 30MM x 30MM LONG REAR WHEEL HUB INT'L PATTERN, 6MM KEYWAY \$52.00 EACH



33. SPECIFY 40MM OR 50MM, KEEPS THE WHEEL HUB FROM SLIDING IN EVEN IF THE HUB LOOSENS UP \$21.95  
KIT CONTAINS 2 EACH - 2MM, 5MM, 10MM, 20MM



34. CRG 40MM SHORT REAR HUB NO LIP \$64.00  
*CLOSE OUT*



35. CRG 40MM MEDIUM REAR HUB \$69.00  
*CLOSE OUT*



36. RIGHETTI 25MM BEARING FRONT WHEEL HUB, BLACK  
A. 75MM LONG (3") \$54.00  
B. 95MM LONG (3 3/4") \$58.50



37. SWIFT REAR WHEEL HUB 50x65MM, BLACK OR GOLD, OUR SHORTEST 50MM REAR WHEEL HUB \$36.00



38. SWIFT REAR WHEEL HUB 50x95MM, BLACK OR GOLD \$42.00



39. SWIFT REAR WHEEL HUB 50x115MM, BLACK OR GOLD \$47.50



40. ADAPTOR PLATE, CONVERTS METRIC WHEEL HUB WITH METRIC PATTERN TO US PATTERN \$29.95



41. MAGNESIUM 17MM FRONT WHEEL HUB, 2 3/16" LONG (55MM) \$45.00



42. MAGNESIUM 25MM BEARING FRONT WHEEL HUB  
A. 55MM (2 3/16") \$49.00  
B. 70MM (2 3/4") \$52.00  
C. 90MM (3 1/2") \$55.00



43. MAGNESIUM 50MM REAR WHEEL HUB  
A. 72MM (2 7/8") \$52.00  
B. 82MM (3 1/4") \$56.00  
C. 92MM (3 5/8") \$58.00  
D. 114MM (4 1/2") \$62.00  
E. 150MM (5 7/8") \$82.00

**American Wheel Hubs**



1. VAN K STANDARD FRONT HUB 5/8" US PATTERN \$17.50



2. LIGHTWEIGHT FRONT HUB 5/8" US PATTERN \$17.50



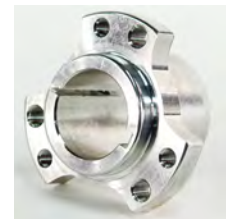
3. LIGHTWEIGHT EXTENDED FRONT HUB, CENTERED FOR BETTER BEARING LOAD, OVAL KARTS \$30.00



4. LIGHTWEIGHT FRONT HUB 5/8" OUTER BEARING, 3/4" INNER BEARING \$38.00



5. VAN K STANDARD REAR HUB  
A. 1" \$17.50  
B. 1 1/4" \$17.50



6. LIGHTWEIGHT REAR HUB US PATTERN  
1 1/4" \$17.50



7. LIGHTWEIGHT FRONT HUB 5/8" US PATTERN, BLACK \$18.50



8. LIGHTWEIGHT REAR HUB 1 1/4", US PATTERN, BLACK \$18.50



9. BURRIS REAR HUB 1 1/4" METRIC PATTERN \$36.00



11. BURRIS FRONT HUB 5/8" BEARINGS METRIC PATTERN 2" WIDE \$36.00



12. COMET 40MM WHEEL HUB, CAN BE USED AS METRIC OR AMERICAN PATTERN, 8MM STUDS, INCLUDES WHEEL REGISTER, TWO PINCH BOLT ALUMINUM \$46.00, BLACK \$50.00



**Wheel, Hub and Sprocket Hardware**



1. 8MM FLANGE NUT WITH NYLOCK \$1.00 EACH, TEN FOR \$8.00



3. 8MM FLANGE NUT NO NYLOCK \$.50 EACH TEN FOR \$4.00



4. 6MM FLANGE NUT NO NYLOCK \$.40 EACH TEN FOR \$3.50



5. 6MM NYLOCK NUT \$.40 EACH TEN FOR \$3.50



6. INTERNAL HEX 8MM NUT \$3.40 EACH



7. 1/4-28 FLANGE NUT \$.25 EACH, 50 FOR \$11.00



8. 1/4-20 FLANGE NUT \$.25 EACH, 50 FOR \$11.00



9. 5/16-24 FLANGE NUT \$.40 EACH



11. ARROW OEM INTERNAL HEX NUT 8MM \$3.40 EACH



12. METRIC SPINDLE LOCK NUT 14MMX1.5MM \$1.40



13. METRIC SPINDLE CASTLE NUT 14MMX1.5MM \$2.70



14. MARGAY METRIC SPINDLE NUT 16MMX1.5MM \$6.95



16. AMERICAN CASTLE SPINDLE NUT 5/8-18 \$1.50 TEN \$14.00



17. K551 REPLACEMENT METRIC WHEEL HUB STUD 8MM X 35MM \$1.95

10. 5/16-18 FLANGE NUT \$.45 EACH



18. 8MM FLANGE NUT, SMALL OD, LOCKING STYLE FOR DOUGLAS MAG WHEELS \$.80 EACH TWELVE FOR \$8.40



19. OTK 8MM FLANGE WHEEL LOCK NUT \$1.15 EACH TWELVE FOR \$11.00



20. 5/16-18 WHEEL STUD \$3.00



21. 5/16-24 WHEEL HUB STUD \$3.00



23. WILDKART WHEEL HUB STUD 8MM X 32MM WITH THREAD LOCK \$1.95



24. PKT WHEEL HUB REPLACEMENT SHORT WHEEL STUD 8MM X 35MM \$3.25

22. 5/16-24 TAPERED WHEEL HUB BOLT \$1.50 EACH, TWELVE \$17.00

**Sprocket Hubs**

FOR CHASSIS BRAND SPECIFIC SPROCKET HUBS SEE THE CHASSIS PARTS SECTION



1. COMET BILLET SPROCKET HUB A. 1" \$39.00 B. 1 1/4" \$39.00



2. BURRIS SPROCKET HUB A. 1 1/4" \$43.00 B. 40MM \$43.00



3. 25MM RIGHETTI RUDOLPHI BILLET SPROCKET HUB, GOLD \$49.95



4. SALE! APCCO 1 1/4" SPROCKET HUB, NO HARDWARE \$25.00



5. COMET EURO SPROCKET HUB, GREAT DESIGN AT A GREAT PRICE 30MM, 40MM, 50MM \$39.95



7. MAGNESIUM 50MM SPROCKET HUB \$60.00

6. COMET BRAKE HUB 40MM, 50MM \$39.95

8. MAGNESIUM 50MM BRAKE HUB \$60.00



9. AZUSA 1" SPROCKET HUB \$24.00



10. WILDKART FLOATING SPROCKET HUB, 30MM, 40MM OR 50MM BLACK, RED, BLUE, ORANGE, TITANIUM \$139.95



11. ARROW QUICKCHANGE 3 BOLT SPROCKET HUB, SPECIFY 30MM, 40MM, 50MM \$125.00



12. ARROW SPROCKET HUB 40MM \$85.00 50MM \$88.00



13. WILDKART BILLET SPROCKET HUB - ORANGE, BLUE, BLACK, RED, TITANIUM 25MM, 30MM, 40MM, 50MM STANDARD OR LIGHTWEIGHT \$60.00

**Chain Sprockets**



#219 GOLD ALUMINUM ONE PIECE SPROCKET  
64 THRU 90 \$16.80 EACH  
91 THRU 95 \$16.90 EACH



#35 TWO PIECE ALUMINUM RED SPROCKET 53T-85T  
\$15.00



HORSTMAN ALUMINUM SPROCKET ONE PIECE, CLOSE OUT  
66T, 67T, 75T \$20.00  
91T, 92T \$23.00



ROCKET ALUMINUM SPROCKET TWO PIECE

1. #35, 52 THRU 63 \$15.95 EACH, 10 FOR \$155.00
2. #35, 64 THRU 71 \$16.95 EACH, 10 FOR \$165.00
3. #35, 72 THRU 81 \$19.00 EACH, 10 FOR \$185.00
4. #219, 64 THRU 100 \$19.00 EACH, 10 FOR \$185.00
5. #219 105 TOOTH \$21.00



#219 BLACK ALUMINUM SPROCKET 64 THRU 93  
\$19.00 EACH



#219 EXTRON COMPOSITE SPROCKET 72 THRU 92  
\$21.00 EACH



#219 RLV TWO PIECE SPROCKET 66 THRU 97  
\$18.80 EACH



- #35 AZUSA TWO PIECE ALUMINUM SPROCKET
1. #35 53 THRU 59 \$18.00 EACH, 10 FOR \$175.00
  2. #35 60 THRU 67 \$19.00 EACH, 10 FOR \$185.00
  3. #35 68 THRU 77 \$21.00 EACH, 10 FOR \$205.00
  4. #35 78 THRU 84 \$23.00 EACH, 10 FOR \$225.00



#35 ROCKET SKIP TOOTH QUALIFIER GEARS, TWO PIECE ALUMINUM 54 THRU 70 \$17.95

**Chain Laser Aligner**



1. EAGLE EYE LASER CHAIN ALIGNER, QUICKLY ALIGN THE REAR SPROCKET TO THE FRONT DRIVER  
ALUMINUM CHAIN ALIGNER FOR 4MM THICK 219 AND 35 SPROCKETS ONLY \$84.00



2. EAGLE EYE CHAIN ALIGNER FOR WIDER EXTRON AND SHIFTER SPROCKETS, FOR 7MM THICK SPROCKETS \$87.00



3. SNIPER LASER CHAIN ALIGNER, FITS 4MM WIDE SPROCKETS \$64.00  
DOES NOT FIT SHIFTER OR EXTRON

**Sprocket Guards**



G-MAN SPROCKET GUARD KIT, 9" OD, PLASTIC, FITS BOTH SIDES OF THE GEAR WITH HARDWARE \$13.00  
Two \$25.00



ROCKET SPROCKET GUARD ALUMINUM COMPLETE KIT, HARDWARE, GUARDS FOR BOTH SIDES OF HUB

1. X-SMALL 8" 53T-64T \$35.00
2. SMALL 8.75" 65T-68T \$35.00
3. MEDIUM 9.25" 68T-74T \$35.00
4. LARGE 10" 75T-81T \$43.00



ROCKET SPROCKET GUARD ALUMINUM

1. X-SMALL 8" 53T-64T \$19.95
2. SMALL 8.75" 65T-68T \$19.95
3. MEDIUM 9.25" 68T-74T \$19.95
4. LARGE 10" 75T-81T \$19.95



## Chain and Master Links



**Kart chain**



**Kart chain**

### #35 EK SPACE CHAIN

1. EK SPACE CHAIN, 106 LINK 40" \$17.00
2. EK SPACE CHAIN, 10 FEET \$49.95
3. EK SILVER PRO CHAIN, 106 LINK 40" \$22.00
4. EK SILVER PRO CHAIN, 10 FEET \$59.95



### #35 SPACE CHAIN

1. RLV XTREME CHAIN, GOLD 104 LINK \$23.00  
TWO BOXES OF XTREME CHAIN \$45.00
2. COMET SPACE CHAIN, 3 FEET \$11.50
3. COMET SPACE CHAIN, 106 LINK \$12.00
4. COMET SPACE CHAIN, 4 FEET \$13.00
5. COMET SPACE CHAIN, 5 FEET \$16.00
6. COMET SPACE CHAIN, 10 FEET \$31.00



### #219 CHAIN

1. DID GOLD CHAIN HTM 114 LINK \$31.00, FOUR BOXES \$122.00
2. DID GOLD CHAIN HTZ HARD PIN 114 LINK \$38.00, FOUR BOXES \$150.00
3. RK BLUE O-RING CHAIN 100L, GREAT FOR TAG'S \$60.00
4. RK BLUE O-RING CHAIN 102L, GREAT FOR TAG'S \$60.00
5. RK BLUE O-RING CHAIN 106L, GREAT FOR TAG'S \$60.00
6. RK BLUE O-RING CHAIN 110L, GREAT FOR TAG'S \$60.00
7. RK BLUE O-RING CHAIN 112L, GREAT FOR TAG'S \$60.00
8. RK BLUE O-RING CHAIN 114L, GREAT FOR TAG'S \$64.00
9. RLV EXTREME KART CHAIN \$29.95



### CHAIN MASTER LINKS

1. #35 SPACE MASTER LINK \$1.00, TEN \$8.50
2. #35 REGULAR MASTER LINK \$1.00, TEN \$8.50
3. #35 REGULAR 1/2 LINK \$1.10, TEN \$9.50
4. #35 XTREME CHAIN GOLD MASTER LINK \$1.00
5. #40 MASTER LINK \$1.40, 1/2 LINK \$2.10
6. #41 MASTER LINK TEN FOR \$2.00 SALE!
7. #428 MASTER LINK \$2.50
8. #420 MASTER LINK \$1.95, 1/2 LINK \$3.50

### GENERAL USE CHAIN - YARD KARTS ETC.

1. #35 CHAIN, 3 FEET \$11.50
2. #35 CHAIN, 106L \$12.00
3. #35 CHAIN, 4 FEET \$12.00
4. #35 CHAIN, 5 FEET \$15.00
5. #35 CHAIN, 10 FEET \$28.00
6. #40 CHAIN, 3 FEET \$13.50
7. #40 CHAIN, 4 FEET \$14.50
8. #40 CHAIN, 5 FEET \$15.50
9. #40 CHAIN, 10 FEET \$29.95
10. #420 CHAIN, 4 FEET \$14.00
11. #420 CHAIN, 5 FEET \$17.00
12. #428 CHAIN, 96 LINK \$19.95
13. #428 CHAIN 119 LINK \$23.95



### #428 SHIFTER CHAIN

1. DID GOLD CHAIN, 60 LINKS \$19.95
2. DID 428 MASTER LINK \$2.50

## Chain Tools



1. #35 SPACE CHAIN PIN TOOL \$19.95



2. REPLACEMENT CHAIN TOOL PIN \$5.95  
SPECIFY #35 OR #219



3. REPLACEMENT CHAIN TOOL PINS FOR #428 SHIFTER \$19.95



4. #219 CHAIN PIN TOOL \$21.95

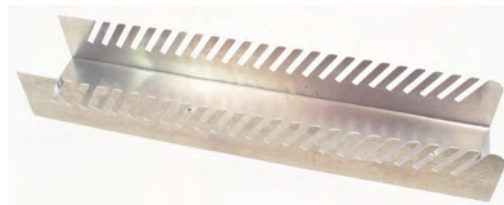


5. #428 CHAIN PIN TOOL \$49.95



6. AZUSA CHAIN TOOL FOR #35 TO #50 CHAIN \$31.00  
VERY POPULAR FOR 1/4 MIDGETS

## Sprocket Holder



1. ALUMINUM SPROCKET ORGANIZER WITH 24 SLOTS, FITS 219 AND 35 GEARS, GREAT FOR THE TRAILER WALL OR THE WORK BENCH \$35.95



2. SPROCKET CARRIER FOR ONE PIECE GEARS, STEEL CONSTRUCTION AND CHROMED 9" TALL \$39.95



### Briggs Racing Engines



1. BRIGGS ANIMAL OHV STOCK ENGINE  
\$555.00



2. WORLD FORMULA ENGINE  
ELECTRIC START, HEADER,  
CARB, PREMIER CLUTCH FILTER  
\$1010.00

3. BRIGGS LOCAL OPTION 206,  
FACTORY SEALED ENGINE, INCLUDES  
FUEL PUMP \$555.00

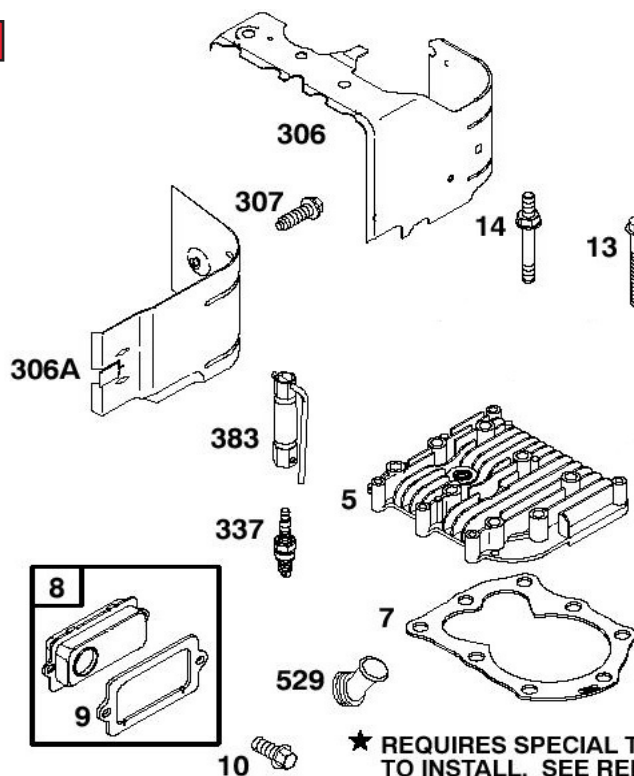
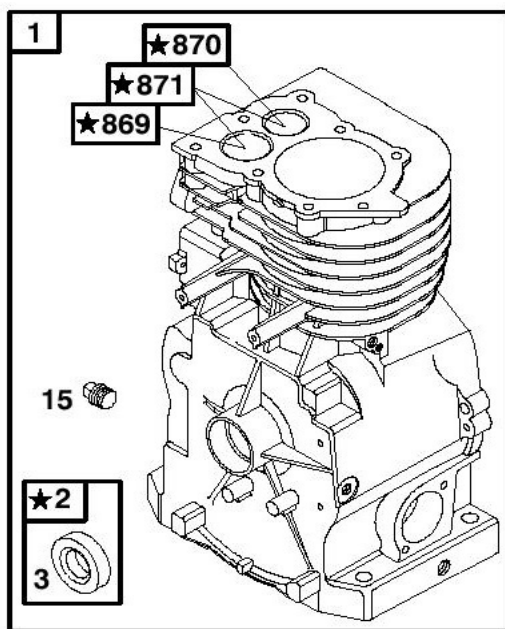


4. BRIGGS LOCAL OPTION JUNIOR 206,  
FACTORY SEALED ENGINE,  
INCLUDES CLUTCH AND FUEL PUMP  
\$565.00

5. BRIGGS M SERIES ENGINE FOR  
QUARTER MIDGETS, SPLINED PTO  
SHAFT \$560.00



### Briggs Raptor Engine Parts



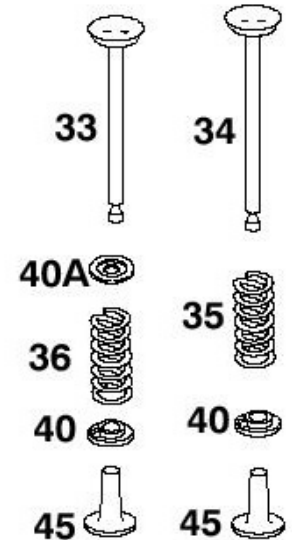
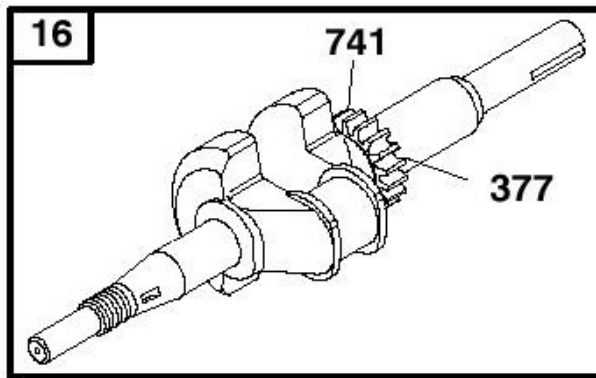
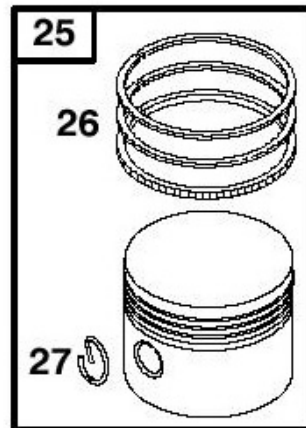
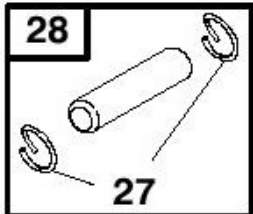
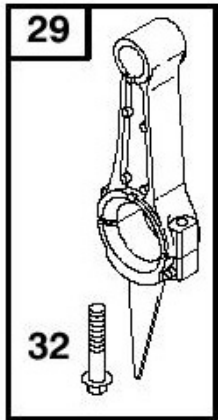
★ **REQUIRES SPECIAL TOOLS TO INSTALL. SEE REPAIR INSTRUCTION MANUAL.**

- 1. 555168 IC STEEL SLEEVE DUAL BALL BEARING BLOCK \$206.00
- 1. 555206 IC STEEL SLEEVE BLOCK, BUSHING FLYWHEEL \$139.00
- 1. 398765 ALUMINUM BORE DUAL BEARING BLOCK \$179.95
- 2. 555140 BUSHING AND SEAL KIT \$8.25
- 3. 555071 FLYWHEEL SEAL, ALL RAPTORS \$2.70
- 7. 555236 STOCK CYLINDER HEAD GASKET \$6.00, TEN \$58.00  
272157 HEAD GASKET DARK GRAY \$4.50, TEN \$44.00  
270383 METALLIC HEAD GASKET \$3.25, TEN \$32.00
- 8. 555073 BREATHER ASSEMBLY \$5.80
- 9. 555036 BREATHER GASKET \$1.00, TEN \$9.50
- 10. 555045 BREATHER ASSEMBLY SCREW \$.80

- 13. 555045 CYLINDER HEAD BOLT \$1.60
- 14. 555082 CYLINDER HEAD BOLT WITH THREADED TOP \$2.70
- 15. 555079 OEM OIL DRAIN PLUG \$2.00  
AFTER MARKET DRAIN PLUG WITH MAGNETIC TIP \$3.75
- 306. 555057 CYLINDER SIDE AND HEAD SHROUD \$9.80
- 307. 555046 SIDE SHROUD SCREW \$1.70
- 529. 692187 BREATHER RUBBER BOOT \$2.25
- 869. 691705 INTAKE VALVE SEAT \$4.80  
1208-200 INTAKE SEAT .004 LARGER OD \$12.00
- 870. 691701 EXHAUST VALVE SEAT \$3.20  
1084-200 EXHAUST SEAT .004 LARGER OD \$11.00
- 871. 555155 VALVE GUIDE BUSHING .310 OD \$13.90  
262001 .376" OD THICK \$3.50 EACH, **CLOSE OUT!**

WE ALSO HAVE USED BRIGGS PARTS AVAILABLE! CALL US FOR INFORMATION!

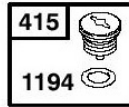
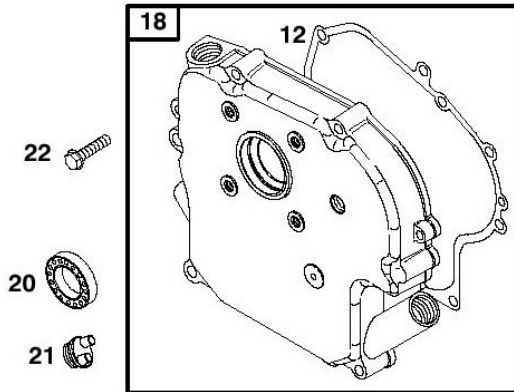
**Briggs Raptor Engine Parts Cont.**



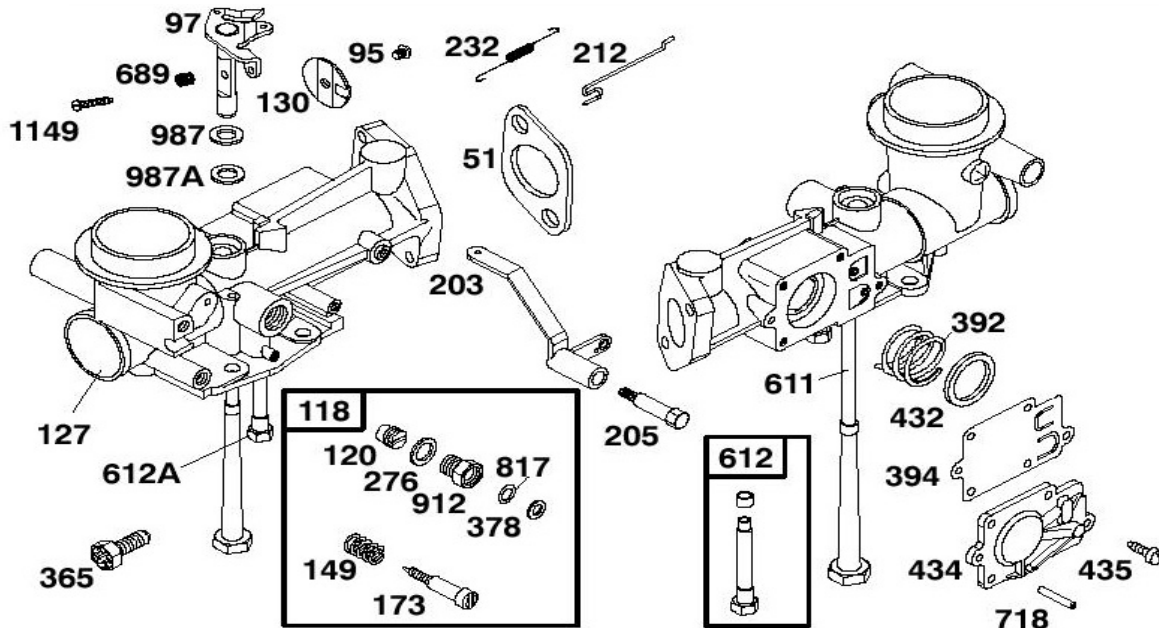
- |  |  |
|--|--|
| <p>16. 555204 HEAT TREATED CRANKSHAFT \$145.00 <b>CLOSE OUT!</b><br/>495645 NEW STYLE RAPTOR CRYO TREATED CRANK \$129.95</p> <p>17. 555050 GENUINE CRANK BEARING \$16.00<br/>99158 EARLY MODEL PTO MAIN BEARING \$10.00</p> <p>25. 555672 RAPTOR III PISTON ASSEMBLY WITH RINGS - STD. \$48.00<br/>555673 RAPTOR III PISTON ASSEMBLY WITH RINGS - .010 \$48.00<br/>555674 RAPTOR III PISTON ASSEMBLY WITH RINGS - .015 \$48.00<br/>555675 RAPTOR III PISTON ASSEMBLY WITH RINGS - .020 \$48.00<br/>555677 RAPTOR III PISTON ASSEMBLY WITH RINGS - .030 \$48.00<br/>RAPTOR I AND II STEEL BORE PISTON AND RINGS, STD \$39.90</p> <p>26. 555485 RAPTOR III RING SET - STD. \$17.00<br/>555486 RAPTOR III RING SET - .015 \$17.00<br/>555487 RAPTOR III RING SET - .025 \$17.00<br/>555488 RAPTOR III RING SET - .035 \$17.00<br/>RAPTOR III TOP RING, STD, .010, .020, .030, .040 \$7.00<br/>RAPTOR III TOP RING HARDER, .015, .025, .035 \$9.00<br/>BURRIS TOP RING RAPTOR III STD., .010, .020, .030, .040 \$6.00<br/>BURRIS OIL RING RAPTOR III .010, .020, .030 \$8.00<br/>BURRIS SCRAPER RING RAPTOR III .010, .020, .030 \$6.00</p> <p>27. 555035 WRIST PIN CIRCLIP \$1.00</p> | <p>28. 555509 RAPTOR III WRIST PIN AND CIRCLIP KIT \$3.00</p> <p>29. 555207 RAPTOR II AND III CONNECTING ROD \$24.00<br/>555208 RAPTOR III .020 UNDER ROD \$24.00<br/>6350 ARC BRIGGS BILLET ROD FOR RAPTOR III \$65.00<br/>6348 ARC BRIGGS BILLET ROD .005 SHORTER THAN STOCK LENGTH \$65.00<br/>ARC BILLET ROD BEARING INSERT FOR STOCK \$11.95</p> <p>32. 691664 CONNECTING ROD BOLT \$1.95, TEN \$19.00<br/>ARC BILLET ROD BOLT KIT, 2 BOLTS, 2 WASHERS \$6.50</p> <p>33. 21119S EXHAUST VALVE \$13.50</p> <p>34. 261044S INTAKE VALVE \$13.50</p> <p>36. 555076 VALVE SPRING - INTAKE OR EXHAUST \$2.60<br/>DCS1360 DYNO VALVE SPRING, STOCK LEGAL 1.360" \$2.25<br/>DCS1420 DYNO VALVE SPRING, STOCK LEGAL 1.420" \$2.25<br/>DCS1460 DYNO VALVE SPRING, STOCK LEGAL 1.460" \$2.25<br/>DCS1485 DYNO VALVE SPRING, STOCK LEGAL 1.485" \$2.50</p> <p>40A. 691760 THIN TOP RETAINER \$3.55</p> <p>40. 555039 BOTTOM SPRING RETAINER \$2.80</p> <p>40. BOTTOM SPRING RETAINER, HEAT TREATED \$3.50</p> <p>45. DYNO BILLET TAPPETS, STOCK LEGAL \$28.00 PAIR</p> <p>377. 690979 CRANK GEAR WOODRUFF KEY \$1.60</p> <p>456. 691760 UPPER SPRING RETAINER \$3.55</p> <p>741. 555235 RAPTOR III HEAT TREATED CRANK GEAR \$6.25<br/>261696 OLD STYLE CRANK TIMING GEAR \$15.00<br/>BRIGGS FLATHEAD ROD DIPPER FOR OLD STYLE ROD \$1.00<br/>BRIGGS SHOT PEENED ROD DIPPER, OLD STYLE ROD \$4.50</p> |
|--|--|

WE ALSO HAVE USED BRIGGS PARTS AVAILABLE! CALL US FOR INFORMATION!

**Briggs Raptor Engine Parts Cont.**



- 12. 270080 SIDE COVER GASKET .015 \$3.00, TEN \$29.00
- 270126 SIDE COVER GASKET .010 \$4.15, TEN \$40.50
- 555064 SIDE COVER GASKET .005 \$4.75, TEN \$46.50
- 20. 555087 RAPTOR II AND III PTO SEAL \$4.00
- 21. 555037 OIL FILL PLUG \$2.50
- 22. 691129 CRANKCASE SIDE COVER BOLT, ALLEN HEAD \$1.80
- 46. 555052 FACTORY TAKEOUT CAMS \$5.00 EACH
- SEE THE DYNO CAM SECTION FOR AFTERMARKET CAMS
- 415. 691363 TOP OIL FILLER PLUG \$5.20
- 1194. 555136 OIL FILL PLUG RUBBER O-RING \$.90



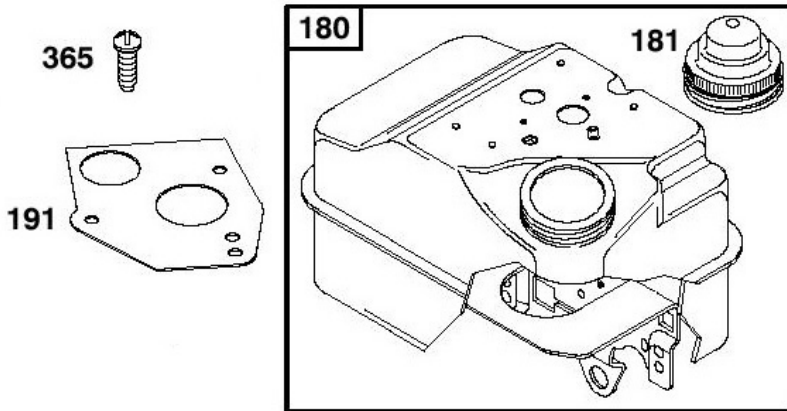
- 397135 CHOKE STYLE CARBURETOR \$118.00
- 51. 555078 INTAKE GASKET \$1.10, TEN \$10.00
- 95. 555232 BUTTERFLY SCREW \$1.25
- 97. 691946 STOCK THROTTLE SHAFT \$10.80
- 114. 555106 NEEDLE VALVE GASKET \$1.00
- 118. 555127 NEEDLE AND JET KIT \$6.80
- 120. AFTERMARKET ALCOHOL JET .042 THRU .076 \$3.50
- EVEN JET KIT 46 THRU 64, TEN JETS \$24.00
- G-MAN EVEN JET KIT 46 THRU 64 WITH PLASTIC HOLDER \$32.00, PLASTIC HOLDER ONLY NO JETS \$8.00
- 127. 691585 WELCH PLUG \$3.75
- 130. 555109 CARBURETOR BUTTERFLY #8 \$1.30
- CARBURETOR BUTTERFLY #6 \$4.00
- 152. 555101 THROTTLE ADJUSTMENT SPRING \$3.25
- 154. 555102 THROTTLE ADJUSTMENT BOLT \$1.70
- 205. 555110 THROTTLE BELL CRANK BOLT \$3.30
- 212. 555116 THROTTLE LINK \$1.90
- 232. 555117 THROTTLE LINK SPRING \$2.20
- 365. 555238 CARBURETOR TO BLOCK BOLT, ALLEN HEAD \$.30
- 392. 692206 DIAPHRAGM SPRING \$1.80
- 394. 555119 OEM STOCK RUBBER DIAPHRAGM \$2.00, TEN \$19.50
- AFTERMARKET RUBBER DIAPHRAGM \$.95, TEN \$9.00
- 432. 690766 DIAPHRAGM SPRING CAP \$1.80
- 434. 555112 DIAPHRAGM COVER \$3.00
- 435. 691619 DIAPHRAGM COVER BOLT \$2.40
- 611. 555103 BRASS PICKUP TUBE \$3.00
- 612. 555128 LONG PLASTIC PICKUP TUBE \$2.60
- 612A 555120 SHORT PLASTIC PICKUP TUBE \$2.50
- 634. 555118 FOAM WASHER \$1.00
- PLASTIC COVER FOR CARB FILTER CUP \$3.75

WE ALSO HAVE USED BRIGGS PARTS AVAILABLE! CALL US FOR INFORMATION!

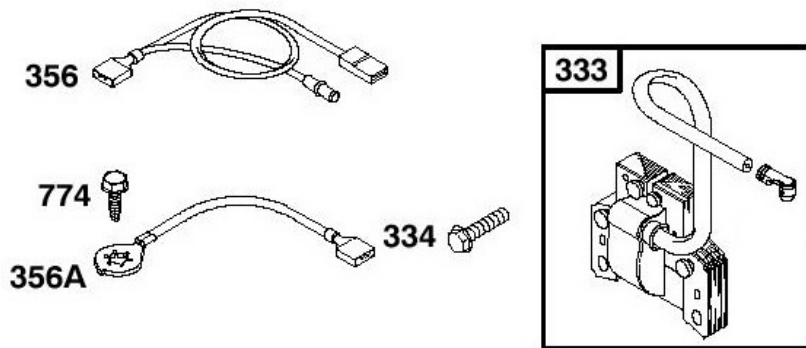


**Briggs Raptor Engine Parts Cont.**

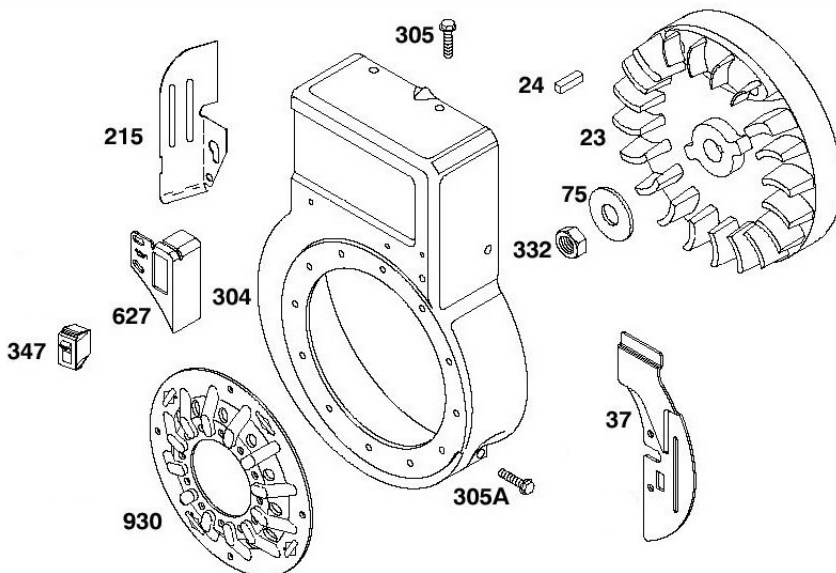
WE ALSO HAVE USED BRIGGS PARTS AVAILABLE! CALL US FOR INFORMATION!



- 180. 555192 FUEL TANK \$59.00
- 181. 555085 FUEL TANK CAP \$7.50  
"HAPPY CAP", HELPS STOP BOGGING \$19.00
- 191. 555084 TANK TO CARB GASKET \$1.60, TEN \$15.00
- 365. 555048 TANK TO CARB BOLT, ALLEN HEAD \$.30
- 526. 555044 FUEL TANK TO BLOCK BOTTOM BOLT \$1.40

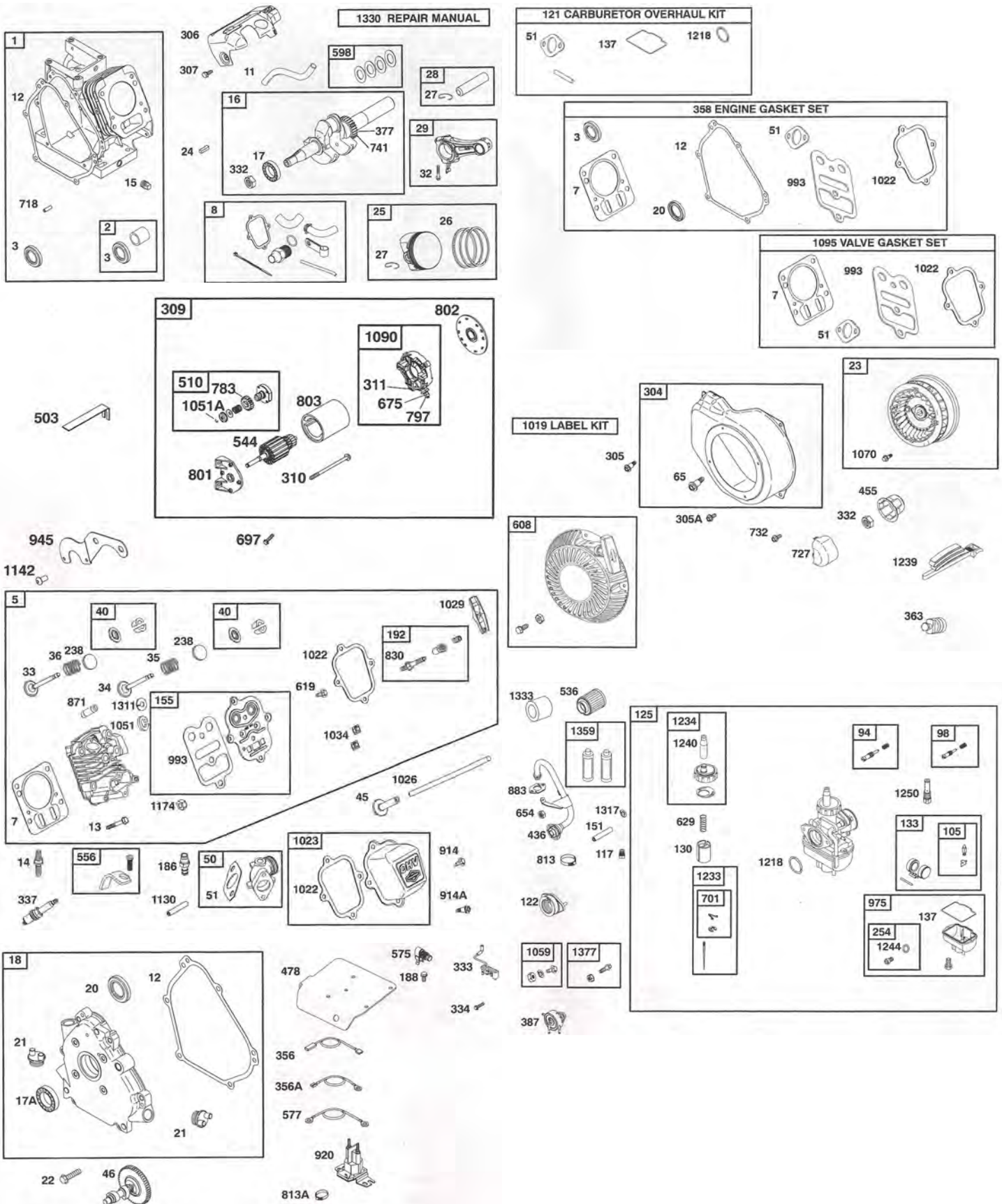


- 333. 397358 MAGNETO COIL \$32.00  
AFTERMARKET HOT COIL, 3HP OR 5HP \$36.00
- 334. 555040 MAGNETO COIL BOLT \$2.00
- 356. 555086 KILLSWITCH CABLE \$4.30
- 356A 555099 GROUND WIRE \$2.85
- 774. 555080 GROUND WIRE BOLT \$1.00
- 798619 RUBBER PLUG BOOT \$3.25



- 24. 555054 FLYWHEEL KEY \$1.60  
OFFSET FLYWHEEL KEY, 2-9 DEGREE \$2.80
- 37. 691732 FLYWHEEL GUARD \$3.00
- 66. 555171 RECOIL STARTER ONE WAY CLUTCH \$17.00
- 75. 691736 FLYWHEEL WASHER \$2.45
- 215. 555055 AIRGUIDE \$3.50
- 304. 495759 BLOWER HOUSING \$33.00
- 305. 555051 BLOWER HOUSING BOLT \$1.40
- 332. 690662 FLYWHEEL NUT \$3.00
- 347. 555098 KILLSWITCH \$6.80
- 984. 555097 KILLSWITCH HOUSING \$4.95
- 930. AFTERMARKET SCREENS AVAILABLE PAGE 33  
390463 PULL START RECOIL, SQUARE END \$53.00  
497830 PULL START RECOIL, CUP STYLE \$33.00  
COMPLETE KILL SWITCH \$19.95

**Briggs World Formula**

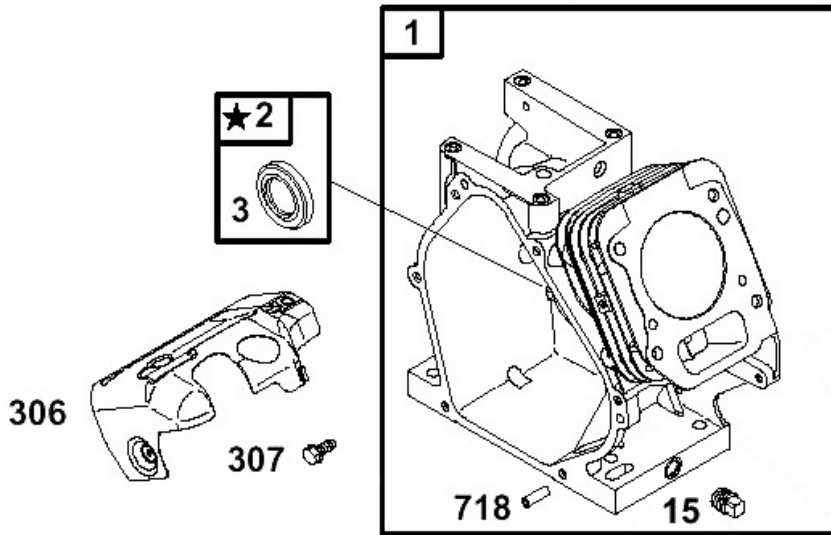




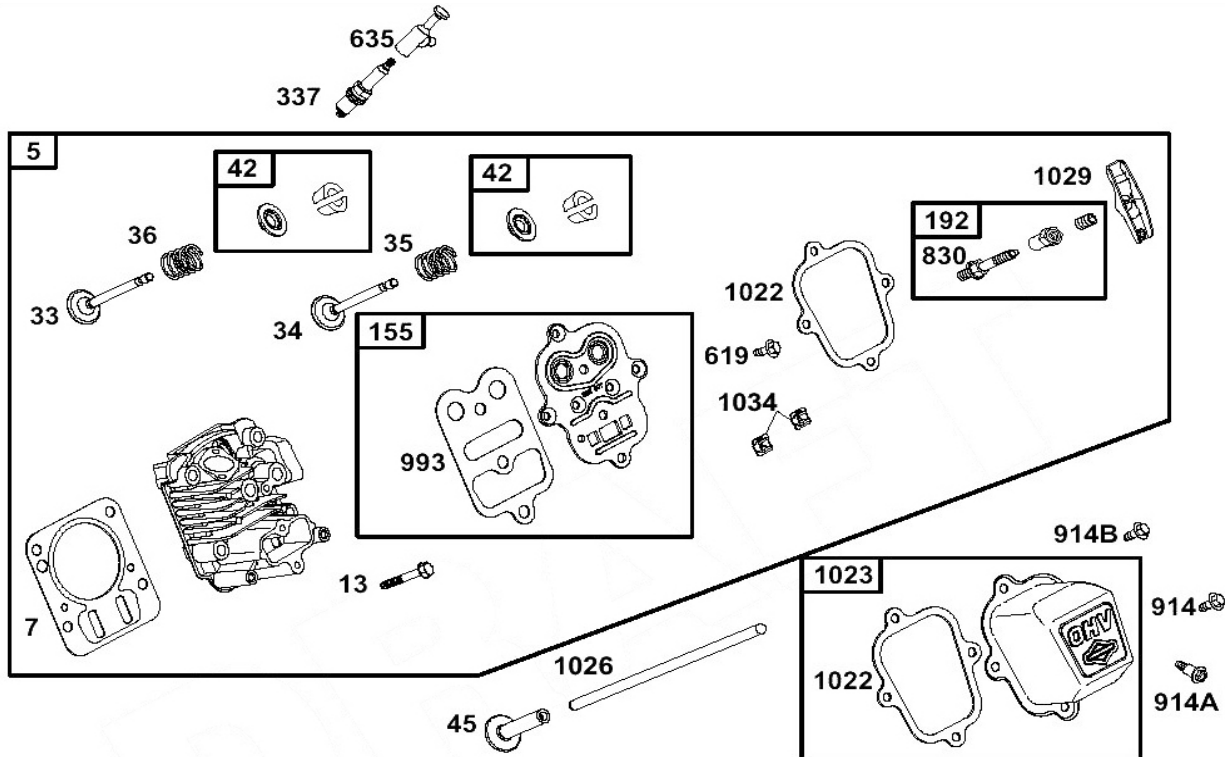
**Briggs World Formula Cont.**

1. 555687 CYLINDER ASSEMBLY \$108.00
2. 555140 BUSHING SEAL KIT, MAG SIDE \$8.50
3. 299819S OIL SEAL, MAG SIDE \$2.70
5. 557133 CYLINDER HEAD \$195.00
7. 555698 CYLINDER HEAD GASKET \$11.95
8. 555688 BREATHER ASSEMBLY \$38.75
11. 692600 BREATHER TUBE \$4.00
12. 699485 CRANKCASE GASKET \$4.25
13. 699482 CYLINDER HEAD METRIC SCREW \$1.90
14. 557097 CYLINDER HEAD STUD \$3.85
15. 555079 OIL DRAIN PLUG \$1.50
16. 557137 CRANKSHAFT \$65.00
17. 690824 MAIN BEARING MAG SIDE \$18.50
- 17A 692517 MAIN BEARING PTO SIDE \$18.50
18. 557630 CRANKCASE SIDE COVER \$58.00
20. 692550 OIL SEAL, PTO SIDE \$2.80
21. 281658S OIL FILL CAP \$2.50
22. 699478 CRANKCASE SCREW \$1.95
23. 557126 FLYWHEEL \$98.00
24. 555054 FLYWHEEL KEY \$1.20
25. 557121 PISTON ASSEMBLY, STANDARD \$69.00
- 557122 PISTON ASSEMBLY, .010 \$64.00
- 557123 PISTON ASSEMBLY, .020 \$64.00
- 557124 PISTON ASSEMBLY, .030 \$64.00
26. 555664 RING SET, STANDARD \$16.00
- 555665 RING SET, .010 \$21.00
- 555666 RING SET, .020 \$21.00
- 555667 RING SET, .030 \$21.00
27. 555521 PISTON PIN CIRCLIP \$1.65
28. 499423 PISTON PIN \$3.45
29. 557117 CONNECTING ROD \$66.00
32. 557078 CONNECTING ROD BOLT \$2.00
33. 557018 EXHAUST VALVE \$18.00
34. 557017 INTAKE VALVE \$8.75
35. 557024 INTAKE VALVE SPRING \$14.50
36. 557024 EXHAUST VALVE SPRING \$14.50
40. 557025 VALVE RETAINER \$10.50
45. 557098 VALVE TAPPET \$5.50
46. 557041 CAMSHAFT \$99.95
50. 557009 INTAKE MANIFOLD \$56.00
51. 557044 INTAKE GASKET \$2.80
65. 557107 METRIC STARTER SCREW \$1.20
94. 555585 IDLE MIXTURE KIT \$3.90
98. 555586 IDLE SPEED KIT \$3.50
105. 555648 FLOAT NEEDLE \$5.50
117. 557012 GAS JET KIT \$40.00
121. 557089 CARBURETOR OVERHAUL KIT \$10.95
122. 557130 CARBURETOR SPACER \$13.50
125. 557006 CARBURETOR \$119.95
130. 557083 THROTTLE VALVE \$9.75
133. 557080 CARBURETOR FLOAT \$12.45
137. 557082 FLOAT BOWL GASKET \$2.95
151. 557097 STUD EXHAUST MANIFOLD \$3.85
155. 698214 CYLINDER HEAD PLATE \$7.75
186. 557054 CONNECTOR \$3.00
188. 699479 METRIC SCREW FOR MAGNETO \$1.50
192. 694543 ROCKER ARM ADJUSTER \$3.95
238. 557016 VALVE CAP \$3.00
254. 555607 CARBURETOR BOWL DRAIN SCREW \$2.95
304. 557034 BLOWER HOUSING \$27.50
306. 555680 CYLINDER SHIELD \$13.50
307. 699483 CYLINDER SHIELD SCREW \$1.25
309. 798790 STARTER MOTOR \$99.00
310. 557077 STARTER MOTOR SCREW \$1.95
311. 497608 BRUSH SET \$17.50
332. 699359 FLYWHEEL NUT \$2.00
- 333 557125 MAGNETO COIL \$88.00
334. 699477 METRIC SCREW \$1.50
337. 557039 SPARK PLUG \$4.50
356. 793379 STOP WIRE \$3.30
- 356A. 555568 STOP WIRE \$7.50
358. 557110 ENGINE GASKET SET \$17.00
363. 19584 FLYWHEEL PULLER \$59.95
377. 555049 WOODRUFF KEY \$ 1.60
387. 808656 FUEL PUMP \$17.95
436. 557045 MANIFOLD EXHAUST \$78.00
455. 555518 FLYWHEEL CUP \$3.60
478. 555699 PANEL \$15.95
503. 691532 STARTER STRAP \$2.95
510. 557069 STARTER DRIVE \$22.30
536. 698973 AIR CLEANER \$28.00
544. 557075 STARTER ARMATURE \$51.00
556. 555690 HEAT DISPERSER \$16.00
575. 557028 STARTER SWITCH \$8.50
598. 555619 ENDPLAY SHIM KIT \$3.00
608. 695287 REWIND STARTER \$32.00
619. 699230 CYLINDER HEAD PLATE SCREW \$1.30
629. 557087 THROTTLE RETURN SPRING \$1.95
654. 690939 CARBURETOR NUT \$1.50
675. 691261 WASHER \$1.50
697. 790537 SCREW \$1.20
701. 555650 NEEDLE VALVE RETAINER \$3.00
727. 698039 STARTER DRIVE COVER \$3.60
732. 699200 SCREW, STARTER DRIVE COVER \$1.80
741. 555574 TIMING GEAR \$7.50
783. 557071 PINION GEAR \$9.95
797. 555380 NUT, BRUSH RETAINER \$2.00
801. 557076 DRIVE CAP \$28.00
802. 557074 END CAP \$6.50
813. 557131 INTAKE MANIFOLD CLAMP \$2.20
- 813A. 555382 SOLENOID CLAMP \$10.50
830. 694544 694544 ROCKER ARM STUD \$2.50
871. 555645 VALVE GUIDE BUSHING \$11.50
883. 691893 EXHAUST GASKET \$2.00
914. 699481 ROCKER COVER BOTTOM SCREW \$1.20
- 914A. 555542 ROCKER COVER TOP SCREW \$1.25
920. 557067 STARTER SOLENOID \$17.00
945. 557119 STARTER MOTOR BRACKET \$8.60
975. 557008 FLOAT BOWL \$13.95
993. 694088 CYLINDER HEAD PLATE GASKET \$2.65
1022. 691890 ROCKER COVER GASKET \$2.80
1023. 555679 ROCKER COVER \$9.95
1026. 555531 PUSH ROD \$2.70
1029. 557015 ROCKER ARM \$3.15
1034. 691343 PUSH ROD GUIDE \$4.50
1051. 557026 RETAINING RING \$1.50
- 1051A. 557070 RETAINING RING \$1.60
1059. 557105 SCREW/WASHER KIT \$1.35
1070. 699201 FLYWHEEL FAN SCREW \$1.90
1090. 557073 BRUSH RETAINER \$19.65
1095. 557027 VALVE GASKET SET \$8.50
1130. 557108 INTAKE MANIFOLD STUD \$3.00
1142. 557120 STARTER MOTOR BRACKET SCREW \$1.50
1174. 557102 INTAKE MANIFOLD NUT \$1.50
1218. 557007 CARBURETOR O-RING SEAL \$1.90
1233. 557081 NEEDLE JET \$7.25
1234. 557088 THROTTLE CABLE CAP \$8.00
1239. 19433 FLYWHEEL WRENCH \$63.50
1240. 555647 THROTTLE CABLE BOOT \$3.30
1244. 555610 CARB BOWL DRAIN O-RING SEAL \$1.65
1250. 557086 EMULSION TUBE \$8.00
1311. 557099 INTAKE MANIFOLD WASHER \$1.40
1317. 557099 EXHAUST MANIFOLD WASHER \$1.50
1333. 557096 WATER REPELLANT COVER \$19.95
1377. 555646 CARB TO SPACER SCREW/NUT KIT \$1.60

**Briggs Animal Engine Parts**

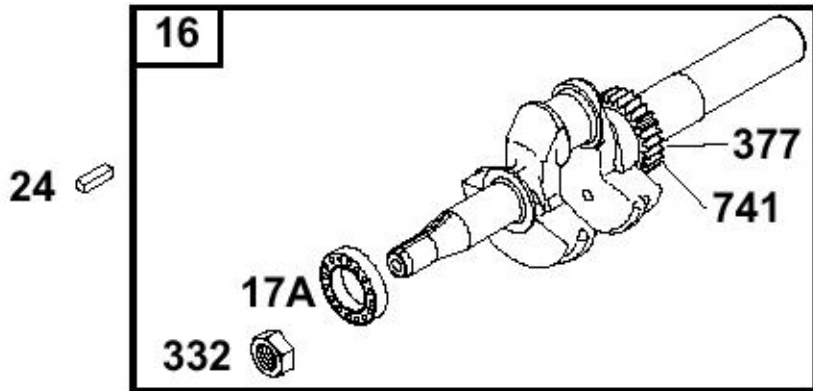


- 1. 555705 ANIMAL BLOCK \$108.00
- 3. 555071 MAG SIDE OIL SEAL \$2.70
- 15. 555583 OIL DRAIN PLUG \$1.00
- 306. 555680 CYLINDER SHIELD \$13.50
- 307. 699483 SCREW FOR CYLINDER SHIELD \$1.60
- 718. 555579 LOCATING PIN \$1.40

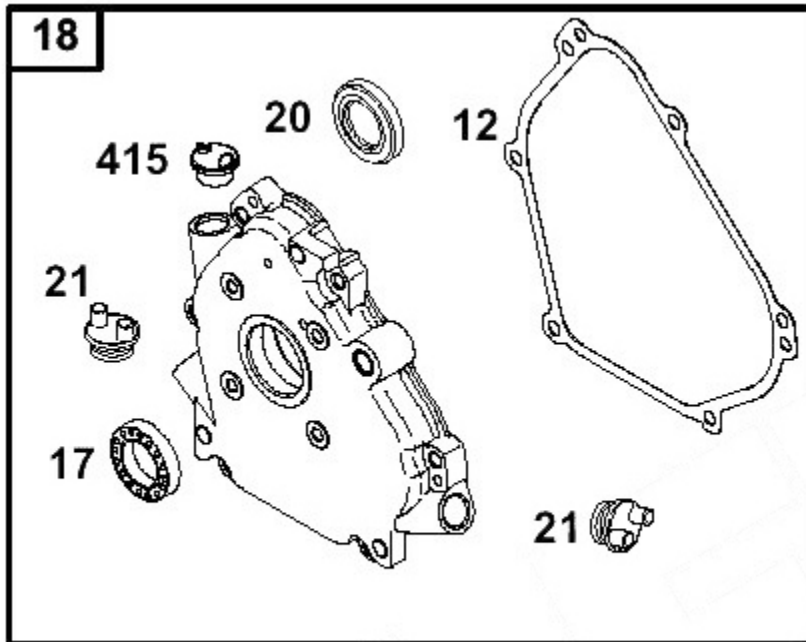


- 5. 555635 CYLINDER HEAD \$109.95
- 6. 555698 HEAD GASKET \$11.95
- 13. 699482 CYLINDER HEAD BOLT \$1.90
- 33. 555552 EXHAUST VALVE \$14.80
- 34. 555551 INTAKE VALVE \$10.00
- 35. 555553 INTAKE VALVE SPRING \$3.70
- 36. 555553 EXHAUST VALVE SPRING \$3.70
- 42. 555550 VALVE KEEPER \$6.25
- 45. 555307 VALVE TAPPET \$3.75
- 155. 555547 CYLINDER HEAD PLATE \$7.75
- 192. 555548 ROCKER ARM ADJUSTER \$3.95
- 619. 699230 CYLINDER HEAD PLATE BOLT \$1.75
- 635. 798619 SPARK PLUG BOOT \$3.25
- 830. 555549 ROCKER ARM STUD \$2.15
- 914. 699481 BOTTOM ROCKER ARM COVER BOLT \$1.75
- 914A 555542 TOP ROCKER ARM COVER BOLT \$1.60
- 914B 555614 MIDDLE ROCKER ARM COVER BOLT \$1.25
- 993. 694088 CYLINDER HEAD PLATE GASKET \$2.95
- 1022 555523 ROCKER COVER GASKET \$3.60
- 1023 555528 ROCKER COVER \$11.00
- 1026 693517 PUSH ROD \$3.25
- 1026 555531 HEAT TREATED PUSH ROD, WKA/IKF LEGAL \$20.00 PAIR
- 1029 555546 ROCKER ARM \$2.80
- 1034 555555 PUSH ROD GUIDE \$4.50
- VALVE LAPPING COMPOUND KIT \$21.95

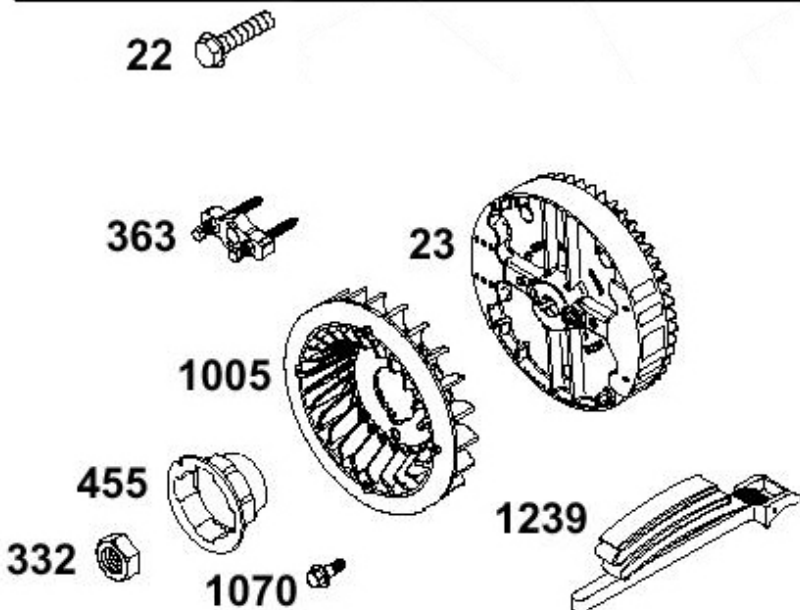
**Briggs Animal Engine Parts Cont.**



- 16. 555137 CRANKSHAFT \$65.00
- 17A. 555573 MAG SIDE MAIN BEARING \$18.50
- 24. 555054 FLYWHEEL KEY, STOCK \$1.60
- 24. AFTERMARKET OFFSET FLYWHEEL KEY \$2.80
- 332. 699359 FLYWHEEL NUT \$2.00
- 377. 555049 WOODRUFF KEY \$1.60
- 741. 555574 TIMING GEAR \$7.50



- 12. 699485 CRANKCASE GASKET \$4.25
- 17. 555527 PTO SIDE MAIN BEARING \$18.50
- 18. 555630 CRANKCASE SIDECOVER \$58.00
- 20. 555529 PTO SIDE SEAL \$2.80
- 21. 555037 OIL FILL CAP \$2.50
- 22. 699478 SIDECOVER BOLT \$1.95
- 415. 555563 TOP OIL FILL PLUG \$2.00

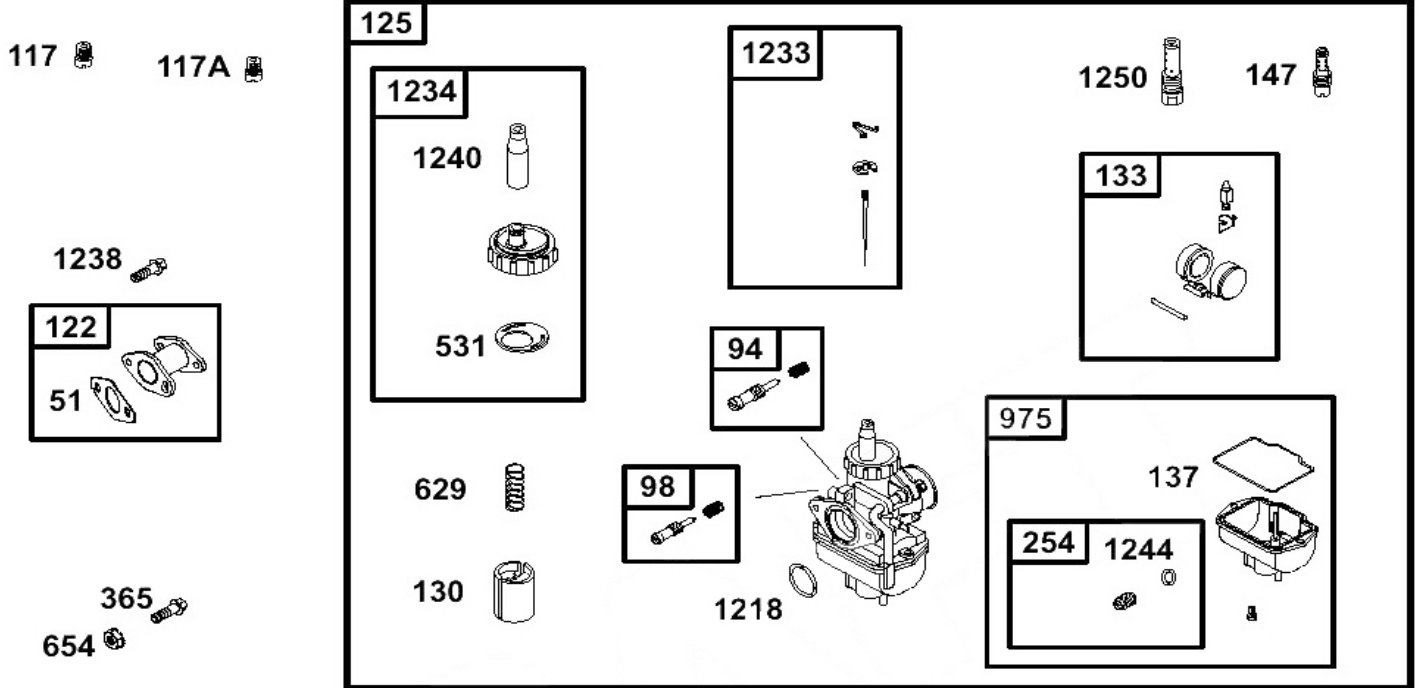


- 555685 PVL IGNITION KIT \$136.00
- 23. 555625 FLYWHEEL, BILLET FOR OLD STYLE COIL \$50.00
- 332. 699359 FLYWHEEL NUT \$2.00
- 363. 19069 FLYWHEEL PULLER \$14.75
- 455. 555526 STARTER CUP \$3.75
- 608. 695287 STARTER RECOIL \$32.00
- 1005. 555526 PLASTIC FLYWHEEL FAN \$8.50
- 1070. 699201 FLYWHEEL FAN SCREW \$1.90
- 1239. 19433 FLYWHEEL WRENCH \$63.50

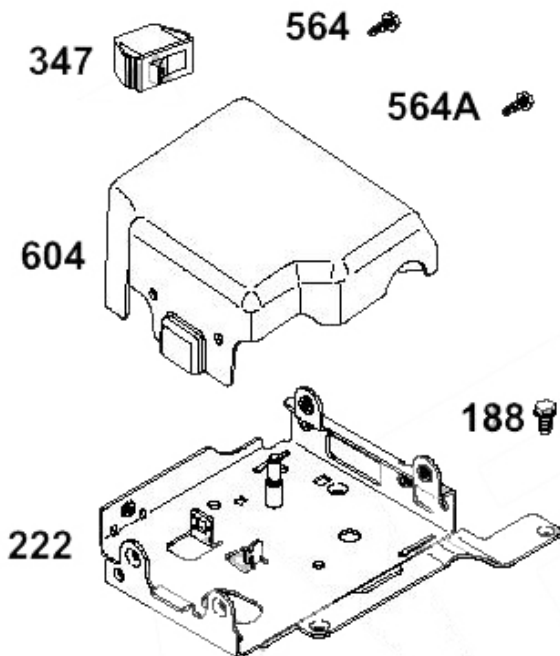
- 555685 New PVL DIGITAL IGNITION FOR ANIMAL WITH FLYWHEEL AND COIL, REPLACES OEM, WKA LEGAL \$136.00
- 555683 PVL FLYWHEEL ONLY \$85.00
- 555681 PVL BLUE COIL ONLY \$89.00



**Briggs Animal Engine Parts Cont.**



- 51. 555609 INTAKE GASKET \$2.75
- 94. 555585 IDLE MIXTURE SCREW \$3.20
- 98. 555586 IDLE SPEED SCREW \$4.65
- 117. 555536 GASOLINE MAIN JET KIT \$42.00
- 117A 555537 ALCOHOL MAIN JET KIT \$53.00
- 122. 555545 CARBURETOR INTAKE \$14.95
- 125. 555658 CARBURETOR \$89.00
- 130. 555590 STOCK THROTTLE VALVE \$8.80
- 130. 555733 RED THROTTLE VALVE, JUNIOR LO206 \$10.95
- 133. 555591 CARBURETOR FLOAT \$12.00
- 137. 555592 FLOAT BOWL GASKET \$3.05
- 147. 555594 PILOT JET \$10.95
- 254. 555607 CARBURETOR DRAIN SCREW \$6.50
- 365. 555544 CARB TO SPACER BOLT \$2.00
- 531. 555595 THROTTLE CABLE CAP GASKET \$1.80
- 629. 555596 THROTTLE RETURN SPRING \$1.95
- 654. 555541 CARBURETOR TO SPACER NUT \$1.30
- 975. 555653 FLOAT BOWL \$18.50
- 1218. 555601 CARBURETOR O-RING \$1.80
- 1233. 555602 NEEDLE ASSEMBLY \$13.00
- 1234. 555603 THROTTLE CABLE CAP ASSEMBLY \$9.25
- 1238. 555628 CARBURETOR INTAKE BOLT \$1.75
- 1250. EMULSION TUBE \$8.90
- 555717 CHOKE COVER \$4.00



- 188. 699479 CONTROL BRACKET BOLT \$1.25
- 222. 699493 CONTROL BRACKET \$18.00
- 347. 555564 KILLSWITCH \$6.80
- 564. 699491 CONTROL COVER BOLT \$1.25
- 564A. 699492 CONTROL COVER BOLT \$1.25

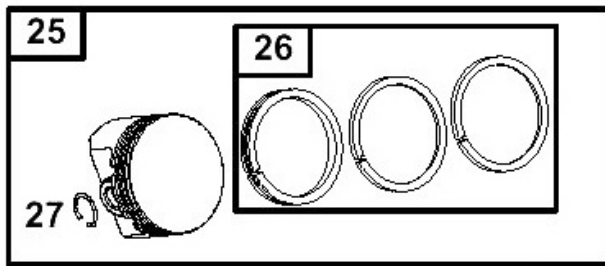
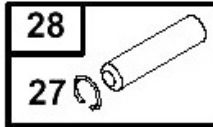
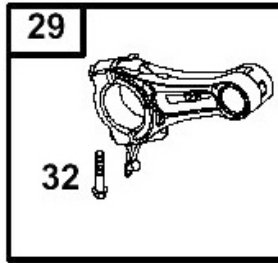


555699 TOP  
BLACK STEEL PLATE  
\$15.95

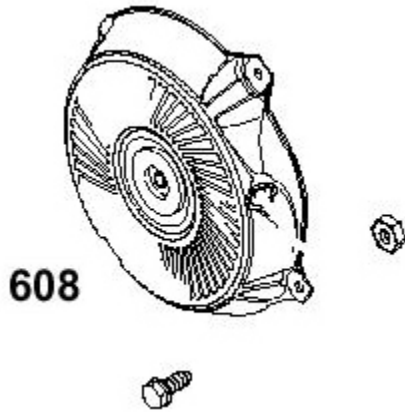


557028 New Push  
BUTTON KILL SWITCH  
\$8.50

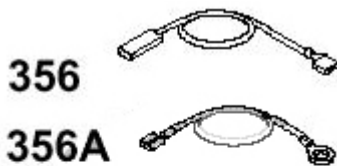
**Briggs Animal Engine Parts Cont.**



- 25. 555510 PISTON ASSEMBLY STANDARD \$59.00
- 555511 PISTON ASSEMBLY .010 \$59.00
- 555512 PISTON ASSEMBLY .020 \$59.00
- 555513 PISTON ASSEMBLY .030 \$59.00
- 26. 555664 PISTON RING SET STANDARD \$16.00
- 555665 PISTON RING SET .010 \$21.00
- 555666 PISTON RING SET .020 \$21.00
- 555667 PISTON RING SET .030 \$21.00
- 27. 555521 CIRCLIP \$1.65
- 28. 499423 WRIST PIN \$3.45
- 29. 557117 CONNECTING ROD, HIGH PERFORMANCE \$66.00
- 32. 555070 ROD BOLT \$1.95

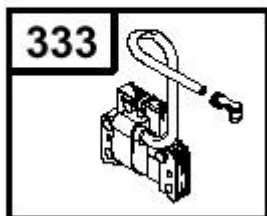


608. 695287 STARTER RECOIL \$32.00



356

356A



334 

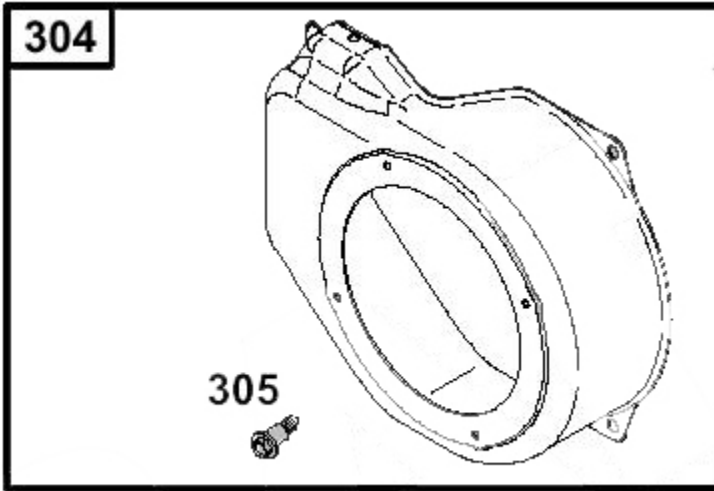
555685 PVL DIGITAL IGNITION WITH FLYWHEEL AND COIL FOR ANIMAL, WKA LEGAL \$136.00

PVL DIGITAL IGNITION FLYWHEEL ONLY \$92.00



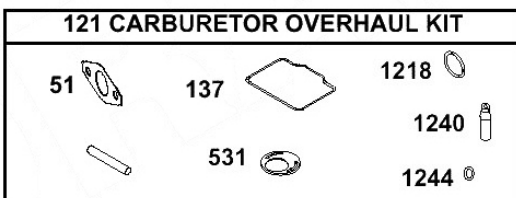
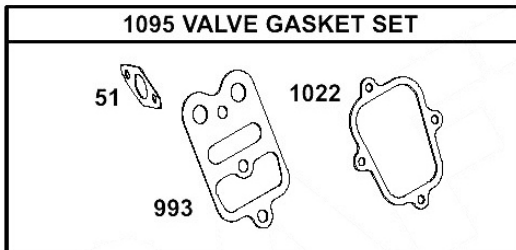
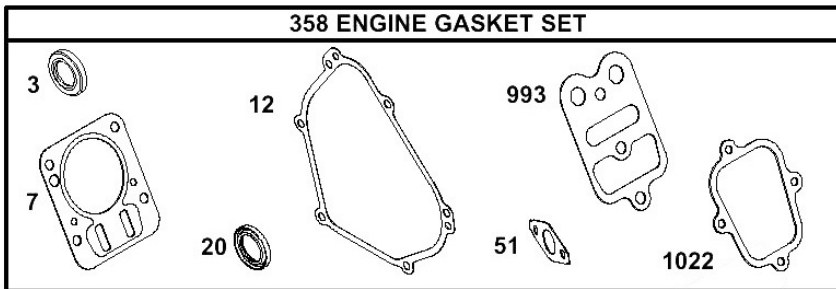
- 555681 BLUE PVL COIL \$89.80
- 333. 796964 MAGNETO COIL \$32.00
- 334. 699477 MAGNETO BOLT \$1.95
- 356. 555569 KILLSWITCH WIRE \$7.50
- 356A 695630 KILLSWITCH GROUND WIRE \$1.95
- 357. 555685 PVL IGNITION KIT WITH FLYWHEEL AND COIL \$136.00

**Briggs Animal Engine Parts Cont.**



305A

- 304. 555704 BLOWER HOUSING \$42.50
- 305. 555629 BLOWER HOUSING BOLT \$1.75
- 305A 557042 BLOWER HOUSING BOLT \$1.75
- 555702 SMALL SHIELD FOR BLOWER HOUSING \$10.50



- 3. 555071 MAG SIDE OIL SEAL \$2.70
- 7. 798461 CYLINDER HEAD GASKET \$11.95
- 12. 699485 SIDECOVER GASKET \$3.65
- 20. 692550 PTO SIDE OIL SEAL \$2.80
- 51. 691885 INTAKE GASKET \$2.75
- 121. 555605 CARB REBUILD KIT \$11.50
- 137. 555592 FLOAT BOWL GASKET \$3.05
- 358. 555631 ENGINE GASKET KIT \$15.95
- 531. 555595 THROTTLE CABLE CAP GASKET \$1.80
- 993. 694088 CYLINDER HEAD PLATE GASKET \$2.65
- 1022 691890 ROCKER COVER GASKET \$3.60
- 1095 555581 VALVE GASKET SET \$10.95
- 1218 555601 CARBURETOR O-RING \$1.80

**Briggs LO206 Specific Parts**

- 555718 LO206 GREEN IGNITION COIL \$88.00
- 555729 LO206 AIR INTAKE FILTER \$21.00
- 555733 LO206 RED THROTTLE VALVE \$10.95
- 555737 LO206 RC12YC CHAMPION SPARK PLUG \$2.99, FOUR \$11.00, TEN \$26.00

**FOR THE LATEST NEWS AND PRODUCTS FROM COMET KART SALES VISIT KARTING'S LARGEST ONLINE CATALOG [WWW.COMETKARTSALES.COM](http://WWW.COMETKARTSALES.COM)! OVER 20,000 KARTS, PARTS, AND ACCESSORIES AT YOUR FINGERTIPS 24 HOURS A DAY, 7 DAYS A WEEK, 365 DAYS A YEAR!**

**NOT SURE WHAT YOU NEED FOR YOUR PROJECT? CALL OUR VERY EXPERIENCED SALES STAFF!**



**Red/Yellow Clone Engine and Parts**



1. **RED CLONE STOCK ENGINE ONLY**, 6.5HP OHV, 3/4" PTO SHAFT, DOES NOT INCLUDE FLYWHEEL OR CAM, ENGINE IS *PARTIALLY ASSEMBLED* \$140.00, INCLUDE CL CAM \$155.00, INCLUDE BILLET FLYWHEEL \$250.00, INCLUDE CAM AND FLYWHEEL \$250.00

2. **RED CLONE STOCK ENGINE KIT** - DOES NOT INCLUDE FLYWHEEL OR CAM, *PARTIALLY ASSEMBLED* \$245.00, INCLUDE CL CAM \$260.00, INCLUDE BILLET FLYWHEEL \$355.00, INCLUDE CAM AND FLYWHEEL \$370.00

KIT INCLUDES -

ENGINE, FUEL PUMP, EXHAUST PIPE, MUFFLER, MUFFLER CLAMP, FUEL LINE, FILTER CUP, AIR FILTER, ARC CARB LINKAGE KIT, ARC CHAIN GUARD

3. **COMET RACING ENGINES BLUEPRINTED RED CLONE ENGINE KIT**

THE COMET BLUEPRINTED CLONE ENGINE PRODUCES AROUND 1.5 HP MORE THAN A STOCK CLONE ENGINE AND WILL PASS STOCK CLONE ENGINE TECH, INCLUDES RACING CAM AND BILLET FLYWHEEL, ENGINE IS ASSEMBLED

KIT INCLUDES -

ENGINE, FUEL PUMP, EXHAUST PIPE, MUFFLER, MUFFLER CLAMP, FUEL LINE, FILTER CUP, AIR FILTER, ARC CARB LINKAGE KIT, ARC CHAIN GUARD

KIT WITH THE SMALL WEINER PIPE \$720.00

KIT WITH THE ROBERTSON HEADER, SPECIFY OVAL OR ROAD COURSE \$770.00

4. **COMET RACING ENGINES BLUEPRINTED RED CLONE ENGINE ONLY, ASSEMBLED, No ACCESSORIES** \$565.00



1. GASKET KIT \$17.50



2. OIL DIP STICK \$4.00



3. DJ-168F-14100 CARBURETOR \$26.00



4. DJ-1231 CARB THROTTLE ROD AND SPRING \$4.95



5. DJ-168F-46 CARB EMULSION TUBE \$6.00



6. BS-1235 CARB INSULATOR \$8.00



7. DJ-168F-43 CARB MAIN JET, SPECIFY 36, 37, 38, 39 \$3.75  
SIZE 40 \$4.00



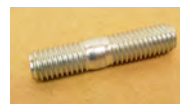
8. DJ-168F-12200-A CONNECTING ROD ASSEMBLY \$6.90



9. DJ-168F-11002-A DOWEL PIN M8x12 \$2.25



11. DRAIN PLUG \$3.50



12. DJ-168F-14002-A EXHAUST STUD M8x35 \$1.95



13. DJ-168F-13002-A EXHAUST VALVE \$10.95



14. DJ-168F-14006-A GASKET AIR FILTER ADAPTOR \$3.50



15. DJ-168F-14005-A GASKET CARB \$9.00



16. DJ-168F-14003-A CARB TO BLOCK GASKET \$1.00



17. DJ-168F-11003-A GASKET CRANK CASE COVER \$2.95



18. DJ-1312 GASKET CYLINDER HEAD, HIGH PERFORMANCE \$6.95



19. DJ-168F-XX GASKET EXHAUST \$.85



20. DJ-168F-41 FLOAT BOWL O-RING \$2.25



21. DJ-168F-11011-A GASKET VALVE COVER \$2.50



22. DJ-168F-E13 IGNITION COIL \$18.00



23. DJ-168F-13001-A INTAKE VALVE \$10.75



24. DJ-168F-13006-A LASHCAP FOR EXHAUST VALVE \$3.50



25. DJ-1051 LASHCAP FOR STAINLESS STEEL VALVES \$8.00

**Yellow Clone Engine Parts Cont.**



26. DJ-168F-12001-A PISTON \$10.00



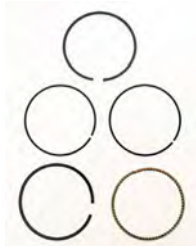
27. DJ-168F-12001-B OVERSIZE PISTON .010 \$12.00



28. DJ-168F-12001-C OVERSIZE PISTON .020 \$12.00



29. DJ-168F-12003-A PISTON CIRCLIP \$2.50



30. DJ-168F-12300-A PISTON RING SET COMPLETE \$6.50  
 31. DJ-168F-12300-B PISTON RING SET, OVERSIZE .010 \$8.00  
 32. DJ-168F-12300-C PISTON RING SET, OVERSIZE .020 \$8.00  
 33. PREMIUM SUPERSEAL LOW TENSION RING SET, .010 OVER, STOCK LEGAL \$9.00



34. DJ-168F-12002-A PISTON WRIST PIN \$3.50



35. DJ-168F-13008-A PUSH ROD \$4.50



36. DJ-168F-13300-A PUSH ROD GUIDE \$4.50



37. 1175 PLASTIC FLYWHEEL FAN \$9.00



38. 1170 FLYWHEEL \$16.00



39. 1265 SIDE COVER \$23.00



40. DJ-168F-16001-A RECOIL STARTER CUP \$4.50



41. RECOIL STARTER ONLY \$16.00



42. BLOWER HOUSING \$16.00



43. DJ-168F-13004-A RETAINER EXHAUST VALVE \$6.50



44. DJ-168F-13005-A RETAINER INTAKE VALVE \$6.50



45. DJ-168F-13200-A ROCKER ARM ASSEMBLY \$7.50



46. ROCKER ARM ONLY \$4.00



47. DJ-168F-13003-A VALVE SPRING \$3.25



48. DJ-T5787-1676 M6 WASHER FOR FLOAT BOWL DRAIN \$.95



49. DJ-168F-T276-199 BEARING CRANK 6205 \$14.95



50. DJ-T5787-1376 BOLT COIL M6x25 \$.95



51. BS-1080 CLONE ROCKER STUD \$3.00



52. DJ-T5787-1986 BOLT FOR SIDE COVER, HIGH STRENGTH 10.9, M8x30 \$1.00 EACH TWELVE \$11.40



53. DJ-168F-13100-A CAMSHAFT ASSEMBLY \$12.00



54. DJ-168F-11013-A BREATHER TUBE \$2.10



55. DJ-168F-40 CARBURETOR FLOAT \$2.10



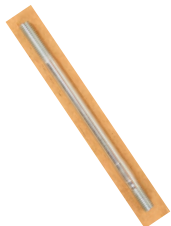
56. BS-1238A CARB FLOAT PIN \$1.00



57. DJ-168F-39 CARBURETOR INLET NEEDLE \$1.75



58. DJ-168F-11014-A OIL SEAL 25x41.25x6MM \$2.95



59. DJ-168F-14001-A CARBURETOR STUD M6x90 \$1.25



60. DJ-T6177-2000 NUT FLYWHEEL M16x1.5MM \$1.95



61. DJ-168F-11300-A VALVE COVER \$5.50



62. BS-1261 SPARK PLUG CAP \$3.80



63. DJ-T5787-1476 BOLT FOR BOTTOM OF FLOAT BOWL M8x16 \$.95



64. DJ-T5787-1576 BOLT FOR SIDE OF FLOAT DRAIN M6x8 \$.95



65. DJ-T166784-1996 BOLT FOR HEAD M8x60 \$1.60



**Yellow Clone Engine Parts Cont.**



66. DJ-1090  
ROCKER ARM  
LOCK NUT \$.75



67. DJ-1106  
INTAKE, EXHAUST  
VALVE SEAL \$2.00



68. DJ-1085  
ROCKER ARM  
ADJUSTER \$1.65

69. DJ-168F-13009-A LIFTER VALVE  
TAPPET \$5.50

70. DJ-168-16100-A RECOIL STARTER  
& BLOWER HOUSING \$41.00

71. BS1172 STOCK FLYWHEEL KEY \$1.80

**Clone Aftermarket Parts**



1. THROTTLE CABLE KIT  
\$9.95



2. CLONE FILTER  
CUP \$15.00



3. TILLOTSON  
CARB TO CLONE  
BLOCK INTAKE  
MANIFOLD \$47.00



4. ARC DJ-1146  
YELLOW CLONE THROTTLE  
LINKAGE KIT \$29.95



5. ARC DJ-1147  
BLUE CLONE THROTTLE  
LINKAGE KIT \$29.95



6. ARC DJ-1144  
BLACK PREDATOR CLONE  
ENGINE THROTTLE  
LINKAGE KIT \$29.95



7. ARC CLONE CHAIN  
GUARD, ALUMINUM  
\$23.95



8. HONDA PISTON,  
STANDARD SIZE, LESS  
RINGS \$22.95



9. 6247 ARC CLONE  
BILLET ALUMINUM ROD,  
STOCK LENGTH \$60.00



10. 6254 ARC BILLET  
ROD FOR BLACK PREDATOR  
CLONE ENGINE, STOCK  
LENGTH \$83.95



11. ARC CLONE ROD  
BEARING \$19.95



12. ARC CLONE ROD  
BOLT SET \$12.95



13. DJ-1047 SPRING  
RETAINER KIT FOR  
STAINLESS STEEL VALVE  
\$12.50



14. DJ-1056 WHITE VALVE  
SPRING, 26LB. \$4.50

15. CLONE VALVE SPRING  
18LB. \$3.50

16. CLONE VALVE SPRING  
10.8LB. \$3.00

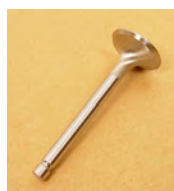
17. CLONE VALVE SPRING,  
HEAT TREATED 10.8LB. \$4.30



18. STAINLESS  
STEEL VALVE  
SPRING SHIM \$1.25  
SPECIFY THICKNESS  
.005", .010", .015"



19. DJ-1121 INTAKE  
VALVE, STAINLESS STEEL  
\$19.50



20. DJ-1126 EXHAUST  
VALVE, STAINLESS STEEL  
\$19.50



21. DJ1227 STOCK  
CLONE THROTTLE  
SHAFT AND BUTTERFLY  
ASSEMBLY \$3.25



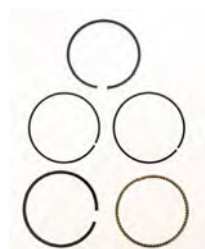
22. 16166-ZE1-  
005 AFTERMARKET  
CLONE CARB EMULSION  
TUBE \$16.50



23. BS-1471 CLONE  
BREATHER ASSEMBLY  
\$6.95



24. ALUMINUM CHOKE  
BRACKET \$3.00



25. HONDA CLONE FLAT  
TOP PISTON RING SET,  
.010" OVER, FOR USE  
ON STANDARD SIZE FLAT  
TOP PISTON \$18.00



26. FUEL LINE REDUCER  
3/16" TO 1/4" \$3.00



27. BS-2522 CLONE  
CARBURETOR REPAIR  
KIT \$8.50



28. 5880 CLONE FLAT  
FLYWHEEL COVER,  
ALUMINUM \$6.95



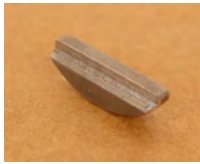
29. HONDA PISTON,  
CLONE FLAT TOP PIS-  
TON, STANDARD SIZE,  
LESS RINGS \$22.95



30. 6436 CLONE  
EXTERNAL STARTER  
NUT \$17.50



**Clone Aftermarket Parts Cont.**



31. CLONE OFFSET FLYWHEEL KEY \$11.95 SPECIFY 4°, 5°, 7°, 8°



32. THROTTLE CLEVIS WITH INTEGRATED SPRING \$2.25



33. 1342 BOWL SHUTOFF O-RING, SMALL \$1.20



34. AFR-175 CLONE ANGLED AIR FILTER, 3 1/2" DIA X 4" L, 2 7/16" HOLE \$12.50



35. 8MM BUTTON HEAD ALLEN BOLT TO ATTACH CHAIN GUARD TO ENGINE \$.80 (REQUIRES 2)



36. 5/16" BUTTON HEAD ALLEN BOLT TO ATTACH CHAIN GUARD TO ENGINE \$.80 (REQUIRES 2)



37. VALVE LAPPING COMPOUND, FINE AND COURSE IN ONE CAN \$21.95



38. BS-2504 CHROMOLY PUSH ROD \$34.00 PAIR



39. CLONE ARC PURPLE RESTRICTOR PLATE .500" HOLE \$9.80



40. CLONE ARC BLUE RESTRICTOR PLATE .550" HOLE \$9.80



41. DJ-1375 CLONE ARC RESTRICTOR PLATE, RED .375" HOLE SIZE \$9.80



42. DJ-1425 CLONE ARC RESTRICTOR PLATE, GREEN .425" HOLE SIZE \$9.80



43. CLONE OFFSET FLYWHEEL KEY \$11.95 SPECIFY 4°, 5°, 7°, 8°



44. 6619 ARC BILLET FLYWHEEL FOR CLONE \$110.00



45. CLONE STEEL BILLET FLYWHEEL \$65.00



46. AIRSPEED CLONE FILTER CUP WITH CHOKE HOLDER AND HARDWARE \$18.50



47. NEW STYLE CLONE FILTER CUP WITH STEPPED VENTURI \$24.95

**Clone Exhaust Headers**



1. H-CC-MK ROBERTSON THREE STAGE HEADER, OHV MOUNT KIT, USES 1 5/16" MUFFLER \$48.95



2. H-S-K ROBERTSON SINGLE STAGE HEADER, OHV MOUNT KIT, USES 1" MUFFLER \$36.00



3. H-SUS-2-MK ROBERTSON SUPERSNAKE HEADER, OHV MOUNT KIT, USES 1 5/16" MUFFLER \$49.95



4. DJ1138B SMALL HEADER FOR CLONE WITH THREADED END FOR SCREW IN TYPE MUFFLER \$24.00



5. 4117 RLV MINI SILENCER, SCREW ON THREAD END \$17.25



6. DJ1183C SMALL HEADER PIPE BRACE \$8.00



7. DJ1136 HEADER CLAMP \$9.95

**Clone Clutch**



1. MAX TORQUE CLONE ENGINE CLUTCH 3/4" BORE  
 A. 10T-11T #35 \$59.95  
 B. 12T-13T #35 \$53.95  
 C. 14T-18T #35 \$59.95  
 D. 19T-22T #35 \$65.00  
 2. 3/4"x1/8" CLUTCH SPACER \$1.10



8. 8MM CLONE DRILLED HEADER BOLT KIT \$2.25  
 INCLUDES: 2 - M8x25 DRILLED BOLT  
 2 - M8 LOCK WASHERS  
 SAFETY WIRE

**Clone Camshaft**

1. DYNO CL-1, USES STOCK VALVE SPRINGS WITH "WEINER" STYLE PIPE, WKA AND AKRA LEGAL \$36.00
2. DYNO CL-2 CAM FOR STOCK CLASS \$36.00
3. DYNO CM .236" LIFT, INTAKE AND EXHAUST \$48.00
4. DYNO 308 .308 LIFT, INTAKE AND EXHAUST \$100.00
5. BSP CAM, LEGAL FOR WKA, AKRA, MAXIMUM LEGAL LIFT AND DURATION \$39.95
6. DJ-168F-13100-A NEW TAKEOUT CAM \$12.00

**Aftermarket Briggs Gaskets**

- 
1. 52542 EXHAUST GASKET GRAY SUPER SEAL \$1.40, TEN \$13.50
  2. EXHAUST GASKET COPPER, RAPTOR OR ANIMAL \$4.50, TEN \$44.00
- 
3. 495603 BRIGGS GENUINE GASKET KIT \$16.95, Two \$33.00

**FEL-PRO GASKETS - ALL CLOSE OUTS**

1. COMPLETE GASKET SET FLAT HEAD #FPS90003 - \$38.95
2. STOCK FLAT HEAD GASKET SET #FPS90001 - \$28.95
3. VALVE COVER GASKET #FPS20003 - \$5.25
4. INTAKE GASKET #FPS30001- \$5.15
5. INTAKE GASKET #FPS30004 - \$4.25, #FPS30009 - \$5.70
6. TANK TO CARB GASKET #FPS30002 - \$4.70
7. DIAPHRAM #FPS30008 - \$5.80
8. STOCK HEAD GASKET .050 #FPS10004 - \$9.80
9. HEAD GASKET FOR BIG VALVES .050 #FPS10003 - \$11.95
10. COPPER HEAD GASKET .045 #FPS10006 - \$13.00



**Briggs Flywheel Screens**

- 
1. ALUMINUM FLYWHEEL SCREEN WITH SPIRAL HOLES \$9.95, Two \$19.50
  2. ALUMINUM FLYWHEEL SCREEN WITH SHOOTING STAR PATTERN GOLD \$9.95, CLOSE OUT
  3. PLASTIC BLACK SCREEN \$4.95
  4. CLOSE OUT HOT PINK PLASTIC COVER WITH HOLES \$4.95
  5. FLAT ALUMINUM COVER, NO HOLES \$7.95
  6. SOLID ALUMINUM COVER RED, BLUE \$9.95
- 

**Briggs Raptor Recoils**



1. 390463 STARTER RECOIL RAPTOR HEX END \$53.00



2. 497830 STARTER RECOIL CUP STYLE \$33.00



3. 224250 STARTER CUP ONLY \$6.90



4. 393152 REPLACEMENT RECOIL PULL HANDLE \$3.50



5. 695002 REPLACEMENT RECOIL ROPE \$4.50

**Raptor Carb Parts**



1. STOCK CARB LINKAGE KIT \$11.95 Two \$23.00, Ten \$110.00



2. BRIGGS RETURN SPRING \$.80, Ten \$7.00



3. FILTER ADAPTOR CUP WITH SET SCREWS \$14.00



4. ALUMINUM CARB SAVER, GOES UNDER TANK \$16.95



5. FK280 ALUMINUM CARB SAVER \$9.75



6. SHORT ALUMINUM CARB NEEDLE ADJUSTER \$4.95



7. LONG ALUMINUM CARB NEEDLE ADJUSTER \$4.95



8. G-MAN RAPTOR CARB COVER \$3.75

**Animal Engine Parts**



1. BILLET LIFTER FOR ANIMAL \$19.95 PAIR



2. T-BAR GIRDLE KIT FOR MODIFIED ANIMAL \$29.00

3. ANIMAL DUAL VALVE SPRING KIT WITH RETAINERS AND LOCKS \$28.50 KIT

4. DYNO CAMS DCS-AN VALVE SPRING \$2.25 EACH

5. DYNO CAMS DCS-AN2 HEAVY DUTY VALVE SPRING \$3.50 EACH

**Engine Fuel Pumps**



1. BRIGGS MIKUNI FUEL PUMP \$27.00  
REBUILD KIT LP449 \$6.95



2. BRIGGS MIKUNI ROUND FUEL PUMP \$37.95  
REBUILD KIT \$6.95



3. FPC-1 WALBRO FUEL PUMP, GAS OR ALCOHOL \$22.50  
K1-FPC REBUILD KIT \$12.00



4. 808656 OEM BRIGGS FUEL PUMP \$17.95



5. WALBRO WIP-22 FUEL PUMP REBUILD KIT \$8.95  
PUMP NO LONGER AVAILABLE

**Raptor Ignition Parts**

**Briggs Rod Dipper**



1. 798619 STOCK PLUG BOOT \$3.25



2. G-MAN PLUG BOOT (FOR ALL BRIGGS) BLACK, RED, PURPLE \$1.50



3. BRIGGS AFTERMARKET HOT COIL FOR HOTTER SPARK, FITS 3HP AND 5HP \$36.00



4. ALUMINUM COIL BRACKET FOR 3 HP FLYWHEEL \$16.50



1. STOCK METAL DIPPER \$1.00  
2. SHOT PENNED STOCK DIPPER \$4.50



**Other Briggs Parts**

- 1. PLASTIC GOVERNOR GEARS \$2.00
- 2. GOVERNOR CONTROL ARM \$.50
- 3. MUFFLER GUARD \$4.95
- 4. PTO 3/16" SQUARE KEY \$1.00



5. BRIGGS RAPTOR ALUMINUM HEADER BRACKET \$13.95



6. VALVE BREATHER VENT KIT \$16.50



7. G-MAN OIL DRAIN TRAY, LESS MESS \$4.50



8. MAGNETIC DRAIN PLUG RAPTOR OR ANIMAL \$3.75 FIVE \$18.00



9. BRIGGS HAPPY CAP, HELPS STOP BOGGING \$19.00



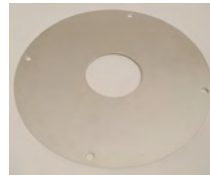
10. OIL DRAIN VALVE KIT, FITS IN DRAIN HOLE \$25.00

**Animal Aftermarket Parts**

1. ANIMAL LIGHTWEIGHT ALUMINUM STARTER NUT, METRIC **CLOSE OUT** \$19.95



2. ANIMAL FLAT FLYWHEEL COVER, SILVER ALUMINUM \$7.95



3. BPPF ANIMAL PULSE LINE FITTING, TAPPED FOR THE OIL PLUG HOLE \$8.50



4. EXHAUST HEADER BRACE FOR ANIMAL, ADJUSTABLE \$22.95



5. CK1471 ANIMAL BREATHER FITTING, LARGER OPENING \$10.00



6. CK1468 ANIMAL CHOKE HOLDING SPRING \$2.50



7. METRIC STARTER NUT, ALUMINUM FOR ANIMAL \$16.00



8. BRIGGS ANIMAL STEEL STARTER NUT, METRIC \$28.50



**Four Cycle Chain Guards**

*CHAIN GUARDS WORK ON RAPTOR, WORLD FORMULA, ANIMALS AND CLONE ENGINES*



1. KM221 LONG ALUMINUM CHAIN GUARD BLACK, BLUE, RED, SILVER \$12.95



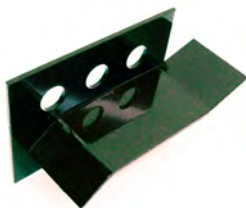
2. 52B STEEL CHAIN GUARD BLACK \$16.95



3. AZUSA SMALL CHAIN GUARD CHROMED \$4.95



4. CKS WIDE CHAIN GUARD ALUMINUM \$10.95



5. ALUMINUM CHAIN GUARD WITH ENGINE HEAT GUARD AND CHAIN GUARD - BLACK, SILVER \$24.00



6. STEEL ANIMAL CHAIN GUARD, HELPS BLOCK RETAIN SHAPE AND IMPROVES RIGIDITY \$75.00



7. ARC CLONE CHAIN GUARD, ALUMINUM, ALSO FITS BRIGGS AND HONDA ENGINES \$22.95



8. BLACK ALUMINUM CHAIN GUARD WITH SHORT SIDE \$25.00

### Oil Catch Tanks

1. G-MAN SMALL SQUARE PLASTIC CATCH CAN, BOLTS TO SEAT \$14.00



2. G-MAN LARGE PLASTIC CATCH CAN, BOLTS TO SEAT \$16.00



3. REPLACEMENT FOAM SOCK FOR G-MAN CATCH TANKS \$4.00

4. G-MAN SMALL PLASTIC ROUND CATCH TANK, BOLTS TO SEAT, COMES WITH FITTINGS AND HARDWARE \$14.00



5. ALUMINUM SMALL CATCH CAN \$21.50



6. G1237 CHROME CATCH TANK, CAN BE HOSE CLAMPED TO KART \$45.00



7. G1137 GEM OIL CATCH CAN, INCLUDES FRAME CLAMP \$25.00



### Other Cams

#### COMET CAM

1. CD-1 COMET JUNIOR DRAGSTER CAM .375 LIFT \$75.00 **CLOSE OUT!**

#### CRANE CAMS CLOSE OUTS!

1. 93001 REPLACEMENT STOCK SPRINGS \$7.50
2. 93002 TWO SINGLE SPRINGS ONLY, MODIFIED \$12.25
3. 93004 ONE INTAKE VALVE SPRING \$4.75
4. 93300 ADJUSTABLE CRANK GEAR, .792" ID \$26.00

### Animal Linkage Kit

1. ANIMAL AND WORLD FORMULA QUICK LINK THROTTLE KIT \$24.50



2. LEATHERNECK ANIMAL THROTTLE QUICK CONNECTOR KIT \$12.00



### ARC Billet Rod - Briggs

1. 6350 ARC BILLET ROD FOR FLATHEAD STOCK LENGTH 3.875 WKA LEGAL \$65.00

2. 6348 ARC BILLET ROD FOR FLATHEAD .005 SHORTER 3.870, WKA LEGAL \$65.00

3. 6350 ARC BILLET ROD FOR ANIMAL OHV STOCK LENGTH 3.287, WKA LEGAL \$65.00

4. 6249 ARC BILLET ROD FOR MODIFIED ANIMAL, 3.287 LONG \$65.00



5. BILLET ROD BOLTS FOR FLATHEAD \$6.50

6. BILLET ROD BOLTS FOR ANIMAL \$12.95



7. BILLET ROD INSERT FOR FLATHEAD \$11.95

8. BILLET ROD INSERT FOR ANIMAL \$19.95



### Dyno Cams - Briggs

#### FOR 5HP RAPTOR ENGINES

1. 94-SS CHEATER CAM, SUPERSTOCK \$85.00
2. 110-SS-TSB CHEATER CAM \$125.00
3. 96-3 FOR STOCK CLASS \$58.00
4. 107-SS CHEATER CAM FOR STOCK CLASS DOES NOT REQUIRE ANY BLOCK MODIFICATIONS \$95.95
5. 7X FOR STOCK CLASS \$58.00
6. 04-3 FOR STOCK CLASS \$58.00
7. 5-C RESTRICTED AND STOCK BLUEPRINTED CAM \$58.00



#### FOR 6.5HP OHV ANIMAL ENGINES

1. I-308WC CHEATER CAM WITH .308 LIFT \$100.00
2. AN-001 FOR STOCK ANIMAL CLASS, WKA LEGAL \$78.00
3. AN-002 FOR STOCK ANIMAL CLASS, WKA LEGAL \$78.00
4. AN-MOD1 MODIFIED CLASS ANIMAL CAM \$100.00
5. AN-MOD1-CR MODIFIED CLASS ANIMAL CAM WITH COMPRESSION RELEASE \$110.00

#### COMP CAMS

1. GPOHV-1 ANIMAL WKA OVAL CAM \$94.00
2. GPOHV-2 ANIMAL WKA SPRINT CAM \$94.00

**Comet Blueprinted KT100**



STOCK YAMAHA  
KT100SE ENGINE WITH  
WALBRO WB3A CARB  
\$750.00



**COMET BLUEPRINTED KT100SE ENGINE**

COMET RACING ENGINES HAVE WON THOUSANDS OF WKA AND IKF NATIONAL RACES AND HUNDREDS OF WKA AND IKF NATIONAL CHAMPIONSHIPS!

**WE BUILD HORSEPOWER!**

ALL COMET BLUEPRINTED ENGINES ARE BUILT TO THE MAX RULE SPECS, PORTED, POLISHED, NO ONE BUILDS THEM BETTER!

COMET PUTS IN HUNDREDS OF HOURS OF TRACK AND DYNO TIME EVERY YEAR LOOKING FOR ANY GAINS IN HORSEPOWER AND PERFORMANCE POSSIBLE.

CAN ENGINE, 4 HOLE, 3 HOLE, JR SPORTSMAN, PIPE ENGINE  
*WE BUILD EACH ENGINE TO YOUR CLASS SPECS*

**CALL US FOR MORE INFORMATION AND PRICING!**

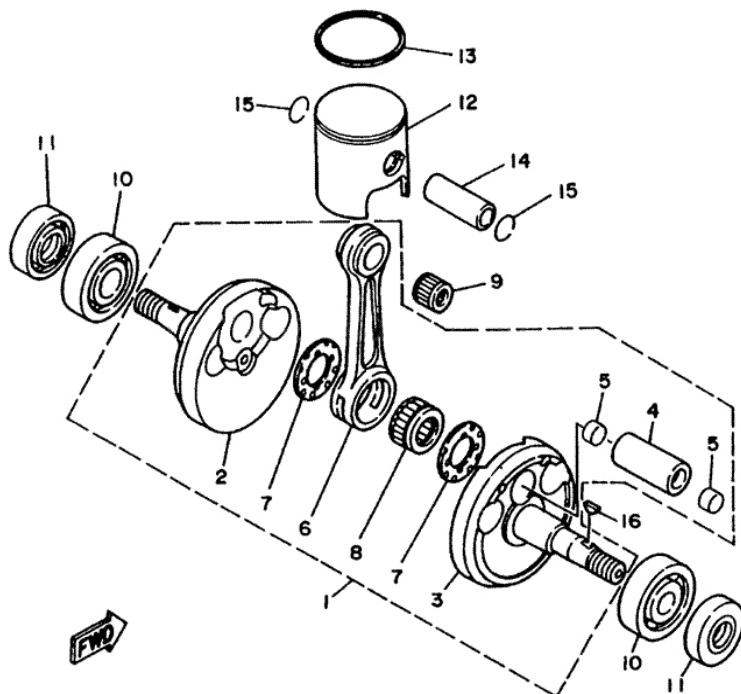
SPL AVENGER EXTREME CASTOR OIL, TWO CYCLE PREMIX, FOR GAS OR ALCOHOL, WKA APPROVED, DYNO RESULTS SHOW UP TO A 1/4 HP BETTER THAN OTHER LEADING CASTOR OILS!

SPECIALLY BLENDED CASTOR/SYNTHETIC OILS FOR INCREASED HORSEPOWER, NO CARBON BUILD UP AND COOLER RUNNING TEMPERATURES  
\$13.00 PT, 14 CASE \$175.00

*DEALER INQUIRIES INVITED, GIVE COMET A CALL!*



**Yamaha KT100 Parts**

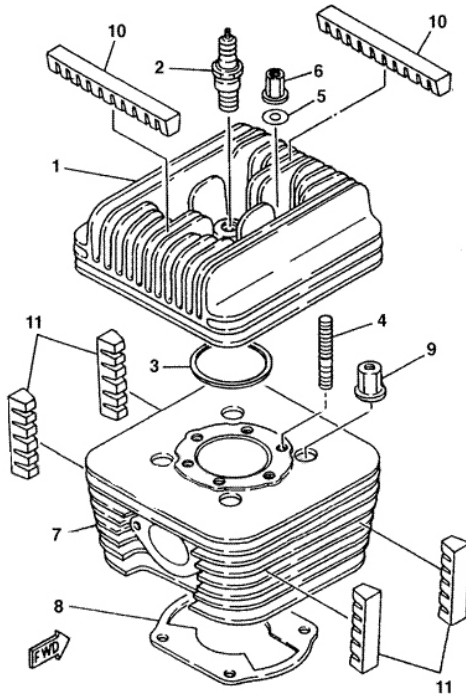


1. CRANK ASSEMBLY, NEW STYLE WITH HEAVY DUTY ROD AND BOTTOM LOCATED WASHERS \$279.00
2. PTO SIDE CRANK HALF \$109.00
3. MAG SIDE CRANK HALF \$109.00
4. CRANK PIN \$14.50
5. CRANK PIN PLUGS \$10.50 PAIR, TEN \$51.00
6. YAMAHA LIGHT ROD \$53.00  
YAMAHA HEAVY ROD \$54.00
7. BOTTOM WASHERS \$4.00
8. BOTTOM ROD CAGE BEARING \$34.00, TWO \$66.00
9. TOP ROD CAGE BEARING \$16.00, TWO \$31.00
10. 6304-C4 SKF NYLON MAIN BEARING, NON-SLEEVED CRANKS \$12.00, TWO \$23.50, FOUR \$46.00, TEN \$110.00  
6205-C4 FAG NYLON MAIN BEARING FOR SLEEVED CRANKS \$12.00, TWO \$23.50, FOUR \$46.00, TEN \$110.00  
6205-C4 FAG NYLON MAIN BEARING CRANK SAVER KIT WITH SLEEVES \$75.00  
1205T2-C4 NTN DOUBLE ROW BEARING \$44.00, TWO \$87.00  
6304-C4 KOYO OEM TAKEOUT MAIN BEARING \$2.50  
MAIN BEARING SHIM, SPECIFY .003 OR .005 THICK \$4.00
11. GENUINE YAMAHA BLACK MAIN BEARING SEAL \$8.25, TWO \$16.50, FOUR \$32.00  
YELLOW TEFLON MAIN BEARING SEAL (MIGHT BE BLACK) \$6.25, TWO \$12.00  
BLACK AND BRONZE MAIN BEARING SEAL \$7.00, TWO \$13.00
12. GENUINE YAMAHA PISTON, COMES IN HALF SIZES FROM 52.0 TO 52.75, NO RING \$45.00  
208 BURRIS YAMAHA PISTON, NO RING \$39.95 **CLOSE OUT**  
1056P SERIES YAMAHA PISTON, NO RING \$45.00 **CLOSE OUT**  
GENUINE YAMAHA PISTON, NEW TAKE OUTS, WHILE SUPPLIES LAST  
51.97, 51.98, 51.99, 52.0, 52.05, 52.10, 52.15, NO RING \$20.00  
BURRIS NEW DESIGN PISTON KIT, GOLD RING, WRIST PIN, CIRCLIPS \$65.00  
KSI COATED PISTON 52.50 TO 52.88, .02 INCREMENTS \$57.00  
KSI BIG BORE PISTON 52.78, 52.82, 52.84, 52.86, 52.88, 52.90 \$43.00
13. O&H GOLD TIN PLATED RING \$25.00  
BURRIS PISTON RING, GOLD, TIN PLATED \$18.00  
WISECO PISTON RING \$11.50 **CLOSE OUT**  
KSI PISTON RINGS \$11.50 **CLOSE OUT**
14. GENUINE YAMAHA WRIST PIN \$8.00, FIVE \$38.00  
COMET LIGHTWEIGHT WRIST PIN \$19.00, TWO \$37.00
15. EARLESS CIRCLIPS FOR WRIST PIN \$1.20, TEN \$11.50  
SPIRAL LOCK CIRCLIP \$1.00 EACH, TWO \$1.90
16. WOODRUFF KEY \$.80

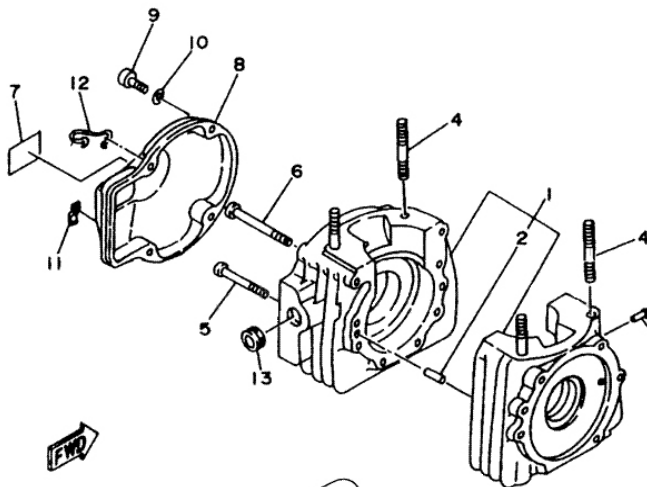


**Yamaha KT100 Parts Cont.**

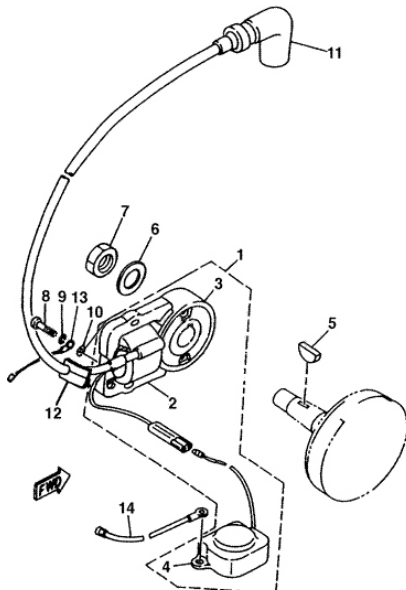
STOCK YAMAHA KT100SE ENGINE WITH WALBRO WB3A CARB \$750.00



1. NEW STYLE HEAD \$169.00
2. SPARK PLUGS ON PAGE 87
3. GENUINE YAMAHA COPPER HEAD GASKET .032 \$5.25, FOUR \$20.00  
PKS COPPER HEAD GASKET .005, .015 \$4.00, .020, .025, .032, .040 \$4.80
4. HEAD STUD \$2.75
5. HEAD WASHER \$.90  
CENTERING HEAD WASHER \$2.00
6. HEAD NUT WITH FLANGE \$4.85
7. NEW STYLE CYLINDER, BARE \$256.00, w/ EXHAUST STUDS AND VIB DAMPNERS \$300.00
8. CYLINDER BASE GASKET, PAPER STYLE, .005, .010, .015, .020, .032 \$.95 EACH, TEN \$9.00  
CYLINDER BASE GASKET, PAPER STYLE, SUPER THIN .0015 \$1.25
9. CYLINDER NUT WITH FLANGE \$4.85
10. RUBBER HEAD VIBRATION ABSORBER \$7.00 EACH
11. RUBBER CYLINDER VIBRATION ABSORBER \$6.00 EACH

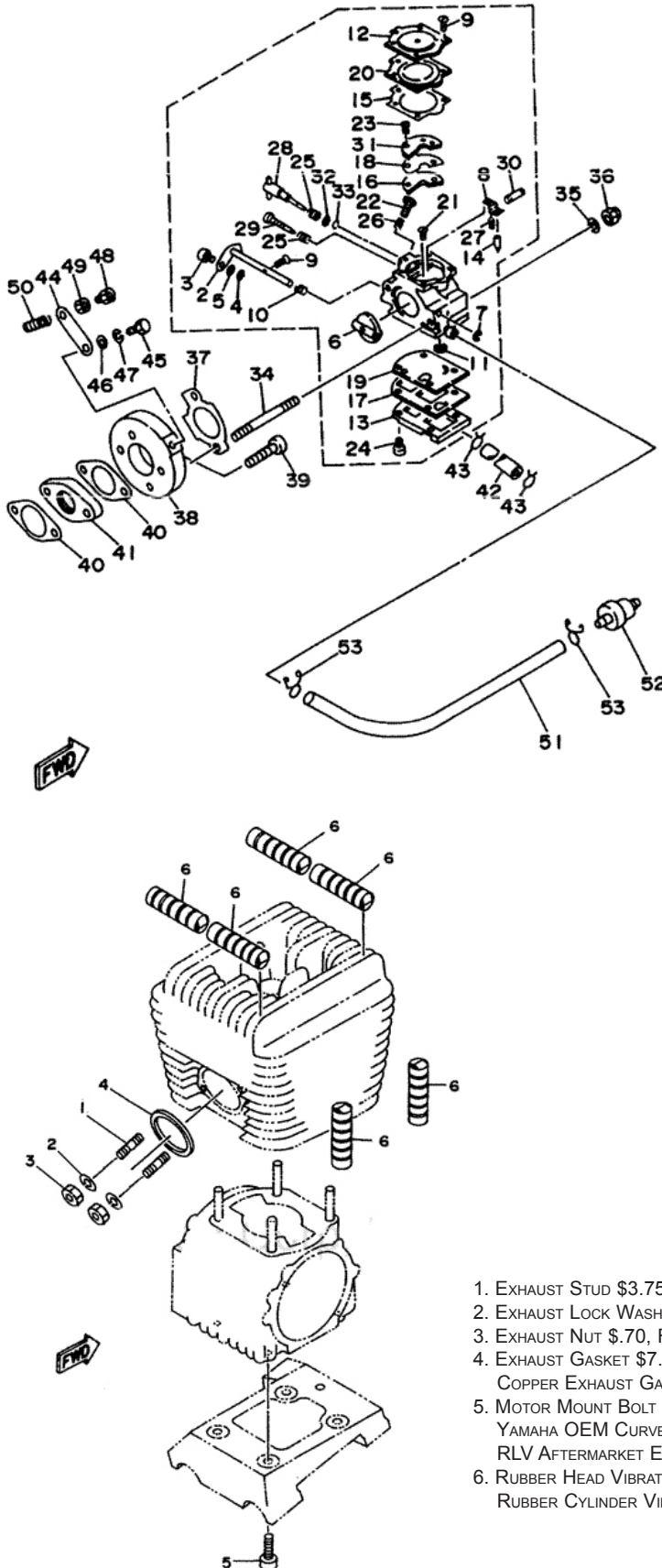


1. CRANK CASE PAIR, INCLUDES STUDS, OEM SEALS/BRGS \$125.00
2. DOWEL LOCATER PIN \$1.80
3. PULSE NOZZLE INSERT \$3.00
4. CYLINDER CASE STUD \$2.90
5. SHORT CASE BOLT \$2.70
6. LONG CASE BOLT \$2.70
8. MAGNETO SIDE COVER \$29.00
9. MAGNETO SIDE COVER BOLT \$.40
10. MAGNETO SIDE COVER WASHER \$.25
11. METAL WIRE CLAMP \$.50
12. METAL SPARK PLUG WIRE CLIP \$3.80
13. FOR OLD STYLE CASE, ROUND CASE PLUG WITH CENTERHOLE FOR PLUG WIRE \$2.80



2. MAGNETO WITH PLUG WIRE (COIL) \$139.00
3. STANDARD FLYWHEEL \$88.00  
REVERSED DIRECTION FLYWHEEL \$135.00
4. GENUINE YAMAHA TCI \$139.00  
AFTERMARKET WKA LEGAL TCI \$65.00
5. WOODRUFF KEY \$.80
6. ROTOR WASHER \$2.25
7. ROTOR NUT \$4.90, ALUMINUM ROTOR NUT \$3.50
8. MAGNETO BOLT \$.45
9. MAGNETO BOLT WASHER \$.15
10. MAGNETO BOLT WASHER \$.15
11. SPARK PLUG BOOT \$17.00
12. RUBBER PLUG WIRE GUARD \$2.90
13. KILLSWITCH WIRE \$.50
14. KILLSWITCH WIRE \$.50

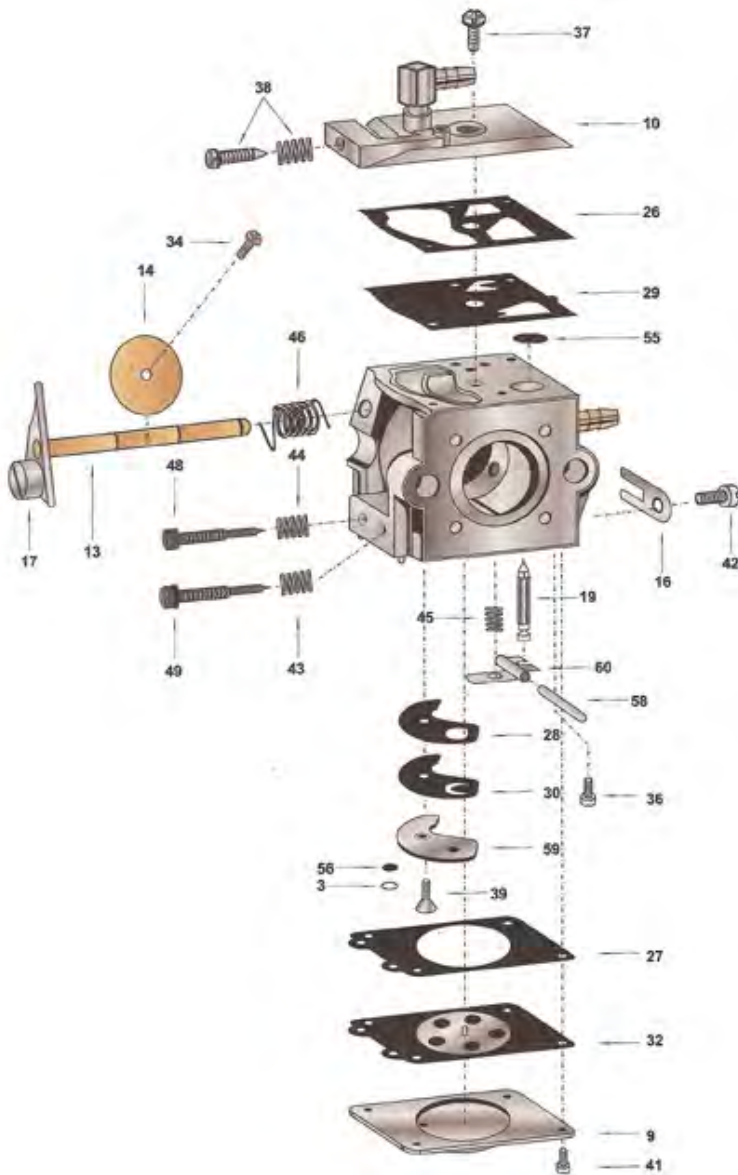
**Yamaha KT100 Parts Cont.**



1. WB3A STOCK WALBRO CARB \$75.00  
COMET BLUEPRINTED WB3A YAMAHA CAN CARBURETOR \$206.00  
COMET BLUEPRINTED WB3A YAMAHA PIPE/KPV CARBURETOR \$206.00  
COMET BLUEPRINTED WA55 WALBRO JR SPORTSMAN CARB \$175.00  
*CARBS DO NOT COME WITH FLEX T NEEDLES, THEY CAN BE ADDED BEFORE SHIPMENT*
  2. WB3A THROTTLE SHAFT \$4.85, Two \$9.50
  3. STOCK CARB SWIVEL \$6.95  
GEM CARB SWIVEL WITH SET SCREW \$7.95
  4. CARB SWIVEL C CLIP \$.50
  5. CARB SWIVEL WASHER \$2.20
  6. WB3A CARB BUTTERFLY \$3.00
  7. O RING FOR HIGH SPEED NEEDLE \$.50
  8. FLUCRUM ARM \$1.00
  9. CARB TOP SCREW/BUTTERFLY SCREW \$.60  
AFTERMARKET TRICK BUTTERFLY BUTTON HEAD SCREW, WKA LEGAL \$.80, Two \$1.50
  10. THROTTLE RETURN SPRING \$1.50
  11. CARB INLET SCREEN \$1.00
  12. METERING DIAPHRAM TOP \$4.80
  13. BOTTOM CARB COVER \$10.80
  14. INLET NEEDLE \$3.25
  15. METERING DIAPHRAM GASKET \$1.50
  16. CIRCUIT DIAPHRAM GASKET \$1.50
  17. GASKET \$1.20
  18. CIRCUIT CHECKVALVE DIAPHRAM \$2.50
  19. DIAPHRAM \$2.50
  20. METERING DIAPHRAM \$4.25
  21. FULCRUM ARM PIN SCREW \$.50
  22. IDLE ADJUSTMENT SCREW \$1.70
  23. CIRCUIT DIAPHRAM COVER SCREW \$.50
  24. BOTTOM COVER SCREW \$.40
  25. HIGH SPEED NEEDLE SPRING \$.60
  26. IDLE SCREW SPRING \$.60
  27. FULCRUM ARM SPRING \$1.00
  28. HIGH SPEED NEEDLE \$3.90  
HIGH SPEED FLEX T EXTENDED NEEDLE FOR WA55 CARB \$8.00
  29. LOW SPEED NEEDLE \$3.50  
LOW SPEED FLEX T EXTENDED NEEDLE \$8.00
  30. FULCRUM ARM PIN \$.60
  31. CIRCUIT DIAPHRAM COVER \$3.00
  32. HIGH SPEED NEEDLE WASHER \$.40
  33. HIGH SPEED NEEDLE O-RING \$.50
  34. CARB STUD \$2.30
  35. CARB STUD WASHER \$.25
  36. CARB STUD NUT \$.30
  37. CARB TO MANIFOLD GASKET \$.40
  38. CARB MANIFOLD \$32.00
  39. MANIFOLD TO CYLINDER BOLT \$.50
  40. CARB TO SPACER GASKET/CARB TO CYLINDER GASKET \$.40
  41. PHENOLIC CARB SPACER \$8.00
  42. PULSE LINE HOSE - PAGE 90
  43. PULSE LINE QUICK CLIP \$.25
  44. STEEL THROTTLE BRACKET \$5.00
  45. THROTTLE BRACKET BOLT \$.95
  46. THROTTLE BRACKET WASHER \$.25
  47. THROTTLE BRACKET LOCK WASHER \$.25
  48. THROTTLE CABLE THREADED BRACKET \$4.90
  49. THREADED BRACKET NUT \$.60
  50. THROTTLE RETURN SPRING, INLINE \$3.80
  51. FUEL LINE - PAGE 122
  52. FUEL FILTER, INLINE - PAGE 122
  53. FUEL LINE QUICK CLIP \$.25
- WALBRO WB3A DIAPHRAM REBUILD KIT \$5.95, Two \$11.50  
WALBRO WB3A COMPLETE REBUILD KIT \$ 7.50, Two \$14.25  
WALBRO WA55 DIAPHRAM REBUILD KIT \$4.95, Two \$9.50  
WALBRO WA55 COMPLETE REBUILD KIT \$8.50, Two \$16.25

1. EXHAUST STUD \$3.75
2. EXHAUST LOCK WASHER \$.15
3. EXHAUST NUT \$.70, FOUR \$2.60
4. EXHAUST GASKET \$7.50, Two \$14.50  
COPPER EXHAUST GASKET \$5.80, Two \$11.00
5. MOTOR MOUNT BOLT \$.60  
YAMAHA OEM CURVED HEADER \$5.00 **Close Out**  
RLV AFTERMARKET EXHAUST HEADERS AND CANS - PAGE 76 TO 78
6. RUBBER HEAD VIBRATION ABSORBER \$7.00 EACH  
RUBBER CYLINDER VIBRATION ABSORBER \$6.00 EACH

**Yamaha WA55 Carb Parts**



- 13. 30-816 THROTTLE SHAFT \$3.75
- 14. 34-80 THROTTLE BUTTERFLY \$1.00
- 17. 52-540 OEM THROTTLE CABLE SWIVEL \$6.95
- 19. 82-75 CARB INLET NEEDLE \$3.25
- 34. AFTERMARKET BUTTON HEAD SCREW \$.80
- 37. FUEL PUMP COVER BOLT \$.80
- 41. 96-589 METERING COVER SCREW \$.60
- 43. 98-405 SPRING FOR HIGH SPEED NEEDLE \$.60
- 44. 98-404 SPRING FOR LOW SPEED NEEDLE \$.60
- 45. 98-189 FULCRUM ARM SPRING \$1.00
- 46. 98-234 THROTTLE RETURN SPRING \$.80
- 48. 102-176 NEEDLE, LOW SPEED \$2.75
- 48. AFTERMARKET FLEX T LOW SPEED EXTENDED NEEDLE \$9.00
- 49. 102-150 NEEDLE, HIGH SPEED \$2.75
- 49. AFTERMARKET FLEX T HIGH SPEED EXTENDED NEEDLE \$9.00
- 55. CARB INLET SCREEN \$1.00
- 60. 166-48 FULCRUM ARM \$.90



**COMET KART SALES SHIPS  
UPS EVERY WEEKDAY!  
RED LABEL, BLUE LABEL,  
THREE DAY, GROUND,  
SATURDAY DELIVERY!  
WHATEVER YOU NEED!**

**FOR ORDERS UNDER \$100 COMET CAN SHIP UPS  
SUREPOST WHICH IS LESS COST THAN UPS GROUND.  
PLEASE NOTE THAT UPS SUREPOST MAY ADD 1 TO 2 DAYS  
TO YOUR DELIVERY TIME COMPARED TO UPS GROUND.**



## Yamaha Carbs



WALBRO WB3A COMET RACING ENGINES BLUEPRINTED CARB, COMET CONTINUALLY TRACK TESTS AND BENCH FLOWS CARBS LOOKING FOR EVEN THE SMALLEST ADVANTAGE!

EACH COMET BLUEPRINTED CARB IS BORED, POPOFF AND FULCRUM ARM SET FOR APPLICATION AND CUSTOM CARB SCREW INSTALLED AND PROPRIETARY SECRETS WE WON'T DISCLOSE!

YAMAHA PIPE, KPV \$206.00

YAMAHA JUNIOR/SENIOR CAN \$206.00

WITH LOW SPEED FLEX NEEDLE ADD \$9.00

Box Stock WB3A CARB \$75.00



WALBRO WA55-1 COMET RACING ENGINES BLUEPRINTED CARB FOR JUNIOR YAMAHA SPORTSMAN, COMET CONTINUALLY TRACK TESTS AND BENCH FLOWS CARBS LOOKING FOR EVEN THE SMALLEST ADVANTAGE!

EACH COMET BLUEPRINTED CARB HAS THE POPOFF AND FULCRUM ARM SET, CUSTOM CARB SCREW INSTALLED AND PROPRIETARY SECRETS WE WON'T DISCLOSE! \$175.00

ADD \$9.00 EACH FOR HIGH AND LOW SPEED FLEX NEEDLES

Box Stock WA55 CARB \$64.00

## Yamaha Carb Parts



1. WALBRO WB3A DIAPHRAGM REBUILD KIT \$5.95, Two \$11.50



2. WALBRO WB3A COMPLETE REBUILD KIT \$7.50, Two \$14.25



3. WALBRO WA55 SMALL CARB DIAPHRAGM REBUILD KIT D10-WAT \$4.95, Two \$9.50



4. WALBRO WA55 SMALL CARB DELUXE REBUILD KIT K10-WAT \$8.50, Two \$16.25



5. OPTIONAL TEFLON PUMPER DIAPHRAM FOR WALBRO WB3A CARB \$.60, Two \$1.00



6. WALBRO WA55 CARB GASKETS  
A. CARB TO MANIFOLD \$.60  
B. FILTER CUP TO CARB \$.60



7. WA55 SMALL CARB ALUMINUM MANIFOLD AND FILTER CUP KIT \$69.95



8. LOW SPEED EXTENDED NEEDLE  
A. WB3A ADULT CARB \$9.00  
B. WA55 SMALL CARB \$9.00



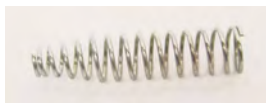
9. HIGH SPEED EXTENDED NEEDLE WA55 \$9.00



10. TRICK CARB BUTTERFLY SCREW, BUTTON HEAD \$.80



11. 5MMX40MM FILTER CUP BOLT FOR WA55 CARB MANIFOLD \$1.00



12. INLINE CARBURETOR RETURN SPRING \$3.80  
WORKS ON MOST TWO CYCLE CARBS, NOT JUST WALBRO



13. EXTERNAL RETURN SPRING FOR WB3A CARB, YAMAHA AND KPV \$2.50

COMET KART SALES ACCEPTS THE FOLLOWING



**Yamaha Chain Guards**



1. G1680 GEM YAMAHA CHAIN GUARD \$28.00



2. M607X REVERSED CHAIN GUARD \$33.00  
3. M606X STANDARD CHAIN GUARD \$33.00  
*SPECIAL ORDER*

**Yamaha Gasket Kit**



1. COMPLETE GASKET KIT \$4.00, Two \$7.50

**Yamaha Main Seals**

1. YELLOW TEFLON MAIN SEAL \$6.25  
Two \$12.00, Four \$24.00  
(THESE ARE SOMETIMES BLACK AND NOT YELLOW)



2. BLACK AND BRONZE MAIN SEAL \$7.00, Two \$13.50



**Felpro Yamaha Gaskets**

*ALL CLOSE OUTS*

1. FPS.10007 HEAD GASKET .032 \$7.75
2. FPS.40003 EXHAUST GASKET \$9.40
3. FPS.30005 THIN INTAKE GASKET \$3.00
4. FPS.20006 DXL CLUTCH COVER GASKET \$4.85
5. FPS.20004 STANDARD BASE GASKET .015" \$5.30
6. FPS.20008 COATED KEVLAR BASE GASKET .015" \$4.30
7. FPS.62011 BASE GASKET .010" 10 PACK \$13.50

**Other Yamaha Parts**

1. CRANK SAVER KIT FOR YAMAHA, 6205-C4  
FAG MAIN BEARINGS, SLEEVES AND PINS  
\$75.00



2. TCI ALUMINUM HOLD DOWN \$12.50



3. HEAD WASHER WITH CONICAL, HELPS TO CENTER HEAD, REQUIRES TWO, WORKS ON OTHER ENGINES LIKE KPV \$2.00 EACH



**Other Yamaha Parts Cont.**



4. G2236 YAMAHA FILTER ADAPTOR \$18.95



5. YAMAHA CARB SWIVEL, REPLACES OEM \$8.95



6. G1360 YAMAHA THROTTLE CABLE BRACKET KIT \$12.50



7. 52-540 YAMAHA CARB SWIVEL KIT, OEM STYLE \$3.50



8. WALBRO FULCRUM ARM HEIGHT GAUGE \$14.95



9. LAD WKA AND IKF CYLINDER HEAD CC CHECKING TOOL \$23.50



10. LAD TWO CYCLE PORT HEIGHT TECH TOOL \$59.95



11. CARBURETOR POP-OFF TESTER GAUGE  
A. 0-15 PSI \$36.95  
B. 0-30 PSI \$36.95

**New Two Cycle Engines**

1. YAMAHA KT100SE STOCK ENGINE WITH CARB \$750.00
2. PARILLA 125CC SUDAN REED, LESS CARB - CALL
3. PARILLA 125CC TAG LEOPARD ENGINE KIT - SEE PAGE 53
4. VORTEX MINI ROK ENGINE KIT \$2050.00
5. VORTEX MINI ROK ENGINE KIT COMET RACING ENGINES BLUEPRINTED \$2550.00
6. VORTEX ROK TT TAG ENGINE KIT \$2795.00
7. VORTEX ROK TT TAG COMET RACING ENGINES BLUEPRINTED \$3075.00
8. COMER K-80 CADET ENGINE WITH CARB AND CLUTCH \$1200.00
9. COMER C-51 KID KART ENGINE WITH CARB AND CLUTCH \$985.00
10. US820 ENGINE WITH CARB - CALL
11. KPV100 KOMET ENGINE KIT WITH CLUTCH, HEADER, PIPE AND CARB, KPV1, KPV2, KPV3 \$2090.00, KPV4 \$2140.00
12. COMET BLUEPRINTED KPV100 ENGINE KIT, WKA LEGAL, KPV1, KPV2, KPV3 \$2590.00, KPV4 \$2640.00

**Komet Engine Parts**

1. K78 R.V. HALF \$125.00
2. K78 3 SIDED EARLY ROTARY VALVE DRIVER \$23.00
3. K71 HI-FI BRAND ROD ASSEMBLY \$398.00
4. OLD STYLE K78, ROTARY VALVE \$26.90
5. 6204-C4 FAG MAIN BEARING, NYLON RETAINER \$10.00, TWO \$19.00, FOUR \$36.00, TEN \$80.00

FOR KOMET KPV ENGINE PARTS SEE PAGES 90 AND 91

**TKM Engine Parts**

1. BT82 PTO HALF \$149.00

ALL CLOSE OUTS

**Rotax Engines**



COMET KART SALES IS A CERTIFIED ROTAX SERVICE CENTER FOR ROTAX ENGINE BLUEPRINTING, REBUILDS AND A ROTAX ENGINE PARTS DEALER!

SEE PAGES 77-85 FOR THE COMPLETE LINE OF ROTAX PARTS!

CALL FOR PRICES ON NEW ROTAX ENGINES OR CALL COMET TO HAVE US REBUILD AND TUNE YOUR ROTAX ENGINE!

**PCR Engine Parts**

1. PC93 LINER \$250.00
2. PCR TSL98 ROD \$150.00
3. ATOMIC OR PC93 COMET LITE WRIST PIN \$23.00
4. PCR100 REED CAGE ASSEMBLY \$40.00

ALL ENGINE PRICES SUBJECT TO CHANGE WITHOUT NOTICE

**COMET CAN ASSEMBLE YOUR NEW KARTING CHASSIS OR PACKAGE, ASK ABOUT TURNKEY KART PRICING! LOOKING FOR MORE HORSEPOWER? CALL COMET! WE HAVE DECADES OF EXPERIENCE WITH HUNDREDS OF NATIONAL WINS AND WE CONTINUALLY TRACK TEST AND DYNO TEST ON OUR COMPUTER CONTROLLED DYNO. NOT ONLY CAN COMET PROVIDE YOU WITH THE BEST CHASSIS AND ENGINES WE ARE ALWAYS HERE FOR FREE TECHNICAL SUPPORT AND ADVICE!**



**Foreign Main Seals**

1. 17-28-7 KOMET SINGLE LIP SEAL \$5.75 EACH, \$21.00 FOR FOUR
2. 18-32-7 PCR, BM, TKM ROLF DOUBLE LIP \$12.00 EACH, \$23.00 FOR TWO, FOUR FOR \$45.00
3. 20-35-7 TKM, REED JET ROLF DOUBLE LIP \$14.00 EACH, \$27.00 FOR TWO, FOUR FOR \$53.00
4. C50 COMER YELLOW TEFLON MAIN SEAL \$6.50
5. 20-35-7 LEOPARD OEM SEAL, DOUBLE LIP \$12.50

**Motoplat Ignition**

1. MOTOPLAT COIL BY PVL, FOR MOTOPLAT STATOR \$165.00

**Engine Wrist Pins**



1. COMET 100CC LITE WEIGHT WRIST PIN \$19.00 EACH, TWO FOR \$37.00
2. FOREIGN WRIST PIN FOR 135CC, 150CC WRIST PIN \$28.50

**DAP Engine Parts**

1. DAP HEADS - \$119.00 **CLOSE OUT**
2. DAP T80, T81, ROTARY VALVE HALF \$119.00
3. T80, T80R, T81, T72, T50, MAG CRANK HALF \$159.00
4. DAP T60, T63, 56.5MM LONG STROKE CRANK \$295.00
5. DAP T60 ROTARY VALVE 135CC CRANK HALF \$60.00
6. DAP T80, T60, T81 T80R, T72, COIL BRACKET \$4.00
7. DAP EXHAUST GASKETS THICK \$2.80, TWO FOR \$5.50
8. DAP T50, T72, CASE SET \$70.00 **CLOSE OUT**
9. DAP SLEEVES, T72 \$40.00, T81 \$50.00
10. DAP ITALIAN PISTON, T60 AND T61, 57.0, 57.5 \$69.00
11. 6204-C4 FAG MAIN BEARING, NYLON RETAINER \$10.00, TWO \$19.00, FOUR \$36.00, TEN \$80.00

**ALL CLOSE OUTS**

**Circlips**



1. FOREIGN AND YAMAHA CIRCLIPS \$.80 EACH, TEN FOR \$7.50 TWENTY FOR \$14.40
2. THICK FOREIGN EARLESS CLIPS \$1.20



3. SPIRAL LOCKING CIRCLIP, WORKS GREAT \$2.00 PAIR

**Sonik TaG Engine Parts**

**ALL CLOSE OUTS!**

1. TRYTON CARB NUT \$3.95
2. SONIK REEDS \$22.00 EACH
3. 32MM FRAME CLAMP WITH WATER PUMP BRACKET \$28.00
4. SONIK O-RING KIT FOR ENGINE \$11.50
5. AIRBOX RUBBER BOOT ADAPTOR \$16.00
6. PCR TSL-98/TSL-95 ROD, ALSO WORKS ON A SONIK VX118 \$150.00

**Other Foreign Engine Parts**

1. ALUMINUM .010 BASE GASKETS FOR TWO CYCLES \$3.00



2. ITALIAN HEAD NUT, FITS ANY 8MM ENGINE STUDS \$3.20



3. STEEL THICK WRIST PIN, KOMET, DAP WASHERS SPECIFY 100CC OR 135CC \$8.95 PAIR



4. LAD WRIST PIN REMOVAL TOOL \$59.95



5. BURCO SHORT ADAPTOR SHAFT LH K99, K299 \$32.00



6. RH LONG K99 B-BOMB ADAPTOR SHAFT \$52.00

7. UNIVERSAL ENGINE CLUTCH PULLER, THREE JAW \$19.95



**COMET HAS QUANTITY DISCOUNTS AVAILABLE!  
CALL FOR MORE INFORMATION AND PRICING.**

**LAYAWAY AVAILABLE ON ALL ITEMS, CALL FOR DETAILS!**

**DON'T SEE THE PART YOU NEED? GIVE US A CALL, WE JUST MIGHT HAVE IT!**

**IAME Leopard, X30 Engine Kits**

**My09** NEW STYLE PARILLA LEOPARD TAG ENGINE KIT, THE MY09 IS UPDATED WITH A CRANK THIRD BEARING SUPPORT, STIFFER CASES TO DAMPEN VIBRATION, LARGER REED CAGE AND MANIFOLD

1. MY09 STOCK ENGINE KIT WITH DIGITAL KEYSTART IGNITION, RADIATOR, WATER PUMP, PULLEY, WATER LINES, AIRBOX, CARB, PIPE, FLEX, HARDWARE \$3175.00



2. COMET BLUEPRINTED MY09 LEOPARD ENGINE, COMES WITH THE KIT ABOVE WITH LEGAL TWEAKS FOR MORE POWER! INCLUDES UP PULL THROTTLE PLATE  
SKUSA \$3550.00  
WKA/USPKS \$3600.00



**X30** IAME TAG ENGINE KIT, THE X30 FEATURES A COUNTER BALANCE SHAFT TO HELP ELIMINATE VIBRATION, INCLUDES TRITON CARBURETOR

3. X30 STOCK ENGINE KIT WITH DIGITAL KEYSTART IGNITION, RADIATOR, WATER PUMP, PULLEY, WATER LINES, AIRBOX, CARB, PIPE, FLEX, HARDWARE \$3175.00

4. COMET BLUEPRINTED X30 LEOPARD ENGINE, COMES WITH THE KIT ABOVE WITH LEGAL TWEAKS FOR MORE POWER! SKUSA/WKA \$3600.00



MY09, X30 ENGINE PACKAGE ACCESSORIES SUBJECT TO CHANGE WITHOUT NOTICE AND MAY NOT INCLUDE EVERYTHING IN THE PHOTO OR INCLUDED ACCESSORIES MAY BE REDESIGNED WITHOUT ANY NOTICE. COMET KART SALES IS NOT RESPONSIBLE FOR ANY CHANGES MADE BY THE MANUFACTURER TO THE MY09, X30 ENGINE OR MY09, X30 ENGINE KIT.  
PRICES SUBJECT TO CHANGE WITHOUT NOTICE

**Parilla TT75 Parts**

*ALL CLOSE OUTS*

1. TT75 LINER SLEEVE \$189.00
2. TT75 MAG HALF \$215.00
3. TT75 WRIST PIN \$28.00
4. TT75 CRANK ASSEMBLY \$599.00
5. TT75 ROD ASSY \$309.00
6. TT75 CRANK PIN \$33.00
7. TT75 EXHAUST STUD \$3.00
8. TT75 EXHAUST NUT \$6.00
9. TT75 MAIN SEAL 18-32-8, TWO LIP \$12.50
10. TT75 TOP BEARING \$36.00
11. TT75 LOWER CAGE WASHER \$7.50
12. TT75 MANIFOLD TO REED CAGE GASKET \$2.80
13. 6204-C4 FAG MAIN BEARING, NYLON RETAINER \$10.00, TWO \$19.00, FOUR \$36.00, TEN \$80.00

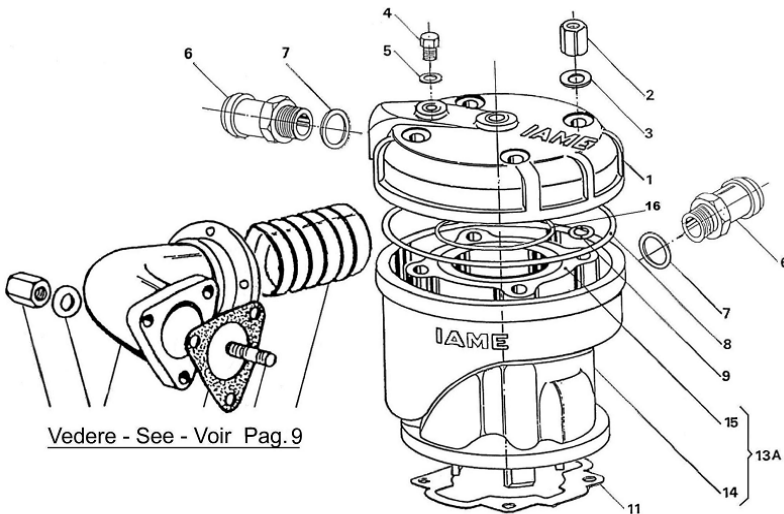
**Parilla Sudan TT125 Parts**

1. ROD ASSEMBLY \$335.00
2. CRANK PIN \$28.50
3. WRIST PIN \$28.50
4. REED CAGE ASSEMBLY \$69.95
5. HEAD O-RING \$6.00
6. SUDAN COATED PISTON WITH RINGS \$118.00
7. EXHAUST STUD \$2.75
8. MAIN SEAL 18-32-7 TWO LIP \$12.50
9. EXHAUST GASKET \$6.50
10. BASE GASKET .020, .032 \$1.80

**Parilla Reedjet 100cc Parts**

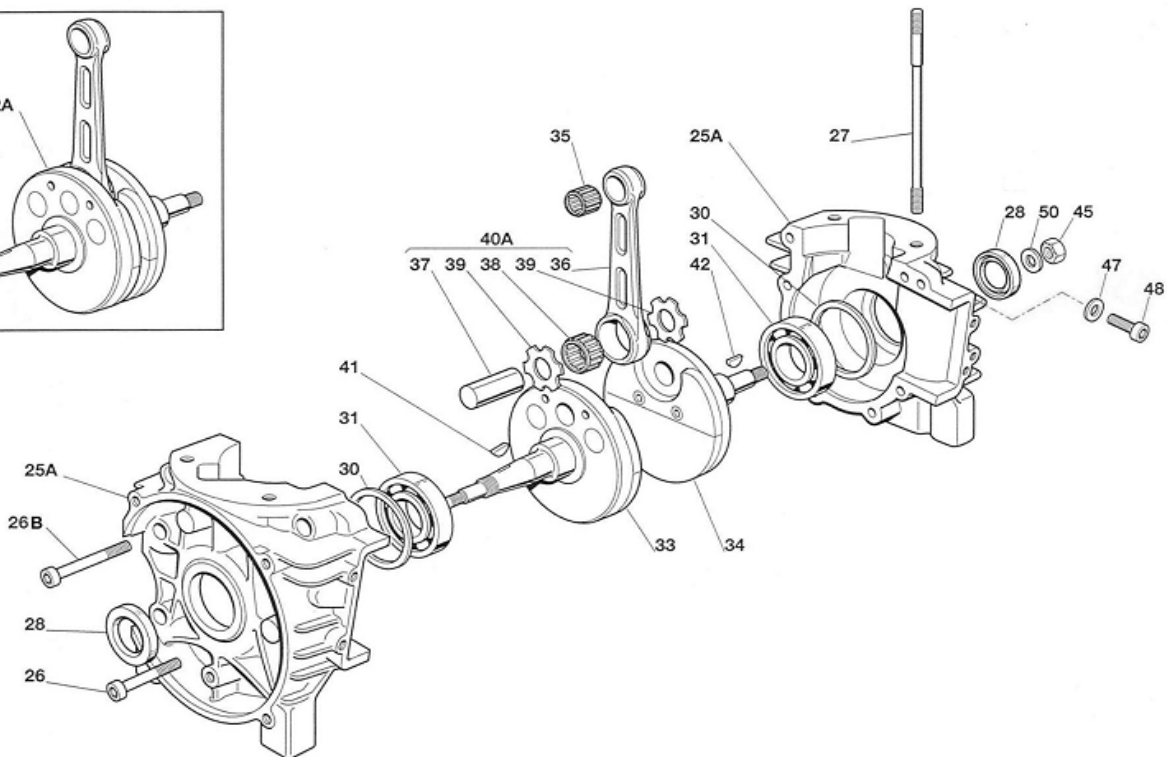
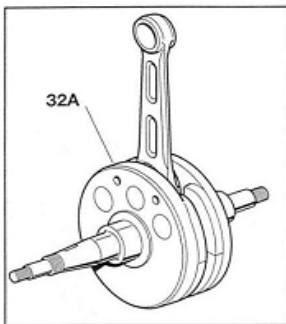
1. REED JET MAG CRANK HALF \$175.00
2. REED JET PTO CRANK HALF, 10° TAPER \$210.00
3. REED JET PTO CRANK HALF, 5° TAPER \$220.00
4. REED JET ROD ASSEMBLY \$319.00
5. REED JET PTO SPROCKET NUT \$4.95
6. REED JET HEAD O-RING \$6.00
7. REED JET MAIN SEAL 20-35-7 \$12.50
8. REED JET EXHAUST GASKET \$6.50
9. 6204-C4 FAG MAIN BEARING, NYLON RETAINER \$10.00, TWO \$19.00, FOUR \$36.00, TEN \$80.00

**07' Parilla Leopard Engine Parts**



Vedere - See - Voir Pag.9

1. IA-A-125041 CYLINDER HEAD \$192.00
2. IA-10350 HEAD NUT \$3.20
3. IA-10635 HEAD NUT WASHER \$1.60
4. IA-B-25840 TEMPERATURE GAUGE PLUG \$2.95
5. IA-B-25845 TEMP PLUG GASKET \$2.50
6. IA-B-25830 WATER FITTING PIPE \$9.80
7. IA-B-25835 PIPE GASKET \$2.95
8. IA-B-25820 HEAD GASKET O-RING \$2.95
9. IA-B-25825 TIE ROD GASKET O-RING \$.60
11. IA-BP-25045 CYLINDER GASKET 4/10MM \$3.40
11. IA-BP-25046 CYLINDER GASKET 2/10MM \$3.40
11. AFTERMARKET CYLINDER GASKET .0015, .005 \$3.00
- 13A. IA-A-125036 COMPLETE USA CYLINDER \$660.00
16. IA-DBP-95049 HEAD GASKET O-RING \$4.00

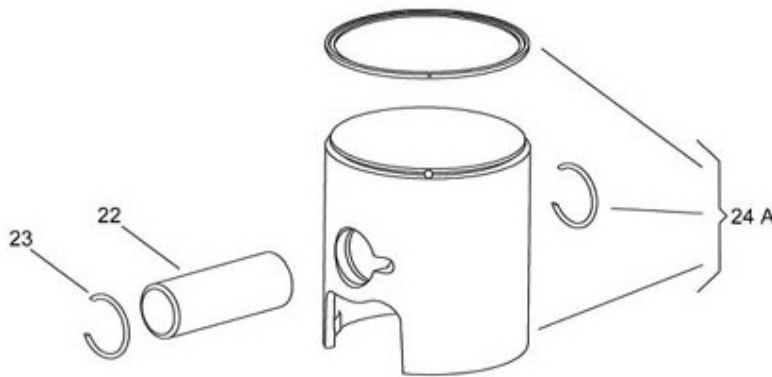


- 25A. IA-A-125485A COMPLETE CRANKCASE \$408.65
26. IA-00049 CRANKCASE SCREW 6MM X45 \$.64
- 26B. IA-00051 CRANKCASE SCREW 6MM X 55 \$1.04
27. IA-B-25347 CYLINDER TIE ROD 8MM X 153 \$11.50
28. IA-F-10425 MAIN BEARING CRANK SEAL \$12.50
30. IA-30407 .1MM SHIM \$4.00
30. IA-30403 .15MM SHIM \$4.00
31. IA-35396 6205 MAIN BEARING FAG \$12.00, SKF \$15.50
- 32A IA-A-125617 COMPLETE CRANKSHAFT \$715.00
33. IA-A-125385 PTO CRANK HALF \$205.00
34. IA-A-125390 MAG CRANK HALF \$205.00
35. IA-E-10440 TOP ROD BEARING \$37.50
37. IA-B-36451 CRANK PIN 18x47MM \$28.50
38. IA-B-10431 BOTTOM ROD BEARING \$39.95
39. IA-E-38436 BRONZE WASHER \$8.50
- 40A. IA-DBP-95458-47 CONNECTING ROD ASSEMBLY \$357.00
41. IA-11715 SPROCKET PTO KEY \$2.90
42. IA10375 MAG SIDE KEY \$2.90
45. IA-00380 MAGNETO NUT 8MM \$.50
50. IA-00340 8MM WASHER \$.50
- IA-DBP-09505-K CRANK STUFFER \$9.95

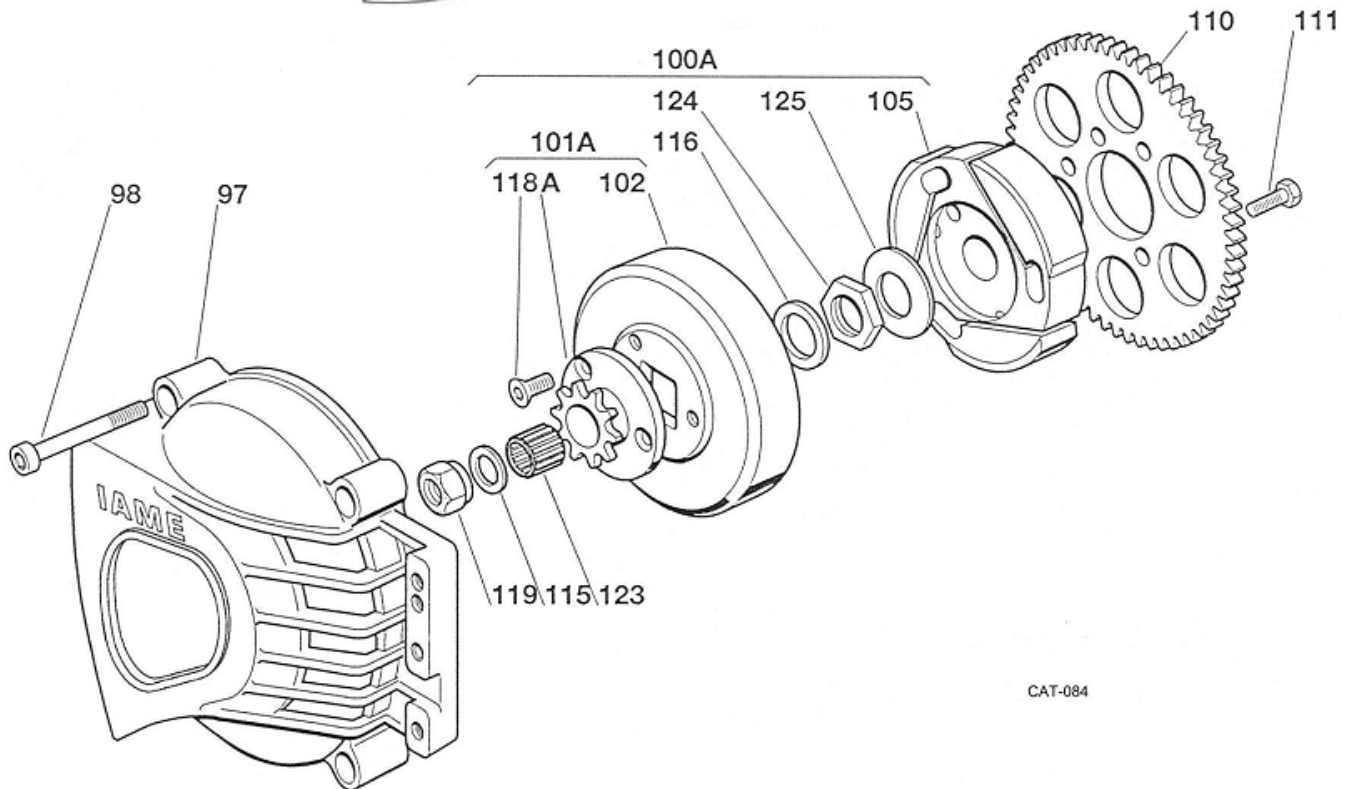


**07' Parilla Leopard Engine Parts Cont.**

07' LEOPARD, MY09 LEOPARD AND X30  
PISTONS AND WRIST PINS ARE THE SAME



- 22. IA-B-30320-R PISTON PIN 14x44 \$28.50
- 22. IA-B-30320-B PISTON PIN 14x45 \$28.50
- 22. IA-B-30320-G PISTON PIN 14x46 \$28.50
- 23. IA-10341-A PISTON CIRCLIP \$1.20
- 24A. PISTON KIT WITH RING \$118.00



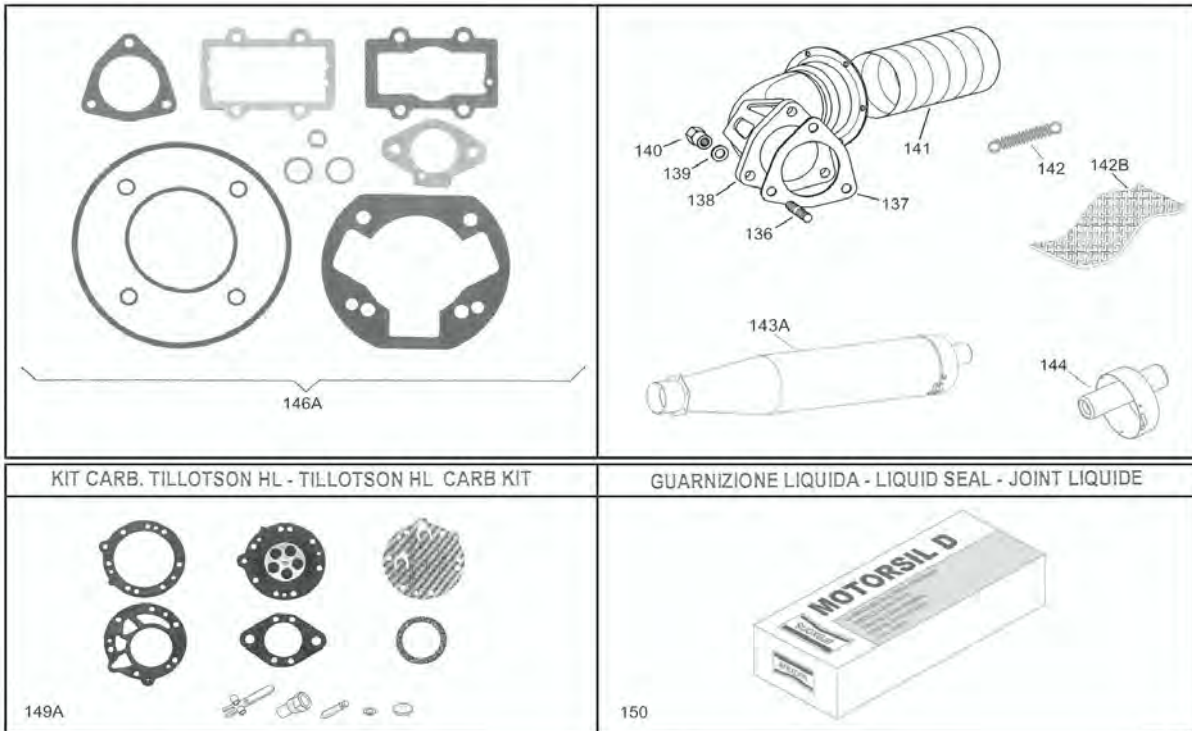
CAT-084

- 97. IA-A-60595B CLUTCH GUARD \$46.00
- 98. IA-00048 GUARD SCREW 6MMX40 \$.64
- 100A. IA-A-120840-C 10 TOOTH CLUTCH \$284.00
- 100A. IA-A-120841-C 11 TOOTH CLUTCH \$284.00
- 10T SPROCKET, DRUM AND FRICTION HUB \$256.00
- 11T SPROCKET, DRUM AND FRICTION HUB \$256.00
- 101A. IA-A-60550-C 10 TOOTH CLUTCH DRUM \$120.00
- 101A. IA-A-60551-C 11 TOOTH CLUTCH DRUM \$120.00
- 102. IA-A-60550 CLUTCH DRUM \$62.00
- 102. SPECIAL DRUM FOR 16T SPROCKET \$65.00
- COMET AFTERMARKET DRUM \$45.00
- 105. IA-A-120840B FRICTION HUB \$145.00
- 105. IA-A-125840 SPECIAL ROAD RACE FRICTION HUB \$145.00
- 110. IA-A-100830 STARTER DRIVE WHEEL \$58.00
- 111. IA-00161 STARTER WHEEL SCREW 6MMX12 \$1.25
- 115. IA-D-75573 EXTERNAL WASHER \$3.40
- 116. IA-D-75565 INTERNAL WASHER 1.8MM \$5.75
- 118A. IA-D-75554-C 10 TOOTH CLUTCH SPROCKET \$59.95
- 118A. IA-D-75555-C 11 TOOTH CLUTCH SPROCKET \$59.95
- 118A. IA-D-75556-C 12 TOOTH CLUTCH SPROCKET \$59.95
- 118A. 16 TOOTH CLUTCH SPROCKET \$73.00
- COMET AFTERMARKET SPROCKET, 10T OR 11T \$46.00
- 119. IA-D-75570 STARTER NUT \$5.85
- OPTIONAL STARTER NUT, INTERNAL HEX NUT FOR EXTERNAL HANDHELD STARTERS \$16.60
- 123. IA-D-75598 ROLLER CAGE \$11.75
- 124. IA-A-60560 LOCKING NUT LH \$8.90
- 125. IA-D-75563 SAFETY WASHER CONED \$4.50
- IA-00030 DRUM SCREW \$1.00
- 16 TOOTH BELT DRIVE ASSEMBLY FOR LEOPARD WITH NUT \$160.00



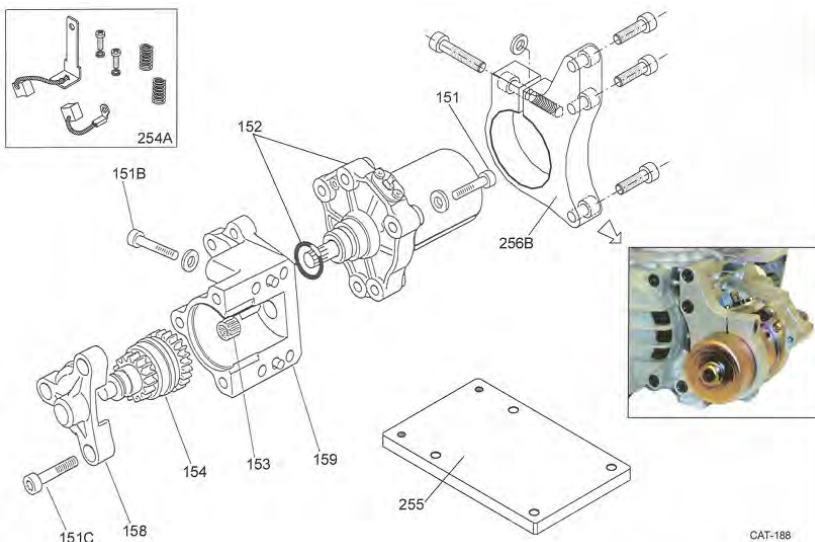
**07' Parilla Leopard Engine Parts Cont.**

07' LEOPARD AND MY09 LEOPARD EXHAUST PARTS AND CARB KIT ARE THE SAME, ENGINE GASKET KIT IS DIFFERENT



- 136. IA-10358 EXHAUST STUD BOLT 6MMX34 \$7.00
- 137. IA-B-85360 EXHAUST HEADER GASKET \$7.50
- 138. IA-B-25368-A SENIOR EXHAUST HEADER \$93.00
- 138. JUNIOR HEADER, RESTRICTED .25 \$99.00
- 138. JUNIOR HEADER, RESTRICTED .28 \$99.00
- 138. JUNIOR HEADER, RESTRICTED .30 \$99.00
- 139. IA-00302 EXHAUST NUT WASHER 6MMX34 \$.45
- 140. IA-10660 EXHAUST NUT 6MMX34 \$6.00
- 141. IA-10711-B LEOPARD FLEX \$9.00
- 142. IA-10785 EXHAUST SPRING \$3.00

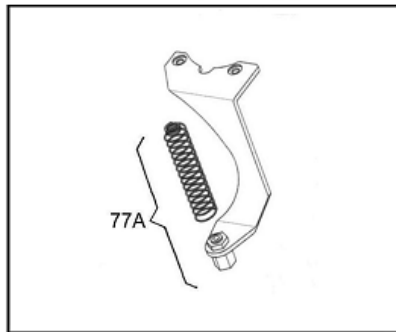
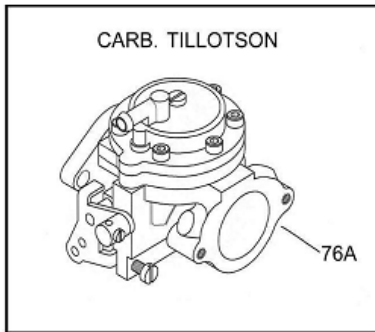
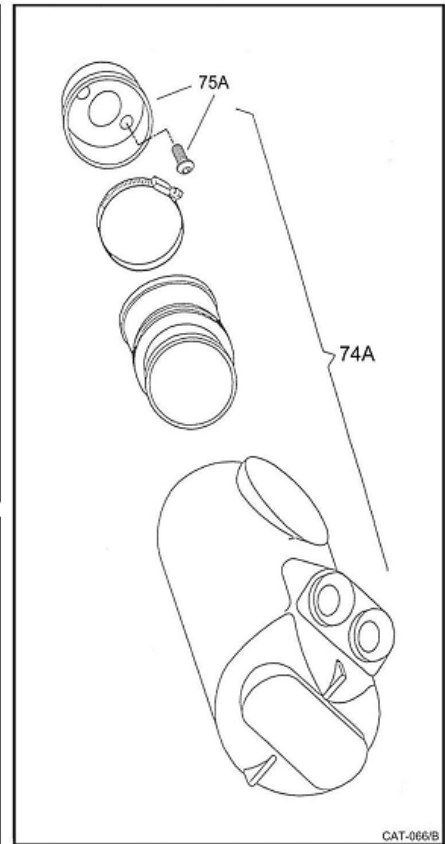
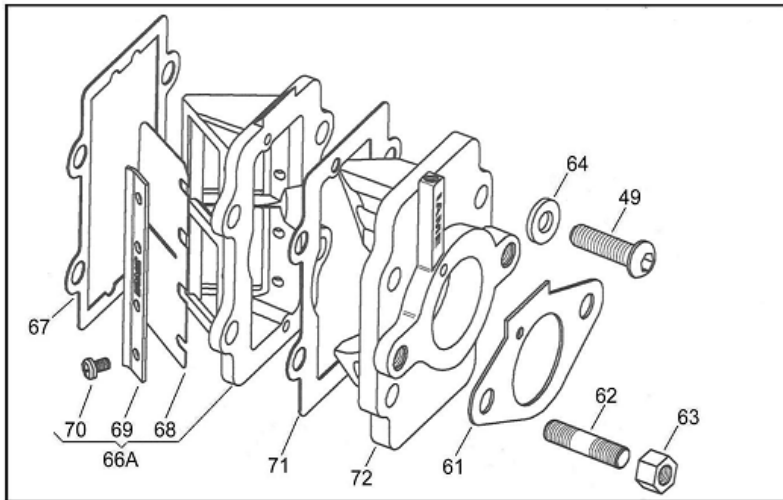
- 142B. IA-A-60735 HEADER WRAP \$8.95
- 142B. ORANGE HEADER SLEEVE, 2" ID \$2.50 PER INCH
- 143A. IA-10718 EXHAUST PIPE LEOPARD \$142.00
- 144. IA-10721 EXHAUST PIPE CAP CIK \$41.55
- 146A. IA-B-85990 07' LEOPARD GASKET KIT \$35.00
- 146A. IAZ-125990 MY09 LEOPARD GASKET KIT \$55.00
- 149A. HL SINGLE PUMP COMPLETE CARB REBUILD KIT \$18.95
- HL SINGLE PUMP DIAPHRAGM REBUILD KIT "P1" \$9.95
- HL SINGLE PUMP DIAPHRAGM REBUILD KIT \$6.00
- 150. IA-00601 LIQUID GASKET \$34.50



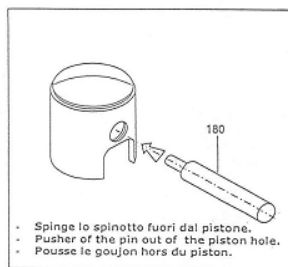
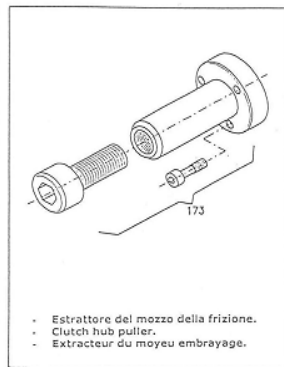
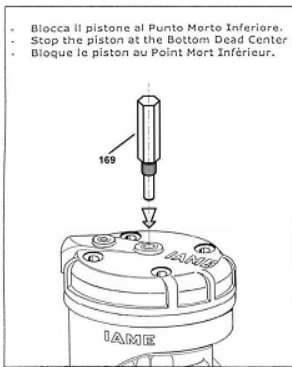
**07' LEOPARD AND MY09 LEOPARD STARTER PARTS ARE ALMOST ALL THE SAME**

- 151. IA-00047 STARTER SCREW 6MMX35 \$.65
- 151B. IA-00049 STARTER SUPPORT SCREW 6MMX45 \$.65
- 151C. IA-00045 COUNTERSHAFT SUPPORT SCREW 6MMX25 \$.65
- 152. IA-120850 STARTER \$225.00
- 152. ITALSPORT AFTERMARKET STARTER \$163.00
- 152. ECLIPSE AFTERMARKET STARTER \$119.00
- 153. IA-A-60865 ROLLER CAGE \$10.50
- 154. IA-A-120855 COUNTERSHAFT \$108.00
- 158. IA-A-60870 COUNTERSHAFT SUPPORT \$17.00
- 159. IA-A-120860 STARTER SUPPORT 07' \$97.95
- 159. A-120860A-C STARTER SUPPORT FOR MY09 \$105.00
- 255. IA-A-120800 07' LEOPARD VIBRATION PLATE \$49.95
- 255. IA-A-120800 MY09 LEOPARD VIBRATION PLATE \$49.95
- 254A. IA-A-60851A-C STARTER BRUSH KIT \$32.50
- 256B. IA-A-125863-C STARTER SUPPORT \$36.80
- A-120852 BLACK PLASTIC STARTER BRUSH SUPPORT \$11.00
- LEOPARD STARTER REPLACEMENT O-RING \$1.20

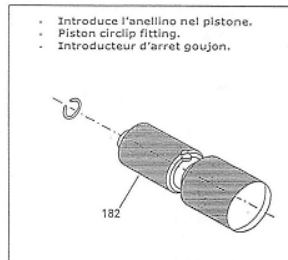
**07' Parilla Leopard Engine Parts Cont.**



- |   |  |
|---|--|
| 61. IA-10360-A CARBURETOR GASKET \$2.80             | 74A. IA-10475-C AIRBOX \$64.00                           |
| 62. IA-10525 CARBURETOR STUD 6MMX25 \$4.50          | 75A. IA-10771-C AIR FILTER CUP \$26.00                   |
| 63. IA-00351 STUDBOLT NUT \$.50                     | 76A. IA-10916-C HL334AB CARBURETOR \$109.00              |
| 64. IA-00302 STUDBOLT NUT WASHER \$.50              | AFTERMARKET THROTTLE CABLE STOP \$6.95                   |
| 66A. IA-11828-A RUBBER COATED REED ASSEMBLY \$69.95 | 77A. IA-B-35520-C THROTTLE LINKAGE BRACKET \$14.00       |
| 67. IA-11810 CRANKCASE MANIFOLD GASKET \$2.80       | OEM CARB SHAFT \$23.00                                   |
| 68. IA-11840 REED PEDAL \$18.00                     | EC BIRT AFTERMARKET PULL STYLE BRACKET KIT \$18.95       |
| 69. IA-11845 REED BAR \$3.00                        | AIRBOX PREFILTER, BLUE, FITS ON OUTSIDE OF AIRBOX \$3.50 |
| 70. IA-10380 REED SCREW \$1.60                      | AIRBOX INNER FILTER, STRAIGHT OR ANGLED \$16.00          |
| 71. IA-11805-A MANIFOLD CARB GASKET \$2.80          | AIRBOX HIGH FLOW RED INNER FILTER, ANGLED \$79.95        |
| 72. IA-B-75817 MANIFOLD \$49.95                     | AIRBOX RAIN COVER, BLACK \$25.00                         |



- 169. IA-10271 PISTON STOP \$44.00
- 173. IA-B-55614-C CLUTCH PULLER \$34.75
- 178. IA-10270 CLUTCH LOCKING WRENCH \$33.95
- 180. IA-10200 PISTON PIN PUNCH \$20.00
- 182. IA-10120 CIRCLIP INSTALL TOOL \$149.00



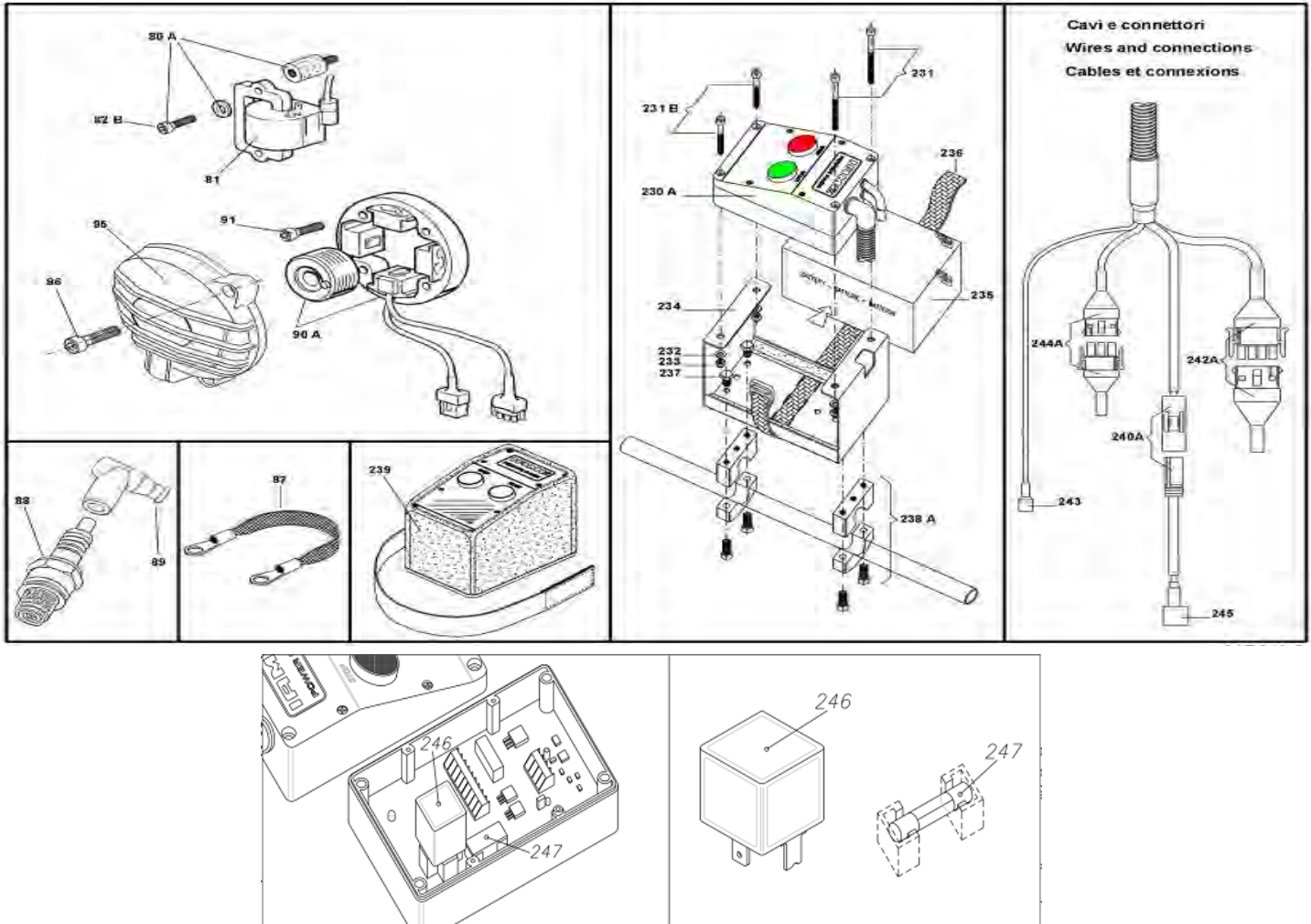
UNIVERSAL CLUTCH PULLER \$19.95





**07' Parilla Leopard Engine Parts Cont.**

SEE PAGE 62 FOR KEY START IGNITION PARTS  
FOR ALL KEY START LEOPARD ENGINES



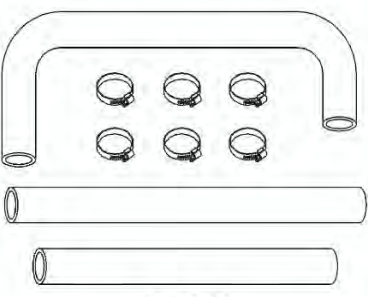
- |  |   |
|--|---|
| 80A. IA-A-60520-C COIL DAMPNER KIT \$6.50          | 234. IA-A-120905B BATTERY SUPPORT \$37.00               |
| 81. IA-10025 SELETTA COIL \$49.85                  | 235. IA-A-120900 OEM 12 VOLT BATTERY \$72.00            |
| 82B. IA-00031 COIL SCREW 5MMX16 \$.25              | 235. SHORAI LITHIUM ION LIGHTWEIGHT BATTERY \$114.95    |
| 87. IA-B-35805-A GROUND CABLE \$7.50               | 236. IA-A-60904A BATTERY STRAP \$14.50                  |
| 89. IA-10541 RUBBER PLUG CAP, OEM \$25.00          | 237. IA-00159 BATTERY SUPPORT SCREW 6MMX10 \$.50        |
| 90A. IA-10015A SELETTA IGNITION \$300.00           | 238A. IA-A-60908-C BATTERY BOX MOUNT 32MM \$10.00       |
| 91. IA-00034 IGNITION SCREW 5MMX25 \$.48           | 239. IA-A-60960 WATERPROOF COVER FOR BLACK BOX \$33.50  |
| 95. IA-A-60875B IGNITION COVER \$31.00             | 240A. IA-A-60919-C STARTER CONNECTION COMPLETE \$12.50  |
| 96. IA-00043 IGNITION COVER SCREW 6MMX18 \$.64     | 242A. IA-A-60937-C IGNITION CONNECTION COMPLETE \$24.50 |
| 230A. IA-A-60930D-C POWER PACK WITH WIRES \$450.00 | 243. IA-A-60938 COIL CONNECTION \$2.00                  |
| 231. IA-00028 POWER PACK SCREW 5MMX60 \$.50        | 244A. IA-A-60939-C PICK UP CONNECTION COMPLETE \$29.00  |
| 231B. IA-00039 POWER PACK SCREW 5MMX40 \$.50       | 245. IA-A-60940 STARTER CONNECTION \$4.85               |
| 232. IA-00301 WASHER 5MM \$.43                     | 246. IA-A-60941A STARTER RELAY \$41.00                  |
| 233. IA-00376 LOCK NUT 5MM \$.43                   | 247. IA-A-60942 FUSE \$1.55                             |

**COMET HAS HUNDREDS OF SUITS, JACKETS, SHOES AND HELMETS IN STOCK! WE INVITE EVERYONE TO COME IN TO THE STORE AND TRY ON APPAREL BEFORE YOU BUY! YOU CAN ALWAYS FIND THE PERFECT FIT WITH COMET!**

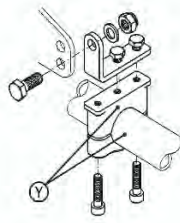
**CALL COMET FOR WELL BELOW ADVERTISED PRICING ON ALL SIMPSON, ARAI, IMPACT AND BELL HELMETS!**

**Parilla Leopard Engine Parts Cont.**

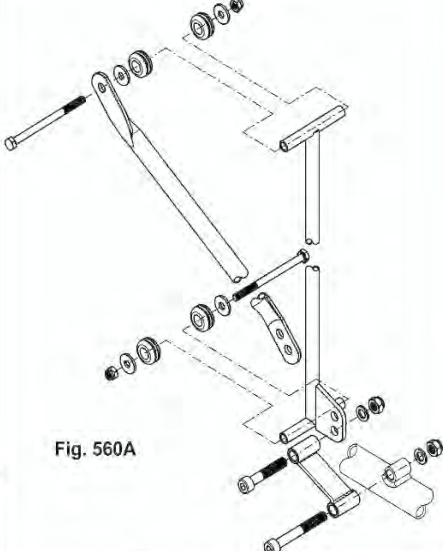
07' LEOPARD AND MY09 LEOPARD RADIATOR AND WATER LINE PARTS ARE THE SAME



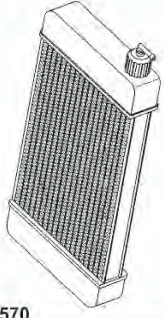
**Fig. 550A**  
Kit n° T-8301A-C




**Fig. 555A**  
DIAMETRI - DIAMETERS  
DIAMETRES  
Y= 28mm : Kit n° T-8117-C  
Y= 30mm : Kit n° T-8117-C1  
Y= 32mm : Kit n° T-8117-C2



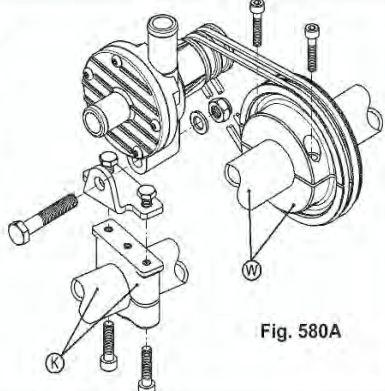
**Fig. 560A**



**Fig. 570**



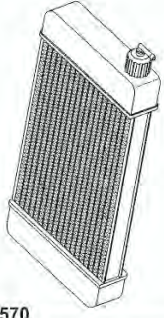
**Fig. 590A**



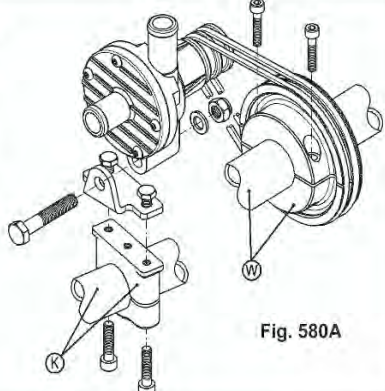
**Fig. 580A**

**NOTE**  
Il gruppo POMPA comprende il SUPPORTO, la PULEGGIA e gli ANELLI di gomma.  
The PUMP group includes CLAMP, PULLEY and rubber RINGS.  
Le groupe POMPE comprend le SUPPORT, la POULIE et les COURROIES.

DIAMETR I - DIAMETERS - DIAMETRES  
K=30mm + W=30mm : Kit n° T-8202-C  
K=30mm + W=35mm : Kit n° T-8202-C1  
K=30mm + W=40mm : Kit n° T-8202-C2  
K=32mm + W=40mm : Kit n° T-8202-C3  
K=32mm + W=35mm : Kit n° T-8202-C4  
K=30mm + W=50mm : Kit n° T-8202-C5  
K=32mm + W=50mm : Kit n° T-8202-C6  
K=32mm + W=30mm : Kit n° T-8202-C7

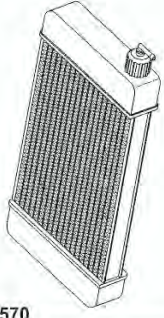


**Fig. 570**



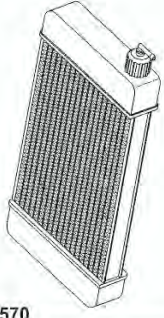
**Fig. 580A**

**SCHEMA DI MONTAGGIO**  
**ASSEMBLING LAYOUT**  
**SCHEMA DE MONTAGE**



**Fig. 570**

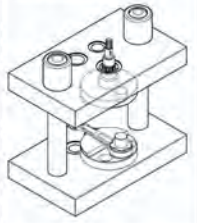
**IMPIANTO PER RAFFREDDAMENTO LIQUIDO**  
**WATERCOOLED ENGINE DEVICE**  
**EQUIPEMENT REFROIDISSEMENT LIQUIDE**



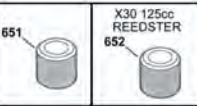
**Fig. 570**

- 550A. T8301AC RADIATOR TUBE KIT, CLAMPS \$59.95, NO CLAMPS \$49.00 580. T8200AC6 32MM FRAME, 50MM AXLE PUMP KIT \$175.00  
555A. T8117C2 32MM CLAMP \$10.00 590A. T8400C INLINE OEM THERMOSTAT \$120.00  
570. T8000A RADIATOR \$195.00 - MORE RADS ON PAGE 137 161A. NYLON WATER PUMP \$65.00 - MORE PUMPS ON PAGE 232


**650**  
ATTREZZO MONTAGGIO ALBERO  
ASSEMBLY CRANKSHAFT TOOL  
OUTIL MONTAGE VLEBREQUIN



**651** X30 125cc REEDSTER  
**652**



**661**  
60cc - 80cc -  
85cc - 100cc -  
113cc - 120cc -  
125cc - X30 125cc  
REEDSTER



**662**  
60cc - 80cc -  
85cc - 100cc -  
113cc - 120cc -

**663**  
125cc  
X30 125cc  
REEDSTER

**664**  
60cc - 80cc -  
85cc - 100cc -  
113cc - 120cc -  
125cc - X30 125cc

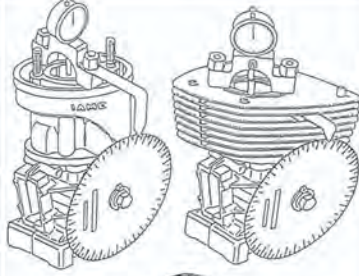
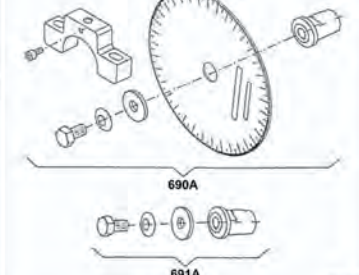
**665**  
K71 / HPV100

**666**  
60cc MINI / BABY SWIFT  
80cc - 85cc  
PV100 SWIFT


**667**  
100cc - 113cc -  
120cc

**668**  
125cc -  
X30 125cc  
REEDSTER


**669**  
60cc

**690A**



**691A**



**650. 10110A CRANKSHAFT ASSEMBLY TOOL \$1850.14**

**652. 10150A CRANK PIN BUSHING \$56.00**

**661. 10107 CRANK PIN PULLER \$11.39**

**663. 10104A CRANKSHAFT PLATE 125CC \$95.00**

**664. 10100 CRANK DISASSEMBLING SUPPORT \$158.81**

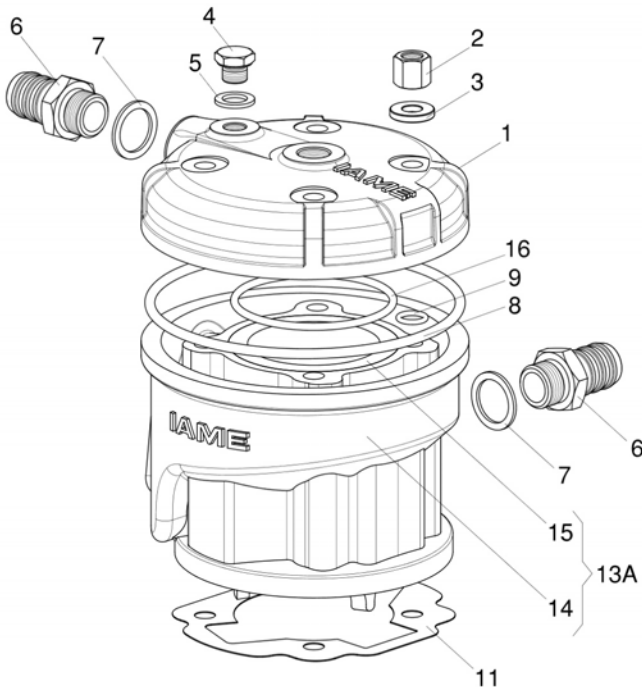
**668. 10106 CRANKSHAFT INSERT \$51.25**

**690A. 10820A TIMING GROUP \$122.92**

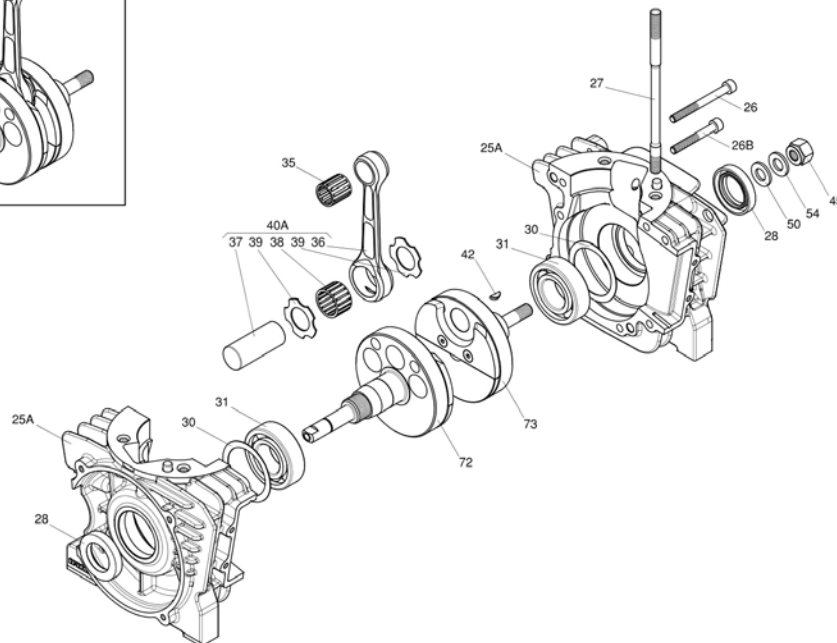
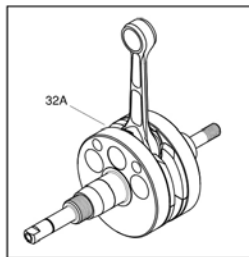
**691A. 10828-C TAG COMPLETE TIMING GROUP \$43.20**



**MY09 Parilla Leopard Engine Parts**



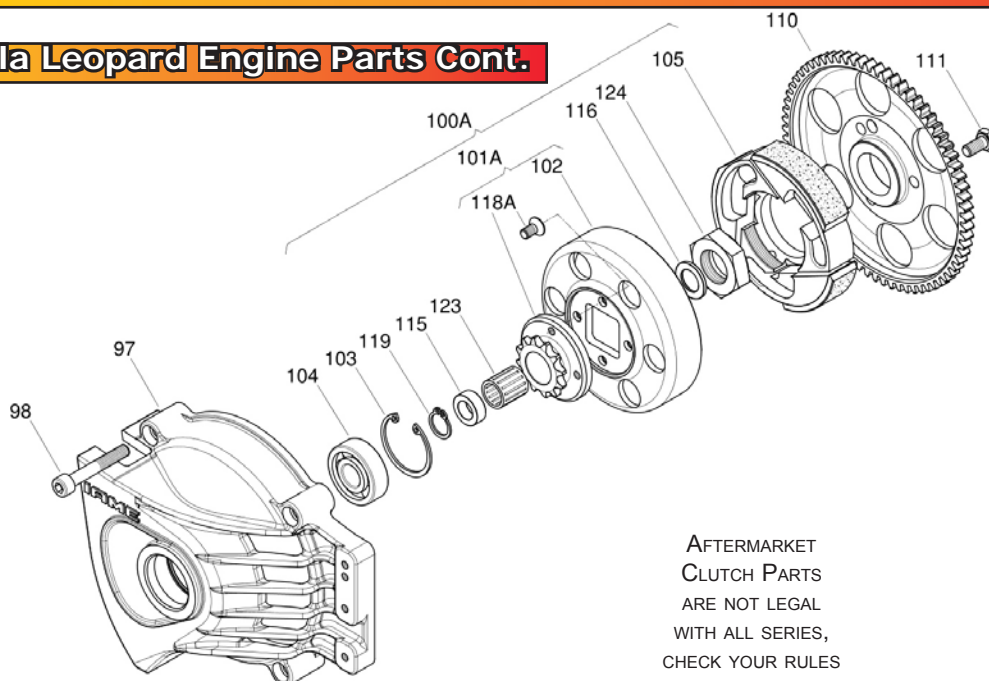
- 1. IA-A-40141 CYLINDER HEAD MY09 \$205.00
- 2. IA-10350 HEAD NUT \$3.20
- 2. IA-10352 HEAD NUT WITH HOLE FOR TECH SEAL \$8.00
- 3. IA-10635 HEAD NUT WASHER \$1.60
- 4. IA-B-25840 TEMP GAUGE PLUG \$2.95
- 5. IA-B-25845 TEMP GAUGE PLUG GASKET \$2.50
- 6. IA-B-25830A WATER PIPE FITTING \$9.80
- 7. IA-B-25835 PIPE GASKET \$2.95
- 8. IA-B-25820 OUTER HEAD O-RING \$2.95
- 9. IA-B-25825 CYLINDER STUD O-RING \$.60
- 11. IA-EBP-125045 CYLINDER GASKET 4/10MM \$3.40
- 11. IA-EBP-125046 CYLINDER GASKET 2/10MM \$3.40
- 13A. IA-A-01041 CYLINDER MY09 \$685.00
- 16. IA-DBP-95049 INNER HEAD O-RING \$4.00



- 25A. IAB-01041 \$695.00
- 26. IA-00051-K 6x55MM ALLEN SCREWS \$1.04
- 26B. IA-00049-K 6x45MM ALLEN SCREWS \$.64
- 27. IA-B-25347 CYLINDER STUD 8X153MM \$11.50
- 28. X30125425A MAIN BEARING SEAL \$14.50
- 30. IA-30404 STEEL SHIM .15 \$4.00
- 30. IA-30407 STEEL SHIM .10 \$4.00
- 31. IA-35396 6205-C4 BEARING \$15.50
- 32A. IA-C-00141 CRANKSHAFT MY09 \$1210.12
- 35. IA-E-10440 SMALL END CAGE BEARING \$37.50
- 36. IA-IFC-50101 CONNECTING ROD MY09 \$292.11
- 37. IA-C-40140 CRANK PIN MY09 \$32.00
- 38. X30125431 BIG END CAGE BEARING \$61.50
- 39. X30125436 THRUST WASHER \$10.00
- 40A. IA-IFC-50101-47 ROD ASSEMBLY \$378.00
- 42. IA-11715 WOODRUFF KEY \$2.90
- 45. IA-00382 NUT M10x1 \$2.08
- 72. IA-C-20141 PTO CRANK HALF MY09 \$265.00
- 73. IA-C-30141 MAG CRANK HALF MY09 \$235.30

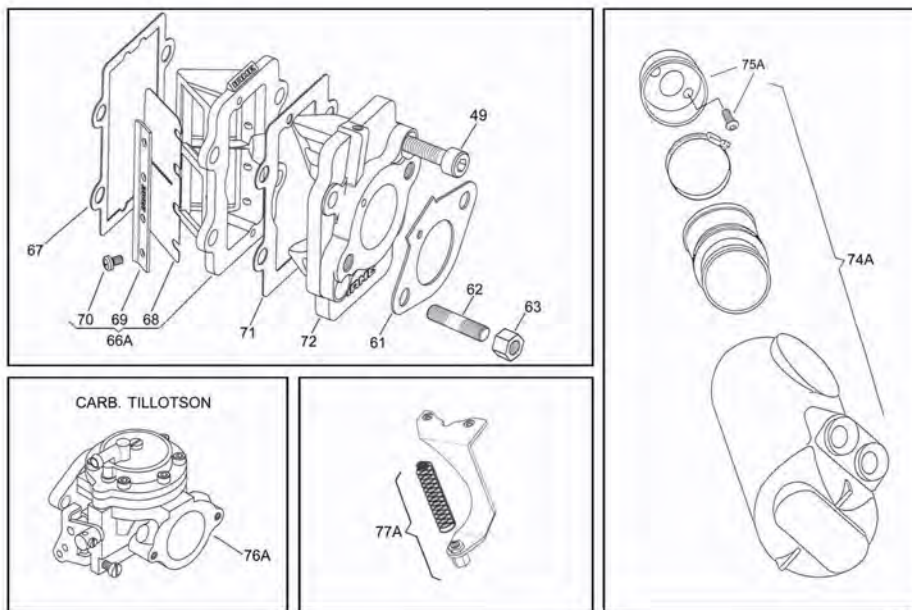


**MY09 Parilla Leopard Engine Parts Cont.**



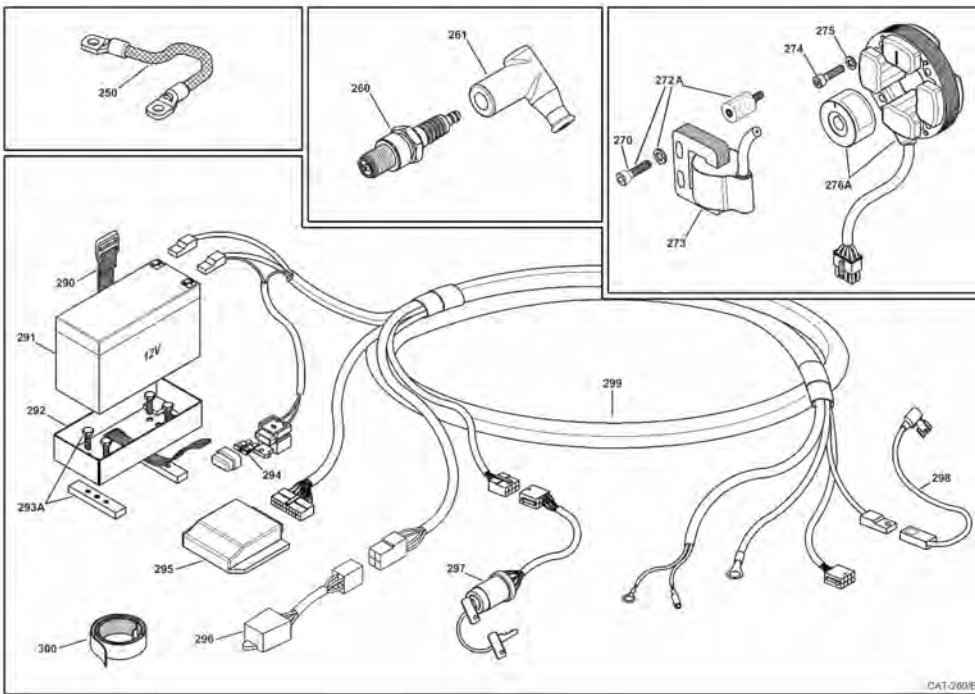
AFTERMARKET  
CLUTCH PARTS  
ARE NOT LEGAL  
WITH ALL SERIES,  
CHECK YOUR RULES

- 97. IAF-23041 CLUTCH COVER MY09 \$135.00
- 98. IA-00048-K ALLEN BOLT FOR COVER M6x40 \$.64
- 102. X30125550 CLUTCH DRUM MY09 \$73.00
- 102. AFTERMARKET CLUTCH DRUM, MADE IN THE USA \$45.00
- 103. IA-U-00011 BEARING RETAINER CLIP \$4.65
- 104. IA-B-20641 BALL BEARING FOR COVER \$11.00
- 105. IA-IFF-20000 FRICTION HUB MY09 \$169.00
- 110. IA-I-30041 STARTER GEAR MY09 \$114.00
- 111. IA-00161-K STARTER GEAR BOLT \$1.25
- 115. IA-G-100573 EXTERNAL CLUTCH WASHER \$4.95
- 116. IA-D-75565 INTERNAL THRUST WASHER \$5.75
- 118A. X30125554C 10T SPROCKET \$66.00
- 118A. X30125555C 11T SPROCKET \$66.00
- 118A. X30125556C 12T SPROCKET \$66.00
- 118A. AFTERMARKET SPROCKET, MADE IN THE USA, 10T, 11T \$46.00
- 118A. MY09 BELT DRIVE SPROCKET KIT, 30MM, 14T THRU 19T \$175.00
- 119. IA-G-100571 OUTER CLUTCH SNAP RING \$1.80, TEN \$14.00
- 123. IA-D-75598 CLUTCH ROLLER CAGE \$11.75
- 124. X30125560 RING LOCKING NUT \$16.50
- IA-00030 SPROCKET BOLT, FLAT HEAD ALLEN \$1.00



- 49. IA-00045-K INTAKE MANIFOLD BOLT M6x35 \$.40
- 61. IA-10360A CARBURETOR GASKET \$2.80
- 62. IA-10525 CARB STUD BOLT M6x25 \$4.50
- 63. IA-00351K M6 HEX HEAD NUT \$.50
- 66A. X3011830C REED CAGE GROUP \$105.00
- 67. IA-F11810 REED CAGE GASKET \$5.10
- 68. X3011840 REED CAGE PETAL \$16.50
- 69. IA-F-11845A REED CLIP \$5.10
- 70. IA-10380K CAGE BAR BOLT M3x5 \$1.60
- 71. IA-F11805 INTAKE MANIFOLD GASKET \$4.65
- 72. IA-F100817A INTAKE MANIFOLD \$60.52
- 74A. IA-10743C COMPLETE AIRBOX (NO FILTER CUP) \$64.00
- OEM THIN AIRBOX CLAMP \$2.30
- 75A. IA-10771C FILTER CUP \$26.00
- 76A. IA-10916B TILLOTSON CARBURETOR HL334AB \$109.00
- 77A. IA-B35520C CARBURETOR OEM ATTACHMENT \$14.00

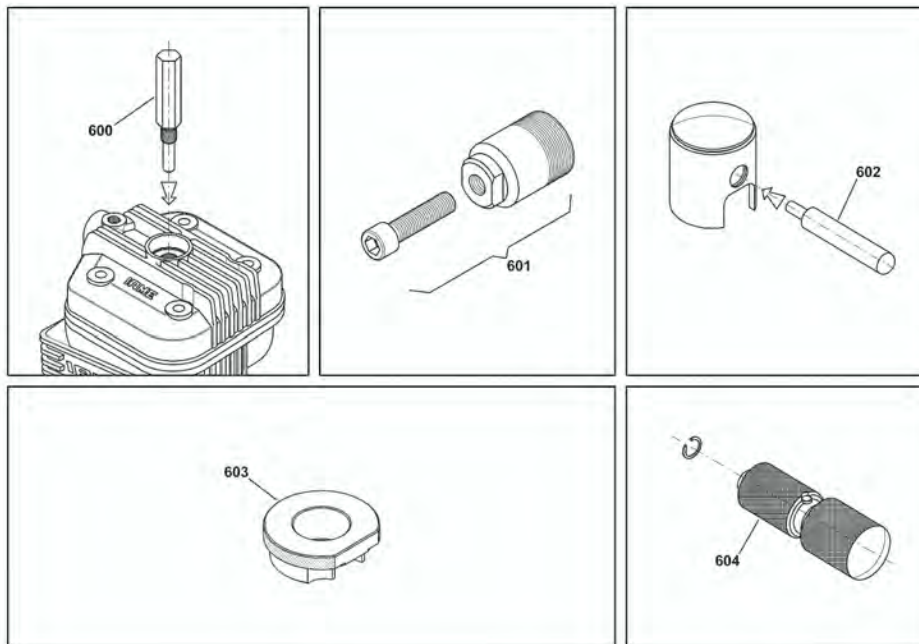
**MY09 Parilla Leopard Engine Parts Cont.**



- 250. IA-B35805A GROUND STRAP \$7.50
- 260. SPARK PLUGS SEE PAGE 126
- 261. IA-10544 PVL SPARK PLUG CAP \$25.00
- 270. IA-00032K BOLT M5X20 \$.40
- 272A. IA-A125520C COIL DAMPNER \$6.50
- 273. X30125955 SELETTA COIL \$56.00
- 274. IA-00034K STATER BOLT M5X25 \$.40
- 275. IA-00301K STATER WASHER M5 \$.30
- 276A. X30125950A STATOR, OLD STYLE  
WHITE CONNECTOR END \$175.00
- 276A. X30125950 STATOR, NEW STYLE  
PURPLE CONNECTOR END \$190.00
- 290. IA-A60904A BATTERY STRAP \$14.50
- 291. X30125900A BATTERY \$72.00
- 292. X30125905 BATTERY SUPPORT \$36.00
- 293A. X30125906C FLAT CLAMP \$10.00
- 294. X30125942 FUSE \$1.50
- 295. X30125930AS 20 PIN BOX \$220.00
- 296. IA-IFE-05200 STARTER RELAY \$104.00
- 297. X30125936C KEY ASSEMBLY \$70.00
- 298. IA-A60940 STARTER CABLE \$4.85
- 299. IA-IFE-05000 CABLE LOOM, OLD STYLE  
WITH WHITE CONNECTOR END \$169.00
- 299. CABLE LOOM, NEW STYLE WITH PURPLE  
CONNECTOR END \$169.00
- 300. X30125925 VELCRO STRIP \$26.00

SHORAI LITHIUM ION  
BATTERY \$114.95

12V, 9AMP  
4 3/8" x 2 3/8" x 3.5"  
1.3 POUNDS



- 600. IA-10271 PISTON STROKE LOCKER \$44.00
- 601. IA-10272C CLUTCH PULLER \$52.00
- 602. IA-10200 PISTON PIN CLUTCH \$20.00
- 603. IA-S884 DRIVER WHEEL HOLDER TOOL \$45.41
- 604. IA-10120 CIRCLIP INSTALLATION TOOL \$149.00

X30125939A STATOR  
ADAPTOR, CONNECT OLD  
STYLE WHITE CABLE LOOM  
TO NEW STYLE PURPLE  
CLIP COIL \$30.00



X30125939 STATOR  
ADAPTOR, CONNECT NEW  
STYLE PURPLE CABLE  
LOOM TO OLD STYLE  
WHITE CLIP COIL \$30.00



**FOR MY09 LEOPARD PISTONS SEE PAGE 60**

**FOR MY09 LEOPARD STARTER AND PARTS SEE PAGE 61**

**FOR MY09 LEOPARD EXHAUST PARTS SEE PAGE 61**

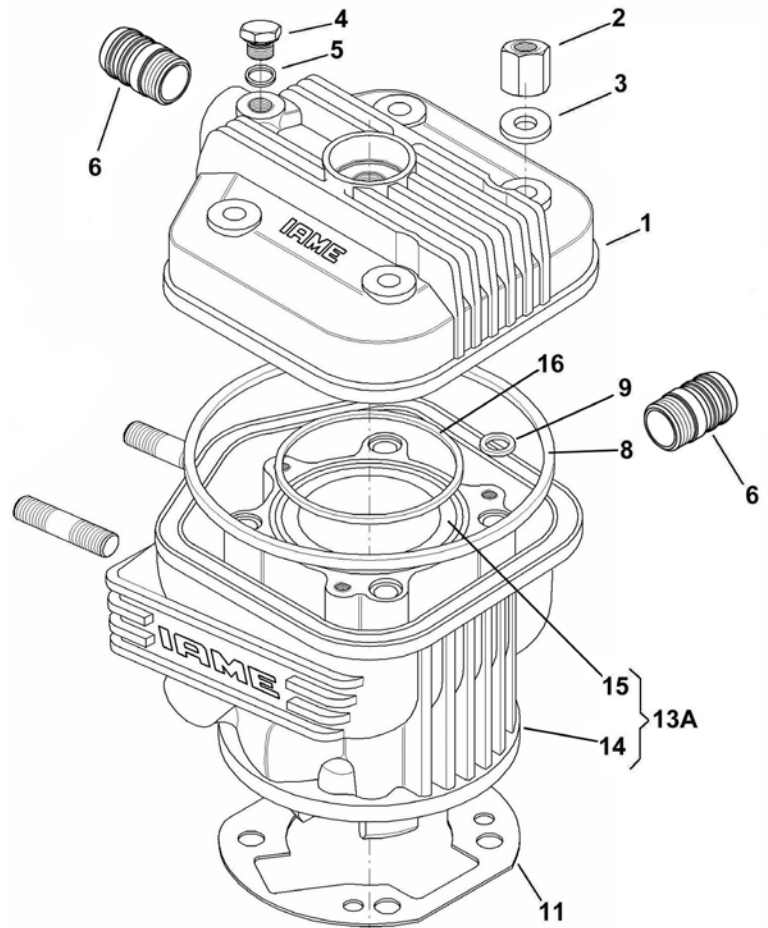
**FOR MY09 LEOPARD RADIATOR PARTS SEE PAGE 64, 137, 232, 233**

**FOR MY09 LEOPARD TECHNICAL TOOLS SEE PAGE 64**

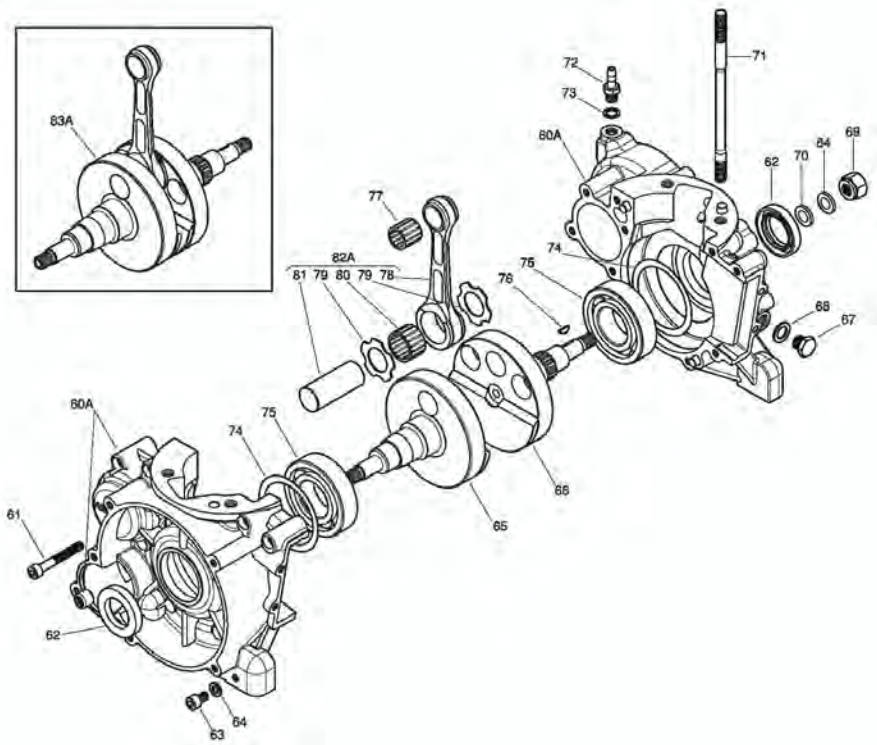


**IAME X30 Engine Parts**

- 1. X30125040 X30 CYLINDER HEAD, NO WATER FITTING \$218.50
- 2. IA-10350 X30 M8 HEAD NUT \$3.20
- 3. IA-10635 X30 M8 HEAD NUT WASHER \$1.60
- 4. IA-B-25840 X30 TEMP GAUGE PLUG \$2.95
- 5. IA-B-25845 X30 TEMP GAUGE PLUG GASKET \$2.50
- 6. IA-IFA-40500 X30 WATER PIPE FITTING \$7.10
- 8. IA-F-38820 X30 OUTER HEAD GASKET O-RING \$11.65
- 9. IA-B-25825 X30 TIE ROD GASKET CYLINDER STUD O-RING \$.60
- 11. IA-BP-25045 X30 CYLINDER GASKET 4/10MM (.0157") \$3.40
- 12. IA-BP-25046 X30 CYLINDER GASKET 2/10MM (.0078") \$3.40
- 13A. X30125030 X30 COMPLETE CYLINDER \$684.25
- 15. X30125020 X30 IRON LINER \$303.00
- 16. IA-D-37049 X30 INNER HEAD GASKET O-RING \$5.70

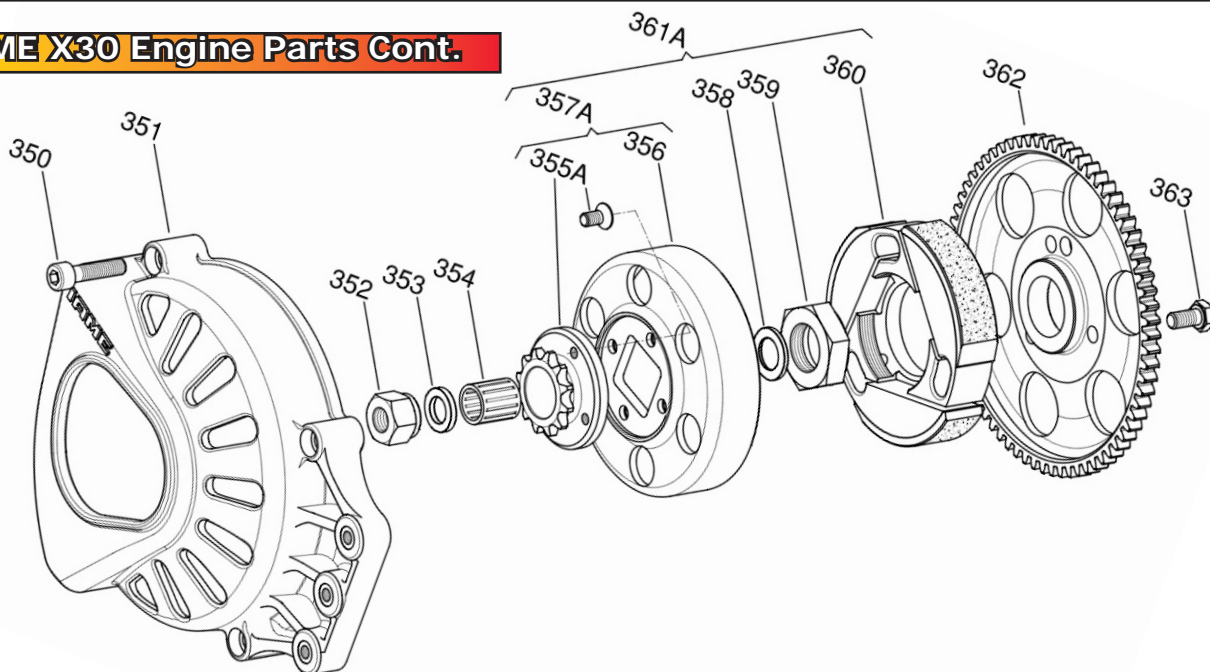


- 60A. X30125485-C X30 COMPLETE CRANKCASE \$816.00
- 61. X30 CRANKCASE ALLEN BOLT 6MMX45MM \$.60
- 62. X30125425A X30 MAG/PTO SIDE OIL SEAL \$14.50
- 65. X30125385 X30 PTO CRANKSHAFT HALF \$345.00
- 66. X30125390 X30 MAG CRANKSHAFT HALF \$308.00
- 67. IA-B-25840 X30 TEMP GAUGE PLUG \$2.95
- 68. IA-B-25845 X30 TEMP GAUGE PLUG GASKET \$2.50
- 69. IA-00382 X30 MAGNETO NUT M10x1 \$2.08
- 70. IA-00340 X30 WASHER 8MM \$.50
- 71. IA-B-25347 X30 CYLINDER STUD 8MMX153 \$11.50
- 72. IA-D-95800 X30 PRESSURE FITTING \$3.50
- 73. IA-B-71805 X30 PRESSURE FITTING GASKET \$1.25
- 74. X30125405 X30 STEEL SHIM 0.10 \$2.50
- 74. X30125406 X30 STEEL SHIM 0.15 \$2.50
- 75. X30125396A X30 BALL BEARING SKF 6206 \$22.00
- 76. IA-10375 X30 MAGNETO SHAFT END KEY \$2.90
- 77. IA-E-10440 X30 TOP ROD BEARING \$37.50
- 79. X30125436 X30 SILVER BRONZE WASHER \$9.80
- 80. X30125431 X30 BOTTOM END CAGE BEARING \$61.60
- 81. X30125450 X30 BOTTOM CRANKPIN 20x48.8 \$32.00
- 82A. IFC-50100-C CONNECTING ROD ASSEMBLY \$406.30
- 83A. X30125617 X30 CRANKSHAFT ASSEMBLY \$1206.00
- 84. IAX00342-K X30 MAGNETO WASHER \$6.65





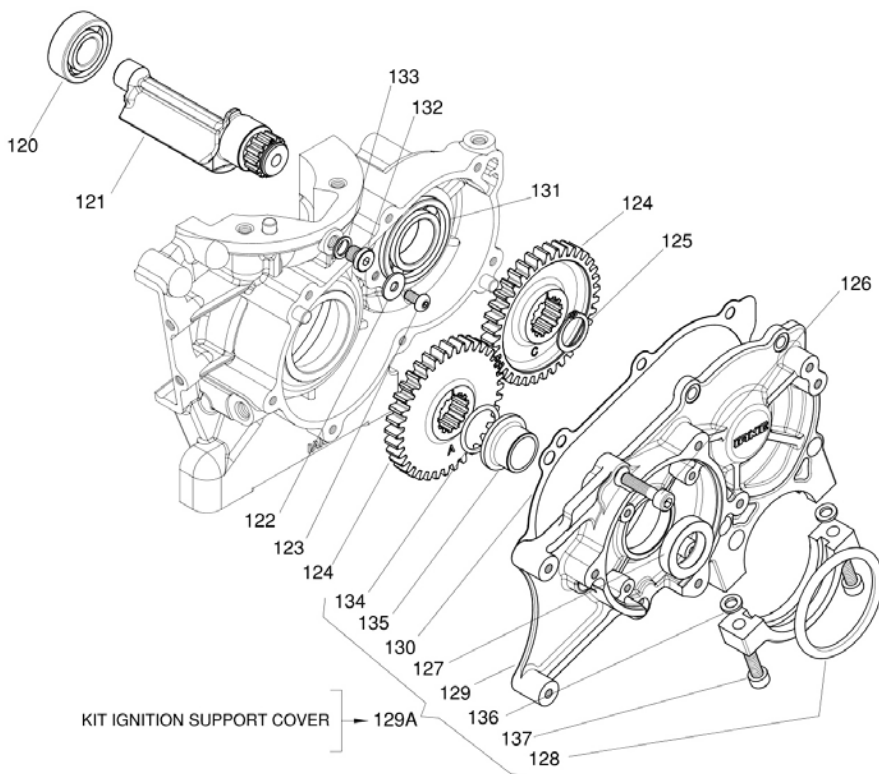
**I/AME X30 Engine Parts Cont.**



- 350. IA-00045-K X30 SHCS M6X25MM \$ .50
- 351. X30125595 X30 CLUTCH GUARD \$54.00
- 352. IA-D-75570 X30 STARTER NUT \$5.85
- 352. AFTERMARKET INTERNAL HEX STARTER NUT \$16.60
- 353. IA-D-75573 X30 EXTERNAL WASHER \$3.40
- 354. IA-D-75598 X30 CLUTCH ROLLER CAGE \$11.75
- 355A. X30125554-C X30 SPROCKET KIT 10T, 11T, 12T \$66.00
- 355A. X301255 16T SPROCKET KIT FOR ROAD RACING \$69.50
- 355A. X30 AFTERMARKET SPROCKET 10T, 11T MADE IN THE USA \$46.00

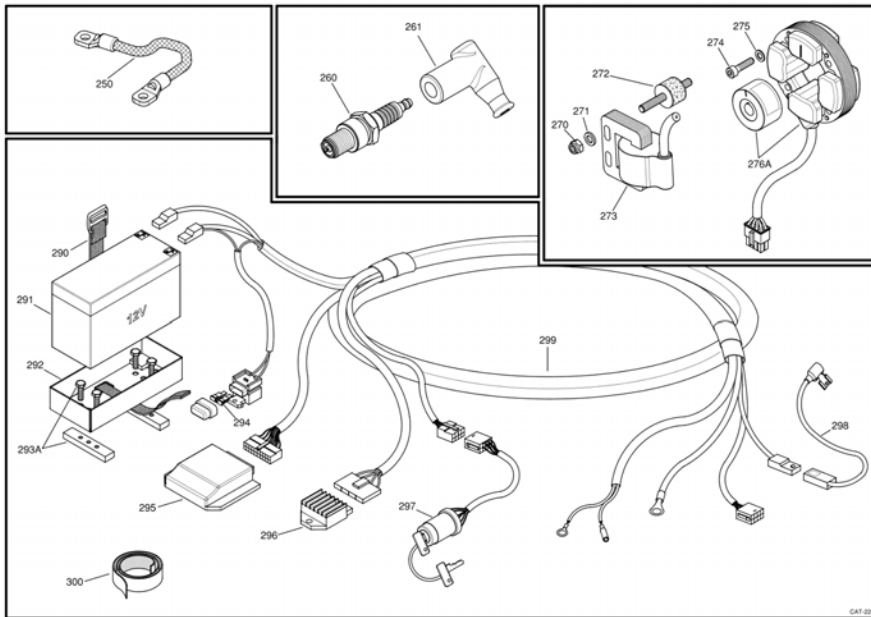
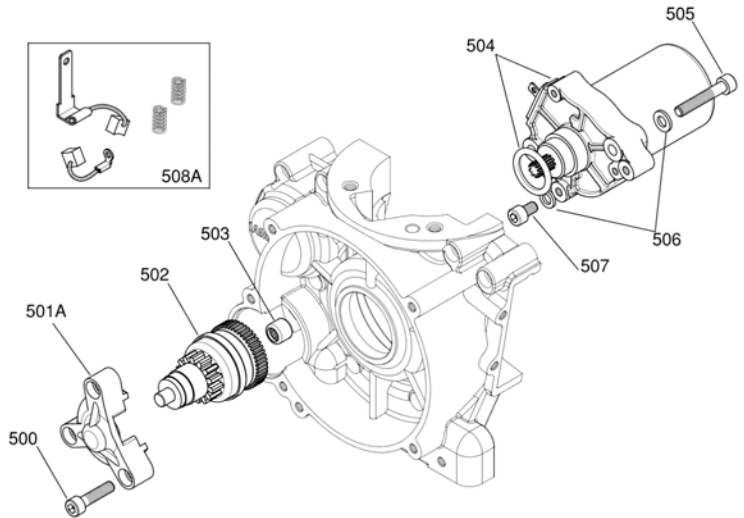
- 356. X30125550 X30 CLUTCH DRUM \$73.00
- 356. X30 AFTERMARKET CLUTCH DRUM, MADE IN THE USA \$45.00
- 357A. X30125550-C CLUTCH DRUM WITH SPROCKET 10T, 11T, 12T \$138.00
- 358. IA-D-75565 X30 INTERNAL WASHER 1.8MM \$5.75
- 359. X30125560 X30 LH RING LOCKING NUT \$16.50
- 360. X30125840 X30 FRICTION HUB \$169.00
- 361A. X30 CLUTCH KIT, SPECIFY SPROCKET SIZE \$325.00
- 362. X30125830 X30 STARTER DRIVE WHEEL \$114.00
- 363. IA-00161-K STARTER GEAR BOLT M6X12 \$1.25
- IA-00030 CLUTCH DRUM SCREW \$1.00

- 120. IA-IMB-20100 X30 BALL BEARING 6202 \$17.50
- 121. X30125750 X30 BALANCING SHAFT \$118.00
- 122. IA-00313-K M5x15 WASHER \$1.60
- 123. IA-00257-K M5x10 ALLEN BOLT \$.45
- 124. X30125755B X30 BALANCING SHAFT GEAR \$70.00
- 125. X30125758 X30 SNAP RING FOR SHAFT GEAR \$1.25
- 127. X30125880 X30 BALANCE GEAR COVER OIL SEAL \$8.50
- 128. X30125853 X30 DAMPNER O-RING \$1.75
- 129. X30125875A X30 IGNITION COVER \$221.00
- 130. X30125878 X30 SIDE COVER GASKET \$7.20
- 131. X30125746A X30 6005 BALL BEARING \$24.95
- 132. X30125490 X30 PRESSURE PLUG \$3.50
- 133. IA-B-71805 X30 PRESSURE FITTING GASKET \$1.25
- 134. X30125762 X30 BALANCE GEAR O-RING \$2.50
- 135. X30125760 X30 BALANCE GEAR SPACER \$23.00
- 136. IA-00302-K M6 WASHER \$1.25
- 137. IA-00045-K M6X25MM SHCS \$.50



**IAME X30 Engine Parts Cont.**

- 500. IA-00045 X30 COUNTERSHAFT SUPPORT SCREW M6x25 \$6.65
- 501A. IA-A-60870 X30 COUNTERSHAFT BENDIX SUPPORT \$17.00
- 502. IA-A-120855 STARTER COUNTERSHAFT (BENDIX) \$108.00
- 503. IA-A-60865 X30 ROLLER CAGE FOR BENDIX \$10.50
- 504. IA-120850 X30 OEM IAME STARTER \$225.00
- 504. ITALSPORT AFTERMARKET X30 STARTER \$163.00
- 504. ECLIPSE AFTERMARKET LEOPARD STARTER \$119.00
- 505. IA-00047 X30 STARTER SCREW M6x25 SHCS \$.65
- 506. IA-00302-K WASHER M6 \$.12
- 508A. IA-A-60851A-C STARTER BRUSH KIT \$32.50  
REPLACEMENT STARTER O-RING \$1.20

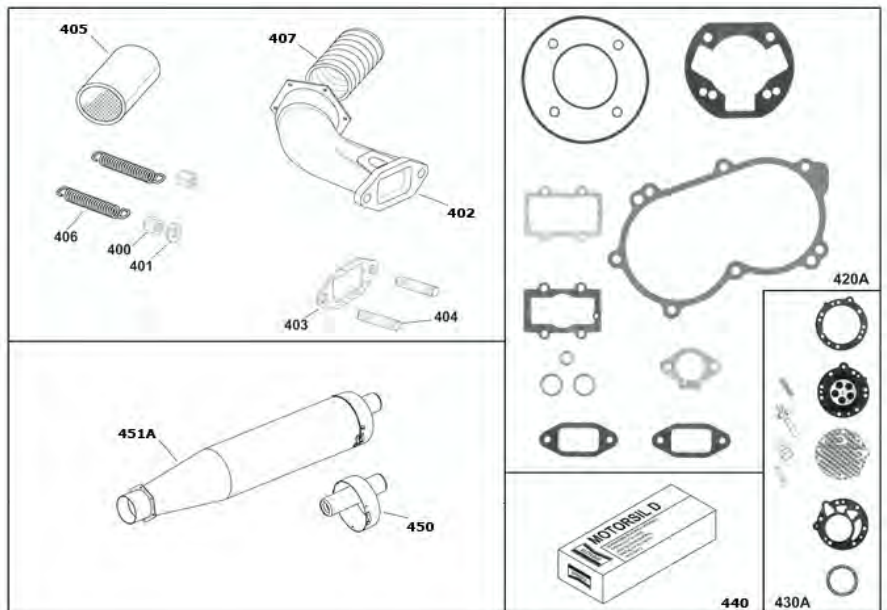


- 250. IA- B-35805-A X30 COIL GROUND CABLE \$7.50
- 261. IA-10544 X30 PVL SPARK CAP \$25.00
- 272. IA- B-35810-A X30 COIL DAMPNER \$7.70
- 273. X30125955 X30 SELETTA COIL \$56.00
- 274. IA-00034K X30 STATOR BOLT M5x25 \$.40
- 275. IA-00301K X30 M5 STATOR WASHER \$.30
- 276A. X30125952A SELETTA IGNITION (PURPLE) \$190.00
- 276A. X30125950 SELETTA IGNITION (WHITE) \$175.00
- 290. IA-A60904A X30 BATTERY STRAP \$14.50
- 292. X30125905 X30 BATTERY BOX \$36.00
- 293A. X30125906C X30 FLAT CLAMP \$10.00
- 294. X30125942 X30 FUSE 5AMP \$1.50
- 295. X30125930AS X30 MINI POWER UNIT \$220.00
- 296. X30125941 X30 RELAY \$94.00
- 297. X30125936C X30 STARTER KEY ASSEMBLY \$70.00
- 298. IA-A-60934A X30 STARTER CABLE \$15.65
- 299. X30125935-C X30 WIRING HARNESS \$144.00
- 300. X30125925 X30 VELCRO FIXING STRAP \$26.00

SHORAI LITHIUM ION BATTERY \$114.95  
12V, 9AMP  
4 3/8" x 2 3/8" x 3.5"  
1.3 POUNDS



- 400. IA-B-71662 8MM EXHAUST NUT \$2.50
- 401. IA-00332-K M8 EXHAUST WASHER \$.20
- 402. X30125365 X30 SENIOR EXHAUST HEADER \$105.00
- 402. X30125366 X30 29MM JUNIOR EXHAUST HEADER \$115.00
- 402. X30125367 X30 31MM JUNIOR EXHAUST HEADER \$115.00
- 403. IA-B-75360 X30 EXHAUST GASKET \$7.50
- 404. IA-B-7355 EXHAUST STUD \$7.50
- 405. IA-A-60736 SILICONE HEADER SLEEVE \$2.25 PER INCH
- 406. IA-10784 X30 EXHAUST SPRING \$3.00
- 407. IA-10711-B X30 FLEX 50MM x 6" \$9.00
- 420A. X30 COMPLETE GASKET KIT \$38.00
- 430A. TRYTON R32 CARB REBUILD KIT \$72.00
- 440. IA-00601 LIQUID GASKET FOR CRANK CASES \$34.50
- 450. X30125721 X30 EXHAUST PIPE END CAP \$65.00
- 451A. X30125718 X30 EXHAUST PIPE \$169.00

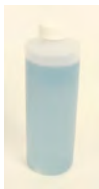


**I/AME X30 Engine Parts Cont.**

- 170. X30125810 X30 REED CAGE GASKET \$3.25
- 171. IA-10380K CAGE BAR BOLT M3x5 \$1.60
- 172. IA-F11845A REED BAR \$5.10
- 173. X3011840 REED CAGE PETAL \$16.50
- 174A. X3011830C REED CAGE GROUP \$105.00
- 175. IA-F11805 X30 INTAKE TO REED CAGE GASKET \$4.65
- 176. X30125815 X30 28MM INTAKE MANIFOLD \$63.00
- 177. IA-10360A X30 CARBURETOR TO MANIFOLD GASKET \$2.80
- 178. IA-F-40525 CARB STUD BOLT M6x30 \$3.50
- 179. IA-00045-K INTAKE MANIFOLD BOLT M6x35 \$.40
- 200. 10948A TRYTON CARBURETOR HB27-C 27MM \$375.00
- 220A. IA-10743C COMPLETE AIRBOX \$64.00
- 10751-A OEM X30 INNER AIRBOX FOAM FILTER \$45.00
- LK90A 90 DEGREE THROTTLE CABLE GUIDE \$8.95

SOME X-30 PARTS ARE THE SAME AS THE IAME LEOPARD

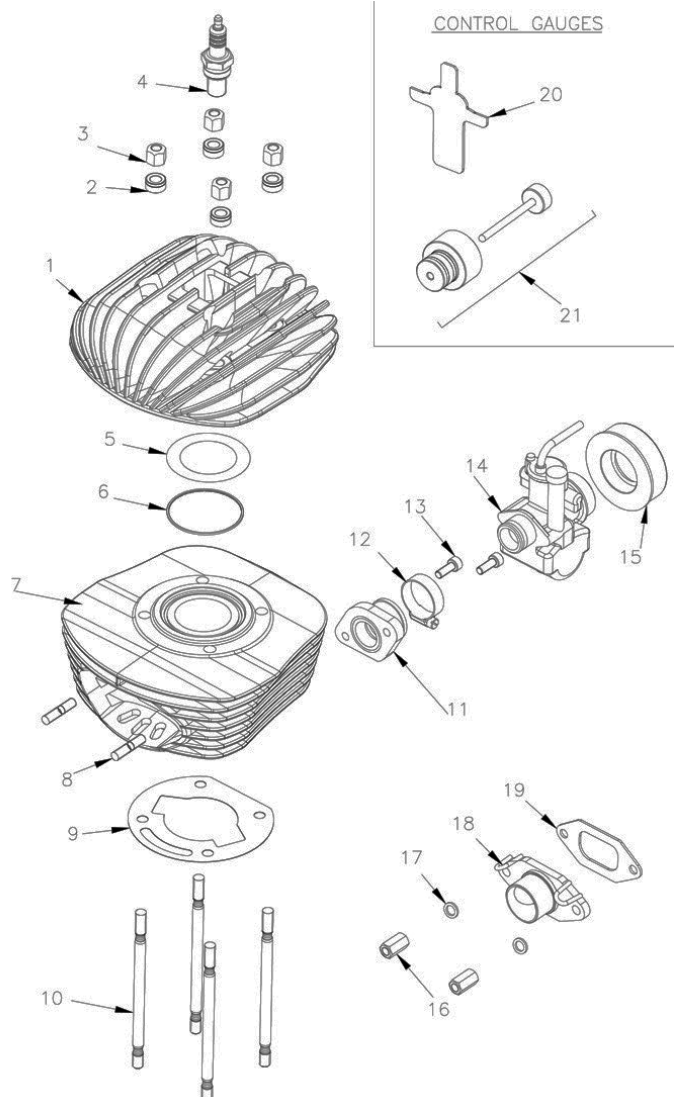
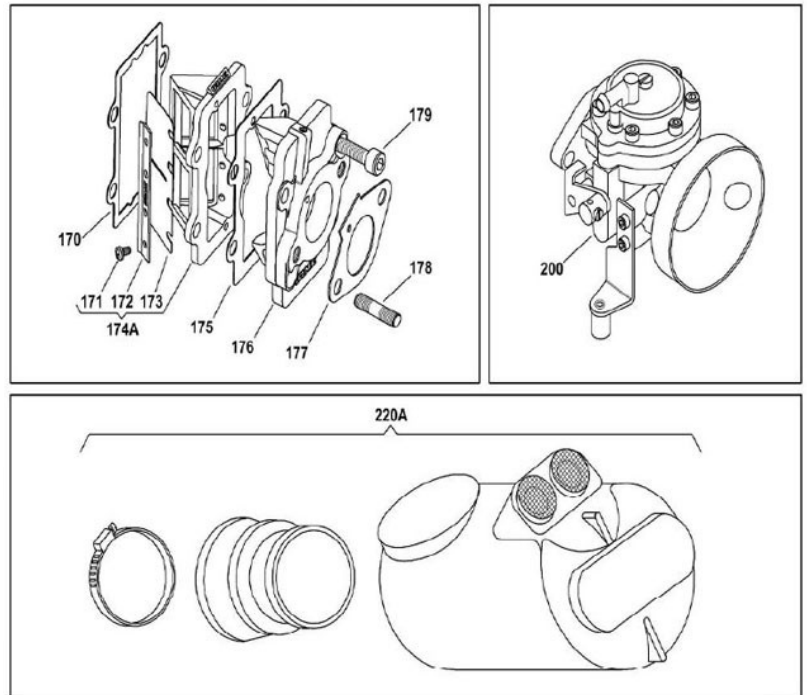
- SEE PAGE 60 FOR X30 PISTONS
- SEE PAGE 64, 137, 232, 233 FOR X30 RADIATOR PARTS
- SEE PAGE 64 FOR X30 FOR ENGINE BUILDER TOOLS
- SEE PAGE 67 FOR X30 PULLERS AND HOLDERS



ROTAX AND X30 COUNTER BALANCE LOW FRICTION OIL, LESS FRICTION, MORE POWER! TRACK AND DYNO TESTED WITH IMPRESSIVE GAINS \$25.00/8OZ

**Vortex Mini Rok Engine Parts**

- 1. W010/MR MINI ROK HEAD 60CC \$227.29
- 2. W560 HEAD WASHER 8.5x15x8 \$2.60
- 3. W530/12 HEAD NUT M8 \$2.60
- 4. W003 NGK BR10EG SPARK PLUG \$8.95
- 5. W631/01MR COPPER HEAD GASKET .1MM \$2.73
- 5. W631/02MR COPPER HEAD GASKET .2MM \$2.73
- 6. W620/MR HEAD O-RING \$2.00
- 7. W0202/1MR CYLINDER 60CC \$581.86
- 8. W470 EXHAUST STUD BOLT M7x32 \$4.88
- 9. W610/1MRC02 CYLINDER BASE GASKET .2MM \$4.55
- 9. W610/1MRC03 CYLINDER BASE GASKET .3MM \$4.55
- 9. W610/1MRC04 CYLINDER BASE GASKET .4MM \$5.45
- 9. W610/1MRC05 CYLINDER BASE GASKET .5MM \$5.45
- 10. W461/1VLC CYLINDER STUD BOLT M8x142 \$12.68
- 11. W02050/MR INLET MANIFOLD PHBG 18 \$51.00
- 12. W825/1MR CARBURETOR CLAMP \$2.93
- 13. W510/16 MANIFOLD BOLT SHCS M6x16 \$3.30
- 14. W820/MR DELLORTO CARBURETOR PHBG 18B \$123.91
- 15. W981400 AIRBOX FILTER CUP \$8.80
- 16. W540 EXHAUST NUT M7x20 \$5.20
- 17. W565 EXHAUST WASHER M8x12x1.5 \$2.60
- 18. W750/1MR EXHAUST MANIFOLD MR/T 60CC \$54.60
- 19. W670/MR EXHAUST GASKET \$4.90
- 20. WA063 HEAD TEMPLATE, TECH TOOL \$26.00
- 21. WA064 CARBURETOR TEMPLATE, TECH TOOL \$104.00



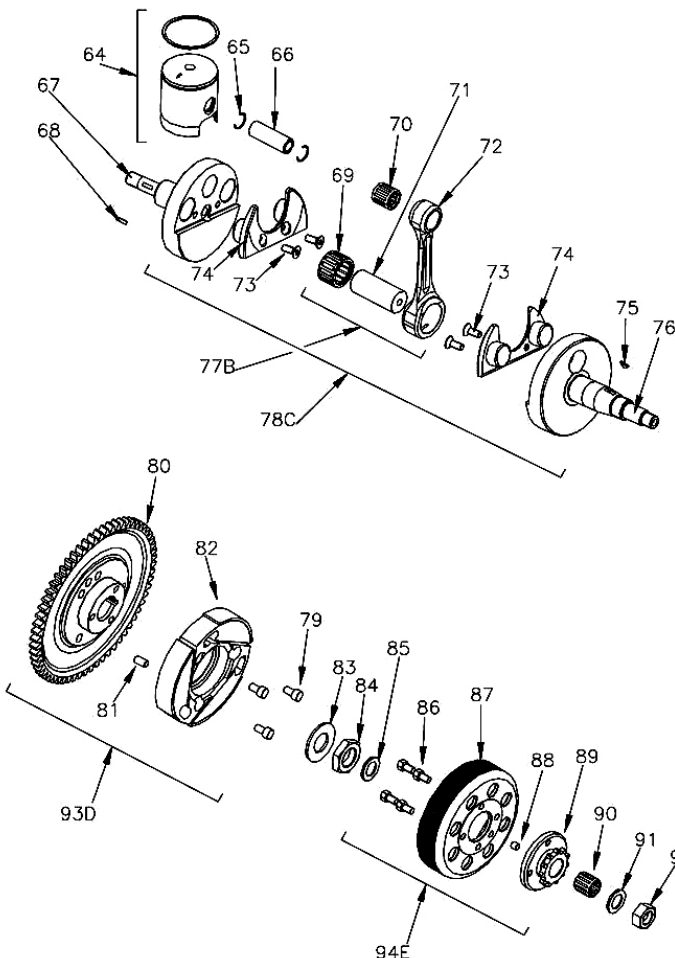
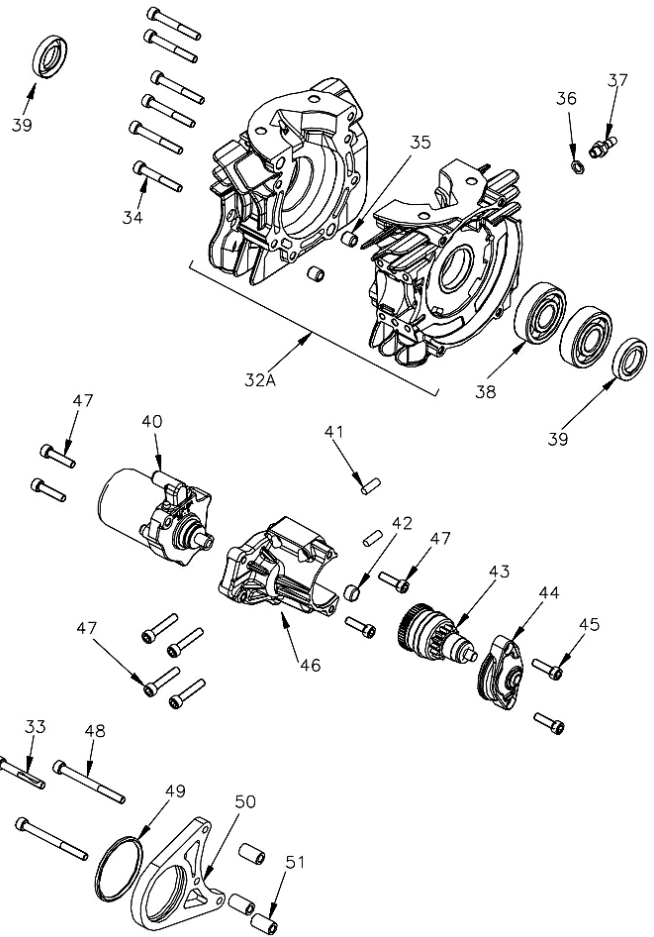


**Vortex Mini Rok Engine Parts Cont.**

- 32A. W050/MRC COMPLETE CRANKCASE WITH BEARINGS \$454.58
- 33. W510/40 SHCS M6x40 \$.60
- 34. W510/45 SHCS M6x45 \$.60
- 35. W075/1 CRANKCASE DOWEL 10x10.5x6.5 \$8.48
- 36. W10267 COPPER GASKET M8x12x1 \$2.72
- 37. W800 CRANK CASE FITTING \$6.06
- 38. W300/MR 6204-C4 MAIN BEARING \$15.00
- 39. W310 MAIN CRANK SEAL 20x35x7 \$12.00
- 40. W940/ROK STARTER \$170.00
- 41. W019 STARTER HOUSING PIN \$1.95
- 42. W924 BENDIX BEARING \$4.00
- 43. W916/ROK STARTER BENDIX \$70.00
- 44. W910/ROK STARTER DRIVE GEAR COVER \$19.50
- 45. W510/20 SHCS M6x20 \$.30
- 46. W960/RKT ALUMINUM STARTER SUPPORT \$117.00
- 47. W510/30 SHCS M6x30 \$.40
- 48. W510/65 SHCS M6x65 \$.70
- 49. W972/MR STARTER SUPPORT O-RING \$2.60
- 50. W970/MR STARTER SUPPORT BRACKET \$75.00
- 51. W975/MR STARTER SUPPORT BRACKET SPACER \$6.40



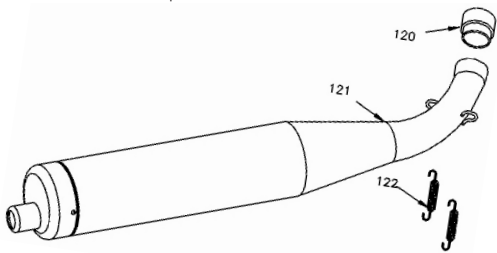
MINI ROK BLACK PLASTIC CLUTCH COVER \$32.00



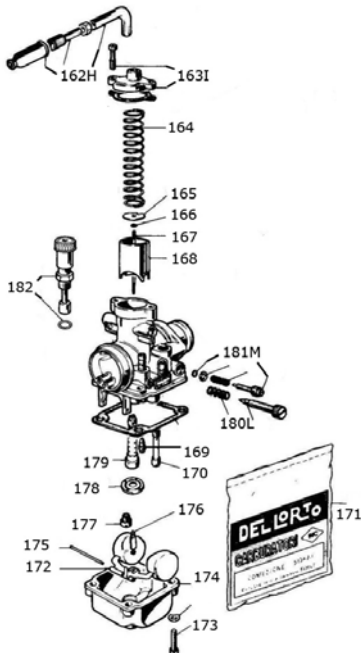
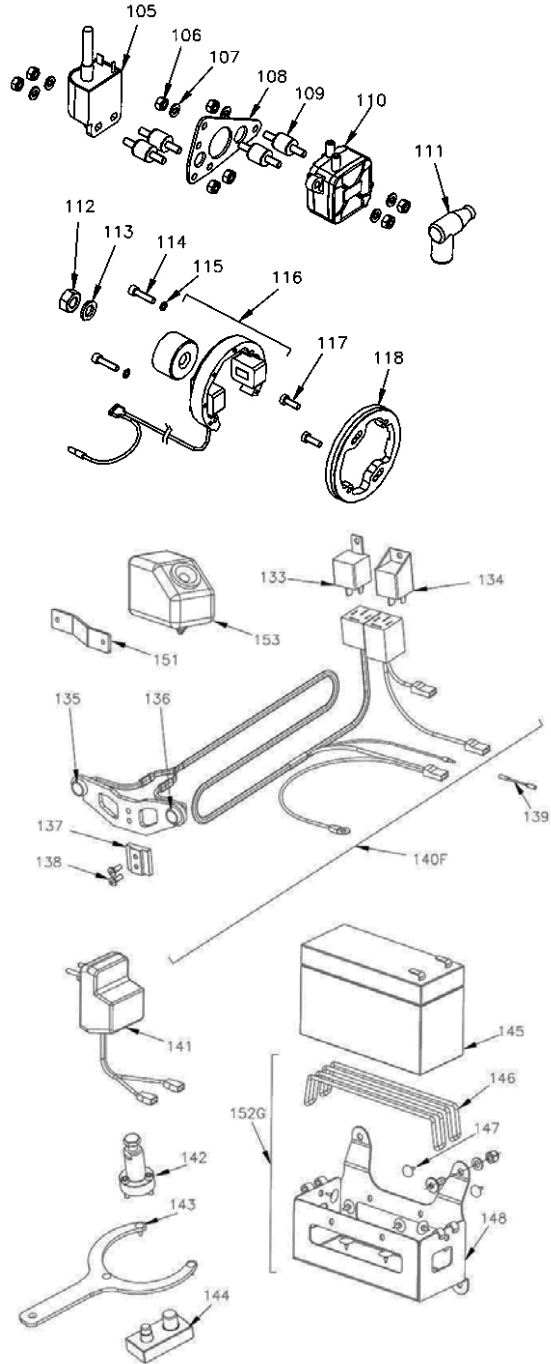
- 64. W240/MR01L MINI ROK PISTON KIT 41.88 \$108.00
- 64. W240/MR06L MINI ROK PISTON KIT 41.93 \$108.00
- 64. W240/MR11L MINI ROK PISTON KIT 41.98 \$108.00
- 65. W280/MR 12MM PISTON CIRCLIP \$2.00
- 66. W270/MR WRIST PIN \$5.85
- 67. W140/MR MAG SIDE CRANK HALF \$193.95
- 68. W122 MAG SIDE WOODRUFF KEY \$3.42
- 69. W220 BOTTOM ROD BEARING M18x24x15 \$50.00
- 70. W290/MR TOP ROD BEARING M12x16x15.5 \$18.00
- 71. W200/1MR CRANK PIN M18x40.6 \$23.00
- 72. W230/MR CONNECTING ROD \$260.00
- 73. W522/10 FHAB M5x10 \$.30
- 74. W160/MR NYLON CRANK HALF STUFFER \$8.00
- 75. W121 CLUTCH WOODRUFF KEY M3x3.7x10 \$3.42
- 76. W150/MR PTO CRANK HALF \$153.00
- 77B. W190/MR COMPLETE CONNECTING ROD ASSEMBLY \$387.91
- 78C. W130/1MR COMPLETE CRANKSHAFT ASSEMBLY \$581.86
- 79. W510/14 SHCS M6x14 \$.30
- 80. W1753/MR STARTER RING GEAR, 62 TEETH \$128.00
- 81. W1766/1ROK CLUTCH DOWEL PIN M6x10 \$1.95
- 82. W1751/1KF INNER CLUTCH FRICTION HUB \$160.00
- 83. W1708 CONICAL CLUTCH WASHER M16x31.5x1.5 \$2.42
- 84. W1727 FRICTION HUB NUT M16x1 \$13.00
- 85. W1726/1 CLUTCH WASHER 2MM \$3.00
- 86. W523/08 FHAB M5x8 FOR SPROCKET \$1.00
- 87. W1773/MR2 CLUTCH DRUM \$65.00
- 88. W1766/ROK SPROCKET ROLL PIN M5x5 \$.60
- 89. REPLACEMENT CLUTCH SPROCKET 10T, 11T, 12T \$62.40
- 90. W1715 CLUTCH BEARING M12x15x15 \$7.00
- 91. W1777/1ROK OUTER CLUTCH WASHER M10.1x18.8x2 \$2.60
- 92. W696/MR OUTER CLUTCH NUT \$9.99
- 93D. W1750/1MR COMPLETE FRICTION HUB ASSEMBLY \$320.00
- 94E. COMPLETE CLUTCH DRUM ASSEMBLY WITH SPROCKET 10T, 11T \$115.00 12T \$140.00

**Vortex Mini Rok Engine Parts Cont.**

- 105. W410/MR SELETTA IGNITION COIL \$128.49
- 106. W531/06 M6 HEX NUT \$.30
- 107. W570/12 FLAT WASHER M6 \$.30
- 108. W2052/MR FUEL PUMP SUPPORT PLATE \$10.00
- 109. W440 COIL RUBBER DAMPENER WITH STUDS \$7.80
- 110. W11023 FUEL PUMP \$68.00
- 111. W420/1 SPARK PLUG CAP \$22.00
- 112. W529/0108 MAGNETO HEX NUT M10x1 \$2.50
- 113. W1777/MR MAGNETO WASHER M10x18x2 \$1.95
- 114. W520/20 SHCS M5x20 \$.40
- 115. W580/10 FLAT WASHER M5 \$.40
- 116. W407/MR IGNITION \$136.50
- 117. W524/14 SHCS M5x14 \$.60
- 118. W068/MR IGNITION SUPPORT RING \$79.00
- 121. W780/1MR EXHAUST PIPE \$155.00
- 122. W10925 MUFFLER SPRING \$8.00



- 133. W2111/ROK RELAY DEVIATOR \$20.00
- 134. W2110/ROK STARTER RELAY \$25.35
- 135. W2116/ROK RED STARTER BUTTON \$98.19
- 136. W2115/ROK GREEN STARTER BUTTON \$60.00
- 137. W2113/ROK FIXING BUTTON PLATE FOR STARTER BUTTON \$19.50
- 138. W521/14 BUTTON HEAD BOLT M5x14 \$.40
- 139. W435/MR WIRING ADAPTER \$5.85
- 140F. W2125/ROK COMPLETE STARTING SYSTEM \$275.00
- 141. W2130/ROK CHARGER FOR USA \$68.25
- 143. WA061 CLUTCH HOLDER WRENCH \$39.00
- 144. WA062 SPROCKET REMOVAL TOOL \$110.00
- 145. W991 STARTER BATTERY \$72.00
- 146. W880 BATTERY HOLDER O-RING \$2.93
- 147. W2121/ROK BATTERY HOLDER RUBBER \$1.85
- 148. W2122/ROK BATTERY HOLDER BOX \$64.00

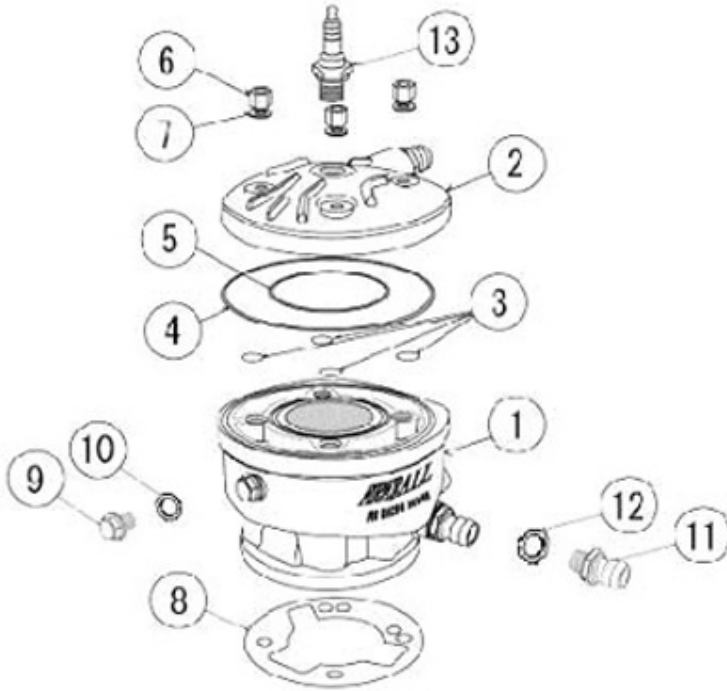


- W981400 FILTER CUP ADAPTER \$8.80
- D11023 DELLORTO FUEL PUMP, 3 NIPPLE \$48.00
- 0203 RLV MINI ROK AIR FILTER (NOT SKUSA) \$19.95
- 153. W850/1MR PLASTIC AIR BOX \$84.00
- 161V. DELLORTO CARBURETOR PHBG 18B \$123.95
- 162H. W53036-78 THROTTLE 90 DEGREE TUBE KIT \$7.01
- 163I. W53031-78 CARB TOP KIT \$10.76
- 164. W9597-61 CARB SLIDE SPRING \$5.50
- 165. W14958-21 CARB NEEDLE GUIDE PLATE \$4.70
- 166. W959621 CARB NEEDLE CLIP \$1.21
- 167. W959523 INLET CARB NEEDLE \$6.95
- 168. W947540 CARB SLIDE \$14.46
- 169. W148850 JET 50 \$2.07

- 170. W950160 JET 60 \$3.47
- 171. W52526-77 CARB GASKET KIT \$5.95
- 172. W9450-80 CARB FLOAT \$17.14
- 173. W11836-36 FLOAT BOWL BOLT \$.43
- 174. W9444-96 FLOAT BOWL \$12.50
- 175. W9506-22 CARB FLOAT PIN \$.78
- 176. W283805 INLET NEEDLE \$2.22
- 177. W148697 CARB JET 97 \$4.95
- 178. W9779-52 BOTTOM CUP \$3.99
- 179. W9511266 SPRAY NOZZLE 266 \$6.20
- 180L. W53027-78 NEEDLE VALVE KIT \$9.50
- 181M. W53024-78 SMALL ADJUSTABLE NEEDLE KIT \$9.50
- 182. W9538-64 CHOKE \$13.83

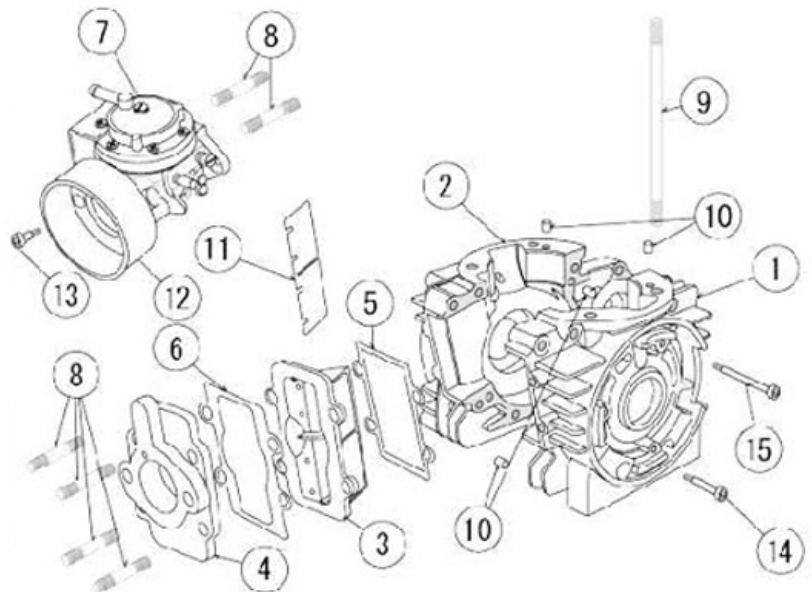
**PRD TaG 125cc Parts**

PRD TAG ENGINE KIT  
 \$1699.99  
 INCLUDES - ENGINE, RADIATOR,  
 CARB, EXHAUST PIPE, STARTER  
 SYSTEM, BATTERY, AIRBOX, AXLE  
 WATER PUMP, WATER LINES

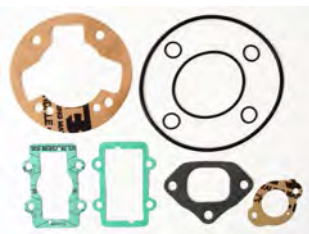


- 1. PRD-2010 CYLINDER \$605.00
- 2. PRD-1005 CYLINDER HEAD \$250.00
- 3. PRD-2015 STUD O-RING (12.5x1.8MM) \$.60
- 4. PRD-2008 OUTER HEAD O-RING (123.5x3.53MM) \$4.00
- 5. PRD-2006 INNER HEAD O-RING (61.6x2.62MM) \$2.95
- 6. PRD-1001 HEAD NUT \$3.25
- 7. PRD-1002 HEAD WASHER \$1.00
- 8. PRD-2096 BASE GASKET (.1MM) \$2.00
- 8. PRD-2097 BASE GASKET (.2MM) \$2.75
- 9-10. PRD-2018 TEMP LEAD BOLT AND WASHER \$7.75
- 11-12. PRD-1016 WATER FITTING AND WASHER \$12.00

- 1-2. PRD-3098 CRANK CASE \$610.00
- 3. PRD-8146 REED BLOCK ASSEMBLY \$129.00
- 4. PRD-8149 MANIFOLD \$26.00
- 5. PRD-8143 REEDBLOCK GASKET (INNER) \$2.50
- 6. PRD-8142 MANIFOLD GASKET (OUTER) \$2.50
- 7. PRD-8156 TILLOTSON HL360A CARBURETOR \$113.00
- 8. PRD-8144 CARB MANIFOLD STUD M6x27 \$3.35
- 9. PRD-2014 CASE STUD M8x145.5 \$12.80
- 10. PRD-2020 CRANK CASE DOWEL PIN \$6.40
- 11. PRD-8140 REED PEDAL \$41.00 PAIR
- 12. PRD-8153 ALUMINUM AIR FILTER ADAPTOR \$19.50
- 13. PRD-8159 FILTER ADAPTOR BOLT M5x20 \$.95
- 14. PRD-3103 SHORT CASE BOLT M6x40 \$2.05
- 15. PRD-3119 LONG CASE BOLT M6x45 \$2.35

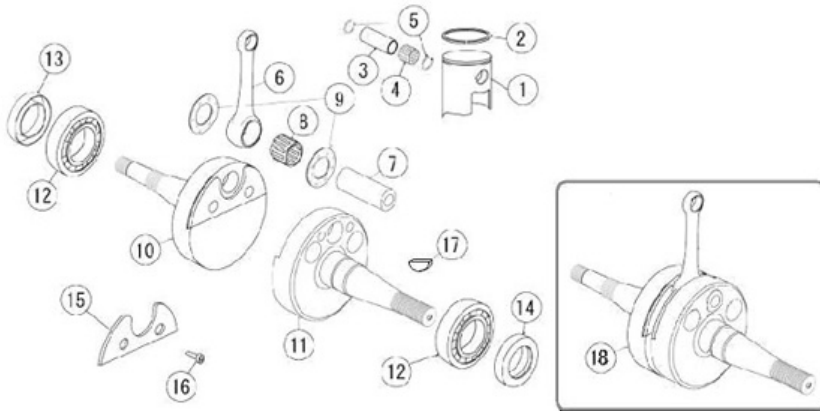


PRD-0194 GASKET  
 SET \$23.60



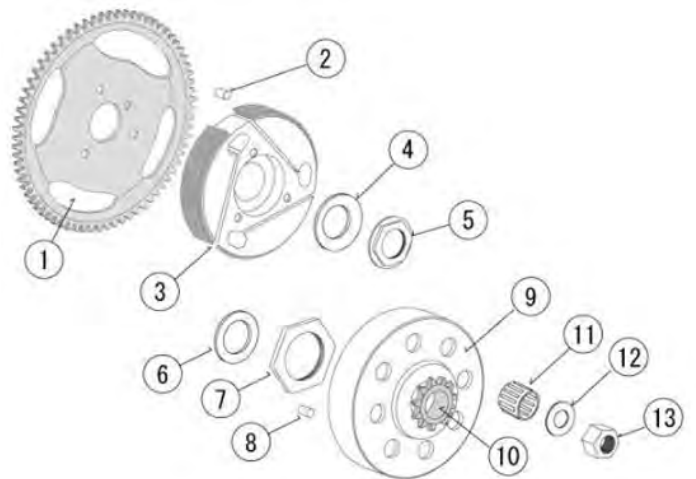


**PRD TaG 125cc Parts Cont.**

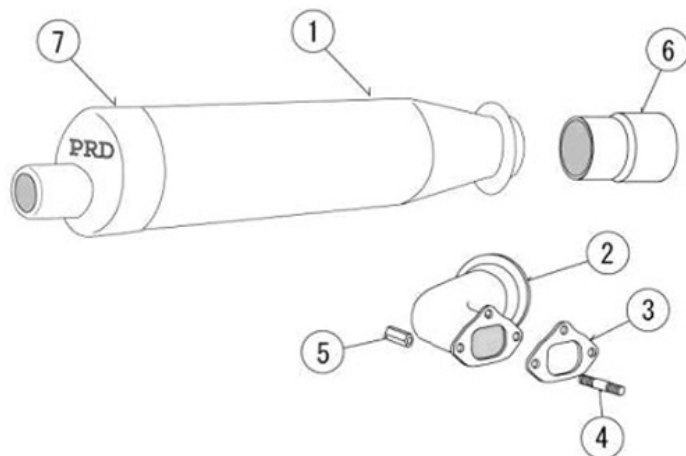


- 1. PISTON KIT WITH RING, CIRCLIP, BEARING AND PIN SPECIFY SIZE \$122.00
- 1. PISTON ONLY, NO RING, SPECIFY SIZE \$83.00
- 2. RING ONLY, SPECIFY SIZE \$23.50
- 3. PRD-4079 PISTON PIN \$8.75
- 4. PRD-4082 TOP ROD BEARING \$13.00
- 5. PRD-4081 PISTON CIRCLIP \$1.00
- 6. PRD-4085 CONNECTING ROD \$226.00
- 7. PRD-4088 CRANK PIN \$16.25
- 8. PRD-4086 BOTTOM ROD BEARING 18x24x14.8MM \$31.00
- 9. PRD-4087 CRANKPIN WASHER 18x31x1MM \$5.25
- 10. PRD-4093 CRANK PTO SIDE \$212.00
- 11. PRD-4094 CRANK MAG SIDE \$175.00
- 12. PRD-3100 MAIN BEARING 6205 SKF \$15.50
- 13. PRD-3101 PTO SIDE MAIN SEAL 25x38x7MM \$15.00
- 14. PRD-3102 MAG SIDE MAIN SEAL 20x35x7MM \$15.00
- 15-16. PRD-4089 CRANK STUFFER AND BOLTS \$37.75 COMPLETE KIT
- 17. PRD-4095 MAG SIDE KEY WAY \$2.85
- 18. PRD-4092 CRANKSHAFT ASSEMBLY \$560.00

- 1. PRD-7121 STARTER RING GEAR \$165.50
- 2. PRD-7126 INNER PIN FOR CLUTCH \$4.20
- 3. PRD-7122 CLUTCH FRICTION HUB \$170.00
- 4. PRD-7124 SPRING WASHER 32x20x1.5MM \$10.75
- 5. PRD-7123 JAM NUT M20 \$21.50
- 6. PRD-7133 INNER CLUTCH WASHER \$4.35
- 9. PRD-7138 CLUTCH DRUM \$63.75
- 10. PRD-7140 DRIVE SPROCKET 10T \$32.50 12MM & 14MM PTO
- 10. PRD-7141 DRIVE SPROCKET 11T \$32.50 NEW STYLE 12MM PTO
- 10. PRD-7139 DRIVE SPROCKET 11T \$32.50 OLD STYLE 14MM PTO
- 11. PRD-7136 11T CLUTCH DRUM BEARING 14x17x19.8MM \$14.25
- 11. PRD-7182 10T CLUTCH DRUM BUSHING 14x17x19.8MM \$8.35
- 11. PRD-7142 12MM BEARING SET FOR DRUM \$17.00 NEW STYLE
- 12. PRD-7195 10T CLUTCH DRUM OUTER WASHER \$2.25
- 12. PRD-7134 11T CLUTCH DRUM OUTER WASHER \$1.00
- 12. PRD-7130 OUTER PTO CLUTCH SPACER 10T, 11T \$2.25
- 12. PRD-7132 OUTER PTO CLUTCH WASHER 10T, 11T \$3.50
- 13. PRD-7180 CLUTCH DRUM NUT \$4.00
- PLASTIC CLUTCH GUARD \$44.00
- PRD-7131 CLUTCH SNAP RING FOR NEW STYLE 12MM PTO \$2.15

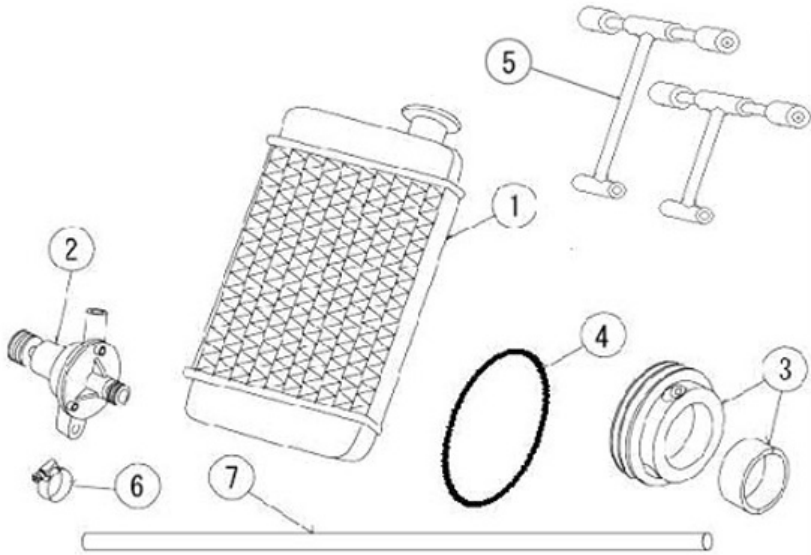


**PRD-7193 CLUTCH PULLER \$60.00**



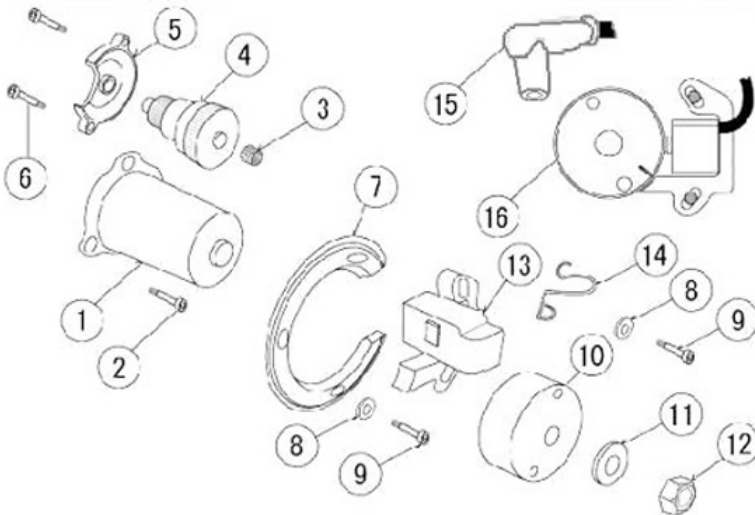
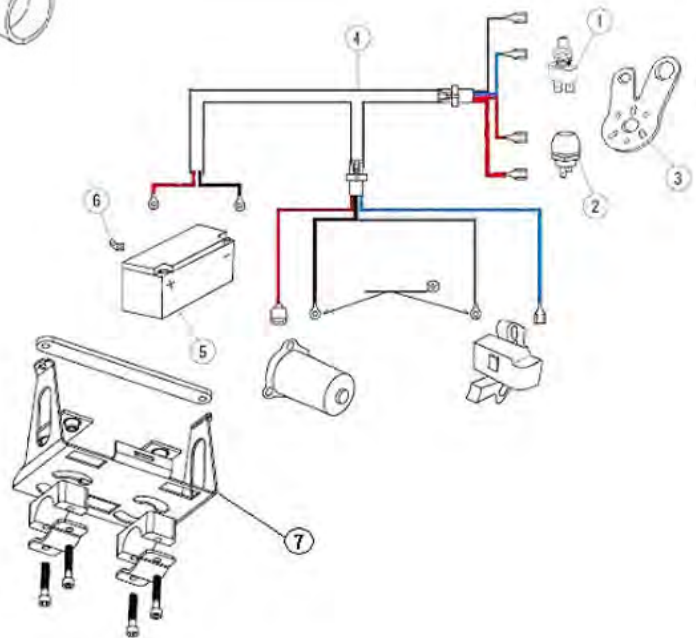
- 1. PRD-9161 EXHAUST PIPE \$126.50
- 2. PRD-9012 EXHAUST HEADER \$71.00
- 3. PRD-2013 EXHAUST GASKET 2MM STEEL \$8.90
- 4. PRD-2011 EXHAUST HEADER STUD 3 PACK \$14.00
- 6. PRD-9165 HEADER FLEX TUBE \$9.85
- 7. PRD-9163 PIPE END CAP \$38.00

**PRD TaG 125cc Parts Cont.**



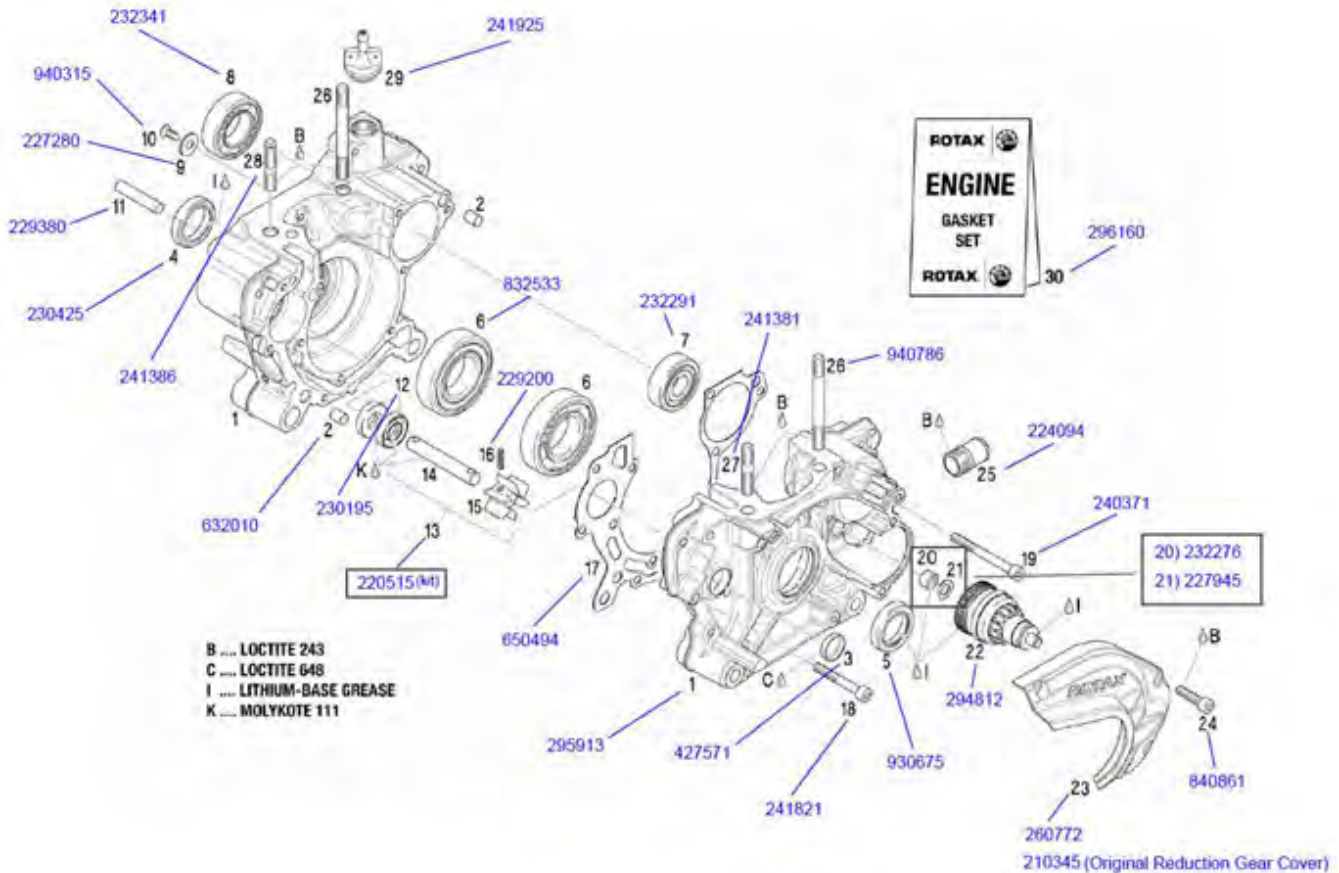
- 1. PRD-9181 RADIATOR 35.5x19.5CM \$156.00
- 2. PRD-9187 WATER PUMP \$52.00
- 3. PRD-9186 WATER PUMP PULLEY 50MM \$76.75
- 4. WATER PUMP O-RING \$3.00
- 5. PRD-9184 RADIATOR STEEL BRACKET \$66.00
- 6. PRD-9188 HOSE CLAMP FOR WATER LINE \$1.40
- 7. PRD-9185 WATER INLET HOSE \$26.00
- PRD REPLACEMENT RADIATOR CAP \$18.95

- 1. PRD-6119 KILL SWITCH \$21.50
- 2. PRD-6116 STARTER BUTTON \$37.00
- 3. PRD-6170 STARTER BUTTON MOUNTING BRACKET \$20.50
- 4. PRD-6166 WIRING HARNESS \$53.00
- 5. PRD-6168 BATTERY \$105.00
- 6. PRD-6167 BATTERY TERMINAL \$.40
- 7. PRD-6169 BATTERY HOLDER \$69.50
- PRD-5140 COIL DAMPNER \$6.75 PAIR



- 1. PRD-6110 STARTER MOTOR \$226.00
- 2. PRD-6112 STARTER BOLT \$1.25
- 3. PRD-6114 BENDIX BEARING \$19.00
- 4. PRD-6113 STARTER BENDIX \$81.25
- 5. PRD-6117 ALUMINUM PINION COVER \$24.50
- 6. PRD-6118 BENDIX COVER BOLT \$1.10
- 7. PRD-5104 COIL MOUNTING BRACKET \$23.00
- 8-9. PRD-5099 COIL BOLT AND WASHER \$1.25
- 10. PRD-5108 IGNITION FLYWHEEL \$112.50
- 11. PRD-5107 FLYWHEEL WASHER \$1.25
- 12. PRD-5106 FLYWHEEL NUT \$1.65
- 13. PRD-5109 IGNITION COIL \$215.00
- 14. PRD-5179 COIL WIRE SPRING CLIP \$2.15
- 15. PRD-5177 SPARK PLUG CAP \$13.85

**Rotax 125 Engine Parts**



- |   |  |
|---|--|
| <p>1-2. 295913 CRANK CASE ASSEMBLY \$928.00<br/>                 2. 632010 PIN 8x12 \$2.31<br/>                 3. 427571 COVER \$1.24<br/>                 4. 230425 OIL SEAL 28x38x7 \$12.26<br/>                 5. 930675 OIL SEAL 25x38x7 \$12.26<br/>                 6. 832533 BALL BEARING 6206 \$29.49<br/>                 7. 232291 BALL BEARING 6302TN9C3 \$20.58<br/>                 8. 232341 BALL BEARING 6005EC3 \$25.44<br/>                 9. 227280 THRUST WASHER \$5.07<br/>                 10. 940315 M6x30 COUNTERSUNK BOLT \$.30<br/>                 11. 229380 LOCATING PIN 8 SMALL M6x40 \$3.80<br/>                 12. 230195 OIL RING 10x26x7 \$6.02<br/>                 13-16. 220515 PUMP SHAFT ASSEMBLY \$32.12<br/>                 17. 650494 GASKET \$7.51</p> | <p>18. 241821 M6x45 ALLEN SCREW \$.88<br/>                 19. 241821 M6x60 ALLEN SCREW \$1.20<br/>                 20-21. 232275 NEEDLE BUSHING 8x12x8 &amp; WASHER \$15.38<br/>                 22. 294812 STARTER REDUCTION GEAR ASSEMBLY \$180.99<br/>                 23. 210345 REDUCTION GEAR COVER \$12.58<br/>                 24. 840861 M6x25 ALLEN SCREW \$.61<br/>                 25. 922620 BENT SOCKET (WITHOUT THERMOSTAT) \$15.92<br/>                 25. 224094 TUBE (WITH THERMOSTAT) \$6.83<br/>                 26. 940786 STUD M8x57/20 \$4.37<br/>                 27. 241381 STUD M8x28/20 \$3.35<br/>                 28. 241386 STUD M8x28/20, WITH HOLE FOR SEAL \$4.00<br/>                 29. 241925 AIR VENT BOLT M18x1.5 \$3.71<br/>                 30. 260770 CHAIN GUARD 800x65x3 \$10.29<br/>                 31. 296160 ENGINE GASKET SET \$67.72</p> |
|---|--|

296160 GASKET SET INCLUDES -

- 2 - 230195 WATER PUMP SHAFT OIL SEAL 10x26x7
- 1 - 230260 EXHAUST VALVE O-RING 6x3
- 1 - 230425 CRANKSHAFT OIL SEAL 28x38x7
- 1 - 430460 BALANCE GEAR O-RING 18x3.5
- 1 - 430782 CYLINDER HEAD O-RING 23.3x2.4
- 1 - 930675 CRANKSHAFT OIL SEAL 25x38x7
- 2 - 945635 PISTON CIRCLIP
- 1 - 250160 CYLINDER HEAD O-RING 64x2
- 1 - 250231 EXHAUST VALVE GASKET
- 1 - 250271 EXHAUST SOCKET GASKET
- 1 - 250280 CYLINDER HEAD COVER O-RING 105x2.5
- 1 - 250521 REED VALVE GASKET
- 1 - 650470 GEAR BOX COVER GASKET
- 1 - 650480 BASE GASKET .3MM
- 1 - 650481 BASE GASKET .5MM
- 1 - 650482 BASE GASKET .8MM
- 1 - 650483 BASE GASKET .4MM
- 1 - 650494 CRANKCASE GASKET
- 1 - 838255 HOSE SPRING 70-1.7-0.3
- 1 - 939280 HOSE SPRING 134-3-0.65

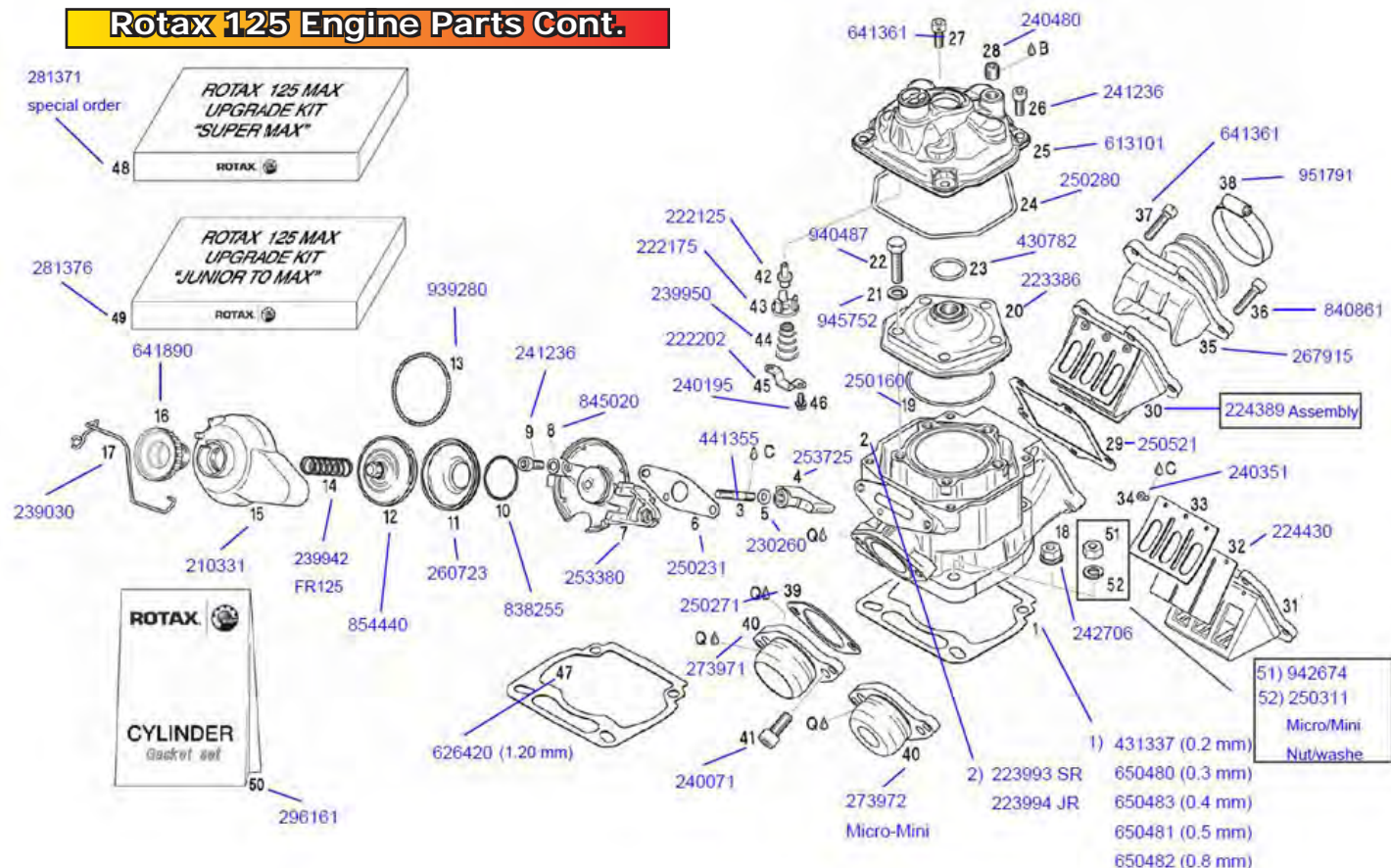
**FOR THE LATEST NEWS AND PRODUCTS FROM COMET KART SALES  
 VISIT KARTING'S LARGEST ONLINE CATALOG  
 WWW.COMETKARTSALES.COM!**

**OVER 20,000 KARTS, PARTS, AND ACCESSORIES AT YOUR FINGERTIPS  
 24 HOURS A DAY, 7 DAYS A WEEK, 365 DAYS A YEAR!**

**NOT SURE OF WHAT YOU NEED FOR YOUR PROJECT? CALL OUR  
 VERY EXPERIENCED SALES STAFF!**

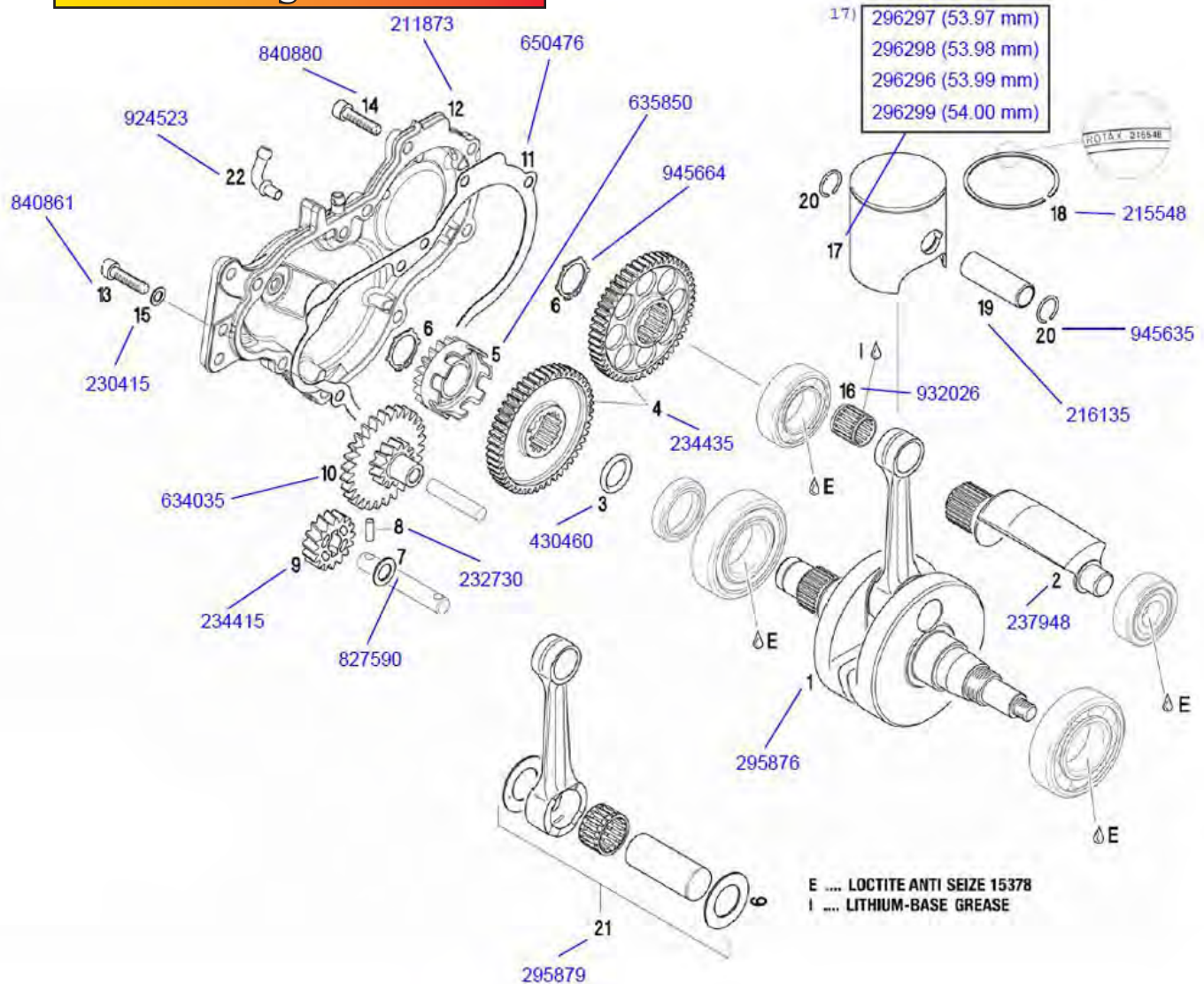


**Rotax 125 Engine Parts Cont.**



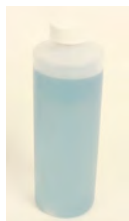
- |  |   |
|--|---|
| 1. 431337 .2MM GASKET, RACING PURPOSE ONLY \$5.02        | 23. 430782 SMALL HEAD O-RING \$3.71                       |
| 1. 650480 .3MM GASKET \$5.02                             | 24. 250280 O-RING 105x2.5MM \$4.75                        |
| 1. 650483 .4MM GASKET \$5.02                             | 25. 613106 HEAD COVER, STYLE WITHOUT THERMOSTAT \$146.72  |
| 1. 650481 .5MM GASKET \$5.02                             | 25. 613101 HEAD COVER, STYLE WITH THERMOSTAT \$109.83     |
| 1. 650482 .8MM GASKET \$5.02                             | 26. 241236 SHCS BOLT M6x16 \$.86                          |
| 2. 223993 125 MAX NIKASIL CYLINDER \$723.70              | 27. 641361 M6x25 ALLEN BOLT \$.80                         |
| 2. 223994 125 MINI MAX, MICRO MAX CYLINDER \$712.00      | 28. 240480 PLUG SCREW 1/8" NPT \$3.73                     |
| CYLINDER SIZES -   | 29. 250521 REED CAGE GASKET \$4.34                        |
| A. 54.00-54.01MM, AB. 54.01-54.015MM, B. 54.015-54.025MM | 30-34. 224389 REED VALVE ASSEMBLY \$96.60                 |
| 3. 441355 STUD M6x45.5 \$7.71                            | 32. 224430 REED PETAL \$17.05                             |
| 4. 253725 EXHAUST VALVE \$40.85                          | 34. 240351 M3x6 OVAL HEAD BOLT \$.20                      |
| 5. 230260 O-RING 6x3 \$2.67                              | 35. 267915 CARBURETOR FLANGE \$77.74                      |
| 6. 250231 EXHAUST VALVE GASKET \$4.34                    | 36. 840861 M6x25 ALLEN SCREW \$.61                        |
| 7. 253380 VALVE ROD HOUSING \$69.39                      | 37. 641361 M6x25 ALLEN SCREW DRILLED FOR SEAL \$1.65      |
| 8. 845020 SPRING WASHER \$.25                            | 38. 951791 HOSE CLAMP \$4.82                              |
| 9. 241236 M6x16 ALLEN BOLT \$.86                         | 39. 250271 EXHAUST GASKET \$5.07                          |
| 10. 838255 HOSE SPRING, SMALL \$2.40                     | 40. 273971 EXHAUST SOCKET ASSEMBLY \$40.33                |
| 11. 260723 BELLOW GREEN \$21.01                          | 40. 273972 MINI MAX MICRO MAX EXHAUST SOCKET ASSY \$40.33 |
| 12. 854440 EXHAUST VALVE PISTON \$21.97                  | 41. 240071 M8x20 ALLEN SCREW \$.66                        |
| 13. 939280 HOSE SPRING, LARGE \$4.14                     | 42. 222125 THERMOSTAT 45°C/113°F \$17.51                  |
| 14. 239942 COMPRESSION SPRING \$5.45                     | 43. 222175 THERMOSTAT HOLDER \$7.35                       |
| 15. 210331 VALVE COVER \$24.25                           | 44. 239950 COMPRESSION SPRING \$4.07                      |
| 16. 641890 ADJUSTMENT SCREW \$12.85                      | 45. 222202 THERMOSTAT RETAINING BRACKET \$7.28            |
| 17. 239030 SPRING CLIP \$8.41                            | 46. 240195 TAPTITE BOLT M4x8 \$1.24                       |
| 18. 242706 COLLAR NUT M8 \$4.66                          | 47. 626420 RESTRICTION PLATE \$45.37                      |
| 19. 250160 O-RING 64x2MM \$5.07                          | 48. 281371 UPGRADE KIT TO SUPER MAX \$903.39              |
| 20. 223385 COMBUSTION CHAMBER INSERT \$119.31            | 49. 281376 UPGRADE KIT JUNIOR TO 125 SENIOR MAX \$1045.79 |
| 21. 945752 LOCK WASHER \$.25                             | 50. 296161 GASKET SET CYLINDER ASSEMBLY \$48.90           |
| 22. 940487 M8x30 HEX BOLT \$1.18                         |   |

**Rotax 125 Engine Parts Cont.**



- 1. 295876 CRANK SHAFT ASSEMBLY \$685.34
- 2. 237948 BALANCE SHAFT \$93.91
- 3. 430460 O-RING 18x3.5 \$2.40
- 4. 234435 BALANCE GEAR 50T \$50.08
- 5. 635850 WATER PUMP GEAR 19T \$20.72
- 6. 945664 RETAINING RING 20x1.2 \$.84
- 7. 827590 THRUST WASHER \$1.52
- 8. 232731 NEEDLE PIN 4x15.8 \$1.09
- 9. 234415 WATER PUMP PINION 16T \$19.50
- 10. 634035 IDLE GEAR 28/13T \$19.41
- 11. 650476 CASE GASKET \$8.48
- 12. 211873 GEAR COVER \$83.59
- 13. 241236 M6x16 ALLEN BOLT \$.86

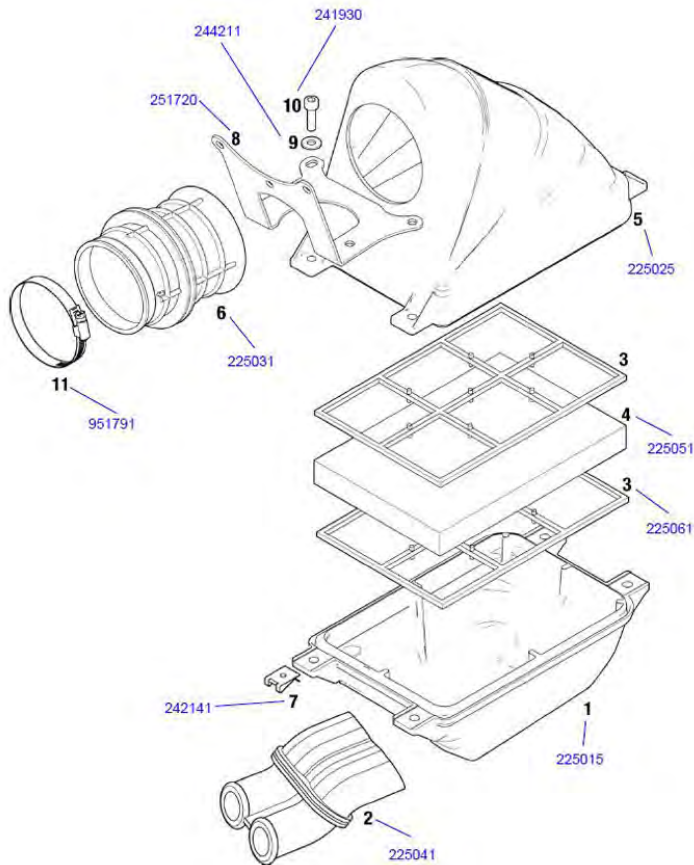
- 14. 840861 M6x25 ALLEN BOLT \$.61
- 14. 840880 M6x30 ALLEN BOLT \$.63
- 15. 230415 GASKET RING M6x10 \$.88
- 16. 932026 NEEDLE CAGE 15x19x20 \$34.18
- 17-18. 262297 PISTON ASSEMBLY 53.97 \$148.10
- 17-18. 262298 PISTON ASSEMBLY 53.98 \$148.10
- 17-18. 296296 PISTON ASSEMBLY 53.99 \$148.10
- 17-18. 296299 PISTON ASSEMBLY 54.00 \$148.10
- 18. 215548 PISTON RING \$53.60
- 19. 216135 PISTON PIN 15x10/12.5x45.6 \$19.81
- 20. 945635 CIRCLIP \$1.04
- 21. 295879 CONNECTING ROD ASSEMBLY \$369.28
- 22. 924523 IMPULSE FITTING \$4.37



ROTAX AND X30 COUNTER BALANCE LOW FRICTION OIL, LESS FRICTION, MORE POWER! TRACK AND DYNO TESTED WITH IMPRESSIVE GAINS \$25.00/8oz



**Rotax 125 Engine Parts Cont.**

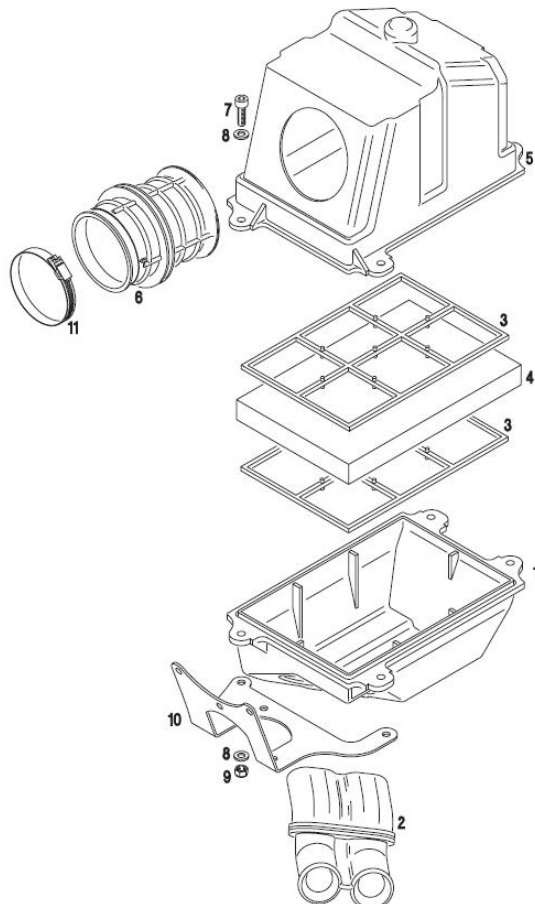


**NEW STYLE AIRBOX**

1. 225015 INTAKE SILENCER BOTTOM \$27.46
2. 225041 INTAKE SILENCER TUBE \$34.47
3. 225061 HOLDER FOR FILTER ELEMENT \$7.03
4. 225051 FILTER ELEMENT \$15.52
5. 225025 INTAKE SILENCER CASE, TOP \$38.20
6. 225031 CARBURETOR SOCKET \$19.09
7. 242141 M6 BLIND NUT \$2.01
8. 251720 SUPPORT BRACKET \$19.93
9. 244211 WASHER \$.30
10. 241930 M6x20 ALLEN BOLT \$.60
11. 951791 HOSE CLAMP 50-70 \$4.82

**OLD STYLE AIRBOX - ALL CLOSE OUTS!**

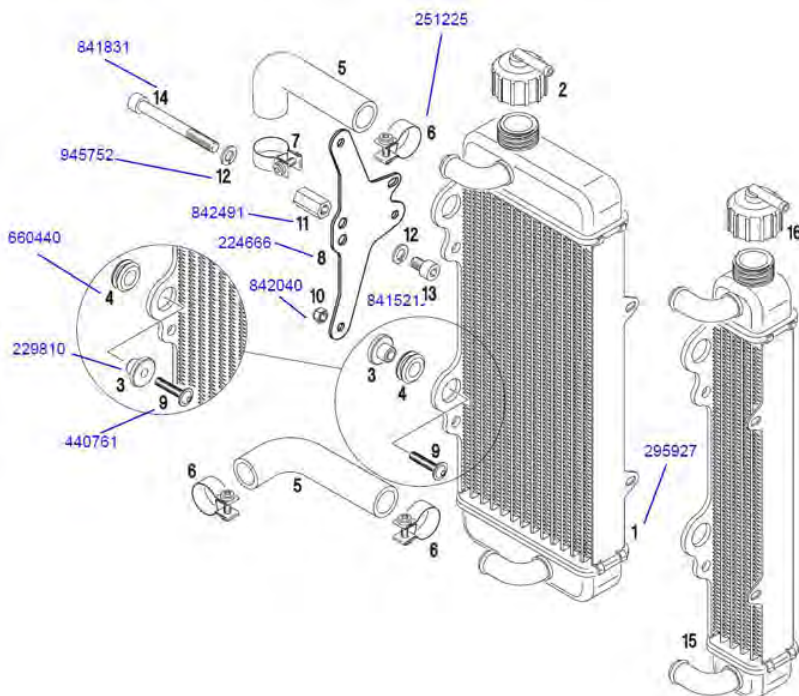
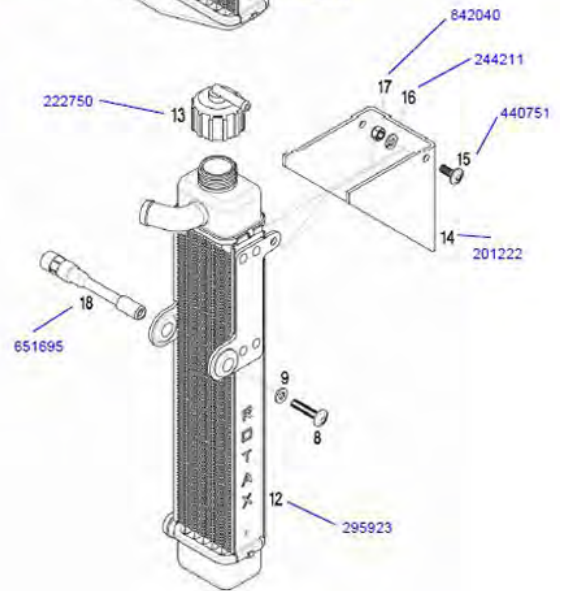
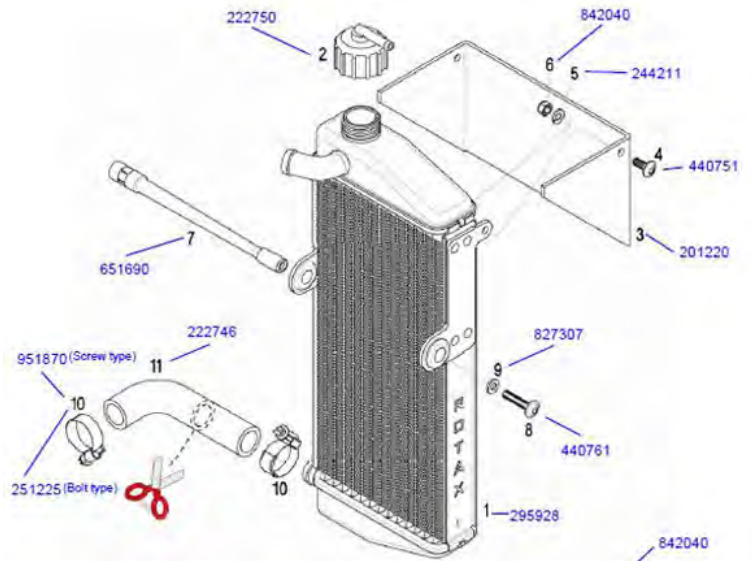
2. 225041 INTAKE SILENCER TUBE \$34.47
3. 225061 HOLDER FOR FILTER ELEMENT \$7.03
4. 225051 FILTER ELEMENT \$15.52
6. 225031 CARBURETOR SOCKET \$19.09
7. 241930 M6x20 ALLEN BOLT \$.60
8. 244211 WASHER \$.30
9. 842040 M6 LOCK NUT \$.40
11. 951791 HOSE CLAMP 50-70 \$4.82





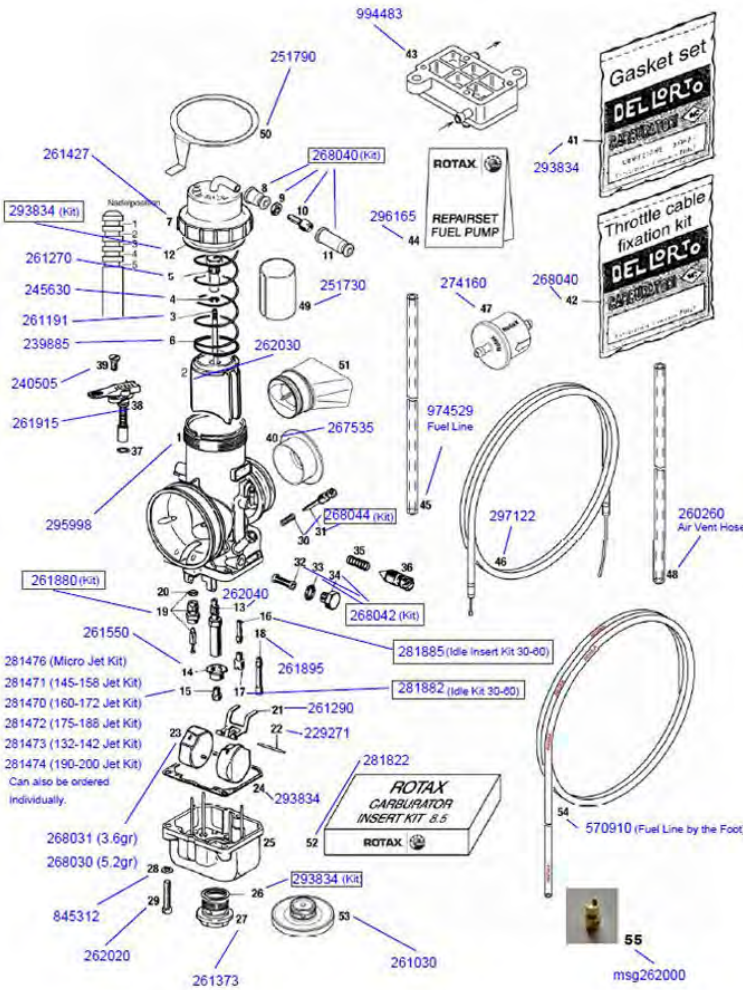
**Rotax 125 Engine Parts Cont.**

- 1-2. 295928 RADIATOR WITH CAP ASSEMBLY \$432.31
- 2. 222750 RADIATOR CAP WITH GASKET \$33.11
- 3. 201220 RADIATOR CLEAR FLAP JUNIOR/SENIOR \$37.73
- 4. 440751 BUTTON HEAD ALLEN M6x16 \$1.20
- 5. 244211 WASHER M6 \$.30
- 6. 842040 LOCK NUT M6 \$.40
- 7. 651690 RADIATOR BRACKET \$20.22
- 8. 440761 BUTTON HEAD ALLEN M6x20 \$1.20
- 9. 827307 WASHER M6 \$.30
- 10. 951870 SCREW TYPE CLAMP 16-25 \$3.10
- 11. 222746 COOLING WATER HOSE \$12.58
- 12. 295923 MICRO MAX RADIATOR WITH CAP ASSEMBLY \$23
- 13. 222750 RADIATOR CAP \$33.11
- 14. 201222 MICRO MAX RADIATOR FLAP \$32.95
- 15. 440751 BUTTON HEAD ALLEN M6x16 \$1.20
- 16. 244211 WASHER M6 \$.30
- 17. 842040 LOCK NUT M6 \$.40
- 18. 651695 RADIATOR BRACKET, MICRO MAX \$15.99



- 3. 229810 DISTANCE SLEEVE \$2.10
- 4. 660440 RUBBER GROMMET \$2.31
- 5. 222746 COOLING WATER HOSE \$12.58
- 6. 951870 CLAMP 16-25 \$3.10
- 7. 251875 CLAMP 23/12 \$3.05
- 8. 224666 RETAINING PLATE \$10.99
- 9. 440761 ALLEN SCREW M6x20 \$.85
- 10. 842040 LOCK NUT M6 \$.40
- 11. 842491 DISTANCE NUT M8x24.5 \$4.55
- 12. 945752 LOCK WASHER M8 \$.25
- 13. 841521 SHCS BOLT M8x12 \$.80
- 14. 841831 SHCS BOLT M8x75 \$.85

**Rotax 125 Engine Parts Cont.**

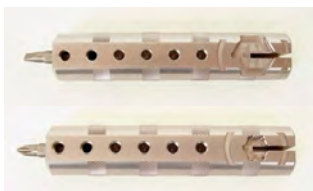


1. 295998 DELLORTO CARBURETOR VHSB34 \$524.46
2. 262030 CARBURETOR SLIDE 40 \$134.06
3. 261190 NEEDLE JET K27 \$13.41
3. 261191 NEEDLE JET K98 \$13.41
4. 245630 CLIP \$1.42
5. 261270 NIPPLE SCREW \$16.28
6. 239885 THROTTLE VALVE SPRING \$10.40
7. 261427 CARBURETOR COVER WITH BENT TUBE \$26.08
- 8-11. 268040 CABLE FIXATION ASSEMBLY \$10.34
12. USE GASKET SET 293834 \$22.66
13. 262040 NEEDLE JET FN266 \$17.46
14. 261550 MAIN JET CUP \$1.90
15. 281476 MAIN JET KIT (115/118/120/122/125/128/130) \$35.67
15. 281471 MAIN JET KIT (145/148/150/152/155/158) \$30.60
15. 281470 MAIN JET KIT (160/162/165/168/170/172) \$30.60
15. 281472 MAIN JET KIT (175/178/180/182/185/188) \$30.60
15. 281473 MAIN JET KIT (132/135/138/140/142) \$25.54
15. 281474 MAIN JET KIT (190/192/195/198/200) \$25.54
15. MAIN JET SOLD INDIVIDUALLY 115-200 \$5.25 EACH
16. 261162 IDLE JET INSERT 30, OPTIONAL \$10.98
16. 261165 IDLE JET INSERT 60, STANDARD \$10.98
17. 261163 IDLE JET 30, OPTIONAL \$11.52
17. 261341 IDLE JET 60, STANDARD \$11.52
18. 261895 STARTING JET 60 \$7.58
19. 261880 NEEDLE VALVE 150 \$35.22
20. USE GASKET SET 293834 \$22.66
21. 261290 FLOAT BRACKET \$22.80
22. 229271 FLOAT PIN \$2.24
23. 268031 FLOAT 3.6G \$18.82
23. 268030 FLOAT 5.2G \$18.82
24. USE GASKET SET 293834 \$22.66
25. NOT AVAILABLE AS A REPLACEMENT PART
26. USE GASKET SET 293834 \$22.66
27. 261373 PLUG SCREW \$7.08
28. 845312 LOCK WASHER \$.61
29. 262020 M5x20 ALLEN SCREW \$.68
- 30-31. 268044 ADJUSTMENT SCREW KIT \$8.12
- 32-34. 268042 FUEL SIEVE KIT \$14.54
35. NOT AVAILABLE AS A REPLACEMENT PART
36. NOT AVAILABLE AS A REPLACEMENT PART
37. USE GASKET SET 293834 \$22.66
38. 261915 CHOKE LEVER ASSEMBLY \$47.77
39. 240505 M4.5x10 COUNTERSUNK BOLT \$3.23
40. 267535 MINIMAX INTAKE RESTRICTOR \$42.95
41. 293834 GASKET SET \$22.66
42. 268040 THROTTLE CABLE FIXATION KIT \$10.34
43. 994483 MIKUNI FUEL PUMP, OEM \$66.45
43. MIKUNI FUEL PUMP, AFTERMARKET \$27.00
44. 296165 FUEL PUMP GASKET SET, OEM \$23.39
44. FUEL PUMP GASKET SET, AFTERMARKET \$6.95
45. 974529 TUBE A5x8/2500MM \$22.01
46. 297122 CABLE ASSEMBLY THROTTLE \$15.90
47. 274160 FUEL FILTER \$10.20
48. 260260 AIR VENT HOSE 180MM \$3.35
49. 251730 CARBURETOR STOP SLEEVE FOR MICROMAX \$23.59
50. 251790 MICROMAX FIXATION PLATE \$16.47
51. 281476 MICRO MAIN JET KIT 115/118/120/122/125/128/130 \$34.67
52. 281820 12.5 CARB DIFFUSER \$131.36
53. 261030 NEW STYLE PLUG SCREW, HAND REMOVAL TYPE \$32.23'
55. MSG262000 CARB ATOMIZER SPRAY NOZZLE 8MM \$17.08

**Rotax Carb and Jet Tools**



1. PKT ROTAX MAIN JET STORAGE BLOCK AND INTEGRATED WRENCH WITH STORAGE FOR NEEDLES \$29.50



2. KSAR ROTAX JET WRENCH, JET, NEEDLE HOLDER WITH FLAT BLADE AND PHILIPS SCREW DRIVER END \$46.95



3. KARTECH T52 ALL IN ONE ROTAX CARB WRENCH, HOLDS JETS, NEEDLES, SMALL AND LARGE FLAT BLADE, ALLEN \$75.00



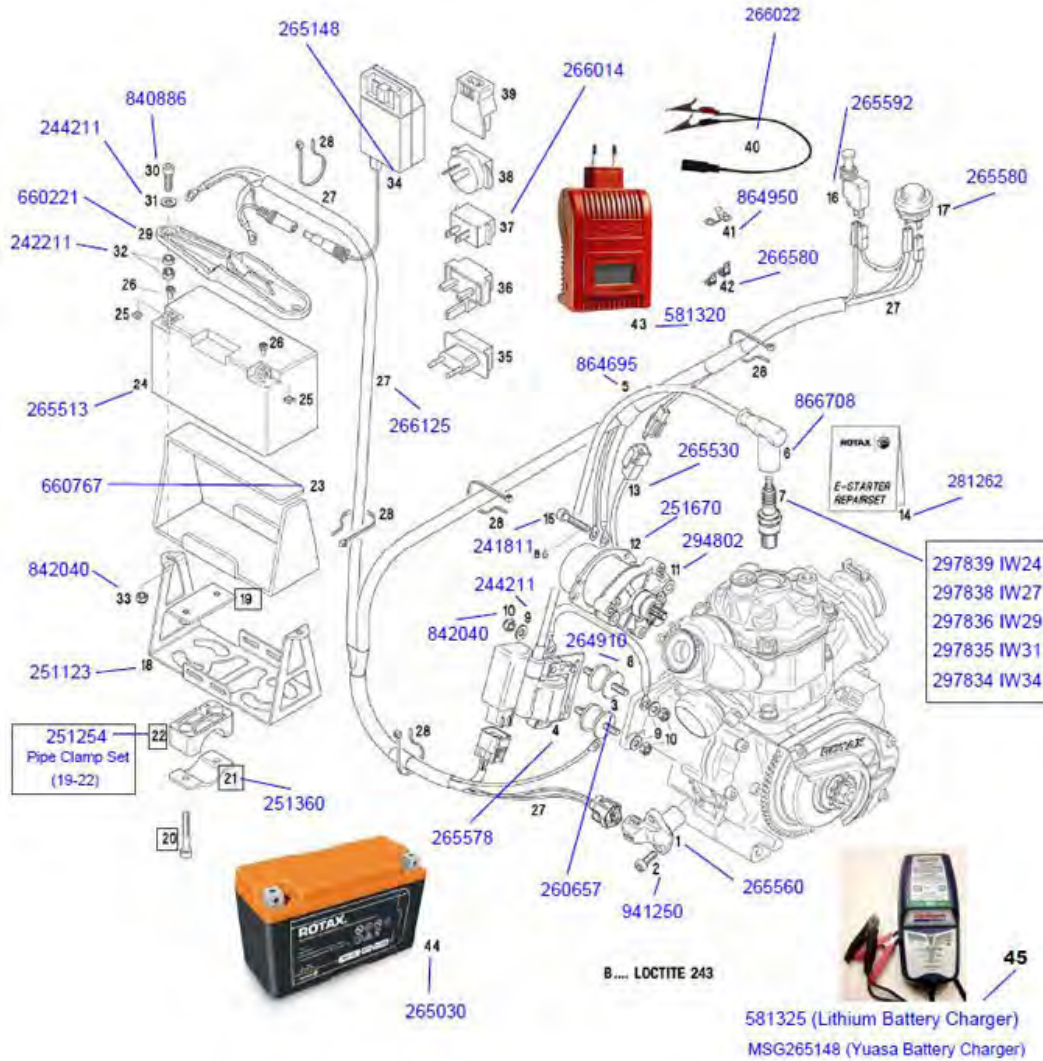
4. DELLORTO SLIDE TOOL, CHANGE NEEDLE CLIP POSITION EASIER \$23.50



5. DELLORTO FLOAT HEIGHT GAUGE, MEASURE IN .5MM INCREMENTS FROM 1.5MM TO 5MM \$15.99



**Rotax 125 Engine Parts Cont.**



RTX-4 ALUMINUM BRACKET WITH HARDWARE FOR ROTAX STARTER BUTTON AND ON/OFF SWITCH, MOUNTS TO DRIVER PANEL BRACKET \$19.95



PKT AFTERMARKET "S" ROTAX COIL BRACKET \$32.50



PKT ROTAX AFTERMARKET HORIZONTAL COIL BRACKET \$32.50

- |  |  |
|--|--|
| <ol style="list-style-type: none"> <li>1. 265560 PICK UP \$86.40</li> <li>2. 941250 M6x16 ALLEN BOLT \$.80</li> <li>3. 260657 COIL RUBBER BUFFER \$12.58</li> <li>4. 265578 IGNITION COIL \$500.39</li> <li>5. 864695 IGNITION CABLE 360MM \$9.16</li> <li>6. 866708 SPARK PLUG CONNECTOR \$18.21</li> <li>7. 297838 SPARK PLUG IW27 \$15.95</li> <li>7. 297836 SPARK PLUG IW29 \$15.95</li> <li>7. 297835 SPARK PLUG IW31 \$15.95</li> <li>7. 297834 SPARK PLUG IW34 \$15.95</li> <li>8. 264910 MASS CABLE ASSEMBLY \$5.88</li> <li>9. 244211 WASHER \$.30</li> <li>10. 842040 M6 LOCK NUT \$.40</li> <li>11. 294802 ELECTRIC STARTER ASSEMBLY \$250.06</li> <li>11. ITALSPORT AFTERMARKET STARTER FOR ROTAX \$163.00</li> <li>12. 251670 STARTER SUPPORT \$7.37</li> <li>13. 265530 CABLE ASSEMBLY \$22.73</li> <li>14. 281261 STARTER REBUILD KIT \$36.73</li> <li>15. 241811 M6x35 ALLEN BOLT \$.60</li> </ol> | <ol style="list-style-type: none"> <li>16. 265592 ON/OFF PULL SWITCH \$37.73</li> <li>17. 265580 START BUTTON \$26.71</li> <li>18. 251123 BATTERY CLAMP \$43.40</li> <li>19-22. 251254 PIPE CLAMP SET FOR 32MM \$18.25</li> <li>21. 251360 PIPE CLAMP \$4.48</li> <li>23. 660767 RUBBER PAD \$18.14</li> <li>24-26. 265513 LEAD ACID BATTERY 12V 6.5AMP \$66.95</li> <li>27. 266125 WIRING HARNESS \$185.78</li> <li>29. 660221 BATTERY COVER \$11.58</li> <li>30. 840886 M6x30 ALLEN BOLT \$.60</li> <li>31. 244211 WASHER \$.30</li> <li>32. 242211 M6 HEX NUT \$.30</li> <li>33. 842040 LOCK NUT M6 \$.40</li> <li>34. 265148 BATTERY CHARGER, NO ADAPTER \$116.98</li> <li>37. 266014 ADAPTER USA \$5.63</li> <li>40. 266021 CONNECTOR CABLE \$30.85</li> <li>41. 864950 FLAT CONNECTOR \$.50</li> <li>42. 266580 FLAT BATTERY RECEPTALS \$.60</li> <li>44. 265030 LITHIUM BATTERY 12V 2.3AMP, LIGHTWEIGHT \$395.81</li> </ol> |
|--|--|



**Rotax 125 Engine Parts Cont.**

1. 273076 EXHAUST SYSTEM ASSEMBLY \$508.06
2. 297981 ISOLATING MAT \$17.14
3. 273093 EXHAUST TUBE, SR. MAX, JUNIOR MAX \$22.07
4. 938795 SPRING 66MM \$3.71
5. 440291 M4x12 HEX COLLAR BOLT \$.86
6. 242533 LOCK NUT M4 \$.40
7. 238940 TENSION SPRING \$4.21
8. 273130 MICROMAX EXHAUST SYSTEM \$128.31
9. 273097 COVER WITH ELBOW, MICRO MAX \$31.05
10. 297983 STEEL EXHAUST ISOLATING MAT, MICRO MAX \$37.39
11. 951880 CLAMP 20-32 \$3.10



RTX-15 AFTERMARKET PROSPEED ASSEMBLY TOOL BELLOWS SPRING EXHAUST \$24.95

RTX-12 ROTAX ADJUSTABLE EXHAUST PIPE MOUNTING BRACKET KIT \$134.95

SPECIFY FRAME RAIL SIZE - 30MM/92, 32MM/90, 32MM/92



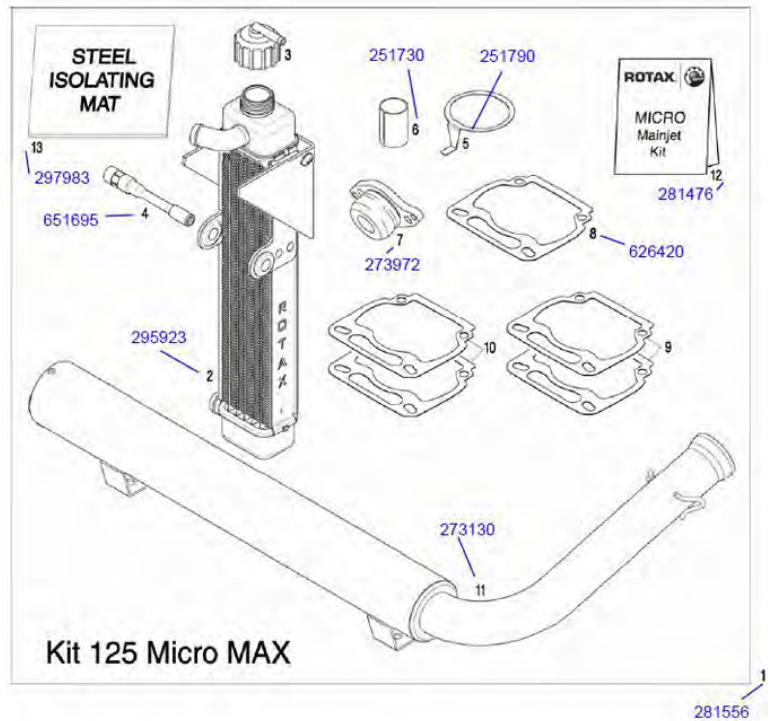
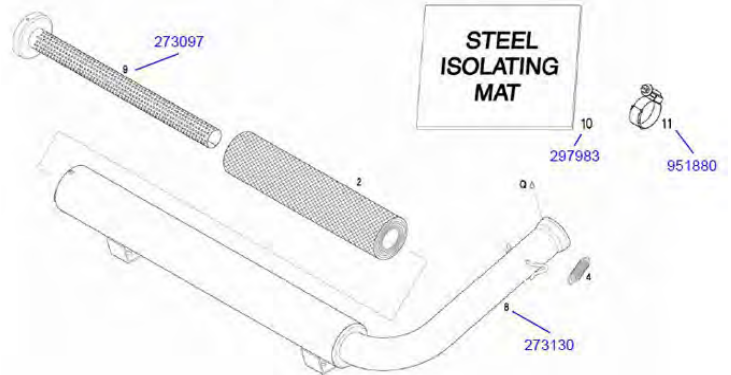
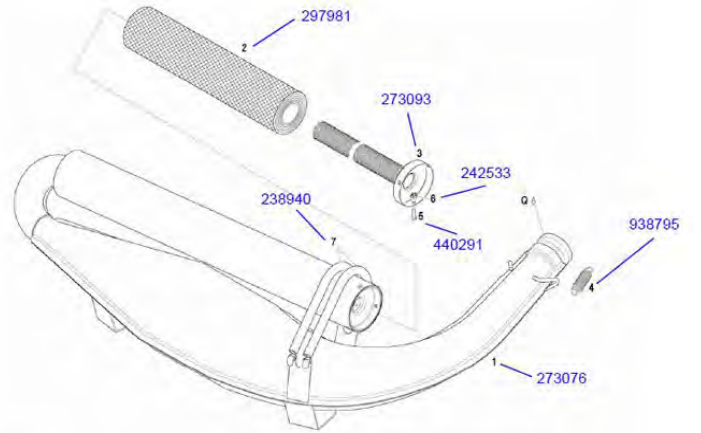
WILD KART STARTER GEAR HOLDER \$79.95 RED OR BLACK



PKT CHAIN GUARD, ALUMINUM \$89.00

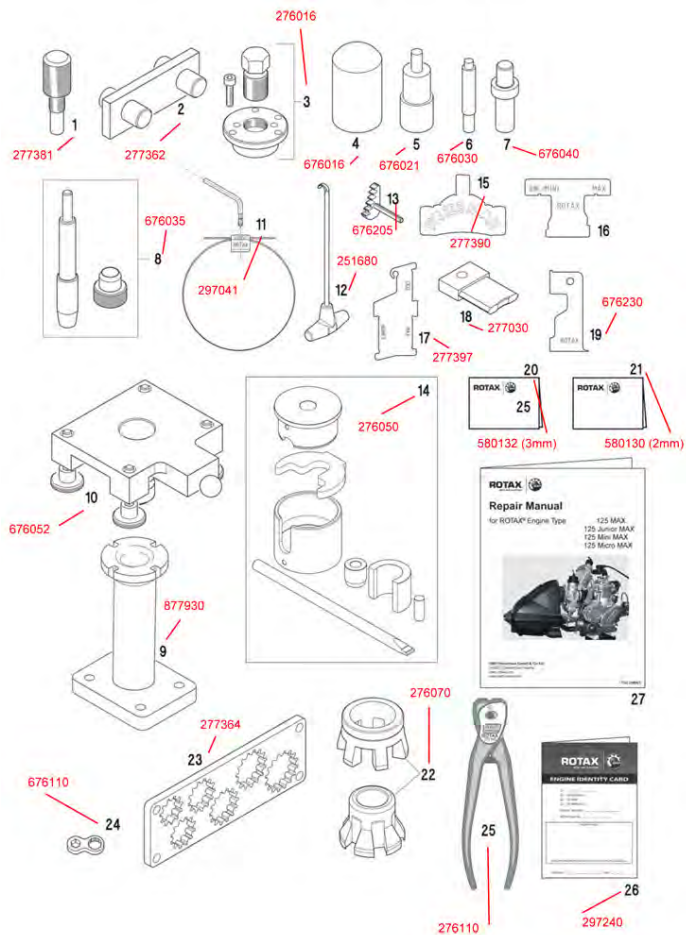
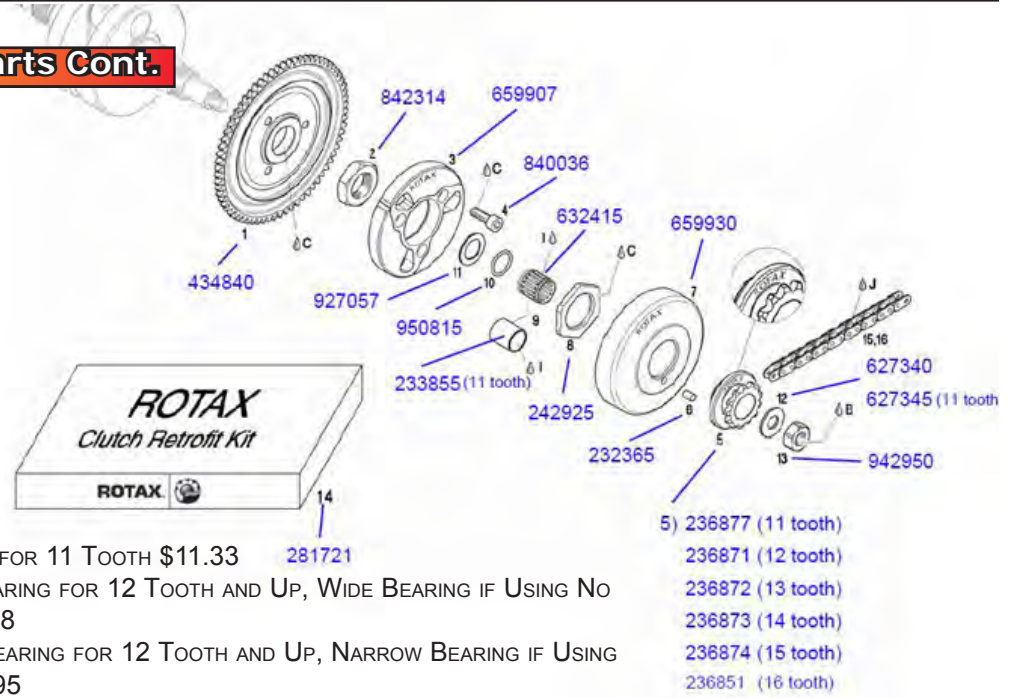
SPECIFY 2012 AND DOWN OR 2013 ENGINE CASE

1. 281556 UPDATE KIT MICROMAX \$385.65
2. 295923 RADIATOR WITH CAP \$236.63
3. 222750 RADIATOR CAP WITH GASKET \$33.11
4. 651695 RADIATOR BRACKET FOR MICROMAX \$15.99
5. 251790 FIXATION PLATE \$16.47
6. 251730 CARBURETOR STOP SLEEVE, MICRO MAX \$23.59
7. 273972 EXHAUST SOCKET ASSEMBLY 22MM \$40.33
9. 650481 GASKET .5MM \$5.02
10. 650480 GASKET .3MM \$5.02
11. 273130 EXHAUST SYSTEM ASSEMBLY \$128.31
12. 281476 MICROMAX JET KIT (115/118/120/122/125/128/130) \$35.67
13. 297983 STEEL ISOLATING MAT FOR MICROMAX \$37.39
14. 273972 EXHAUST SOCKET, 22MM RESTRICTOR \$40.33
16. 267535 INTAKE RESTRICTOR \$42.95



**Rotax 125 Engine Parts Cont.**

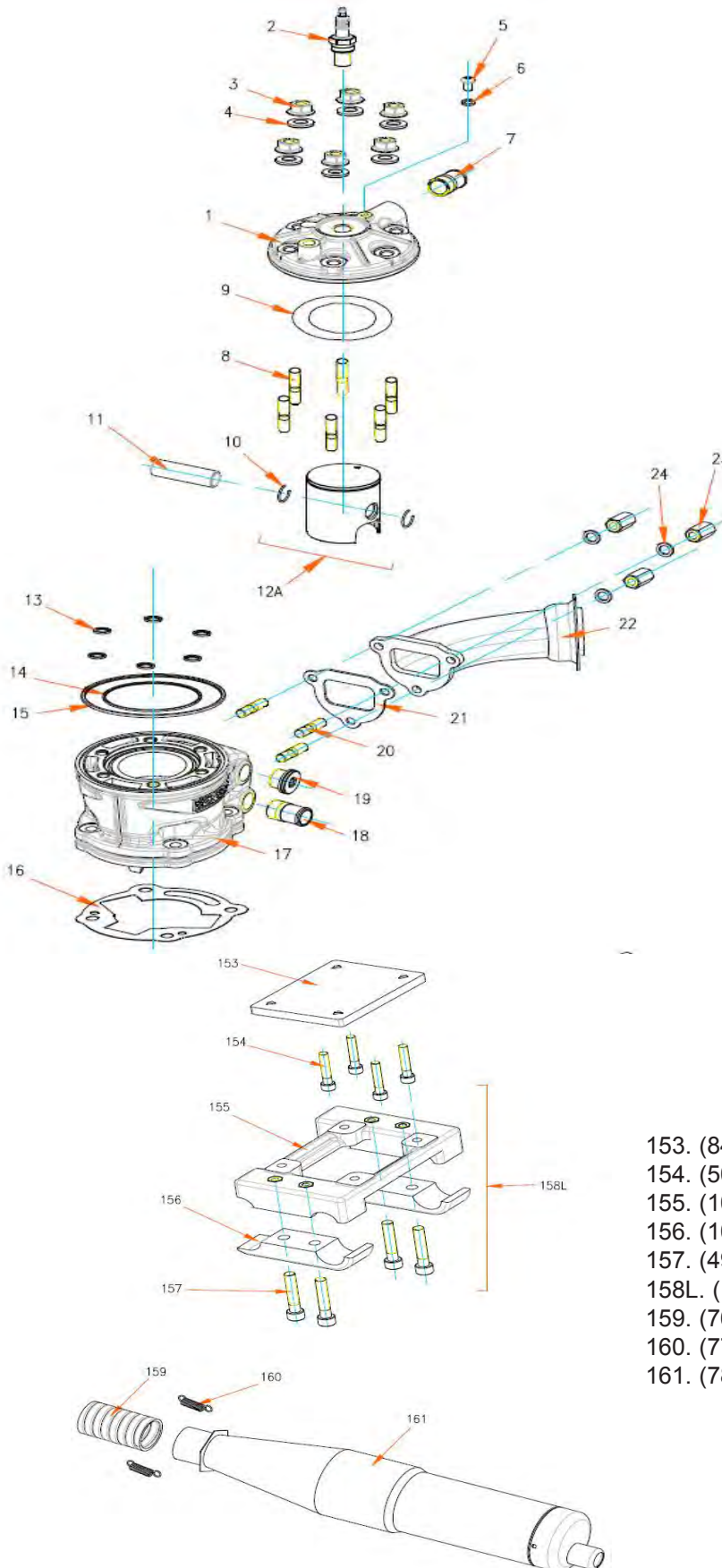
1. 434840 STARTER GEAR 70T \$198.81
2. 842314 HEX NUT M20x1.5 \$15.54
3. 659907 CLUTCH \$172.30
4. 840036 M6x12 ALLEN BOLT \$.84
5. 236877 SPROCKET 11T \$40.30
5. 236871 SPROCKET 12T \$41.87
5. 236872 SPROCKET 13T \$41.87
5. 236873 SPROCKET 14T \$41.87
5. 236850 SPROCKET 15T \$41.87
5. 236851 SPROCKET 16T \$41.87
6. 232365 NEEDLE PIN 5x5 \$2.51
7. 659930 CLUTCH DRUM \$66.43
8. 242925 M28x1 HEX NUT \$10.47
9. 233855 15x17x20 PLASTIC BUSHING FOR 11 TOOTH \$11.33
9. 932026 15x19x20 WIDE NEEDLE BEARING FOR 12 TOOTH AND UP, WIDE BEARING IF USING NO CLUTCH O-RING (#10) \$34.18
9. 632415 15x19x17 SHORT NEEDLE BEARING FOR 12 TOOTH AND UP, NARROW BEARING IF USING CLUTCH O-RING (#10) \$14.95
10. 950815 O-RING (REQUIRES NARROW BEARING) \$1.97
11. 927057 15.2/25/1 INNER THRUST WASHER \$3.80
12. 627345 10/22/1.5 OUTER THRUST WASHER 11 TOOTH \$2.74
12. 627340 10/22/1.5 OUTER THRUST WASHER FOR 12 TOOTH AND UP \$2.74
13. 942950 M10x1 HEX NUT \$2.22
14. 281721 CLUTCH RETROFIT KIT \$540.18



1. 277381 FIXATION TOOL FOR CRANKSHAFT \$29.30
2. 277362 SPROCKET HOLDER TOOL \$74.50
3. 276016 PULLER ASSEMBLY FOR STARTER GEAR \$138.14
4. 676010 INSERTION SLEEVE \$56.18
5. 676021 INSERTION JIG \$40.15
6. 676030 INSERTION JIG FOR STARTER NEEDLE BUSHING \$31.21
7. 676040 INSERTION JIG FOR 11T BEARING \$58.24
8. 676035 INSERTION TOOL FOR CIRCLIP \$93.64
9. 877930 SUPPORT \$550.00
10. 676052 FIXING PLATE FOR ENGINE \$641.35
12. 251680 SPRING HOOK \$22.87
13. 676205 HOLDER TOOL \$25.36
14. 276050 CRANKSHAFT REPAIR JIG \$1387.36
18. 277030 EXHAUST VALVE GAUGE \$79.67
20. 580132 TIN WIRE 3MM-100 \$8.17
21. 580130 TIN WIRE 2MM-100 \$8.17
22. 276070 ASSEMBLY TOOL BELLOW SPRING EXHAUST \$79.90
22. NYLON BELLOW SPRING INSTALLER TOOL \$24.95
23. 277364 FIXATION TOOL FOR SPROCKET \$49.22
24. 676110 WRENCH ADAPTER 1 1/8 \$21.98



**Vortex Rok TT Engine Parts**

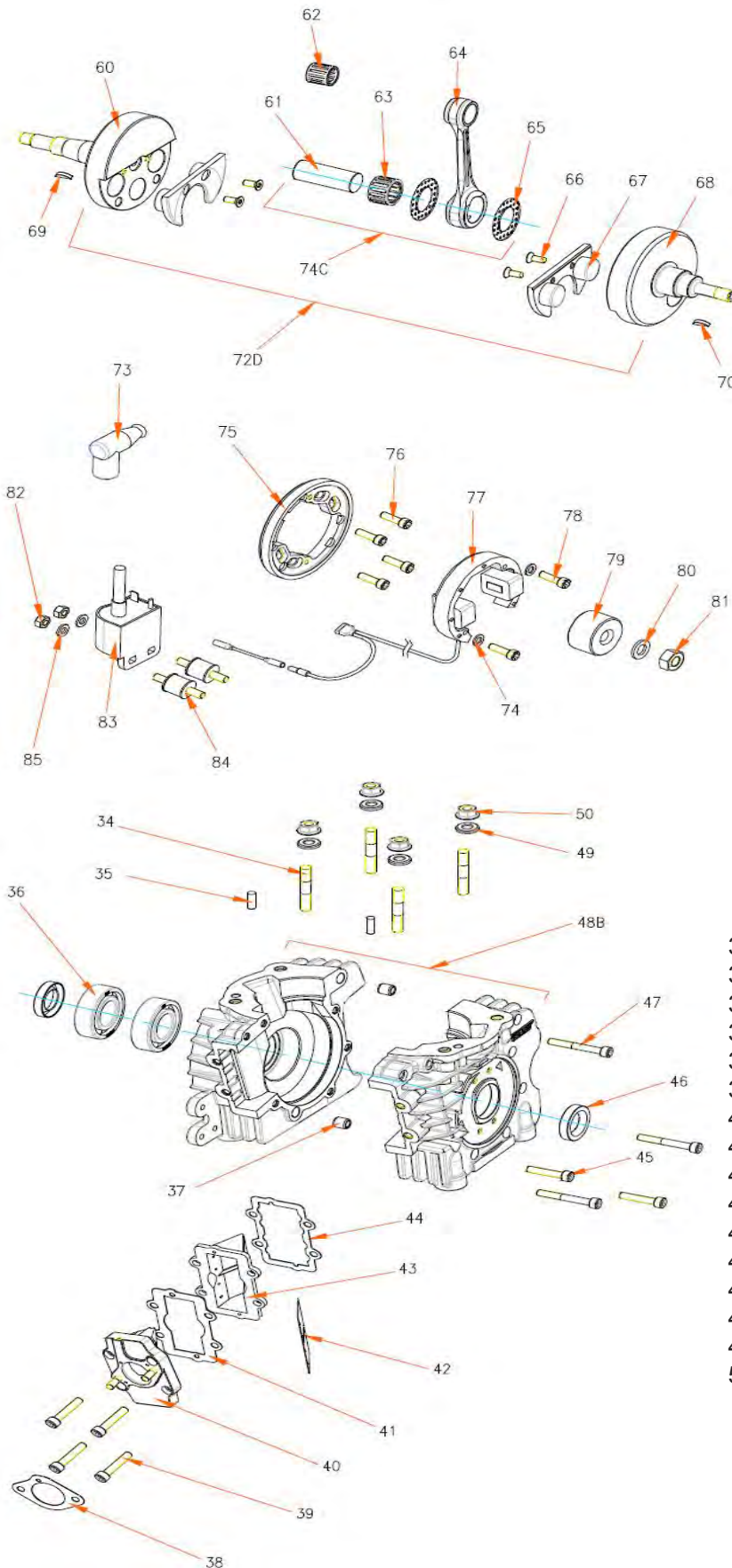


1. (010/RKT) 125CC CYLINDER HEAD \$224.25
2. (003) NGK BR10EG SPARK PLUG \$8.95
3. (530/08FL) NUT M8x8 FLANGED NUT \$2.37
4. (560/17) WASHER M8.2x17x1.5 \$2.37
5. (511/10) ROUNDHEAD SCREW M6x10 \$2.60
6. (10662) COPPER WATER PROBE GASKET 6x10x1.5 \$2.37
7. (015) WATER HEAD FITTING \$9.75
8. (10043)CYLINDER HEAD STUDBOLT M8x41 \$4.88
9. (630/20KF) HEAD GASKET \$3.90
10. (280) CIRCLIP 14x1.2 \$1.95
11. (270/ROK) PISTON WRIST PIN \$14.63
- 12A. (240/ROK) COMPLETE ROK PISTON \$144.30
13. (627) O-RING FOR CYLINDER STUD BOLT \$1.30
14. (620) O-RING FOR HEAD, INNER \$11.70
15. (629) O-RING FOR CYLINDER/HEAD, OUTER \$3.90
16. (611/CRKT04) CYLINDER BASE GASKET .4MM \$4.88
16. (611/CRKT05) CYLINDER BASE GASKET .5MM \$4.88
17. (020/RKT) ROK TT CYLINDER \$955.50
18. (015) WATER PIPE FITTING BACK OF HEAD \$9.75
19. (2035/ROK) OIL PLUG M18x1.5 \$4.88
20. (470) EXHAUST STUD BOLT M7x32 \$4.88
21. (670/RVA) EXHAUST GASKET \$5.85
22. (750/2) EXHAUST HEADER \$87.75
23. (540/RVA) EXHAUST HEADER NUT \$3.90
24. (565) EXHAUST WASHER 8x12x1.5MM \$2.60

153. (848) ENGINE PLATE STIFFNER 92MM \$29.25
154. (500/35) SOCKET HEAD SCREW M8x65 \$5.20
155. (10950/ROK) BARE ENGINE PLATE ROK \$81.90
156. (10963/ROK) BRACKET FOR ENGINE PLATE \$19.50
157. (495/50) SOCKET HEAD SCREW M10x50 \$1.05
- 158L. (10950/ROKC) COMPLETE ENGINE PLATE \$115.05
159. (760) EXHAUST FLEX TUBE 50MM \$9.75
160. (770/30) SHORT SILENCER SPRING \$2.93
161. (780/RVA) EXHAUST MUFFLER RVA \$159.90



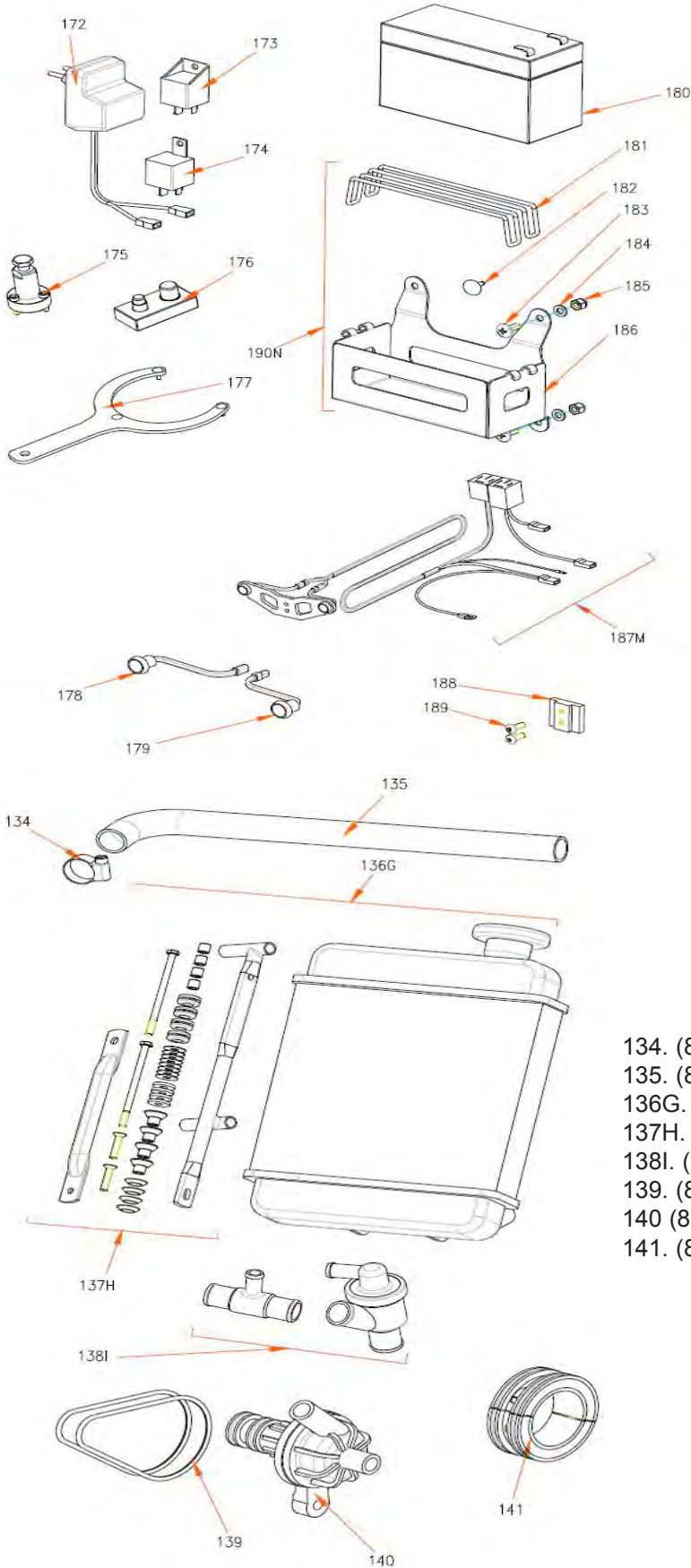
**Vortex Rok TT Engine Parts Cont.**



- 60. (150/RKT) PTO CRANK HALF \$273.00
- 61. (10315) CRANK PIN 20x50 DRILLED TYPE \$27.30
- 62. (290/1) TOP CAGE BEARING 14x18x17 \$49.40
- 63. (10320) LOWER CAGE BEARING 20x26x15 \$128.70
- 64. (230/1SA) CONNECTING ROD ONLY \$432.90
- 65. (10310) LOWER ROD BEARING SHIM 20x34x1 \$7.80
- 66. (522/12) M5x12 SCREW FOR CRANK STUFFER \$2.60
- 67. (160/2) NYLON CRANKSHAFT STUFFER \$25.35
- 68. (140/RKT) MAG SIDE CRANK HALF \$253.50
- 69. (121) WOODRUFF KEY 3x3.7x10 \$1.95
- 70. (122) WOODRUFF KEY 2.5x3.7x10 \$.98
- 72D. (130/RKT) COMPLETE CRANKSHAFT \$1053.00
- 73. (420/1) SPARK PLUG CAP \$4.88
- 74. (580/10) FLAT WASHER 10x5.5x0.3 \$2.60
- 75. (068/RKT) IGNITION SUPPORT \$48.75
- 76. (524/14) SCREW M5x14 TCEI \$3.90
- 77. (405/RKT) SELETTA STATOR \$136.50
- 78. (520/20) SOCKET HEAD SCREW M5x20 \$3.90
- 79. (406/MR) SELETTA ROTOR \$52.65
- 80. (1777/MR) CLUTCH WASHER 10.4x18x2 \$1.95
- 81. (529/0108) HEX NUT M10x1 \$2.60
- 82. (531/06) HEX NUT M6x6 \$2.60
- 83. (410/MR) SELETTA COIL \$103.35
- 84. (440) RUBBER VIBRATION HOLDER FOR COIL \$7.80
- 85. (570/12) FLAT WASHER .6x12x1.6 \$2.60

- 34. (10042/1) CYLINDER STUDBOLT M8x55 \$10.73
- 35. (019) CYLINDRICAL PIN 6x18 \$1.95
- 36. (300/A4) 6205-C4 MAIN BEARING \$20.80
- 37. (075/1) CRANKCASE DOWEL 10x10.5x6.5 \$4.88
- 38. (660/RVA) CARBURETOR GASKET \$2.93
- 39. (510/25) SOCKET HEAD SCREW M6x25 \$.60
- 40. (A386/1) CARB MANIFOLD \$126.75
- 41. (651/A05) MANIFOLD TO REED CAGE GASKET \$3.90
- 42. (392/5) CARBON REED PETAL \$40.95
- 43. (384) REED CAGE \$182.33
- 44. (641/C05) REED AND CAGE GASKET \$3.90
- 46. (310) 20x35x7 DOUBLE LIP MAIN SEAL \$18.20
- 47. (510x45) SOCKET HEAD SCREW M6x45 \$.60
- 48B. (050/RKTC) ROK TT CRANKCASE \$877.50
- 49. (560/17) WASHER M8.2x17x1.5 \$2.60
- 50. (530/08FL) M8x8 FLANGED NUT \$2.60

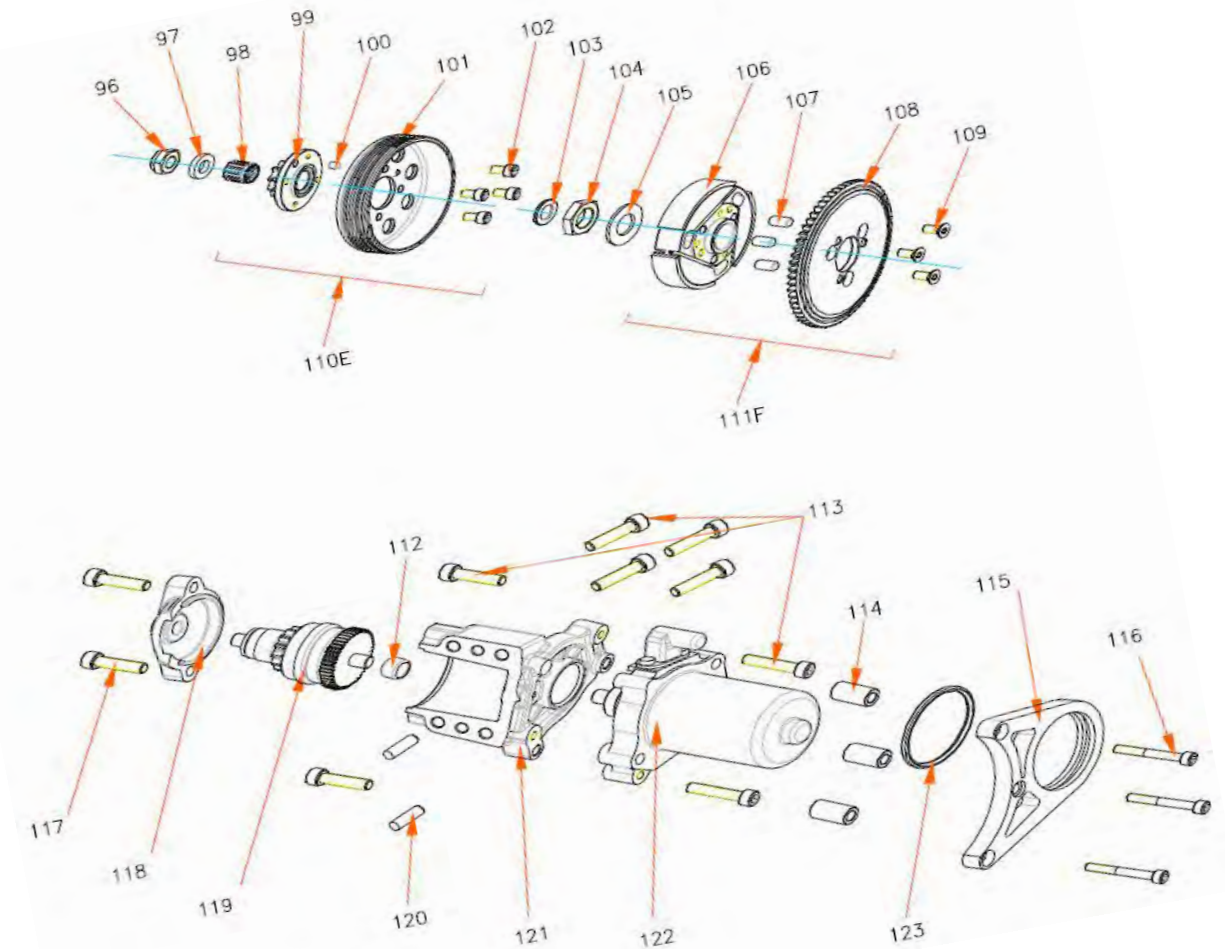
**Vortex Rok TT Engine Parts Cont.**



- 173. (2110/ROK) STARTING RELAY 12V-70A \$25.35
- 174. (2111/ROK) RELAY DEVIATOR \$15.60
- 176. (A062) SPROCKET DISASSEMBLING TOOL \$70.20
- 177. (A061) CLUTCH HOLDER WRENCH \$27.30
- 178. (2116/ROK) RED STARTER SWITCH ON/OFF \$89.70
- 179. (2115/ROK) GREEN STARTER BUTTON \$62.40
- 180. (VTX/991) BATTERY FOR ROK TT \$72.00
- 181. (880) RUBBER O-RING FOR BATTERY SUPPORT \$3.55
- 182. (2121/ROK) BATTERY SUPPORT DAMPNER \$.98
- 183. (511/15) SCREW \$3.90
- 184. (570/13) FLAT WASHER 6X13X1.5 \$2.60
- 185. (531/08AB) LOCKING NUT \$1.30
- 186. (2122/ROK) BATTERY SUPPORT HOLDER \$52.65
- 187M. (2125/ROK) COMPLETE STARTING SUPPORT \$311.03
- 188. (2113/ROK) FIXING BUTTON PLATE \$11.70
- 189. (521/14) ROUNDHEAD SCREW M5/14 \$3.90
- 190N. (2122/ROK) COMPLETE BATTERY SUPPORT \$60.45

- 134. (885/1) SMALL WATER TUBE CLAMP \$1.95
- 135. (862/ROK) RUBBER WATER PIPE 80CM \$27.30
- 136G. (865/ROK) RADIATOR COMPLETE WITH SUPPORT \$335.40
- 137H. (870/ROK) RADIATOR SUPPORT SERIES \$72.15
- 138I. (868) BYPASS THERMOSTAT WITH CONNECTOR KIT \$85.00
- 139. (880) WATER PUMP BELT \$3.55
- 140. (861) WATER PUMP \$195.98
- 141. (877) WATER PUMP PULLEY 50MM \$91.00

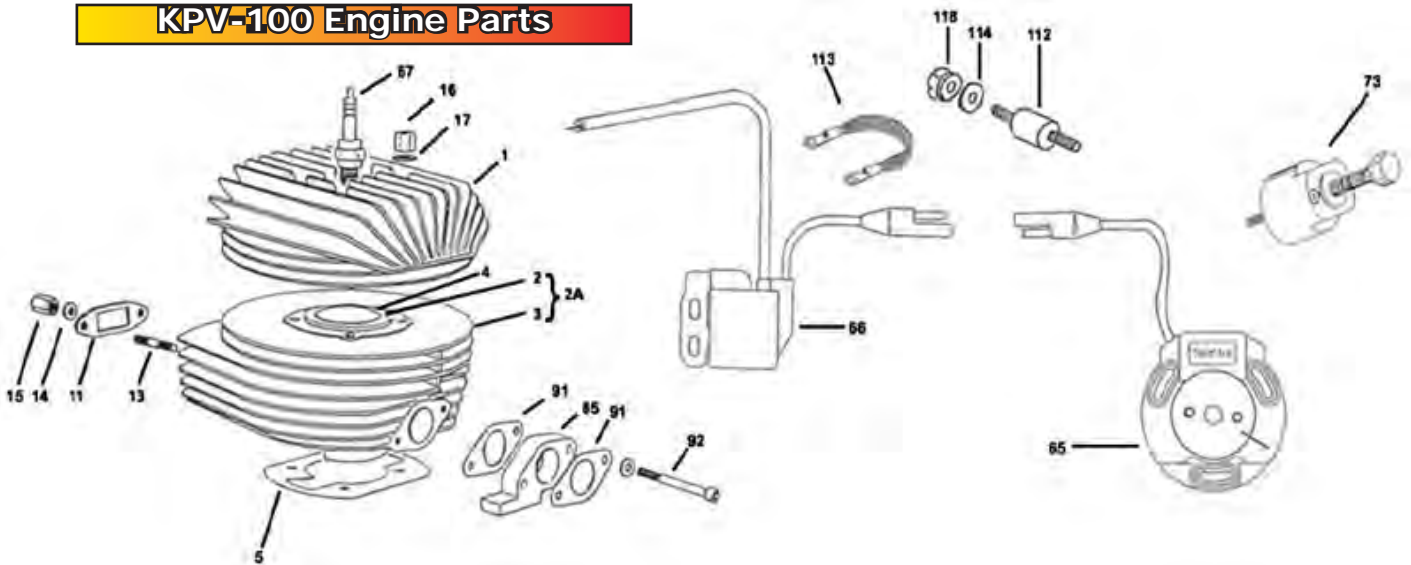
**Vortex Rok TT Engine Parts Cont.**



- |  |   |
|--|---|
| 96. (696/MR) CLUTCH NUT \$13.00  | 109. (502/16) FLATHEAD SCREW 8X16 \$1.12  |
| 97. (1777/RKT) EXTERNAL CLUTCH WASHER FOR 10 TOOTH SPROCKET \$2.60   | 110E. (1760/MR11) COMPLETE CLUTCH HOUSING WITH SPROCKET SPECIFY 10T OR 11T \$160.88 |
| 98. (1715) CLUTCH CAGE BEARING 12X15X15 \$13.00  | 111F. (1750/RKT) COMPLETE CLUTCH FRICTION HUB WITH STARTER GEAR \$360.75            |
| 99. (690/MR10) SPROCKET 10 TOOTH \$62.40   | 112. (924) ROLLER CASE \$9.10   |
| 99. (690/MR11) SPROCKET 11 TOOTH \$62.40   | 113. (510/20) SOCKET HEAD SCREW M6X20 \$.60   |
| 100. (1766/ROK) ROLL PIN \$.29   | 114. (975/MR) STARTER SUPPORT SPACER \$5.85   |
| 101. (1770/MR) BARE CLUTCH HOUSING \$97.50   | 115. (970/MR) STARTER SUPPORT \$76.05   |
| 102. (520/08) SOCKET HEAD SCREW M5X8 \$1.50  | 116. (510/70) SOCKET HEAD SCREW M6X70 \$.60   |
| 103. (1726) INNER WASHER \$10.40   | 118. (910/ROK) STARTER DRIVING GEAR COVER \$19.50                                   |
| 104. (1727) CLUTCH BODY NUT M16X1 \$10.40  | 119. (916/ROK) STARTER BENDIX DRIVER \$117.00                                       |
| 105. (1708) BEVELED WASHER \$.98   | 120. (019) ROUND DOWEL PIN M6X18 \$1.95   |
| 106. (1751/1KF) INNER CLUTCH FRICTION HUB \$214.50 THIS IS THE NEW STYLE FRICTION HUB, IT REQUIRES A DIFFERENT STARTER RING GEAR, SOLD BELOW, USES 8MM BOLTS | 121. (960/RKT) TRANSMISSION STARTER SUPPORT \$117.00                                |
| 107. (1766/1ROK) ROUND DOWEL PIN 6X12 \$1.95   | 122. (940/1ROK) STARTER MOTOR \$233.03  |
| 108. (1752/1KF) STARTER RING GEAR \$136.50 NEW STYLE STARTER RING GEAR, REQUIRED FOR USE WITH NEW STYLE FRICTION HUB, USES 8MM BOLTS                         | 123. (972/MR) O-RING FOR STARTER SUPPORT \$2.60                                     |

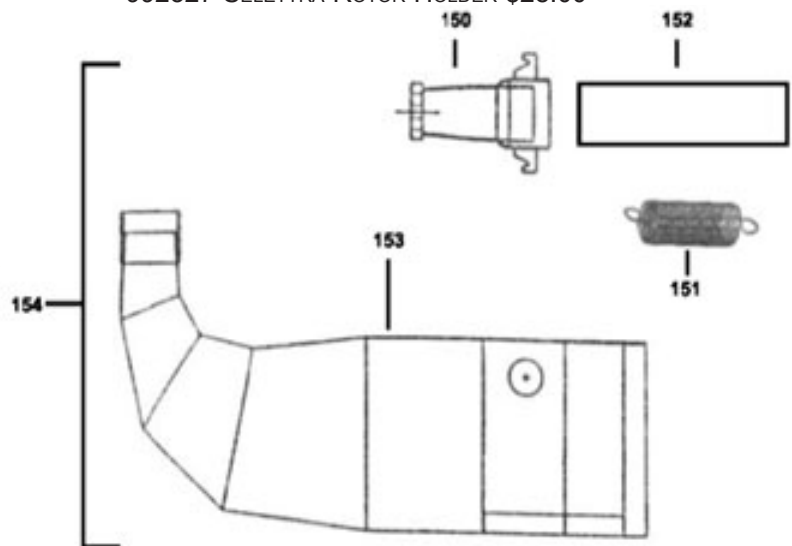
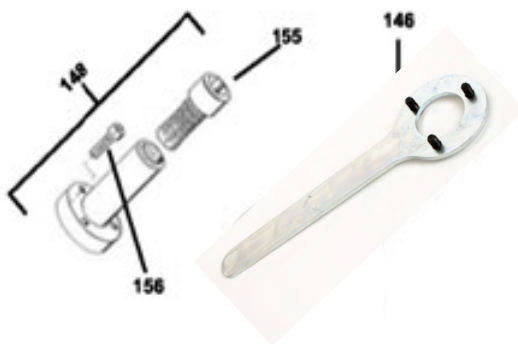


**KPV-100 Engine Parts**



- 1. 992124 KPV100 HEAD \$215.00
- 2A. 992126 KPV100 CYLINDER \$545.00
- 4. HEAD GASKET, SIZES .005 \$7.10, .010 \$5.30
- 5. CYLINDER BASE GASKET, SIZES .016, .020 \$3.85 EACH
- 11. 992172 EXHAUST GASKET \$6.60
- 13. 992173 EXHAUST STUD \$3.90
- 14. 992174 EXHAUST WASHER 8MM \$.30
- 15. EXHAUST NUT 8MM \$4.50
- 16. 992176 HEAD NUT \$2.00
- 17. 992177 HEAD NUT WASHER \$2.00
- 65. 992229 PVL IGNITION, No COIL \$250.00
- 66. IA-10026 PVL COIL \$140.00
- 73. IA-10826-C ROTOR PULLER \$42.00

- 85. B71819 CARB SPACER FOR WB3A CARB \$33.00
- 85. 992305 CARB SPACER FOR KPV1 SMALL CARB \$39.00
- 91. 992206 CARB GASKET FOR WB3A \$2.50
- 91. 992308 KPV SMALL CARB GASKET FOR WA55, KPV1 \$1.80
- 92. 992207 M6x70MM BOLT FOR WB3A MANIFOLD \$.80
- 112. 992211 COIL DAMPNER \$9.60
- 113. 992212 GROUND CABLE FOR COIL \$9.80
- 118. 992225 6MM NUT \$1.30
- KPV-100 FILTER CUP, SPECIFY KPV-1, KPV-2 \$19.95
- KPV-100 GASKET SET \$22.50
- 992228 KPV-100 IRON CYLINDER LINER \$225.00
- 992216 KPV-100 PLUG CAP \$9.80
- 992327 SELETTRA ROTOR HOLDER \$28.00



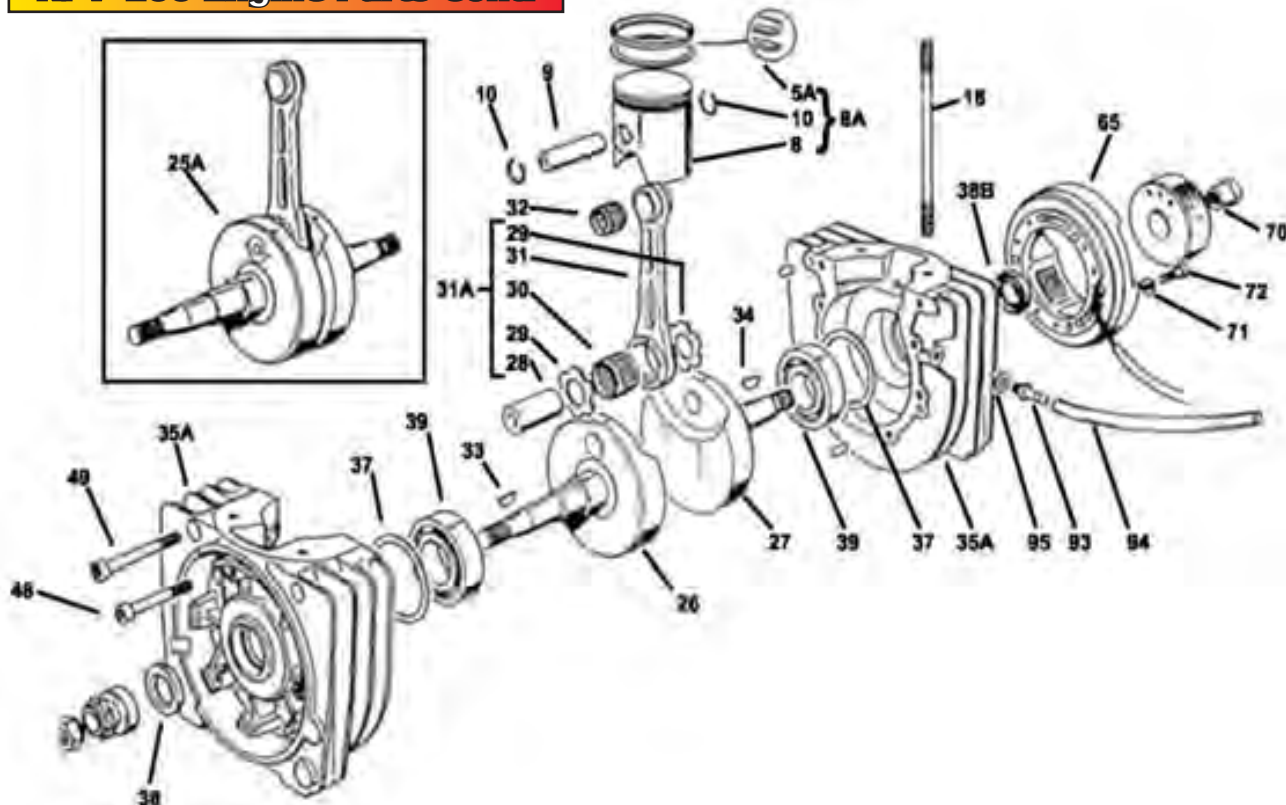
- 146. KPV NEW STYLE CLUTCH HOLDER \$32.95
- 148. KPV NEW STYLE CLUTCH PULLER \$34.75
- 150. KPV100 EXHAUST HEADER \$48.00
- 152. 995266 PIPE SOLID TUBE \$7.95
- 153. 995271 KPV-1 PIPE \$178.00
- 153. 995272 KPV-2 PIPE \$178.00
- 153. 995274 KPV-4 PIPE \$228.00

- 153. 995275 KPV-5 PIPE \$218.00
- 995277 PIPE END CAP FOR OLD STYLE BOLT ON CAP \$17.00

MEASURING STICK FOR  
KPV100 FLEX LENGTH  
\$20.00



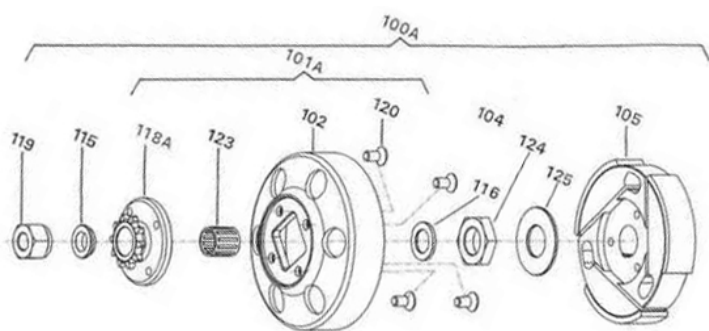
**KPV-100 Engine Parts Cont.**



- 5A. PISTON RINGS ONLY \$56.00
- 8A. 52.40 KPV PISTON AND RINGS, SALE \$85.00
- 8A. COATED PISTON WITH RINGS \$135.00
- 9. 992168 WRIST PIN \$19.50
- 18. 992178 CYLINDER STUD \$9.40
- 26. 992182 PTO CRANK HALF \$249.00
- 27. 992183 MAG CRANK HALF \$249.00
- 28. 992184 CRANK PIN \$27.00
- 29. 992185 BOTTOM CAGE WASHER \$10.95
- 30. 992186 BOTTOM CAGE BEARING \$48.00
- 31A. 99-2188 ROD ASSEMBLY WITH BOTTOM CAGE, WASHER, CRANK PIN \$345.00

- 32. TOP CAGE BEARING \$36.00
- 37. 992217 MAIN BEARING SHIM .10MM \$2.50
- 37. 992218 MAIN BEARING SHIM .15MM \$2.95
- 38. PTO CRANK SEAL, TEFLON \$8.50
- 38B. MAG CRANK SEAL, TEFLON \$8.50
- 39. 6205-C4 MAIN BEARING \$12.00
- 93. 992208 PULSE FITTING \$7.80
- 93. 992315 PULSE FITTING FOR SMALL CARB KPV-1 \$7.50
- 95. 992209 PULSE GASKET \$2.80
- 995175 STARTER NUT \$16.60

**NEW STYLE KPV CLUTCH KIT WITH SPROCKET \$350.00**



- 102. IA-D-71550 NEW STYLE DRUM \$79.50
- 105. IA-D-71840 FRICTION HUB \$158.00
- 115. IA-D-71573 OUTER WASHER \$7.50
- 116. IA-D-75567 INTERNAL THRUST WASHER \$4.50
- 118A. X30125554 10T SPROCKET \$66.00
- 118A. X30125555 11T SPROCKET \$66.00
- 118A. X30125556 12T SPROCKET \$66.00
- 118A. AFTERMARKET KPV SPROCKET 10T OR 11T \$46.00
- 119. IA-D-75570 OUTER STARTER HEX NUT \$5.85
- 120. IA-00030 SPROCKET BOLT, FHAB M5x10 \$1.00
- 123. IA-D-75598 DRUM BEARING \$14.50
- 124. IA-F-100560 LOCKING NUT FOR FRICTION HUB \$3.65
- 125. IA-D-75563 CONED INNER WASHER \$4.50
- AFTERMARKET INNER HEX STARTER NUT \$16.60
- KPV CLUTCH COVER FOR NEW STYLE CLUTCH \$68.00
- CLUTCH COVER ALUMINUM ADAPTOR RING \$39.00

SEE PAGE 108 FOR THE OLD STYLE KPV HORSTMAN EXP-D PARTS - ALL CLOSE OUTS!

**Comer C-51 Engines**



1. COMER C-51 STOCK KID KART MOTOR, 50CC W/CLUTCH, CARB & MUFFLER \$985.00
2. COMET BLUEPRINTED C-51 RACING ENGINE WKA/IKF LEGAL \$1230.00
3. COMET OUTLAW C-51 RACING ENGINE, SAME AS STANDARD BLUEPRINT WITH SPECIAL CLUTCH SETUP AND OUTLAW TIMING \$1280.00



COMET BLUEPRINTED C-51  
DELLORTO CARBURETOR  
\$180.00

**Comer C-51 Engine Parts**

- |  |  |   |
|--|--|---|
| <p>1. CLUTCH SPRING<br/>\$5.80 EACH<br/>(TAKES 3)</p>     | <p>7. CLUTCH<br/>ASSEMBLY \$329.00</p>               | <p>14. RUBBER<br/>THROTTLE BOOT<br/>\$4.20</p>   |
| <p>2. CLUTCH SHOE<br/>\$38.00 EACH<br/>(TAKES 3)</p>    | <p>8. CLUTCH DRUM<br/>\$81.00</p>                   | <p>15. CARB KIT WITH<br/>CARB TOP, RUBBER<br/>BOOT AND BUTTERFLY<br/>\$47.00<br/>CARB TOP \$22.80<br/>HOUSING ADJ. \$5.75<br/>RUBBER BOOT \$4.20<br/>CARB SLIDE \$14.50</p>  |
| <p>3. K80 TWO PIECE<br/>STARTER NUT \$39.95</p>         | <p>9. INNER CLUTCH<br/>HUB \$75.00</p>              | <p>16. FLOAT BOWL<br/>O-RING \$4.30</p>    |
| <p>4. CLUTCH SLEEVE FOR<br/>BEARING \$19.00</p>         | <p>10. STOCK DELLORTO<br/>CARBURETOR \$130.00</p>  | <p>17. INTAKE<br/>MANIFOLD \$24.00</p>   |
| <p>5. 10 TOOTH<br/>CLUTCH BEARING<br/>\$19.00</p>       | <p>11. CARB JET<br/>(54-58) \$8.60</p>              | <p>18. RESTRICTOR<br/>PILL \$9.00</p>    |
| <p>6. CLUTCH NUT FOR<br/>10 TOOTH DRUM<br/>\$16.75</p>  | <p>12. CARB INLET TOP<br/>\$12.95</p>              | <p>19. IDLE SCREW<br/>SPRING \$3.20</p>    |
|  | <p>13. CARB INLET<br/>NEEDLE \$15.50</p>           |   |



**Comer C-51 Engine Parts Cont.**

20. IDLE ADJUSTMENT  
SCREW \$9.00



21. INLET SCREEN  
\$9.00



22. PLASTIC CARB  
BUSHING \$6.25



23. FLOAT \$16.75



24. FLOAT PIN \$3.90



25. CYLINDER BASE  
GASKET \$2.60



26. GASKET SET  
\$12.50



27. FLOAT BOWL  
\$22.00



28. AIR INTAKE BOX  
WITH FILTER \$34.00  
FOAM ONLY \$22.00



29. STOCK MAIN  
SEAL \$17.50



30. YELLOW TEFLON  
MAIN SEAL \$7.50



31. STOCK MAIN BEARING \$6.00  
1202C4 DOUBLE ROW  
BEARING \$28.00  
6202C4 NYLON BEARING \$18.50



32. INTAKE BUSHING  
GASKET \$4.50



33. CARB TOP  
GASKET \$3.00



34. EXHAUST  
GASKET \$4.00



35. FUEL TANK  
SUPPORT \$11.50



36. FUEL TANK CAP  
\$13.00



37. GAS TANK  
ASSEMBLY \$89.00



38. RECOIL DOG  
SPRING \$4.80



39. CIRCLIP  
\$1.95 EACH



40. PISTON RINGS  
\$28.00



41. TOP ROD  
BEARING \$17.25



42. MUFFLER  
GUARD \$38.00



43. PISTON AND  
RING ASSEMBLY  
\$110.00



44. PULL HANDLE  
\$12.50



45. PULL ROPE  
\$4.00



46. NEW STYLE SIDE  
COVER \$138.00



47. FLYWHEEL  
\$155.00



48. RECOIL DOG  
\$12.50



49. RECOIL WHEEL  
\$34.00



50. RECOIL SPRING  
\$28.50



51. WRIST PIN  
\$13.00



52. NEW STYLE COIL  
BLACK \$159.00



53. CYLINDER  
AND PISTON KIT  
\$359.00



54. BOX MUFFLER  
\$82.00



55. FUEL TANK  
PITCOCK \$16.00



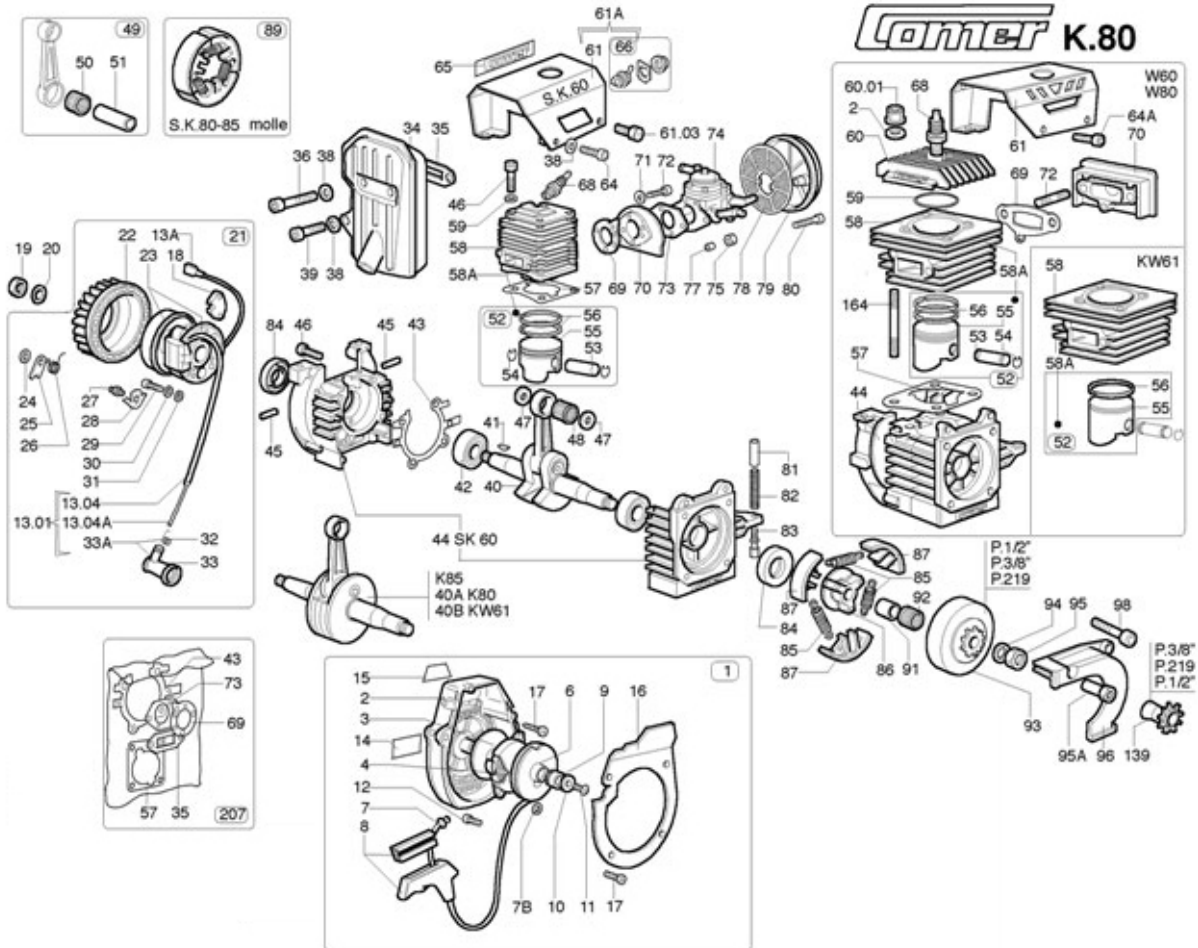
56. C50/K80 CLUTCH  
TO HUB INSTALLER  
\$30.00



**Comer C-51 Engine Parts Cont.**

- 57. FLYWHEEL/MAG WOODRUFF KEY \$4.25
- 58. FLYWHEEL LONG COVER BOLT \$2.20
- 59. FUEL TANK AND EXHAUST BRACKET BOLT, SHORT \$2.25
- 60. LONG INTAKE MANIFOLD BOLT \$1.85
- 61. CYLINDER TO CASE BOLT \$1.95
- 62. EXHAUST BOLTS, LONG \$3.00
- 63. BLACK FUEL INLET BOLT \$1.95
- 64. FLOAT BOWL BOLT \$2.00
- 65. PLASTIC CARB TOP BOLT \$2.00
- 66. CRANK \$298.00
- 67. CRANKCASE WITH SEALS AND BEARINGS \$299.00

**Comer K-80 Engine Parts**



- 1. S060-001 STARTER COMPLETE \$149.95
- 3. S060-003 ANTIJAMMING DISK \$4.80
- 4. S060-004 SELF WINDING SPRING \$34.00
- 6. S060-006 ROPE DRUM \$55.00
- 7. S060-013-01 STARTER ROPE \$4.00
- 8. S060-008-01 HANDLE COMPLETE \$14.50
- 9. S060-009 BUSH FOR ROPE DRUM \$6.85
- 10. S060-010 RETAINING WASHER \$8.00
- 11. NORM-011 5x12MM SCREW \$3.00
- 12. NORM-012 5x18MM SCREW \$3.00
- 13-01. S060-013-01 COMPLETE SPARK PLUG CABLE \$39.00
- 13-02. S060-013-02 KILL WIRE COMPLETE \$26.50
- 17. NORM-017 3.5x13MM SCREW \$3.00
- 19. NORM-019 FLYWHEEL NUT 10MM RH \$3.25
- 20. NORM-020 LOCKWASHER FOR FLYWHEEL NUT \$3.00
- 21-01. S060-021-01 COMPLETE IGNITION \$419.00
- 22. S060-022 FAN \$40.00
- 24. NORM-024 RETAINING RING FOR STARTER SPRING \$2.50
- 25. S060-025 STARTER HOOK \$15.00
- 26. S060-026 RETURN SPRING \$6.50
- 27. S060-027 JACK PIN \$11.50
- 28. S060-028 FLYWHEEL LOCK WASHER \$11.00
- 29. NORM-029 4x14 SCREW \$3.00
- 30. NORM-030 WASHER \$3.00
- 31. NORM-031 WASHER \$3.00
- 34. S060-034-01 EXHAUST MUFFLER \$94.00
- 35. S060-035 EXHAUST GASKET \$5.00
- 36. NORM-036-06 EXHAUST BOLT M5x65 \$3.00
- 38. S060-038 FLAT WASHER \$2.00
- 40. K080-040 CRANKSHAFT \$485.00

**Comer K-80 Engine Parts Cont.**

- 41. NORM-041-01 WOODRUFF KEY \$4.75
- 42. MAIN BEARING 6202 OEM STEEL CAGE \$6.00 CLOSE OUT
- 42. MAIN BEARING 6202C4 NYLON CAGE \$18.50
- 42. MAIN BEARING 1202C4 SELF ALIGNING DOUBLE ROW \$28.00
- 43. S060-043 CRANKCASE GASKET \$3.25
- 45. NORM-45-01 5x25 SCREW \$3.00
- 46. NORM-46-01 6x25 SCREW \$2.50
- 47. S060-047 THRUST WASHER \$19.50
- 48. NORM-048-01 TOP BEARING \$28.00
- 49. S080-049 ROD ASSEMBLY \$225.00
- 50. NORM-050-01 BOTTOM BEARING \$32.00
- 51. S080-051 CRANK PIN \$33.50
- 52. S080-052-05 USA PISTON ASSEMBLY, A LARGEST. D SMALLEST \$142.00
- 53. S080-053 PISTON PIN \$15.00
- 54. S080-053 CIRCLIP \$2.20
- 56. S080-056 RING SET \$28.00
- 57. S080-056 BASE GASKET, SIZES - .005, .015 \$3.25 EACH
- 58. W080-058 K80 CYLINDER ONLY \$355.00
- 59. KMIK09-04 HEAD O-RING
- 60. W080-060 K80 HEAD \$125.00
- 61. W080-061-02 K80 CYLINDER COVER \$116.00
- 66. NORM-066-01 KILL SWITCH COMPLETE \$26.50
- 69. S060-069 INTAKE MANIFOLD GASKET \$3.60
- 70. S080-070 INTAKE MANIFOLD \$38.00
- 71. NORM-071 TOOTH LOCKING WASHER \$2.50
- 72. NORM-072 4x22 SCREW \$2.50
- 73. S060-073 CARB GASKET \$3.60
- 74. S060-074 HL166 CARBURETOR \$89.95
- 80. NORM-080-01 M5x20 \$1.75
- 81. S080-081 ACCELERATOR SPACER \$3.25
- 82. S080-082 SPRING \$3.50
- 83. NORM-083 CABLE STOP \$7.50
- 84. MAIN BEARING YELLOW TEFLON SEAL \$7.50
- 84. MAIN BEARING OEM BROWN SEAL \$18.50
- 85. S080-085 CLUTCH SPRING \$5.80
- 86. S080-086 CLUTCH HUB \$75.00
- 87. S080-087 CLUTCH SHOE \$38.00
- 91. S060-091-01 CLUTCH BUSHING \$19.00
- 92. NORM-092 CLUTCH BEARING \$19.00
- 93. S060-093-04 #219 CLUTCH DRUM 12 TOOTH \$91.00
- 94. S060-094 FLAT WASHER \$1.15
- 95. NORM-095-01 NUT \$12.00
- 96. S060-096 CHAIN GUARD \$21.00
- 98. NORM-093 SCREW M6x20 \$1.50
- 323FA AIR FILTER CUP \$19.95
- 164. K085-164 K80 STUD \$10.50
- 207. W080-207 K80 GASKET KIT \$14.50
- KACC-125 K80 FLYWHEEL PULLER \$79.95

**McCulloch Parts**

*ALL CLOSE OUTS!*

- 1. Mc91, 92, 93, 101 GASKET KIT \$12.00 
- 2. CARB NEEDLE O-RING \$.70 
- 3. MAIN BEARING \$7.50 
- 4. INLET NEEDLE \$3.75 
- 5. USED MC FLYWHEELS \$20.00 
- 6. Mc91 ROD BOLTS \$1.00 
- 7. Mc91B PTO NEEDLE BEARING \$9.80 EACH TWO \$19.00 TEN \$85.00

**US820 West Bend Parts**

- 1. NEW STYLE CENTER PLUG HEAD \$43.50 
- 2. PISTON \$62.00 
- 3. RH NEW STYLE CRANK \$205.00 **CLOSE OUT** 
- 4. RINGS \$15.50 
- 5. HEAVY DUTY ROD \$119.00 (SPECIAL ORDER) 
- 6. TRANSFER COVER \$15.00 
- 7. 6204-C4 MAIN BEARING \$10.00 EACH TEN \$80.00 
- 8. REED CAGE ASSEMBLY \$33.00 



**US820 West Bend Parts Cont.**

9. G1060 GASKET  
KIT \$25.00



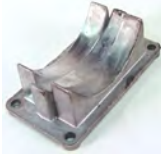
10. G1057  
GASKET KIT \$23.00



11. STOCK INTAKE  
MANIFOLD \$27.00



12. STUFFER PLATE  
\$14.00



13. CRANK SEAL  
MAG SIDE \$9.80



14. FLYWHEEL  
\$95.00



15. FLYWHEEL  
SCREEN \$28.00



16. CRANK SEAL  
PTO SIDE \$9.50



17. PIPE \$289.00  
SPECIAL ORDER



18. STOCK FLYWHEEL \$95.00  
19. RECOIL \$125.00, SPECIAL ORDER  
20. BLACK FLYWHEEL SCREEN \$28.00  
21. BLOCK \$339.00

**Two Cycle Pistons**

*No Returns On Any Obsolete Pistons*

**BURRIS FOREIGN PISTONS AND RINGS**

- 356 BURRIS FORGED TT PISTON, K78, K88, T80, T81, 50.8, OLD STYLE, WITH RINGS \$26.00

**GENUINE YAMAHA PISTONS AND RINGS**

- GENUINE YAMAHA PISTON, HALF SIZES, NO RING COATED \$39.00, UNCOATED PISTONS \$36.00 **CLOSE OUT**
- GENUINE YAMAHA RING, STANDARD SIZE ONLY \$9.00
- USED YAMAHA PISTON, SOME SIZES \$8.00 FIVE FOR \$25.00
- KSI YAMAHA AFTERMARKET RINGS \$11.50 **CLOSE OUT**

**BURRIS YAMAHA PISTONS AND RINGS**

- NEW STYLE BURRIS YAMAHA PISTON KIT, INCLUDES BURRIS GOLD RING, LIGHTWEIGHT RISK PIN, CIRCLIPS \$65.00
- NEW BURRIS GOLD TiN COATED RING \$18.00
- 208 BURRIS YAMAHA PISTON NO RING \$39.95, MOST SIZES, PISTON RING ONLY \$14.50 EACH, **CLOSE OUT**

**O AND H GOLD YAMAHA RINGS**

- GOLD COLORED, TREATED PISTON RING, ALL SIZES \$25.00

**WISECO YAMAHA PISTONS AND RINGS**

- 1056 P SERIES NEW PISTON \$45.00, RING \$11.50 **CLOSE OUT**
- 1050 YAMAHA PISTONS \$38.00 **CLOSE OUT**

**WISECO FOREIGN PISTONS**

- 1013 FORGED K78, T80, L RING TOP 50.8 \$19.00
- 1051 K78, T80 FORGED PISTON SIZE 50.8 \$25.00

**FOREIGN PISTONS AND RINGS**

- PARILLA 125 SUDAN REED PISTON WITH RINGS \$118.00
- ITALIAN PISTON WITH WINDOW, K78, K88, T80, SINGLE RING, SIZES, 51.1 \$15.00 EACH
- IAME SIRIO PISTONS, 50.02 - 50.40, \$37.50 **CLOSE OUT**
- NEW L RINGS, SUPER ITALIAN 50.7 \$10.00
- K71 PISTON, ALL SIZES WITH RINGS \$86.00, RINGS \$36.00
- ATOMIK PCR PISTON WITH RING - TOP RING ONLY \$29.95 COATED PISTON \$99.00 **CLOSE OUT**
- PISTON PORT PCR \$36.50
- IAME K299, K30, K35, PISTON 55.02 ONLY \$109.00
- ITALIAN 100CC K78, T80, PISTON 50.74 - 51.1 \$48.00
- DAP T60 PISTON 57.5 - \$69.00
- SUPER SEAL RING SET, SOME SIZES \$39.95
- COMER K80 CADET PISTON WITH RING \$112.00
- TKM 100CC, 51.1, 51.14, WITH RING \$93.00 **CLOSE OUT**
- TKM PISTON 48.0 - 48.6 \$39.00 **CLOSE OUT**
- COMER C50 KID KART PISTON KIT \$110.00
- K30 RING SET, 55.0, 55.22 \$39.95 **CLOSE OUT**
- TKM 150 PISTON AND RINGS, 59.3, 59.4 \$169.00 RING SET \$43.00 JUST A FEW INSTOCK

**McCULLOCH RINGS**

**ALL McCULLOCH PARTS ARE CLOSE OUTS!!**

- Mc101B RINGS, .005 \$5.50 SET, TEN FOR \$52.50
- Mc49 RING SETS, .020, .024, .028, .032 \$5.50 SET, TEN FOR \$50.00
- Mc91 RING SET, STANDARD OR .005" \$5.50 SET, TEN \$52.50

**Honda and 1/4 Midget Parts**



1. ALUMINUM AXLE GEAR 24T THRU 29T \$24.00



2. ALUMINUM DRIVE GEAR 33T THRU 42T \$24.00



3. HONDA ENGINE GEAR HUB \$26.00



4. HONDA STARTER RECOIL \$59.00



5. HONDA STOCK MUFFLER \$30.00



6. 11381-ZH7-800 SIDE COVER GASKET 120 \$7.00



7. 12251-ZH7-800 HEAD GASKET 120 \$9.95



8. 13010-ZH7-004 STANDARD RING SET \$21.95



9. 13011-ZK7-V02 .25 RING SET GX120 \$19.50



10. 14410-ZE0-010 PUSH ROD 120 \$5.75



11. 14431-ZE1-000 ROCKER ARM 120/160 \$4.75



12. 14441-ZE1-010 LIFTER 120/160 \$9.25



13. 14451-ZE1-013 ROCKER ARM PIVOT 120/160 \$4.50



14. 14721-ZF0-000 EXHAUST VALVE 120 \$25.00



15. 14711-ZF0-010 INTAKE VALVE 120 \$19.00



16. 14751-ZF1-000 VALVE SPRING 120, LIGHT 160 \$3.80



17. 16013-ZE0-005 FLOAT CARB 120/160 \$16.00



18. 16100-ZH7-W51 CARBURETOR 120 \$104.95



19. 16211-ZE0-000 INSULATOR 120 \$12.75



20. 16212-ZH7-800 INSULATOR GASKET 120 \$1.95



21. 16221-ZH8-001 CARB GASKET 120 \$1.95



22. 18381-ZH8-800 EXHAUST GASKET 120 \$5.50



23. 90206-ZE1-000 ROCKER ARM JAM NUTS 120/160 \$3.20



24. 90451-ZE1-000 THRUST WASHER 120 \$1.50



25. 90551-ZE0-000 CIRCLIP 120 \$1.00



26. 91001-878-003 MAIN BEARING 120 \$24.25



27. 91202-ZE6-013 MAG SIDE MAIN SEAL 120 \$7.25



28. 91203-ZE0-003 CASE SIDE MAIN SEAL 120 \$8.25



29. 96100-6305-00 REDUCTION COVER BEARING \$17.50



30. 95723-080-55-00 HEAD BOLT 120 \$1.30



31. 99101-ZH7-0650 #65 JET 120 \$7.75



32. 94301-10160 DOWEL PIN 120/160 \$1.50



33. 12251-ZF1-800 HEAD GASKET 160 \$14.75



34. 13010-ZH8-941 STANDARD RING SET 160 \$26.50



35. 14410-ZE1-010 PUSH ROD 160 \$5.50



36. 14711-ZF1-000 INTAKE VALVE 160 \$17.75



37. 14721-ZF1-000 EXHAUST VALVE 160 \$24.00



38. 14751-ZE1-000 VALVE SPRING 160 \$3.80



39. 16100-ZH8-W02 CARBURETOR 160 \$82.50



40. 16212-ZH8-800 INSULATOR GASKET 160 \$2.30



41. 16211-ZE1-000 INSULATOR 160 \$14.75



42. 91201-Z0T-801 SEAL, REDUCTION COVER \$8.50



43. 90131-ZE1-000 DRAIN PLUG 120/160 \$2.50



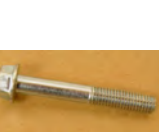
44. 90551-ZE1-000 CIRCLIP 160 \$1.00



45. 91001-ZF1-003 FLYWHEEL SIDE BEARING 160 \$18.75



46. 91202-883-005 FLYWHEEL SIDE SEAL 160 \$8.50



47. 95723-08060-00 HEAD BOLT 160 \$1.90



48. 94301-08140 DOWEL PIN 120/160 \$1.25



49. 96100-62050-00 SIDE COVER BEARING 160 \$17.20

**Honda and 1/4 Midget Parts Cont.**

50. 30700-ZE1-013 OIL PLUG CAP  
120/160 \$16.50



55. 14771-ZE1-000 INTAKE VALVE SPRING RETAINER 120/160 \$8.00



56. 14773-ZE1-000 EXHAUST VALVE SPRING RETAINER 120/160 \$8.00



57. 14791-ZE1-010 PLATE \$2.75



58. 30700-ZE1-013 PLUG CAP 120/160 \$16.50

51. 16011-ZE0-005 INLET NEEDLE  
120/160 \$16.00

52. 99101-ZK7-0700 #70 JET  
120/160 \$7.50

53. 99101-ZHB-0800 #80 JET 160 \$6.50

54. 99101-ZHB-0820 #82 JET 160 \$6.50



59. 30500-ZE1-063 COIL 120/160 \$83.00



60. 13101-ZH7-020 GX120 TIER 3 PISTON, STANDARD \$37.50



61. 13101-ZH8-020 GX160 TIER 3 PISTON, STANDARD \$39.95



62. 13101-ZH8-010 STANDARD PISTON GX160 \$43.50



63. 11381-ZH8-801 SIDECOVER GASKET 160 \$7.80



64. 13010-ZH8-941 STANDARD RING SET GX160 \$26.50



65. 13011-ZH8-942 .25 RING SET GX160 \$33.00



66. 13010-Z4K-004 GX120 TIER 3 RING SET, STANDARD \$23.95



67. 13200-ZE1-010 ROD GX160 \$46.50



68. 90001-ZE1-000 ROD BOLT 120/160 \$2.50



69. 90012-ZE0-010 PIVOT BOLT \$5.25



70. 90047-ZE1-000 EXHAUST STUD 120/160 \$2.75



71. 21591-ZH8-740 GEAR REDUCTION GASKET 120/160 \$6.00



72. 12391-ZE1-000 VALVE COVER GASKET 120/160 \$3.95



73. 23710-883-740 SUNGEAR WITH OUTPUT SHAFT \$195.00



74. 31100-ZE0-020 FLYWHEEL 120 TIER 3 \$99.50



75. 13331-357-000 FLYWHEEL KEY 120/160 \$4.50



76. 17238-ZE0-010 COLLAR FOR AIR CLEANER \$2.90



77. 19511-ZE1-000 COOLING FAN 120/160 \$22.50



78. 90043-ZE1-020 GX160 STUD \$4.50



79. GX160 TIER 3 RING SET, STD. \$26.95

**Honda Quarter Midget Engines**



1. HONDA GX120 4HP ENGINE, GEAR REDUCTION \$490.00
2. HONDA GX160 5.5HP ENGINE, GEAR REDUCTION \$498.00
3. HONDA GX200 GREAT FOR FUN KARTS AND MINIBIKES \$429.00

**Pavesi Engine Parts**

1. BASE GASKET, .008, .010 \$1.90 EA
2. PAVESI 125CC DRIVE GEARS 14T, 15T, 18T \$23.00
3. PAVESI CLUTCH SIDE SEAL \$9.50
4. DELLORTO JET \$10.00

ALL CLOSE OUTS

**McCulloch Engine Bearings**

1. MAIN BEARING (MC 49, 910, 92, 93, 101 SERIES) \$7.50 EACH, FOUR FOR \$28.00, TEN FOR \$65.00
2. PTO NEEDLE CRANK BEARING \$7.80 EACH, TWO \$14.50

**Engine Bearings**

1. 6204-C4 FAG NYLON MAIN BEARING, FOR KOMET, DAP, PCR, ATOMIC, ALL 100CC EXCEPT K-71 - \$10.00, TWO \$19.00, FOUR \$36.00, TEN \$80.00
2. 6205-C4 FAG NYLON MAIN BEARING, B-BOMB, KPV, LEOPARD, K71, BM-130, 125CC - \$12.00 EACH, TWO \$23.50, FOUR \$46.00, TEN \$110.00
3. MAIN BEARING SHIM, SPECIFY .003 OR .005 THICK \$4.00
4. CAGE BEARING (TOP ROD) .677" WIDE - 100CC PCR, PARILLA, ATOMIC \$25.00 EACH, TWO \$48.00
5. CAGE BEARING (TOP ROD) .776" WIDE - K-30, K-35 \$37.50 EACH, TWO \$74.00
6. BIG THIRD BEARING FOR THE UPRIGHT SUPPORT 1.625 OD, .750 ID \$6.00, FOUR \$20.00
7. 6202 SMALL THIRD BEARING FOR THE UPRIGHT SUPPORT 1.380 OD, .590 ID \$6.00, FOUR \$20.00
8. 6202 COMER C50/K80 OEM MAIN BEARING \$6.00
9. 6202-C4 C50/K80 NYLON MAIN BEARING \$18.50
10. DOUBLE ROW SELF ALIGNING MAIN BEARING C50/K80 \$28.00

**US820 Engine Bearings**

1. 6204-C4 FAG NYLON MAIN BEARING \$10.00, TWO \$19.00
2. BOTTOM ROD CAGE BEARING, TWO PIECE \$23.00
3. TOP ROD BEARING \$7.20 EACH, TWO \$14.00
4. 6204-C4 STEEL MAIN BEARING \$10.00 EACH



**Tecumseh Star Engine Parts**

**ALL CLOSE OUTS**

1. WRIST PIN \$4.00
2. CIRCLIPS \$1.30 PAIR
3. CRANK GEAR \$37.75
4. STANDARD TOP RING ONLY \$8.50
5. VALVE GUIDE REAMER \$21.00
6. STAINLESS STEEL EXHAUST VALVE \$34.00
7. G1717 GEM STARTER NUT \$18.00
8. STOCK CAM - TAKE OUTS \$24.00
9. ROD BOLTS \$19.95 PAIR
10. OIL FILL PLUG \$.80
11. CARB MOUNTING STUD \$4.50
12. STAR HEAD SHROUD \$6.80

**Close Out Parts**

**No RETURNS ON CLOSE OUT PARTS**

1. BM CASES, 104, \$20.00 - \$80.00 BMSS96 \$80.00
2. HARTMAN BELT DRUMS, NEW - WAS \$48.00, SALE \$5.00
3. HORSTMAN REV GRIP AND SLIP-A-JUST CLUTCH SPIDERS FOREIGN \$5.00, SLIPSTER OLD STYLE CLUTCH COVERS \$5.00
4. Mc49E CARBURETOR ROCK GUARD - \$1.00
5. MARGAY SWEDGE PIECE - \$3.00, PANTHER NUMBER PANAL BRACKET - \$2.00
6. HORNET 3/4" SPINDLES - \$5.00
7. TILLOTSON FILTER ADAPTOR FOR FOAM ELEMENTS, HL STYLE, IKS OFFSET 3 1/4" DIAMETER - \$4.00

**Noram Briggs Clutches**

**Four Cycle Pistons**

**ALL CLOSE OUTS**

**WISeco PISTONS AND RINGS**

- |                            |                             |
|----------------------------|-----------------------------|
| 1. 1983 P-SERIES - \$39.00 | 8. 1997 P-Series - \$35.00  |
| 2. 1984 P-SERIES - \$49.95 | 9. 1998 P-Series - \$37.00  |
| 3. 1986 P-SERIES - \$49.95 | 10. 1999 P-Series - \$39.95 |
| 4. 1992 P-SERIES - \$35.00 | 11. 2005 P-Series - \$31.00 |
| 5. 1993 P-SERIES - \$37.00 | 12. 2006 P-Series - \$39.95 |
| 6. 1995 P-SERIES - \$39.95 | 13. 2007 P-Series - \$31.00 |
| 7. 1996 P-SERIES - \$35.00 | 14. 2008 P-Series - \$39.95 |
|                            | 15. 2009 P-Series - \$35.00 |

16. WISeco RINGS ALSO IN STOCK - \$20.00

**BURRIS PISTONS AND RINGS**

1. BURRIS SUPER STOCK PISTONS WITH RINGS, SIZES .008 UNCHROMED \$35.00 **CLOSE OUT, ONE LEFT!**
2. BURRIS PLUS 4 SERIES TOP RING, THICKER BRIGGS RAPTOR II COMPRESSION RING, SPECIFY SIZE - \$5.75 **CLOSE OUT**
3. BURRIS RAPTOR III TOP RING, SPECIFY SIZE - \$6.00
4. BURRIS RAPTOR III SCRAPER RING, SPECIFY SIZE \$6.00
5. BURRIS RAPTOR III OIL RING, SPECIFY SIZE \$8.00



1. OUTBOARD ARENA CLUTCH #35 CHAIN SPECIFY 9T OR 10T \$137.00



2. OUTBOARD CLUTCH DRUM ONLY SPECIFY 9T OR 10T \$83.00



3. MACHINED BILLET CLUTCH DRUM #35 16T THRU 21T \$61.00



4. GE CLUTCH DRUM #35 CHAIN 11T-13T \$36.00 14T-17T \$37.00 18T-21T \$43.00



5. FIBER WASHER FOR CLUTCH 3/4", 12T DRUM AND UP \$.80



6. NORAM GE CLUTCH 11T \$72.00 12T THRU 17T \$66.00 18T THRU 21T \$74.00



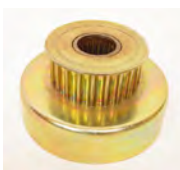
7. OLD STYLE NORAM CLUTCH SHOES FOR GE CLUTCH LIGHT WEIGHT, HEAVY WEIGHT \$10.50 EACH



8. CLUTCH KEY 3/16"x 3/16" \$.90 EACH 10 FOR \$8.50



11. OLD STYLE NORAM SPRING \$2.20 EACH HEAVY SHOE/LIGHT SHOE STALL SPEED BROWN (THIN) - 1620, 1800 RPM BLACK - 1900, 2100 RPM RED (STOCK, THIN) - 2040, 2500 RPM WHITE - 2470, 2900 RPM BLUE - 2650, 3200 RPM PURPLE - 2900, 3600 RPM GREEN - 3200, 4000 RPM ORANGE - 3500, 4400 RPM BROWN (THICK) - 3850, 4900 RPM \$3.50 RED (THICK) - 4200, 5500 RPM \$3.50








9. GE BELT DRUM 21T \$55.00 22T \$57.00 26T \$65.00



10. OUTER CLUTCH SNAP RING FOR 3/4" SHAFT \$1.00

**Noram US820 Clutches**

- 
- 
- 
- 
- 
- 1. WEST BEND US820 CLUTCH, 5/8" BORE #35 CHAIN, TWO CYCLE CLUTCH 9T, 10T, 15T \$225.00
  - 2. US820 BILLET ALUMINUM DRUM \$83.00
  - 3. NAW063 DRUM FIBER WASHER \$1.25
  - 4. US820 CLUTCH SHOE \$25.00
  - 5. US820 SPRING, COLOR/STALL SPEED  
GREEN - 4000 RPM  
ORANGE (STOCK) - 4500 RPM  
BROWN - 5000 RPM  
RED - 5500 RPM  
\$3.50 EACH

**Noram Mini Cup Clutch**

- 
- 
- 
- 
- 1. MINI CUP CLUTCH 1" BORE WITH 3/8" STEP DOWN, OUTBOARD DRIVE 12T THRU 18T \$175.00
  - 2. MINI CUP SHOE \$16.50
  - 3. MINI CUP BILLET ALUMINUM DRUM 12T THRU 18T \$99.00
  - 4. MINI CUP SPRING, COLOR/STALL SPEED  
RED (STOCK) - 1700 RPM  
WHITE - 1850 RPM  
BLUE - 2100 RPM  
PURPLE - 2400 RPM  
GREEN - 2550 RPM  
NATURAL - 2700 RPM  
\$3.95 EACH (TAKES 3)

**Noram Star Clutch**

- 
- 
- 
- 
- 
- 
- 1. STAR 1" CLUTCH, 1" BORE ALL THE WAY THROUGH 13T THRU 18T \$159.00
  - 2. STAR CUP SHOE \$16.50
  - 3. STAR BILLET ALUMINUM DRUM 13T THRU 18T \$99.00
  - 4. STAR SPRING, COLOR/STALL SPEED  
RED (STOCK) - 2500 RPM  
WHITE - 2800 RPM  
BLUE - 3100 RPM  
PURPLE - 3400 RPM  
GREEN - 3700 RPM  
NATURAL - 4000 RPM  
\$3.95 EACH (TAKES 3)
  - 5. KY025 CLUTCH KEY WITH STEP \$11.50
  - 6. CLUTCH DRUM BEARING 1" FOR 15 TOOTH DRUM AND UP \$16.50

**Draggin Skin Clutch**

- 
- 
- 
- 
- 
- 
- 1. MAX TORQUE DRAGGIN SKIN BRIGGS RACING CLUTCH \$149.95
  - 2. 7 GRAM WEIGHT KIT \$6.95
  - 3. 10 GRAM WEIGHT KIT \$6.75
  - 4. SPRING SET \$7.00  
BLACK .054, RED .056,  
BROWN .058, BLUE .060,  
GREEN .062, PURPLE .064,  
YELLOW .068, WHITE .072
  - 5. REPLACEMENT CLUTCH SPROCKET  
10T - \$29.00, 11T - \$19.00  
12 - \$18.80, 13T - \$18.80  
14T THRU 17T - \$19.80  
18T THRU 21T - \$26.80  
22T - \$27.80
  - 6. BROWN MATTED SHOE SET \$49.00

**Premier Titan Clutch**



1. TITAN CLUTCH, BRIGGS WORLD FORMULA \$149.95  
12T-23T #35, 16T-22T #219



2. APTC012 CLUTCH KEY 5/8" x 3/16" \$5.50



3. APTP/10 CLUTCH SHOE \$7.80



4. VK003 BOLT AND WASHER FOR PTO END \$1.70  
WORKS ON MOST CLUTCHES



5. TITAN SPRING \$4.00 EACH  
BLUE - 3100 RPM  
GREEN - 3600 RPM  
RED - 3800 RPM  
YELLOW - 4000 RPM  
ORANGE (STOCK) - 4200 RPM  
REQUIRES 3 PER CLUTCH



6. APSP2033 STINGER COVER BOLT \$1.95



7. BRIGGS CLUTCH SPROCKET \$24.00  
12T-23T #35  
16T-22T #219



8. APTP09 INNER CLUTCH HUB \$18.50

**Premier Stinger Clutch**



1. PREMIER CLUTCH, BRIGGS \$110.00  
12T-23T #35, 16T-22T #219



2. APSP011 CLUTCH KEY 5/16" x 3/16" \$4.00



3. APSP1204 CLUTCH SHOE \$7.80



4. VK003 BOLT AND WASHER FOR PTO END \$1.70  
WORKS ON MOST CLUTCHES



5. STINGER SPRING \$2.00 EACH  
BLUE - 3000 RPM  
ORANGE - 3200 RPM  
BLACK - 3600 RPM  
YELLOW - 3800 RPM  
PURPLE - 4400 RPM  
WHITE - 4800 RPM  
GREEN - 5800 RPM  
REQUIRES 3 PER CLUTCH



6. BRIGGS CLUTCH SPROCKET \$24.00  
12T-23T #35  
16T-22T #219



7. APSP15448 INNER HUB FOR SHAFT \$56.95



8. APSD CLUTCH DRUM \$77.00

**Max Torque Clutch**



FUN KART CLUTCH  
1. 3/4" BORE CLUTCH #35 12T, 13T \$39.00  
2. 5/8" BORE CLUTCH #35 11T \$39.00  
3. 3/4" BORE CLUTCH #40-41 10T \$39.00  
4. 5/8" BORE CLUTCH #40-41 10T \$39.00



CLONE CLUTCH  
5. 3/4" BORE CLUTCH #35 10T \$59.95  
6. 3/4" BORE CLUTCH #35 11T-18T \$59.95  
7. 3/4" BORE CLUTCH #35 19T-22T \$65.00



8. TT 11T DRUM ASSEMBLY WITH SPROCKET \$39.50



9. DRUM ONLY, NO SPROCKET, SPECIFY 12T ONLY, 13T AND UP \$13.80



10. REPLACEMENT CLUTCH SPROCKET  
10T - \$29.00  
11T THRU 17T - \$25.80  
18T - \$26.80  
19T THRU 22T - \$33.00



11. CLUTCH SPRING \$6.50 EACH  
A. CLONE BLACK - 2900 RPM  
B. SS SILVER - 2200 RPM  
C. SS GREEN - 2500 RPM



12. CLUTCH SET SCREW 1/4-28 .310 LONG \$4.00



13. OUTER CLUTCH SNAP RING 3/4" \$1.00



14. CLUTCH KEY 3/16"x3/16" \$.90

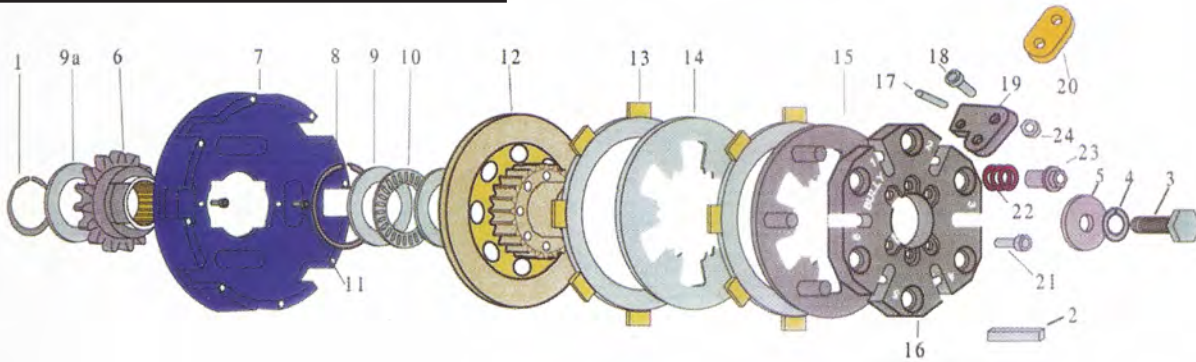


15. SR118 10T SNAP RING 1 1/16"  
16. SR125 11T SNAP RING 1 1/8"  
17. SR143 1 5/16" SNAP RING  
18. SR156 1 7/16" SNAP RING \$2.95 EACH



**ALL IN STOCK BULLY CLUTCHES AND PARTS ARE FOR 3/4" PTO SHAFTS, IF YOU NEED CLUTCHES OR PARTS FOR 1" PTO SHAFTS PLEASE GIVE US A CALL!**

**Bully Clutch Parts**



- |  |   |
|--|---|
| <ol style="list-style-type: none"> <li>1. 7/8" SNAP RING \$1.00</li> <li>2. CLUTCH KEY \$1.75</li> <li>3. CLUTCH PTO BOLT \$.45</li> <li>4. LOCK WASHER \$.10</li> <li>5. PTO BOLT WASHER, THICK \$1.25</li> <li>6. SPROCKET #35 12T THRU 22T \$24.00, 11T SPROCKET \$29.95<br/>JACKSHAFT CLUTCH SPROCKET 14T THRU 22T \$39.00<br/>098-310X ARENA 10T SPROCKET KIT \$50.00, BOLT KIT \$16.00</li> <li>7. ALUMINUM ONE DISC CLUTCH DRUM \$38.00<br/>ALUMINUM TWO DISC CLUTCH DRUM \$48.00<br/>ALUMINUM THREE DISC CLUTCH DRUM \$58.00, STEEL \$56.00</li> <li>8. SPROCKET RETAINING RING \$2.25</li> <li>9. INNER THRUST WASHER, THIN .015" \$1.50</li> <li>10. THRUST BEARING \$4.00</li> <li>11. SPROCKET RETAINING RING BOLT #4 x 3/16" \$.50</li> <li>12. TWO DISC INNER DRIVE HUB \$70.00, THREE DISC \$70.00</li> <li>13. FRICTION DISC \$19.00</li> <li>14. FLOATER .065, .075, .085, .095 \$16.00</li> <li>15. CLUTCH DISC PRESSURE PLATE 4 SPRING \$39.00, 6 SPRING \$40.00<br/>098-254 HEAVY DUTY PRESSURE PLATE, 6 SPRING \$40.00</li> </ol> | <ol style="list-style-type: none"> <li>16. CLUTCH SPRING PLATE SPECIFY 4 SPRING OR 6 SPRING \$45.00</li> <li>17. WEIGHT DOWEL PIN \$1.00</li> <li>18. WEIGHT BOLT \$.30</li> <li>19. L SHAPED CLUTCH LEVER \$8.00</li> <li>19. STRAIGHT CLUTCH LEVER \$7.00</li> <li>19. AFTERMARKET ROLLER CLUTCH LEVER \$114.00 (SET OF 6)</li> <li>20. BRASS WEIGHT \$2.70</li> <li>21. SPRING PLATE BOLT \$.40</li> <li>22. SPRING .067", .085", .090", .100" \$2.10</li> <li>23. SPRING RETAINER 098-120 1/4 28 4 SPRING CLUTCH \$4.00<br/>098-118 10-32 6 SPRING CLUTCH \$4.00</li> <li>24. WEIGHT NUT \$.25<br/>SMALL DRUM SCREW \$.40<br/>THREE DISC CLUTCH SPACER FOR JACKSHAFT CLUTCH \$9.00<br/>CLUTCH SHIM SPECIFY .005, .010 \$2.50</li> </ol> |
|--|---|

**Buller Bully Clutch**



1. BULLY ONE DISK 6 SPRING JR CLUTCH \$295.00
2. BULLY TWO DISK 6 SPRING CLUTCH \$315.00
3. BULLY THREE DISK FOUR SPRING ANIMAL CLUTCH \$365.00
4. BULLY FOUR DISK SIX SPRING TWO CYCLE JACKSHAFT CLUTCH \$399.00



5. SMC AFTERMARKET ROLLER CLUTCH WEIGHT KIT \$114.00 SET OF 6 \$20.00 EACH

**SMC Clutches**



VORTEX GOLD

**Junior Dragster Torque Convertors**

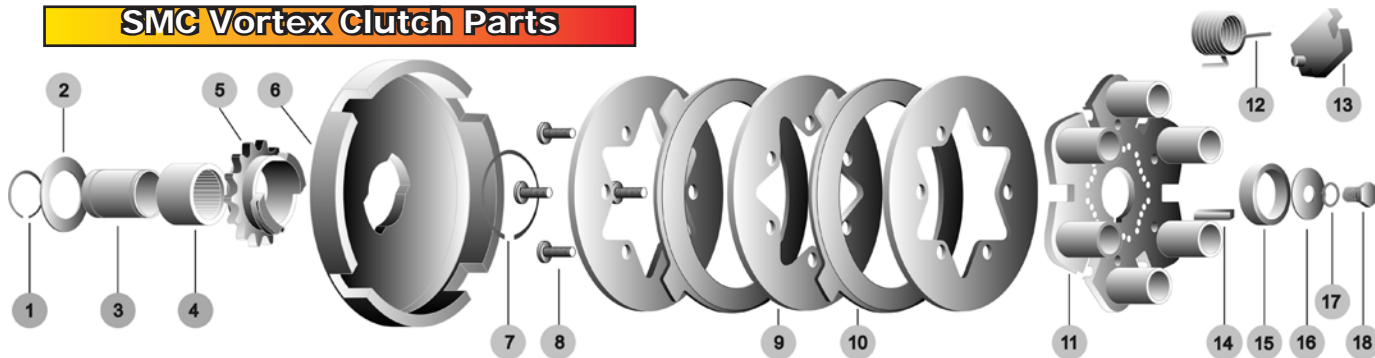
**ALL CLOSE OUTS!**

1. NHRA JR. DRAGSTER JACKSHAFT KIT \$110.00 HEAVY DUTY
2. 302344 SALSURY 5/8" DRIVEN UNIT \$135.00 **CLOSE OUT**
3. 300785A SALSURY 3/4" DRIVEN UNIT, MODEL 330 \$123.00
4. 302253A SPRING BUSHING KIT 330 DRIVE \$17.50
5. 300616A BELT \$41.00
6. 300617A BELT \$41.00
7. 300618A BELT \$44.50
8. 300666A BELT \$48.00
9. 300672A BELT \$41.00
10. 301080A BELT \$41.00
11. 301194A BELT \$44.50
12. 301031A STANDARD ARM KIT \$89.00
13. 300114A BLACK ARM KIT \$59.00
14. 3001330 GREEN ARM KIT \$57.00
15. 300090 A - SPACER \$2.50
16. 302361 SPACER \$12.00
17. 300241A FACE \$45.00
18. 300240 330A BUSHING \$6.00
19. 302203A PIVOT PIN KIT 330A \$31.80

CLUTCHES COME WITH SMC ROLLER WEIGHTS

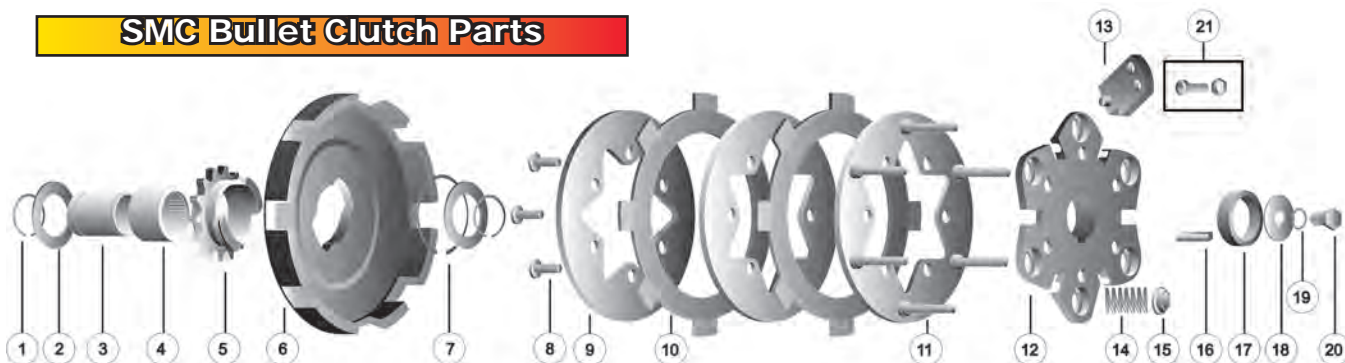
1. VORTEX GOLD BRIGGS CLUTCH, ONE DISK \$270.00
2. VORTEX GOLD BRIGGS CLUTCH, TWO DISK \$295.00

### SMC Vortex Clutch Parts



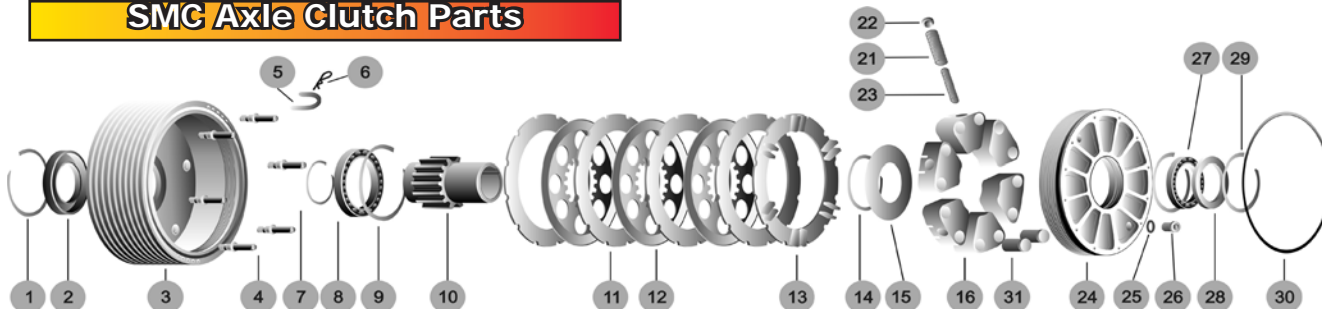
- |  |  |
|--|--|
| <ul style="list-style-type: none"> <li>1. 4013 SNAP RING \$1.80</li> <li>2. OUTER WASHER, SPECIFY DRIVER \$1.70</li> <li>3. 4011 INNER RACE FOR SPROCKETS EXCEPT 11T \$11.50</li> <li>4039 INNER RACE FOR 11T SPROCKET \$11.50</li> <li>4. 4012 NEEDLE ROLLER BEARING \$8.50</li> <li>5. SMC SPROCKET, SPECIFY SIZE \$24.00</li> <li>6. 4007 DRUM FOR ONE DISK CLUTCH \$39.00</li> <li>4033 DRUM FOR TWO DISK CLUTCH \$40.00</li> <li>7. 4009 SPROCKET RETAINING RING \$.95</li> <li>8. 4006 BUTTON HEAD CAP SCREW \$.35</li> <li>9. 4003 DRIVE PLATE \$20.00</li> <li>10. 4002 CLUTCH DISK \$28.00</li> <li>11. 4001 ONE DISK DRIVE HUB \$109.95</li> <li>4031 TWO DISK DRIVE HUB \$112.00</li> </ul> | <ul style="list-style-type: none"> <li>12. 4004 SPRING \$4.00</li> <li>13. 4105 BRASS WEIGHT \$10.00</li> <li>4005 STEEL WEIGHT \$8.00</li> <li>14. 4014 ONE DISK CLUTCH KEY \$.80</li> <li>4036 TWO DISK CLUTCH KEY \$.80</li> <li>15. 4015 .500 SPACER FOR ONE DISK CLUTCH \$5.50</li> <li>4032 .250 SPACER FOR TWO DISK CLUTCH \$5.50</li> <li>16. 4016 CRANKSHAFT WASHER \$.75</li> <li>17. 4025 LOCK WASHER \$.10</li> <li>18. 4017 HEX HEAD CAP SCREW \$.45</li> </ul> <p>VORTEX SPRING WRENCH \$26.00</p> <ul style="list-style-type: none"> <li>4021 REBUILD KIT FOR ONE DISK CLUTCH \$64.00</li> <li>4021 REBUILD KIT FOR TWO DISK CLUTCH \$110.00</li> <li>4024 INNER RACE UPDATE KIT \$18.00</li> </ul> |
|--|--|

### SMC Bullet Clutch Parts



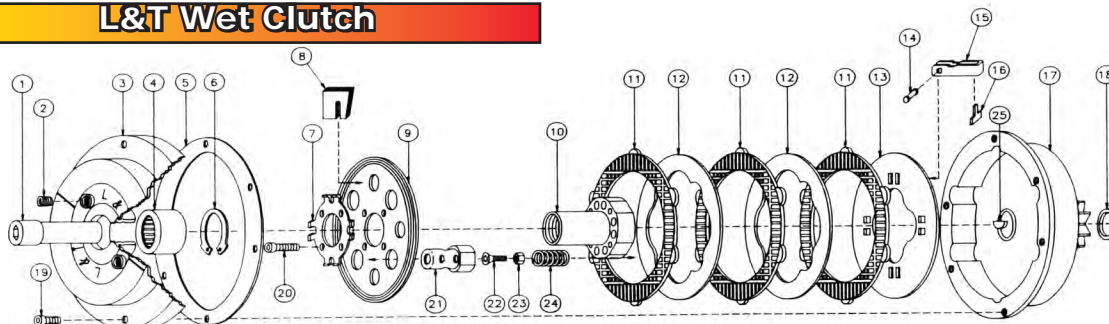
- |  |   |
|--|---|
| <ul style="list-style-type: none"> <li>1. 4013 RETAINING RING \$1.80</li> <li>2. OUTER WASHER SPECIFY DRIVER \$1.70</li> <li>3. 5025 INNER RACE, STEEL ALL EXCEPT 11T \$11.50</li> <li>5025 INNER RACE, BRONZE FOR 11T \$10.00</li> <li>4. 4012 NEEDLE ROLLER BEARING \$8.50</li> <li>4020 BUSHING \$4.00</li> <li>5. SMC SPROCKET, SPECIFY SIZE \$24.00</li> <li>6. 5011 ONE DISK DRUM \$42.00</li> <li>5012 TWO DISK DRUM \$43.00</li> <li>7. 4037 SPROCKET RETAINING RING \$2.00</li> <li>8. 5021 BUTTON HEAD CAP SCREW \$.35</li> <li>9. 5035 TWO DISK CLUTCH FLOATER \$18.00</li> </ul> | <ul style="list-style-type: none"> <li>10. 4931 SMC CLUTCH DISK \$28.00</li> <li>11. 5041 PRESSURE PLATE \$45.00</li> <li>12. 5042 CLUTCH SPRING PLATE \$48.00</li> <li>13. 5043 WEIGHT \$8.40</li> <li>14. 5047 CLUTCH SPRING \$3.00</li> <li>15. 5053 SPRING RETAINER \$2.15</li> <li>16. 5056 ONE DISK CLUTCH KEY \$1.80</li> <li>5057 TWO DISK CLUTCH KEY \$1.80</li> <li>18. 4016 WASHER \$.75</li> <li>19. 4025 LOCK WASHER \$.10</li> <li>20. 4017 HEX HEAD CAP SCREW \$.45</li> </ul> |
|--|---|

### SMC Axle Clutch Parts



1. 2021 SNAP RING \$3.00
2. 2013 LARGE SEAL \$10.00
3. 2001 AXLE CLUTCH LARGE HOUSING \$249.00
4. 2019-3 HOUSING STUD \$6.75
5. 2005-2 LINK \$4.50
6. 2020 HAIRPIN \$.40
7. 2022 SNAP RING \$3.00
8. 2011 BEARING \$29.95
9. 2024 SNAP RING \$3.00
10. INNER DRIVE HUB 1", 1 1/4" 30MM \$105.00, 1 3/8", 35MM \$120.00
11. 2006 FLOATER SET (4) \$64.00
12. 2007 FRICTION DISK SET (3) \$120.00
13. 2009 BRONZE PRESSURE PLATE \$120.00
14. 2015 SNAP RING \$3.00
15. 2029 WASHER \$4.50
16. 2025-1 20 GRAM BRASS WEIGHT \$2.80
17. 2025-3 TUNGSTEN WEIGHT \$16.50
21. 2010-03 OUTER ENDURO SPRING, SPRINT 2010-01 \$5.00
23. 2010-02 INNER SPRING \$3.00
24. OUTER COVER \$125.00
26. 2018 FILLER PLUG \$1.50
27. 2031 SPEED COLLAR BEARING \$29.95
28. 2012 SMALL SEAL \$8.00
29. 2014 SNAP RING \$3.00
30. 2016 LARGE O-RING \$1.80
- 3101 SPRINT WEIGHT KIT, 40MM AXLE \$195.00
- 3102 ENDURO WEIGHT KIT, 40MM AXLE \$195.00
- 2102 ENDURO SIX WEIGHT SET WITH SPRINGS \$175.00
- 2008-1 SPRINT SIX WEIGHT SET \$138.00
- 2101 SPRINT SIX WEIGHT SET WITH SPRINGS \$175.00

**L&T Wet Clutch**



1. 100-40 STARTER NUT \$19.00
2. 200-15 SIDE COVER FILLER PLUG \$1.50
3. 100-10 ALUMINUM SIDE COVER \$64.75
4. 200-16 COVER BEARING \$11.50
5. 100-11 RUBBER SIDE COVER GASKET \$2.85  
100-11-1 PAPER SIDE COVER GASKET \$3.00
6. 200-17 COVER SNAP RING \$.50
7. 100-14 LEVER SUPPORT - 4 SPRING \$6.95  
100-15 LEVER SUPPORT - 6 SPRING \$7.95
8. 100-12-1 LEVER WEIGHT 1 DISK \$1.60  
100-12-3 LEVER WEIGHT 3 DISK \$1.60
9. 100-28 FLYWHEEL 4 SPRING \$35.75  
100-29 FLYWHEEL 6 SPRING \$36.95
10. 100-30-2 HUB 4 SPRING 1&2 DISK - 20 DEGREE TAPER \$42.85  
100-30-3 HUB 4 SPRING 3 DISK - 20 DEGREE TAPER \$42.85  
100-30-3A HUB 4 SPRING 3 DISK - 19.5 DEGREE TAPER \$42.85  
100-31-2 HUB 6 SPRING 1&2 DISK - 20 DEGREE TAPER \$42.85  
100-31-3 HUB 6 SPRING 3 DISK - 20 DEGREE TAPER \$45.25  
100-31-3A HUB 6 SPRING 3 DISK - 19.5 DEGREE TAPER \$45.25
11. 100-17 WET FRICTION DISK \$24.00
12. 100-20A FLOATER - 4 SPRING, .045" THICK \$18.40  
100-20B FLOATER - 4 SPRING, .050" THICK \$20.25  
100-20C FLOATER - 4 SPRING, .055" THICK \$20.25  
100-21A FLOATER - 6 SPRING, .045" THICK \$20.25  
100-21B FLOATER - 6 SPRING, .050" THICK \$22.50  
100-21C FLOATER - 6 SPRING, .055" THICK \$22.50
13. 100-25 PRESSURE PLATE - 4 SPRING \$23.50  
100-26 PRESSURE PLATE - 6 SPRING \$23.50
14. 100-13 LEVER STRAP PIN \$.75
15. 100-16-1 LEVER STRAP 1 DISK \$3.75  
100-16-2 LEVER STRAP 2 DISK \$3.75  
100-16-3 LEVER STRAP 3 DISK \$3.75
16. 100-23 SHIM .010" \$2.60  
100-24 SHIM .005" \$2.50
17. 100-38-3 DRUM 9T #35 CHAIN \$48.50  
100-38-10 DRUM 10T #35 CHAIN \$48.50  
100-38-11 DRUM 11T #35 CHAIN \$48.50  
100-38-12 DRUM 12T #35 CHAIN \$48.50  
100-38-13 DRUM 13T #35 CHAIN \$54.00  
100-38-14 DRUM 14T #35 CHAIN \$54.00  
100-38-15 DRUM 15T #35 CHAIN \$54.00  
100-38-16 DRUM 16T #35 CHAIN \$54.00
- 100-38A-3 DRUM 9T WITH BEARING #35 CHAIN \$65.00
- 100-39-10 DRUM 10T #219 CHAIN \$48.50
- 100-39-12 DRUM 12T #219 CHAIN \$48.50
- 100-39-13 DRUM 13T #219 CHAIN \$54.00
- 100-39-14 DRUM 14T #219 CHAIN \$54.00
- 100-39-15 DRUM 15T #219 CHAIN \$54.00
- 100-39-3 DRUM 11T #219 CHAIN \$54.00
18. 100-34 SPACER .720 OD X .105 WIDE \$2.70  
100-34-10 SPACER .670 OD X .105 (10T) \$2.70  
100-34-11 SPACER .750 OD X .105 \$2.70
19. 200-12 COVER SCREW 8/32 X 3/8" \$.66
20. 200-19 HUB SCREW 8/32 X 1/2" \$.85
21. 100-27-1 SPRING 1 DISK \$4.30  
100-27-2 SPRING 2 DISK \$4.30  
100-27-3 SPRING 3 DISK \$4.30
22. 200-14 SPRING ADJUSTER SCREW FHAB 8/32 X 1/2" \$.80
23. 200-13 SPRING ADJUSTER NUT 8/32 \$.48
24. 100-22-1 SPRING 1 DISK \$3.65  
100-22-2 SPRING 2 DISK \$3.65  
100-22-3 SPRING 3 DISK \$3.65
25. 200-20 CRANKSHAFT WOODRUFF KEY \$1.45
26. L&T RED CLUTCH OIL \$19.95
27. 2362-10 3 DISK 6 SPRING WET CLUTCH WITH 10T DRUM \$365.00
28. 2362-11 3 DISK 6 SPRING WET CLUTCH WITH 11T DRUM \$365.00

**L&T Mini Dry Clutch**

1. 600-9 COVER \$12.50
2. 600-10 SNAP RING FOR COVER \$3.00
3. 600-12-1 LEVER WEIGHT \$1.95
4. 600-13 LEVER PIN \$1.45
5. 600-16-1 LEVER STRAP \$4.95
6. 600-17 FRICTION DISK \$40.00
7. 600-22-1 WAVE WASHER \$6.00
8. 600-22-2 SHIM \$2.50
8. 100-23 SHIM .010" \$2.60
8. 100-24 SHIM .005" \$2.50
9. 600-25 PRESSURE PLATE \$35.00
10. 600-27-1 SPRING CUP \$4.25
11. 600-28 FLYWHEEL AND HUB ASSEMBLY \$96.00
12. 600-38-3 DRUM ASSEMBLY 9T #35 CHAIN \$75.00  
600-38-10 DRUM ASSEMBLY 10T #219 CHAIN \$75.00  
600-39-3 DRUM ASSEMBLY 11T #219 CHAIN \$75.00  
600-39-12 DRUM ASSEMBLY 12T #219 CHAIN \$75.00  
600-39-13 DRUM ASSEMBLY 13T #219 CHAIN \$75.00
13. 2142M-10 DRY MINI CLUTCH WITH 10T DRUM \$315.00
14. 2142M-11 DRY MINI CLUTCH WITH 11T DRUM \$315.00



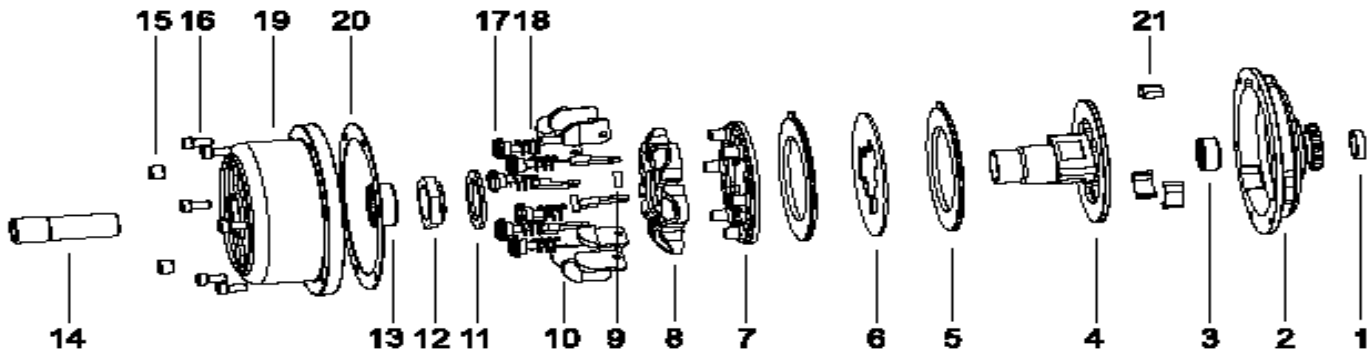
**L&T Two Disk Mini**



1. L&T MINI DRY CLUTCH 4 SPRING 2 DISK FOR KT100  
CAN CLASS \$315.00

**Steel Nytro Clutch Parts**

MANY PARTS ARE  
CLOSE OUTS



1. 322300 SPACER .145 WIDE FOR 10T 219 \$3.80  
322400 SPACER .115 WIDE \$3.80  
322600 SPACER .125 WIDE FOR 11T 219 \$3.80  
323800 SPACER .145 WIDE FOR 11T 219 OR 9T 35 \$3.80  
324600 SPACER .125 WIDE FOR 12-15T 219 OR 15T 35 \$3.80  
324700 SPACER .155 WIDE FOR 12-15T 219 \$3.80  
325900 SPACER .145 WIDE FOR 12-15T 219 OR 10-15T 35 \$3.80
2. 330001 ALUMINUM DRUM 10 TOOTH #219, TWO DISK - \$65.00  
330002 ALUMINUM DRUM 11 TOOTH #219, TWO DISK - \$65.00  
330003 ALUMINUM DRUM 12 TOOTH #219, TWO DISK - \$65.00  
330083 ALUMINUM DRUM 13 TOOTH #219, TWO DISK - \$65.00  
330084 ALUMINUM DRUM 15 TOOTH #219, TWO DISK - \$65.00  
330080 ALUMINUM DRUM 9 TOOTH #35, TWO DISK - \$65.00  
330081 ALUMINUM DRUM 10 TOOTH #35, TWO DISK - \$65.00 **CLOSE OUT**  
330004 ALUMINUM DRUM 10 TOOTH #219, THREE DISK - \$65.00  
330005 ALUMINUM DRUM 11 TOOTH #219, THREE DISK - \$65.00  
330006 ALUMINUM DRUM 12 TOOTH #219, THREE DISK - \$65.00  
330093 ALUMINUM DRUM 13 TOOTH #219, THREE DISK - \$65.00  
330094 ALUMINUM DRUM 15 TOOTH #219, THREE DISK - \$65.00  
330090 ALUMINUM DRUM 9 TOOTH #35, THREE DISK - \$65.00  
330091 ALUMINUM DRUM 10 TOOTH #35, THREE DISK - \$65.00  
330092 ALUMINUM DRUM 15 TOOTH #35, THREE DISK - \$65.00  
330007 ALUMINUM DRUM 10 TOOTH #219, FOUR DISK - \$65.00  
330008 ALUMINUM DRUM 11 TOOTH #219, FOUR DISK - \$65.00  
330009 ALUMINUM DRUM 12 TOOTH #219, FOUR DISK - \$65.00  
330103 ALUMINUM DRUM 13 TOOTH #219, FOUR DISK - \$65.00  
330104 ALUMINUM DRUM 15 TOOTH #219, FOUR DISK - \$65.00  
330100 ALUMINUM DRUM 9 TOOTH #35, FOUR DISK - \$65.00  
330101 ALUMINUM DRUM 10 TOOTH #35, FOUR DISK - \$65.00  
330102 ALUMINUM DRUM 15 TOOTH #35, FOUR DISK - \$65.00  
330134 9 TOOTH #35 DRIVER - \$38.00  
330135 10 TOOTH #35 DRIVER - \$38.00  
330136 15 TOOTH #35 DRIVER - \$41.00  
330137 10 TOOTH #219 DRIVER - \$38.00  
330138 11 TOOTH #219 DRIVER - \$38.00  
330139 12 TOOTH #219 DRIVER - \$41.00  
330140 13 TOOTH #219 DRIVER - \$41.00
3. 330141 15 TOOTH #219 DRIVER - \$41.00  
330400 BEARING FOR 10T 219 DRUM \$12.50  
300300 BUSHING FOR 11T 219 OR 9T 35 \$7.80  
300400 BEARING 12-15T 219 OR 10-15T 35 \$8.00
4. 330015 DRIVE HUB, YAMAHA TAPER, TWO DISK - \$89.00  
330016 DRIVE HUB, YAMAHA TAPER, THREE DISK - \$91.00  
330017 DRIVE HUB, YAMAHA TAPER, FOUR DISK - \$91.00  
330018 DRIVE HUB, IAME TAPER, THREE DISK - \$91.00  
330019 DRIVE HUB, IAME TAPER, FOUR DISK - \$92.00
5. 325701 SEMI METALLIC FRICTION DISK \$34.50
6. 326000 FLOATER .050" THICK - \$25.00  
327800 FLOATER .040" THICK - \$25.00  
327900 FLOATER .045" THICK - \$25.00  
328000 FLOATER .055" THICK - \$25.00  
328100 FLOATER .060" THICK - \$25.00
7. 330025 BILLET PRESSURE PLATE \$72.00
8. 330026 LEVER SUPPORT \$60.00
9. 330027 WEIGHT DOWEL PIN \$9.95
10. 330037 10 GRAM LEVER \$9.00  
330089 10.7 GRAM GOLD WEIGHT KIT, 6 PIECES \$38.00
11. 326600 CONED WASHER \$4.30
12. 326700 LH THREADED CLUTCH NUT \$7.50
13. 327500 COVER BEARING \$7.50
14. 327400 STARTER NUT FOR THREE OR FOUR DISK \$23.00  
703600 STARTER NUT FOR TWO DISK \$19.00
15. 327600 OIL FILL PLUG \$.95
16. 327200 CLUTCH COVER BOLT \$.35
18. 328200 SPRING .085" WIRE, TWO DISK CLUTCH \$3.80  
313000 SPRING .091" WIRE, THREE AND FOUR DISK CLUTCH \$3.80  
514200 SPRING .075" WIRE, LOW ENGAGEMENT FOR ROOKIE \$3.50
19. 330032 TWO DISK STEEL NYTRO COVER \$60.00  
330044 THREE AND FOUR DISK STEEL NYTRO COVER \$78.00
20. 326900 CLUTCH COVER GASKET \$3.00, TEN \$29.00
21. 330033 DRIVE CLIP FITS ALL TWO DISK DRUMS \$1.60  
330034 DRIVE CLIP FITS ALL THREE DISK DRUMS \$1.60  
330035 DRIVE CLIP FITS ALL FOUR DISK DRUMS \$1.60

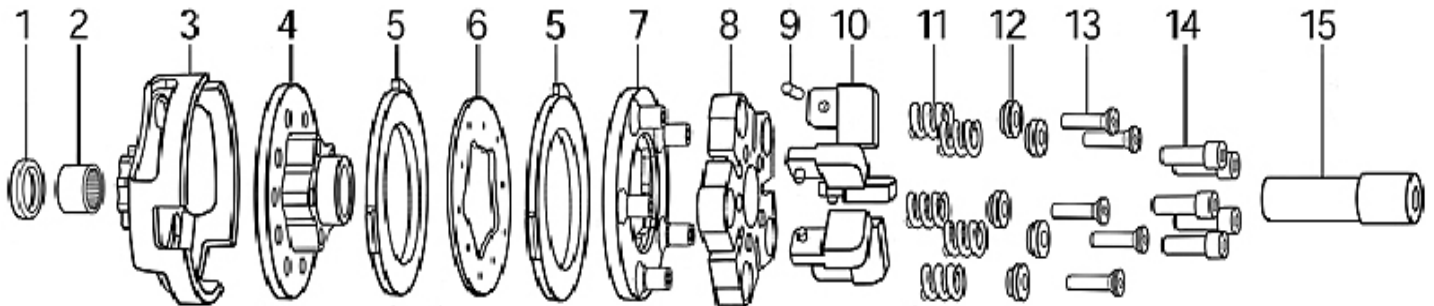
**\*MANY PARTS ARE CLOSE OUTS\***

**Horstman HDC5 Clutch**



1. HDC-5A ONE DISK DRY CLUTCH FOR JUNIOR SPORTSMAN YAMAHA \$290.00
2. HDC-5B TWO DISK DRY CLUTCH FOR JUNIOR AND SENIOR CAN YAMAHA \$300.00
3. HDC-5CP THREE DISK DRY CLUTCH FOR YAMAHA PIPE CLASS \$325.00
4. HDC-5CS THREE DISK DRY CLUTCH FOR YAMAHA SPORTSMAN CLASS, HEAVIER WEIGHTS \$325.00

**HDC5 Clutch Parts**



- |   |   |
|---|---|
| <ol style="list-style-type: none"> <li>1. 322300 SPACER FOR 10T #219 \$3.80<br/>323800 SPACER FOR 11T #219 \$3.80<br/>325900 SPACER FOR 12-15T #219 \$3.80</li> <li>2. 330132 BUSHING FOR 10T #219 FOR NEW STYLE ALUMINUM DRUM \$7.00<br/>300300 BUSHING FOR 11T #219 \$7.80</li> <li>3. 336010 HDC5A ONE DISC 10T #219 DRUM \$65.00<br/>336011 HDC5A ONE DISC 11T #219 DRUM \$65.00<br/>336012 HDC5A ONE DISC 12T #219 DRUM \$65.00<br/>336030 HDC5B TWO DISC 10T #219 DRUM \$65.00<br/>336066 HDC5B TWO DISC 11T #219 DRUM \$65.00<br/>336032 HDC5B TWO DISC 12T #219 DRUM \$65.00<br/>336033 HDC5B TWO DISC 13T #219 DRUM \$65.00<br/>336035 HDC5B TWO DISC 15T #219 DRUM \$65.00<br/>AFTERMARKET CLUTCH DRUM AND SPROCKET 1 OR 2 DISC \$60.00<br/>336068 HDC5C THREE DISC 10T #219 DRUM \$68.00<br/>336069 HDC5C THREE DISC 11T #219 DRUM \$68.00<br/>HDC5C THREE DISC DRUM, BASKET DESIGN FOR SUPPORT \$68.00<br/>336092 HDC5C OUTER COVER WITH BEARING FOR SUPPORT DRUM \$39.00<br/>AFTERMARKET CLUTCH DRUM AND SPROCKET 3 DISC \$68.00<br/>330133 HDC5 10T 219 SPROCKET ONLY, BUSHING, NO DRUM \$38.00<br/>330138 HDC5 11T 219 SPROCKET ONLY, BUSHING, NO DRUM \$38.00<br/>330139 HDC5 12T 219 SPROCKET ONLY, BUSHING, NO DRUM \$41.00<br/>ANDREWS AFTERMARKET CLUTCH DRUM, HDC5A, 10T, 11T \$49.95</li> <li>4. 336020 HDC5A ONE DISC DRIVE HUB \$75.00<br/>336025 HDC5B TWO DISC DRIVE HUB \$75.00</li> </ol> | <ol style="list-style-type: none"> <li>5. 336023 FRICTION DISC \$32.00<br/>AFTERMARKET 3 TAB CLUTCH DISC \$28.00</li> <li>6. 336027A FLOATER .090" \$19.60<br/>336027 FLOATER .095" \$19.60<br/>336028 FLOATER .100" \$19.60<br/>336029 FLOATER .105" \$19.60</li> <li>7. 336021 PRESSURE PLATE \$73.00</li> <li>8. 336022 LEVER SUPPORT \$39.00</li> <li>9. 330027 DOWEL PIN \$.95</li> <li>10. 336036 12.5 GRAM LEVER \$9.80</li> <li>11. 5134Y SPRING .065" (SET OF 5) \$22.50<br/>5142Y SPRING .075" (SET OF 5) \$20.00<br/>3282Y SPRING .085" (SET OF 5) STANDARD HDC-5A \$20.00<br/>3130Y SPRING .091" (SET OF 5) STANDARD HDC-5B \$20.00<br/>INDIVIDUAL SPRING SPECIFY WIRE SIZE \$3.80 EACH</li> <li>12. 477733 ALUMINUM SPRING RETAINER \$1.40</li> <li>13. 334800 FLATHEAD SPRING ADJUSTER BOLT \$.55</li> <li>14. 336038 SOCKET HEAD BOLT \$.35</li> <li>15. 703600 STARTER NUT \$19.00<br/>CLUTCH PULLER, OEM \$22.00<br/>HDC5 HOLDER WRENCH \$22.00</li> </ol> |
|---|---|

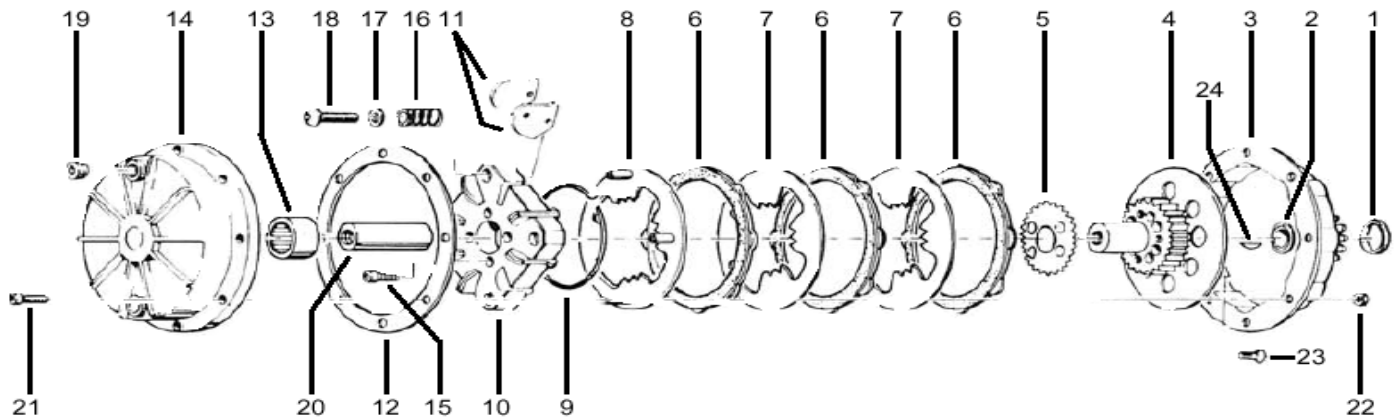


AFTERMARKET HDC5 PULLER, NO NEED TO PULL CLUTCH APART \$39.99

**COMET CAN GRIND AND REBUILD YOUR  
HDC CLUTCH BACK TO LIKE NEW SPECS!  
CALL OUR ENGINE SHOP FOR DETAILS!**

**DXL Clutch Parts**

MANY PARTS ARE  
CLOSE OUTS

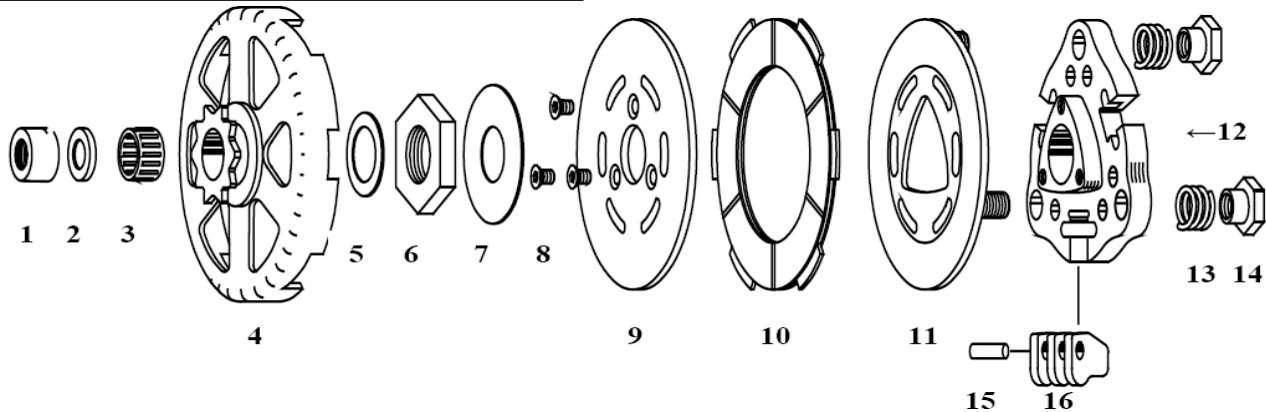


- |   |  |
|---|--|
| <p>1. 3222 SPACER .665" OD x .105" WIDE FOR 10T #219 - \$3.80<br/>         3236 SPACER .740" OD x .125" WIDE FOR 9T OR 11T #219 - \$3.80<br/>         3239 SPACER .740" OD x .155" WIDE FOR BUSHING DRUMS - \$3.80<br/>         3241 SPACER .740" OD x .175" WIDE FOR 9T OR 11T #219 - \$3.80<br/>         3246 SPACER .830" OD x .125" WIDE FOR NEEDLE BEARING DRUMS - \$3.80<br/>         3247 SPACER .800" OD x .155" WIDE FOR NEEDLE BEARING DRUMS - \$3.80<br/>         3249 SPACER .830" OD x .175" WIDE FOR NEEDLE BEARING DRUMS - \$3.80</p> <p>2. 3003 BRASS BUSHING FOR 9T #35, 10T #35, 11T #219 - \$7.80<br/>         3004 NEEDLE BEARING - \$8.00<br/>         3221 BRONZE BUSHING FOR 10T #219 DRUM - \$7.80</p> <p>3. 3009 9 TOOTH #35 DRUM - \$74.00<br/>         3010 10 TOOTH #35 DRUM - \$74.00<br/>         3310 10 TOOTH #219 DRUM - \$68.00<br/>         3311 11 TOOTH #219 DRUM - \$68.00<br/>         3016 16 TOOTH BELT DRUM - \$73.50 <b>CLOSE OUT</b><br/>         3017 17 TOOTH BELT DRUM - \$73.50 <b>CLOSE OUT</b><br/>         3019 19 TOOTH BELT DRUM - \$77.75 <b>CLOSE OUT</b></p> <p>4. 3806 EXTENDED DRIVE HUB 9° 45' TAPER, TWO DISK - \$74.75 <b>CLOSE OUT</b><br/>         3906 DRIVE HUB 9° 45' TAPER, TWO DISK - \$64.00 <b>CLOSE OUT</b><br/>         3908 DRIVE HUB FOR DXL-991, DXL-3000 - \$89.00 <b>SPECIAL ORDER</b><br/>         3165 EXTENDED DRIVE HUB, FOR DXL-990-3B, DXL-1000-3B - \$73.50</p> <p>6. 3340 HI-TEMP FRICTION DISK - \$32.00</p> <p>8. 3350 PRESSURE PLATE FOUR SPRING - \$61.50<br/>         3342 PRESSURE PLATE SIX SPRING - \$63.50</p> <p>9. 3344 WEIGHT GUIDE RING, CHROME PLATE - \$16.00</p> | <p>10. 3345 ALUMINUM WEIGHT SUPPORT, SIX SPRING - \$73.00 <b>SPECIAL ORDER</b><br/>         3351 ALUMINUM WEIGHT SUPPORT, FOUR SPRING - \$72.00</p> <p>11. 3354 WEIGHT BLACK - \$2.10 EACH <b>CLOSE OUT</b><br/>         3353 WEIGHT BLACK WITH LIGHTENING HOLES - \$2.75 <b>CLOSE OUT</b></p> <p>12. 3038 COVER GASKET - \$3.00 EACH, TEN FOR \$29.00</p> <p>13. 3042 BEARING FOR COVER - \$10.50</p> <p>15. 3355 CAP SCREW 10-32 x 5/16" ALLOY SOCKET HEAD, TWO DISK HUB \$.75<br/>         3349 SOCKET HEAD CAP SCREW 10-32 x 3/8" - \$.50</p> <p>16. 3130 SPRING - \$3.80 3131 SPRING - \$3.50 3282 PRO SPRING - \$3.80<br/>         3133 SPRING KIT, FOUR SPRING - \$19.00</p> <p>18. 3348 ADJUSTING SCREW - \$.55</p> <p>19. 3061 OIL FILL PLUG - \$1.95</p> <p>20. 7036 STARTER NUT 10MM X 1.25 THREAD, YAMAHA SMALL STEP - \$19.00<br/>         3151 STARTER NUT 10MM X 1.25 THREAD FOR EXTENDED HUB - \$16.00</p> <p>21. 3039 SOCKET HEAD CAP SCREW 8-32 x 1/2" - \$.50</p> <p>22. 3092 LOCK NUT 8/32" - \$.70</p> <p>23. 3129 FLAT HEAD CAP SCREW 10-32 x 5/16" - \$.50</p> <p>24. 3093 3MM WOODRUFF KEY, YAMAHA KEY - \$.80</p> <p>25. 3075 COVER WASHER FOR STANDARD HUB CLUTCH \$1.70<br/>         3076 COVER WASHER FOR EXTENDED HUB CLUTCH \$2.10</p> <p>3102 REBUILD KIT FOR FOUR SPRING DXL - \$165.00<br/>         3103 REBUILD KIT FOR SIX SPRING DXL - \$166.00<br/>         3029 NUT RING FOR COVER - \$16.50<br/>         3134 TWO STAGE WEIGHT AND SPRING KIT - \$58.00</p> |
|---|--|



**EXP-D Dry Clutch Parts**

ALL CLOSE OUTS! TAKE 15% OFF ALL  
IN STOCK EXP-D PARTS WHILE SUPPLIES LAST!



- |  |  |
|--|--|
| <ol style="list-style-type: none"> <li>1. 517500 STARTER NUT, INTERNAL HEX STYLE \$16.60</li> <li>2. 512100 EXTERNAL THRUST WASHER \$3.40</li> <li>3. 512300 DRUM BEARING \$14.50</li> <li>4. 9T OR 10T #35 DRUM \$72.00<br/>AFTERMARKET 11T #219 DRUM \$20.00, 16T BELT DRUM \$78.00</li> <li>5. 512400 1.5MM THRUST WASHER \$3.85<br/>512500 1.7MM THRUST WASHER \$3.85<br/>512600 1.8MM THRUST WASHER \$3.85</li> <li>6. 512700 JAM NUT \$6.70</li> <li>7. 512800 CONED WASHER \$3.00</li> <li>8. 512900 5MM SCREW \$.60</li> </ol> | <ol style="list-style-type: none"> <li>10. 513100 FRICTION DISC \$25.00</li> <li>11. 514600 PRESSURE PLATE \$66.50 <b>SPECIAL ORDER</b></li> <li>12. 513600 DRIVE HUB \$95.00 <b>SPECIAL ORDER</b></li> <li>13. 513400 SPRING \$3.70</li> <li>14. 514800 SPRING RETAINER \$3.40 <b>SPECIAL ORDER</b><br/>517700 SPRING RETAINER \$4.10</li> <li>15. 513700 DOWEL PIN \$3.20</li> <li>16. 513800 WEIGHT \$7.80<br/>517800 REPLACEMENT CENTER BOLT FOR CLUTCH PULLER \$1.90<br/>517200 ADAPTOR FOR KT100 PTO TO FIT EXPD CLUTCH \$39.00</li> </ol> |
|--|--|

**HDC 1, 2, 3, 4 Clutch Parts**

- |   |   |
|---|---|
| <ol style="list-style-type: none"> <li>1. 97-1031 HDC1, 3, 4 FRICTION DISC, 3 TAB - \$30.50</li> <li>2. 3223 SPACER .145" FOR 10 TOOTH #219 - \$3.80</li> <li>3. 3238 SPACER .145" FOR 11 TOOTH #219 AND 9 TOOTH #35 - \$3.80</li> <li>4. 3259 SPACER .145" FOR 12 TOOTH #219 - \$3.80</li> <li>5. 3304 BEARING, 10 TOOTH #219 DRUMS ONLY - \$12.50</li> <li>6. 3003 BUSHING, 11 TOOTH #219 &amp; 9 TOOTH #35 DRUMS - \$7.80</li> <li>7. 3004 NEEDLE BEARING, 12 TOOTH #219 DRUMS - \$8.00</li> <li>8. 971030 DRIVE HUB, YAMAHA TAPER, BLUEPRINTED - \$128.00 <b>CLOSE OUT</b></li> <li>9. 971032 HDC-1 PRESSURE PLATE - \$60.00</li> </ol> | <ol style="list-style-type: none"> <li>10. 333359 PRESSURE PLATE - \$98.00 <b>CLOSE OUT</b></li> <li>11. 3266 CONICAL WASHER - \$4.30</li> <li>12. 3267 NUT 1 1/8" LH THREAD - \$6.95</li> <li>13. 7036 STARTER NUT - \$19.00</li> <li>14. 3348 SPRING ADJUSTMENT SCREW 10-32x3/4" FLAT SOCKET HEAD - \$.55</li> <li>15. 3130 SPRING .091" STANDARD - \$3.80</li> <li>16. 3282 SPRING .085" - \$3.10</li> <li>17. 5142 SPRING .072" - \$3.50</li> <li>18. 3044 CLUTCH PULLER - \$9.95</li> <li>19. 330036 SPANNER WRENCH - \$19.50</li> </ol> |
|---|---|

**EXP-W Wet Clutch Parts**

ALL CLOSE OUTS

- |  |  |
|--|--|
| <ol style="list-style-type: none"> <li>1. 3222 SPACER .665" OD x .105" FOR 10 TOOTH #219 DRUM, YAMAHA- \$3.80</li> <li>2. 3223 SPACER .665" OD x .145" FOR 10 TOOTH #219 DRUM, IAME - \$3.80</li> <li>3. 3236 SPACER .740" OD x .125" FOR 9, 10T #35, 11T #219, YAMAHA - \$3.80</li> <li>4. 3239 SPACER .740" OD x .155" FOR 9, 10T #35, 11T #219, IAME - \$3.80</li> <li>5. 3246 SPACER .830" OD x .125" FOR 12T #219 DRUM, YAMAHA TAPER \$3.80</li> <li>6. 3226 BILLET DRUM 9T #35 1 DISC - \$39.00, THREE FOR \$119.75</li> <li>7. 3227 BILLET DRUM 10T #35 1 DISC - \$39.00, THREE FOR \$119.75</li> <li>8. 3254 BILLET DRUM 10T #219 1 DISC - \$39.00, THREE FOR \$119.75</li> <li>9. 3256 BILLET DRUM 12T #35 1 DISC - \$39.00, THREE FOR \$119.75</li> <li>10. 3228 BILLET DRUM 9T #35 2 DISC - \$40.00, THREE FOR \$123.00</li> <li>11. 3229 BILLET DRUM 10T #35 2 DISC - \$40.00, THREE FOR \$123.00</li> <li>12. 3289 BILLET DRUM 11T #219 2 DISC - \$40.00, THREE FOR \$123.00</li> <li>13. 3290 BILLET DRUM 12T #219 2 DISC - \$40.00, THREE FOR \$123.00</li> <li>14. 3297 BILLET DRUM 12T #219 FOUR DISC - \$43.00, THREE FOR \$132.50</li> <li>15. 3221 BUSHING FITS 10T #219 DRUM -\$7.80</li> <li>16. 3003 BUSHING FITS 9T #35, 10T #35 DRUMS - \$7.80</li> <li>17. 3004 NEEDLE BEARING FITS 12T #219 DRUM - \$8.00</li> <li>18. 3293 FRICTION DISC, 3 DISC CLUTCH - \$19.50 EACH</li> <li>19. 3260 FLOATER .050" THICK STANDARD - \$19.00</li> <li>20. 3278 FLOATER .040" THICK - \$19.00</li> <li>21. 3279 FLOATER .045" - \$19.00</li> </ol> | <ol style="list-style-type: none"> <li>22. 3280 FLOATER .055" - \$19.00</li> <li>23. 3281 FLOATER .060" - \$19.00</li> <li>24. 5138 LEVER HEAVY - \$6.75</li> <li>25. 3271 LEVER LIGHT - \$6.75</li> <li>26. 3130 SPRING .091", 2 OR 3 DISK CLUTCHES - \$3.80</li> <li>27. 3282 SPRING .085", 2 OR 3 DISK CLUTCHES - \$3.80</li> <li>28. 3131 SPRING .100", HIGH TENSION - \$3.80</li> <li>29. 3264 STAINLESS STEEL SPRING RETAINER - \$4.60</li> <li>30. 3266 CONED WASHERS - \$4.30</li> <li>31. 3267 NUT 1 1/8" HEX - \$6.95</li> <li>32. 3269 COVER GASKET - \$2.25, TEN FOR \$21.00</li> <li>33. 3272 COVER BOLTS SOCKETHEADS 8-32 x 3/8" - \$.35</li> <li>34. 3263 BILLET COVER, TWO DISK - \$46.25</li> <li>35. 3265 BILLET COVER, ONE DISK - \$45.25</li> <li>36. 3273 BILLET COVER, FOUR DISK - \$55.50</li> <li>37. 3276 OIL FILL PLUG - \$.95</li> <li>38. 3275 COVER BEARING - \$7.50</li> <li>39. 3277 RETAINING RING - \$.75</li> <li>40. 3274 STARTER NUT - 2, 3, OR 4, DISK - \$21.00</li> <li>41. 3044 CLUTCH PULLER - \$9.95</li> <li>42. 3218 WEIGHT SUPPORT, SIX SPRING - \$47.25</li> </ol> |
|--|--|

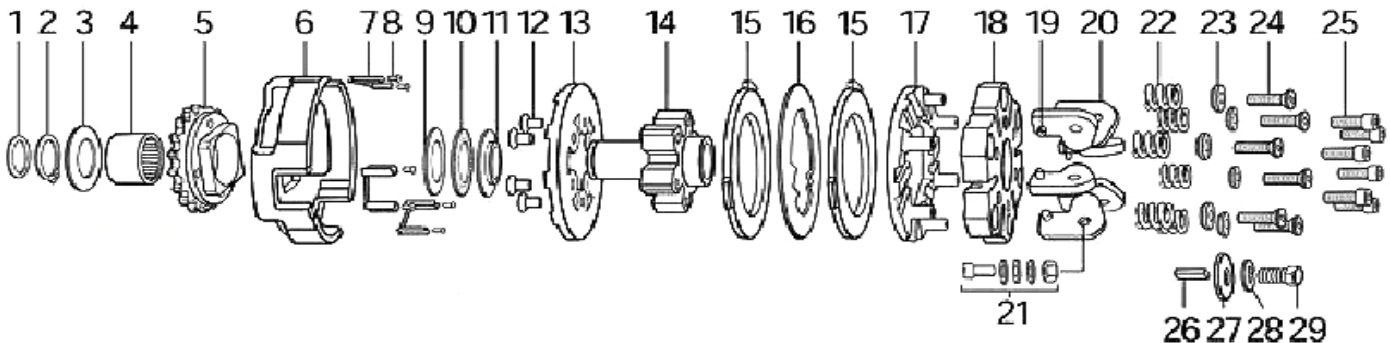
## Horstman Reaper Clutch



1. REAPER CLUTCH, HEAVY DUTY DESIGN FOR STOCK CLASS AND ANIMAL, 3/4" BORE \$295.00

### Reaper Clutch Parts

MANY PARTS ARE  
CLOSE OUTS



- |  |  |
|--|--|
| <ol style="list-style-type: none"> <li>1. 490001 SPACER \$1.60</li> <li>2. 463000 SNAP RING \$1.00</li> <li>3. 490003 WASHER 1 1/8" DIAMETER FOR 12, 13T #35, 15T #219 \$1.60</li> <li>4. 490004 WASHER 1 1/4" DIAMETER FOR 14-23T #35, 17-23T #219 \$1.60</li> <li>4. 463600 BRONZE BUSHING FOR 11T #35 \$7.50</li> <li>463400 BRONZE BEARING FOR 12, 13T #35, 15T #219 \$12.00</li> <li>463500 ROLLER BEARING FOR 14-23T #35, 17-23T #219 \$9.25</li> <li>5. REAPER SPROCKET, SPECIFY TEETH AND CHAIN PITCH \$32.00</li> <li>6. 490019 STEEL DRUM \$48.00</li> <li>8. 490007 CLIP SET WITH BOLTS \$6.80</li> <li>9. 490035 THRUST WASHER FOR 11T #35 \$1.50</li> <li>490028 THRUST WASHER FOR 12-23T #35 \$1.50</li> <li>10. 490036 THRUST BEARING FOR 11T #35 \$4.50</li> <li>480079 THRUST BEARING FOR 12-23T \$4.00</li> <li>11. 490005 SPACER FOR 11T #35 \$4.50</li> <li>490025 SPACER FOR 12-23T \$4.50</li> <li>12. 490026 DRIVE HUB TO BASE BOLTS (6) \$1.95</li> <li>13. 490014 FIXED BOTTOM DRIVE HUB BASE \$54.00</li> <li>14. 490037 DRIVE HUB FOR 11T #35 \$64.00</li> <li>490016 DRIVE HUB FOR 12T-23T \$82.00 <i>SPECIAL ORDER</i></li> <li>15. 490015 FRICTION DISK \$32.00</li> </ol> | <ol style="list-style-type: none"> <li>16. 490013 .085" FLOATER \$24.00</li> <li>490020 .065" FLOATER \$24.00</li> <li>490021 .075" FLOATER \$24.00</li> <li>490022 .095" FLOATER \$24.00</li> <li>490023 .105" FLOATER \$24.00</li> <li>17. 490012 PRESSURE PLATE \$73.00</li> <li>18. 490011 LEVER SUPPORT \$64.00 <i>SPECIAL ORDER</i></li> <li>19. 490038 DOWEL PINS (SET OF 6) \$4.80</li> <li>20. 490008 LEVER \$6.50</li> <li>21. 490039 WEIGHT KIT (6 BOLTS, 18 WASHERS, 6 LOCK NUTS) \$9.80</li> <li>22. 4649-X RED SPRING .091" (SET OF 6) \$21.00, SINGLE \$3.80</li> <li>22. 4650-X BLACK SPRING .085" (SET OF 6) \$21.00, SINGLE \$3.80</li> <li>22. 5142-X BLUE SPRING .075" (SET OF 6) \$21.00, SINGLE \$3.80</li> <li>23. 334701 SPRING RETAINER (SET OF 6) \$8.25, SINGLE \$1.40</li> <li>24. 334801 SPRING ADJUSTER BOLT (SET OF 6) \$2.75, SINGLE \$.50</li> <li>25. 490032 SOCKET HEAD BOLT (SET OF 6) \$2.75, SINGLE \$.50</li> <li>26. 490029 CLUTCH KEY \$2.40</li> <li>27. 490031 THICK PTO WASHER \$1.25</li> <li>28. 465500 PTO LOCK WASHER \$.15</li> <li>29. 465300 PTO BOLT \$.45</li> <li>490045 OUTBOARD MOUNT KIT \$14.00</li> <li>490046 #15 (2), #16 (1), #22 (6), #25 (6), REBUILD KIT \$94.00</li> </ol> |
|--|--|

## Briggs Flywheel Screens

1. 4070 FLYWHEEL COVER MESH SCREEN, BLACK ALUMINUM \$12.50 *CLOSE OUT*

## Horstman Briggs Parts

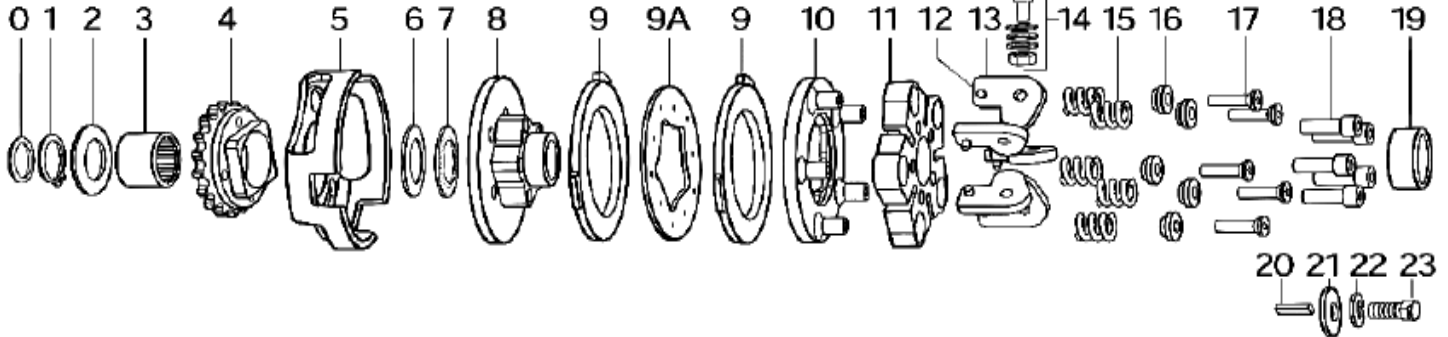
1. 4971 CRANK GEAR, 1.005", MULTI TIMING, NEWER \$26.25
2. 5990 COIL BRACKET FOR 3HP FLYWHEEL \$16.50

## Briggs Spring and Valve Kits

1. 4251 VALVE SPRINGS, SET OF TWO, SINGLE TYPE \$18.50 *CLOSE OUT*
2. 4963 KEEPERS ONLY, TWO PAIRS OF KEEPERS \$12.00 *CLOSE OUT*
3. 4923 EXHAUST VALVE 1.165 \$26.25 *CLOSE OUT*

### X5 Clutch Parts

MANY PARTS ARE  
CLOSE OUTS



- |  |   |
|--|---|
| <ul style="list-style-type: none"> <li>0. 490001 SPACER, 11 TOOTH ONLY \$1.60</li> <li>1. 463000 SNAP RING \$1.00</li> <li>2. 490003 WASHER 1 1/8" DIAMETER FOR 12, 13T #35, 15T #219 \$1.60</li> <li>490004 WASHER 1 1/4" DIAMETER FOR 14-23T #35, 17-23T #219 \$1.60</li> <li>3. 300300 BRONZE BUSHING FOR 9T #35 \$5.80</li> <li>300400 ROLLER BEARING FOR 10T #35 \$8.00</li> <li>463600 BRONZE BUSHING FOR 11T #35 \$7.50</li> <li>463400 BRONZE BEARING FOR 12, 13T #35, 15T #219 \$12.00</li> <li>463500 ROLLER BEARING FOR 14-23T #35, 17-23T #219 \$9.25</li> <li>4. X5 SPROCKET, SPECIFY TEETH AND CHAIN PITCH \$32.00</li> <li>312901 DRIVE SPROCKET BOLT \$.95</li> <li>5. 477702 STEEL DRUM FOR ONE DISK \$38.00</li> <li>477880 STEEL DRUM FOR TWO DISK \$39.00</li> <li>6. 490035 THRUST WASHER 9T, 10T, 11T #35 \$1.50</li> <li>480028 THRUST WASHER 12-23T \$1.50</li> <li>7. 490036 THRUST BEARING 11T #35 \$4.50</li> <li>490079 THRUST BEARING 12-23T \$4.00</li> <li>8. 477725 DRIVE HUB 9, 10, 11T FOR ONE DISK \$69.00</li> <li>477726 DRIVE HUB 12-23T FOR ONE DISK \$70.00</li> <li>477882 DRIVE HUB 9, 10, 11T FOR ONE DISK \$69.00</li> <li>477883 DRIVE HUB 12-23T FOR TWO DISK \$70.00</li> </ul> | <ul style="list-style-type: none"> <li>9. 477729 FRICTION DISK \$32.00</li> <li>9A. 477885 FLOATER .085 \$21.00</li> <li>477886 FLOATER .075 \$21.00</li> <li>477887 FLOATER .095 \$21.00</li> <li>10. 477727 PRESSURE PLATE \$62.00</li> <li>11. 477898 LEVER SUPPORT PLATE \$35.00</li> <li>12. 480086 DOWEL PIN \$.85</li> <li>13. 490008 LEVER \$6.50</li> <li>14. 477732 WEIGHT KIT (5 BOLTS, 20 WASHERS, 5 LOCK NUTS) \$7.00</li> <li>15. 3130Y YELLOW SPRING HIGH TENSION SET OF 5 \$21.00, SINGLE \$3.80</li> <li>4650Y BLACK SPRING MEDIUM TENSION SET OF 5 \$21.00, SINGLE \$3.80</li> <li>5142 BLUE SPRING LOW TENSION SET OF 5 \$21.00, SINGLE \$3.80</li> <li>16. 477733 ALUMINUM SPRING RETAINER \$1.20</li> <li>17. 334800 SPRING ADJUSTMENT BOLT \$.50</li> <li>18. 477734 SOCKET HEAD BOLT \$.55</li> <li>19. 477731 CLUTCH SPACER \$3.80</li> <li>20. 465100 CLUTCH KEY \$2.40</li> <li>21. 465200 THICK FLAT WASHER \$1.25</li> <li>22. 465500 PTO LOCK WASHER \$.15</li> <li>23. 465300 PTO BOLT \$.45</li> <li>462700 BOLT FOR 9, 10T DRIVER ONLY \$.95</li> <li>477889 OUTBOARD SPACER KIT \$14.00</li> </ul> |
|--|---|

### Horstman Clutch Adjuster



- 1. STEEL NYTRO, EXPW ADJUSTER \$14.50
- 2. DXL, MDC, GREASED LIGHTNING ADJUSTER \$14.50

### Restrictor Plates

- 1. 4332 IKF BLUE .425 BRIGGS RESTRICTOR \$6.00
- 2. 4334 GOLD .575 BRIGGS RESTRICTOR \$12.00
- 3. 4335 PURPLE .425 BRIGGS RESTRICTOR \$12.00
- 4. 4337 TURQUOISE .500 BRIGGS RESTRICTOR \$6.00

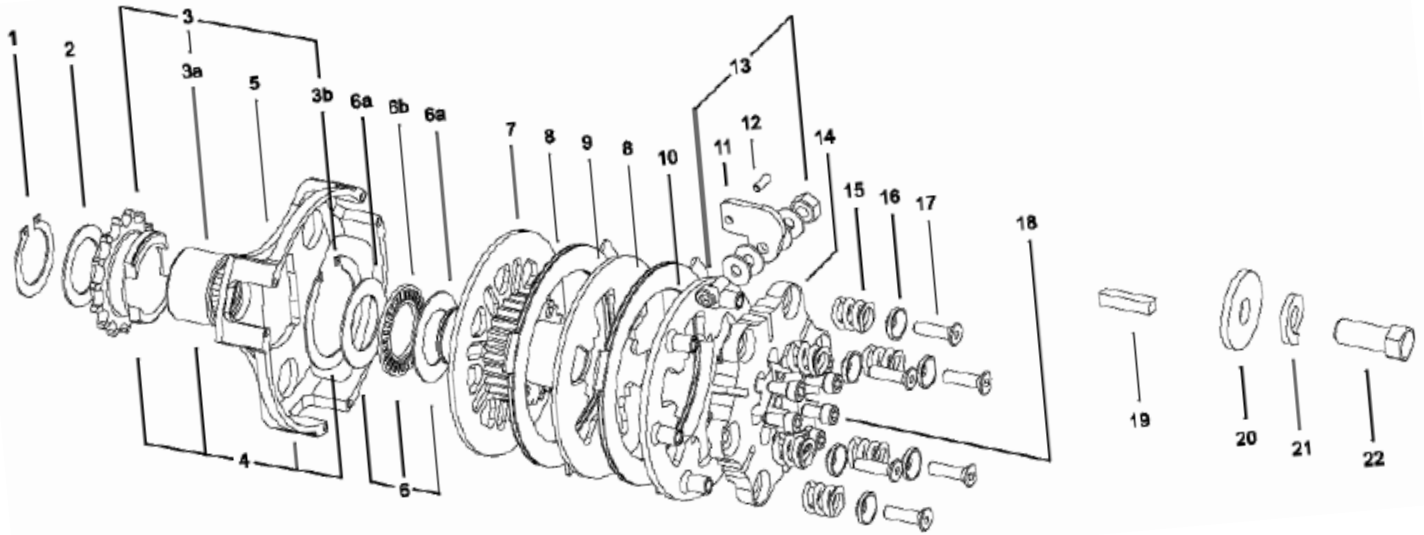


- 6. 4341 RED .281 3 HOLE ANIMAL RESTRICTOR \$10.50
- 7. 4339 GOLD IFK ANIMAL 3 HOLE \$10.50
- 8. 5596 PURPLE ANIMAL 3 HOLE \$10.50
- 9. 5597 BLUE ANIMAL 2 HOLE \$10.50
- 10. 5598 GOLD ANIMAL .505 1 HOLE \$10.50
- 11. 5599 BLACK ANIMAL .575 1 HOLE \$10.50



**Greased Lightning Clutch Parts**

MANY PARTS ARE  
CLOSE OUTS



- |  |   |
|--|---|
| <ul style="list-style-type: none"> <li>1. 463000 SNAP RING \$1.00</li> <li>2. 463100 OUTER THRUST WASHER 12, 13T #35 \$15T #219 \$1.50</li> <li>463200 OUTER THRUST WASHER, SPROCKETS WITH ROLLER BEARING \$1.50</li> <li>3. GREASED LIGHTNING SPROCKET 14T-23T #35, 15T-23T #219 \$32.00</li> <li>3A 463600 DRUM BUSHING FOR 11 TOOTH #35 \$10.00</li> <li>3A 463400 BRONZE BUSHING FOR 12, 13T #35, 15T #219 \$12.00</li> <li>3A 463500 ROLLER BEARING FOR 14-23T #35, 17-23T #219 \$9.25</li> <li>3B. 480075 RETAINING RING FOR SPROCKET \$1.20</li> <li>5. 480144 STEEL DRUM ONLY \$46.00</li> <li>6. 480077 THRUST WASHER (2) AND THRUST BEARING KIT \$11.00</li> <li>8. 480082 FRICTION DISK, IRON STANDARD \$18.50</li> <li>10. 480084 PRESSURE PLATE \$63.00</li> <li>11. 480085 LEVER \$8.00</li> <li>480141 BRASS WEIGHT KIT WITH RED SPRINGS \$34.00</li> </ul> | <ul style="list-style-type: none"> <li>12. 480086 DOWEL PIN \$.85</li> <li>13. 490039 WEIGHT KIT (6 BOLTS, 6 NUTS, 24 WASHERS) \$9.00</li> <li>14. 480088 LEVER SUPPORT PLATE \$59.00</li> <li>15. 465000 SPRING .085" BLACK \$3.80</li> <li>464900 SPRING .091" RED \$3.80</li> <li>514200 SPRING .075" BLUE \$3.80</li> <li>16. 334700 RETAINER \$1.20</li> <li>17. 334800 ADJUSTING SCREW \$0.50</li> <li>18. 334900 SOCKET HEAD SCREW \$0.50</li> <li>19. 465100 CLUTCH KEY \$2.40</li> <li>20. 465200 THICK FLAT WASHER \$1.25</li> <li>21. 465500 PTO LOCK WASHER \$.15</li> <li>22. 465300 PTO BOLT \$.45</li> <li>480099 OUTBOARD SPACER KIT \$16.00</li> </ul> |
|--|---|

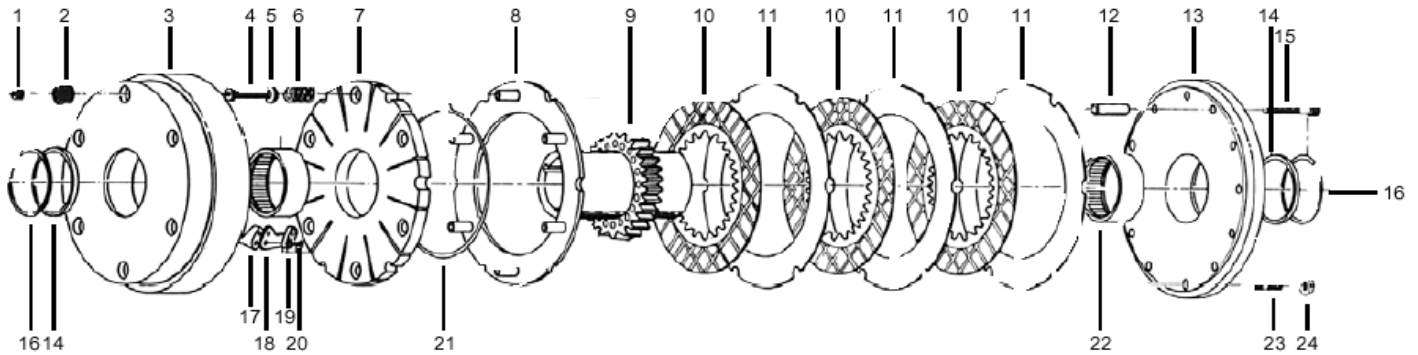
**MDC Clutch Parts**

ALL CLOSE OUTS!

- |   |  |
|---|--|
| <ul style="list-style-type: none"> <li>1. 4630 SNAP RING - \$1.00</li> <li>2. 4631 OUTER THRUST WASHER - 7/8" ID x 1 1/8" OD x .030" - \$1.50</li> <li>3. 4632 OUTER THRUST WASHER - 34 7/8" ID x 1.30" x .032" - \$1.50</li> <li>4. 4633 THRUST WASHER, USE 1 INSIDE AND OUTSIDE WITH 11T DRUM - \$1.50</li> <li>5. 4634 BRONZE BUSHINGS, FITS 12 AND 13 TOOTH DRUM ONLY - \$9.00</li> <li>6. 4635 NEEDLE BEARING, FITS 14-21T DRUMS - \$9.25</li> <li>7. 4636 BUSHING FOR 11T - \$7.50</li> <li>9. 4519 #219 DRUM 19 TOOTH - \$40.50 <b>CLOSE OUT</b></li> <li>10. 4521 #219 DRUM 21 TOOTH - \$40.50 <b>CLOSE OUT</b></li> <li>11. 4523 #219 DRUM 23 TOOTH - \$40.50 <b>CLOSE OUT</b></li> <li>12. 4525 #219 DRUM 25 TOOTH - \$41.00 <b>CLOSE OUT</b></li> <li>13. 4527 #219 DRUM 27 TOOTH - \$41.00 <b>CLOSE OUT</b></li> <li>14. 4640 METALLIC FRICTION DISK - \$28.50 EACH</li> <li>15. 4641 FLOATER DISK .075" THICK - \$19.75</li> <li>16. 4642 FLOATER DISK .085" THICK, STANDARD - \$19.75</li> <li>17. 4643 FLOATER DISK .095" THICK - \$19.75</li> <li>18. 4644 FLOATER DISK .105" THICK - \$19.75</li> <li>19. 4645 FLOATER DISK .065" THICK - \$19.75</li> </ul> | <ul style="list-style-type: none"> <li>21. 4647 LEVER WEIGHTED FOR STOCK ENGINES, MDC-400S - \$7.00</li> <li>22. 1135 LEVER NON-WEIGHTED FOR MODIFIED MOTORS - \$6.75</li> <li>23. 4648 LEVER SUPPORT, SIX SPRING - \$60.00, 4447 FOUR SPRING - \$60.00</li> <li>24. 4649 RED SPRING FOR MODIFOED CLASS - \$3.80 EACH</li> <li>25. 4650 BLACK SPRING FOR STOCK CLASS - \$3.80 EACH</li> <li>26. 3347 SPRING RETAINER, FITS ALL MDC SPRINGS - \$1.20 EACH</li> <li>27. 3348 ADJUSTING SCREW, 10-32 x 3/4" FLAT HEAD SOCKET - \$.50</li> <li>28. 4651 SPECIAL KEY - \$2.40</li> <li>29. 4652 WASHER 5/16" ID - \$.75</li> <li>30. 4653 BOLT 5/16" -24 x 3/4" HEX HEAD, GRADE 5 - \$.45</li> <li>31. 4654 CLUTCH COVER - \$9.50</li> <li>32. 3029 NUT RING - \$14.00</li> <li>33. 3039 CAP SCREW 8-32 x 1/2" SOCKET HEAD - \$.50</li> <li>34. 4637 INNER THRUST WASHER, 7/8" ID x 1.30" OD x .045" THICK - \$1.50</li> <li>35. 4639 SPLINED DRIVE HUB, MDC-401M - \$68.50</li> <li>36. 440019 19 TOOTH BELT DRIVER DRUM \$86.00 <b>CLOSE OUT</b></li> <li>37. 440021 21 TOOTH BELT DRIVER DRUM \$86.00 <b>CLOSE OUT</b></li> <li>38. 440023 23 TOOTH BELT DRIVER DRUM \$86.00 <b>CLOSE OUT</b></li> </ul> |
|---|--|

**Horstman Axle Clutch Parts**

ALL CLOSE OUTS!



- |   |  |
|---|--|
| <ul style="list-style-type: none"> <li>4. 111400 ADJUSTING SCREW, SOCKET HEAD 10/32 x 1" \$.80</li> <li>5. 111500 RETAINER FOR BLACK SPRING \$2.50<br/>111600 RETAINER FOR YELLOW SPRING \$2.50</li> <li>7. 115100 ALUMINUM LEVER SUPPORT \$258.00</li> <li>12. 112900 DRIVE PINS \$14.50</li> <li>15. 113200 CAP SCREW \$.55</li> <li>16. 113300 SEAL RETAINING RING \$2.40</li> <li>17. 113400 WIDE BRASS WEIGHT \$7.50</li> <li>18. 113500 LEVER \$6.00</li> </ul> | <ul style="list-style-type: none"> <li>19. 113600 NARROW BRASS WEIGHT FOR AX4056 \$6.00</li> <li>20. 113900 FLAT HEAD SCREW 10/32 x 5/8" \$.60</li> <li>20. 114000 FLATHEAD SCREW 10/32 x 5/8" \$.60</li> <li>21. 114100 LEVER GUIDE RING \$16.00</li> <li>22. 114200 BEARING \$17.00</li> <li>23. 114300 STUD \$3.25</li> <li>24. 114400 FLANGE NUT 1/4-28 \$.30<br/>114500 GAUGE TOOL \$5.75</li> <li>25. 115200 THRUST WASHER .032" \$9.00</li> </ul> |
|---|--|

**Horstman Clutch Holder Tools**



1. 330036 STEEL NYTRO, HDC 1, 2, 3 HOLDER \$32.00



2. 336062 SPANNER HOLDER WRENCH, HDC5 \$22.00



3. 477735 X-5 HOLDER \$22.00

**Horstman Clutch Pullers**



1. 3044 STEEL NYTRO, HDC 1, 2, 3, DXL \$9.95



2. 336061 HDC 5 CLUTCH PULLER \$22.00



3. AFTERMARKET HDC5 CLUTCH PULLER, ALLOWS YOU TO PULL OFF THE HDC5 CLUTCH WITHOUT HAVING TO TAKE THE SPRING PLATE OFF! SAVES TIME \$39.99

**Dial Gauges for Engines**

1. 1" TRAVEL DIAL GAUGE FOR BRIGGS VALVE SETTINGS WITH SPECIAL BRACKET \$76.00



2. 2" TRAVEL DIAL GAUGE FOR TWO CYCLE WITH BRACKET \$89.95

3. G4555 BRIDGE BRACKET ONLY \$28.00



**Horstman Briggs Rods**

CLOSE OUTS

H BEAM PART # CENTER TO CENTER DISTANCE  
4957 - \$49.00 4.325"

**Carb and Filter Adaptor**

1. 4311 FILTER ADAPTOR FOR HL342A \$11.90



**Patriot Clutches**



1. THE PATRIOT 1 CLUTCH HAS A SIX SPRING, SIX LEVER, ONE DISC LAYOUT BUILT INTO A SMALL DIAMETER DESIGN. THE PATRIOT 1 IS RECOMMENDED FOR SPORTSMAN ROOKIE AND SPORTSMAN JUNIOR CLASSES \$285.00



2. THE PATRIOT 2 CLUTCH HAS A SIX SPRING, SIX LEVER, TWO DISC LAYOUT BUILT INTO A SMALL DIAMETER DESIGN. THE PATRIOT 2 IS A GREAT ALL AROUND CLUTCH FOR MOST APPLICATIONS INCLUDING SPORTSMAN, JUNIOR AND SENIOR CLASSES \$299.00



3. THE PATRIOT 3 CLUTCH HAS A SIX SPRING, SIX LEVER, THREE DISC LAYOUT BUILT INTO A SMALL DIAMETER DESIGN. THE PATRIOT 3 IS GREAT FOR YAMAHA SENIOR CAN, ESPECIALLY RECREATIONAL DRIVERS AND HEAVIER RACERS. THE PATRIOT 3 ALSO WORKS GREAT IN YAMAHA TUNED PIPE CLASSES \$335.00



THE PATRIOT BRAND IS THE HIGHEST PRECISION TWO CYCLE ENGINE CLUTCH ON THE MARKET  
- ALL PATRIOT CLUTCHES FEATURE -

- SIX SPRING, SIX LEVER DESIGN PROVIDES FOR INCREASED, UNIFORMED CLAMPING PRESSURE AND SMOOTH SYMMETRICAL LOCKUP
- HIGH STRENGTH ALLOY STEEL INNER HUB RESISTS DEFLECTION FOR A MORE CONSISTENT CLUTCH THROUGH THE WHOLE RUN
- SIX SLOT DRUM FOR DOUBLE DRUM LIFE
- TRIANGLE SHAPE SPROCKET DRIVE TRANSFERS TORQUE INSTEAD OF RELYING JUST ON THE SPROCKET BOLTS
- LIGHTWEIGHT HEAT TREATED ALLOY STEEL DRUM
- CONSISTENT AIR GAP COMPLETELY AROUND THE CLUTCH IS ACHIEVED WITH PRECISION GROUND PARTS
- PRECISION MACHINED AND HARDENED ALLOY STEEL STARTER NUT AND CLUTCH SPACER
- MATCHED SPRINGS

TWO DISC PATRIOT EXPLODED VIEW SHOWN, PATRIOT 1 AND PATRIOT 3 ARE VERY SIMILAR AND ALL PARTS ARE LISTED BY CLUTCH DISK NUMBER IF DIFFERENT



- A. P0018 CLUTCH SPACER FOR 10T DRUM .135" \$3.80
- A. P0019 CLUTCH SPACER FOR 11T DRUM .145" \$3.80
- B. P0039 ONE DISC, SIX SPRING DRIVE HUB \$75.00
- B. P0001 TWO DISC, SIX SPRING DRIVE HUB \$75.00
- B. P0035 THREE DISC, SIX SPRING DRIVE HUB \$90.00
- C. P0004 CLUTCH FLOATER .090" \$19.60
- C. P0005 CLUTCH FLOATER .095" \$19.60
- C. P0006 CLUTCH FLOATER .100" \$19.60
- C. P0007 CLUTCH FLOATER .105" \$19.60
- D. P0012 PATRIOT FRICTION DISC, 3 TAB \$28.00, 6 TAB \$32.00
- E. P0003 SIX SPRING PRESSURE PLATE \$73.00
- F. P0014 CLUTCH SPRING .085" \$3.80, P0029 SIX MATCHED \$24.00
- F. P0015 CLUTCH SPRING .091" \$3.80, P0030 SIX MATCHED \$24.00
- F. P0040 CLUTCH SPRING .100" \$3.80, P0041 SIX MATCHED \$24.00
- G. P0013 SPRING CAP \$1.40
- H. P0022 ADJUSTER SPRING FLATHEAD BOLT \$.55
- I. P0002 SIX SPRING LEVER PLATE \$39.00
- J. P0020 LEVER WEIGHT \$9.80
- K. P0021 LEVER WEIGHT PIN \$.95
- L. P0058 CLUTCH CENTER SOCKET HEAD BOLT FOR ONE DISC \$.55
- L. P0042 CLUTCH CENTER SOCKET HEAD BOLT FOR TWO DISC \$.55
- L. P0023 CLUTCH CENTER SOCKET HEAD BOLT, FOR THREE DISC \$.55
- M. P0043 DRUM ONLY, ONE DISK \$41.25
- M. P0008 DRUM ONLY, TWO DISK \$41.25
- M. P0036 DRUM ONLY, THREE DISK \$48.25

- N. P0044 SPROCKET AND DRUM ASSEMBLY, 10T #219, ONE DISK \$60.00
- N. P0055 SPROCKET AND DRUM ASSEMBLY, 11T #219 ONE DISK \$60.00
- N. P0049 SPROCKET AND DRUM ASSEMBLY, 12T #219 ONE DISK \$60.00
- N. P0016 SPROCKET AND DRUM ASSEMBLY, 10T #219, TWO DISK \$60.00
- N. P0017 SPROCKET AND DRUM ASSEMBLY, 11T #219 TWO DISK \$60.00
- N. P0050 SPROCKET AND DRUM ASSEMBLY, 12T #219 TWO DISK \$60.00
- N. P0037 SPROCKET AND DRUM ASSEMBLY, 10T #219, THREE DISK \$60.00
- N. P0038 SPROCKET AND DRUM ASSEMBLY, 11T #219 THREE DISK \$60.00
- N. P0051 SPROCKET AND DRUM ASSEMBLY, 12T #219 THREE DISK \$60.00
- O. P0009 REPLACEMENT SPROCKET ONLY WITH BOLTS 10T #219 \$38.00
- O. P0010 REPLACEMENT SPROCKET ONLY WITH BOLTS 11T #219 \$38.00
- O. P0048 REPLACEMENT SPROCKET ONLY WITH BOLTS 12T #219 \$38.00
- P. P0028 SPROCKET BOLT \$.50 EACH
- Q. P0011 STARTER NUT \$19.00



P0024 PATRIOT SIX SPRING ALUMINUM CLUTCH HOLDER WRENCH \$18.75



P0025 PATRIOT CLUTCH PULLER, STEEL WITH BOLTS \$18.75



P0056 PATRIOT "QUICK-PULL" CLUTCH PULLER, ELIMINATES NEED TO REMOVE THE LEVER PLATE BOLTS TO PULL OFF THE CLUTCH \$38.00

COMET KART SALES IS THE EXCLUSIVE DISTRIBUTOR FOR THE PATRIOT BRAND OF CLUTCHES AND CLUTCH PARTS. COMET HAS A LARGE INVENTORY OF PARTS AND CLUTCHES AND CAN PROVIDE COMPETITIVE PRICING TO KART SHOPS AND ENGINE BUILDERS ON THE PATRIOT CLUTCH LINE.

PLEASE CONTACT US FOR MORE INFORMATION OR VISIT [PATRIOTCLUTCHES.COM](http://PATRIOTCLUTCHES.COM)



PATRIOT CLUTCHES DECAL, DIE CUT  
SMALL 4 x 7/8" \$ .45  
LARGE 6 x 1 1/4" \$ .50



### Jackshaft Kits and Parts



1. BULLER TWO CYCLE CHAIN DRIVE KIT \$230.00  
**SPECIAL ORDER**



2. BULLER TWO CYCLE BELT DRIVE KIT \$269.00



3. BULLER FOUR CYCLE BELT DRIVE KIT \$189.95



4. COMET JUNIOR DRAGSTER JACKSHAFT KIT WITH 3/4" SHAFT FOR NHRA TORQUE CONVERTER \$110.00  
**CLOSE OUT**



5. 151-357 BELT DRIVE GEAR 57 TOOTH, SPECIFY 20MM OR 30MM WIDTH \$48.00



6. BULLER CHAIN GEAR  
16T \$14.50, 17T \$14.50,  
18T \$14.50, 19T \$18.50,  
20T \$18.95



7. 151-045 BULLER CHAIN SPROCKET 45 TOOTH #35 \$38.00



8. 151-214 BULLER U BOLT \$6.75



9. 151-034 BELT DRIVE GEAR 57 TOOTH, SPECIFY 20MM OR 30MM WIDTH \$38.00



10. BULLER JACKSHAFT MOUNT LEG FOR 1 1/4" 160-214 SHORT \$16.00  
160-414 TALL \$17.00



11. 160-014 BULLER JACKSHAFT MOUNT CLAMP FOR 1 1/4" FRAME \$9.80



12. BULLER DRIVE SHAFT 3/4"  
A. 151-875D 9" LONG \$18.50  
B. 151-1050D 10.5" LONG \$18.50



13. **Close Out!** BULLER OLD STYLE BASE PLATE, UNIVERSAL, STEEL \$19.95



14. BULLER JACKSHAFT SHIM \$.40

### 5mm Drive Belts

- 1. 800 x 40MM - \$50.00
- 2. 850 x 40MM - \$51.00
- 3. 890 x 40MM - \$52.50

- 1. 800 x 30MM - \$42.00
- 2. 850 x 30MM - \$44.00
- 3. 950 x 30MM - \$49.95
- 4. 1000 x 30MM - \$52.00
- 5. 1050 x 30MM - \$52.00

### 8mm Drive Belts



#### 8MM H AND M BELTS

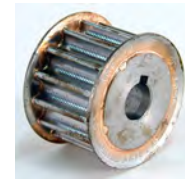
- 480 x 20MM - \$20.00
- 560 x 20MM - \$20.50
- 600 x 20MM - \$20.50
- 640 x 20MM - \$21.00
- 720 x 20MM - \$21.00
- 800 x 20MM - \$21.00
- 840 x 20MM - \$21.00
- 880 x 20MM - \$22.80
- 920 x 20MM - \$23.90
- 960 x 20MM - \$27.00
- 1000 x 20MM - \$28.00
- 1040 x 20MM - \$29.00
- 1120 x 20MM - \$29.75

- 560 x 30MM - \$24.50
- 600 x 30MM - \$26.00
- 720 x 30MM - \$29.90
- 800 x 30MM - \$31.00
- 840 x 30MM - \$33.00
- 880 x 30MM - \$33.50
- 920 x 30MM - \$34.00
- 960 x 30MM - \$36.00
- 1000 x 30MM - \$39.00
- 1040 x 30MM - \$39.00

- 720 x 1.5" - \$38.95
- 800 x 1.5" - \$42.00
- 840 x 1.5" - \$42.00
- 880 x 1.5" - \$43.00
- 920 x 1.5" - \$44.00
- 960 x 1.5" - \$45.00
- 1000 x 1.5" - \$46.00
- 1040 x 1.5" - \$46.00
- 1120 x 1.5" - \$46.00

- PFEIFER POLY GT BELT
- 800 x 36 x 8MM \$63.00
- 896 x 36 x 8MM \$68.95
- 1000 x 36 x 8MM \$78.00

### 8mm Belt Drivers



- 1. PFEIFER 8MM x 20MM WIDE BELT DRIVER, 14-17T \$47.00, 18-20T \$49.00, 21T \$51.00, 22T \$53.00
- 2. PFEIFER 8 MM x 30MM WIDE BELT DRIVER, 14T \$50.00, 15T \$52.00, 16, 17T \$56.00, 18T \$58.00, 19T \$60.00, 20T \$62.00, 21T \$63.00
- 3. PFEIFER 8MM x 1.5" WIDE BELT DRIVER, 15T \$58.00 **CLOSE OUT**
- 4. HEGAR 8MM x 1.5" DRIVER 14T \$49.00, 15-22T \$49.00 **CLOSE OUT**
- 5. USED HEGAR OR HM DRIVER \$20.00 TO \$30.00, SOME 8MM, CALL
- 6. HARTMAN ENGINE CLUTCH BELT DRUM 8MM x 20MM \$5.00
- 7. MAG 5 DEGREE DRIVERS 20MM, 14T x 8MM - \$52.00, 15-16T \$56.00, 17T \$58.00, 18T \$60.00, 19T \$61.00, 20T \$64.00, 21T \$65.00, 22T \$67.00 OFFSET
- 8. MAG 5 DEGREE DRIVERS 30MM, 14T x 8MM \$69.00, 15T-17T \$73.00, 18T \$74.00, 19T \$75.00, 20T \$76.00, 21T \$79.00 OFFSET
- 9. MAG 5 DEGREE DRIVERS 40MM, 14T, 15T \$74.00, 16T \$76.00, 17T, 18T \$79.00, 19T \$80.00 OFFSET
- 10. NON-OFFSET 5 DEGREE DRIVERS-30MM-14T \$58.50, 15T \$65.00, 16T \$68.00, 17T \$69.00, 19T \$69.00, 21T \$77.00

**5mm Belt Drivers**



**CLOSE OUT SALE**

1. PFEIFER 5MM X 30MM WIDE BELT DRIVER, 20, 21T \$34.00, 23T \$35.00, 24T TO 26T \$36.00, 28, 29T \$38.00, 30, 31T \$39.00,
2. PFEIFER 5MM X 40MM WIDE BELT DRIVER 16-19T - \$39.00

**8mm Belt Driven Sprockets**



1. PFEIFER 8MM X 25MM WIDE AXLE SPROCKET -  
65 TO 68T \$45.00  
69 TO 70T \$47.00  
71 TO 85T \$49.00  
86 TO 90T \$50.00
2. PFEIFER 8MM X 1.5" (40MM) WIDE AXLE SPROCKET -  
65 TO 67T \$54.00  
68 TO 70T \$56.00  
71 TO 73T \$61.00  
74 TO 77T \$63.00  
78 TO 80T \$67.00  
81 TO 83T \$70.00  
84 TO 86T \$74.00  
87 TO 90T \$75.00

**5mm Belt Driven Sprockets**



**CLOSE OUT SALE**

1. PFEIFER 5MM X 40MM WIDE AXLE SPROCKET -  
106 TO 107T \$42.00  
108 TO 111T \$43.00  
112 TO 114T \$44.00  
115 TO 116T \$45.00  
117 TO 121T \$46.00  
122 TO 125T \$47.00  
126 TO 140T \$49.00  
141 TO 144T \$52.00

**Direct Drive Sprockets**



1. #35 9T, 10T, 11T 10 DEGREE \$16.95
2. #35 8T, 9T McCULLOUGH TAPER \$10.95
3. #35 5/8" 9T THRU 18T \$11.95
4. #35 3/4" 11T THRU 18T \$12.95, 19T \$15.95, 20 \$18.95  
21T \$21.00, 22T \$22.00, 23T \$23.00, 24T \$24.00
5. #219 10, 11, 12T 10 DEGREE \$19.95
6. #219 10, 12T IAME TAPER \$16.95
7. #40-41 5/8" 9T THRU 13T \$10.95, 14, 15, 17T \$12.95
8. #40-41 3/4" 9 THRU 13T \$10.95

**RLV Yamaha Can Exhaust**



1. RLV YAMAHA SBX 7512 SPORTSMAN MUFFLER \$99.00  
*SPECIAL ORDER*



2. RLV YAMAHA SSXV 7548 SPRINT FOUR HOLE \$79.00



3. RLV YAMAHA BOX MUFFLER SSX w/4 SIDE HOLES #7540 \$83.00



4. 7516 SSX CAN CAP REPLACEMENT \$14.00



5. RLV YAMAHA ROOKIE BOX MUFFLER YBX 7500 \$83.00



6. 7514 YBX CAN CAP REPLACEMENT \$14.00



7. #10 CAN LID SCREW, STOCK SCREW SIZE \$.50
8. #12 CAN LID SCREW, BIGGER THAN STOCK, WKA LEGAL \$.50

**Piston Port Pipes**



1. L-1 SPRINT PIPE WITH BETTER LOW END THAN L2 \$169.00
2. L-2 SPRINT PIPE, GOOD ALL AROUND POWER CURVE \$169.00
3. L-3 SPRINT PIPE GOOD MID RANGE IN BETWEEN L2 AND L4 \$169.00
4. L-4 FOR LONG TRACKS, ALL TOP \$169.00
5. L SERIES PIPE KIT WITH HEADER \$245.00



6. F PIPE 100CC \$60.00 **CLOSE OUT**
7. G-3 PIPE \$138.00 **CLOSE OUT**
8. D-3 PIPE \$60.00, D-4 PIPE \$60.00, KIR \$60.00
9. JVC-3 PIPE, .750 RESTRICTED YAMAHA \$60.00
10. D-600 PIPE, .600 RESTRICTED YAMAHA \$60.00
11. C4, T3 PIPE \$60.00 **CLOSE OUT**
12. C-22, 2" OPENING \$60.00 **CLOSE OUT**
13. FH PIPE \$60.00 **CLOSE OUT**
14. 96H, 1 7/8" OPENING \$99.00 **CLOSE OUT**
15. EX PIPE \$90.00 **CLOSE OUT**
16. CKS3 PIPE YAMAHA \$99.00 **CLOSE OUT**
17. 7448 WKA SENIOR EXHAUST PIPE FOR YAMAHA \$199.00



18. US820 PIPE \$289.00 **SPECIAL ORDER**
19. 8796 KT100 DIRECT DRIVE SENIOR PIPE AND HEADER KIT \$239.00

**Airbox, Exhaust Cradle Clamps**



0547  
0540

0545  
0533

0546  
0534

0548  
0535

0530  
0536

0531  
0537

0532  
0538

**Slippy Pipes**



ACTUAL PIPES MAY LOOK DIFFERENT THAN PICTURE

ALL CLOSE OUTS

1. SLIPPY PIPE - SPECIFY N, S, P \$95.00

**Yamaha Headers**

1. STOCK CURVED HEADER, \$5.00, FOUR FOR \$12.00



2. 26S-SF TEN DEGREE HEADER-2" \$33.00
3. 26SSL TAPERED HEADER 4" - \$21.00



4. L AND A SERIES HEADER, NO CUP  
9194 STRAIGHT  
OR 9190 ANGLED  
\$62.00



5. L AND A SERIES HEADER, CUP STYLE  
9196 STRAIGHT OR  
9192 ANGLED \$62.00



6. 9110 EXHAUST HEADER FOR WKA SENIOR YAMAHA CLASS \$65.00

**AIRBOX, EXHAUST BRACKET, CLAMP 3/4" (BUMPERS)**

1. 0547 \$18.00
2. 0545 \$29.95
3. 0546 \$29.95
4. 0548 \$29.95
5. 0530 \$38.00
6. 0531 \$38.00
7. 0532 \$38.00

**AIRBOX, EXHAUST BRACKET, CLAMP 1" (FRAMES)**

1. 0540 \$18.00
2. 0533 \$29.95
3. 0534 \$29.95
4. 0535 \$29.95
5. 0536 \$38.00
6. 0537 \$38.00
7. 0538 \$38.00

LONG ARM 6 3/4"  
MEDIUM ARM 4 5/8"  
SHORT ARM 2 7/8"



**Foreign Engine Headers**

**ALL CLOSE OUTS!**

1. L16SMF, TEN DEGREE, TT75 2" HEADER - \$33.00
2. L16SS OPENING 2" 10 DEGREE \$33.00
3. TKM RLV HEADERS - \$20.00 - \$26.00
4. LMR HEADERS - \$10.00
5. K71 - \$28.00
6. GH27 LMR - \$20.00, DAP STRAIGHT - \$12.00
7. DAP 10 DEGREE HEADER \$20.00
8. 40SMF, TEN DEGREE, 1 7/8" HEADER - \$28.00
9. 40SSMF, 1 7/8" - \$29.00
10. 40MF, TEN DEGREE, 1 7/8" - \$29.00
11. 40STH, TEN DEGREE, 1 3/4" - \$28.00
12. 40SSTH, 1 3/4" DEGREE - \$34.50
13. ATOMIC HEADER, RLV \$21.00
14. 9264 PCR EURO 5, 10 DEGREE UP 1 3/4" \$28.00

**GEM Headers**

**CLOSEOUTS, ALL HEADERS \$12.50!**

1. G1604 YAMAHA CURVED
2. G1605 YAMAHA CURVED
3. G1813 PCR 135
4. G1822 PCR 100 3"

**Flex Pipe Tubing**



1. 1 3/4" OD SOLID FLEX TUBING 1' - \$7.95 EACH, TWO \$15.00
2. 1 7/8" OD SOLID FLEX TUBING 1' - \$7.95 EACH, TWO \$15.00
3. 2" OD SOLID FLEX TUBING 1' - \$7.95 EACH, TWO \$15.00
4. 1 3/4" TO 1 7/8" OD SOLID TUBING 8" - \$10.50 EACH, TWO \$20.00



5. 50MM (2") x 12" LONG FLEXIBLE FLEX, LEOPARD, ROK TT, ETC. \$18.00

**Hose Clamps**

1. EXTRA LARGE HOSE CLAMP FOR PIPES 4-5" \$2.40
2. LARGE HOSE CLAMP FOR PIPES 3-4" \$2.25
3. MEDIUM HOSE CLAMP FOR AIRBOX BOOT AND FILTERS 2 1/2-3 1/2" \$1.30
4. SMALL HOSE CLAMP FOR BRIGGS HEADER STRAPS 1 1/16-2" \$1.00
5. 1012 SMALL HOSE CLAMP (WATER HOSES) 9/16"-1 1/4" \$1.15
6. 1008 EXTRA SMALL HOSE CLAMP (WATER HOSES) 7/16"-1" \$1.15
7. KARTECH HOSE CLAMP WITH FINGER TIGHTENER TAB FOR AIRBOX FILTER \$6.50



**Exhaust Header Wrap**

1. THERMO TEC HEADER WRAP  
2" WIDE \$1.00 FT,  
50 FEET \$45.00



2. LONGACRE HEADER WRAP  
2" WIDE \$1.00 FT,  
50 FEET \$35.00

3. ORANGE HEADER WRAP SILICON SLEEVE FOR TAG EXHAUST, 2" ID, \$2.50 PER INCH



**Exhaust Springs**

1. RLV GOLD SPRING  
1", 1 3/8", 1 3/4", 2 1/2"  
\$1.70



2. BLACK EXHAUST SPRING  
2" \$.90  
3" \$.95  
4" \$1.00



3. RLV GOLD CRADLE SPRING  
3 1/2" CLOSED LOOP ENDS  
\$2.20



4. ARROW PIPE CRADLE SPRING WITH FINGER HOOK \$4.95



5. LONG CRADLE SPRING, 5" \$2.25



6. LEOPARD EXHAUST SPRING FOR HEADER \$3.00



**Pipe Cradle and Brackets**



1. RLV SPRING STYLE CRADLE CLAMP KIT SPECIFY 3/4" OR 1" BUMPER \$48.00



2. COMET PIPE CRADLE KIT WITH HOSE CLAMP AND BUMPER CLAMP \$29.50



3. BUMPER OR BODYWORK MOUNTING CLAMP SPECIFY  
3/4" \$10.50  
1", 1 1/8", 30MM \$11.00  
1 1/4" \$11.25



4. RLV CRADLE KIT WITH NO CLAMP #RLV11 \$18.00



5. STEEL EXHAUST CRADLE \$11.95

**Robertson Animal Headers**



1. I-SUS-AM-K SUPERSNAKE FOR ANIMAL, MUFLER \$46.00



2. I-SUS-AF-K SUPERSNAKE FOR ANIMAL, FLARED STYLE, NON-MUFLER \$52.00



3. B1VM-K ANIMAL VENTURI PIPE FOR MUFLER, BLUE AND PURPLE PLATE, ROAD COURSE, OVAL \$49.95



4. I-CCM-K CANDYCANE FOR ANIMAL FOR MUFLER \$46.00



5. I-CCK CANDYCANE FOR ANIMAL, FLAT WASHER, NON-MUFLER \$49.00

**Tecumseh Star Header**



1. Close Out! ST-95 TECUMSEH 10HP STAR, ROBERTSON HEADER \$43.95

**RLV Four Cycle Headers**



1. 5506 LO206 SPEC HEADER PIPE \$29.00



2. BRIGGS LO206 SPEC HEADER KIT, SENIOR, JUNIOR AND KID KART \$93.00



3. 5507 LO206 SPEC HEADER PIPE ONLY JUNIOR AND SENIOR CLASS \$48.00



4. 5447SK8 WORLD FORMULA MUFLER KIT, USA SPEC \$75.00

5. 5447SK10 WORLD FORMULA MUFLER KIT, CANADA SPEC \$127.00

**Clone OHV Engine Header**



1. H-CC-MK ROBERTSON THREE STAGE HEADER, OHV MOUNT KIT, USES 1 5/16" MUFLER \$48.95



2. H-S-K ROBERTSON SINGLE STAGE HEADER, OHV MOUNT KIT, USES 1" MUFLER \$36.00



3. H-SUS-2-MK ROBERTSON SUPERSNAKE HEADER, OHV MOUNT KIT, USES 1 5/16" MUFLER \$49.95



4. DJ1138B SMALL HEADER FOR CLONE WITH THREADED END FOR SCREW IN TYPE MUFLER \$24.00



5. 4117 RLV MINI SILENCER, SCREW ON THREAD END \$17.25



6. DJ1183C SMALL HEADER PIPE BRACE \$8.00



7. DJ1136 HEADER CLAMP, WORKS ON ALMOST ANY MUFLER \$9.95



8. 8MM CLONE DRILLED HEADER BOLT KIT \$2.25  
INCLUDES: 2 - M8x25 DRILLED BOLT  
2 - M8 LOCK WASHERS  
SAFETY WIRE

**RLV Mufflers and Clamps**



- 1. RLV BRIGGS STOCK CLASS SILENCER MUFFLER  
4100 B91 1" \$39.00  
4104 B91-XL 1 5/16" \$39.00



- 2. 4117 RLV MINI SILENCER FOR CLONE, SCREW ON THREADS \$17.25

- 3. 4140 B-91 - HEADER CLAMP \$7.50
- 4. 4144 B91 XL - HEADER CLAMP \$7.50



- 5. RLV HEADER STRAP KIT \$10.95

- 6. MUFFLER SHIM, ALLOWS YOU TO GO TO A SMALLER HEADER WITH THE SAME MUFFLER, CHOOSE THE SIZE OF YOUR MUFFLER, NOT THE SIZE OF THE HEADER PIPE - 1", 1 1/8", 1 5/16" \$2.50



- 7. WELD-ON HEADER FLANGE 1 1/8", 1 1/4" \$3.50

**Tillotson Carb Parts**



- 1. HL TILLOTSON DIAPHRAM KIT \$6.00 EACH  
TWO FOR \$11.50
- P1DG5HL THICKER PUMPER DIAPHRAM KIT \$9.95



- 2. HR DOUBLE PUMP CARB KIT \$7.00 EACH  
TWO FOR \$13.50



- 3. RK-117HL HL334AB LEOPARD OEM TILLOTSON COMPLETE CARB REBUILD KIT \$18.95
- 4. RK-114HL COMER K-80 OEM TILLOTSON COMPLETE CARB REBUILD KIT \$18.95



- 5. 233665 HL334 CARB NEEDLE AND SEAT \$9.00
- 6. 233706 HL166 CARB NEEDLE AND SEAT COMER K80 \$9.00



- 7. 889K HL166 THROTTLE ARM ASSEMBLY FOR K80 \$8.95



- 8. REPLACEMENT CARB SWIVEL KIT \$6.95



- 9. LK131 LINKAGE ARM KIT \$16.50



- 10. FULCRUM ARM HEIGHT GAUGE, GAS OR ALCOHOL, .075", .085" \$19.00



- 11. BURRIS TAG TILLOTSON CARB LINKAGE KIT \$18.00



- 12. EC BIRT TAG THROTTLE BRACKET \$18.50



- 13. LOW SPEED NEEDLE HL334 WITH WASHER FOR LEOPARD \$16.00



- 14. LK90A 90 DEGREE THROTTLE CABLE GUIDE, WORKS ON X30 \$8.95

**Header Bolts**

- 1. BRIGGS FLATHEAD AND US ANIMAL 1/4-20 x 3/4" DRILLED HEADER BOLT \$.95, TEN \$9.00
- 2. BRIGGS METRIC ANIMAL 6MMx20MM DRILLED HEADER BOLT \$.95, TEN \$9.00
- 3. BRIGGS METRIC ANIMAL 6MMx25MM DRILLED HEADER BOLT \$1.00, TEN \$9.50
- 4. LOCK WASHER SMALL OD FOR HEADER BOLT \$.30, TEN FOR \$2.80
- 5. 6MM BRIGGS HEADER BOLT KIT \$2.00  
INCLUDES: 2 - M6x20 DRILLED BOLT  
2 - M6 LOCK WASHER  
SAFETY WIRE



**Mikuni Carb Parts**

- 1. LP130 MIKUNI 34MM DIAPHRAGM KIT \$12.00, TWO \$23.00
- 2. MIKUNI GROSS JET, GAS, .084 \$8.95

**Tillotson Carburetors**

- 1. HL334A GAS CARBURETOR, US820 (CARB NOT TAPPED FOR FILTER CUP) \$120.00
- 2. HL334AB GAS CARBURETOR FOR LEOPARD \$109.00
- 3. HL360A GAS CARBURETOR \$113.00
- 4. HL166B COMER K80 GAS CARB \$89.95
- 5. HL334B 60CC GAZELLE CARB \$168.00
- 6. HL 304WX GAS CARB WITH 1.005 BORE, CARB IS NOT TAPPED FOR FILTER CUP \$107.00

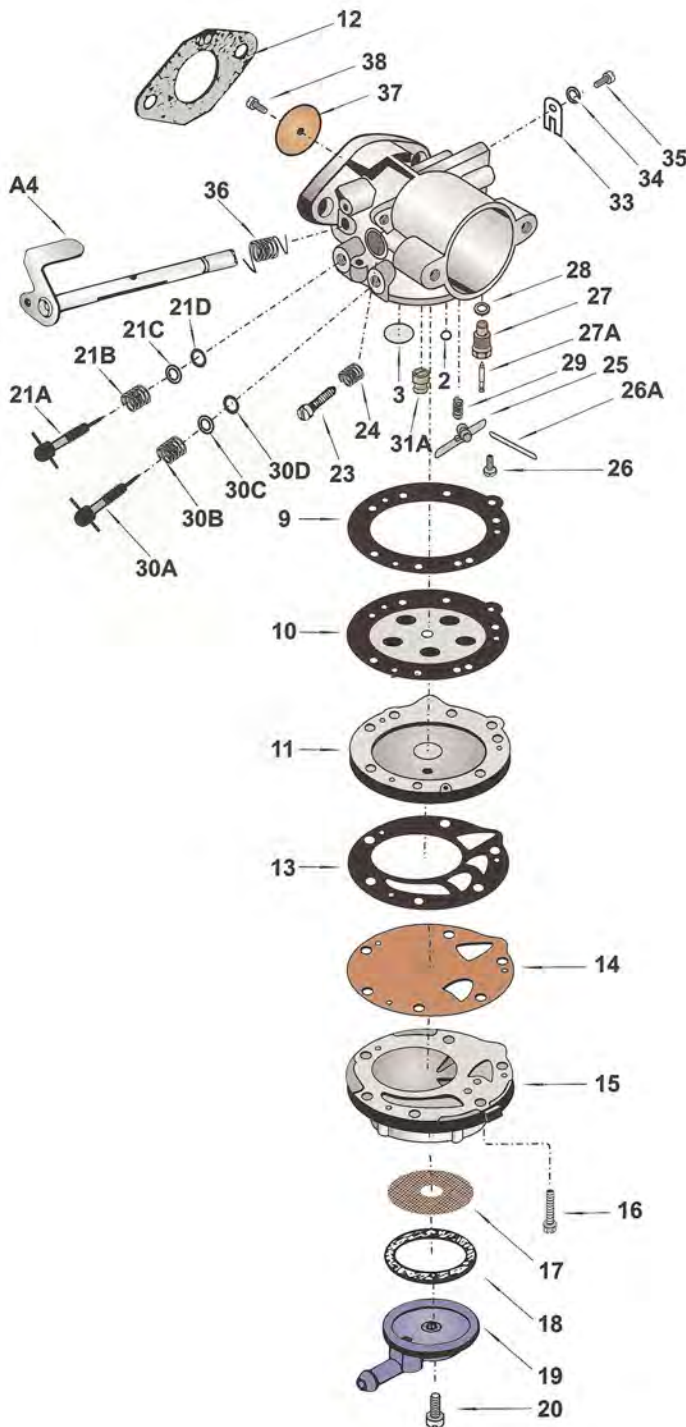


**COMET RACING ENGINES BLUEPRINTED TILLOTSON CARBS**

- 1. COMET HL334AB BLUEPRINTED LEOPARD ENGINE CARB \$184.00
- 2. COMET HL334AB LEOPARD CARB WITH FILTER CUP, THROTTLE BRACKET \$225.00
- 3. COMET K80 HL166B BLUEPRINTED CADET CLASS CARB \$245.00



**Tillotson Carburetor Parts**



Ref. No.	Part Name	HL166	HL334	Price
2	Body Channel Cup Plug	80-332		\$1.45
3	Body Channel Welch Plug	179-55	179-55	\$2.00
9	Diaphragm Gasket	16B-217	16B-217	\$.80
10	Diaphragm	237-600	237-600	\$4.00
11	Diaphragm Cover	91A-275	91A-275	\$5.95
12	Flange Gasket	EC-217	16B-216	\$2.00
13	Fuel Pump Gasket	16B-223	16B-223	\$.80
14	Fuel Pump Diaphragm	237-214	237-141	\$2.50
15	Fuel Pump Body	141-62	141-62	\$5.95
16	Fuel Pump Body Screw	15C-51	15C-51	\$.80
17	Fuel Strainer Screen, Silver	95-170	95-170	\$1.25
17	Fuel Strainer Screen, Gold	95-174	95-174	\$1.25
18	Fuel Strainer Cover Gasket	16B-205	16B-205	\$.80
19	Fuel Strainer Cover	91A-251	91A-251	\$3.85
20	Fuel Strainer Cover Screw	15B-313	15B-313	\$.95
21A	Idle Mixture Screw (Low Speed)	43-388	43-388	\$8.80
21B	Idle Mixture Screw Spring	24B-449	24B-449	\$1.00
21C	Idle Mixture Screw Washer	78A-256	78A-256	\$.60
21D	Idle Mixture Screw Packing	44-270	44-270	\$.80
23	Idle Speed Screw	15C-9	15C-9	\$1.90
24	Idle Speed Screw Spring	24B-131	24B-131	\$.40
25	Inlet Control Lever	155A-27	155A-27	\$1.50
26	Inlet Control Lever Fulcrum Screw	15B-329	15B-329	\$.20
26A	Inlet Control Lever Fulcrum Pin	32-79	32-79	\$4.00
27	Inlet Needle, Seat & Gasket	233-706		\$12.00
27	Inlet Needle, Seat & Gasket		233-665	\$9.00
28	Inlet Seat Gasket	16B-199	16B-199	\$.85
29	Inlet Tension Spring	24B-345	24B-323	\$1.25
29A	Inlet Needle Only	233-1	233-1	\$4.00
30A	High Speed Mixture Screw	43-401	43-967	\$8.80
30B	High Speed Mixture Screw Spring	24B-449	24B-449	\$1.00
30C	High Speed Mixture Screw Washer	78A-256	78A-256	\$.40
30D	High Speed Mixture Screw Packing	44-270	44-270	\$.80
31A	Nozzle Check Valve	363-501	363-503	\$10.50
33	Throttle Shaft Clip	29-218	29-224	\$1.00
35	Throttle Shaft Clip Retaining Screw	15C-18	15C-18	\$.40
36	Throttle Shaft Return Spring	24B-291	24B-381	\$1.50
37	Throttle Shutter	14A-34	14-407	\$3.20
38	Throttle Shutter Screw	15C-29	15C-29	\$3.25
A4	Throttle Shaft & Lever	13-1586	13-1894	\$23.00

DON'T SEE A TILLOTSON PART THAT YOU NEED ON THIS LIST? GIVE COMET A CALL!

**Ibea Carb**



1. IBEA L6 CARB, 24MM VENTURI, BUTTERFLY, TWO JET \$399.00



2. IBEA L9 CARB, 24MM VENTURI, BUTTERFLY, TWO JET \$440.00



3. IBEA L6, L9 COMPLETE REBUILD KIT \$39.50

4. RA408 DIAPHRAGM ONLY KIT \$21.00



5. IBEA M6 CARB NUT \$5.10



6. IBEA YELLOW CARB INLET TOP \$4.60

**Slide Carb**



1. COMET LARGE SLIDE ALCOHOL CARBURETOR WITH BUILT IN VELOCITY STACK, FOR OPEN CLASS, VERY FAST - \$375.00

2. COMET BIG SLIDE CARB, BODY ONLY WITH BUILT IN VELOCITY STACK \$195.00

**CLOSE OUT**

**SOME USED AND NEW PARTS AVAILABLE - CALL**

**Briggs Engine Tools**



1. 19300 BRIGGS BASIC TOOL KIT \$309.95



2. A. 19237 FLATHEAD VALVE SEAT CUTTER KIT \$249.95  
SPECIAL ORDER  
B. ANIMAL VALVE SEAT KIT \$189.95



3. 19070 PISTON RING COMPRESSOR \$14.95



4. 750174 VALVE SPRING COMPRESSOR \$27.00



5. VALVE SPIN TOOL TO HELP SEAT VALVES \$5.95



6. 19269 VALVE GUIDE TOOL KIT \$88.00



7. 750075 FLYWHEEL HOLDER 5HP BRIGGS \$38.00



9. **CLOSE OUT!** 19096 PILOT TOOL FOR BRIGGS CRANK BUSHING \$47.00



10. COMP CAM STEEL DEGREE WHEEL \$29.95



12. PISTON RING FILER TOOL \$73.00

8. 750067 FLYWHEEL HOLDER 3HP BRIGGS \$24.95

11. WHEEL ONLY NO POINTER OR BUSHING \$20.95

13. REPLACEMENT WHEEL \$12.95



14. M856 FLATHEAD BRIGGS TORQUE PLATE \$35.00



17. 750059 FLYWHEEL WRENCH \$14.95



18. FLYWHEEL STARTER CLUTCH WRENCH \$14.50



19. ANIMAL AND WORLD FORMULA, CLONE VALVE SPRING COMPRESSOR \$38.00



20. 750091 FLYWHEEL PULLER \$6.60

15. M829 VALVE GAUGING TOOL, CUT STEM \$38.00

16. **CLOSE OUT!** M833 PISTON/RING INSTALLER \$49.95

**Briggs Engine Tools Cont.**



21. CARB/EXHAUST 3/16" CROOKED WRENCH TO REACH BOLTS \$14.50



22. VALVE SPRING DIAL CALIPER TOOL \$130.00



23. 19064 VALVE GUIDE REAMER \$30.00



24. G4495 DEGREE WHEEL ONLY \$18.25



25. VALVE LAPPING COMPOUND, FINE AND COURSE IN ONE CAN \$21.95



26. 4918 VALVE GUIDE REAMER \$31.00



27. 73010 LONGACRE LEAKDOWN TESTOR \$96.00



28. M829 MISI BRIGGS VALVE STEM GAUGING TOOL \$44.00

**Briggs Animal Tools**



1. ANIMAL MISI M856-A TORQUE PLATE \$35.00



2. ANIMAL FLYWHEEL PULLER \$14.75



3. ANIMAL FLYWHEEL HOLDER WRENCH \$63.50

**Briggs WKA Tech Kits**



1. WKA ANIMAL TECH TOOL KIT \$450.00

**Two Cycle Engine Tools**



1. G4487 KT100 MAG ROTOR PULLER \$18.95



2. LAD WRIST PIN PULLER FOREIGN ENGINES \$59.95



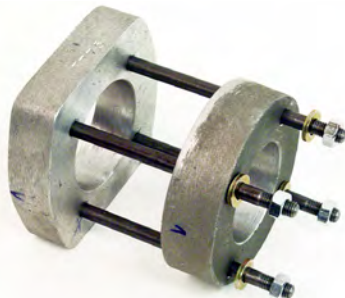
3. MOTOPLAT FLYWHEEL PULLER \$24.00



4. MISI M811 ENGINE HEAD HOLDER FOR LATHE \$19.95



5. G4496 PISTON STOP FOR TWO CYCLE ENGINES, 14MM THREAD \$18.50



6. A. M854B PCR135 BOTTOM CYLINDER TORQUE PLATE \$17.00

B. M855B K299, K30, K35, K99 CYLINDER TORQUE PLATE, TOP & BOTTOM \$28.00

C. M855KC K78, K88, CORSAIR, T80, T81, T80R, K55 CYLINDER TORQUE PLATE, TOP & BOTTOM \$28.00

D. M855TKM TKM 100cc TORQUE PLATE, TOP & BOTTOM \$28.00



7. MISI M854 YAMAHA, ATLAS TORQUE PLATE \$28.00



8. MISI 854BY YAMAHA BOTTOM TORQUE PLATE \$35.00



9. MISI M812Y YAMAHA RING LAPPING TOOL \$15.00

10. MISI M835 TWO CYCLE RING LAPPING TOOL \$39.00



11. FULCRUM ARM HEIGHT GAUGE, GAS OR ALCOHOL, .075", .085" \$19.00



**Two Cycle Engine Tools Cont.**



12. LAD TWO CYCLE HEAD CC TECH TOOL \$23.50



13. LAD TWO CYCLE PORT HEIGHT TECH TOOL \$79.95



14. WALBRO CARB FULCRUM ARM HEIGHT TOOL \$12.50



15. GLASS BURETTE TOOL TO MEASURE HEAD CC'S \$70.50 GRADE "A"



16. IAME PISTON STOP \$44.00



17. MISI M828 TWO CYCLE ENGINE WRIST PIN PULLER \$43.00



18. FLEX HOLDER TOOL FOR 50MM FLEX (TAG), ALLOWS YOU TO CLAMP DOWN THE FLEX TO CUT IT PROPERLY \$49.95



19. FLEX MEASURING STICK FOR HPV AND YAMAHA PIPE CLASSES, FITS IN CENTER EXHAUST RIB \$20.00



20. KT100 EXHAUST TECH TOOL \$95.00



21. THREEBOND LIQUID GASKET, USE TO SEAL ENGINE CASES \$12.00, 3.5OZ TUBE

**Torque Wrench**



1. CLICK TYPE TORQUE WRENCH, 0-200 IN/LBS, 1/4" DRIVE \$49.00

**Dial Calipers**



1. DIAL CALIPERS, 6" TRAVEL, .001 GRADUATION, STAINLESS STEEL WITH CASE \$35.00

**Safety Wire and Pliers**



1. MILBAR, HIGH END SAFETY WIRE PLIERS - AIRCRAFT SPIN TYPE 6" LONG, MADE IN THE USA \$79.95



2. STAINLESS STEEL SAFETY WIRE, 1 LB CAN, .032 DIAMETER WIRE \$14.95

**Drill Block**



1. DRILL BLOCK, MAKES DRILLING BOLTS FOR SAFETY WIRE MUCH EASIER, SPECIFY AMERICAN OR METRIC \$26.95



2. HEAD DRILL BLOCK TOOL, WORKS GREAT FOR ALLEN HEADS \$31.95

**Hand Tools**



1. 13146 BONDHUS T HANDLE BALL END ALLEN AMERICAN 6 PIECE SET \$45.00



2. T-HANDLE ALLEN WITH RUBBER HANDLE, SIZES 1/8", 9/64", 5/32", 3/16", 1/4" 6" LONG \$5.95 EACH 9" LONG \$6.50 EACH



3. T-HANDLE BALL END DRIVER ALLEN 13110 3/16"x8" \$7.50 13112 1/4"x8" \$8.50



4. BALL DRIVER SET 10633 AMERICAN \$35.00 10699 METRIC \$39.95



5. G4604 T HANDLE SET, 10 PIECE SET WITH STAND, AMERICAN \$49.95



6. MISEI T-HANDLE SOCKET 3/8", 7/16", 1/2", 5/8" \$9.95 EACH



7. MISEI T-HANDLE SOCKET METRIC 10, 12, 13, 14MM \$9.95 EACH



8. MISEI T-HANDLE 13/16" SPARK PLUG WRENCH \$11.95



9. BALL DRIVER ALLEN G4609 3/16"x6" \$8.00 10710 3/16"x8" \$11.00 G4613 6MM, RED \$6.00



10. 05051586 .050 TO 3/8" 90\* ALLEN WRENCH SET, 13 PIECE WITH BALL ENDS \$18.00



11. 1.5MM TO 10MM 90\* ALLEN WRENCH SET, 9 PIECE WITH BALL ENDS \$16.80

BOTH METRIC AND AMERICAN KITS \$33.00



12. EKLIND T HANDLE 8 PIECE AMERICAN ALLEN 33168 6" LONG \$21.00 33198 9" LONG \$29.95



13. 35165 EKLIND T HANDLE 5 PIECE METRIC ALLEN WRENCHES 6" LONG \$21.00



14. 13148 T HANDLE BALL DRIVER ALLEN SET, 5 PIECE 4, 5, 6, 8, 10MM \$38.00 4MM \$8.00, 5MM \$10.00, 6MM \$11.00, 8MM \$11.00 10MM \$11.95



15. T094 KARTECH 6 PIECE T BAR ALLEN HAND TOOL WITH 90 DEGREE END, INCLUDES 2.5, 3, 4, 5, 6, 8MM \$19.95



16. T092 KARTECH 2 PIECE T BAR ALLEN HAND TOOL KIT, INCLUDES 6MM AND 8MM, GREAT FOR WHEEL HUBS AND INNER HEX WHEEL NUTS \$25.00

**Exhaust Spring Tools**



1. KA910 T HANDLE EXHAUST SPRING TOOL \$19.50



2. SCREW DRIVER STYLE SPRING TOOL \$12.95

3. KARTECH T53 EXHAUST SPRING TOOL \$12.00



**Tie Wraps**



1. TIE WRAPS, 8" LONG, WHITE, BLACK, RED, NEON PINK, NEON YELLOW, NEON GREEN, NEON ORANGE, BLUE, 100 PACK \$8.00

2. TIE WRAPS 11" LONG, RED, BLUE, BLACK, WHITE, NEON GREEN, NEON ORANGE, NEON YELLOW, 100 PACK \$14.00

3. TIE WRAPS 4" SMALL SIZE FOR FUEL LINE, BLACK ONLY, 100 PACK \$4.00

**Two Cycle Third Bearing Supports**



- 1. COMET THIRD BEARING 5/8" THICK BILLET ALUMINUM PLATE, SUPER STIFF FOR EXTRA SUPPORT, SPECIFY CLUTCH TYPE \$95.00
- 2. BURRIS THIRD BEARING ADAPTER PLATE 515A YAMAHA DXL, HDC \$85.00



- 3. 7002 HORSTMAN THIRD BEARING FOR K71 \$79.95 **CLOSE OUT!**
- 4. HMC16 HORSTMAN AXLE CLUTCH THIRD BEARING SUPPORT \$60.00 **CLOSE OUT!**



- 5. ODENTHAL THIRD BEARING SUPPORT AND SLIDER MOTOR MOUNT, ONE PIECE WITH CLAMPS \$189.00  
SPECIFY FRAME SIZE



- 6. ODENTHAL THIRD BEARING UPRIGHT ONLY \$49.00



- 7. ODENTHAL THIRD BEARING CIRCLIP \$2.00



**BURRIS THIRD BEARING SUPPORT AND BOTTOM SLIDER MOUNT COMBO**

- 8. BMC 585, YAMAHA 5 DEGREE AMERICAN RAIL THIRD BEARING MOUNT KIT, (EXPW OR STEEL NYTRO) \$139.00
- 9. BMC 586, YAMAHA 5 DEGREE INTERNATIONAL RAIL THIRD BEARING MOUNT KIT, (DXL OR L & T) \$139.00
- 10. BMC 596 12 DEGREE INTERNATIONAL YAMAHA 3RD BEARING MOUNT COMBO FOR DXL, L&T, HDC \$139.00

**WHAT DOES AMERICAN OR INTERNATIONAL RAIL MEAN?**

THE DISTANCE CENTER TO CENTER BETWEEN THE TWO ENGINE RAILS. AMERICAN MEASURES 3" AND INTERNATIONAL MEASURES 3 5/8" IT IS THAT EASY, ALMOST ALL RACE KARTS ARE INTERNATIONAL.

**Black Rhino Briggs Mount**



- 1. BLACK RHINO BRIGGS MOUNT OFFERS LOTS OF OFFSET OPTIONS WITH SLIDER MOUNT, ADAPTER PLATE, CLAMPS AND HARDWARE, FITS 1 1/8" AND 1 1/4" RAIL 15° FOR FLAT HEADS, 7° FOR CLONE, ANIMAL, WORLD FORMULA, SPECIFY ANGLE AND INTERNATIONAL OR AMERICAN RAIL \$80.00

- 2. BLACK RHINO REPLACEMENT CLAMP SET FOR INTERNATIONAL WIDTH RAIL \$26.00



- 3. BLACK RHINO REPLACEMENT CLAMP SET FOR AMERICAN WIDTH RAIL \$26.00



**Odenthal Mounts**

- 1. ODENTHAL INTERNATIONAL 5° BOTTOM SLIDER MOUNT, GREAT FOR LEOPARD, KPV, K80 WITH BOTTOM CLAMPS, SPECIFY FRAME SIZE 28, 30, 32MM \$119.00



- 2. ODENTHAL INTERNATIONAL 10° BOTTOM SLIDER MOUNT, GREAT FOR ROTAX, LEOPARD WITH BOTTOM CLAMPS, SPECIFY FRAME SIZE 28, 30, 32MM \$129.00



- 3. **New!** ODENTHAL EZ SET TWO PIECE TAG ENGINE MOUNT, SPECIFY 5° \$169.00 OR 10° \$179.00, SPECIFY CLAMP SIZE

- 4. ODENTHAL BUTTERFLY CLAMPS, SPECIFY FRAME SIZE \$27.00 PAIR





**SDH Motor Mounts**



1. S218 ANGLED SLIDER MOUNT SPECIFY ENGINE ATLAS, K55, TKM, T80 DAP, SPECIFY AMERICAN OR INT'L RAIL \$36.00 **CLOSE OUT**



2. S222 1 1/8" RAIL BRIGGS ANGLE BASE \$36.00 **CLOSE OUT**

**Performance Mfg. Mounts**



1. **New!** ADJUSTABLE ANGLE ENGINE MOUNT FOR CLONE AND BRIGGS, INTERNATIONAL RAIL, TOP MOUNT PLATE ROTATES TO CHANGE ANGLE FROM 7 DEGREE TO 15 DEGREE, MOUNT ALSO ADJUSTS LEFT TO RIGHT FOR CLEARANCE \$75.00



**Burriss Motor Mounts**



1. BMC541 BRIGGS 15\* INTERNATIONAL SLIDER MOUNT ONLY \$70.00



3. BMC542 BRIGGS FLAT ADAPTOR PLATE \$37.00



4. BMC544 BRIGGS 15\* COMPLETE ENGINE MOUNT SPECIFY INTERNATIONAL OR AMERICAN \$98.00



5. BMC551 FLAT ADAPTOR PLATE FOR KT100 \$35.00



7. BMC558 INTERNATIONAL FLAT SLIDER MOUNT, WORKS ON ALL RAIL DIAMETERS \$65.00



8. BMC577 KT100 10\* ANGLED SLIDER MOUNT INTERNATIONAL RAIL, CAN BE USED WITH A THIRD BEARING SUPPORT \$75.00



9. BMC583 TECUMSEH 5HP FLAT ADAPTOR PLATE \$24.00 **CLOSE OUT**



10. BMC 590, YAMAHA DIRECT DRIVE MOUNT, 5\* INT'L RAIL \$79.00



11. BMC592 5\* AMERICAN RAIL SLIDER FOR ALL DIAMETER TUBES \$58.00



13. BMC559 TKM ANGLED ADAPTOR 10\* PLATE \$43.00



14. BMC 530 SMALL BEARING UPRIGHT, BLACK \$38.00



15. BMC557 THREE HOLE STEEL CLAMP, AMERICAN RAIL \$13.00 EACH



16. BMC563 STEEL CLAMP INTERNATIONAL RAIL \$13.00 EACH

**Performance Mfg. Mounts**



1. PERFORMANCE MANUFACTURING ENGINE MOUNT, BLACK BILLET ALUMINUM WITH CLAMPS AND HARDWARE  
15° FOR FLATHEAD BRIGGS  
8° FOR CLONE, ANIMAL, WORLD FORMULA  
SPECIFY ANGLE AND INT'L OR AMERICAN RAIL  
\$80.00

**GEM Products Mounts**

1. G1299 STEEL BUTTERFLY CLAMPS INT'L - \$3.90
2. G1300 STEEL BUTTERFLY CLAMPS AMERICAN - \$3.90
3. G1309 YAMAHA AMERICAN RAIL MOUNT - \$24.00
4. G1440 YAMAHA INTERNATIONAL RAIL MOUNT - \$33.00
5. G1443 PARILLA, ATLAS 1" RAIL MOUNT - \$15.00
6. G1447 T50, T72, DAP, INTERNATIONAL RAIL - \$28.00
7. G1458 T50, T72, 1" RAIL - \$15.00
8. G1460, G1461, G1463, ROTARY VALVE YAMAHA - \$10.00
9. G1472 T50, T72, ANGLED PLATE - \$23.00
10. G1489 DAP, TS40, K71, PC93, AMERICAN RAIL - \$33.00
11. G1496 YAMAHA FLAT PLATE - \$17.00

**GEM Clamps and Briggs Mounts**

1. G1299 STEEL MOUNT BUTTERFLY CLAMPS INT'L - \$3.90
2. G1300 STEEL MOUNT BUTTERFLY CLAMPS AMER - \$3.90
3. G1421 BRIGGS MOUNT, 1 1/4" RAIL - \$41.95

**Close Out Clutch Parts**

**HARTMAN AXLE CLUTCH PARTS**

*CLOSE OUTS!*

1. AC121 WEIGHT PLATE \$0.70

**HEGAR CLUTCH PARTS**

*CLOSE OUTS!*

1. AXLE CLUTCH ENDURO WEIGHTS \$5.50
2. HEAVY LEAD WEIGHTS, THREE \$30.00
3. BACK PLATES \$2.50
4. SPIDERS \$7.00
5. NEW INSIDE HUB \$30.00, USED \$10.00
6. ADJUSTMENT PLATE \$1.00

**BYSTROM PARTS**

1. BYSTROM SPRING \$2.80
2. USED SHOE, NO LINING \$10.00
3. 1 1/4" BYSTROM DRUM \$40.00

**BURCO CLUTCH PARTS**

*CLOSE OUTS!*

1. BC-411 NEEDLE BEARINGS, 12 - 18T \$1.95 EACH
2. BELT DRUM ASSEMBLY 20MM WIDE \$25.00
3. SHOE USED \$5.00
4. MISC. BURCO INNER HUBS \$10.00 EACH

**HARTMAN ENGINE CLUTCH PARTS**

*CLOSE OUTS!*

1. BELT DRUMS \$5.00
2. CLOSED COVER \$14.00, COVER BEARING \$8.00
3. YAMAHA STRAIGHT SHAFT INNER HUB \$5.00, BOLT KIT \$4.00, 1004YS SLEEVE \$2.50
4. BELT INNER HUB FOR TAPERED SHAFT \$5.00
5. FOR WEIGHTS, PLATE - \$.20, WASHER \$.20, STUD \$.20
6. CLOSED MM NUT \$2.50, LMR CLOSED NUT \$2.50, PULLEY METRIC NUT \$2.50

**MISI Foreign Engine Chain Guard**

*ALL CLOSE OUTS!*

1. M601E LH ATLAS \$17.50
2. M602 K55 SHORT RH - \$17.50
3. M603X, T72, T50, DAP LONG - \$31.50
4. M603, RH SHORT T72, DAP T50 - \$17.00
5. M612 SHORT LH - \$17.00
6. M613E TKM RH ENDURO \$13.00
7. M614EL TKM LH \$13.50
8. M626X PCR PISTON PORT, RH LONG - \$32.00
9. M629XLH LONG - \$32.00
10. M634X PCR ATOMIC, PV92 RH LONG - \$32.00
11. M635X LH PV92 \$33.00
12. M637X LH LONG - \$34.50
13. M638X TKM101 REED RH LONG - \$33.00
14. M639X TKM101 REED LH LONG - \$33.00
15. M641X LH LONG - \$34.50

**GEM Third Bearing Supports**

*ALL CLOSE OUTS!*

*\*ALL G25\*\* MOUNTS ARE BIG BEARINGS*

*\*ALL G26\*\* MOUNTS ARE SMALL BEARINGS*

1. G2500 YAMAHA AMERICAN RAIL - \$90.00
2. G2501 YAMAHA INTERNATIONAL RAIL - \$90.00
3. G2507 DAP T80R, T62, INTERNATIONAL RAIL - \$90.00
4. G2513 K55, K11, K35, INTERNATIONAL RAIL - \$90.00
5. G2518 PCR, ATOMIC, AMERICAN RAIL - \$90.00
6. G2519 PCR, ATOMIC, INTERNATIONAL RAIL - \$90.00
7. G2520 PCR, ATOMIC, 1 1/4" RAIL - \$90.00
8. G2523 TKM, 1 1/4" RAIL - \$90.00
9. G2602 YAMAHA 1 1/4" RAIL - \$90.00
10. G2608 DAP T80R, T62, 1 1/4" RAIL - \$90.00
11. G2620 PCR, 1 1/4" RAIL - \$97.90
12. G2531 YAMAHA THIRD BEARING KIT, LG BEARING - \$74.00
13. G2619 PCR PISTON PORT INT'L \$88.00
14. G2623 TKM REED 100CC KIT \$88.00

**Autolite Spark Plugs**

1. AR51 KT100 YAMAHA \$4.00 EACH, \$36.50 TEN PACK
2. 2592, 2593, FOREIGN TWO CYCLE \$4.50 EACH, \$44.00 TEN PACK
3. 411, MACS, US820, BRIGGS \$3.50, \$34.00 TEN PACK
4. AR3924 ANIMAL \$4.50 EACH, \$44.00 TEN PACK
5. AR3910X CLONE, 4 PRONG PLUG \$5.95 EACH, \$58.00 TEN PACK

**Denso Spark Plugs**

1. W14U, W24FSU, W27FSU, W20FSU, W31FS, W16FSU, BRIGGS FOUR CYCLE \$2.00 EACH, \$19.00 TEN PACK
2. W27EN TWO CYCLE \$10.95 EACH, \$100.00 TEN PACK **CLOSE OUT**
3. W24ESU, W27ESU, W22ESU, FOREIGN TWO CYCLES \$3.80 EACH, \$36.50 TEN PACK
4. IW24, IW27, IW29, IW31, IW34 ROTAX \$15.95
5. W24FSU K80 \$2.00

**Spark Plug Accessories**



1. NGK PLUG CAP SCREW IN \$3.50, Two \$6.50
2. NGK LB05E WATER PROOF CAP \$6.95
3. NGK TBO5EMA DELUXE PLUG CAP \$8.50



4. THIN COPPER PLUG WASHERS 30 PACK, .012 THICK \$8.50



5. OEM YAMAHA SPARK PLUG BOOT \$17.00

**GEM Products**

1. G1161 V12 REED - \$4.00
2. G1245 CHAIN OILER - \$28.95
3. ADAPTOR SHAFT, ROTARY VALVE LH - \$10.00
4. G1660 STARTER NUT K78 K99 - \$10.45
5. G1662 BM STARTER NUT - \$8.25
6. G1517 BRIGGS STARTER NUT - \$17.95
7. G1237 BRIGGS OIL CATCH CAN, CHROMED - \$45.00
8. G1137 BRIGGS OIL CATCH CAN, BLACK - \$25.00
9. G1222 STONE GUARDS - \$7.00
10. G1342 THROTTLE CLEVIS - \$4.50
11. G1358 YAMAHA, K71, BT82 CARB SWIVEL - \$8.95
12. G1360 YAMAHA, K71, BT82 LINK BRACKET KIT - \$12.50
13. G1397 BRIGGS LINK KIT STOCK - \$11.95
14. G1400 BRIGGS LINK KIT - \$16.40
15. G1422 WEIGHT TANK - \$23.65
16. G1411 LARGE WEIGHT TANK 10 LBS - \$34.75
17. G1644 BLACK LH STARTER NUT, TWO PIECE, YAM - \$29.00
18. G1652 LH ADAPTOR SHAFT B-BOMB \$16.50
19. G1715 ADJUSTABLE CRADLE KIT - \$22.00
20. G1727 3/4" ALUMINUM BUMPER BRACKET - \$14.85

**Bosch Spark Plugs**

1. BOSCH WS5F C-50 COMER PLUG \$4.00 EA, 10 PACK \$38.00

**NGK Spark Plugs**

1. BPR2ES, BPR4FS, BR4HS \$3.50
2. B5HS \$3.25
3. BPR5ES \$3.50
4. BP6HS \$3.50
5. B6ES, BPR6ES \$3.50, TEN \$33.00
6. BP6ET \$6.95, TEN \$68.00
7. BR7ES \$3.50
8. B7EV \$9.50
9. BPM7A COMER C51 \$3.50
10. BPR7HS \$3.50
11. B8ES, BR8ES \$3.50
12. BR8EG \$8.95
13. B8EG \$6.80
14. B8EGV \$9.50
15. BR8EIX \$10.95
16. B8HS \$3.50
17. B9 \$3.50
18. B9ES, B9HS \$3.50
19. B9HVX \$6.00
20. B9EGV \$9.50
21. BR9EIX \$10.95
22. BR9EG, BR10EG \$8.95
23. BR10EIX, BR10HIX \$10.95
24. B10ES \$3.50
25. C6HSA, CR6HS C7HSA \$3.50
26. CR7E, CR8E, CR9E \$5.95
27. D6HA, D7EA, DPR7EA-9, D8EA \$3.25
28. DPR8Z \$3.50
29. D9EA, DR8ES, DR8HS \$3.25
30. DR8ESL, D8HA \$3.50
31. DPR8EV-9 \$6.95
32. DPR9EA-9 \$3.25
33. DPR9Z \$3.50
34. D10HS \$3.25
35. R5672A-9 KT100 CAN \$3.50, TEN \$34.00
36. R7376-10 TAG, IRIIDIUM FINE WIRE PLUG \$34.00 EACH, TEN \$334.00

**Champion Spark Plugs**

1. RC12YC L0206 SPEC PLUG, ANIMAL \$2.99, FOUR \$11.00, TEN \$26.00
2. N3G, N4G YAMAHA \$8.00 EACH, TEN \$77.00 **CLOSE OUT!**



**Two Cycle Air Boxes**



1. 100cc Two Hole Airbox with Boot, Black Only \$30.00



2. 125cc to 150cc Three Hole Airbox with Boot, Black Only \$38.00



3. OEM IAME Leopard Airbox \$64.00



4. 100cc Freeline Airbox, Two Hole with Rubber Boot, Clamp and Inlet Covers \$53.00



5. KG "COBRA" Airbox Available for TAG 23mm \$159.95



6. KG COBRA Replacement Filter \$35.00



7. 0344 RLV Front Inlet Airbox for Shifters, Complete Kit can be changed from Two, Three or Four Inlets \$48.00

**Airbox Accessories**



1. Airbox Bungee \$5.80 4 Pack



2. RLV Two Hole Airbox Rain Cover Red or Black \$13.00



3. 0362 Airbox Tubes 22mm ID, 38mm OD \$9.80 PAIR



4. 0365 Airbox Tube Screens, for 48mm OD Tubes \$8.00 PAIR



5. 0376 Airbox Cradle Assembly Bolt Kit \$5.00



6. Angled Inner Airbox Foam Filter \$18.00



7. Straight Inner Airbox Foam Filter \$18.00



8. 0370 RLV Airbox Cradle and Clamp \$49.00



9. Angled Inner Airbox Foam Filter. Red, High Flow, Very Popular in the Junior Sportsman Classes \$79.95



10. Leopard Airbox Rain Cover, Black, Sits on top of the Leopard style airbox got rain conditions, bungee sold separate \$25.00



11. 0376 Airbox Cradle Only \$9.00



12. 0203 Mini Rok Short Airfilter, USPKS Legal, Not SKUSA \$19.95



13. 0536 Airbox Cradle Clamp only with 1" clamp for frame rail \$38.00  
*MORE AIRBOX AND EXHAUST CLAMPS ON PAGE 116, 117*



14. 10751-A IAME OEM Inner Airbox Foam Filter \$46.00



15. Airbox Inner Rubber Boot, Angled on one end, straight on other long or short \$9.95

**Airbox Accessories Cont.**



16. QUICK REMOVE  
HAND CLAMP FOR AIRBOX  
RUBBER BOOT \$1.25



17. KARTECH HOSE CLAMP  
FOR AIRBOX WITH FINGER  
TAB \$6.50



18. AIRBOX HOSE CLAMP,  
2 1/16-3" \$1.30

**Air Filters**

ALL FILTER SIZES ARE DIAMETER X FILTER HEIGHT X HOLE SIZE  
(INNER DIAMETER)



1. AFR100 ANIMAL  
FILTER 3"x4"x  
1 1/4" \$13.00



2. AFR110 ANIMAL  
FILTER 3"x5" x  
1 1/4" \$14.00

- 3. AFR20 3"x4" x 1 5/8" \$12.00
- 4. AFR50 3.5"x4" x 2" \$12.00
- 5. AFR52 3.5"x6" x 2" \$12.00
- 6. AFR80 3.5"x4" x 2 7/16" \$12.00
- 7. AFR82 3.5"x6" x 2 7/16" \$12.75
- 8. AFR84 4 3/8"x5" x 2 7/16" \$13.50



9. AFR80TC CHROME  
TOP CONED 3.5"x4" x  
2 7/16" \$12.00



10. AFR83 4.5"x4" x  
2 7/16" \$13.50

11. G90 4.5"x4" x 2 3/4"  
\$13.50

12. AFR83Q QUALIFIER  
FILTER 4 3/8"x4 3/4" x  
2 3/8" \$12.00



13. AFR146 ANGLED  
4"x5" x 2 5/8" \$11.50



15. AFR179 TALL  
ANGLED FILTER  
3.5"x8" x 2 7/16"  
\$13.50

14. AFR175 ANGLED  
3.5"x4" x 2 7/16"  
\$12.50



16. AFR1200 ANIMAL AIR  
FILTER, 4 1/2"x4" PREOILED  
WITH LARGE FILTER END AND  
SMALL NECK (1 1/4") TO FIT  
ANIMAL CARB \$38.00



17. K&N RU1260  
9" TALL X 4 1/2" WIDE  
2 9/16" OPENING  
\$59.95



18. K&N RU1220  
5" TALL X 4 1/2" WIDE  
2 9/16" OPENING  
\$55.00

**Foam Filters**



1. YELLOW 4 1/2" x 6"  
FOAM SOCK, CLOSED END  
\$3.25 EACH, TWO \$6.00  
FOUR \$11.00



2. GRAY 3 1/4" x 4"  
FOAM FILTER \$6.25,  
TWO \$12.00

3. GRAY 4" x 6"  
FOAM FILTER \$8.50,  
TWO \$16.00



4. RLV 4 1/2" x 8" OPEN TOP FOAM  
SOCK RED, BLACK, YELLOW, TURQUOISE  
\$3.00

5. G1193 OPEN TOP FOAM FILTER  
YELLOW, 3" x 4" FOR SMALL ANIMAL  
FILTERS \$3.50



6. FOAM FILTER, 4 1/2" x 5" FITS OVER  
HOLES ON AIRBOX, GREAT ON TAG'S  
TO KEEP DEBRIS OUT \$3.50

**Outerwear Nylon Prefilter**



*MOST COLORS AVAILABLE IN MOST SIZES, PLEASE SPECIFY  
ALL PRICES MSRP, CALL FOR PRICES*

1. 3 DIA x 3" LONG \$11.95
2. 3.5 DIA x 4" LONG \$11.95
3. 3.75 DIA x 4" LONG \$11.95
4. 3" DIA x 5" LONG \$11.95
5. 3.5" DIA x 6" LONG \$11.95
6. 5.5" DIA x 3" LONG \$11.95 BLUE ONLY, **CLOSE OUT**
7. 4.5" DIA x 4" LONG \$11.95
8. 4" DIA x 4" LONG \$11.95
9. 4.5" DIA x 5" LONG \$11.95
10. 3.5 DIA x 8" LONG \$15.95
11. 4" DIA x 7" LONG \$15.95

**Air Filter Adaptors**



12. AIRBOX NYLON PREFILTER FOR OUTER AIRFILTER, RED \$22.00

1. EC306VS HL365 \$18.95
2. EC320VS HL380 \$17.95
3. EC 324FA \$19.95
4. G2236 YAMAHA, Gx120 \$18.95

**ALL CLOSE OUTS ABOVE**

5. G1141 BRIGGS CUP \$6.00 **CLOSE OUT!**
6. G1173 BRIGGS CUP \$14.95
7. G1280 WKA BRIGGS \$11.00 **CLOSE OUT!**
8. G2289 YAMAHA, K71 \$11.25 **CLOSE OUT!**
9. HL334A, G2231, US820 FILTER CUP \$13.95

**Fuel Lines and Filters**



FUEL FILTER SIZE COMPARISON



9. 10348 SMALL PLASTIC FUEL FILTER WITH METAL INNER FILTER \$3.50

1. FUEL LINE 1/4" ID, RED, BLUE, YELLOW, CLEAR \$.50 PER FOOT, \$23.50 FOR 50 FEET
2. FUEL LINE HEAVY DUTY ORANGE 1/4" ID \$.65 PER FOOT, \$31.00 FOR 50 FEET
3. SMALL YELLOW FUEL LINE FOR YAMAHA/HPV JR SPORTSMAN SMALL CARB, 1/8" ID \$.50 PER FOOT
4. CLEAR PULSE LINE FOR CARBS (KT100, HPV) 3/16" ID \$.40 PER FOOT
5. BIREL FREELINE FUEL LINE, TYGON \$2.40 FOOT
6. ARROW SOFT GRAY SILICONE FUEL LINE \$1.50 PER FOOT **THE BEST WE HAVE EVER USED!**



7. LARGE FUEL FILTER \$2.00, TEN \$18.50

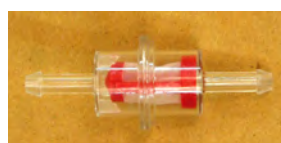


8. SMALL FUEL FILTER \$1.25, TEN \$11.50

10. 10422 LARGE PLASTIC FUEL FILTER WITH METAL INNER FILTER \$3.95



13. FUEL LINE REDUCER FROM 3/16" TO 1/4" \$3.00



11. RLV FUEL FILTER - GAS ONLY, NO ALCOHOL \$3.00, TEN \$29.00



12. ONE WAY INLINE CHECK VALVE \$10.00, TWO \$19.50



14. 0280.A0 OTK FUEL FILTER, 90 DEGREE \$7.80



**Fuel Jugs and Funnels**



1. PLASTIC 5 GALLON FUEL JUGS COLORS - WHITE, BLACK, PURPLE, ORANGE, GREEN, RED, BLUE \$26.00



2. HEAVY DUTY 2.5 GALLON FUEL JUG, WHITE \$26.00



3. OPTIONAL FUEL JUG FILLER HOSE \$8.50



4. PLASTIC FUNNEL, MANY COLORS \$16.95 COLORS - BLACK, BLUE, PURPLE, WHITE, GREEN, ORANGE, RED



5. SMALL RED FUNNEL, UNIQUE SHAPE FOR HARD TO REACH PLACES \$6.00



6. SUPER SIPHON, JUST GIVE THE SPECIAL CHECK VALVE A COUPLE SHAKES AND EMPTIES YOUR TANK IN SECONDS, 3.5 GALLONS PER MINUTE \$9.00

**REPLACEMENT PARTS FOR 5 GALLON JUGS**



1. FUEL JUG CAP \$9.95



2. FUEL JUG VENT CAP \$1.80



3. FILLER NOZZLE HOSE BOTTOM FITTING \$3.80



4. FILLER NOZZLE ORANGE END CAP \$1.80



5. FUEL JUG CAP GASKET \$2.80



6. G-MAN FUEL JUG SCREW ON CAP FOR 3 GAL & 1 GAL \$4.00

**Starters**



1. COLEMAN MINI STARTER WITH GEAR REDUCTION AND BATTERY RIGHT HAND \$249.95 LEFT HAND \$265.00



2. HEX STARTER REPLACEMENT END FOR COLEMAN STARTER \$19.00



3. COLEMAN STARTER REPLACEMENT ALUMINUM TIE ROD 8 3/8" LONG \$6.00



4. COLEMAN ALUMINUM REPLACEMENT STARTER SHAFT \$26.95



5. STARTER SOLENOID WITH PUSH BUTTON \$23.95



6. STARTER SHAFT END ADAPTOR, STEEL 5/16" FOR UNIQUE PTO END ON LEOPARD MY09, JICA, SHOULD SLIDE ON END OF ANY 5/16" HEX END STARTER SHAFT \$26.00



7. RATCHET DRIVER, 11" LONG, SPECIFY RH .490, .500, .510 HOLE, LH .500 \$55.00



8. **CLOSE OUT!** ALUMINUM INNER REPLACEMENT PIECE FOR MY09 LEOPARD STARTER END \$15.95



9. 12V BATTERY FOR COLEMAN MINI AND NEW STYLE BURRIS MINI GEAR REDUCTION SELF CONTAINED STARTER \$55.00 BATTERY MEASURES - 5 7/8" x 3 3/8" x 4 1/8"

**Douglas Wheels**



**DOUGLAS 5" ONE PIECE ALUMINUM WHEELS - POLISHED US PATTERN**

- 705-26, 4 1/2"x5" - \$31.00
- 705-27 3 1/4"x5" - \$31.00
- 705-21, 4 1/2"x5" OFFSET - \$32.00
- 705-14, 5"x5" - \$32.00
- 705-15, 5"x5" OFFSET HEGAR FWB - \$32.00
- 705-16, 5"x5" HEGAR FWB - \$32.00
- 705-17, 5"x5" EMMICK FWB - \$32.00
- 705-10, 5 1/8"x5" - \$32.00
- 705-18, 5 1/2"x5" EMMICK FWB - \$32.00
- 705-19, 5 1/2"x5" HEGAR FWB - \$32.00
- 705-20, 5 1/2"x5" HEGAR FWB - \$32.00
- 705-13, 6"x5" - \$32.50
- 705-12, 6 1/2"x5" - \$33.00
- 705-22, 7 1/4"x5" - \$33.00
- 705-11, 7 3/4"x5" - \$34.00
- 705-25, 8"x5" - \$34.00
- 705-30, 8 1/4"x5" - \$34.00
- 705-22, 8 1/2"x5" - \$34.00
- 705-29, 8 3/4"x5" - \$34.00



**DOUGLAS 6" ONE PIECE ALUMINUM WHEELS - POLISHED US PATTERN**

- 706-04, 5"x6" - \$33.00
- 706-12, 5 1/2"x6" - \$33.00
- 706-05, 6"x6" - \$33.00
- 706-03, 6 1/2"x6" - \$33.00
- 706-10, 7 1/4"x6" - \$33.00
- 706-02, 7 3/4"x6" - \$34.50
- 706-25, 8 1/4"x6" - \$35.00
- 706-23, 8 3/4"x6" - \$35.00
- 706-22, 9"x6" - \$35.00
- 706-21, 9 1/4"x6" - \$35.00
- 706-29, 10"x6" - \$35.00

**DOUGLAS DSM (DIRECT SPINDLE MOUNT) FRONT WHEELS US SIZE - POLISHED ALUMINUM WITH BEARINGS**

- 729-01 5"x5" 5/8" BEARINGS - \$41.00



**WHAT IS THE DIFFERENCE BETWEEN US AND METRIC PATTERN?**

- U.S. - A. 2.25"  
B. 1.75", 1/4" STUD HOLE
- METRIC - A. 50MM (2")  
B. 40MM (1.5"), 8MM STUD HOLE
- CRG FRONT - A. 60MM (2 3/8")  
B. 55MM (2 3/16"), 8MM STUD HOLE



**SPOKE STYLE DOUGLAS MAGNESIUM ONE PIECE WHEELS - BLACK US PATTERN**

- MB6-10V 10"x6" \$48.00 *CLOSE OUT! ONE LEFT!*



**DOUGLAS 5" ONE PIECE ALUMINUM WHEELS - POLISHED METRIC PATTERN**

- 735-03 (3-67MM) 5" x 5" FOR CRG SHIFTER \$33.00 METRIC
- 725-10 (3-58MM) 5 1/8" x 5" - \$34.00 METRIC
- 725-12 (3-58MM) 6 1/2" x 5" - \$35.00 METRIC
- 725-11 (3-58MM) 7 3/4" x 5" - \$35.00 METRIC



**DOUGLAS DSM (DIRECT SPINDLE MOUNT) FRONT WHEELS METRIC SIZE - POLISHED ALUMINUM WITH BEARINGS**

- 728-01 5"x5" 17MM BEARING - \$38.00
- 728-04 115MM (4 9/16")x5" 17MM BEARING - \$38.00



**DOUGLAS 5" ONE PIECE ALUMINUM WHEELS - BLACK US PATTERN**

- 705-149, 5"x5" - \$33.00
- 705-109, 5 1/8"x5" - \$33.00
- 705129, 6 1/2"x5" - \$34.00
- 705-229, 7 1/4"x5" - \$34.00
- 705-119, 7 3/4" x 5" - \$35.00

**Douglas Wheels Cont.**



**DOUGLAS 5" AND 6" ONE PIECE ALUMINUM WHEELS - BLACK METRIC PATTERN**

- 725-109 5 1/8"x5" METRIC - \$33.00
- 725-129 6 1/2"x5" METRIC - \$35.00
- 725-119 7 3/4"x5" METRIC - \$35.00



**DOUGLAS DSM (DIRECT SPINDLE MOUNT) FRONT WHEELS METRIC SIZE - BLACK ALUMINUM WITH BEARINGS**

- 728-019 5"x5" DSM 17MM BEARINGS \$44.00
- 728-039 5 1/4"x5" DSM 17MM BEARINGS \$44.00
- 728-049 115MM (4 9/16")x5" DSM 17MM BEARINGS \$43.00
- 728-029 120MM (4 3/4")x5" DSM 17MM BEARINGS \$43.00

**DOUGLAS DSM (DIRECT SPINDLE MOUNT) FRONT WHEELS US SIZE - BLACK ALUMINUM WITH BEARINGS**

- 729-019 5"x5" DSM 5/8" BEARINGS - \$41.00



**DOUGLAS 6" ONE PIECE WHEELS - SPUN ALUMINUM US PATTERN Q+**

- 746-09 5 1/2"x6" - \$36.00
- 746-08 6" x 6" - \$36.00
- 746-01 6 1/2"x6" - \$36.00
- 746-07 7"x6" - \$36.50
- 746-02 8 1/4"x6" - \$39.00
- 746-03 8 1/2"x6" - \$39.00
- 746-04 8 3/4"x6" - \$39.00
- 746-05 9 1/4"x6" - \$39.00
- 746-06 10"x6" - \$39.00

**DOUGLAS 6" ONE PIECE WHEELS - BLACK SPUN ALUMINUM US PATTERN Q+**

- 746-089 6"x6" - \$39.00
- 746-019 6 1/2"x6" - \$39.00
- 746-029 8 1/4"x6" - \$47.00
- 746-039 8 1/2"x6" - \$47.00
- 746-069 10"x6" - \$47.00



**SPOKE STYLE**



**SOLID STYLE**

**DOUGLAS MAGNESIUM ONE PIECE WHEELS - BLACK METRIC PATTERN - ALL WITH BEADLOCKS**

- MB5-130S 130MMX5" SOLID WHEEL \$48.00
- MB5-130V 130MMX5" SPOKE WHEEL \$48.00
- MB5-132V 132MMX5" SPOKE WHEEL \$48.00
- MB5-138V 138MMX5" SPOKE WHEEL \$49.00
- MB5-140V 140MMX5" SPOKE WHEEL \$49.00
- MB5-180V 180MMX5" SPOKE WHEEL \$54.00
- MB5-182V 182MMX5" SPOKE WHEEL \$54.00
- MB5-210S 210MMX5" SOLID WHEEL \$54.00
- MB5-210V 210MMX5" SPOKE WHEEL \$54.00
- MB5-212V 212MMX5" SPOKE WHEEL \$54.00
- MB5-214S 214MMX5" SOLID WHEEL \$54.00

**ANY SET OF (4) MAG WHEELS 2 FRONT, 2 REAR \$199.00**



**DOUGLAS MAGNESIUM ONE PIECE DSM WHEELS - BLACK METRIC PATTERN - ALL WITH BEADLOCKS**

- MB5-130D 130MMX5" 17MM BEARING SPOKE WHEEL \$48.00
- MB5-132D 132MMX5" 17MM BEARING SPOKE WHEEL \$48.00

**ANY SET OF (4) MAG WHEELS 2 FRONT, 2 REAR \$199.00**



**LOW VOLUME SPOKE STYLE**

**DOUGLAS MAGNESIUM ONE PIECE WHEELS - BLACK METRIC PATTERN - ALL WITH BEADLOCKS**

**NEW LOW VOLUME DESIGN - REDUCED GAS VOLUME PROMOTES LOWER TIRE TEMPERATURES**

- MB5-130LV 130MMX5" SPOKE WHEEL \$49.00
- MB5-132LV 132MMX5" SPOKE WHEEL \$49.00
- MB5-180LV 180MMX5" SPOKE WHEEL \$54.00
- MB5-212LV 212MMX5" SPOKE WHEEL \$54.00
- MB5-214LV 214MMX5" SPOKE WHEEL \$54.00

**SET OF (4) LOW VOLUME MAG WHEELS 2 FRONT, 2 REAR \$199.00**



**Douglas Wheels Cont.**



**DOUGLAS WHEEL HALVES - ALUMINUM TWO PIECE**  
**ALL PRICES PER WHEEL HALF - US PATTERN**  
**ALL CLOSE OUTS!**

**5" WHEEL HALVES**

2"x5" - \$10.50, 3"x5" - \$11.50, 3 3/4"x5" - \$12.50,  
 4 1/2"x5" - \$15.00

**6" WHEEL HALVES**

2"x6" - \$13.00, 2 1/2"x6" - \$13.00, 3"x6" - \$13.50,  
 3 1/2"x6" - \$14.50, 4 1/2" x 6" - \$15.50, 5"x6" - \$15.50



**DOUGLAS 6" ONE PIECE WHEELS - SPUN ALUMINUM**  
**US PATTERN - QUARTER MIDGETS WHEELS**

- 706-30 6x6 WITH 4" BACKSPACE \$35.00
- 706-01B 6 1/2x6 WITH 4" BACKSPACE \$35.00
- 706-08 8x6 WITH 4" BACKSPACE \$36.00
- 706-40B 8 1/2x6 WITH 4" BACKSPACE \$36.00

**Williams (WMS) Wheels**



**WMS 6" ONE PIECE WHEELS - SPUN ALUMINUM**  
**US PATTERN**

- 1. WMS WHEELS 6x6, 6 1/2x6, 7 1/4x6, 7 3/4x6 \$33.50
- 2. WMS WHEELS 8 1/4x6, 8 1/2x6, 8 3/4x6 \$34.50
- 3. WMS WHEELS 9 1/4x6, 9 1/2x6 10x6 \$36.50

**Van-K Wheels**



**VAN-K WHEEL HALVES - ALUMINUM TWO PIECE**  
**ALL PRICES PER WHEEL HALF - US PATTERN**

**5"**

1 3/4"x5" - \$10.50  
 2"x5" - \$10.50  
 2 1/2"x5" - \$11.00  
 3"x5" - \$12.00  
 3 1/2"x5" - \$13.00  
 4"x5" - \$13.00  
 4 1/2"x5" - \$13.00

**6"**

2"x6" - \$11.50  
 2 1/2"x6" - \$11.50  
 3"x6" - \$12.00  
 3 1/2"x6" - \$13.00  
 4"x6" - \$14.00  
 4 1/2"x6" - \$15.00



**VAN-K 5" AND 6" WHEELS - POLISHED ALUMINUM**  
**US PATTERN**

**5"**

3 1/2"x5" - \$29.00  
 4 1/2"x5" - \$29.00  
 5"x5" - \$29.00  
 5 1/2"x5" - \$30.00  
 6"x5" - \$30.00  
 6 1/2"x5" - \$30.00  
 7"x5" - \$31.00  
 7 1/2"x5" - \$32.00  
 8"x5" - \$32.00  
 8 1/2"x5" - \$42.00 MACHINED  
 8 3/4"x5" - \$42.00 MACHINED

**6"**

5"x6" - \$31.00  
 6"x6" - \$31.00  
 7"x6" - \$32.00  
 7 1/2"x6" - \$32.00  
 8"x6" - \$32.00  
 8 1/2"x6" - \$33.00  
 9"x6" - \$34.00  
 9 1/2"x6" - \$34.00  
 10 1/2"x6" - \$39.95

5 1/2"x6" - \$31.00  
 6 1/2"x6" - \$31.00  
 7 1/4"x6" - \$32.00  
 7 3/4"x6" - \$32.00  
 8 1/4"x6" - \$33.00  
 8 3/4"x6" - \$33.00  
 9 1/4"x6" - \$34.00  
 10"x6" - \$35.00

**VAN-K 5" WHEELS - POLISHED ALUMINUM**  
**METRIC PATTERN**

- 1. 3 1/2"x5" WITH 2" BACKSPACE \$29.00
- 2. 4 1/2"x5" WITH 2" BACKSPACE \$30.00
- 3. 7"x5" WITH 2 1/2" BACKSPACE \$32.00

**VAN-K 5" WHEELS - BLACK ALUMINUM**  
**METRIC PATTERN**

- 1. 3 1/2"x5" WITH 2" BACKSPACE \$31.00

**VAN-K PRO SERIES ONE PIECE WHEELS**  
**POLISHED ALUMINUM - US PATTERN**

- 1. 6x6, 6 1/2x6 \$36.00
- 2. 8 1/4x6, 8 1/2x6 \$37.00
- 3. 10x6 \$38.00



**Van-K Wheels Cont.**



**VAN-K WHEEL HALVES - ALUMINUM TWO PIECE**  
**ALL PRICES PER WHEEL HALF - US PATTERN**  
**ALL CLOSE OUTS**

1. GOLD 3x5, 3 3/4x5 \$12.00  
3x6, 3 1/2x6, 4x6 \$13.50, 4 1/2x6 \$14.00, 5x6 \$15.00
2. BLACK 3 3/4x5 \$12.00, 4x5, 4 1/2x5 \$13.00  
1 3/4x6, 3x6, 3 1/2x6 \$13.50, 4 1/2x6 \$14.00, 5x6 \$15.00

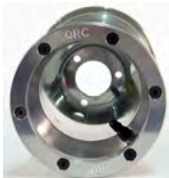
**Oryx Magnesium Wheels**



**ORYX ONE PIECE WHEELS - METRIC PATTERN**

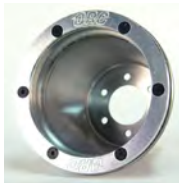
1. 130MM x 5" DSM WHEEL, 17MM BEARINGS WITH BEADLOCKS \$79.95
2. 130MM x 5" VENTED WHEEL WITH BEADLOCKS \$69.95
3. 180MM x 5" VENTED WHEEL WITH BEADLOCKS \$74.95
4. 212MM x 5" VENTED WHEEL WITH BEADLOCKS \$84.95

**QRC Bead Lock Wheels**



**QRC 6" ONE PIECE WHEELS - ALUMINUM**  
**BEAD LOCK RING - US PATTERN - SPECIAL ORDER**

1. 9x6, 9 1/2x6 \$109.00
2. 10x6 \$111.00



**QRC 6" WHEEL HALVES - ALUMINUM - BEAD LOCK RING ALL**  
**PRICES PER WHEEL HALF - US PATTERN**

1. 3x6 \$74.00
  2. QRC 6" WHEEL REPLACEMENT BEADLOCK RING \$19.00
- ALL CLOSE OUTS**

**Top Kart Wheels**



**TOP KART KID KART ONE PIECE WHEELS**  
**METRIC PATTERN - SPECIAL ORDER ONLY**

1. 4x5 DSM FRONT WHEEL WITH 17MM BEARINGS \$88.95
2. 5x5 REAR WHEEL \$69.95
3. 2 - 4x5, 2 - 5x5 WHEEL SET \$317.00

**European Spun Wheels**



**EURO SPUN ONE PIECE WHEELS - ALUMINUM**  
**METRIC PATTERN**

1. K217AR 4 5/8x5 DSM 17MM WHEEL \$49.95
  2. 5 3/8x5 FRONT WHEEL, SPOKE STYLE \$38.00
- ALL CLOSE OUTS**



**ARROW CAST AND MACHINED ALUMINUM WHEELS**  
**METRIC PATTERN**

1. 4 3/4"x5" DSM 17MM BEARINGS, WHEEL \$50.00
2. 7"x5" METRIC WHEEL \$50.00

**Douglas Jr. Drag Wheel**



**DOUGLAS ONE PIECE WHEELS - POLISHED ALUMINUM**  
**4 BOLT PATTERN - JUNIOR DRAGSTER**

1. 8x8 POLISHED ALUMINUM \$50.00
2. 8x10 POLISHED ALUMINUM \$65.00
3. 3 1/4"x5" WHEEL - \$28.00
4. REAR WHEEL HUB 1 1/4" ALUMINUM w/ HARDWARE \$42.00

**Burriss Wheels**



**SPECIFY US OR INTERNATIONAL BOLT PATTERN**  
**SOME ARE SPECIAL ORDER**

1. BURRIS ONE PIECE ALUMINUM 5" - 5"x5" \$44.00, 6"x5" \$45.00, 7"x5" \$46.00, 8"x5" \$48.00
2. BURRIS ONE PIECE ALUMINUM 6" - 5"x6" \$49.00, 6"x6" \$52.00, 7"x6" \$53.00, 8"x6" \$55.00
3. BURRIS ONE PIECE ALUMINUM US PATTERN ONLY 9 1/4"x6, 10x6 - \$59.00



4. BURRIS DSM FRONT WHEELS WITH 5/8" BEARINGS 5"x5" \$44.00, 5 1/2"x5" \$52.00, 5"x6" \$52.00
5. 5"x5" w/ 17MM BEARINGS \$46.00 **CLOSE OUT**

**Azusa Fun Kart Wheels**



**AZUSA TWO PIECE WHEELS - FOR YARD KARTS**

1. 1144 FRONT WHEEL 5" WITH 5/8" BEARINGS \$32.00
2. 1125 FRONT WHEEL 6" WITH 5/8" BEARINGS \$52.00



3. 1137 FRONT WHEEL 5", 3/4" TIMKEN TAPERED BEARING \$38.00
4. 1106 FRONT WHEEL 6", 3/4" TIMKEN TAPERED BEARING \$56.00



5. 1147 REAR WHEEL 5" FOR 1" AXLE \$34.00
6. 1117 REAR WHEEL 6" FOR 1" AXLE \$53.00

**CRG Wheels**

SEE PAGE 173 FOR  
 OTK TONY KART  
 WHEELS

SEE PAGES 206, 207  
 FOR BIREL FREELINE  
 WHEELS



4. AFS.00943 **CRG PATTERN** 130MMX5" MAGNESIUM FRONT WHEEL WITH BEADLOCKS \$81.38
4. AFS.02274 **CRG PATTERN** 132MMX5" MAGNESIUM FRONT WHEEL WITH BEADLOCKS \$81.38
6. AFS.00944 180MMX5" MAGNESIUM WHEEL METRIC PATTERN WITH BEADLOCKS \$115.00
6. AFS.00945 210MMX5" MAGNESIUM WHEEL METRIC PATTERN WITH BEADLOCKS \$115.00
6. AFS.02275 212MMX5" MAGNESIUM WHEEL METRIC PATTERN WITH BEADLOCKS \$115.00

**Close Out Wheels**

**MARGAY WHEELS**  
**ALL CLOSE OUTS**

1. TUBELESS KIT \$2.00 EACH, FOUR \$7.00

**TROPHY-BUG WHEELS**  
**ALL CLOSE OUTS**

1. TROPHY REAR HUB 1" FOR 1 PIECE BUG WHEEL \$18.00
2. TROPHY RIM HALF 3"x6" \$13.00
3. TROPHY ONE PIECE REAR 6" DIAMETER 6"x6" \$22.00 BUG BOLT PATTERN

**Aluminum Radiator**



1. FLAT ALUMINUM RADIATOR BIGGER SIZE WORKS GREAT FOR 125CC SHIFTER 16" TALL x 9" WIDE

- A. \$265.00 LESS BILLET ALUMINUM BRACKETS
- B. \$390.00 WITH BILLET ALUMINUM BRACKET KIT (SHOWN)

CAP SOLD SEPARATE



2. FLAT ALUMINUM RADIATOR SIZE MADE FOR TAG ENGINES COMES WITH STEEL MOUNTING BRACKET (SHOWN) \$265.00 16" TALL x 8 1/4" WIDE



RADIATOR CAP FOR ALUMINUM RADIATOR \$12.00



**Wheel Hardware**



1. VALVE STEM SHORT  
\$.75, TEN \$7.00



2. RUBBER O-RING FOR  
TWO PIECE WHEELS  
\$.75, TEN \$7.00



3. ALUMINUM 5MM  
BEADLOCK SCREW WITH  
O-RING \$3.00  
SET OF THREE \$8.50



4. STEEL 5MM BEADLOCK  
SCREW WITH O-RING  
\$3.00  
SET OF THREE \$8.50



5. DOUGLAS WHEEL  
STEEL BEADLOCK SCREW  
WITH O-RING \$1.50  
SET OF THREE \$4.00

SEE PAGE 28 FOR WHEEL  
NUT HARDWARE



6. DOUGLAS WHEEL  
BEADLOCK SCREW AND  
TIRE VALVE REMOVER  
TOOL \$1.95



7. VAN-K HUB BOLT KIT  
1/4" \$1.25, FOUR \$4.40  
5/16" \$3.00, FOUR \$11.40



8. VAN-K RIM BOLT KIT  
FOR TWO PIECE WHEELS  
\$1.25, FOUR \$4.40



9. REPLACEMENT O-RING FOR  
BEADLOCK SCREW  
SMALL (DOUGLAS) - .285 OD,  
.070 THICK, .150 ID \$.25  
LARGE - .375 OD,  
.095 THICK, .175 ID \$.30



10. TAPERED WHEEL HUB  
BOLT 5/16-24  
\$1.50 EACH  
TWENTY FOUR - \$32.40

**Burris Tires**

**Burris Durometer Chart**

TX-11		TX-22		B33A		B44A		B55A
SS-11	QRC-11	SS-22	QRC-22	SS-33A	M-30	SS-44A	QRC-33	M-15A
40	42	45	54	56	58	60	62	70
High Grip (Soft)				Low Grip (Hard)				

**BURRIS DIRT SLICKS**

- 1. 11x5.00x6 SS11, SS22, SS33A \$57.50
- 2. 11x6.00x6 SS11, SS22, SS33A \$58.75
- 3. 11x7.10x6 SS11 \$59.90
- 4. 11x8.10x6 SS11, SS22, SS33A \$62.50
- 5. 11x5.00x6 B33B, B44B, B55A \$57.50
- 6. 11x6.00x6 B33B, B33A, B44A, B55A \$58.75
- 7. 11x7.10x6 B44A, B55A \$59.90
- 8. 11x8.10x6 B33B, B44B, B55A \$62.50

**BURRIS GROOVED DIRT TIRES**

- 1. 11x5.50x5 TX-11, TX-22 \$59.00
- 2. 11x7.00x5 TX-11, TX-22 \$64.00
- 3. 11x5.50x6 TX-11, TX-22 \$62.00
- 4. 12x8.00x6 TX-11, TX-22, TX-33 \$70.00
- 5. 11.5x8.50x6 TX-11, TX-22, TX-33 \$72.00
- 6. 11.5x9.50x6 TX-11, TX-22, TX-33 \$73.00

**QRC GROOVED DIRT TIRES**

- 1. 12x9.00x6 QRC-11 \$83.00
- 2. 12x9.00x6 QRC-22 \$83.00
- 3. 12x9.00x6 QRC-33 \$83.00

**MG Tires**

WT (Rain)	FZ (Yellow)	HZ (Red)
46	50	56
Soft		Hard

- 1. 10x4.60x5 FZ YELLOW \$53.00
- 2. 11x6.00x5 FZ YELLOW \$56.00
- 3. 11x7.10x5 FZ YELLOW \$56.00
- 4. 10x4.60x5 HZ RED \$51.00
- 5. 11x6.00x5 HZ RED \$53.00
- 6. 10x4.20x5 WT RAIN TIRE \$55.00
- 7. 10x6.00x5 WT RAIN TIRE \$58.00

**Mojo Tires**

- 1. 10x4.50x5 D1 \$53.00
- 2. 11x7.10x5 D1 \$68.50
- 3. 10x4.50x5 D2 \$58.00
- 4. 11x7.10x5 D2 \$70.00
- 5. 10x4.50x5 D3 (DD2 CLASS COMPOUND) \$59.50
- 6. 11x7.10x5 D3 (DD2 CLASS COMPOUND) \$81.50
- 7. 10x4.50x5 W2 RAIN \$60.50
- 8. 11x6.00x5 W2 RAIN \$77.00
- 1. (2) 450x5, (2) 710x5 D1 TIRE SET \$243.00
- 2. (2) 450x5, (2) 710x5 D2 TIRE SET \$256.00
- 3. (2) 450x5, (2) 710x5 D3 TIRE SET \$282.00
- 4. (2) 450x5, (2) 600x5 W2 RAIN TIRE SET \$275.00

**COMET KART SALES CAN CUT YOUR TIRES ON OUR  
JONES TIRE CUTTER! CALL US FOR MORE INFORMATION!**

### Bridgestone Tires

Bridgestone/Firestone Durometer Chart

YLA	YKD YKF	YLP YLB	YKP	YLC	YJF	YKC	YJL	YDS
40	43	44	46	48	57	59	64	68
High Grip (Soft)					Low Grip (Hard)			

**BRIDGESTONE REQUIRES ALL DEALERS TO ADVERTISE TIRE PRICES AT MINIMUM ADVERTISED PRICE (MAP) ONLY. COMET'S EVERYDAY SALE PRICE IS BELOW MAP, WE ASK THAT YOU PLEASE CALL US FOR PRICING ON BRIDGESTONE TIRES AND SETS**

#### BRIDGESTONE 5" DIAMETER SLICKS

- 10x4.50x5 YJL SL
- 11x6.00x5 YJL SL
- 11x7.10x5 YJL SL
- 10x4.50x5 YLA, YLB
- 11x7.10x5 YLA, YLB
- 10x4.50x5 YLC
- 11x6.00x5 YLC
- 11x7.10x5 YLC
- 10x4.50x5 YDS SL
- 11x6.00x5 YDS SL
- 11x7.10x5 YDS SL

#### BRIDGESTONE TIRE SETS

- (4) 450x5 YLC
- (2) 450x5, (2) 600x5 YLC
- (2) 450x5, (2) 710x5 YLC
- (2) 450x5, (2) 600x5 YLB
- (2) 450x5, (2) 710x5 YLB

#### BRIDGESTONE GROOVED RAIN TIRES

- 10x4.50x5 YLP WET
- 11x6.00x5 YLP WET

### Firestone Tires

#### FIRESTONE 6" DIAMETER SLICKS

- |                    |         |
|--------------------|---------|
| 1. 10.5x5.00x6 YKF | \$52.00 |
| 2. 10.5x5.50x6 YLF | \$52.00 |
| 3. 11.5x6.00x6 YLF | \$58.00 |
| 4. 11.5x8.00x6 YJF | \$66.00 |

### Yard Kart Wheel Assembly



FRONT KNOBBY ASSEMBLY

- CLOSE OUT!** 4.80x8 KNOBBY TIRE WITH WHITE STEEL WHEEL, 5/8" BEARINGS \$30.00

### Dunlop Tires

Dunlop Racing Tires - Durometer Chart

DBW	KT10	DCS DDS	R6	DCM DDM	RH2	SL4	SL3 SL5	DBC SL1
49	50	54	56	58	59	60	64	66
High Grip (Soft)						Low Grip (Hard)		

#### DUNLOP SLICKS

- |                               |         |
|-------------------------------|---------|
| 1. 10.0x4.50x5 DEM            | \$52.00 |
| 2. 11.0x5.00x5 DES, DDM       | \$54.50 |
| 3. 11.0x5.50x5 DDS, DDM       | \$55.50 |
| 4. 11.0x6.00x5 DDS, DEM       | \$56.00 |
| 5. 11.0x7.10x5 DES, DEM       | \$61.50 |
| 6. 11.0x5.00x6 DDS, DEM, RH2C | \$56.00 |
| 7. 11.0x5.50x6 DES, DEM, RH2C | \$57.00 |
| 8. 11.5x6.00x6 DEM            | \$59.00 |
| 9. 11.5x7.10x6 DDS, DEM, RH2C | \$62.50 |
| 10. 11.5x8.00x6 DES, DDM      | \$64.00 |

#### DUNLOP SL SLICKS

- |                  |         |
|------------------|---------|
| 1. 10x4.50x5 SL4 | \$45.00 |
| 2. 11x5.50x5 SL4 | \$53.50 |
| 3. 11x6.00x5 SL4 | \$51.50 |
| 4. 11x7.10x5 SL4 | \$54.50 |

#### DUNLOP RAIN GROOVED

- |   |         |
|---|---------|
| 1. 10x4.50x5 KT13 TREAD                       | \$57.00 |
| 2. 11x6.50x5 KT13 TREAD                       | \$59.00 |
| 3. 11x5.00x6 KT6 TREAD <b>SPECIAL ORDER</b>   | \$59.00 |
| 4. 11.5x7.10x6 KT6 TREAD <b>SPECIAL ORDER</b> | \$64.50 |

#### DUNLOP SLICK - QUARTER MIDGET

- |                   |         |
|-------------------|---------|
| 1. 10.0x4.50x5 R6 | \$52.00 |
|-------------------|---------|

### Inner Tubes



- 4.10-3.50x4 \$6.95 EACH, \$13.00 PAIR
- 4.10-3.50x5 \$6.95 EACH, \$13.00 PAIR (SAME AS 11-4.00x5)
- 11-6.00x5 \$12.00 EACH, \$23.50 PAIR
- 4.10-3.50x6 \$8.00 EACH, \$15.00 PAIR
- 5.30-4.50x6 \$9.95 EACH, \$19.00 PAIR
- 15-600x6 \$9.95 EACH, \$19.00 PAIR
- 2.80x2.50x4 ALSO FITS 9x3.50x4, 8x3.00x4 \$6.95 EACH, \$13.00 PAIR
- 4.80x4.00x8 FOR MINI BIKE \$8.95 EACH, \$17.00 PAIR

**Yard Kart Tires**



FRONT DIAMOND  
KNOBBY



TURFSAVER REAR



BIG KNOBBY REAR



SAWTOOTH TIRE

**CARLISLE KNOBBY AND SAWTOOTH TIRES**

1. 4.10-3.50x4 DIAMOND KNOBBY - \$18.50 EACH, \$36.00 PAIR
2. 4.10-3.50x5 DIAMOND KNOBBY - \$18.50 EACH, \$36.00 PAIR
3. 4.10-3.50x6 DIAMOND KNOBBY - \$19.50 EACH, \$38.00 PAIR
4. 145-70-6 BIG KNOBBY - \$30.00 EACH, \$58.00 PAIR
5. 18-9.50x8 BIG KNOBBY - \$59.95 EACH, \$115.00 PAIR
6. 4.10-3.50x4 TURF SAVER - \$17.00 EACH, \$32.00 PAIR
7. 11-4.00x5 TURF SAVER - \$18.00 EACH, \$34.00 PAIR
8. 13-6.50x6 TURF SAVER - \$42.00 EACH, \$82.00 PAIR
9. 13-5.00x6 TURF SAVER - \$34.00 EACH, \$66.00 PAIR
10. 15-6.00x6 TURF SAVER - \$35.00 EACH, \$68.00 PAIR
11. 4.10-3.40x4 SAWTOOTH - \$24.50 EACH, \$48.00 PAIR
12. 4.10-3.50x6 GOODYEAR DIAMOND TREAD - \$14.95 EACH
13. 4.10x5 SAWTOOTH - \$24.50 EACH, \$48.00 PAIR
14. 4.10x6 SAWTOOTH - \$36.00 EACH, \$70.00 PAIR
15. 4.10-3.50x6 SQUARE KNOBBY - \$17.50 EACH, \$33.00 PAIR
16. 13-5.00x6 TURF SAVER - \$34.00 EACH, \$66.00 PAIR
17. 15-5.00x6 SNOW HOG - \$38.00 EACH, \$72.00 PAIR
18. 15-6.00x6 TURF MASTER - \$49.00 EACH, \$96.00 PAIR



**SLICK TIRES**

1. 10-4.50x5 RAPTOR - \$31.50 EACH
2. 11x6.00x5 RAPTOR - \$32.00 EACH
3. 11x7.10x5 RAPTOR - \$33.00 EACH
4. 410x4 \$19.50 EACH, \$38.00 PAIR
5. 410x5 \$19.50 EACH, \$38.00 PAIR
6. 13x5.00x6 \$38.00 EACH, \$75.00 PAIR
7. 13x6.50x6 \$42.00 EACH, \$82.00 PAIR
8. 18-9.50x8 JR. DRAGSTER SLICK, SPECIAL ORDER \$78.00 EACH, \$154.00 PAIR

**Tire and Wheel Tools**



1. COMET TIRE BALANCER, PORTABLE, FITS RIMS UP TO 10 3/4" WIDE, 5/8" AND 17MM COMBO HUB SIZE SPACERS, REQUIRES HUB \$45.00



2. RLV BEAD BREAKER, FITS ALL RACING TIRE AND WHEELS \$29.95



3. 50870 TIRE STAGGER TAPE, STANDARD MARKS (INCHES) MEASURE 10' x 1/4" \$6.95



4. DUAL SCALE TAPE MEASURE, METRIC AND STANDARD (INCHES) MARKS 10' x 1/4" \$4.95



5. ROLL-O-PREP TIRE PREP APPLICATOR, PREP YOUR TIRES, NOT YOUR HANDS \$23.95, FOUR \$92.00



6. KG BEAD BREAKER TOOL, UNBEADS BOTH SIDES OF TIRE WITHOUT FLIPPING THE TIRE OVER, FOR 5" TIRES ONLY \$140.00



7. TIRE RING TO HELP BEAD TIRES, STEEL BAND \$65.00



8. SEMEL TIRE BEAD INFLATING BAND, ADJUSTABLE \$120.00



10. LEAD WHEEL WEIGHTS FOR TIRE BALANCING, STICKY BACK TWO 6" STRIPS \$3.95 FOUR (8, 6" STRIPS) \$15.50

9. TIRE PRY'R TIRE MOUNTING/REMOVER TOOL, ALLOWS EASY MOUNTING AND REMOVING OF TIRES ON WHEELS - INCLUDES DISKS FOR DIFFERENT WHEEL TYPES SPECIFY 5" OR 6" WHEELS \$140.00



11. TIRE CRAYON SPECIFY YELLOW OR WHITE \$1.20



**Tire and Wheel Tools Cont.**



12. TIRE GROOVER PISTOL HEAT GUN \$88.00



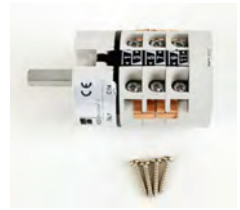
13. TIRE GROOVER REPLACEMENT BLADES \$8.95



14. TIRE SPOON, 11" LONG, STEEL \$9.95



15. CHICKEN HAWK TIRE WARMERS, SET OF FOUR, RUNS OFF 120V AC 110V PLUG IN \$299.95



16. 3937 SEMEL REPLACEMENT FOOT SWITCH \$48.00



17. SEMEL BABY-E ELECTRONIC TIRE MACHINE, MOUNT AND DISMOUNT TIRES IN SECONDS, INCLUDES BEAD BREAKER, WORKS WITH 5" AND 6" WHEELS, 110V PLUG IN \$1295.00



18. 1012 SEMEL TIRE MACHINE BEAD BREAKER PROTECTION PLATE \$30.00



19. 3931 SEMEL TIRE TOOL REPLACEMENT PART FOR TOP BAR \$22.95



20. 3937 SEMEL TIRE REPLACEMENT PART FOR REMOVAL ARM \$24.50



21. 1034 SEMEL TIRE MOUNTING HEAD \$125.00

**Sniper Laser Gauges**



SEE PAGE 29 FOR THE SNIPER CHAIN ALIGNER

1. SNIPER V2 MAGNETIC BASE LASER ALIGNMENT SYSTEM, MEASURES CAMBER AND TOE IN REAL TIME, MAKE ADJUSTMENTS AND INSTANTLY SEE THE EFFECTS, ALLOWS QUICK AND EASY CHANGES, YOU DON'T EVEN HAVE TO REMOVE THE WHEELS ON MANY CHASSIS MODELS! \$309.00



22. 3919 SEMEL REPLACEMENT BEAD BREAKER TOOL \$120.00



23. 0031 SEMEL REPLACEMENT TIRE LEVER SPOON \$36.00



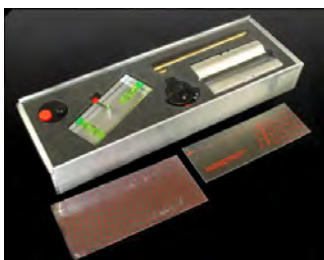
24. 0081 SEMEL REPLACEMENT STEEL PIN AND R CLIPS \$14.00



3. SNIPER V2 REPLACEMENT BATTERY CR 1/3N \$5.99



2. THE V4 IS A 4 LASER SYSTEM WHICH LETS YOU SET CAMBER AND TOE ON YOU KART WHILE ALSO ALLOWING YOU TO CHECK CHASSIS SQUARENESS AND TWIST. IT GIVES THE ABILITY TO MEASURE STATIC (KART ON THE STAND) AND DYNAMIC (KART ON THE GROUND OR SCALES WITH DRIVER IN PLACE) SO YOU KNOW EXACTLY HOW THE KART RESPONDS. THE V4 SYSTEM IS IDEALLY SUITED TO PROFESSIONAL MECHANICS, KART SHOPS AND MANUFACTURERS. AS PROPER USE OF THE V4 SYSTEM IS MORE INVOLVED THAN THE V2, THE V4 IS TYPICALLY USED BETWEEN EVENTS IN THE SHOP ENVIRONMENT. \$1199.00



4. THE V4 ACCESSORY KIT IS AN ADD ON FOR THE V4 SYSTEM. IT GIVES THE ABILITY TO MEASURE COMPOUND CASTER, COMPOUND KING PIN INCLINATION AND SIMPLIFIES THE MEASURING OF CHASSIS TWIST AND SQUARENESS. \$499.00

NOTE: THIS KIT IS NOT REQUIRED TO MAKE THE V4 SYSTEM FUNCTION, IT SIMPLY COMPLEMENTS IT.



5. SNIPER INDEPENDANT CASTOR/CAMBER ADJUSTABLE PILL \$58.00 PAIR

AVAILABLE FOR 8MM AND 10MM KINGPIN BOLTS (SPECIFY WHEN ORDERING), REQUIRES 22MM HOLE IN SPINDLE C, SOME SPINDLE C MODIFICATIONS MIGHT BE REQUIRED DEPENDING ON YOUR KART

## Arrow Racing Karts

Buy two Arrow karts and Comet will pay the freight! Must ship to same address.  
Call for Details



### ARROW X3-CIK SPRINT KART

30MM & 32MM DIAMETER EUROPEAN GRADE STRESSED RELIEVED CHROME MOLY TUBING CHASSIS STRUCTURE WITH REMOVABLE 32MM FRONT TORSION BAR, 1048MM WHEELBASE  
 BLACK 50MM DIAMETER HOLLOW AXLE SUPPORTED BY NEW SEAT STAY/RIDE HEIGHT ADJUSTABLE FLANGES  
 ARROW'S CAM-ADJUSTING REAR AXLE RIDE HEIGHT SYSTEM  
 90MM LONG BILLET ALLOY REAR WHEEL HUBS  
 ULTRA-LIGHT QUICK-CHANGE 3-BOLT MACHINED BILLET ALLOY SPROCKET HUB  
 18MM WIDE GROOVED AND VENTED REAR BRAKE DISC, WITH FLOATING BILLET ALLOY HUB WITH INBUILT SELF-LOOSENING SYSTEM FOR QUICK AXLE CHANGES  
 RADIALLY MOUNTED BLACK ANODISED BILLET ALLOY SELF-ADJUSTING BRAKE CALIPER WITH FLOATING DISC  
 BLACK ANODISED BILLET ALLOY BRAKE MASTER CYLINDER, BRAIDED STAINLESS STEEL BRAKE LINES  
 FORGED ALLOY AND MACHINED BILLET ALLOY 2-PIECE PEDALS  
 ARROW'S REVOLUTIONARY NEW BILLET ALLOY ADJUSTABLE HEEL REST  
 ARROW'S SELF-CENTERING SEAT WASHERS  
 EUROPEAN HIGH GRADE STEEL STUB AXLES WITH 25MM STUB SHAFTS  
 80 MM LONG BILLET ALLOY FRONT WHEEL HUBS  
 10MM PRECISION GROUND KING-PINS  
 ADJUSTABLE CAMBER/CASTER AND FRONT RIDE HEIGHT SYSTEM  
 3 POSITION ADJUSTABLE ACKERMAN, WITH 2 POSITION STEERING SENSITIVITY ADJUSTMENT  
 MACHINED BILLET ALLOY FULLY ADJUSTABLE STEERING TIE RODS  
 LEFT AND RIGHT HAND SEAT STAYS  
 ALUMINIUM COMPONENTS ANODISED BLACK  
 6-LITRE QUICK-RELEASE REMOVABLE FUEL TANK  
 EMBROIDERED, FLAT TOP AND BOTTOM STEERING WHEEL, WITH UNIQUE OVAL GRIP.  
 ARROW'S STEERING BUSH WITH CLAMP FOR SIMPLE FRONT END ALIGNMENT  
 2-PIECE SLIDE-TYPE ENGINE MOUNT, WITH MAGNESIUM TOP PLATE  
 'ARROW X3' GRAPHICS KIT INCLUDING FULL COLOUR FLOORTRAY  
 MAGNESIUM WHEELS 130MM x 5", 210MM x 5"  
 FIBERGLASS SPRINT SEAT

### ARROW X3-CR CADET SPRINT KART

28MM DIAMETER STRESS RELIEVED CHROME MOLY TUBING MAIN CHASSIS STRUCTURE  
 ADJUSTABLE WHEELBASE FROM 905MM TO 945MM, THREE 20MM WHEELBASE ADJUSTMENT POSITIONS  
 REMOVABLE FRONT TORSION BAR  
 BLACK 30MM DIAMETER HOLLOW AXLE SUPPORTED BY NEW SEAT STAY/RIDE HEIGHT ADJUSTABLE FLANGES  
 BLACK ALLOY ONE PIECE BEARING FLANGES  
 ADJUSTABLE REAR RIDE HEIGHT 50MM LONG MACHINED ALLOY REAR WHEEL HUBS  
 ADJUSTABLE CAMBER/CASTER, ADJUSTABLE FRONT RIDE HEIGHT  
 BLACK ALLOY QUICK CHANGE SPROCKET HUB  
 KG BODYWORK, 'ARROW X3' GRAPHICS KIT INCLUDING FULL COLOUR FLOORTRAY  
 STEERING WHEEL WITH CLAMP FOR SIMPLE FRONT END ALIGNMENT  
 EMBROIDERED, FLAT TOP AND BOTTOM STEERING WHEEL, WITH UNIQUE OVAL GRIP  
 ANTI-VIBRATION SLIDE TYPE ENGINE MOUNT WITH MAGNESIUM TOP PLATE  
 MACHINED BILLET ALLOY FULLY ADJUSTABLE TIE RODS 6 POSITION ADJUSTABLE ACKERMAN  
 10MM PRECISION GROUND KING PINS  
 3 LITRE FUEL TANK  
 MACHINED BILLET ALLOY BRAKE MASTER CYLINDER, BRAIDED STAINLESS STEEL BRAKE LINES  
 RADIALLY MOUNTED BLACK ANODISED BILLET ALLOY SELF-ADJUSTING BRAKE CALIPER WITH FLOATING DISC  
 ARROW VENTED AND DRILLED REAR BRAKE DISC  
 EUROPEAN HIGH GRADE STEEL STUB AXLES WITH 17MM STUB SHAFT  
 ARROW'S SELF CENTERING SEAT WASHERS  
 ADJUSTABLE ENGINE SIDE SEAT SUPPORT BRACKET  
 MAGNESIUM WHEELS  
 FIBERGLASS KARTING SEAT





## Margay Racing Karts



BRAVA 1.13 CHASSIS SHOWN WITH OPTIONAL AND STANDARD EQUIPMENT

**2014 BRAVA 1.13** THE PERFECT CHASSIS FOR ALL TAG AND ROTAX CLASSES, AVAILABLE IN STANDARD AND LIMO MODELS. 50MM AXLE, TILLET SEAT, EVO OR BURU BODYWORK. CALL FOR OPTIONS AND PRICING!

**2014 BRAVA 1.13ck** HAS REVISED STEERING GEOMETRY FEATURING REDUCED CASTOR AND REVISED AXLE CROSSMEMBER POSITION FOR IMPROVED APEX-OFF ACCELERATION. YAMAHA CLASSES, JUNIOR AND SENIOR, TILLET SEAT, 40MM AXLE, KG BODYWORK. CALL FOR OPTIONS AND PRICING!

**2014 BRAVA ROOKIE** WKA NATIONAL POINTS AND RACE WINNER. FOR CAN SPORTSMAN AND KPV SPORTSMAN CLASSES, 30MM AXLE, KG BODYWORK, TILLET SEAT. CALL FOR OPTIONS AND PRICING!

**2014 BRAVA 4.11** FOR INBOARD DRIVE ENGINES LIKE THE CLONE OR BRIGGS ENGINES. CALL FOR OPTIONS AND PRICING!

## Coyote Racing Karts



COYOTE XP 4 CYCLE SPRINT KART, COYOTE IS THE MOST SUCCESSFUL CHASSIS IN WKA GOLD CUP HISTORY! THE XP FEATURES ADJUSTABLE CASTOR AND CAMBER, Z FRONT SPINDLES FOR LOW FRONT SCRUB, ADJUSTABLE FRAME STIFFNESS, HUBS, SEAT, 6" WHEELS AND TIRES, STEERING WHEEL, DOUBLE RAIL NERFS, SEAT STRUTS AND SLIDERS, MCP BRAKES, HARDWARE - CALL FOR OPTIONS AND PRICING

## Top Kart Kid Kart



### TOP KART KIDS KART AGES 5-8

- \*COMER C-51 ENGINE
  - \*CIK KID KART PLASTIC BODYWORK
  - \*WHEELS AND TIRES
  - \*FIBERGLASS SEAT
  - \*ALL MOUNTING HARDWARE
  - \*EXTRA WIDE REAR BUMPER
- CALL FOR OPTIONS AND PRICING

**COMET HAS TURNKEY PACKAGES AVAILABLE WITH STOCK ENGINES, COMET BLUEPRINTED RACING ENGINES, YAMAHA, BRIGGS, TAG, ASSEMBLED, UNASSEMBLED. YOU NAME IT, WE CAN DO IT. WE CAN OFFER YOU A VARIETY OF DIFFERENT OPTIONS AND MOST IMPORTANTLY COMET HAS THE EXPERTISE AND EXPERIENCE TO HELP YOU WITH YOUR CHASSIS SETUP TO HELP YOU ACHIEVE GREAT ON TRACK RESULTS!**



**EDGE Spec TaG Kart**

THE SPEC TAG PACKAGE WAS EXCLUSIVELY DESIGNED FOR COMPETITION AT NEW CASTLE MOTORSPORTS PARK. THE PACKAGE FEATURES AN AMERICAN BUILT CHASSIS THAT WILL ACCOMODATE DRIVERS UP TO 220 LBS AND OVER 6' 5" TALL. THE ENGINE IS THE ULTRA POPULAR PARILLA LEOPARD PACKAGE.

THE SPEC TAG CLASS WAS CREATED AS A PURELY CONTROLLED CLASS WITH UNBLUEPRINTED ENGINES, SPEC CHASSIS AND COMPONENTS INCLUDING WHEEL HUBS, AXLE AND PILLS. THE CLASS PUTS THE CONTROL BACK INTO THE HANDS OF THE DRIVER, NOT THE ENGINE BUILDERS. THE CLASS HAS PROVED TO BE EXTREMELY POPULAR AT NCMP WITH THE CLASS SPLITTING INTO TWO SEPERATE CLASSES. A SPEC TAG SENIOR FOR DRIVERS 15 AND UP AND A SPEC TAG MASTERS FOR DRIVERS 35 AND UP.

THE PACKAGE COMES PREASSEMBLED TURNKEY WITH MYCHRON 4 BASIC GAUGE. CALL FOR DETAILS AND PRICING



**Margay Chassis Parts**



1. 094115 STEERING SHAFT 18" \$59.95



4. ANGLED 3/4" STEERING HUB \$45.00  
5. STANDARD 3/4" STEERING HUB \$34.00



9. 094242 3/4" TOP STEERING SUPPORT \$9.95



2. 210MM 8 1/4" DIAMETER BRAKE ROTOR \$99.95



6. 093507 40MM BEARING CASSETTE \$48.00  
OEM 40MM BEARING \$25.00



3. 4490 KINGPIN BEARING CRUSH TUBE \$4.70



7. MCP MASTER CYLINDER - BLACK ITALIAN \$88.00



8. MCP BLACK CALIPER FOR MARGAY, NO BRAKE PADS INCLUDED \$137.50



10. 097242 BRAKE PEDAL \$48.00



11. 097342 THROTTLE PEDAL \$48.00



12. 094132 SILVER TIE ROD 8MM x 9 1/4" \$16.95

13A. 094148 SILVER TIE ROD 8MM x 9 3/4" \$16.95

13B. 094136 SILVER TIE ROD 8MM x 10 1/2" \$16.95



14. SPINDLE NUT \$6.95



15. METRIC LEFT HAND 40MM REAR WHEEL 4 1/2" HUB - LONG \$65.00

16. METRIC RIGHT HAND 40MM REAR WHEEL HUB - LONG \$65.00



17. METRIC LEFT HAND 40MM REAR WHEEL 3 1/2" HUB - MEDIUM \$65.00

18. METRIC RIGHT HAND 40MM REAR WHEEL HUB - MEDIUM \$65.00



19. METRIC LEFT HAND 40MM REAR WHEEL HUB 2 5/16" - SHORT \$60.00

20. METRIC RIGHT HAND 40MM REAR WHEEL HUB - SHORT \$60.00



21. BRAVA FLOOR TRAY 1.25 LIMO \$85.00  
BRAVA 1 & 4 \$85.00



22. TORSION BAR CLAMP 1 1/8" OR 1 1/4" \$16.00



23. 6MM LOCK NUT FOR FLOOR TRAY BOLTS AND BUMPER BOLTS \$.30



24. 1.4655 LEFT HAND 17MM SPINDLE \$146.00

25. 1.4655 RIGHT HAND 17MM SPINDLE \$146.00

SPECIFY 5/16" OR 3/8"

**Margay Chassis Parts Cont.**

- |   |  |   |  |  |  |
|---|--|---|--|--|--|
|    | 26. 033486<br>CASTLE NUT 8MM<br>\$1.00                             |    | 40. ITAL 41037<br>BRAVA BRAKE PAD<br>BOLT \$7.50   |   | 52. EXTRA LONG<br>CASSETTE BOLT<br>\$1.60  |
|    | 27. 8MM OR 3/8"<br>ENGINE JAM BOLT<br>AND NUT FOR<br>ENGINE \$3.00 |    | 41. ITAL BRAKE<br>PAD RETURN<br>SPRING \$4.00  |   | 53. UNIBALL<br>BEARING RETAINER<br>CLIP \$.95  |
|     | 28. DRILLED BOLTS FOR<br>8MM TIE ROD ENDS \$3.50                   |    | 42. MARGAY 12 3/8"<br>KG ROUND STEERING<br>WHEEL \$95.00   |   | 54. MARGAY NERF<br>AND REAR BUMPER<br>BOLT \$.55   |
|     | 29. 031238 FLAT ALLEN<br>DRILLED BOLT 8 X 40MM \$3.50              |    | 43. MARGAY SEAT<br>SLIDER \$16.00  |   | 55. PLASTIC<br>BUMPER BUSHING<br>\$1.75  |
|    | 30. 032800 5/16" BLACK<br>CONICAL WASHER \$2.25                    |    | 44. OPTIONAL<br>FRONT BILLET<br>BLADE \$49.50  |    | 56. KINGPIN PILLS, CENTER,<br>HALF OFFSET, FULL OFFSET<br>3/8" CENTER \$10.00<br>HALF \$11.50, FULL \$11.50<br>5/16" CENTER \$10.00  |
|    | 31. 5/16" KING<br>PIN BOLT \$3.75                                  |   | 45. FLOOR TRAY AND<br>TOP FRONT BUMPER<br>BOLT FOR MARGAY<br>\$1.00  |   | 57. BRAKE ROD 1/4"-28<br>\$9.95  |
|    | 32. 3/8" KING PIN<br>BOLT \$6.95                                   |   | 46. MARGAY ADJUSTABLE<br>CASSETTE FOR<br>40MM/50MMX80MM<br>BEARINGS, ALLOWS EASY<br>ADJUSTMENT OF CROSS<br>WEIGHT WITHOUT MOVING<br>WASHERS \$112.50 |  | 58. MARGAY BRAVA 1.2 AND UP<br>EXTENDED REAR BUMPER, WKA<br>LEGAL<br>A. ADULT BUMPER 48 1/2" OVERALL,<br>24 1/4" CENTER TO CENTER MOUNT<br>\$189.00<br>B. JUNIOR BUMPER 44" OVERALL,<br>21 3/4" CENTER TO CENTER MOUNT<br>\$189.00 |
|   | 33. KINGPIN<br>WASHER SPECIFY<br>3/8" OR 8MM \$2.95                |  |  |  |  |
|  | 34. 093008<br>KINGPIN BEARING<br>WITH FLANGE 8MM<br>\$4.75         |  | 47. 6MM X 12MM<br>FLAT WASHER FOR<br>BUMPER BOLTS AND<br>FLOOR TRAY \$.20  |  |  |
|  | 35. BRAVA STANDARD<br>CASSETTE BOLT \$1.50                         |  | 48. BRAVA DRIVER<br>PANEL BRACKET<br>\$9.00  |  |  |
|  | 36. 10MM LOCKNUT<br>FOR LONG CASSETTE<br>BOLT \$1.10               |  | 49. 40MM SILVER<br>SPROCKET HUB<br>USED AVAILABLE -<br>CALL FOR PRICES   |  |  |
|  | 37. 1/2" LOWER<br>STEERING UNIBALL<br>BEARING \$15.00              |  | 50. REAR BUMPER<br>SPECIFY JUNIOR OR<br>SENIOR \$79.95   |  |  |
|  | 38. BRAVA REAR<br>BRAKE PADS, RED<br>\$29.95 PAIR                  |  | 51. STEERING HUB<br>BOLT \$2.45  |  |  |
|  | 39. MCP BRAKE PAD<br>ADJUSTER METRIC FOR<br>MARGAY \$7.50          |   |  |  |  |

**COMET STOCKS THE COMPLETE MARGAY PARTS LINE!**

**DON'T SEE WHAT YOU NEED? GIVE US A CALL!**

**Coyote Chassis Parts**

1. TORSION BAR, FREE ROLLER \$21.95, CLAMPS \$16.50 EA.
2. BULLET, FREE ROLLER REAR BUMPER \$63.00
3. COYOTE FRONT BUMPER FOR CIK NOSE \$65.00
4. DOUBLE RAIL NERFS FREE ROLLER, WIDE TRACK \$175.00
5. COYOTE 5/8" STRAIGHT ARM SPINDLE 12" \$65.00
6. COYOTE 5/8" Z BEND ARM SPINDLE 12" \$65.00
7. COYOTE CASTOR/CAMBER SWIVEL YOKE \$90.00 EACH
8. PEDAL, SPECIFY BRAKE OR THROTTLE \$23.00
9. REAR BUMPER BOLT KIT COMPLETE \$7.00
10. COYOTE QUICK ADJUST KING PIN BOLT \$31.00
11. COYOTE KID KART X-WIDE REAR BUMPER \$85.00
12. COYOTE KID KART SIDE POD NERFS \$120.00 PAIR
13. COYOTE KID KART NEW STYLE FRONT BUMPER \$65.00
14. ENDURO PARTS, OLDSTYLE SPINDLE \$20.00
15. COYOTE SEAT SLIDER KIT \$45.00
16. COYOTE KID KART BOTTOM SEAT KIT \$34.00
17. CAMBER PLATE PILL KIT \$169.00
18. INDIVIDUAL PILLS, .25, .50, .75, 1.25, 1.50, 1.75 \$12.00
19. COYOTE KID KART FLOOR TRAY \$55.00
20. COYOTE WIDE TRACK FLOOR TRAY \$55.00
21. COYOTE PEDALS, 6" TALL, ZINC PLATED \$23.00 EACH

DON'T SEE WHAT YOU NEED? GIVE US A CALL!



**Arrow Chassis Parts**



1. AX9 SPINDLE \$109.00  
SPECIFY AX9-CIK OR AX9-4S, XE28 SPINDLE



2. AX7, AX8 SPINDLE \$76.00  
SPECIFY SIDE



3. X-1 COMPLETE SPINDLE WITH 17MM SHAFT \$132.00  
SPECIFY SIDE



4. X-1 SPINDLE ASSEMBLY, NO SHAFT  
DPE-KSAVL LH  
DPE-KSAVR RH  
\$92.00 SPECIFY SIDE



5. ARROW X2, X3 25MM SPINDLES \$154.00  
SPECIFY SIDE  
BLACK FINISH NOW



6. DPE-KSS089 19MM ADULT STEERING SHAFT \$59.00  
DPE-KSS5A JUNIOR SHAFT \$58.00



7. DPE-KKP36 8MM KINGPIN BOLT \$8.00

8. DPE-KKP7 10MM KINGPIN BOLT \$8.50



9. DPE-KKP10ASS 10MM COMPLETE KINGPIN ASSEMBLY \$36.60

10. DPE-KKP8ASS 8MM COMPLETE KINGPIN ASSEMBLY \$27.50



11. 19MM STEERING SHAFT BLOCK WITH LOCKING BOLT \$9.95



12. DPE-KS58 DRILLED BOLT SAFETY PIN \$.79



13. KAXRHCL/L LH RIDE HEIGHT ADJUSTER AX9 \$29.20

14. KAXRHCL/R RH RIDE HEIGHT ADJUSTER AX9 \$29.20



15. DPE-KSAS25S X-1 25MM SPINDLE SHAFT WITH SPACERS \$49.00 EACH

DPE-KSAS17S X-1 17MM SPINDLE SHAFT NO SPACERS \$49.00 EACH



16. DPE-KKP8BG 10MM STOCK  
A. GUNMETAL OFFSET PILL \$9.85  
B. DARK GRAY OFFSET PILL, MAX OFFSET \$10.95 EACH  
C. RED OFFSET PILL, MORE OFFSET \$10.95 EACH  
D. BLACK OFFSET PILL, LESS OFFSET \$10.95 EACH  
E. ORANGE OFFSET PILL, LEAST OFFSET \$10.95 EACH  
F. TEN PILL KIT, PAIR OF EACH \$106.90



17. DPE-KKP8F 10MM CENTER PILL \$9.85



18. 17MM FRONT SPINDLE SPACER  
A. 5MM \$2.30  
B. 10MM \$2.30  
C. 20MM \$2.40



19. DPE-65ABNC1R.1 FRONT SPINDLE CIRCLIP \$1.25



20. DPE-WHFD50G FRONT WHEEL HUB 17MM (50MM WIDE) \$46.00

DPE-WHFD50-25 25x50MM WHEEL HUB \$75.50



21. DPE-WHFD80 FRONT WHEEL HUB 17MM (80MM WIDE) \$59.00

DPE-WHFD80-25 25x80MM FRONT WHEEL HUB \$82.00



22. DPE-WHFD65-25 25MM X 65MM FRONT WHEEL HUB FOR X-1 KART \$69.00



23. DPE-BDHC264B3 80MM LONG BRAKE PAD PIN \$3.40



24. DPE-BDHC28C BRAKE PIN HOLDER SPRING \$2.40



25. DPE-BDHC28W PLASTIC WASHER FOR BRAKE PIN \$.70



26. DPE-BDHC264B BRAKE PAD BOLT \$1.00



27. DPE-BDHC264B1 BRAKE BOLT SLEEVE \$2.75



28. 8MM AFTERMARKET ARROW STYLE ALUMINUM TIE ROD (ARROW NO LONGER MAKES THIS TIE ROD) LENGTHS - 190MM, 200MM, 245MM, 250MM, 275MM \$13.00



29. DPE-KSB01G 19MM STEERING HUB \$23.95



30. ANGLED STEERING HUB \$44.95



31. DPE-KSS9C 19MM LOCK COLLAR \$9.70



32. DPE-ST9 ARROW STEERING WHEEL \$152.50



33. DPE-T42 PILL ADJUSTER WRENCH \$7.25



34. ARROW OEM FIBERGLASS SEAT ROOKIE, XS-XXL SOFT AND STIFF \$149.00



35. DPE-KTS1 PEDAL STOP BOLT \$2.00



36. DPE-AXQ40 40MM BEARING CASSETTE \$49.90



37. DPE-BDHM04 ARROW DUAL OUTLET MASTER CYLINDER \$184.00



38. DPE-BDHC01 ARROW 4 SPOT BRAKE CALIPER \$308.00

39. DPE-AXQW 8MM STEEL CASSETTE BOLT WASHER \$2.15





**Arrow Chassis Parts Cont.**



40. DPE-BRD18  
205MM OD 18MM WIDE  
BRAKE DISK \$149.00



41. DPE-SPH509  
50MM SPROCKET HUB  
\$88.00



42. DPE-SPH40DP  
40MM SPROCKET HUB  
\$85.00



40MM BRAKE HUB  
\$81.00



44. REAR PLASTIC  
BUMPER INSERT \$9.50  
SPECIFY 28, 30, 32MM



45. DPE-BDHL7/1  
15MM HARD REAR BRAKE  
PADS \$56.00 PAIR



46. DPE-BDHL8F  
FRONT BRAKE PADS  
\$58.00 PAIR



47. DPE-KCB09B  
BOTTOM FRONT  
BUMPER HOOP \$24.00



48. DPE-EXS90Q PIPE  
CRADLE SPRING WITH PULL  
LOOP 90MM LONG \$4.95



49. DPE-EXB1S  
COMPLETE SILENCER  
SUPPORT AND CRADLE  
\$26.00



50. DPE-EXB1  
PIPE CRADLE  
\$11.95



51. DPE-BDHC264B2  
BRAKE PAD RETURN  
SPRING \$1.75



52. DPE-BDHC15  
BRAKE CALIPER BLEED  
SCREW \$5.00



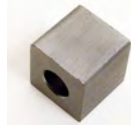
53. 4 PISTON REAR PAD SHIM  
DPE-BDHS10 1MM SHIM  
DPE-BDHS .5MM SHIM  
\$4.25 EACH



54. 2 PISTON REAR PAD SHIM  
BDMSH10 1MM SHIM \$3.50  
BDMSH .5MM SHIM \$2.25



55. BRAIDED BRAKE LINE  
DPE-BDHF51 700MM  
AX9-CIK \$39.50  
DPE-BDHF51 735MM  
AX9-4S \$39.50



56. DPE-BDHC35  
AX9-CIK BRAKE  
CALIPER BLOCK \$7.25



57. DPE-AXQ50B  
AX9-CIK BRAKE SIDE  
CASSETTE \$56.00



58. DPE-AXQ50C  
AX9-CIK CENTER AND  
ENGINE SIDE CASSETTE  
\$56.00



59. DPE-NPAB ARROW  
DRIVER PANEL  
COLORS - BLACK, BLUE  
\$38.00



60. DPE-NOCOC04  
ARROW NOSE  
COLORS - BLACK ONLY  
\$76.00



61. ARROW SIDE POD  
DPE-S180R RH  
DPE-S180L LH  
COLORS - BLACK, BLUE  
\$73.00 EACH, \$146.00 PAIR



62. DPE-NOCOC15 SIDE  
POD AND NOSE PLASTIC  
COVER \$2.00



63. DPE-FT9K04  
ARROW TANK CLAMP  
BOLT WITH HAND POMMEL  
\$6.95



64. DPE-FT9K03  
ARROW TANK PLASTIC  
CLAMP \$11.50



65. DPE-FT9K06  
ARROW TANK CAP  
\$9.00



66. DPE-FT9K02  
9 LITER ARROW FUEL  
TANK \$88.00  
\*BLACK HARDWARE NOW



67. FRONT BUMPER  
DPE-KCB09 AX9  
DPE-KCB08 AX8  
\$66.00



68. REAR BUMPER  
DPE-KCB9U AX9  
DPE-KCB8U AX8  
\$64.00



69. AX9 NERF BAR  
DPE-KSPO6R RH  
DPE-KSPO6L LH  
\$54.00 EACH  
NARROW NERFS AVAILABLE



70. AX8 NERF BAR  
DPE-KSP07R RH  
DPE-KSP07L LH  
\$54.00 EACH



71. DPE-KP01 BRAKE  
PEDAL \$32.00



72. DPE-KP029  
THROTTLE PEDAL  
\$32.00



73. DPE-KP22C  
PEDAL BOLT KIT \$16.35



74. BRAKE PEDAL SPRING  
DPE-KP27 AX9 \$3.00  
DPE-KP25 28/30 \$3.00



75. THROTTLE PEDAL SPRING  
DPE-KP26 AX9 \$3.00  
DPE-KP24 28/30 \$3.00

**Arrow Chassis Parts Cont.**



76. DPE-KES5C  
EXHAUST SUPPORT  
\$17.00



77. DPE-KCB10F6 AX8  
28/30 REAR BUMPER  
HARDWARE \$28.00 EACH



78. XE-28 BUMPER  
HARDWARE \$33.50



79. AX8 30/32 REAR  
BUMPER HARDWARE  
\$33.50



80. DPE-KCB10FB  
AX9-4S 30MM BUMPER  
HARDWARE \$33.50



81. DPE-KCB10FB  
AX9 32MM BUMPER  
HARDWARE \$33.50



82. REAR BUMPER BOLT  
(5") 130x10MM \$5.00  
(6") 150x10MM \$5.00  
10MMx1.5 PITCH NUT \$.60



83. DPE-BDHC10AB FOUR  
PISTON REAR BRAKE SEAL KIT,  
TWO PISTON FWB SEAL KIT  
\$16.00



84. DPE-BDHC10A TWO  
PISTON REAR BRAKE CALIPER  
SEAL KIT \$11.00



85. DPE-BDHM11 MASTER  
CYLINDER SEAL KIT \$12.50



86. DPE-W54 8MM  
HEX WHEEL NUT  
\$3.40



87. LOWER REAR CRASH BAR  
(20 3/4" CENTER TO CENTER) \$20.00



88. DPE-EMSLT TOP  
ENGINE MOUNT \$44.00



89. ARROW PLASTIC  
OVERFLOW BOTTLE  
\$5.00



90. DPE-S183  
COMPLETE SIDE POD  
HARDWARE KIT \$12.00



91. DPE-NONOC14  
FRONT NOSE HARDWARE  
KIT \$35.00



92. A. DPE-KNPSS DRIVER PANEL  
BRACKET \$7.50

B. DPE-KNP7 X1 CHROMED DRIVER  
PANEL SUPPORT BRACE \$8.00



93. ENGINE STOP BOLT  
DPE-EM03L AX94S \$6.00  
X1 BOLT \$9.00  
DPE-EM03 ALL  
OTHER ARROWS \$5.00



94. DPE-EM05 ENGINE  
STOP PLASTIC BOLT  
COVER \$3.25



95. FLOOR TRAY BOLT  
KIT WITH PLASTIC CONICAL  
COMPLETE \$3.00



96. DPE-KFT22BC  
AX9 FLOOR TRAY  
CARBON FIBER \$112.75



97. DPE-CAT1C THROTTLE  
CLEVIS, AUTO LOCKING  
\$17.40



98. MUFFLER MOUNT  
ASSEMBLY \$62.50  
DPE-EXB06 ROTAX  
DPE-EXBO6A ICC



99. DPE-EXB1 PIPE  
CRADLE ASSEMBLY \$14.50



100. CONICAL WASHER  
DPEKSA25G 8MM \$3.00  
DPE-STWWG 6MM \$2.50



101. AX9 BRAKE ROD WITH  
ENDS AND JAMS 345MM (13.5")  
\$40.00  
DPE-KBC6 ROD ONLY \$9.95  
BOLT/NUT FOR CLEVIS \$1.00



102. DPE-KBC3  
CLEVIS ONLY \$11.75



103. DPE-KBC3N  
JAM NUT FOR CLEVIS  
\$4.20



104. ARROW OEM  
FUEL LINE \$1.50 FOOT



105. ARROW SELF  
CENTERING SEAT BOLT  
KIT \$59.75



106. DPE-SE74B 1.6x60MM  
LARGE WASHER FOR SEAT \$3.00



107. DPE-SE70 TAPERED  
PLASTIC SEAT WASHER \$1.25



108. DPE-SE67 ARROW  
PLASTIC SEAT WASHER  
5/16" THICK \$1.25



109. DPE-SE65 LARGE  
ALUM TAPERED WASHER  
\$4.50



110. DPE-SE72B CONICAL  
SEAT WASHER \$5.30



111. DPE-SE73SB SELF  
ALIGNING SEAT WASHER \$4.95



112. DPE-SE73L  
COUNTERSUNK SEAT ALIGNMENT  
WASHER \$4.50



113. DPE-16LF SEAT  
STRUT \$17.95



114. DPE-16LR SEAT  
STRUT \$17.95



115. DPE-17RF SEAT  
STRUT \$17.95



116. DPE-17RR SEAT  
STRUT \$17.95



117. DPE-16RF SEAT  
STRUT \$17.95



118. DPE-15RF  
SEAT STRUT \$17.95



119. DPE-15LF SEAT  
STRUT \$17.95



120. DPE-16RR  
SEAT STRUT \$17.95



**Arrow Chassis Parts Cont.**



121. DPE-EMSLB  
BOTTOM ENGINE  
SLIDER \$55.00



122. DPE-EMSLC  
ENGINE MOUNT  
CLAMP \$13.50 EACH



123. DPE-EMSLAV1  
ANTIVIBRATION INSERT FOR  
AX8 SLIDER MOUNT \$12.50



124. 10MM ENGINE  
CLAMP BOLT \$.95



125. DPE-KSS05 PLASTIC  
STEERING STOP \$8.00



126. AX9-125 SHIFTER  
SPINDLE 10MM KINGPIN  
BEARING \$114.00



127. DPE-WH50C70  
50x70MM SHORT  
WHEEL HUB \$84.00



128. DPE-65ABN840  
DRILLED STEERING WHEEL  
HUB BOLT 6x65MM \$3.50



129. ARROW COMPLETE  
ENGINE MOUNT TOP  
PLATE CAN BE DRILLED  
FOR YAMAHA OR ROTAX  
MEASUREMENTS \$129.80



130. DPE-KSE15  
LOWER SEAT MOUNTING  
BRACKET \$8.25



131. DPE-FT6B2C  
6 LITER FUEL TANK  
WITH CAP AND MOUNT  
HARDWARE COMPLETE  
\$63.00



132. DPE-KFT01 X1  
CARBON FIBER FLOOR  
TRAY \$118.50



133. X2 ARROW  
OEM STICKER KIT,  
SPECIFY FP7 OR  
EVO \$189.95



134. X3 ARROW  
OEM STICKER KIT  
FOR FP7 BODYWORK  
\$189.95



135. ARROW OEM  
THROTTLE CABLE AND  
HOUSING \$6.00



136. DPE-65ABNCIR6  
6MM X .8MM CIRCLIP  
\$1.15



137. DPE-BDHM45BW  
MASTER CYLINDER LID  
\$10.50



138. 32MM FRAME  
PLUG CHROME \$3.25



139. CASSETTE HEX  
HEAD BOLT 8x40MM  
\$.60



140. ARROW BRAKE  
SAFETY CABLE  
26" LONG \$11.50



141. A. DPE-KTB4G 32MM  
TORSION BAR CLAMP \$21.60



142. HUB STOP PLASTIC  
SPACER SET, SPECIFY  
40 OR 50MM \$21.95



143. DPE-WH40C80P  
40MM REAR WHEEL  
HUB (80MM, 3" LONG)  
\$66.00



144. DPE-WH50C90GM  
50MM WHEEL HUB  
(90MM, 3.5" LONG) \$75.00



145. DPE-FT9K07  
ARROW QUICK RELEASE  
FUEL LINE CLAMP \$6.00



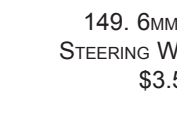
146. DPE-BDHM50B  
MASTER CYLINDER  
DIAPHRAM \$11.50



147. ARROW 50MM  
QUICKCHANGE  
3 BOLT SPROCKET HUB  
\$125.00



148. DPE-CABI 6MM  
CABLE ADJUSTER \$4.00



149. 6MM DRILLED  
STEERING WHEEL BOLT  
\$3.50



150. DPE-KCB09X  
X1 UPPER FRONT  
BUMPER \$52.50



151. ARROW X-1 KG  
EVO BODYWORK STICKER  
KIT \$149.00



152. ARROW X1-E NEW  
STYLE GRAPHICS KIT  
\$165.00



153. DPE-KTBO4FS  
AX9-4S, 125CC  
SHIFTER 32MM FRONT  
TORSION BAR \$20.00



154. DPE-KBC7 ARROW ADJUSTABLE LENGTH  
BRAKE ROD, COMES WITH CLEVIS ENDS  
(ADJUSTS FROM 11 3/4" TO 16 3/4") \$37.00



155. DPE-BRDH501  
X1 BRAKE DISK HUB FOR  
FLOATING DISK \$117.00



156. DPE-BRD19 X1  
FLOATING BRAKE DISK  
\$168.00



157. DPE-BRDHB  
FLOATING BRAKE DISK  
BOLT \$2.69 EACH



**Arrow Chassis Parts Cont.**



158. DPE-KNP01  
X1 DRIVER PANEL  
ALUMINUM SPACER  
\$9.00



167. DPE-KSA71B RH  
MIDGET ROOKIE CADET  
SPINDLE, 8MM KINGPIN  
BEARING \$67.00



179. DPE-CABML  
MIDGET/ROOKIE CADET  
MECHANICAL BRAKE CABLE  
1140MM \$17.95



180. DPE-CABS X1  
SAFETY CABLE WITH CLEVIS  
650MM \$9.95



159. DPE-SI07  
MIDGET/ROOKIE  
SIDE POD, BLACK  
\$71.00



168. DPE-KSA70B LH  
MIDGET ROOKIE CADET  
SPINDLE, 8MM KINGPIN  
BEARING \$67.00



181. DPE-BDHL1S  
HYDRAULIC PLASTIC LINE,  
1 METER \$3.85



160. DPE-NPABK  
MIDGET/ROOKIE  
CADET DRIVER PANEL,  
BLACK \$45.00



169. DPE-KP21  
MIDGET/ROOKIE CADET  
PEDAL SPRING 100MM  
\$2.65



182. ARROW X-1 SIDE  
NERF BARS \$56.00 EACH  
LH DPE-KSP09XL  
RH DPE-KSP09XR



161. DPE-NOCCBK  
MIDGET/ROOKIE CADET  
BLACK NOSE, 34"  
WIDE \$74.00



170. DPE-KP08  
THROTTLE PEDAL  
MIDGET/ROOKIE CADET  
\$34.00



183. DPE-KTB99 FRONT  
CHASSIS CLAMP FOR XE-28,  
X1-30, TWO PIECE \$43.50



171. DPE-KP07  
BRAKE PEDAL MIDGET/  
ROOKIE CADET \$34.00



184. DPE-KTB9MR CENTER  
CLAMP MIDGET/ROOKIE CADET,  
28MM TWO PIECE \$43.50



162. MIDGET/ROOKIE  
CADET SIDE NERF BAR  
RH DPE-KSP01R9  
LH DPE-KSP01L9  
\$42.50 EACH



172. DPE-KP01AC  
X1 BRAKE PEDAL  
COMPLETE \$53.00



185. DPE-KKP8A 10MM  
CASTOR PILL BALL INSERT \$2.20



186. DPE-KKP8C 10MM  
TOP SPACER \$2.30



187. DPE-KKP8D 10MM  
SPACER CONE \$2.30



163. DPE-KSEB01  
MIDGET/ROOKIE CADET RIGHT  
HAND BOLT ON SEAT STRUT,  
28MM \$68.00



173. DPE-KP02AC  
X1 THROTTLE PEDAL  
COMPLETE \$53.00



188. DPE-KKP8E  
M10x3.2 SPACER \$2.30



189. DPE-KKP6B 8MM  
BOTTOM OFFSET PILL  
\$7.70



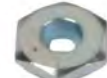
164. DPE-KSC189  
X1 STEERING  
UPRIGHT \$61.00



174. DPE-KP28  
PEDAL BUSHING,  
INNER \$7.10



190. DPE-KKP6T 8MM  
TOP OFFSET PILL \$5.50



191. DPE-KKP5 8MM  
BOTTOM STEPPED WASHER  
\$2.75



165. MIDGET/ROOKIE  
CADET STEERING  
UPRIGHT \$23.00  
LH DPE-KSC15  
RH DPE-KSC15



175. DPE-KP29  
PEDAL BUSHING,  
OUTER \$11.50



192. DPE-KKP4A 8MM KP  
SPACER 3.2MM THICK \$1.45



193. DPE-KKP4 8MM KP  
SPACER 2MM THICK \$1.25



166. ARROW X-1 ALUMINUM  
WHEEL SPACER FOR 25MM  
SPINDLE SHAFT \$5.15 EACH  
DPE-KSA33G25 M25x5  
DPE-KSA33G225 M25x10



176. DPE-KP22-2  
PEDAL STUD ONLY  
\$10.85

194. DPE-KP22C PEDAL  
BOLT ONLY \$11.50



195. X1 STEERING  
WHEEL, SUEDE FLAT TOP  
AND BOTTOM, 12 3/4"  
DIAMETER \$165.00



177. DPE-BRDR09  
MIDGET/ROOKIE CADET  
BRAKE DISK, 5.5MM THICK,  
195MM OD \$88.95



ARROW AXLES AND KEYS AVAILABLE ON  
PAGE 19 AND 20



178. DPE-CABSFB MIDGET/  
ROOKIE CADET SAFETY CABLE  
BRACKET \$3.60

## Comet Eagle Kart



### ENTRY LEVEL SPRINT KART FOR TWO CYCLE OR FOUR CYCLE!

THE ORIGIN OF THE EAGLE CHASSIS STARTED WITH A NEED FOR AN AFFORDABLE BUT COMPETITIVE SPRINT KART THAT THE AVERAGE ENTRY LEVEL KARTER OR HOBBYIST CAN AFFORD.

UNFORTUNATELY THERE IS USUALLY A COMPROMISE BETWEEN A QUALITY CHASSIS AND AN AFFORDABLE CHASSIS. WITH THE EAGLE WE WANTED TO CHANGE THAT!

SINCE THE MOST IMPORTANT PART OF ANY KART IS THE FRAME WE HAVE MADE NO COMPROMISE IN IT'S QUALITY AND CONSTRUCTION. YOU CAN ALWAYS UPGRADE BOLT ON COMPONENTS BUT SHORT OF A TUBE BENDER, A BLOW TORCH AND A WELDER YOU CAN'T CHANGE THE FRAME. SO WHAT MAKES THE EAGLE FRAME SPECIAL? THE TUBING. THE EAGLE IS MADE OUT OF 30MM AND 32MM CHROMOLY TUBING IMPORTED FROM EUROPE. THE TUBING IS PURCHASED FROM THE EXACT SAME MILLS THAT THE MAJOR EUROPEAN MANUFACTURERS BUY THEIR TUBING FROM. IT DOES MATTER! YOU CAN BUY OFF THE SHELF TUBING BUT IT IS NOT THE RIGHT STUFF TO BUILD A COMPETITIVE RACE KART. WE BUY THE TUBING IN BULK, HAVE IT OCEAN FREIGHTED TO THE USA WHERE IT IS CUT, BENT, COPED AND TIG WELDED RIGHT HERE IN INDIANAPOLIS! THEN WE POWDER COAT THE KART LOCALLY.

THE KART IS THEN ASSEMBLED IN HOUSE HERE AT COMET USING COMPONENTS SOURCED FROM US SUPPLIERS AND MACHINE SHOPS AS WELL AS SELECT EUROPEAN PARTS SUPPLIERS. THE EAGLE IS AVAILABLE IN A BASIC MODEL WITH 1 1/4" AXLE OR CAN BE UPGRADED TO A 40MM OR EVEN 50MM AXLE. THE AMOUNT OF UPGRADES ARE EXTENSIVE INCLUDING SEAT, STEERING WHEEL, WHEELS, AXLE, HUBS, BRAKE DISK AND BODYWORK.

THE EAGLE IS DESIGNED TO RUN WITH AN INBOARD DRIVE ENGINE LIKE A CLONE OR ANIMAL ENGINE OR CAN BE RUN OUTBOARD WITH A YAMAHA, KPV OR EVEN A TAG ENGINE. THE EAGLE IS DESIGNED TO BE VERY VERSATILE.

### - COMET EAGLE FEATURES -

- EUROPEAN 30MM AND 32MM CHROMOLY TUBING
- TIG WELDED
- CAN BE RAN WITH INBOARD OR OUTBOARD DRIVE ENGINES
- AMERICAN MADE MCP BRAKES WITH OVERSIZED FLAT BRAKE DISK
- ANGLED ALUMINUM STEERING HUB FOR BETTER DRIVER ERGONOMICS
- 17MM FRONT SPINDLES, PREDRILLED FOR SAFETY PIN WITH TWO TIE ROD ACKERMAN HOLES
- 10MM KINGPIN BOLT WITH ADJUSTABLE OFFSET PILL
- BLACK FIBERGLASS SEAT
- ALUMINUM FLOOR TRAY
- DOUGLAS SPUN ALUMINUM WHEELS
- THREE POSITION ADJUSTABLE REAR RIDE HEIGHT WITH UNIQUE BEARING CASSETTE DESIGN
- FRONT ADJUSTABLE RIDE HEIGHT WITH SELF CENTERING WASHERS
- BILLET ALUMINUM THROTTLE AND BRAKE PEDALS
- QUICK RELEASE FUEL TANK, AVAILABLE IN 3.5 OR 8.5 LITER
- YOUR CHOICE OF KG CIK BODYWORK INCLUDING EVO, UNICO OR BURU, MANY COLORS AVAILABLE, PLASTIC REAR BUMPER OPTIONAL UPGRADE
- KG SUEDE WRAPPED PADDED ROUND STEERING WHEEL AVAILABLE IN THREE COLORS
- REMOVABLE FRONT TORSION BAR AND CLAMPS AVAILABLE, SOLD SEPARATE
- TUBING IS CUT, COPED, WELDED, PAINTED AND THE FRAME ASSEMBLED IN THE USA!

EAGLE ROLLING CHASSIS WITH DOUGLAS WHEELS, BLACK FIBERGLASS SEAT, 1 1/4" AXLE ASSEMBLY, KG BODYWORK, FUEL TANK, FRONT AND REAR WHEEL HUBS

TIRES SOLD SEPARATELY

UPGRADES AVAILABLE, CALL FOR PRICING



**CRG Racing Karts**



**CRG RACING KARTS**

ALL CRG 100CC AND 125CC KARTS COME WITH CIK BODYWORK, 5" WHEELS, HUBS, FUEL TANK, STEERING WHEEL, FIBERGLASS SEAT, 30, 40 OR 50MM AXLE ASSEMBLY DEPENDING ON MODEL, MOUNTING HARDWARE, STICKER KIT

ROAD REBEL 100CC AND 125CC, BAD BOY, BLACK STAR, DARK RIDER, KT1, KALIFORNIA, CADET AND MORE - CALL FOR CHASSIS OPTIONS AND PRICING

**Comet Chassis Parts**

**Quicksilver Chassis Parts**

1. NERF BARS, WKA LEGAL, CHROME, LARGE DOUBLE RAIL, MACH 1 OR II, EXP \$175.00 SET
2. NERF BARS, LTO DOUBLE RAIL, CHROME LEFT HAND ONLY \$45.00
3. FRONT BUMPER, MACH 1 OR II, EXP, LTO, TALL \$49.95, OLD LOWER STYLE \$25.00
4. COMET LTO OVAL REAR BUMPER \$19.00
5. NERF BAR, CKS PRO KART, SMALL \$5.00
6. COMET QUICK ADJUST KING PIN BOLT 3/8" \$31.00 EACH
7. COMET WELD-ON CASTOR ADJUSTER KIT \$75.00 PER SIDE
8. SPINDLE, MACH 1 OR II, EXP, LTO, MACH 1 ROOKIE KART, ALL WITH KING PIN BEARINGS 5" LONG \$65.00 EACH
9. PEDALS, MACH 1 OR II, EXP, LTO, FITS ANY KART, CHROME PLATED \$23.00 EACH
10. COMET SPINDLE YOKES, FOR QUICK ADJ. KP BOLT \$19.50
11. REAR AXLE BEARING HANGER, WELD ON \$18.00, BRAKE CALIPER BRACKET \$12.00
12. MACH 2000 NERF BARS \$65.00 PAIR
13. MACH 2000 GOLD ANODIZED FLOOR PAN \$39.95
14. MACH 2000 FRONT BUMPER \$49.95
15. MACH 2000 12 DEGREE SPINDLES \$65.00 EACH
16. CHALLENGER RH WELD ON BEARING HANGER \$22.00
17. EDGE CLASSIC FLOOR TRAY ANODIZED \$36.00, ALUMINUM \$29.00
18. CHALLENGER FLOOR TRAY SILVER \$29.00, BLACK \$36.00
19. CHALLENGER STEERING SHAFT \$39.50
20. CHALLENGER REAR BUMPER \$49.95, BIG HOOP EXTENDED \$69.95
21. COMET MERCURY AND ION FLOOR TRAY \$65.00

1. QUICKSILVER PARTS, TIE ROD \$12.50, TANK RUBBER GROMMETS 7/8"ID x 1 1/2" OD \$.35
2. QUICKSILVER PARTS, LATE MODEL 1989-1993 ENDURO PARTS SPINDLE \$65.00, TIE ROD ASSEMBLY W/ ENDS \$29.00 EACH, CHROME PEDAL \$23.00 EACH, FRONT BUMPER \$85.00, REAR BUMPER \$99.00

**ALL CLOSE OUTS**

**Talon Chassis Parts**

1. TALON PEDAL, SPECIFY BRAKE OR THROTTLE \$32.00
2. STEERING UPRIGHT \$25.95
3. 7/16" KINGPIN BEARING \$3.00
4. 7/16" KINGPIN BOLT \$6.25
5. 7/16" KINGPIN WASHER \$1.50
6. 7/16" HYME JOINT \$9.00
7. SHORT CASTLE NUT FOR 7/16" HYME \$4.00
8. JAM NUT FOR 7/16" HYME \$2.00
9. SPINDLE SPACER 3/4" x 1/4" OR 3/4" x 1/8" \$2.50
10. TALON ALUMINUM SPINDLE BRACKET WITH UNIBALL \$55.00
11. TALON ALUMINUM BRAKE MOUNT BRACKET \$27.00
12. TALON STEERING SHAFT \$39.50
13. RIGHT HAND SEAT STRUT \$25.00
14. LEFT HAND SEAT STRUT \$25.00
15. TALON BLACK FLOOR TRAY \$36.00
16. TALON BLACK FOOT TRAY \$16.00
17. TALON AND CHALLENGER FRONT BUMPER, SALE \$69.00
18. TALON REAR BUMPER \$49.95

**Intrepid Chassis Parts**

**ALL INTREPID PARTS ARE CLOSE OUTS!**



1. PH2 FRONT SPINDLE 25MM DIAMETER \$132.00 SPECIFY LH OR RH



2. PD015TT-05 50MM BRAKE DISK HUB \$93.00



3. ST001TT-05 STEERING SHAFT LOCK \$7.50



4. INT0730-06 10MM CENTERED BOTTOM PILL \$9.25



5. 10MM TOP PILL CENTERED \$9.25



6. SAFETY CLIP \$.80



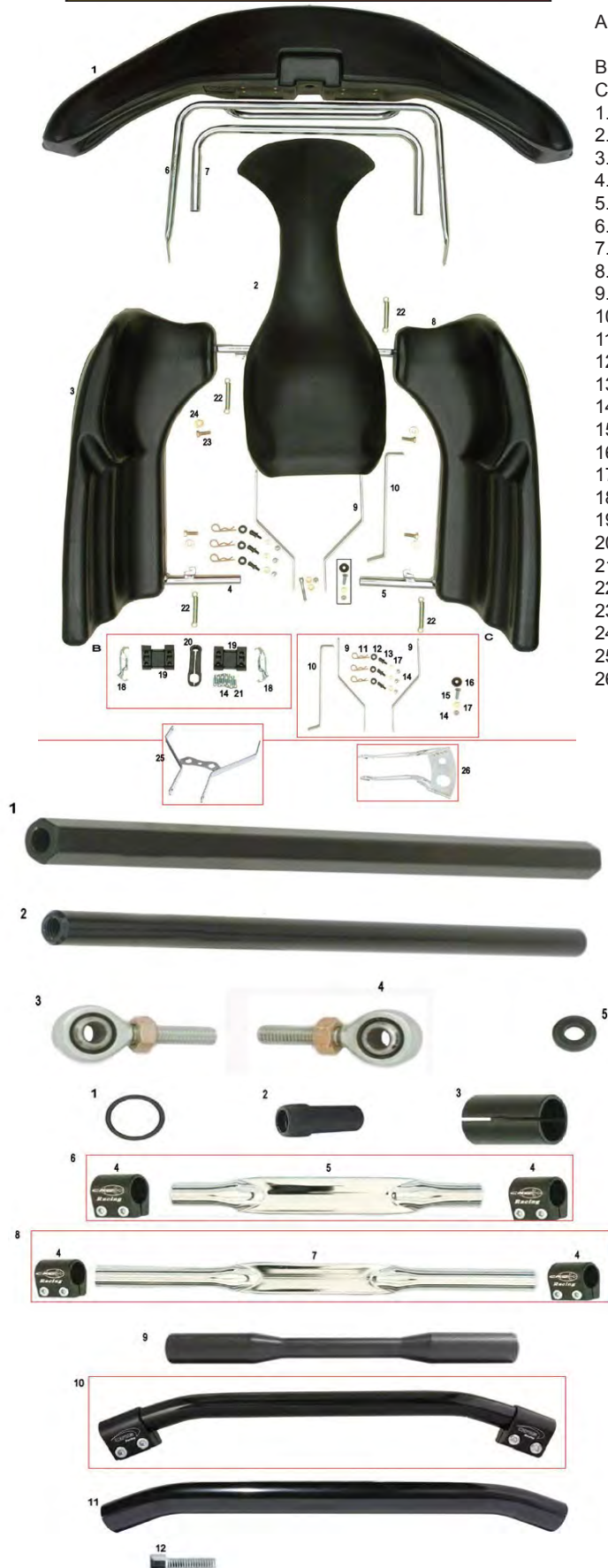
7. 50MM WHEEL HUB 75MM LONG \$71.00



8. REAR BRAKE CALIPER PISTON AND O-RING \$11.50



**CRG Chassis Parts**



**CAN'T FIND THE CRG PART THAT YOU NEED?**

**GIVE US A CALL!**

- A. CRG.01084 CRG NA2 BODYWORK KIT COMPLETE \$718.31
- FKO.01084 CRG NA2 PLASTIC BODYWORK ONLY \$277.77
- B. AFS.01643 CRG FRONT NOSE HARDWARE KIT \$76.08
- C. FK0.01645 CRG DRIVER PANEL MOUNTING KIT \$61.92
- 1. AFS.01617 CRG FRONT NOSE, BLACK \$86.69
- 2. AFS.01616 CRG DRIVER PANEL, BLACK \$35.38
- 3. AFS.1618S CRG SIDE POD LH, BLACK \$77.85
- 4. SC0.0095S SIDE NERF BAR, LH \$88.46
- 5. SC0.0095D SIDE NERF BAR, RH \$88.46
- 6. SC0.01635 TOP FRONT BUMPER BAR \$72.54
- 7. SC0.01355 LOWER FRONT BUMPER BAR \$31.85
- 8. AFS.1618D CRG SIDE POD RH, BLACK \$77.85
- 9. SC0.00098 TOP DRIVER PANEL MOUNT \$9.73
- 10. SC0.01644 BOTTOM DRIVER PANEL MOUNT \$9.73
- 11. SZ0.00102 DRIVER PANEL R-PIN \$4.60
- 12. AFS.00101 DRIVER PANEL RUBBER GROMMET \$1.06
- 13. SBN.00103 DRIVER PANEL SUPPORT BOLT \$3.54
- 14. AFN.00106 SHORT M6 LOCK NUT \$.30
- 15. AFN.00261 M6x20 FLAT HEAD BOLT \$.40
- 16. SAN.00249 BLACK CONICAL WASHER \$3.18
- 17. AFN.00105 M6 WASHER \$.30
- 18. AFS.00503 FRONT NOSE CLAMP \$18.58
- 19. AFS.00036 PLASTIC NOSE PLATE \$6.02
- 20. AFS.00504 CENTER NOSE PLASTIC SUPPORT \$9.91
- 21. AFN.00183 M6x20 SOCKET HEAD BOLT \$.40
- 22. FZ0.01439 SIDE NERF SPRING \$4.95
- 23. AFN.00909 M8x20 HEX HEAD BOLT \$.40
- 24. AFN.00129 M8 WASHER \$.20
- 25. FC0.02475 DRIVER PANEL SUPPORT FOR KF \$31.85
- 26. FC0.00793 DRIVER PANEL SUPPORT FOR ROTAX \$30.08
- 1. FAN.01808 HEX TIE ROD 165MM \$30.78
- 1. FAN.00718 HEX TIE ROD 190MM \$30.78
- 1. FAN.00717 HEX TIE ROD 200MM \$30.78
- 1. FAN.01538 HEX TIE ROD 207MM \$30.78
- 1. FAN.01441 HEX TIE ROD 210MM \$30.78
- 1. FAN.01539 HEX TIE ROD 217MM \$30.78
- 1. FAN.00995 HEX TIE ROD 220MM \$30.78
- 1. FAN.00546 HEX TIE ROD 230MM \$30.78
- 1. FAN.00813 HEX TIE ROD 240MM \$30.78
- 1. FAN.00814 HEX TIE ROD 250MM \$30.78
- 1. FAN.00822 HEX TIE ROD 260MM \$30.78
- 1. FAN.00815 HEX TIE ROD 265MM \$30.78
- 1. FAN.00612 HEX TIE ROD 270MM \$30.78
- 1. FAN.00816 HEX TIE ROD 275MM \$30.78
- 1. FAN.00045 HEX TIE ROD 280MM \$30.78
- 1. FAN.02027 HEX TIE ROD 285MM \$30.78
- 1. FAN.02028 HEX TIE ROD 330MM \$30.78
- 2. FAN.00070 ROUND TIE ROD 180MM \$24.77
- 3. AFS.0047D 8MM LEFT HAND HYME JOINT WITH JAM \$17.69
- 4. AFS.0047S 8MM RIGHT HAND HYME JOINT WITH JAM \$17.69
- 5. FBN.00252 ROD END SPACER 8.5x14x5 \$2.12
- 1. AFN.01440 O-RING SIDE BUMPER \$.27
- 2. SL1.02860 SIDE BUSHING FOR BUMPER LONG \$11.50
- 2. SL1.01349 SIDE BUSHING FOR BUMPER SHORT \$11.50
- 3. FBN.00733 TORSION BAR REDUCER 25MM \$19.46
- 4. FMN.00731 TORSION BAR CLAMP, 30MM \$23.00
- 5. FC0.01093 FRONT TORSION BAR 30MM x 300MM \$31.85
- 5. FC0.00730 FRONT TORSION BAR 25MM x 240MM \$31.85
- 6. CRG.01093 FRONT TORSION BAR 30MM x 300MM WITH CLAMPS \$77.85
- 6. CRG.00730 FRONT TORSION BAR 30MM x 300MM WITH CLAMPS \$116.77
- 7. FC0.01092 REAR TORSION BAR 30MM x 480MM \$31.85
- 7. FC0.00729 REAR TORSION BAR 25MM x 430MM \$31.85
- 8. CRG.01092 REAR TORSION BAR 30MM x 480MM WITH CLAMPS \$77.85
- 8. CRG.00729 REAR TORSION BAR 25MM x 430MM WITH CLAMPS \$116.77
- 9. FL1.00510 FRONT NYLON TORSION BAR 30MM x 300MM \$67.23
- 10. CRG.01658 DARK KNIGHT FRONT TORSION BAR WITH CLAMPS \$74.31
- 11. FVN.01658 DARK KNIGHT FRONT TORSION BAR \$31.85
- 12. AFN.02545 M8x20 SOCKET HEAD BOLT \$.60

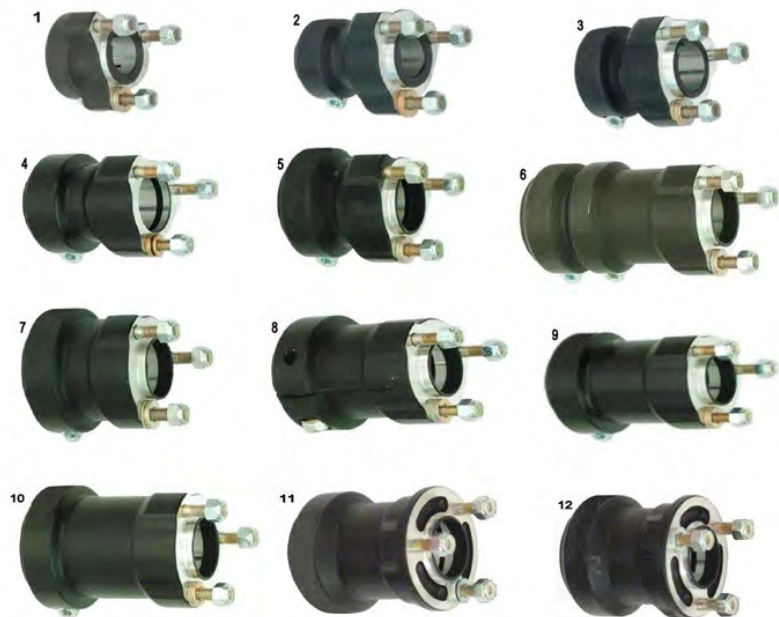
**CRG Chassis Parts Cont.**



- 1. CRG.00569 SPROCKET HUB 25MM \$92.00
- 2. FMN.00736 SPROCKET HUB 30MM \$93.77
- 3. FMN.00445 SPROCKET HUB 40MM \$93.77
- 4. FMN.00135 SPROCKET HUB 50MM \$95.54
- 5. CRG.00025 SPROCKET HUB 50MM FORGED \$102.62
- 6. FMG.00025 SPROCKET HUB 50MM GOLD LIGHT \$102.62
- 7. AFN.02154 M6x35 SOCKET HEAD BOLT \$.50



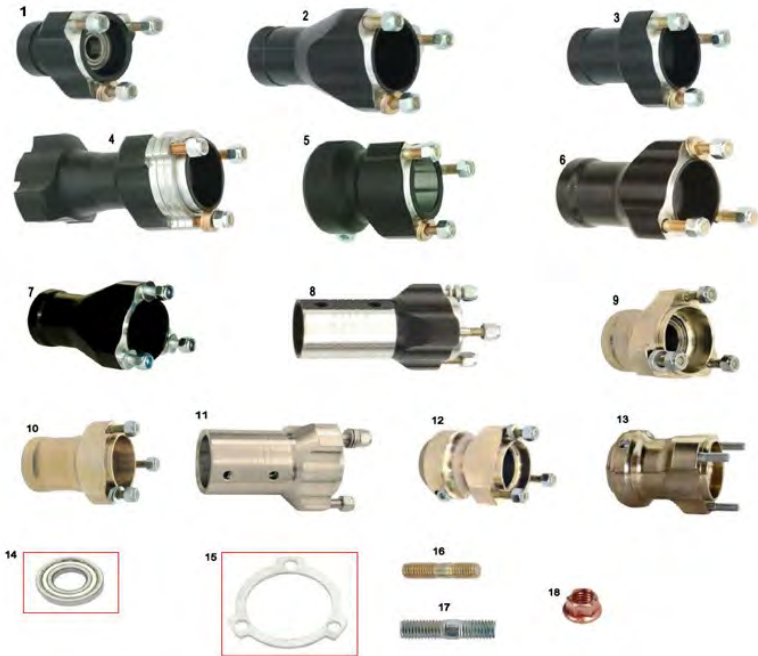
- 1. FC0.00060 STEERING SHAFT PUFFO \$59.27
- 2. FC0.00545 STEERING SHAFT MINI \$74.31
- 3. FC0.01513 STEERING SHAFT CRG 100/125 \$74.31
- 4. FC0.00883 STEERING SHAFT KF + HOLES \$74.31
- 5. AFS.00243 STEERING SHAFT BLOCK \$11.50
- 6. AFN.00154 UNIBALL CLIP 22MM \$.71
- 7. AFN.00153 UNIBALL 8MM \$14.00
- 8. FKN.00356 STEERING COLUMN BUSHING KIT \$18.00
- 9. FFN.00328 STEERING WHEEL HUB 100CC \$30.08
- 10. FAN.00893 STEERING WHEEL HUB KF/KZ \$44.23
- 11. FAN.01626 INCLINED STEERING WHEEL HUB KF/KZ \$60.15
- 12. AFS.00537 PUFFO STEERING WHEEL \$122.08
- 13. AFS.01955 MINI KART STEERING WHEEL \$265.38
- 14. AFS.02887 CRG STEERING WHEEL \$288.38



- 1. FMN.00568 REAR WHEEL HUB 25MM x 40MM \$70.77
- 2. FMN.00851 REAR WHEEL HUB 25MM x 75MM \$74.31
- 3. FMN.00850 REAR WHEEL HUB 30MM x 40MM \$70.77
- 3. FMN.00735 REAR WHEEL HUB 30MM x 75MM \$74.31
- 4. FMN.00847 REAR WHEEL HUB 40MM x 40MM \$70.77
- 5. FMN.00848 REAR WHEEL HUB 40MM x 75MM \$74.31
- 8. FMN.00881 REAR WHEEL HUB 40MM x 85MM \$79.62
- 6. FMN.00444 REAR WHEEL HUB 40MM x 105MM \$88.46
- 6. FMN.00849 REAR WHEEL HUB 40MM x 125MM \$92.00
- 7. FMN.00843 REAR WHEEL HUB 50MM x 75MM \$74.31
- 8. FMN.00845 REAR WHEEL HUB 50MM x 85MM \$79.62
- 9. FMN.00131 REAR WHEEL HUB 50MM x 95MM \$84.04
- 10. FMN.01721 REAR WHEEL HUB 50MM x 105MM \$88.46
- 11. FMN.01922 REAR WHEEL HUB 50MM x 95MM, FLANGE \$86.69
- 12. FMN.01923 REAR WHEEL HUB 50MM x 85MM, FLANGE \$86.69



**CRG Chassis Parts Cont.**



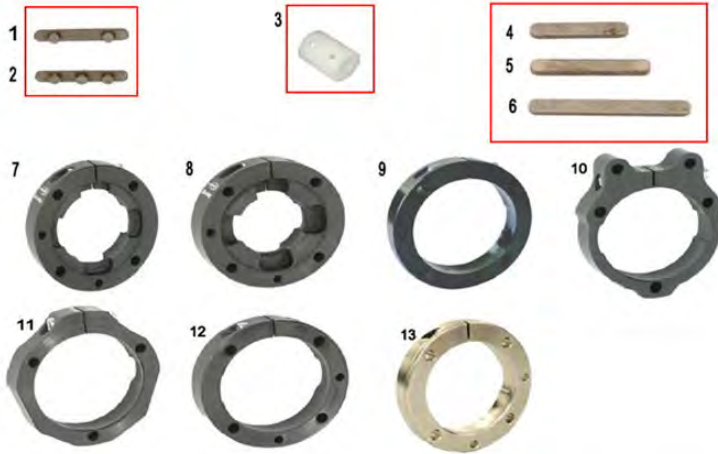
1. FMN.00840 FRONT WHEEL HUB 17MM, SHORT, CRG PATTERN \$81.38
2. FMN.00841 FRONT WHEEL HUB 17MM, LONG, CRG PATTERN \$92.00
3. FMN.00124 FRONT WHEEL HUB 17MM, MEDIUM, CRG PATTERN \$86.69
4. FMN.00475 VEN99 FRONT BRAKE HUB 17MM \$106.15
5. FMN.00321 SHIFTER FRONT HUB 40x80MM \$75.19
6. FMN.01762 FRONT WHEEL HUB 25MM x 80MM, CRG PATTERN \$99.08
7. FMN.01773 FRONT WHEEL HUB 25MM, CRG PATTERN \$92.00
8. FMN.01865 SHIFTER FRONT WHEEL HUB 25MM, CRG PATTERN \$99.08
9. AFS.01498 MAGNESIUM FRONT HUB 25x68MM, CRG PATTERN \$111.46
10. AFS.01490 MAGNESIUM FRONT HUB 25x83MM, CRG PATTERN \$111.46
11. AFS.01491 MAGNESIUM FRONT HUB 25x99MM, CRG PATTERN \$111.46
12. AFS.01521 MAGNESIUM FRONT HUB 40x76MM, CRG PATTERN \$107.92
13. AFS.01089 MAGNEIUM FRONT HUB 40x96MM, CRG PATTERN \$111.46
14. AFN.00008 17MM FRONT WHEEL BEARING \$4.50
15. AFN.01750 25MM FRONT WHEEL BEARING \$5.50
16. SL1.00477 VEN99 SHIFTER HUB WHEEL SPACER \$8.14
17. AFS.00126 8MM WHEEL STUD \$1.95
18. AFN.00520 COPPER COLORED WHEEL NUT \$1.15



1. FV0.00054 PUFFO FLOOR TRAY \$43.35
2. FAN.00873 BABY NEW AGE FLOOR TRAY \$129.15
3. FAN.02423 MINI NA3 FLOOR TRAY \$129.15
4. FAN.00544 MINI NEW AGE FLOOR TRAY \$129.15
5. FAN.01565 MINI JUNIOR FLOOR TRAY \$129.15
6. FAN.00716 MINI CLASS FLOOR TRAY \$129.15
6. CRG.00716 MINI CLASS FLOOR TRAY WITH STICKER \$180.46
7. FAN.00680 HERO EVO FLOOR TRAY \$129.15
7. CRG.00680 MINI HERO 1 FLOOR TRAY WITH STICKER \$180.46
8. FAN.02438 MINI HERO FLOOR TRAY \$129.15
8. CRG.02438 MINI HERO FLOOR TRAY WITH STICKER \$180.46
9. FAN.02920 ROAD REBEL T FLOOR TRAY \$129.15
9. CRG.02920 ROAD REBEL T FLOOR TRAY WITH STICKER \$180.46
10. FAN.01507 HAVANA REBEL, BLACK STAR, BAD BOY TRAY \$129.15
10. CRG.01507 HAVANA FLOOR TRAY WITH STICKER \$180.46
10. CRG.01508 KT1 101 DD2 FLOOR TRAY WITH STICKER \$180.46
11. FAN.00039 ROAD REBEL FLOOR TRAY \$129.15
12. FAN.00388 KALIFORNIA FLOOR TRAY \$129.15
12. CRG.00388 KALIFORNIA FLOOR TRAY WITH STICKER \$180.46
13. FAN.00872 BLACK HAWK FLOOR TRAY \$129.15
14. CRG.03021 KT1, BLACK STAR FLOOR TRAY WITH STICKER \$180.46
15. CRG.02905 DARK KNIGHT FLOOR TRAY WITH STICKER \$180.46
16. FAN.02256 EXTENDED PORCH FLOOR TRAY \$46.00
17. AFS.00258 RUBBER GROMMET \$.40

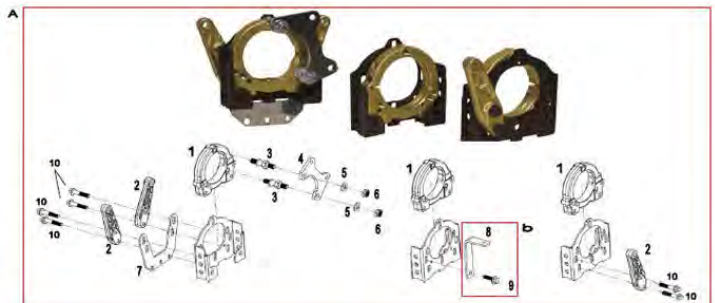


**CRG Chassis Parts Cont.**

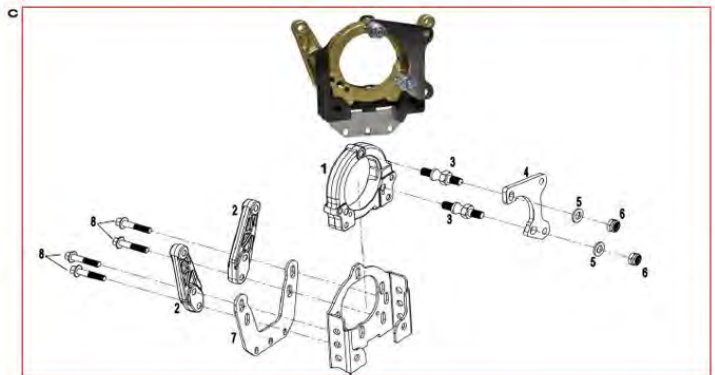


- 1. AFS.00246 TWO PEG AXLE KEY \$8.85
- 2. AFS.00247 THREE PEG AXLE KEY \$10.62
- 4. AFS.01019 8x5x50MM AXLE KEY \$6.50
- 5. AFS.00664 8x7x60MM AXLE KEY \$6.50
- 6. AFS.00665 8x7x80MM AXLE KEY \$6.50
- 7. FMN.01531 30MM BEARING CASSETTE MINI NA, 4 HOLE \$63.69
- 8. FMN.01683 25MM BEARING CASSETTE MINI NA, 4 HOLE \$63.69
- 9. FMN.02413 30MM BEARING CASSETTE MINI NA3, 4 HOLE \$63.69
- 10. FMN.00449 40MM BEARING CASSETTE, 3 HOLE \$35.38
- 11. FMN.00158 50MM BEARING CASSETTE, 3 HOLE \$63.69
- 12. FMN.01426 50MM BEARING CASSETTE, 4 HOLE \$67.23
- 13. AFS.01494 50MM MAGNESIUM CASSETTE, 80MM ID \$68.12

- A. FK0.02951 50MM BEARING CASSETTE, FORGED SYSTEM 2 \$345.00
- A. FK0.02940 50MM BEARING CASSETTE, FORGED SYSTEM 4 \$345.00
- A. FK0.02939 50MM BEARING CASSETTE, FORGED SYSTEM 6 \$345.00
- A. FK0.02869 50MM BEARING CASSETTE, FORGED SYSTEM 8 \$345.00
- 1. FMG.02951 BEARING CASSETTE, SYSTEM 2 \$88.46
- 1. FMG.02940 BEARING CASSETTE, SYSTEM 4 \$88.46
- 1. FMG.02939 BEARING CASSETTE, SYSTEM 6 \$88.46
- 1. FMG.02886 BEARING CASSETTE, SYSTEM 8 \$88.46
- 2. FAG.00983 SEAT SUPPORT REINFORCEMENT \$26.54
- 3. SZ0.00609 M10x23 PIVOT FOR SUPPORT \$3.80
- 4. FC0.02869 VEN05 REAR BRAKE CALIPER PLATE \$37.15
- 5. AFN.01637 M10x20x2 WASHER \$.30
- 6. AFN.00657 M10 SHORT LOCK NUT \$.50
- 7. AML.02872 BRAKE DISC PROTECTION SUPPORT \$19.28
- 8. FZ0.02566 KZ CHAIN GUARD SUPPORT \$12.91
- 9. AFN.00968 M8x25 FLANGED BOLT \$.60
- 10. AFN.00284 M8x40 FLANGED BOLT \$1.05

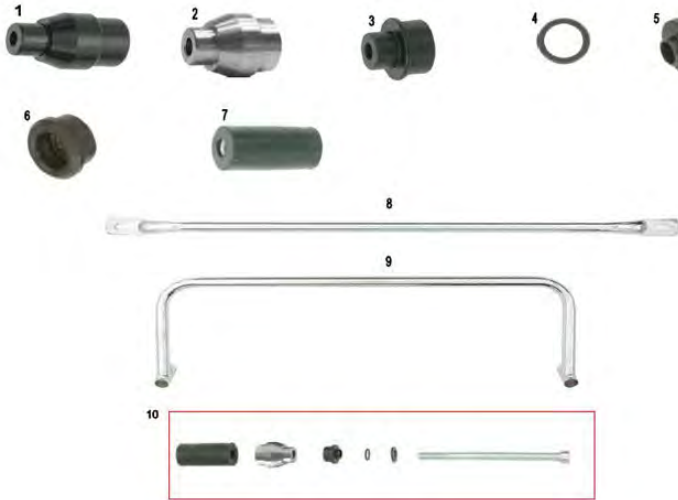


- C. FMG.02886 DD2 BEARING CASSETTE, FORGED SYSTEM 8 \$169.85
- 1. FMG.02886 BEARING CASSETTE, ADJUST SYSTEM 8 \$88.46
- 2. FAG.00983 SEAT SUPPORT REINFORCEMENT \$26.54
- 3. SZ0.00609 M10x23 PIVOT FOR SUPPORT \$3.80
- 4. FZ0.00942 DD2 VEN05 REAR BRAKE CALIPER SUPPORT \$11.32
- 5. AFN.01637 M10x20x2 WASHER \$.30
- 6. AFN.00657 M10 SHORT LOCK NUT \$.50
- 7. AML.02872 BRAKE DISC PROTECTION SUPPORT \$19.28
- 8. AFN.00284 M8x40 FLANGED BOLT \$1.05



- 1. FM0.02193 EXHAUST CRADLE MINI, COMPLETE \$42.46
- SZ0.00123 EXHAUST CRADLE \$26.54
- AFS.00088 EXHAUST CRADLE RUBBER GROMMET \$2.83
- SZ0.00122 EXHAUST CRADLE SPRING \$4.07
- 2. FM0.00121 EXHAUST CRADLE SUPPORT \$53.08
- 3. FM0.01873 EXHAUST CRADLE SUPPORT, MINI \$53.08
- 4. AFS.01119 EXHAUST CRADLE CAP \$.65
- 5. FAN.00983 EXHAUST PLATE FOR CRADLE \$26.54
- 6. SZ0.01537 EXHAUST SUPPORT PLATE \$9.73

**CRG Chassis Parts Cont.**



- 1. SAN.00564 INTERNAL BUMPER BUSHING 28MM \$9.73
- 1. SAN.01143 INTERNAL BUMPER BUSHING 30MM \$9.73
- 1. SAN.01117 INTERNAL BUMPER BUSHING 30MM \$9.73
- 3. SAN.01219 INTERNAL BUMPER BUSHING 25MM \$9.73
- 3. SAN.01193 INTERNAL BUMPER BUSHING 28MM \$9.38
- 3. SAN.01195 INTERNAL BUMPER BUSHING 30MM \$9.73
- 3. SAN.01194 INTERNAL BUMPER BUSHING 32MM \$9.38
- 4. AFN.00116 O-RING FOR REAR BUMPER \$.20
- 5. SBN.00119 EXTERNAL BUMPER BUSHING, STEEL \$6.82
- 6. SAN.01147 EXTERNAL BUMPER BUSHING, ALUMINUM \$6.19
- 7. AFS.01381 REAR BUMPER RUBBER 25MM \$8.36
- 7. AFS.00563 REAR BUMPER RUBBER 28MM \$8.67
- 7. AFS.01382 REAR BUMPER RUBBER 30MM \$8.36
- 7. AFS.00115 REAR BUMPER RUBBER 32MM \$8.67
- 8. FC0.00728 LOWER BUMPER BAR 550MM \$27.30
- 8. FC0.00856 LOWER BUMPER BAR 580MM \$28.31
- 8. FC0.00392 LOWER BUMPER BAR 610MM \$27.30
- 8. FC0.00112 LOWER BUMPER BAR 615MM \$28.31
- 8. FC0.00854 LOWER BUMPER BAR 630MM \$27.30
- 9. FC0.00727 METAL REAR BUMPER 550MM \$88.46
- 9. FC0.00855 METAL REAR BUMPER 580MM \$85.30
- 9. FC0.01414 METAL REAR BUMPER 590MM \$88.46
- 9. FC0.00391 METAL REAR BUMPER 610MM \$85.30
- 9. FC0.00109 METAL REAR BUMPER 620MM \$88.46
- 9. FC0.00853 METAL REAR BUMPER 630MM \$85.30
- 10. FKN.00562 REAR BUMPER HARDWARE KIT 28MM \$51.18
- 10. FKN.00960 REAR BUMPER HARDWARE KIT 30MM \$53.08
- 10. FKN.00113 REAR BUMPER HARDWARE KIT 32MM \$51.18
- AFN.00108 WASHER M8x18x2 \$.20
- AFN.02476 M8x130 SOCKET HEAD BOLT \$3.41

Axle Code	Hardness	Wall Thickness
S-20	60	2.0mm
S-25	80	2.5mm
T-3	90	2.0mm
T-6	100	2.0mm
T-1	120	2.5mm
T-4	130	2.5mm
M-20	160	2.0mm
T-2	200	2.0mm
T-5	230	2.0mm

- FL1.00395 PUFFO 25MM AXLE \$70.77
- FBN.01530 30MM NEW AGE M AXLE \$230.00
- FBN.01530H 30MM NEW AGE H AXLE \$230.00
- FBN.01530SS 30MM NEW AGE S AXLE \$230.00
- FBN.00446 40MM STANDARD M AXLE \$230.00
- FBN.01663K 40MM DD2 AXLE 1040 K \$230.00
- FBN.01663 40MM DD2 AXLE 1040 M \$230.00
- FBN.01663S 40MM DD2 AXLE 1040 S \$230.00
- 8. 50MM AXLE S20, S25, M20, M25 \$230.00
- 8. 50MM AXLE 1040MM LONG, T1, T2, T3, T4, T5, T6, T7 \$265.38
- 1020, 1040, 1060MM LONG, REINFORCED AVAILABLE
- 8. AFTERMARKET CRG 50MM AXLE, 1030MM LONG, KEYED FOR 100CC AND 125CC, MADE IN ITALY, DIRECT REPLACEMENT BLACK FINISH, T3 SOFT, S25 SOFT/MED, M20 MEDIUM, T1 MEDIUM HARD, T2 HARD, T5 EXTRA HARD \$164.73



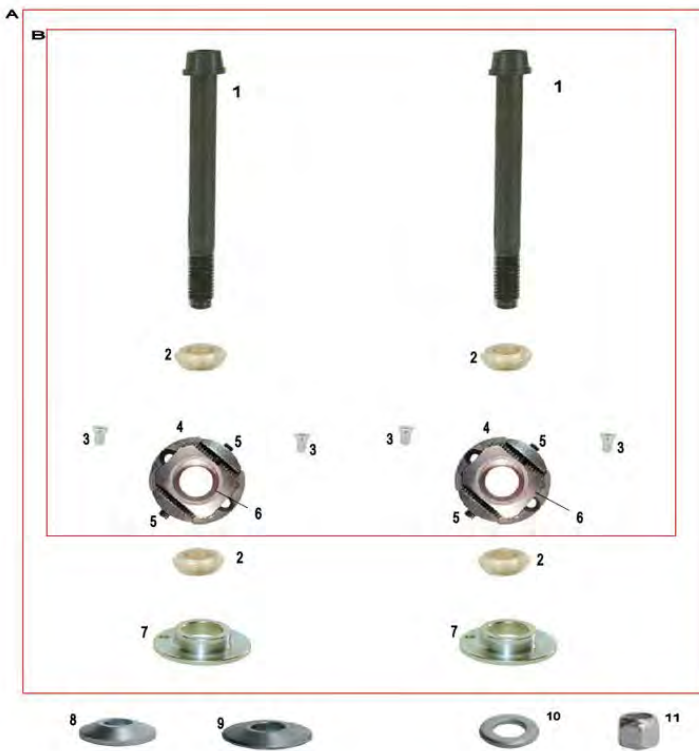
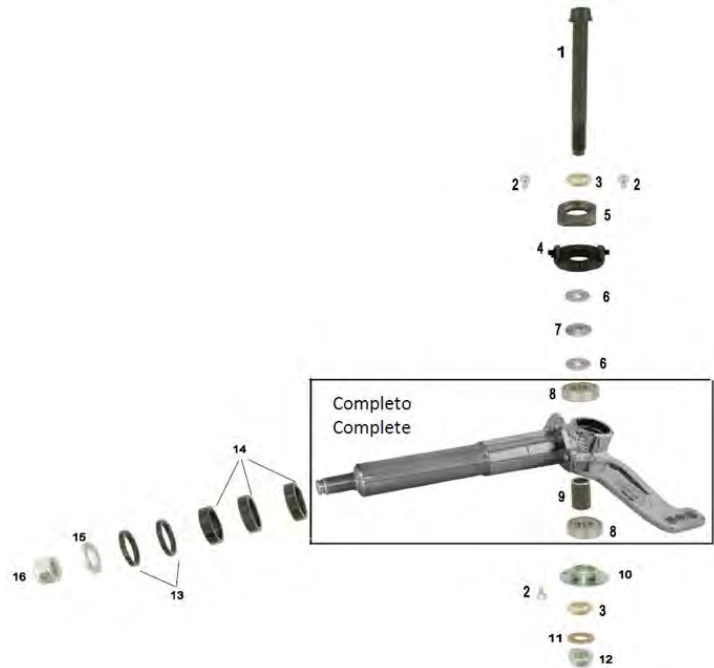
**17MM SPINDLE SHAFT, 8MM KINGPIN BOLT**

- 1. FZ0.01603 8 HOLE CASTOR PILL \$16.81
- 2. FL2.2467D 6 HOLE CASTOR PILL, RH \$14.15
- FL2.2467S 6 HOLE CASTOR PILL, LH \$14.15
- 3. FZ0.01351 2 HOLE CASTOR PILL, RAIN \$12.38
- 4. FZ0.01352 1 HOLE CASTOR PILL \$10.62
- 5. FZ0.01353 CENTER PILL \$10.62
- 6. FBN.01197 KINGPIN BOLT M8x75 \$8.67
- 7. FBN.00176 KINGPIN BOLT M8x85 \$8.67
- 8. FBN.00063 KINGPIN BOLT M8x100 \$8.67
- 9. FBN.00064 M8x18x4 KINGPIN BOLT SPACER \$2.12
- 10. SBN.00089 M8x7 INTERNAL SPACER \$2.21
- 11. SL1.00056 M8x12 INTERNAL SPACER \$1.95
- 12. SL1.01043 M8x26 INTERNAL SPACER, MINI \$2.21
- 13. FAN.00068 SPINDLE SPACER M17x4MM, BLACK \$3.54
- 14. FAN.00066 SPINDLE SPACER M17x8MM, BLACK \$5.31
- 15. AFN.00278 M4x6 SOCKET HEAD BOLT \$.35
- 16. FZ0.02450 M8 SPHERICAL CASTOR INSERT \$5.67
- 17. AFS.02352 CASTOR PLATE SUPPORT A \$20.70
- 18. AFS.02353 CASTOR ADJUSTER PLATE B \$10.44
- 19. FZ0.01607 KINGPIN SPACER 10x28x6 FLAT \$2.12
- 20. FZ0.01769 KINGPIN SPACER 10x28x3 FLAT \$2.12
- 20. FZ0.01719 KINGPIN SPACER 10x28x6 CONICAL \$2.48
- 21. FZ0.01602 SPHERICAL CENTER CAM \$10.62
- 22. AFN.00108 WASHER M8x18x2 \$.20
- 23. AFN.00128 M8 TALL LOCKING NUT \$.30
- 24. AFN.00055 8MM KINGPIN BEARING \$3.00
- 25. AFN.01564 SPINDLE SHAFT END M15 WASHER \$.55
- 26. AFN.00058 M14 LOCKING NUT FOR SPINDLE SHAFT \$1.40

**CRG Chassis Parts Cont.**

**25MM SPINDLE SHAFT, 10MM KINGPIN BOLT - VEN05**

1. FBN.02401 KINGPIN BOLT M10x110 \$8.67
1. FBN.02755 KINGPIN BOLT M10x120 \$8.67
2. AFN.02389 M4x10 SOCKET HEAD BOLT \$.45
3. FZ0.02450 M10 SPHERICAL CASTOR INSERT \$5.66
4. AFS.02352 CASTOR PLATE SUPPORT A \$20.70
5. AFS.02353 CASTOR ADJUSTER PLATE B \$10.44
6. FZ0.01607 KINGPIN SPACER 10x28x6 FLAT \$2.12
6. FZ0.01769 KINGPIN SPACER 10x28x3 FLAT \$2.12
7. FZ0.01719 KINGPIN SPACER 10x28x6 CONICAL \$2.48
8. AFN.00959 M10 KINGPIN BEARING \$3.50
9. SBN.01605 M10x24 BEARING CRUSH SPACER \$2.21
10. FZ0.01602 CENTERED PILL \$10.62
11. AFN.00108 M8x15x4 WASHER \$.20
12. AFN.00128 M8 TALL LOCK NUT \$.30
13. FAN.01738 25MM x 4MM SPINDLE SHAFT SPACER \$4.61
14. FAN.01739 25MM x 8MM SPINDLE SHAFT SPACER \$6.19
15. AFN.01564 SPINDLE END WASHER M15x30x2.5 \$.55
16. AFN.00058 SPINDLE SHAFT M14x1.5 LOCK NUT \$1.40



- A. FK0.02352 SNIPER CASTOR KIT FOR CRG M10 \$143.31  
 B. FK0.02353 SNIPER CASTOR KIT FOR CRG M10 (TOP ONLY) \$95.54
1. FBN.02401 M10x110 KING PIN BOLT \$8.67
  2. FZ0.02450 SPHERICAL BUSHING M10 \$5.66
  3. AFN.02389 M4x10 SOCKET HEAD BOLT \$.45
  4. AFS.02352 CASTOR PLATE SUPPORT A \$20.70
  5. AFN.02390 M5x10 SET SCREW \$.65
  6. AFS.02353 CASTOR ADJUSTER PLATE B \$10.44
  7. FZ0.01602 CENTER BOTTOM PILL \$10.62
  8. FZ0.01607 KINGPIN SPACER 10x28x6 FLAT \$2.12
  9. FZ0.01719 KINGPIN SPACER 10x28x6 CONICAL \$2.48
  10. AFN.01637 WASHER M10x20x2 \$.30
  11. AFN.00657 M10 LOCK NUT \$.35



- A. FK0.02666 SNIPER CASTOR KIT FOR CRG M8, MINI \$143.31
1. FBN.02391 M8x110 KING PIN BOLT \$8.67
  2. FZ0.02666 SPHERICAL BUSHING M8 \$5.66
  3. FZ0.02664 KINGPIN SPACER 8x28x4 FLAT \$2.48
  4. FZ0.02665 KINGPIN SPACER 8x28x4 CONICAL \$2.48
  5. AFN.02389 M4x10 SOCKET HEAD BOLT \$.45
  6. AFS.02352 CASTOR PLATE SUPPORT A \$20.70
  7. AFN.02390 M5x10 SET SCREW \$.65
  8. AFS.02353 CASTOR ADJUSTER PLATE B \$10.44
  9. AFN.02148 M4x10 SOCKET HEAD BOLT \$.45
  10. FZ0.02729 CENTER BOTTOM PILL \$10.62



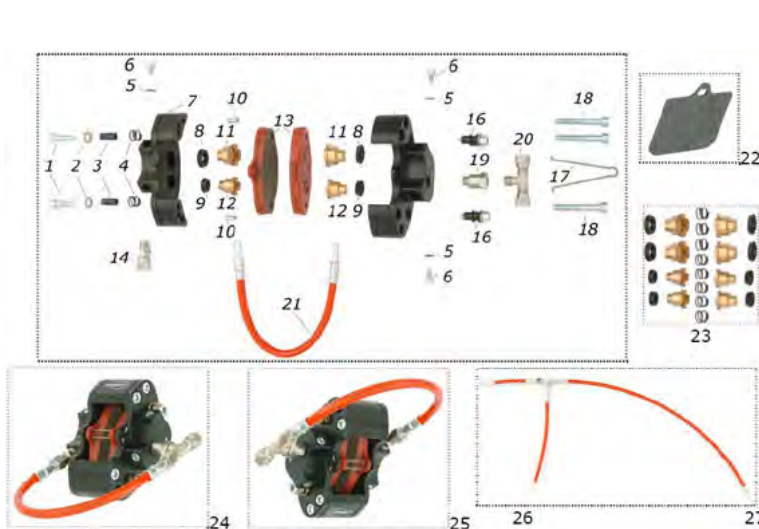
**CRG Chassis Parts Cont.**



- 1. FM0.0710S SPINDLE, MINI NA3, LH \$138.00
- 1. FM0.0710D SPINDLE, MINI NA3, RH \$138.00
- 2. FM0.0547S SPINDLE, MINI BABY, LH \$138.00
- 2. FM0.0547D SPINDLE, MINI BABY, RH \$138.00
- 3. FM0.0719S SPINDLE, MINI CLASS, LH \$138.00
- 3. FM0.0719D SPINDLE, MINI CLASS, RH \$138.00
- 4. FM0.2008S SPINDLE, VEN08, M8x17, LH \$150.38
- 4. FM0.2008D SPINDLE, VEN08, M8x17, RH \$150.38
- 4. FM0.0054S SPINDLE, KF, M8x17, LH \$138.00
- 4. FM0.0054D SPINDLE, KF, M8x17, RH \$138.00
- 5. FM0.2865S SPINDLE, KZ, M10x25, LH \$159.23
- 5. FM0.2865D SPINDLE, KZ, M10x25, RH \$159.23
- 5. FM0.2001S SPINDLE, KZ, M10.5x25, LH \$159.23
- 5. FM0.2001D SPINDLE, KZ, M10.5x25, RH \$159.23
- 6. FM0.2866S SPINDLE, KF, M10x25, LH \$153.92
- 6. FM0.2866D SPINDLE, KF, M10x25, RH \$153.92
- 6. FM0.2000S SPINDLE, KF, M10.5x25 LH \$153.92
- 6. FM0.2000D SPINDLE, KF, M10.5x25 RH \$153.92

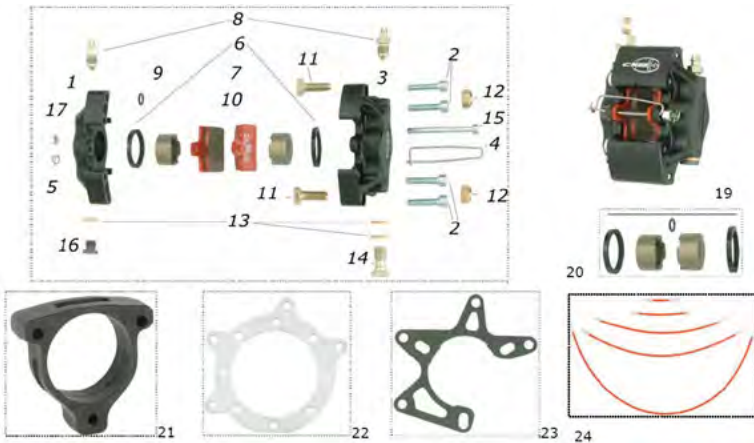


- VEN99 REAR BRAKE CALIPER**
- FM0.00412 INCLUDES 1, 2, 3, 4 BRAKE PAD RETURN SPRING KIT \$7.30
- 1. AFN.00137 M6x35 SOCKET HEAD CAP SCREW \$.95
  - 2. AFN.00105 FIBER WASHER 6MM \$.65
  - 3. SBN.00413 REAR BRAKE PAD SPRING SPACER \$2.50
  - 4. SBN.00415 REAR BRAKE PAD SPRING \$5.00
  - 5. AFN.00402 FIBER WASHER 5MM \$.65
  - 7. SAN.0400D REAR CALIPER RIGHT SIDE, BLACK \$130.00
  - 8. AFS.00405 PISTON SEAL SMALL 19MM \$8.50
  - 9. AFS.00406 PISTON SEAL LARGE 22MM \$8.50
  - 11. SL1.00417 REAR CALIPER PISTON SMALL \$12.00
  - 12. SL1.00419 REAR CALIPER PISTON LARGE \$12.00
  - 13. AFS.00407 REAR BRAKE PAD \$80.00 PAIR
  - 14. AFN.00409 BRAKE CALIPER L FITTING \$13.95
  - 15. SAN.0400D REAR CALIPER LEFT SIDE, BLACK \$128.00
  - 16. FM0.00412 BRAKE PAD RETURN SPRING \$7.50
  - 17. AFS.00408 BRAKE PAD CALIPER PIN \$3.00
  - 18. AFN.00368 M6x40 SOCKET HEAD CAP SCREW \$.95
  - 19. AFN.00207 M5x8 BUTTON HEAD BOLT \$1.50
  - 20. SBN.00432 REAR BRAKE PAD SHIM \$3.50
  - 22. FM0.00400 COMPLETE REAR BRAKE CALIPER \$380.00



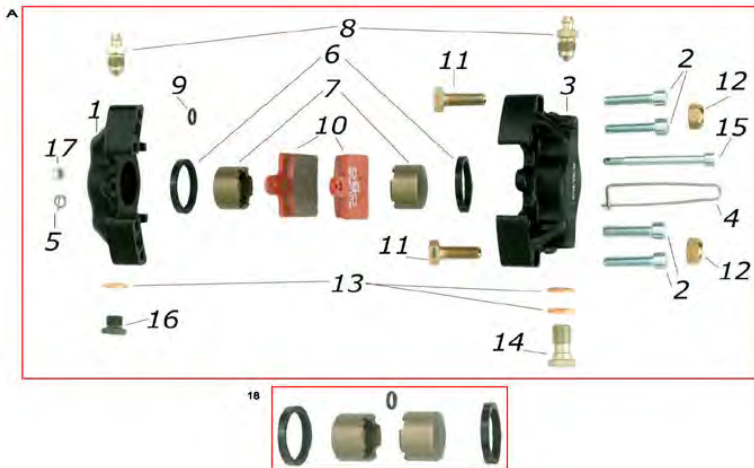
- VEN99 FRONT BRAKE CALIPER**
- 1. AFN.00281 SOCKET HEAD CAP SCREW \$.55
  - 2. AFN.00105 WASHER 6MM \$.50
  - 4. SBN.00469 FRONT BRAKE PAD SPRING \$5.25
  - 5. AFN.00402 FIBER WASHER 5MM \$.65
  - 7. SAN.0457D CALIPER HALF RIGHT HAND, BLACK \$95.00
  - 7. SAN.0457S CALIPER HALF LEFT HAND, BLACK \$95.00
  - 8. AFS.00460 PISTON SEAL 17MM \$8.50
  - 9. AFS.00459 PISTON SEAL 14MM \$8.50
  - 11. SL1.00473 FRONT CALIPER PISTON 17MM \$12.00
  - 12. SL1.00471 FRONT CALIPER PISTON 14MM \$12.00
  - 13. AFS.00461 FRONT BRAKE PAD \$60.00 PAIR
  - 14. AFS.00425 STRAIGHT FITTING \$13.95
  - 16. FM0.00466 FRONT PAD SPRING \$7.25
  - 17. AFS.00464 FRONT CALIPER SECURITY PIN \$3.00
  - 18. AFN.00137 M6x35 SOCKET HEAD CAP SCREW \$.55
  - 19. AFN.00484 NUT FOR FITTING \$4.00
  - 20. AFN.01367 T FITTING FOR BRAKE CALIPER \$13.95
  - 22. SZO.00462 FRONT PAD SPACER \$3.50
  - 24. FM0.0456D FRONT BRAKE CALIPER RH \$330.00
  - 25. FM0.0456S FRONT BRAKE CALIPER LH \$330.00
  - 26. AFS.00488 BRAKE LINE 670MM \$38.00
  - 26. AFS.00487 BRAKE LINE 1080MM \$44.00

**CRG Chassis Parts Cont.**



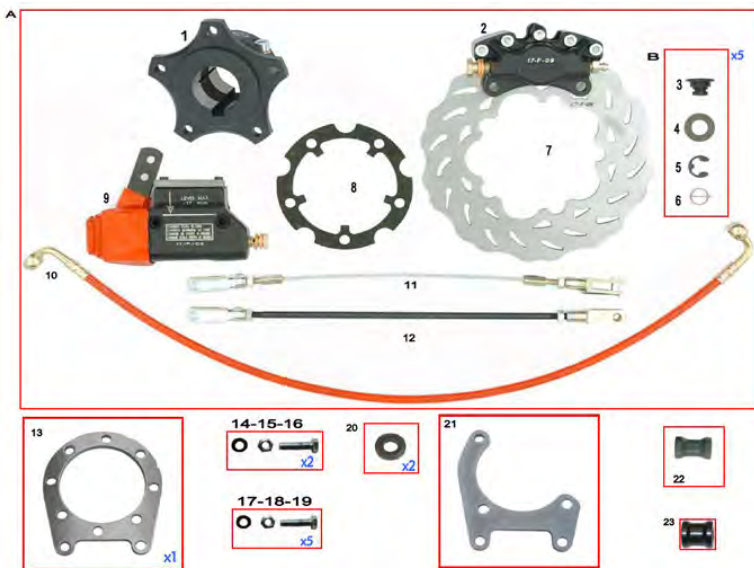
**VEN2000 FRONT/REAR BRAKE CALIPER**

- 4. AFS.00187 SAFETY PIN \$3.65
- 5. AFS.00203 ELASTIC PIN 6MM \$3.00
- 6. AFS.00179 PISTON SEAL \$4.50
- 8. SZO.00184 M10 BLEEDER \$3.50
- 9. AFN.00182 CALIPER O-RING \$1.50
- 10. AFN.00366 BRAKE PADS \$49.00 PAIR, \$96.00 4 PADS
- 11. AFN.00107 M8x25 SOCKET HEAD CAP \$.85
- 13. AFN.00186 COPPER WASHER \$.75
- 14. SZO.00185 FITTING 10MM \$3.00
- 16. SBN.00369 M10 CALIPER CAP \$3.00
- 19. FM0.0363D RH BRAKE CALIPER \$315.00
- 19. FM0.0363S LH BRAKE CALIPER \$315.00
- 20. CRG.00364 BRAKE CALIPER REBUILD KIT \$24.00
- 21. FAN.00529 BRAKE CALIPER SPACER \$89.00
- 22. FC0.01503 BRAKE CALIPER PLATE 4H \$40.00
- 23. FBN.00362 BRAKE CALIPER PLATE 3H \$40.00
- 24. AFS.00382 BRAKE TUBE 96MM BANJO \$20.00
- 24. AFS.00240 BRAKE TUBE 720MM BANJO \$38.00
- 24. AFS.00382 BRAKE TUBE 825MM BANJO \$38.00
- 24. AFS.00336 BRAKE TUBE 570-360-570MM BANJO \$85.00



**CRG NEW AGE CALIPER**

- A. FM0.00743 NEW AGE CALIPER COMPLETE \$265.38
- 1. SDN.0743D NEW AGE CALIPER HALF, RH \$92.88
- 2. AFN.00281 M6x30 SHCS BOLT \$.35
- 3. SDN.0743S NEW AGE CALIPER HALF, LH \$92.88
- 4. AFS.00187 VEN04 SAFETY PIN \$3.10
- 5. AFS.00203 E SAFETY PIN \$1.77
- 6. AFS.00179 PISTON SEAL \$3.00
- 7. SD1.00312 NEW AGE CALIPER PISTON \$18.58
- 8. SZO.00184 BLEEDER M10 VEN04 \$3.01
- 9. AFN.00182 O-RING BRAKE CALIPER \$1.50
- 10. AFS.01308 BRAKE PAD VENMINI \$31.85 EACH
- 11. AFN.00107 M8x25 SOCKET HEAD BOLT \$.55
- 12. AFN.00286 M8 METAL LOCKING NUT \$.50
- 13. AFN.00186 COPPER WASHER \$.55
- 14. SZO.00185 M10 FITTING \$2.50
- 15. SL1.00367 M5x55 SHCS BOLT \$1.59
- 16. SBN.00369 CALIPER CAP M10 \$3.00
- 17. AFN.00360 M5 METAL LOCKING NUT \$.20
- 18. CRG.00364 BRAKE CALIPER OVERHAUL KIT \$38.92

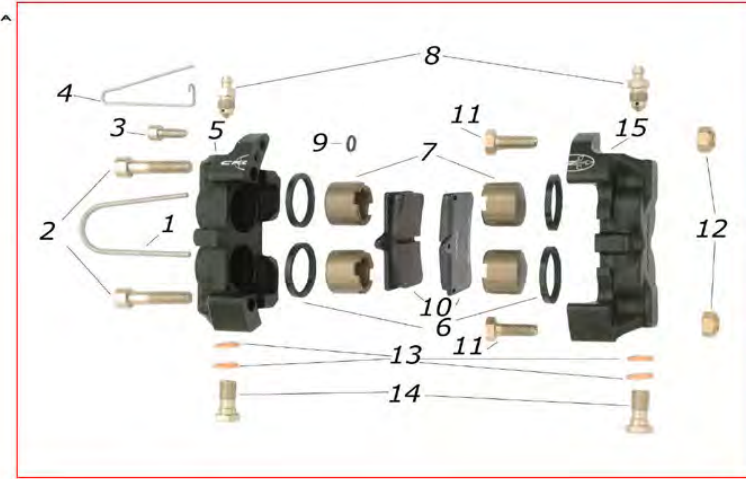


**CRG NEW AGE BRAKE SYSTEM**

- A. CRG.02918 MINI NEW AGE BRAKE SYSTEM, COMPLETE \$928.85
- B. FK0.00314 NEW AGE BRAKE BUSHING KIT COMPLETE \$8.67 EACH
- 1. FMN.00748 REAR BRAKE DISC HUB FOR 30MM AXLE \$79.62
- 2. FM0.00743 NEW AGE BRAKE CALIPER COMPLETE \$265.38
- 3. SBN.00314 BRAKE DISC PIN \$5.84
- 4. AFN.01677 BRAKE DISC PIN WASHER \$1.59
- 5. AFN.00231 E CLIP FOR BRAKE DISC PIN \$.53
- 6. AFS.00232 M10 SAFETY PIN \$1.77
- 7. SL1.02243 MINI BRAKE DISC \$150.38
- 8. SBN.01524 BRAKE DISC FLANGE \$38.92
- 9. FM0.00192 MASTER CYLINDER COMPLETE \$199.04
- 10. AFS.01533 BRAKE LINE 615MM \$32.73
- 11. FK0.00808 BRAKE SAFETY CABLE 330MM \$28.31
- 12. FK0.00704 BRAKE ROD KIT 330MM \$46.00
- 13. FC0.01482 NEW AGE MINI BRAKE CALIPER SUPPORT \$35.38
- 14. AFN.00047 M8 LOCKING WASHER \$.20
- 15. AFN.00286 M8 METAL LOCKING NUT \$.40
- 16. AFN.00307 M8x30 HEX HEAD BOLT \$.55
- 17. AFN.00136 M6 LOCKING WASHER \$.30
- 18. AFN.00234 M6 METAL LOCK NUT \$.30
- 19. AFN.00233 M6x20 HEX HEAD BOLT \$.35
- 20. FBN.00252 M8x14x5 SPACER \$2.12
- 21. FC0.02411 NA3 HERO BRAKE CALIPER SUPPORT \$35.38
- 22. FAN.01462 M8x21x18 HYBRID CALIPER SPACER \$3.54
- 23. FAN.01074 M8x16x16 MINI CALIPER SPACER \$3.54

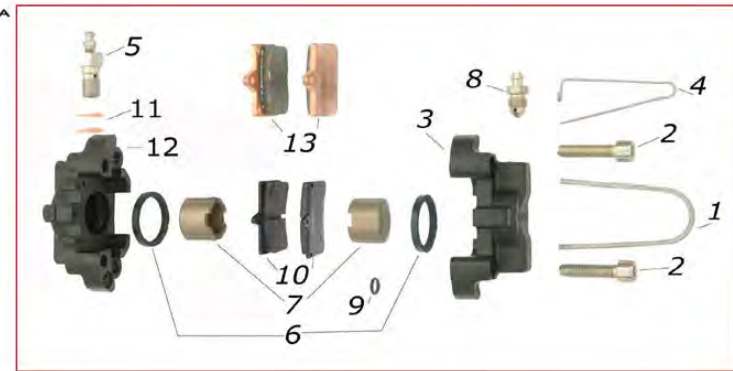


**CRG Chassis Parts Cont.**



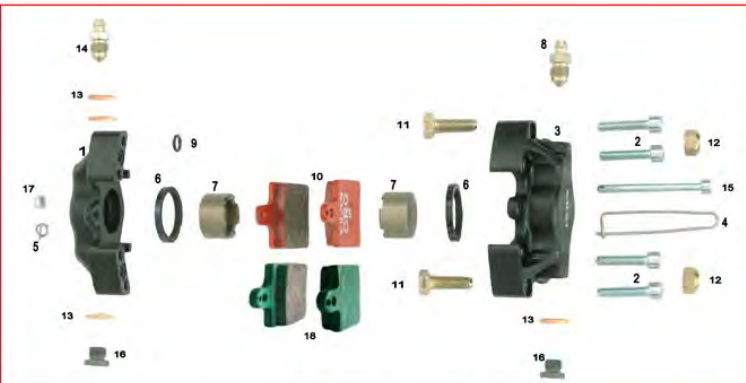
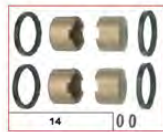
**VEN04 REAR BRAKE CALIPER**

- A. FM0.00178 VEN04 REAR BRAKE CALIPER \$406.92
- 1.AFS.01682 REAR SAFETY PIN \$3.10
- 2. AFN.00132 M8x40 SOCKET HEAD BOLT \$.70
- 3. AFN.01585 M6x16 SOCKET HEAD BOLT \$.55
- 4. AFS.00187 SAFETY PIN \$3.10
- 5. SDN.0178D CALIPER BRAKE HALF VEN04 RH \$145.08
- 6. AFS.00179 PISTON SEAL \$3.50
- 7. SD1.00370 CALIPER PISTON \$18.58
- 8. SZ0.00184 M10 BLEEDER \$3.01
- 9. AFN.00182 CALIPER O-RING \$1.50
- 10. AFS.00180 REAR BRAKE PAD \$37.15 EACH
- 11. AFN.00107 HEX HEAD SCREW M8x25 \$.50
- 12. AFN.00286 M8 METAL LOCKING NUT \$.50
- 13. AFN.00186 M10 COPPER WASHER \$.75
- 14. SZ0.00185 M10 FITTING \$3.50
- 15. SDN.0178S CALIPER BRAKE HALF VEN04 LH \$145.08



**VEN04, VEN06 FRONT BRAKE CALIPER**

- A. FM0.0305D FRONT BRAKE CALIPER V04, V06 RH \$343.23
- A. FM0.0305S FRONT BRAKE CALIPER V04, V06 LH \$343.23
- 1. AFS.00181 BRAKE PAD CLIP \$4.78
- 2. AFN.00307 SOCKET HEAD CAP SCREW M8x30 \$.55
- 3. SDN.0312D BRAKE CALIPER HALF EAR RH \$115.00
- 3. SDN.0312S BRAKE CALIPER HALF EAR LH \$115.00
- 4. AFS.00187 SAFETY PIN \$3.10
- 5. FM0.00308 BLEEDER FITTING COMPLETE \$7.00
- 6. AFS.00179 PISTON SEAL \$3.50
- 7. SD1.00370 BRAKE PISTON \$18.58
- 8. SZ0.00184 M10 BRAKE BLEEDER \$3.01
- 9. AFN.00182 CALIPER O-RING \$1.50
- 10. AFS.00306 FRONT BRAKE PAD \$28.31 EACH
- 11. AFN.00186 COPPER WASHER M10x14x2 \$.75
- 12. SDN.0310D BRAKE CALIPER HALF EAR RH \$115.00
- 13. AFS.01048 SINTERED FRONT BRAKE PAD \$44.23 EACH
- 14. CRG.00311 VEN04 FRONT CALIPER REBUILD KIT RH/LH \$81.38



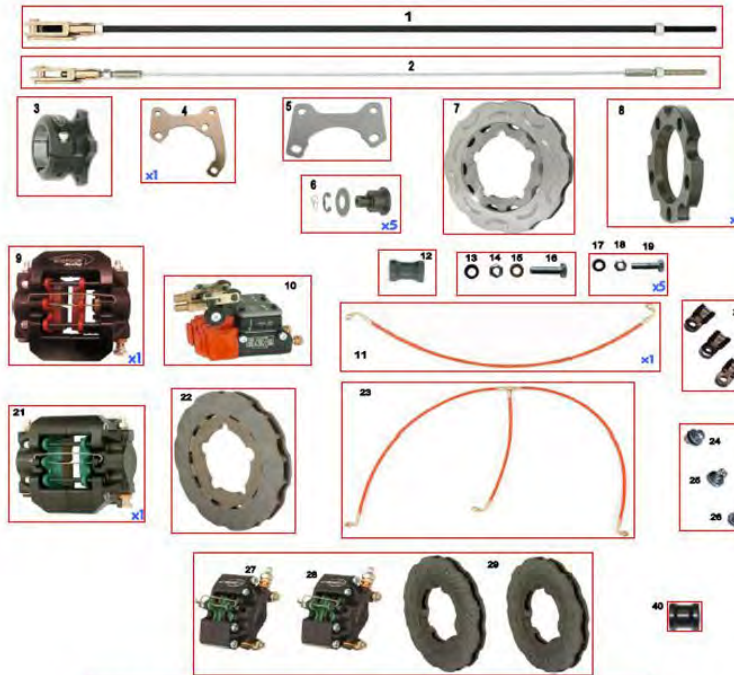
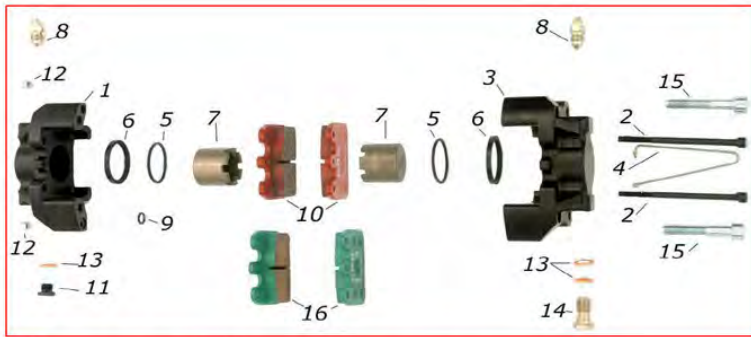
**VEN05 FRONT BRAKE CALIPER**

- 4. AFS.00187 SAFETY PIN \$3.65
- 5. AFS.00203 ELASTIC PIN 6MM \$3.00
- 6. AFS.00179 PISTON SEAL \$4.50
- 8. SZ0.00184 M10 BLEEDER \$3.50
- 9. AFN.00182 CALIPER O-RING \$1.50
- 10. AFS.00366 BRAKE PADS, RED \$49.00 PAIR
- 10. AFS.01046 BRAKE PADS, GREEN \$96.00 PAIR
- 11. AFN.00107 M8x25 SOCKET HEAD CAP \$.85
- 13. AFN.00186 COPPER WASHER \$.75
- 14. SZ0.00185 FITTING 10MM \$3.00
- 16. SBN.00369 M10 CALIPER CAP \$3.00
- 19. FM0.0363D RH BRAKE CALIPER \$315.00
- 19. FM0.0363S LH BRAKE CALIPER \$315.00
- 20. AFS.00336 BRAKE LINE 570-260-570MM BANJO ENDS \$85.00





**CRG Chassis Parts Cont.**



**VEN05, VEN06 REAR BRAKE CALIPER**

- A. FM0.01727 REAR BRAKE CALIPER VEN05 COMPLETE, IRON \$383.92
- B. FM0.01678 REAR BRAKE CALIPER VEN05 COMPLETE, CERAMIC \$391.00
- C. CRG.01681 REBUILD KIT FOR REAR BRAKE CALIPER \$53.08
- 1. SDN.1678D VEN05 BRAKE CALIPER HALF RH \$145.08
- 2. AFS.01679 M5x80 SHCS \$7.0
- 3. SDN.1678S VEN05 BRAKE CALIPER HALF LH \$145.08
- 4. AFS.01682 VEN05 REAR SAFETY PIN \$3.10
- 5. AFS.01681 REAR DUST GUARD SEAL \$4.50
- 6. AFS.01051 REAR PISTON SEAL \$6.95
- 7. SD1.01680 VEN05/VEN08 CALIPER PISTON \$18.58
- 8. SZ0.00184 BLEEDER M10 VEN04 \$3.50
- 9. AFN.00182 O-RING BRAKE CALIPER \$1.50
- 10. AFS.01745 BRAKE PAD VEN05 RED IRON \$37.15 EACH
- 11. SBN.00369 CALIPER CAP M10 \$3.00
- 12. AFN.00360 M5 SELF LOCKING METAL NUT \$3.30
- 13. AFN.00186 COPPER WASHER \$7.5
- 14. SZ0.00185 M10 FITTING \$3.50
- 15. AFN.00159 M8x45 SOCKET HEAD CAP SCREW \$.85
- 16. AFS.01624 BRAKE PAD VEN05 GREEN DURA PAD FOR CERAMIC \$44.23 EACH

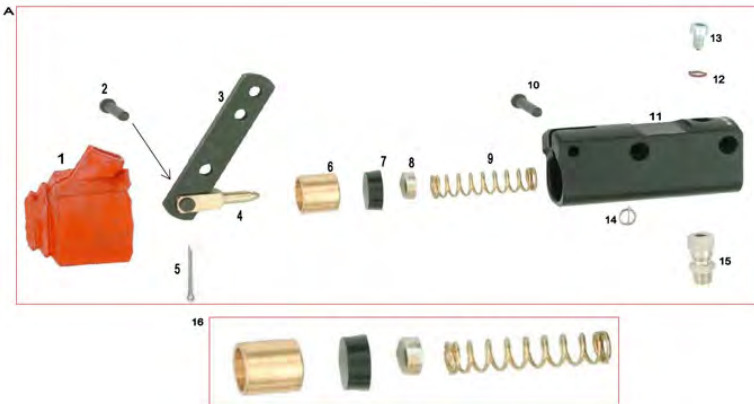
**VEN05 FRONT AND REAR BRAKE CALIPER**

- CRG.01727 VEN05 REAR BRAKE CALIPER COMPLETE KIT, IRON DISC \$1079.23
- CRG.01678 VEN05 REAR BRAKE CALIPER COMPLETE KIT, CERAMIC DISC \$1583.46
- CRG.01763 VEN05 COMPLETE FRONT/REAR BRAKE KIT, IRON \$2698.08
- CRG.01704 VEN05 COMPLETE FRONT/REAR BRAKE KIT, CERAMIC \$4113.46
- 1. FK0.00223 BRAKE ROD COMPLETE 420MM \$35.38
- 1. FK0.00918 BRAKE ROD COMPLETE 450MM \$46.00
- 2. FK0.00227 BRAKE SAFETY CABLE 415MM \$18.05
- 2. FK0.00809 BRAKE SAFETY CABLE 450MM \$28.31
- 3. FMN.00238 REAR BRAKE DISC HUB 50MM \$79.62
- 4. FC0.01641 REAR BRAKE CALIPER MOUNT PLATE \$37.15
- 5. FC0.02869 REAR BRAKE CALIPER MOUNT PLATE, FORGED \$37.15
- 6. FK0.01660 REAR BRAKE DISC BUSHING KIT \$8.67 EACH
- SBN.01660 REAR BRAKE PIN VEN05 \$5.84
- AFN.01677 VEN05 BRAKE PIN WASHER \$1.59
- AFN.00231 M8 BRAKE PIN E CLIP \$.53
- AFS.00232 M10 BRAKE PIN SAFETY CLIP \$1.77
- 7. AFS.01727 REAR BRAKE DISC VEN05, STEEL \$176.92
- 8. SAN.01592 REAR BRAKE DISC FLANGE VEN05 \$38.92
- 9. FM0.01727 VEN05 REAR BRAKE CALIPER COMPLETE \$383.92
- 10. FM0.00329 DOUBLE MASTER CYLINDER WITH BRAKE BIAS \$472.38
- 11. AFS.00240 VEN05 BRAKE LINE REAR 720MM \$32.73
- 12. FAN.01462 CALIPER SPACER M8x21x18 \$3.54
- 13. AFN.00047 LOCKING WASHER M8 \$.20
- 14. AFN.00286 M8 METAL LOCKING NUT \$.45
- 15. AFN.00277 M8x14x2 WASHER \$.20
- 16. AFN.00307 M8x30 HEX HEAD BOLT \$.55
- 17. AFN.00105 M6x12x1.5 WASHER \$.20
- 18. AFN.00234 M6 METAL LOCKING NUT \$.30
- 19. AFN.00183 M6x20 SOCKET HEAD BOLT \$.55
- 20. AFN.00337 BRAKE LINE CLAMP \$1.95
- 21. FM0.01678 VEN05 REAR BRAKE CALIPER FOR CERAMIC DISC \$391.00
- 22. AFS.01591 VEN05 CERAMIC BRAKE DISC \$693.54
- 23. AFS.00336 FRONT BRAKE LINE \$70.77
- 24. AFN.00359 M5x12 BUTTON HEAD BOLT \$.55
- 25. AFN.00361 M5x15x1.5 WASHER \$.20
- 26. AFN.00360 M5 SHORT METAL LOCKING NUT \$.20
- 27. FM0.1407D FRONT CALIPER RH \$314.92
- 28. FM0.1407S FRONT CALIPER LH \$314.92
- 29. AFS.01622 FRONT BRAKE DISC, CERAMIC \$578.24
- 30. AFS.01730 FRONT BRAKE DISC, IRON \$162.77
- 31. FK0.00372 FRONT BRAKE DISC VEN05 BRAKE PIN \$8.68 EACH
- SBN.00372 FRONT BRAKE DISC PIN \$5.84
- AFN.01677 BRAKE PIN WASHER \$1.59
- AFN.00231 8MM BRAKE PIN E-CLIP \$.55
- AFS.00232 10MM SAFETY CLIP FOR BRAKE DISC PIN \$1.77
- 32. AFN.01750 25MM WHEEL BEARING \$4.50
- 33. AFN.00008 17MM WHEEL BEARING \$4.50
- 34. AFS.01755 FRONT BRAKE DISC HUB 25MM FOR VEN05 \$95.54
- 35. FMN.00321 FRONT WHEEL HUB FOR SHIFTER \$75.19
- 36. AFS.00247 3 PEG AXLE KEY \$10.62
- 37. AFN.00316 M8x22 HEX HEAD BOLT \$.55
- 38. FM0.0363D FRONT BRAKE CALIPER RH, IRON \$281.31
- 39. FM0.0363S FRONT BRAKE CALIPER LH, IRON \$281.31
- 40. FAN.01074 CALIPER SPACER MINI M8x16x16 \$3.54

**CRG Chassis Parts Cont.**

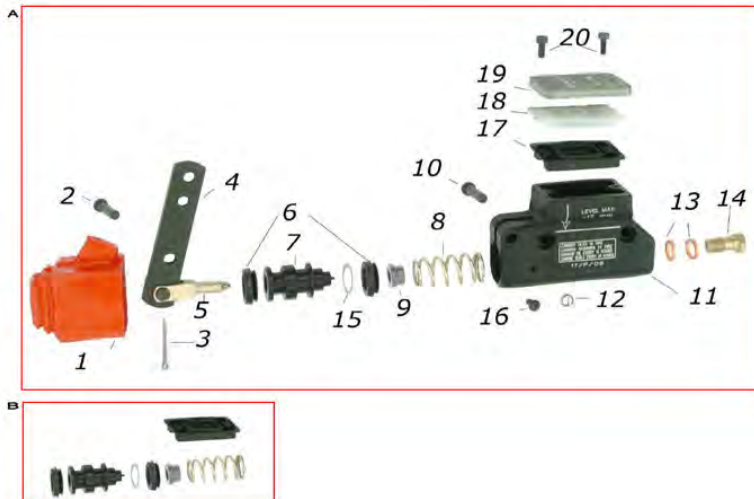
**CRG MASTER CYLINDER VEN99, VEN08**

- A. FM0.00421 COMPLETE MASTER CYLINDER VEN99, VEN08 \$208.77  
 1. AFS.00199 MASTER CYLINDER DUST SHIELD \$9.95  
 2. SBN.00200 MASTER CYLINDER PIN \$1.45  
 3. SBN.00197 MASTER CYLINDER LEVER \$21.23  
 4. AFS.00196 FORK WITH POINT \$8.85  
 5. AFN.00201 MASTER CYLINDER SPLIT PIN \$.35  
 6. SAN.00426 MASTER CYLINDER PISTON \$16.00  
 7. AFS.00406 PISTON SEAL 22MM \$8.50  
 8. AFS.00423 SPRING CAP \$.44  
 9. SZ0.00422 MASTER CYLINDER SPRING \$4.42  
 10. SBN.00202 MASTER CYLINDER PIN \$2.00  
 11. SAN.00421 MASTER CYLINDER BODY \$123.85  
 12. AFN.01368 FIBER WASHER M6 \$.30  
 13. AFN.00860 M6X10 SOCKET HEAD BOLT \$.60  
 14. AFS.00981 ELASTIC SAFETY CLIP \$1.80  
 15. AFN.00425 STRAIGHT PIPE COMPLETE \$13.95  
 16. CRG.00421 MASTER CYLINDER REBUILD KIT, 22MM \$27.00



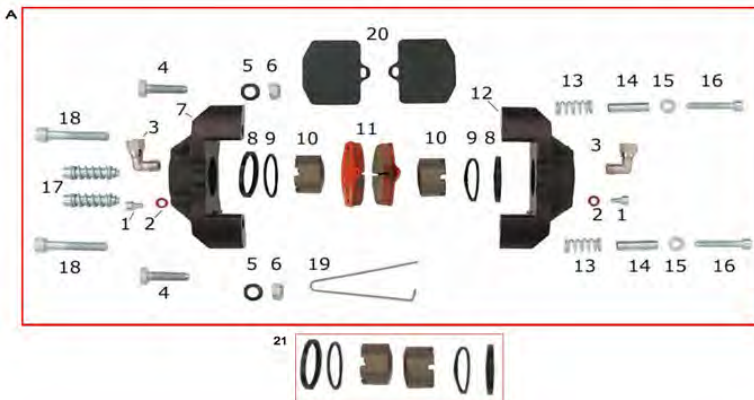
**CRG MASTER CYLINDER 2000UP, VEN04, VEN05**

- A. FM0.00192 MASTER CYLINDER COMPLETE \$199.00  
 B. CRG.00192 MASTER CYLINDER REBUILD KIT \$42.50  
 1. AFS.00199 MASTER CYLINDER DUST SHIELD \$9.95  
 2. SBN.00200 MASTER CYLINDER PIN \$1.45  
 3. AFN.00201 MASTER CYLINDER SPILT PIN \$.35  
 4. SBN.00197 MASTER CYLINDER LEVER \$21.23  
 5. AFS.00196 FORK WITH POINT \$8.85  
 6. AFS.00194 MASTER CYLINDER SEAL \$8.50  
 7. SAN.00210 MASTER CYLINDER PISTON \$12.03  
 8. SZ0.00193 MASTER CYLINDER SPRING \$4.42  
 9. SL1.00208 SPRING CAP \$5.84  
 10. SBN.00202 MASTER CYLINDER PIN \$2.00  
 11. SAN.00192 MASTER CYLINDER BODY \$138.00  
 12. AFS.00203 ELASTIC SAFETY PIN \$1.80  
 13. AFN.00186 M10 COPPER WASHER \$.65  
 14. SZ0.00185 M10 FITTING \$3.00  
 15. AFN.00195 WASHER FOR PISTON \$1.25  
 17. AFS.00205 MASTER CYLINDER TOP GASKET \$4.95  
 18. AFS.00204 TANK GASKET CAP \$3.80  
 19. SAN.00212 MASTER CYLINDER TOP \$10.50  
 20. AFN.00206 4x12MM CONICAL HEAD BOLT \$.50



**CRG VEN08 REAR BRAKE CALIPER**

- A. FM0.02004 REAR BRAKE CALIPER VEN08 COMPLETE \$388.35  
 1. AFN.00403 M5x8 SOCKET HEAD BOLT \$.55  
 2. AFN.00402 M10 COPPER WASHER \$.30  
 3. AFN.00409 BRAKE CALIPER L FITTING \$13.95  
 4. AFN.00307 M8x30 HEX HEAD BOLT \$.55  
 5. AFN.00047 LOCKING WASHER M8 \$.20  
 6. AFN.00286 M8 METAL LOCKING NUT \$.50  
 7. SAN.2004S BRAKE CALIPER HALF VEN08 RH \$115.00  
 8. AFS.01051 REAR BRAKE CALIPER SEAL \$6.00  
 9. AFS.01681 DUST GUARD SEAL \$4.00  
 10. SD1.02006 REAR BRAKE CALIPER PISTON \$18.58  
 11. AFS.02000 VEN08 REAR BRAKE PAD \$37.15 EACH  
 12. SAN.2004D BRAKE CALIPER HALF VEN08 LH \$115.00  
 13. SBN.02014 BRAKE PAD RETURN SPRING \$4.25  
 14. SBN.00413 BRAKE RETURN SPRING SLEEVE \$1.25  
 15. AFN.00105 M6 WASHER \$.20  
 16. AFN.00137 M6x35 SOCKET HEADS BOLT \$.55  
 17. FM0.02014 BRAKE BOLT/SPRING/SLEEVE KIT \$6.19 EACH  
 18. AFN.00159 M8x45 SOCKET HEAD BOLT \$.70  
 19. AFS.01682 REAR SAFETY PIN \$3.10  
 20. SBN.01931 REAR BRAKE PAD SPACER \$3.01  
 21. CRG.02004 VEN08 REAR BRAKE CALIPER REBUILD KIT \$56.62

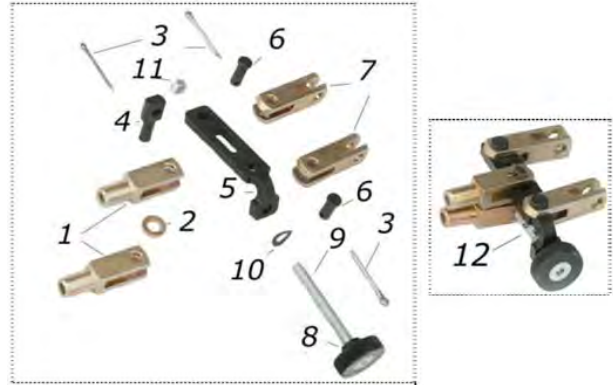




**CRG Chassis Parts Cont.**

**CRG BRAKE EQUALIZER**

1. AFS.00216 BRAKE FORK LONG \$7.08
2. AFN.00105 6MM WASHER \$.30
3. AFN.00201 COTTER PIN \$.35
4. SBN.00335 MASTER CYLINDER PIVOT \$7.97
5. SBN.00334 MASTER CYLINDER DIVIDER \$7.97
6. SBN.00214 PIVOT PIN \$1.25
7. AFS.00215 DOUBLE FORK \$14.15
8. SAN.00333 ADJUSTER KNOB \$6.02
9. AFN.02322 M6x70 FLAT HEAD BOLT \$.80
10. AFN.00331 WAVY WASHER M6 \$.30
11. AFN.00106 M6 SHORT LOCKING NUT \$.40
12. FM0.00330 COMPLETE BRAKE EQUALIZER \$75.37



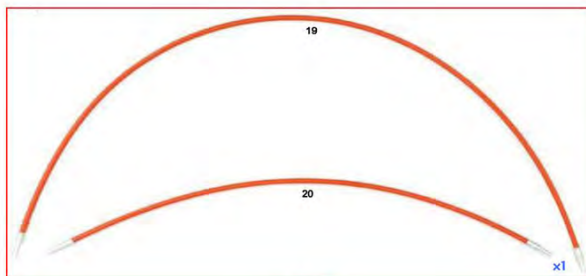
**VEN08 FRONT BRAKE CALIPER PARTS**

- FM0.2005D FRONT BRAKE CALIPER VEN08 RH COMPLETE \$382.15  
 FM0.2005S FRONT BRAKE CALIPER VEN08 LH COMPLETE \$382.15
1. FM0.02003 BRAKE BOLT/SPRING/SLEEVE KIT \$6.19
  2. AFN.00409 BRAKE CALIPER L FITTING \$13.95
  3. AFN.00403 M5x8 SOCKET HEAD BOLT \$.55
  4. AFN.00402 M5 COPPER WASHER \$.30
  5. SAN.2005S CALIPER HALF VEN08 \$115.00
  6. AFS.00179 PISTON SEAL \$3.00
  7. SD1.00370 FRONT BRAKE PISTON \$18.58
  8. AFS.02001 FRONT BRAKE PAD VEN08 \$28.31 EACH
  9. SAN.2005D CALIPER HALF VEN08 \$115.00
  10. AFN.01367 BRAKE FITTING T \$13.95
  11. SBN.02003 BRAKE PAD RETURN SPRING \$4.25
  12. SBN.02015 BRAKE PAD RETURN SPACER \$1.25
  13. AFN.00105 WASHER M6x12x1.5 \$.20
  14. AFN.00281 M6x30 SOCKET HEAD BOLT \$.35
  15. SBN.01973 BRAKE PAD SHIM \$3.01
  16. AFS.00892 VEN08 FRONT SAFETY PIN \$3.01
  17. AFN.00159 M8x45 SOCKET HEAD BOLT \$.85



**VEN08 FRONT/REAR BRAKE SYSTEM**

- A. CRG.02003 VEN08 COMPLETE FRONT BRAKE KIT \$2813.08
1. FK0.00223 BRAKE ROD COMPLETE 420MM \$46.00
1. FK0.00918 BRAKE ROD COMPLETE 450MM \$46.00
2. FK0.00227 BRAKE SAFETY CABLE 420MM \$28.31
2. FK0.00809 BRAKE SAFETY CABLE 450MM \$28.31
3. FMN.00832 ALUMINUM BRAKE DISC HUB 50MM \$95.54
4. FC0.02008 VEN08 CALIPER MOUNT SUPPORT 3 HOLE \$37.15
5. SL1.02011 REAR BRAKE DISC VEN08 \$159.23
6. AFN.00295 M6x25 SOCKET HEAD BOLT \$.35
7. AFN.02476 M8x130 SOCKET HEAD BOLT \$3.55
8. FM0.02004 COMPLETE VEN08 REAR BRAKE CALIPER \$388.35
9. FM0.00485 TWO MASTER CYLINDERS WITH BIAS ADJUSTER \$521.92
10. FAN.01462 CALIPER SPACER, HYBRID M8x21x18 \$3.54
11. AFN.00047 LOCKING WASHER M8 \$.30
12. AFN.00286 M8 METAL LOCKING NUT \$.45
13. AFN.00277 M8x14x2 WASHER \$.20
14. AFN.00234 M6 METAL LOCKING NUT \$.30
15. AFN.00105 M6x12x1.5 WASHER \$.20
16. FM0.00435 REAR BRAKE LINE \$79.62
17. FM0.2004D FRONT BRAKE KIT, 17MM SHAFT, M8 KINGPIN, RH \$1068.62
18. FM0.2004D FRONT BRAKE KIT, 17MM SHAFT, M8 KINGPIN, LH \$1068.62
19. AFS.00487 1080MM FRONT BRAKE TUBE \$38.92
20. AFS.00488 670MM FRONT BRAKE TUBE \$32.73
21. FAN.01074 CALIPER SPACER, MINI M8x16x16 \$3.54

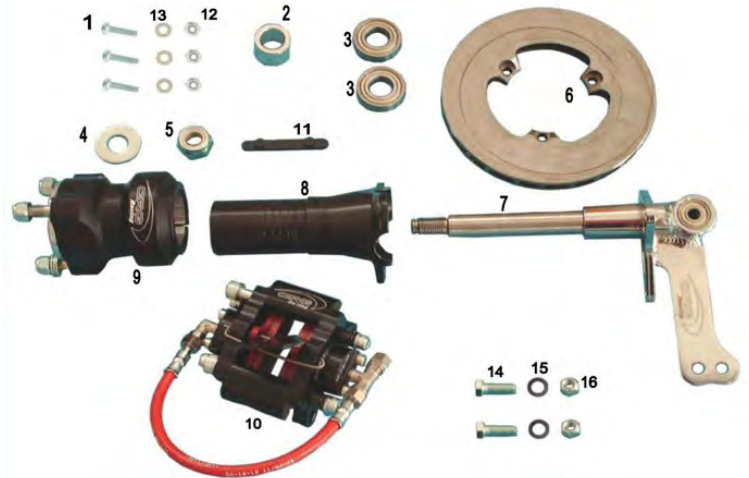




**CRG Chassis Parts Cont.**

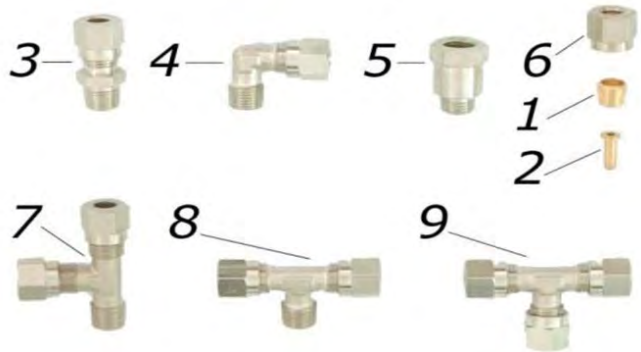
**VEN08 FRONT BRAKE SPINDLE PARTS**

- FM0.2004D FRONT BRAKE KIT WITH SPINDLE, VEN08, RH \$1068.62  
 FM0.2004S FRONT BRAKE KIT WITH SPINDLE, VEN08, LH \$1068.62  
 1. AFN.02258 M6x22 BUTTON HEAD BOLT \$.35  
 2. SL1.02232 SPINDLE SHAFT SPACER VEN08 M17x8 \$3.89  
 3. AFN.00008 17MM FRONT WHEEL BEARING \$4.50  
 4. AFN.01564 WASHER M15x30x2.5 \$.55  
 5. AFN.00058 M14 SPINDLE LOCK NUT \$1.40  
 6. SL1.2012D FRONT BRAKE DISC VEN08, RH \$132.69  
 6. SL1.2012S FRONT BRAKE DISC VEN08, LH \$132.69  
 7. FM0.2008D VEN08 SPINDLE M8x17, RH \$150.38  
 7. FM0.2008S VEN08 SPINDLE M8x17, LH \$150.38  
 8. AFS.02018 FRONT BRAKE DISC HUB, 17MM \$88.46  
 9. FMN.00321 FRONT SHIFTER WHEEL HUB \$75.19  
 10. FM0.2005D VEN08 FRONT BRAKE CALIPER, RH \$382.15  
 10. FM0.2005S VEN08 FRONT BRAKE CALIPER, LH \$382.15  
 11. AFS.00246 TWO PEG AXLE KEY \$8.85  
 12. AFN.00286 M8 METAL LOCK NUT \$.45  
 13. AFN.00047 M8 LOCKING WASHER \$.20  
 14. AFN.00107 M8x25 SOCKET HEAD BOLT \$.55  
 15. AFN.00105 M6x12x1.5 LOCKING WASHER \$.20  
 16. AFN.00234 M6 METAL LOCK NUT \$.30



**BRAKE FITTINGS FOR VEN08 BRAKES**

1. AFN.01042 EXTERNAL BRAKE LINE FERRULE \$1.95  
 2. AFN.01041 INTERNAL BRAKE LINE FERRULE \$1.95  
 3. AFN.00425 STRAIGHT BRAKE FITTING \$13.95  
 4. AFN.00409 L BRAKE FITTING \$13.95  
 5. AFN.00484 BRAKE FITTING ADAPTER NUT \$4.00  
 6. AFN.01363 BRAKE FITTING NUT \$4.85  
 7. AFN.00486 THREE WAY FITTING FOR MASTER CYLINDER \$13.95  
 8. AFN.01367 THREE WAY FITTING FOR BRAKE CALIPER \$13.95  
 9. AFN.00431 THREE WAY BRAKE LINE FITTING \$17.95



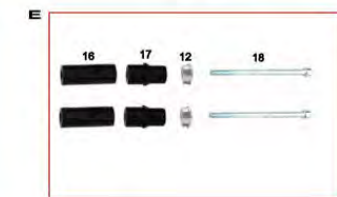
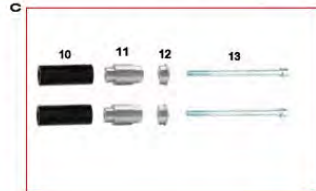
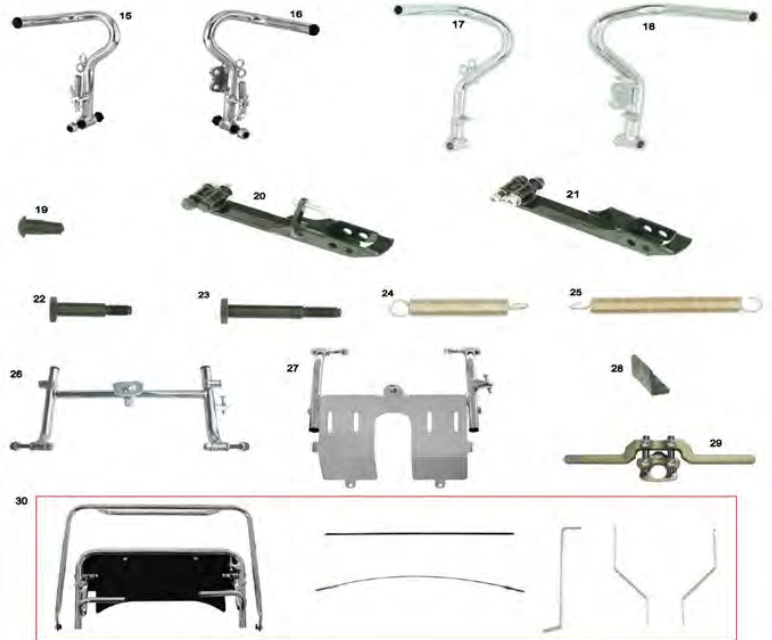
**CRG BRAKE DISC HUBS**

1. AFN.00008 17MM WHEEL BEARING \$4.50  
 2. AFN.01750 25MM WHEEL BEARING \$4.50  
 3. AFN.00137 M6x35 SOCKET HEAD BOLT \$.50  
 5. AFN.00136 M6x10x1 BRASS WASHER \$.30  
 6. FMN.01893 VEN05 FRONT BRAKE DISC HUB, ALUMINUM \$146.85  
 7. FM0.01755 VEN05 FRONT BRAKE DISC HUB, STEEL \$113.23  
 8. FM0.02876 KF FRONT BRAKE DISC HUB \$146.85  
 9. FMN.01867 VEN06 FRONT BRAKE DISC HUB \$92.00  
 10. AFS.01493 VEN06 MAGNESIUM FRONT BRAKE DISC HUB \$92.88  
 11. FM0.00315 VEN04 FRONT BRAKE DISC HUB 17MM \$98.19  
 12. FM0.01756 VEN04 FRONT BRAKE DISC HUB 25MM \$113.23  
 13. FM0.02018 VEN08 FRONT BRAKE DISC HUB 17MM \$106.15  
 14. FM0.00835 REAR BRAKE DISC HUB, 25MM AXLE, UP \$77.85  
 15. AFS.00836 REAR BRAKE DISC HUB, 30MM AXLE, UP \$69.00  
 16. FMN.00837 REAR BRAKE DISC HUB, 40MM AXLE, UP \$69.00  
 17. FM0.00371 REAR BRAKE DISC HUB, 50MM AXLE, UP \$72.54  
 18. FMN.00838 REAR BRAKE DISC HUB, NEWAGE, VEN04, 25MM \$79.62  
 19. FMN.00748 REAR BRAKE DISC HUB, NEWAGE, VEN04, 30MM \$79.62  
 20. FMN.01250 REAR BRAKE DISC HUB, VEN04, VEN05, 40MM \$79.62  
 21. FMN.00238 REAR BRAKE DISC HUB, VEN04, VEN05, 50MM \$79.62  
 22. AFS.01007 MAGNESIUM BRAKE DISC HUB, 50MM \$92.88  
 23. FMN.00585 ALUMINUM REAR BRAKE DISC HUB, 25MM PUFFO \$92.00  
 24. FMN.00834 ALUMINUM REAR BRAKE DISC HUB, 30MM, VEN08, VEN99 \$92.00  
 25. FMN.00453 ALUMINUM REAR BRAKE DISC HUB, 40MM, VEN08, VEN99 \$95.54  
 26. FMN.00832 ALUMINUM REAR BRAKE DISC HUB, 50MM, VEN08, VEN99 \$95.54



**CRG Chassis Parts Cont.**

- 15. FK0.00268 PUFFO GAS PEDAL \$79.62
- 16. FK0.00270 PUFFO BRAKE PEDAL \$79.62
- 17. FK0.01549 NEW AGE GAS PEDAL \$79.62
- 17. FK0.00076 STANDARD GAS PEDAL \$79.62
- 17. FK0.00720 MINI MAX GAS PEDAL \$79.62
- 18. FK0.01550 NEW AGE BRAKE PEDAL \$79.62
- 18. FK0.00083 STANDARD BRAKE PEDAL \$79.62
- 18. FK0.00721 MINI MAX BRAKE PEDAL \$79.62
- 19. AFS.00082 PEDAL CAP \$.65
- 20. FMN.1429D PEDAL CONTROL SUPPORT, RH \$38.92
- 21. FMN.1429S PEDAL CONTROL SUPPORT, LH \$38.92
- 22. SBN.00080 PEDAL BOLT SHORT \$14.15
- 23. SBN.00271 PEDAL BOLT LONG \$14.15
- 24. FZ0.00272 SHORT PEDAL SPRING \$3.54
- 25. FZ0.00085 LONG PEDAL SPRING \$3.54
- 26. FM0.01587 MINI PEDAL CONTROL SUPPORT \$95.54
- 27. FK0.01587 MINI PEDAL SUPPORT WITH FOOT SUPPORT \$123.85
- 28. AFS.00245 PLASTIC HEEL STOP \$7.43
- 29. FMG.02738 ADJUSTABLE FOOT SUPPORT, COMPLETE \$106.15
- 30. FK0.01652 NA2 EXTENDED PEDAL KIT \$362.69



**CRG Mini Plastic Rear Bumper**

- A. AFS.01176 MINI REAR BUMPER \$155.69
- 1. AFS.01176CENTR MINI REAR BUMPER, MIDDLE PIECE \$56.30
- 2. AFS.01176EST MINI REAR BUMPER, OUTER PIECE \$46.92
- B. FK0.02177 REAR BUMPER MOUNT KIT, NO BOLTS \$87.86
- 3. AFN.00533 M8x30 FLAT HEAD BOLT \$.60
- 4. AFN.00909 M8x20 HEX HEAD BOLT \$.50
- 5. AFN.00129 M8x17x1.5 WASHER \$.20
- 6. SC0.01191 MINI REAR BUMPER MOUNT PLATE \$18.77
- 7. AFN.02415 M8x24x2 WASHER \$.20
- 8. AFN.00128 M8 TALL LOCKING NUT \$.30
- 9. SC0.01341 MINI BUMPER UPRIGHT MOUNT \$22.18
- C. FKN.02469 PUFFO REAR FAIRING KIT \$45.38
- 10. AFS.01381 25MM REAR BUMPER RUBBER \$8.36
- 11. SL1.02469 25MM INNER BUSHING, PUFFO \$5.97
- 12. SL1.01710 REAR BUMPER EXTERNAL BUSHING \$4.61
- 13. AFN.02801 M8x150 SOCKET HEAD BOLT \$2.56
- 14. AFS.02817 MINI REAR BUMPER \$150.13
- D. FK0.02118 MINI REAR BUMPER MOUNT KIT \$92.13
- 15. SAN.00146 M8 CONICAL WASHER, BLACK \$3.41
- E. FKN.00562 REAR BUMPER HARDWARE KIT, MINI 28MM \$45.38
- 16. AFS.00563 REAR BUMPER RUBBER 28MM \$8.36
- 17. SAN.02055 INTERNAL BUSHING, MINI 28MM \$5.97
- 18. AFN.02476 M8x130 SOCKET HEAD BOLT \$3.41



- 1. AFS.02912 CRG ADULT STICKER KIT, COMPLETE \$310.50
- 2. AFS.01563 CRG MINI STICKER KIT, COMPLETE \$149.50
- 3. AFS.02942 ADULT FRONT NOSE STICKER KIT \$92.00
- 7. AFS.01333 CRG STICKER SHEET \$29.90
- 8. AFS.02778 CRG MINI FLOOR TRAY STICKER \$62.10
- 9. AFS.02933 CRG ADULT FLOOR TRAY STICKER \$66.70
- 11. AFS.01904 REAR BUMPER STICKER \$11.50
- 12. AFS.00242 NUMBER PLATE \$8.74
- 13. AFS.02943 FUEL TANK STICKER KIT FOR 8.5 LITER \$34.50
- 14. AFS.01205 FUEL TANK STICKER KIT FOR 3 LITER \$27.60



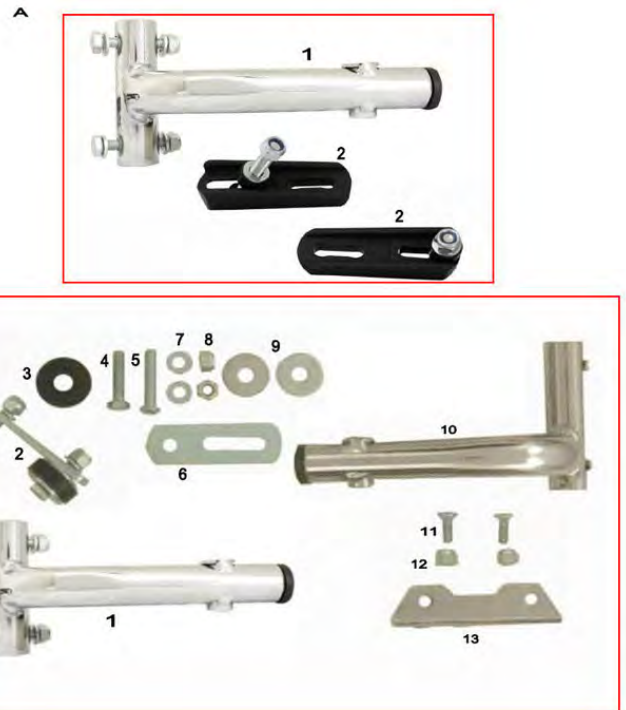
**CRG Chassis Parts Cont.**

1. FM0.00138 FUEL TANK 8.5 LITER, 100cc \$59.95
1. FM0.00322 FUEL TANK 8.5 LITER, 125cc \$69.95
2. AFS.02766 FUEL TANK 3.5 LITER \$45.00
3. FM0.00858 FUEL TANK 5 LITER \$38.92
4. AFS.01383 MINI FUEL TANK CAP, BLACK \$5.31
5. AFS.00143 3.5 LITER, 8.5 LITER FUEL TANK CAP \$7.00
6. AFS.01384 OVERFLOW BOTTLE CAP, RED \$5.31
7. AFN.00144 FUEL TANK CAP O-RING \$4.42
8. AFS.01982 T-FITTING \$6.19
9. AFS.01981 Y-FITTING \$6.19
10. AFN.01380 M10x16x1 COPPER WASHER \$.40
11. AFS.00325 TANK FITTING NUT \$.50
12. AFS.00571 MINI TANK SUCTION FITTING \$6.19
13. AFN.00323 M10x16x1 FIBER WASHER \$.20
14. SZ0.00324 MINI TANK RETURN FITTING \$6.19
15. AFN.01379 FITTING O-RING \$1.42
16. SL1.00147 TANK FUEL CHASER \$6.19
17. AFS.00142 SMALL TANK FITTING CAP, RED \$3.01
18. SL1.00149 SUCTION FUEL LINE FITTING \$6.19
19. AFS.00141 SMALL TANK FITTING CAP, BLACK \$3.01
20. SL1.00151 AIR VENT FITTING \$6.19
22. AFS.00753 RECOVERY TANK \$6.19



**CRG FULL SIZE PLASTIC REAR BUMPER AND HARDWARE**

- A. CRG.0170130 REAR BUMPER KIT WITH MOUNT 30MM \$297.23
- A. CRG.0170132 REAR BUMPER KIT WITH MOUNT 32MM \$297.23
- B. FK0.0169830 REAR BUMPER MOUNTING KIT 30MM \$162.77
- B. FK0.0169832 REAR BUMPER MOUNTING KIT 32MM \$162.77
- C. FKN.00491 REAR BUMPER HARDWARE \$47.77
- C. FKN.01712 REAR BUMPER HARDWARE \$47.77
- C. FKN.01711 REAR BUMPER HARDWARE \$47.77
- D. AFS.01701 PLASTIC REAR BUMPER, BLACK \$134.46
2. SBN.01709 REAR BUMPER MOUNT PLATE \$8.67
3. SC0.01698 REAR BUMPER UPRIGHT \$32.73
4. AFS.00563 REAR BUMPER RUBBER 28MM \$8.67
4. AFS.01382 REAR BUMPER RUBBER 30MM \$8.67
4. AFS.00115 REAR BUMPER RUBBER 32MM \$8.67
5. SAN.02263 INTERNAL BUSHING 28MM \$6.72
5. SL1.01712 INTERNAL BUSHING 30MM \$6.72
5. SL1.01711 INTERNAL BUSHING 32MM \$6.72
6. SL1.01710 EXTERNAL BUMPER BUSHING \$4.78
7. AFN.01585 M6x16 SOCKET HEAD BOLT \$.50
8. AFN.00105 M6x12x1.5 WASHER \$.20
9. AFN.01416 M8x120 SOCKET HEAD BOLT \$1.77
10. AFN.00502 M6x16 BUTTON HEAD BOLT \$.35
11. AFS.01723 OUTER BUMPER BRACKET \$1.95

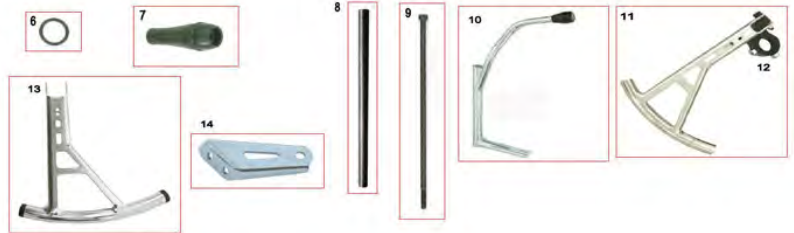


- A. FM0.01824 ROTAX EXHAUST SUPPORT COMPLETE \$111.46
1. FM0.1824S TAG EXHAUST PIPE MOUNT SUPPORT \$51.31
2. FK0.01579 FORGED PLATE EXHAUST SUPPORT \$61.92
- B. FM0.01994 ROTAX EXHAUST SUPPORT COMPLETE LH AND RH \$152.15
1. FM0.1824S TAG EXHAUST PIPE MOUNT SUPPORT \$51.31
2. FK0.01994 ROTAX EXHAUST SUPPORT PLATE \$15.04
3. AFS.00088 EXHAUST CRADLE RUBBER GROMMET \$2.83
4. AFN.00349 M8x35 HEX HEAD BOLT \$.85
5. AFN.00266 M8x40 BUTTON HEAD BOLT \$1.00
6. SZ0.01994 EXHAUST SUPPORT PLATE, ROTAX \$9.73
7. AFN.00129 M8x17x1.5 WASHER \$.30
8. AFN.00128 M8 TALL LOCK NUT \$.30
9. AFN.00125 M10x30x2.5 WASHER \$.40
10. FM0.1824D TAG EXHAUST SUPPORT, RH \$51.31
11. AFN.01717 M6x16 FLAT HEAD BOLT \$.30
12. AFN.02138 M6 TALL NUT \$.30
13. FK0.01823 EXHAUST SUPPORT CONNECTION \$20.52



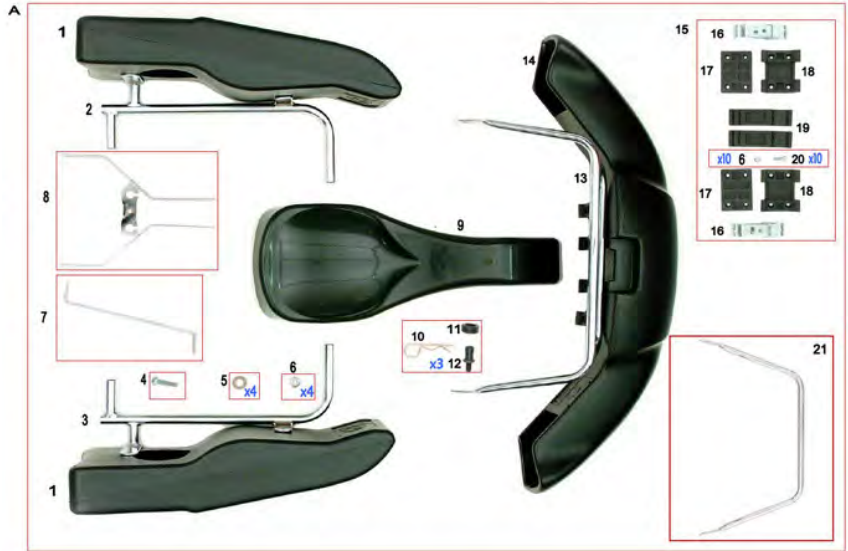
**CRG Chassis Parts Cont.**

- 6. AFN.00341 O-RING FOR HAND POMMEL \$7.75
- 7. SAN.01766 HAND POMMEL FOR SHIFTER \$10.62
- 8. SL1.00342 SPACER FOR SHIFT HANDLE \$2.48
- 9. FBN.00340 GEAR LEVER BOLT \$11.50
- 10. FMN.00339 SHIFTER GEAR LEVER \$95.54
- 11. CRG.02929 CLUTCH LEVER COMPLETE \$90.23
- 12. FK0.01925 GEAR LEVER CONNECTION \$41.58
- 13. FK0.02929 CLUTCH HANDLE \$50.42
- 14. FK0.01840 GEAR LEVER PLATE \$38.92

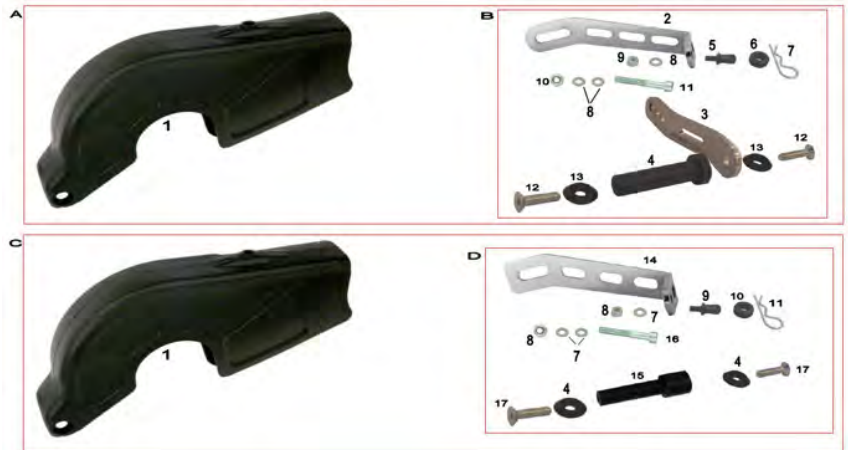


**A. CRG.01646 MINI BODYWORK KIT COMPLETE WITH MOUNTS \$585.62**

- 1. AFS.00757 MINI SIDE POD \$47.77
- 2. SC0.1540S SIDE NERF BAR LH \$95.54
- 3. SC0.1540D SIDE NERF BAR RH \$95.54
- 4. AFN.02144 M6x20 BUTTON HEAD BOLT \$4.00
- 5. AFN.00105 M6x12x1.5 WASHER \$2.00
- 6. AFN.00264 M6 TALL LOCK NUT \$2.00
- 7. SC0.01548 LOWER DRIVER PANEL SUPPORT \$9.73
- 8. SC0.01547 DRIVER PANEL UPPER SUPPORT \$31.85
- 9. AFS.00759 MINI DRIVER PANEL \$23.00
- 10. SZ0.00102 DRIVER PANEL QUICK PIN \$4.60
- 11. AFS.00101 DRIVER PANEL RUBBER GROMMET \$1.06
- 12. SBN.00103 DRIVER PANEL SUPPORT PIVOT \$3.54
- 13. SC0.00557 MINI FRONT BUMPER \$72.54
- 14. AFS.00758 MINI FRONT NOSE \$57.50
- 15. AFS.01551 FRONT NOSE MOUNT KIT \$86.69
- 16. AFS.00503 FRONT NOSE CLAMP \$18.58 EACH
- 17. AFS.00034 INTERNAL NOSE MOUNT PANEL \$5.31
- 18. AFS.00036 EXTERNAL NOSE MOUNT PANEL \$6.02
- 19. AFS.00504 NOSE PLASTIC SUPPORT \$9.91
- 20. AFN.00478 M6x25 SOCKET HEAD BOLT \$4.00
- 21. SC0.00282 PUFFO FRONT BUMPER \$65.46



- A. FK0.01926 CHAIN GUARD COMPLETE \$76.08
- B. FK0.01928 CHAIN GUARD MOUNT KIT \$53.08
- C. FK0.02441 MINI CHAIN GUARD COMPLETE \$70.77
- D. FK0.02799 MINI CHAIN GUARD MOUNT KIT \$46.00
- 1. AFS.01926 PLASTIC GUARD ONLY \$28.31
- 2. SC0.01928 CHAIN GUARD SUPPORT \$13.45
- 3. SC0.01927 CHAIN GUARD CONNECTION PLATE \$8.67
- 4. SAN.01965 CHAIN GUARD PIVOT KIT \$15.39
- 5. SBN.00103 QUICK CLIP SUPPORT PIVOT \$3.54
- 6. AFS.00101 RUBBER GROOVED GROMMET \$1.06
- 7. SZ0.00102 ELASTIC R PIN \$1.60
- 8. AFN.00105 M6x12x1.5 WASHER \$2.00
- 9. AFN.00106 M6 SHORT LOCK NUT \$3.00
- 10. AFN.00264 M6 TALL LOCK NUT \$3.00
- 11. AFN.00368 M6x40 SOCKET HEAD BOLT \$4.00
- 12. AFN.00295 M6x25 FLAT HEAD BOLT \$4.00
- 13. SAN.00249 M6 CONICAL WASHER, BLACK \$3.18
- 14. SC0.02441 MINI CHAIN GUARD SUPPORT \$13.45
- 15. SAN.02799 MINI CHAIN GUARD PIVOT \$15.39
- 16. AFN.00281 M6x30 SOCKET HEAD BOLT \$4.00
- 17. AFN.01717 M6x16 FLAT HEAD BOLT \$4.00



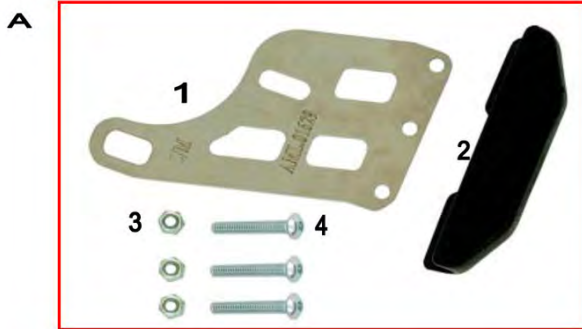
- 13. AFS.01543 MAGNESIUM REAR WHEEL HUB 50x78MM \$107.92
- 14. AFS.01344 MAGNESIUM REAR WHEEL HUB 50x98MM \$111.46
- 14. AFS.02615 MAGNESIUM REAR WHEEL HUB 40x98MM \$111.46
- 15. AFS.01540 MAGNESIUM REAR WHEEL HUB 50x108MM \$115.00
- 16. AFS.02657 MAGNESIUM REAR WHEEL HUB 50x100 1 BOLT \$235.31
- 17. AFS.02658 MAGNESIUM REAR WHEEL HUB 50x100 2 BOLT \$235.31
- 18. AFS.02659 MAGNESIUM REAR WHEEL HUB 50x100 3 BOLT \$235.31
- 20. AFS.00126 M8 WHEEL STUD \$2.30
- 21. AFN.00520 M8 COPPER LOCKING WHEEL NUT \$1.15



**CRG Chassis Parts Cont.**



1. CRG FIBERGLASS SEAT, SPECIFY SIZE \$132.69
2. FC0.01389 CURVED SEAT SUPPORT 32CM \$25.00
3. FC0.01391 STRAIGHT SEAT SUPPORT 28CM \$22.12
3. FC0.01392 STRAIGHT SEAT SUPPORT 30CM \$22.12
3. FC0.01393 STRAIGHT SEAT SUPPORT 32CM \$22.12
3. FC0.01394 STRAIGHT SEAT SUPPORT 34CM \$22.12
4. SL1.00683 SEAT WASHER M8x60 \$2.65
5. FAN.00260 ALUMINUM SEAT WASHER BLACK \$5.13
6. AFS.00259 SEAT SPACER \$2.83
7. SAN.00146 M8 CONICAL WASHER \$3.54
8. AFS.01011 SEAT SIDE PADDING \$31.85
9. AFS.01012 SEAT BACK PADDING \$31.85
10. AFS.01013 SEAT PADDING VELCRO \$1.00
11. SAN.02412 SEAT PLATE SUPPORT \$46.88
12. SL1.02023 NYLON SEAT SPACER M8x30x30 \$2.83
13. SL1.02024 NYLON SEAT SPACER M8x30x20 \$2.83
14. SL1.02025 NYLON SEAT SPACER M8x30x15 \$2.83
15. SL1.02026 NYLON SEAT SPACER M8x30x10 \$2.83
16. FC0.01879 DD2 SEAT SUPPORT 210MM, RH \$31.85
17. FC0.01006 ROTAX MAX SEAT SUPPORT 320MM, RH \$24.77



**CRG BRAKE DISC PROTECTOR**

- A. FK0.01632 REAR BRAKE DISC GUARD KIT \$49.54
1. AML.01629 SUPPORT BRACKET \$21.23
  2. AFS.01632 DISC PROTECTION PLATE \$26.54
  3. AFN.00106 M6 SHORT LOCK NUT \$.30
  4. AFN.01984 M6x35 BUTTON HEAD BOLT \$.55

**VEN96 CAST ALUMINUM BRAKE**



1. 96 CAST REAR BRAKE PADS \$54.00  
(THICKER THAN FRONT PADS)
2. 96 CAST FRONT BRAKE PADS \$53.00

**Top Kart Kid Kart Parts**

1. 25MM GOLD WHEEL HUB \$66.00
2. 25MM GOLD BRAKE HUB \$93.00
3. MECHANICAL BRAKE CALIPER \$180.00
4. BRAKE CABLE \$14.00
5. BRAKE DISC 165MM DIAMETER FOR TOP KART BRAKE HUB PATTERN \$47.00
6. STEERING BLOCK \$9.10
7. BRAKE PADS \$48.00 PAIR
8. SPINDLE SPECIFY LEFT OR RIGHT HAND \$149.00
9. 25MM GOLD BEARING CASSETTE \$75.00
10. PEDALS SPECIFY BRAKE OR THROTTLE \$38.00
11. 8 3/4" x 8MM GOLD TIE ROD HEX SHAPE \$12.00
12. TOP KART FRONT WHEEL BEARING \$5.50
13. 4"x5" TOP KART DSM FRONT WHEEL WITH BEARINGS, ALUMINUM \$125.00
14. 5"x5" TOP KART REAR WHEEL, ALUMINUM \$90.00
15. WIDE REAR BUMPER, PLASTIC \$125.00
16. SIDE NERF SPECIFY LEFT OR RIGHT HAND \$83.00
17. TOP KART KID KART FLOOR TRAY \$77.00
18. RIGHETTI 25MM GOLD SPROCKET HUB \$49.95
19. PLASTIC STEERING WHEEL HUB \$5.60
20. BLUE FLOOR TRAY \$77.00
21. BLUE NEW STYLE NOSE \$93.00
22. BLUE NEW STYLE SIDE POD, SPECIFY RH OR LH \$52.00



3. PISTON SEAL, FRONT OR REAR \$8.00
4. SBN.00415 BRAKE PAD RETURN SPRING \$5.00
5. SC1.01366 REAR BRAKE CALIPER PISTON \$11.00
6. C0.3174A FRONT BRAKE CALIPER PISTON \$9.50

**Bug Chassis Parts**

1. BUG WASP REAR SEAT CROSS MEMBER, CHROME \$10.00, NO CHROME \$5.00
2. BUG 2000 CHROME PEDAL \$28.50
3. BUG SPINDLE, BUG 2000 \$47.95
4. BUG FLOOR TRAY FOR SPIDER K \$36.00

**ALL CLOSE OUTS**

**Tony Kart and FA Racing Karts**



- RACER EVK 30MM CHASSIS** - 100CC, 125CC - CALL FOR PRICING!
- KRYPTON KSK 32MM CHASSIS** - 100CC, 125CC - CALL FOR PRICING!
- FA VICTORY MA13 30MM CHASSIS** - 100CC, 125CC - CALL FOR PRICING!
- FA V2 MA13 32MM CHASSIS** - 100CC, 125CC - CALL FOR PRICING!

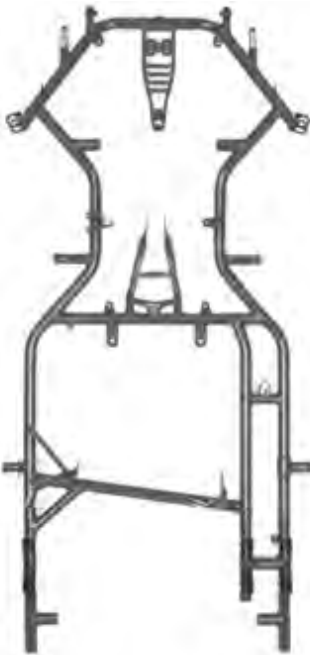
- \* AXLE 50MM
- \* BS 6 HYDRAULIC DOUBLE-CIRCUIT SELF ADJUSTABLE BRAKE
- \* 180MM REAR BRAKE DISC STANDARD
- \* OTK HST STUB AXLE (25MM WHEEL PIVOT)
- \* THREE HEIGHTS ADJUSTABLE AXLE
- \* FLAT BOTTOM OTK SEAT
- \* FLOOR PLATE WITH ANTI-SLIP PROTECTION
- \* MAGNESIUM WHEELS OTK MXP
- \* MAGNESIUM COMPONENTS
- \* NEW SEAT SUPPORT
- \* NEW ALUMINIUM FEET SUPPORT, ADJUSTABLE AND REVERSIBLE
- \* NEW LOWER STEERING COLUMN SUPPORT
- \* 20 POSITION ECCENTRICS w/ BEARING SUPPORT
- \* M4 WTD BODY WORK WITH PLASTIC REAR BUMPER
- \* HOMOLOGATION 49-CH-14

ALL CHASSIS FEATURE MOLYBDENUM CHROME STEEL. THE CHASSIS IS STANDARD WITH TWO TORSION BARS WHICH ALLOWS FOR MODIFYING THE RIGIDITY OF THE CHASSIS. IN ADDITION TO THE TORSION BARS THE CHASSIS HAS ADJUSTABLE CAMBER AND CASTER MAKING IT EASY TO CHANGE THE CHASSIS' DYNAMICS THANKS TO THE INCORPORATED 20-POSITION UNI-BALL ECCENTRIC WASHERS.

WE OFFER THE 'RACING' VERSION FOR THIS MODEL, WHICH IS IN TURN PROVIDED WITH MAGNESIUM OTK COMPONENTS, WHICH IS UNPARALLELED IN THE INDUSTRY.

THE STANDARD BRAKE SYSTEM IS THE REAR SELF-ADJUSTING BS6 SYSTEM. HOWEVER, THE OPTIONAL BS7 MANUAL FRONT BRAKE SYSTEM IS ALSO AVAILABLE. THE RACER EVRR MODEL IS ALSO SUITED FOR THE SHIFTER CATEGORIES, WHICH COMES EQUIPPED WITH THE SELF-ADJUSTING BS5 BRAKING SYSTEM UTILIZING KINEMATICS.

FINALIZING THE CHASSIS IS THE NEWLY HOMOLOGATED OTK M4 SIDE BOXES, STUDIED AND TESTED IN ORDER TO REDUCE THE COEFFICIENT OF AERODYNAMIC RESISTANCE. COVERING THE OTK M4 SIDE BOXES IS THE NEW STICKER COLLECTION KIT.



**TONY KART NORDIX JUNIOR SPORTSMAN CHASSIS** - CALL FOR PRICING!

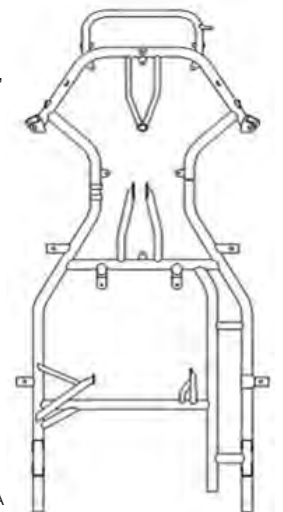
28MM TUBING DESIGN, 1020MM WHEELBASE, AXLE 30MM, MBS HYDRAULIC DOUBLE-CIRCUIT BRAKE, 180MM REAR BRAKE DISC STANDARD, OTK BST STUB AXLE (17MM WHEEL PIVOT), THREE HEIGHTS ADJUSTABLE AN XLE, FLAT BOTTOM OTK SEAT, MAGNESIUM WHEELS OTK MXP, ALUMINIUM COMPONENTS, BST ECCENTRICS w/ BEARING SUPPORT, HOMOLOGATED BODYWORK, KOSMIC DECAL KIT, OTK M3 BODYWORK

THE NORDIX MODEL IS DESIGNED SPECIFICALLY FOR THE USA MARKET WITH A 1020MM WHEELBASE AND Ø 28MM TUBES PRODUCED WITH MOLYBDENUM CHROME STEEL. THE CHASSIS IS STANDARD WITH ONE TORSION BAR WHICH ALLOWS FOR MODIFYING THE RIGIDITY OF THE CHASSIS. IN ADDITION TO THE TORSION BAR THE CHASSIS HAS ADJUSTABLE CAMBER AND CASTER MAKING IT EASY TO CHANGE THE CHASSIS' DYNAMICS.

**TONY KART ROOKIE CADET CHASSIS** - CALL FOR PRICING!

28MM TUBING DESIGN, 950MM WHEELBASE, AXLE 30MM, BSM HYDRAULIC DOUBLE-CIRCUIT BRAKE, 180MM REAR BRAKE DISC STANDARD, OTK BST STUB AXLE (17MM WHEEL PIVOT), THREE HEIGHTS ADJUSTABLE AXLE, FLAT BOTTOM OTK SEAT, MAGNESIUM WHEELS OTK MXP, ALUMINIUM COMPONENTS, BST ECCENTRICS w/ BEARING SUPPORT, BODYWORK w/ PLASTIC REAR BUMPER AND MOUNTING KIT, KOSMIC DECAL KIT

DESIGNED TO FIT THE 8-12 YEAR OLD CATEGORY, THE ROOKIE MODEL INCORPORATES A 950MM WHEELBASE AND 28MM TUBES PRODUCED WITH MOLYBDENUM CHROME STEEL. THE CHASSIS IS NOW AVAILABLE STANDARD WITH UNI-BALL D.8 FRONT ECCENTRICS, THUS MAKING CAMBER AND CASTER ADJUSTMENTS MORE SUITABLE. ALSO NEW TO THE MODEL IS THE BST STUB AXLE, MADE WITH A LONG 17MM STUB, THE BST VERSION ALLOWS FOR MORE ADJUSTMENT.





## Kosmic Racing Karts

THE KOSMIC LINE OF CHASSIS IS MADE BY THE WORLD FAMOUS TONY KART FACTORY. THE KOSMIC BRAND ALSO FEATURES ALL OTK CHASSIS PARTS. COMET ALSO HAS PARTS FOR ALL TONY KART BRANDS INCLUDING KOSMIC AND ALONSO.

**MERCURY, 30MM CHASSIS - 100CC, 125CC - CALL FOR PRICING!**

**LYNX, 32MM CHASSIS - 100CC, 125CC - CALL FOR PRICING!**



- \* AXLE 50MM
- \* BS 6 HYDRAULIC DOUBLE-CIRCUIT SELF ADJUSTABLE BRAKE
- \* 180MM REAR BRAKE DISC STANDARD
- \* OTK HST STUB AXLE (25MM WHEEL PIVOT)
- \* THREE HEIGHTS ADJUSTABLE AXLE
- \* FLAT BOTTOM OTK SEAT
- \* FLOOR PLATE WITH ANTI-SLIP PROTECTION
- \* MAGNESIUM WHEELS OTK MXP
- \* MAGNESIUM COMPONENTS
- \* NEW SEAT SUPPORT
- \* NEW ALUMINIUM FEET SUPPORT, ADJUSTABLE AND REVERSIBLE
- \* NEW LOWER STEERING COLUMN SUPPORT
- \* 20 POSITION ECCENTRICS w/ BEARING SUPPORT
- \* M4 WTD BODY WORK WITH PLASTIC REAR BUMPER
- \* HOMOLOGATION 49-CH-14

BOTH CHASSIS FEATURE MOLYBDENUM CHROME STEEL. THE CHASSIS IS STANDARD WITH TWO TORSION BARS WHICH ALLOWS FOR MODIFYING THE RIGIDITY OF THE CHASSIS. IN ADDITION TO THE TORSION BARS THE CHASSIS HAS ADJUSTABLE CAMBER AND CASTER MAKING IT EASY TO CHANGE THE CHASSIS' DYNAMICS THANKS TO THE INCORPORATED 20-POSITION UNI-BALL ECCENTRIC WASHERS.

WE OFFER THE 'RACING' VERSION FOR THIS MODEL, WHICH IS IN TURN PROVIDED WITH MAGNESIUM OTK COMPONENTS, WHICH IS UNPARALLELED IN THE INDUSTRY.

THE STANDARD BRAKE SYSTEM IS THE REAR SELF-ADJUSTING BS6 SYSTEM. HOWEVER, THE OPTIONAL BS7 MANUAL FRONT BRAKE SYSTEM IS ALSO AVAILABLE. THE MERCURY MODEL IS ALSO SUITED FOR THE SHIFTER CATEGORIES, WHICH COMES EQUIPPED WITH THE SELF-ADJUSTING BS5 BRAKING SYSTEM UTILIZING KINEMATICS.

FINALIZING THE CHASSIS IS THE NEWLY HOMOLOGATED OTK M4 SIDE BOXES, STUDIED AND TESTED IN ORDER TO REDUCE THE COEFFICIENT OF AERODYNAMIC RESISTANCE. COVERING THE OTK M4 SIDE BOXES IS THE NEW STICKER COLLECTION KIT.



**KOSMIC NORDIX JUNIOR SPORTSMAN CHASSIS - CALL FOR PRICING!**

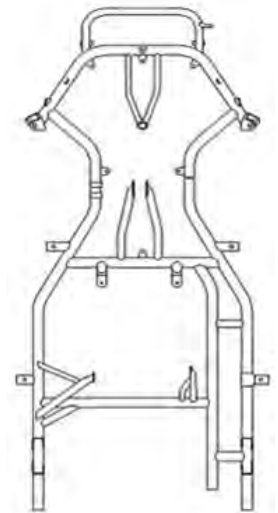
28MM TUBING DESIGN, 1020MM WHEELBASE, AXLE 30MM, MBS HYDRAULIC DOUBLE-CIRCUIT BRAKE, 180MM REAR BRAKE DISC STANDARD, OTK BST STUB AXLE (17MM WHEEL PIVOT), THREE HEIGHTS ADJUSTABLE AN XLE, FLAT BOTTOM OTK SEAT, MAGNESIUM WHEELS OTK MXP, ALUMINIUM COMPONENTS, BST ECCENTRICS w/ BEARING SUPPORT, HOMOLOGATED BODYWORK, KOSMIC DECAL KIT, OTK M3 BODYWORK

THE NORDIX MODEL IS DESIGNED SPECIFICALLY FOR THE USA MARKET WITH A 1020MM WHEELBASE AND Ø 28MM TUBES PRODUCED WITH MOLYBDENUM CHROME STEEL. THE CHASSIS IS STANDARD WITH ONE TORSION BAR WHICH ALLOWS FOR MODIFYING THE RIGIDITY OF THE CHASSIS. IN ADDITION TO THE TORSION BAR THE CHASSIS HAS ADJUSTABLE CAMBER AND CASTER MAKING IT EASY TO CHANGE THE CHASSIS' DYNAMICS.

**KOSMIC ROCKY CADET CHASSIS - CALL FOR PRICING!**

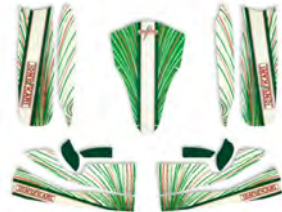
28MM TUBING DESIGN, 950MM WHEELBASE, AXLE 30MM, BSM HYDRAULIC DOUBLE-CIRCUIT BRAKE, 180MM REAR BRAKE DISC STANDARD, OTK BST STUB AXLE (17MM WHEEL PIVOT), THREE HEIGHTS ADJUSTABLE AXLE, FLAT BOTTOM OTK SEAT, MAGNESIUM WHEELS OTK MXP, ALUMINIUM COMPONENTS, BST ECCENTRICS w/ BEARING SUPPORT, BODYWORK w/ PLASTIC REAR BUMPER AND MOUNTING KIT, KOSMIC DECAL KIT

DESIGNED TO FIT THE 8-12 YEAR OLD CATEGORY, THE ROCKY FIK MODEL INCORPORATES A 950MM WHEELBASE AND 28MM TUBES PRODUCED WITH MOLYBDENUM CHROME STEEL. THE CHASSIS IS NOW AVAILABLE STANDARD WITH UNI-BALL D.8 FRONT ECCENTRICS, THUS MAKING CAMBER AND CASTER ADJUSTMENTS MORE SUITABLE. ALSO NEW TO THE MODEL IS THE BST STUB AXLE, MADE WITH A LONG 17MM STUB, THE BST VERSION ALLOWS FOR MORE ADJUSTMENT.



**OTK Chassis Parts**

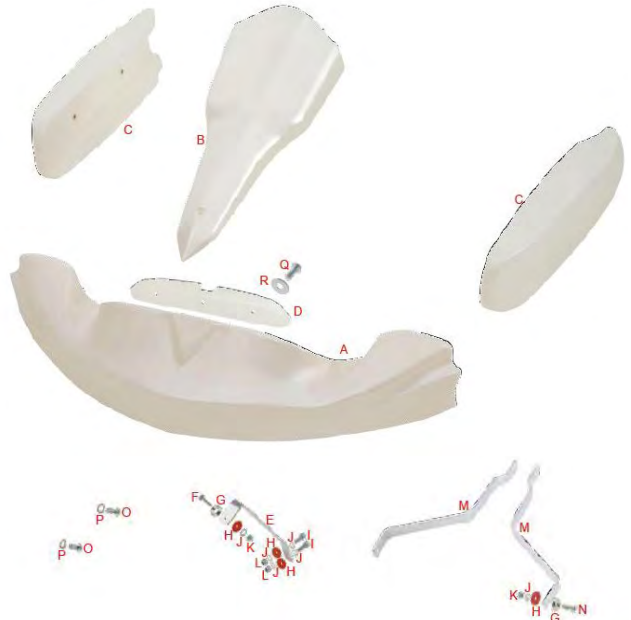
- A. 0306.FAP PEARL FRONT NOSE M4 \$101.40
- B. 0302.FAP PEARL DRIVER PANEL M4 \$33.15
- C. 0300.FAP PEARL SIDE POD M4 \$78.00
- D. 0306.FBP SPOILER FOR M4 FRONT FAIRING \$46.80
- E. 0305.DA LOWER SPOILER SUPPORT \$13.65
- F. V.TPSCEI6X25 FHAB M6x25 \$.50
- G. 0033.00 M6 CONICAL WASHER \$1.82
- H. 00312.00 RUBBER GROMMET M6x20x4 \$.40
- I. V.TCE6X20 SHCS M6x20 \$.50
- J. R.P.6X12 WASHER M6.3x12.5x1 \$.30
- K. D.M6A.B SHORT M6 LOCK NUT \$.40
- L. D.M6A.A TALL M6 LOCK NUT \$.40
- M. 0304.E0 M4 UPPER SPOILER SUPPORT \$13.65
- N. V.TPSCEI6X20 FHAB M6x20 \$.45
- O. V.TB8X16 BUTTON HEAD M8x16 \$.80
- P. R.E.8 LOCKING WASHER M8 \$.60
- Q. V.TB6X16 BUTTON HEAD M6x16 \$.45
- R. R.P.6X18 WASHER M6x18x1 \$.30



0307.HB TONY KART COMPLETE STICKER KIT, M4 \$275.00

0307.H0K KOSMIC COMPLETE STICKER KIT, M4 \$275.00

0307.H0F FA ALONSO COMPLETE STICKER KIT, M4 \$275.00



- A. 0306.ADP ROOKIE FRONT NOSE \$81.90
- B. 0302.ADP ROOKIE DRIVER PANEL \$31.20
- C. 0300.ADP ROOKIE SIDE POD \$74.10 EACH
- D. 0305.BA ROOKIE LOWER DRIVER PANEL MOUNT \$13.65
- E. V.TPSCEI6X25 FHAB M6x25 \$.40
- F. 0033.00 M6 CONICAL WASHER \$1.82
- G. 0031.00 RUBBER GROMMET M6x20 \$.40
- H. V.TCE6X20 SHCS M6x20 \$.50
- I. R.P.6X12 M6x12.5x1 WASHER \$.30
- J. D.M6A.B M6 SHORT LOCK NUT \$.50
- K. D.M6A.A M6 TALL LOCK NUT \$.50
- L. 0304.D0 ROOKIE UPPER SPOILER SUPPORT \$13.65
- M. V.TPSCEI6X20 FHAB M6x20 \$.45
- N. V.TB6X15 M6x15 BUTTON HEAD SCREW \$.50
- O. R.P.6X18 M6x18x1 WASHER \$.30
- P. R.E.6 SPRING WASHER M6 \$.30



KF-KZ



Rookie



- A. 0312.A0 BLACK REAR PLASTIC BUMPER \$136.00
- B. REAR BUMPER HARDWARE KIT (LESS BUMPER) SPECIFY FRAME OD, 0312.A028 28MM, 0312.A030 30MM, 0312.A032 32MM \$168.00
- C. 0312.00A FRAME TO BUMPER UPRIGHT \$32.18
- D. 0312.00C UPRIGHT TO BUMPER CONNECTOR \$32.18
- E. REAR BUMPER BUSHING, SPECIFY FRAME OD, 0067.D328 28MM, 0067.D130 30MM, 0067.D232 32MM \$5.85
- F. REAR BUMPER RUBBER, 0066.A0 28MM, 0066.00 30MM, 0066.B0 32MM \$4.88
- G. 0066.D0 REAR BUMPER RUBBER 20MM OD \$4.88
- H. V.TE10X130 HEX HEAD BOLT OEM M10x130 \$3.40
- H. V.TE10X130 HEX HEAD BOLT AFTERMARKET HIGH STRENGTH M10x130 \$3.00
- I. R.P.10X30X2.5 WASHER M10x30x2.5 \$.40
- J. D.M10 JAM NUT M10 \$.75
- K. D.M.10A.A LOCK NUT M10 \$.75
- L. R.P.8X17 WASHER M8x17 \$.30
- M. D.M8A.B SHORT M8 LOCK NUT \$.40
- N. V.TB8X16 M8x16 BUTTON HEAD BOLT \$.80
- O. 0087.A0 M8 ALUMINUM WASHER \$3.12
- P. V.TPSCEI8X30 FHAB M8x30 \$.65
- Q. 0312.FA MINI REAR PLASTIC BUMPER \$146.25
- R. 0312.F0KIT COMPLETE MINI CONNECTION KIT \$165.75
- S. 0312.00FDX RIGHT SIDE CONNECTOR FOR MINI BUMPER \$23.40
- S. 0312.00FSX LEFT SIDE CONNECTOR FOR MINI BUMPER \$23.40
- T. 0087.00N SEAT WASHER M8 \$2.34
- U. 0067.D3 REAR BUMPER BUSHING 28MM \$5.85
- V. 0066.A0 REAR BUMPER RUBBER 28MM \$4.88



**OTK Chassis Parts Cont.**



Type	Size	SOFT	HARDNESS	HARD
U	30x960	[Bar chart showing hardness level]		
N	30x960	[Bar chart showing hardness level]		
H	30x960	[Bar chart showing hardness level]		
P	40x1060	[Bar chart showing hardness level]		
N	40x1060	[Bar chart showing hardness level]		
E	50x1030	[Bar chart showing hardness level]		
U	50x1030	[Bar chart showing hardness level]		
G	50x1030	[Bar chart showing hardness level]		
N	50x1030	[Bar chart showing hardness level]		
H	50x1030	[Bar chart showing hardness level]		
HH	50x1030	[Bar chart showing hardness level]		
HD	50x1030	[Bar chart showing hardness level]		



- A. 0054.02 25MM AXLE MICRO \$150.00
- B. 0054.00EXP 25MM AXLE MINI EXP \$156.00
- C. 0054.B0FIKU 960x30x5MM AXLE \$214.00
- C. 0054.B0FIKN 960x30x5MM AXLE \$214.00
- C. 0054.B0FIKH 960x30x5MM AXLE \$214.00
- D. 0054.D0106N 40x1060 AXLE \$253.00
- D. 0054.D0106C 40x1060 AXLE \$253.00
- D. 0054.D0106P 40x1060 AXLE \$253.00
- E. 0054.G0E 50x1030MM AXLE, 100CC \$253.00
- E. 0054.G0U 50x1030MM AXLE, 100CC \$253.00
- E. 0054.G0Q 50x1030MM AXLE, 100CC \$253.00
- E. 0054.G0N100 50x1000MM AXLE, 100CC \$253.00
- E. 0054.G0N 50x1030MM AXLE, 100CC \$253.00
- E. 0054.G0H 50x1030MM AXLE, 100CC \$253.00
- E. 0054.G0HH 50x1030MM AXLE, 100CC \$253.00
- F. 0054.H0U 50x1030MM, INBOARD DRIVE \$253.00
- F. 0054.H0Q 50x1030MM, INBOARD DRIVE \$253.00
- F. 0054.H0N 50x1030MM, INBOARD DRIVE \$253.00
- F. 0054.H0H 50x1030MM, INBOARD DRIVE \$253.00
- F. 0054.H0HH 50x1030MM, INBOARD DRIVE \$253.00
- F. AFTERMARKET OTK AXLE 50MMx1030MM, 100cc/125cc \$164.73
- G. 0055.00 STIFFNER BUSHING FOR 50MM AXLE \$9.75
- H. 0056.00 FLAT AXLE KEY 8x7x60 \$6.50
- I. 0056.A0 FLAT AXLE KEY 8x7x40 \$6.50
- J. 0056.B0 FLAT AXLE KEY 8x7x80 \$6.50
- K. 0057.00 FLAT AXLE KEY 8x5x60 \$6.50
- L. 0057.D0 AXLE KEY 3 PIN FOR 50MM AXLE \$20.00
- M. 0057.E0 AXLE KEY 2 PIN FOR 50MM AXLE \$14.00

- A. 0070.C0A MXP MAGNESIUM WHEEL 210MM \$136.50 EACH
- B. 0070.D0A MXP MAGNESIUM WHEEL 180MM \$134.55 EACH
- C. 0071.G0A MXP MAGNESIUM WHEEL 130MM \$128.70 EACH
- D. 0070.C0 MXC FORGED MAGNESIUM 210MM \$214.00 EACH
- E. 0070.D0 MXC FORGED MAGNESIUM 180MM \$212.00 EACH
- F. 0071.G0 MXC FORGED MAGNESIUM 130MM \$185.00 EACH
- G. 0070.00B AXP SPUN ALUMINUM 210MM, BLACK \$107.25 EACH
- H. 0070.A0B AXP SPUN ALUMINUM 180MM, BLACK \$105.30 EACH
- I. 0071.D0B AXP SPUN ALUMINUM 130MM, BLACK \$93.60 EACH
- J. 0071.B0B AXP SPUN ALUMINUM 120MM, BLACK \$93.60 EACH
- K. 0070.B0B AXP SPUN ALUMINUM 145MM, BLACK \$103.35 EACH
- L. 0071.A0BKIT AXP SPUN ALUMINUM w/17MM BEARINGS, 110MM, BLACK \$117.00 EA
- 0222.A0 WHEEL BEADLOCK SCREW \$1.55
- 0223.A0 BEADLOCK O-RING \$.25
- 0221.00 VALVE STEM, LONG 45MM \$1.85
- VALVE STEM, SHORT 35MM \$.75



OTK NUMBERS, STICKY BACK, YELLOW BACKGROUND WITH BLACK NUMBER, 6 1/4" TALL, 2 9/16" WIDE \$1.30 EACH, FOUR \$5.00



**OTK Chassis Parts Cont.**



- A. 0047.C0A 25MM ALUMINUM SPROCKET HUB \$124.80
- B. 0047.B0A 30MM ALUMINUM SPROCKET HUB \$124.80
- C. 0047.K0 40MM ALUMINUM SPROCKET HUB \$126.75
- D. 0047.DB 40MM MAGNESIUM SPROCKET HUB \$136.50
- E. 0047.KE 50MM ALUMINUM SPROCKET HUB \$126.75
- F. 0047.E0 50MM MAGNESIUM SPROCKET HUB \$136.50
- G. 0047.E0RM 50MM MAGNESIUM SPROCKET HUB FOR ROTAX MAX \$136.50

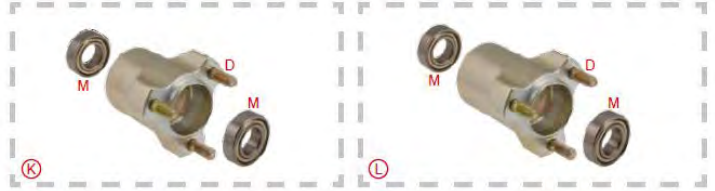
- A. 0046.C0A 25MM ALUMINUM BRAKE DISK HUB \$89.70
- B. 0052.00A 25MM ALUMINUM BRAKE DISK HUB FOR 206MM VENTED DISK \$126.75
- C. 0046.00A 30MM ALUMINUM BRAKE DISK HUB \$89.70
- D. 0052.A0C 30MM ALUMINUM BRAKE DISK HUB FOR ROOKIE BRAKE DISC \$101.40
- E. 0052.K0 40MM ALUMINUM BRAKE DISK HUB FOR 206MM VENTILATED BRAKE DISC \$120.90
- F. 0052.K0A 40MM ALUMINUM BRAKE DISK HUB FOR 180MM VENTED DISK \$101.40
- G. 0052.DB 40MM MAGNESIUM BRAKE DISK HUB FOR 206MM VENTED DISK \$136.50
- H. 0052.DA 40MM MAGNESIUM BRAKE DISK HUB FOR 180MM VENTED DISK \$126.75
- I. 0052.KE 50MM ALUMINUM BRAKE DISK HUB FOR 206MM VENTED DISK \$120.90
- J. 0052.KEA 50MM ALUMINUM BRAKE DISK HUB FOR 180MM VENTED DISK \$101.40
- K. 0052.E0 50MM MAGNESIUM BRAKE DISK HUB FOR 206MM X 13 VENTED DISK \$136.50
- L. 0052.EC 50MM MAGNESIUM BRAKE DISK HUB FOR 206MM X 16 VENTED DISK \$163.80
- M. 0052.EA 50MM MAGNESIUM BRAKE DISK HUB FOR 180MM VENTED DISK \$136.50
- N. 0103.GABKIT COMPLETE ALUMINUM BS5 FRONT DISC HUB WITH TWO BEARINGS \$146.25
- O. 0103.G0KIT COMPLETE ALUMINUM BS7 FRONT DISK HUB \$146.25



**OTK Chassis Parts Cont.**



- A. 0048.A2 AXLE BEARING FLANGE FOR 25MM BEARING \$7.80 PER SIDE
- B. 0048.FA AXLE CASSETTE 25MM, MINI EXP \$97.50
- C. 0048.FB AXLE CASSETTE 30MM, MINI, NORDIK EXP, MINI BABY FIK \$97.50
- D. 0048.KDE FORGED ALUMINUM AXLE CASSETTE 40/50MM \$146.25
- E. 0048.KDEA FORGED ALUMINUM AXLE CASSETTE 40/50MM, 3 POSITION, CENTRAL, RIGHT \$146.25
- F. 0048.KDEASX FORGED ALUMINUM AXLE CASSETTE 40/50MM, 3 POSITION, LEFT \$146.25
- G. 0048.KDEBA FORGED ALUMINUM AXLE CASSETTE 40/50MM, 3 POSITION, CONCENTRIC SUPPORT, CENTRAL/RIGHT \$156.00
- H. 0048.KDEBASX FORGED ALUMINUM AXLE CASSETTE 40/50MM, 3 POSITION, CONCENTRIC SUPPORT, LEFT \$156.00
- I. 0048.KDEBB FORGED ALUMINUM AXLE CASSETTE 40/50MM, 3 POSITION, 5MM OFFSET SUPPORT, CENTRAL/RIGHT \$156.00
- J. 0048.KDEBBSX FORGED ALUMINUM AXLE CASSETTE 40/50MM, 3 POSITION, 5MM OFFSET SUPPORT, LEFT \$156.00
- K. 0048.KDEBC FORGED ALUMINUM AXLE CASSETTE 40/50MM, 3 POSITION, 10MM OFFSET SUPPORT, CENTRAL/RIGHT \$156.00
- L. 0048.KDEBCSX FORGED ALUMINUM AXLE CASSETTE 40/50MM, 3 POSITION, 10MM OFFSET SUPPORT, LEFT \$156.00
- M. 0049.B0 25x50MM BEARING \$39.00
- N. 0049.00 30x60MM BEARING \$49.40
- O. 0049.A0 40x80MM BEARING \$59.80
- P. 0049.DAA 50x80MM BEARING \$39.95
- Q. 0219.00 AXLE BEARING SET SCREW FOR 50MM BEARING \$1.50
- R. V.TE8X20 M8x20 SOCKET HEAD BOLT \$.50
- S. R.P.8X17 M8x17 WASHER \$.30
- T. D.M8A.B LOCK NUT M8 \$.50
- U. V.TE8X25 M8x25 HEX HEAD BOLT \$.45
- V. R.P.8X17X3 WASHER M8x3 \$.80



- A. 0103.C0CKIT FRONT HUB HST 25MM MAGNESIUM 80MM \$159.90
- B. 0103.C0EKIT FRONT HUB HST 25MM MAGNESIUM 95MM \$175.50
- B. 0103.C0DKIT FRONT HUB HST 25MM MAGNESIUM 110MM \$179.40
- C. 0103.GFKIT FRONT HUB FOR BRAKE BS5-7 \$234.00
- D. 0045.00 WHEEL STUD BOLT \$1.95
- E. 0024.BA WHEEL HUB BEARING M25x42x12 \$14.00
- F. 0023.CB HST BEARING SPACER 30MM FOR FRONT HUB \$7.30
- G. 0125.00 SPACER RING FOR WHEEL HUB \$5.85
- H. 0044.B0 M8 WHEEL LOCKING NUT \$1.15 EACH, \$11.00 TWELVE
- I. 0103.C0BKIT FRONT HUB BST 17MM MAGNESIUM 75MM MEDIUM \$128.70
- J. 0103.C0KIT FRONT HUB BST 17MM MAGNESIUM 95MM LONG \$128.70
- K. 0103.F0AKIT FRONT HUB BST ALUMINUM 60MM SHORT \$93.60
- L. 0103.F0BKIT FRONT HUB BST ALUMINUM 75MM MEDIUM \$99.45
- M. 0024.00 WHEEL HUB BEARING M17x35 \$4.68

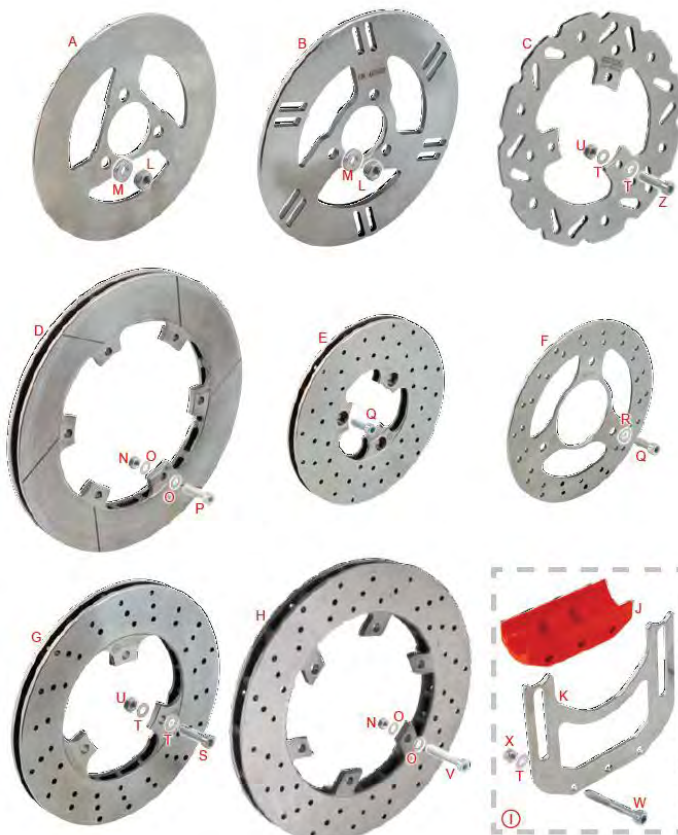


**OTK Chassis Parts Cont.**



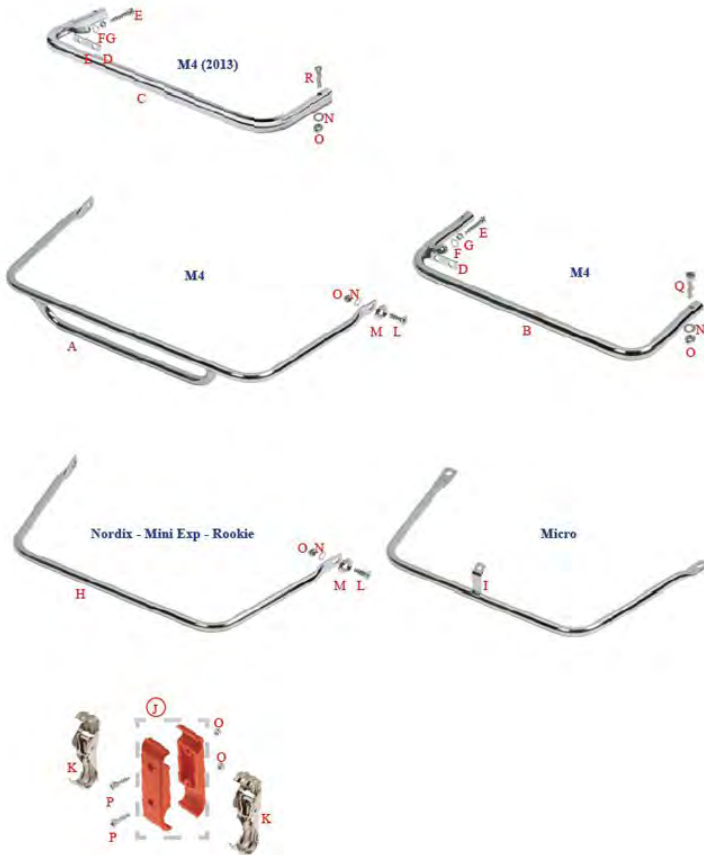
- A. 0046.C0A 25x47MM ALUMINUM WHEEL HUB \$89.70
- B. 0053.C0A 25x84MM ALUMINUM WHEEL HUB \$105.00
- C. 0046.00A 30x47MM ALUMINUM WHEEL HUB \$89.70
- D. 0053.B0A 30x84MM ALUMINUM WHEEL HUB \$105.00
- E. 0053.K0 40x92MM ALUMINUM WHEEL HUB \$120.00
- F. 0053.A0 40x92MM MAGNESIUM WHEEL HUB \$140.00
- I. 0046.E0 50x77MM MAGNESIUM WHEEL HUB \$134.55
- J. 0053.E0 50x92MM MAGNESIUM WHEEL HUB \$157.95
- K. 0053.EA 50x115MM MAGNESIUM WHEEL HUB \$234.00
- L. 0053.F0 50x148MM MAGNESIUM WHEEL HUB \$247.65
- M. R.P.8X12 M8x12 WASHER \$.30
- N. 0045.00 M8 WHEEL STUD \$1.95
- O. V.TCE8X30 M8x30 SHCS \$.60
- P. V.TCE8X35 M8x35 SHCS \$.65
- Q. V.TCE8X40 M8x40 SHCS \$.70
- R. 0044.B0 M8 WHEEL LOCKING NUT \$1.15 EACH, \$11.00 TWELVE

- A. 0051.E0 MICRO REAR BRAKE DISC 170MM \$107.00
- B. 0051.EC REAR BRAKE DISC MINI 180MM \$132.60
- D. 0051.00 REAR BRAKE DISC 206MM, OLD STYLE BS2 CALIPER \$243.75
- E. 0101.D0 FRONT BRAKE DISC 140MM, SPECIFY SIDE \$177.45
- F. 0101.FB AC SA3 FRONT BRAKE DISC 142MM X 4MM THICK \$134.55
- G. 0051.D0 REAR BRAKE DISC BS6 180MM \$234.00
- H. 0051.DC REAR BRAKE DISC BS6 206x16MM BIG DISC \$292.50
- I. 0257.00KIT PROTECTION KIT FOR BRAKE DISC 206x16MM \$83.85
- J. 0257.01 NYLON PROTECTION FOR BRAKE DISC 206x16MM \$56.50
- K. 0257.02 DISC PROTECTION FIXING PLATE \$24.38
- L. D.M8C METAL SELF LOCKING M8 NUT \$.45
- M. R.P.8X17X3 WASHER M8x17x3 \$.80
- N. D.M5C M5 SELF LOCKING ALL METAL NUT \$.40
- O. R.P.5X11 WASHER M5x11 \$.30
- P. V.TCE5X20 M5x20 SHCS \$.45
- Q. V.TB6X16 BUTTON HEAD BOLT M6x16 \$.45
- R. R.E.6 SPRING WASHER M6 \$.25
- S. V.TCE6X25 M6x25 SHCS \$.50
- T. R.P.6X12 WASHER M6x12 \$.30
- U. D.M6C M6 ALL METAL SELF LOCKING NUT \$.40
- V. V.TCE5X30 SHCS M5x30 \$.50
- W. V.TCE6X50 SHCS M6x50 \$.50
- X. D.M6A.B SHORT M6 LOCK NUT \$.40



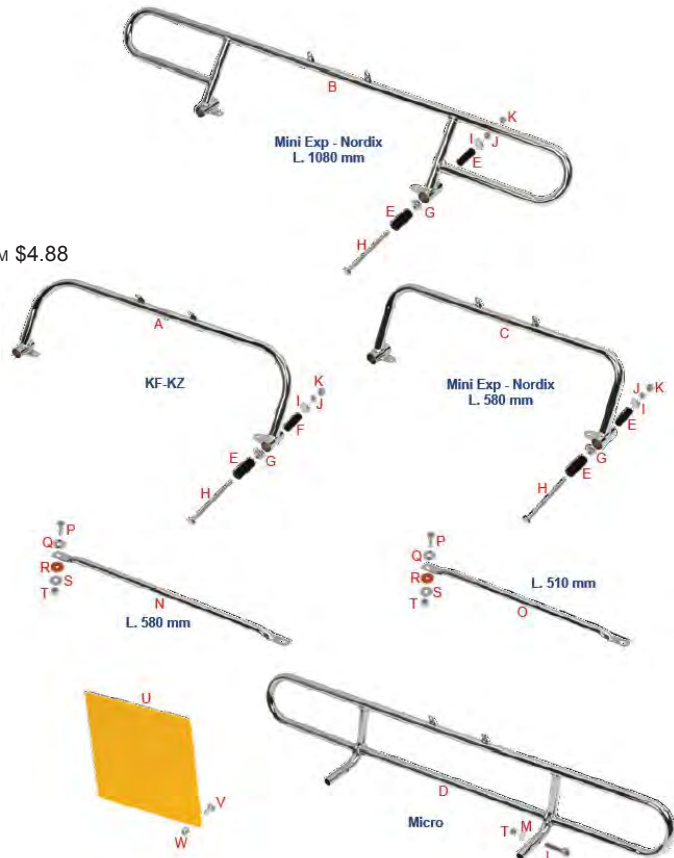


**OTK Chassis Parts Cont.**

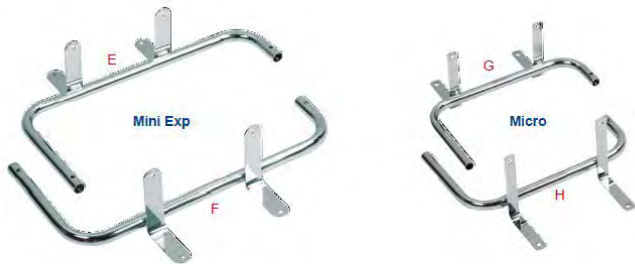


- A. 0002.00B FRONT BUMPER TOP M4 \$87.75
- B. 0002.01 FRONT BUMPER LOWER M4 \$70.20
- C. 0002.03 FRONT BUMPER 2013 LOWER M4 \$70.20
- D. 0126.B0 THREADED PLATE M5 \$2.93
- E. V.TCE5X30 M5x30 SHCS \$.50
- F. R.P.5X11 WASHER 5x11x1MM \$.20
- G. D.M5 M5 JAM NUT \$.30
- H. 0002.A0A FRONT BUMPER NORDIX, MINI, ROOKIE \$78.00
- I. 0002.CB FRONT BUMPER FOR MICRO \$78.00
- J. 0301.C1 BRACKET FOR FRONT BUMPER SUPPORT \$15.00
- K. 0301.C2 FIXING LEVER FOR FRONT BUMPER \$29.25 EACH
- L. V.TPSCEI6X20 M6x20 FHAB \$.45
- M. 0033.00 M6 ALUMINUM CONICAL WASHER \$1.82
- N. R.P.6X12 WASHER M6x12 \$.20
- O. D.M6A.B M6 SHORT LOCK NUT \$.50
- P. V.TCE6X20 M6x20 SHCS \$.40
- Q. V.TCE6X30 M6x30 SHCS \$.50
- R. V.TB6X30 M6x30 BUTTON HEAD \$.70

- A. 0003.00A REAR BUMPER 2009 \$117.00
- B. 0003.BC MINI EXP, NORDIX REAR BUMPER 1080MM \$142.35
- C. 0003.BD MINI EXP, NORDIX REAR BUMPER 580MM \$117.00
- D. 0003.GB MICRO REAR BUMPER \$97.50
- E. REAR BUMPER RUBBER 0066.A0 28MM, 0066.00 30MM, 0066.B0 32MM \$4.88
- F. 0066.D0 REAR BUMPER RUBBER 20MM OD \$4.88
- G. REAR BUMPER FRAME BUSHING 0067.D3 28MM, 0067.D1 30MM, 0067.D2 32MM \$5.85
- H. V.TE10X130 OEM HEX HEAD BOLT M10x130 \$3.40
- H. V.TE10X130 AFTERMARKET HEX HEAD BOLT, BLACK M10x130 \$3.00
- I. R.P.10X30X2.5 M10x30x2.5 \$.70
- J. D.M10 M10 JAM NUT \$.75
- K. D.M10A.A M10 LOCK NUT \$.75
- L. V.TCE6X30 M6x30 SHCS \$.60
- M. R.P.6X12 M6x12 WASHER \$.30
- N. 0003.06 REAR BUMPER BAR 580MM \$37.05
- O. 0003.05B REAR BUMPER BAR 510MM BABY, NORDIX \$37.05
- P. V.TPSCEI6X25 FHAB M6x25 \$.50
- Q. 0033.00 M6 ALUMINUM CONICAL WASHER \$1.82
- R. 0031.00 M6x20 RUBBER GROMMET \$.50
- S. R.P.6X18 WASHER M6x18 \$.25
- T. D.M6A.B SHORT M6 LOCK NUT \$.50
- U. 0069.00 PLASTIC YELLOW NUMBER PANEL \$9.75
- V. V.TB6X15 BUTTON HEAD M6x15 \$.40
- W. D.M6A.A TALL M6 LOCK NUT \$.50

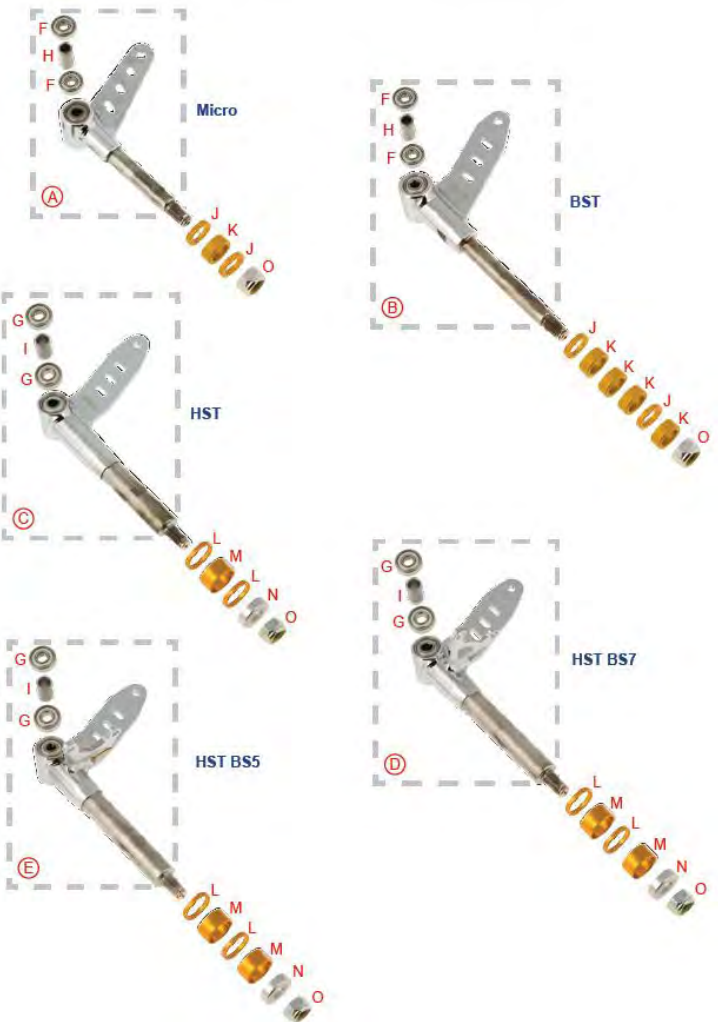


**OTK Chassis Parts Cont.**



**BST = 17MM SPINDLE SHAFT**  
**HST = 25MM SPINDLE SHAFT**

- A. 0004.F6DX RIGHT HAND SIDE BUMPER M4 \$117.00
- B. 0004.F6SX LEFT HAND SIDE BUMPER M4 \$117.00
- C. 0004.CCDXCSAI RIGHT HAND SIDE BUMPER, ROOKIE \$105.00
- D. 0004.CCSXCSAI LEFT HAND SIDE BUMPER, ROOKIE \$105.00
- E. 0004.CCADX RIGHT SIDE NERF, MINI EXP \$93.00
- F. 0004.CCASX LEFT SIDE NERF, NORDIX, MINI EXP \$93.00
- G. 0004.B2DX RIGHT SIDE NERF, MICRO \$78.00
- H. 0004.B2SX LEFT SIDE NERF, MICRO \$78.00
- I. 0004.00A ANTI VIBRATION BUFFER \$3.90
- J. 0004.00B1 NYLON LOCKER FOR SIDE NERF \$1.56
- K. V.TCE6X30 M6x30 SHCS \$.50
- L. V.TCE6X35 M6x35 SHCS \$.60
- M. R.P.6X12 WASHER M6x12 \$.30
- N. D.M6A.B SHORT M6 LOCK NUT \$.50



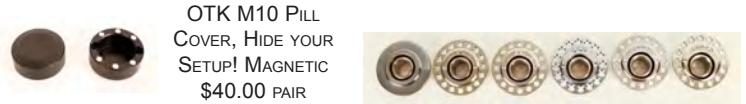
- A. 0092.E0KIT STUB AXLE MICRO WITH BEARINGS \$124.80
- B. 0092.00BKIT STUB AXLE 100CC BST WITH BEARINGS \$156.00
- C. 0092.00CKIT STUB AXLE 100CC HST WITH BEARINGS \$185.25
- D. 0092.00DAKIT STUB AXLE 100CC BS7 HST WITH BEARINGS \$210.00
- E. 0092.B0DKIT STUB AXLE 125CC HST HOMOLOGATION BS5 WITH BEARINGS \$210.00
- F. 0019.00 KINGPIN BEARING M8x22 \$3.50
- G. 0019.A0 KINGPIN BEARING M10x26 \$3.50
- H. 0020.00 M8 BEARING SPACER FOR BST \$4.10
- I. 0020.C0 M10 BEARING SPACER FOR HST \$4.10
- J. 0021.00 BST WHEEL SPACER M5x17 \$2.90
- K. 0022.00 BST WHEEL SPACER M10x17 \$2.90
- L. 0021.C0 HST WHEEL SPACER M5x25, BLUE OR ORANGE \$2.93
- M. 0022.C0 HST WHEEL SPACER M15x25, BLUE OR ORANGE \$3.90
- N. 0023.D0 HST STUD AXLE END WASHER \$3.90
- O. D.M14X1.5 M14 SPINDLE END NUT \$3.40
- P. 0021.A0 RADIATE WHEEL SPACER 5MM \$3.40
- Q. 0021.CA HST WHEEL SPACER 1MM FOR TWO BEARING BS5 DISC HUB \$5.85
- R. 0021.CC HST WHEEL SPACER 5.5MM FOR SA3 BRAKE DISC \$4.88

**OTK Chassis Parts Cont.**



- A. 0005.BA STEERING SHAFT 100CC-125CC, 470MM, 2MM THICK, STOCK STEERING SHAFT \$87.75
- A. 0005.BB STEERING SHAFT 100CC-125CC, 490MM, 2MM THICK, 20MM LONGER THAN STOCK \$87.75
- B. 0005.F0 STEERING SHAFT 100CC-125CC, 470MM, 2MM THICK WITH SLOT, DIFFERENT ACKERMAN THAN STOCK \$87.75
- B. 0005.FA STEERING SHAFT 100CC-125CC, 490MM, 2MM THICK WITH SLOT, DIFFERENT ACKERMAN THAN STOCK, 20MM LONGER THAN STOCK \$87.75
- C. 0005.C0UK STEERING COLUMN FOR MINI, NORDIX \$87.75
- D. 0005.D0 STEERING COLUMN FOR MICRO \$87.75
- E. 0011.00 10MM STEERING UNIBALL \$31.20
- F. 0012.00 UNIBALL STEERING CLIP \$1.00
- G. D.M10A.A M10 LOCK NUT \$1.00
- H. 0086.00 NYLON SUPPORT FOR STEERING COLUMN \$12.68
- I. 0115.00 STEERING COLUMN LOCKING COLLAR \$6.83
- J. G.5X12 SET SCREW M5X12 \$.35
- K. D.M5 M5 JAM NUT \$.35
- L. R.P.8X17 WASHER M8X17 \$.30
- M. D.M8A.A TALL 8MM LOCK NUT \$.60
- N. V.TCE8X70F M8X70 SHCS DRILLED \$1.25
- O. V.TCE8X75F M8X75 SHCS DRILLED \$2.85
- P. 0008.A0 STEERING TIE ROD 270MM \$28.28
- P. 0008.B0 STEERING TIE ROD 220MM \$28.28
- P. 0008.C0 STEERING TIE ROD 190MM \$28.28
- Q. 0009.00 RIGHT HAND ROD END WITH JAM NUT \$15.60
- R. 0009.A0 LEFT HAND ROD END WITH JAM NUT \$15.60
- S. 0026.A0 ROD END SPACER M8X13X4 \$2.60
- T. 0216.00 M8 ALUMINUM CONICAL WASHER \$2.34
- U. V.TPSCEI8X45F M8X45 DRILLED FHAB \$2.60
- V. R.P.8X12 WASHER M8X12X2 \$.30
- W. 0211.D4 WASHER M10X4.5 \$3.90
- E-CLIP FOR BOTTOM OF STEERING SHAFT \$.30
- COMP.302.SC AFTERMARKET 470MM STEERING SHAFT FOR OTK, SHAFT DESIGN COMBINES STANDARD AND SLOTTED SHAFT ACKERMAN HOLES ON ONE STEERING SHAFT \$65.00

- A. 0212.00 BOTTOM BUSHING FOR M8 BOLT, 12MM \$9.75
- B. 0211.A0KIT COMPLETE ECCENTRIC BUSHING D22xM8 BST \$58.00
- C. 0212.A0KIT COMPLETE CENTERED BUSHING D22xM8 BST \$58.00
- D. 0211.D0KIT COMPLETE ECCENTRIC BUSHING D22xM10 HST \$78.00
- E. 0212.D0KIT COMPLETE CENTERED BUSHING D22xM10 HST \$78.00
- F. 0018.A0F DRILLED M8X90 KINGPIN BOLT, BST \$8.00
- G. 0215.00 KINGPIN SPACER M8X24X4 \$3.90
- H. R.P.8X17X3 KINGPIN SPACER M8X17X3 \$.50
- I. D.M8A.A TALL M8 LOCK NUT \$.60
- J. 0211.A4 WASHER M8X7 FOR BUSHING \$2.60
- K. V.TCEX3X10 M3X10 SHCS \$.60
- L. 0211.D4 WASHER M10X45 FOR HST BUSHING \$3.90
- M. 0215.CB KINGPIN BOLT SPACER M10X24X3 \$4.30
- N. 0018.C0F DRILLED KINGPIN BOLT M10X90 \$7.80
- O. D.M10A.A M10 LOCKING NUT \$1.00
- 0255.00 SAFETY CLIP FOR DRILLED BOLT \$1.95



- OTK M10 PILL COVER, HIDE YOUR SETUP! MAGNETIC \$40.00 PAIR
- AFTERMARKET ECCENTRIC BUSHINGS FOR D22xM10 HST SPINDLES
- 5 DOT MAX OFFSET \$49.95
  - 4 DOT OFFSET PILL \$49.95
  - 3 DOT MIDDLE OFFSET PILL (SAME AS OEM) \$49.95
  - 2 DOT LESS OFFSET PILL \$49.95
  - 1 DOT MINIMUM OFFSET PILL \$49.95
  - CENTER PILL, NO OFFSET (SAME AS OEM) \$39.95
  - COMPLETE PILL KIT, ALL 12 PILLS \$550.00
  - PILL KIT, 10 PILLS, NO MAX OFFSET PILLS \$460.00



OTK PILL ADJUSTER WRENCH FOR D22xM10 PILL, WRENCH ALSO FITS REAR BUMPER FRAME INSERT \$49.95

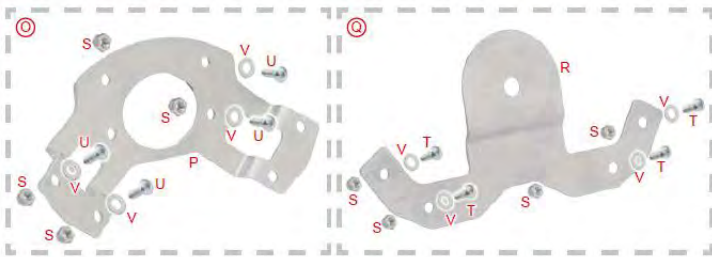




**OTK Chassis Parts Cont.**



- A. 0084.BAA ALUMINUM STEERING WHEEL HUB, 6 HOLE, ORANGE OR BLUE \$70.20
- B. 0084.ABA ALUMINUM STEERING WHEEL HUB, 6 HOLE WITH CLUTCH LEVER SUPPORT \$93.60
- C. 0084.BAIA ALUMINUM STEERING WHEEL HUB, ANGLED, 6 HOLE \$124.80
- D. 0084.BAB ALUMINUM STEERING WHEEL HUB, 3 HOLE \$70.20
- E. V.TB5X25F M5x25 BUTTON HEAD BOLT, DRILLED (FOR BS6 SYSTEM) \$2.25
- E. V.TB5X45F M5x45 BUTTON HEAD BOLT, DRILLED (FOR BS7 SYSTEM) \$2.50
- F. R.P.5X11 WASHER M5x11 \$.30
- G. D.M5A.B SHORT M5 LOCK NUT \$.40
- H. V.TCE6X40F M6x40 SHCS, DRILLED \$2.00
- I. R.P6X12 WASHER M6x12 \$.30
- J. D.M6A.A TALL M6 LOCK NUT \$.50
- K. V.TCE6X50 M6x50 SHCS \$.50
- L. V.TPSCEI6X30F M6x30 FHAB, DRILLED \$1.95
- M. 0033.00 ALUMINUM CONICAL WASHER M6 \$1.82
- N. D.M6A.B SHORT M6 LOCK NUT \$.50
- Q. 0083.COBKIT MYCHRON, UNIPRO STEERING WHEEL TACH BRACKET \$83.85



0083.D0 2014 TONY KART 6 HOLE FOUR SPOKE STEERING WHEEL WITH HIGH GRIP HAND MATERIAL \$285.00



0083.CF 2014 FA 6 HOLE FOUR SPOKE STEERING WHEEL WITH HIGH GRIP HAND MATERIAL \$285.00



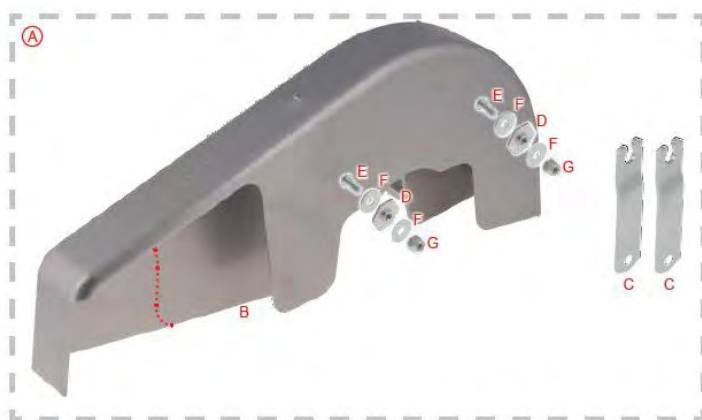
OTK SAFETY PIN FOR DRILLED BOLTS \$1.75



COMP.0121 10 DEGREE ANGLED STEERING WHEEL SHIM, 6 BOLT \$22.00



10 DEGREE STEERING WHEEL SHIM, BLACK ALUMINUM, FITS 3 BOLT PATTERN (MOST STEERING WHEELS) AND 6 BOLT PATTERN (TONY KART, OTK) \$24.50



- A. 0042.CAKITC COMPLETE INTEGRAL CHAIN GUARD KIT \$91.65
- B. 0042.CA INTEGRAL CHAIN GUARD \$50.70
- C. 0043.C0 INTEGRAL CHAIN GUARD SUPPORT \$9.75
- D. 0043.C1 FIXING BUSH FOR INTEGRAL CHAIN GUARD \$5.85
- E. V.TB6X16 BUTTON HEAD BOLT M6x16 \$.45
- F. R.P.6X18 WASHER M6x18 \$.30
- G. D.M6A.B SHORT M6 LOCK NUT \$.40



C. OTK AFTERMARKET ALUMINUM STEERING WHEEL HUB, ANGLED, 6 HOLE PATTERN \$45.00



Q. COMP.0083 AFTERMARKET MYCHRON, UNIPRO STEERING WHEEL TACH BRACKET \$45.50

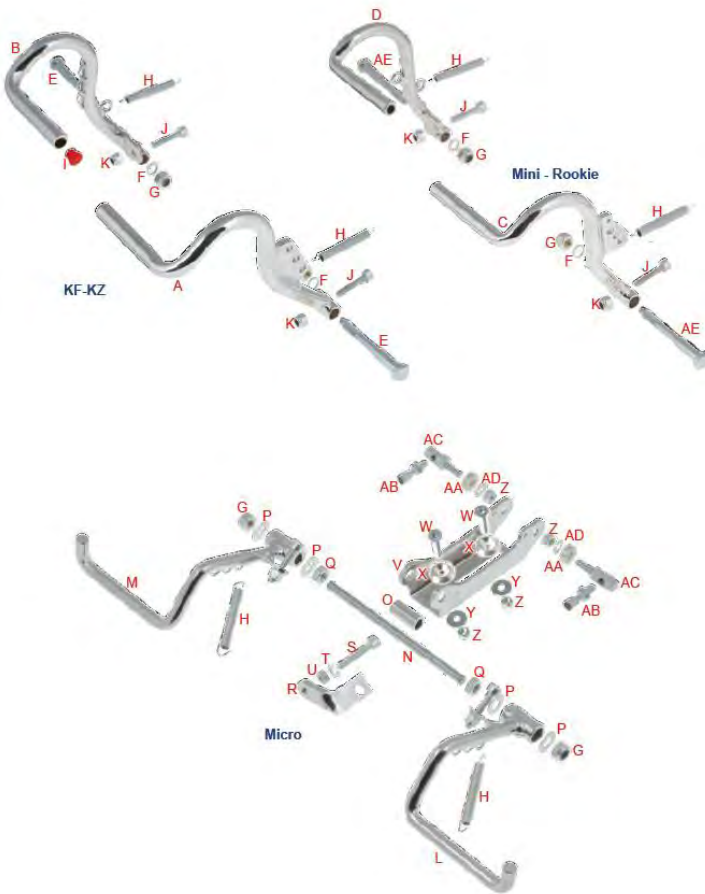


10 DEGREE STEERING WHEEL SHIM WITH GAUGE MOUNT, BLACK ALUMINUM, FITS 3 BOLT PATTERN (MOST STEERING WHEELS) AND 6 BOLT PATTERN (TONY KART, OTK), GREAT FOR OTK STEERING WHEELS AND OVAL KART STEERING WHEELS WITH OPEN TOPS \$39.50



0083.A0 3 HOLE STEERING WHEEL FOR MICRO \$130.00

**OTK Chassis Parts Cont.**



- A. 0015.00 HYDRAULIC BRAKE PEDAL \$87.75
- B. 0014.00 ACCELERATOR PEDAL \$74.10
- C. 0015.B0 MINI BRAKE PEDAL \$91.65
- D. 0014.A0 MINI ACCELERATOR PEDAL \$83.85
- E. 0017.A0 PEDAL BOLT \$15.50
- F. R.P.8X12 WASHER M8x12 \$.30
- G. D.M8A.A TALL M8 LOCK NUT \$.60
- H. 0016.00 PEDAL RETURN SPRING \$3.51
- I. 0121.00 PEDAL PLUG 12MM \$.47
- J. V.TCE6X30 M6x30 SHCS \$.40
- K. D.M6A.A TALL M6 LOCK NUT \$.50
- L. 0015.C0 MICRO BRAKE PEDAL \$76.05
- M. 0014.C0 MICRO ACCELERATOR PEDAL \$76.05
- N. 0010.E3 THREADED BAR M8 \$6.85
- O. 0010.E2 MICRO PEDAL SPACER \$5.46
- P. R.P.8X17 M8x17 WASHER \$.30
- Q. D.M8 M8 JAM NUT \$.35
- R. 0010.00D3 ACCELERATOR LOCKING PLATE FOR MINI, MICRO RUDDER PEDALS \$25.00
- S. V.TCE5X30 M5x30 SHCS \$.50
- T. R.P.5X11 WASHER M5x11 \$.30
- U. D.M5 JAM NUT M5 \$.40
- V. 0010.E1 MICRO RUDDER PEDAL SUPPORT \$58.00
- W. V.TPSCEI6X30 M6x30 FHAB \$.60
- X. 0033.00 ALUMINUM CONICAL WASHER M6 \$1.82
- Y. R.P.6X18 WASHER M6x18 \$.30
- Z. R.P.6X18 SHORT M6 LOCK NUT \$.50
- AA. 0010.00B4 5MM SPACER FOR ADJUSTABLE FEET SUPPORT \$4.85
- AB. 8.875 ADJUSTER \$1.95
- AC. 8.917 MECHANICAL BRAKE PIN \$11.70
- AD. R.P6X12 WASHER M6x12 \$.30
- AE. 0017.A0 ROOKIE PEDAL BOLT \$15.60

- A. 0010.00 BKIT ADJUSTABLE ALUMINUM FOOT SUPPORT COMPLETE \$146.00
- B. 0010.00B ADJUSTABLE ALUMINUM FEET SUPPORT \$93.00
- C. 0010.00B2 ALUMINUM SUPPORT FOR ADJUSTABLE FOOT SUPPORT \$58.50
- D. V.TCE6X25 M6x25 SHCS \$.50
- E. R.P.6X12 WASHER M6x12 \$.30
- F. D.M6A.B SHORT LOCK NUT M6 \$.50
- G. 0010.00A COMPLETE MINI ALUMINUM FOOT SUPPORT \$87.75
- H. 0010.00A2 FIXING BRACKET FOR MINI FOOT SUPPORT \$9.75
- I. V.TCE6X30 M6x30 SHCS \$.60
- J. 0010.A0 NYLON FOOT SUPPORT, RED \$7.30 EACH
- 0010.00B3 SPACER 10MM FOR FOOT SUPPORT \$5.85
- 0010.00B4 SPACER 5MM FOR FOOT SUPPORT \$4.85
- V.TCE6X45 M6x45 SHCS \$.50
- 0121.00 PEDAL PLUG 12MM \$.47



**OTK Chassis Parts Cont.**

- A. 0235.FAA OVAL FRONT BAR 275MM (STOCK ADULT BAR) \$25.35
- B. 0235.FA OVAL FRONT BAR NORDIK 290MM \$23.40
- C. 0235.FAB FRONT BAR 30x1MM, CHROMED (SOFTTEST) \$37.05
- D. 0235.FAN FRONT BAR 30x1.5MM, SILVER (MIDDLE) \$37.05
- E. 0235.FAO FRONT BAR 30x2MM GOLD (STIFFEST) \$37.05
- F. 0235.GA REAR TORSION BAR 30x470MM \$25.35
- G. 0240.00 ROUND CLAMP 28MM \$35.10
- H. 0240.B0 ROUND CLAMP 30MM, ORANGE OR BLUE \$35.10
- I. 0240.C0 OVAL CLAMP 30MM, ORANGE OR BLUE, RH OR LH \$35.10



OTK AFTERMARKET CHASSIS SKID PLATE KIT, HELPS PROTECT FRAME RAILS FROM CURBS AND FRAME DRAG, THREE PIECES WITH HARDWARE, WORKS ON MORE THAN OTK KARTS WITH SOME MODIFICATIONS  
AVAILABLE IN RED OR BLACK  
\$59.95



KARTLIFT UNIVERSAL PLASTIC SKID PLATE KIT, FITS MOST KART FRAMES, INCLUDES MOUNTING HARDWARE, HELP KEEP YOUR FRAME FROM DAMAGE FROM DRAGGING OVER BUMPS AND CURBING \$49.95

KARTLIFT LARGE UNIVERSAL PLASTIC SKID PLATE KIT, FITS MOST KART FRAMES, INCLUDES MOUNTING HARDWARE, HELP KEEP YOUR FRAME FROM DAMAGE FROM DRAGGING OVER BUMPS AND CURBING  
MAX COVERAGE \$69.95



- A. 0072.D1B CHASSIS ALUMINUM FLOOR TRAY, MICRO \$120.90
- B. 0072.B0A CHASSIS ALUMINUM FLOOR TRAY, ROCKY, MINI EXP \$134.55
- C. 0072.N01 CHASSIS ALUMINUM FLOOR TRAY, NORDIK EXP, ROOKIE \$136.50
- D. 0072.00 CHASSIS ALUMINUM FLOOR TRAY, RACER EVRR, KOSMIC MERCURY \$136.50
- E. 0072.00A CHASSIS ALUMINUM FLOOR TRAY 2013 ADULT, RACER EVK, 2013 KOSMIC, 2013 FA \$146.25
- E. 0072.00A CHASSIS ALUMINUM FLOOR TRAY WITH FA FLOOR TRAY STICKER, 2013 VICTORY KART \$230.00
- F. V.TPSCEI6X20 FHAB M6x20 \$.45
- G. 0031.00 RUBBER M6x20 \$.40
- H. 0033.00 ALUMINUM CONICAL WASHER M6 \$1.82
- I. R.P.6X18 WASHER M6x18x1 \$.30
- J. D.M6A.B M6 NUT SHORT \$.40
- K. D.M6A.A M6 NUT TALL \$.40
- L. C.D.M6R M6 NUT COVER \$.40
- M. 0225.06 PLUG \$1.17



**OTK Chassis Parts Cont.**



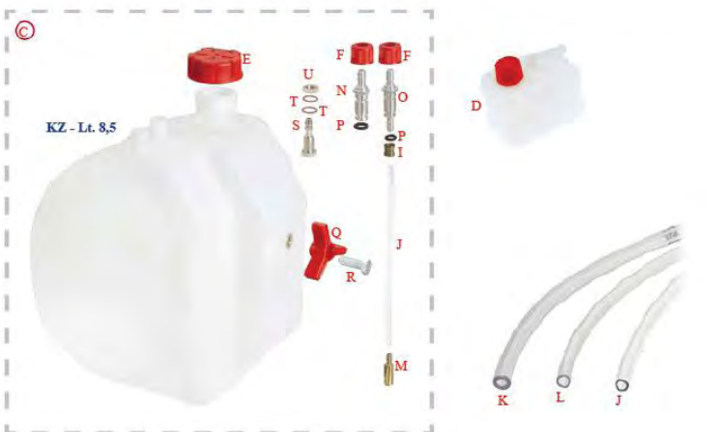
- A. OTK FLAT BOTTOM SEAT 0037.FP1, 0037.FP2, 0037.FP3, 0037.FP4 (1 SMALLEST, 4 LARGEST) \$185.00
- B. OTK MINI KART FLAT BOTTOM SEAT 0037.D01, 0037.D02 \$156.00
- C. 0037.E0 MICRO KART SEAT \$151.00
- D. V.TPSCEI8X25 M8x25 FHAB \$.60
- E. V.TPSCEI8X55 M8x55 FHAB \$1.35
- F. 0087.00 PLASTIC SEAT WASHER M8 \$1.00
- G. R.P.8X17 WASHER M8x17 \$.30
- H. D.M8A.A TALL M8 LOCK NUT \$.60
- I. R.P.10X30X2.5 WASHER M10x30x2.5 \$.40
- K. V.TB6X15 BUTTON HEAD BOLT M6x15 \$.45
- L. R.P.6X18 WASHER M6x18 \$.30
- M. D.M6A.B SHORT M6 LOCK NUT \$.50

- A. 0006.280 SEAT STAY 280MM \$23.40
- B. 0006.300 SEAT STAY 300MM \$23.40
- C. 0006.320 SEAT STAY 320MM \$23.40
- D. 0006.340 SEAT STAY 340MM \$23.40
- E. 0006.380 SEAT STAY 380MM \$23.40
- F. 0006.400 SEAT STAY 400MM \$23.40
- G. 0007.320B SEAT STAY, DOUBLE BENT, 320MM \$25.00
- H. 0007.340 SEAT STAY, BENT IN, 340MM \$29.25
- I. 0007.320 SEAT STAY, BENT OUT, 320MM \$25.35
- K. 0237.A0 REMOVABLE CHROME SEAT STAY \$21.45
- L. 0259.B0 CLAMP FOR REMOVABLE SEAT STAY, 28MM \$78.00
- L. 0259.A0 CLAMP FOR REMOVABLE SEAT STAY, 30MM \$78.00
- M. V.TCE6X25 M6x25 SHCS \$.50
- N. 0239.0A SMALL SEAT STIFFENER PLATE 2 1/8" x 1 1/2" \$3.90
- O. 0239.00 BIG SEAT STIFFENER PLATE 3 1/2" x 2 3/8" \$4.29
- P. 0239.A0 SEAT SUPPORT EXTENSION PLATE \$17.55
- Q. 0006.B0DXXKIT COMPLETE RIGHT HAND ADJUSTABLE SEAT SUPPORT \$126.75
- R. 0006.BOSXXKIT COMPLETE LEFT HAND ADJUSTABLE SEAT SUPPORT \$126.75
- S. 0242.BAKIT FRONT SUPPORT KIT FOR MICRO SEAT \$39.00
- T. 0242.BBKIT REAR SUPPORT KIT FOR MICRO SEAT \$54.60



**OTK Chassis Parts Cont.**

- A. 0014.D0 ALUMINUM ADJUSTABLE THROTTLE PEDAL \$136.00
- B. 0015.D0 ALUMINUM ADJUSTABLE BRAKE PEDAL \$136.00
- C. 0014.D04 FLANGED BUSHING M12X10X7 \$3.20
- D. R.P.10X16X1 FLAT WASHER M10X16X1 \$.40
- E. 0014.D05 ACCELERATOR CABLE PIN M4 \$3.80
- F. 0014.D06 EXTERNAL SAFETY CLIP FOR M4 PIN \$1.75
- G. 0014.D02 PIN FOR PEDAL ADJUSTMENT \$1.45
- H. 0014.D03 PIVOT FOR PEDAL ADJUSTMENT \$11.70
- I. 0014.D01 BUSHING FOR PEDAL ADJUSTMENT \$11.70
- J. R.E.8 SPRING WASHER M8 \$1.40
- K. 0017.D0 PEDAL BOLT \$26.00
- L. 0016.DA THROTTLE PEDAL RETURN SPRING \$9.75
- M. 0016.DB BRAKE PEDAL RETURN SPRING \$7.00
- N. 0014.D3 ALUMINUM THROTTLE PEDAL SUPPORT \$74.00
- O. 0015.D3 ALUMINUM BRAKE PEDAL SUPPORT \$74.00
- P. V.TB6X25 BUTTON HEAD SCREW M6X25 \$.60
- Q. R.P.8X17 WASHER M8X17 \$.30
- R. D.M8A.A M8 TALL LOCK NUT \$.60
- S. V.TB5X35 BUTTON HEAD BOLT M5X35 \$.90
- T. D.M5 M5 NUT \$.85
- U. D.M5CIECHI BLIND M5 NUT \$.40



- 0073.XBDT TONY KART 2013 FUEL TANK STICKER PAIR (NOT 2012 TANK) \$49.95
- A. 0073.0B FUEL TANK, 3 LITER \$97.50
- B. 0073.E0 FUEL TANK, 100CC 8.5 LITER \$136.50
- C. 0073.EA FUEL TANK, 125CC 8.5 LITER \$146.25
- D. 0260.00 RECOVERY TANK \$6.83
- E. 0224.00A FUEL TANK CAP FOR NEW STYLE TANK, 3 LITER AND 8.5 LITER \$10.73
- F. 0224.A0 SMALL FUEL TANK LINE CAP \$2.00
- G. 0077.CA FUEL LINE DOUBLE BARB CONNECTOR \$15.60
- H. 0077.CB CONNECTOR O-RING \$.30
- I. 0075.A0 FUEL PIPE CLAMP \$1.56
- J. 0074.B0 FUEL LINE M5.5X8.5 \$9.75
- K. 0074.00 FUEL LINE M5X10 \$4.88
- L. 0074.C0 FUEL LINE M6X9 \$9.75
- M. 0076.A0 FUEL TANK CHASER \$7.02
- N. 0077.D0 BREATHER FOR 8.5 LITER TANK \$14.63
- O. 0077.DA FUEL LINE CONNECTOR FOR 8.5 LITER TANK \$13.65
- P. 0077.CBA O-RING FOR FUEL LINE CONNECTOR \$3.22
- Q. 0073.002A FUEL TANK QUICK RELEASE KNOB \$3.90
- R. V.TE8X25 M8X25 HEX HEAD BOLT \$.50
- S. 0077.00 FUEL TANK RETURN LINE CONNECTOR \$6.83
- T. 0029.07 FIBER WASHER \$.59
- U. 0077.B0 FUEL TANK CONNECTOR NUT \$.65
- V. V.TPSCEI8X20 FHAB M8X20 \$.50
- W. 0216.00 CONICAL WASHER M8 \$5.27
- X. R.P.8X17 WASHER M8X17 \$.30

**OTK Chassis Parts Cont.**

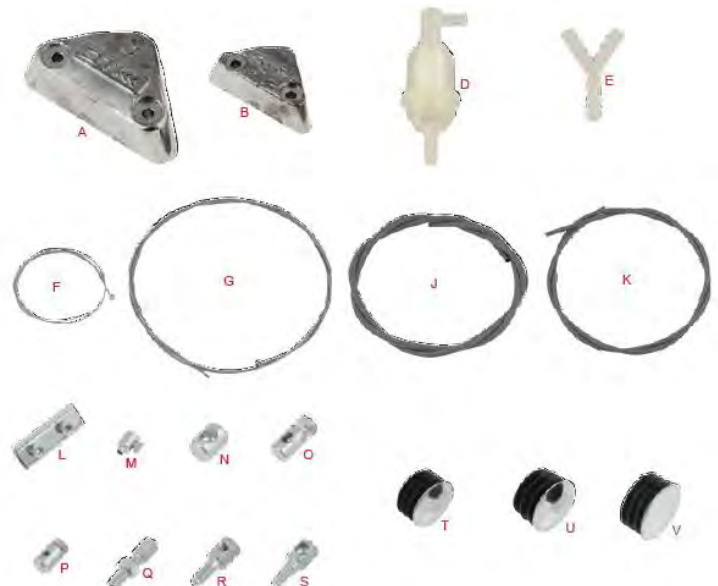
- A. 0111.B0 GEAR LEVER \$146.25
- B. 0112.B0 GEAR LEVER KNOB \$43.88
- E. 0114.BA GEAR TIE ROD 530MM \$37.05
- F. 0009.00 RIGHT HAND STEERING HYME WITH NUT \$15.60
- G. 0009.A0 LEFT HAND STEERING Hyme WITH NUT \$15.60
- H. 0113.00 CLUTCH LEVER \$31.20
- I. V.TCE6X50 SHCS M6x50 \$5.50
- J. R.P.6X12 WASHER M6.3x12.5x1 \$3.30
- K. D.M6A.A TALL M6 LOCKING NUT \$.60



- A. 0275.03 LEAD WEIGHT, 3KG (6.6 LB) \$58.50
- B. 0275.01 LEAD WEIGHT, 1KG (2.2 LB) \$27.30
- D. 0280.A0 FUEL FILTER, 90 DEGREE \$8.78
- E. 0281.00 Y TYPE FUEL CONNECTOR \$6.83
- F. 0202.00A SAFETY BRAKE CABLE \$1.95
- G. 0202.00 BRAKE CABLE \$5.07
- J. 0203.00 BRAKE CABLE OUTER HOUSING \$6.24
- K. 0203.A0 THROTTLE CABLE OUTER HOUSING \$4.29
- L. 0207.A0 FLAT CABLE CLAMP \$4.80
- M. 0207.00 SMALL CABLE CLAMP \$2.00
- N. 0209.00 BRAKE CABLE LOCK \$1.00
- O. 0210.00 DOUBLE CABLE LOCK \$1.95
- P. 0210.A0 SINGLE CABLE LOCK \$1.15
- Q. 0213.00 CABLE ADJUSTER \$2.65
- R. 0214.A0 ADJUSTER PEG \$11.70
- S. 0214.B0 OUTER LOCKING PEG \$11.70
- T. 0124.00 CHROME PLATED FRAME PLUG 28MM \$.88
- U. 0124.A0 CHROME PLATED FRAME PLUG 30MM \$.85
- V. 0124.B0 CHROME PLATED FRAME PLUG 32MM \$1.07



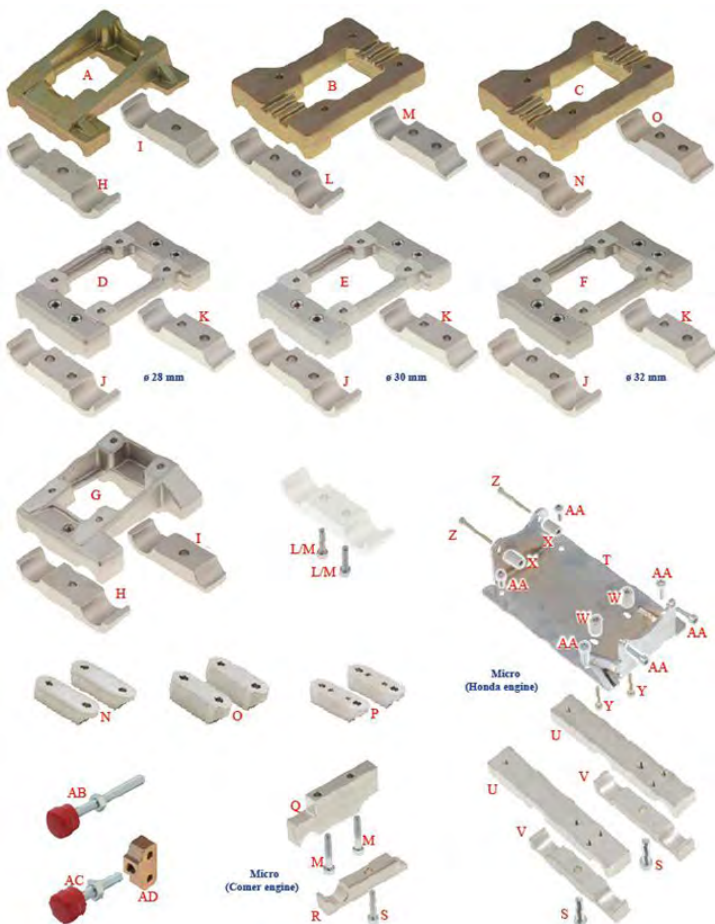
- B. 0073.B0 FUEL TANK, 8 LITER WITH 2 CONNECTORS \$107.00
- C. 0073.D0 FUEL TANK 2012, 8 LITER WITH 2 CONNECTORS, FUEL CAP IN CENTER \$117.00
- D. 0260.00 RECOVERY FUEL TANK (OVERFLOW TANK) \$6.83
- E. 0224.00A FUEL TANK CAP FOR OLD STYLE TANK \$10.73
- E. 0224.00 FUEL TANK CAP FOR 2012 AND UP TANK \$10.73
- F. 0224.A0 SMALL FUEL TANK LINE CAP \$2.00
- G. 0077.CA FUEL LINE DOUBLE BARB CONNECTOR \$15.60
- H. 0077.CB CONNECTOR O-RING \$.30
- I. 0075.A0 FUEL PIPE CLAMP \$1.56
- J. 0074.B0 FUEL LINE M5.5x8.5 \$9.75
- K. 0074.00 FUEL LINE M5x10 \$4.88
- L. 0074.C0 FUEL LINE M6x9 \$9.75
- M. 0076.A0 FUEL TANK CHASER \$7.02
- N. 0073.002 FUEL TANK CONNECTOR KNOB \$3.90
- O. V.TE8X25 M8x25 HEX HEAD BOLT \$.50





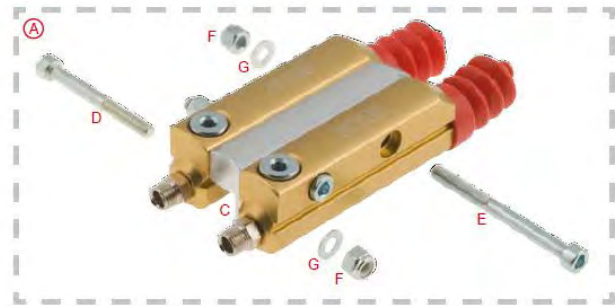
**OTK Chassis Parts Cont.**

- A. 0038.D0 INCLINED MAGNESIUM ENGINE MOUNT 92x30MM \$148.20
- B. 0038.D0B FLAT MAGNESIUM ENGINE MOUNT 92x30MM \$175.50
- C. 0038.D0B32 FLAT MAGNESIUM ENGINE MOUNT 92x32MM \$175.50
- D. 0038.R28 FLAT ALUMINUM ENGINE MOUNT 92x28MM \$97.50
- E. 0038.R30 FLAT ALUMINUM ENGINE MOUNT 92x30MM \$97.50
- F. 0038.R32 FLAT ALUMINUM ENGINE MOUNT 92x32MM \$97.50
- G. 0038.A0 INCLINED ALUMINUM ENGINE MOUNT 92x30MM \$93.60
- H. 0039.A ALUMINUM MOUNT BRACKET, ONE BOLT HOLE, SPECIFY FRAME SIZE  
M92x28, M92x30, M92x32 \$25.35
- I. 0039.A..A ALUMINUM REAR MOUNT BRACKET, ONE HOLE, SPECIFY FRAME SIZE  
M92x28, M92x30, M92x32 \$25.35
- J. 0039.V.. ALUMINUM ENGINE MOUNT BRACKET, TWO BOLT HOLE \$25.35
- K. 0039.V..A ALUMINUM REAR ENGINE MOUNT BRACKET, TWO BOLT HOLE \$25.35
- L. V.TCE10X40 M10x40 SHCS \$1.00
- M. V.TCE10X50 M10x50 SHCS \$1.05
- N. 0038.D0A2 DD2 ENGINE MOUNT SPACER 18MM x 30MM \$33.15
- O. 0038.D0A3 DD2 ENGINE MOUNT SPACER 26MM x 30MM \$33.15
- P. 0038.D0A4 DD2 ENGINE MOUNT SPACER 20MM x 32MM \$55.25
- Q. 0038.EA ALUMINUM UPPER BRACKET 92x25MM FOR MICRO COMER ENGINE \$68.25
- R. 0039.EA ALUMINUM LOWER BRACKET 92x25MM FOR MICRO COMER ENGINE \$31.20
- S. V.TCE8X35 SHCS M8x35 \$.60
- T. 0038.E0 MICRO MOUNT FOR HONDA ENGINE \$130.00
- U. 0038.EB ALUMINUM UPPER BRACKET 92x25MM FOR MICRO HONDA ENGINE \$40.95
- V. 0039.EB ALUMINUM LOWER BRACKET 92x25MM FOR MICRO HONDA ENGINE \$31.20
- W. 0038.EB1 BUSHING 16MM LONG FOR MICRO HONDA ENGINE \$2.34
- X. 0038.EB2 BUSHING 19MM FOR MICRO HONDA ENGINE \$2.34
- Y. V.TCE5X30 SHCS M5x30 \$.50
- Z. V.TCE5X45 SHCS M5x45 \$.50
- AA. V.TCE6X20 SHCS M6x20 \$.30
- AB. 0110.B0 M10 CHAIN STRETCHER, LONG 100cc \$8.75
- AC. 0110.A0 M10 CHAIN STRETCHER, SHORT 125cc \$10.70
- AD. 0109.BB ALUMINUM SUPPORT FOR M10 CHAIN STRETCHER \$27.30

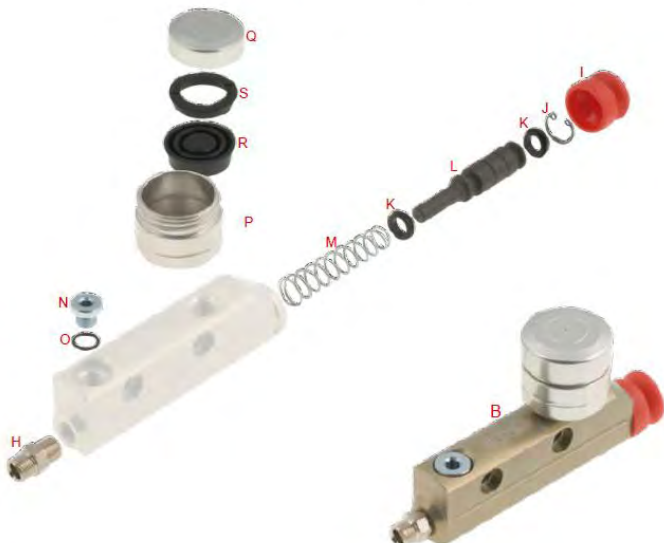
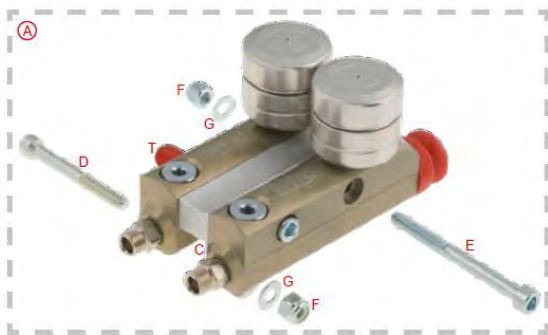


- A. 0029.GA COMPLETE ONE PIECE BRAKE PUMP, SA2, SA3 \$390.00
- B. 0078.A1 BRAKE FITTING STRAIGHT \$2.34
- C. 0029.D13A BRAKE PUMP SPRING \$1.46
- D. 0029.A9 BRAKE PUMP LINING 13x8MM \$4.49
- E. 0029.D10B ALUMINUM PISTON 13x8MM \$13.65
- F. 0029.12 BRAKE PISTON HOLDER CLIP \$.50
- G. 0120.A0 BRAKE PUMP DUST COVER \$5.46
- H. 0029.B6A MASTER CYLINDER PLUG WITH O-RING \$11.70
- I. V.TCE6X60F M6x60 SHCS DRILLED BOLT \$2.10
- J. R.P.6X12 WASHER M6x12x1 \$.30
- K. D.M6A.A TALL LOCK NUT M6 \$.40
- L. 0029.D6 BRAKE PUMP TANK \$38.03
- M. 0029.D6A BRAKE PUMP TANK CAP \$29.25
- N. 0029.D15 BRAKE PUMP TANK LINING \$7.80
- O. 0029.D16 BRAKE PUMP TANK WASHER \$1.37
- 0255.00 SAFETY PIN FOR DRILLED BOLTS \$1.95

**OTK Chassis Parts Cont.**



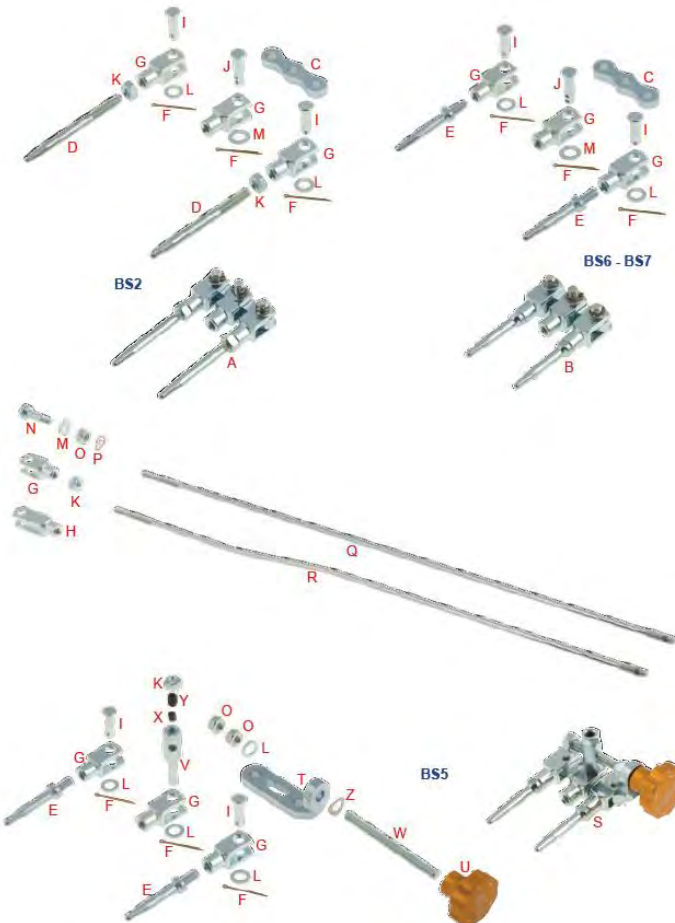
- A. 0029.BB COMPLETE BRAKE PUMP SYSTEM \$273.00
- B. 0029.C0 BRAKE PUMP WITHOUT CONNECTOR \$113.00
- C. 0029.C2B ALUMINUM BRAKE PUMP SUPPORT \$48.75
- D. V.TCE6X60F M6x60 SHCS DRILLED BOLT \$2.10
- E. V.TCE6X65F M6x65 SHCS DRILLED BOLT \$2.15
- F. D.M6A.B SHORT M6 LOCKING NUT \$.40
- G. R.P.6X12 WASHER M6x12x1 \$.30
- H. 0120.00 LONG DUSTY RUBBER CAP \$5.46
- I. 0029.12 CIRCLIP \$.50
- J. 0029.B10A ALUMINUM BRAKE PUMP PISTON \$11.51
- K. 0029.A9 BRAKE PUMP LINING \$4.49
- L. 0029.B13 PUMP SPRING \$1.40
- M. 0078.A1 STRAIGHT BRAKE FITTING \$2.34
- N. 0029.B6 DISCHARGE PUMP PLUG \$4.88
- O. 0029.B7 O-RING FOR PLUG \$.30



- A. 0029.DA COMPLETE SELF ADJUSTING BRAKE PUMP SYSTEM \$409.50
- B. 0029.E0 SELF ADJUSTING BRAKE PUMP WITHOUT CONNECTOR \$191.10
- C. 0029.C2C BRAKE PUMP SUPPORT \$48.75
- D. V.TCE6X60F M6x60 SHCS DRILLED BOLT \$2.10
- E. V.TCE6X70F M6x70 SHCS DRILLED BOLT \$2.20
- F. D.M6A.B SHORT M6 LOCK NUT \$.40
- G. R.P.6X12 WASHER M6x12x1 \$.30
- H. 0078.A1 BRAKE CONNECTOR, STRAIGHT \$2.34
- I. 0120.A0 SHORT DUST COVER \$6.55
- J. 0029.12 SEEGER \$.50
- K. 0029.A9 PISTON O-RING \$4.49
- L. 0029.D10B SELF ADJUSTING PUMP PISTON WITH LOCK \$13.65
- M. 0029.D13A SHORT SELF ADJUSTING PUMP SPRING \$1.76
- N. 0029.B6 DISCHARGE PUMP PLUG \$4.88
- O. 0029.B7 O-RING FOR CAP \$.30
- P. 0029.D6 OIL TANK FOR SELF ADJUSTING PUMP \$38.00
- Q. 0029.D6A OIL TANK TOP \$29.00
- R. 0029.D15 OIL TANK LINING \$7.80
- S. 0029.D16 LINING WASHER FOR OIL TANK \$1.35

**OTK Chassis Parts Cont.**

- A. 0029.FA COMPLETE BS7 FRONT BRAKE PUMP \$565.50
- B. 0029.F7 PIN FOR BS7 BRAKE PUMP LEVER \$10.70
- C. R.P.6X11 WASHER M6X11 \$.30
- D. D.M6A.B SHORT M6 LOCKING NUT \$.40
- E. 0116.BB 0116.B8 CIRCLE SPRING CLIP \$1.00
- F. 0029.F13 BS7 BRAKE PUMP SPRING \$1.85
- G. 0029.A9 BS7 BRAKE PUMP SEAL \$4.49
- H. 0029.F10A BS7 BRAKE PUMP PISTON \$14.63
- I. 0029.F5 PISTON PUSHER FOR BS7 BRAKE PUMP \$39.00
- J. V.TB5X20 BUTTON HEAD BOLT M5X20 \$.65
- K. G.5X16 LOCK M5X16 FLAT TIP \$.60
- L. R.P.5X11 WASHER M5X11 \$.30
- M. 0029.F8 FLEXIBLE PIN M8X18 \$1.05
- N. 0029.F6 BS7 BRAKE PUMP LEVER \$109.00
- O. 0079.A1 BRAKE PIPE CONNECTOR, L \$3.90
- P. 0081.B3B BANJO BOLT \$4.88
- Q. 0081.B3C ALUMINUM WASHER \$1.45
- R. 0081.B3D BANJO FITTING M10 \$10.73
- S. 0074.C0 CLEAR PIPING M6X9 \$9.75
- T. 0029.F10 BS7 FRONT BRAKE PUMP TANK \$42.90
- U. 0029.D15 BRAKE PUMP TANK LINING \$7.80
- V. 0029.D16 BRAKE PUMP TANK WASHER \$1.37
- W. 0029.D6A BRAKE PUMP TANK CAP \$29.00
- X. 0029.F14 SA3 BRAKE PUMP TANK SUPPORT \$24.38
- Y. 0093.02 ANTI VIBRATION RUBBER \$1.76

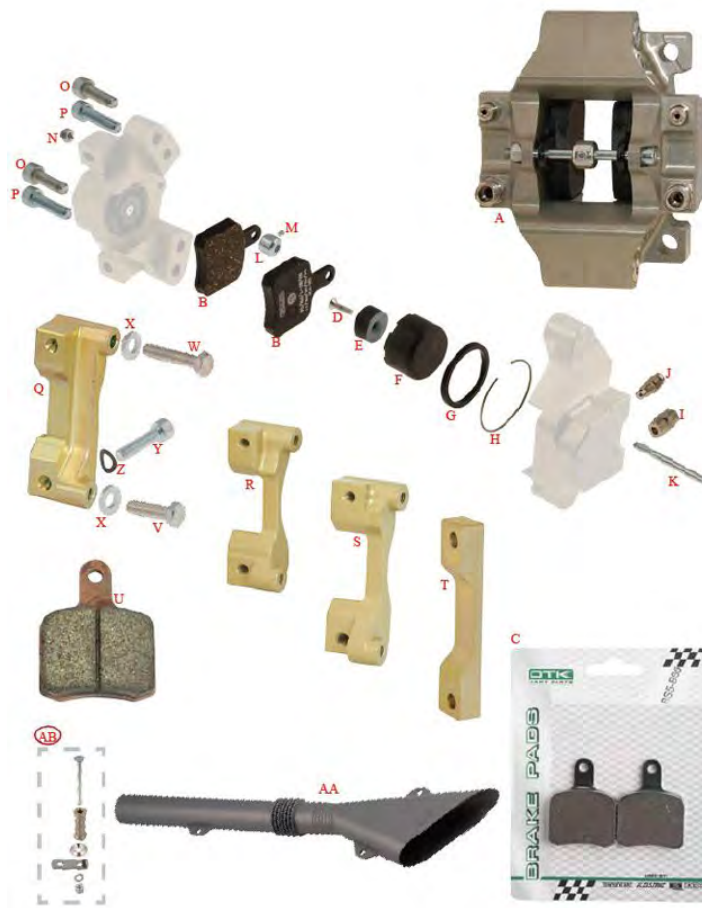
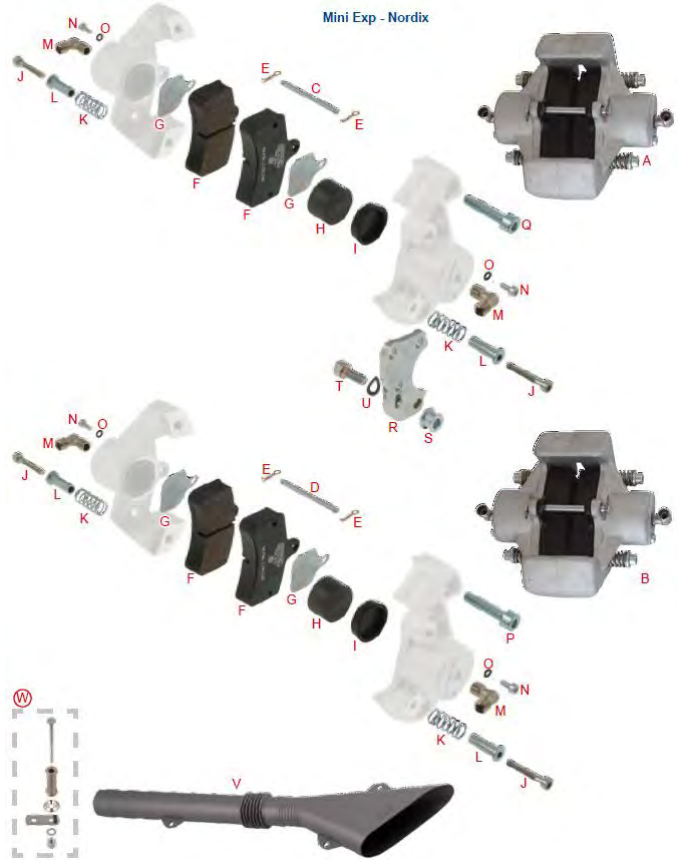


- A. 0117.00 PUMP PUSH ROD SYSTEM, BS2 \$56.55
- B. 0117.00A PUMP PUSH ROD SYSTEM, BS6/BS7 \$61.43
- C. 0117.01 PUSH ROD PLATE \$15.60
- D. 0119.01 PUMP PUSH ROD 68CM, BS1/BS2 \$5.85
- E. 0119.A1 PUMP PUSH ROD 53CM, BS4/5/6/7 \$8.78
- F. 0119.09 COTTER PIN \$.15
- G. 0028.01 FORK M6X12 \$3.90
- H. 0028.B1 FORK M6X24 \$4.85
- I. 0028.03 PIN 6X18 (1 HOLE) \$3.32
- J. 0028.04 PIN 6X22MM (2 HOLE) \$4.85
- K. D.M6 M6 JAM NUT \$.40
- L. R.P.6X11 WASHER 6.4X11X1.5MM \$.40
- M. R.P.6X12 WASHER 6.3X12.5X1MM \$.40
- N. 0028.05 M6 THREADED PIN WITH HEAD \$6.80
- O. D.M6A.B SHORT SELF LOCKING NUT \$.60
- P. 0116.B8 CIRCLE SPRING CLIP \$1.00
- Q. 0118.\*\* BRAKE PUMP CONTROL ROD, LENGTH 290MM, 355, 395, 435, 470, 480, 490, 510, 525, 540, 560, 575, 595, 600, 610 \$13.65
- R. 0118.435A BRAKE ROD BENT 435MM \$22.40
- R. 0118.470A BRAKE ROD BENT 470MM \$22.40
- S. 0119.00A COMPLETE SET OF LENGTHENING ARMS BS5 \$101.00
- T. 0119.04A BS5 LENGTHENING ARMS PLATE \$17.55
- V. 0119.07 CENTRAL PEG FOR BS5 LENGTHENING ARMS \$11.70
- X. 0119.12 ANTI-UNSCREWING RUBBER FOR BS5 LENGTHENING ARMS \$1.17
- Y. G.6X8 LOCK M6X8 FLAT TIP \$.25
- Z. R.E.6 SPRING WASHER M6 \$.20



**OTK Chassis Parts Cont.**

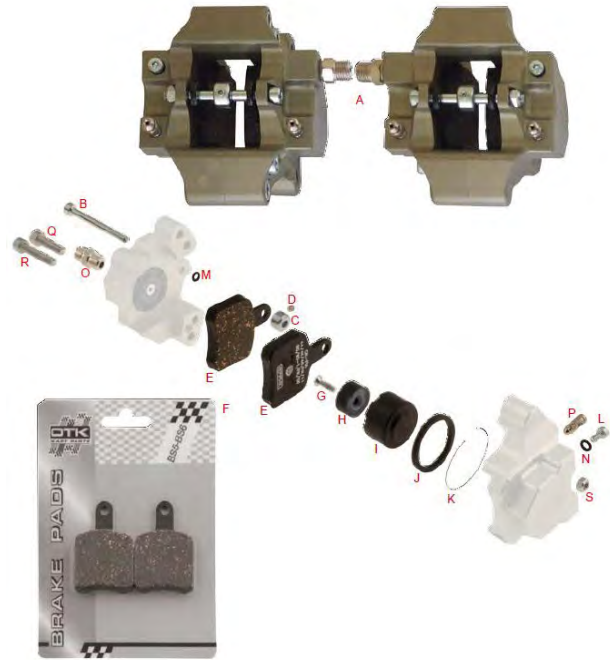
- A. 0082.KA COMPLETE BS2 HYDRAULIC REAR BRAKE CALIPER, BABY AND MINI \$300.00
- B. 0082.KB COMPLETE BS2 HYDRAULIC REAR BRAKE CALIPER FOR SELF VENTED BRAKE DISK \$300.00
- C. 0082.B2 REAR BRAKE PAD PIN FOR MINI, NORDIK \$2.90
- D. 0082.B2A REAR BRAKE PAD PIN FOR SELF VENTED DISK \$2.90
- E. 0082.B13 BRAKE PAD PIN SPRING \$1.15
- F. 0082.B4 REAR BRAKE PAD \$39.00 EACH
- G. 0082.B3 SPACER FOR REAR BRAKE PAD .5MM \$2.70
- H. 0082.06A ALUMINUM PISTON \$11.50
- I. 0082.05 RUBBER SEAL FOR REAR CALIPER \$1.95
- J. V.TCE5X30 M5X30 SHCS \$.50
- K. 0082.07 PRESSURE PAD SPRING \$1.85
- L. 0082.08 TUBE FOR PAD SCREW \$3.90
- M. 0079.A1 L BRAKE LINE CONNECTION \$4.10
- N. V.TCE4X8 M4X8 SOCKET HEAD CAP SCREW \$.60
- O. 0223.B0 SMALL O-RING \$.30
- P. V.TCE8X45 M8X45 SHCS \$.70
- Q. V.TCE8X35 M8X35 SHCS \$.65
- R. 0226.00 MINI, NORDIX, CALIPER SUPPORT FOR 180MM DISK \$11.70
- S. 0226.01 SPACER BUSHING FOR MINI, NORDIX, CALIPER SUPPORT FOR 180MM DISK \$3.90
- T. V.TCE8X25 M8X25 SHCS \$.55
- U. R.E.8 M8 LOCKING WASHER \$.30



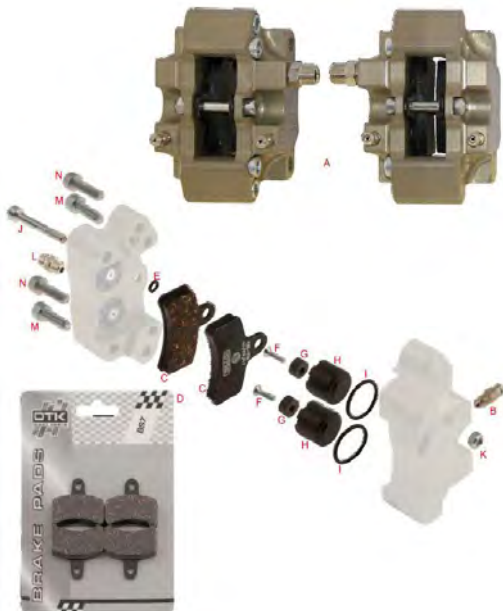
- A. 0082.EA COMPLETE REAR BRAKE CALIPER BS6 / SA2 \$487.50
- B. 0082.D4 BS5, BS6 CALIPER PAD \$35.00 EACH
- C. 0082.D4KIT BS5, BS6 BRAKE CALIPER PAD \$70.00 PAIR
- D. V.TPSCEI4X14 FHAB 4X14 BOLT \$.40
- E. 0082.D13 MAGNET FOR CALIPER PISTON \$3.10
- F. 0082.D6A BS6 REAR BRAKE CALIPER PISTON \$15.60
- G. 0082.D5 SQUARE RUBBER FOR REAR BRAKE CALIPER \$6.24
- H. 0082.D9A CLIP FOR REAR CALIPER \$1.95
- I. 0078.A1 STRAIGHT FITTING \$1.95
- J. 0082.D12 BLEEDER VALVE \$4.88
- K. 0082.E15A LONG REAR BRAKE PAD PIN \$1.35
- L. 0082.E14 REAR BRAKE PAD LOCKING BUSHING \$1.95
- M. G.4X4 LOCK M4X4 SET SCREW \$.50
- N. D.M5C METAL SELF LOCKING NUT M5 \$.40
- O. V.TCE8X25 M8X25 SOCKET HEAD CAP SCREW \$.55
- P. V.TCE8X30 M8X30 SOCKET HEAD CAP SCREW \$.60
- Q. 0226.ED REAR CALIPER SUPPORT FOR 180MM DISK \$107.25
- R. 0226.EB REAR CALIPER SUPPORT FOR 180MM DISK, 5MM MISALIGNED CASSETTE \$107.25
- S. 0226.EC REAR CALIPER SUPPORT FOR 180MM DISK, 10MM MISALIGNED CASSETTE \$107.25
- T. 0226.EA0 BRAKE CALIPER EXTENSION SUPPORT FOR 206MM DISK \$43.88
- U. 0082.D4B SPECIAL OTK GOLD HARD SINTER BRAKE CALIPER PAD \$88.00 PAIR
- V. V.TE8X40 HEX HEAD BOLT M8X40 \$.60
- W. V.TE8X55 HEX HEAD BOLT M8X55 \$.70
- X. R.P.8X17X3 WASHER M8X17X3 \$.80
- Y. V.TCE8X35 HEX HEAD BOLT M8X35 \$.65
- Z. R.E.8 M8 LOCK WASHER \$.35
- AA. 0309.00 BRAKE AIR DUCT \$39.00
- AB. 0309.00KIT BRAKE DUCT BOLT KIT \$24.38

**OTK Chassis Parts Cont.**

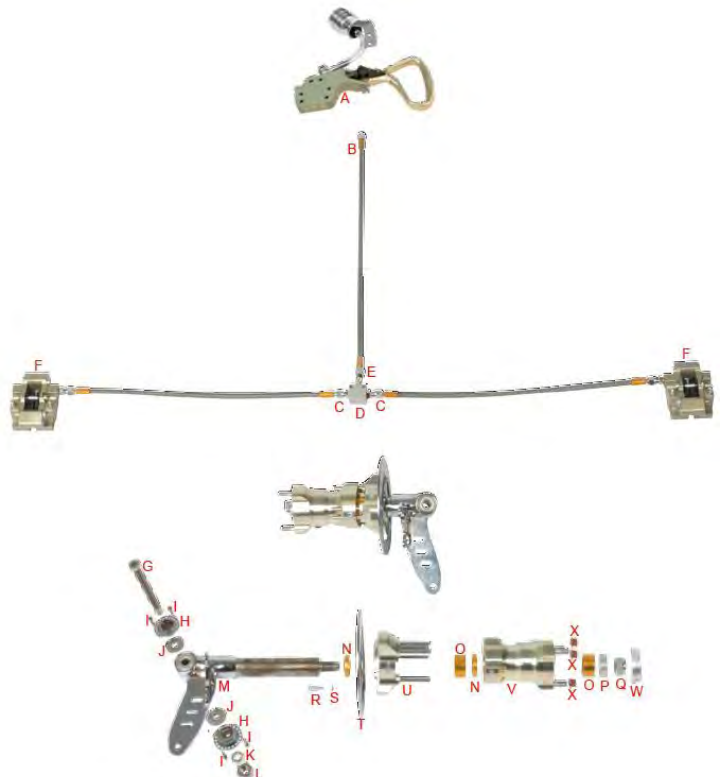
- A. 0100.EA COMPLETE FRONT BRAKE CALIPER BS5, SPECIFY SIDE \$390.00
- B. 0100.E15A LONG FRONT BRAKE CALIPER PIN \$1.46
- C. 0100.E14 FRONT BRAKE PAD LOCKING BUSH \$3.25
- D. G.4X4 LOCK M4x4 SET SCREW \$.30
- E. 0082.D4 SELF ADJUSTING BRAKE PAD \$35.00 EACH
- F. 0082.D4KIT SELF ADJUSTING BRAKE PAD \$70.00 PAIR
- F. 0082.D4B SPECIAL OTK HARD GOLD SINTER BRAKE PAD \$88.00 PAIR
- G. V.TPSCEI4X14 FHAB M4x14 \$.40
- H. 0082.D13 MAGNET FOR CALIPER PISTON \$3.10
- I. 0100.D11A FRONT CALIPER PISTON \$13.65
- J. 0100.D10 BS5 FRONT BRAKE CALIPER LINING \$5.07
- K. 0100.E3 BS5 FRONT BRAKE CALIPER CLIP \$1.95
- L. V.TCE4X8 SHCS M4x8 \$.30
- M. 0223.00 O-RING FOR CROSSOVER \$.30
- N. 0223.B0 O-RING FOR BLEED SCREW \$.30
- O. 0078.A1 STRAIGHT BRAKE CONNECTOR \$2.34
- P. 0100.D12 BLEEDER SCREW M6 \$4.85
- Q. V.TCE6X22 SHCS M6x22 \$.40
- R. V.TCE6X30 SHCS M6x30 \$.50
- S. D.M5C SELF LOCKING M5 METAL NUT \$.40



- A. 0100.FA COMPLETE BS7 FRONT BRAKE CALIPER, SPECIFY SIDE \$419.25
- B. 0100.D12 BLEED PLUG M6 \$4.85
- C. 0100.F2 BS7 FRONT BRAKE PAD \$40.95 EACH
- D. 0100.F2KIT BS7 FRONT BRAKE PAD SET OF 4 PADS \$163.00
- E. 0223.00 O-RING \$.30
- F. V.TPSCEI3X12 FHAB M3x12 \$.30
- G. 0100.F9 MAGNET FOR BS7 PISTON \$4.49
- H. 0100.F11A BS7 FRONT BRAKE CALIPER PISTON \$11.70
- I. 0100.F10 BS7 FRONT BRAKE SEAL \$1.95
- J. 0100.F14A BRAKE PAD PIN \$1.35
- K. D.M5C METAL SELF LOCKING NUT M5 \$.35
- L. 0078.A1 BRAKE PIPE STRAIGHT CONNECTOR \$1.95
- M. V.TCE6X20 SHCS M6x20 \$.40
- N. V.TCE6X22 SHCS M6x22 \$.40

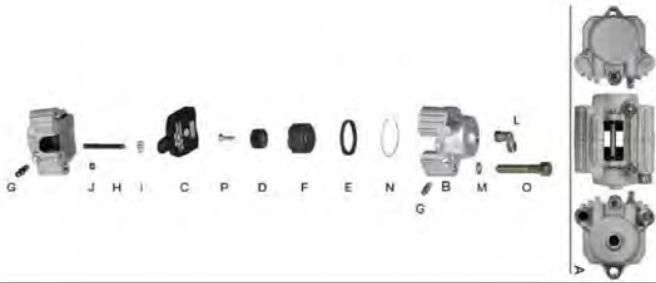


- A. 0029.FA COMPLETE BS7 SA3 FRONT BRAKE PUMP \$565.50
- B. 0081.F1 BRAKE LINE KIT FOR BS7 \$150.15
- C. 0078.A1 BRAKE LINE STRAIGHT CONNECTOR \$1.95
- D. 0080.B1 BRAKE LINE ALUMINUM CONNECTOR \$13.65
- E. 0079.A1 BRAKE LINE "L TYPE" CONNECTOR \$3.90
- F. 0100.FA COMPLETE BS7 FRONT BRAKE CALIPER \$419.25
- G. 0018.C0F DRILLED KINGPIN BOLT M10x90 \$10.73
- H. 0211.D0KIT COMPLETE HST ECCENTRIC BUSHING M22x10 \$78.00
- I. V.TCEX3X10 M3x10 SHCS \$.50
- J. 0215.CA HST STUB AXLE SPACER M10x24x4 \$4.25
- K. 0211.D4 WASHER M10x4.5 HST BUSHING \$3.90
- L. M10.A M10 LOCKING NUT \$1.00
- M. 0092.00DAKIT HST BS7 STUB AXLE WITH BEARINGS \$210.60
- N. 0021.C0 HST WHEEL SPACER 5MM \$2.90
- O. 0022.C0 HST WHEEL SPACER 15MM \$3.90
- P. 0023.D0 LOCKING SPACER FOR HST STUB AXLE \$3.90
- Q. D.M14X1.5 LOCKING NUT M14x1.5MM \$3.40
- R. V.TB6X16 M6x16 BUTTON HEAD \$.45
- S. R.E.6 LOCKING WASHER M6 \$.30
- T. 0101.FB SA3 FRONT BRAKE DISK 142MM x 4MM \$134.55
- U. 0103.G0KIT ALUMINUM FRONT DISK HUB \$146.25
- V. 0103.GEKIT ALUMINUM FRONT WHEEL HUB \$234.00
- W. 0125.00 SPACER RING FOR HST WHEEL HUB \$5.85
- X. 0044.B0 WHEEL HEX NUT \$1.15
- Y. 0021.CC HST WHEEL SPACER 5.5MM FOR SA3 DISC \$4.88

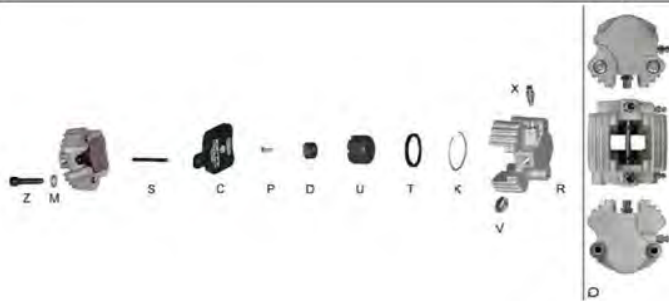




**OTK Chassis Parts Cont.**



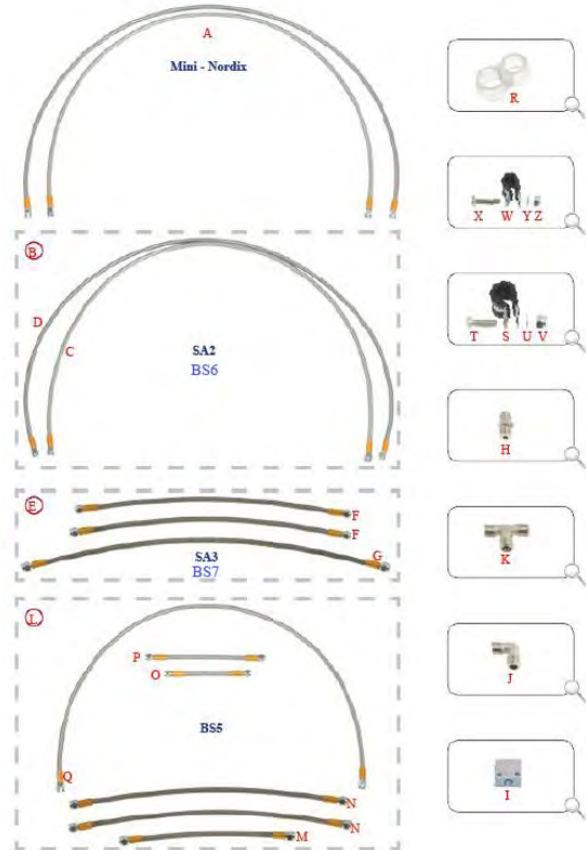
BS3



BS4

- A. 0081.C3 BRAKE PIPES KIT FOR BABY, MINI, NORDIX \$118.95
- B. 0081.A1 SA2 BRAKE PIPES KIT \$122.85
- C. 0081.A1C SA2 BRAKE PIPE 1025MM \$61.43
- D. 0081.A1L SA2 BRAKE PIPE 1095MM \$61.43
- E. 0081.F2 BS7 BRAKE PIPES KIT \$136.00
- F. 0081.F2AC BS7 BRAKE PIPE 387.5MM \$44.85
- G. 0081.F2AL BS7 BRAKE PIPE 490MM \$62.40
- H. 0078.A1 BRAKE PIPE STRAIGHT CONNECTOR \$1.95
- I. 0080.B1 BRAKE PIPE ALUMINUM CONNECTOR \$16.38
- J. 0079.A1 BRAKE PIPE L CONNECTOR \$4.68
- K. 0080.A1 BRAKE PIPE T CONNECTOR \$6.55
- L. 0081.B1 BS5 BRAKES PIPES KIT \$269.10
- M. 0081.B1AC BS5 FRONT BRAKE PIPE 230MM \$43.88
- N. 0081.B1AL BS5 FRONT BRAKE PIPE 387.5MM \$48.75
- O. 0081.B1PC BS5 REAR BRAKE PIPE 130MM \$38.03
- P. 0081.B1PM BS5 REAR BRAKE PIPE 190MM \$39.98
- Q. 0081.B1PL BS5 REAR BRAKE PIPE 840MM \$56.55
- R. 0217.A0 DOUBLE SILICON CLAMP \$1.30
- S. 0227.A15 PIPE TIGHTENING RING M16 \$2.93
- T. V.TB6X20 BUTTON HEAD BOLT M6X20 \$.60
- U. R.P.6X12 WASHER M6.3X12.5X1 \$.20
- V. D.M6A.A TALL M6 NUT \$.40
- W. 0227.A10 PIPE TIGHTENING RING M10 \$2.93
- X. V.TB5X20 BUTTON HEAD BOLT M5X20 \$.65
- Y. R.P.5X11 WASHER M5X11X1 \$.20
- Z. D.M5A.B SHORT M5 LOCKING NUT \$.40

- A. 0100.DA COMPLETE HYDRAULIC SELF ADJUSTING FRONT BRAKE CALIPER \$350.00
- B. 0100.D1 SELF ADJUSTING FRONT BRAKE CALIPER BODY, SPECIFY SIDE \$97.00
- C. 0082.D4 SELF ADJUSTING BRAKE PAD \$35.00 EACH
- D. 0082.D13 MAGNET FOR CALIPER PISTON \$3.10
- E. 0100.D10 SQUARE RUBBER FOR FRONT BRAKE CALIPER \$5.07
- F. 0100.D11A ALUMINUM FRONT CALIPER PISTON \$13.65
- G. 0100.D12 PLUG WITH DISCHARGE PASSAGE \$4.88
- H. 0100.D14 FRONT BRAKE PAD PIN \$2.40
- I. 0116.B8 CIRCLE SPRING FOR CALIPER PIN \$1.00
- L. 0079.A1 L BRAKE LINE CONNECTOR \$4.68
- M. M8X12 WASHER \$.40
- O. M8X45 SOCKET HEAD CAP SCREW \$.70
- O. M8X50 SOCKET HEAD CAP SCREW \$.70
- P. M4X14 FLAT HEAD ALLEN BOLT \$.60
- N. 0100.E3 CLIP FOR FRONT CALIPER \$1.95
- Q. 0082.DA COMPLETE SELF ADJUSTING REAR BRAKE CALIPER \$365.00
- R. 0082.D1 SELF ADJUSTING REAR CALIPER HALF \$104.00
- S. 0082.D2 SELF ADJUSTING REAR BRAKE PAD PIN \$1.20
- T. 0082.D5 SQUARE RUBBER FOR REAR BRAKE CALIPER \$6.24
- U. 0082.D6A SELF ADJUSTING REAR CALIPER PISTON \$15.50
- X. 0082.D12 PLUG WITH DISCHARGE PASSAGE \$4.88
- K. 0082.D9A CLIP FOR BRAKE PISTON \$1.95
- V. 0078.A1 STRAIGHT BRAKE LINE CONNECTOR \$1.95
- Z. M8X40 SOCKET HEAD CAP SCREW \$.70

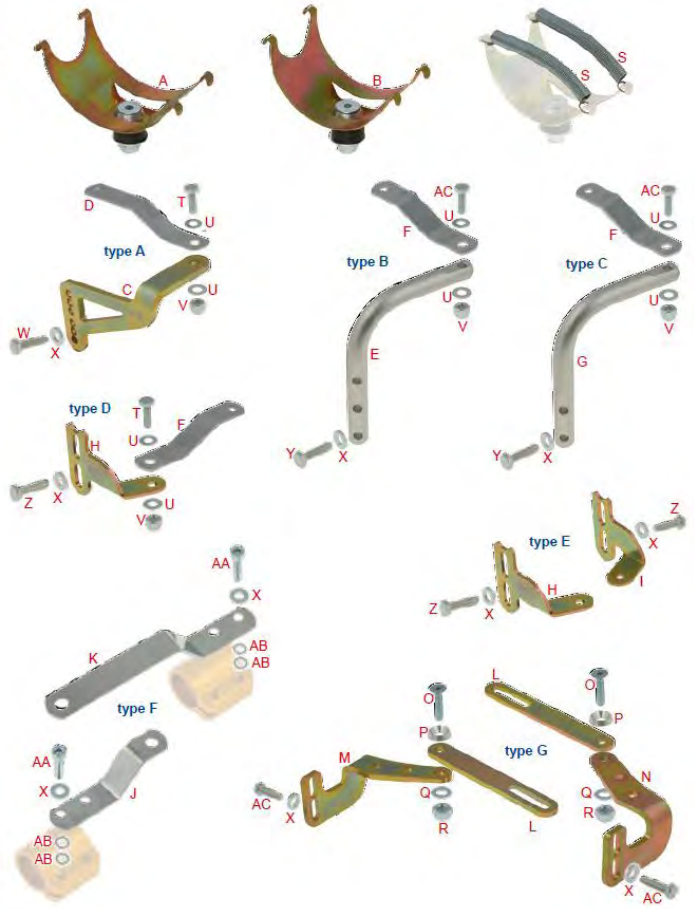


- A. 0116.D0 MICRO MECHANICAL BRAKE CALIPER \$224.25
- B. 0116.D4 MICRO MECHANICAL BRAKE PAD \$23.40 EACH
- C. 0116.D5 SHEATH LOCKING PIN \$7.02
- D. 0029.D13 PUMP RETURN SPRING 90MM \$1.46
- E. 0202.B0 CLUTCH CABLE \$2.50
- F. 0203.A0 ACCELERATOR CABLE COVER \$4.29
- G. 0213.00 CABLE ADJUSTER \$2.65
- H. 0207.A0 DOUBLE BOLT FLAT CLAMP \$4.80
- I. V.TCE6X16 SHCS M6X16 \$.40
- J. R.P.6X12 WASHER M6.3X12.5X1 \$.30
- K. 0210.00 DOUBLE CABLE LOCK \$1.95
- L. 0214.C0 PIN FOR MECHANICAL BRAKE \$11.70
- M. 0204.00 BRACKET FOR WIRE 3MM \$1.37



**OTK Chassis Parts Cont.**

- A. 0061.00 SILENCER CRADLE HOLDER 100MM \$19.50
- C. 0256.F0 SILENCER CRADLE SUPPORT CONNECTION (TYPE A) \$29.25
- D. 0256.00 SILENCER CRADLE SUPPORT 150MM LONG (TYPE A) \$11.70
- F. 0256.A0 SILENCER CRADLE SUPPORT 120MM LONG (TYPE B, C, D) \$10.73
- G. 0256.CA SILENCER CRADLE SUPPORT CONNECTION, TWO HOLES (TYPE C) \$39.00
- H. 0256.G0 SILENCER CRADLE SUPPORT CONNECTION (TYPE D, E) \$21.06
- I. 0256.G0A SILENCER CRADLE SUPPORT CONNECTION (TYPE E) \$21.06
- J. 0256.B0SX LEFT SILENCER CRADLE SUPPORT (TYPE F) \$13.65
- K. 0256.BA SILENCER CRADLE SUPPORT 230MM LONG (TYPE F) \$14.63
- L. 0256.D0B STRAIGHT SILENCER CRADLE SUPPORT (TYPE G) \$17.16
- M. 0256.D0A LEFT SILENCER CRADLE SUPPORT CONNECTION (TYPE G) \$31.59
- N. 0256.D0C RIGHT SILENCER CRADLE SUPPORT CONNECTION (TYPE G) \$31.59
- O. V.TPSCEI10X40 FHAB M10x40 \$1.30
- P. 0228.00 CONICAL M10 \$2.60
- Q. R.P.10X22 WASHER M10x20x2 \$.30
- R. D.M10A.B. LOCK NUT M10 \$1.10
- S. 0060.00 SILENCER SPRING 130MM LONG \$3.32
- T. V.TE8X25 HEX HEAD BOLT M8x25 \$.50
- U. R.P.8X17 WASHER M8x17 \$.30
- V. D.M8A.A. M8 LOCKING NUT \$.60
- W. V.TE8X30 HEX HEAD BOLT M8x30 \$.50
- X. R.P.8X17X3 WASHER M8x17x3 \$.80
- Y. V.TE8X40 HEX HEAD BOLT M8x40 \$.55
- AA. V.TCE8X30 SHCS M8x30 \$.55
- AB. R.P.8X12 WASHER M8x12x2 \$.30
- AC. V.TE8X35 HEX HEAD BOLT M8x35 \$.50



0304.E0Y CARBON FIBER RIGHT HAND SUPPORT FOR M4 DRIVER PANEL \$187.20



0042.CAY CARBON FIBER CHAIN GUARD \$429.00



0043.C0Y CARBON FIBER SUPPORT FOR CHAIN GUARD \$48.75 EACH



0072.00Y CARBON FIBER FLOOR TRAY FOR RACER, KRYPTON, FA VICTORY \$390.00



0010.00BY CARBON FIBER ADJUSTABLE FOOTREST \$195.00



0304.E0SXY CARBON FIBER LEFT HAND SUPPORT FOR M4 DRIVER PANEL \$187.20



0256.G0AY CARBON FIBER RIGHT HAND EXHAUST SUPPORT (ROTAX, SHIFTER) \$120.90



0256.G0Y CARBON FIBER LEFT HAND EXHAUST SUPPORT (ROTAX, SHIFTER, TAG) \$120.90



0274.C0Y CARBON FIBER BATTERY SUPPORT \$165.75

0305.DAY CARBON FIBER M4 DRIVER PANEL LOWER SUPPORT \$117.00

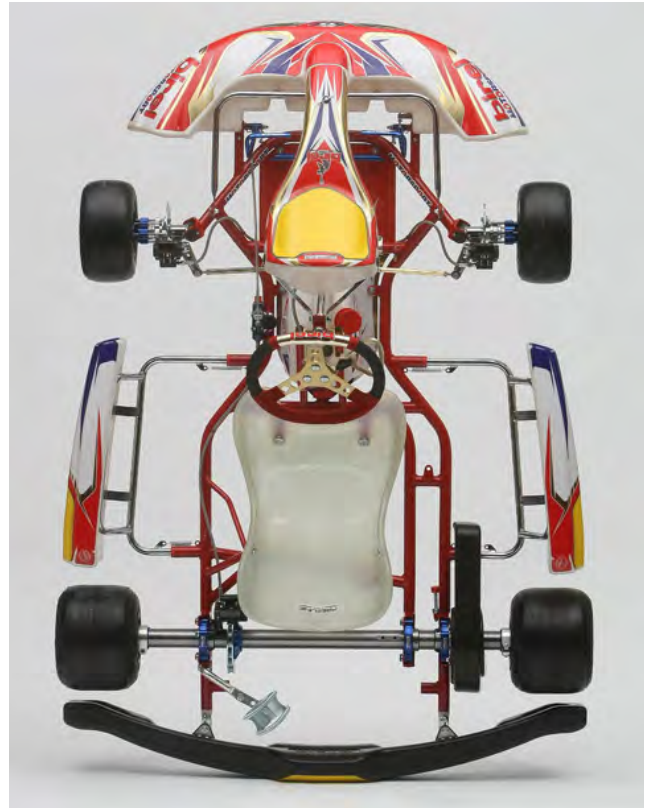
## Birel Racing Karts

BIREL RY30-S6 ROLLING CHASSIS FOR YAMAHA, KPV, TAG

FEATURES -

- 30MM CHASSIS CONSTRUCTION
- 25MM FRONT SPINDLES
- 50MM FREELINE AXLE(50x2x1040-F)
- ADJUSTABLE FRONT & REAR RIDE-HEIGHT
- FREELINE ECCENTRIC CASTOR/CAMBER ADJUSTERS
- FREELINE DF-SERIES MAG WHEELS
- 10 LITER FUEL TANK
- 340MM "MOTORSPORT" STEERING WHEEL
- FREELINE CIK 12/17 BODYWORK
- FREELINE ALUMINUM MOTOR MOUNT
- FREELINE EXHAUST PIPE MOUNT
- FREELINE HI-TECH HEEL-STOP
- REMOVABLE FRONT TORSION BAR

\*TIRES SOLD SEPARATE, SHOWN WITH FRONT BRAKES FOR SHIFTER



BIREL C28-R CADET ROLLING CHASSIS

FEATURES -

- 30MM FREELINE AXLE (30x2.5x1040 "F")
  - ADJUSTABLE FRONT & REAR RIDE-HEIGHT
  - FREELINE ADJUSTABLE CASTOR/CAMBER
  - FREELINE DH-SERIES ALUMINUM WHEELS
  - 4 LITER FUEL TANK
  - 300MM "MOTORSPORT" STEERING WHEEL
  - FREELINE CSAI 10-14 BODYWORK
  - FREELINE ALUMINUM MOTOR MOUNT
  - FULL-WIDTH METAL REAR BUMPER (CIK POD OPTIONAL)
  - 28MM CHASSIS
  - 950MM WHEELBASE
- \*TIRES SOLD SEPARATE



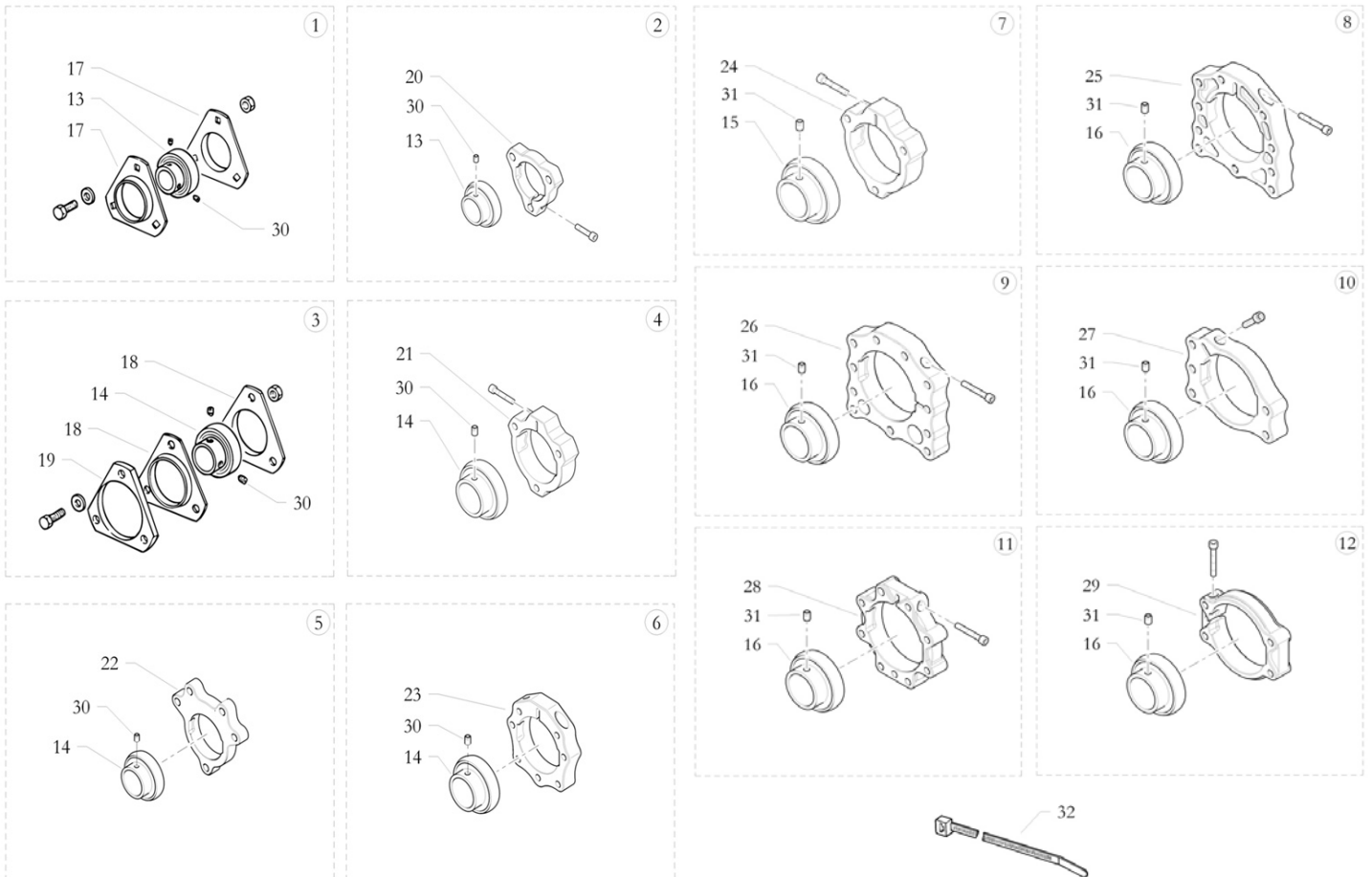
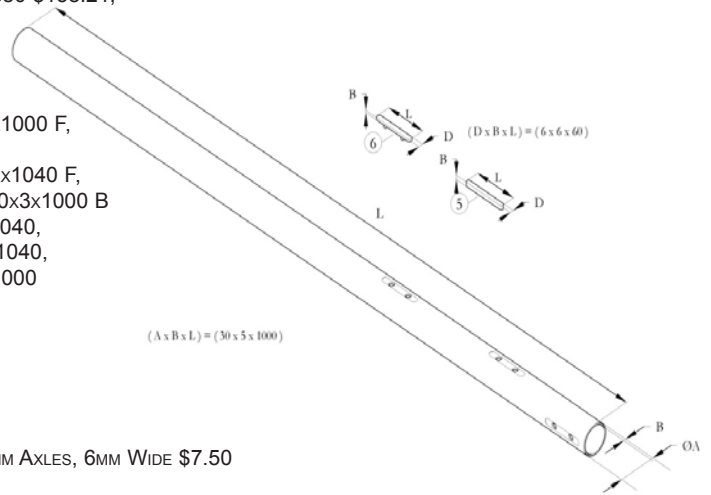
BIREL B25 KID KART WITH C-50 ENGINE (FOR 5-8 YEAR OLD)

FEATURES -

- COMER C-50 ENGINE PACKAGE (INCLUDED)
- 25MM CHASSIS CONSTRUCTION
- 780MM WHEELBASE
- 25x880MM (B) FREELINE AXLE
- ADJUSTABLE FRONT RIDE-HEIGHT
- GENUINE FREELINE ALUMINUM WHEELS
- 280MM "MOTORSPORT" STEERING WHEEL
- REAR FREELINE CAST BRAKE CALIPER
- FREELINE CIK BODYWORK
- FIBERGLASS SEAT
- TIRES

**Birel Chassis Parts**

1. BIREL **25MM** AXLE - 8150.06.02-K 25x960 K \$179.45, 8150.06.06.18-C 25x880 \$158.21, 8150.06.04-M 30x5x1000 \$222.17, 8150.06.04-K 30x5x1000 \$222.17
2. BIREL **30MM** AXLE - 8150.06.25-B 30x2.5x1040 B - \$218.05  
8150.06.25-F 30x2.5x1040 F \$218.05, 8150.06.04-M 30x5x1000 \$222.17  
8150.06.04-K 30x5x1000 - \$222.17
3. BIREL **40MM** AXLE \$256.35, 8150.06.08-B 40x3x1000 B 8150.06.08-F 40x3x1000 F,  
8150.06.06-F 40x2.5x1000 F, 8150.06.07-F 40x2.5x1040 F,  
8150.06.08-F 40x3x1000 F, 8150.06.08-M 40x3x1000, 8150.06.09-F 40x3x1040 F,  
8150.06.09-K 40x3x1040 K, 8150.06.09-M 40x3x1040 M, 8150.06.08-B 40x3x1000 B
4. BIREL **50MM** AXLE \$256.35, 8150.06.13-B 50x2x1040, 8150.06.13-D 50x2x1040,  
8150.06.13-F 50x2x1040, 8150.06.13-K 50x2x1040, 8150.06.13-M 50x2x1040,  
8150.06.13-T 50x2x1040, 8150.06.14-B 50x2x1000, 8150.06.14-F 50x2x1000  
8150.06.14-M 50x2x1000
5. 20.0606.06 AXLE KEY M6x6x60 \$4.40
5. 20.0133.06 AXLE KEY M6x6x80 \$4.40
5. 20.1872.06 AXLE KEY M8x4.5x60 \$6.86
5. 20.4170.06 AXLE KEY M8x3.5x60 \$6.86
6. 20.4708.06 AXLE KEY M8x3x60, 7.5 PEG KEY FOR 50MM AXLE \$11.52
6. PKT 60MM LONG, PEGS ARE 30MM ON CENTER x 7.5MM DIAMETER FOR BIREL 30MM AXLES, 6MM WIDE \$7.50

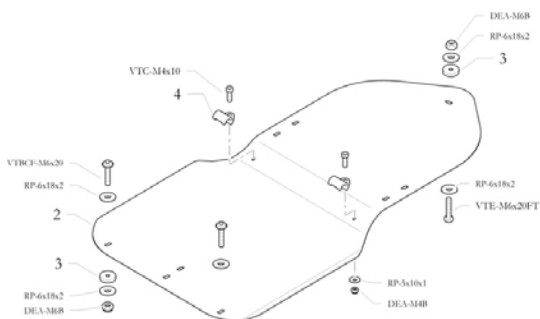
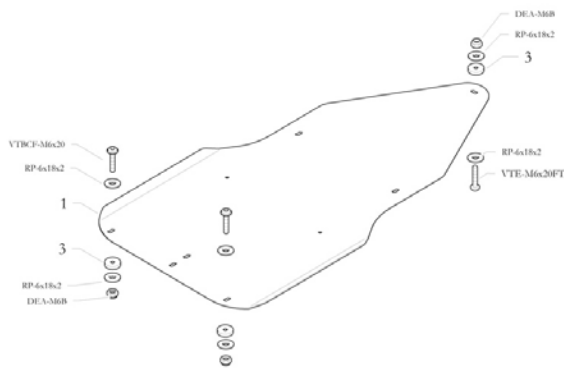
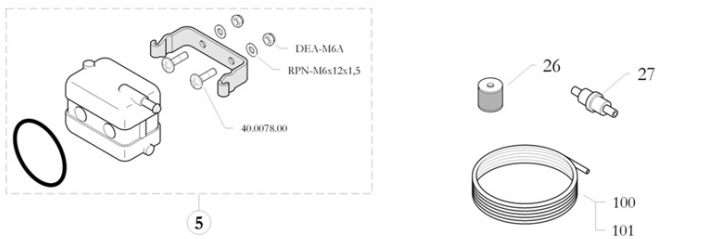
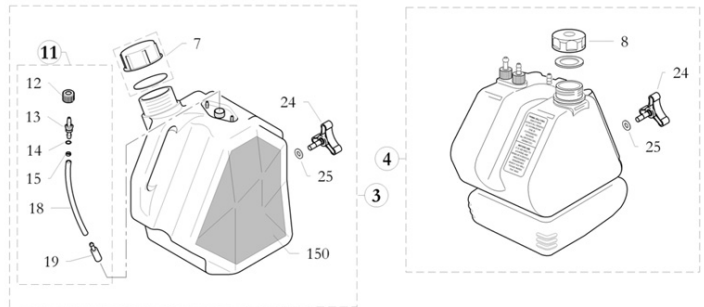
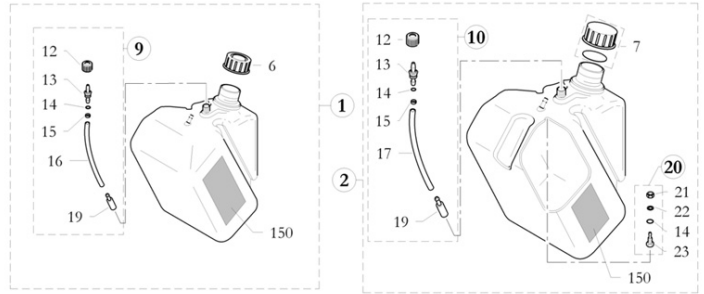


- |   |   |
|---|---|
| 13. 40.0602.00 25MM AXLE BEARING \$16.00                  | 15. 40.2519.00 40MM AXLE BEARING \$25.00                        |
| 14. 40.0604.00 30MM AXLE BEARING \$25.00                  | 16. 40.7109.00 50MM AXLE BEARING, 80MM OD \$37.80               |
| 20. 10.6431.00-BL 25MM BEARING CASSETTE HQ MTS \$76.91    | 24. 10.6104.00 40MM BEARING CASSETTE HQ MTS \$49.50             |
| 21. 10.6132.00-BL 30MM BEARING CASSETTE HQ MTS \$76.91    | 25. 10.8203.00-BL 50/40MM BEARING CASSETTE MTS \$128.18         |
| 22. 10.7463.00-BL 30MM BEARING CASSETTE HQ MTS \$136.72   | 26. 10.9885.00-CH 50/40MM CENTRAL BEARING CASSETTE MTS \$194.04 |
| 23. 10.8990.00-BL 30MM BEARING CASSETTE HQ C28-Z \$136.72 | 31. 20.2921.00 M8 SET SCREW \$1.50                              |
| 30. 40.1738.00 M6x.75 SET SCREW \$1.70                    |   |

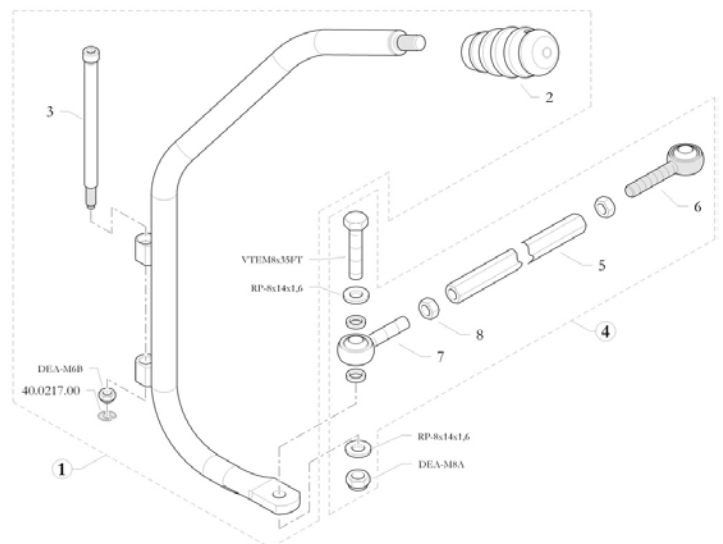


**Birel Chassis Parts Cont.**

1. 1417.00.07 FUEL TANK 4 LITER CADET \$50.97
2. 1417.00.01 FUEL TANK 8 LITER 100CC \$68.36
2. 1417.00.04 FUEL TANK 10 LITER 125CC \$91.29
3. 1417.00.09 FUEL TANK 125CC REMOVABLE \$106.94
4. 10.6831.00 FUEL TANK 8.5 LITER, REMOVABLE, AR28-Z \$97.88
5. 1417.00.08 OVERFLOW TANK \$9.58
6. 40.2584.00 FUEL TANK CAP, 4 LITER CADET \$6.00
7. 10.7499.00 FUEL TANK CAP ASSEMBLY, 8 LITER, 10 LITER \$8.55
8. 40.6559.00-RO FUEL TANK CAP, 8.5 LITER TANK \$7.77
9. 10.7514.00 WEIGHT FOR FUEL TANK, 4 LITER \$17.09
14. 40.6374.00 GROMMET O-RING FOR TANK CAP (8.73x1.78MM) \$1.04
19. 20.7447.14 FUEL PICKUP WEIGHT FOR FUEL TANK \$7.97
21. 20.0163.14 TANK FITTING NUT \$1.04
22. 40.3607.00 FUEL TANK COPPER WASHER 10X16X1 \$1.04
23. 20.0953.14 ONE WAY FITTING FOR FUEL TANK \$8.55
24. 10.5802.00-R0 FUEL TANK MOUNT HANDLE M8X25 \$6.34
25. 20.7008.20 WASHER M7X30X3 \$1.29
100. 20.0333.20 FUEL LINE M5X9 (1/4" ID) \$1.25/FOOT
101. 5020.00.11 FUEL LINE M5X9 100 METERS (328 FEET) \$330.00
150. 10.6481.00 BIREL STICKER KIT FOR REMOVABLE TANK \$41.04
150. 10.6482.00 BIREL STICKER KIT 8-10 LITER TANK \$41.04
150. 10.6483.00 BIREL STICKER KIT 4 LITER TANK \$41.04



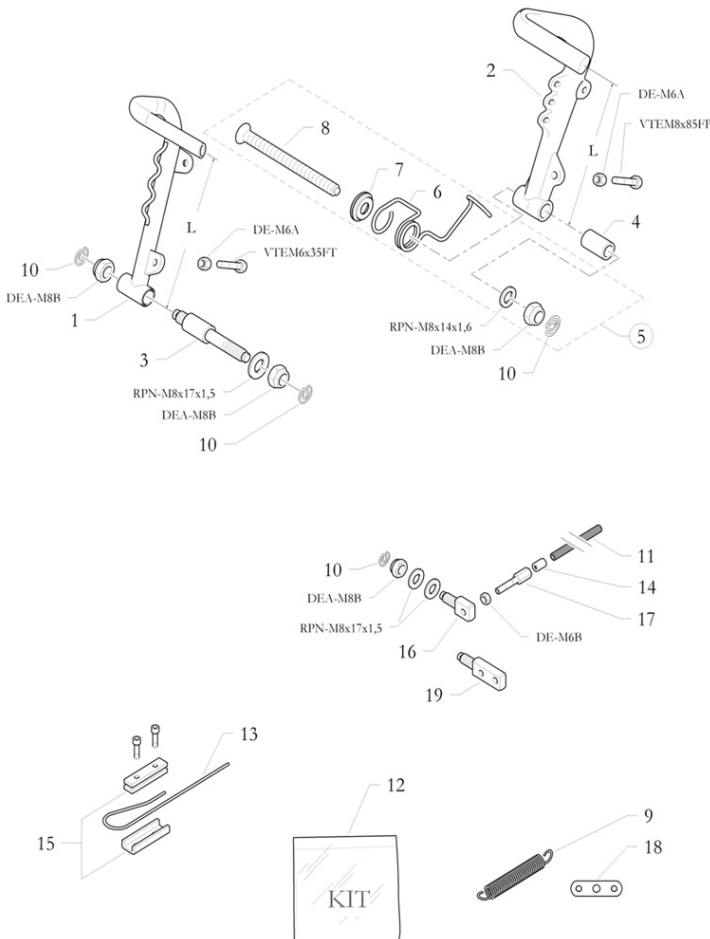
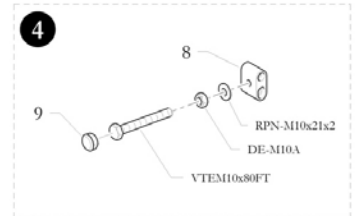
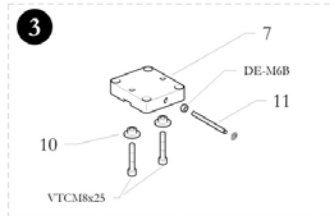
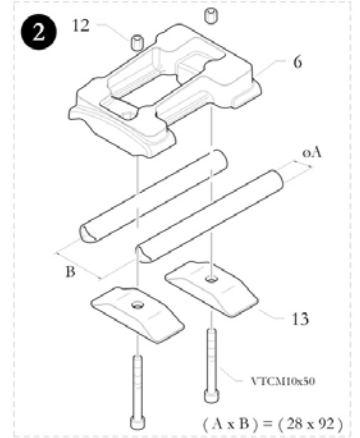
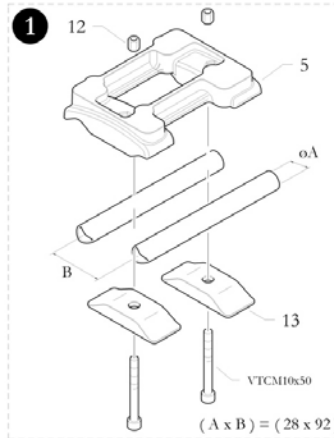
1. 10.10310.00 FLOOR PANEL B25 WITH STICKER MTS \$193.05
1. 10.10312.00 FLOOR PANEL C28 WITH STICKER MTS \$193.05
1. 10.10313.00 FLOOR PANEL AR28 WITH STICKER MTS \$193.05
1. 20.1365.10 FLOOR PANEL L3 \$106.94
1. 20.4492.10 FLOOR PANEL R30C-Y \$106.94
1. 20.4492.10-BL FLOOR PANEL R30C-Y MTS \$153.81
1. 20.4492.10-BL FLOOR PANEL R30C-Y MTS \$153.81
2. 10.10256.00 FLOOR PANEL R-CIK WITH STICKER MTS \$257.40
2. 10.10316.00 FLOOR PANEL M-CIK WITH STICKER MTS \$257.40
2. 10.10579.00 FLOOR PANEL R-S4 WITH STICKER \$257.40
3. 20.0636.18 RUBBER WASHER FOR PANEL MOUNT \$2.20
- 40.0078.00 BUTTON HEAD BOLT M6X20 FOR FLOOR PAN \$1.04
- DEA-M6B M6 LOCK NUT \$0.40
- RP-6x18x2 FLAT WASHER \$0.30



1. 10.5972.00 GEARBOX LEVER ASSEMBLY 125CC, VERTICAL ANGLE \$87.26
1. 10.5972.00-MTS GEARBOX LEVER ASSEMBLY 125CC, VERTICAL ANGLE MTS \$117.42
1. 10.6569.00 GEARBOX LEVER ASSEMBLY Z32 \$117.42
4. 10.2586.00 SHIFTER ROD ASSEMBLY, 450MM \$76.91
5. 20.1791.10-OR TIE ROD FOR SHIFTER 450MM \$25.64
6. 40.2439.00 M8 TIE ROD END, RIGHT HAND \$25.64
7. 40.3484.00 M8 TIE ROD END, LEFT HAND \$25.64

**Birel Chassis Parts Cont.**

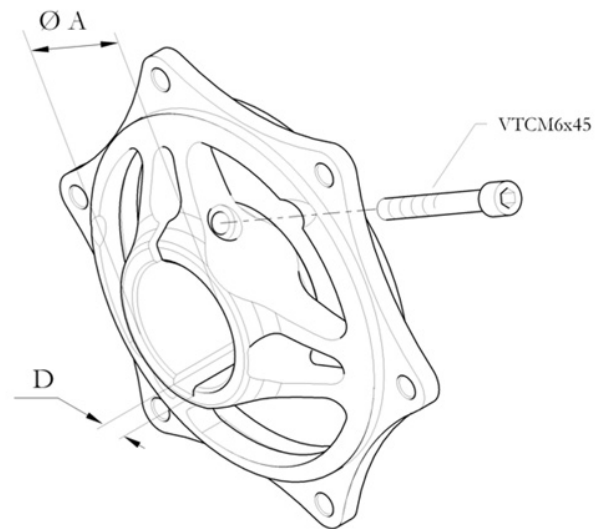
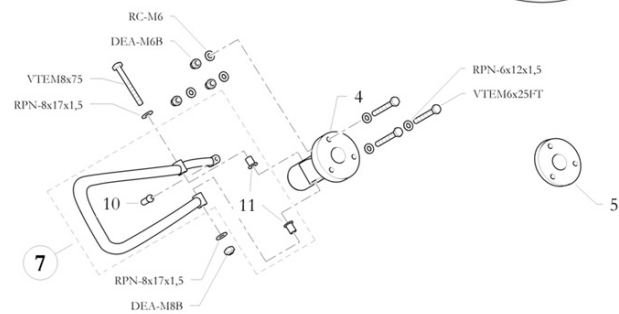
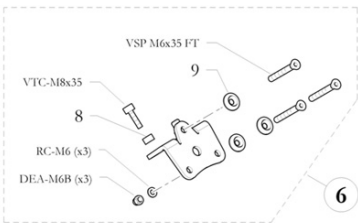
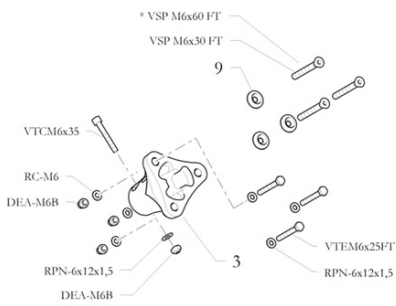
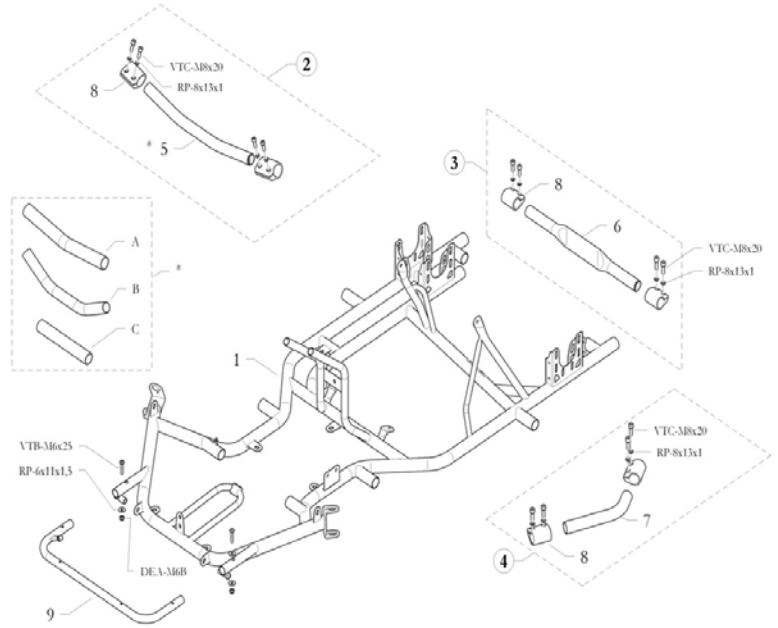
- 1. 10.9506.00 ENGINE MOUNT EK FLAT, ASSEMBLY \$100.10
- 2. 10.9259.00 ENGINE MOUNT INCLINED ASSEMBLY \$107.25
- 3. 5600.00.60 ENGINE MOUNT B25 ASSEMBLY \$89.85
- 4. 10.6448.00-BL MOTOR MOUNT ADJUSTER STOP ASSEMBLY HQ MTS \$44.93
- 5. 10.9124.00 ENGINE MOUNT EK FLAT \$83.85
- 6. 10.9181.00 ENGINE MOUNT INCLINED \$83.85
- 7. 5650.00.60 ENGINE MOUNT B25 \$55.67
- 8. 20.4886.10-BL MOTOR MOUNT ADJUSTER STOP HQ MTS \$38.58
- 9. 20.3201.18 KNOB LOCK ENGINE MOUNT \$2.20
- 10. 20.0064.06 INSERT FRAME (SPINDLE MOUNT BUSHING) \$5.31
- 11. 20.4957.06 FIXING PIN \$6.34
- 12. 20.1488.06 ENGINE MOUNT NUT \$3.24
- 13. 20.9206.06 STEEL MOUNT CLAMP \$27.89



- 1. 10.7649.00 BRAKE PEDAL STRAIGHT L130/12 \$68.36
- 1. 10.7650.00 GAS PEDAL STRAIGHT L130/12 \$68.36
- 1. 10.7651.00 BRAKE PEDAL STRAIGHT L150/12 \$68.36
- 1. 10.7652.00 GAS PEDAL STRAIGHT L150/12 \$68.36
- 2. 10.5973.00-BL GAS PEDAL L170 HQ MTS \$91.79
- 2. 10.5974.00-BL BRAKE PEDAL L170 HQ MTS \$91.79
- 3. 20.4087.06 PEDAL ADAPTOR STUD FOR HQ \$8.55
- 4. 20.7012.06 HQ PEDAL BUSHING 8x12 \$11.52
- 5. 10.7443.00 KIT SPRING RETURN PEDALS \$21.49
- 6. 20.7433.06 RETURN SPRING FOR GAS PEDAL \$3.24
- 6. 20.7434.06 RETURN SPRING FOR BRAKE PEDAL \$3.24
- 7. 20.7412.10-BL WASHER STOP FOR PEDAL SPRING \$3.24
- 8. 20.7453.06 BOLT VSP 8x70 USA \$5.18
- 9. 20.1617.06 RETURN SPRING FOR PEDAL \$2.98
- 10. 40.0217.00 CIRCLIP 3.1x11x1 \$1.04
- 12. 6800.00.01 ACCELERATOR CABLE KIT \$25.64
- 12. 6850.00.01 CLUTCH CABLE KIT \$25.64
- 13. 8000.00.01 STEEL THROTTLE CABLE 1.2 \$6.34
- 13. 8000.00.02 STEEL BRAKE CABLE \$6.34
- 14. 8050.00.01 CABLE HOUSING CAP 4 \$1.04
- 15. 8100.00.03 DOUBLE BOLT CABLE CLAMP \$4.80
- 16. 20.0883.06 THROTTLE CABLE FRAME BRACKET \$8.03
- 17. 40.0634.00 ADJUSTER - CABLE STOP M6 \$3.37
- 100. 10.4792.00 CABLE SAFETY KIT \$12.95

**Birel Chassis Parts Cont.**

- 2. 10.6111.00 FRONT TORSION BAR ASSEMBLY 30MM \$128.18
- 2. 10.6338.00 FRONT TORSION BAR S ASSEMBLY 30MM \$149.67
- 2. 10.8665.00 FRONT TORSION BAR ASSEMBLY 30MM \$123.73
- 3. 10.6109.00 REAR TORSION BAR ASSEMBLY 30MM \$128.18
- 4. 10.6116.00 SIDE TORSION BAR ASSEMBLY 30MM \$128.18
- 5. 20.4556.06 FRONT TORSION BAR 30MM \$42.73
- 5. 20.4820.06 FRONT TORSION BAR S 30MM \$64.22
- 5. 20.8636.06 FRONT TORSION BAR 30MM 2008 \$46.29
- 6. 20.4582.06 REAR TORSION BAR 30MM \$42.73
- 7. 20.4546.06 SIDE TORSION BAR 30MM \$42.73
- 9. 10.10204.00 LOWER FRONT BUMPER 410x135 CADET \$119.44
- 9. 10.9092.00 LOWER FRONT BUMPER L450x155 \$106.94



(A - D) = (25 - 6)

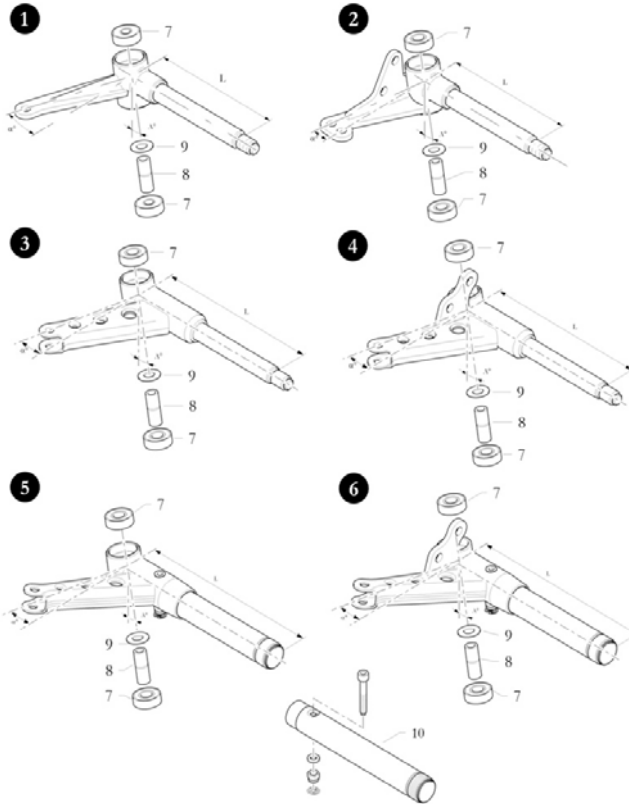
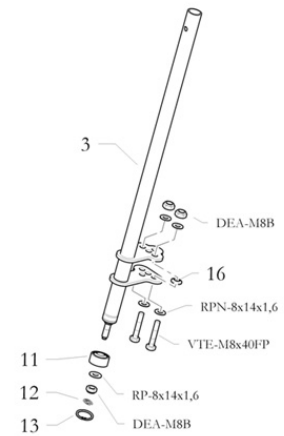
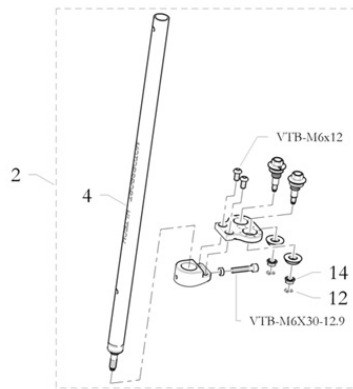
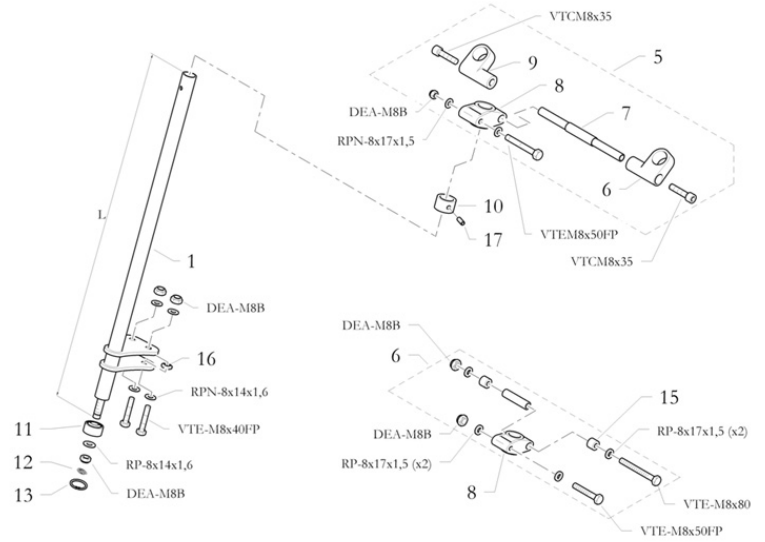
- 1. 5300.00.01-MS ALUMINUM STEERING WHEEL 300MM, LEATHER HQ MTS \$212.85
- 1. 5300.00.18-NE ALUMINUM STEERING WHEEL 300MM, SIMULATED LEATHER \$164.04
- 2. 5300.00.04-MS ALUMINUM STEERING WHEEL 320MM, LEATHER HQ MTS \$251.17
- 2. 5300.00.30-NR STEEL STEERING WHEEL 320MM, LEATHER \$207.67
- 3. 5679.10.06-OR STEERING WHEEL HUB 100CC HQ, FLAT \$64.22
- 3. 5679.10.08-OR STEERING WHEEL HUB 100CC HQ, ANGLED \$95.04
- 4. 5679.10.03 STEERING WHEEL HUB 125CC \$51.27
- 5. 20.8671.10 SPACER FOR STEERING WHEEL, ANGLED \$21.18
- 7. 10.1555.00 CLUTCH LEAVEL ASSEMBY 125CC \$64.22
- 9. 20.3615.10-BL M6 COUNTERSUNK WASHER \$8.55
- 10. 20.1546.06 CLUTCH CABLE BUSHING SPHERICAL \$5.31
- 11. 20.1531.06 CLUTCH LEVER MOUNTING BUSHING \$5.31

- 1. 5700.00.12 25MM SPROCKET CARRIER, CAST ALUMINUM \$85.45
- 1. 5700.00.07 30MM SPROCKET CARRIER, CAST ALUMINUM \$85.45
- 1. 5700.00.11 40MM SPROCKET CARRIER, CAST ALUMINUM \$85.45
- 1. 5850.00.01-BL 25MM SPROCKET CARRIER, ALUMINUM HQ \$145.27
- 1. 5850.00.02-BL 30MM SPROCKET CARRIER, ALUMINUM HQ \$145.27
- 1. 5850.00.04-BL 40MM SPROCKET CARRIER, ALUMINUM HQ \$145.27
- 1. 5850.00.06-BL 50MM SPROCKET CARRIER, ALUMINUM HQ \$145.27



**Birel Chassis Parts Cont.**

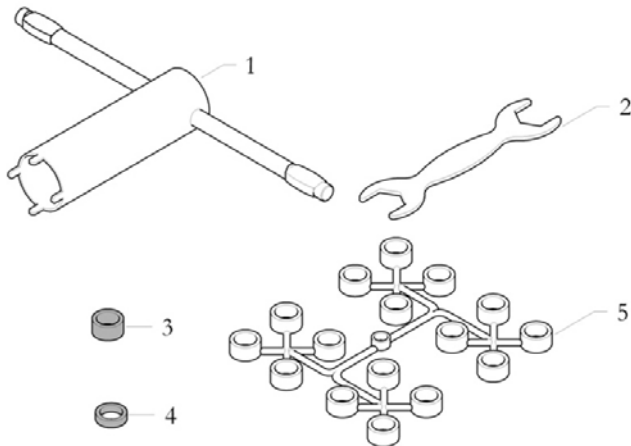
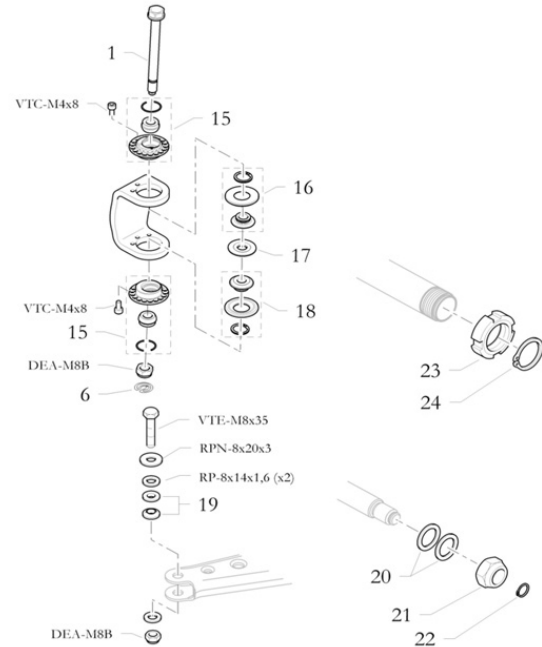
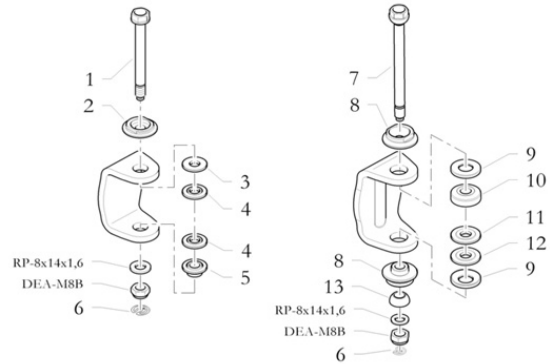
1. 10.0481.00 STEERING SHAFT 490MM R30CY \$76.91
1. 10.0780.00 STEERING SHAFT 420MM \$76.91
1. 10.4930.00 STEERING SHAFT 350MM B25 \$64.22
3. 10.7297.00 STEERING SHAFT 485MM S1, S4, S5 RACING \$76.91
5. 10.0833.00 STEERING COLUMN SUPPORT ASSEMBLY 120 \$76.91
5. 10.1643.00 STEERING COLUMN SUPPORT ASSEMBLY 100 \$76.91
6. 20.3848.10-OR ALUMINUM HALF COLUMN SUPPORT L35 HQ \$30.04
6. 20.4997.10-LU ALUMINUM HALF COLUMN SUPPORT L45 \$30.04
7. 20.3849.06 STEEL BUSHING COLUMN SUPPORT L75 \$13.72
8. 20.0750.18 NYLON SUPPORT FOR STEERING COLUMN \$7.77
9. 40.3684.00 SET SCREW M6x6 \$1.06
10. 20.0261.10-OR LOCK COLLAR FOR STEERING SHAFT \$13.72
11. 40.0578.00 STEERING SHAFT LOWER UNIBALL BEARING M8 \$27.28
12. 40.0217.00 CIRCLIP FOR STEERING SHAFT END \$1.04
13. AAI-22 CIRCLIP FOR UNIBALL BEARING \$1.04
14. 40.6349.00 LOCK NUT M6 \$4.40
16. 20.1900.06 SHAPED SPACER FOR TIE ROD END \$3.37



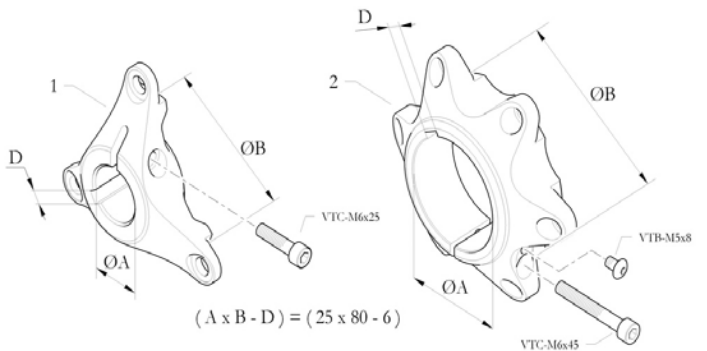
1. 10.8479.00 SPINDLE ASSEMBLY, 10 DEGREE, 135MM LONG, 17MM SHAFT, RH CADET \$153.81
1. 10.8480.00 SPINDLE ASSEMBLY, 10 DEGREE, 135MM LONG, 17MM SHAFT, LH CADET \$153.81
1. 10.8484.00 SPINDLE ASSEMBLY, 10 DEGREE, 150MM LONG, 17MM SHAFT, RH \$153.81
1. 10.8485.00 SPINDLE ASSEMBLY, 10 DEGREE, 150MM LONG, 17MM SHAFT, LH \$153.81
1. 10.8489.00 SPINDLE ASSEMBLY, 10 DEGREE, 165MM LONG, 17MM SHAFT, RH \$153.92
1. 10.8490.00 SPINDLE ASSEMBLY, 10 DEGREE, 165MM LONG, 17MM SHAFT, LH \$153.92
3. 10.6932.00 SPINDLE ASSEMBLY, 10 DEGREE, 180MM LONG, 17MM SHAFT, 2007, RH \$213.63
3. 10.6933.00 SPINDLE ASSEMBLY, 10 DEGREE, 180MM LONG, 17MM SHAFT, 2007, LH \$213.63
4. 10.8634.00 SPINDLE ASSEMBLY, FRONT BRAKE, 10 DEGREE, 180MM LONG, 17MM SHAFT, 2008 100/125cc, RH \$239.85
4. 10.8635.00 SPINDLE ASSEMBLY, FRONT BRAKE, 10 DEGREE, 180MM LONG, 17MM SHAFT, 2008 100/125cc, LH \$239.85
5. 10.9125.00 SPINDLE ASSEMBLY, 10 DEGREE, 196MM LONG, 25MM SHAFT, 2009, RH \$199.58
5. 10.9126.00 SPINDLE ASSEMBLY, 10 DEGREE, 196MM LONG, 25MM SHAFT, 2009, LH \$199.58
6. 10.9070.00 SPINDLE ASSEMBLY, FRONT BRAKE, 10 DEGREE, 196MM LONG, 25MM SHAFT, RH \$210.67
6. 10.9071.00 SPINDLE ASSEMBLY, FRONT BRAKE, 10 DEGREE, 196MM LONG, 25MM SHAFT, LH \$210.67
7. 40.7998.00 SPINDLE BEARING M8x25x8 \$6.34
7. 6000-ZZ 10MM x 26MM KING PIN BEARING \$6.34
8. 20.3891.06 SPINDLE BEARING SPACER 8x12x29.5 \$5.18
10. 20.9061.06 SPINDLE SHAFT, 176MM LONG, 25MM DIAMETER \$41.18

**Birel Chassis Parts Cont.**

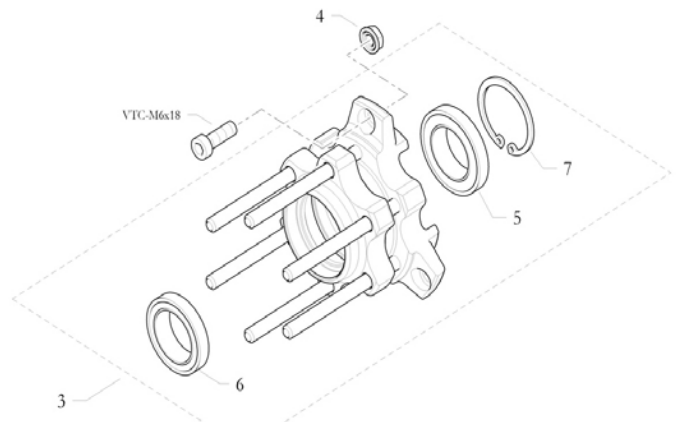
1. 20.5096.06 KING PIN BOLT M8x85 USA \$5.57
1. 20.5097.06 KING PIN BOLT M8x75 USA \$5.57
2. 20.8537.06 ECCENTRIC BUSHING 0.5 CADET, MONZA \$33.00
2. 20.8538.06 ECCENTRIC BUSHING 1.5 CADET, MONZA \$33.00
3. 20.3717.06 KINGPIN SPACER M8x20x2.8 \$2.07
4. 20.1098.06 KINGPIN SPACER M8x20x5.5 \$4.53
4. 20.3645.10-BL KINGPIN SPACER M8x20x2.75 MTS \$5.57
5. 20.0064.06 SPINDLE MOUNT BUSHING \$5.31
5. 20.0171.06 ECCENTRIC BUSHING 1.5 OFFSET \$13.72
5. 20.1587.06 ECCENTRIC BUSHING 0.5 OFFSET \$13.72
6. 40.0217.00 CIRCLIP 3.1x11x1 \$1.04
7. 20.7000.06-NE KING PIN BOLT M8x99 HQ \$30.04
8. 20.4987.06-NE OFFSET PILL 14/1 \$21.49
8. 20.4989.06-NE KING PIN OFFSET PILL 14/0.5 \$21.49
8. 20.7001.06-NE KING PIN OFFSET PILL 14/0.0 \$21.49
9. 20.4748.06 CONCAVE BUSHING 13x24 FOR SPINDLE \$13.21
10. 20.7269.06 CONVEX BUSHING 8x24x9.2 FOR SPINDLE \$13.21
11. 20.4999.06 SPINDLE SPACER M8x20x3 \$4.66
12. 20.4749.06 CONVEX BUSHING M8x24 \$13.21
13. 20.4988.06-NE SPHERICAL BUSHING M8 \$8.42
14. 20.9703.06 KING PIN BOLT M8x92 2010 \$30.03
15. 10.9747.00 CENTER PILL 23/0, 2010 \$40.04
15. 10.9748.00 OFFSET PILL 23/0.5, 2010 \$57.59
15. 10.9749.00 OFFSET PILL 23/1.5, 2010 \$57.59
16. 10.9750.00 CONCAVE WASHER M8x6, 2010 \$20.59
17. 20.9711.06 SPACER M8x25x2 \$6.46
18. 20.9751.00 SPACER M8x8 \$20.59
19. 20.1900.06 TIE ROD END SPACER \$3.37
21. DEA-M14PF SPINDLE LOCK NUT \$1.40
22. AAE-11 SPINDLE END CIRCLIP \$2.49
23. 20.7657.06 SPINDLE NUT M25x1.5, 2009 \$9.90
24. AAE-23 CIRCLIP FOR 25MM SPINDLE END \$1.40



1. 10.7656.00 SPINDLE NUT TOOL FOR 25MM NUT \$44.35
2. 20.4662.06 CASTOR ADJUSTER WRENCH \$11.52
3. 20.0249.10-BL SPINDLE SPACER M17x24x10 MTS \$7.90
3. 20.9063.10-LU SPINDLE SPACER M25x29x15 MTS \$6.47
4. 20.0263.10-BL SPINDLE SPACER M17x24x5 MTS \$6.99
4. 20.9064.10-LU SPINDLE SPACER M25x29x5 MTS \$6.47
5. 10.2000.00 SPINDLE SHAFT SPACER KIT, RED PLASTIC M17 \$8.55

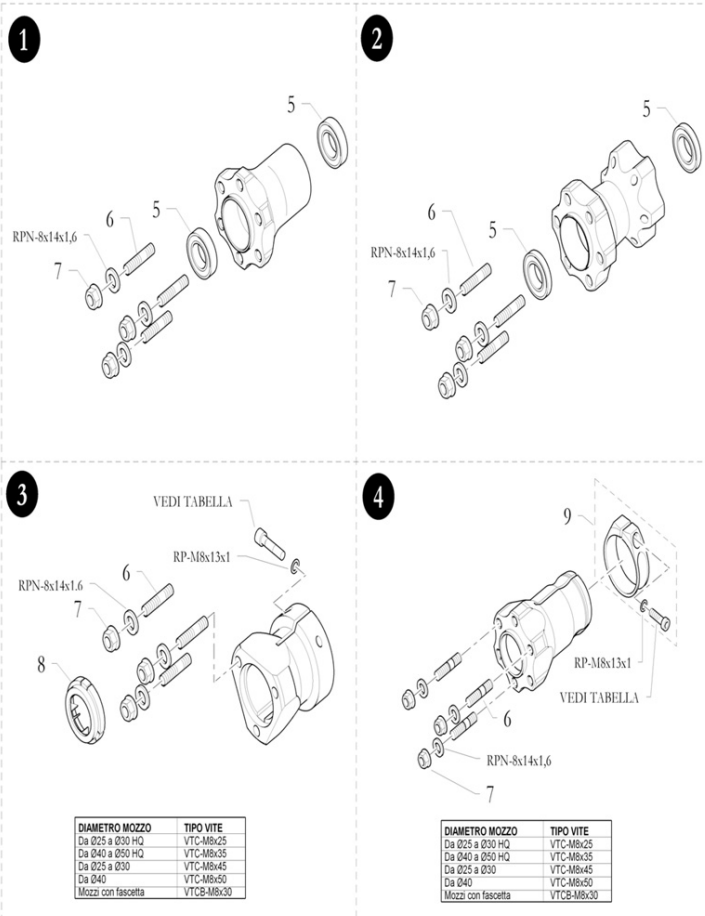
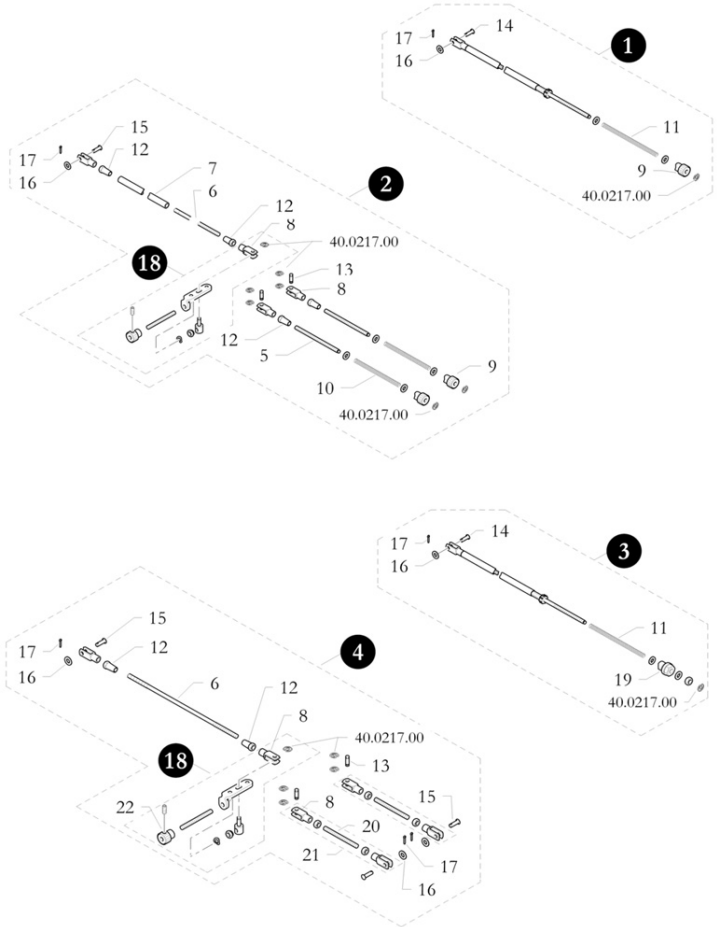


2. 2988.00.07 40MM BRAKE DISC HUB, FIXED HQ \$128.18
2. 2988.00.09-OR 50MM BRAKE DISC HUB, 2008 \$108.14
2. 6016.00.01 25MM BRAKE DISC HUB, CAST ALUMINUM \$85.45
2. 6016.00.02 30MM BRAKE DISC HUB, CAST ALUMINUM \$85.45
2. 6016.00.03 40MM BRAKE DISC HUB, CAST ALUMINUM \$85.45
3. 2988.00.14-BA FRONT BRAKE DISC HUB, 25x80 HQ \$165.17
4. 40.6349.00 M6 LOCK NUT \$.40
6. 40.9078.00 HUB BEARING 25x37x7 \$7.92



**Birel Chassis Parts Cont.**

- 1. 6135.00.06 BRAKE CABLE ROD ASSEMBLY 320MM \$53.47
- 1. 6135.00.07 BRAKE CABLE ROD ASSEMBLY 365MM \$53.47
- 1. 6135.00.05 BRAKE CABLE ROD ASSEMBLY 390MM \$53.47
- 1. 6135.00.04 BRAKE CABLE ROD ASSEMBLY 410MM \$53.47
- 1. 6135.00.01 BRAKE CABLE ROD ASSEMBLY 430MM \$53.47
- 1. 6135.00.02 BRAKE CABLE ROD ASSEMBLY 450MM \$53.47
- 1. 6135.00.03 BRAKE CABLE ROD ASSEMBLY 470MM \$53.47
- 2. 10.5244.00 BRAKE ROD ASSEMBLY 300+105 FOR FRONT BRAKES CM \$98.40
- 5. 20.5098.06 BRAKE ROD M6x105 \$5.57
- 6. 20.4655.06 BRAKE ROD M6x300 \$12.95
- 7. 40.2820.00 NYLON BRAKE ROD COVER TUBE M8x6, 1 METER LONG \$5.18
- 8. 20.1151.06 CLEVIS END FOR BRAKE ROD \$9.45
- 9. 20.0875.10-OR ADJUSTING KNOB FOR BRAKE ROD \$6.34
- 10. 20.3472.06 SPRING FOR BRAKE ROD TENSION M7x60 \$2.98
- 11. 20.0908.06 SPRING FOR BRAKE ROD TENSION M7x100 \$2.20
- 12. 20.1946.06 SHAPED JAM NUT FOR BRAKE ROD M6 RH \$4.40
- 13. 20.0873.06 BRAKE ROD CLEVIS PIN M5x15 \$2.20
- 14. 20.7042.06 BRAKE ROD CLEVIS PIN M5x15.5 \$2.20
- 15. 20.4652.06 BRAKE ROD CLEVIS PIN M5x13.5 \$2.20
- 16. 40.7072.00 WASHER M5x9x0.5 \$1.04
- 17. 40.5182.00 COTTER PIN M1.5x12 \$1.04
- 18. 10.5054.00 BRAKE BIAS ADJUSTER \$31.98



- 1. 5800.00.46-BL FRONT WHEEL HUB 85MM LONG, 25MM BEARINGS HQ \$94.38
- 2. 5800.00.47-BL FRONT WHEEL HUB 85MM LONG, 25MM BEARINGS HQ \$111.54
- 2. 5800.00.49-BL FRONT BRAKE WHEEL HUB 100MM LONG, 25MM, HQ \$111.54
- 3. 5800.00.31-OR REAR WHEEL HUB 25MM x 75MM ALUMINUM \$102.54
- 3. 5800.00.32-OR REAR WHEEL HUB 30MM x 100MM HQ \$128.18
- 3. 5800.00.33-OR REAR WHEEL HUB 40MM x 75MM HQ \$115.49
- 3. 5800.00.34 REAR WHEEL HUB 40MM x 100MM HQ \$128.18
- 3. 5800.00.50-OR REAR WHEEL HUB 25MM x 50MM LONG HQ \$111.72
- 3. 5800.00.51-OR REAR WHEEL HUB 30MM x 50MM LONG HQ \$111.72
- 3. 6200.00.07 REAR WHEEL HUB 25MM x 50MM \$91.79
- 3. 6200.00.09 REAR WHEEL HUB 30MM x 100MM \$91.79
- 3. 6200.00.11 REAR WHEEL HUB 40MM x 100MM \$91.79
- 4. 5800.00.42-BL REAR WHEEL HUB 50MM x 95MM HQ \$169.66
- 5. 40.9078.00 WHEEL HUB BEARING M25x37x7 \$7.92
- 5. 40.9079.00 WHEEL HUB BEARING M17x37x7 \$7.39
- 6. 40.8598.00 WHEEL HUB STUD M8x25 \$3.94
- 7. 40.6257.00 FLANGED LOCKING WHEEL NUT M8 \$1.00
- 8. 20.3040.18 REAR WHEEL HUB CENTERING RING 40MM \$2.20
- 9. 10.8666.00-LU HUB CLAMP ASSEMBLY 50MM HQ \$37.54

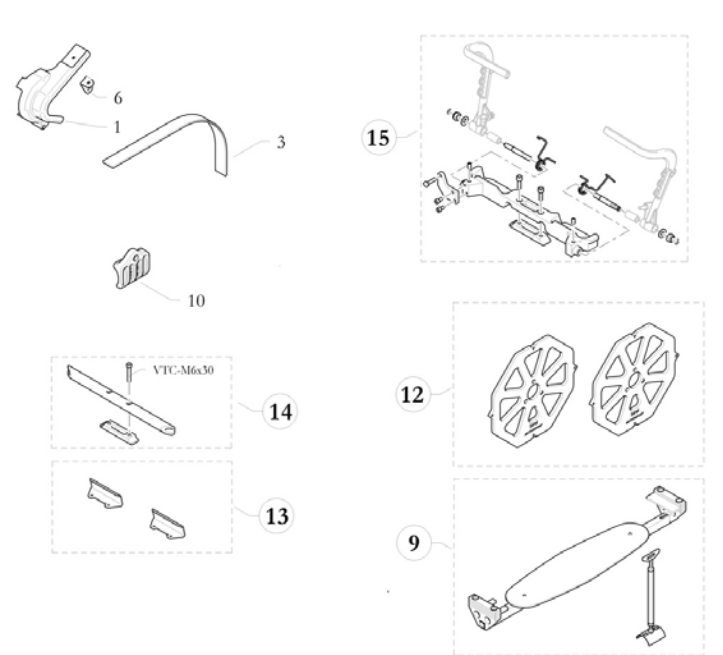
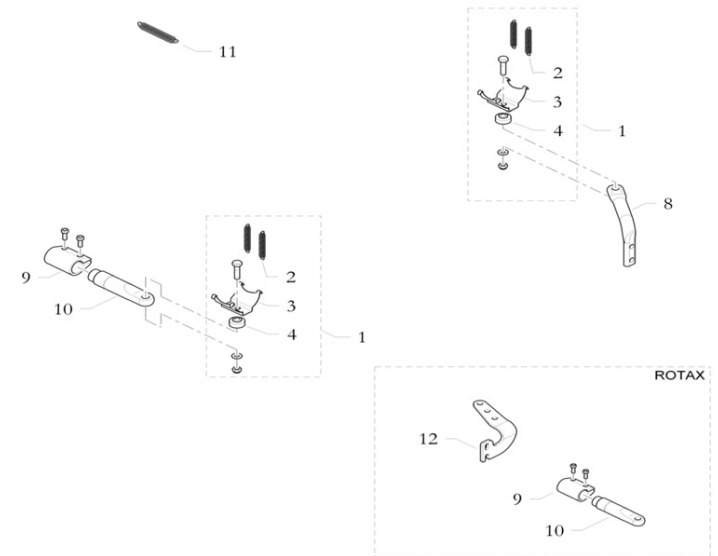
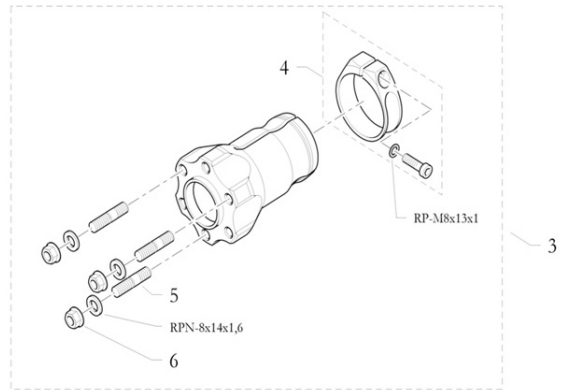
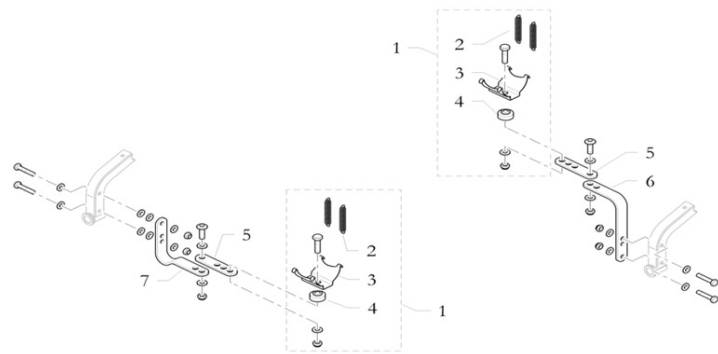
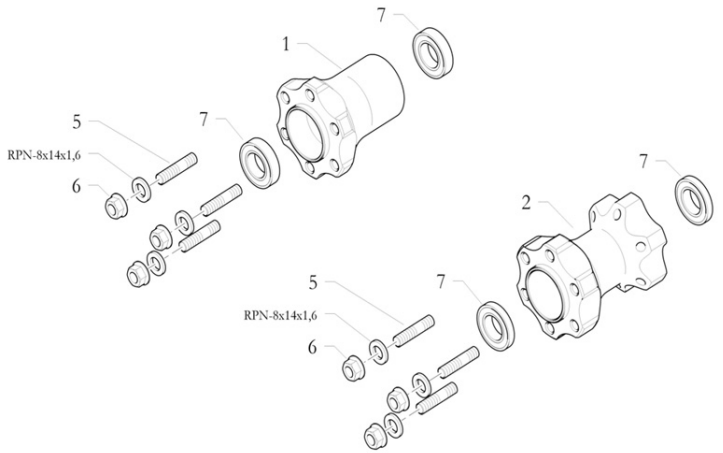
DIAMETRO MOZZO	TIPO VITE
Da Ø25 a Ø30 HQ	VTC-M8x25
Da Ø40 a Ø50 HQ	VTC-M8x35
Da Ø25 a Ø30	VTC-M8x45
Da Ø40	VTC-M8x50
MoZZi con fascetta	VTCB-M8x30

DIAMETRO MOZZO	TIPO VITE
Da Ø25 a Ø30 HQ	VTC-M8x25
Da Ø40 a Ø50 HQ	VTC-M8x35
Da Ø25 a Ø30	VTC-M8x45
Da Ø40	VTC-M8x50
MoZZi con fascetta	VTCB-M8x30



**Birel Chassis Parts Cont.**

- 3. 10.10236.00-OR REAR WHEEL HUB, MAGNESIUM 50MM x 96MM HQ \$235.95
- 4. 10.8666.00-LU 50MM WHEEL HUB CLAMP \$37.54
- 5. 40.8598.00 WHEEL HUB STUD \$3.94
- 6. 40.6257.00 FLANGED LOCK NUT M8 \$1.09

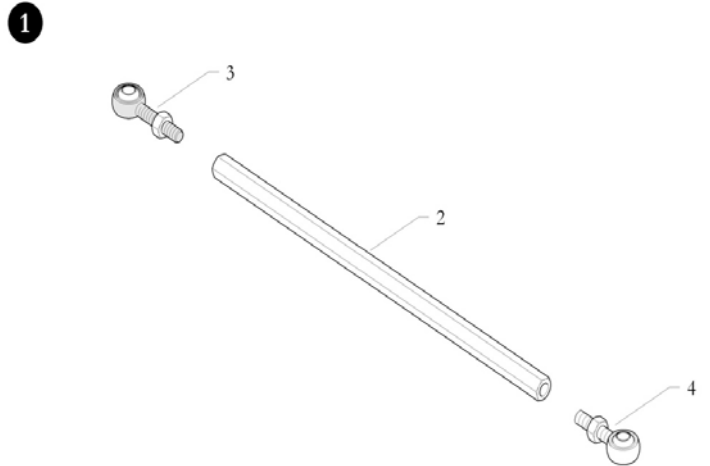


- 1. 10.2089.00 MUFFLER CRADLE COMPLETE \$16.05
- 2. 20.0223.06 SILENCER MOUNTING SPRING \$3.37
- 3. 20.0395.06 SILENCER SUPPORT CRADLE \$9.58
- 4. 40.0334.00 RUBBER EXHAUST MOUNT \$2.20
- 6. 20.0123.06 PIPE SUPPORT BRACKET 140x80 \$9.58
- 7. 20.1921.06 PIPE SUPPORT BRACKET 100x100 \$9.58
- 8. 20.7325.10 CRADLE SUPPORT BRACKET HQ \$42.73
- 10. 20.7285.10-OR ALUMINUM SILENCER SUPPORT \$42.73
- 11. 20.0917.06 PIPE MOUNTING SPRING 50MM \$3.37
- 11. 20.0918.06 PIPE MOUNTING SPRING 40MM \$3.42
- 11. 20.3681.06 PIPE MOUNTING SPRING 30MM \$3.37
- 12. 20.9827.06 MUFFLER CRADLE HOLDER, RH FOR ROTAX \$28.83
- 12. 20.9908.06 MUFFLER CRADLE HOLDER, LH FOR ROTAX \$28.83

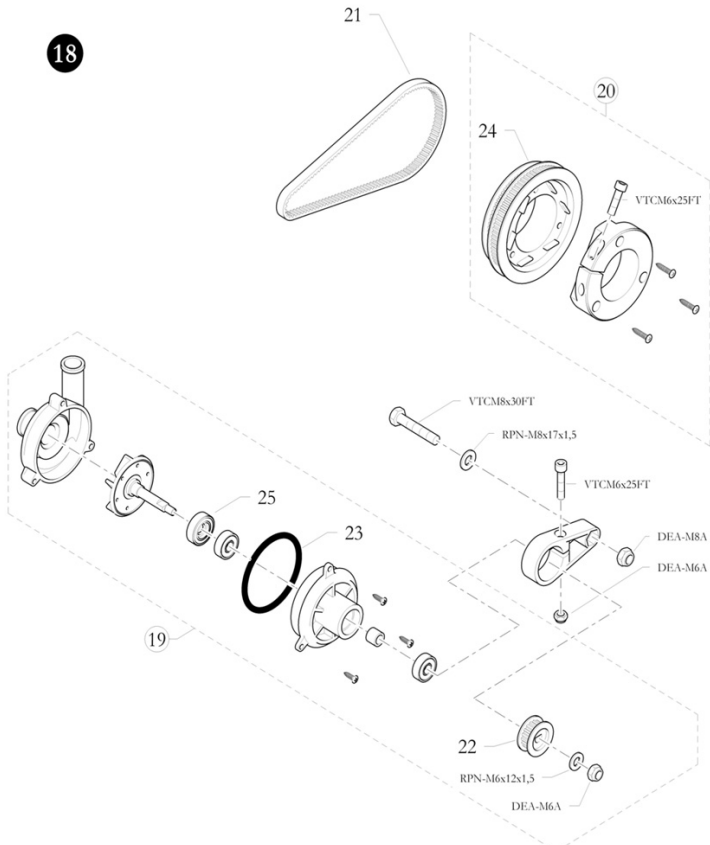
- 1. 20.4947.18 COMER C50 CHAIN GUARD \$21.49
- 2. 20.0356.18 FLAT CHAIN GUARD STRAP, RED \$5.00
- 8. 6330.00.01 SEAT MOUNTING TOOL KIT \$375.98
- 10. 10.8821.00-NE BRAKE DISC PROTECTOR GUARD \$11.55
- 12. 6880.00.01-BL ALIGNMENT PLATES SET MTS \$273.44
- 13. 10.6268.00 HEEL STOP \$47.13 PAIR
- 14. 10.9133.00-BL ADJUSTABLE HEEL STOP \$130.13
- 15. 10.9802.00 ADJUSTABLE PEDALS \$617.76

**Birel Chassis Parts Cont.**

- 1. 10.6486.00 TIE ROD ASSEMBLY 185MM ALUMINUM \$76.91
- 1. 10.5881.00 TIE ROD ASSEMBLY 195MM ALUMINUM \$76.91
- 1. 10.5882.00 TIE ROD ASSEMBLY 205MM ALUMINUM \$76.91
- 1. 10.5162.00 TIE ROD ASSEMBLY 225MM ALUMINUM \$76.91
- 1. 10.5163.00 TIE ROD ASSEMBLY 235MM ALUMINUM \$76.91
- 1. 10.5164.00 TIE ROD ASSEMBLY 245MM ALUMINUM \$76.91
- 1. 10.5165.00 TIE ROD ASSEMBLY 255MM ALUMINUM \$76.91
- 1. 10.5166.00 TIE ROD ASSEMBLY 265MM ALUMINUM \$76.91
- 2. 20.7056.10-OR TIE ROD ALUMINUM 185MM \$25.64
- 2. 20.4100.10-OR TIE ROD ALUMINUM 195MM \$25.64
- 2. 20.4101.10-OR TIE ROD ALUMINUM 205MM \$25.64
- 2. 20.4036.10-OR TIE ROD ALUMINUM 215MM \$25.64
- 2. 20.3507.10-OR TIE ROD ALUMINUM 225MM \$25.64
- 2. 20.3508.10-OR TIE ROD ALUMINUM 235MM \$25.64
- 2. 20.3509.10-OR TIE ROD ALUMINUM 245MM \$25.64
- 2. 20.3510.10-OR TIE ROD ALUMINUM 255MM \$25.64
- 3. 40.2439.00 M8 TIE ROD END, RH \$25.64
- 4. 40.3484.00 M8 TIE ROD END, LH \$25.64

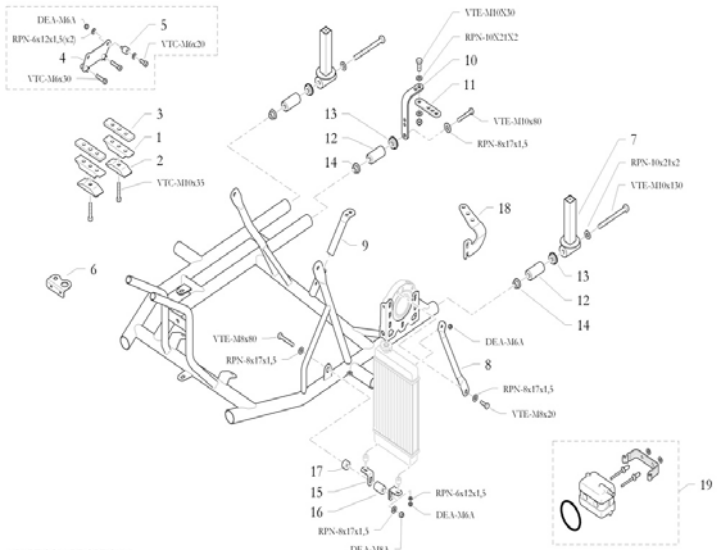


**18**



- 18. 6550.00.01 AXLE WATER PUMP ASSEMBLY, FOR 40MM AXLE, BELT DRIVE \$149.67
- 18. 6550.00.06 AXLE WATER PUMP ASSEMBLY, FOR 50MM AXLE, BELT DRIVE \$149.67
- 19. 6551.00.01 WATER PUMP ONLY, BELT DRIVE TYPE \$68.36
- 20. 6555.00.04 DRIVE PULLEY ASSEMBLY, 40MM, BELT DRIVE TYPE \$53.47
- 20. 6555.00.05 DRIVE PULLEY ASSEMBLY, 50MM, BELT DRIVE TYPE \$53.47
- 21. 40.6157.20 WATER PUMP BELT, CD 170 XL 031 \$8.55
- 22. 10.5930.00 WATER PUMP DRIVE PULLEY 16 TOOTH XL \$8.55
- 24. 20.4677.8 WATER PUMP BELT DRIVEN PULLEY, Z40/48 XL 50/A \$9.06

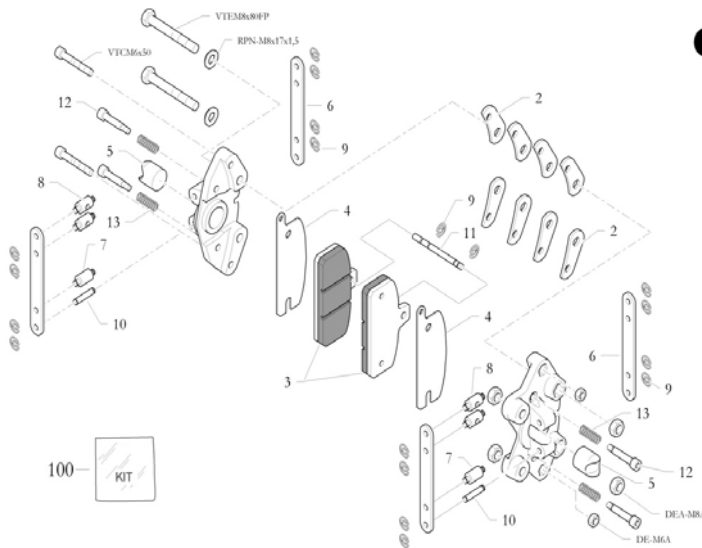
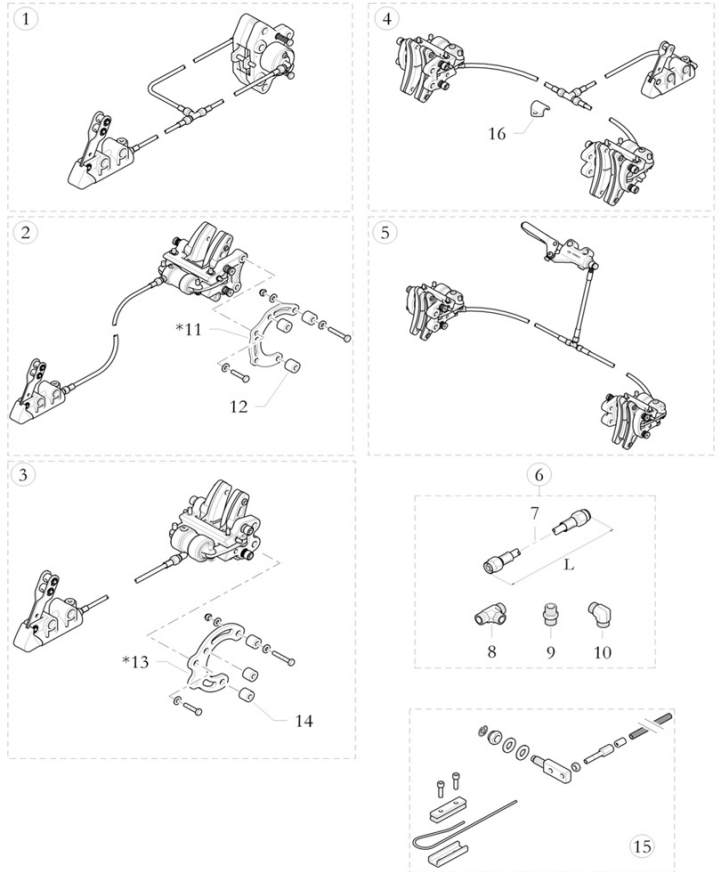
- 2. 20.9206.06 STEEL MOUNT CLAMP \$27.89
- 8. 20.7688.06 RADIATOR BRACKET FOR DD2 \$20.59
- 12. 20.3181.20 RUBBER FOR REAR BUMPER MOUNT 32MM \$6.34
- 13. 20.4515.10-OR ALUMINUM BUMPER BUSHING 30MM \$11.52
- 13. 20.4516.10-BL BUMPER BUSHING 32MM \$11.52
- 14. 40.0637.00 REAR BUMPER NUT M10 \$1.04
- 15. 20.1929.06 CHAIN GUARD BRACKET M20x3x20 \$6.34
- 18. 20.9827.06 ROTAX MUFFLER CRADLE HOLDER, RH \$28.83
- 18. 20.9908.06 ROTAX MUFFLER CRADLE HOLDER, LH \$28.83
- 19. 1417.00.08 OVERFLOW BOTTLE \$9.58



\* PARTICOLARE OPZIONALE

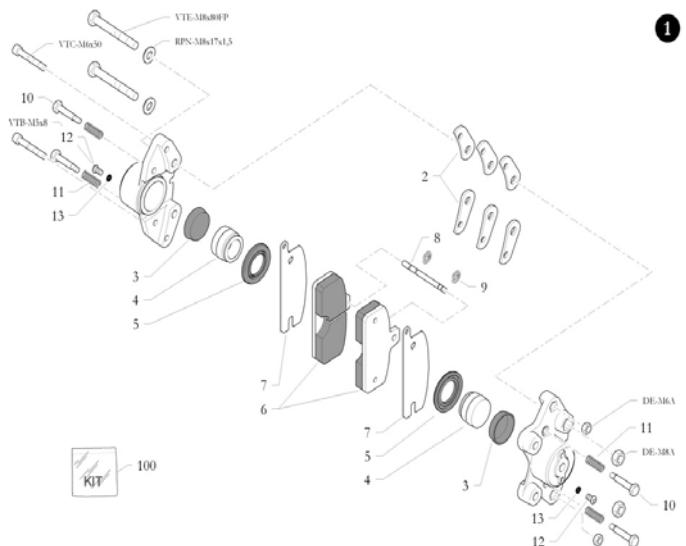
**Birel Chassis Parts Cont.**

1. 10.2953.00 REAR BRAKE SYSTEM B-I H 6/P19-LD \$534.19
1. 10.2961.00 REAR BRAKE SYSTEM B-I H10/P19-LD \$534.19
2. 10.8686.00 REAR BRAKE SYSTEM CX I28-H6-A/P 19B-LD 670 \$860.07
6. 10.2983.00-BL BRAKE LINE FRONT ASSEMBLY 125CC, REINFORCED LINE, MTS \$121.85
6. 10.2984.00-BL REAR BRAKE LINE ASSEMBLY, REINFORCED LINE MTS \$113.29
6. 10.8706.00 BRAKE LINE ASSEMBLY CX FOR 08 KARTS, 670MM \$53.85
7. 10.3319.00-BL BRAKE LINE 190MM LONG MTS BLUE \$30.04
7. 10.3319.00-RO BRAKE LINE 190MM LONG \$30.04
7. 10.3330.00-BL BRAKE LINE 300MM LONG, MTS BLUE \$30.04
7. 10.3330.00-RO BRAKE LINE 300MM LONG \$30.04
7. 10.3348.00-BL BRAKE LINE 480MM LONG, MTS BLUE \$25.64
7. 10.3348.00-RO BRAKE LINE 480MM LONG \$25.64
7. 10.3351.00-BL BRAKE LINE 510MM LONG, MTS BLUE \$47.13
7. 10.3351.00-RO BRAKE LINE 510MM LONG \$47.13
7. 10.3363.00-BL BRAKE LINE 630MM LONG, BLUE \$47.13
7. 10.7759.00-BL BRAKE LINE 645MM LONG, BLUE \$47.13
7. 10.3366.00-BL BRAKE LINE 660MM LONG, BLUE \$47.13
7. 10.3366.00-RO BRAKE LINE 660MM LONG \$47.12
7. 10.3379.00-BL BRAKE LINE 790MM LONG AM29 \$47.12
7. 10.3390.00-BL BRAKE LINE 900MM AM29 \$50.42
8. 40.3294.00 BRAKE LINE FITTING T \$7.77
9. 40.3292.00 BRAKE LINE FITTING STRAIGHT \$4.92
10. 40.3293.00 BRAKE LINE FITTING 90 DEGREE \$5.31
11. 20.8022.06 REAR CALIPER SUPPORT C I28 2007, SV CHASSIS \$47.13
12. 20.7336.10-BL SPACER M8x20x15 FOR 07 SV CHASSIS \$9.58
13. 20.8875.06 REAR CALIPER SUPPORT C124 CADET \$47.12
14. 20.4802.10 SPACER M8x20x18 \$5.31
16. 40.2388.00 BRAKE LINE HOLDER \$3.24
100. 10.8639.00 MANUAL HAND OPERATED FRONT BRAKE SYSTEM \$2156.22



1. 10.1639.00 REAR BRAKE CALIPER ASSEMBLY B-I32x2H10 \$213.63
1. 10.2688.00 REAR BRAKE CALIPER ASSEMBLY B-I32x2H6 \$228.51
2. 20.8113.10 SPACER, BRAKE CALIPER 3MM \$2.20
3. 40.0985.00 CUP SEAL 32MM \$3.63
4. 20.0868.10 PISTON 32MM \$13.08
5. 20.0869.20 PISTON DUST SEAL 32MM \$2.33
6. 10.0890.00 REAR BRAKE PAD 90x16 \$49.07 EACH
6. 10.1453.00 REAR BRAKE PAD 90x11.5 \$30.04 EACH
7. 20.0871.10 SPACER FOR REAR BRAKE PAD 1.0MM THICK \$3.24
7. 20.2625.10 SPACER FOR REAR BRAKE PAD 0.5MM THICK \$3.24
8. 20.0900.06 REAR BRAKE PAD GUIDE PIN M5x66 \$2.20
9. 40.0217.00 CIRCLIP 3.1x11x1 \$1.04
10. 20.1406.06 BRAKE PAD SCREW \$4.40
11. 20.0911.06 SPRING FOR REAR BRAKE PAD \$2.20
12. VTBM5X10 CALIPER BLEED SCREW \$1.09
13. 40.3483.00 CALIPER BLEED SCREW WASHER M5x1 \$1.04

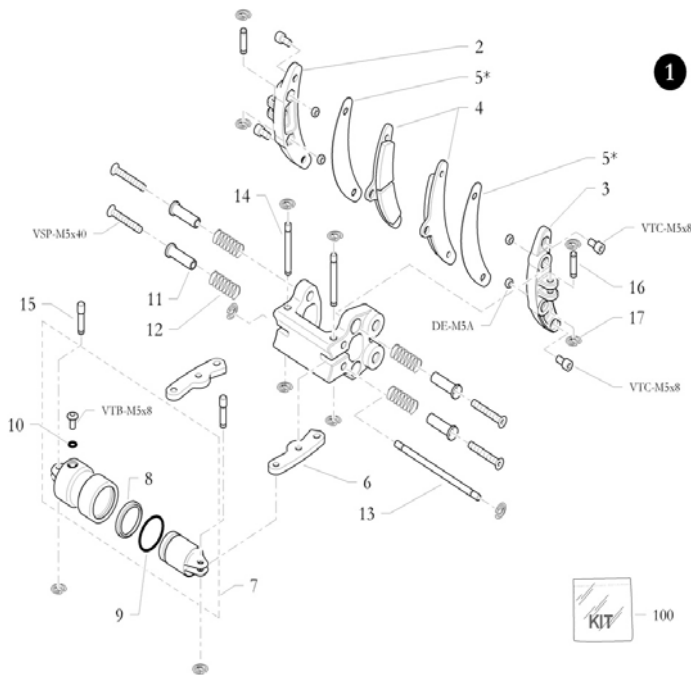
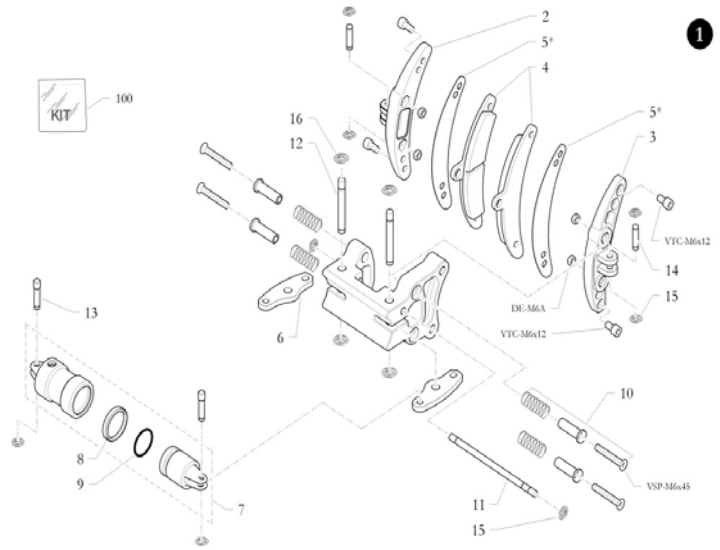
1. 10.1640.00 BRAKE CALIPER B-M20x2H10 ASSEMBLY \$299.08
1. 10.2687.00 BRAKE CALIPER B-M20x2H6 ASSEMBLY \$299.08
2. 20.8113.10 SPACER FOR BRAKE CALIPER 3MM \$2.20
3. 10.0890.00 REAR BRAKE PAD M90x16 \$49.07 EACH
3. 10.1453.00 REAR BRAKE PAD M90x11.5 \$30.04 EACH
4. 20.0871.10 SPACER FOR REAR BRAKE PAD 1.0MM THICK \$3.24
4. 20.2625.10 SPACER FOR REAR BRAKE PAD 0.5MM THICK \$3.24
5. 20.1448.10 M20 CALIPER PISTON \$8.55
9. 40.0217.00 CIRCLIP 3.1x11x1 \$1.04
10. 20.1447.06 PIN FOR MASTER CYLINDER ROD M5x25 \$3.24
11. 20.0900.06 REAR BRAKE PAD GUIDE PIN M5x66 \$2.20
12. 20.1406.06 BRAKE PAD SCREW \$4.40
13. 20.0911.06 SPRING FOR REAR BRAKE DISK PAD \$2.20
100. 10.1733.00 CALIPER REBUILD KIT M20x2, HARDWARE ONLY \$30.04





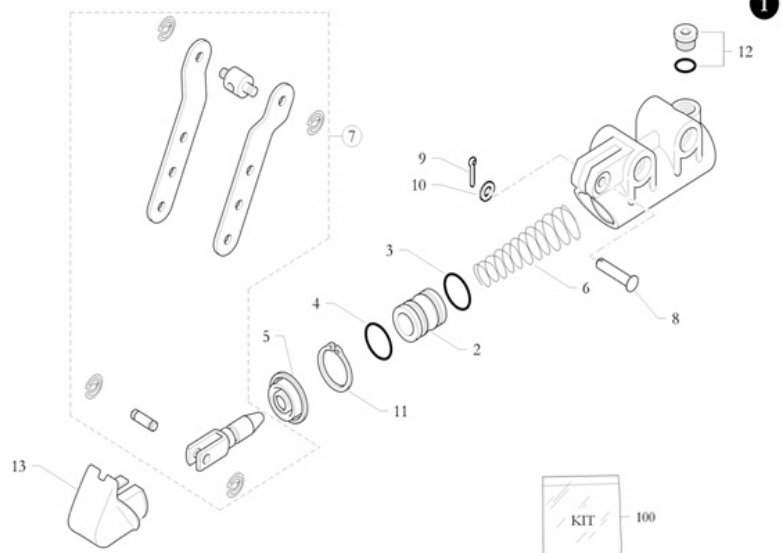
**Birel Chassis Parts Cont.**

1. 10.7606.00 REAR BRAKE CALIPER CX I28-H6 \$561.00
2. 20.7006.10-LU REAR BRAKE PAD SUPPORT, RIGHT \$62.02
2. 20.7007.10-LU REAR BRAKE PAD SUPPORT, LEFT \$62.02
4. 10.7594.00 REAR BRAKE PAD 135x10 SYNTHETIC CX \$71.37 EACH
5. 20.9118.06 SPACER FOR REAR BRAKE CALIPER CX 0.5MM \$2.73
5. 20.9119.06 SPACER FOR REAR BRAKE CALIPER CX 1.0MM \$2.73
6. 20.7607.06 CX BRAKE SYSTEM LEVER FOR REAR BRAKE \$26.80
7. 10.7699.00 PISTON ASSEMBLY 28-3 S CX-I28 REAR \$108.14
8. 20.4686.20 PISTON HOUSING OUTER SEAL EPDM \$3.24
9. 40.6352.00 CALIPER PISTON O-RING 28-3 \$1.04
10. 10.7670.00 CALIPER BUSHING KIT C-I28 H15/A HQ CX \$25.64
11. 20.4946.06 PIN M6x125 \$5.31
12. 20.7017.06 PIN M8x56 \$5.70
13. 20.4511.06 PIN M6x32 \$5.18
14. 20.4597.06 PIN M6x25 \$5.18
15. 40.0217.00 CIRCLIP 3.1x11x1 \$1.04
16. 40.7019.00 CIRCLIP 5.1x15x1.2 \$1.04
100. 10.8048.00 CX-I28 H6/A HQ CALIPER REBUILD KIT CX \$32.44



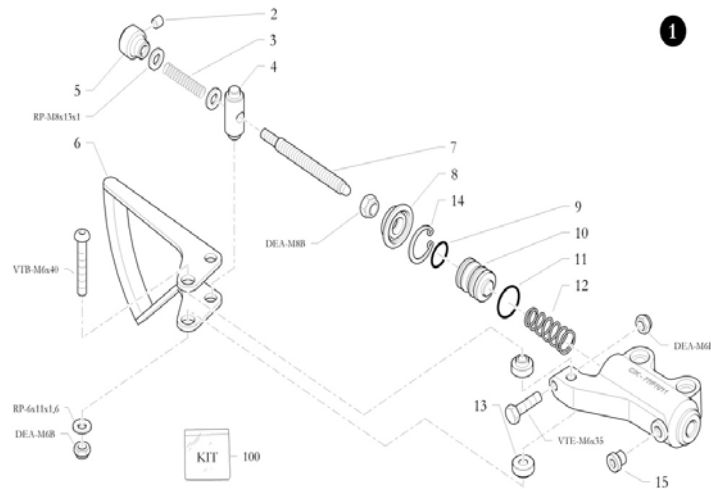
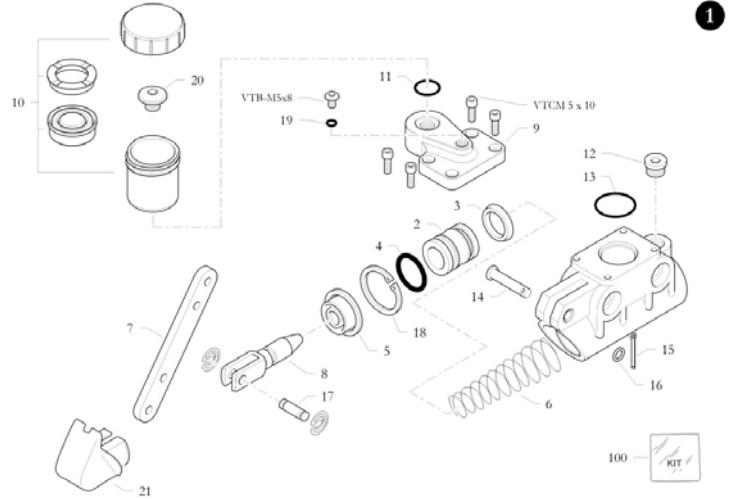
1. 10.7717.00 BRAKE CALIPER FRONT CXI24, RH \$494.69
1. 10.7724.00 BRAKE CALIPER FRONT CXI24, LH \$494.69
2. 20.7087.10-LU FRONT BRAKE PAD SUPPORT C, RH \$49.07
3. 20.7086.10-LU FRONT BRAKE PAD SUPPORT C, LH \$49.07
4. 10.7596.00 FRONT BRAKE PAD 100x8 SYNTHC \$51.27 EACH
5. 20.9116.06 PAD SPACER FOR FRONT BRAKE CALIPER 0.5MM \$2.97
5. 20.9117.06 PAD SPACER FOR FRONT BRAKE CALIPER 1.0MM \$2.97
6. 20.4465.06 LEVER FOR FRONT BRAKE CALIPER CX \$30.04
7. 10.6361.00 PISTON ASSEMBLY 24-2 S SERIES \$106.94
8. 20.4734.20 PISTON HOUSING SEAL \$3.37
9. 40.6351.00 PISTON O-RING \$1.09
10. 40.3483.00 CALIPER BLEED SCREW O-RING M5x1 \$1.04
11. 20.7720.06 BUSHING FOR FRONT BRAKE PAD CX H28 \$3.22
12. 20.4722.06 SPRING FOR FRONT BRAKE PAD \$3.24
14. 20.4718.06 PIN M5x48 LEVER PIVOT FOR FRONT CALIPER C \$2.85
15. 20.4719.06 PIN M5x27 FRONT CALIPER PISTON PIN \$3.24
16. 20.4720.06 PIN M5x20 PAD SUPPORT PIVOT \$2.33
17. 40.0217.00 CIRCLIP 3.1x11x1 \$1.04
100. 10.8847.00 CX-I24 CALIPER OVERHAUL KIT \$38.11

1. 10.6406.00-OR MASTER CYLINDER PUMP 19/B LD ASSEMBLY \$145.27
2. 20.4901.18 MASTER CYLINDER PISTON FOR 19/B \$12.95
3. 40.6377.00 MASTER CYLINDER PISTON O-RING 13.95x2.62 \$1.04
4. 40.3738.00 MASTER CYLINDER PISTON O-RING 15.6x1.78 \$1.04
5. 20.4887.20 MASTER CYLINDER DUST BOOT 19/B \$4.40
6. 20.3256.06 MASTER CYLINDER RETURN SPRING 19/B \$4.92
8. 20.7043.06 PIN FOR MASTER CYLINDER M5x23.5 \$2.85
9. 40.5182.00 SPLIT PIN M1.5x12 \$1.04
10. 40.7072.00 WASHER M5x9x0.5 \$1.04
11. AAI-22 CIRCLIP \$1.04
12. 40.4270.00 MASTER CYLINDER PLUG M10x1 \$6.34
13. 20.1859.18 PUMP COVER 19/B \$2.20
100. 10.6459.00 MASTER CYLINDER OVERHAUL KIT 19/B \$19.29



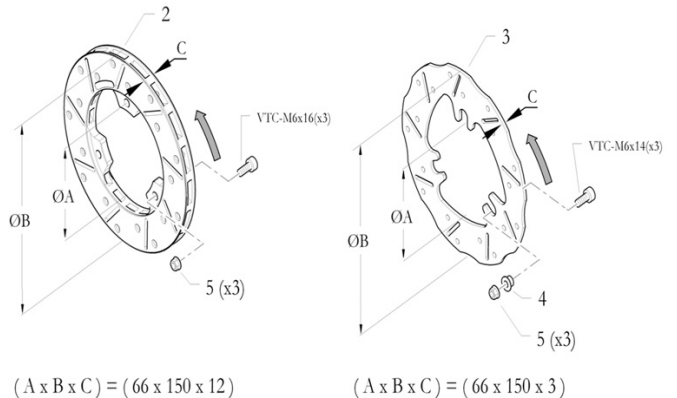
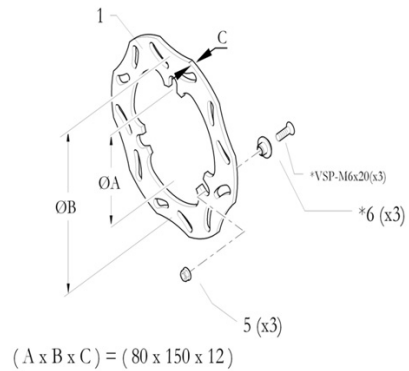
**Birel Chassis Parts Cont.**

- 2. 20.4916.18 PISTON FOR MASTER CYLINDER 22 SR \$14.11
- 3. 40.1638.00 MASTER CYLINDER PISTON SEAL 22 S \$4.40
- 5. 20.4887.20 RUBBER PROTECTION FOR BRAKE PUMP \$4.40
- 6. 20.4913.06 MASTER CYLINDER SPRING 22 SR \$5.18
- 8. 20.4900.06 MASTER CYLINDER ACTIVATOR PIN \$12.95
- 11. 40.4923.00 O-RING M10.82x1.78 \$4.53
- 12. 40.4270.00 MASTER CYLINDER PLUG M10x1 \$6.34
- 13. 40.4924.00 O-RING 21.95x1.78 \$4.53
- 14. 20.7043.06 PIVOT PIN M5x23.5 \$2.85
- 15. 40.5182.00 SPLIT PIN M1.5x12 \$1.04
- 16. 40.7072.00 WASHER M5x9x0.5 \$1.04
- 17. 20.0873.06 PIN FOR BRAKE ROD END M5x15 \$2.20
- 18. AAI-24 CIRCLIP \$1.04
- 19. 40.3483.00 CALIPER BLEED SCREW WASHER M5x1 \$1.04
- 21. 20.1859.18 MASTER CYLINDER COVER \$2.20
- 100. 10.6715.00 MASTER CYLINDER REBUILD KIT 22SR \$37.55



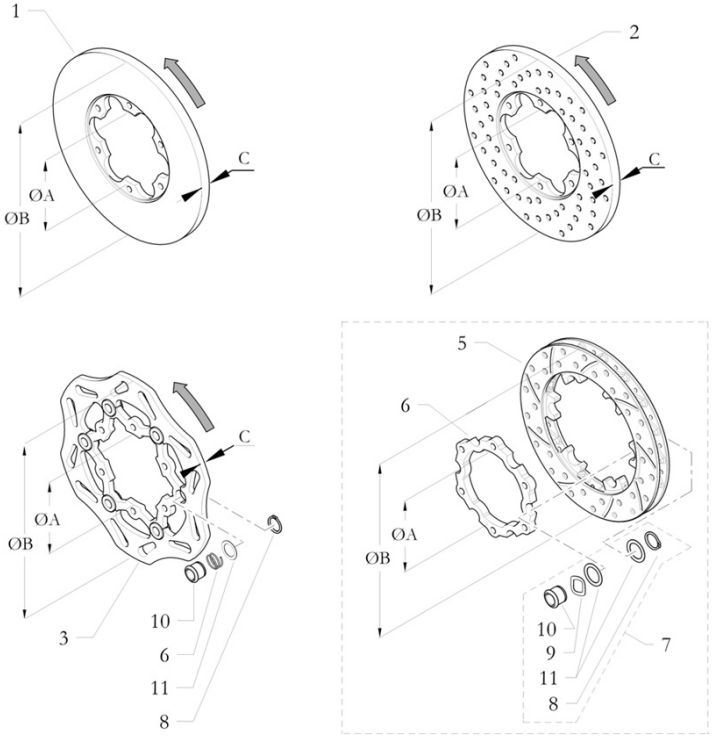
- 2. 40.1738.00 DOWEL SET SCREW M6x7x0.75 \$1.42
- 8. 20.4887.20 MASTER CYLINDER DUST BOOT \$4.40
- 9. 40.3738.00 MASTER CYLINDER PISTON O-RING M15.6x1.78 \$1.04
- 10. 20.4901.18 MASTER CYLINDER PISTON \$12.95
- 11. 40.6377.00 MASTER CYLINDER PISTON O-RING 13.95x2.62 \$1.04
- 14. AAI-22 RETAINER CLIP \$1.04
- 15. 40.4270.00 MASTER CYLINDER PLUG M10x1 \$6.34

- 1. 1466.06.12 FRONT BRAKE DISC, STEEL M80x150x6, 2008 \$110.88
- 1. 1466.06.12-5 FRONT BRAKE DISC, STEEL M80x150x5, 2008 \$110.88
- 2. 3634.08.17 FRONT BRAKE DISC, M66x150x12, FIXED, 2012 \$170.90
- 5. 40.6349.00 LOCK NUT M6 \$.40
- 6. 20.8396.06 FRONT BRAKE DISK BUSHING CX \$7.52

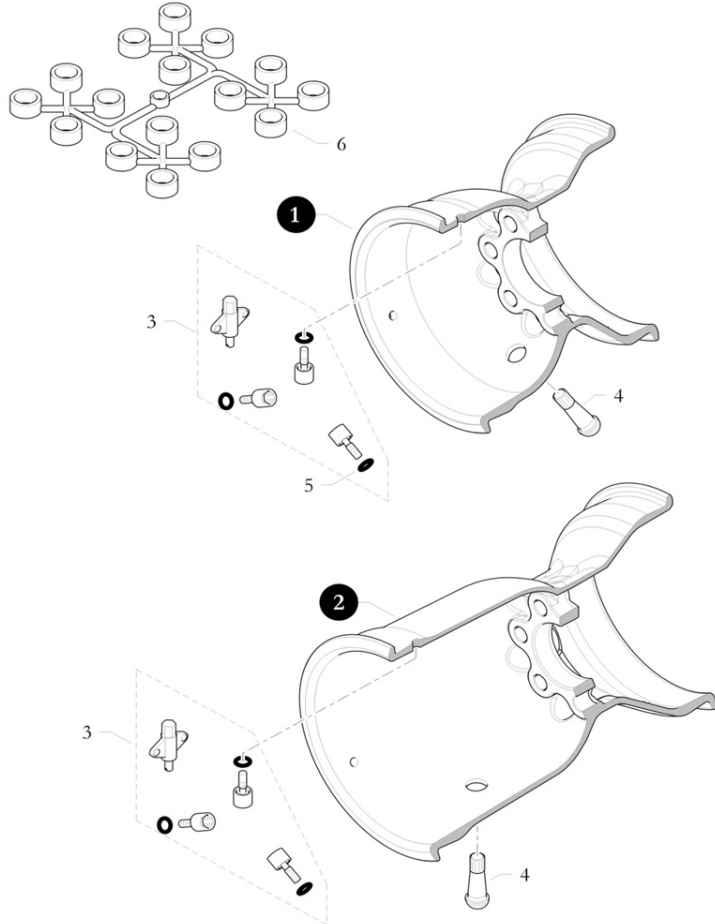
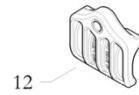


**Birel Chassis Parts Cont.**

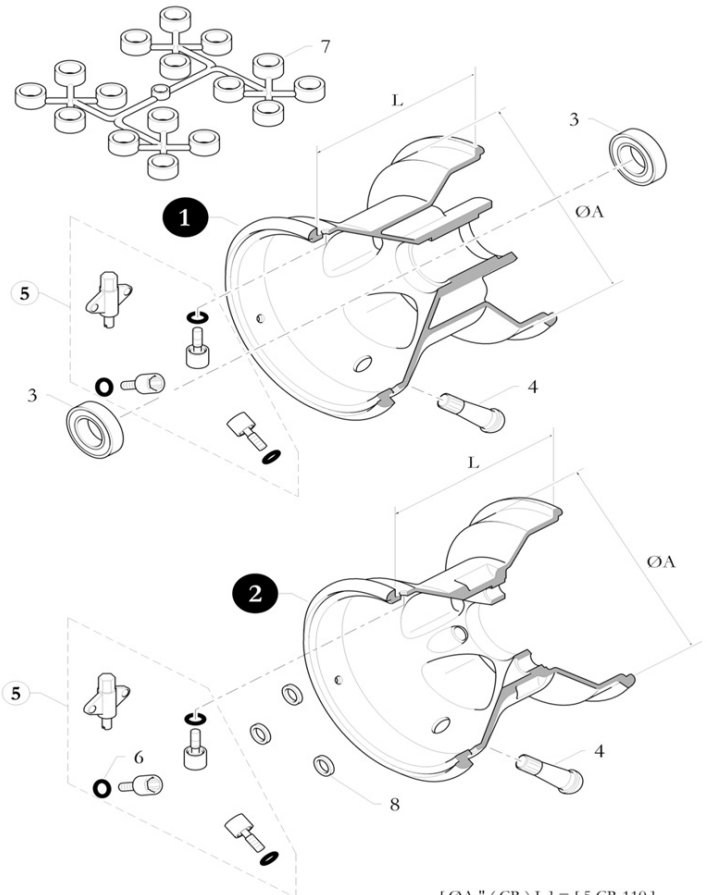
1. 1466.06.01 REAR BRAKE DISC M80x200x6 \$47.13
2. 3634.08.01 REAR BRAKE DISC M80x200x6 \$136.72
2. 3634.08.02 REAR BRAKE DISC M80x200x10 SOLID \$149.67
4. 3634.08.16 REAR BRAKE DISC M80x180x16 FLOATING TYPE ASSY, 2012 \$222.41
6. 20.0910.06 BRAKE DISC BUSHING SPRING D14 \$2.98
8. AAE-14 CIRCLIP FOR REAR FLOATING DISC 2009 \$1.40
10. 20.0889.06 BRAKE DISC BUSHING D14 \$6.86
11. 40.9305.00 WASHER M14x20x0.5 BRAKE DISC \$1.30
12. 10.8821.00-NE BRAKE DISC PROTECTOR CIK GUARD \$11.55



(AxBxC) = Ex. (80x200x6)



1. 20.6974.12-OR MAGNESIUM WHEEL 130MM x 5" \$166.35
2. 20.8867.12-OR MAGNESIUM WHEEL 180MM x 5" \$172.68
3. 10.5805.00 MAG WHEEL BEAD LOCKING KIT HQ \$34.18
4. 40.2166.00 VALVE STEM, SHORT \$.75
6. 10.2000.00 WHEEL SPACER GROUP 17MM \$8.55



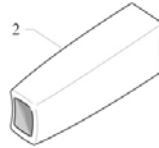
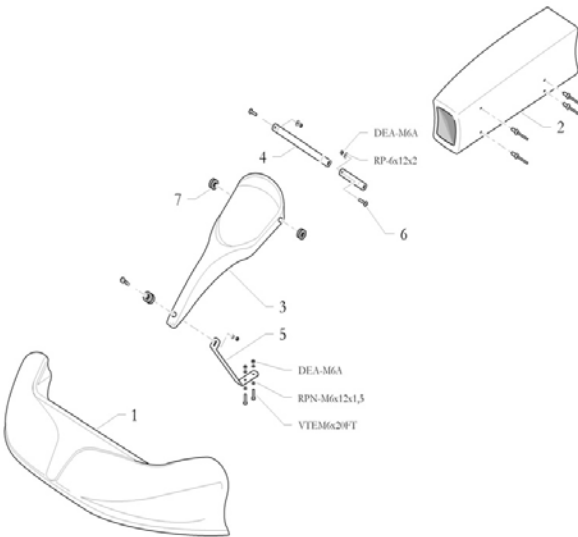
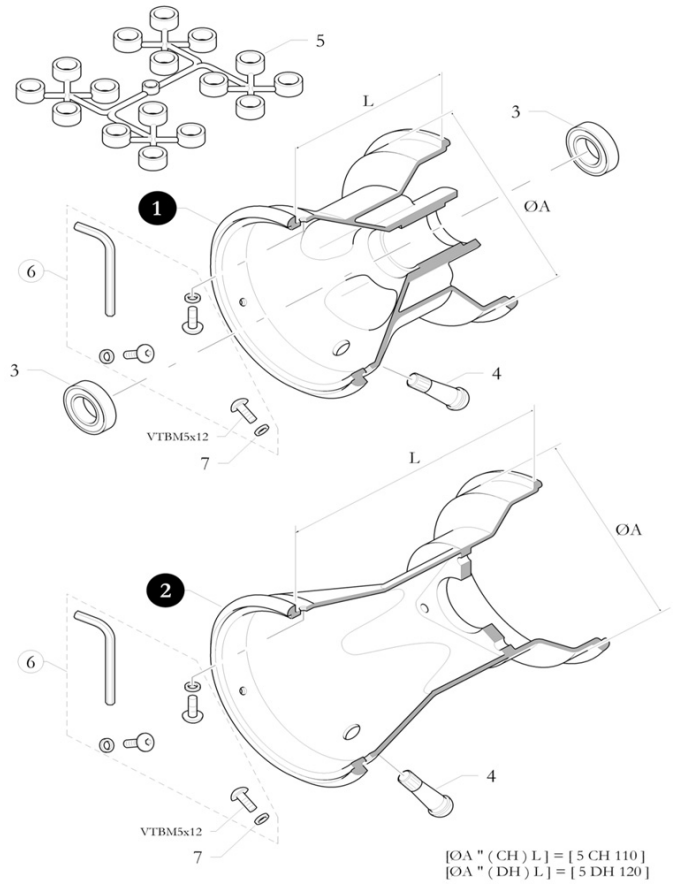
1. 5500.10.01-OR ALUMINUM DSM WHEEL 115MM x 5" \$97.36
1. 5400.12.57-OR MAGNESIUM DSM WHEEL 120MM x 5" \$153.81
1. 5400.12.58-OR MAGNESIUM DSM WHEEL 130MM x 5" \$153.81
2. 5400.12.60-OR MAGNESIUM, BOLT IN HUB STYLE, 130MM x 5" \$153.81
2. 5400.12.64-OR MAGNESIUM, BOLT IN HUB STYLE, 210MM x 5" \$153.81
3. 6003-ZZ WHEEL BEARING M17x35x10 \$6.37
4. 40.2166.00 VALVE STEM, SHORT \$.75
5. 10.5805.00 MAG WHEEL BEAD LOCK KIT \$34.18
7. 10.2000.00 WHEEL SPACER KIT 17MM \$8.55
8. 20.3729.06 WASHER M8x15x3 \$1.04

[ OA " ( CR ) L ] = [ 5 CR 110 ]  
[ OA " ( DR ) L ] = [ 5 DR 120 ]



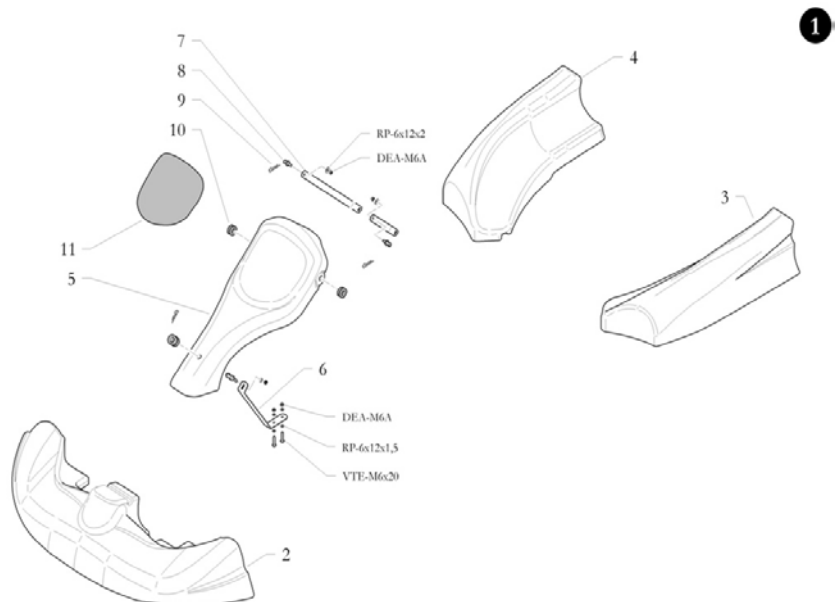
**Birel Chassis Parts Cont.**

- 1. 5500.10.55-LU POLISHED ALUMINUM DSM WHEEL 120MM x 5" \$82.08
- 1. 5500.10.95-LU POLISHED ALUMINUM DSM WHEEL 130MM x 5" \$82.08
- 2. 5500.10.78-LU POLISHED ALUMINUM, BOLT IN HUB STYLE WHEEL, 120MM x 5" \$82.00
- 2. 5500.10.79-LU POLISHED ALUMINUM, BOLT IN HUB STYLE WHEEL, 130MM x 5" \$82.08
- 2. 5500.10.80-LU POLISHED ALUMINUM, BOLT IN HUB STYLE WHEEL, 180MM x 5" \$87.13
- 2. 5500.10.81-LU POLISHED ALUMINUM, BOLT IN HUB STYLE WHEEL, 210MM x 5" \$87.13
- 3. 6003-ZZ WHEEL BEARING 17MM \$6.37
- 4. 40.2166.00 TUBELESS VALVE STEM, SHORT \$.75
- 5. 10.2000.00 WHEEL SPACER GROUP 17MM \$8.55
- 6. 10.6191.00 BEAD LOCK KIT \$9.45
- 7. 40.1940.00 NYLON WASHER M5x9x1.5 \$1.10



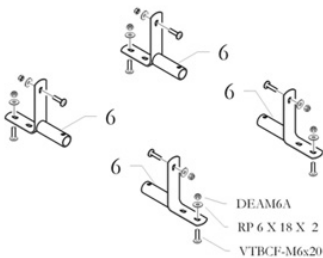
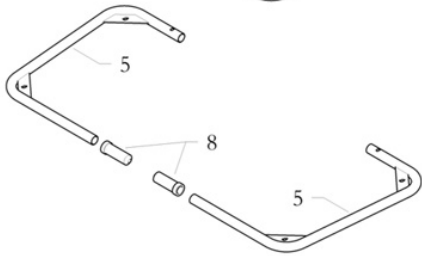
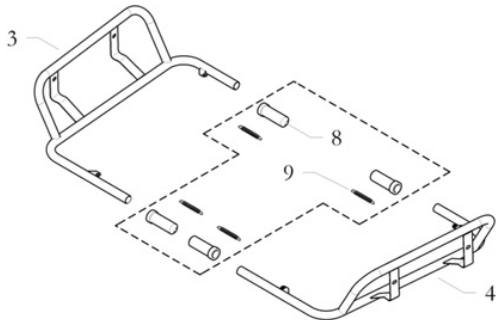
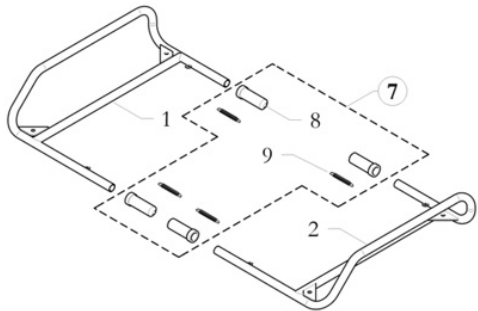
- 1. 40.7082.00-RO KID KART FRONT NOSE, RED \$86.74
- 2. 40.7081.00-RO KID KART SIDE POD, RED \$68.88
- 3. 40.7083.00-RO KID KART DRIVER FAIRING, RED \$44.93
- 4. 20.7104.06 KID KART DRIVER PANEL BRACKET \$17.09
- 5. 20.4771.06 KID KART LOWER DRIVER PANEL BRACKET M20x3x130 \$8.55
- 7. 10.2902.00 DRIVER FAIRING GROMMET \$4.40

- 2. 6830.18.01-BA FRONT CADET NOSE FIK09/14, WHITE \$106.94
- 3. 6840.18.01-BA CADET SIDE POD WHITE, RH \$89.85
- 4. 6840.18.02-BA CADET SIDE POD WHITE, LH \$89.85
- 5. 6870.18.01-BA CADET DRIVER PANEL FIK05/09, WHITE \$25.63
- 7. 20.4771.06 UPPER BRACKET SUPPORT FOR DRIVER PANEL \$8.55
- 8. 20.3598.06 SPHERICAL MOUNTING BOLT FOR DRIVER PANEL \$4.53
- 9. 40.6423.00 SPLIT MOUNT PIN \$1.09
- 10. 20.2996.20 DRIVER FAIRING RUBBER GROMMET \$2.85

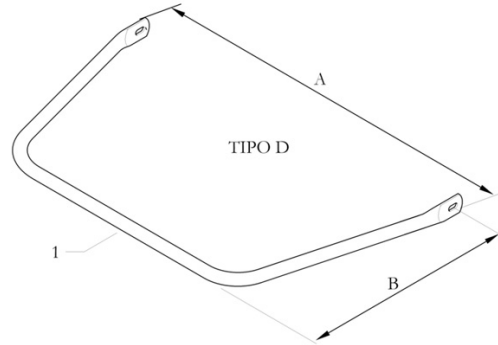
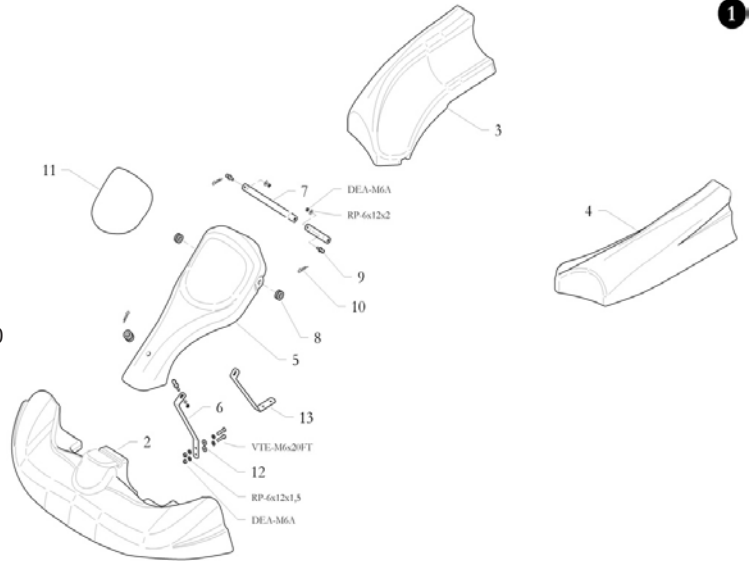


**Birel Chassis Parts Cont.**

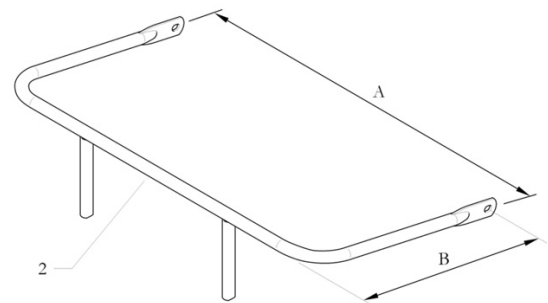
2. 5050.18.06-BA CIK FRONT NOSE FL09/14, WHITE \$117.42
3. 5150.18.06-BA CIK SIDE POD, WHITE, RIGHT \$96.17
4. 5150.18.07-BA CIK SIDE POD, WHITE, LEFT \$96.17
5. 5250.18.03-BA CIK DRIVER PANEL, WHITE \$27.35
6. 20.8947.06 BRACKET SUPPORT, 190MM LONG \$16.97
7. 20.7334.06 BRACKET SUPPORT PANEL M20x3x150 \$16.97
8. 20.2996.20 DRIVER PANEL MOUNTING GROMMET \$2.85
9. 20.3598.06 DRIVER FAIRING SPHERICAL MOUNTING BOLT \$4.53
10. 40.6423.00 R PIN CLIP \$1.09
11. 20.7129.04-GL YELLOW ADHESIVE NUMBER PANEL FOR DRIVER PANEL \$4.40
12. 20.0636.18 RUBBER FLOOR TRAY WASHER \$2.20
13. 20.7097.06 DRIVER FAIRING MOUNTING BRACKET CIK03/08 \$17.09



1. 10.7078.00 SIDE POD SUPPORT BAR, RH 09/14 \$96.20
2. 10.7076.00 SIDE POD SUPPORT BAR, LH 09/14 \$96.20
6. 10.4929.00 SIDE POD SUPPORT BRACKET B25 KID KART \$20.97
7. 10.6474.00 MOUNTING KIT FOR SUPPORT BAR MOUNT 09/14 \$72.76
9. 20.0917.06 NERF BAR MOUNT SPRING 50MM \$3.37
9. 20.0918.06 NERF BAR MOUNT SPRING 40MM \$3.42
9. 20.3681.06 NERF BAR MOUNT SPRING 30MM \$3.37



(A x B) = 585 x 310

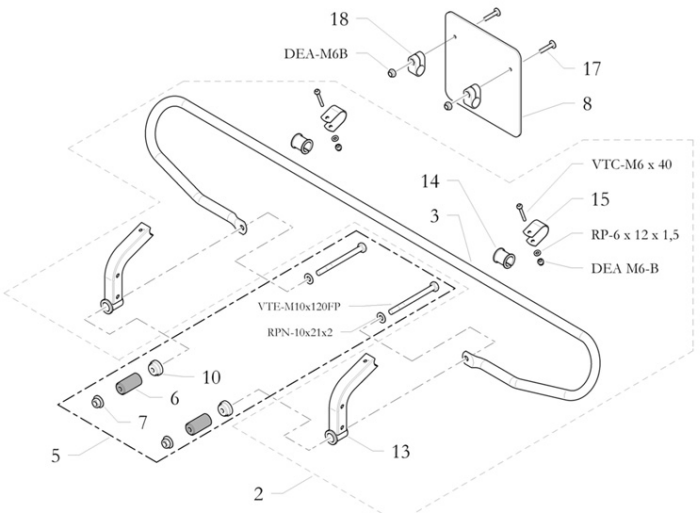
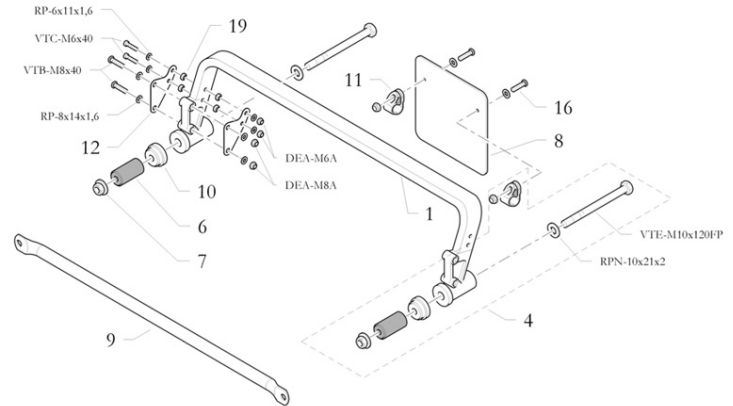


(A x B) = 550 x 320

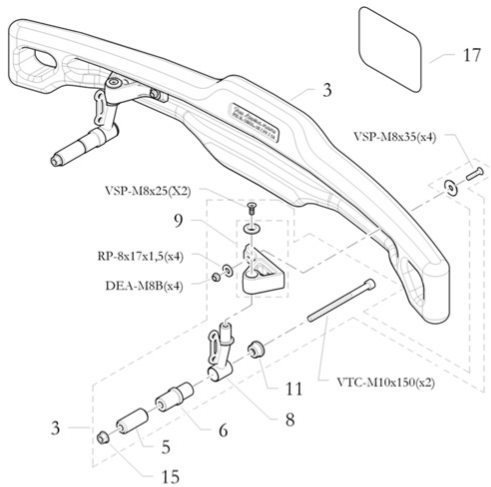
1. 20.3296.06 FRONT BUMPER LOOP R/580x330-D \$57.36
1. 20.7526.06 FRONT BUMPER LOOP L-C/510x260-D C28 \$45.06
2. 10.7036.00 FRONT BUMPER LOOP D 550x320MM CIK 09/14 \$94.00
2. 10.7647.00 FRONT BUMPER D 510x260 FIK09/14 CADET \$94.00

**Birel Chassis Parts Cont.**

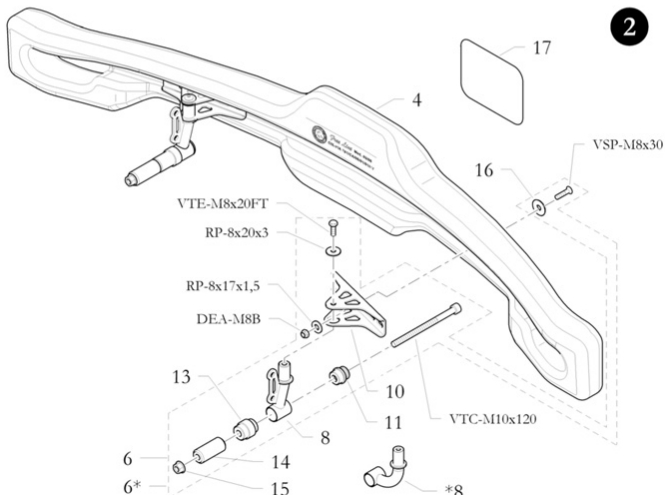
1. 10.0527.00 REAR METAL BUMPER 580x150 (EURO) \$89.85
1. 10.0923.00 REAR METAL BUMPER 620x150 (EURO) \$89.85
1. 10.4103.00 REAR METAL BUMPER 540x150 \$89.85
2. 10.6993.00 CADET FULL WIDTH REAR METAL BUMPER 1150x170 UK \$203.28
2. 10.7149.00 FULL WIDTH REAR METAL BUMPER 1240x170 UK 2003 \$217.80
4. 10.6879.00 REAR BUMPER MOUNTING KIT 28MM \$42.73
4. 10.6112.00 REAR BUMPER MOUNTING KIT 30MM \$42.73
4. 10.6113.00 REAR BUMPER MOUNTING KIT 32MM \$42.73
6. 20.7003.20 RUBBER FOR REAR BUMPER 25MM \$6.34
6. 20.1094.20 RUBBER FOR REAR BUMPER 28MM \$6.34
6. 20.0332.20 RUBBER FOR REAR BUMPER 30MM \$6.34
6. 20.3181.20 RUBBER FOR REAR BUMPER 32MM \$6.34
7. 40.0637.00 REAR BUMPER MOUNT SQUARE NUT M10 \$1.04
7. 40.6453.00 REAR BUMPER NUT M8 \$1.04
8. 20.0358.18-GL NUMBER PLATE, YELLOW \$10.75
9. 20.2135.06 REAR BUMPER SUPPORT BAR 580MM \$27.84
9. 20.2136.06 REAR BUMPER SUPPORT BAR 620MM \$27.84
9. 20.7084.06 REAR BUMPER SUPPORT BAR 500MM \$27.84
10. 20.7703.10-RO REAR BUMPER SPACER 28MM RED \$11.52
10. 20.4515.10-OR REAR BUMPER SPACER 30MM ALUMINUM \$11.52
10. 20.4516.10-BL REAR BUMPER SPACER 32MM BLUE \$11.52
11. 20.1591.18 CLAMP FOR NUMBER PANEL, RED \$3.37
12. 20.7169.06 REAR BUMPER STIFFENER \$8.55
13. 10.7154.00 REAR BUMPER SUPPORT, UK \$36.58
14. 20.7151.18 BUSHING FOR REAR BUMPER SUPPORT \$15.84
15. 20.7152.06 CLAMP FOR REAR BUMPER TUBE UK \$7.92
18. 20.4011.18 CLAMP 20MM \$2.98
19. 20.1098.06 SPACER FOR BUMPER SUPPORT M8x20x5.5 \$4.53



1



2

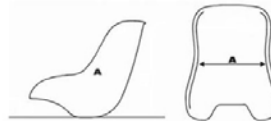
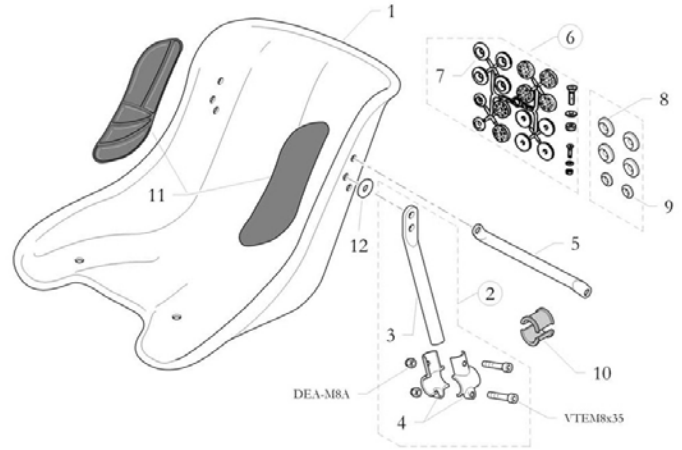


1. 10.10223.00-NE CADET REAR BUMPER ASSEMBLY \$273.24
2. 10.8742.00-NE ADULT REAR BUMPER ASSEMBLY, 30MM \$274.56
3. 10.8744.00-NE ADULT REAR BUMPER ASSEMBLY, 32MM \$274.56
4. 20.8578.18-NE ADULT REAR PLASTIC BUMPER \$120.12
5. 20.1094.20 RUBBER FOR REAR BUMPER 28MM \$6.34
6. 10.8741.00 REAR BUMPER MOUNTING KIT 30MM \$193.05
6. 10.8743.00 REAR BUMPER MOUNTING KIT 32MM \$193.05
6. (TOP) 20.7750.18 CADET SPACER FOR REAR POD SUPPORT \$25.64
8. 10.8733.00 REAR POD SUPPORT BAR \$51.48
10. 20.8736.06 REAR POD BRACKER SUPPORT \$23.76
11. 20.7195.10-BL BUSHING FOR REAR POD SUPPORT \$9.90
13. 20.7193.18 NYLON SPACER FOR REAR BUMPER, 30MM \$5.94
13. 20.7194.18 NYLON SPACER FOR REAR BUMPER, 32MM \$5.94
14. 20.0332.20 RUBBER FOR REAR BUMPER, 30MM \$6.34
14. 20.3181.20 RUBBER FOR REAR BUMPER, 32MM \$6.34
15. 40.0637.00 NUT FOR REAR BUMPER M10 \$1.04
16. 20.3614.10-BL CONICAL WASHER M8 MTS \$8.55



**Birel Chassis Parts Cont.**

1. BIREL FIBERGLASS SEAT - SMALL, MEDIUM, LARGE, XL \$175.81
3. 20.0928.06 SEAT SUPPORT BAR, LEFT \$21.49
3. 20.1610.06 SEAT SUPPORT BAR, RIGHT \$21.49
4. 20.0543.06 SEAT SUPPORT BRACKET, HALF \$10.10 EACH
5. SEAT STRUT, SPECIFY LENGTH - 220MM, 240MM, 260MM, 280MM, 300MM, 320MM, 340MM, 360MM, 380MM, 400MM \$14.11
6. 10.5155.00 SEAT MOUNTING KIT \$17.09
7. 10.2577.00 SEAT MOUNTING SPACER ONLY KIT \$10.75
8. 20.3614.10-BL CONICAL WASHER M8 MTS \$8.55
9. 20.3615.10-BL CONICAL WASHER M6 MTS \$8.55
10. 20.3428.18 PLASTIC REDUCER SLEEVE FOR MOUNTING BRACKET 30/28MM \$2.98
11. 6170.00.01-NE SIDE CUSHION FOR SEAT ASSEMBLY \$41.04



TILLET	
SIZE	A
XS	27
S	29,5
Man	31
MS	31,5
ML	32,5
L	34,5
XL	35,5

BIREL	
SIZE	A
BABY	23
S	26,5
M	29
L	30,5
L+	31
XL	32
XXL	34

NOTE: In the description of the seat support, the final letter identifies the side. Index : D = Right, S = Left.  
The final letters in the seat description identify the size. S = Small, M = Medium, L = Large, XL = extralarge.



1. 10.10231.04 BIREL ADULT BODYWORK STICKER KIT 2011 \$333.85
3. 10.10233.04 BIREL FRONT NOSE AND DRIVER PANEL STICKERS MTS \$131.04
4. 10.7680.04 BIREL CADET STICKER KIT \$256.36
5. 20.10576.04 FLOOR PAN STICKER S4 \$159.70
6. 10.6482.00 FUEL TANK STICKER KIT 8-10 LITER \$41.04
8. 20.7129.04-GL YELLOW ADULT DRIVER PANEL STICKER \$4.40
9. BIREL NUMBER \$2.20 EACH

**Pedals and Accessories**

1. ALUMINUM PEDAL EXTENSION BLOCK 3 1/2" LONG, FITS SMALL AND LARGE PEDAL DIAMETERS, ADJUSTABLE \$45.00 PAIR



2. FOR LARGER DIAMETER ALUMINUM PEDALS - ALUMINUM PEDAL EXTENSION BLOCK FOR JUNIOR DRIVERS, 4 1/2" LONG WITH .875 SIZE HOLE FOR PEDAL, COMES WITH SET SCREWS \$50.00 PAIR

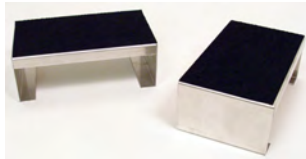
3. ROUND ANODIZED PEDAL EXTENDER 2" DIAMETER BLACK, RED, ORANGE, BLUE \$39.95 PAIR



4. PEDAL ADAPTOR KIT, ALLOWS PEDALS TO BE MOVED AND BOLTED TO FLOOR TRAY \$19.95 PAIR



5. ALUMINUM HEEL REST RISERS, 2.5" TALL WITH ANTISKID COVERING, GREAT FOR DRIVERS WHO USE PEDAL EXTENSIONS, 7" LONG X 4" WIDE \$34.00 PAIR



6. PEDAL RELOCATOR WITH CARBON FIBER HEEL RISER, PEDAL STOPS WITH BOLTS, RETURN SPRINGS, MOUNTING BOLTS AND WASHERS \$179.95



KID KART 9.5" WIDE  
CADET/JUNIOR 12" WIDE

7. ALUMINUM PEDAL RELOCATION BRACKET KIT, BLACK, RED, BLUE, ORANGE, ALUMINUM \$95.00 PAIR



8. FOOT CRADLE, FOAM HEEL HOLDER, KEEPS YOUR HEEL STEADY, RAISES YOUR FOOT UP, PEEL AND STICKY BACKING 5.5" x 4.5" x 1" \$29.95 PAIR



9. ALUMINUM BRAKE, THROTTLE PEDAL BLACK, RED, BLUE, ORANGE, TITANIUM \$185.00 PAIR



10. METRIC STEEL PEDAL, CHROMED SPECIFY THROTTLE OR BRAKE  
MINI KART SIZE \$30.00 EACH  
ADULT KART SIZE \$32.00 EACH



**Pedal Grips**

1. ALUMINUM PEDAL GRIPS BLACK, RED, BLUE, GOLD, SILVER, PURPLE



SMALL DIAMETER PEDAL (.395 GRIP ID) \$11.95 PAIR

LARGE DIAMETER PEDAL (.575 GRIP ID) \$14.00 PAIR

2. WILDKART ALUMINUM PEDAL GRIPS FOR HOLLOW PEDALS \$23.00 PAIR (.575" GRIP ID, 2 5/8" LONG/65MM)



3. BLACK RUBBER PEDAL GRIP (.395 GRIP ID) \$4.80 EACH, TWO \$9.20



4. ALUMINUM PEDAL FOOT GRIP WITH KNURLED FLAT GRIP AREA, BLACK \$15.00 PAIR SPECIFY 3/8" ID OR 1/2" ID



**Heel Accessories**

1. HEEL GRIP TAPE FOR FLOOR TRAY WITH STICKY BACK

4" WIDE RUBBER GRIP TAPE \$3.50 PER FT

6" WIDE RUBBER GRIP TAPE \$4.95 PER FT



2. PLASTIC HEEL STOP \$7.30 EACH SPECIFY BLACK OR RED



3. WILDKART ADJUSTABLE HEEL REST BAR, 10 1/8" LONG, 12MM MINIMUM BAR SIZE \$89.95  
BLACK, RED, TITANIUM, BLUE, ORANGE



4. WILDKART ALUMINUM HEEL STOP, BOLTS TO FLOOR TRAY \$45.00 PAIR  
BLACK, RED, TITANIUM, BLUE, ORANGE



**Reusable Clips**



1. SMALL BARRY CLIP, GREAT FOR #10 THRU 5/16" BOLTS AND METRIC EQUIVALENT \$.60, TEN \$5.50
2. MEDIUM BARRY CLIP, 5/16" THRU 1/2" BOLTS AND METRIC EQUIVALENT \$.70, TEN \$6.50
3. LARGE BARRY CLIP, GREAT FOR 1/2" THRU 3/4" BOLTS AND METRIC EQUIVALENT \$.75, TEN \$7.00
4. ROUND COTTER PIN \$.35, TEN \$3.25

**MORE CLIPS ON PAGE 20**

**Bodywork Clamps**

1. 3/4" THIN STEEL CLAMPS WITH BLACK COATING, GREAT FOR MOUNTING BODYWORK AND NUMBER PANELS \$.95, TEN \$9.00



2. PLASTIC NUMBER PANEL AND BODYWORK CLAMP SPECIFY BLACK OR RED \$2.00 EACH



3. M6 BUTTON HEAD BOLT KIT FOR PLASTIC NUMBER PANEL \$1.50 EACH

**Racer Tape**

1. RACER TAPE BLACK, BLUE, RED, WHITE, ORANGE, SILVER, PURPLE \$7.50



2. NEON RACER TAPE ORANGE, PINK, GREEN, YELLOW, PURPLE \$9.50

3. CHECKERED FLAG TAPE \$9.50



**Conical Washers**

1. COMET CONICAL WASHERS  
10MM ORANGE \$3.00  
5/16" ORANGE \$1.20



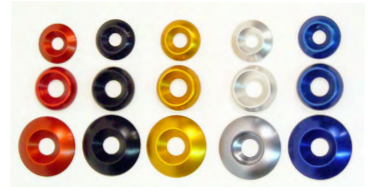
2. PLASTIC CONICAL WASHER  
BLACK, RED, YELLOW, SILVER  
5/16" \$.60  
1/4" \$.40



3. ALUMINUM CONICAL WASHER  
#10 \$1.50  
1/4" \$1.60  
5/16" \$2.00



4. METRIC CONICAL WASHERS  
20MMX6MM GREAT FOR FLOOR TRAYS AND BODYWORK \$2.25  
22MMX8MM GREAT FOR CHASSIS BOLTS LIKE CASSETTES \$2.25  
30MMX8MM GREAT FOR SEAT BOLTS \$2.25



5. DPE-SE72B COUNTERSUNK SEAT CONICAL WASHER, BIG OD HELPS SUPPORT SEAT \$3.00



6. G-MAN BODYWORK HARDWARE KIT INCLUDES 16 PLASTIC CONICALS, #10-24 BOLTS AND NUTS, SMALL FENDER WASHERS, GREAT FOR ALL KINDS OF BODYWORK BLACK, RED, BLUE, YELLOW, WHITE \$9.95



7. **New!** COMET SEAT SAVER WASHER KIT, HELPS REINFORCE YOUR FIBERGLASS SEAT TOP BOLTS, IMPROVES SEAT LIFE \$27.50

- INCLUDES -
- 2 - CONICAL SHAPED ALUMINUM WASHERS
  - 2 - FLAT ALUMINUM WASHERS
  - 8 - SMALL NUTS AND BOLTS



**Dzus Fasteners**

1. DZUS BODYWORK FASTENER 1/4" FOR QUICK BODYWORK REMOVAL KIT \$4.95
2. BUTTON ONLY \$2.80
3. SPRING ONLY \$1.10
4. PLATE ONLY \$1.10





**Front Wheel Spacers**



1. 5/8" x 1/8" WIDE ALUMINUM SPACER \$.45 EACH, TEN \$4.10
2. 5/8" x 1/4" WIDE ALUMINUM SPACER \$.75 EACH, TEN \$7.30
3. 5/8" x 1/2" WIDE ALUMINUM SPACER \$.80 EACH, TEN \$7.80
4. 5/8" x 1/2" WIDE STEEL SPACER #8271 \$.65, TEN \$6.30
5. 3/4" x 1/8" WIDE ALUMINUM SPACER \$1.10 EACH, TEN \$10.50
6. 3/4" x 1/4" WIDE ALUMINUM SPACER \$1.30 EACH, TEN \$12.50



7. **CLOSE OUT!** ALUMINUM RED 1/2" WIDE SPACER, 5/8" ID \$.50



8. ALUMINUM 3/4" ID x 1/4" WIDE WHEEL SPACER - BLACK \$1.30 EACH
9. ALUMINUM 3/4" ID x 1/8" WIDE WHEEL SPACER - BLACK \$1.10 EACH



COLORS - BLACK, ORANGE, TITANIUM, RED, BLUE, SILVER  
17MM METRIC SPACERS

10. 17MM x 5MM WIDE ANODIZED WHEEL SPACER \$2.25
11. 17MM x 10MM WIDE ANODIZED WHEEL SPACER \$2.75
12. 17MM x 20MM WIDE ANODIZED WHEEL SPACER \$3.00



COLORS - BLACK, ORANGE, TITANIUM, RED, BLUE  
25MM METRIC SPACERS

13. 25x5MM WIDE (3/16") \$4.25
14. 25x15MM WIDE (5/8") \$4.95

15. STEEL 25MM SPINDLE END WASHER/CAP \$5.95



16. RIGHETTI 25MM x 5MM WIDE ALUMINUM WHEEL SPACER, BLACK \$3.00
17. RIGHETTI 25MM x 10MM WIDE ALUMINUM WHEEL SPACER, BLACK \$3.50
18. FAN.01738 25MM x 4MM WIDE ALUMINUM WHEEL SPACER, BLACK \$5.50
19. FAN.01739 25MM x 8MM WIDE ALUMINUM WHEEL SPACER, BLACK \$7.45



20. DPE-KSA33G25 25MM x 5MM WIDE ALUMINUM WHEEL SPACER \$3.00
21. DPE-KSA33G225 25MM x 10MM WIDE ALUMINUM WHEEL SPACER \$3.00

**Chassis Alignment**

1. RLV EXTREME ALIGNMENT SYSTEM FOR TOE AND CAMBER SETTINGS, FITS 5/8" AND 17MM SPINDLES \$138.00



2. FRONT ALIGNMENT TOE PLATES, SPECIFY US PATTERN OR METRIC PATTERN \$37.95

3. G4612 FRONT TOE BAR, QUICKLY CHECK TOE, CAN BE DONE WITH ONLY ONE PERSON \$27.00

SNIPER LASER ALIGNERS ON PAGE 141

**Rubber Grommets**

1. G-MAN THICK HARD RUBBER GROMMET, 1 1/8" WIDE x 1/4" THICK, 5/16" HOLE SIZE \$.40, TEN \$3.80



2. 8316 AZUSA SEAT GROMMET 1 1/8" WIDE x 3/8" THICK, 5/16" HOLE SIZE \$.35, TEN \$3.25

3. SMALL RUBBER GROMMET 3/4" WIDE x 1/8" THICK, 1/4" HOLE SIZE \$.45, TEN \$4.30



4. M6 SMALL RUBBER GROMMET 25/32" WIDE x 5/32" THICK, 15/64" HOLE SIZE, SPECIFY COLOR \$.45, TEN \$4.30 (20MM x 4MM x 6MM HOLE)



5. 1883 AZUSA SEAT GROMMET KIT (8 GROMMETS AND 8 FENDER WASHERS) \$3.80 KIT



6. RUBBER RADIATOR MOUNT GROMMET \$1.75, FOUR \$6.00

7. KFT27R FLOOR TRAY CLEAR PLASTIC GROMMET 3/4" WIDE x 1/8" x 1/4" HOLE SIZE \$1.75, TEN \$16.50



8. KG RUBBER GROMMET FOR DRIVER PANEL \$2.00

9. RUBBER RADIATOR DAMPNER WITH M6 STUD AND M6 BOLT HOLE, CAN ALSO BE USED FOR OTHER MOUNTING NEEDS LIKE ELECTRONICS AND COILS \$4.50



**Washers**



- 1. A&N SMALL DIAMETER WASHER**  
 #10 x 3/8" \$.10, FIFTY \$4.80  
 1/4" x 1/2" \$.12, FIFTY \$5.00  
 6MM x 12MM \$.20  
 5/16" x 9/16" \$.15, FIFTY \$7.00  
 STAINLESS 3/8" x 5/8" \$.12, FIFTY \$5.00  
 1/2" x 7/8" \$.30  
 9/16" x 1 1/16" \$.35  
 5/8" x 1 3/16" \$.35  
 3/4" x 1 5/16" \$.35

**2. FLAT FENDER WASHER**

- |                      |                      |
|----------------------|----------------------|
| #10 x 1" \$.35       | 25/64 x 1 1/4" \$.60 |
| 1/4" x 1" \$.35      | 3/8" x 1 1/4" \$.60  |
| 1/4" x 1 1/2" \$.60  | 3/8" x 1 1/2" \$.60  |
| 3/16" x 1 1/4" \$.35 | 3/8" x 2" \$.60      |
| 9/32 x 1 1/2" \$.35  | 1/2" x 1 1/2" \$.60  |
| 5/16" x 7/8" \$.45   | 1/2" x 2" \$.60      |
| 5/16" x 1 1/4" \$.45 |                      |
| 5/16" x 1 1/2" \$.50 |                      |

**Kart Cover**

1. RACEWEAR NYLON KART COVER  
 A. BLACK FOR SPRINT AND OVAL KARTS \$56.00  
 B. BLACK FOR KID KARTS \$56.00  
 C. BLACK FOR ENDURO KARTS \$73.00  
 D. BLACK FOR CHAMP KARTS AND 1/4 MIDGETS \$75.00



**Bolt Spacer**

1. 3/16" LENGTH x 3/8" ID x 5/8" OD, ALUMINUM RED SPACER \$.90  
 2. 5/16" LENGTH x 3/8" ID x 5/8" OD, ALUMINUM RED SPACER \$.95  
 3. 11/16" LENGTH x 3/8" ID x 10/16" OD, ALUMINUM BLACK SPACER \$1.25



**Drilled Header Bolts**

1. DRILLED HEADER BOLT FOR BRIGGS  
 A. 1/4-20 x 3/4" FOR FLATHEAD AND US ANIMAL \$.85 EACH, TEN \$8.00  
 B. 6MM x 20MM FOR METRIC ANIMAL BOLT \$.85 EACH, TEN \$8.00  
 C. 6MM x 25MM METRIC DRILLED BOLT \$1.00, TEN \$9.50  
 2. LOCK WASHER FOR HEADER BOLTS \$.30



**American Drilled Hex Bolts**



1. DRILLED 1/4"-28 x 7/8" FOR STEERING WHEEL \$.75 EACH, TEN FOR \$7.00
2. 3/8"-24 x 1 3/4" \$1.40 EACH, TEN FOR \$13.00
3. 3/8"-24 x 2" \$1.40 EACH, TEN FOR \$13.00
4. 3/8"-24 x 2 1/4" \$1.40 EACH, TEN FOR \$13.00
5. 3/8"-24 x 3 1/2" \$2.20 EACH, TEN FOR \$21.00
6. 3/8"-24 x 4" \$2.20 EACH, TEN FOR \$21.00
7. 5/16"-24 x 1 1/4" \$1.30 EACH, TEN FOR \$12.00
8. 5/16"-24 x 2" \$1.30 EACH, TEN FOR \$12.00
9. 5/16"-24 x 2 1/4" \$1.30 EACH, TEN FOR \$12.00
10. 5/16"-24 x 2 1/2" \$1.50 EACH, TEN FOR \$14.00
11. 5/16"-24 x 3" \$1.95 EACH, TEN FOR \$18.50
12. 5/16"-24 x 3 1/2" \$2.20 EACH, TEN FOR \$21.00
13. 5/8" x 4" SPINDLE WELD-ON SHAFT \$14.00 EACH, 5" LONG \$15.00

**Metric Drilled Bolts**



1. 5MM DRILLED BUTTON HEAD BOLT ZINC M5x30, M5x35, M5x40 \$1.75
2. 6MM DRILLED FLAT HEAD ALLEN BOLT ZINC M6x25, M6x30, M6x35, M6x40 \$1.75
3. 6MM DRILLED SOCKET HEAD BOLT ZINC M6x20, M6x25, M6x40, M6x45, M6x70 \$1.75
4. 8MM DRILLED FLAT HEAD BOLT ZINC M8x40, M8x50, M8x60, M8x70, M8x80 \$2.25
5. 8MM DRILLED SOCKET HEAD BOLT ZINC M8x40, M8x50, M8x65, M8x70, M8x80 \$2.25
6. 6MM DRILLED SOCKET HEAD BOLT BLACK M6x40 \$3.25
7. 6MM DRILLED FLAT HEAD BOLT BLACK M6x25, M6x30 \$3.25
8. 8MM DRILLED FLAT HEAD BOLT BLACK M8x40, M8x60, M8x65 \$3.25

**American Hex Bolts**



MOST HEX BOLTS IN THE 1/4", 5/16" AND 3/8" SIZES ARE AVAILABLE IN 1/4" INCREMENTS IN LENGTH

1. 1/4-20 1/2" THRU 4"
2. 1/4-28 1/2" THRU 3 1/2"
3. 5/16-18 5/8" THRU 6"
4. 5/16-24 1/2" THRU 4 1/2"
5. 3/8-16 5/8" THRU 6"
6. 3/8-24 5/8" THRU 6"
7. 1/2-13 3/4" THRU 5"
8. 1/2-20 1 3/4" THRU 6"
9. 5/8-11 2" THRU 4 1/2"
10. 5/8-18 1" THRU 7"

**American Thread Bolts**



FLAT HEAD ALLEN BOLT

- |                           |                            |
|---------------------------|----------------------------|
| 1. 10-24 x 5/8" \$.45     | 1. 10-32 x 5/8" \$.45      |
| 2. 10-24 x 3/4" \$.45     | 2. 10-32 x 3/4" \$.50      |
| 3. 10-24 x 1" \$.60       | 3. 10-32 x 7/8" \$.65      |
|                           | 4. 10-32 x 1" \$.60        |
|                           | 5. 10-32 x 1 1/4" \$.60    |
| 1. 1/4-20 x 1/2" \$.50    | 1. 1/4-28 x 3/8" \$.45     |
| 2. 1/4-20 x 5/8" \$.50    | 2. 1/4-28 x 1/2" \$.45     |
| 3. 1/4-20 x 3/4" \$.50    | 3. 1/4-28 x 5/8" \$.45     |
| 4. 1/4-20 x 1" \$.60      | 4. 1/4-28 x 3/4" \$.50     |
|                           | 5. 1/4-28 x 1" \$.60       |
|                           | 6. 1/4-28 x 1 1/4" \$.65   |
| 1. 5/16-18 x 3/4" \$.60   | 1. 5/16-24 x 3/4" \$.70    |
| 2. 5/16-18 x 1" \$.75     | 2. 5/16-24 x 1 3/4" \$1.25 |
| 3. 5/16-18 x 1 1/4" \$.70 |                            |
| 4. 5/16-18 x 1 1/2" \$.80 |                            |
| 5. 5/16-18 x 2 1/2" \$.85 |                            |



SOCKET HEAD ALLEN BOLT

- |                             |                           |
|-----------------------------|---------------------------|
| 1. 10-24 x 1/4" \$.20       | 1. 10-32 x 1/2" \$.30     |
| 2. 10-24 x 1/2" \$.30       | 2. 10-32 x 5/8" \$.35     |
| 3. 10-24 x 5/8" \$.35       | 3. 10-32 x 3/4" \$.35     |
| 4. 10-24 x 3/4" \$.40       | 4. 10-32 x 7/8" \$.45     |
| 5. 10-24 x 1" \$.50         | 5. 10-32 x 1" \$.50       |
| 6. 10-24 x 1 1/4" \$.60     | 6. 10-32 x 1 1/4" \$.50   |
| 7. 10-24 x 1 1/2" \$.60     | 7. 10-32 x 1 1/2" \$.60   |
| 8. 10-24 x 2" \$.70         |                           |
|                             | 1. 1/4-28 x 1/2" \$.35    |
| 1. 1/4-20 x 3/8" \$.30      | 2. 1/4-28 x 5/8" \$.35    |
| 2. 1/4-20 x 1/2" \$.30      | 3. 1/4-28 x 3/4" \$.40    |
| 3. 1/4-20 x 5/8" \$.40      | 4. 1/4-28 x 7/8" \$.40    |
| 4. 1/4-20 x 3/4" \$.40      | 5. 1/4-28 x 1" \$.40      |
| 5. 1/4-20 x 7/8" \$.60      | 6. 1/4-28 x 1 1/4" \$.70  |
| 6. 1/4-20 x 1" \$.50        | 7. 1/4-28 x 1 1/2" \$.70  |
| 7. 1/4-20 x 1 1/4" \$.60    |                           |
| 8. 1/4-20 x 1 1/2" \$.70    |                           |
| 9. 1/4-20 x 1 3/4" \$.70    |                           |
| 10. 1/4-20 x 2" \$.80       |                           |
| 11. 1/4-20 x 2 1/2" \$.90   |                           |
| 12. 1/4-20 x 3" \$.90       |                           |
|                             | 1. 5/16-24 x 1/2" \$.50   |
| 1. 5/16-18 x 1/2" \$.35     | 2. 5/16-24 x 3/4" \$.50   |
| 2. 5/16-18 x 5/8" \$.40     | 3. 5/16-24 x 1" \$.60     |
| 3. 5/16-18 x 3/4" \$.50     | 4. 5/16-24 x 1 1/4" \$.70 |
| 4. 5/16-18 x 7/8" \$.60     | 5. 5/16-24 x 1 1/2" \$.80 |
| 5. 5/16-18 x 1" \$.60       | 6. 5/16-24 x 1 3/4" \$.80 |
| 6. 5/16-18 x 1 1/4" \$.70   | 7. 5/16-24 x 2" \$.80     |
| 7. 5/16-18 x 1 1/2" \$.70   |                           |
| 8. 5/16-18 x 1 3/4" \$.70   |                           |
| 9. 5/16-18 x 2" \$.80       |                           |
| 10. 5/16-18 x 2 1/2" \$1.00 |                           |
| 11. 5/16-18 x 3" \$1.00     |                           |
| 12. 5/16-18 x 3 1/2" \$1.20 |                           |



BUTTON HEAD ALLEN BOLT

- |                           |                           |
|---------------------------|---------------------------|
| 1. 10-24 x 1/4" \$.30     | 1. 10-32 x 3/8" \$.30     |
| 2. 10-24 x 1/2" \$.30     | 2. 10-32 x 1/2" \$.30     |
| 3. 10-24 x 5/8" \$.30     | 3. 10-32 x 5/8" \$.30     |
| 4. 10-24 x 3/4" \$.45     | 4. 10-32 x 3/4" \$.45     |
| 5. 10-24 x 1" \$.50       | 5. 10-32 x 1" \$.50       |
|                           | 1. 1/4-28 x 1/2" \$.35    |
| 1. 1/4-20 x 3/8" \$.35    | 2. 1/4-28 x 5/8" \$.40    |
| 2. 1/4-20 x 1/2" \$.35    | 3. 1/4-28 x 3/4" \$.45    |
| 3. 1/4-20 x 5/8" \$.40    | 4. 1/4-28 x 1" \$.50      |
| 4. 1/4-20 x 3/4" \$.45    | 5. 1/4-28 x 1 1/4" \$.85  |
| 5. 1/4-20 x 1" \$.50      |                           |
| 6. 1/4-20 x 1 1/4" \$.70  |                           |
| 7. 1/4-20 x 1 1/2" \$.70  |                           |
| 8. 1/4-20 x 1 3/4" \$.70  |                           |
|                           | 1. 5/16-24 x 1/2" \$.50   |
| 1. 5/16-18 x 1/2" \$.45   | 2. 5/16-24 x 5/8" \$.60   |
| 2. 5/16-18 x 3/4" \$.50   | 3. 5/16-24 x 3/4" \$.50   |
| 3. 5/16-18 x 7/8" \$.50   | 4. 5/16-24 x 7/8" \$.60   |
| 4. 5/16-18 x 1" \$.60     | 5. 5/16-24 x 1" \$.60     |
| 5. 5/16-18 x 1 1/4" \$.85 | 6. 5/16-24 x 1 1/2" \$.85 |
| 6. 5/16-18 x 1 1/2" \$.85 | 7. 5/16-24 x 2" \$1.20    |
| 7. 5/16-18 x 1 3/4" \$.85 |                           |

**American Thread Nuts**

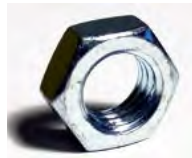
NYLON LOCK-NUT

- 10-24 \$.30
- 10-32 \$.30
- 1/4-20 \$.30
- 1/4-28 \$.30
- 1/4-28 THIN \$.50
- 5/16-18 \$.35
- 5/16-24 \$.35
- 3/8-16 \$.40
- 3/8-24 \$.40



CASTLE NUT

- 1/4-28 \$.40
- 5/16-18 \$.60
- 5/16-24 \$.60
- 3/8-16 \$.70
- 3/8-24 \$.90



JAM NUT

- 1/4-28 RH \$.30
- 1/4-28 LH \$.65
- 5/16-24 RH \$.35
- 5/16-24 LH \$.55
- 3/8-16 RH \$.25
- 3/8-24 LH \$.45



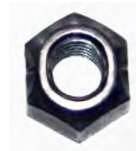
FLANGE NUT

- 1/4-20 \$.25
- 1/4-28 \$.25
- 5/16-18 \$.40
- 5/16-24 \$.40
- 3/8-16 \$.45
- 3/8-24 \$.45



FLEX LOCKING NUT

- 3/8-16 \$.80
- 3/8-24 \$.45



NON-NYLOCK LOCK NUT

- 1/4-28 \$.45
- 5/16-18 \$.45
- 5/16-24 \$.45



REGULAR NUT

- 1/4-20 \$.20
- 1/4-28 \$.20
- 5/16-18 \$.15
- 5/16-24 \$.15
- 3/8-16 \$.15
- 3/8-16 LH \$.15
- 3/8-24 \$.15
- 7/16-14 \$.25
- 7/16-20 \$.35
- 1/2-13 \$.50
- 1/2-20 \$.50
- 1/2-20 LH \$.95
- 9/16-18 \$.55
- 5/8-18 \$.55



**Metric Bolts**



**4MM (.5MM PITCH) FLAT HEAD METRIC ALLEN BOLTS**

1. 4MM x 12MM (1/2") \$.55

**5MM (.8MM PITCH) FLAT HEAD METRIC ALLEN BOLTS**

1. 5MM x 10MM (3/8") \$1.00
2. 5MM x 20MM (3/4") \$.95

**6MM (1MM PITCH) FLAT HEAD METRIC ALLEN BOLTS**

- |                              |                                |
|------------------------------|--------------------------------|
| 1. 6MM x 12MM (1/2") \$.60   | 6. 6MM x 35MM (1 3/8") \$.70   |
| 2. 6MM x 18MM (11/16") \$.60 | 7. 6MM x 40MM (1 1/2") \$.70   |
| 3. 6MM x 20MM (3/4") \$.60   | 8. 6MM x 50MM (2") \$.70       |
| 4. 6MM x 25MM (1") \$.60     | 9. 6MM x 60MM (2 3/8") \$.85   |
| 5. 6MM x 30MM (1 1/8") \$.70 | 10. 6MM x 80MM (3 1/8") \$1.20 |

**8MM (1.25MM PITCH) FLAT HEAD METRIC ALLEN BOLTS**

- |                              |                                |
|------------------------------|--------------------------------|
| 1. 8MM x 20MM (3/4") \$.60   | 7. 8MM x 50MM (2") \$.85       |
| 2. 8MM x 25MM (1") \$.60     | 8. 8MM x 55MM (2 3/16") \$1.10 |
| 3. 8MM x 30MM (1 1/8") \$.60 | 9. 8MM x 60MM (2 3/8") \$1.10  |
| 4. 8MM x 35MM (1 3/8") \$.60 | 10. 8MM x 65MM (2 1/2") \$1.75 |
| 5. 8MM x 40MM (1 5/8") \$.70 | 11. 8MM x 70MM (2 3/4") \$1.75 |
| 6. 8MM x 45MM (1 3/4") \$.80 | 12. 8MM x 80MM (3 1/8") \$1.95 |



**5MM (.8MM PITCH) HEX HEAD METRIC ALLEN BOLTS**

1. 5MM x 30MM (1 1/8") \$.60

**6MM (1MM PITCH) HEX HEAD METRIC ALLEN BOLTS**

- |                              |                               |
|------------------------------|-------------------------------|
| 1. 6MM x 12MM (1/2") \$1.25  | 5. 6MM x 55MM (2 3/16") \$.70 |
| 2. 6MM x 30MM (1 1/2") \$.60 | 6. 6MM x 60MM (2 3/8") \$.70  |
| 3. 6MM x 35MM (1 3/8") \$.60 | 7. 6MM x 90MM (3 1/2") \$.90  |
| 4. 6MM x 40MM (1 1/2") \$.70 |                               |

**8MM (1.25MM PITCH) HEX HEAD METRIC ALLEN BOLTS**

- |   |                               |
|---|-------------------------------|
| 1. 8MM x 60MM (2 3/8") \$1.20               | 4. 8MM x 70MM (2 3/4") \$1.60 |
| 2. 8MM x 70MM (2 3/4") \$1.50               | FULL THREAD                   |
| 3. 8MM x 20MM (3/4") FLANGED HEX HEAD \$.85 |                               |



**3MM (.5MM PITCH) SOCKET HEAD CAP SCREW METRIC ALLEN BOLTS**

1. 3MM x 10MM (3/8") \$.70

**4MM (.7MM PITCH) SOCKET HEAD CAP SCREW METRIC ALLEN BOLTS**

- |                            |                              |
|----------------------------|------------------------------|
| 1. 4MM x 6MM (1/4") \$.60  | 4. 4MM x 20MM (3/4") \$.25   |
| 2. 4MM x 12MM (1/2") \$.25 | 5. 4MM x 25MM (1") \$.45     |
| 3. 4MM x 16MM (5/8") \$.25 | 6. 4MM x 70MM (2 3/4") \$.90 |

**5MM (.8MM PITCH) SOCKET HEAD CAP SCREW METRIC ALLEN BOLTS**

- |                              |                               |
|------------------------------|-------------------------------|
| 1. 5MM x 12MM (1/2") \$.40   | 6. 5MM x 40MM (1 9/16") \$.80 |
| 2. 5MM x 16MM (5/8") \$.60   | 7. 5MM x 60MM (2 3/8") \$.80  |
| 3. 5MM x 20MM (3/4") \$.60   | 8. 5MM x 65MM (2 1/2") \$.80  |
| 4. 5MM x 25MM (1") \$.80     | 9. 5MM x 70MM (2 3/4") \$1.00 |
| 5. 5MM x 30MM (1 1/8") \$.80 | 10. 5MM x 80MM (3") \$1.00    |

**6MM (1MM PITCH) SOCKET HEAD CAP SCREW METRIC ALLEN BOLTS**

- |                              |                                |
|------------------------------|--------------------------------|
| 1. 6MM x 12MM (1/2") \$.50   | 9. 6MM x 45MM (1 3/4") \$.60   |
| 2. 6MM x 14MM (9/16") \$.50  | 10. 6MM x 50MM (2") .75        |
| 3. 6MM x 16MM (5/8") \$.40   | 11. 6MM x 55MM (2 3/16") \$.55 |
| 4. 6MM x 20MM (3/4") \$.40   | 12. 6MM x 60MM (2 3/8") \$.75  |
| 5. 6MM x 25MM (1") \$.50     | 13. 6MM x 70MM (2 3/4") \$.90  |
| 6. 6MM x 30MM (1 1/8") \$.50 | 14. 6MM x 75MM (3") \$.90      |
| 7. 6MM x 35MM (1 3/8") \$.50 | 15. 6MM x 80MM (3 1/8") \$.90  |
| 8. 6MM x 40MM (1 1/2") \$.50 | 16. 6MM x 100MM (4") \$.95     |



**8MM (1.25MM PITCH) SOCKET HEAD CAP SCREW METRIC ALLEN BOLTS**

- |                              |                                 |
|------------------------------|---------------------------------|
| 1. 8MM x 12MM (1/2") \$.50   | 8. 8MM x 45MM (1 3/4") \$.85    |
| 2. 8MM x 16MM (5/8") \$.50   | 9. 8MM x 50MM (2") \$.95        |
| 3. 8MM x 20MM (3/4") \$.50   | 10. 8MM x 55MM (2 3/16") \$1.00 |
| 4. 8MM x 25MM (1") \$.60     | 11. 8MM x 60MM (2 3/8") \$1.00  |
| 5. 8MM x 30MM (1 1/8") \$.70 | 12. 8MM x 70MM (2 3/4") \$1.05  |
| 6. 8MM x 35MM (1 3/8") \$.80 | 13. 8MM x 75MM (3") \$1.10      |
| 7. 8MM x 40MM (1 1/2") \$.85 | 14. 8MM x 80MM (3 1/8") \$1.10  |

**10MM (1.5MM PITCH) SOCKET HEAD CAP SCREW METRIC ALLEN BOLTS**

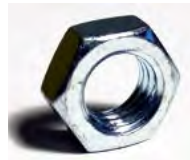
- |                               |                                |
|-------------------------------|--------------------------------|
| 1. 10MM x 25MM (1") \$.95     | 3. 10MM x 40MM (1 1/2") \$1.00 |
| 2. 10MM x 30MM (1 1/8") \$.95 | 4. 10MM x 45MM (1 3/4") \$1.00 |



**6MM (1MM PITCH) BUTTON HEAD CAP SCREW METRIC ALLEN BOLTS**

- |                            |                              |
|----------------------------|------------------------------|
| 1. 6MM x 16MM (5/8") \$.70 | 3. 6MM x 25MM (1") \$.75     |
| 2. 6MM x 20MM (3/4") \$.70 | 4. 6MM x 35MM (1 3/8") \$.80 |
|                            | 5. 6MM x 40MM (1 1/2") \$.85 |

**Metric Nuts**



1. 6MM REGULAR JAM NUT \$.25
2. 8MM REGULAR JAM NUT - RH \$.80
3. 8MM REGULAR JAM NUT - LH \$1.40



4. 6MM FLANGE NUT \$.40, TEN FOR \$3.50
5. 8MM FLANGE NUT \$.50, TEN FOR \$4.00
6. 8MM FLANGE NUT, SMALL O.D. FOR DOUGLAS MAG WHEELS \$.80, 12 FOR \$8.40



7. 5MM NYLOCK NUT \$.30, TEN FOR \$2.50
8. 6MM NYLOCK NUT \$.40, TEN FOR \$3.50
9. 8MM NYLOCK NUT \$.50, TEN FOR \$4.00
10. 10MM x 1.25 NYLOCK NUT \$1.10
11. 10MM x 1.5 NYLOCK NUT \$1.10



12. 5MM LOCKING NUT - NON NYLOCK \$.40, TEN FOR \$3.50
13. 6MM LOCKING NUT - NON NYLOCK \$.30, TEN FOR \$2.50
14. 8MM LOCKING NUT - NON NYLOCK \$.70, TEN FOR \$6.00



15. 6MM FLANGE NUT WITH NYLOCK \$.50 EACH, TEN FOR \$4.00
16. 8MM FLANGE NUT WITH NYLOCK \$1.00 EACH, TEN FOR \$8.00



17. 6MM REGULAR NUT \$.25, TEN FOR \$2.00
18. 8MM REGULAR NUT \$.60, TEN FOR \$5.00



19. 8MM CASTLE NUT \$1.00

**Frame Plugs**

- 1. PLASTIC FRAME RAIL END PLUG
- 32 OR 1 1/4" RED PLUG \$.50 EACH
- 30MM \$.50 EACH
- 14MM RED \$.35 EACH
- 12MM RED \$.35 EACH
- 10MM BLACK \$.35 EACH



**Pedal Rods 1/4"**



**THROTTLE OR BRAKE RODS, THREADED ON BOTH ENDS  
STRAIGHT, ZINC PLATED, ALL RODS 1/4-28 THREAD \$12.95 EACH**

- 6", 8", 9", 10", 11", 11 1/2", 12", 12 1/2", 13", 13 1/2", 14", 14 1/2", 15", 15 1/2", 16", 16 1/2", 17", 17 1/2", 18", 18 1/2", 18 3/4", 19", 19 1/2", 20", 20 1/2", 21"



**THROTTLE RODS, THREADED ON BOTH ENDS,  
DOUBLE BENDS, ZINC PLATED, 1/4-28 THREAD \$14.95**

- |            |            |
|------------|------------|
| 1. 10"     | 8. 17 1/2" |
| 2. 13"     | 9. 18"     |
| 3. 13 1/2" | 10. 19"    |
| 4. 14"     | 11. 20"    |
| 5. 15"     | 12. 21"    |
| 6. 16"     | 13. 22"    |
| 7. 17"     |            |



**CLOSE OUT! THROTTLE OR BRAKE ROD WITH L BEND END, 1/4-28 THREAD \$4.95**  
LENGTHS AVAILABKE - 14 1/4", 14 1/2", 17 3/4"

**Metric Pedal Rods**



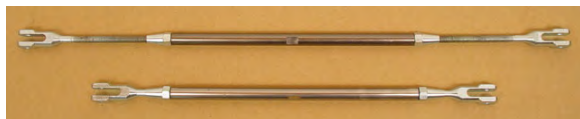
**PEDAL RODS, THREADED ON BOTH ENDS  
STRAIGHT, ZINC PLATED \$12.50 EACH**

- 11 1/2" (290MM), 12 1/4" (310MM), 13 1/4" (340MM), 14" (355MM)
- 15" (380MM), 15 1/2" (395MM), 15 3/4" (400MM), 17" (430MM)
- 17 1/8" (435MM), 17 3/4" (450MM), 20" (510MM), 20 3/4" (525MM)
- 21 1/4" (540MM), 22" (560MM), 22 1/2" (575MM), 23 1/2" (600MM)
- 24" (610MM), 17 3/4" (450MM)



**PEDAL RODS, ALL THREAD WITH BLACK PLASTIC COVERING  
STRAIGHT, ZINC PLATED**

- YOU CAN CUT TO LENGTH! 6MM
- 340MM (13 3/8"), 360MM (14 1/8"), 400MM (15 3/4"), 430MM (16 7/8") \$12.50
- 450MM (17 5/8"), 550MM (21 5/8") \$15.00



**BRAKE ROD TELESCOPES, MINIMUM AND MAXIMUM EXTENSION SHOWN  
DPE-KBC7 ARROW ADJUSTABLE LENGTH BRAKE ROD, COMES WITH  
METRIC CLEVIS ENDS  
(ADJUSTS FROM 11 3/4" TO 16 3/4") \$37.00**

**Pedal Hardware**

- 1. 1/4-28 CLEVIS \$3.00
- 2. CLEVIS PIN \$.25



- 2. LONG METRIC 6MM PEDAL CLEVIS \$8.95

- 3. LONG CLIP FOR LONG METRIC CLEVIS \$3.95



- 4. SHORT METRIC 6MM PEDAL CLEVIS \$8.95



- 5. SHORT CLIP FOR SHORT METRIC CLEVIS \$3.95



- 6. 5MM NUT AND BOLT FOR BRAKE CLEVIS \$1.00



- 7. DPE-KBC3N TAPERED 6MM JAM NUT FOR CLEVIS \$4.00



- 8. DPE-KBC3 ARROW 6MM CLEVIS \$11.75



**Torsion Bar and Clamps**

- 1. TORSION BAR KIT FOR 1 1/8" FRAME RAILS WITH BLADE BAR AND (2) 1 PIECE BLACK CLAMPS \$84.00
- BAR ONLY \$26.95
- TORSION BAR IS 20 1/2" LONG



- 2. TORSION BAR AND FRAME RAIL CLAMPS

- A. ALUMINUM ONE PIECE CLAMP 1 1/8", BLACK \$29.95
- B. ALUMINUM TWO PIECE CLAMP 1 1/4" (32MM) BLACK \$16.50



- 3. TORSION BAR CLAMPS FOR 1 1/8" FRAME RAILS, BLACK OR TITANIUM COLOR WITH 8MM HARDWARE, USED AVAILABLE, CALL FOR PRICING



- 4. WILDKART TORSION BAR CLAMP, ALUMINUM, 28MM, 30MM, 32MM BLACK, RED, BLUE, ORANGE, TITANIUM \$15.00

**Lead Weight**

1. 5 LB ROUND LEAD WEIGHT,  
PREDRILLED HOLE \$18.00  
TEN \$177.50



2. KARTECH T50/1 1KG  
(2.2 LBS) ROUND LEAD WEIGHT  
WITH PREDRILLED HOLE \$19.95



**Clamps**

1. COMET ALUMINUM BUMPER AND  
BODYWORK CLAMP  
3/4" \$10.50  
1" \$11.00  
1 1/8" \$11.00  
30MM \$11.00  
1 1/4" \$11.25



2. GAUGE MOUNT CLAMP FOR  
CHAMP KARTS AND QUARTER  
MIDGETS, 3/4" CLAMP \$19.95



**Chain Guard Strap**

1. NYLON CHAIN STRAP,  
PREDRILLED 23" x 1.5"  
BLACK OR RED \$5.00



2. NYLON CHAIN GUARD  
WITH SPROCKET DRIVER  
PROTECTION 23" x 1.5"  
\$8.00



3. KG PLASTIC CHAIN GUARD  
WITH MOUNTING HARDWARE, QUICK  
RELEASE, HELPS KEEP THE KART  
CLEAN AND CONTAIN CHAIN AND  
SPROCKET, RED OR BLACK \$79.00



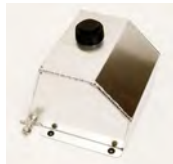
4. KG CHAIN GUARD  
REPLACEMENT HARDWARE \$29.95

**Fuel Tanks**



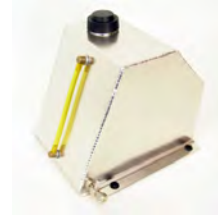
1. 2 QUART ALUMINUM TANK  
9" LONG x 2.5" WIDE x 8.25" TALL  
\$98.00

2. 4 QUART WIDE ALUMINUM TANK  
9" LONG x 5" WIDE x 7.5" TALL  
\$98.00



3. G-MAN PLASTIC TANK 3QT TANK,  
QUICK RELEASE STYLE, TOP FEED  
FUEL LINE \$36.00  
5"L, 6.5"W, 10"T

4. PLASTIC 6QT FUEL TANK WITH CAP  
AND SHUTOFF VALVE  
9" LONG x 9" WIDE x 8 3/4" TALL  
\$109.00



5. PLASTIC 2QT FUEL TANK WITH  
CAP AND SHUTOFF VALVE  
7.5" LONG x 4" WIDE x 6.5" TALL  
\$25.00

6. PLASTIC 4QT FUEL TANK WITH CAP  
AND SHUTOFF VALVE  
8.5" LONG x 7" WIDE x 6 1/4" TALL  
BOTTOM BOLT  
\$36.00



7. MARGAY VINTAGE PLASTIC 7 QUART  
14" LONG x 6" WIDE x 8" TALL  
\$75.00 w/ HARDWARE

8. VINTAGE TANK FUEL CAP WITH  
GASKET \$7.50



9. MARGAY VINTAGE PLASTIC 7 QUART  
14" LONG x 6" WIDE x 8" TALL  
\$55.00 NO HARDWARE, BARE TANK



10. 3 LITER MARGAY PLASTIC TANK  
SWEDGE STYLE BETWEEN UPRIGHTS  
5" LONG x 5 1/2" WIDE x 8" HIGH  
\$42.00



11. RIGHETTI PLASTIC 9 LITER QUICK  
RELEASE FUEL TANK, NO MOUNTING  
HARDWARE 11 1/2" TALL x 10" LONG x  
9" WIDE \$64.00



12. QUICK RELEASE TANK HARDWARE  
KIT \$12.00  
SPECIFY BLACK OR RED  
4 1/2" LONG x 1 3/4" TALL x 1/2" THICK

13. KG FUEL TANK PLASTIC  
QUICK RELEASE PANEL 7" LONG x  
5 1/2" x 7/8" THICK \$6.00



14. 4QT LOW PROFILE ALUMINUM FUEL  
TANK WITH FUEL SHUTOFF VALVE WITH  
FUEL LEVEL SIGHT  
8" LONG x 7.5" WIDE x 5" TALL  
\$109.00

15. 8.5 LITER KG PLASTIC TANK  
QUICK RELEASE STYLE WITH ANTI-SLOSH  
SHELF \$55.00  
(11 1/2" T x 7 1/2" W x 10" L)





**Fuel Tanks Cont.**



16. 3.5 LITER KG PLASTIC TANK QUICK RELEASE STYLE WITH ANTI-SLOSH SHELF (9 1/2" T x 7 1/4" L x 6 1/4" W) \$45.00

17. 9.5 LITER KG PLASTIC TANK QUICK RELEASE STYLE WITH ANTI-SLOSH SHELF \$58.00



18. 3 LITER QUICK PLASTIC TANK QUICK RELEASE STYLE, NO HARDWARE (9 1/4" T x 6 1/4" W x 5" L) \$44.00



19. PLASTIC HAND POMMEL FOR FUEL TANK BRACKET WITH 8MM X 20MM LONG BOLT \$2.50



21. RIGHETTI SMALL OVERFLOW TANK FOR FUEL OR WATER WITH REMOVABLE CAP (3" L x 1 7/8" W x 3" T) \$5.00  
BLACK OR RED

20. KARTECH SMALL OVERFLOW TANK WITH CAP \$5.00 (3 1/2" L x 3 1/8" W x 1 1/2" T)



22. SMALL OVERFLOW BOTTLE HOLDER KIT \$3.75  
BLACK OR RED  
WORKS ON KARTECH AND RIGHETTI OVERFLOW TANKS, NOT KG

23. KG SMALL OVERFLOW TANK (2 1/2" L x 1 7/8" W x 2 1/8" T) \$5.00



24. KG SMALL OVERFLOW TANK WITH MOUNTING KIT \$9.00

**Fuel Tank Hardware**



1. 8336 90° FUEL TANK SHUT OFF VALVE \$4.95



2. 8342 90° FUEL TANK FITTING \$2.50



3. 8330 FUEL TANK STRAIGHT FITTING \$1.25



12. MARGAY VINTAGE FUEL TANK CAP \$7.50



13. MARGAY VINTAGE FUEL TANK ON/OFF VALVE WITH ALUMINUM PICKUP TUBE \$19.50

4. 1/8" NPT PLUGS STEEL \$1.00  
5. PLASTIC \$.20



4. FUEL SHUTOFF VALVES  
A. STRAIGHT TANK SHUTOFF VALVE \$12.95  
B. STRAIGHT INLINE FUEL LINE SHUTOFF, LEVER \$12.95  
C. 90° TANK SHUTOFF VALVE \$12.95



14. MARGAY VINTAGE FUEL TANK FITTING NIPPLE CAP, BLACK \$.25  
1/2" LONG x 5/16" OD



15. MARGAY VINTAGE FUEL TANK HARDWARE KIT \$7.50

5. PLASTIC FUEL LINE FITTINGS  
A. PLASTIC Y FITTING \$1.60  
B. PLASTIC T FITTING \$1.40



6. PLASTIC FUEL TANK CAP WITH GASKET, FITS ALUMINUM AND G-MAN TANKS \$4.00



7. KG FUEL TANK CAP \$7.00

8. RIGHETTI RIDOLPHI FUEL TANK CAPS  
A. 7.5 LITER AND 3 LITER EURO TANK CAP, BLACK OR RED \$6.00  
B. 9 LITER RED CAP \$10.50



9. SMALL PLASTIC CAP FOR TANK TOP, SPECIFY WITH HOLE OR WITHOUT HOLE, BLACK OR RED \$2.00



10. G-MAN PLASTIC FUEL TANK SHUTOFF VALVE \$4.00

11. REPLACEMENT EURO TANK PICKUP TUBE \$13.95



16. KG TANK SUCTION FITTING \$9.50



17. KG VENT/RETURN LINE FITTING \$9.50



18. KG FUEL LINE CHASER END \$9.50



19. NYLON TANK SUCTION FITTING \$7.50



20. NYLON TANK VENT/RETURN LINE \$6.50



21. ALUMINUM RETURN LINE FITTING FOR FUEL TANKS \$8.50



22. BRASS RETURN LINE FITTING SINGLE BARB FOR FUEL TANKS \$8.50



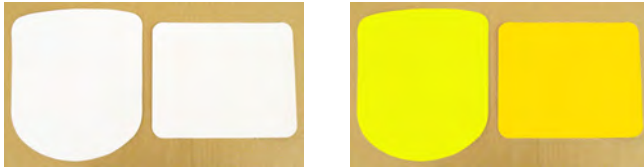
23. BRASS RETURN LINE FITTING DOUBLE BARB FOR FUEL TANKS \$8.50

## Numbers and Panels

1. PLASTIC NUMBER PANEL  
RED, YELLOW, BLUE, BLACK, WHITE,  
ORANGE, 10" x 7 1/4"  
\$1.25, TEN \$12.00



2. EURO SQUARE 8 1/2 x 8 1/2  
YELLOW PANEL \$4.00



3. VINYL STICK ON NUMBER PANELS, SPECIFY WHITE OR YELLOW

A. SHAPED DRIVER PANEL PLATE \$2.00

B. RECTANGULAR STICK ON NUMBER PANEL  
WHITE \$.90, TEN \$8.00, YELLOW \$.95, TEN \$9.00

DRIVER PANEL - 9 3/4" TALL, 8 1/2" WIDE  
SIDE PANEL - 7 1/4" TALL, 8 7/8" WIDE

**1234567890**

6 inch Block style

**1234567890**

5 inch Euro style

**1234567890**

5 inch Puff style

5. STICK ON NUMBERS

A. BLOCK STYLE, BLACK, WHITE RED \$.40, TEN \$3.50

B. EURO STYLE, BLACK, WHITE \$.50, TEN \$4.50

C. PUFF STYLE, BLACK, WHITE \$.50, TEN \$4.50

**0123456789**

6. OTK NUMBERS, STICKY BACK, YELLOW BACKGROUND WITH BLACK NUMBER,  
6 1/4" TALL, 2 9/16" WIDE \$1.30 EACH, 4 FOR \$5.00

**1234567890**

**1234567890**

7. COMET NUMBERS, STICKY BACK, 6 1/4" TALL x 2 9/16" WIDE  
SPECIFY YELLOW OR WHITE BACKGROUND \$1.20 EACH, TEN \$4.50

8. DIGITAL NUMBERS, BLACK 5.5"  
TALL, COMES AS #88, JUST STICK TO  
YOUR NUMBER PANEL AND PEEL OFF  
WHATEVER PARTS YOU DON'T NEED  
TO MAKE YOU'RE FAVORITE NUMBER!  
\$3.95 EACH



**0123456789**

9. BIREL FREELINE NUMBERS, STICKY BACK, DIE CUT, 6" TALL  
\$2.20 EACH, FOUR \$8.50

## Cables and Housing



LEFT - BARREL END CABLE

RIGHT - BALL END CABLE

1. INNER BRAIDED THROTTLE CABLE 6'

A. BALL END STYLE \$2.80

B. BARREL END STYLE FOR SLIDE CARBS  
(C-50, SHIFTER, ANIMAL ETC.) \$3.50



2. THROTTLE CABLE HOUSING OR  
BRAKE LINE, CLEAR PLASTIC  
3/16" OD \$.40 PER FOOT



3. METRIC BRAKE LINE 4MM ID,  
6MM OD \$.65 PER FOOT



4. SLIPPY PIPE CABLE WITH LARGE  
SQUARE END \$6.95



5. CLUTCH CABLE FOR SHIFTERS,  
HEAVY DUTY  
(5/64" x 60" x 6MM BALL) \$3.75



6. BLACK CLUTCH CABLE HOUSING  
WITH STEEL LINER \$1.50 PER FOOT



**Seat Struts and Braces**

1. COMET SEAT STRUT 1 1/8" CLAMP  
LONG CHROMED WITH GUSSET  
SPECIFY 8" OR 9" LONG \$32.00



2. BULLER ADJUSTABLE SEAT STRUT,  
ALL BLACK FOR 1 1/8" \$43.00 EACH



3. FRONT SEAT SLIDER 5/8"  
\$14.00



4. COYOTE KID KART BOTTOM SEAT  
MOUNT KIT FOR 1 1/8" RAIL \$34.00



5. COYOTE ADJUSTABLE SEAT SLIDER  
KIT FOR 1 1/8" RAIL, FITS BOTTOM  
FRONT OF SEAT \$45.00

6. RIGHETTI RECTANGULAR CHROMED  
SEAT STAY 11", 12.5",  
14", 15 3/4" \$16.00



7. MARGAY CHROME SEAT STAY  
3/4" TUBE 12 1/2" \$19.95



8. DPE-ARK16RF ARROW SEAT  
STRUT 12 1/4" \$17.95



9. DPE-ARK15RF ARROW SEAT  
STRUT, 12 1/2" \$17.95



10. DPE-ARK15LF ARROW SEAT  
STRUT 13" \$17.95



11. DPE-ARK16LF ARROW SEAT  
STRUT 11 1/2" \$17.95



12. DPE-ARK16LR ARROW SEAT  
STRUT 13" \$17.95



13. DPE-ARK16RR ARROW SEAT  
STRUT 14 1/4" \$17.95



14. DPE-ARK17RR ARROW SEAT  
STRUT 15" \$17.95



15. BIREL STEEL SEAT STRUT, ROUND  
\$14.11

SPECIFY LENGTH 220MM, 240MM,  
260MM, 280MM, 300MM, 320MM,  
340MM, 360MM, 380MM, 400MM



16. ADJUSTABLE LENGTH SEAT STRUT, TIE ROD  
LIKE DESIGN ALLOWS ADJUSTMENT OF 50MM  
FROM SHORT TO LONG \$45.00

SPECIFY LENGTH 260-320MM, 310-370MM,  
355-420MM



17. CRG STRAIGHT SEAT STAY  
A. FC0.01391 28CM (11IN)  
B. FC0.01393 32CM (12.5IN)  
C. FC0.01394 34CM (13.25IN)  
\$27.00



18. CRG CURVED SEAT STAY  
A. FC0.01389 32CM (12.5IN)  
B. FC0.01388 36CM (14IN)  
\$29.00

19. BILLET ALUMINUM SEAT STRUT KIT,  
12" OVERALL, COMPLETELY ADJUSTABLE,  
SPECIFY FRAME SIZE - 28MM (1 1/8"),  
30MM, 32MM (1 1/4")  
\$69.95



20. COMET OVAL KART SEAT STRUT 1 1/8",  
FOR THE LEFT HAND SEAT STRUT ON OVAL  
KARTS, ANGLED FORWARD AND IN,  
7" LONG, CHROMED WITH GUSSET \$25.00

21. OTK TONY KART SEAT STRUTS,  
SEE PAGE 183

**Seat Hardware**

1. TILLET METRIC SEAT BOLT  
KIT WITH ALUMINUM BLACK  
CONICALS \$17.50



2. CKS METRIC SEAT MOUNTING  
KIT WITH PLASTIC CONICALS  
\$10.00  
BLACK OR SILVER CONICALS

3. AMERICAN SEAT BOLT  
KIT WITH 5/16" BOLTS  
\$9.00



4. ARROW COMPLETE SELF CENTERING  
SEAT BOLT KIT, ALL METRIC HARDWARE,  
INCLUDES ALUMINUM WASHERS AND  
CONICALS, PLASTIC SPACERS \$59.75

5. RIBTECT LOW BOLT  
HEAD PROFILE SEAT BOLT  
KIT \$89.00





**Mychron Gauges**



**MYCHRON 4 T2 BASIC GAUGE**

ALL THE FEATURES OF THE STANDARD MYCHRON 4 BASIC WITH TWO TEMPERATURE PLUG-INS!  
COMES WITH TWO HEAT LEADS, TACH AND LAP TIMER RECEIVER \$465.00



**MYCHRON 4 E-Box GOLD**

UPGRADE YOUR MYCHRON 4 BASIC GAUGE INCLUDES SPEED, TWO ADDITIONAL TEMPERATURE PLUG-INS, RPM, E-KEY WITH SOFTWARE, INTERNAL ACCELEROMETER FOR TRACK MAPPING \$460.00



**MYCHRON 4 GPS**

UPGRADE YOUR MYCHRON 4 BASIC GAUGE WITH THE POWER OF GPS! OVERLAY 3D TRACK MAPS, DRIVING LINES, SPEED CAN ALSO BE ADDED WITH THE E-BOX OR STAND ALONE!  
DOWNLOAD E-KEY SOLD SEPARATELY \$299.00

**Mychron Leads**



1. MYCHRON 3 BASIC USB DOWNLOAD KIT WITH SOFTWARE \$65.00



2. MYCHRON 3 PLUS/GOLD USB DOWNLOAD KIT WITH SOFTWARE \$35.00



3. MYCHRON 4 E-KEY DOWNLOAD KIT, USB WITH WINDOWS SOFTWARE \$85.00

**MYCHRON 4 BASIC GAUGE**

- NEW BRIGHTER AND BOLDER DISPLAY
  - ON SCREEN GRAPHS
  - REFINED DESIGN FOR EVEN BETTER WEAR AND TEAR PROTECTION
  - EASILY UPGRADABLE TO THE MYCHRON 4 GOLD WITH AN EXPANSION MODULE OR GPS UNIT (SOLD SEPARATELY BELOW)
  - USB KEY DOWNLOAD, NO MORE CABLES
  - 9 VOLT BATTERY FOR INCREASED BATTERY LIFE
  - AUTO ON AND AUTO OFF FUNCTION
  - ON TRACK SPLIT TIMES
  - PREDICT LAP TIMES BASED ON CURRENT SPLIT TIMES WHILE ON TRACK
- COMES WITH ONE HEAT LEAD, TACH AND LAP TIME RECEIVER \$349.00



**MYCHRON SOLO GPS LAPTIMER GAUGE**

THE SOLO IS A STAND ALONE GPS BASED LAPTIMER AND TRACK MAPPING GAUGE  
CONFIGURABLE DISPLAY - GPS SPEED, LAPTIME - ROLLING, STATIC, PREDICTIVE LAP TIME  
TRACK MAPPING WITH RACESTUDIO ANALYSIS \$399.00  
INCLUDES DISPLAY, USB CABLE, RACE STUDIO CD FOR PC, CAR CHARGER, WALL CHARGER WITH MULTIPLE ADAPTORS



**MYCHRON 4 E-Box EXTREME BOX**

ALL THE FEATURES OF THE MYCHRON 4 GOLD E-BOX WITH THREE ANALOG INPUTS FOR STEERING SENSORS, THROTTLE AND BRAKE POSITION OR SIMILAR SENSORS \$770.00



**NEW! MYCHRON 4 SMARTY CAM HD**

RECORDS AND PLAYS TELEMETRY ON THE SCREEN OVER THE ENTIRE LAP IN REAL TIME! CAN BE USED AS A STAND ALONE UNIT OR PLUGS INTO THE MYCHRON 4 BASIC OR E-BOX GOLD, TO SHOW EVEN MORE DATA! GPS SOLD SEPARATE \$999.00

SMARTY CAM ONLY GPS \$149.00



4. M3/M4 CYLINDER HEAD TEMP LEAD \$75.00  
CHT SENSOR ONLY \$38.95



5. M3/M4 EXHAUST GAS TEMP LEAD \$75.00  
EGT SENSOR ONLY \$38.95



6. M3/M4 H2O YELLOW TEMP LEAD 5MM \$75.00  
H2O LEAD ONLY \$38.95



7. BLACK 5MM H2O LEAD \$75.00  
H2O LEAD ONLY \$38.95



8. M3/M4 H2O BLACK 10MM TEMP LEAD \$75.00  
10MM SENSOR ONLY \$38.95

9. YELLOW 5MM H2O LEAD \$75.00  
H2O LEAD ONLY \$38.95

**Mychron Leads Cont.**



10. M3/M4 YELLOW  
SENSOR PATCH CABLE  
ONLY \$39.00



11. M3/M4 BLACK  
SENSOR PATCH CABLE  
ONLY \$39.00



13. SPEED SENSOR  
BRACKET \$10.00



14. M3 TACH LEAD, ROUND  
SCREW IN END \$22.50



15. M4 RPM LEAD WITH  
PLASTIC END FOR  
MYCHRON 4 \$15.00



16. WATER SENSOR  
BRACKET WITH CLAMPS FOR  
10MM SENSOR \$29.00



17. M3/M4 INFRARED  
BEACON RECEIVER \$59.00



18. M3/M4 MAGNETIC  
BEACON RECEIVER \$59.00



19. EGT WELD IN \$5.50



20. MYCHRON 3/4 ROUND  
METAL END EXTENSION CABLE  
\$39.00



21. THREADED WHEEL  
SPEED MAGNET \$10.00



22. SPEED SENSOR NUT  
\$1.00 EACH



23. STICK ON WHEEL  
SPEED MAGNET \$8.00



24. FEMALE AND MALE  
YELLOW BOX CONNECTORS  
\$7.95 EACH



25. MYCHRON 4 TACH BAG FROM  
OUTERWEARS, KEEPS GAUGE DISPLAY DRY  
COLORS - BLUE, RED, BLACK, PURPLE,  
ORANGE, YELLOW \$16.45



27. COLOR KIT, CHANGES BUTTON  
COLORS AND EDGE TRIM FOR THE  
MYCHRON 4 GAUGE \$22.00  
RED, YELLOW, BLUE, GREEN,  
ORANGE



28. MYCHRON INFRARED  
TRACKSIDE BEACON  
\$42.00



29. MYCHRON EXTERNAL BOX  
MOUNTING KIT FOR MYCHRON  
3 PLUS OR GOLD OR THE NEW  
MYCHRON 4 E-BOX AND EXTREME  
\$44.00  
SPECIFY UNDER PANEL MOUNT OR  
FLOOR TRAY MOUNT



30. M3/M4 PLASTIC AXLE  
COLLAR WITH MAGNET FOR  
WHEEL SPEED  
1 1/4", 30MM, 40MM, 50MM  
\$11.00



31. PLASTIC TACH LEAD  
CONNECTOR \$2.00



32. MYCHRON T2 HEAT LEAD  
PATCH CABLE, YELLOW BOX  
AND BLACK ROUND LEAD  
\$45.00



33. MYCHRON T2 HEAT  
LEAD PATCH CABLE, YELLOW  
BOX END ON BOTH \$45.00





34. MYCHRON 4 BASIC 9 VOLT REPLACEMENT PLUG IN \$9.95



35. MYCHRON 4 EXTERNAL 12V POWER CABLE, CAN RUN YOUR MYCHRON OFF A TAG OR OTHER EXTERNAL BATTERY \$33.00



36. MYCHRON 4 FOUR PORT DATA HUB, ALLOWS FOR MORE PERIPHERALS, DOES NOT ADD CHANNELS \$60.00



37. MYCHRON 4 TWO PORT DATA HUB WITH 12V PLUG IN, ALLOWS FOR MORE PERIPHERALS, DOES NOT ADD CHANNELS \$60.00



38. MYCHRON 4 POWER VALVE SENSOR, PROVIDES A VERY ACCURATE INDICATION OF THE EXHAUST GAS VALVE WORKING, MEASURING ITS GAP IN MM. THE SENSOR, WHICH MEASURES VALVE STROKE UNTIL 20MM, SAMPLES RPM VALUE THAT OPENS/CLOSES THE VALVE AND ALL INTERMEDIATE VALUES \$165.00



39. MYCHRON 4 EXPANSION STRIP IS THE NEW CHANNEL MULTIPLIER IMPROVING MYCHRON4 AND MYCHRON4 2T PERFORMANCES, THANKS TO FOUR ADDITIONAL CHANNELS AND A FURTHER CONNECTOR FOR THE CAN BUS. THROUGH THIS LAST CONNECTOR MYCHRON4 CAN BE CONNECTED TO ANOTHER AIM SYSTEM (LCU LAMBDA CONTROLLER, GPS, SMARTYCAM) OR A DATA KEY FOR DATA DOWNLOAD \$250.00



40. SMARTY CAM CAMERA MOUNT KIT \$40.00



41. SMARTY CAM ANTI-VIBRATION CAMERA MOUNT \$85.00



42. MYCHRON LAMBDA AIR/FUEL RATIO SENSOR ALLOWS YOU TO PERFECTLY TUNE YOUR CARBURATION OF THE ENGINE FOR THE BEST PERFORMANCE, WORKS ON MYCHRON 4 BASIC, E-BOX AND GPS UNITS! \$380.00

**SENSORS FOR EXTREME BOX AND EXPANSION STRIP**



43. STEERING POTENTIOMETER \$142.00



44. MYCHRON THROTTLE OR BRAKE PEDAL NON-CONTACT SENSOR FOR EXTREME E-BOX \$119.00



45. SPECIAL ORDER PEDAL POTENTIOMETER GAS/BRAKE \$105.00



46. FOUR PIN EXTENSION LEAD FOR PEDAL OR STEERING POTENTIOMETERS \$39.00



47. REPLACEMENT STEERING SENSOR BELT \$14.00

**Stopwatches for Karting and Cars**



1. AIM MULTICHRON STOPWATCH, TIMES 4 VEHICLES AT ONCE, SEVEN SPLITS PER LAP \$139.00 BLACK ONLY



2. ROBIC 848 200 LAP MEMORY, SINGLE CAR, BACKLIGHT, MPH AVERAGE \$62.00



3. ROBIC 554 SINGLE CAR STOPWATCH, LAP AVERAGE SPEED \$41.00



4. ROBIC 505 5 LAP MEMORY, SINGLE CAR STOPWATCH \$29.50



5. 50690 DELUXE MEMORY PYROMETER AND BUILT IN FOUR CAR STOPWATCH, BACKLIGHT \$340.00



6. 22163 ACCUTECH STOPWATCH, TIMES ONE CAR, 10 LAP MEMORY, ONE BUTTON ACTION \$32.95



7. 22330 LONGACRE TIMING BOARD WITH DUAL ROBIC 848 STOPWATCHES, INCLUDES TIMING SHEETS \$159.95



8. UNIPRO UNISTOP STOPWATCH, TIMES 4 DRIVERS, 9 SPLITS PER LAP, INCLUDES CASE AND LANYARD \$275.00



## Gauge Accessories

1. MYCHRON 4 TACH BAG  
COLORS - BLACK, RED, BLUE, PURPLE,  
YELLOW, ORANGE \$13.95



2. GAUGE MOUNT CLAMP FOR  
CHAMP KARTS AND QUARTER  
MIDGETS, 3/4" CLAMP \$19.95



3. MYCHRON GAUGE MOUNT, GOES BETWEEN  
THE STEERING WHEEL AND STEERING WHEEL  
HUB, GREAT FOR OVAL KARTS WITH CUT TOP  
STEERING WHEELS \$14.95



## Digatron Leads and Mounts

### ALL CLOSE OUTS

1. D1118 PANEL LIGHT LEAD \$13.95 **CLOSE OUT**
2. H1118 HELMET INDICATOR LIGHT LEAD \$11.00 **CLOSE OUT**
3. SA-CBN OR MS-CBN REMOTE STORE SWITCH \$19.95 **CLOSE OUT**
4. BTA BEACON TRANSMITTER \$99.00
5. PLASTIC MOUNT, FOR DT6 GAUGES - \$4.75, TEN \$42.00
6. MB600A RUBBER STRAP ONLY, MEMORY GAUGES \$5.50

## Digatron Close Out Gauges

### ALL GAUGES ARE CLOSE OUTS

1. T-1 RPM/CHT TESTOR \$30.00
2. DT41K1 RPM/MPH DATALOGGER \$99.00
3. DT41K2 RPM/RPM/ DATALOGGER \$99.00

## Twist N' Stay



TWIST N' STAY 34" LONG, PACK OF TWO \$5.99

EACH TWIST N' STAY HAS A SUPER STRONG CORE MADE OF FLEXIBLE STEEL ALLOY AND IS COVERED BY INDUSTRIAL GRADE FOAM. ONE TWIST N' STAY SAFELY HOLDS UP TO 300 POUNDS AND CAN BE USED AND REUSED HUNDREDS OF TIMES INDOORS OR OUT! IT'S SO EASY TO USE. LIKE ANY HOUSEHOLD TWIST WRAP, JUST TWIST AND IT STAYS!

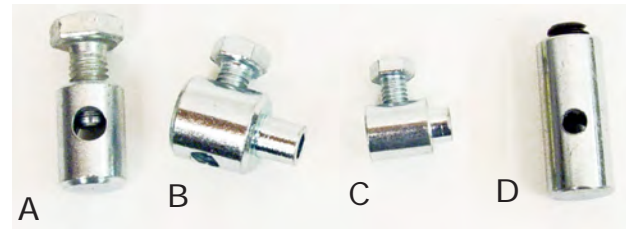
WORKS GREAT FOR STRAPPING KARTS DOWN TO KART STANDS AND STACKER STANDS!

## Ratio Rite

1. RATIO RITE PLASTIC MEASURING  
CUP \$4.95
2. RATIO RITE LID \$2.85



## Cable Stops



### 1. CABLE STOPS

- CABLE CLAMP A \$2.25
- CABLE CLAMP B \$2.25
- CABLE CLAMP C \$2.00
- CABLE CLAMP D \$1.75

2. SHORT ECONOMY CABLE STOP  
\$.80, TEN \$7.75



3. TALL ECONOMY CABLE STOP  
\$1.90, TEN \$18.00



4. ALUMINUM ANODIZED CABLE CLAMP  
ORANGE, BLACK, TITANIUM, BLUE, RED  
\$6.50



5. REPLACEMENT SET SCREW FOR CLAMP \$.50

6. FLAT CABLE CLAMP STEEL \$4.80



7. G1389 SURE GRIP CABLE  
STOP 360 DEGREE SQUEEZED  
\$4.80



## Radiator Hose



- RUBBER WATER HOSE WITH 90 DEGREE END  
28" LONG \$22.00
- 39" LONG \$24.00

**Tiny Tach**

1. 2A CAN BE USED ON MOST ENGINES FROM SINGLE CYLINDER LAWNMOWER TO V8 ENGINES, 0-19,999 RPM, RESETTABLE JOB TIMER, TOTAL HOURS \$58.00

2. CTT-II THE TINY TACH WITH MAX RPM RECALL, READS RPM ON MOST ENGINES UP TO 19,999 RPM AND DISPLAYS TOTAL TIME ON ENGINE AS WELL AS HIGHEST RPM \$69.95



**Engine Hour Meter**

THM KARTECH DIGITAL HOURMETER, NON-RESETTABLE TOTAL RUNNING TIME, RESETTABLE RUNNING TIME, 2 OR 4 CYCLE ENGINES, ATTACHES TO PLUG WIRE DIRECTLY OR WITH EXTENSION WIRE \$58.00



**Longacre Tire Gauges**

1. SMALL FACE 2" ECONOMY AIR GAUGE WITH BLEEDER
  - A. 52034 0-15 PSI \$24.95
  - B. 52024 0-30 PSI \$24.95
  - C. 52004 0-60 PSI \$24.95



2. LARGE FACE 2.5" AIR GAUGE WITH BLEEDER
  - A. 50402 0-60 PSI \$42.00
  - B. 50422 0-30 PSI \$42.00
  - C. 50452 0-15 PSI \$42.00



3. 50347 ECONOMY DIGITAL TIRE GAUGE BY .2 PSI 0-100 PSI \$34.00



4. 50355 DELUXE DIGITAL TIRE GAUGE BY .1 PSI INCREMENTS WITH BLEEDER AND BACKLIGHT, CARRYING CASE 0-60 PSI \$119.95



**Small Battery Charger**

SMALL WALL CHARGER FOR TAG AND ROTAX BATTERIES, TRICKLE CHARGER 12 VOLT, 1 AMP \$29.95



**Kartech Air Gauge**

KARTECH SMALL FACE AIR GAUGE 0-40 PSI, ALSO 0-2.75 BAR, INCLUDES BLEEDER AND CLIP ON END WITH PLASTIC CASE \$42.00



**Longacre Race Sheets**

1. 22525 LAPTIME RECORDING SHEET 50 LAPS PER SHEET 100 SHEETS \$11.95



2. 22528 CHASSIS SETUP SHEET, RECORD YOUR SETUP FOR EASY REFERENCE, 50 SHEETS \$9.95



**Obsolete Gauges and Parts**

1. HEGAR CHT HEAT LEAD \$5.00
2. WESTACH, FOR POINTS \$45.00
3. WESTLINE EGT LEAD \$5.00, CHT LEAD \$5.00, TACH \$25.00
4. RED EYE BELT GAUGES, SINGLE TEMP HEAD TEMP \$50.00, USED THREE DISPLAY, TWO CHT, ONE TACH - \$125.00, EGT LEAD \$10.00
5. RED EYE LEADS, CHT - \$10.00, EGT - \$10.00, TACH \$5.00

**ALL CLOSE OUTS**

### Longacre Pyrometers

1. 50614 INFRARED TIRE AND BRAKE PYROMETER WITH POINTING LASER, UP TO 800\* \$139.95



2. 50690 LONGACRE TIRE PYROMETER & STOPWATCH RECORDER GAUGE \$340.00



3. 50635 ECONOMY TIRE PYROMETER WITH PROBE \$99.95



4. 50640 DIGITAL TIRE PYROMETER WITH CASE \$135.00



5. 50682 LONGACRE TIRE PYROMETER RECORDER GAUGE \$298.00



### Longacre Scales and Pads

1. 72624 LONGACRE COMPUTER SCALES, 12"x12" BILLET MACHINED PADS, 1600 LBS TOTAL CAPACITY, 400 PER PAD WITH CASE, CAN DISPLAY STANDARD AND METRIC \$950.00



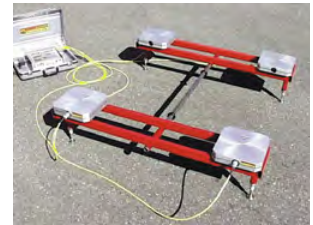
2. 72959 ALUMINUM SCALE PAD FIXTURE, LIGHTWEIGHT FOR LONGACRE SCALES \$499.00

SCALES NOT INCLUDED



3. COMET STEEL SCALEPAD PLATFORM \$230.00

SCALES NOT INCLUDED



### Longacre Tools

1. 50553 TIRE DUROMETER HARDNESS TESTER WITH CASE \$59.00



2. 50888 AIR DENSITY GAUGE WITH CASE \$110.00  
CANNOT BE SHIPPED BY AIR



3. 50887 DIGITAL AIR DENSITY GAUGE WITH CARRYING CASE \$175.00



COMET KART SALES ACCEPTS THE FOLLOWING



4. 78110 DIGITAL CASTOR/ CAMBER GAUGE BY .1 INCREMENTS WITH BILLET MOUNT SPECIFY 5/8" OR 14MM SPINDLE THREAD \$159.95





**Longacre Tools Cont.**

5. 50100 TIRE RELIEF AIR PRESSURE BLEED OFF KIT  
BLEEDS OFF EXCESS AIR AS YOU RACE  
3-38 PSI \$249.00  
**SPECIAL ORDER**



6. 73010 LEAKDOWN TESTER TO CHECK RING AND VALVE SEAL WITHOUT TEARING YOUR ENGINE APART  
\$96.00



7. LONGACRE CAMBER GAUGE ADAPTORS  
SPECIFY 5/8" OR 14MM THREAD \$43.00  
BOLT AND WASHER KIT \$7.00



8. 50518 METAL STORAGE CASE WITH FOAM PADDING, CAN BE CUSTOMIZED FOR YOUR NEEDS, GREAT FOR ELECTRONICS, TIRE GAUGES AND MORE \$15.50



**COMET IS A COMPLETE DEALER FOR ALL OF LONGACRE'S PRODUCTS. IF YOU NEED AN ITEM FROM LONGACRE THAT IS NOT IN OUR CATALOG JUST GIVE US A CALL, WE WILL BE HAPPY TO SPECIAL ORDER IT FOR YOU!**

**Flag Set**



1. COMPLETE FLAG SET FOR RACE TRACKS, 2' x 2'  
EACH KIT CONTAINS ONE EACH - RED, GREEN, YELLOW, WHITE, BLACK, PASSING, CHECKERED  
\$120.00

**Transponders**

1. MyLaps (FORMERLY AMB) TX160 TRANSPONDER WITH CAR AND WALL CHARGER AND KART MOUNTING BRACKET WITH PIN, UNLIMITED, NO SUBSCRIPTION \$330.00



2. **New!** MyLaps KART FLEX TRANSPONDER

THE KART FLEX TRANSPONDER IS SUBSCRIPTION-BASED. YOU CAN EASILY EXTEND YOUR SUBSCRIPTION ONLINE NO MATTER WHICH FLEX TRANSPONDER YOU BUY.

COMPLETE KIT, 1 YEAR \$105.00  
COMPLETE KIT, 2 YEAR \$155.00  
COMPLETE KIT, 5 YEAR \$255.00

INCLUDES - TRANSPONDER, HOLDER, CLIP, CHARGING CRADLE FOR AC PLUG IN, USB MINI CABLE, INCLUDES AC ENDS FOR MULTIPLE COUNTRIES

3. NEW STYLE TX160 TRANSPONDER BRACKET WITH PIN \$7.50



4. OLD STYLE TX160 TRANSPONDER BRACKET WITH PIN \$6.00



5. REPLACEMENT COTTER PIN \$.75



**Pyrometers**

1. PROFESSIONAL GRADE INFRARED THERMOMETER  
TEMP RANGE -58° to 752°F (-50° to 400°C)  
BUILT IN LASER MAKES AIMING EASY  
ACCURATE WITHIN +/-2%  
SHOWS MAXIMUM TEMP DURING SCAN  
AUTO OFF, SELECT C OR F, AMBER BACKLIGHT  
30 HOURS CONTINUOUS USE ON JUST 2 AAA BATTERIES!  
\$59.00



2. POCKET SIZED INFRARED THERMOMETER  
PROFESSIONAL GRADE  
TEMP RANGE -67° to 482°F (-33° to 250°C)  
BUILT IN LASER MAKES AIMING EASY  
ACCURATE WITHIN +/-2%  
SHOWS MAXIMUM, AVERAGE AND MINIMUM TEMP DURING SCAN  
AUTO OFF, SELECT C OR F, AMBER BACKLIGHT  
LITHIUM BATTERY, ONLY 3.1 OUNCES!  
\$49.00



**GoPro Cameras**



**New! HD HERO3+ BLACK EDITION \$399.99**

GoPro cameras are used by more motorsports professionals, race teams and core enthusiasts than any other camera in the world.

Capture and share your life's most meaningful experiences with the HERO3+ Black Edition. 20% smaller and lighter than its best-selling predecessor, it delivers improved image quality and powerful new features geared for versatility and convenience. SUPERVIEW™ is a new video mode that captures the world's most immersive wide angle perspective, while Auto Low Light mode intelligently adjusts frame rate for stunning low-light performance. Combined with 30% longer battery life, 4x faster Wi-Fi, a sharper lens and compatibility with all GoPro mounts and accessories, the HERO3+ Black Edition is the most advanced GoPro yet.

**WHAT'S INCLUDED:**

1 HERO3+ Black Edition camera, 1 Waterproof Housing (197/60M), Wi-Fi Remote + Key Ring, Remote Charging Cable, Rechargeable Li-Ion Battery, QR Buckle, J-Hook Buckle, 3-Way Pivot, 1 Curved Adhesive Mount, 1 Flat Adhesive Mount, Assorted mounts and hardware, USB charging cable



**New! HD HERO3+ SILVER EDITION \$299.99**

GoPro cameras are used by more motorsports professionals, race teams and core enthusiasts than any other camera in the world. Features video resolutions up to 1080p60, 10MP photos up to 10 frames per second, enhanced low-light performance and built-in Wi-Fi. Waterproof to 131/40M.

Not only is the HERO3+ Silver Edition 20% smaller and 15% lighter than previous models, it's 2x more powerful—making it the most advanced Silver Edition camera yet. Wearable, gear-mountable and waterproof to 131/40M, it captures professional-quality video at resolutions up to 1080p60 and 10MP photos at up to 10 frames per second. With 4x faster Wi-Fi, enhanced low-light performance, 30% longer battery life and compatibility with all GoPro mounts and accessories, the HERO3+ Silver Edition makes capturing and sharing your life easier than ever.

**WHAT'S INCLUDED:**

HERO3+ Silver Edition camera, 131/40M Waterproof Housing, Higher Capacity Li-Ion Battery, Quick Release Buckle, Vertical Quick Release Buckle, 1 Curved + 1 Flat Adhesive Mount, 3-Way Pivot Arm, USB Cable



**GRAB BAG OF MOUNTS \$19.99**

The Grab Bag is bag of add-on parts is for GoPro quick-release camera owners wanting more mounts. If you want to expand your mounting options for your Motorsports HERO Wide, Motorsports HERO, Helmet HERO Wide, Surf HERO, or Wide HERO camera...this bag will set you up. It includes 1 flat surface base plate, 1 curved base plate, a thumb knob and stainless steel hardware, 1 quick release buckle, 1 pivot arm assembly, 1 quick-release vibration plug, 1 leash tether, and a vertical J mount for mounting your camera on a vertical wall surface like a car bumper, wall, back of helmet, or similar.

**WHAT'S INCLUDED:**

1 Flat, 3M™ adhesive mount, 1 curved, 3M™ adhesive mount, 1 horizontal surface quick-release buckle, 1 vertical surface J-hook buckle, 1 thumb knob with nut and bolt, 1 pivot arm assembly, 1 quick-release/vibration plug, 1 leash tether



**LCD BAC PAC \$79.99**

The LCD BacPac is a detachable LCD screen for all cameras. As a removable accessory, the LCD BacPac keeps your camera as small and light as possible, yet provides the convenience of an LCD screen when attached.



**BATTERY BACPAC \$49.99**

The Battery BacPac works as both a charger for your spare batteries and plugs into the back of all camera models to nearly double record times. Perfect for long duration time-lapse photo sessions, endurance motorsports racing or any application where you need up to 2x\* the battery life.



**CAMERA TETHERS, ADHESIVE ANCHORS AND TETHERS \$19.99**



HERO3 ONLY - Glass lens replacement for HERO3 housing. Includes 2 lenses and seals, replacement screws and screwdriver for hassle-free repairs \$19.99 includes - 2 lenses and seals, replacement screws, 1 screw driver



HERO3 ONLY - Protective covers for your HERO3 camera. Includes camera lens cover, housing lens cover, battery cover and replacement side door for your HERO3 \$12.99



**HERO3 REPLACEMENT RECHARGEABLE LI-ION BATTERY \$19.99**

Use this 1050 mAh lithium-ion rechargeable battery as a spare or replacement for your HERO3 camera.

**GoPro Cameras Cont.**

**CURVED ADHESIVE MOUNT (5 PACK) \$19.99**

THESE ARE THE SAME MOUNTS ALREADY INCLUDED WITH MOST HERO AND HD HERO CAMERAS. THIS PACKAGE INCLUDES FIVE CURVED, 3M™ ADHESIVE MOUNTS. 3M'S INNOVATIVE VHB 4991 ADHESIVE BACKING ENSURES THE MOUNTS STAY PUT, BUT CAN BE CLEANLY REMOVED WHEN HEAT (EG. FROM A HAIRDRYER) IS APPLIED.



**CURVED/FLAT ADHESIVE MOUNT (6 PACK) \$19.99**

THIS PACKAGE INCLUDES 3 FLAT AND 3 CURVED, 3M ADHESIVE MOUNTS. 3M'S INNOVATIVE VHB 4991 ADHESIVE BACKING ENSURES THE MOUNTS STAY PUT, BUT CAN BE CLEANLY REMOVED WHEN HEAT (EG. FROM A HAIRDRYER) IS APPLIED.



**HELMET FRONT MOUNT \$12.99**

ALLOWS FOR LOW-PROFILE POSITIONING OF YOUR CAMERA ON THE FRONT OF YOUR HELMET, LIKE A HEADLAMP. ALSO EXTENDS THE CAMERA OUT IN FRONT OF THE HELMET FOR SELF-PORTRAIT VIDEOS AND PHOTOS.



**HANDLEBAR SEATPOST MOUNT \$19.99**

ATTACH YOUR GoPro CAMERA TO HANDLEBARS, SEATPOSTS, SKI POLES AND MORE. FITS 0.75" TO 1.4" (1.9CM - 3.5CM) DIAMETER TUBES. YOU CAN ALSO CLAMP TO CHAINSTAYS, SMALL ROLL BARS, BOLT-HEADS, WINDSURFING AND KITESURFING CONTROL BARS, OR EVEN USE TO CREATE A HANDHELD BOOM - ANY POLE THAT IS IN THE SIZE RANGE ABOVE.



**ROLL BAR MOUNT, WORKS GREAT FOR DRIVER PANELS ON KARTS \$29.99**

ATTACH YOUR GoPro CAMERA TO ROLL BARS, TUBES AND MORE. FITS 1.4 TO 2.5" (3.5CM - 6.35CM) DIAMETER TUBES. PERFECT FOR CLAMPING YOUR CAMERA TO THE RADIATOR CAP (BOTH METAL AND PLASTIC CAPS) ON KARTS. YOU CAN ALSO CLAMP TO BIKE FRAMES, BUMPER BARS, SKI/SURFBOARD RACKS, OR ANYTHING ELSE THAT IS IN THE SIZE RANGE ABOVE. COMES WITH PIVOTING ORIENTATION ARMS ALLOWING FOR 3-WAY ADJUSTABILITY, ENSURING YOU CAN GET THE ANGLE YOU WANT.



**SUCTION CUP MOUNT \$29.99**

ATTACH YOUR GoPro CAMERA WITH THIS INDUSTRIAL STRENGTH SUCTION CUP TO CARS, BOATS, MOTORCYCLES AND MORE. PROVEN AT SPEEDS OF 150+ MPH. STRONG ENOUGH TO PULL DENTS OUT OF A CAR DOOR (UNFORTUNATELY TESTED AND PROVEN BY GoPro) OR STAY ATTACHED TO AN AIRPLANE AT 200MPH+, PROVEN THOUGH NOT ENDORSED BY GoPro PER FAA RULES.



**NOT RECOMMENDED** FOR SURFBOARDS, SNOWBOARDS OR OTHER HIGH-IMPACT SPORTS. ONLY RECOMMENDED FOR NON-IMPACT ACTIVITIES.

**CAMERA SIDE MOUNT \$12.99**

ATTACH YOUR GoPro CAMERA TO THE SIDE OF HELMETS, VEHICLES, GEAR AND MORE. 3-WAY PIVOT ADJUSTABILITY MAKES AIMING EASY.



**TRIPOD MOUNT \$7.99**

TRIPOD MOUNT FOR ATTACHING YOUR GoPro CAMERA TO A STANDARD TRIPOD.



**ANTI FOG INSERTS \$14.99**

DROP INSERTS INTO SIDES OF CAMERA HOUSING TO PREVENT FOGGING IN COLD AND HUMID ENVIRONMENTS. TO REUSE: INSERTS WILL LAST FOR APPROXIMATELY 4 USES. TO DRY OUT AND REUSE, HEAT INSERTS ON A PAN IN OVEN AT 300°F FOR 5 MINUTES. STORE IN AN AIRTIGHT BAG.



**AUTOMOBILE CHARGER \$30.00**

CHARGE YOUR HD HERO CAMERA(S) WHILE ON THE GO! DUAL USB PORT QUICKLY CHARGES UP TO TWO CAMERAS AT ONCE 1 AMP PER PORT FOR A QUICK CHARGING SOLUTION SIMULTANEOUSLY RECORD VIDEO OR PHOTOS WHILE CHARGING WORKS WITH MOST DEVICES THAT CHARGE VIA USB



HERO, HERO2 16GB SD MEMORY CARD (CLASS 10) \$39.99  
HERO, HERO2 32GB SD MEMORY CARD (CLASS 10) \$79.99

THE SANDISK® SECURE DIGITAL HIGH-CAPACITY (SDHC) MEMORY CARD COMBINES MASSIVE STORAGE CAPACITY AND BLAZING DATA TRANSFER RATES IN A MEMORY CARD NO BIGGER THAN A POSTAGE STAMP. WITH EXCELLENT PERFORMANCE AND VALUE, THIS CARD REPRESENTS AN IDEAL RECORDING MEDIA FOR YOUR GoPro HD HERO CAMERA.

**CLOSE OUT! HDMI CABLE HERO 2 \$25.00  
HDMI CABLE HERO 3 \$19.99**

USE THIS HDMI CABLE TO PLUG YOUR CAMERA INTO YOUR HDTV AND EXPERIENCE INCREDIBLY SMOOTH, BIG SCREEN PLAYBACK OF YOUR GoPro FOOTAGE.



**HERO 3 MEMORY CARD**

16GB SD MEMORY CARD (CLASS 10) \$29.99  
32GB SD MEMORY CARD (CLASS 10) \$49.99  
64GB SD MEMORY CARD (CLASS 10) \$79.99



HERO3 ONLY - STANDARD HOUSING FOR HERO3 CAMERAS. WATERPROOF TO 197'/60M. DELIVERS MAXIMUM IMAGE SHARPNESS ABOVE AND BELOW WATER. SKELETON BACKDOOR INCLUDED. COMPATIBLE WITH ALL HERO3 CAMERAS \$49.99





**Wildkart Parts**



1. ALUMINUM WATER PUMP \$137.50



2. WILDKART BILLET ALUMINUM WATER PUMP REPLACEMENT SEAL \$4.60



3. WILDKART BILLET ALUMINUM WATER PUMP REPLACEMENT O-RING \$2.50



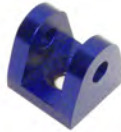
4. WILDKART BILLET ALUMINUM WATER PUMP REBUILD KIT \$37.50

5. INLINE THERMOSTAT FOR WATER COOLED ENGINES, HAND TURN TO OPEN AND CLOSE THERMOSTAT \$110.00



6. ALUMINUM FRAME CLAMP SPECIFY 28MM, 30MM, 32MM BLUE, BLACK, RED, ORANGE \$42.00

7. WATER PUMP BRACKET FOR ALUM FRAME CLAMP \$15.00



8. ALUMINUM ENGINE MOUNT TENSION ADJUSTER ORANGE, RED, BLUE, BLACK \$27.50

9. ALUMINUM SHIFTER HANDLE BLACK, ORANGE, RED, BLUE, TITANIUM \$72.00



10. ALUMINUM SHIFTER HAND POMMEL SPECIFY 8MM OR 10MM BLUE, RED, BLACK, ORANGE, TITANIUM \$11.25



11. ALUMINUM PEDAL RELOCATION BRACKET KIT RED, BLACK, BLUE, RED, ALUMINUM \$95.00 PAIR



12. ALUMINUM PEDALS BLACK, RED, BLUE \$185.00 PAIR



13. FRONT SHIFTER BRAKE HAT FOR FRONT WHEEL BRAKE DISKS 17MM BEARINGS 40MM OUTER DIAMETER RED, BLACK, ORANGE, BLUE, TITANIUM \$65.00



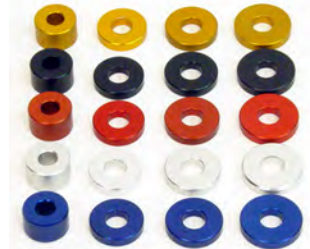
14. FRONT BRAKE BIAS ADJUSTER \$59.95



15. WILDKART ALUMINUM PEDAL GRIPS BLUE, SILVER, BLACK, RED, ORANGE .570 ID \$19.00 PAIR



16. ALUMINUM SPACERS ORANGE, BLACK, RED, SILVER, BLUE, TITANIUM  
20x12x8 \$2.25  
23x4x10 \$2.25  
25x4x10 \$2.25  
27x4x10 \$2.25



17. INTERNAL BUMPER BUSHINGS BLACK, BLUE, SILVER, RED, ORANGE SPECIFY 28MM, 30MM, 32MM \$5.00  
EXTERNAL BUMPER BUSHING \$4.50



18. STEEL VENTED BRAKE DISCS 210MM (8 1/4")  
DISC WITH SWIRL PATTERN \$99.95  
DISC WITH HOLES \$99.95  
200MM (7 7/8") \$99.95



19. WILDKART FRONT BRAKE DISC, DRILLED, VENTED, FITS ON WK FRONT BRAKE HAT \$83.00



20. ALUMINUM HEEL STOPS RED, BLACK, BLUE, ORANGE, TITANIUM \$45.00 PAIR



21. WILDKART 100CC SPINDLE 17MM 11° \$88.00



22. Close Out! WILDKART 125CC FRONT BRAKE SPINDLE 17MM 11° LEFT HAND ONLY \$88.00



**Wildkart Parts Cont.**

23 HEAT EXCHANGER FOR WATERCOOLED ENGINES, INLINE FOR WATERLINE \$38.00



24. HEAT EXCHANGER FOR FUEL LINE, INLINE FOR FUEL LINE \$16.50



25. BILLET ALUMINUM ADJUSTABLE RADIATOR SUPPORT \$192.50



26. WILD KART STARTER GEAR HOLDER BLACK OR RED \$79.95



27. 60MM LARGE BLACK SEAT WASHER, 8MM HOLE SIZE, HELPS EXTEND THE LIFE OF A SEAT \$3.00

28. ADJUSTABLE HEEL REST BAR, 10 1/8" LONG, 12MM MINIMUM BAR SIZE \$89.95



29. TORSION BAR CLAMP, ALUMINUM ANODIZED SPECIFY 28MM, 30MM, 32MM BLACK, RED, BLUE, ORANGE, TITANIUM \$15.00



30. WILDKART BEARING CASSETTE  
A. 40MM/50MM \$39.00, THREE \$115.00  
B. 30MM \$39.00, TWO \$76.00  
C. 25MM \$39.00, TWO \$76.00



COLORS - BLACK, ORANGE, TITANIUM, RED, BLUE, SILVER  
17MM METRIC SPACERS

31. 17MM X 5MM WIDE ANODIZED WHEEL SPACER \$2.25  
32. 17MM X 10MM WIDE ANODIZED WHEEL SPACER \$2.75  
33. 17MM X 20MM WIDE ANODIZED WHEEL SPACER \$3.00



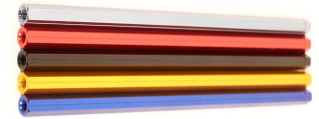
COLORS - BLACK, ORANGE, TITANIUM, RED, BLUE  
25MM METRIC SPACERS

34. 25x5MM WIDE (3/16") \$4.25  
35. 25x15MM WIDE (5/8") \$4.95

36. STEEL 25MM SPINDLE END WASHER/CAP \$5.95



37. HEX 8MM TIE ROD  
210, 220, 240, 250, 255, 260, 265, 270, 275, 280  
BLUE, RED, BLACK, ORANGE, TITANIUM \$12.00



38. ROUND 8MM TIE ROD  
210, 220, 240, 250, 255, 260, 265, 270, 275, 280  
BLUE, RED, BLACK, ORANGE, TITANIUM \$16.00



**Water Pumps**

1. AXLE DRIVEN WATER PUMP FOR ICA, TAG, ICC

A. WILDKART ALUMINUM \$137.50  
B. RIGHETTI NYLON \$45.00  
C. IA-T-8200-A OEM LEOPARD NYLON WATER PUMP \$65.00



2. WATER PUMP PULLEY SPECIFY 40MM OR 50MM

A. NYLON PULLEY \$24.00  
B. ALUMINUM PULLEY \$39.00



3. WILD KART ALUMINUM WATER PUMP PULLEY FOR 50MM AXLE, 90MM O.D. BLACK, TWO PIECE \$35.00



4. WATER PUMP RUBBER O-RING 13.5" OVERALL LENGTH \$3.00



5. BRAIDED BLACK RUBBER O-RING WITH HOOK, ALLOWS YOU TO REPLACE YOUR O-RING WITHOUT REMOVING THE AXLE, 15" OVERALL LENGTH \$5.00





**Axle Tools**

1. ALUMINUM AXLE REMOVAL TOOL  
COMES WITH ONE REMOVAL HEAD  
SPECIFY - 30MM, 40MM, 50MM  
\$24.00



2. AXLE REMOVAL TOOL - HEAD ONLY  
SPECIFY - 30MM, 40MM, 50MM  
\$12.95 EACH



3. ALUMINUM AXLE RESIZING SLEEVE, USE THE  
SAME SIZE BEARINGS WITH A SMALLER AXLE  
SPECIFY 50MM TO 40MM  
40MM TO 30MM  
40MM TO 1 1/4"  
\$32.00 EACH



4. REDUCER SLEEVE FITS INSIDE OF A 40MM  
SPROCKET OR BRAKE HUB TO REDUCE THE  
INTERNAL SIZE TO 30MM AS WELL AS HAS A  
SLOT FOR THE KEYWAY \$35.00



**Bumper Hardware**

1. RUBBER REAR BUMPER HARDWARE  
WITH 10MM NUT MOLDED INSIDE, SLIDES  
INTO REAR FRAME RAILS AND EXPANDS  
AS THE BUMPER BOLT IS TIGHTENED

- A. 23MM OD FOR 28MM FRAME
- B. 25MM OD FOR 30MM FRAME
- C. 27MM OD FOR 32MM FRAME

\$8.00 EACH



**Thermostat**

1. 125 DEGREE THERMOSTAT  
WITH BYPASS, BUILDS ENGINE  
HEAT FAST AND HELPS CONTROL  
HEAT! GREAT FOR TAG, SHIFTER  
\$85.00



2. INLINE THERMOSTAT FOR  
WATER COOLED ENGINES,  
HAND TURN TO OPEN AND  
CLOSE THERMOSTAT \$110.00



3. IAME INLINE THERMOSTAT FOR TAG  
AND SHIFTER, HELPS BUILD ENGINE HEAT  
FASTER THAN JUST TAPE \$120.00



**European Brakes**

1. RIGHETTI RIDOLFI BRAKE CALIPER  
WITH BRAKE PADS, DUAL BRAKE  
LINES, BLACK \$199.95



BOLT HOLES MEASURE 60MM CENTER TO  
CENTER FOR MOUNTING, PAD GAP FITS  
12MM WIDE DISK

2. RIGHETTI RIDOLFI BRAKE MASTER  
CYLINDER WITH RESERVOIR, SINGLE  
BRAKE LINE, BLACK WITH CLEAR TOP  
\$110.00



BOLT HOLES MEASURE 35MM CENTER TO  
CENTER FOR MOUNTING



3. KB024 RIGHETTI RIDOLFI MASTER  
CYLINDER REBUILD KIT \$44.00



4. K881 RIGHETTI RIDOLFI BRAKE  
CALIPER SEAL KIT \$14.25



5. K882 RIGHETTI RIDOLFI  
BRAKE CALIPER COMPLETE  
REBUILD KIT \$45.00



6. RIGHETTI RIDOLFI BRAKE  
CALIPER PAD SHIM K889  
A. 1MM (.039") \$3.90  
B. 2MM (.077") \$4.20

7. MCP BLACK MASTER CYLINDER  
FOR MARGAY AND OTHER KARTS  
\$88.00



BOLT HOLES MEASURE 35MM CENTER TO  
CENTER FOR MOUNTING

8. MCP BLACK CALIPER FOR MARGAY  
AND OTHER KARTS, NO BRAKE PADS  
INCLUDED \$137.50



BOLT HOLES MEASURE 60MM CENTER TO  
CENTER FOR MOUNTING, PAD GAP FITS  
12MM WIDE DISK



**Shifter Kart Parts**

1. SHIFTER KART GEARS  
TWO PIECE STEEL FOR 50MM AXLE,  
428 CHAIN, 23T-30T  
\$45.00



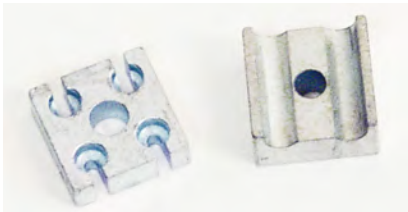
2. SHIFTER ENGINE SPROCKETS

PAVESI 125CC ICC DRIVE GEARS 15T \$48.00 **Close Out**  
CR125 HONDA #428 MAIN DRIVE GEARS 14-19T \$23.00

3. 8MM HEX SHAPED SHIFTER GEAR  
LINKAGE TIE ROD  
420MM (16.5"), 470MM (18.5"),  
480MM (18.85"), 490MM (19.25"),  
500MM (19.65")  
RED, BLUE, ORANGE, TITANIUM, BLACK  
\$16.00



**Throttle Parts**



1. STEEL THROTTLE BLOCK WITH 4 BALL END HOLES \$2.70  
2. STEEL THROTTLE CLAMP \$2.70



3. THROTTLE ROD INLINE  
RETURN SPRING \$1.30



4. THROTTLE RETURN SPRING,  
EXTERNAL, WORKS GREAT  
ON WB3A WALBRO CARBS  
INCLUDING KPV \$2.50



5. NPT 1/8" THROTTLE  
COMPRESSION FITTING \$2.20



6. METRIC THROTTLE CABLE  
ADJUSTER \$2.65



7. THROTTLE RETURN SPRING FOR CARBURETOR,  
GOES ON THE THROTTLE CABLE BETWEEN THE  
THROTTLE CLEVIS AND THROTTLE PLATE \$3.80

**Fun Kart & Mini Bike Parts**

1. BRAKE LEVER LESS CABLE FOR  
7/8" CLAMP \$14.25



2. UNIVERSAL MINI BIKE 60" BRAKE  
CABLE \$8.95



3. THROTTLE TWIST GRIP ASSEMBLY  
WITHOUT CABLE WITH 1" CLAMP \$24.95  
WITH CABLE WITH 7/8" CLAMP \$28.95  
HAND GRIP ONLY 7/8" ID \$2.00



4. ECONOMY SHORT CABLE STOP  
\$.80, TEN \$7.75



5. LONG CABLE STOP  
\$1.90, TEN \$18.00



6. THROTTLE CABLE WITH  
BALL END AND HOUSING 92"  
\$6.95, TEN \$58.00



7. BRAKE BAND  
4" DIAMETER \$25.00  
4.5" DIAMETER \$25.00



8. BRAKE BAND  
4" DIAMETER WITH GUIDE \$25.00



9. 1826 AZUSA JACKSHAFT KIT  
\$29.95



**GOT QUESTIONS? CALL OUR EXPERIENCED AND  
KNOWLEGABLE SALES STAFF! WE USE MANY OF THE  
PRODUCTS WE SELL AND CAN HELP YOU DECIDE WHAT  
PARTS WILL WORK BEST FOR YOUR APPLICATION!**

**Fun Kart & Mini Bike Parts Cont.**

10. 8175-16 AZUSA 5/8" X  
16" LONG JACKSHAFT, KEYED  
FULL LENGTH \$13.75



11. JACKSHAFT SPROCKETS  
5/8" OR 3/4" ID SHAFT SIZE  
#35 OR #40-41 CHAIN PITCH  
\$10.95 TO \$28.00



12. AZUSA SPINDLE ASSEMBLY  
WITH SPINDLE, KINGPIN BOLT AND  
NUT, WELD ON SPINDLE C  
SPECIFY RH OR LH  
5/8"x4.5" \$19.00  
5/8"x6" \$19.95  
3/4"x4.5", 3/4"x6" \$18.90



13. AZUSA SPINDLE  
SPECIFY 5/8"x6", 5/8"x4 1/2",  
3/4"x6", 3/4"x4.5"  
SPECIFY LENGTH AND LH OR RH  
\$11.95



14. 1246 4" BRAKE  
BAND DRUM ONLY, NO  
HUB \$13.00



15. 2542 5 1/4" BRAKE  
DRUM \$17.50



16. 2213 4 5/8" BRAKE  
DRUM WITH LIP \$13.95



17. 8190 AZUSA FOUR CYCLE  
ENGINE FLAT MOUNT PLATE,  
WELD ON 12"x5" \$10.95



18. 8191 AZUSA FOUR CYCLE  
ENGINE MOUNT PLATE, WELD  
ON 9"x7.5"x3/4" \$14.95



**Pill Kits**

1. 8MM SPINDLE BOLT KIT WITH BOLT,  
TOP OFFSET PILL, BOTTOM CENTER  
PILL, (4) KINGPIN SPACERS  
\$25.00

8MM X 90MM KINGPIN BOLT ONLY \$8.00



2. 8MM BOTTOM CENTER  
PILL \$4.50



**SEE PAGE 139 FOR THE SNIPER  
ADJUSTABLE PILL KIT**

**Close Out Chassis Parts**

1. KOBRA ENDURO SPINDLES \$12.00 EACH
2. HEGAR ENDURO PARTS, CHROME MOLY TANK BAR \$17.00,
3. IKS ENDURO PARTS, BANZAI BLANK, MOUNT PLATE \$18.00

**Popoff Gauge**

1. CARBURETOR POP-OFF  
TESTER GAUGE  
A. 0-15 PSI \$36.95  
B. 0-30 PSI \$36.95



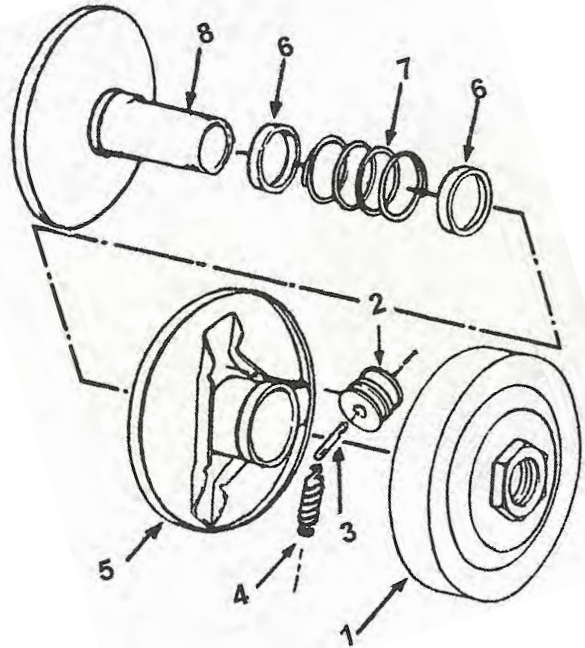
**COMET HAS MANY MORE FUNKART AND MINI BIKE PARTS THAN  
ARE IN OUR CATALOG, GIVE COMET A CALL FOR ALL YOUR  
FUN KART AND MINI BIKE PARTS NEEDS!**

## Comet Torque Convertor

1. 219552A 30 SERIES DRIVE UNIT, 3/4" BORE \$80.00
2. 219554A 30 SERIES DRIVE UNIT, 1" BORE \$115.00
3. 219456A 30 SERIES DRIVEN UNIT 5/8" BORE, 6" DIAMETER \$88.00
4. 219465A 30 SERIES DRIVEN UNIT 3/4" BORE, 6" DIAMETER \$95.00
5. 219457A 30 SERIES DRIVEN UNIT 5/8" BORE, 7" DIAMETER \$88.00
6. 219464A 30 SERIES DRIVEN UNIT 3/4" BORE, 7" DIAMETER \$95.00



## Comet 40 Series Drive Unit



### TAV2-30 TORQUE CONVERTOR KITS

1. 218352A FOR 3/4" PTO SHAFT, 12T #35 SPROCKET \$199.00
2. 218353A FOR 3/4" PTO SHAFT, 10T #40/41 SPROCKET \$199.00
3. 218354A FOR 1" PTO SHAFT, 12T #35 SPROCKET \$229.00
4. 218355A FOR 1" PTO SHAFT, 10T #40/41 SPROCKET \$229.00

### 40 SERIES TORQUE CONVERTOR

1. 203015A 1" BORE \$170.00 **SPECIAL ORDER**
2. 209151A 40 SERIES DRIVEN UNIT 5/8" BORE \$160.00 **SPECIAL ORDER**
3. 209133A 40 SERIES DRIVEN UNIT 3/4" BORE \$160.00 **SPECIAL ORDER**

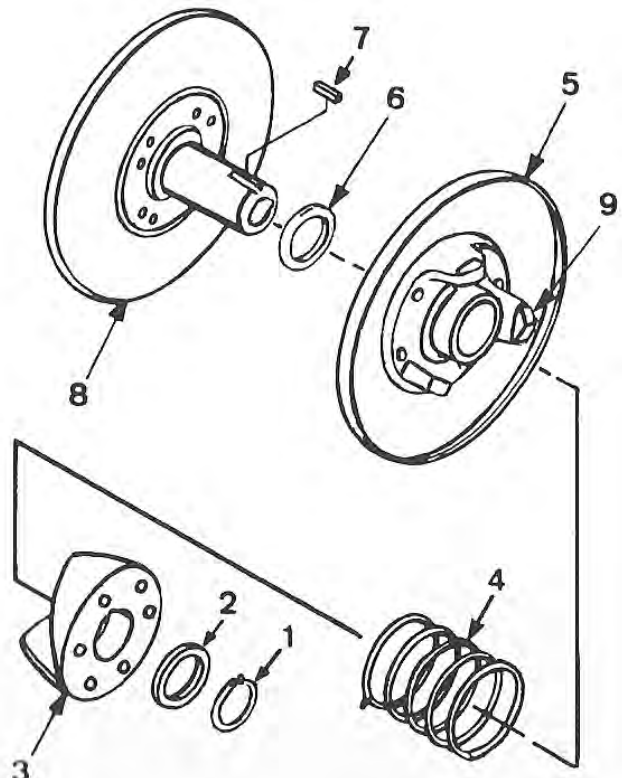
ITEMS MARKED \* ARE SPECIAL ORDER, PLEASE ALLOW 2 WEEKS FOR DELIVERY

1. \*203021A COVER AND DRIVE PLATE \$51.50
2. \*203648A CAM ROLLER, STANDARD \$23.25
2. \*203649A CAM ROLLER, OPTIONAL \$23.25
3. \*203044A CLIP, SPRING \$5.75
4. 203043A SPRING YELLOW, STANDARD \$19.00
4. 203040A SPRING RED, OPTIONAL \$19.95
5. \*203022A FACE, MOVABLE & HUB \$56.00
6. 203031A BUSHING, GUIDE \$8.50
7. 203039A SPRING COMPRESSION \$7.00
8. \*203023A FACE, FIXED AND POST, 1" BORE, 1/4" KEY \$44.00

## Comet 40 Series Driven Unit

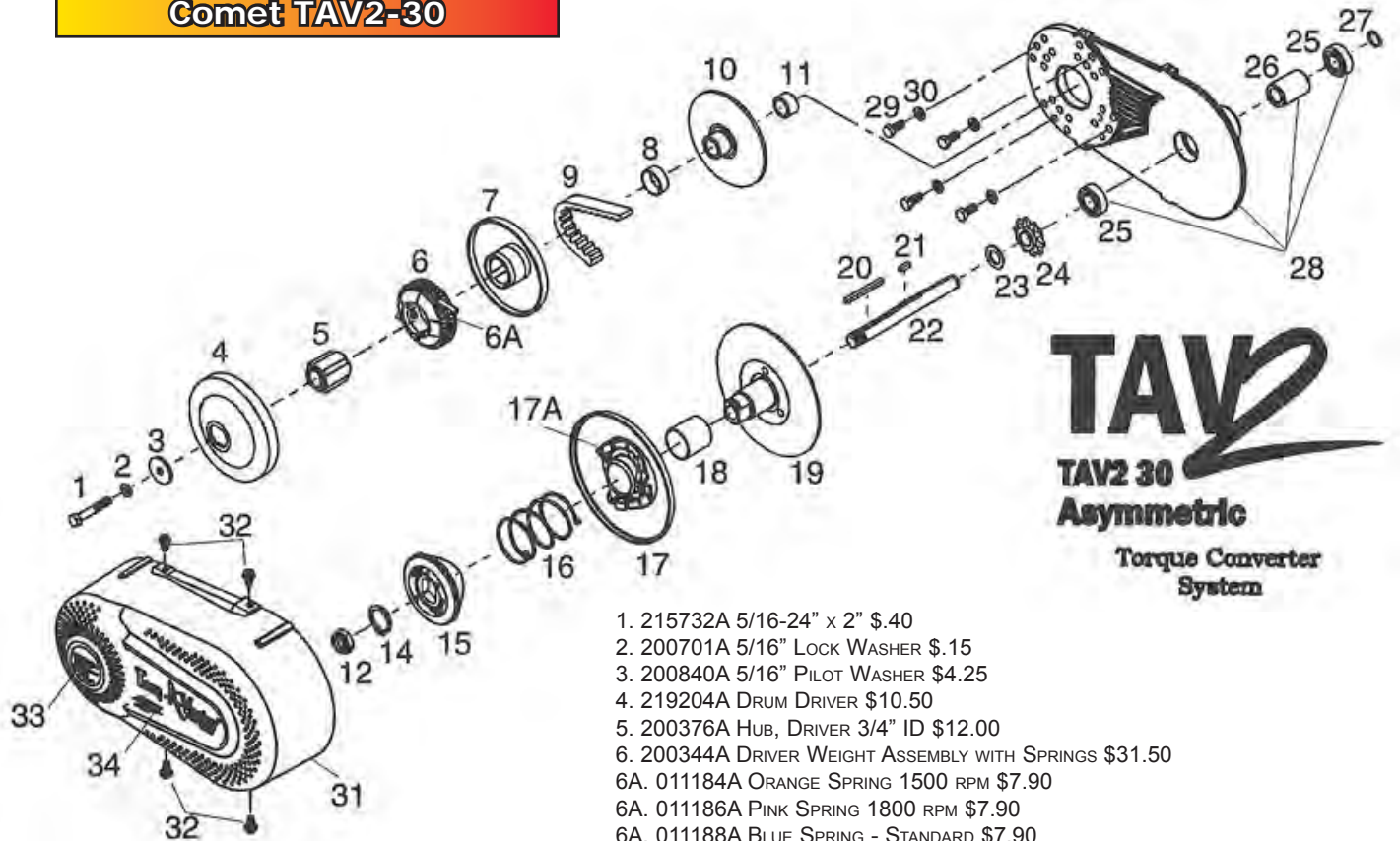
ITEMS MARKED \* ARE SPECIAL ORDER, PLEASE ALLOW 2 WEEKS FOR DELIVERY

1. 203159A RING RETAINING \$2.80
2. \*205208A WASHER, THRUST \$3.75
3. \*209115A CAM, FIXED \$36.00
4. 203130A SPRING RED \$7.00
5. \*209128A MOVABLE FACE AND CAM WITH BEARING \$70.00
6. 203097A SPACER \$3.75
7. 209166A KEY 3/16" x 3/16" x 1/2" \$1.95
8. \*209150A FIXED FACE AND POST 5/8" BORE x 3/16" KEYWAY \$65.00
8. \*209132A FIXED FACE AND POST 3/4" BORE x 3/16" KEYWAY \$65.00
9. 206458A BUTTON, PACKAGE OF 3 \$8.00





Comet TAV2-30



**TAV2**  
**TAV2 30**  
**Asymmetric**  
 Torque Converter  
 System

1. 215732A 5/16-24" x 2" \$.40
2. 200701A 5/16" LOCK WASHER \$.15
3. 200840A 5/16" PILOT WASHER \$4.25
4. 219204A DRUM DRIVER \$10.50
5. 200376A HUB, DRIVER 3/4" ID \$12.00
6. 200344A DRIVER WEIGHT ASSEMBLY WITH SPRINGS \$31.50
- 6A. 011184A ORANGE SPRING 1500 RPM \$7.90
- 6A. 011186A PINK SPRING 1800 RPM \$7.90
- 6A. 011188A BLUE SPRING - STANDARD \$7.90
- 6A. 011190A WHITE SPRING 3100 RPM \$7.90
- 6A. 216111A YELLOW SPRING 3300 RPM \$12.50
- 6A. 216115A BLUE/YELLOW SPRING 3600 RPM \$12.50
7. 219205A SHEAVE MOVABLE HALF WITH HUB 3/4" \$23.25
8. 200349A BRONZE BUSHING \$5.75
9. 203589A BELT \$26.00
10. 219278A SHEAVE STATIONARY HALF 3/4" \$25.00
11. 200389A SPACER 3/4" ID \$9.95
12. 203189A 5/8-18 LOCK NUT \$1.30
14. 204714A RING, RETAINING \$5.40
15. 215650A CAM FIXED \$15.50
16. 215699A SPRING, GREEN, STANDARD \$8.00
16. 216168A SPRING, YELLOW, OPTIONAL \$15.50
17. 219466A FACE MOVABLE WITH CAM \$40.00
- 17A. 219818A NEW STYLE TAN BUTTON, CLIP IN STYLE, 3 PACK \$6.00
- 17A. 204332A OLD STYLE BLACK BUTTON, PRESS IN STYLE, 3 PACK \$4.00
18. 203942A BUSHING \$6.80
19. 219470A FIXED FACE 5/8" BORE \$45.00
20. 209831A 3/16"x3/16"x2 1/4" \$4.25
21. 3/16"x3/16"x1/2" \$.90
22. 212225A 5/8" DIAMETER JACKSHAFT 6 3/8" LONG \$21.00
23. 200834A WASHER 5/8" ID x 1" OD \$4.25
24. 200379A SPROCKET 12 TOOTH #35 \$20.95
24. 8720MANCO SPROCKET 9 TOOTH #420, #40/41 \$19.95
24. 202168A SPROCKET 10 TOOTH #420, #40/41 \$26.95
25. 215558A 5/8" x 1 3/8" BEARING \$3.00
26. 203187A SPACER 5/8" x 7/8" x 1" \$3.75
27. 212227A RING, RETAINING \$3.00
28. 218525A MOUNTING BRACKET WITH BEARINGS AND SPACERS \$94.00
29. 217867A BOLT 5/16-24" x 1" \$.40
30. 200701A LOCK WASHER 5/16" \$.15
31. 218351A SHROUD, PLASTIC \$35.00
32. 214146A SCREW \$1.00

**Torque Convertor Belts**

**20 SERIES — SYMMETRIC**

20 Series • 3/4" Top Width • 30° Symmetric (15° + 15°)* (20C & 25C/21D-6" & 21D-7") • .40 Thick • Kevlar Type					
COMET Order No.	COMET NO. Marked Belt	C.D. SETTING		Belt O.C.	Fractional Equiv.
		6" Dia. Driven	7" Dia. Driven		
203578A	884-70	6-15/16 - 7	No Fit	27.36	27-23/64
203579A	884-75	7-1/8 - 7-3/16	6-1/4 - 6-5/16	28.32	28-21/64
203580A	884-80	7-9/16 - 7-5/8	6-13/16 - 6-7/8	29.28	29-9/32
203581A	884-85*	8-3/16 - 8-1/4	7-5/16 - 7-3/8	30.25	30-1/4
203582A	884-90	8-11/16 - 8-3/4	7-3/4 - 7-13/16	31.23	31-15/64
203583A	884-95	9-3/16 - 9-1/4	8-5/16 - 8-3/8	32.20	32-13/64
203584A	884-100	9-5/8 - 9-11/16	8-3/4 - 8-13/16	33.18	33-11/64
203585A	884-105	9-15/16 - 10	9-3/16 - 9-1/4	33.78	33-25/32
203586A	884-110	10-3/4 - 10-13/16	9-13/16 - 9-7/8	35.14	35-9/64
203587A	884-120	11-11/16 - 11-3/4	10-15/16 - 11	37.11	37-7/64
203588A	884-130	13-1/16 - 13-1/8	12-1/8 - 12-3/16	39.77	39-25/32

\* Belt sometimes found marked as 9805-3603

**30 SERIES — ASYMMETRIC**

30 Series • 3/4" Top Width • 20-1/2° Asymmetric (18° + 2-1/2°)* (30C & 35C/31D-6" & 31D-7") • .40 Thick • Kevlar Type					
COMET Order No.	COMET NO. Marked Belt	C.D. SETTING		Belt O.C.	Fractional Equiv.
		6" Dia. Driven	7" Dia. Driven		
203589A	994-70	6-15/16 - 7	No Fit	27.36	27-23/64
203590A	994-75	7-1/8 - 7-3/16	6-1/4 - 6-5/16	28.32	28-21/64
203591A	994-80	7-9/16 - 7-5/8	6-13/16 - 6-7/8	29.28	29-9/32
203592A	994-85	8-3/16 - 8-1/4	7-5/16 - 7-3/8	30.25	30-1/4
203593A	994-90	8-11/16 - 8-3/4	7-3/4 - 7-13/16	31.23	31-15/64
203594A	994-95	9-3/16 - 9-1/4	8-5/16 - 8-3/8	32.20	32-13/64
203595A	994-100	9-5/8 - 9-11/16	8-3/4 - 8-13/16	33.18	33-11/64
203596A	994-105	9-15/16 - 10	9-3/16 - 9-1/4	33.78	33-25/32
203597A	994-110	10-3/4 - 10-13/16	9-13/16 - 9-7/8	35.14	35-9/64
203598A	994-120	11-11/16 - 11-3/4	10-15/16 - 11	37.11	37-7/64
203599A	994-130	13-1/16 - 13-1/8	12-1/8 - 12-3/16	39.77	39-25/32

\* Always run the 2-1/2° side nearest the engine (the 2-1/2° side appears nearly flat and must be mated to the like appearing sheave half).

**40 SERIES — SYMMETRIC**

40 Series • 7/8" Top Width • 30° Symmetric (15° + 15°) • .45 Thick • Kevlar Type					
COMET Order No.	COMET No. Marked Belt	40 C.D. Setting	44 C.D. Setting	Belt O.C.	Fractional Equiv.
203784A	40-80	7-7/8"		32.900	32-29/32
203785A	40-85	8-3/16"		33.870	33-7/8
203786A	40-90	8-5/8"	7-5/8"	34.830	34-27/32
203787A	40-95	9-3/8"	8-3/16"	35.800	35-51/64
203788A	40-100	9-3/4"	8-11/16"	36.780	36-25/32
203792A	40-105	10-1/8"	9-3/16"	37.750	37-3/4
203789A	40-110	10-1/2"	9-5/8"	38.650	38-21/32
203790A	40-120	11-1/2"	10-9/16"	40.500	40-1/2
203791A	40-130	12-5/8"	11-11/16"	42.660	42-21/32
204331A	40-140	13-3/4"	12-5/8"	44.530	44-17/32



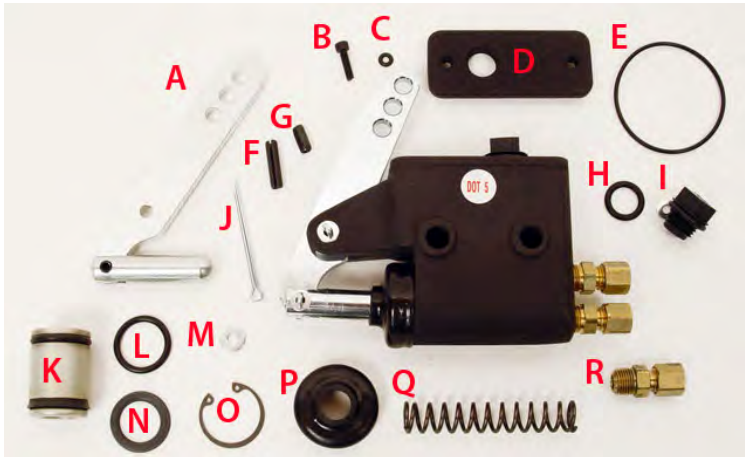
BELTS AVAILABLE - \$26.00

BELTS AVAILABLE - \$34.00

- 200393A
- 200394A
- 200397A
- 200426A
- 202943A
- 203578A
- 203599A
- 203580A
- 203581A
- 203582A
- 203583A
- 203584A
- 203585A
- 203586A
- 203587A
- 203588A
- 203589A (5959)
- 203590A
- 203591A
- 203592A
- 203593A
- 203594A
- 203595A
- 203596A
- 203597A
- 203783A
- 203784A
- 203785A
- 203786A
- 203787A



### MCP Master Cylinders



- |  |  |
|--|--|
| A. 882/883 LEVER WITH PUSH ROD \$12.50 | K. 887 7/8 BORE PISTON WITH SEALS \$7.50 |
| B. 880 TOP COVER SCREW \$.30           | L. 888 O-RING FOR 7/8 BORE \$.40         |
| C. 881 TOP SCREW O-RING \$.30          | 888.1 O-RING FOR DOT4 FLUID \$.70        |
| D. 877 TOP COVER PLATE \$6.00          | M. #6 WASHER \$.10                       |
| E. 878 TOP COVER O-RING \$.65          | N. 889 CUP SEAL FOR 7/8 BORE \$1.25      |
| F. 884 LEVER ARM PIVOT PIN \$.80       | 889.1 CUP SEAL FOR DOT 4 FLUID \$1.75    |
| G. 885 PUSH ROD PIVOT PIN \$.30        | O. 890 SNAP RING \$.50                   |
| H. CAP REPLACEMENT O-RING \$.50        | P. 886 DUST BOOT \$2.50                  |
| I. 879 CAP WITH O-RING \$.90           | Q. 891 SPRING \$1.00                     |
| J. COTTER PIN \$.20                    | R. STRAIGHT BRAKE FITTING \$2.20         |



1. 875 STANDARD CAST MASTER CYLINDER \$45.00



2. 3/4" BIG BORE BILLET MASTER CYLINDER FOR 35% MORE POWER

- A. 750 RED ANODIZED \$68.00
- B. 750C SILVER \$68.00
- C. 750B ANODIZED BLACK \$68.00



3. HAND BRAKE ACTIVATED HYDRAULIC MASTER CYLINDER, LEFT HAND, BOLTS TO HANDLE BARS, FITS 7/8" OR 1" BARS \$65.00

### MCP Rear Caliper Parts



- A. 1378 CALIPER PISTON, 1.370" \$7.50
- A. 653 FRONT CALIPER PISTON 1" \$7.50
- B. 1382 BLEED SCREW \$2.50
- C. 1380 PAD ADJUSTER \$6.00
- D. 1379 PISTON O-RING \$1.60
- E. STRAIGHT BRAKE FITTING \$2.20
- INNER SILVER BLEED SCREW \$1.85

### MCP Rear Calipers



1. 1375 STANDARD CAST BRAKE CALIPER WITH PADS \$88.00

2. RED ANODIZED BILLET CALIPER WITH PADS

- A. 1375SE-R TWO LINE WITH CROSS OVER HOLES NARROW FOR 1/4" WIDE DISK \$120.00
- B. SPACER KIT FOR WIDER DISK FOR USE ON 1375SE-R \$18.00



3. 1125 MINI LITE REAR CALIPER WITH PADS, BLACK \$107.00

4. 1375P650 WIDE SPACING FOR RIPLEY VENTED DISK \$149.95

5. 1375P250 NARROW CALIPER SPACING FOR 1/4" DISK \$149.95



### MCP Front Calipers

1. 650 FRONT CALIPER WITH WELD ON FRONT BRAKE PLATE SPECIFY RH OR LH \$105.00



### MCP Rear Brake Kit

1. STANDARD REAR BRAKE KIT WITH 875 MC AND 1375 CALIPER WITH 7 1/8" DISK AND BRAKE LINE SPECIFY 1" OR 1 1/4" \$175.00



2. 2112 MINI LITE REAR BRAKE KIT WITH 750 MC AND 1125 CALIPER WITH MINI DISK AND 1 1/4" HUB, FLUID, BRAKE LINE BLACK \$229.00



**MCP Front Brake Kit**

- 1. 4568 ADJUSTABLE TRACK WIDTH, US PATTERN, 6" BRAKE DISCS, 650 CALIPERS, BRAKE LINES \$468.00 SPECIFY 5/8" OR 17MM
- 2. #4561 MCP FRONT BRAKE KIT, FOR ENDURO RACING, 7 1/2" BRAKE ROTOR, US PATTERN \$525.00 **SPECIAL ORDER**



**MCP Brake Hubs**

- 1. ALUMINUM 1" OR 1 3/8" HUB \$19.95



- 2. 125L ALUMINUM LIGHTWEIGHT 1 1/4" HUB \$19.95
- 3. 40MM ALUMINUM BRAKE DISC HUB \$32.00

- 4. 125MB ALUMINUM MINI LITE BRAKE DISK HUB 1 1/4" \$22.50



- 5. MINI LITE 30MM AXLE BRAKE DISK HUB FOR THREE BOLT PATTERN, 6MM KEYWAY \$50.00

**MCP Brake Pads**

- 1. MCP REAR BRAKE PADS
  - A. 1383BN STANDARD BLACK \$21.00 PAIR
  - B. 1383LN SPECIAL MIX BLUE \$42.00 PAIR
  - C. GREEN PAD FOR ALUMINUM DISC \$47.00 PAIR

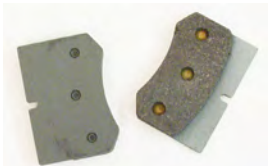


- 2. MCP FRONT BRAKE PADS

- A. 554BN STANDARD BLACK \$48.00 SET OF FOUR
- B. 554LN SPECIAL MIX BLUE \$84.00 SET OF FOUR
- C. MINI LITE PADS \$24.00 PAIR
- D. 554LNA GREEN PADS FOR ALUMINUM ROTOR \$76.00 SET OF FOUR



- 3. LARGE RED CALIPER SHIFTER PADS
  - A. BLUE \$45.00 PAIR



**MCP Brake Discs**

- 1. 712 STEEL DISC 7 1/8" x 3/16" \$23.00
- 2. 713 STEEL DISC 7 1/8" x 1/4" \$31.00
- 3. 775 STEEL DISC 7 3/4" x 3/16" \$26.00
- 4. 1775 STEEL DISC 7 3/4" x 1/4" \$31.00



- 5. 562 STEEL DISC 7 1/2" x 1/8" \$28.00
- 6. 562.1 STEEL DISC 7 1/2" x 3/16" \$31.00



- 7. 566 FRONT STEEL DISC 6" x 1/8" \$23.00
- 8. 566.1 FRONT STEEL DISC 6" x 3/16" \$28.00



- 9. 711S STEEL DISC SUPER LIGHT SLOTTED 7 1/8" x 1/8" \$30.00



- 10. 612 FRONT STEEL DISC 6" x 3/16" OR MINI LITE REAR DISC \$31.00



- 11. 611 STEEL DISC, SUPER LIGHT SLOTTED MINI LITE 6" x 1/8" \$30.00



- 12. 1710L SLOTTED JUNIOR DRAGSTER DISC 10" x 1/4" \$65.00



### MCP Rebuild Kits

1. MASTER CYLINDER REBUILD KIT
  - A. #151 FOR 875 \$13.50
  - B. #251 FOR 750 \$13.50
  - C. #351 FOR MCP EURO MASTER CYLINDER \$13.50



2. CALIPER REBUILD KIT

- A. #152 FOR 1375 \$13.50
- B. #653 FOR 650 \$15.00
- C. #4253 FOR 4250 \$11.50
- D. #352 FOR 1125 \$14.95
- E. #252 FOR 2500 \$14.50
- F. #152EP FOR EURO CALIPER \$16.50



### MCP Brake Parts

1. 1380 PAD ADJUSTER \$6.00
- 3380 METRIC PAD ADJUSTER FOR NEW STYLE BLACK MARGAY CALIPER \$7.50



2. ALUMINUM MASTER CYLINDER CAP WITH O-RING \$5.95



3. ADJUSTABLE FRONT BRAKE HUB SPECIFY US OR INT'L PATTERN \$107.00



4. 669 DRILLED BOLT AND SPACER KIT FOR FRONT BRAKE CALIPERS \$9.90



5. 560 FRONT BRAKE CALIPER WELD ON BRACKET \$9.80



6. **CLOSE OUT!** COMET FRONT BRAKE SPINDLES WITH WELDED ON BRACKET SPECIFY LH OR RH

- A. QUICKSILVER Z BEND 15° \$86.00
- B. COYOTE 12° \$95.00

### MCP Brake Parts

1. 553 PISTON GOLD FRONT CALIPER 7/8 \$7.00
2. 555 PAD SCREW FRONT CALIPER \$.45
3. 556 SLEEVE FOR FRONT CALIPER \$1.50
4. 557 SPRING FOR FRONT CALIPER \$.95
5. 558 SHOERT SCREW FRONT CALIPER PAD \$0.90
6. 567-S FRONT WHEEL BRAKE BRACKET \$10.95
7. 668 FRONT WHEEL BRAKE SPACER \$1.25
8. 653-1 FWB 1" PISTON \$7.50
9. 888 O-RING FOR FWB PISTON \$.40
10. 1380.4 CALIPER SLEEVE \$1.50
11. 1381 REAR CALIPER DUST O-RING \$.50
12. 1384 REAR CALIPER SPACER \$2.00
13. 252 REAR RED CALIPER REPAIR KIT \$14.50
14. 452 O-RING KIT FOR BIG RED CALIPER \$8.50
15. 4253 4 PISTON CALIPER \$11.50 EACH
16. 4284 SPACER KIT FOR BIG RED CALIPER \$13.50
17. 4285 RED CLIP FOR BIG RED CALIPER \$2.75

### Brake Bolt Kits



1. MASTER CYLINDER BOLT KIT \$1.80 EACH (2 NEEDED PER MASTER CYLINDER) THIS KIT WILL WORK IN MOST INSTANCES  
EACH KIT INCLUDES -  
1 - 5/16-24 x 2 1/4" DRILLED HEX BOLT  
1 - 5/16-24 NYLOCK NUT  
2 - 5/16 SMALL OD WASHER  
1 - COTTER PIN 1/16x1"



2. STANDARD REAR CALIPER BOLT KIT \$3.30 EACH (2 NEEDED PER CALIPER) THIS KIT WILL WORK IN MOST INSTANCES, NOT FOR MINI-LITE BRAKE KIT  
EACH KIT INCLUDES -  
1 - 3/8-24 x 4" DRILLED HEX BOLT  
1 - 3/8-24 CASTLE NUT  
2 - 3/8 SMALL OD WASHER  
1 - COTTER PIN 1/16x1"



3. STANDARD SIZE BRAKE DISK BOLT KIT \$1.95 EACH (4 NEEDED PER DISK) THIS KIT WILL WORK IN MOST INSTANCES, NOT FOR MINI-LITE BRAKE KIT  
EACH KIT INCLUDES -  
1 - 5/16-24 x 1 1/4" DRILLED HEX BOLT  
1 - 5/16-24 METAL LOCKING NUT  
1 - 5/16 SMALL OD WASHER  
1 - COTTER PIN 1/16x1"



4. MINI LITE BRAKE CALIPER BOLT KIT \$3.10 EACH (2 NEEDED PER CALIPER)  
KIT INCLUDES -  
1 - 5/16-24 x 3 3/4" DRILLED HEX BOLT  
1 - 5/16-24 CASTLE NUT  
4 - 5/16 SMALL OD WASHER  
1 - COTTER PIN 1/16x1"



5. MINI LITE BRAKE DISK BOLT KIT \$.70 EACH (3 NEEDED PER DISK)  
KIT INCLUDES -  
1 - 1/4-28 x 3/4" HEX BOLT  
1 - 1/4-28 METAL LOCKING NUT



6. STANDARD 4 TAB BRAKE DISC BOLT KIT \$2.50  
KIT INCLUDES -  
4 - 5/16-18 x 1" DRILLED HEX BOLT  
4 - 5/16-18 METAL LOCKING NUT



**Enginetics Rebuild Kit**

1. 904 MASTER CYLINDER REBUILD KIT \$13.80



2. 4020 MASTER CYLINDER REBUILD KIT FOR HAND ACTIVATED MASTER CYLINDER \$13.00



3. CALIPER REBUILD KIT

905 FOR 700B, 700 PRO \$15.00  
907 FOR 1700, 2700 \$15.00



4. 1708 PAD BOLT \$.90  
5. 1708 RETURN SPRING \$2.00  
6. 1707 SLEEVE \$4.00



7. 708 BRAKE SHIM \$.85



8. 602 MASTER CYLINDER TOP \$8.80  
9. 117 MASTER CYLINDER CAP \$1.80  
10. 615 MASTER CYLINDER PEDAL ARM \$5.00

**Enginetics Brake Pads**

1. 303 ENGINETICS STANDARD REAR PADS \$23.00



2. FRONT BRAKE PADS BLACK STD, BLUE, RED, YELLOW FOR ALUMINUM \$27.00 PAIR



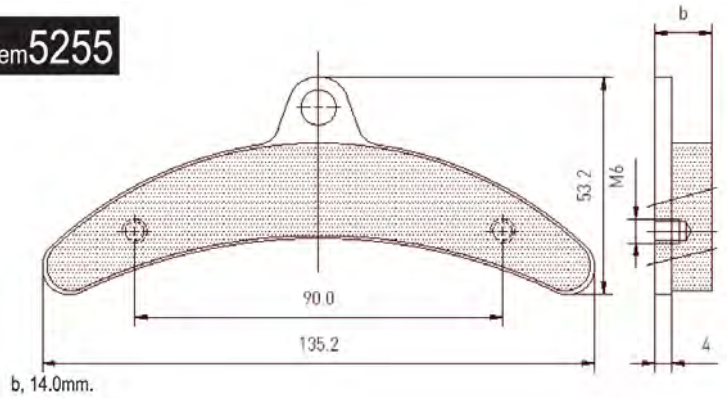
3. 750 OLD STYLE FRONT BRAKE PAD, BLACK \$34.00 EACH



4. 6220 BIG YELLOW CALIPER REAR PADS \$52.00 PAIR  
SPECIFY IRON DISC OR ALUMINUM DISC

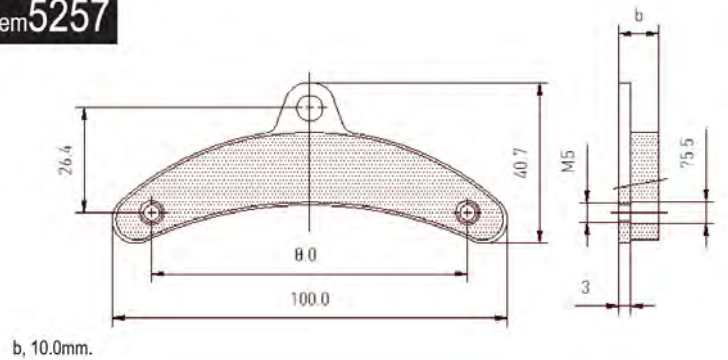
**Aftermarket Foreign Brake Pads**

item 5255



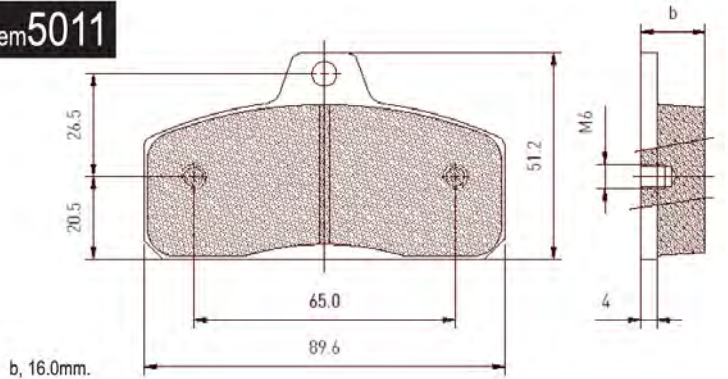
1. 5255 BIREL (BANANA) REAR BRAKE PADS \$33.00 PAIR

item 5257

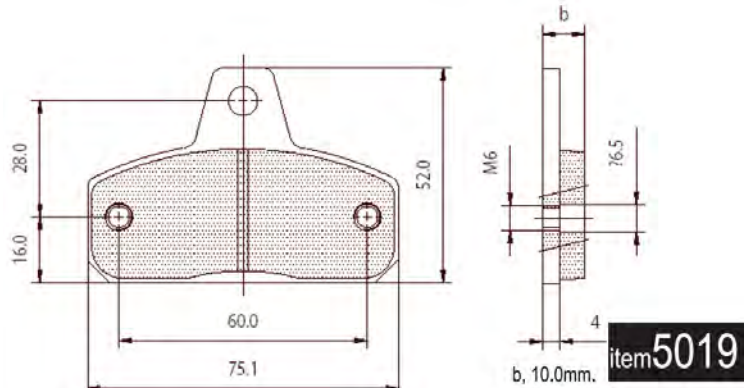


2. 5257 BIREL (BANANA) FRONT BRAKE PADS \$33.00 PAIR

item 5011



3. 5011 BIREL REAR BRAKE PADS \$33.00 PAIR

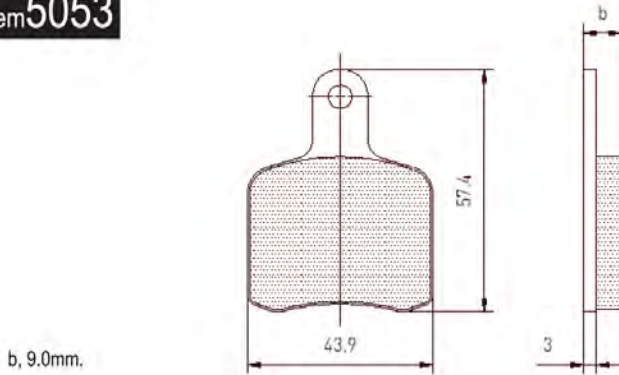


4. 5019 BIREL FRONT BRAKE PADS \$33.00 PAIR



Aftermarket Foreign Brake Pads Cont.

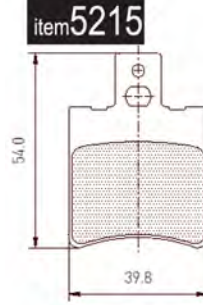
item 5053



b, 9.0mm.

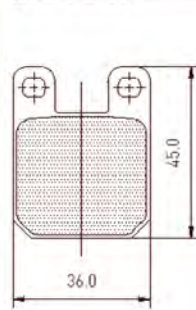
5. 5053 TONY KART REAR/FRONT NEW STYLE BRAKE PADS \$33.00 PAIR

item 5215



b, 6.4mm.

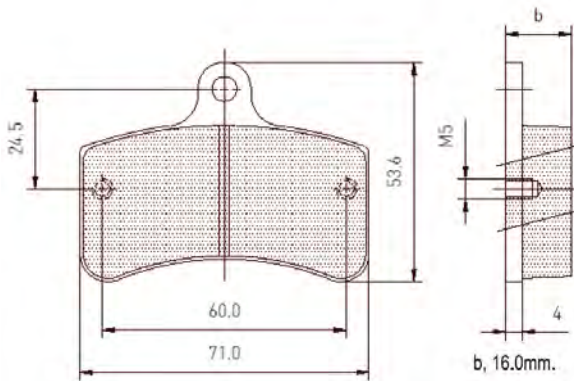
item 5149



b, 6.0mm.

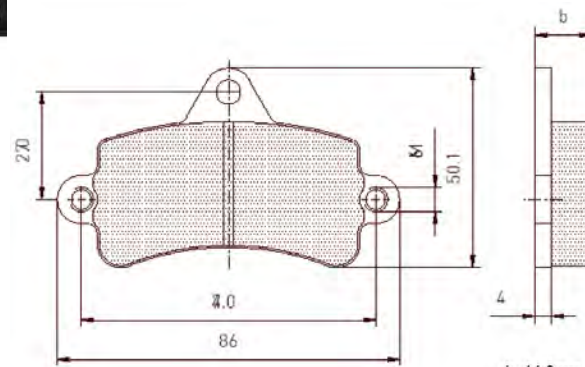
9. 5215 BREMBO (TRACK MAGIC) REAR BRAKE PADS \$33.00 PAIR  
10. 5149 BREMBO (TRACK MAGIC) FRONT BRAKE PADS \$33.00 PAIR

item 5039



b, 16.0mm.

6. 5039 TONY KART REAR BRAKE PADS \$33.00 PAIR

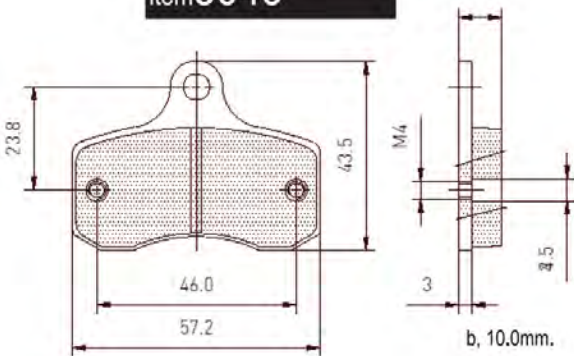


b, 14.0mm.

11. 5303 NEW STYLE TOP KART REAR BRAKE PADS \$33.00 PAIR

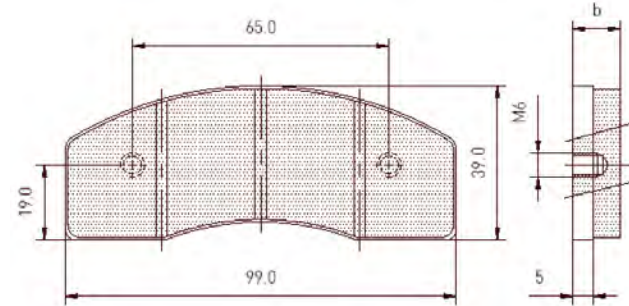
item 5303

item 5049



b, 10.0mm.

7. 5049 TONY KART FRONT BRAKE PADS \$33.00 PAIR

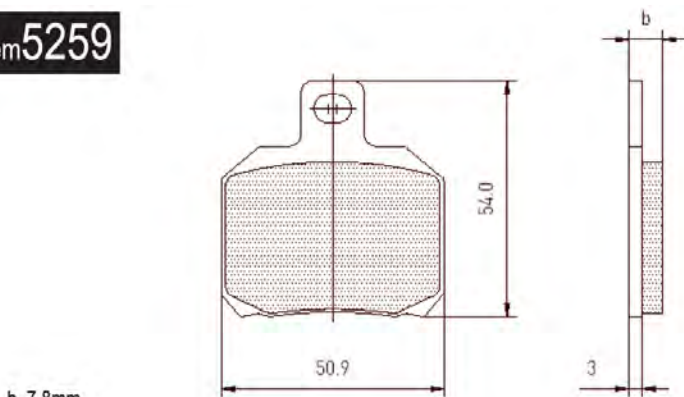


b, 12.0mm.

12. 5281 TOP KART REAR BRAKE PADS \$33.00 PAIR

item 5281

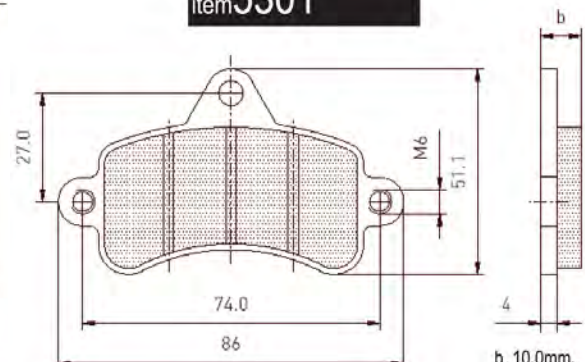
item 5259



b, 7.8mm.

8. 5259 BREMBO REAR BRAKE PADS \$33.00 PAIR

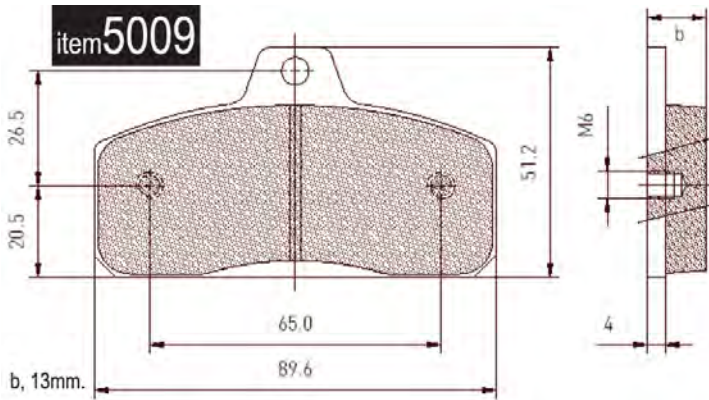
item 5301



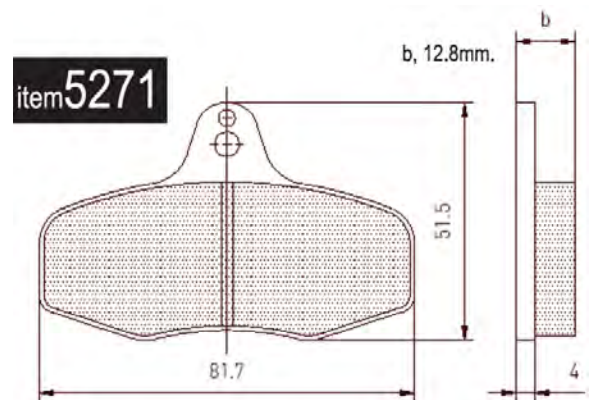
b, 10.0mm.

13. 5301 TOP KART REAR BRAKE PADS \$33.00 PAIR

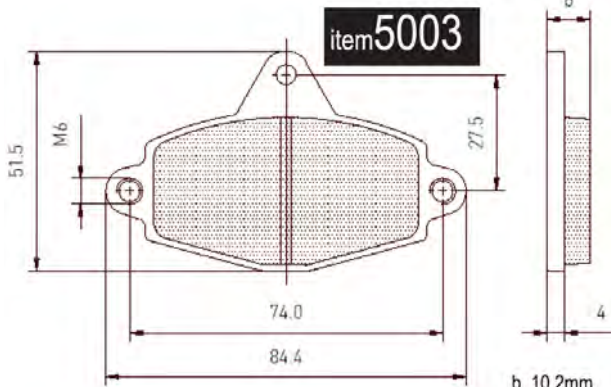
**Aftermarket Foreign Brake Pads Cont.**



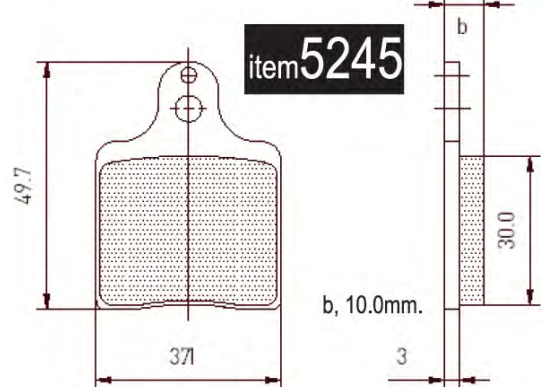
14. 5009 RIGHETTI RIDOLPHI REAR BRAKE PADS \$33.00 PAIR



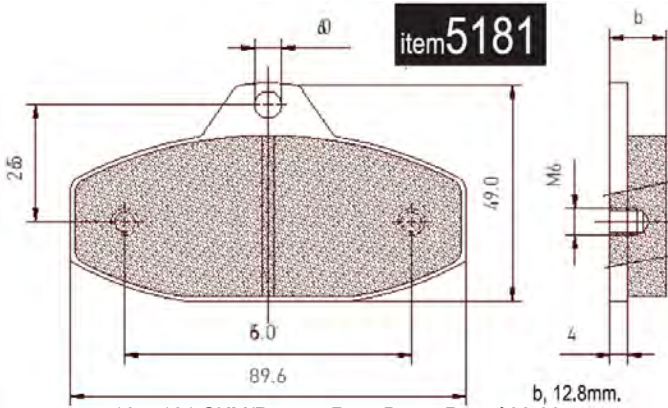
18. 5271 INTREPID EVO3 REAR BRAKE PADS \$33.00 PAIR



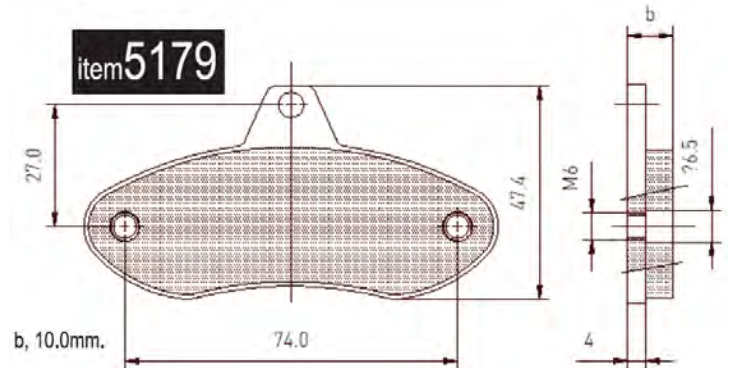
15. 5003 RIGHETTI RIDOLPHI FRONT BRAKE PADS \$33.00 PAIR



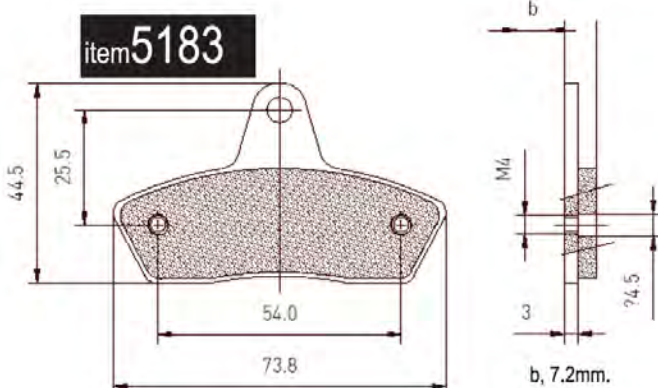
19. 5245 INTREPID EVO3 FRONT BRAKE PADS \$33.00 PAIR



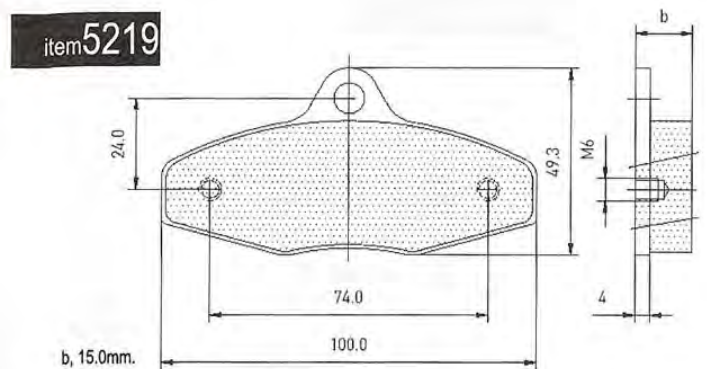
16. 5181 SKM/PAROLIN REAR BRAKE PADS \$33.00 PAIR



20. 5179 WILDKART (PROTON) FRONT BRAKE PADS \$33.00 PAIR



17. 5183 SKM/PAROLIN FRONT BRAKE PADS \$33.00 PAIR

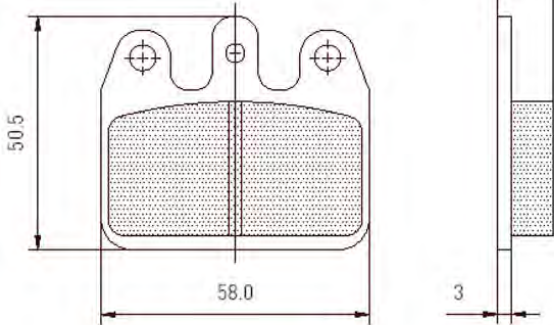


21. 5219 MBA, FIRST KART, BIREL (OLDER), MERLIN \$33.00 PAIR



Aftermarket Foreign Brake Pads Cont.

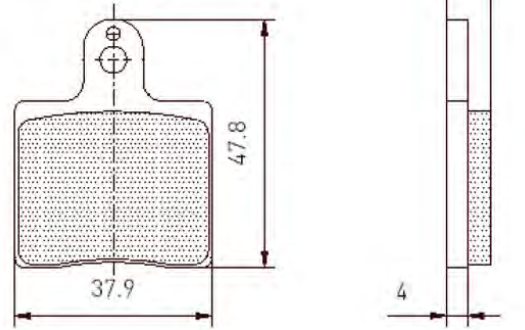
item 5105



b, 12.0mm.

- 22. 5105.S CRG VEN05 REAR PADS \$33.00 PAIR
- 23. 5105.SP CRG VEN05 REAR PADS FOR CERAMIC BRAKE DISC \$53.50 PAIR

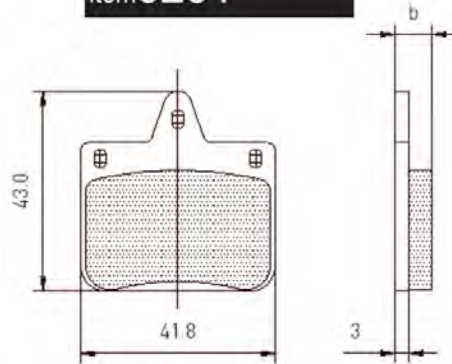
item 5143



b, 8.5mm.

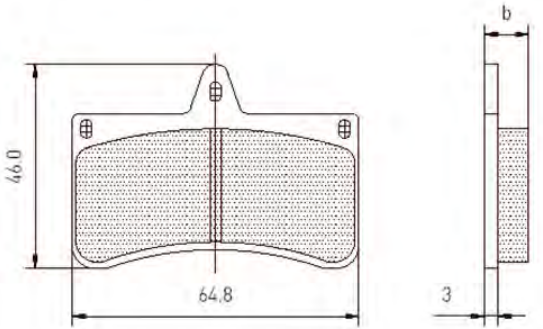
- 27. 5143.S CRG VEN05 FRONT PADS, 2000UP FRONT/REAR PADS \$33.00 PAIR
- 28. 5143.SP CRG VEN05 FRONT PADS, 2000UP FRONT/REAR BRAKE PADS FOR CERAMIC BRAKE DISC \$53.50 PAIR

item 5251



b, 8.0mm.

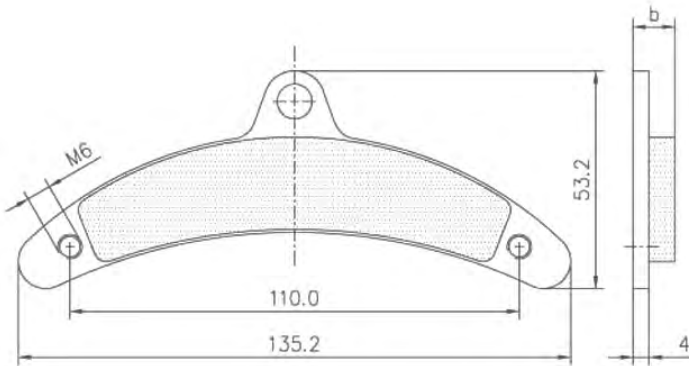
- 29. CRG VEN04 FRONT BRAKE PADS \$33.00 PAIR



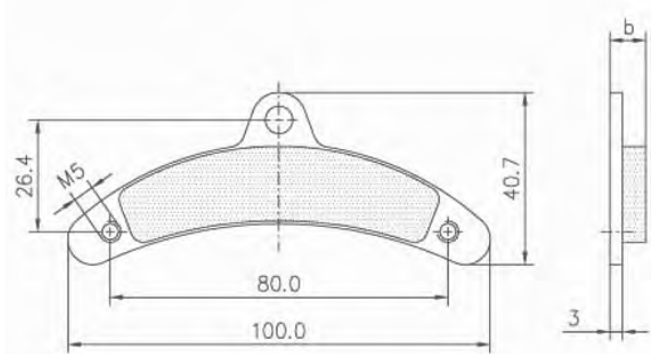
b, 10.0mm.

item 5253

- 24. CRG VEN04 REAR BRAKE PADS \$29.95 PAIR

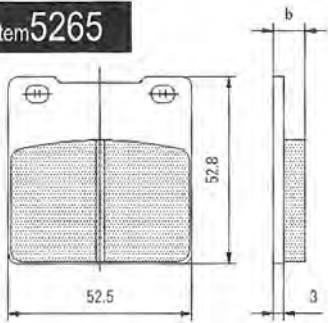


- 25. 5335.S BIREL 2010 REAR BRAKE PADS \$35.00 PAIR



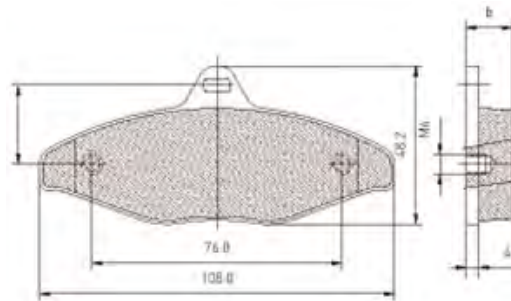
- 30. 5337.S BIREL 2010 FRONT BRAKE PADS \$35.00 PAIR

item 5265



b, 19.0mm.

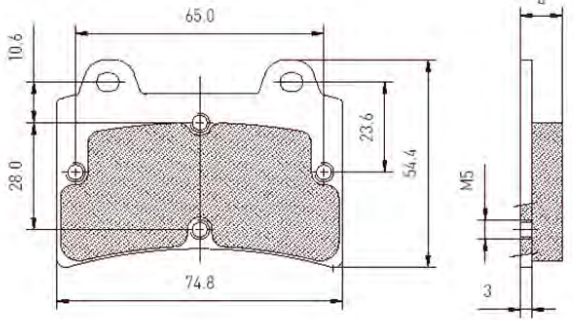
- 26. 5265 MERLIN, JESELO KART \$29.95 PAIR



- 31. 5099 CRG GOLD CALIPER VEN99 BRAKE PADS \$42.00 PAIR

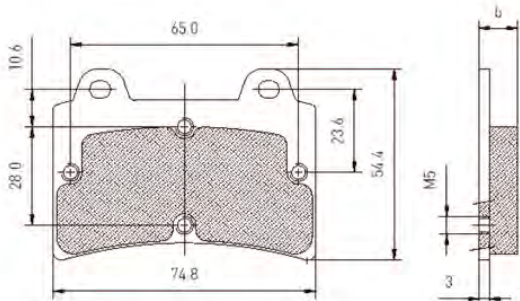


**Aftermarket Foreign Brake Pads Cont.**



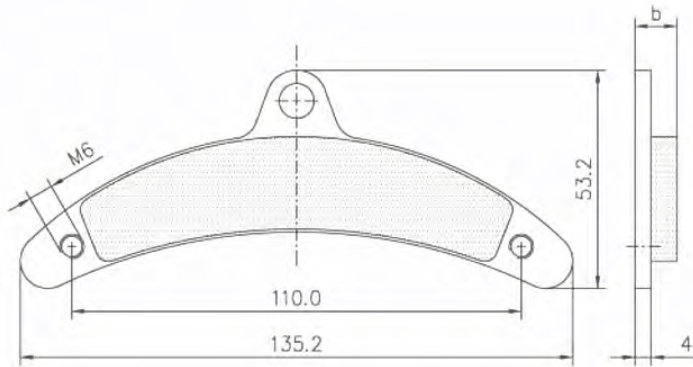
b, 15.0mm

32. 5227 ARROW KART 15MM THICK REAR BRAKE PADS FOR X1, X2 \$33.00 PAIR

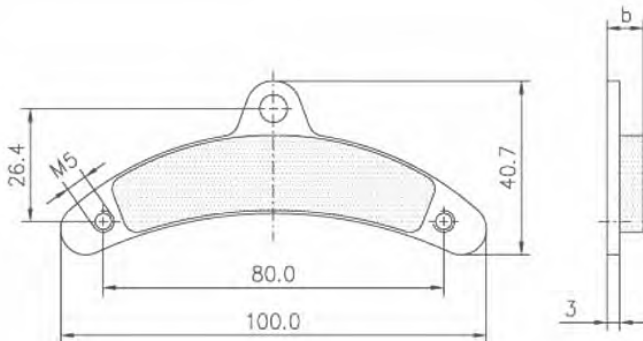


b, 11.0mm. item 5229

33. 5229 ARROW KART 11MM THICK REAR BRAKE PADS FOR X3 AND 125CC SHIFTER KART \$33.00 PAIR

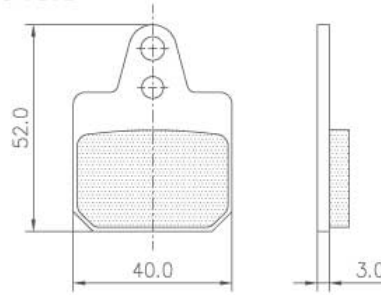


34. 5335.S BIREL 2010 REAR BRAKE PADS \$35.00 PAIR



35. 5337.S BIREL 2010 FRONT BRAKE PADS, THINNER, WORKS ON CADET AND JUNIOR SPORTSMAN REAR CALIPER \$35.00 PAIR

**5343.S**



36. 5343.S BIREL 2012 BRAKE PADS \$33.00 PAIR

**Brake Fluid**

1. DOT 5 SILICONE BRAKE FLUID

8 oz \$7.95  
QUART \$23.00



2. BELRAY SUPER DOT 4 BRAKE FLUID FOR EUROPEAN BRAKES \$9.50 PINT



**Brake Fittings**



1/8" NPT BRAKE FITTINGS

1. STRAIGHT FITTING \$2.20
2. T STYLE COMPRESSION FITTING \$6.80
3. 90° FITTING \$3.80

BRASS FERREL FITTINGS

4. HAT STYLE FERREL \$.70
5. TAPERED BARREL STYLE \$.70



6. 1/8" NPT FITTING NUT \$1.40



7. BRAKE BLEEDER ASSEMBLY \$2.50



WASHER

8. 10MM FIBER \$.70
9. 10MM COPPER \$.70
10. 6MM FIBER \$.65
11. 5MM COPPER \$.65



### Brake Fittings Cont.



1/8" NPT BRAKE FITTING FOR 6MM BRAKE LINE

- 12. STRAIGHT FITTING \$13.95
- 13. 90° FITTING \$13.95
- 14. T STYLE FITTING \$17.95

- 15. 6MM EXTERNAL FERREL \$1.95



- 16. METRIC FITTING NUT \$3.75

- 17. 6MM BRAKE LINE INTERNAL SEAL \$1.95



METRIC BRAKE BOLT

- 18. BLEEDER SCREW \$2.80
- 19. BANJO BOLT \$3.75
- 20. BANJO BOLT WITH BUILT IN BLEEDER \$6.95



- 21. 10MM COPPER WASHER \$.75



- 22. 10MM METRIC BRAKE PLUG \$3.55

### Brake Line

- 1. 3/16" PLASTIC BRAKE LINE  
\$.40 PER FOOT, 25 FEET \$10.00  
50 FEET \$18.50



- 2. METRIC BRAKE LINE 4MM ID,  
6MM OD \$.65 PER FOOT

METRIC BRAIDED LINE

- 3. 3/2" LINE WITH NUT FITTINGS  
STANDARD OR RED \$29.95



### Brake Bleeders

- 1. RIGHETTI BRAKE BLEEDER  
KIT WITH 10MM, 6MM, 1/8" NPT  
\$109.00



- 2. WILD KART BRAKE  
BLEEDER KIT  
M10, M6, 1/8" \$85.00



- 3. 912 ENGINETICS BOTTLE BLEEDER KIT, FOR  
AMERICAN MASTER CYLINDERS, FITS ENGINETICS  
AND MCP WITH 1/8" NPT FITTING \$12.00



### Brake Tie Down



- 1. PLASTIC TIE FOR  
BRAKE LINES  
A. FOR BRAKE LINE,  
BLACK OR RED \$1.75  
B. FOR T-FITTING,  
BLACK OR RED \$1.75

### Brake Adaptor

- 1. BRAKE ADAPTOR PLATE, BOLTS TO  
BEARING CASSETTE, ADAPTS TO MCP  
STANDARD AND MINI LITE CALIPER,  
BLACK ALUMINUM PLATE \$27.00

MEASUREMENT BETWEEN BOLT HOLES  
FOR CASSETTE 3 1/8"



### Ripley Brake Discs

- 1. RIPLEY VENTED STEEL BRAKE DISC  
SPECIFY 7 1/8" OR 7 3/4" x 5/8"  
\$168.00



- 2. RIPLEY VENTED ALUMINUM  
BRAKE DISC 7 1/8" x 5/8"  
\$165.00 **SPECIAL ORDER**



**Hurst Airheart Brakes**

1. CALIPER REBUILD KIT  
150 CALIPER \$44.00  
175 CALIPER \$44.00



2. BRAKE PADS  
150 HARD \$33.00 PAIR  
175 HARD \$48.00 PAIR

3. BRAKE DISC  
7 3/4" x 1/8" THIN DISC \$33.00  
7 3/4" x 3/16" THICK DISC \$34.00  
6" x 1/8" THIN DISC \$19.00  
6" x 3/16" THICK DISC \$27.00



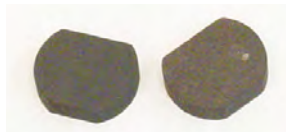
4A. 3000-0004 AIRHEART MECHANICAL HEAVY DUTY BRAKE CALIPER W/PADS \$48.00



4B. 3000-0001 AIRHEART MECHANICAL HEAVY DUTY BRAKE CALIPER W/PADS, 12 O' CLOCK TYPE \$48.00



5. MECHANICAL BRAKE DISK PADS \$12.50 PAIR



6. MECHANICAL BRAKE MOUNT BRACKET \$23.00

7. MASTER CYLINDER REBUILD KIT \$46.00



8. 8060 MASTER CYLINDER SEAL KIT \$23.00

9. AIRHEART 150 PISTON \$18.00



BRAKE HUB

10. 3300-1001 1" BRAKE HUB \$36.00



11. 3301-1000 1" HUB FOR 7 3/4" ROTOR \$92.00

12. MECHANICAL BRAKE ARM \$9.00



13. AIRHEART 175 ANVIL \$27.00  
14. AIRHEART PISTON ASSEMBLY \$13.00  
15. AIRHEART MASTER CYLINDER HOUSING \$33.00  
16. 175 SERIES CALIPER, LESS PADS CALL FOR PRICING  
17. 150 CALIPER WITH PADS CALL FOR PRICING  
18. MASTER CYLINDER CALL FOR PRICING

**Brake Disc Guard**

BRAKE DISC GUARD FOR FRONT MOUNTED CALIPERS

1. G4652 FOR MINI LITE CALIPER \$8.95  
2. G4665 FOR STANDARD CALIPER \$8.95



**Brake Cooler**



1. KG PLASTIC BRAKE COOLER, ADJUSTABLE, FLEXIBLE, RED OR SILVER \$35.00

**Brake Bias Adjuster**

1. WILDKART METRIC BRAKE BIAS ADJUSTER FOR FRONT WHEEL BRAKES \$59.95



2. ECONOMY ADJUSTABLE BRAKE BIAS ADJUSTER \$62.00

3. DELUXE METRIC ADJUSTABLE BRAKE BIAS ADJUSTER WITH BIAS SETTING WINDOW \$88.50





**Hegar Brakes**

1. HEGAR FRONT BRAKE KIT  
\$510.00



2. FRONT PAD KIT  
\$125.00 FOUR PADS



3. FRONT BRAKE CALIPER SHIM  
KIT \$14.50



4. FRONT BRAKE REPLACEMENT  
DISC \$35.00



6. 2260 4 1/2" REPLACEMENT  
BRAKE SHOES \$18.50



7. 8100 6" REPLACEMENT BRAKE  
SHOES \$26.50



8. 2266 4 1/2" BRAKE DRUM WITH  
1" INNER HUB AND FLANGE \$26.50



9. 2265 4 1/2" BRAKE DRUM WITH  
1" INNER HUB \$24.95



10. 2267 4 1/2" BRAKE DRUM WITH  
1" INNER HUB AND #35 SPROCKET  
\$38.95



11. 2213-ID 4 1/2" BRAKE DRUM  
WITH FLANGE \$13.95



12. 2211 4 1/2" BRAKE DRUM  
\$12.95



**Azusa Brake Parts**

1. 2551 BRAKE DRUM ASSEMBLY 6"  
DRUM WITH 1" INNER HUB \$98.00



2. 2208 INNER BRAKE 4 1/2" WITH  
5/8" HOLE AND FLANGE \$34.00



3. 2269 INNER BRAKE 4 1/2" WITH  
1" INNER HOLE AND FLANGE \$34.00



4. 2271-S INNER BRAKE 4 1/2"  
\$34.00

5. 2530 INNER BRAKE 6" \$37.00

### **Klotz Oil**

1. KL100 SUPER TECHNIPLATE, SYNTHETIC w/CASTOR \$10.60 QT, TEN PACK \$104.00
2. KL200 TECHNIPLATE, SYNTHETIC \$10.60 QT, TEN PACK \$104.00
3. KL600 NITRO ADDITIVE \$11.50 PT, TEN PACK \$113.00
4. KL607 FABRIC AIR FILTER OIL \$7.50, TEN PACK \$72.00
5. KL104 R50 SYNTHETIC PREMIX OIL \$12.00 QT, TEN PACK \$114.00
6. KL850 MOTORCYCLE FOUR STROKE OIL \$11.00, TEN PACK \$109.00
7. KL606 FOAM AIR FILTER OIL \$7.50, TEN PACK \$72.00
8. KL609 CONTACT CLEANER \$7.75, TEN PACK \$76.00
9. KL602 GAS LEAD OCTANE BOOSTER \$8.95 PT, TEN PACK \$88.00
10. KL107 UPLON ALCOHOL TOP END FUEL LUBE \$12.00 QT, TEN PACK \$114.00
11. BC175 BENOL (BEAN OIL) CASTOR OIL \$7.50 PT, TEN PACK \$72.00

### **Red Line Oil**

1. TWO CYCLE KART OIL / TWO STROKE OIL \$9.85 PT, 12 CASE \$115.00
2. WATER WETTER COOLANT ADDITIVE \$10.50 PT, 12 CASE \$123.00
3. SUPER LIGHT GEAR OIL \$14.95 QT, 12 CASE \$175.00
4. RACING OIL, 4 CYCLE, LO206, 20 WEIGHT \$13.95 QT, 12 CASE \$156.00
5. RACING OIL, 4 CYCLE, 10 WEIGHT \$6.95 QT, 12 CASE \$79.95 *CLOSE OUT*

### **Blendzall Oil**

1. 490 OCTANE BOOSTER \$5.30 PT, 12 PACK \$58.00
2. 485 GOLD LABEL \$6.25 PT, 12 PACK \$72.00
3. 460 GREEN LABEL CASTOR \$7.50 PT, 12 PACK \$87.00
4. 470 MINERAL OIL \$3.95 PT, 12 PACK \$36.00 *CLOSE OUT*
5. 475 WATERCRAFT RACING CASTOR 12 PACK \$69.00 *SPECIAL ORDER*
6. 480 MINERAL OIL \$4.95 QT, FOUR AT A TIME \$19.00 *CLOSE OUT*
7. 455 ULTRA CASTOR, TWO CYCLE \$7.50 PT, 12 PACK \$87.00
8. 469 CONVERSION FLUID, FLUSH OIL \$4.95 QT *CLOSE OUT*
9. 500 CHAIN LUBE SPRAY \$8.95, 12 PACK \$98.00
10. FK100 TWO CYCLE OIL \$12.50 QT, 12 PACK \$138.00
11. FORMULA V TIRE TREATMENT \$15.95 QT, 12 PACK \$178.00

### **Motul Oil**

1. MOTUL GRAND PRIX 2T TWO CYCLE OIL \$18.50 LITER, 12 CASE \$219.00

### **Chain and Chassis Oil**

1. TRIFLOW CHAIN LUBE \$11.95, SIX FOR \$70.00
2. XERAMIC CHAIN SPRAY \$12.50, 12 CASE \$146.00
3. BLENDZALL 500 CHAIN LUBE SPRAY \$6.50, 12 PACK \$75.00
4. MAXIMA CHAIN WAX SPRAY \$10.95
5. COMET INDUSTRIES TORQUE CONVERTOR DRY LUBE SPRAY \$25.00
6. SLICKER ADDITIVE, ANTI FRICTION \$24.50 QT *CLOSE OUT*

### **Rotax Oil**

1. XPS ROTAX ENGINE OIL \$21.00 LITER, 12 CASE \$246.00
2. COMET ROTAX / X30 COUNTER BALANCE LOW FRICTION OIL, LESS FRICTION, MORE POWER! TRACK AND DYNO TESTED WITH IMPRESSIVE GAINS \$25.00

### **Misc Oils and Sprays**

1. MAXIMA #927 CASTOR OIL, TWO CYCLE \$10.50 PINT, 12 CASE \$123.60
2. PERMATEX GASKET REMOVER \$2.95
3. MEGA POWER MEGA OIL TREATMENT \$9.95
4. BEL-RAY SI-7 2 STROKE \$13.95
5. BEL-RAY EURO BRAKE FLUID DOT 4 12 oz. \$9.50
6. SERVICE PRO CARBURETOR CLEANER \$4.95
7. K & N AIR FILTER CLEANER SPRAY \$14.95 QT
8. SERVICE PRO BRAKE CLEANER \$4.95
9. NOVUS PLASTIC CLEANER \$6.95
10. SIMICHROME METAL POLISH PASTE, 1.76 OZ TUBE \$9.95

### **Cool Power Oil**

1. COOL POWER OIL, LIGHT, MEDIUM, HEAVY, GOLD CASTOR OR GREEN OIL SYNTHETIC \$8.95 QT, TWO QUARTS \$17.70, 12 QUART CASE \$103.20 \$29.50 GALLON, 4 GALLON CASE \$114.00
2. COOL POWER CPO-7 ANTI-FRICTION ADDITIVE \$19.00 QT
3. COOL POWER FUEL TREATMENT \$5.50 QT *CLOSE OUT*

### **Burris Oil**

1. HI-REV CASTOR OIL \$8.90 PINT, 12 PACK \$104.00
2. HI-REV BLEND OIL \$7.30 PINT, 12 PACK \$85.00

### **Clutch Oil**

1. L&T CLUTCH OIL \$22.00 QT
2. RED LINE CLUTCH OIL \$11.50 QT *CLOSE OUT*

### **PJ-1 Oil**

1. PJ-1 CHAIN LUBE SPRAY - \$11.95, 12 PACK - \$138.00
2. PJ-1 FABRIC FILTER OIL SPRAY - \$8.80, 6 PACK - \$51.00

### **Yamalube Oil**

1. YAMALUBE R OIL, TWO CYCLE \$7.50 PT, 24 PACK \$170.00
2. YAMALUBE 2-S TWO CYCLE INJECTOR OIL \$8.95 QT

### **Track Tac Tire Treatment**

1. BLUE TIRE WASH, CLEANS TIRES AFTER EACH RUN \$18.95 GALLON
2. BLACK SAND, GREAT FOR HARD DRY CLAY THAT IS SANDY OR DUSTY \$28.95 QT
3. BTGP RED, REPAIRS TIRES PREPPED WITH GOAT PEE, WET TRACKS \$24.95 QT
4. GK1 BLUE, WILL DROP DUROMETER 5-15 POINTS \$24.95 QT
5. PRW ORANGE, CAN LOWER DUROMETER 0-5 POINTS \$33.95 QT
6. SAA GRAPE, SOFT AS A GRAPE, CAN SOFTEN TIRES 15-25 POINTS \$24.95 QT
7. SQS, PRERACE WIPE, GIVES EXCELLENT BITE UP TO 15 POINTS \$24.95 QT
8. SST, FOR ASPHALT, WILL DROP TIRE WHEN COLD 5-15 POINTS \$22.95 QT
9. KRYPTONITE, INSIDE TREATMENT, DROP HARDNESS 3-3.5 POINTS \$28.95 QT
10. RUBY, INNER OR OUTER, MILD PREP, DROP 0-7 POINTS \$28.95 QT
11. DIAMOND, HOT WEATHER PREP, 0-5 POINT DROP ON HARDNESS \$28.95 QT
12. TOPAZ, OUTER SOFTNER, FOR HOTBOX, AGGRESSIVE \$28.95 QT
13. SAPPHIRE, GENERAL PURPOSE PRERACE WIPE, MOST TRACKS \$28.95 QT
14. TIRE TUFF MINT, EXTERNAL HIGH BITE CONDITIONING PREP \$27.00 PT
15. TIRE TUFF BROWN, EXTERNAL MILD PREP, INTERNAL FOR BIAS PLY \$27.00 PT

### **Tire Treatment and Prep**

1. TRACK CLAW, INCREASED GRIP AND SOFTENS TIRE \$22.00 QT, 6 PACK \$128.00
2. FORMULA V, RESTORES TIRE \$15.95 QT, 12 PACK \$178.00
3. HOT LAP 2, SOFTENS TIRES ON ASPHALT AND DIRT \$22.95 QT

### **Avenger Extreme Oil**

1. SPL AVENGER EXTREME CASTOR OIL, TWO CYCLE PREMIX, FOR GAS OR ALCOHOL, WKA APPROVED, DYNO RESULTS SHOW UP TO A 1/4 HP BETTER THAN OTHER LEADING CASTOR OILS! \$13.00 PINT, 14 CASE \$175.00

### **Racing Fuel and Alcohol**

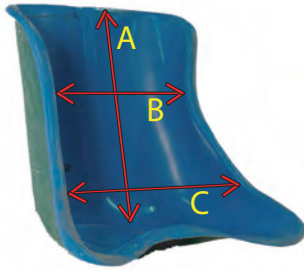
***MUST BE PICKED UP! NO SHIPPING!***

1. LEADED RACING GAS, HIGH OCTANE, CALL FOR PRICING

AVAILABLE BY THE GALLON - DON'T FORGET TO BRING YOUR FUEL JUG!

**Karting Seats**

**SEAT MEASUREMENT CHART - INCHES**



**KG FIBERGLASS SPRINT KART SEAT**  
\$119.00

- XS - A13 B10.25 C12.5
- S - A16.5 B11 C13.5
- M - A16.75 B11.5 C14
- M+ - A16.5 B12 C14
- LARGE - A15.75 B12.25 C14 (FLAT BOTTOM)
- XL - A15.5 B13 C15 (FLAT BOTTOM)



**ARROW KART SEAT**

CLEAR FIBERGLASS SHELL SEAT  
SIZES - MRC, JUNIOR, XS, SMALL,  
MEDIUM, LARGE, XL \$157.00

- MRC - A14 B10 C13.5
- JUNIOR - A14 B11 C14
- XS - A16 B11 C14.5
- SMALL - A17 B12 C15.5
- MEDIUM - A16.5 B12.5 C16
- LARGE - A17.5 B13 C17
- XL - A18 B14 C17.5



**XXL LIGHTNING LIGHT FIBERGLASS  
TWISTER SEAT, HAND LAID, BLACK**  
\$99.95  
A20, B15, C19



**BEASLEY COMPOSITES CARBON FIBER  
LAYDOWN SEAT, WORKS FOR OVAL RACING  
AND ROAD COURSE RACING, ULTRA  
LIGHTWEIGHT \$295.00**

**BEASLEY COMPOSITES FIBERGLASS LAYDOWN  
SEAT, WORKS FOR OVAL RACING AND ROAD  
COURSE RACING \$145.00**

- KID KART - A15 B9 C11.25 (\$105.00)
- SMALL - A20 B10.5 C15
- MEDIUM - A22 B12.25 C17
- LARGE - A22 B12.75 C18
- LARGE LARGE - A23.5 B13.5 C18.5
- EXTRA LARGE - A23.25 B14.25 C19



**RIBTECT COMPOSITE WRAP AROUND SEAT,  
HELPS SUPPORT YOUR RIBS FOR LESS BRUISING  
AND MORE COMFORT, TALL AVAILABLE**

- CARBON FIBER \$340.00
- FIBERGLASS \$275.00
- SPECIAL ORDER**



**#91 LIGHTNING LIGHT SPORTSMAN OVAL SEAT,  
LOWERS CG TO HELP FREE UP CHASSIS,  
GREAT FOR ASPHALT OVALS, BLACK FIBERGLASS**  
SIZES - MEDIUM, LARGE, XL  
\$89.95

- M - A25, B11, C15
- L - A25, B12, C16.5
- XL - A25, B12.5, C17



**LIGHTNING LIGHT GRABBER OVAL  
SEAT, ALLOWS YOU TO GET LOWER  
ON DIRT BLACK FIBERGLASS**  
SIZES - LARGE, XL  
\$99.95

- L - A26, B13, C16
- XL - A25, B14, C17



**CLOSE OUT! BEASLEY CARBON FIBER SPRINT  
KARTING SEAT \$99.95**

- XXXS LITE - A12.5 B10 C14 LIGHT WEIGHT
- XXS JR - A14 B10.5 C13
- XS - A16 B10.5 C13
- SMALL LITE - A16 B11 C15
- B11 JR MS - A16 B11.5 C14
- B11 MS - A16 B11.75 C15



**CLOSE OUT! BEASLEY SPRINT KARTING  
FIBERGLASS SEAT \$99.95**

- XXXSD - A13 B10 C11.5
- XXXS KEVLAR - A12 B10 C13
- XXS JUNIOR - A14 B10.5 C13
- XS - A16 B10.25 C12.5
- JUNIOR CD - A14 B10.75 C13.25
- B11 SMALL - A15 B11 C14
- B11 JR MS - A16 B11.5 C14.5
- B11 MS - A16 B12 C15
- B11 XL - A15.5 B13 C15



**CALIBA SRS (SEAT REDUCTION SYSTEM)  
RUBBER SEAT INSERT TO QUICKLY ADJUST  
SEAT SIZE, AVERAGE THICKNESS IS 1"**  
\$145.00

- A16 B13 C14.5





**Karting Seats Cont.**

**TILLETT SEAT SIZES**

(ALLOW TOLERANCE FOR PADDED SEATS, ALL MEASUREMENTS WITH SHELL SEATS)

CADET - A13.5 B8.5 C12.5

SCD (CUTDOWN SMALL SEAT) - A15 B10.5 C15

SMALL - A17 B11 C14.5

MS - A17 B12 C16

ML - A17 B12.5 C16

LARGE - A17.5 B13.25 C17

XL - A18 B14 C17.75

XXL - A18 B15 C17.5

TILLETT CLEAR RESIN FIBERGLASS SEAT, SAME SEAT AS 1/4 PAD JUST NO PADDING!  
SIZES - CADET, XS, SMALL, MS, ML, LARGE, XL \$170.00

SMALL CUT DOWN \$205.00



**#58 TILLETT 1/4 PAD SEAT**  
CLEAR FIBERGLASS SEAT WITH COLORED SIDEPADS BLACK CLOSE OUTS - RED, GREEN, BLUE

SIZES - SMALL, MS, ML, LARGE, EXTRA LARGE \$249.00  
XXL \$285.00

SMALL CUT DOWN \$285.00



**#60 TILLETT COVERED SEAT**  
CLOTH COVERED FIBERGLASS SEAT DARK GREY, CLOSE OUT - BLUE, RED

SIZES - XS, SMALL, MS, ML, LARGE, EXTRA LARGE \$305.00  
XXL - \$335.00



TILLETT PLASTIC SPRINT SEAT DEEP SIDES, BLACK \$145.00

XL - A16.5 B14 C16.5  
XXL - A17 B15.5 C17



T11 TILLETT UNPADDED CLEAR FIBERGLASS HAND LAID SEAT, THE SHAPE OF THE T11 SEAT ALLOWS THE DRIVER TO SIT LOWER IN THE SEAT FOR A LOWER CG WHICH WORKS GREAT FOR HIGH GRIP TRACKS OR TALL DRIVERS TO ALLOW THE KART TO STAY FREE, SEAT SIZE RUNS A LITTLE BIGGER THAN OTHER TILLETT SEATS \$205.00  
T11-VG SOFT SEAT, SPECIAL ORDER \$249.00

SMALL - A15 B11.25 C13.5  
MANETTI - A15.75 B11.75 C14.5  
MS - A16 B12 C15  
ML - A16 B12.5 C15  
L - A16 B12.5 C15.25  
XL - A16 B13.75 C15.75  
XXL FLAT BOTTOM SEAT \$210.00



OTK TONY KART FLAT BOTTOM ADULT SEAT \$185.00

SIZE 1 - A15 B11 C13  
SIZE 2 - A16 B11.5 C14  
SIZE 3 - A16 B12 C14  
SIZE 4 - A15.5 B13.5 C15



OTK TONY KART FLAT BOTTOM JUNIOR SEAT \$156.00

SIZE 1 - A14 B9.25 C11  
SIZE 2 - A14 B9.75 C11.75



OTK TONY KART MICRO SEAT \$151.00

A11 B8.5 C9.5



**#12t COMET XL SPRINT ECONOMY FIBERGLASS SEAT**  
\$59.95

A16 B13.75 C15.5



**#31 COMET XXL SPRINT ECONOMY FIBERGLASS SEAT**  
\$69.95

A16 B16 C17.5



IMAF F6 FIBERGLASS SILVER FLAT BOTTOM SEAT, MORE FLEXIBLE THAN STANDARD IMAF SEAT \$177.00

XS - A14.5, B10.5 C13  
1 SMALL - A14.5 B11.25 C13.5  
1+ MEDIUM A16 B11.75 C14  
2 LARGE A16 B12.5 C14.5  
3 XL A16 B13 C15  
4 A15.75 B13.25 C14.5  
5 A16 B13.75 C15



IMAF F6 FIBERGLASS FLAT BOTTOM SEAT, STANDARD STIFFNESS \$124.00

XS - A14.5, B10.5 C13  
1 SMALL - A14.5 B11.25 C13.5  
1+ MEDIUM A16 B11.75 C14  
2 LARGE A16 B12.5 C14.5  
3 XL A16 B13 C15  
4 A15.75 B13.25 C14.5  
5 A16 B13.75 C15



**Seat Padding**

1. 1/2" BLACK FOAM SEAT PADDING WITH STICKY BACKING ON ONE SIDE, CUT TO THE SIZE YOU NEED AND STICK IT IN PLACE \$22.00



2. VALHALLA SPRINT SEAT PADDING KIT SIZES  
SMALL (CADET, XS, S) \$50.00  
LARGE (M, L, XL) \$60.00



3. VALHALLA LAYDOWN SEAT PADDING KIT SIZES  
SMALL (JUNIOR, XS, S) \$50.00  
LARGE (M, L, XL) \$60.00



4. TILLET RAINMEISTER SEAT PAD, ALLOWS QUICK CHANGE OF DRIVERS CENTER OF GRAVITY WHEN THE RAIN HITS OR THE TRACK IS COLD \$38.95



5. RACEWEAR SEAT PAD KIT, INCLUDES TWO SIDES AND BACK, COMES WITH VELCRO BLACK ONLY \$45.00



6. **CLOSE OUT** VALHALLA SEAT PAD KIT FOR LAYDOWN SEAT INCLUDES VELCRO  
SMALL (JR, XS, S) \$120.00  
LARGE (M, L, XL, XXL) \$130.00



**Stickers and Decals**

1. COMET LOGO STICKER  
SMALL - 5 7/8" x 1 3/8" \$.40  
LARGE - 9 3/4" x 2" \$.50



2. COMET FLAME LOGO STICKER  
SMALL 6 3/4" x 1 1/8" \$.25  
LARGE 8 3/4" x 2 1/8" \$.25



3. COMET RACING ENGINES STICKER  
SMALL - 2" x 3/4" \$.35  
MEDIUM - 3 7/8" x 1" \$.45  
LARGE - 5 7/8" x 1 3/4" \$.50  
XL - 9 3/8" x 2 3/4" \$.80



4. PATRIOT CLUTCHES DECAL, DIE CUT  
SMALL 4 x 7/8" \$.45  
LARGE 6 x 1 1/4" \$.50



5. MARGAY TEAM STICKER KIT FOR UNICO BODYKIT \$119.95



6. ARROW X-1 KG EVO BODYWORK STICKER KIT \$149.00



7. ARROW X1-E STICKER KIT FOR EVO BODYWORK \$165.00



8. **New!** X3 ARROW STICKER KIT FOR FP7 DRIVER PANEL, FP7 NOSE, STILO SIDE PODS \$189.95



9. ARROW X-2 KG BODYWORK STICKER KIT \$189.95  
SPECIFY KG FP7 OR KG EVO





**Karting Bodywork**

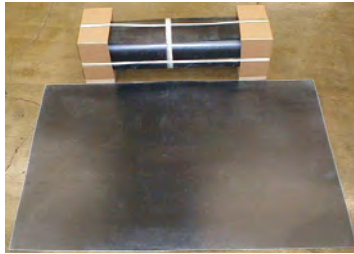
**#30 LEXAN DRIVER PANEL**  
 14" LONG, 10" WIDE  
 WKA LEGAL, GREAT FOR OVAL KARTS!  
 CLEAR LEXAN OR SMOKE LEXAN  
 (SHOWN WITH PROTECTIVE COVERING)  
 \$25.00



G-MAN ADULT OFFSET 3-PIECE  
 PLASTIC BODY KIT FOR OVAL  
 KARTS \$155.00  
 SPECIFY BLACK OR WHITE



**#432 UNDERPAN PLASTIC/FIBERGLASS**  
 MIX SPRINT OR ENDURO  
 48"x72"  
 \$70.00  
 \*CAN BE ROLLED UP FOR UPS  
 SHIPPING!



KG CIK FP7 DRIVER PANEL,  
 PREDRILLED WITH RUBBER  
 GROMMETS INSTALLED  
 BLACK ONLY \$47.00



**OVAL KART GRAPHICS SAVERS**  
 CLEAR LEXAN WITH HARDWARE, PROTECTS STICKERS FROM  
 GETTING RUBBER MARKS  
 \$18.00 PAIR

KG FP7 FRONT NOSE, 41" WIDE,  
 BLACK ONLY, NEW DESIGN REQUIRES  
 BOLT ON NOSE HARDWARE BRACKET  
 (SOLD SEPARATE) \$95.00



KG NOSE HARDWARE KIT  
 FOR FP7 NOSE ABOVE  
 \$12.95



**G-MAN BODYMOUNTING HARDWARE KIT**  
 COMES WITH BOLTS, WASHERS, AND NUTS  
 WHITE, BLACK, YELLOW, RED, BLUE  
 \$9.95



KG MK14 CADET FRONT NOSE  
 \$84.00  
 BLACK ONLY



**#130 TOMCAT DRIVERS HOOD**  
 FIBERGLASS  
 13.5" WIDE, 25" HIGH, 18" LONG  
 COLOR - WHITE, BLUE  
 \$75.00 **CLOSE OUT**  
 NO CLEAR PLASTIC SHIELDS



**#81 EURO SIDE PANELS**  
 FIBERGLASS  
 8" HIGH, 28" LONG, 4" LIP  
 COLORS - BLACK, YELLOW, BLUE  
 \$59.95 PAIR  
**CLOSE OUT**

KG MK14 CADET DRIVER  
 PANEL \$44.00  
 BLACK ONLY



**#98 CLOSE OUT! STALLION**  
 THUNDERBOLT SITUP SPRINT NOSE  
 CENTERED FIBERGLASS  
 14.5" TALL, 20" LONG,  
 38" WIDE  
 40" WIDE



KG MK14 CADET SIDE POD  
 \$48.00  
 SPECIFY SIDE, BLACK ONLY





**Karting Bodywork Cont.**

TOP KART KID KART AND CADET  
NOSE HARDWARE KIT \$30.00



KG KID KART FRONT NOSE  
HARDWARE KIT \$37.00



KG ADULT NOSE HARDWARE KIT  
COMPLETE KIT WITH CLAMPS AND  
PLASTIC CENTER \$45.00

CIK KG NOSE METAL CLAMPS ONLY  
\$32.00 PAIR



CIK KG STANDARD NOSE HARDWARE  
ONLY, NYLON CLAMP ONLY \$15.00

2008 CIK KG UNICO  
NOSE \$65.00  
LESS HARDWARE



2008 CIK KG UNICO  
DRIVER PANEL \$37.00



KG DRIVER PANEL TWO PIECE  
PANEL REPLACEMENT SCREW \$.15



UNICO POD ONLY \$32.00  
COLORS - BLACK, RED  
CLOSE OUTS - BLUE, YELLOW, SILVER



**CLOSE OUT PRICING ON KG Duo!**

2011 CIK KG Duo SIDE POD  
SPECIFY SIDE \$26.00 EACH



DUO Pods

2011 CIK KG EVO Nose  
\$83.00 LESS HARDWARE



2011 CIK KG EVO DRIVER  
PANEL \$43.00



2011 KG EVO STILO SIDE POD  
\$49.00  
UNIQUE DESIGN REQUIRES THE NEW  
STILO EVO NERFBAR SPECIFY SIDE



2014 KG BURU DRIVER PANEL,  
PREDRILLED WITH RUBBER GROMMETS  
INSTALLED \$47.00

COLORS - PEARL WHITE, BLACK,  
RED, BLUE, YELLOW, SILVER



2014 KG BURU NOSE \$88.00  
LESS HARDWARE

COLORS - PEARL WHITE, BLACK,  
RED, BLUE, YELLOW, SILVER



2011 KG EVO Duo SIDE POD  
\$49.00  
COLORS - PEARL WHITE, BLACK,  
RED, BLUE, YELLOW, SILVER



**Karting Bodywork Cont.**

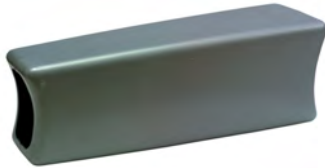
KG PUFFO DRIVER PANEL KID KART  
 COLORS - BLACK, RED, BLUE  
 \$44.00



KG PUFFO DRIVER PANEL KID KART  
 COLORS - BLACK, RED, BLUE  
 \$28.00



KG PUFFO KID KART SIDE POD  
 COLORS - BLACK, RED, BLUE  
 \$32.00 EACH



KG ADULT REAR PLASTIC BUMPER  
 BLACK, RED, BLUE  
 53" OVERALL WIDTH  
 \$115.00



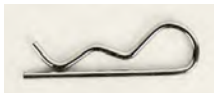
**New!** KG CIK PLASTIC ADULT REAR BUMPER, ADJUSTABLE WIDTH FOR JUNIOR KARTS OR SERIES THAT REQUIRE THE REAR WHEELS TO STAY OUTSIDE THE REAR BUMPER WITH RAIN TIRES, BLACK, TELESCOPES FROM 47" TO 55" WIDE \$132.00



KG STEEL STUD WITH DRILLED END FOR DRIVER PANEL \$3.25



KG RUBBER GROMMET FOR DRIVER PANEL \$2.00



KG QUICK CLIP FOR DRIVER PANEL \$1.75

METRIC REAR BUMPER HARDWARE KIT WITH BOLT, EXTERNAL AND INTERNAL BUSHING AND FRAME RUBBER WITH MOLDED NUT \$24.00 EACH

SPECIFY -  
 BOLT LENGTH - 130MM, 150MM  
 FRAME - 28MM, 30MM, 32MM  
 COLOR - BLACK, SILVER



KG ADULT REAR BUMPER HARDWARE KIT \$110.00

WORKS WITH TRIS BUMPER AS WELL



AFTERMARKET ADULT REAR BUMPER HARDWARE KIT FOR KG, NOT HOMOLOGATED, LEGAL FOR MOST ORGANIZATIONS \$68.00



KG TRIS ADJUSTABLE WIDTH CADET/JUNIOR REAR BUMPER BLACK, RED, BLUE TELESCOPES FROM 37" TO 46" OVERALL \$130.00



KG TRIS REPLACEMENT BUMPER END, BLACK, RED, BLUE \$35.00



**CLOSE OUT!** KG KIDKART AND CADET REAR BUMPER BLACK, RED, BLUE 42" OVERALL WIDTH \$85.00



KG CADET REAR BUMPER HARDWARE KIT \$110.00

WORKS WITH TRIS BUMPER



RIGHETTI RIDOLPHI PLASTIC REAR BUMPER, BLACK 53" OVERALL WIDTH \$110.00



RIGHETTI RIDOLPHI PLASTIC REAR BUMPER HARDWARE KIT \$88.00



LOW COST REAR BUMPER BRACKET FOR CIK PLASTIC BUMPER, FITS 30MM FRAME RAIL \$20.00 SPECIFY SIDE RH OR LH



BUMPER SPACER FOR LOW COST REAR BUMPER MOUNT 1 3/16" TALL X 1 1/2" OD \$5.00



**CIK Bodywork Kits**

KG FP7 BODYWORK KIT WITH STILO PODS

BLACK ONLY

\$295.00 WITH NOSE HARDWARE

\$238.00 NO NOSE HARDWARE



KG FP7 BODYWORK KIT WITH DUO PODS

BLACK ONLY

\$295.00 WITH NOSE HARDWARE

\$238.00 NO NOSE HARDWARE



KG EVO BODYWORK KIT WITH STILO PODS

BLACK, RED, BLUE, YELLOW, PEARL WHITE, SILVER

\$255.00 WITH NOSE HARDWARE

\$225.00 NO NOSE HARDWARE



KG EVO BODYWORK KIT WITH DUO PODS

BLACK, RED, BLUE, YELLOW, PEARL WHITE, SILVER

\$255.00 WITH NOSE HARDWARE

\$225.00 NO NOSE HARDWARE



KG KID KART BODYWORK KIT

BLACK, RED

\$168.00 WITH NOSE HARDWARE

\$134.00 NO NOSE HARDWARE



KG BURU BODYWORK KIT WITH STILO PODS

BLACK, RED, BLUE, YELLOW, PEARL WHITE, SILVER

\$259.95 WITH NOSE HARDWARE

\$229.95 NO NOSE HARDWARE



KG EVO BODYWORK KIT WITH DUO PODS

BLACK, RED, BLUE, YELLOW, PEARL WHITE, SILVER

\$259.95 WITH NOSE HARDWARE

\$229.95 NO NOSE HARDWARE



KG UNICO BODYWORK KIT WITH UNICO SIDE PODS

BLACK OR RED

\$199.00 WITH NOSE HARDWARE

\$162.00 NO NOSE HARDWARE



KG MK14 CADET BODYWORK KIT

BLACK ONLY

\$259.95 WITH NOSE HARDWARE

\$219.95 NO NOSE HARDWARE



OTK M4 ADULT KART BODYWORK KIT FOR TONY KART

PEARL WHITE ONLY

\$370.00 WITH NOSE HARDWARE

\$299.00 NO NOSE HARDWARE





**KG Nerf Bars**

1. KG TOP FRONT BUMPER \$28.00



2. KG BOTTOM FRONT BUMPER \$18.50



3. KG SIDE NERF BAR FOR UNICO AND DUO PODS \$37.00 EACH



4. KG CIK 2011 STILO EVO SIDE POD NERF BAR, WORKS ON ALL 2003 AND UP SPRINT CHASSIS WITH THE NERF BAR SPUDS 90° TO THE FRAME \$51.00 EACH



5. KG CIK 2011 DUO EVO SIDE POD NERF BAR, WORKS ON ALL 2003 AND UP SPRINT CHASSIS WITH THE NERF BAR SPUDS 90° TO THE FRAME \$51.00 EACH



6. KG MK14 CADET SIDE NERF BAR FOR MK14 PODS \$51.00 EACH

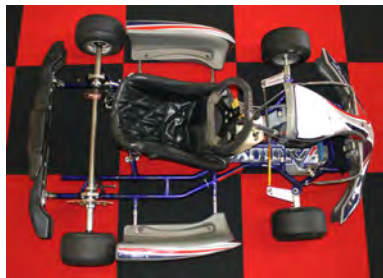


7. **New!** NERF BAR EXTENSION KIT, ALUMINUM WITH HARDWARE, CAN BE DRILLED TO EXTEND OUT NERFS FOR DIFFERENT RULES \$29.95 PER SIDE



**Used Racing Karts**

ARROW X1 CADET KART, 950MM WHEELBASE, 30MM AXLE, MRC SEAT, DOUGLAS SPUN WHEELS, ADJUSTABLE REAR BUMPER \$1395.00



COMET ALWAYS HAS A GREAT SELECTION OF USED KARTS IN STOCK! PRICING AND AVAILABILITY ARE SUBJECT TO CHANGE. CHECK THE COMET KART WEBSITE FOR THE LATEST USED KARTS WE HAVE IN STOCK. IF YOU WOULD LIKE MORE DETAILED PHOTOS OF A PARTICULAR KART PLEASE CONTACT US AND WE WILL BE HAPPY TO EMAIL THEM TO YOU.

MARGAY BRAVA WITH PRD 125 TAG ENGINE, 4 HOURS ON ENGINE, REBUILT BRAKES, BLUEPRINTED CARB, 40MM AXLE, 450/710x5 TIRES/WHEELS \$2800.00



TOP KART FLASH 100 ROLLING CHASSIS, 50MM AXLE, 450/710x5 TIRES, TOP KART MAGNESIUM WHEELS \$1495.00

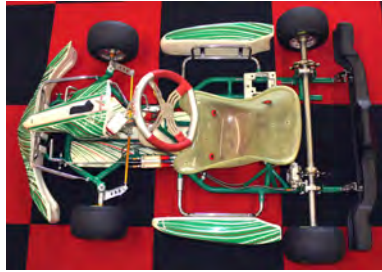


COMET KART SALES ACCEPTS THE FOLLOWING



**Used Racing Karts Cont.**

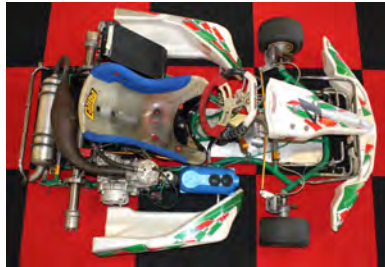
TONY KART ROOKIE CADET KART, 950MM WHEELBASE, 30MM AXLE, SIZE 1 SEAT, DOUGLAS SPUN WHEELS, VERY CLEAN \$1500.00



MERLIN MR29 ROLLING CHASSIS, 50MM AXLE, 450/600x5 TIRES, TILLET SEAT, PLASTIC REAR BUMPER \$1195.00



TONY KART KRYPTON SHIFTER WITH FRONT WHEEL BRAKES, VORTEX ICC ENGINE, MYCHRON 3 GAUGE, RADIATOR \$3000.00  
SOLD AS IS - ENGINE NEEDS WORK!



2013 FA KART, 50MM AXLE, SIZE 3 OTK SEAT, COMET TEAM KART, NO WHEELS, WELD REPAIR UNDER ENGINE MOUNT AREA, USPKS AND ROBOPONG WINNER \$2500.00



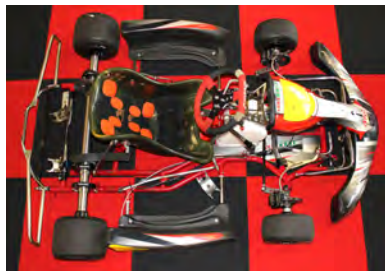
NEW KART! BIREL R30CY ECONOMY SPRINT KART, 40MM AXLE, SEAT, ALUMINUM WHEELS, BODYWORK AND STICKER KIT \$2500.00



BIREL RY30S4 COMPLETE ROLLER, 50MM AXLE, BIREL MAGNESIUM WHEELS, 25MM SPINDLES \$1995.00



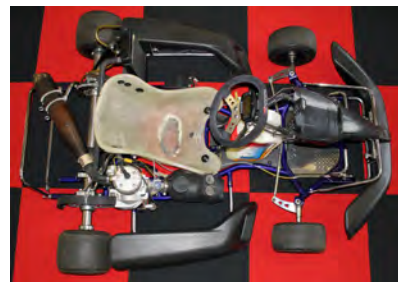
ITAL KART SUPERSONIC SHIFTER KART CHASSIS, LOW TIME KART, FRONT WHEEL BRAKES \$3000.00



MARGAY ROOKIE KART TURNKEY WITH KT100, 30MM AXLE, COMET BLUEPRINTED KT100, HDC5A CLUTCH, MRC SEAT, 450x5 TIRES, DOUGLAS SPUN WHEELS \$2500.00



ARROW AX9-CIK TURNKEY WITH LEOPARD ENGINE, KEYSTART IGNITION, MYCHRON 4 GAUGE, SMALL ARROW SEAT, 50MM AXLE, VERY CLEAN \$3500.00



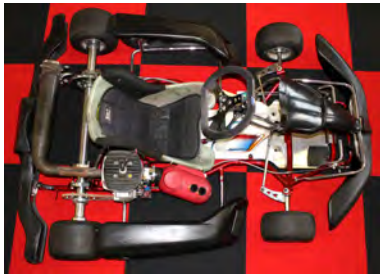
SHOCKWAVE SPRINT KART, ITALIAN BUILT FRAME, US COMPONENTS, 50MM AXLE, WILWOOD BRAKE CALIPER \$2800.00





**Used Racing Karts Cont.**

ARROW XE28 WITH  
KPV ENGINE, COMET  
BLUEPRINTED ENGINE, 50MM  
AXLE, DOUGLAS SPUN  
WHEELS, 1/4 PAD SEAT  
\$3350.00  
KART ONLY \$1600.00  
ENGINE ONLY \$1750.00



ARROW AX8 28/30  
ROLLING CHASSIS, JUNIOR  
ARROW SEAT, 40MM AXLE,  
450X5 TIRES WITH WHEELS  
\$1495.00



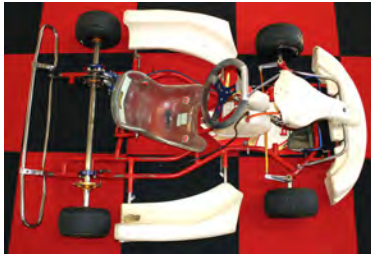
ARROW AX8 28/30  
ROLLING CHASSIS, XL  
ARROW SPRINT SEAT,  
DOUGLAS SPUN WHEELS,  
3.5 LITER TANK, 40MM  
AXLE \$1495.00



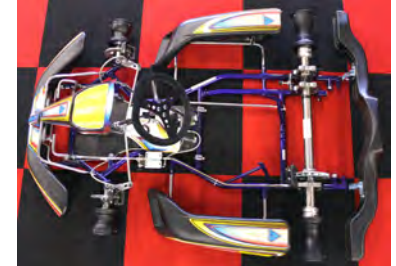
ARROW X1 JUNIOR  
SPORTSMAN KART, 1020MM  
WHEELBASE, 30MM AXLE,  
MRC SEAT, DOUGLAS  
BLACK WHEELS, MYCHRON 4  
RED STEERING WHEEL (NO  
GAUGE), EXTENDED METAL  
BUMPER, CARBON FIBER FOOT  
RISER \$1500.00



BIREL AR28 SPORTSMAN  
KART, 1020MM WHEELBASE,  
30MM AXLE, DOUGLAS SPUN  
BLACK WHEELS, CADET  
TILLET SEAT, CARBON FIBER  
FOOT RISER \$1495.00



NEW KART! ARROW AX-9  
SHIFTER ROLLER, 50MM  
AXLE, FRONT WHEEL  
BRAKES, SEAT \$4800.00



ARROW JUNIOR SPORTSMAN  
KART, 1020MM WHEELBASE,  
30MM AXLE, MRC ARROW  
SEAT \$1500.00



COMET EAGLE KART, 50MM  
AXLE, NEW KG SEAT,  
DOUGLAS ALUMINUM WHEELS,  
PLASTIC REAR BUMPER,  
EAGLE STICKER KIT, 3.5  
LITER TANK, LOW TIME KART  
\$2500.00



ARROW AX-9 CIK WITH  
FRESH 125CC LEOPARD  
ENGINE, MYCHRON 4,  
AFTERMARKET RADIATOR,  
YLB TIRES \$4295.00



ARROW AX-8 SHIFTER, 50MM  
AXLE, METAL REAR EXTENDED  
BUMPER, 450/710X5 TIRES,  
FRONT BRAKES, MCP  
MASTER CYLINDER, RIBECT  
SEAT L/TALL \$1595.00





**Bar Stool Racer Project**



COMPLETED BARSTOOL EXAMPLE  
SHOWN WITH STANDARD AND  
UPGRADE PARTS



3 PIECE UNPAINTED BARSTOOL  
FRAME \$225.00

WANT TO BUILD YOUR OWN CUSTOM BAR STOOL RACER? COMET HAS ALL THE PARTS AND PIECES FOR YOUR OWN BARSTOOL PROJECT!

QUANTITY NEEDED	BAR STOOL PART DESCRIPTION	PRICE
1	1 1/4" x 38" AXLE	\$65.00
2	1/4" x 1/4" KEYSTOCK	\$2.00 EA
1	1 1/4" APPCO SPROCKET HUB WITH BOLTS	\$25.00
1	72T RED #35 SPROCKET	\$15.00
2	1 1/4" TWO PIECE ALUMINUM LOCK COLLAR	\$5.50 EA
2	1 1/4" UFR AXLE BEARING	\$26.00 EA
4	1 1/4" FLANGETTES (TWO NEEDED PER BEARING)	\$2.30 EA
2	1 1/4" WHEEL HUB, STANDARD	\$17.50 EA
2	5/8" WHEEL HUB, STANDARD	\$17.50 EA
4	HUB BOLT KIT	\$1.25 EA
2	5 1/2" x 6" DOUGLAS WHEEL, POLISHED	\$30.00 EA
2	8 1/4" x 6" DOUGLAS WHEEL, POLISHED	\$32.00 EA
2	550x6 BURRIS TX22 GROOVED TIRES	\$62.00 EA
2	800x6 BURRIS TX22 GROOVED TIRES	\$70.00 EA
1	BRAKE BRACKET, BLACK ALUMINUM	\$27.00
1	MCP BRAKE CALIPER 1375	\$88.00
1	MCP 1 1/4" BRAKE HUB 125L	\$19.95
1	MCP BRAKE DISK 7" 712	\$23.00
1	MASTER CYLINDER WITH HAND LEVER 4000LH	\$65.00
5	3/16" NYLON BRAKE LINE	\$.40 FT
1	8OZ BOTTLE BRAKE FLUID	\$7.95
1	T BRAKE LINE FITTING	\$3.80
2	8" x 5/16" TIE ROD 094126	\$14.95 EA
4	5/16" TIE ROD END WITH JAM NUT	\$6.00 EA
2	AZUSA 4 3/4" SPINDLE 2237 / 2238	\$11.95 EA
2	RED STEERING BLOCK WITH NEEDLE BEARING	\$16.95 EA
1	7/8" TWIST GRIP ASSEMBLY WITH DUMMY HANDLE	\$28.95
1	HANDLE BAR 0700-146	\$39.95
1	AZUSA STEERING SHAFT 8137-28	\$12.00
2	AZUSA ACKERMAN ARM 8129	\$2.50 EA
1	YELLOW CLONE 6.5HP OHV ENGINE	\$129.00
1	ARC THROTTLE PLATE DJ1146	\$29.95
1	ARC AIR FILTER CUP DJ6931	\$15.00
1	ARC CHOKE BRACKET DJ1257	\$3.00
1	WALBRO FUEL PUMP WIP	\$26.00
3	ARROW FUEL LINE	\$1.50 FT
1	AZUSA CHAIN GUARD 1810	\$4.95
1	RIGHETTI 3 LITER FUEL TANK	\$44.00
1	ARC HEADER DJ1138B	\$17.25
1	RLV MUFFLER 4117	\$24.00
1	MAX TORQUE CLUTCH 12T #35	\$39.00
1	CKS #35 CHAIN 4FT	\$12.00
1	CRG FUEL TANK BRACKET	\$9.95
1	AFR175 AIR FILTER	\$12.50
1	VENT HOSE CHECK VALVE	\$10.00
9	5/8" x 1/2" WHEEL SPACER	\$.65 EA
2	5/8" KING PIN BOLT 8447	\$1.80 EA
4	5/8" LOCK NUT	\$1.30 EA
3	5/8" LOCK COLLAR 8554	\$.95 EA
	<b>UPGRADE ITEMS</b>	
2	1 1/4" ALUMINUM BEARING CASSETTE	\$18.00 EA
1	MCP MINI LITE BRAKE DISK HUB	\$22.50
1	MCP 6" MINI LITE BRAKE DISK	\$30.00
1	MCP MINI LITE BRAKE CALIPER	\$107.00
1	K&N FILTER RC2880	\$42.00

**Mini Bike Kit and Parts**



1. 3540 MINI BIKE KIT WITH 5" ALUMINUM WHEELS, UNPAINTED \$310.00
  2. 3541 MINI BIKE KIT WITH 6" ALUMINUM WHEELS, UNPAINTED \$330.00
  3. 3542 MINI BIKE KIT WITH 8" ALUMINUM WHEELS, UNPAINTED \$350.00
  4. 3545 MINI BIKE FRAME AND FORK KIT ONLY, UNPAINTED \$118.00
  5. 3548 FRAME ONLY, UNPAINTED \$86.00
  6. 3546 MINI BIKE FORK AND BOLT \$33.00
  7. 1727 MINI BIKE WELD ON KICK STAND \$7.95
- KIT INCLUDES - WHEELS, TIRES, INNER TUBES, MINI BILE FRAME, FORK, UPHOLSTERED SEAT, CONTROLS, HAND GRIPS, FOOT PEGS, AXLES, SPROCKET, BRAKES, CHAIN AND ASSEMBLY HARDWARE, ASSEMBLY INSTRUCTIONS INCLUDED
- DOES NOT INCLUDE ENGINE OR CLUTCH

**Trailer Accessories**

ALUMINUM TIRE RACK, AVAILABLE IN THREE LENGTHS, INCLUDES RODS AND END PLATES, WHITE POWDER COATED ENDS

48" LONG \$118.00

64" LONG \$138.00

96" LONG (INCLUDES MIDDLE PLATE FOR INCREASED STRENGTH) \$164.00



AXLE RACK, HOLDS UP TO 12 AXLES, FITS AMERICAN AND EUROPEAN AXLES UP TO 50MM IN DIAMETER, INCLUDES RUBBER O-RINGS AND RUBBER BOTTOM MAT, WON'T DAMAGE AXLES \$200.00



ADD \$20.00 FOR WHITE POWDER COATING

TWO PIECE BARE AXLE RACK PROTECT AND ORGANIZE YOUR EXPENSIVE AXLES, RACK HAS RUBBER ORINGS AND RUBBER MAT \$120.00



ADD \$10 FOR WHITE POWDER COATING

AXLE ASSEMBLY RACK HOLDS COMPLETE AXLE ASSEMBLY (BEARINGS, CASSETTES, HUBS, ROTOR) FITS US AND EUROPEAN AXLES, STORE AN ASSEMBLY READY TO BOLT IN \$110.00



FUEL JUG RACK HOLDS 5 GALLON FUEL JUGS IN PLACE, WHITE POWDER COATED ENDS

TWO JUG \$125.00

FOUR JUG \$140.00

SIX JUG \$160.00

JUG SOLD SEPARATELY



FUEL JUG RACK COMBO KIT, INCLUDES (2) 2.5 GALLON PLASTIC FUEL JUGS, ALUMINUM END PLATES \$110.00

FUEL JUG RACK ONLY, FITS (2) 2.5 GALLON PLASTIC FUEL JUGS, (JUGS SOLD SEPARATE) ALUMINUM END PLATES \$60.00



ALUMINUM HOLDER FOR DIFFERENT SIZED PLASTIC ZIP TIES

ALUMINUM \$38.00

WHITE \$58.00

BLACK \$58.00



EXTENSION CORD HANGER

\$22.00

WHITE POWDER COATED \$26.50

CORD SOLD SEPARATELY



CORDLESS DRILL/IMPACT HOLDER BRACKET (INCLUDES ONE BRACKET)

ALUMINUM \$14.00

WHITE POWDER COATED \$16.00

BLACK POWDER COATED \$16.00

DRILL SOLD SEPARATELY



LARGE WORK STATION LUBRICANTS STORAGE, FOLD DOWN SHELF, PAPER TOWEL DISPENSER \$165.00

WHITE POWDER COATED \$185.00

LUBRICANTS SOLD SEPARATELY



LUBRICANT STORAGE TRAY

SMALL 17 3/4" x 17 3/4" x 3 3/4" \$75.00

MEDIUM 17 1/2" x 16 3/4" x 5" \$87.00



LARGE LUBRICANT STORAGE TRAY 32" x 22" x 3 3/4"

\$125.00 ALUMINUM  
\$145.00 WHITE



LUBRICANT STORAGE WITH TOWEL RACK \$80.00

PAPER TOWEL SOLD SEPARATELY



PAPER TOWEL DISPENSER QUICK CLIP PIN DESIGN, HOLDS REGULAR AND JUMBO SIZE ROLLS \$32.00

WHITE POWDER COATED \$38.00

PAPER TOWEL SOLD SEPARATELY



**Trailer Accessories Cont.**

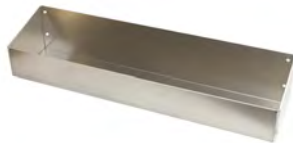
AIR HOSE RACK  
\$26.50  
WHITE POWDER COATING \$32.50



AIR HOSE RACK WITH CUBBY HOLE  
\$35.99  
WHITE POWDER COATING \$41.99



MOVABLE BIN, GREAT FOR TOOL BOXES,  
CABINETS OR PIT CARTS  
20"x3" \$18.50  
20"x4" \$18.50  
20"x5" \$18.50



SPRAY BOTTLES, OIL TRAY  
16"x2.75" ALUMINUM \$22.00  
16"x2.75" WHITE \$28.00  
16"x3.25" ALUMINUM \$22.00  
16"x3.25" WHITE \$28.00  
16"x4.5" ALUMINUM \$24.50  
16"x4.5" WHITE \$30.50



LUBRICANTS SOLD SEPARATELY

SPRAY BOTTLES, OIL TRAY  
32"x2.75" ALUMINUM \$30.00  
32"x2.75" WHITE \$36.50  
32"x3.25" ALUMINUM \$31.50  
32"x3.25" WHITE \$38.00  
32"x4.5" ALUMINUM \$34.50  
32"x4.5" WHITE \$41.00



LUBRICANTS SOLD SEPARATELY

RATCHET STRAP HANGER, WALL MOUNTED  
8" ALUMINUM \$24.00  
8" WHITE \$27.00  
14" ALUMINUM \$28.00  
14" WHITE \$31.00  
18" ALUMINUM \$32.00  
18" WHITE \$37.00



AIR GAUGE HOLDER  
SMALL \$14.00  
SMALL WHITE POWDER COATED \$19.00  
LARGE \$16.00  
LARGE WHITE POWDER COATED \$21.00



SMALL FITS UP TO 2"  
LARGE FITS UP TO 3.5"

RATCHET STRAP HANGER  
WALL MOUNTED 8" LONG  
\$19.50  
WHITE POWDER COATED \$24.50



SHOVEL/UTILITY HOLDER BRACKET  
WHITE POWDER COATED \$8.00  
SHOVEL SOLD SEPARATELY



SMALL BROOM/UTILITY HOLDER BRACKET  
WHITE POWDER COATED \$8.50



NITROGEN/AIR BOTTLE HOLDER  
HOLDS 9" DIAMETER BOTTLE  
WHITE POWDER COATED BASE WITH  
BOLT ON STYLE CLAMPS \$89.00 PAIR



FLASHLIGHT HOLDER  
INCLUDES RUBBER PROTECTOR RING  
\$26.50  
WHITE POWDER COATED \$32.50  
FLASHLIGHT SOLD SEPARATELY



DUCT TAPE ROLL HOLDER  
\$15.50  
WHITE POWDER COATED \$20.50  
TAPE SOLD SEPARATELY







# Gear Ratio Chart

\*If you put on a set of tires that are 1/2" bigger in circumference that is the same as taking off 1 tooth from the axle

\*Adding One Tooth to a 2 cycle should give 200 rpm more

\*Adding One Tooth to a 4 cycle should give 100 rpm more

\*If you add a tooth and gain less than that, the gear is most likely slower

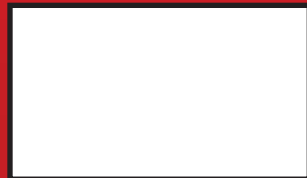
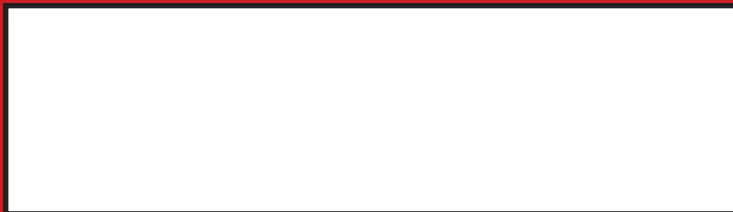
9 tooth		10 tooth		11 tooth		12 tooth		13 tooth		14 tooth		15 tooth		16 tooth		17 tooth		18 tooth		19 tooth	
53	5.88	53	5.30	53	4.81	53	4.41	53	4.07	53	3.78	53	3.53	53	3.31	53	3.11	53	2.94	53	2.79
54	6.00	54	5.40	54	4.90	54	4.50	54	4.15	54	3.85	54	3.60	54	3.37	54	3.17	54	3.00	54	2.84
55	6.11	55	5.50	55	5.00	55	4.58	55	4.23	55	3.92	55	3.66	55	3.43	55	3.23	55	3.05	55	2.89
56	6.22	56	5.60	56	5.09	56	4.66	56	4.30	56	4.00	56	3.73	56	3.50	56	3.29	56	3.11	56	2.95
57	6.33	57	5.70	57	5.18	57	4.75	57	4.38	57	4.07	57	3.80	57	3.56	57	3.35	57	3.16	57	3.00
58	6.44	58	5.80	58	5.27	58	4.83	58	4.46	58	4.14	58	3.86	58	3.62	58	3.41	58	3.22	58	3.06
59	6.55	59	5.90	59	5.36	59	4.91	59	4.53	59	4.21	59	3.93	59	3.68	59	3.47	59	3.27	59	3.11
60	6.66	60	6.00	60	5.45	60	5.00	60	4.61	60	4.28	60	4.00	60	3.75	60	3.52	60	3.33	60	3.16
61	6.77	61	6.10	61	5.54	61	5.08	61	4.69	61	4.35	61	4.06	61	3.81	61	3.58	61	3.38	61	3.21
62	6.88	62	6.20	62	5.63	62	5.16	62	4.76	62	4.42	62	4.13	62	3.87	62	3.64	62	3.44	62	3.26
63	7.00	63	6.30	63	5.72	63	5.25	63	4.84	63	4.50	63	4.20	63	3.93	63	3.70	63	3.50	63	3.32
64	7.11	64	6.40	64	5.81	64	5.33	64	4.92	64	4.57	64	4.26	64	4.00	64	3.76	64	3.55	64	3.37
65	7.22	65	6.50	65	5.90	65	5.41	65	5.00	65	4.64	65	4.33	65	4.06	65	3.82	65	3.61	65	3.42
66	7.33	66	6.60	66	6.00	66	5.50	66	5.07	66	4.71	66	4.40	66	4.12	66	3.88	66	3.66	66	3.47
67	7.44	67	6.70	67	6.09	67	5.58	67	5.15	67	4.78	67	4.46	67	4.18	67	3.94	67	3.72	67	3.53
68	7.55	68	6.80	68	6.18	68	5.66	68	5.23	68	4.85	68	4.53	68	4.25	68	4.00	68	3.77	68	3.58
69	7.66	69	6.90	69	6.27	69	5.75	69	5.30	69	4.92	69	4.60	69	4.31	69	4.05	69	3.83	69	3.63
70	7.77	70	7.00	70	6.36	70	5.83	70	5.38	70	5.00	70	4.66	70	4.37	70	4.11	70	3.88	70	3.68
71	7.88	71	7.10	71	6.45	71	5.91	71	5.46	71	5.07	71	4.73	71	4.43	71	4.17	71	3.94	71	3.74
72	8.00	72	7.20	72	6.54	72	6.00	72	5.53	72	5.14	72	4.80	72	4.50	72	4.23	72	4.00	72	3.79
73	8.11	73	7.30	73	6.63	73	6.08	73	5.61	73	5.21	73	4.86	73	4.56	73	4.29	73	4.05	73	3.84
74	8.22	74	7.40	74	6.72	74	6.16	74	5.69	74	5.28	74	4.93	74	4.62	74	4.35	74	4.11	74	3.89
75	8.33	75	7.50	75	6.81	75	6.25	75	5.76	75	5.35	75	5.00	75	4.68	75	4.41	75	4.16	75	3.95
76	8.44	76	7.60	76	6.90	76	6.33	76	5.84	76	5.42	76	5.06	76	4.75	76	4.47	76	4.22	76	4.00
77	8.55	77	7.70	77	7.00	77	6.41	77	5.92	77	5.50	77	5.13	77	4.81	77	4.52	77	4.27	77	4.05
78	8.66	78	7.80	78	7.09	78	6.50	78	6.00	78	5.57	78	5.20	78	4.87	78	4.58	78	4.33	78	4.11
79	8.77	79	7.90	79	7.18	79	6.58	79	6.07	79	5.64	79	5.26	79	4.93	79	4.64	79	4.38	79	4.16
80	8.88	80	8.00	80	7.27	80	6.66	80	6.15	80	5.71	80	5.33	80	5.00	80	4.70	80	4.44	80	4.21
81	9.00	81	8.10	81	7.36	81	6.75	81	6.23	81	5.78	81	5.40	81	5.06	81	4.76	81	4.50	81	4.26
82	9.11	82	8.20	82	7.45	82	6.83	82	6.30	82	5.85	82	5.46	82	5.12	82	4.82	82	4.55	82	4.32
83	9.22	83	8.30	83	7.54	83	6.91	83	6.38	83	5.92	83	5.53	83	5.18	83	4.88	83	4.61	83	4.37
84	9.33	84	8.40	84	7.63	84	7.00	84	6.46	84	6.00	84	5.60	84	5.25	84	4.94	84	4.66	84	4.42
85	9.44	85	8.50	85	7.72	85	7.08	85	6.53	85	6.07	85	5.66	85	5.31	85	5.00	85	4.72	85	4.47
86	9.55	86	8.60	86	7.81	86	7.16	86	6.61	86	6.14	86	5.73	86	5.37	86	5.05	86	4.77	86	4.53
87	9.66	87	8.70	87	7.90	87	7.25	87	6.69	87	6.21	87	5.80	87	5.43	87	5.11	87	4.83	87	4.58
88	9.77	88	8.80	88	8.00	88	7.33	88	6.76	88	6.28	88	5.86	88	5.50	88	5.17	88	4.88	88	4.63
89	9.88	89	8.90	89	8.09	89	7.41	89	6.84	89	6.35	89	5.93	89	5.56	89	5.23	89	4.94	89	4.68
90	10.00	90	9.00	90	8.18	90	7.50	90	6.92	90	6.42	90	6.00	90	5.62	90	5.29	90	5.00	90	4.74
91	10.11	91	9.10	91	8.27	91	7.58	91	7.00	91	6.50	91	6.06	91	5.68	91	5.35	91	5.05	91	4.79
92	10.22	92	9.20	92	8.36	92	7.66	92	7.07	92	6.57	92	6.13	92	5.75	92	5.41	92	5.11	92	4.84
93	10.33	93	9.30	93	8.45	93	7.75	93	7.15	93	6.64	93	6.20	93	5.81	93	5.47	93	5.16	93	4.89
94	10.44	94	9.40	94	8.54	94	7.83	94	7.23	94	6.71	94	6.26	94	5.87	94	5.52	94	5.22	94	4.95
95	10.55	95	9.50	95	8.63	95	7.91	95	7.30	95	6.78	95	6.33	95	5.93	95	5.58	95	5.27	95	5.00
96	10.66	96	9.60	96	8.72	96	8.00	96	7.38	96	6.85	96	6.40	96	6.00	96	5.64	96	5.33	96	5.05
97	10.77	97	9.70	97	8.81	97	8.08	97	7.46	97	6.92	97	6.46	97	6.06	97	5.70	97	5.38	97	5.11
98	10.88	98	9.80	98	8.90	98	8.16	98	7.53	98	7.00	98	6.53	98	6.12	98	5.76	98	5.44	98	5.16
99	11.00	99	9.90	99	9.00	99	8.25	99	7.61	99	7.07	99	6.60	99	6.18	99	5.82	99	5.50	99	5.21
100	11.11	100	10.00	100	9.09	100	8.33	100	7.69	100	7.14	100	6.66	100	6.25	100	5.88	100	5.55	100	5.26

PHONE 317.462.3413

FAX 317.462.2740

WWW.COMETKARTSALES.COM

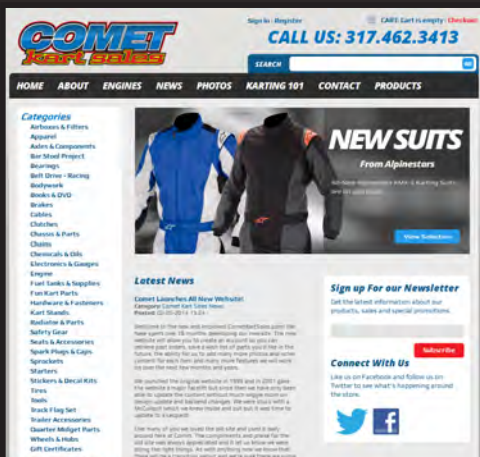
COMET KART SALES  
2650 WEST MAIN STREET  
GREENFIELD, INDIANA 46140  
317.462.3413 PHONE  
317.462.2740 FAX  
WWW.COMETKARTSALES.COM



HOME OF NATIONAL  
CHAMPIONSHIP WINNING



YAMAHA, LEOPARD, X30, TAG, CLONE, KPV, COMER, HONDA, ROTAX



ALL NEW FOR 2014! COMPLETE REDESIGN!  
VISIT KARTING'S LARGEST ONLINE CATALOG!  
WWW.COMETKARTSALES.COM

WHEN IT COMES TO KART PARTS, COMET  
DELIVERS! 1 DAY SHIPPING, 2ND DAY  
SHIPPING, SATURDAY DELIVERIES OR  
GROUND! COMET HAS THE PARTS YOU NEED  
WHEN YOU NEED THEM!