

100ZR - COHERENT OPTICS AT THE NETWORK EDGE



100ZR - COHERENT OPTICS AT THE NETWORK EDGE



**Stephan Rettenberger – SVP
Marketing & Investor Relations
ADVA**



**Kim Papakos
Principal Optical Strategist
Windstream**



**Matthew Schmitt
Principal Architect
CableLabs**



**Matthias Berger
VP Coherent Product Line
Coherent Inc.**



**Scott Wilkinson, PhD
Lead Analyst Optical Components
Signal AI**



**Andrew Schmitt
Directing Analyst
Signal AI**

100ZR: Coherent for the Edge of the Network



Scott Wilkinson
Lead Analyst



September 8, 2022



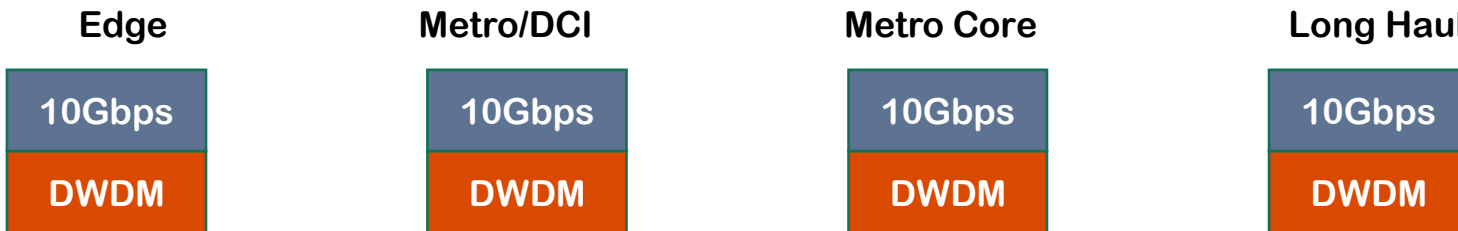
**Webinar: 100ZR – Bringing
Coherent Optics to the
Network Edge**





Technology Migration to the Edge of the Network

History –
10Gbps
moves to the
edge

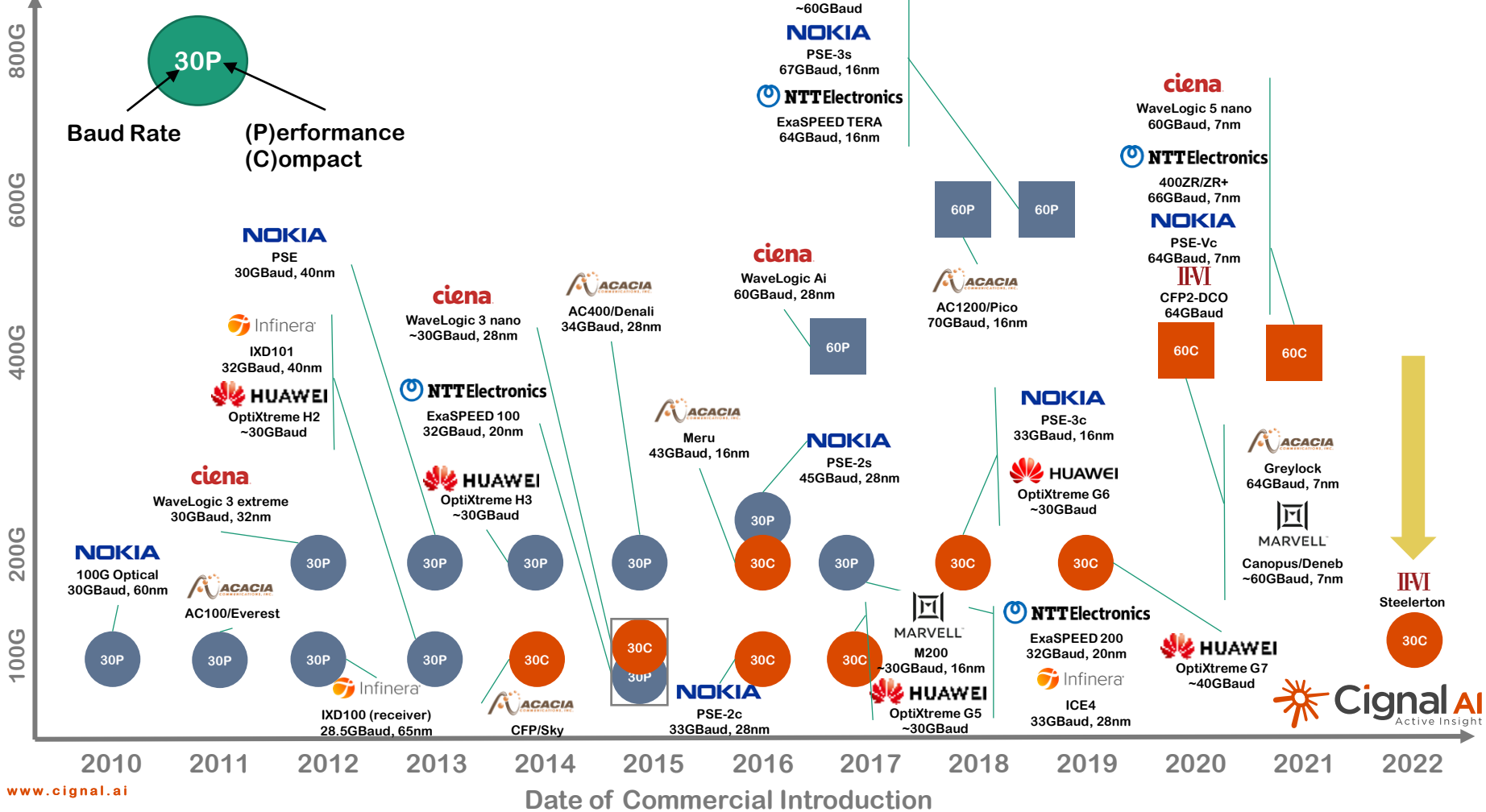


Coherent
migration to
the edge



Today's Topic

Coherent Optical Generations



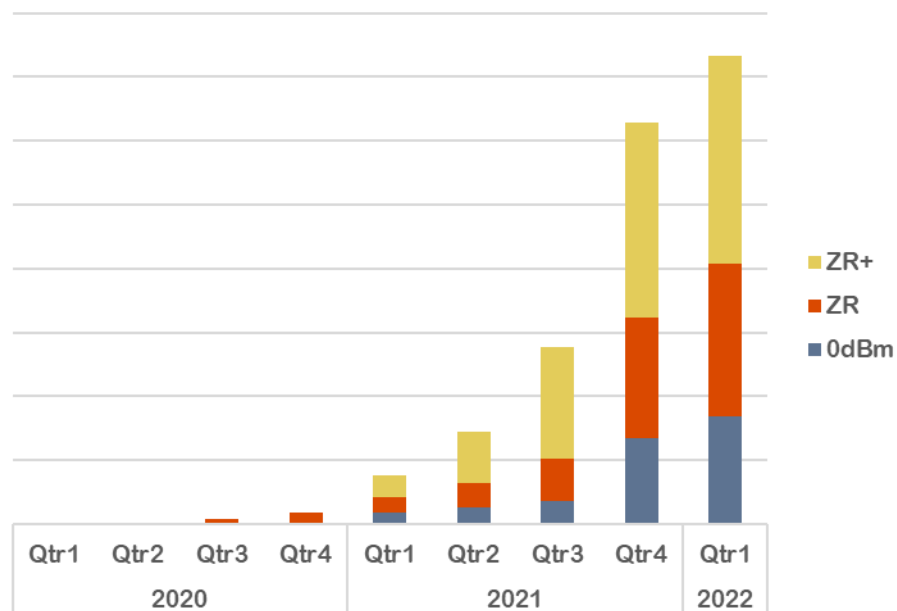


Gen60C: Pluggable Coherent Success Story

- 400ZR: Designed to meet the need for a low-cost, low-power DCI solution
 - Finally, real IP-over-DWDM
- Extraordinary growth, primarily from webscale operators
 - The right technology at the right time
- Multiple variants now in production to expand the applications space
 - 400ZR, Enhanced FEC, OpenZR+, OpenROADM, 0dBm, QSFP-DD, CFP2, etc.
- Forecast to ship over 190k modules in 2022
 - >50k per quarter by the end of the year

The success of 400ZR has changed the way network operators think about coherent optics.

Pluggable 400Gbps Coherent Port Shipments

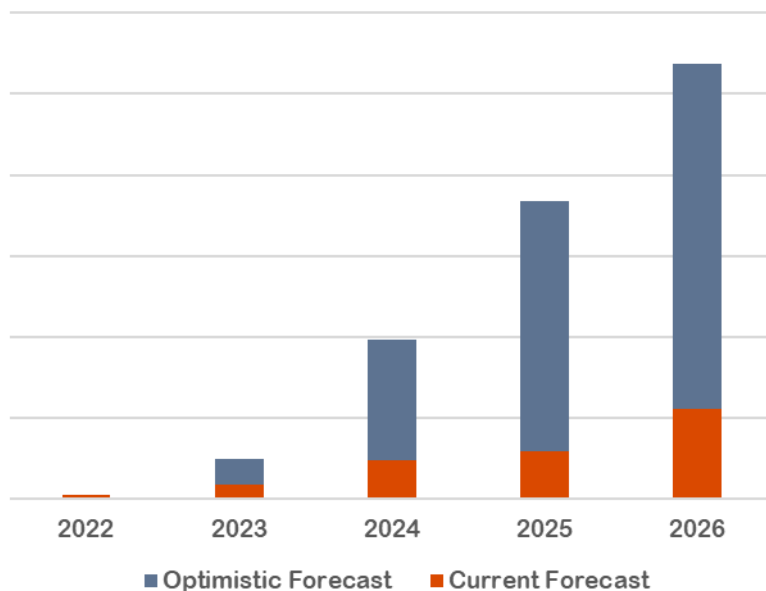




The Need for 100ZR

- Millions of 10Gbps DWDM modules deployed at the edge of the network
- A simple, low-cost 100Gbps solution is needed
- Current options
 - Direct Detect: Distance limited, not always DWDM compatible, useful for single-wavelength (and some DWDM) short reach
 - Scaled-down 400ZR: Higher power, higher cost, potential applications in enterprise networks
- Signal AI's current forecast is based on existing solutions
- An optimistic forecast assuming 10Gbps DWDM replacement would be much larger

100ZR Forecast (Modules Shipped)





Signal AI
Active Insight

Thank You

Not for distribution beyond Signal AI Clients



www.signal.ai



sales@signal.ai



+1 617 365 3563



[signalai](https://twitter.com/signalai)



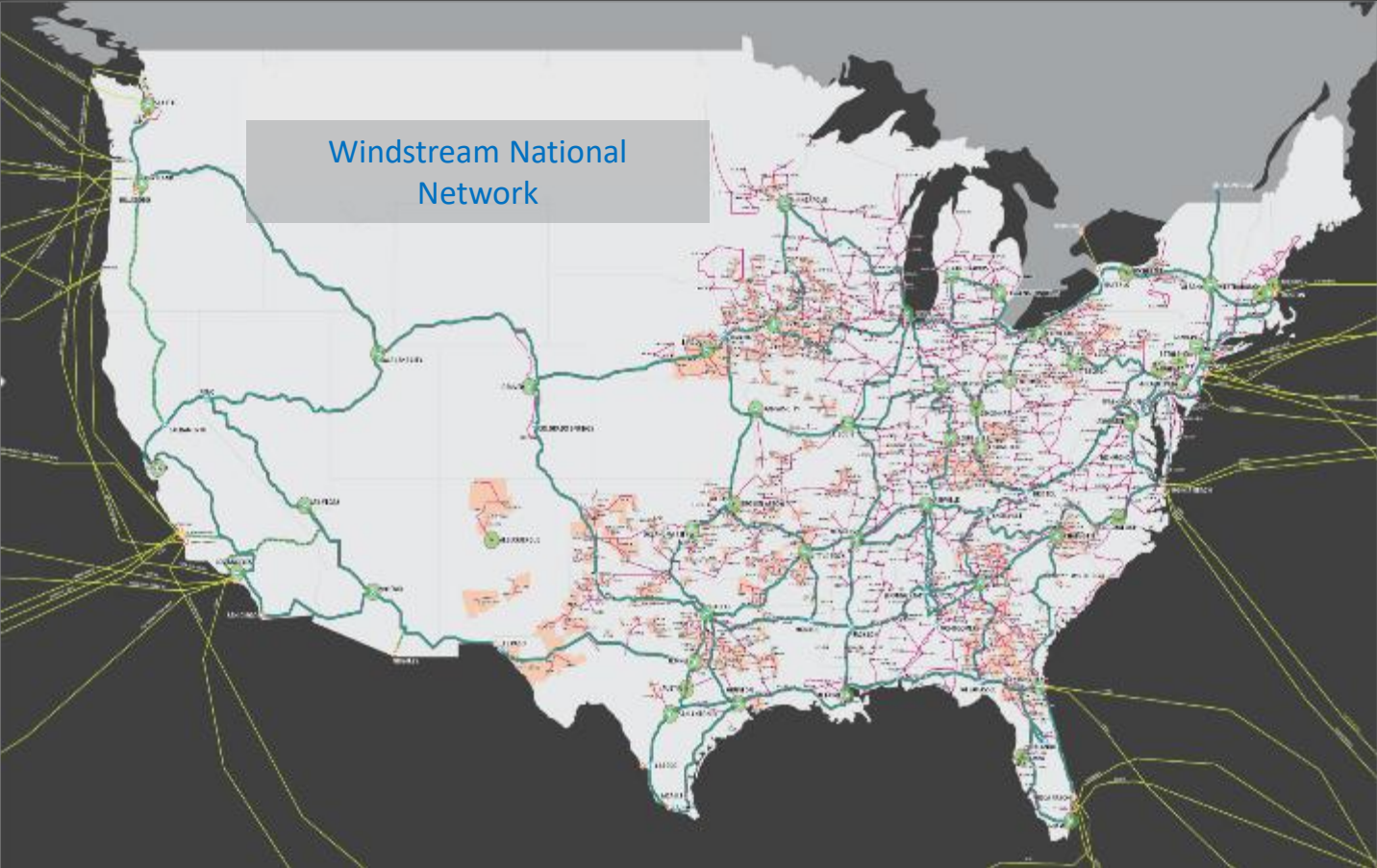
[signalai](https://www.linkedin.com/company/signalai)



100 Gig ZR

Kim Papakos – Principal Optical Strategist





Windstream National Network

National Terrestrial Network

Large Application Mix
Ultra Long Haul

~150 Sites

Metro / Regional

~5000 Sites

Access / Edge

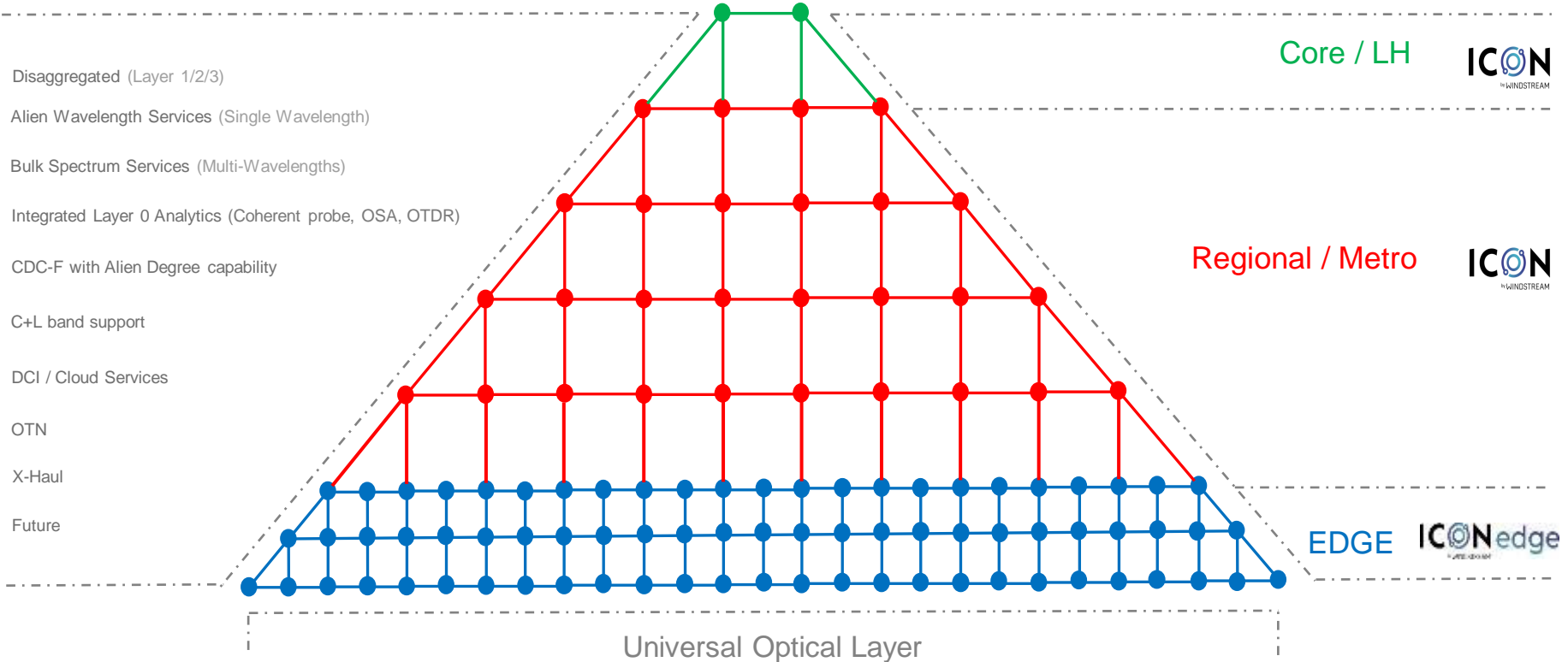
~2000 Sites

~7000+

Sites and Growing



+

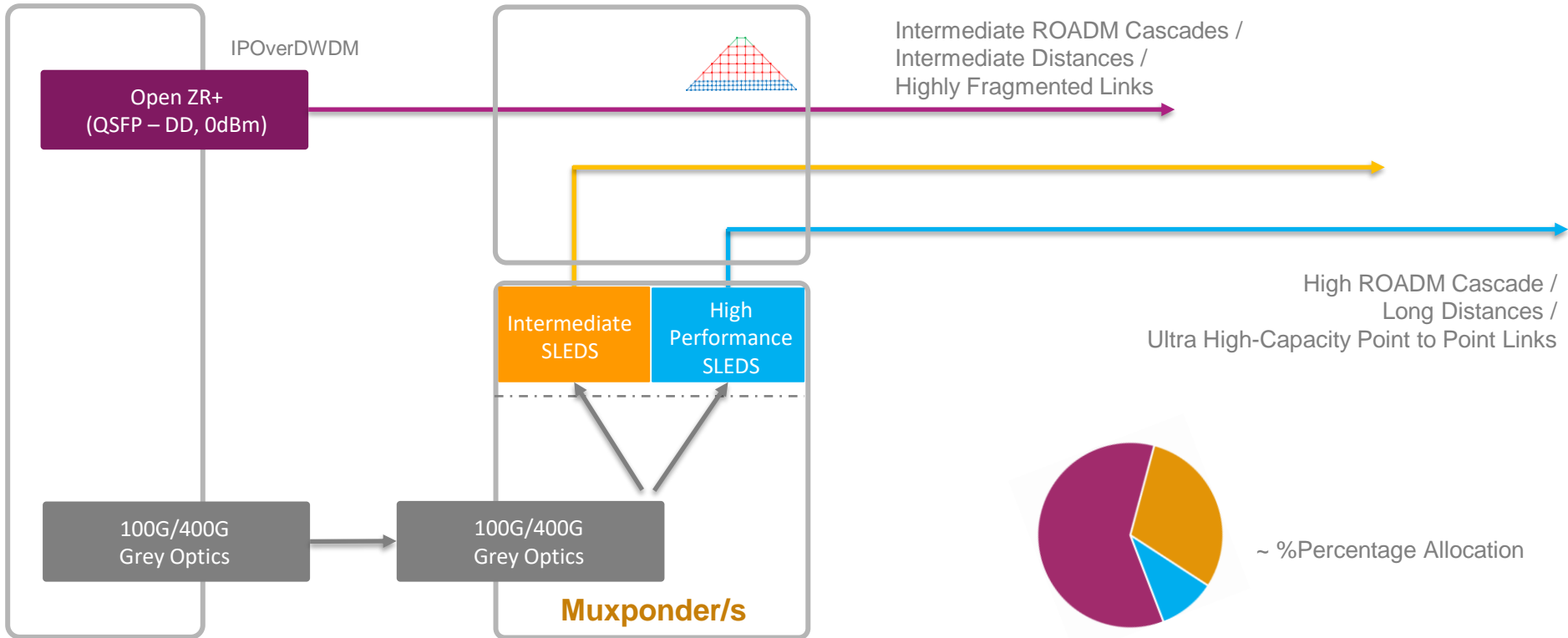


Operator's perspective of Coherent Transceiver Applications

Router

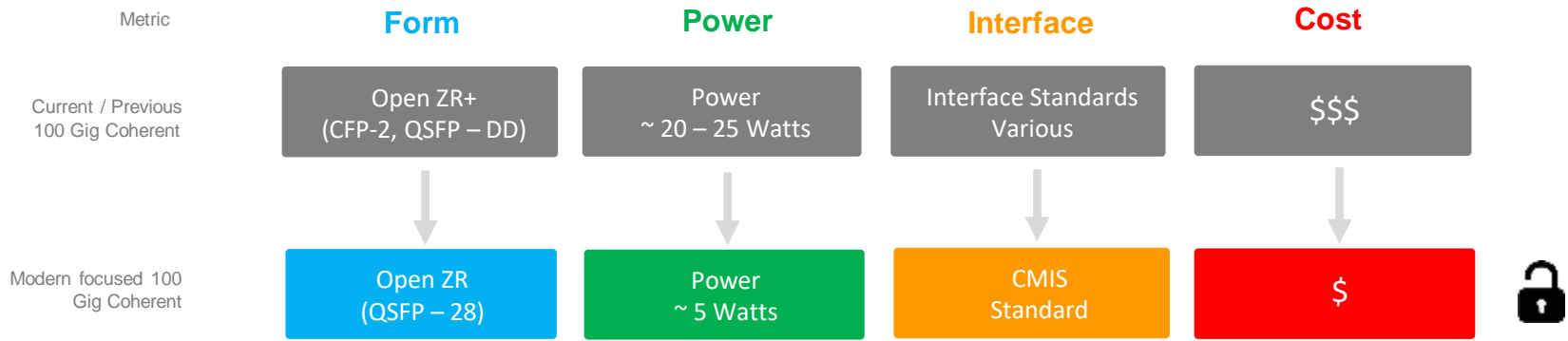
Universal Optical Layer

Link Path Characteristics



Desire: Extend IPOverDWDM Architecture to deep edge

100 Gig ZR – Application specific, focused coherent transceiver, utilizing latest technology base significantly improves key metrics



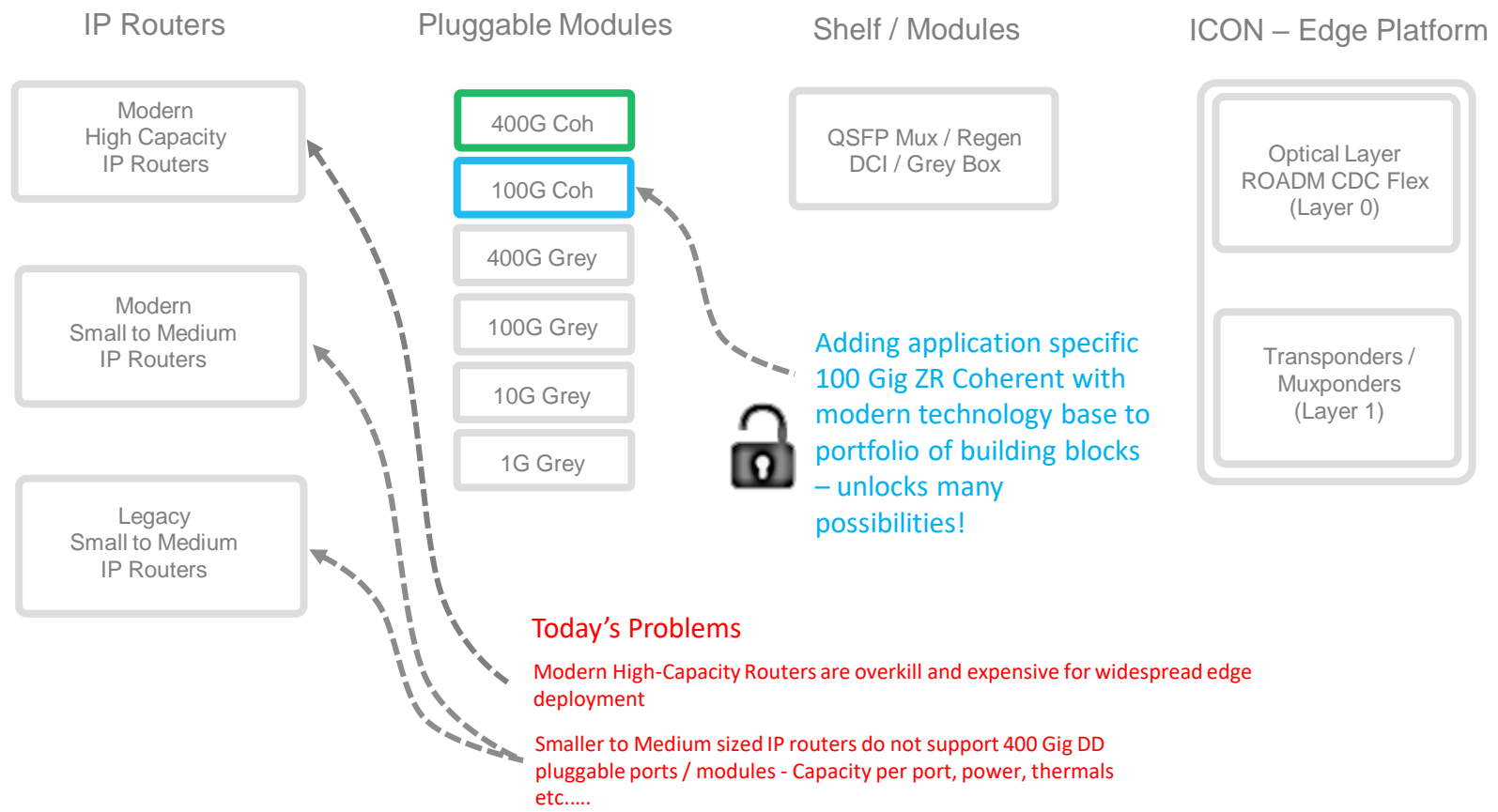
which become critical in unlocking edge networking where



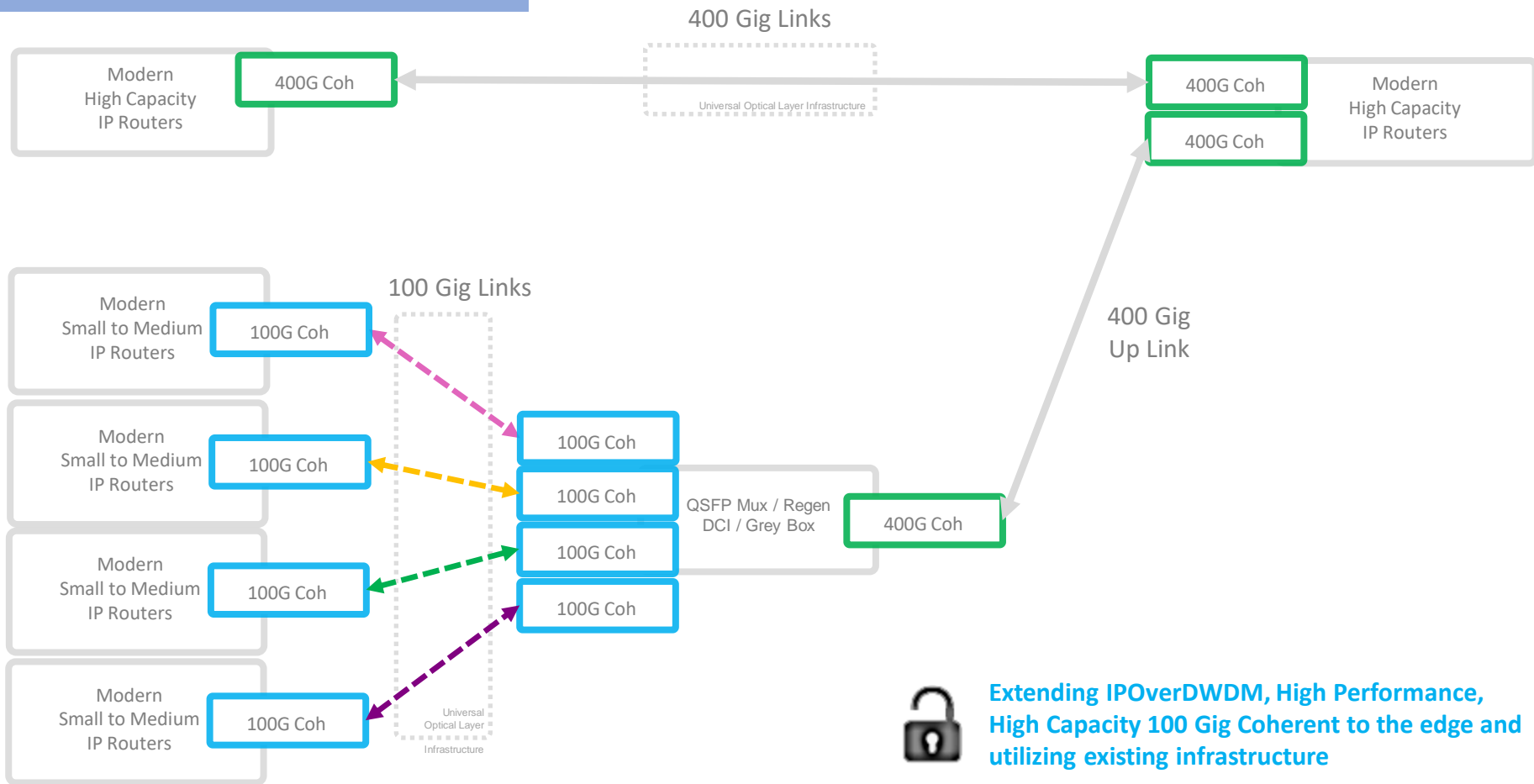
medium sized traffic, large number of sites, small to medium sized switch fabrics ARE key defining characteristics.

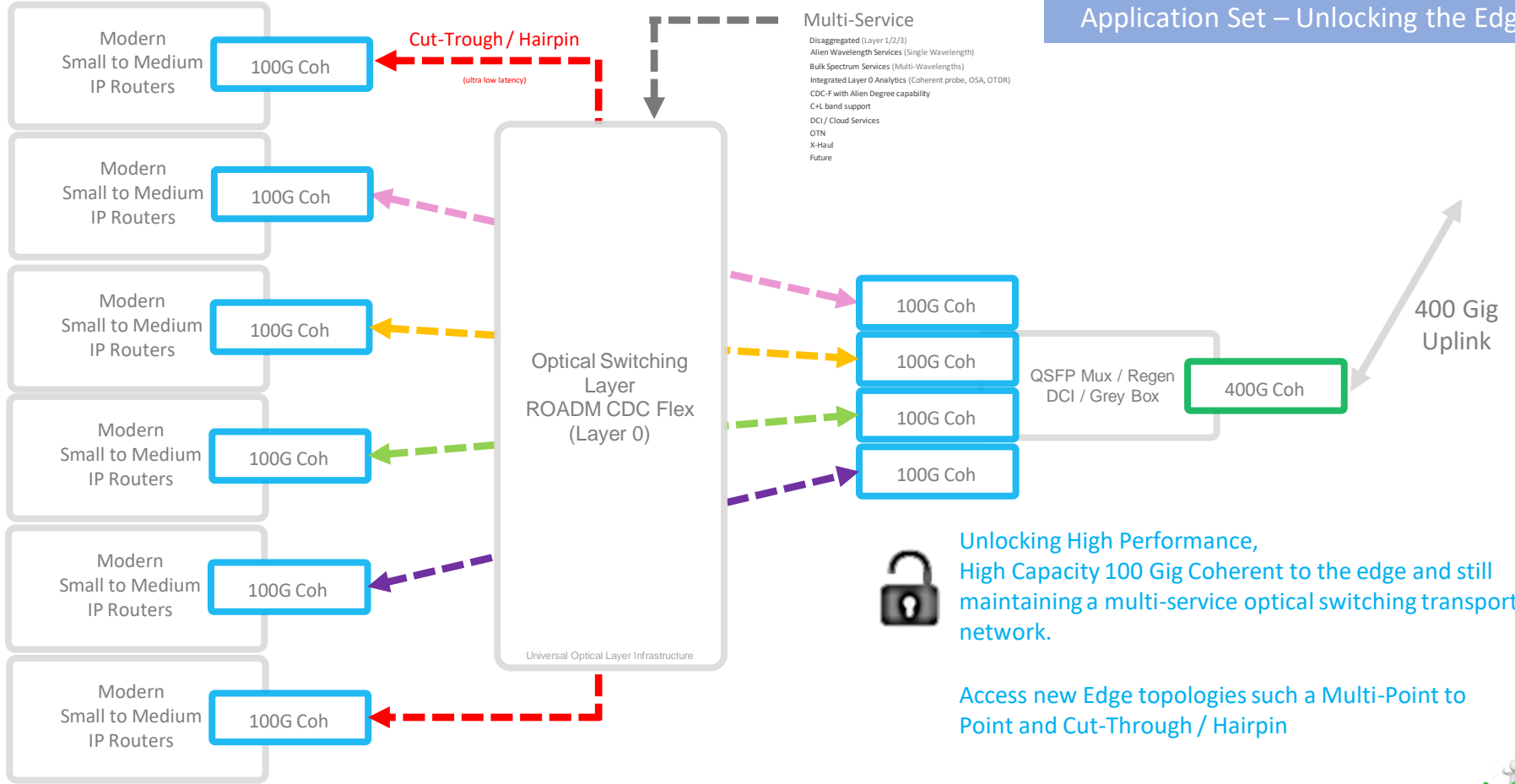


Building Blocks - Relationship between Capacity, Host Devices and PHY interface support



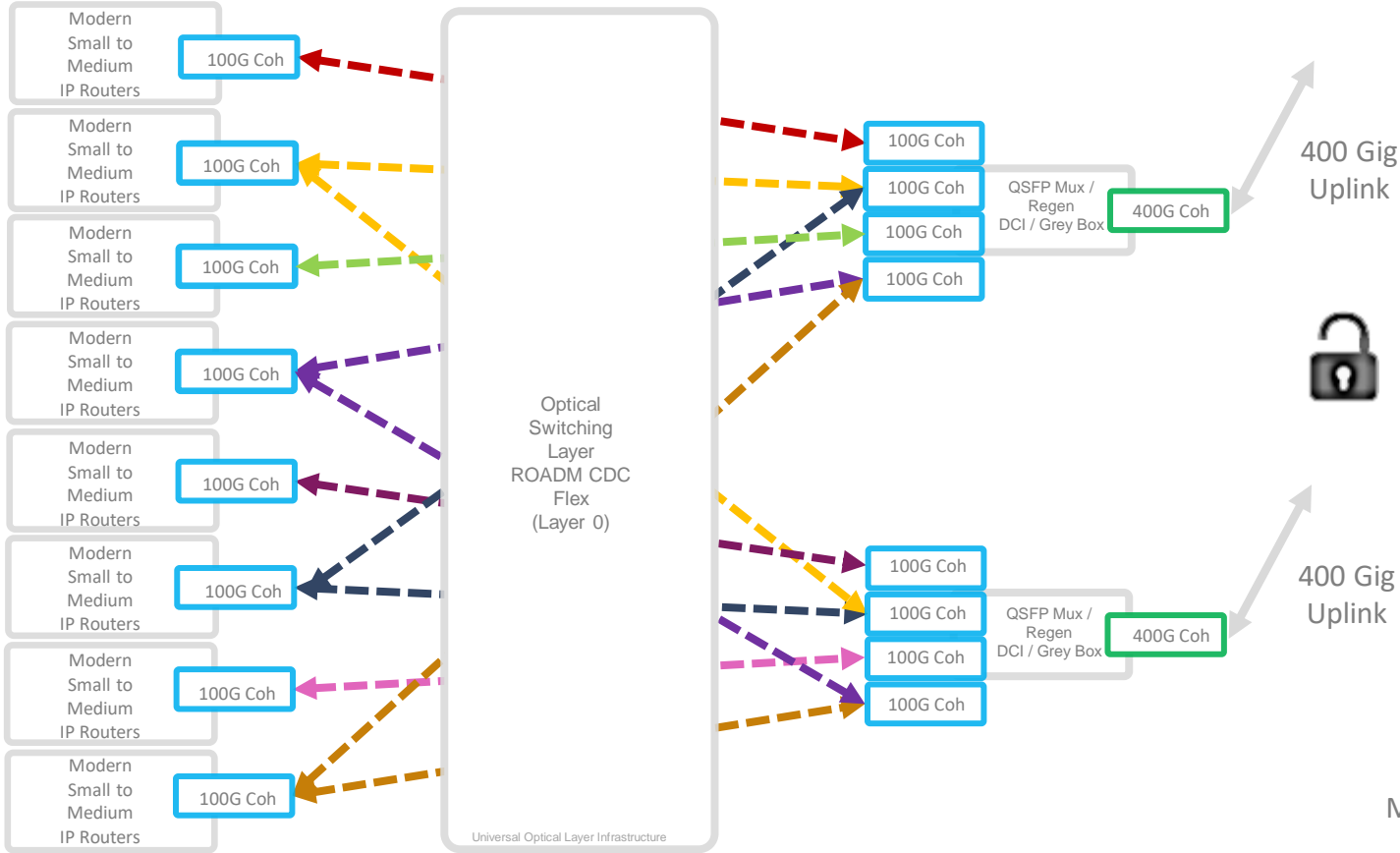
Application Set – Unlocking the Edge





- Point to Point
- Long Distances
- ROADM Compatible
- Simplified Host Software
- Low Power Solution
- Cut-Through / Hairpin
- Multi-Service
- Multi-Point to Point





Access new Edge topologies such a Multi-Point to Point, Multi-Point to Multi-Point and Cut-Through / Hairpin

Multi-Point to Multi-Point



Multi-Point to Point



Point to Point



Long Distances



ROADM Compatible



Simplified Host Software



Low Power Solution



Cut-Through / Hairpin



Multi-Service

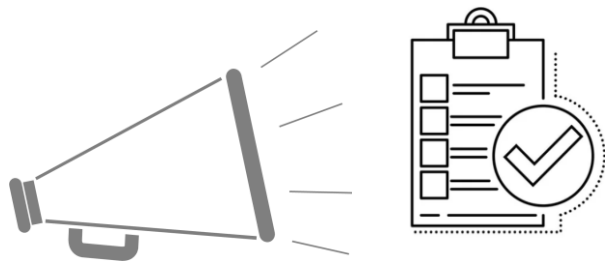


400 Gig ZR+ – First real attempt at Open and Interoperable Standards –
(Thank you to the collaborative efforts of various standards bodies)

Open and Interoperable can be deemed a success with various field trials results reported, however many things were learned throughout the process

Application specific 100 Gig ZR category class will greatly benefit from “Holistic” Open and Interoperable Standards

Holistic = more than just FEC and modulations scheme. Holistic means the standardization and agreement on additional items such as the following items:



STANDARDS

Host Interface Standards

Application code Standards

Mechanics

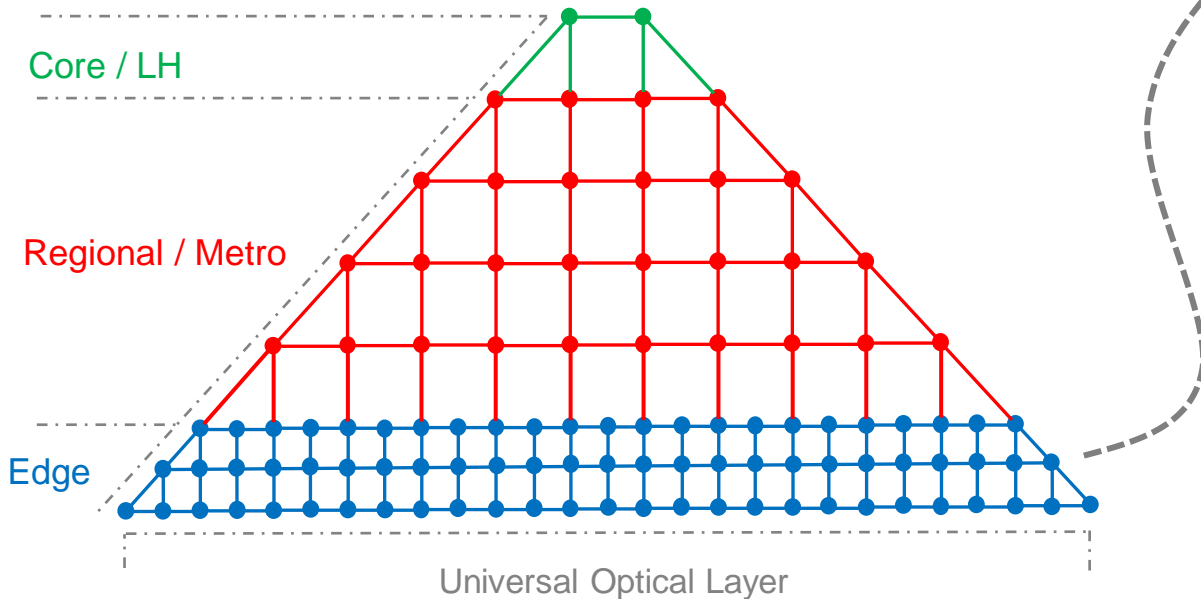
Power

Thermals

Diagnostics

Optimized Interoperability

ICON + ICONedge
by WINDSTREAM by WINDSTREAM



● Edge

Edge represents largest number of nodes and physical locations

Many Edge nodes are not easily accessible / limited hours of access

Many more field personal required to cover Edge all with varying knowledge of DSP / Coherent Transceivers

Zero Touch Provisioning

Remote Coherent Transceiver management

Remote provisioning, (Wavelength, launch Power etc.)

Remote diagnostics, (Temp, CD, PMD, SNR, OSNR, PDL, etc.)

Simplicity and next level automation are highly desirable from both the pluggable and host platform vendors

Thank you
from Windstream



CableLabs[®]

**Coherent in Cable Access
Enabling a Multi-Service Converged Network**

CableLabs

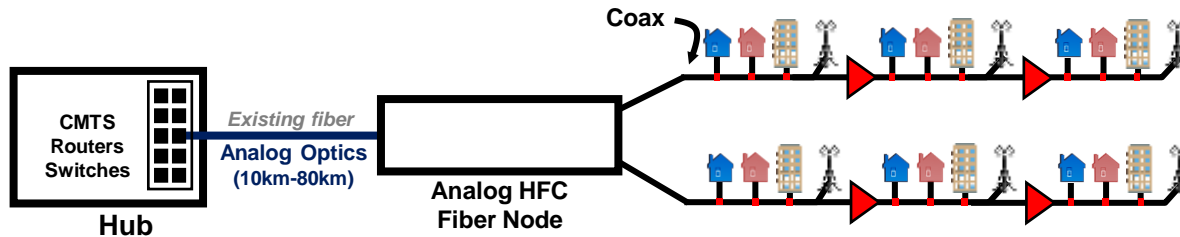
Matt Schmitt

m.schmitt@cablelabs.com

Today's Cable Access Network

- Electrical RF signals generated at Hub facility (analog or digital video, data via DOCSIS® technology) and carried via coax
- Converted from electrical to optical and transmitted over fiber (analog optics)
- At Fiber Node, converted back to electrical signal over coax
- Tree and branch architecture with taps to connect to homes and amplifiers to extend signal as needed
- Same happens in reverse for return path
- Enables a variety of IP based services via DOCSIS technology

Today's Analog HFC Architecture



Residential Services via
- DOCSIS (HFC)

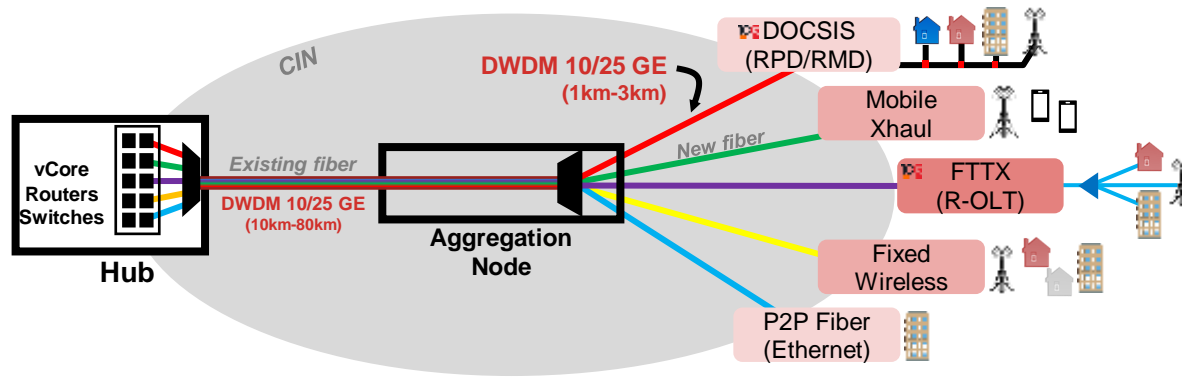
Business Services via
- DOCSIS (HFC)

Xhaul Services via
- DOCSIS (HFC)

Transition to Distributed Access Architecture

- Many operators are transitioning to a Distributed Access Architecture (DAA)
 - Often in combination with pushing fiber deeper by splitting existing Fiber Node into smaller serving groups
- With DAA, RF generation is moved into the field (Remote PHY or Remote MAC/PHY Device), which is connected to Hub via Ethernet
 - 10G colored optics with DWDM using existing fiber and short extensions
 - Each end device (child node) gets a separate 10G wavelength

In Progress Distributed Access Architecture (DAA) Deployments



Residential Services via

- DOCSIS (HFC), FTTX, Fixed Wireless

Business Services via

- DOCSIS (HFC), FTTB, Fixed Wireless, P2P Fiber (Ethernet)

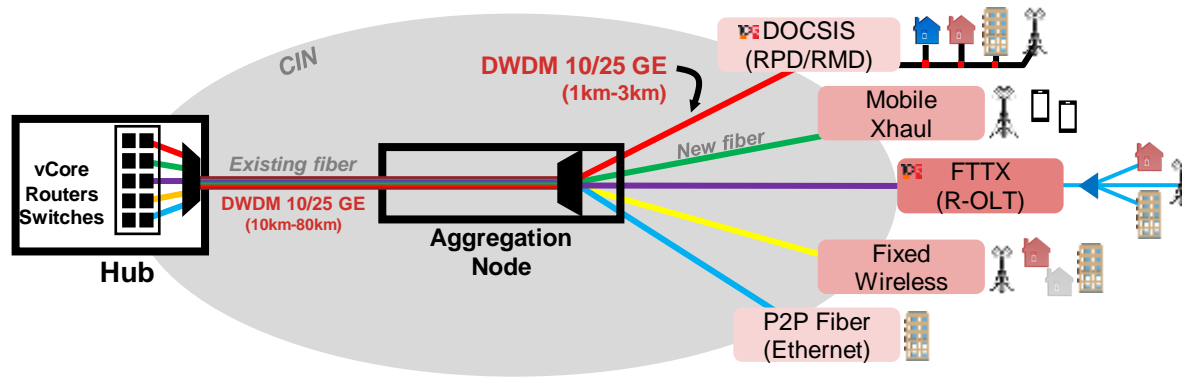
Xhaul Services via

- DOCSIS (HFC), FTTX, P2P Fiber (Ethernet)

Drivers for DAA

- Significantly reduces equipment required at Hub facility
 - Better ability to scale services, add new equipment for new services, and/or consolidate facilities
- Improves SNR over coax network via digital optics and reduced noise and signal loss
- Ability to use lower-cost digital optics with reduced maintenance
- Ability to support other devices and services directly via fiber network

In Progress Distributed Access Architecture (DAA) Deployments



Residential Services via

- DOCSIS (HFC), FTTX, Fixed Wireless

Business Services via

- DOCSIS (HFC), FTTB, Fixed Wireless, P2P Fiber (Ethernet)

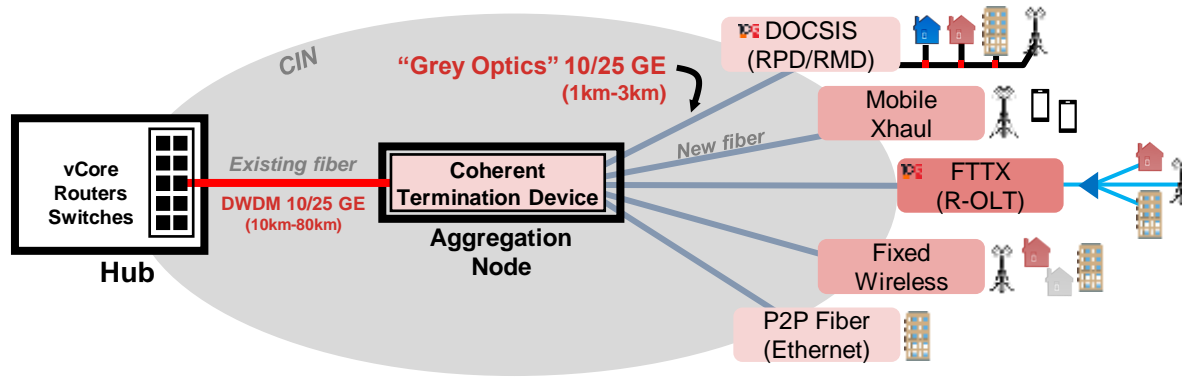
Xhaul Services via

- DOCSIS (HFC), FTTX, P2P Fiber (Ethernet)

The Case for Coherent

- Alternate to 10G DWDM: P2P Coherent Optics
 - P2P coherent optics at 100G or 200G per wavelength from Hub to Coherent Termination Device (CTD) at Aggregation Node
 - CTD connected to child nodes via low-cost grey optics at 10G or 25G
 - CTD forwards using Layer-2 (switching) or Layer-3 (routing)
- Anticipated advantages:
 - Reduced cost with larger numbers of child nodes
 - Increased capacity/scalability/flexibility to support wider range of services

Future DAA Deployments using P2P Coherent Optics – Reducing cost and improving capacity/scalability/flexibility

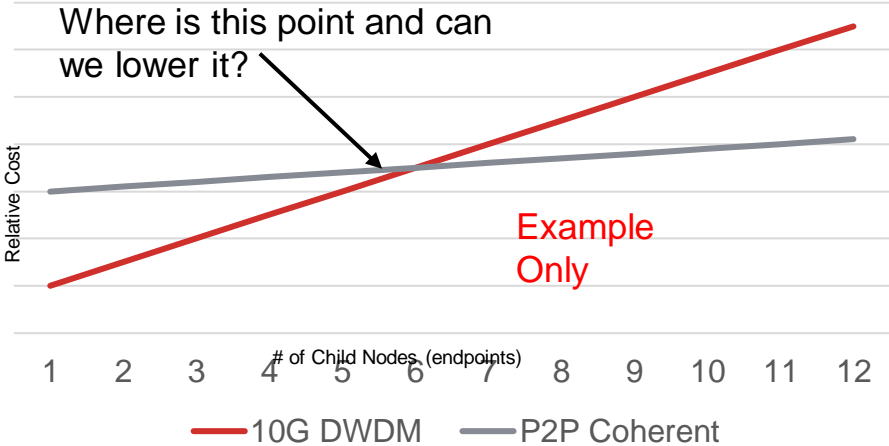


- Residential Services via**
 - DOCSIS (HFC), FTTX, Fixed Wireless
- Business Services via**
 - DOCSIS (HFC), FTTB, Fixed Wireless, P2P Fiber (Ethernet)
- Xhaul Services via**
 - DOCSIS (HFC), FTTX, P2P Fiber (Ethernet)

Economic Case

- 10G DWDM has low initial cost but scales linearly
- P2P Coherent has higher initial cost, but scales more slowly
 - Initial cost for coherent modules and CTD
 - Small incremental cost for low-cost grey optics
- Crossover point location critical to viability and scale of coherent deployments in this application
 - If too high, only suitable for very dense deployments
 - As crossover drops, becomes more interesting for wider range of deployments
 - Driven by cost of optics and CTD
- CableLabs key objective: lower crossover point by promoting interoperability, scale, competition

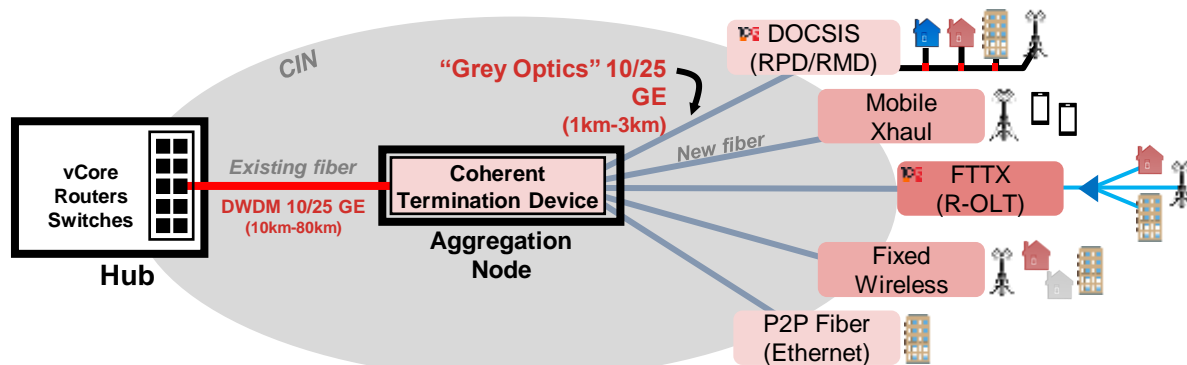
10G DWDM vs. Coherent Costs



Unique Aspects of Cable Access Deployments

- One coherent endpoint is outdoors, introducing unique device requirements
 - I-Temp, weather hardened devices
 - No optical amplifiers in field (impacts OSNR and therefore reach)
 - CTD only needs 1-2 coherent links with 12-16 10/25G links
- Coherent signals need to coexist with other wavelengths
 - 10G DWDM signals, other coherent wavelengths, even analog signals

Future DAA Deployments using P2P Coherent Optics – Reducing cost and improving capacity/scalability/flexibility



Residential Services via

- DOCSIS (HFC), FTTX, Fixed Wireless

Business Services via

- DOCSIS (HFC), FTTB, Fixed Wireless, P2P Fiber (Ethernet)

Xhaul Services via

- DOCSIS (HFC), FTTX, P2P Fiber (Ethernet)

CableLabs Activities Promoting Interoperability and Adoption

- Developed specifications promote interoperability, scale, and competition in order to enable this market
 - Architecture Specification
 - Physical Layer Specifications (PHYv1.0 for 100G, PHYv2.0 for 200G)
 - CTD Requirements Specification
 - CTD OSSI Specification
- Hosted multiple interoperability events
 - Opportunity for manufacturers to meet on neutral ground
 - Validated multi-vendor (and multi-chipset) interoperability at 100G and 200G per wavelength
- Deployed coherent optics technology in our 10G multi-service lab
- Excited to see and support new developments in this space



Coherent in Cable Access

CableLabs

Matt Schmitt

m.schmitt@cablelabs.com

cablelabs.com



The coherent optical edge

A paradigm shift for scaling aggregation networks

September 2022

Unprecedented market dynamics at the edge



Digital transformation accelerated by pandemic



U.S. federal stimulus legislation



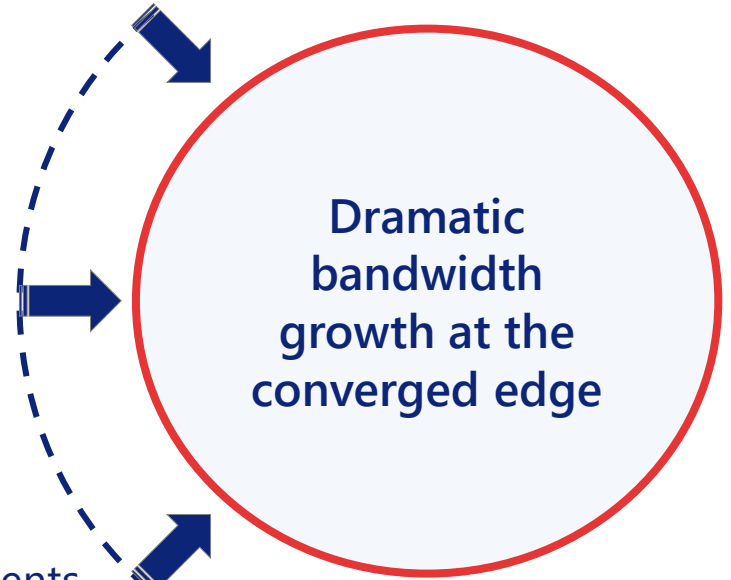
FCC's rural digital opportunity fund (RDOF)



5G rollouts and deployments



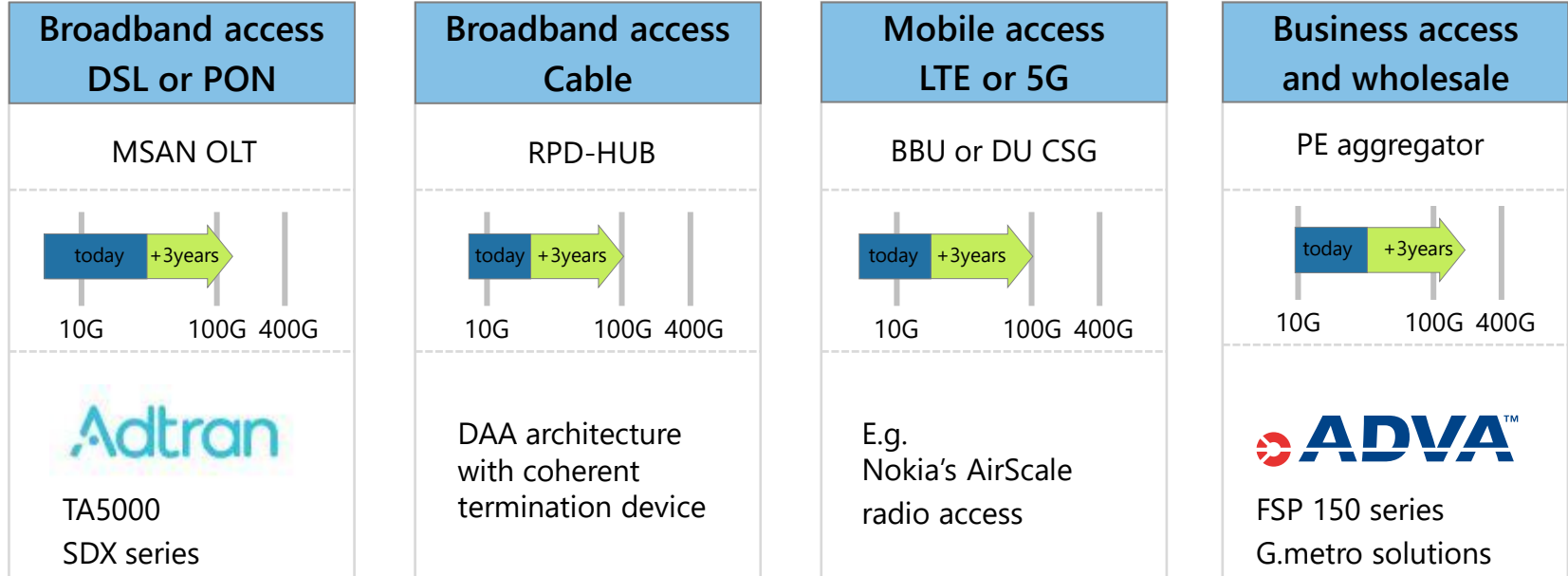
Upgrade cycle driven by hybrid working environments



Investment cycle drives new requirements and convergence

Line speeds at the optical edge

Network element evolution



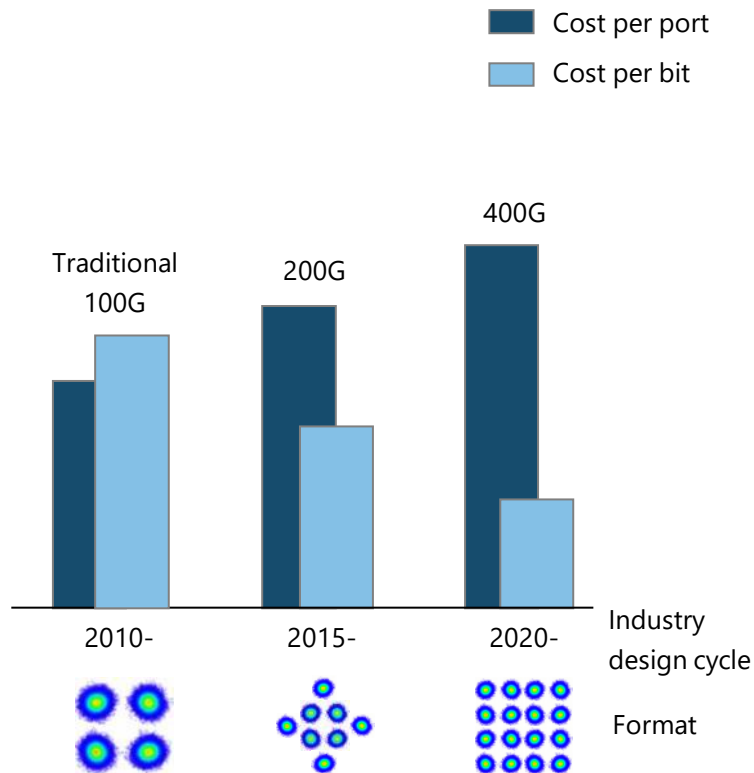
100G (QSFP28) is going to be the dominant feeder port at the optical edge

Coherent optical interface evolution

Economics of coherent WDM interfaces

- During the last decade every new generation of coherent interface came with an increased data rate
- Assuming a 100% utilization of the interface bandwidth this results in a strong reduction of cost per bit

Edge applications do not benefit from further increase of interface bandwidth

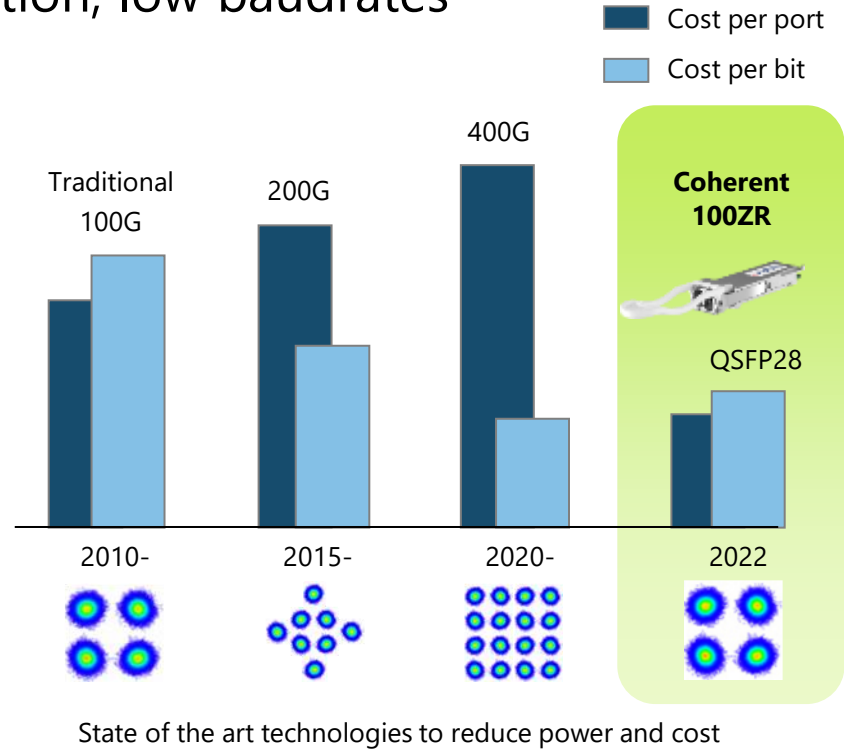


A new breed of coherent optics for the edge

7nm DSP technology, simple modulation, low baudrates

- Millions of access tails at 10GE (SFP+) need high-speed upgrades
- 100GE (QSFP28) ports will dominate
- 100ZR plug needs optimized price-performance to substitute WDM 10G in volume deployments

Modulation format

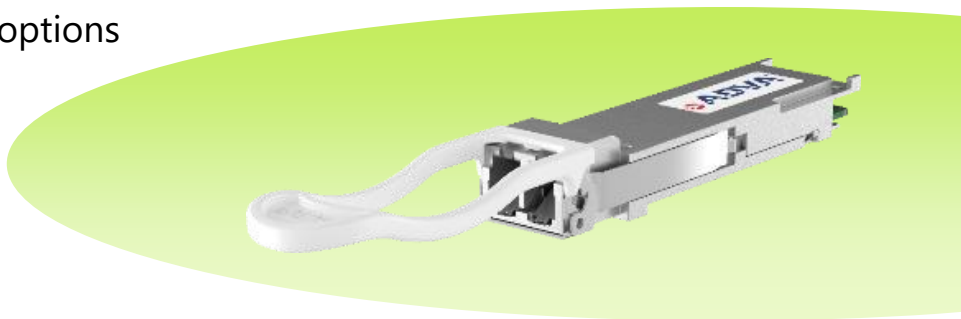


100ZR closes the gap between traditional direct-detect (10G) and coherent

Just imagine what you could do with ...

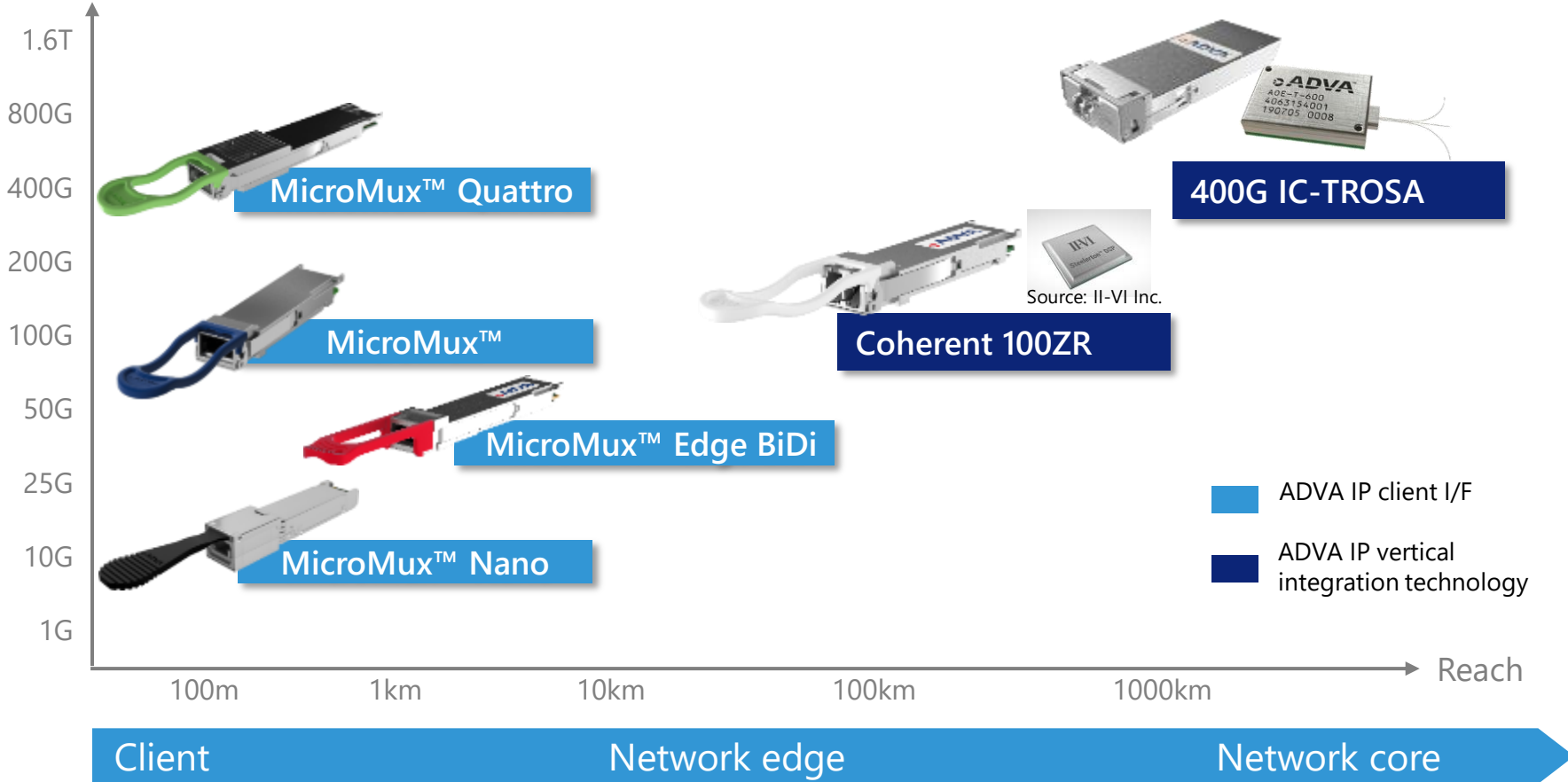
100ZR coherent technology in a 5 Watts power envelope

- 100GBASE-ZR compliant with IEEE Std 802.3ct™-2021
- QSFP28 form factor and power envelope
- OTN OTU4 and Ethernet 100GE host interface options
- 300km amplified reach (chromatic dispersion)
- 100GHz/50GHz/Flexgrid resolution
- Fully tunable (remote tuning)
- Versions for cTEMP and iTEMP



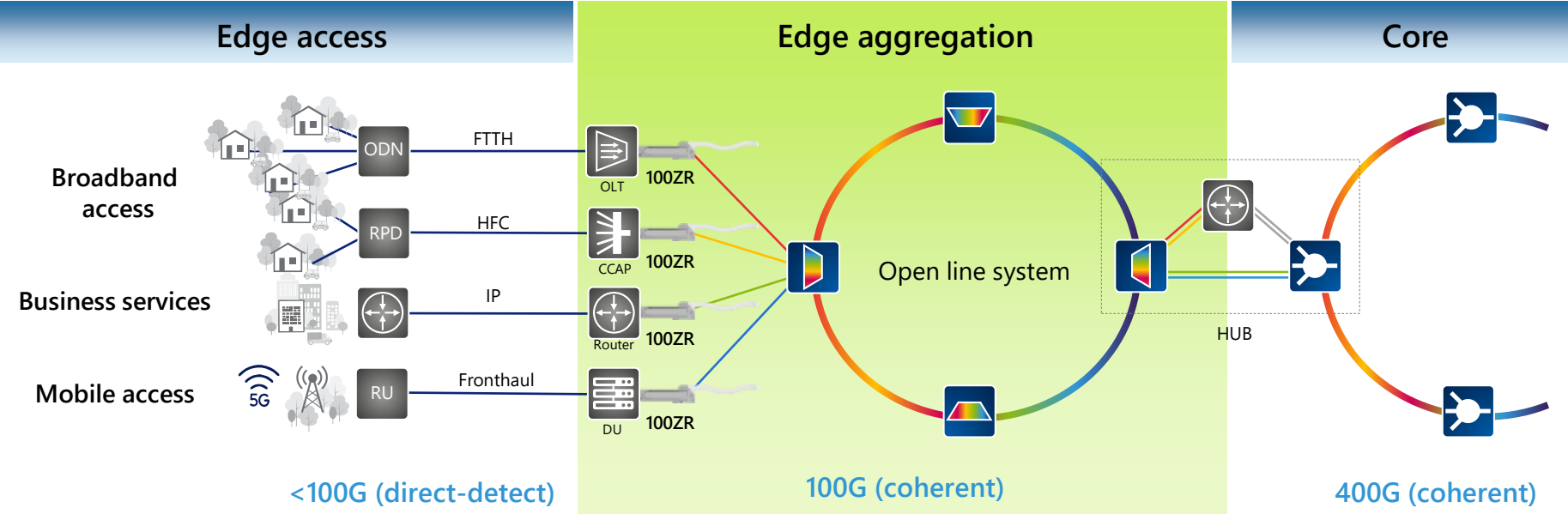
Radically new DSP innovation creates industry's lowest-power coherent 100ZR plug



ADVA – open edge networking transceivers



Coherent 100ZR

A paradigm shift for the optical edge



Legend:  ADVA's FSP 3000 or third-party open line system (OLS)  ADVA's FSP 3000 or third-party open terminals and OLS

100ZR QSFP28 enables seamless introduction of 100G coherent waves at the edge



Thank you

srettenberger@adva.com

IMPORTANT NOTICE

The content of this presentation is strictly confidential. ADVA is the exclusive owner or licensee of the content, material, and information in this presentation. Any reproduction, publication or reprint, in whole or in part, is strictly prohibited. The information in this presentation may not be accurate, complete or up to date, and is provided without warranties or representations of any kind, either express or implied. ADVA shall not be responsible for and disclaims any liability for any loss or damages, including without limitation, direct, indirect, incidental, consequential and special damages, alleged to have been caused by or in connection with using and/or relying on the information contained in this presentation. Copyright © for the entire content of this presentation: ADVA.

100GBASE-ZR QSFP28-DCO

Time for coherent at the edge of the network

September 8th, 2022

Matthias Berger

VP Coherent Product Line

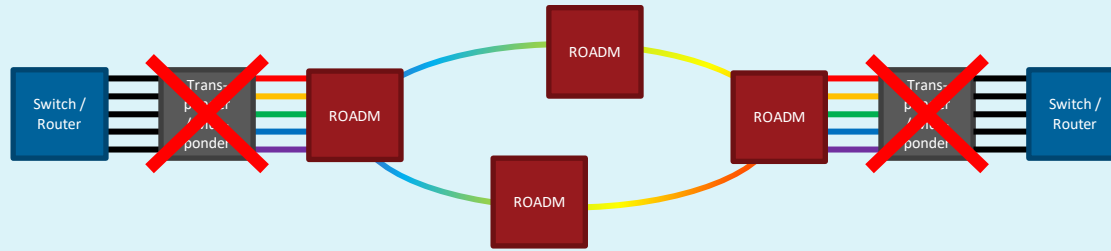
100G coherent ZR QSFP28 – What is it?

- Digital Coherent Optics module, QSFP28 form factor
- IEEE 100G Ethernet (CAUI-4) or ITU-T 100G OTN (OTL4.4) compliant host interface
- 100G DP-DQPSK line side modulation with:
 - Standardized FEC's according to IEEE 802.3ct and ITU-T G.709.2
 - Additionally very low latency FEC per ITU-T G.709
- Transmission reach up to 80km unamplified, 120km amplified
 - >22 dB loss budget (unamplified)
 - Optional extended reach up to 300km amplified
- Full C-band tunable
 - Optional Flexitone™ automatic wavelength configuration, as well as remote digital diagnostics
- Versions for standard and hardened environment
- Typical module power dissipation < 5W
- Controlled latency through module to support IEEE 1588v2 Precision Time Protocol applications – Class C
- Management interfaces:
 - CMIS 5.1 / OIF-C-CMIS-01.2 to enable rich feature set
 - SFF-8636 to support legacy hosts, with reduced feature set

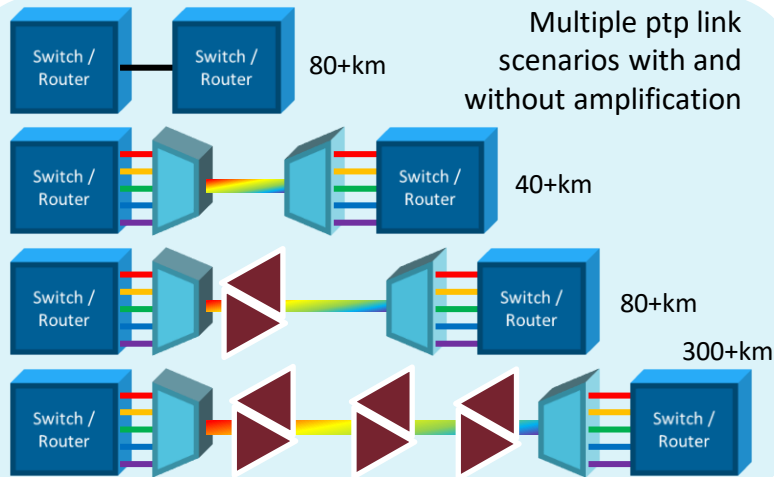


Low cost, low power, small form factor standardized coherent pluggable for Access and Metro applications

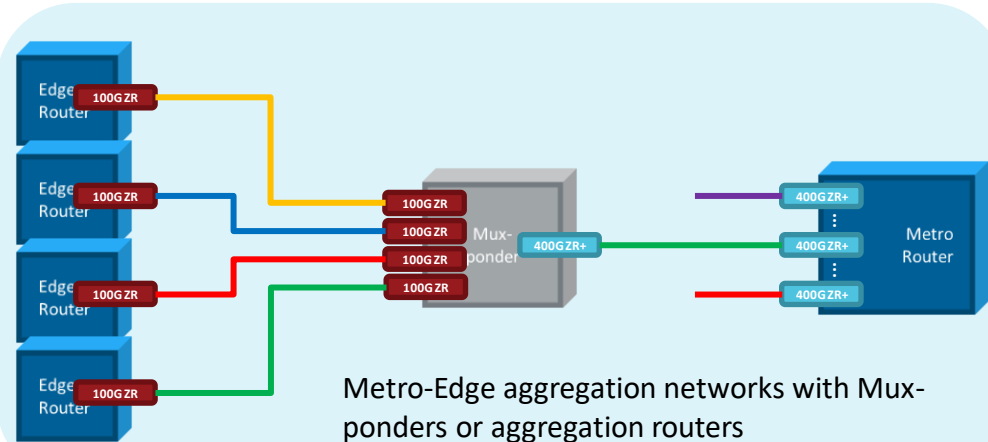
Application scenarios for 100G coherent



Metro-WDM rings without transponders using high power version



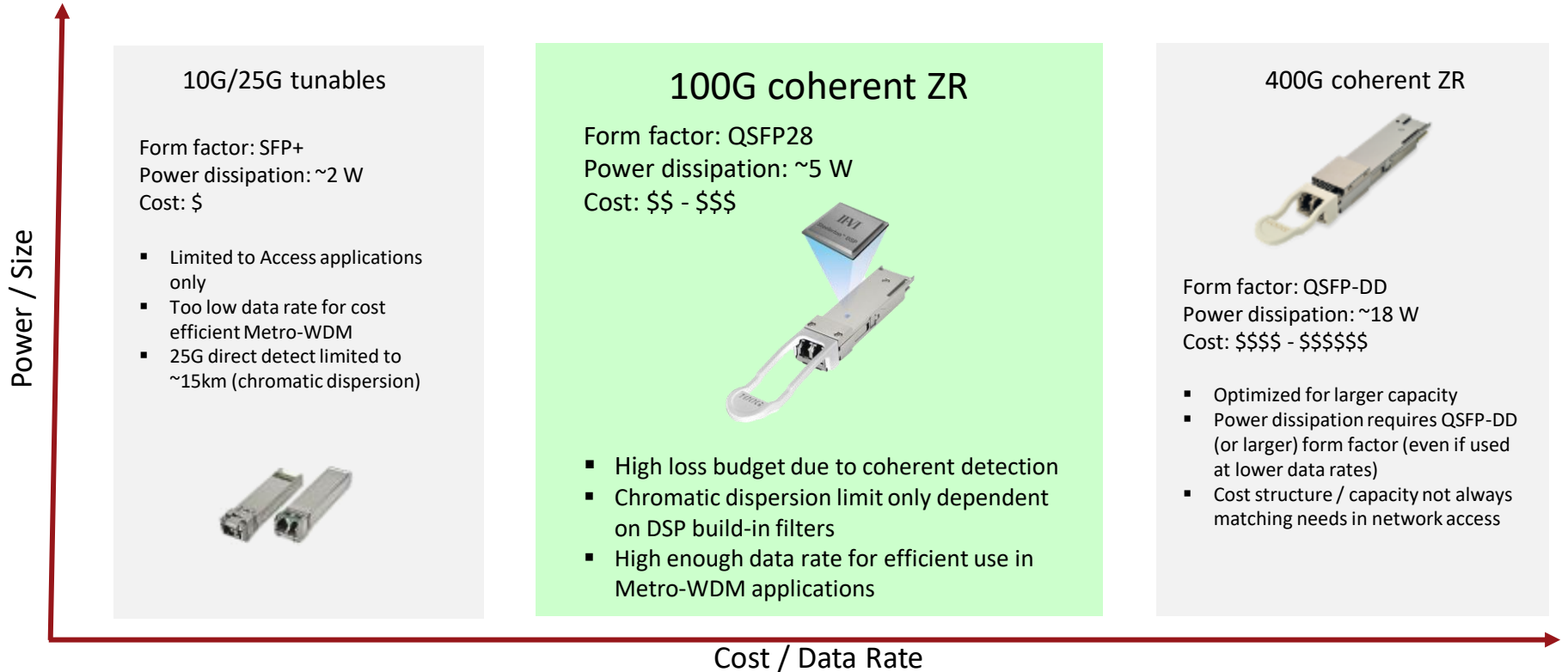
Multiple ptp link scenarios with and without amplification



Metro-Edge aggregation networks with Mux-ponders or aggregation routers

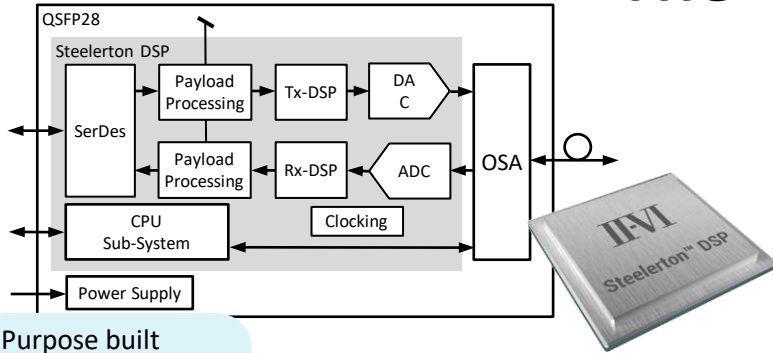
Application space aligned with network operators needs, ease of use engineering due to coherent detection

Comparison of tunable WDM pluggables



A commercially attractive product solution covering a wide application range

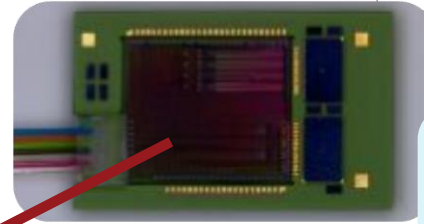
The 'secret sauce'



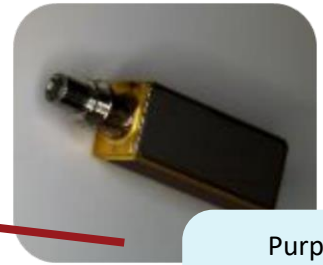
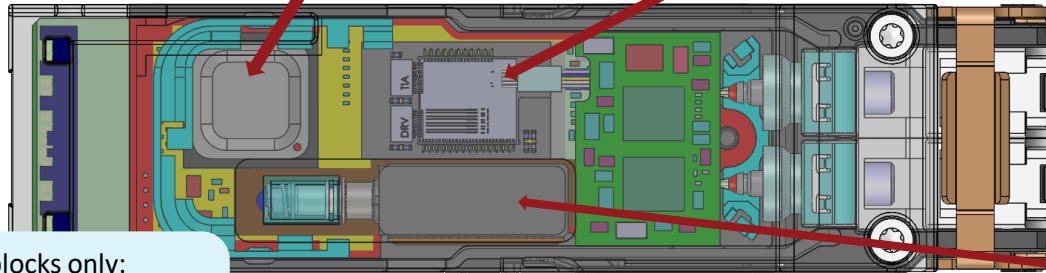
Purpose built **low power DSP** with embedded control functionality

Three main building blocks only:

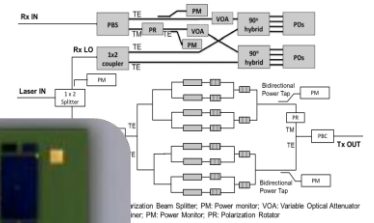
- DSP
- Tunable laser
- SiP transceiver chip



Highly integrated **SiP transceiver PIC** with 'simple' low cost packaging



Purpose built **tunable laser**, size and power optimized

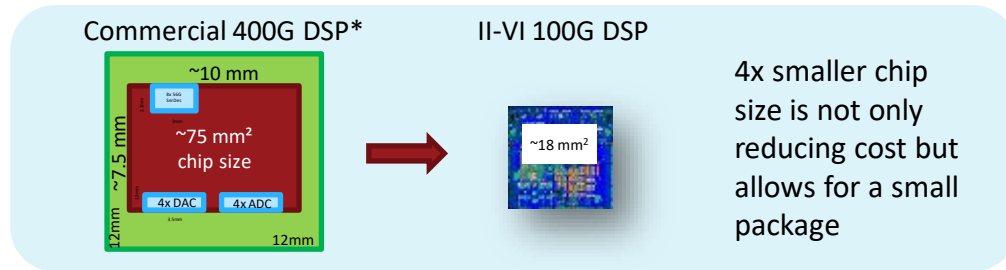


All main building blocks designed in II-VI with common targets: low cost, low power and small form factor

Design for QSFP28 form factor

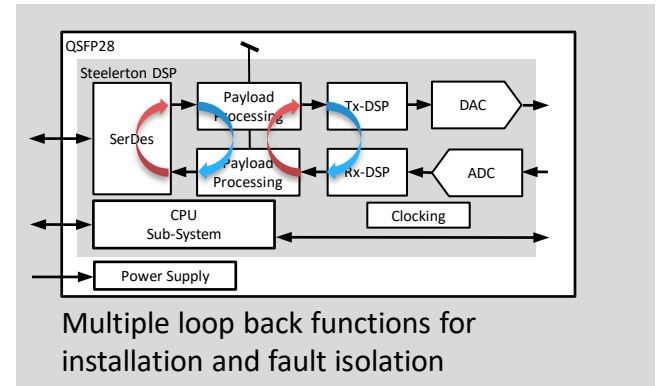
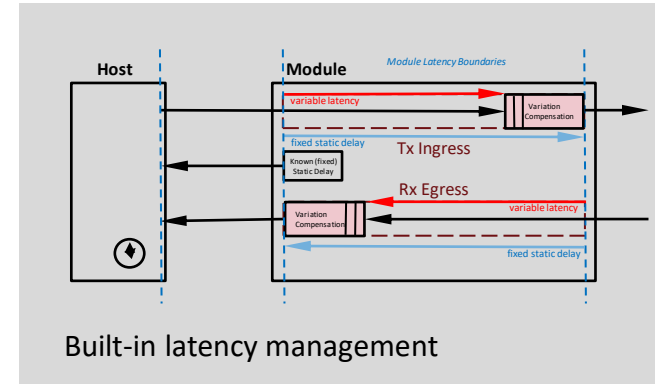
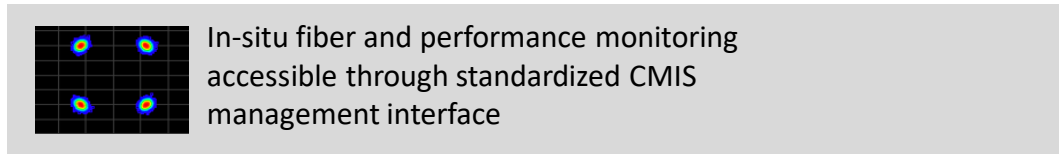
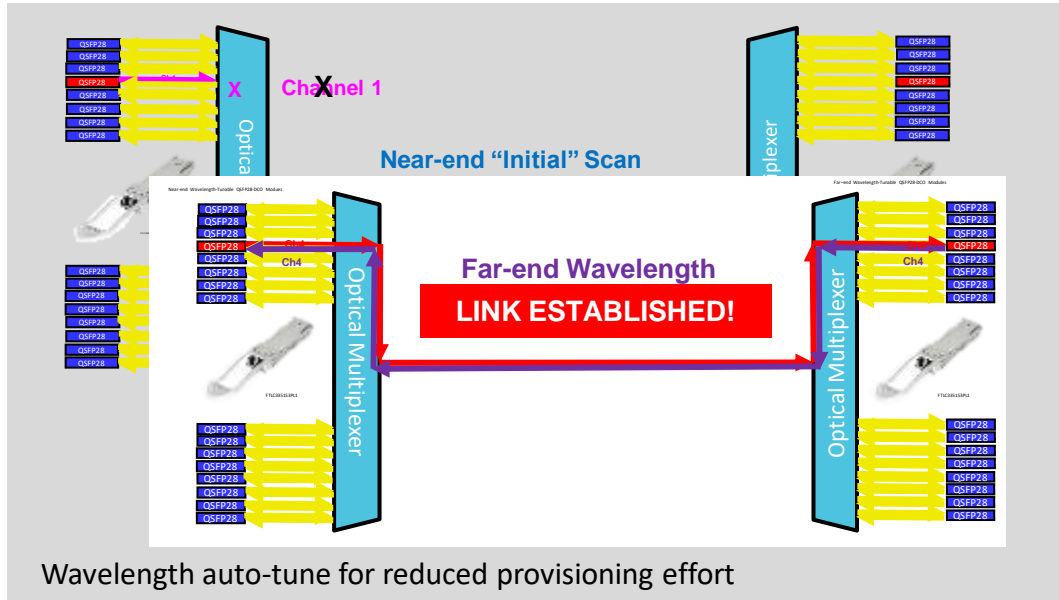
item	400G based HW*		II-VI QSFP28
	400G mode	100G mode	
Data rate	400G mode	100G mode	100G
DSP	8.0 W	4.5 W	2.0 W
Tunable laser	2.5 W	2.0 W	1.2 W
Optics	0.2 W	0.2 W	0.1 W
RF IC's	5.5 W	2.0 W	1.2 W
misc	2.0 W	1.0 W	0.5 W
total	~18 W	~10 W	~5 W

- 400G numbers estimated*
- 100G mode in 400G HW already assumes power optimization of optics and RF IC's
- Low power enabler for QSFP28
 - DSP
 - Power optimized ADC/DAC
 - Innovative DSP architecture
 - Simpler arithmetic with HD-FEC
 - Purpose build driver and TIA (aligned with optics)
 - Power optimized in-house tunable laser



Purpose build components utilizing leading edge technology addressing lowest possible power and size enabling QSFP28

Smart functionality for ease of use (examples only)



Build-in intelligence simplifying operational effort and cost

Summary & outlook

- **WDM architectures in network access** are widely used with hundreds of thousands of ports installed per year
- To date **10G and 25G tunable modules** using direct detection techniques are state of the art but **can't cope with increasing demand** in capacity and in addition **face engineering challenges**
- **Transitioning to coherent** detection schemes remove those engineering challenges and enable growth for many years
- Cost, power and size challenges of coherent detection schemes can be overcome by **purpose build, co-developed building blocks** – specifically the DSP itself plays the most important role
- Combining the DSP with **different optical assets** allows for extending the application space even further (grey, Metro-WDM, ...)
- The **evolution of e.g. CMOS** technologies will help driving power / size further down while enabling even higher data rates in the future

What technologies and architectures and how much time is needed to move this into a SFP112?

COHERENT

matthias.berger@ii-vi.com

OPEN Q&A



**Stephan Rettenberger – SVP
Marketing & Investor Relations
ADVA**



**Kim Papakos
Principal Optical Strategist
Windstream**



**Matthew Schmitt
Principal Architect
CableLabs**



**Matthias Berger
VP Coherent Product Line
Coherent Inc.**



**Scott Wilkinson, PhD
Lead Analyst Optical Components
Signal AI**



**Andrew Schmitt
Directing Analyst
Signal AI**