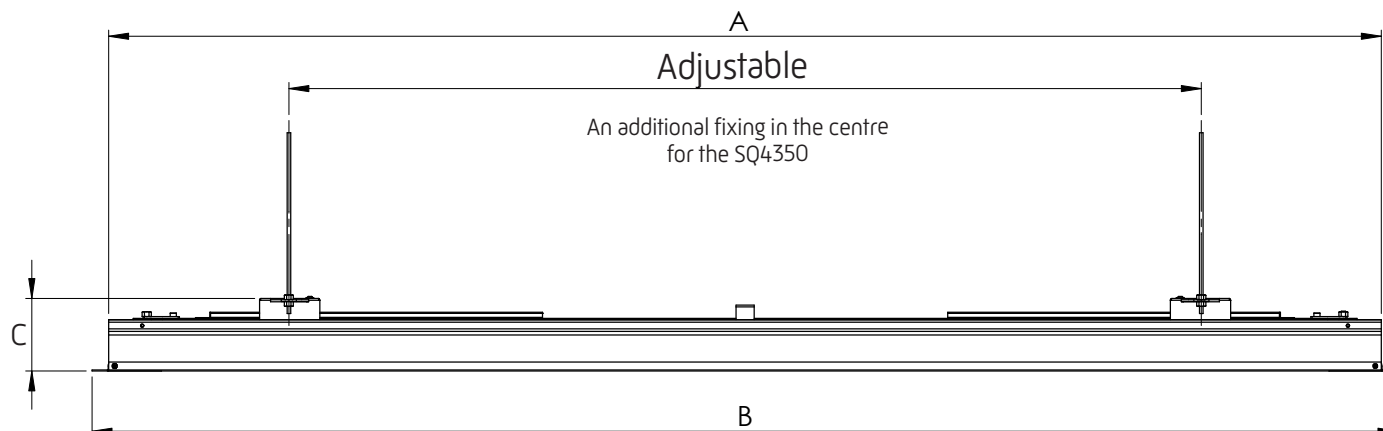


Front and side view

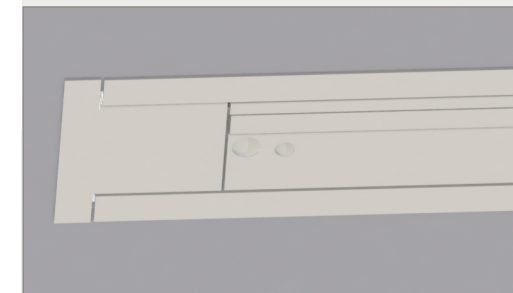
- A False-ceiling cut (length)
- B Underface length
- C Height
- D False-ceiling cut (depth)
- E Fixing center-distance (depth)
- F Casing width



Technical data

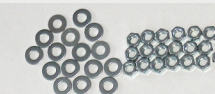
Reference	Ceiling cut			Ceiling cut			Net Weight kg
	A cm	B cm	C cm	D cm	E cm	F cm	
SQ4150	182,9	185,5	13,6	12,5	11-15	15	3,9
SQ4180	212,9	215,5	13,6	12,5	11-15	15	4,2
SQ4200	232,9	235,5	13,6	12,5	11-15	15	4,3
SQ4240	272,9	275,5	13,6	12,5	11-15	15	4,8
SQ4270	302,9	305,5	13,6	12,5	11-15	15	5
SQ4300	332,9	335,5	13,6	12,5	11-15	15	5,5
SQ4350	382,9	385,5	13,6	12,5	11-15	15	8

Underface +



Easy and aesthetic installation:
The underface+ offers a 2 in 1 solution
for integrating your screen in a false
ceiling.

False ceiling fixing kit



1m threaded rods and S brackets

For one under-face up to 3m base for SQ4350	Reference OPTKITFIX01 OPTKITFIX02

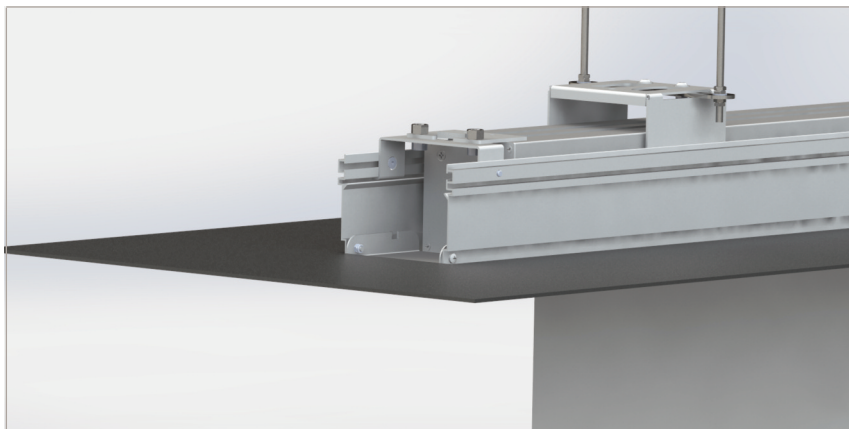


Chemin de Beurepaire
91410 DOURDAN - FRANCE
Tel +33 (0)1 64 59 94 54

2 possibilities of installations

Underface +

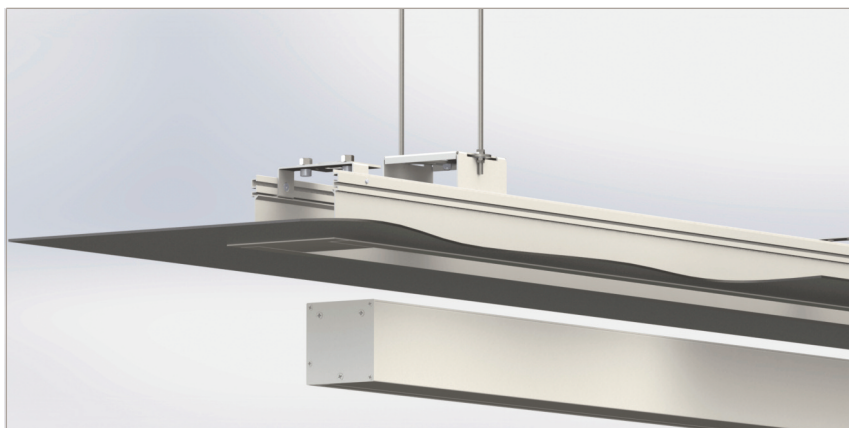
One shot installation



One shot installation:

Installation of the screen at the same time of the underface.

Installation in two phases



Installation in two phases:

- 1 - installation of the underface+ during false ceiling construction
- 2 - installation of the screen in the underface+ when works are finished.



Chemin de Beurepaire
91410 DOURDAN - FRANCE
Tel +33 (0)1 64 59 94 54