

# EASY

AIR COOLED LIQUID CHILLERS / HEAT PUMPS





## GENERAL FEATURES

**EASY** liquid chillers allow to meet all air-conditioning requirements in residential, commercial and hi-tech applications, as well as in the post industrial sector.

These machines are available in a full range of dimensions, models and versions, with a rich variety of accessories and optional, so that they can become the ideal solution for installation in office buildings, public buildings, trade centres, industrial buildings, wine-cellars as well as for a variety of other applications in the hi-tech and process sector.

**Low noise levels**, with the possibility of selecting either the silenced range or the extremely low noise ELN range. This allows you to select the machine you want also from the acoustic standpoint, in addition to the heating/cooling capacity, and to meet the strictest requirements in terms of protection against sound emissions.

## VERSIONS:

### **EASY.A** (R407C)

*Cooling capacity 49,0 ÷ 506,0 kW*

Liquid chiller equipped with scroll compressors and axial fans.

### **EASY.A.ELN** (R407C)

*Cooling capacity 50,7 ÷ 260,7 kW*

Extremely low noise liquid chiller equipped with scroll compressors and axial fans.

### **EASY.A.P** (R407C)

*Cooling capacity 48,1 ÷ 501,0 kW*

*Heating capacity 59, ÷ 557,0 kW*

Heat pump liquid chiller equipped with scroll compressors and axial fans.

### **EASY.A.PELN** (R407C)

*Cooling capacity 50,0 ÷ 254,0 kW*

*Heating capacity 63,2 ÷ 317,0 kW*

Extremely low noise heat pump liquid chiller equipped with scroll compressors and axial fans.



## MAIN COMPONENTS

- Housing in epoxy painted galvanized steel sheet
- Axial fans
- Welded plate heat exchangers
- Technical compartment separate from the air flow (EASY U-N)
- Modulating condensing control
- Antifreeze system
- Water flow control by differential pressure switch
- Pump-Down stop system
- IDEA® defrosting system (EASY.P)
- Cycle reversing valve (EASY.P)
- MP.COM microprocessor control
- Electrical box in separate compartment
- Main switch with door lock safety

## MAIN OPTIONAL ACCESSORIES

- Hydronic group
- LNO kit for noise reduction (EASY – EASY.P)
- Heat reclaim
- Serial port

### Heavy duty construction

Thanks to their design and to the choice of materials and components, that reflect the policies followed for the machines meant for critical environments, where they are required to operate 24/7/365.

In this way, continuous and regular operation of the machines is ensured under any load conditions.



easy.a/v

### Two energy efficiency levels

- single refrigeration circuit and several compressors in parallel. This version makes it possible to achieve high energy efficiency during partial load working mode (*S version*).
- double refrigeration circuit, marked by an energy efficiency in line with the top levels of the industry (*D version*).

### IDEA® defrosting system

“Patented” defrosting system with dynamic reading of working parameters. Thanks to proprietary software it senses the real presence of brine on the coil starting defrosting cycles only in that situation. This brings a remarkable energy saving (more than 20-30% on the average) and a higher working continuity compared with traditional systems.

## TECHNICAL DATA AND NOMINAL PERFORMANCES

### EASY.A single circuit

MODEL		T.50 Z2-S	T.55 Z2-S	T.68 Z2-S	T.84 Z2-S	T.110 Z2-S	T.130 Z2-S	T.160 Z2-S	T.200 Z3-S	T.260 Z3-S
Size		U5	U5	U6	U6	U7	U7	N8	N8	N9
Cooling capacity (1)	kW	49,0	57,4	68,5	84,6	107,0	134,0	163,0	199,0	254,0
Compressors	n.	2	2	2	2	2	2	2	3	3
Power input (1)	kW	15,6	17,3	22,6	26,9	38,6	45,4	58,8	67,9	83,4
Gas circuits	n.	1	1	1	1	1	1	1	1	1
Weight	kg	740	740	810	835	1060	1080	1560	1710	2070
Sound pressure (2)	dB(A)	59,4	64,0	61,0	64,9	68,0	72,6	69,8	73,6	73,7

### EASY.A double circuit

MODEL		T.50 Z2-D	T.55 Z2-D	T.68 Z2-D	T.84 Z2-D	T.110 Z2-D	T.130 Z2-D	T.160 Z2-D	T.220 Z4-D	T.270 Z4-D	T.330 Z4-D	T.400 Z6-D	T.470 Z6-D	T.510 Z6-D
Size		U5	U5	U6	U6	U7	U7	N8	N8	N9	N9	V2	V3	V3
Cooling capacity (1)	kW	47,5	56,2	71,2	82,6	107,0	134,0	164,0	218,0	267,0	327,0	399,0	468,0	506,0
Compressors	n.	2	2	2	2	2	2	2	4	4	4	6	6	6
Power input (1)	kW	15,2	17,1	23,8	26,8	38,7	45,5	58,9	73,8	90,7	117,0	134,0	145,0	165,0
Gas circuits	n.	2	2	2	2	2	2	2	2	2	2	2	2	2
Weight	kg	765	765	835	860	1090	1110	1580	1680	2200	2450	2970	3700	3900
Sound pressure (2)	dB(A)	59,4	64,0	61,0	64,9	68,0	72,6	69,8	73,5	73,6	75,6	78,2	78,7	79,5

### EASY.A.ELN single circuit - extra low noise

MODEL		T.55 Z2-S	T.68 Z2-S	T.84 Z2-S	T.110 Z2-S	T.130 Z2-S	T.160 Z2-S	T.200 Z3-S	T.260 Z3-S
Size		U6	U6	U6	U7	N8	N8	N9	N9
Cooling capacity (1)	kW	50,7	68,1	78,3	105,0	130,0	160,0	192,0	243,0
Compressors	n.	2	2	2	2	2	2	3	3
Power input (1)	kW	19,6	25,5	29,2	39,7	47,9	59,8	72,0	89,5
Gas circuits	n.	1	1	1	1	1	1	1	1
Weight	kg	740	810	875	1110	1510	1650	1980	2200
Sound pressure (2)	dB(A)	49,9	56,0	56,9	61,8	63,5	63,8	63,7	66,7

### EASY.A.ELN double circuit - extra low noise

MODEL		T.55 Z2-D	T.68 Z2-D	T.84 Z2-D	T.110 Z2-D	T.130 Z2-D	T.160 Z2-D	T.220 Z4-D	T.270 Z4-D
Size		U6	U6	U6	U7	N8	N8	N9	N9
Cooling capacity (1)	kW	50,7	68,4	78,0	105,0	130,0	161,0	208,0	260,0
Compressors	n.	2	2	2	2	2	2	4	4
Power input (1)	kW	19,6	25,5	29,1	39,8	48,0	59,9	79,2	95,4
Gas circuits	n.	2	2	2	2	2	2	2	2
Weight	kg	765	835	900	1140	1530	1690	1980	2340
Sound pressure (2)	dB(A)	49,9	56,0	56,9	61,8	63,5	63,8	63,5	67,7

(1) Referred to chilled water temperature 12/7°C and air to the condenser at 35°C

(2) Sound pressure 1m far in free field conditions according to ISO3744 norms

POWER SUPPLY: size **U5 / U6** : 400.3.50+N

size **U7 / N8 / N9 / V2 / V3** : 400.3.50



## TECHNICAL DATA AND NOMINAL PERFORMANCES

### **EASY.A.P** single circuit

MODEL		T.50	T.55	T.68	T.84	T.110	T.130	T.160	T.200	T.260
		Z2-S	Z2-S	Z2-S	Z2-S	Z2-S	Z2-S	Z2-S	Z3-S	Z3-S
Size		U5	U5	U6	U6	U7	U7	N8	N8	N9
Cooling capacity (1)	kW	48,2	56,2	68,1	83,8	105,0	131,0	158,0	190,0	249,0
Heating capacity (2)	kW	59,0	67,9	82,3	99,1	129,0	157,0	196,0	233,0	301,0
Compressors	n.	2	2	2	2	2	2	2	3	3
Power input (1)	kW	15,6	17,2	22,6	26,9	38,4	45,3	58,3	67,5	83,2
Power input (2)	kW	16,3	18,7	23,3	27,5	38,0	45,6	56,9	67,8	82,4
Gas circuits	n.	1	1	1	1	1	1	1	1	1
Weight	kg	750	750	820	845	1110	1130	1580	1830	2090
Sound pressure (3)	dB(A)	59,4	64,0	61,0	64,9	68,0	72,6	69,8	73,6	73,7

### **EASY.A.P** double circuit

MODEL		T.50	T.55	T.68	T.84	T.110	T.130	T.160	T.220	T.270	T.330	T.400	T.470	T.510
		Z2-D	Z2-D	Z2-D	Z2-D	Z2-D	Z2-D	Z2-D	Z4-D	Z4-D	Z4-D	Z6-D	Z6-D	Z6-D
Size		U5	U5	U6	U6	U7	U7	N8	N8	N9	N9	V2	V3	V3
Cooling capacity (1)	kW	46,7	54,8	66,7	81,7	106,0	133,0	162,0	214,0	261,0	316,0	394,0	463,0	501,0
Heating capacity (2)	kW	57,2	66,2	82,2	97,4	129,0	159,0	199,0	263,0	316,0	392,0	462,0	514,0	557,0
Compressors	n.	2	2	2	2	2	2	2	4	4	4	6	6	6
Power input (1)	kW	15,2	17,1	23,8	26,8	38,5	45,4	58,8	73,6	90,4	116,0	134,0	145,0	165,0
Power input (2)	kW	15,9	18,3	24,1	27,4	37,2	44,6	56,1	76,4	88,3	111,0	132,0	147,0	162,0
Gas circuits	n.	2	2	2	2	2	2	2	2	2	2	2	2	2
Weight	kg	790	790	860	885	1155	1175	1600	1700	2230	2470	3180	3900	4100
Sound pressure (3)	dB(A)	59,4	64,0	61,0	64,9	68,0	72,6	69,8	73,5	73,6	75,6	78,2	78,7	79,5

### **EASY.A.P.ELN** single circuit - extra low noise

MODEL		T.55	T.68	T.84	T.110	T.130	T.160	T.200	T.260
		Z2-S	Z2-S	Z2-S	Z2-S	Z2-S	Z2-S	Z3-S	Z3-S
Size		U6	U6	U6	U7	N8	N8	N9	N9
Cooling capacity (1)	kW	50,0	67,6	77,7	103,0	127,0	156,0	184,0	239,0
Heating capacity (2)	kW	63,2	83,2	96,8	130,0	158,0	197,0	232,0	299,0
Compressors	n.	2	2	2	2	2	2	3	3
Power input (1)	kW	19,5	25,5	29,1	39,6	47,6	59,4	71,2	89,0
Power input (2)	kW	18,6	24,4	27,7	38,3	45,9	57,3	68,3	83,1
Gas circuits	n.	1	1	1	1	1	1	1	1
Weight	kg	750	820	885	1160	1530	1690	2000	2100
Sound pressure (3)	dB(A)	49,9	56,0	56,9	61,8	63,5	63,8	63,7	66,7

### **EASY.A.P.ELN** double circuit - extra low noise

MODEL		T.55	T.68	T.84	T.110	T.130	T.160	T.220	T.270
		Z2-D	Z2-D	Z2-D	Z2-D	Z2-D	Z2-D	Z4-D	Z4-D
Size		U6	U6	U6	U7	N8	N8	N9	N9
Cooling capacity (1)	kW	49,9	64,5	77,3	103,0	129,0	160,0	205,0	254,0
Heating capacity (2)	kW	63,1	80,7	96,7	130,0	160,0	201,0	260,0	317,0
Compressors	n.	2	2	2	2	2	2	4	4
Power input (1)	kW	19,5	25,3	29,1	39,7	47,9	59,8	78,8	95,0
Power input (2)	kW	18,5	24,0	27,7	37,5	45,0	56,5	76,4	88,9
Gas circuits	n.	2	2	2	2	2	2	2	2
Weight	kg	790	860	925	1205	1550	1710	2000	2230
Sound pressure (3)	dB(A)	49,9	56,0	56,9	61,8	63,5	63,8	63,5	67,7

(1) Referred to chilled water temperature 12/7°C and air to the condenser at 35°C

(2) Referred to hot water outlet temperature 45°C and outdoor temperature at 7°C

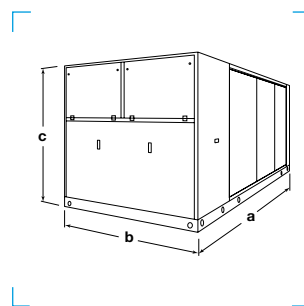
(3) Sound pressure 1m far in free field conditions according to ISO3744 norms

POWER SUPPLY: size **U5 / U6** : 400.3.50+N

size **U7 / N8 / N9 / V2 / V3** : 400.3.50

**DIMENSIONS (mm)****EASY "U-N"**

Size	a	b	c
<b>U5</b>	2.000	1.200	1.630
<b>U6</b>	2.580	1.200	1.630
<b>U7</b>	3.020	1.200	1.950
<b>N8</b>	4.400	1.800	1.990
<b>N9</b>	5.400	1.800	1.990

**EASY "V"**

Size	a	b	c
<b>V2</b>	3.756	2.310	2.490
<b>V3</b>	4.900	2.310	2.490

