

**Embedded Solutions**



SATA III M.2 SSDs

# MTS400 & MTS400I

Transcend’s MTS400 with SATA III 6Gb/s interface and ultra compact dimensions make it best suited to address the high-performance needs and strict size limitations of small form factor devices. This means it is perfect for use in today’s modern ultrabooks, thin and light notebooks, and tablets. Built with the latest SATA III 6Gb/s specifications, and with a powerful controller and exceptional transfer speeds, the M.2 SSD easily handles everyday computing tasks as well as demanding multimedia applications.

Transcend also offers the MTS400I with wide temperature (-40°C ~ 85°C) capabilities to ensure sustained functionality, enhanced endurance and optimal reliability in mission-critical applications.

## Hardware Features

- Compliant with RoHS 2.0 standards
- Space-saving M.2 form factor (42mm) – ideal for mobile computing devices
- Promised operational reliability in a wide temperature range (from -40°C to 85°C)
- DDR3 DRAM Cache embedded
- MLC NAND flash

## Firmware Features

- Supports S.M.A.R.T. function to conduct health monitoring, analysis, and reporting for storage devices
- TRIM command for better performance
- Power-saving DevSleep (Device Sleep) mode
- Advanced Global Wear-Leveling and Block management for reliability
- Built-in BCH ECC (Error Correction Code) functionality

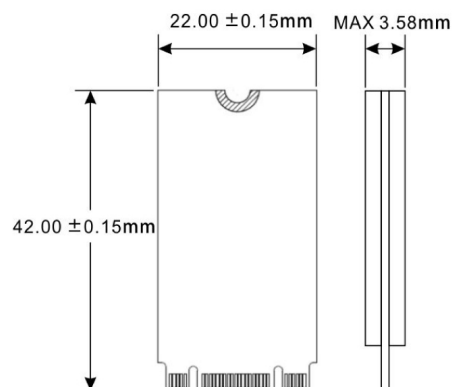
## Ordering Information

16GB	TS16GMTS400 TS16GMTS400I
32GB	TS32GMTS400 TS32GMTS400I
64GB	TS64GMTS400 TS64GMTS400I
128GB	TS128GMTS400 TS128GMTS400I
256GB	TS256GMTS400 TS256GMTS400I
512GB	TS512GMTS400 TS512GMTS400I

## Specifications

<b>Appearance</b>	Dimensions	42.0 mm x 22.0 mm x 3.58 mm (1.65" x 0.87" x 0.14")
	Weight	5 g (0.18 oz)
	M.2 Type	2242-D2-B-M (Double-sided)
	Form Factor	M.2 2242
<b>Interface</b>	Bus Interface	SATA III 6Gb/s
<b>Storage</b>	Capacity	16 GB / 32 GB / 64 GB / 128 GB / 256 GB / 512 GB
	Flash Type	MLC NAND flash
<b>Operating Environment</b>	Operating Voltage	3.3V±5%
	Operating Temperature	Standard Temp. 0°C (32°F) ~ 70°C (158°F)
		Wide Temp. -40°C (-40°F) ~ 85°C (185°F)
	Storage Temperature	-40°C (-40°F) ~ 85°C (185°F)
	Humidity	5% ~ 95%
	Shock	1500 G, 0.5 ms, 3 axis
Vibration (Operating)	20 G (peak-to-peak), 7 Hz ~ 2000 Hz (frequency)	
<b>Power</b>	Power Consumption (Operation)	2.48 watt(s)
	Power Consumption (Sleep)	0.48 watt(s)
<b>Performance</b>	Sequential Read/Write (CrystalDiskMark)	Read: up to 530 MB/s Write: up to 470 MB/s
	4K Random Read/Write (IOMeter)	Read: up to 70,000 IOPS Write: up to 70,000 IOPS
	Mean Time Between Failures (MTBF)	2,500,000 hour(s)
	Terabytes Written (TBW)	up to 1,100 TBW
	Drive Writes Per Day (DWPD)	2 (3 yrs)
<b>Warranty</b>	Certificate	CE / UKCA / FCC / BSMI
	Warranty	Three-year Limited Warranty

## Mechanical Dimensions



Product specifications are subject to change without notice. Pictures shown may differ from actual products. Total accessible capacity varies depending on operating environment. Due to the complexity and variety of industrial applications, Transcend cannot guarantee 100% compatibility with all platforms and under all scenarios. For special applications and environments, it is strongly suggested that you contact Transcend beforehand for clarification.