

2012 ATV

ILLUSTRATED PARTS MANUAL

90 Utility



Model Number A2012KUB2BUSZ

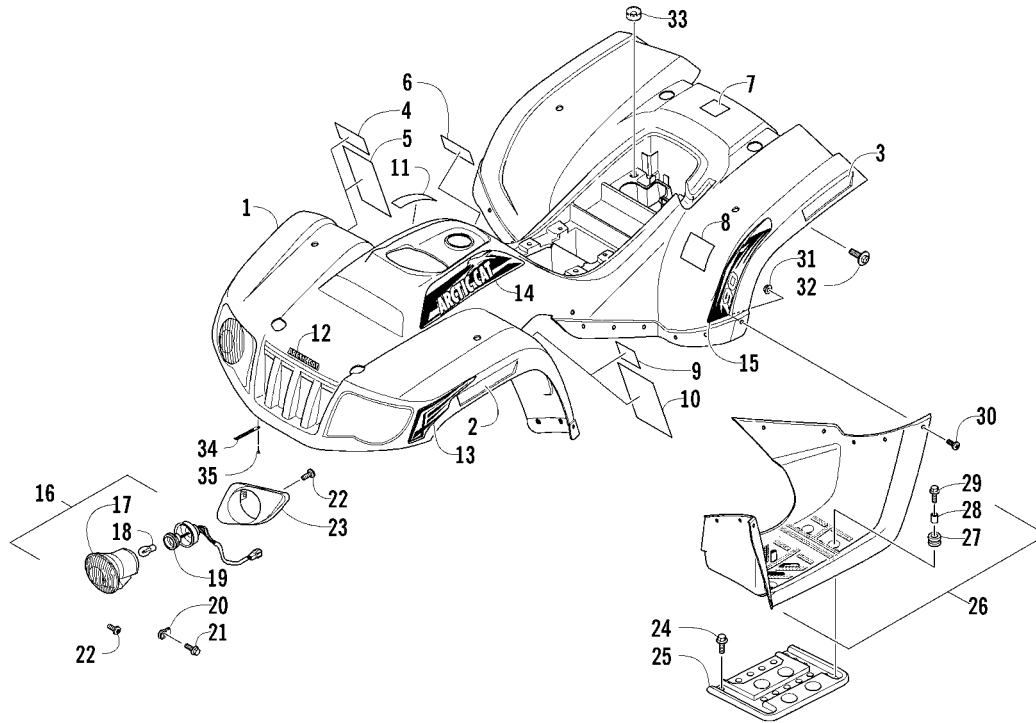
ARCTIC CAT®
SHARE OUR PASSION.™

TABLE OF CONTENTS

2012 ATV 90 Utility
(Model No. A2012KUB2BUSZ)

BODY PANEL AND HEADLIGHT ASSEMBLY.....	1
FRONT AND REAR RACK ASSEMBLY	2
FRAME AND RELATED PARTS ASSEMBLY	3
HANDLEBAR AND CONTROL ASSEMBLY	4
THROTTLE CONTROL ASSEMBLY	5
HYDRAULIC HAND BRAKE ASSEMBLY	6
STEERING POST ASSEMBLY	7
SHIFT LEVER ASSEMBLY	8
KICK STARTER AND COOLING DUCT ASSEMBLY	9
FRONT SUSPENSION ASSEMBLY	10
FRONT WHEEL AND BRAKE ASSEMBLIES	11
REAR SUSPENSION ASSEMBLY	12
REAR AXLE AND BRAKE ASSEMBLY	13
REAR WHEEL ASSEMBLY	14
ELECTRICAL AND WIRING HARNESS ASSEMBLY	15
SEAT, BATTERY, AND TOOL KIT ASSEMBLIES	16
GAS TANK ASSEMBLY	17
AIR INTAKE ASSEMBLY	18
EXHAUST ASSEMBLY	19
CARBURETOR ASSEMBLY	20
PISTON AND CRANKSHAFT ASSEMBLY	21
CYLINDER HEAD ASSEMBLY	22
CAM CHAIN ASSEMBLY	23
RIGHT CRANKCASE AND COVER ASSEMBLY	24
LEFT CRANKCASE AND COVER ASSEMBLY	25
TRANSMISSION ASSEMBLY	26
CLUTCH ASSEMBLY	27
STARTER MOTOR AND OIL PUMP ASSEMBLY	28
ENGINE SHROUD ASSEMBLY	29

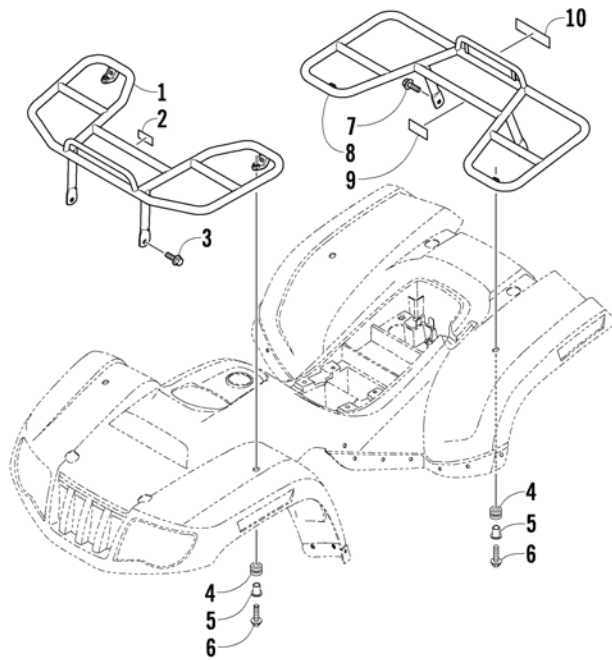
■ **NOTE:** The illustrations used in this Parts Manual are for reference to replacement part numbers only and are not to be used for assembly. For assembly procedures, use an Arctic Cat Service Manual. For a complete list of related items, refer to the current accessory catalog.



BODY PANEL AND HEADLIGHT ASSEMBLY

0746-548

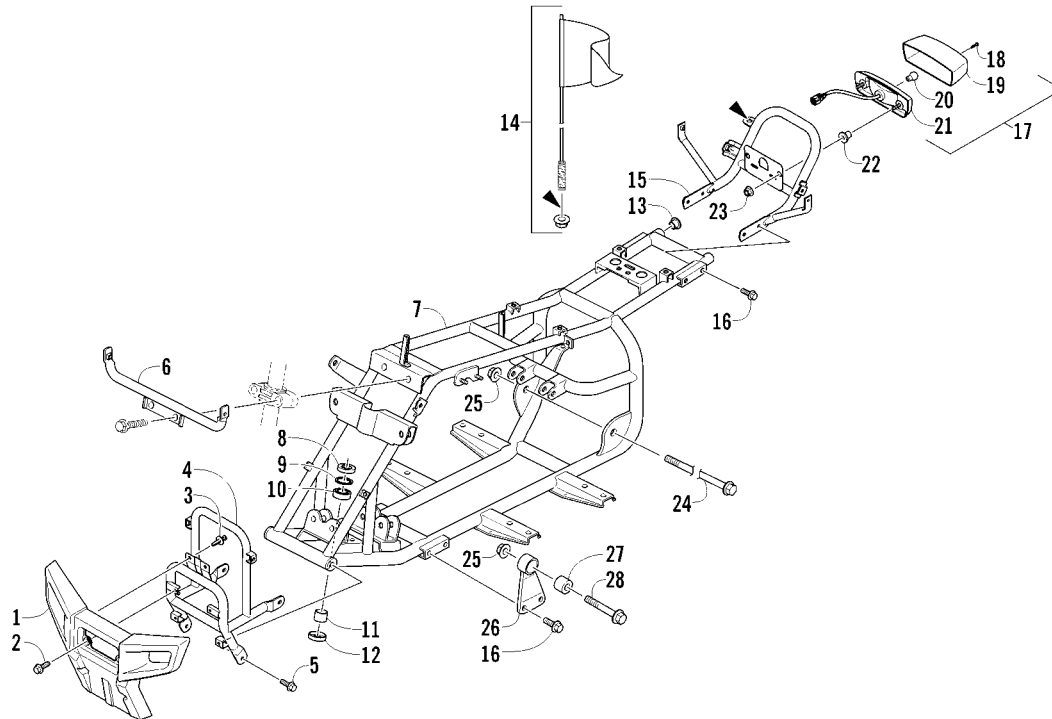
Ref	Part No.	New	Qty	Description	Ref	Part No.	New	Qty	Description
1	3306-735	X	1	Panel, Body - Main - Cat Green (inc. 2-10)	18	3305-827		2	● Bulb, Headlight
2	1411-180		1	● Decal, Reflector - Right - Amber	19	3305-978		2	● Socket Assembly
	1411-181		1	● Decal, Reflector - Left - Amber	20	3304-061		4	● Clip, U-Nut
3	1411-178		1	● Decal, Reflector - Right - Red	21	3305-828		4	Screw, Cap
	1411-179		1	● Decal, Reflector - Left - Red	22	3304-123		10	Screw, Machine
4	0411-836		1	● Decal, Warning - Hill	23	3306-736	X	1	Adapter, Mounting - Headlight - Right - Cat Green
5	0411-457		1	● Decal, Warning - Reverse/Pre-Ride		3306-737	X	1	Adapter, Mounting - Headlight - Left - Cat Green
6	1411-577		1	● Decal, Warning - Not for Highways	24	3304-543		8	Screw, Cap
7	1411-809		1	● Decal, Warning - Passenger	25	3304-494		1	Support, Mudguard - Right
8	1411-938		1	● Decal, Warning - Tire/Load		3304-495		1	Support, Mudguard - Left
9	2411-137		1	● Decal, Warning - Age	26	3306-144		1	Mudguard, Right - Assembly (inc. 27-28)
10	1411-932		1	● Decal, Warning - General		3306-145		1	Mudguard, Left - Assembly (inc. 27-28)
11	2411-052		1	Decal, Shift	27	3303-227		8	● Bushing
12	2411-465		1	Decal, "Arctic Cat"	28	3303-233		8	● Spacer
13	2411-592	X	1	Decal, Front Fender - Right	29	3304-586		8	Screw, Cap
	2411-593	X	1	Decal, Front Fender - Left	30	3305-703		18	Screw, Machine
14	2411-590	X	1	Decal, Center - Right	31	3304-431		18	Nut, Lock
	2411-591	X	1	Decal, Center - Left	32	3304-587		6	Screw, Cap
15	2411-594	X	1	Decal, Rear Fender - Right	33	3303-232		2	Grommet, Rubber
	2411-595	X	1	Decal, Rear Fender - Left	34	3304-156		2	Clamp, Routing
16	3305-976		2	Headlight - Assembly (inc. 17-20)	35	3304-651		2	Screw, Self-Tapping
17	3305-977		2	● Lens, Headlight					



FRONT AND REAR RACK ASSEMBLY

0744-315

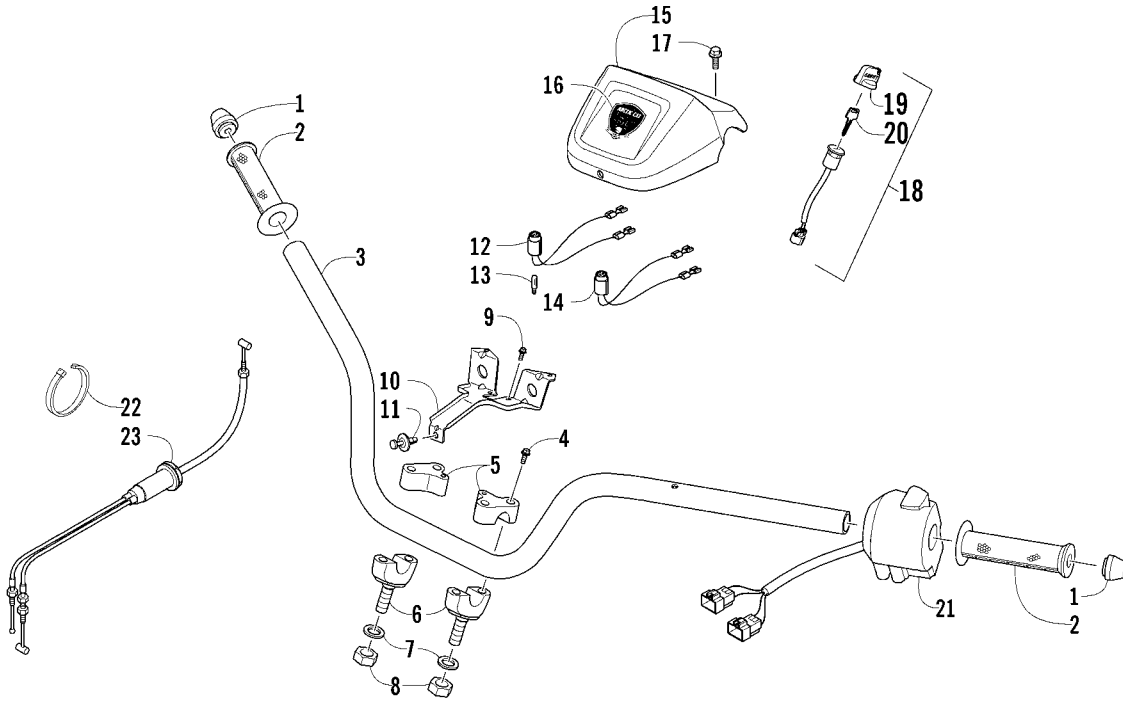
Ref	Part No.	New	Qty	Description	Ref	Part No.	New	Qty	Description
1	3304-503	1	1	Rack, Front	6	3304-586	4	4	Screw, Cap
2	1411-316	1	1	Decal, Warning - Load	7	3313-313	2	2	Screw, Cap
3	3304-543	2	2	Screw, Cap	8	3304-504	1	1	Rack, Rear
4	3303-227	4	4	Grommet	9	1411-317	1	1	Decal, Warning - Load
5	3303-233	4	4	Spacer	10	1411-318	1	1	Decal, "Arctic Cat"



FRAME AND RELATED PARTS ASSEMBLY

0745-002

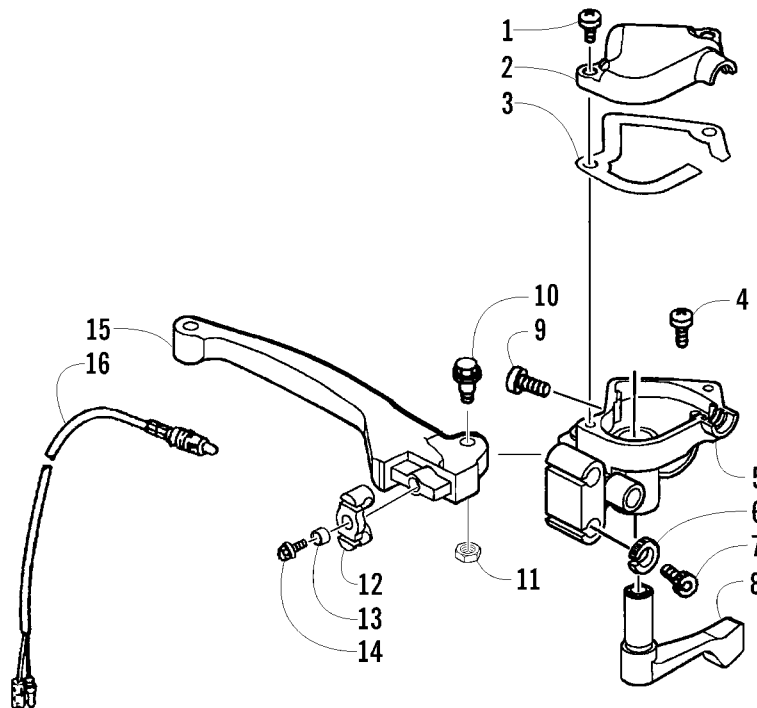
Ref	Part No.	New Qty	Description	Ref	Part No.	New Qty	Description
1	3306-141	1	Fascia, Front Bumper	17	3303-420	1	Taillight - Assembly (inc. 18-21)
2	3304-587	4	Screw, Cap	18	3304-537	2	● Screw, Self-Tapping
3	3303-592	2	Rivet, Reinstallable	19	3304-283	1	● Lens, Taillight
4	3306-741	X 1	Bumper, Front	20	3303-849	1	● Bulb, Taillight
5	3304-544	4	Screw, Cap	21	3303-422	1	● Base, Taillight
6	3304-549	1	Bracket, Support - Front	22	3303-226	2	Grommet
7	3305-862	1	Frame	23	3304-654	2	Nut, Lock
8	3303-295	1	Seal	24	3323-188	1	Screw, Cap
9	3303-347	1	Ring, Retaining	25	3304-031	3	Nut, Lock
10	3303-392	1	Bearing	26	3303-183	1	Bracket, Mounting - Engine - Right (inc. 27)
11	3303-445	1	Sleeve		3303-184	1	Bracket, Mounting - Engine - Left (inc. 27)
12	3303-298	1	Seal				
13	-	2	Plug - Not a Service Part	27	3304-542	2	● Bushing, Rubber
14	3305-308	1	Flag Assembly	28	3304-548	2	Screw, Cap
15	3305-403	1	Grip, Rear				
16	3304-543	8	Screw, Cap				



HANDLEBAR AND CONTROL ASSEMBLY

0746-549

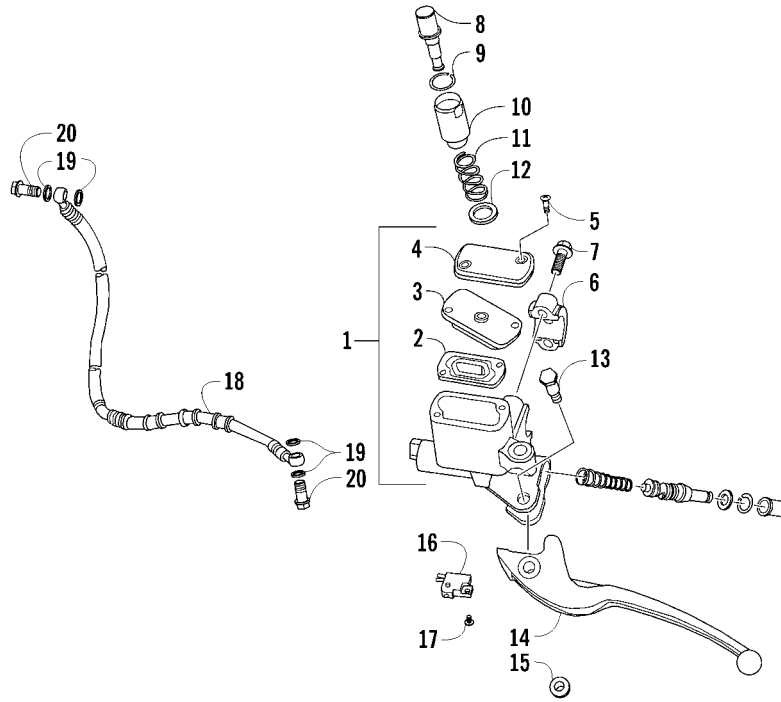
Ref	Part No.	New Qty	Description	Ref	Part No.	New Qty	Description
1	3303-196	2	End Cap, Handlebar	13	3305-867	2	● Bulb
2	3305-905	2	Grip, Handlebar	14	3305-831	1	Light, Indicator - Reverse (inc. one No. 13)
3	3305-348	1	Handlebar	15	3306-392	1	Cover, Handlebar - Black
4	3303-398	4	Screw, Cap	16	9611-603	X 1	Decal, 50th Anniversary
5	3303-197	1	Clamp, Handlebar - Upper Right	17	3304-029	2	Screw, Cap
	3303-198	1	Clamp, Handlebar - Upper Left	18	3305-998	1	Switch, Ignition - Assembly (inc. 19-20)
6	3303-199	2	Clamp, Handlebar - Lower	19	3304-522	1	● Cover, Key
7	3304-136	2	Washer	20	3305-999	1	● Key, Ignition - Right-Side Cut
8	3305-517	2	Nut		3306-001	1	● Key, Ignition - Left-Side Cut
9	3304-553	2	Screw, Cap	21	3303-424	1	Switch, Handlebar - Assembly
10	3304-506	1	Bracket, Handlebar Cover	22	3303-289	AR	Tie, Cable
11	3303-592	1	Rivet, Reinstallable	23	1502-096	1	Cable, Throttle
12	3305-830	1	Light, Indicator - Neutral (inc. one No. 13)				



THROTTLE CONTROL ASSEMBLY

0745-223

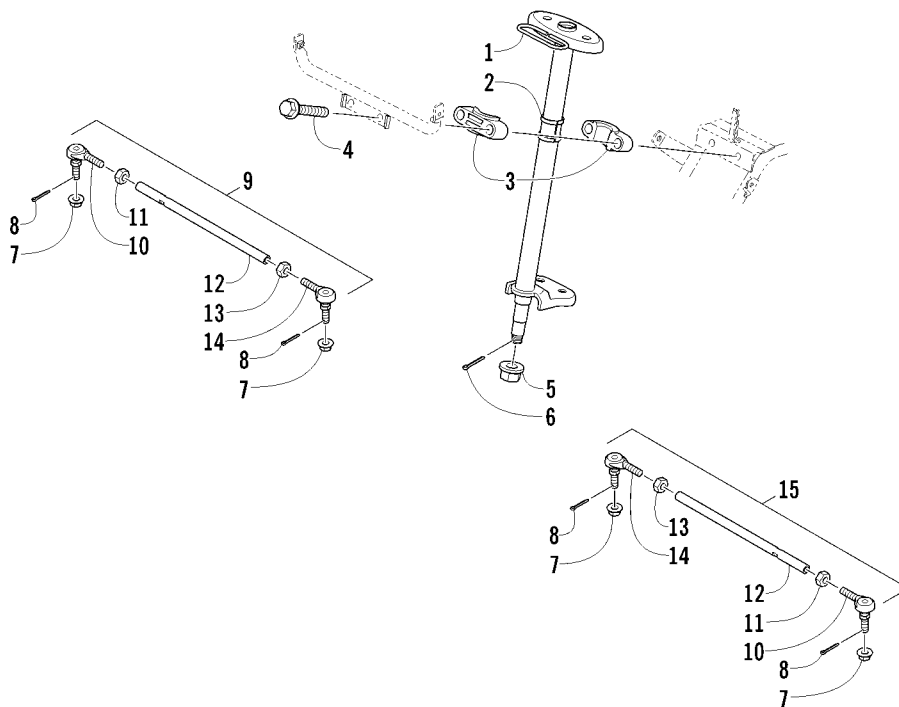
Ref	Part No.	New Qty	Description	Ref	Part No.	New Qty	Description
-	3305-979	1	Complete Throttle Control Assembly	9	3305-980	1	Screw, Machine
1	3303-315	2	Screw, Machine	10	3303-255	1	Screw, Shoulder
2	3303-207	1	Cover, Throttle Control	11	3303-262	1	Nut
3	3303-209	1	Gasket	12	3303-201	1	Retainer, Brake Cable
4	3303-397	1	Screw, Machine	13	3303-202	1	Spacer
5	3303-204	1	Housing, Throttle Control	14	3305-344	1	Screw, Cap
6	3303-271	2	Nut	15	3306-054	1	Lever, Brake
7	3303-208	2	Screw, Adjuster	16	3303-140	1	Switch, Brake
8	3303-200	1	Lever, Throttle				



HYDRAULIC HAND BRAKE ASSEMBLY

0745-826

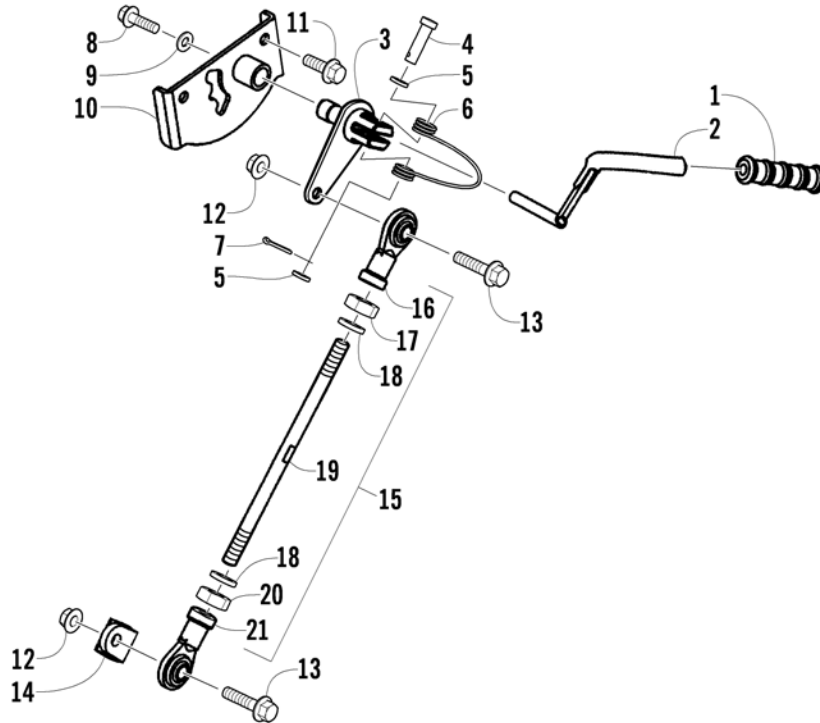
Ref	Part No.	New	Qty	Description	Ref	Part No.	New	Qty	Description
1	3305-982		1	Brake, Master Cylinder - Assembly (inc. 2-4)	11	3305-990		1	Spring
2	3305-309		1	● Diaphragm	12	3305-989		1	Washer
3	3306-225		1	● Plate, Diaphragm	13	3303-254		1	Screw, Shoulder
4	3303-174		1	● Cover, Master Cylinder	14	3306-207		1	Lever
5	3303-318		2	Screw, Machine	15	3304-654		1	Nut, Lock
6	3305-983		1	Clamp, Handlebar	16	3303-141		1	Switch Assembly
7	3305-297		2	Screw, Cap	17	3303-321		1	Screw, Machine
8	3305-993		1	Button, Park Brake	18	3305-278		1	Hose, Brake - Assembly
9	3305-992		1	Circlip	19	3303-284		4	Washer, Crush
10	3305-991		1	Housing	20	3303-257		2	Bolt, Banjo-Fitting



STEERING POST ASSEMBLY

0745-009

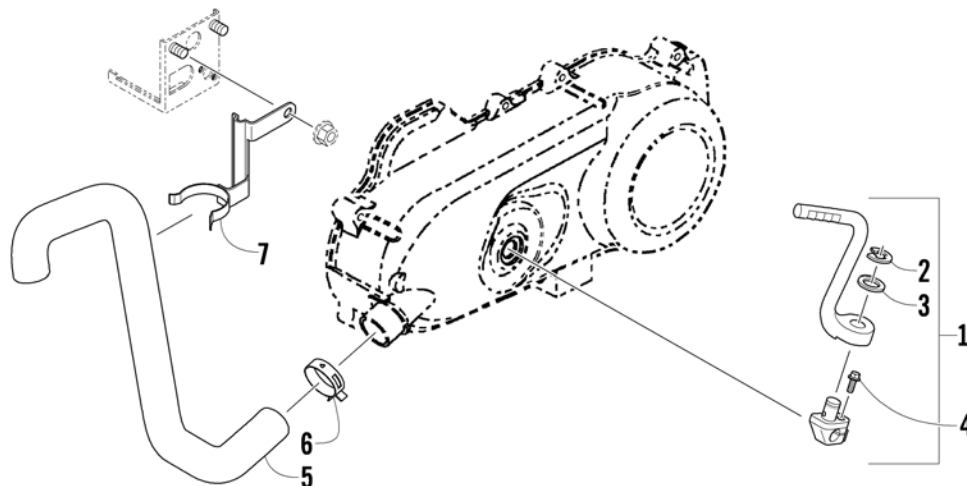
Ref	Part No.	New Qty	Description	Ref	Part No.	New Qty	Description
1	3303-573	1	Post, Steering	10	3305-486	2	● Ball Joint, Tie Rod - Right
2	3305-497	1	Bushing	11	3303-326	2	● Nut
3	3303-213	2	Holder, Steering Post	12	3305-282	2	● Tie Rod
4	3304-559	2	Screw, Cap	13	3303-327	2	● Nut
5	3304-032	1	Nut	14	3305-487	2	● Ball Joint, Tie Rod - Left
6	3303-470	1	Pin, Cotter	15	3305-499	1	Tie Rod Assembly - Left (inc. one No. 10-14)
7	3303-266	4	Nut				
8	3303-621	4	Pin, Cotter				
9	3305-485	1	Tie Rod Assembly - Right (inc. one No. 10-14)				



SHIFT LEVER ASSEMBLY

0744-305

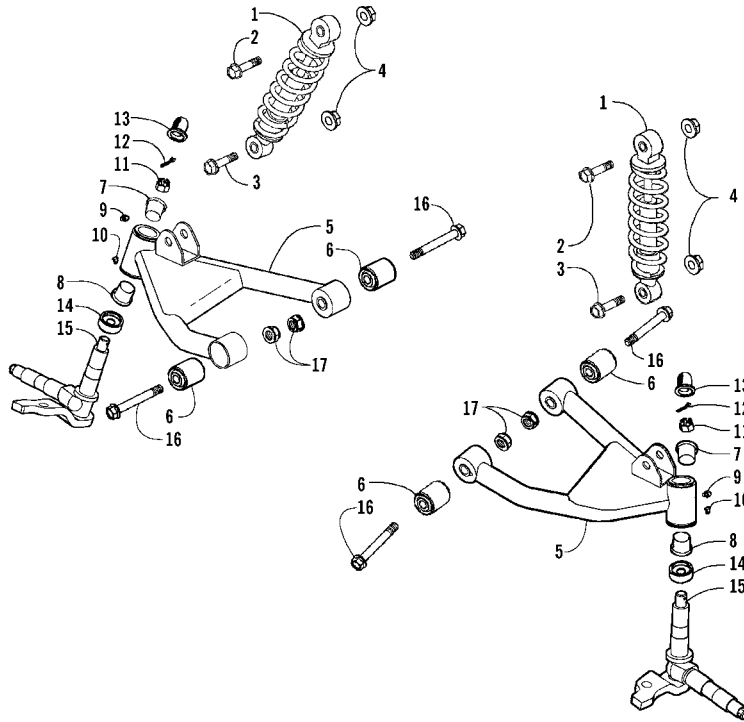
Ref	Part No.	New Qty	Description	Ref	Part No.	New Qty	Description
1	3305-911	1	Handle, Shift Lever	13	3304-176	2	Screw, Cap
2	3305-854	1	Lever, Shift	14	3305-825	1	Bracket, Shift Lever
3	3305-849	1	Pivot, Shift Lever	15	3305-847	1	Shift Linkage Assembly (inc. 16-21)
4	3303-817	1	Pin, Shift Lever	16	-	1	● Ball Joint, Tie Rod - Right - Not a Service Part
5	3305-195	2	Washer	17	-	1	● Nut - Not a Service Part
6	3305-853	1	Spring	18	-	2	● Washer - Not a Service Part
7	3304-142	1	Pin, Cotter	19	-	1	● Tie Rod - Not a Service Part
8	3304-553	1	Screw, Cap	20	-	1	● Nut - Not a Service Part
9	3305-852	1	Washer	21	-	1	● Ball Joint, Tie Rod - Left - Not a Service Part
10	3305-851	1	Bracket, Shift Lever				
11	3304-543	2	Screw, Cap				
12	3304-668	2	Nut, Lock				



KICK STARTER AND COOLING DUCT ASSEMBLY

0744-306

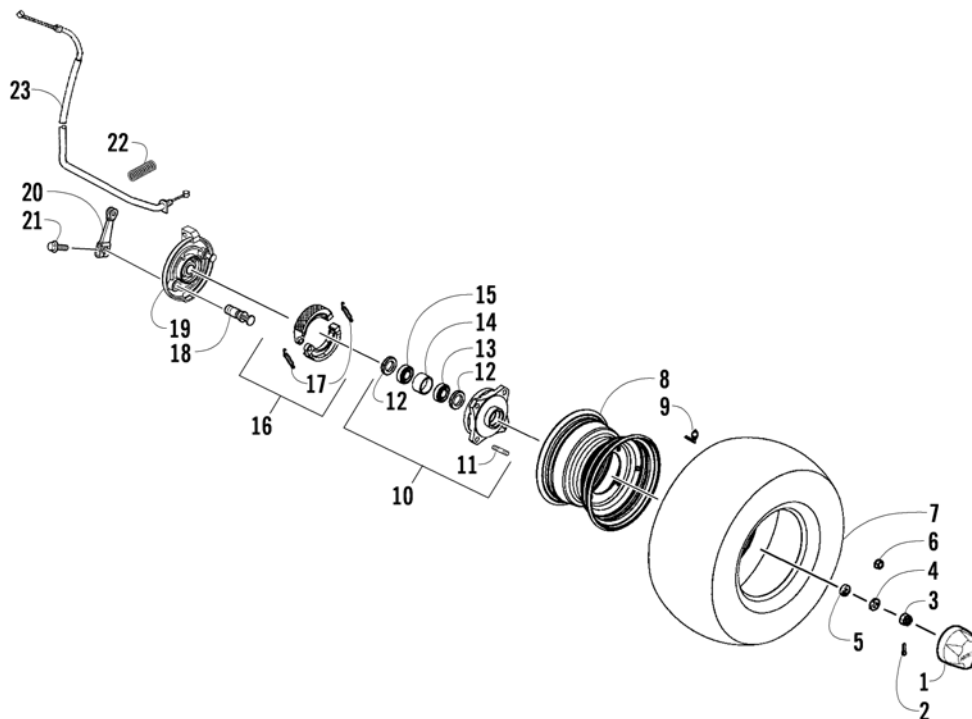
Ref	Part No.	New Qty	Description	Ref	Part No.	New Qty	Description
1	3303-123	1	Arm, Kick Starter (inc. 2-3)	5	3303-010	1	Duct, Cooling
2	3305-247	1	● E-Clip	6	3303-074	1	Clamp
3	3304-138	1	● Washer	7	3303-287	1	Clamp, Routing
4	3304-551	1	Screw, Cap				



FRONT SUSPENSION ASSEMBLY

0742-681

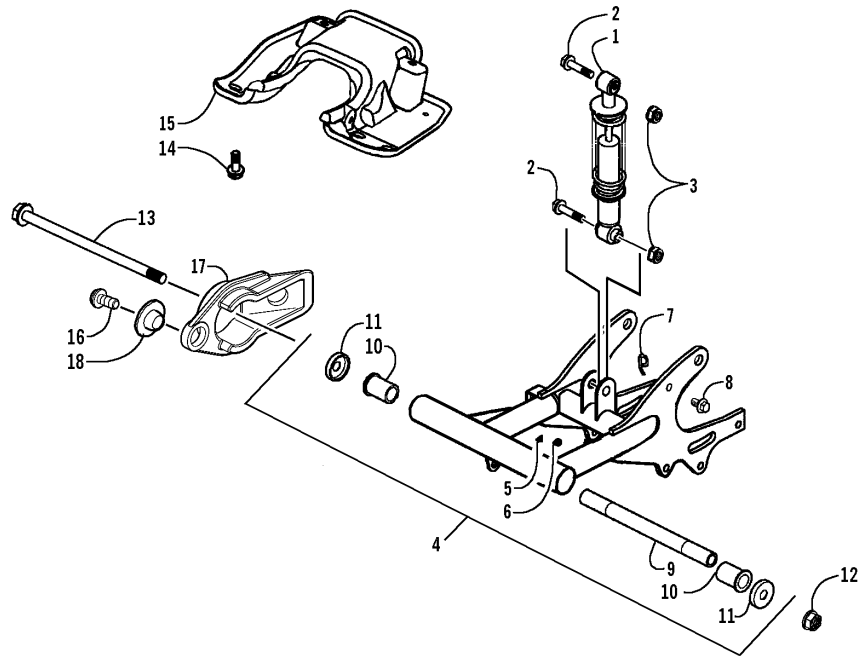
Ref	Part No.	New	Qty	Description	Ref	Part No.	New	Qty	Description
1	3306-739	X	2	Shock/Spring Assembly - White	10	3303-394		2	● Cap, Grease Fitting
2	3303-376		2	Screw, Cap	11	3303-329		2	Nut, Castle
3	3303-309		2	Screw, Cap	12	3303-337		2	Pin, Cotter
4	3303-333		4	Nut	13	3303-219		2	Cap
5	3305-994		1	Arm, Swing - Right (inc. 6-10)	14	3303-220		2	Seal
	3305-995		1	Arm, Swing - Left (inc. 6-10)	15	3303-178		1	Shaft, Steering - Right
6	3303-216		4	● Bushing		3303-180		1	Shaft, Steering - Left
7	3303-218		2	● Bushing	16	3304-595		4	Screw, Cap
8	3303-217		2	● Bushing	17	3304-031		4	Nut, Lock
9	3303-393		2	● Fitting, Grease					



FRONT WHEEL AND BRAKE ASSEMBLIES

0744-307

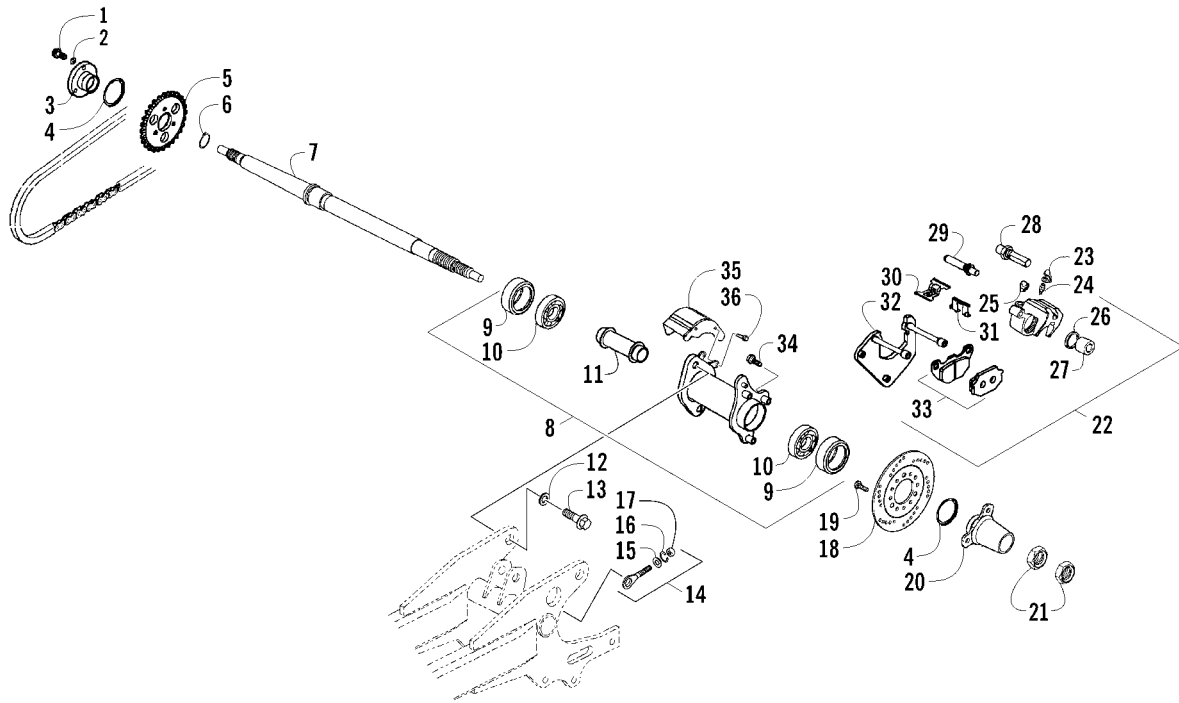
Ref	Part No.	New Qty	Description	Ref	Part No.	New Qty	Description
1	3303-430	2	Cap, Wheel	14	3303-445	2	● Spacer
2	3303-470	2	Pin, Cotter	15	3303-467	2	● Bearing
3	3303-328	2	Nut, Castle	16	3303-169	2	Shoe, Brake - Assembly (inc. 17)
4	3303-279	2	Washer	17	3304-563	2	● Spring
5	3303-164	2	Collar, Wheel	18	3303-170	2	Cam, Brake
6	3303-266	8	Nut	19	3303-168	1	Panel - Front - Right
7	3303-429	2	Tire - Assembly		3303-176	1	Panel - Front - Left
8	3303-166	2	Wheel - Assembly	20	3303-171	1	Arm, Brake - Right
9	3303-887	2	Stem, Valve		3303-177	1	Arm, Brake - Left
10	3303-165	2	Hub Assembly (inc. 11-15)	21	3303-355	2	Screw, Cap
11	3303-463	8	● Bolt, Stud	22	3303-172	2	Spring, Return
12	3303-456	4	● Seal	23	3303-173	2	Cable, Brake
13	3303-468	2	● Bearing				



REAR SUSPENSION ASSEMBLY

0742-234

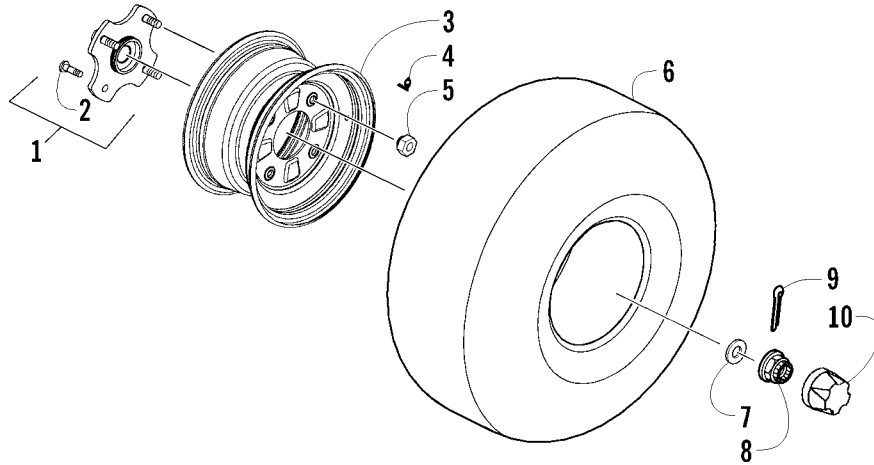
Ref	Part No.	New	Qty	Description	Ref	Part No.	New	Qty	Description
1	3306-740	X	1	Shock/Spring - Assembly - White	10	3303-191		2	● Bushing
2	3303-376		2	Screw, Cap	11	3303-192		2	● Cap
3	3304-031		2	Nut, Lock	12	3304-032		1	Nut
4	3305-858		1	Fork, Rear - Assembly (inc. 5-11)	13	3303-150		1	Screw, Cap
5	3303-394		1	● Cap, Grease Fitting	14	3305-454		4	Screw, Cap
6	3303-393		1	● Fitting, Grease	15	3305-996		1	Guard, Rear Suspension
7	3304-594		1	● Clamp, Routing	16	3304-690		2	Screw, Self-Tapping
8	3305-341		1	● Screw, Cap	17	3305-859		1	Guide, Chain
9	3303-189		1	● Axle	18	3304-360		2	Bushing



REAR AXLE AND BRAKE ASSEMBLY

0745-230

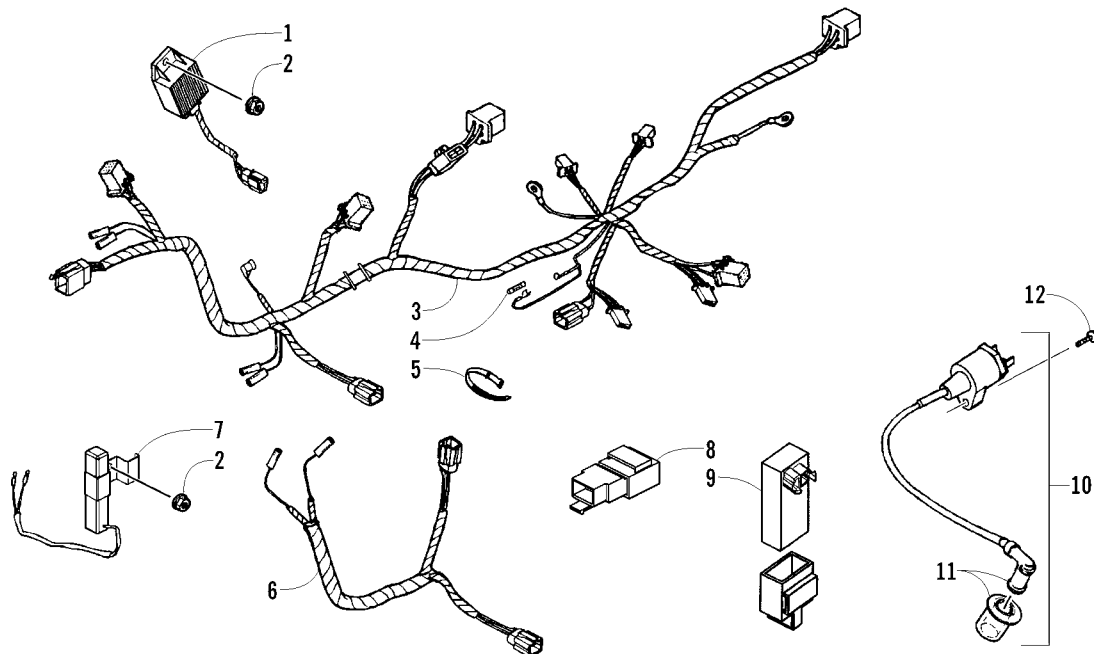
Ref	Part No.	New Qty	Description	Ref	Part No.	New Qty	Description
1	3304-565	3	Screw, Cap	19	3303-253	3	Screw, Cap
2	3303-607	3	Washer, Lock	20	3305-249	1	Bracket, Brake Disc
3	3305-835	1	Retainer, Sprocket	21	3305-839	2	Nut
4	3305-298	2	O-Ring	22	3305-997	1	Caliper, Rear - Assembly (inc. 23-33)
5	3303-148	1	Sprocket, Final Drive	23	3304-303	1	● Cap, Bleed Valve
6	3305-840	1	Ring, Retaining	24	3304-302	1	● Valve, Bleed
7	3305-838	1	Axle, Rear	25	3304-333	1	● Plug
8	3305-347	1	Housing, Rear Axle (inc. 9-11)	26	3305-380	1	● Seal, Piston
9	3303-461	2	● Seal	27	3304-314	1	● Piston
10	3303-466	2	● Bearing	28	3304-589	1	● Pin w/Boot
11	3303-427	1	● Spacer	29	3304-590	1	● Pin w/Boot
12	3303-281	3	Washer	30	3304-591	1	● Spring
13	3303-379	4	Screw, Cap	31	3305-377	1	● Seal
14	3303-147	1	Adjuster, Chain - Assembly (inc. 15-17)	32	3303-469	1	● Bracket
15	3304-135	1	● Washer	33	3304-567	1	● Pad, Brake - Assembly
16	3303-607	1	● Washer, Lock	34	3303-256	2	Screw, Cap
17	3304-125	1	● Nut	35	3303-144	1	Guard, Chain
18	3303-162	1	Disc, Brake	36	3304-610	2	Screw, Cap



REAR WHEEL ASSEMBLY

0745-013

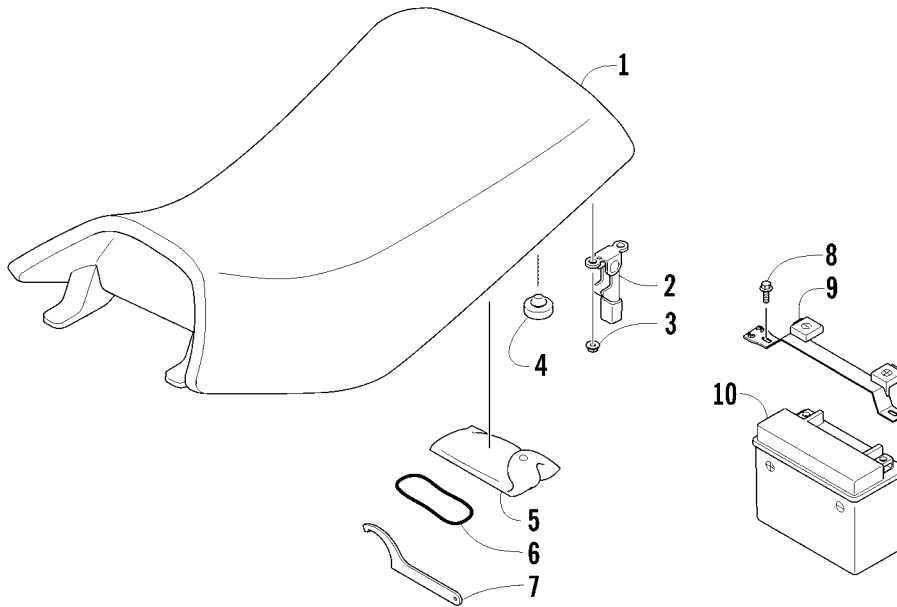
Ref	Part No.	New Qty	Description	Ref	Part No.	New Qty	Description
1	3305-869	2	Hub, Wheel (inc. 2)	6	3303-428	2	Tire
2	3303-250	8	● Bolt, Stud	7	3305-285	2	Washer
3	3303-156	2	Wheel - Assembly	8	3303-330	2	Nut, Lock
4	3304-562	2	Stem, Valve	9	3303-340	2	Pin, Cotter
5	3303-266	8	Nut	10	3303-430	2	Cap, Wheel



ELECTRICAL AND WIRING HARNESS ASSEMBLY

0745-014

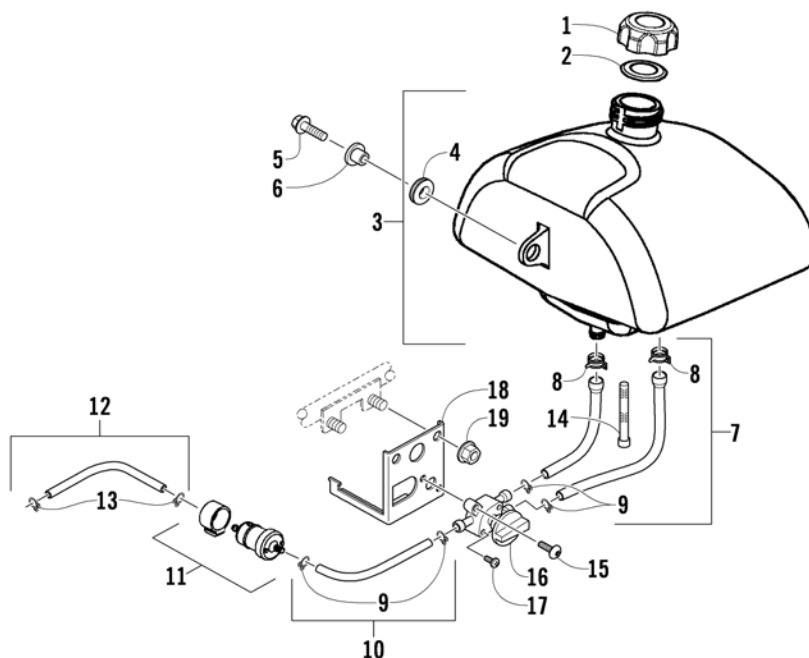
Ref	Part No.	New Qty	Description	Ref	Part No.	New Qty	Description
1	3303-132	1	Regulator, Voltage	7	3303-142	1	Resistor
2	3304-654	2	Nut, Lock	8	3303-143	1	Relay, Starter
3	3305-860	1	Harness, Main (inc. 4)	9	3305-861	1	CDI Unit
4	3303-399	2	● Fuse	10	3303-125	1	Coil Assembly - Ignition (inc. 11)
5	3303-289	AR	Tie, Cable	11	3303-126	1	● Cap, Noise Suppression
6	3306-002	1	Harness, Extension	12	3303-252	1	Screw, Cap



SEAT, BATTERY, AND TOOL KIT ASSEMBLIES

0745-830

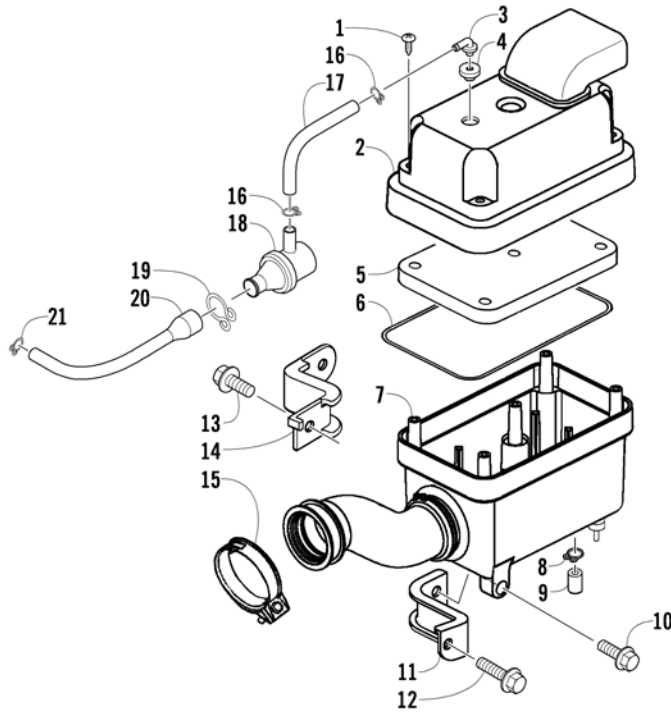
Ref	Part No.	New Qty	Description	Ref	Part No.	New Qty	Description
1	3304-497	1	Seat Assembly (inc. 2-4)	6	3303-242	1	Retainer, Tool Kit
2	3304-392	1	● Latch, Seat	7	1441-797	1	Wrench, Spanner - Optional
3	3304-654	2	● Nut, Lock	8	3303-263	2	Screw, Cap
4	3304-568	2	● Bumper, Seat	9	3303-182	1	Hold-Down, Battery
5	3303-578	1	Kit, Tool	10	3303-131	1	Battery



GAS TANK ASSEMBLY

0744-311

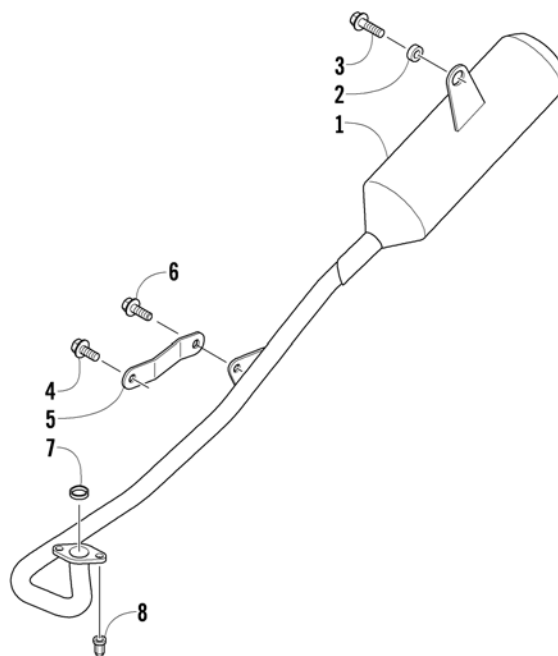
Ref	Part No.	New Qty	Description	Ref	Part No.	New Qty	Description
1	3306-003	1	Cap, Gas Tank	11	3303-699	1	Filter, Fuel - Assembly
2	3303-068	1	Seal, Gas Tank Cap	12	3305-522	1	Hose Assembly (inc. 13)
3	3305-488	1	Tank, Gas - Assembly (inc. 4)	13	3303-348	2	● Clamp, Hose
4	3303-406	2	● Grommet	14	3303-058	1	Strainer, Fuel
5	3303-383	2	Screw, Cap	15	3303-316	2	Screw, Machine
6	3303-226	2	Insert	16	3303-057	1	Shut-Off, Fuel (inc. 17)
7	3305-489	2	Hose Assembly (inc. 8 and two No. 9)	17	3304-120	2	● Screw, Machine
8	3303-351	2	● Clamp, Hose	18	3305-294	1	Bracket, Mounting - Fuel Shut-Off
9	3303-349	4	● Clamp, Hose	19	3304-654	2	Nut, Lock
10	3305-521	1	Hose Assembly (inc. two No. 9)				



AIR INTAKE ASSEMBLY

0744-309

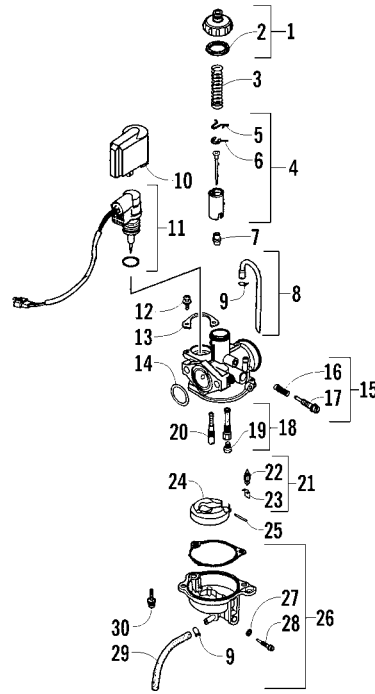
Ref	Part No.	New Qty	Description	Ref	Part No.	New Qty	Description
1	3305-450	5	Screw, Self-Tapping	12	3303-361	1	Screw, Cap
2	3303-062	1	Cover, Air Intake (inc. 3-4)	13	3305-458	2	Screw, Cap
3	3305-179	1	● Fitting	14	3305-841	1	Bracket, Mounting
4	3305-180	1	● Grommet	15	3303-288	1	Clamp
5	3303-060	1	Filter	16	3303-350	2	Clamp
6	3303-063	1	Seal	17	3305-844	1	Hose
7	3305-842	1	Housing, Air Intake (inc. 8-9)	18	3303-064	1	Catch, Air Cleaner Element
8	3305-315	1	● Clamp	19	3303-052	1	Clamp
9	3304-168	1	● Tube, Drain	20	3303-001	1	Hose
10	3304-551	1	Screw, Cap	21	3303-352	1	Clamp
11	3303-005	1	Bracket, Mounting				



EXHAUST ASSEMBLY

0744-310

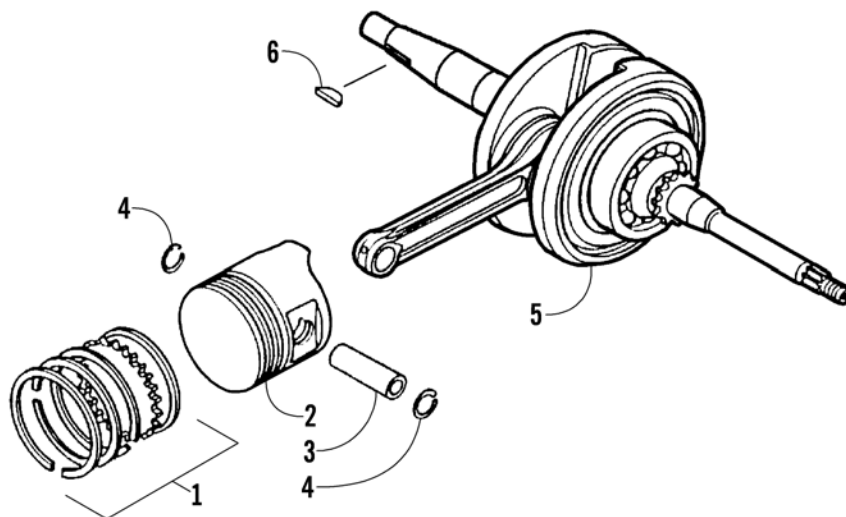
Ref	Part No.	New Qty	Description	Ref	Part No.	New Qty	Description
1	3303-407	1	Muffler - Assembly (inc. 2)	5	3304-573	1	Bracket, Mounting - Muffler
2	3304-571	1	● Bushing	6	3304-543	1	Screw, Cap
3	3305-845	1	Screw, Cap	7	3303-071	1	Gasket
4	3303-314	1	Screw, Cap	8	3303-261	2	Nut, Cap



CARBURETOR ASSEMBLY

0745-839

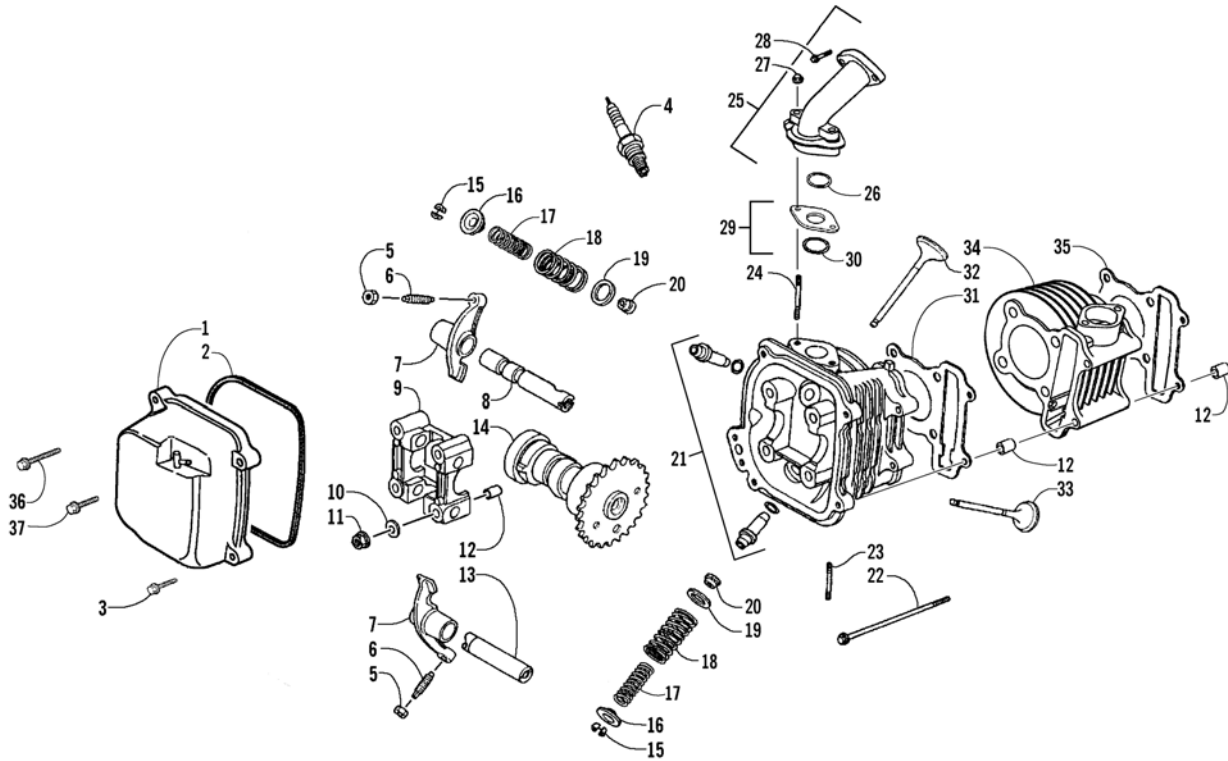
Ref	Part No.	New Qty	Description	Ref	Part No.	New Qty	Description
-	3306-433	1	Complete Carburetor Assembly	17	3304-478	1	● Screw, Stop
1	3304-462	1	Set, Top (inc. 2)	18	3304-479	1	Holder, Needle Jet - Assembly (inc. 19)
2	3304-463	1	● Gasket	19	3304-482	1	● Jet, Main - 80
3	3304-464	1	Spring, Compression		5507-170	1	● Jet, Main - 75 - Optional
4	3304-467	1	Valve, Throttle - Assembly (inc. 5-6)		5507-220	1	● Jet, Main - 78 - Optional
5	3304-465	1	● Clip, Spring	20	3304-489	1	Jet, Slow
6	3304-466	1	● E-Ring	21	3304-490	1	Valve, Float - Assembly (inc. 22-23)
7	3304-468	1	Needle Jet	22	3304-483	1	● Valve, Float
8	3304-472	1	Hose Assembly (inc. one No. 9)	23	3304-484	1	● Clip
9	5507-161	2	● Clamp, Hose	24	3304-491	1	Float Assembly
10	3304-469	1	Cover	25	3304-485	1	Pin, Float
11	3304-470	1	Automatic Bypass/Starter Assembly	26	3304-486	1	Chamber, Float w/Gasket (inc. one No. 9 and 27-29)
12	5507-117	2	Screw, Machine	27	3304-239	1	● O-Ring
13	3304-471	1	Plate, Retaining	28	3304-243	1	● Screw, Drain
14	3304-488	1	O-Ring	29	3305-248	1	● Hose
15	3304-477	1	Screw, Stop - Assembly (inc. 16-17)	30	3303-320	2	Screw, Machine
16	3304-232	1	● Spring				



PISTON AND CRANKSHAFT ASSEMBLY

0744-291

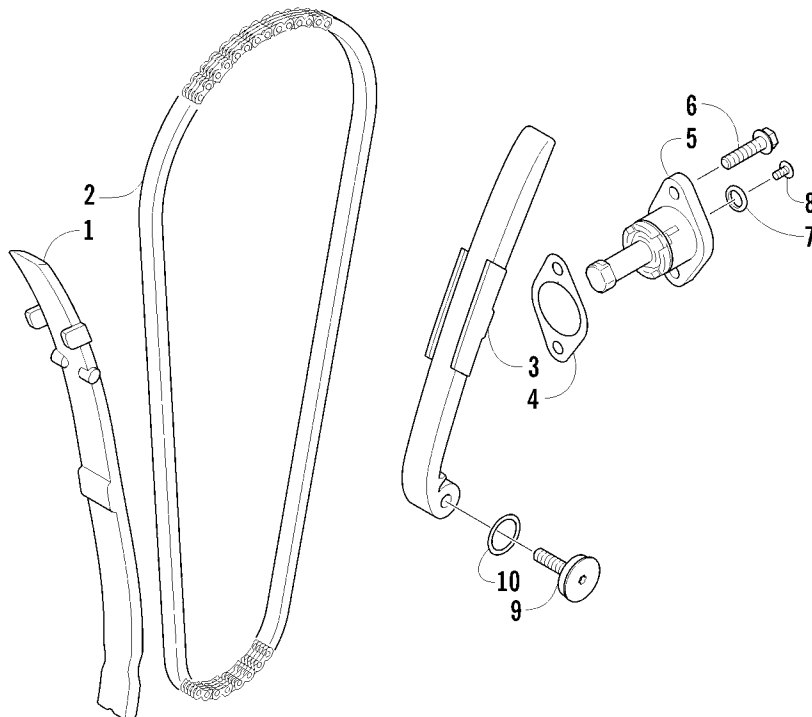
Ref	Part No.	New Qty	Description	Ref	Part No.	New Qty	Description
1	3303-024	1	Ring, Piston - Set	4	3303-027	2	Clip, Piston Pin
2	3303-025	1	Piston	5	3305-443	1	Crankshaft
3	3303-026	1	Pin, Piston	6	3303-290	1	Key



CYLINDER HEAD ASSEMBLY

0744-290

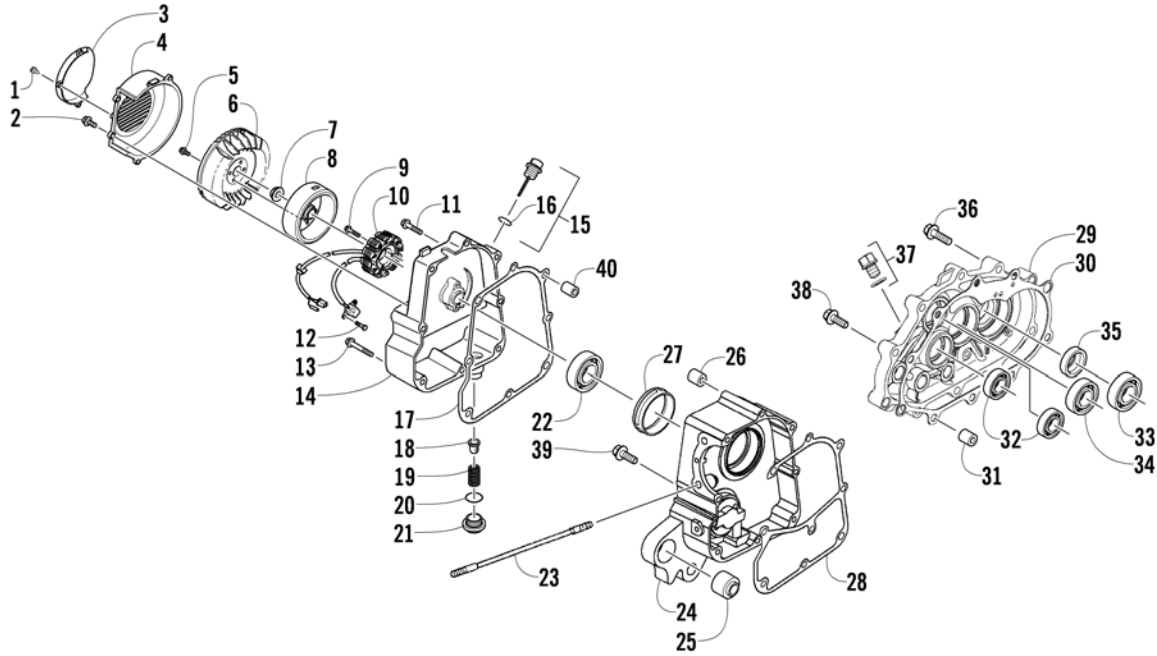
Ref	Part No.	New Qty	Description	Ref	Part No.	New Qty	Description
1	3305-292	1	Cover, Head	20	3303-657	2	Seal, Valve Stem
2	3304-616	1	Gasket	21	3303-016	1	Head, Cylinder
3	3303-360	2	Screw, Cap	22	3303-389	2	Screw, Cap
4	0217-726	1	Spark Plug - CR7HSA	23	3303-249	2	Bolt, Stud
5	3304-026	2	Nut	24	3303-310	2	Bolt, Stud
6	3304-007	2	Screw, Adjuster	25	3303-059	1	Pipe, Intake - Assembly (inc. 26)
7	3303-031	2	Valve, Rocker Arm	26	3303-304	1	● O-Ring
8	3303-032	1	Shaft, Rocker Arm - Intake	27	3304-654	2	Nut, Lock
9	3303-018	1	Retainer, Camshaft	28	3303-384	2	Screw, Cap
10	3304-048	4	Washer	29	3303-511	1	Insulator, Carburetor - Assembly (inc. 30)
11	3303-332	4	Nut	30	3304-596	1	● O-Ring
12	3303-342	6	Pin, Dowel	31	3303-019	1	Gasket, Cylinder Head
13	3303-033	1	Shaft, Rocker Arm - Exhaust	32	3303-038	1	Valve, Intake
14	3304-617	1	Camshaft	33	3303-039	1	Valve, Exhaust
15	3303-044	4	Cotter, Valve	34	3303-014	1	Cylinder
16	3303-042	2	Retainer, Valve Spring	35	3303-015	1	Gasket, Cylinder
17	3303-041	2	Spring, Valve - Inner	36	3303-363	1	Screw, Cap
18	3303-040	2	Spring, Valve - Outer	37	3303-362	1	Screw, Cap
19	3303-043	2	Seat, Valve Spring - Outer				



CAM CHAIN ASSEMBLY

0745-231

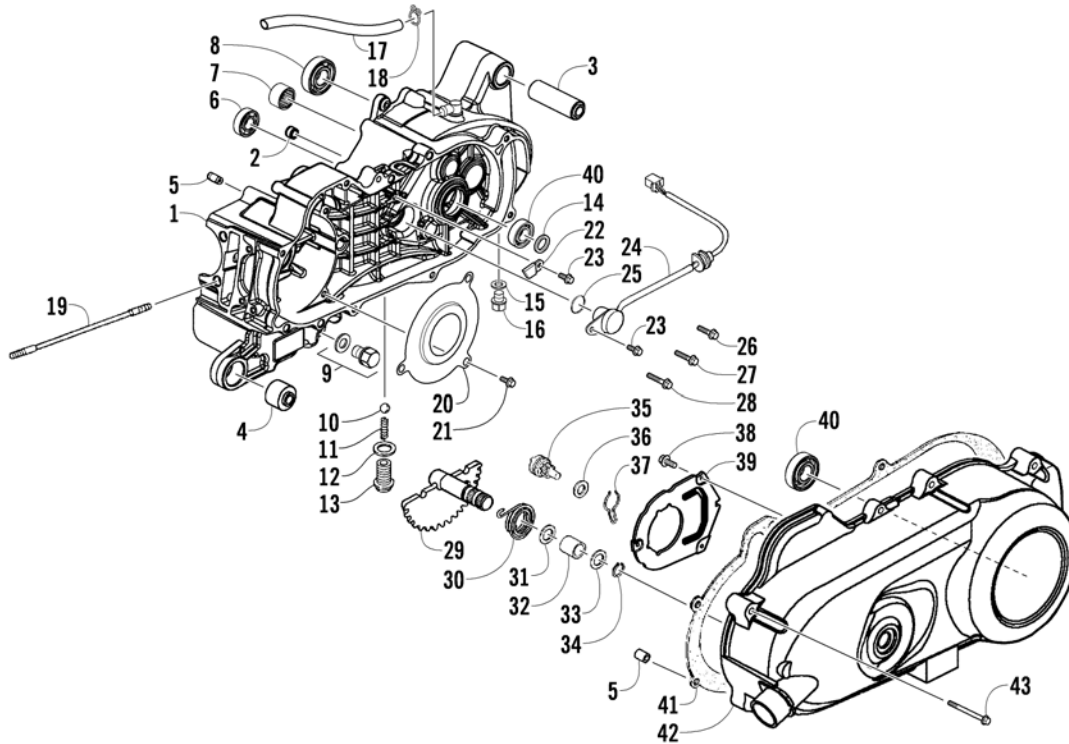
Ref	Part No.	New Qty	Description	Ref	Part No.	New Qty	Description
1	3303-037	1	Guide, Chain	6	3304-002	2	Screw, Cap
2	3303-030	1	Chain, Cam	7	3304-100	1	O-Ring
3	3303-034	1	Tensioner, Chain	8	3303-244	1	Screw, Adjuster
4	3303-035	1	Gasket	9	3303-036	1	Adjuster, Tension
5	3303-677	1	Tensioner Assembly	10	3303-301	1	O-Ring



RIGHT CRANKCASE AND COVER ASSEMBLY

0744-292

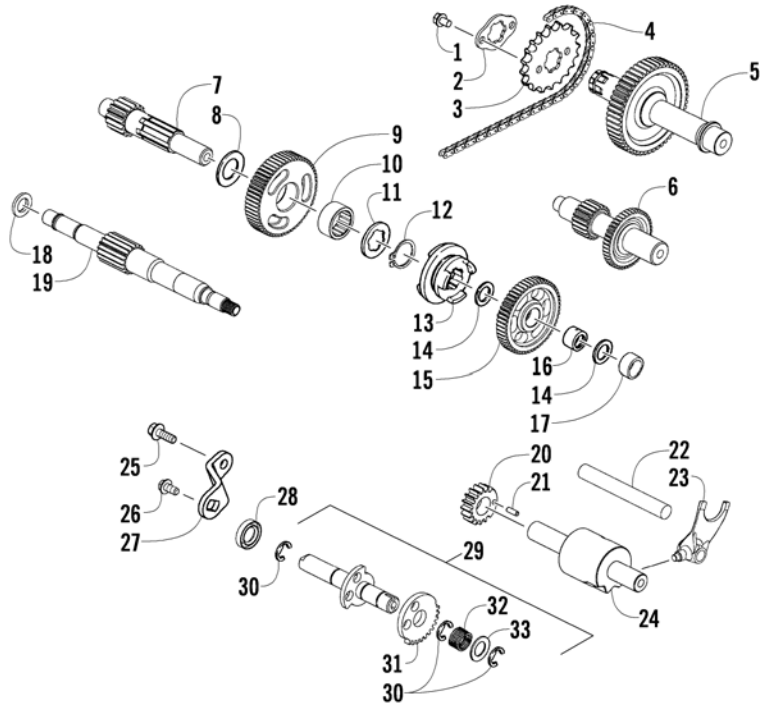
Ref	Part No.	New Qty	Description	Ref	Part No.	New Qty	Description
1	3304-585	2	Screw, Self-Tapping	19	3303-692	1	Spring
2	3303-384	2	Screw, Cap	20	3304-096	1	O-Ring
3	3305-317	1	Cover, Vent	21	3303-021	1	Cap, Inspection
4	3305-910	1	Cover, Fan	22	3303-296	1	Seal, Oil
5	3303-382	4	Screw, Cap	23	3303-247	2	Bolt, Stud
6	3303-075	1	Fan, Cooling	24	3303-400	1	Crankcase (inc. 25-27)
7	3303-333	1	Nut	25	3303-402	1	● Bushing, Rubber - Engine Mount
8	3303-127	1	Rotor/Flywheel (A) - D402	26	3304-065	2	● Plug
	3303-414	1	Rotor/Flywheel (B) - D406	27	-	1	● Insert - Not a Service Part
	3303-415	1	Rotor/Flywheel (C) - D414	28	3303-003	1	Gasket, Crankcase
9	3303-383	2	Screw, Cap	29	3305-806	1	Case, Transmission
10	3304-641	1	Stator - Assembly (O) - D402	30	3305-807	1	Gasket, Transmission Case
	3305-254	1	Stator - Assembly (A) - D406	31	3303-342	2	Pin, Dowel
	3305-256	1	Stator - Assembly (B) - D414	32	3303-596	2	Bearing
11	3304-580	4	Screw, Cap	33	3305-821	1	Bearing
12	3303-308	2	Screw, Cap	34	3304-909	1	Bearing
13	3303-390	4	Screw, Cap	35	3305-808	1	Seal, Oil
14	3303-007	1	Cover, Crankcase	36	3303-615	2	Screw, Cap
15	3303-050	1	Gauge, Oil Level - Assembly (inc. 16)	37	3304-052	1	Plug, Fill
16	3304-102	1	● O-Ring	38	3305-468	8	Screw, Cap
17	3303-012	1	Gasket, Crankcase Cover	39	3303-387	1	Screw, Cap
18	3303-691	1	Screen, Filter	40	3303-341	2	Pin, Dowel



LEFT CRANKCASE AND COVER ASSEMBLY

0744-289

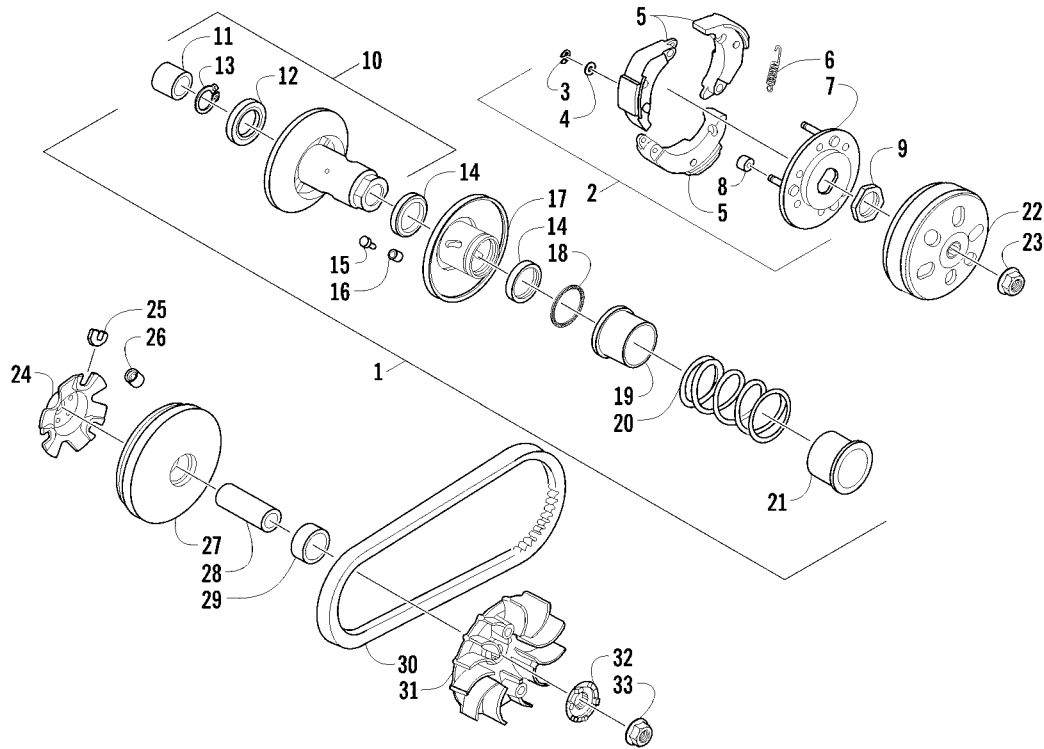
Ref	Part No.	New Qty	Description	Ref	Part No.	New Qty	Description
1	3305-795	1	Crankcase (inc. 2-4)	23	3304-187	2	Screw, Cap
2	3304-597	1	● Plug	24	3305-797	1	Switch, Gear Shift (inc. 25)
3	3305-906	1	● Bushing, Rubber - Engine Mount	25	3305-776	1	● O-Ring
4	3303-402	1	● Bushing, Rubber - Engine Mount	26	3303-385	1	Screw, Cap
5	3303-341	4	Pin, Dowel	27	3303-370	6	Screw, Cap
6	3304-905	1	Bearing	28	3303-372	1	Screw, Cap
7	3304-074	1	Bearing	29	3303-119	1	Spindle, Kick Starter
8	3304-699	1	Bearing	30	3303-122	1	Spring
9	3304-052	1	Plug, Drain	31	3303-121	1	Spacer
10	3304-205	1	Bearing, Ball	32	3303-120	1	Bushing
11	3304-063	1	Spring, Seat	33	3303-276	1	Washer
12	3304-021	1	Washer	34	3303-345	1	Ring, Retaining
13	3304-109	1	Screw, Seat	35	3303-118	1	Gear, Driven
14	3303-297	1	Seal, Oil	36	3303-272	1	Washer, Thrust
15	3303-278	1	Washer	37	3303-117	1	Spring
16	3303-365	1	Plug, Drain	38	3303-391	3	Screw, Cap
17	3305-798	1	Hose, Vent	39	3303-009	1	Plate, Cover
18	3303-714	1	Clamp, Hose	40	3303-465	2	Bearing
19	3303-248	2	Bolt, Stud	41	3303-013	1	Gasket, Crankcase Cover
20	3304-460	1	Plate, Dust	42	3305-907	1	Cover, Crankcase
21	3303-381	3	Screw, Cap	43	3303-386	7	Screw, Cap
22	3304-040	1	Retainer, Bearing				



TRANSMISSION ASSEMBLY

0744-294

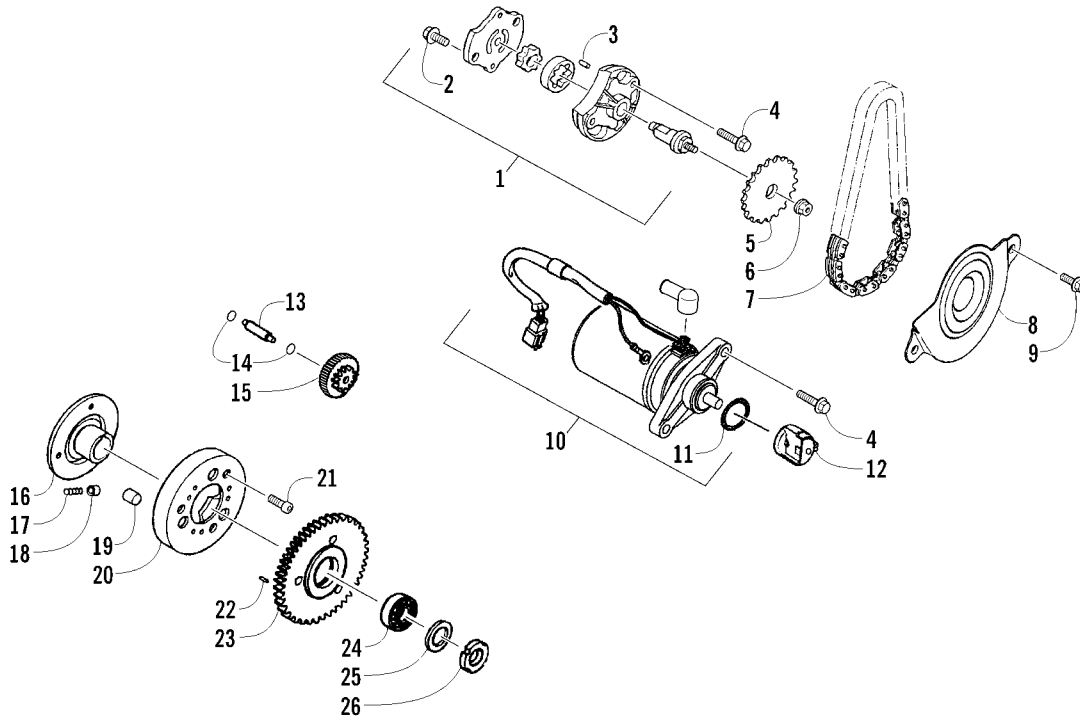
Ref	Part No.	New Qty	Description	Ref	Part No.	New Qty	Description
1	3303-307	2	Screw, Cap	18	3303-588	1	Washer
2	3303-108	1	Plate, Retaining	19	3305-813	1	Driveshaft
3	3305-814	1	Sprocket, Drive	20	3306-008	1	Gear, Drum Shift
4	3305-820	1	Chain, Drive	21	3306-007	1	Pin, Alignment
5	3305-805	1	Shaft, Final	22	3304-513	1	Shaft, Shift Fork
6	3305-822	1	Countershaft - Assembly	23	3305-815	1	Fork, Shift
7	3305-809	1	Shaft, Main	24	3306-006	1	Cam, Gear Shift - Assembly
8	3304-042	1	Washer, Thrust	25	3303-365	1	Screw, Cap
9	3305-811	1	Gear, Reverse	26	3304-652	1	Screw, Cap
10	3304-074	1	Bearing	27	3305-825	1	Bracket, Spindle Assembly
11	3305-812	1	Washer	28	3304-900	1	Seal, Oil
12	3303-344	1	Circlip	29	3305-817	1	Spindle Assembly (inc. 30-33)
13	3305-029	1	Gear Select, Sliding	30	3304-153	3	● E-Ring
14	3303-275	2	Washer, Thrust	31	3303-815	1	● Gear, Shift
15	3305-810	1	Gear, Forward	32	3305-818	1	● Spring
16	3305-024	1	Bushing	33	3304-036	1	● Washer, Thrust
17	3305-028	1	Spacer				



CLUTCH ASSEMBLY

0745-827

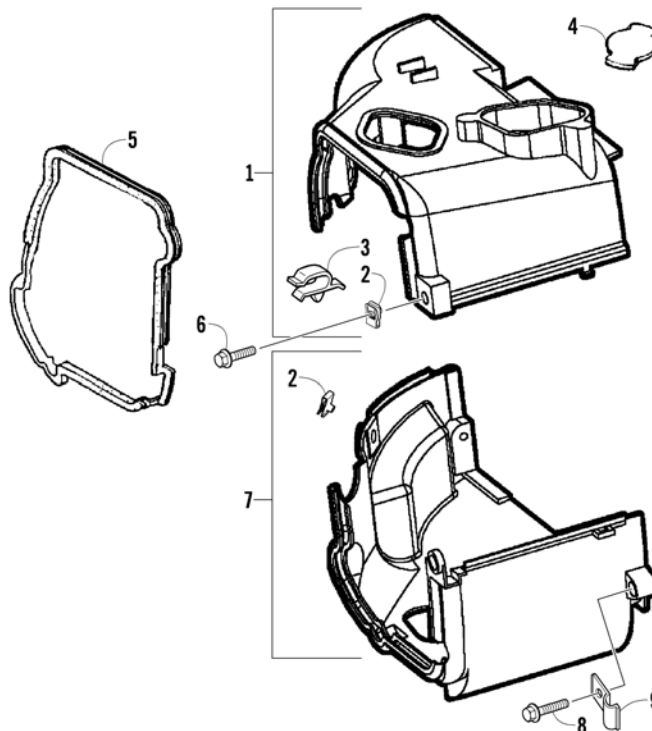
Ref	Part No.	New Qty	Description	Ref	Part No.	New Qty	Description
1	3303-411	1	Pulley, Driven - Assembly (inc. 2-21)	17	3303-097	1	● Face, Driven - Movable
2	3303-090	1	● Clutch, Centrifugal - Assembly (inc. 3-8)	18	3304-619	1	● O-Ring
3	3304-618	3	●● E-Ring	19	3303-102	1	● Collar
4	3303-274	3	●● Washer, Thrust	20	3303-100	1	● Spring
5	3306-733	X 3	●● Weight, Clutch	21	3303-101	1	● Collar
6	3303-092	3	●● Spring	22	3303-082	1	Clutch, Outer
7	3303-091	1	●● Plate, Clutch	23	3303-333	1	Nut
8	3303-094	3	●● Roller	24	3303-088	1	Plate, Ramp
9	3304-025	1	● Nut	25	3303-089	3	Slide
10	3303-096	1	● Face, Driven - Fixed (inc. 11-13)	26	3303-087	6	Roller
11	3303-294	1	●● Bearing	27	3303-086	1	Face, Drive - Movable
12	3303-291	1	●● Bearing	28	3303-409	1	Sleeve
13	3303-346	1	●● Circlip	29	3303-410	1	Collar
14	3303-299	2	● Seal, Oil	30	3303-095	1	Belt, Drive
15	3303-098	3	● Guide, Pin	31	3303-083	1	Face, Drive - Fixed
16	3303-099	3	● Guide, Roller	32	3303-116	1	Ratchet, Kick Starter
				33	3303-334	1	Nut



STARTER MOTOR AND OIL PUMP ASSEMBLY

0745-232

Ref	Part No.	New Qty	Description	Ref	Part No.	New Qty	Description
1	3303-045	1	Pump, Oil - Assembly (inc. 2-3)	14	3303-282	2	Washer
2	3304-426	1	● Screw, Cap	15	3303-109	1	Gear, Starter Reduction
3	3304-144	1	● Pin, Dowel	16	3303-115	1	Plate, Starter Clutch
4	3303-384	4	Screw, Cap	17	3303-113	3	Spring
5	3303-046	1	Sprocket	18	3303-114	3	Roller, Starter
6	3304-654	1	Nut, Lock	19	3303-293	3	Roller
7	3303-047	1	Chain, Oil Pump	20	3303-112	1	Clutch, Outer
8	3303-051	1	Separator, Oil	21	3303-396	3	Screw, Cap
9	3303-381	2	Screw, Cap	22	3303-395	1	Pin, Alignment
10	3305-802	1	Motor, Starter (inc. 11)	23	3303-111	1	Gear, Starter
11	3303-604	1	● O-Ring	24	3303-292	1	Bearing
12	3303-130	1	Cover, Starter	25	3303-285	1	Circlip
13	3303-110	1	Shaft, Starter Reduction	26	3303-258	1	Nut



ENGINE SHROUD ASSEMBLY

0744-297

Ref	Part No.	New Qty	Description	Ref	Part No.	New Qty	Description
1	3305-803	1	Shroud, Upper - Assembly (inc. one No. 2 and 3-4)	6	3303-382	2	Screw, Cap
2	3303-267	2	● Clip, U-Nut	7	3303-078	1	Shroud, Lower - Assembly (inc. one No. 2)
3	3305-804	1	● Clip, Routing	8	3303-384	1	Screw, Cap
4	3303-408	1	● Grommet	9	3304-640	1	Clamp, Routing
5	3303-077	1	Seal, Shroud				

