

2014 ARCTIC CAT®

ILLUSTRATED PARTS MANUAL



Wildcat X

Model Number U2014WSW1PUSE

Model Number U2014WSW1PUSX

Model Number U2014WSW1PUSD

Model Number U2014WSW1POSE - International

Model Number U2014WSW1POSX - International

Model Number U2014WSW1POSD - International

ARCTIC CAT®
SHARE OUR PASSION™

www.arcticcat.com

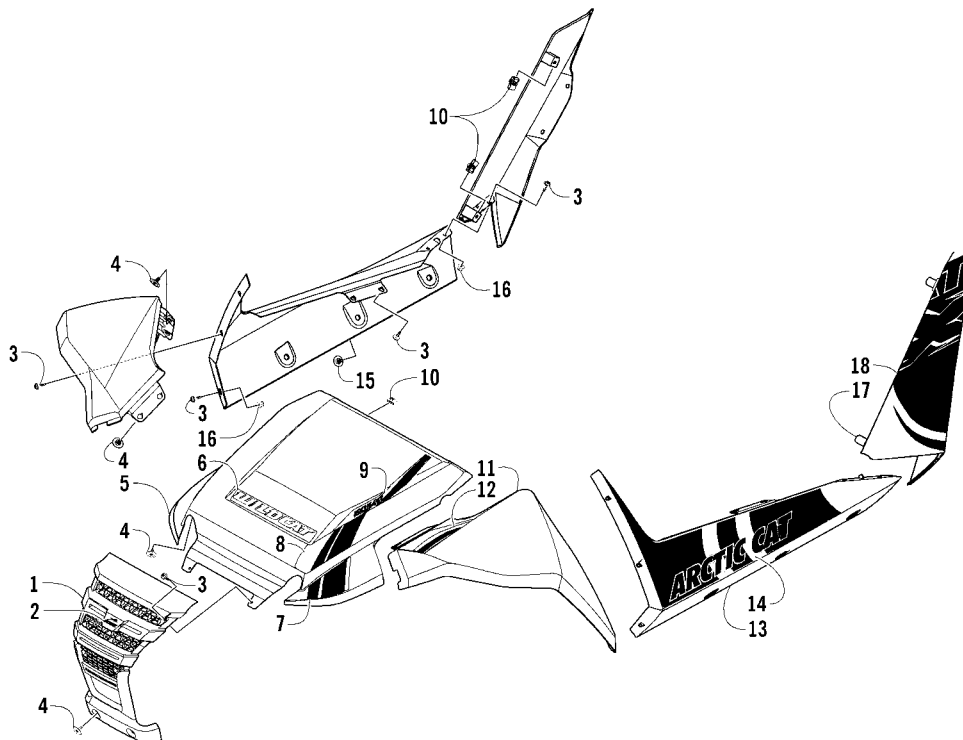
TABLE OF CONTENTS

2014 Wildcat X

(Model No. U2014WSW1PUSE) (Model No. U2014WSW1POSE - Int.)
(Model No. U2014WSW1PUSX) (Model No. U2014WSW1POSX - Int.)
(Model No. U2014WSW1PUSD) (Model No. U2014WSW1POSD - Int.)

FRONT AND SIDE PANEL ASSEMBLIES	1
FRONT AND SIDE PANEL ASSEMBLIES	2
DASH ASSEMBLY	3
CONSOLE AND FLOOR PANEL ASSEMBLY	4
SEAT ASSEMBLY	5
CARGO BOX AND TAILLIGHT ASSEMBLY	6
FRAME, HEADLIGHTS, AND RELATED PARTS	7
ROPS ASSEMBLY	8
DOOR ASSEMBLY	9
STEERING ASSEMBLY	10
RACK AND PINION ASSEMBLY	11
FRONT SUSPENSION ASSEMBLY	12
FRONT SUSPENSION SHOCK ABSORBER	13
REAR SUSPENSION ASSEMBLY	14
REAR SUSPENSION SHOCK ASSEMBLY	15
REAR SUSPENSION SHOCK ABSORBER	16
WHEEL AND TIRE ASSEMBLY	17
HYDRAULIC BRAKE ASSEMBLY	18
ACCELERATOR ASSEMBLY	19
SHIFTER ASSEMBLY	20
GAS TANK ASSEMBLY	21
AIR INTAKE ASSEMBLY	22
CASE/BELT COOLING ASSEMBLY	23
ENGINE AND EXHAUST	24
COOLING ASSEMBLY	25
OIL COOLER ASSEMBLY	26
DRIVE TRAIN ASSEMBLY	27
FRONT DRIVE GEARCASE ASSEMBLY	28
REAR DRIVE GEARCASE ASSEMBLY	29
WIRING HARNESS ASSEMBLY	30
BATTERY AND STARTER MOTOR ASSEMBLY	31
THROTTLE BODY ASSEMBLY	32
CYLINDER ASSEMBLY	33
CYLINDER HEAD AND CAMSHAFT/VALVE ASSEMBLY	34
CAM CHAIN ASSEMBLY	35
CRANKCASE ASSEMBLY	36
CRANKSHAFT AND PISTON ASSEMBLY	37
STARTER CLUTCH ASSEMBLY	38
OIL PUMP ASSEMBLY	39
WATER PUMP ASSEMBLY	40
CLUTCH ASSEMBLY	41
SECONDARY TRANSMISSION ASSEMBLY	42
GEAR SHIFTING ASSEMBLY	43
SECONDARY DRIVE ASSEMBLY	44
MAGNETO ASSEMBLY	45
MAGNETO SIDE ENGINE COVERS	46
CLUTCH SIDE ENGINE COVERS	47

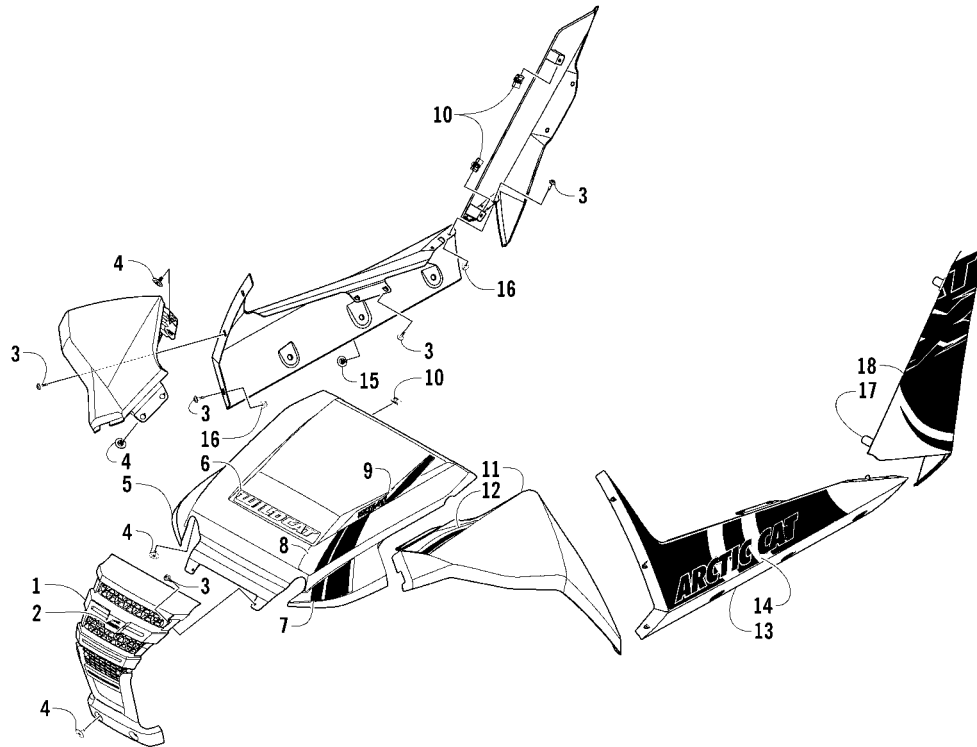
■ **NOTE:** The illustrations used in this Parts Manual are for reference to replacement part numbers only and are not to be used for assembly. For assembly procedures, use an Arctic Cat Service Manual. For a complete list of related items, refer to the current accessory catalog.



FRONT AND SIDE PANEL ASSEMBLIES

0747-753

Ref	Part No.	New	Qty	Description	Ref	Part No.	New	Qty	Description
1	2416-685		1	Fascia, Front - Black	3411-666	X	1	Decal, Hood Rear - Right - Green (1PUSX/1PO SX)	
2	2411-943		1	Decal, "Arctic Cat"	3411-667	X	1	Decal, Hood Rear - Left - Green (1PUSX/1PO SX)	
3	0423-609		16	Screw, Machine	3411-690	X	1	Decal, Hood Rear - Right - Blue (1PUSD/1PO SD)	
4	0423-101		12	Screw, Shoulder	3411-691	X	1	Decal, Hood Rear - Left - Blue (1PUSD/1PO SD)	
5	5506-417	X	1	Hood - White	0423-577		6	Clip, U-Nut	
6	3411-619	X	1	Decal, Crest - Red (1PUSE/1PO SE)	5506-140		1	Fender, Front - Right - Red (1PUSE/1PO SE)	
	3411-620	X	1	Decal, Crest - Green (1PUSX/1PO SX)	5506-141		1	Fender, Front - Left - Red (1PUSE/1PO SE)	
	3411-637	X	1	Decal, Crest - Blue (1PUSD/1PO SD)	5506-278		1	Fender, Front - Right - Green (1PUSX/1PO SX)	
7	3411-638	X	1	Decal, Hood Fwd - Right - Red (1PUSE/1PO SE)	5506-279		1	Fender, Front - Left - Green (1PUSX/1PO SX)	
	3411-639	X	1	Decal, Hood Fwd - Left - Red (1PUSE/1PO SE)	5506-418	X	1	Fender, Front - Right - Blue (1PUSD/1PO SD)	
	3411-662	X	1	Decal, Hood Fwd - Right - Green (1PUSX/1PO SX)	5506-419	X	1	Fender, Front - Left - Blue (1PUSD/1PO SD)	
	3411-663	X	1	Decal, Hood Fwd - Left - Green (1PUSX/1PO SX)	12	3411-644	X	1	Decal, Fender - Right - Red (1PUSE/1PO SE)
	3411-686	X	1	Decal, Hood Fwd - Right - Blue (1PUSD/1PO SD)		3411-645	X	1	Decal, Fender - Left - Red (1PUSE/1PO SE)
	3411-687	X	1	Decal, Hood Fwd - Left - Blue (1PUSD/1PO SD)		3411-668	X	1	Decal, Fender - Right - Green (1PUSX/1PO SX)
8	3411-640	X	1	Decal, Hood Mid - Right - Red (1PUSE/1PO SE)		3411-669	X	1	Decal, Fender - Left - Green (1PUSX/1PO SX)
	3411-641	X	1	Decal, Hood Mid - Left - Red (1PUSE/1PO SE)		3411-692	X	1	Decal, Fender - Right - Blue (1PUSD/1PO SD)
	3411-664	X	1	Decal, Hood Mid - Right - Green (1PUSX/1PO SX)		3411-693	X	1	Decal, Fender - Left - Blue (1PUSD/1PO SD)
	3411-665	X	1	Decal, Hood Mid - Left - Green (1PUSX/1PO SX)	13	2416-988		1	Panel, Side - Lower Right - Black
	3411-688	X	1	Decal, Hood Mid - Right - Blue (1PUSD/1PO SD)		2416-989		1	Panel, Side - Lower Left - Black
	3411-689	X	1	Decal, Hood Mid - Left - Blue (1PUSD/1PO SD)					(Continued)
9	3411-642	X	1	Decal, Hood Rear - Right - Red (1PUSE/1PO SE)					
	3411-643	X	1	Decal, Hood Rear - Left - Red (1PUSE/1PO SE)					

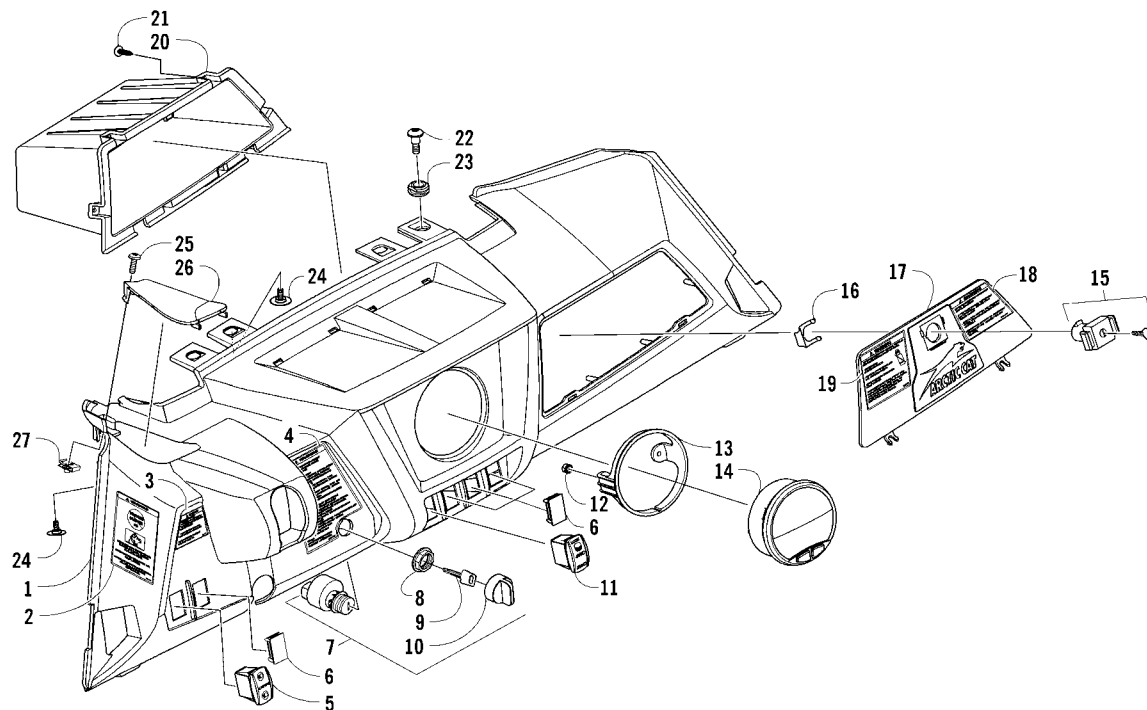


FRONT AND SIDE PANEL ASSEMBLIES

CONTINUED

0747-753

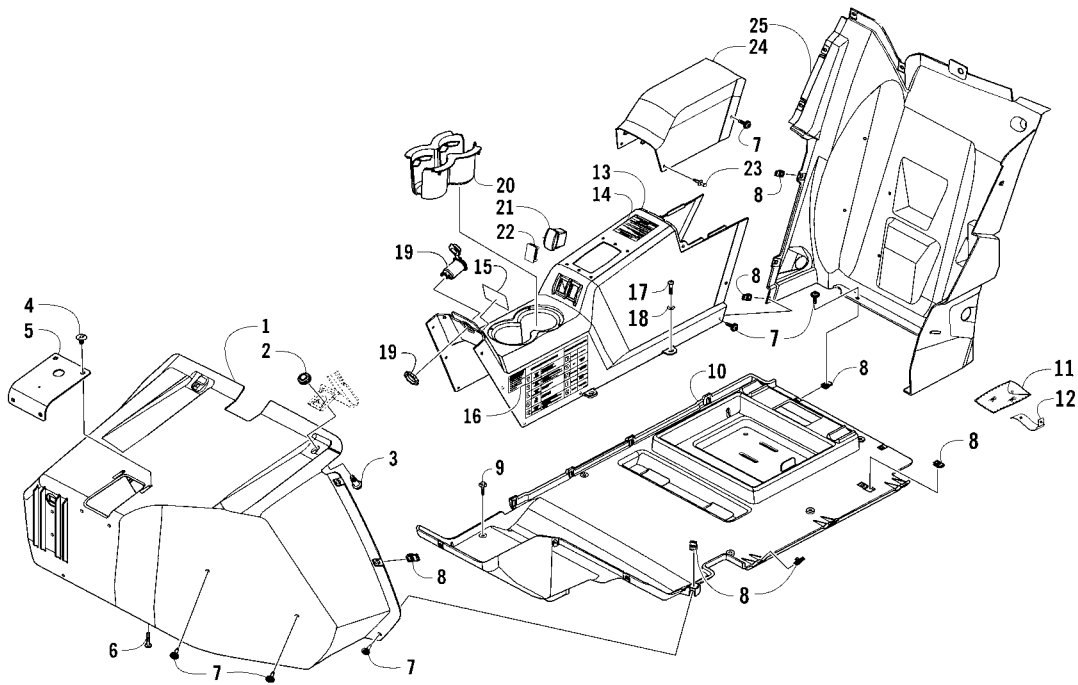
Ref	Part No.	New	Qty	Description	Ref	Part No.	New	Qty	Description
14	3411-650	X	1	Decal, Lower Side Panel - Right - Red (1PUSE/1POSE)	17	2416-990		1	Panel, Side - Upper Right - Black
	3411-651	X	1	Decal, Lower Side Panel - Left - Red (1PUSE/1POSE)		2416-991		1	Panel, Side - Upper Left - Black
	3411-674	X	1	Decal, Lower Side Panel - Right - Green (1PUSX/1POSX)	18	3411-652	X	1	Decal, Upper Side Panel - Right - Red (1PUSE/1POSE)
	3411-675	X	1	Decal, Lower Side Panel - Left - Green (1PUSX/1POSX)		3411-653	X	1	Decal, Upper Side Panel - Left - Red (1PUSE/1POSE)
	3411-698	X	1	Decal, Lower Side Panel - Right - Blue (1PUSD/1POSD)		3411-676	X	1	Decal, Upper Side Panel - Right - Green (1PUSX/1POSX)
	3411-699	X	1	Decal, Lower Side Panel - Left - Blue (1PUSD/1POSD)		3411-677	X	1	Decal, Upper Side Panel - Left - Green (1PUSX/1POSX)
15	1423-133		6	Screw, Shoulder		3411-700	X	1	Decal, Upper Side Panel - Right - Blue (1PUSD/1POSD)
16	8427-602		4	Nut, Lock		3411-701	X	1	Decal, Upper Side Panel - Left - Blue (1PUSD/1POSD)



DASH ASSEMBLY

0746-552

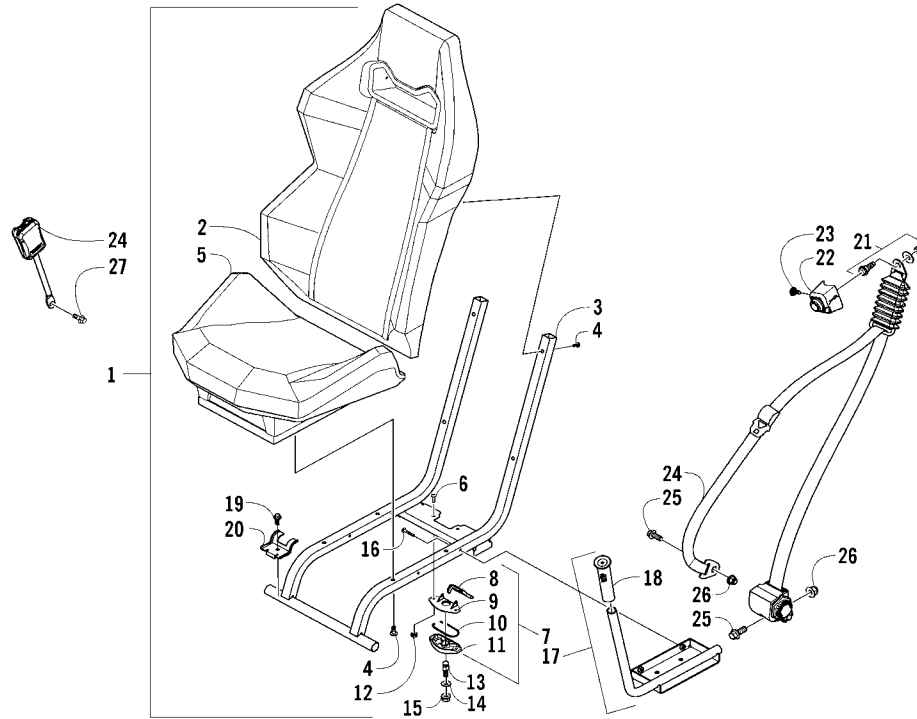
Ref	Part No.	New Qty	Description	Ref	Part No.	New Qty	Description
1	5506-225	1	Panel, Dash (inc. 2-4)	13	0620-322	1	Bracket, Retaining
2	3411-259	1	● Decal, Warning - Age	14	0520-215	1	Gauge, Analog/LCD
3	2411-893	1	● Decal, Warning - Dash - Left	15	2416-985	1	Latch, Glove Box
4	2411-892	1	● Decal, Warning - Dash - Right	16	2416-984	1	Clip, Retaining
5	0409-149	1	Switch, Light	17	5506-191	1	Cover, Glove Box (inc. 18-19)
6	0409-070	4	Plug, Switch-Hole	18	2411-970	1	● Decal, Warning - Occupant - Right
7	0430-089	1	Switch, Ignition (inc. 8-10)	19	3411-255	1	● Decal, Warning - Occupant - Left
8	0430-050	1	● Nut, Retaining	20	2416-842	1	Box, Glove
9	0430-042	1	● Key, Ignition - (Y Series - Left-Side Cut)	21	0423-342	6	Screw, Self-Tapping
	0430-043	1	● Key, Ignition - (Z Series - Right-Side Cut)	22	0423-356	2	Screw, Shoulder
10	0430-054	1	● Cover, Key	23	1423-104	2	Grommet
11	0409-148	1	Switch, 2WD/4WD/Differential Lock	24	1423-133	4	Screw, Shoulder
12	0423-493	2	Nut w/Washer	25	8477-620	1	Screw, Machine
				26	2416-840	1	Panel, Access - Master Cylinder
				27	0423-577	3	Clip, U-Nut



CONSOLE AND FLOOR PANEL ASSEMBLY

0747-275

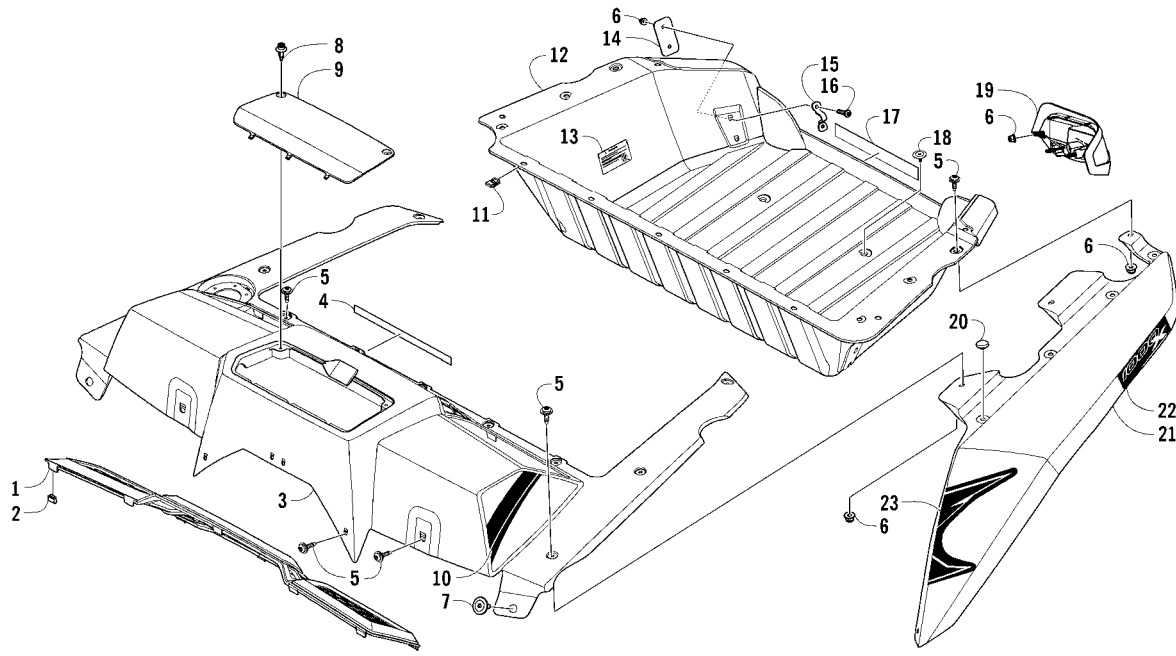
Ref	Part No.	New Qty	Description	Ref	Part No.	New Qty	Description
1	2416-592	1	Panel, Fender - Inner Right	13	5506-247	1	Console - Front (inc. 14-16)
	2416-593	1	Panel, Fender - Inner Left	14	3411-262	1	● Decal, Warning - Reverse
2	1423-104	4	Grommet	15	2411-311	1	● Decal, Starting Instruction
3	1423-125	4	Screw, Shoulder	16	2411-940	1	● Decal, Pre-Ride
4	0623-544	4	Clip, Retaining	17	8468-635	4	Screw, Machine
5	2416-983	1	Panel, Filler - Brake Pedal	18	8050-223	4	Washer
6	1423-083	4	Screw, Self-Tapping	19	0641-897	1	Outlet, Accessory - 12V
7	0423-609	34	Screw, Machine	20	2416-109	1	Insert, Cupholder
8	0423-577	44	Clip, U-Nut	21	0409-071	1	Switch, Override
9	1423-142	12	Screw, Cap w/Washer	22	0409-070	1	Plug, Switch-Hole
10	2416-516	1	Panel, Floor - Right	23	0623-362	2	Rivet, Reinstallable
	2416-517	1	Panel, Floor - Left	24	2416-841	1	Cover, Access - Battery
11	2516-863	1	Kit, Tool	25	4406-228	1	Panel, Splash - Right
12	0707-582	1	Retainer, Tool Kit		4406-229	1	Panel, Splash - Left



SEAT ASSEMBLY

0747-216

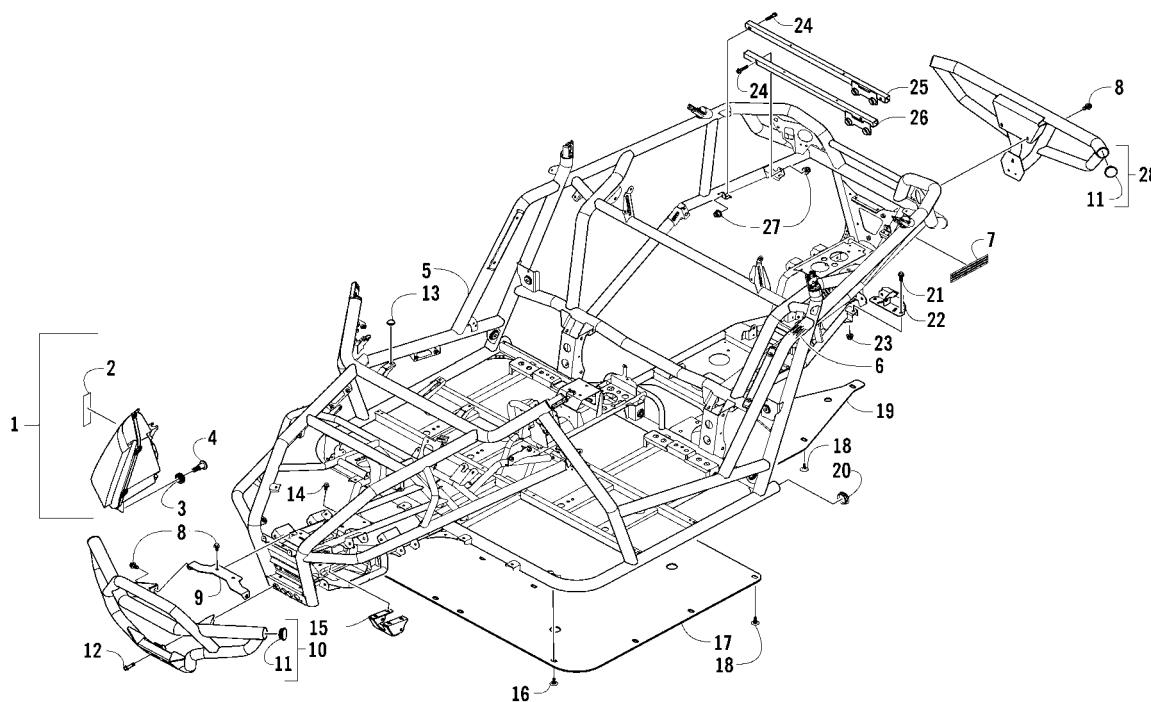
Ref	Part No.	New	Qty	Description	Ref	Part No.	New	Qty	Description
1	5506-227		2	Seat - Assembly (inc. 2-12) (1PUSE/1POSE)	11	1673-634		2	●● Back, Seat Latch
	5506-261		2	Seat - Assembly (inc. 2-12) (1PUSX/1POSX)	12	0623-038		4	● Nut w/Washer
	5506-434	X	2	Seat - Assembly (inc. 2-12) (1PUSD/1POSD)	13	0423-559		2	Stud, Latch - Seat
2	5506-209		2	● Back, Seat (1PUSE/1POSE)	14	0423-073		2	Washer
	5506-262		2	● Back, Seat (1PUSX/1POSX)	15	8424-002		2	Nut
	5506-431	X	2	● Back, Seat (1PUSD/1POSD)	16	8477-635		2	Screw, Machine
3	5506-069		2	● Frame, Seat - Black	17	5506-173		1	Handle - Assembly (inc. 18)
4	8468-617		16	● Screw, Machine	18	4606-945		1	● Grip
5	5506-208		2	● Base, Seat (1PUSE/1POSE)	19	8408-821		4	Screw, Cap
	5506-263		2	● Base, Seat (1PUSX/1POSX)	20	5506-078		4	Bracket, Hold-Down
	5506-430	X	2	● Base, Seat (1PUSD/1POSD)	21	0423-915		2	Screw, Shoulder - Assembly
6	8468-620		4	● Screw, Machine	22	2416-936		1	Cover, Seat Belt - Right
7	2706-164		2	● Latch, Seat - Assembly (inc. 8-11)		2416-937		1	Cover, Seat Belt - Left
8	2606-854		2	● Lever, Seat Latch	23	0623-784		4	Screw, Self-Tapping
9	1673-635		2	●● Cover, Seat Latch	24	5506-159		2	Belt, Seat - Assembly
10	0673-023		2	●● Clip, Spring	25	1423-182		4	Screw, Cap
					26	1423-184		4	Nut, Lock
					27	1423-183		2	Screw, Cap



CARGO BOX AND TAILLIGHT ASSEMBLY

0747-756

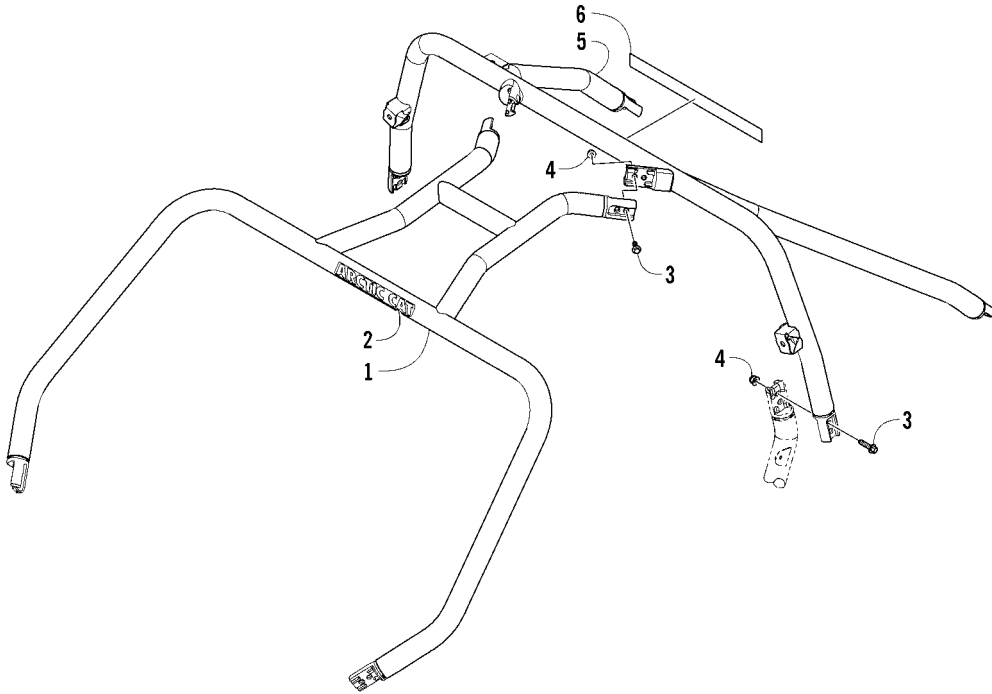
Ref	Part No.	New	Qty	Description	Ref	Part No.	New	Qty	Description
1	2416-956		1	Screen, Vent	11	0423-577		5	Clip, U-Nut
2	0123-987		12	Clip, U	12	4406-167		1	Box, Cargo (inc. 13)
3	5506-155		1	Panel, Rear Body - White	13	2411-890		1	● Decal, Warning - Cargo Box
4	3411-659	X	1	Decal, Rear Panel (1PUSE/1POSE)	14	2416-573		4	Plate, Backing
	3411-683	X	1	Decal, Rear Panel (1PUSX/1POSX)	15	4506-634		4	Bracket, Hold-Down
	3411-707	X	1	Decal, Rear Panel (1PUSD/1POSD)	16	8468-625		8	Screw, Machine
5	0423-609		19	Screw, Machine	17	2411-944		1	Decal, "Arctic Cat"
6	8427-602		24	Nut, Lock	18	1423-109		4	Screw, Shoulder
7	1423-107		2	Screw, Shoulder	19	0509-056		1	Taillight - Right
8	0423-535		2	Rivet, Reinstallable		0509-057		1	Taillight - Left
9	2416-825		1	Cover, Access - Radiator	20	0406-877		AR	Bumper
10	3411-660	X	1	Decal, Upper Rear Panel - Right (1PUSE/1POSE)	21	5506-424	X	1	Fender, Rear - Right - Black
	3411-661	X	1	Decal, Upper Rear Panel - Left (1PUSE/1POSE)		5506-425	X	1	Fender, Rear - Left - Black
	3411-684	X	1	Decal, Upper Rear Panel - Right (1PUSX/1POSX)	22	3411-658	X	2	Decal, "1000 X" (1PUSE/1POSE)
	3411-685	X	1	Decal, Upper Rear Panel - Left (1PUSX/1POSX)		3411-682	X	2	Decal, "1000 X" (1PUSX/1POSX)
	3411-708	X	1	Decal, Upper Rear Panel - Right (1PUSD/1POSD)		3411-706	X	2	Decal, "1000 X" (1PUSD/1POSD)
	3411-709	X	1	Decal, Upper Rear Panel - Left (1PUSD/1POSD)	23	3411-656	X	1	Decal, Rear Fender - Front Right
						3411-657	X	1	Decal, Rear Fender - Front Left
						3411-680	X	1	Decal, Rear Fender - Front Right
						3411-681	X	1	Decal, Rear Fender - Front Left
						3411-704	X	1	Decal, Rear Fender - Front Right
						3411-705	X	1	Decal, Rear Fender - Front Left



FRAME, HEADLIGHTS, AND RELATED PARTS

0747-514

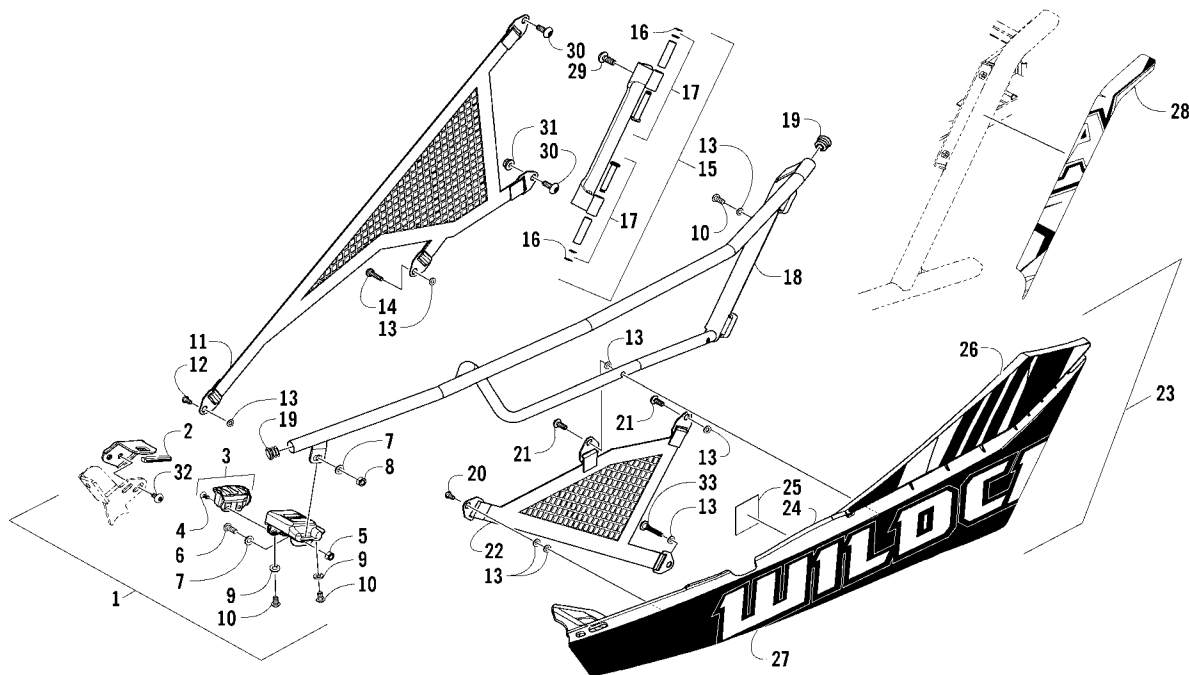
Ref	Part No.	New Qty	Description	Ref	Part No.	New Qty	Description
1	0509-064	1	Headlight Assembly - Right (inc. 2)	14	8409-018	4	Screw, Cap
	0509-065	1	Headlight Assembly - Left (inc. 2)	15	4506-703	1	Bracket, Support - Front Gearcase
2	2411-972	1	● Decal, Reflector - Right - Amber	16	0423-101	2	Screw, Shoulder
	2411-973	1	● Decal, Reflector - Left - Amber	17	4506-406	1	Plate, Skid - Front
3	1423-104	6	Grommet	18	1423-109	21	Screw, Self-Tapping
4	0423-356	6	Screw, Shoulder	19	4506-407	1	Plate, Skid - Rear
5	5506-223	1	Frame, Main (inc. 6-7)	20	2416-962	2	Plug, Hole
6	2411-941	1	● Decal, Warning - ROPS	21	8409-025	2	Screw, Cap
7	2411-974	2	● Decal, Reflector - Red	22	4506-637	1	Bracket, Support - Rear Gearcase
8	8410-816	5	Screw, Cap	23	8428-002	2	Nut, Lock
9	5506-176	1	Bracket, Mounting	24	8408-845	4	Screw, Cap
10	5506-330	X 1	Bumper, Front - Red (inc. two No. 11) (1PUSE/1POSE)	25	4506-680	1	Tube, Support - Front
	5506-332	X 1	Bumper, Front - Green (inc. two No. 11) (1PUSX/1POSX)	26	4506-682	1	Tube, Support - Rear
	5506-441	X 1	Bumper, Front - Blue (inc. two No. 11) (1PUSD/1POSD)	27	8427-802	4	Nut, Lock
11	1423-190	4	● Caps - Black	28	5506-331	X 1	Bumper, Rear - Red (inc. two No. 11) (1PUSE/1POSE)
12	8410-640	2	Screw, Cap		5506-333	X 1	Bumper, Rear - Green (inc. two No. 11) (1PUSX/1POSX)
13	0406-877	1	Bumper		5506-442	X 1	Bumper, Rear - Blue (inc. two No. 11) (1PUSD/1POSD)



ROPS ASSEMBLY

0747-294

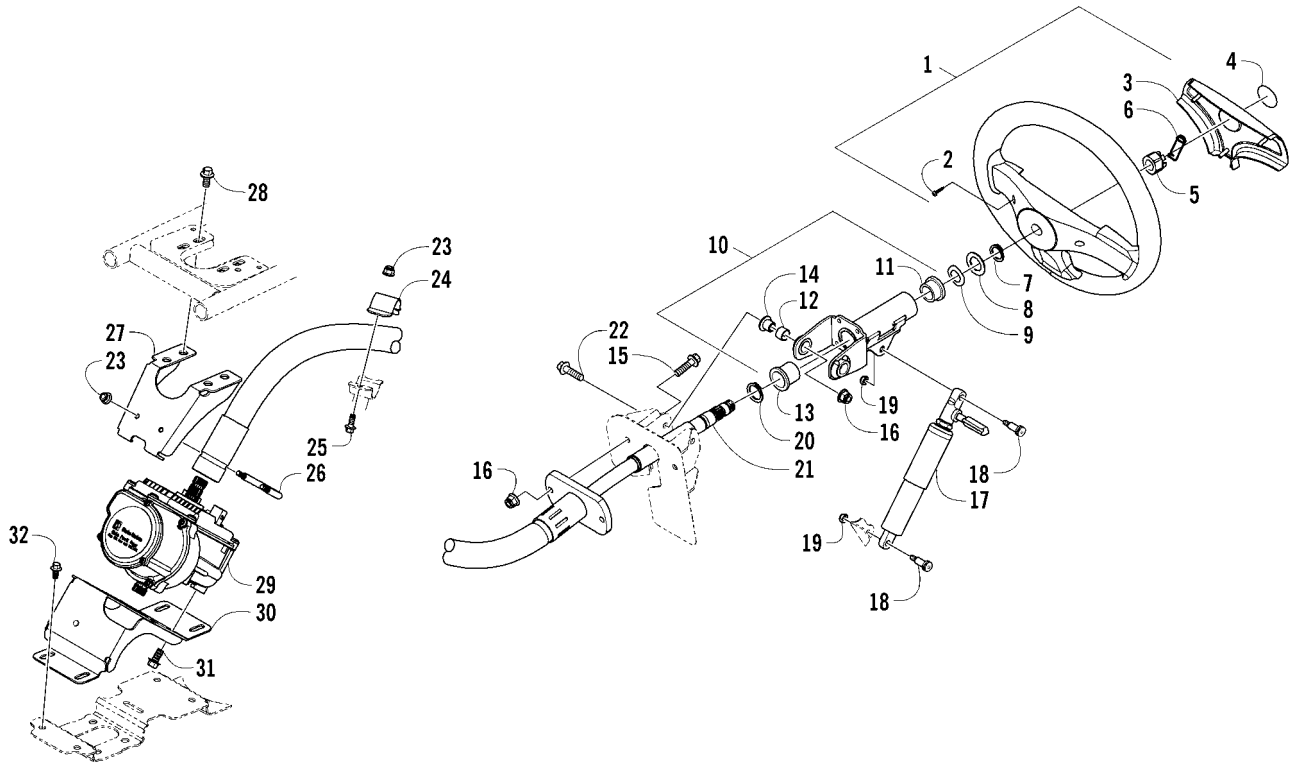
Ref	Part No.	New	Qty	Description	Ref	Part No.	New	Qty	Description
1	5506-113		1	ROPS - Front Assembly	5	5506-111		1	ROPS - Rear Assembly
2	0411-501		1	Decal, "Arctic Cat"	6	3411-368	X	1	Decal, "Wildcat X" (1PUSE/1POSE)
3	1423-140		16	Screw, Cap		3411-392	X	1	Decal, "Wildcat X" (1PUSX/1POSX)
4	1423-161		16	Nut, Lock		3411-960	X	1	Decal, "Wildcat X" (1PUSD/1POSD)



DOOR ASSEMBLY

0747-757

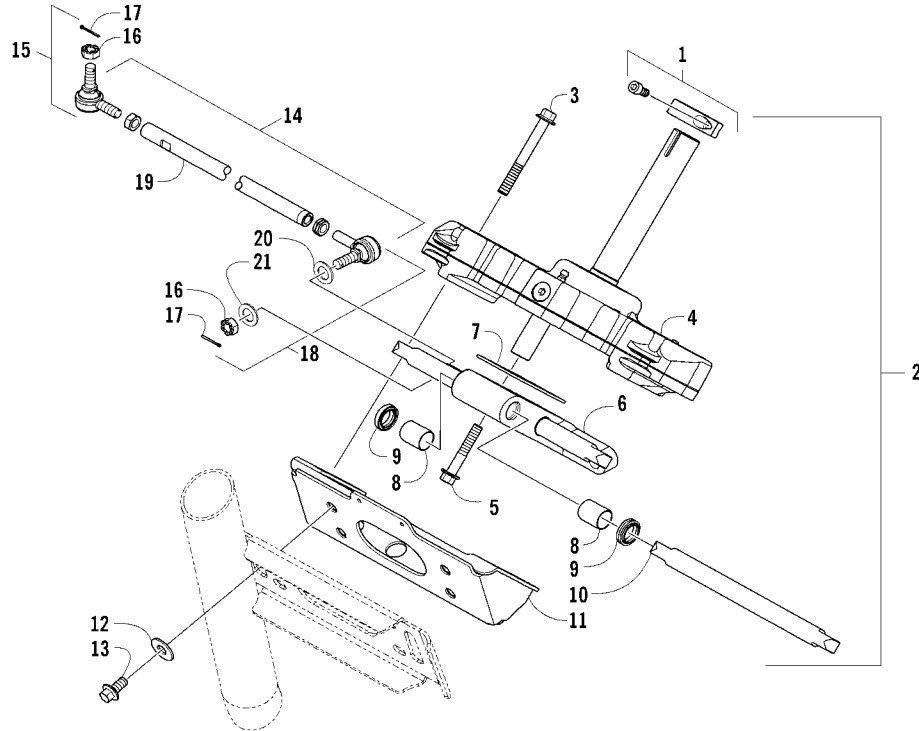
Ref	Part No.	New	Qty	Description	Ref	Part No.	New	Qty	Description	
1	1436-800		1	Latch, Door - Right Assembly (inc. 2-10)	26	3411-646	X	1	● Decal, Door - Upper Right (1PUSE/1POSE)	
	1436-801		1	Latch, Door - Left Assembly (inc. 2-10)		3411-647	X	1	● Decal, Door - Upper Left (1PUSE/1POSE)	
2	4406-262		2	● Grommet		3411-670	X	1	● Decal, Door - Upper Right (1PUSX/1POSX)	
3	1436-475		2	● Guide, Door Latch - Assembly (inc. 4-5)		3411-671	X	1	● Decal, Door - Upper Left (1PUSX/1POSX)	
4	1423-155		4	●● Screw, Machine		3411-694	X	1	● Decal, Door - Upper Right (1PUSD/1POSD)	
5	1423-154		4	●● Nut, Lock		3411-695	X	1	● Decal, Door - Upper Left (1PUSD/1POSD)	
6	8468-616		2	● Screw, Machine		27	3411-648	X	1	● Decal, Door - Lower Right (1PUSE/1POSE)
7	1423-119		4	● Washer		3411-649	X	1	● Decal, Door - Lower Left (1PUSE/1POSE)	
8	1423-153		2	● Nut, Lock		3411-672	X	1	● Decal, Door - Lower Right (1PUSX/1POSX)	
9	8051-213		4	● Washer, Lock		3411-673	X	1	● Decal, Door - Lower Left (1PUSX/1POSX)	
10	1423-113		8	● Screw, Machine		3411-696	X	1	● Decal, Door - Lower Right (1PUSD/1POSD)	
11	4406-304		2	Net, Restraint - Upper		3411-697	X	1	● Decal, Door - Lower Left (1PUSD/1POSD)	
12	1423-206		2	Screw, Shoulder	28	3411-654	X	1	Decal, Door Frame - Right (1PUSE/1POSE)	
13	8050-223		18	Washer		3411-655	X	1	Decal, Door Frame - Left (1PUSE/1POSE)	
14	1423-186		2	Screw, Shoulder		3411-678	X	1	Decal, Door Frame - Right (1PUSX/1POSX)	
15	1436-476		1	Hinge, Door - Right Assembly (inc. 16-17)		3411-679	X	1	Decal, Door Frame - Left (1PUSX/1POSX)	
	1436-454		1	Hinge, Door - Left Assembly (inc. 16-17)		3411-702	X	1	Decal, Door Frame - Right (1PUSD/1POSD)	
16	1423-118		4	● Circlip	29	0423-817		4	Screw, Machine	
17	0518-096		4	● Kit, Hinge Pin	30	0423-355		4	Screw, Shoulder	
18	5506-174		1	Frame, Door - Right	31	8427-602		2	Nut, Lock	
	5506-175		1	Frame, Door - Left	32	0826-029		4	Screw, Machine	
19	4406-013		4	Plug, Hole	33	1423-205		2	Screw, Shoulder	
20	1423-196		2	Screw, Shoulder						
21	1423-197		4	Screw, Shoulder						
22	4406-305		2	Net, Restraint - Lower						
23	0518-138	X	1	Door w/Decals - Right (inc. 24 and 26-27) (1PUSE/1POSE)						
	0518-139	X	1	Door w/Decals - Left (inc. 24-27) (1PUSE/1POSE)						
	0518-140	X	1	Door w/Decals - Right (inc. 24 and 26-27) (1PUSX/1POSX)						
	0518-141	X	1	Door w/Decals - Left (inc. 24-27) (1PUSX/1POSX)						
	0518-142	X	1	Door w/Decals - Right (inc. 24 and 26-27) (1PUSD/1POSD)						
	0518-143	X	1	Door w/Decals - Left (inc. 24-27) (1PUSD/1POSD)						
24	4406-246		1	● Door w/o Decals - Right - Black						
	0518-097		1	● Door w/o Decals - Left - Black (inc. 25)						
25	2411-891		1	●● Decal, Warning - Tire Pressure						



STEERING ASSEMBLY

0746-949

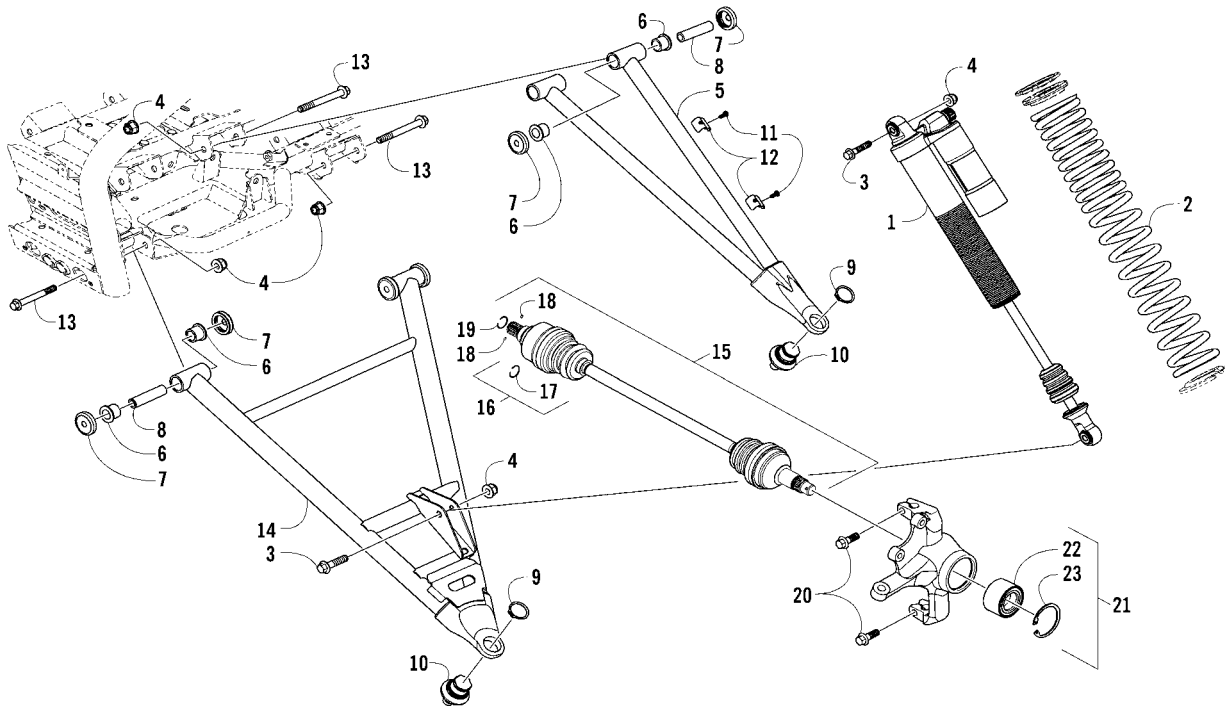
Ref	Part No.	New	Qty	Description	Ref	Part No.	New	Qty	Description
1	0502-884		1	Wheel, Steering - Assembly (inc. 2-3)	17	0405-468		1	Lift, Support
2	0423-613		3	● Screw, Self-Tapping	18	1423-250	X	2	Screw, Shoulder
3	0405-239		1	● Cap, Steering Wheel	19	0623-056		2	Nut, Lock
4	1411-798		1	Decal, Steering Wheel	20	1423-111		1	Ring, Retaining
5	0423-884		1	Nut	21	0405-403		1	Shaft, Steering
6	1423-045		1	Clip, Retaining	22	8408-830		2	Screw, Cap
7	1423-110		1	Ring, Retaining	23	8427-602		3	Nut, Lock
8	0828-071		1	Washer	24	0505-765		1	Bracket, Retaining
9	0423-558		1	Washer	25	8408-617		1	Screw, Cap
10	0505-721		1	Bracket, Mounting - Tilt Steering (inc. 11-13)	26	1423-203		1	U-Clamp
11	0405-472		1	● Bushing	27	0505-835		1	Bracket, Mounting
12	0405-405		2	● Bushing	28	8408-816		4	Screw, Cap
13	0405-473		1	● Bushing	29	0505-850	X	1	Assembly, Electronic Power Steering
14	0423-669		2	Spacer	30	4506-619		1	Bracket, Mounting
15	8408-831		2	Screw, Cap	31	8409-020		4	Screw, Cap
16	8427-802		4	Nut, Lock	32	8408-818		4	Screw, Cap



RACK AND PINION ASSEMBLY

0746-610

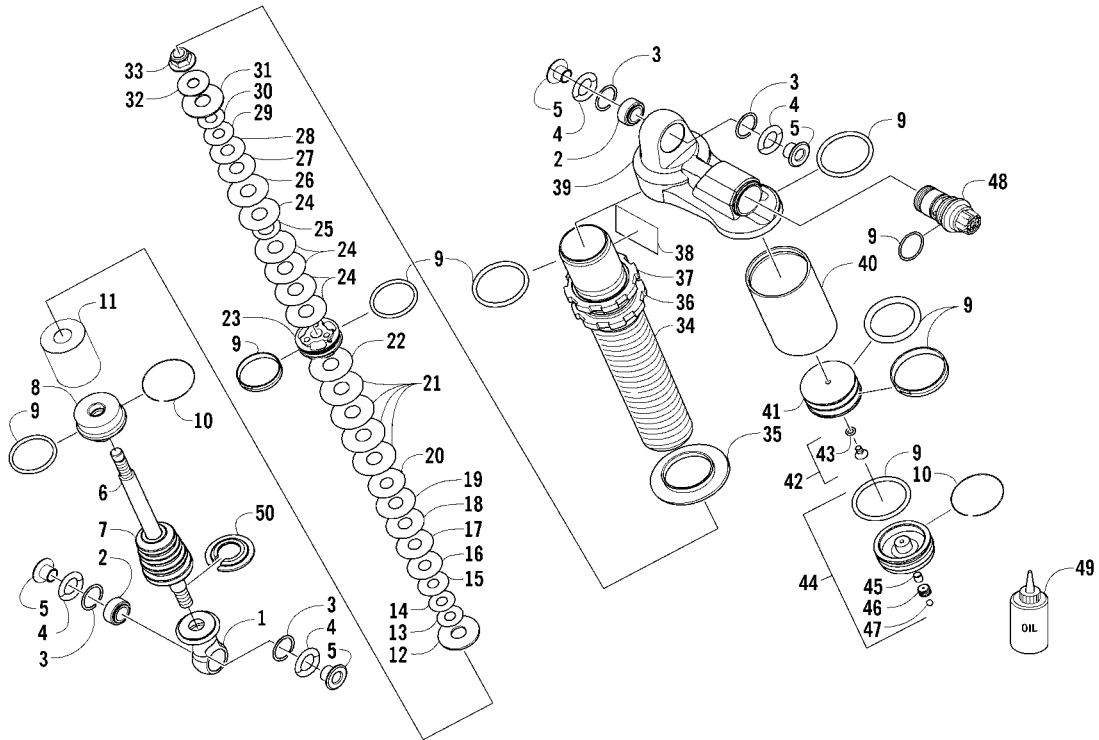
Ref	Part No.	New	Qty	Description	Ref	Part No.	New	Qty	Description
1	0405-463		1	Collar, Locking	11	4506-688		1	● Bracket, Mounting
2	0505-814	X	1	Complete Rack and Pinion Assembly (inc. 3-11)	12	0623-044		4	Washer
3	8408-872		4	● Screw, Cap	13	8408-818		4	Screw, Cap
4	0505-826		1	● Rack and Pinion	14	0505-815		2	Tie Rod - Assembly (inc. 15-19)
5	8409-847		1	● Screw, Cap	15	0505-812		2	● Kit, Tie Rod End - Outer (inc. 16-17)
6	0505-775	X	1	● Rack, Steering - Assembly (inc. 7-9 and 20)	16	1423-072		4	●● Nut, Castle
7	0405-414		1	●● Pad, Felt	17	0623-175		4	●● Pin, Cotter
8	0405-445		4	●● Bushing	18	0505-811		2	● Kit, Tie Rod End - Inner (inc. 16-17)
9	0405-475		4	●● Seal	19	0405-404		2	● Tie Rod
10	0405-457		2	● Rod, Support	20	1423-068		2	Washer
					21	1423-071		2	Washer



FRONT SUSPENSION ASSEMBLY

0747-277

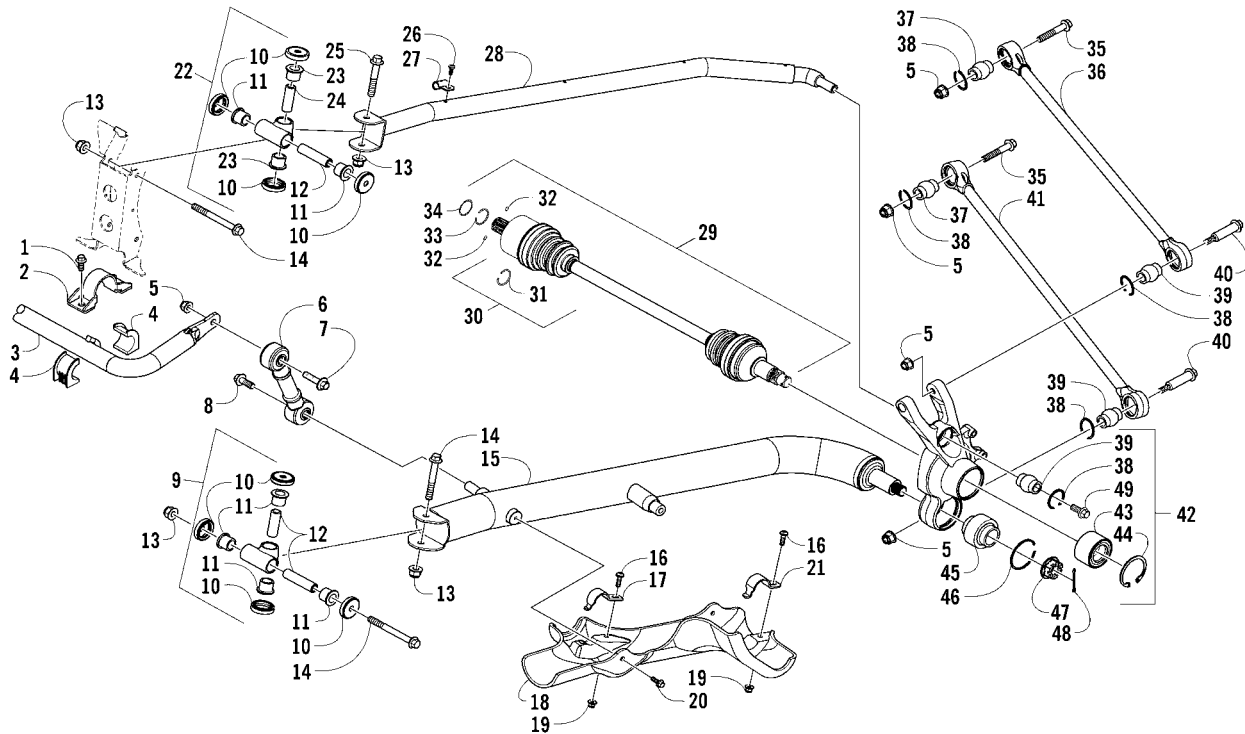
Ref	Part No.	New	Qty	Description	Ref	Part No.	New	Qty	Description
1	0403-343		2	Shock Absorber	13	8413-090		8	Screw, Cap
2	0503-646		2	Spring, Suspension - White	14	0503-694	X	1	A-Arm, Lower Right - Red (inc. 6-10) (1PUSE/1POSE)
3	8409-050		4	Screw, Cap		0503-695	X	1	A-Arm, Lower Left - Red (inc. 6-10) (1PUSE/1POSE)
4	8428-002		12	Nut, Lock		0503-692	X	1	A-Arm, Lower Right - Green (inc. 6-10) (1PUSX/1POSX)
5	0503-724	X	1	A-Arm, Upper Right - Red (inc. 6-10) (1PUSE/1POSE)		0503-693	X	1	A-Arm, Lower Left - Green (inc. 6-10) (1PUSX/1POSX)
	0503-725	X	1	A-Arm, Upper Left - Red (inc. 6-10) (1PUSE/1POSE)		0503-774	X	1	A-Arm, Lower Right - Blue (inc. 6-10) (1PUSD/1POSD)
	0503-722	X	1	A-Arm, Upper Right - Green (inc. 6-10) (1PUSX/1POSX)		0503-775	X	1	A-Arm, Lower Left - Blue (inc. 6-10) (1PUSD/1POSD)
	0503-723	X	1	A-Arm, Upper Left - Green (inc. 6-10) (1PUSX/1POSX)	15	1502-774		2	Axle - Front - Locking (inc. 16-19)
	0503-762	X	1	A-Arm, Upper Right - Blue (inc. 6-10) (1PUSD/1POSD)	16	1436-410		2	● Repair Kit, Boot (inc. 18)
	0503-763	X	1	A-Arm, Upper Left - Blue (inc. 6-10) (1PUSD/1POSD)	17	1441-988		2	●● Clip, Retaining
6	0403-264		16	● Bushing	18	1402-885		4	● Pin, Detent
7	1423-204		16	● Seal	19	1402-889		2	● Clip, Retaining
8	0403-250		8	● Axle	20	0423-998		4	Screw, Shoulder
9	0423-009		4	● Ring, Retaining	21	0503-548		1	Knuckle - Assembly - Right (inc. 22-23)
10	0405-483		4	● Ball Joint		0503-549		1	Knuckle - Assembly - Left (inc. 22-23)
11	0423-946		4	Screw, Self-Tapping	22	1402-809		2	● Bearing
12	0403-257		4	Clip, Routing	23	0423-423		2	● Ring, Retaining



FRONT SUSPENSION SHOCK ABSORBER

0747-278

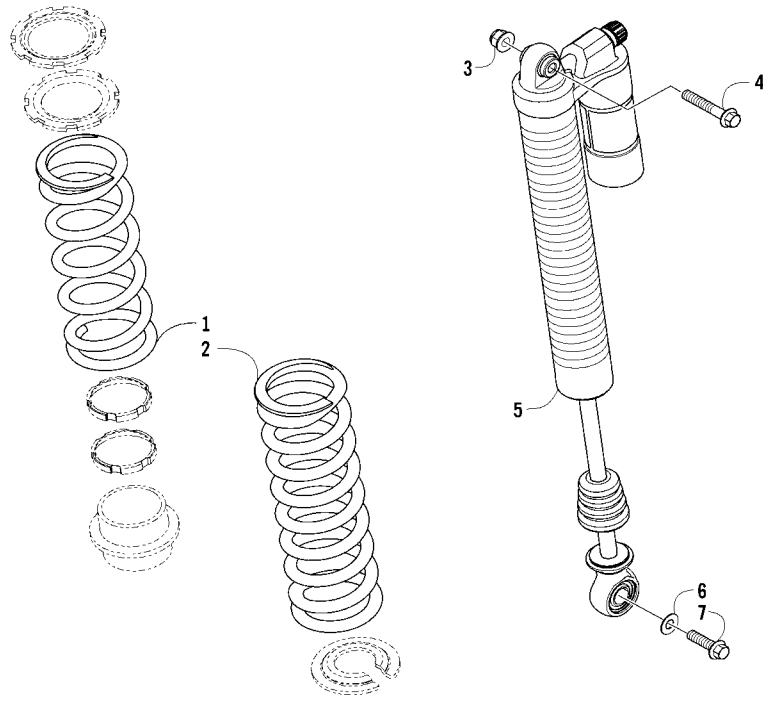
Ref	Part No.	New Qty	Description	Ref	Part No.	New Qty	Description
-	0403-343	1	Complete Shock Absorber	26	2604-491	1	Valve, 1.350 x 0.008 in.
1	0403-367	1	Eyelet	27	2604-685	1	Valve, 1.250 x 0.008 in.
2	1604-664	2	Bearing	28	2604-485	1	Valve, 1.100 x 0.008 in.
3	3604-147	4	Ring, Retaining	29	2604-479	1	Valve, 0.950 x 0.008 in.
4	0603-680	4	O-Ring	30	2604-473	1	Valve, 0.800 x 0.008 in.
5	0403-347	4	Spacer	31	0403-383	1	Washer, Top Out
6	0403-370	1	Rod, Shock	32	3604-184	1	Washer, Backup
7	0403-361	1	Bumper, Shock	33	0403-362	1	Nut
8	0403-379	1	End Cap, Shock	34	0403-366	1	Body, Shock
9	0403-393	1	Kit, Seal/Cap Rebuild	35	0403-352	1	Seat, Spring
10	0604-992	2	Ring, Retaining	36	0403-350	1	Nut, Adjuster
11	0403-371	1	Spacer	37	0403-348	1	Collar, Locking - Adjuster Nut
12	2604-449	1	Washer, Top Out	38	0403-363	1	Decal, Shock
13	0403-382	1	Valve, 0.900 x 0.012 in.	39	0403-376	1	End Cap, Shock/Reservoir
14	2604-481	1	Valve, 0.950 x 0.012 in.	40	0403-369	1	Reservoir
15	2604-487	1	Valve, 1.100 x 0.012 in.	41	0403-377	1	Piston, Internal Floating (inc. 42-43)
16	2604-687	1	Valve, 1.250 x 0.012 in.	42	1604-316	1	● Screw, Machine w/O-Ring (inc. 43)
17	2604-493	1	Valve, 1.350 x 0.012 in.	43	1604-425	1	●● O-Ring
18	2604-498	1	Valve, 1.425 x 0.012 in.	44	3604-517	1	End Cap, Reservoir (inc. 45-47)
19	2604-503	1	Valve, 1.600 x 0.012 in.	45	1604-428	1	● Plug
20	0403-381	1	Valve, 1.250 x 0.004 in.	46	2603-338	1	● Screw, Set
21	2604-501	4	Valve, 1.600 x 0.008 in.	47	2603-337	1	● Ball
22	0403-385	1	Valve, 1.600 x 0.006 in.	48	0403-380	1	Piston, Concentric - Damping Adjuster
23	0403-394	1	Piston, High-Flow	49	5639-530	AR	Oil, Shock - 1 qt
24	2604-496	5	Valve, 1.425 x 0.008 in.	50	0403-345	1	Retainer, Spring
25	0403-384	1	Valve, 0.750 x 0.008 in.				



REAR SUSPENSION ASSEMBLY

0747-229

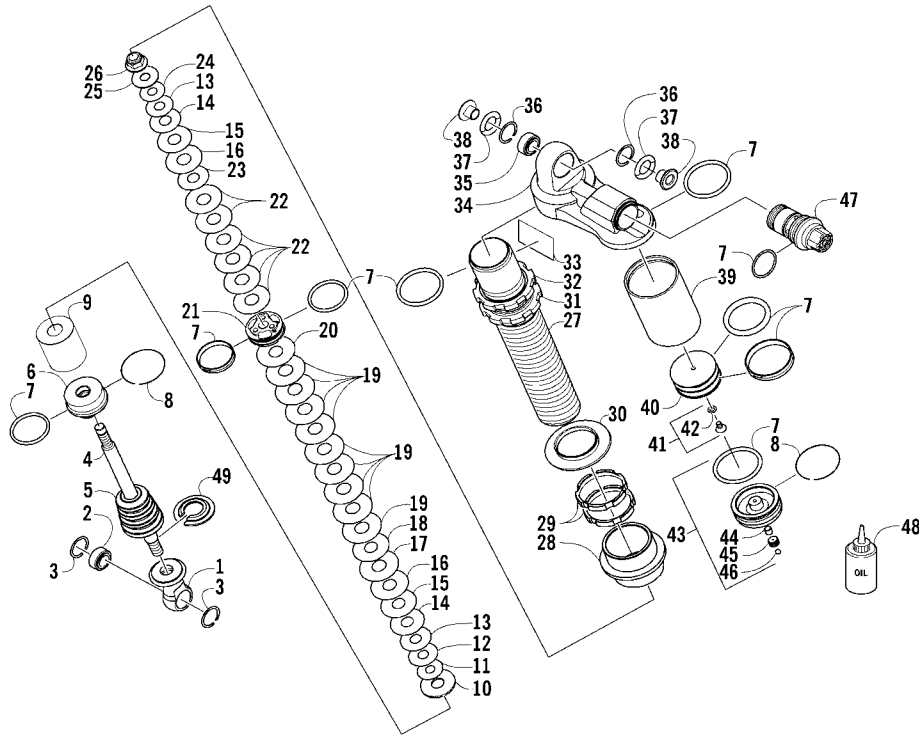
Ref	Part No.	New	Qty	Description	Ref	Part No.	New	Qty	Description
1	1423-150		4	Screw, Cap	27	0403-271		8	Clip, Routing
2	0504-724		2	Clamp, Retaining	28	0504-789		2	Arm, Trailing - Upper - Red (1PUSE/1POSE)
3	0504-782		1	Bar, Sway		0504-842	X	2	Arm, Trailing - Upper - Green (1PUSX/1POSX)
4	0404-304		4	Bushing		0504-856	X	2	Arm, Trailing - Upper - Blue (1PU5D/1PO5D)
5	8428-002		14	Nut, Lock	29	1502-914		2	Axle, Drive (inc. 30-34)
6	0404-302		2	Link, Sway Bar	30	1436-410		2	● Repair Kit, Boot (inc. 31)
7	8409-045		2	Screw, Cap	31	1441-988		2	●● Clip, Retaining
8	8409-035		2	Screw, Cap	32	1402-885		4	● Pin, Detent
9	0504-748		2	Mount, Lower Trailing Arm - Assembly (inc. 10-12)	33	1402-889		2	● Clip, Retaining
10	1423-159		16	● Seal	34	1402-963		2	● O-Ring
11	2402-077		12	● Bearing	35	8409-060		6	Screw, Cap
12	0404-285		6	● Axle	36	0504-738		4	Link, Suspension - Upper - Black (inc. 37-39)
13	8427-202		8	Nut, Lock	37	0404-249		6	● Bearing
14	8413-200		6	Screw, Cap	38	1423-085		14	● Ring, Retaining
15	0504-791		2	Arm, Trailing - Lower - Red (1PU5E/1PO5E)	39	0404-248		8	● Bearing
	0504-843	X	2	Arm, Trailing - Lower - Green (1PUSX/1POSX)	40	1423-087		6	Screw, Shoulder
	0504-858	X	2	Arm, Trailing - Lower - Blue (1PU5D/1PO5D)	41	0504-736		2	Link, Suspension - Lower - Black (inc. 37-39)
16	8468-620		4	Screw, Machine	42	0504-840		1	Knuckle - Assembly - Right (inc. 38-39 and 43-46)
17	0504-701		2	Bracket, Retaining - Front		0504-841		1	Knuckle - Assembly - Left (inc. 38-39 and 43-46)
18	2416-952		1	Guard, Trailing Arm - Right - Black	43	1402-027		2	● Bearing
19	2416-953		1	Guard, Trailing Arm - Left - Black	44	0423-423		2	● Ring, Retaining
20	8427-602		4	Nut, Lock	45	0404-243		2	● Bearing
21	0423-538		4	Screw, Self-Tapping	46	1423-086		2	● Ring, Retaining
22	0504-756		2	Mount, Upper Trailing Arm - Assembly (inc. 10-12 and 23-24)	47	0423-394		2	Nut, Castle
23	2402-076		4	● Bearing	48	1423-147		2	Pin, Spring
24	0404-289		2	● Axle	49	8409-025		2	Screw, Cap
25	8413-275		2	Screw, Cap					
26	0423-946		8	Screw, Self-Tapping					



REAR SUSPENSION SHOCK ASSEMBLY

0747-230

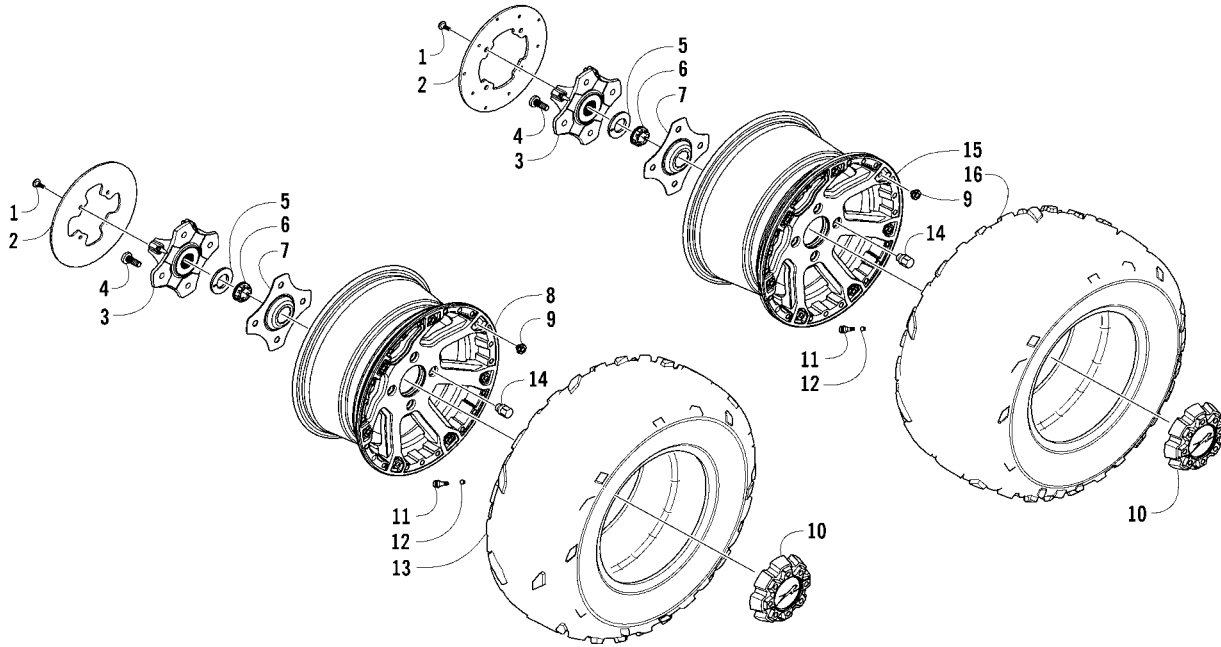
Ref	Part No.	New	Qty	Description	Ref	Part No.	New	Qty	Description
1	0504-699	2	2	Spring, Suspension - Upper - White	5	0404-363	2	2	Shock Absorber
2	0504-698	2	2	Spring, Suspension - Lower - White	6	0623-664	2	2	Washer
3	8428-002	2	2	Nut, Lock	7	8409-030	2	2	Screw, Cap
4	8409-060	2	2	Screw, Cap					



REAR SUSPENSION SHOCK ABSORBER

0747-279

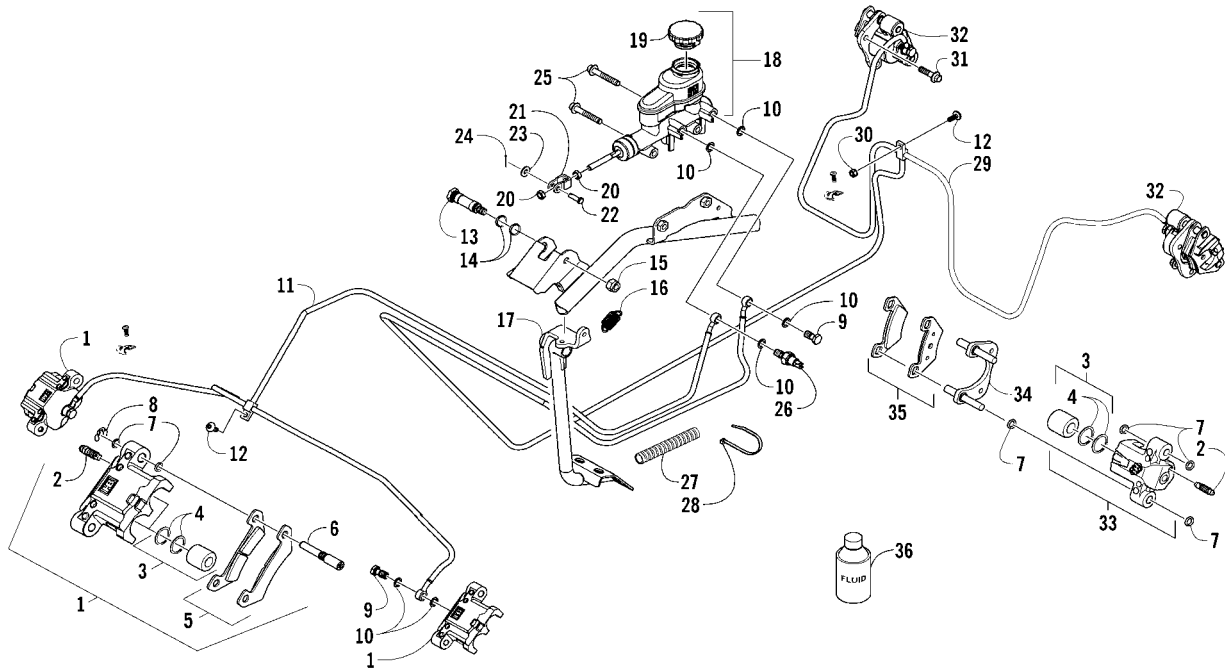
Ref	Part No.	New Qty	Description	Ref	Part No.	New Qty	Description
-	0404-363	1	Complete Shock Absorber	25	0403-383	1	Washer, Top Out
1	0404-380	1	Eyelet	26	0403-362	1	Nut
2	0404-375	1	Bearing	27	0404-378	1	Body, Shock
3	0404-376	2	Ring, Retaining	28	0403-346	1	Sleeve, Wear
4	0404-381	1	Rod, Shock	29	0404-368	2	Nut, Adjuster
5	0403-361	1	Bumper, Shock	30	0403-352	1	Seat, Spring
6	0403-379	1	End Cap, Shock	31	0403-350	1	Nut, Adjuster
7	0403-393	1	Kit, Seal/Cap Rebuild	32	0403-348	1	Collar, Locking - Adjuster Nut
8	0604-992	2	Ring, Retaining	33	0403-363	1	Decal, Shock
9	0404-382	1	Spacer	34	3604-726	1	End Cap, Shock/Reservoir
10	2604-449	1	Washer, Top Out	35	1604-664	1	Bearing
11	2604-476	1	Valve, 0.800 x 0.015 in.	36	3604-147	2	Ring, Retaining
12	2604-482	1	Valve, 0.950 x 0.015 in.	37	0603-680	2	O-Ring
13	2604-488	2	Valve, 1.100 x 0.015 in.	38	0404-367	2	Spacer
14	2604-688	2	Valve, 1.250 x 0.015 in.	39	0403-369	1	Reservoir
15	2604-494	2	Valve, 1.350 x 0.015 in.	40	0403-377	1	Piston, Internal Floating (inc. 41-42)
16	2604-499	2	Valve, 1.425 x 0.015 in.	41	1604-316	1	● Screw, Machine w/O-Ring (inc. 42)
17	2604-504	1	Valve, 1.600 x 0.015 in.	42	1604-425	1	●● O-Ring
18	0404-383	1	Valve, 1.300 x 0.004 in.	43	3604-517	1	End Cap, Reservoir (inc. 44-46)
19	2604-502	9	Valve, 1.600 x 0.010 in.	44	1604-428	1	● Plug
20	0403-385	1	Valve, 1.600 x 0.006 in.	45	2603-338	1	● Screw, Set
21	0403-394	1	Piston, High-Flow	46	2603-337	1	● Ball
22	2604-496	6	Valve, 1.425 x 0.008 in.	47	0403-380	1	Piston, Concentric - Damping Adjuster
23	0404-384	1	Valve, 1.200 x 0.006 in.	48	5639-530	AR	Oil, Shock - 1 qt
24	0404-385	1	Valve, 1.050 x 0.015 in.	49	0403-345	1	Retainer, Spring



WHEEL AND TIRE ASSEMBLY

0747-153

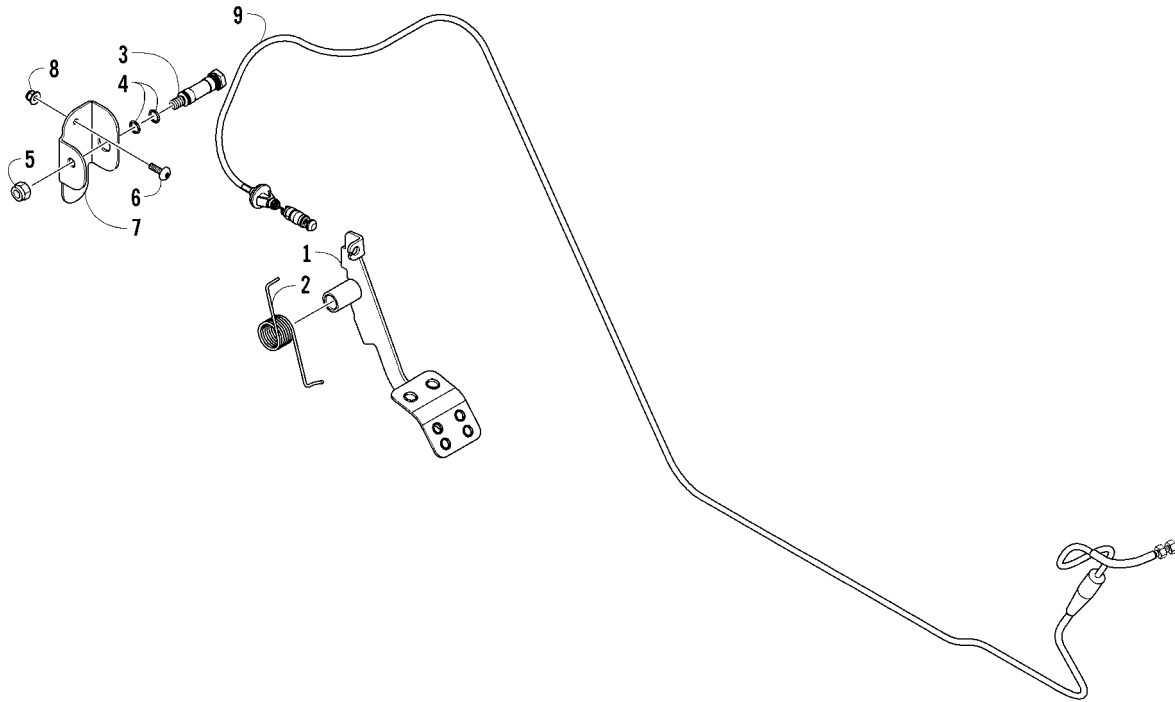
Ref	Part No.	New Qty	Description	Ref	Part No.	New Qty	Description
1	0423-557	16	Screw, Shoulder	9	1423-079	28	● Insert, Cap Screw
2	1436-807	2	Disc, Brake - Front	10	2402-003	4	● Cap, Wheel
	1436-808	2	Disc, Brake - Rear	11	0402-064	4	Stem, Valve (inc. 12)
3	1502-971	4	Hub, Wheel (inc. 4)	12	0402-140	4	● Cap, Valve Stem
4	0402-974	16	● Stud	13	1402-937	2	Tire - Front
5	2402-088	4	Washer	14	0423-618	16	Nut, Lug - Chrome
6	1423-164	4	Nut, Castle	15	2402-018	2	Wheel - Rear (inc. 9-10)
7	2402-087	4	Plate, Retaining	16	1402-938	2	Tire - Rear
8	2402-017	2	Wheel - Front (inc. 9-10)				



HYDRAULIC BRAKE ASSEMBLY

0747-249

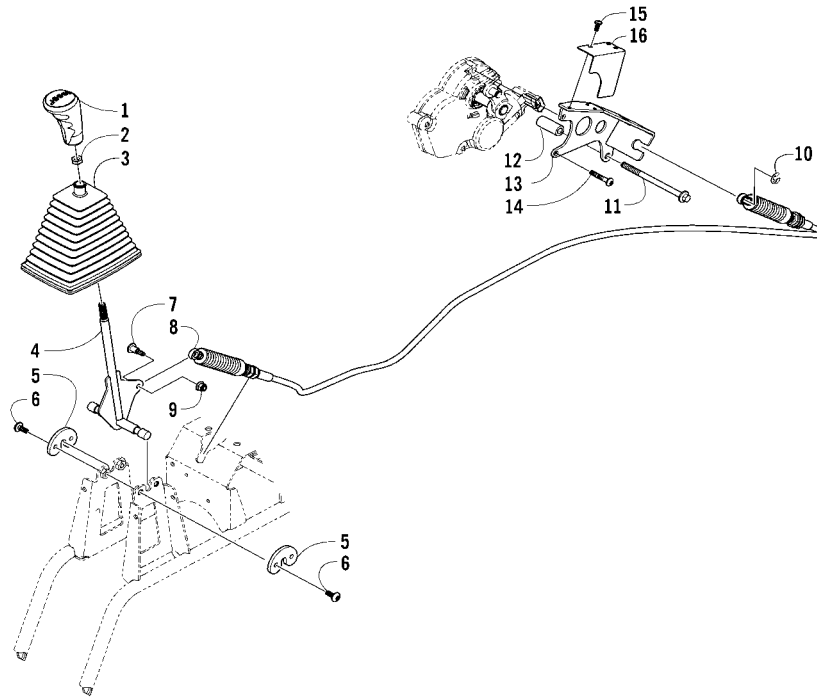
Ref	Part No.	New	Qty	Description	Ref	Part No.	New	Qty	Description
1	2502-030		1	Caliper, Brake - Front Right (inc. 2-4)	20	0402-592		2	● Nut
	2502-031		1	Caliper, Brake - Front Left (inc. 2-4)	21	1402-520		1	● Clevis
2	0502-609		4	● Valve, Bleed	22	1402-377		1	Pin, Clevis
3	0502-606		4	● Piston/Seal Set (inc. 4)	23	8050-217		1	Washer
4	0502-607		4	● Seal Set	24	0117-868		1	Pin, Cotter
5	2502-034		2	Pad, Brake - Set - Front	25	8408-850		2	Screw, Cap
6	2402-106		4	Pin, Retaining	26	3313-239		1	Switch, Brake Pressure
7	0502-608		4	O-Ring, Guide - Set	27	0619-776	AR		Conduit, Flexible - 5 ft
8	2402-107		4	Ring, Retaining	28	0123-903	AR		Tie, Cable - 11.5 in.
9	0423-413		5	Bolt, Banjo-Fitting	29	1402-955		1	Hose, Brake - Rear
10	0423-178		12	Washer, Crush	30	0623-038		1	Nut w/Washer
11	2402-118		1	Hose, Brake - Front	31	8408-831		4	Screw, Cap
12	8476-616		2	Screw, Machine	32	1502-725		1	Caliper, Brake - Rear Right (inc. 2-4, 7, and 33-35)
13	0402-872		1	Axle		1502-724		1	Caliper, Brake - Rear Left (inc. 2-4, 7, and 33-35)
14	1602-213		2	O-Ring	33	1436-161		1	● Housing, Caliper - Assembly - Rear Right (inc. 2-4)
15	8422-002		1	Nut, Lock		1436-160		1	● Housing, Caliper - Assembly - Rear Left (inc. 2-4)
16	1612-178		1	Spring	34	0502-605		2	● Bracket Assembly
17	2502-075	X	1	Lever, Brake	35	1436-420		2	● Pad, Brake - Set - Rear
18	0502-786		1	Cylinder, Master Brake - Assembly (inc. 19-21) - (Up to VIN 300917)	36	5639-848	AR		Fluid, Brake - 12 oz
	2502-043	X	1	Cylinder, Master Brake - Assembly (inc. 19-21) - (VIN 301569 and Up)					
19	0405-225		1	● Cap, Reservoir - (Up to VIN 300917)					
	2502-044	X	1	● Cap, Reservoir - (VIN 301569 and Up)					



ACCELERATOR ASSEMBLY

0746-585

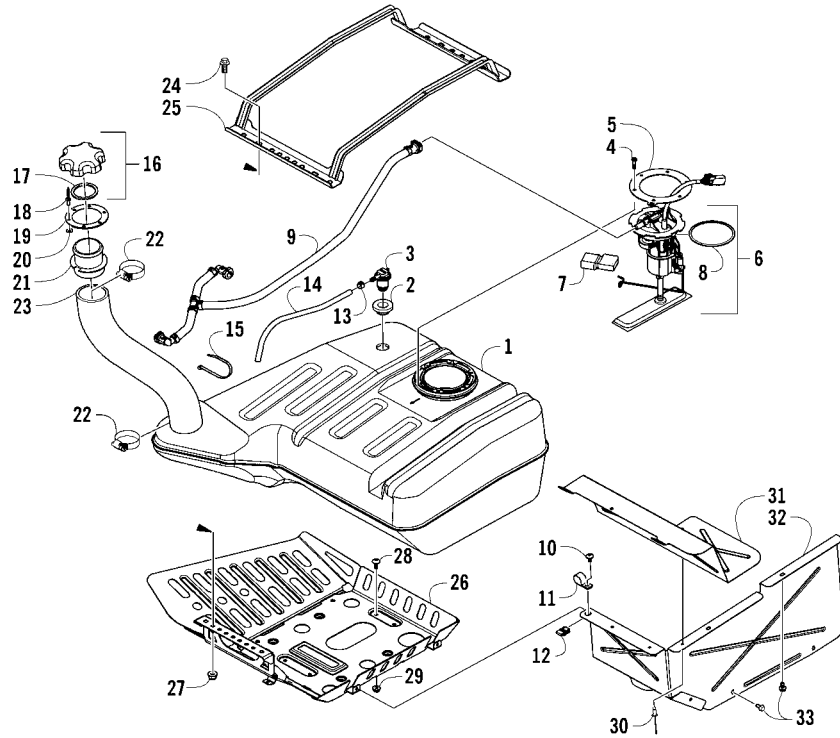
Ref	Part No.	New Qty	Description	Ref	Part No.	New Qty	Description
1	2502-049	1	Pedal, Accelerator	6	8477-616	2	Screw, Machine
2	0405-233	1	Spring	7	0502-991	1	Bracket, Accelerator Pedal
3	0402-872	1	Axle	8	8427-602	2	Nut, Lock
4	1602-213	2	O-Ring	9	0487-095	1	Cable, Accelerator
5	8422-002	1	Nut, Lock				



SHIFTER ASSEMBLY

0746-589

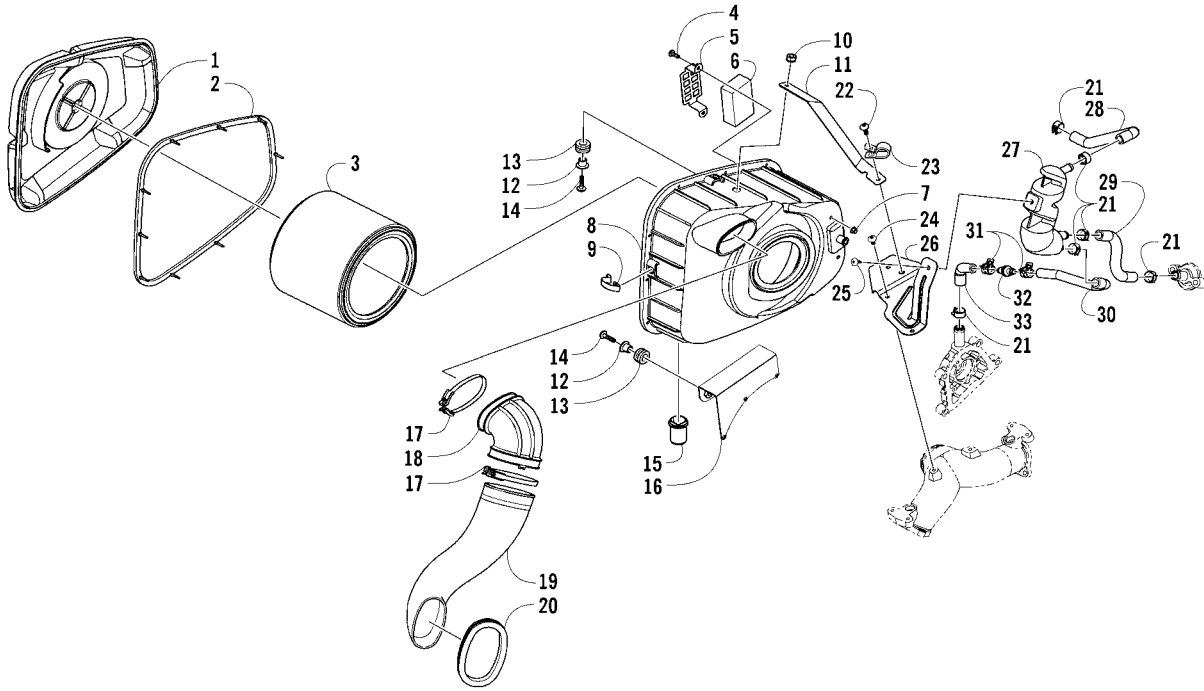
Ref	Part No.	New	Qty	Description	Ref	Part No.	New	Qty	Description
1	2402-004		1	Knob, Shift	9	8427-602		1	Nut, Lock
2	0423-885		1	Nut	10	0124-057		1	E-Ring
3	2416-765		1	Boot, Shift Lever	11	1423-135		1	Screw, Cap
4	1502-841		1	Lever, Shift	12	1423-134		1	Spacer
5	1402-275		2	Retainer, Shift Linkage	13	1502-843		1	Bracket, Shift Cable
6	0423-910		4	Screw, Machine	14	8468-635		2	Screw, Machine
7	0423-356		1	Screw, Shoulder	15	0423-946		3	Screw, Self-Tapping
8	0487-090	X	1	Cable, Shift	16	2402-064		1	Shield, Heat



GAS TANK ASSEMBLY

0746-591

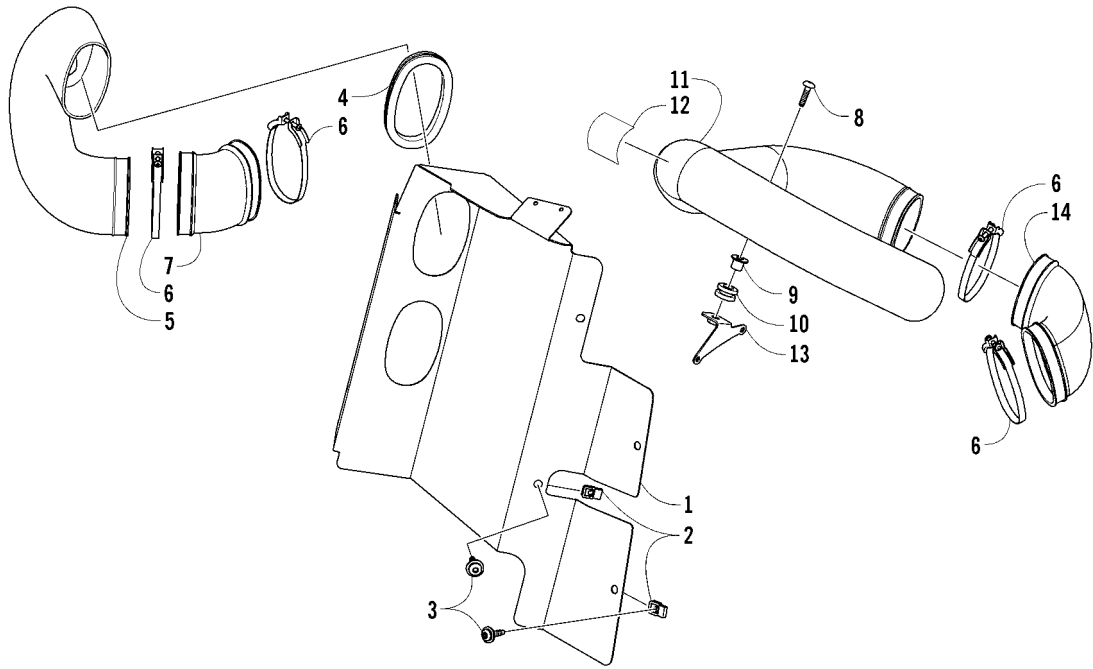
Ref	Part No.	New Qty	Description	Ref	Part No.	New Qty	Description
1	0570-359	1	Tank, Gas - Assembly (inc. 2-5)	17	0109-733	1	● Gasket, Gas Tank Cap
2	1670-822	1	● Grommet	18	8060-628	6	Rivet
3	1670-787	1	● Valve, Check	19	0670-304	1	Plate, Retaining
4	0423-898	6	● Screw, Self-Tapping	20	0123-802	6	Washer
5	2670-042	1	● Plate, Retaining	21	0470-970	1	Neck, Fill
6	0570-358	1	Pump, Fuel - Assembly (inc. 7)	22	0624-390	2	Clamp, Hose
7	2670-235	1	● Float	23	0410-231	1	Hose, Gasline
8	0470-838	1	Seal	24	8408-825	4	Screw, Cap
9	0570-343	1	Hose, Gasline	25	0570-352	1	Bracket, Hold-Down
10	8476-616	1	Screw, Machine	26	0570-371	1	Bracket, Gas Tank
11	1623-675	2	Clamp, Routing	27	8427-805	4	Nut, Lock
12	0423-577	1	Clip, U-Nut	28	8477-616	4	Screw, Machine
13	0423-688	1	Clamp, Hose	29	8427-602	4	Nut, Lock
14	0410-070	AR	Hose, Gasline - 25 ft	30	8060-602	4	Rivet
15	0123-788	AR	Tie, Cable - 8 in.	31	0412-632	1	Shield, Heat - Upper
	0123-903	AR	Tie, Cable - 11.5 in.	32	0412-633	1	Shield, Heat - Lower
16	2670-048	1	Cap, Gas Tank (inc. 17)	33	0623-966	5	Screw, Self-Tapping



AIR INTAKE ASSEMBLY

0746-593

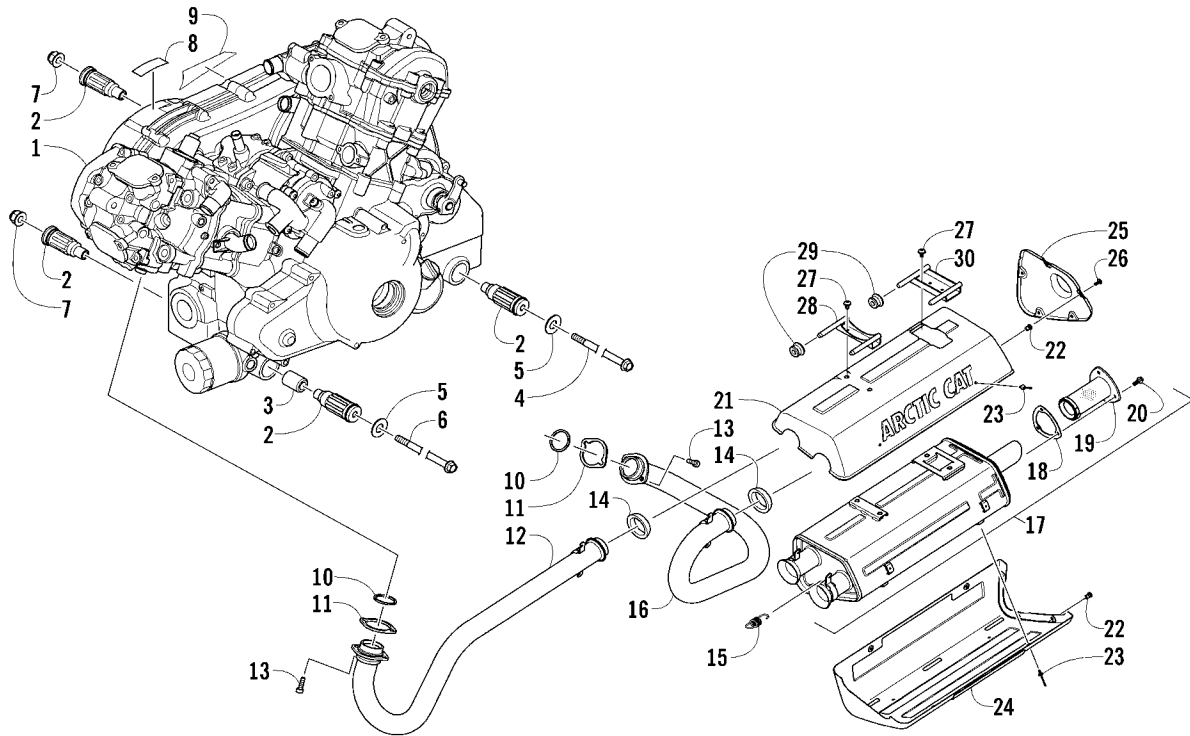
Ref	Part No.	New Qty	Description	Ref	Part No.	New Qty	Description
1	0470-936	1	Cover, Air Intake	18	0470-940	1	Boot, Air-In
2	0470-937	1	Gasket	19	0470-938	1	Duct, Intake
3	0470-942	1	Filter, Air	20	0470-945	1	Grommet
4	8477-516	2	Screw, Machine	21	0423-045	6	Clamp, Hose
5	0470-946	1	Bracket, Retaining - Filter	22	8476-616	1	Screw, Machine
6	0470-891	1	Filter	23	1623-675	1	Clamp, Routing
7	8427-502	2	Nut, Lock	24	8476-612	2	Screw, Machine
8	0570-347	1	Housing, Air Intake	25	0623-784	1	Screw, Self-Tapping
9	0423-455	5	Clip, Spring	26	0470-967	1	Bracket, Mounting - Oil Separator
10	0623-038	1	Nut w/Washer	27	0470-857	1	Separator, Oil
11	0470-977	1	Bracket, Support	28	0410-243	1	Hose, Vent
12	0423-669	3	Spacer	29	0410-258	1	Hose, Vent
13	0423-465	3	Grommet	30	0410-245	1	Hose, Vent
14	8476-625	3	Screw, Machine	31	1623-281	2	Clamp, Hose
15	0470-947	1	Valve, Drain	32	0470-943	1	Valve, Check
16	0470-939	1	Bracket, Mounting - Air Intake	33	0410-244	1	Hose, Vent
17	0423-730	2	Clamp				



CASE/BELT COOLING ASSEMBLY

0746-592

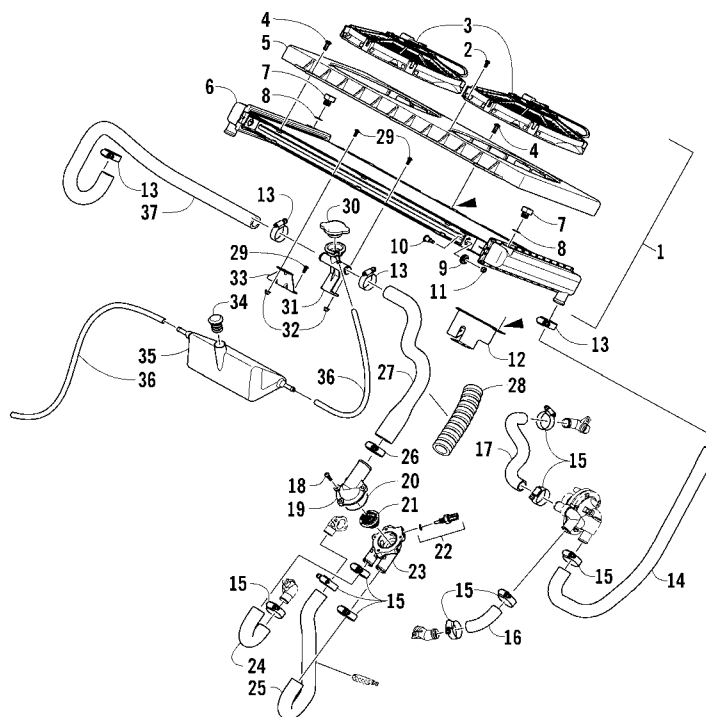
Ref	Part No.	New Qty	Description	Ref	Part No.	New Qty	Description
1	2416-974	1	Shield, Heat	8	8476-625	1	Screw, Machine
2	0423-577	6	Clip, U-Nut	9	0423-669	1	Spacer
3	0423-609	6	Screw, Machine	10	0423-465	1	Grommet
4	0470-945	1	Grommet	11	0513-047	1	Duct, Air-Out (inc. 12)
5	0413-295	1	Duct, Air-In	12	0413-307	1	● Foil, Protective
6	0423-057	4	Clamp	13	2416-818	1	Bracket, Support
7	0413-294	1	Boot, Air-In	14	0413-296	1	Boot, Air-Out



ENGINE AND EXHAUST

0747-300

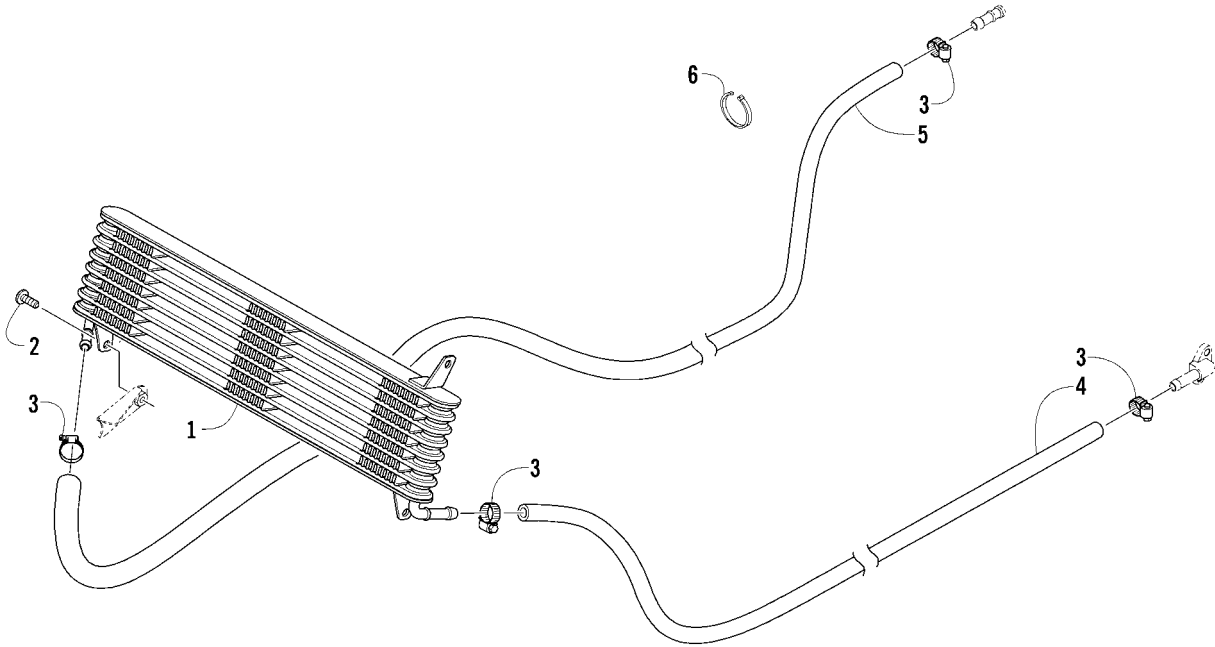
Ref	Part No.	New	Qty	Description	Ref	Part No.	New	Qty	Description
1	0800-157		1	Engine, A950Q (inc. 2-3)	16	0512-611		1	Pipe, Exhaust - Rear
2	0801-091		4	● Mount, Engine	17	0512-663		1	Muffler - Assembly (inc. 18-20)
3	0801-128		1	● Spacer, Engine Mount	18	0412-681		1	● Gasket, Spark Arrester
4	0423-451		1	Screw, Cap	19	0512-585		1	● Arrester, Spark - Assembly
5	0423-426		2	Washer	20	8408-616		3	● Screw, Cap
6	0423-734		1	Screw, Cap	21	0512-590		1	Shield, Heat - Upper (inc. 22)
7	8428-002		2	Nut, Lock	22	1623-797		5	● Insert
8	0411-426		1	Decal, Warning - Clutch Cover	23	8061-283		8	Rivet
9	3411-555	X	1	Decal, "Rapid Response"	24	0512-591		1	Shield, Heat - Lower (inc. 22)
10	0412-338		2	Gasket, Exhaust Pipe	25	0412-591		1	Shield, Heat - Rear
11	0412-636		2	Spacer, Exhaust Pipe	26	1423-176		5	Screw, Machine
12	0512-610		1	Pipe, Exhaust - Front	27	8476-612		4	Screw, Machine
13	1423-084		4	Screw, Cap	28	0412-553		1	Bracket, Muffler Support
14	0412-375		2	Seal, Exhaust Pipe	29	0412-544		4	Grommet
15	0612-668		4	Spring, Extension	30	0412-641		1	Bracket, Muffler Support



COOLING ASSEMBLY

0747-154

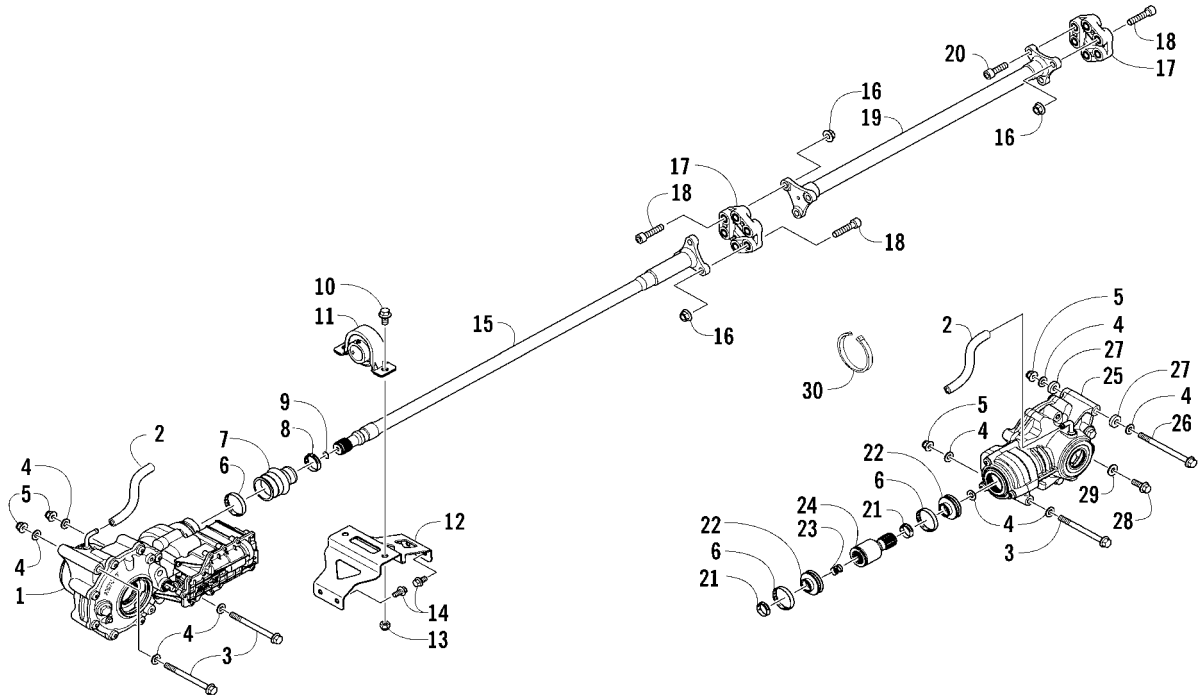
Ref	Part No.	New Qty	Description	Ref	Part No.	New Qty	Description
1	0413-278	1	Radiator Assembly (inc. 2-9)	20	0830-173	1	O-Ring
2	8470-510	8	● Screw, Machine	21	0808-093	1	Thermostat
3	0413-123	2	● Fan, Cooling	22	0808-124	1	Sensor, Engine Coolant Temperature
4	8017-579	6	● Screw, Machine	23	0808-189	1	Housing, Thermostat
5	0413-292	1	● Shroud, Fan	24	0410-191	1	Hose, Coolant - Front Cylinder Head/ Thermostat
6	0413-293	1	● Radiator	25	0410-253	1	Hose, Coolant - Rear Cylinder Head/ Thermostat
7	0413-195	2	● Plug, Drain	26	1623-093	1	Clamp, Hose
8	1602-213	2	● O-Ring	27	0410-239	1	Hose, Coolant - Thermostat/Filler Neck
9	0423-030	4	● Grommet	28	1619-038	1	Conduit, Flexible
10	0423-484	4	Screw, Shoulder	29	8475-512	6	Screw, Machine
11	0623-038	4	Nut w/Washer	30	0413-255	1	Cap, Radiator
12	2416-966	1	Bracket, Mounting - Coil	31	0413-280	1	Neck, Filler
13	0423-490	4	Clamp, Hose	32	8427-502	4	Nut, Lock
14	0410-238	1	Hose, Coolant - Radiator/Water Pump	33	2416-976	1	Bracket, Mounting - Overflow Bottle
15	0423-496	9	Clamp, Hose	34	0413-087	1	Plug
16	0410-115	1	Hose, Coolant - Water Pump/Front Cylinder	35	0413-300	1	Bottle, Overflow
17	0410-116	1	Hose, Coolant - Water Pump/Rear Cylinder	36	0610-011	AR	Hose - 25 ft
18	8470-520	4	Screw, Machine	37	0410-237	1	Hose, Coolant - Filler Neck/Radiator
19	0808-092	1	Cover, Thermostat				



OIL COOLER ASSEMBLY

0746-950

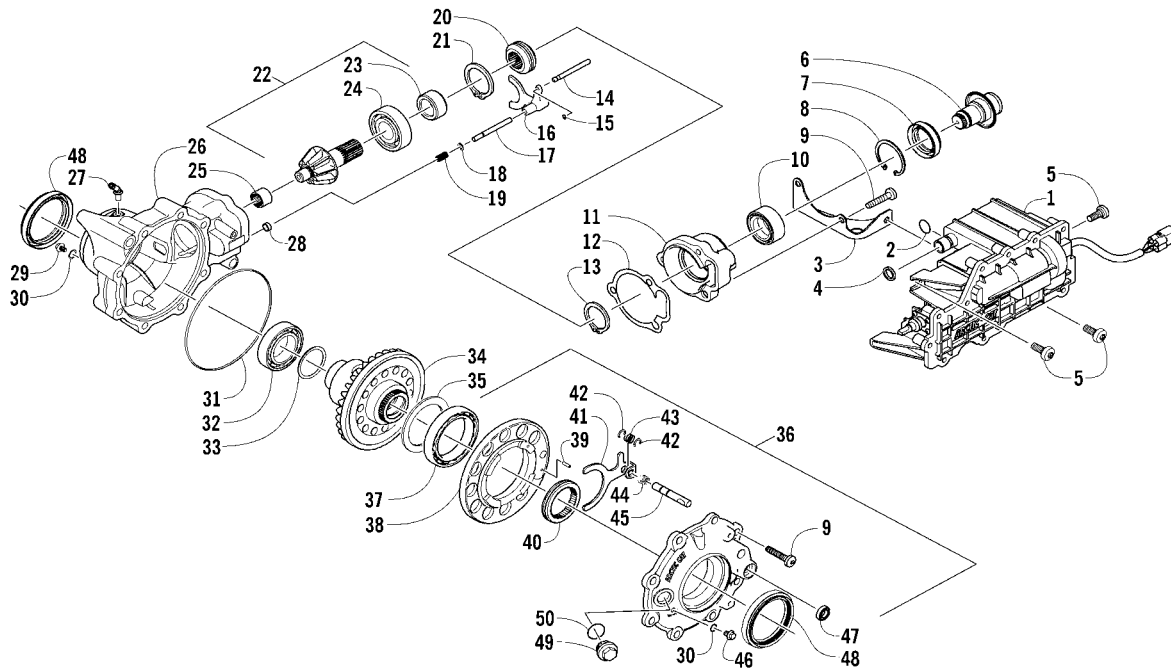
Ref	Part No.	New Qty	Description	Ref	Part No.	New Qty	Description
1	0413-308	1	Cooler, Oil	4	0410-267	1	Hose, Oil Cooler - In
2	8476-616	3	Screw, Machine	5	0410-268	1	Hose, Oil Cooler - Out
3	0423-632	4	Clamp, Hose	6	0123-903	AR	Tie, Cable - 11.5 in.



DRIVE TRAIN ASSEMBLY

0747-893

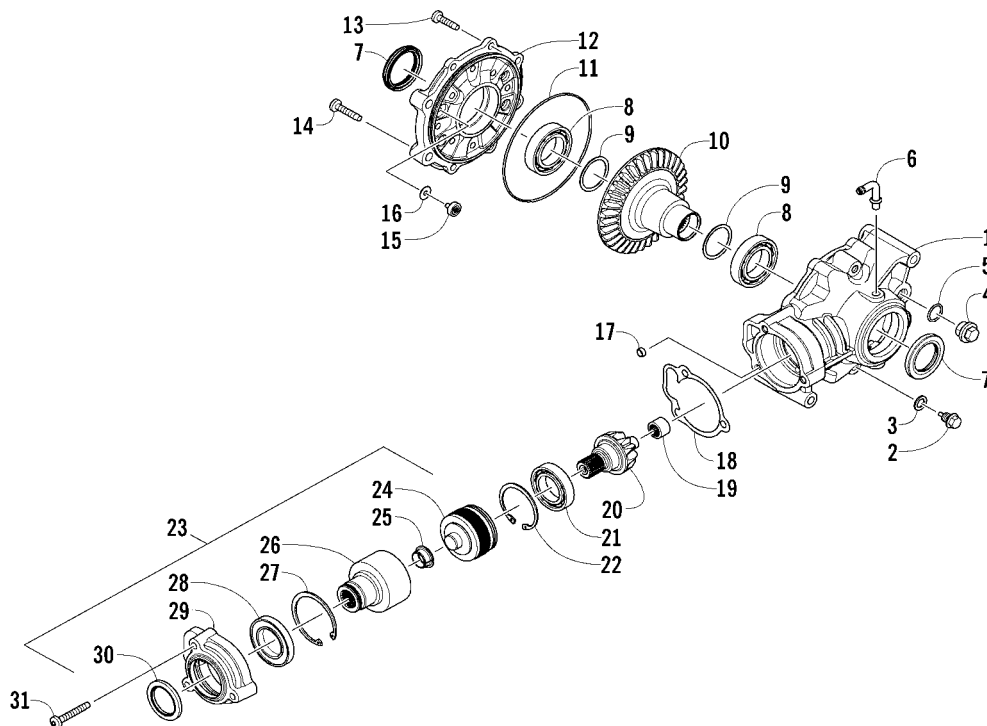
Ref	Part No.	New	Qty	Description	Ref	Part No.	New	Qty	Description
1	2502-082	X	1	Gearcase, Front	17	2402-014		2	Isolator, Driveshaft
2	0410-070		AR	Hose, Gasline - 25 ft	18	1423-094		9	Screw, Cap
3	0423-404		3	Screw, Cap	19	2402-056		1	Driveshaft, Center
4	0423-426		9	Washer	20	1423-093		3	Screw, Cap
5	8428-002		4	Nut, Lock	21	1423-061		2	Clamp
6	0423-393		3	Clamp	22	1402-951		2	Boot
7	0402-985		1	Boot, Shaft	23	1402-026		1	Spring
8	0423-411		1	Clamp	24	2402-134		1	Driveshaft, Rear
9	1423-090		1	O-Ring	25	2502-083	X	1	Gearcase, Rear
10	8408-020		2	Screw, Cap	26	0423-576		1	Screw, Cap
11	1402-968		1	Bearing Assembly	27	1423-062		2	Spacer
12	2502-019		1	Bracket, Mounting - Bearing Assembly	28	8408-826		1	Screw, Cap
13	8422-002		2	Nut, Lock	29	8050-252		1	Washer
14	8408-816		4	Screw, Cap	30	0123-788		AR	Tie, Cable - 8 in.
15	2402-058		1	Driveshaft, Front		0123-903		AR	Tie, Cable - 11.5 in.
16	8424-002		9	Nut					



FRONT DRIVE GEARCASE ASSEMBLY

0746-055

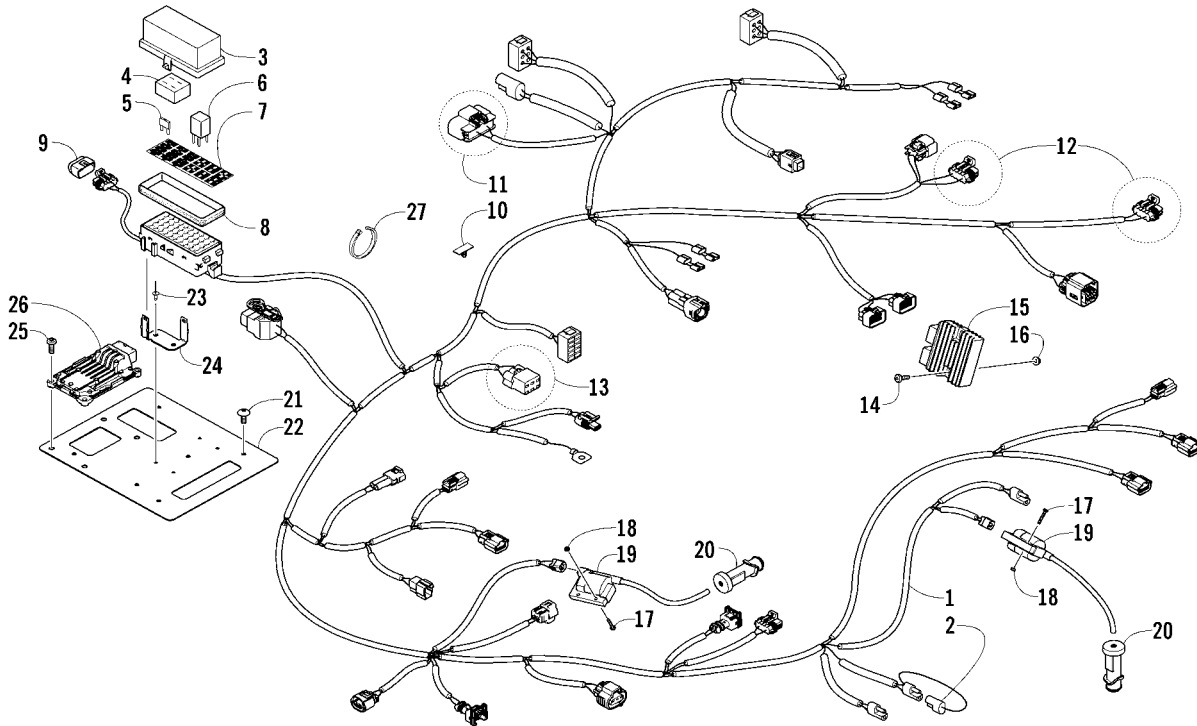
Ref	Part No.	New	Qty	Description	Ref	Part No.	New	Qty	Description
-	2502-082	X	1	Complete Front Drive Gearcase Assembly	29	1402-210		1	Plug, Magnetic (inc. one No. 30)
1	1502-909		1	Actuator (inc. 2)	30	0423-153		2	● O-Ring
2	1402-981		1	● O-Ring	31	0423-149		1	O-Ring
3	1502-237		1	Bracket, Actuator	32	0402-393		1	Bearing
4	0423-892		1	O-Ring	33	0402-405		AR	Shim, 41 x 49 x 1.3 mm
5	0423-396		3	Screw, Self-Tapping		0402-406		AR	Shim, 41 x 49 x 1.4 mm
6	1502-085		1	Shaft, Input		0402-407		AR	Shim, 41 x 49 x 1.5 mm
7	1402-011		1	Seal		0402-408		AR	Shim, 41 x 49 x 1.6 mm
8	0423-423		1	Ring, Retaining		0402-409		AR	Shim, 41 x 49 x 1.7 mm
9	0423-118		11	Screw, Self-Tapping	34	1502-919		1	Gear, Ring - 34T
10	1402-043		1	Bearing	35	1402-074		AR	Shim, 61 x 69 x 1.3 mm
11	0502-528		1	Housing, Pinion		1402-075		AR	Shim, 61 x 69 x 1.4 mm
12	0402-947		1	Gasket, Flange		1402-076		AR	Shim, 61 x 69 x 1.5 mm
13	0423-417		1	Ring, Retaining		1402-077		AR	Shim, 61 x 69 x 1.6 mm
14	0402-997		1	Shaft, Selector		1402-078		AR	Shim, 61 x 69 x 1.7 mm
15	0423-402		1	Ring, Retaining	36	1502-858		1	Cover, Gearcase (inc. one No. 30, 37-47, and one No. 48)
16	0402-998		1	Fork, Selector	37	1402-053		1	● Bearing
17	0402-417		1	Shaft, Shuttle	38	0502-413		1	● Flange, Bearing
18	0423-147		1	O-Ring	39	1402-079		1	● Pin, Parallel
19	0402-999		1	Spring, Return	40	1402-042		1	● Collar, Sliding
20	0402-413		1	Coupler, Drive	41	1402-054		1	● Fork
21	1423-067		1	Ring, Retaining	42	1402-058		2	● Ring, Retaining
22	1502-851		1	Gear, Pinion - Assembly - 11T (inc. 23-24)	43	1402-057		1	● Spring
23	1402-977		1	● Collar, Retaining	44	1402-063		1	● Spring
24	0402-327		1	● Bearing	45	1402-656		1	● Shaft, Lock
25	0402-328		1	Bearing	46	1402-211		1	● Plug, Oil Level (inc. one No. 30)
26	1502-856		1	Housing, Gearcase	47	1402-056		1	● Seal
27	2402-162	X	1	Fitting, Elbow	48	1402-930		2	● Seal
28	0402-411		1	Pin, Dowel	49	0402-333		1	Plug, Fill (inc. 50)
					50	0423-154		1	● O-Ring



REAR DRIVE GEARCASE ASSEMBLY

0746-576

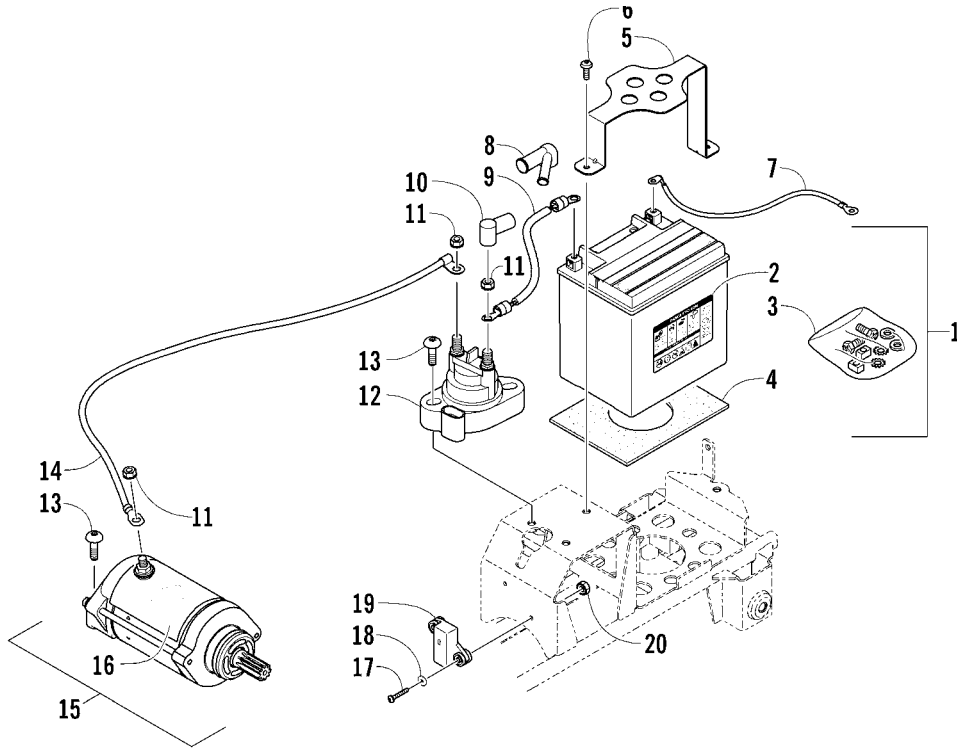
Ref	Part No.	New	Qty	Description	Ref	Part No.	New	Qty	Description
-	2502-083	X	1	Complete Rear Drive Gearcase Assembly	16	0402-429	AR	1	Shim, 6.3 x 18 x 1.3 mm
1	1502-921		1	Housing, Gearcase		0402-430	AR	1	Shim, 6.3 x 18 x 1.4 mm
2	2402-043		1	Plug, Drain - Magnetic		0402-431	AR	1	Shim, 6.3 x 18 x 1.5 mm
3	2402-044		1	Washer		0402-432	AR	1	Shim, 6.3 x 18 x 1.6 mm
4	0402-333		1	Plug, Fill (inc. 5)		0402-433	AR	1	Shim, 6.3 x 18 x 1.7 mm
5	0423-154		1	● O-Ring	17	0402-411		1	Pin, Dowel
6	2402-162	X	1	Fitting, Elbow	18	0402-947		1	Gasket
7	2402-140	X	2	Seal	19	0402-328		1	Bearing
8	2402-042		2	Bearing	20	2402-037		1	Gear, Pinion - Assembly - 11T
9	0402-405	AR		Shim, 41 x 49 x 1.3 mm	21	0402-324		1	Bearing
	0402-406	AR		Shim, 41 x 49 x 1.4 mm	22	1423-067		1	Ring, Retaining
	0402-407	AR		Shim, 41 x 49 x 1.5 mm	23	1502-998		1	Shaft, Input (inc. 24-30)
	0402-408	AR		Shim, 41 x 49 x 1.6 mm	24	1502-997		1	● Cartridge, Clutch - Assembly
	0402-409	AR		Shim, 41 x 49 x 1.7 mm	25	1402-966		1	● Bearing, Flange
10	2402-035		1	Gear, Ring - 34T	26	1402-965		1	● Basket, Clutch
11	0423-149		1	O-Ring	27	0423-798		1	● Ring, Retaining
12	1502-922		1	Cover, Gearcase	28	1402-677		1	● Bearing
13	0423-118		6	Screw, Self-Tapping	29	1502-838		1	● Housing, Input
14	0423-115		2	Screw, Self-Tapping	30	0402-089		1	● Seal
15	0402-326		1	Button, Thrust	31	1423-065		3	Screw, Self-Tapping



WIRING HARNESS ASSEMBLY

0746-951

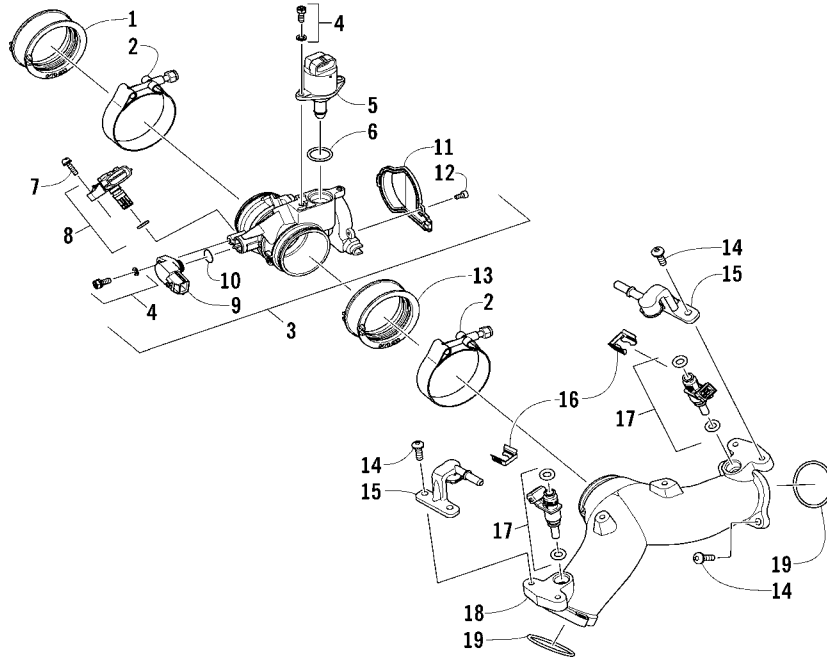
Ref	Part No.	New Qty	Description	Ref	Part No.	New Qty	Description
1	0486-462	1	Harness, Main (inc. 2-10)	14	8476-625	2	Screw, Machine
2	0486-164	1	● Tether, Accessory Connector	15	0824-072	1	Regulator, Voltage
3	0430-085	1	● Cover, Fuse Block	16	0623-038	2	Nut w/Washer
4	0430-037	1	● Holder, Fuse	17	8468-425	4	Screw, Machine
5	0430-032	7	● Fuse - 10 Amp	18	0423-493	4	Nut w/Washer
	0430-031	4	● Fuse - 15 Amp	19	0824-071	2	Coil, Ignition - Assembly (inc. 20)
	0430-030	4	● Fuse - 30 Amp	20	0824-049	2	● Cap, Spark Plug
6	0430-045	6	● Relay (4-Pin) - 20 Amp	21	0623-784	4	Screw, Self-Tapping
	0430-033	1	● Relay (5-Pin) - 30 Amp	22	4506-731	1	Tray, Electrical
7	2411-883	1	● Decal, Fuse Block	23	8060-686	2	Rivet
8	0430-086	1	● Seal	24	0745-388	1	Bracket, Mounting - PDM
9	0430-103	1	● Cover, Diagnostics Connector	25	8476-620	4	Screw, Machine
10	0430-102	AR	● Clip, Routing	26	0530-099	1	ECM
11	1436-415	1	Repair Kit, Connector - LCD Gauge	27	0123-788	AR	Tie, Cable - 8 in.
12	1436-487	AR	Repair Kit, Connector - Headlight		0123-903	AR	Tie, Cable - 11.5 in.
13	1436-416	1	Repair Kit, Connector - Tilt Sensor				



BATTERY AND STARTER MOTOR ASSEMBLY

0746-953

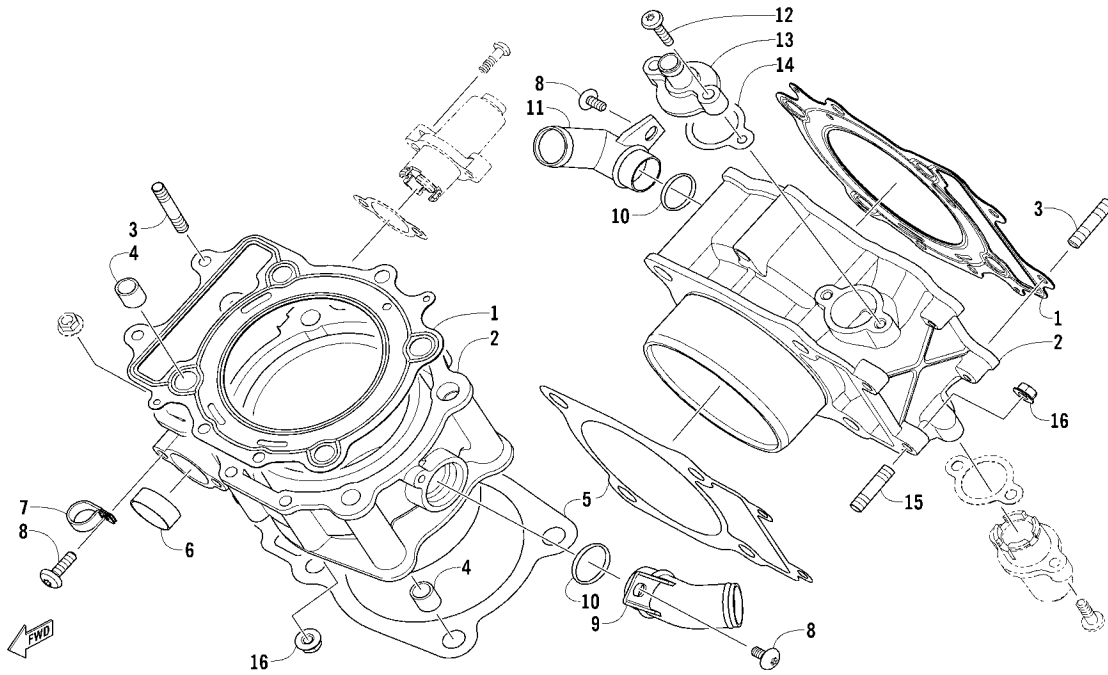
Ref	Part No.	New Qty	Description	Ref	Part No.	New Qty	Description
1	0645-398	1	Battery (inc. 2-3)	11	0623-038	3	Nut w/Washer
2	0645-430	1	● Decal, Warning	12	0445-058	1	Solenoid
3	0445-082	1	● Kit, Hardware	13	8476-625	4	Screw, Machine
4	0417-022	1	Pad, Battery	14	0445-093	1	Cable, Solenoid/Starter
5	4506-730	1	Hold-Down, Battery	15	0825-027	1	Motor, Starter - Assembly (inc. 16)
6	8476-616	2	Screw, Machine	16	0412-677	1	● Foil, Protective
7	0445-090	1	Cable, Battery/Ground	17	8468-425	2	Screw, Machine
8	0445-067	1	Boot, Terminal - Dual	18	0123-802	2	Washer
9	0445-062	1	Cable, Battery/Solenoid	19	0409-064	1	Sensor, Tilt
10	0645-019	1	Boot, Terminal	20	0423-493	2	Nut w/Washer



THROTTLE BODY ASSEMBLY

0746-580

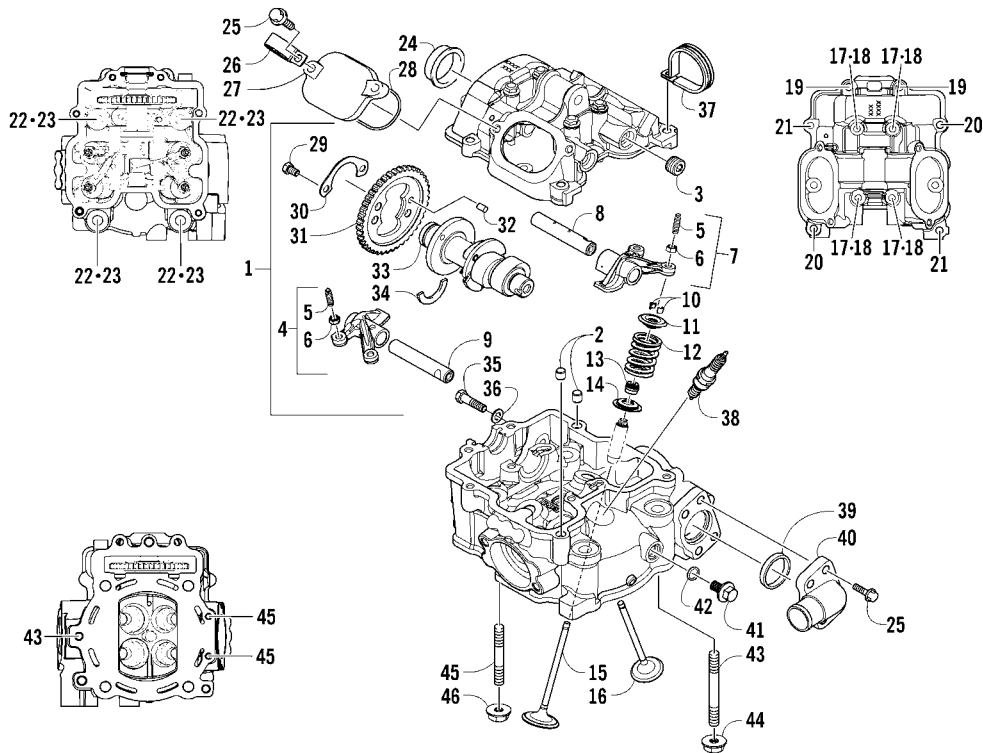
Ref	Part No.	New Qty	Description	Ref	Part No.	New Qty	Description
1	0470-932	1	Boot, Intake	11	0470-961	1	Cover
2	1423-041	2	Clamp	12	1423-095	1	Screw, Cap
3	0570-390	1	Throttle Body - Assembly (inc. 4-10)	13	0470-933	1	Boot, Intake
4	1423-081	3	● Screw, Cap	14	8468-620	8	Screw, Machine
5	0824-054	1	● Valve, Bypass - Idle Air	15	0470-885	2	Rail, Fuel
6	0832-088	1	● Seal	16	0470-889	2	Clip, Retaining
7	1423-080	1	● Screw, Machine	17	0470-910	2	Injector, Fuel
8	0824-052	1	● Sensor, MAP	18	0570-380	1	Manifold, Intake
9	0824-067	1	● Sensor, Throttle Position	19	0830-090	2	O-Ring
10	3306-150	1	● O-Ring				



CYLINDER ASSEMBLY

0746-581

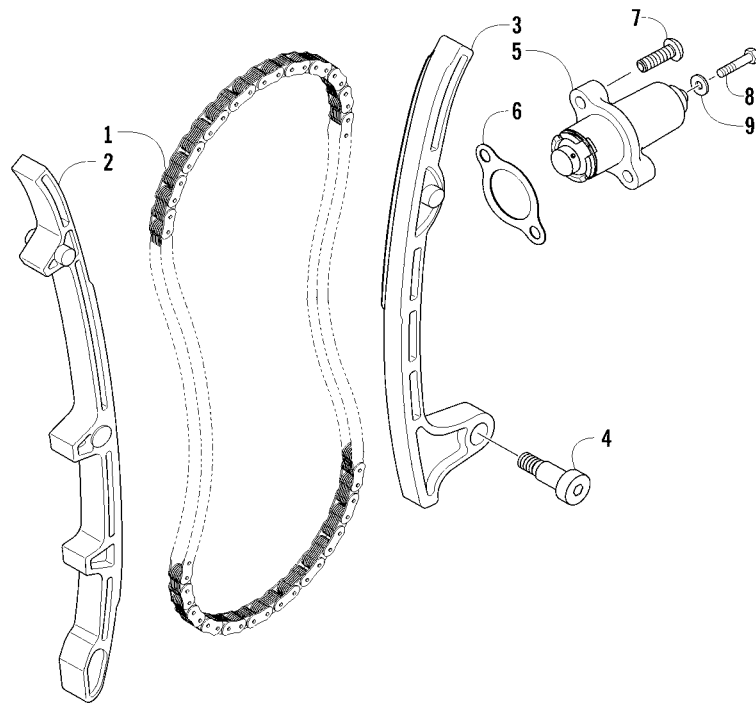
Ref	Part No.	New	Qty	Description	Ref	Part No.	New	Qty	Description
1	0830-209		2	Gasket, Head	9	0804-046		1	Union, Coolant Hose
2	0804-061		2	Cylinder	10	0830-007		2	O-Ring
3	0827-002		4	Bolt, Stud	11	0804-030		1	Union, Coolant Hose
4	0829-002		8	Pin, Dowel	12	8468-620		2	Screw, Machine
5	0830-193		2	Gasket, Base	13	0801-174		1	Cover, Breather
6	0804-037		1	Plug, Cylinder	14	0830-134		1	Gasket
7	1623-675		1	Clamp, Routing	15	0827-018		4	Bolt, Stud
8	8468-612		3	Screw, Machine	16	8424-604		8	Nut



CYLINDER HEAD AND CAMSHAFT/VALVE ASSEMBLY

0746-954

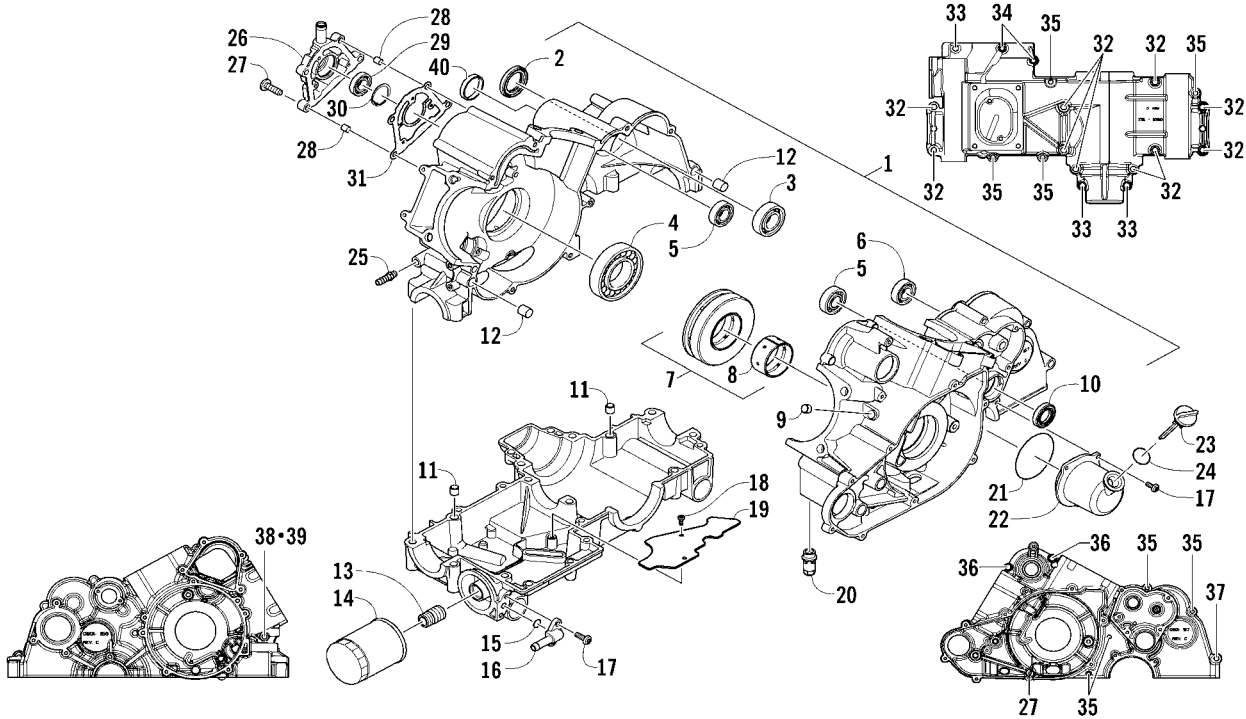
Ref	Part No.	New	Qty	Description	Ref	Part No.	New	Qty	Description
1	0808-227		2	Head, Cylinder - Assembly (inc. 2-17)	24	0808-077		2	Plug, Cylinder Head
2	0829-062		4	● Pin, Dowel	25	0826-007		12	Screw, Cap
3	0831-092		4	● Plug, Shaft	26	1623-675		1	Clamp, Routing
4	0809-319		2	● Arm, Valve Rocker - Exhaust (inc. two No. 5-6)	27	0808-003		4	Cap, Inspection
5	0809-240		8	●● Screw, Adjuster	28	0830-004		4	O-Ring
6	0827-059		8	●● Nut	29	0826-034		4	Screw, Cap
7	0809-318		2	● Arm, Valve Rocker - Intake (inc. two No. 5-6)	30	0828-004		2	Plate, Retainer
8	0809-241		2	● Shaft, Rocker Arm - Intake	31	0809-212		2	Sprocket
9	0809-242		2	● Shaft, Rocker Arm - Exhaust	32	0829-049		2	Pin, Dowel
10	0809-233		16	● Cotter, Valve	33	0809-313		1	Camshaft, Front Cylinder
11	0809-232		8	● Retainer, Spring		0809-314		1	Camshaft, Rear Cylinder
12	0809-231		8	● Spring, Valve	34	0809-003		2	C-Ring
13	0830-186		8	● Seal, Oil	35	8400-812		2	Screw, Cap
14	0809-230		8	● Seat, Spring - Valve	36	0830-025		2	Washer, Crush
15	0809-228		4	● Valve, Intake	37	0623-761		1	Clamp, Routing
16	0809-229		4	● Valve, Exhaust	38	0217-799		2	Spark Plug - CPR8E
17	0826-149		8	● Screw, Cap	39	0830-120		2	Seal
18	0830-155		8	Gasket	40	0808-210		2	Cover, Thermostat
19	0826-002		5	Screw, Cap	41	0826-157		2	Screw, Cap
20	0826-005		4	Screw, Cap	42	0830-213		2	O-Ring
21	0826-006		3	Screw, Cap	43	0827-069		2	Bolt, Stud
22	0808-090		8	Screw, Cap	44	8424-804		2	Nut
23	0830-147		8	Washer	45	0827-068		4	Bolt, Stud
					46	8424-604		4	Nut



CAM CHAIN ASSEMBLY

0745-069

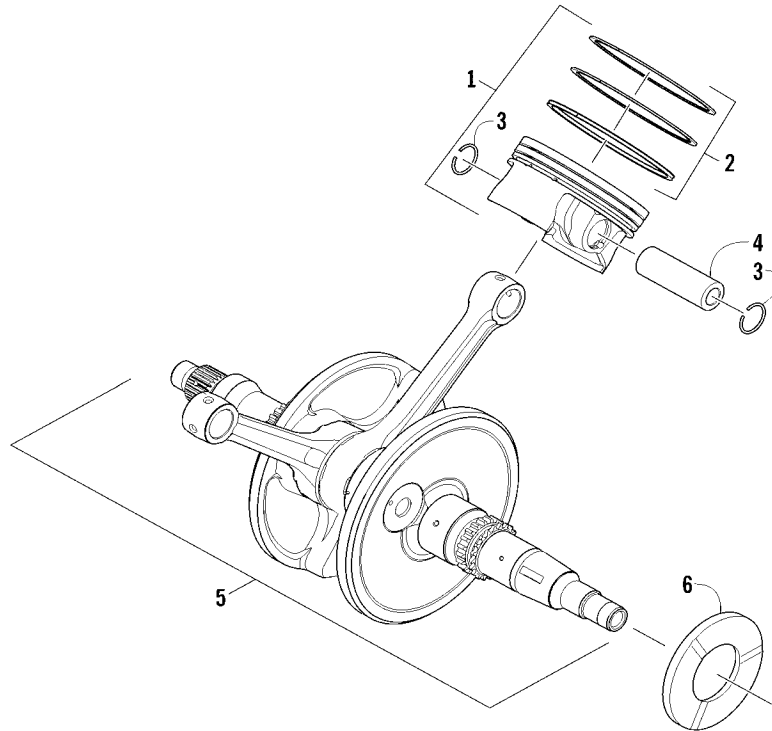
Ref	Part No.	New Qty	Description	Ref	Part No.	New Qty	Description
1	0810-001	2	Chain, Cam	6	0830-134	2	Gasket
2	0810-069	2	Guide, Chain	7	8468-625	4	Screw, Machine
3	0810-070	2	Tensioner, Chain	8	8400-610	2	Screw, Cap
4	0826-106	2	Pivot, Tensioner	9	0828-129	2	Washer
5	0810-004	2	Adjuster, Tensioner - Assembly				



CRANKCASE ASSEMBLY

0747-558

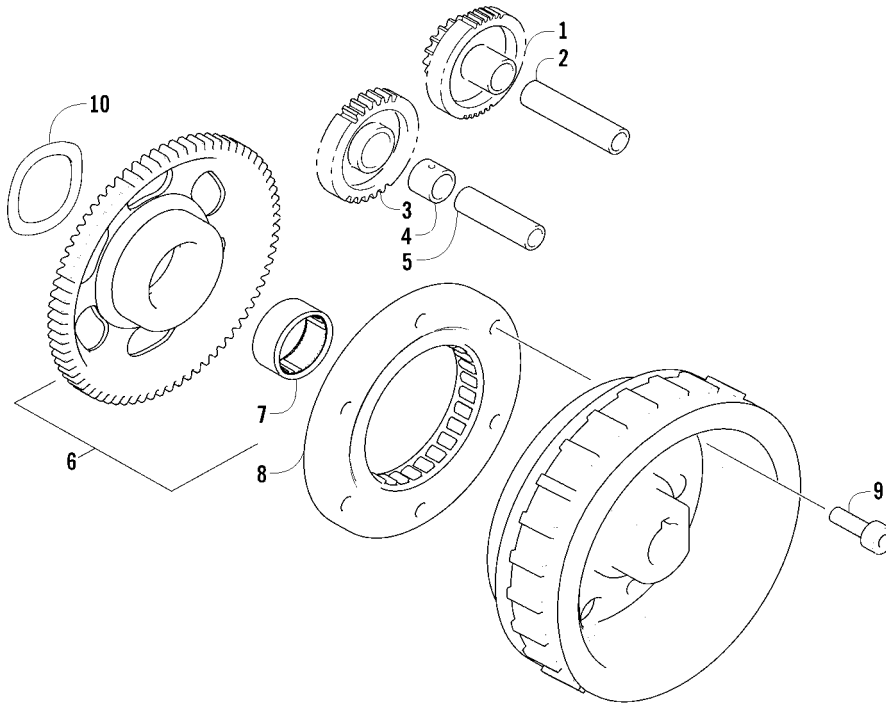
Ref	Part No.	New	Qty	Description	Ref	Part No.	New	Qty	Description
1	0801-211		1	Crankcase - Assembly (inc. 2-13)	21	0830-162		1	O-Ring, Oil Filler Cover
2	0830-035		1	● Seal, Driveshaft	22	0812-081		1	Cover, Oil Filler
3	0832-048		1	● Bearing	23	0801-073		1	Stick, Oil Level
4	0832-042		1	● Bearing	24	0830-010		1	O-Ring
5	0832-050		2	● Bearing	25	0812-078		1	Fitting, Oil - Threaded
6	0832-049		1	● Bearing	26	0801-193		1	Cover, Breather
7	0832-055		1	● Bearing - Assembly (inc. 8)	27	8468-625		5	Screw, Machine
8	0832-057		1	● Bearing	28	0829-062		2	Pin, Dowel
9	0801-002		1	● Plug, Engine Case	29	0832-084		1	Bearing
10	0822-052		1	● Seal, Countershaft - Right	30	0831-086		1	Circlip
11	0829-003		2	● Pin, Dowel	31	0830-191		1	Gasket, Breather
12	0829-002		2	● Pin, Dowel	32	8412-860		10	Screw, Cap
13	0812-066		1	● Union, Oil Filter	33	8412-830		3	Screw, Cap
14	0812-034		1	Filter, Oil	34	8468-640		2	Screw, Machine
15	0830-172		1	O-Ring	35	8468-660		8	Screw, Machine
16	0812-060		1	Fitting, Oil	36	8468-630		2	Screw, Machine
17	8468-616		5	Screw, Machine	37	8412-875		1	Screw, Cap
18	0623-914		2	Screw, Self-Tapping	38	8412-850		1	Screw, Cap
19	0801-218	X	1	Plate, Oil Sump	39	0830-008		1	Washer
20	0812-052		1	Valve, Oil-Relief - Assembly	40	0818-103		1	Plug



CRANKSHAFT AND PISTON ASSEMBLY

0745-070

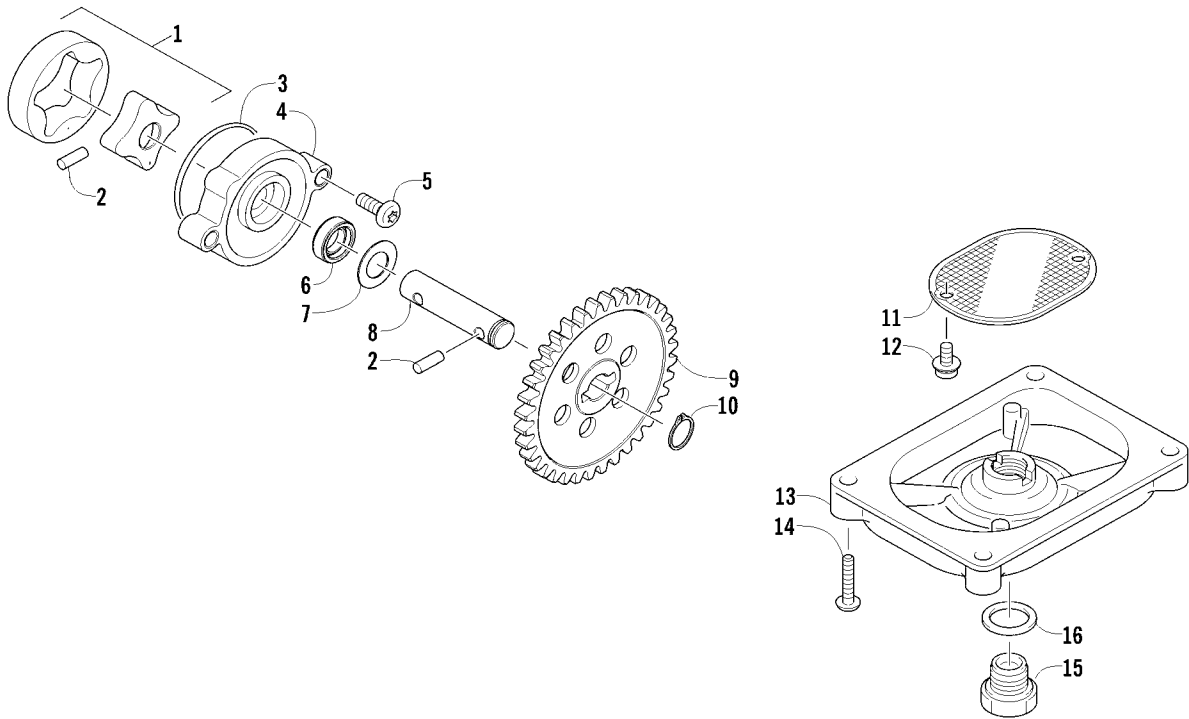
Ref	Part No.	New Qty	Description	Ref	Part No.	New Qty	Description
1	0805-362	2	Piston Set - Assembly (inc. 2-4)	4	0805-198	2	● Pin, Piston
2	0805-164	2	● Ring, Piston - Set	5	0805-339	1	Crankshaft - Assembly
3	0805-199	4	● Circlip, Piston Pin	6	0805-273	1	Washer, Thrust



STARTER CLUTCH ASSEMBLY

0745-071

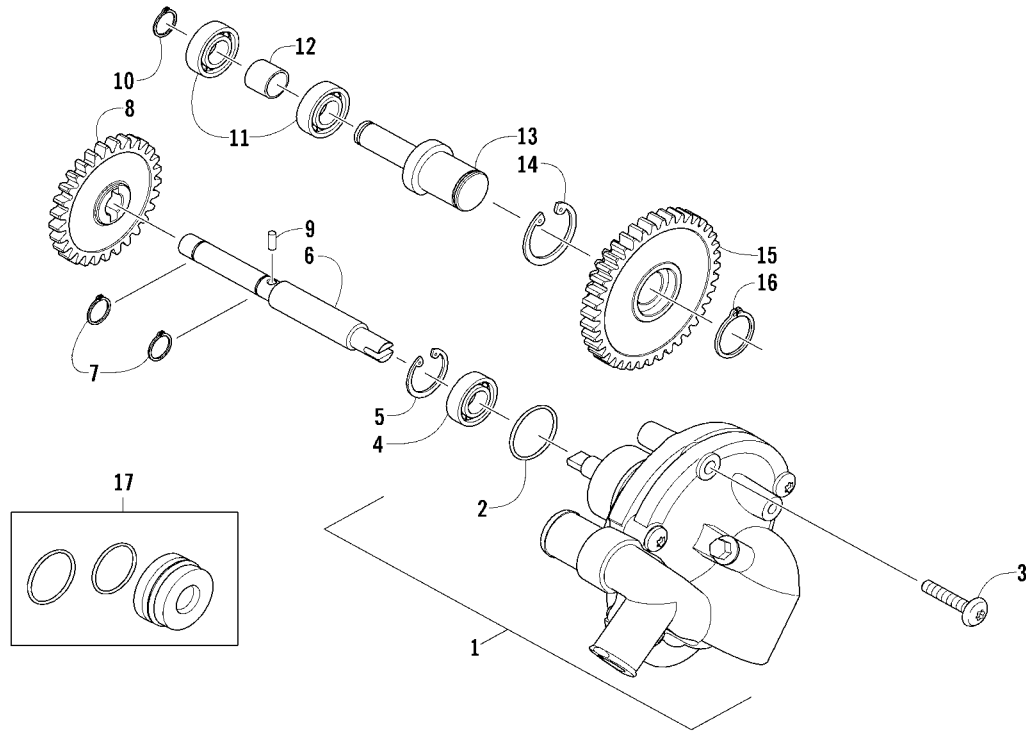
Ref	Part No.	New	Qty	Description	Ref	Part No.	New	Qty	Description
1	0815-032	X	1	Gear, Starter Idler - No. 1	6	0815-004	1	1	Gear, Starter Clutch (inc. 7)
2	0829-031		1	Shaft, Starter Gear	7	0832-079		1	● Bearing
3	0815-002		1	Gear, Starter Idler - No. 2	8	0802-035		1	Clutch, Starter
4	0815-003		1	Spacer, Starter Idler Gear No. 2	9	0826-069		6	Screw, Cap
5	0829-032		1	Shaft, Starter Gear	10	0828-113		1	Washer, Wave



OIL PUMP ASSEMBLY

0745-052

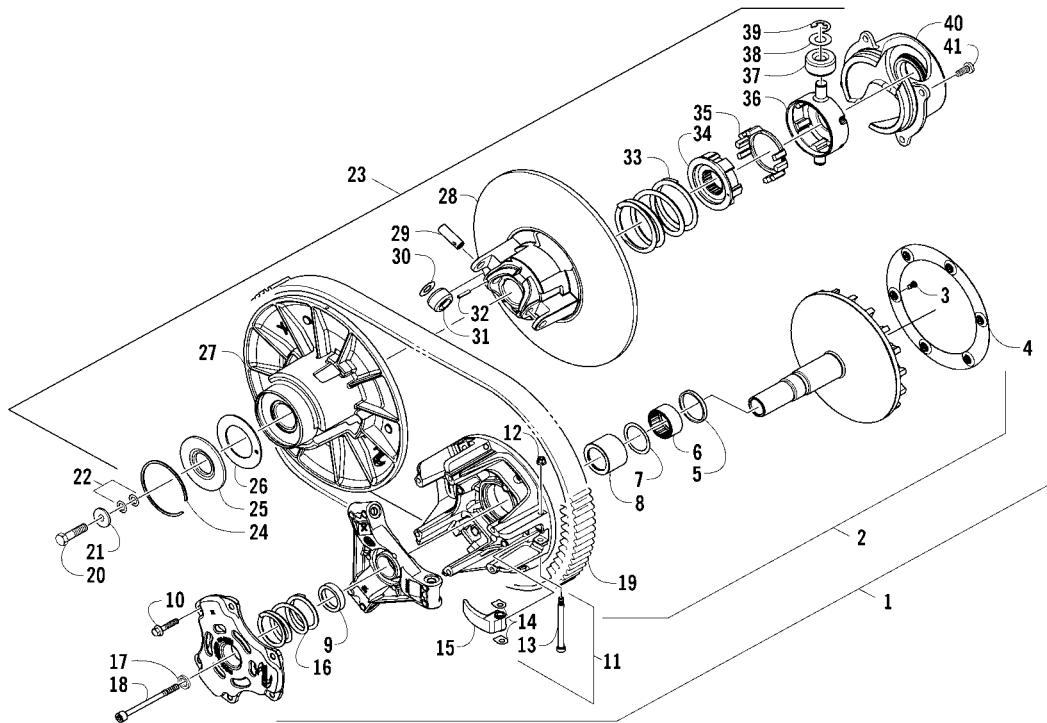
Ref	Part No.	New Qty	Description	Ref	Part No.	New Qty	Description
1	0812-041	1	Gerotor - Set	9	0812-045	1	Gear, Driven
2	0829-009	2	Pin, Dowel	10	0831-002	1	Ring, Retaining
3	0812-048	1	O-Ring	11	0812-057	1	Strainer, Oil
4	0812-040	1	Housing, Oil Pump	12	0826-040	2	Screw, Machine
5	8468-625	2	Screw, Machine	13	0812-053	1	Cap, Oil Strainer
6	0812-047	1	Seal, Oil Pump	14	8468-625	4	Screw, Machine
7	0828-007	1	Shim	15	0812-006	1	Plug, Drain
8	0812-046	1	Shaft, Oil Pump	16	0830-017	1	Gasket, Drain Plug



WATER PUMP ASSEMBLY

0746-957

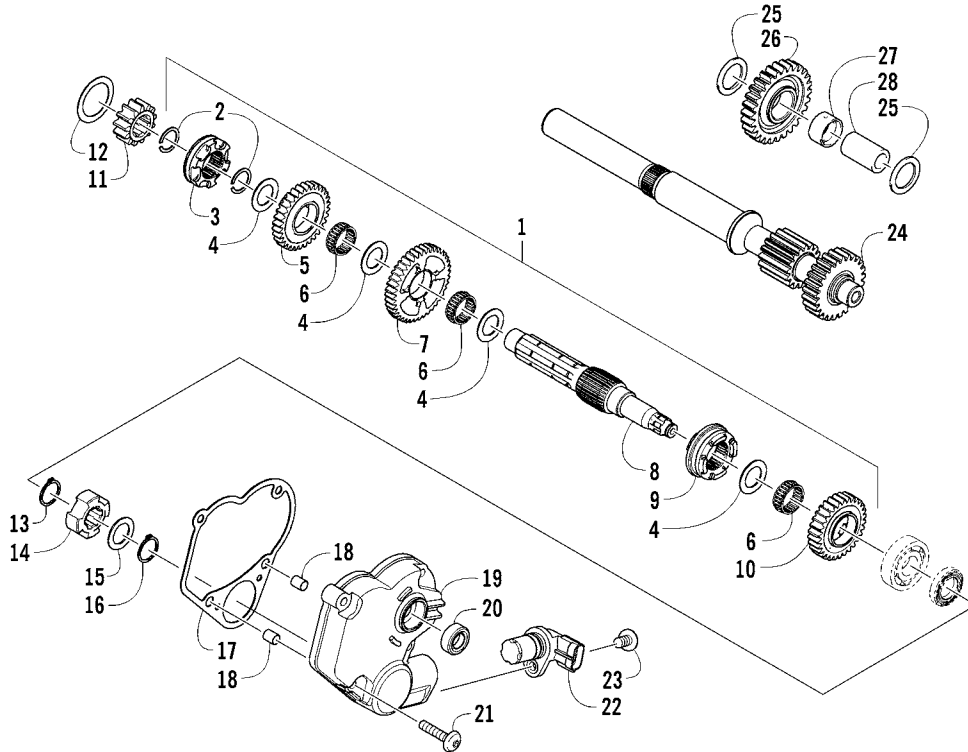
Ref	Part No.	New Qty	Description	Ref	Part No.	New Qty	Description
1	0813-059	1	Pump, Water - Assembly (inc. 2)	10	0831-002	1	Ring, Retaining
2	0830-029	1	● O-Ring	11	0832-046	2	Bearing
3	8468-650	2	Screw, Machine	12	0813-028	1	Spacer, Idler - Water Pump
4	0832-084	1	Bearing	13	0813-060	1	Shaft, Water Pump Idler Gear
5	0831-086	1	Circlip	14	0831-004	1	Ring, Retaining
6	0813-041	1	Shaft, Driven Gear	15	0813-061	1	Gear, Idler - Water Pump - Drive
7	0831-010	2	Ring, Retaining	16	0831-040	1	Ring, Retaining
8	0813-043	1	Gear, Driven	17	0837-010	X 1	Kit, Seal - Water Pump
9	0829-009	1	Pin, Dowel				



CLUTCH ASSEMBLY

0747-906

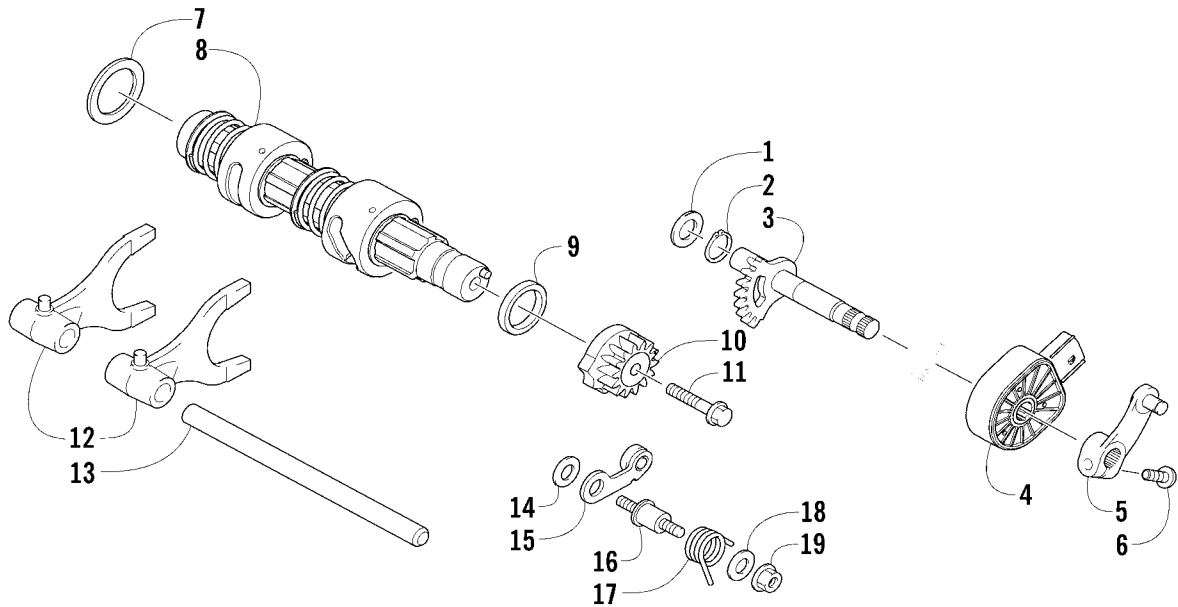
Ref	Part No.	New	Qty	Description	Ref	Part No.	New	Qty	Description
1	0823-386		1	Clutch, Drive - Calibrated (inc. 2-16)	22	0828-137	AR		Shim, 12 x 24 x 0.25 mm
2	0823-425		1	● Clutch, Drive - Uncalibrated (inc. 3-10)		0828-134	AR		Shim, 12 x 24 x 0.50 mm
3	0623-914		6	●● Screw, Self-Tapping	23	0823-367		1	Clutch, Driven - Assembly (inc. 24-41)
4	0823-424		1	●● Cover, Sheave	24	0823-404		1	● Ring, Retaining
5	0823-392		1	●● Washer, Thrust	25	0823-406		1	● Shim, 38 x 62 x 1.50 mm
6	0823-393		1	●● Sleeve, Idler - Assembly	26	0823-405		1	● Washer, Thrust
7	0823-394		1	●● Washer, Thrust	27	0823-427		1	● Sheave, Stationary
8	0823-395		1	●● Cap, Idler Sleeve	28	0823-428		1	● Sheave, Movable
9	0823-400		1	●● Spacer	29	0823-410		2	● Pin, Roller
10	0823-402		6	●● Screw, Cap	30	0823-409		2	● Washer, Thrust
11	0823-426		1	● Kit, Cam Arm (inc. 12-14)	31	0823-408		2	● Roller
12	0823-399		3	●● Nut, Lock	32	0823-407		2	● Pin, Spring
13	0823-396		3	●● Screw, Shoulder	33	0823-411		1	● Spring
14	0823-397		6	●● Washer, Thrust	34	0823-412		1	● Bearing Assembly
15	0823-398		3	● Arm, Cam	35	0823-413		1	● Insert, Spider
16	0823-401		1	● Spring, Drive Clutch - Black/Silver	36	0823-414		1	● Spider
17	1623-649		1	Washer, High Collar	37	0823-417		2	● Roller
18	0826-159		1	Bolt, Clutch	38	0823-416		2	● Washer, Thrust
19	0823-391		1	Belt, Drive	39	0823-415		2	● E-Ring
20	0826-158		1	Screw, Cap	40	0823-418		1	● Cam, Driven
21	0828-133		1	Washer	41	0823-419		4	● Screw, Machine



SECONDARY TRANSMISSION ASSEMBLY

0747-234

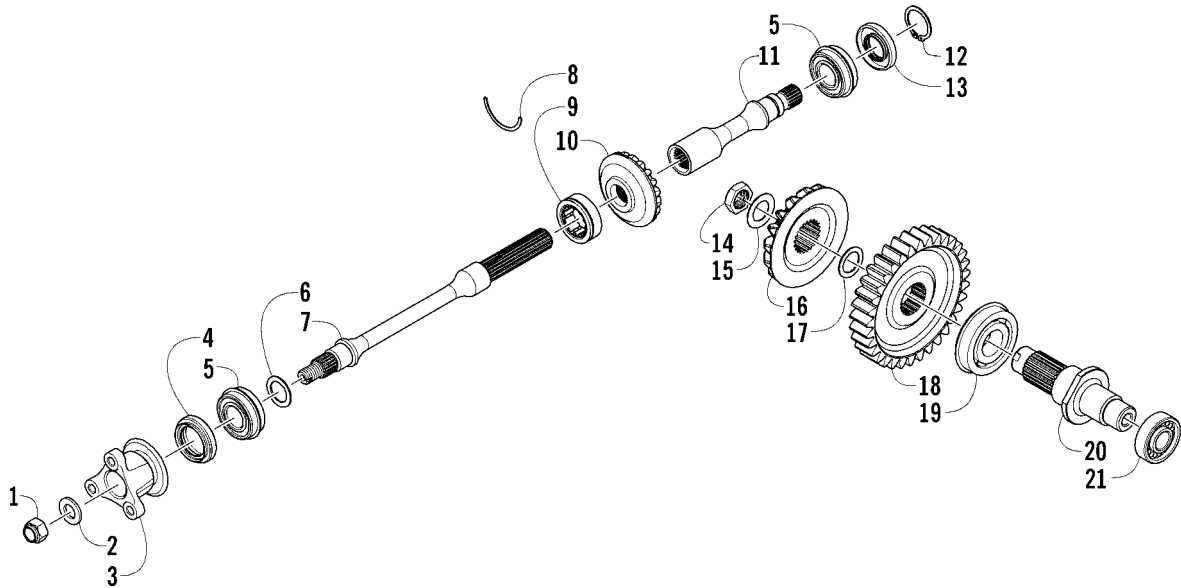
Ref	Part No.	New	Qty	Description	Ref	Part No.	New	Qty	Description
1	0822-144		1	Countershaft Assembly (inc. 2-10)	15	0828-069		1	Washer, Thrust
2	0831-085		2	● Ring, Retaining	16	0831-039		1	Ring, Retaining
3	0822-120		1	● Gear Select, Reverse	17	0830-194		1	Gasket
4	0822-121		4	● Shim	18	0829-062		2	Pin, Dowel
5	0822-119		1	● Gear, Reverse Driven	19	0806-105		1	Housing, Speedometer Sensor
6	0832-082		3	● Bearing	20	0830-044		1	Seal
7	0822-114		1	● Gear, Driven - Low	21	8468-630		4	Screw, Machine
8	0822-113		1	● Countershaft	22	0430-091		1	Sensor, Speedometer
9	0822-145		1	● Gear Select, Sliding	23	8468-620		1	Screw, Machine
10	0822-148		1	● Gear, Driven - High	24	0822-151		1	Shaft, Input
11	0822-149		1	Gear, Drive	25	0828-016		2	Washer, Thrust
12	0828-011		1	Washer	26	0822-011		1	Gear, Reverse Idle
13	0831-040		1	Ring, Retaining	27	0822-012		1	Bushing
14	0822-050		1	Trigger, Speedometer Sensor	28	0822-015		1	Shaft, Reverse Idle



GEAR SHIFTING ASSEMBLY

0746-409

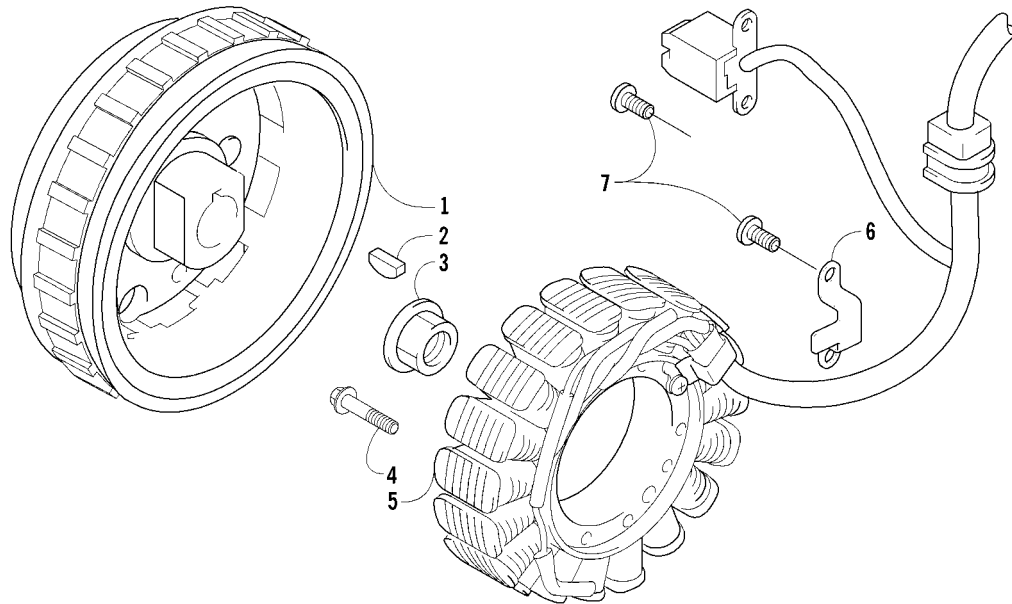
Ref	Part No.	New Qty	Description	Ref	Part No.	New Qty	Description
1	0828-036	1	Washer	11	0826-006	1	Screw, Cap
2	0831-010	1	Ring, Retaining	12	0818-072	2	Fork, Shift
3	0818-095	1	Shaft, Sub-Gear Shift	13	0818-006	1	Shaft, Shift Fork
4	0409-125	1	Switch, Gear Position	14	0828-038	1	Washer
5	0818-014	1	Arm, Shift	15	0818-002	1	Stopper, Cam
6	8468-620	1	Screw, Machine	16	0818-004	1	Support, Cam Stopper
7	0828-040	1	Washer	17	0818-144	1	Spring
8	0818-149	1	Shaft, Gear Shift - Assembly	18	0828-035	1	Washer
9	0828-131	1	Spacer	19	8424-602	1	Nut
10	0818-145	1	Cam, Gear Shift				



SECONDARY DRIVE ASSEMBLY

0747-235

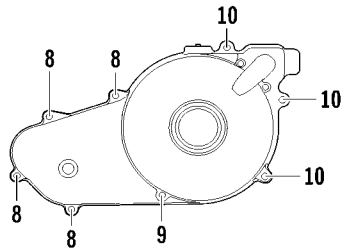
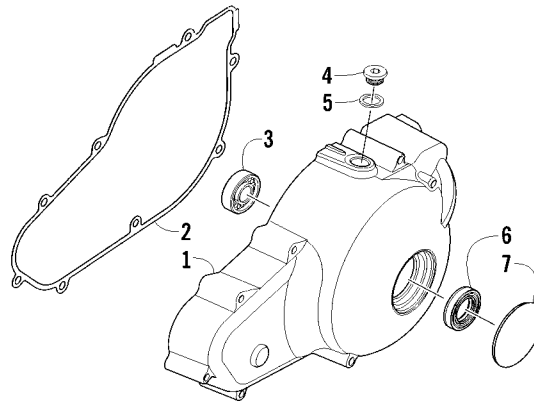
Ref	Part No.	New	Qty	Description	Ref	Part No.	New	Qty	Description
1	0827-013		1	Nut	12	0831-011		1	Ring, Retaining
2	0828-020		1	Washer	13	0830-214		1	Seal, Oil
3	0819-126		1	Flange, Output Joint	14	0827-012		1	Nut
4	0830-043		1	Seal, Oil	15	0828-019		1	Washer, Thrust
5	0832-017		2	Bearing	16	0822-153		1	Gear, Secondary Drive
6	0828-021	AR		Shim, 25 x 34 x 0.25 mm	17	0828-143	AR		Shim, 25.4 x 40 x 0.25 mm
	0828-022	AR		Shim, 25 x 34 x 0.30 mm		0828-144	AR		Shim, 25.4 x 40 x 0.30 mm
	0828-023	AR		Shim, 25 x 34 x 0.70 mm		0828-145	AR		Shim, 25.4 x 40 x 0.35 mm
	0828-024	AR		Shim, 25 x 34 x 0.90 mm		0828-146	AR		Shim, 25.4 x 40 x 0.90 mm
	0828-025	AR		Shim, 25 x 34 x 0.95 mm		0828-138	AR		Shim, 25.4 x 40 x 0.95 mm
	0828-026	AR		Shim, 25 x 34 x 1.00 mm		0828-139	AR		Shim, 25.4 x 40 x 1.00 mm
	0828-027	AR		Shim, 25 x 34 x 1.05 mm		0828-140	AR		Shim, 25.4 x 40 x 1.05 mm
	0828-028	AR		Shim, 25 x 34 x 1.10 mm		0828-141	AR		Shim, 25.4 x 40 x 1.10 mm
	0828-029	AR		Shim, 25 x 34 x 1.15 mm		0828-142	AR		Shim, 25.4 x 40 x 1.15 mm
7	0819-115		1	Shaft, Secondary Driven - Front	18	0822-150		1	Gear - 33T
8	0819-011		1	Ring, Driven Bearing	19	0832-083		1	Bearing
9	0832-016		1	Bearing, Driven Gear	20	0822-152		1	Shaft, Output
10	0822-106		1	Gear, Secondary Driven	21	0832-050		1	Bearing
11	0819-122		1	Shaft, Secondary Driven - Rear					



MAGNETO ASSEMBLY

0746-026

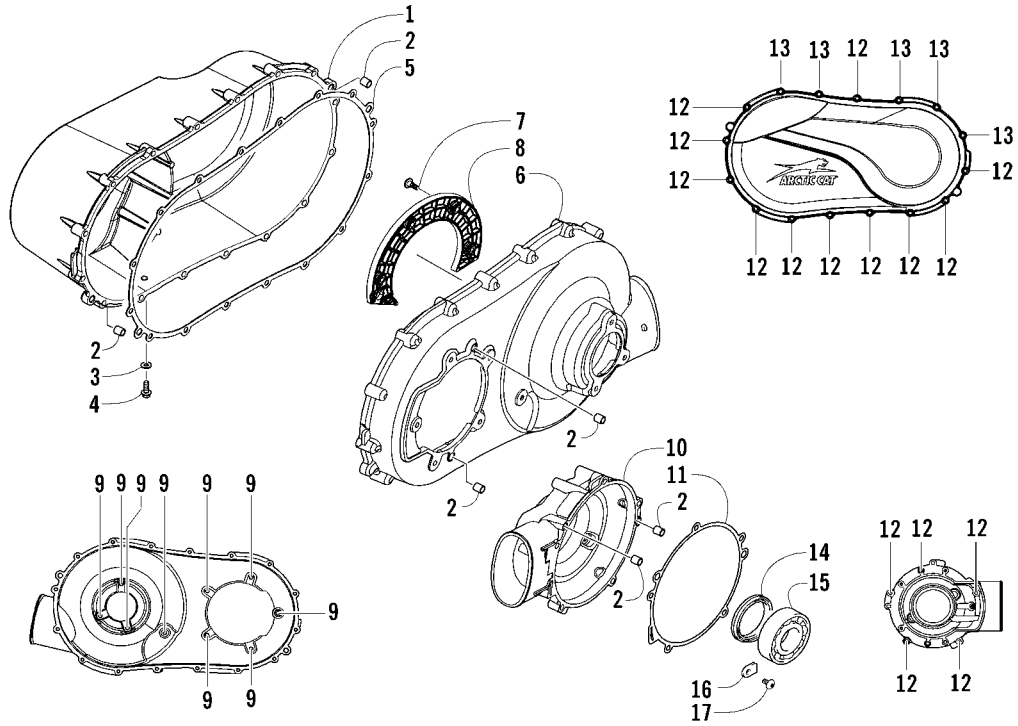
Ref	Part No.	New Qty	Description	Ref	Part No.	New Qty	Description
1	0802-059	1	Rotor/Flywheel	5	0802-064	1	Stator - Assembly
2	0829-012	1	Key	6	0831-064	1	Clamp
3	0827-010	1	Nut	7	8470-510	4	Screw, Machine
4	8409-632	3	Screw, Cap				



MAGNETO SIDE ENGINE COVERS

0745-061

Ref	Part No.	New Qty	Description	Ref	Part No.	New Qty	Description
1	0806-107	1	Cover, Magneto	6	0830-176	1	Seal, Cap
2	0830-132	1	Gasket, Magneto Cover	7	0806-066	1	Cap, Magneto Cover
3	0832-010	1	Bearing	8	8468-650	4	Screw, Machine
4	0826-155	1	Plug, Check	9	8468-695	1	Screw, Machine
5	0830-015	1	Washer, Crush	10	8468-665	3	Screw, Machine



CLUTCH SIDE ENGINE COVERS

0747-247

Ref	Part No.	New Qty	Description	Ref	Part No.	New Qty	Description
1	0806-129	1	Cover, Outside	10	0806-159	1	Cover, Clutch
2	0829-062	6	Pin, Dowel	11	0830-218	1	Gasket, Clutch Cover
3	0830-013	1	Washer, Crush	12	8468-630	16	Screw, Machine
4	8408-812	1	Screw, Cap	13	8468-640	5	Screw, Machine
5	0830-137	1	Gasket, Cover	14	0832-096	1	Seal
6	0806-153	1	Cover, Inside	15	0832-043	1	Bearing
7	0423-355	4	Screw, Shoulder	16	0822-010	2	Retainer, Bearing
8	0823-422	1	Plate, Windage	17	0826-029	2	Screw, Machine
9	8468-617	9	Screw, Machine				

