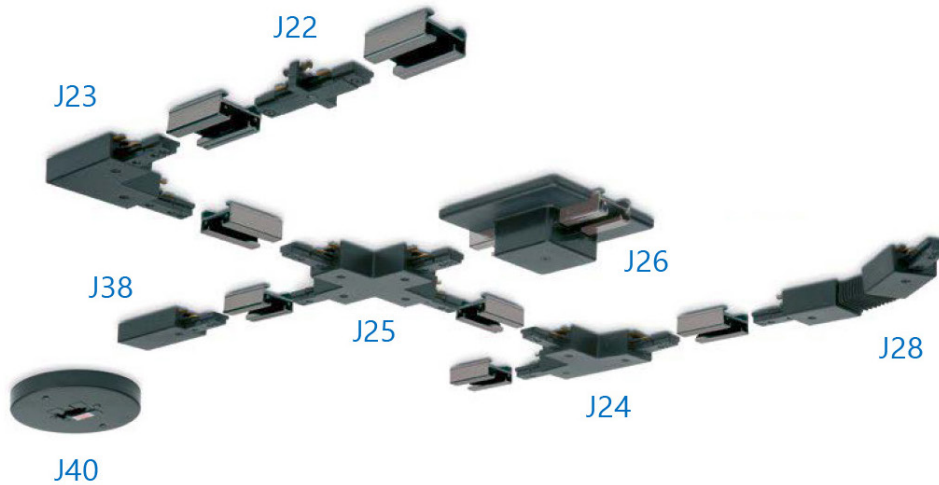




Track Accessories and connections (example: J1)



J1 Track/Power Distribution System

Track / Power Distribution System suitable for retail, commercial and residential use. Compatible with wide selection of J, J1 and J2 track lighting fixtures. Ships with one J30 (end cap) installed. Single Circuit Track only.

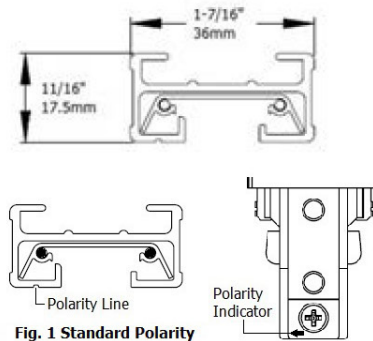


Fig. 1 Standard Polarity

Construction	Electrical	Labels
Extruded aluminum "I" beam. Thermoplastic insulator. Two #12 AWG solid copper conductors.	120V 50/60 Hz 20A max	cULus Listed

J1 Track/Power Distribution System

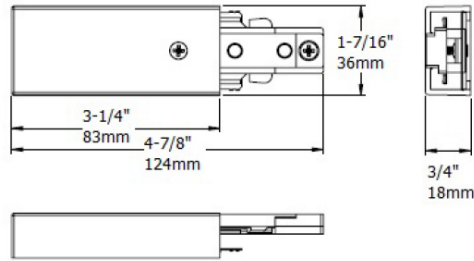
Length	Color	Part Number
2'	WHITE	93051839
2'	BLACK	93051618
4'	WHITE	93051621
4'	BLACK	93051622
6'	WHITE	93051625
6'	BLACK	93051736
8'	WHITE	93051739
8'	BLACK	93051740
12'	WHITE	93051743
12'	BLACK	93051744

J38 End Feed



Direct wiring through ceiling with BX or end feed in suspension. Accepts 3/8" or 1/2" (trade size) electrical fittings. Reversed polarity (J38A) available upon request.

Color	Part Number
WHITE	93051800
BLACK	93051801



With Reversed Polarity:

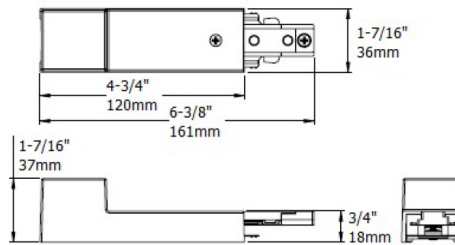
Color	Part Number
WHITE	93051803
BLACK	93051804

J27 Surface Conduit End Feed



Surface conduit wiring. Accepts 3/8" or 1/2" (trade size) electrical fittings. Reversed polarity (J27A) available upon request. Combine standard and reversed.

Color	Part Number
WHITE	93051765
BLACK	93051766

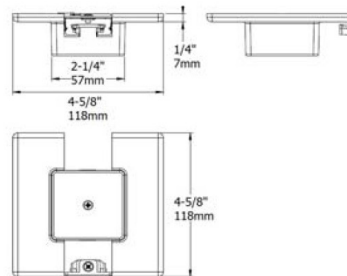


J26 Floating Canopy



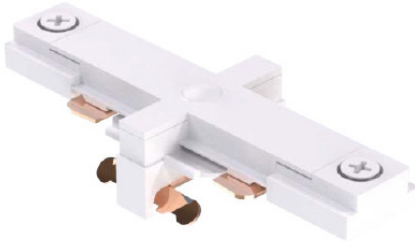
Wiring through junction box. Can be located anywhere along track. Comes with one J30 end cap.

Color	Part Number
WHITE	93051762
BLACK	93051763

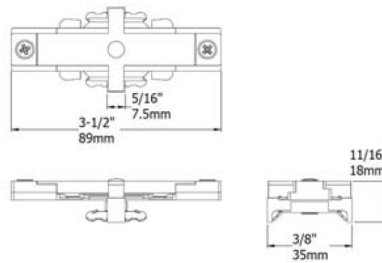


J27 Surface Conduit End Feed

Connects two track sections. Low profile design for a clean continuous run.

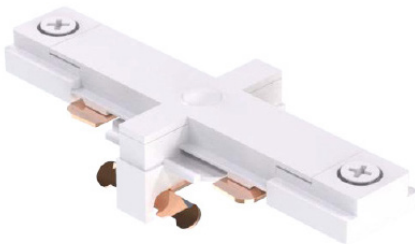


Color	Part Number
WHITE	93051747
BLACK	93051748

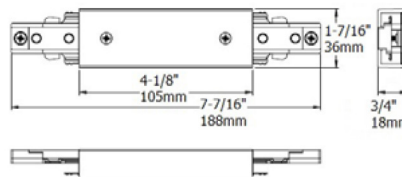


J23 "I" Connector / Power Feed

Connects two track sections in a L configuration. May be used as feed point. BH083 (outlet box cover) required over junction box.



Color	Part Number
WHITE	93051753
BLACK	93051754

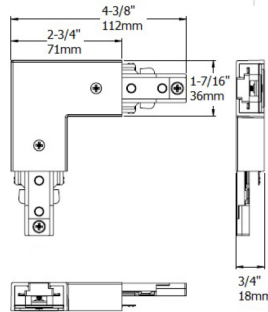


J23 "L" Connector / Power Feed

Connects two track sections in a straight configuration. May be used as feed point. BH083 (outlet box cover) required over junction box.



Color	Part Number
WHITE	93051750
BLACK	93051751

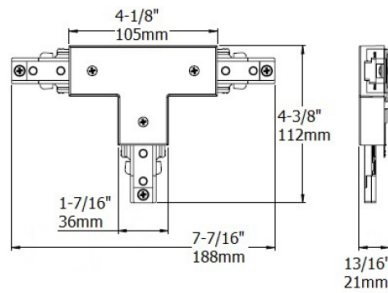


J24 Adjustable T Connector /Feed

Connects three track sections in a T configuration. Adjustable for right or left application. May be used as feed point. BH083 (outlet box cover) required over junction box



Color	Part Number
WHITE	93051756
BLACK	93051757

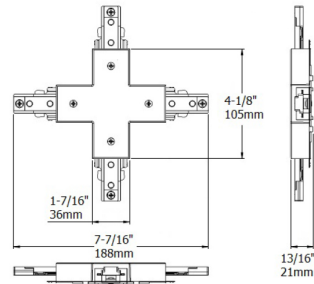


J25 4 Way X Connector



Connects four track sections in an X configuration. Factory wired for two separate 90° runs. May be field wired for one run. May be used as feed point. BH083 (outlet box cover) required over junction box.

Color	Part Number
WHITE	93051759
BLACK	93051760

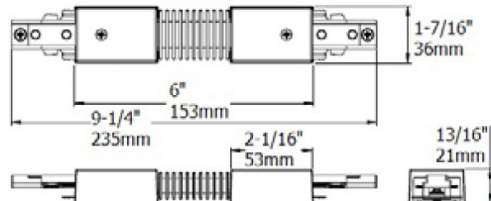


J28, Flexible Joiner



Connects two track sections up to 90° left, right, up or down.

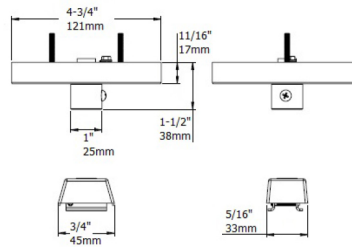
Color	Part Number
WHITE	93051768
BLACK	93051769



J51, Suspension Canopy



Suspend track from ceiling or junction box. Includes canopy and track bracket. Stem not included. Suspension stem in 6", 12", 18", 24", 36" and 48" are available to be ordered separately.

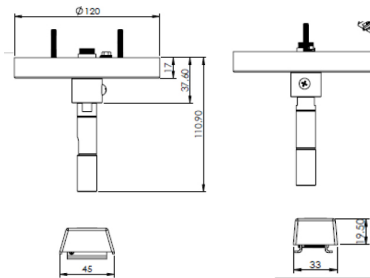


Color	Part Number
WHITE	93051809
BLACK	93051810

J53, Sloped Suspension Canopy



Swivel Stem Kit for Sloped Ceiling, including junction box, swivel adapter and track mounting bracket for back of track. Stem not included. Suspension stem in 6", 12" and 18" are available to be ordered separately.



Color	Part Number
WHITE	93051812
BLACK	93051813

Suspension Stem

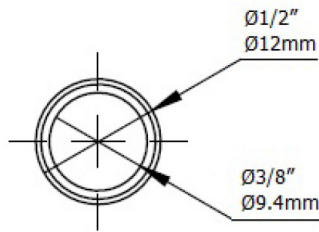


Suspend track from ceiling or junction box. Includes stem only. One required per J51 (suspension canopy). Available in 6", 12" and 18".

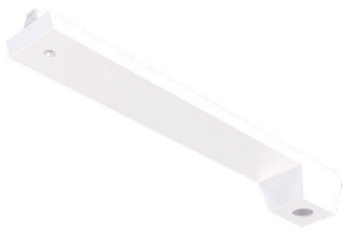
Use 2 per 2' track or 4' track.

Use 3 per 6' track or 8' track.

Length	Color	Part Number
6'	WHITE	93051815
6'	BLACK	93051816
12'	WHITE	93051818
12'	BLACK	93051819
18'	WHITE	93051821
18'	BLACK	93051822

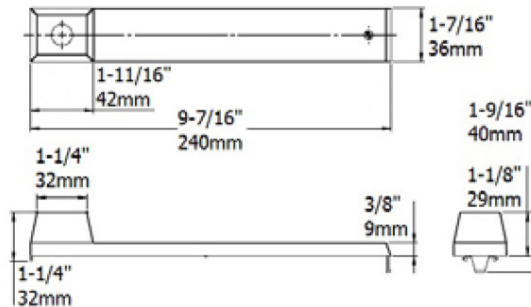


J28, Flexible Joiner



Conceals electrical feed wire from stem to J38 (end feed). One required per J38 (end feed).

Color	Part Number
WHITE	93051833
BLACK	93051834



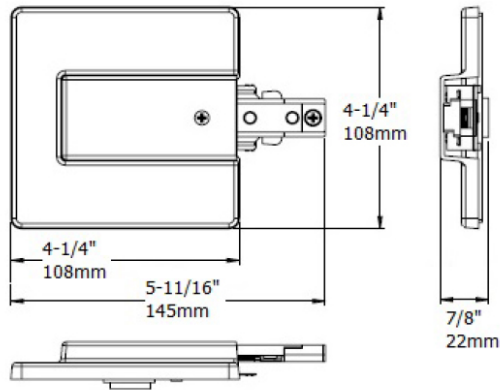
J29, End Feed Kit with Cover (for outlet box mount)



Wiring through junction box. Built-in junction box cover.
 Reversed polarity (J29A) available upon request.

Color	Part Number
WHITE	93051771
BLACK	93051772

Color	Part Number
WHITE	93051774
BLACK	93051775



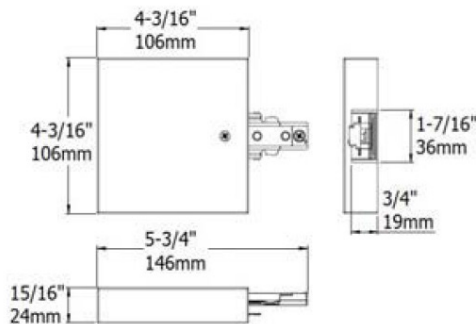
J36 T-Bar End Feed



Direct wiring through ceiling tile with BX when T-Bar is
 directly above track.
 Accepts 3/8" or 1/2" (trade size) electrical fittings.
 Reversed polarity available upon request.

Color	Part Number
WHITE	93051792
BLACK	93051793

Color	Part Number
WHITE	93051795
BLACK	93051796

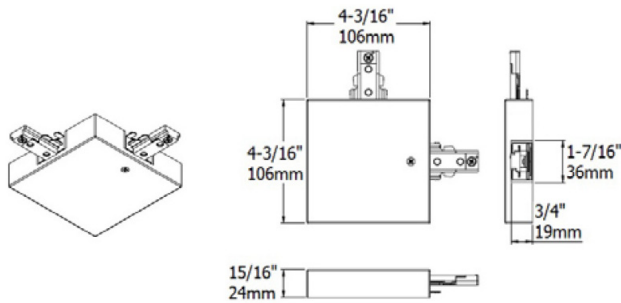


J35 T-Bar Adjustable I or L Connector/Feed

Connects two track sections in a straight or 90° configuration when T-Bar is directly above track. Accepts 3/8" or 1/2" (trade size) electrical fittings. May be used as feed point.

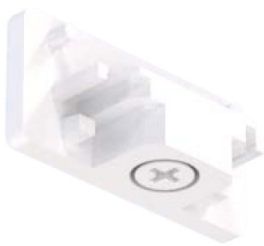


Color	Part Number
WHITE	93051759
BLACK	93051760

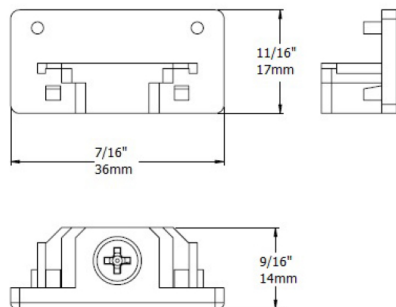


J30 End Cap

Covers end of track section. One included with each J1 track.



Color	Part Number
WHITE	93051777
BLACK	93051778

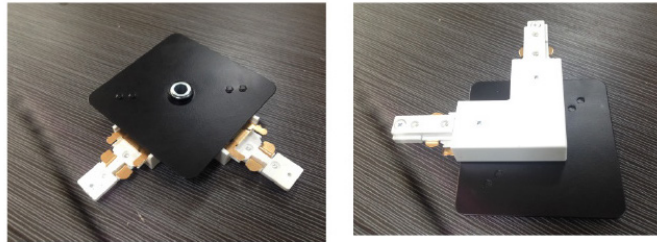


J61 Cover Plate



Square Cover Plate with threaded center access hole. Includes ground washer, threaded nipple and nut. For use with J23, J231, J24, or J25.

Color	Part Number
WHITE	93051836
BLACK	93051837



J61 with J23

J40 Monopoint Juno Adapter



Used to suspend and connect a single fixture. Suitable for retail, commercial and residential use. Compatible with wide selection of J, J1 and J2 track lighting fixtures.

Color	Part Number
WHITE	93051806
BLACK	93051807

