

Installation and Assembly - InFocus® Adjustable Extension Column



This product is intended for use with UL Listed products and must be installed by a qualified professional installer.

Maximum Load Capacity : 900 lb (408 kg)

Models:
 SP-EXTARM-01
 SP-EXTARM-02
 SP-EXTARM-03
 SP-EXTARM-04

⚠ WARNING

- Installer must verify that mounting surface will safely support four times the combined weight of all attached equipment and hardware.

IMPORTANT! Read entire instruction sheet before beginning installation and assembly.

PART'S LIST

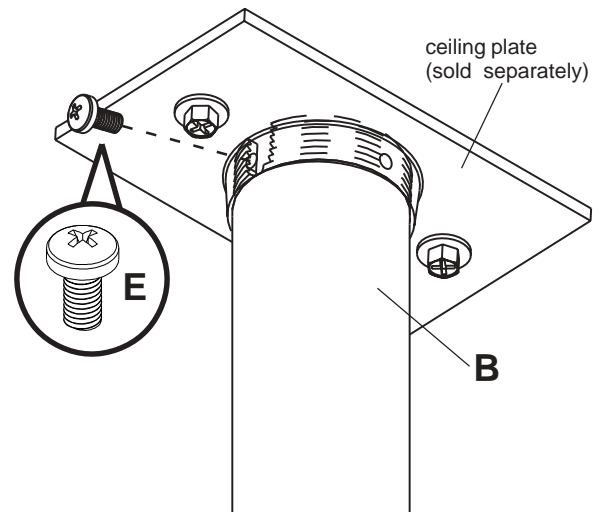
Description	Qty.	SP-EXTARM-01	SP-EXTARM-02	SP-EXTARM-03	SP-EXTARM-04
A extension pipe	1	154-1025	154-1032	154-1034	154-1003
B adjuster tube	1	154-1028	154-1030	154-1030	2MD-55VS11D
E M5 x .8 x 10 mm phillips screw	1	520-9250	520-9250	520-9250	520-9250
F M10 x 60 mm carriage bolt	1	580-1022	580-1022	580-1022	580-1022
G M10 center lock nut	1	530-9402	530-9402	530-9402	530-9402

- ① Attach threaded end of adjuster tube (**B**) to threaded fitting in ceiling plate. Align slot in end of adjuster tube (**B**) with one of the holes in the side of threaded fitting. Insert and tighten one M5 x .8 x 10 mm phillips screw (**E**) to lock adjuster tube (**B**) to threaded fitting.

⚠ WARNING

- Adjuster tube (**B**) must be fully threaded (six or seven full turns) onto threaded fitting in ceiling plate and then locked with screw (**E**).

Optional: For security use M5 socket pin screw (provided with projector mount) instead of M5 phillips screw (**E**). Tighten using security allen wrench (provided with projector mount).



- ② Slide extension pipe (A) over adjuster tube (B) to the desired height. Attach with one bolt (F) and lock nut (G).

