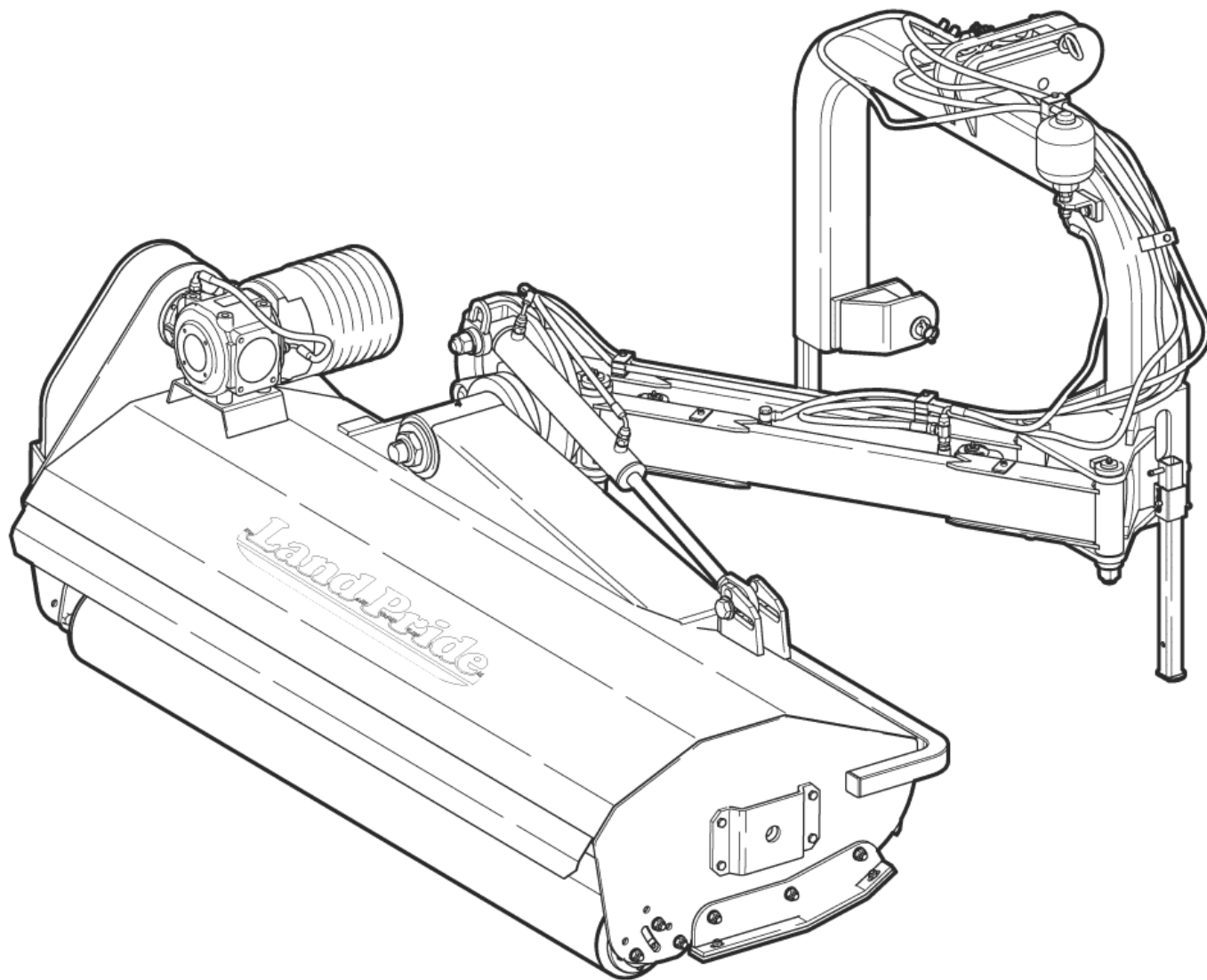


# Offset Flail Mowers

OFM2660, OFM2672 & OFM2678



## 333-142P Parts Manual



Read the Operator's Manual entirely. When you see this symbol, the subsequent instructions and warnings are serious - follow without exception. Your life and the lives of others depend on it!

© Copyright 2023 Printed 01/02/2024

Cover photo may show optional equipment not supplied with standard unit.

# Table Of Contents

<b>Section 1: Introduction</b> .....	<b>2</b>
<i>Using This Manual</i> .....	2
<i>Manual Replacement Information</i> .....	2
<i>Manual Revisions</i> .....	2
<i>Touch-up Paint</i> .....	2
<i>Hardware Legend</i> .....	3
<i>Replacement Hardware</i> .....	3
<i>Serial Numbers</i> .....	3
<i>Part Number Service Coding</i> .....	3
<b>Section 2: Frame and Roller</b> .....	<b>4</b>
<b>Components</b>	
<i>Hitch and Offset</i> .....	4
<i>Main Frame</i> .....	6
<i>Rear Roller</i> .....	8
<i>Rotor and Transmission</i> .....	10
<i>SMV Sign &amp; Manual Tube</i> .....	12
<i>SMV Sign Mount (333-163K)</i> .....	14
<i>Tensioner for Belt</i> .....	16
<b>Section 3: Drive Components</b> .....	<b>18</b>
<i>Driveline (MA0005G8014)</i> .....	18
<i>Driveline (MA0005GD001)</i> .....	20
<i>Gearbox</i> .....	22
<i>Gearbox Equipment</i> .....	24
<b>Section 4: Hydraulics</b> .....	<b>26</b>
<i>Hydraulic System</i> .....	26
<b>Section 5: Decal Placement</b> .....	<b>28</b>
<i>Decals</i> .....	28
<i>Land Pride Touch-up Paints</i> .....	30

*This Page Intentionally Left Blank*

# General Information

## Using This Manual

This manual is divided into sections. The first section contains General Information. The remaining sections divide the machine into segments (i.e. Frames, Drives, Hydraulics, etc.) which illustrate and list all parts. A Parts Number Index is located at the back of the book.

The Land Pride parts in this manual are specially designed for this machine and should be replaced with Land Pride parts only.

The information in this manual is current at time of printing. Some parts may change to assure top performance.

Right-hand and left-hand as used in this manual are determined by facing the direction the machine will travel while in use.

Below is an example of two facing pages from a parts manual. Familiarize yourself with the type of information contained on these pages.

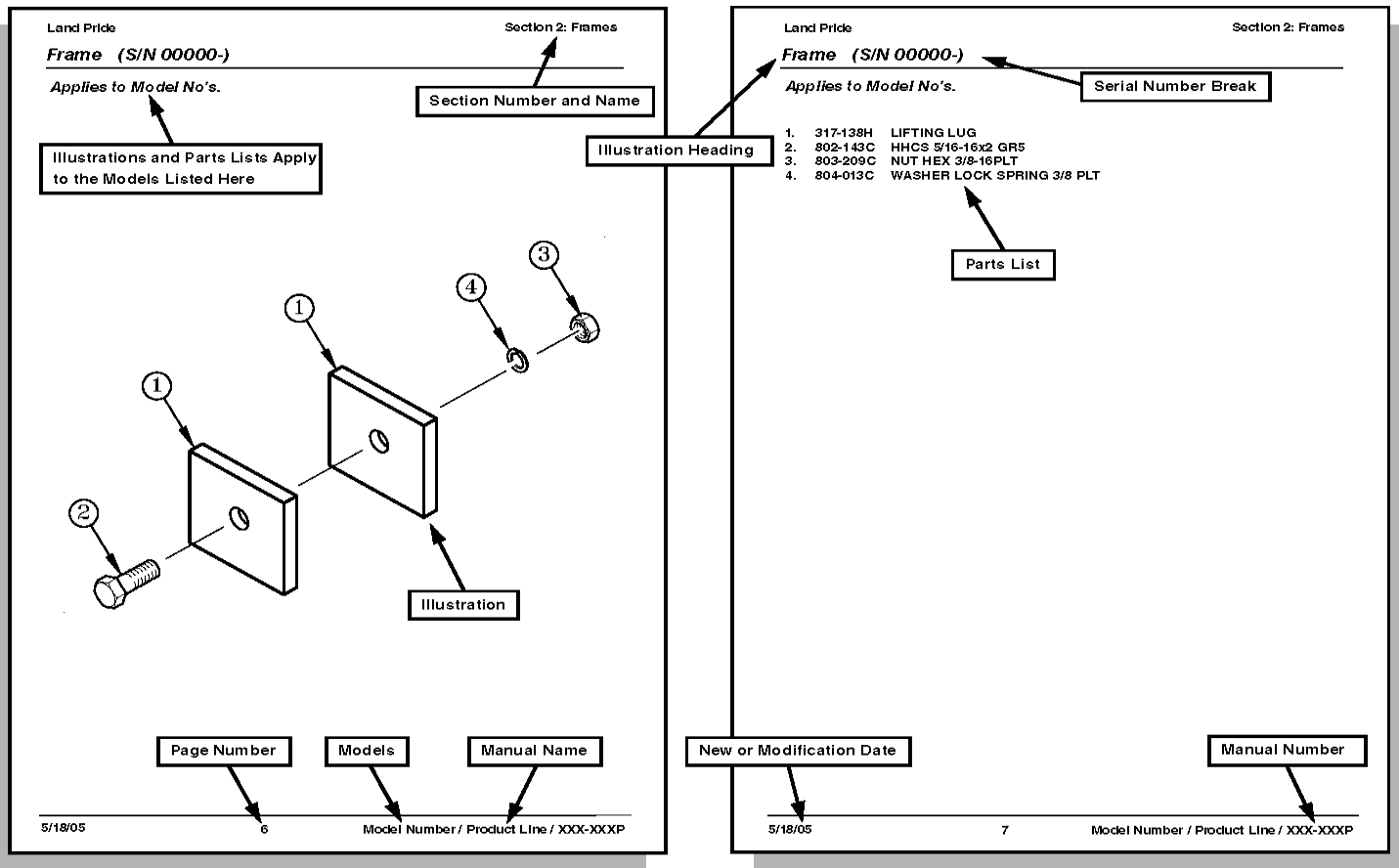
## Manual Replacement Information

Replacement manuals are available. Refer to our website at [www.landpride.com](http://www.landpride.com) or e-mail us at [lit@landpride.com](mailto:lit@landpride.com) for additional information. Our website continues to provide the most up-to-date manuals available.

## Touch-up Paint

Repaint parts where paint is worn or scratched to prevent rust. Aerosol cans, quart cans, gallon cans and touch-up bottles with brush applicator are available through your local dealer.

Land Pride color descriptions and part numbers are listed on the "Land Pride Touch-up Paints" page in the "Decals" section of this book.



© Copyright 2023. All rights Reserved

Land Pride provides this publication "as is" without warranty of any kind, either expressed or implied. While every precaution has been taken in the preparation of this manual, Land Pride assumes no responsibility for errors or omissions. Neither is any liability assumed for damages resulting from the use of the information contained herein. Land Pride reserves the right to revise and improve its products as it sees fit. This publication describes the state of this product at the time of its publication, and may not reflect the product in the future. The illustrations in this manual are not intended for safe and proper assembly or disassembly of equipment. The illustrations are intended for ordering parts only.

Land Pride is a registered trademark.

All other brands and product names are trademarks or registered trademarks of their respective holders.

Printed in the United States of America.

## General Information

### Hardware Legend

AR	As Required
BLADE	Blade Bolt
C	Cap Screw
CP	Cotter Pin
CPHSSS	Cup Point Hex Socket Set Screw
CPSHSS	Cup Point Square Head Set Screw
CPSQHSS	Cup Point Square Head Set Screw
CRFCHMS3	Cross Recess Flat Countersunk Head Machine Screw
CRPHMS	Cross Recess Pan Head Machine Screw
CRPHTFS	Cross Recess Pan Head Thread Forming
CRRHMS	Cross Recess Round Head Machine Screw
CRTHMS	Cross Recess Truss Head Machine Screw
CSNB	Countersunk Square Neck Bolt
FHMS	Flat Head Machine Screw
FTC	Full Thread Cap Screw
H	Hex Nut
HCLN	Hex Center Lock Nut
HFLCS	Hex Flange Lock Cap Screw
HFS	Hex Flange Screw
HFSLN	Hex Flange Serrated Lock Nut
HFSS	Hex Flange Serrated Screw
HHCS	Hex Head Cap Screw or Metric Bolt
HSBHCS	Hex Socket Button Head Cap Screw
HSFCHCS	Hex Socket Flat Countersunk Head Cap Screw
HSHCS	Hex Socket Head Cap Screw
HSSS	Hex Socket Head Screw
HTLN	Hex Top Lock Nut
HHWCS	Hex Washer Head Cap Screw

HWHMS	Hex Washer Head Machine Screw
HXBHCS	Hex Socket Button Head Cap Screw
J	Hex Jam Nut
JIC	37 Degree Tapered Thread
L	Helical Spring Lock Washer
LUG	Lug Bolt
NFC	National Fine Cap Screw
NPSM	National Pipe Straight Mechanical
NPTF	National Pipe Taper Fuel
P	Wide Plain Washer
PHMS	Pan Head Machine Screw
PLow	Plow Bolt
RHMS	Round Head Machine Screw
RHSNB	Round Head Square Neck Bolt
SCREW LEVELING	Leveling Screw
SCREW THUMB	Thumb Screw
SCREW WELD	Weld Screw
SFCHMS	Slotted Flat Countersunk Head Machine Screw
SFHMS	Slotted Fillister Head Machine Screw
SP	Special
SP SCREW	Special Screw
SQHSS	Square Head Set Screw
SRHMS	Slotted Round Head Machine Screw
SSS	Socket Set Screw
STCS	Self Tapping Cap Screw
STHMS	Slotted Truss Head Machine Screw
WHEEL	Wheel Studs and Hub Long Bolts
WING	Wing Bolt

### Replacement Hardware

The **Hardware Legend** above lists hardware abbreviations used in the parts list. All bolts and nuts are Grade 5 unless otherwise noted. The use of improper grades of hardware can result in personal injury, damage to equipment, or loss of property.

### Colored Replacement Parts

Land Pride offers replacement parts in factory standard colors and also on select models in Green, Orange, Red and Blue. Because of the variety of colors available, special attention must be given to the part number to prevent ordering the wrong replacement part.

A suffix number corresponding to one of the colors below must be added at the end of Land Pride's part number when ordering a replacement part with that color.

**81** . . . . **Green**      **83** . . . . **Red**  
**82** . . . . **Orange**    **84** . . . . **Blue**

For example, if you are ordering a replacement part with part number 555-555C and the part you need is red, then add the suffix 83 to the end of the number to make the part number read 555-555C83. Parts ordered without a suffix number will be supplied in factory standard colors.

### Black Replacement Parts

Some parts are factory standard black and some must be special ordered black. If your part is special ordered black, a second part number with the additional suffix number 85 on the end will be available. In this situation you must order that part with the suffix number for it to be black. Parts that are factory standard black will not have the suffix number.

### Part Number Service Coding

Within the parts list some part numbers are coded for revisions and interchangeability. See notations in revision column.

### Serial Numbers

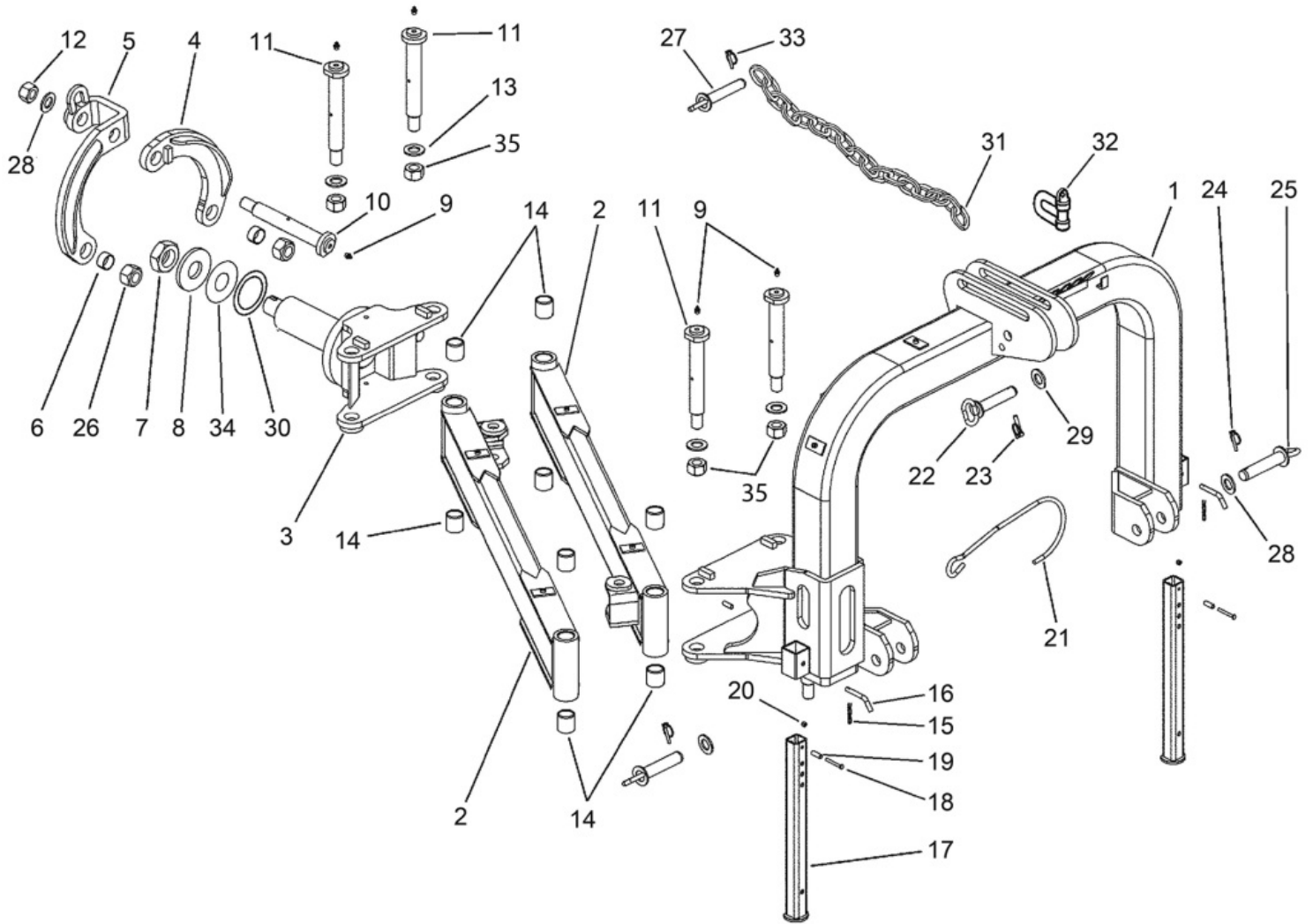
Always use the serial and model number when ordering parts. Refer to the Operator's Manual for serial number plate location.

(S/N 20001+)	Includes serial numbers 20001 and above (to the latest number)
(S/N 10001 to 20000)	Includes serial numbers between and including 10001 and 20000
(S/N 10000-)	Includes serial numbers 10000 and below (to the earliest number)

Land Pride  
**Hitch and Offset**

**Section 2: Frame and Roller Components**

Applies to Models: OFM2678, OFM2672, OFM2660

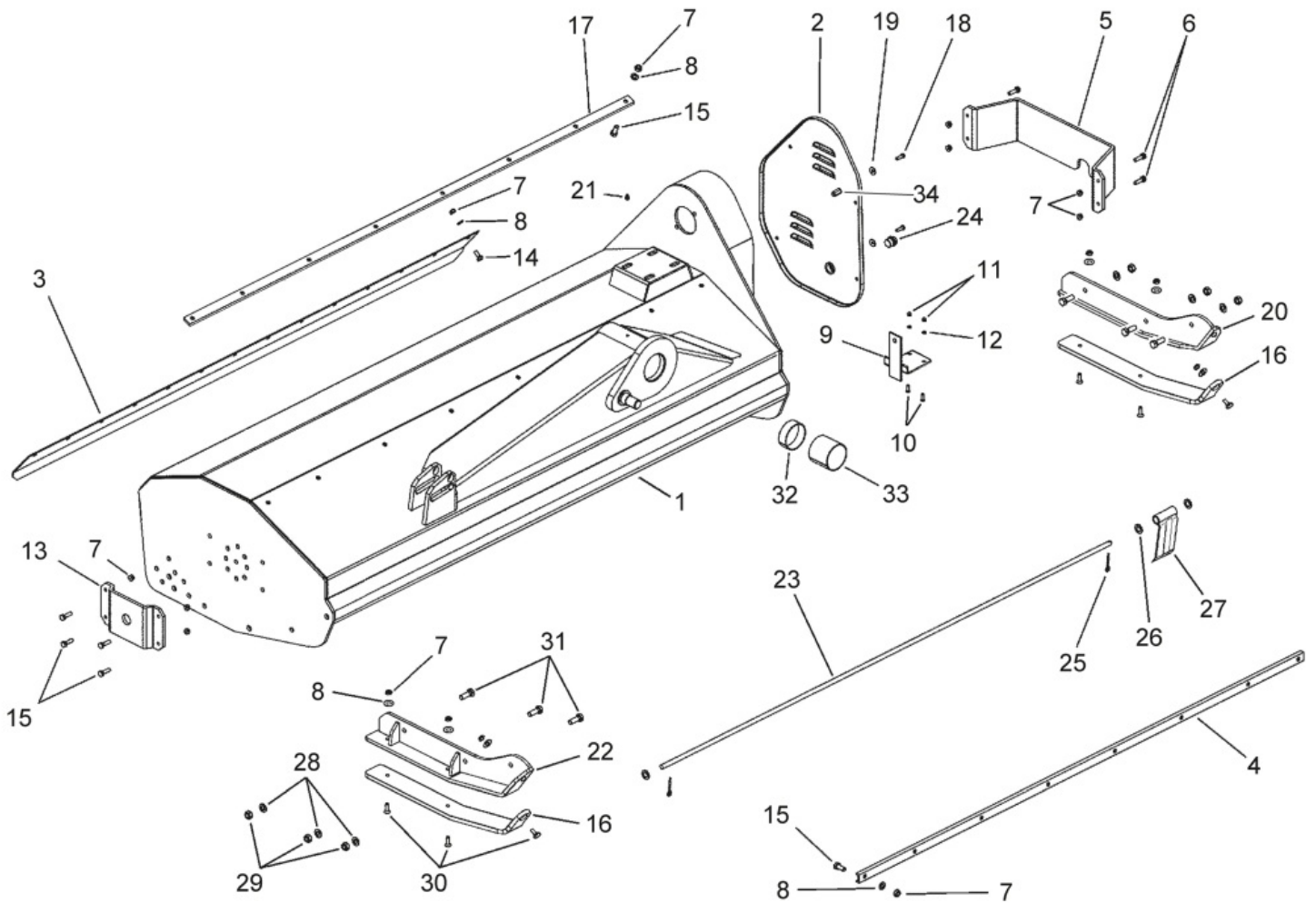


**Hitch and Offset**

Applies to Models: OFM2678, OFM2672, OFM2660

Ref.	Part No.	Part Description	Comments
	DWG 76010	Image No.	
1	MAY040030.86	HITCH FRAME	3 Point Hitch
2	A137451486	ARM	
3	MA50000203.77	CHOPPER SUPPORT	
4	MA5000206.77	PIVOTING ROD RH	
5	MA5000205.77	PIVOTING ROD LH	
6	MA0001477	BUSH, SKF PRM 353920	
7	MA44000106	NUT, M45X1.5 SPECIAL	
8	MA50000207	RING	
9	MA0000926	GREASE NIPPLE, M10X1	
10	MA50000209Y	PIN PIVOTING	
11	MAY040028.61	ARM PIN	
12	MA0000272	NUT, M27 LOCK DIN 982	
13	KG01268361	Washer M30	
14	MA0001473	BUSH, SKF PRM 353950	
15	MA0000915	SPLIT PIN DIAM 3 A R	
16	MA6201049Y	PIN FM-FH ZINC	
17	MAY040025.61	PARKING STAND FHP PLUS ZN	
18	KG00469561	BOLT, M6 X 45 UNI 5739	
19	MA6201062Y	SPACER	
20	KG01063961	NUT, M6 BLOCK DIN 982 5S	
21	MAE000H19Y	SUPPORT HOOK	
22	MAE165K7Y	PIN	
23	KB8876436	SPLIT PIN	
24	KB8876436	SPLIT PIN	
25	MA6403082Y	PIN	
26	MA00002017	M30 BLOCK DIN 982	
27	MA0101083AY	PIN EX 6300083	
28	KG01268261	WASHER, BIS.D.27 UNI 6592 Z	
29	KG01268161	WASHER, D.24 UNI 6592 ZN	
30	MA0001509	SPACER	
31	MA1000309Y	CHAIN	
32	MA0001006	U-BOLT 9/16	
33	MA00010502	PIN, 6 X 42	
34	MA640008801	SPACER	
35	MA00002017	M30 BLOCK DIN 982	

Applies to Models: OFM2678, OFM2672, OFM2660

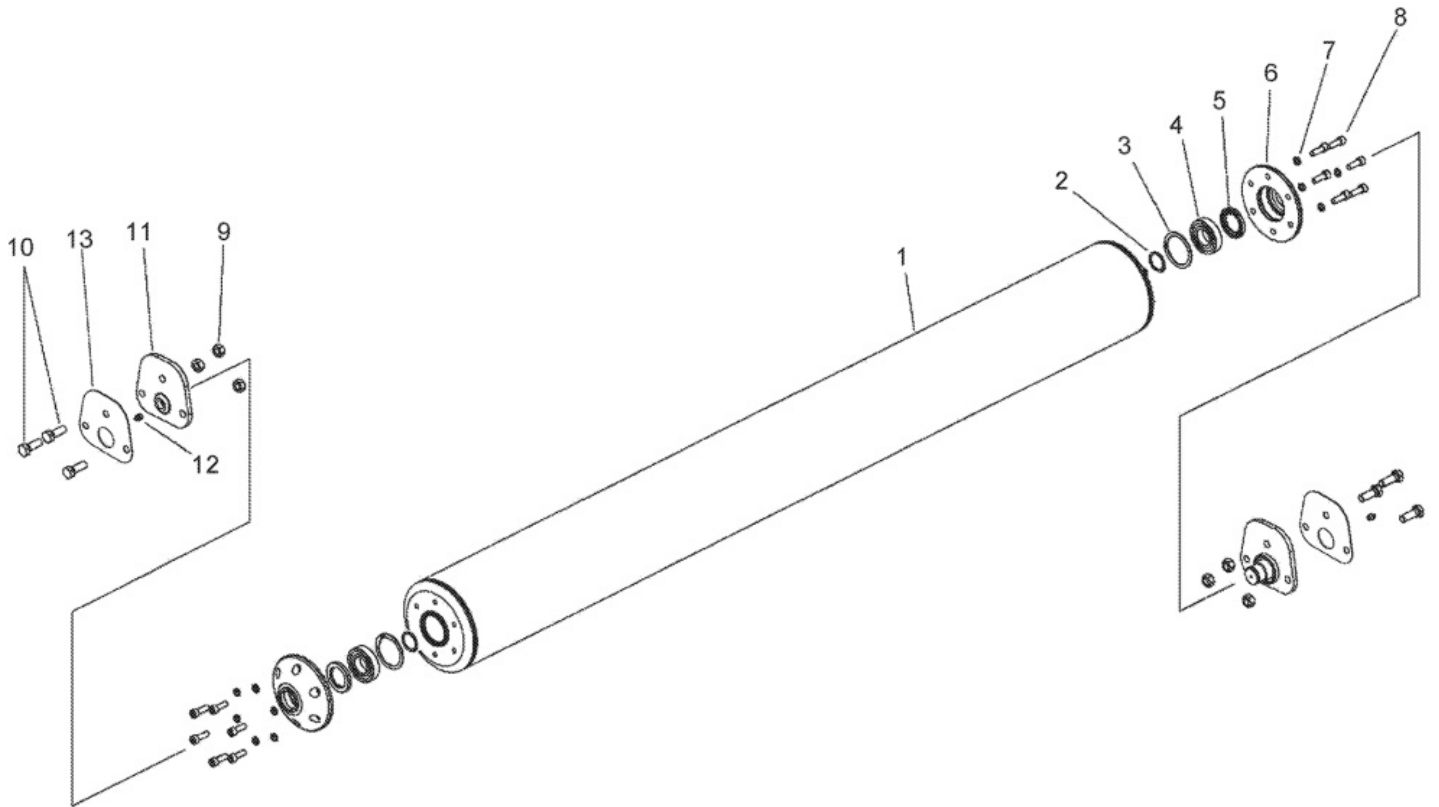




Applies to Models: OFM2678, OFM2672, OFM2660

Ref.	Part No.	Part Description	Comments
	DWG 76023	Drawing Image Number	
1	MAV5015001.77	FRAME, OFM2660	
1	MAV5018001.77	FRAME, OFM2672	
1	MAV5020001.77	FRAME, OFM2678	
2	MA52001222.77	CARTER COVER SE2000/SE3000	
3	MA50155077Y	BAFFLE PLATE, 60"	
3	MA50185077Y	BAFFLE PLATE, 72"	
3	MA50200077Y	BAFFLE PLATE, 78"	
4	A137150486	FRONT COUNTER KNIFE, OFM2660	
4	A137150586	FRONT COUNTER KNIFE, OFM2672	
4	A137150686	FRONT COUNTER KNIFE, 78" OFM	
5	A137000177	GUARD, DRIVE END	
6	KG00474461	BOLT, M10x35 UNI 5739 8.8	
7	MA00002026	NUT, M10 BIBLOCK	
8	KG01267461	WASHER FLAT 10.5MM	
9	MAV5200120.77	CLOSING	
10	KG00468961	BOLT M6x20 8.8 DIN933 ZN	
11	KG01063961	NUT, M6 BLOCK DIN 982 5S	
12	KG01267261	WASHER, D.6 UNI 6592	
13	MA50000116.77	GREASER PROTECTION SE2000	
13	A137154077	RPBY MA50000116.77	
14	KG00474261	BOLT, M10x25 DIN933 ZN	
15	KG00474361	BOLT HEX M10X30	
16	MAY040033.86	UNDER SKID	
17	A137140586	REAR COUNTER KNIFE, OFM2660	
17	A137150886	REAR COUNTER KNIFE, OFM2672	
17	A137150986	REAR COUNTER KNIFE, 78" OFM	
18	KG00471761	BOLT, M8x16 UNI 5739 8.8 ZN	
19	MA0000357	WASHER, 9x24x2 ZN	
20	MAY0400012.86	LH SKID	
21	MA0000926	GREASE NIPPLE, M10X1	
22	MAY0400011.86	RH SKID	
23	MAY0415006.61	PIN, 60"	
23	MAY0418006.61	PIN, 72"	
23	MAY042006.61	PIN, 78"	
24	MA0001479	PLUG, 3/4"	
25	KG01253061	SPLIT PIN, 5x50 UNI 1336	
26	KG01267961	WASHER, D.20 UNI 6592	
27	MAY040035.61	CANVAS, 70X5X175 ZN	
28	KG01267661	WASHER, D.15 DIN 125 ZN	
29	MA00002016	NUT, M14 BIBLOCK	
30	KG00849361	BOLT	
31	KG00458261	SCREW	
32	MA0001480	BUSH, SKF PCM 859030 B	
33	MA0001475	BUSH, SKF PRM 859080	
34	N/A	NOT AVAILABLE	Rivet (RIVKLE) FIL.M8

Applies to Models: OFM2678, OFM2672, OFM2660

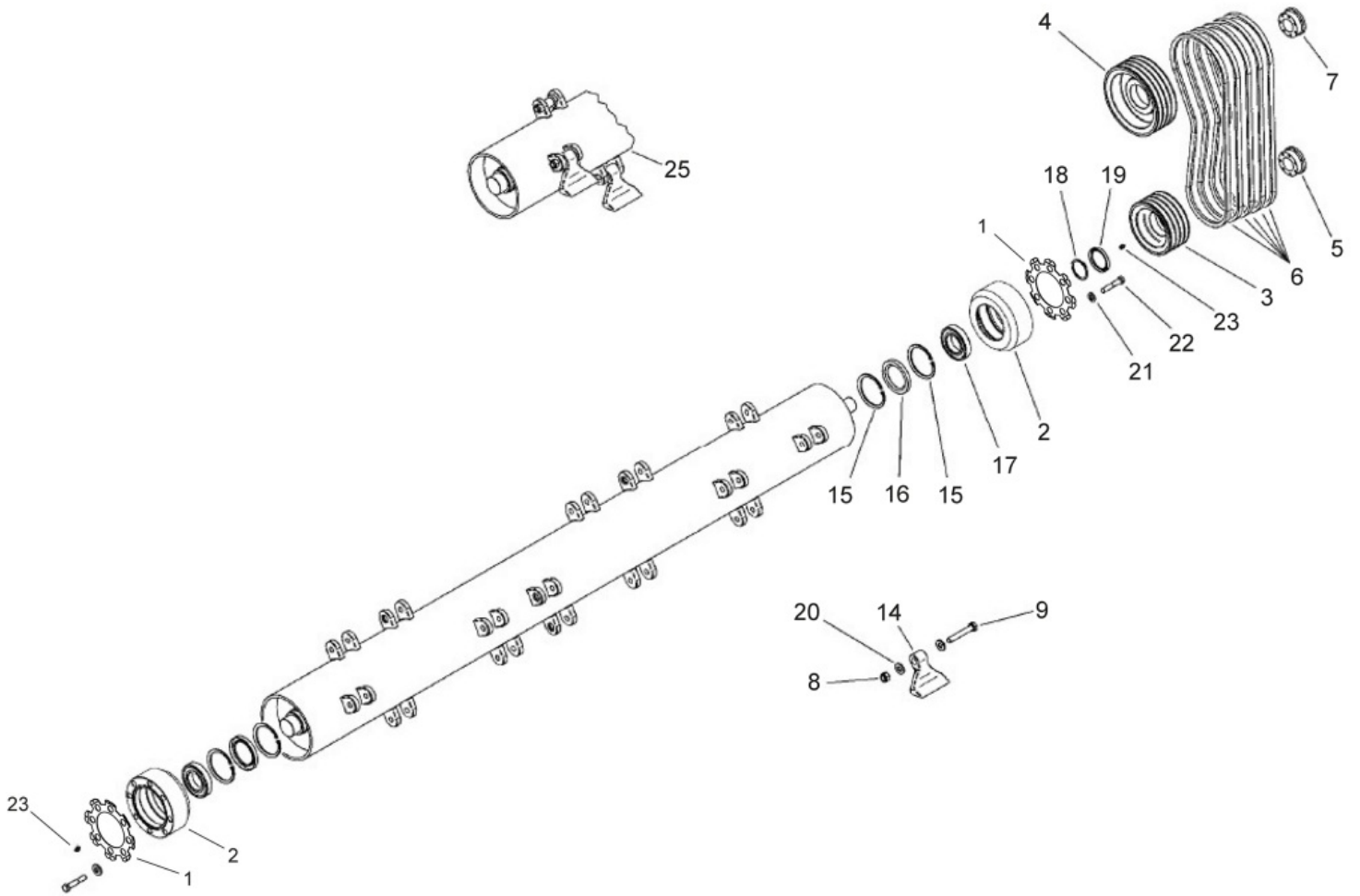


Applies to Models: OFM2678, OFM2672, OFM2660

Ref.	Part No.	Part Description	Comments
	DWG 76030	Image No.	
1	A137154286	ROLLER, OFM2660	
1	A137154386	ROLLER, 72"	
1	A137154186	ROLLER, OFM26/3678	
2	KG01104200	SEEGER	
3	KG01130500	SNAP RING, I 72 DIN 472	
4	KG01381900	BEARING, 6207	
5	KG00020700	SHAFT SEAL, 40X62X7	
6	A137153386	SUPPORT	
7	KG01277661	WASHER, D.10 DIN 7980	
8	KG00595961	BOLT, M10x30 UNI 5931 12.9 ZN	
9	MA00002016	NUT, M14 BIBLOCK	
10	KG00458261	SCREW	
11	A137154486	ROLLER SUPPORT	
12	MA0000926	GREASE NIPPLE, M10X1	
13	A137424863	SPACER	

# Rotor and Transmission

Applies to Models: OFM2678, OFM2672, OFM2660



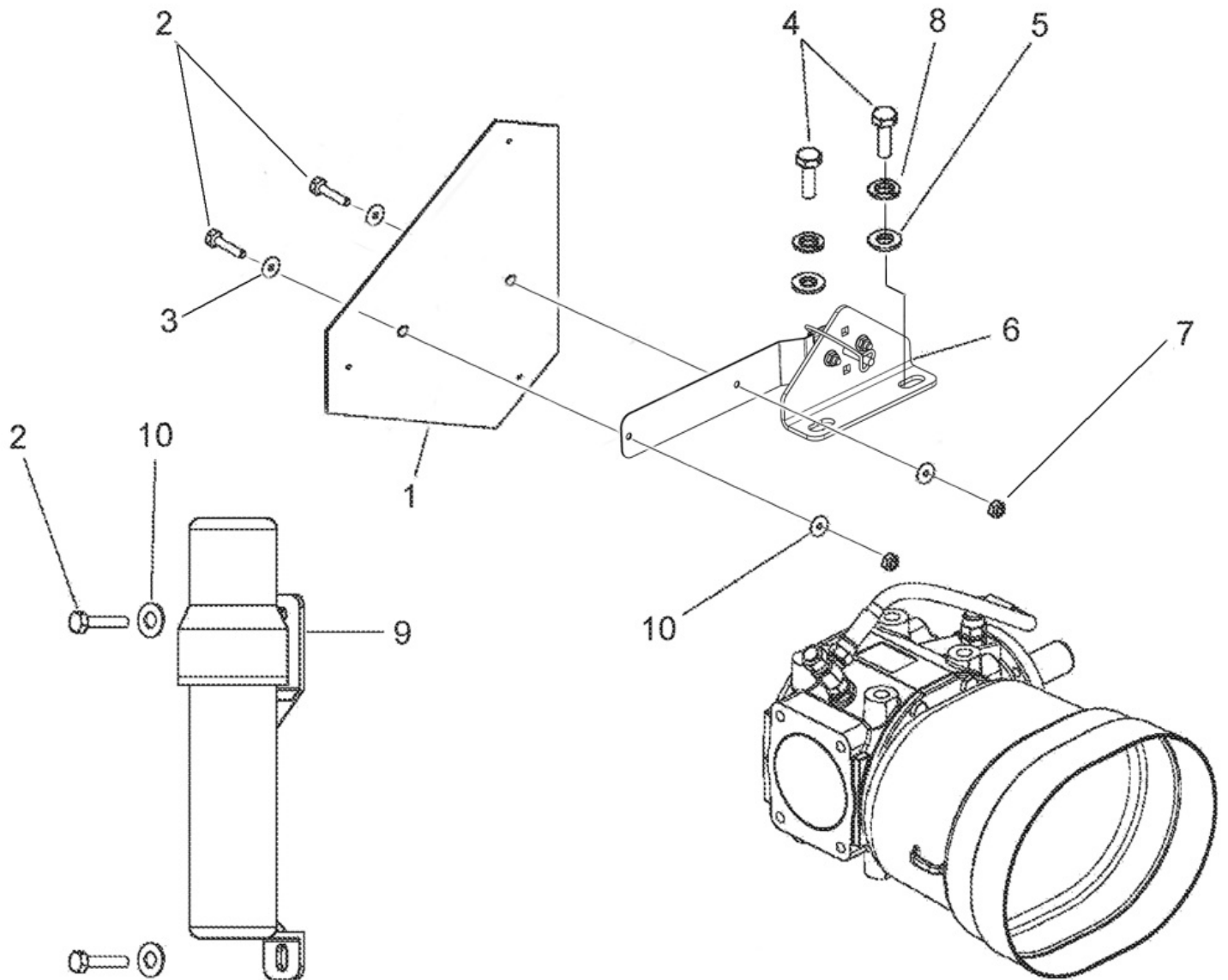
**Rotor and Transmission**

Applies to Models: OFM2678, OFM2672, OFM2660

Ref.	Part No.	Part Description	Comments
	DWG 76027	Drawing Image Number	
1	A137444463	LOCK PLATE	
2	A137151286	SUPPORT, D.152	
3	MAY040020	PULLEY, D.150X5A	
4	MAY040021	PULLEY, D.200X5A	
5	MA0000941	LOCKING	
6	A137484630	KIT 5 BELTS 1400	
6	MA0001523	RPBY A137484630	(Obsolete) Qty. 5 Needed
7	MA0001476	LOCKING	
8	MA00002031	SCREW NUT M16X1,5 DIN980	
9	MA0000163	BOLT UNI 5738 10K M 16X1,5X110	
14	MA6303076	HAMMER BLADE FHP-FHPP-FHS-FRO	
15	KG01124500	SNAP RING, I 90 DIN 472	
16	KG00099600	SHAFT SEAL, 55X90X10	
17	KG01533600	BEARING, 1210	
18	KG01105000	SNAP RING, E 50 DIN 471	
19	KG00166800	SHAFT SEAL, 50X80X10 R	
20	MA6300095Y	WASHER, 17X35X5 ZN	
21	KG01277861	WASHER, M14 DIN 7980 ZN	
22	KG00478561	BOLT	
23	MA0000926	GREASE NIPPLE, M10X1	
25	A137151686	ROTOR ASSEMBLY, 60"	
25	A137151786	ROTOR ASSEMBLY, 72"	
25	A137151886	HAMMER BLADES ROTOR 200 BAL (D	

# SMV Sign & Manual Tube

Applies to Models: OFM2678, OFM2672, OFM2660



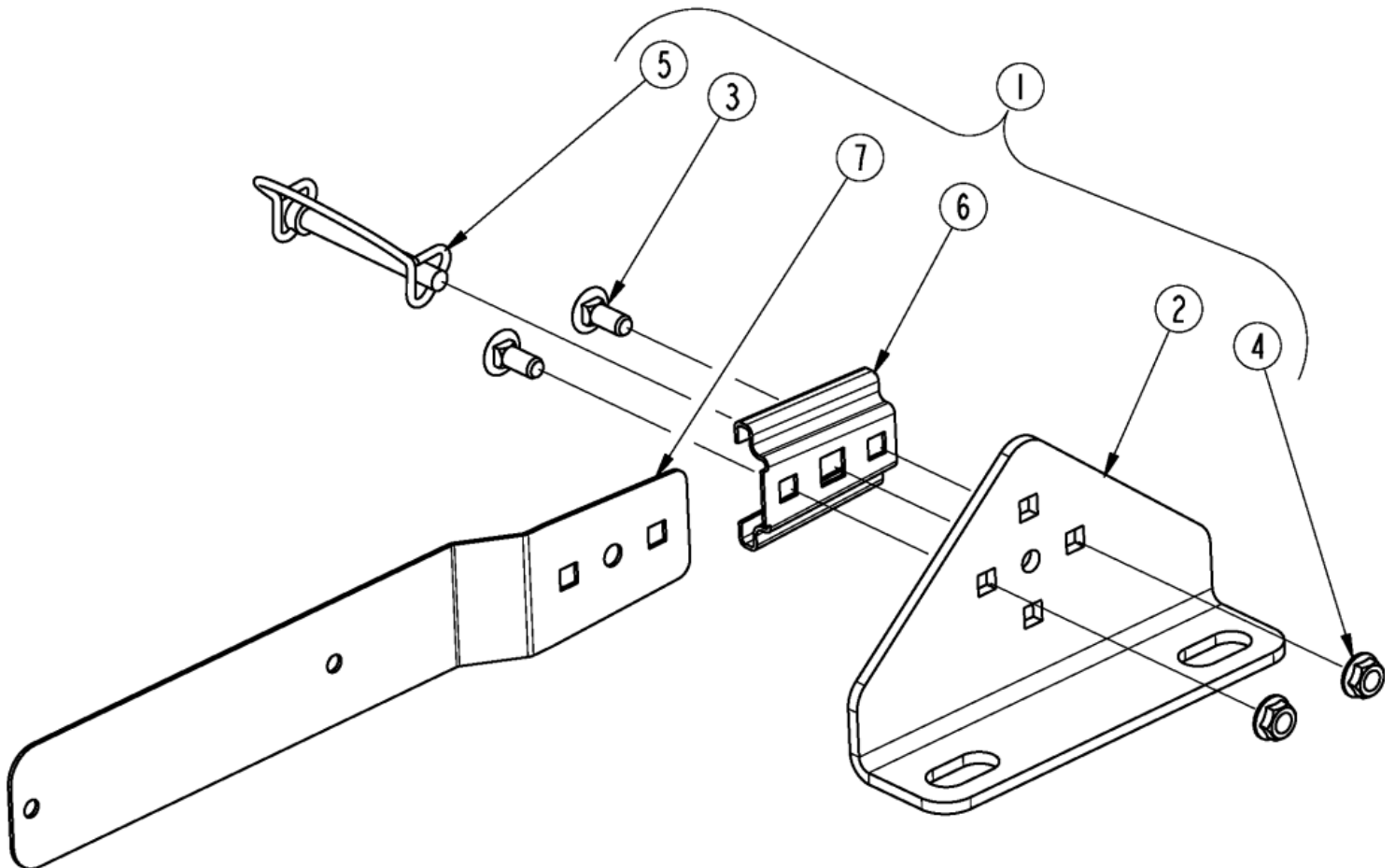
**SMV Sign & Manual Tube**

Applies to Models: OFM2678, OFM2672, OFM2660

Ref.	Part No.	Part Description	Comments
	DWG 76037	Image No.	
1	VF16649484	SMV SIGNS	
2	N/A	NOT AVAILABLE	Bolt M6x30 UNI 5739 8.8 Z
3	KG01267261	WASHER, D.6 UNI 6592	
4	KG00480061	BOLT, M16x30 UNI 5739 8.8 ZN	
5	N/A	NOT AVAILABLE	Washer M16 ISO7089 ZN
6	333-162K	SMV MOUNTING KIT, OFM36	
7	KG01063961	NUT, M6 BLOCK DIN 982 5S	
8	KG01277961	WASHER, d.16	
9	N/A	NOT AVAILABLE	Manual storage container
10	MA0000362	SCHEIBE DIAM 6X18 UNI 6593	

# SMV Sign Mount (333-163K)

Applies to Models: OFM2678, OFM2672, OFM2660





# SMV Sign Mount (333-163K)

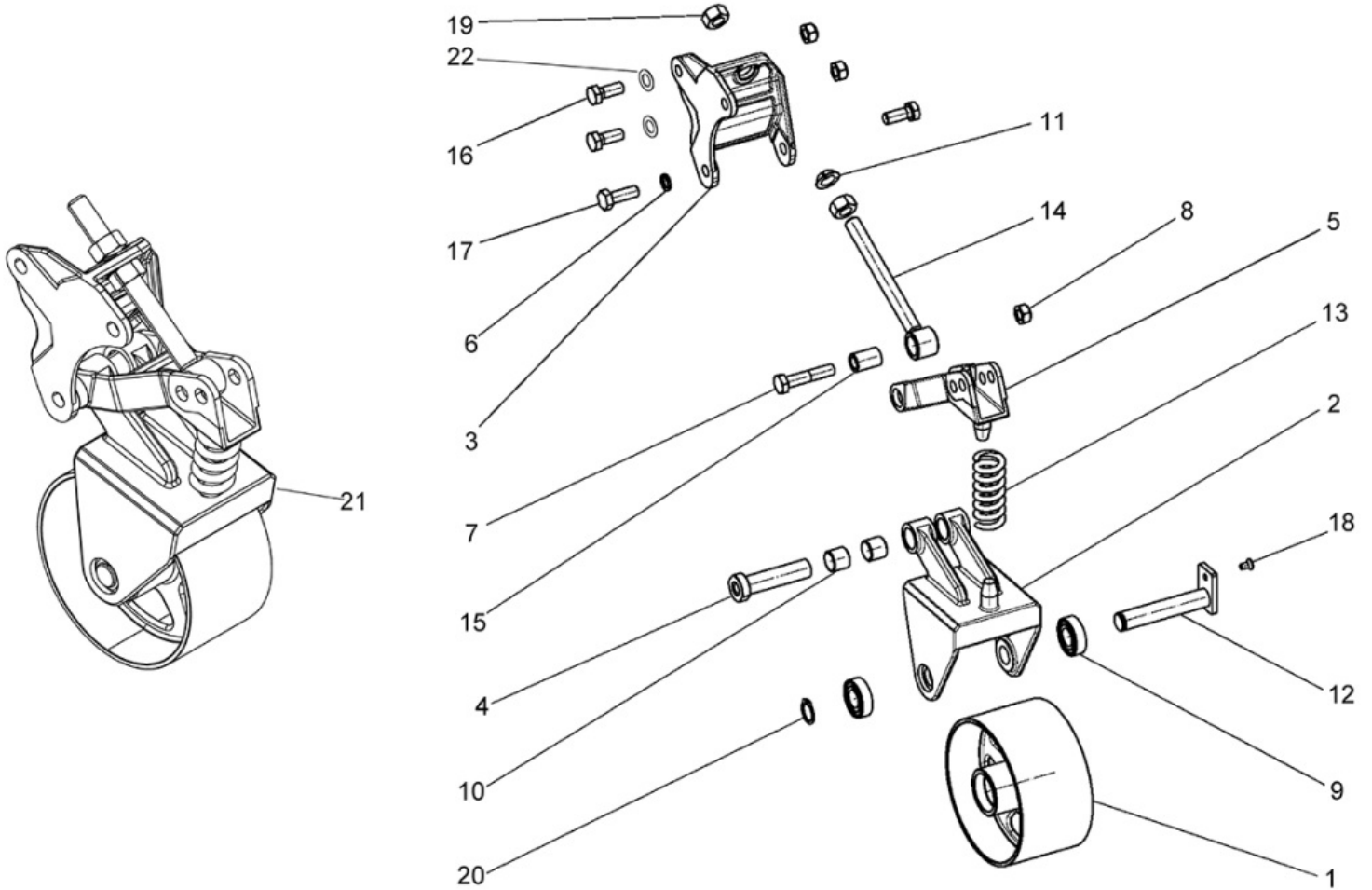
---

Applies to Models: OFM2678, OFM2672, OFM2660

Ref.	Part No.	Part Description	Comments
	DWG 76050	Image No.	
1	333-163K	SMV MOUNTING KIT, OFM26	
2	333-275D	SMV MOUNT PLATE	
3	802-092C	RHSNB 5/16-18X3/4 GR5	
4	803-043C	NUT HEX WHIZ 5/16-18 PLT	
5	805-155C	PIN WIRE RETAIN 5/16 X 2 1/2	
6	890-401C	SMV MOUNTING SOCKET	
7	892-034C	SMV MOUNTING BLADE LONG	

# Tensioner for Belt

Applies to Models: OFM2678, OFM2672, OFM2660



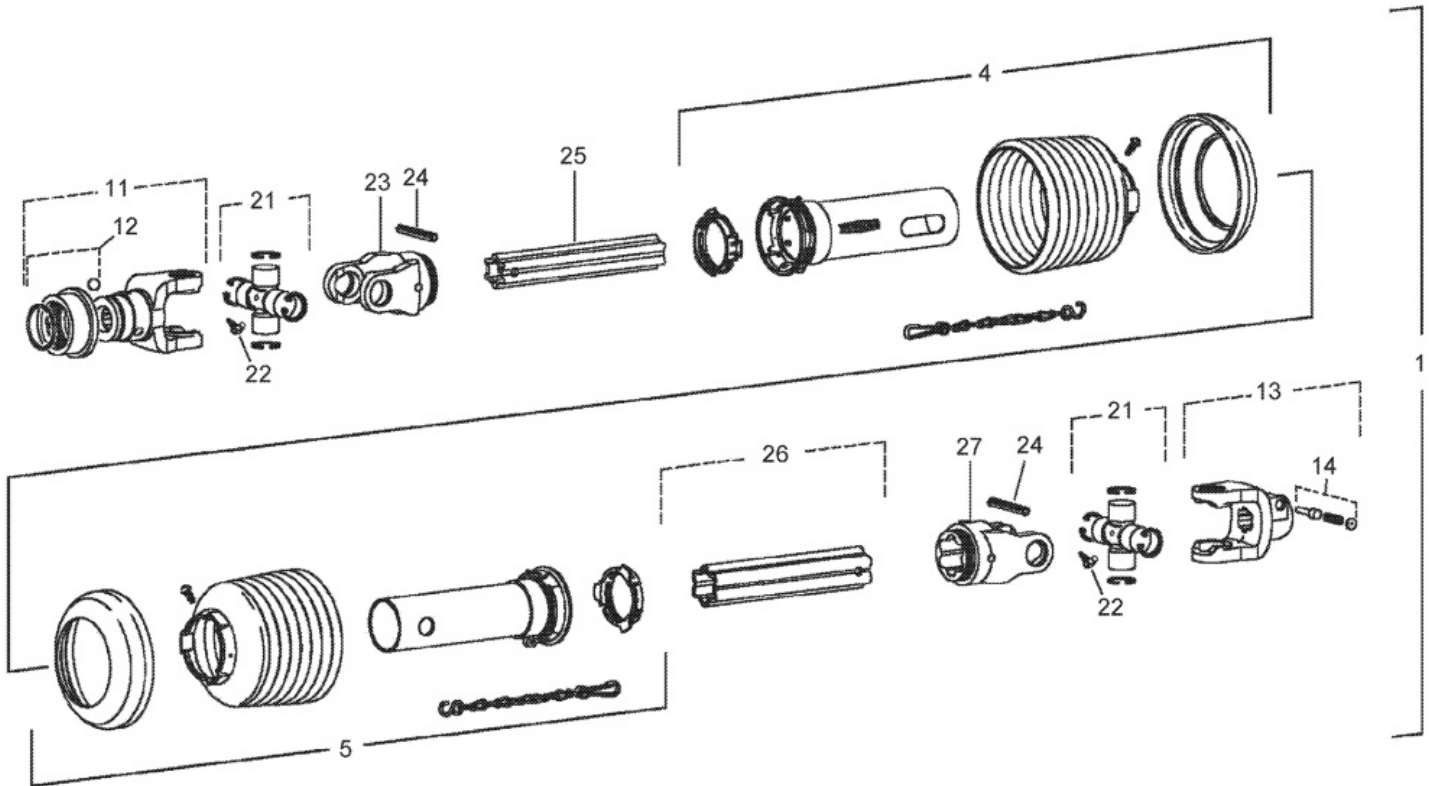
**Tensioner for Belt**

Applies to Models: OFM2678, OFM2672, OFM2660

Ref.	Part No.	Part Description	Comments
	DWG 76029	Image No.	
1	A137176165	RULLO TENDICINGHIA TC4	
2	A137176365	SUPPORTO RULLO TC4	
3	A137176565	ROLLER	
4	A137177065	SUPPORT	Pin
5	A137177465	SUPPORT	Arm
6	KG01277761	WASHER, GROWER D.12	
7	KG00337261	BOLT, M12x60 UNI5737 10.9	
8	MA00002027	NUT, M12 BIBLOCK	
9	KG01355200	BEARING, UNI 6004-2RS	
10	MA0001393	BUSH, SKF-PCM202320M	
11	MA0001469	WASHER, LIMES 16 D74361C	
12	MA52000026Y	PIN	
13	MAY020057Y	SPRING	
14	MAY040051Y	ROD	
15	MAY040056Y	BUSH, ZN	
16	KG00476561	BOLT HEX M12X30	
17	KG00476661	BOLT, M12x35 DIN933 8.8 ZN	
18	KG00860261	M6x12 UNI 5933 ZN	
19	KG01052361	NUT, M16 UNI 5588 8G Z	
20	KG01107862	CIRCLIP	
21	A137303700	BELT TENSIONER TC4	
22	KG01267561	WASHER M12	

**Driveline (MA0005G8014)**

Applies to Models: OFM2678, OFM2672, OFM2660



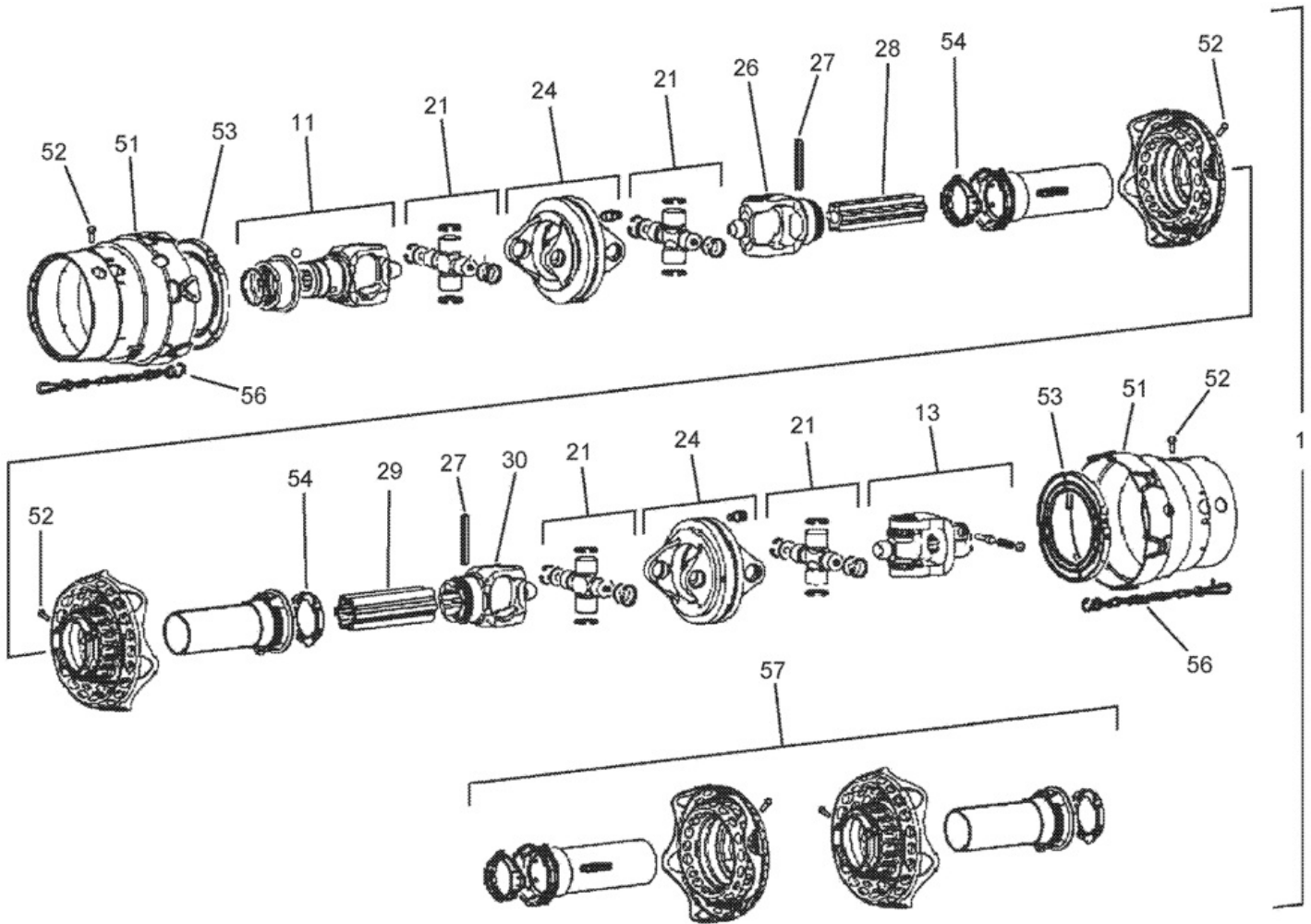
**Driveline (MA0005G8014)**

Applies to Models: OFM2678, OFM2672, OFM2660

Ref.	Part No.	Part Description	Comments
	DWG 76041	Image No.	
1	MA0005G8014	PTO SHAFT, CC1810 1.3/8-1.3/8	
4	MA0005G81495	OUTER 1/2 PROTECTION TUBE SD25	
5	MA0005G81496	INNER 1/2 PROTECTION TUBE SD25	
11	MA0005G81430	FORK ASG 1 3/8-6	
12	MA0005G61364	A5 LOCK COMPLETE	
13	KT99244593	FORK, 1-3/8-6 - 056699	
14	KG02008000	PIN, 1-3/8" - 339107	
21	KT99244465	CROSS, COMPLETE	
22	N/A	NOT AVAILABLE	Grease nipple
23	MA0005G81421	FORK FOR INNER TUBE	
24	MA0005GD0111	SPRING PIN	
25	MA0005G81413	INNER TUBE S4LH-1680	
26	MA0005G81412	OUTER TUBE S5-1665	
27	MA0005G81405	FORK FOR OUTER TUBE	

**Driveline (MA0005GD001)**

Applies to Models: OFM2678, OFM2672, OFM2660

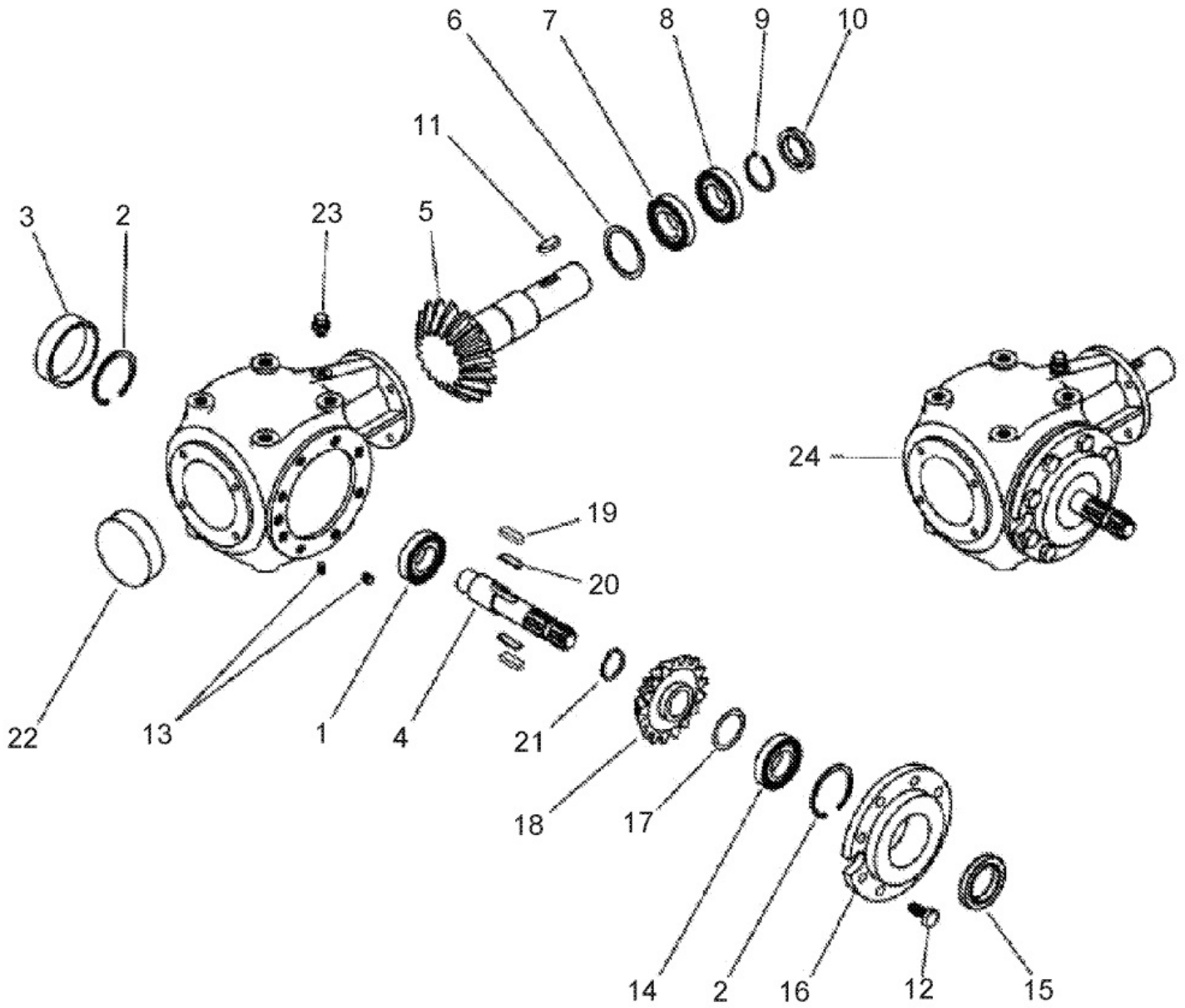


**Driveline (MA0005GD001)**

Applies to Models: OFM2678, OFM2672, OFM2660

Ref.	Part No.	Part Description	Comments
	DWG 76043	Image No.	
1	MA0005GD001	CARDAN SHAFT D.OMO S5 2480 13/	Complete Assembly
11	MA0005GD0130	FORK, ASG 1 3/8-6	
13	MA0005GD0101	FORK, AG 1 3/8-6 - 341597	
21	A132038200	CROSS AND BEARING KIT CPL.	
24	MA0005GD0124	DOUBLE CROSS	
26	MA0005GD0105	INBOARD YOKE	
27	MA0005GD0111	SPRING PIN	
28	MA0005GD0113	INNER TUBE S4LGA 1400	
29	MA0005GD0112	OUTER TUBE S5 1610	
30	MA0005GD0121	OUTBOARD YOKE	
51	MA0005GD0135	PROTECTION CONE	
52	MA0005G51142	SCREW, 365305	
53	MA0005GD0141	RING, 172715	
54	WA087276	RING - 87276	
56	MA0005GD0137	CHAIN, 382078	
57	KG02007800	OUTER GUARD HALF	

Applies to Models: OFM2678, OFM2672, OFM2660





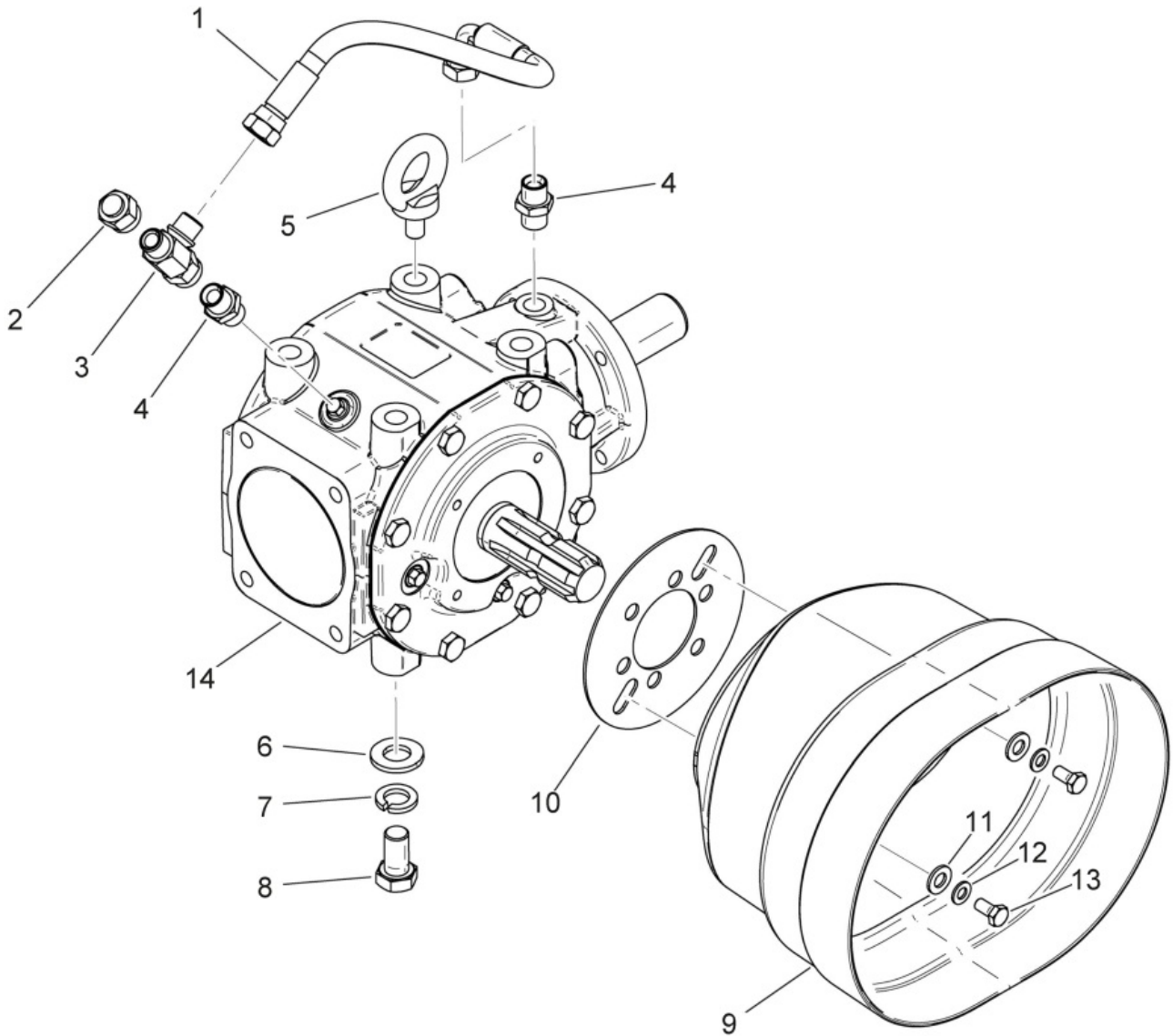
Applies to Models: OFM2678, OFM2672, OFM2660

<b>Ref.</b>	<b>Part No.</b>	<b>Part Description</b>	<b>Comments</b>
	DWG 76026	Drawing Image Number	
1	KG01382800	BEARING, 6208 RIC	
2	KG01130900	SNAP RING, I 80 DIN 472	
3	KG00001700	OIL CAP SEAL, 80X10	
4	A137287600	GEARBOX SHAFT	
5	A137287700	PINION	
6	A137287800	SPACER, 50x40.3x0.5	
7	KG01799900	BEARING, 32208J2	
8	KG01799800	BEARING, 30208J2	
9	KG01109800	SEEGER	
10	KG00160200	SHAFT SEAL RING, AS 40X80X10	
11	KG01309300	GEARBOX SHAFT KEY	
12	KG00474261	BOLT, M10x25 DIN933 ZN	
13	MA0000801	PLUG, 3/8" GAS TE	
14	MA0000471R	BEARING, 30307 RIC	
15	KG00121900	SHAFT SEAL RING, AS 35X80X10	
16	A137288000	FLANGE, T102	
17	A137281400	SHIM, 45x35.5x1	
18	A137288200	CROWN WHEEL	
19	A137281600	GEARBOX SHAFT KEY	
20	A137281700	GEARBOX SHAFT KEY	
21	KG01099300	SEEGER RING, 35x2.5	
22	KG00002000	SEAL COVER 100X10	
23	MA0000809	PLUG, 3/8"	
24	A137427277	GEARBOX, OFM26 SERIES	Complete Assembly

Land Pride  
**Gearbox Equipment**

Section 3: Drive Components

Applies to Models: OFM2678, OFM2672, OFM2660



***Gearbox Equipment***

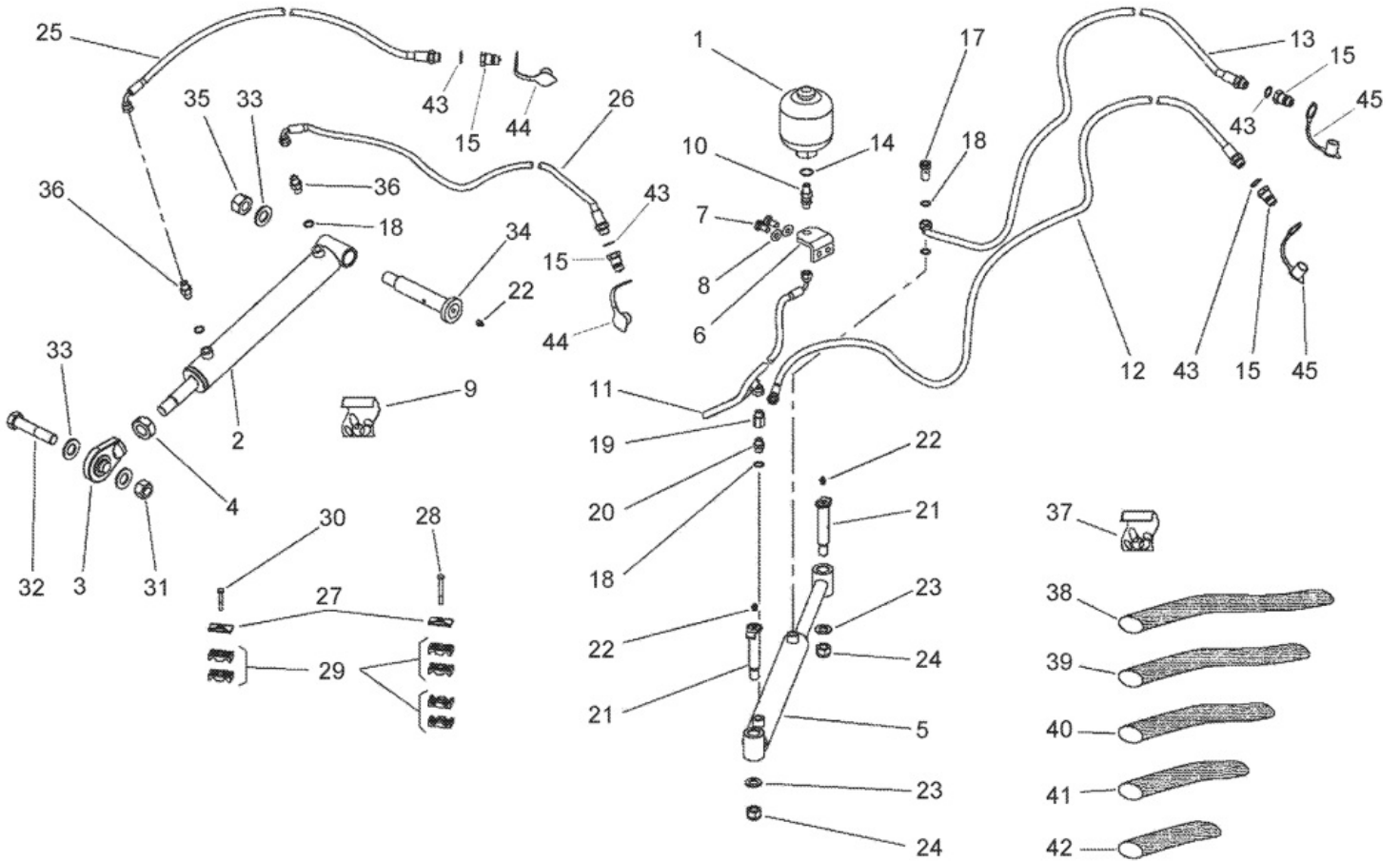
Applies to Models: OFM2678, OFM2672, OFM2660

<b>Ref.</b>	<b>Part No.</b>	<b>Part Description</b>	<b>Comments</b>
	DWG 78824	Drawing Image Number	
1	MAE00F905	HOSE, R2 D6 MT0.4 C903/8 F3/8	
2	MA0000839	PLUG, F 3/8"	
3	8874905	CONNECTOR, T-M-M-FG 3/8G	
4	A154324000	CONNECTOR, 3/8"G-3/8" BSPT	
5	MA0001260	EYEBOLT, M16	
6	MA6300095Y	WASHER, 17X35X5 ZN	
7	KG01277961	WASHER, d.16	
8	KG00480061	BOLT, M16x30 UNI 5739 8.8 ZN	
9	A137173678	PTO PROTECTION	
10	RG00038465	FLANGE	
11	MA0000357	WASHER, 9x24x2 ZN	
12	KG01267361	WASHER, D8.4 DIN 125 ZN	
13	KG00471761	BOLT, M8x16 UNI 5739 8.8 ZN	
14	A137427294	GEARBOX	

Land Pride  
**Hydraulic System**

**Section 4: Hydraulics**

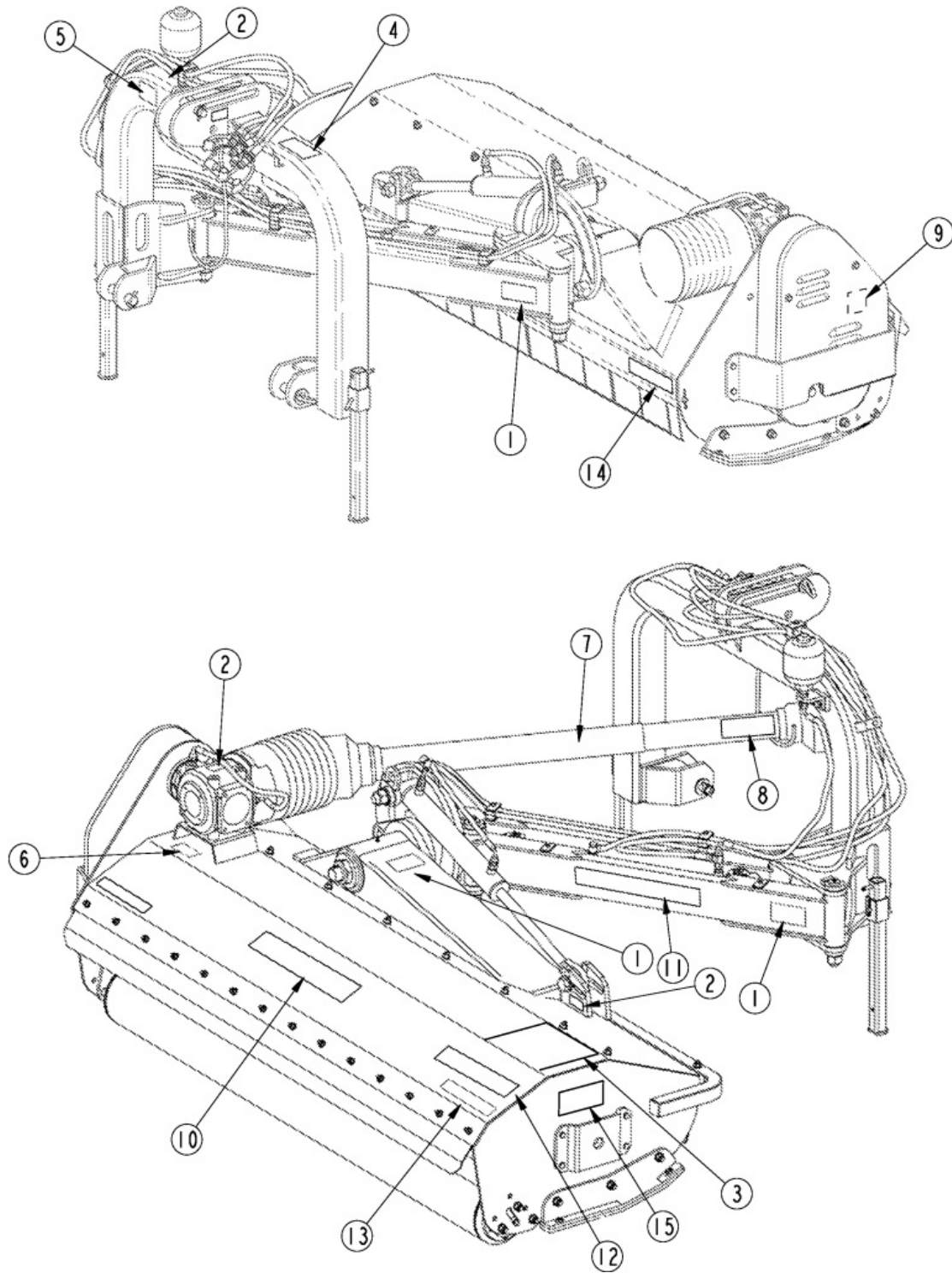
Applies to Models: OFM2678, OFM2672, OFM2660



Applies to Models: OFM2678, OFM2672, OFM2660

Ref.	Part No.	Part Description	Comments
	DWG 76032	Image No.	
1	MA0001481	ACCUMULATOR, ELM 0.75 210	
2	A137382986	HYDRAULIC CYLINDER	
3	MA0001433Z	BALL JOINT HYDR. CYLINDER ANGU	
4	MA00002060	NUT, M27x2 B - UNI 5589 ZN	
5	A137383086	HYDRAULIC CYLINDER	
6	MA52000109Y	BRACKET ACCUMULATOR ZINC FHP	
7	KG00476461	BOLT, M12x25 DIN 933 8.8 ZN	
8	KG01267561	WASHER M12	
9	MAKT50213	GASKET KIT, 50000213X	
10	MA0001519	BULKHEAD 1/2 WITH NUT	
11	MAE00F967	HOSE SAE100 R2AT 1/4 MT0.53 F9	
12	MAE00F960	HOSE SAE100 R2AT 1/4 MT3.0 F3/	
13	MAE00F959	TUBE R2 D6 MT3.0 M1/2 O.3/8	
14	MA0000319	WASHER, 1/2"	
15	MA0000982	HF-QC-M-12,5-1-2	
17	MA49000195	HAX-HSE 3-8 MONT.	
18	MA0000315	WASHER, 3/8 17.1x22x1	
19	8874905	CONNECTOR, T-M-M-FG 3/8G	
20	KB8874505	NIPPLE, 3/8 GAS VEBA NG 1700	
20	8874505	RPBY KB8874505	Obsolete
21	MAE00K610Y	PIN	
22	MA0000926	GREASE NIPPLE, M10X1	
23	KG01267961	WASHER, D.20 UNI 6592	
24	KG01064661	NUT, M20 BLOCK DIN 982	
25	MAE00F961	HOSE, R2 D6 MT4.6 M1/2 C903/8	
26	MAE00F958	TUBE R2 D6 MT4.2 M1/2 C903/8	
27	MA0001307	PLATE	
28	KG00353661	BOLT, M8x60 UNI 5737 8.8 Z	
29	MA0001306	COUPLE HALF-SHELLS	
30	KG00472361	BOLT, M8x35 UNI 5739 8.8 ZN	
31	KG01069361	PIN	
32	KG00371661	BOLT, M24x120 UNI 5737 8.8	
33	KG01268161	WASHER, D.24 UNI 6592 ZN	
34	MA50000209Y	PIN PIVOTING	
35	MA0000272	NUT, M27 LOCK DIN 982	
36	MA50000220Y	NIPPLE, MM3/8 FORO 1.2 ZN	
37	MAKT50212	SEAL KIT MART, 50000212	
38	MA50000224	HOSE SLEEVE, 650MM	
39	MA50000225	HOSE SLEEVE, 810MM	
40	MA50000227	HOSE SLEEVE, 430mm	
41	MA50000223	HOSE SLEEVE, 300mm	
42	MA50000226	HOSE SLEEVE, 200mm	
43	8872040	WASHER, 1/2" BONDED	
44	8874231	PLUG, TF 1/2 R	
45	A140878800	PLUG, 1/2" BLU - TF12B	

Applies to Models: OFM2678, OFM2672, OFM2660



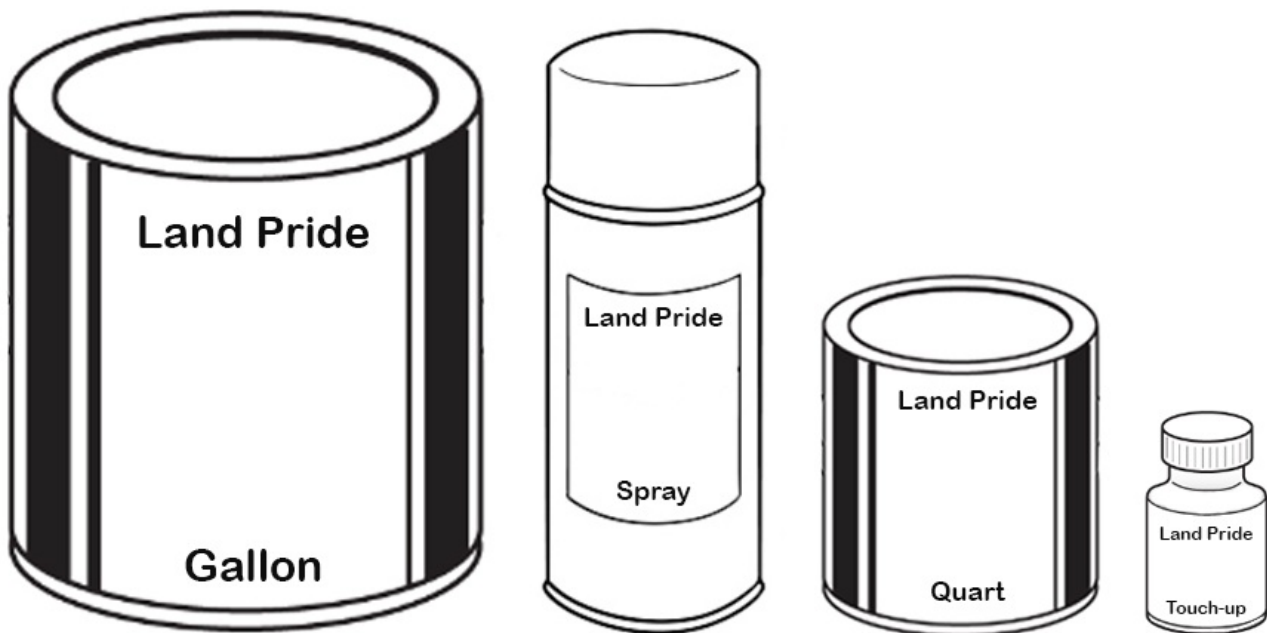
---

Applies to Models: OFM2678, OFM2672, OFM2660

<b>Ref.</b>	<b>Part No.</b>	<b>Part Description</b>	<b>Comments</b>
	DWG 76046	Image No.	
1	842-556C	DECAL, WARNING PINCH/CRUSH	
2	844-235C	DECAL, LIFT POINT	
3	842-555C	DECAL OFM SAFETY COMBO	
4	818-714C	DECAL DANGER CRUSHING TWO IMP	
5	818-130C	DECAL WARNING 540 RPM	
6	844-001C	DECAL DANGER HOT	
7	818-540C	DECAL DANGER GUARD MISS PTO	
8	818-552C	DECAL DANGER PTO DRIVELINE	
9	818-543C	DECAL DANGER PD GUARD MISS SML	
10	838-966C	DECAL LANDPRIDE 22" BROWN/GOLD	
11	838-965C	DECAL LANDPRIDE 16" BROWN/GOLD	
12	844-267C	DECAL, OFM2660 GOLD	
12	844-276C	DECAL, OFM2672 GOLD	
12	844-268C	DECAL, OFM2678 GOLD	
13	838-614C	DECAL REFLECTOR RED 2X9	
14	838-615C	DECAL REFLECTOR AMBER 2X9	
15	844-361C	DECAL, THROWN OBJECTS	

# Land Pride Touch-up Paints

Applies to Models: OFM2678, OFM2672, OFM2660





**Land Pride Touch-up Paints**

Applies to Models: OFM2678, OFM2672, OFM2660

Ref.	Part No.	Part Description	Comments
	DWG 76585	Image No. *	
		Beige	
	821-011C	PAINT LP BEIGE SPRAY CAN	Beige spray can
	821-011CTU	PAINT LP BEIGE TOUCH-UP 4OZ	Beige touch-up bottle with brush
	821-011CQT	PAINT LP BEIGE QUART	Beige quart can
	821-011CGL	PAINT LP BEIGE GALLON *	Beige gallon can
		Orange	
	821-066C	PAINT ORANGE SPRAY CAN	Orange spray can
	821-066CTU	PAINT ORANGE TOUCH-UP 4OZ	Orange touch-up bottle with brush
	821-066CQT	PAINT ORANGE QUART	Orange quart can
	821-066CGL	PAINT ORANGE GALLON *	Orange gallon can
		Black	
	821-070C	PAINT GP GLOSS BLACK SPRAY CAN	Black spray can
	821-070CTU	PAINT GLOSS BLACK TOUCH-UP 4OZ	Black touch-up bottle with brush
	821-070CQT	PAINT GP GLOSS BLACK QUART	Black quart can
	821-070CGL	PAINT GP GLOSS BLACK GALLON *	Black gallon can
		Red	
	821-054C	PAINT MED. RED SPRAY TRCK/CTR	Red spray can
	821-054CTU	PAINT MED RED TOUCH-UP 4OZ	Red touch-up bottle with brush
	821-054CQT	PAINT MED RED QUART	Red quart can
	821-054CGL	PAINT MED RED GALLON *	Red gallon can
		Green	
	821-058C	PAINT GREEN SPRAY CUTTERS	Green spray can
	821-058CTU	PAINT GREEN TOUCH-UP 4OZ	Green touch-up bottle with brush
	821-058CQT	PAINT GREEN QUART	Green quart can
	821-058CGL	PAINT GREEN GALLON *	Green gallon can
		Blue	
	821-067C	PAINT BLUE SPRAY CAN	Blue spray can
	821-067CTU	PAINT BLUE TOUCH-UP 5OZ	Blue touch-up bottle with brush
	821-067CQT	PAINT BLUE QUART	Blue quart can
	821-067CGL	PAINT BLUE GALLON *	Blue gallon can
		Aluminum/Zinc	
	821-080C	PAINT ALUMINUM/ZINC SPRAY CAN	Aluminum/Zinc spray can
	821-080CTU	PAINT ALUMINUM/ZINC TOUCH UP	Aluminum/Zinc touch-up bottle with brush
	821-080CQT	PAINT ALUMINUM/ZINC QUART	Aluminum/Zinc quart can
	821-080CGL	PAINT ALUMINUM/ZINC GALLON	Aluminum/Zinc gallon can

# Part Number Index

Part Number	Page	Part Number	Page	Part Number	Page
333-162K	13	844-276C	29	A140878800	27
333-163K	15	844-361C	29	A154324000	25
333-275D	15	8872040	27	DWG 76010	5
802-092C	15	8874231	27	DWG 76023	7
803-043C	15	8874505	27	DWG 76026	23
805-155C	15	8874905	25, 27	DWG 76027	11
818-130C	29	890-401C	15	DWG 76029	17
818-540C	29	892-034C	15	DWG 76030	9
818-543C	29	A132038200	21	DWG 76032	27
818-552C	29	A137000177	7	DWG 76037	13
818-714C	29	A137140586	7	DWG 76041	19
821-011C	31	A137150486	7	DWG 76043	21
821-011CGL	31	A137150586	7	DWG 76046	29
821-011CQT	31	A137150686	7	DWG 76050	15
821-011CTU	31	A137150886	7	DWG 76585	31
821-054C	31	A137150986	7	DWG 78824	25
821-054CGL	31	A137151286	11	KB8874505	27
821-054CQT	31	A137151686	11	KB8876436	5
821-054CTU	31	A137151786	11	KG00001700	23
821-058C	31	A137151886	11	KG00002000	23
821-058CGL	31	A137153386	9	KG00020700	9
821-058CQT	31	A137154077	7	KG00099600	11
821-058CTU	31	A137154186	9	KG00121900	23
821-066C	31	A137154286	9	KG00160200	23
821-066CGL	31	A137154386	9	KG00166800	11
821-066CQT	31	A137154486	9	KG00337261	17
821-066CTU	31	A137173678	25	KG00353661	27
821-067C	31	A137176165	17	KG00371661	27
821-067CGL	31	A137176365	17	KG00458261	7, 9
821-067CQT	31	A137176565	17	KG00468961	7
821-067CTU	31	A137177065	17	KG00469561	5
821-070C	31	A137177465	17	KG00471761	7, 25
821-070CGL	31	A137281400	23	KG00472361	27
821-070CQT	31	A137281600	23	KG00474261	7, 23
821-070CTU	31	A137281700	23	KG00474361	7
821-080C	31	A137287600	23	KG00474461	7
821-080CGL	31	A137287700	23	KG00476461	27
821-080CQT	31	A137287800	23	KG00476561	17
821-080CTU	31	A137288000	23	KG00476661	17
838-614C	29	A137288200	23	KG00478561	11
838-615C	29	A137303700	17	KG00480061	13, 25
838-965C	29	A137382986	27	KG00595961	9
838-966C	29	A137383086	27	KG00849361	7
842-555C	29	A137424863	9	KG00860261	17
842-556C	29	A137427277	23	KG01052361	17
844-001C	29	A137427294	25	KG01063961	5, 7, 13
844-235C	29	A137444463	11	KG01064661	27
844-267C	29	A137451486	5	KG01069361	27
844-268C	29	A137484630	11	KG01099300	23

Part Number	Page	Part Number	Page	Part Number	Page
KG01104200	9	MA0000926	5, 7, 9, 11, 27	MA50000203.77	5
KG01105000	11	MA0000941	11	MA50000207	5
KG01107862	17	MA0000982	27	MA50000209Y	5, 27
KG01109800	23	MA0001006	5	MA50000220Y	27
KG01124500	11	MA00010502	5	MA50000223	27
KG01130500	9	MA0001260	25	MA50000224	27
KG01130900	23	MA0001306	27	MA50000225	27
KG01253061	7	MA0001307	27	MA50000226	27
KG01267261	7, 13	MA0001393	17	MA50000227	27
KG01267361	25	MA0001433Z	27	MA5000205.77	5
KG01267461	7	MA0001469	17	MA5000206.77	5
KG01267561	17, 27	MA0001473	5	MA50155077Y	7
KG01267661	7	MA0001475	7	MA50185077Y	7
KG01267961	7, 27	MA0001476	11	MA50200077Y	7
KG01268161	5, 27	MA0001477	5	MA52000026Y	17
KG01268261	5	MA0001479	7	MA52000109Y	27
KG01268361	5	MA0001480	7	MA52001222.77	7
KG01277661	9	MA0001481	27	MA6201049Y	5
KG01277761	17	MA0001509	5	MA6201062Y	5
KG01277861	11	MA0001519	27	MA6300095Y	11, 25
KG01277961	13, 25	MA0001523	11	MA6303076	11
KG01309300	23	MA0005G51142	21	MA640008801	5
KG01355200	17	MA0005G61364	19	MA6403082Y	5
KG01381900	9	MA0005G8014	19	MAE000H19Y	5
KG01382800	23	MA0005G81405	19	MAE00F905	25
KG01533600	11	MA0005G81412	19	MAE00F958	27
KG01799800	23	MA0005G81413	19	MAE00F959	27
KG01799900	23	MA0005G81421	19	MAE00F960	27
KG02007800	21	MA0005G81430	19	MAE00F961	27
KG02008000	19	MA0005G81495	19	MAE00F967	27
KT99244465	19	MA0005G81496	19	MAE00K610Y	27
KT99244593	19	MA0005GD001	21	MAE165K7Y	5
MA0000163	11	MA0005GD0101	21	MAKT50212	27
MA00002016	7, 9	MA0005GD0105	21	MAKT50213	27
MA00002017	5	MA0005GD0111	19, 21	MAV5015001.77	7
MA00002026	7	MA0005GD0112	21	MAV5018001.77	7
MA00002027	17	MA0005GD0113	21	MAV5020001.77	7
MA00002031	11	MA0005GD0121	21	MAV5200120.77	7
MA00002060	27	MA0005GD0124	21	MAY020057Y	17
MA0000272	5, 27	MA0005GD0130	21	MAY0400011.86	7
MA0000315	27	MA0005GD0135	21	MAY0400012.86	7
MA0000319	27	MA0005GD0137	21	MAY040020	11
MA0000357	7, 25	MA0005GD0141	21	MAY040021	11
MA0000362	13	MA0101083AY	5	MAY040025.61	5
MA0000471R	23	MA1000309Y	5	MAY040028.61	5
MA0000801	23	MA44000106	5	MAY040030.86	5
MA0000809	23	MA49000195	27	MAY040033.86	7
MA0000839	25	MA50000116.77	7	MAY040035.61	7
MA0000915	5			MAY040051Y	17

Part Number	Page
MAY040056Y .....	17
MAY0415006.61 .....	7
MAY0418006.61 .....	7
MAY042006.61 .....	7
N/A .....	7, 13, 19
RG00038465 .....	25
VF16649484 .....	13
WA087276 .....	21





Great Plains Manufacturing, Inc.

Corporate Office: P.O. Box 5060  
Salina, Kansas 67402-5060 USA

[www.landpride.com](http://www.landpride.com)

---