

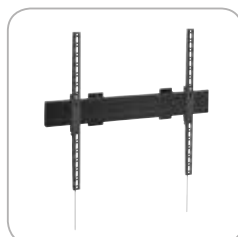
Professional

Microsoft Surface Hub



expanding surface hub experiences

Mounting solutions for Microsoft Surface Hub



Mounting solutions for Microsoft Surface Hub



For more than 40 years, Vogel's has been the global specialist in mounting solutions for AV equipment. We have been working hard to simplify the placement of electronic equipment in professional and public areas by AV installers. Design, quality and safety are our most important criteria. Vogel's offers a complete range mounting solutions for displays, tablets and projectors. In this brochure you will find several mounting solutions for Microsoft Surface Hub.

Key features

- Large assortment of mounting solutions for Microsoft Surface Hub
- TUV certified products
- 5 years guarantee (2 years on electrical components)



PFTE 7111



Connect-it wall

Motorized height adjustable trolley

Interactive displays are very popular for education and business use. For different users the height needs to be adjusted and as interactive displays can be quite heavy, a motorized trolley or wall mount is the perfect solution. Vogel's motorized trolleys are available in two versions. A basic version with an optional PC holder and a version with a stylish cabinet for PC and cable storage.

Key features

- Very strong and stable construction
- Two motors with high lifting weight capacity
- Lockable cabinet for PC storage



Lockable cabinet



Cable management



PSTE 7111



PFTE 7111

Motorized trolley



↑ electrical height adjustment ↓

Features PFTE 7111:

- Two synchronized motors for optimal balance
- Height adjustable over 65 cm
- Super smooth and quiet operation
- Space for PC
- Display adapter NOT included
- Order following interface bar and display strips for Microsoft Surface Hub 55": PFB 3411 and PFS 3204 for Microsoft Surface Hub 84": PFB 3419 and PFS 3208
- Optional PFA 9119 Electronic safety strip

PFWE 7150

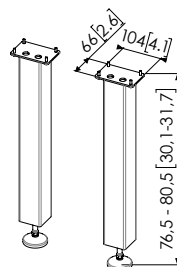
Motorized display wall mount

Features PFWE 7150:

- Two synchronized motors for optimal balance
- 65 cm height adjustment
- Optional wall mount supports PFA 9117
- Display adapter NOT included
- Order following display bar and display strips for Microsoft Surface Hub 55": PFB 3411 and PFS 3204 for Microsoft Surface Hub 84": PFB 3419 and PFS 3208
- Wired remote control (cable length 150 cm)
- Optional PFA 9119 Electronic safety strip

Features PFA 9117:

- Use for extra stability in case of constructive weak walls
- For PFWE 7150 only
- Adjustable height 40 mm



↑ electrical height adjustment ↓

Connect-it floor

Floor stands and trolleys



Features Connect-it floor stand:

- Ideal for stationary use
- Quick installation
- Available in silver and black
- Interface bar and display interface strips not included
- Order following interface bar and display interface strips for Microsoft Surface Hub 55": PFB 3411 and PFS 3204 for Microsoft Surface Hub 84": PFB 3419 and PFS 3208



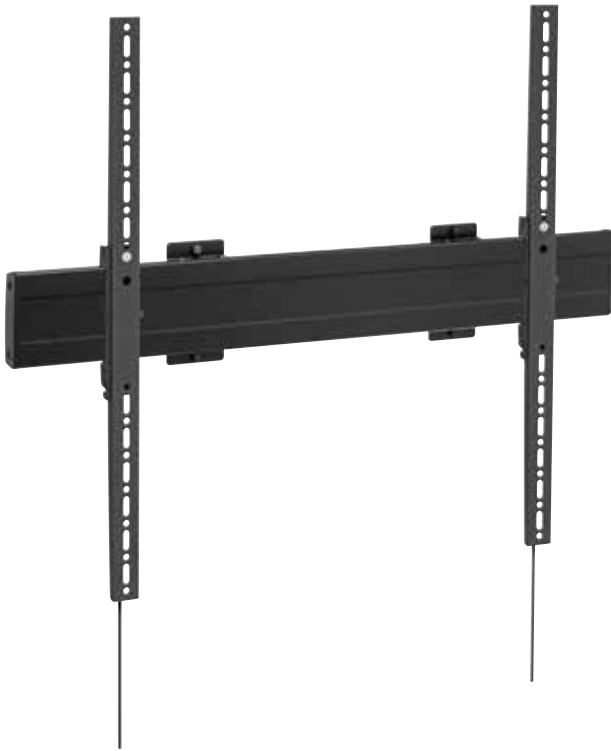
Features Connect-it trolley:

- Ideal for mobile use
- Height 180 cm
- Cable management in poles
- 4 big wheels with brake
- Available in silver and black
- Interface bar and display interface strips not included
- Order following interface bar and display interface strips for Microsoft Surface Hub 55": PFB 3411 and PFS 3204 for Microsoft Surface Hub 84": PFB 3419 and PFS 3208



Connect-it wall

The wall mount for Microsoft Surface Hub



Connect-it wall for Microsoft Surface Hub 55"

- Connect-it interface bar
- Connect-it display interface strips
- Available in silver and black
- Max. fitment 1110 x 400 mm
- Max. weight 160 kg

Set components

| Qty | Part | Description |
|-----|----------|----------------------------|
| 1 x | PFB 3411 | 1175 mm interface bar |
| 1 x | PFS 3204 | 400 mm interface strip set |

Connect-it wall for Microsoft Surface Hub 84"

- Connect-it interface bar
- Connect-it display interface strips
- Available in silver and black
- Max. fitment 1900 x 800 mm
- Max. weight 160 kg

Set components

| Qty | Part | Description |
|-----|----------|----------------------------|
| 1 x | PFB 3419 | 1915 mm interface bar |
| 1 x | PFS 3208 | 800 mm interface strip set |



FW15198

Floor supported wall solution for Microsoft Surface Hub 84"



Features FW15198:

- Connect-it interface bar
- Connect-it display interface strips
- Multiple cable management (CIS®)
- Available in silver and black
- Max. display height: mountable up to 1.41 m (to centre of display)
- Max. fitment 1900 x 800 mm
- Max. weight 160 kg

Set components

| Qty | Part | Description |
|-----|----------|-------------------------------|
| 2 x | PUC 1070 | 90° ceiling / wall plate |
| 2 x | PUC 2515 | 150 cm aluminium pole |
| 1 x | PFB 3419 | 1915 mm interface bar |
| 1 x | PFS 3208 | 800 mm interface strip set |
| 2 x | PFA 9103 | Floor plate for PUC 25xx pole |

