

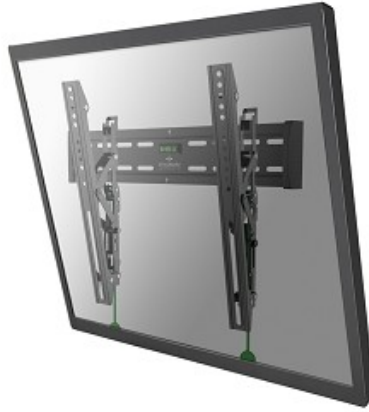


**THE BEST SUPPORT
FOR YOUR AV & IT HARDWARE**
T: + 31(0)23-5478888 | E: info@newstar.eu | W: www.newstar.eu

NM-W345BLACK

NEWSTAR FLAT SCREEN WALL MOUNT

Newstar TV/Monitor Wall Mount (tiltable) for
32"-55" Screen - Black



SPECIFICATIONS

Color	Black
Distance to wall	3,5 cm
Height adjustment	None
Max. screen size	55
Max. weight	25
Min. screen size	32
Min. weight	0
Screens	1
Tilt (degrees)	12°
Type	Tilt
VESA maximum	400x400 mm
VESA minimum	100x100 mm
Warranty	5 year
EAN code	8717371444648

The NewStar wall mount, model NM-W345BLACK is a tiltable wall mount for flat screens up to 55". This mount is a great choice when you want the ultimate viewing flexibility with your flat screen.

NewStars' tilt (12°) technology allows the mount to change to a viewing angle to fully benefit from the capabilities of the flat screen. Ideal for flat screens that are mounted higher on the wall. The depth of this mount is 3,5 centimetres.

NewStar NM-W345BLACK is suitable for screens up to 55" (140 cm). The weight capacity of this product is 25 kg. The wall mount is suitable for screens that meet VESA hole pattern 100x100 to 400x400 mm.

Create a clean design ambiance for your flat screen TV in a living room, bedroom or public environment.

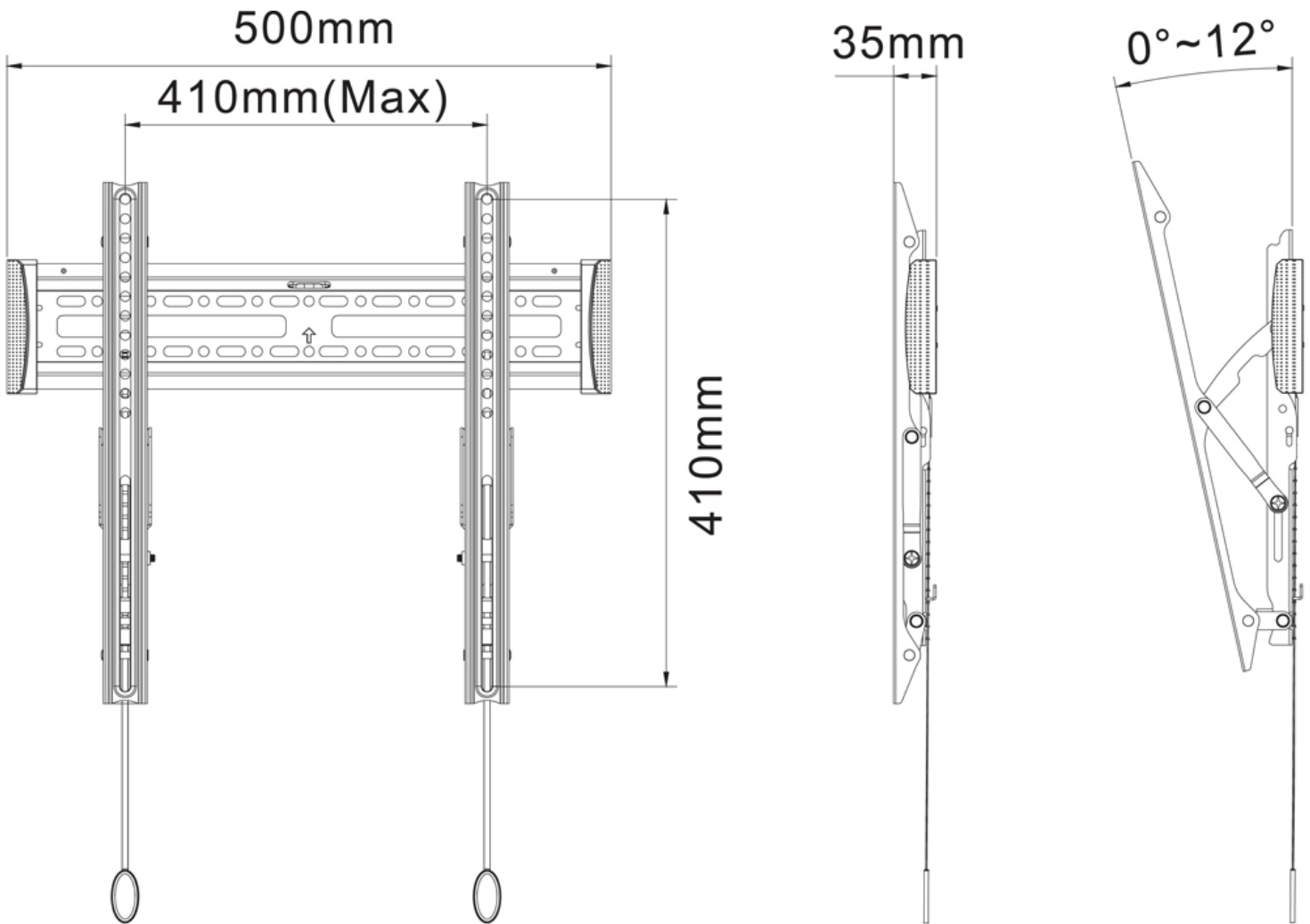
All installation material is included with the product.



**THE BEST SUPPORT
FOR YOUR AV & IT HARDWARE**
T: +31(0)23-5478888 | E: info@newstar.eu | W: www.newstar.eu

NM-W345BLACK

NEWSTAR FLAT SCREEN WALL MOUNT



NewStar Products Europe B.V.
Wateringweg 62/B
2031 EJ HAARLEM
THE NETHERLANDS

Phone : +31(0)23-5478888
Fax : +31(0)23-5478889
Email : info@newstar.nl
Website : www.newstar.eu

NewStar cannot be held liable for any inaccuracies and copyrights.
No part of this publication may be reproduced and/or published by print, photocopy, microfilm or in any other way, without prior written permission of NewStar Computer Products Europe BV.