



**Check Out Our
New Website!**

www.bwpindustries.com

Registered BWP Customers Have Access To:

- Current Pricing
- Real-Time Inventory
- Searchable Interchange
- 24/7/365 Online Ordering

Free registration is available
for BWP Customers

**Not a Registered User?
Not a problem!**

BWP Customers Can Call Customer Service
Toll-Free at 1-800-621-8836 to Register

Be sure to check out
the "Specials" tab on our
website frequently for current
Internet Only special offers.



In This Section:

Air Springs

After Market	462
CAB	447 – 449
Conitech	450 – 454
Firestone	426 – 446

Bolts

By Diameter & Length	422
Spring Center	421
U-Bolt Kits	419 – 420
U-Bolt Rods	421

Container Locks

303

Door Parts

301 – 303

Drag Links

307

Gabriel Shock Absorbers

456 – 462

King Pins & King Pins Locks

298

King Pin Kits

462 – 468

Landing Gear Parts

299 – 300

Nuts by Thread, Hex & Height

423 – 424

Polyurethane Components

469 – 480

Steering & Front Suspension

305 – 306

Suspensions

308 – 418

Binkley • Dana • Dayton • Freightliner • Fruehauf
Hendrickson • Hutchens • Fabco & Kenworth
Mack • Navistar/International • Neway • Page
Peterbilt • Reyco • Trailmobile • Transpro

Tarp Straps & Dock Bumpers

304

Washers by I.D., O.D. & Thickness

425

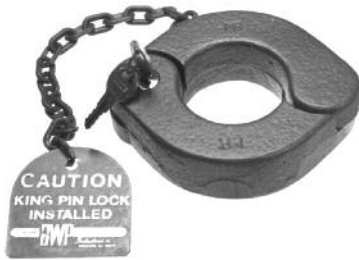
TRAILER KING PINS AND KING PIN SECURITY LOCKS

8" Dia. Flange King Pin – Weld-On Style



BWP NO.	SPECIFICATIONS	NOTES
M-698	8" DIA. FLANGE 3/8" THICK PLATE	<ul style="list-style-type: none"> • HIGH TENSILE ALLOY STEEL FORGING. • HEAT TREATED. • MEETS OR EXCEEDS OEM SPECIFICATIONS.

King Pin Lock – Heavy Duty – and Caution Flag



BWP NO.	NOTES
M-1090	<ul style="list-style-type: none"> • INCLUDES ONE KEY AND CAUTION FLAG. • MAY BE USED ON ALL STANDARD TRAILER KING PINS. • EXTRA HEAVY DUTY MALLEABLE IRON CASTING. • MULTIPLE UNITS MAY BE ORDERED KEYED ALIKE OR KEYED DIFFERENTLY.
M-1090A	KEY ONLY FOR M-1090
M-1090B	LOCK AND KEY FOR M-1090

King Pin Lock and Caution Flag



BWP NO.	NOTES
M-770	<ul style="list-style-type: none"> • INCLUDES ONE KEY AND CAUTION FLAG. • MAY BE USED ON ALL STANDARD TRAILER KING PINS. • EXTRA HEAVY DUTY MALLEABLE IRON CASTING. • MULTIPLE UNITS MAY BE ORDERED KEYED ALIKE OR KEYED DIFFERENTLY.



BWP NO.	NOTES
M-770A	KEY ONLY FOR M-770
M-770B	LOCK AND KEY FOR M-770



BWP NO.	NOTES
M-770C	HOUSING FOR M-770

Landing Gear Crank



BWP NO.	APPLICATION
M-756	TUBULAR STEEL MATERIAL UNIVERSAL FOR MOST LANDING GEAR ASSEMBLIES — FOR ROUND AND SQUARE SHAFTS.



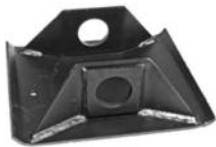
BWP NO.	APPLICATION
M-4127	CRANK HANDLE 15" HORIZONTAL FOLD 3.5 LBS.
M-4128	CRANK HANDLE 21" HORIZONTAL FOLD 3.75 LBS.

Cross Shaft



BWP NO.	APPLICATION
M-4126	3 PCS CROSS SHAFT 53" - 72" 6.5 LBS.

Landing Gear Shoes



BWP NO.	APPLICATION
M-4117	10" X 10" X 2" WITH REINFORCE SIDE PLATES 8.2 LBS.



BWP NO.	APPLICATION
M-757	10" X 10" SQUARE BASE — 2-1/16" HUB I.D. 4-1/2" FROM AXLE CENTER TO BOTTOM OF SHOE.
M-758	16" X 16" SQUARE BASE — 2-1/16" HUB I.D. 5" FROM AXLE CENTER TO BOTTOM OF SHOE.

Axle Assembly for Landing Gear Shoes



BWP NO.	APPLICATION
M-1780	1-29/32" O.D. X 10-3/4" LONG. ONE PIECE AXLE ASSEMBLY FOR L.G. SHOES, HAS WELDED CAP ON ONE END.

9" Dia. Landing Gear Wheel



BWP NO.	APPLICATION
M-752	3-3/4" WIDE X 9" DIA. 2-1/16" HUB DIA. CORRUGATED L.G. WHEEL

Adjustable Landing Gear Brace – 2 Piece



BWP NO.	APPLICATION
M-1781	UNIVERSAL 2 PIECE ADJUSTABLE BRACE ADJUSTS FROM 26" TO 41", ENDS MAY BE TURNED TO ANY ANGLE.

LANDING GEAR AND DOOR PARTS

Adjustable Landing Gear Brace



BWP NO.	APPLICATION
M-4118	STD. DUTY ADJUSTABLE BRACE 42" - 57" 7 LBS.
M-4119	STD. DUTY ADJUSTABLE BRACE 56" - 72" 9.1 LBS.

Brace Lugs



BWP NO.	APPLICATION
M-4125	BRACE LUG - SHORT "L" 1 LB.



BWP NO.	APPLICATION
M-4122	BRACE LUG UNIV - "L" 1 LB.



BWP NO.	APPLICATION
M-4121	BRACE LUG UNIV - ROUND LEG 1.5 LBS.



BWP NO.	APPLICATION
M-4120	BRACE LUG "W" STYLE 1.5 LBS.

Brace Lug Flat

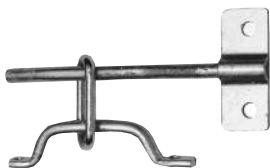


BWP NO.	APPLICATION
M-4124	BRACE LUG - FLAT 7.5" H/C LEG 2 LBS.



BWP NO.	APPLICATION
M-4123	BRACE LUG RD. LEG 2 LBS.

Door Hold Back



BWP NO.	APPLICATION
M-1495	MOUNTS PERMANENTLY TO DOOR AND BODY. SAVES TIME AND HELPS PREVENT ACCIDENTS.

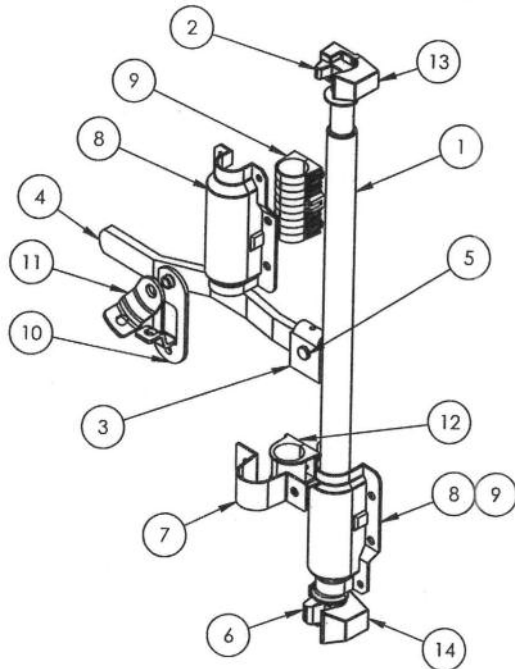
Aluminum Manifest Box



BWP NO.	APPLICATION
M-1496	13" LONG X 8" WIDE X 1-1/2" HIGH. MOUNTS DIRECTLY TO TRAILER TO KEEP VITAL RECORDS WITH CARGO. CAN BE LOCKED TO SAFEGUARD PAPERS.

Door Hardware

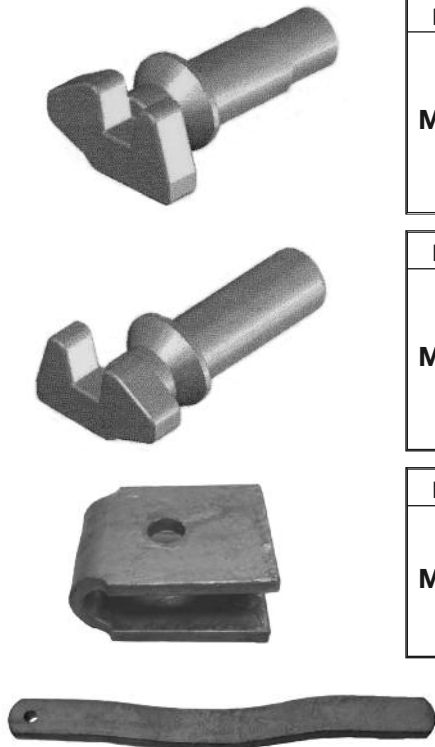
DL-NH STYLE
Road Side - LH (Shown)
Curb Side - RH (Opposite)



ITEM NO.	QTY.	DESCRIPTION	BWP NO.
1	1	LH MODEL - WELDMENT	Reference Only
1	1	RH MODEL - WELDMENT	
2	1	LH MODEL - CAM LEVER	M-4218
2	1	RH MODEL - CAM LEVER	M-4219
3	1	LEVER MOUNT	M-4220
4	1	LEVER	M-4213
5	1	RIVET	M-4221
6	1	LH MODEL - CAM LEVER	NLA*
6	1	RH MODEL - CAM LEVER	NLA*
7	1	ROD GUIDE	M-4224
8	2	GUIDE μ	M-4225
9	2	GUIDE PLATE BUSHING ASSY	M-4226
10	1	SEAL PLATE	M-4227
11	1	SEAL PIN	M-4228
12	1	ROD GUIDE BUSHING ASSY	M-4229
13	1	KEEPER	M-4230
14	1	KEEPER	M-4231

NLA* = NO LONGER AVAILABLE

Door Parts



BWP NO.	DESCRIPTION	ITEM NO.
M-4218	LH MODEL - CAM LEVER	2

BWP NO.	DESCRIPTION	ITEM NO.
M-4219	RH MODEL - CAM LEVER	2

BWP NO.	DESCRIPTION	ITEM NO.
M-4220	LEVER MOUNT	3

BWP NO.	DESCRIPTION	ITEM NO.
M-4213	LEVER	4

SUSPENSION

DOOR PARTS

Door Parts



BWP NO.	DESCRIPTION	ITEM NO.
M-4221	RIVET	5



BWP NO.	DESCRIPTION	ITEM NO.
M-4224	ROD GUIDE	7



BWP NO.	DESCRIPTION	ITEM NO.
M-4225	GUIDE PLATE	8



BWP NO.	DESCRIPTION	ITEM NO.
M-4226	GUIDE PLATE BUSHING ASSY	9



BWP NO.	DESCRIPTION	ITEM NO.
M-4227	SEAL PLATE	10



BWP NO.	DESCRIPTION	ITEM NO.
M-4228	SEAL PIN	11



BWP NO.	DESCRIPTION	ITEM NO.
M-4229	ROD GUIDE BUSHING ASSY	12

Door Parts



BWP NO.	DESCRIPTION	ITEM NO.
M-4230	KEEPER	13

BWP NO.	DESCRIPTION	ITEM NO.
M-4231	KEEPER	14

CONTAINER LOCKS

Container Locks



BWP NO.	DESCRIPTION
M-4232	FRONT PINLOCK ASSEMBLY - LH
M-4233	FRONT PINLOCK ASSEMBLY - RH



BWP NO.	DESCRIPTION
M-4234	TWIST LOCK ASSEMBLY - LH ROAD SIDE
M-4235	TWIST LOCK ASSEMBLY - RH CURB SIDE



BWP NO.	DESCRIPTION
M-4236	TWIST LOCK ASSEMBLY - LH ROAD SIDE
M-4237	TWIST LOCK ASSEMBLY - RH CURB SIDE

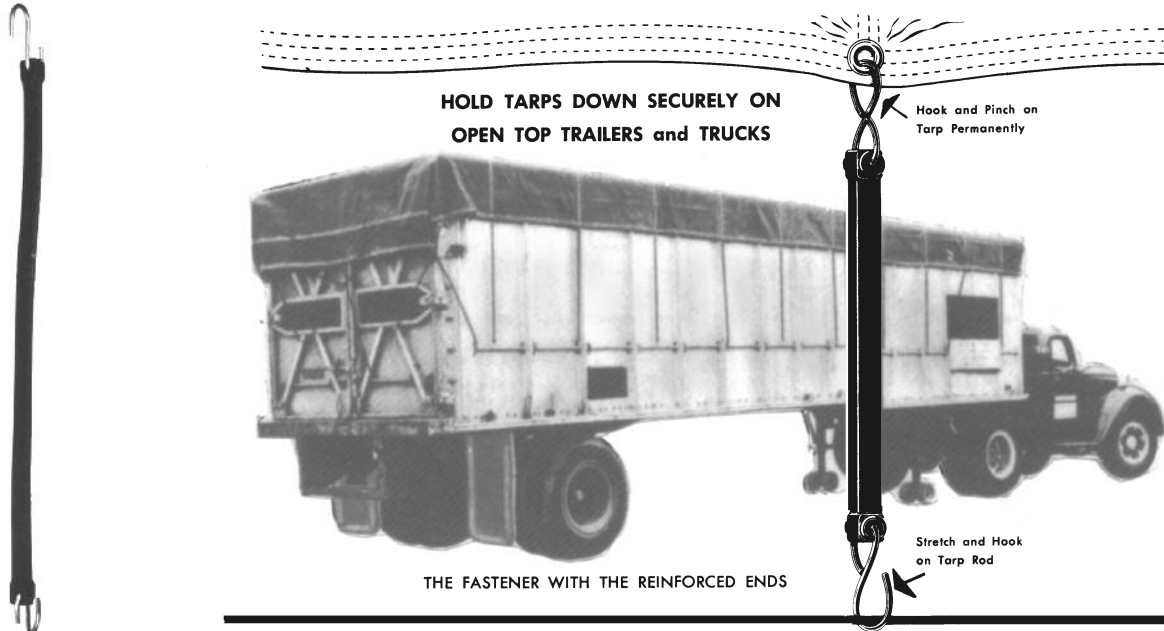


BWP NO.	DESCRIPTION
M-4238	FRONT PINLOCK ASSEMBLY - LH
M-4239	FRONT PINLOCK ASSEMBLY - RH

SUSPENSION

TARP STRAPS AND DOCK BUMPERS

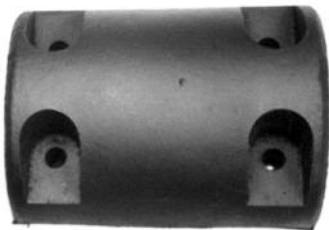
Rubber Tarp Fasteners – Hooks Installed All Straps Supplied with 2-1/2" Hooks



BWP NO.	DISTANCE FROM TARP TO THE ROD	LENGTH OF STRAP ONLY	OVERALL LENGTH INCLUDING HOOKS	NOTES
M-3066	15" TO 20"	9"	14"	<ul style="list-style-type: none"> • HOOKS INSTALLED IN ALL STRAPS • ELIMINATE WET FREIGHT • PREVENT FLAPPING TRAPS • INCREASE TARP LIFE • PREVENT WATER POCKETS • ALLOW QUICK ON AND OFF • HAVE SPECIAL RUBBER TO RESIST SUN AND WEATHER • GIVE NEAT APPEARANCE • FITS ALL TRAILERS
M-3067	20" TO 29"	15"	20"	
M-3068	30" TO 39"	20"	25"	
M-3069	40" TO 49"	31"	36"	
M-3065	50" TO 61"	41"	46"	

Truck and Dock Bumpers

SUSPENSION



BWP NO.	LENGTH	WIDTH	DEPTH	NOTES
M-3070	7-7/8"	5-7/8"	3-1/2"	MOLDED FROM RUBBER REINFORCED WITH RAYON AND NYLON TIRE CORD FOR ADDED STRENGTH
M-3071	12"	6"	2-3/4"	

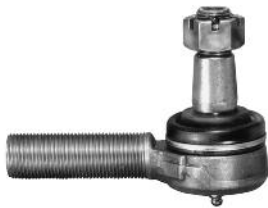
Tie Rods



BWP NO	LENGTH	ROD THREADS	LARGE O.D.	SMALL O.D.	STUD THREADS	REPLACES
M-4269	STRAIGHT 5.44"	1 1/8" - 12LH	1.102"	0.967"	7/8"-14	ES423L E-4614 R230068
M-4270		1 1/8" - 12RH				ES423R E-4615 R230069



BWP NO	LENGTH	ROD THREADS	LARGE O.D.	SMALL O.D.	STUD THREADS	REPLACES
M-4271	STRAIGHT 5.75"	1 1/4" - 12LH	1.25"	1.08"	7/8"-14	ES431L E-4616 R230071
M-4272		1 1/4" - 12RH				ES431R E-4617 R230070



BWP NO	LENGTH	ROD THREADS	LARGE O.D.	SMALL O.D.	STUD THREADS	REPLACES
M-4273	STRAIGHT 6"	1 1/4" - 12LH	1.102"	0.967"	7/8" - 14	ES9001L E010138 R230140
M-4274		1 1/4" - 12RH				ES9001R E010137 R230139



BWP NO	LENGTH	ROD THREADS	LARGE O.D.	SMALL O.D.	STUD THREADS	REPLACES
M-4275	STRAIGHT 7.37"	1 1/4" - 12LH	1.25"	1.08"	7/8" - 14	ES2090L E-4628 R23072
M-4276		1 1/4" - 12RH				ES2091R E-4629 R23073



BWP NO	LENGTH	ROD THREADS	LARGE O.D.	SMALL O.D.	STUD THREADS	REPLACES
M-4278	9.18"	1 1/8" - 12LH	1.102"	.967"	7/8" - 14	ES411L E-4630 R230028
M-4279		1 1/8" - 12RH				ES411R E-4631 R230029

STEERING & FRONT SUSPENSION

Tie Rods



BWP NO	LENGTH	ROD THREADS	LARGE O.D.	SMALL O.D.	STUD THREADS	REPLACES
M-4281	OFFSET 12.688"	1 1/8" - 12RH	1.25"	1.08"	7/8" - 14	ES3030R E-6856 R230104
M-4282		1 1/8" - 12LH				ES3031L E-6857 R230105



BWP NO	LENGTH	ROD THREADS	LARGE O.D.	SMALL O.D.	STUD THREADS	REPLACES
M-4283	OFFSET 8.120"	1 1/4" - 12RH	1.107"	.967"	7/8" - 14	ES3297R E-8758 R230420
M-4284		1 1/4" - 12LH				ES3298L E-8757 R230421



BWP NO	LENGTH	ROD THREADS	LARGE O.D.	SMALL O.D.	STUD THREADS	REPLACES
M-4285	STRAIGHT 7.75"	1 1/4" - 12RH	1.102"	.967"	7/8" - 14	ES3442R E-11788 R230145
M-4286		1 1/4" - 12LH				ES3443L E-11789 R230146



BWP NO	LENGTH	ROD THREADS	LARGE O.D.	SMALL O.D.	STUD THREADS	REPLACES
M-4287	STRAIGHT 4.988"	1" - 16RH	.899"	.783"	3/4" - 16	ES2061L E-4612 R230034
M-4288		1" - 16LH				ES2062R E-4613 R230035

Check out the "Specials" tab on our website frequently for current Internet Only special offers



Drag Links



BWP NO	LENGTH	TAPER LENGTH	LARGE O.D.	SMALL O.D.	STUD THREADS	REPLACES
M-4277	14.21"	1.36"	1.25"	1.08"	7/8" - 14	DS1179 E-6818 R250067



BWP NO	LENGTH	TAPER LENGTH	LARGE O.D.	SMALL O.D.	STUD THREADS	REPLACES
M-4280	17.68"	1.08"	1.102"	0.967	7/8" - 14	DS1214 E-9911 R230112



BWP NO	LENGTH	TAPER LENGTH	LARGE O.D.	SMALL O.D.	STUD THREADS	REPLACES
M-4289	18.14"	1.04"	1.103"	.973"	7/8" - 14	DS979 E-5366 R230051

FRONT SPRING PINS

Front Spring Pins



BWP NO	DESCRIPTION	DIAMETER	LENGTH	C TO C	APPLICATION
M-4265	FRONT SPRING PIN DOUBLE LOCK	1.15"	7"	5.47"	AUTOCAR VOLVO THOMAS BUS



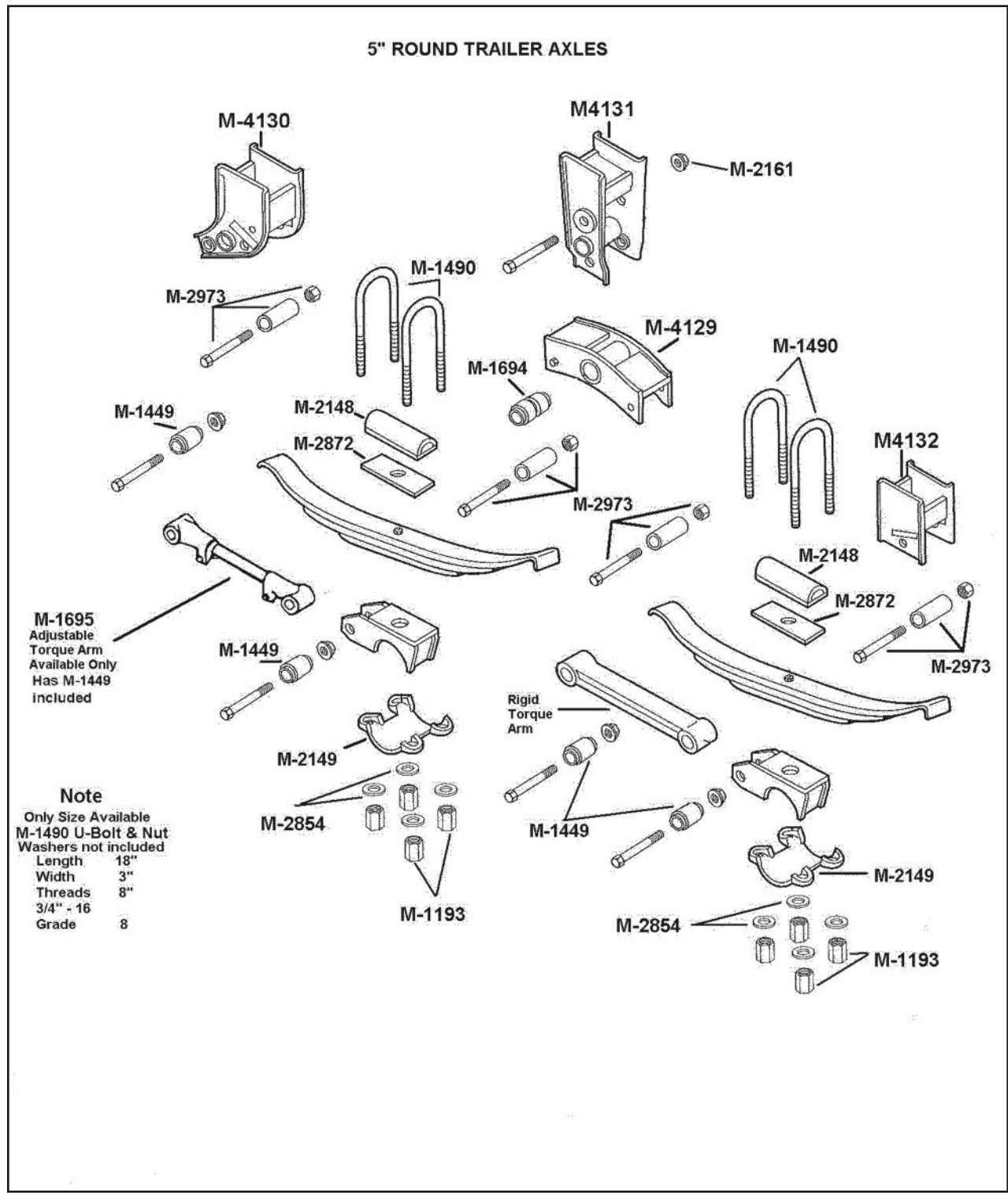
BWP NO	DESCRIPTION	DIAMETER	LENGTH	C TO C	APPLICATION
M-4266	FRONT SPRING PIN DOUBLE LOCK	1.25"	6.9"	5.38"	FREIGHTLINER



BWP NO	DESCRIPTION	DIAMETER	LENGTH	C TO C	APPLICATION
M-4267	FRONT SPRING PIN THREADED	1.06"	7.25"	5.75"	KENWORTH

BWP REPLACEMENT PARTS — BINKLEY

BWP Replacement Parts for: BINKLEY "DURALITE" SP9000



SUSPENSION

Binkley "DURALITE" SP9000 Equalizer with Bushing



BWP NO.	REPLACES NO.	APPLICATION
M-4129	BINKLEY SP0131	SP900 - 5" ROUND AXLE
	AUTOMANN EQ042	
	DAYTON 338-1306	
	EUCLID E-9305	
	FLAGG BK1	
	MERITOR R309305	
	SIRCO SB1000	

Binkley "DURALITE" SP9000 Front Hanger



BWP NO.	REPLACES NO.	APPLICATION
M-4130	BINKLEY SP0100	SP900 - 5" ROUND AXLE
	AUTOMANN M21072	
	DAYTON 338-1300	
	EUCLID E9302	
	FLAGG BK6	
	MERITOR R309302	
	SIRCO SB1009	

Binkley "DURALITE" SP9000 Center Hanger



BWP NO.	REPLACES NO.	APPLICATION
M-4131	BINKLEY SP0110	SP900 - 5" ROUND AXLE
	AUTOMANN M21074	
	DAYTON 338-1302	
	EUCLID E-9303	
	FLAGG BK7	
	MERITOR R309303	
	SIRCO SB1010	

Binkley "DURALITE" SP9000 Rear Hanger



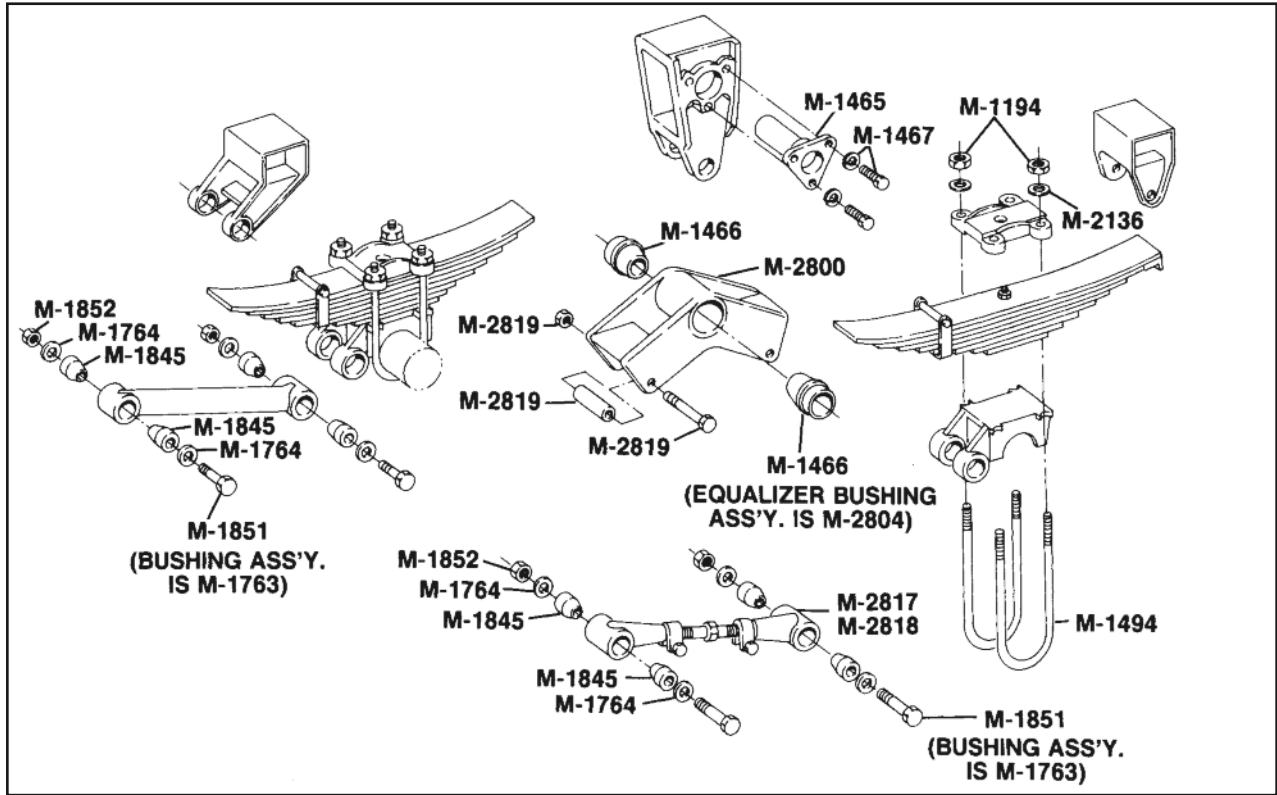
BWP NO.	REPLACES NO.	APPLICATION
M-4132	BINKLEY SP0120	SP900 - 5" ROUND AXLE
	AUTOMANN M21076	
	DAYTON 338-1304	
	EUCLID E-9304	
	FLAGG BK8	
	MERITOR R309304	
	SIRCO SB1011	

Check out the "Specials" tab on our website frequently for current Internet Only special offers

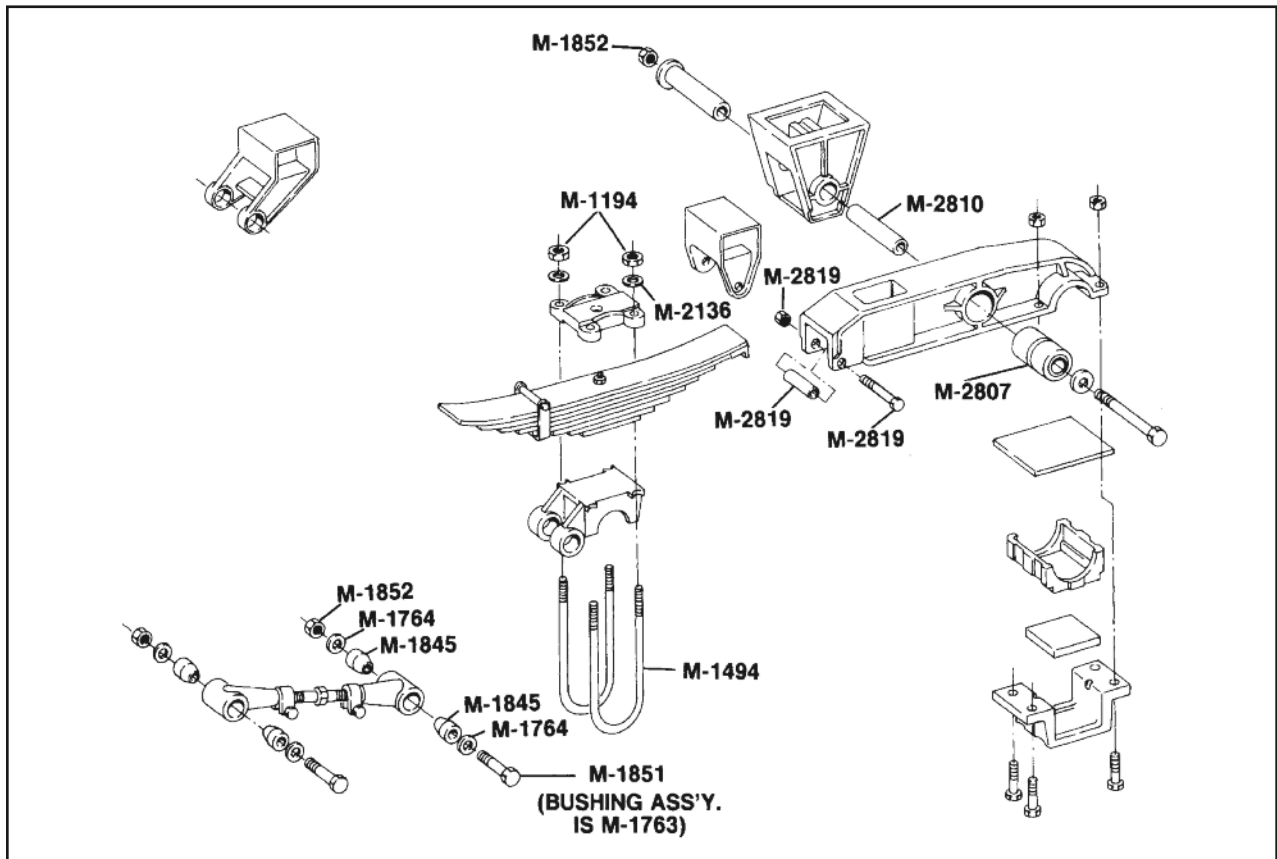


BWP REPLACEMENT PARTS – DANA

BWP Replacement Parts for: DANA 26 SERIES SUSPENSION

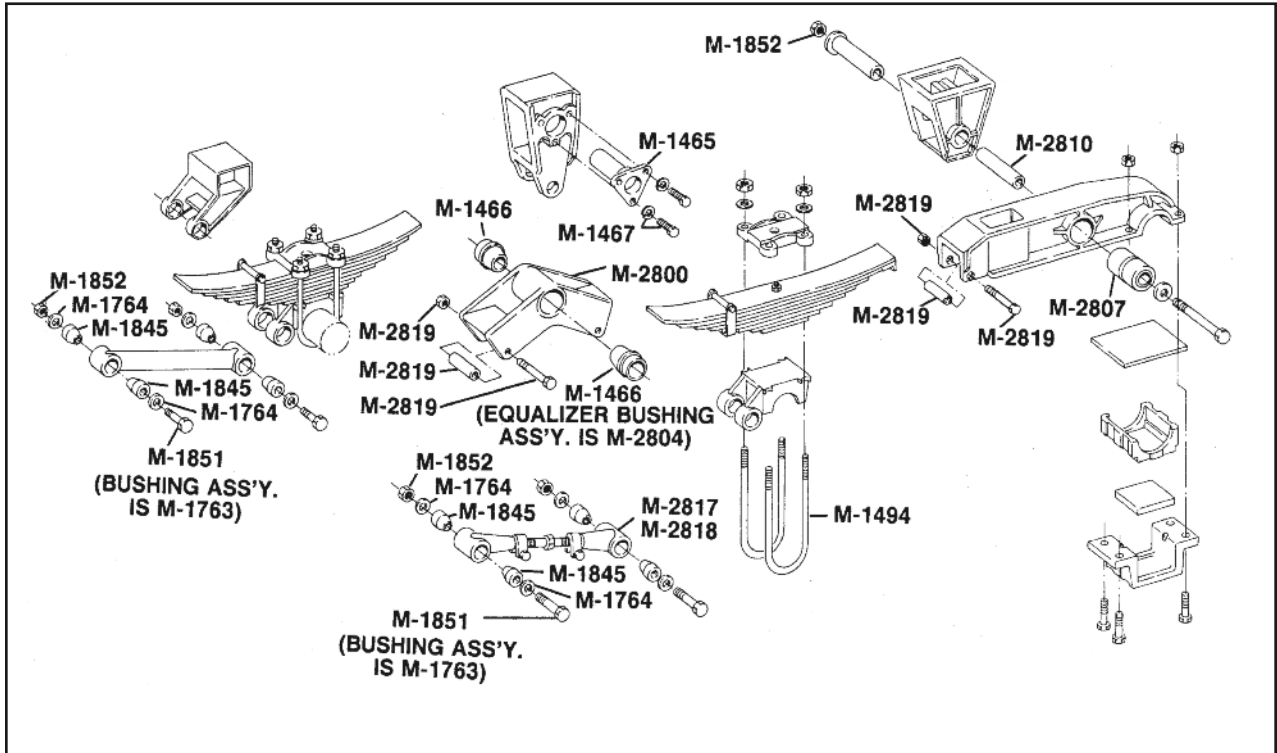


BWP Replacement Parts for: DANA 36 SERIES TANDEM SUSPENSION

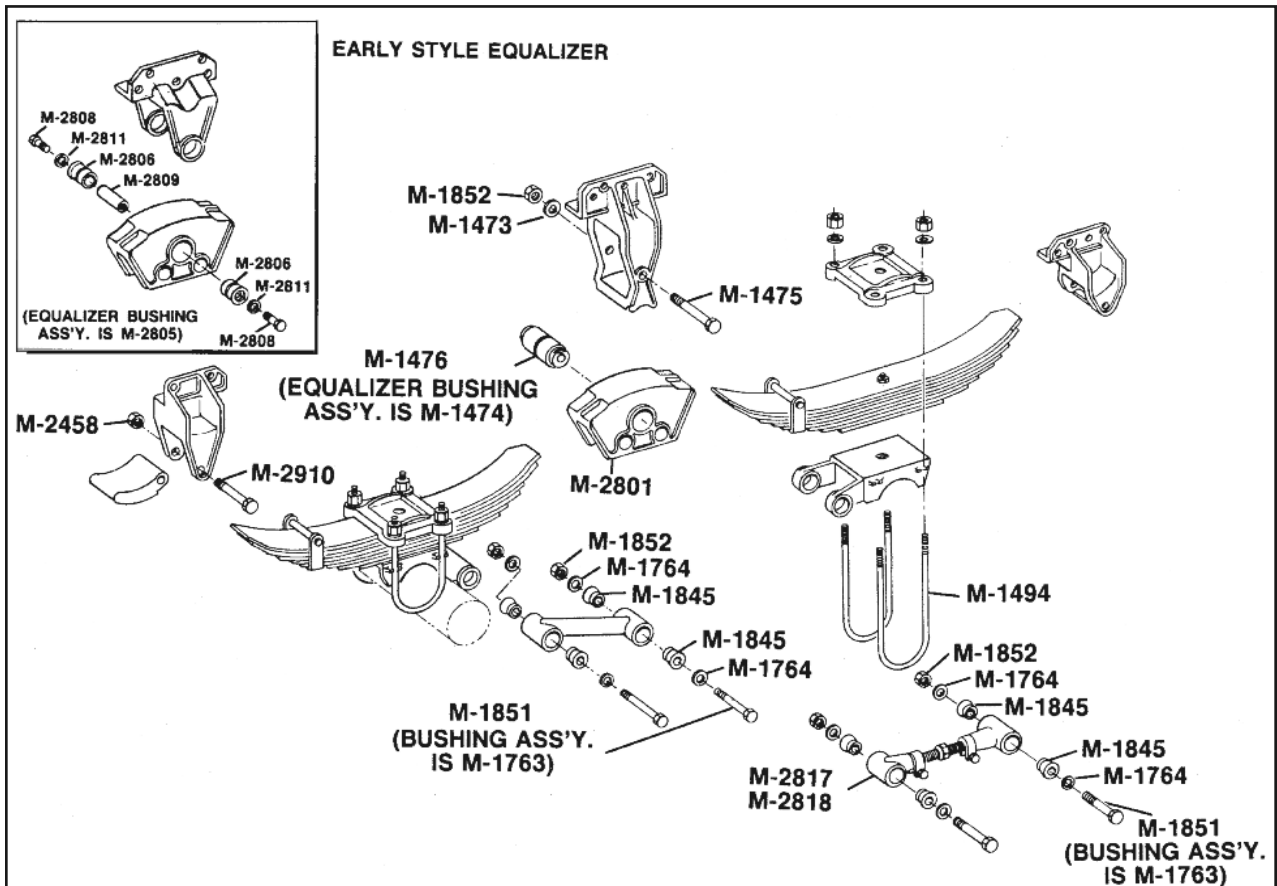


SUSPENSION

BWP Replacement Parts for: DANA 36 SERIES TRI-AXLE SUSPENSION



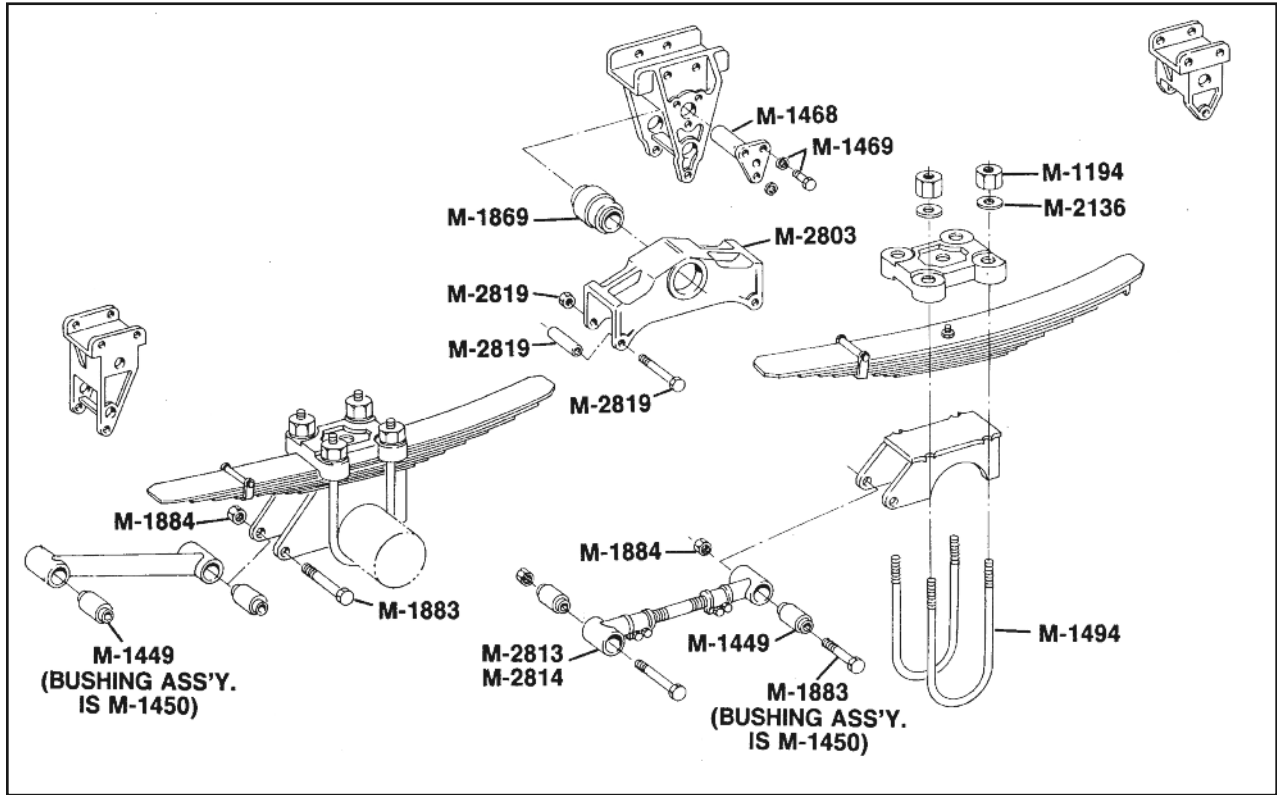
BWP Replacement Parts for: DANA 55 SERIES SUSPENSION



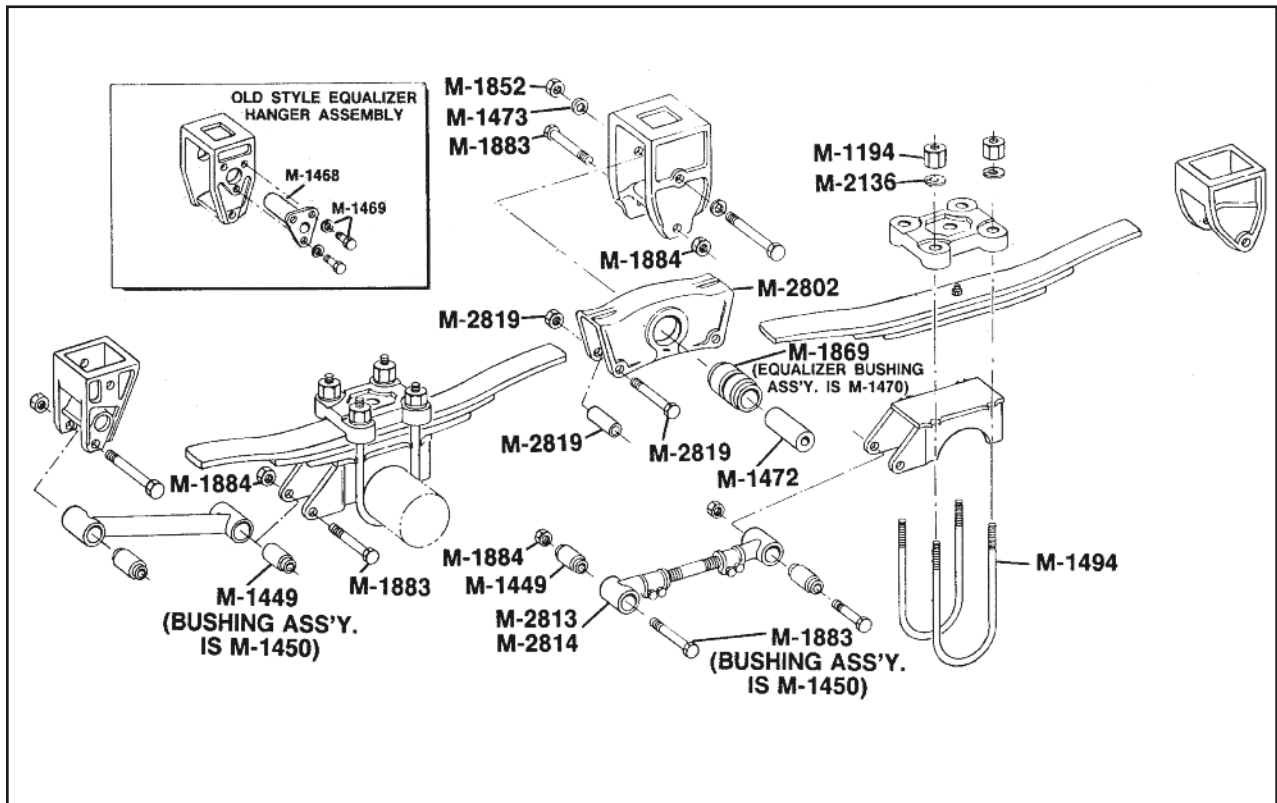
SUSPENSION

BWP REPLACEMENT PARTS — DANA

BWP Replacement Parts for: DANA 62 SERIES SUSPENSION



BWP Replacement Parts for: DANA 68 SERIES SUSPENSION



SUSPENSION

Dana Equalizer – 26 and 36 Series



BWP NO.	REPLACES DANA	APPLICATION
M-2800	B52634	26 AND 36 TRI AXLE. DOES NOT INCLUDE BUSHINGS. USE M-1466 BUSHING

Equalizer Bushing Assembly



BWP NO.	REPLACES DANA	ASSEMBLY CONTAINS	APPLICATION
M-2804	L-4125	1 M-1465 SHAFT 2 M-1466 BUSHING 3 M-1467 BOLT	26 AND 36 TRI-AXLE

Equalizer Bushing Assembly Components



BWP NO.	REPLACES DANA	I.D.	O.D.	LENGTH
M-1465	SHAFT K-1624	— —	2-1/2"	7-5/16"



M-1466	BUSHING L-1125	2-1/2"	4"	2-3/4"
---------------	-------------------	--------	----	--------



M-1467	BOLT & WASHER H-86216 H-126	— —	5/8" - 18 THD.	1-1/2"
---------------	-----------------------------------	-----	----------------	--------

Equalizer Bushing and Shaft for 36 Series



BWP NO.	REPLACES DANA	I.D.	O.D.	LENGTH
M-2810	SHAFT K-1127	2-1/2"	3-1/2"	7-1/4"



M-2807	BUSHING L-1336	3-1/2"	5-3/16"	5"
---------------	-------------------	--------	---------	----

Equalizer Spring Roller Assembly



BWP NO.	REPLACES DANA	THD.	LGTH.	APPLICATION
M-2819	H-85045 H-75520 K-1036	1/2" - 20	4-3/4"	26, 62, 68 SERIES

DANA SUSPENSION PARTS

Dana Equalizer – 55 Series Suspension



BWP NO.	REPLACES DANA	APPLICATION
M-2801	B-55536	55 SERIES INCLUDES BUSHING

Equalizer Bushing Assembly – 55 Series – Late Model



BWP NO.	REPLACES DANA	ASSEMBLY CONTAINS	APPLICATION
M-1474	L-4025	1 M-1475 BOLT 1 M-1476 BUSHING 2 M-1473 WASHER 1 M-1852 NUT	55 SERIES LATE MODEL

Equalizer Bushing Assembly Components



BWP NO.	REPLACES DANA	I.D.	O.D.	LENGTH
M-1476	BUSHING L-1425	1"	3-1/16"	5"
M-1475	BOLT H-80080	— —	1" - 18 THD.	8"
M-1473	WASHER H-230	1-1/16"	2-1/2"	3/16"
M-1852	LOCK NUT H-76008	1" - 8 THD.	1-7/16" HEX	7/8"

Equalizer Bushing Assembly – 55 Series – Early Model



BWP NO.	REPLACES DANA	ASSEMBLY CONTAINS	APPLICATION
M-2805	L-4325	2 M-2806 BUSHING 1 M-2809 SHAFT 2 M-2811 WASHER 2 M-2808 SCREW	55 SERIES EARLY MODEL

Equalizer Bushing Assembly Components



BWP NO.	REPLACES DANA	I.D.	O.D.	LENGTH
M-2806	BUSHING L-1325	1-3/4"	3-5/8"	4-1/16"
M-2809	SHAFT K-1410	1" USS TAPPED	1-3/4"	7-1/2"
M-2811	WASHER H-241	1-1/16"	3-3/4"	1/2" THK.
M-2808	SCREW & WASHER H-80025	— —	1" USS	2-1/2"

Equalizer Bushing and Shaft – 62 Series



BWP NO.	REPLACES DANA	I.D.	O.D.	LENGTH
M-1869	BUSHING L-1025	2"	3-1/8"	4-1/32"
M-1468	SHAFT K-1124	— —	2"	6-1/2"
M-1469	SCREW & WASHER H-86210	— —	5/8" - 11 THD.	1-1/4"

Dana Equalizer – 68 Series Suspension



BWP NO.	REPLACES DANA	APPLICATION
M-2802	EQUALIZER B-56834	68 SERIES SUSPENSION INCLUDES M-1869 BUSHING USE M-2819 ROLLER ASSEMBLY

Equalizer Bushing Assembly – 68 Series



BWP NO.	REPLACES DANA	ASSEMBLY CONTAINS	APPLICATION
M-1470	BUSHING ASSEMBLY L-4425	1 M-1869 BUSHING 1 M-1472 SHAFT 2 M-1473 WASHER 1 M-1471 BOLT 1 M-1852 NUT	68 SERIES LATE MODEL

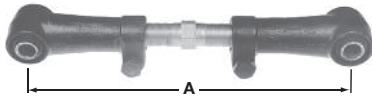
Equalizer Bushing Assembly Components



BWP NO.	REPLACES DANA	I.D.	O.D.	LENGTH
M-1869	BUSHING L-1025	2"	3-1/8"	4-1/4"
M-1472	SHAFT K-1424	1"	2"	4-11/32"
M-1473	WASHER H-230	1-1/16"	2-1/2"	3/16" THK.
M-1471	BOLT H-80070	— —	1" - 8 THD.	7"
M-1852	LOCK NUT H-76008	1" - 8 THD.	1-7/16" HEX	7/8"

DANA SUSPENSION PARTS

Dana Adjustable Torque Rods - Includes Bushings



BWP NO.	REPLACES DANA	WITH BUSHING	BUSHING ASSEMBLY	ADJ. LENGTH	FOR MODEL
M-2813	M-109201	M-1449	M-1450	14" - 18-1/2"	62-68
M-2814 USE M-1695	M-109202	M-1449	M-1450	18-1/2" - 21-3/8"	62-68

Torque Arm Bushing Assembly



BWP NO.	REPLACES DANA	ASSEMBLY CONTAINS	USE WITH BWP RODS
M-1450	L-4032	1 M-1449 BUSHING 1 M-1883 BOLT 1 M-1884 NUT	M-2813 M-2814

Torque Arm Bushing Assembly Components



BWP NO.	REPLACES DANA	I.D.	O.D.	LENGTH
M-1449	BUSHING L-1032	7/8"	1-29/32"	3"
M-1883	BOLT H-88755	— —	7/8" - 9 THD.	5-1/2"
M-1884	LOCK NUT H-75809	7/8" - 9 THD.	1-3/8" HEX	15/16"

Dana Adjustable Torque Rods - Less Bushing



BWP NO.	REPLACES DANA	BUSHING ASSEMBLY	ADJ. LENGTH	FOR MODEL
M-2817	M-109101	M-1763	14" - 18-1/2"	26-55
M-2818	M-109102	M-1763	18-1/2" - 21-3/8"	23-26-55

Torque Arm Bushing Assembly



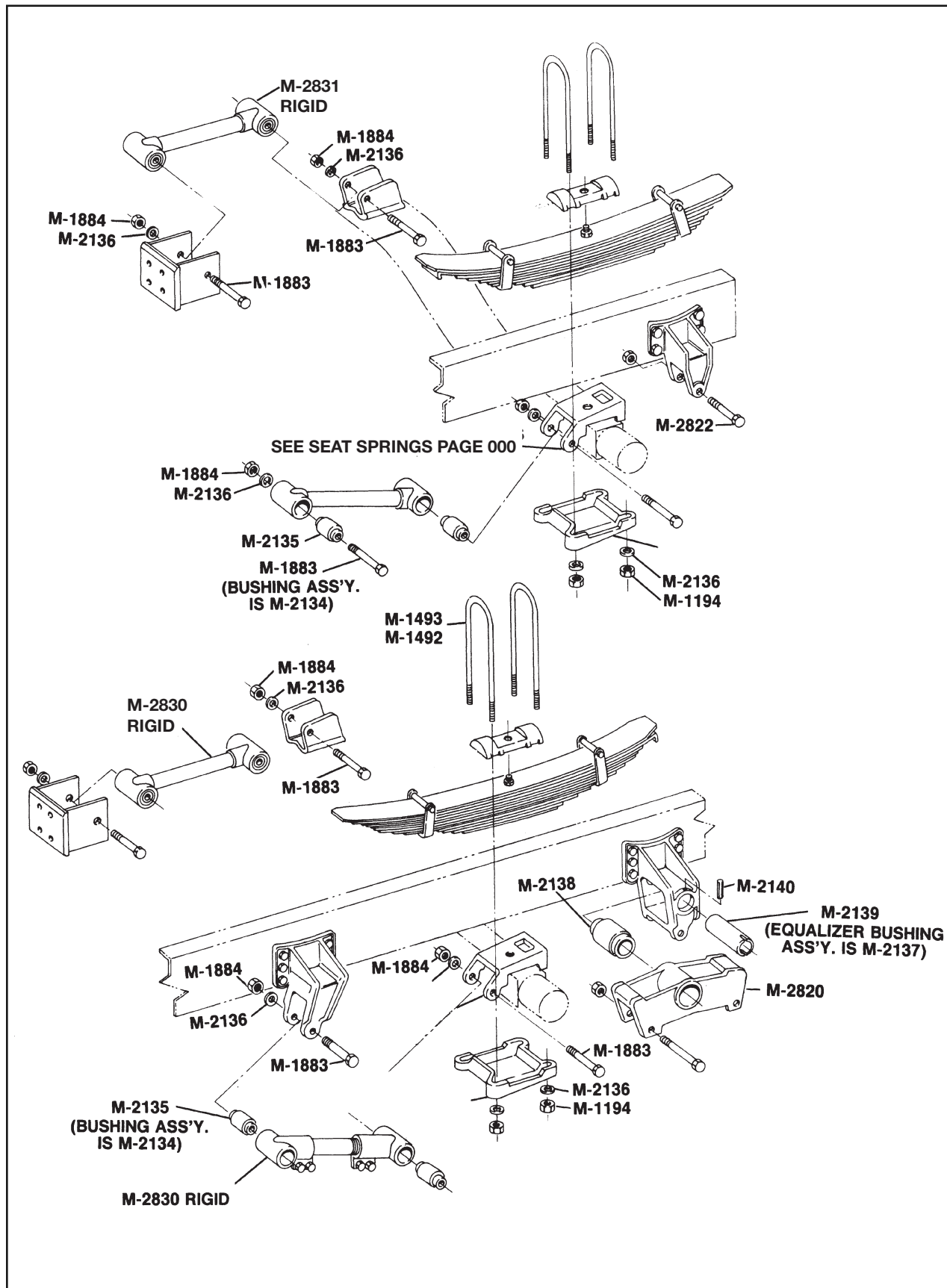
BWP NO.	REPLACES DANA	ASSEMBLY CONTAINS	USE WITH BWP RODS
M-1763	L-4132	2 M-1845 BUSHING 1 M-1851 BOLT 2 M-1764 WASHER 1 M-1852 NUT	M-2817 M-2818

Torque Arm Bushing Assembly Components



BWP NO.	REPLACES DANA	I.D.	O.D.	LENGTH
M-1845	BUSHING L-1132	1"	2-3/8"	2-11/16"
M-1851	BOLT H-80063	— —	1" - 8 THD.	6-5/16"
M-1764	WASHER H-231	1-1/16"	2-3/4" HEX	3/16" THK.
M-1852	LOCK NUT H-76008	1" - 8 THD.	1-7/16" HEX	7/8"

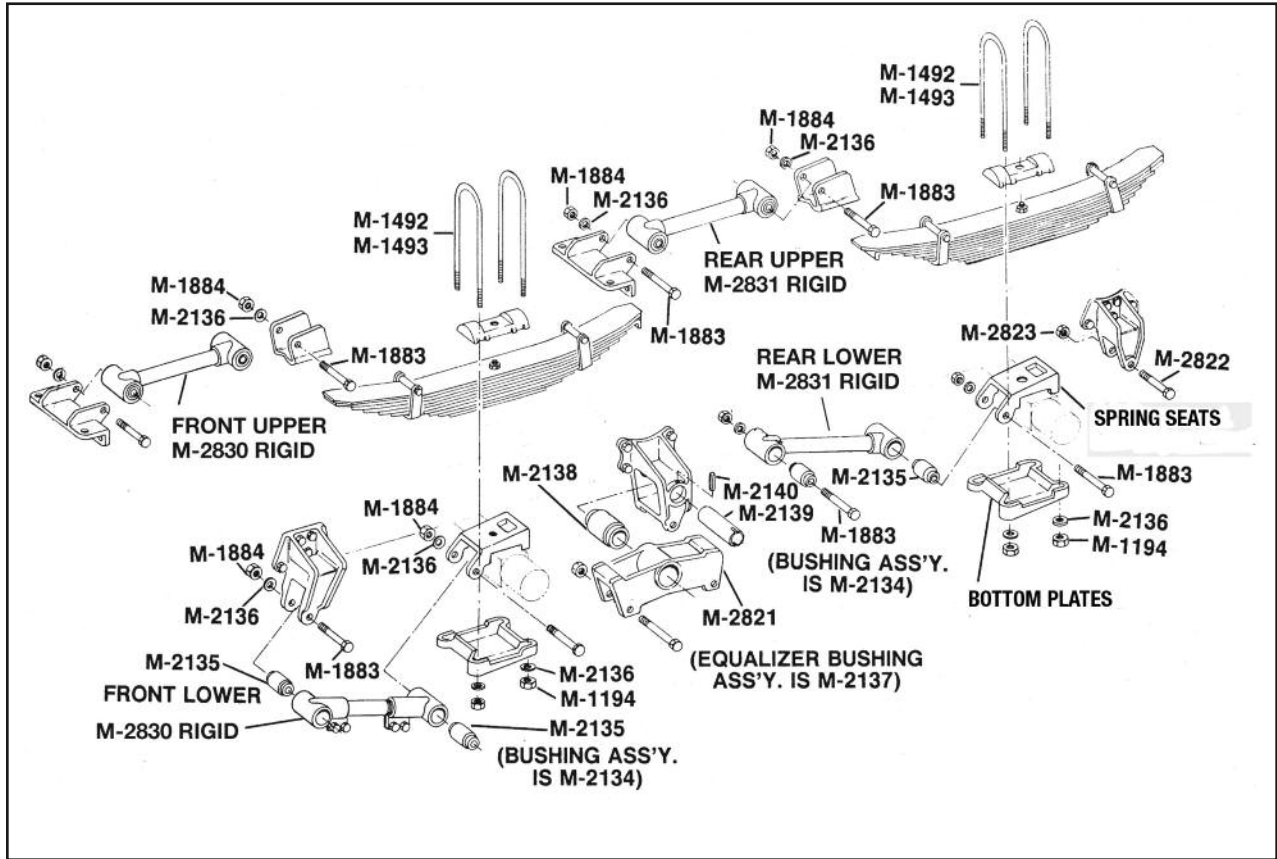
BWP Replacement Parts for: DAYTON TRUCKMASTER SUSPENSION



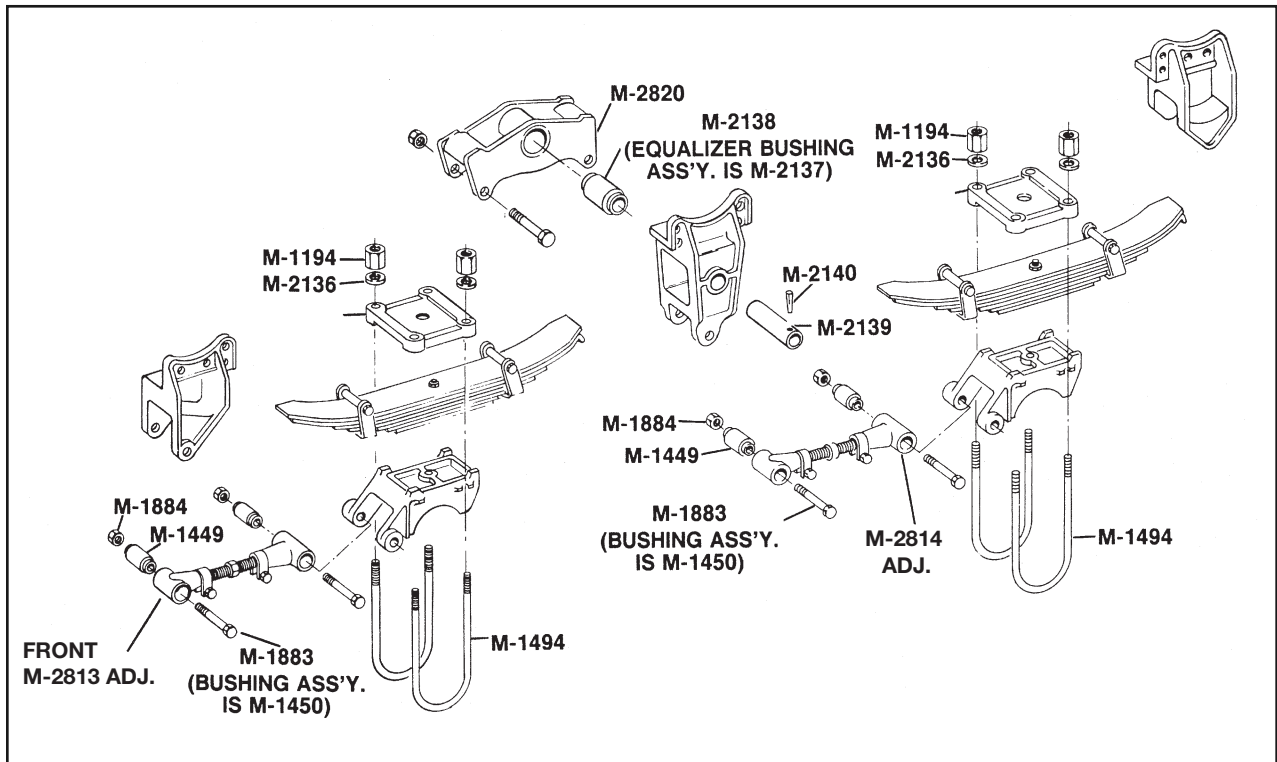
SUSPENSION

BWP REPLACEMENT PARTS – DAYTON

BWP Replacement Parts for: DAYTON-IHC 4 SPRING SUSPENSION



BWP Replacement Parts for: DAYTON TRI-LITE TRAILER SUSPENSION



SUSPENSION

Dayton Equalizer Assembly – Truck, Trailer



BWP NO.	REPLACES DAYTON	OVERALL WIDTH	SUSPENSION MODEL
M-2820	39240007	16"	TRI-LITE TRUCKMASTER INCLUDES BUSHING

Dayton Equalizer Assembly – IHC



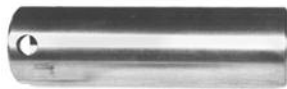
BWP NO.	REPLACES DAYTON	OVERALL WIDTH	SUSPENSION MODEL
M-2821	39240011 IHC 377202-C11	14"	IHC INCLUDES BUSHING

Dayton Equalizer Bushing Assembly



BWP NO.	ASSEMBLY CONTAINS	APPLICATION
M-2137	1 M-2138 BUSHING 1 M-2139 SHAFT 1 M-2140 PIN	IHC TRI-LITE TRUCKMASTER

Equalizer Bushing Assembly Components



BWP NO.	REPLACES DATON-IHC	I.D.	O.D.	LENGTH
M-2138	BUSHING 39400014 377203C1	2"	3-1/8"	4-1/4"
M-2139	SHAFT 39400089 365350C1	1-1/2"	2"	6-3/4"
M-2140	GROOVED PIN 08-204569 SOLID	— —	1/2"	2-3/4"

Equalizer Spring Roller Assembly



BWP NO.	THD.	LENGTH	APPLICATION
M-2819	1/2" - 20	4-3/4"	FOR M-2820 AND M-2821 EQUALIZERS

DAYTON SUSPENSION PARTS

Rear Spring Retainer Bolt and Nut



BWP NO.	REPLACES DAYTON	THD.	LENGTH	APPLICATION
M-2822	BOLT 08-203551	5/8" - 11	5-1/2"	ALL MODELS
M-2823	LOCK NUT 08-203440	5/8" - 11	1-5/16" HEX	ALL MODELS

Rigid Torque Rods – Bushings Included



BWP NO.	REPLACES DAYTON-IHC	WITH BUSHING	BUSHING ASSEMBLY	LENGTH CENTER TO CENTER	MODEL
M-2831	39080130 412593C91	M-2135	M-2134	20-1/16"	TRUCKMASTER REAR

Dayton Torque Arm Bushing Assembly – Truckmaster and IHC



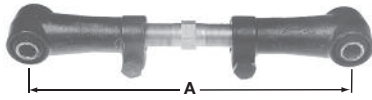
BWP NO.	ASSEMBLY CONTAINS	APPLICATION
M-2134	1 M-2135 BUSHING 1 M-1883 BOLT 1 M-2136 WASHER 1 M-1884 NUT	TRACTOR TRUCKMASTER AND EARLY IHC. ALL ABOVE RODS

Torque Arm Bushing Assembly Components



BWP NO.	REPLACES DAYTON-IHC	I.D.	O.D.	LENGTH
M-2135	BUSHING 39400013 412587C1	7/8"	2-3/8"	3"
M-1883	BOLT 08-203488 346951C1	— —	7/8" - 9 THD.	5-1/2"
M-2136	WASHER 08-204565 4QK29304K4	7/8"	1-1/2"	1/4" THK.
M-1884	LOCK NUT 08-204568 414001	7/8" - 9 THD.	1-3/8" HEX	15/16"

Dayton Torque Rods – Tri-Lite Adjustable Torque Rods – Include Bushings



BWP NO.	REPLACES DAYTON	WITH BUSHING	BUSHING ASSEMBLY	ADJ. LENGTH	MODEL
M-2813	39090029	M-1449	M-1450	14" - 18-1/2"	TRI-LITE FRONT
M-2814 USE M-1695	39090030	M-1449	M-1450	18-1/2" - 21-3/8"	TRI-LITE REAR

Dayton Torque Arm Bushing



BWP NO.	ASSEMBLY CONTAINS	APPLICATION
M-1450	1 M-1449 BUSHING 1 M-1883 BOLT 1 M-1884 LOCK NUT	TRAILER TRI-LITE SUSPENSIONS ALL ABOVE RODS

Torque Arm Bushing Assembly Components



BWP NO.	REPLACES DAYTON-IHC	I.D.	O.D.	LENGTH
M-1449	BUSHING 39400016 347374C1	7/8"	1-29/32"	3"
M-1883	BOLT 08-203488 346951C1	— —	7/8" - 9 THD.	5-1/2"
M-1884	LOCK NUT 08-204568 414001	7/8" - 9 THD.	1-3/8" HEX	15/16"



**Check Out Our
New Website!**

www.bwpindustries.com

Be sure to check out the "Specials" tab on our website frequently for current Internet Only special offers.



Registered BWP Customers Have Access To:

- Current Pricing
- Real-Time Inventory
- Searchable Interchange
- 24/7/365 Online Ordering

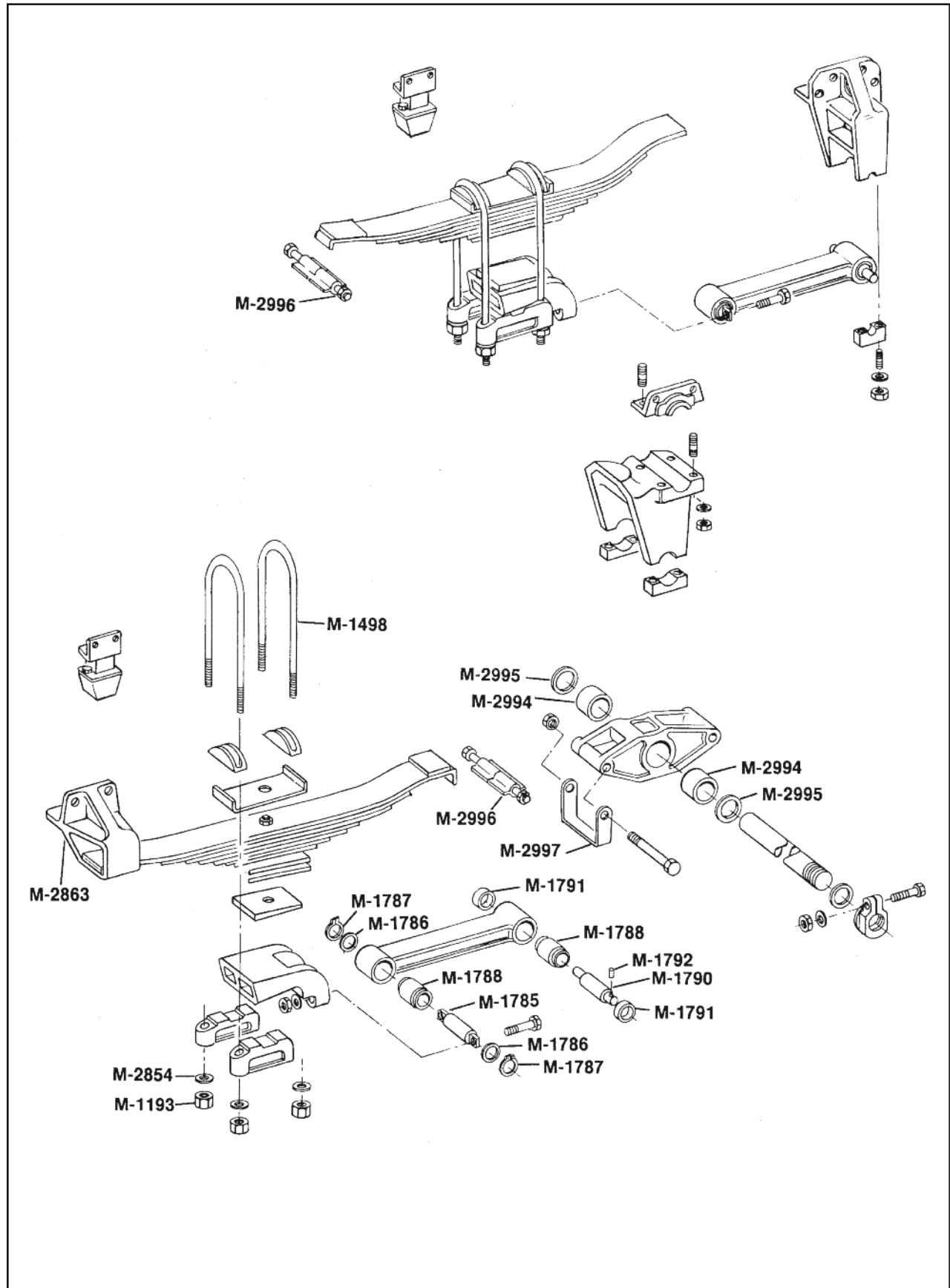
Free registration is available for BWP Customers

**Not a Registered User?
Not a problem!**

BWP Customers Can Call Customer Service
Toll-Free at 1-800-621-8836 to Register

BWP REPLACEMENT PARTS — FREIGHTLINER

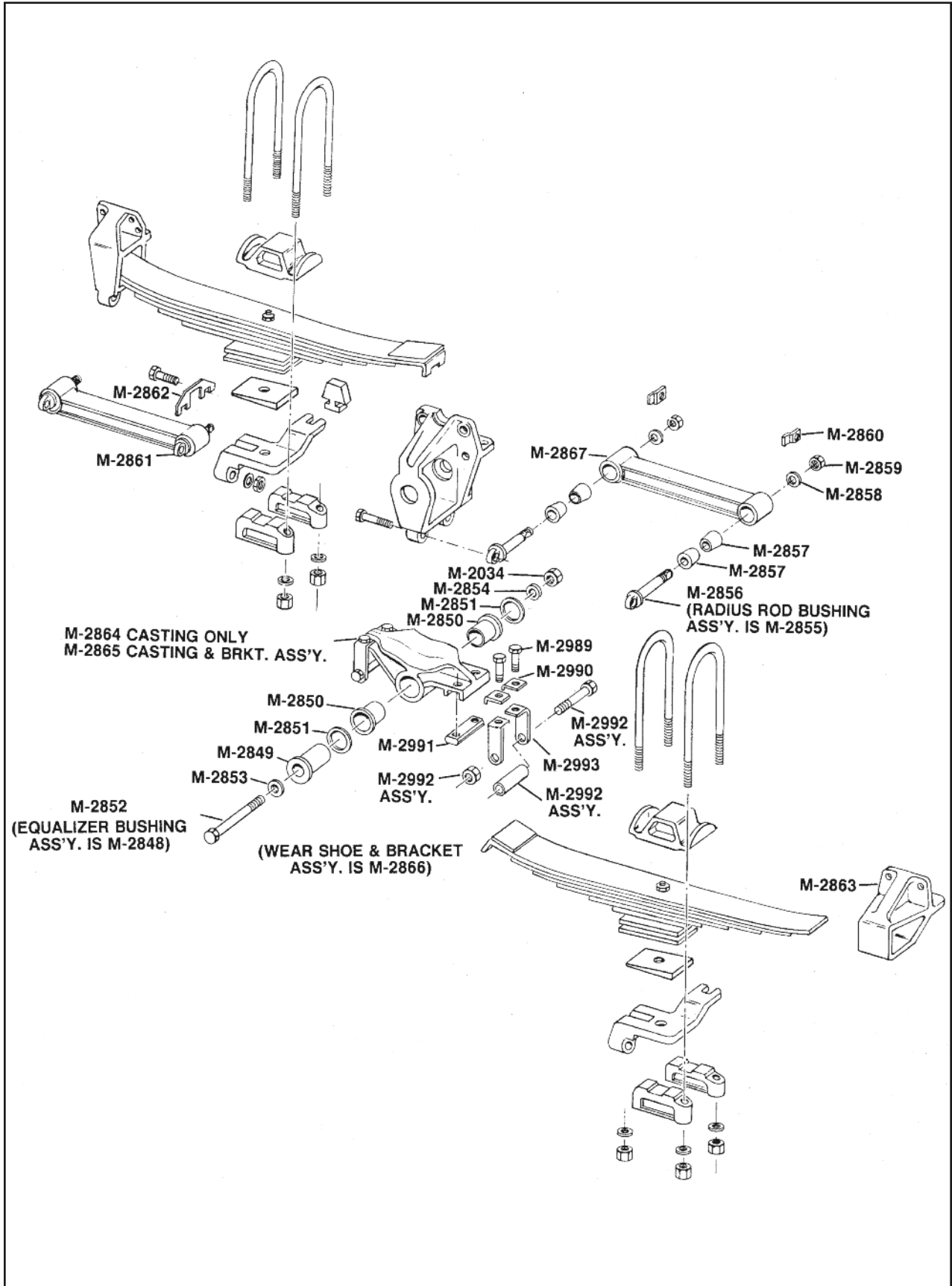
BWP Replacement Parts for: FREIGHTLINER FH32 SERIES SUSPENSION



SUSPENSION

BWP REPLACEMENT PARTS — FREIGHTLINER

BWP Replacement Parts for: FREIGHTLINER FH34 SERIES SUSPENSION



SUSPENSION

FREIGHTLINER SUSPENSION PARTS

Freightliner Equalizer Assembly – Cast Steel



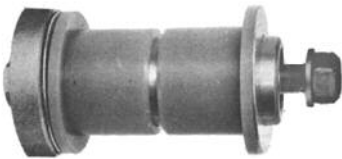
BWP NO.	REPLACES FREIGHTLINER	ASSEMBLY CONTAINS	MODEL
M-2865	B16-02440-5	1 M-2864 EQUALIZER 2 M-2866 BRACKET ASSEMBLY BUSHING NOT INCLUDED	FH34 SUSPENSION

Freightliner Equalizer Only – Cast Steel



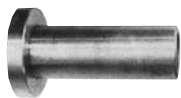
BWP NO.	REPLACES FREIGHTLINER	INCLUDES	MODEL
M-2864	16-10175 16-10175-1	EQUALIZER CASTING ONLY	FH34 SUSPENSION

Equalizer Bushing Assembly



BWP NO.	ASSEMBLY CONTAINS	APPLICATION
M-2848	2 M-2850 BUSHING 1 M-2849 CAPPED TUBE 2 M-2851 WASHER 1 M-2852 BOLT 1 M-2853 WASHER 1 M-2854 WASHER 1 M-2034 NUT	FREIGHTLINER FH 34 SUSPENSION

Equalizer Bushing Assembly Components



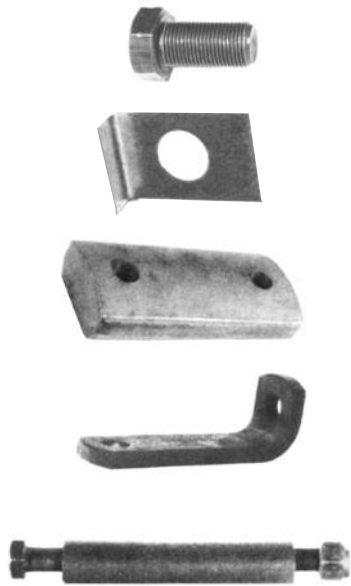
BWP NO.	REPLACES FREIGHTLINER	I.D.	O.D.	LENGTH
M-2850	BUSHING A16-10549	2-1/4"	2-3/4"	2-3/8"
M-2849	CAPPED SHAFT A16-10550	1-5/8"	2-1/4"	6-9/16"
M-2851	WASHER 16-10177	2-1/4"	3-3/4"	1/16" THK.
M-2852	BOLT 23-10757-900	— —	3/4" - 16 THD.	8-1/2"
M-2853	WASHER 29-9427-75	25/32"	2-1/32"	1/8" THK.
M-2854	WASHER 23-9114-4	13/16"	1-15/32"	1/8" THK.
M-2459	NUT 23-461-6	— —	3/4" - 16 THD.	1-1/8" HEX

Freightliner Equalizer Wear Shoe – Bracket Assembly – FH34



BWP NO.	ASSEMBLY CONTAINS	APPLICATION
M-2866	2 M-2989 CAP SCREW 2 M-2990 LOCK TAB 1 M-2991 WEAR SHOE 2 M-2993 BRACKET 1 M-2992 ROLLER ASSEMBLY	FH 34 SUSPENSION USE WITH M-2864 EQUALIZER. SUPPLIED WITH M-2865 EQUALIZER ASSEMBLY.

Wear Shoe & Bracket Assembly Components



BWP NO.	REPLACES FREIGHTLINER	NOTE
M-2989	CAP SCREW 23-9441-175	1/2" - 20 X 1-3/4" LONG
M-2990	LOCK TAB 16-10414	---
M-2991	WEAR SHOE 16-9895	---
M-2993	BRACKET 16-09893	HARDENED ALLOY STEEL
M-2992	ROLLER ASSEMBLY 23-9471-550 23-9900-208 16-9943	1/2" - 20 x 5-1/2" BOLT 1/2" - 20 x 3/4" HEX LOCK NUT 4-1/2" LONG ROLLER

Freightliner Torque Rods – Radius Rods



BWP NO.	REPLACES FREIGHTLINER	CENTER TO CENTER	APPLICATION
M-2861	B-16-10420-1	18-3/16"	FABRICATED STEEL MATERIAL NON-REPLACEABLE BUSHING
M-2867	16-09864-0	18-1/2"	HEAVY DUTY CAST IRON MATERIAL USE M-2855 BUSHING ASSEMBLY

Radius Rod Bushing Assembly



BWP NO.	ASSEMBLY CONTAINS	APPLICATION
M-2855	1 M-2856 PIN 2 M-2857 BUSHING 1 M-2858 WASHER 1 M-2859 NUT 1 M-2860 LOCK	USE WITH M-2867 RADIUS ROD

FREIGHTLINER SUSPENSION PARTS

Radius Rod Bushing Assembly Components



BWP NO.	REPLACES FREIGHTLINER	I.D.	O.D.	LENGTH
M-2856	PIN R16-9848	1-3/8" - 12 THD.	1-13/32"	5-5/8"
M-2857	BUSHING 16-11351	1-3/8"	2-3/16"	1-3/16"
M-2858	WASHER 16-10431-C	1-3/8"	2-3/8"	1/8" THK.
M-2859	NUT 16-10430	1-3/8" - 12 THD.	1-3/4" HEX	5/16" THK.
M-2860	NUT LOCK 16-10429	5/8"	7/8" HGT.	1-1/2"

Freightliner Torque Arm Pin Assembly – Axle End



BWP NO.	ASSEMBLY CONTAINS	APPLICATION
M-1784	1 M-1785 PIN 1 M-1788 BUSHING 2 M-1786 WASHER 2 M-1787 LOCK	AXLE END USE 4 PER TANDEM

Torque Arm Pin Assembly Components



BWP NO.	REPLACES FREIGHTLINER-WHITE	I.D.	O.D.	LENGTH
M-1785	PIN 11-9448	— —	1-5/16"	5-1/2"
M-1788	BUSHING 11-9569	1-5/16"	2-27/64"	1-29/32"
M-1786	WASHER 11-9579	1-3/8"	1-3/4"	1/8" THK.
M-1787	H.D. LOCK RING FOR 1-5/16" DIA. PIN	1-5/16" PIN	— —	3/32" THK.

Freightliner Torque Arm Pin Assembly – Frame End



BWP NO.	ASSEMBLY CONTAINS	APPLICATION
M-1789	1 M-1790 PIN 1 M-1788 BUSHING 2 M-1791 RING 1 M-1792 LOCK	FRAME END USE 4 PER TANDEM

Torque Arm Pin Assembly Components



BWP NO.	REPLACES FREIGHTLINER-WHITE	I.D.	O.D.	LENGTH
M-1790	PIN 11-9256	— —	1-5/16"	5-3/16"



M-1788	BUSHING 11-9569	1-5/16"	2-27/64"	1-29/32"
---------------	--------------------	---------	----------	----------



M-1791	PIN RING 11-9255	1"	1-5/8"	7/16" THK.
---------------	---------------------	----	--------	------------



M-1792	LOCK PIN 13-3406	— —	5/16"	11/16"
---------------	---------------------	-----	-------	--------

Rear Hanger – FH32 and FH34 Suspensions



BWP NO.	REPLACES FREIGHTLINER	APPLICATION
M-2863	16-9985-1	FH-32 AND FH-34 HEAVY DUTY CAST IRON MATERIAL

Equalizer Bushing and Seal FH32



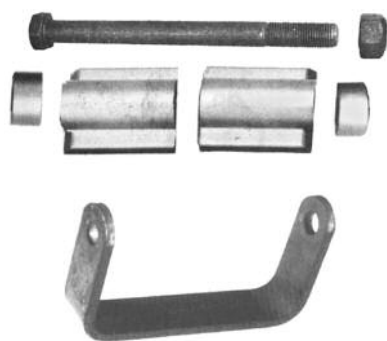
BWP NO.	REPLACES FREIGHTLINER	I.D.	O.D.	LGTH.	APPLICATION
M-2994	RYERTEX BUSHING 16-9502	2"	2-1/2"	1-13/16"	FH32 SERIES USE WITH FREIGHTLINER EARLY STYLE EQUALIZER 16-9490



M-2995	SEAL NA-450360	2"	2-5/8"	1/2" THK.	FH32 SERIES USE WITH FREIGHTLINER EARLY STYLE EQUALIZER 16-9490
---------------	-------------------	----	--------	-----------	---

FREIGHTLINER SUSPENSION PARTS

Equalizer Wear Shoe Assembly and Stirrup – FH32



BWP NO.	REPLACES FREIGHTLINER	APPLICATION
M-2996	WEAR SHOE ASSEMBLY 16-9938	AVAILABLE AS ASSEMBLY ONLY. USE WITH M-2997 STIRRUP FOR 16-9490 EQUALIZER.
M-2997	STIRRUP 16-9401	USE WITH M-2996 ASSEMBLY. FOR FH32 EARLY STYLE EQUALIZER.

Spring Hanger Bracket (New Style)



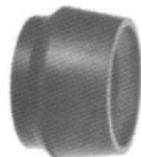
BWP NO.	REPLACES	APPLICATION
M-3468	A16-12314-000	AIR RIDE INCLUDES BUSHING M-3469

Spring Hanger Bracket Bushing



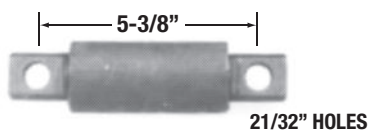
BWP NO.	REPLACES	I.D.	O.D.	LENGTH	APPLICATION
M-3469	236900	7/8"	1-3/4"	4"	AIR RIDE

Shock Absorber Bushing



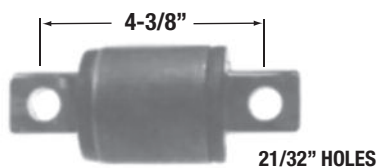
BWP NO.	REPLACES	I.D.	O.D.	LENGTH	APPLICATION
M-3470	16-10722-000	1"	1-7/8"	1"	AIR RIDE

Torque Leaf Bushing



BWP NO.	REPLACES	I.D.	O.D.	LENGTH	APPLICATION
M-3471	HR1-HBUS41	— —	1-3/4"	4"	F/L AIR SUSPENSION

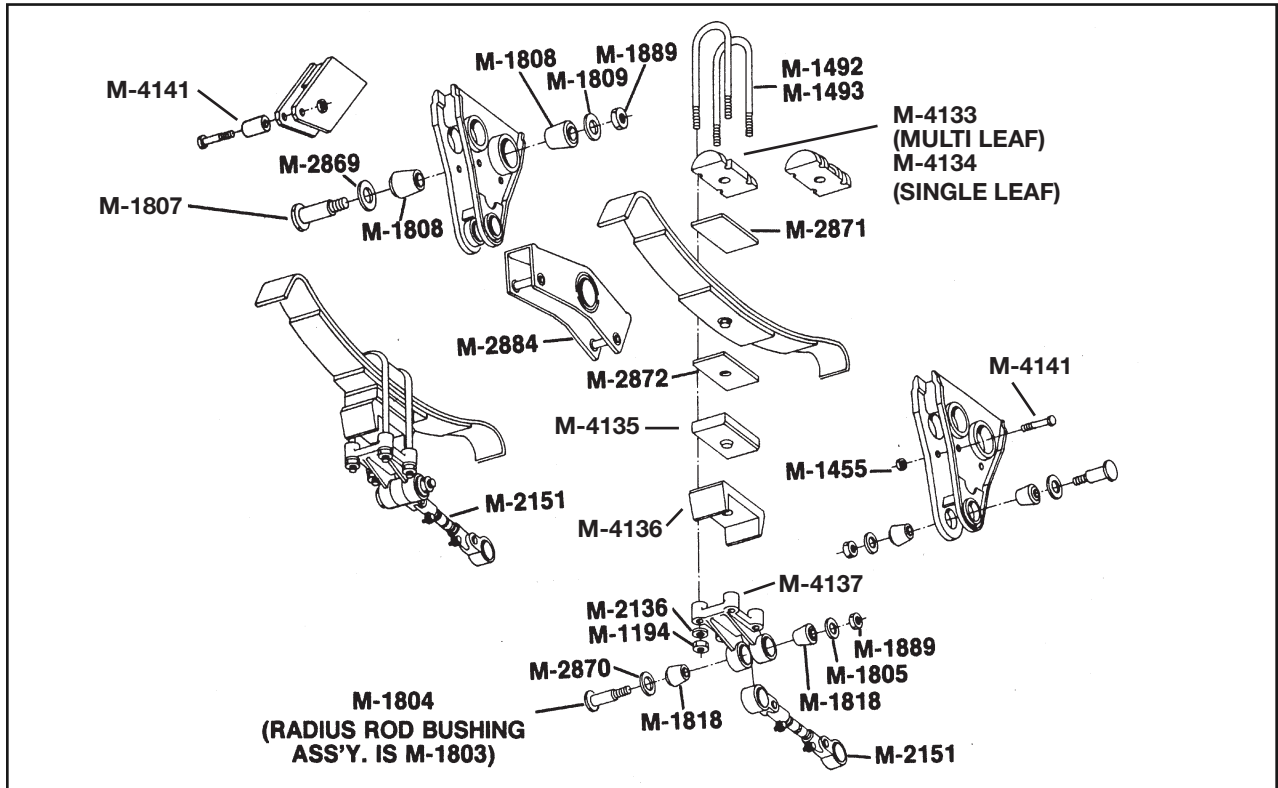
Torque Arm Rubber Bushing



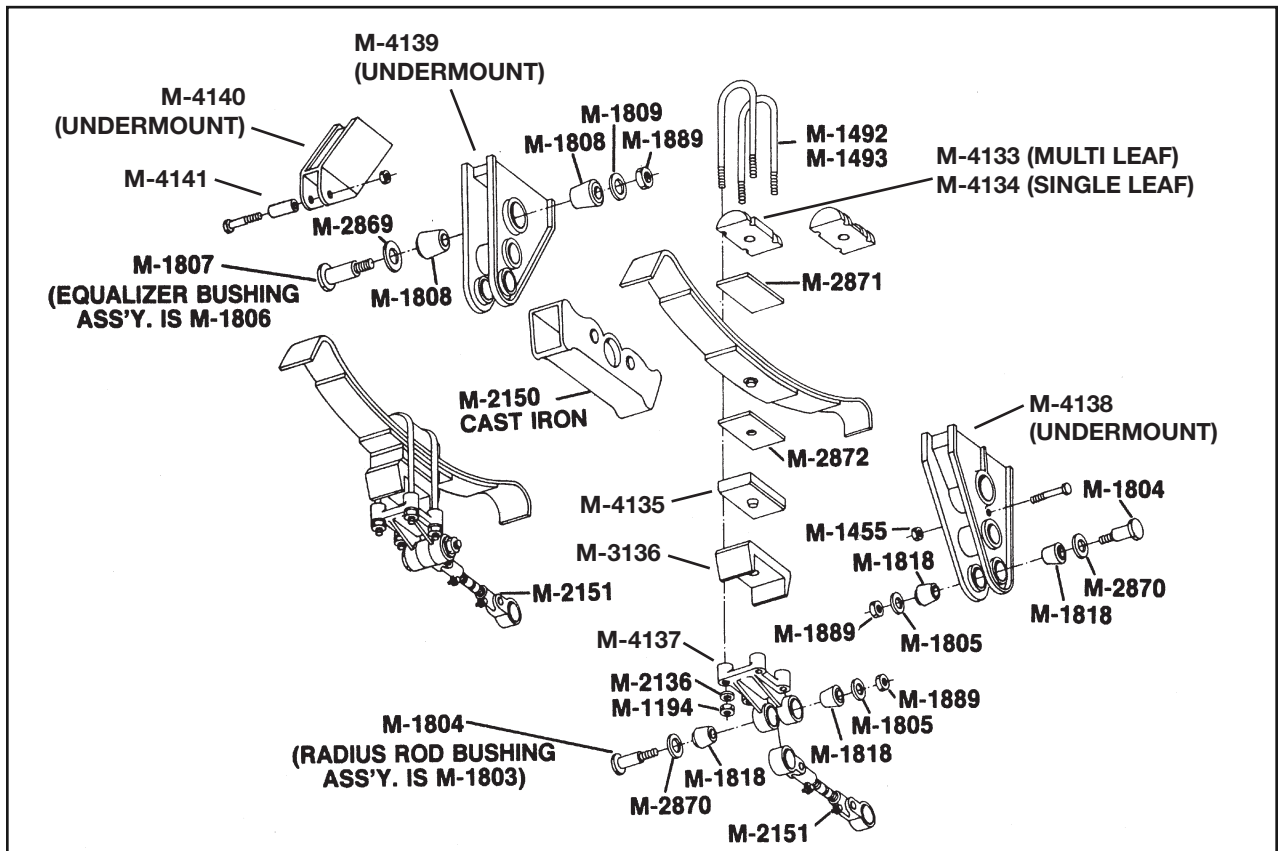
BWP NO.	REPLACES	I.D.	O.D.	LENGTH	APPLICATION
M-3472	151087-148	— —	2-3/8"	5-3/4"	AIR RIDE

BWP REPLACEMENT PARTS — FRUEHAUF

BWP Replacement Parts for: FRUEHAUF F-2 SERIES WIDE BASE SUSPENSION



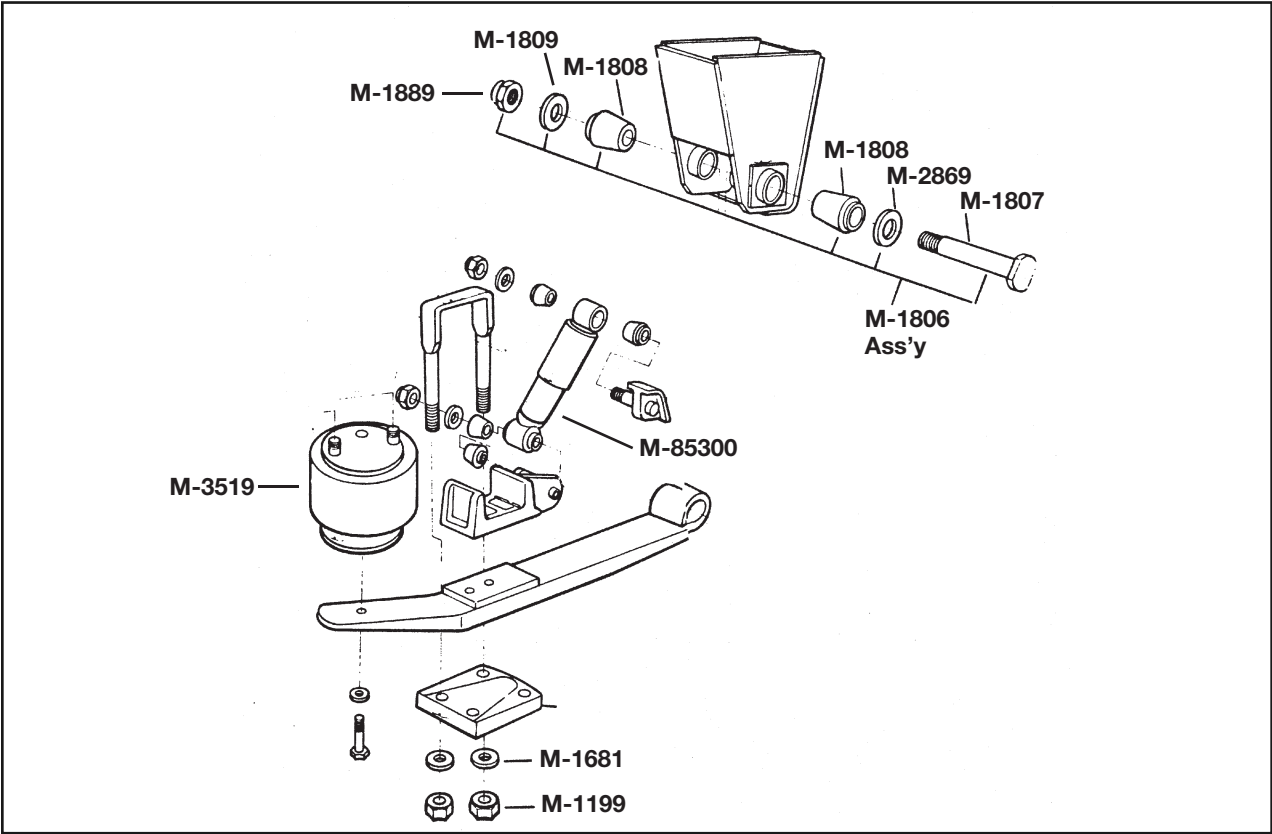
BWP Replacement Parts for: FRUEHAUF F-2 SERIES STANDARD SUSPENSION



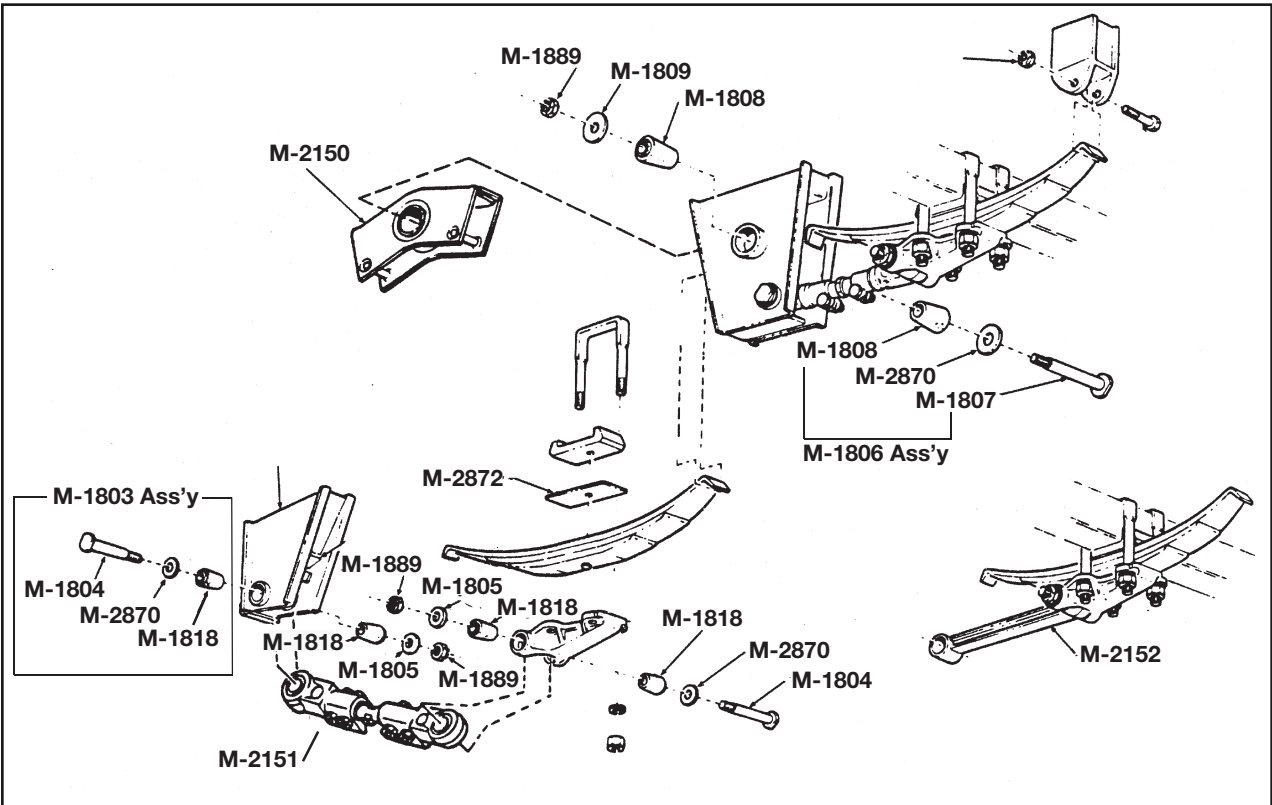
SUSPENSION

BWP REPLACEMENT PARTS — FRUEHAUF

BWP Replacement Parts for: FRUEHAUF T1 and W24T1 SUSPENSIONS

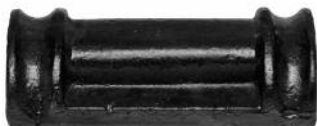


BWP Replacement Parts for: FRUEHAUF J-2 SERIES



SUSPENSION

Spring Saddle – Multileaf Springs Only



BWP NO.	REPLACES NO.	APPLICATION
M-4133	FRUEHAUF UCE-008801-001	F-2 STD F-2 WIDE BASE
	AUTOMANN M470	
	DAYTON 338-1107	
	EUCLID E-2840	
	MERITOR R302840	
	FLAGG E112	
	LELAND L-2137	
SIRCO SF1014		

Spring Saddle – Single Leaf Spring



BWP NO.	REPLACES NO.	APPLICATION
M-4134	FRUEHAUF UCC-005998-001	F-2 STD F-2 WIDE BASE
	AUTOMANN M471	
	DAYTON 338-1108	
	EUCLID E-2839	
	MERITOR R302839	
	FLAGG FR209	
	LELAND L-2137	
SIRCO SF1015		

Spring Spacer



BWP NO.	REPLACES NO.	APPLICATION
M-4135	FRUEHAUF UAX-000048	F-1, F-2, F-2W, F-3 6-1/2" x 3" x 1-1/2" Dimensions
	AUTOMANN M8144	
	DAYTON 338-1109	
	EUCLID E-2338	
	MERITOR R302838	
	FLAGG FR276	
	LELAND L-2139	
SIRCO SF1016		

Spring Chair



BWP NO.	REPLACES NO.	APPLICATION
M-4136	FRUEHAUF AXA-000512-001	F-1, F-2, F-2W, F-3
	AUTOMANN M8142	
	DAYTON 338-1111	
	EUCLID E-2837	
	MERITOR R302837	
	FLAGG FR204	
	LELAND L-2138	
SIRCO SF1017		

Axle Bracket



BWP NO.	REPLACES NO.	APPLICATION
M-4137	FRUEHAUF AXA-000495-001	F-1, F-2, F-2W, F-3
	AUTOMANN M8140	
	DAYTON 338-1113	
	EUCLID E-2836	
	MERITOR R302836	
	FLAGG FR203/1	
	LELAND L-2137	
SIRCO SF1018		

FRUEHAUF SUSPENSION PARTS

Front Std. Undermount Hanger



BWP NO.	REPLACES NO.	APPLICATION
M-4138	FRUEHAUF UCF-002467-001	"F" SERIES
	AUTOMANN M6120	
	DAYTON 338-1100	
	EUCLID E-2826	
	MERITOR R302826	
	FLAGG FR246 / 1	
	LELAND L-2134	
	SIRCO SF1020	

Center Std. Undermount Hanger



BWP NO.	REPLACES NO.	APPLICATION
M-4139	FRUEHAUF UAX-000034	"F" SERIES
	AUTOMANN M6122	
	DAYTON 338-1101	
	EUCLID E-2817	
	MERITOR R302827	
	FLAGG FR273 / 1	
	LELAND L-2135	
	SIRCO SF1021	

Rear Std. Undermount Hanger



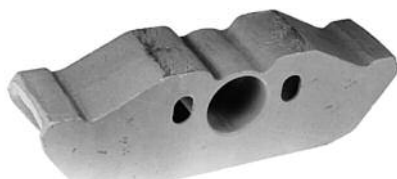
BWP NO.	REPLACES NO.	APPLICATION
M-4140	FRUEHAUF UCF-002470-007	"F" SERIES
	AUTOMANN M6124	
	EUCLID E-2828	
	MERITOR R302828	
	FLAGG FR307	
	LELAND L-2148	
	SIRCO SF1022	

Spacer Assembly



BWP NO.	REPLACES NO.	APPLICATION
M-4141	FRUEHAUF SRL03	"F" SERIES UAX-00020-001 - SPACER FSP-006-02-PK6 - NUT FSP-005-03-012 - BOLT
	AUTOMANN 334-672	
	DAYTON E-2829	
	EUCLID R302829	
	MERITOR FR307	
	FLAGG L-2136	
	LELAND SF1019	
	SIRCO	

Fruehauf Cast Equalizer



BWP NO.	REPLACES FRUEHAUF	APPLICATION
M-2150	CAST EQUALIZER UXA-000017	EARLY F2 AND CURRENT F3 SUSPENSIONS USE M-1806 BUSHING ASSEMBLY

Fruehauf Fabricated Equalizer



BWP NO.	REPLACES FRUEHAUF	APPLICATION
M-2884	FABRICATED EQUALIZER UCF-6963-01 (DUCTILE IRON)	LATE F2 SUSPENSION USE M-1806 BUSHING ASSEMBLY

Fruehauf Equalizer Bushing Assembly



BWP NO.	APPLICATION	ASSEMBLY CONTAINS
M-1806	F SUSPENSIONS USE WITH M-2150 AND M-2884 EQUALIZERS	1 M-1807 BOLT 2 M-1808 BUSHING 1 M-1809 WASHER 1 M-2869 WASHER 1 M-1889 NUT

Equalizer Bushing Assembly Components



BWP NO.	REPLACES FRUEHAUF	I.D.	O.D.	LENGTH
M-1807	EQUALIZER BOLT UXA-00015-001	1"-14 THD.	2"	10-9/16"



M-1808	EQUALIZER BUSHING UXA-0004	2"	3-1/2"	4-3/8"
---------------	-------------------------------	----	--------	--------



M-1809	WASHER UXA-0003	1-1/16"	4"	1/4" THK.
---------------	--------------------	---------	----	-----------



M-2869	OUTER WASHER UXA-0356-001	2-1/16"	4"	1/16" THK.
---------------	------------------------------	---------	----	------------



M-1889	LOCK NUT FSP-6-2-PK9	1"-14 THD.	1-7/16"	13/16" HT.
---------------	-------------------------	------------	---------	------------

Fruehauf Radius (Torque) Rod – Adjustable



BWP NO.	REPLACES FRUEHAUF	APPLICATION
M-2151	UXA-000027-001 BUSHINGS NOT INCLUDED	<ul style="list-style-type: none"> • "F" SUSPENSIONS • 14-11/16" TO 16-7/16" ADJUSTABLE LENGTH • USES M-1818 BUSHING AND M-1803 ASSEMBLY

Fruehauf Radius Rod – Fixed



BWP NO.	REPLACES FRUEHAUF	APPLICATION
M-2152	UXA-000026 BUSHINGS NOT INCLUDED	<ul style="list-style-type: none"> • "F" SUSPENSIONS • 15-1/2" CTR. TO CTR. FIXED LENGTH • USES M-1818 BUSHING AND M-1803 ASSEMBLY

FRUEHAUF SUSPENSION PARTS

Fruehauf Radius Rod Bushing Assembly



BWP NO.	REPLACES FRUEHAUF	APPLICATION
M-1803	1 M-1804 BOLT 2 M-1818 BUSHING 1 M-1805 WASHER 1 M-2870 WASHER 1 M-1889 NUT	<ul style="list-style-type: none"> • "F" SUSPENSIONS • USE WITH M-2151 AND M-2152

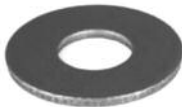
Components for Radius Rod Bushing Assembly



BWP NO.	REPLACES FRUEHAUF	I.D.	O.D.	LENGTH
M-1804	BOLT UXA-000016	1"-14 THD.	1-1/4"	6"



M-1818	BUSHING UXA-000011	1-1/4"	2-3/16"	2-3/8"
---------------	-----------------------	--------	---------	--------



M-1805	WASHER UXA-000002	1-1/16"	2-1/2"	1/4" THK.
---------------	----------------------	---------	--------	-----------



M-2870	OUTER WASHER UXA-000356-001	1-5/16"	2-1/2"	1/16" THK.
---------------	--------------------------------	---------	--------	------------



M-1889	LOCK NUT FSP-6-2-PK9	1"- 14 THD.	1-7/16" HX	13/16" HT.
---------------	-------------------------	-------------	------------	------------

Radius Rod Bushing Assemblies – Early Style



BWP NO.	APPLICATION	ASSEMBLY CONTAINS
M-1812	RR 55 SUSPENSION SPRING HANGER END	1 M-693 SPINDLE 1 M-1816 BOLT 2 M-695 BUSHING 2 M-1814 WASHER 2 M-1815 WASHER
M-1813	RR 55 SUSPENSION SPRING SEAT END	1 M-694 SPINDLE 1 M-1816 BOLT 2 M-695 BUSHING 2 M-1814 WASHER 2 M-1815 WASHER

SUSPENSION

Radius Rod Bushing Assembly



BWP NO.	APPLICATION	ASSEMBLY CONTAINS
M-1817	P2 SUSPENSION	1 M-694 SPINDLE 1 M-1816 BOLT 2 M-1818 BUSHING 2 M-1810 WASHER

Bushing Assembly Components

	BWP NO.	REPLACES FRUEHAUF	I.D.	O.D.	LENGTH
	M-1818	BUSHING UXA-0011 586121	1-1/4"	2-3/16"	2-3/8"
	M-695	BUSHING 563400	1-1/4"	2"	2-1/2"
	M-1816	BOLT & NUT 126084	— —	5/8"-18 THD.	6"
	M-693	SPINDLE 557797	11/16"	1-1/4"	4-1/8"
	M-694	SPINDLE 563824	11/16"	1-1/4"	4-1/2"
	M-1810	WASHER 446512	11/16"	2-3/8"	5/32" THK.
	M-1815	INNER WASHER 564270	1-9/32"	2-1/4"	1/32" THK.
	M-1814	OUTER WASHER 563823	5/8"	2-3/4"	3/32" HT.



**Check Out Our
New Website!**

www.bwpindustries.com

Be sure to check out
the "Specials" tab on our
website frequently for current
Internet Only special offers.



Registered BWP Customers Have Access To:

- Current Pricing
- Real-Time Inventory
- Searchable Interchange
- 24/7/365 Online Ordering

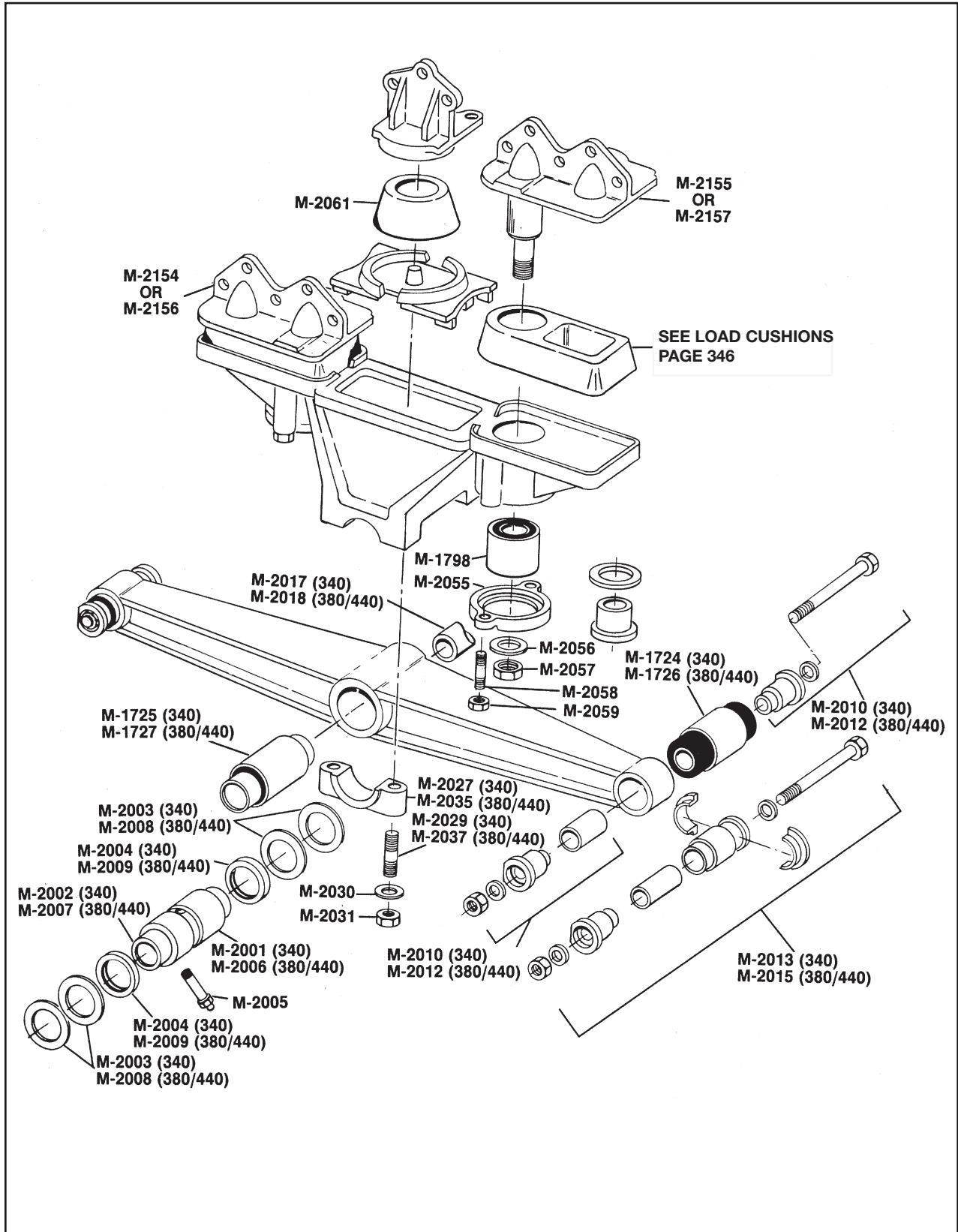
Free registration is available for BWP Customers

**Not a Registered User?
Not a problem!**

BWP Customers Can Call Customer Service
Toll-Free at 1-800-621-8836 to Register

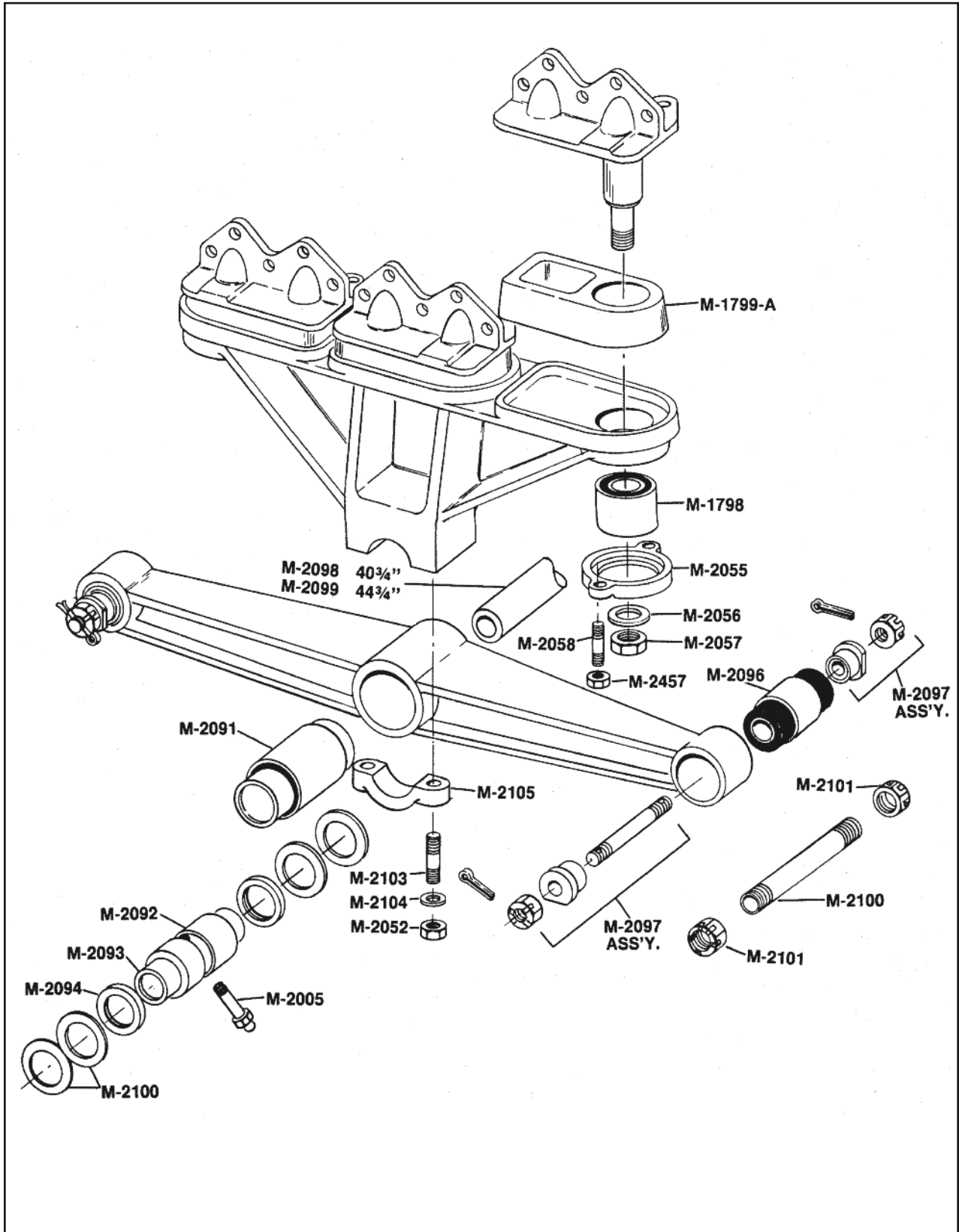
BWP REPLACEMENT PARTS – HENDRICKSON

HENDRICKSON RS 400/460 SERIES SUSPENSION (Supercedes RS 340/380/440)



SUSPENSION

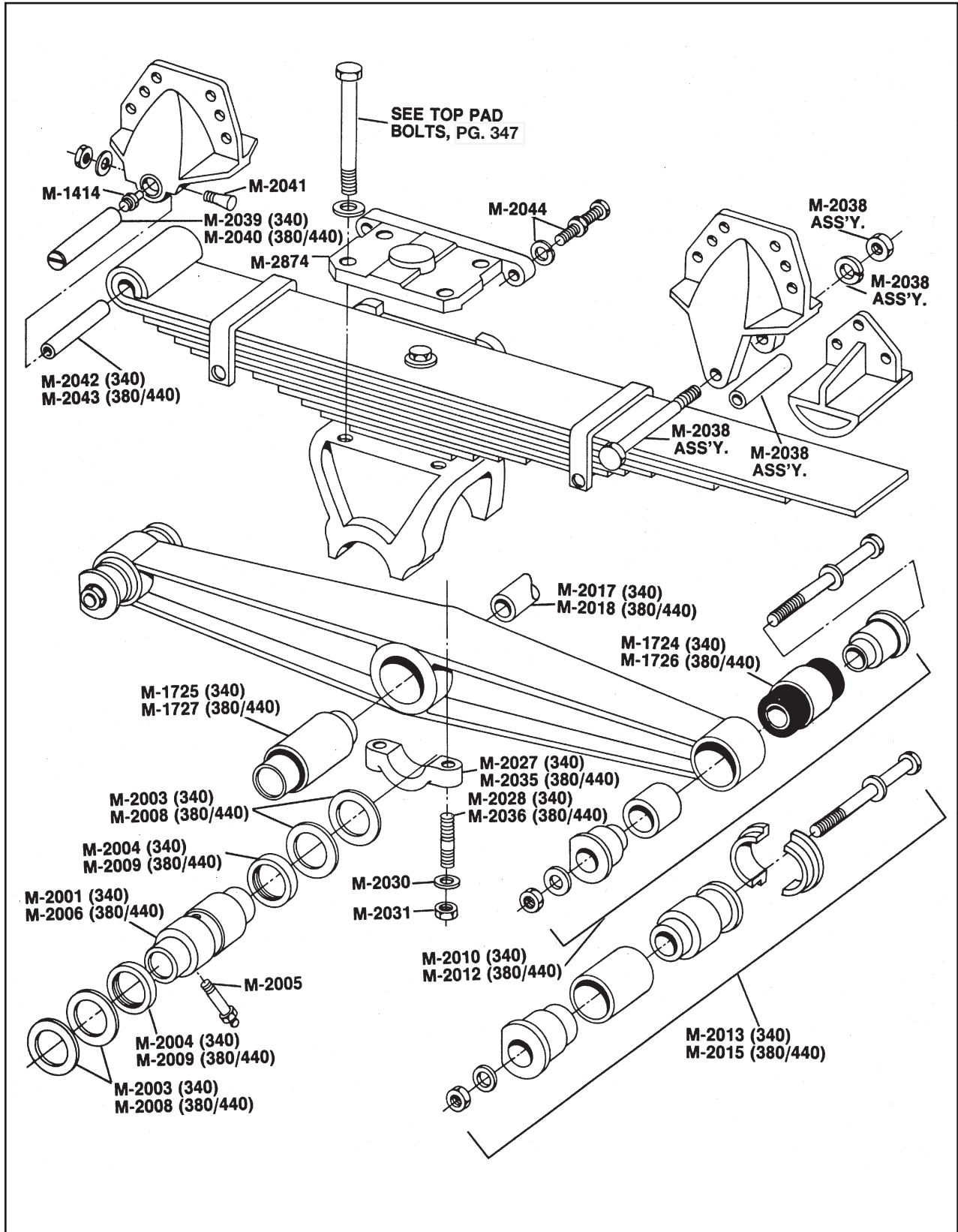
HENDRICKSON RS 650 SERIES SUSPENSION (Supercedes RS 500 Series)



SUSPENSION

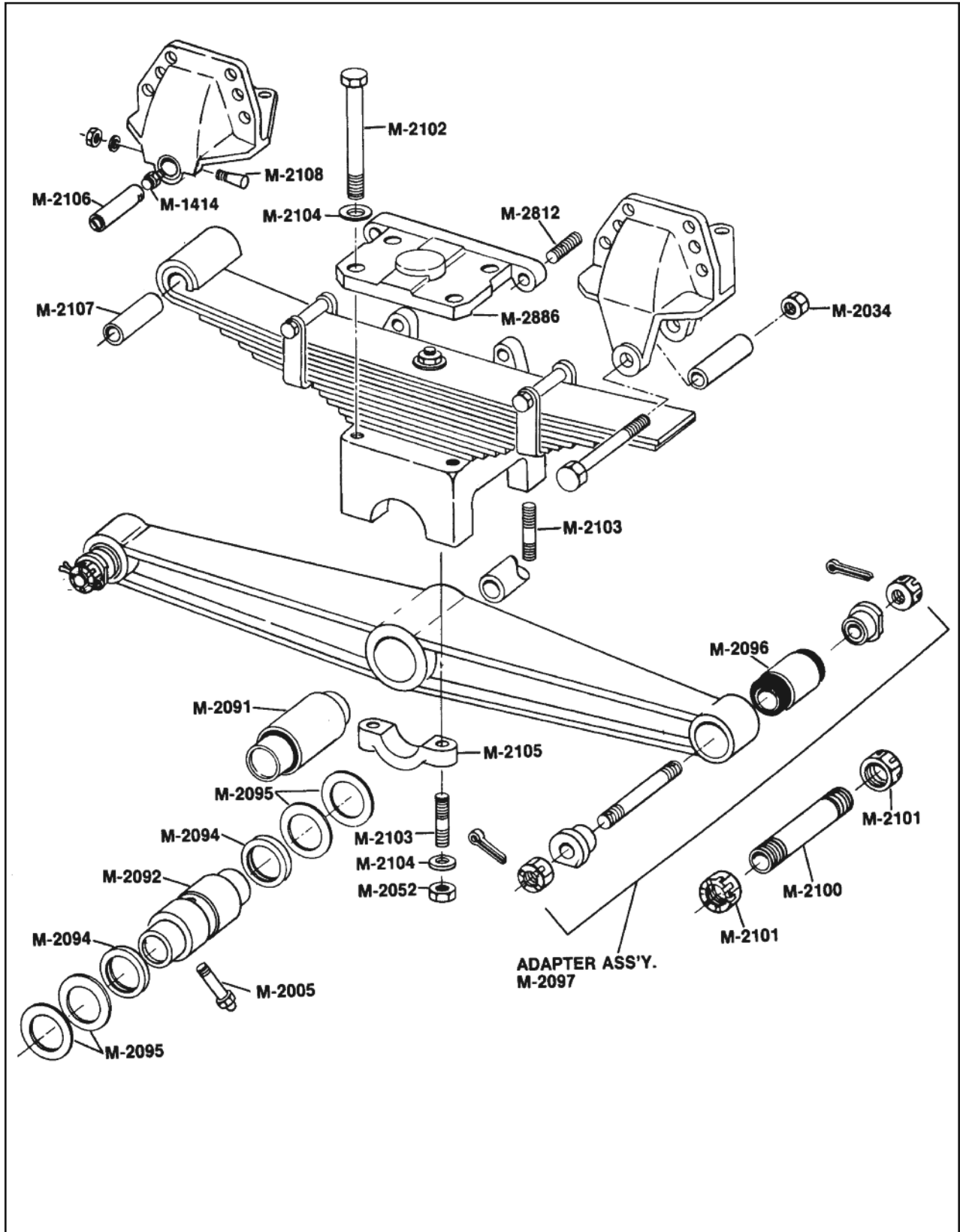
BWP REPLACEMENT PARTS — HENDRICKSON

HENDRICKSON RT/RTE 400/460 SERIES (Supercedes RT/RTE 340/380/440)



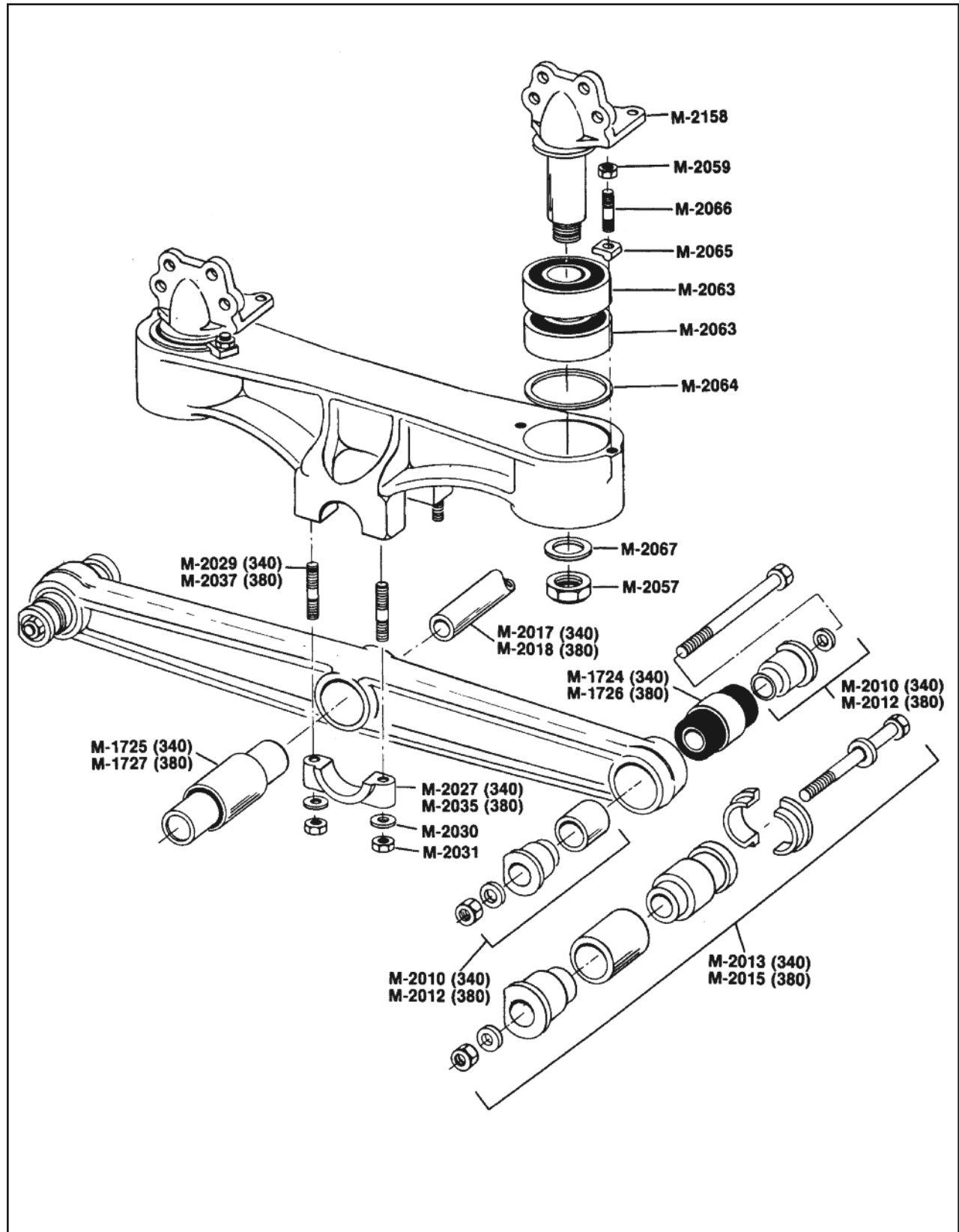
SUSPENSION

HENDRICKSON RT 650 SERIES SUSPENSION (Supercedes RT 500 SERIES)

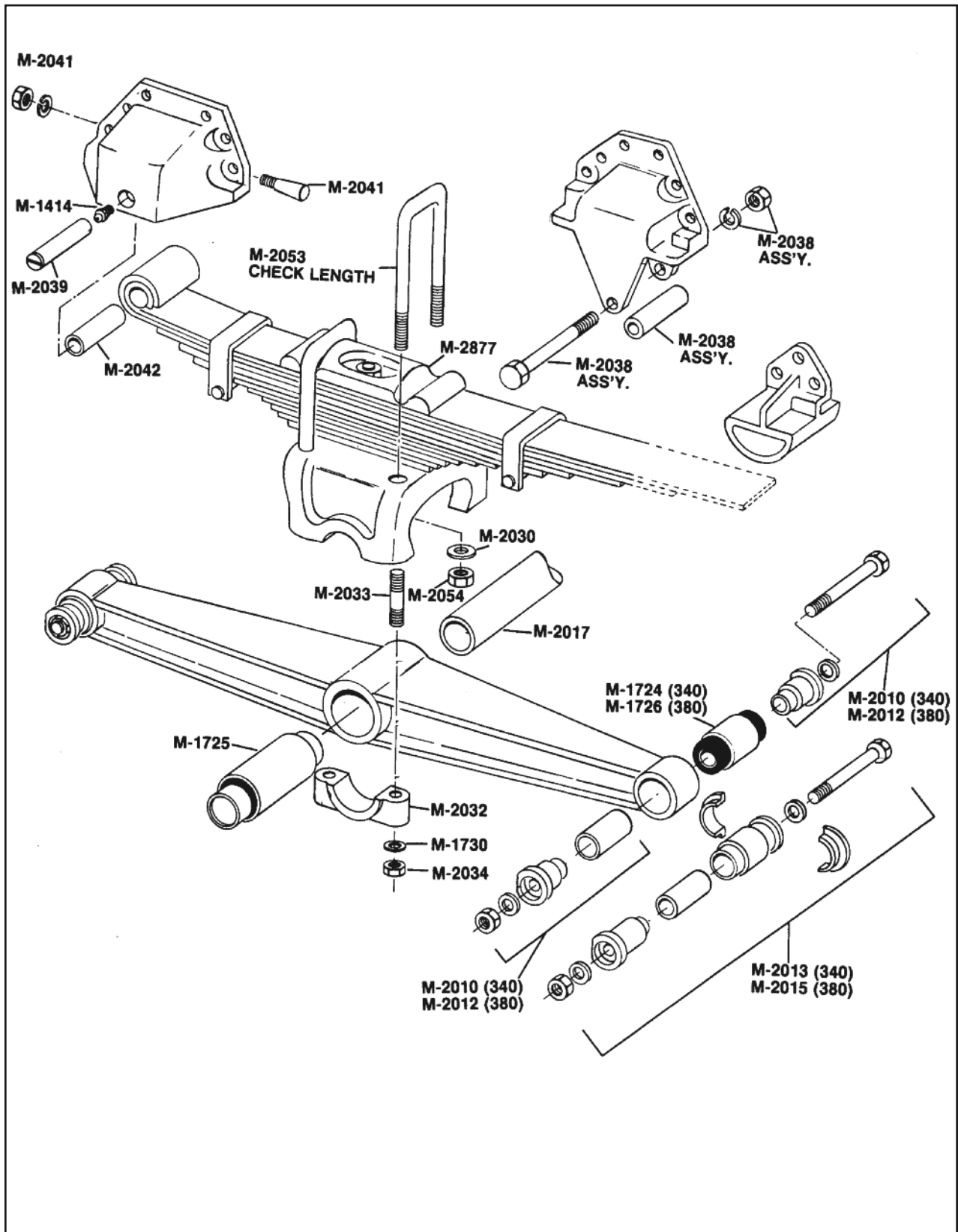


BWP REPLACEMENT PARTS – HENDRICKSON

HENDRICKSON SR340 AND SR380 SERIES SUSPENSION



HENDRICKSON U/UE - 340 SERIES SUSPENSION (Supercedes RU/RUE 340)



SUSPENSION

HENDRICKSON SUSPENSION PARTS

Hendrickson Beam End Bushings



BWP NO.	REPLACES HENDRICKSON	I.D.	O.D.	LENGTH	APPLICATION
M-1724	6969	2-1/2"	4-3/8"	5-1/4"	340 SERIES SUSPENSIONS
M-1726	6572, 45900	2-1/2"	4-3/8"	5-3/4"	440/460 SERIES SUSPENSION
M-2153	29878-1	2-1/2"	4-3/8"	5-3/4"	380/520 SERIES SUSPENSIONS
M-2948	45407	2-1/2"	4-3/8"	6"	450 SERIES SUSPENSIONS
M-2096	10363	3"	6"	6"	RS/RT 650 SERIES SUSPENSIONS

Adapter Assemblies for End Bushings



BWP NO.	REPLACES HENDRICKSON	LENGTH ASSEMBLED	APPLICATION
M-2010	45000-13	7-9/16"	340 SERIES USE WITH M-1724
M-2012	45000-7	8-1/16"	ALL SERIES USE WITH M-1726
M-2950	21140-33	8-1/4"	450 SERIES USE WITH M-2948

Split Flange Adapter Assemblies



BWP NO.	REPLACES HENDRICKSON	LENGTH ASSEMBLED	APPLICATION
M-2013	45000-14	7-9/16"	340 SERIES SUSPENSIONS
M-2015	45000-8	8-1/16"	380 SERIES SUSPENSIONS

Bushing Kit



BWP NO.	DESCRIPTION	APPLICATION
M-4268	BUSHING KIT 1 - M-1726 1 - M-2012	HENDRICKSON

500 Series Adapter Assembly



BWP NO.	REPLACES HENDRICKSON	LENGTH ASSEMBLED	APPLICATION
M-2097	21140-7	12-3/4"	RS-RT 500/650 SERIES USE WITH M-2096

500 Series Beam Hanger Tube



BWP NO.	REPLACES HENDRICKSON	O.D.	LGTH.	APPLICATION
M-2100	10372	3"	9-3/4"	500/650 SERIES OFF HIGHWAY

Nut for Tube Adapter



BWP NO.	REPLACES HENDRICKSON	THREAD	APPLICATION
M-2101	10371	3"-12	500/650 SERIES USE WITH M-2100 TUBE

Hendrickson Beam End Bronze Bushing Assembly



BWP NO.	REPLACES HENDRICKSON	APPLICATION AND CONTENTS	
M-2873	34013-40	441 SERIES BEAM END CONTAINS: 1 M-2021 1 M-2020 1 M-2022 2 M-2026 2 M-2876 2 M-2878	CANNOT REPLACE RUBBER STYLE ASS'Y

Components for Bronze Bushing Assembly



BWP NO.	REPLACES HENDRICKSON	DIMENSIONS		
M-2021	BRONZE SOCKET 5059	2-1/8" I.D.	4" O.D.	2-7/8" WIDE



M-2022	BALL 4990	1-3/8" I.D.	3-3/8" O.D.	4" WIDE
---------------	--------------	-------------	-------------	---------



M-2876	RUBBER BOOT 45229	1-1/2" I.D.	3-1/4" O.D.	3/4" WIDE
---------------	----------------------	-------------	-------------	-----------



M-2020	SHAFT 3350	1-3/8" -12 THD.	---	9-5/8" LONG
---------------	---------------	-----------------	-----	-------------



M-2026	NUT 8582	1-3/8"-12 THD.	---	2" HEX
---------------	-------------	----------------	-----	--------



M-2878	BOLT ASSEMBLY 30970-1 BOLT 30978 NUT 22962-14 WASHERS	1/2"- 20 THD.	---	3-1/2" LONG
---------------	--	---------------	-----	-------------

Check out the "Specials" tab on our website frequently for current Internet Only special offers



HENDRICKSON SUSPENSION PARTS

Bolt, Nut and Washer for Adapter Assembly



BWP NO.	REPLACES HENDRICKSON	DIMENSIONS		
M-2011	BOLT 21867-23	3/4" -16 THD.	— —	6-1/8" LONG
M-1730	WASHER 22962-1	13/16" I.D.	1-3/8" O.D.	3/32" THK.
M-1731	NUT 17700-15	3/4"-16 THD.	— —	1-1/8" HEX

Hendrickson Beam Center Bushings



BWP NO.	REPLACES HENDRICKSON	SMALL I.D.	LG. O.D.	LENGTH	APPLICATION
M-1725	6664	2-3/4"	3-5/8"	12"	340 SERIES SUSPENSIONS
M-1727	5919	3-1/2"	4-3/4"	12"	400/460 SERIES SUSPENSION
M-2091	10366	4"	5-1/2"	14-5/8"	RS/RT 650 SERIES SUSPENSIONS

Beam Center Bushings with Loose Plugs



BWP NO.	REPLACES HENDRICKSON	SMALL I.D.	LG. O.D.	LENGTH	APPLICATION
M-1793	22279	2-3/4"	3-5/8"	12"	340 SERIES SUSPENSIONS
M-1794	22282, 49600	3-1/2"	4-3/4"	12"	400 SERIES SUSPENSION

Plugs for Beam Center Bushings



BWP NO.	REPLACES HENDRICKSON	O.D.	THCK.	APPLICATION
M-2014	22278	1-15/16"	3/16"	USE WITH M-1793
M-2016	22281	2-7/16"	3/16"	USE WITH M-1794

Equalizer Beam Cross Tubes



BWP NO.	REPLACES HENDRICKSON	O.D.	LENGTH	APPLICATION
M-2017	44642-8	1-15/16"	44-7/8"	RS, RT, SR 400 SERIES SUSPENSION
M-2018	44643-9	2-7/16"	44-7/8"	RS, RT, SR 400 SERIES SUSPENSION

Hendrickson Equalizer Bronze Center Bushing Kits



BWP NO.	REPLACES HENDRICKSON	APPLICATION AND KIT CONTENTS
M-1796	30436	340 SERIES SUSPENSIONS 2 M-2001, 2 M-2002, 4 M-2003, 4 M-2004, 2 M-2005
M-1797	30437	380 SERIES SUSPENSIONS 2 M-2006, 2 M-2007, 4 M-2008, 2 M-2009, 2 M-2005
M-2885	45374	RS-RT 500 SERIES SUSPENSIONS 2 M-2092, 2 M-2093, 4 M-2094, 4 M-2095, 2 M-2005

Beam Center Bushings – Bronze



BWP NO.	REPLACES HENDRICKSON	I.D.	O.D.	LENGTH	APPLICATION
M-2001	30240-1	2-3/4"	3-5/8"	5-7/8"	340 SERIES
M-2006	30240-2	3-1/2"	4-1/4"	5-7/8"	400 SERIES
M-2092	30240-5	4"	5-1/2"	8-11/16"	RS-RT 500 SERIES

Beam Center Sleeves – Steel



BWP NO.	REPLACES HENDRICKSON	O.D.	LGTH.	APPLICATION
M-2002	14684	2-3/4"	12"	340 SERIES
M-2007	14685	3-1/2"	12"	380 SERIES
M-2093	25102	4"	15"	RS-RT 500 SERIES

Seals for Beam Center Bushing



BWP NO.	REPLACES HENDRICKSON	I.D.	O.D.	THK.	APPLICATION
M-2004	30333	2-3/4"	3-5/8"	1/4"	340 SERIES
M-2009	30334	3-1/2"	4-3/4"	1/4"	400 SERIES
M-2094	31577	4"	5-1/2"	3/8"	RS-RT 500 SERIES

Thrust Washers for Beam Cutting Center Bushing



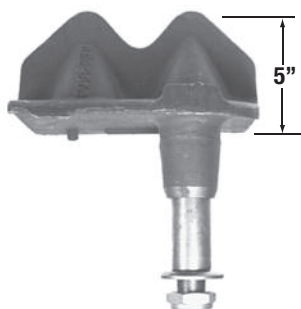
BWP NO.	REPLACES HENDRICKSON	I.D.	O.D.	THK.	APPLICATION
M-2003	32364	2-3/4"	4-5/8"	1/8"	340 SERIES
M-2008	32365	3-1/2"	5-3/4"	1/8"	400 SERIES
M-2095	3416	4"	5-3/4"	1/8"	RS-RT 500 SERIES

Alemite Fitting for Beam Center Bushing



BWP NO.	REPLACES HENDRICKSON	APPLICATION
M-2005	30087	ALL 340, 380 AND RS-RT 500 SERIES SUSPENSIONS

Frame Hangers, Washer, Nut



BWP NO.	REPLACES HENDRICKSON	CASTING NO.	FRAME WIDTH	HANGER POSITION	APPLICATION
M-2154	31675-1 47355-3	9494	34"	LEFT FRONT RIGHT REAR	RS 340 RS 380 RS 440 SERIES SUSPENSION
M-2155	31675-2 47355-4	9493	34"	RIGHT FRONT LEFT REAR	
M-2156	31675-3 47355-5	9497	34-1/2"	LEFT FRONT RIGHT REAR	
M-2157	31675-4 47355-6	9498	34-1/2"	RIGHT FRONT LEFT REAR	

NOTE: FRAME HANGERS ARE UNDRILLED AND INCLUDE M-2056 WASHER AND M-2057 NUT

Nut and Washer for Frame Hangers



BWP NO.	REPLACES HENDRICKSON	I.D.	O.D.	THK.	APPLICATION
M-2056	WASHER 8536	1-1/2"	3-1/4"	3/8"	AR, RS 340-380
M-2057	NUT 25151	1-1/2"-12	2-3/16" HX.	13/16"	AR, RS, SR 340-380

Washer for Frame Hanger



BWP NO.	REPLACES HENDRICKSON	I.D.	O.D.	THK.	APPLICATION
M-2067	21037	1-9/16"	3-3/4"	3/8"	SR 340-380 SERIES. USE M-2057 NUT.

Hendrickson Load Cushions



BWP NO.	REPLACES HENDRICKSON	DUROMETER HARDNESS	APPLICATION
M-2061	24209	60	RS 340-380

BWP NO.	REPLACES HENDRICKSON	DUROMETER HARDNESS	APPLICATION
M-2060	8985	60	RS 400-460
M-1799	8992	40	RS 340-380
M-1799A	9047	60	RS 400-460
M-2062	26953	65-70	RS 450/460/480/520

Hendrickson Spring Saddle Top Pads



BWP NO.	REPLACES HENDRICKSON	APPLICATION
M-2874	35064	RT 340-380 SERIES
M-2886	19199	RT 500 SERIES

Set Screw Assemblies for Top Pads



BWP NO.	REPLACES HENDRICKSON	O.D.	LGTH.	APPLICATION
M-2044	35370-2, 6813	3/4"-10	3-1/4"	RT 340-380 SERIES INCLUDES WASHER & NUT
M-2812	19201-1	3/4"-10	2"	RS-RT 500 SERIES SET SCREW ONLY

Bolts for Spring Saddle Top Pads



BWP NO.	REPLACES HENDRICKSON	LENGTH UNDER HEAD	APPLICATION
M-2045	30550-19	8-1/2"	ALL BOLTS ARE • 1"-14 THREAD • 1-7/8" THREAD LENGTH • GRADE 8 • USE M-2052 NUT
M-2046	30550-1	8-3/4"	
M-2047	30550-2	9"	
M-2048	30550-4	9-1/2"	
M-2049	30550-5	9-3/4"	
M-2050	30550-6	10"	
M-2051	30550-7	10-3/16"	
M-2102	30550-10	11"	

Nuts for Top Pad, Bolts, and U Bolts



BWP NO.	REPLACES HENDRICKSON	THD.	HEX	HT.	APPLICATION
M-2052	8017	1"-14	1-1/2"	7/8"	TOP PAD BOLTS
M-2054	29248	7/8"-14	1-5/16"	3/4"	RU 340 U BOLTS

Spring Hanger Spacer Bolt Assembly



BWP NO.	REPLACES HENDRICKSON	APPLICATION
M-2038	29828-23	ALL RT, RTE, RU, RUE, SERIES SUSPENSIONS

Spring Top Pad for RU-340



BWP NO.	REPLACES HENDRICKSON	APPLICATION
M-2877	19281-1	RU-340 SERIES. USE M-2053 U BOLT KIT

Spring U-Bolt Kit for RU-340



BWP NO.	REPLACES HENDRICKSON	APPLICATION
M-2053	22303-2 U BOLT 29248 NUT	RU-340 SERIES. KIT CONTAINS 2 U-BOLTS, 4 NUTS

HENDRICKSON SUSPENSION PARTS

Hendrickson Spring Hanger Pins



BWP NO.	REPLACES HENDRICKSON	O.D.	LGTH.	APPLICATION
M-2875	46958	1-1/4"	7-1/8"	IHC 236-162-RI
M-2039	32276	1-1/4"	7-3/16"	RT-RU 340 SERIES
M-2040	13938	1-3/8"	7-5/16"	RT 380 SERIES
M-2106	BE-5	1-1/2"	7-1/2"	RT 500 SERIES

Draw Key Assemblies for Spring Hanger Pins



BWP NO.	REPLACES HENDRICKSON	THD.	LGTH.	APPLICATION
M-2041	62-1	1/2"-13	3-1/8"	RT 340, 380, RU 340 SERIES
M-2108	81-1	1/2"-13	3-3/4"	RT 500 SERIES

Spring Eye Bushing Assemblies



BWP NO.	REPLACES HENDRICKSON	I.D.	O.D.	LGTH.	APPLICATION
M-2042	30057-7	1-1/4"	1-1/2"	3-15/16"	RT-RU 340 SERIES
M-2043	30057-8	1-3/8"	1-5/8"	3-15/16"	RT 380 SERIES
M-2107	22285	1-1/2"	1-3/4"	4"	RT 500 SERIES

Hendrickson - IHC - Torque Rod Bushings



BWP NO.	REPLACES HENDRICKSON	I.D.	O.D.	LGTH.	APPLICATION
M-1735	24504 124759R92	1-1/8"	2-7/8"	3-1/4"	FOR IHC, FORD, WHITE USE ALL BUSHINGS WITH M-1737 AND M-1738
M-2068	45477 322069C91	1-1/8"	3"	3-1/4"	
M-1736	44993 124890R91	1-1/8"	3-3/8"	3-1/4"	

Shaft for Torque Rod Bushings



BWP NO.	REPLACES HENDRICKSON	O.D.	LGTH.	APPLICATION
M-1737	27210 124755R1	1-1/8"	7"	USE WITH M-1735, M-2068, M-1736

Nut for Torque Rod Shaft







BWP NO.	REPLACES HENDRICKSON	THD.	HEX	HT.	APPLICATION
M-1738	27204 427655	1-1/8"-12	1-11/16"	1"	USE WITH M-1737






Check out the "Specials" tab on our website frequently for current Internet Only special offers




Hendrickson Saddle Bushing and Attaching Parts

	BWP NO.	REPLACES HENDRICKSON	I.D.	O.D.	LGTH.	APPLICATION
	M-1798	SADDLE BUSHING 19279	2"	4-1/8"	4"	USED w/AR-RS 340-380 SERIES SUSPENSION. USE PER TANDEM: (4) M-1798 (4) M-2055
	M-2055	BUSHING CAP 5917	---	---	---	USED w/AR-RS 340-380 SERIES SUSPENSION. USE PER TANDEM: (4) M-1798 (4) M-2055
	M-2058	CAP STUD 19111-1	5/8"-18 THD.	5/8"-11 THD.	3"	USED w/AR-RS 340-380 SERIES SUSPENSION. USE PER TANDEM: (4) M-1798 (4) M-2055
	M-2059	LOCK NUT 19114	5/8"-18 THD.	15/16" HEX	35/64" HIGH	USED w/AR-RS 340-380 SERIES SUSPENSION. USE PER TANDEM: (4) M-1798 (4) M-2055

Shear Spring and Allied Parts

	BWP NO.	REPLACES HENDRICKSON	I.D.	O.D.	LGTH.	APPLICATION
	M-2063	SHEAR SPRING 15137	3"	6-15/16"	3-5/8"	RS 340-380 SERIES USE 8 PER TANDEM
	M-2064	SPACER RING 21278	6"	6-7/8"	3/16"	RS 340-380 SERIES USE 4 PER TANDEM
	M-2065	CLAMP 21297	---	---	---	RS 340-380 SERIES USE M-2066 STUD AND M-2059 NUT
	M-2066	CLAMP STUD 19111-5	5/8"-18 THD.	5/8"-11 THD.	2-3/4"	RS 340-380 SERIES
	M-2059	LOCK NUT 19114	5/8"-18 THD.	15/16" HEX	35/64" HIGH	RS 340-380 SERIES

Hendrickson Saddle Caps - RT, RTE Series

	BWP NO.	REPLACES HENDRICKSON	A DIM.	APPLICATION
	M-2027	6662	2-3/4"	RT-RTE 340 SERIES USE M-2028 STUD
	M-2035	6612	3-1/2"	RT-RTE 380 SERIES USE M-2036 STUD

HENDRICKSON SUSPENSION PARTS

Hendrickson Saddle Caps – RU, RS-RT Series



BWP NO.	REPLACES HENDRICKSON	A DIM.	APPLICATION
M-2032	19382-2	2-3/4"	RU 340 SERIES. USE M-2033 STUD
M-2105	15785	4"	RS-RT 500 SERIES. USE M-2103 STUD

Studs for Saddle Caps



BWP NO.	REPLACES HENDRICKSON	THREAD		LGTH.	APPLICATION
M-2028	7002	7/8"-14	7/8"-14	4-3/8"	RT-RTE 340 SERIES
M-2036	6696	7/8"-14	7/8"-14	4-13/16"	RT-RTE 380 SERIES
M-2029	9029	7/8"-14	7/8"-9	4-7/16"	AR-RS SR 380 SERIES
M-2037	9030	7/8"-14	7/8"-9	5"	AR-RS SR 380 SERIES
M-2033	23441-4	3/4"-16	3/4"-16	4-7/64"	CONVERT RU TO USE M-1725 STD. BUSHING
M-2103	10948	1"-14	1"-14	6-1/16"	RS-RT 500 SERIES

Washers for Saddle Cap Studs



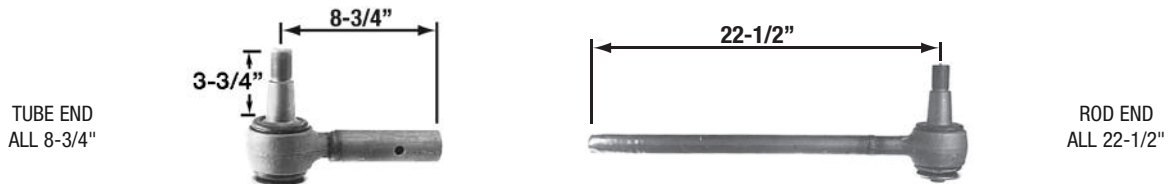
BWP NO.	REPLACES HENDRICKSON	I.D.	O.D.	THICK.	APPLICATION
M-1730	22962-1	13/16"	1-3/8"	3/32"	RU 340 SERIES
M-2030	22962-2	15/16"	1-1/2"	7/64"	340-380 SERIES EXCEPT RU
M-2104	22962-6	1"	1-3/4"	7/64"	RS-RT 500 SERIES

Nuts for Saddle Cap Studs



BWP NO.	REPLACES HENDRICKSON	THD.	HEX	HT.	APPLICATION
M-2459	30191	3/4"-16	1-1/8"	21/32"	WITH M-2033 STUD
M-2031	4842	7/8"-14	1-5/16"	27/32"	340-380 SERIES EXCEPT RU
M-2052	8017	1"-14	1-1/2"	7/8"	RS-RT 500 SERIES

Hendrickson "MAXI-ROD" Two Piece Torque Rods Replaceable Cartridge Ends – Cartridge Included



340 Series – Tapered Stud Mount



BWP NO.	REPLACES HENDRICKSON	REPLACEMENT CARTRIDGE
M-2077	TUBE END 46620	M-2089
M-2078	ROD END 46671	M-2089

340 – 380 – 440 Series – Straddle Mount



A = EYELET TO EYELET 4-1/2"

BWP NO.	REPLACES HENDRICKSON	REPLACEMENT CARTRIDGE
M-2079	TUBE END 46610	M-2070
M-2080	ROD END 46661	M-2070

340 – 440 Series – Tapered Stud Mount



BWP NO.	REPLACES HENDRICKSON	REPLACEMENT CARTRIDGE
M-2081	TUBE END 46630	M-2072
M-2082	ROD END 46681	M-2072

IHC – Hollow Sleeve Mount



BWP NO.	REPLACES HENDRICKSON	REPLACEMENT CARTRIDGE
M-2085	TUBE END 46650	M-2088
M-2086	ROD END 46701	M-2088

IHC – Offset Straddle Mount



A = Eyelet to Eyelet 3-1/4"

BWP NO.	REPLACES HENDRICKSON	REPLACEMENT CARTRIDGE
M-2083	TUBE END 46650	M-2088

Mack – Tapered Stud Mount



BWP NO.	REPLACES HENDRICKSON	REPLACEMENT CARTRIDGE
M-2084	TUBE END 46691	M-2090

Hendrickson Maxi-Rod Combination Chart



BWP TUBE END	BWP ROD END	APPLICATION
M-2079	M-2078	340 SERIES
M-2077	M-2078	340 SERIES
M-2079	M-2080	340, 380 SERIES
M-2079	M-2082	380 SERIES
M-2081	M-2082	380 SERIES
M-2079	M-2084	MACK ONLY
M-2083	M-2086	IHC ONLY
M-2085	M-2086	IHC ONLY
M-2079	M-2086	IHC ONLY

SUSPENSION

HENDRICKSON SUSPENSION PARTS

Tapered Stud Cartridges



BWP NO.	REPLACES HENDRICKSON	O.D.	STUD SHOULDER	THD.	APPLICATION
M-2071	44809	2-17/32"	2"	1-1/8"-12	340 SERIES
M-2089	46737	2-3/4"	2"	1-1/8"-12	340 SERIES
M-2090	46735	2-3/4"	1-7/8"	1-1/4"-12	MACK
M-2072	44697	2-3/4"	3"	1-1/4"-12	380-440 SERIES

Straddle Mount Cartridges



BWP NO.	REPLACES HENDRICKSON	O.D.	HOLE CENTER	APPLICATION
M-2069	44694	2-17/32"	4-1/2"	340 SERIES
M-2070	44695	2-3/4"	4-1/2"	380-440 SERIES

Offset Straddle Mount Cartridges



BWP NO.	REPLACES HENDRICKSON	O.D.	HOLE CENTER	APPLICATION
M-2087	46734	2-3/4"	5-11/16"	NAVISTAR
M-3262	47699-1	3"	5-11/16"	NAVISTAR 438506C91

Torque Arm Bushing



BWP NO.	REPLACES HENDRICKSON	O.D.	LENGTH	APPLICATION
M-3790	47691	2"	4-3/8"	5/8" BOLT HOLES E4 SERIES

Hollow Sleeve Cartridges



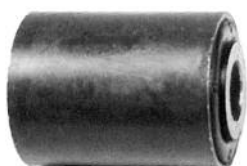
BWP NO.	REPLACES HENDRICKSON	I.D.	O.D.	LGTH.	APPLICATION
M-2088	46736	1-1/8"	2-3/4"	3-1/4"	IHC
M-2068	45477	1-1/8"	3"	3-1/4"	IHC

Lock Nuts and Washer for Cartridges



BWP NO.	REPLACES HENDRICKSON	THD.	HEX	HT.	APPLICATION
M-2075	30574	1-5/16" I.D.	2-1/4" O.D.	1/4"	ALL SERIES
M-2073	29896	1-1/8"-12	1-5/8"	1-1/8"	340 SERIES
M-2074	29749	1-1/4"-12	1-13/16"	11/16"	380-440 SERIES

Equalizer Center Bushing – E4 Series



BWP NO.	REPLACES	I.D.	O.D.	LENGTH	APPLICATION
M-3782	HENDRICKSON 47420 FORD E4HZ5872A	1"	2-3/4"	4-5/8"	E4 SERIES

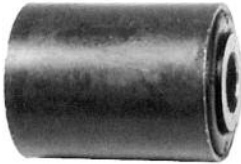
Equalizer Center Bolt



BWP NO.	REPLACES	THD.	LENGTH	APPLICATION
M-3783	30550-35	1"-14	7-1/4"	EQUALIZER CENTERBOLT GRADE 8

USE M-2052 NUT

Equalizer End Bushing – E4 Series



BWP NO.	REPLACES	I.D.	O.D.	LENGTH	APPLICATION
M-3784	HENDRICKSON 47421 FORD E4HZ5873A	7/8"	2-3/8"	3"	E4 SERIES

Shackle Bolt



BWP NO.	REPLACES	THD.	LENGTH	APPLICATION
M-3785	HENDRICKSON 48728	7/8" - 9	4-3/16"	SHACKLE BOLT

USE M-1884 NUT

Equalizer Thrust Washer



BWP NO.	REPLACES	I.D.	O.D.	THICK	APPLICATION
M-3786	HENDRICKSON 47416 FORD E4HZ5A552A	1-15/16"	3-11/16"	1/8"	E4 SERIES

Polyurethane Bar Pin Bushing



BWP NO.	REPLACES	APPLICATION
M-3890	HENDRICKSON 34013-88 DAYTON 334-831U EUCLID E-9326 ATRO EB38001 DYCO D-407	HENDRICKSON RS400/460/480/520 RIDEWELL RD202

HOLE = 1" C to C = 8 1/2"



**Check Out Our
New Website!**

www.bwpindustries.com

Be sure to check out the "Specials" tab on our website frequently for current Internet Only special offers.



Registered BWP Customers Have Access To:

- Current Pricing
- Real-Time Inventory
- Searchable Interchange
- 24/7/365 Online Ordering

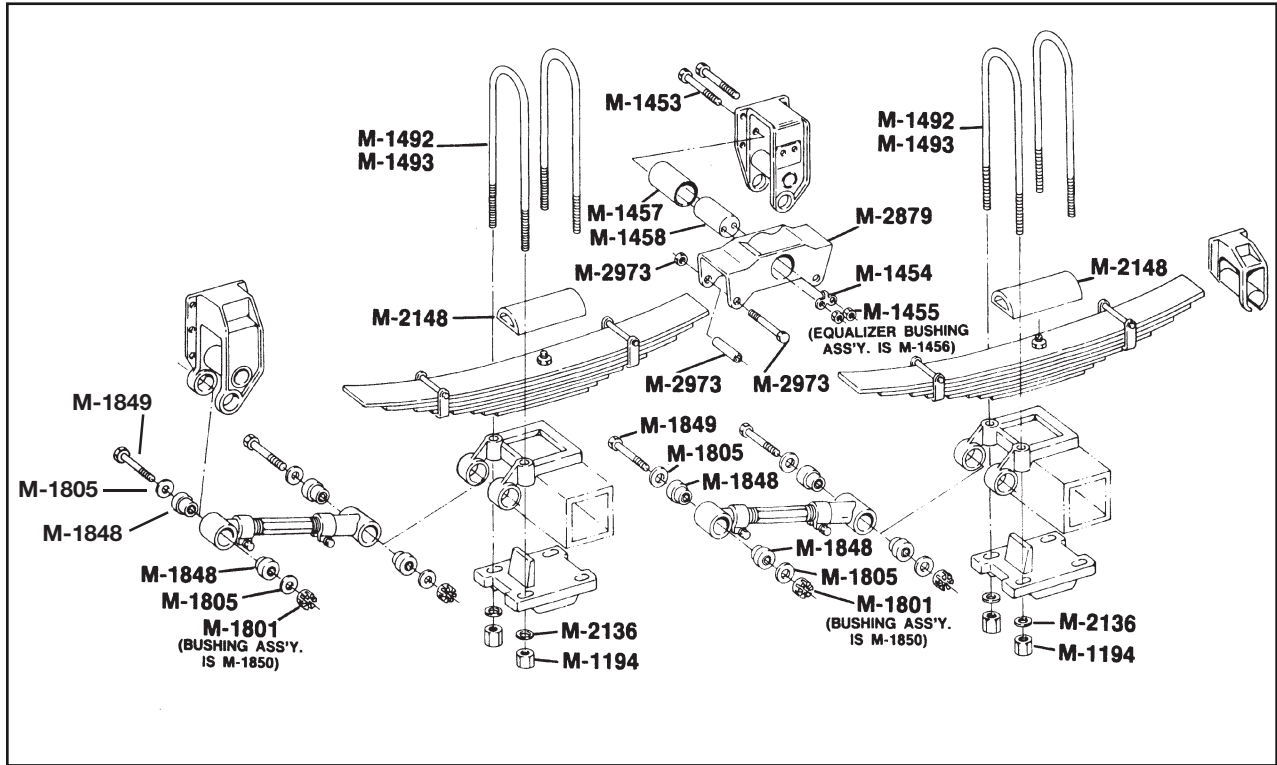
Free registration is available for BWP Customers

**Not a Registered User?
Not a problem!**

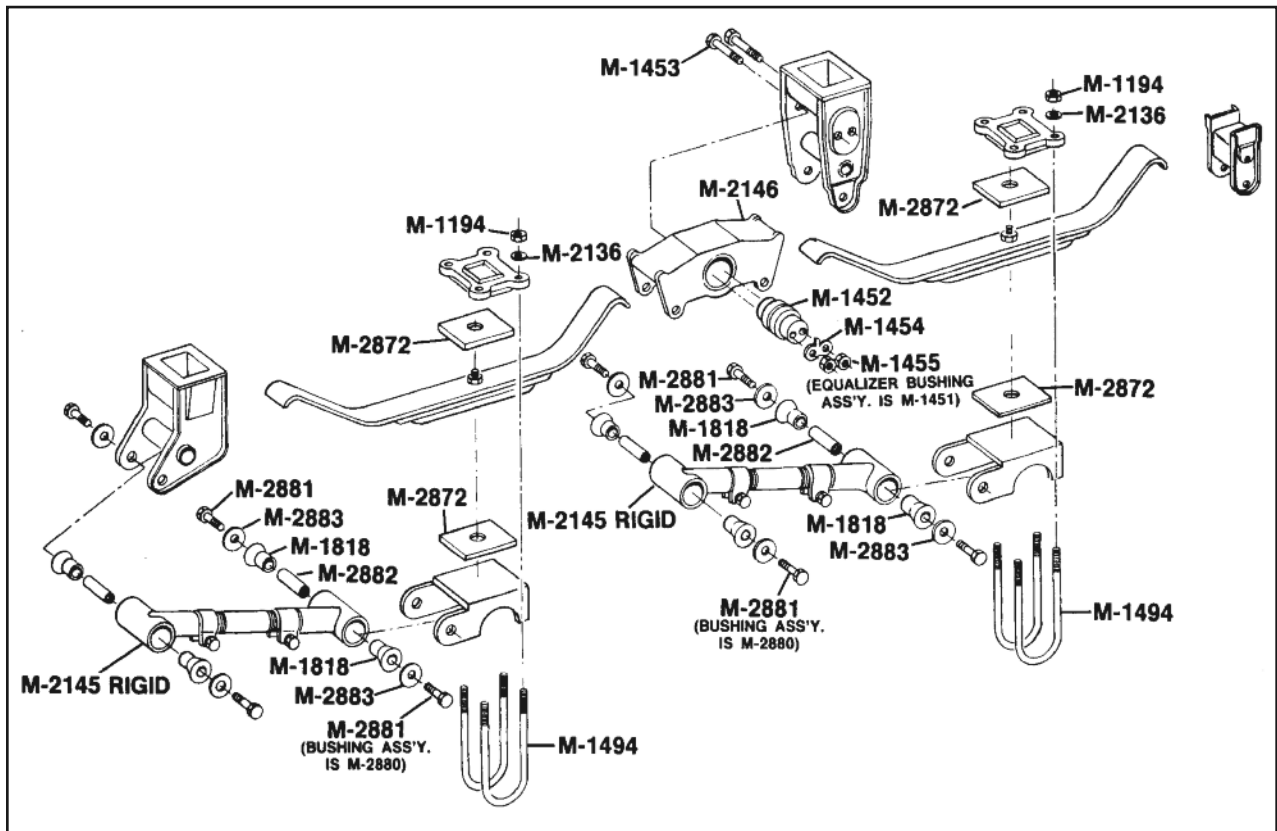
BWP Customers Can Call Customer Service
Toll-Free at 1-800-621-8836 to Register

BWP REPLACEMENT PARTS – HUTCHENS

BWP Replacement Parts for: HUTCHENS H-2200 SERIES SUSPENSION



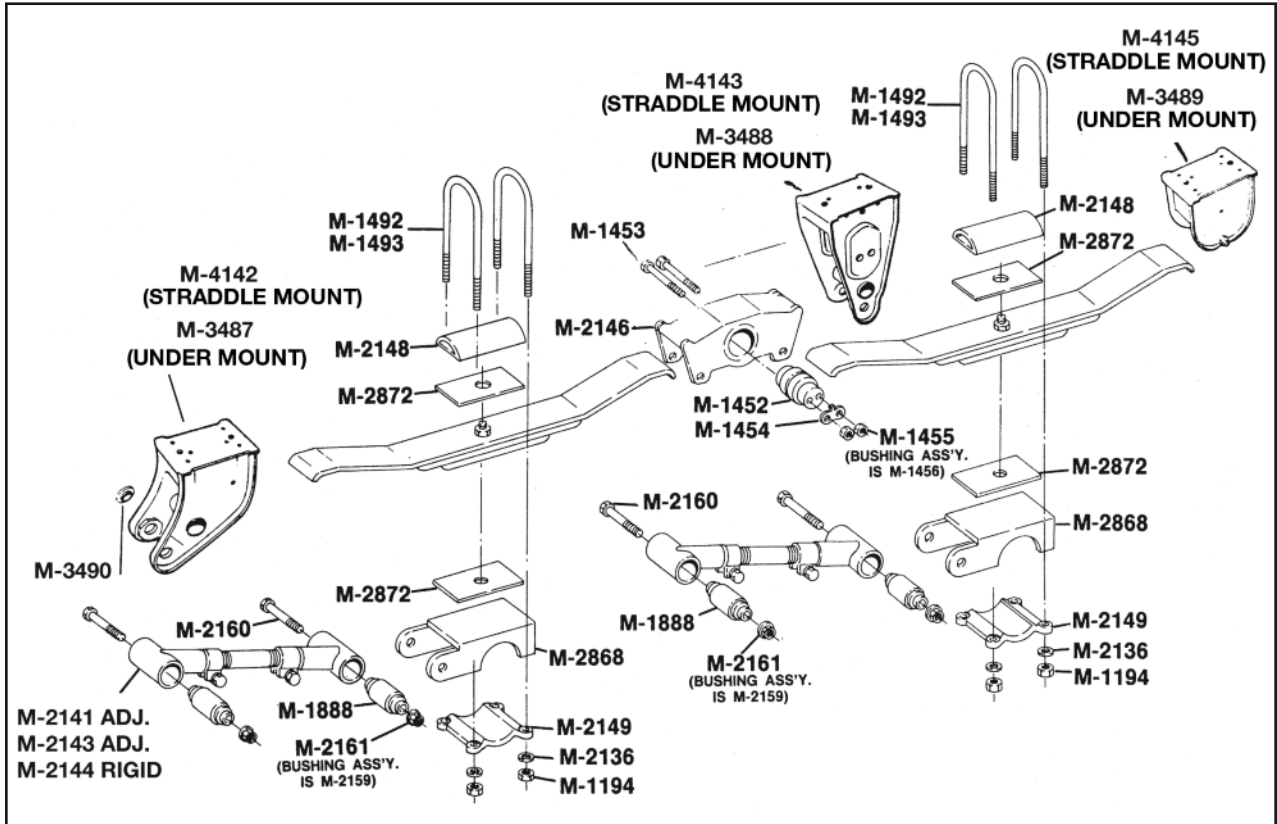
BWP Replacement Parts for: HUTCHENS H-7600 SERIES SUSPENSION



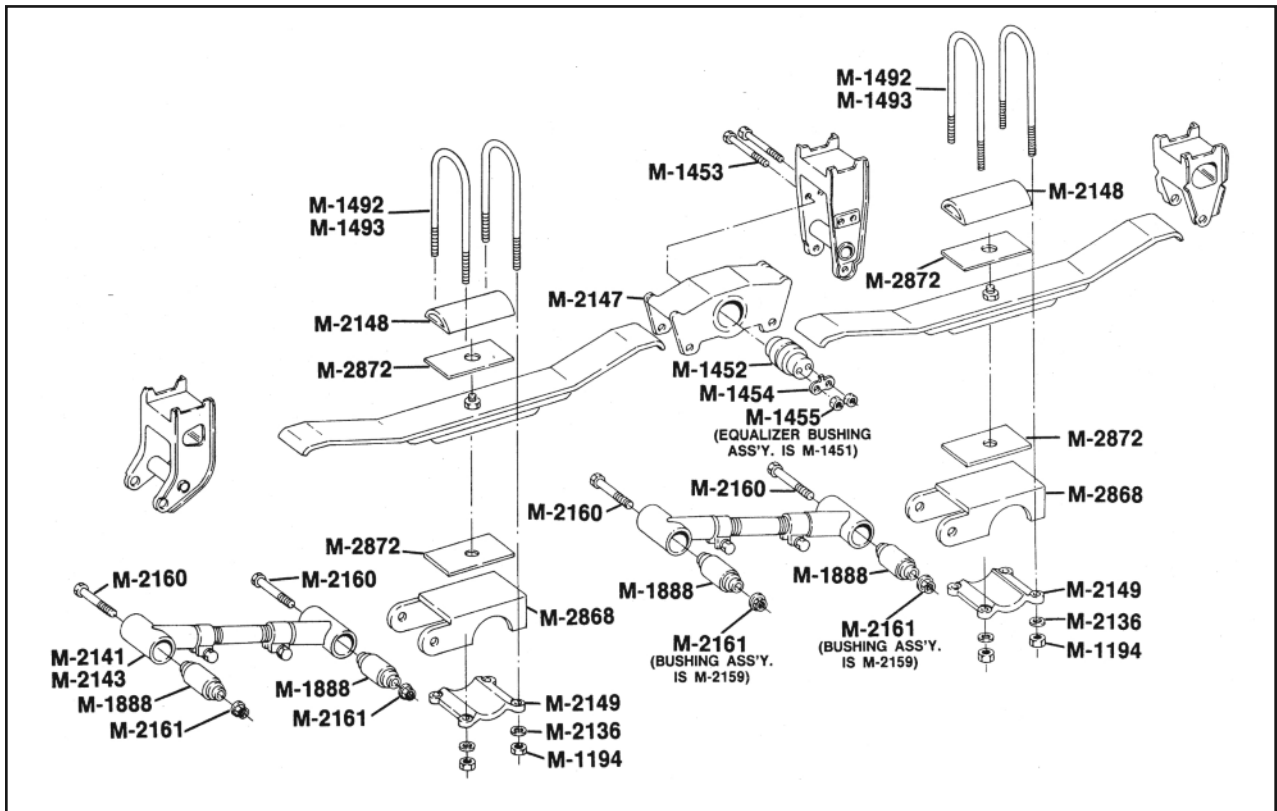
SUSPENSION

BWP REPLACEMENT PARTS – HUTCHENS

BWP Replacement Parts for: HUTCHENS H-7700 SERIES SUSPENSION



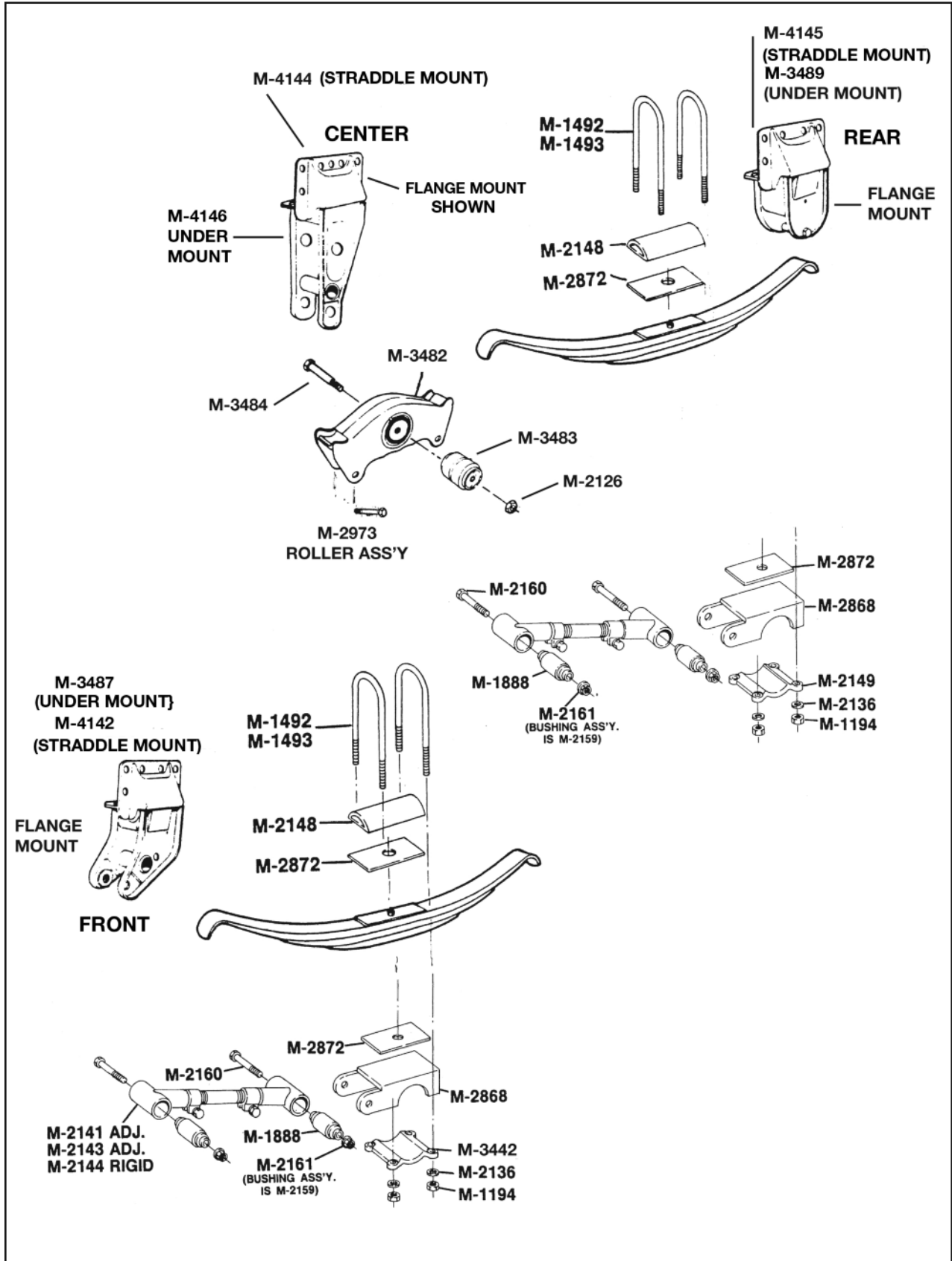
BWP Replacement Parts for: HUTCHENS CH-7700 SERIES SUSPENSION



SUSPENSION

BWP REPLACEMENT PARTS – HUTCHENS

BWP Replacement Parts for: HUTCHENS H-9700 SERIES SUSPENSION



SUSPENSION

Hutchens Equalizer Assembly – Fabricated Steel



BWP NO.	REPLACES HUTCHENS	APPLICATION
M-2146	750-03	H-7600, H-7700 H.D. FABRICATED STEEL INCLUDES M-1452 BUSHING

Hutchens Equalizer Assembly – Cast Steel



BWP NO.	REPLACES HUTCHENS	APPLICATION
M-2147	704-01	CH-7700, CH-7800 CAST STEEL INCLUDES M-1452 BUSHING

Hutchens Equalizer Bushing Assembly



BWP NO.	ASSEMBLY CONTAINS	APPLICATION
M-1451	1 M-1452 BUSHING 2 M-1453 BOLT 1 M-1454 LOCK 2 M-1455 NUT	H-7600, H-7700, CH-7700, CH-7800 USE WITH M-2146, M-2147

Equalizer Bushing Assembly Components



BWP NO.	REPLACES HUTCHENS	O.D.	LENGTH
M-1452	BUSHING 7010-00	3-1/4"	3-7/8"
M-1453	BOLT 7016-01	5/8" - 18 THD. 3/4" BODY DIA.	6"
M-1454	LOCK TAB 729-00	---	---
M-1455	NUT 37-01	5/8" - 18 THD. 15/16" HEX	17/32" HIGH

Hutchens Spring Roller Assembly



BWP NO.	REPLACES HUTCHENS	THD.	LGTH.	APPLICATION
M-2973	759-00 BOLT 756-00 TUBE 37-03 NUT	5/8"-18	4-3/4"	USE WITH M-2146, M-2147, M-2879 EQUALIZERS

HUTCHENS SUSPENSION PARTS

Hutchens Equalizer Assembly - Cast Steel



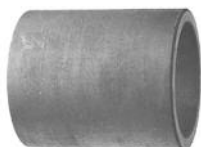
BWP NO.	REPLACES HUTCHENS	APPLICATION
M-2879	2224-01	H-2200 CAST STEEL INCLUDES M-1457 BUSHING

Hutchens Equalizer Bearing Assembly

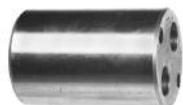


BWP NO.	ASSEMBLY CONTAINS	APPLICATION
M-1456	1 M-1457 BUSHING 1 M-1458 SHAFT 2 M-1453 BOLT 1 M-1454 LOCK 2 M-1455 NUT	H-2200 USE WITH M-2879 EQUALIZER

Equalizer Bearing Assembly Components



BWP NO.	REPLACES HUTCHENS	O.D.	LENGTH
M-1457	BEARING 720-00	2-5/8" I.D. 3-1/4" O.D.	3-3/4"



M-1458	SHAFT 7013-00	2-5/8"	3-15/16"
---------------	------------------	--------	----------



M-1453	BOLT 7016-01	5/8" - 18 THD. 3/4" BODY DIA.	6"
---------------	-----------------	----------------------------------	----



M-1454	LOCK TAB 729-00	---	---
---------------	--------------------	-----	-----



M-1455	NUT 37-01	5/8" - 18 THD. 15/16" HEX	17/32" HIGH
---------------	--------------	------------------------------	-------------

Hutchens Bolt Kits for Equalizers



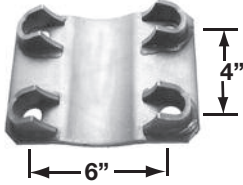
BWP NO.	ASSEMBLY CONTAINS	APPLICATION
M-2975	HUTCHENS H-7600 AND H-7700 SUSPENSIONS	2 M-1453 BOLT 2 M-1455 NUT 1 M-1454 TAB 2 M-2973 ROLLER ASSEMBLY

Top Plate for U-Bolts



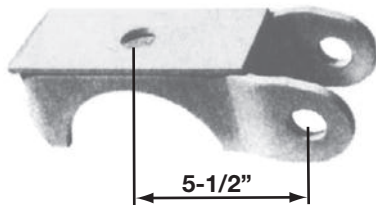
BWP NO.	REPLACES HUTCHENS	WIDTH	LGTH.	MODEL	APPLICATION
M-2148	7029-00	3"	7-1/2"	H7600 H7700	STANDARD & NO-HOP AXLES

Bottom Plate for U-Bolts



BWP NO.	REPLACES HUTCHENS	MODEL	APPLICATION
M-2149	710-00	H7700	STANDARD 5" ROUND AXLE

Axle Seat



BWP NO.	REPLACES HUTCHENS	SPEC.	MODEL	APPLICATION
M-2868	705-01	3/4" HIGH SEAT	H7700 H7800	5" ROUND AXLE

Delrin Liner for Leaf Springs – Bottom Pad



BWP NO.	REPLACES HUTCHENS	WIDTH	LGTH.	THK.	MODEL	APPLICATION
M-2872	7052-02 FRUEHAUF UC6632-2	2-7/8"	8"	.043	H7600 H7700 H7800	SINGLE & 3 LEAF SPRINGS

Delrin Liner for Top Pad



BWP NO.	REPLACES HUTCHENS	WIDTH	LGTH.	THK.	APPLICATION
M-2871	FRUEHAUF UCD-6632-1	2-7/8"	8"	.043	FRUEHAUF "F" SERIES

Rubber End Pad



BWP NO.	REPLACES HUTCHENS	WIDTH	LGTH.	THK.	MODEL	APPLICATION
M-1460	814-00	2-7/8"	5"	7/8"	H800	USE 8 PER TANDEM

HUTCHENS SUSPENSION PARTS

Hutchens Adjustable Torque Rods – Include Bushings



BWP NO.	REPLACES HUTCHENS	BUSHING	BUSHING ASSEMBLY	ADJUSTABLE LENGTH	APPLICATION
M-2141	713-02	M-1888	M-2159	14" TO 18-1/2"	H7700 CH7700 CH7800
M-2142	713-10	M-1888	M-2159	14-1/4" TO 19-1/4"	H9000 CH9000
M-2143	713-05	M-1888	M-2159	18-1/2" TO 21-3/8"	H7700 CH7700 CH7800

Hutchens Rigid Torque Rod – Includes Bushings



BWP NO.	REPLACES HUTCHENS	BUSHING	BUSHING ASSEMBLY	LENGTH CENTER TO CENTER	APPLICATION
M-2144	715-00	M-1888	M-2159	19-1/4"	H7700 CH7700 CH7800

Hutchens Rigid Torque Rod – Less Bushings



BWP NO.	REPLACES HUTCHENS	BUSHING	BUSHING ASSEMBLY	LENGTH CENTER TO CENTER	APPLICATION
M-2145	7615-02	M-1818	M-2880	19-1/4"	H7600

Hutchens Torque Arm Bushing Assembly



BWP NO.	ASSEMBLY CONTAINS	APPLICATION
M-2159	1 M-1888 BUSHING 1 M-2160 BOLT 1 M-2161 NUT	LATE STYLE ASSEMBLY H7700 CH7700 CH7800 USE M-2159 ASSEMBLY IN PLACE OF OLD STYLE, M-1890 ASSEMBLY

Torque Arm Bushing Assembly Components



BWP NO.	REPLACES HUTCHENS	I.D.	O.D.	LENGTH
M-1888	722-00	1"	1-29/32"	3"
M-2160	719-02	— —	1" - 14 THD.	5"
M-2161	10562-00	1" - 14 THD.	1-7/16"	7/8" HT.

SUSPENSION

Hutchens Torque Arm Bushing Assembly



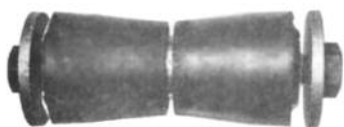
BWP NO.	ASSEMBLY CONTAINS	APPLICATION
M-1850	2 M-1848 BUSHING 1 M-1849 BOLT 2 M-1805 WASHER 1 M-1801 NUT	H200 H2200

Torque Arm Bushing Assembly Components



BWP NO.	REPLACES HUTCHENS	I.D.	O.D.	LENGTH
M-1848	BUSHING 222-00	1"	2-3/16"	3-1/8"
M-1849	BOLT 2219-01	— —	1" - 14 THD.	7-1/4"
M-1805	WASHER H-227	1-1/16"	2-1/2"	11/64" THK.
M-1801	NUT 30-00	1" - 14 THD.	1-7/16" HEX	1" HIGH

Hutchens Torque Arm Bushing Assembly



BWP NO.	ASSEMBLY CONTAINS	APPLICATION
M-2880	2 M-1818 BUSHING 1 M-2882 SHAFT 2 M-2883 WASHER 2 M-2881 BOLT	H7600 USE WITH M-2145 TORQUE ROD

Torque Arm Bushing Assembly Components



BWP NO.	REPLACES HUTCHENS	I.D.	O.D.	LENGTH
M-1818	BUSHING 7620-00	1-1/4"	2-3/16"	2-3/8"
M-2882	SHAFT 7637-00	5/8" - 18 THD.	1-1/4"	4-1/2"
M-2883	WASHER 7636-00	21/32"	2-1/4"	7/32" THK.
M-2881	BOLT 7638-00	— —	5/8" - 18 THD.	1-1/4"

HUTCHENS SUSPENSION PARTS

Equalizer Assembly Fabricated



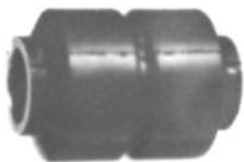
BWP NO.	REPLACES	APPLICATION
M-3482	HUTCHENS 16158-01	H-9700 INCLUDES BUSHING M-3483

Cast Equalizer



BWP NO.	REPLACES	APPLICATION
M-3482-C	HUTCHENS 16290-01	FOR MODELS: CH9600, CH9700 NOTE: INCLUDES M-3483 BUSHING

Equalizer Bushing



BWP NO.	REPLACES	I.D.	O.D.	LENGTH	APPLICATION
M-3483	HUTCHENS 16146-01	1-1/8"	3-11/32"	3-7/8"	H-9700

Equalizer Bolt



BWP NO.	REPLACES	THREAD	LENGTH	APPLICATION
M-3484	HUTCHENS 16150-01	1-1/8" - 7	6-5/8"	H-9700 USE M-2126 NUT

Alignment Adjusting Plate



BWP NO.	REPLACES	THREAD	LENGTH	APPLICATION
M-3485	HUTCHENS 10608-00	12"	5"	H-900

Bushing



BWP NO.	REPLACES	I.D.	O.D.	LENGTH	APPLICATION
M-3486	HUTCHENS 890-00	4"	5"	9-1/8"	H-900

Front Hanger Undermount



BWP NO.	REPLACES	APPLICATION
M-3487	HUTCHENS 7701-02	H-7700

Front Hanger Straddle Mount



BWP NO.	REPLACES	APPLICATION
M-4142	HUTCHENS 7701-01 DAYTON PARTS 338-451 DAYTON 09-3250 EUCLID E-2910-A MERITOR R302910A FREUHAUF MHS770101	H7700 & H9700 SREIES

Center Hanger Undermounts



BWP NO.	REPLACES	APPLICATION
M-3488	HUTCHENS 7702-02	H-7700



BWP NO.	REPLACES	APPLICATION
M-4146	HUTCHENS 16171-01 DAYTON PARTS 338-885 EUCLID E-9582 MERITOR R309582	H9700 SERIES

Check out the "Specials" tab on our website frequently for current Internet Only special offers



HUTCHENS SPRING HANGERS

Center Hanger Straddle Mounts



BWP NO.	REPLACES	APPLICATION
M-4143	HUTCHENS 7702-01 DAYTON PARTS 338-453 DAYTON 09-3253 EUCLID E-2911 MERITOR R302911 FREUFAUF MHS770201	H-7700 SERIES



BWP NO.	REPLACES	APPLICATION
M-4144	HUTCHENS 16169-01 DAYTON PARTS 338-884 EUCLID E-7534 MERITOR R307534	H9700 SERIES

Rear Hanger Undermount



BWP NO.	REPLACES	APPLICATION
M-3489	HUTCHENS 7703 -02	H-7700

Rear Hanger Straddle Mount



BWP NO.	REPLACES	APPLICATION
M-4145	HUTCHENS 7703-01 DAYTON PARTS 338-455 DAYTON 09-3256 EUCLID E-2912-A MERITOR R302912A	H7700 & H9700

Washer Bushing (Steel)



BWP NO.	REPLACES	I.D.	O.D.	THICK	APPLICATION
M-3490	HUTCHENS 7717-00	1"	1-3/4"	11/32"	WELD-IN HANGERS AND SPRING SEATS

Fabco Torque Rod Bushing Assembly



BWP NO.	ASSEMBLY CONTAINS	APPLICATION
M-1826	1 M-1827 BUSHING 1 M-1828 BOLT, NUT, WASHER	USE 16 PER TANDEM

Fabco Torque Rod Bushing Assembly Components



BWP NO.	REPLACES FABCO	I.D.	O.D.	LENGTH
M-1827	BUSHING DD75-383	7/8"	2-1/2"	2-1/2"



M-1828	BOLT NUT WASHER DD75-289	7/8" - 14 THD.	7/8"	4-5/8"
---------------	-----------------------------	----------------	------	--------

Kenworth Glideride Equalizer Shaft Assembly

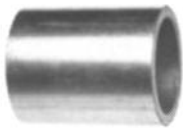


BWP NO.	ASSEMBLY CONTAINS	APPLICATION
M-1650	1 M-1651 SHAFT 2 M-1652 BUSHING 1 M-1653 WASHER 1 M-1654 WASHER 1 M-2073 NUT	KENWORTH GLIDERIDE EQUALIZER

Kenworth Equalizer Shaft Assembly Components



BWP NO.	REPLACES KENWORTH	I.D.	O.D.	LENGTH
M-1651	SHAFT K179-424 K179-449	1-1/8" - 12 THD.	1-5/8" O.D.	9"



M-1652	METAL BUSHING K066-331 NOTE: REPLACES K066-123 FIBER BUSHING K221-2802 SPACER	1-5/8"	2"	2-1/2"
---------------	---	--------	----	--------



M-1653	WASHER K363-204	1-5/8"	3"	3/32" THK.
---------------	--------------------	--------	----	------------



M-1654	WASHER K363-262	1-5/32"	3"	3/32" THK.
---------------	--------------------	---------	----	------------



M-2073	LOCK NUT 49NE-1812	1-1/8" - 12 THD.	1-5/8" HEX	1-1/8" HT.
---------------	-----------------------	------------------	------------	------------

KENWORTH SUSPENSION PARTS

Equalizer Assembly



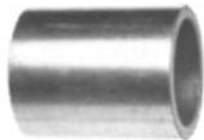
BWP NO.	REPLACES	INCLUDES	APPLICATION
M-3473	K-034-58 (OLD) K-034-144 (NEW)	2 M-1652 BUSHING 2 M-1655 ROLLER ASSEMBLY	"GLIDE RIDE" SUSPENSIONS

Spring Roller and Bolt Assembly



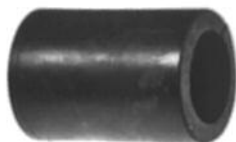
BWP NO.	ASSEMBLY CONTAINS	APPLICATION
M-1655	1 ROLLER K-174-530 1 CAP SCREW K220-641-6 1 TUBE K220-425 1 LOCKNUT 29NE820	"GLIDE RIDE" EQUALIZER

Equalizer Bushing



BWP NO.	REPLACES	I.D.	O.D.	LENGTH	APPLICATION
M-1652	METAL BUSHING K066-331	1-5/8"	2-1/16"	2-1/2"	"GLIDE RIDE"

Stabilizer Bushing



BWP NO.	REPLACES	I.D.	O.D.	LENGTH	APPLICATION
M-3264	K066-050 (NEW) K066-058 (OLD)	2"	2-7/8"	4"	"AIR GLIDE"

Spring Hanger Load Pad



BWP NO.	REPLACES	APPLICATION
M-3474	K174-744 K174-527	ALL SPRING HANGERS

SUSPENSION



**Check Out Our
New Website!**

www.bwpindustries.com

Be sure to check out the "Specials" tab on our website frequently for current Internet Only special offers.



Registered BWP Customers Have Access To:

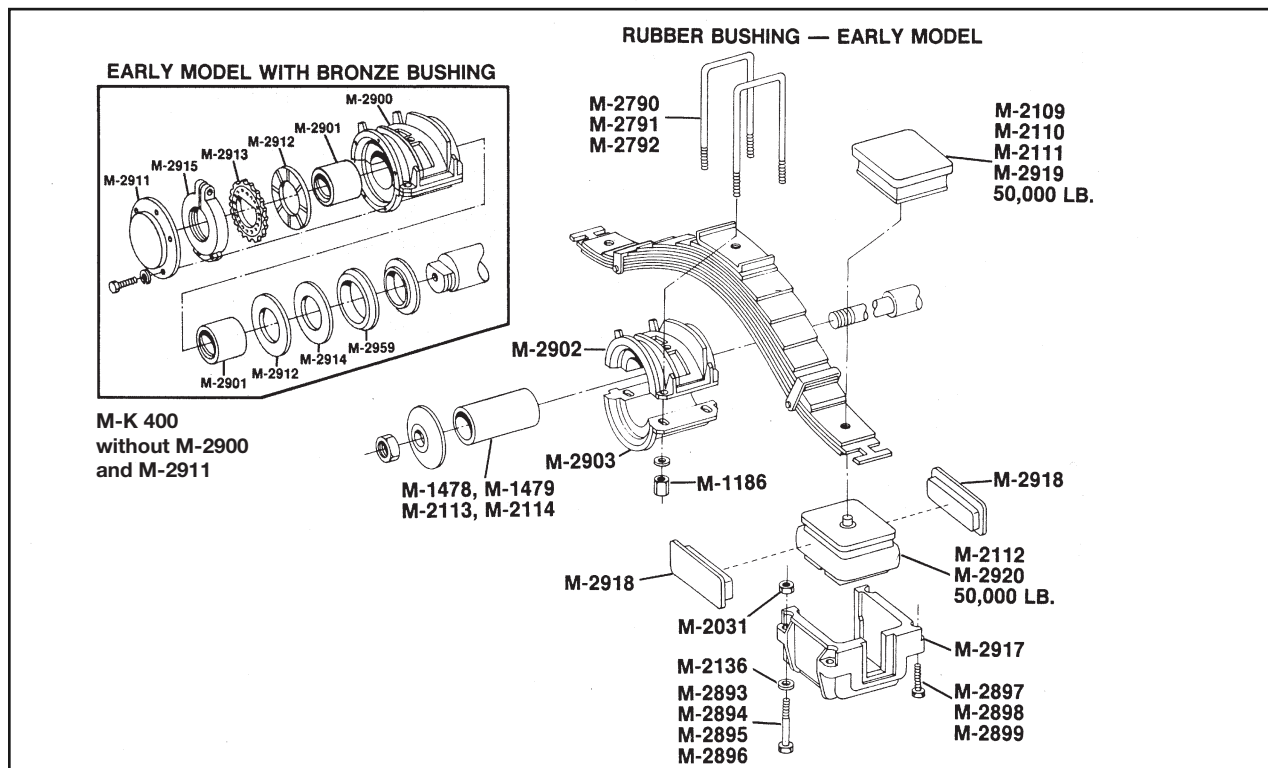
- Current Pricing
- Real-Time Inventory
- Searchable Interchange
- 24/7/365 Online Ordering

Free registration is available for BWP Customers

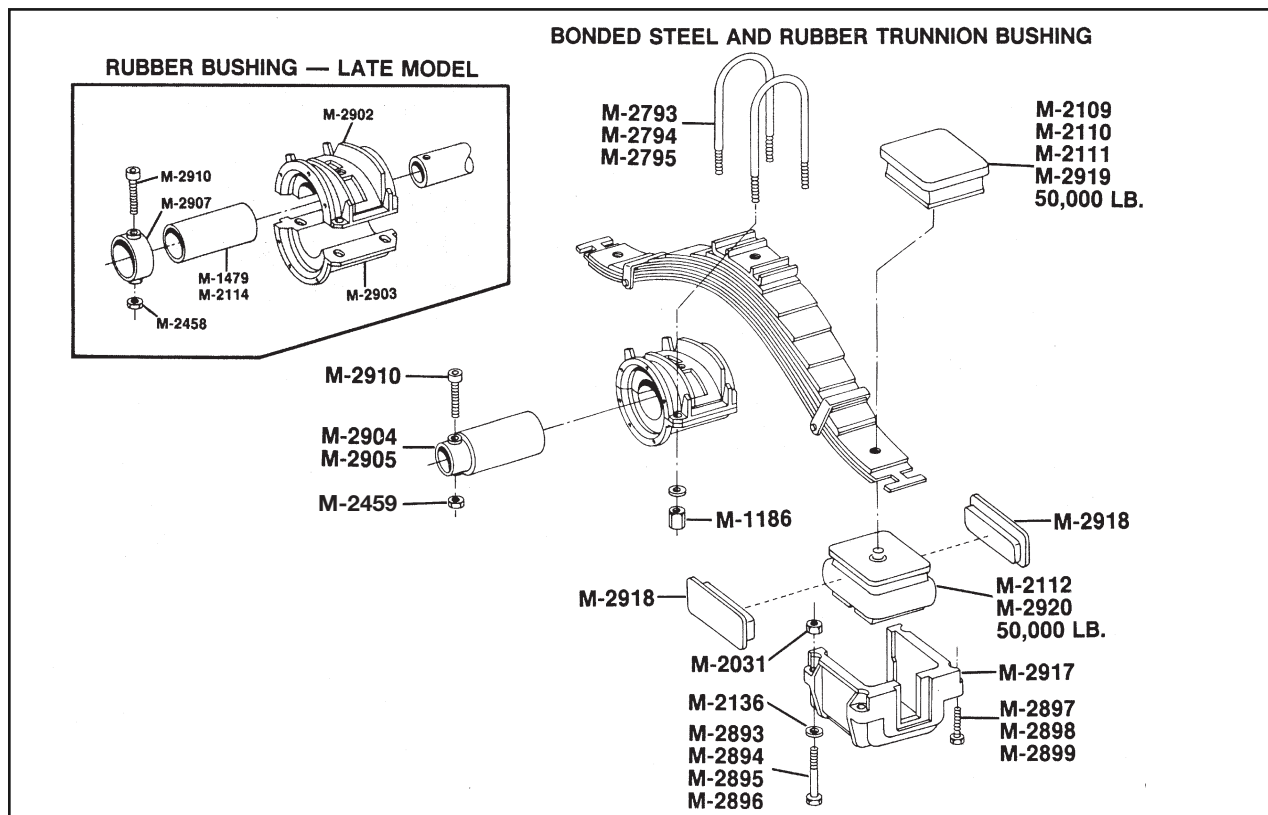
**Not a Registered User?
Not a problem!**

BWP Customers Can Call Customer Service
Toll-Free at 1-800-621-8836 to Register

MACK SS34, 38 and 44 SERIES TRUNNION SUSPENSION RUBBER TRUNNION BUSHING — Early Model



MACK SS34, 38 and 44 SERIES TRUNNION SUSPENSION BONDED STEEL and RUBBER TRUNNION BUSHING



SUSPENSION

MACK SUSPENSION PARTS

Mack Trunnion – Upper Half



BWP NO.	REPLACES MACK	WIDTH	APPLICATION
M-2902	39QK433A	8-3/4"	SS 34, 38, 44, ST

Mack Trunnion – Lower Half



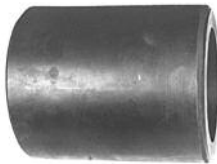
BWP NO.	REPLACES MACK	WIDTH	APPLICATION
M-2903	39QK431	8-3/4"	SS 34, 38, 44, ST

Rubber Trunnion Bushings – Late Model



BWP NO.	REPLACES MACK	I.D.	O.D.	LENGTH	APPLICATION
M-2113	10QK219P2	3-3/8"	4-11/16"	6-5/16"	SWS 56, SWS 57
M-2114	10QK219P3	3-3/8"	4-11/16"	6-5/8"	

Rubber Trunnion Bushings – Early Model



BWP NO.	REPLACES MACK	I.D.	O.D.	LENGTH	APPLICATION
M-1477	10QK149	3-3/8"	4-3/8"	7-9/16"	SWS 56, SWS 57
M-1478	10QK130P1	3-3/8"	4-3/8"	8-3/8"	
M-1479	10QK219P1	3-3/8"	4-11/16"	5-9/16"	

Inner Spacers



BWP NO.	REPLACES MACK	I.D.	O.D.	THICK.	APPLICATION
M-2906	44RU2224	3-1/2"	4-7/8"	3/8"	FOR EARLY STYLE SPRING RETENTION
M-2908	44RU2223P2	3-1/2"	4-1/8"	7/16"	SS SERIES
M-2909	44RU2223P1	3-1/2"	4-1/8"	1/2"	SS SERIES

Outer Spacer – Collar



BWP NO.	REPLACES MACK	I.D.	O.D.	WIDTH	APPLICATION
M-2907	44RU2221P2	3-1/2"	4-1/8"	1-3/4"	SS SERIES

Bolt & Nut for Outer Spacer



BWP NO.	REPLACES MACK	THREAD	HEX	LENGTH	APPLICATION
M-2910	BOLT 1AX127	3/4" - 16	— —	5"	USE WITH M-2907 COLLAR
M-2459	NUT 21AX786	3/4" - 16	1-1/8"	21/32" HT.	

Mack Trunnion and Bushing Assembly



BWP NO.	REPLACES MACK	APPLICATION
M-2900	39QK27E 39QK27F	FOR SS 38 & 44 SERIES. INCLUDES BRONZE BUSHINGS.

Mack Trunnion Shaft Kit Components



BWP NO.	REPLACES MACK	I.D.	O.D.	THICK.
M-2901	BRONZE BUSHING 10QK157 80AX300	3-1/2"	3-3/4"	3-7/16" LGTH.
M-2912	BRONZE WASHER 43QJ116 35AX688	3-1/2"	5-1/4"	1/4"
M-2913	LOCK WASHER 23QJ112B	3-5/16"	4-7/8"	1/4"
M-2914	SPACER WASHER 43QK117	3-1/2"	5-3/8"	5/16"
M-2915	TRUNNION NUT 25QJ223	3-5/16" - 12 THD.	4-1/16"	31/32"
M-2959	SEAL 88AX244 88AX446	4-3/8"	5-1/2"	9/16"

MACK SUSPENSION PARTS

Trunnion Cap – Cast Steel



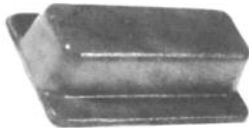
BWP NO.	REPLACES MACK	APPLICATION
M-2911	87QK22-P2	SS, SW SERIES. HAS 6 HOLES USE WITH M-2900 TRUNNION

Mack Insulator Box



BWP NO.	REPLACES MACK	APPLICATION
M-2917	52QK418-AP4	SC, SS, ST, SW SERIES SUSPENSION

Mack Insulator Spacer Block



BWP NO.	REPLACES MACK	APPLICATION
M-2918	13QK246	SC, SS, ST, SW SERIES SUSPENSION

Mack Upper Insulator Pads



BWP NO.	REPLACES MACK	WIDTH	LGTH.	HEIGHT	PIN DIA.	APPLICATION
M-2110	10QK365A	4-1/2"	6"	2-1/2"	1-3/4"	SWS 56, SWS 57
M-2109	10QK33A	4-1/2"	6"	3"	1-1/4"	SWD 53
M-2111	10QK370	4-1/2"	6"	3"	1-3/4"	SWS 570, SWS 573
M-2919	10QK32B-P1	5-3/8"	6-7/8"	3-3/4"	1-1/2"	5" WIDE SPRINGS 50,000 LB. SERIES

Mack Lower Insulator Pads



BWP NO.	REPLACES MACK	WIDTH	LGTH.	HEIGHT	PIN DIA.	APPLICATION
M-2112	10QK36B	6"	6"	3-3/4"	1-3/4"	SWS 56 & 57 SWS 571 & 573 AVAILABLE IN POLYURETHANE, USE M-3850
M-2920	10QK372	7"	7"	4-1/4"	2"	5" WIDE SPRINGS 50,000 LB. SERIES

Mack Lower Insulator Pad – Off Center Pin



BWP NO.	REPLACES MACK	WIDTH	LGTH.	HEIGHT	PIN DIA.	APPLICATION
M-2921	10QK48	6"	6"	3-3/4"	1-3/4"	PIN 1/8" OFF CENTER TO CORRECT AXLE ALIGNMENT

Mack Trunnion Bushings – Bonded Steel and Rubber



BWP NO.	REPLACES MACK	I.D.	O.D.	LENGTH	APPLICATION
M-2904	10QK368A	3-1/2"	5-1/4"	9-7/16"	SWS 56 & 57 LATE MODEL
M-2905	10QK371A	3-1/2"	5-1/4"	10-5/8"	SS & SW SERIES

Insulator Box Bolts – Grade 8 – Fine Thread



BWP NO.	REPLACES MACK	THREAD	LENGTH
M-2893	1AX425	7/8" - 14	5"
M-2894	1AX475	7/8" - 14	5-1/4"
M-2895	1AX427, 3AX987	7/8" - 14	6"
M-2896	3AX1344	7/8" - 14	6-1/2"

Nut and Washer for Insulator Box Bolts



BWP NO.	REPLACES MACK	I.D.	O.D.	THICK.
M-2136	WASHER 37AX1310	7/8"	1-1/2"	1/4"
M-2031	LOCK NUT 21AX480	7/8" - 14 THD.	1-5/16" HEX.	27/32" HIGH

Insulator Box Studs – Grade 8 – Course Thread



BWP NO.	REPLACES MACK	THREAD	LENGTH
M-2897	4AX319	7/8" - 9	4"
M-2898	4AX343	7/8" - 9	4-1/4"
M-2899	4AX320 6AX837	7/8" - 9	4-1/2"

Front Spring Insulator



BWP NO.	REPLACES MACK	APPLICATION
M-2922	10QK332A	FRONT SUSPENSIONS

U-Bolt Top Plates



BWP NO.	REPLACES MACK	LENGTH	APPLICATION
M-2923	8QK335P1	8-1/2"	SS 34, 38, 44 SERIES SUSPENSIONS
M-2924	8QK335P2	9-5/8"	

Mack Spring Eye Bushing Assembly



BWP NO.	ASSEMBLY CONTAINS	APPLICATION
M-1480	1 M-1482 BUSHING 1 M-1481 BOLT 1 M-1483 NUT	TANDEM BOGIE SPRING SUSPENSION SC, ST

MACK SUSPENSION PARTS

Spring Eye Bushing Assembly Components



BWP NO.	REPLACES MACK	I.D.	O.D.	LENGTH
M-1482	BUSHING 10QK146	1-1/4"	2-1/2"	4-1/4"

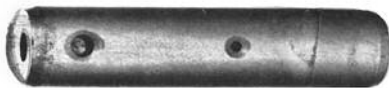


M-1481	BOLT 3AX1343 3AX1682	— —	1-1/4" - 12 THD.	7"
---------------	----------------------------	-----	------------------	----



M-1483	LOCK NUT	1-1/4" - 12 THD.	1-13/16" HEX	1-3/8 " HT.
---------------	----------	------------------	--------------	-------------

Mack Spring Eye Pins



BWP NO.	REPLACES MACK	O.D.	LENGTH	APPLICATION
M-2887	44QK173B	1-1/4"	6-1/4"	1962 & AFTER ON FRONT SUSPENSIONS



M-2888	44QK19301B	1-1/4"	7-1/16"	LATE SERIES CRUISELINER
---------------	------------	--------	---------	----------------------------



M-2889	44QK25	1-5/16"	7"	FL, FS, RL, RS LATE SERIES
---------------	--------	---------	----	-------------------------------



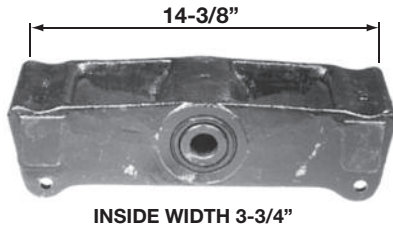
M-2890	44QK26A	1-5/16"	6-9/16"	FL, FS, RL, RS LATE SERIES
M-2891	44QK29301B	1-5/16"	7-1/16"	CRUISELINER LATE SERIES

Mack Shackle



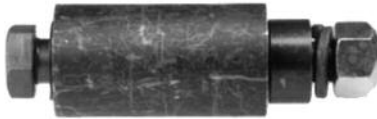
BWP NO.	REPLACES MACK	APPLICATION
M-2892	22QK39301	FRONT SUSPENSIONS

Equalizer Assembly



BWP NO.	REPLACES MACK	APPLICATION
M-3475	NAVISTAR 497790C2 497789C2	NAVISTAR "CORPORATE" SUSPENSION INCLUDES BUSHING

Equalizer Bushing Assembly

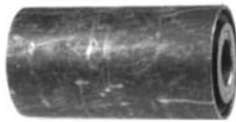


BWP NO.	REPLACES MACK	APPLICATION
M-3476	1 M-3477 BOLT 1 M-3478 BUSHING 1 M-3479 ADAPTER 1 M-1852 NUT 1 1" LOCKWASHER	NAVISTAR "CORPORATE" SUSPENSION USED WITH M-3475 EQUALIZER

Equalizer Bushing Assembly Components



BWP NO.	REPLACES	I.D.	O.D.	LENGTH
M-3477	BOLT NAVISTAR 26015R1 (GRADE 8 MAT'L)	— —	1" - 8 THD.	7-3/8"



M-3478	BUSHING NAVISTAR 497501C2	1-1/32"	2-1/2"	4-23/32"
---------------	---------------------------------	---------	--------	----------



M-3479	EQUALIZER ADAPTOR NAVISTAR 497785C2	1-1/32"	1-7/8"	29/32"
---------------	---	---------	--------	--------



M-1852	LOCKNUT NAVISTAR 25531R1	1" - 8 THD.	1-1/2" HEX	7/8"
---------------	--------------------------------	-------------	------------	------



**Check Out Our
New Website!**

www.bwpindustries.com

Be sure to check out the "Specials" tab on our website frequently for current Internet Only special offers.



Registered BWP Customers Have Access To:

- Current Pricing
- Real-Time Inventory
- Searchable Interchange
- 24/7/365 Online Ordering

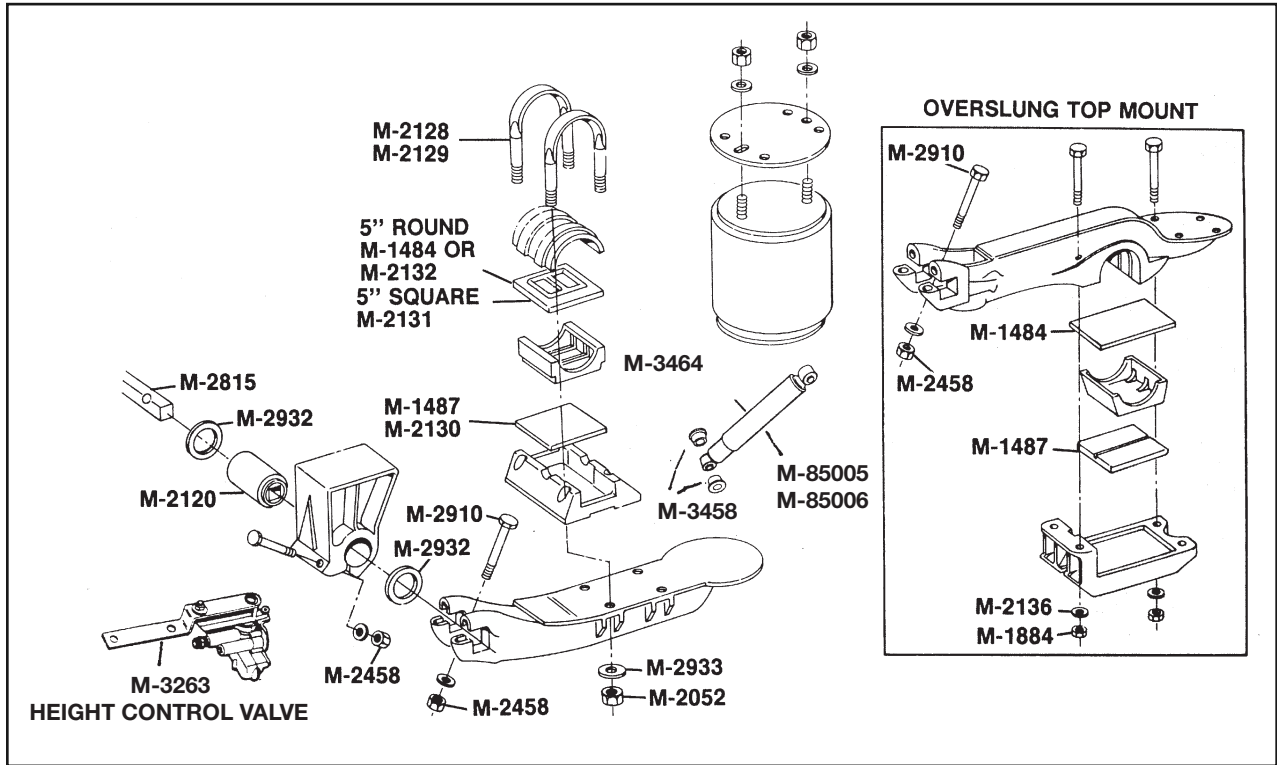
Free registration is available for BWP Customers

**Not a Registered User?
Not a problem!**

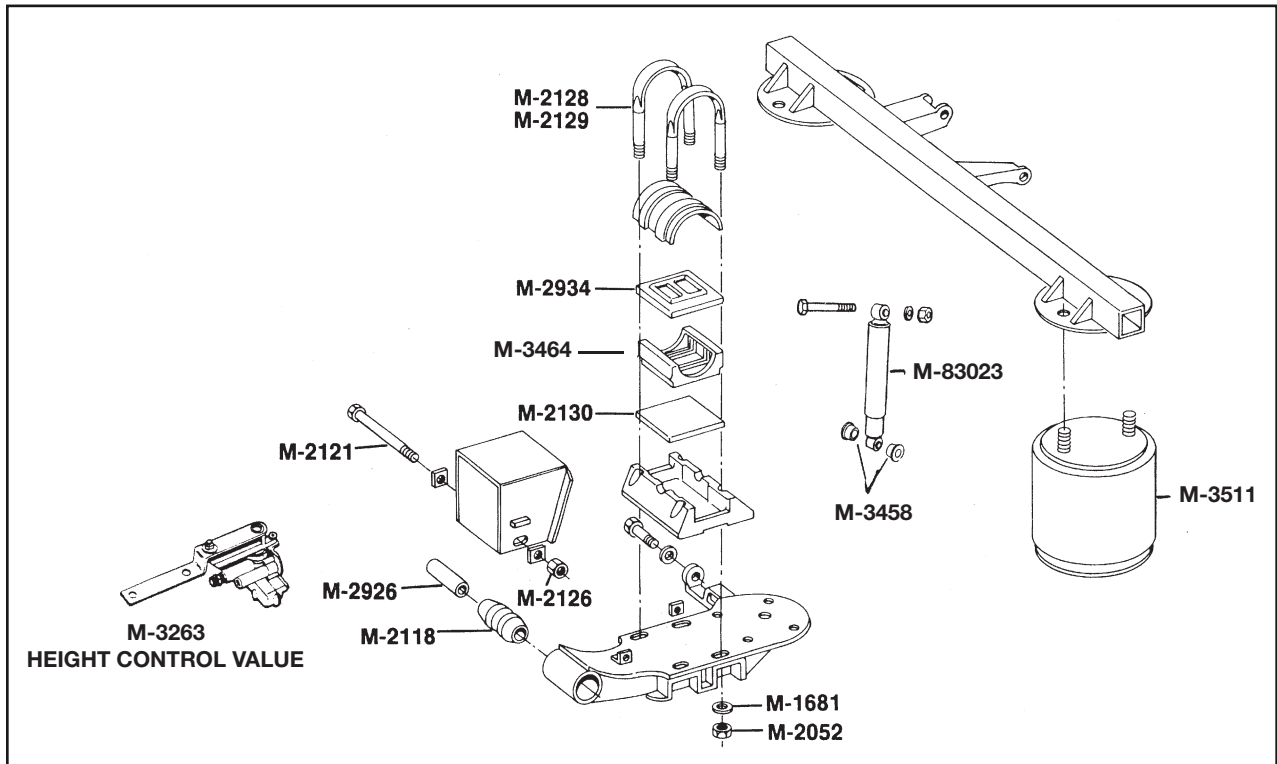
BWP Customers Can Call Customer Service
Toll-Free at 1-800-621-8836 to Register

BWP REPLACEMENT PARTS – NEWAY

BWP Replacement Parts for: NEWAY AR-1 SERIES – UNDERSLUNG TRAILER SUSPENSION



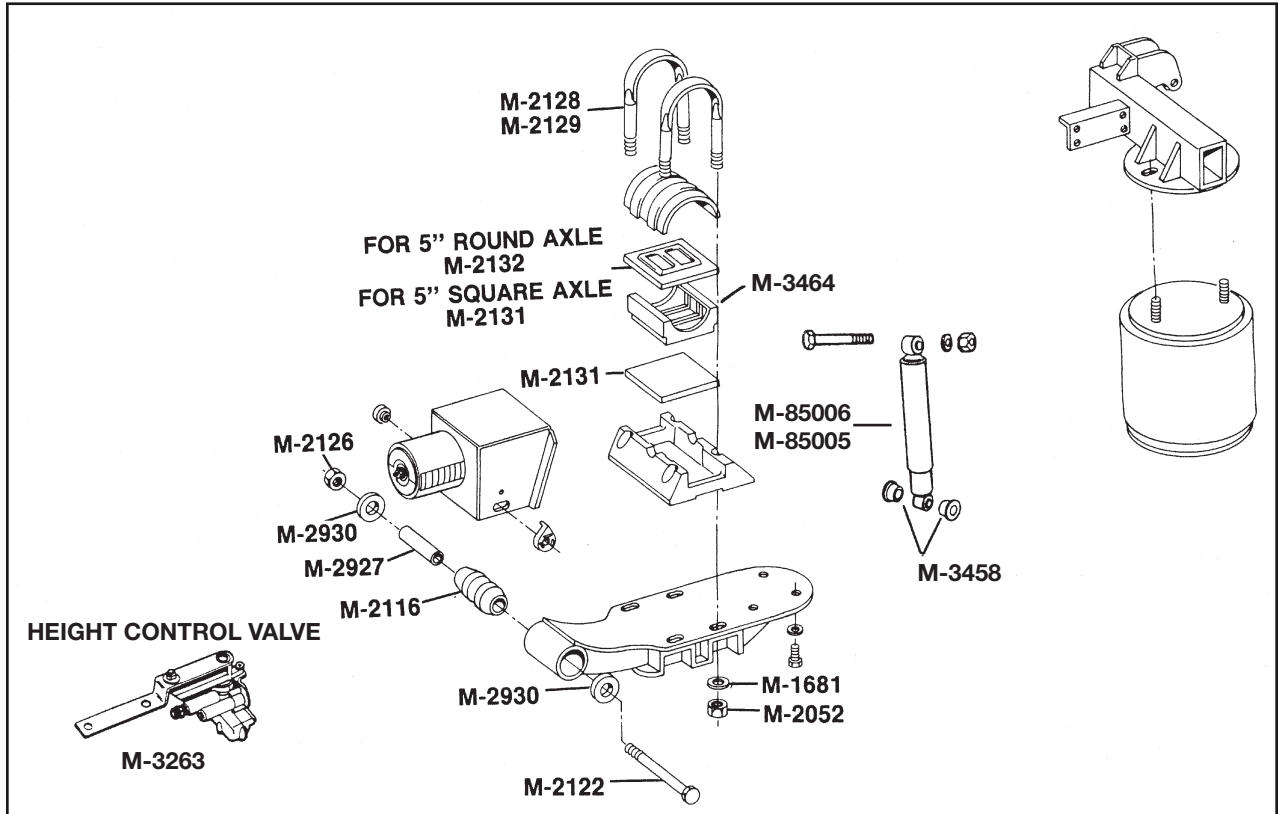
BWP Replacement Parts for: NEWAY AR-11 SERIES – UNDERSLUNG TRAILER SUSPENSION



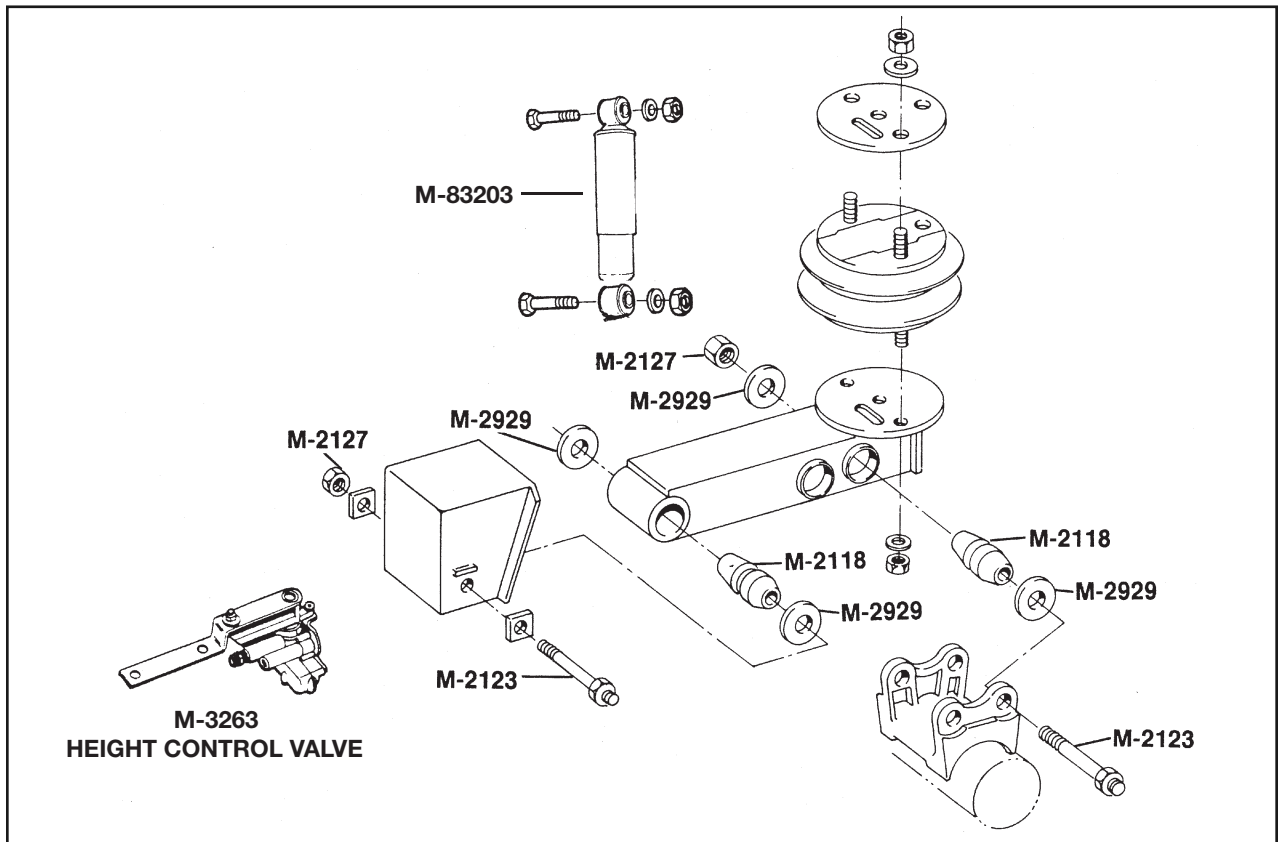
SUSPENSION

BWP REPLACEMENT PARTS – NEWAY

BWP Replacement Parts for: NEWAY AR-111 SERIES – TRAILER SUSPENSION



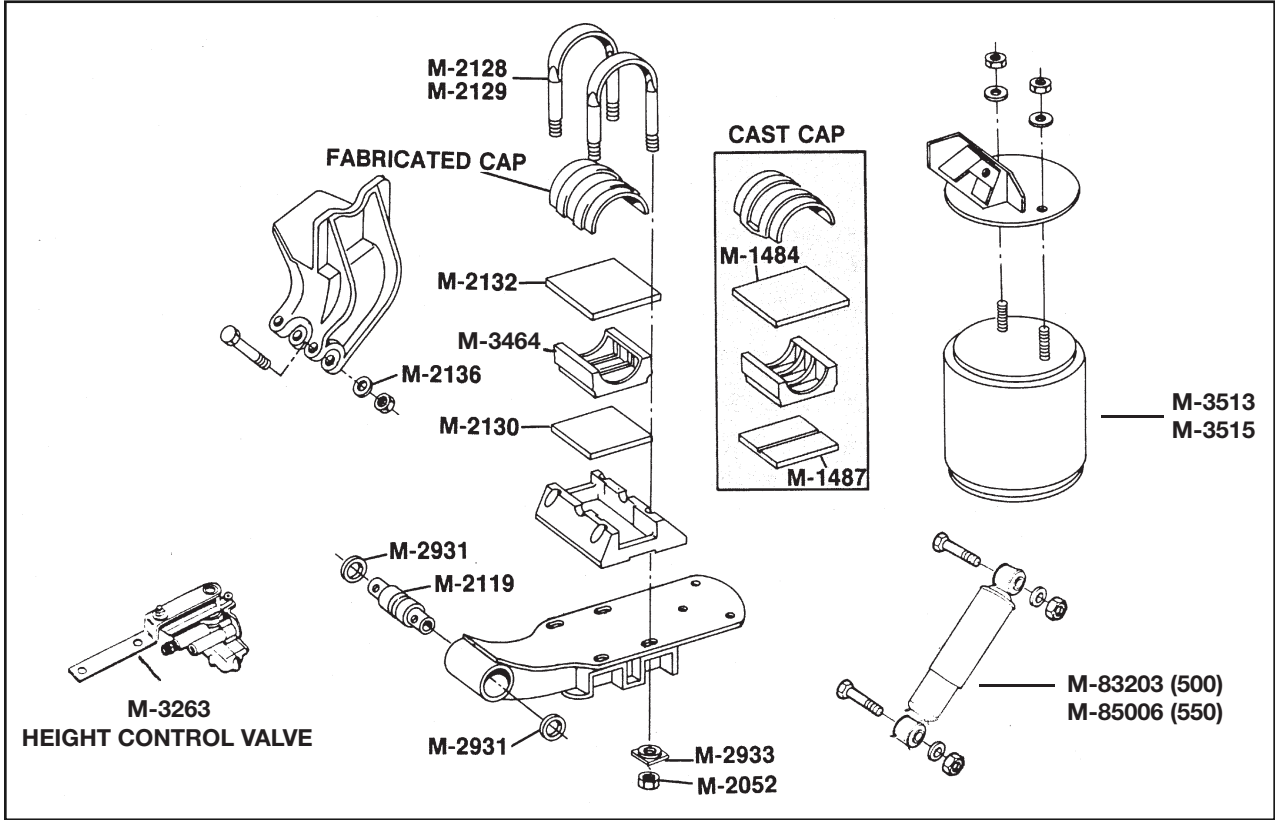
BWP Replacement Parts for: NEWAY ARL SERIES – TRAILER SUSPENSION



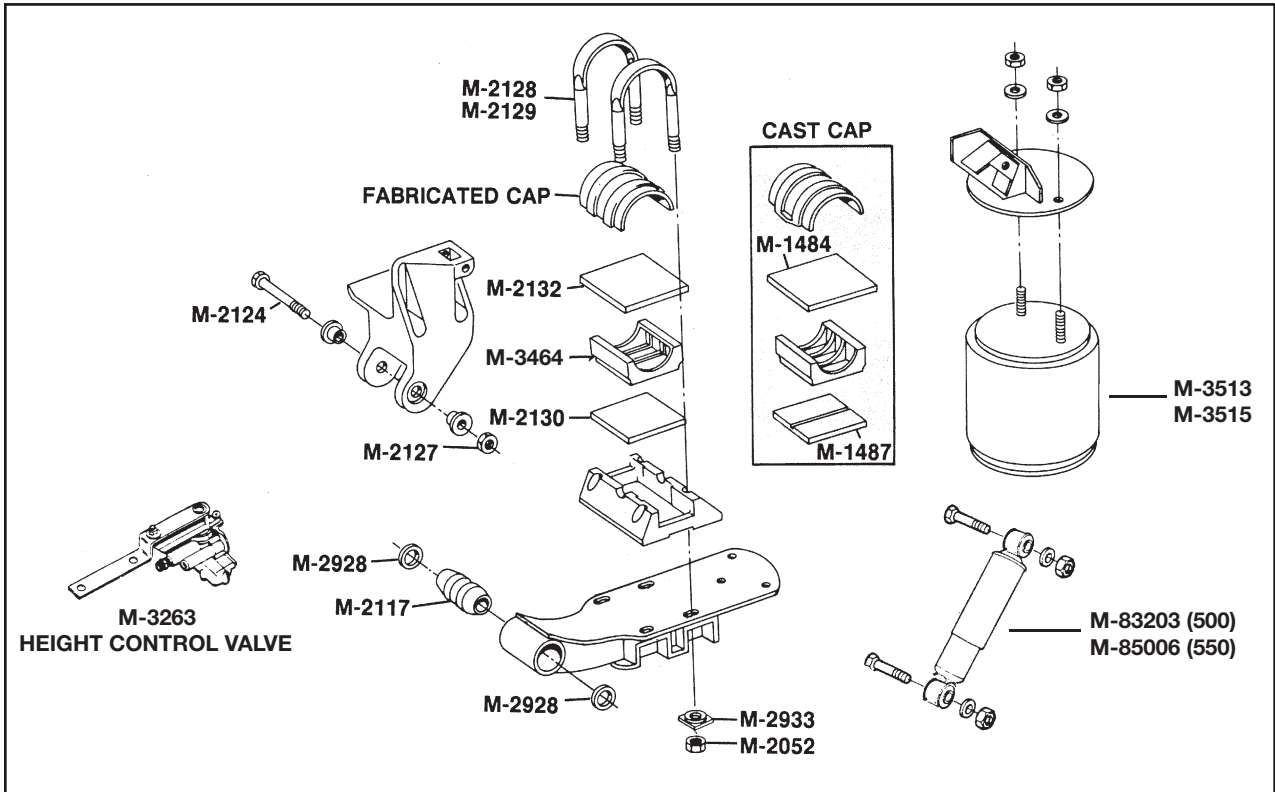
SUSPENSION

BWP REPLACEMENT PARTS – NEWAY

BWP Replacement Parts for: NEWAY ART500 US SERIES – TRACTOR SUSPENSION



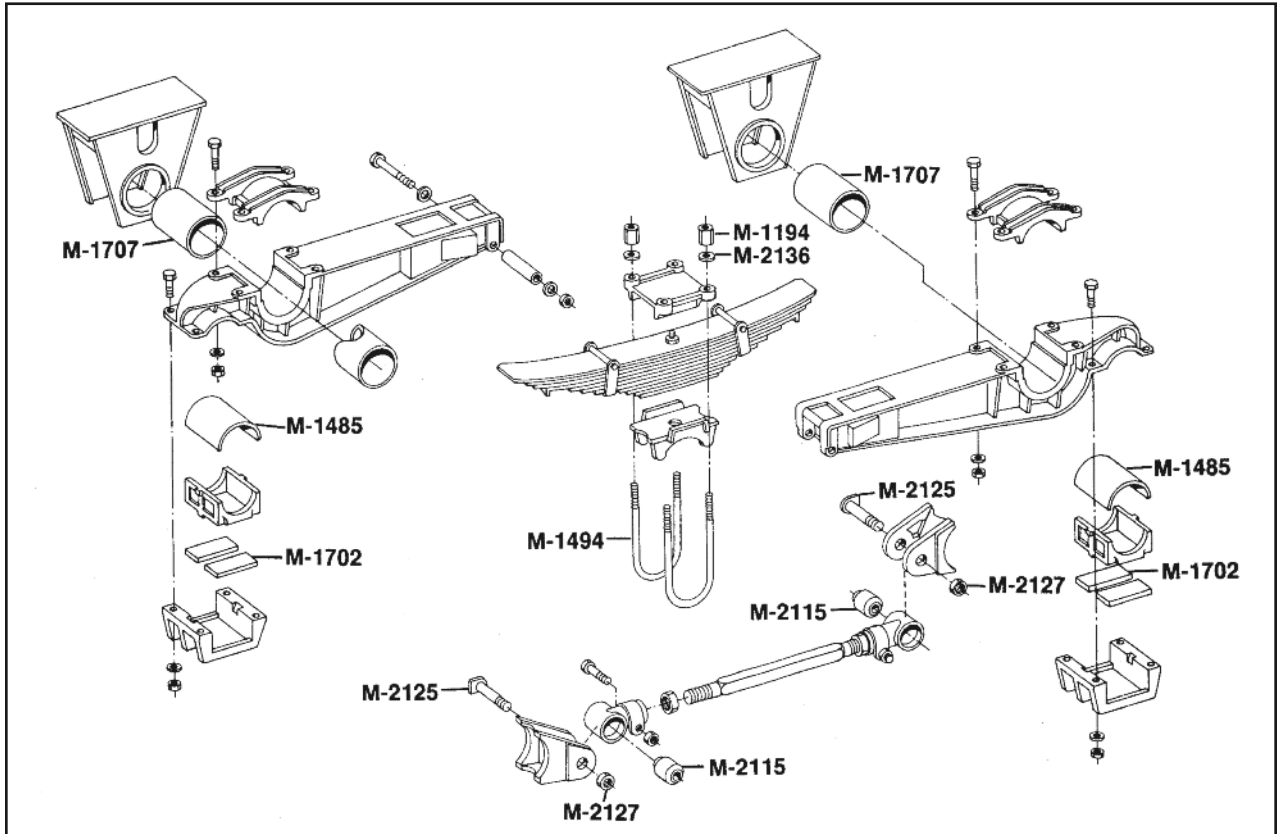
BWP Replacement Parts for: NEWAY ART500 US-A SERIES – TRACTOR SUSPENSION



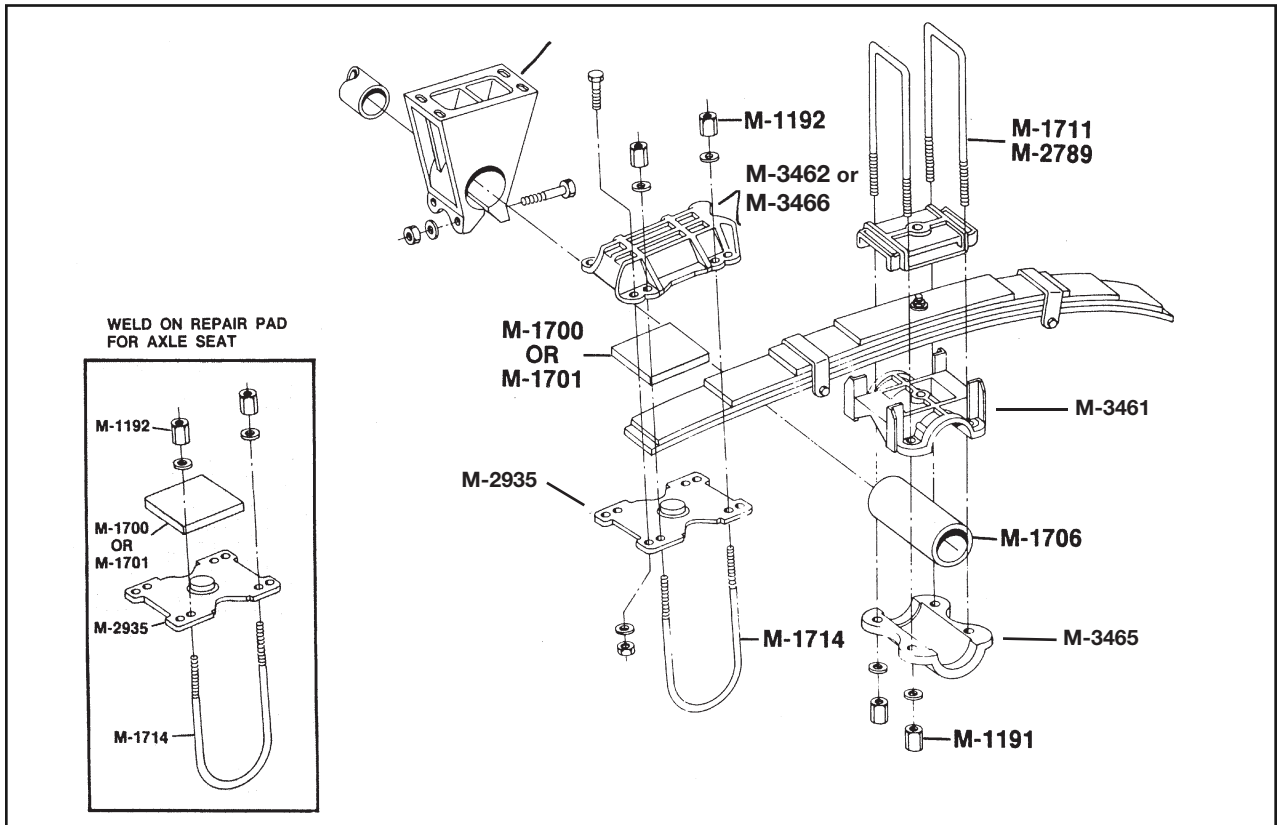
SUSPENSION

BWP REPLACEMENT PARTS — NEWAY

BWP Replacement Parts for: NEWAY RTS SERIES TRAILER SUSPENSION



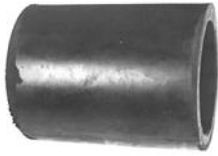
BWP Replacement Parts for: NEWAY TS SERIES TRAILER SUSPENSION



SUSPENSION

NEWAY SUSPENSION PARTS

Rubber Trunnion Bushings



BWP NO.	REPLACES NEWAY	I.D.	O.D.	LENGTH	APPLICATION
M-1709	91008040 TA-802-A	3-1/2"	4-1/2"	3-1/2"	TA SERIES
M-1488	90008011 AR-2044	3-1/2"	4-1/2"	5-3/4"	TR SERIES
M-1489	91008023 NP-508	3-1/2"	4-1/2"	8-3/4"	TS SERIES
M-1707	91008014 NP-410-6	4"	5"	5-3/4"	RTS SERIES
M-1706	91008022 NP-410	4"	5"	8-3/4"	TS SERIES

Rubber Shackle Pin Bushing



BWP NO.	REPLACES NEWAY	I.D.	O.D.	LENGTH	APPLICATION
M-1710	91008047 TA-812	1-3/4"	2-3/8"	2-7/8"	TA SERIES

Torque Arm Bushing



BWP NO.	REPLACES NEWAY	I.D.	O.D.	LENGTH	APPLICATION
M-2115	91008007 NP-1529	1-1/4"	2-3/8"	2-1/2"	RTS, TR SERIES USE WITH M-2125 BOLT

Beam End Bushings



BWP NO.	REPLACES NEWAY	I.D.	O.D.	LENGTH	APPLICATION
M-2118	90008002	1-1/4"	2-3/8"	5"	AR-50 TR SERIES ARD
M-3265	90008131	1-1/8"	2-3/8"	5"	AR-50 (NEW STYLE)
M-3455	90008145	1-1/8"	2-5/8"	5"	ARD (NEW STYLE)

Beam End Bushings



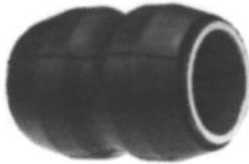
BWP NO.	REPLACES NEWAY	I.D.	O.D.	LENGTH	APPLICATION
M-2116	90008102	1-1/4"	3-1/2"	5-13/16"	AR SERIES
M-2117	90008013	1-1/4"	3-1/2"	5-1/4"	ART-500-B ART-500-US-A AR SERIES (OLD)
M-3456	90008139	1-1/8"	3-1/2"	5-1/4"	ART-500-B AR SERIES (NEW STYLE)

Beam End Bushings



BWP NO.	REPLACES NEWAY	I.D.	O.D.	LENGTH	APPLICATION
M-2119	90008005 AR-1152-A	2-1/2"	3-1/4"	9"	ART SERIES

Beam Center Bushings



BWP NO.	REPLACES NEWAY	I.D.	O.D.	LENGTH	APPLICATION
M-3452	90008006	2-1/2"	3-7/8"	5-1/4"	ARD
M-3453	90008008	2-1/2"	3-7/8"	5-3/4"	ARD
M-3454	90008148 90008149	1-1/8"	2-3/4"	5"	AR-90

Transverse Beam Bushing



BWP NO.	REPLACES NEWAY	I.D.	O.D.	LENGTH	APPLICATION
M-3457	90008113	LG. END 3-9/32" SM. END 2-25/32"	LG. END 3-13/16" SM. END 2-9/16"	2-5/8"	ARD

Shock Bushing



BWP NO.	REPLACES NEWAY	APPLICATION
M-3458	90508004	ALL HEAVY DUTY SHOCK APPLICATIONS - 3/4" DIA. SHAFTS

Spring End Boot



BWP NO.	REPLACES NEWAY	APPLICATION
M-3459	91008032	ALL SL AND TL SERIES 12-1/2" X 5" W

Torque Arm Bolt



BWP NO.	REPLACES NEWAY	THREAD	THREAD LENGTH	LENGTH UNDER HEAD	APPLICATION
M-2125	93900009 NP-1519	1-1/4" - 7	1-1/16"	4-13/16"	USE WITH M-2115 BUSHING

NEWAY SUSPENSION PARTS

Beam End Bolts



BWP NO.	REPLACES NEWAY	THREAD	THREAD LENGTH	LENGTH UNDER HEAD	APPLICATION
M-2121	93200945	1-1/8" - 7	1-9/16"	8-1/16"	AR-11 SERIES
M-2122	93200961	1-1/8" - 7	2-3/8"	9-1/4"	AR-111, ART500 SERIES
M-2123	93200959 NP-1239-B	1-1/4" - 7	1-1/2"	8-1/16"	ARL SERIES
M-2124	93200993	1-1/4" - 7	2-3/8"	9-1/4"	ART-500 SERIES

Delrin Liners



BWP NO.	REPLACES NEWAY	I.D.	O.D.	LENGTH	APPLICATION
M-2925	90008037 AR-2991	1-1/8"	1-1/4"	5-1/4"	ART-500 SERIES
M-2926	90038083 AR-2269	1-1/8"	1-1/4"	5"	AR-11 SERIES
M-2927	90008101	1-1/8"	1-1/4"	5-3/4"	AR-111 SERIES

Repair Pad



BWP NO.	REPLACES NEWAY	APPLICATION
M-2935	91001049	TS SERIES USE WHEN KNOB IS WORN TO AVOID REPLACING AXLE SEAT.

Spring End Retainer



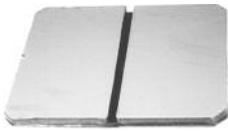
BWP NO.	REPLACES NEWAY	APPLICATION
M-3460	91001062	ALL SL AND TL SERIES 4-1/2" L X 4-5/16" W. KNOB DIA. 1-1/4"

Rubber Axle Pads and End Pads



BWP NO.	REPLACES NEWAY	LENGTH	WIDTH	THICK.	APPLICATION
M-1700	91028013 NP-409-1	5-1/8"	4-5/8"	5/8"	TS SERIES
M-1701	91028089 NP-409-2	5-1/8"	4-5/8"	13/16"	TS SERIES
M-1702	91028023 NP-460	5-7/16"	1-5/8"	11/16"	RTS SERIES
M-2130	90028043 90028075	6-1/2"	5-1/2"	7/16"	AR-111, ART SERIES

Bottom Axle Pad – Steel and Bonded Rubber



BWP NO.	REPLACES NEWAY	LENGTH	WIDTH	THICK.	APPLICATION
M-1487	90028016 AR-888	7"	5-5/8"	3/8"	AR, ART SERIES

Rubber Axle Wrappers



BWP NO.	REPLACES NEWAY	LENGTH	WIDTH	THICK.	APPLICATION
M-1484	90028007 AR-604-5	7-1/4"	7-1/4"	3/8"	AR, ART SERIES
M-2934	90028022 AR-2268	8"	7-1/4"	7/16"	AR-11 SERIES
M-1703	91028060 TA-810-1	8-5/8"	3-1/2"	5/8"	ATA, TA SERIES
M-1485	91028010 NP-380-A1	8-3/4"	4"	11/16"	RTS SERIES
M-2131	90028005 AR-604-3	9-9/16"	7-1/8"	3/8"	ART, AR-111 SERIES

Rubber Axle Wrapper



BWP NO.	REPLACES NEWAY	LENGTH	WIDTH	THICK.	APPLICATION
M-2132	90028047	8"	7-1/4"	1/2"	AR-111 SERIES

Rubber Axle Wrappers



BWP NO.	REPLACES NEWAY	LENGTH	WIDTH	THICK.	APPLICATION
M-1486	91028051 NP-8019-2	9"	5"	3/4"	TR SERIES 5" AXLE
M-2133	91028053 NP-8019-4	9-1/2"	5"	3/8"	TR SERIES 5-3/4" AXLE



**Check Out Our
New Website!**

www.bwpindustries.com

Be sure to check out the "Specials" tab on our website frequently for current Internet Only special offers.



Registered BWP Customers Have Access To:


- Current Pricing
- Real-Time Inventory
- Searchable Interchange
- 24/7/365 Online Ordering

Free registration is available for BWP Customers

**Not a Registered User?
Not a problem!**

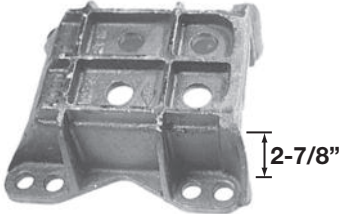
BWP Customers Can Call Customer Service
Toll-Free at 1-800-621-8836 to Register

Upper Trunnion Cap




BWP NO.	REPLACES NEWAY	APPLICATION
M-3461	91001051	TS, US, USR, LD (EXCEPT TS-660, 680, 6100)

Spring End Cap (2 MAIN LEAF)



BWP NO.	REPLACES NEWAY	APPLICATION
M-3462	91010043	TS

Spring Seat (5" ROUND AXLE)



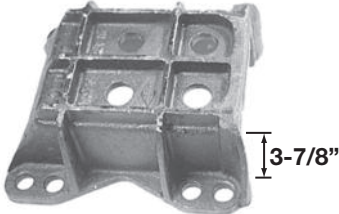
BWP NO.	REPLACES NEWAY	APPLICATION
M-3463	91001044	TS, LD

Lower Trunnion Cap




BWP NO.	REPLACES NEWAY	APPLICATION
M-3465	91010047	TS, US, USR, LD, (EXCEPT TS-660, 680, 6100)

Spring End Cap (3 MAIN LEAF)




BWP NO.	REPLACES NEWAY	APPLICATION
M-3466	91010038	TS

Spring Seat Repair Pad
USE WITH SPRING SEATS 5" ROUND AXLE OR 5" SQUARE AXLE



BWP NO.	REPLACES NEWAY	APPLICATION
M-2935	91001049	TS, LD

Axle Adapter (5" ROUND AXLE)




BWP NO.	REPLACES NEWAY	APPLICATION
M-3464	90001082	AR, ART (EXCEPT ARL)

Axle Seat



BWP NO.	REPLACES NEWAY	APPLICATION
M-3433	90001006	ART-120-US, 125-US, 50-US, 51-US, AR-70, 95

Height Control Valve



BWP NO.	REPLACES NEWAY	APPLICATION
M-3263	90054007	ALL AIR RIDE MODELS

Forged-Flat U-Bolt Kits — Round Bend



BWP NO.	REPLACES NEWAY	LEG LENGTH	BETWEEN LEGS	THREAD & LENGTH	APPLICATION
M-2128	90041878	9-1/2"	6-5/16"	1"- 14 THD. 3"	EACH KIT CONTAINS 2 U-BOLTS & 4 LOCK NUTS
M-2129	90042792	12-1/2"	6-5/16"	1"- 14 THD. 3"	

5/8" Dia. Axle Attachment U-Bolt Kits — Round Bend



BWP NO.	REPLACES NEWAY	LEG LENGTH	BETWEEN LEGS	THREAD & LENGTH	APPLICATION
M-1712	90041067 NP-509	7-1/4"	5"	3"	EACH KIT CONTAINS 2 U-BOLTS & 4-HI NUTS
M-1714	90041069 NP-509-1	7-3/4"	5"	3"	

1-1/8" Dia. Spring Attachment U-Bolt Kits — Square Bend



BWP NO.	REPLACES NEWAY	LEG LENGTH	BETWEEN LEGS	THREAD & LENGTH	APPLICATION
M-1711	90041695 NP-79-A8	11-3/8"	5-3/4"	1-1/8"-12 3"	EACH KIT CONTAINS 2 U-BOLTS & 4-HI NUTS
M-1713	90041699 NP-79-A7	12-1/8"	5-3/4"	1-1/8"-12 3"	

Beam End Spacer Washers



★ SHOWN



★

BWP NO.	REPLACES NEWAY	I.D.	O.D.	LENGTH	APPLICATION
M-3467	90036140	1-1/8"	4"	1/4"	ART 500
M-2928	90036006	1-1/4"	4"	1/4"	ART 500
M-2929	93600029	1-11/16"	3-1/4"	1/8"	ARL
M-2930	90036080	2-9/16"	4"	1/4"	AR SERIES
M-2931	90036003	2-9/16"	4-1/16"	5/32"	ART 500
M-2932	93600035	3-1/2"	5-7/16"	1/4"	AR SERIES
M-2933	93600028	1"	2"	3/8"	ART, AR-US

Lock Nuts



BWP NO.	REPLACES NEWAY	I.D.	O.D.	HEIGHT	APPLICATION
M-2052	93400502	1"-14	1-1/2"	7/8"	ALL 1" FLAT U-BOLTS
M-2126	93400504	1-1/8"-7	1-5/8"	15/16"	AR-1, AR-111 ART SERIES
M-2127	93400510	1-1/4"-7	1-7/8"	1-1/16"	ARL, RTS SERIES

Page Compression Bolt Assembly – Early Style



BWP KIT	REPLACES PAGE	ASSEMBLY CONTAINS	APPLICATION
M-1861	1025884 R-813-A21	1 M-1865 BOLT 1 M-1862 COLLAR 2 M-691 BUSHING 1 M-1863 COLLAR 1 M-1867 WASHER 1 M-1866 NUT	700 SERIES SUSPENSIONS

Page Compression Bolt Assembly Components



BWP NO.	REPLACES PAGE	I.D.	O.D.	LENGTH
M-1865	BOLT 1025263 M-813-F20	1-1/8"-12 THD.	1-5/16"	4-7/8"



M-691	BUSHING 1025269 PP-739	1-5/16"	2-1/16"	1-1/2"
--------------	------------------------------	---------	---------	--------



M-1862	INNER COLLAR 1025260 M312-P3	1-11/32"	— —	3/4"
---------------	------------------------------------	----------	-----	------



M-1863	OUTER COLLAR 1025261 M427-P20	1-1/8"	— —	3/4"
---------------	-------------------------------------	--------	-----	------



M-1867	WASHER 1025264 PP41-5	1-3/16"	1-25/32"	1/16" THK.
---------------	-----------------------------	---------	----------	------------



M-1866	NUT 1025262 M811-A1	1-1/8"-12 THD.	1-5/8" HEX	9/16" HT.
---------------	---------------------------	----------------	------------	-----------

Page Compression Bolt Assembly – Late Style



BWP KIT	REPLACES PAGE	ASSEMBLY CONTAINS	APPLICATION
M-1891	1025931 R-813-A34	1 M-1892 BOLT 1 M-1862 COLLAR 2 M-1893 BUSHING 1 M-1863 COLLAR 1 M-1867 WASHER 1 M-1866 NUT	700 AND 800 SERIES SUSPENSIONS

Page Compression Bolt Assembly Components



BWP NO.	REPLACES PAGE	I.D.	O.D.	LENGTH
M-1892	BOLT 1025590 M-813-F33	1-1/8"-12 THD.	1-5/16"	5-5/8"



M-1893	BUSHING 1025583 M-900-P36	1-5/16"	2-1/16"	1-11/16"
---------------	---------------------------------	---------	---------	----------

Page Beam End Bushings



BWP NO.	REPLACES PAGE-HEND.	I.D.	O.D.	LENGTH	APPLICATION
M-1724	1027037 6969	2-1/2"	4-3/8"	5-1/4"	34,000 LB. HUSKY SUSPENSIONS
M-1726	1027038 6572	2-1/2"	4-3/8"	5-3/4"	38,000 LB. HUSKY SUSPENSIONS

Page Beam End Bushing Adapters



BWP NO.	REPLACES HENDRICKSON	LENGTH	APPLICATION
M-2010	45000-13	7-9/16"	USE WITH M-1724 BUSHING
M-2012	45000-7	8-1/16"	USE WITH M-1726 BUSHING

Page Walking Beam Pivot Bushing – Rubber



BWP NO.	REPLACES PAGE	I.D.	O.D.	LENGTH	APPLICATION
M-1461	1027371	3-1/2"	4-1/2"	4-13/16"	PAGE HUSKY SUSPENSION

Page Equalizer Bushing – Rubber

-- LIMITED QUANTITY --



BWP NO.	REPLACES PAGE	I.D.	O.D.	LENGTH	APPLICATION
M-1864	1025124	3"	4-1/4"	2-3/8"	700 AND 800 SERIES SUSPENSIONS

Page Spring Roller Assembly

-- LIMITED QUANTITY --



BWP KIT	REPLACES PAGE	ASSEMBLY CONTAINS			APPLICATION
M-1772	1025126 1025121 1025100	1	M-1775	BUSHING	700 AND 800 SERIES SUSPENSIONS
		1	M-1773	BOLT	
		1	M-1774	NUT	

Spring Roller Assembly Components



BWP NO.	REPLACES PAGE	I.D.	O.D.	LENGTH
M-1773	1025121	---	9/16"-18 THD.	4-1/4"
M-1774	1025100	9/16"-18 THD.	7/8" HEX	7/16" HGT.

Check out the "Specials" tab on our website frequently for current Internet Only special offers



PETERBILT SUSPENSION PARTS

Peterbilt Beam End Bushing Assembly – Air Leaf Suspension



BWP NO.	ASSEMBLY CONTAINS		APPLICATION
M-1656	2	M-1659 BUSHING	PETERBILT AIR LEAF SUSPENSION
	1	M-1658 SLEEVE	
	2	M-1660 WASHER	
	2	M-1661 WASHER	
	1	M-1657 BOLT	
	1	M-2052 NUT	

Beam End Bushing Assembly Components



BWP NO.	REPLACES PETERBILT	I.D.	O.D.	LENGTH
M-1659	RUBBER BUSHING 03-01674	1-3/4"	2-1/2"	2-3/4"



M-1658	SLEEVE 03-01669	1"	1-3/4"	5-3/4"
---------------	--------------------	----	--------	--------



M-1660	COMPRESSION WASHER 03-01670	1"	3-5/16"	3/8" THK.
---------------	--------------------------------	----	---------	-----------



M-1661	POLYURETHANE WASHER 03-01675	1-3/4"	2-5/8"	15/16"
---------------	---------------------------------	--------	--------	--------



M-1657	BOLT 03-01668	GRADE 8	1"-14 THD. 2-3/4" LONG	8-1/2"
---------------	------------------	---------	---------------------------	--------



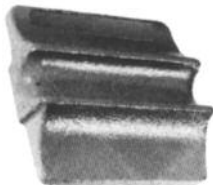
M-2052	LOCKNUT 27-00434	1"-14 THD.	1-1/2" HEX	7/8" HT.
---------------	---------------------	------------	------------	----------

Peterbilt Top U-Bolt Plate



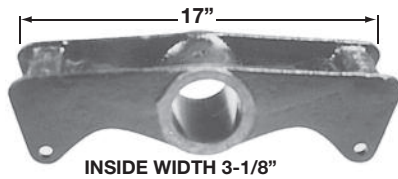
BWP NO.	REPLACES PETERBILT	APPLICATION
M-1662	03-1656	FOR 4" WIDE SPRINGS. MATERIAL: MALLEABLE IRON

Peterbilt Front U-Bolt Plate



BWP NO.	REPLACES PETERBILT	APPLICATION
M-1663	03-1657	MATERIAL: MALLEABLE IRON

Equalizer



BWP NO.	REPLACES PETERBILT	APPLICATION
M-3480	03-03328	PETERBILT 4 SPRING SUSPENSION BUSHING M-1667 NOT INCLUDED

Equalizer Bushing



BWP NO.	REPLACES PETERBILT	I.D.	O.D.	LENGTH
M-1667	03-02099	2-1/2"	3-1/8"	2-1/4"

Torque Arm Assembly – Non-Rebushable



BWP NO.	REPLACES PETERBILT	APPLICATION
M-3481	03-01781 03-04839	PETERBILT 4 SPRING SUSPENSION FOR 52" AXLE SPACING

Torque Arm Bushing



BWP NO.	REPLACES PETERBILT	I.D.	O.D.	LENGTH
M-1664	03-01776	1-3/8"	2-1/8"	2-9/16"

Torque Arm Pin (Tapered O.D.)



BWP NO.	REPLACES PETERBILT	O.D.	LENGTH	APPLICATION
M-1665	03-01768	1-3/8"	5-3/4"	PETERBILT 4-SPRING SUSPENSION

U-Bolt Cap



BWP NO.	REPLACES PETERBILT	APPLICATION
M-1666	03-01766	MALLEABLE IRON MATERIAL

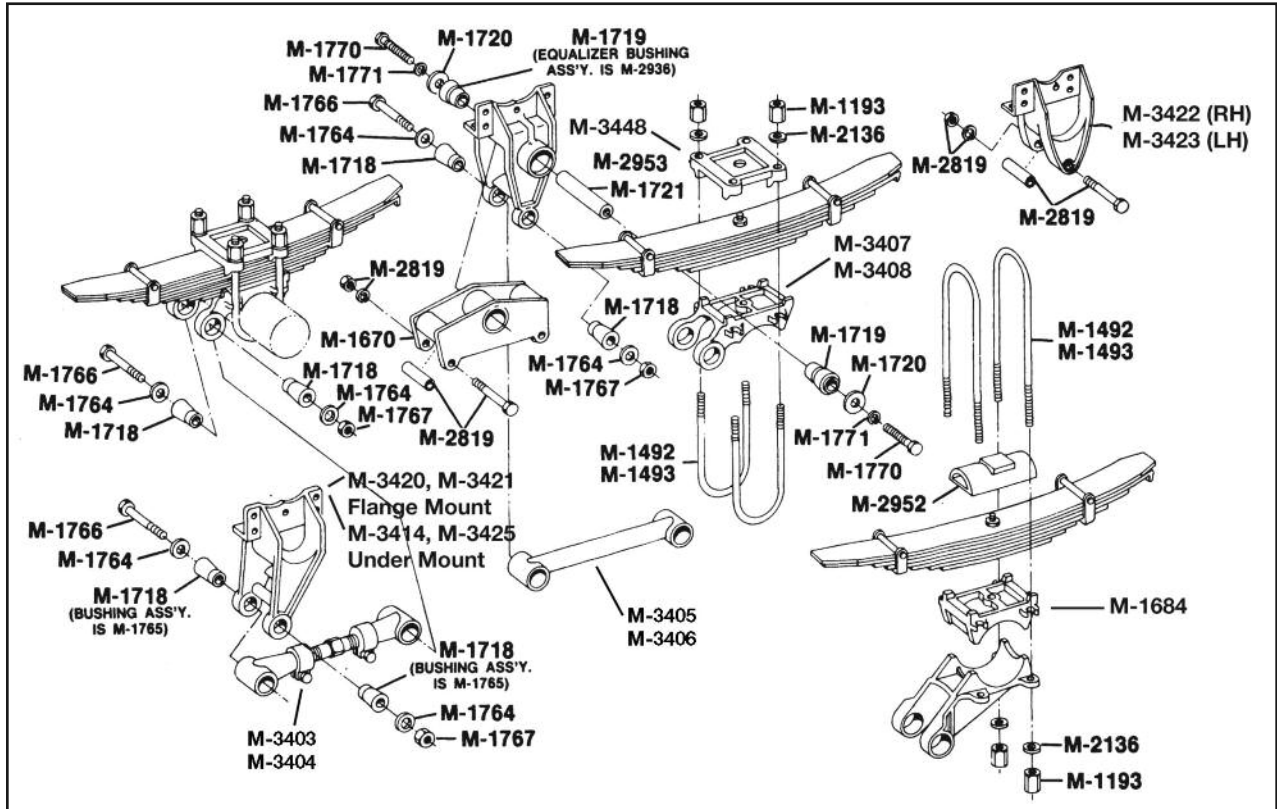
Top U-Bolt Plate



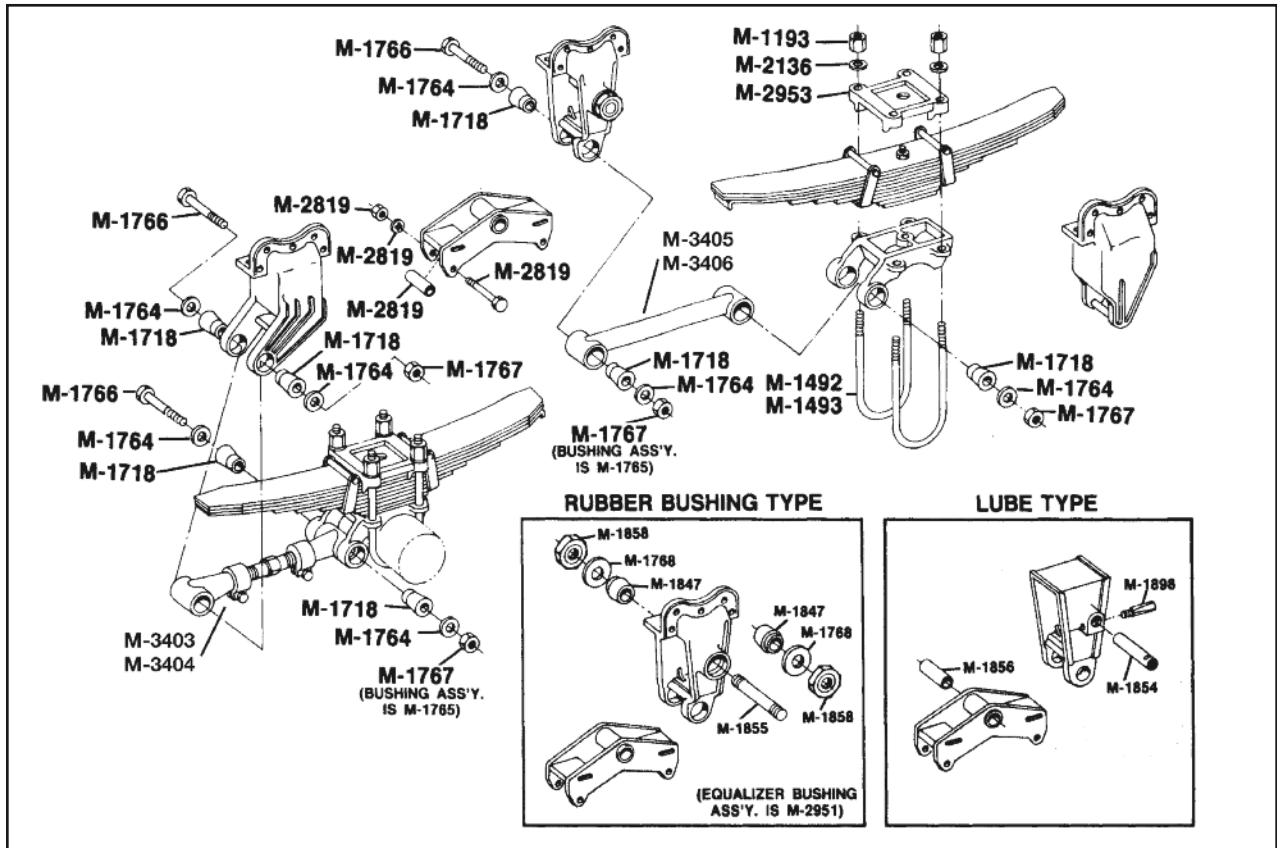
BWP NO.	REPLACES PETERBILT	LENGTH	WIDTH	NOTE
M-1669	03-00408	9-3/8"	3-1/2"	DUCTILE IRON MATERIAL

BWP REPLACEMENT PARTS – REYCO

REYCO MODEL 21 B – TRAILER SUSPENSION

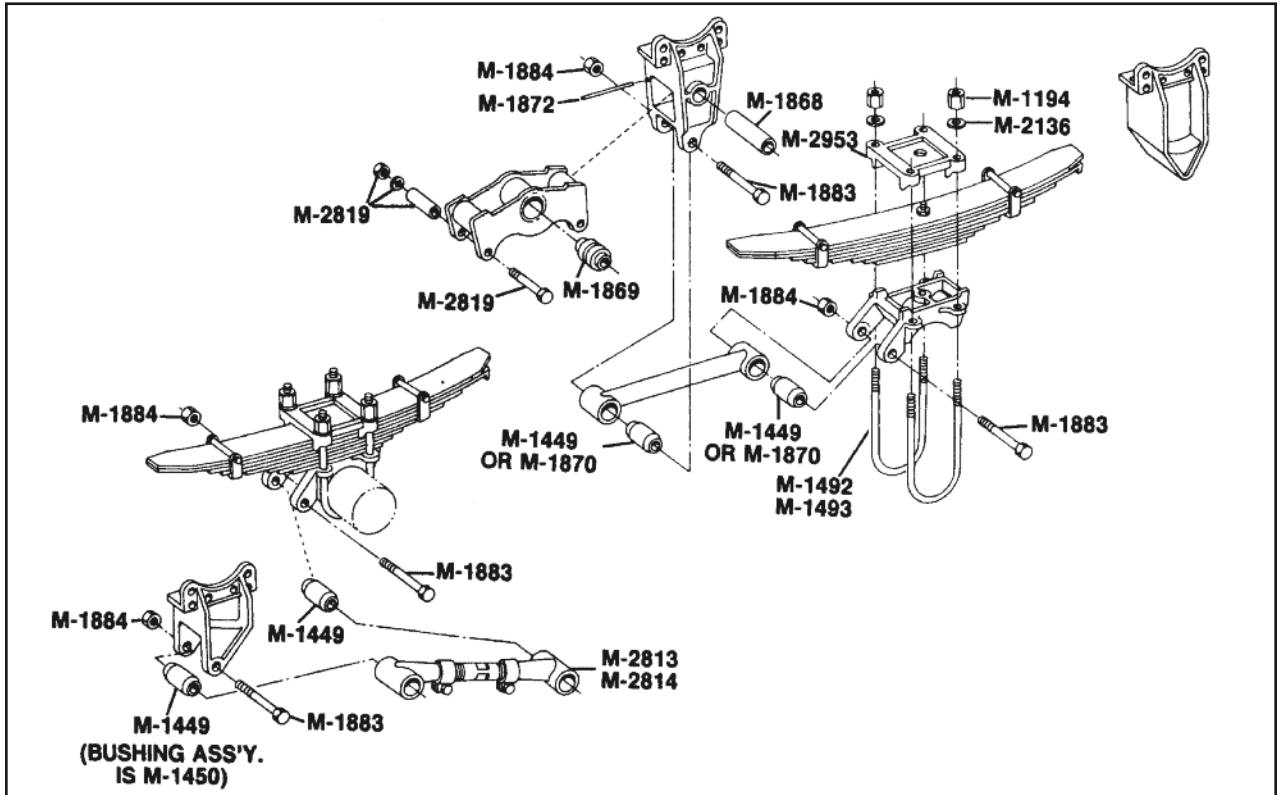


REYCO MODEL 21 – TRAILER SUSPENSION

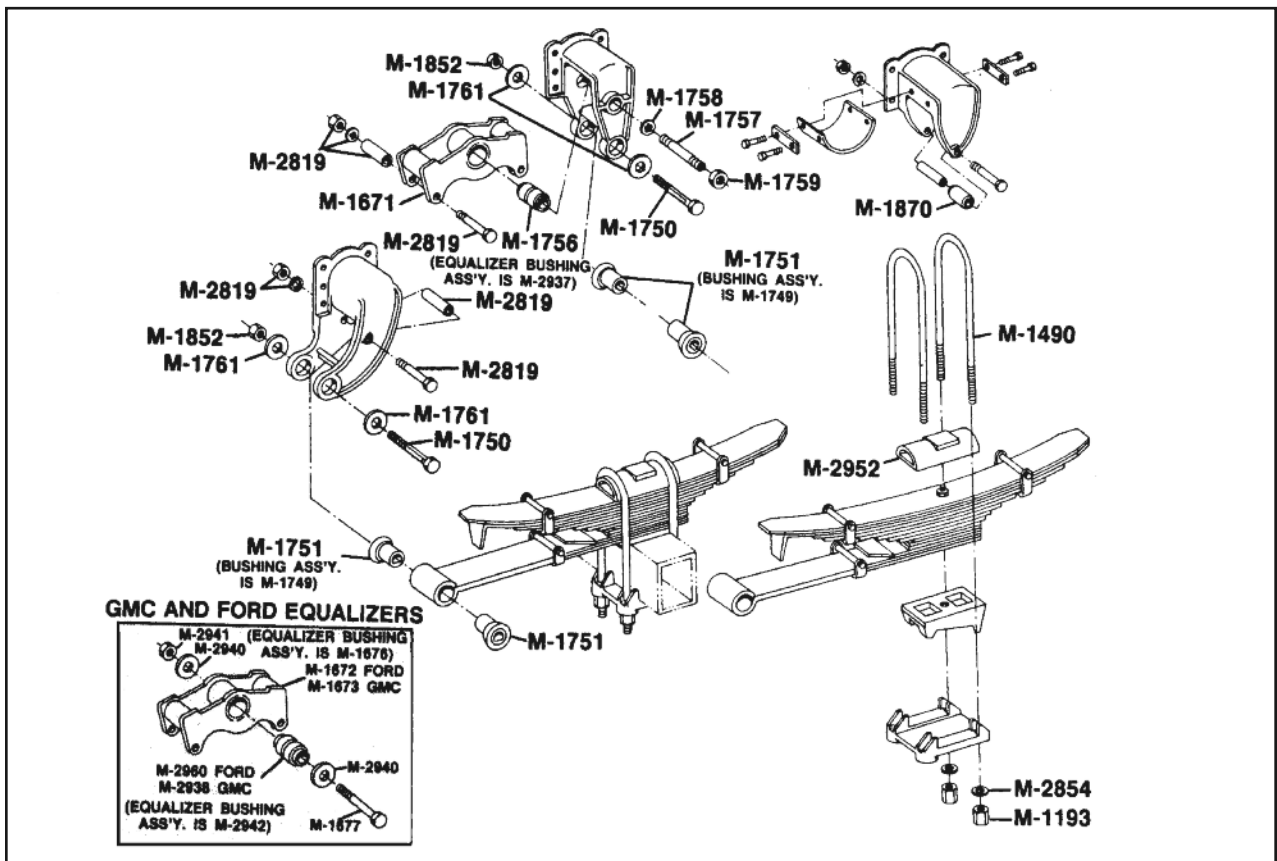


SUSPENSION

REYCO MODEL 31 — TRAILER SUSPENSION



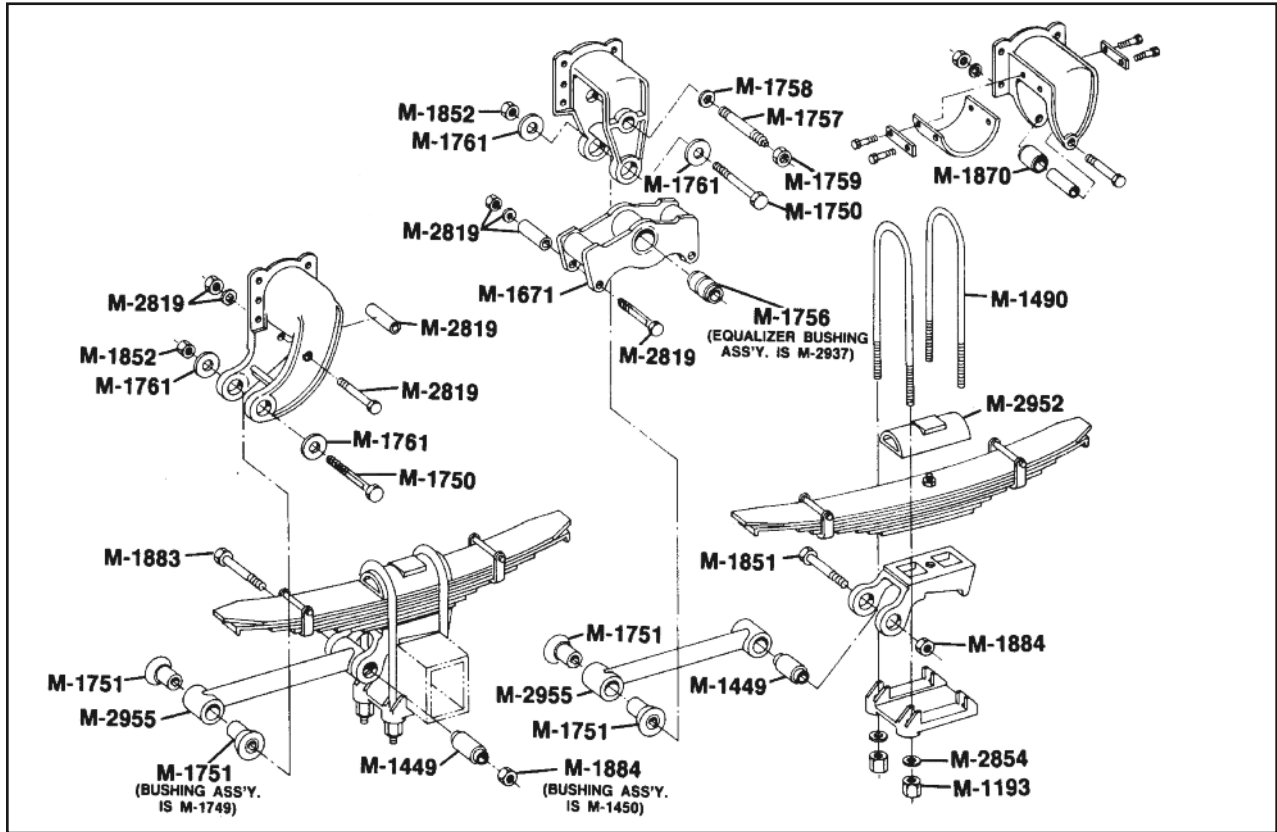
REYCO MODEL 101 — TRACTOR SUSPENSION



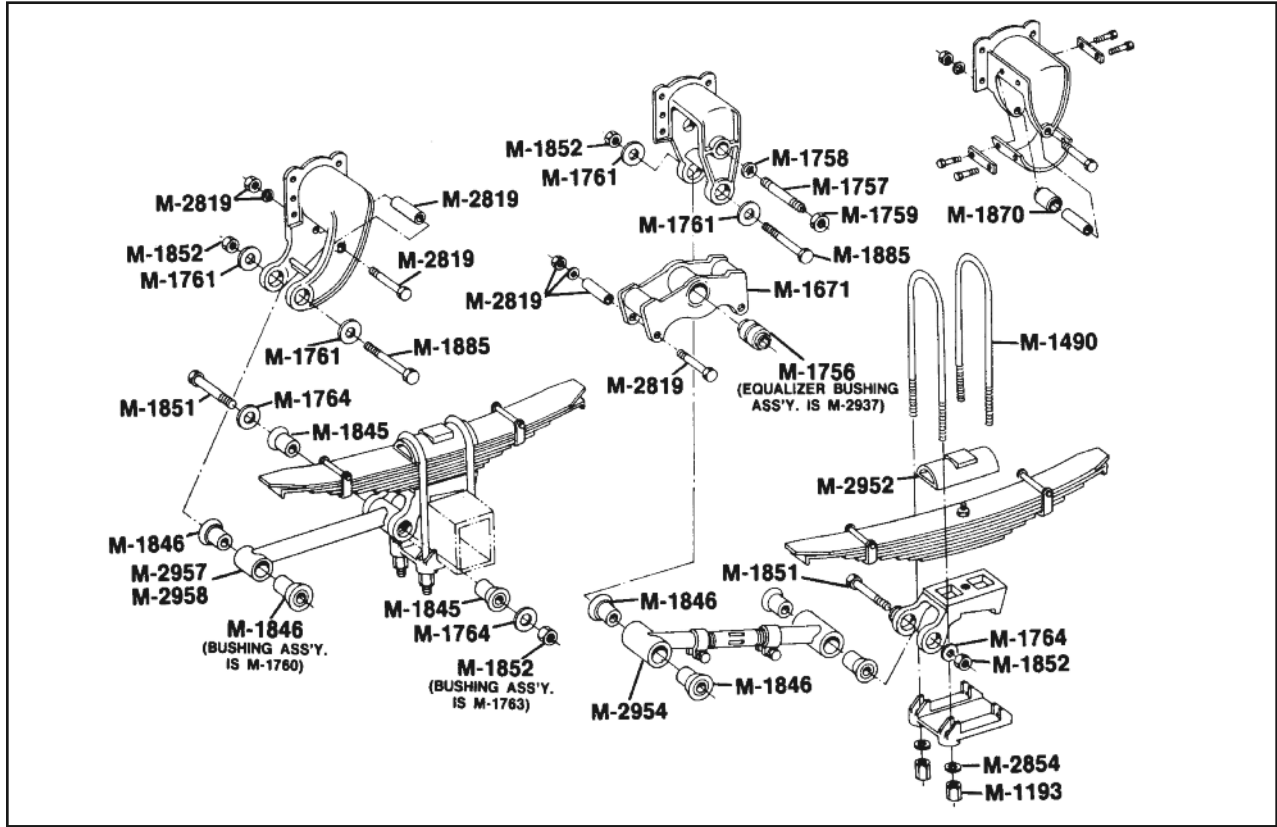
SUSPENSION

BWP REPLACEMENT PARTS – REYCO

REYCO MODEL 101A – TRACTOR SUSPENSION

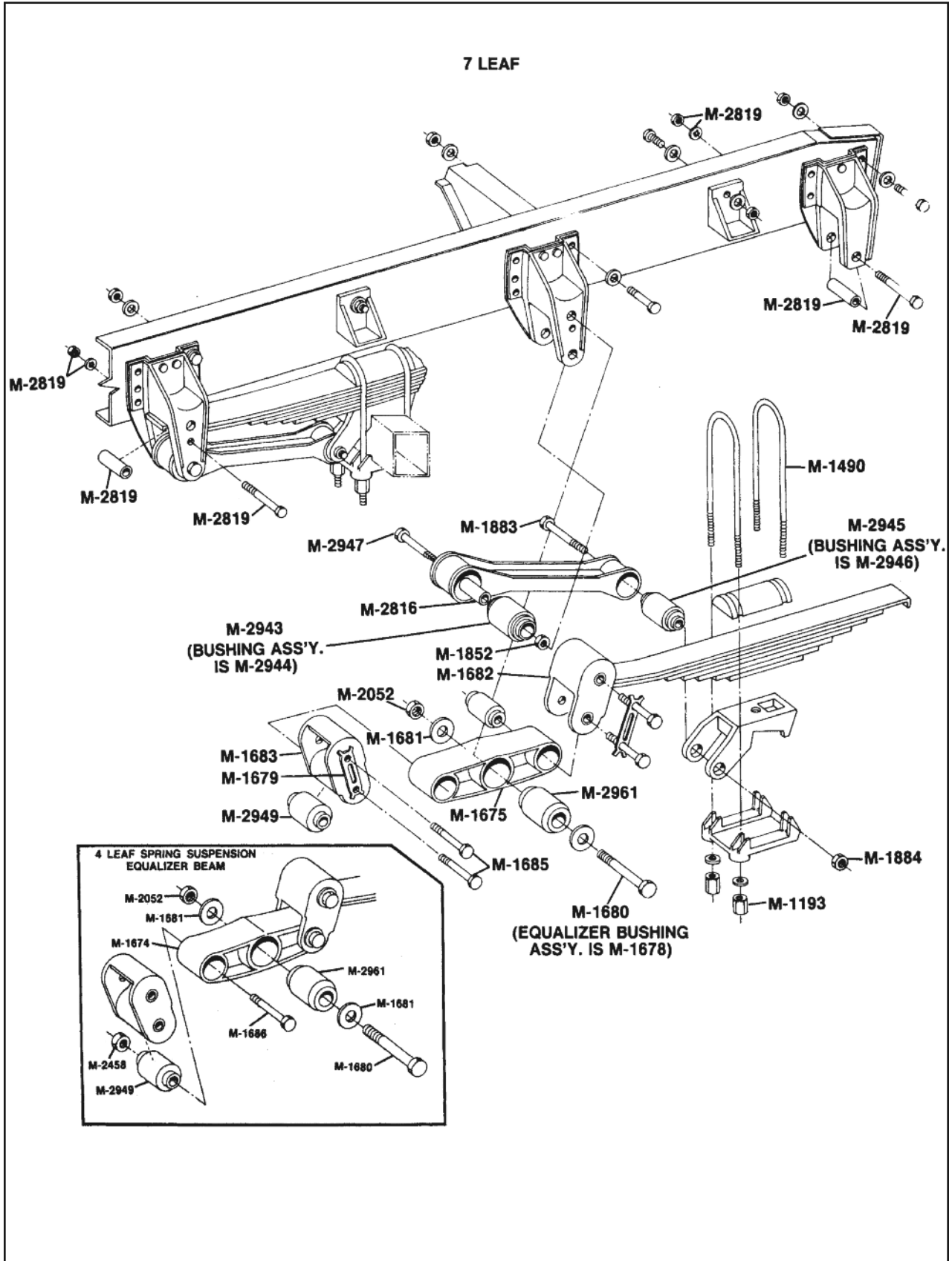


REYCO MODEL 102 – TRACTOR SUSPENSION



SUSPENSION

REYCO 181 – FORD 101F 7 & 4 LEAF SUSPENSION



REYCO EQUALIZER COMPONENTS

Reyco Equalizer – Trailer Suspension



BWP NO.	REPLACES REYCO	APPLICATION
M-1670	T-5427	21B, 22B, SUSPENSIONS. USE M-2936 BUSHING ASSEMBLY. BUSHINGS NOT INCLUDED. USE M-2819 ROLLER ASSEMBLY.

Equalizer Bushing Assembly



BWP NO.	ASSEMBLY CONTAINS	APPLICATION
M-2936	2 M-1719 BUSHING	21B, 22B SUSPENSIONS USE WITH M-1670 EQUALIZER
	1 M-3432 SHAFT	
	2 M-2811 WASHER	
	2 M-2808 BOLT	
	2 M-3434 WASHER	

SHOWN WITH 1" HARDWARE

Equalizer Bushing Assembly Components



BWP NO.	REPLACES REYCO	I.D.	O.D.	LENGTH
M-1719	BUSHING T-5524	1-5/8"	3-3/8"	4-13/32"



BWP NO.	REPLACES REYCO	I.D.	O.D.	LENGTH
M-1721*	T-5888	3/4"–16 THD.	1-5/8"	8-11/16"
M-3432	14247-01	1"–8 THD.	1-5/8"	8-11/16"

* DISCONTINUED, NO LONGER AVAILABLE



BWP NO.	REPLACES REYCO	I.D.	O.D.	THICKNESS
M-1720	WASHER T-5887	13/16"	3-3/4"	3/8"
M-2811	14249-01	1-1/16"	3-3/4"	1/4"



BWP NO.	REPLACES REYCO	I.D.	O.D.	THICKNESS
M-1771	LOCK WASHER T-3164	13/16"	1-3/16"	3/16"
M-3434	14250-01	1"	1-3/4"	5/16"



BWP NO.	REPLACES REYCO	I.D.	O.D.	LENGTH
M-1770	BOLT T-5886	— —	3/4"–16 THD	2-1/2"
M-2808	14248-01	— —	1"–8 THD	2-1/2"

SUSPENSION

Reyco Equalizer Assembly – Truck – Standard



BWP NO.	REPLACES REYCO	APPLICATION
M-1671*	09120-01	101, 101A, 102 SERIES. M-1756 BUSHING INCLUDED. USE M-2937 ASSEMBLY, NOT FOR GMC OR FORD.

* USE M-3430 EQUALIZER FOR "NO SLOT" BUSHING

Reyco Equalizer Bushing Assembly (Old Style)



BWP NO.	ASSEMBLY CONTAINS	APPLICATION
M-2937*	1 M-1756 BUSHING 1 M-1757 SHAFT 1 M-1758 WASHER 1 M-1759 NUT	101, 101A, 102 SERIES

* USE M-3449 ASSEMBLY FOR "NO SLOT" BUSHING

Equalizer Bushing Assembly Components



BWP NO.	REPLACES REYCO	I.D.	O.D.	LENGTH
M-1756	BUSHING 08363-01	1-1/2"	3-1/8"	4-1/2"



M-1757	SHAFT 08686-01	1-7/16"-12 THD.	1-1/2"	8"
---------------	-------------------	-----------------	--------	----



M-1758	LOCK WASHER T-5551	1-17/32"	2-1/2"	1/16" THK.
---------------	-----------------------	----------	--------	------------



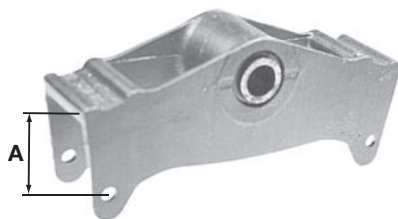
M-1759	NUT 08687-01	1-7/16"-12 THD.	2-1/4" HEX	7/8" HT.
---------------	-----------------	-----------------	------------	----------

Spring Roller Assembly



BWP NO.	REPLACES REYCO	APPLICATION
M-2819	T-1703 BOLT T-1704 NUT T-1705 WASHER T-2106 ROLLER	ALL MODELS

Reyco Equalizer Assembly - Thruck - Standard



BWP NO.	REPLACES REYCO	"A" DIMEN.	APPLICATION
M-3430	14723-01	4"	101, 101A, 102. NOT FORD, GMC. USE M-3399 BUSHING.
M-3431	14743-01	4-5/8"	GMC USE M-3399 BUSHING.

Reyco Equalizer Bushing Assembly (New Style - No Slots)



BWP NO.	ASSEMBLY CONTAINS	REPLACES REYCO
M-3449	1 M-3399 BUSHING 1 M-1757 SHAFT 1 M-1758 WASHER 1 M-1759 NUT	TK-19165

REYCO SUSPENSION PARTS

Equalizer Bushing Assembly Components



BWP NO.	REPLACES REYCO	I.D.	O.D.	LENGTH
M-3399	BUSHING 14713-01	1-1/2"	3-1/8"	4-1/2"



M-1757	SHAFT 08686-01	1-7/16"-12 THD.	1-1/2"	8"
---------------	-------------------	-----------------	--------	----



M-1758	LOCK WASHER T-5551	1-17/32"	2-1/2"	1/16" THK.
---------------	-----------------------	----------	--------	------------



M-1759	NUT 08687-01	1-7/16"-12 THD.	2-1/4" HEX	7/8" HT.
---------------	-----------------	-----------------	------------	----------

Spring Roller Assembly



BWP NO.	REPLACES REYCO	APPLICATION
M-2819	T-1703 BOLT T-1704 NUT T-1705 WASHER T-2106 ROLLER	ALL MODELS

Reyco Equalizer Assembly – Truck – GMC



BWP NO.	REPLACES REYCO	APPLICATION
M-1673	08918-01	GMC 101, 102 SERIES. M-2938 UNSLOTTED BUSHING INCLUDED.

Reyco Equalizer Bushing Assembly



BWP NO.	ASSEMBLY CONTAINS	APPLICATION
M-2942	1 M-2938 BUSHING 1 M-1677 BOLT 2 M-2940 WASHER 1 M-2941 NUT	GMC 101, 102 SERIES

Equalizer Bushing Assembly Components



BWP NO.	REPLACES REYCO	I.D.	O.D.	LENGTH
M-2938	BUSHING 08915-01	1-1/4"	3-1/8"	4-1/2"



M-1677	BOLT 10949-01	---	1-1/4"-12 THD.	8-7/8"
---------------	------------------	-----	----------------	--------



M-2940	WASHER 08913-01	1-5/16"	2-1/4"	3/16"
---------------	--------------------	---------	--------	-------



M-2941	LOCK NUT 08914-01	1-1/4"-12 THD.	1-7/8" HEX	7/8" HT.
---------------	----------------------	----------------	------------	----------

Reyco Equalizer Assembly – Truck – Ford



BWP NO.	REPLACES REYCO	APPLICATION
M-1672	08996-01	FORD 101 SERIES. M-2960 SLOTTED BUSHING INCLUDED.

Reyco Equalizer Bushing Assembly



BWP NO.	ASSEMBLY CONTAINS	APPLICATION
M-1676	1 M-2960 BUSHING 1 M-1677 BOLT 2 M-2940 WASHER 1 M-2941 NUT	FORD 101 SERIES REYCO TK-19164

Reyco Equalizer Bushing



BWP NO.	REPLACES REYCO	I.D.	O.D.	LENGTH
M-2960	BUSHING 08995-01	1-1/4"	3-1/8"	4-9/16"

REYCO SUSPENSION PARTS

Reyco Equalizer Beam Assemblies



BWP NO.	REPLACES REYCO-FORD	APPLICATION
M-1674	13841-01 E1HZ5889-B	FOR 4 LEAF SPRING SUSPENSIONS. M-2961 CENTER BUSHING AND M-2949 END BUSHINGS INCLUDED.



BWP NO.	REPLACES REYCO-FORD	APPLICATION
M-1675	13840-01 E1HT5889-CA	FOR 7 LEAF SPRING SUSPENSIONS. M-2961 CENTER BUSHING AND M-2949 END BUSHINGS INCLUDED.

Reyco Equalizer Center Bushing Assembly



BWP NO.	ASSEMBLY CONTAINS	APPLICATION
M-1678	1 M-2961 BUSHING 1 M-1680 BOLT 2 M-1681 WASHER 1 M-2052 NUT	CENTER BUSHING ASSEMBLY FOR 4 LEAF AND 7 LEAF SPRING SUSPENSIONS

Equalizer Center Bushing Assembly Components



BWP NO.	REPLACES REYCO-FORD	I.D.	O.D.	LENGTH
M-2961	BUSHING 13940-01 E1HT5781-BA	1"	3-1/16"	3-1/4"



M-1680	BOLT 11823-01 B8HZ5A606-B	2-1/8" THD. LENGTH	1"-14 THD.	5-1/2"
---------------	---------------------------------	-----------------------	------------	--------



M-1681	WASHER T-5770 B8HZ5A552-A	1"	2"	1/8"
---------------	---------------------------------	----	----	------



M-2052	LOCK NUT 11643-01 D8HZ5A608-B	1"-14 THD.	1-1/2" HEX	7/8" HT.
---------------	-------------------------------------	------------	------------	----------

SUSPENSION

Equalizer, End Shackle Bushing – Late Style



BWP NO.	REPLACES REYCO-FORD	I.D.	O.D.	LENGTH
M-2949	13941-01 E1HT5781-CA	3/4"	2-3/8"	3"

Equalizer Shackle Bushing Bolts



BWP NO.	REPLACES REYCO-FORD	THREAD	THREAD LENGTH	LENGTH	APPLICATION
M-1685	12492-01 D8HZ5A611-C	3/4"-10	1/2"	4-1/4"	LATE STYLE FOR THREADED SHACKLE
M-1686	11828-01 D8HZ58611-B	3/4"-10	1"	4-3/4"	EARLY STYLE USE WITH M-2458 NUT

Shackle Bolt Lock Nut



BWP NO.	REPLACES REYCO-FORD	THREAD	HEX	HEIGHT	APPLICATION
M-2458	11010-01 D8HZ5A615A	3/4"-10	1-1/8"	3/4"	USE WITH M-1686 BOLT

Equalizer Shackle Lock Strip






BWP NO.	REPLACES REYCO-FORD	APPLICATION
M-1679	12488-01 D8HZ5A615A	USE WITH M-1685 BOLT. CRIMP TABS OVER BOLT HEAD TO PREVENT LOOSENING.

Reyco Delrin Liner



BWP NO.	REPLACES REYCO-FORD	LENGTH	WIDTH	THK.	APPLICATION
M-2872	T-5166	8"	2-7/8"	.043	MODEL 21B, 22B SINGLE LEAF SPRINGS

Reyco Equalizer Bushing Assembly Components

	BWP NO.	REPLACES REYCO	I.D.	O.D.	LENGTH	APPLICATION
	M-1869	BUSHING T-3214	2"	3-1/8"	4-1/4"	FOR MODELS 30, 31, 41, 42 COMPLETE EQUALIZER BUSHING ASSEMBLY. CONSISTS OF: 1 M-1869 BUSHING 1 M-1868 SHAFT 1 M-1872 PIN
	M-1868	SHAFT T-3220	— —	2"	6-1/8"	
	M-1872	ROLL PIN T-3010	— —	3/8"	5"	

Reyco Equalizer Rubber Bushing Assembly



BWP NO.	ASSEMBLY CONTAINS	APPLICATION
M-2951	2 M-1847 BUSHING 1 M-1855 SHAFT 2 M-1768 WASHER 2 M-1858 NUT 2 M-1882 PIN	MODELS 21, 21-4, 21SK

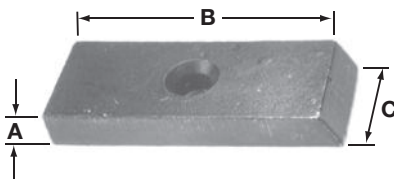
REYCO SUSPENSION PARTS

Reyco Equalizer Rubber Bushing Assembly Components



BWP NO.	REPLACES REYCO	I.D.	O.D.	LENGTH
M-1847	RUBBER BUSHING T-2102	2-3/8"	4-1/16"	2-9/16"
M-1855	SHAFT T-2158	— —	2-1/2"—16 THD.	12-1/2"
M-1768	WASHER T-2103	2-9/16"	4-3/4"	1/4" THK.
M-1858	SHAFT NUT T-2111 11129-01	2-1/2"—16 THD.	3-1/8"	13/16" THK.
M-1882	LOCK PIN T-2305	— —	1/4"	4"

Spacer Blocks



BWP NO.	REPLACES REYCO	A	B	C	TYPE	USE
M-3426	T-7555	1/2"	7"	3"	FAB	21, 21B, 22B, 31, 101, 101A, 102, 102W, 201
M-3427	T-7716	1"	7-1/2"	3"	CAST	
M-3428	T-7654	1-1/2"	7-1/2"	3"	CAST	
M-3429	T-7655	2"	7"	3"	CAST	

Reyco Equalizer Bushing Assembly Components

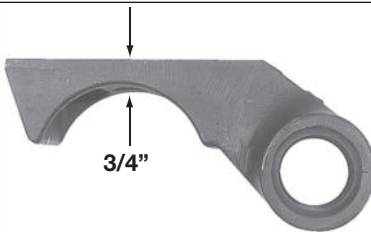
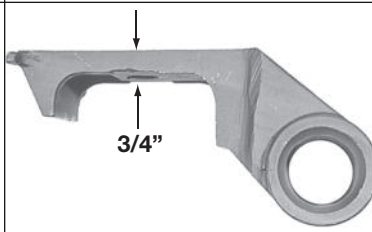
	BWP NO.	REPLACES REYCO	I.D.	O.D.	LENGTH	APPLICATION
	M-1856	FIBER BUSHING T-1708	2"	2-5/8"	3-3/4"	FOR MODELS 1700-1, 1700-3 COMPLETE EQUALIZER BUSHING ASSEMBLY. CONSISTS OF: 1 M-1856 BUSHING 1 M-1853 SHAFT 1 M-1857 SEAL 1 M-1769 ADAPTER 1 M-1898 PIN
	M-1853	SHAFT T-1858	— —	2"	7-1/8"	
	M-1857	SEAL T-1792 T-2167	2"	2-5/8"	1/4" THK.	
	M-1769	ADAPTER T-1844	1/8" PIPE THD.	3/4"—10 THD.	— —	

Reyco Equalizer Shaft

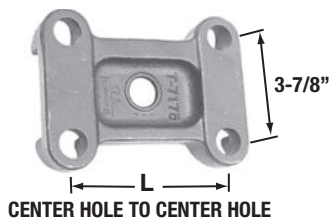


BWP NO.	REPLACES REYCO	I.D.	LENGTH	APPLICATION
M-1854	T-2211	2"	7-5/16"	FOR MODELS 21, 21-4, 21SK COMPLETE ASSEMBLY CONSISTS OF: 1 M-1856 BUSHING 1 M-1854 SHAFT 2 M-1857 SEAL 1 M-1769 ADAPTER 1 M-1898 PIN

Axle Seats

5" ROUND AXLE	BWP NO.	REPLACES REYCO	5 X 5 SQUARE AXLE	BWP NO.	REPLACES REYCO
	M-3407	09730-01		M-3408	07980-1

Top Plates



BWP NO.	REPLACES REYCO	"L"	APPLICATION
M-2953	T-7175	5-7/8"	21B, 22B USE 7/8" U-BOLTS UP 5" ROUND OR 5" SQ. EATON
M-3448	T-1734	6-11/32"	21B, 22B USE 7/8" U-BOLTS UP 5" ROUND OR 5" SQ. EATON

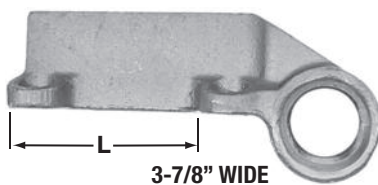


BWP NO.	REPLACES REYCO	"L"	APPLICATION
M-2952	08677-01	7-3/4"	21B, 22B USE U-BOLTS DOWN ALL MODELS WITH INVERTED U-BOLTS

Bottom Plates



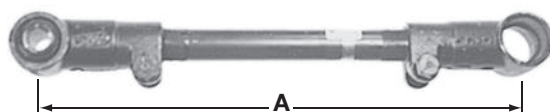
BWP NO.	REPLACES REYCO	"L"	APPLICATION
M-3450	09229-01	6-3/8"	21, 21B, 31 5" SQ. AXLE U-BOLTS DOWN
M-1684	09139-01	5-7/8"	21, 21B 5" ROUND AXLE U-BOLTS DOWN



BWP NO.	REPLACES REYCO	"L"	APPLICATION
M-3451	T-5727	5-7/8"	21, 21B 5" ROUND 49" TO 69" UNDERSLUNG

REYCO SUSPENSION PARTS

Adjustable Type



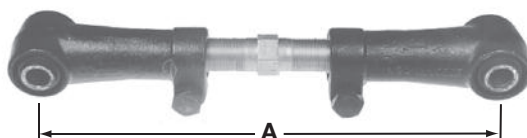
BUSHING INCLUDED
AXLE END ONLY

BWP NO.	REPLACES REYCO	"A" LENGTH	HANGER END		AXLE END		MODEL USE
			BUSHING	BUSHING ASS'Y	BUSHING	BUSHING ASS'Y	
M-3402	15186-01	20-1/2"	M-1846	M-1760	M-1449	M-1450	102 W 102 AR



BUSHING NOT INCLUDED

BWP NO.	REPLACES REYCO	"A" LENGTH	HANGER END		AXLE END		MODEL USE
			BUSHING	BUSHING ASS'Y	BUSHING	BUSHING ASS'Y	
M-2954	15174-01 15354-01	19-1/2" to 21-3/4"	M-1846	M-1760	M-1845	M-1763	102
M-3403	15172-01 T-5485 T-5541	15" to 17-1/4"	M-1718	M-1765	M-1718	M-1765	21B
M-3404	15173-01 T-5486	17-1/4" to 19-1/2"	M-1718	M-1765	M-1718	M-1765	21B



BUSHINGS INCLUDED
BOTH ENDS

BWP NO.	REPLACES REYCO	"A" LENGTH	HANGER END		AXLE END		MODEL USE
			BUSHING	BUSHING ASS'Y	BUSHING	BUSHING ASS'Y	
M-2813	16347-01 T-3036 T-3863	14" to 18-1/2"	M-1449 OR M-1870	M-1450 OR M-1880	M-1449 OR M-1870	M-1450 OR M-1880	31, 41
M-2814 USE M-1695	16348-01 T-3035 T-3343	18-1/2" to 21-3/8"	M-1449 OR M-1880	M-1450 OR M-1880	M-1449 OR M-1870	M-1450 OR M-1880	31, 41

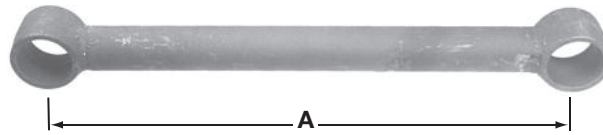
Rigid Type



BUSHINGS INCLUDED
AXLE END ONLY

BWP NO.	REPLACES REYCO	"A" LENGTH	HANGER END		AXLE END		MODEL USE
			BUSHING	BUSHING ASS'Y	BUSHING	BUSHING ASS'Y	
M-2955	10937-01	19-5/16"	M-1751	M-1749	M-1449	M-1450	101A, 102A
M-2956	11012-03	20-1/2"	M-1751	M-1749	M-1449	M-1450	101A, 102A

Rigid Type



BUSHING NOT INCLUDED

BWP NO.	REPLACES REYCO	"A" LENGTH	HANGER END		AXLE END		MODEL USE
			BUSHING	BUSHING ASS'Y	BUSHING	BUSHING ASS'Y	
M-2957	T-7645	19-1/2"	M-1846	M-1760	M-1845	M-1763	102
M-2958	09481-01	21"	M-1846	M-1760	M-1845	M-1763	102
M-3405	T-7635 15178-01	16-1/4"	M-1718	M-1765	M-1718	M-1765	21B
M-3406	T-2293 15179-01	18-7/8"	M-1718	M-1765	M-1718	M-1765	21B

Reyco Torque Arm Bushing Assembly



BWP NO.	ASSEMBLY CONTAINS	APPLICATION
M-1763	2 M-1845 BUSHING 1 M-1851 BOLT 2 M-1754 WASHER 1 M-1852 NUT	102 SERIES AXLE SEAT END

Torque Arm Bushing Assembly Components



BWP NO.	REPLACES REYCO	I.D.	O.D.	LENGTH
M-1845	BUSHING T-2242	1"	2-3/8"	2-11/16"
M-1851	BOLT T-2243	— —	1"—8 THD.	6-3/8"
M-1764	WASHER T-2224	1-1/16"	2-3/4"	3/16" THK.
M-1852	LOCK NUT T-1722	1"—8 THD.	1-7/16" HEX	7/8" HT.

Check out the "Specials" tab on our website frequently for current Internet Only special offers



Reyco Torque Arm Bushing Assemblies



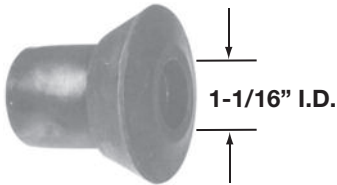
OLD DESIGN



NEW DESIGN

BWP NO.	REPLACES REYCO	ASSEMBLY CONTAINS	
M-1760	TK-19152 for 102, 102W, 102AR	2 M-1846 1 M-1885 2 M-1761	2 M-1762 1 M-1852

BWP NO.	REPLACES REYCO	ASSEMBLY CONTAINS	
M-3435	TK-21640 for ^o 102, 102W, 102AR	2 M-3436 1 M-3437 2 M-1761	2 M-1762 1 M-1889



BWP NO.	REPLACES REYCO	I.D.	O.D.	LENGTH
M-1846	BUSHING T-1842	1-1/16"	3-1/16"	2-7/8"

BWP NO.	REPLACES REYCO	I.D.	O.D.	LENGTH
M-3436	BUSHING 21238-01	1"	3-3/16"	2-7/8"



BWP NO.	REPLACES REYCO	I.D.	O.D.	LENGTH
M-1885	BOLT 21001-01	—	1"-8 THD	7-1/4"

BWP NO.	REPLACES REYCO	I.D.	O.D.	LENGTH
M-3437	BOLT T-5492	—	1"-14 THD	7-1/4"



BWP NO.	REPLACES REYCO	I.D.	O.D.	THICKNESS
M-1761	WASHER T-1724	1-1/8"	3-11/16"	1/4"

BWP NO.	REPLACES REYCO	I.D.	O.D.	THICKNESS
M-1761	WASHER T-1724	1-1/8"	3-11/16"	1/4"



BWP NO.	REPLACES REYCO	I.D.	O.D.	THICKNESS
M-1762	WASHER T-1828	2"	3"	1/8"

BWP NO.	REPLACES REYCO	I.D.	O.D.	THICKNESS
M-1762	WASHER T-1828	2"	3"	1/8"



BWP NO.	REPLACES REYCO	I.D.	O.D.	THICKNESS
M-1852	LOCKNUT T-1722	1"- 8 THD	1-7/16" HEX	7/8"

BWP NO.	REPLACES REYCO	I.D.	O.D.	THICKNESS
M-1889	LOCKNUT 12327-01	1"- 14 THD	1-7/16" HEX	13/16"

Reyco Torque Arm Bushing Assembly



BWP NO.	ASSEMBLY CONTAINS	APPLICATION
M-1749	2 M-1751 BUSHING 1 M-1750 BOLT 2 M-1761 WASHER 1 M-1852 NUT	101, 101A SERIES

Torque Arm Bushing Assembly Components



BWP NO.	REPLACES REYCO	I.D.	O.D.	LENGTH
M-1751	ECCENTRIC BUSHING T-1723	1-1/16"	3-1/16"	2-7/8"
M-1750	BOLT — FLAT SIDED T-1721	— —	1"—8 THD.	7-3/16"
M-1761	WASHER T-1724	1-1/8"	3-11/16"	1/4" THK.
M-1852	LOCKNUT T-1722	1"—8 THD.	1-7/16" HEX	7/8" HT.

Reyco Torque Arm Bushing Assembly



BWP NO.	ASSEMBLY CONTAINS	APPLICATION
M-1765	2 M-1718 BUSHING 1 M-1766 BOLT 2 M-1764 WASHER 1 M-1767 NUT	21B SERIES

Torque Arm Bushing Assembly Components



BWP NO.	REPLACES REYCO	I.D.	O.D.	LENGTH
M-1718	BUSHING — RUBBER T-5493	1"	2-3/8"	3"
M-1766	BOLT T-5492	— —	1"—14 THD.	6-3/4"
M-1764	WASHER T-2224	1-1/16"	2-3/4"	3/16" THK.
M-1767	LOCKNUT T-5495	1"—14 THD.	1-7/16" HEX	1-1/16" HT.

REYCO SUSPENSION PARTS

Reyco Torque Arm Bushing Assembly



BWP NO.	ASSEMBLY CONTAINS	APPLICATION
M-1450	1 M-1449 BUSHING 1 M-1883 BOLT 1 M-1884 NUT	101A, 101F SERIES

Torque Arm Bushing Assembly Components



BWP NO.	REPLACES REYCO	I.D.	O.D.	LENGTH
M-1449	BUSHING 09729-01	7/8"	1-29/32"	3"



M-1883	BOLT 10033-01 T-3014	— —	7/8"—9 THD.	5-1/2"
---------------	----------------------------	-----	-------------	--------



M-1884	LOCK NUT T-3015	7/8"—9 THD.	1-3/8" HEX	15/16" HT.
---------------	--------------------	-------------	------------	------------

Reyco Torque Arm Bushing Assembly – Early Style



BWP NO.	ASSEMBLY CONTAINS	APPLICATION
M-1880	1 M-1870 BUSHING 1 M-1883 BOLT 1 M-1884 NUT	30, 31, 41, 42 SERIES EARLY STYLE ASSEMBLY

Torque Arm Bushing – Early Style



BWP NO.	REPLACES REYCO	I.D.	O.D.	LENGTH
M-1870	BUSHING T-3016	7/8"	1-29/32"	3"

Reyco Torque Arm Bushing Assembly



BWP NO.	ASSEMBLY CONTAINS	APPLICATION
M-2946	1 M-2945 BUSHING 1 M-1883 BOLT 1 M-1884 NUT	101F, 181 SERIES LATE STYLE ASSEMBLY

Torque Arm Bushing



BWP NO.	REPLACES REYCO	I.D.	O.D.	LENGTH
M-2945	BUSHING 13945-01	7/8"	2-1/32"	3"

Reyco Torque Arm Bushing Assembly



BWP NO.	APPLICATION	ASSEMBLY CONTAINS
M-2944	181 SERIES HANGER END	1 M-2943 BUSHING 1 M-2816 SLEEVE 1 M-2947 BOLT 1 M-1852 NUT

Torque Arm Bushing Assembly Components



BWP NO.	REPLACES REYCO	I.D.	O.D.	LENGTH
M-2943	BUSHING 13944-01	1-1/2"	2-3/4"	3-3/8"
M-2816	SLEEVE — FLAT I.D. 13899-01	1"	1-1/2"	3-1/4"
M-2947	BOLT — FLAT SIDED 11824-01	— —	1"-8 THD.	6"
M-1852	LOCK NUT T-1722	1" - 8 THD.	1-7/16" HEX	7/8" HT.

Reyco Torque Arm Bushing Assembly



BWP NO.	APPLICATION	ASSEMBLY CONTAINS
M-1752	25 SERIES	2 M-1755 BUSHING 1 M-1753 BOLT 2 M-1754 WASHER 1 M-1884 NUT

Torque Arm Bushing Assembly Components



BWP NO.	REPLACES REYCO	I.D.	O.D.	LENGTH
M-1755	BUSHING T-5708	7/8"	1-11/16"	2-7/8"
M-1753	BOLT T-5729	— —	7/8"-9 THD.	6-1/2"
M-1754	WASHER T-5730	7/8"	2-1/4"	3/16" THK.
M-1884	LOCK NUT 10092-01 T-3015	7/8" - 9 THD.	1-3/8" HEX	15/16" HT.

SUSPENSION

Reyco Spring Hangers

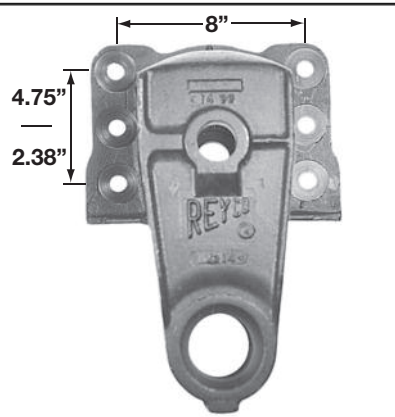
Center Hanger-Blank



UNDRILLED - LEFT/RIGHT HAND

BWP NO.	REPLACES REYCO	USE
M-3411	10186-01	101, 101A, 102, 102W

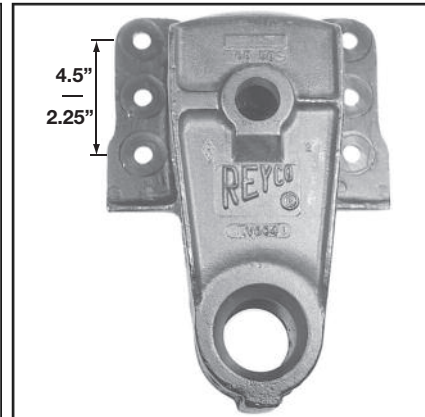
Center Hanger-Standard



LEFT/RIGHT HAND

BWP NO.	REPLACES REYCO	USE
M-3412	10107-01	101, 101A, 102, 102W

Center Hanger-KW



LEFT/RIGHT HAND

BWP NO.	REPLACES REYCO	USE
M-3413	09910-01	101, 101A, 102, 102W

Front Undermount (Weld-On)

	BWP NO.	REPLACES REYCO
	M-3414	T-5562
	RIGHT HAND USE: 21B, 21-1/2B	
	BWP NO.	REPLACES REYCO
	M-3415	T-5563
	LEFT HAND USE: 21B, 21-1/2B	

Rear Undermount (Weld-On)

	BWP NO.	REPLACES REYCO
	M-3416	T-5566
	RIGHT HAND USE: 21B, 21-1/2B	
	BWP NO.	REPLACES REYCO
	M-3417	T-5565
	LEFT HAND USE: 21B, 21-1/2B	


Equalizer Undermount (Weld-On)

	BWP NO.	REPLACES REYCO
	M-3418	T-5564
	USE: 21B, 21-1/2B	

Equalizer Flange Mount

	BWP NO.	REPLACES REYCO
	M-3419	T-5426
	USE: 21B, 21-1/2B	

Front Flange Mount


	BWP NO.	REPLACES REYCO
	M-3420	T-5424
	RIGHT HAND USE: 21B, 21-1/2B	
	BWP NO.	REPLACES REYCO
	M-3421	T-5425
LEFT HAND SHOWN	LEFT HAND USE: 21B, 21-1/2B	

Rear Flange Mount


	BWP NO.	REPLACES REYCO
	M-3422	T-5428
	RIGHT HAND USE: 21B, 21-1/2B	
	BWP NO.	REPLACES REYCO
	M-3423	T-5429
LEFT HAND SHOWN	LEFT HAND USE: 21B, 21-1/2B	

Reyco Wear Pads

Hanger Weld-On Pad

		
BWP NO.	REPLACES REYCO	USE
M-3424	11853-01	21B, 21-1/2B


Equalizer Pad

		
BWP NO.	REPLACES REYCO	USE
M-3425	11852-01	21B, 21-1/2B

NOTE: CONTACT REYCO FOR CORRECT PLACEMENTS

Reyco Spring Seats

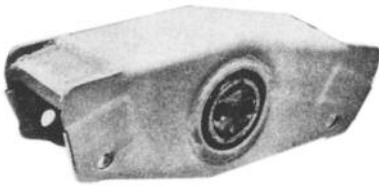
5" Round Axle

		
BWP NO.	REPLACES REYCO	USE
M-3409	10114-01	STABILIZED or UNDERSLUNG

5" Square

		
BWP NO.	REPLACES REYCO	USE
M-3410	09103-01	STABILIZED

Trailmobile Equalizer Assembly – 3-1/2" Springs



BWP NO.	REPLACES TRAILMOBILE	APPLICATION
M-2962	3-A66-43	FOR 3-1/2" WIDE FABRICATED SERIES. 16" OVERALL LENGTH. INCLUDES M-1464 BUSHING.

Trailmobile Equalizer Bushing Assembly



BWP NO.	ASSEMBLY CONTAINS	APPLICATION
M-1462	1 M-1464 BUSHING 2 M-1463 BOLT 1 M-1454 TAB 2 M-1455 NUT	FOR 3-1/2" WIDE SPRING SUSPENSION

Equalizer Bushing Assembly Components



BWP NO.	REPLACES TRAILMOBILE	I.D.	O.D.	LENGTH
M-1464	BUSHING 3-12-32	— —	3-1/4"	4-7/16"



M-1463	BOLT 50-B1T-34	5/8" - 18 THD.	3/4"	6-1/2"
---------------	-------------------	----------------	------	--------

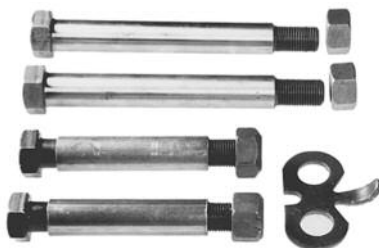


M-1454	TAB LOCK 3-36-16	— —	— —	— —
---------------	---------------------	-----	-----	-----



M-1455	NUT 50-2Z-69	5/8" - 18 THD.	15/16" HEX	17/32" HT.
---------------	-----------------	----------------	------------	------------

Trailmobile Bolt Kit for Equalizer



BWP NO.	ASSEMBLY CONTAINS	APPLICATION
M-2964	2 M-1463 BOLT 2 M-1455 NUT 1 M-1454 TAB 2 M-2965 ROLLER ASSEMBLY	TRAILMOBILE NO. 700-7-155 3-1/2" FABRICATED SUSPENSION WITH 3-1/2" WIDE SPRINGS

Trailmobile Cast Iron Equalizer – Short Rocker



BWP NO.	REPLACES TRAILMOBILE	APPLICATION
M-2963	3-A66-42	SHORT ROCKER CAST SUSPENSION SERIES. 16-1/2" OVERALL LENGTH. M-1869 BUSHING INCLUDED.

TRAILMOBILE SUSPENSION PARTS

Equalizer Bushing Assembly

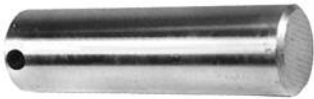


BWP NO.	ASSEMBLY CONTAINS	APPLICATION
M-2976	1 M-1869 BUSHING 1 M-1874 SHAFT 2 M-1857 SEAL 1 M-1873 PIN	SHORT ROCKER CAST SUSPENSION SERIES

Equalizer Bushing Assembly Components



BWP NO.	REPLACES TRAILMOBILE	I.D.	O.D.	LENGTH
M-1869	BUSHING 3-12-20	2"	3-1/8"	4-1/4"



M-1874	SHAFT 3-10-34 SOLID TYPE	---	2"	7-1/8"
---------------	------------------------------------	-----	----	--------



M-1857	SEAL 50-101-29-2	2"	2-5/8"	1/4" THK.
---------------	---------------------	----	--------	-----------



M-1873	PIN 3-10-36	---	1/2"	2-3/4"
---------------	----------------	-----	------	--------

Trailmobile Adjustable Torque Rod



BWP NO.	REPLACES TRAILMOBILE	APPLICATION
M-2972	3-A11-74G	SHORT ROCKER SERIES. INCLUDES M-688 BUSHING. USE M-1871 BOLT ASSEMBLY SHOWN ON PAGE 410 (below).

Trailmobile Torque Arm Bushing Assembly – Short Rocker



BWP NO.	ASSEMBLY CONTAINS	APPLICATION
M-1871	1 M-688 BUSHING 1 M-687 SLEEVE 1 M-1878 BOLT 2 M-1876 WASHER 1 M-1879 NUT	SHORT ROCKER SUSPENSION

Torque Arm Bushing Assembly Components



BWP NO.	REPLACES TRAILMOBILE	I.D.	O.D.	LENGTH
M-688	BUSHING 3-12-6	1-5/16"	2-5/16"	2-1/4"



M-687	SLEEVE - PIN 3-12-7	13/16"	1-5/16"	4-3/16"
--------------	------------------------	--------	---------	---------

Torque Arm Bushing Assembly Components



BWP NO.	REPLACES TRAILMOBILE	I.D.	O.D.	LENGTH
M-1878	BOLT 50-1B-200	— —	3/4"-16 THD.	5-1/4"
M-1876	WASHER 3-36-5	27/32"	1-1/2"	1/8" THK.
M-1879	NUT 3-23-2	3/4"-16 THD.	1-1/8" HEX	3/8" HT.

Trailmobile Torque Arm Bushing Assembly – Parallelogram



BWP NO.	ASSEMBLY CONTAINS	APPLICATION
M-1776	1 M-1722 BUSHING 1 M-1723 SLEEVE 1 M-1777 BOLT 2 M-1876 WASHER 1 M-1879 NUT	PARALLELOGRAM SUSPENSION

Torque Arm Bushing Assembly Components



BWP NO.	REPLACES TRAILMOBILE	I.D.	O.D.	LENGTH
M-1722	BUSHING 3-12-16	1-5/16"	2-5/16"	3"
M-1723	SLEEVE - PIN 3-12-17	13/16"	1-5/16"	4-15/16"
M-1777	BOLT 50-1B-150	— —	3/4"-16 THD.	6"

Trailmobile Adjustable Torque Rod



BWP NO.	REPLACES TRAILMOBILE	APPLICATION
M-2142	3-11-65A	LATE MODEL FABRICATED SUSPENSION WITH 3-1/2" WIDE SPRINGS. M-1888 BUSHING INCLUDED

Trailmobile Rigid Torque Rod



BWP NO.	REPLACES TRAILMOBILE	APPLICATION
M-2974	3-A11-64	FABRICATED SUSPENSION WITH 3-1/2" WIDE SPRINGS. 17" CENTER TO CENTER. M-1888 BUSHING INCLUDED

Torque Arm Bushing Assembly



BWP NO.	ASSEMBLY CONTAINS	APPLICATION
M-2159	1 M-1888 BUSHING 1 M-2160 BOLT 1 M-2161 NUT	M-2142 AND M-2974 TORQUE RODS

TRAILMOBILE SUSPENSION PARTS

Torque Arm Bushing Assembly Components



BWP NO.	REPLACES TRAILMOBILE	I.D.	O.D.	LENGTH
M-1888	BUSHING 3-12-25	1"	1-29/32"	3"



M-2160	SLEEVE - PIN 3-13-29	— —	1" - 14 THD.	5"
---------------	-------------------------	-----	--------------	----



M-2161	FLANGED LOCK NUT 3-23-5	1" - 14 THD.	1-7/16" HEX	7/8" HT.
---------------	----------------------------	--------------	-------------	----------

Trailmobile Spring Roller Assembly



BWP NO.	REPLACES TRAILMOBILE	DESCRIPTION
M-2965	50-1B-146 BOLT 3-34-45 SLEEVE 50-22-69 NUT	5/8"-18 X 5" LONG 21/32" I.D. X 3/4" O.C. X 3-3/4" LG. 5/8"-18 (M-1455)

U-Bolt Top Plate – 3-1/2" Springs



BWP NO.	REPLACES TRAILMOBILE	APPLICATION
M-2967	3-A26-11	3-1/2" WIDE SPRINGS FABRICATED SUSPENSION. 7-1/2" WIDE, 3-1/2" LONG

U-Bolt Bottom Plate – 3-1/2" Springs



BWP NO.	REPLACES TRAILMOBILE	APPLICATION
M-2970	3-A5-8	3-1/2" WIDE SPRINGS FABRICATED SUSPENSION.

Delrin Spring Liner – 3-1/2" Wide Spring Suspension



BWP NO.	REPLACES TRAILMOBILE	LENGTH	WIDTH	THICK.
M-2971	3-34-33	8"	3-1/2"	.043

Axle Seats – 3-1/2" Wide Spring Suspension



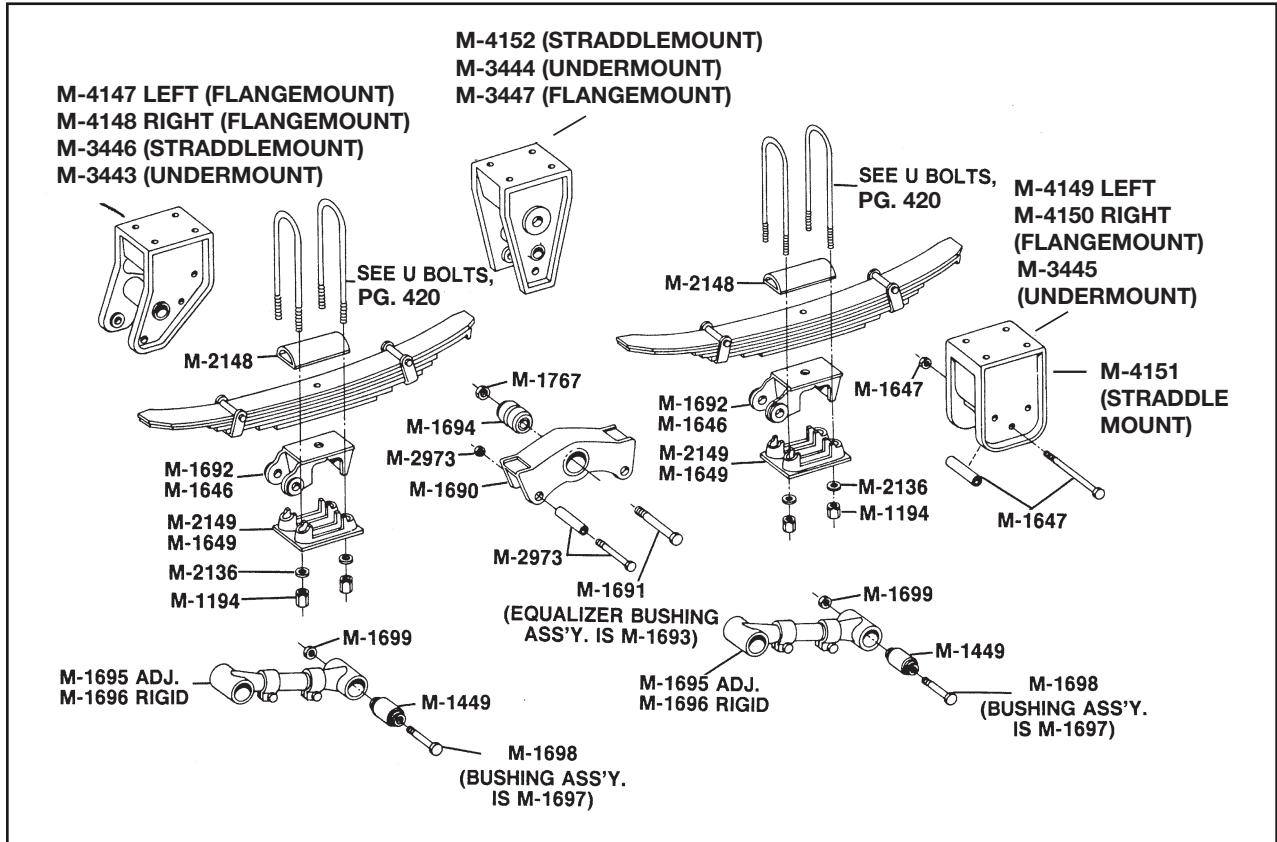
BWP NO.	REPLACES TRAILMOBILE	APPLICATION
M-2968	3-A5-7A	FABRICATED SUSPENSION 1" FROM TOP TO DIMPLE
M-2969	3-A5-7B	FABRICATED SUSPENSION 1-3/4" FROM TOP TO DIMPLE

Bushing for Old Style Torque Arm Bolt Assembly



BWP NO.	REPLACES TRAILMOBILE	I.D.	O.D.	LENGTH
M-691	3-12-1	1-5/16"	2-1/16"	1-1/2"

TRANSPRO HEAVYWEIGHT SUSPENSION



BWP NO.	DESCRIPTION	REPLACES NO.
M-4147	FRONT HANGER FLANGE MOUNT LEFT	REYCO 0311-01
		REYCO 0400-01
		EUCLID E-4807
		DAYTON 338-1409
		BATCO 09-2871
M-4148	FRONT HANGER FLANGE MOUNT RIGHT	REYCO 0311-02
		REYCO 0400-02
		EUCLID E-4808
		DAYTON 338-1410
		BATCO 09-2870

BWP NO.	DESCRIPTION	REPLACES NO.
M-4149	REAR HANGER FLANGE MOUNT LEFT	REYCO 0313-12
		REYCO 0402-01
		EUCLID E-4810
		DAYTON 338-1412
		BATCO 09-2863
M-4150	REAR HANGER FLANGE MOUNT RIGHT	REYCO 0313-01
		REYCO 0402-02
		EUCLID E-4811
		DAYTON 338-1413
		BATCO 09-2862

BWP NO.	DESCRIPTION	REPLACES NO.
M-4151	REAR HANGER STRADDLE MOUNT	REYCO 0051-20
		REYCO 0051-00
		EUCLID E-4803
		DAYTON 338-1453
		BATCO 09-2860

BWP NO.	DESCRIPTION	REPLACES NO.
M-4152	CENTER HANGER STRADDLE MOUNT	REYCO 0062-20
		REYCO 0062-00
		EUCLID E-4802
		DAYTON 338-1457
		BATCO 09-2876

Check out the "Specials" tab on our website frequently for current Internet Only special offers



SUSPENSION

TRANSPRO SUSPENSION PARTS

Transpro Heavyweight Equalizer Assembly



BWP NO.	REPLACES TRANSPRO	APPLICATION
M-1690	0058-00 0650-00 0758-00 } FABRICATED	"HEAVYWEIGHT" MODEL INCLUDES: M-1694 BUSHING

Transpro "Super-Heavyweight 88" Equalizer Assembly



BWP NO.	REPLACES TRANSPRO	APPLICATION
M-3707	0850-00 (CAST)	SUPER HEAVYWEIGHT MODEL INCLUDES: 1 M-1694 BUSHING

Super Heavyweight 88 Equalizer Bushing Assembly



BWP NO.	ASSEMBLY CONTAINS	APPLICATION
M-1693	1 M-1694 BUSHING 1 M-1691 BOLT 1 M-1767 NUT	"SUPER HEAVYWEIGHT" MODEL

Bushing for Bushing Assembly



BWP NO.	REPLACES TRANSPRO	I.D.	O.D.	LENGTH
M-1694	0649-02	1"	3-23/64"	3-15/16"

"Heavyweight" Equalizer Bushing Assembly



BWP NO.	ASSEMBLY CONTAINS	APPLICATION
M-1688	1 M-1689 BUSHING 1 M-1691 BOLT 1 M-1767 NUT	HEAVYWEIGHT MODEL

Equalizer Bushing Assembly Components

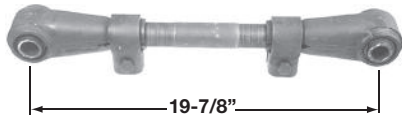


BWP NO.	REPLACES TRANSPRO	I.D.	O.D.	LENGTH
M-1689	BUSHING 0106-06	1"	3-1/8"	3-15/16"

BWP NO.	REPLACES TRANSPRO	I.D.	O.D.	LENGTH
M-1691	BOLT 0001-14	— —	1"-14 THD.	6-1/2"

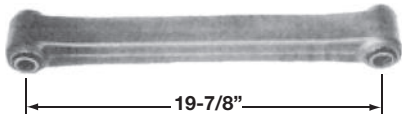
BWP NO.	REPLACES TRANSPRO	I.D.	O.D.	LENGTH
M-1767	LOCK NUT 0274-01	1"-14 THD.	1-9/16" HEX	7/8" HT.

Transpro Adjustable Torque Arm



BWP NO.	REPLACES TRANSPRO	APPLICATION
M-1695	0030-20 FAB 1035-20 CAST	HEAVYWEIGHT AND SUPER HEAVYWEIGHT SERIES INCLUDES: M-1449 BUSHING

Transpro Rigid Torque Arm



BWP NO.	REPLACES TRANSPRO	APPLICATION
M-1696	0075-20 0075-00	HEAVYWEIGHT AND SUPER HEAVYWEIGHT SERIES INCLUDES: M-1449 BUSHING

Transpro Torque Arm Bushing Assembly



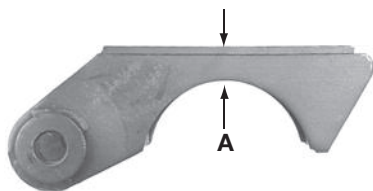
BWP NO.	ASSEMBLY CONTAINS	APPLICATION
M-1697	1 M-1449 BUSHING 1 M-1698 BOLT 1 M-1699 NUT	HEAVYWEIGHT AND SUPER HEAVYWEIGHT SERIES FOR M-1695 AND M-1696 TORQUE ARMS

Transpro Bushing Assembly Components



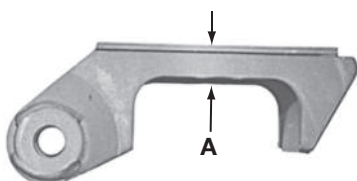
BWP NO.	REPLACES TRANSPRO	I.D.	O.D.	LENGTH
M-1449	BUSHING 0022-00	7/8"	1-29/32"	3"
M-1698	BOLT 0001-08	— —	7/8"-14 THD.	5-1/4"
M-1699	LOCK NUT 0002-09	7/8"-14 THD.	1-5/16"	25/32"

Axle Seats for 5" Round Axle



BWP NO.	REPLACES TRANSPRO	AXLE SEAT HEIGHT "A"	APPLICATION
M-1692	0636-01	1"	HEAVYWEIGHT AND SUPER HEAVYWEIGHT MODEL 88
M-3438	0636-015	1-1/2"	
M-3439	0636-02	2"	

Axle Seat for 5" Square Axle



BWP NO.	REPLACES TRANSPRO	AXLE SEAT HEIGHT "A"	APPLICATION
M-3440	0632-01	1"	HEAVYWEIGHT AND SUPER HEAVYWEIGHT MODEL 88

TRANSPRO SUSPENSION PARTS

Spring Seat – Underslung and No-Hop Models



BWP NO.	REPLACES TRANSPRO	APPLICATION
M-1646	0637-01	UNDERSLUG AND NO-HOP 1" FROM TOP TO TOP OF CIRCLE

Transpro Replaceable Wear Pad – Spring Hangers



BWP NO.	REPLACES TRANSPRO	APPLICATION
M-1648	0045-00	FRONT AND REAR SPRING HANGERS

Top Plates

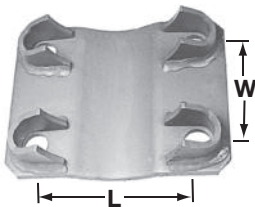


BWP NO.	REPLACES TRANSPRO	L	W	APPLICATION
M-2148	0077-00 FABRICATED	7-1/2"	3"	86-88 TRAILER



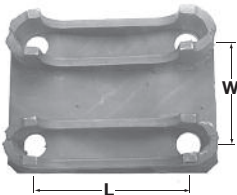
M-3441	1098-00 CAST	6-7/8"	3"	86-88 TRAILER
---------------	-----------------	--------	----	---------------

Bottom Plates – 5" Round Axle



BWP NO.	REPLACES TRANSPRO	L	W	APPLICATION
M-2149	0538-00	6"	4"	86-88 TRAILER 7/8" U-BOLTS DOWN
M-3442	0880-00	5-7/8"	3-15/16"	

Bottom Plate – 5" Square Axle



BWP NO.	REPLACES TRANSPRO	L	W	APPLICATION
M-1649	0149-00	5-15/16"	3-15/16"	86-88 TRAILER U-BOLTS DOWN

Transpro Spring Hangers

**Front Hanger
UNDERMOUNT**



INCLUDES M-1648 PAD – LEFT/RIGHT HAND

BWP NO.	REPLACES TRANSPRO	USE
M-3443	0084-00	SUPER 88

**Center Hanger
UNDERMOUNT**



LEFT/RIGHT HAND

BWP NO.	REPLACES TRANSPRO	USE
M-3444	0088-00	SUPER 88

**Rear Hanger
UNDERMOUNT**



LEFT/RIGHT HAND

BWP NO.	REPLACES TRANSPRO	USE
M-3445	0086-00	SUPER 88

**Front Hanger
STRADDLEMOUNT**



INCLUDES M-1648 PAD
LEFT/RIGHT HAND

BWP NO.	REPLACES TRANSPRO	USE
M-3446	0046-20	SUPER 88

**Center Hanger
STRADDLEMOUNT**



CENTER

BWP NO.	REPLACES	USE
M-4152	0062-20 0062-00	HEAYWEIGHT SUPER HD MODEL 88

**Rear Hanger
STRADDLEMOUNT**



REAR

BWP NO.	REPLACES	USE
M-4151	0051-20 0051-00	HEAYWEIGHT SUPER HD MODEL 88

TRANSPRO SPRING HANGERS

Front Hanger
FLANGEMOUNT



FRONT LEFT

BWP NO.	REPLACES	USE
M-4147	0400-01 0311-01	HEAYWEIGHT SUPER HD MODEL 88

Front Hanger
FLANGEMOUNT



FRONT RIGHT

BWP NO.	REPLACES	USE
M-4148	0400-02 0311-02	HEAYWEIGHT SUPER HD MODEL 88

Center Hanger
FLANGEMOUNT



LEFT/RIGHT HAND

BWP NO.	REPLACES TRANSPRO	USE
M-3447	0401-00	SUPER 88

Rear Hanger
FLANGEMOUNT



REAR LEFT

BWP NO.	REPLACES	USE
M-4149	0402-01 0313-12	HEAYWEIGHT SUPER HD MODEL 88

Rear Hanger
FLANGEMOUNT



REAR RIGHT

BWP NO.	REPLACES	USE
M-4150	0402-02 0313-01	HEAYWEIGHT SUPER HD MODEL 88

Spring Liner
DELTRIN



BWP NO.	REPLACES TRANSPRO	WIDE	LONG
M-2872	0375-00	8"	2-7/8"

SUSPENSION

Hanger Spring Roller Assembly



BWP NO.	REPLACES TRANSPRO	USE
M-1647	0741-05K	REAR HANGER — ALL MODELS

ALL U-BOLT KITS CONTAIN: 2 U-BOLTS, 4 HI-NUTS

Square Bend U-Bolt Kits



BWP NO.	DIAM.	LEG LENGTH	BETWEEN LEGS	THREAD LENGTH	THREAD	APPLICATION	MAT'L GRADE EQUIV.
M-2782	5/8"	18"	3-1/2"	6"	5/8"-18	BODY MOUNTING	5
M-2783		20"	3-1/2"	6"	5/8"-18	BODY MOUNTING	5
M-2784		16"	4"	6"	5/8"-18	BODY MOUNTING	5
M-2785		20"	4"	6"	5/8"-18	BODY MOUNTING	5
M-4040	3/4"	5"	4-3/4"	6"	3/4"-16	PETERBILT	
M-2786		12-1/4"	4"	6"	3/4"-16	TRUCK TRACTOR	8
M-2787	7/8"	16"	3"	6"	7/8"-14	TRACTOR TRAILER	8
M-2053		8-3/8"	4"	6"	7/8"-14	HENDRICKSON	8
M-4041		15-3/8"	5-3/16"	6"	7/8"-14	FREIGHTLINER	
M-2788		16"	4-1/2"	6"	7/8"-14	TRACTOR TRAILER	8
M-1711	1-1/8"	11-3/8"	5-3/4"	6"	1-1/8"-12	NEWAY	8
M-1713		12"	5-3/4"	6"	1-1/8"-12	NEWAY	8
M-2789		14"	5-3/4"	6"	1-1/8"-12	NEWAY	8
M-2790	1-1/4"	14"	4"	6"	1-1/4"-12	TRACTOR	8
M-2791		16-1/4"	4"	6"	1-1/4"-12	TRACTOR	8
M-2792		18"	4"	6"	1-1/4"-12	TRACTOR	8

Semi-Round Bend U-Bolt Kits



BWP NO.	DIAM.	LEG LENGTH	BETWEEN LEGS	THREAD LENGTH	THREAD	APPLICATION	MAT'L GRADE EQUIV.
M-4039	3/4"	15"	3-1/2"	6"	3/4"-16	NAVISTAR	
M-1491		18"	3"	8"	3/4"-12	TRUCK TRACTOR	8
M-2793	1-1/4"	14-1/2"	4"	3-1/2"	1-1/4"-12	TRACTOR	8
M-2794		16-1/4"	4"	6"	1-1/4"-12	TRACTOR	8
M-2795		18"	4"	6"	1-1/4"-12	TRACTOR	8

U-BOLT KITS

Flat Forged – Round Bend U-Bolt Kits



BWP NO.	DIAM.	LEG LENGTH	BETWEEN LEGS	THREAD LENGTH	THREAD	APPLICATION	MAT'L GRADE EQUIV.
M-2128	1"	9-1/2"	6-3/8"	3"	1"-14	NEWAY	8
M-2129		12-1/2"	6-3/8"	3"	1"-14	NEWAY	8

Flat Forged – Square Bend U-Bolt Kits



BWP NO.	DIAM.	LEG LENGTH	BETWEEN LEGS	THREAD LENGTH	THREAD	APPLICATION	MAT'L GRADE EQUIV.
M-4042	1-1/8"	13-1/4"	5"	4"	1-1/8"-12		

Round Bend U-Bolt Kits



BWP NO.	DIAM.	LEG LENGTH	BETWEEN LEGS	THREAD LENGTH	THREAD	APPLICATION	MAT'L GRADE EQUIV.
M-1712	5/8"	7-1/4"	5"	3"	5/8"-18	NEWAY AIR RIDE	8
M-1714		7-3/4"	5"	3"	5/8"-18	NEWAY AIR RIDE	8
M-4038	3/4"	7-1/2"	5"	3"	3/4"-16	HUTCHENS	
M-1490		18"	3"	8"	3/4"-16	TRUCK TRACTOR	8
M-1498		18"	4"	8"	3/4"-16	TRUCK TRACTOR	8
M-4034	7/8"	12"	3"	3"	7/8" 14		
M-1499		12"	3"	8"	7/8"-14	TRACTOR TRAILER	5
M-1492		14"	3"	8"	7/8"-14	TRACTOR TRAILER	5
M-4033		15"	3"	6"	7/8" 14		
M-4035		16"	3"	6"	7/8" 14		
M-1497		16"	3"	6"	7/8"-14	TRACTOR TRAILER	5
M-4036		17"	3"	6"	7/8"-14		
M-4037		18"	3"	6"	7/8"-14		
M-1493		18"	3"	8"	7/8"-14	TRACTOR TRAILER	5
M-2796		14"	3-1/2"	8"	7/8"-14	TRACTOR TRAILER	5
M-2797	18"	3-1/2"	8"	7/8"-14	TRACTOR TRAILER	5	
M-1494	14"	5"	8"	7/8"-14	TRACTOR TRAILER	5	
M-2798	18"	5"	8"	7/8"-14	TRACTOR TRAILER	5	
M-2799	1"	12-3/4"	5"	8"	1"-14	TRAILER	8

Spring Center Bolts



BWP NO.	THREAD	LENGTH UNDER HEAD	THREAD LENGTH	HEAD DIAMETER	HEAD LENGTH
M-2977	3/8"-24	8"	6"	9/16"	3/8"
M-2978	7/16"-20	8"	5-1/2"	5/8"	3/8"
M-2979	7/16"-20	12"	9-1/2"	5/8"	3/8"
M-2980	1/2"-20	6"	4"	5/8"	5/8"
M-2981	1/2"-20	8"	5-1/2"	5/8"	3/8"
M-2982	1/2"-20	8"	5-1/2"	3/4"	7/16"
M-2983	1/2"-20	8"	5-1/2"	3/4"	3/4"
M-2984	1/2"-20	10"	9-1/2"	5/8"	5/8"
M-2985	1/2"-20	12"	9-1/2"	5/8"	3/8"
M-2986	1/2"-20	12"	9-1/2"	3/4"	7/16"
M-2987	1/2"-20	12"	9-1/2"	3/4"	3/4"
M-2988	5/8"-18	10"	9-1/2"	7/8"	1/2"

ALL SPRING CENTER BOLTS FURNISHED WITH NUTS

Straight Threaded Rods for U-Bolts



BWP NO	THREAD	DESCRIPTION	WEIGHT
M-4381	1/2" - 20	1/2"-20 x 22" Grd5	1.1
M-4382	3/4" - 16	3/4"-16 x 14" Grd5	1.5
M-4383	3/4" - 16	3/4"-16 x 18" Grd5	2.0
M-4384	3/4" - 16	3/4"-16 x 22" Grd8	2.5
M-4385	3/4" - 16	3/4"-16 x 24" Grd8	2.6
M-4386	3/4" - 16	3/4"-16 x 26" Grd8	3.0
M-4387	3/4" - 16	3/4"-16 x 28" Grd8	3.1
M-4388	3/4" - 16	3/4"-16 x 32" Grd8	3.5
M-4389	3/4" - 16	3/4"-16 x 33" Grd5	3.7
M-4390	3/4" - 16	3/4"-16 x 33" Grd8	3.7
M-4391	3/4" - 16	3/4"-16 x 34" Grd8	3.7
M-4392	3/4" - 16	3/4"-16 x 36" Grd8	4.0
M-4393	3/4" - 16	3/4"-16 x 40" Grd8	4.4
M-4394	5/8" - 18	5/8"-18 x 16" Grd8	1.2

BWP NO	THREAD	DESCRIPTION	WEIGHT
M-4395	5/8" - 18	5/8"-18 x 20" Grd8	1.5
M-4396	5/8" - 18	5/8"-18 x 22" Grd5	1.7
M-4397	5/8" - 18	5/8"-18 x 26" Grd8	2.0
M-4398	7/8" - 14	7/8"-14 x 22" Grd8	3.3
M-4399	7/8" - 14	7/8"-14 x 24" Grd8	3.6
M-4400	7/8" - 14	7/8"-14 x 25" Grd5	3.8
M-4401	7/8" - 14	7/8"-14 x 26" Grd8	3.9
M-4402	7/8" - 14	7/8"-14 x 28" Grd8	4.2
M-4403	7/8" - 14	7/8"-14 x 30" Grd8	4.5
M-4404	7/8" - 14	7/8"-14 x 34" Grd8	5.3
M-4405	7/8" - 14	7/8"-14 x 36" Grd8	5.4
M-4406	7/8" - 14	7/8"-14 x 38" Grd8	5.9
M-4407	7/8" - 14	7/8"-14 x 40" Grd8	6.0
M-4408	7/8" - 14	7/8"-14 x 44" Grd8	6.6

SUSPENSION BOLTS — READY REFERENCE

Listing of All BWP Suspension Bolts by Diameter and Length



ALL BOLTS LISTED ON THIS PAGE HAVE THE SAME BODY DIAMETER AS THREAD DIAMETER AND HAVE FULL ROUND BODIES

M-1773 Shown

BWP NO.	THREAD	LENGTH UNDER HEAD
M-2989	1/2"-20	1-3/4"
M-1773	9/16"-18	4-1/4"
M-1469	5/8"-11	1-1/4"
M-2881	5/8"-18	1-1/4"
M-1836	5/8"-18	3-1/4"
M-2822	5/8"-11	5-1/2"
M-1816	5/8"-18	6"
M-1770	3/4"-16	2-1/2"
M-1685	3/4"-10	4-1/4"
M-1686	3/4"-10	4-3/4"
M-2910	3/4"-16	5"
M-1878	3/4"-16	5-1/4"
M-1777	3/4"-16	6"
M-2011	3/4"-16	6-1/8"
M-2852	3/4"-16	9"
M-2897	7/8"-9	4"
M-3785	7/8"-9	4-3/16"
M-2898	7/8"-9	4-1/4"
M-2899	7/8"-9	4-1/2"
M-1828	7/8"-14	4-5/8"
M-2893	7/8"-14	5"
M-2894	7/8"-14	5-1/4"
M-1698	7/8"-14	5-1/4"
M-1883	7/8"-9	5-1/2"
M-2895	7/8"-14	6"
M-1753	7/8"-9	6-1/2"
M-2896	7/8"-14	6-1/2"
M-2808	1"-8	2-1/2"

BWP NO.	THREAD	LENGTH UNDER HEAD
M-2160	1"-14	5"
M-1680	1"-14	5-1/2"
M-1691	1"-14	6-1/4"
M-1851	1"-8	6-3/8"
M-1766	1"-14	6-3/4"
M-1471	1"-8	7"
M-1885	1"-8	7-1/4"
M-1849	1"-14	GRD 5 7-1/4"
M-3783	1"-14	GRD 8 7-1/4"
M-3477	1"-8	7-3/4"
M-1475	1"-8	8"
M-1657	1"-14	8-1/2"
M-2045	1"-14	8-1/2"
M-2046	1"-14	8-3/4"
M-2047	1"-14	9"
M-2048	1"-14	9-1/2"
M-2049	1"-14	9-3/4"
M-2050	1"-14	10"
M-2051	1"-14	10-3/16"
M-2102	1"-14	11"
M-3484	1-1/8"-7	6-5/8"
M-2121	1-1/8"-7	8-1/16"
M-2122	1-1/8"-7	9-1/4"
M-1481	1-1/4"-12	7"
M-2123	1-1/4"-7	8-1/16"
M-1677	1-1/4"-12	8-7/8"
M-2124	1-1/4"-7	9-1/4"

LISTING OF ALL BWP SUSPENSION NUTS BY THREAD SIZE AND STYLE

Hi-Nuts (Grade 8)



BWP NO.	THREAD	HEX	HEIGHT
M-1195	3/8"-24	9/16"	17/32"
M-1196	7/16"-20	11/16"	19/32"
M-1197	1/2"-20	3/4"	11/16"
M-1198	9/16"-18	7/8"	3/4"
M-1192	5/8"-18	15/16"	27/32"
M-1193	3/4"-16	1-1/16"	1"
M-1194	7/8"-14	1-1/4"	1-5/32"
M-1199	1"-14	1-7/16"	1-5/16"
M-1191	1-1/8"-12	1-1/2"	1-5/8"
M-1186	1-1/4"-12	1-7/8"	2-3/4"

Marsden Lock Nut



BWP NO.	THREAD	HEX	HEIGHT
M-1774	9/16"-18	7/8"	7/16"

Lock Nuts – Collar Style



BWP NO.	THREAD	HEX	HEIGHT
M-2126	1-1/8"-7	1-5/8"	15/16"
M-2941	1-1/4"-12	1-7/8"	7/8"

Lock Nuts – Ball Face, Single Chamber



BWP NO.	THREAD	HEX	HEIGHT
M-2823	5/8"-11	15/16"	9/16"
M-1455	5/8"-18	15/16"	17/32"
M-2059	5/8"-18	15/16"	35/64"
M-2459	3/4"-16	1-1/8"	21/32"
M-2458	3/4"-10	1-1/8"	3/4"
M-1884	7/8"-9	1-3/8"	3/4"
M-2054	7/8"-14	1-5/16"	3/4"
M-1699	7/8"-14	1-5/16"	25/32"
M-2031	7/8"-14	1-5/16"	27/32"
M-1852	1"-8	1-7/16"	7/8"
M-1889	1"-14	1-7/16"	1-3/16"
M-2052	1"-14	1-1/2"	7/8"
M-2127	1-1/4"-7	1-7/8"	1-1/16"

Check out the "Specials" tab on our website frequently for current Internet Only special offers



SUSPENSION NUTS

Lock Nuts – Nylon Insert – Single Chamber



BWP NO.	THREAD	HEX	HEIGHT
M-1731	3/4"-16	1-1/8"	7/8"
M-1767	1"-14	1-9/16"	7/8"
M-2073	1-1/8"-12	1-5/8"	1-1/8"
M-1483	1-1/4"-12	1-13/16"	1-3/8"
M-2074	1-1/4"-12	1-13/16"	11/16"
M-2057	1-1/2"-12	2-3/16"	13/16"
M-1858	2-1/2"-16	3-1/8"	13/16"

Lock Nut – Flanged



BWP NO.	THREAD	HEX	HEIGHT
M-2161	1"-14	1-7/16"	7/8"

Castellated Nuts



BWP NO.	THREAD	HEX	HEIGHT
M-1801	1"-14	1-7/16"	1"
M-1866	1-1/8"-12	1-5/8"	9/16"
M-1738	1-1/8"-12	1-11/16"	1"
M-2026	1-3/8"-12	2"	7/8"
M-2101	3"-12	3-15/16"	3/4"

Double Chamfer Nuts



BWP NO.	THREAD	HEX	HEIGHT
M-1879	3/4"-16	1-1/8"	3/8"
M-2859	1-3/8"-12	1-3/4"	5/16"
M-1759	1-7/16"-12	2-1/4"	7/8"

Marsden Lock Nut



BWP NO.	THREAD	HEX	HEIGHT
M-1774	9/16"-18	7/8"	7/16"

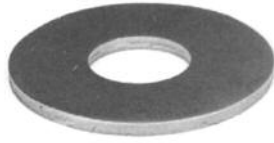
Check out the "Specials" tab on our website frequently for current Internet Only special offers



SUSPENSION FLAT WASHERS – READY REFERENCE

Suspension Flat Washers – Ready Reference

Listing of all Flat Suspension Washers by I.D. and O.D.



BWP NO.	I.D.	O.D.	THICKNESS
M-1840	5/8"	1-1/2"	1/64"
M-1839	5/8"	1-1/2"	1/32"
M-2883	21/32"	2-1/4"	7/32"
M-1810	11/16"	2-3/8"	5/32"
M-2853	25/32"	2-1/32"	1/8"
M-1730	13/16"	1-3/8"	3/32"
M-2854	13/16"	1-15/32"	1/8"
M-1720	13/16"	3-3/4"	3/8"
M-1876	25/32"	1-5/8"	3/16"
M-2136	7/8"	1-1/2"	1/4"
M-1754	7/8"	2-1/4"	3/16"
M-2030	15/16"	1-1/2"	7/64"
M-2104	1"	1-3/4"	7/64"
M-1681	1"	2"	1/8"
M-2933	1"	2"	3/8"
M-1802	1-1/16"	2-1/2"	11/64"
M-1473	1-1/16"	2-1/2"	3/16"
M-1805	1-1/16"	2-1/2"	1/4"
M-1764	1-1/16"	2-3/4"	3/16"
M-2811	1-1/16"	3-3/4"	1/2"
M-1809	1-1/16"	4"	1/4"
M-1761	1-1/8"	3-11/16"	1/4"
M-3467	1-1/8"	4"	1/4"
M-1867	1-3/16"	1-25/32"	1/16"

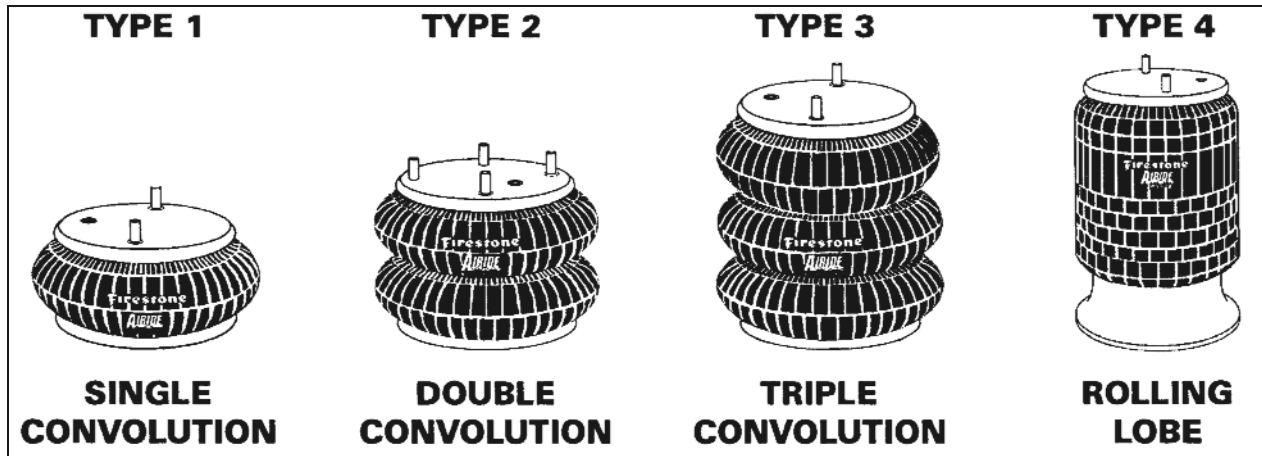
BWP NO.	I.D.	O.D.	THICKNESS
M-1838	1-1/4"	3"	1/16"
M-2928	1-1/4"	4"	1/4"
M-1654	1-5/32"	3"	3/32"
M-1815	1-9/32"	2-1/4"	1/32"
M-2940	1-5/16"	2-1/4"	3/16"
M-2870	1-5/16"	2-1/2"	1/16"
M-1786	1-3/8"	1-3/4"	1/8"
M-2858	1-3/8"	2-3/8"	1/8"
M-2067	1-9/16"	3-3/4"	3/8"
M-1653	1-5/8"	3"	3/32"
M-2929	1-11/16"	3-1/4"	1/8"
M-3786	1-15/16"	3-11/16"	1/8"
M-1762	2"	3"	1/8"
M-2869	2-1/16"	4"	1/16"
M-2851	2-1/4"	3-3/4"	1/16"
M-2930	2-9/16"	4"	1/4"
M-2931	2-9/16"	4-1/16"	5/32"
M-1768	2-9/16"	4-3/4"	1/4"
M-2003	2-3/4"	4-5/8"	1/8"
M-2914	3-1/2"	5-3/8"	5/16"
M-2932	3-1/2"	5-7/16"	1/4"
M-2008	3-1/2"	5-3/4"	1/8"
M-2095	4"	5-3/4"	1/8"
M-2064	6"	6-7/8"	3/16"

Suspension Lock Washers – Listing by I.D. and O.D.

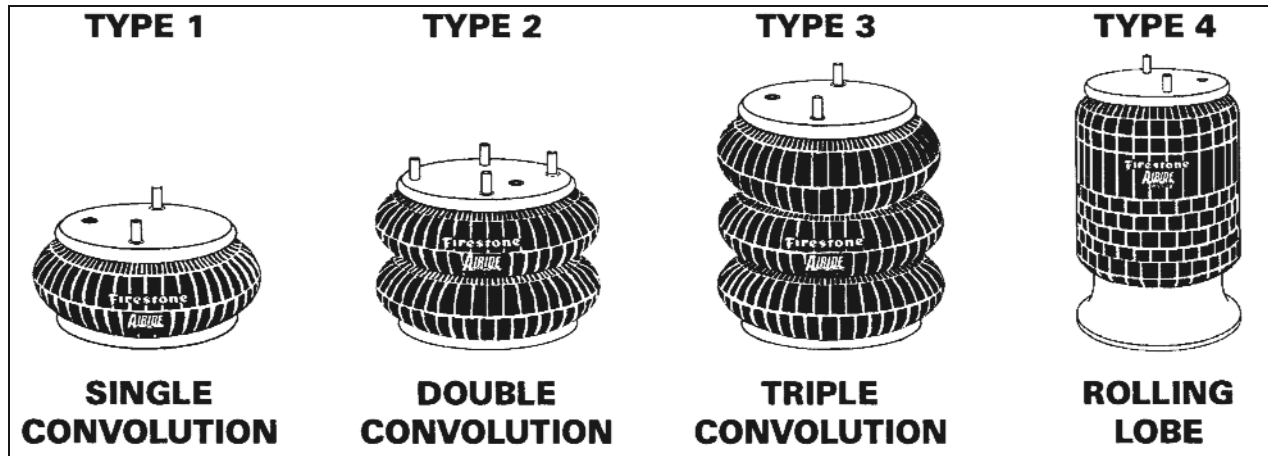


BWP NO.	I.D.	O.D.	THICKNESS
M-1771	13/16"	1-3/16"	3/16"
M-843	1"	1-5/8"	1/4"
M-3434	1"	1-3/4"	5/16"

AIR SPRING INTERCHANGE LISTINGS

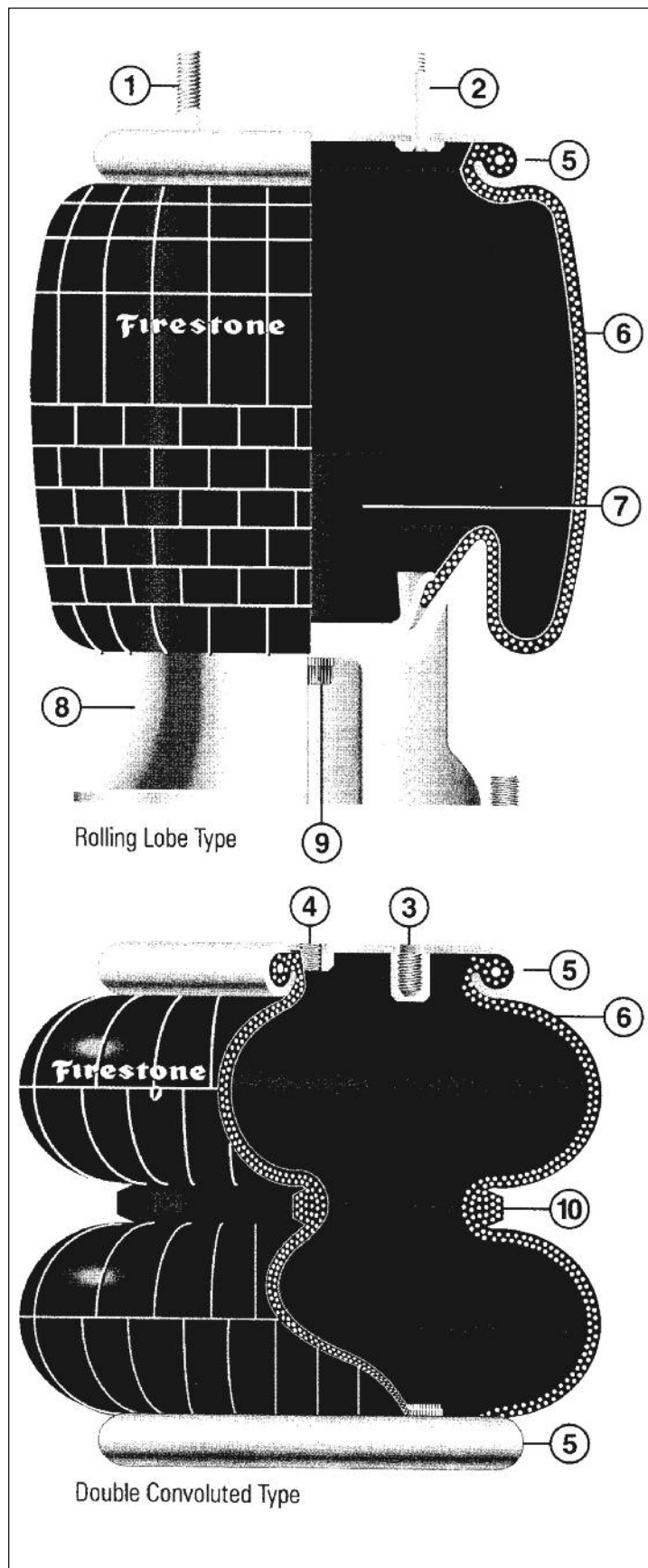


FIRESTONE NO.	BWP NO.	TYPE	GOODYEAR NO.	BATCO NO.	EUCLID NO.	LELAND NO.
5410	M-3534	4	1R9-070	10-95410	E-FS5410	
6897	M-3528	2	2B9-229	10-96897	E-FS6897	
6902	M-3500	2	2B09-201	10-96902	E-FS6902	SC-2010
6905	M-3551	2	2B9-206	10-96905	E-F56905	SC-2071
6910	M-3501	2	2B09-200	10-96910	E-FS6910	SC-2011
6927	M-3556	2	2B9-218	10-96927	E-FS6927	SC-2072
6944	M-3559	2	2B9-252	10-96944	E-FS6944	SC-2124
6994	M-3527	1		10-96994	E-FS6994	
7135	M-3502	2	2B14-360	10-97135	E-FS7135	SC-2013
7136	M-3503	2	2B14-356	10-97136	E-FS7136	SC-2014
7140	M-3504	2	2B14-359	10-97140	E-FS7140	SC-2015
7145	M-3505	2	2B14-354	10-97145	E-FS7145	SC-2016
7180	M-3529	2	2B12-311	10-97180	E-FS7180	SC-2075
7325	M-3557	2	2B8-550	10-97325	E-FS7325	
7400	M-3506	2	2B12-309	10-97400	E-FS7400	SC-2020
7403	M-3507	2	2B12-307	10-97403	E-FS7403	SC-2021
7410	M-3508	2	2B12-406	10-97410	E-FS7410	SC-2023
7424	M-3509	2	2B12-300	10-97424	E-FS7424	SC-2024
7443	M-3549	2	2B12-305	10-97443	E-FS7443	SC-2026
7555	M-3531	2	2B12-440	10-97555	E-FS7555	SC-2676
7800	M-3532	3	3B14-360	10-97800	E-FS7800	SC-2030
7808	M-3533	3	3B14-354	10-97808	E-FS7808	SC-2031
8008	M-3553	3	3B12-300	10-98008	E-FS8008	SC-2130
8050	M-3510	4	1R14-039	10-98050	E-FS8050	SC-2052
8052	M-3535	4	1R14-042	10-98052	E-FS8052	SC-2121
8709	M-3560	4	1R13-159	10-98709	E-FS8709	
9039	M-3511	4	1R12-095	10-99039	E-FS9039	SC-2033
9069	M-3512	4	1R12-069	10-99069	E-FS9069	SC-2034
9075	M-3536	4		10-99075	E-FS9075	
9082	M-3513	4	1R12-092	10-99082	E-FS9082	SC-2035
9083	M-3514	4	1R12-066	10-99083	E-FS9083	SC-2036
9098	M-3537	4	1R13-014	10-99098	E-FS9098	SC-2037
9101	M-3515	4	1R13-103	10-99101	E-FS9101	SC-2038
9105	M-3516	4	1R12-132	10-99105	E-FS9105	SC-2039
9121	M-3517	4	1R13-039	10-99121	E-FS9121	SC-2040
9122	M-3518	4	1R13-038	10-99122	E-FS9122	SC-2041
9130	M-3519	4	1R12-905	10-99130	E-FS9130	



FIRESTONE NO.	BWP NO.	TYPE	GOODYEAR NO.	BATCO NO.	EUCLID NO.	LELAND NO.
9158	M-3520	4	1R14-030	10-99158	E-FS9158	SC-2045
9177	M-3521	4	1R14-028	10-99177	E-FS9177	SC-2046
9192	M-3538	4	1R12-167	10-99192	E-FS9192	SC-2102
9194	M-3539	4	1R12-356	10-99194	E-FS9194	
9213	M-3522	4	1R12-090	10-99213	E-FS9213	SC-2048
9219	M-3540	4	1R12-151	10-99219	E-FS9219	SC-2070
9241	M-3523	4	1R12-142	10-99321	E-FS9241	SC-2108
9243	M-3541	4	1R12-480	10-99243	E-FS9243	
9265	M-3524	4	1R12-375	10-99265	E-FS9265	
9270	M-3542	4	1R12-077	10-99270	E-FS9270	
9293	M-3543	4	1R12-501	10-99293	E-FS9293	
9295	M-3544	4	1R11-913	10-99295	E-FS9295	
9320	M-3558	4	1R12-363	10-99320	E-FS9320	
9321	M-3545	4	1R12-256	10-99321	E-FS9321	SC-2120
9370	M-3554	4	1R12-440	10-99370	E-FS9370	
9371	M-3555	4	1S12-244	10-99371	E-FS9371	
9394	M-3546	4		10-99394	E-FS9394	
9421	M-3547	4		10-99421	E-FS9421	
9422	M-3525	4	1R11-028	10-99422	E-FS9422	SC-2050
9466	M-3526	4	1R12-173	10-99466	E-FS9466	
9780	M-3550	4	1R12-303	10-99780	E-FS9780	
9921	M-3552	4	1R12-502	10-99921	E-FS9921	
9923	M-3548	4	1R12-481	10-99923	E-FS9923	
9640	M-3561	4	1R12-367	10-99640	E-FS9640	
7795	M-3562	2	2B10-226	10-97795	E-FS7795	
8204	M-3563	4	1R12-522	10-98204	E-FS8204	
9580	M-3564	4	1R13-118	10-99580	E-FS9580	
8091	M-3565	4		10-98091	E-FS8091	
8755	M-3566	4	1R13-124	10-98755	E-FS8755	
8944	M-3567	4	1R12-366	10-98944	E-FS8944	
9373	M-3568	4	1R12-403	10-99373	E-FS9373	
9287	M-3569	4	1R12-424	10-99287	E-FS9287	
8984	M-3570	4		10-98984	E-FS8984	
9648	M-3571	4	1R12-398	10-99648	E-FS9648	
5472	M-3572	4		10-95423	E-FS5423	
8033	M-3573	3	3B12-312	10-98033	E-FS8033	
6935	M-3574	2		10-96935	E-FS6935	

Air Spring Components



1. Stud

A permanent part of the bead plate assembly used to attach the airspring to the suspension.

2. Combo Stud

Combination mounting stud and air fitting.

3. Blind Nut

A permanent part of the bead plate assembly providing an alternate mounting system to the stud.

4. Air Fitting Hole

A tapped hole usually 1/4" N.P.T. providing air entrance for the part.

5. Bead Plate

Permanently crimped onto the bellows at the factory allowing complete part leak testing prior to shipment.

6. Bellows

The heart of an Airide spring. Includes at least four plies, or layers, of material – an inner layer, two plies of cord-reinforced fabric, and an outer layer.

7. Bumper (Optional)

A solid molded rubber, fail-safe device used on many suspension applications. Prevents excessive damage to vehicle and suspension in the case of sudden air pressure loss.

8. Piston

The lower section of the 1T and 1X style of air spring made from aluminum, steel or fiber reinforced plastic. Provides lower mounting arrangement of the airspring, in the form of a tapped holes or studs.

9. Pistol Bolt

Attaches the piston to the bellows assembly. Extended, in some cases, to serve as a means of attaching the spring to the suspension.

10. Girdle Hoop

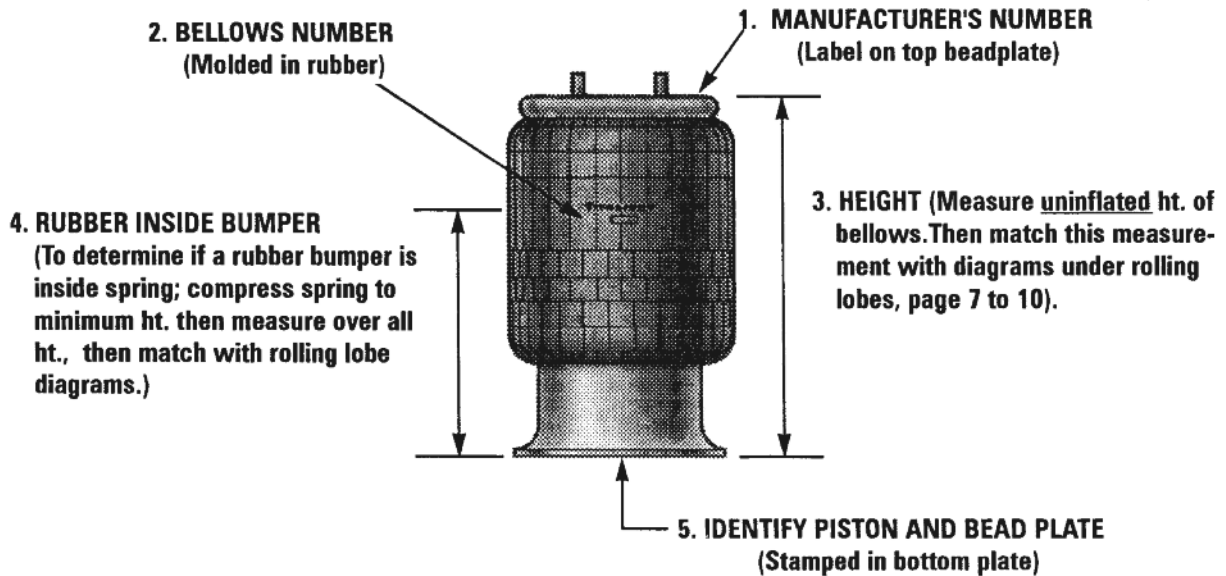
A ring between the convolutions of the convoluted type air spring.

Service Assembly

On Firestone Airide springs of the 1T style, the rubber bellows bead plate portion of the spring is a separate hermetically sealed unit, available for replacement use without the piston. Called a "service assembly." It includes a bead plate, bellows, internal bumper (if any), and all attached hardware.

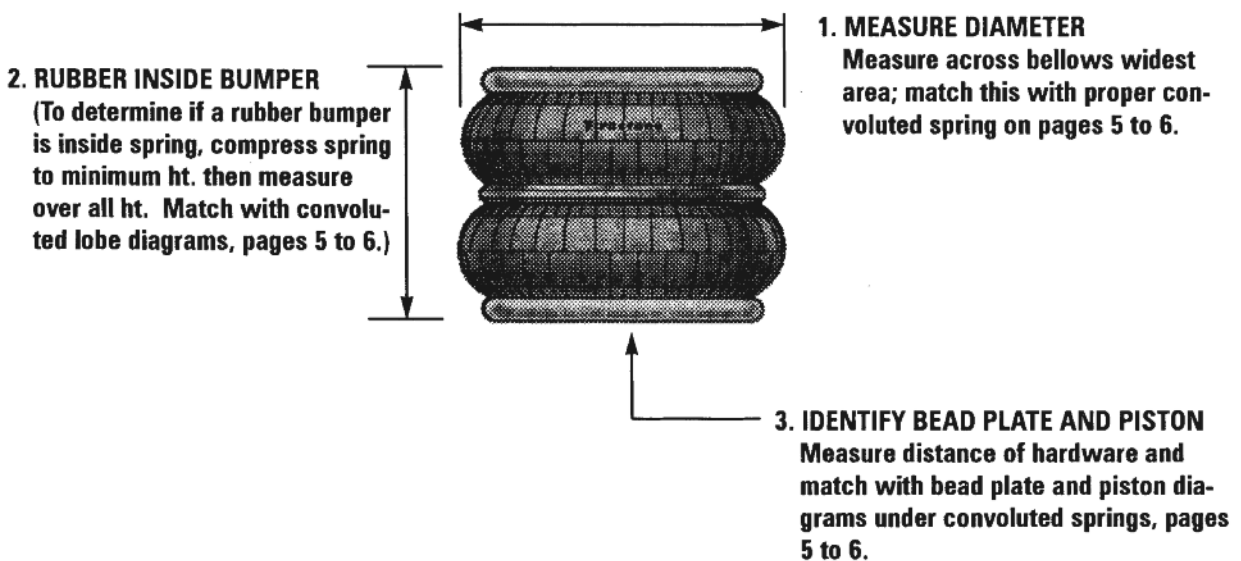
There are a number of ways to help determine the proper air spring.
Start with step 1 and proceed to other steps as necessary.

ROLLING LOBE TYPE



5. The same bellows are used with different types of bead plates and pistons. Definitely compare your bead plate and piston measurements with rolling lobe diagram on pages 7 to 10.
(Note: All newer pistons have 4 threaded holes in outer diameter, and a center hole. On some mountings the outer holes may not be used. If the diameter and height of the piston match measurements on rolling lobe diagrams, the piston will work.)

CONVOLUTED TYPE



HOW TO READ PARTS TABLE FOR CONVOLUTED TYPES

How to Read Parts Table for Convoluted Types

BWP NO.	FIRESTONE NO.	REPLACES	CROSS SECTION VIEW	TOP VIEW (BEAD PLATE)	BOTTOM VIEW (PISTON)
M-3507	7403 BELLOWS NO. 22	Goodyear 2B12-307 Granning 2725 Hendrickson Turner B01159/ R & S Truck & Body 1040201 Ht (Canada) B-12514-001			

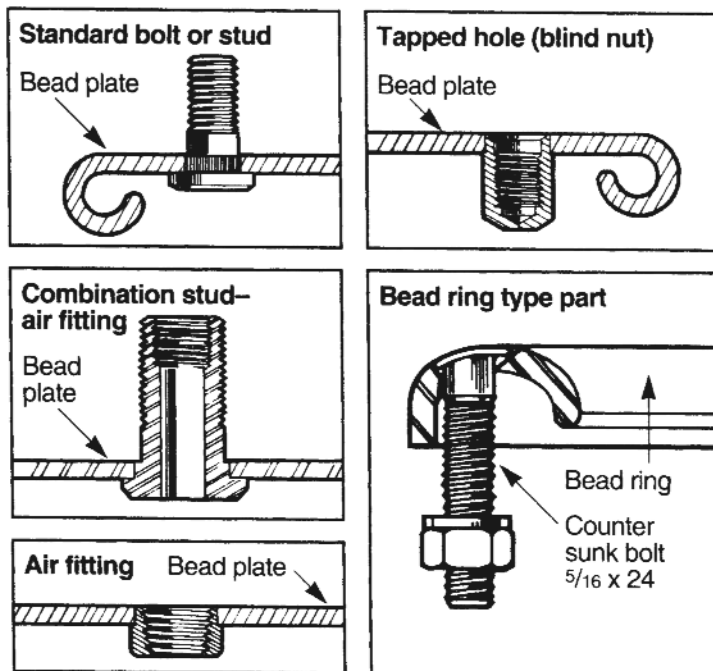
Hardware Key Above

● Bolt or Stud 1/2-3 ◐ Threaded Hole 3/8-16 Blind Nut on Bead Plates 1/2-13 in Pistons ⊗ Air Inlet 1/4 N.P.T.

⊗ Combination Stud/Air Inlet Stud Outside Thread is 3/4-16 Studs Inside Thread (Air Inlet) is 1/4 N.P.T. Exceptions will be noted on Part View as ⊗

1. REPLACES various manufacturer's numbers.
2. CROSS-SECTION VIEW shows UNINFLATED bellows diameter and minimum height.
3. TOP VIEW (BEAD PLATE) shows upper bead plate dimension and necessary hardware.
4. BOTTOM VIEW (PISTON) shows lower bead plate dimension and necessary hardware.

TYPICAL TYPES OF ATTACHING HARDWARE FOUND ON BEAD PLATES



AIR SPRINGS (SINGLE CONVOLUTION)

BWP NO.	FIRESTONE NO.	REPLACES	CROSS SECTION VIEW	TOP VIEW (BEAD PLATE)	BOTTOM VIEW (PISTON)
M-3527	6994 Bellows No. 19	Capacity of Texas			

AIR SPRINGS (DOUBLE CONVOLUTION)

BWP NO.	FIRESTONE NO.	REPLACES	CROSS SECTION VIEW	TOP VIEW (BEAD PLATE)	BOTTOM VIEW (PISTON)
M-3528	6897 Bellows No. 20	WATSON & CHALIN AS-0058			
M-3500	6902 Bellows No. 20	Goodyear 2B9-201 Granning 4848 Hendrickson Turner B-2630 R & S Truck & Body 1027505 Ridewell 1003586902C American Carrier			
M-3551	6905	Hendrickson S-3518/S-5270 Hendrickson Canada 45843-1 Ridewell 1003586905C Watson & Chalin AS-0020			
M-3501	6910 Bellows No. 20	Goodyear 2B9-200 Granning 1371 Hendrickson Turner 8768 (Canada) 45843-3 R & S Truck & Body 1027505 Ridewell 1003586910C			

AIR SPRINGS (DOUBLE CONVOLUTION)

BWP NO.	FIRESTONE NO.	REPLACES	CROSS SECTION VIEW	TOP VIEW (BEAD PLATE)	BOTTOM VIEW (PISTON)
M-3556	6927	Reyco 12906-01			
M-3574	6935 Bellows No. 20F	Hendrickson Trailer S14318 HLM Lift Bag Hendrickson Aux. 003318 (Metric Version)			
M-3559	6944	Histeer 10307			
M-3502	7135 Bellows No. 21	Goodyear 2B14-360 Neway 905-57-001 Pezzani AR-21-A Ridewell 1003587135C Silent Drive Truckstell (Marion Mfg.) 63641 Truckstell (Marion Mfg.) 63644 HT (Canada) B-12514-014			
M-3503	7136 Bellows No. 21	Fargo Trailer Goodyear 2B14-356 Granning 1626 Hendrickson Turner B-1080 R & S Truck & Body 1027556 Ridewell 1003587136C Watson & Chalin AS-0004			

SUSPENSION

AIR SPRINGS (DOUBLE CONVOLUTION)

BWP NO.	FIRESTONE NO.	REPLACES	CROSS SECTION VIEW	TOP VIEW (BEAD PLATE)	BOTTOM VIEW (PISTON)
M-3504	7140 Bellows No. 21	Goodyear 2B14-359 Granning 1015 Hendrickson Turner B-3184 Porcupine (repl 7142) R & S Truck & Body 1090214 Ridewell 103587140C Temisko Watson & Shalin AS-0008			
M-3505	7145 Bellows No. 21	Goodyear 2B14-354 Mack 57QL239 Ridewell 1003587145C Volvo/K-M Heavy Duty Truck 35203-0005			
M-3529	7180 Bellows No. 22	EZ Ride 8030190 Goodyear 2B12-425 Hendrickson Turner KwikLock Peerless 0550-00001 Talbert Todco (Jifflox)			
M-3557	7325	American Carrier 8003-006 Mack 227QS-32 & 57QK1113 Sauer P10-754 Watson & Chalin AS-0030			
M-3506	7400 Bellows No. 22	Fab Tek (West Unit) 04-0080 Fargo Trailer Freightliner 16-10769-000 GMC 693230 Goodyear 2B12-309 Granning 2726 Hendrickson Turner C-1013 Neway 905-57-016 or TC-144-4 R & S Truck & Body 1027519 Ridewell 1003587 400C Tafco Talbert Watson & Chalin AS-0003			

AIR SPRINGS (DOUBLE CONVOLUTION)

BWP NO.	FIRESTONE NO.	REPLACES	CROSS SECTION VIEW	TOP VIEW (BEAD PLATE)	BOTTOM VIEW (PISTON)
M-3507	7403 Bellows No. 22	Goodyear 2B12-307 Granning 2725 Hendrickson Turner B-1159/ R & S Truck & Body 1040201 HT (Canada) B-12514-001			
M-3508	7410 Bellows No. 22	Freightliner 16-11378-000 Goodyear 2B12-406			
M-3509	7424 Bellows No. 22	Goodyear 2B12-300 Integrated Newway 905-57-014 or TC-144-2 Porcupine R & S Truck & Body 1090215 Sauer P10-755			
M-3549	7443 Bellows No. 22-1.5	Goodyear 2B12-305 Granning 1218 (replaces 7416) Watson & Chalin AS-0027 (replaces 7416)			
M-3531	7555 Bellows No. 228-1.5	Reyco 18813-01 (7550) Reyco 20018-01 Binkley XB-SPN-053-37 Note: Supersedes 7550			
M-3562	7795 Bellows No. 20F	Hendrickson Trailer S14486 (Lift Bag) Hendrickson Aux. (ParaLift, Paralift Ultra) Hendrickson Aux. 003317 (Metric version)			

SUSPENSION

AIR SPRINGS (TRIPLE CONVOLUTION)

BWP NO.	FIRESTONE NO.	REPLACES	CROSS SECTION VIEW	TOP VIEW (BEAD PLATE)	BOTTOM VIEW (PISTON)
M-3532	7800 Bellows No. 313	Goodyear 3B14-360 Granning 4514 Holland Hitch 4514 Ridewell 1003587800C Silent Drive			
M-3533	7808 Bellows No. 313	Goodyear 3B14-354 Ridewell 1003587808C Truckstell (Marion Mfg.) 63640			
M-3553	8008	Ridewell 1003588008C Watson & Chalin AS-0019 Hendrickson S-11637			
M-3573	8033 Bellows No. 38D	Hendrickson Trailer S14487 (Ride Bag) [Paralift Ultra] [Pararev] Hendrickson Aux. 003316 (Metric Version)			

AIR SPRINGS (ROLLING LOBE)

BWP NO.	FIRESTONE NO.	REPLACES	CROSS SECTION VIEW	TOP VIEW (BEAD PLATE)	BOTTOM VIEW (PISTON)
M-3534	5410 Bellows No. IT14C-3 or IT14F-4	Granning 2112 Ridewell 1003585410C Mfg. SV. # Ridewell 1013585404C			

SUSPENSION

AIR SPRINGS (ROLLING LOBE)

BWP NO.	FIRESTONE NO.	REPLACES	CROSS SECTION VIEW	TOP VIEW (BEAD PLATE)	BOTTOM VIEW (PISTON)
M-3572	5423 Bellows No. 1T14C-3	Granning 5235 Granning 5307 (No Stud) Rowe Truck 0072			
M-3510	8050 Bellows No. 1T19J-6	Goodyear 1R14-039 Hendrickson Turner (Canada) 36514-13 Turner			
M-3535	8052 Bellows No. 1T19J-6	Hendrickson Turner (Canada) B-12514-012			
M-3565	8091 Bellows No. 1T19LC-6 1T19FC-5	Hendrickson Trailer S20901 (Intraxx 250) reuse metal disk Hendrickson Trailer S21784 w/metal disk for piston support			
M-3563	8204 Bellows No 1T15M-2	Holland (Neway) 90557173 (RL196A-12) Holland (Neway) 90557223 Binkley Newlite (NS 190-16)			

SUSPENSION

Check out the "Specials" tab on our website frequently for current Internet Only special offers



AIR SPRINGS (ROLLING LOBE)

BWP NO.	FIRESTONE NO.	REPLACES	CROSS SECTION VIEW	TOP VIEW (BEAD PLATE)	BOTTOM VIEW (PISTON)
M-3560	8709	Hendrickson S-21800 Replaced Firestone 8751 6/1/98			
M-3566	8755 Bellows No. 1T17B-5	Hendrickson Trailer S22045 (HK 190T) Hendrickson Trailer Prototype C21623			
M-3567	8944 Bellows No. 1T15MLW-7	Hendrickson Trailer S20217 (HT-190U) Supersedes Firestone 9015			
M-3570	8984 Bellows No. 1T66E-11.8	WABASH (ROADRAILER)			
M-3511	9039 Bellows No. 1T15M-0	Goodyear 1R12-095 Goodyear 1R12-122 (Crimped) Hendrickson Turner B-2064/B-11650 Hutchens H-9424-01 Neway 905-57-11 or AR-1517-1-G Neway 905-57-023 or AR-1517-1-F Neway 905-57-085 R & S Truck & Body 1090218 Ridewell 1013589039C Sauer P50-734 MFG. SV.# Hutchens H-9424-1 Neway 900-44 199 Ridewell 1003580702C			

SUSPENSION

AIR SPRINGS (ROLLING LOBE)

BWP NO.	FIRESTONE NO.	REPLACES	CROSS SECTION VIEW	TOP VIEW (BEAD PLATE)	BOTTOM VIEW (PISTON)
M-3512	9069	Goodyear 1R12-069			
	Bellows No. 1T15M-4	Peterbilt 03-02456 03-04759 03-01649 03-06746 03-07112 03-02038 MFG. SV# Peterbilt 03-10042			
M-3536	9075	Hutchens H-2007			
	Bellows No. 1T156-2	Pezzani MFG. SV# Hutchens H-2007-7			
M-3513	9082	Goodyear 1R12-092 Goodyear 1R12-134 (Crimped) Granning 2727 Hendrickson Turner (Canada) B-2066/36514-7 Hendrickson Turner B-4773-1 Hutchens H-9630-01 Kelderman Kwik Lok/Todco (Jifflox) CP-5152 Navistar 517559C-9 Neway 905-57-006 or AR-1315-1-G Neway 905-57-127 or AR-1315-1-F Neway 905-57-031 or AR-1315-3-F Neway 905-57-037 Neway 905-57-075 R & S Truck & Body 1090217 Reyco 12882-01 Ridewell 10035899082C Watson & Chalin A5-0011			
	Bellows No. 1T15M-6	MFG. SV# Hutchens H-9630-03 Neway 900-44-200 Ridewell 1003580712C			
M-3514	9083	Goodyear 1R12-066 Granning 1359 Ridewell 1003589083C Watson & Chalin A5-0028			
	Bellows No. 1T15M-6	MFG. SV# Granning 1528 Ridewell 1013589080C			

SUSPENSION

AIR SPRINGS (ROLLING LOBE)

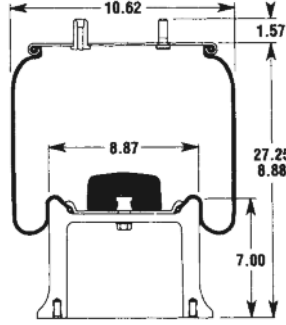
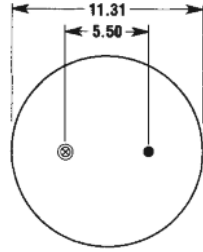
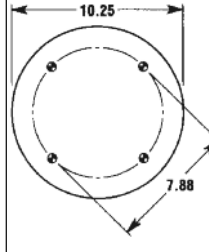
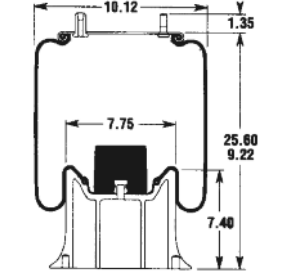
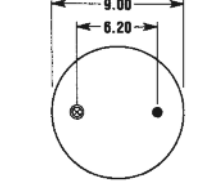
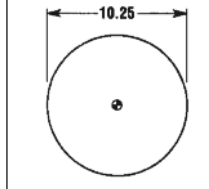
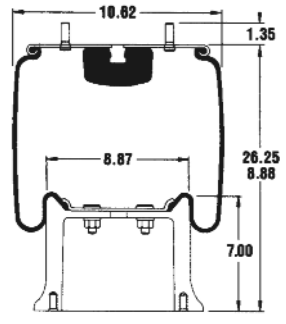
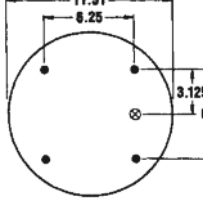
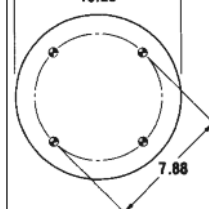
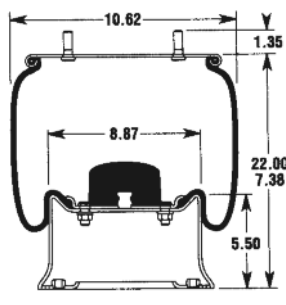
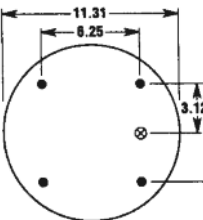
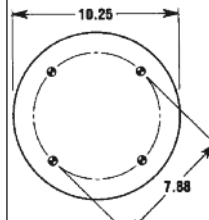
BWP NO.	FIRESTONE NO.	REPLACES	CROSS SECTION VIEW	TOP VIEW (BEAD PLATE)	BOTTOM VIEW (PISTON)
M-3537	9098 Bellows No. 1T15MJ-6	Goodyear 1R12-014 Goodyear 1R12-047 Navistar 350243C-94 Navistar 426212C-1 Navistar 442305C-91 Navistar 442306C-91 MFG. SV.# Navistar 454590C-1 Navistar 454588C-91			
M-3515	9101 Bellows No. 1T15M-9	Goodyear 1R12-103 Goodyear 1R12-135 (Crimped) Neway 905-57-008 or AR-1415-1-G Neway 905-57-009 or AR-1415-1-F Neway 905-57-082 Reyco 12883-01 Ridewell 1003589101C Silent Drive Truckstell (Marion Mfg.) 63647 MFG. SV# Neway 900-44-201 Ridewell 1003589102C			
M-3516	9105 Bellows No. 1T15M-9	Goodyear 1R12-132 Hendrickson Turner B-1245 Ridewell 1003589105C Granning 5065			
M-3517	9121 Bellows No. 1T19F-7 or 1T19L-7	Goodyear 1R13-039 Goodyear 1R13-043 (Crimped) Neway 905-57-019 or AR-1115-1-G Neway 905-57-078 Neway 905-57-083 R & S Truck & Body 1090023 Reyco 12882-02 Ridewell 1003589121C Sauer P50-733 MFG. SV.# Ridewell 1013589123C			

Check out the "Specials" tab on our website frequently for current Internet Only special offers

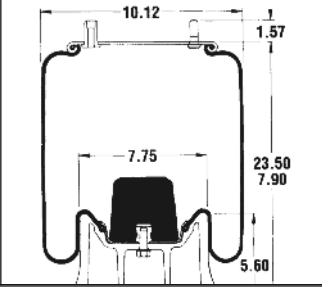
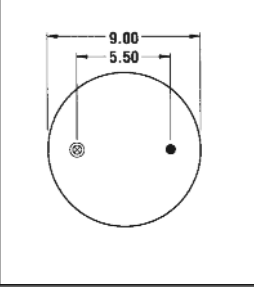
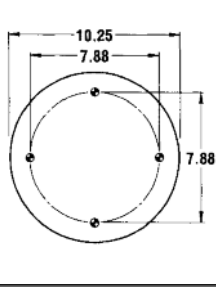
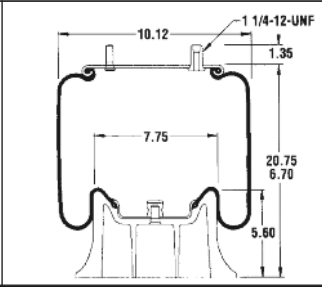
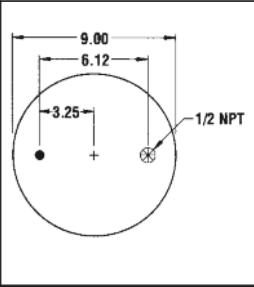
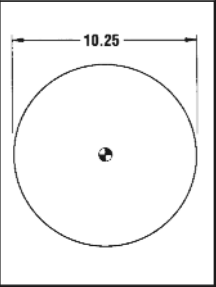
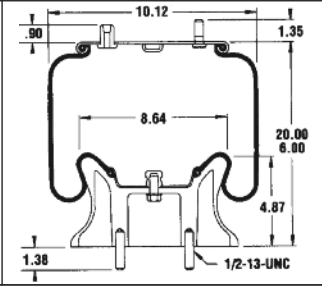
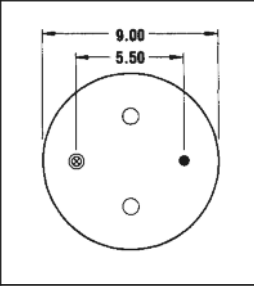
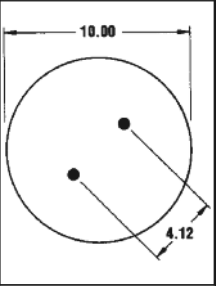
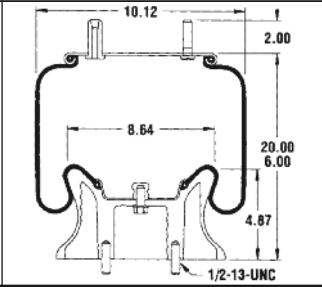
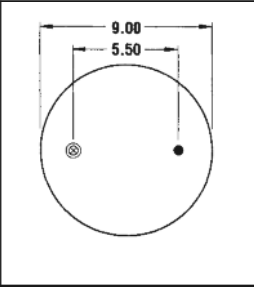
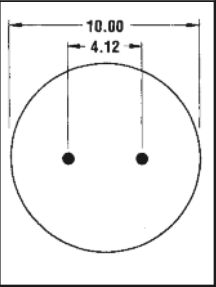
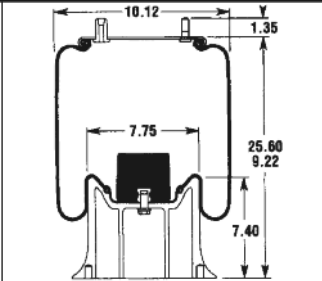
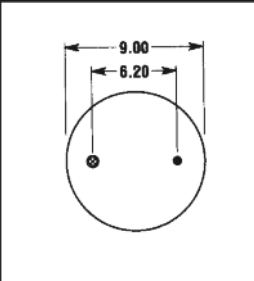
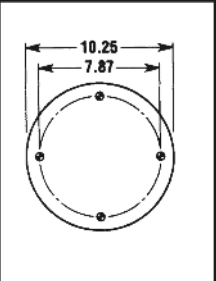


SUSPENSION

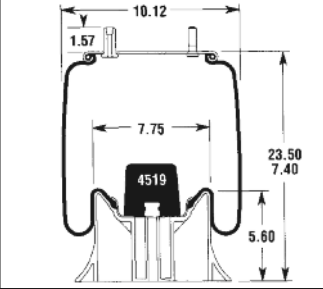
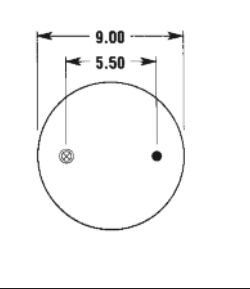
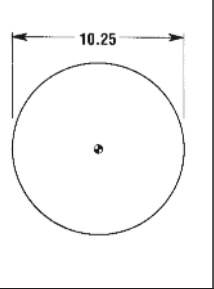
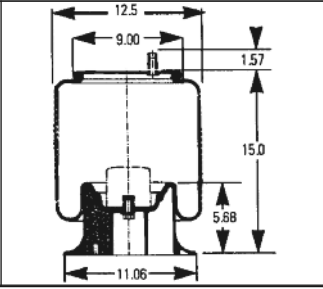
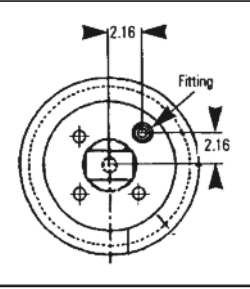
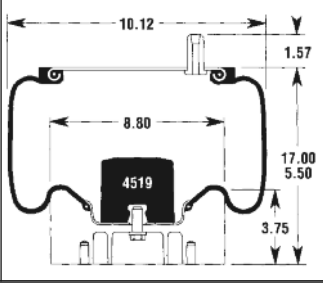
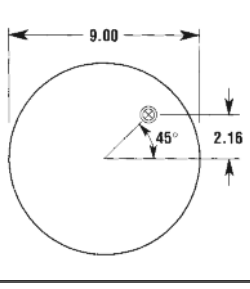
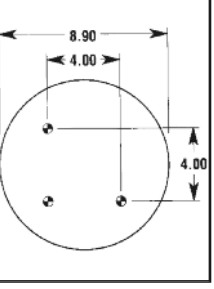
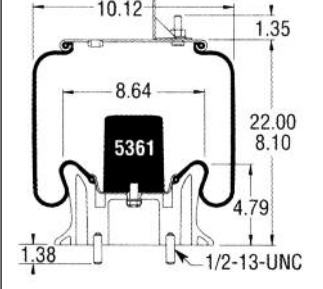
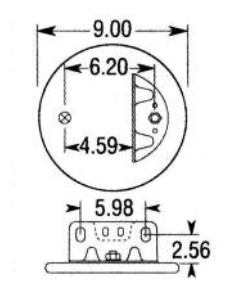
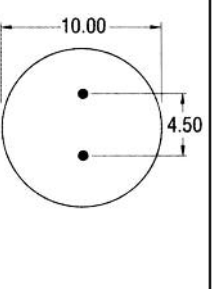
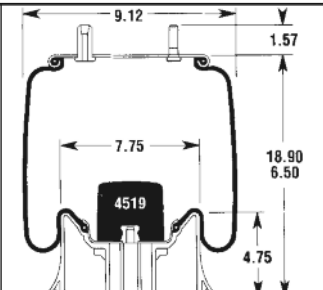
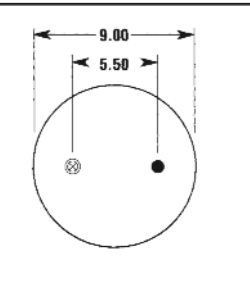
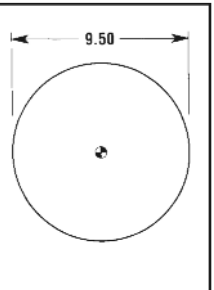
AIR SPRINGS (ROLLING LOBE)

BWP NO.	FIRESTONE NO.	REPLACES	CROSS SECTION VIEW	TOP VIEW (BEAD PLATE)	BOTTOM VIEW (PISTON)
M-3518	9122 Bellows No. 1T19F-11 or 1T19L-11	Goodyear 1R13-038 Goodyear 1R14-045 Hendrickson Turner B-3830 Hendrickson Turner (Canada) B-12514-008, B-12514-010, B-3830 Neway 905-57-020 or AR-1515-1-G Neway 905-57-076 Neway 905-57-077 Porcupine Reyco 12883-02 Ridewell 1003589122C Sauer P50-732 Temisko MFG. SV.# Neway 900-44-658 Ridewell 1013589-124C			
M-3519	9130 Bellows No. 1T15M-9	Fruehauf UCE-9393-1			
M-3520	9158 Bellows No. 1T19F-11 or 1T19L-11	Goodyear 1R14-030 Hendrickson Turner (Canada) 36514-1, B-12514-001 B-12514-004 Hendrickson Turner (Canada) B-2063/36514-4 Neway 905-57-005 or AR-1215-1-F Peerless Porcupine Ridewell 1003589158C MFG. SV.# Neway 900-44-197 Peerless 0550-0081 Ridewell 1013589154C			
M-3521	9177 Bellows No. 1T19F-7 or 1T19L-7	Goodyear 1R14-028 Hendrickson Turner B-2065 Neway 905-57-003 or AR-1115-1-F R & S Truck & Body 1090216 Ridewell 1003589177C MFG. SV.# Ridewell 1013589159C			

AIR SPRINGS (ROLLING LOBE)

BWP NO.	FIRESTONE NO.	REPLACES	CROSS SECTION VIEW	TOP VIEW (BEAD PLATE)	BOTTOM VIEW (PISTON)
M-3538	9192 Bellows No. 1T15M-9	Hendrickson Turner B-6195 Goodyear 1R12-167 Neway 905-57-086			
M-3539	9194 Bellows No. 1T15M-6	Peterbilt 03-05107			
M-3522	9213 Bellows No. 1T15M-6	Goodyear 1R12-090 Navistar 501559C-1 1660581C-1			
M-3540	9219 Bellows No. 1T15M-6	Goodyear 1R12-151 Volvo/GM Heavy Duty Truck 350003-3203			
M-3523	9241 Bellows No. 1T15M-9	Hendrickson Turner B-4375 Hendrickson Turner (Canada) B-10352			

AIR SPRINGS (ROLLING LOBE)

BWP NO.	FIRESTONE NO.	REPLACES	CROSS SECTION VIEW	TOP VIEW (BEAD PLATE)	BOTTOM VIEW (PISTON)
M-3541	9243 Bellows No. 1T15M-9	Neway 900557112			
M-3524	9265 Bellows No. 1T15MM9	Hendrickson C20124			
M-3542	9270 Bellows No. 1T15VM-4	Hendrickson Turner C-20010			
M-3569	9287 Bellows No. 1T15M-8	Hendrickson 50405-1&2 (Ford W.Star HA-360/400/460 [1991-up]) Hendrickson 50405 (remove intermediate plate and use new production version with bracket)			
M-3543	9293 Bellows No. 1T15LP-5	Neway 905-57-120			

SUSPENSION

AIR SPRINGS (ROLLING LOBE)

BWP NO.	FIRESTONE NO.	REPLACES	CROSS SECTION VIEW	TOP VIEW (BEAD PLATE)	BOTTOM VIEW (PISTON)
M-3544	9295 Bellows No. 1T15LP-5	Neway 905-57-121			
M-3558	9320	Neway 905-57-099			
M-3545	9321 Bellows No. 1T15M-11	Hendrickson Turner B-4375 (replaces 9241) Watson & Chalin (replaces 9241)			
M-3554	9370	Watson & Chalin AS-0057			
M-3555	9371	Navistar 1670043C-1 1686386C-1 2027911C-1			

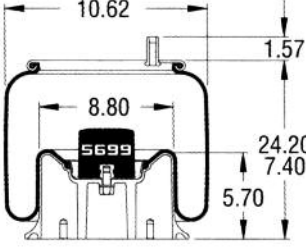
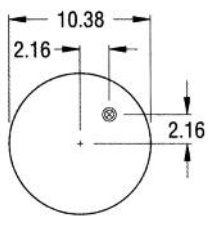
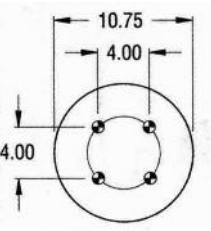
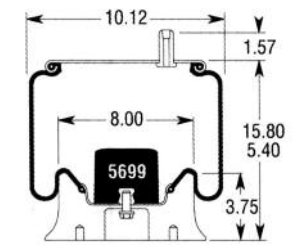
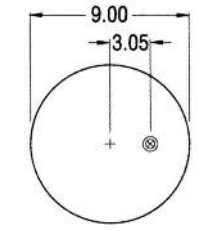
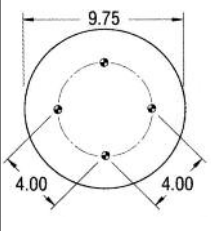
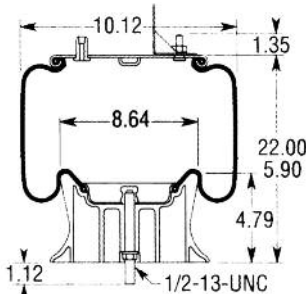
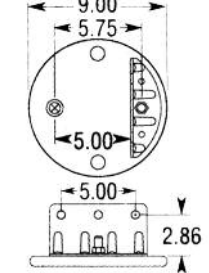
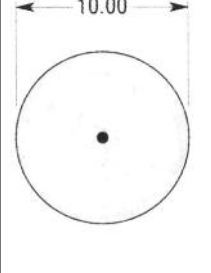
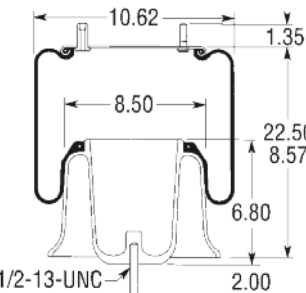
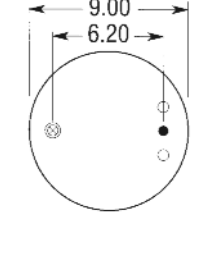
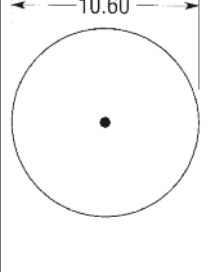
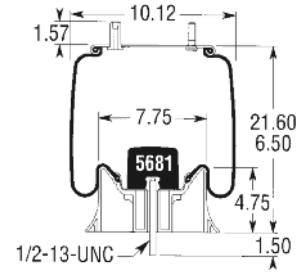
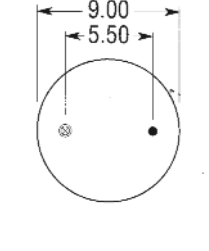
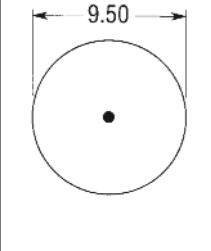
SUSPENSION

AIR SPRINGS (ROLLING LOBE)

BWP NO.	FIRESTONE NO.	REPLACES	CROSS SECTION VIEW	TOP VIEW (BEAD PLATE)	BOTTOM VIEW (PISTON)
M-3568	9373 Bellows No. 1T15M-8	Hendrickson 57122-2 (Ford class 8) HAS 360/400/402/460			
M-3546	9394 Bellows No. 1T15M-9	Fruehauf UCE-9393-2			
M-3547	9421 Bellows No. 1T15T-1	American Carrier 8003-003			
M-3525	9422 Bellows No. 1T15L-1.5	Goodyear 1R11-028 Kenworth K303-6, K303-14, K-303-15			
M-3526	9466 Bellows No. 1T15MT6	Hendrickson 49048 49647			

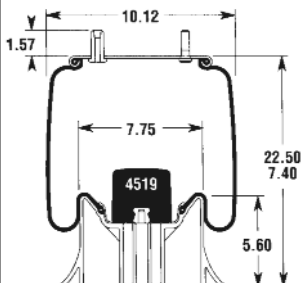
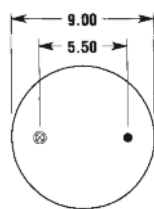
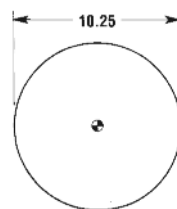
SUSPENSION

AIR SPRINGS (ROLLING LOBE)

BWP NO.	FIRESTONE NO.	REPLACES	CROSS SECTION VIEW	TOP VIEW (BEAD PLATE)	BOTTOM VIEW (PISTON)
M-3564	9580 Bellows No. 1T17CL-9.5	Hendrickson Trailer S20127 [HT-250U 9-006] [HT-250UY 9Y-006] Replaces 1T15VLT-10.5 1T15V-11 Firestone 9262			
M-3561	9640 Bellows No. 1T15MT-3	Hendrickson Trailer S20223 (HT-190T, HS190T) - Replaces Firestone 9630			
M-3571	9648 Bellows No. 1T15M-8	Navistar 2027911C1 & 2			
M-3550	9780	Freightliner 681-320-0017 ALUM Freightliner 16-13810-000 PLASTIC			
M-3552	9921	Neway 905-57-119 (AR92-12 & 14) (AR93-14)			

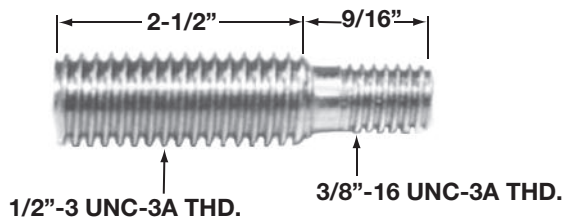
SUSPENSION

AIR SPRINGS (ROLLING LOBE)

BWP NO.	FIRESTONE NO.	REPLACES	CROSS SECTION VIEW	TOP VIEW (BEAD PLATE)	BOTTOM VIEW (PISTON)
M-3548	9923	Bellows No. 1T15M-7.5 Neway 905-57-118			

AIR SPRING ACCESSORIES

M-3530 Shoulder Stud



If the air spring you are replacing has studs attached to the top or bottom plates and the replacement BWP Air Spring is identical except that it has recessed blind taps. Use the optional shoulder studs M-3530. Screw them into the plate using Loctite #271 or an equivalent material as a thread lubricant for installation and to insure that the studs do not loosen in service.

If the user wishes to use cap screws or his own bolts for attaching air springs with recessed, blind nuts to his suspension, caution him that the screw must have 3/8" - 16 threads and must extend no more than .562 into the air spring. If long screws are forced into the blind taps, the new spring will leak and cannot be satisfactorily repaired.

Springs with damaged blind taps are not considered for warranty claims.

M-3263 Height Control Valve (Use on all air ride suspensions)



REPLACES:

FIRESTONE	WCI-358-3599
NEWAY	90054007
EUCLID	E-4323
LELAND	SA-1560
NAVISTAR	574696-C91 (May have to reverse hose lines)

Firestone Airide™

The components of sleeve style springs

1. Combo Stud

Combination mounting stud and air fitting.

2. Blind Nut

A blind tapped hole in either the piston or cap.

3. Air Fitting Hole

When using a blind nut or stud instead of a combo stud, a separate air fitting is required.

4. Clamp Plate

Also called the "Cap", this is the upper aluminum or plastic end. This provides the mounting hardware, and normally the air fitting.

5. Bellows

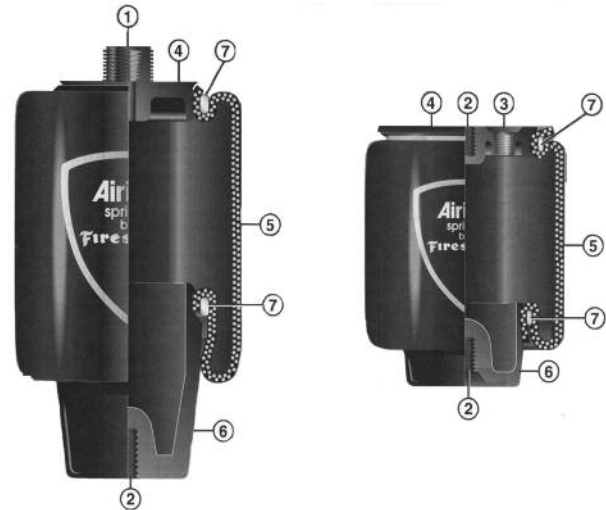
The heart of an Airide™ spring is the sleeve, or bellows. It is made of four layers; an inner liner of rubber, two plies of cord reinforcement, and an outer cover.

6. Piston

The lower end of the assembly that the rubber rolls over is called the "piston". This is also made of either aluminum or plastic. It provides the lower mounting hardware for the assembly.

7. Clamp Ring

These are the metal rings used to permanently attach the bellows to the clamp plate and piston.



BWP NO.	REPLACES NO.	CROSS SECTION VIEW	CAP DRAWING	PISTON DRAWING	BCR LOGO
M-3575	FIRESTONE W02-358-7205 EUCLID E-FS7205 FREIGHTLINER/ WESTERN STAR 66003-3406		6987 NBD 15430	6986 NBD 15431	8.0" YELLOW
M-3576	FIRESTONE W02-358-7206 EUCLID E-FS7206 FREIGHTLINER 18-29919-000		6987 NBD 15430	6986 NBD 15431	6.5" WHITE
M-3577	FIRESTONE W02-358-7207 EUCLID E-FS7207 FREIGHTLINER 18-40977-000 FIRESTONE NEW NO W02-358-7215 EUCLID NEW NO. FS7215		6987 NBD 15430	6986 NBD 15431	10.75" BLUE

CAB AIR SPRINGS

BWP NO.	REPLACES NO.	CROSS SECTION VIEW	CAP DRAWING	PISTON DRAWING	BCR LOGO
M-3578	FIRESTONE W02-358-7012 EUCLID E-FS7012 LINK MFG LTD 1102-0040		7007 NBD 10010	7023 NBD 10071	10.87" WHITE
M-3579	FIRESTONE W02-358-7110 EUCLID E-FS7110 LINK MFG LTD 1102-0082 KENWORTH T2000		7018 NBD 10218	7047 NBD 10526	11.75" BLUE
M-3580	FIRESTONE W02-358-7036 EUCLID E-FS7036 PETERBILT 29-03200		7014 NBD 10082	7069 NBD 12816	10" YELLOW
M-3581	FIRESTONE W02-358-7041 EUCLID E-FS7041 SEARS / DURAFORM S8645		7015 NBD 10239	7033 NBD 10238	8.25" ORANGE
M-3582	FIRESTONE W02-358-7046 EUCLID E-FS7046 LINK MFG. LTD 1102-0022		7086 NBD 10470	7083 NBD 13727	6" ORANGE

BWP NO.	REPLACES NO.	CROSS SECTION VIEW	CAP DRAWING	PISTON DRAWING	BCR LOGO
M-3583	FIRESTONE EUCLID NATIONAL SEATING W02-358-7059 E-FS7059 324663-01 328035-01 329666-01		7042 NBD 10409	6896 NBD 12708	8.25" ORANGE
M-3584	FIRESTONE EUCLID FREIGHTLINER W02-358-7074 E-FS7074 1102-0047		6997 NBD 13262	7041 NBD 10215	10.12" WHITE
M-3585	FIRESTONE EUCLID FREIGHTLINER FLD GY W02-358-7087 E-FS7087 1S5-040		7042 NBD 10409	6998 NBD 12802	6.75" WHITE
M-3586	FIRESTONE EUCLID KENWORTH W02-358-7109 E-FS7109 1102-0077		6990 NBD 13706	6894 NBD 14218	7.78" YELLOW
M-3587	FIRESTONE EUCLID KENWORTH AEROCAB W02-358-7064 1999 AND EARLIER		7018 NBD 10218	7052 NBD 10552	7.75" YELLOW

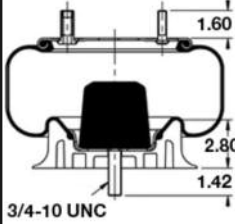


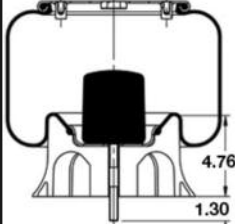


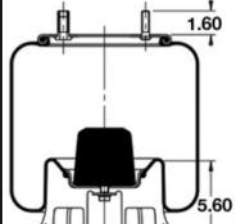


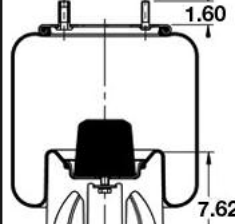
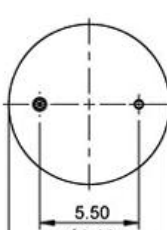
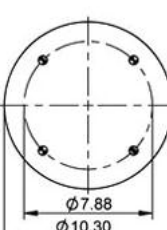
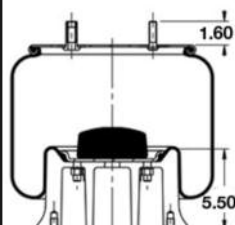
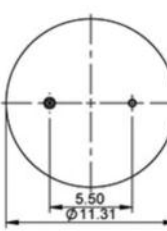

CONTITECH AIR SPRINGS



BWP NO.	FIRESTONE	GOODYEAR	BATCO	EUCLID	DESCRIPTION
M-3500C	6902	2B9-201	10-96902	E-FS6902	DOUBLE CONVOLUTION
M-3502C	7135	2B14-360	10-97135	E-FS7135	DOUBLE CONVOLUTION
M-3506C	7400	2B12-309	10-97400	E-FS7400	DOUBLE CONVOLUTION
M-3508C	7410	2B12-406	10-97410	E-FS7410	DOUBLE CONVOLUTION
M-3510C	8050	1R14-039	10-98050	E-FS-8050	ROLLING LOBE
M-3511C	9039	1R12-095 1R12-122	10-99039	E-FS-9039	ROLLING LOBE
M-3512C	9069	1R12-069	10-99069	E-FS-9069	ROLLING LOBE
M-3513C	9082	1R12-092 1R12-134	10-99082	E-FS-9082	ROLLING LOBE
M-3515C	9101	1R12-103 1R12-135	10-99101	E-FS-9101	ROLLING LOBE
M-3517C	9121	1R13-039 1R13-043	10-99121	E-FS-9121	ROLLING LOBE
M-3522C	9213	1R12-090	10-99213	E-FS-9213	ROLLING LOBE
M-3524C	9265	1R12-375	10-99265	E-FS-9265	ROLLING LOBE
M-3525C	9422	1R11-028	1R11-028	E-FS9422	ROLLING LOBE
M-3528C	6897	2B9-229	10-96897	E-FS-6897	DOUBLE CONVOLUTION
M-3540C	9219	1R12-151	10-99219	E-FS-9219	ROLLING LOBE
M-3542C	9270	1R13-077	10-99270	E-FS9270	ROLLING LOBE
M-3543C	9293	1R12-501	10-99293	E-FS9293	ROLLING LOBE
M-3546C	9394	1R12-279 1R12-281	10-99394	E-FS9394	ROLLING LOBE
M-3550C	9780	1R12-303	10-99780	E-FS99780	ROLLING LOBE
M-3560C	8709	1R13-159	10-98709	E-FS-8709	ROLLING LOBE

BWP NO.	CONTITECT NO	FIRESTONE	CROSS SECTION VIEW	TOP VIEW	BOTTOM VIEW
M-3500C Double Convolution	FD 200-19 310 64509 Height 8.5" Max O.D. 9.8" Height Max 10.8" Height Min 3.7"	W01-358-6902 GOODYEAR 2B9-201 Load 80psi 2080 Lbs. 100psi 2600 Lbs.			
M-3502C Double Convolution	FD 530-22 311 64543 Height 9.8" Max O.D. 15.2" Height Max 12.2" Height Min 3.1"	W01-358-7135 GOODYEAR 2B14-360 Load 80psi 6530 Lbs. 100psi 8170 Lbs.			
M-3506C Double Convolution	FD 330-22 313 64270 Height 9.5" Max O.D. 12.8" Height Max 12.0" Height Min 4.1"	W01-358-7400 GOODYEAR 2B12-309 Load 80psi 4200 Lbs. 100psi 5250 Lbs.			
M-3508C Double Convolution	FD 330-22 331 64268 Height 9.5" Max O.D. 12.8" Height Max 12.0" Height Min 4.1"	W01-358-7410 GOODYEAR 2B12-406 Load 80psi 4200 Lbs. 100psi 5250 Lbs.			
M-3510C Rolling Lobe	11 10.5C-16A320 64254 Height 11.0" Max O.D. 14.7" Height Max 18.5" Height Min 5.4"	W01-358-8050 GOODYEAR 1R14-039 Load 80psi 8080 Lbs. 100psi 10100 Lbs.			

CONITECH AIR SPRINGS

BWP NO.	CONTITECT NO	FIRESTONE	CROSS SECTION VIEW	TOP VIEW	BOTTOM VIEW
M-3511C Rolling Lobe	9 10-10 P 311 64260 Height 7.5 Max O.D. 12.6" Height Max 12.9" Height Min 5.1"	W01-358-9039 GOODYEAR 1R12-095 1R12-122 Load 80psi 5570 Lbs. 100psi 7000 Lbs.	 3/4-10 UNC		
M-3512C Rolling Lobe	9 10-14 P 312 64274 Height 11.0" Max O.D. 12.6" Height Max 18.9" Height Min 7.6"	W01-358-9069 GOODYEAR 1R12-069 Load 80psi 5570 Lbs. 100psi 7000 Lbs.			
M-3513C Rolling Lobe	9 10-16 P 310 64269 Height 13.5" Max O.D. 12.6" Height Max 21.6" Height Min 7.9"	W01-358-9082 GOODYEAR 1R120092 1R12-134 Load 80psi 5710 Lbs. 100psi 7160 Lbs.			
M-3515C Rolling Lobe	9 10-19 P 315 64279 Height 17.0" Max O.D. 12.6" Height Max 26.5" Height Min 9.8"	W01-358-9101 GOODYEAR 1R12-103 1R12-135 Load 80psi 5640 Lbs. 100psi 7070 Lbs.			
M-3517C Rolling Lobe	11 10.5-17 A 317 Height 13.5" Max O.D. 3.7" Height Max 22.0" Height Min 7.4"	W01-358-9121 GOODYEAR 1R13-039 1R13-043 Load 80psi 6690 Lbs. 100psi 8740 Lbs.			

SUSPENSION

BWP NO.	CONTITECT NO	FIRESTONE	CROSS SECTION VIEW	TOP VIEW	BOTTOM VIEW
M-3522C Rolling Lobe	9 10-16 P 441 64308 Height 11.0" Max O.D. 12.6" Height Max 21.0" Height Min 6.0"	W01-358-9213 GOODYEAR 1R12-090 Load 80psi 5900 Lbs. 100psi 7500 Lbs.			
M-3524C Rolling Lobe	9 10-19 P 435 64288 Height 15.0" Max O.D. 12.6" Height Max 24.6" Height Min 7.3"	W01-358-9265 GOODYEAR 1R12-375 Load 80psi 5640 Lbs. 100psi 7070 Lbs.			
M-3525C Rolling Lobe	9 9-12 P 314 64255 Height 8.0" Max O.D. 11.4" Height Max 14.4" Height Min 3.8"	W01-358-9422 GOODYEAR 1R11-028 Load 80psi 4820 Lbs. 100psi 6060 Lbs.			
M-3528C Double Convolution	FD 200-19 505 64517 Height 8.5" Max O.D. 9.8" Height Max 10.8" Height Min 3.1"	W01-358-6897 GOODYEAR 2B9-229 Load 80psi 2080 Lbs. 100psi 2600 Lbs.			
M-3540C Rolling Lobe	9 10-16 P 408 64259 Height 11.0" Max O.D. 12.6" Height Max 21.0" Height Min 6.0"	W01-358-9219 GOODYEAR 1R12-151 Load 80psi 5900 Lbs. 100psi 7500 Lbs.			

CONITECH AIR SPRINGS

BWP NO.	CONTITECT NO	FIRESTONE	CROSS SECTION VIEW	TOP VIEW	BOTTOM VIEW
M-3542C Rolling Lobe	9 10-13.5 S 433 64287 Height 8.8" Max O.D. 12.6" Height Max 17.7" Height Min 5.5"	W01-358-9270 GOODYEAR 1R13-077 1R13-119 Load 80psi 6560 Lbs. 100psi 8200Lbs.			
M-3543C Rolling Lobe	9 9K-15 P 424 64388 Height 12.0" Max O.D. 10.6" Height Max 19.6" Height Min 6.5"	W01-358-9293 GOODYEAR 1R12-501 Load 80psi 4760 Lbs. 100psi 5960 Lbs.			
M-3546C Rolling Lobe	9 10-19 A 358 64327 9 10-19 P 358 64615 9 10-19 P 383 64281 Height 17.0" Max O.D. 12.6" Height Max 26.5" Height Min 9.8"	W01-358-9394 GOODYEAR 1R12-279 1R12-281 Load 80psi 5640 Lbs. 100psi 7070 Lbs.			
M-3550C Rolling Lobe	9 10S-16 P 382 67473 Height 12.5" Max O.D. 12.6" Height Max 23.0" Height Min 8.3"	W01-358-9780 GOODYEAR 1R12-303 Load 80psi 6290 Lbs. 100psi 7860 Lbs.			
M-3560C Rolling Lobe	10 10.5-15 P 460 64645 Height 10.0" Max O.D. 13.9" Height Max 19.3" Height Min 4.9"	W01-358-8709 GOODYEAR 1R13-159 Load 80psi 7400 Lbs. 100psi 9250 Lbs.			

Aftermarket Air Springs



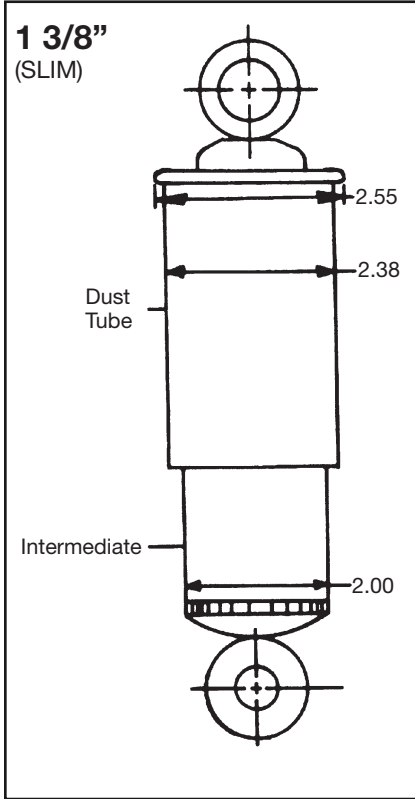
BWP NO	FIRESTONE	GOODYEAR	TYPE
M-3500A	6902	2B9-201	DOUBLE CONVOLUTED
M-3502A	7135	2B14-360	DOUBLE CONVOLUTED
M-3508A	7410	2B12-406	DOUBLE CONVOLUTED
M-3510A	8050	1R14-039	ROLLING LOBE
M-3511A	9039	1R12-095	ROLLING LOBE
M-3512A	9069	1R12-069	ROLLING LOBE
M-3513A	9082	1R12-092	ROLLING LOBE
M-3515A	9101	1R12-103	ROLLING LOBE
M-3522A	9213	1R12-090	ROLLING LOBE
M-3524A	9265	1R12-375	ROLLING LOBE
M-3525A	9422	1R11-028	ROLLING LOBE
M-3528A	6897	2B9-229	DOUBLE CONVOLUTED
M-3540A	9219	1R12-182	ROLLING LOBE
M-3542A	9270	1R13-077	ROLLING LOBE
M-3543A	9293	1R10-120	ROLLING LOBE
M-3546A	9394	1R12-142	ROLLING LOBE
M-3550A	9780	1R12-186	ROLLING LOBE
M-3560A	8709	1R13-159	ROLLING LOBE
M-3599A	9781		ROLLING LOBE

Cab Air Springs

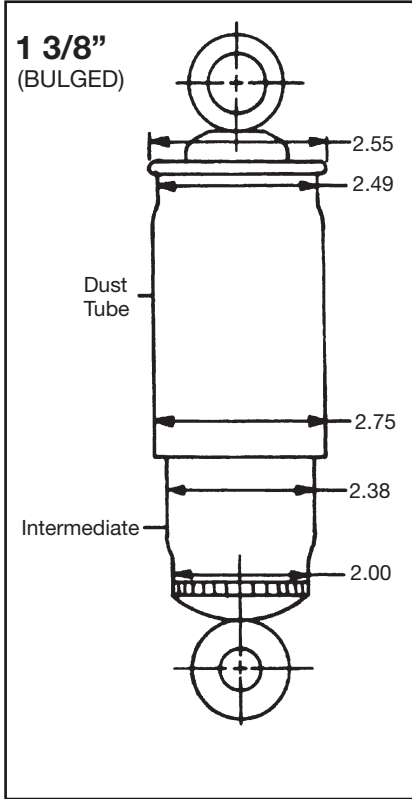
BWP NO	FIRESTONE	FREIGHTLINER	TYPE
M-3576A	7206	18-29919-000	SLEEVE STYLE
M-3577A	7207	18-40977-000	SLEEVE STYLE

TRUCK SHOCK ABSORBER STYLES

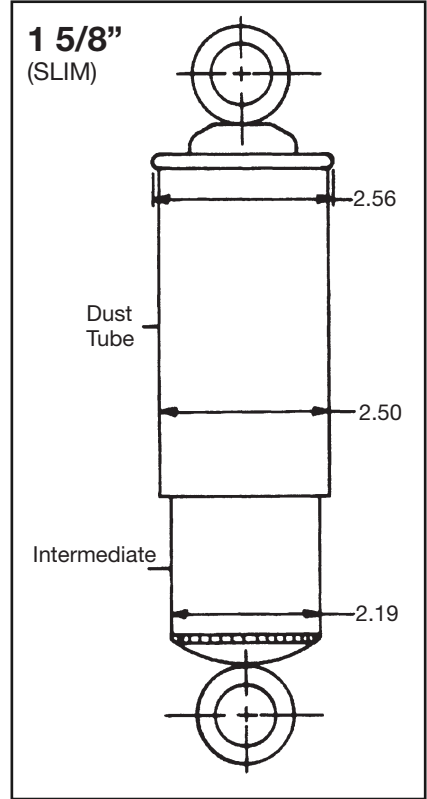
M-83200 Series



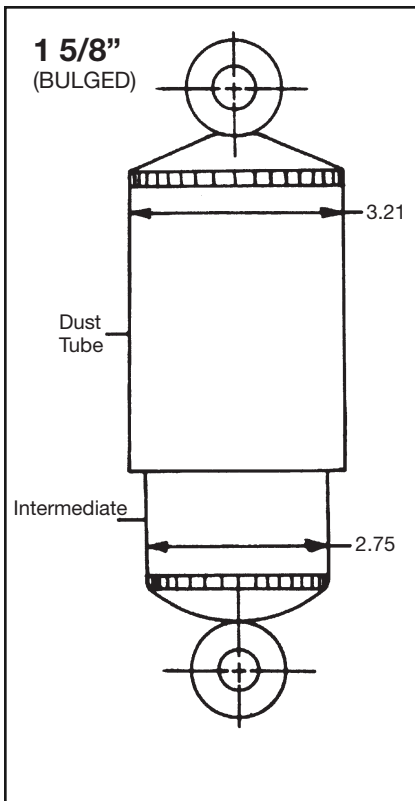
M-83300 Series



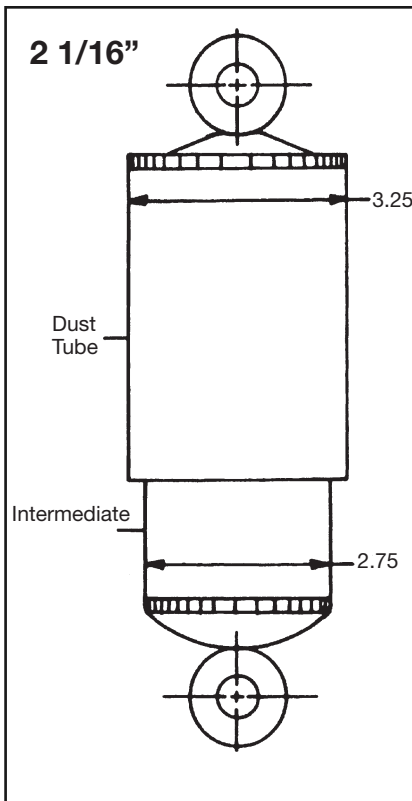
M-85000 Series



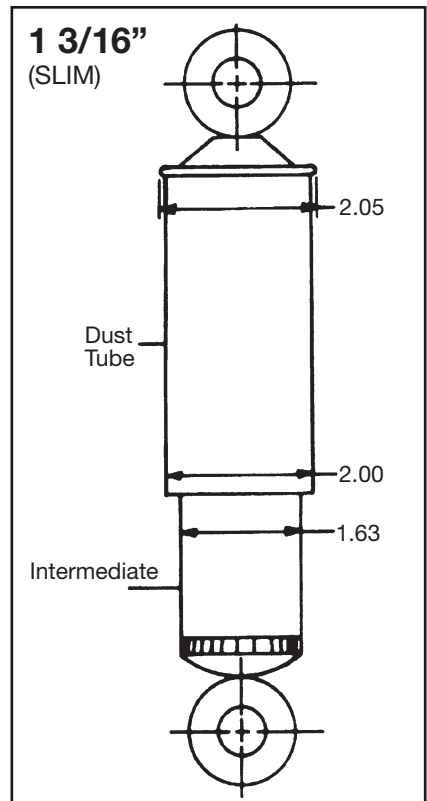
M-85300 Series 85700*



M-87000 Series*



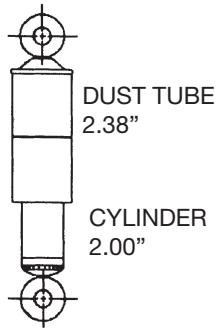
M-83400 Series*



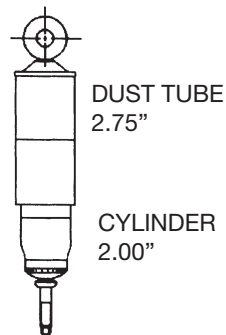
SUSPENSION

STEP 1 MEASURE THE DIAMETER OF THE DUST TUBE AND CYLINDER FOR PROPER SERIES

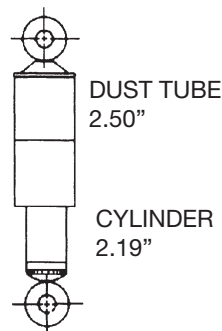
M-83200 SERIES



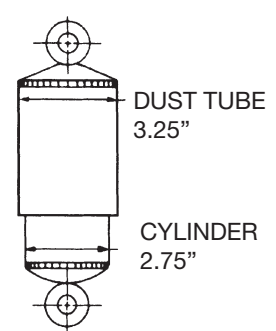
M-83300 SERIES



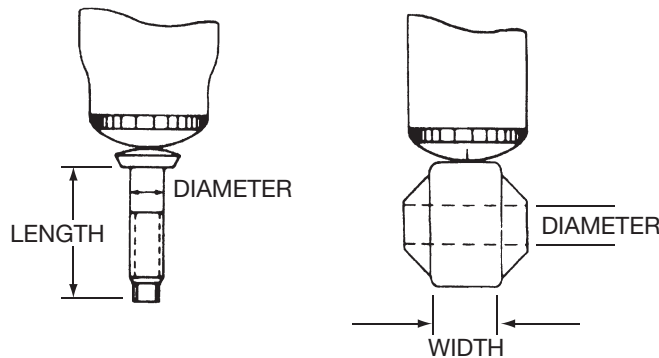
M-85000 SERIES



M-85300 SERIES

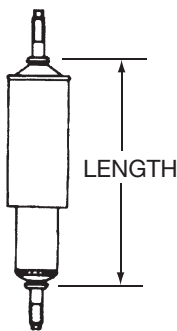


STEP 2 IDENTIFY MOUNTING STYLE BY MEASURING END MOUNT, DIAMETERS, LENGTHS, AND WIDTHS

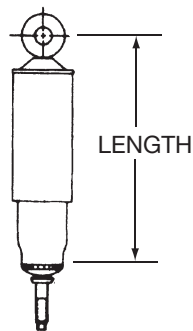


STEP 3 MEASURE FULLY EXTENDED AND FULLY COLLAPSED LENGTHS WITH MOUNTING STYLE SELECTED

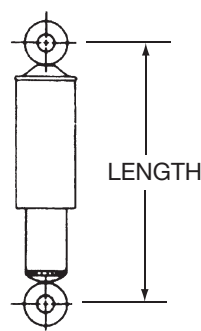
STUD UPPER & LOWER MOUNTING



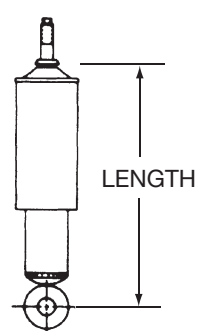
EYE RING UPPER, STUD LOWER MOUNTING



EYE RING UPPER, & LOWER MOUNTING



STUD UPPER, EYE RING LOWER MOUNTING

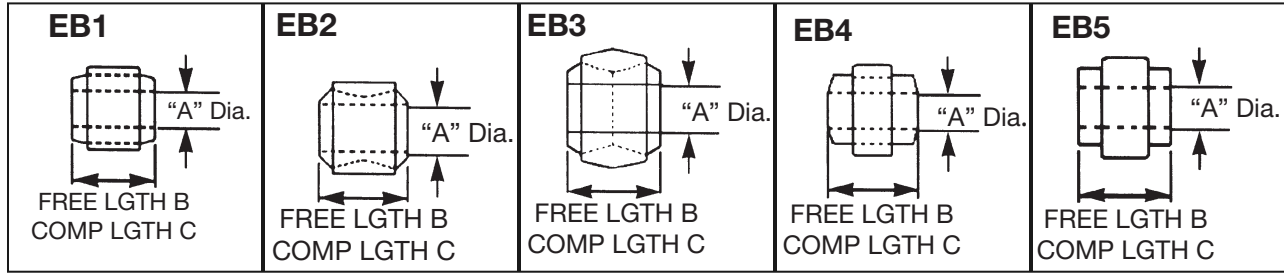


STEP 4 SEE SPECIFICATION CHARTS FOR BWP PART NUMBER IN LEFT COLUMN

SUSPENSION

MOUNTING STYLES

Mounting Code "EB" Eye Ring and Bushing



Mounting Pins Furnished with Shocks EB6, EB7 & EB8

MOUNTING CODE	"A" DIAMETER	"B" FREE LGTH	"C" COMP LGTH	MOUNTING PIN DIMENSIONS		
				D	E	F
EB1	5/8"	1.44	1.31/1.25	5/8"	--	--
EB2	3/4"	1.75	1.50	3/4"	--	--
EB3	1"	1.91	1.75	1"	--	--
EB4	11/16"	1.72	1.55	11/16"	--	--
EB5	5/8"	1.51	1.25	5/8"	--	--
EB6	5/8"	1.44	1.31/1.25	5/8"	7/16 - 20	1/2 - 20
EB7	5/8"	1.44	1.31/1.25	5/8"	1/2 - 20	5/8 - 18
EB8	5/8"	1.44	1.31/1.25	5/8"	12 MMX 1.5	14 MMX 1.5

Mounting Code "S" Stud Mounts

MOUNTING CODE	A	B	C	D
S1	2.37	1.00	3/8"	3/8 - 24
S16	2.95	1.45	5/8"	M16-1.5
S21	3.28	1.75	5/8"	5/8 - 18

Mounting Code "ES" Eye Ring & Bushing w/Steel Sleeve

MOUNTING CODE	A	B
ES36	3/4"	1.75
ES90	5/8"	2.00
ES136	5/8"	1.75
ES150	3/4"	2.24

1 -- FIND APPROPRIATE SERIES (Page 456)

2 -- FIND CORRECT MOUNTING CODE (Page 458)

3 -- MATCH EXTENDED/COLLAPSED LENGTH (Below)

M - 83000 SERIES - 1-3/8" BORE (FLEETLINE)

BWP NUMBER	UPPER MOUNT	LOWER MOUNT	BORE	EXTENDED LENGTH	COLLAPSED LENGTH	STROKE	DUST TUBE	RECOIL CUT-OFF	CONTROLS	
									REBOUND	COMPRESS
M-83107	EB2	EB2	1-3/8"	31.6	18.36	13.24	YES	NO	352	77
M-83008	ES136	EB136	1-3/8"	12.98	10.15	3.99	YES	YES	699	307
M-83009	ES149	ES149	1-3/8"	10.41	8.36	2.99	YES	YES	793	363
M-83125	ES36	ES36	1-3/8"	28.12	17.13	10.99	YES	YES	625	115
M-83127	ES36	ES36	1-3/8"	20.12	13.13	6.99	YES	YES	940	218
M-83128	ES36	ES36	1-3/8"	16.87	11.51	5.37	YES	YES	940	218

M - 83200 SERIES - 1-3/8" BORE (FLEETLINE)

BWP NUMBER	UPPER MOUNT	LOWER MOUNT	BORE	EXTENDED LENGTH	COLLAPSED LENGTH	STROKE	DUST TUBE	RECOIL CUT-OFF	CONTROLS	
									REBOUND	COMPRESS
M-83201	ES36	ES36	1-3/8"	28.14	16.86	11.28	YES	YES	671	110
M-83202	ES36	ES36	1-3/8"	25.14	15.36	9.78	YES	YES	672	136
M-83203	ES36	ES36	1-3/8"	17.14	11.36	5.78	YES	YES	708	132
M-83204	ES36	ES36	1-3/8"	20.14	12.86	7.28	YES	YES	451	110
M-83207	ES36	ES36	1-3/8"	21.64	13.61	8.03	YES	YES	553	143
M-83209	ES36	ES36	1-3/8"	29.64	17.61	12.03	YES	YES	670	78
M-83213	EB2	EB3	1-3/8"	28.64	17.11	11.53	YES	YES	589	135
M-83215	EB3	EB3	1-3/8"	26.64	16.36	10.28	YES	NO	661	125
M-83216	EB2	EB2	1-3/8"	23.51	14.48	9.03	YES	NO	776	262
M-83217	EB3	EB3	1-3/8"	22.77	14.49	8.28	YES	NO	539	202
M-83219	EB2	EB2	1-3/8"	20.01	12.73	7.28	YES	NO	299	125
M-83221	ES36	ES36	1-3/8"	24.01	14.73	9.28	YES	NO	599	153
M-83225	EB3	EB3	1-3/8"	24.14	15.11	9.03	YES	YES	482	159

M - 83300 SERIES - 1-3/8" BORE (FLEETLINE)

BWP NUMBER	UPPER MOUNT	LOWER MOUNT	BORE	EXTENDED LENGTH	COLLAPSED LENGTH	STROKE	DUST TUBE	RECOIL CUT-OFF	CONTROLS	
									REBOUND	COMPRESS
M-83300	S16	S16	1-3/8"	24.03	14.25	9.78	YES	NO	566	80
M-83302	ES36	ES36	1-3/8"	26.64	16.11	10.53	YES	YES	635	321
M-83303	EB7	ES36	1-3/8"	24.86	15.08	9.78	YES	NO	470	122
M-83304	EB7	ES36	1-3/8"	22.86	14.08	8.78	YES	NO	470	122
M-83308	EB2	EB2	1-3/8"	25.14	15.36	9.78	YES	YES	445	180
M-83309	EB2	EB2	1-3/8"	28.64	17.11	11.53	YES	YES	589	135
M-83312	EB2	EB2	1-3/8"	26.64	16.11	10.53	YES	YES	527	152
M-83314	EB2	EB2	1-3/8"	30.64	18.11	12.53	YES	YES	633	143
M-83318	S16	S16	1-3/8"	22.53	13.50	9.03	YES	NO	323	77

SUSPENSION

SPECIFICATION CHART

M - 85000 SERIES - 15/8" BORE (FLEETLINE)

BWP NUMBER	UPPER MOUNT	LOWER MOUNT	BORE	EXTENDED LENGTH	COLLAPSED LENGTH	STROKE	DUST TUBE	RECOIL CUT-OFF	CONTROLS	
									REBOUND	COMPRESS
M-85000	ES36	ES36	1-5/8"	17.22	11.46	5.76	YES	YES	679	127
M-85001	EB3	EB3	1-5/8"	26.33	16.42	9.91	YES	NO	816	155
M-85003	ES90	ES90	1-5/8"	25.37	15.59	9.78	YES	YES	405	135
M-85004	EB3	EB3	1-5/8"	20.68	13.67	7.01	YES	YES	1192	207
M-85005	ES36	ES36	1-5/8"	24.74	15.21	9.53	YES	YES	929	123
M-85006	ES36	ES36	1-5/8"	28.50	17.09	11.41	YES	YES	650	124
M-85007	EB3	EB3	1-5/8"	24.21	15.30	8.91	YES	YES	880	149
M-85012	EB2	EB2	1-5/8"	20.99	13.21	7.78	YES	NO	474	156
M-85013	ES36	ES36	1-5/8"	29.74	17.71	12.03	YES	YES	994	181
M-85014	ES36	ES36	1-5/8"	21.74	13.71	8.03	YES	YES	994	181
M-85024	EB2	EB2	1-5/8"	28.74	17.21	11.53	YES	YES	631	295
M-85026	ES136	S21	1-5/8"	23.00	13.97	9.03	YES	NO	704	512
M-85027	S21	S21	1-5/8"	21.52	12.99	8.53	YES	NO	631	484
M-85030	ES36	ES36	1-5/8"	24.00	14.84	9.16	YES	YES	994	181
M-85046	EB2	EB2	1-5/8"	27.51	16.60	10.91	YES	YES	987	504
M-85051	ES36	ES36	1-5/8"	18.75	12.22	6.53	YES	YES	1019	139
M-85052	ES36	ES36	1-5/8"	13.25	9.47	3.78	YES	YES	1019	139

M - 85300 SERIES - 1-5/8" BORE (FLEETLINE)

BWP NUMBER	UPPER MOUNT	LOWER MOUNT	BORE	EXTENDED LENGTH	COLLAPSED LENGTH	STROKE	DUST TUBE	RECOIL CUT-OFF	CONTROLS	
									REBOUND	COMPRESS
M-85300	EB3	EB3	1-5/8"	18.00	12.22	5.78	YES	YES	1096	115
M-85301	EB3	EB3	1-5/8"	31.92	19.03	12.89	YES	NO	1442	445
M-85302	EB3	EB3	1-5/8"	22.75	14.72	8.03	YES	NO	836	253
M-85303	EB3	EB3	1-5/8"	24.75	15.47	9.28	YES	NO	1027	214
M-85304	EB3	EB3	1-5/8"	22.25	14.22	8.03	YES	NO	771	318
M-85305	EB3	EB3	1-5/8"	27.25	16.72	10.53	YES	NO	1125	217
M-85307	EB3	EB3	1-5/8"	24.01	15.10	8.91	YES	NO	1098	155
M-85308	EB3	EB3	1-5/8"	25.13	15.85	9.28	YES	YES	1033	146
M-85310	S21	S21	1-5/8"	18.65	11.74	6.91	YES	YES	1098	155
M-85311	S21	EB3	1-5/8"	23.95	14.79	9.16	YES	YES	771	223
M-85313	EB3	EB3	1-5/8"	26.26	16.35	9.91	YES	YES	618	61
M-85319	S21	ES150	1-5/8"	22.20	13.92	8.28	YES	YES	988	454

M - 85700 SERIES - 1-5/8" BORE (FLEETLINE)

BWP NUMBER	UPPER MOUNT	LOWER MOUNT	BORE	EXTENDED LENGTH	COLLAPSED LENGTH	STROKE	DUST TUBE	RECOIL CUT-OFF	CONTROLS	
									REBOUND	COMPRESS
M-85724	ES ¹	ES ¹	1-5/8"	22.78	14.50	8.28	YES	YES	1235	454

¹ SPECIAL MOUNT - - FREIGHTLINER ONLY

M - 85900 SERIES - 1-5/8" BORE (FLEETLINE)

BWP NUMBER	UPPER MOUNT	LOWER MOUNT	BORE	EXTENDED LENGTH	COLLAPSED LENGTH	STROKE	DUST TUBE	RECOIL CUT-OFF	CONTROLS	
									REBOUND	COMPRESS
M-85919	ES36	ES36	1-5/8"	22.48	14.25	8.23	YES	YES	1265	121

M - 89400 SERIES - 1-5/8" BORE (GAS SLX)

BWP NUMBER	UPPER MOUNT	LOWER MOUNT	BORE	EXTENDED LENGTH	COLLAPSED LENGTH	STROKE	DUST TUBE	RECOIL CUT-OFF
M-89405	ES36	ES36	1-5/8"	26.24	16.41	9.83	YES	YES
M-89406	ES36	ES36	1-5/8"	24.74	15.66	9.08	YES	YES
M-89407	ES36	ES36	1-5/8"	21.62	14.04	7.58	YES	YES
M-89408	EB2	EB2	1-5/8"	19.67	12.79	6.88	YES	NO
M-89409	EB2	EB2	1-5/8"	26.36	16.41	9.95	YES	YES
M-89410	EB3	EB3	1-5/8"	26.33	16.42	9.91	YES	NO
M-89411	ES90	ES90	1-5/8"	25.36	15.59	9.78	YES	YES
M-89412	EB3	EB3	1-5/8"	24.26	15.68	8.58	YES	YES
M-89413	EB2	EB2	1-5/8"	20.91	13.41	7.50	YES	NO
M-89414	ES36	ES36	1-5/8"	29.62	18.04	11.58	YES	YES
M-89416	EB2	EB2	1-5/8"	28.62	17.54	11.08	YES	YES
M-89417	ES136	S21	1-5/8"	22.93	14.18	8.75	YES	NO
M-89419	EB3	EB3	1-5/8"	18.00	12.55	5.45	YES	YES
M-89420	EB3	EB3	1-5/8"	22.81	14.68	8.13	YES	NO
M-89422	EB3	EB3	1-5/8"	25.13	16.18	8.95	YES	YES
M-89423	S21	S21	1-5/8"	18.65	12.07	6.58	YES	YES
M-89424	S21	EB3	1-5/8"	23.70	15.00	8.70	YES	YES
M-89425	EB3	EB3	1-5/8"	26.50	16.80	9.70	YES	YES
M-89427	S21	EB3	1-5/8"	27.20	17.50	9.70	YES	YES
M-89428	S21	ES150	1-5/8"	21.96	14.13	7.83	YES	YES
M-89429	EB3	EB3	1-5/8"	26.18	16.43	9.75	YES	NO
M-89430	ES36	ES36	1-5/8"	24.74	15.54	9.53	YES	YES
M-89432	ES36	ES36	1-5/8"	23.41	14.66	8.75	YES	NO
M-89434	EB2	EB2	1-5/8"	27.12	16.79	10.33	YES	YES
M-89435	EB2	EB2	1-5/8"	25.25	15.47	9.78	YES	YES
M-89436	ES36	ES36	1-5/8"	17.24	11.91	5.33	YES	YES
M-89442	EB3	EB3	1-5/8"	24.55	15.55	9.00	YES	NO
M-89447	S21	S21	1-5/8"	23.65	14.57	9.08	YES	YES
M-89451	ES174	ES136	1-5/8"	30.36	18.41	11.95	YES	YES

Aftermarket Shocks



BWP NO.	FITS GABRIEL NO.	FITS MONROE NO.
M-83009A	83009	66147, 66647
M-83128A	83128	66608
M-83312A	83312	66811
M-85000A	85000	65419
M-85001A	85001	6707
M-85003A	85003	6720
M-85006A	85006	65111, 65114, 65482
M-85052A	85052	65510
M-89408A	89408	65101
M-89410A	89410	65102

KING PINS

King Pin Kits

- CONTAIN ALL COMPONENT PARTS NECESSARY TO DO A COMPLETE REBUILD JOB.
- MANUFACTURED IN THE U.S.A. TO MEET OR EXCEED OEM SPECIFICATIONS.
- SUPPLIED WITH CASE HARDENED BOLTS FOR LONG LIFE.
- AVAILABLE WITH EITHER BIMETAL (STEEL BACKED BRONZE) BUSHINGS FOR LONGER BUSHING LIFE OR NYLON (DELTRIN) BUSHINGS FOR EASE OF INSTALLATION, OR GARLOCK LINED (STEEL BACK)

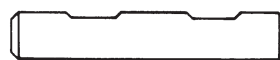


King Pin Types

TYPE 1
ONE KEYWAY



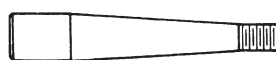
TYPE 2
TWO KEYWAYS



TYPE 3
ONE KEYWAY, TWO OIL GROOVES



TYPE 4
TAPERED



SUSPENSION

King Pin Types

BI-METAL
(STEEL BACKED BRONZE)

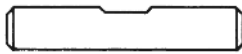


GARLOCK
(STEEL BACKED COMPOSITE)

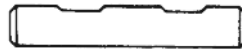


NYLON
(DELTRIN)

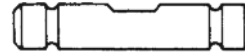




TYPE 1



TYPE 2



TYPE 3



TYPE 4

BWP NO.	REPLACES			KING PIN SPECIFICATIONS			BUSHING TYPE	APPLICATION
	TRW *	TRW H.D.	OEM	TYPE	DIAMETER	LENGTH		
M-2300	K-391C	300-107	3691111 GMC 3854744	1	1.1090"	6.340"	BIMETAL	GMC 1947-1975
M-2301	K-401N	300-110	IHC 61556R91	1	1.2335"	7.660"	BIMETAL	FA65, 80, 89, 91, 98, 99 AXLES
M-2303	K-431	300-118	IHC 69971R91	1	1.1095"	6.250"	BIMETAL	FA12, 20, 28, 30, 41, 48 AXLES
M-2304	K-432	300-120	IHC 70594R91	1	1.2335"	6.750"	BIMETAL	FA60, 68, 69, 70, 72 AXLES
M-2305	K-450	300-125	MERITOR KIT 144	4	LG. 1.6065" SM. 1.3090"	9.750"	BIMETAL	FE900, 910 AXLES
M-2306	K-463	300-128	2321013 GMC 8885021	4	LG. 1.4335" SM. 1.1860"	8.750"	BIMETAL	GMC 1955-1962
M-2307	K-466	300-129	FORD B7Y-3111A	3	.9215"	6.990"	BIMETAL	FORD TRUCK 1957-1976
M-2308	K-469	300-131	FORD B7C-3111A	3	.8590"	6.540"	BIMETAL	FORD TRUCK 1956-1967
M-2363	K-477	300-140	B7TZ-3111B FORD B7TZ-3111F	2	1.2340"	7.440"	BIMETAL	FORD TRUCK 1957-1972
M-2351	K-479	300-142	WHITE 216446	1	1.8105"	10.781"	BIMETAL	WHITE 12M LB. F-120 1952-1965
M-2309	K-489	300-150	MERITOR KIT 123	4	LG. 1.6065" SM. 1.3090"	9.750"	NYLON	FE900, 910 AXLES
M-2310	K-493	300-155	FORD C3TZ-3111A	3	1.2305"	7.860"	BIMETAL	FORD TRUCK 1963-1983
M-2311	K-496	300-158	MERITOR KIT 154	2	1.4335"	8.500"	NYLON	FD901 AXLE
M-2312	K-496B	300-159	MERITOR KIT 142	2	1.4335"	8.500"	BIMETAL	FD901 AXLE
M-2313	K-499	300-163	2431372 GMC 8885621	4	LG. 1.4335" SM. 1.1860"	8.750"	NYLON	GMC 1966-1978
M-2315	K-504	300-171	MERITOR KIT 167	2	1.7935"	9.120"	NYLON	FE901, 903, FD218 AXLES
M-2316	K-506	300-172	3858390 GMC 3927943	1	1.2495"	7.880"	NYLON	GMC 1964-1984
M-2317	K-506B	300-173	3858390 GMC 3927943	1	1.2495"	7.880"	BIMETAL	GMC 1964-1978
M-2318	K-507	300-174	3858389 GMC 3927942	1	1.1090"	6.340"	NYLON	GMC 1965-1975
M-2319	K-507B	300-175	3858389 GMC 3927942	1	1.1090"	6.340"	BIMETAL	GMC 1965-1975

*LISTED IN ORDER OF TRW NUMBER

KING PIN KITS



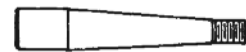
TYPE 1



TYPE 2



TYPE 3

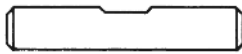


TYPE 4

BWP NO.	REPLACES			KING PIN SPECIFICATIONS			BUSHING TYPE	APPLICATION
	TRW *	TRW H.D.	OEM	TYPE	DIAMETER	LENGTH		
M-2320	K-509	300-179	FORD C7TZ-3111A	3	1.2305"	8.910"	NYLON	FORD TRUCK 1967-1984
M-2321	K-509B	300-180	FORD C7TZ-3111A	3	1.2305"	8.910"	BIMETAL	FORD TRUCK 1967-1984
M-2356	K-509B-10	300-181	FORD C7TZ-3111A .010 OVERSIZE	3	1.2405"	8.910"	BIMETAL	.010 OVERSIZE PIN FOR M-2321
M-2322	K-510B	300-182	MERITOR KIT 172	2	1.7935"	9.120"	BIMETAL	FE901, 903, FD218 AXLES
M-2323	K-512D	300-184	C6TZ-3111A FORD C8TZ-3111A	1	.8592"	6.353"	NYLON	FORD TRUCK 1968-1974
M-2324	K-517	300-188	IHC 306921C91	2	1.6085"	9.610"	BIMETAL	FA119 AXLE
M-2354	K-517D	300-189	IHC 306921C91	2	1.6085"	9.610"	NYLON	FA119 AXLE
M-2325	K-524B	300-194	IHC 408547C93	2	1.4837"	8.850"	BIMETAL	FA109 AXLE AFTER EARLY 1970
M-2326	K-526B	300-195	MERITOR KIT 157	2	1.6065"	8.810"	BIMETAL	FE970 AXLE
M-2327	K-526D	300-196	MERITOR KIT 156	2	1.6065"	8.810"	NYLON	FE970 AXLE
M-2328	K-527B	300-197	FORD D5TZ-3111A	1	.8592"	6.483"	BIMETAL	FORD TRUCK 1973-1979
M-2366	K-528B	300-198	FORD D5UZ-3111A	1	.8592"	6.670"	BIMETAL	FORD TRUCK 1975-1984
M-2329	K-531B	300-201	C7TZ-3111D FORD D2TZ-3111C	1	1.0540"	6.450"	BIMETAL	FORD TRUCK 1969-1979
M-2330	K-532B	300-202	C6TZ-3111B FORD C2TZ-3111B	1	.8592"	6.353"	BIMETAL	FORD TRUCK 1966-1971
M-2331	K-534B	300-204	MERITOR KIT 199	2	1.7935"	10.380"	BIMETAL	FF921, FF923 AXLES
M-2332	K-535B	300-205	IHC 399942C93	2	1.6085"	9.660"	BIMETAL	FA139 AXLE – 2 LOCK PINS PER SIDE
M-2333	K-535D	300-206	IHC 399942C93	2	1.6085"	9.660"	NYLON	FA139 – 2 LOCK PINS PER SIDE
M-2334	K-538B	300-207	FORD D6TZ-3111A	2	1.4335"	8.250"	BIMETAL	FORD TRUCK 7000 & 9000 LB. AXLES 1975-1984
M-2335	K-539D	300-208	GMC 722166	1	1.1792"	6.360"	NYLON	F050, F055 AXLES, 1975-1984
M-2370	K-540B	300-209	GMC 722166	1	1.1792"	6.360"	BIMETAL	F050, F055 AXLES, 1975-1984
M-2393	K-540B+10	300-209	GMC 722166 .010 OVERSIZE	1	1.8792"	6.360"	BIMETAL	.010 OVERSIZE FOR M-2370

*LISTED IN ORDER OF TRW NUMBER

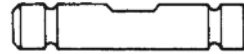
SUSPENSION



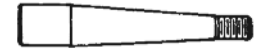
TYPE 1



TYPE 2



TYPE 3

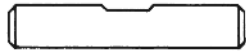


TYPE 4

BWP NO.	REPLACES			KING PIN SPECIFICATIONS			BUSHING TYPE	APPLICATION
	TRW *	TRW H.D.	OEM	TYPE	DIAMETER	LENGTH		
M-2336	K-541B	300-210	MERITOR KIT 170	2	1.9985"	11.040"	BIMETAL	FH901, FL901 AXLES
M-2352	K-542D	300-211	MERITOR KIT 168	2	1.9985"	11.040"	NYLON	FH901, FL901 AXLES
M-2371	K-544D	300-213	DODGE 3780538	1	1.2340"	6.960"	NYLON	DODGE TRUCK MOTOR HOMES 1977-1979
M-2337	K-545B	300-214	FORD D5UZ-3111B	1	1.0540"	6.690"	BIMETAL	FORD TRUCK 1975-1984
M-2338	K-546B	300-215	FORD D6HZ-3111B	2	1.6065"	9.080"	BIMETAL	FORD TRUCK 9000 LB. H.D. AXLE 1975-1984
M-2339	K-547B	300-216	MERITOR KIT 198	2	1.9985"	11.212"	BIMETAL	FL931 AXLE
M-2340	K-548B	300-217	FORD D6HZ-3111A	2	1.7935"	10.070"	BIMETAL	FORD TRUCK 12,000 LB. AXLE 1975-1984
M-2341¹	K-549B	300-218	IHC 473695C91	1	1.3585"	7.970"	BIMETAL	FA71, 73, 74, 101, 103 AXLES
M-2357	K-549B-15	300-238	IHC 473695C91 .015 OVERSIZE	1	1.3735"	7.970"	BIMETAL	.015 OVERSIZE FOR M-2341
M-2372	K-550D	300-219	DODGE 4026848	2	1.1235"	7.190"	NYLON	MR400, 500 MOTOR HOME, 1974-1978
M-2342	K-551B	300-220	IHC 493092C91	1	1.4837"	8.850"	BIMETAL	FA109 AXLE 1 LOCK PIN PER SIDE
M-2343	K-552B	300-221	IHC 493094C92	1	1.6085"	9.660"	BIMETAL	FA118, 127, 139, 329, 339, 340, 341 AXLES 1 LOCK PIN PER SIDE
M-2344	K-553D	300-222	IHC 493094C92	1	1.6085"	9.660"	NYLON	FA118, 127, 139, 329, 339, 340, 341 AXLES 1 LOCK PIN PER SIDE
M-2373	K-554B	300-223	IHC 493095C91	1	1.6085"	9.160"	BIMETAL	FA309 AXLE 1 LOCK PIN PER SIDE
M-2345	K-555D	300-224	IHC 493095C91	1	1.6085"	9.160"	NYLON	FA309 AXLE 1 LOCK PIN PER SIDE
M-2375	K-559B	300-228	FORD E0TZ-3111A	1	1.0540"	6.969"	BIMETAL	FORD TRUCK 1980-1984
M-2353	K-561B	300-230	MACK 301SQ46B	4	LG. 1.5000" SM. 1.2500"	7.400"	BIMETAL	FA535 AXLE
M-2347	K-562B	300-231	MACK 301SQ47CP1	4	LG. 1.6250" SM. 1.3750"	7.470"	BIMETAL	FA532, 536, 537 FAW536, 537 AXLES
M-2348	K-563B	300-232	MERITOR KIT 195	2	1.7935"	10.392"	BIMETAL	FF931 AXLE
M-2378	K-564B	300-234	WHITE 217175	1	1.8100"	10.531"	BIMETAL	F3W125 AXLES

*LISTED IN ORDER OF TRW NUMBER ¹ SEE M-2384 FOR 2 LOCK PINS PER SIDE

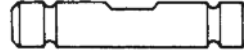
KING PIN KITS



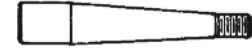
TYPE 1



TYPE 2



TYPE 3



TYPE 4

BWP NO.	REPLACES			KING PIN SPECIFICATIONS			BUSHING TYPE	APPLICATION
	TRW *	TRW H.D.	OEM	TYPE	DIAMETER	LENGTH		
M-2349	K-565B	300-235	WHITE 37090-5005	1	1.8105"	10.390"	BIMETAL	F3W 1200 F3W 1400
M-2376	K-566B	300-236	WHITE 217016A	1	1.8105"	10.375"	BIMETAL	F1300-1, F1300-2, F6W100 AXLES
M-2350	K-567B	300-233	GMC 8885621	2	1.7450"	9.380"	BIMETAL	F120, F120D AXLES 1975-1984
M-2358	K-570B	300-240	MERITOR KIT 1300	2	1.6065"	9.380"	BIMETAL	FF971 AXLE
M-2379	— —	— —	IHC 586806C91	2	1.6085"	9.160"	BIMETAL	FA309 AXLE — 2 LOCK PINS PER SIDE
M-2380	— —	300-249	IHC 588808C91	2	1.6090"	9.660"	BIMETAL	FA118, 127, 329, 339 AXLES — 2 LOCK PINS PER SIDE
M-2381	K-576C	300-242	MERITOR KIT 1307	2	1.7935"	10.392"	GARLOCK	FF941 "EASYTEER AXLE"
M-2396	K-578B	— —	FORD E8TZ-3111A	1	1.300"	7.270"	BIMETAL	FORD
M-2395	K-578C	— —	FORD E8TZ-31111A	1	1.300"	7.270"	GARLOCK	FORD
M-2382	K-584	300-257	EATON 806355	1	1.625"	9.200"	GARLOCK	EFA 12 F4 AXLE
M-2383	K-586	300-258	EATON 806356	1	1.625"	9.200"	GARLOCK	EFA 12F3 EFA 13F3
M-2384	K-592	300-268	NAVISTAR 1660271C92	2	1.3585"	7.970"	BIMETAL	SAMES AS M-2341 2 LOCK PINS/SIDE
M-2385	K-593	300-266	MERITOR KIT 1315	2	1.7935"	10.392"	GARLOCK	ROCKWELL AXLE FF961
M-2387	K-594	300-269	NAVISTAR 1658934C91	2	1.609"	9.66"	GARLOCK	FA118, 127, 139, 242, 338
M-2386	K-595	300-270	NAVISTAR 591945C91	2	1.4837"	8.85"	BIMETAL	FA 109 AXLE
M-2392	K-597	— —	FORD E8HZ-3111A	2	1.299"	7.75"	BIMETAL	FORD 7000 LB. AXLE
M-2394	K-602	— —	NAVISTAR 1668411-C91	2	1.922"	9.937"	BIMETAL	FAK 5455
M-2388	K-608	— —	AS M-2319 THRUST WASNER TYPE	1	1.109"	6.344"	BIMETAL	1984 GMC FOR UPS VEHICLES
M-2389	K-609	300-274	AS M-2382 WITH BIMETAL BUSH	1	1.625"	9.200"	BIMETAL	EFA 12 F4 AXLE
M-2390	K-610	300-275	AS M-2383 WITH BIMETAL BUSH	1	1.625"	9.201"	BIMETAL	EFA 12 F3 EFA 13 F3
M-2391	K-611	300-279	GMC 15584763 BIMETAL BUSH	1	1.179"	6.360"	BIMETAL	FA 941 AXLES CHEV/GMC VANS
M-2397	K-628	— —	— —	1	1.795"	9.000"	BIMETAL	

*LISTED IN ORDER OF TRW NUMBER

SUSPENSION

Progressive Size Listing of King Pins Outer Diameter

Type 1 – One Keyway



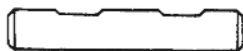
PIN DIAMETER	PIN LENGTH	USE BWP KIT NO.		
		BIMETAL BUSHING	NYLON BUSHING	GARLOCK BUSHING
.8592"	6.353"	M-2330	M-2323	— —
.8592"	6.483"	M-2328	— —	— —
.8592"	6.670"	M-2366	— —	— —
1.0540"	6.450"	M-2329	— —	— —
1.0540"	6.690"	M-2337	— —	— —
1.0540"	6.969"	M-2375	— —	— —
1.1090"	6.340"	M-2300	— —	— —
1.1090"	6.340"	M-2319	M-2318	— —
1.1095"	6.250"	M-2303	— —	— —
1.1095"	6.344"	M-2388	— —	— —
1.1792"	6.360"	M-2370 M-2391	M-2335	— —
1.1892"	6.360"	M-2393	— —	— —
1.2335"	6.750"	M-2304	— —	— —
1.2335"	7.660"	M-2301	— —	— —
1.2340"	6.960"	— —	M-2371	— —
1.2495"	7.880"	M-2317	M-2316	— —
1.3000"	7.270"	M-2396	— —	M-2395
1.3585"	7.970"	M-2341	— —	— —
1.3735"	7.970"	M-2357	— —	— —
1.4837"	8.850"	M-2342	— —	— —
1.6085"	9.160"	M-2373	M-2345	— —
1.6085"	9.660"	M-2343	M-2344	— —
1.6250"	9.200"	M-2389 M-2390	— —	M-2382 M-2383
1.795"	9.000"	M-2397	— —	— —
1.8100"	10.531"	M-2378	— —	— —
1.8105"	10.375"	M-2376	— —	— —
1.8105"	10.390"	M-2349	— —	— —
1.8105"	10.781"	M-2351	— —	— —

Check out the "Specials" tab on our website frequently for current Internet Only special offers

SUSPENSION

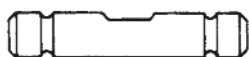
Progressive Size Listing of King Pins Outer Diameter

Type 2 – Two Keyways



PIN DIAMETER	PIN LENGTH	USE BWP KIT NO.		
		BIMETAL BUSHING	NYLON BUSHING	GARLOCK BUSHING
1.1235"	7.190"	— —	M-2372	— —
1.2340"	7.440"	M-2363	— —	— —
1.2990"	7.750"	M-2392	— —	— —
1.3585"	7.970"	M-2384	— —	— —
1.4335"	8.250"	M-2334	— —	— —
1.4335"	8.500"	M-2312	M-2311	— —
1.4837"	8.850"	M-2325 M-2386	— —	— —
1.6065"	8.810"	M-2326	M-2327	— —
1.6065"	9.080"	M-2338	— —	— —
1.6065"	9.380"	M-2358	— —	— —
1.6085"	9.610"	M-2324	M-2354	— —
1.6085"	9.660"	M-2332	M-2333	— —
1.6090"	9.160"	M-2379	— —	— —
1.6090"	9.660"	M-2380	— —	M-2387
1.7450"	9.380"	M-2350	— —	— —
1.7935"	9.120"	M-2322	M-2315	— —
1.7935"	10.070"	M-2340	— —	— —
1.7935"	10.380"	M-2331	— —	— —
1.7935"	10.392"	M-2348	— —	M-2381 M-2385
1.922"	9.937"	M-2394	— —	— —
1.9985"	11.040"	M-2336	M-2352	— —
1.9985"	11.212"	M-2339	— —	— —

Type 3 – One Keyway Two Oil Grooves



PIN DIAMETER	PIN LENGTH	USE BWP KIT NO.		
		BIMETAL BUSHING	NYLON BUSHING	GARLOCK BUSHING
.8590"	6.540"	M-2308	— —	— —
.9215"	6.990"	M-2307	— —	— —
1.2305"	7.860"	M-2310	— —	— —
1.2305"	8.910"	M-2321	M-2320	— —
1.2405"	8.910"	M-2356	— —	— —

Type 4 – Tapered Pin



PIN DIAMETER		PIN		USE BWP KIT NO.	
LARGE DIA.	SMALL DIA.	LENGTH	THREAD	BIMETAL BUSHING	NYLON BUSHING
1.4335"	1.1860"	8.750"	1"-14	M-2306	M-2313
1.5000"	1.2500"	7.400"	NONE	M-2353	— —
1.6065"	1.3090"	9.750"	1-1/8"-12	M-2305	M-2309
1.6250"	1.3750"	7.470"	NONE	M-2347	— —

Torque Arm Bushings



BWP NO.	REPLACES CHALMERS	I.D.	O.D.	LENGTH	NOTE
M-3800	800010	2-1/2"	3-9/16"	2-1/8"	NEED 4 PER TORQUE ARM
M-3801	22128	2-3/8"	3"	1-7/8"	

Spring Eye Bushing



BWP NO.	REPLACES CROWN	I.D.	O.D.	LENGTH	NOTE
M-3802	3522-18	1-1/4"	2-1/4" (sm) 2-3/4" (lg)	2-3/4"	

Torque Arm Bushing



BWP NO.	REPLACES FABCO	I.D.	O.D.	LENGTH	NOTE
M-3803	234255 DD75-383	7/8"	2-1/2"	2-1/2"	

Motor Mount



BWP NO.	REPLACES FORD	I.D.	O.D.	LENGTH	NOTE
M-3804	DOHZ6068B	1-1/2"	3"	3"	

Spring Eye Pin



BWP NO.	REPLACES FREIGHTLINER	I.D.	O.D.	LENGTH	NOTE
M-3805*	6813200150	Hole 3/4"	2-1/2"	7-1/2"	FREELY ROTATING INNER PIN

* FREELY ROTATING INNER PIN

Equalizer Bushing



BWP NO.	REPLACES FREIGHTLINER	I.D.	O.D.	LENGTH	NOTE
M-3806	A16-10549 16-13568-000	2-1/4"	3-3/4" (lg) 2-3/4" (sm)	2-1/4"	2 USED PER EQUALIZER

POLYURETHANE COMPONENTS

Motor Mounts



BWP NO.	REPLACES FREIGHTLINER	WIDTH	LENGTH	HEIGHT	NOTE
M-3807	A011166-000	1-49/64"	2-3/4"	1-29/64"	5/8" HOLE



BWP NO.	REPLACES FREIGHTLINER	I.D.	O.D.	LENGTH	NOTE
M-3808	CBA/24-650-17	5/8"	2-3/8" (lg) 1-1/2" (sm)	2-1/8"	5/8" HOLE

Equalizer Bushing



BWP NO.	REPLACES FRUEHAUF	I.D.	O.D.	LENGTH	NOTE
M-3809	UXA-000004	2"	3-1/2"	4-3/8"	

Torque Arm Bushing



BWP NO.	REPLACES FRUEHAUF	I.D.	O.D.	LENGTH	NOTE
M-3810	UXA-000011	1-1/4"	2-3/16" (sm)	2-3/8"	

Trunnion Bushing for M2



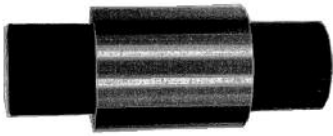
BWP NO.	REPLACES FRUEHAUF	I.D.	O.D.	LENGTH	NOTE
M-3811	UXA-000160	4"	5"	8-5/16"	

Motor Mount



BWP NO.	REPLACES GMC	I.D.	O.D.	LENGTH	NOTE
M-3813	702727	5/8"	3-1/4" (lg) 2-1/4" (sm)	2-5/8"	

Beam Center Bushings



BWP NO.	REPLACES HENDRICKSON	SMALL I.D.	LARGE O.D.	LENGTH	APPLICATION
M-3814*	22279	2-3/4"	3-5/8"	12"	340 SERIES
M-3815*	22282	3-1/2"	4-3/4"	12"	380 SERIES

OPTIONAL URETHANE END PLUG SUPPLIED

* FREELY ROTATING INNER SLEEVE

Beam End Bushings



BWP NO.	REPLACES HENDRICKSON	I.D.	O.D.	LENGTH	APPLICATION
M-3816*	6969	2-1/2"	4-3/8"	5-1/4"	340 SERIES
M-3817*	45900	2-1/2"	4-3/8"	5-3/4"	380 SERIES

* FREELY ROTATING INNER SLEEVE

Offset Straddle Mount



BWP NO.	REPLACES HENDRICKSON	I.D.	O.D.	LENGTH	APPLICATION
M-3875*	46734	3/4" Holes	2-3/4"	7"	NAVISTAR

MEASUREMENT EYELET TO EYELET 5-11/16"

* FREELY ROTATING INNER SLEEVE

Polyurethane Bar Pin Bushing



BWP NO.	REPLACES	APPLICATION
M-3890	HENDRICKSON 34013-88 DAYTON 334-831U EUCLID E-9326 ATRO EB38001 DYCO D-407	HENDRICKSON RS400/460/480/520 RIDEWELL RD202

HOLE = 1" C to C = 8 1/2"

Load Cushions



BWP NO.	REPLACES HENDRICKSON	DUROMETER HARDNESS	APPLICATION
M-3818	26953	75	450/460/480/520



BWP NO.	REPLACES HENDRICKSON	DUROMETER HARDNESS	APPLICATION
M-3819	24209	75	340/380

POLYURETHANE COMPONENTS

Torque Rod Bushings



BWP NO.	REPLACES HENDRICKSON	HOLE	O.D.	LENGTH TO EYELET CENTERS	APPLICATION
M-3820*	44694	5/8"	2-17/32"	4-3/8"	340 SERIES PETERBILT
M-3821*	44695	5/8"	2-3/4"	4-3/8"	380/440 SERIES
M-3822*	49210	3/4"	2-3/4"	4-3/8"	PETERBILT



BWP NO.	REPLACES HENDRICKSON	THREAD	O.D.	LENGTH	APPLICATION
M-3823*	44697	1-1/4-12	2-3/4"	8"	VARIOUS

* FREELY ROTATING INNER PIN

Fifth Wheel Bushings



BWP NO.	REPLACES HOLLAND	I.D.	WIDTH	LENGTH	NOTE
M-3824	XB-0011-2	1-1/8"	2-1/4"	4-1/4"	
M-3825	XB-0012-2	1-1/2"	2-1/4"	4-1/4"	



BWP NO.	REPLACES HOLLAND	I.D.	WIDTH	LENGTH	NOTE
M-3826	1604-5	1-1/8"	2-3/4"	4-1/4"	

Torque Arm Bushing



BWP NO.	REPLACES HUTCHENS	I.D.	O.D.	LENGTH
M-3827*	722-00	1"	1-15/16"	3"

* NO INSTALLATION TOOL REQUIRED

Trunnion Bushing



BWP NO.	REPLACES HUTCHENS	I.D.	O.D.	LENGTH
M-3828	890-00	4"	5"	9"

Spring End Pad



BWP NO.	REPLACES HUTCHENS	THICKNESS	WIDTH	LENGTH
M-3829	814-00	3/4"	3"	5"

Suspension Bushing



BWP NO.	REPLACES HYSTER	I.D.	O.D.	LENGTH
M-3830	400329	3"	5-5/8"	2-7/8"

Radiator Mounts



BWP NO.	REPLACES KENWORTH	I.D.	O.D.	THICKNESS
M-3831	M601-70NR	5/8"	3-1/16" (lg) 1-7/8" (sm)	1-3/16"



BWP NO.	REPLACES KENWORTH	I.D.	O.D.	HOLE	THICKNESS
M-3832	M500-70NR	1-1/2"	2-1/2"	5/8"	2-3/16"

Front Motor Mount



BWP NO.	REPLACES KENWORTH	I.D.	O.D.	THICKNESS
M-3833	M700 K066-229	3/4"	3-3/4" (lg) 2-1/16" (sm)	2-5/8"

Rear Cab Mounts



BWP NO.	REPLACES KENWORTH	I.D.	O.D.	THICKNESS
M-3834	M602-70NR	5/8"	3" (lg) 1-7/8" (sm)	1-15/16"



BWP NO.	REPLACES KENWORTH	I.D.	O.D.	THICKNESS
M-3835	M600 K066-176	5/8"	3" (lg) 1-3/4" (sm)	2-1/2"

Motor Mounts



BWP NO.	REPLACES KENWORTH	WIDTH	LENGTH	THICKNESS
M-3836	K174-155 K174B456	2"	5"	1/2"

POLYURETHANE COMPONENTS



BWP NO.	REPLACES KENWORTH	WIDTH	LENGTH	HEIGHT
M-3837	M506-70NR	2"	5-3/8"	2-3/8"

Air Ride Bushing



BWP NO.	REPLACES KENWORTH	I.D.	O.D.	LENGTH
M-3838	K066-293 K066-449 CA-293	2"	2-7/8"	4"

Shock Absorber Bushings



BWP NO.	REPLACES KENWORTH	I.D.	O.D.	HEIGHT
M-3839	K066-266 COM-266 CA368-6	5/8"	1-7/8"	1-1/4"



BWP NO.	REPLACES KENWORTH	I.D.	O.D.	HEIGHT
M-3840	5316702	3/4"	1-7/16"	7/8"

Hood Hinge Bushing



BWP NO.	REPLACES KENWORTH	I.D.	O.D.	HEIGHT
M-3841	M300-70NR	1/2"	1-3/16" (sm) 1-3/4" (lg)	1-3/8"

Hood Locating Pin



BWP NO.	REPLACES KENWORTH	I.D.	O.D.	O.A.L. HT.
M-3842	K179-450	1/2"-13	3-3/16"	3-3/4"

Battery Box Washer



BWP NO.	REPLACES KENWORTH	I.D.	O.D.	THICKNESS
M-3843	K366-474 K363-409	3/8"	1-1/2"	3/16"

SUSPENSION

Aux Trans Rear Mount (Brownie Mount)



BWP NO.	REPLACES KENWORTH	I.D.	O.D.	THICKNESS
M-3844	K066-269	29/32"	1-9/16" (sm) 2-1/4" (lg)	1-1/64"

USE WITH M-3847 WASHER

Aux Trans Rear Washer (Brownie Washer)



BWP NO.	REPLACES KENWORTH	I.D.	O.D.	THICKNESS
M-3845	K363-275	1/8"	2-1/4"	7/16"

USE WITH M-3846 MOUNT

Trunnion Bushings



BWP NO.	REPLACES MACK	I.D.	O.D.	HEIGHT
M-3846	10QK219P2 10QK276	3-7/16"	4-11/16"	6-5/16"
M-3847	10QK130P1	3-7/16"	4-7/16"	8-3/8"

Insulator Pads



BWP NO.	REPLACES MACK	WIDTH	LENGTH	HEIGHT
M-3848	10QK365A	4-1/2"	6"	2-1/2"
M-3849	10QK370	4-1/2"	6"	3"
M-3850	10QK36B 10QK388	6"	6"	3-3/4"

ALL PIN DIAMETERS ARE 1-3/4"

Motor Mounts



BWP NO.	REPLACES MACK	I.D.	O.D.	HEIGHT
M-3851	20QL1175 20QL1118A	13/16"	1-3/4" (sm) 3-1/4" (lg)	1-1/2"
M-3852	20QL324M	3/4"	2-1/4" (sm) 3-3/4" (lg)	1-7/8"

Cab Mount Bushing



BWP NO.	REPLACES NAVISTAR	I.D.	O.D.	THICKNESS
M-3853	270203CI	1/2"	1-1/2"	3/4"

POLYURETHANE COMPONENTS

Hood Pin



BWP NO.	REPLACES NAVISTAR	THREAD	O.D.	THICKNESS
M-3854	472697C1	5/16"-18	2-3/8" (lg) 1-3/4" (sm)	1-1/2"

Motor Mounts



BWP NO.	REPLACES NAVISTAR	I.D.	O.D.	LENGTH
M-3855	470031C2	5/8"	1-3/8" (sm) 2-3/8" (lg)	2"
M-3856	753997C93	11/16"	2" (sm) 3" (lg)	2-1/4"
M-3857	479237C1	1-1/16"	1-1/8" (sm) 2-7/8" (lg)	2-9/16"

Trunnion Bushing



BWP NO.	REPLACES NEWAY	I.D.	O.D.	LENGTH
M-3858	91008022	4"	5"	8-3/4"

Beam Pivot Bushing



BWP NO.	REPLACES NEWAY	I.D.	O.D.	LENGTH
M-3859	90008131	1-1/8"	2-3/8"	5"

Center Beam Bushing



BWP NO.	REPLACES NEWAY	I.D.	O.D.	LENGTH
M-3860	90008008	2-1/2"	3-7/8"	5-3/4"

Trunnion Bushings



BWP NO.	REPLACES PEERLESS	I.D.	O.D.	LENGTH
M-3861	36-10	4"	4-15/16"	7-7/8"
M-3862	36-500	4"	5"	10-3/8"

Pivot Arm Mounting



BWP NO.	REPLACES PEERLESS	I.D.	O.D.	LENGTH
M-3863*	36-21	2-1/2"	3-1/2"	7"

* SPLIT BUSHING

Trailing Arm Bushing



BWP NO.	REPLACES PEERLESS	I.D.	O.D.	LENGTH
M-3864*	36-15	3-1/2"	4-1/2"	10-1/2"

* SPLIT BUSHING

Walking Beam Bushing



BWP NO.	REPLACES PEERLESS	I.D.	O.D.	LENGTH
M-3865	36-22	3-1/2"	4-1/2"	7-1/2"

Reach Cradle



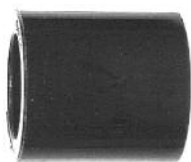
BWP NO.	REPLACES PEERLESS	WIDTH	LENGTH	HEIGHT
M-3866	20623	4"	11-1/2"	4-1/4"

Spring End Pad



BWP NO.	REPLACES PEERLESS	WIDTH	LENGTH	THICKNESS
M-3867	31-12	4-1/2"	6-1/4"	5/8"

Air Ride Bushing



BWP NO.	REPLACES PETERBILT	I.D.	O.D.	LENGTH
M-3868	03-01674 03-07016	1-3/4"	2-1/2"	2-3/4"

Hood Hinge Bushing



BWP NO.	REPLACES PETERBILT	I.D.	O.D.	LENGTH
M-3869	13-03440	5/8"	1-3/8"	1-5/8"

POLYURETHANE COMPONENTS

Motor Mounts



BWP NO.	REPLACES PETERBILT	I.D.	O.D.	LENGTH
M-3870	05-08968	5/8"	2-1/2" (lg) 1-5/8" (sm)	2"
M-3871	05-14794	5/8"	3" (lg) 1-7/8" (sm)	2-1/4"
M-3872	05-16919	3/4"	3-5/8" (lg) 2-1/4" (sm)	2-1/2"
M-3873	05-08969 05-16401	3/4"	3-3/4" (lg) 2-1/4" (sm)	2-5/8"
M-3874	05-10197	25/32"	2-7/8" (lg) 1-5/8" (sm)	2-1/2"

Motor Mount



BWP NO.	REPLACES PETERBILT	I.D.	O.D.	LENGTH
M-3876	05-18263	53/64"	2-1/2"	2-1/2"

Radiator Mount



BWP NO.	REPLACES PETERBILT	I.D.	O.D.	LENGTH
M-3831	07-03286	5/8"	3-1/16" (lg) 1-7/8" (sm)	1-3/16"

Radiator Shock Bushing



BWP NO.	REPLACES PETERBILT	I.D.	O.D.	LENGTH
M-3877	07-02552	5/8"	1-3/16"	11/16"

Bushings



BWP NO.	REPLACES PREMIER	I.D.	O.D.	LENGTH
M-3878	448-A	2"	3-1/2"	1-3/4"
M-3879	348-A	2"	3-1/2"	3-1/2"
M-3880	437-A	2"	4-1/4"	4-1/2"
M-3881	344-A	1-5/8"	3-1/2"	4-1/2"

Torque Arm Bushings



BWP NO.	REPLACES REYCO	I.D.	O.D.	LENGTH
M-3882	T-2242	1"	2-3/8" (lg) 1-3/4" (sm)	2-3/4"



BWP NO.	REPLACES REYCO	I.D.	O.D.	LENGTH
M-3883	T-5493	1"	2-3/8" (lg) 1-13/16" (sm)	3"



BWP NO.	REPLACES REYCO	I.D.	O.D.	LENGTH
M-3884	T-1842	1-1/16"	3-1/16" (lg) 1-13/16" (sm)	2-7/8"



BWP NO.	REPLACES REYCO	I.D.	O.D.	LENGTH
M-3885*	09729-01	7/8"	1-7/8"	3"

* NO INSTALLATION TOOL REQUIRED

Eye Bushing



BWP NO.	REPLACES SILVER EAGLE	I.D.	O.D.	LENGTH
M-3886	R-205	2-1/2"	4-3/4"	5-3/16"

Hinge Bushing



BWP NO.	REPLACES UTILITY	HOLE	WIDTH	LENGTH	HEIGHT
M-3887	3-1306	1-7/8"	2-7/8"	3"	3"

POLYURETHANE COMPONENTS

Motor Mount



BWP NO.	REPLACES VOLVO WHITE	I.D.	O.D.	LENGTH
M-3804	12004-0007	1-1/2"	3"	3"

Shock Absorber



BWP NO.	REPLACES VOLVO WHITE	I.D.	O.D.	HEIGHT
M-3840	V8057131	3/4"	1-7/16"	7/8"

Shock Mount



BWP NO.	REPLACES WESTERN STAR	I.D.	O.D.	LENGTH
M-3888	985211	1"	1-7/8"	1"

Hinge Bushing



BWP NO.	REPLACES WESTERN UNIT	I.D.	WIDTH	HEIGHT
M-3889	102308	1-3/4"	2-1/4"	3-1/4"



**Check Out Our
New Website!**

www.bwpindustries.com

Be sure to check out the "Specials" tab on our website frequently for current Internet Only special offers.



Registered BWP Customers Have Access To:

- Current Pricing
- Real-Time Inventory
- Searchable Interchange
- 24/7/365 Online Ordering

Free registration is available for BWP Customers

**Not a Registered User?
Not a problem!**

BWP Customers Can Call Customer Service
Toll-Free at 1-800-621-8836 to Register