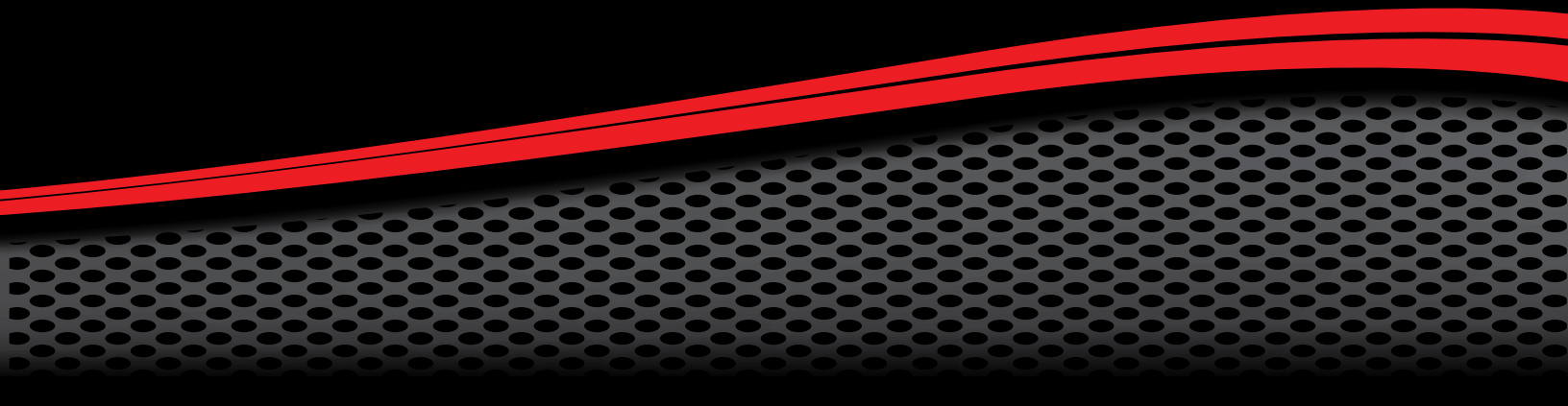
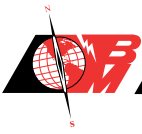




buntingmagnetics.com

**MATERIAL HANDLING
SPECIFICATION GUIDE**





About Bunting®



As the industry-leading manufacturer of magnetic technology products, Bunting Magnetics Co. has developed precision magnetic products for the worldwide printing, automotive, plastics, food, electronics, pharmaceutical and recycling industries for more than 50 years.

Our family-owned group of companies manufactures products which serve global markets and include a broad range of magnetic materials and components, magnetic separation systems, material handling equipment, metal detection equipment, magnetic cylinders for the printing industry, bonded magnets, and assemblies.

You can count on unparalleled reliability, quality and customer service from Bunting. We are constantly seeking new ways to help manufacturing facilities run more efficiently and protect their reputations through Bunting solutions.

Our first 50 years have been fueled by innovation. We are committed to keep improving and build upon this legacy.



Walter F. Bunting - Founder



Bob Bunting - President, CEO



World Headquarters



Selection Guide

Recycling Equipment

Grinder/Shredder Feed Conveyors	4
Eddy Current Separators	7
High Intensity Separation Conveyors.	8
Stainless Steel Separation Conveyor.	9
Magnetic Cross-Belt Conveyors	10
Magnetic Separation Conveyors	11
Bale Break Stations	12
Trough-belted and Transfer Conveyors	13
Dragslide Conveyors	14

Metal Stamping Equipment

Parts Retrieval Conveyors for De-Burring Bowls.	15
Magnetic Lawnchair Conveyors.	16
Magslide® Beltless Conveyors	
Heavy-Duty.	17
Medium-Duty	18
Low-Profile	19
Standard Pre-Engineered Magnetic Conveyors	20-29
Medium Frame Conveyors.	30
Medium Frame Adjustable Conveyors.	31
Low-Profile Conveyors.	32-37
Stacking, Destacking & Timing Belt Conveyors	38-39
Powertrac® Aluminum Frame Conveyors	40
Magnetic Conveyor Components	41-48
Custom Conveyors with “Skate Rail” Support Rollers	49
Bath Rails	50
Magnetic Sheet Fanners	51

Other Conveying Equipment

Magnetic Washdown -Duty Can Conveyors	52
Move-It Systems™ Conveyor	53



Grinder / Shredder Conveyors

Bunting Grinder and Shredder feed, discharge, and transfer conveyors are specifically designed for product recycling and reclaim applications. These robust conveyors are designed to move bulky plastic and rubber scrap, regrind material, mold purgings, carpet scraps, wood scrap, and even paper. Each conveyor is custom designed and features heavy-duty belting (standard), sturdy side guards, and rigid frames.

SPECIFICATIONS

CONVEYOR LENGTH: Units are custom designed and come in standard belt widths from 12" to 48". Other lengths and belt sizes are quoted on an individual basis.

BELTS: Standard belting is flat Black SBR #53. Belts with rubber cleats for inclined applications, and other belt materials and styles are available on request and at extra cost.

SIDE GUARDS: 6" side guards are provided. They have rubber skirting over the edge of the belt to prevent material from getting under the belt.

MOTORS: Base unit is a ¾ hp, 115V AC motor and right-hand reducer. Larger motors and variable-speed drives are available to support larger conveyors, faster speeds, and heavier loads.



Metal Detectors for Conveyors

Metal Detection equipment that works in conjunction with our conveyors to protect your product and equipment.

meTRON™ D 05

Two piece construction design.

- Economical detection.
- Stable performance.
- Signal includes beacon, buzzer, and beacon plus siren warnings.



meTRON™ 07 CI

Tunnel style, closed loop, integrated controls (CI) metal detector for use in conveyors, chutes and troughs.

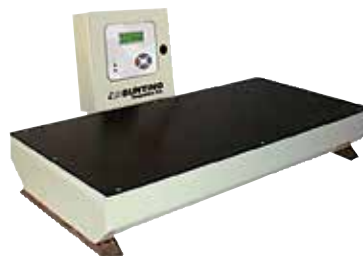
- Detects all metals whether loose or encapsulated - highest sensitivity.
- Smallest metal free zone.
- Epoxy filled search head is water proof and isolates coil from vibration.



meTRON™ S 05

Features low-profile construction and superior reach-out.

- Triple-coil circuitry for accuracy.
- EMFI filters reduce waste, misses and false alarms.
- Reject options include end flip gate device.
- 6" max reachout



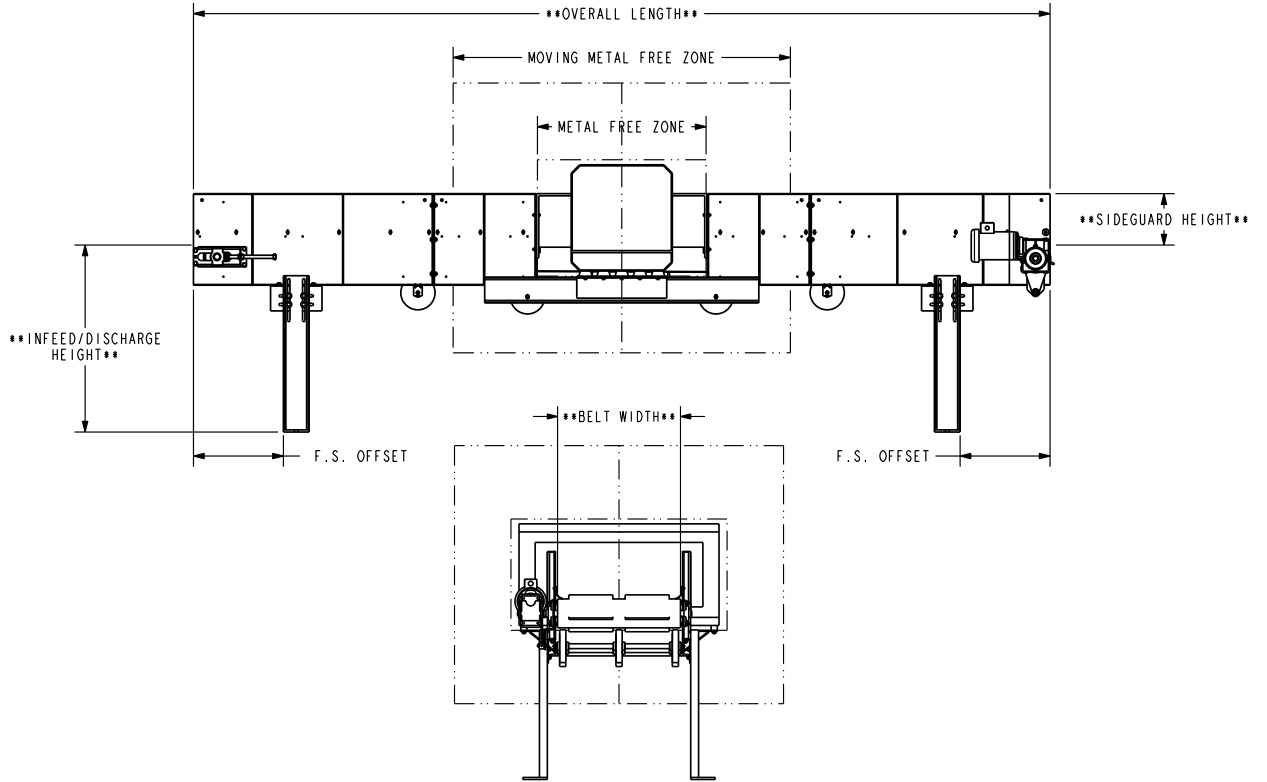
Conveyor options include:

- Heavy-duty formed 3/16" or channel iron frame
- Mobile bases or channel supports
- SEW Motors
- Motor Starters with push button on/off
- Variable speed motors with VFD controllers Safety and stops
- Optional Heavy-Duty Permanent magnetic Crossbelt Separators
- All skirting is either rubber, formed steel or UHMW
- Special scrap guards for film applications
- Custom infeed hoppers for your application

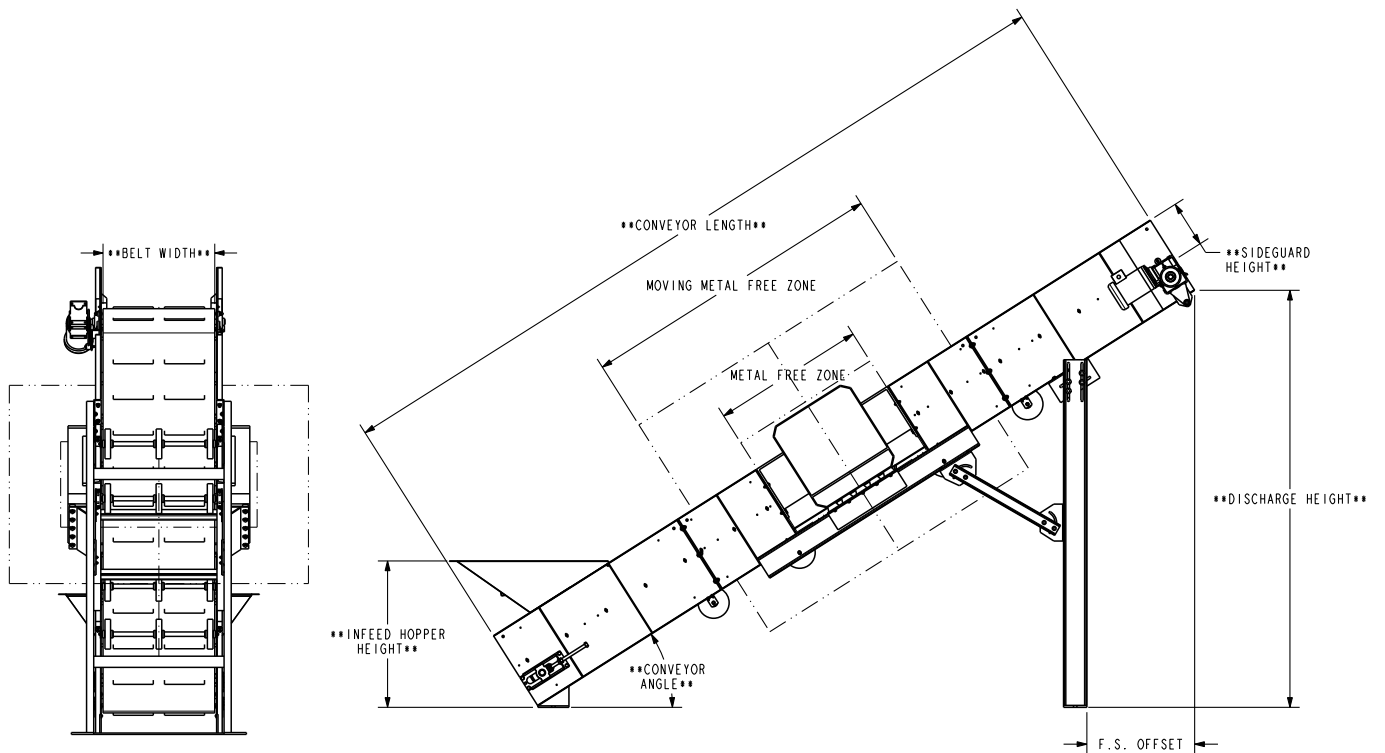


Grinder / Shredder Conveyors

Horizontal Conveyor



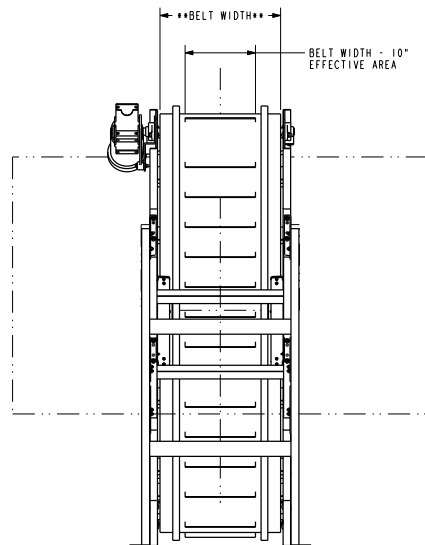
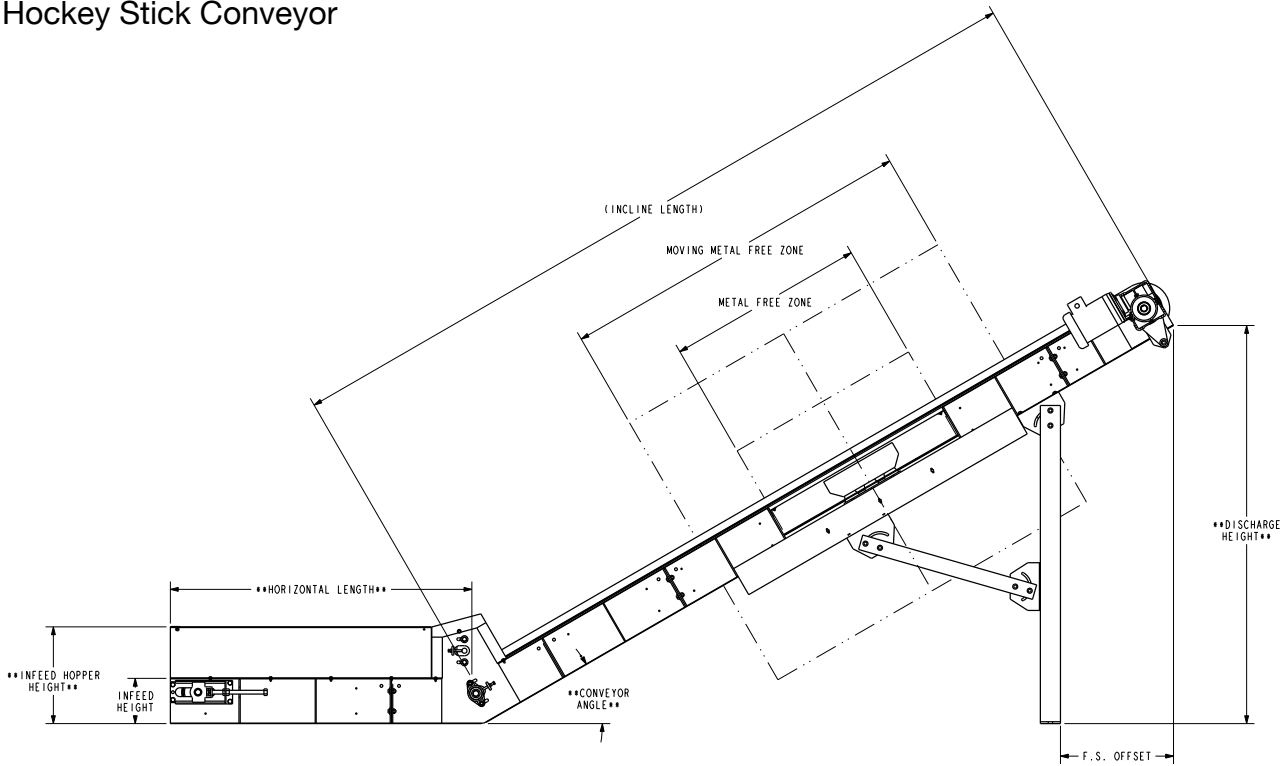
Incline Conveyor





Shredder Discharge Conveyors

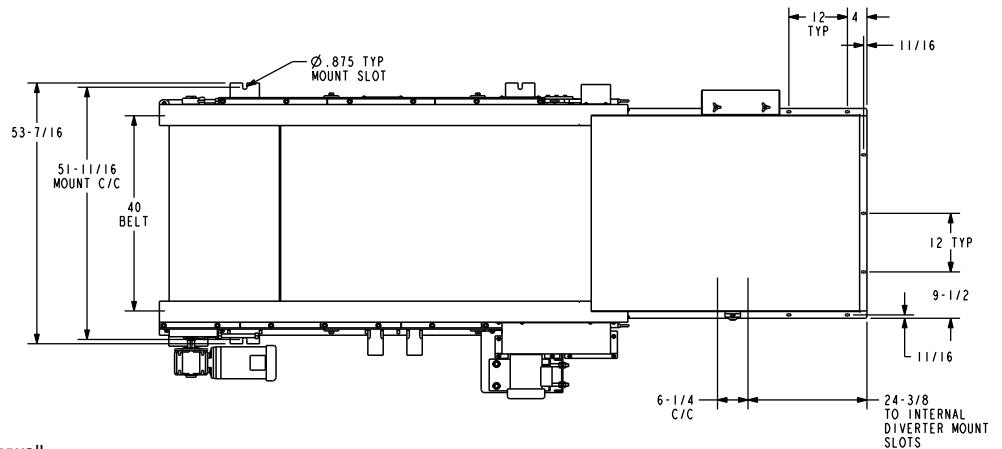
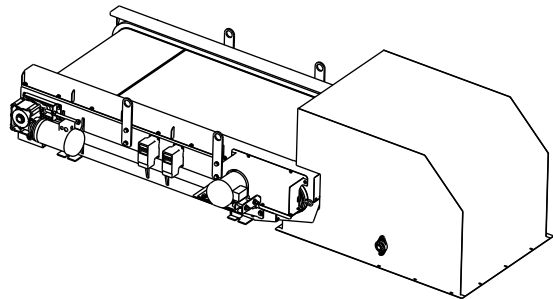
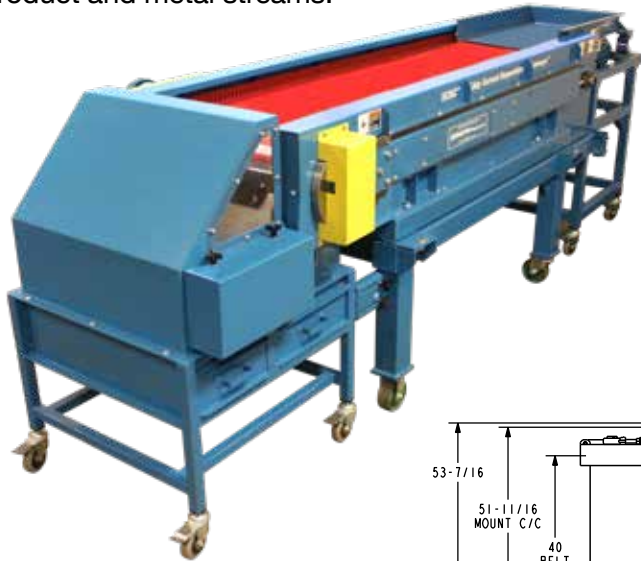
Hockey Stick Conveyor





Eddy Current Separator

Bunting Eddy Current Separators are available in 24", 36", 48" and 60" widths to provide non-ferrous conductive metal separation from non-conductive recycled materials. These are used extensively in the Plastics, Municipal, Electronics, Glass and Metal Recycling Industries to separate shredded aluminum, aluminum cans, bottle caps, hard drive housings and circuit board components into purer higher value product and metal streams.



SPECIFICATIONS: Available in widths of 24", 36"; 48" and 60"

CONVEYOR LENGTH: All conveyors are 8' long

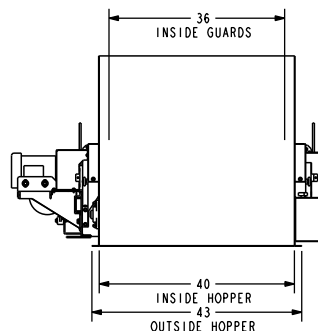
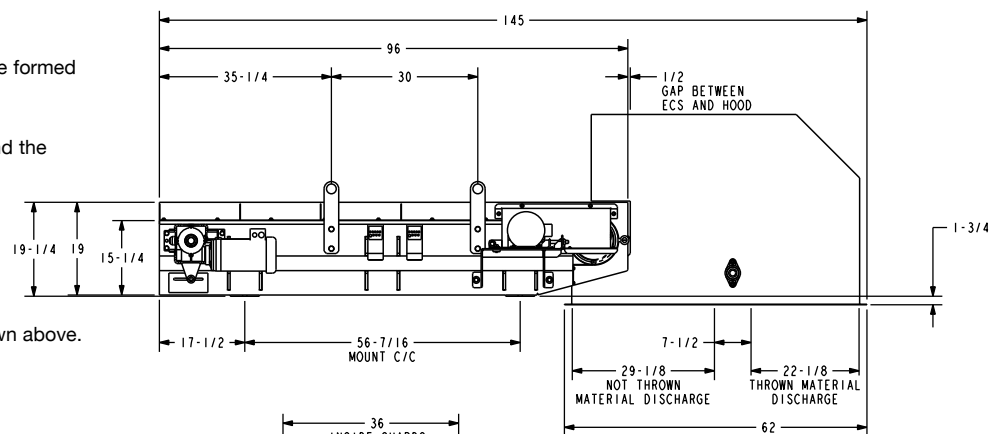
BELTS: 2-ply monofilament urethane belts with flexwall edges and sweeper cleats

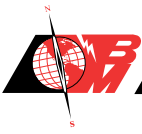
SIDE GUARDS: Formed metal sideguards that are formed up and over the flexible wall edge

MOTORS: Dual motors for both the eddy rotor and the conveyor belt. Motors are sized based on the conveyor size.

SUPPORTS: Machine bases available on request

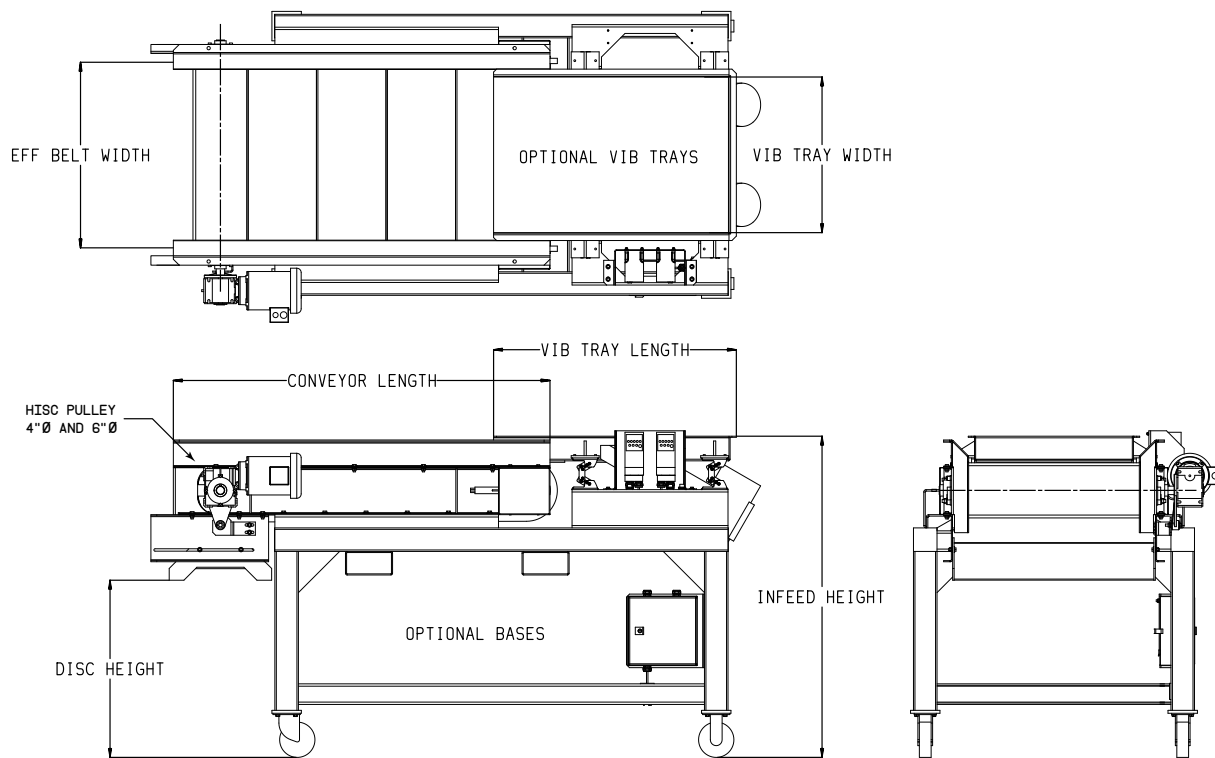
SPLITTER HOOD: Smaller Flake Eddy hood shown above. Larger hoods for MRF are available.





HISC® High Intensity Separation Conveyor®

Bunting® Magnetics Co. offers the strongest HISC® High Intensity Separation Conveyor® for Magnetic Separation of Small and Mid-Sized Stainless Steel ½” to 1½” & For Wire-Cleaning Applications. The first of its kind in the industry, the HISC® High Intensity Separation Conveyor® incorporates extremely high gauss fields, neodymium rare earth magnets and a field-tested design to achieve maximum stainless steel separation of smaller stainless steel fractions.



Specifications:

Width	12" - 66"
Length	Must be greater than the width (ideally 2x belt width)
Pulley	4" or 6" High Intensity NEO
Floor Supports	As needed
Belt	2-ply urethane with 1.25" flexwalls and 1/2" cleats on 12" centers
Sideguards	Standard - 3" tall formed over flexwall
Construction	Standard - Stainless Steel at Disc End Formed 3/16"
Controls	None standard - recommended variable speed controller
Belt Speed	Best results between 60-120 FPM

Model Numbering:

HISC (Pulley Ø) - (Width Inches) - (Length Inches)
 Example = HISC 4-40-72
 4" Ø Pulley, 40" Width, 72" length

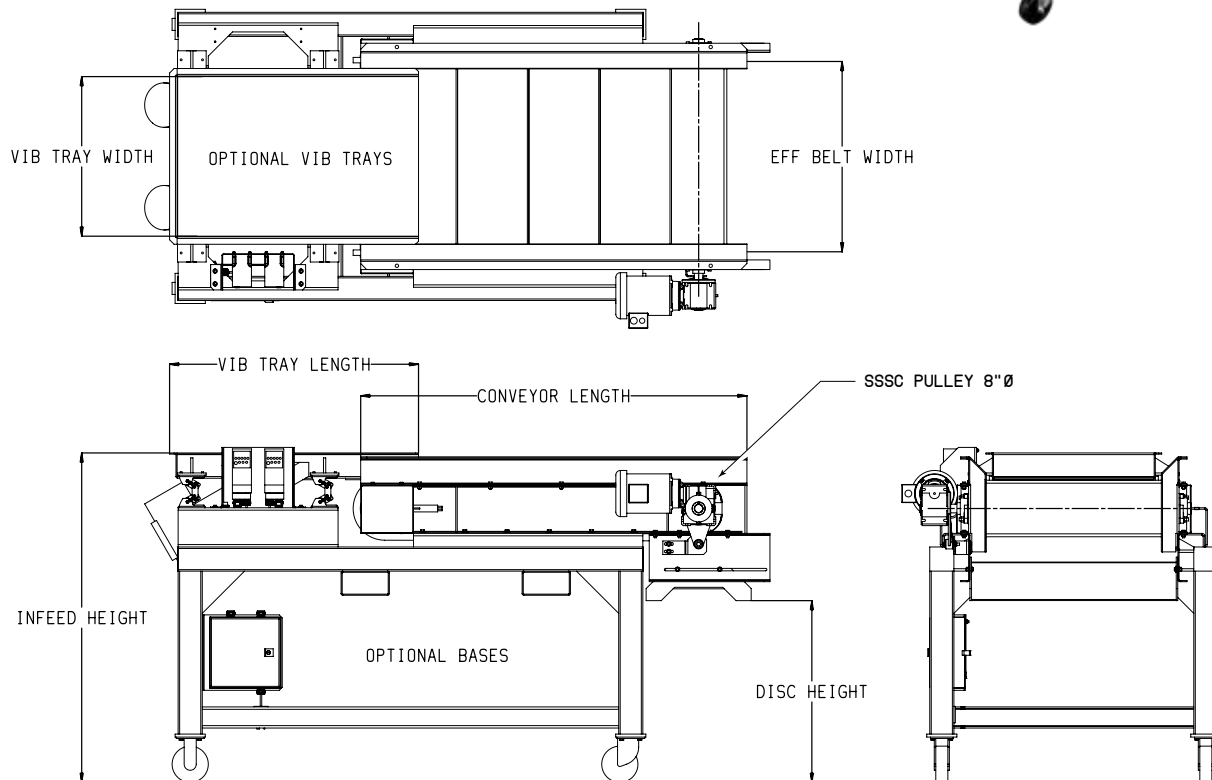
4" Pulley - Approx. 16,000-18,000 Gauss on Pulley Surface.

6" Pulley - Approx. 16000-18,000 Gauss on Pulley Surface.



SSSC™ Stainless Steel Separation Conveyor™

Bunting® Magnetics Co. offers a patent-pending core design and a revolutionary configuration of high-intensity neodymium magnets, you can remove up to 94% of irregular shaped stainless steel – up to 5” in size – from your auto shredding or wire chopping stream. The result is the purest zurik and maximum removal of stainless steel and ferrous dust from wire fraction. Let our engineers test your product to see what the SSSC™ Stainless Steel Separation Conveyor™ can do for you and your profitability.



Specifications:

Width	24" - 78"
Length	Must be greater than the width (ideally 2x belt width)
Pulley	8" High Intensity NEO
Floor Supports	As needed
Belt	2-ply urethane with 1.25" flexwalls and 1/2" cleats on 12" centers
Sideguards	Standard - 3" tall formed over flexwall
Construction	Standard - Stainless Steel at Disc End Formed 3/16"
Controls	None standard - recommended variable speed controller
Belt Speed	Best results between 60-120 FPM

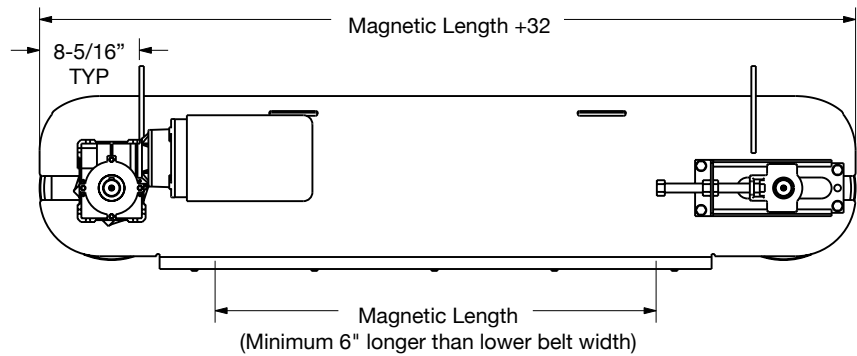
Model Numbering:

SSSC™ (Pulley Ø) - (Width Inches) - (Length Inches)
Example = 8-36-72 SSSC
8" Ø Pulley, 36" Width, 72" length



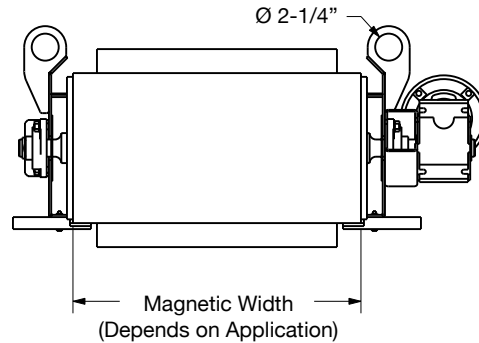
Magnetic Crossbelt Conveyor

Bunting® Magnetics Co. offers the most respected Magnetic Crossbelt Separation Conveyor in the Recycling Industry to maximize product purity. Its distinct design amplifies magnetic strength and reachout for effective metal removal whether mounted at the end of a conveyor or over the belt mid-stream. The all-stainless steel frame minimizes ferrous scrap from sticking to the side frames while the UHMW belt support wings prevents the metal from sticking in between the belt and magnet.

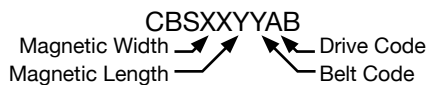


Specifications:

Width	16", 24", 30" and 36"
Length	Based on application
Pulley	8" and 12" Diameter
Floor Supports	As needed
Belt	2 and 4-ply SBR with 2" cleats
Construction	Standard - Stainless Steel 1/4" Frame
Belt Speed	Best results at 275 FPM



Model Numbering:



Belt Code:

- Type A-#53, 2-ply with 2" tall cleats on 24" C/C
- Type B-#53A, 4-ply with 2" tall cleats on 24" C/C
- Type Z - Special belt type, cleat size, or cleat spacing

Drive Code:

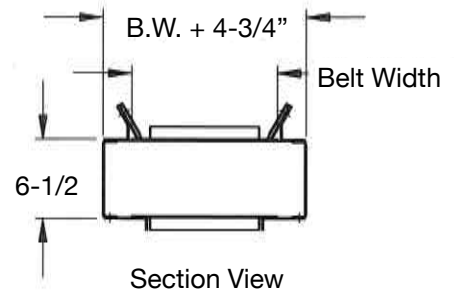
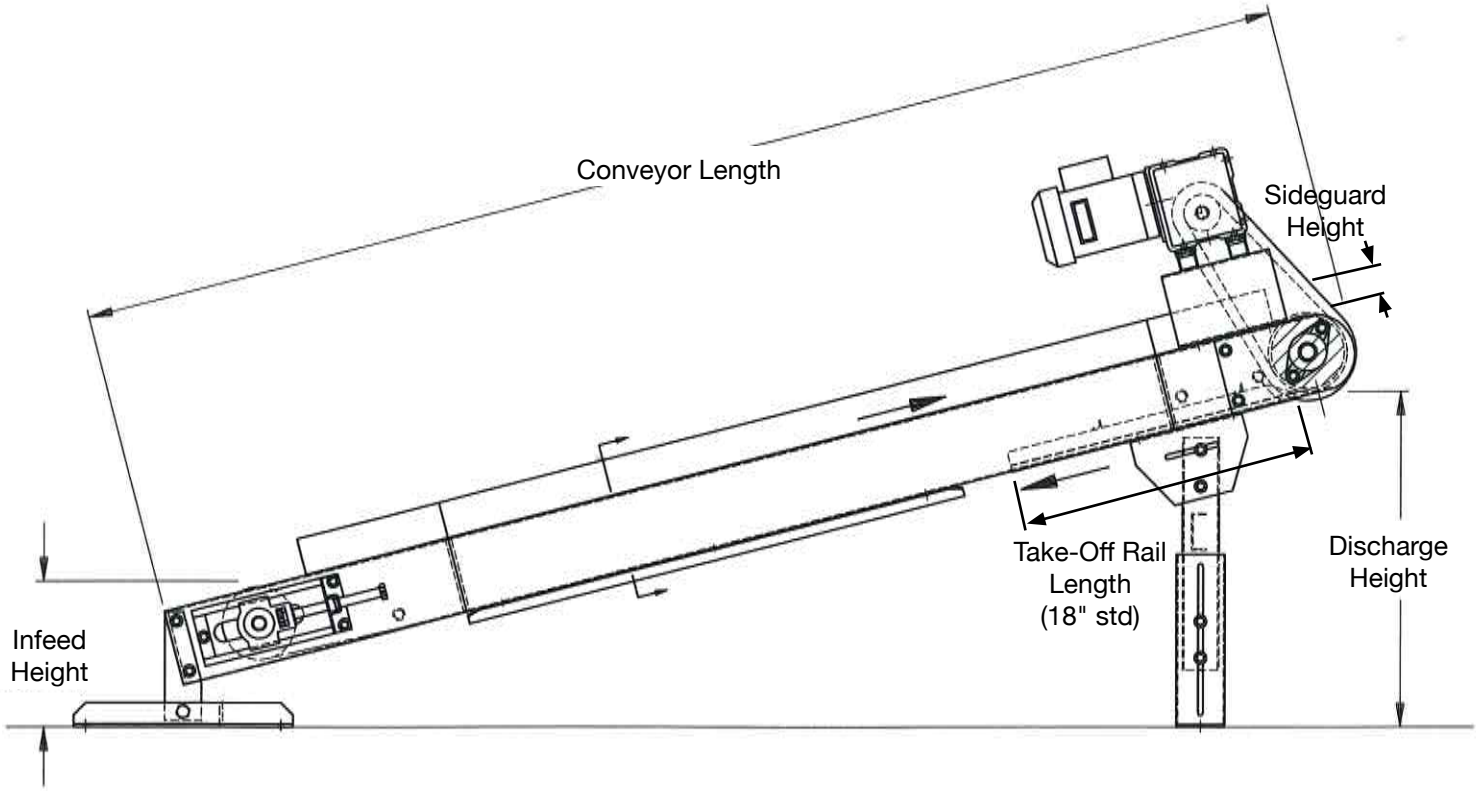
- A - 230/460VAC, 3PH, 60HZ
- B - 115/230VAC, 3PH, 60HZ
- Z - Special motor, must specify

Belt Speed: 275 FPM



Magnetic Separation Conveyors

Magnetic Separation Conveyors are designed to magnetically remove ferrous metal from any stream of bulk fed materials like plastic flake and shredded e-scrap. The magnetic discharge pulley can be either ceramic for larger tramp metal or Neo Rare Earth for ferrous material.



Specifications:

Width	8" - 60"
Length	Based on application requirements
Pulley	4", 6", 8" or 10" High Intensity, Ceramic or NEO
Floor Supports	As needed
Belt	2-ply with 1/2" cleats
Sideguards	Standard
Construction	Standard - Stainless Steel at Pulley End (Formed 3/16" stainless steel)
Controls	None standard - recommend variable speed controller
Belt Speed	Best results between 60-120 FPM
Infeed Hopper	Available

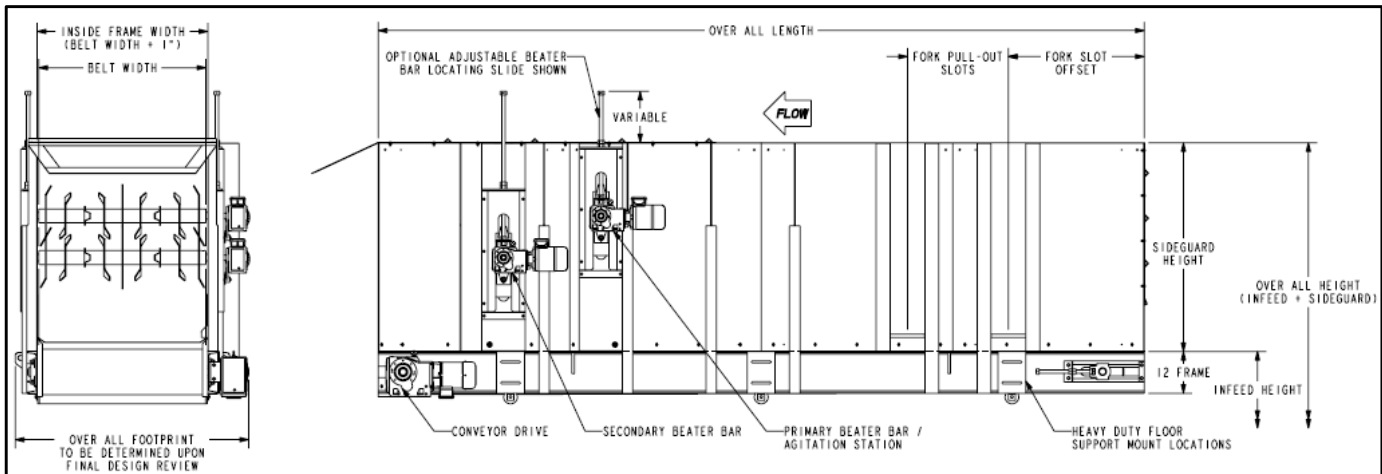
Model Numbering:

SR-XX-XXX
 Belt Width → ← Conveyor Length



Bale Break Stations

Bale Break Stations are designed to fluidize plastic bottles. The operator loads bales at the infeed, cuts and pulls away baling wire and then feeds the bales through the beaters to break apart. Film applications do not have the beaters.



Standard Components

- Primary beater bar = 5 HP, 460V, 3 PH, 60 HZ, with 187 RPM output
- Secondary beater bar = 3 HP, 460V, 3 PH, 60 HZ, with 185 RPM output
- Fork lift pull-out slots
- Conveyor drive motor sized to application
- 12" diameter drive and take up rollers
- Heavy duty floor support mount locations
- 2 (fixed) position beater bars
- Top guard
- Rear guard

Optional Components

- Heavy duty floor supports
- Vertical adjustable beater bars
- Motorized vertical adjustable beater bars
- UHMW skirt guarding
- Variable speed motor controls
- Heavy duty applications (greater than 10,000 pounds / hour)
- Special requests accepted
- Magnetic drive separation pulley
- Single beater bar location (medium duty)
- Heavy-Duty beater bars:
(Primary bars - 10Hp)
(Secondary bars - 7.5 Hp)

Model Numbering:

GFC XX - XXX

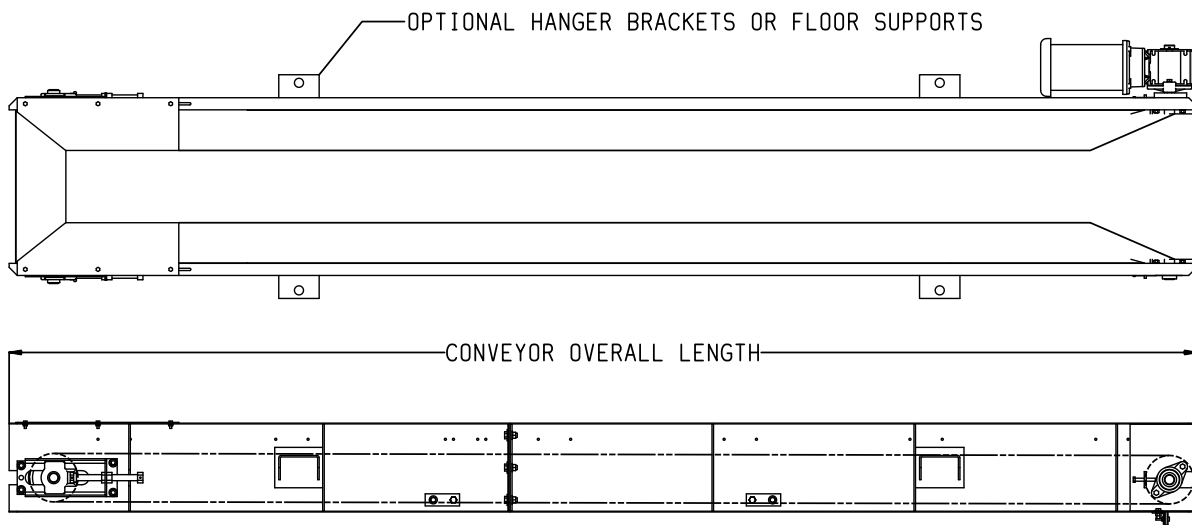
Conveyor length
Belt width



Trough Belted and Transfer Conveyors

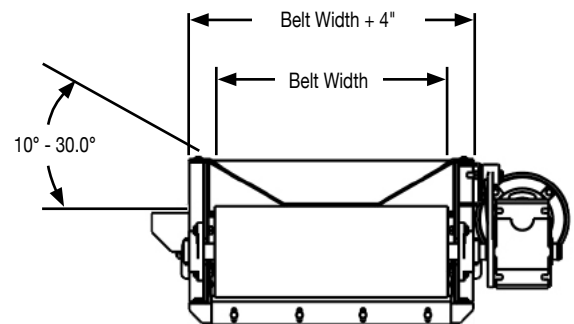
Bunting® offers a full line of Trough-Belted and Transfer Conveyors for Plastic, Rubber, Wood, Electronic, Construction and Municipal Recycling ground and pelleted materials.

Bunting® is the expert to layout your system – whether you are re-grinding in house scrap product or designing a complete recycling facility. These conveyors can vary from 2' to 200' long with belt widths of 12" to 60" wide.



Specifications:

Width	12" - 60"
Length	Must be greater than the width
Pulley	6", 8", 10" and 12" High Intensity NEO or Ceramic magnets
Floor Supports	As needed
Belt	Available in either SBR standard cleat top or smooth
Sideguards	Standard - 3" tall
Construction	Formed 12 gage or 3/16" steel
Controls	None standard - recommend variable speed controller
Belt Speed	Best results between 30-300 FPM



Model Numbering:

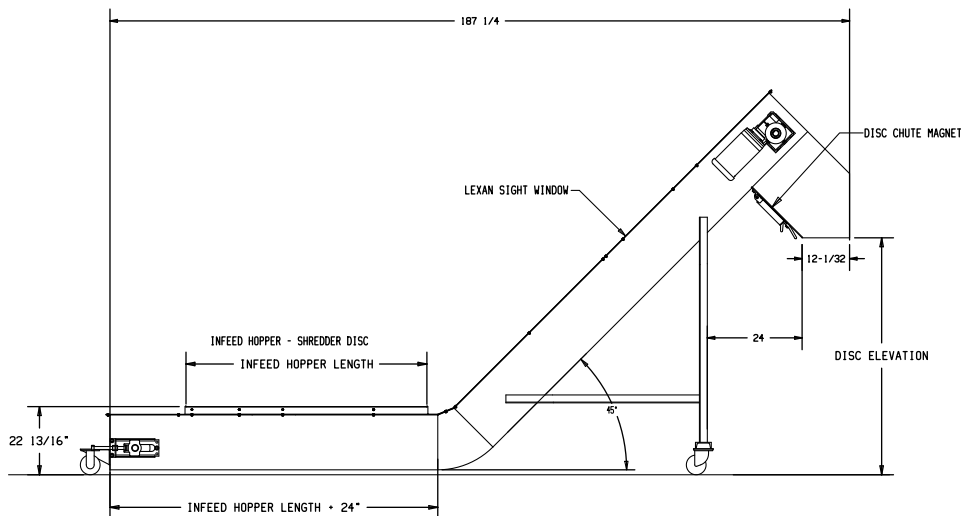
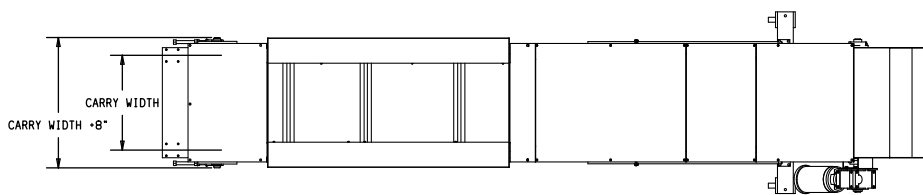
GFC XX-XXX
 Belt Width → ← Conveyor Length



Dragslide Conveyors

Bunting® offers multiple styles of DragSlide Conveyors & Conveyor Systems for Plastic, Paper, Rubber and Carpet Recycling. The DragSlide was originally designed for the thin mil plastic film industry to solve the problem of static electricity.

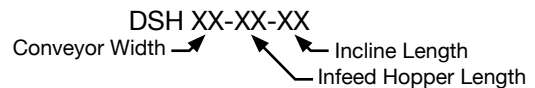
These conveyors are totally enclosed and use UHMW drag flights in a chain conveyor design to move and convey material within a sealed conveyor. This makes for a much cleaner facility allowing you to use your employees for production vs. clean-up maintenance.



Specifications:

Width	18", 24" and 30"
Length	Infeed Hopper matches shredder
Disc Magnet	Optional
Floor Supports	Mobile base
Construction	Standard Formed Steel
Controls	None standard
Belt Speed	Best results between 60-120 FPM

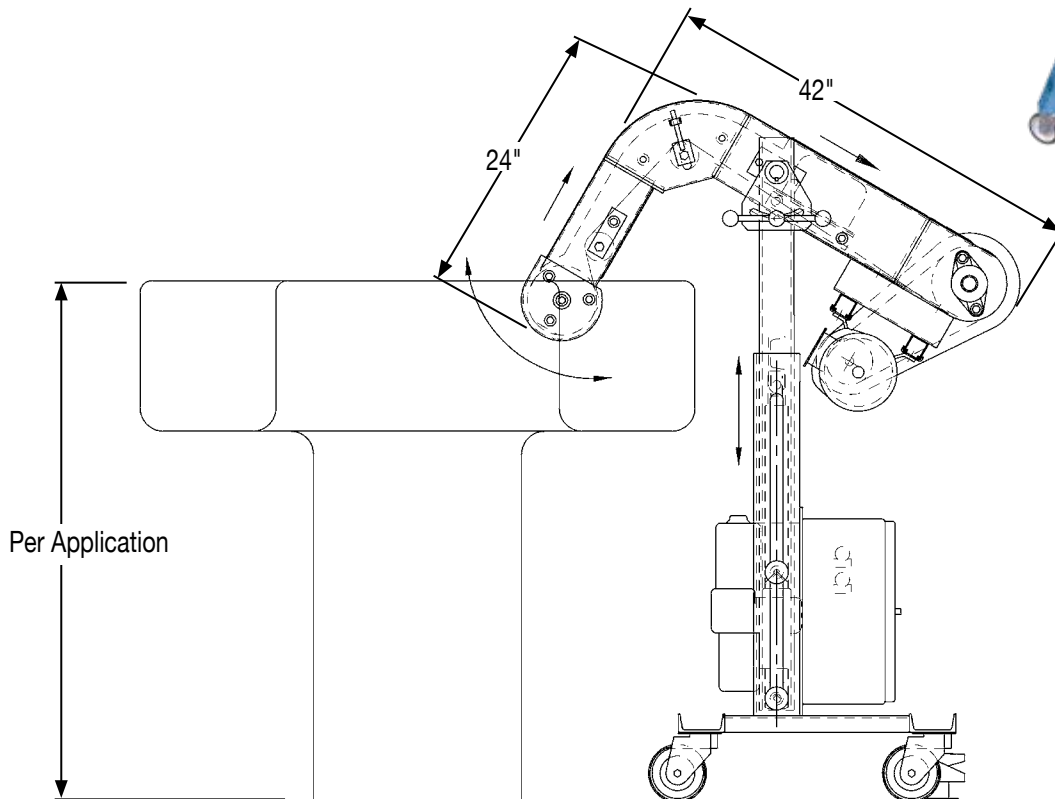
Model Numbering:





Parts Retrieval Conveyors for Deburring Bowls

Bunting Permanent Parts Retrieval Conveyors are ideal for removing ferrous parts from deburring and finishing vibratory bowls. Magnetic pulleys reach deep into bowls and “grab” ferrous parts. The permanent magnetic conveyor section takes the ferrous part and conveys it up over the bowl rim. It then discharges the part into a bin or onto another conveyor. Vertical lift and tilt adjustments speed setup time. An optional parts demagnetizer is available for magnetically sensitive ferrous components. Locking castors for mobility let you put the parts retrieval conveyor exactly where you want it and lock it in place.

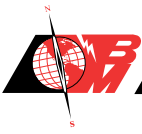


Specifications:

Width	8" - 18" standard or per application
Pulley	6" - 10" High Intensity NEO or Ceramic
Floor Supports	Fixed or mobile base
Belt	2-ply rib cleat
Sidguards	Standard - 3" tall on top section
Construction	Standard - formed 12 gauge steel
Controls	None standard - recommend variable speed controller
Belt Speed	Best results between 60-120 FPM

Model Numbering:

PRC XX-XX-XX
Belt Width → ← Horizontal length
 ← Infeed length



Magnetic Lawnchair Conveyors

Designed for conveying steel parts from under machine presses, they have been specially designed to automate scrap and parts removal. There is no longer the need to have to struggle with heavy, hard-to-handle totes plus it also eliminates the common problem of part and scrap overflow on the production floor.



Standard Specifications for Single and Double-Belt MLC Conveyors

APPLICATIONS: Use single-belt models for removal of parts or scrap 2" in diameter or larger. Select double-belt models for removal of smaller parts or scrap.

DIMENSIONS: Standard sizes are listed in the table. Special sizes are available on request.

CONVEYOR CONSTRUCTION:

12-gauge CRS formed channel side members with welded cross braces for added strength.

MAGNET SLIDER BED: 16-gauge stainless steel slider bed with permanent magnetic platen. Decreasing magnetic force at discharge end provides smooth product release.

MAGNETIC ELEMENT / PLATEN:

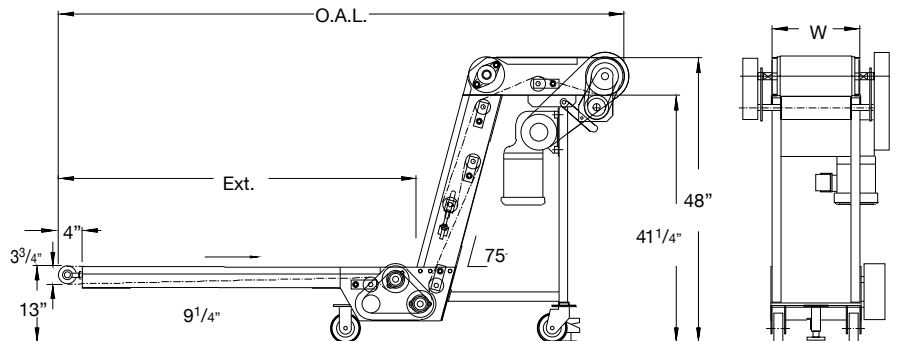
Single-belt model — Single-lane element used on 8" belt model; dual-lane used on 12" and 18" models. Double-belt model — 4" wide platen on 8" belt, 5 1/2" wide platen on 12" belt, and 11 1/2" wide platen on 18" belt.

SINGLE BELT / DOUBLE BELT:

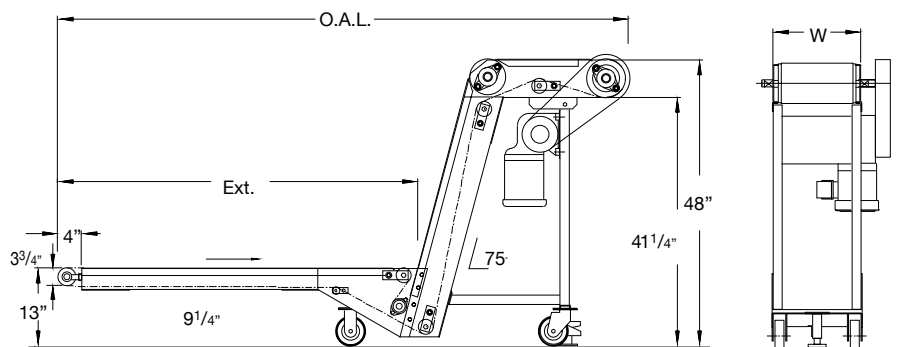
One-piece and two-piece oil- and abrasion-resistant PVC or urethane belt with stainless steel clipper lacing. Other belts are available on request.

BELT SPEED: Constant 60 feet per minute speed is standard. Drive can be set to match part rate.

DRIVE MOTOR: 3/4 hp, 115V, 1 ph, 60 Hz, totally enclosed. Right-angle gearmotor with guarded roller chain drive is standard. Drives can be set to match press speed. Optional motor available.



Two-Piece Belt



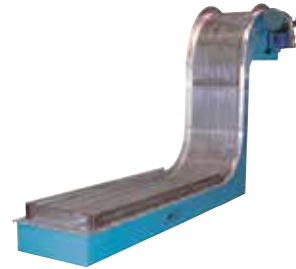
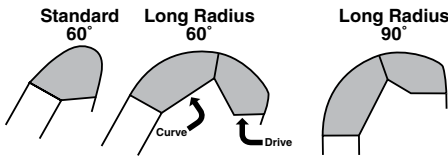
One-Piece Belt

Single and Double-Belt Models

One-Piece Belt Design					Two-Piece Belt Design				
Part No.	Belt Width	W	Ext.	O.A.L.	Part No.	Belt Width	W	Ext.	O.A.L.
MLC-08-5	8"	10 3/4"	5'	8'	MLC-08P-5	8"	10 3/4"	5'	8'
MLC-12-5	12"	14 3/4"	5'	8'	MLC-12P-5	12"	14 3/4"	5'	8'
MLC-18-5	18"	20 3/4"	5'	8'	MLC-18P-5	18"	20 3/4"	5'	8'
MLC-18-6	18"	20 3/4"	6'	9'	MLC-18P-6	18"	20 3/4"	6'	9'



Magslide Beltless Conveyors - Heavy Duty



SPECIFICATIONS

FRAME WIDTHS: 12", 15", 18", 24", 30".

GUIDEWORK: Oil impregnated UHMW chain guide provides continuous lubrication; supplemental oil fittings are provided to further extend chain life.

MAGNETS: Std ceramic on 12: c/c; Rare Earth magnets and custom centers for special applications.

SLIDERBED: 10 ga. 304SS on 12" & 15" widths; 3/16" 304SS on 18"-30" widths.

SIDEGUARDS: Std 1" high sideguards; additional chutes, guides, hoppers, tanks, and impact plates available upon request.

DRIVE: Direct-Drive with worm gear reducer minimizes space and eliminates bulky sprockets and chainguards, std 230/460V, 3ph motor at 50 fpm, 1 to 5 hp; drive can be rotated in 45 degree increments and mounted left or right to avoid nearby obstructions.

SUPPORTS: Std welded floor supports on Type "B", "C", & "D" models. Optional castors, floor supports, skid plates, or mobile bases available on all models.

CONSTRUCTION: 10 ga. mild steel frame with machinery enamel paint. Optional epoxy paint and sealed lower frame for submersible applications.

CONTROLS: Optional toggle switch for 1ph drives or starter with pushbuttons for 3ph drives. Controls supplied either mounted and wired or shipped loose.

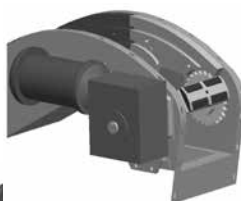
CHAIN: RC2060 Double Pitch chain.

TAKE-UP: Automatic spring-loaded chain tensioning.

CONFIGURATIONS: Available in straight, angled-incline, long radius, & z-shape configurations.

OTHER SPECIFICATIONS AND OPTIONS: See Model Designation chart.

Drives can be mounted left or right and rotated in 45-degree increments to avoid obstructions.



Direct Mount Drive



Top Mount Drive

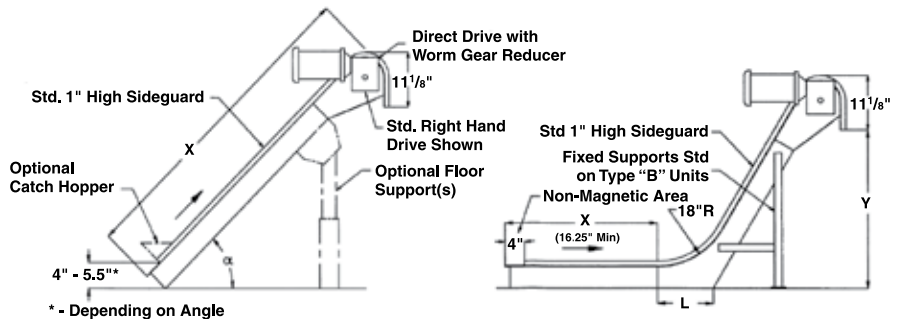
MagSlide Heavy-Duty Model Designation

Use this chart to describe the conveyor you need when discussing or selecting options, ordering, or requesting quotes.

MSH	□	□	□	- X ¹ -Y ¹ -	□	□
Angle (α)	Width (in)	Type	Drive Type	Drive Side	Drive Speed*	
0 - 0°	12"	A - straight	A - Std 230/460V, 3 ph	R - Right (std)	3 - 30 fpm (opt)	
1 - 15°	15"	B - incline	B - Opt 115/230V, 1 ph	L - Left (opt)	4 - 37 fpm (opt)	
3 - 30°	18"	C - Z-Shape		T - Top	5 - 50 fpm (std)	
4 - 45°	24"	D - Noseover			6 - 60 fpm (opt)	
6 - 60°	30"					
7 - 75°						

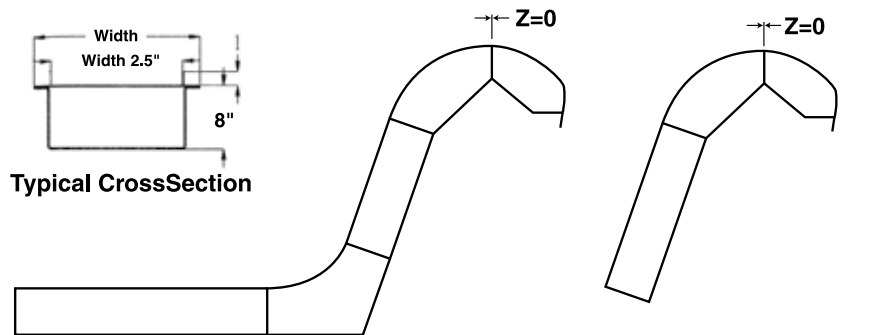
¹ For X and Y dimensions, see drawings below, round up to nearest foot in model number and specify exact length in inches. For type "A" conveyors, omit Y dimension.

² Drive speeds are available from 10 fpm or less to the top-rated speed for each of the four drive-speed options.



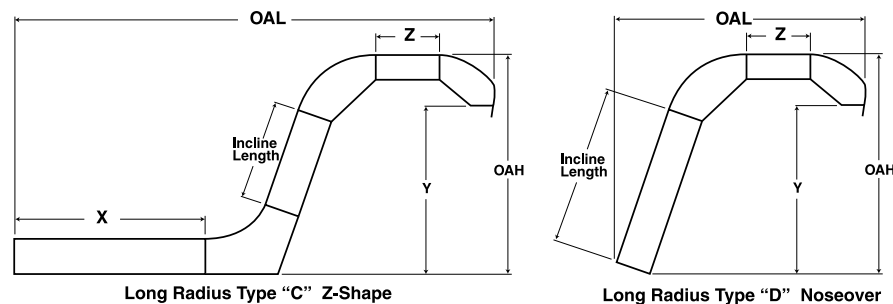
Type "A" Incline

Type "B" Incline



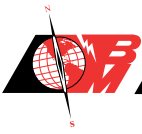
Long Radius Type "C"

Long Radius Type "D"



Long Radius Type "C" Z-Shape

Long Radius Type "D" Noseover



MagSlide Beltless Conveyors - Medium Duty



MagSlide Medium-Duty Model Designation

Use this chart to describe the conveyor you need when discussing or selecting options, ordering, or requesting quotes.

MSM	■	■	■	- X'-Y'-	■	■
Angle (α)	Width (in)	Type	Drive Type	Drive Side	Drive Speed ¹	
0 - 0°	10"	A - straight	A - Std 230/460V, 3 ph	R - Std right	3 - Opt 30 fpm	
1 - 15°	12"	B - incline	B - Opt 115/230V, 1 ph	L - Opt left	4 - Opt 37 fpm	
3 - 30°	15"		C - Opt air drive		5 - Std 50 fpm	
4 - 45°	18"		D - Opt DC var. speed		6 - Opt 60 fpm	
6 - 60°			with 115/230V, 1 ph			
7 - 75°			SCR controller			
9 - 90°						

SPECIFICATIONS AND OPTIONS

FRAME WIDTHS: 10", 12", 15", 18".

GUIDEWORK: Oil-filled UHMW chain guide provides continuous lubrication; supplemental oil fittings are provided to further extend chain life.

MAGNETS: Std Ceramic on 12" c/c; Rare Earth magnets and custom centers for special applications.

SLIDERBED: 13ga 304SS; optional rigidized (textured) stainless steel available for transfer of oily slugs and scrap.

SIDE GUARDS: Std 1" high side guards; additional chutes, guides, hoppers, tanks, and impact plates available upon request.

DRIVE: Flange-mounted hollow shaft reducer minimizes space and eliminates bulky sprockets and chainguards, std 230/460V, 3 ph motor at 50 fpm, 1/4 to 1 hp; drive can be rotated in 45 degree increments and mounted left or right to avoid nearby obstructions.

SUPPORTS: Std welded floor supports on Type "B" model. Optional casters, floor supports, skid plates, or mobile bases available on all models.

CONSTRUCTION: 12 ga. mild steel frame with machinery enamel paint. Optional epoxy paint and sealed lower frame for submersible applications.

CONTROLS: Optional toggle switch for 1 ph drives or starter with pushbuttons for 3 ph drives. Controls supplied either mounted and wired or shipped loose.

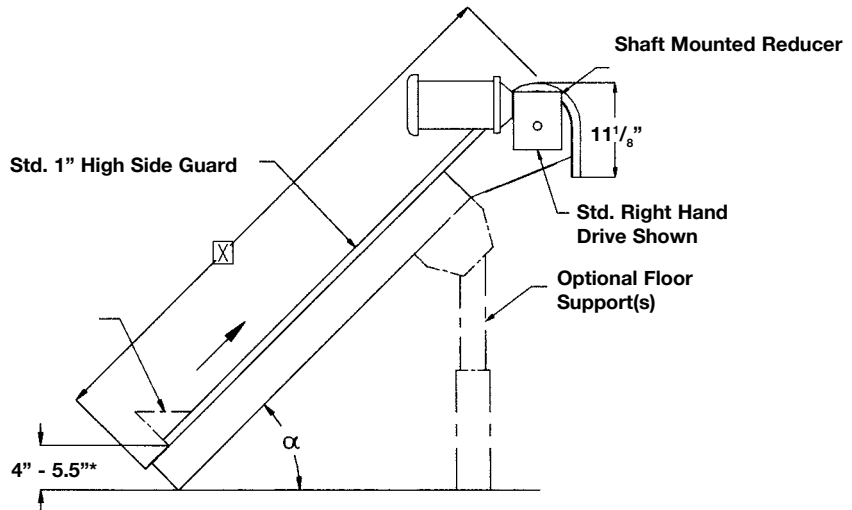
CHAIN: Std #60 roller chain.

TAKE-UP: Automatic spring-loaded chain tensioning.

CONFIGURATIONS: Available in straight and angled-incline configurations

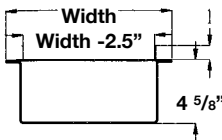
OTHER SPECIFICATIONS AND OPTIONS: See Model Designation chart.

- For X and Y dimensions, see drawing above, round up to nearest foot in model number and specify exact length in inches. For type "A" conveyors, omit Y dimension.
- Drive speeds are available from 10 fpm or less to the top-rated speed for each of the four drive-speed options.

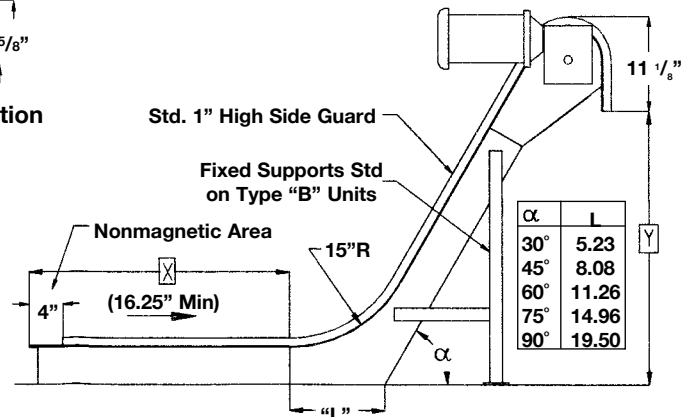


* - Depending on Angle

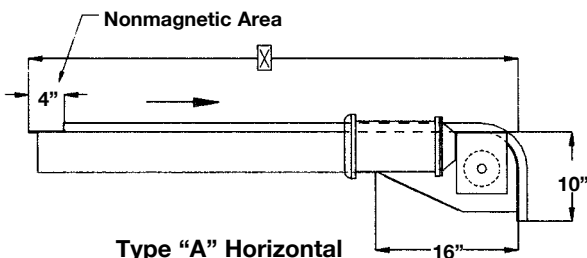
Type "A" Incline



Typical Cross-Section



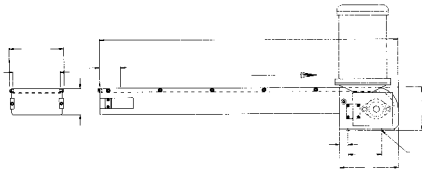
Type "B" Incline



Type "A" Horizontal



Magslide Beltless Conveyors - Low Profile



Use this chart to describe the conveyor you need when discussing or selecting options, ordering, or requesting quotes.

Width (in)	Length (ft)	Drive Type	Drive Side	Drive Speed ¹	Options*
04"	2', 3', 4'	A - Std 1/4hp, 115v, 1 ph	R - Std right	3 - Opt 33 fpm	See option list below
06"	5', 6', 7'	B - Opt 1/4hp, 230/460v, 3 ph	L - Opt left	4 - Std 44 fpm	
08"	8', 9', 10'	C - Opt air drive, 1/4hp @ 50 psi		5 - Opt 65 fpm	
10"		D - Opt 1/4hp, 90vdc variable			
12"		speed with 115v, 1 ph control			

SPECIFICATIONS AND OPTIONS

HEIGHT: Conveyor frames are 3 1/8" high; additional clearance needed for parts or scrap.

FRAME WIDTHS: 4", 6", 8", 10", 12".

LENGTHS: Std. 2'-10' lengths in 1' increments and custom lengths.

GUIDEWORK: Oil-filled UHMW chain guide provides continuous lubrication; automatic or supplemental oil fittings are provided to further increase chain life.

MAGNETS: Std ceramic on 12" c/c, custom Rare Earth magnets for special applications.

SLIDERBED: Rigidized textured stainless steel designed for transfer of oily slugs and scrap is standard.

SIDE GUARDS: Std 1/2" high integral side guards, additional chutes, guides, hoppers and liquid tight construction available upon request.

DRIVE: Std flange-mounted hollow shaft reducer and 1/4 hp, 115v, 1 ph motor providing 44 fpm. Options include drive type, drive position, and drive speeds.

SUPPORTS: Optional floor supports, brackets or mobile base to customer specifications.

CONTROLS: Optional toggle switch for 1 ph drives and pushbutton starter for 3 ph drives; controls supplied either pre-wired, mounted, or shipped loose.

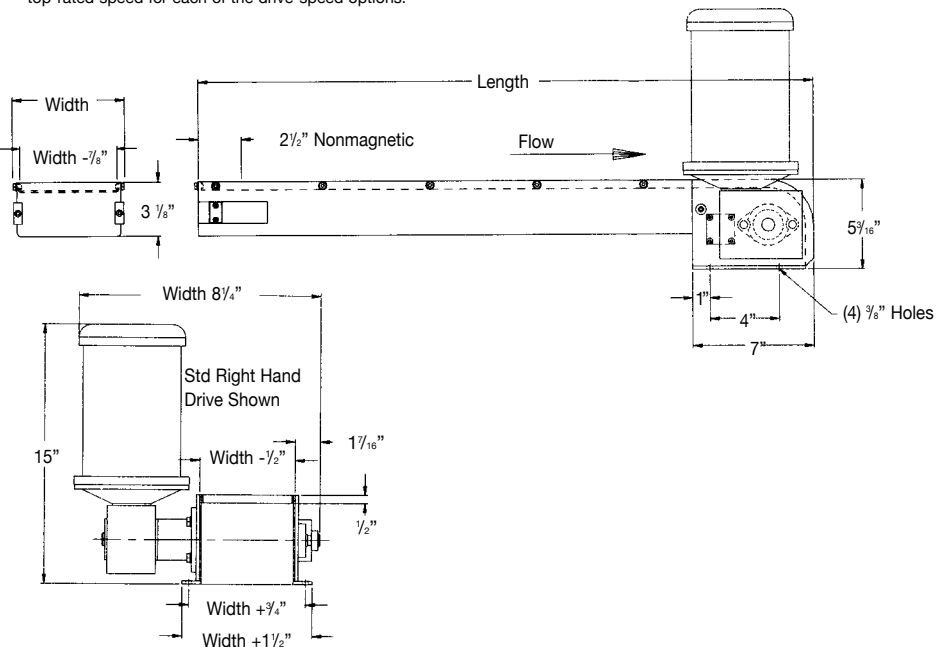
TAKE-UP: Manual chain tensioning at infeed.

OTHER SPECIFICATIONS AND OPTIONS: See Model Designation chart.

*Description of Options: Fill in as many option boxes as required to fully describe conveyor.

0 - No Options 1 - Special Length 2 - Floor Supports 3 - Side Guards or Hoppers 4 - Control, 1 ph
5 - Control, 3 ph 6 - Sealed 7 - Special Paint 8 - Other

¹ Drive speeds are variable from 10 fpm or less to the top-rated speed for each of the drive-speed options.



SAMPLE CAPACITIES AND APPLICATION GUIDE

TYPICAL CONVEYING CAPACITIES (lbs/hr)							
Material	Model and Frame Width						
	Low-Profile (MSL) Series			Medium-Duty (MSM) Series			
	4"	8"	12"	10"	12"	15"	18"
Dry steel chips, dense 1/8-1/4"	100	460	790	490	760	1170	1580
Dry steel chips, light 1/8-1/2"	60	280	490	280	430	660	900
Light press scrap, 1/8-3/4"	110	520	900	460	710	1090	1470
1/4" hex nut	170	825	1420	810	1260	1940	2620
3/8" flat washer	140	670	1170	630	980	1500	2020
Nails - 4d box	90	440	760	770	1200	1840	2480

- Capacities listed above are representative of laboratory conditions at 45 fpm with magnets on 12" c/c and a clean dry sliderbed. Actual capacities will vary with operating conditions, specific type of material, and the method of presentation.
- MagSlide conveyors should be selected to handle the maximum intermittent load anticipated. If material is allowed to accumulate on the sliderbed, the magnets may not be capable of breaking material free from a pile.
- Low-Profile (MSC) Series capacities listed above are typical of horizontal applications. Medium-Duty (MSM) Series capacities are typical of incline applications.

- Dried oils and coolants can form a tacky film on the sliderbed that diminishes conveying capacity. Be sure to clean the sliderbed as necessary.
- Large material (>2") may require magnet centers greater than 12" to prevent material from "chaining" between magnets.
- Drill spirals, wooly chips, and large scrap pieces may be impossible to convey. If in doubt, submit samples to us for evaluation.



Standard Pre-Engineered Magnetic Conveyors

Guide to Conveyor Selection

Selecting the right conveyor or combination of conveyors for your particular application is easy with Bunting's standard magnetic conveying equipment. Utilizing standard, pre-engineered components, Bunting can offer conveyors to handle virtually any type of ferrous part or scrap by tailoring the physical dimensions to fit the application. This selection guide is designed to provide as much detailed information as possible to assist you in selecting and ordering Bunting Standard Magnetic Conveyors. On the following pages, you will find a variety of equipment specifically designed to solve your material handling problems, along with the detailed dimensions necessary to determine which will best suit your needs.

While, in some cases, magnetic handling and conveying jobs will require modification of basic Bunting conveyors, all units will utilize standard, modular parts to provide an economical alternative to custom conveyors and systems. Bunting conveyors can be used alone or in combinations to accomplish a variety of material handling tasks, and although this catalog does not deal with system development, our sales representatives and in-house engineering staff will be happy to assist you in designing a system specifically suited to your application. Call us toll-free at 800-835-2526 (in Kansas call 316-284-2020) if you have questions or would like to schedule a personal meeting.

To determine which Bunting Magnetic Conveyors will best serve your needs, five factors must be considered. The following specifications have been prepared to help you determine what conveyor style, angle of incline, belt speed, physical dimensions, and optional equipment will best fit your application.

Determining Physical Specifications

Conveyor Style

SC Series Magnetic Curved Slider Bed – Used when transporting unstable, irregularly-shaped parts, large/bulky items, or parts which are too heavy to negotiate an abrupt change of direction.

SP Series Magnetic Pulley Corner Section – Used when product load is heavy or when production rates require belt speeds above 120 fpm.

SH Series Magnetic Horizontal Conveyors – Used horizontally or at inclines up to 15 degrees.

Angle of Incline

Steep inclines offer the advantage of minimum floor space.

Shallower angles are used to transfer large parts or to reduce belt pull when using a Magnetic Curved Slider Bed section under heavily loaded conditions.

Belt Width

In most cases, belt width is determined by the size of the product to be conveyed. When moving small parts, we suggest that the belt be at least 3" wider than the parts being conveyed. For scrap conveying, consult the Bunting Engineering Department.

Vertical Height

Vertical discharge height is directly related to the demands of the equipment being fed. Select a steeper angle of incline when floor space is at a minimum.

Horizontal Extension Length

Conveyors requiring additional horizontal length can be ordered by adding an extension to the basic model length. The length of a horizontal extension is directly related to the angle of incline and vertical height desired. Lower angles of incline will require smaller extensions, while steep inclines will require longer extensions to achieve a similar overall length.

Example:

The corresponding horizontal or "L" dimension for an SP 708-10-00 per chart is 5'-1". This figure falls approximately .1 ft. short of a desired 6'-1" dimension, thus indicating the need for a 1 ft. extension to the basic model. The extension is described as an "X" dimension and the overall length of the conveyor computed by adding the "L" dimension (5'-1") to the "X" dimension (1'-0"). Thus, the model number created is SP 708-10-01.



Standard Pre-Engineered Magnetic Conveyors

“Insider Tips” for Effective Conveyor Design

1. Select a belt speed so that a uniform flow of product is achievable.
2. Proper feeding of product to the magnet element is important to achieve maximum volume.
3. Use as thin a belt as possible for conveying cans to achieve maximum holding values.
4. The flatter the angle of incline – the less magnetic strength will be required to secure the product.
5. Cleats need to be used in addition to magnets on some cylindrical products to prevent roll back.
6. Cylindrical products can be conveyed without cleats with the proper strength of magnet if conveyed in mass.
7. To convey cans, use belts with a slight texture to prevent slippage in wet applications.
8. To achieve maximum holding strength use as thin of nonmagnetic slider bed as possible between the magnetic element and the belt.
9. Belts can be run directly on top of Bunting magnetic rails.
10. Corner pulleys reduce belt loads and horsepower requirements versus corner curve sections.
11. Corner curve sections give products more stability than corner pulleys.
12. Running belts as loose as possible yet without slippage on the Drive Pulley will lengthen belt life and reduce loading.
13. Taller parts past 2 to 1 ratio usually require extra magnetic strength to stabilize if conveyed on inclines.
14. Multiple lanes of lighter magnetic rails can be better than a single strong rail on larger parts.
15. When conveying product using multiple magnetic lanes, the lanes must be equally loaded for the belt to track properly.
16. To reduce friction and heat build-up it's best to use magnetic corner pulleys on conveyors with belt speeds over 150 fpm.
17. When conveying nails or fasteners, select a belt width equal to the rail width plus twice the maximum product length.
18. Stronger magnets at infeed areas aid in transfers for some can sizes.
19. Look for belts with low-friction backing on high-load applications.
20. T-rails can be shorted out partially to reduce loads by placing mild steel on the bottom of the rail, plate rails cannot be shorted out.
21. Magnetic rails significantly increase belt loading compared to nonmagnetic conveyors. A stronger belt and/or a larger diameter drive pulley may be required.

Bunting S-Series Conveyors



STANDARD SPECIFICATIONS

BELT: Belts are available in 4", 6", 8", 12", 18", and 24" widths, and feature oil and abrasion-resistant surfaces with stainless steel clipper lacing.

OVERALL LENGTHS: See "Horizontal L-Dim" under Basic Model Data heading for each conveyor style. Standard Incline Conveyor lengths vary as a function of discharge height and angle of incline.

CONVEYOR FRAME: Frames are 6-1/4" x 1-1/8" x #12 ga (.104) CRS formed channel with welded cross braces and removable bottom access covers.

PAINT: Conveyors are painted with standard machinery enamel – sky blue color with orange chain guard.

SLIDER BED: Slider beds are manufactured of #16 ga (.060) 300 Series nonmagnetic stainless steel.

MAGNET SPECS: Standard models utilize medium-duty 600 Series single-lane magnetic elements in belt widths 4", 6", and 8". Dual lanes are standard in belt widths of 12", 18", and 24".

DRIVE ASSEMBLY: The Nose End Drive features at 1'-4" OAL with 6-1/2" OD crowned-face drive pulley and oil and wear-resistant rough top PVC lagging. The unit also incorporated a heavy-duty adjustable snub roller for 210-degree belt wrap.

TAKE-UP ASSEMBLY: The End Take-Up measures 2'-0" OAL with a 6" OD crowned face take-up roller and heavy-duty adjustable frame providing a full 12" of belt take-up.

BEARINGS: Relubricatable, precision ball bearings are mounted in self-aligning cast iron housings.

SNUB & RETURN ROLLERS: Heavy-duty hex axle rollers are mounted on adjustable retaining clips and positioned at approximately 5'-0" intervals for optimum belt support.

DRIVE MOTOR: A 3/4 hp, 230/460V, 3 ph., 60 Hz TEFC right-angle gear motor with guarded roller chain drive is supplied for conveyors with 4", 6", & 8" belts. For 12" thru 24" wide belt conveyors, larger drive motors are available based on application requirements.

MOTOR MOUNTING: Standard above belt mounted with output shaft on left side looking in direction of flow. Clearance between motor and belt is 3". Optional bottom mounting available at no extra charge with output shaft on right side looking in direction of flow.

BELT SPEED: Standard is 60 fpm, constant speed, with a wide range of constant and adjustable speeds also available.

SUPPORTS: Angle and incline brackets are provided where applicable for base mounting, floor supports and ceiling hangers are optional.

OPTIONAL EQUIPMENT

BELTING: Various belt fabrics can be supplied to meet specific requirements such as food grade, low friction, rough-top style, cleated, wire mesh, endless belt splices, etc.

OPTIONAL MAGNETIC COMPONENTS: A wide variety of magnetic components is available to match virtually any application, including single-rail, multiple-rail, and full-belt coverage elements.

DEMAGNETIZERS: If residual magnetism is a problem, two types of demagnetizers are available. Plate-type demagnetizers are typically located internally within a horizontal bed section at the discharge end of a conveyor. Loop style demagnetizers are also located at the discharge end of the conveyor.

BELT SPEED: Constant and variable belt speeds are available from 30-250 fpm.

MOTORS: Optional motor is US RAGH 1 hp, 1-1/2 hp, and 2 hp TEFC standard-duty or vapor/dust explosion-proof.

DRIVE LOCATION: Drives can be mounted either above or below the belt at the discharge end of the conveyor or toward the center of the conveyor with center drive and take-ups.

SUPPORTS: Medium-duty formed channel-type floor supports are available for heights to 7'-0". Heavy-duty 3" structural channel-type floor supports are also available for heights up to 10'-0". Ceiling hangers consist of 3" structural channel support bar and 3/4" dia. threaded suspension rods.

SIDE GUARDS: Formed angle-type Side Guards are available in 3" to 6" heights. Z Section Side Guards with detachable expanded metal top covers are available from 3" or 6" high. Adjustable Can Style Guides of 1/2" round stainless steel are equipped with bracket supports. Polyethylene covers can also be supplied.

BELT CLEANERS: A Powered Bristle Brush belt with particle deflector may be driven from the head pulley. Alternatively, a spring-loaded, self-adjusting Belt Wiper Blade may also be located at the head pulley.

PAINT: Customer requested paints and colors are available, including epoxy paints for washdown applications.



Standard Pre-Engineered Magnetic Conveyors

Ordering Information

Bunting utilizes a nine-digit part number to describe each conveyor according to its physical dimensions. The two-letter prefix indicates the frame series and styles of the conveyor. The following three digits specify the angle of incline and belt width, while the remaining two pair of digits relate to the vertical height and horizontal length extension, respectively.

Inclined and Vertical Conveyors

Part numbers for inclined and vertical conveyors are constructed by selecting the conveyor style, angle of incline, and belt width desired (**see Part Number Explanation chart**). Vertical height of the conveyor is indicated in one foot increments by the “Y-Y” suffix, while horizontal extensions to the basic conveyor length are designated by the “X-X” suffix. Since all part numbers must contain nine digits, conveyors which do not require horizontal length extensions are identified by a “00” number as the “X-X” suffix.

Horizontal Conveyors

Part numbers for horizontal conveyors are also constructed by establishing the conveyor series, belt width, and horizontal length (**see Part Number Explanation chart**). The “Y-Y” suffix of the part number does not apply in specifying a horizontal conveyor, and should be identified by a “00” number. The “X-X” suffix, however, identifies the entire horizontal length of the conveyor based on the values found in its corresponding dimensional tables. An entry of “12” as the “X-X” suffix, then, would represent an overall horizontal length of 12’-4”.

Part Number Explanation

S	C	9	04	YY	XX
Conveyor Frame Series	Conveyor Style	Angle of Incline	Belt Width	Vertical Height Suffix	Horizontal Extension Suffix
S - Standard Duty	C - Curved Slider Bed P - Pulley Corner H - Horizontal	1 - Horizontal 3 - 30 4 - 45 6 - 60 7 - 75 9 - 90	04 = 4” width 06 = 6” width 08 = 8” width 12 = 12” width 18 = 18” width 24 = 24” width	00 = Horizontal 04 = 4’-0” 05 = 5’-0” 06 = 6’-0” 07 = 7’-0” ETC.	00 = 0’-0” 01 = 1’-0” 02 = 2’-0” 03 = 3’-0” 04 = 4’-0” ETC.

Example A:
Part number SC 704-06-00 indicates a standard duty, 75-degree incline elevator with a curved magnetic slider bed section, 4” wide belt, 6’-0” vertical height and no horizontal length extension.

Example B:
Part number SP 918-14-04 indicates a standard duty, 90-degree incline elevator with a magnetic pulley corner section, 18” wide belt, 14’-0” vertical height and 4’-0” extension to the standard 2’-6” horizontal length of that model.

Example C:
Part number SH 106-00-07 indicates a standard duty horizontal conveyor with a 6” wide belt and an overall length of 7’-4”.

Developing your own conveyor system

As you review the various styles and options available, you may have a number of applications in mind. Bunting Magnetic Conveyors can be utilized alone or in combinations to perform a variety of material handling functions, and we have a full staff of sales

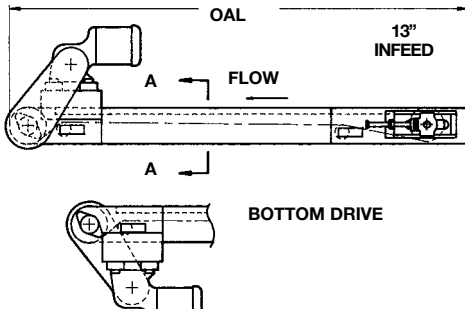
representatives available to help you design a conveyor system especially for your application.

While you may have an idea of which conveyor models will best suit your needs, when it comes to part transfer or orientation, belt speed, or other specific features, talk to one of our sales representatives. They will be able to

help you put together a system that will provide you with exactly what you need – quickly and economically – as well as provide the quotations, drawings, and other technical information you will require. Call us anytime toll-free at 800-835-2526 (in Kansas, call 316-284-2020) for more information.



Horizontal Conveyors SH 100 Series – Horizontals



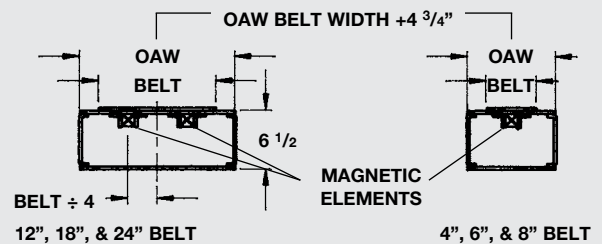
Standard Models/Belt Widths

Model	Belt Width
SH 104	4 IN
SH 106	6 IN
SH 108	8 IN
SH 112	12 IN
SH 118	18 IN
SH 124	24 IN
Other Sizes Available	

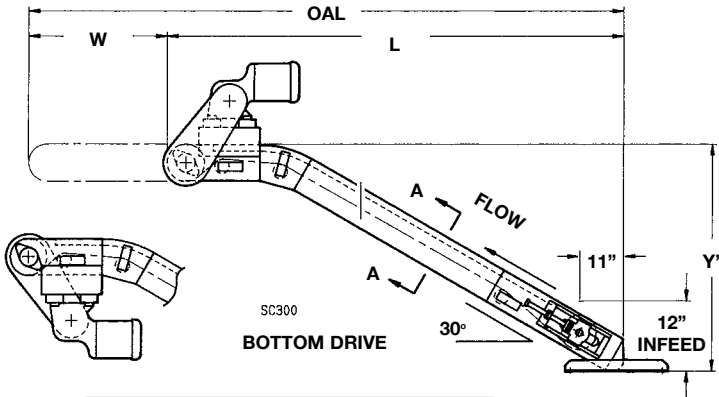
Basic Model Data			Basic Model Data			Basic Model Data			Basic Model Data		
Suffix	X-X	OAL	Suffix	X-X	OAL	Suffix	X-X	OAL	Suffix	X-X	OAL
03		3'-4"	21		21'-4"	38		38'-4"	55		55'-4"
04		4'-4"	22		22'-4"	39		39'-4"	56		56'-4"
05		5'-4"	23		23'-4"	40		40'-4"	57		57'-4"
06		6'-4"	24		24'-4"	41		41'-4"	58		58'-4"
07		7'-4"	25		25'-4"	42		42'-4"	59		59'-4"
08		8'-4"	26		26'-4"	43		43'-4"	60		60'-4"
09		9'-4"	27		27'-4"	44		44'-4"	61		61'-4"
10		10'-4"	28		28'-4"	45		45'-4"	62		62'-4"
11		11'-4"	29		29'-4"	46		46'-4"	63		63'-4"
12		12'-4"	30		30'-4"	47		47'-4"	64		64'-4"
13		13'-4"	31		31'-4"	48		48'-4"	65		65'-4"
14		14'-4"	32		32'-4"	49		49'-4"	66		66'-4"
15		15'-4"	33		33'-4"	50		50'-4"	67		67'-4"
16		16'-4"	34		34'-4"	51		51'-4"	68		68'-4"
17		17'-4"	35		35'-4"	52		52'-4"	69		69'-4"
18		18'-4"	36		36'-4"	53		53'-4"	70		70'-4"
19		19'-4"	37		37'-4"	54		54'-4"	71		71'-4"
20		20'-4"									

SECTION A-A

Applies to all Bunting Magnetic Horizontal, Incline, and Nose-Over conveyor models on pages 6-8.



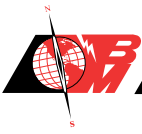
Incline Conveyors SC 300 Series – with 30° Curved Nose-Over Section



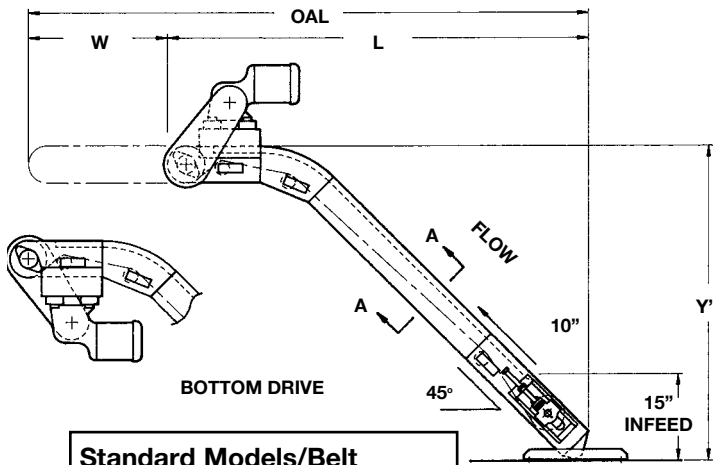
Standard Models/Belt Widths

Model	Belt Width
SC 304	4 IN
SC 306	6 IN
SC 308	8 IN
SC 312	12 IN
SC 318	18 IN
SC 324	24 IN
Other Sizes Available	

Basic Model Data				Extension Data		
Suffix	Discharge	Horizontal		Suffix	Extension	OAL
X-X	HT. Y-Dim.	L-Dim.		X-X	X-Dim.	
03	3'-0"	6'-1"		00	0'-0"	0'-0" + L
04	4'-0"	7'-10"		01	1'-0"	1'-0" + L
05	5'-0"	9'-7"		02	2'-0"	2'-0" + L
06	6'-0"	11'-4"		03	3'-0"	3'-0" + L
07	7'-0"	13'-1"		04	4'-0"	4'-0" + L
08	8'-0"	14'-10"		05	5'-0"	5'-0" + L
09	9'-0"	16'-7"		06	6'-0"	6'-0" + L
10	10'-0"	18'-3"		07	7'-0"	7'-0" + L
11	11'-0"	20'-0"		08	8'-0"	8'-0" + L
12	12'-0"	21'-9"		09	9'-0"	9'-0" + L
13	13'-0"	23'-6"		10	10'-0"	10'-0" + L
14	14'-0"	25'-3"		11	11'-0"	11'-0" + L
15	15'-0"	26'-11"		12	12'-0"	12'-0" + L
16	16'-0"	28'-8"		13	13'-0"	13'-0" + L
17	17'-0"	30'-5"		14	14'-0"	14'-0" + L
18	18'-0"	32'-2"		15	15'-0"	15'-0" + L
19	19'-0"	33'-10"		16	16'-0"	16'-0" + L
20	20'-0"	35'-7"		17	17'-0"	17'-0" + L
21	21'-0"	37'-4"		18	18'-0"	18'-0" + L
22	22'-0"	39'-0"		19	19'-0"	19'-0" + L
23	23'-0"	39'-11"		20	20'-0"	20'-0" + L
24	24'-0"	42'-6"		21	21'-0"	21'-0" + L
25	25'-0"	44'-3"		22	22'-0"	22'-0" + L



Incline Conveyor SC 400 Series – with 45° Curved Nose-Over Section



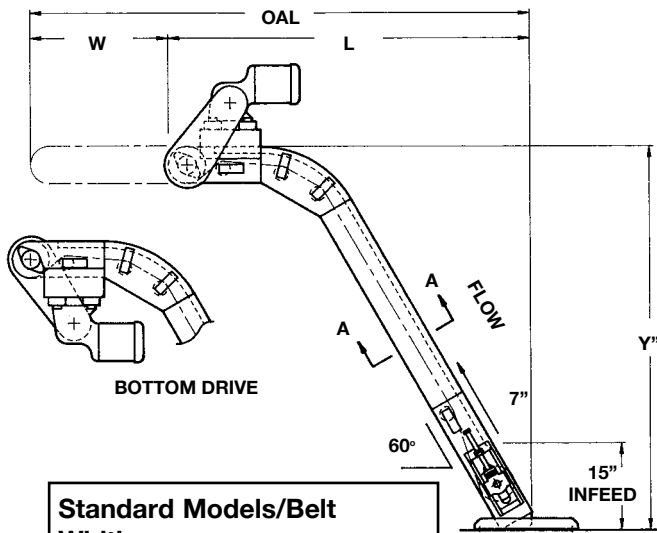
Standard Models/Belt Widths

Model	Belt Width
SC 404	4 IN
SC 406	6 IN
SC 408	8 IN
SC 412	12 IN
SC 418	18 IN
SC 424	24 IN
Other Sizes Available	

Basic Model Data		
Suffix X-X	Discharge HT. Y-Dim.	Horizontal L-Dim.
03	3'-0"	4'-5"
04	4'-0"	5'-5"
05	5'-0"	6'-6"
06	6'-0"	7'-6"
07	7'-0"	8'-6"
08	8'-0"	9'-6"
09	9'-0"	10'-6"
10	10'-0"	11'-6"
11	11'-0"	12'-6"
12	12'-0"	13'-6"
13	13'-0"	14'-6"
14	14'-0"	15'-6"
15	15'-0"	16'-6"
16	16'-0"	17'-6"
17	17'-0"	18'-5"
18	18'-0"	19'-5"
19	19'-0"	20'-5"
20	20'-0"	21'-5"
21	21'-0"	22'-5"
22	22'-0"	23'-5"
23	23'-0"	24'-5"
24	24'-0"	25'-5"
25	25'-0"	26'-5"

Extension Data		
Suffix X-X	Extension X-Dim.	OAL
00	0'-0"	0'-0" + L
01	1'-0"	1'-0" + L
02	2'-0"	2'-0" + L
03	3'-0"	3'-0" + L
04	4'-0"	4'-0" + L
05	5'-0"	5'-0" + L
06	6'-0"	6'-0" + L
07	7'-0"	7'-0" + L
08	8'-0"	8'-0" + L
09	9'-0"	9'-0" + L
10	10'-0"	10'-0" + L
11	11'-0"	11'-0" + L
12	12'-0"	12'-0" + L
13	13'-0"	13'-0" + L
14	14'-0"	14'-0" + L
15	15'-0"	15'-0" + L
16	16'-0"	16'-0" + L
17	17'-0"	17'-0" + L
18	18'-0"	18'-0" + L
19	19'-0"	19'-0" + L
20	20'-0"	20'-0" + L
21	21'-0"	21'-0" + L
22	22'-0"	22'-0" + L

SC 600 Series – with 60° Curved Nose-Over Section



Standard Models/Belt Widths

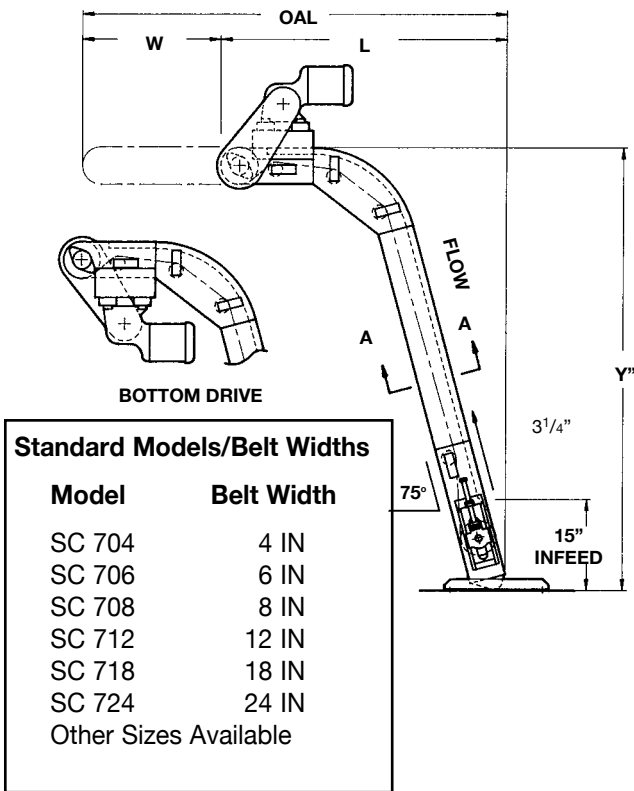
Model	Belt Width
SC 604	4 IN
SC 606	6 IN
SC 608	8 IN
SC 612	12 IN
SC 618	18 IN
SC 624	24 IN
Other Sizes Available	

Basic Model Data		
Suffix X-X	Discharge HT. Y-Dim.	Horizontal L-Dim.
03	2'-10"	3'-8"
04	4'-0"	4'-4"
05	5'-0"	4'-11"
06	6'-0"	5'-6"
07	7'-0"	6'-1"
08	8'-0"	6'-8"
09	9'-0"	7'-3"
10	10'-0"	7'-9"
11	11'-0"	8'-4"
12	12'-0"	8'-11"
13	13'-0"	9'-6"
14	14'-0"	10'-1"
15	15'-0"	10'-8"
16	16'-0"	11'-3"
17	17'-0"	11'-10"
18	18'-0"	12'-5"
19	19'-0"	13'-0"
20	20'-0"	13'-7"
21	21'-0"	14'-2"
22	22'-0"	14'-9"
23	23'-0"	15'-4"
24	24'-0"	15'-10"
25	25'-0"	16'-5"

Extension Data		
Suffix X-X	Extension X-Dim.	OAL
00	0'-0"	0'-0" + L
01	1'-0"	1'-0" + L
02	2'-0"	2'-0" + L
03	3'-0"	3'-0" + L
04	4'-0"	4'-0" + L
05	5'-0"	5'-0" + L
06	6'-0"	6'-0" + L
07	7'-0"	7'-0" + L
08	8'-0"	8'-0" + L
09	9'-0"	9'-0" + L
10	10'-0"	10'-0" + L
11	11'-0"	11'-0" + L
12	12'-0"	12'-0" + L
13	13'-0"	13'-0" + L
14	14'-0"	14'-0" + L
15	15'-0"	15'-0" + L
16	16'-0"	16'-0" + L
17	17'-0"	17'-0" + L
18	18'-0"	18'-0" + L
19	19'-0"	19'-0" + L
20	20'-0"	20'-0" + L
21	21'-0"	21'-0" + L
22	22'-0"	22'-0" + L



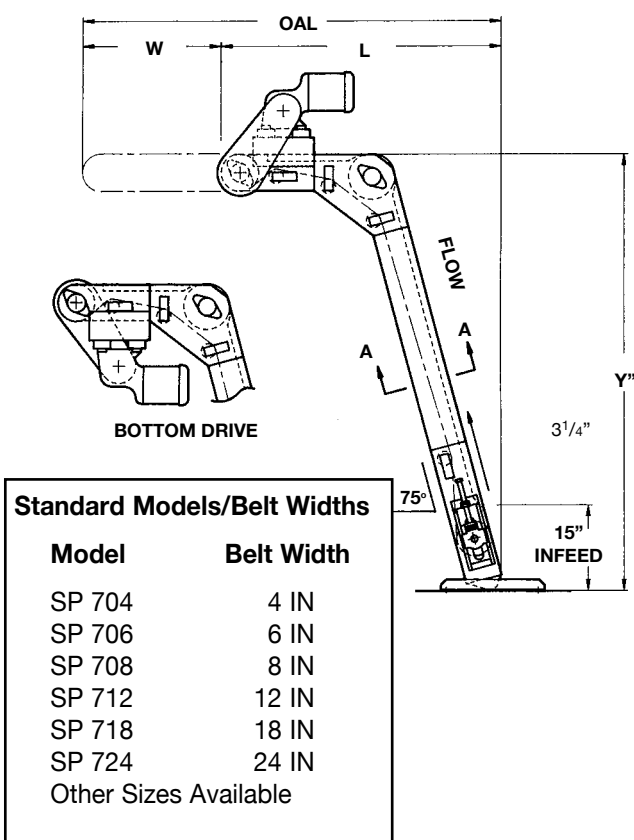
Incline Conveyor - SC 700 Series - with 75° Curved Nose-Over Section



Basic Model Data		
Suffix X-X	Discharge HT. Y-Dim.	Horizontal L-Dim.
03	3'-3"	3'-4"
04	4'-0"	3'-6"
05	5'-0"	3'-9"
06	6'-0"	4'-0"
07	7'-0"	4'-4"
08	8'-0"	4'-7"
09	9'-0"	4'-10"
10	10'-0"	5'-1"
11	11'-0"	5'-4"
12	12'-0"	5'-8"
13	13'-0"	5'-11"
14	14'-0"	6'-2"
15	15'-0"	6'-5"
16	16'-0"	6'-8"
17	17'-0"	7'-0"
18	18'-0"	7'-3"
19	19'-0"	7'-6"
20	20'-0"	7'-9"
21	21'-0"	8'-1"
22	22'-0"	8'-4"
23	23'-0"	8'-7"
24	24'-0"	8'-10"
25	25'-0"	9'-1"

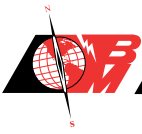
Extension Data		
Suffix X-X	Extension X-Dim.	OAL
00	0'-0"	0'-0" + L
01	1'-0"	1'-0" + L
02	2'-0"	2'-0" + L
03	3'-0"	3'-0" + L
04	4'-0"	4'-0" + L
05	5'-0"	5'-0" + L
06	6'-0"	6'-0" + L
07	7'-0"	7'-0" + L
08	8'-0"	8'-0" + L
09	9'-0"	9'-0" + L
10	10'-0"	10'-0" + L
11	11'-0"	11'-0" + L
12	12'-0"	12'-0" + L
13	13'-0"	13'-0" + L
14	14'-0"	14'-0" + L
15	15'-0"	15'-0" + L
16	16'-0"	16'-0" + L
17	17'-0"	17'-0" + L
18	18'-0"	18'-0" + L
19	19'-0"	19'-0" + L
20	20'-0"	20'-0" + L
21	21'-0"	21'-0" + L
22	22'-0"	22'-0" + L

SP 700 Series - with 75° Pulley Corner Nose-Over Section

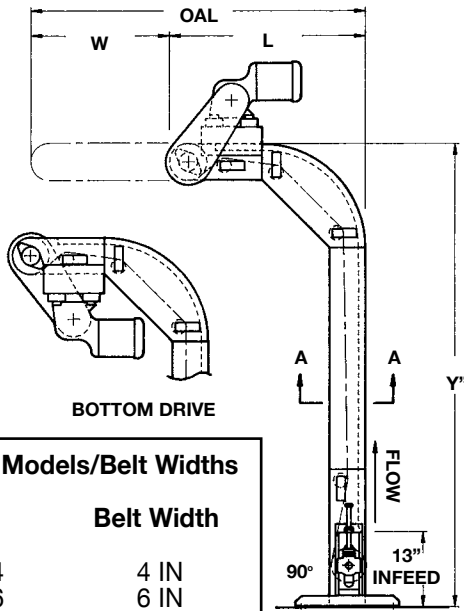


Basic Model Data		
Suffix X-X	Discharge HT. Y-Dim.	Horizontal L-Dim.
03	3'-3"	3'-4"
04	4'-0"	3'-6"
05	5'-0"	3'-9"
06	6'-0"	4'-0"
07	7'-0"	4'-4"
08	8'-0"	4'-7"
09	9'-0"	4'-10"
10	10'-0"	5'-1"
11	11'-0"	5'-4"
12	12'-0"	5'-8"
13	13'-0"	5'-11"
14	14'-0"	6'-2"
15	15'-0"	6'-5"
16	16'-0"	6'-8"
17	17'-0"	7'-0"
18	18'-0"	7'-3"
19	19'-0"	7'-6"
20	20'-0"	7'-9"
21	21'-0"	8'-1"
22	22'-0"	8'-4"
23	23'-0"	8'-7"
24	24'-0"	8'-10"
25	25'-0"	9'-1"

Extension Data		
Suffix X-X	Extension X-Dim.	OAL
00	0'-0"	0'-0" + L
01	1'-0"	1'-0" + L
02	2'-0"	2'-0" + L
03	3'-0"	3'-0" + L
04	4'-0"	4'-0" + L
05	5'-0"	5'-0" + L
06	6'-0"	6'-0" + L
07	7'-0"	7'-0" + L
08	8'-0"	8'-0" + L
09	9'-0"	9'-0" + L
10	10'-0"	10'-0" + L
11	11'-0"	11'-0" + L
12	12'-0"	12'-0" + L
13	13'-0"	13'-0" + L
14	14'-0"	14'-0" + L
15	15'-0"	15'-0" + L
16	16'-0"	16'-0" + L
17	17'-0"	17'-0" + L
18	18'-0"	18'-0" + L
19	19'-0"	19'-0" + L
20	20'-0"	20'-0" + L
21	21'-0"	21'-0" + L
22	22'-0"	22'-0" + L



Vertical - SC 900 Series - with 90° Curved Nose-Over Section Conveyor



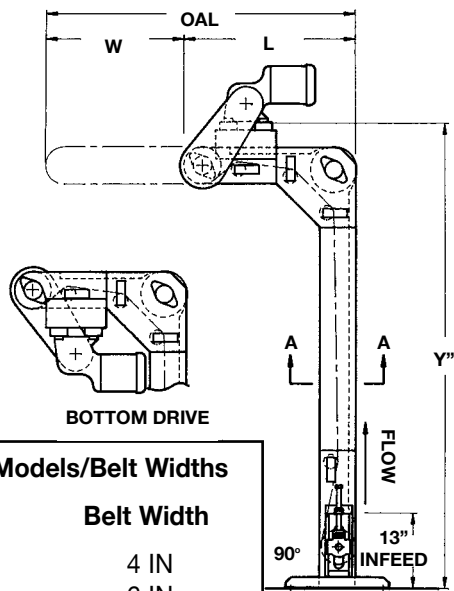
Standard Models/Belt Widths

Model	Belt Width
SC 904	4 IN
SC 906	6 IN
SC 908	8 IN
SC 912	12 IN
SC 918	18 IN
SC 924	24 IN
Other Sizes Available	

Basic Model Data		
Suffix X-X	Discharge HT. Y-Dim.	Horizontal L-Dim.
03	3'-6"	2'-10"
04	4'-0"	2'-10"
05	5'-0"	2'-10"
06	6'-0"	2'-10"
07	7'-0"	2'-10"
08	8'-0"	2'-10"
09	9'-0"	2'-10"
10	10'-0"	2'-10"
11	11'-0"	2'-10"
12	12'-0"	2'-10"
13	13'-0"	2'-10"
14	14'-0"	2'-10"
15	15'-0"	2'-10"
16	16'-0"	2'-10"
17	17'-0"	2'-10"
18	18'-0"	2'-10"
19	19'-0"	2'-10"
20	20'-0"	2'-10"
21	21'-0"	2'-10"
22	22'-0"	2'-10"
23	23'-0"	2'-10"
24	24'-0"	2'-10"
25	25'-0"	2'-10"

Extension Data		
Suffix X-X	Extension X-Dim.	OAL
00	0'-0"	0'-0" + L
01	1'-0"	1'-0" + L
02	2'-0"	2'-0" + L
03	3'-0"	3'-0" + L
04	4'-0"	4'-0" + L
05	5'-0"	5'-0" + L
06	6'-0"	6'-0" + L
07	7'-0"	7'-0" + L
08	8'-0"	8'-0" + L
09	9'-0"	9'-0" + L
10	10'-0"	10'-0" + L
11	11'-0"	11'-0" + L
12	12'-0"	12'-0" + L
13	13'-0"	13'-0" + L
14	14'-0"	14'-0" + L
15	15'-0"	15'-0" + L
16	16'-0"	16'-0" + L
17	17'-0"	17'-0" + L
18	18'-0"	18'-0" + L
19	19'-0"	19'-0" + L
20	20'-0"	20'-0" + L
21	21'-0"	21'-0" + L
22	22'-0"	22'-0" + L

SP 900 Series - with 90° Pulley Corner Nose-Over Section



Standard Models/Belt Widths

Model	Belt Width
SP 904	4 IN
SP 906	6 IN
SP 908	8 IN
SP 912	12 IN
SP 918	18 IN
SP 924	24 IN
Other Sizes Available	

Basic Model Data		
Suffix X-X	Discharge HT. Y-Dim.	Horizontal L-Dim.
03	3'-2"	2'-6"
04	4'-0"	2'-6"
05	5'-0"	2'-6"
06	6'-0"	2'-6"
07	7'-0"	2'-6"
08	8'-0"	2'-6"
09	9'-0"	2'-6"
10	10'-0"	2'-6"
11	11'-0"	2'-6"
12	12'-0"	2'-6"
13	13'-0"	2'-6"
14	14'-0"	2'-6"
15	15'-0"	2'-6"
16	16'-0"	2'-6"
17	17'-0"	2'-6"
18	18'-0"	2'-6"
19	19'-0"	2'-6"
20	20'-0"	2'-6"
21	21'-0"	2'-6"
22	22'-0"	2'-6"
23	23'-0"	2'-6"
24	24'-0"	2'-6"
25	25'-0"	2'-6"

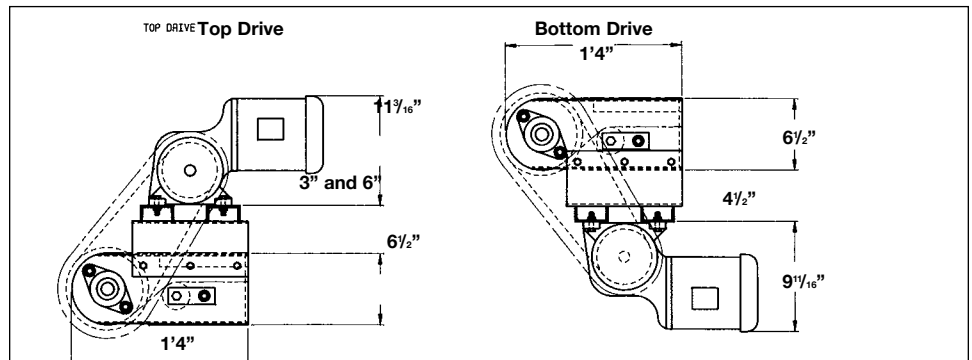
Extension Data		
Suffix X-X	Extension X-Dim.	OAL
00	0'-0"	0'-0" + L
01	1'-0"	1'-0" + L
02	2'-0"	2'-0" + L
03	3'-0"	3'-0" + L
04	4'-0"	4'-0" + L
05	5'-0"	5'-0" + L
06	6'-0"	6'-0" + L
07	7'-0"	7'-0" + L
08	8'-0"	8'-0" + L
09	9'-0"	9'-0" + L
10	10'-0"	10'-0" + L
11	11'-0"	11'-0" + L
12	12'-0"	12'-0" + L
13	13'-0"	13'-0" + L
14	14'-0"	14'-0" + L
15	15'-0"	15'-0" + L
16	16'-0"	16'-0" + L
17	17'-0"	17'-0" + L
18	18'-0"	18'-0" + L
19	19'-0"	19'-0" + L
20	20'-0"	20'-0" + L
21	21'-0"	21'-0" + L
22	22'-0"	22'-0" + L



Special Features/Options of Pre-Engineered Magnetic Conveyors

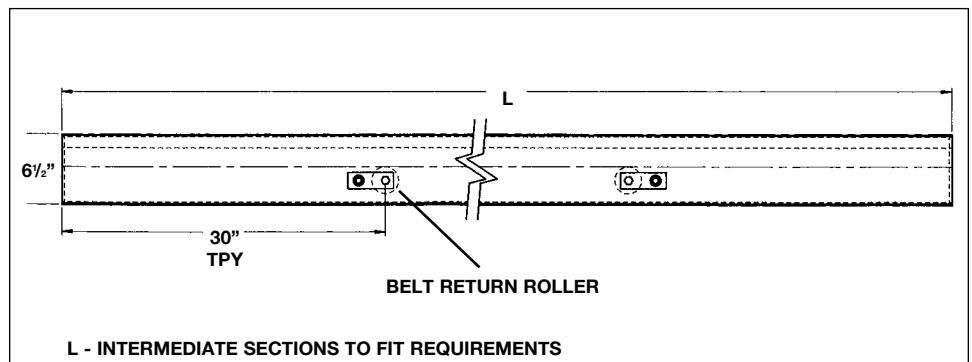
End Drives

End drives are matched to the materials handled and the size of the conveyor. Standard drive assemblies feature an OAL of 1'-4" with a 6-1/2" dia. crowned-face drive pulley with oil and wear-resistant rough-top PVC lagging. The Unit also incorporates a heavy-duty adjustable snub roller to aid in belt tracking.



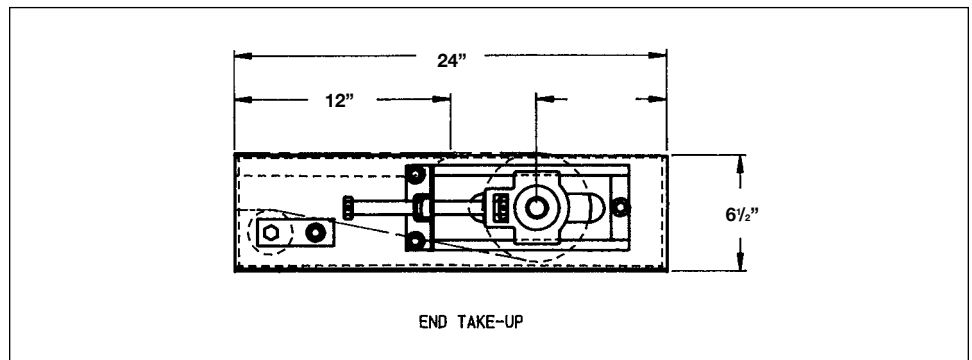
Straight Sections

Straight sections are available in lengths from 1' to 10' with belts from 4"-24" wide. Standard conveyor sections are matched to the size and shape of the materials being transported, and feature a single-lane magnetic element in belt widths of 4"-8". Standard conveyors with belt widths of 12" or more offer dual lanes of magnetic elements.



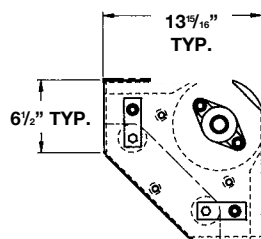
End Take-Up

The End Take-Up controls belt tension and features an OAL of 2'-0" with a 6" diameter crowned-face take-up roller and a heavy-duty snub roller to aid in belt tracking. The End Take-Up also features a 6" adjustable take-up frame, which provides a full 12" of belt take-up.



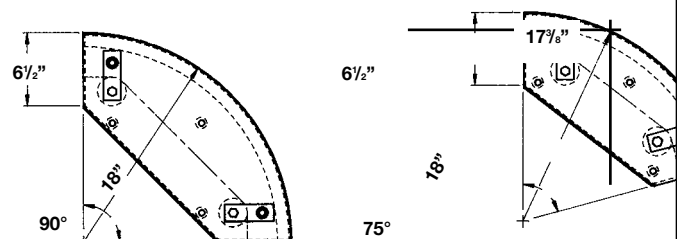
Magnetic Corner Pulley – 90 degrees

The Magnetic Corner Pulley (Models SP 700 through SP 900) features a single lane of magnetic elements and an 8" diameter crowned-face magnetic pulley in belt widths of 4", 6", and 8". Standard models with belt widths of 12", 18", and 24" utilize dual-lanes of magnetic elements.



Magnetic Curved Sections

The Magnetic Curved Section (Models SC 300 through SC 900) features a single-lane, 18" radius curved magnetic element in belt widths of 4", 6", and 8", and dual-lane element in belt widths of 12", 18", and 24".

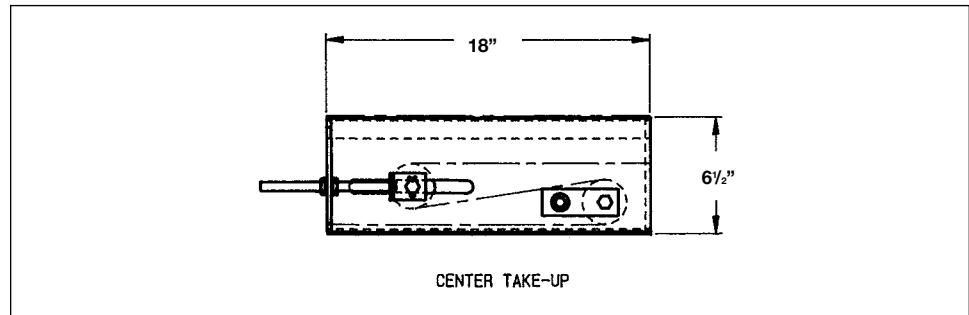




Optional Equipment

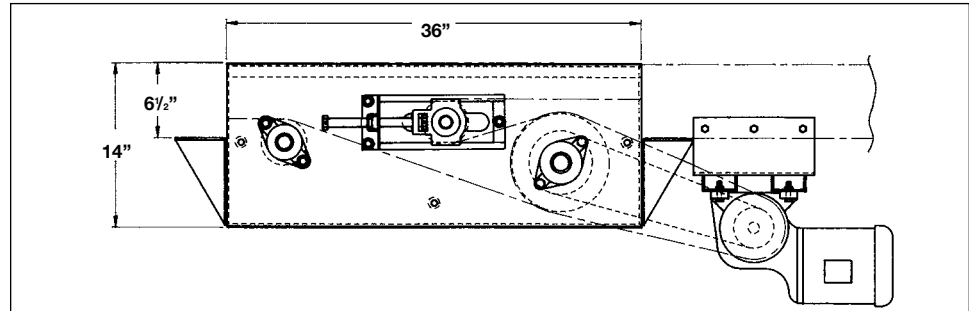
Center Take-Up

Used for light-to-medium product loads, this unit is designed for moderate load capacities and is not used on heavily loaded conveyors or on models with belt widths of 18" or more.



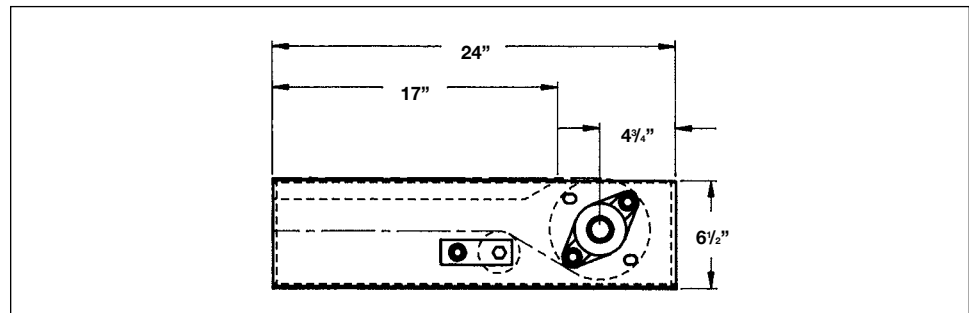
Center Drive and Take-Up

This combination is typically used on heavily loaded conveyors or units requiring reversible belt directions, as well as when drive motors of 2 hp or larger are used. It utilizes an 8 1/2" dia. drive pulley and a 4" dia. take-up roller for 6" adjustment and 12" of belt take-up.



Fixed End Terminal

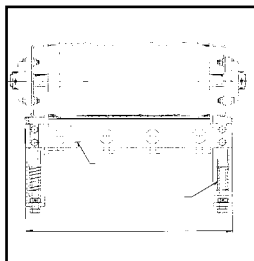
Used for applications where lower infeed elevations are required or on conveyors requiring fixed infeed and discharge locations, the Fixed End Terminal requires the following minimum infeed elevations: 7" at 90 degrees, 9" at 75 degrees, 9.5" at 60 degrees, 10" at 45 degrees, and 9" at 30 degrees.



Belt Cleaners

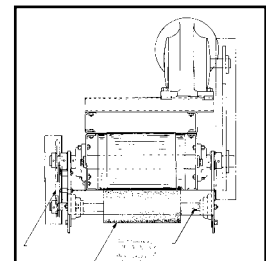
Spring-Loaded Wiper Blade

In applications where small, oily parts or scrap can adhere to the belt surface, a belt cleaner should be used. The Spring-Loaded Wiper Blade is recommended for use with medium size slugs or light concentrations of small slugs (1/8" or less).



Powered Bristle Brush Cleaner

This type of belt cleaner should be used when heavy concentrations of oil or small slugs are present. A brush rotating in the opposite direction of the return belt provides superior cleaning ability, whisking oil and slugs forward toward the discharge end of the conveyor.



Conveyor Controls

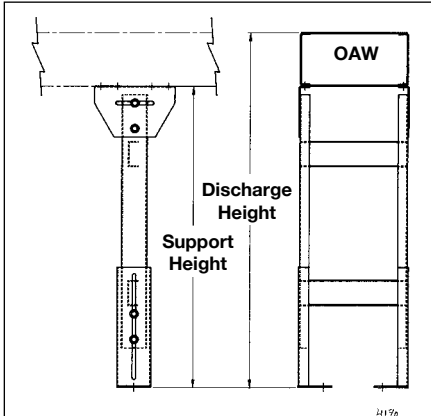
Controls for Bunting Magnetic Conveyors can be provided to customer specifications or can be easily added to the system at the time of installation. Typical controls include a full-voltage, non-reversing magnetic motor starter with integral start-stop push button in a NEMA 1 enclosure. Adjustable speed controllers for DC motors may also be used to vary conveyor belt speeds, adjust part spacing, or synchronize operations.

Depending on the application involved, sensors and counters may also be required to control part feed rates and operate switches or gates. Bunting's team of engineers is available at no obligation to help determine what controls will best suit your needs.



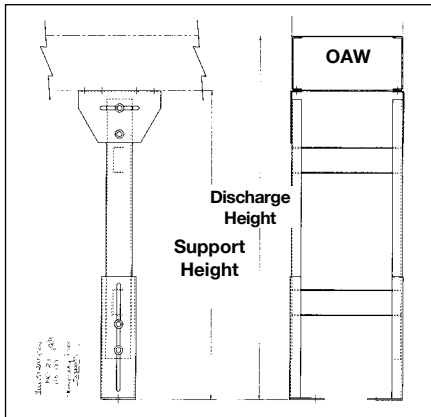
Supports

Medium-Duty Floor Supports



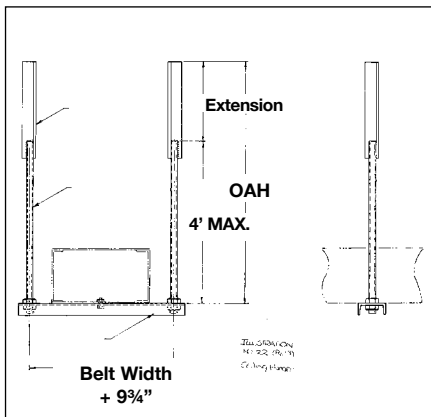
Medium-Duty Supports	
Discharge Ht. Min.-Max.	Support Height
15" - 18"	10" ± 1-1/2"
19" - 25"	15-1/2" ± 3"
26" - 34"	23-1/2" ± 4"
32" - 40"	29-1/2" ± 4"
38" - 46"	35-1/2" ± 4"
44" - 52"	41-1/2" ± 4"
50" - 58"	47-1/2" ± 4"
56" - 64"	53-1/2" ± 4"
62" - 70"	59-1/2" ± 4"
68" - 76"	65-1/2" ± 4"
74" - 82"	71-1/2" ± 4"
80" - 88"	77-1/2" ± 4"

Heavy-Duty Floor Supports



Heavy-Duty Supports	
Discharge Ht. Min.-Max.	Support Height
29" - 35"	26" ± 3"
35" - 41"	32" ± 3"
41" - 47"	38" ± 3"
47" - 53"	44" ± 3"
53" - 59"	50" ± 3"
59" - 65"	56" ± 3"
65" - 71"	62" ± 3"
71" - 77"	68" ± 3"
77" - 83"	74" ± 3"
83" - 89"	80" ± 3"
89" - 95"	86" ± 3"
95" - 101"	92" ± 3"
101" - 107"	98" ± 3"
107" - 113"	104" ± 3"
113" - 119"	110" ± 3"
119" - 125"	116" ± 3"

Ceiling Hanger Supports

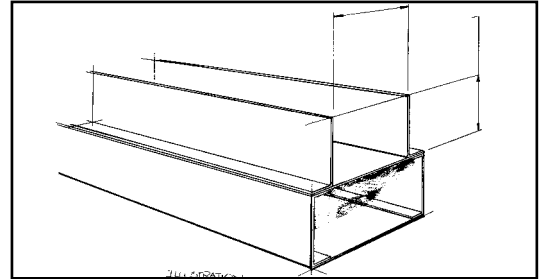


Ceiling Hanger Supports	
OAH	
2'-0"	
4'-0"	
6'-0"	
8'-0"	
10'-0"	
12'-0"	
14'-0"	
16'-0"	
18'-0"	
20'-0"	

Channels are available alone or as part of the Ceiling Hanger Support.

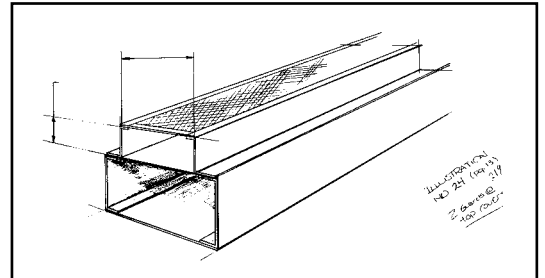
Side Guards

Conveyor Side Guards should be used whenever conveyors are moving parts overhead. Three styles of Side Guards are available with Bunting Conveyors.



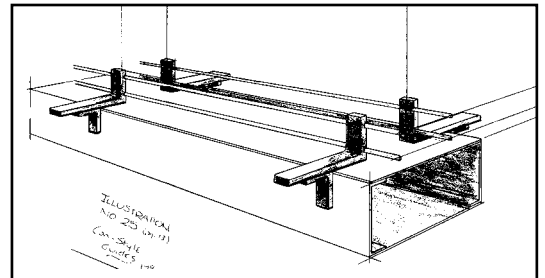
Spill Guards

Spill Guards help restrain small or large parts against overflow in the event of a jam or other uncontrolled condition.



Z Guards with Expanded Metal Top Covers

Z Guards are equipped with expanded metal top covers to offer additional protection against accidental contact with moving parts or conveyor belt.



Can Guides

Can Guides provide overflow restraint, and can be ordered with wear-resistant plastic coatings to prevent damage to product labels.



Medium Frame Conveyors - MFC

Bunting® MFC's provide a rugged smaller framed conveyor for handling parts, assemblies or scrap in both non-magnetic and Magnetic applications. MFC's fit into those tough tight fitting applications where space is limited for larger bulky conveyors. Their frames are only 3-1/2" thick and only 2-3/4" wider than their conveyor belts but their robust steel welded rugged construction can handle a broad range of tough jobs.



SPECIFICATIONS FOR MAGNETIC AND NONMAGNETIC MODELS

BELT: Standard 2-ply green PVC general-purpose belt is antistatic and can handle 90 lbs per inch tensile force and temperatures to 176°F. With pre-cover layer, total belt thickness is .093 inch.

DIMENSIONS: Overall length of the unit ranges from 2' to 12'.

SLIDER BED: 16-gauge (.060) 300 series stainless steel on magnetic models. Mild steel or stainless steel on nonmagnetic models.

MAGNETIC BED: BM 600 single-lane magnetic element. Multiple lanes and other magnetic elements are available.

SNUB ROLLERS: 2-1/2" dia. x 1 1/16" hex axle with adjustable mounting clips.

TAKE-UP PULLEY: 3" dia. crowned face with 1" dia. CRS shaft and sealed precision ball bearings.

TAKE-UP: Flat side design, internally mounted screw adjustment. Allows for a take-up adjustment of 4".

DRIVE BEARING: Self-aligning, heavy-duty, sealed precision ball bearings.

DRIVE: Standard 70 fpm, 1/3" hp, 115V, 1 ph, 60 Hz, heavy-duty TEFC incline gearmotor. Other motors are available on request.

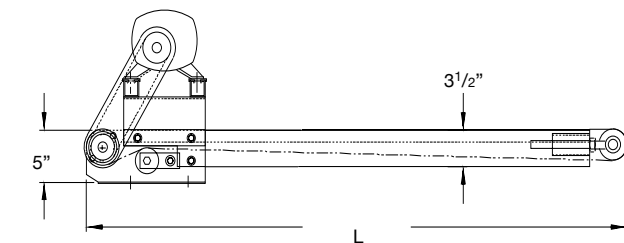
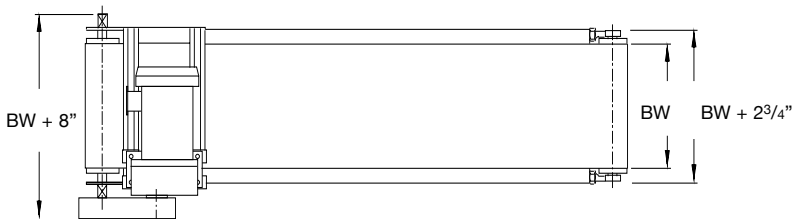
BELT SPEED: Constant or variable speeds to 250 fpm.

MOTOR MOUNTING: Standard bottom-mounted under conveyor. Optional above-belt location can be ordered at no extra charge.

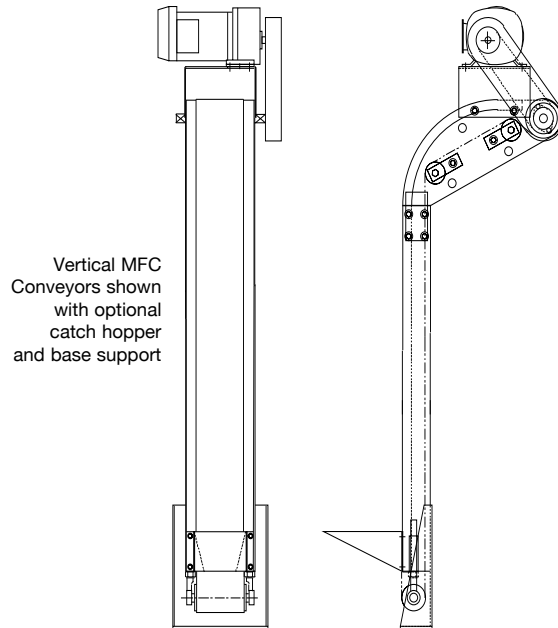
Conveyor Part Number / Standard Size Chart*

(BW) Belt Width	Overall Length (L)				
	2'	4'	6'	8'	10'
2"	MFC 020-2	MFC 020-4	MFC 020-6	MFC 020-8	MFC 020-10
4"	MFC 040-2	MFC 040-4	MFC 040-6	MFC 040-8	MFC 040-10
6"	MFC 060-2	MFC 060-4	MFC 060-6	MFC 060-8	MFC 060-10
8"	MFC 080-2	MFC 080-4	MFC 080-6	MFC 080-8	MFC 080-10
10"	MFC 100-2	MFC 100-4	MFC 100-6	MFC 100-8	MFC 100-10
12"	MFC 120-2	MFC 120-4	MFC 120-6	MFC 120-8	MFC 120-10
18"	MFC 180-2	MFC 180-4	MFC 180-6	MFC 180-8	MFC 180-10
24"	MFC 240-2	MFC 240-4	MFC 240-6	MFC 240-8	MFC 240-10
36"	MFC 360-2	MFC 360-4	MFC 360-6	MFC 360-8	MFC 360-10

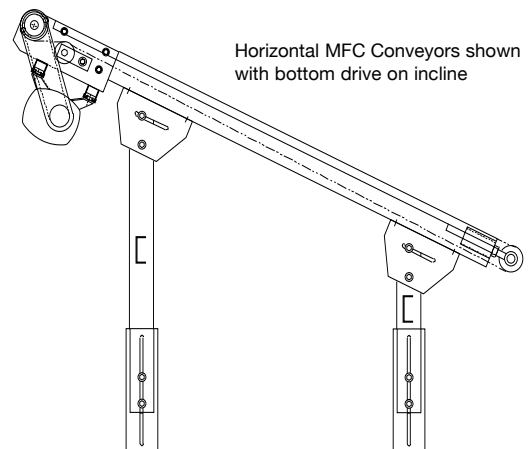
* Consult factory for non-standard sizes.



Horizontal MFC Conveyors shown as Top Drive



Vertical MFC Conveyors shown with optional catch hopper and base support



Horizontal MFC Conveyors shown with bottom drive on incline



Medium-Frame Adjustable Conveyors

SPECIFICATIONS FOR MAGNETIC MEDIUM-FRAME CONVEYORS

BELT WIDTHS: Belts available in widths of 8", 12", & 18", oil and abrasion resistant.

OVERALL LENGTH: Per customer

SLIDER BED: #16 Ga. (.060) 300 Series Stainless Steel.

MAGNETIC BED: BM 600 single-lane magnetic element in 8" and 12" belt widths. Dual lane in 18" belt width

SNUB & RETURN ROLLERS: 2-1/2" dia. x 11/16" hex axle with adjustable mounting clips.

TAKE-UP ROLLER: 3" dia. crowned face with 1" dia. CRS shaft.

TAKE-UP: Flat side design, internally mounted screw adjustment. This feature permits an effortless installation of the conveyor into press area and maintains an accessible take-up adjustment of 4".

BEARINGS: Cast iron housing, lubricated for life, with self-aligning precision ball bearings.

DRIVE: 1/3 hp, 115V, 1 ph, 60 Hz, heavy-duty TEFC incline gear motor.

BELT SPEEDS: Standard 70 fpm (other speeds from 40-120 fpm available upon request).

CAPACITY: Maximum uniformly-distributed live load of 175 lbs. (NOTE: size, shape, and weight of product can affect capacity.)

MOTOR MOUNTING: Standard bottom-mounted under conveyor (Optional above-belt location at no extra charge.

OPTIONAL EQUIPMENT

MAGNETIC SLIDER BED: Full magnetic coverage for ferrous scrap and small parts with multi-lane platen.

DRIVE: 1/3 & 1/2 hp, Inline 230/460V, 3 ph, 60 Hz, TEFC.

CONTROLS: NEMA 1 - 115V, 1ph, 60 Hz, toggle on/off switch with motor starter with integral start/stop push buttons and 15'-0" extension cord.

NEMA 1 - 230/460V, 3 ph, 60 Hz, toggle on/off switch with motor starter with integral start/stop push buttons.

BELT CLEANER: 4" diameter powered bristle brush with parts deflector.

Custom sizes and configurations available on request.

Portable Adjustable Model

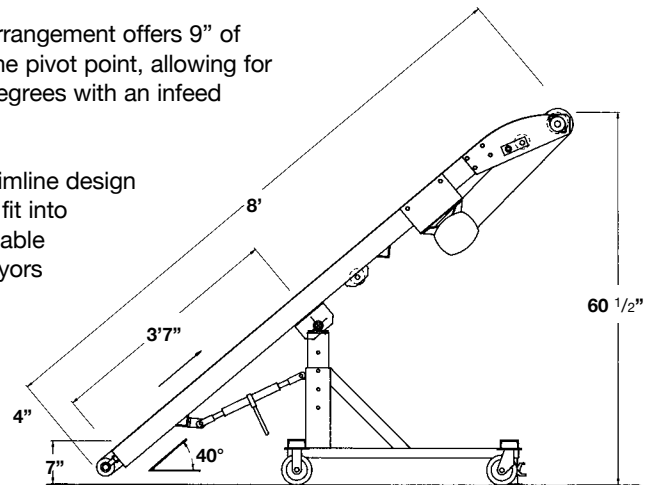
Model No.	Belt Width	Overall Width	Overall Length
MFC 080-8	8"	12-3/4"	8'
MFC 120-8	12"	16-3/4"	8'
MFC 180-8	18"	22-3/4"	8'

The Bunting Magnetic Medium-Frame Conveyor features a portable base or easy movement and adjustment, while the permanent magnetic element located under the belt provides positive control of parts and scrap.

The unique mounting arrangement offers 9" of vertical adjustment at the pivot point, allowing for an incline of up to 40 degrees with an infeed elevation of only 7".

Easy adjustment and slimline design permit this conveyor to fit into areas where non-adjustable and non-magnet conveyors are not practical.

Horizontal models are also available. When ordering, specify portable after Model No.



Fixed Base Model

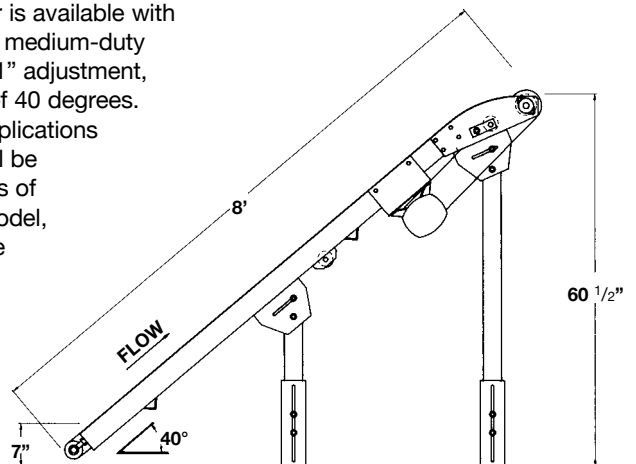
Model No.	Belt Width	Overall Width	Overall Length
MFC 080-8	8"	12-3/4"	8'
MFC 120-8	12"	16-3/4"	8'
MFC 180-8	18"	22-3/4"	8'

Fixed Base Model

For stationary applications, the Bunting Magnetic Medium-Frame Conveyor is available with a fixed base. Two sets of medium-duty supports provide up to 11" adjustment, with a maximum incline of 40 degrees.

This model is ideal for applications in which the conveyor will be stationary for long periods of time. Like the portable model, this conveyor features the magnetic element for positive control of parts and scrap.

When ordering, specify fixed base model after Model No.





Standard-Duty Low-Profile Conveyors - SLPC

Requiring only $1\frac{13}{16}$ inch in clearance to the top of the belt, these rugged low-profile conveyors are built to withstand the punishment of even punch presses or automated operations.



Conveyor Part Number / Standard Size Chart*

Frame Width (W)	Overall Length (L)									
	2'	3'	4'	5'	6'	7'	8'	9'	10'	
2"	SLPC 020-2	SLPC 020-3	SLPC 020-4	SLPC 020-5	SLPC 020-6	SLPC 020-7	**	**	**	
3"	SLPC 030-2	SLPC 030-3	SLPC 030-4	SLPC 030-5	SLPC 030-6	SLPC 030-7	**	**	**	
3.5"	SLPC 035-2	SLPC 035-3	SLPC 035-4	SLPC 035-5	SLPC 035-6	SLPC 035-7	**	**	**	
4"	SLPC 040-2	SLPC 040-3	SLPC 040-4	SLPC 040-5	SLPC 040-6	SLPC 040-7	SLPC 040-8	SLPC 040-9	SLPC 040-10	
6"	SLPC 060-2	SLPC 060-3	SLPC 060-4	SLPC 060-5	SLPC 060-6	SLPC 060-7	SLPC 060-8	SLPC 060-9	SLPC 060-10	
8"	SLPC 080-2	SLPC 080-3	SLPC 080-4	SLPC 080-5	SLPC 080-6	SLPC 080-7	SLPC 080-8	SLPC 080-9	SLPC 080-10	
10"	SLPC 100-2	SLPC 100-3	SLPC 100-4	SLPC 100-5	SLPC 100-6	SLPC 100-7	SLPC 100-8	SLPC 100-9	SLPC 100-10	
12"	SLPC 120-2	SLPC 120-3	SLPC 120-4	SLPC 120-5	SLPC 120-6	SLPC 120-7	SLPC 120-8	SLPC 120-9	SLPC 120-10	

* Consult factory for non-standard sizes.

**Consult factory for information on these sizes.

SPECIFICATIONS FOR MAGNETIC AND NONMAGNETIC MODELS

DIMENSIONS: Standard sizes are listed in the table. (Min. width-2", max. width-12"; min. length-1', max. length-10'.) Special sizes are available on request – up to 20' in length with Integrated Center Drive option.

MAGNETIC ELEMENT: Optional permanent magnetic element with decreasing magnetic force at each end of the conveyor for smooth product release when running in either direction. Other elements are available, including one with decreasing magnetic force at one end only.

FRAME CONSTRUCTION (MAGNETIC): Formed channel body made from 11-gauge stainless steel.

FRAME CONSTRUCTION (NONMAGNETIC): Formed channel body of 11-gauge CRS.

BELT: Model E8/2 U0/U4 GS TR is standard. It is an oil-, puncture-, and abrasion-resistant endless urethane belt designed for general-purpose conveying, punch press, and oily applications. Antistatic aqua-colored urethane fabric can operate to 40 lb. per inch tensile force and 212°F. See page 34 for other belt style options, including cleated belts. (Conveyor design allows exceptionally quick belt replacement.)

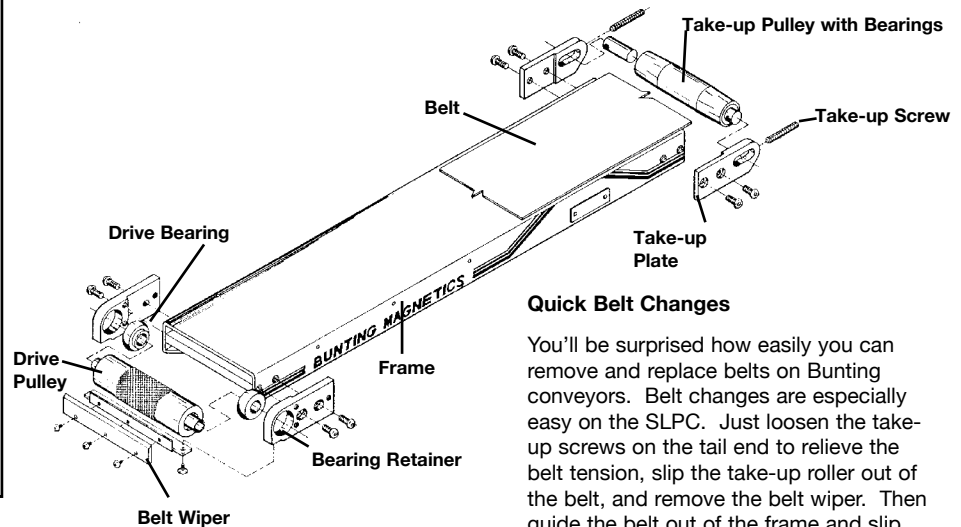
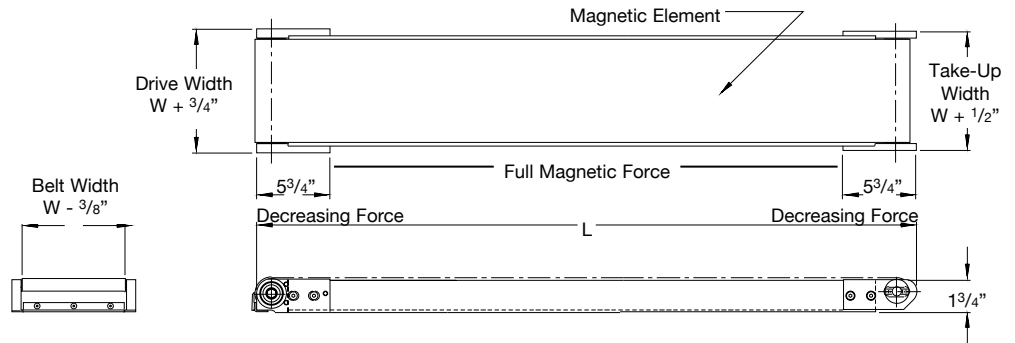
BELT SPEED: Constant or variable speeds up to 120 fpm.

DRIVE PULLEY: $1\frac{9}{16}$ " diameter all-steel, crowned face with knurled surface for traction and $\frac{7}{16}$ " hex hollow bore drive.

DRIVE BEARING: Sealed precision self-aligning ball bearings.

TAKE-UP PULLEY: $1\frac{5}{16}$ " diameter crowned face with sealed precision self-aligning ball bearings.

TAKE-UP: Totally adjustable from take-up end while conveyor is running. Take-up travel allows $\frac{7}{8}$ " of belt adjustment.



Quick Belt Changes

You'll be surprised how easily you can remove and replace belts on Bunting conveyors. Belt changes are especially easy on the SLPC. Just loosen the take-up screws on the tail end to relieve the belt tension, slip the take-up roller out of the belt, and remove the belt wiper. Then guide the belt out of the frame and slip the new belt into place.

Specifications are subject to change without notice.



Standard-Duty Low-Profile Conveyors - SLPC

When ordering, please specify ITD for top-mounted drive option or IBD for bottom-mounted drive option along with the frame width of the LPC intended for conversion. Also specify right- or left-hand mount. (See drawing at right.)

Rugged Center Drives are also available for use where space at conveyor ends is limited or for use on conveyors longer than 10 feet. When ordering the center drive option please specify ICD.

Gearmotor Options Include:

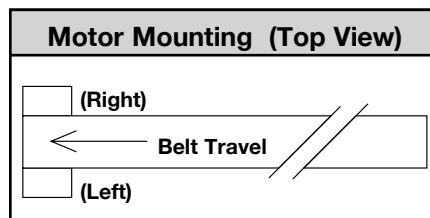
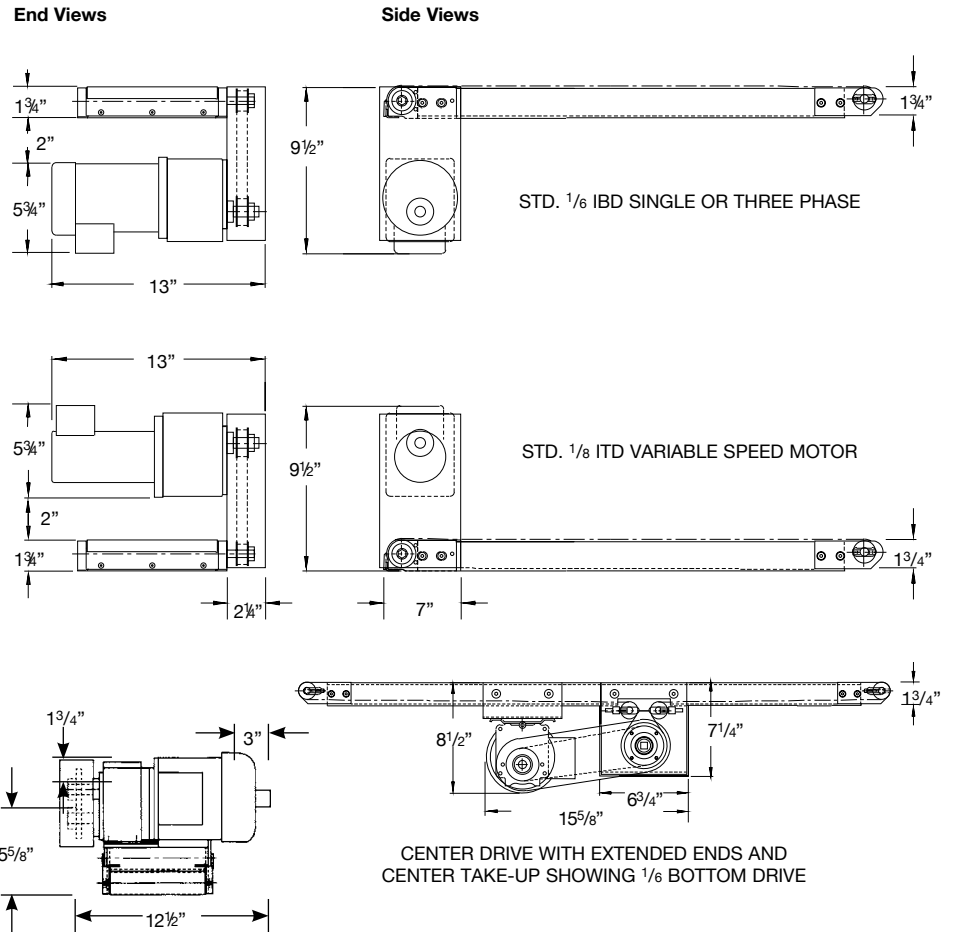
Fixed speed, single-phase $\frac{1}{6}$ hp, 115V, 60 Hz at 85 fpm motor – totally enclosed, equipped with switch, overload protection, and fan cooled.

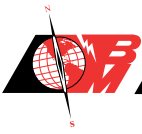
Fixed speed, 3-phase, $\frac{1}{6}$ hp, 230/460V, 60 Hz at 85 fpm motor – totally enclosed, equipped with switch, overload protection, and fan cooled.

Variable speed, single-phase, $\frac{1}{8}$ hp, 90VDC, 2-120 or 1-30 fpm motor – totally enclosed, non-ventilated, equipped with switch, and speed control.

Air motor, 20-120 fpm; filters, regulator, gauge, and lubricator are available options.

Special drives are available on request. Fifteen-foot cord with switch is optional.





Heavy-Duty Low-Profile Conveyors - HLPC

Able to handle part and scrap removal in high-speed, heavy-load, and other demanding applications. The HLPC was designed to handle the toughest under-press jobs day after day with minimum maintenance.



Conveyor Part Number / Standard Size Chart*

Frame Width (W)	Overall Length (L)									
	2'	3'	4'	5'	6'	7'	8'	9'	10'	
2"	HLPC 020-2	HLPC 020-3	HLPC 020-4	HLPC 020-5	HLPC 020-6	HLPC 020-7	HLPC 020-8	HLPC 020-9	HLPC 020-10	
3"	HLPC 030-2	HLPC 030-3	HLPC 030-4	HLPC 030-5	HLPC 030-6	HLPC 030-7	HLPC 030-8	HLPC 030-9	HLPC 030-10	
4"	HLPC 040-2	HLPC 040-3	HLPC 040-4	HLPC 040-5	HLPC 040-6	HLPC 040-7	HLPC 040-8	HLPC 040-9	HLPC 040-10	
6"	HLPC 060-2	HLPC 060-3	HLPC 060-4	HLPC 060-5	HLPC 060-6	HLPC 060-7	HLPC 060-8	HLPC 060-9	HLPC 060-10	
8"	HLPC 080-2	HLPC 080-3	HLPC 080-4	HLPC 080-5	HLPC 080-6	HLPC 080-7	HLPC 080-8	HLPC 080-9	HLPC 080-10	
10"	HLPC 100-2	HLPC 100-3	HLPC 100-4	HLPC 100-5	HLPC 100-6	HLPC 100-7	HLPC 100-8	HLPC 100-9	HLPC 100-10	
12"	HLPC 120-2	HLPC 120-3	HLPC 120-4	HLPC 120-5	HLPC 120-6	HLPC 120-7	HLPC 120-8	HLPC 120-9	HLPC 120-10	

* Consult factory for non-standard sizes.

STANDARD SPECIFICATIONS FOR MAGNETIC AND NONMAGNETIC MODELS

DIMENSIONS: Standard sizes are listed in the table. (Min. width-2", max. width-12"; min. length-18", max. length-10'.) Special sizes are available on request.

MAGNETIC ELEMENT: Optional permanent magnetic element provides decreasing magnetic force at each end of the conveyor for smooth product release when running in either direction. Other elements are available — including one with decreasing magnetic force at one end only.

FRAME CONSTRUCTION: Formed channel outer body of 11-gauge CRS with 16-gauge stainless steel formed channel slider bed, bolted to form an integral box construction. Drive panel is $\frac{3}{16}$ " CRS material for rigidity.

BELT: Model E8/2 U0/U4 GS TR is standard. It is an oil-, puncture-, and abrasion-resistant endless urethane belt designed for general-purpose conveying, punch press, and oily applications. Antistatic aqua-colored urethane fabric can operate to 40 lb. per inch tensile force and 212°F. See page 34 for other belt style options, including cleated belts.

BELT SPEED: Constant or variable speeds up to 250 fpm.

DRIVE PULLEY: 3 $\frac{1}{2}$ " diameter all-steel crowned face with heavy knurled surface for traction and $\frac{1}{2}$ " square hollow bore drive.

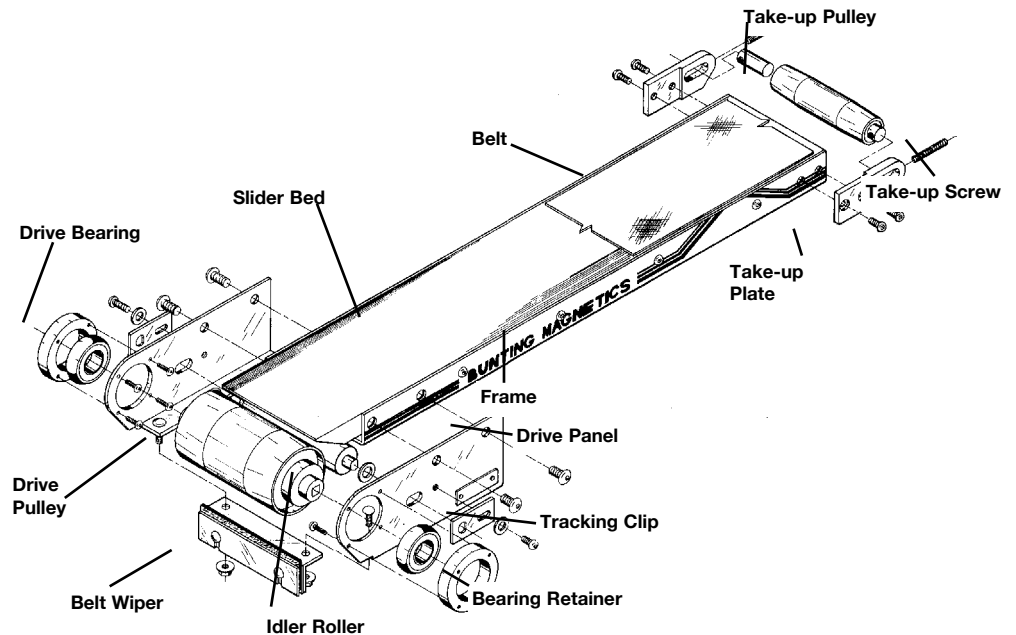
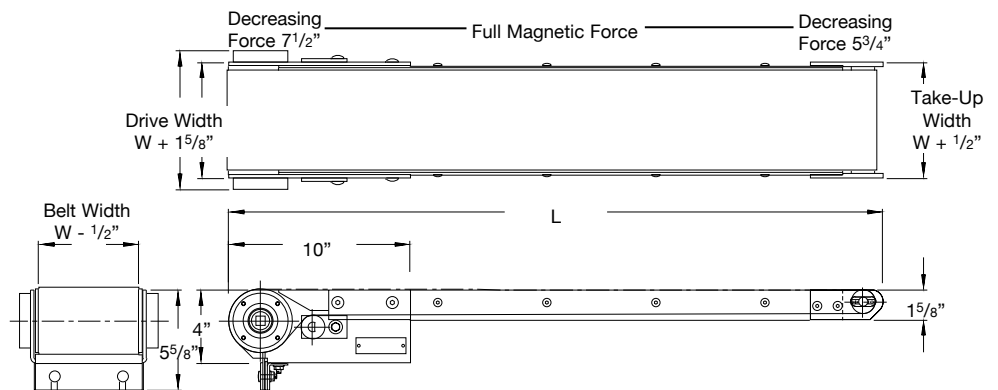
TAKE-UP PULLEY: 1 $\frac{5}{16}$ " diameter crowned face with sealed precision self-aligning ball bearings.

TAKE-UP: Adjustable from take-up end while conveyor is running. Take-up allows $\frac{7}{8}$ " of belt adjustment.

DRIVE BEARING: Heavy-duty 2" diameter sealed precision self-aligning ball bearings.

SNUB ROLLER: 1 $\frac{5}{16}$ " diameter flat face with sealed precision bearings.

Wider custom HLPC units available up to 30" wide



Specifications are subject to change without notice.



Heavy-Duty Low-Profile Conveyors - HLPC

Individual Conveyor Drive Options

All Bunting HLPCs can be driven individually for use in areas requiring single conveyors. Individual conveyor drive options offer you the choice of a top- or bottom-mounted motor which can be mounted on the left or right side of the conveyor. The standard drive package contains all necessary parts and hardware to make the conversion between left and right side locations.

Choose between top- or bottom-mount and right- or left-handed drive components for the HLPC.

When ordering, please specify ITD for top-mounted drive option or IBD for bottom-mounted drive option along with the frame width of the conveyor. Also specify right- or left-hand mount.

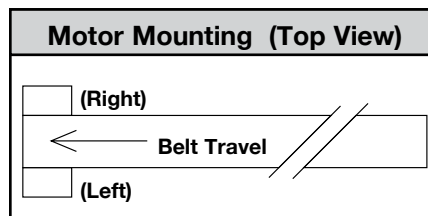
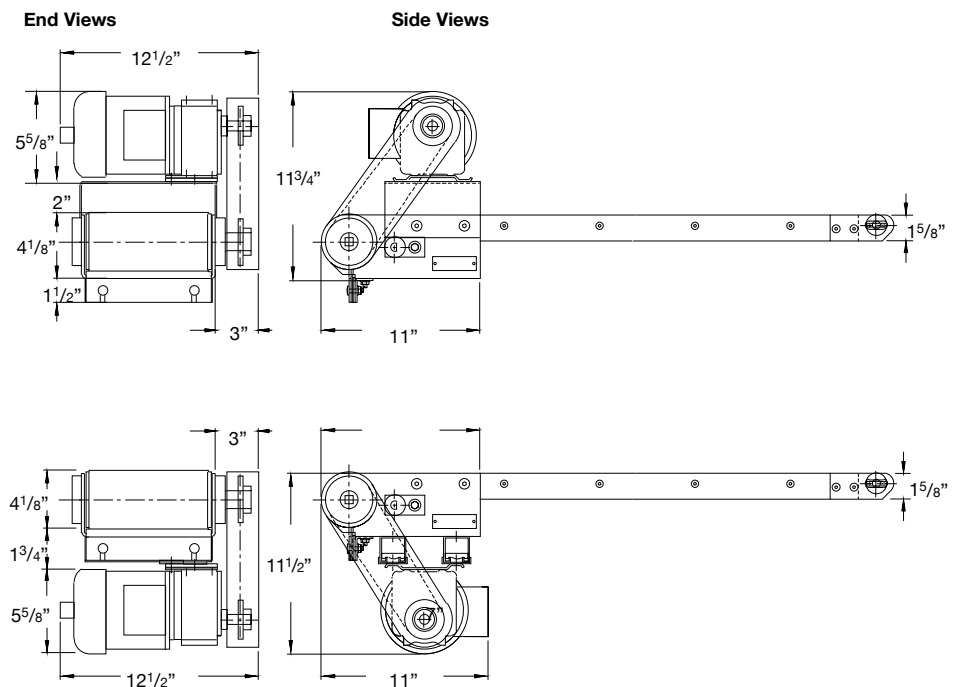
Our standard inline gearmotors provide power through a chain and sprocket drive housed in a rugged chain guard. The drive mechanism uses a strong, durable #40 roller chain. To accommodate parts that are wider than the conveyor, the chain guard is located below the belt surface on the bottom-mounted drive option.

Gearmotor options include:

Fixed speed, single-phase, $\frac{1}{6}$ hp, 115V, 60 Hz, 70 fpm motor — totally enclosed and fan cooled.

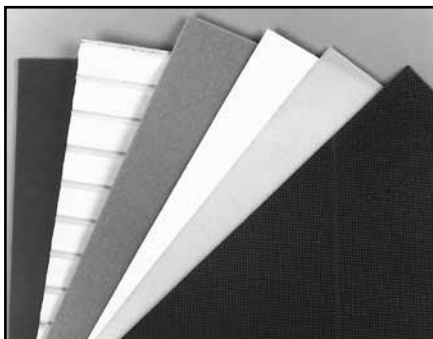
Fixed speed, single-phase, $\frac{1}{3}$ hp, 115V, 60 Hz, 70 fpm motor — totally enclosed and fan cooled.

Fixed speed, 3-phase, $\frac{1}{3}$ hp, 230/460V, 70 fpm — totally enclosed and fan cooled.





Low-Profile Conveyors



Select the belt designed for your SLPC/HLPC application

The following belt descriptions will help you select the proper belt for your application. All standard supplied belts are endless. This alleviates many of the belt problems caused by splice failures on laced belts that run on small diameter pulleys. Belts on the SLPC can be replaced so quickly that all recommended replacement belts are endless. It does take somewhat longer to change the belt on the HLPC. Consult us for assistance in selecting belts for special applications. Only factory-approved belts should be used.

Standard SLPC /HLPC Belt

MODEL E 8/2 U0/U4 GS TR

Standard on SLPC and HLPC

- Designed for general-purpose conveying, punch press, and oily applications
- 2-ply black colored urethane
- Polyester fabric, antistatic
- Surface has an inverted diamond pattern
- Admissible tensile force is 40 lb. per inch
- Total belt thickness is .08 inch
- Maximum operating temperature is 212°F

Optional Belts

MODEL E 3/2 U0/U0

- Designed for accumulating or diverting parts
- 2-ply tan urethane belt
- Polyester fabric, antistatic
- Surface is slightly textured and very slick
- Admissible tensile force is 40 lb. per inch
- Total belt thickness is .05 inch
- Maximum operating temperature is 212°F

MODEL E 8/2 U0/U8

- Designed for use under punch press conveying sharp parts or scrap
- 2-ply clear-top urethane belt
- Polyester fabric, antistatic
- Surface is smooth .030" thick urethane
- Admissible tensile force is 40 lb. per inch
- Total belt thickness is .08 inch
- Maximum operating temperature is 212°F

MODEL E 4/2 U0/U2

- Designed for general-purpose conveying and diverting small dry parts; FDA approved
- 2-ply white urethane belt
- Polyester fabric, antistatic
- Surface is smooth, slick, and hard
- Admissible tensile force is 22 lbs. per inch
- Total belt thickness is .05 inch
- Maximum operating temperature is 212°F

RIB CLEAT

- Used for conveying on incline conveyors and with round parts where roll-back is a concern
- 2-ply white Buna-N belt
- Polyester fabric, antistatic
- Surface has 1/8" high cleats on 1" centers
- Admissible tensile force is 135 lbs. per inch
- Maximum operating temperature is 250°F

CLEATED BELT

- Used primarily on nonmagnetic conveyors for conveying round parts on inclines
- 2-ply white PVC or urethane
- Polyester fabric
- 1/8" to 1 1/2" high cleats on 1" centers
- Admissible tensile force is 40 lbs. per inch
- Maximum operating temperature is 212°F



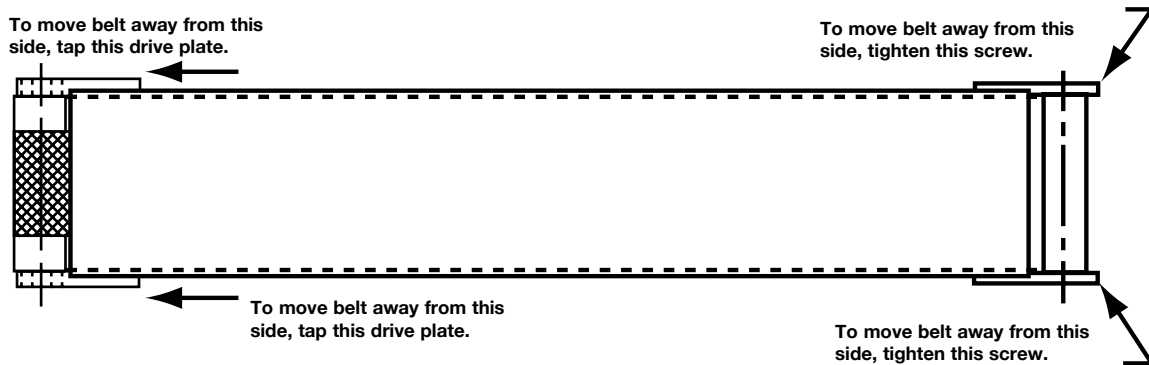
Low-Profile Conveyors

Easy Belt Tension Adjustment

To adjust belt tension, loosen the take-up set screws. Then tighten the adjustment screws an equal number of turns until the belt is taut enough to prevent slipping on the drive pulley under maximum expected load. SLPCs and HLPCs that are run in reverse require slightly tighter belt tensions.

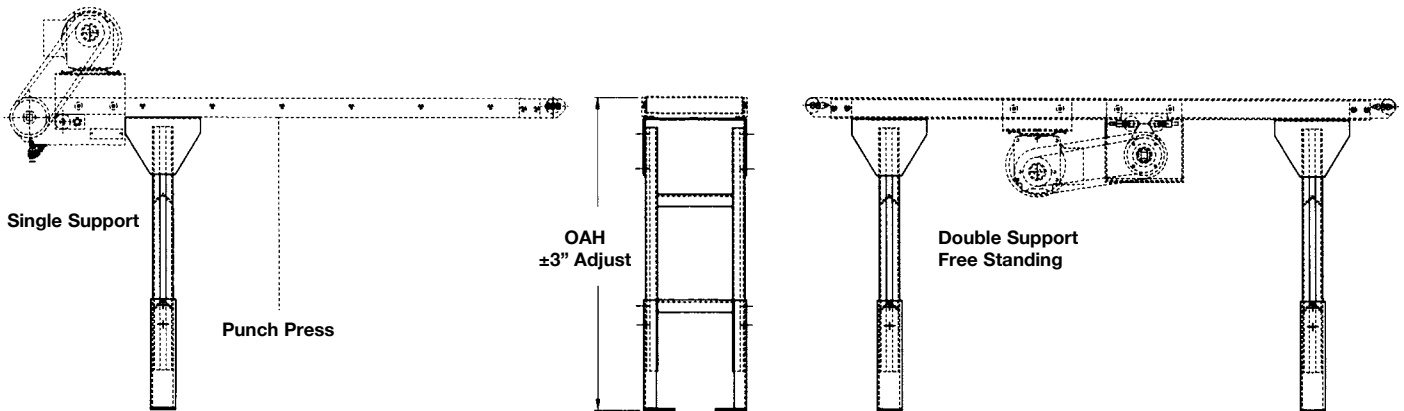
Easy Tracking Adjustment

Bunting SLPCs and HLPCs are trackable conveyors. Their pulleys can be adjusted to center the belt in the frame. In addition to the adjustable tail pulley, the self-aligning drive bearings allow the drive pulley to be angled slightly. Under most conditions, the belt will track to the center with the pulleys square to the frame. But occasionally the pulleys need to be angled to compensate for a belt that is not perfectly straight.



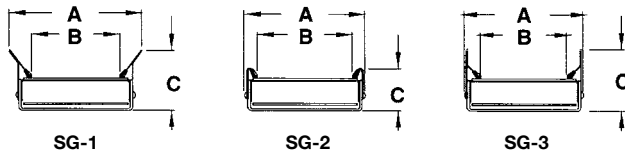
Floor Supports

Double supports allow free-standing installation. When one end of the conveyor rests on a press or other plant equipment, a single floor support can be used. Height adjusts $\pm 3"$. When ordering, specify overall height desired from floor to top of belt and model number of conveyor.



Side Guards

These basic fixed-height guards (and other adjustable guards not shown) bolt to the conveyor frame with supplied #10-32 screws. Guards help keep parts and scrap on the belt, away from frame and belt edges.



	Frame Width A	Frame Width B	Overall Height C
HLPC SG-1	+1"	-7/8"	3 1/8"
SG-2	+3/8"	-1"	2 1/4"
SG-3	+3/8"	-7/8"	3 1/8"
SLPC SG-1	+1"	-3/4"	3 1/4"
SG-2	+3/8"	-7/8"	2 3/8"
SG-3	+3/8"	-7/8"	3 1/4"

Specifications subject to change without notice.



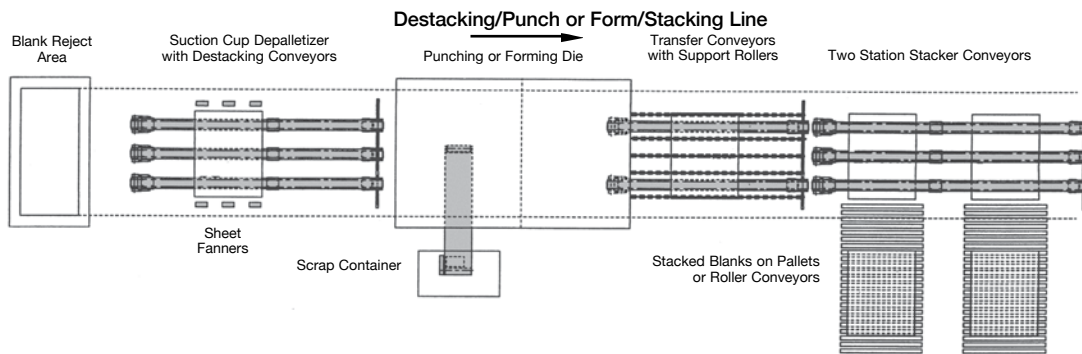
Stack, Destack, Transfer, and Position Sheets, Blanks, and Parts Automatically

Components are boosting productivity and cutting costs in a wide range of industrial settings. We have the equipment and the expertise to help you configure and integrate units that will fit your specific needs, your plant layout, and your budget. Typical applications use a combination of custom-engineered and standard material handling components. Our engineers use the latest computer-aided design technology and CNC production techniques to custom fit each unit to the customer's requirements. We'll tailor equipment to your cut-to-length line, sheet-fed line, blanking line, or other production line operation.



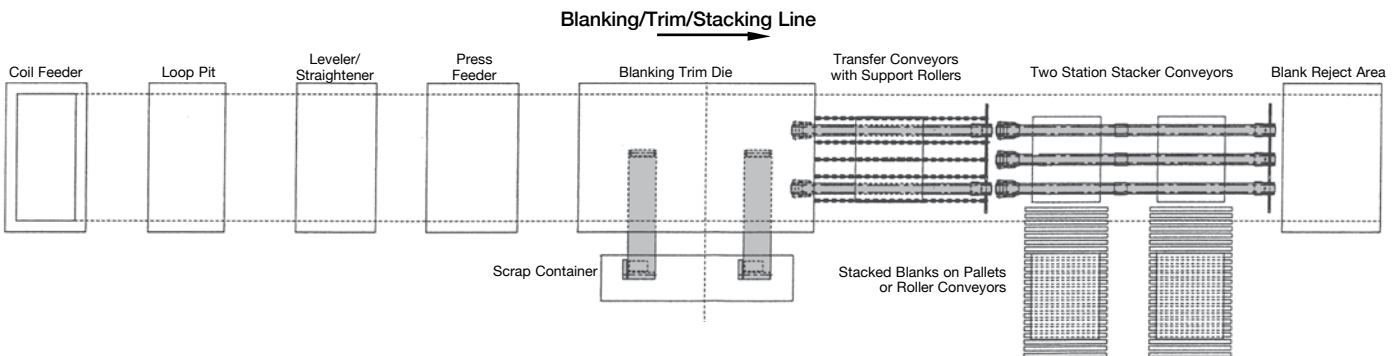
Bunting Destacking Conveyors working in conjunction with Bunting Sheet Fanners separate and destack sheets. Sheets are then transferred to the next workstation via Bunting Transfer Conveyors with "Skate Rail" support rollers designed to move sheets with minimal scuffing. During transfer, blanks can be

inspected with a variety of sensing devices. If double blanks or defects are detected, conveyors can be reversed or the problem items rerouted onto a separate conveyor line. Blanks that pass inspection continue on to secondary operations, such as forming or punching.



Bunting Stacking Conveyors eliminate one of the most common bottlenecks in metal-forming operations by providing an automated alternative to the manual stacking of sheet metal components as they come off the production line. Ruggedly built Bunting Conveyors can be used to move sheets or blanks directly from punch presses

or stamping and blanking operations or other production machinery. These parts can then be transferred to Bunting Stacking Conveyors for stacking in predetermined quantities, ready to be transferred to another part of your plant or shipped out. Stackers can also be set up to convey rejected parts to separate locations.





Custom conveyors with “Skate Rail” Support Rollers

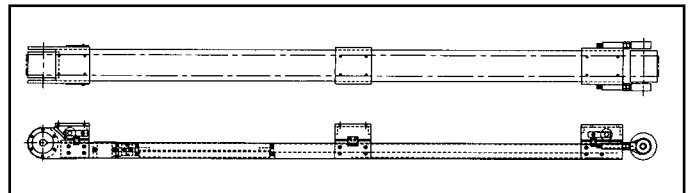
Standard Stacking/Destacking and Timing Belt Conveyor Specifications

Bunting Stacking/Destacking and Timing Belt Conveyors are designed and built to meet customer specifications. Normal limits on sheet size are between 0.008 and 0.125 inches in thickness. Standard components include endless urethane belts that carry ferrous parts over high-energy permanent magnets tailored to each individual application. Rare Earth magnets are optional. Speeds of 40 to 400 fpm are typical, but other speeds, reversing, and indexing are also available. Conveyor frames are made of formed

or machined materials for added strength and rigidity. Standard modules have 4” belts and come in lengths from 3’ to 50’. They can be built to transport parts any desired distance. Stacker frames are made from rigid tubular structural steel with conveyor mounts precision machined for reliable belt tracking. Drive pulleys are all steel, heavily knurled, and crowned. Controls are selected and configured to individual applications.

Magnetic Stacking/De-stacking Conveyors Reduce Bottlenecks, Labor, Part Damage, and Costly Accidents

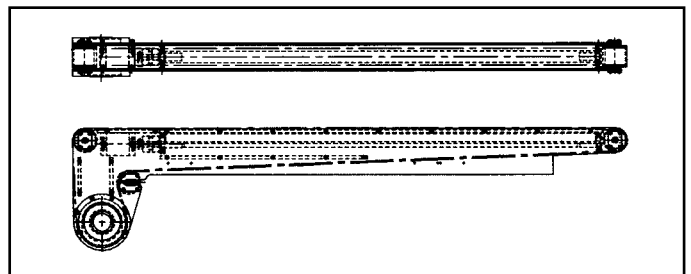
Powerful permanent magnets behind endless belts on our Bunting Stacking/De-stacking Conveyors hold each ferrous sheet, blank, or part securely in place as it is transported. Materials touch only the Stacker belts, avoiding damage to delicate parts and finished surfaces. No special handling is required for painted or oily parts. The permanent magnets will not wear out or drop parts during power outages.



Typical Magnetic Stacking/De-stacking Conveyor (MDC)

Timing Belt Conveyors Position and Index Sheets and Blanks

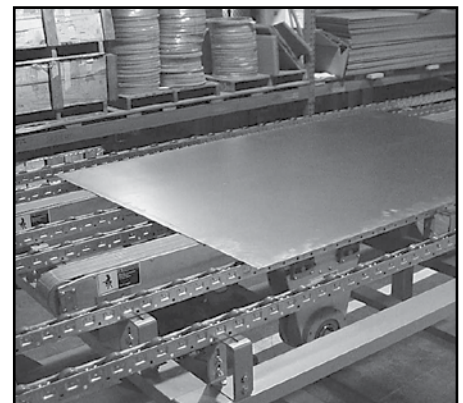
Bunting Timing Belt Conveyors add the advantages of precise speed control to the productivity-enhancing features of our Transfer Conveyor Lines. Objects stay in position for integration with production line operations and robotics. Timing Belt Conveyors let you process parts as they are being conveyed and allow on-conveyor indexing and multiple pickup options. Precise conveyor belt timing maintains the spacing of sheets, blanks, and parts from initial placement on the conveyor until they are removed by robotic devices, transferred to another conveyor, or stacked.

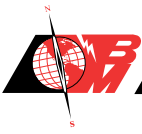


Typical Timing Belt Conveyor (TBC)

Bunting Transfer “Skate Rail” Conveyors move sheets without slippage or damage

Bunting Transfer Conveyor moving sheets through dimpling station and Laser Welder.

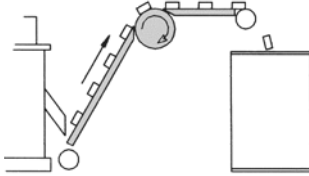




Bunting Magnetic Conveyor Components Solve Common Conveying and Handling Problems for Ferrous Parts

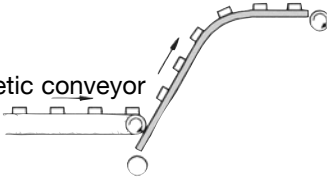
Capture and Move Parts

Magnetic incline conveyors can be constructed using Magnetic T-Rails or Plate Rails, a Magnetic Pulley, a Magnetic Take-Off Rail, and Belt. This configuration takes parts from one work station to another or from a machining operation to inspection, storage, or packaging. The design can also be used to remove scrap automatically.



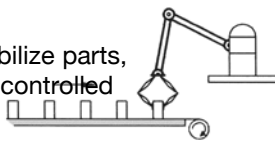
Sequence Parts

Horizontal and incline magnetic conveyor configurations can be used to maintain part spacing during transport and production operations.



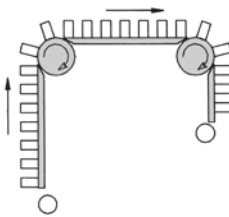
Stabilize Parts During Automation – Robotic Pick and Place

Magnetic T-Rails and Pulleys stabilize parts, maintain spacing, and convey at controlled rates that allow synchronization with robotic devices.



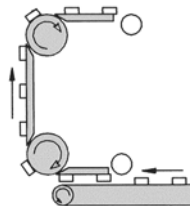
Save Floor Space with Overhead Conveying

This configuration saves valuable floor space by elevating conveyed parts up and over aisles and/or above the work areas in your plant. Even at 90 degree angles, ferrous parts are held securely. They can be conveyed to operations at different floor levels – free from marring or distortions caused by other handling methods.



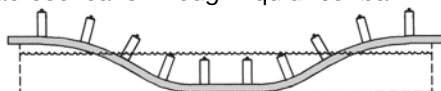
Lift Parts Between Levels

Magnetic T-Rails and Pulleys can be arranged to maintain part orientation while transporting parts from one conveyor and level to another. Configurations like this are ideal for automated lines where space is limited.



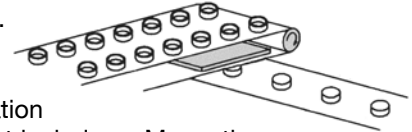
Build Aerosol Test Baths

Stainless Steel Bunting Components and Special Aerosol Test Bath Magnetic Rails can easily be configured to carry pressurized aerosol cans through liquid test bath to check for leaks.



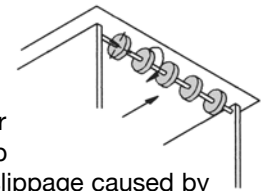
Turn Parts Over and Change Directions

Parts can be turned over for visual inspection and deburring. Their direction of travel is changed in this configuration. The illustration shows a typical setup that includes a Magnetic Pulley, Magnetic Take-Off Rail Assembly, and Magnetic Snap-Down Rail. At the junction of the two belts, the Take-Off Rail Assembly decreases the magnetic force acting on the parts to near zero and the parts are released onto the lower belt, or snapped down to the lower conveyor without damage.



Feed Sheet Stock

Magnetic Drive Rollers are used to feed and control sheet stock. They can be positioned either over or under sheets to drive them horizontally or up inclines. These rollers help eliminate slippage caused by oily sheets and assure position of sheets in automated punching and notching lines.



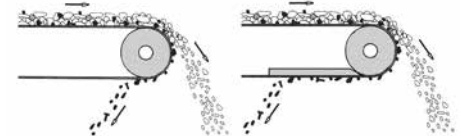
Transfer Parts Between Conveyors

Mounting decreasing-force Magnetic Take-Off Rail and Pulley assemblies directly above adjacent conveyors allow ferrous parts to be picked up and transferred from one to the other.



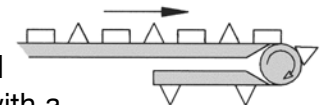
Separate Ferrous Materials

In this typical belt-conveyor setup, contaminated material is conveyed to the Magnetic Pulley. Cleaned material passes over the pulley in a normal trajectory. Tramp metal travels around the pulley to the decreasing-force Magnetic Take-Off Rail where it is discharged away from the cleaned material.



Simplify Quality Control

A basic Conveyor design with a calibrated Take-Off Rail Assembly permits visual inspection and/or automatic segregation of selected parts.





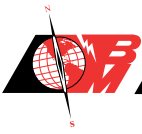
Magnetic Conveyor Components

The wide selection of Bunting Permanent Magnetic Components includes everything you need to modify an existing system or design your own. Straight magnetic T-Rails, Curved Sections, and End Sections mount under your conveyor belt with bolt-in-place convenience. Magnetic Pulleys transfer ferrous material between horizontal and vertical belts. Decreasing-force Take-Off Rails release material smoothly and gradually.

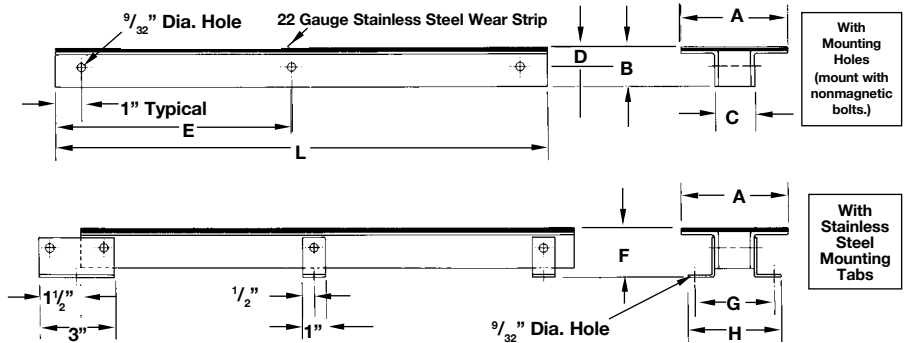
Our Permanent Magnetic Conveyor Components offer easy installation and years of trouble-free service in even the most demanding applications. For example, they can hold and move aerosol cans or other sealed containers through test bath operations.

Each component is available in a variety of sizes and magnetic strengths. We'll design to your specifications or help you select what you need to build or improve your own material handling system.

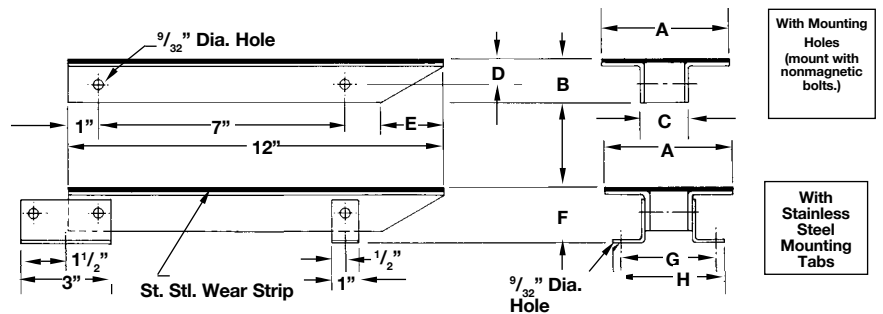
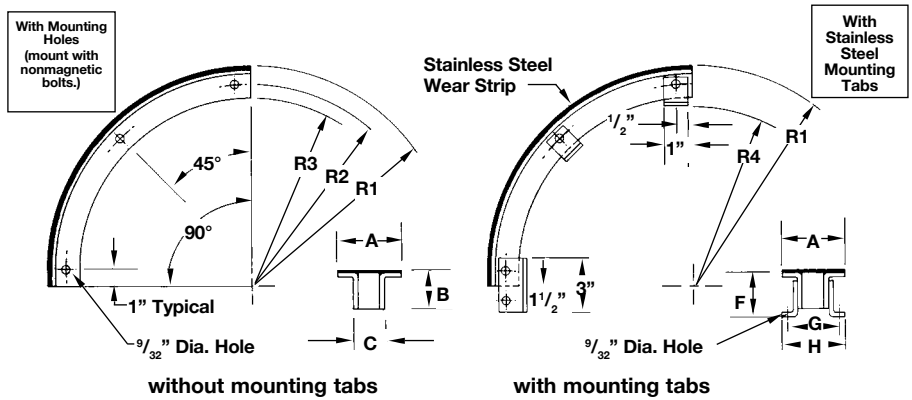




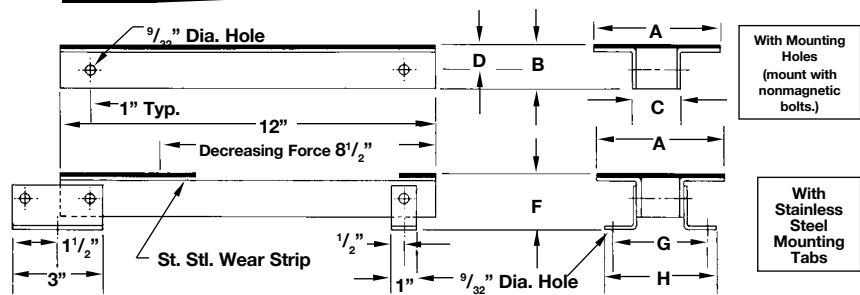
Bunting Magnetic T-Rails



In addition to the sizes shown these rails can be ordered in one inch increments from 12" to 60" long.



Decreasing Magnetic Force





T-Rail Straight Sections

BM 800 SERIES													
MODEL NO. WITHOUT MOUNTING TABS	MODEL NO. WITH MOUNTING TABS	L	A	B	C	D	E	F	G	H	HOLDING VALUE (lbs) (using 1/8" x 4" x 1" Test Plate C-1018)		
											1/16" AIR GAP	1/8" AIR GAP	1/4" AIR GAP
BM801	BM-801T	12	1 5/8	1 5/32	5/8	5/8	0	1 3/8	1 5/8	2 5/8	3.75	2.50	1.25
BM802	BM-802T	24	1 5/8	1 5/32	5/8	5/8	0	1 3/8	1 5/8	2 5/8	3.75	2.50	1.25
BM803	BM-803T	36	1 5/8	1 5/32	5/8	5/8	0	1 3/8	1 5/8	2 5/8	3.75	2.50	1.25
BM804	BM-804T	48	1 5/8	1 5/32	5/8	5/8	24	1 3/8	1 5/8	2 5/8	3.75	2.50	1.25
BM805	BM-805T	60	1 5/8	1 5/32	5/8	5/8	30	1 3/8	1 5/8	2 5/8	3.75	2.50	1.25
BM 600 SERIES													
BM601	BM-601T	12	3	1 5/32	1 7/32	5/8	0	1 11/52	2 1/4	3 7/32	6.00	5.00	3.25
BM602	BM-602T	24	3	1 5/32	1 7/32	5/8	0	1 11/52	2 1/4	3 7/32	6.00	5.00	3.25
BM603	BM-603T	36	3	1 5/32	1 7/32	5/8	0	1 11/52	2 1/4	3 7/32	6.00	5.00	3.25
BM604	BM-604T	48	3	1 5/32	1 7/32	5/8	24	1 11/52	2 1/4	3 7/32	6.00	5.00	3.25
BM605	BM-605T	60	3	1 5/32	1 7/32	5/8	30	1 11/52	2 1/4	3 7/32	6.00	5.00	3.25
BM 900 SERIES													
BM901	BM-901T	12	3 5/8	1 29/32	1 7/32	5/8	0	2 1/4	2 1/2	3 7/32	6.75	5.75	4.25
BM902	BM-902T	24	3 5/8	1 29/32	1 7/32	5/8	0	2 1/4	2 1/2	3 7/32	6.75	5.75	4.25
BM903	BM-903T	36	3 5/8	1 29/32	1 7/32	5/8	0	2 1/4	2 1/2	3 7/32	6.75	5.75	4.25
BM904	BM-904T	48	3 5/8	1 29/32	1 7/32	5/8	24	2 1/4	2 1/2	3 7/32	6.75	5.75	4.25
BM905	BM-905T	60	3 5/8	1 29/32	1 7/32	5/8	30	2 1/4	2 1/2	3 7/32	6.75	5.75	4.25

T-Rail Curved Sections

BM 800 SERIES														
MODEL NO. WITHOUT MOUNTING TABS	MODEL NO. WITH MOUNTING TABS	R1	R2	R3	A	B	C	R4	F	G	H	HOLDING VALUE (lbs)		
											1/16" AIR GAP	1/8" AIR GAP	1/4" AIR GAP	
BM818C	BM-818CT	18	17 3/8	16 7/8	1 5/8	1 1/8	5/8	16 5/8	1 3/8	1 5/8	2 5/8	3.75	2.50	1.25
BM824C	BM-824CT	24	23 3/8	22 7/8	1 5/8	1 1/8	5/8	22 5/8	1 3/8	1 5/8	2 5/8	3.75	2.50	1.25
BM836C	BM-836CT	36	35 3/8	34 7/8	1 5/8	1 1/8	5/8	34 5/8	1 3/8	1 5/8	2 5/8	3.75	2.50	1.25
BM 600 SERIES														
BM618C	BM-618CT	18	17 3/8	17	3	1	1 7/32	16 5/8	1 3/8	2 1/4	3 7/32	6.00	5.00	3.25
BM624C	BM-624CT	24	23 3/8	23	3	1	1 7/32	22 5/8	1 3/8	2 1/4	3 7/32	6.00	5.00	3.25
BM636C	BM-636CT	36	35 3/8	35	3	1	1 7/32	34 5/8	1 3/8	2 1/4	3 7/32	6.00	5.00	3.25
BM 900 SERIES														
BM918C	BM-918CT	18	17 3/8	16	3 5/8	2	1 7/32	15 3/4	2 1/4	2 1/2	3 7/32	6.75	5.75	4.25
BM924C	BM-924CT	24	23 3/8	22	3 5/8	2	1 7/32	21 3/4	2 1/4	2 1/2	3 7/32	6.75	5.75	4.25
BM936C	BM-936CT	36	35 3/8	34	3 5/8	2	1 7/32	33 3/4	2 1/4	2 1/2	3 7/32	6.75	5.75	4.25

Angled T-Rail Sections

BM 800 SERIES													
MODEL NO. WITHOUT MOUNTING TABS	MODEL NO. WITH MOUNTING TABS	A	B	C	D	E	F	G	H	HOLDING VALUE (lbs)			
											1/16" AIR GAP	1/8" AIR GAP	1/4" AIR GAP
BM801A	BM-801AT	1 5/8	1 5/32	5/8	5/8	1 3/4	1 3/8	1 5/8	2 5/8	3.75	2.50	1.25	
BM 600 SERIES													
BM601A	BM-601AT	3	1 5/32	1 7/32	5/8	1 3/4	1 3/8	2 1/4	3 7/32	6.00	5.00	3.25	
BM 900 SERIES													
BM901A	BM-901AT	3 5/8	1 29/32	1 7/32	5/8	3 1/16	2 1/4	2 1/2	3 7/32	6.75	5.75	4.25	

T-Rail Take-Off End Sections

BM 800 SERIES												
MODEL NO. WITHOUT MOUNTING TABS	MODEL NO. WITH MOUNTING TABS	A	B	C	D	F	G	H	HOLDING VALUE (lbs)			
									1/16" AIR GAP	1/8" AIR GAP	1/4" AIR GAP	
BM801D	BM-801DT	1 5/8	1 5/32	5/8	5/8	1 3/8	1 5/8	2 5/8	3.75	2.50	1.25	
BM801AD	BM-801ADT								3.75	2.50	1.25	
BM 600 SERIES												
BM601D	BM-601DT	3	1 5/32	1 7/32	5/8	1 3/8	2 1/4	3 7/32	6.00	5.00	3.25	
BM601AD	BM-601ADT								6.00	5.00	3.25	
BM 900 SERIES												
BM901D	BM-901DT	3 5/8	1 29/32	1 7/32	5/8	2 1/4	2 1/2	3 7/32	6.75	5.75	4.25	
BM901AD	BM-901ADT								6.75	5.75	4.25	



Bunting Magnetic T-Rails

Mounting Dimensions for Magnetic "T" Rails

(See Figure 1)

800 SERIES T-RAILS				
PULLEY DIA. "A"	B	C	D	E
4	1.125	5.125	0.562	1.312
6	1.375	5.375	1.562	2.312
8	1.626	5.626	2.562	3.312
12	2.188	6.188	4.562	5.312
18	3.000	7.000	7.562	8.312
600 SERIES T-RAILS				
PULLEY DIA. "A"	B	C	D	E
4	1.125	5.125	0.562	1.312
6	1.375	5.375	1.562	2.312
8	1.626	5.626	2.562	3.312
12	2.188	6.188	4.562	5.312
18	3.000	7.000	7.562	8.312
900 SERIES T-RAILS				
PULLEY DIA. "A"	B	C	D	E
6	1.375	5.375	.658	2.312
8	1.626	5.625	1.658	3.312
12	2.188	6.187	3.658	5.313
18	3.000	7.000	6.658	8.313

Mounting Dimensions for Plate Rails

(See Figure 2)

700 HD SERIES PLATE RAILS			
PULLEY DIA. "A"	B	C	D
6	1.250	5.250	1.625
8	1.500	5.500	2.625
12	2.062	6.062	4.625
18	2.875	6.875	7.625
700 XHD SERIES PLATE RAILS			
PULLEY DIA. "A"	B	C	D
6	1.250	5.250	0.625
8	1.500	5.500	1.625
12	2.062	6.062	3.625
18	2.875	6.875	6.625

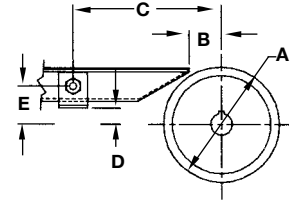


Figure 1

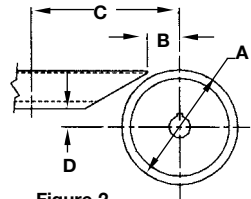


Figure 2

Typical Mounting Configurations

"T" Rails without Standard Brackets

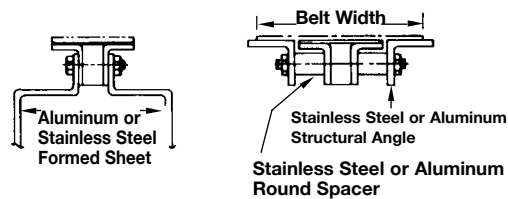
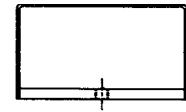
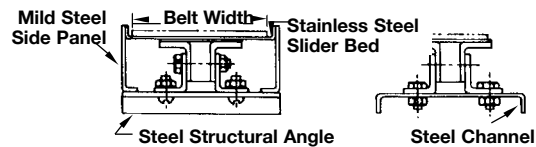


Plate Rails with Tapped Hole for Easy Mounting



"T" Rails with Standard Brackets





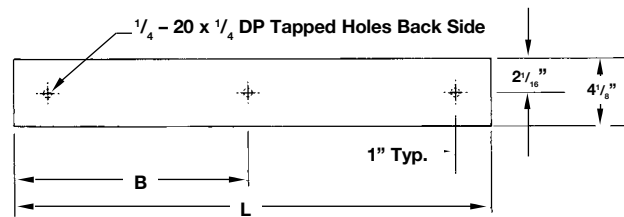
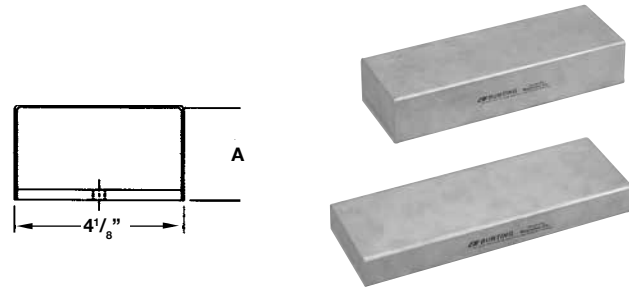
Bunting Magnetic Plate Rails

Straight Sections

BM 700 HD SERIES					
MODEL NO.	L*	A	B	HOLDING VALUE (lbs)	
				1/8" AIR GAP	1/4" AIR GAP
BM701HD	12	1 5/16	0	7.50	6.00
BM702HD	24	1 5/16	0	7.50	6.00
BM703HD	36	1 5/16	0	7.50	6.00
BM704HD	48	1 5/16	24	7.50	6.00
BM705HD	60	1 5/16	30	7.50	6.00

BM 700 XHD SERIES					
MODEL NO.	L*	A	B	HOLDING VALUE (lbs)	
				1/8" AIR GAP	1/4" AIR GAP
BM701XHD	12	2 5/16	0	9.50	8.00
BM702XHD	24	2 5/16	0	9.50	8.00
BM703XHD	36	2 5/16	0	9.50	8.00
BM704XHD	48	2 5/16	24	9.50	8.00
BM705XHD	60	2 5/16	30	9.50	8.00

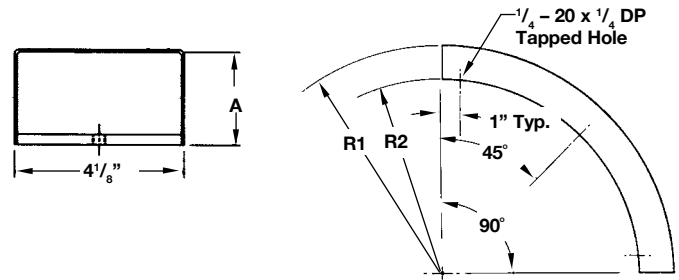
* Other lengths available in 1" increments, 12"-60".



Curved Sections

BM 700 HD SERIES					
MODEL NO.	R1	R2	A	HOLDING VALUE (lbs)	
				1/8" AIR GAP	1/4" AIR GAP
BM718CHD	18	16 11/16	1 5/16	7.50	6.00
BM724CHD	24	22 11/16	1 5/16	7.50	6.00
BM736CHD	36	34 11/16	1 5/16	7.50	6.00

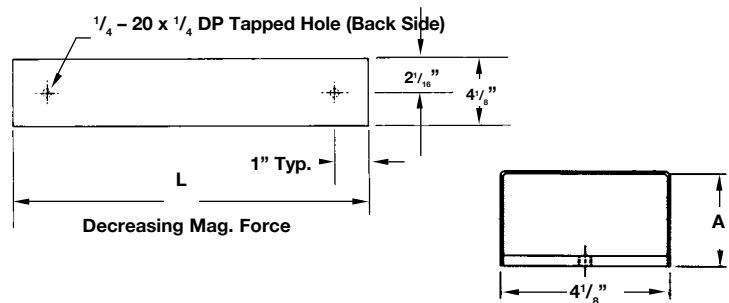
BM 700 XHD SERIES					
MODEL NO.	R1	R2	A	HOLDING VALUE (lbs)	
				1/8" AIR GAP	1/4" AIR GAP
BM718CXHD	18	15 11/16	2 5/16	9.50	8.00
BM702CXHD	24	21 11/16	2 5/16	9.50	8.00
BM703CXHD	36	34 11/16	2 5/16	9.50	8.00



Take-off Sections

BM 700 HD SERIES				
MODEL NO.	L	A	HOLDING VALUE (lbs)	
			1/8" AIR GAP	1/4" AIR GAP
BM701DHD	12	1 5/16	7.5	6

BM 700 XHD SERIES				
MODEL NO.	L	A	HOLDING VALUE (lbs)	
			1/8" AIR GAP	1/4" AIR GAP
BM701DXHD	12	2 5/16	9.5	8

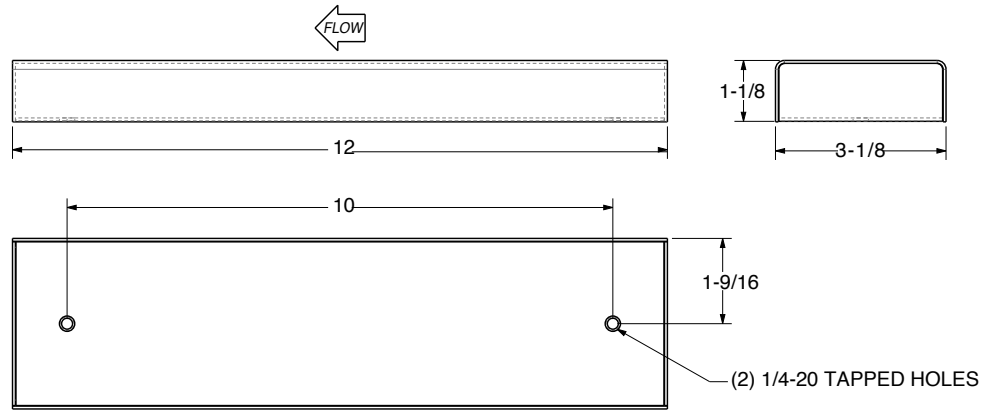




BM1000



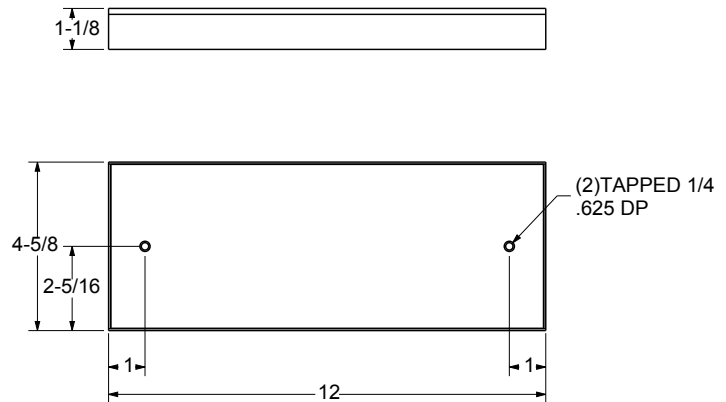
Available in a water tight finish with either tapped holes or tabs for mounting. Maximum length is 60". Only manufactured with Neodymium magnets.



BM1000HD



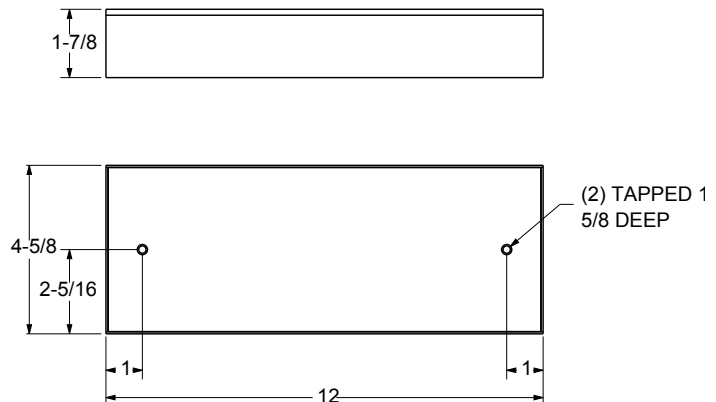
Available in a water tight finish with either tapped holes or tabs for mounting. Maximum length is 60". Only manufactured with Neodymium magnets.



BM1000XHD

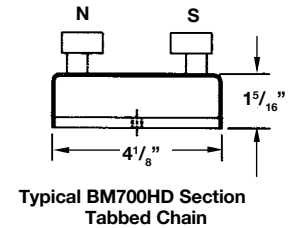
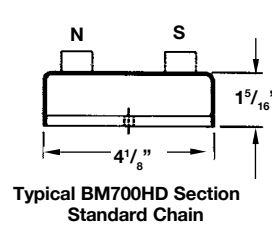
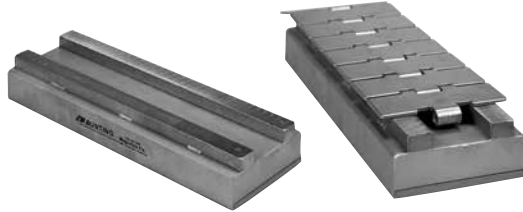


Available in a water tight finish with either tapped holes or tabs for mounting. Maximum length is 60". Only manufactured with Neodymium magnets.

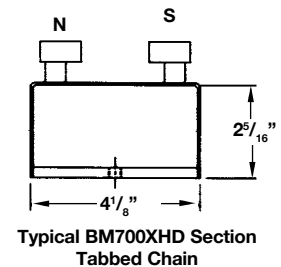
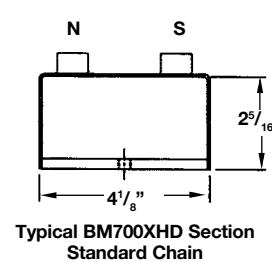
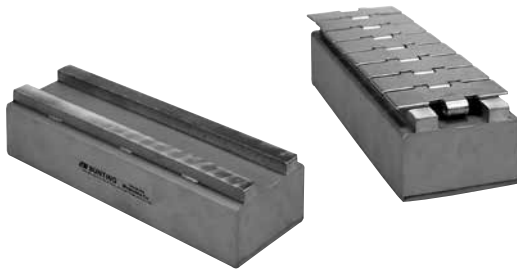




BM700HD Special with Lugs



BM700XHD Special with Lugs



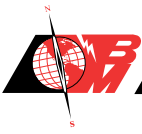
Can Handling

CAN SIZE	EMPTY				FILLED			
	INCLINE ANGLE				INCLINE ANGLE			
	30°	45°	60°	90°	30°	45°	60°	90°
202 x 305	BM600	BM600	BM600	BM600	BM700HD	BM700HD	BM700HD	BM700XHD
210 x 304	BM600	BM600	BM600	BM600	BM700HD	BM700HD	BM700HD	BM700HD
211 x 400	BM600	BM600	BM600	BM600	BM700HD	BM700HD	BM700HD	BM700HD
212 x 400	BM600	BM600	BM600	BM600	BM700HD	BM700HD	BM700XHD	BM700XHD
300 x 406	BM600	BM600	BM600	BM600	BM700HD	BM700HD	BM700XHD	BM700XHD
306 x 108	BM600	BM600	BM600	BM600	BM700HD	BM700HD	BM700HD	BM700HD
306 x 304	BM600	BM600	BM600	BM600	BM700HD	BM700HD	BM700XHD	BM700XHD
306 x 408	BM600	BM600	BM600	BM700HD	BM700HD	BM700HD	BM700XHD	BM700XHD
306 x 512	BM600	BM600	BM700HD	BM700HD	BM700HD	BM700XHD	BM700XHD	
400 x 300	BM600	BM600	BM600	BM600	BM700HD	BM700HD	BM700HD	BM700HD
400 x 203	BM600	BM600	BM600	BM600	BM700HD	BM700HD	BM700HD	BM700HD
400 x 410	BM600	BM600	BM900	BM700HD	BM700HD	BM700XHD	BM700XHD	BM700XHD
400 x 600	BM600	BM900	BM900	BM700HD	BM700HD	BM700XHD	BM700XHD	
404 x 700	BM900	BM900	BM900	BM700HD	BM700HD	BM700XHD		
502 x 514	BM900	BM900	BM700HD	BM700HD	BM700XHD	BM700XHD	BM700XHD	
502 x 700	BM900	BM900	BM700HD	BM700HD	BM700XHD	BM700XHD		
603 x 700	BM900	BM900	BM700HD	BM700HD	BM700XHD	BM700XHD		

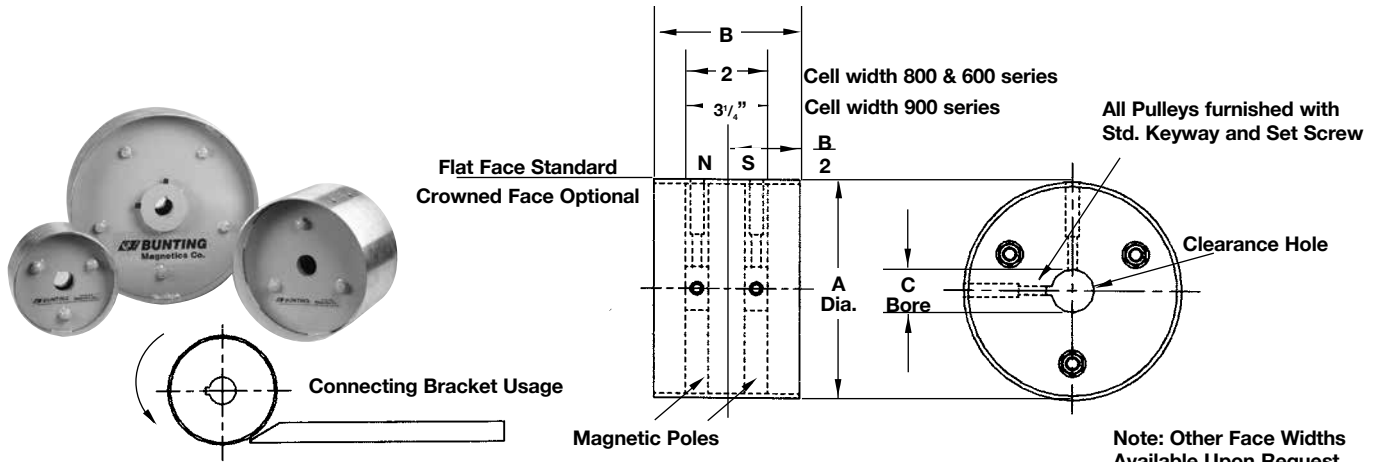
Note: Can sizes are presented as a three-digit number by a three-digit number. The first three-digit number is the diameter, the second is the can height. Each three-digit number is a repetition of the can's actual measurements. The first digit represents the full inches of the can's size and the second and third digits represent the fractional remainder of the can's size in 1/16 of an inch increments.

Example:

Diameter x Height
 $202 = 2 \frac{2}{16} \times 305 = 3 \frac{5}{16}$
 Full inches 16th of inch



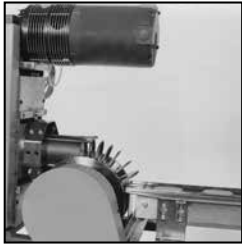
Magnetic Pulleys



800 SERIES SINGLE CELL PULLEYS															
To Be Used With 800 Series Rails & 4929 Channel Magnet															
MODEL NUMBER	A DIA.	B F.W.	C	MODEL NUMBER	A DIA.	B F.W.	C	MODEL NUMBER	A DIA.	B F.W.	C	MODEL NUMBER	A DIA.	B F.W.	C
BM804P-04	4	4	1	BM804P-06	4	6	1	BM804P-08	4	8	1	BM804P-10	4	10	1
BM806P-04	6	4	1 3/16	BM806P-06	6	6	1 3/16	BM806P-08	6	8	1 3/16	BM806P-10	6	10	1 3/16
BM808P-04	8	4	1 3/16	BM808P-06	8	6	1 3/16	BM808P-08	8	8	1 3/16	BM808P-10	8	10	1 3/16
600 SERIES SINGLE CELL PULLEYS															
To Be Used With 600 Series Rails															
MODEL NUMBER	A DIA.	B F.W.	C	MODEL NUMBER	A DIA.	B F.W.	C	MODEL NUMBER	A DIA.	B F.W.	C	MODEL NUMBER	A DIA.	B F.W.	C
BM604P-04	4	4	1	BM604P-06	4	6	1	BM604P-08	4	8	1	BM606P-10	4	10	1
BM606P-04	6	4	1 3/16	BM606P-06	6	6	1 3/16	BM606P-08	6	8	1 3/16	BM608P-10	6	10	1 3/16
BM608P-04	8	4	1 3/16	BM608P-06	8	6	1 3/16	BM608P-08	8	8	1 3/16	BM604P-10	8	10	1 3/16
900 SERIES SINGLE CELL PULLEYS															
To Be Used With 900 Series Rails And 700 Series Plate Rails															
MODEL NUMBER	A DIA.	B F.W.	C	MODEL NUMBER	A DIA.	B F.W.	C	MODEL NUMBER	A DIA.	B F.W.	C	MODEL NUMBER	A DIA.	B F.W.	C
BM906P-04	6	4	1	BM906P-06	6	6	1	BM906P-08	6	8	1 3/16	BM906P-10	6	10	1
BM908P-04	8	4	1 3/16	BM908P-06	8	6	1 3/16	BM908P-08	8	8	1 3/16	BM908P-10	8	10	1 3/16
BM912P-04	12	4	1 3/16	BM912P-06	12	6	1 3/16	BM912P-08	12	8	1 3/16	BM912P-10	12	10	1 7/16
BM918P-04	18	4	1 7/16	BM918P-06	18	6	1 7/16	BM918P-08	18	8	1 7/16	BM918P-10	18	10	1 3/16



Bunting Special-Purpose Magnetic Pulleys



Magnetic Up-Stacker Pulleys

Up-Stacker Pulleys are specially made for use with flat circular ferrous parts. The Up-Stacker's magnetic field and surface contours are designed to orient parts radially around the pulley. In the photograph, metal lids fed from the right horizontal conveyor to an Up-Stacker Pulley reposition themselves for stacking or processing.

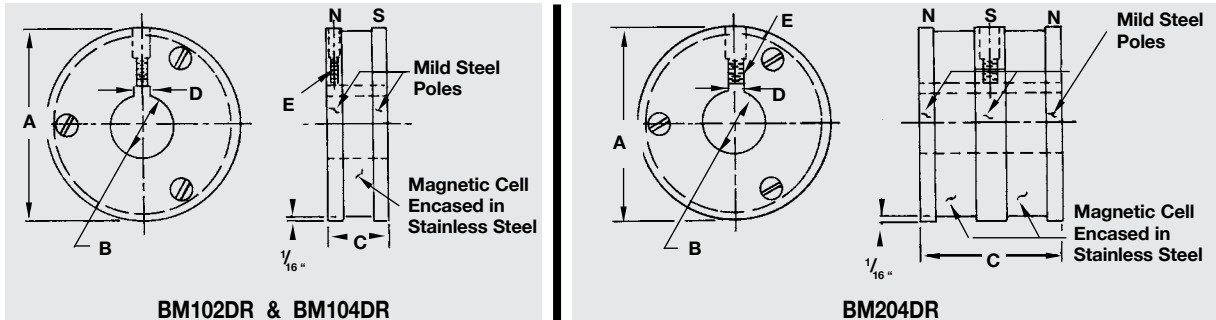
Special Up-Stacker Pulley

Bunting Magnetic Drive Rollers

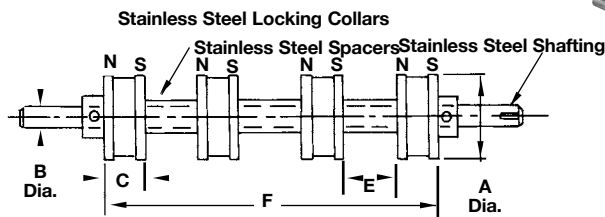
MAGNETIC DRIVE ROLLERS					
CATALOG NUMBER	"A" DIA.	"B" BORE	"C" WIDTH	"D" KEYWAY	SET "E" SCREW
BM102DR	2 5/8	3/4	1 1/2	3/16	#10-32
BM104DR	4 5/8	1 1/2	1 1/2	3/8	1/4-20
BM204DR	4 5/8	1 1/2	3 1/2	3/8	3/8-16



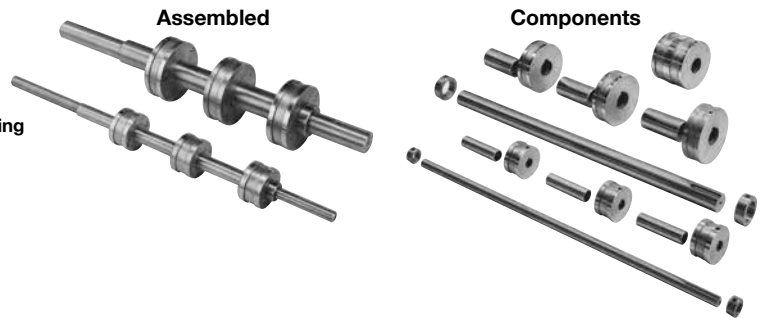
Options: Chrome plate pole pieces are available upon request. Rare Earth models are also available.



Multiple Drive Rollers Assemblies



Customer to provide E and F dimensions.

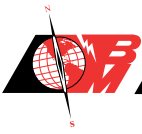


MODEL #	Drive Force (lbs)					Holding Value (lbs)*		
	SHEET GAUGE & THK.					DIRECT CONTACT	.062 AIR GAP	.120 AIR GAP
	#28GA. (.015)	#22GA. (.027)	#16GA. (.055)	#12GA. (.095)	.250			
BM102DR	0.50	1.75	4.63	5.5	5.25	14.5	2.5	1.0
BM104DR	0.88	2.75	10.0	15.0	16.0	23.0	5.5	2.75
BM204DR	1.75	4.88	13.75	23.0	36.81	50.0	15.0	7.75

Note: Optional Chrome Plated Poles will have drive ratings reduced 15% from the values shown above.

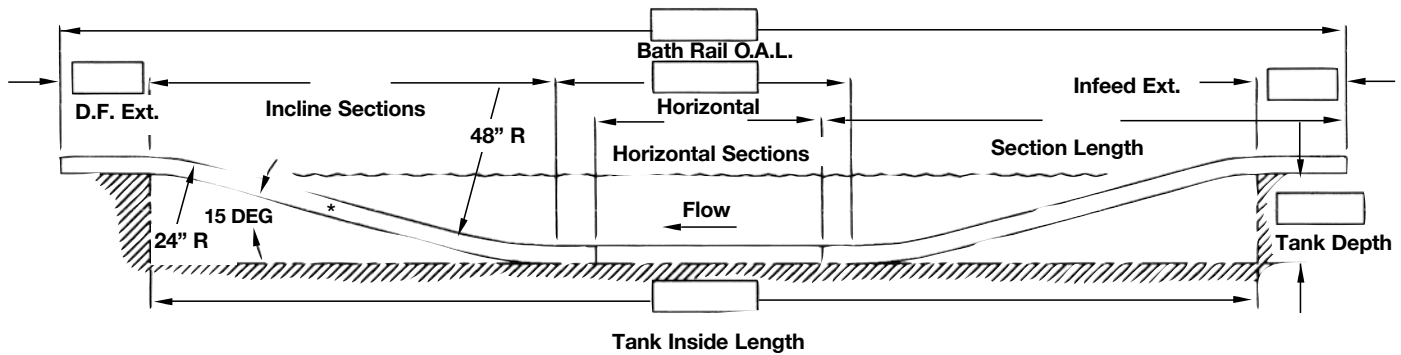
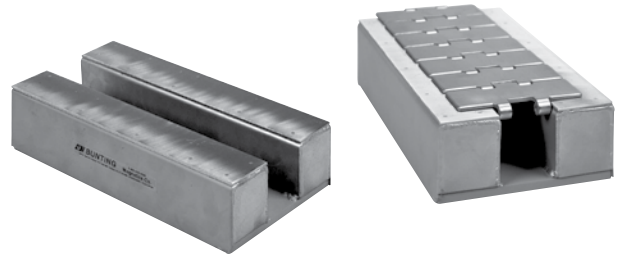
300 SERIES Stainless Steel Shaft recommended so as not to short out Magnetic Field.

*Using 1/8" x 1" x 4" Test Plate (C-1018)



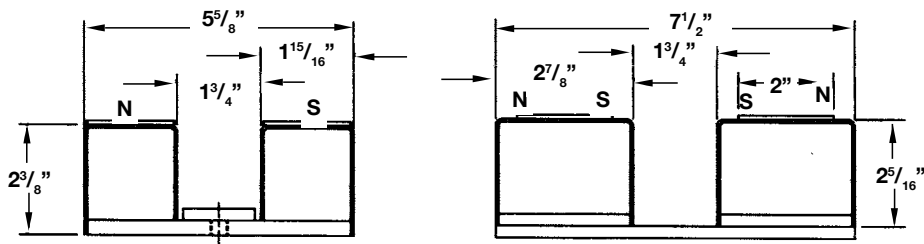
Aerosol Test Bath Rails

The all-stainless-steel Aerosol Test Bath Rails can be used to carry pressurized aerosol cans through a heated liquid to check for leaks and other problems.



Typical Aerosol Test Bath Rail application to check for leakers and empty cans.

* Test Bath Rails always designed at 15° inclines.



Typical Single Lane Section

Typical Dual Lane Section

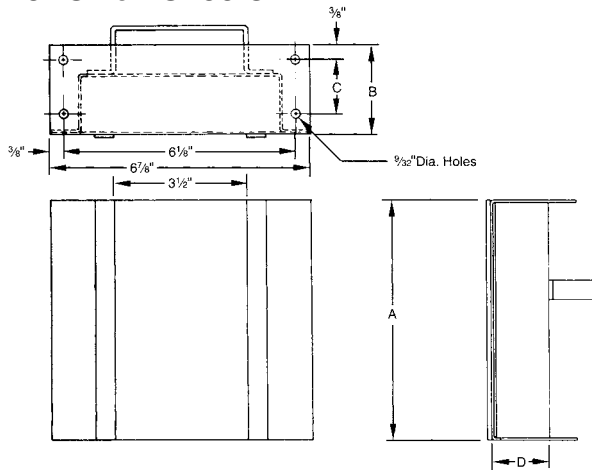




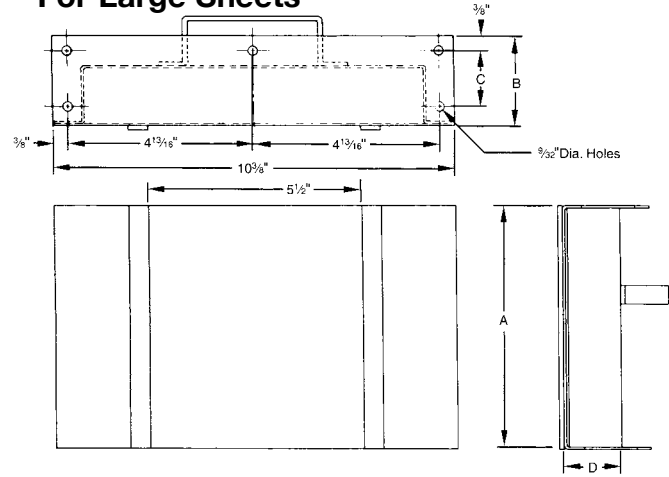
Magnetic Sheet Fanners



For Small Sheets



For Large Sheets



Bunting Part No.	A (Height)	B	C	D	Fanner Face Width	Sheet Gauge Capacity
SF-1106	6 7/8	2 1/4	1 3/8	1 1/4	6 7/8	19 ga. (.0418) through 28 ga. (.0149)
SF-1109	9 7/8	2 1/4	1 3/8	1 1/4	6 7/8	19 ga. (.0418) through 28 ga. (.0149)
SF-1112	12 7/8	2 1/4	1 3/8	1 1/4	6 7/8	19 ga. (.0418) through 28 ga. (.0149)
SF-1115	15 7/8	2 1/4	1 3/8	1 1/4	6 7/8	19 ga. (.0418) through 28 ga. (.0149)
SF-1206	6 7/8	2 1/4	1 3/8	1 1/2	6 7/8	14 ga. (.0747) through 18 ga. (.0478)
SF-1209	9 7/8	2 1/4	1 3/8	1 1/2	6 7/8	14 ga. (.0747) through 18 ga. (.0478)
SF-1212	12 7/8	2 1/4	1 3/8	1 1/2	6 7/8	14 ga. (.0747) through 18 ga. (.0478)
SF-1215	15 7/8	2 1/4	1 3/8	1 1/2	6 7/8	14 ga. (.0747) through 18 ga. (.0478)
SF-1306	6 7/8	3 1/4	2 3/8	2 1/2	6 7/8	10 ga. (.1345) through 13 ga. (.0897)
SF-1309	9 7/8	3 1/4	2 3/8	2 1/2	6 7/8	10 ga. (.1345) through 13 ga. (.0897)
SF-1312	12 7/8	3 1/4	2 3/8	2 1/2	6 7/8	10 ga. (.1345) through 13 ga. (.0897)
SF-1315	15 7/8	3 1/4	2 3/8	2 1/2	6 7/8	10 ga. (.1345) through 13 ga. (.0897)

Bunting Part No.	A (Height)	B	C	D	Fanner Face Width	Sheet Gauge Capacity
SF-1406	6 7/8	2 1/4	1 3/8	1 1/4	10 3/8	19 ga. (.0418) through 28 ga. (.0149)
SF-1409	9 7/8	2 1/4	1 3/8	1 1/4	10 3/8	19 ga. (.0418) through 28 ga. (.0149)
SF-1412	12 7/8	2 1/4	1 3/8	1 1/4	10 3/8	19 ga. (.0418) through 28 ga. (.0149)
SF-1415	15 7/8	2 1/4	1 3/8	1 1/4	10 3/8	19 ga. (.0418) through 28 ga. (.0149)
SF-1506	6 7/8	2 1/4	1 3/8	1 1/2	10 3/8	14 ga. (.0747) through 18 ga. (.0478)
SF-1509	9 7/8	2 1/4	1 3/8	1 1/2	10 3/8	14 ga. (.0747) through 18 ga. (.0478)
SF-1512	12 7/8	2 1/4	1 3/8	1 1/2	10 3/8	14 ga. (.0747) through 18 ga. (.0478)
SF-1515	15 7/8	2 1/4	1 3/8	1 1/2	10 3/8	14 ga. (.0747) through 18 ga. (.0478)
SF-1606	6 7/8	3 1/4	2 3/8	2 1/2	10 3/8	10 ga. (.1345) through 13 ga. (.0897)
SF-1609	9 7/8	3 1/4	2 3/8	2 1/2	10 3/8	10 ga. (.1345) through 13 ga. (.0897)
SF-1612	12 7/8	3 1/4	2 3/8	2 1/2	10 3/8	10 ga. (.1345) through 13 ga. (.0897)
SF-1615	15 7/8	3 1/4	2 3/8	2 1/2	10 3/8	10 ga. (.1345) through 13 ga. (.0897)

Select these models for sheet sizes up to 20" x 20". Narrow blanks can be even longer.

All dimensions are in inches.

Select these models for sheet sizes larger than 20" x 20". For extra wide and heavy sheets, two units side-by-side may be required. If you have any questions about the model required for your work, call to speak with a Bunting sales representative.



Bunting Rotary Switchable Fanners carry U.S. Patent No. 6,481,706

Switchable Fanners

Bunting Switchable Sheet Fanners are available in Generation I and Generation II models, both of which can be "turned off" to avoid accidents while being resupplied with sheets. Both models are patented (U.S. Patent No. 6,481,706) and outfitted with powerful Rare Earth magnets for outstanding separation performance. Both feature reliable pneumatic mechanisms to turn the magnetic field on and off.

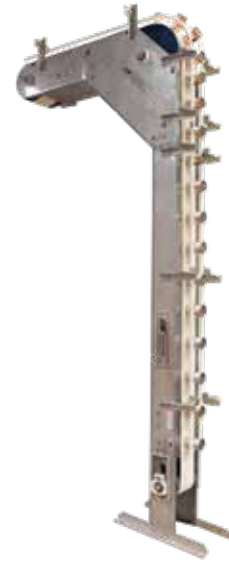
Generation I Switchable Sheet Fanners use a pneumatic rotary actuator to control the fanning action by rotating a single-pole Rare Earth magnetic element, which is mounted near the center of the housing. Generation I Switchable Fanners are a compact 4" wide to fit tight spaces and handle lighter loads.

Generation II Switchable Sheet Fanners have a 7" wide face plate and produce a stronger fanning action suited to larger blanks and thicker gauge steel. They use a conventional pneumatic cylinder to rotate a two-pole Rare Earth magnetic element mounted at a pivot point set close to the side of the housing. With this side-pivot geometry, rotating the magnet just 90 degrees faces it toward a built-in shorting circuit to cancel the external field.



Magnetic Washdown Can Conveyors

Bunting® has been designing and building magnetic washdown can conveyors for 40 years. The high capacity conveyors are designed for high speeds, magnetic control and stability. The conveyors are designed with 300 series stainless steel and washdown motors for both mattop and fabric belted applications.



- I = Infeed Elevation (see table)
- Y = Discharge Elevation*
- X = Horizontal Extension
- L = Overall Conveyed Length
- A = Angle of Incline
- D = __ Horizontal Side Seep Exit, D=9"
- __ End Exit, D=0"
- __ Incline Side Sweep Exit
- OAL by Engineering (OAL=C+L+D)

Incline	B=	C=	I=**
30°	18"	I x 1.732	12.5"
45°	25.5"	I	14"
60°	31.25"	I x .577	16"
75°	34.75"	I x .268	16.5"
90°	36"	0	17"

STANDARD SPECIFICATIONS

Angle of Incline: Standard inclines are horizontal and 30, 45, 60, 75, and 90 degrees.

Dimensions: 8" wide x 10" deep frame. 18" long horizontal drive section on incline nose-over conveyors. Additional horizontal extensions are available as required.

Frame Construction: Formed channel-framed sides of 11 ga stainless steel with 10 ga stainless steel cross supports, fully welded for joint free integrity and ease of cleaning. Flanged and bolted frame component sections are available for quick and easy retrofitting.

Magnetic Element: BM700 Series, with multiple strengths to match your application. Matching decreasing-force take-off rails are used for reliably smooth transfer out of the magnetic field. For over-the-top vertical elevators, matching magnetic head pulleys are available.

Drive and Mounting: 230/460V, 3 ph, 60 Hz, heavy-duty TEFC TAGH constant speed motor. Standard top mounted motor is supported on a heavy-duty stainless steel structural weldment and includes a stainless steel drive guard. Optional motor count configurations, washdown service motor and variable speeds are available upon request.

Drive Pulley: 8" diameter x 4" face width, crowned with vulcanized lagging. Larger diameters are available for extra long conveyor runs or heavy belt loading. Drive shaft is 1" diameter stainless steel. Bearings are self-aligning, heavy-duty, sealed precision ball bearings in a nonmetallic composite flanged housing.

Take-up Pulley: 6" diameter x 4" face width, crowned. Shaft is 1" diameter stainless steel. Bearings are self-aligning, heavy-duty, sealed precision ball bearings in a plated slot bearing housing supported in a stainless steel weldment take-up frame, providing 6" of take-up.

Return Rollers: 4" diameter with 1" diameter stainless steel shaft and self-aligning, heavy-duty, sealed precision ball bearings in a nonmetallic composite flanged housing.

Belt: Selecting the right belt is one of your best safeguards to ensure long-term, trouble-free performance from your can conveyor. Such factors as system capacity, can size and weight, infeed and discharge configuration, degree of incline, along with ambient conditions such as moisture or oil presence must be taken into consideration when selecting your belt. Bunting provides a variety of belt material and surface configurations to properly match your application. All standard supplied belts are endless, eliminating many of the belt problems caused by splice failures on laced belts. What's more, Bunting belts also reduce the risk of tip-overs when side sweeping off at the discharge.

OPTIONAL FEATURES

Slider Beds: Smooth or dimpled 16 ga stainless steel slider beds are available to protect the magnetic plate rail during high wear applications. Mounted independently from the plate rails for quick and easy replacement.

Floor Supports: Standard stainless steel floor supports and specially mounting attachments are available for a complete, ready-to-install package.

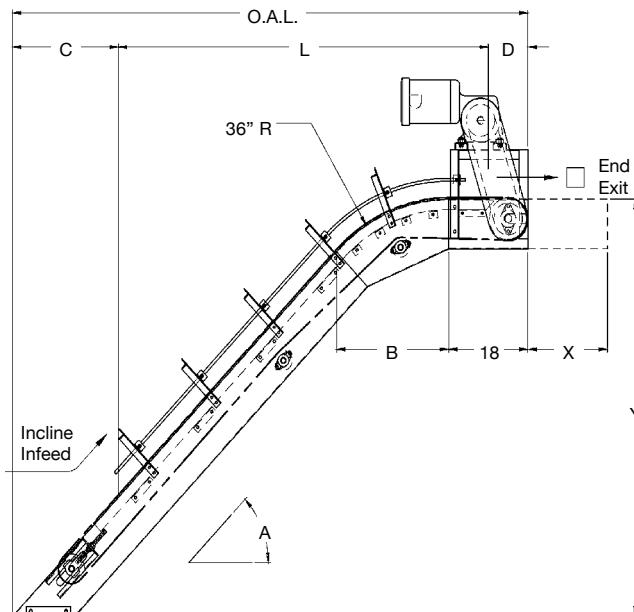
Drip Covers: All stainless steel hinged and latched drip covers are available for moisture control and safety guarding.

Can Guides: Can guides provide overflow restraint, and can be ordered with wear-resistant plastic coatings to protect labels. Heavy-duty bridge supports provide full adjustability of the guides.

In-feed and Discharge Boots: Custom track boots for side sweep, in-feeds, and discharges are specifically designed for your can size and sweep angle.

Extra Large Drive Pulleys: Standard drive pulleys are 8" diameter. 10" and larger diameter pulleys can be selected for extra long conveyor runs or heavy belt loading.

Drive Snub Roller: A 4" diameter snub roller can be selected to provide a full 210 degree wrap on the drive pulley, preventing slippage with heavy loading.



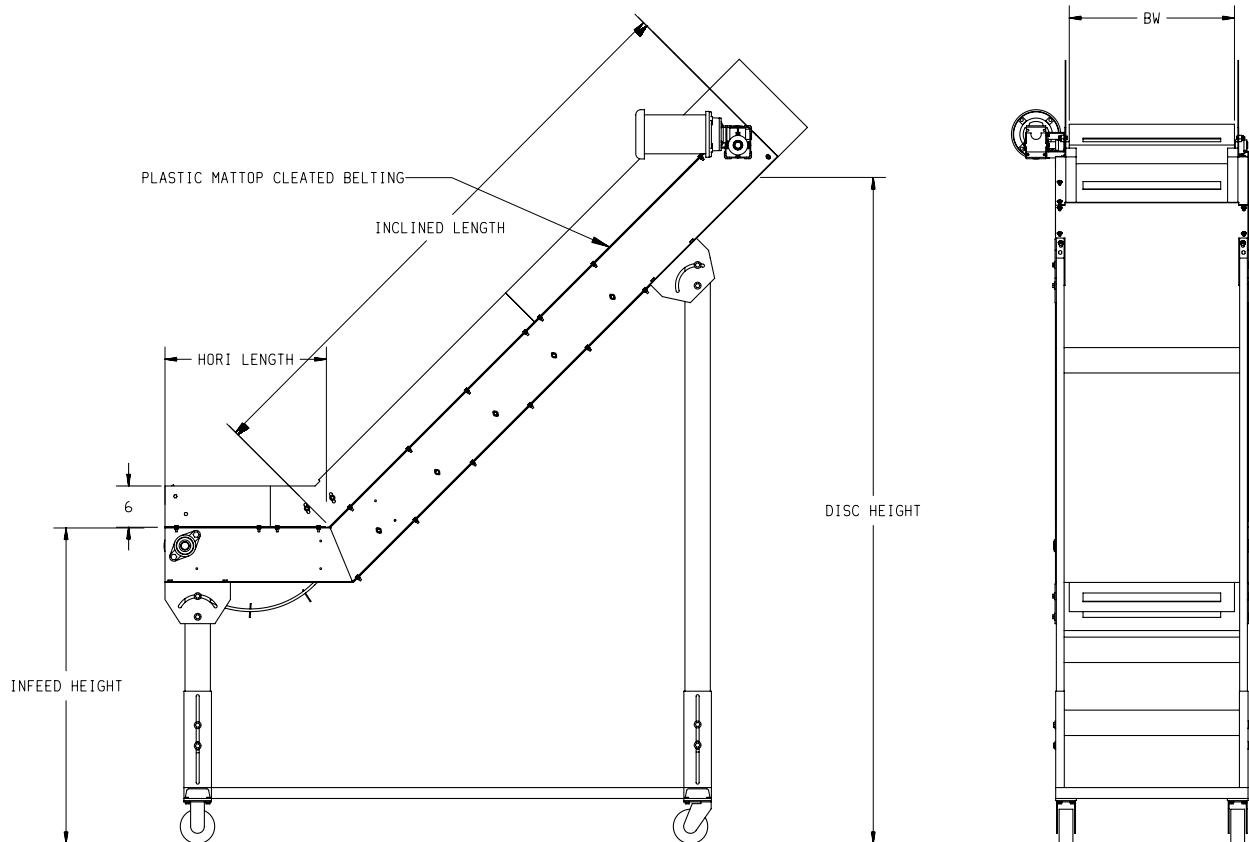


Portable “Move-It” Conveyors

Built to order but priced like stock, available in the most common conveyor sizes and can be custom ordered in a wide range of lengths and widths to fit your application to handle plastic formed parts.



- Sturdy formed steel frame construction, heavy-duty bearings and simple straight-forward design that is both reliable and easy to maintain.
- Electrical components and variable-speed drive motors are available to match the power needs of each installation.
- Durable cleated belts allow you to move parts and scrap up and down inclines as well as along horizontal runs for maximum layout flexibility.
- Belt styles include: standard fabric or mattop belts, cleated belts for steep inclines, or scoop cleated belting for maximum versatility.
- Several styles to choose from.









500 S. Spencer Road • P.O. Box 468 • Newton, Kansas 67114-0468
E-mail: bmc@buntingmagnetics.com • www.buntingmagnetics.com

For technical assistance or to order, call

(800) 835-2526

Outside U.S. and Canada 1-316-284-2020

To locate a Bunting® representative in your area, please visit our website at

www.buntingmagnetics.com



Catalog # 3700

1/13

Specifications subject to change without notice

©2013 Bunting® Magnetics Co.