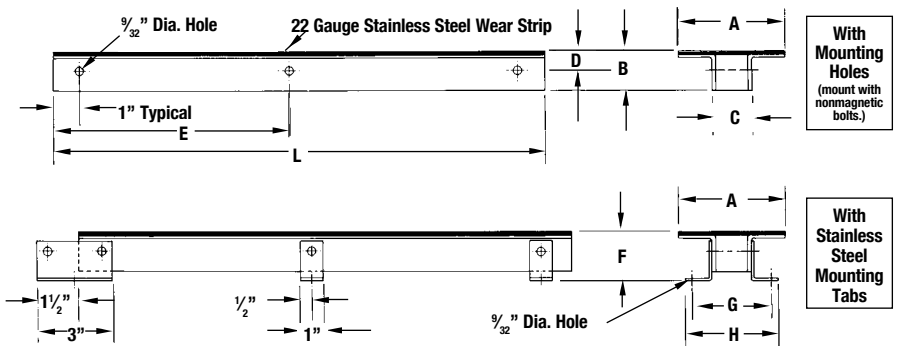
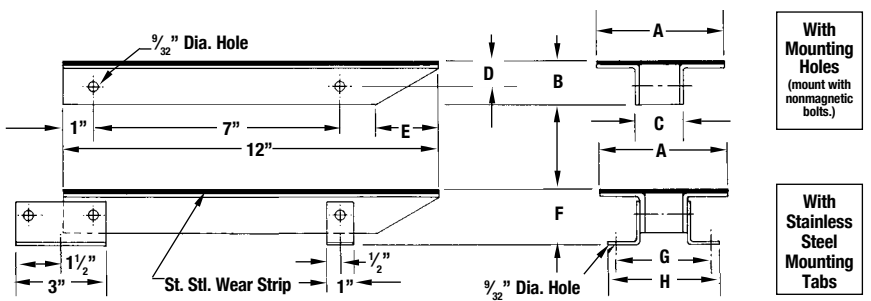
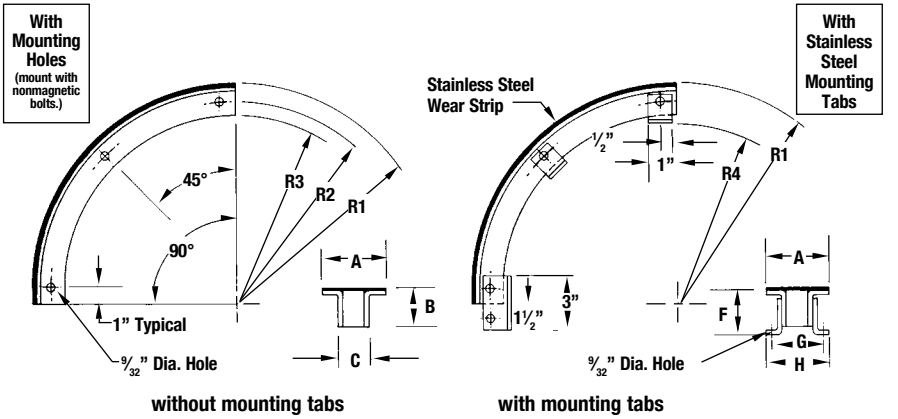


MAGNETIC CONVEYOR COMPONENTS

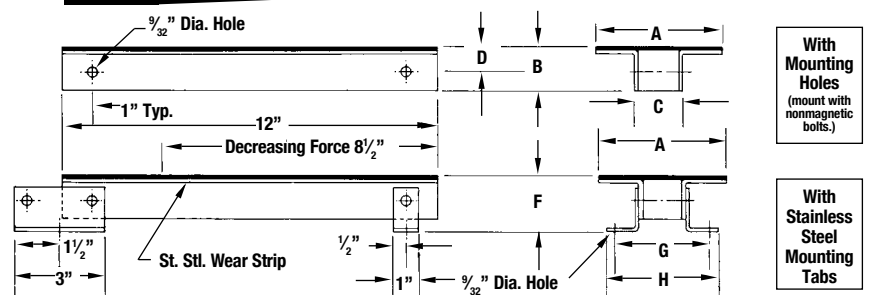
Bunting Magnetic T-Rails



In addition to the sizes shown these rails can be ordered in one inch increments from 12" to 60" long.



Decreasing Magnetic Force



T-Rail Straight Sections

BM 800 SERIES													
MODEL NO. WITHOUT MOUNTING TABS	MODEL NO. WITH MOUNTING TABS	L	A	B	C	D	E	F	G	H	HOLDING VALUE (lbs) (using 1/8" x 4" x 1" Test Plate C-1018)		
											1/16" AIR GAP	1/8" AIR GAP	1/4" AIR GAP
											BM801	BM-801T	12
BM802	BM-802T	24	1 5/8	1 5/32	5/8	5/8	0	1 3/8	1 5/8	2 5/8	3.75	2.50	1.25
BM803	BM-803T	36	1 5/8	1 5/32	5/8	5/8	0	1 3/8	1 5/8	2 5/8	3.75	2.50	1.25
BM804	BM-804T	48	1 5/8	1 5/32	5/8	5/8	24	1 3/8	1 5/8	2 5/8	3.75	2.50	1.25
BM805	BM-805T	60	1 5/8	1 5/32	5/8	5/8	30	1 3/8	1 5/8	2 5/8	3.75	2.50	1.25
BM 600 SERIES													
BM601	BM-601T	12	3	1 5/32	1 7/32	5/8	0	1 11/32	2 1/4	3 7/32	6.00	5.00	3.25
BM602	BM-602T	24	3	1 5/32	1 7/32	5/8	0	1 11/32	2 1/4	3 7/32	6.00	5.00	3.25
BM603	BM-603T	36	3	1 5/32	1 7/32	5/8	0	1 11/32	2 1/4	3 7/32	6.00	5.00	3.25
BM604	BM-604T	48	3	1 5/32	1 7/32	5/8	24	1 11/32	2 1/4	3 7/32	6.00	5.00	3.25
BM605	BM-605T	60	3	1 5/32	1 7/32	5/8	30	1 11/32	2 1/4	3 7/32	6.00	5.00	3.25
BM 900 SERIES													
BM901	BM-901T	12	3 5/8	1 29/32	1 7/32	5/8	0	2 1/4	2 1/2	3 7/32	6.75	5.75	4.25
BM902	BM-902T	24	3 5/8	1 29/32	1 7/32	5/8	0	2 1/4	2 1/2	3 7/32	6.75	5.75	4.25
BM903	BM-903T	36	3 5/8	1 29/32	1 7/32	5/8	0	2 1/4	2 1/2	3 7/32	6.75	5.75	4.25
BM904	BM-904T	48	3 5/8	1 29/32	1 7/32	5/8	24	2 1/4	2 1/2	3 7/32	6.75	5.75	4.25
BM905	BM-905T	60	3 5/8	1 29/32	1 7/32	5/8	30	2 1/4	2 1/2	3 7/32	6.75	5.75	4.25

T-Rail Curved Sections

BM 800 SERIES														
MODEL NO. WITHOUT MOUNTING TABS	MODEL NO. WITH MOUNTING TABS	R1	R2	R3	A	B	C	R4	F	G	H	HOLDING VALUE (lbs)		
												1/16" AIR GAP	1/8" AIR GAP	1/4" AIR GAP
												BM818C	BM-818CT	18
BM824C	BM-824CT	24	23 3/8	22 7/8	1 5/8	1 1/8	5/8	22 5/8	1 3/8	1 5/8	2 5/8	3.75	2.50	1.25
BM836C	BM-836CT	36	35 3/8	34 7/8	1 5/8	1 1/8	5/8	34 5/8	1 3/8	1 5/8	2 5/8	3.75	2.50	1.25
BM 600 SERIES														
BM618C	BM-618CT	18	17 3/8	17	3	1	1 7/32	16 5/8	1 3/8	2 1/4	3 7/32	6.00	5.00	3.25
BM624C	BM-624CT	24	23 3/8	23	3	1	1 7/32	22 5/8	1 3/8	2 1/4	3 7/32	6.00	5.00	3.25
BM636C	BM-636CT	36	35 3/8	35	3	1	1 7/32	34 5/8	1 3/8	2 1/4	3 7/32	6.00	5.00	3.25
BM 900 SERIES														
BM918C	BM-918CT	18	17 3/8	16	3 5/8	2	1 7/32	15 3/4	2 1/4	2 1/2	3 7/32	6.75	5.75	4.25
BM924C	BM-924CT	24	23 3/8	22	3 5/8	2	1 7/32	21 3/4	2 1/4	2 1/2	3 7/32	6.75	5.75	4.25
BM936C	BM-936CT	36	35 3/8	34	3 5/8	2	1 7/32	33 3/4	2 1/4	2 1/2	3 7/32	6.75	5.75	4.25

Angled T-Rail Sections

BM 800 SERIES												
MODEL NO. WITHOUT MOUNTING TABS	MODEL NO. WITH MOUNTING TABS	A	B	C	D	E	F	G	H	HOLDING VALUE (lbs)		
										1/16" AIR GAP	1/8" AIR GAP	1/4" AIR GAP
										BM801A	BM-801AT	1 5/8
BM 600 SERIES												
BM601A	BM-601AT	3	1 5/32	1 7/32	5/8	1 3/4	1 3/8	2 1/4	3 7/32	6.00	5.00	3.25
BM 900 SERIES												
BM901A	BM-901AT	3 5/8	1 29/32	1 7/32	5/8	3 1/16	2 1/4	2 1/2	3 7/32	6.75	5.75	4.25

T-Rail Take-Off End Sections

BM 800 SERIES												
MODEL NO. WITHOUT MOUNTING TABS	MODEL NO. WITH MOUNTING TABS	A	B	C	D	F	G	H	HOLDING VALUE (lbs)			
									1/16" AIR GAP	1/8" AIR GAP	1/4" AIR GAP	
									BM801D	BM-801DT	1 5/8	1 5/32
BM801AD	BM-801ADT								3.75	2.50	1.25	
BM 600 SERIES												
BM601D	BM-601DT	3	1 5/32	1 7/32	5/8	1 3/8	2 1/4	3 7/32	6.00	5.00	3.25	
BM601AD	BM-601ADT								6.00	5.00	3.25	
BM 900 SERIES												
BM901D	BM-901DT	3 5/8	1 29/32	1 7/32	5/8	2 1/4	2 1/2	3 7/32	6.75	5.75	4.25	
BM901AD	BM-901ADT								6.75	5.75	4.25	

MAGNETIC CONVEYOR COMPONENTS

Mounting Dimensions for Magnetic "T" Rails

(See Figure 1)

800 SERIES T-RAILS				
PULLEY DIA. "A"	B	C	D	E
4	1.125	5.125	0.562	1.312
6	1.375	5.375	1.562	2.312
8	1.626	5.626	2.562	3.312
12	2.188	6.188	4.562	5.312
18	3.000	7.000	7.562	8.312
600 SERIES T-RAILS				
PULLEY DIA. "A"	B	C	D	E
4	1.125	5.125	0.562	1.312
6	1.375	5.375	1.562	2.312
8	1.626	5.626	2.562	3.312
12	2.188	6.188	4.562	5.312
18	3.000	7.000	7.562	8.312
900 SERIES T-RAILS				
PULLEY DIA. "A"	B	C	D	E
6	1.375	5.375	.658	2.312
8	1.626	5.625	1.658	3.312
12	2.188	6.187	3.658	5.313
18	3.000	7.000	6.658	8.313

Mounting Dimensions for Plate Rails

(See Figure 2)

700 HD SERIES PLATE RAILS			
PULLEY DIA. "A"	B	C	D
6	1.250	5.250	1.625
8	1.500	5.500	2.625
12	2.062	6.062	4.625
18	2.875	6.875	7.625
700 XHD SERIES PLATE RAILS			
PULLEY DIA. "A"	B	C	D
6	1.250	5.250	0.625
8	1.500	5.500	1.625
12	2.062	6.062	3.625
18	2.875	6.875	6.625

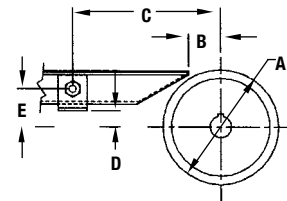


Figure 1

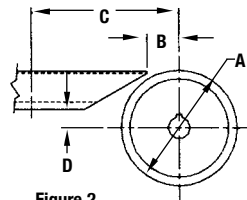


Figure 2

Typical Mounting Configurations

"T" Rails without Standard Brackets

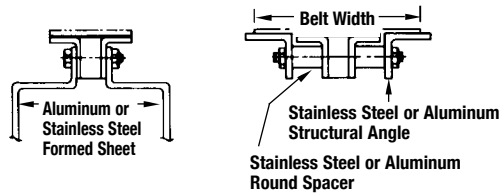
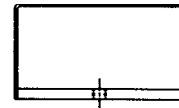


Plate Rails with Tapped Hole for Easy Mounting



"T" Rails with Standard Brackets

