

# KUKJE 4720ch Branson Tractor

## Parts Catalogue



BRANSON TRACTOR

# CONTENTS

GROUP NO	GROUP NAME	PAGE
000	4720CH	5
00138_01	CYLINDER BLOCK)	7
00138_02	GEAR CASE	9
00138_03	FLYWHEEL HOUSING & OIL PAN	11
00138_04	CYLINDER HEAD & HEAD COVER	13
00138_05	INTAKE MANIFOLD	16
00138_06	BRACKET, COMPRESSOR	18
00138_07	EXHAUST MANIFOLD	20
00138_08	CAM SHAFT & DRIVING GEAR	22
00138_09	CRANK SHAFT & PISTON	24
00138_10	BALANCER	26
00138_11	LUB. OIL SYSTEM	28
00138_12	COOLING SYSTEM	30
00138_13	FUEL INJECTION PUMP	32
00138_14	FUEL INJECTION SYSTEM	34
00138_15-1	FUEL SYSTEM	36
00138_15-2	FUEL SYSTEM(2017.01)	38
00138_15-3	FUEL SYSTEM(2017.12)	40
00138_16-1	STARTING MOTOR	42
00138_16-2	STARTING MOTOR(2016.11)	44
00138_17	GENERATOR & ELECTRIC DEVICE	46
00138_18	DPF & DPF APPLICATION SYSTEM_1	48
00138_19	DPF & DPF APPLICATION SYSTEM_2	50
00138_20	DATAPLATE	52
C001	LEVER ACCELERATOR	54
C002	STEERING COLUMN	56
C004	FRONT ALXE BRACKET	58
C009	CENTER PIN SUPPORTER	60
C010	TIE ROD	62
C012	RING GEAR, DIFFERENTIAL GEAR	64
C019	GEAR CASE, FRONT AXLE	66
C020	SPACER	68
C023	COVER SHAFT	70
C032	P.S.T CYLINDER	72
C034	P.S.T PIPE	74

GROUP NO	GROUP NAME	PAGE
C036	FLY WHEEL HOUSING	76
C038	PTO DAMPER	78
C039	HYD SHIFT TRANSMISSION HOUSING	80
C040	HYD SHIFT TRANSMISSION GEAR	82
C041	HYD SHIFT TRANSMISSION PEDAL	84
C043	FRONT DRIVE, RANGE SHIFT GEAR	86
C044	FRONT DRIVE & RANGE SHIFT LEVER	88
C045	GEAR,IND PTO SPEED CHANGE	90
C046	REAR AXLE CASE, PTO SHIFT	93
C047	LEVER ASS'Y, PTO SPEED CHANGE	95
C048	HOUSING, REAR AXLE	97
C049	DRIVING PART, REAR AXLE	99
C050	BRAKE	102
C053	BRAKE, CLUTCH PEDAL	104
C099	HYD PUMP	106
C101	CASE, HYD CYLINDER	108
C104	PISTON ASS'Y	110
C108	SAFTY VALVE	112
C109	STOP VALVE	114
C111	HYD CONTROL-POSITON TYPE	116
C111-2	HYD CONTROL-POSITON TYPE	118
C113	DRAFT CONTROL	120
C114	HYD PIPING	122
C115	HYD PIPING	124
C118	HYD FILTER	126
C119	ELE'C WIRING	128
C119-2	ELE'C WIRING(2016)	130
C124	BATTERY	132
C125	SWITCH	134
C125-2	SWITCH(2016.03)	136
C131	HORN	138
C132	LAMP	140
C134	Meter_Assembly_20R	142
C135	BONNET	144
C136	BONNET SUPPORT	146

GROUP NO	GROUP NAME	PAGE
C137	DASH BOARD	148
C139	FOOT REST ASS'Y	150
C141	FUEL TANK	152
C144	NAME PLATE	154
C144-2	NAME PLATE	156
C146	TOP LINK, LIFT LINK	158
C150	LOWER LINK	160
C152	DRAWBAR HITCH	162
C160	FRONT WEIGHT	164
C161	ENGINE SUB	166
C191	4PORT ASS'Y	168
C192	NUMBER PLATE	170
C193	CABIN FREAM ASS'Y	172
C194	FENDER ASS'Y	174
C195	PILLAR COVER ASS'Y	176
C196	FRONT WINDOWS ASS'Y	178
C197	DOOR ASS'Y	180
C198	REAR WINDOWS ASS'Y	182
C199	SIDE MIRROR ASS'Y	184
C200	ROOF ASS'Y	186
C201	CEILING ASS'Y	188
C202	A/C DUCT ASS'Y	190
C203	A/C ASS'Y ,CABIN	192
C204	AIR CONDITIONER ASSEMBLY	194
C205	COMPRESSOR	196
C206	SEAT	198
C207	LEFT LEVER COVER	200
C208	RIGHT LEVER COVER	202
C209	SCV LEVER	204
C250	SPARE TOOLS	206
S102	IND PTO VALVE SUPPORT	208

FIG 000

4720CH

Year/Month

4720ch

2020/01



**B** CHASSIS



**A** ENGINE



FIG 00138\_01

CYLINDER BLOCK)

Year/Month

4720ch

2020/01

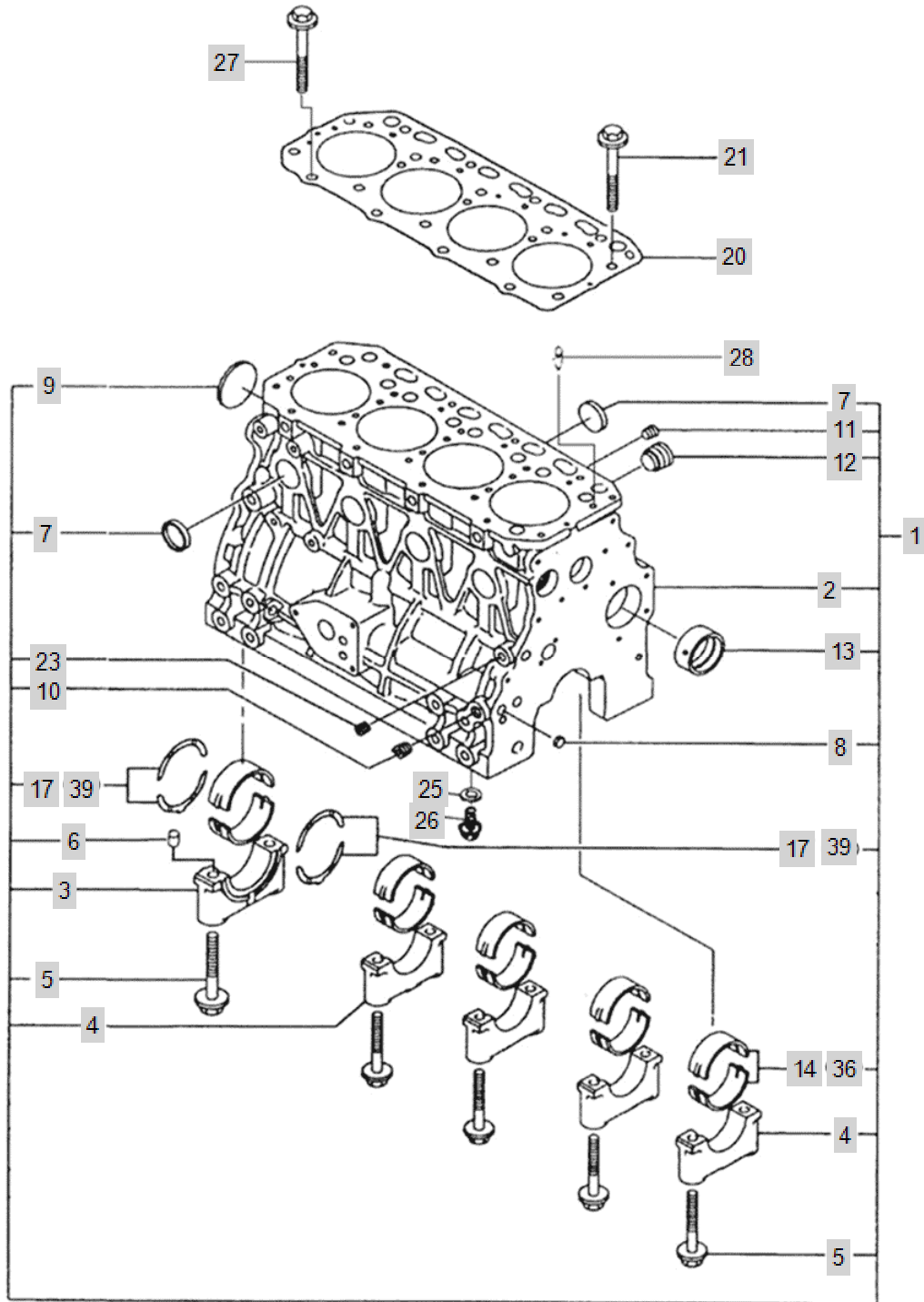






FIG 00138\_02

GEAR CASE

Year/Month

4720ch

2020/01

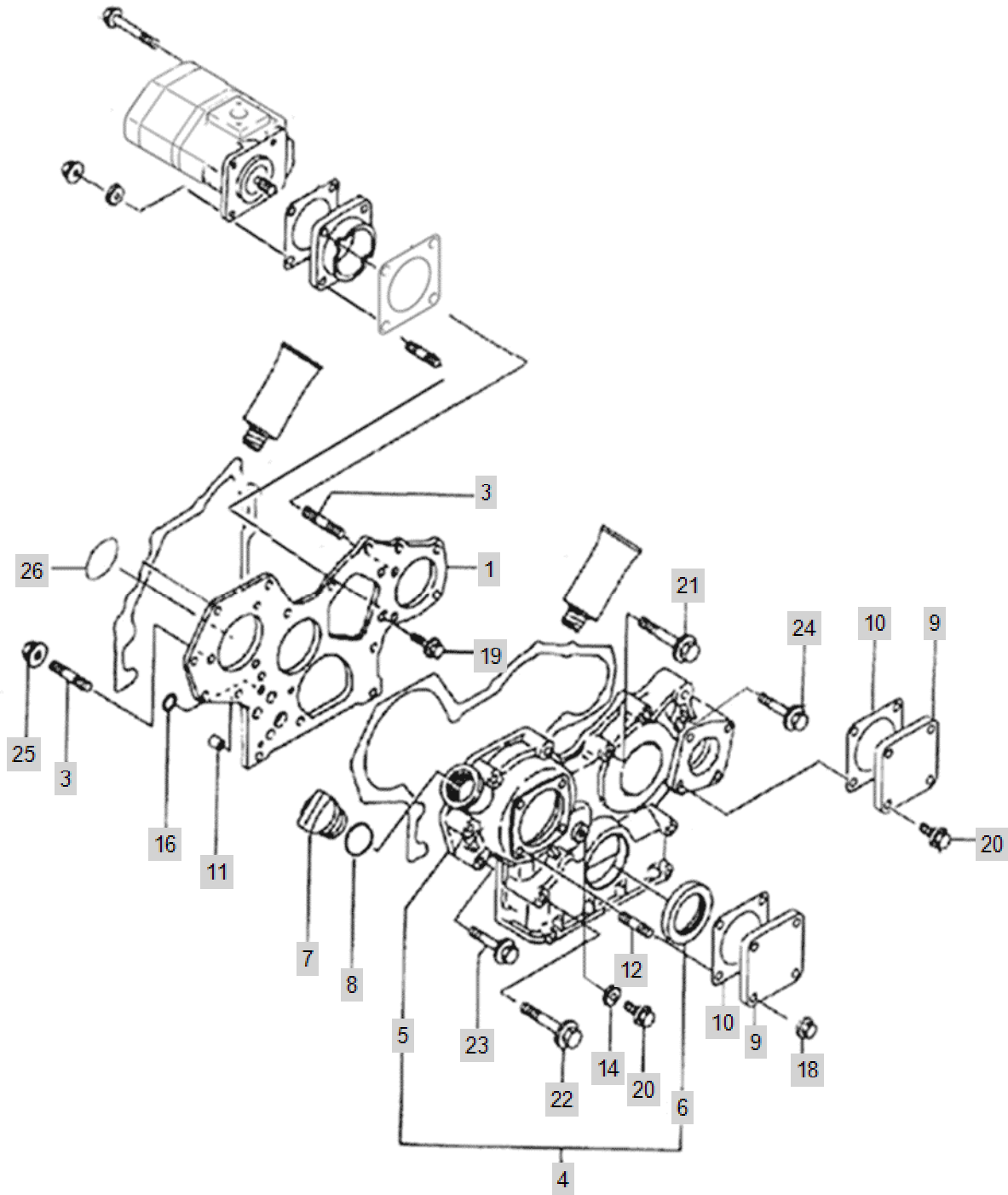




FIG 00138\_03

FLYWHEEL HOUSING & OIL PAN

Year/Month

4720ch

2020/01

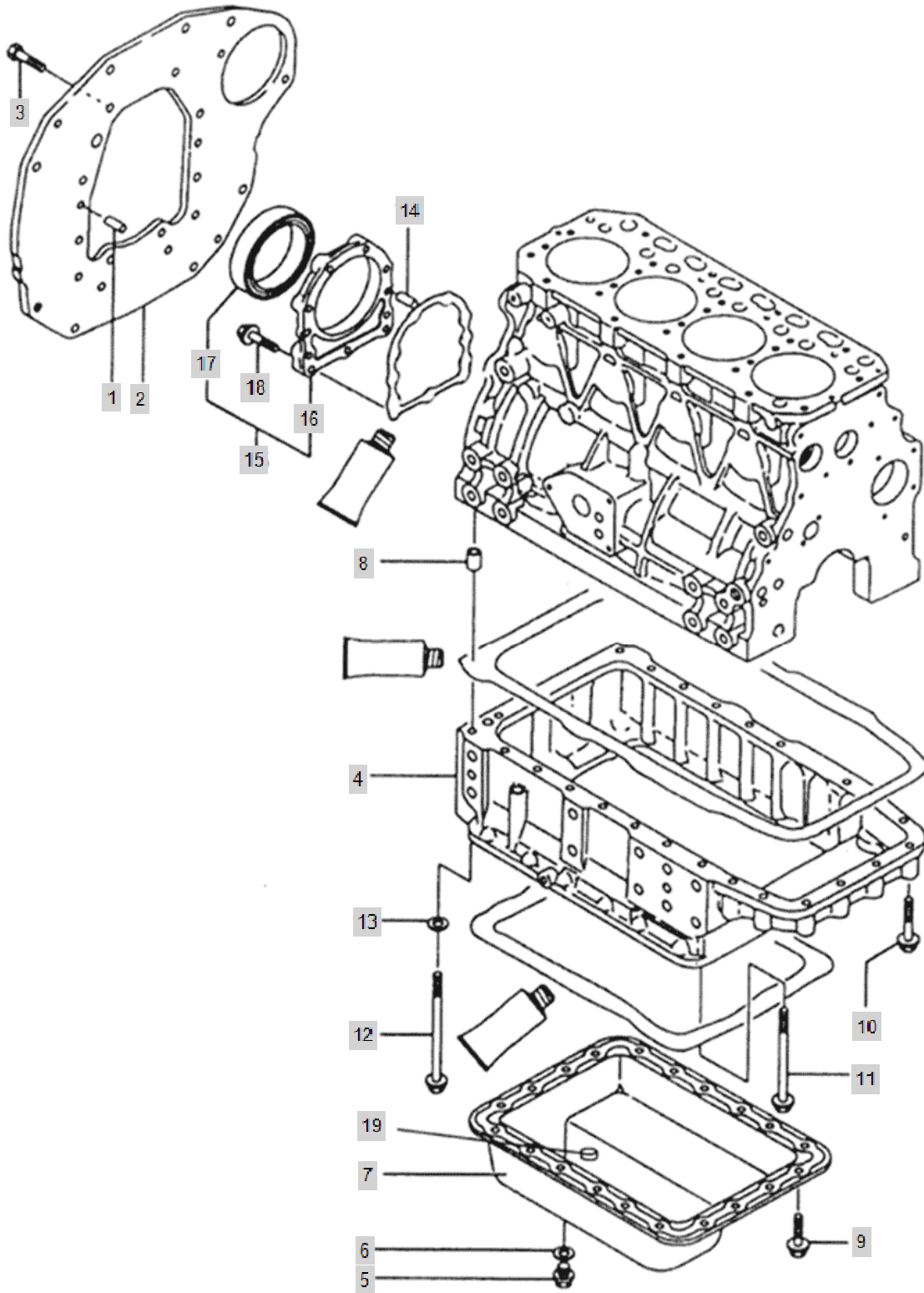




FIG 00138\_04

CYLINDER HEAD & HEAD COVER

Year/Month

4720ch

2020/01

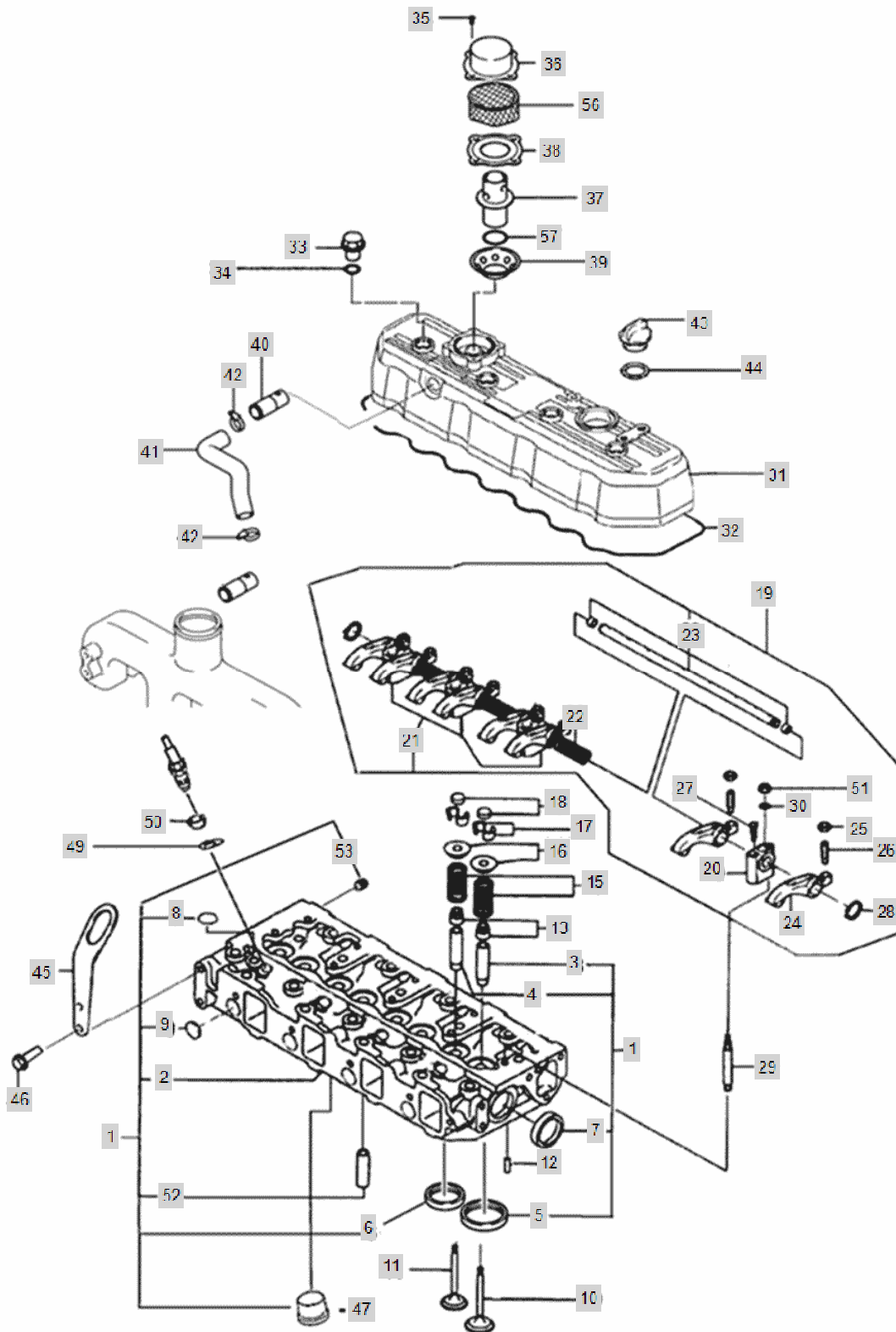


FIG 00138_04		CYLINDER HEAD & HEAD COVER			Year/Month
4720ch					2020/01
KeyNo.	Part Number	Part Name	Quantity	Other	
1	EA00003239A	CYLINDER HAED ASSY	1		
2	EA00003238A	DATA PLATE	1		
4	HRA0400103B4	GUIDE,VALVESTEM	8		
5	HRA0400104B4	SEAT,ENGINEINTAKEVALVE	4		
6	HRA0400105B4	SEAT,ENGINE EXHAUST VALVE	4		
7	27241-400000	PLUG (D40)	2		
8	27241-220000	PLUG,EXPANSION	4		
9	27241-220000	PLUG,EXPANSION	4		
10	HRA0400200A4	VALVE,INTAKE	4		
11	HRA0400300A4	VALVE,EXHAUST	4		
12	22312-040100	PIN, DOWEL (4-10)	2		
13	HA03070000A4	SEAL,VALVESTEM	8		
15	HRA0400700A4	SPRING,VALVE	8		
16	HRA0400800A4	RETAINER,VALVESPRING	8		
17	HRA0400900A4	COTTER,VALVE	16		
18	HK03680000B4	CAP,VALVE	8		
19	HRA0401100B2	LEVER,ROCKER	1		
20	HRA0401200A4	SUPPORT,ROCKERLEVER	1		
21	HRA0401300A4	SUPPORT,ROCKERLEVER	3		
22	HRA0401400A4	SPRING,COMPRESSION	3		
23	HRA0401500A2	SHAFT,ROCKERLEVER	1		
24	HRA0401600A4	LEVER,ROCKER	8		
25	AF02110000E4	SCREW,RKRLEVERADJUSTING	8		
26	HH05280000A4	NUT,VALVEADJUSTING	8		
27	26921-080102	SCREW,SLOTTEDSET	1		
28	22242-000190	SNAP RING, SHAFT (Φ 19)	2		
29	HRA0401800A4	STUD	4		
30	22117-120000	WASHER, PLAIN (Φ 12)	4		
31	HRA0402300C0	COVER, VALVE	1		
32	HRA0402400B3	GASKET,VALVECOVER	1		
33	HA03520000B4	NUT,HEXAGONCAP	4		
34	24311-000140	O-RING, DYNAMIC (Φ14)	4		
35	26587-040102	SCREW,FILLISTERHEADCAP	4		
36	HRA0403600A4	COVER,BREATHER	1		
37	HRA0403700A4	Valve, Pressure Relief	1		
38	HRA0403800A4	GASKET,BREATHER	1		
39	HRA0403900A4	PLATE,BREATHERADJUSTING	1		
40	HRA0404000A4	TUBE,BREATHER	1		
41	HRA0404100C3	HOSE, BREATHER	1		
42	23080-021000	CLAMP,VBAND	2		
43	HC03470000B4	CAP,FILTER	1		
44	24311-000320	O-RING, DYNAMIC (Φ32)	1		
45	HK03530000A4	BRACKET,LIFTING	1		
46	26106-080162	SCREW,HEXFLANGEHEADCAP	2		
47	EA00003012A	PRE-CHAMBER	4		



FIG 00138\_05

INTAKE MANIFOLD

Year/Month

4720ch

2020/01

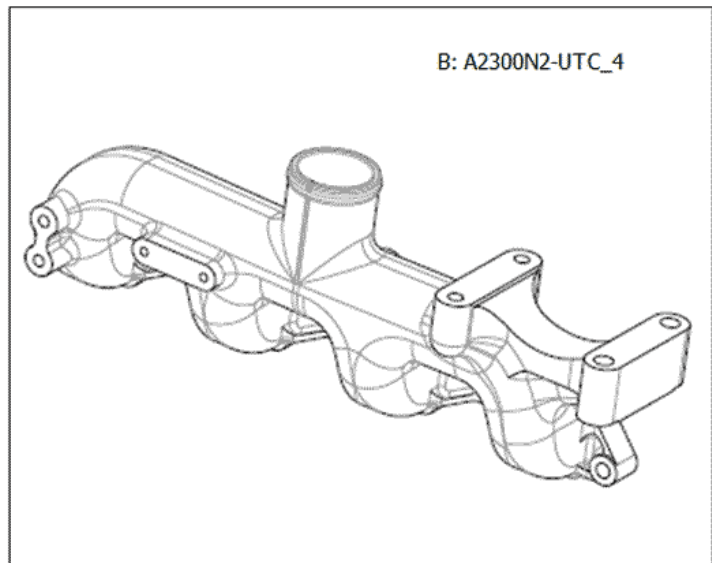
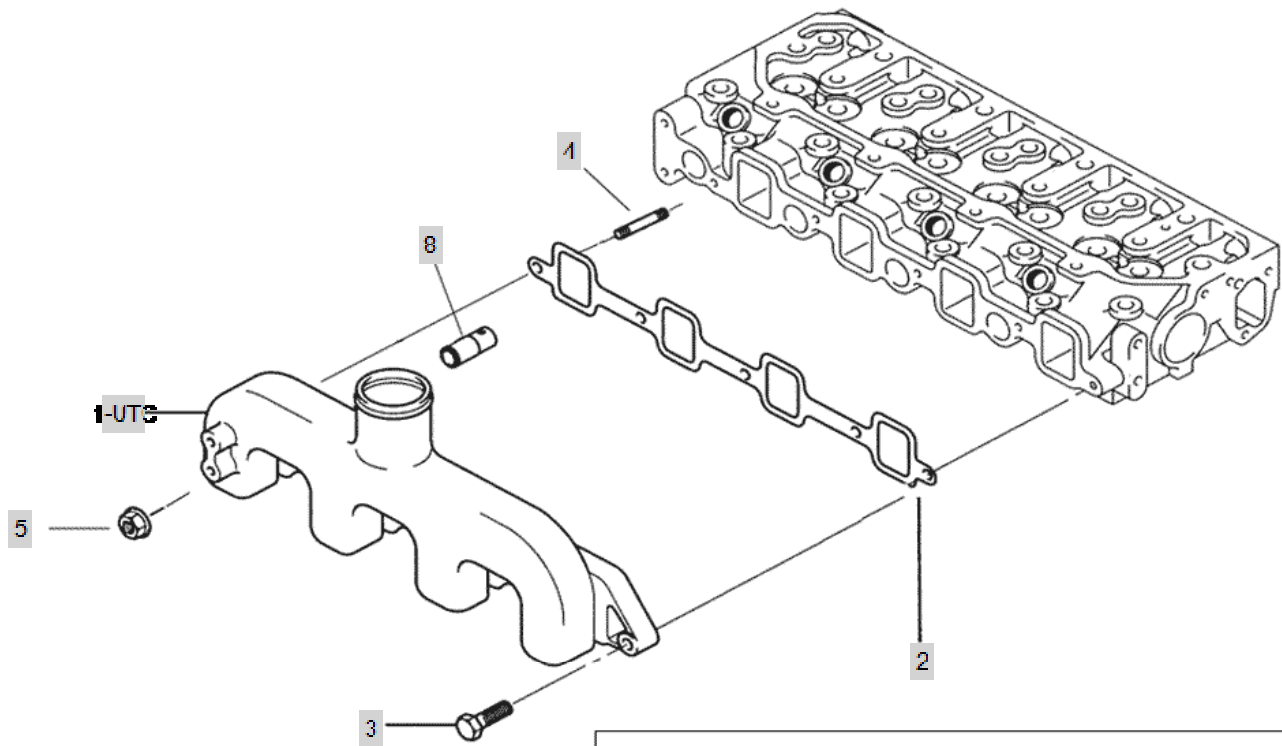






FIG 00138\_06

BRAKET, COMPRESSOR

Year/Month

4720ch

2020/01

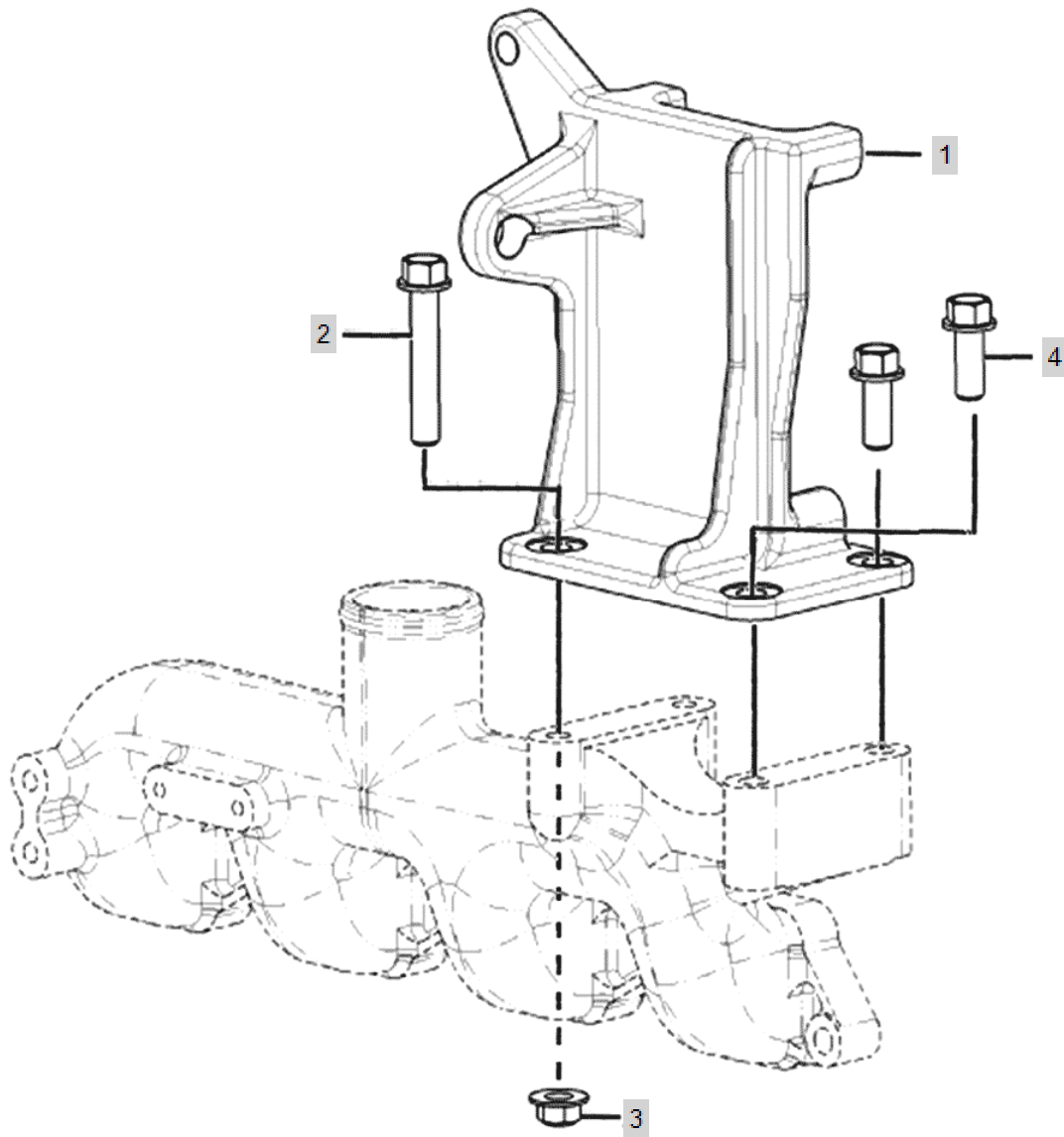




FIG 00138\_07

EXHAUST MANIFOLD

Year/Month

4720ch

2020/01

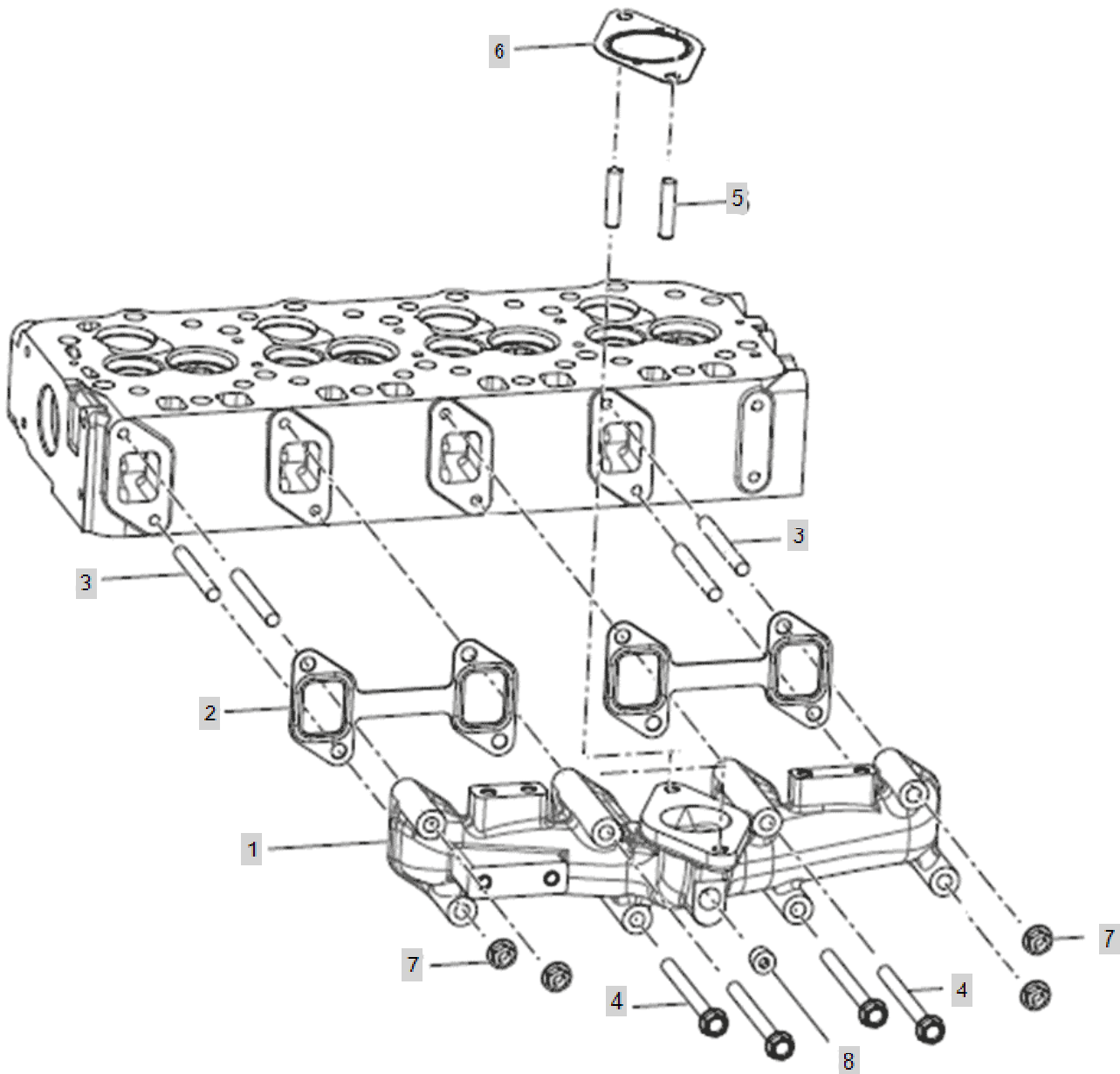




FIG 00138\_08

CAM SHAFT & DRIVING GEAR

Year/Month

4720ch

2020/01

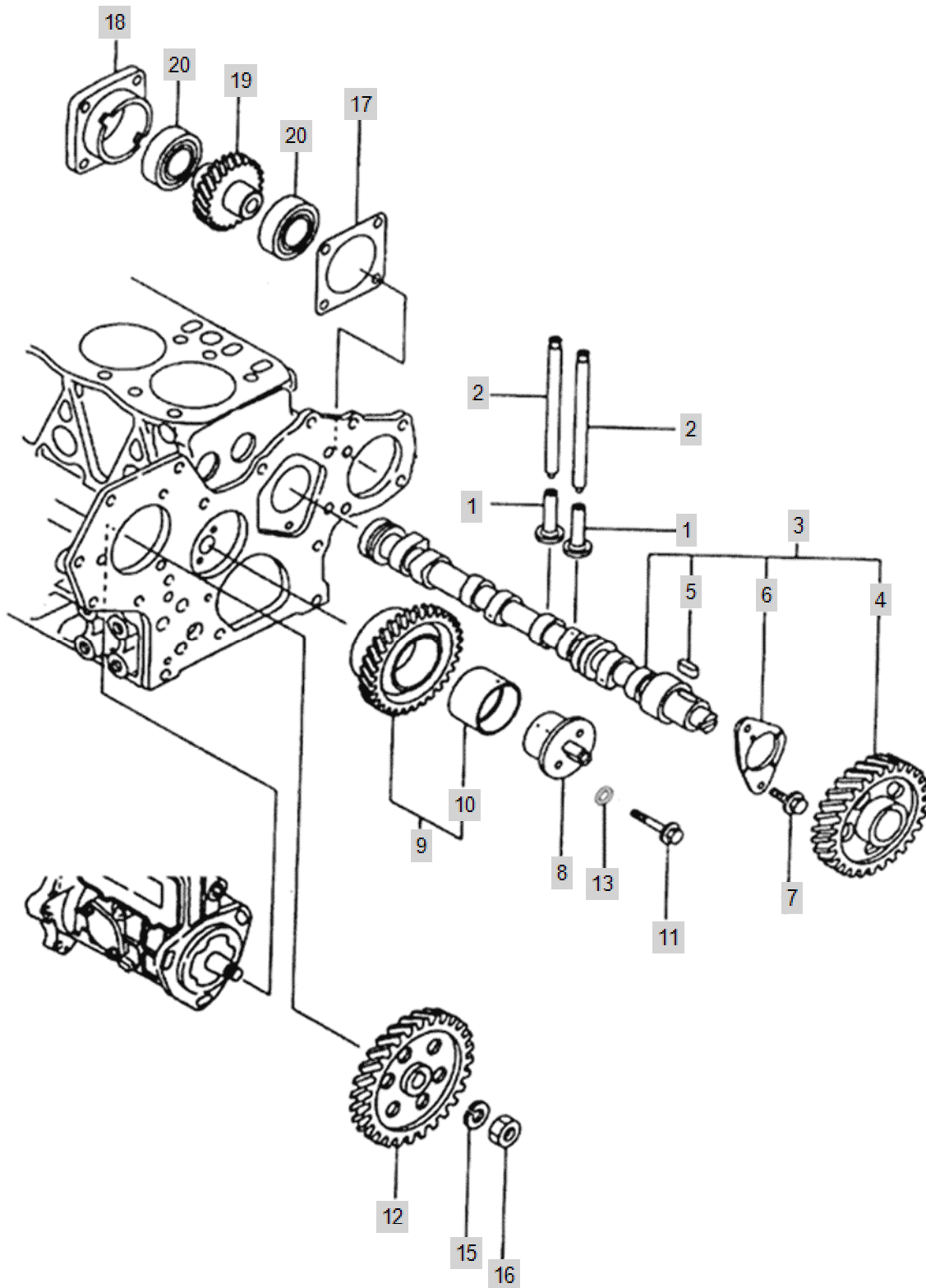




FIG 00138\_09

CRANK SHAFT & PISTON

Year/Month

4720ch

2020/01

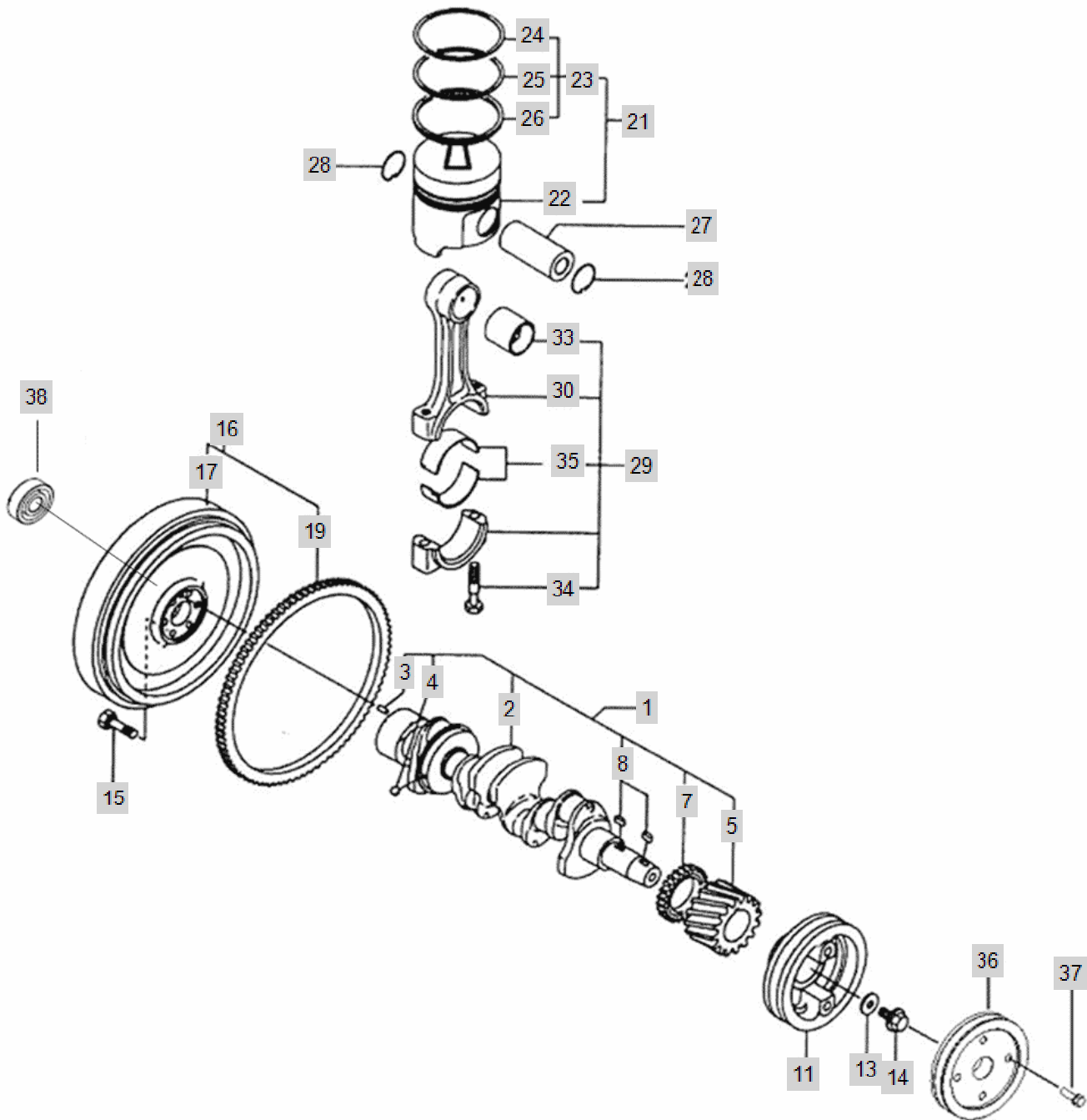






FIG 00138\_10

BALANCER

Year/Month

4720ch

2020/01

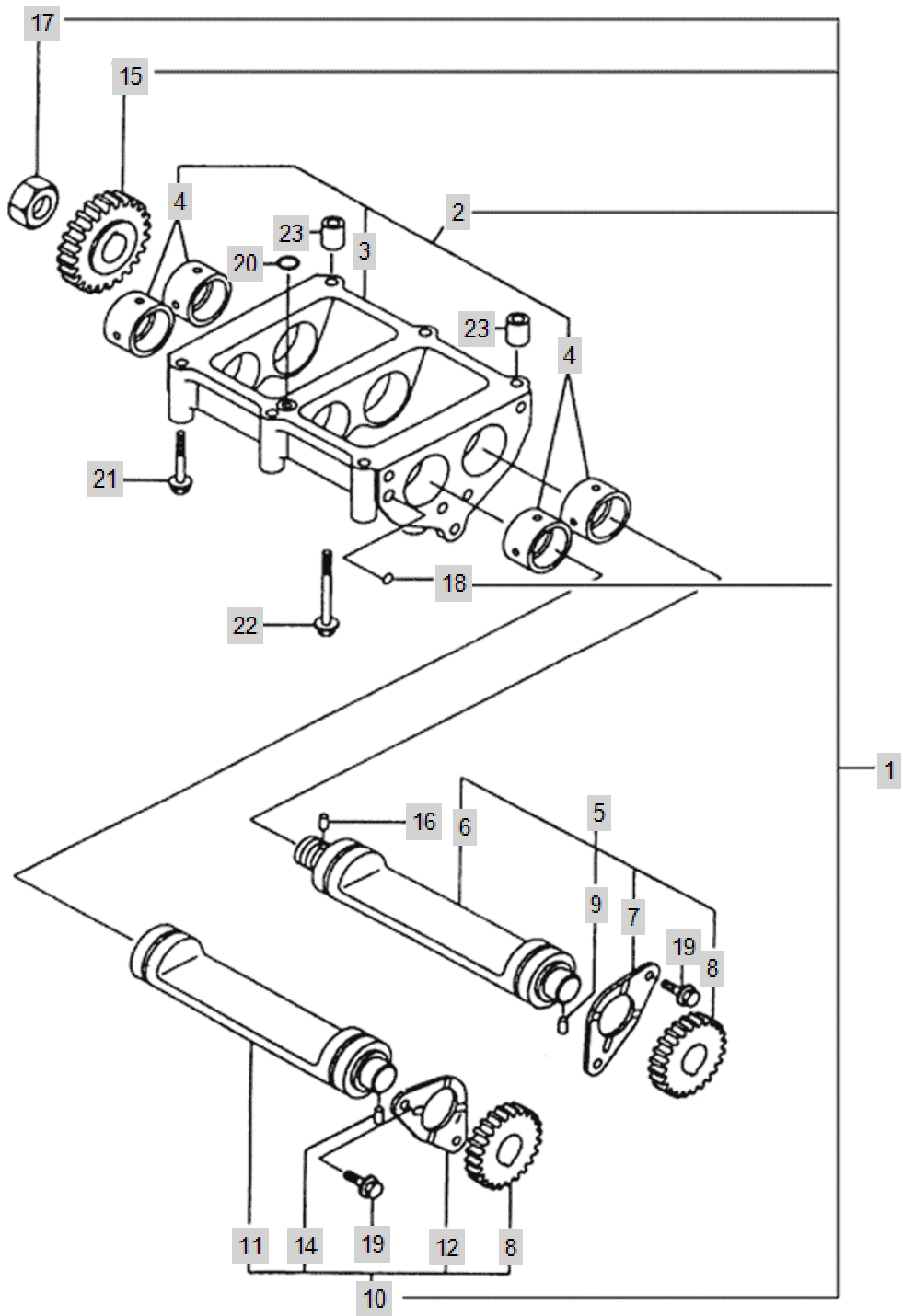




FIG 00138\_11

LUB. OIL SYSTEM

Year/Month

4720ch

2020/01

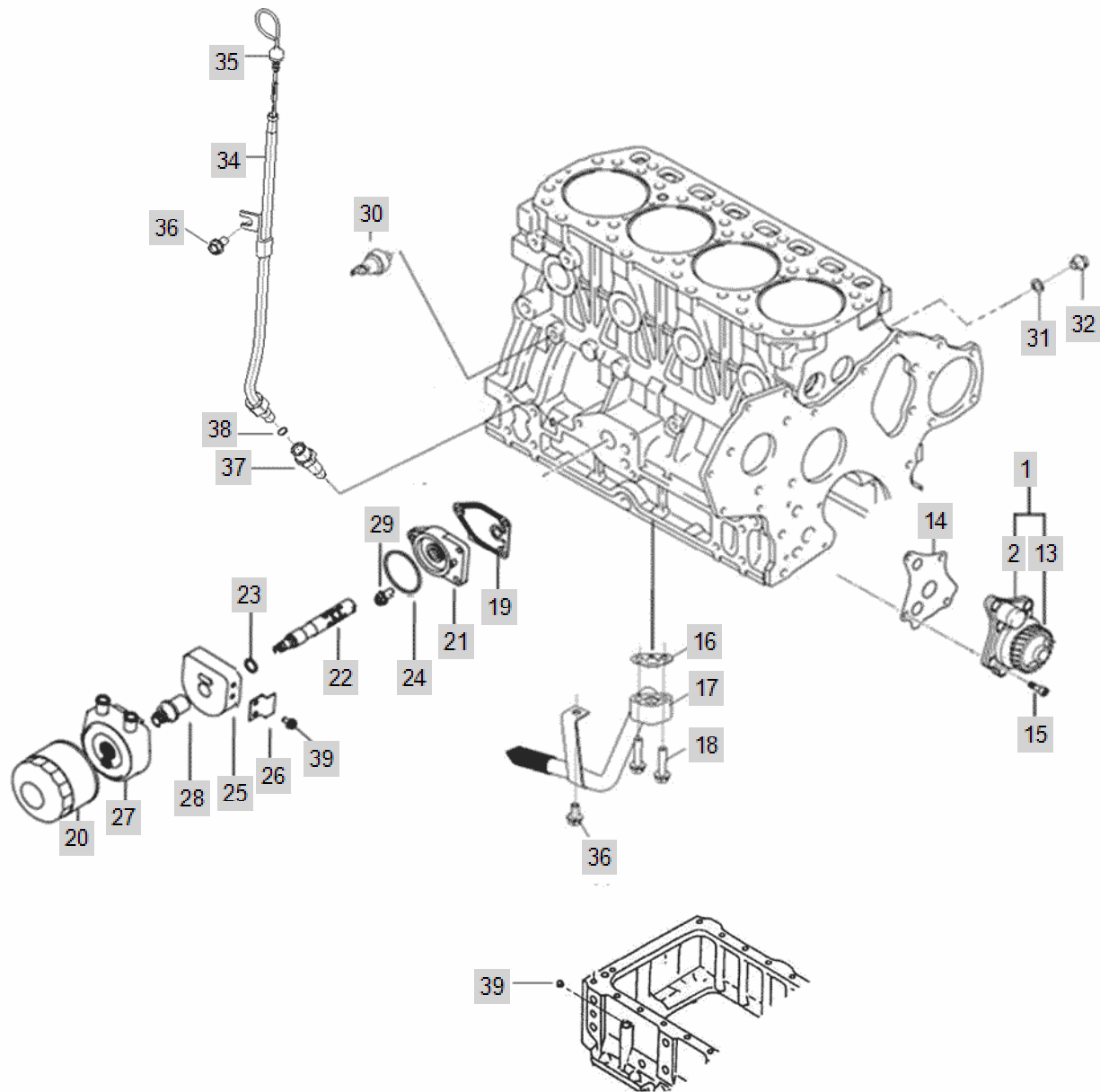




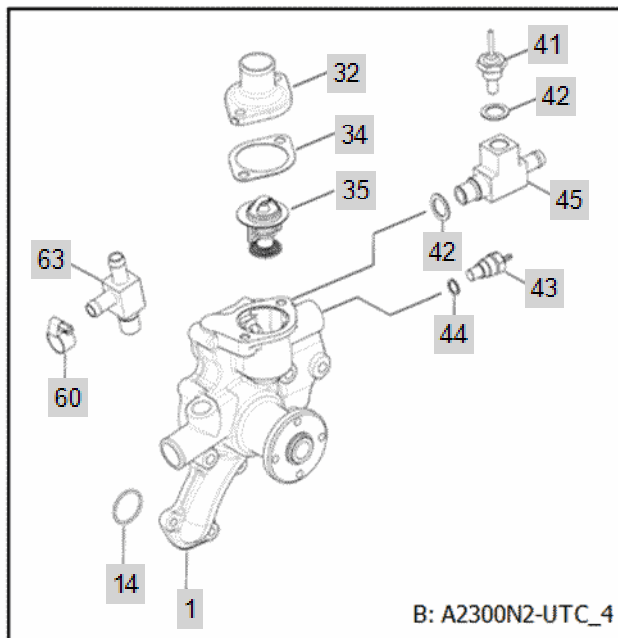
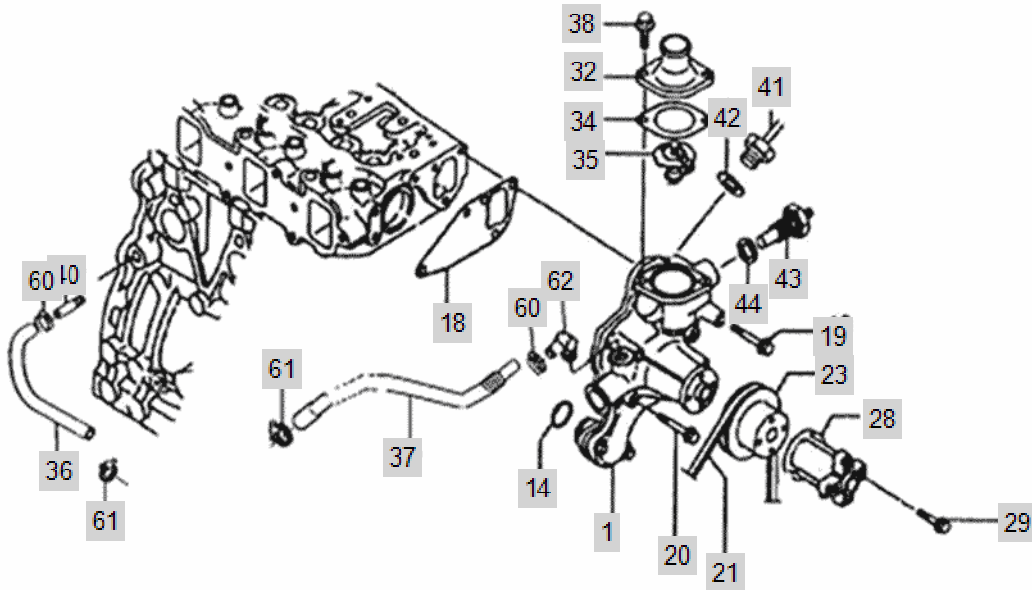
FIG 00138\_12

COOLING SYSTEM

Year/Month

4720ch

2020/01



B: A2300N2-UTC\_4



FIG 00138\_13

FUEL INJECTION PUMP

Year/Month

4720ch

2020/01

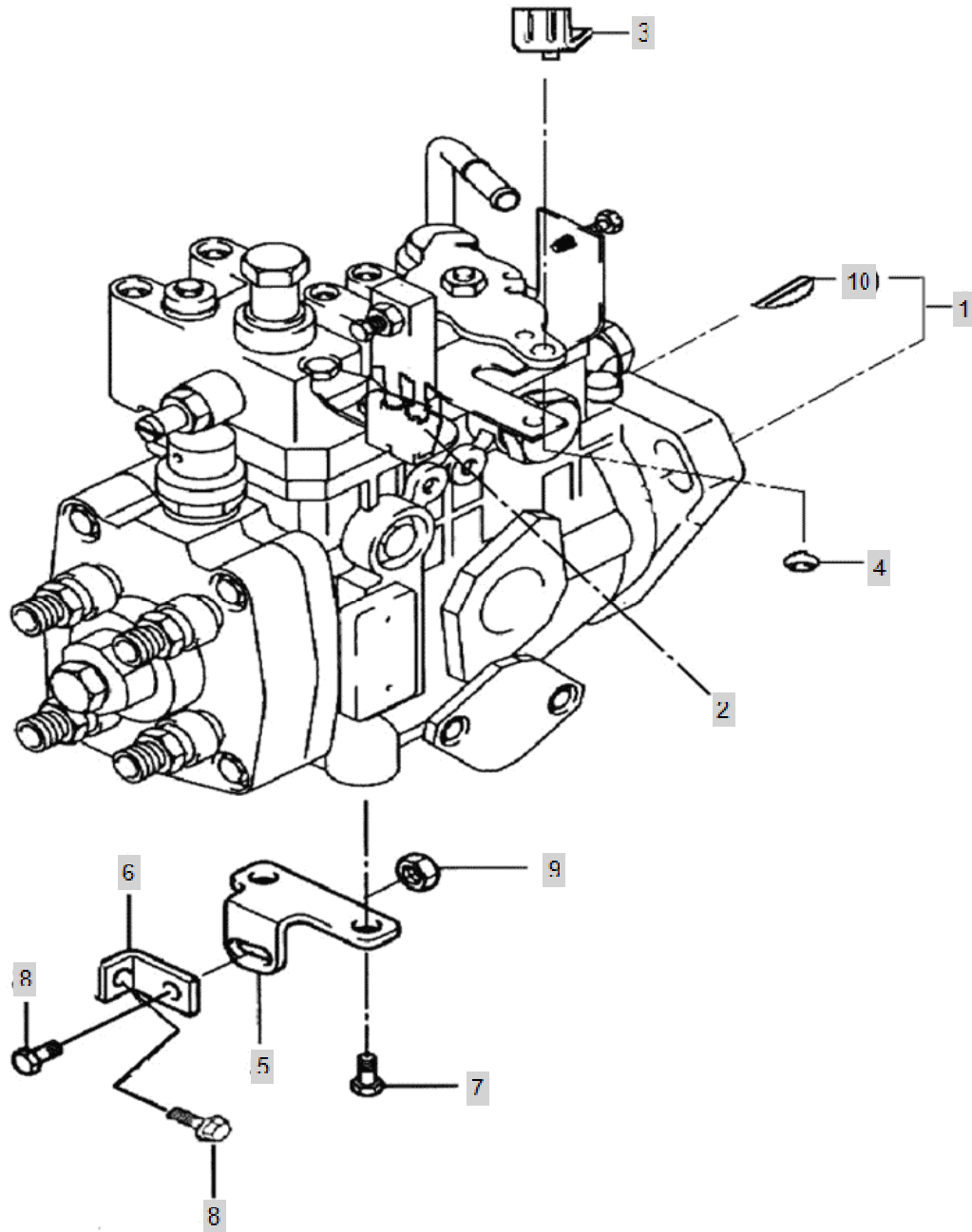






FIG 00138\_14

### FUEL INJECTION SYSTEM

Year/Month

4720ch

2020/01

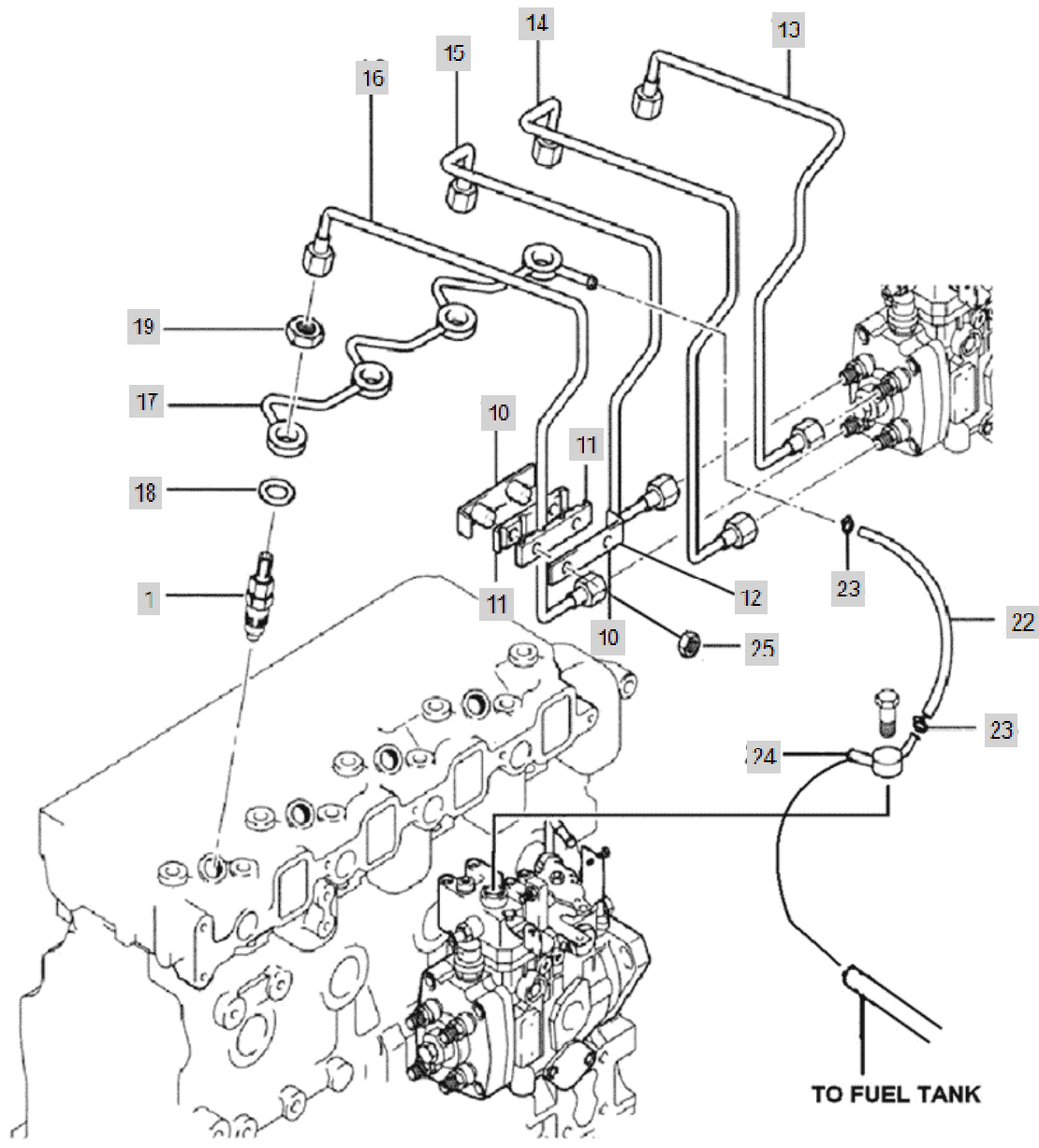




FIG 00138\_15-  
1  
4720ch

# FUEL SYSTEM

Year/Month

2020/01

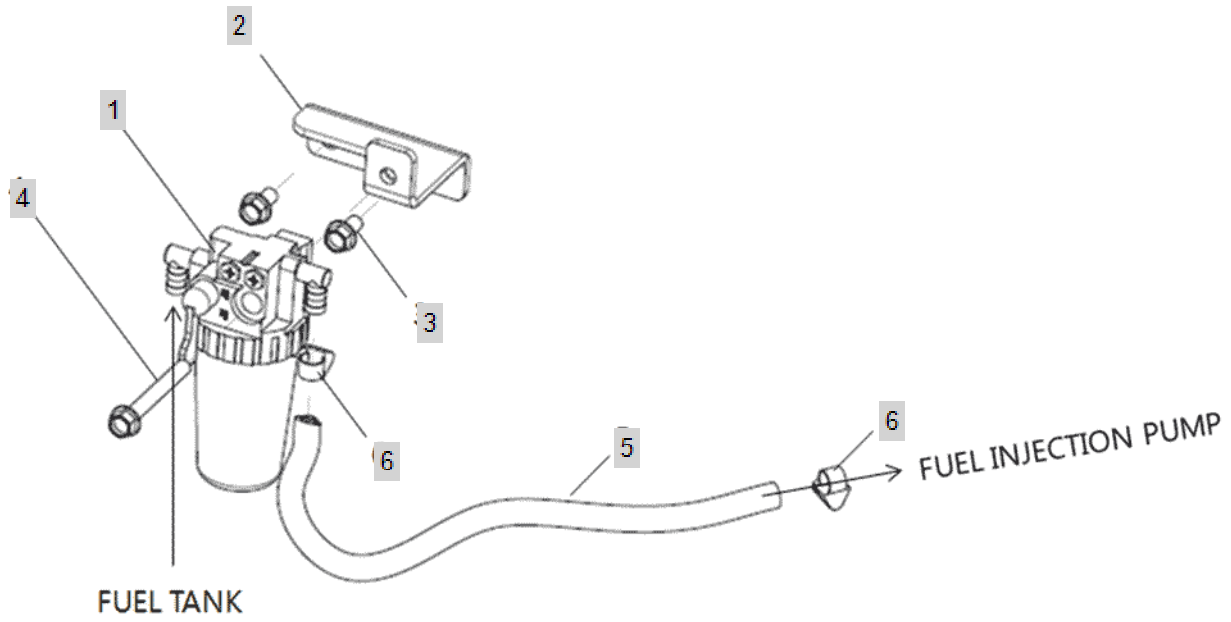




FIG 00138\_15-  
2  
4720ch

FUEL SYSTEM(2017.01)

Year/Month

2020/01

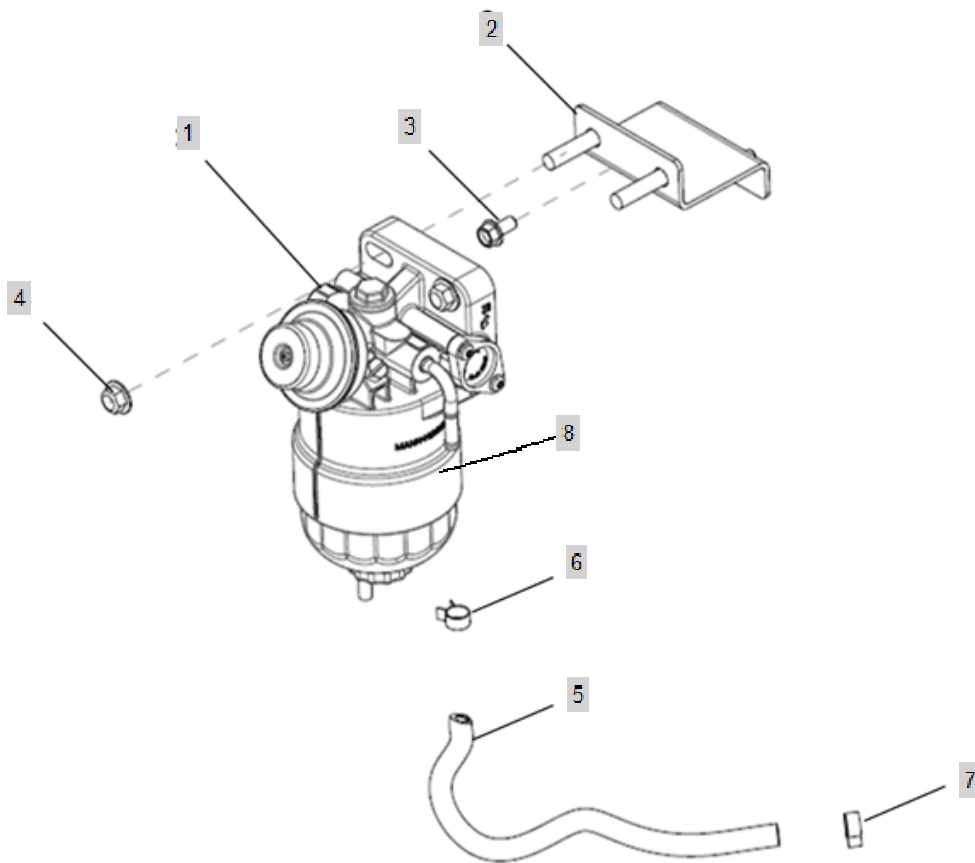




FIG 00138\_15-  
3  
4720ch

FUEL SYSTEM(2017.12)

Year/Month

2020/01

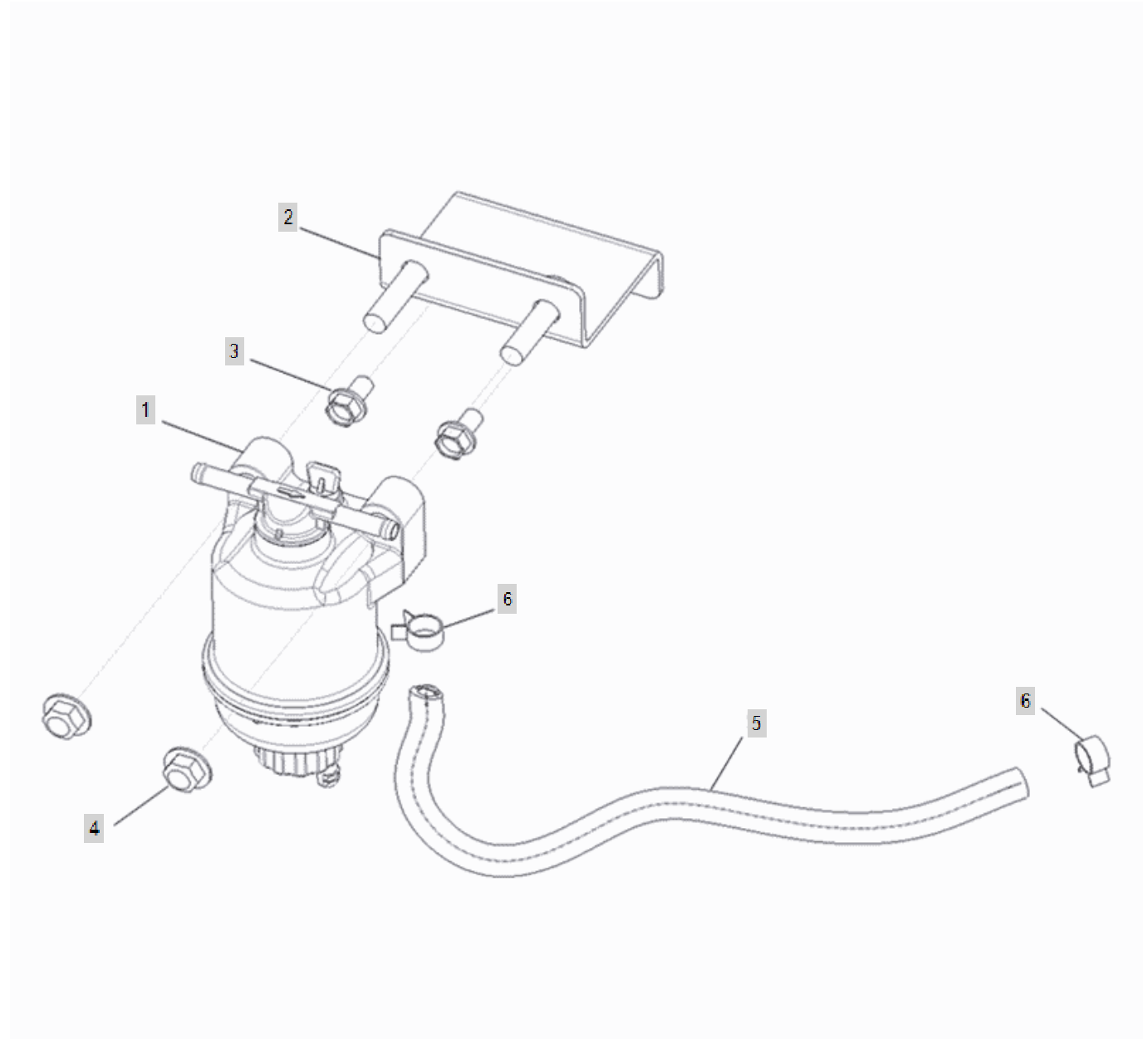






FIG 00138\_16-  
1  
4720ch

# STARTING MOTOR

Year/Month

2020/01

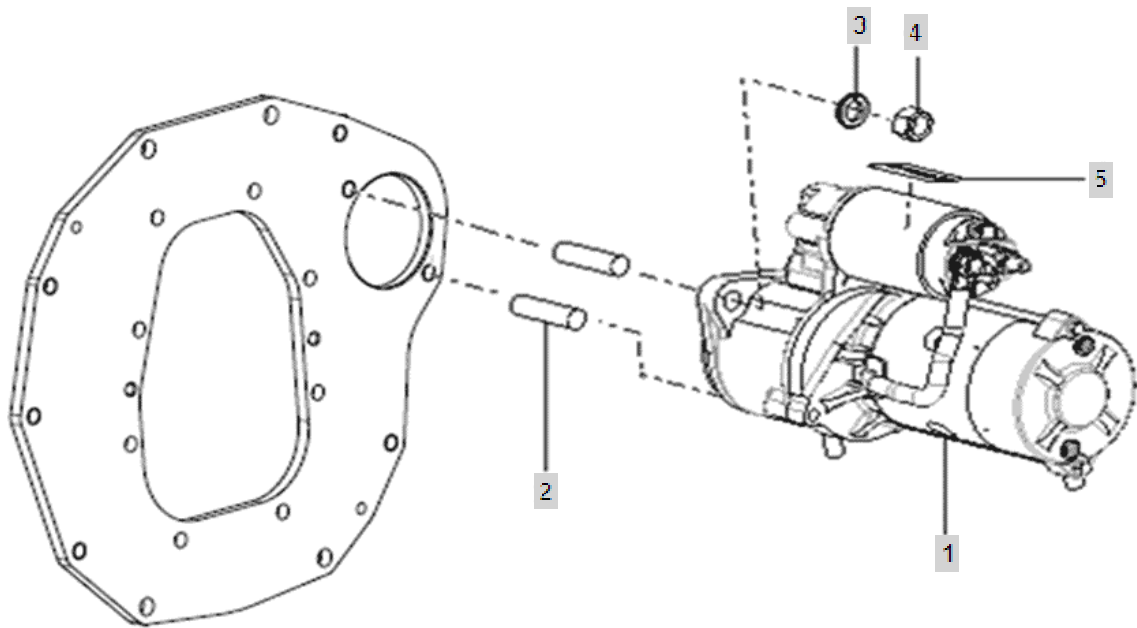




FIG 00138\_16-  
2  
4720ch

STARTING MOTOR(2016.11)

Year/Month

2020/01

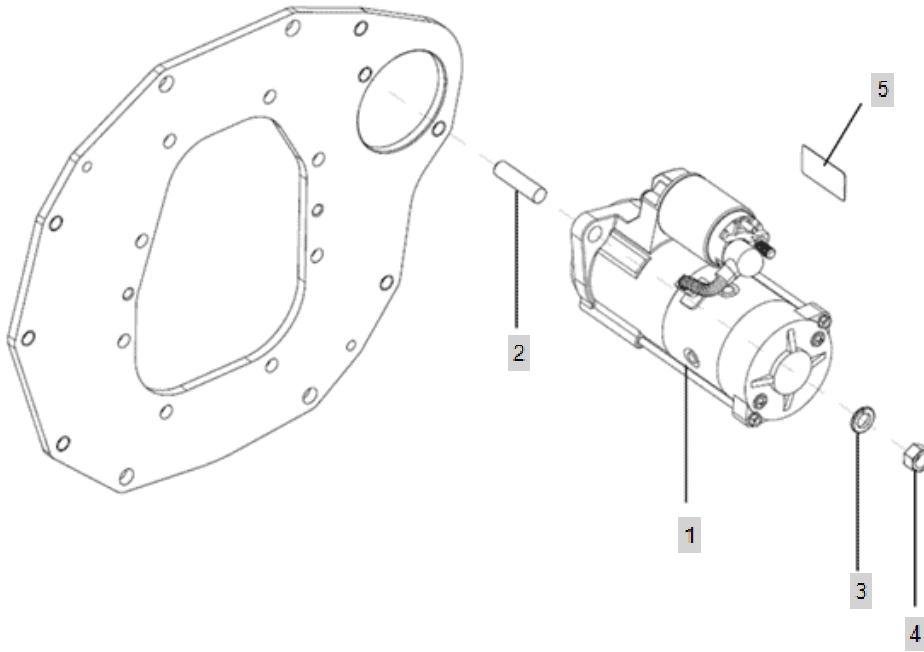




FIG 00138\_17

GENERATOR & ELECTRIC DEVICE

Year/Month

4720ch

2020/01

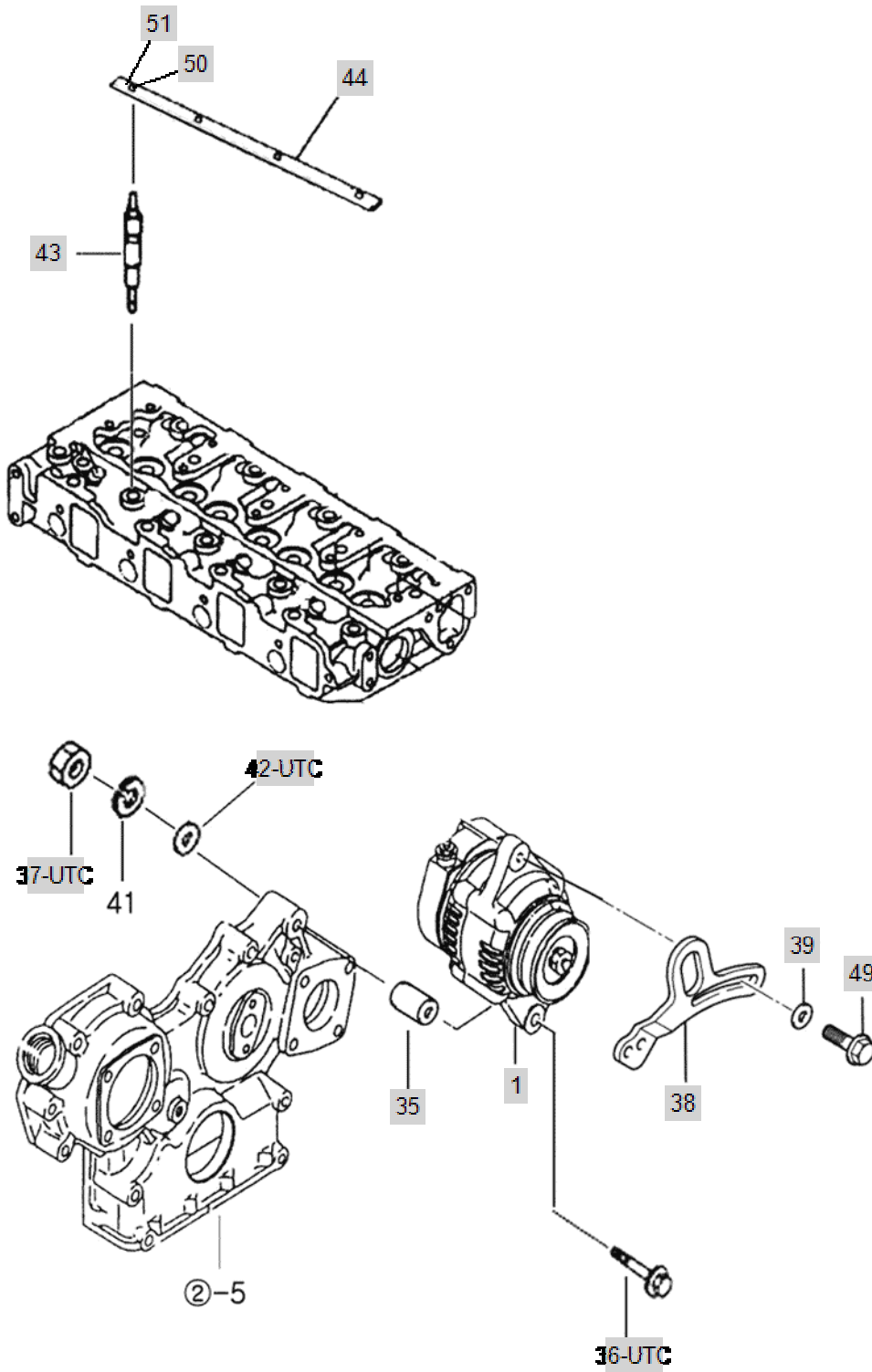




FIG 00138\_18

DPF & DPF APPLICATION SYSTEM\_1

Year/Month

4720ch

2020/01

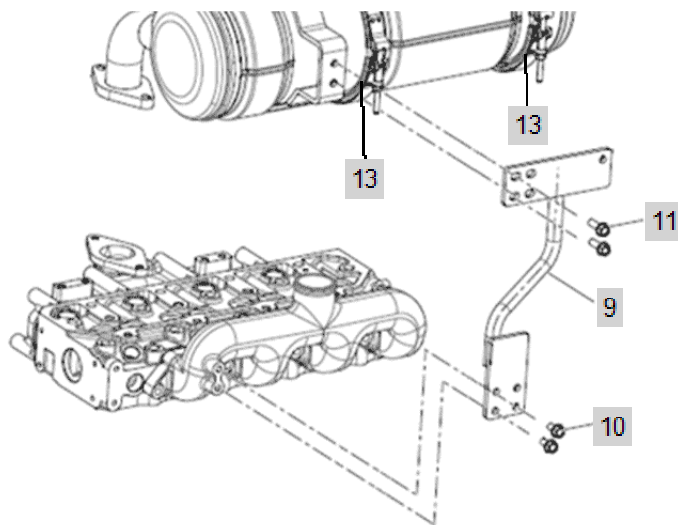
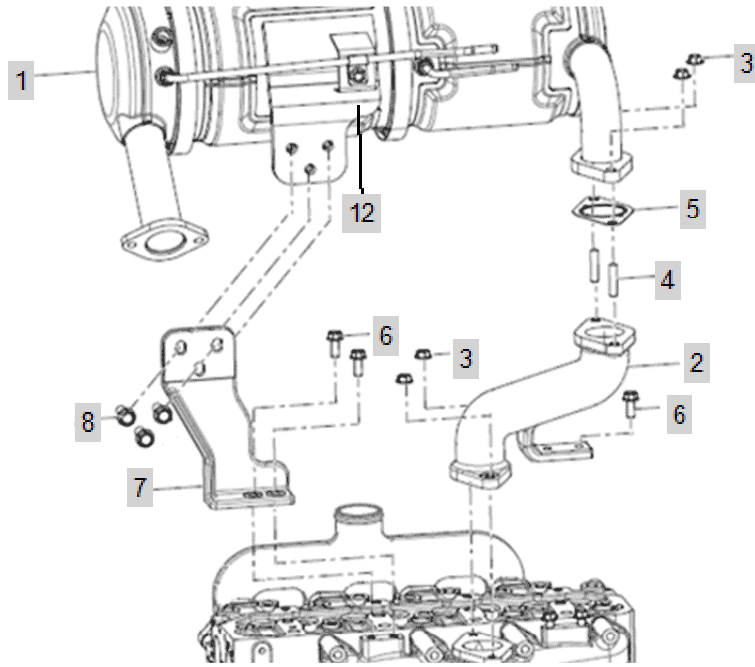






FIG 00138\_19

DPF & DPF APPLICATION SYSTEM\_2

Year/Month

4720ch

2020/01

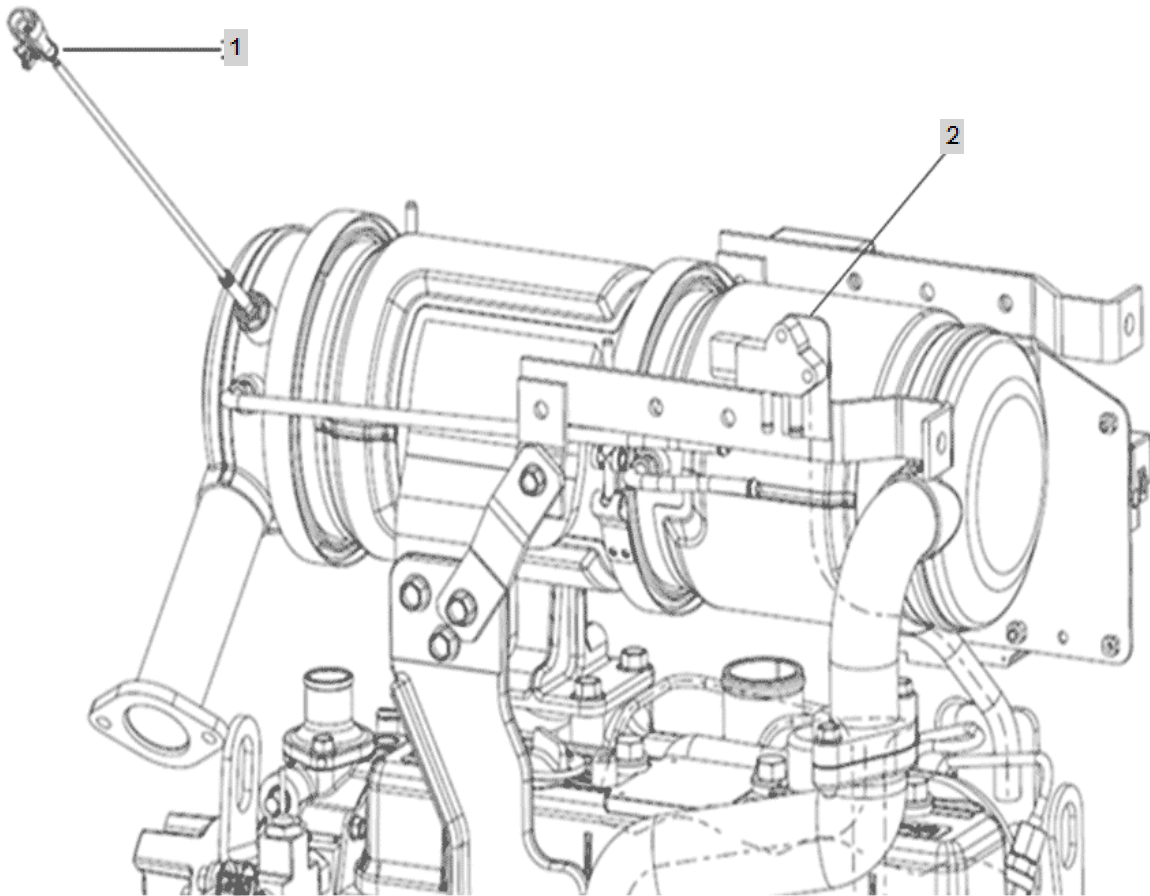




FIG 00138\_20

DATAPLATE

Year/Month

4720ch

2020/01

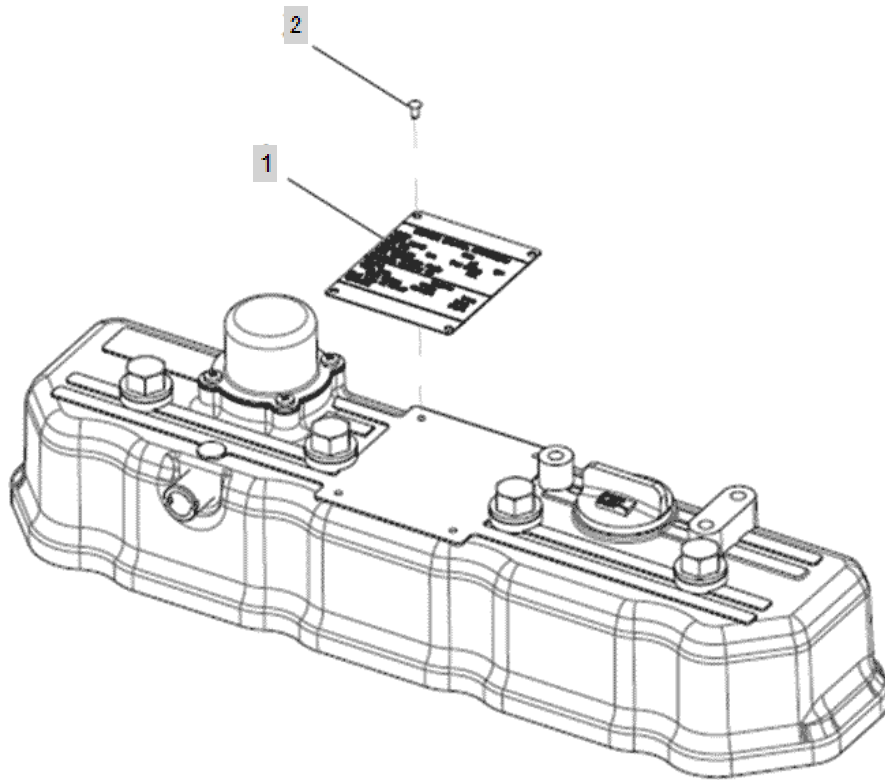




FIG C001

LEVER ACCELERATOR

Year/Month

4720ch

2020/01

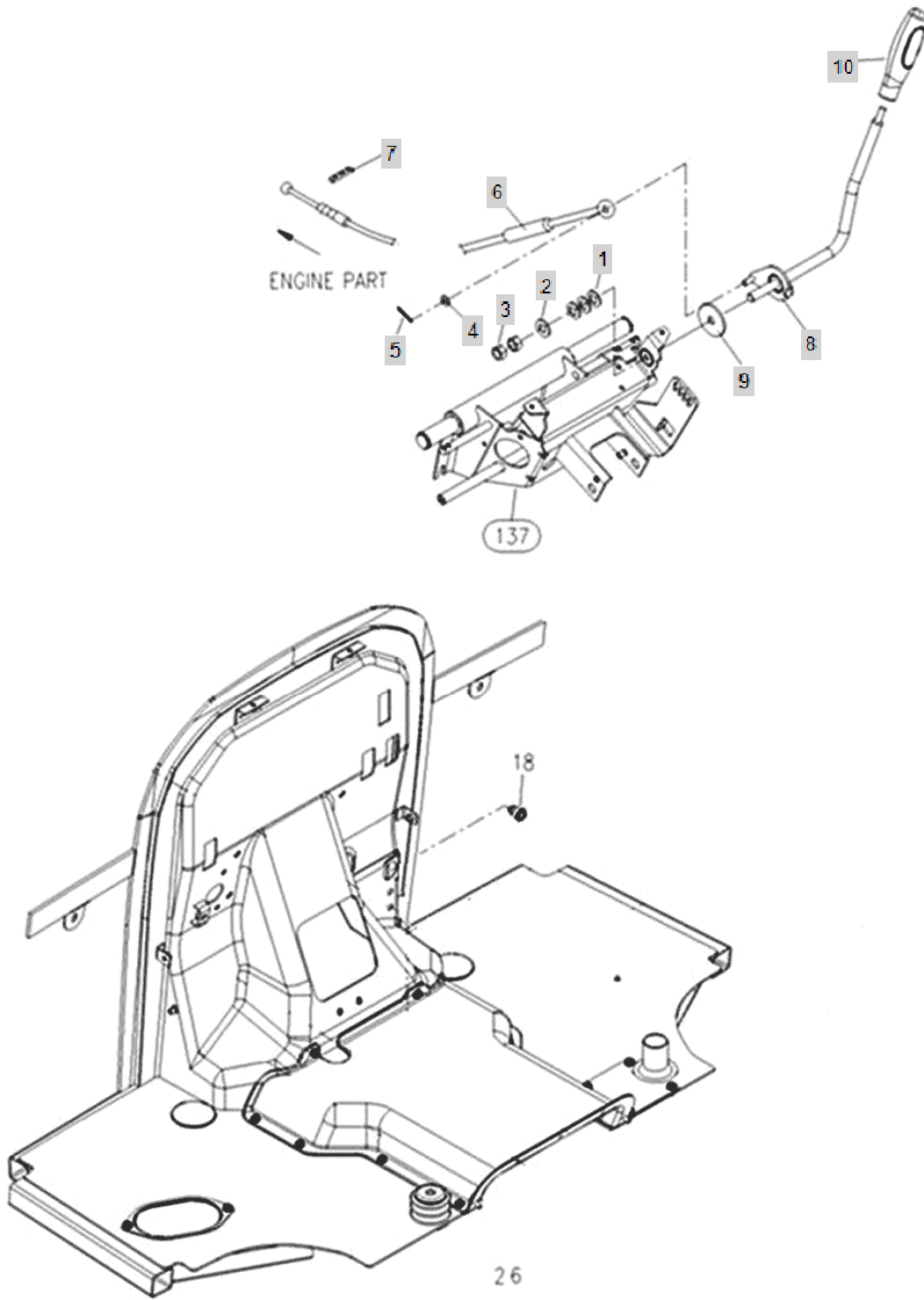




FIG C002

STEERING COLUMN

Year/Month

4720ch

2020/01

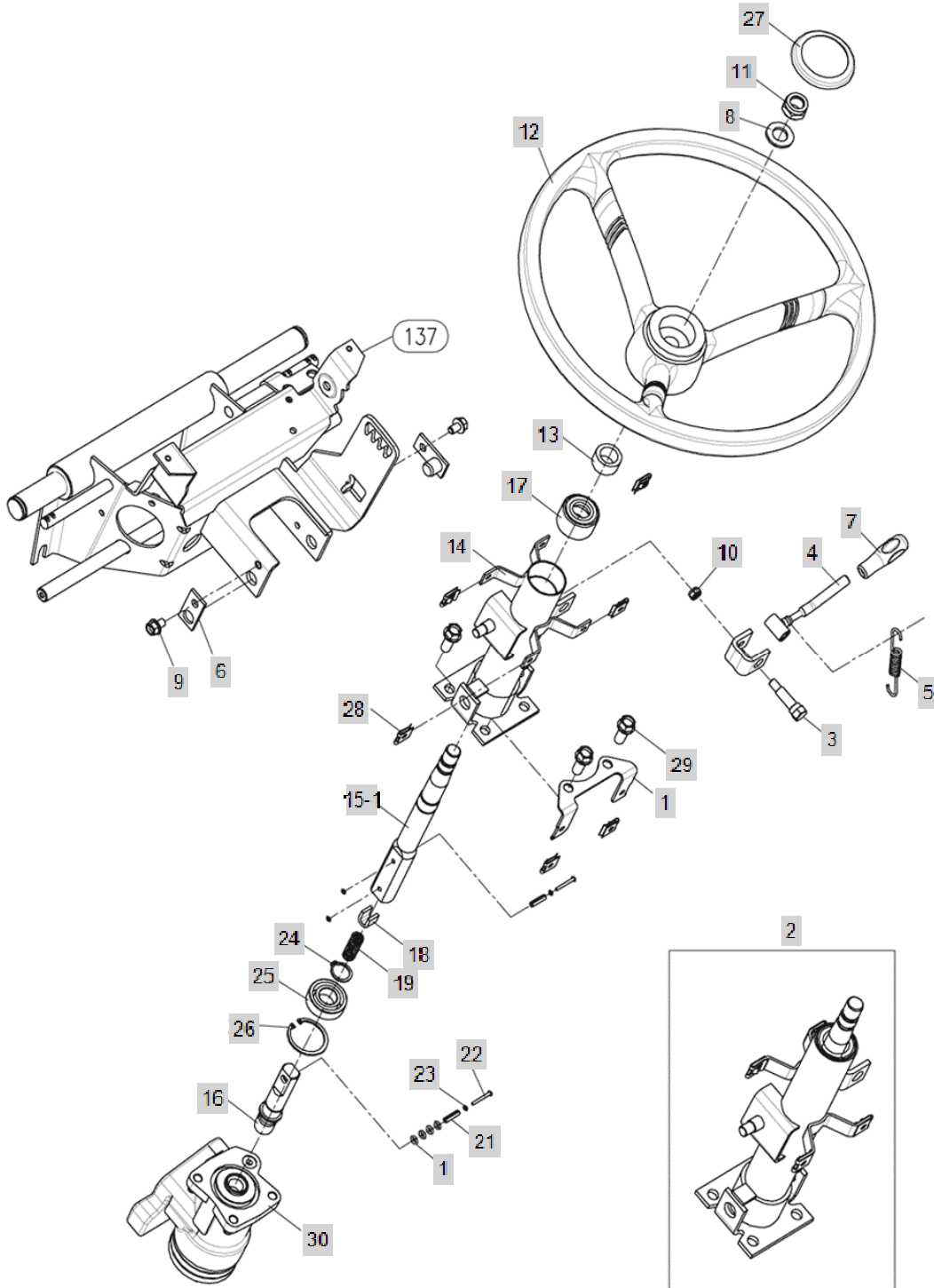






FIG C004

FRONT ALXE BRACKET

Year/Month

4720ch

2020/01

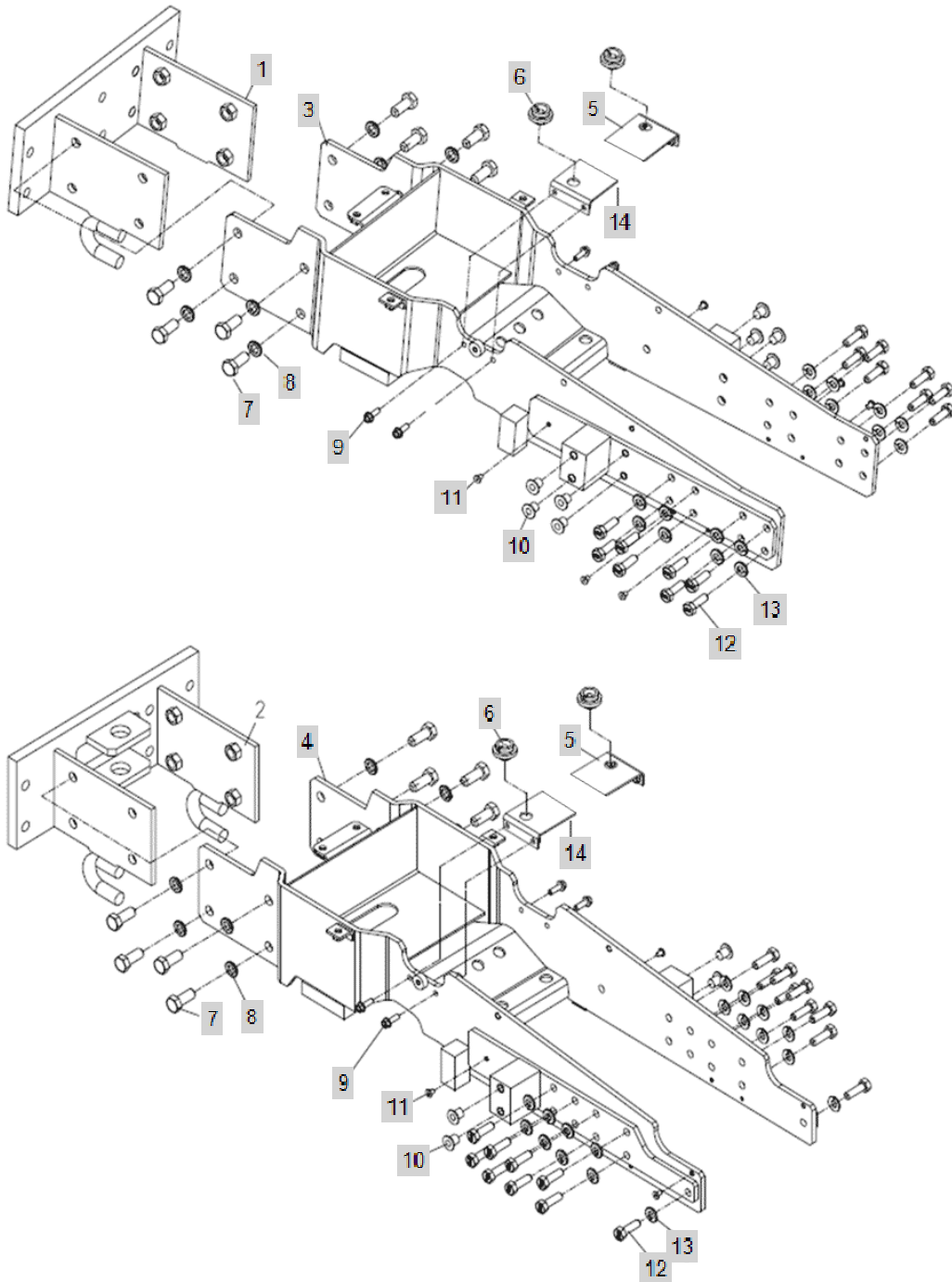




FIG C009

CENTER PIN SUPPORTER

Year/Month

4720ch

2020/01

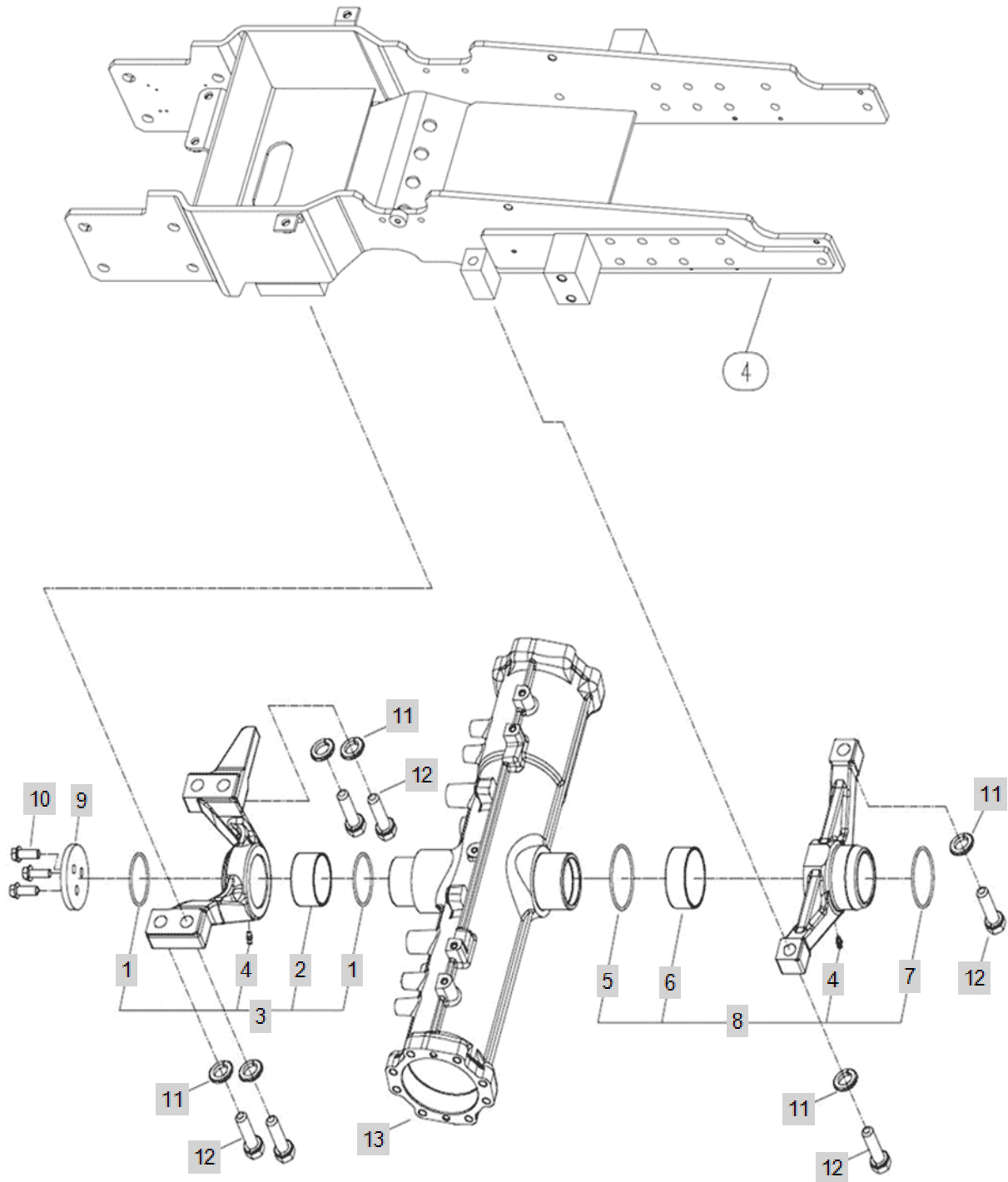




FIG C010

4720ch

TIE ROD

Year/Month

2020/01

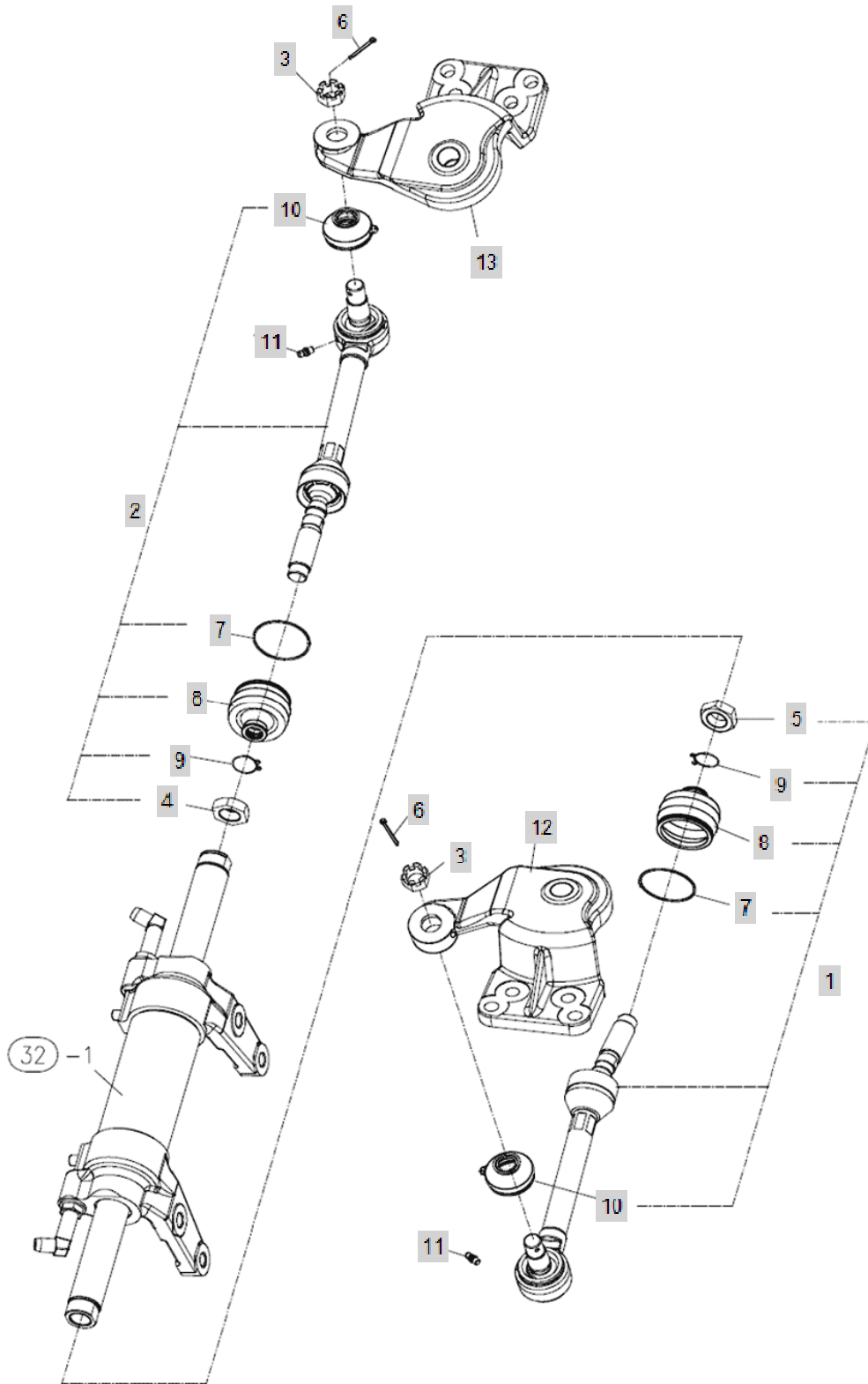




FIG C012

RING GEAR, DIFFERENTIAL GEAR

Year/Month

4720ch

2020/01

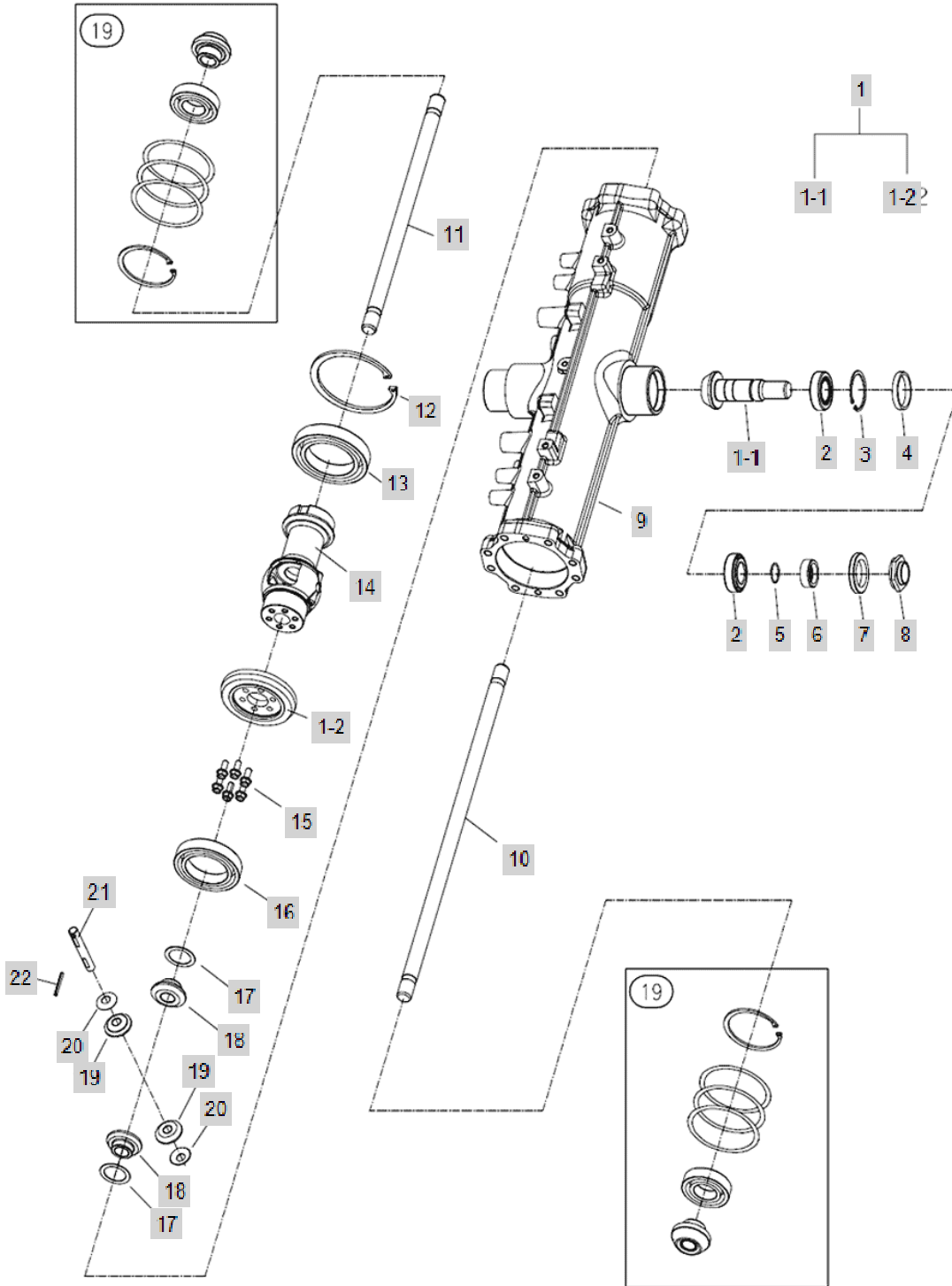






FIG C019

GEAR CASE, FRONT AXLE

Year/Month

4720ch

2020/01

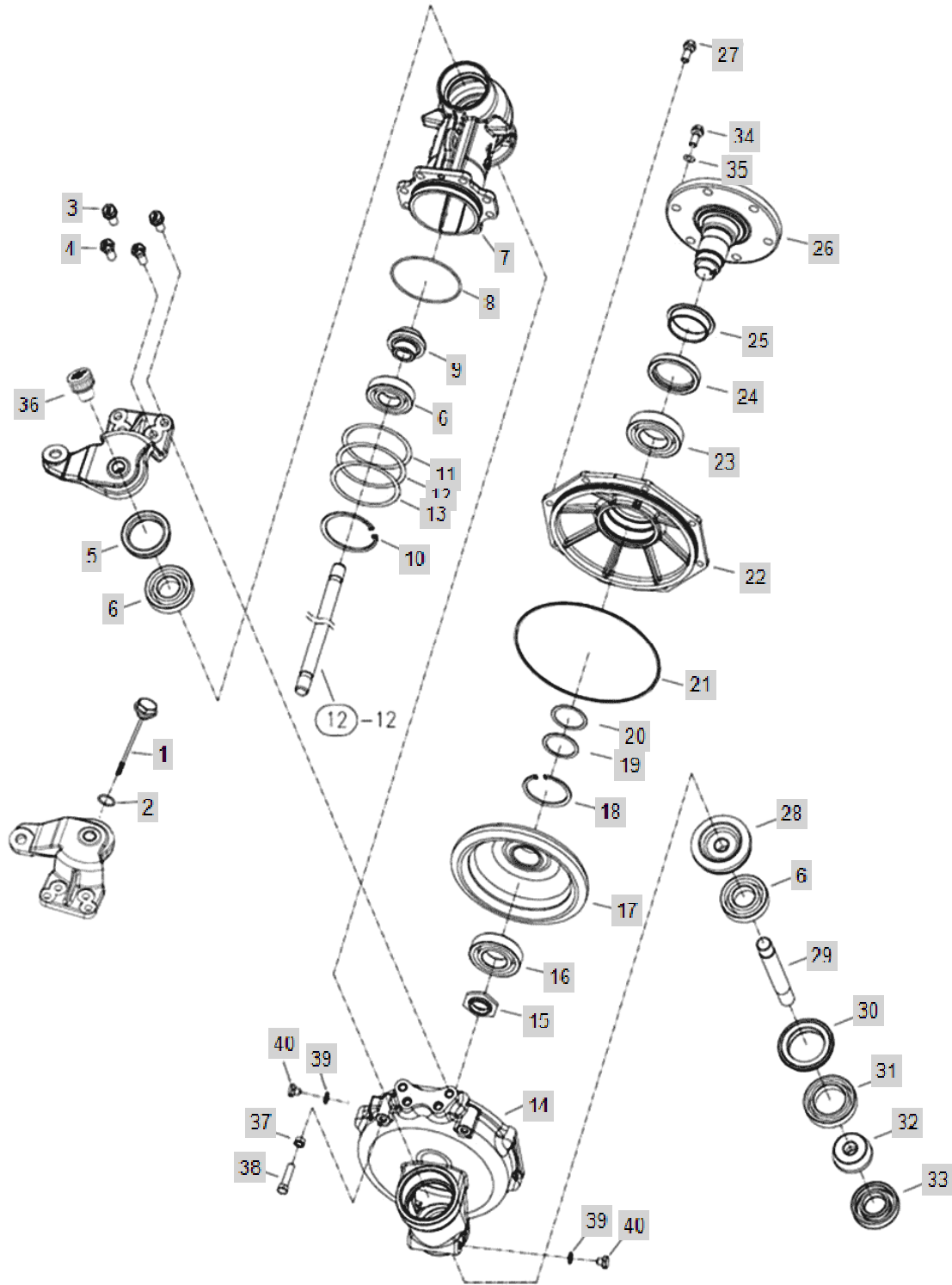




FIG C020

SPACER

Year/Month

4720ch

2020/01

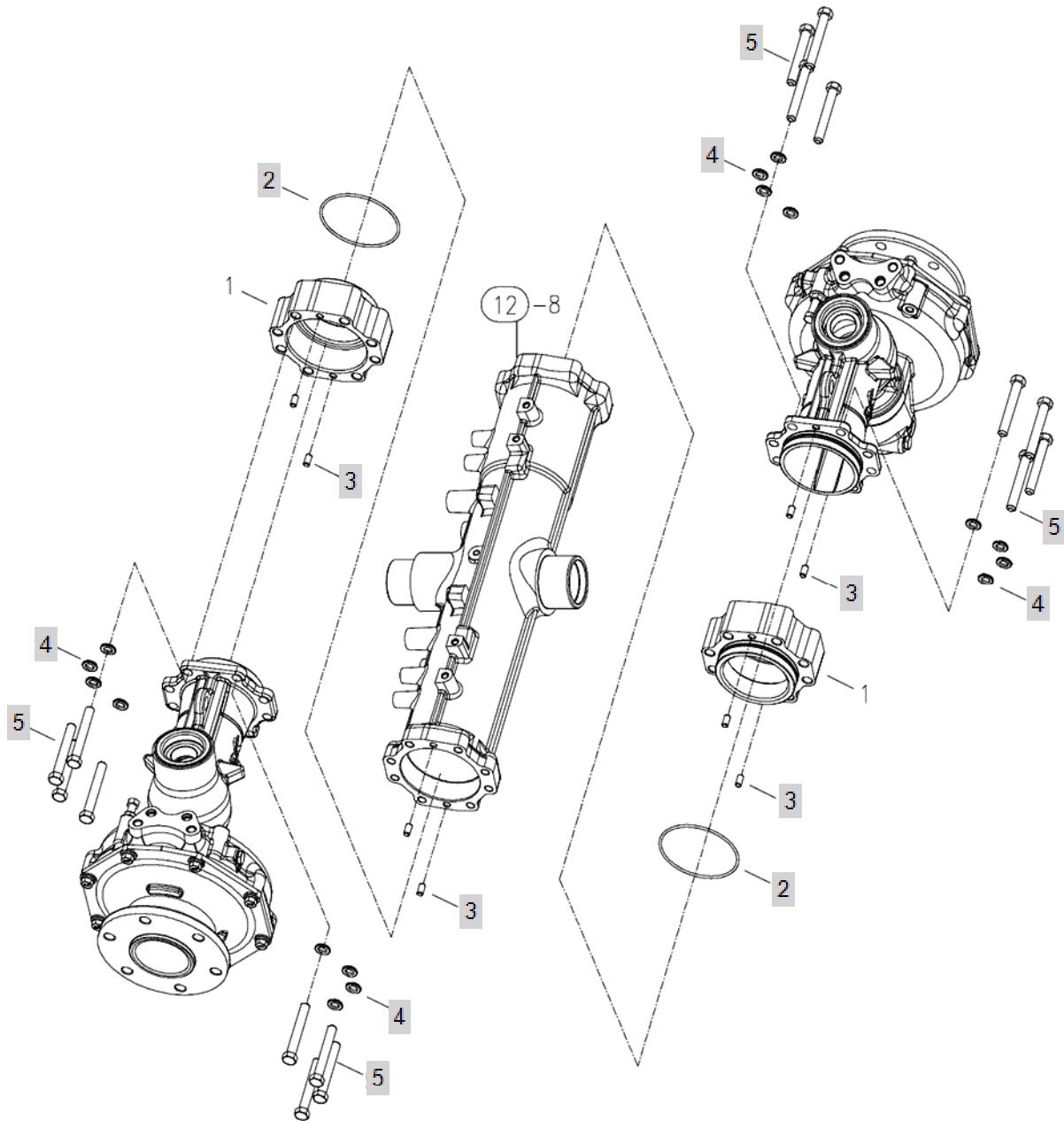




FIG C023

COVER SHAFT

Year/Month

4720ch

2020/01

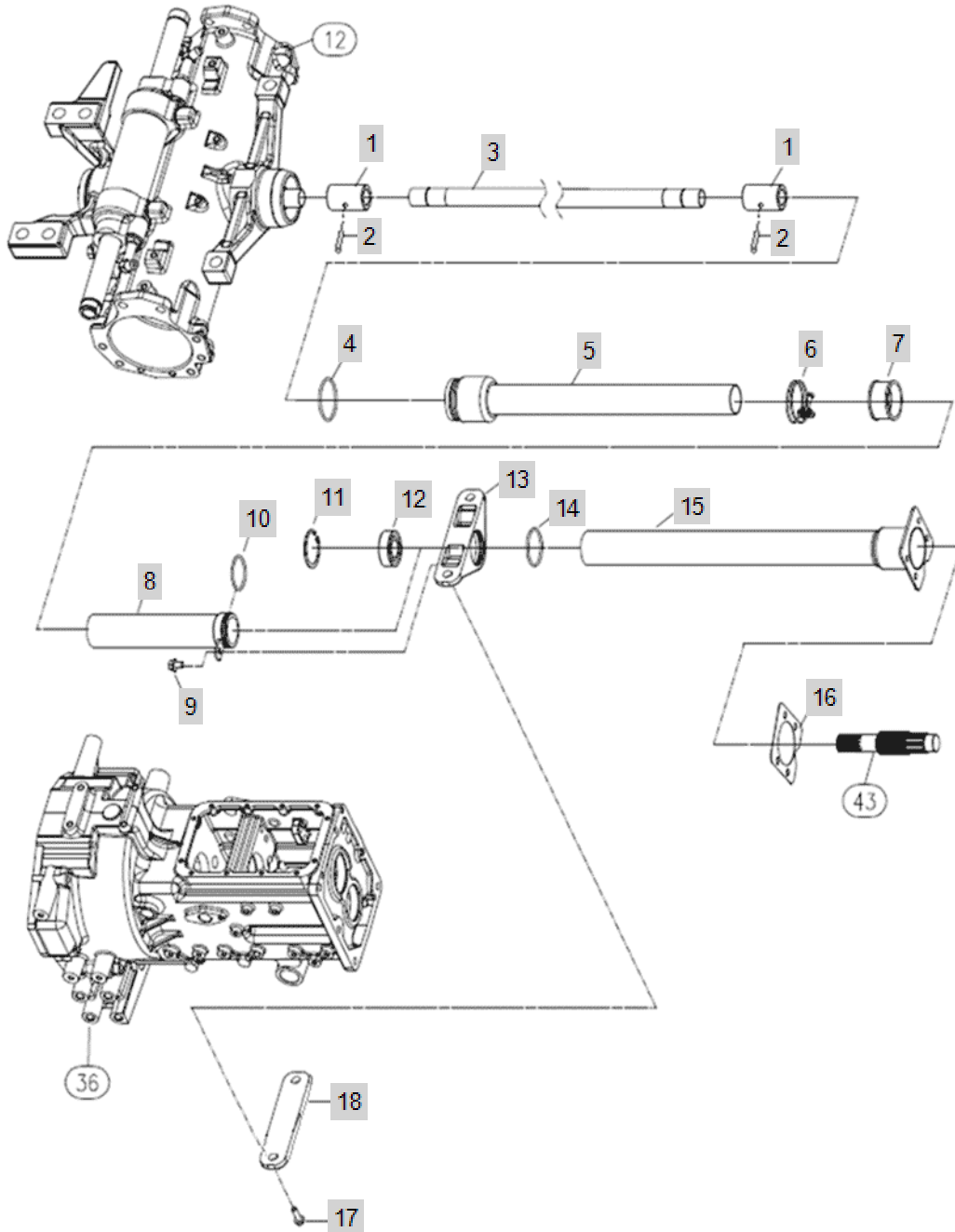




FIG C032

P.S.T CYLINDER

Year/Month

4720ch

2020/01

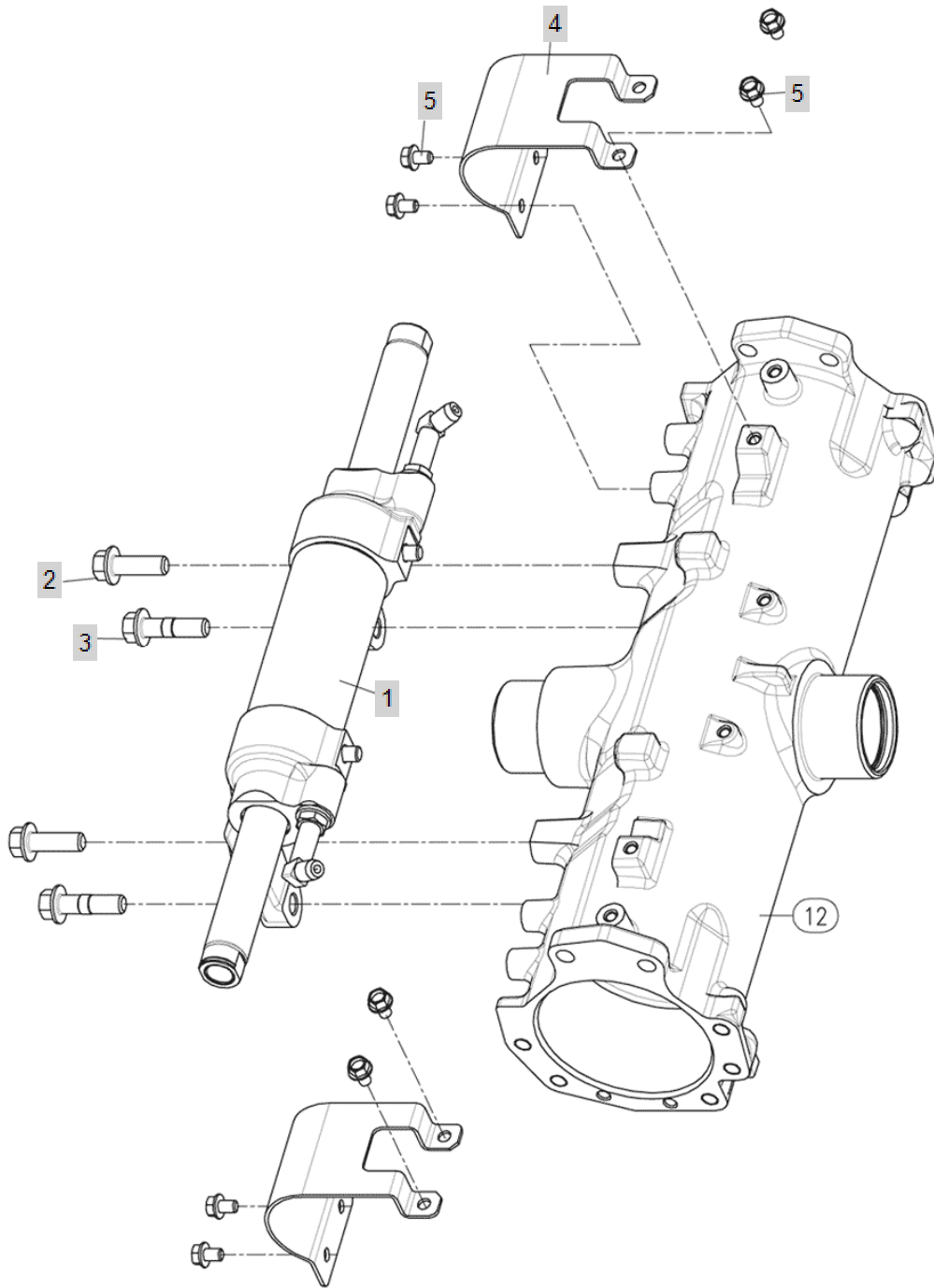






FIG C034

P.S.T PIPE

Year/Month

4720ch

2020/01

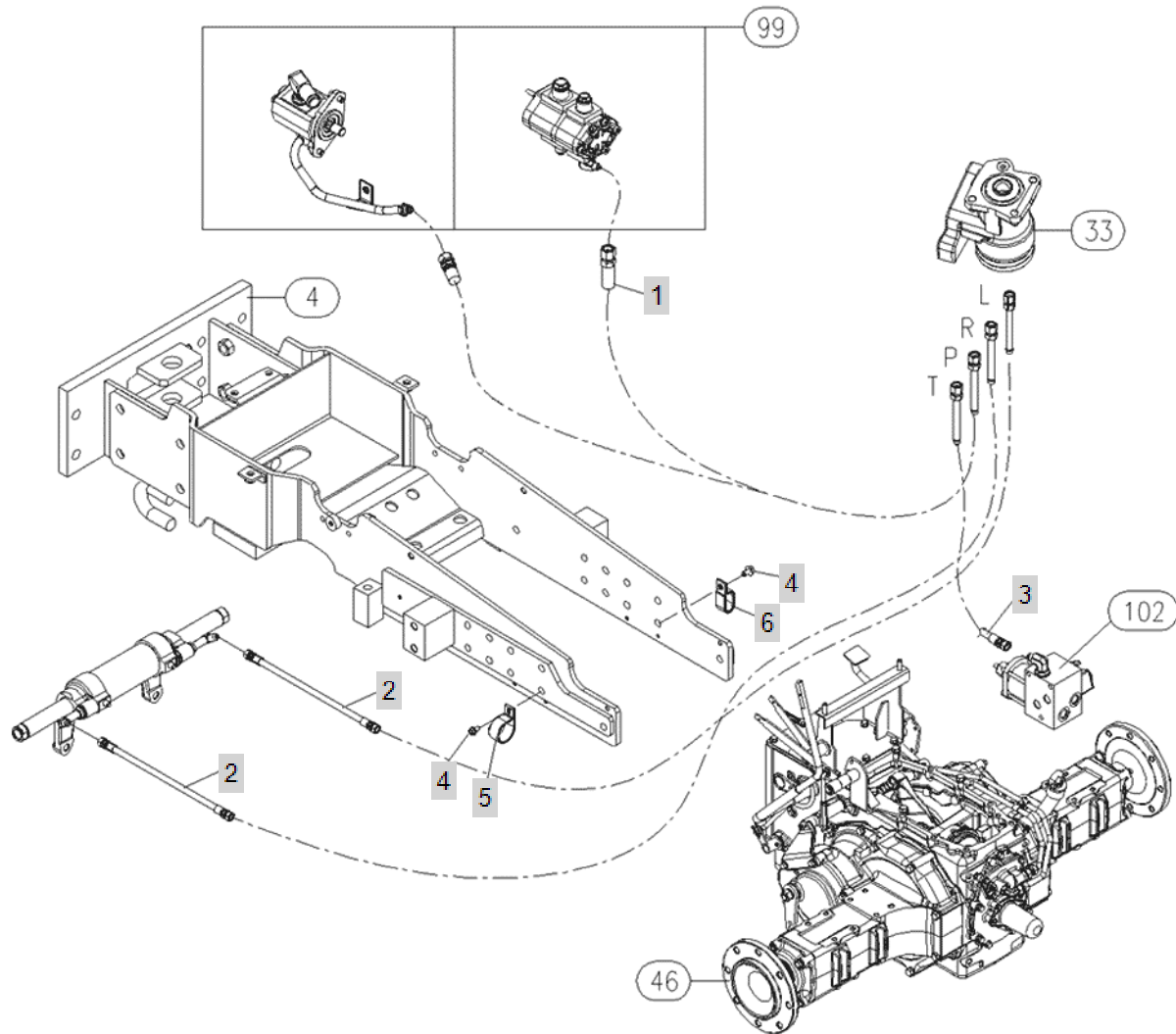




FIG C036

FLY WHEEL HOUSING

Year/Month

4720ch

2020/01

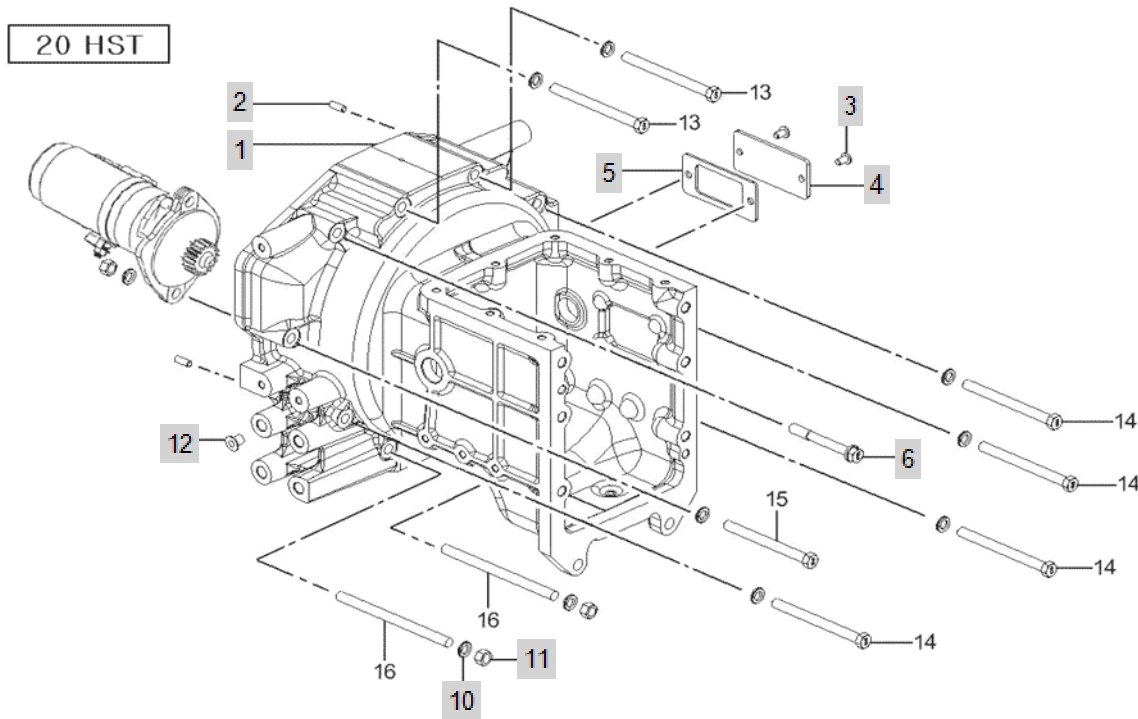
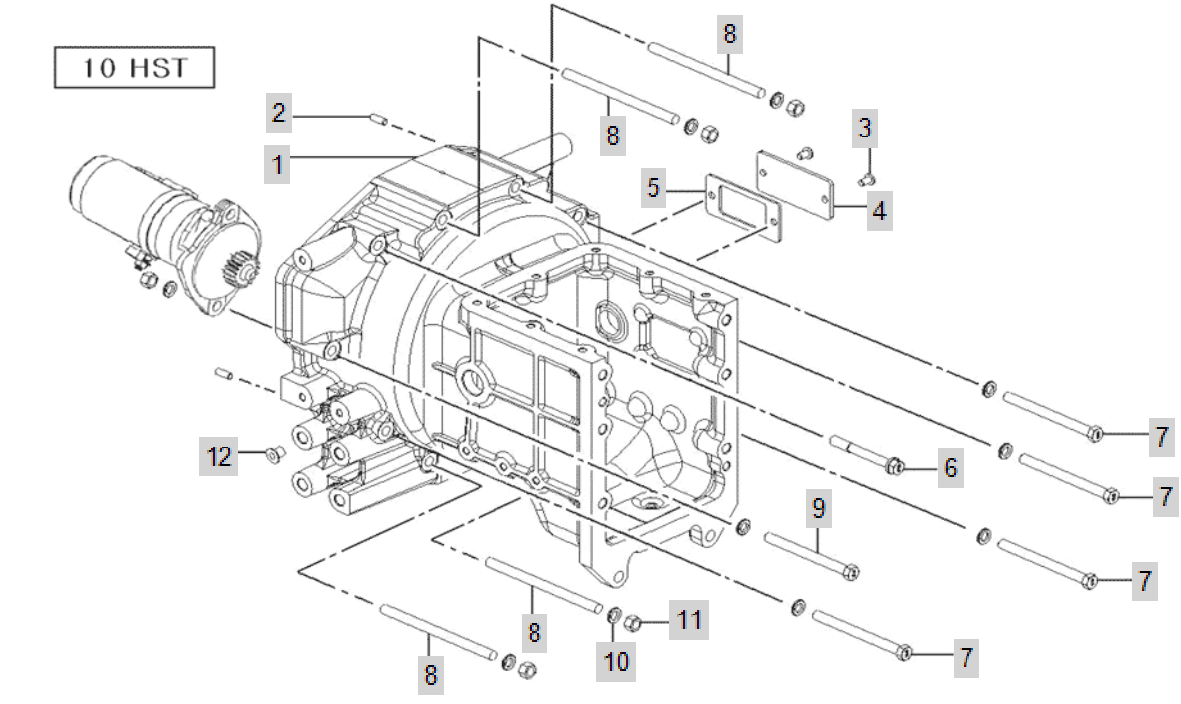




FIG C038

PTO DAMPER

Year/Month

4720ch

2020/01

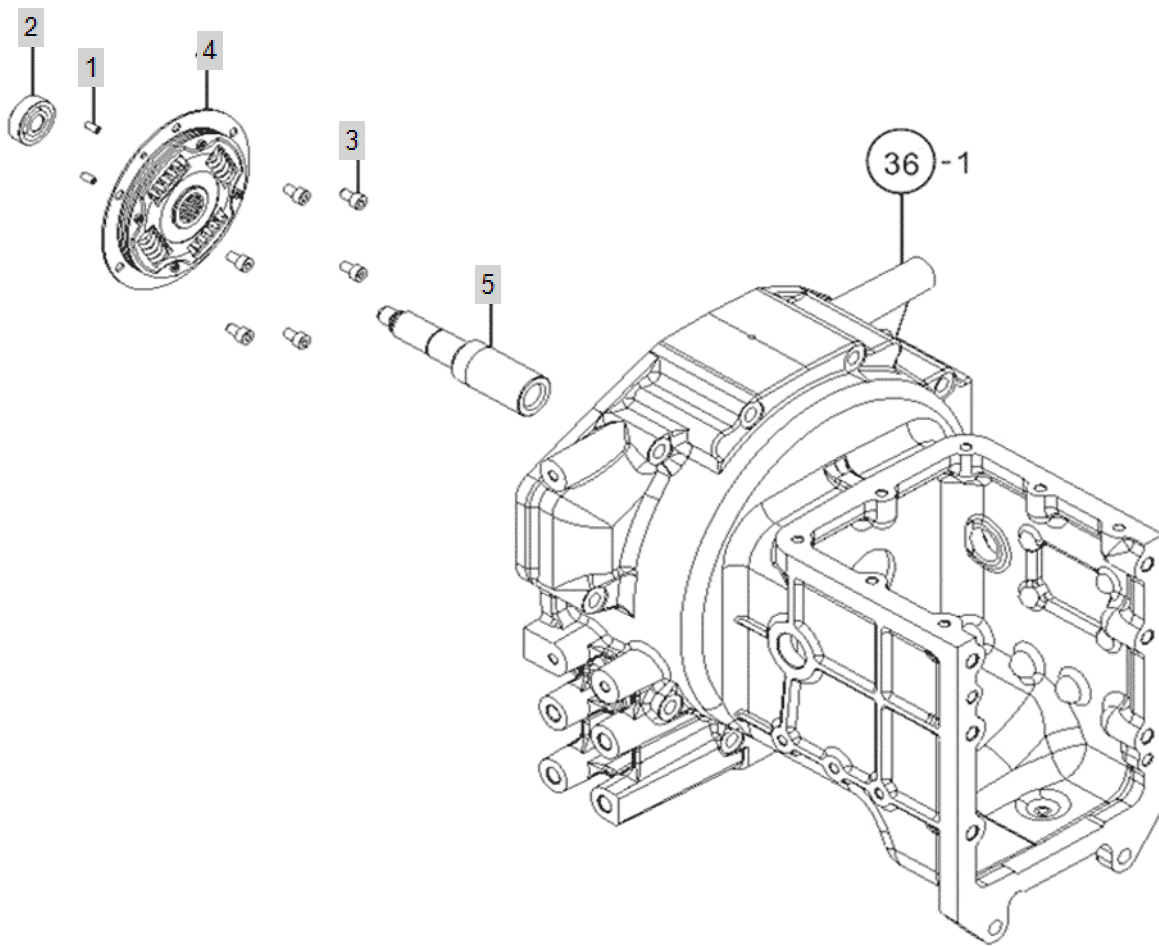




FIG C039

HYD SHIFT TRANSMISSION HOUSING

Year/Month

4720ch

2020/01

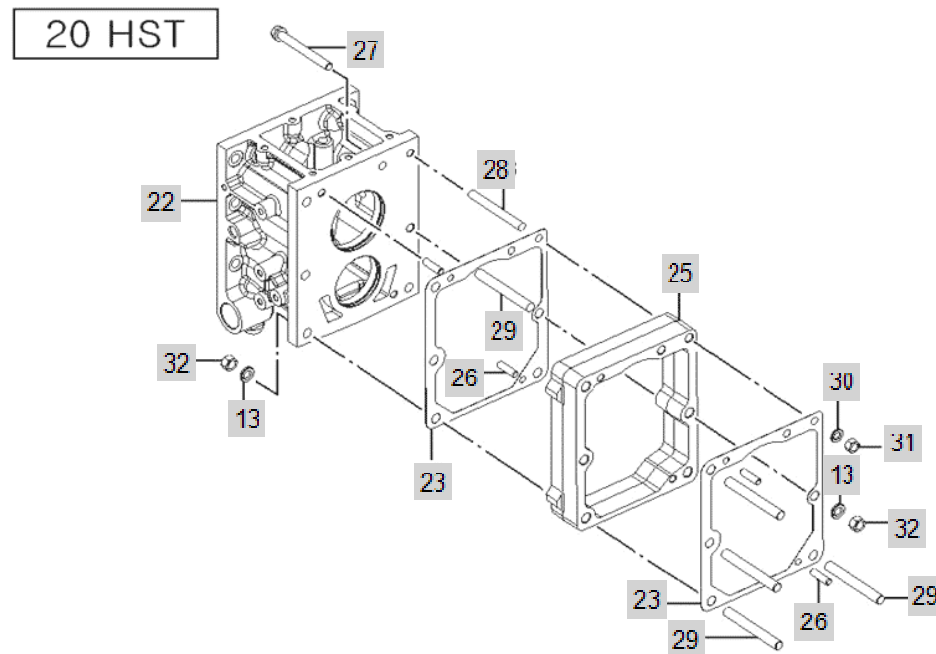
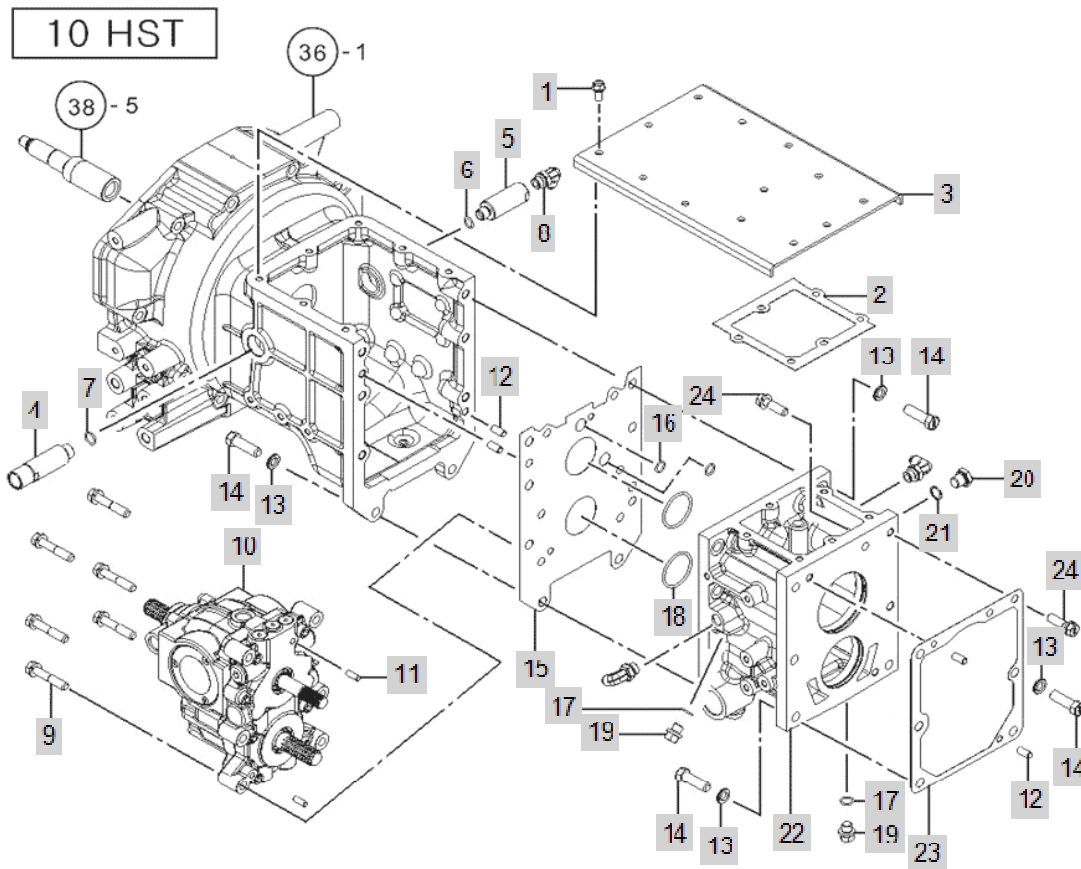






FIG C040

HYD SHIFT TRANSMISSION GEAR

Year/Month

4720ch

2020/01

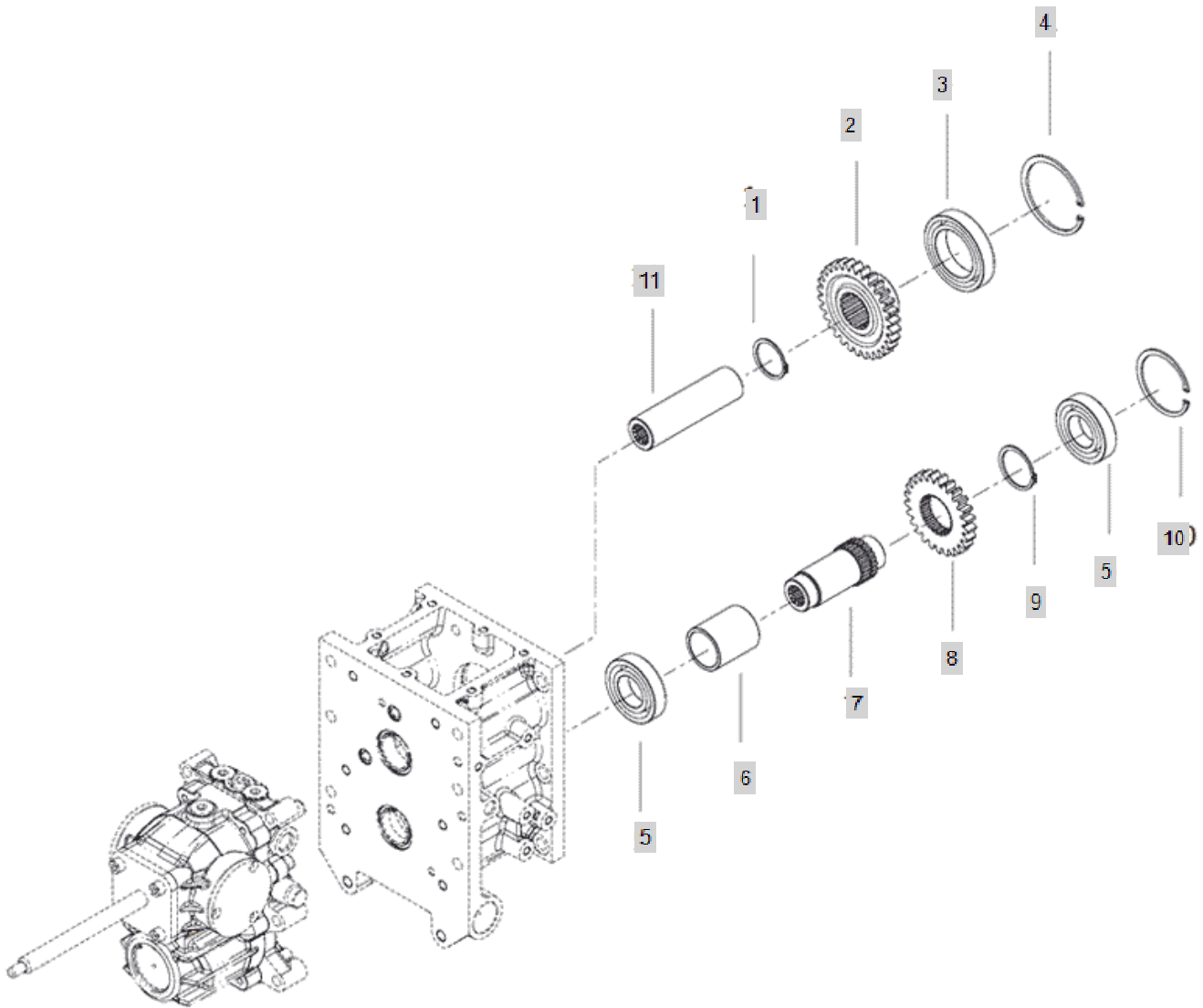




FIG C041

HYD SHIFT TRANSMISSION PEDAL

Year/Month

4720ch

2020/01

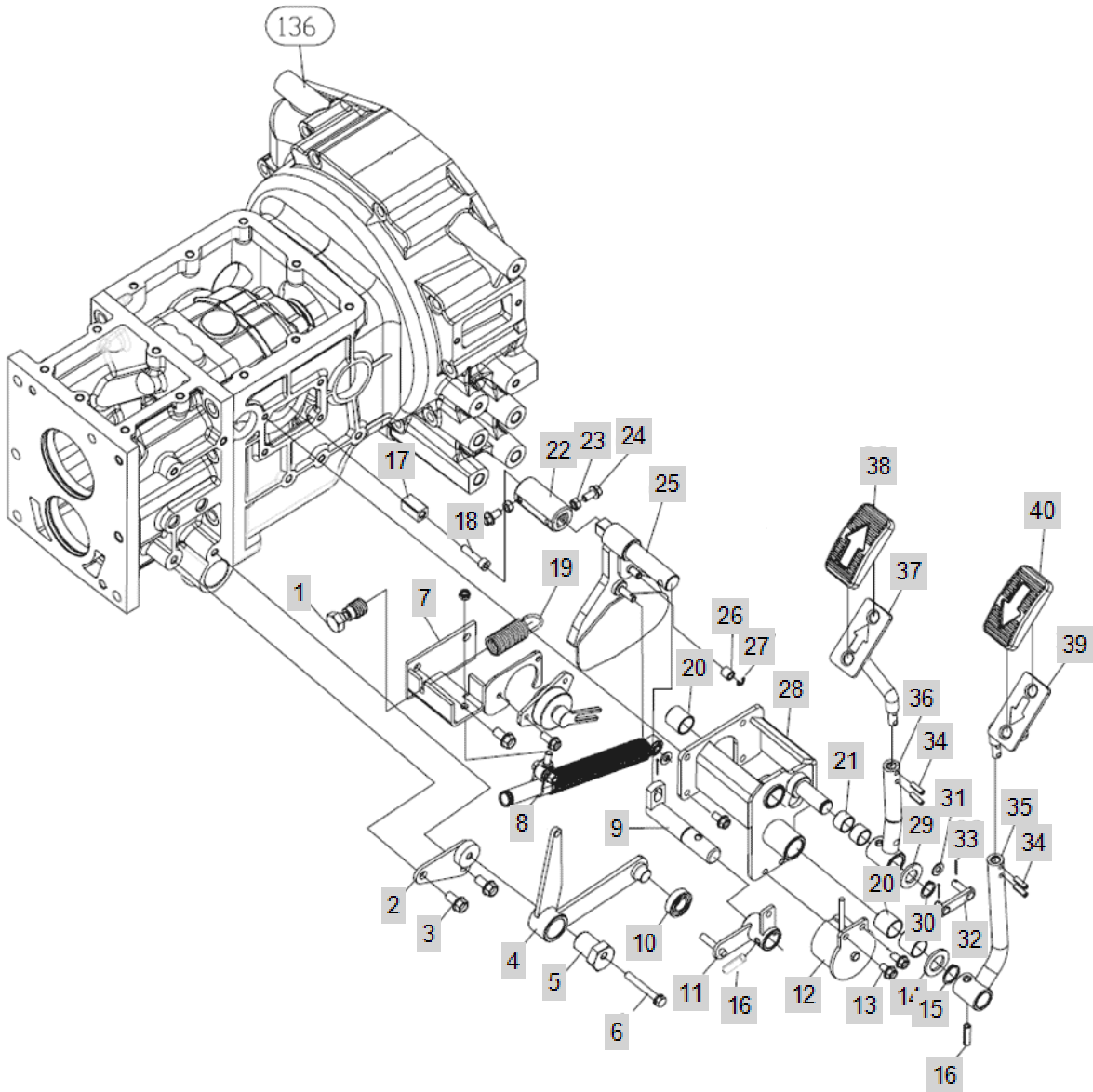




FIG C043

FRONT DRIVE, RANGE SHIFT GEAR

Year/Month

4720ch

2020/01

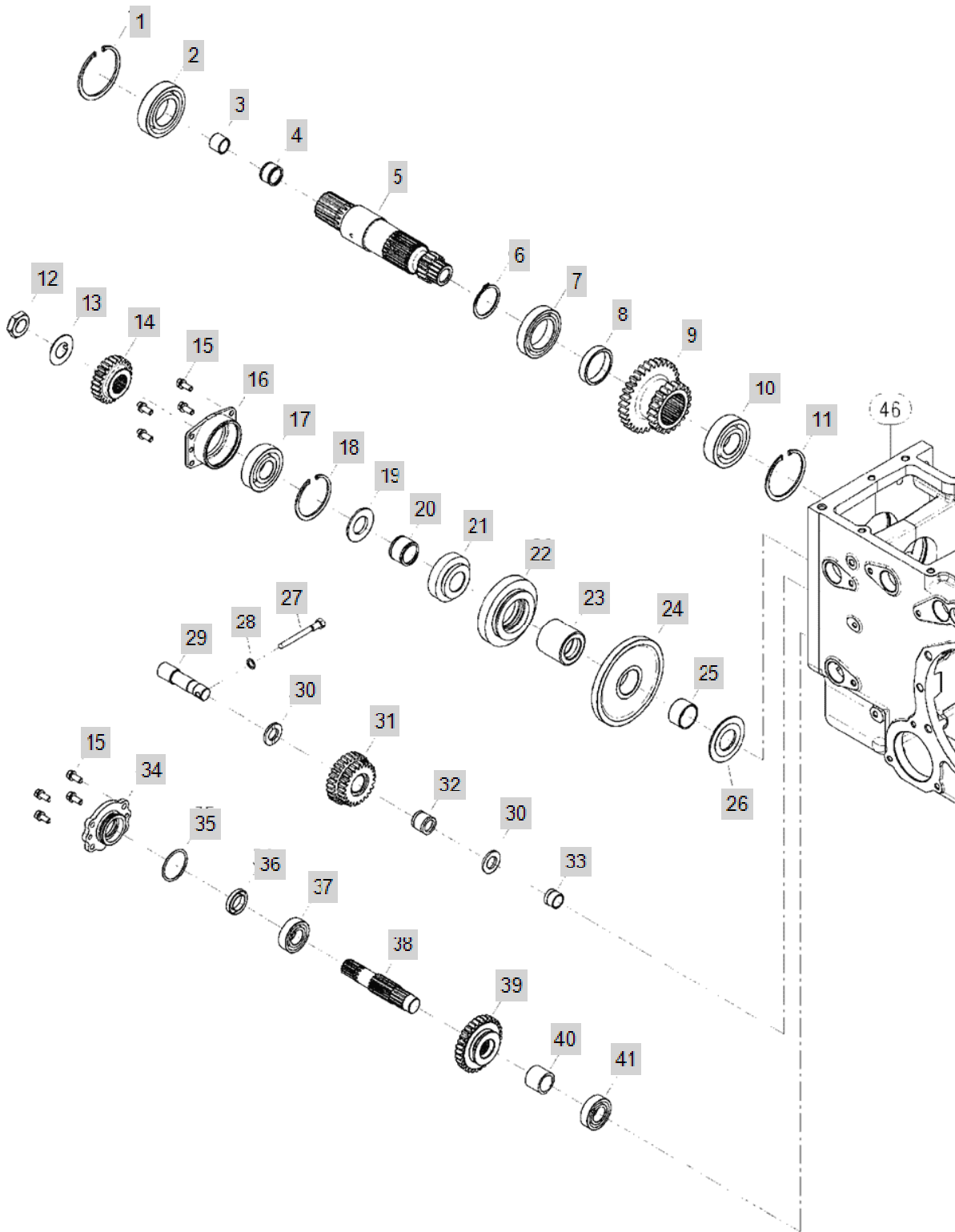


FIG C043		FRONT DRIVE, RANGE SHIFT GEAR			Year/Month
4720ch					2020/01
KeyNo.	Part Number	Part Name	Quantity	Other	
1	22242-000500	SNAP RING, SHAFT (Φ50)	1		
2	24101-062094	BALL BEARING (#6209)	1		
3	TN45180000A4	BUSH,BEARING	1		
4	24161-253020	Bearing, Needle (#25-30-20)	1		
5	TN43040000A3	GEAR16RANGESHIFT	1		
6	22242-000500	SNAP RING, SHAFT (Φ50)	1		
7	24101-060104	Bearing, Ball (#6010)	1		
8	TN43060000A4	COLLAR	1		
9	TA00031461A	GEAR2ND3RDRANGESHIFT	1		
10	24101-063074	Bearing, Ball (#6307)	1		
11	22252-000800	RING, CIRCLIP (Φ 80)	1		
12	TN43110000A4	LOCKNUT	1		
13	TT57020000A4	WASHER	1		
14	TN43130000A3	GEAR25FRONTDRIVE	1		
15	26013-080202	Bolt, Hexa (8-20)	8		
16	TN43150000A3	CASEBEARING	1		
17	24101-063064	Bearing, Ball (#6306)	1		
18	22252-000720	RING, CIRCLIP (Φ 72)	1		
19	TN43190000A4	THRUSTWASHER	1		
20	24161-323827	Bearing, Needle (#32-38-27)	1		
21	TA00031460A	GEAR16,RANGE SHIFT 3RD	1		
22	TN43220000B3	GEAR 30T,RANGE SHIFT 2ND	1		
23	TN43230000B3	CALLAR	1		
24	TN43240000B3	GEAR 56T,SUB SHIFT 1ST	1		
25	TT57080000A4		1		
26	TT57100000B4	WASHER,THRUST	1		
27	TN43330000A4	BOLT	1		
28	23414-100000	PLAIN WASHER (D10)	1		
29	TN43260000A4	SHAFT, FRONT DRIVE IDLE	1		
30	TN43270000A4	THRUSTWASHER	2		
31	TN43290000A3	GEARFRONTDRUVEIDLE	1		
32	24161-202825	NEEDLE BEARIN (#20-28-25)	1		
33	TN43300000A4	COLLAR	1		
34	TN43350000A3	CASEOILSEAL	1		
35	TN43360000A4	O-RING	2		
36	24421-254008	Seal, Oil (#25-40-08)	1		
37	24101-062054	Bearing, Ball (#6205)	1		
38	TN43390000A3	SHAFTFRONTDRIVELINE	1		
39	TN43400000A3	GEARFRONTDRIVE	1		
40	TN43450000A4	COLLAR	1		
41	24101-062054	Bearing, Ball (#6205)	1		

FIG C044

FRONT DRIVE & RANGE SHIFT LEVER

Year/Month

4720ch

2020/01

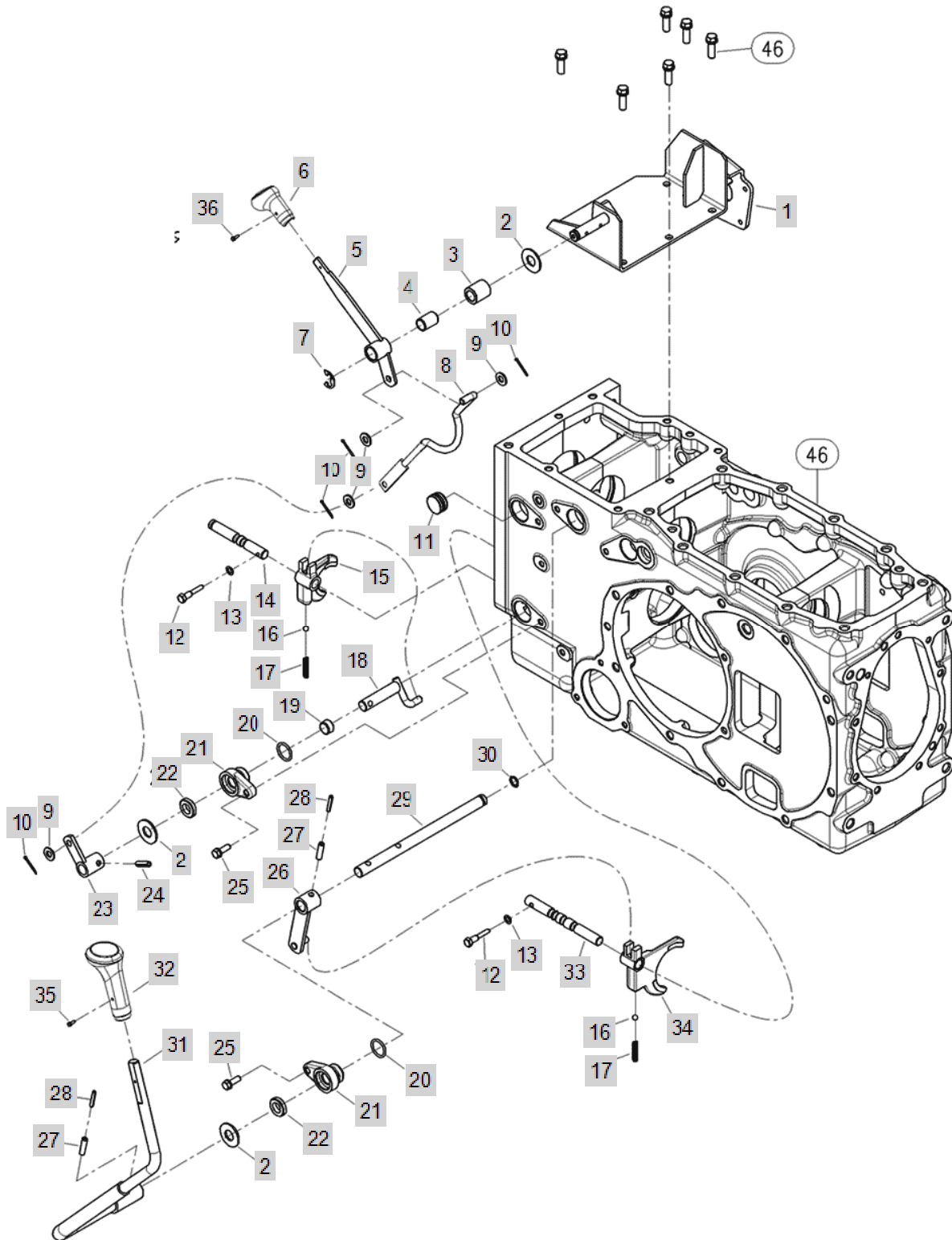






FIG C045

GEAR,IND PTO SPEED CHANGE

Year/Month

4720ch

2020/01

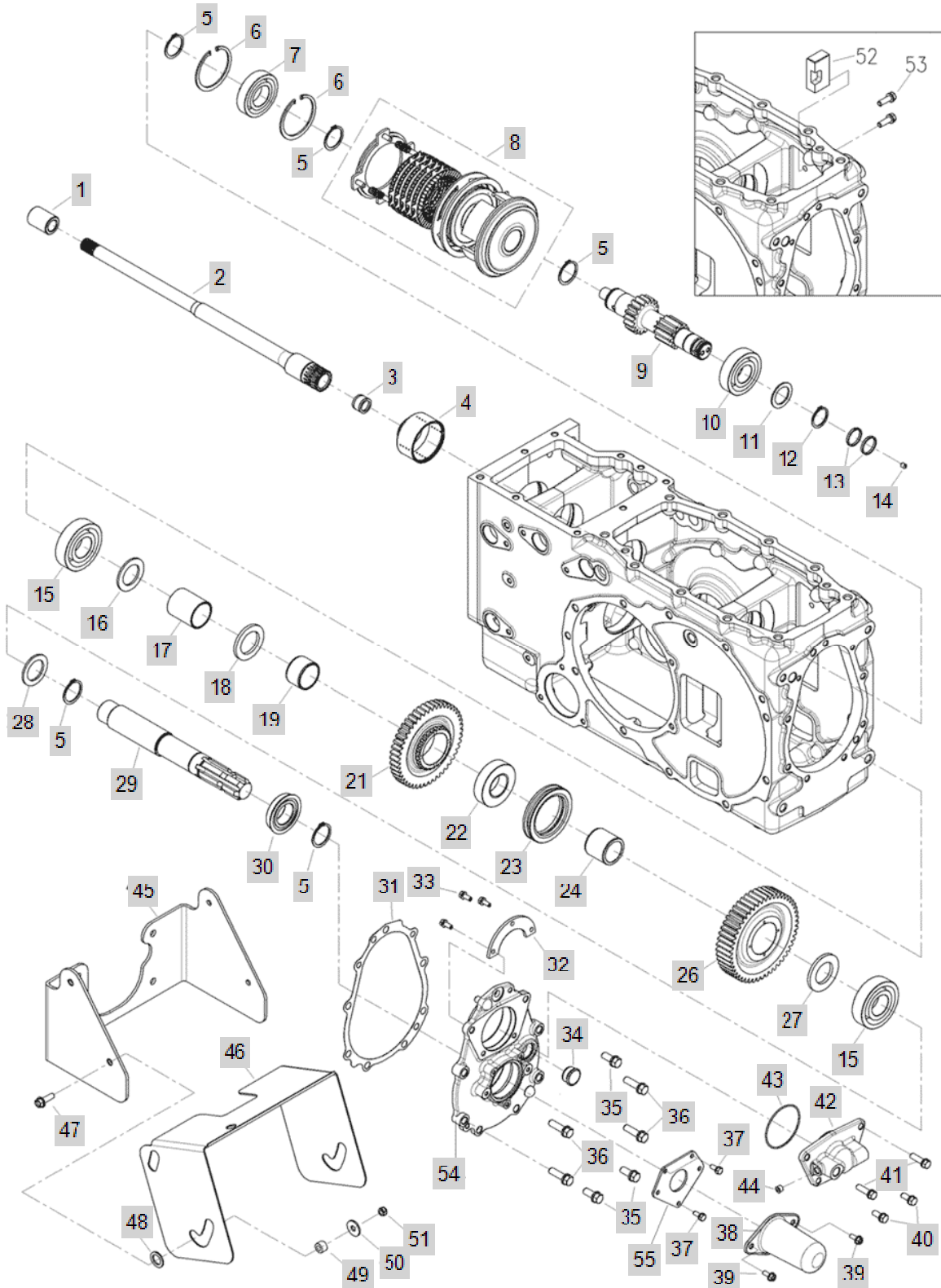


FIG C045		GEAR,IND PTO SPEED CHANGE			Year/Month
4720ch					2020/01
KeyNo.	Part Number	Part Name	Quantity	Other	
1	TN4520000A4	JOINT	1		
2	TA00015848A	PTO SHAFT(HST)	1		
3	24161-182417	Bearing, Needle (#18-24-17)	1		
4	NT45480000A3	PTO COUPLING	1		
5	22242-000350	SNAP RING, SHAFT (Φ 35)	5		
6	22252-000720	RING, CIRCLIP (Φ 72)	2		
7	24101-062074	BALL BEARING (#6207)	1		
8	TA00026514A	PTO CLUTCH PACK	1		
9	NT45920000A2	SHAFT, PTO SHIFT	1		
10	24101-063064	Bearing, Ball (#6306)	1		
11	TN45520000A4	COLLAR	1		
12	22242-000300	SNAP RING, SHAFT (Φ 30)	1		
13	TT64070000A4	SEAL RING	2		
14	TT64080000A4	RETAININGSCREWM7X1	1		
15	24101-063074	Bearing, Ball (#6307)	2		
16	NT45670000A4	Thrust Washer	1		
17	NT45680000A4	Spacer	1		
18	NT45440000A4	COLLAR	1		
19	TA00033210A	NEEDLE BUSH D	2		
21	TA00033211A	GEAR 46T, PTO	1		
22	TZ45100000A3	HUB,P.T.O	2		
23	TZ45110000B4	SLEEVE,P.T.O	2		
24	TA00033209A	NEEDLE BUSH B	1		
26	TA00033212A	GEAR 49T, PTO	1		
27	TZ45140000A4	COLLAR	1		
28	TN45120000A4	WASHER	1		
29	NT45130000B3	shaft, PTO	1		
30	TT62040000A3	PTO OIL SEAL QLF35X60X19	1		
31	NT45740000A3	PACKING, PTO SHAFT HOUSING	1		
32	NT45640000A4	Bearing Cover	1		
33	26013-060162	Bolt, Hexa (6-16)	3		
34	TCA8130000A4	SIGHTGLASS -> NT45690000A4	1		
35	26013-100252	SCREW,CAPTIVEWASHERCAP	3		
36	26013-100352	Bolt, Hexa (10-35)	4		
37	26013-060162	Bolt, Hexa (6-16)	3		
38	TT80030000A3	P.T.OCOVER	1		
39	26106-060162	HEXFLANGEBOLT	2		
40	26013-080202	Bolt, Hexa (8-20)	2		
41	26013-080302	HEX BOLT W/WASHER	2		
42	NT45620000A3	Seal Case	1		
43	24341-000700	O-RING, FIX (Φ70)	1		
44	23871-010000	PLUG	1		
45	TA00000738B	BRACKET, PTO SHAFT COVER	1		
46	TA00000739A	COVER, PTO SHAFT	1		
47	26106-080252	SCREW,HEXFLANGEHEADCAP	4		



FIG C046

REAR AXLE CASE, PTO SHIFT

Year/Month

4720ch

2020/01

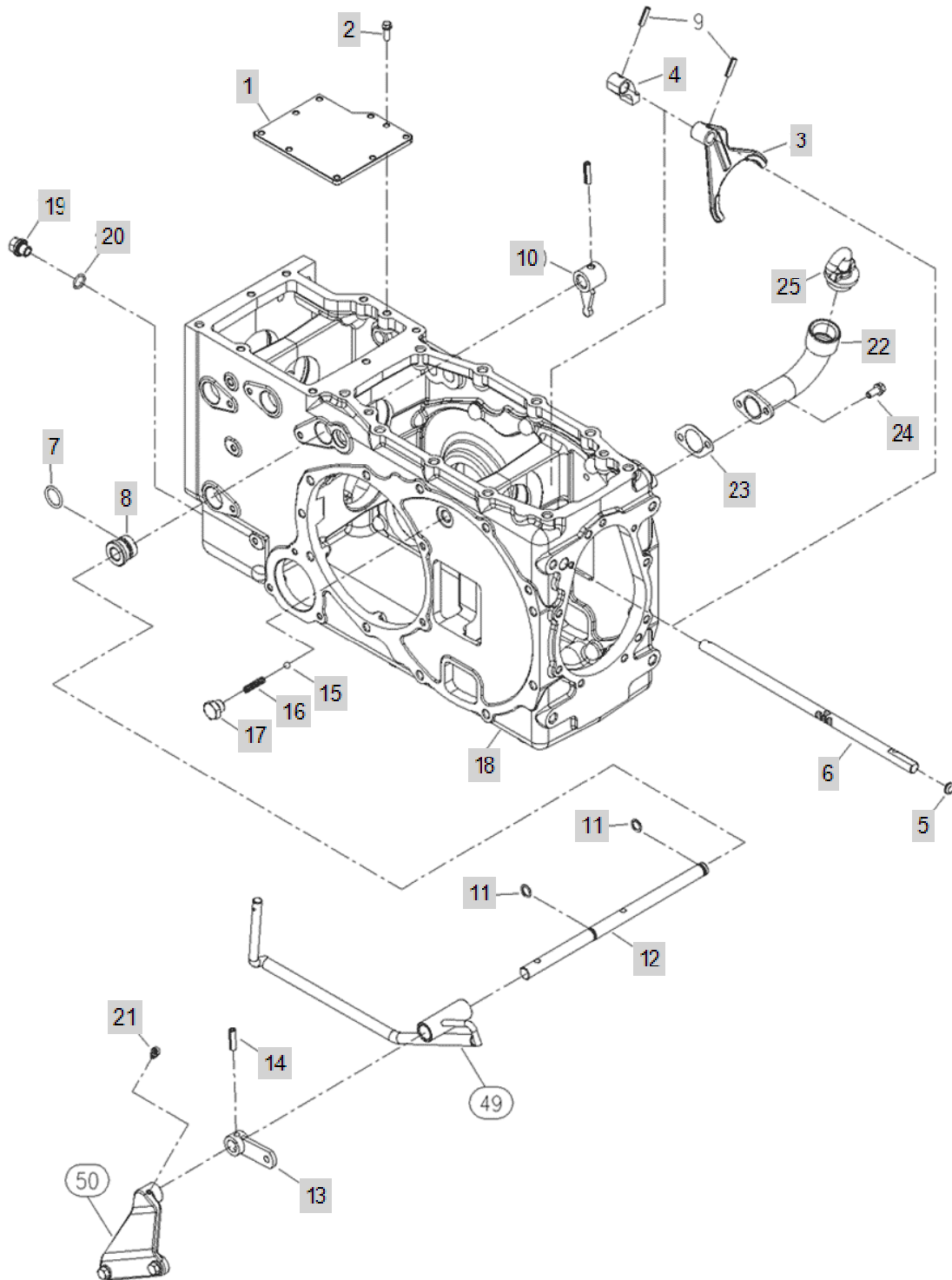




FIG C047

LEVER ASS'Y, PTO SPEED CHANGE

Year/Month

4720ch

2020/01

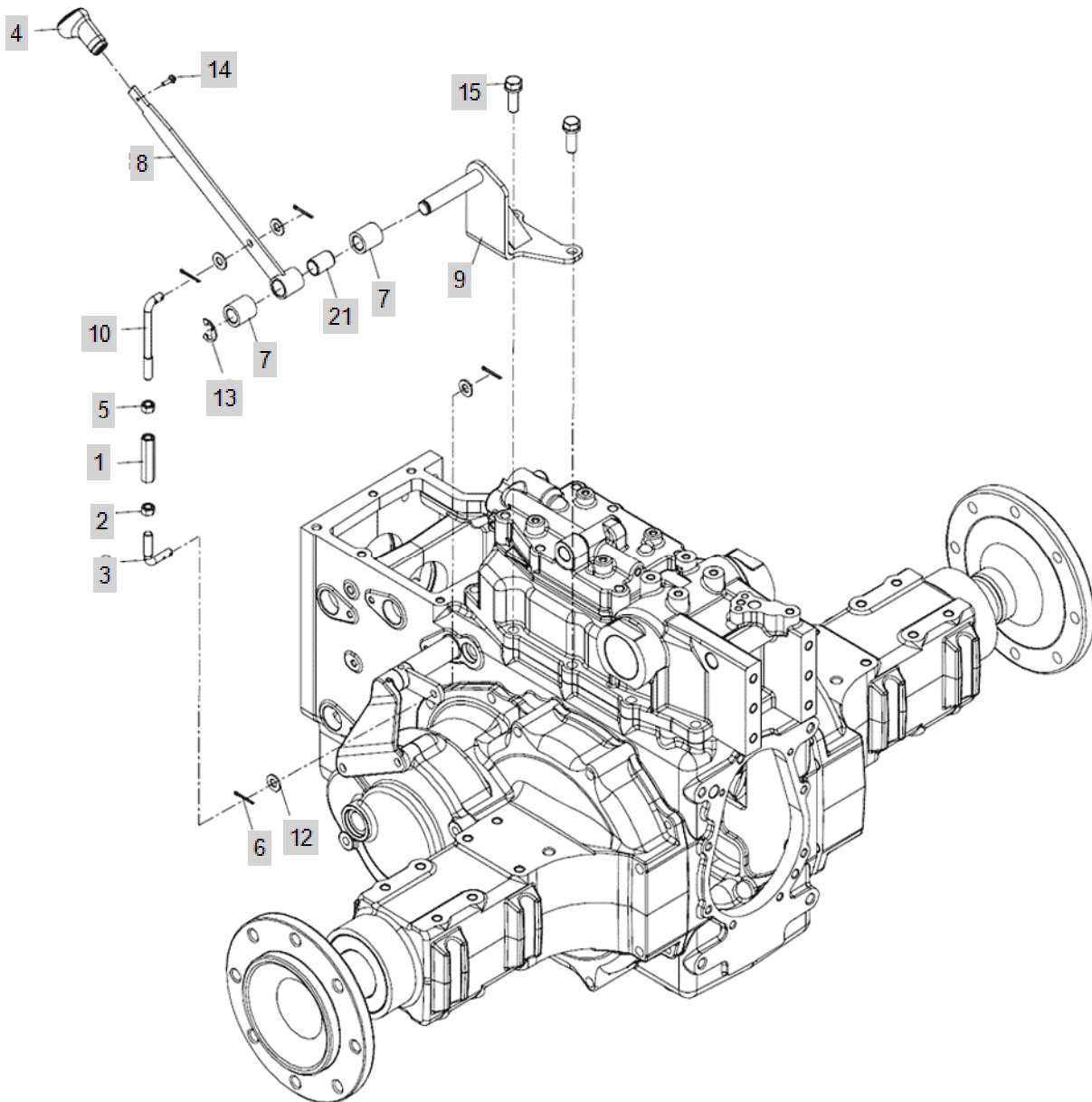






FIG C048

HOUSING, REAR AXLE

Year/Month

4720ch

2020/01

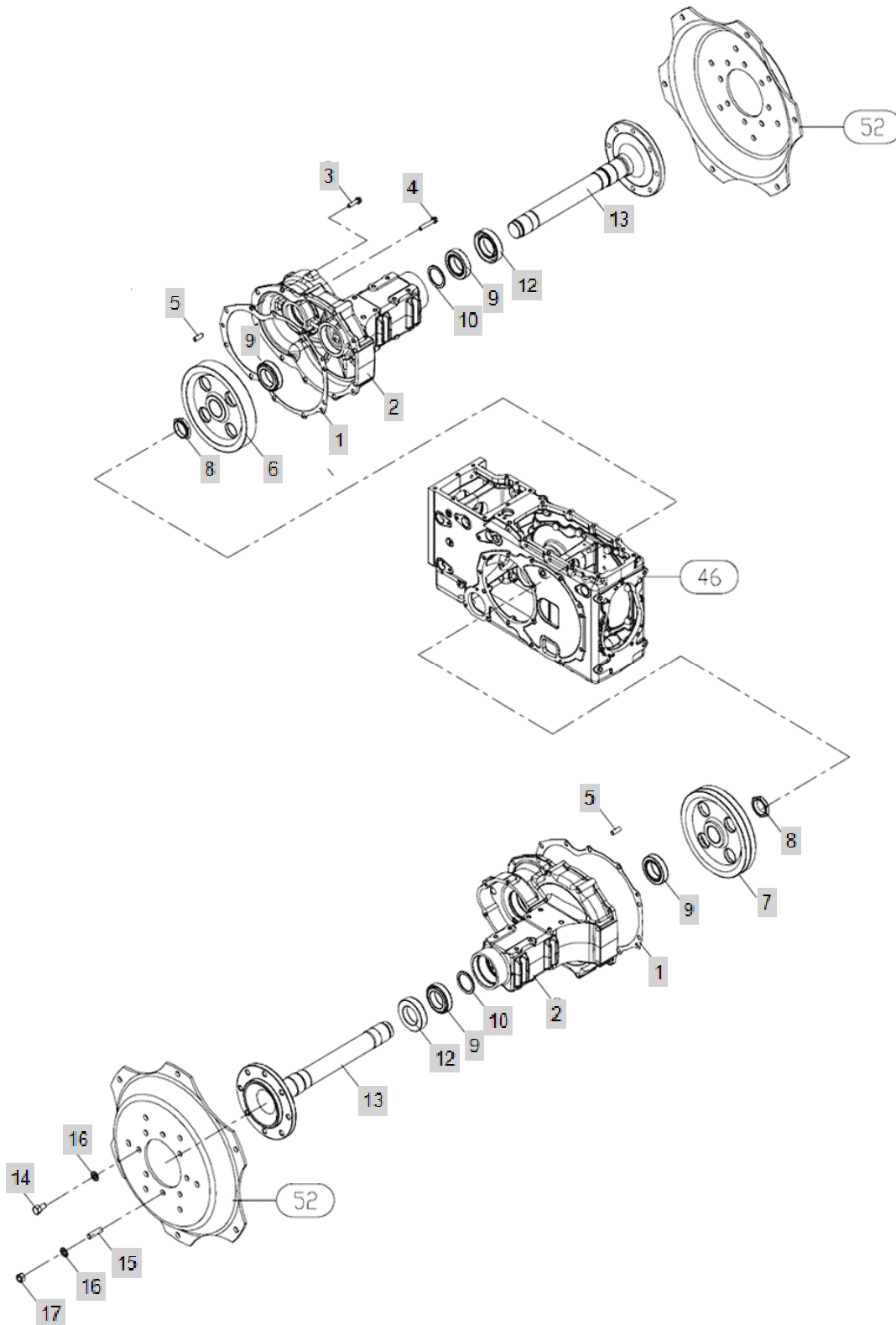




FIG C049

DRIVING PART, REAR AXLE

Year/Month

4720ch

2020/01

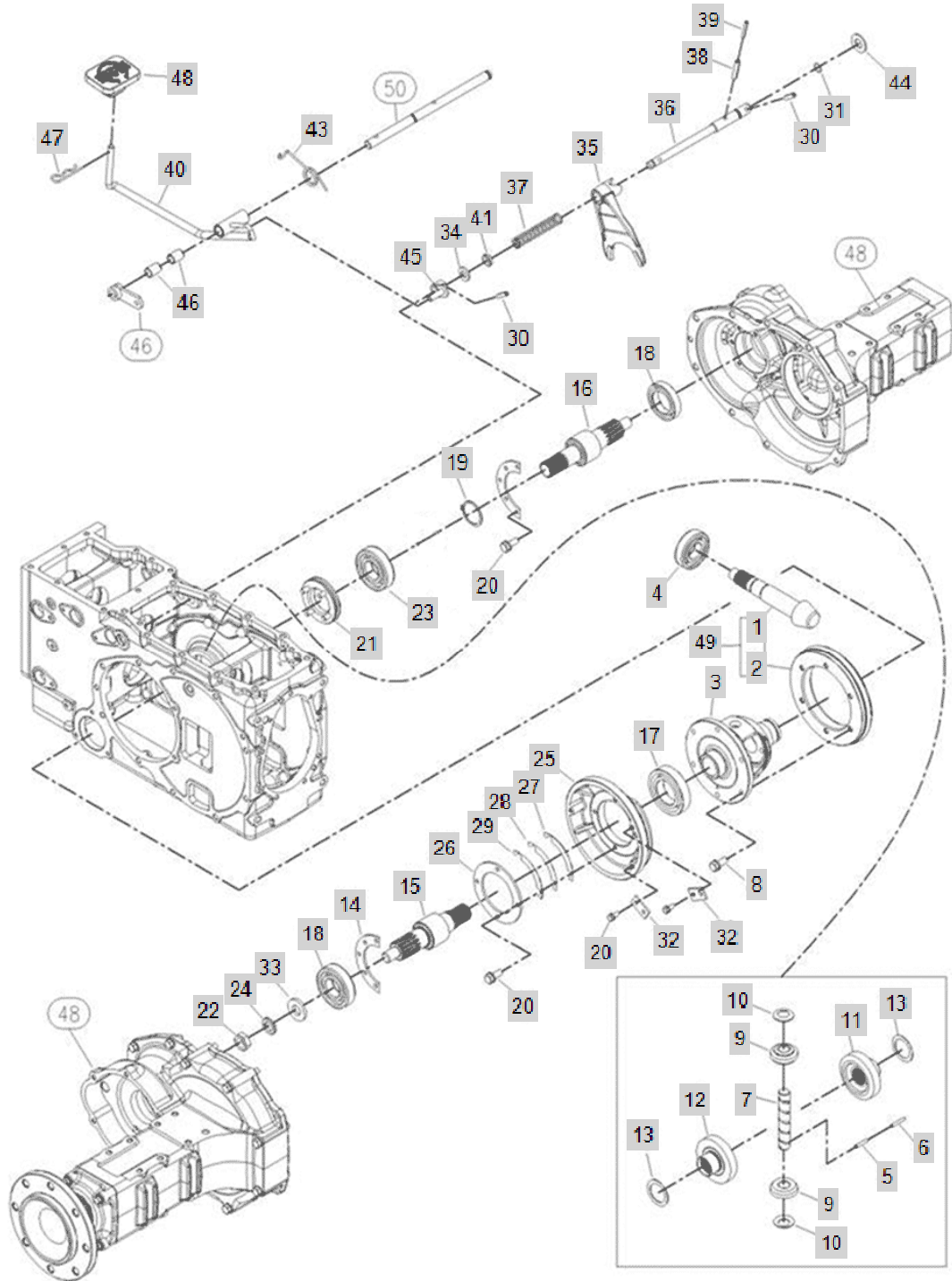


FIG C049		DRIVING PART, REAR AXLE			Year/Month
4720ch					2020/01
KeyNo.	Part Number	Part Name	Quantity	Other	
1	TN49510000A2	COUNTERSAHFT	1		
2	TN49520000C2	RINGGEAR	1		
3	TN49030000D2	CASE,DIFFERENTIAL -> TA00022799A	1		
4	TT78020000A3	BEARINGNJ307R	1		
5	22312-060360	PIN, DOWEL (6-36)	1		
6	22351-060032	PIN, SPRING (6-32)	1		
7	TF64080000A4	PINIONSHAFT	1		
8	TF64090000A4	BOLT	6		
9	TF64100000A3	PINION	2		
10	TF64110000A4	PINIONLINER	2		
11	TF64120000A3	DIFF.SIDEGEAR(A)	1		
12	TF64130000A3	DIFF.SIDEGEAR(B)	1		
13	TF64140000B4	SIDEGEARLINER	2		
14	TB32150000A4	RETAINER	2		
15	TA00032603A	FINAL PINION(L)	1		
16	TA00032596A	FINAL PINION(R)	1		
17	24101-062114	Bearing, Ball (#6211)	1		
18	TF64190000A4	BALL BEARING (#6308HL1) -> TF64190000A3	2		
19	22242-000500	SNAP RING, SHAFT (Φ50)	1		
20	26013-080202	Bolt, Hexa (8-20)	4		
21	TF64250000B3	THRUST, DIFF-LOCK ASSY	1		
22	26776-220002	NUT	2		
23	24101-060102	BALL BEARING (#6010)	1		
24	22217-220000	WASHER, SPRING (Φ 22)	2		
25	TN49550000B2	CARRIOR	1		
26	TN49590000A4	RETAINER	1		
27	TZ49560000A4	SHIMA	3		
28	TZ49570000A4	SHIMB	3		
29	TZ49580000A4	SHIMC	2		
30	22351-080032	PIN, SPRING (8-32)	2		
31	24311-000160	O-RING, DYNAMIC (Φ16)	1		
32	TB32360000A4	RETAINER	2		
33	TN49370000A4	WASHER	2		
34	TN49380000A4	WASHER	1		
35	TN49400000A2	FORK DIFFERENTIAL LOCK	1		
36	TA00027271B	SHAFT	1		
37	TN49430000A4	SPRING	1		
38	22351-080040	PIN, SPRING (8-40)	1		
39	22351-050040	PIN, SPRING (5-04)	1		
40	TA00027273A	DIFFERENTIAL PEDAL	1		
41	24421-152507	Seal, Oil (#15-25-07)	1		
43	TA00027363A	TORSION SPRING	1		
44	TT69090000A	COLLAR	1		
45	TA00027987A	LINK	1		
46	TT70080000A4	BUSH	2		



FIG C050

BRAKE

Year/Month

4720ch

2020/01

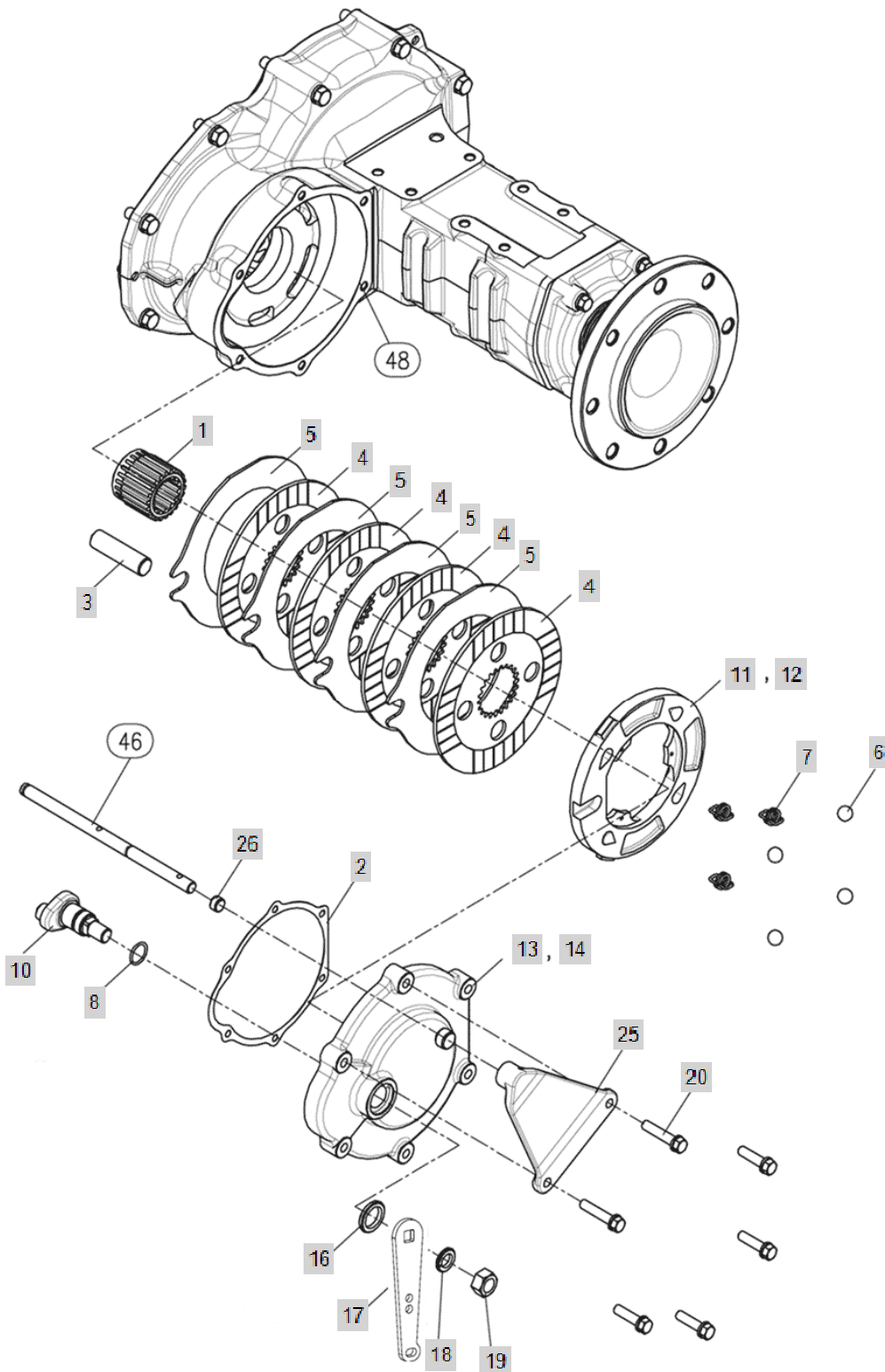




FIG C053

BRAKE, CLUTCH PEDAL

Year/Month

4720ch

2020/01

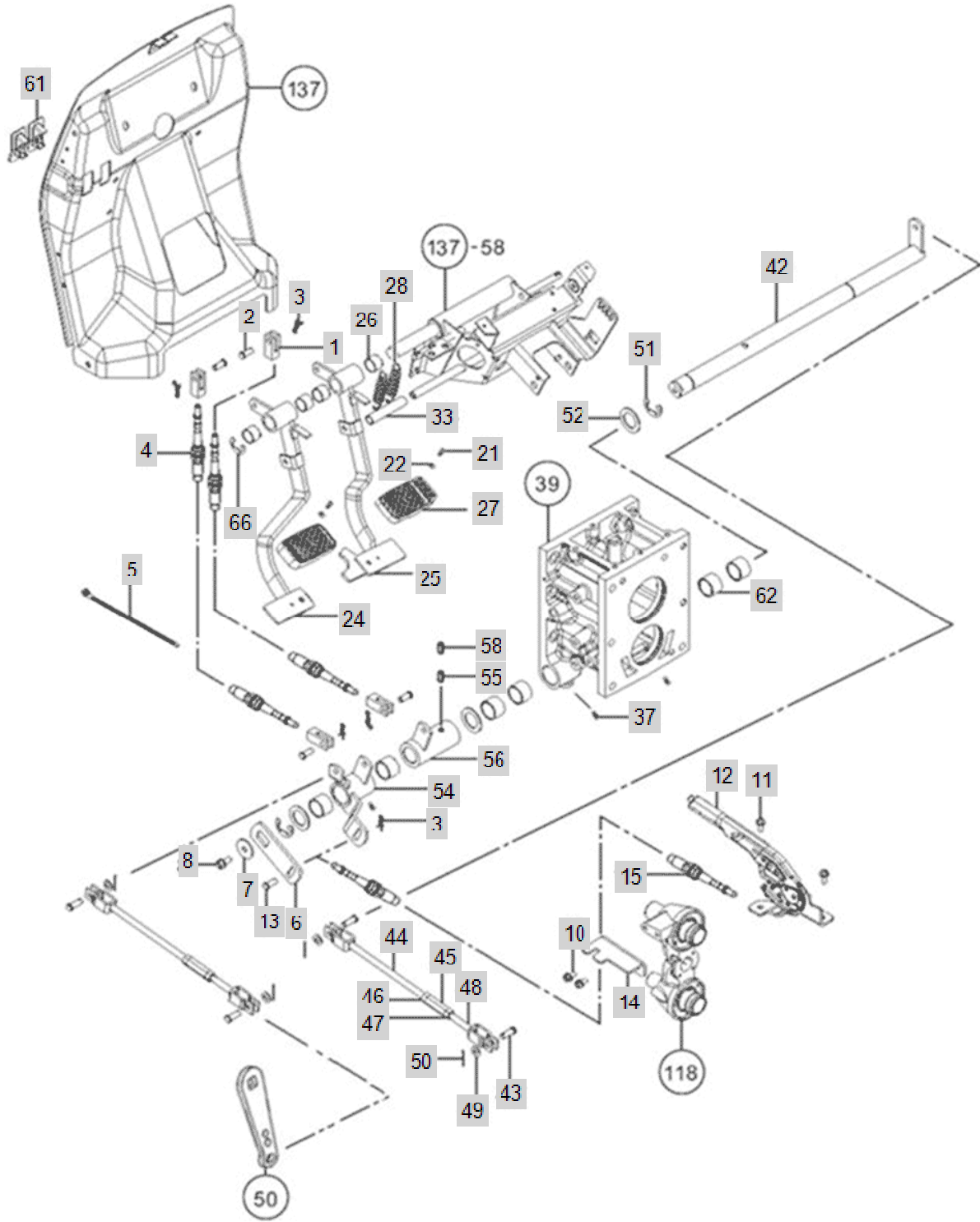




FIG C053		BRAKE, CLUTCH PEDAL			Year/Month
4720ch					2020/01
KeyNo.	Part Number	Part Name	Quantity	Other	
1	TW43030000A4	SUTTLE CLEVIS A	4		
2	22487-100200	PIN, HEAD (10-20)	4		
3	RR51230000A4	SNAP PIN	5		
4	TA00002285A	BRAKE CABLE	2		
5	TTB9420000A4	Band, Wire (250mm)	1		
6	TA00002117A	BRACKET	1		
7	TA00002119A	COLLAR	1		
8	26106-100202	HEX BOLT, (10-20)	1		
10	26106-080162	SCREW,HEXFLANGEHEADCAP	2		
11	26106-080202	SQR FLANGE BOLT	2		
12	TA00001403A	PARKING BRAKE	1		
13	22487-100260	PIN, HEAD (10-26)	1		
14	TA00016267A	BRACKET	1		
15	TA00002122A	CABLE, PARKING BRAKE	1		
21	TC73030000A4	RIVET(PEDALHEAD)	2		
22	TC73040000A4	WASHER(REVET)	2		
24	TA00001270A	PEDAL ASS'Y(L), BRAKE	1		
25	TA00001268A	PEDAL ASS'Y(R), BRAKE	1		
26	TC73010200A4	BUSH25*28*20	4		
27	TC73050000A3	PEDALHEADCOVER	2		
28	TC73090000A4	RETURN SPRING	2		
33	TCB6300000A3	PIPE	1		
37	24764-060000	GREASE NIPPLE	3		
42	TA00000863A	BRAKE SHAFT	1		
43	TT41090000A4	PIN10X23	4		
44	NT53250000B4		2		
45	TT67010000A4	TURN BUCKLE	2		
46	26716-120002	BOLT,CYLINDER HEAD(B)	2		
47	TT67040000A4	NUT.LH	2		
48	NT53240000A4	ROD[L]	2		
49	22137-100000	WASHER, PLAIN (Φ 10)	4		
50	22417-200300	PIN , COTTER (2-30)	4		
51	22272-000240	RING, CIRCLIP (Φ 24)	2		
52	TB35120000B4	WASHER B	3		
54	TA00000879B	BRAKE LINE (L) REAR	1		
55	22351-080050	PIN, SPRING (8-50)	1		
56	TA00000880A	BRAKE LINE (R) REAR	1		
58	22351-050050	PIN, SPRING (5-05)	1		
61	TCB6100000A4	BOOTS, PEDAL	2		
62	TB26240000A4	BUSH	6		
66	22272-000190	RING, CIRCLIP (Φ 19)	1		
66	22272-000190	RING, CIRCLIP (Φ 19)	1		

FIG C099

HYD PUMP

Year/Month

4720ch

2020/01

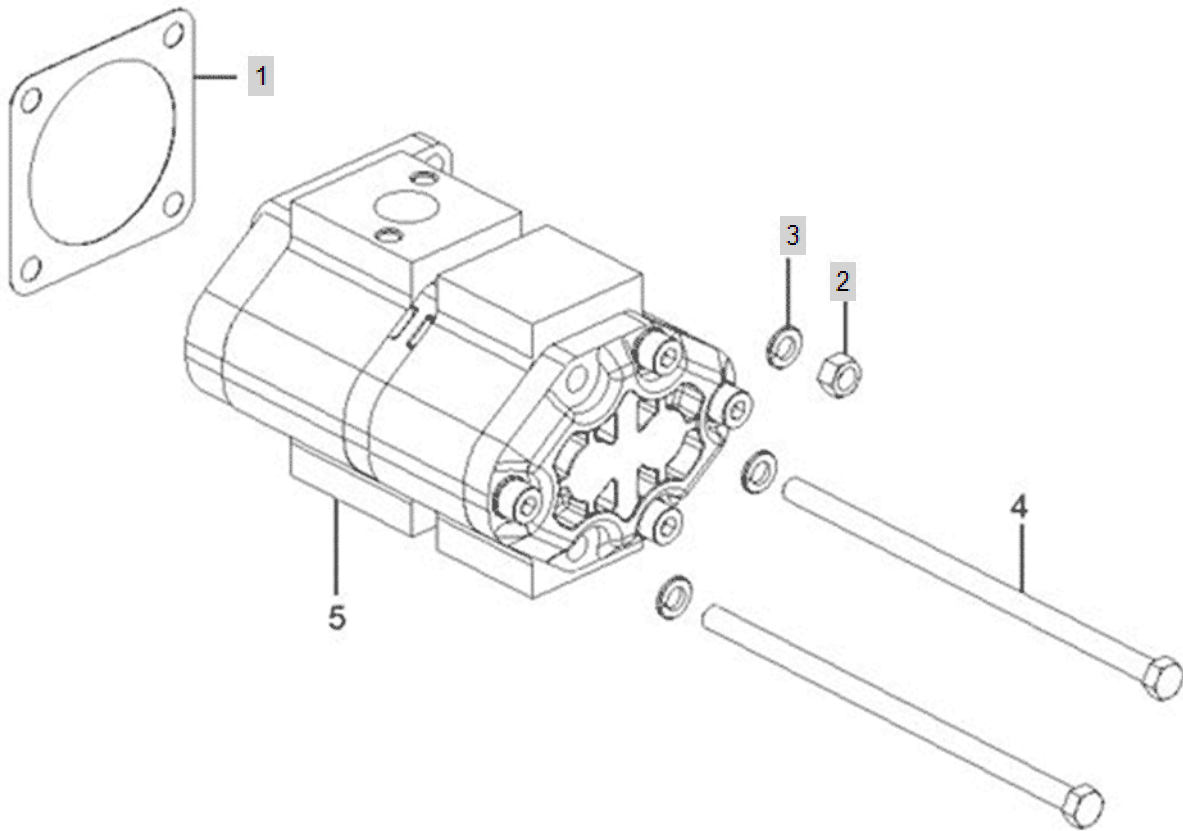




FIG C101

4720ch

CASE, HYD CYLINDER

Year/Month

2020/01

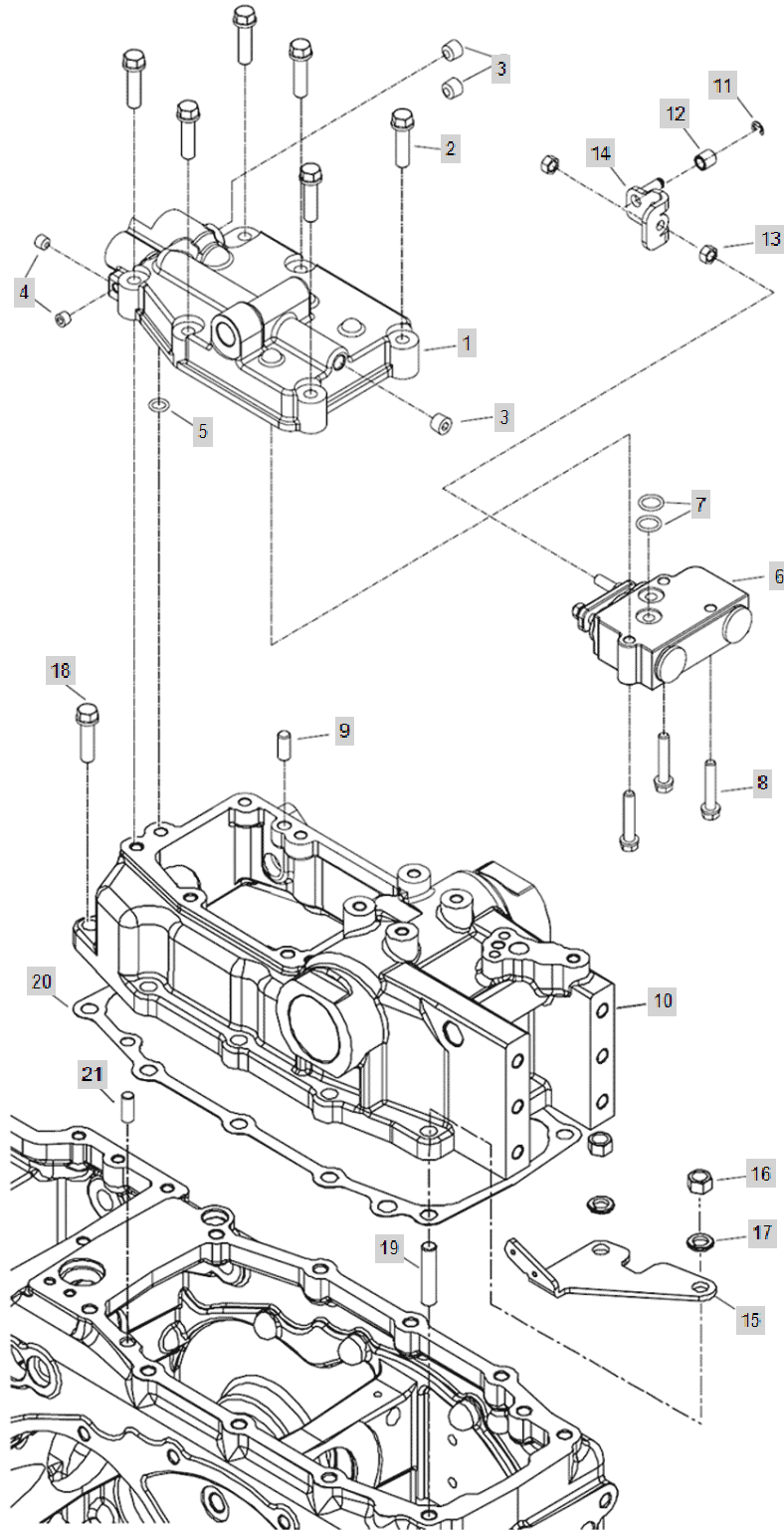




FIG C104

PISTON ASS'Y

Year/Month

4720ch

2020/01

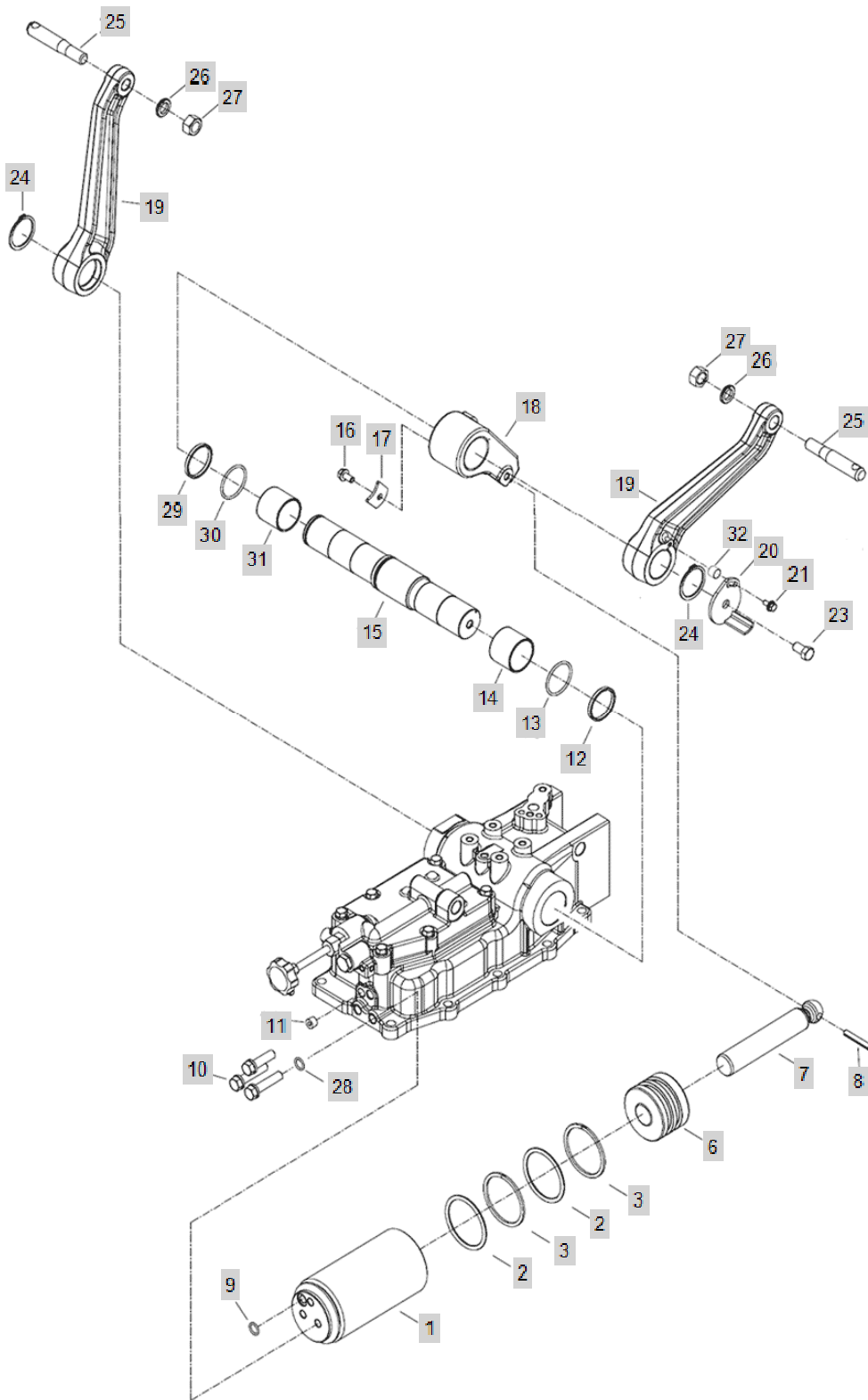




FIG C108

SAFTY VALVE

Year/Month

4720ch

2020/01

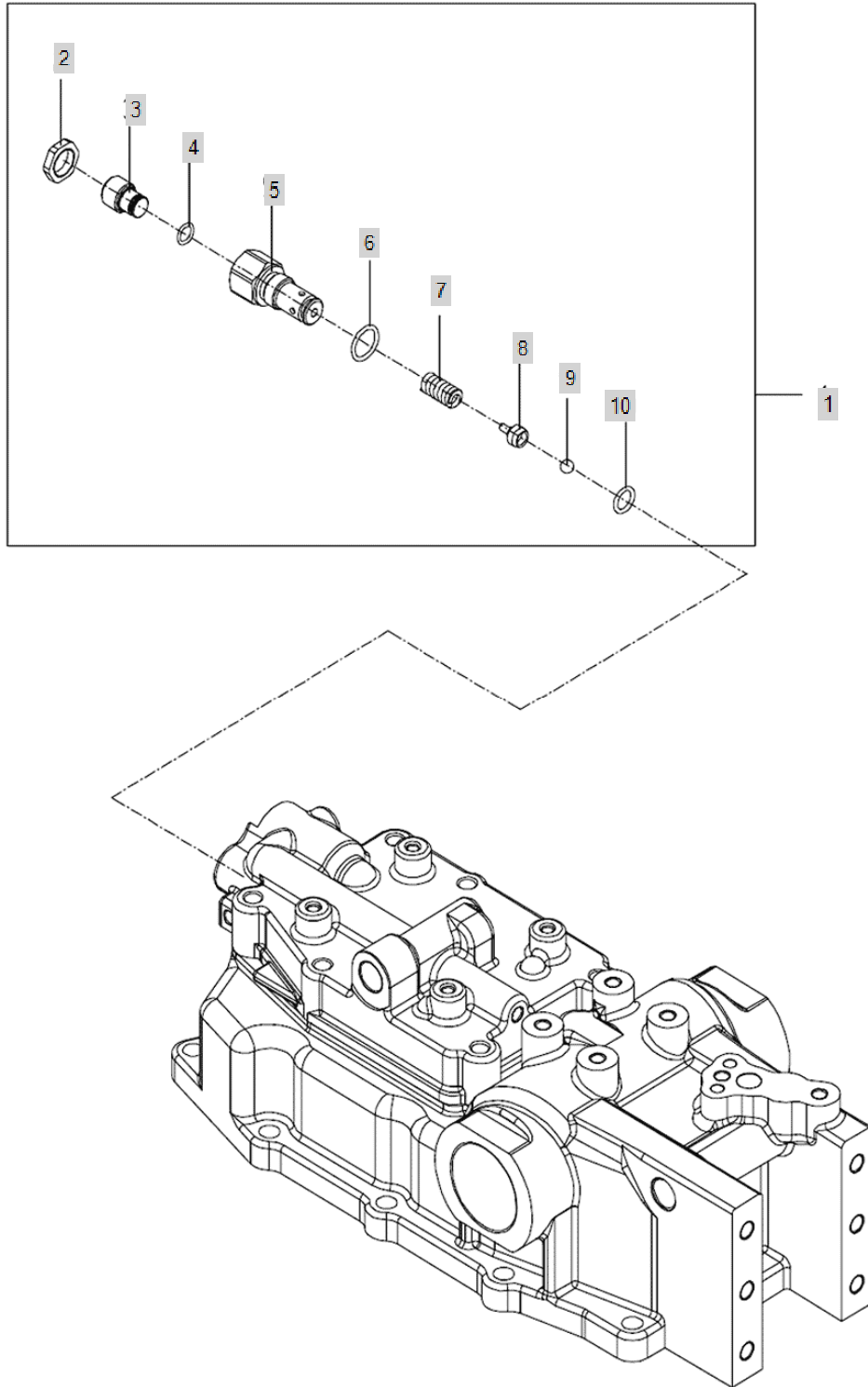






FIG C109

STOP VALVE

Year/Month

4720ch

2020/01

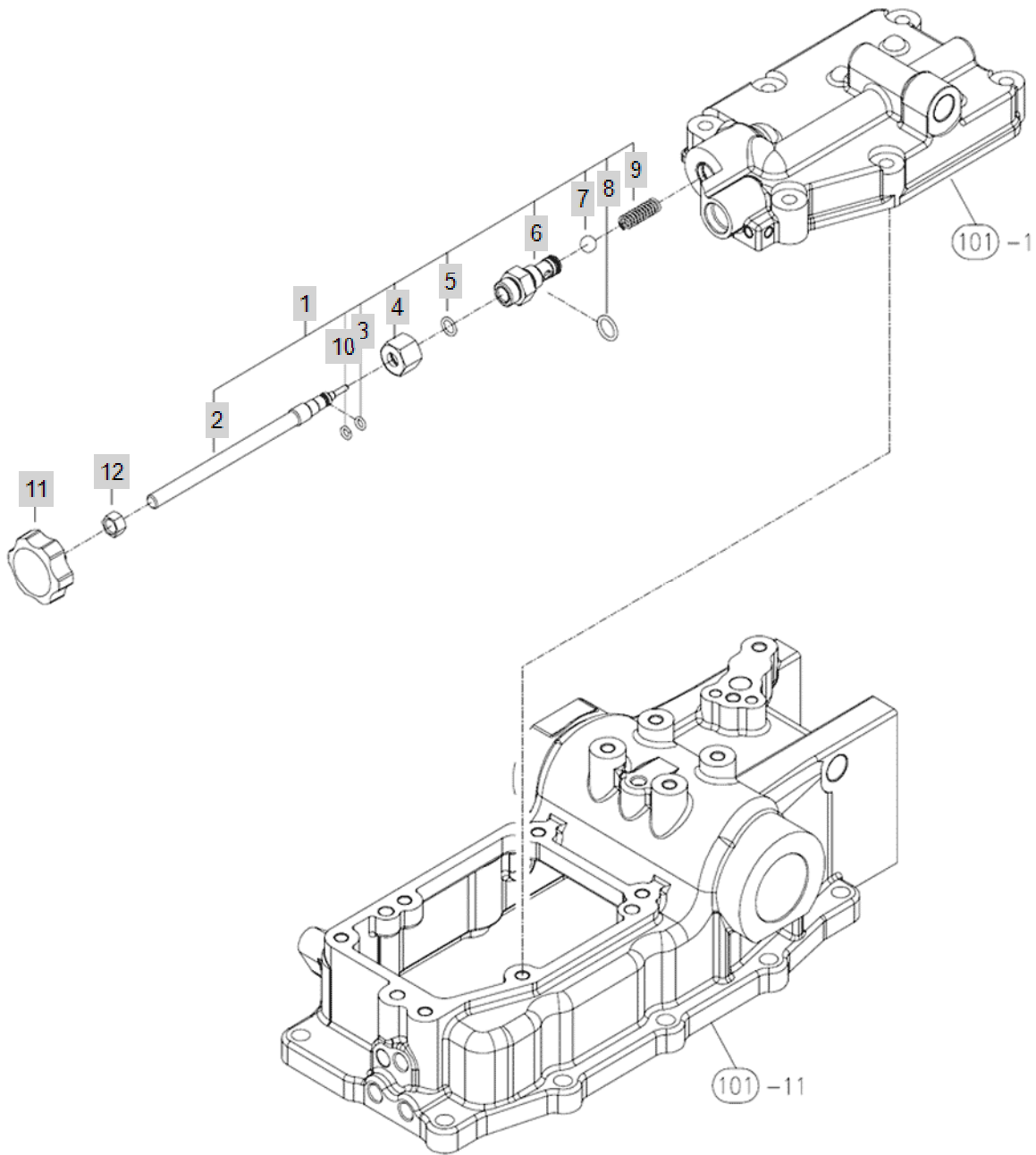




FIG C111

HYD CONTROL-POSITON TYPE

Year/Month

4720ch

2020/01

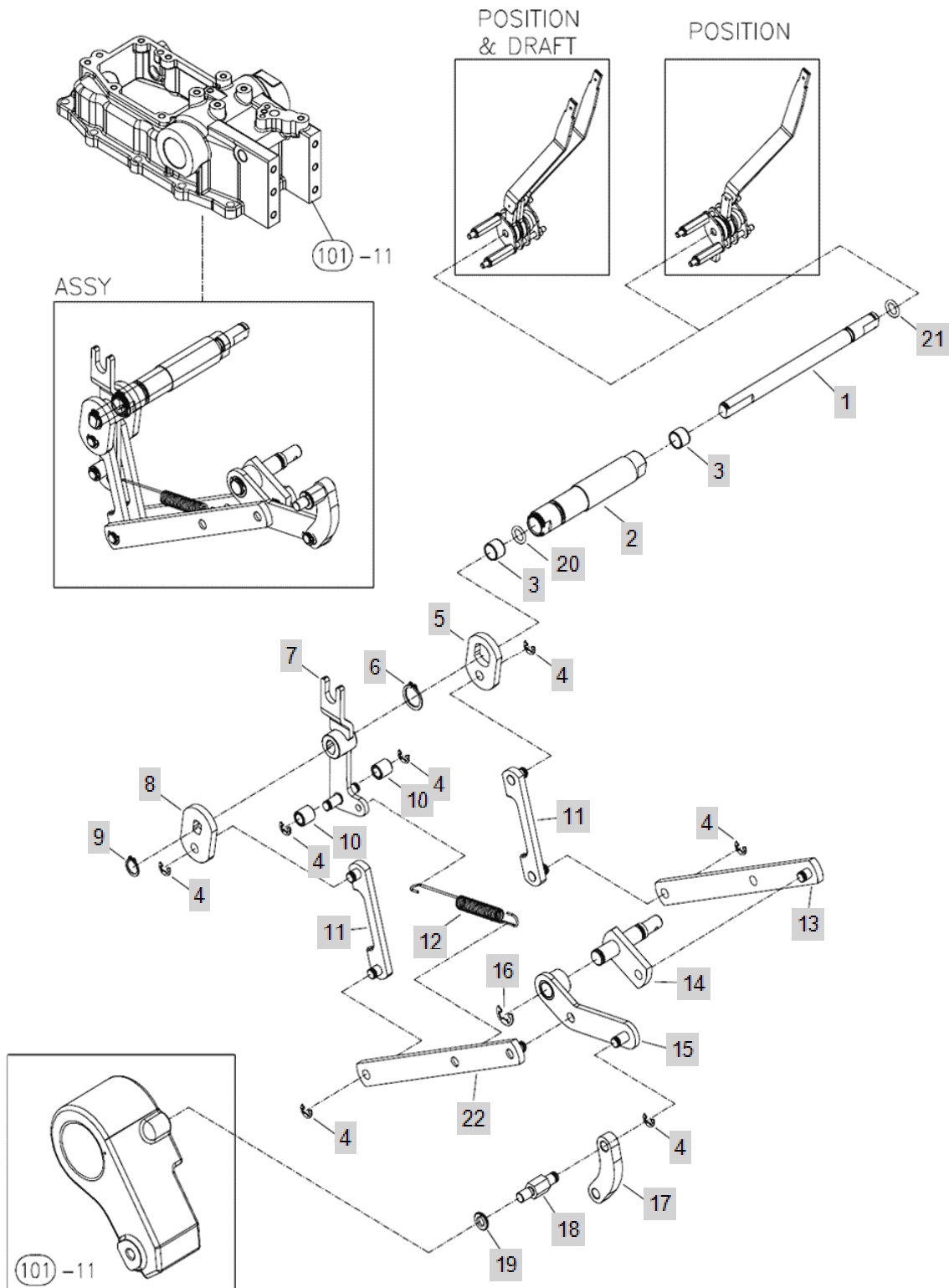




FIG C111-2

HYD CONTROL-POSITON TYPE

Year/Month

4720ch

2020/01

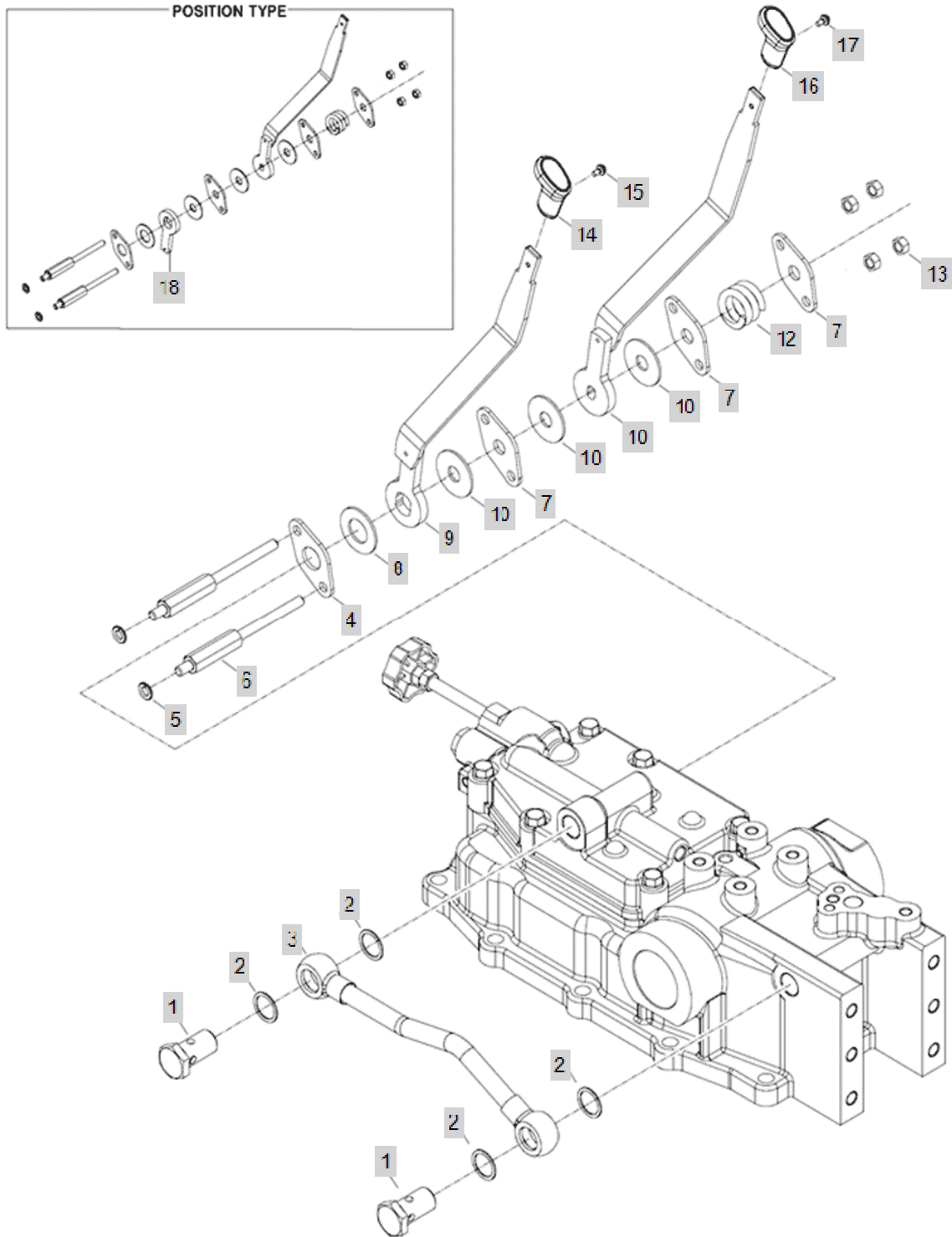




FIG C113

DRAFT CONTROL

Year/Month

4720ch

2020/01

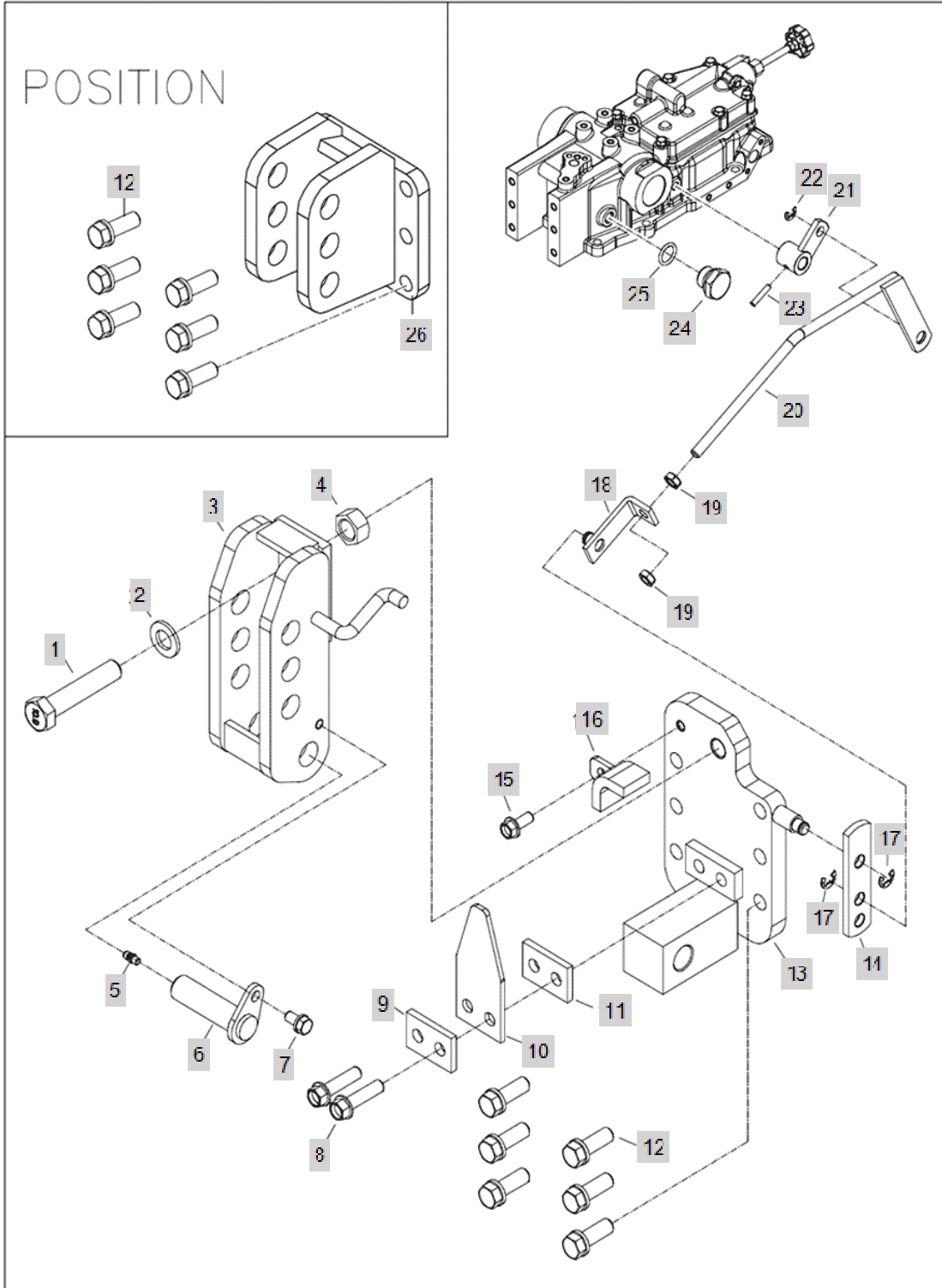






FIG C114

HYD PIPING

Year/Month

4720ch

2020/01

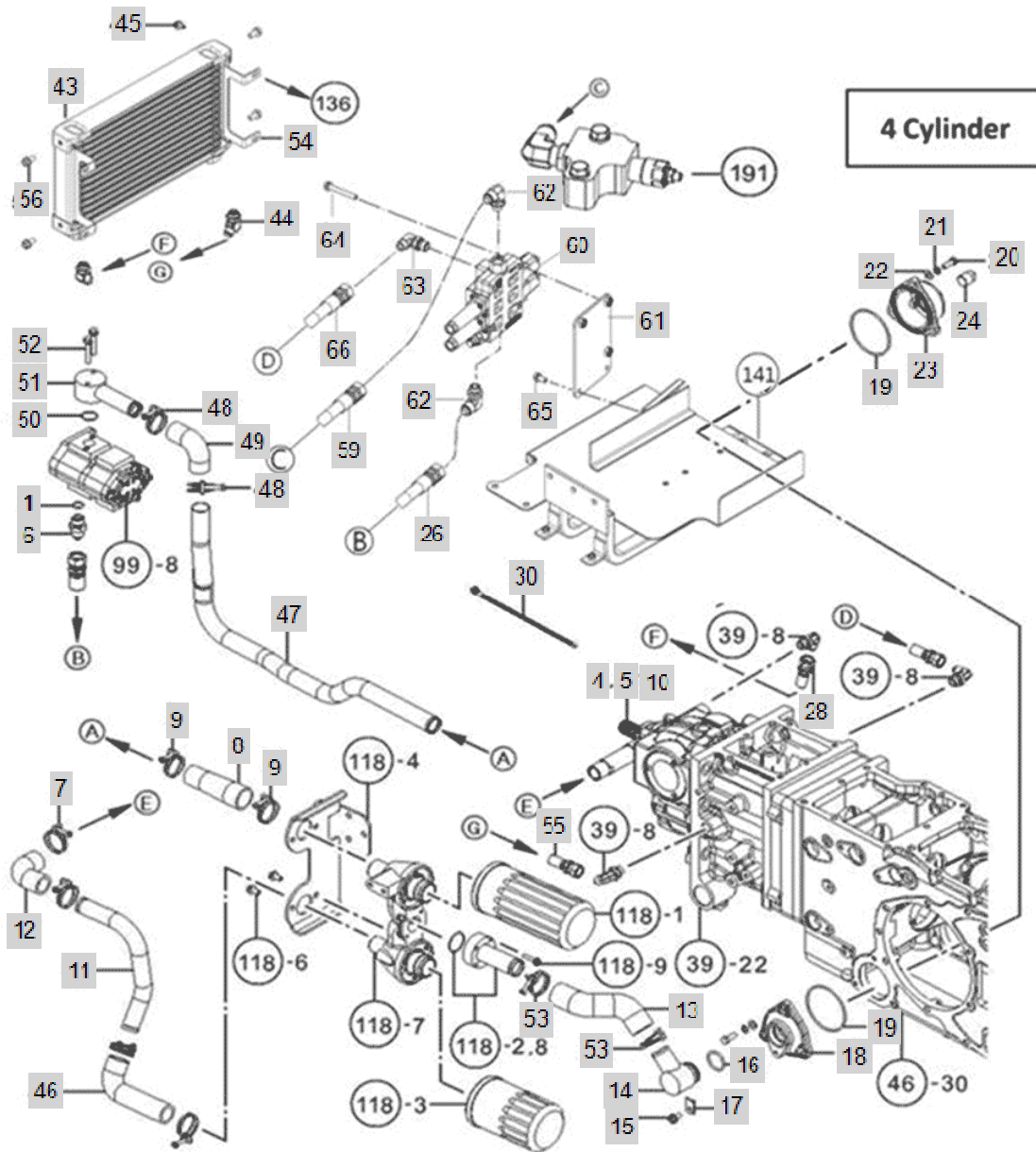




FIG C115

HYD PIPING

Year/Month

4720ch

2020/01

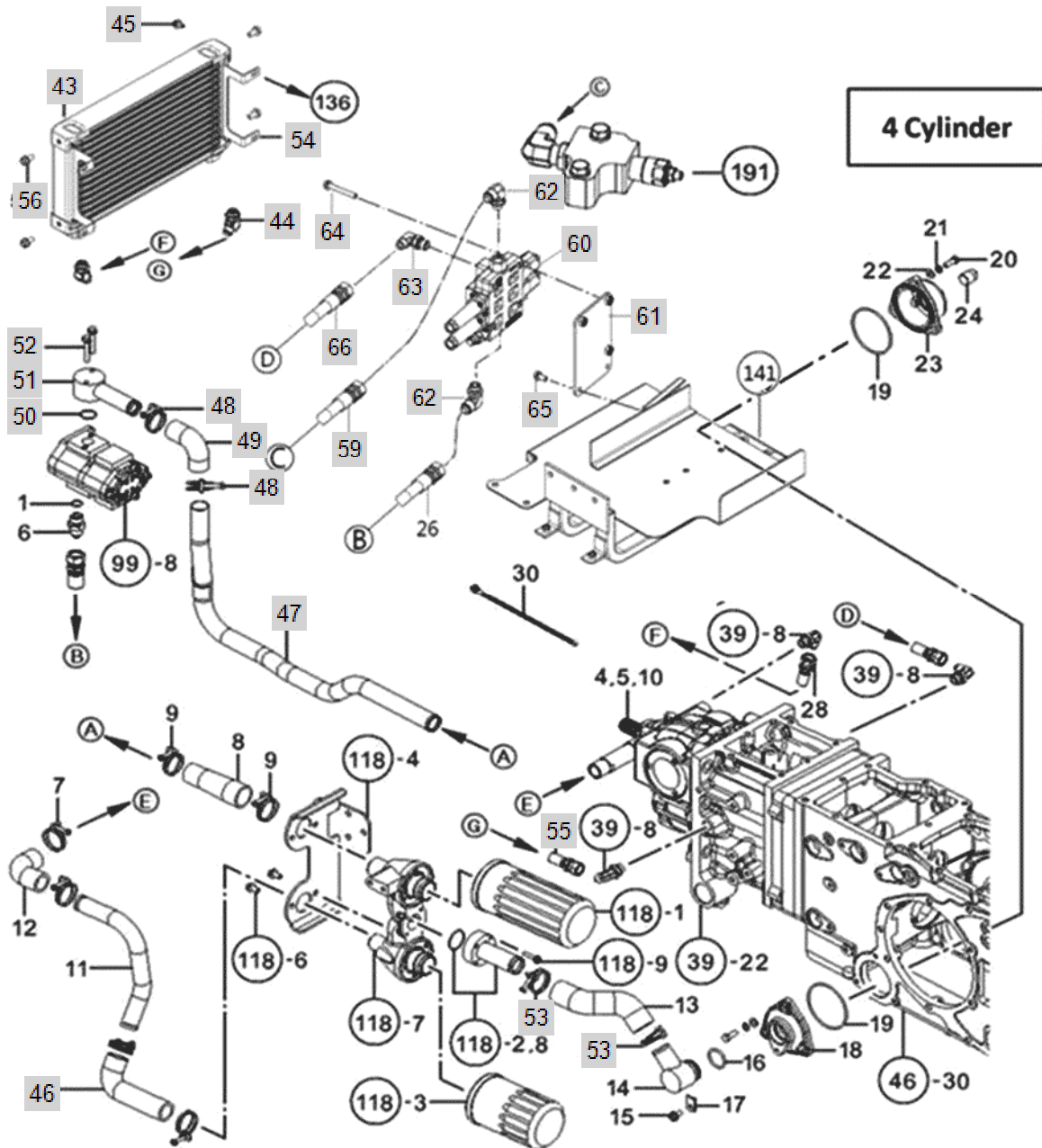




FIG C118

HYD FILTER

Year/Month

4720ch

2020/01

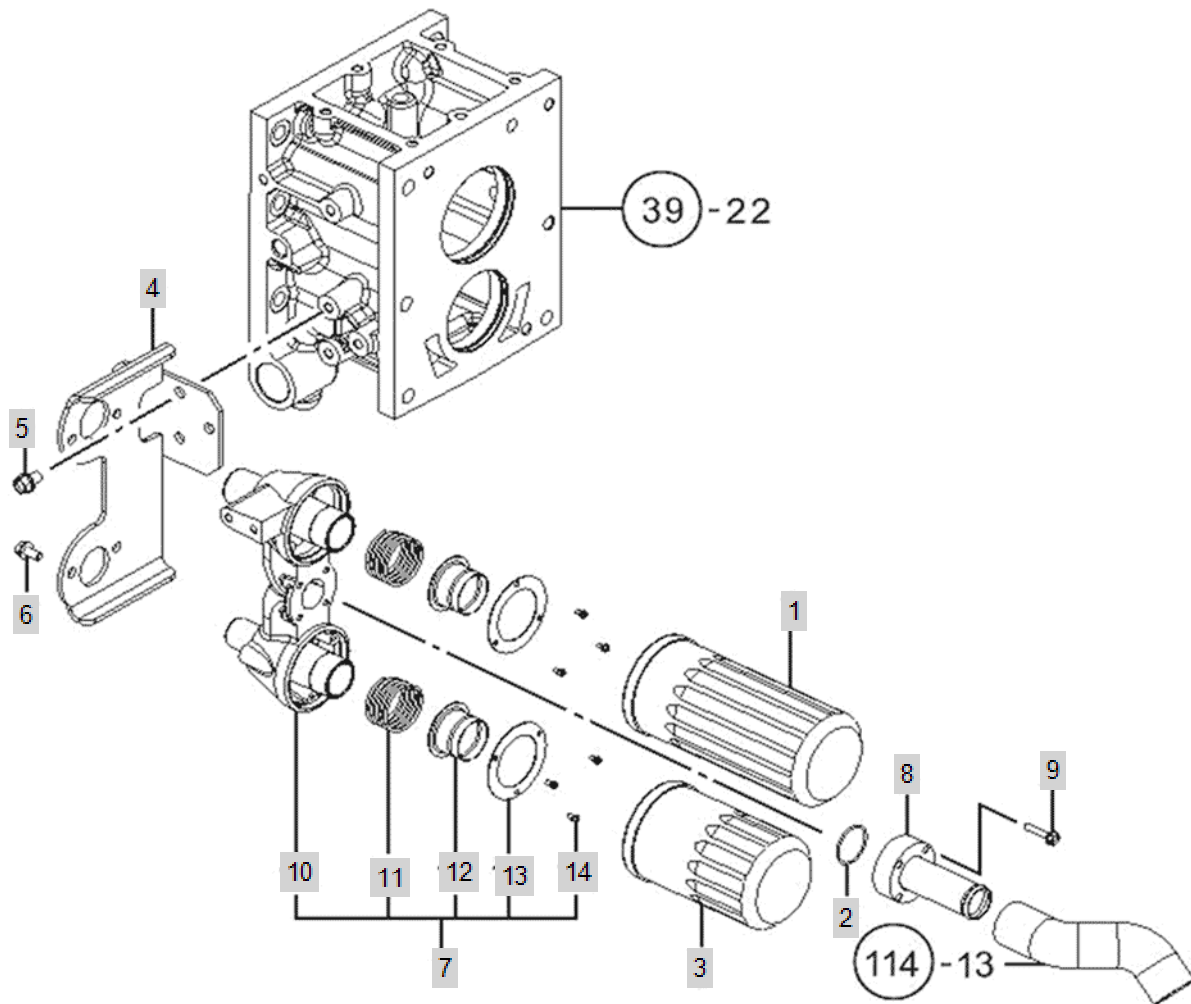




FIG C119

ELE'C WIRING

Year/Month

4720ch

2020/01

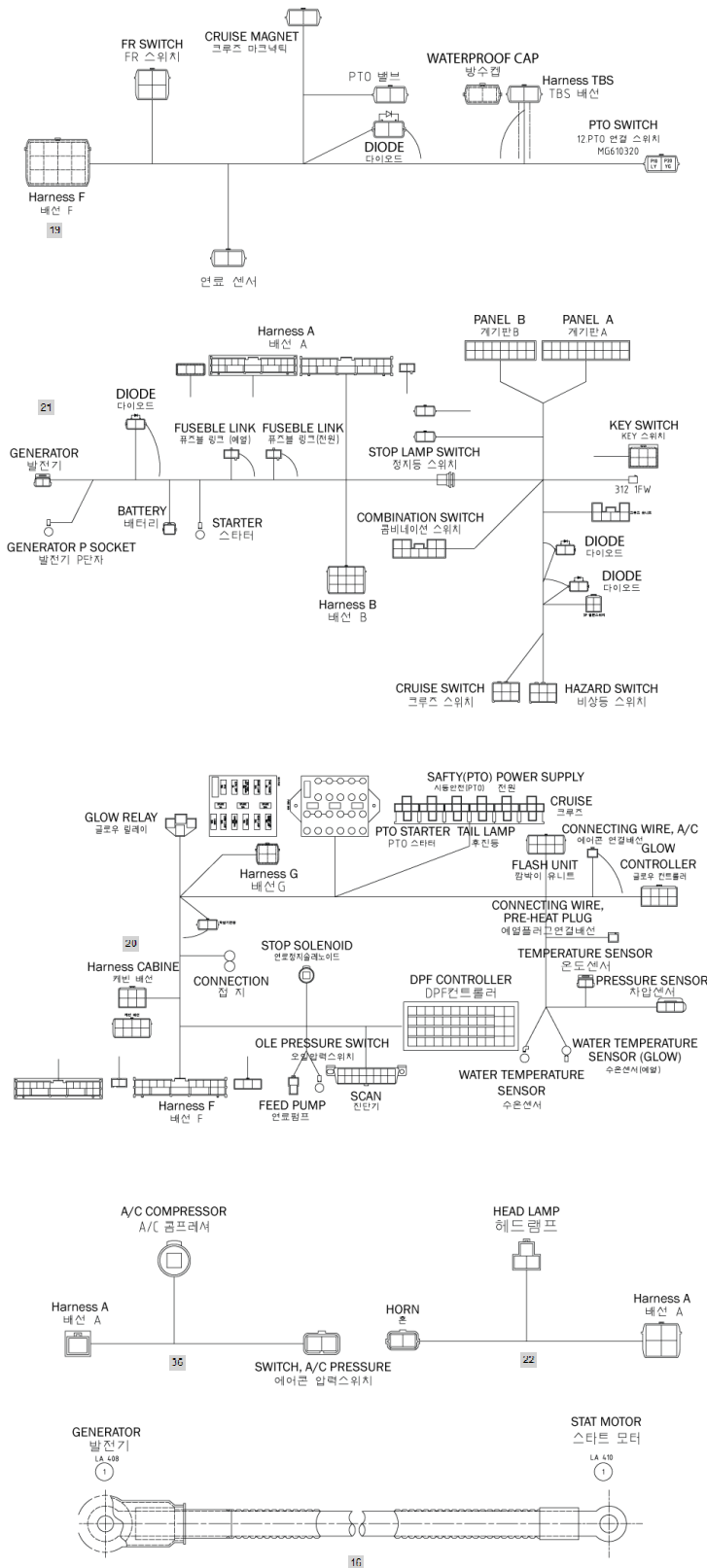






FIG C119-2

ELE'C WIRING(2016)

Year/Month

4720ch

2020/01

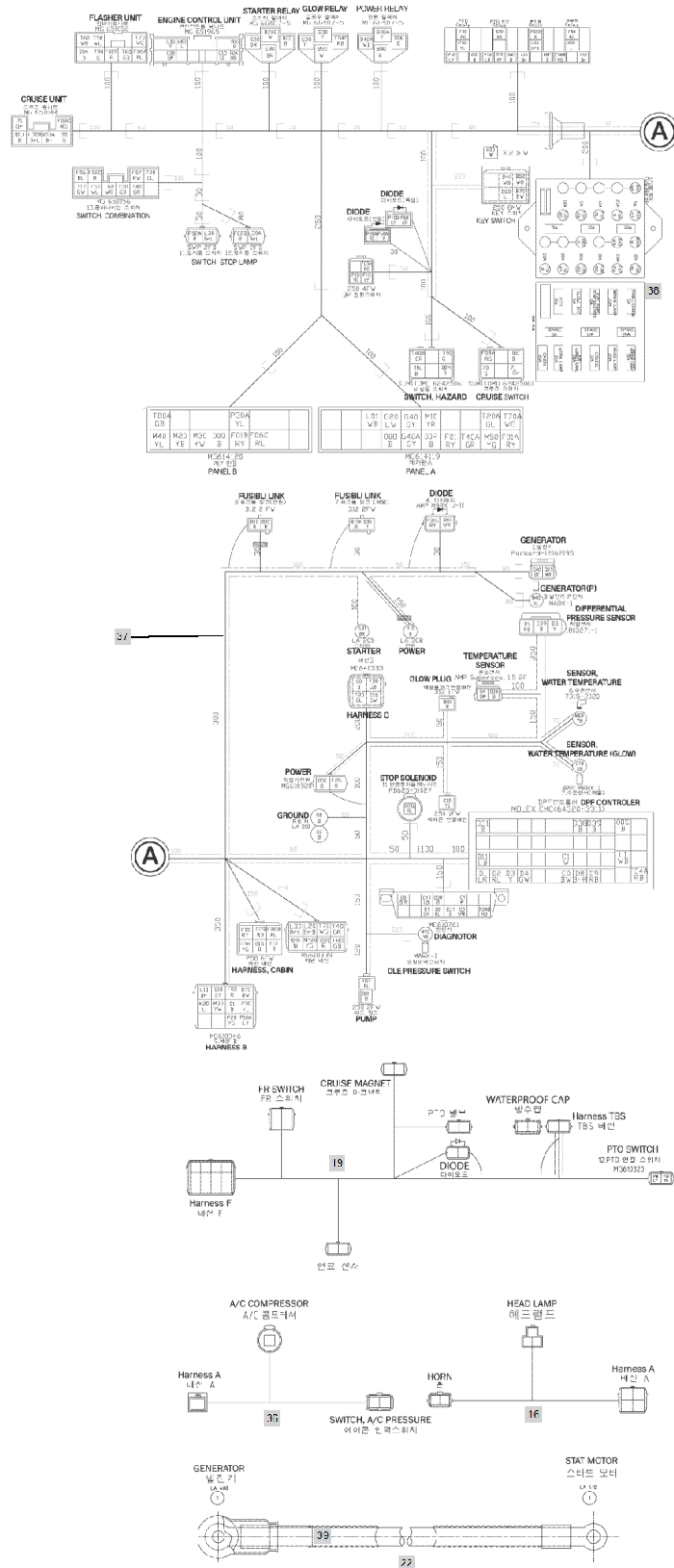




FIG C124

BATTERY

Year/Month

4720ch

2020/01

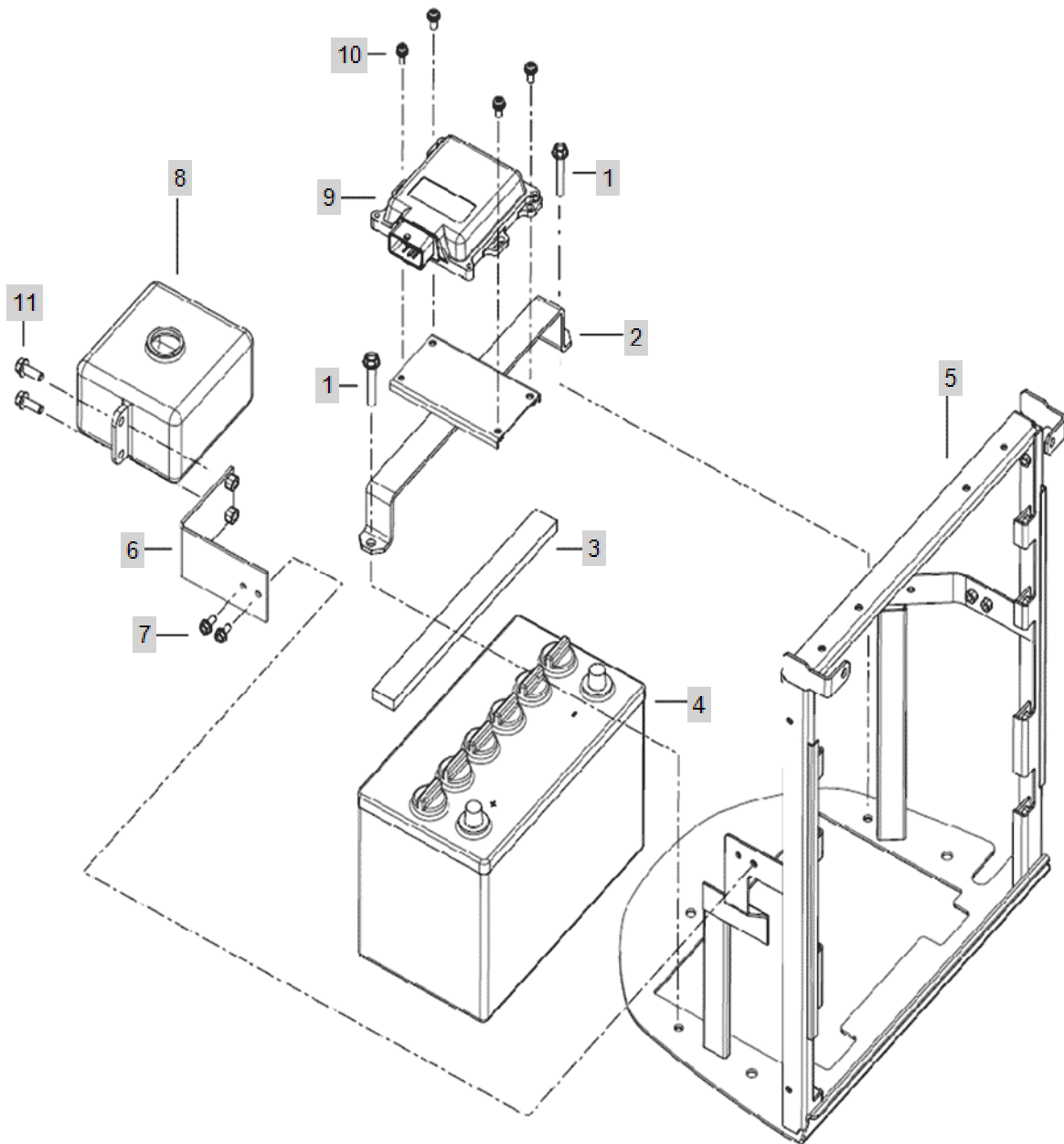




FIG C125

SWITCH

Year/Month

4720ch

2020/01

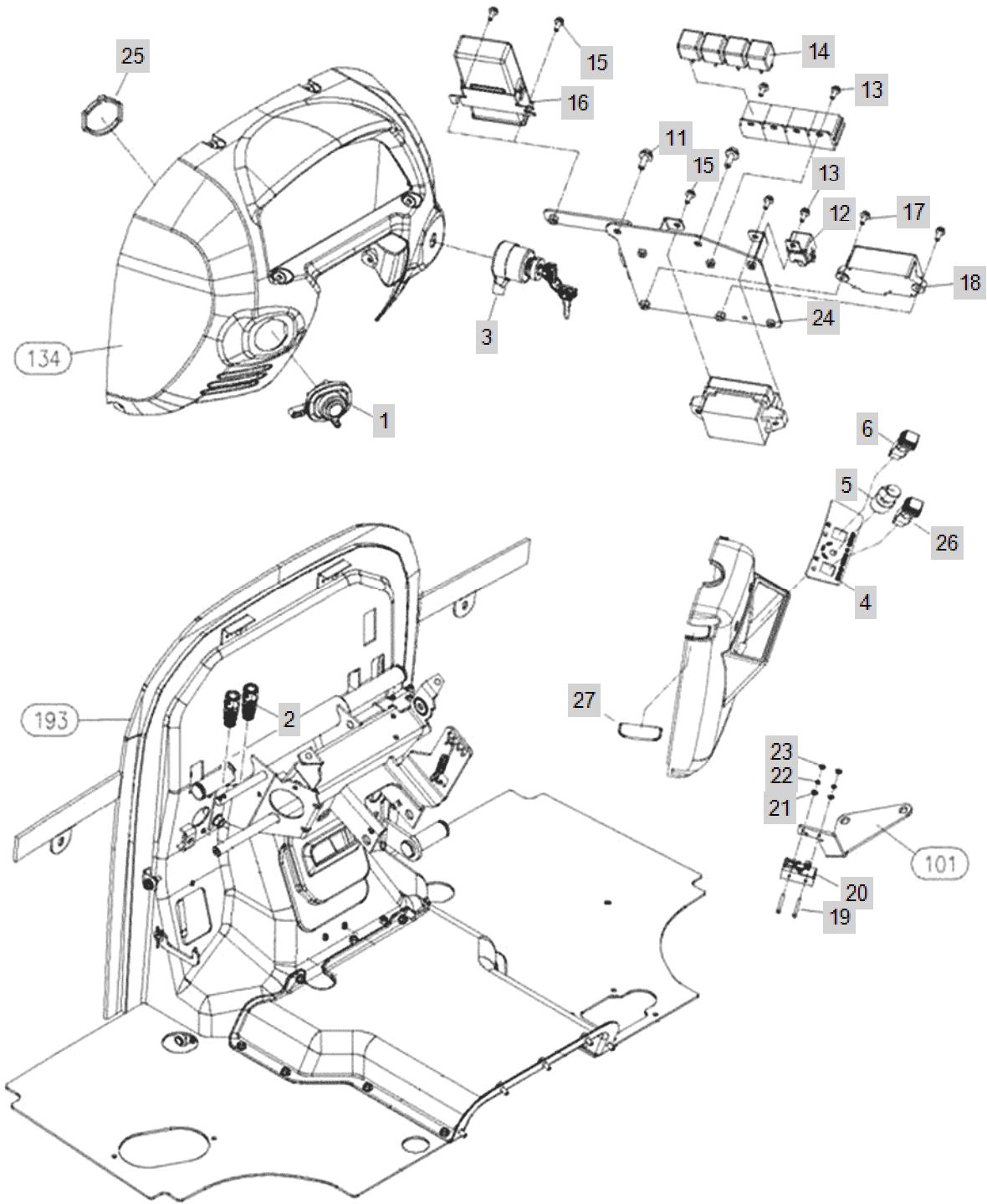




FIG C125-2

SWITCH(2016.03)

Year/Month

4720ch

2020/01

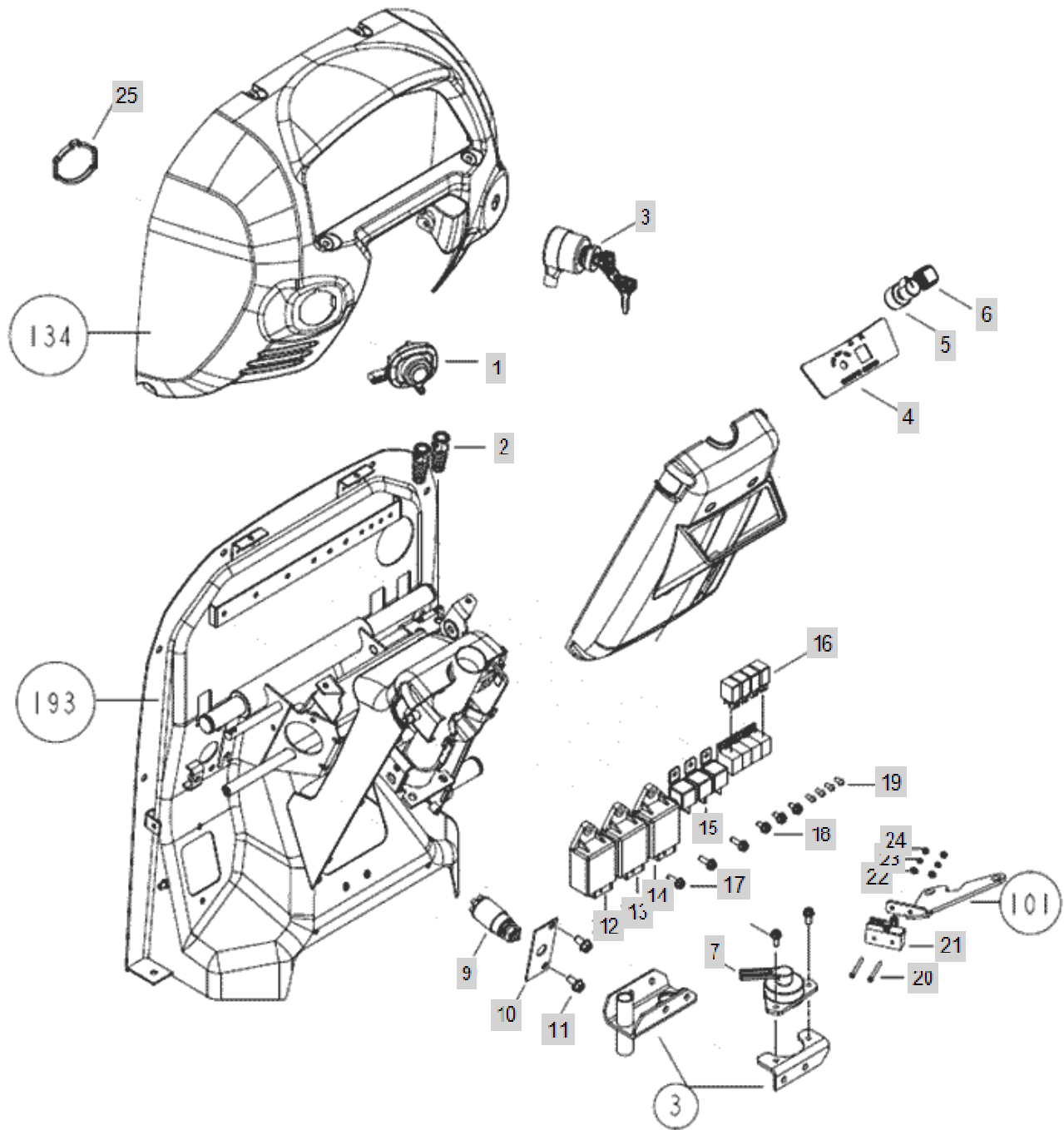






FIG C131

HORN

Year/Month

4720ch

2020/01

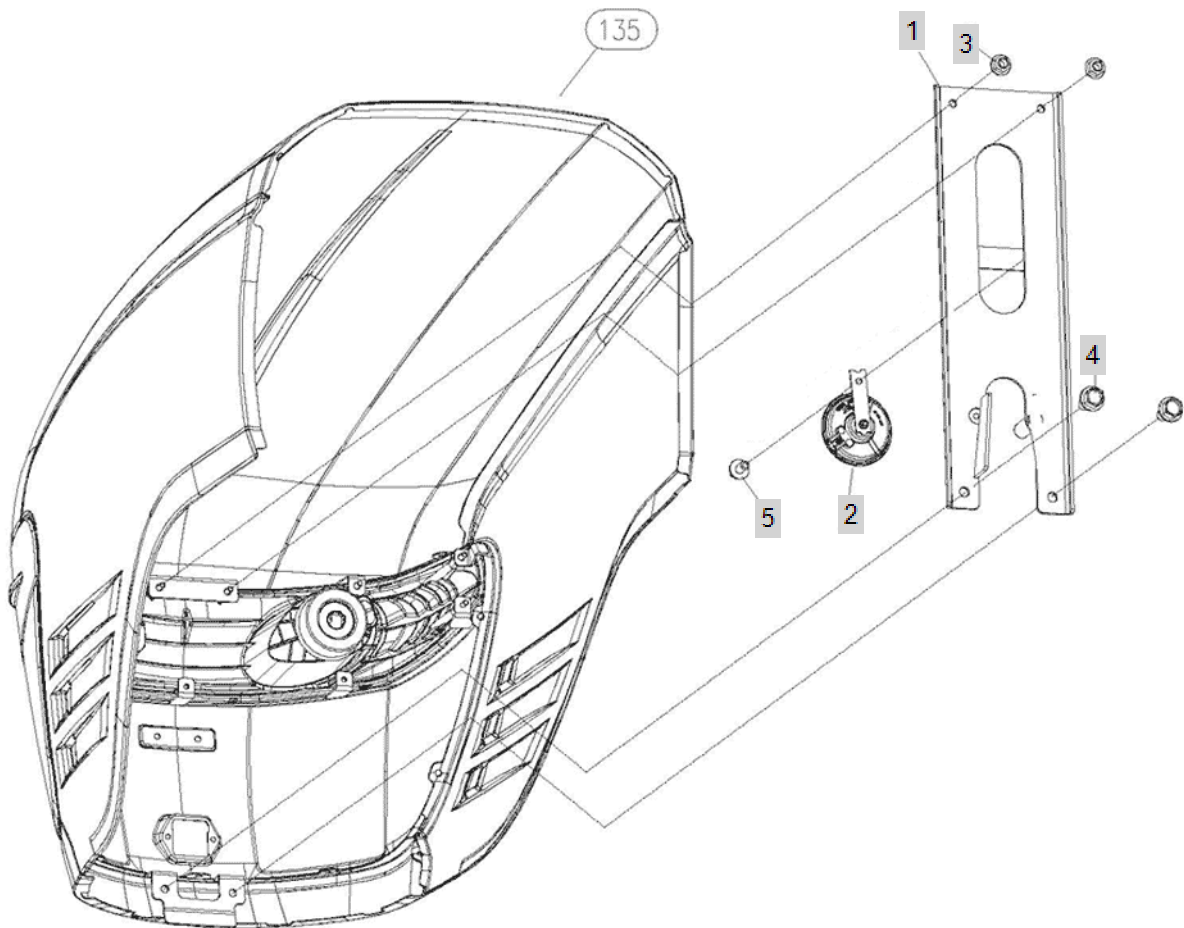




FIG C132

LAMP

Year/Month

4720ch

2020/01

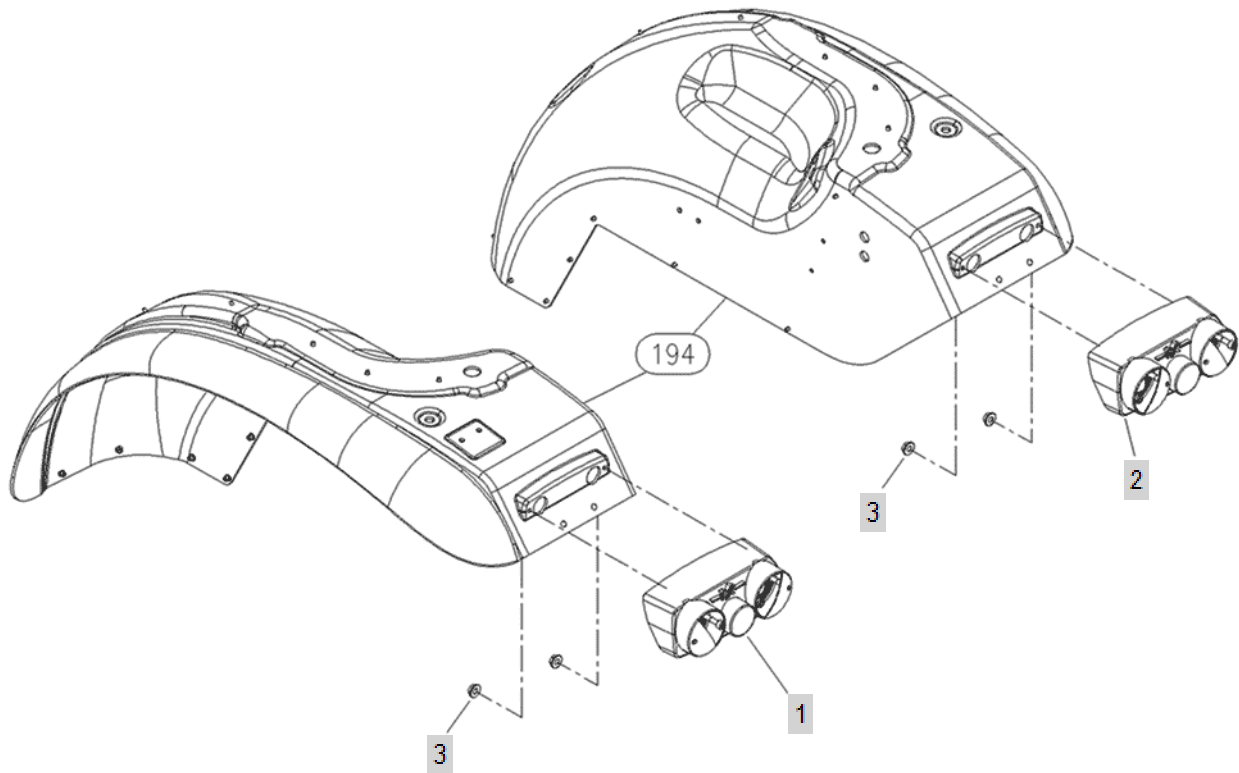




FIG C134

Meter\_Assembly\_20R

Year/Month

4720ch

2020/01

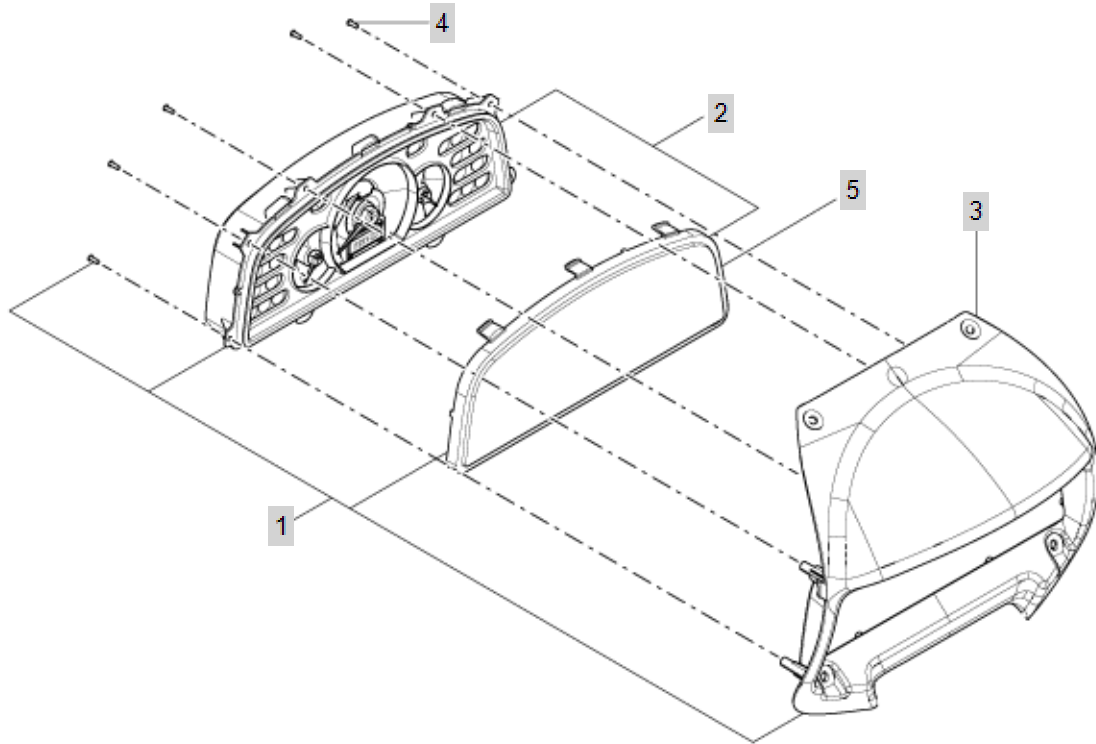




FIG C135

BONNET

Year/Month

4720ch

2020/01

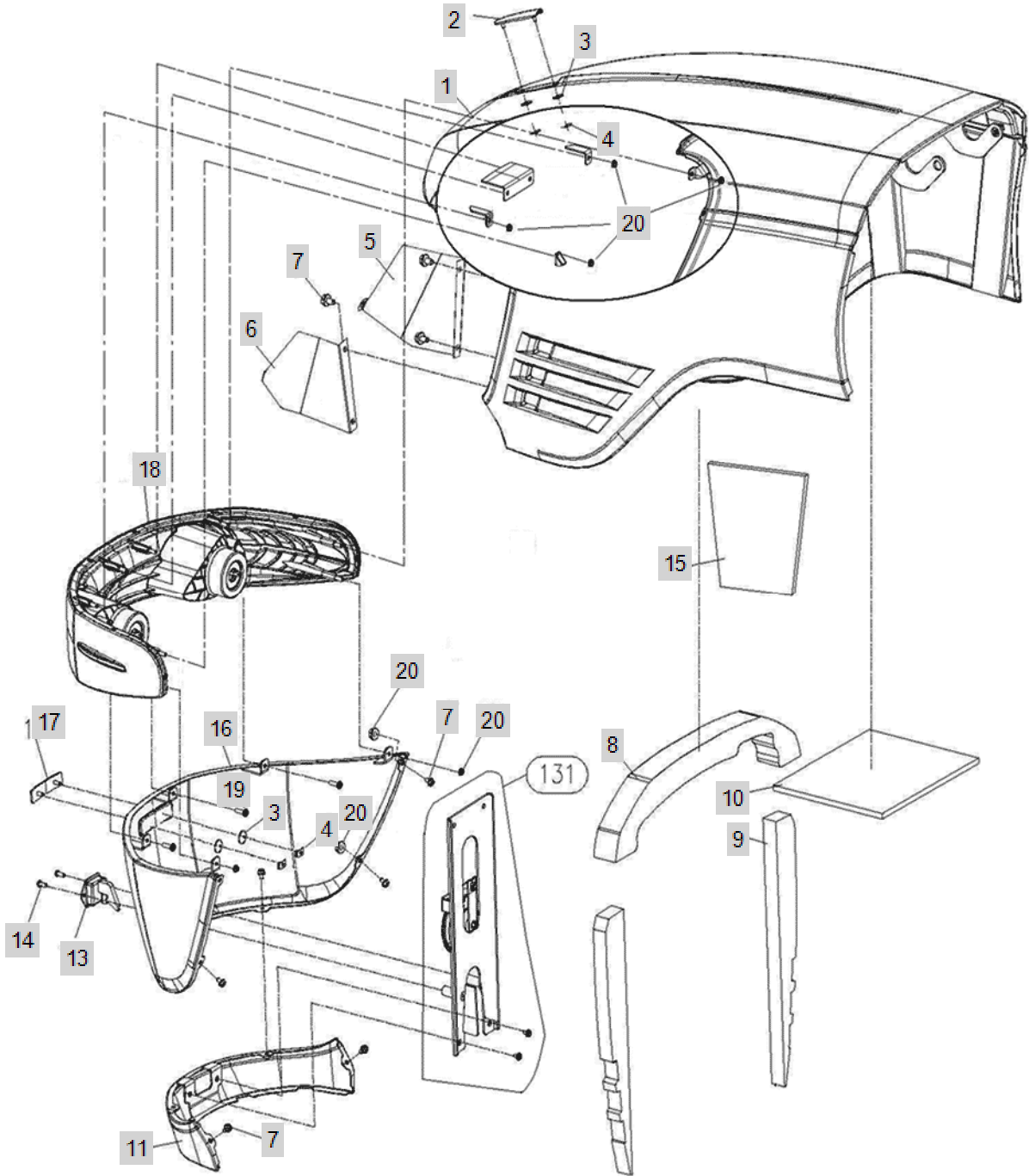






FIG C136

BONNET SUPPORT

Year/Month

4720ch

2020/01

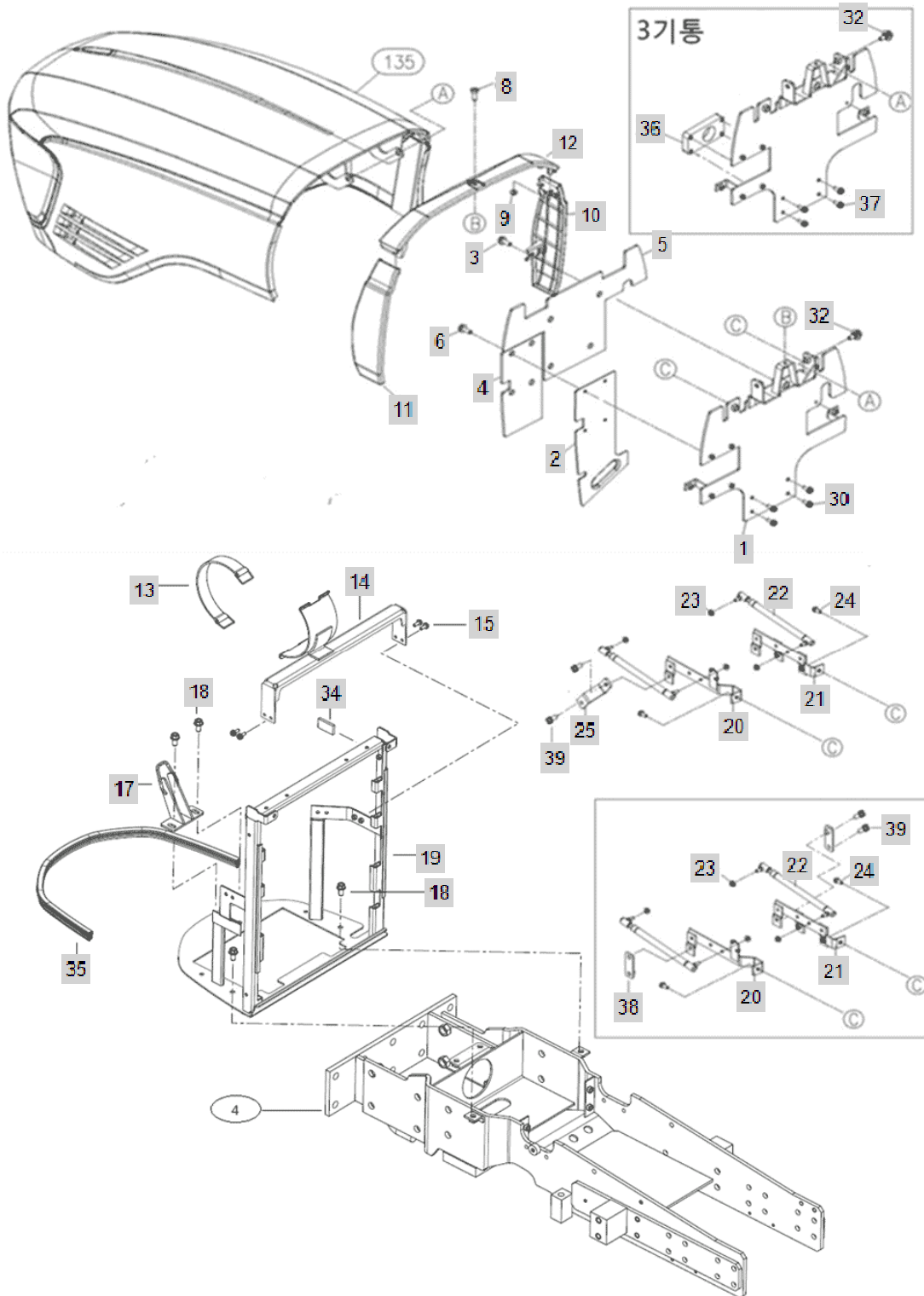




FIG C137

DASH BOARD

Year/Month

4720ch

2020/01

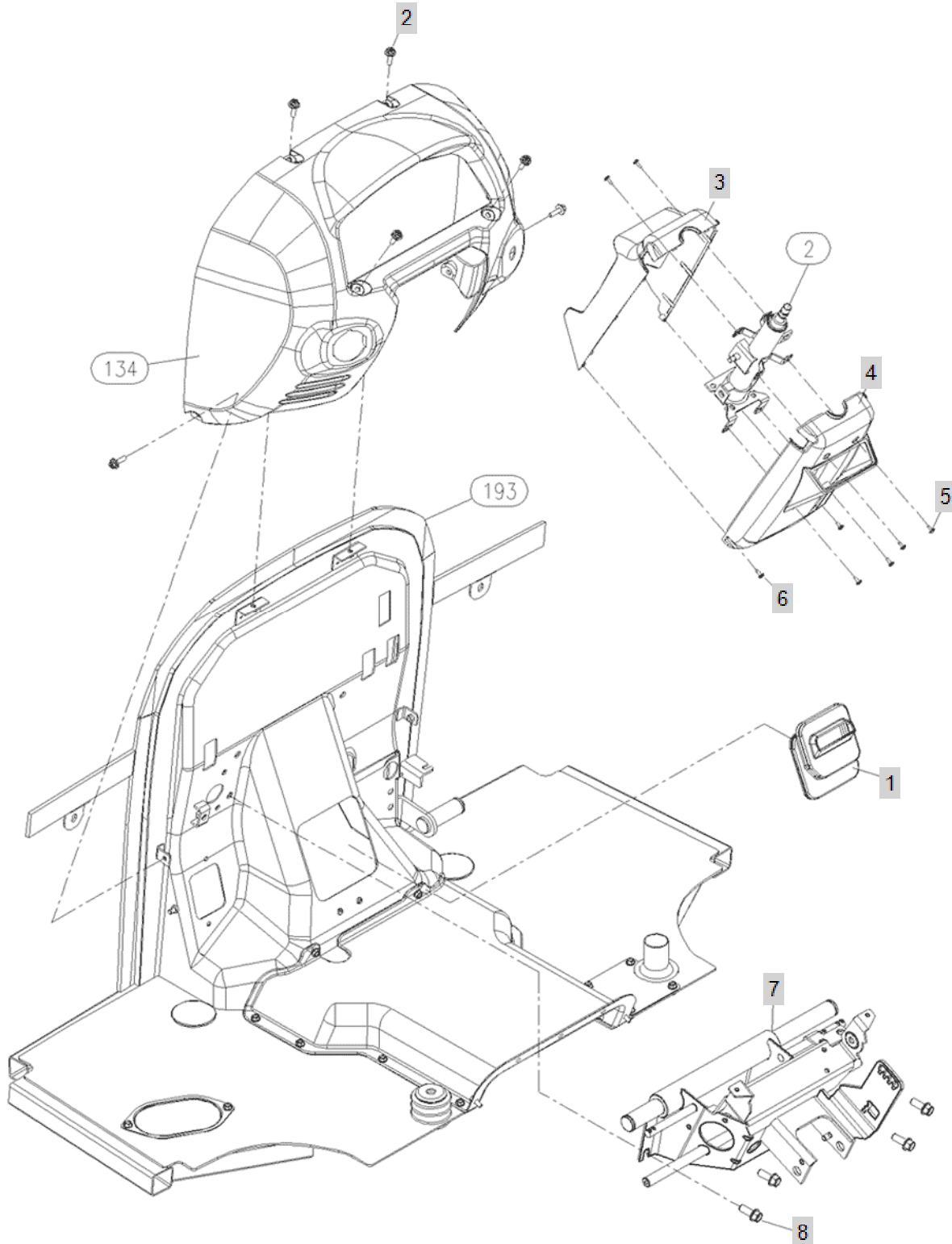




FIG C139

FOOT REST ASS'Y

Year/Month

4720ch

2020/01

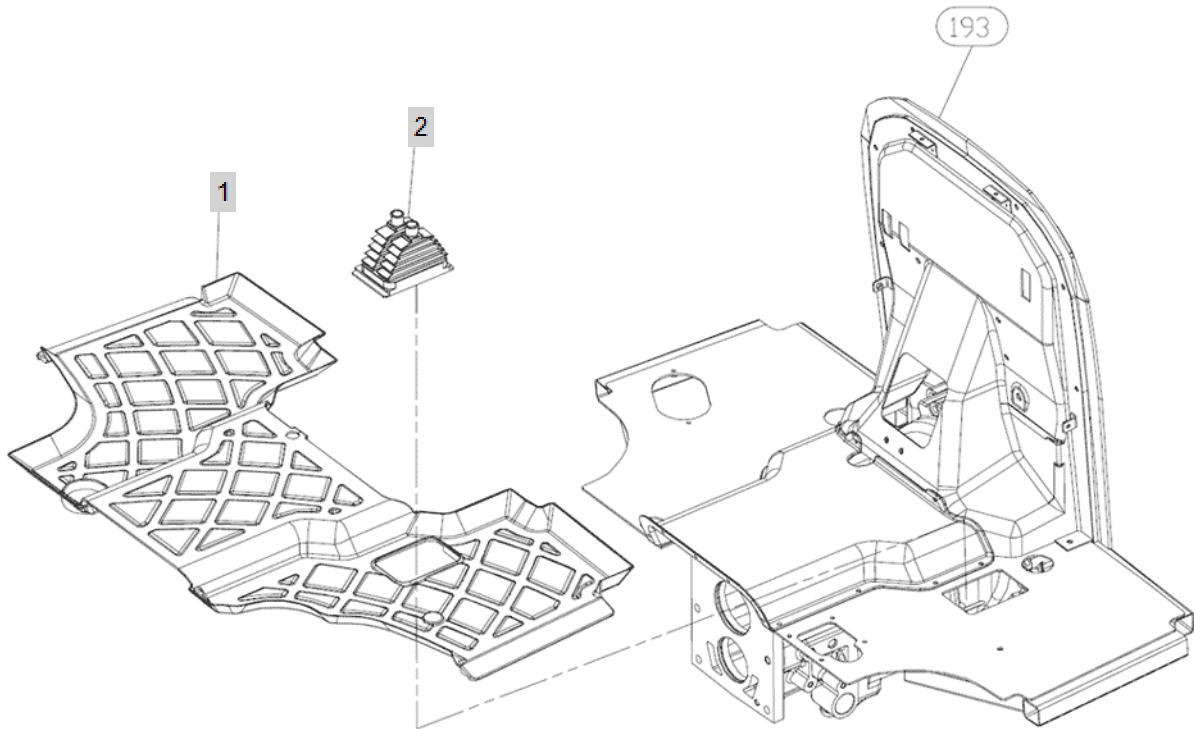




FIG C141

FUEL TANK

Year/Month

4720ch

2020/01

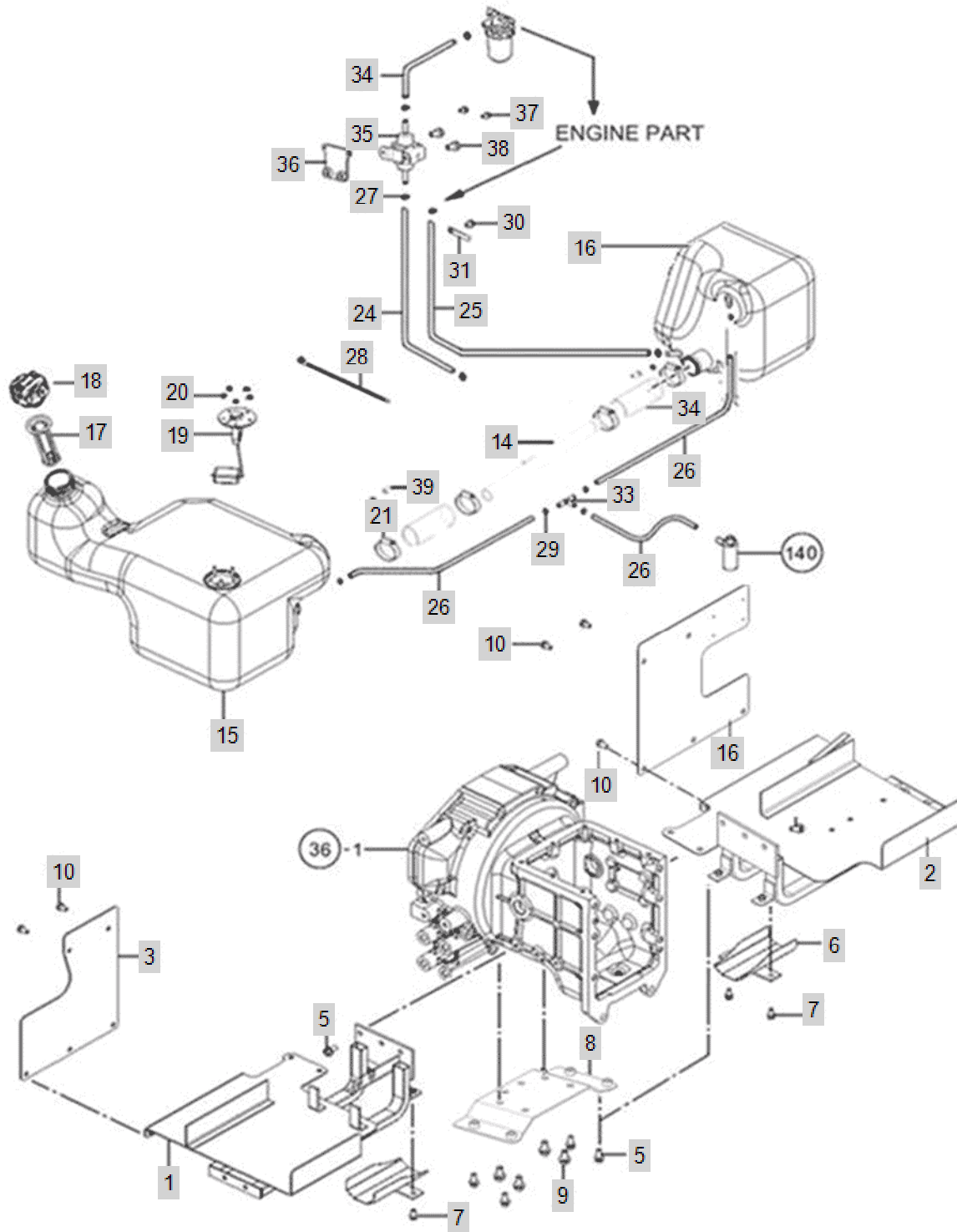






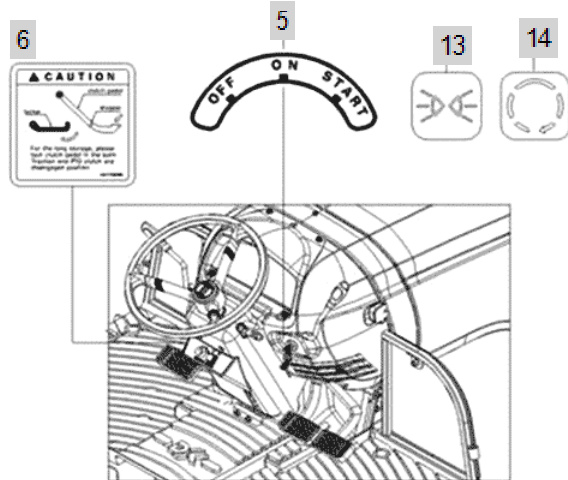
FIG C144

4720ch

NAME PLATE

Year/Month

2020/01



**Turbo Charged** 17

EKF E MACHINERY Co, Ltd 25XCI, 4020CI TYPE 200 ECF No. W08D2000Z IDENTIFICATION No.	
MAX LOAD (WGHT)	14500 kg
POSSIBLE FRONT AXLE LOAD	5000 kg
POSSIBLE REAR AXLE LOAD	9500 kg
POSSIBLE TRUCKE WGT.	4000 kg
UNFAVORABLE TRUCKE WGT.	3000 kg
WEIGHTS (T) - GRADED	4000 kg
WEIGHTS (T) - GRADED	4000 kg

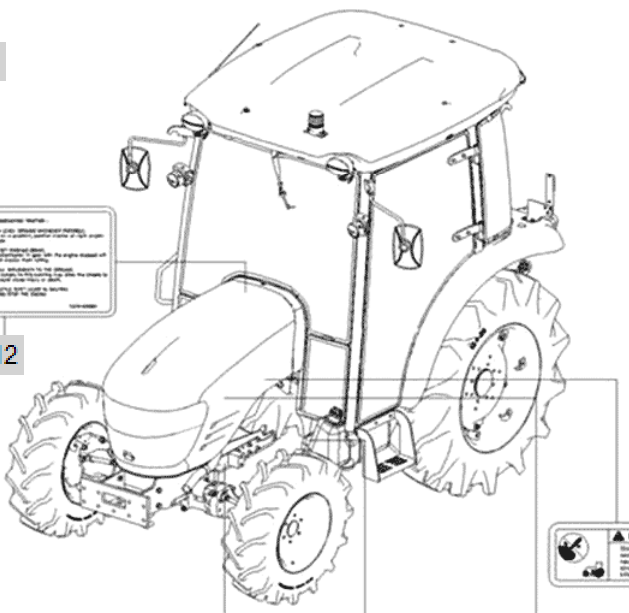
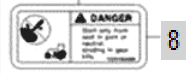
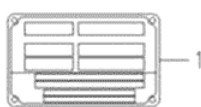
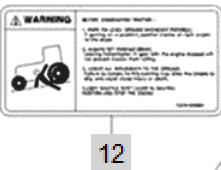




FIG C144-2

NAME PLATE

Year/Month

4720ch

2020/01

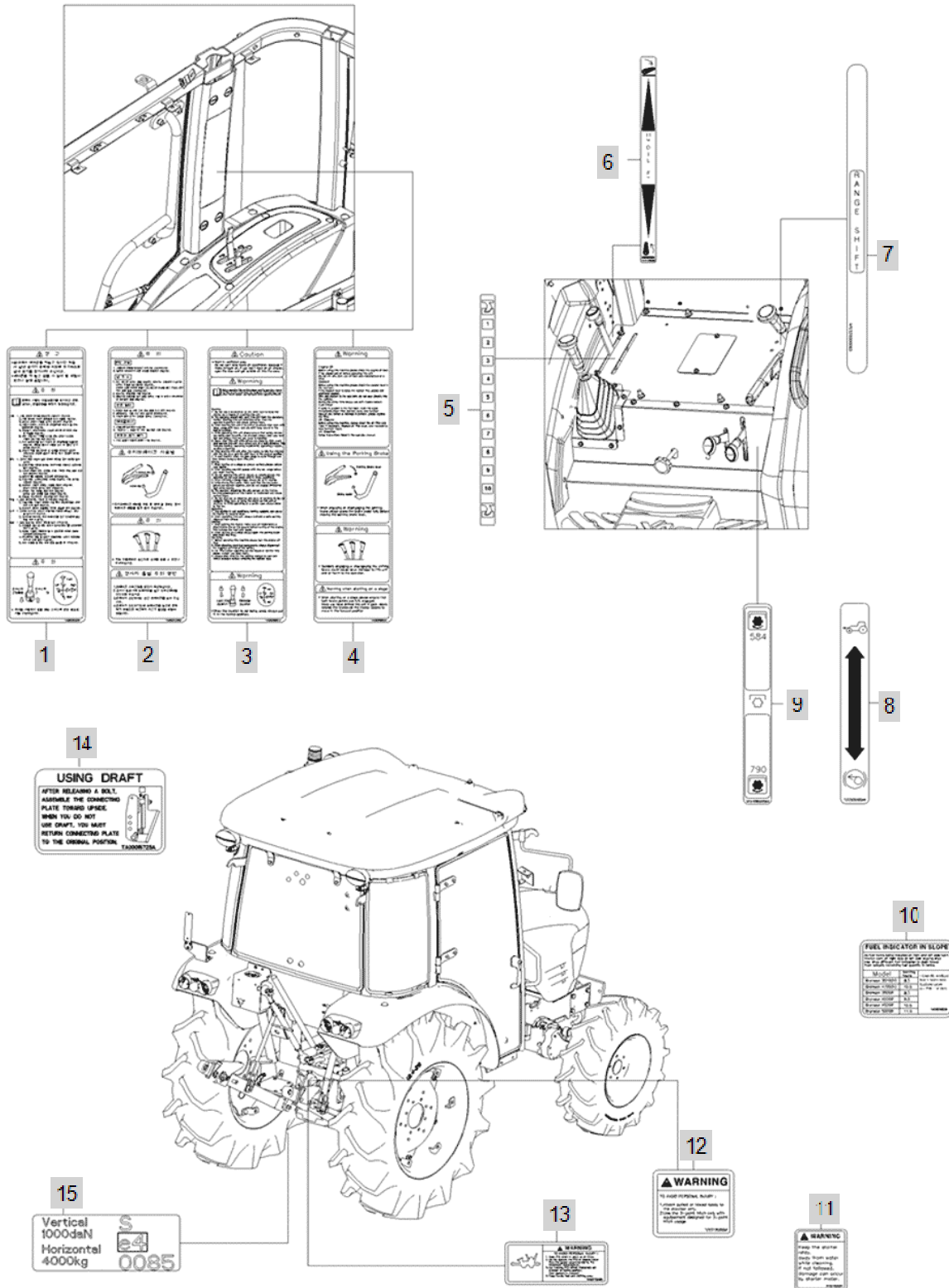




FIG C146

TOP LINK, LIFT LINK

Year/Month

4720ch

2020/01

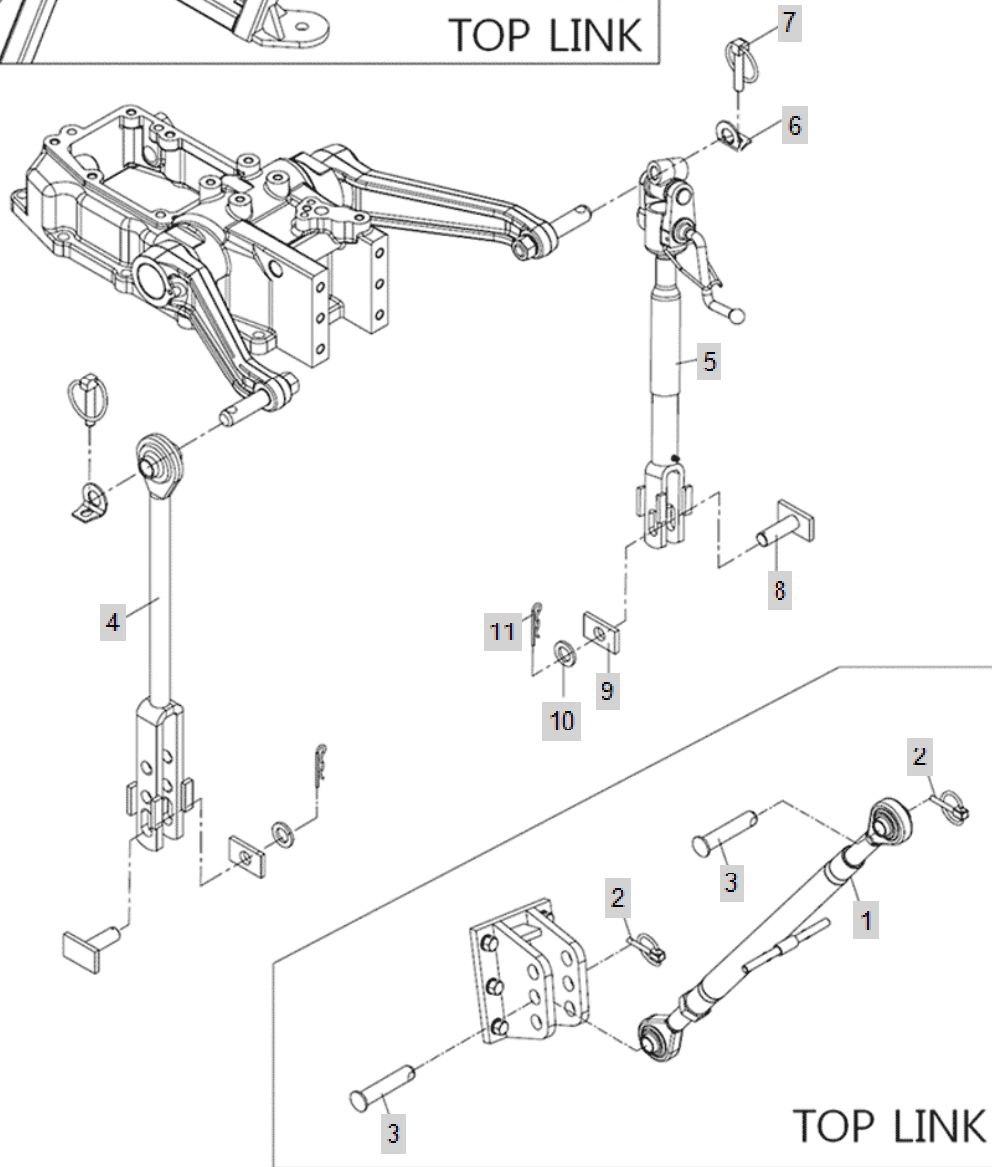
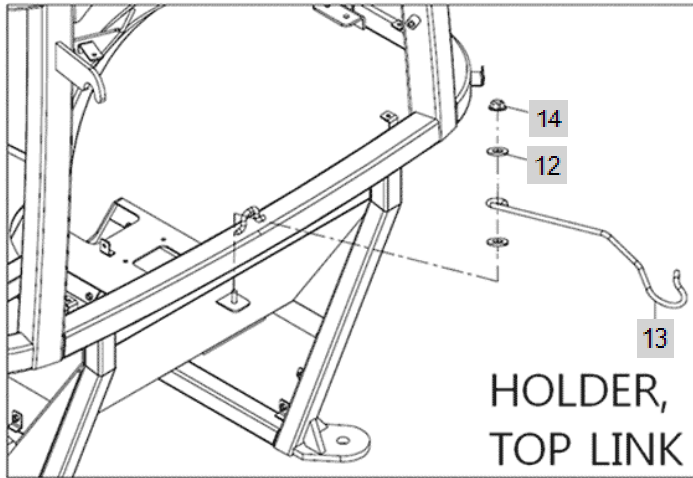




FIG C150

LOWER LINK

Year/Month

4720ch

2020/01

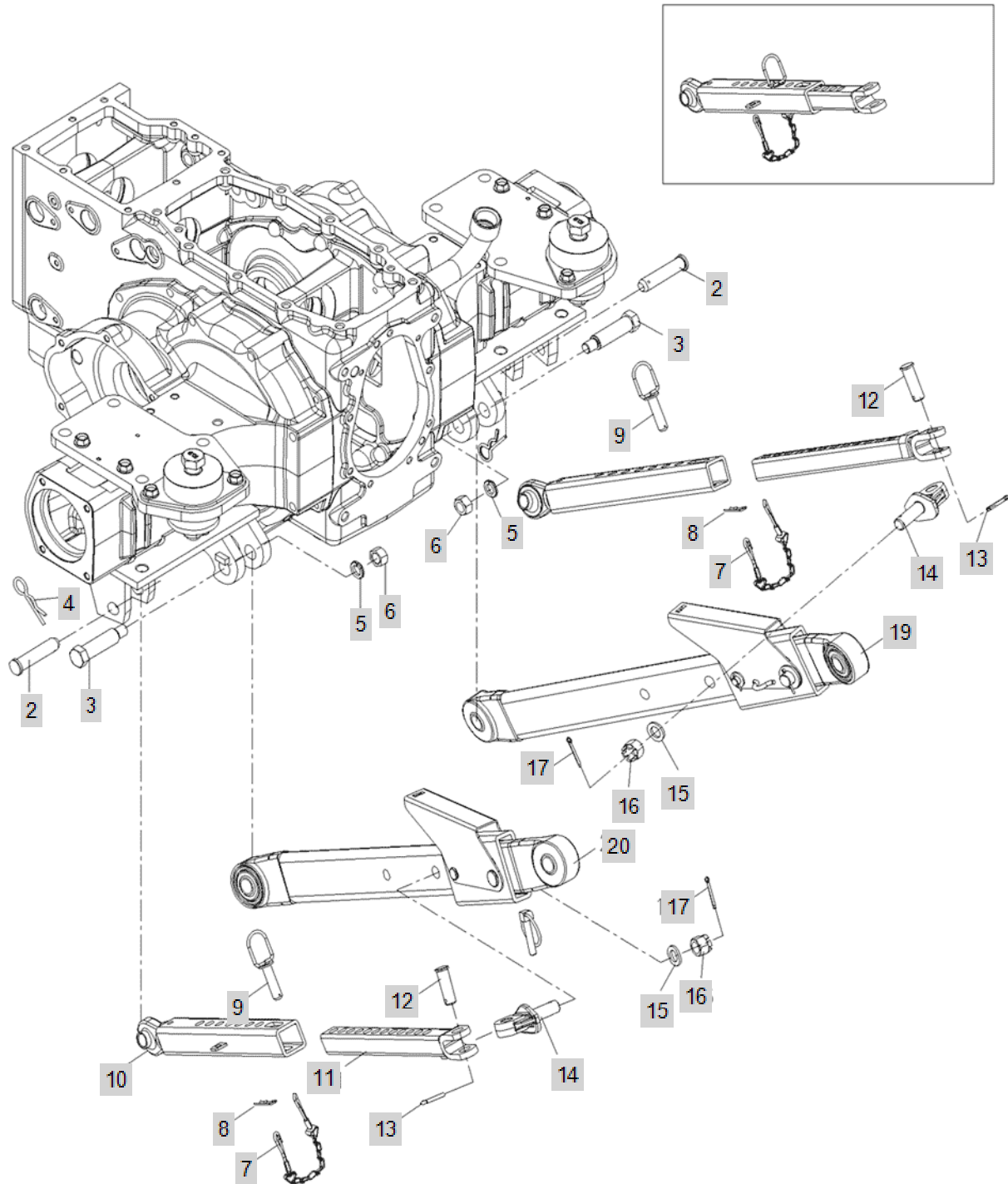






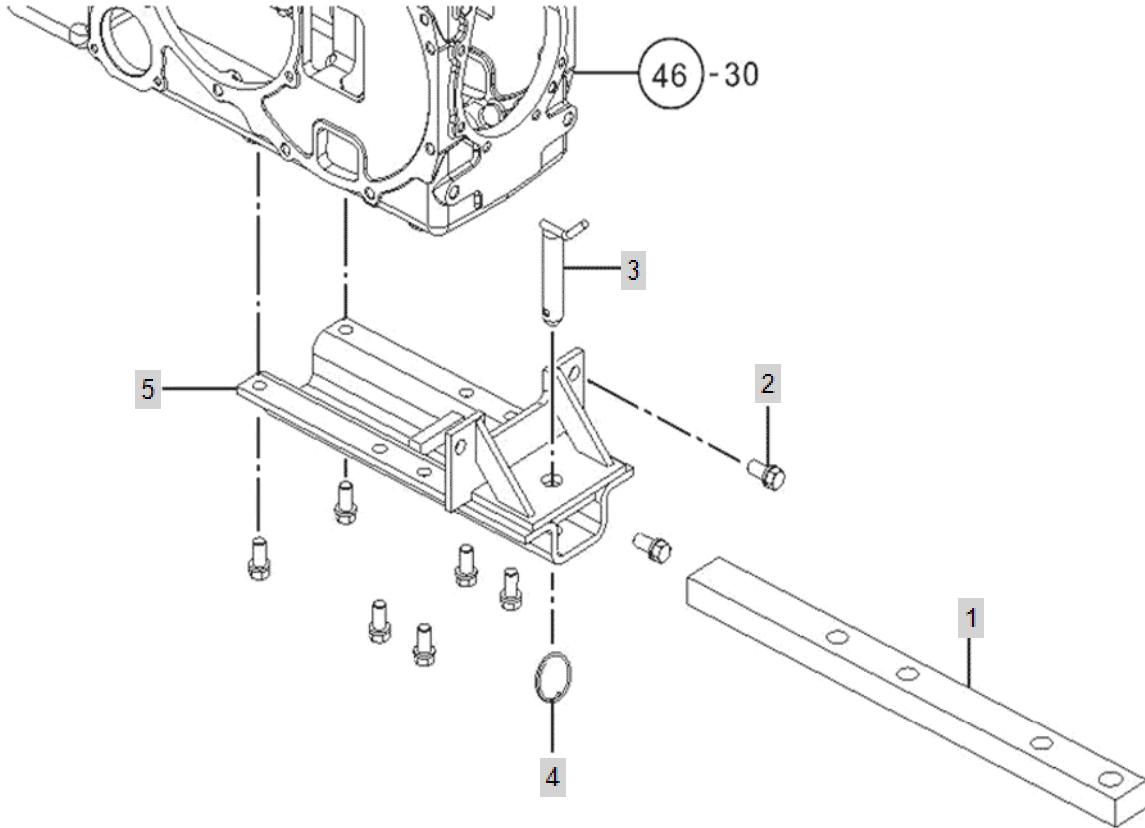
FIG C152

DRAWBAR HITCH

Year/Month

4720ch

2020/01



EUROPE-TYPE

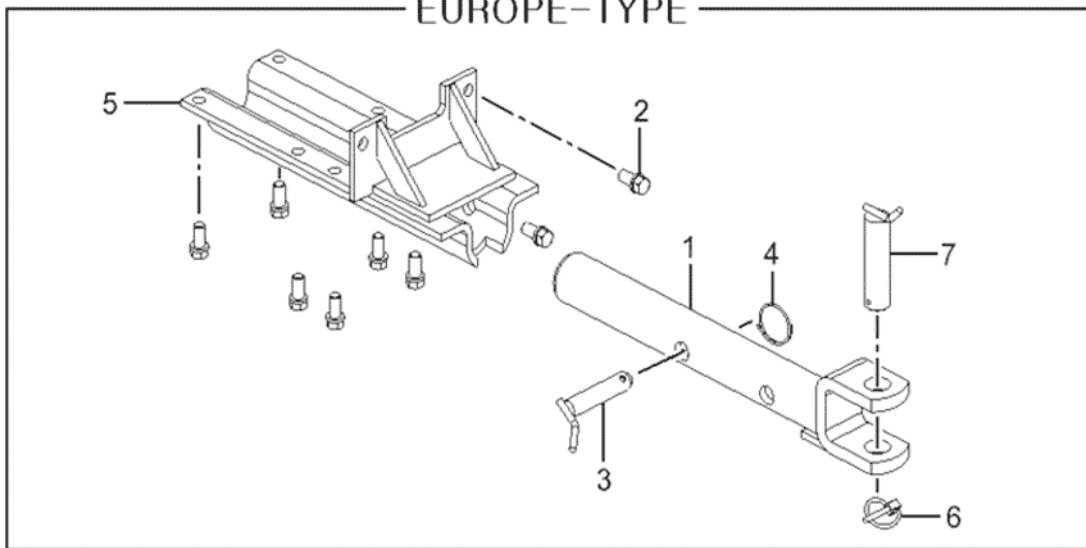




FIG C160

FRONT WEIGHT

Year/Month

4720ch

2020/01

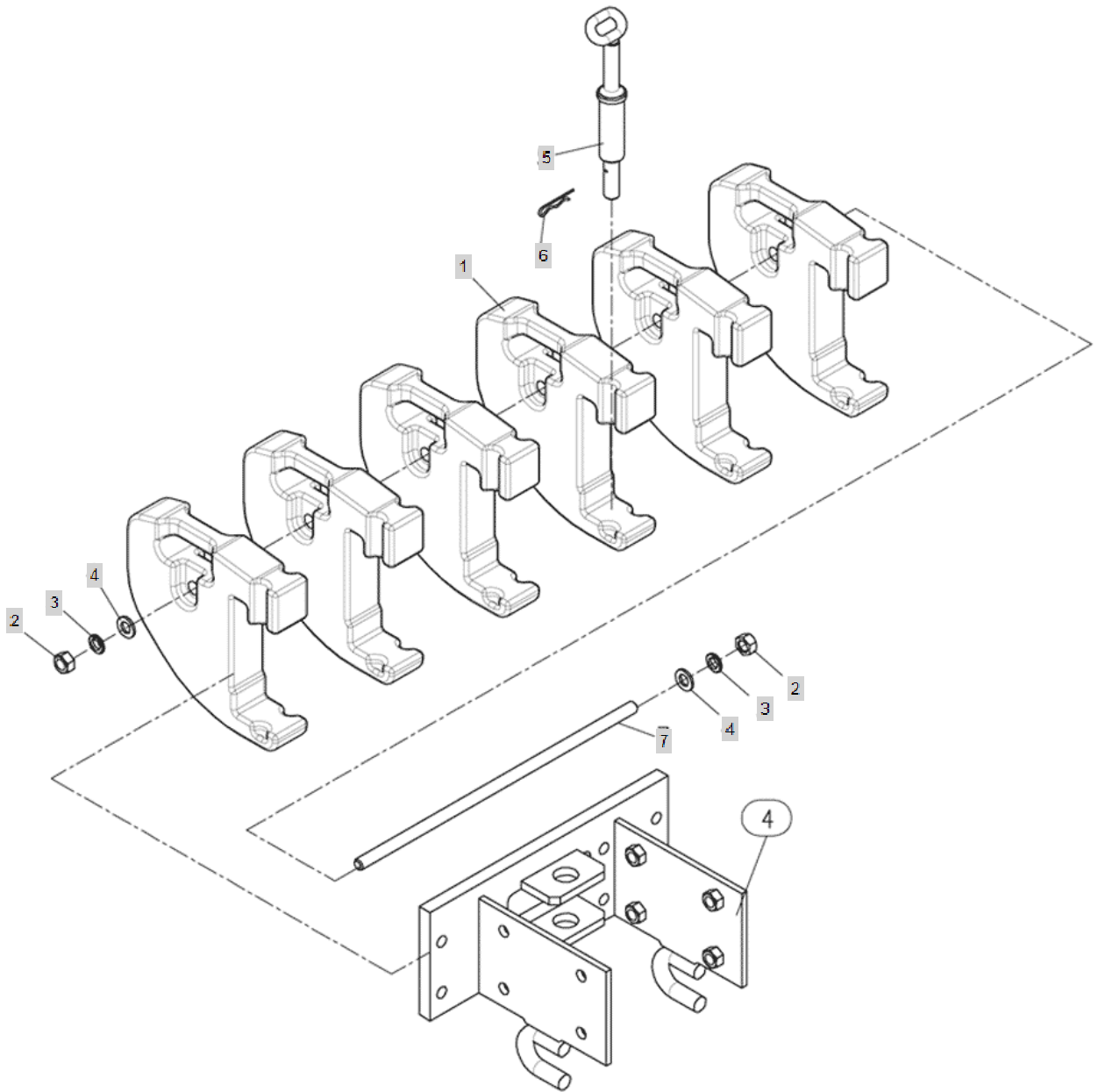




FIG C161

ENGINE SUB

Year/Month

4720ch

2020/01

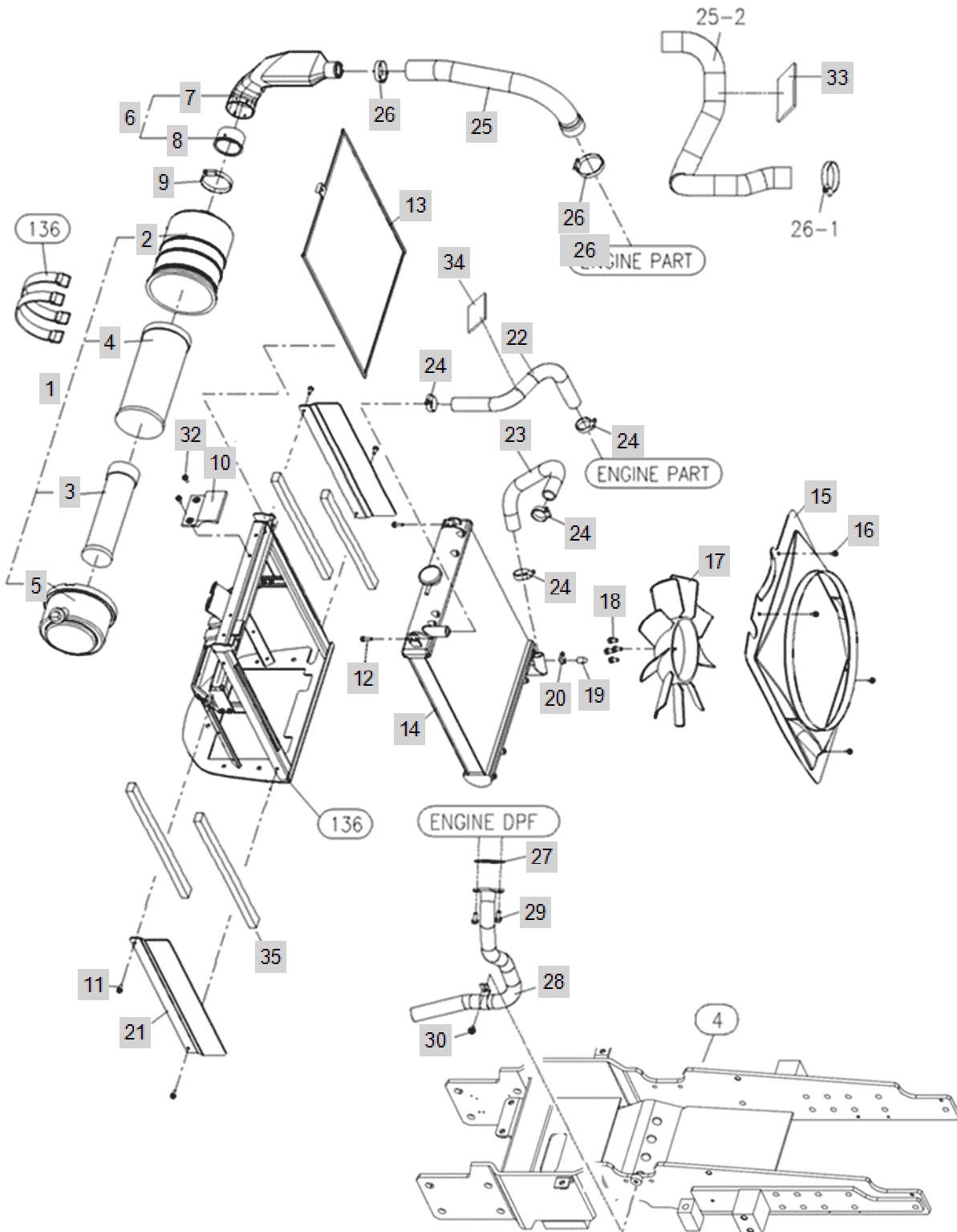




FIG C191

4PORT ASS'Y

Year/Month

4720ch

2020/01

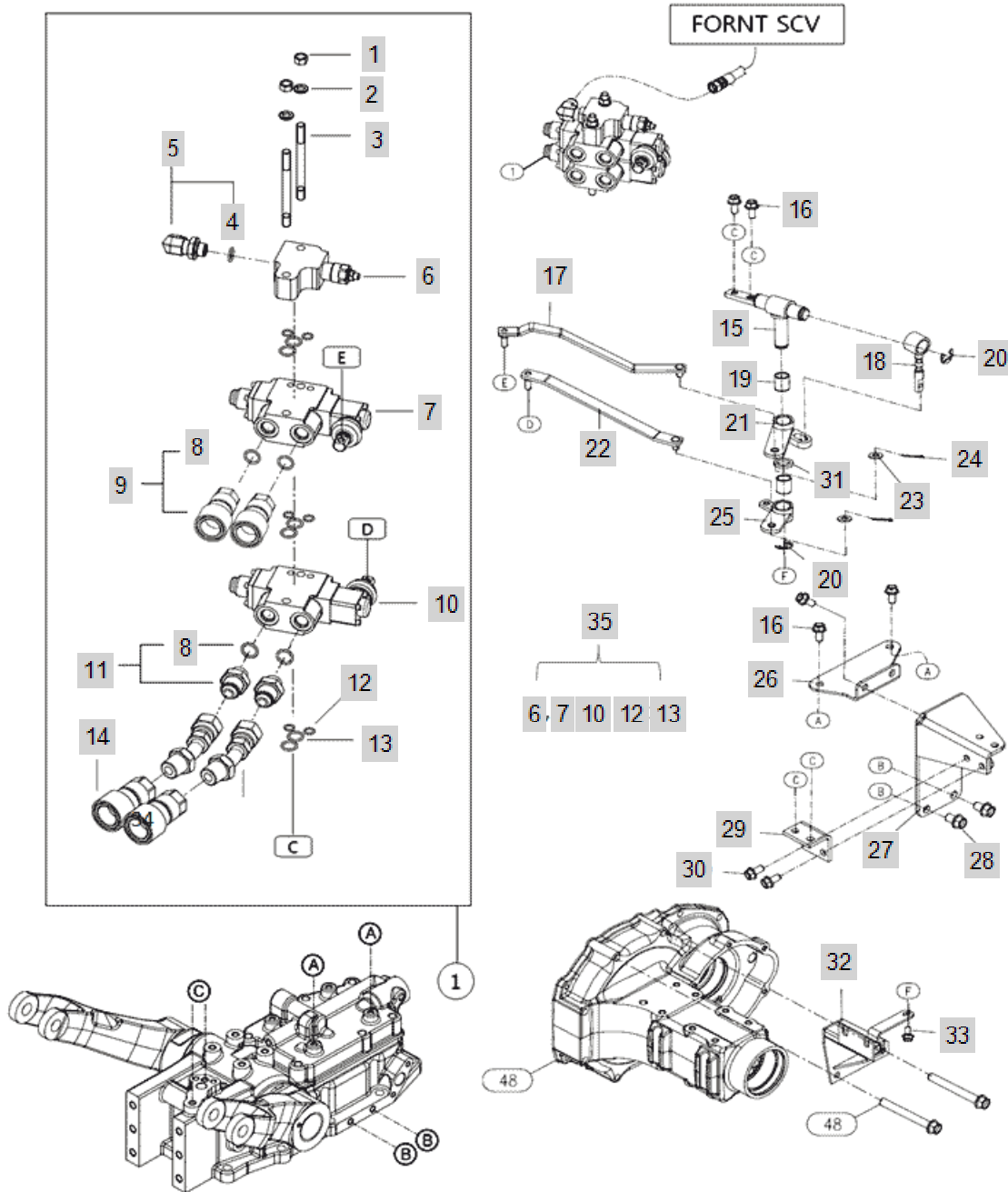






FIG C192

NUMBER PLATE

Year/Month

4720ch

2020/01

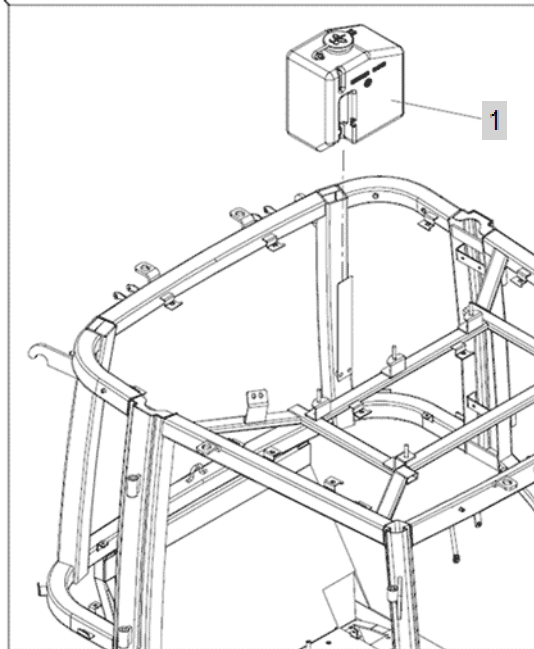
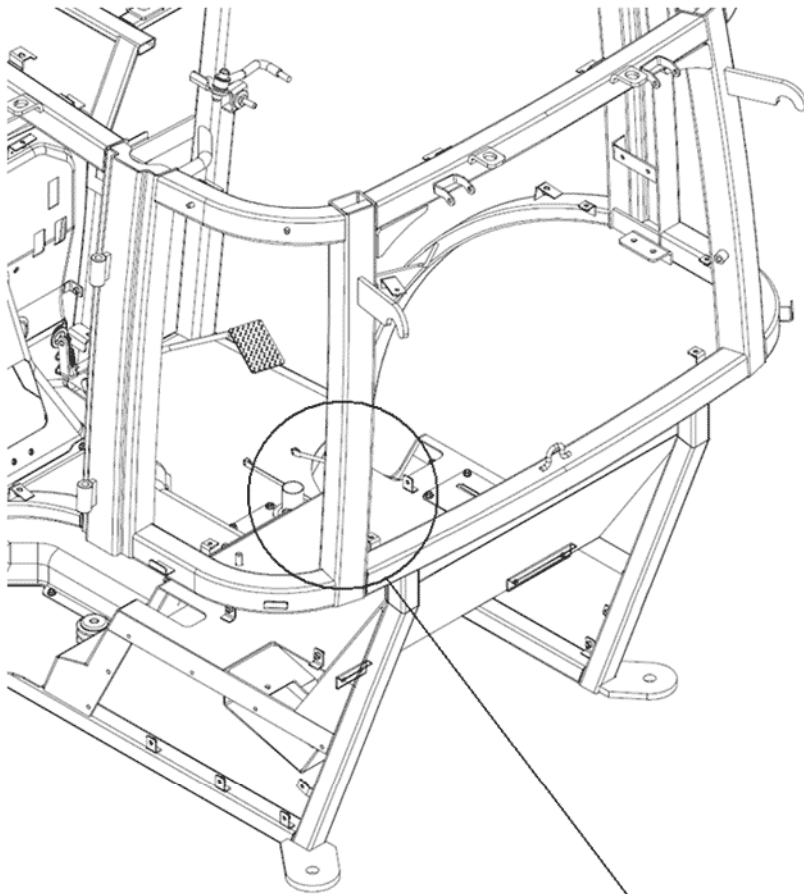




FIG C193

CABIN FREAM ASS'Y

Year/Month

4720ch

2020/01

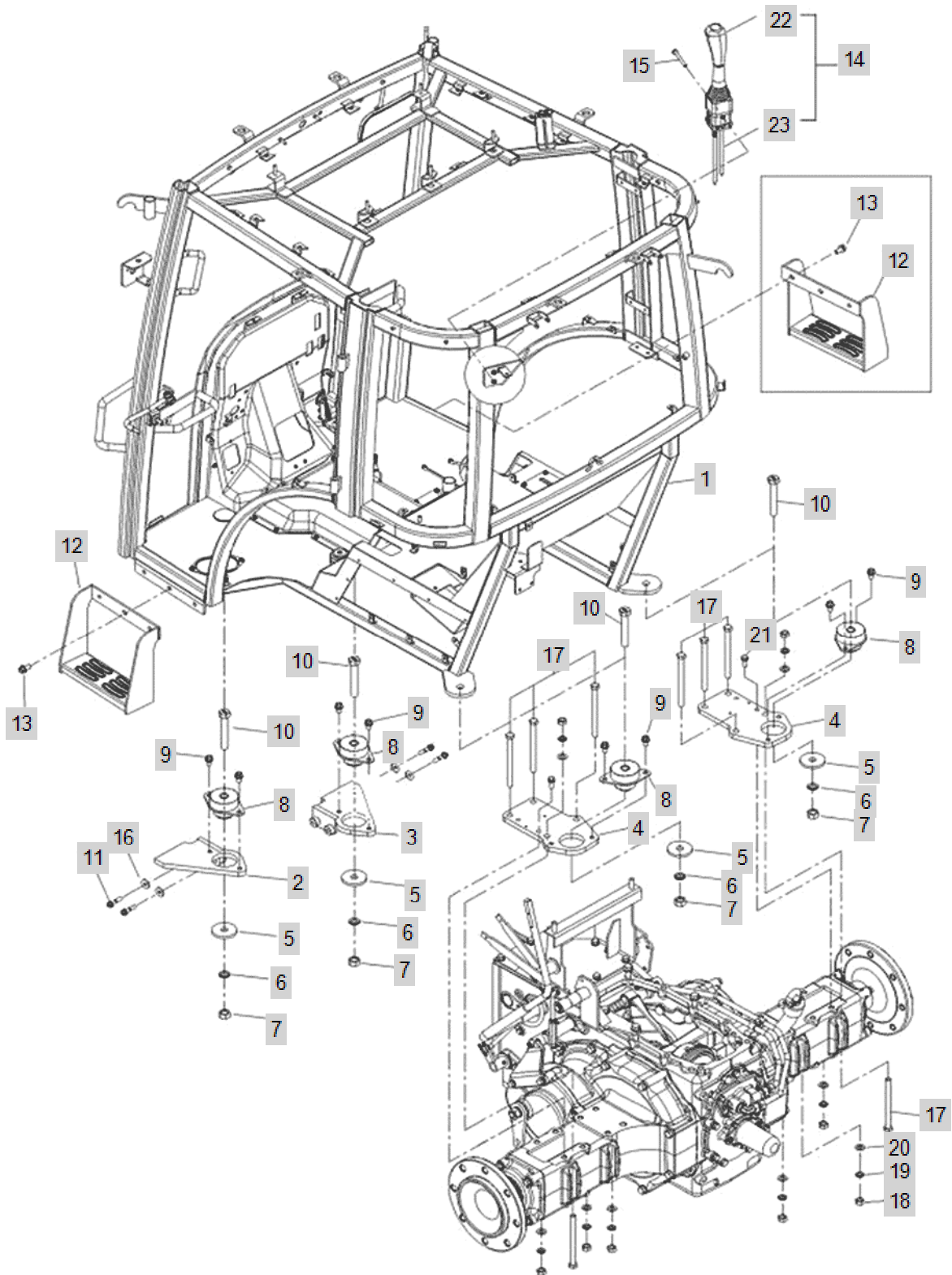




FIG C194

FENDER ASS'Y

Year/Month

4720ch

2020/01

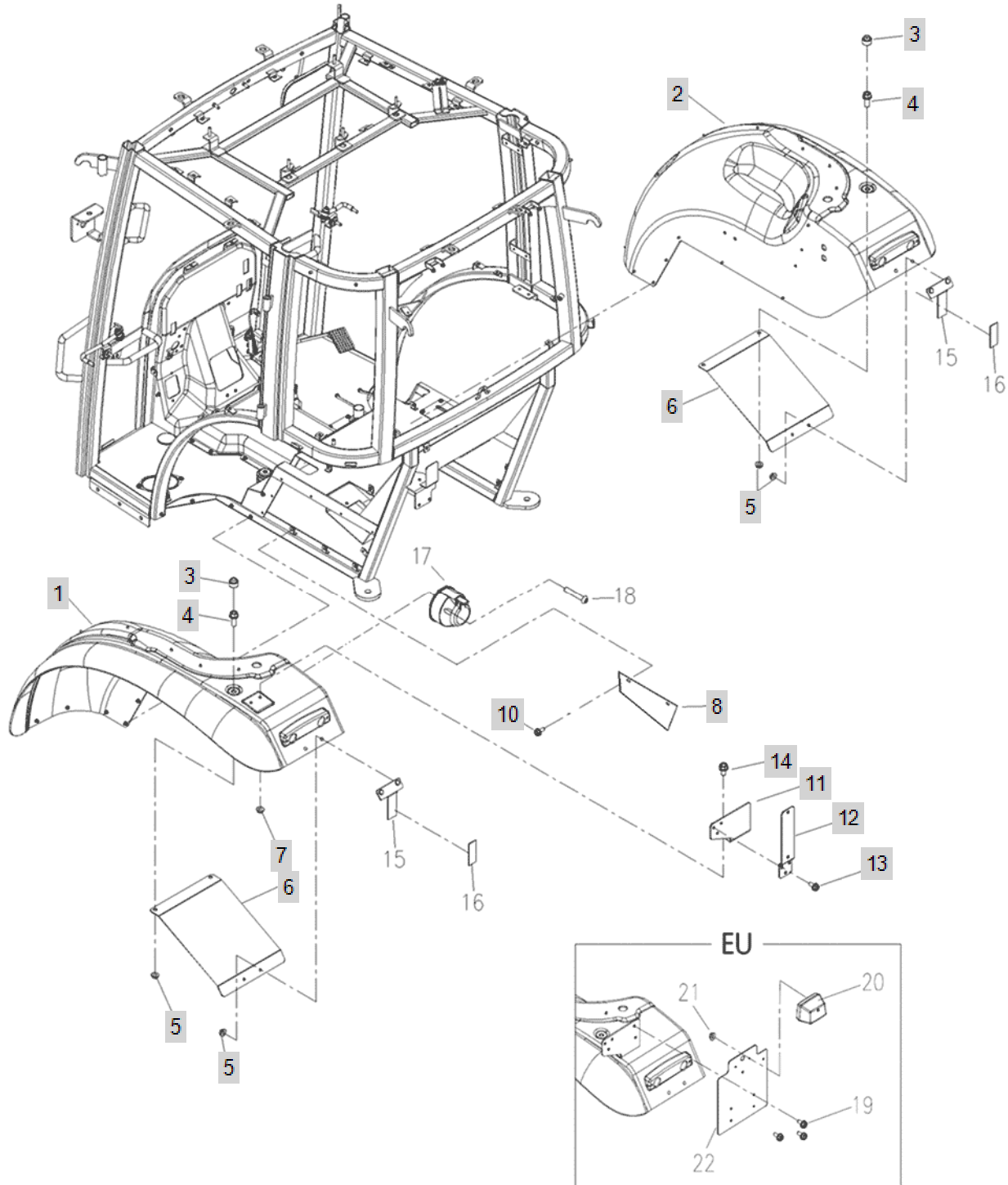




FIG C195

PILLAR COVER ASS'Y

Year/Month

4720ch

2020/01

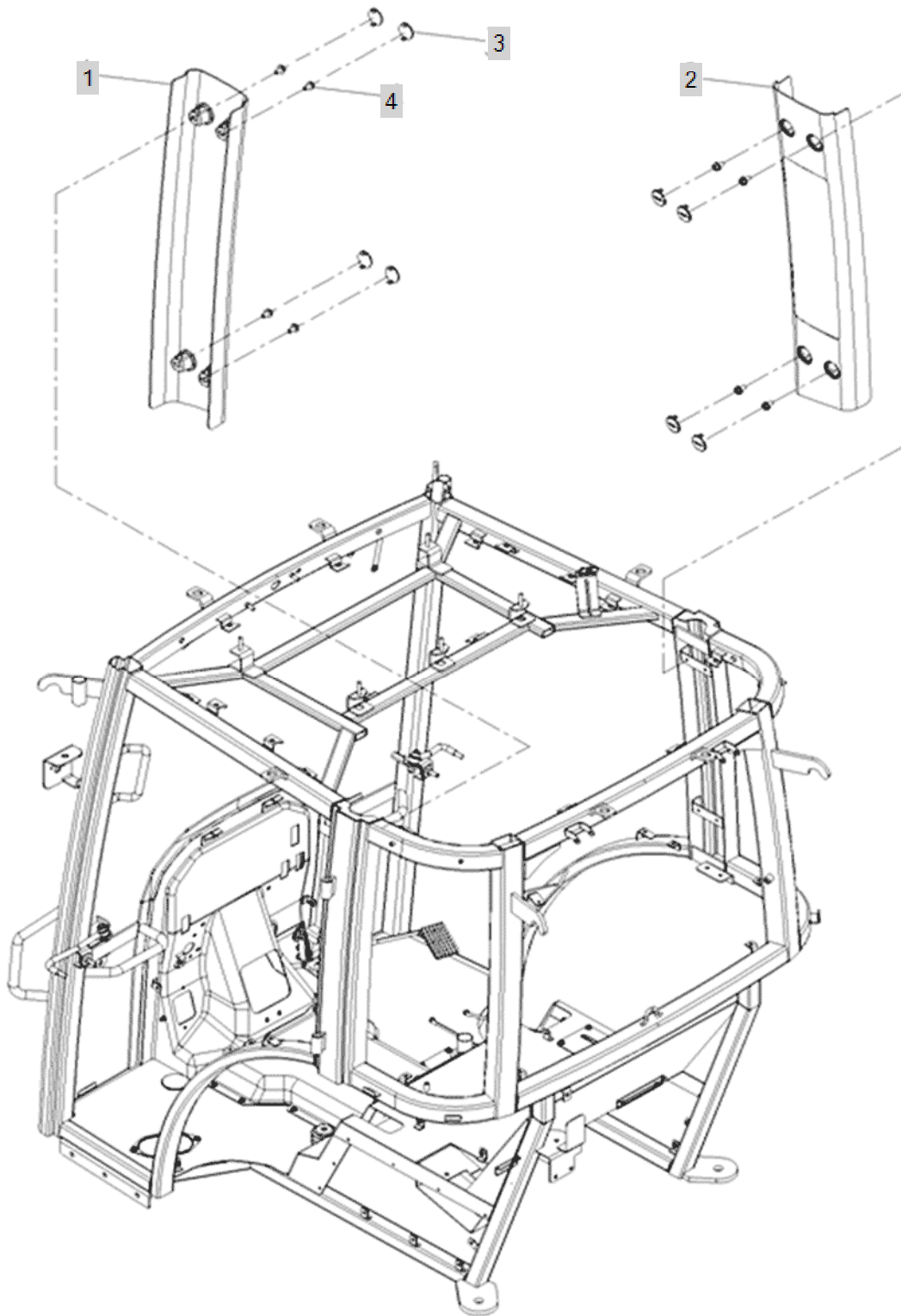






FIG C196

FRONT WINDOWS ASS'Y

Year/Month

4720ch

2020/01

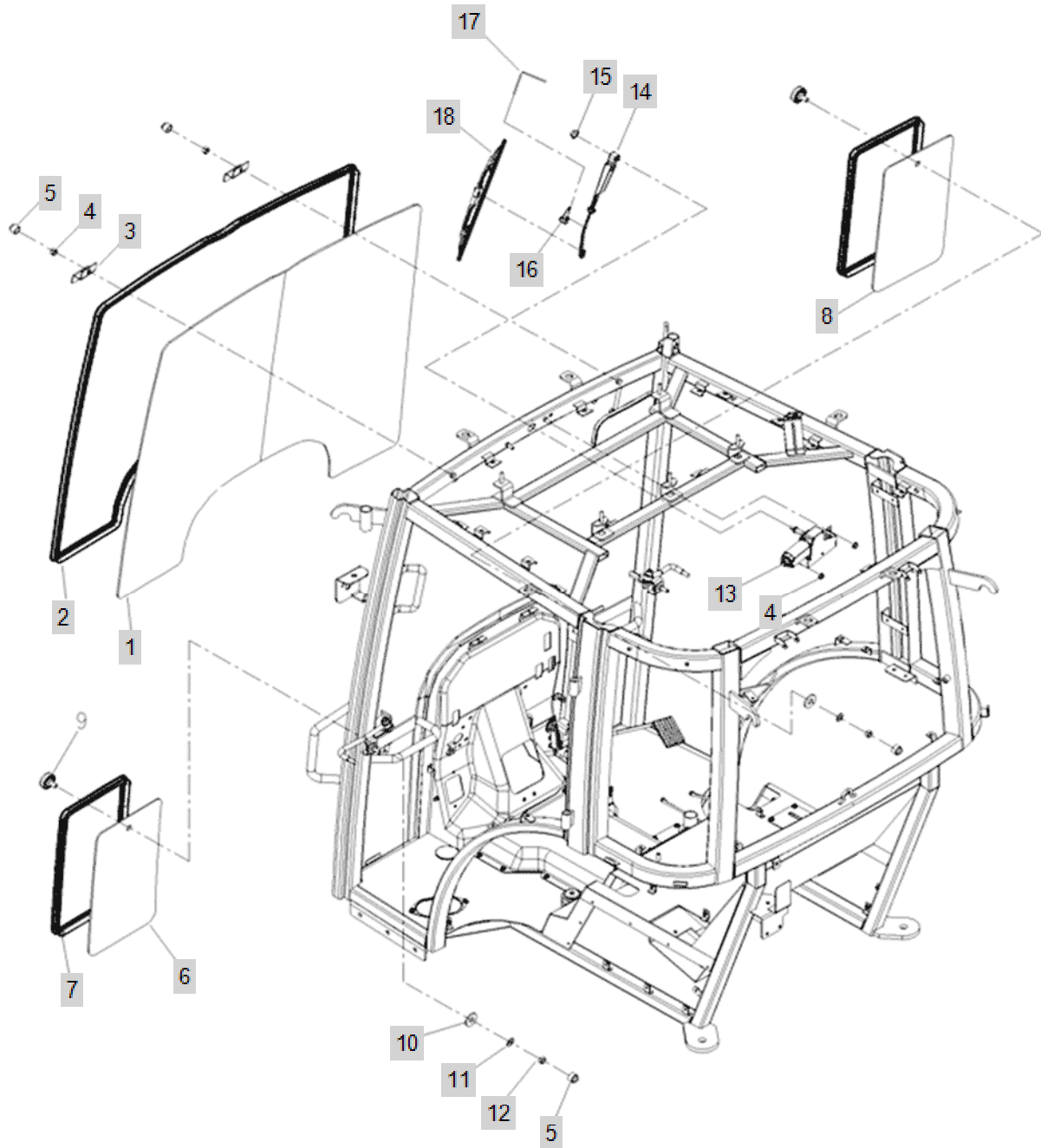




FIG C197

DOOR ASS'Y

Year/Month

4720ch

2020/01

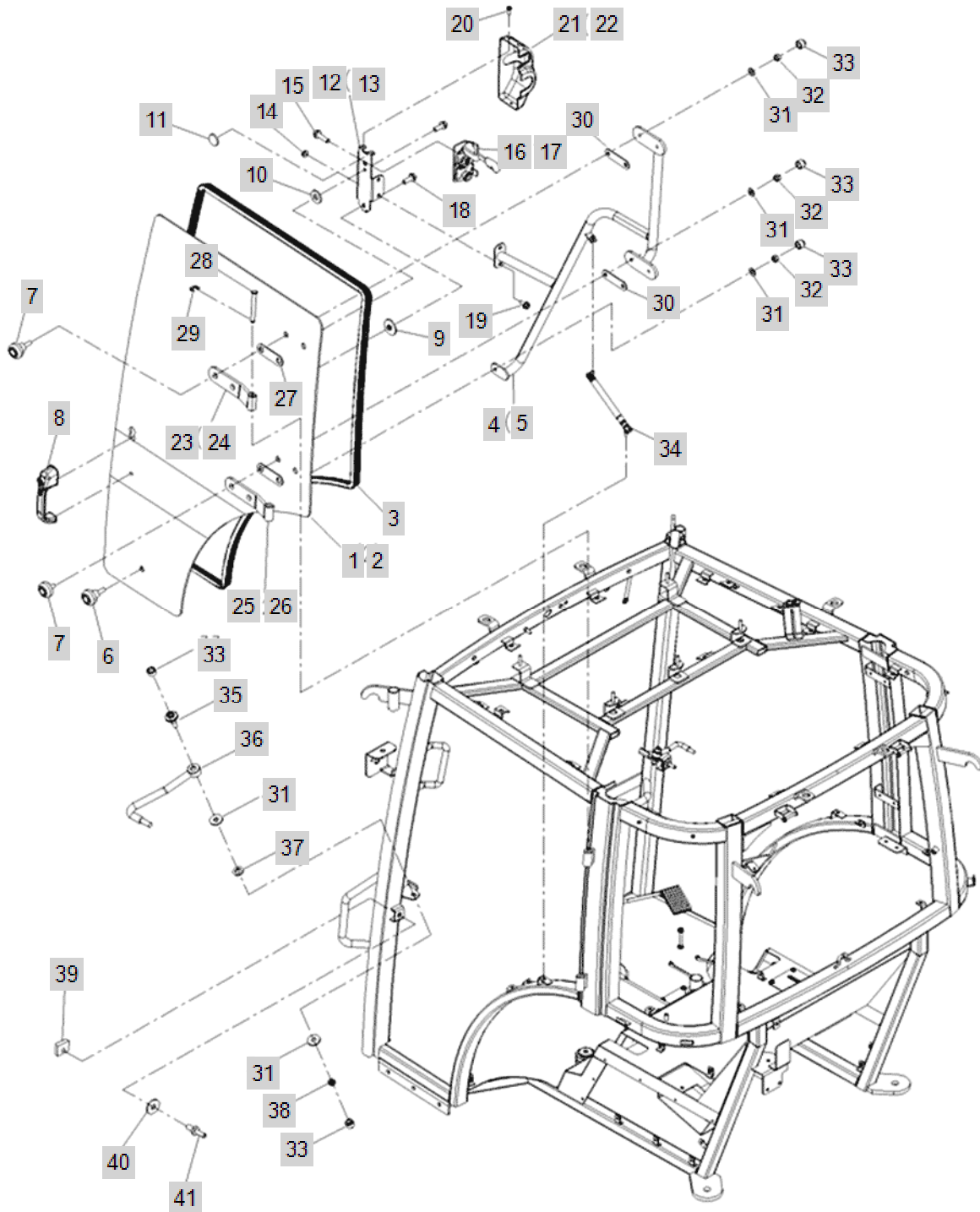


FIG C197		DOOR ASS'Y			Year/Month
4720ch					2020/01
KeyNo.	Part Number	Part Name	Quantity	Other	
1	TA00028728A	WINDOW (LH), DOOR (20C SERIES)	1		
2	TA00028729A	WINDOW (RH), DOOR (20C SERIES)	1		
3	TA00028741A	PACKING, DOOR	2		
4	TA00028730A	FRAME ASS'Y (L) DOOR	1		
5	TA00028738A	FRAME ASS'Y (R) DOOR	1		
6	TA00020714A	CUSHION BOLT -> THA4903000A9	2		
7	26117-080402	BOLT	8		
8	TA00028743A	HANDLE ASS'Y	2		
9	TA00029055A	PACKING A	2		
10	TA00029056A	PACKING B	2		
11	TA00029057A	PACKING C	2		
12	TA00028745A	RATCH (L) DOOR ASS'Y	1		
13	TA00028746A	RATCH (R) DOOR ASS'Y	1		
14	26367-060002	Nut, Hexa (Φ6)	4		
15	26106-080302	HEX BOLT, FLANGE	4		
16	TA00022885B	RATCH L	1		
17	TA00022886B	RATCH R	1		
18	26116-080222	BOLT7T(8X22)	2		
19	26106-060162	HEXFLANGE BOLT	4		
20	26023-040162	SCREW	6		
21	TA00017808B	COVER, DOOR L	1		
22	TA00017806B	COVER, DOOR	1		
23	TA00028720A	HINGE UPPER (L)	1		
24	TA00028723A	HINGE UPPER (R)	1		
25	TA00028724A	HINGE LOWER (L)	1		
26	TA00028725A	HINGE LOWER (R)	1		
27	TA00028727A	PACK	4		
28	TA00020728A	FIXING PIN, DOOR	4		
29	22272-000100	RING, CIRCLIP (Φ 10)	4		
30	TA00029044A	PACKING	4		
31	22127-080000	WASHER, PLAIN (D80)	16		
32	26717-080002	NUTM8	16		
33	THA4912000A9	CAP NUT	20		
34	TA00026423A	GAS SPRING(DOOR)	2		
35	TA00027355A	BOLT	2		
36	TA00028601A	DOOR LOCK ASS'Y	2		
37	TA00027356A	WASHER	2		
38	26347-080002	Unut	2		
39	TA00020155A	NUT	2		
40	TA00020156A	WASHER	2		
41	TA00020157A	BOLT	2		
42	TA00031390A	KEY, CABIN	1		

FIG C198

REAR WINDOWS ASS'Y

Year/Month

4720ch

2020/01

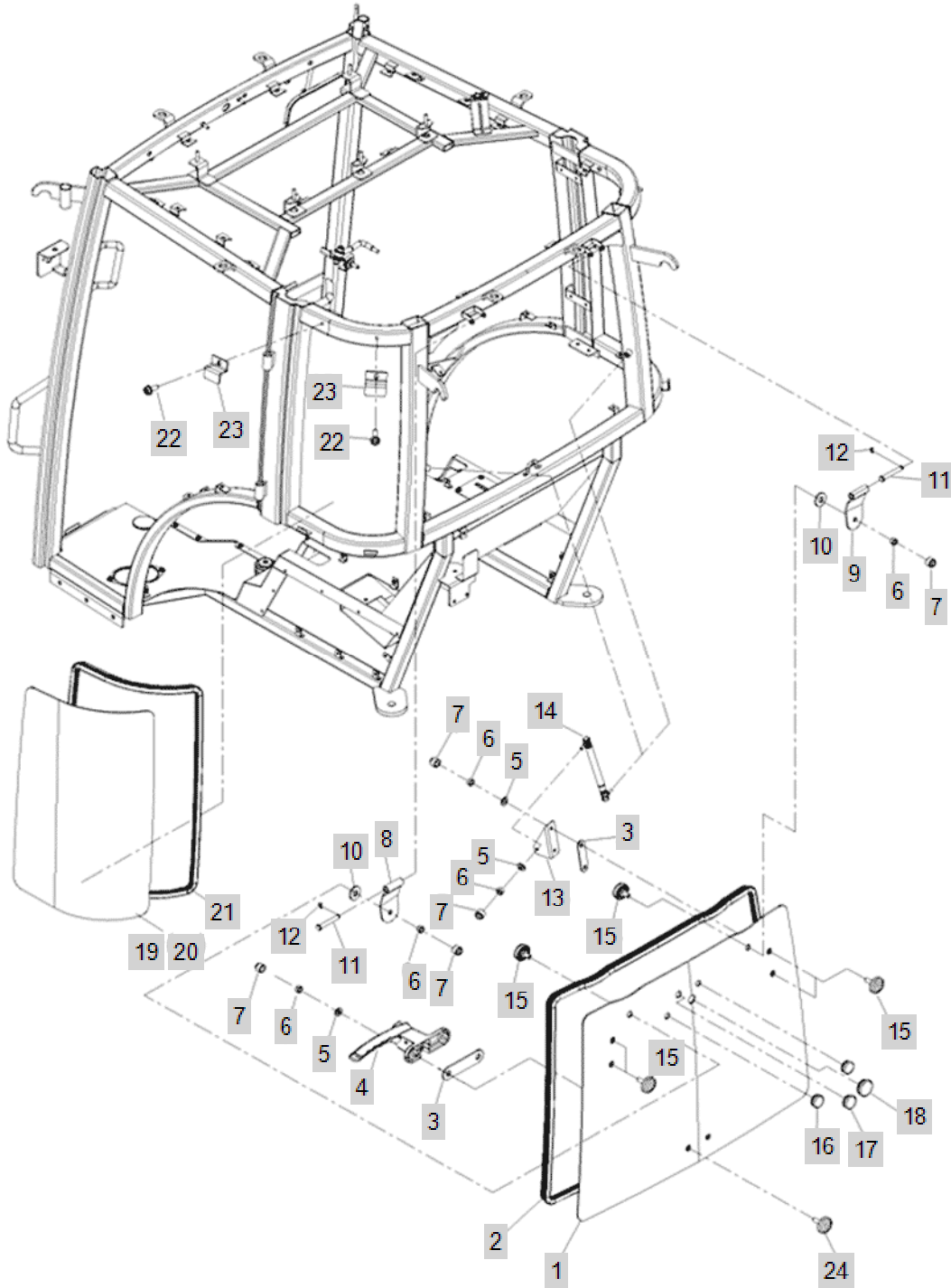




FIG C199

SIDE MIRROR ASS'Y

Year/Month

4720ch

2020/01

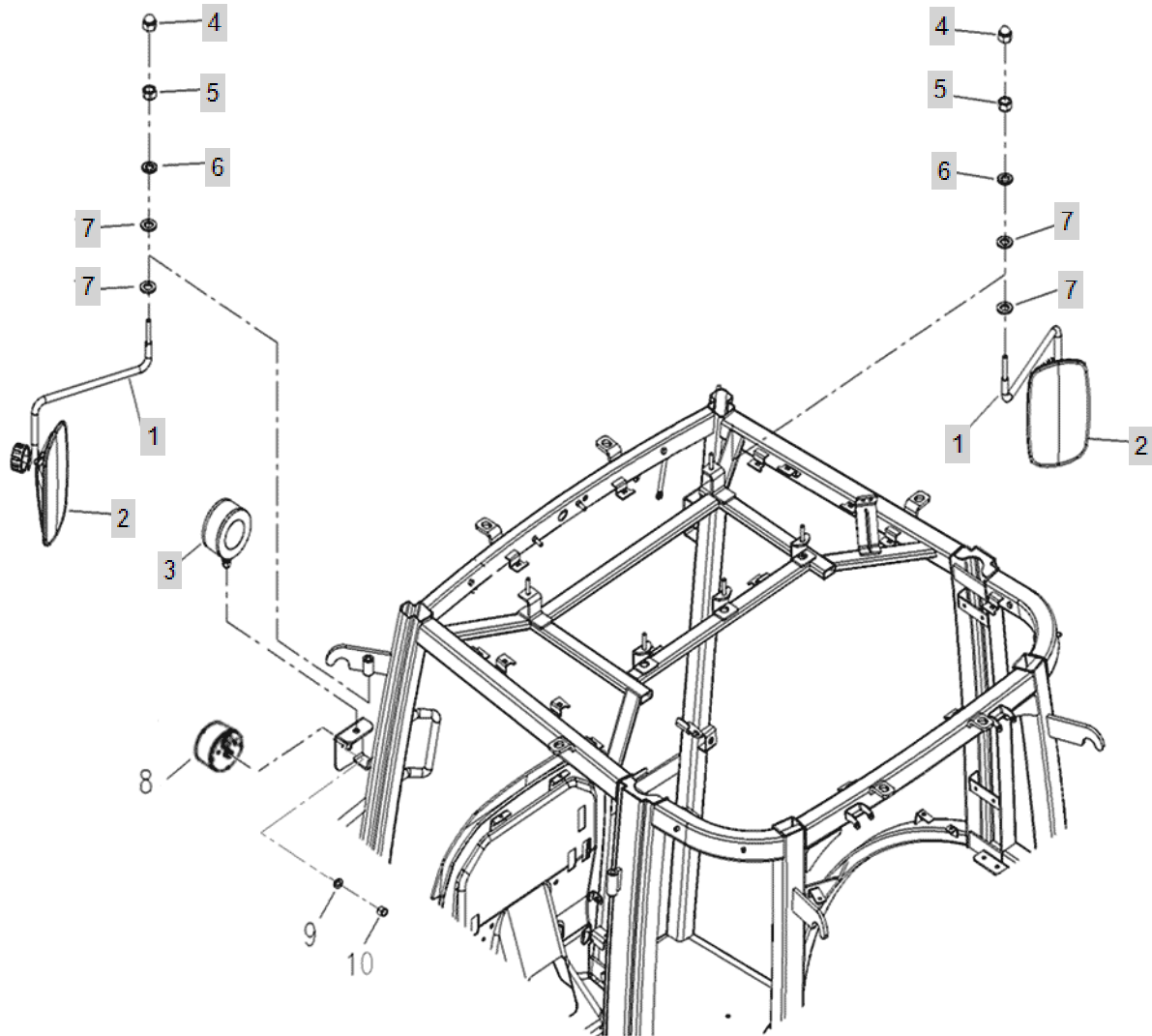






FIG C200

ROOF ASS'Y

Year/Month

4720ch

2020/01

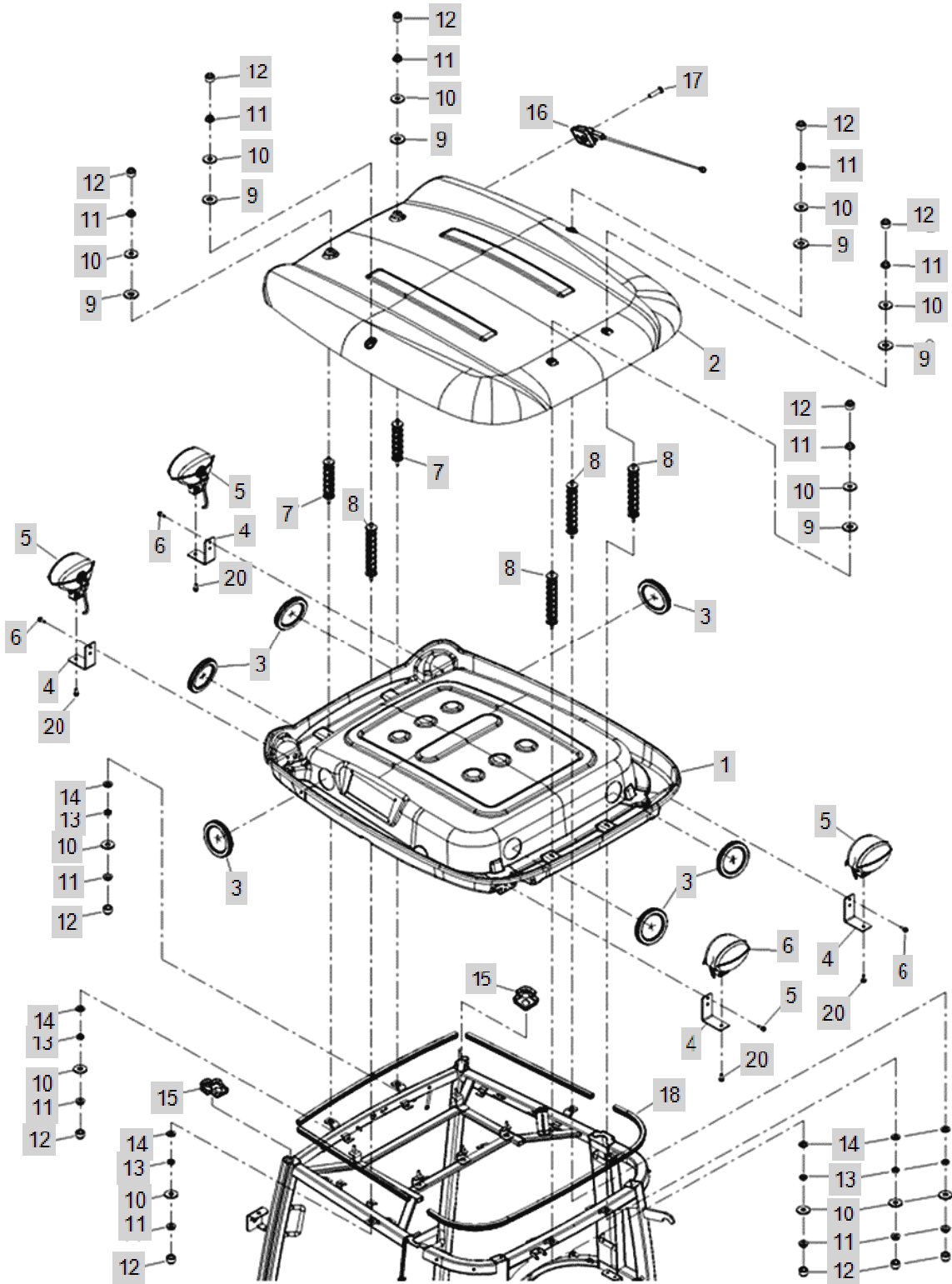




FIG C201

CEILING ASS'Y

Year/Month

4720ch

2020/01

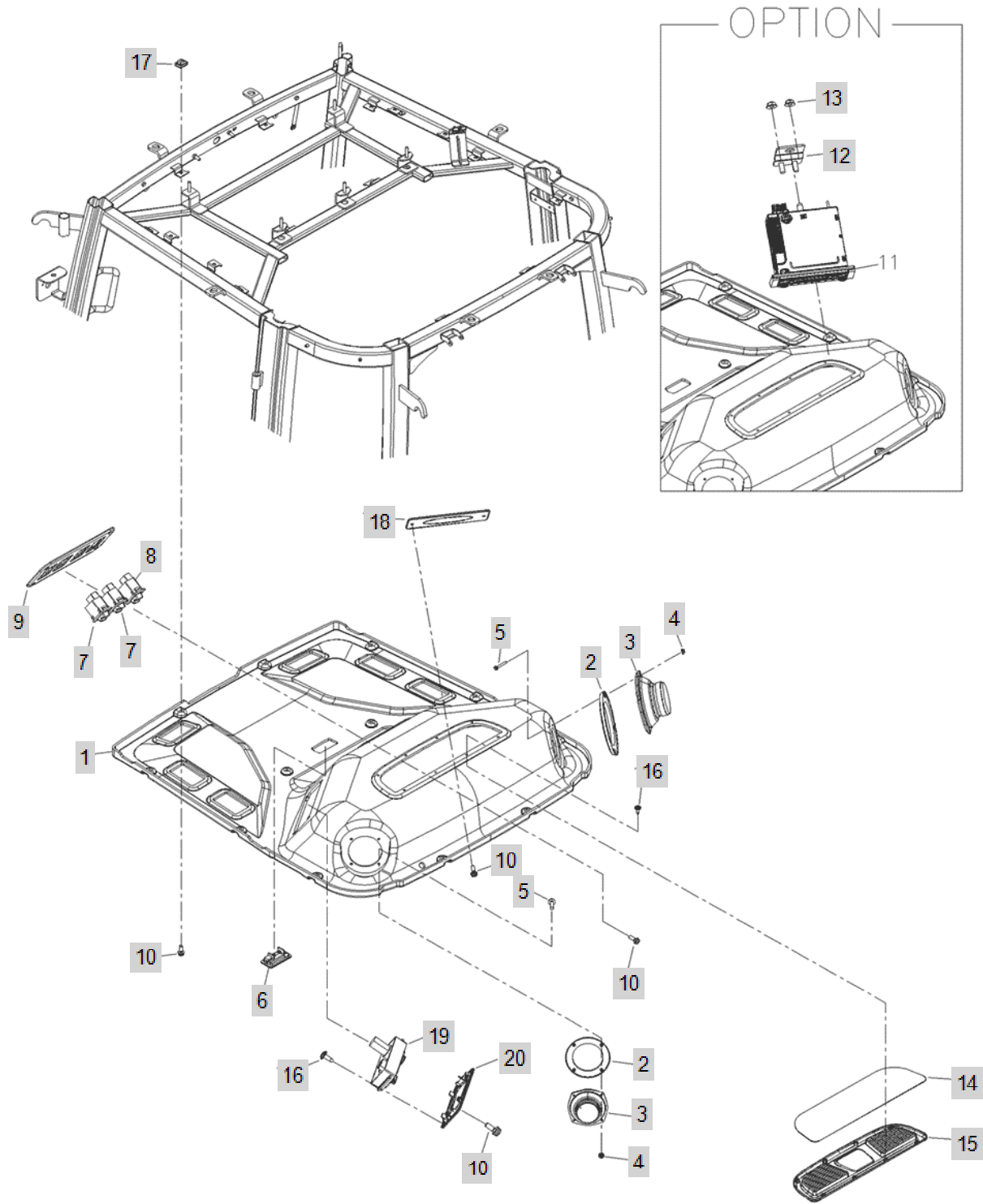




FIG C202

A/C DUCT ASS'Y

Year/Month

4720ch

2020/01

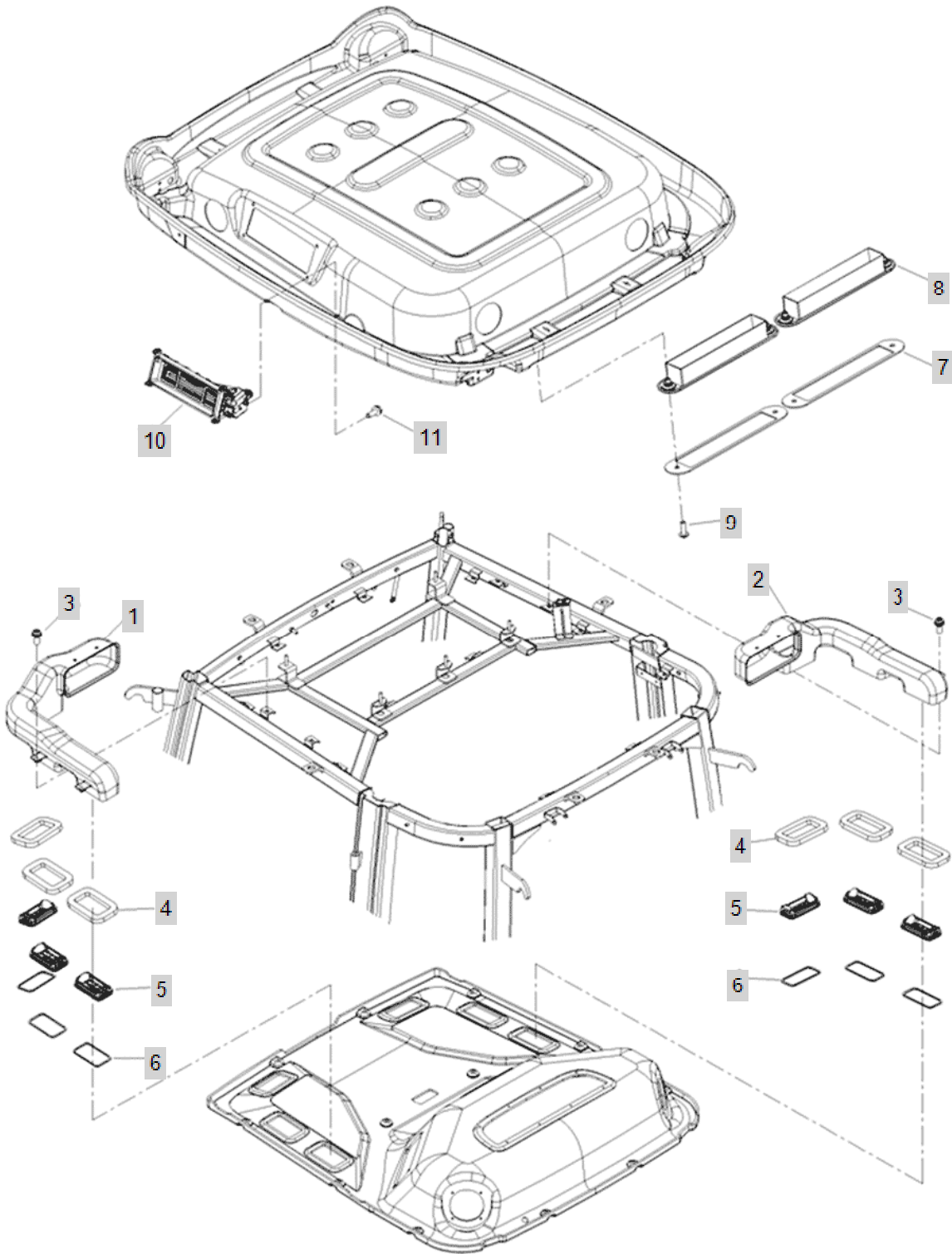




FIG C203

A/C ASS'Y ,CABIN

Year/Month

4720ch

2020/01

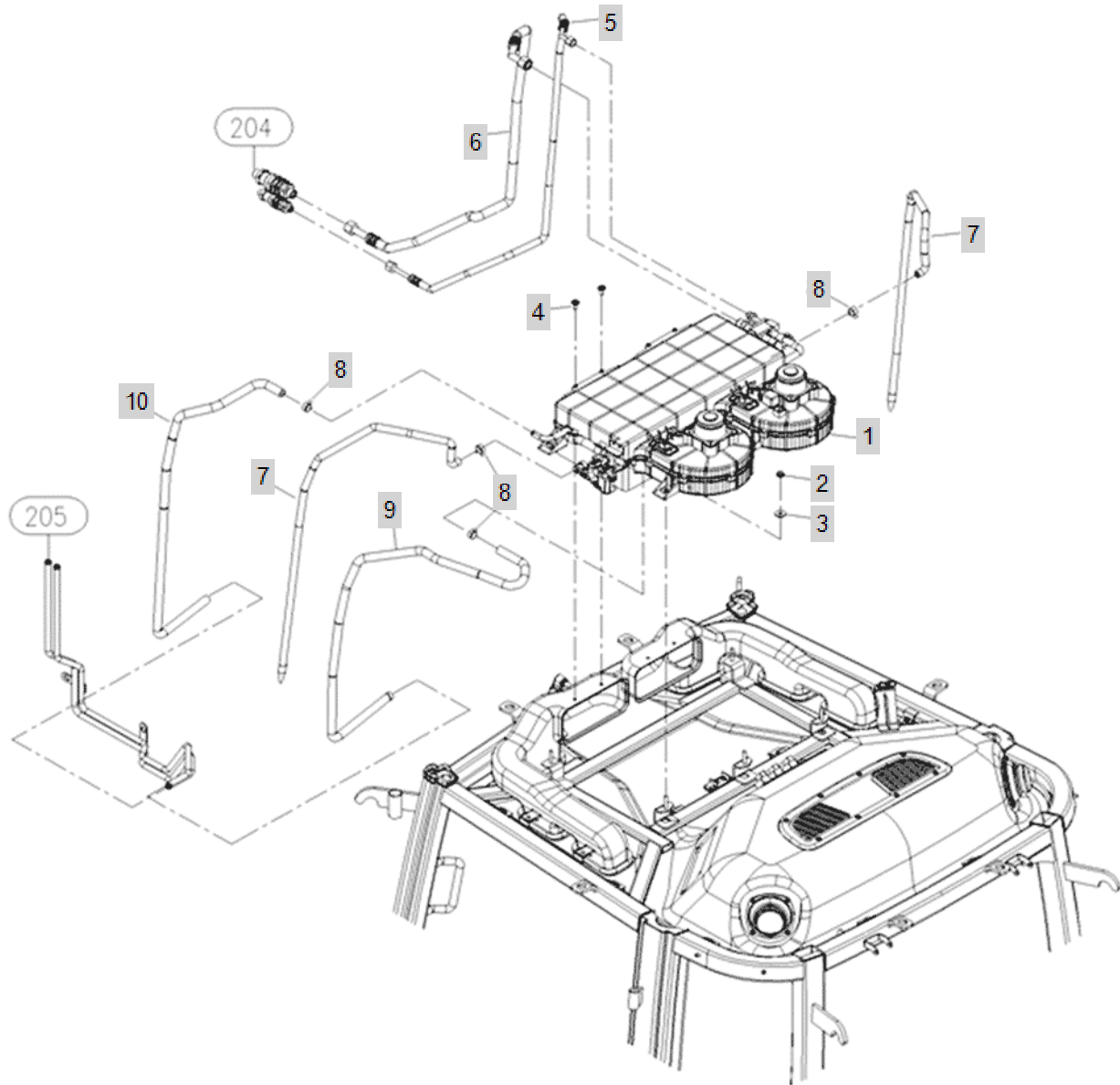






FIG C204

AIR CONDITIONER ASSEMBLY

Year/Month

4720ch

2020/01

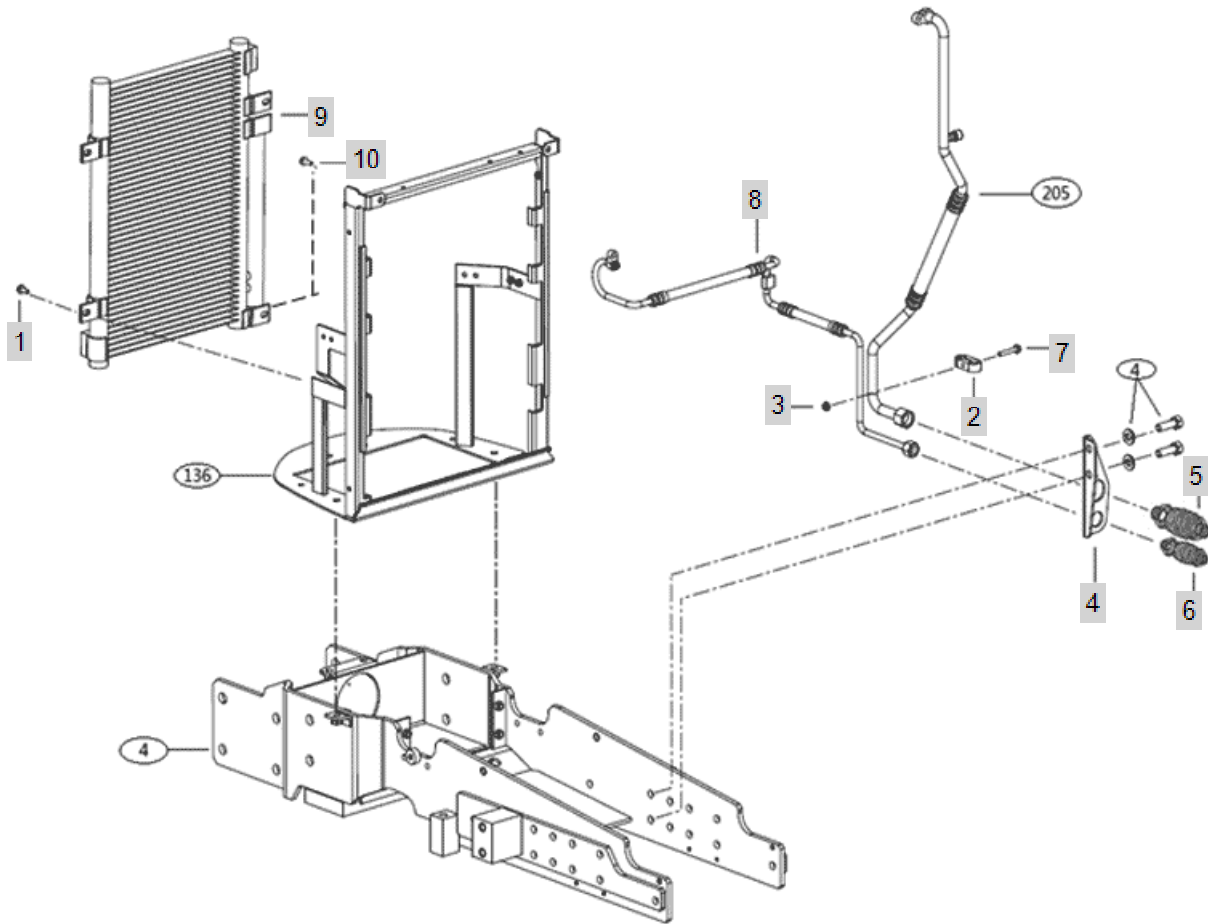




FIG C205

COMPRESSOR

Year/Month

4720ch

2020/01

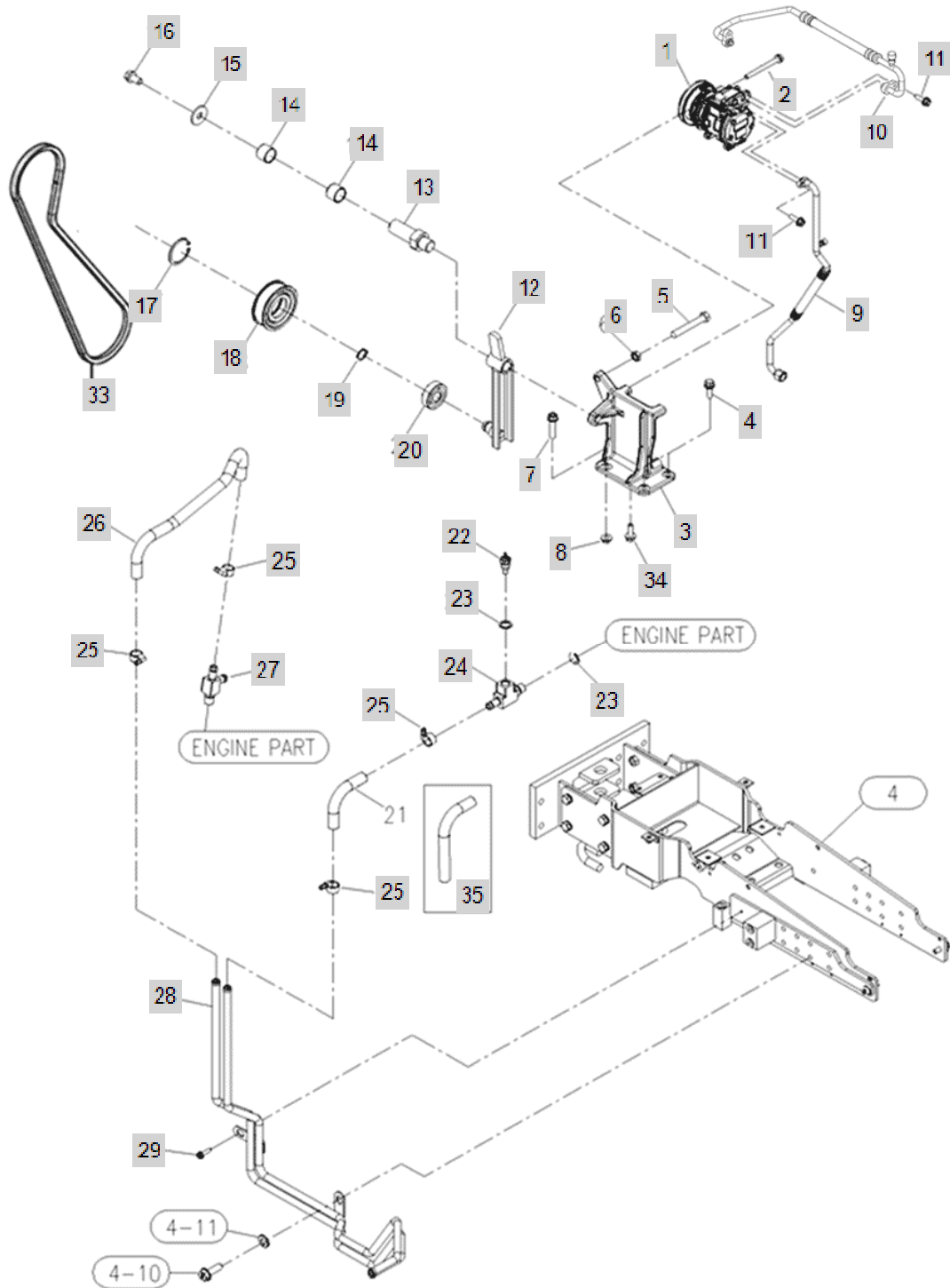




FIG C206

SEAT

Year/Month

4720ch

2020/01

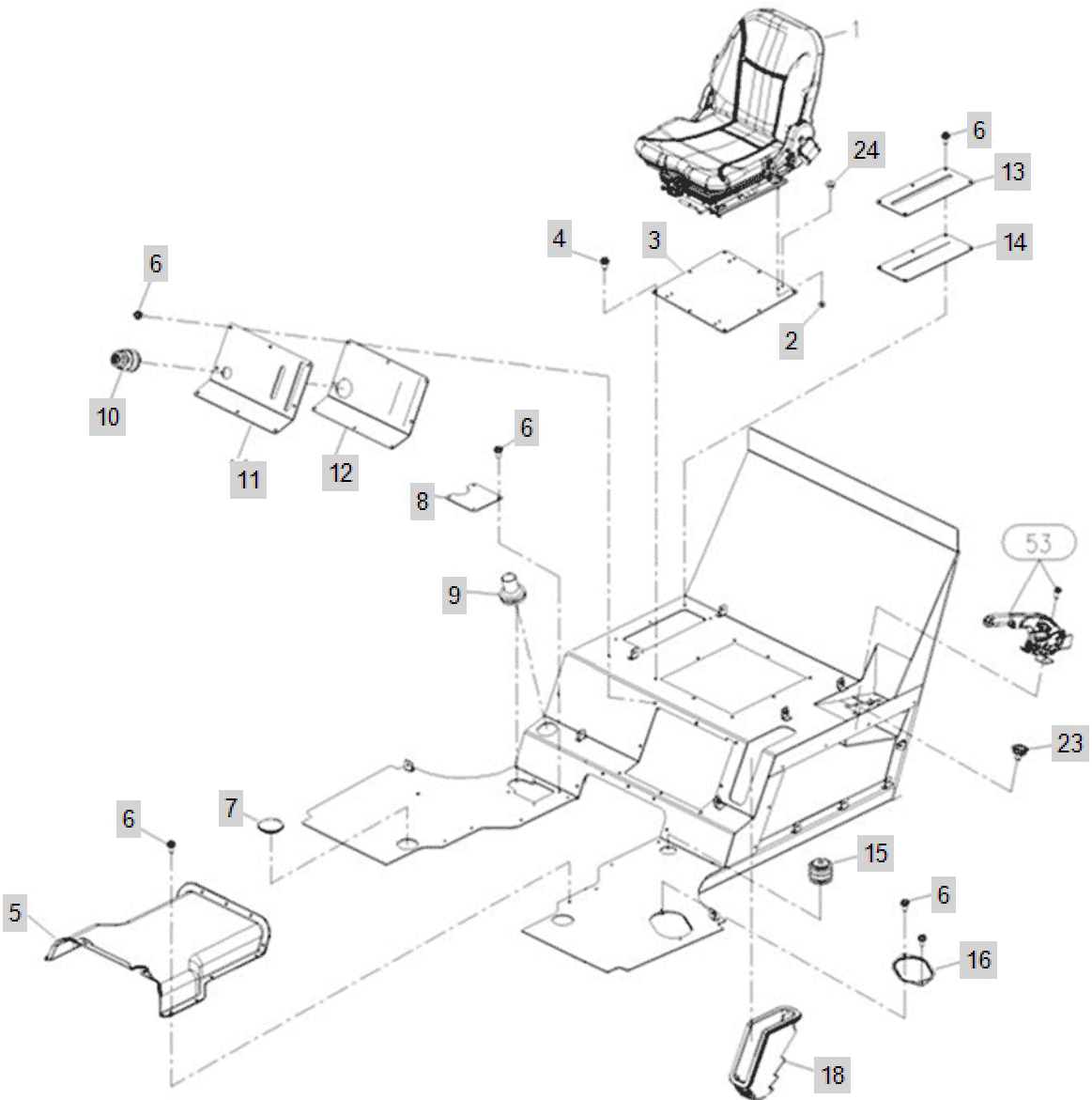




FIG C207

LEFT LEVER COVER

Year/Month

4720ch

2020/01

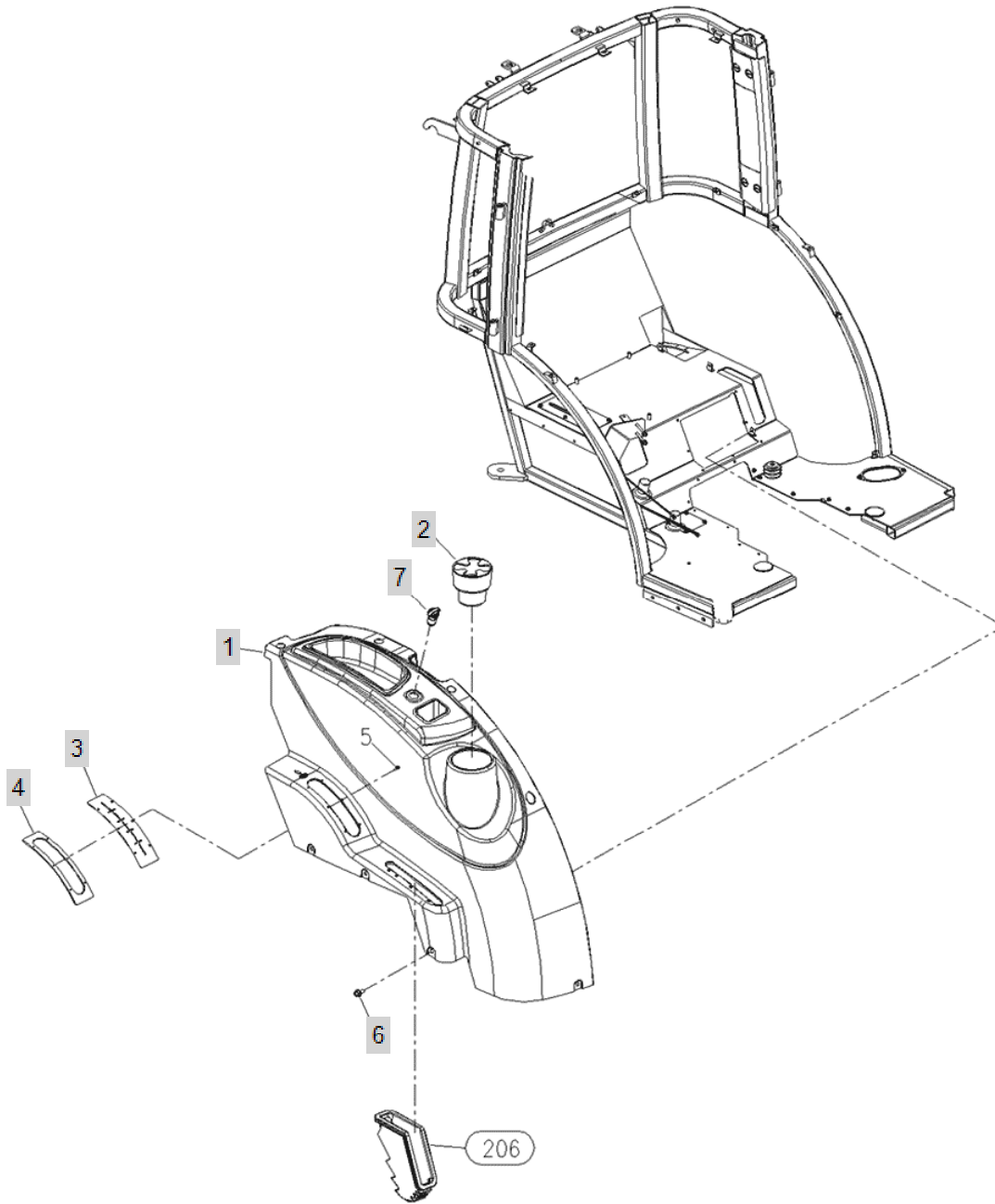






FIG C208

RIGHT LEVER COVER

Year/Month

4720ch

2020/01

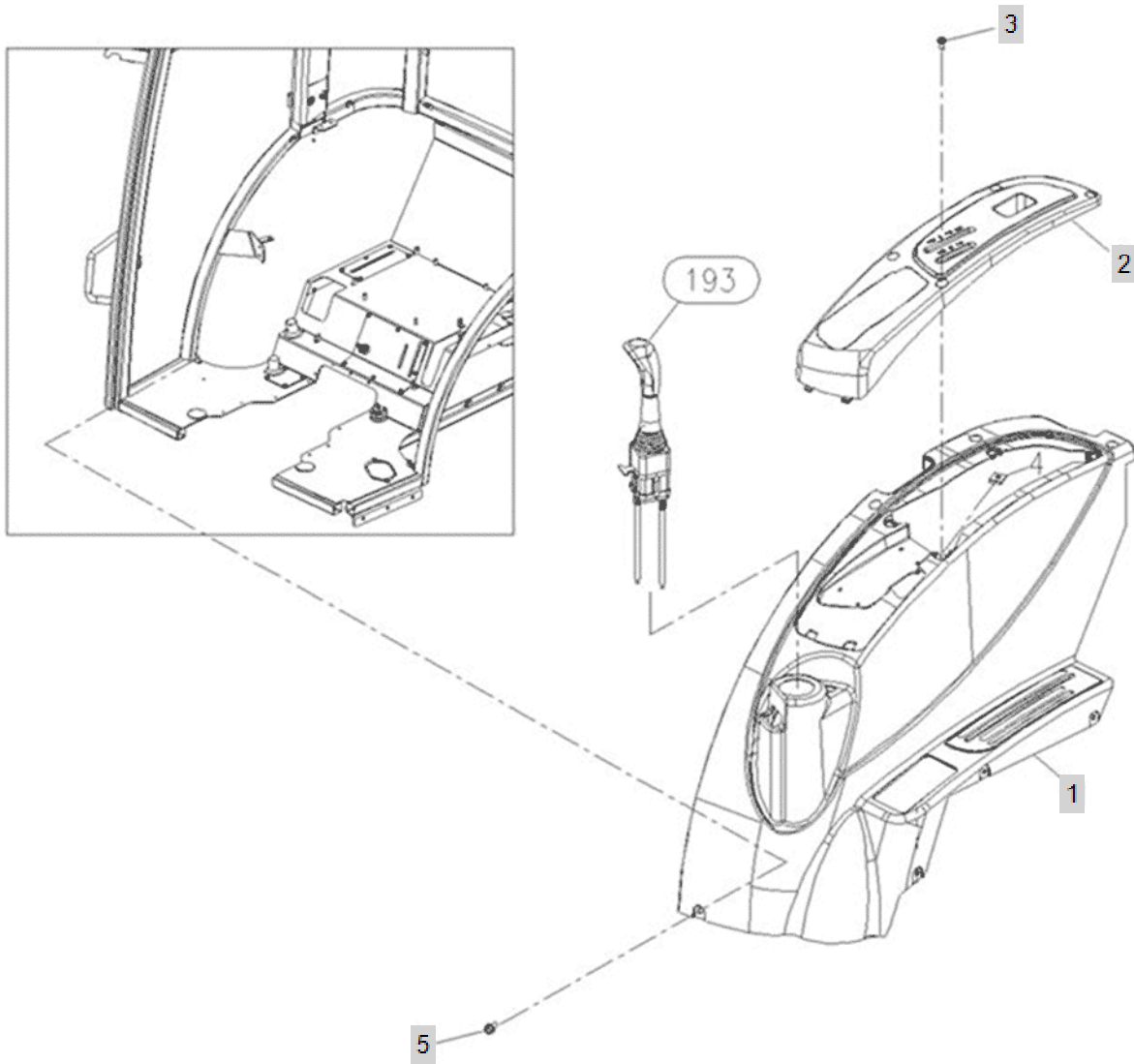




FIG C209

SCV LEVER

Year/Month

4720ch

2020/01

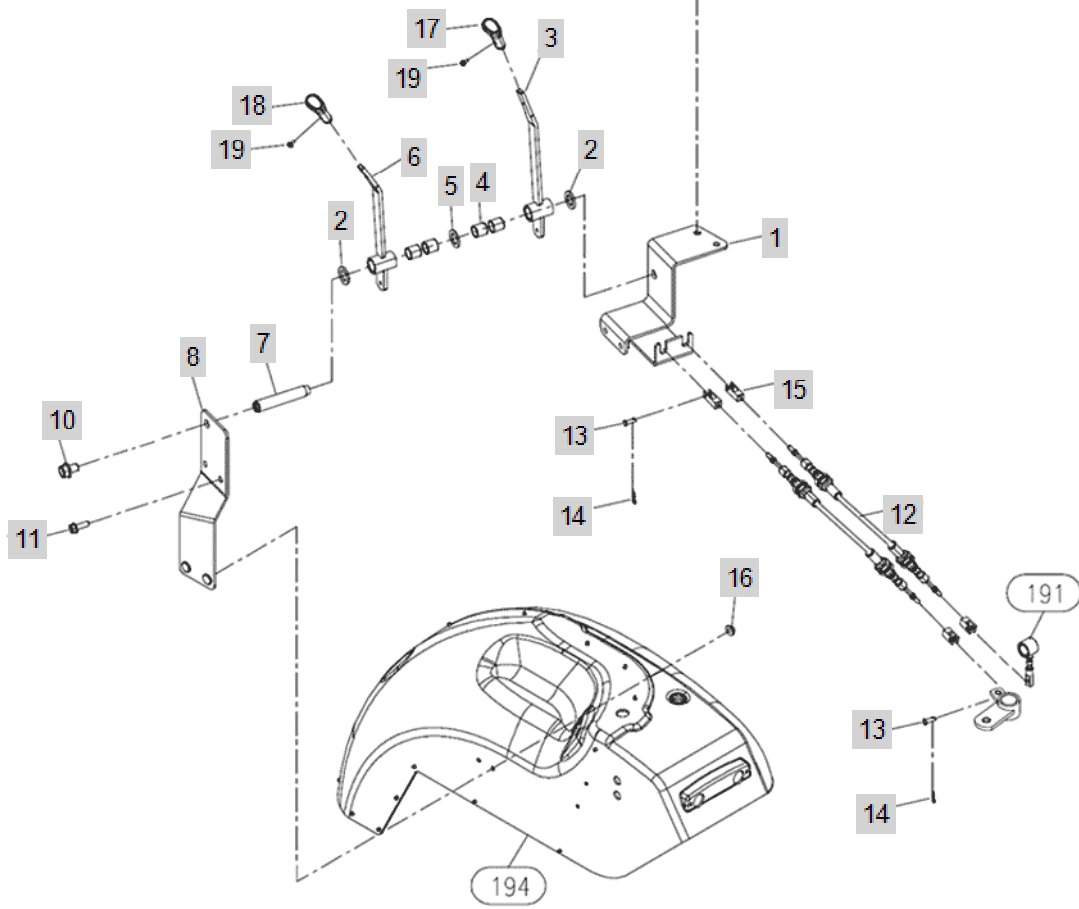
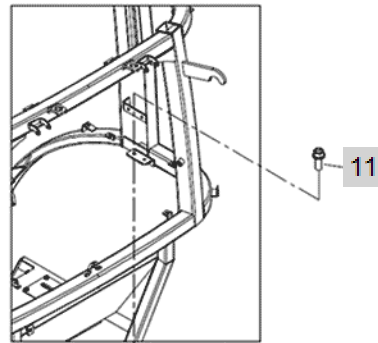
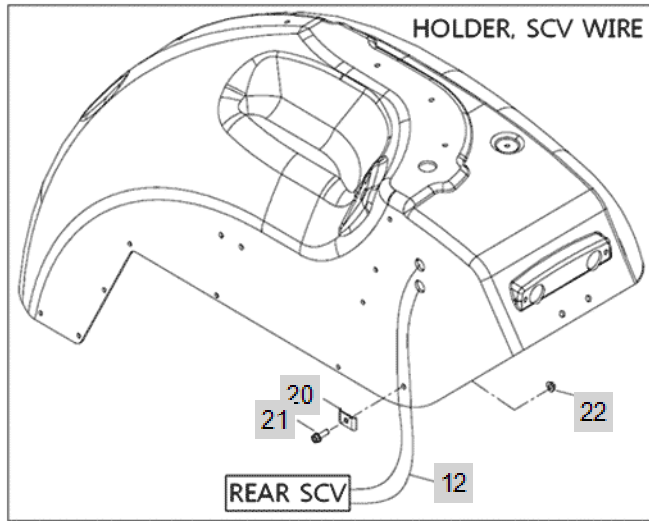




FIG C250

SPARE TOOLS

Year/Month

4720ch

2020/01

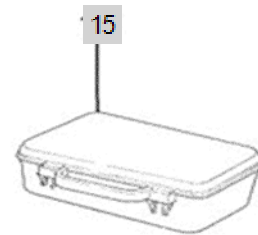
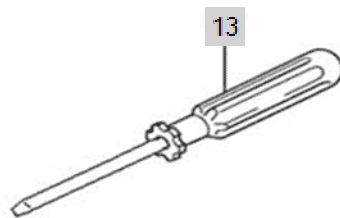
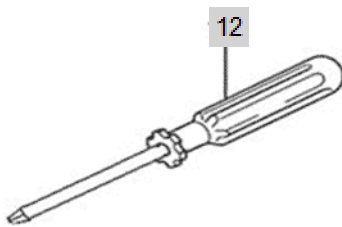
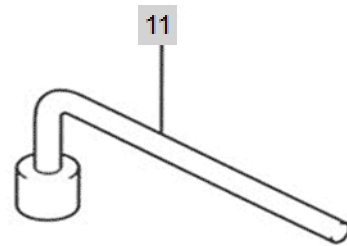
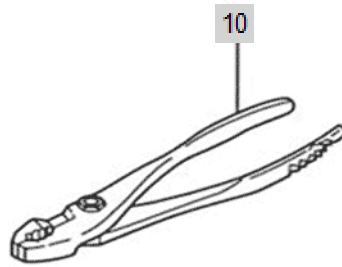
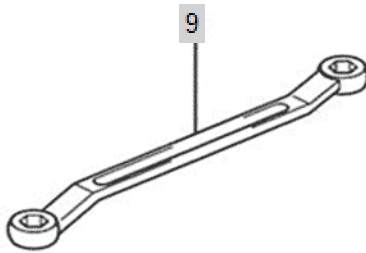
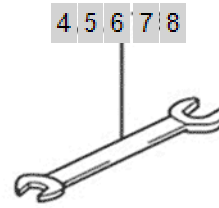
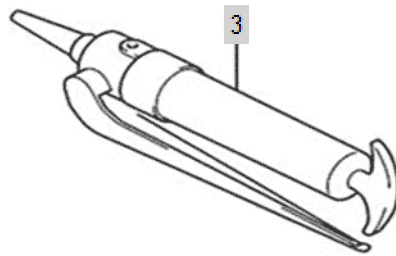
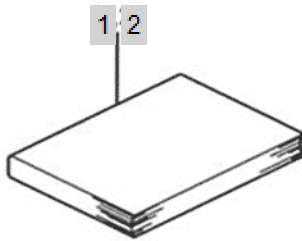




FIG S102

IND PTO VALVE SUPPORT

Year/Month

4720ch

2020/01

