

# KUKJE 3515R Branson Tractor

## Parts Catalogue



BRANSON TRACTOR

# CONTENTS

GROUP NO	GROUP NAME	PAGE
C000	15R_SERIES	5
C001	1. LEVER ACCELERATOR	7
C002	2. STEERING COLUMN	9
C003A-1	3. FRONT AXLE BRACKET	11
C003A-2	3. FRONT AXLE BRACKET(2018.04)	13
C003A-3	3. FRONT AXLE BRACKET(2018.04)	15
C009-1	9. CENTAPIN SUPPORTER	17
C009-2	9. CENTAPIN SUPPORTER(2018.02)	19
C010	10. TIEROAD	21
C012	12. RING GEAR, DRIVEN GEAR	23
C019-1	19. GEAR CASE, FRONT AXLE	25
C019-2	19. GEAR CASE, FRONT AXLE(2018.01)	27
C019-2	19. GEAR CASE, FRONT AXLE(2018.01)	29
C020	20. SPACER	31
C032	32. P.S.T CYLINDER	33
C034	34. P.S.T HOSE	35
C037A-1	37. CLUTCH HOUSING(2017.10)	37
C037A-2	37. CLUTCH HOUSING(2018.01)	39
C037A-3	37. CLUTCH HOUSING(2019.04)	41
C038A	38. SHAFT, F/R DRV	43
C039	39. CLUTCH RELEASE	45
C042A	42. GEAR, MAIN SHIFT	47
C043-1	43. SHUTTLE ASS'Y	49
C043-2	43. SHUTTLE ASS'Y	51
C044-1	44. TRANSMISSION CASE	53
C044-2	44. TRANSMISSION CASE(2018.02)	55
C044-3	44. TRANSMISSION CASE(2019.01)	57
C057A	57. GEAR, RANGE SHIFT	59
C062	62. MAIN P.T.O SHAFT	61
C063-1	63. PTO DRIVE SHAFT	63
C063B-2	63. PTO DRIVE SHAFT (2019.01)	65
C066-1	66. FORK, MAIN SHIFT	67
C066-2	66. FORK, MAIN SHIFT	69
C066-3	66. FORK, MAIN SHIFT	71
C068	68. LEVER ASS'Y, RANGE SHIFT	73

GROUP NO	GROUP NAME	PAGE
C072A	72. FORNT DRIVE SHAFT	75
C073	73. 4WD LEVER	77
C074-1	74. FORK & LEVER, PTO	79
C074B-2	74. FORK & LEVER, PTO(2019.01)	81
C078	78. RING GEAR&DIFF.GEAR ASS'Y	83
C079-1	79. DIFFERENTIAL	85
C079-2	79. DIFFERENTIAL	87
C082	82. DRIVING PART, REAR AXLE	89
C083	83. BRAKE	91
C090	90. BRAKE PEDAL	93
C091	91. PARKING BRAKE	95
C092A	92. HYD PUMP	97
C101-1	101. CASE, HYD CYLINDER	99
C101-2	101. CASE, HYD CYLINDER(2020.01~)	101
C104-1	104. PISTON ASS'Y	103
C104-2	104. PISTON ASS'Y(2020.01~)	105
C108	108. SAFETY VALVE	107
C109	109. STOP VALVE	109
C111.1	111-1. HYD CONTROL POSITION TYPE	111
C111.2	111-2. HYD CONTROL POSITION TYPE	113
C113	113. DRAFT CONTROL	115
C114A	114. HYD PIPING	117
C114D-2	114. HYD PIPING (2019.04~)	119
C118	118. HYD FILTER	121
C119B	119. ELE'C WIRING	123
C124B	124. BATTERY	125
C125	125. SWITCH	127
C135.1-1	135-1. BONNET	129
C135.1-2	135-1. BONNET(2018.08~)	131
C135.1-3	135-1. BONNET(2019.04~)	133
C135.2	135-2. BONNET	135
C136-1	136. LOCKING ASS'Y, BONNET	137
C136-2	136. LOCKING ASS'Y, BONNET	139
C137-1	137. BONNET SUPPORT	141
C137A-2	137. BONNET SUPPORT(2018.02)	143



FIG C000

15R\_SERIES

Year/Month

3515R

2020/01



CHASSIS



ENGINE



FIG C001

3515R

# 1. LEVER ACCELERATOR

Year/Month

2020/01

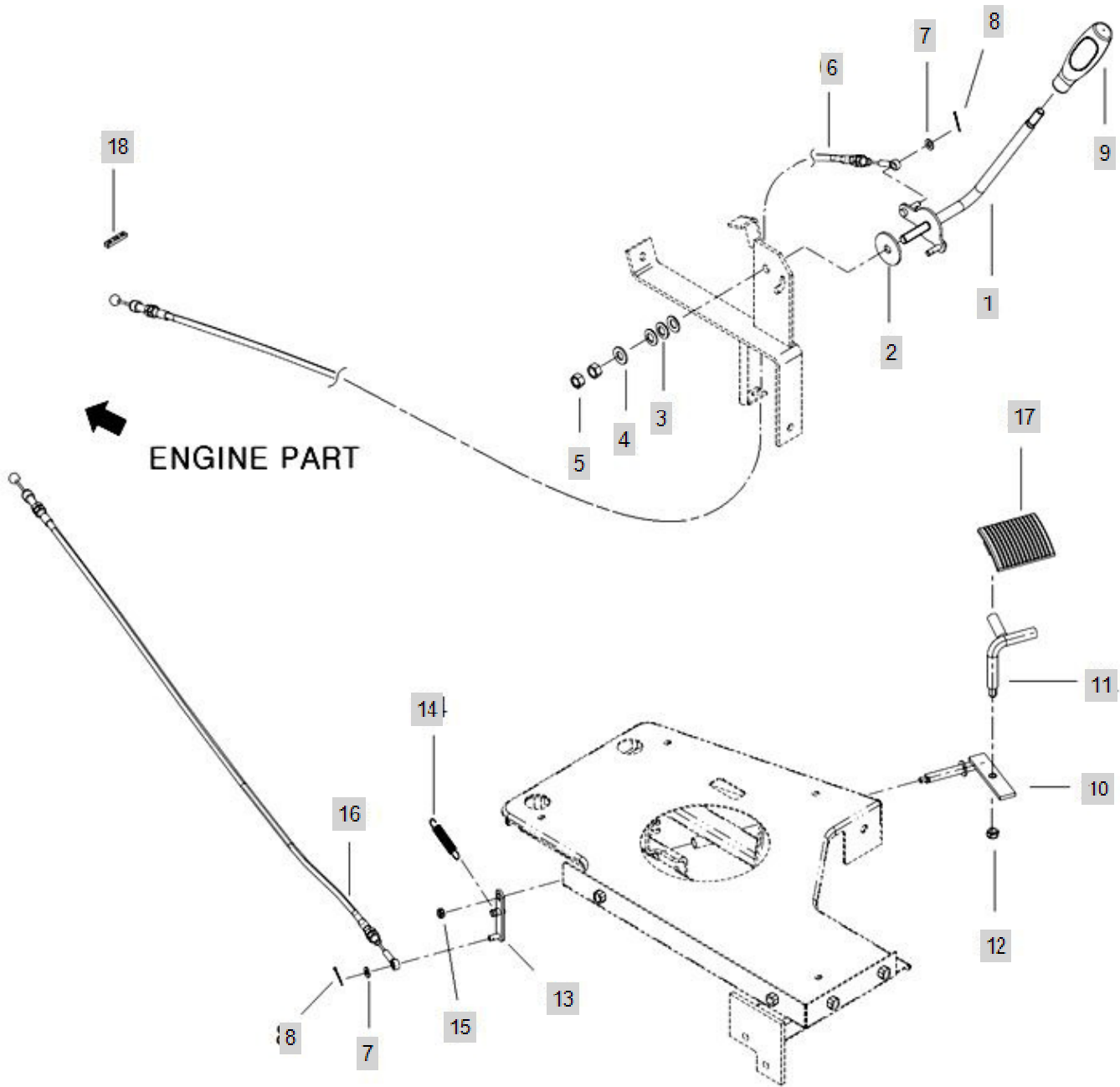






FIG C002

2. STEERING COLUMN

Year/Month

3515R

2020/01

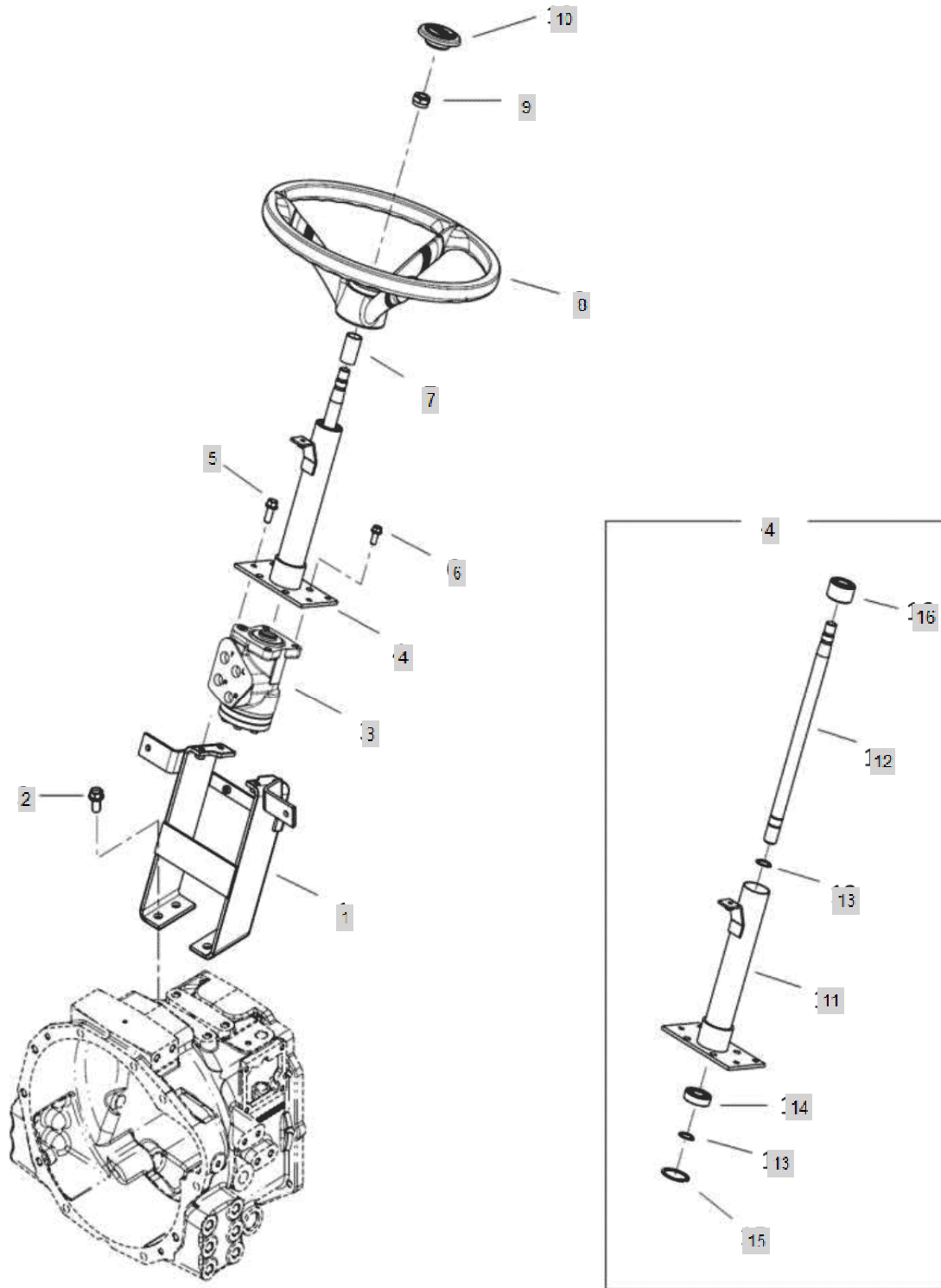




FIG C003A-1

3. FRONT AXLE BRACKET

Year/Month

3515R

2020/01

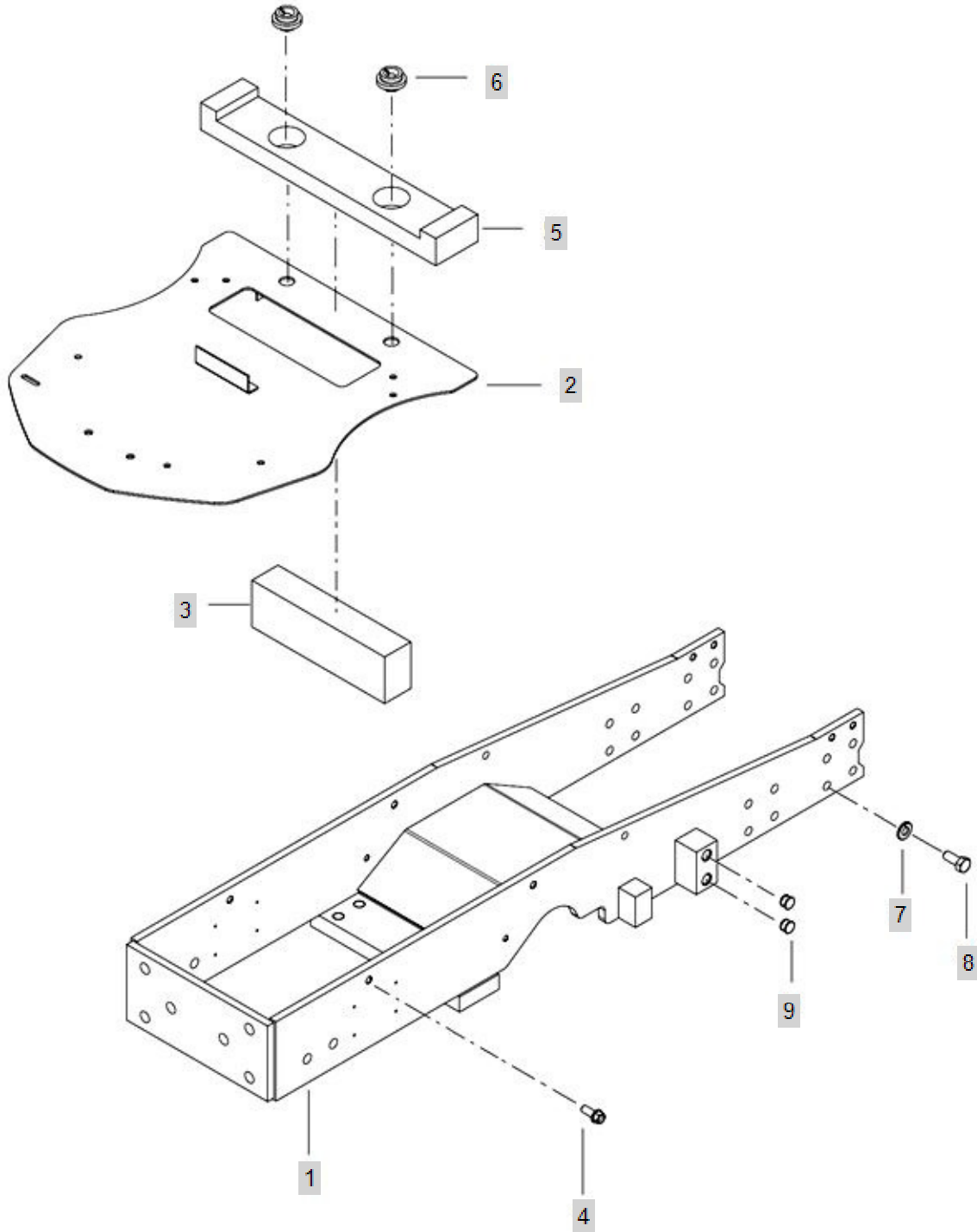




FIG C003A-2

3. FRONT AXLE BRACKET(2018.04)

Year/Month

3515R

2020/01

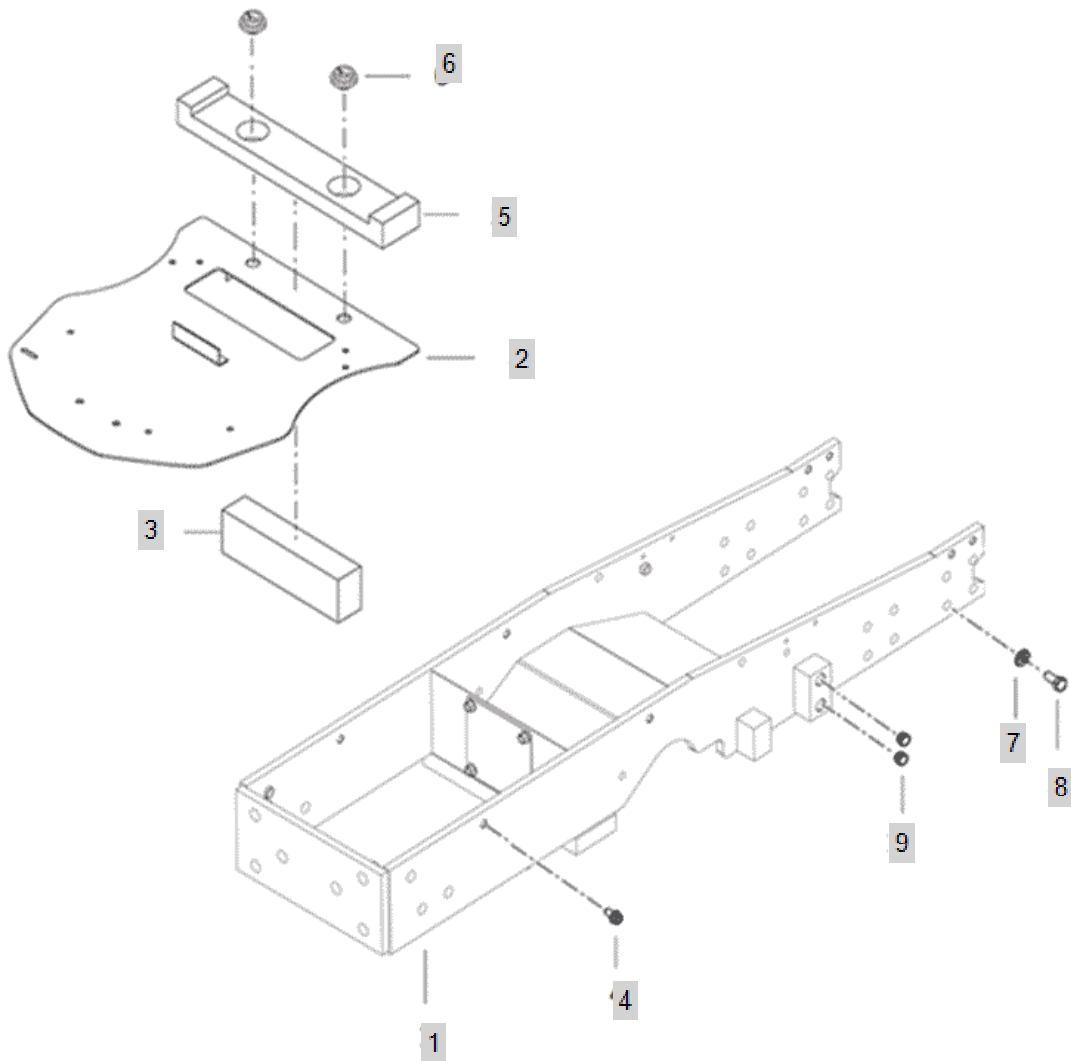




FIG C003A-3

3. FRONT AXLE BRACKET(2018.04)

Year/Month

3515R

2020/01

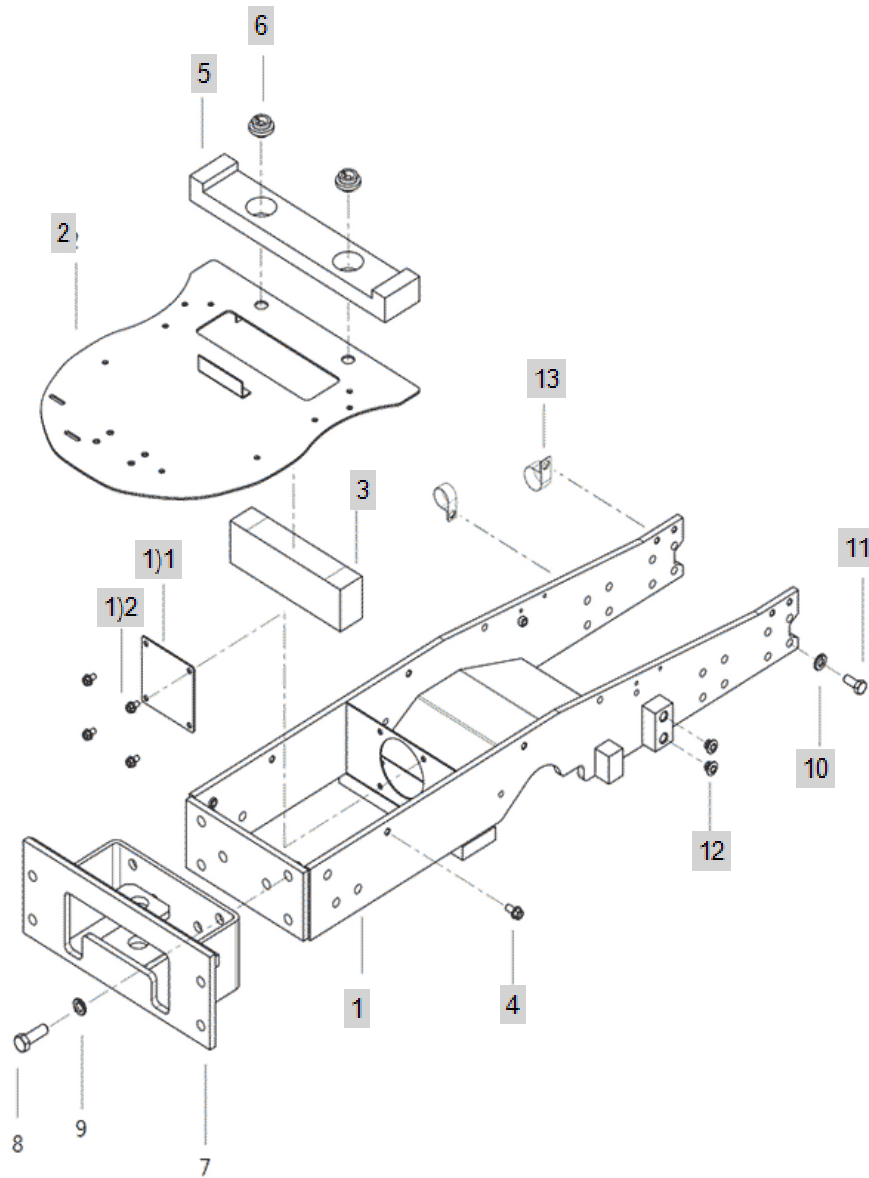






FIG C009-1

9. CENTAPIN SUPPORTER

Year/Month

3515R

2020/01

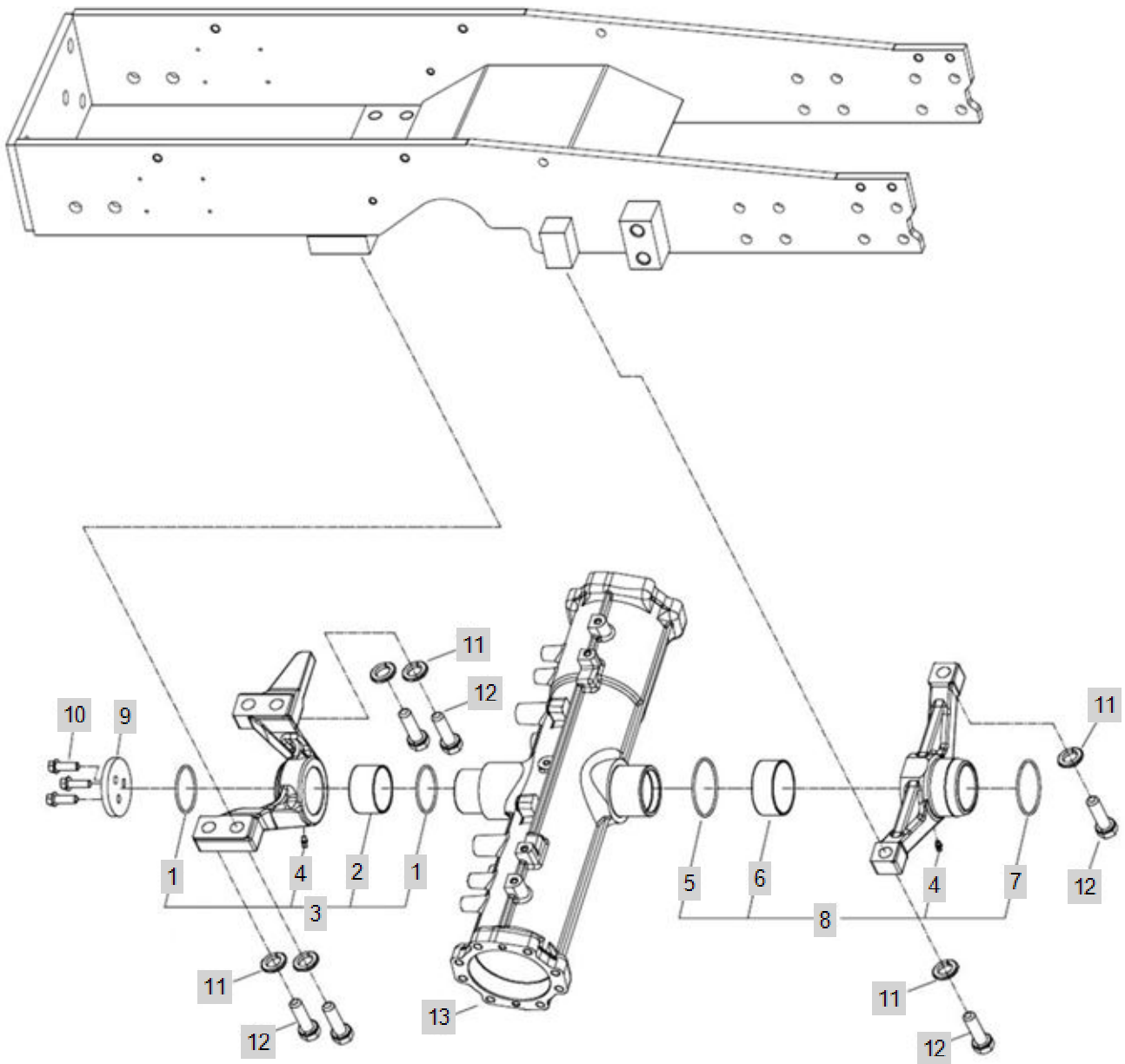




FIG C009-2

3515R

9. CENTAPIN SUPPORTER(2018.02)

Year/Month

2020/01

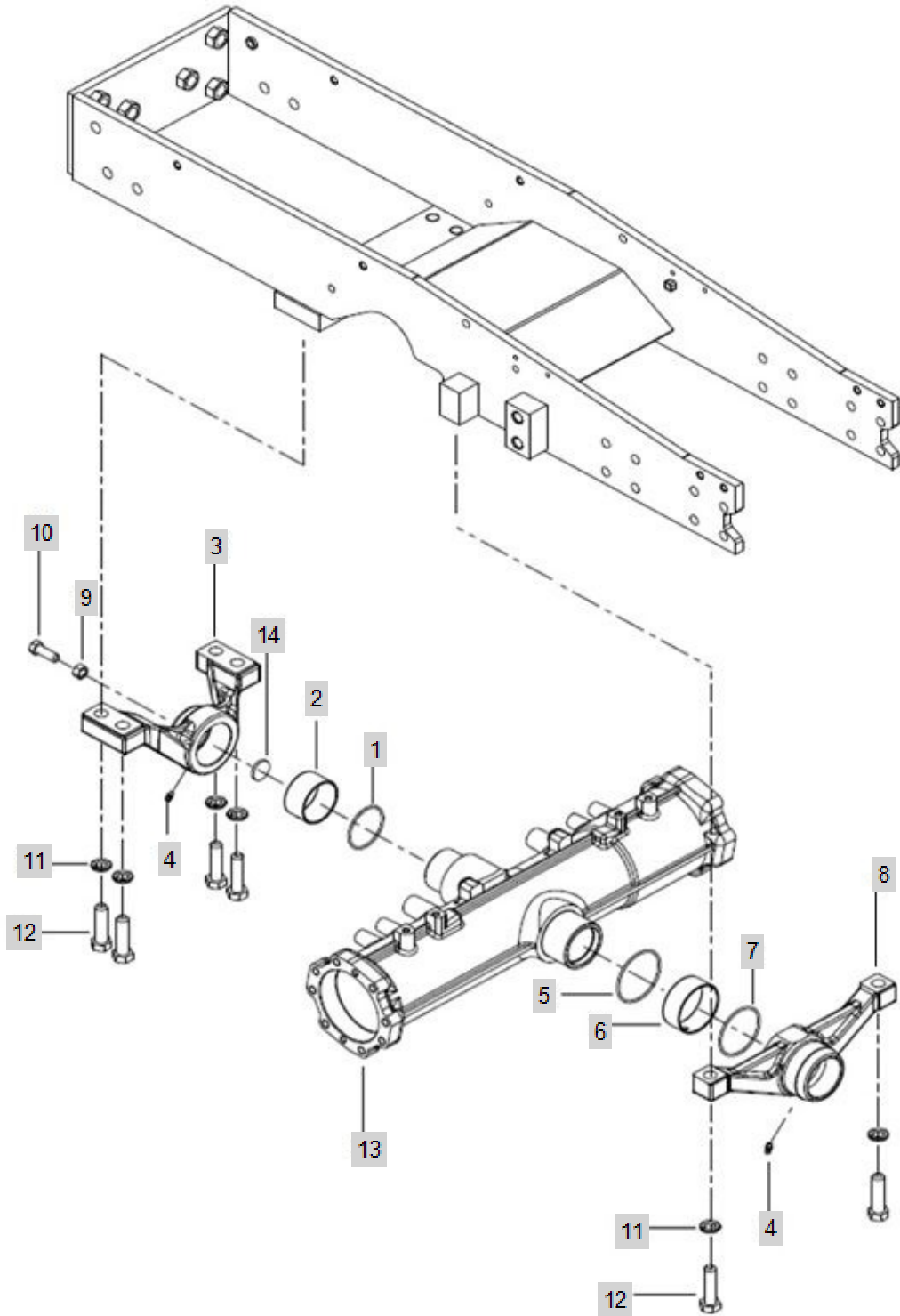




FIG C010

3515R

10. TIEROAD

Year/Month

2020/01

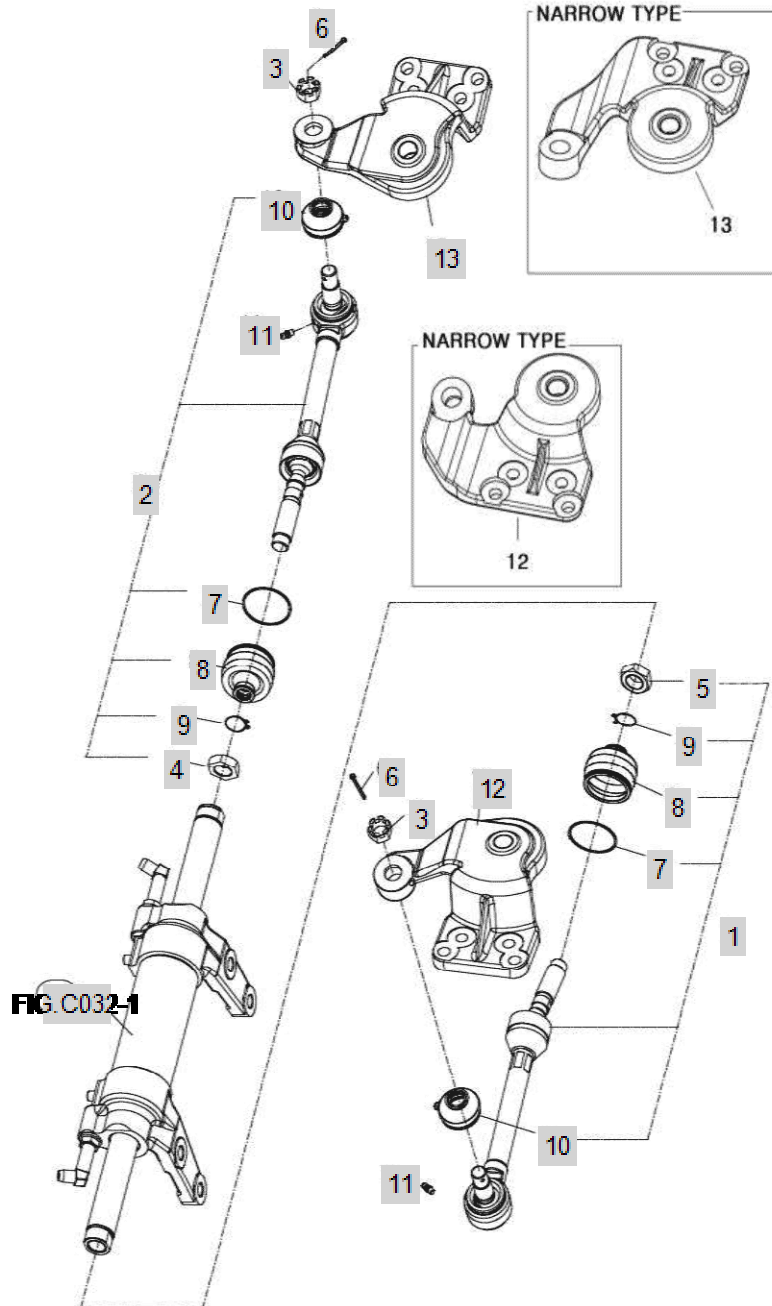




FIG C012

12. RING GEAR, DRIVEN GEAR

Year/Month

3515R

2020/01

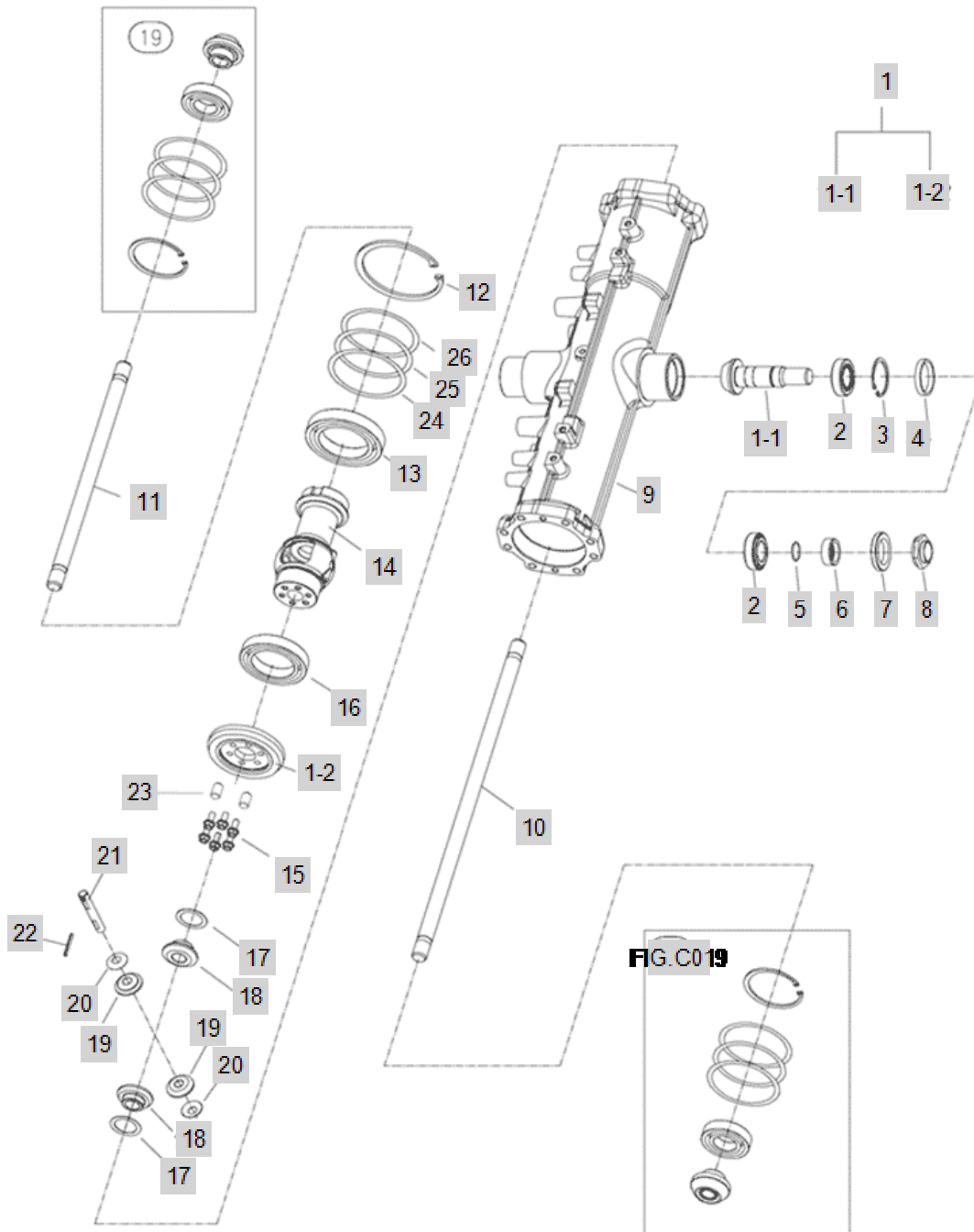






FIG C019-1

19. GEAR CASE, FRONT AXLE

Year/Month

3515R

2020/01

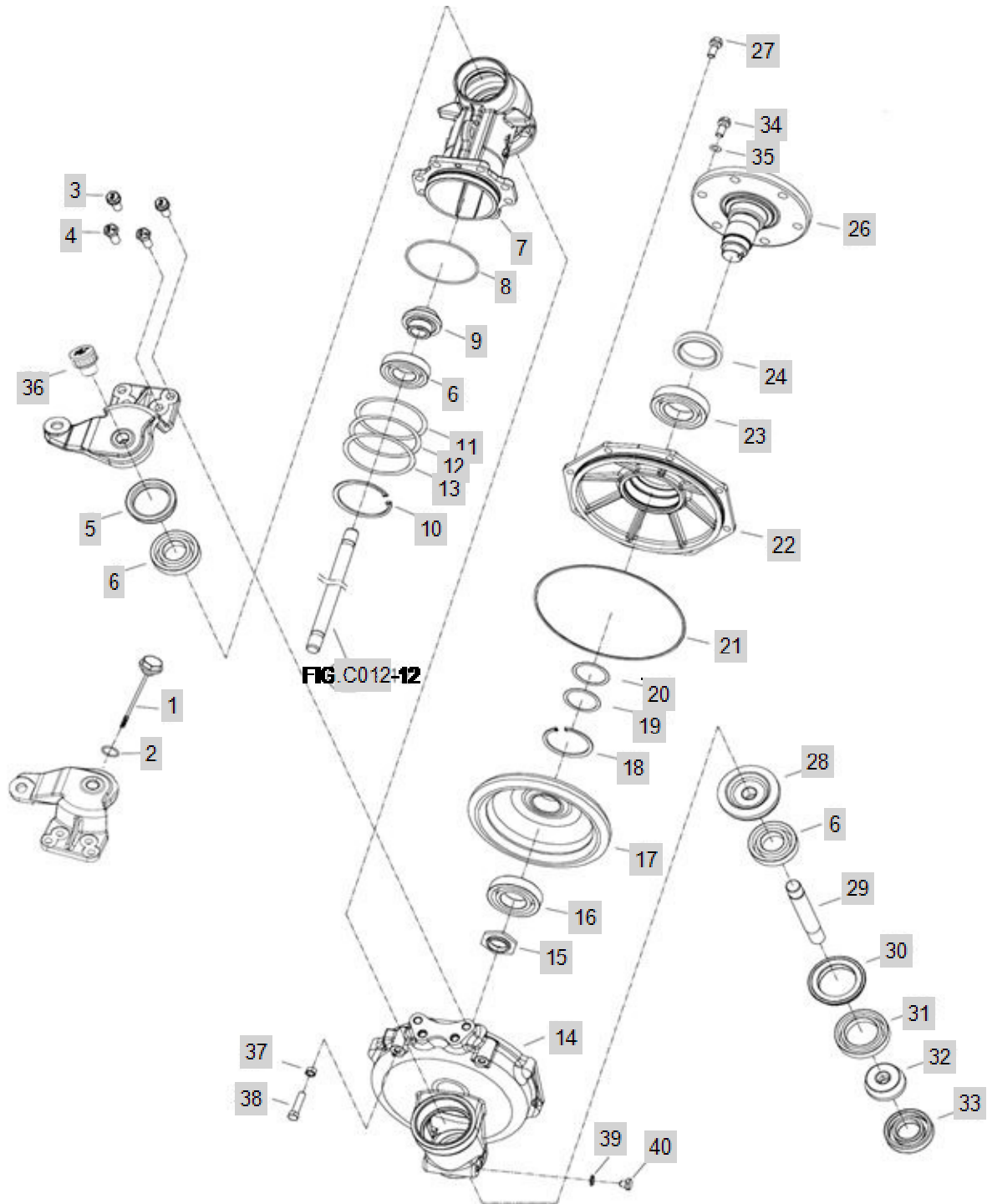


FIG C019-1		19. GEAR CASE, FRONT AXLE			Year/Month
3515R					2020/01
KeyNo.	Part Number	Part Name	Quantity	Other	
1	TA00033805A	OIL GUAGE	1		
2	24311-000180	O-RING, DYNAMIC (Φ18)	2		
3	TA00033468B	BOLT W/ WASHER	4		
4	TA00033475A	RIMER BOLT	4		
5	FE78010000B	OIL SEAL (55X72X13.5)	2		
6	24101-062074	BALL BEARING (#6207)	6		
7	TA00033457C	CASE, FRONT GEAR	2		
8	24321-001050	O-RING	2		
9	TA00033461A	PINION, FRONT 1ST SHAFT	2		
10	22252-000720	RING, CIRCLIP (Φ 72)	2		
11	TA00033489A	SHIM 0.2T	2		
12	TA00033488A	SHIM 0.3T	2		
13	TA00033487A	SHIM 0.5T	2		
14	TA00033458B	GEAR BOX, FRONT	2		
15	TA00033481A	LOCK NUT	2		
16	24101-062084	Bearing, Ball (#6208)	2		
17	TA00033474A	GEAR, BEVEL 49T	2		
18	22252-000850	RING, CIRCLIP (Φ 85)	2		
19	TA00033486A	SHIM 0.2T	1		
20	TA00033485A	SHIM 0.5T	1		
21	TA00033939A	O RING	2		
22	TA00033459B	BEARING CASE, FRONT	1		
23	24101-062094	BALL BEARING (#6209)	2		
24	TA00041359A	OILSEAL	2		
24-1	TA00041352A	OILSEAL (AO26 TYPE)	2		
26	TA00033460A	SPINDLE, FRONT	2		
27	TA00033469A	BOLT W/ WASHER	16		
28	TA00033463A	FRONT 2ND AXLE LH	2		
29	TA00033464A	FRONT 2ND SHAFT	2		
30	TC60110000A3	SEAL	2		
31	24101-060104	Bearing, Ball (#6010)	2		
32	TA00033473A	GEAR, BEVEL 11T	2		
33	TC60340000A4	BEARING(TM207C3)	2		
34	TD23120000A4	BOLT	12		
35	TB29430000A4	WASHER	12		
36	TC60790000B	CAP ASS'Y,OIL	1		
37	26716-100001	NUT	1		
38	26116-100452	BOLT	1		
39	22190-100000	WASHER	2		
40	23887-100002	SCREW,HEXAGONHEADCAP	2		
FIG.C012-12	C012		1		

FIG C019-2

19. GEAR CASE, FRONT AXLE(2018.01)

Year/Month

3515R

2020/01

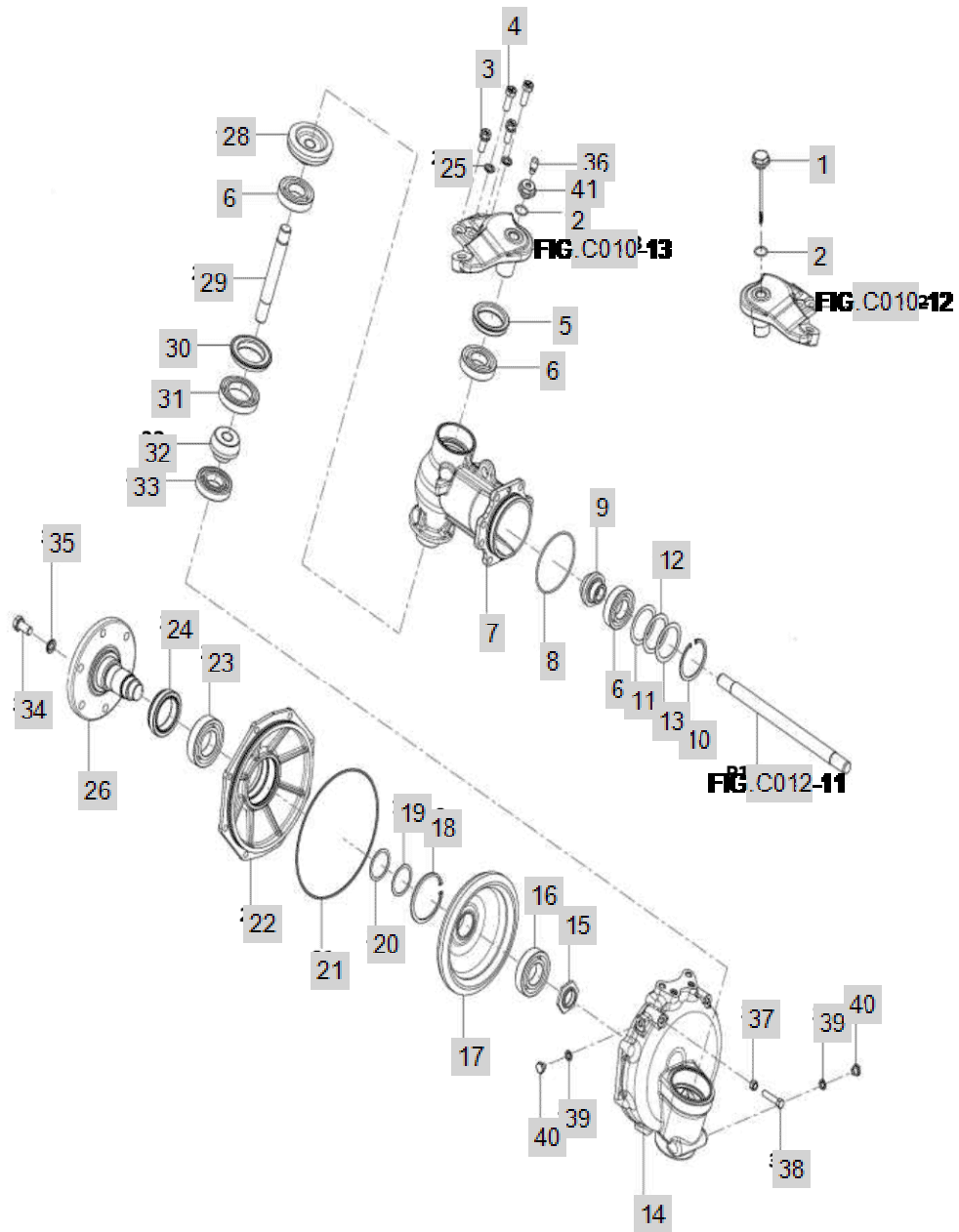


FIG C019-2		19. GEAR CASE, FRONT AXLE(2018.01)			Year/Month
3515R					2020/01
KeyNo.	Part Number	Part Name	Quantity	Other	
1	TA00033805A	OIL GUAGE	1		
2	24311-000220	O-RING, DYNAMIC (Φ22)	2		
3	TA00033468B	BOLT W/ WASHER	4		
4	TA00033475A	RIMER BOLT	4		
5	FE78010000B	OIL SEAL (55X72X13.5)	2		
6	24101-062074	BALL BEARING (#6207)	6		
7	TA00033457C	CASE, FRONT GEAR	2		
8	24321-001050	O-RING	2		
9	TA00033461A	PINION, FRONT 1ST SHAFT	2		
10	22252-000720	RING, CIRCLIP (Φ 72)	2		
11	TA00033489A	SHIM 0.2T	2		
12	TA00033488A	SHIM 0.3T	2		
13	TA00033487A	SHIM 0.5T	2		
14	TA00033458B	GEAR BOX, FRONT	2		
15	TA00033481A	LOCK NUT	2		
16	24101-062084	Bearing, Ball (#6208)	2		
17	TA00033474A	GEAR, BEVEL 49T	2		
18	22252-000850	RING, CIRCLIP (Φ 85)	2		
19	TA00033486A	SHIM 0.2T	1		
20	TA00033485A	SHIM 0.5T	1		
21	TA00033939A	O RING	2		
22	TA00033459B	BEARING CASE, FRONT	1		
23	24101-062094	BALL BEARING (#6209)	2		
24	TA00041359A	OILSEAL	2		
24-1	TA00041352A	OILSEAL (AO26 TYPE)	2		
25	22217-120000	WASHER, SPRING (Φ 12)	2		
26	TA00033460A	SPINDLE, FRONT	2		
27	TA00033469A	BOLT W/ WASHER	16		
28	TA00033463A	FRONT 2ND AXLE LH	2		
29	TA00033464A	FRONT 2ND SHAFT	2		
30	TC60110000A3	SEAL	2		
31	24101-060104	Bearing, Ball (#6010)	2		
32	TA00033473A	GEAR, BEVEL 11T	2		
33	TC60340000A4	BEARING(TM207C3)	2		
34	TD23120000A4	BOLT	12		
35	22217-140000	WASHER, SPRING (Φ 14)	12		
36	TA00049842A	AIR BREATHER	1		
37	26716-100001	NUT	2		
38	26112-100452	BOLT	2		
39	22190-100000	WASHER	4		
40	23887-100002	SCREW,HEXAGONHEADCAP	4		
41	TA00049843A	ADAPHTER	1		
FIG.C010-12	C010		1		
FIG.C010-13	C010		1		
FIG.C012-11	C012		1		

FIG C019-2

19. GEAR CASE, FRONT AXLE(2018.01)

Year/Month

3515R

2020/01

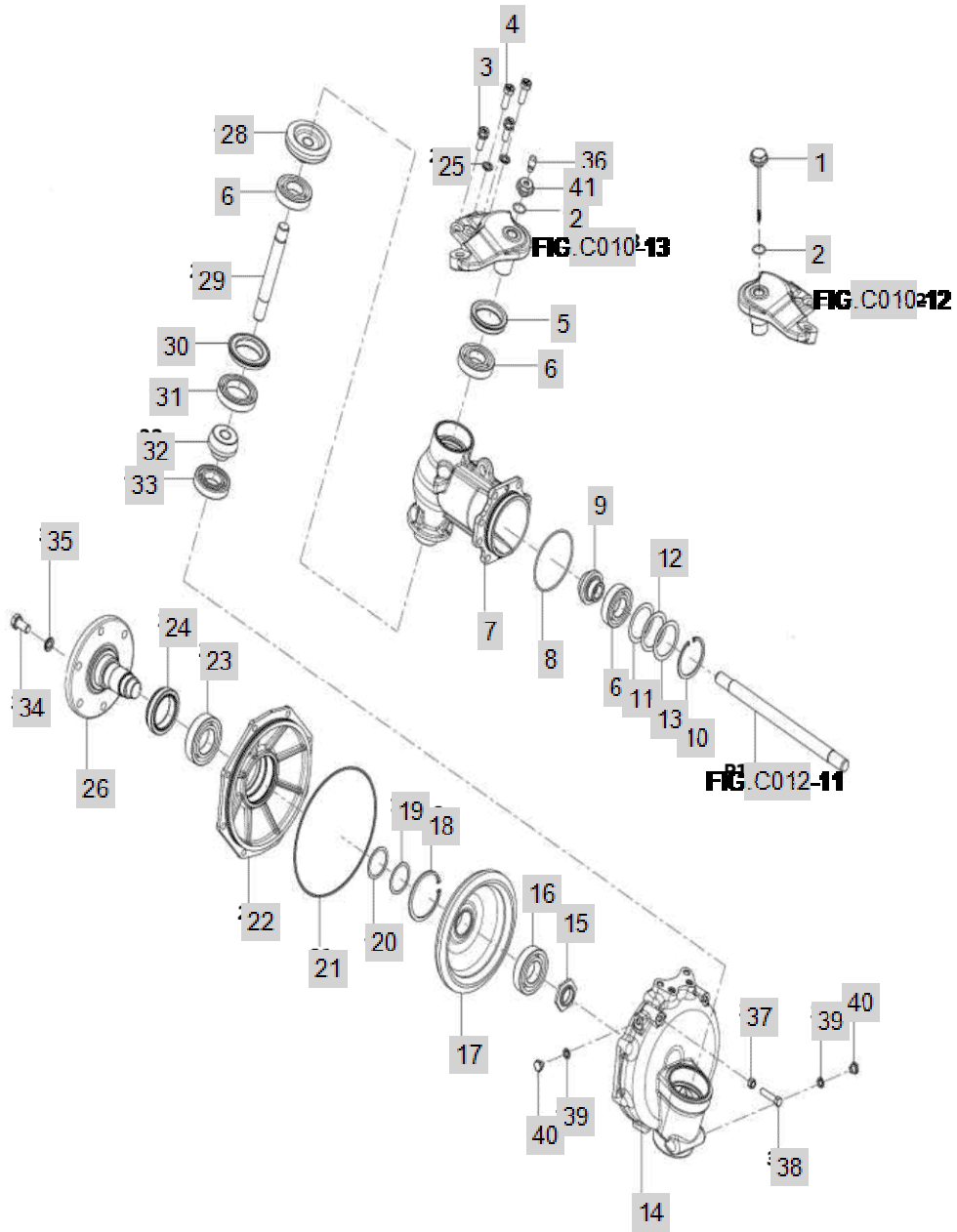


FIG C019-2		19. GEAR CASE, FRONT AXLE(2018.01)			Year/Month
3515R					2020/01
KeyNo.	Part Number	Part Name	Quantity	Other	
1	TA00033805A	OIL GUAGE	1		
2	24311-000220	O-RING, DYNAMIC (Φ22)	2		
3	TA00033468B	BOLT W/ WASHER	4		
4	TA00033475A	RIMER BOLT	4		
5	FE78010000B	OIL SEAL (55X72X13.5)	2		
6	24101-062074	BALL BEARING (#6207)	6		
7	TA00033457C	CASE, FRONT GEAR	2		
8	24321-001050	O-RING	2		
9	TA00033461A	PINION, FRONT 1ST SHAFT	2		
10	22252-000720	RING, CIRCLIP (Φ 72)	2		
11	TA00033489A	SHIM 0.2T	2		
12	TA00033488A	SHIM 0.3T	2		
13	TA00033487A	SHIM 0.5T	2		
14	TA00033458B	GEAR BOX, FRONT	2		
15	TA00033481A	LOCK NUT	2		
16	24101-062084	Bearing, Ball (#6208)	2		
17	TA00033474A	GEAR, BEVEL 49T	2		
18	22252-000850	RING, CIRCLIP (Φ 85)	2		
19	TA00033486A	SHIM 0.2T	1		
20	TA00033485A	SHIM 0.5T	1		
21	TA00033939A	O RING	2		
22	TA00033459B	BEARING CASE, FRONT	1		
23	24101-062094	BALL BEARING (#6209)	2		
24	TA00041359A	OILSEAL	2		
24-1	TA00041352A	OILSEAL (AO26 TYPE)	2		
25	22217-120000	WASHER, SPRING (Φ 12)	2		
26	TA00033460A	SPINDLE, FRONT	2		
27	TA00033469A	BOLT W/ WASHER	16		
28	TA00033463A	FRONT 2ND AXLE LH	2		
29	TA00033464A	FRONT 2ND SHAFT	2		
30	TC60110000A3	SEAL	2		
31	24101-060104	Bearing, Ball (#6010)	2		
32	TA00033473A	GEAR, BEVEL 11T	2		
33	TC60340000A4	BEARING(TM207C3)	2		
34	TD23120000A4	BOLT	12		
35	22217-140000	WASHER, SPRING (Φ 14)	12		
36	TA00049842A	AIR BREATHER	1		
37	26716-100001	NUT	2		
38	26112-100452	BOLT	2		
39	22190-100000	WASHER	4		
40	23887-100002	SCREW,HEXAGONHEADCAP	4		
41	TA00049843A	ADAPHTER	1		
FIG.C010-12	C010		1		
FIG.C010-13	C010		1		
FIG.C012-11	C012		1		

FIG C020

20. SPACER

Year/Month

3515R

2020/01

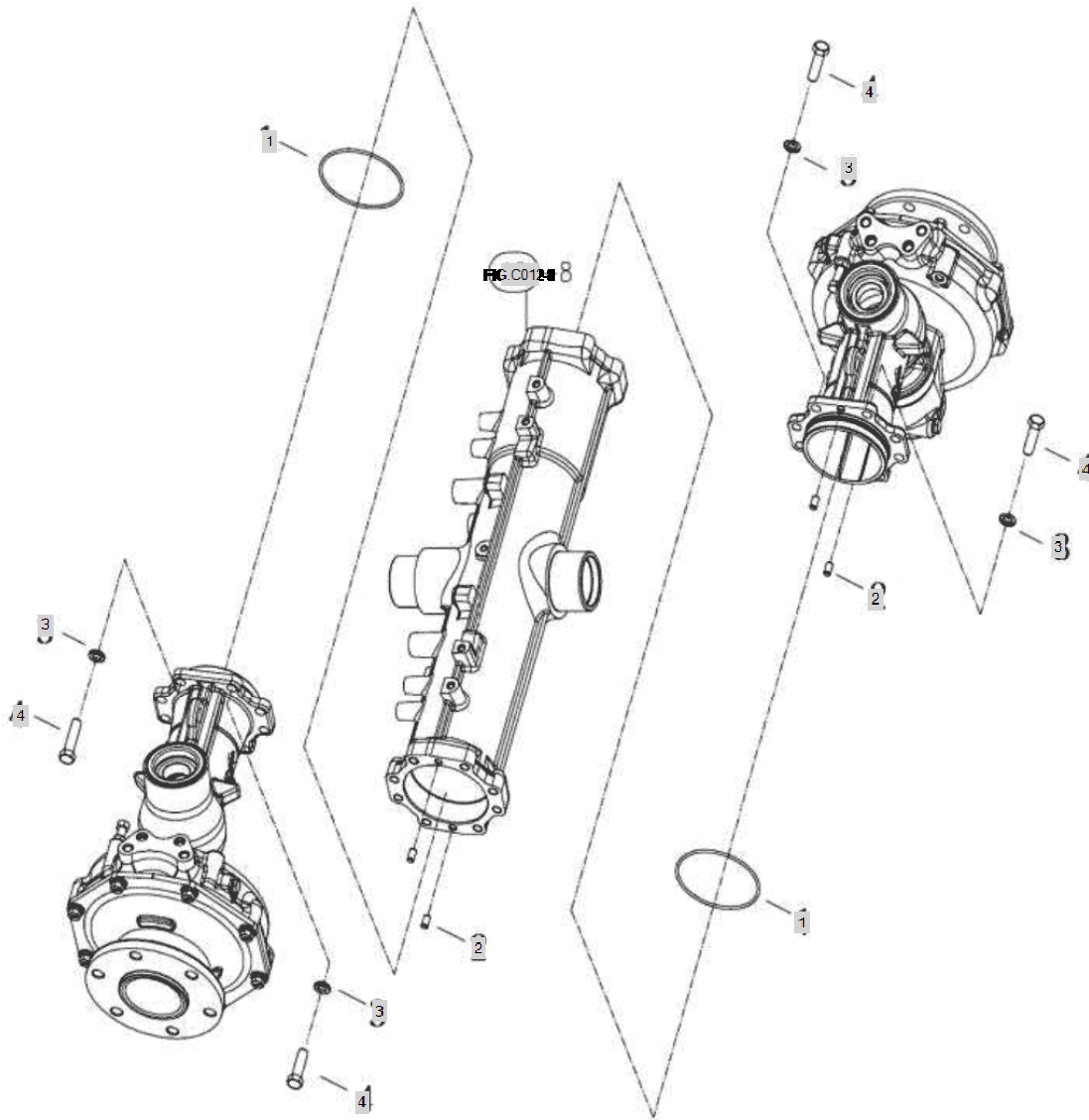






FIG C032

32. P.S.T CYLINDER

Year/Month

3515R

2020/01

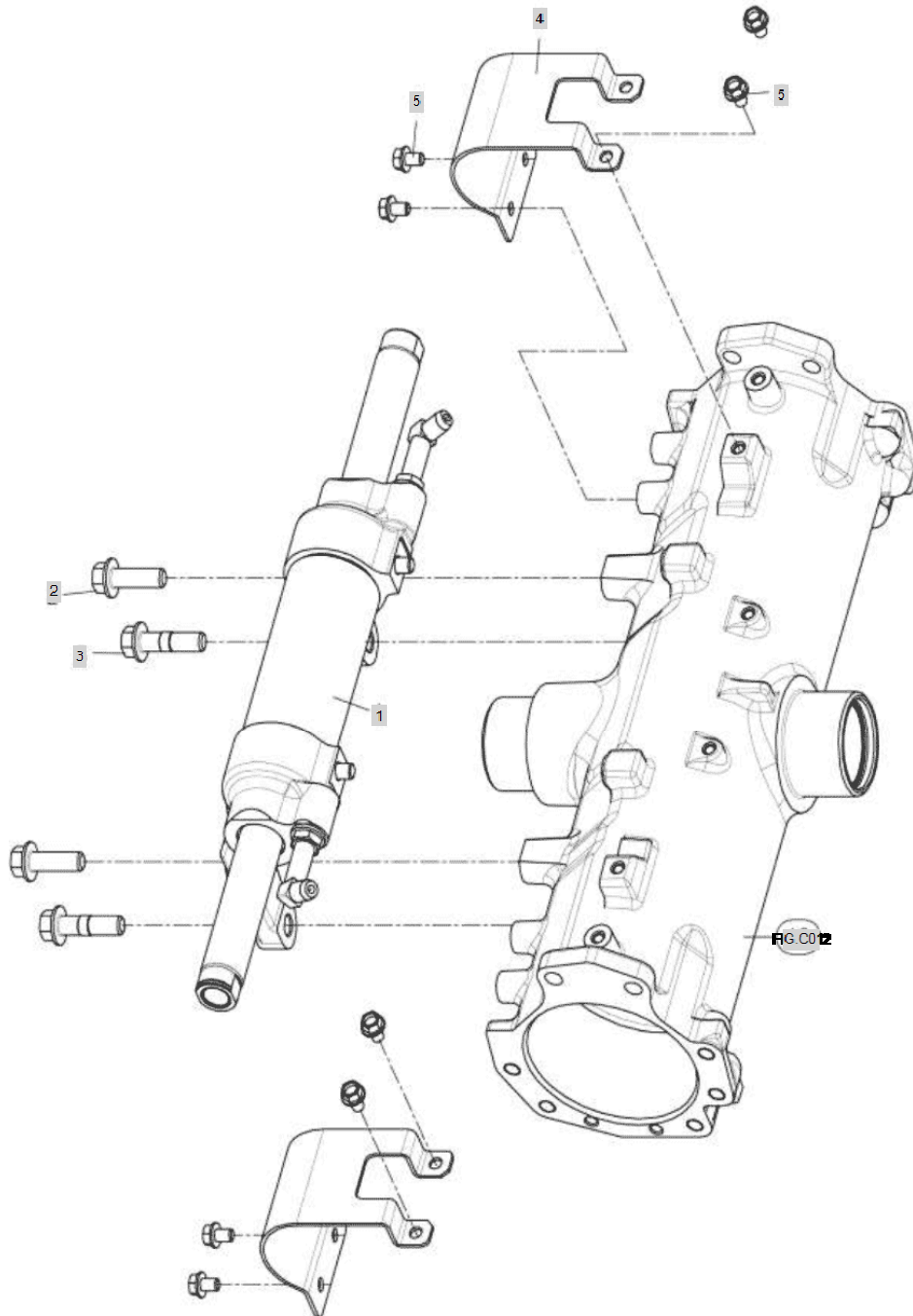




FIG C034

34. P.S.T HOSE

Year/Month

3515R

2020/01

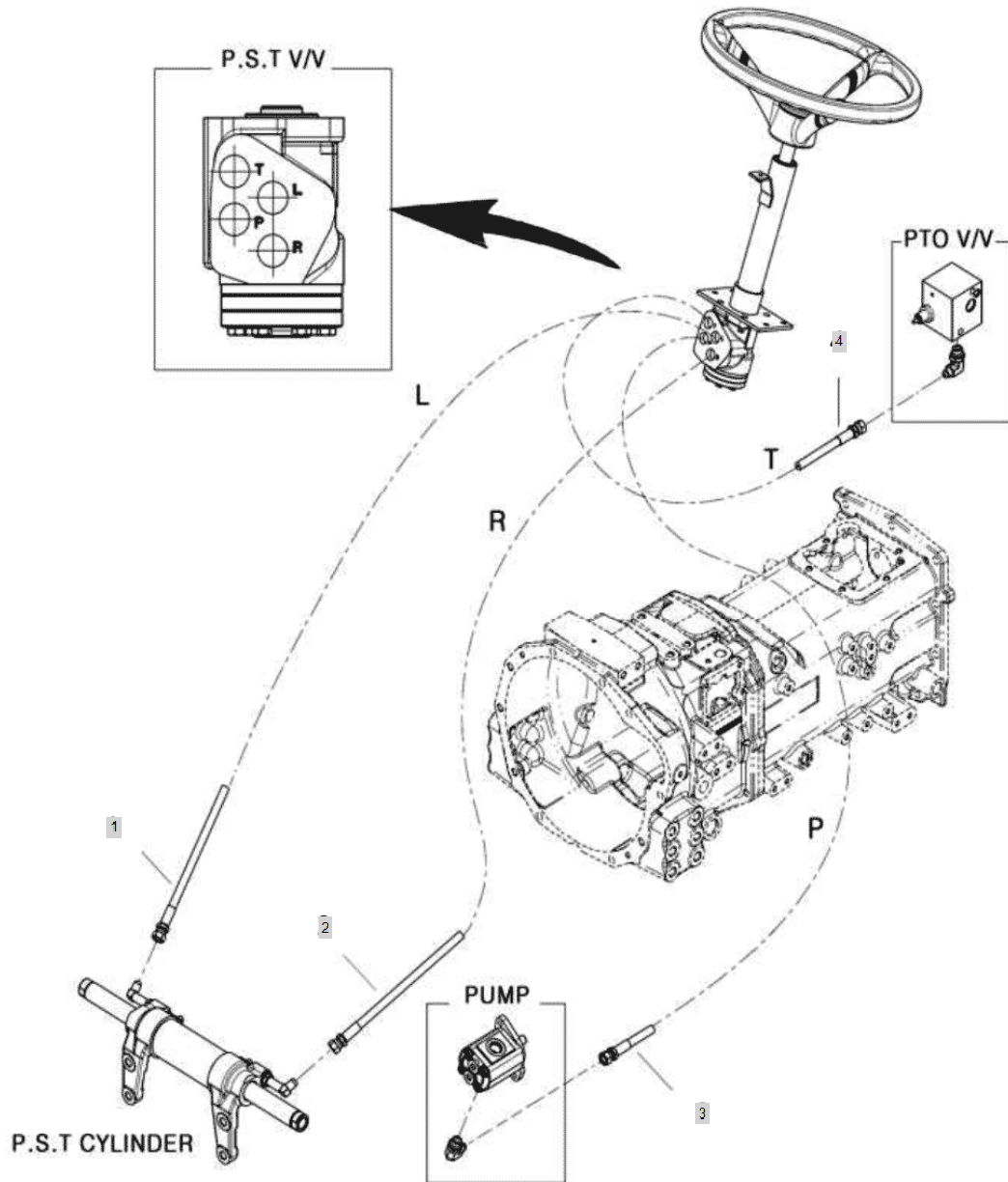




FIG C037A-1

37. CLUTCH HOUSING(2017.10)

Year/Month

3515R

2020/01

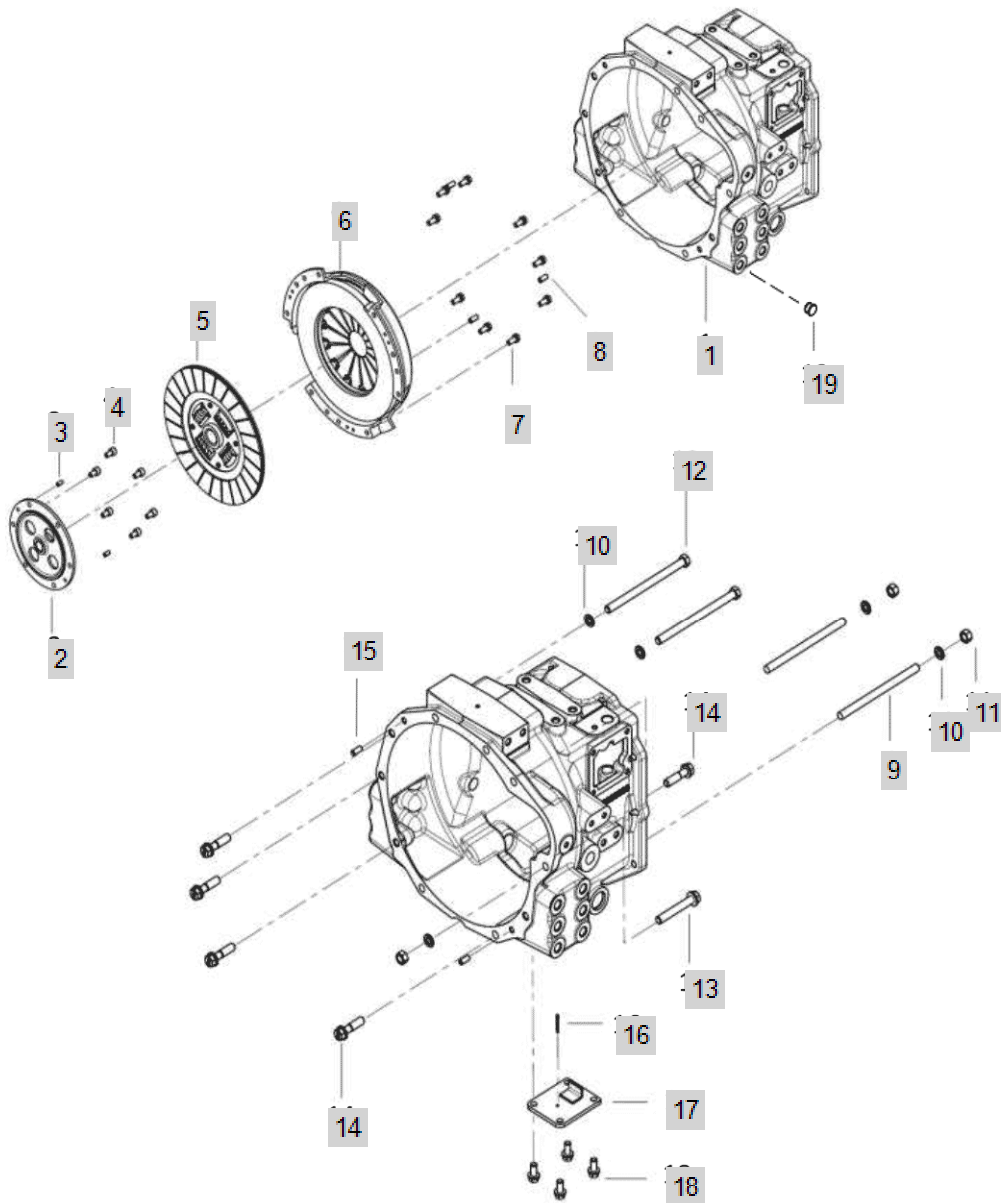




FIG C037A-2

37. CLUTCH HOUSING(2018.01)

Year/Month

3515R

2020/01

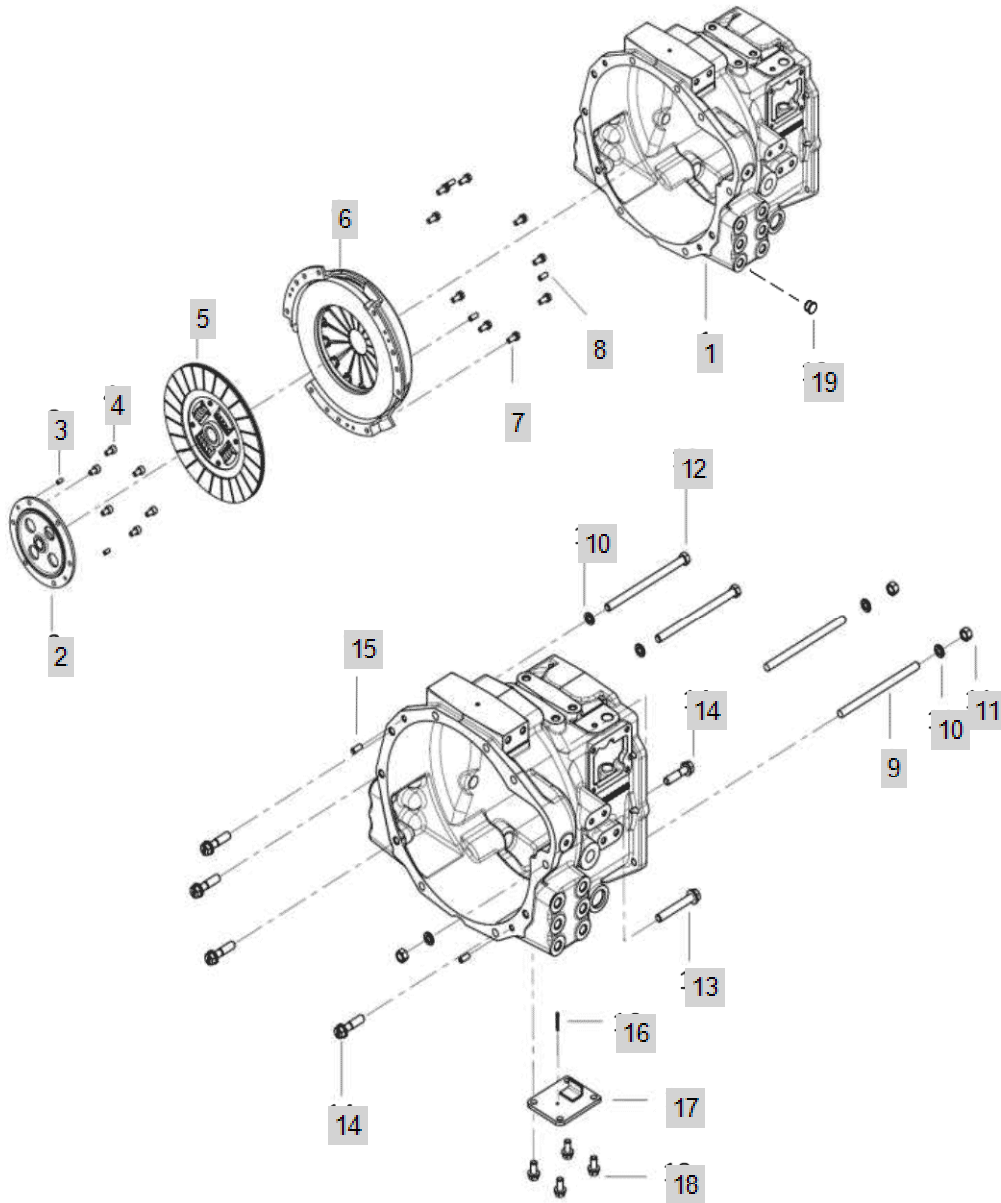






FIG C037A-3

37. CLUTCH HOUSING(2019.04)

Year/Month

3515R

2020/01

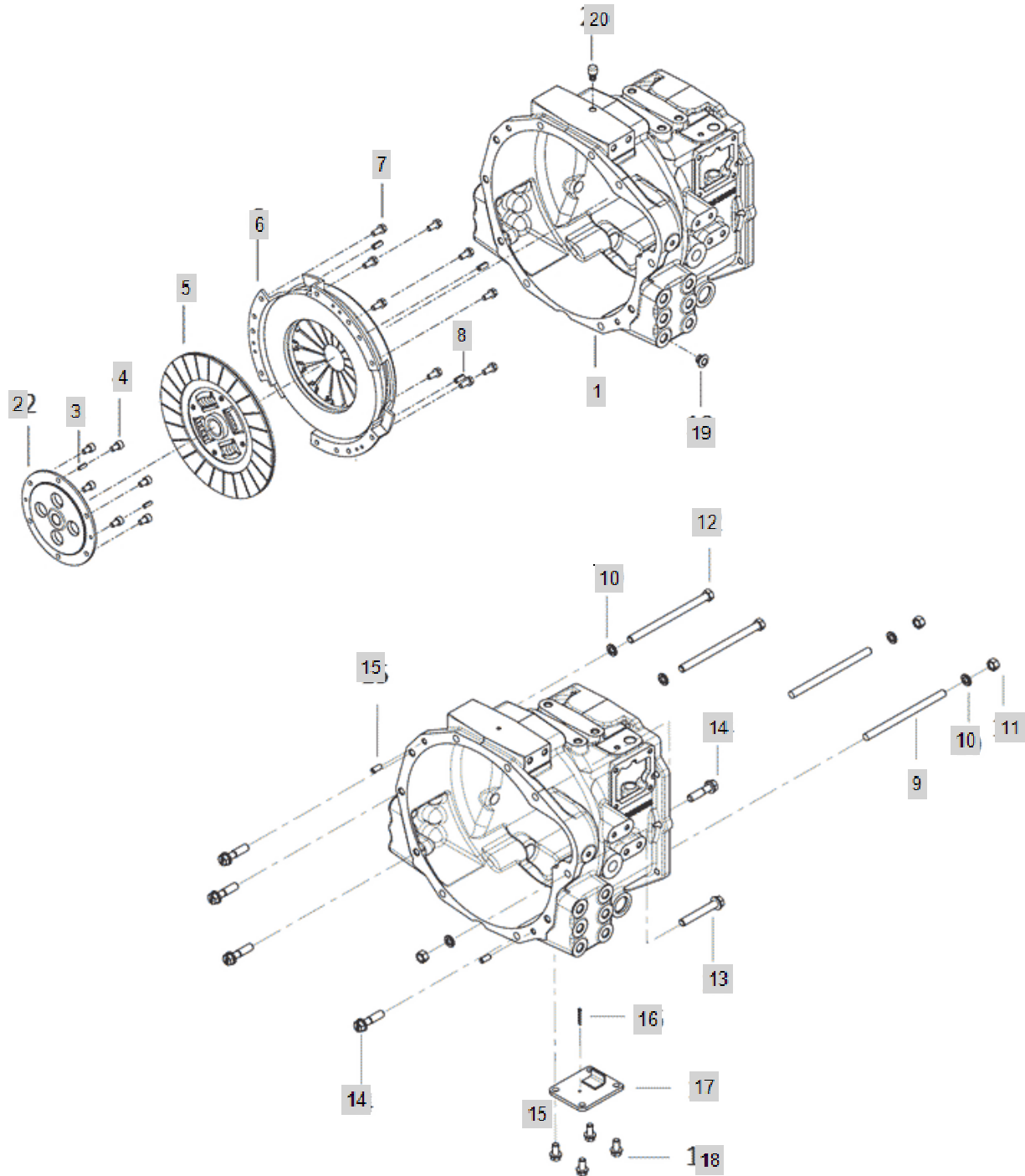




FIG C038A

38. SHAFT, F/R DRV

Year/Month

3515R

2020/01

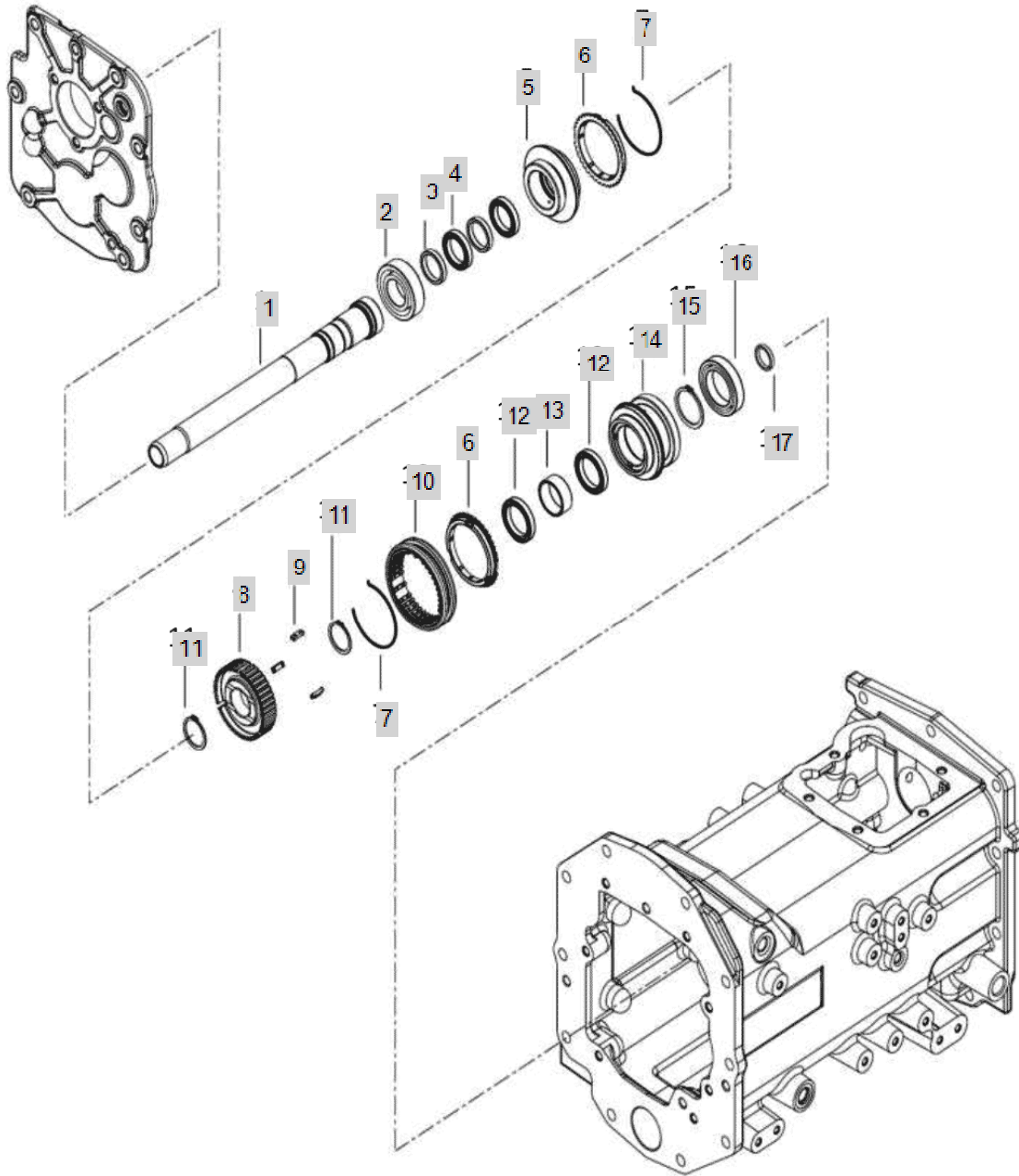




FIG C039

39. CLUTCH RELEASE

Year/Month

3515R

2020/01

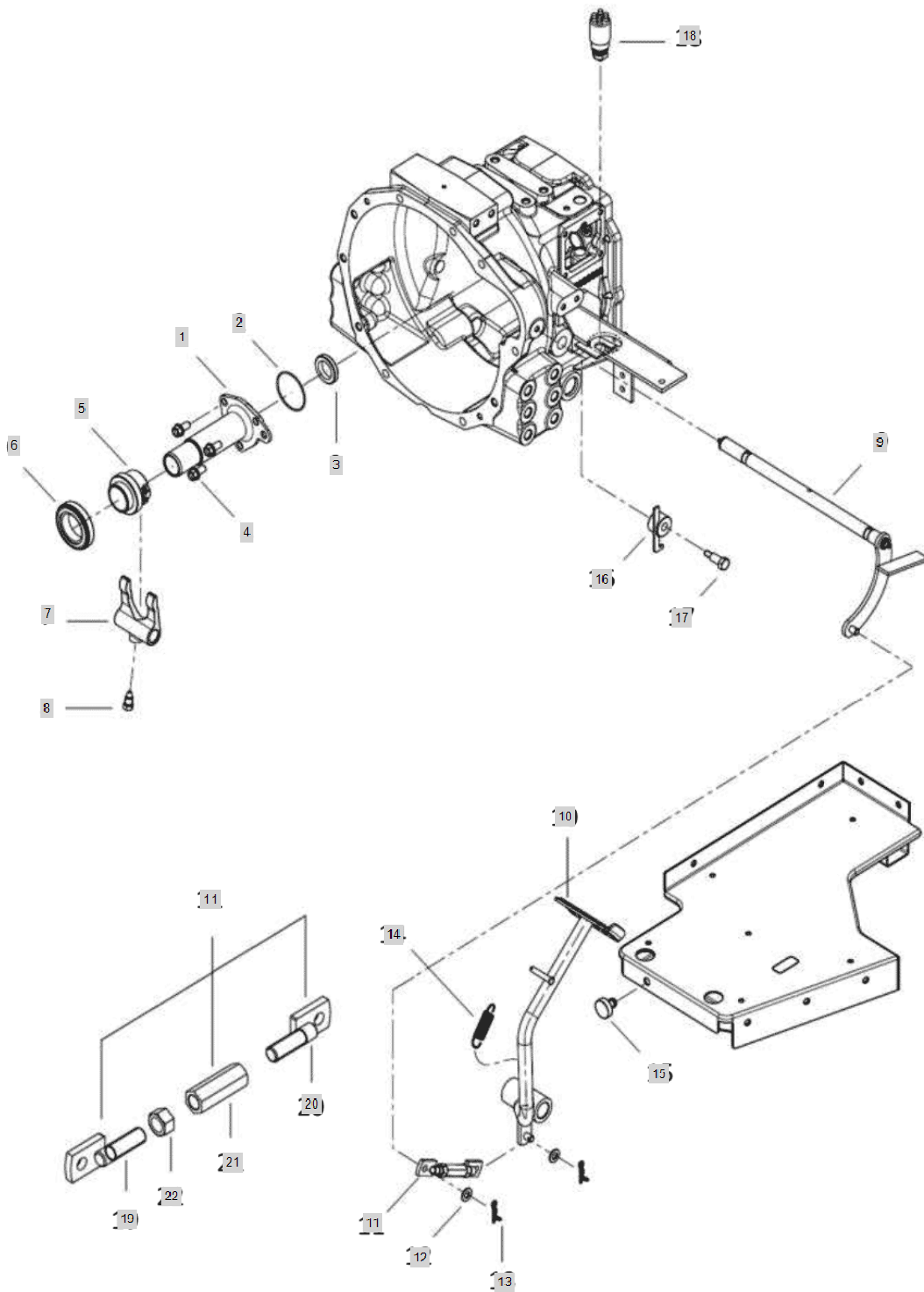




FIG C042A

42. GEAR, MAIN SHIFT

Year/Month

3515R

2020/01

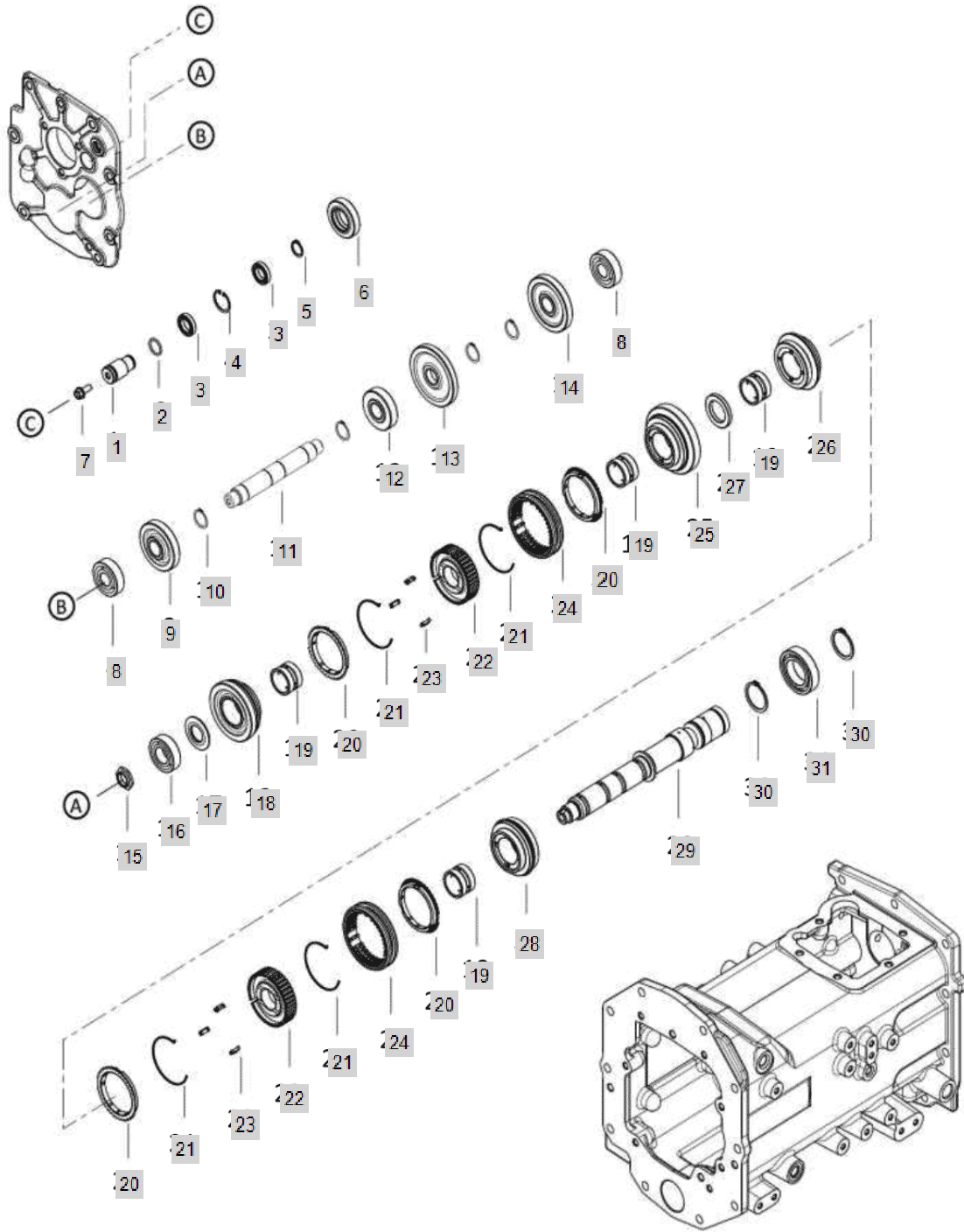






FIG C043-1

43. SHUTTLE ASS'Y

Year/Month

3515R

2020/01

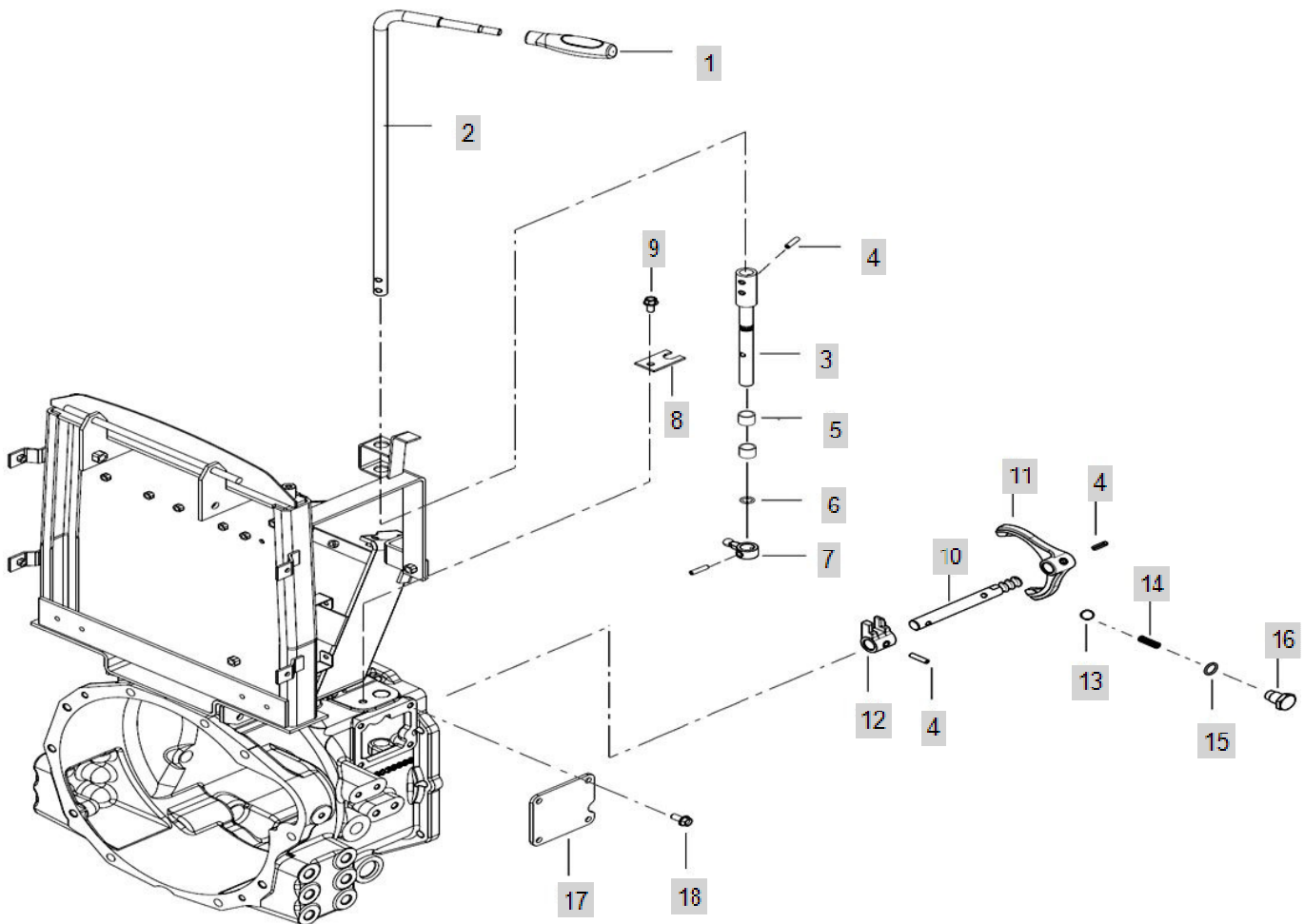




FIG C043-2

43. SHUTTLE ASS'Y

Year/Month

3515R

2020/01

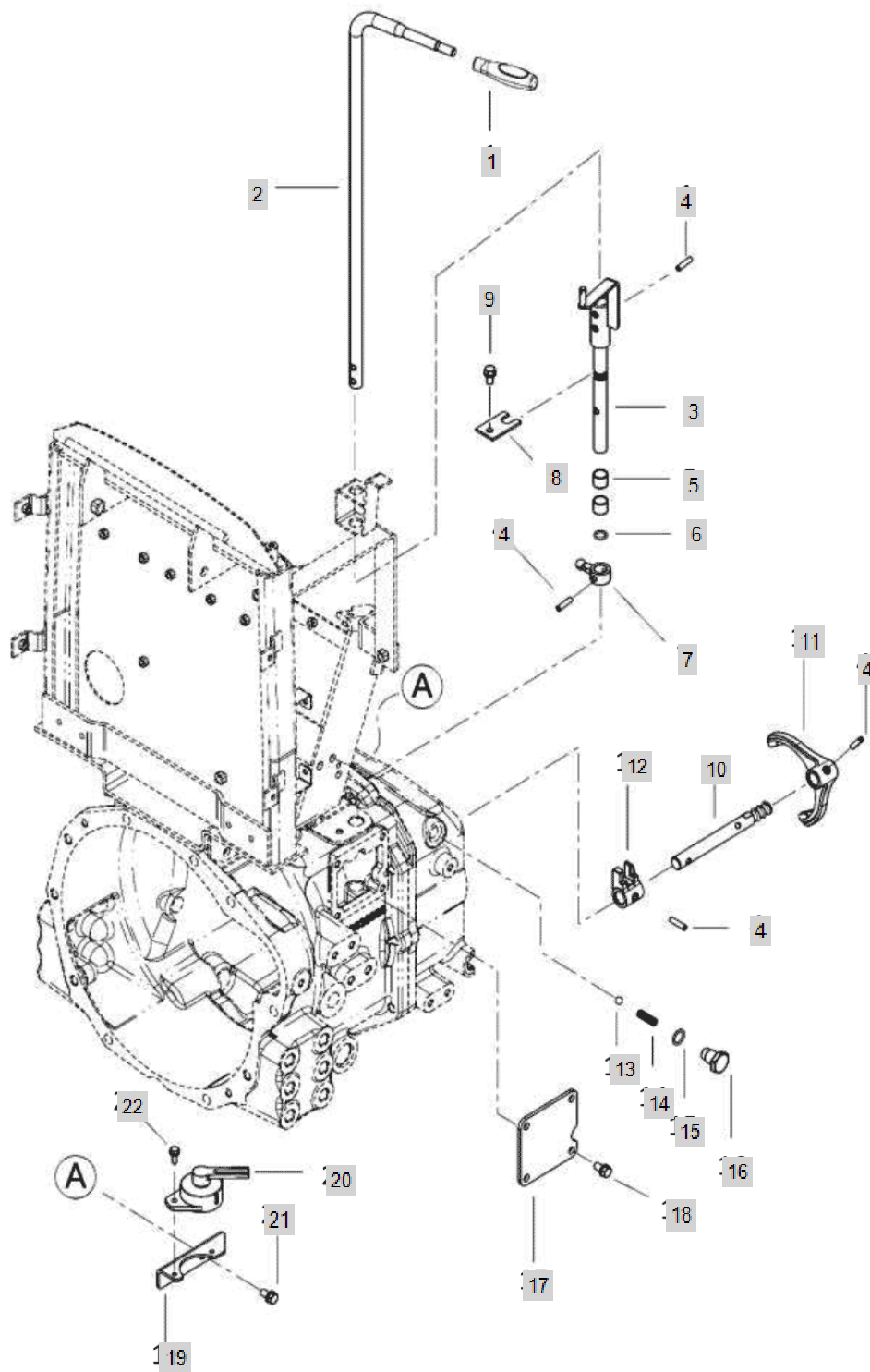




FIG C044-1

44. TRANSMISSION CASE

Year/Month

3515R

2020/01

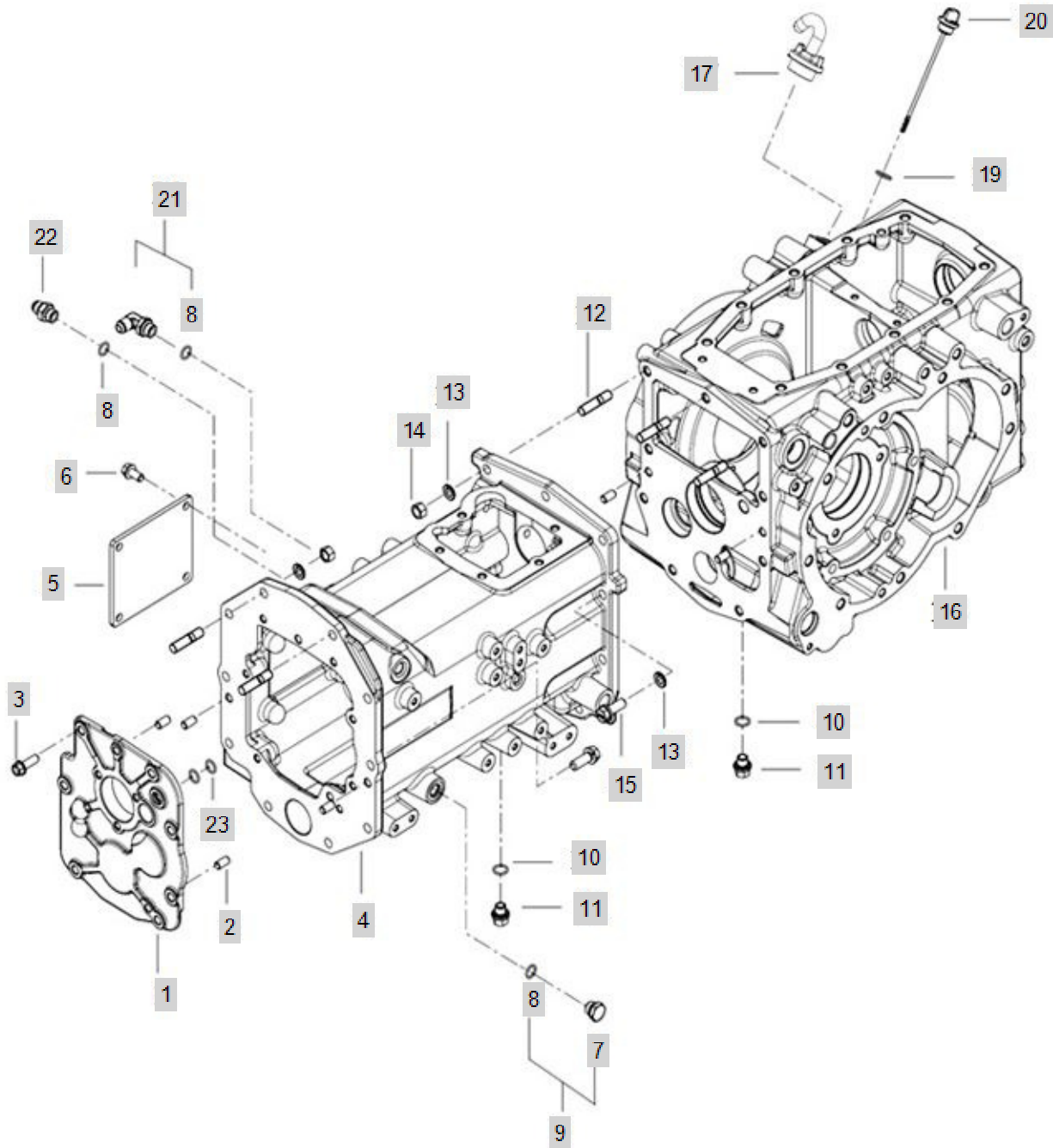




FIG C044-2

44. TRANSMISSION CASE(2018.02)

Year/Month

3515R

2020/01

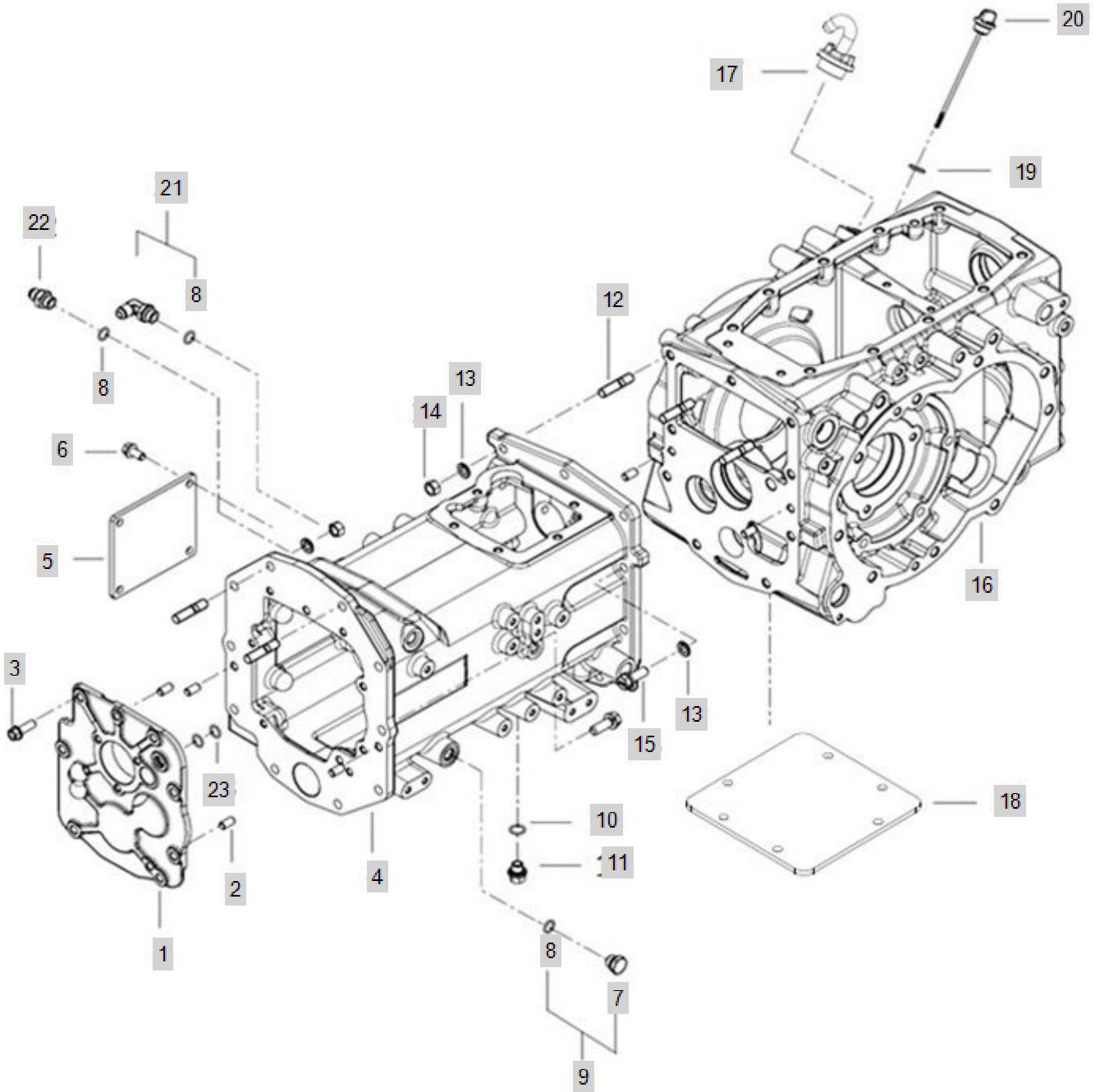






FIG C044-3

44. TRANSMISSION CASE(2019.01)

Year/Month

3515R

2020/01

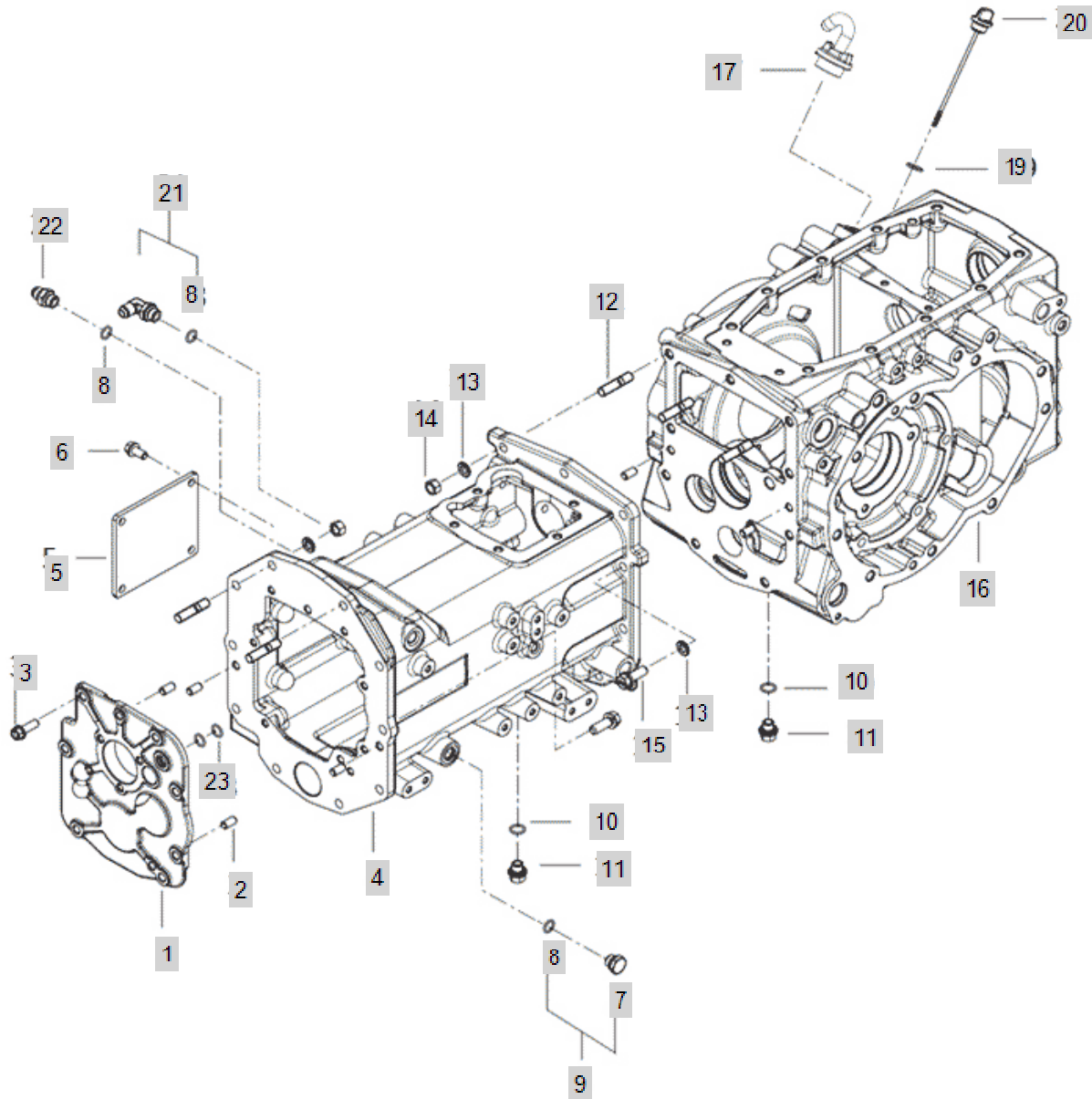




FIG C057A

3515R

57. GEAR, RANGE SHIFT

Year/Month

2020/01

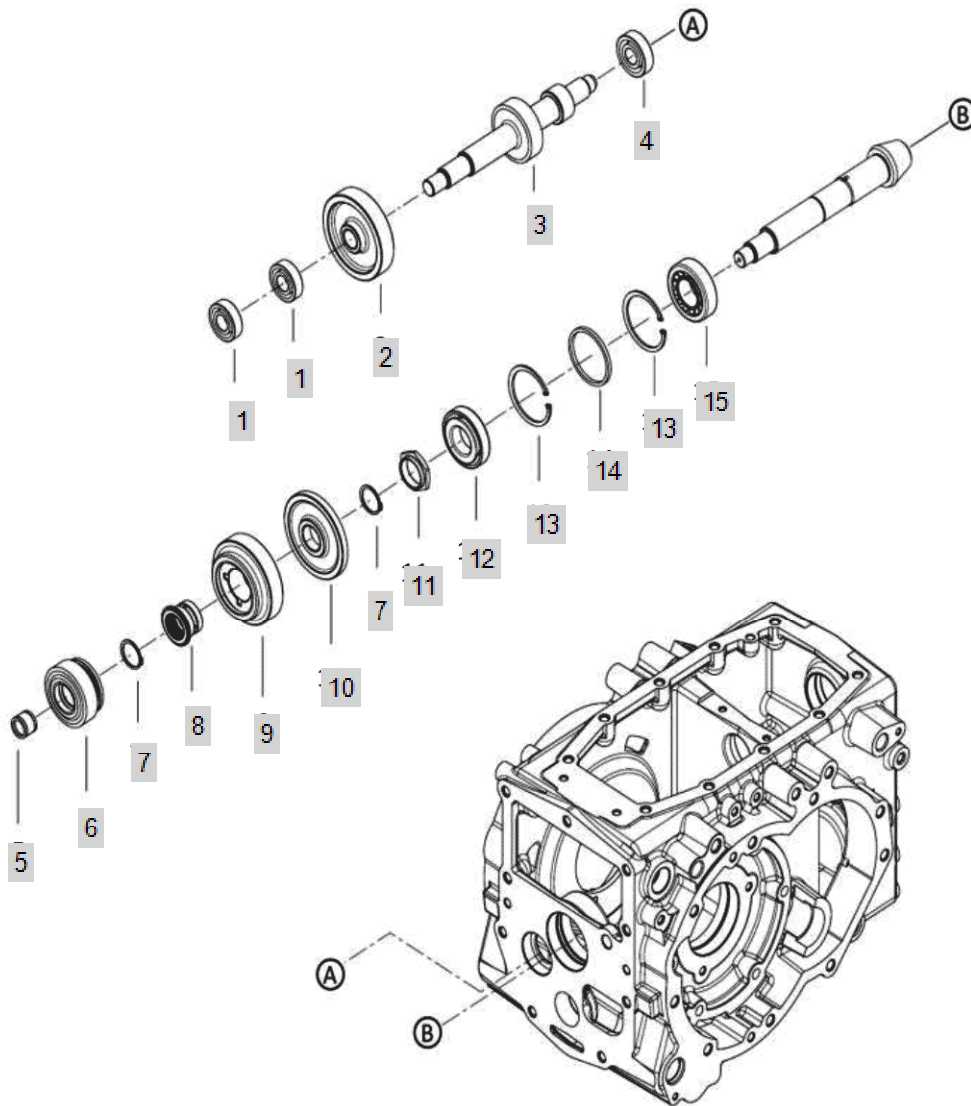




FIG C062

62. MAIN P.T.O SHAFT

Year/Month

3515R

2020/01

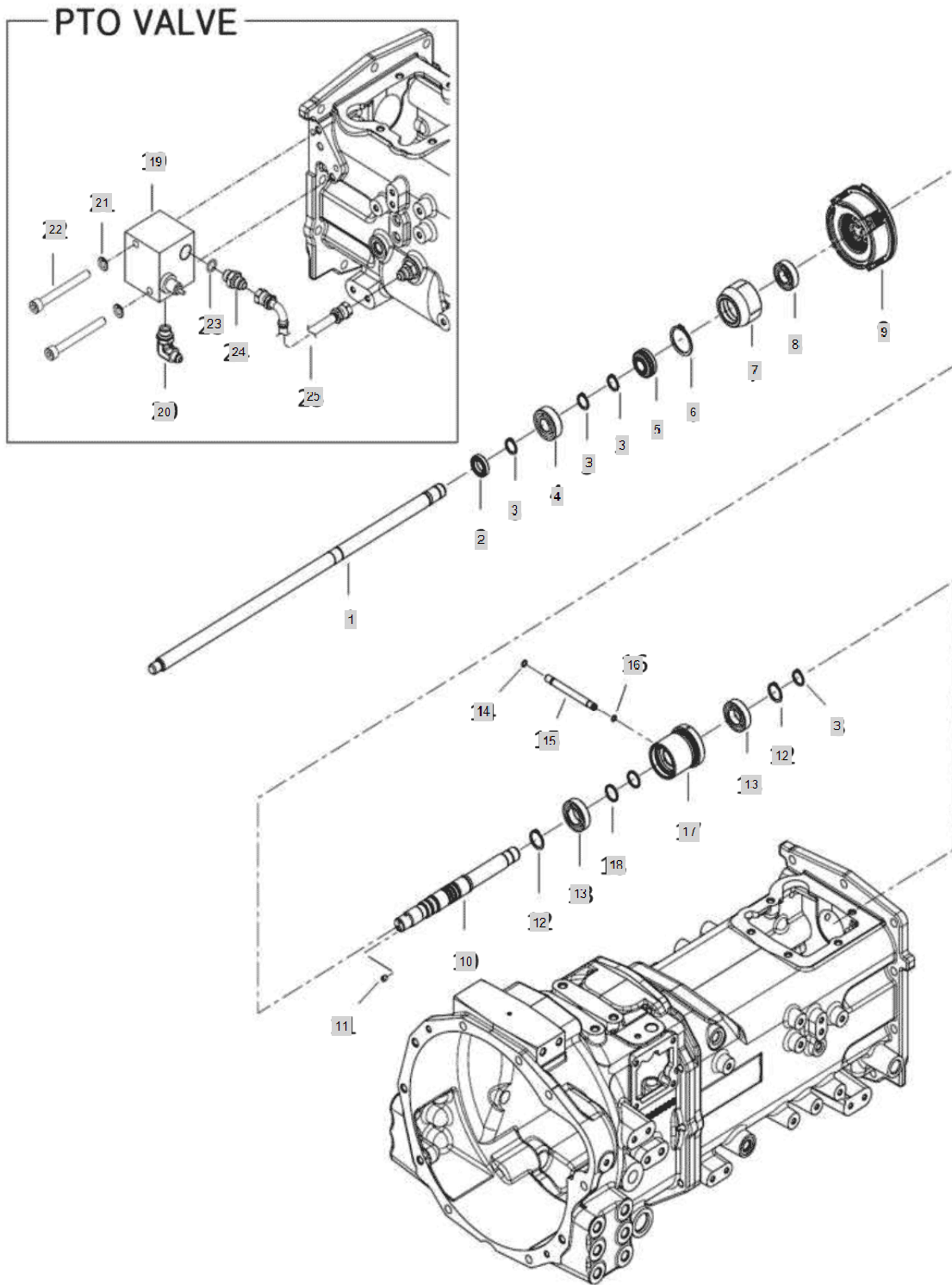




FIG C063-1

63. PTO DRIVE SHAFT

Year/Month

3515R

2020/01

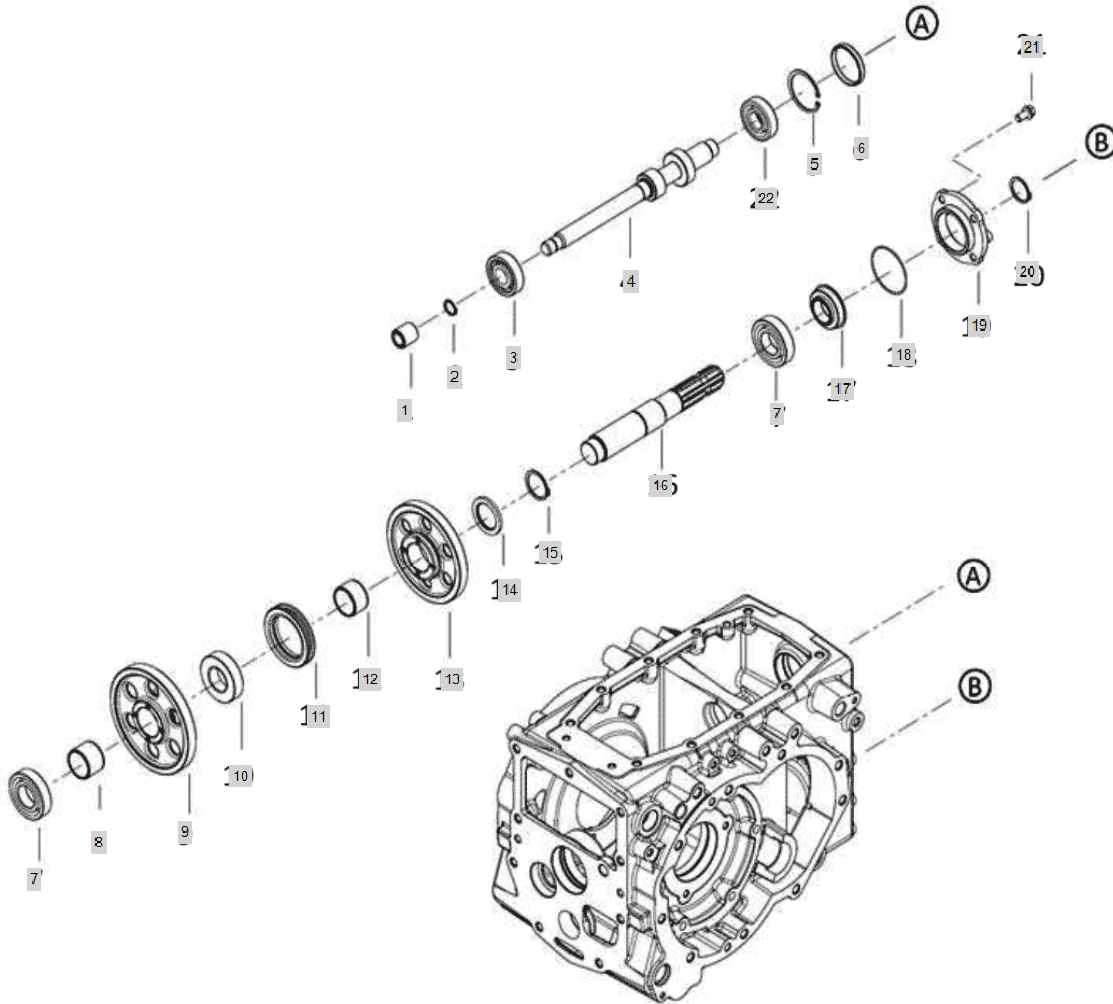






FIG C063B-2

63. PTO DRIVE SHAFT (2019.01)

Year/Month

3515R

2020/01

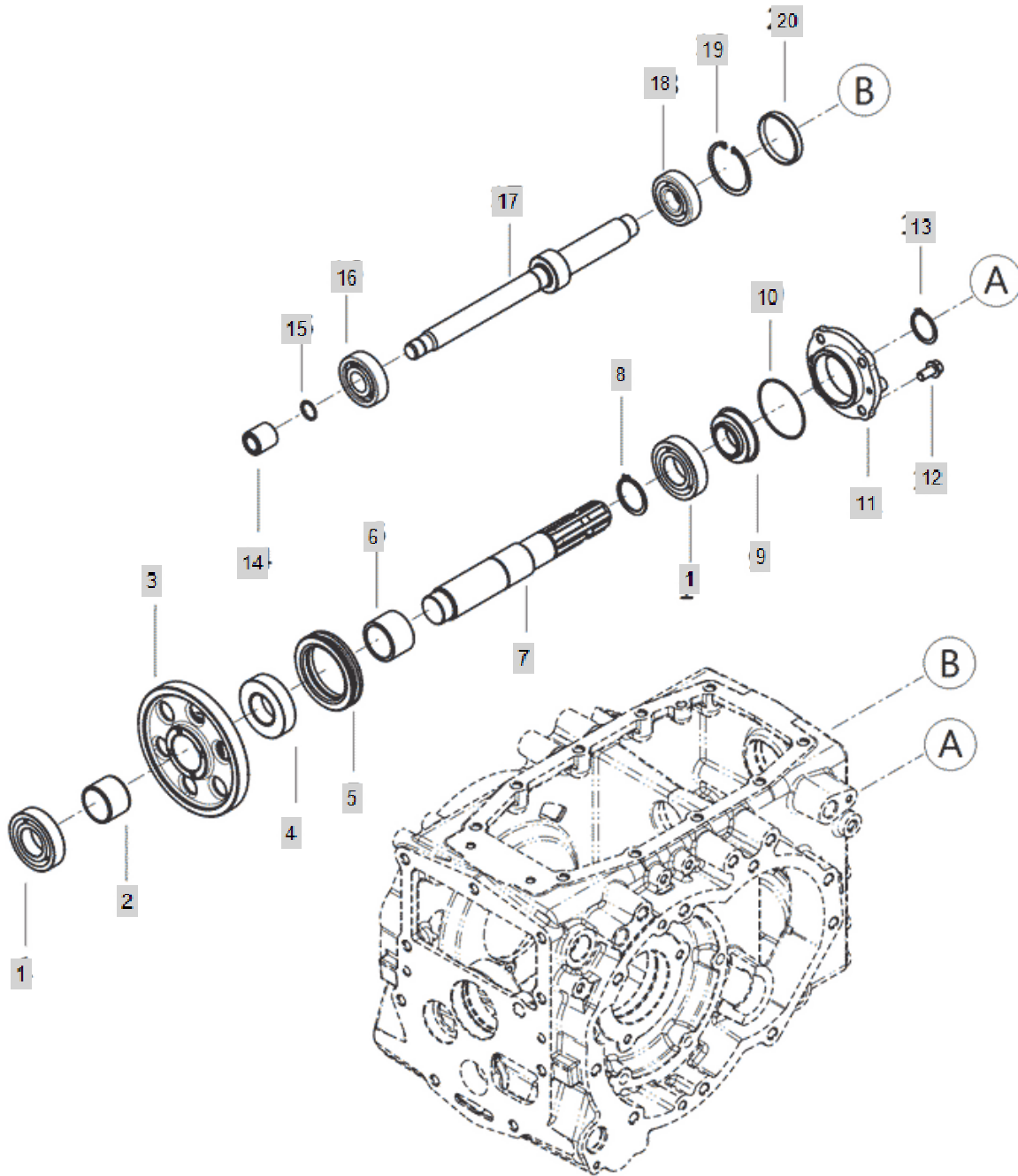




FIG C066-1

66. FORK, MAIN SHIFT

Year/Month

3515R

2020/01

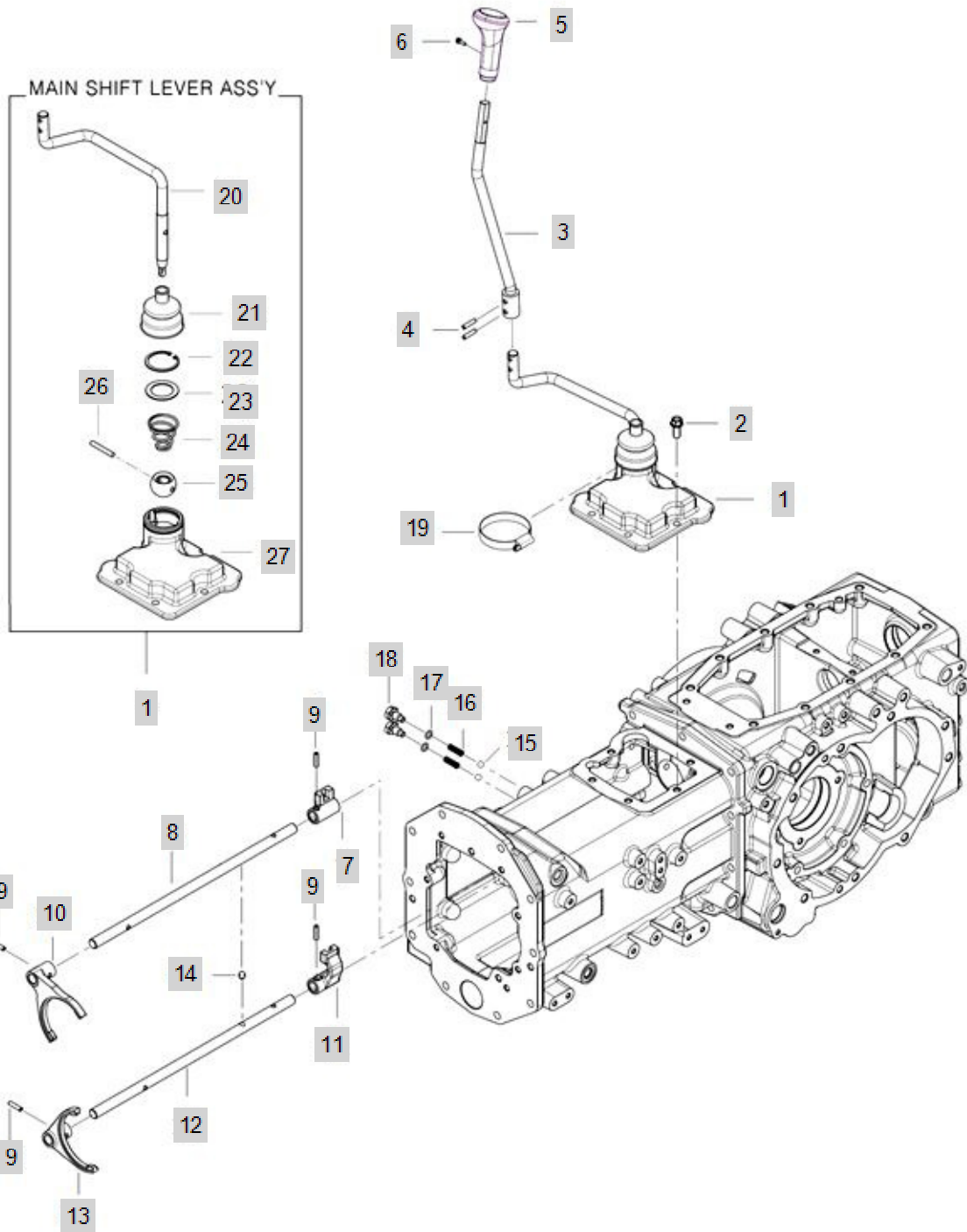




FIG C066-2

66. FORK, MAIN SHIFT

Year/Month

3515R

2020/01

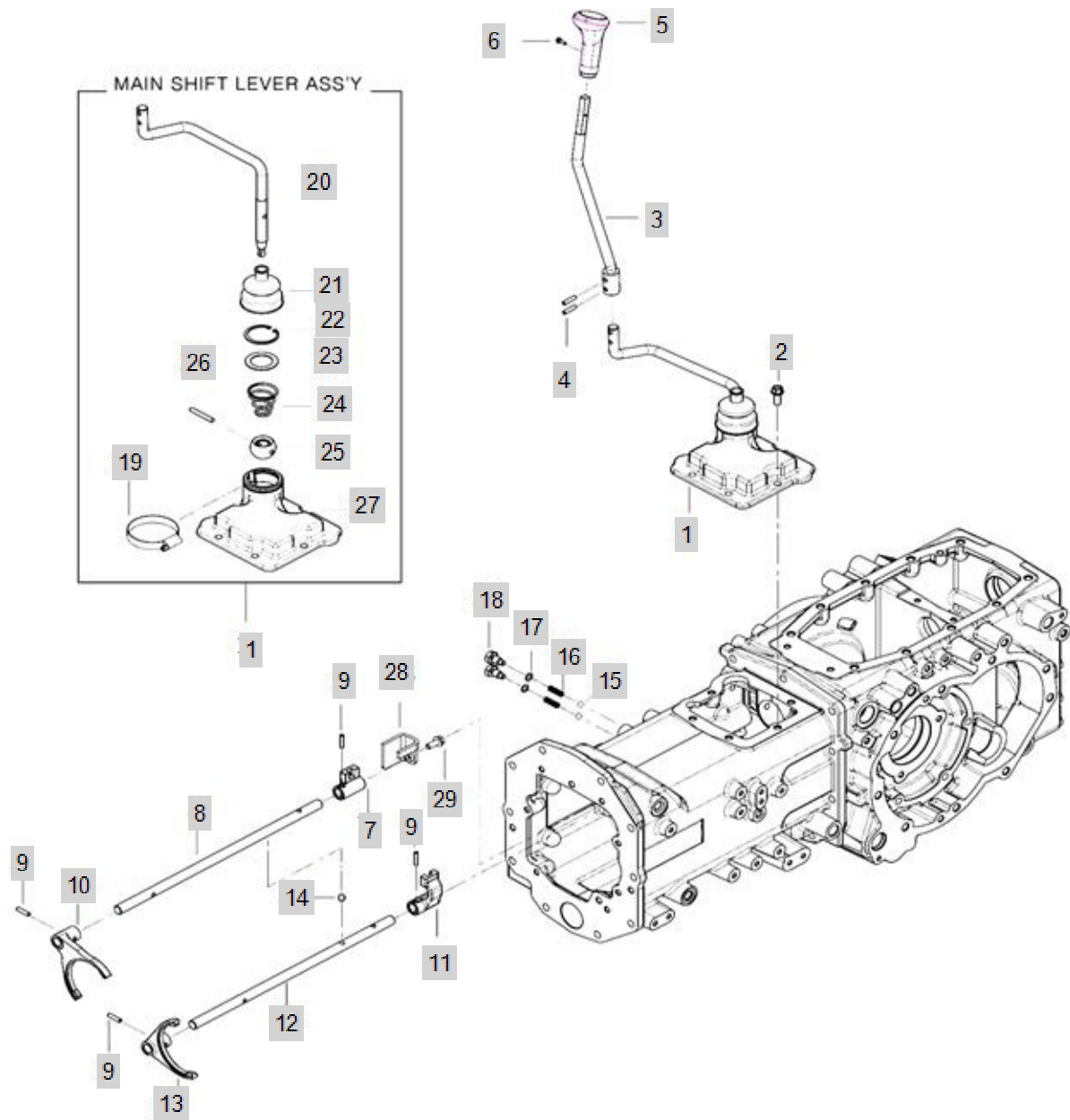




FIG C066-3

66. FORK, MAIN SHIFT

Year/Month

3515R

2020/01

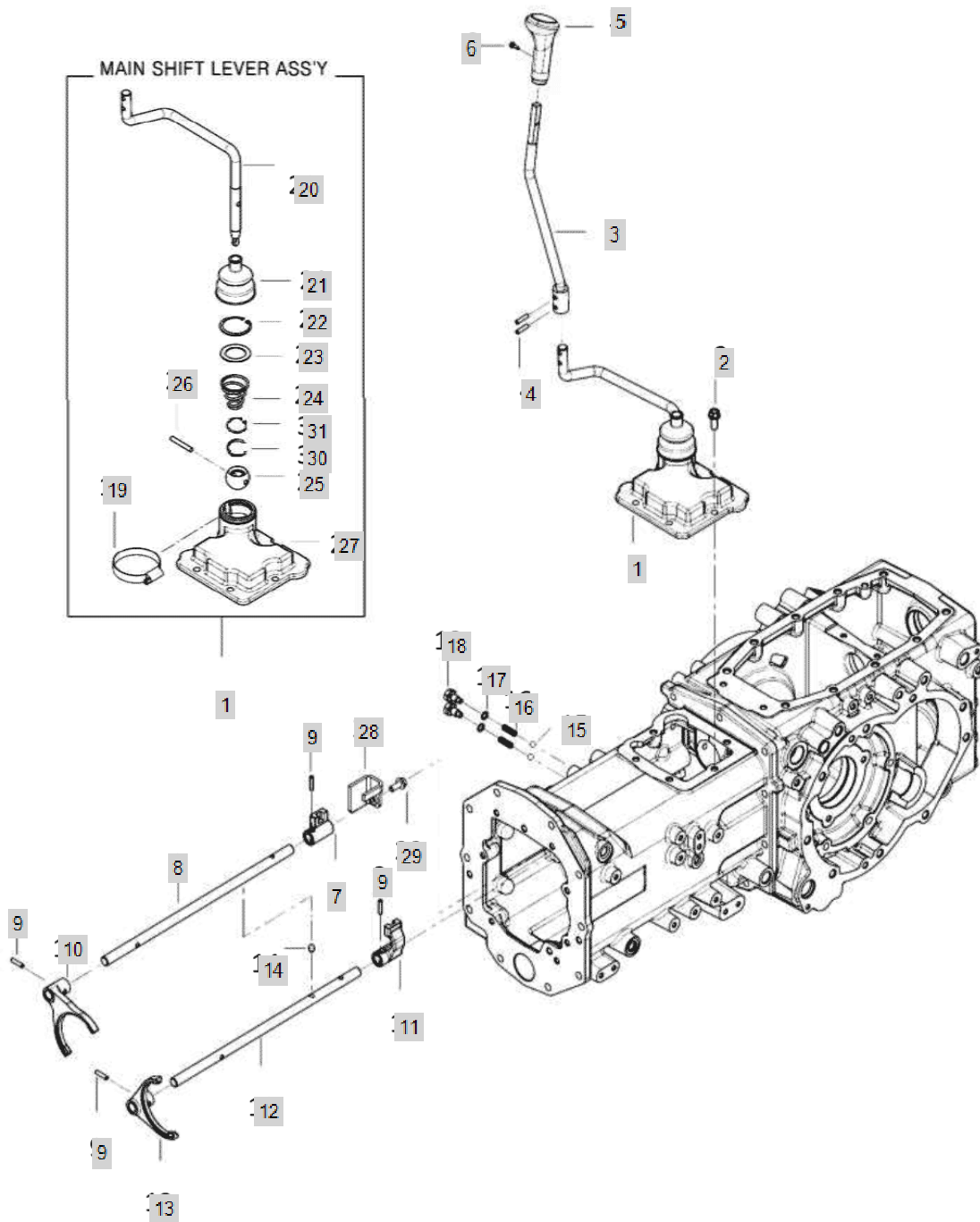






FIG C068

68. LEVER ASS'Y, RANGE SHIFT

Year/Month

3515R

2020/01

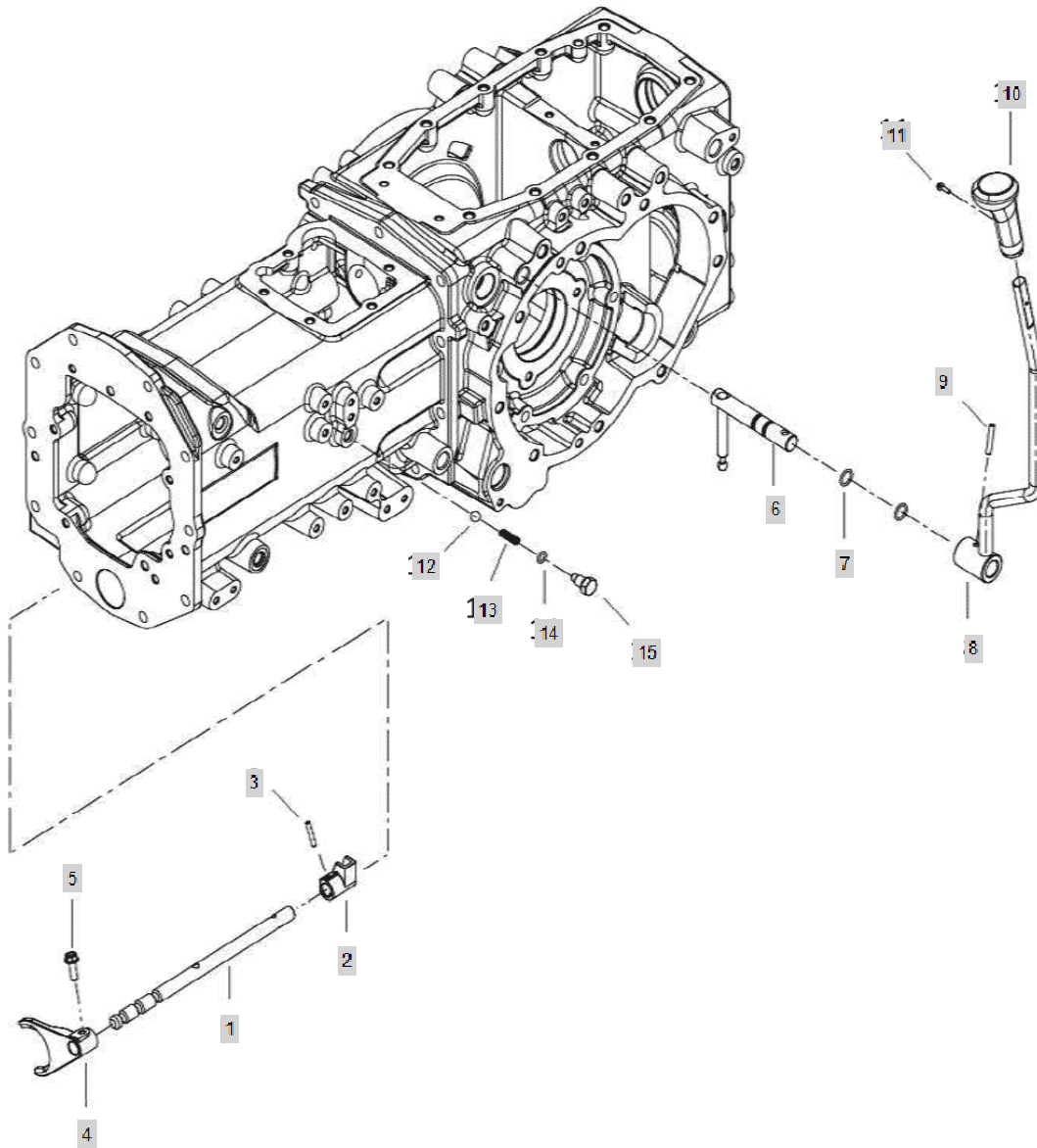




FIG C072A

72. FORNT DRIVE SHAFT

Year/Month

3515R

2020/01

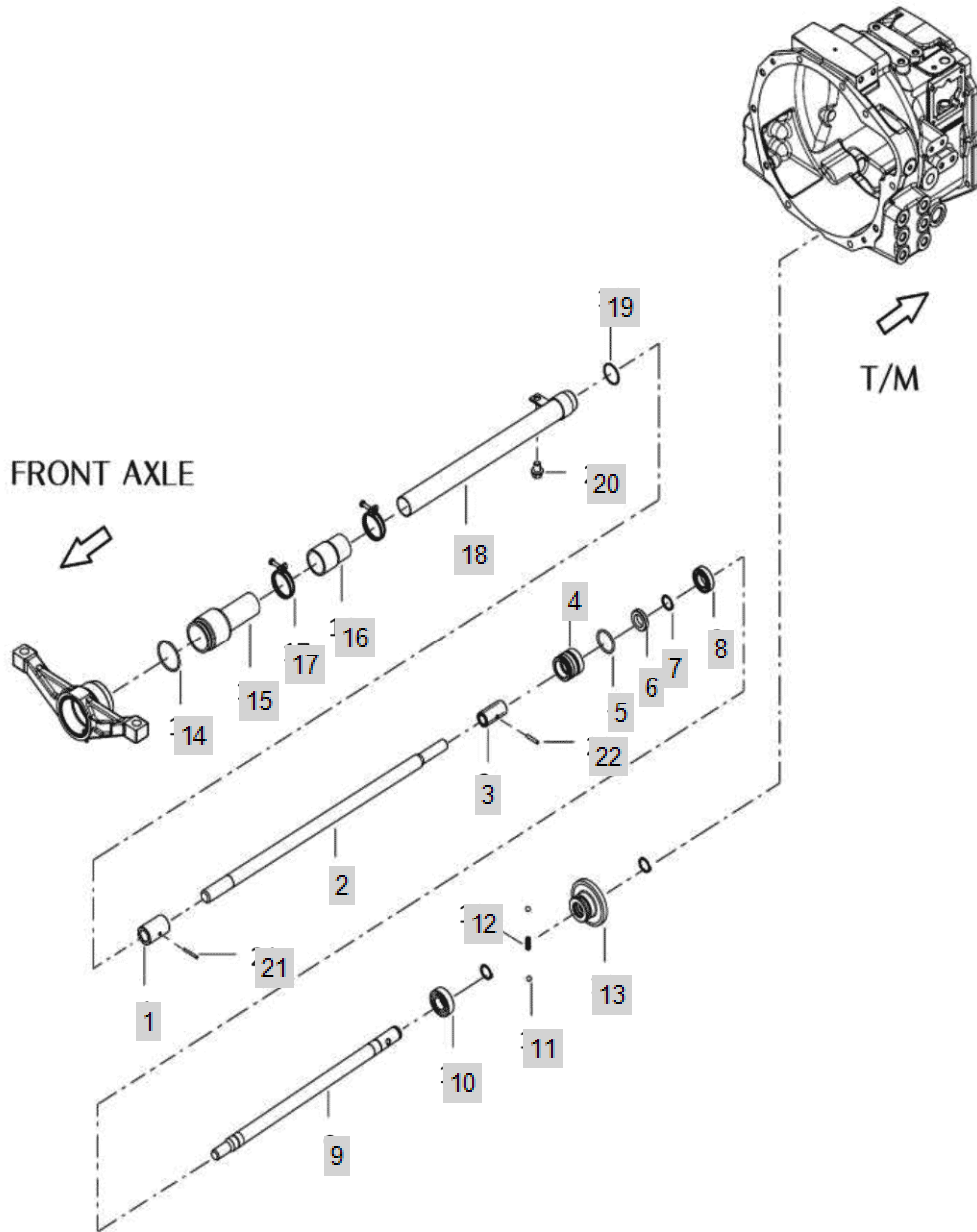




FIG C073

73. 4WD LEVER

Year/Month

3515R

2020/01

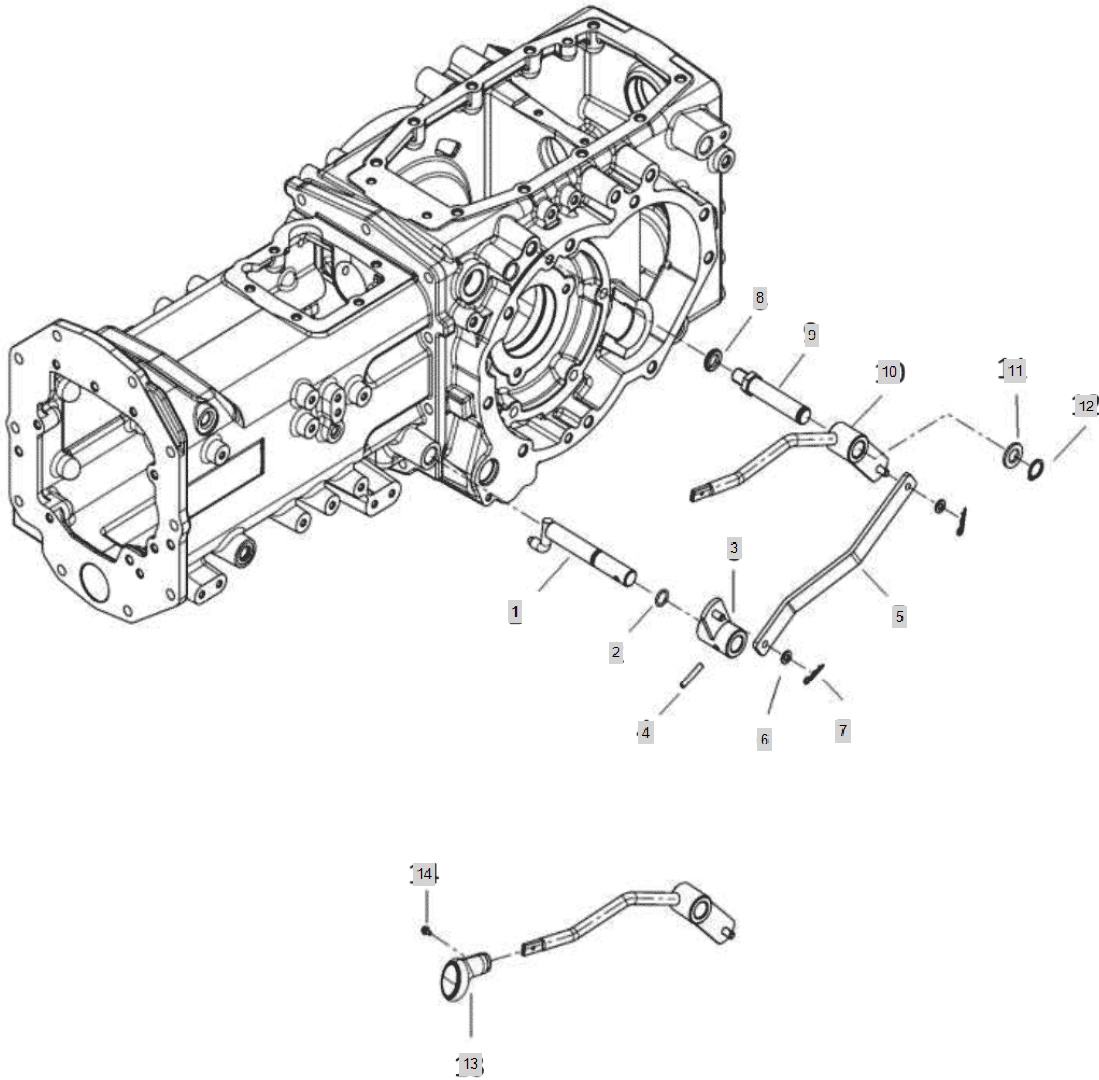




FIG C074-1

74. FORK & LEVER, PTO

Year/Month

3515R

2020/01

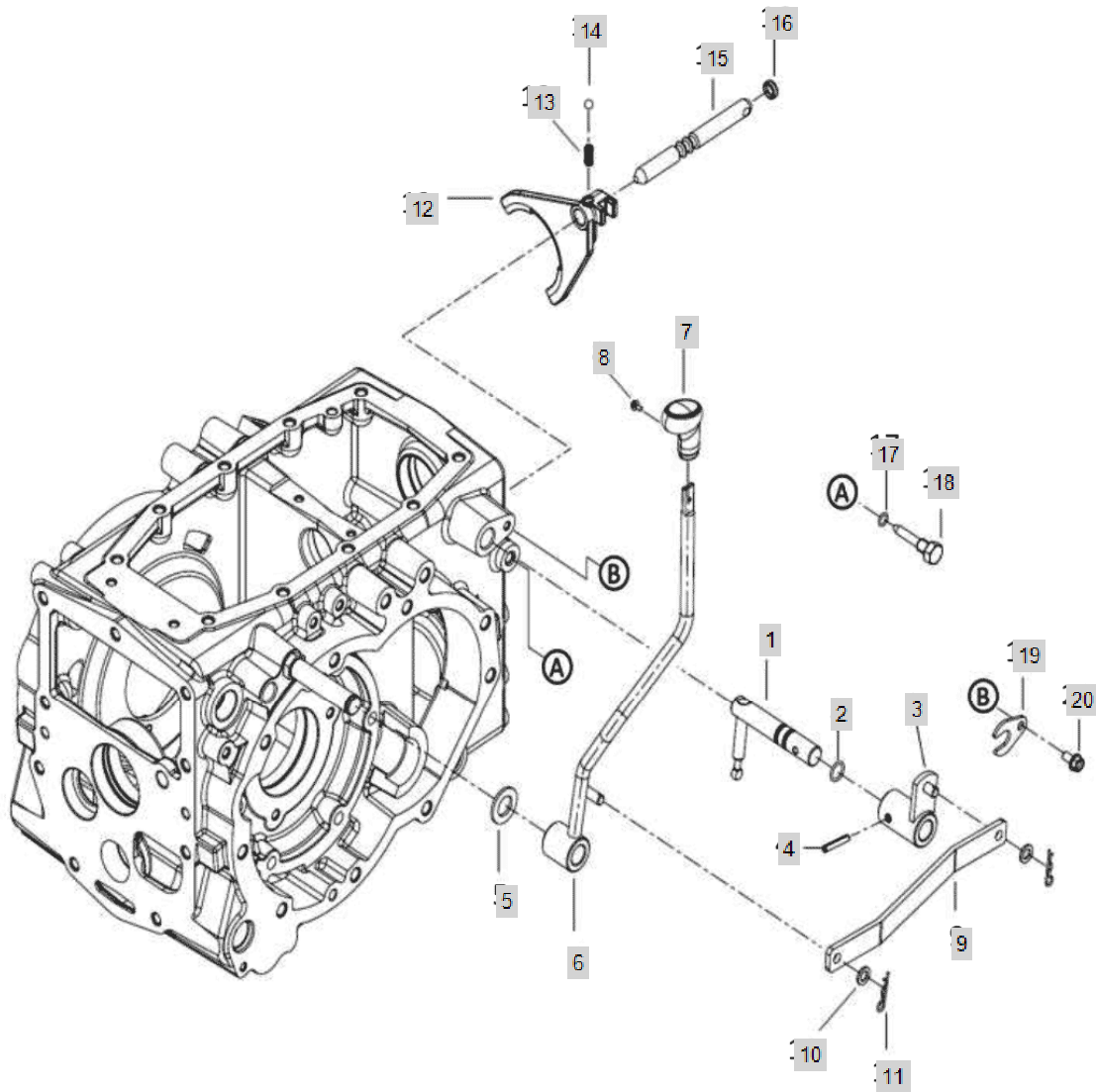






FIG C074B-2

74. FORK & LEVER, PTO(2019.01)

Year/Month

3515R

2020/01

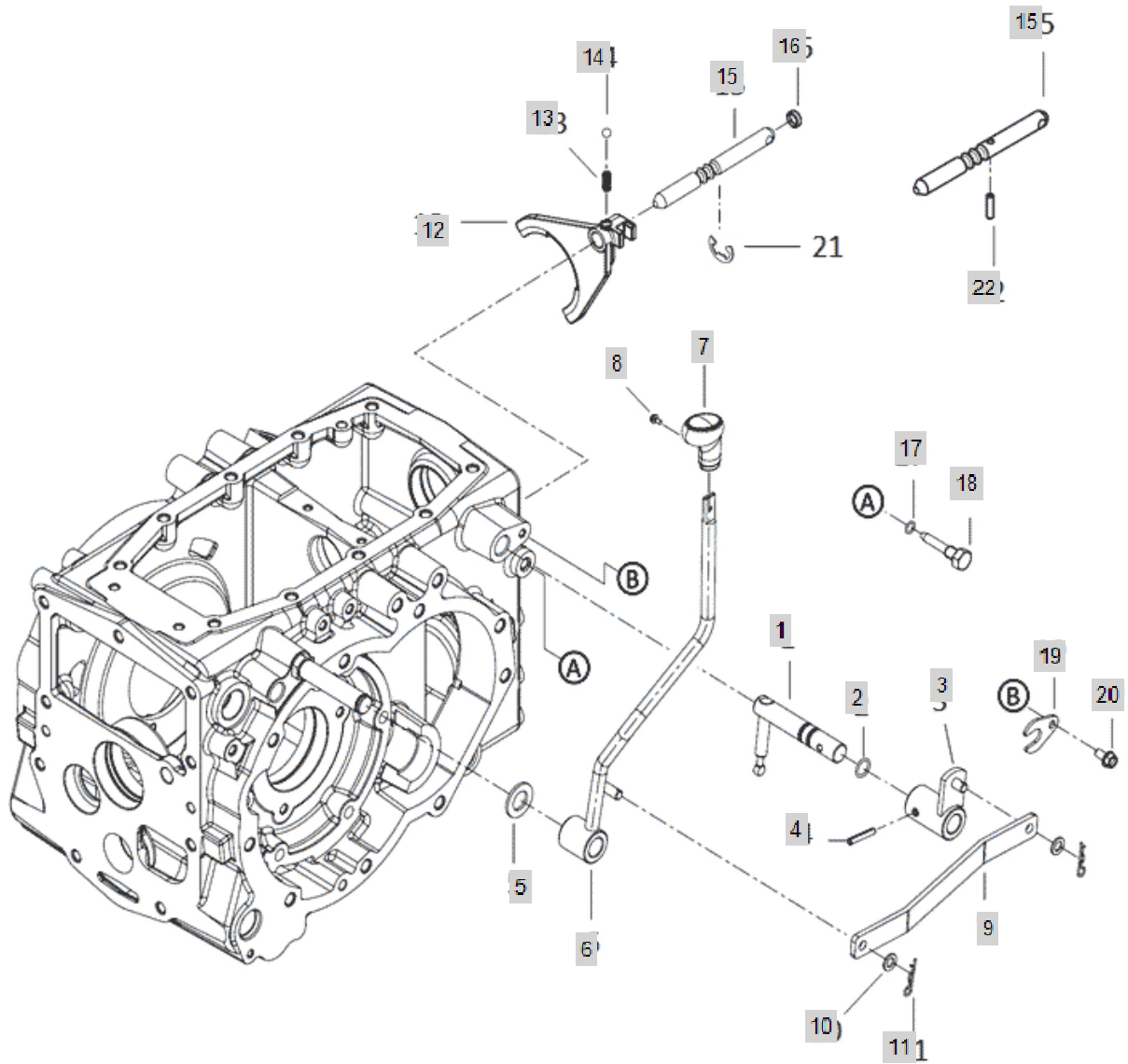




FIG C078

78. RING GEAR&DIFF.GEAR ASS'Y

Year/Month

3515R

2020/01

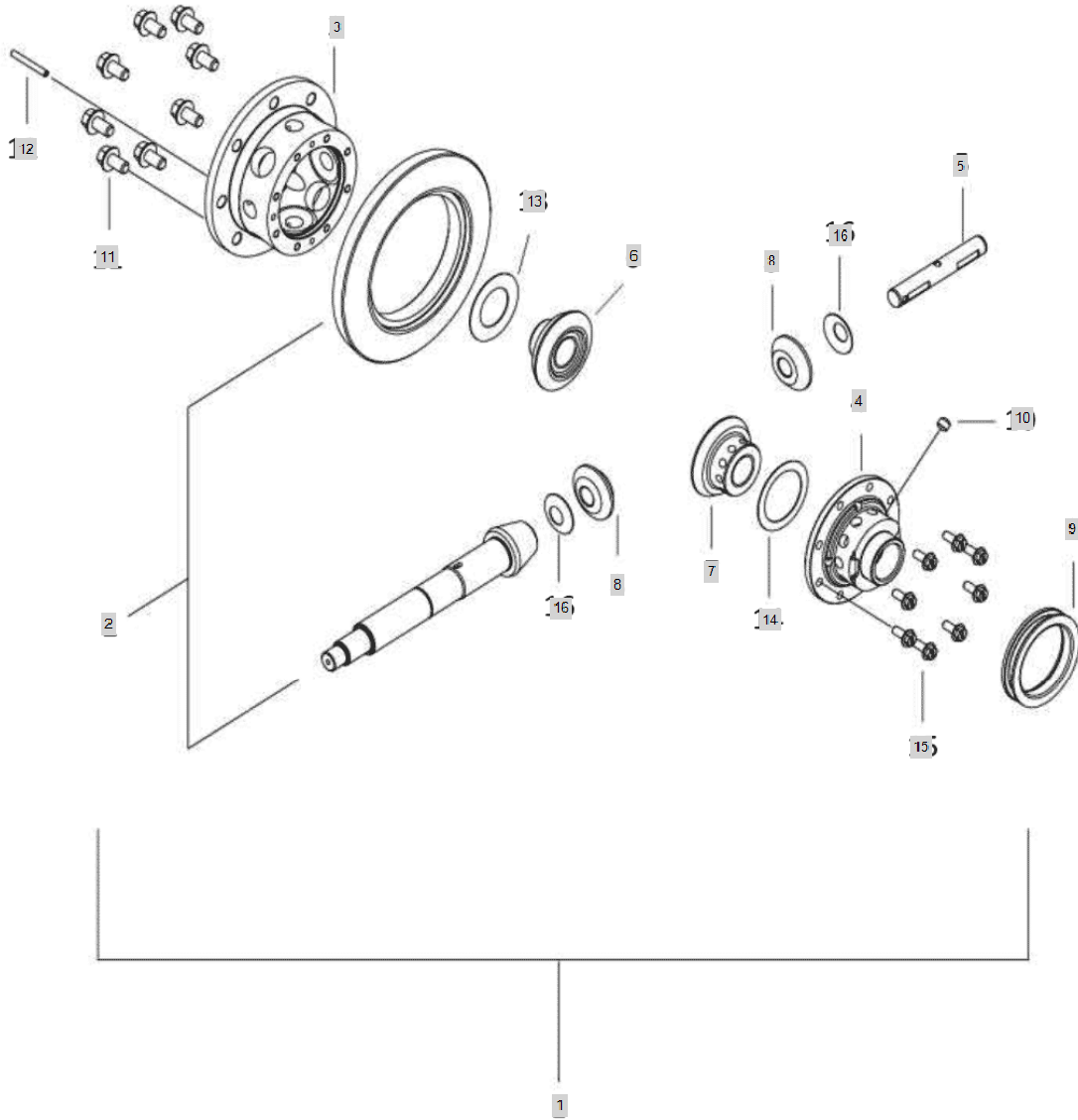




FIG C079-1

79. DIFFERENTIAL

Year/Month

3515R

2020/01

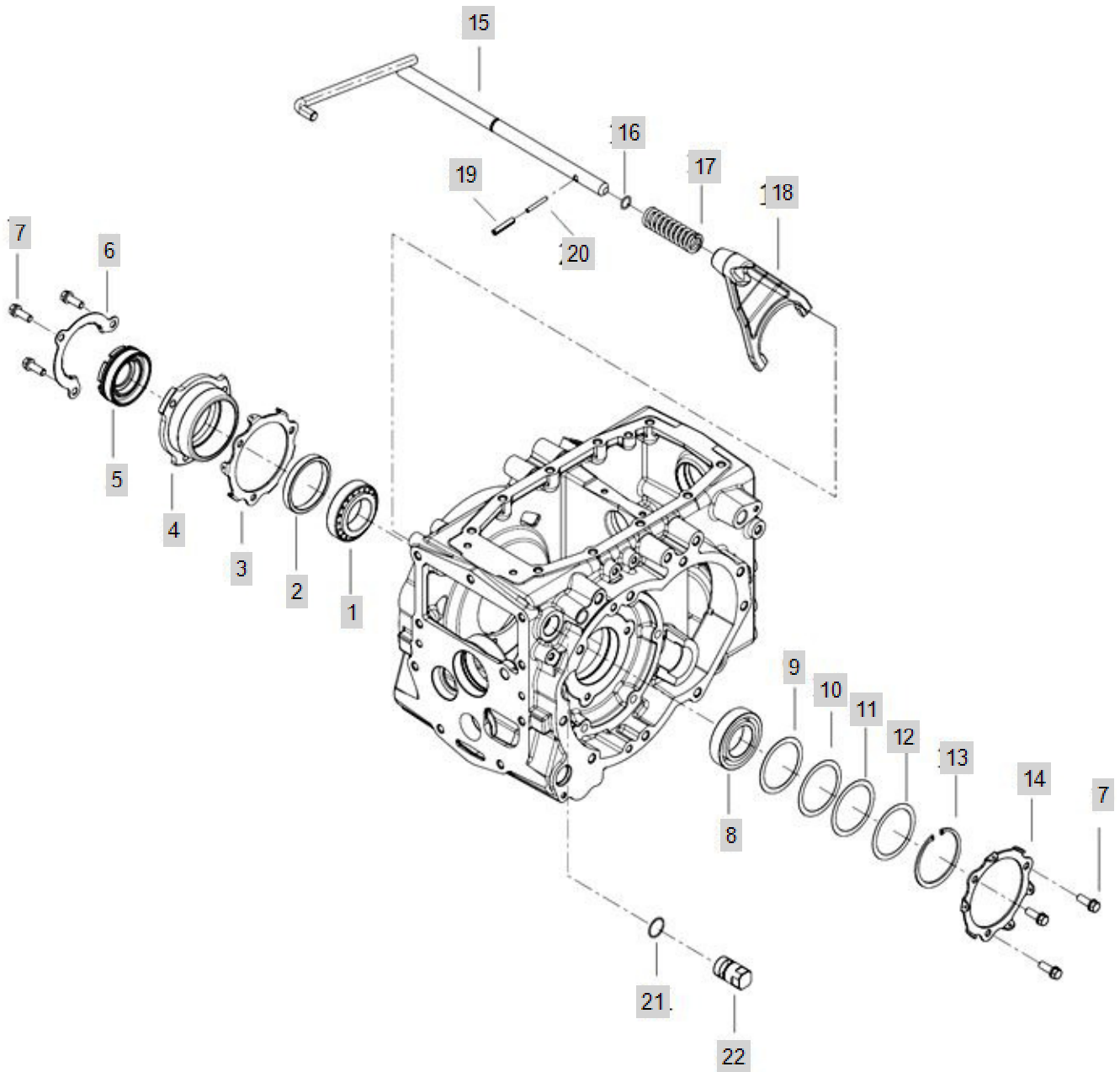




FIG C079-2

79. DIFFERENTIAL

Year/Month

3515R

2020/01

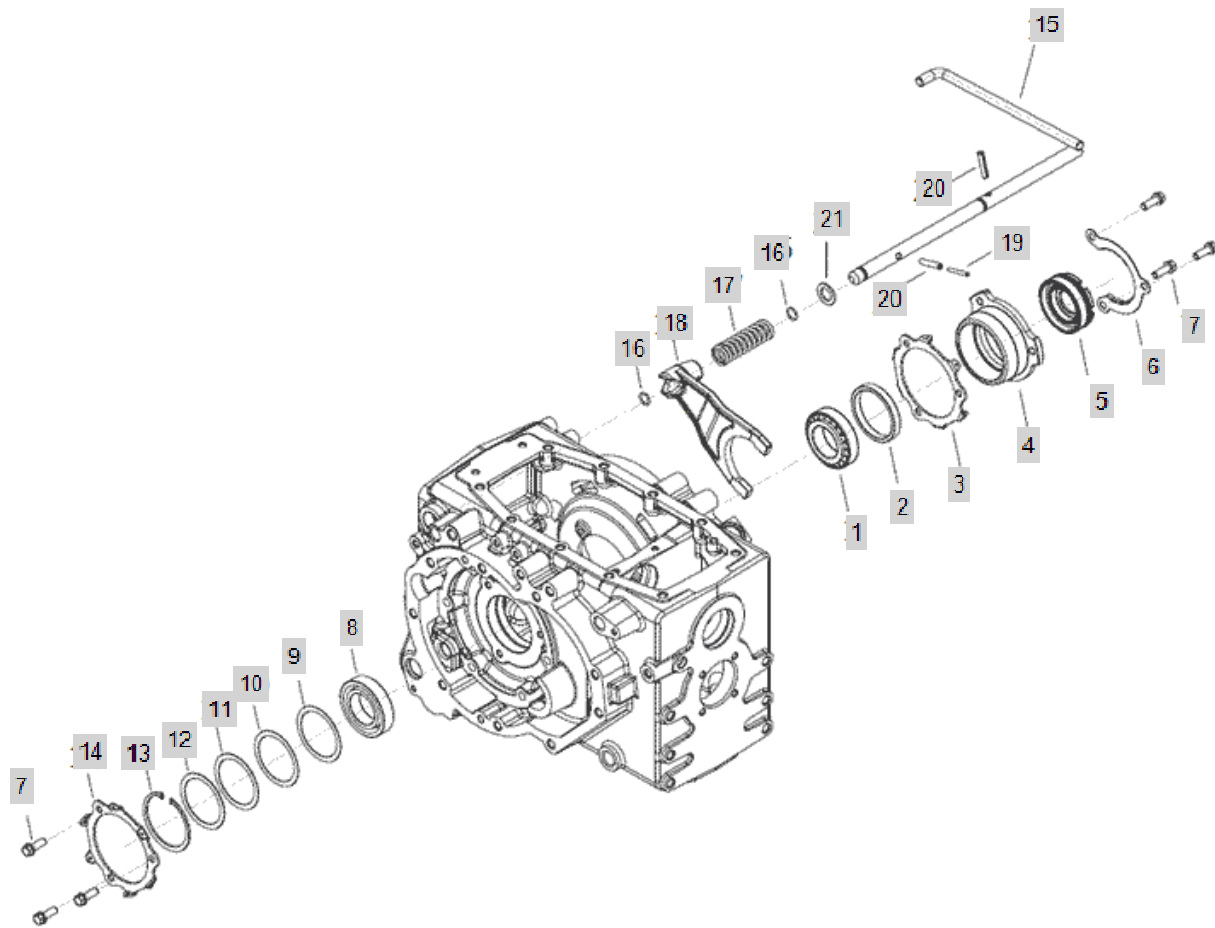






FIG C082

82. DRIVING PART, REAR AXLE

Year/Month

3515R

2020/01

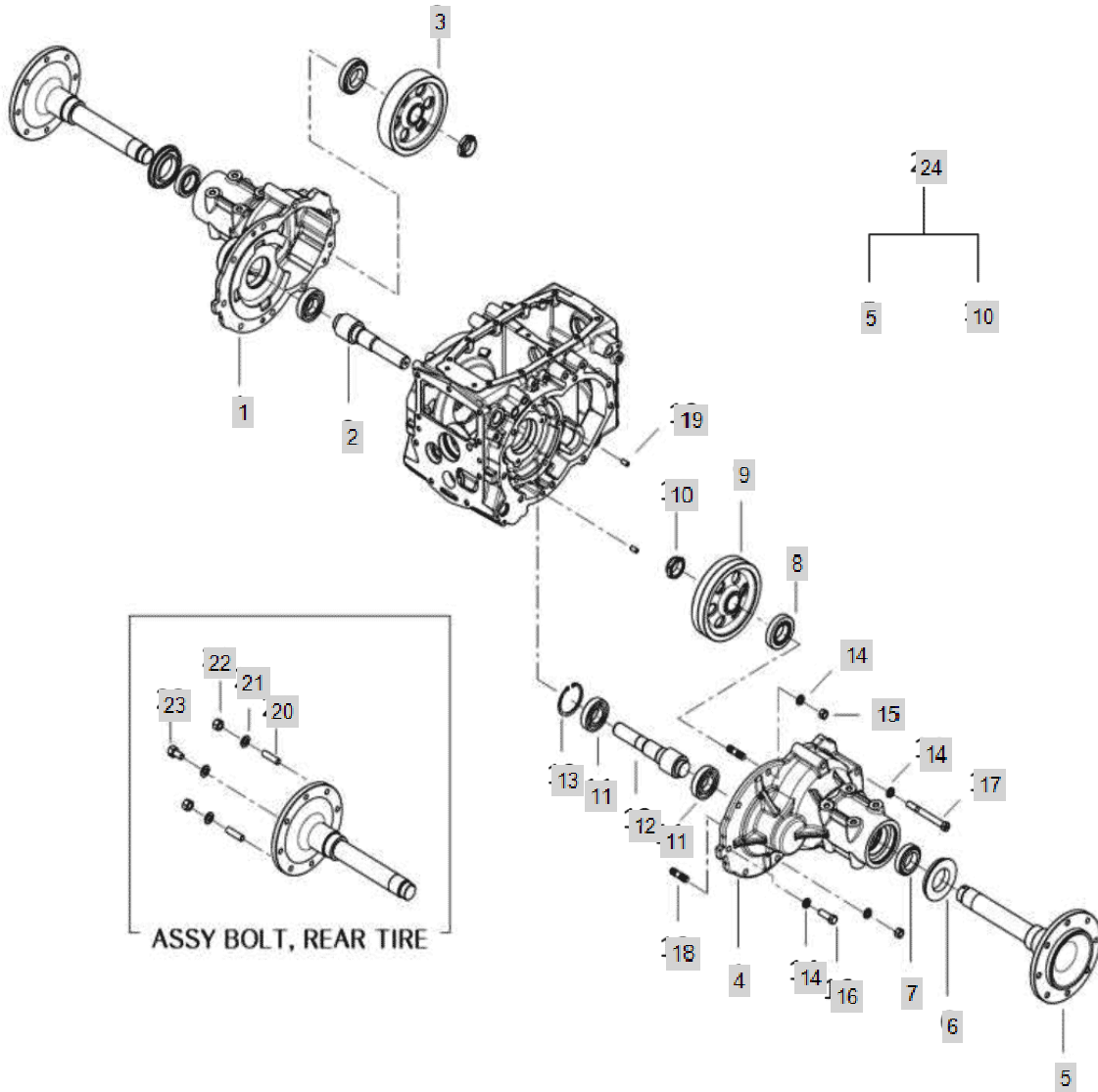




FIG C083

83. BRAKE

Year/Month

3515R

2020/01

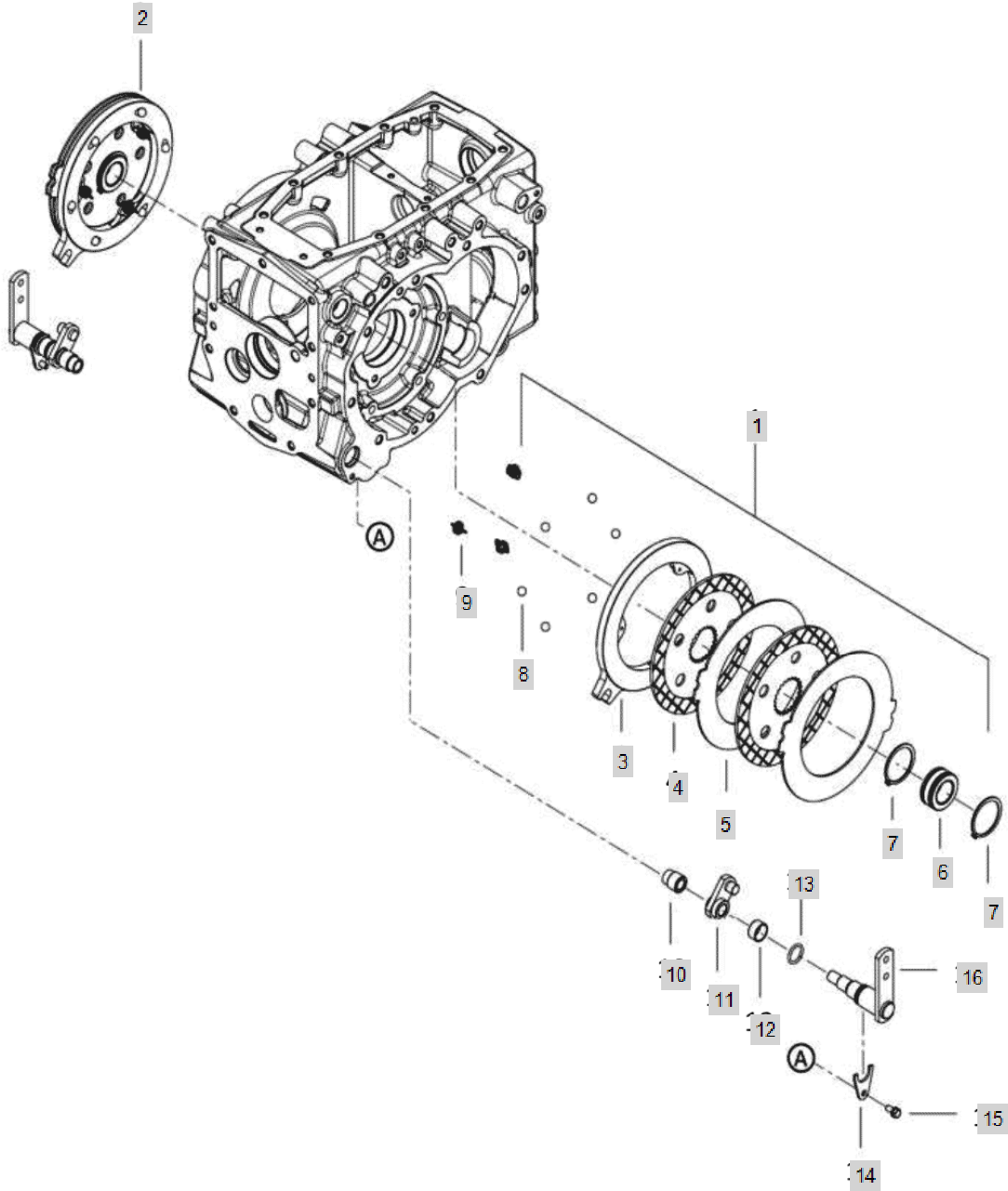




FIG C090

90. BRAKE PEDAL

Year/Month

3515R

2020/01

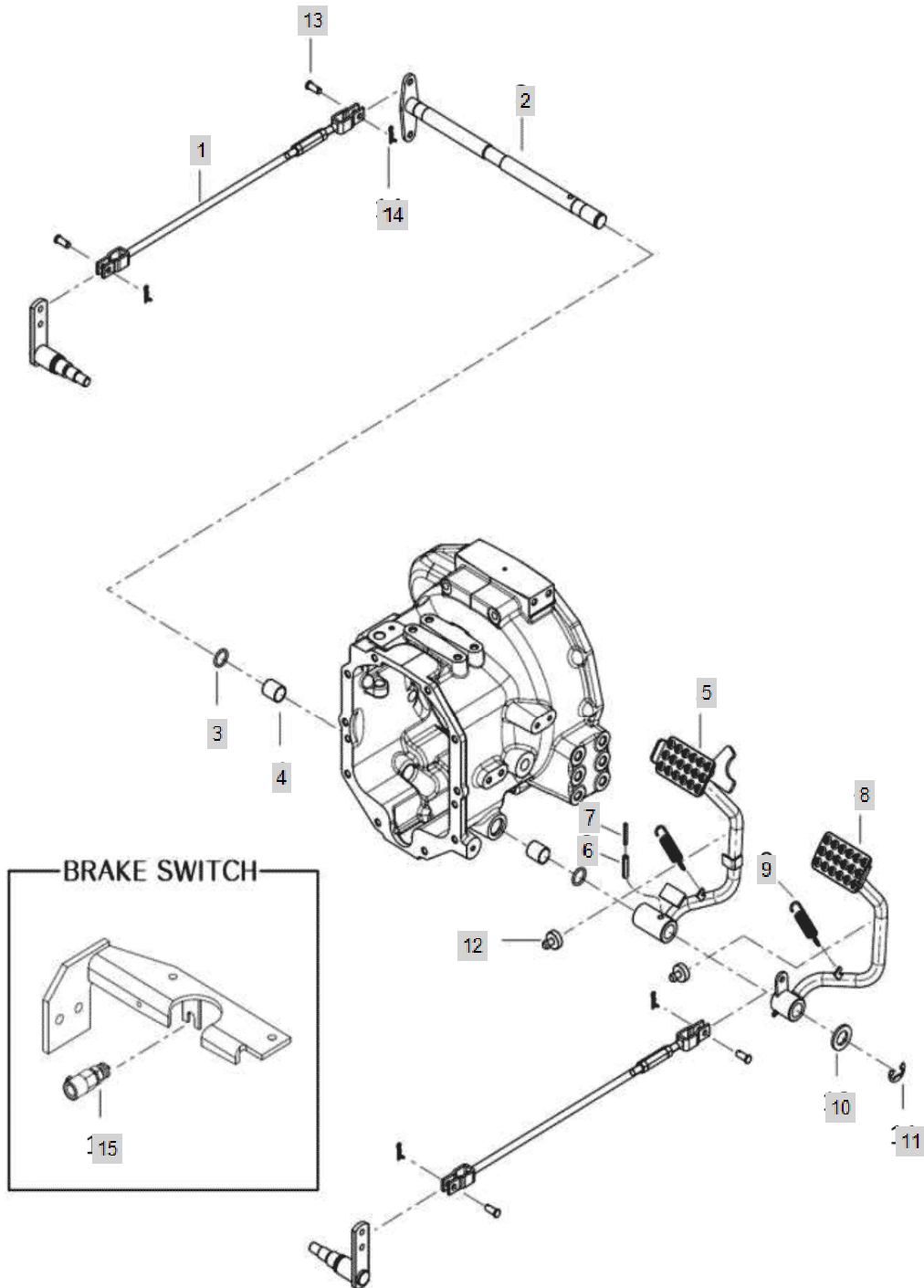




FIG C091

91. PARKING BRAKE

Year/Month

3515R

2020/01

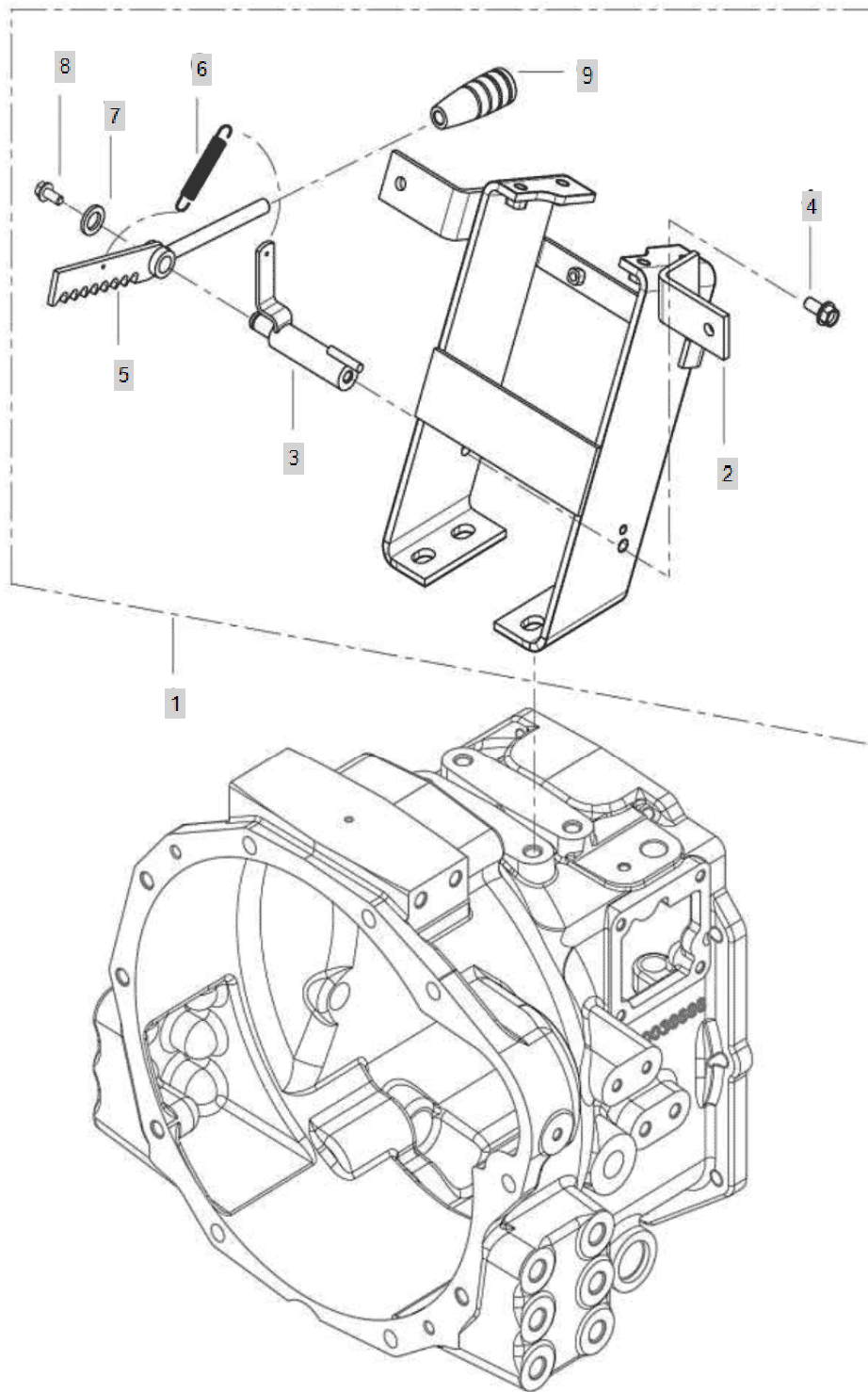






FIG C092A

92. HYD PUMP

Year/Month

3515R

2020/01

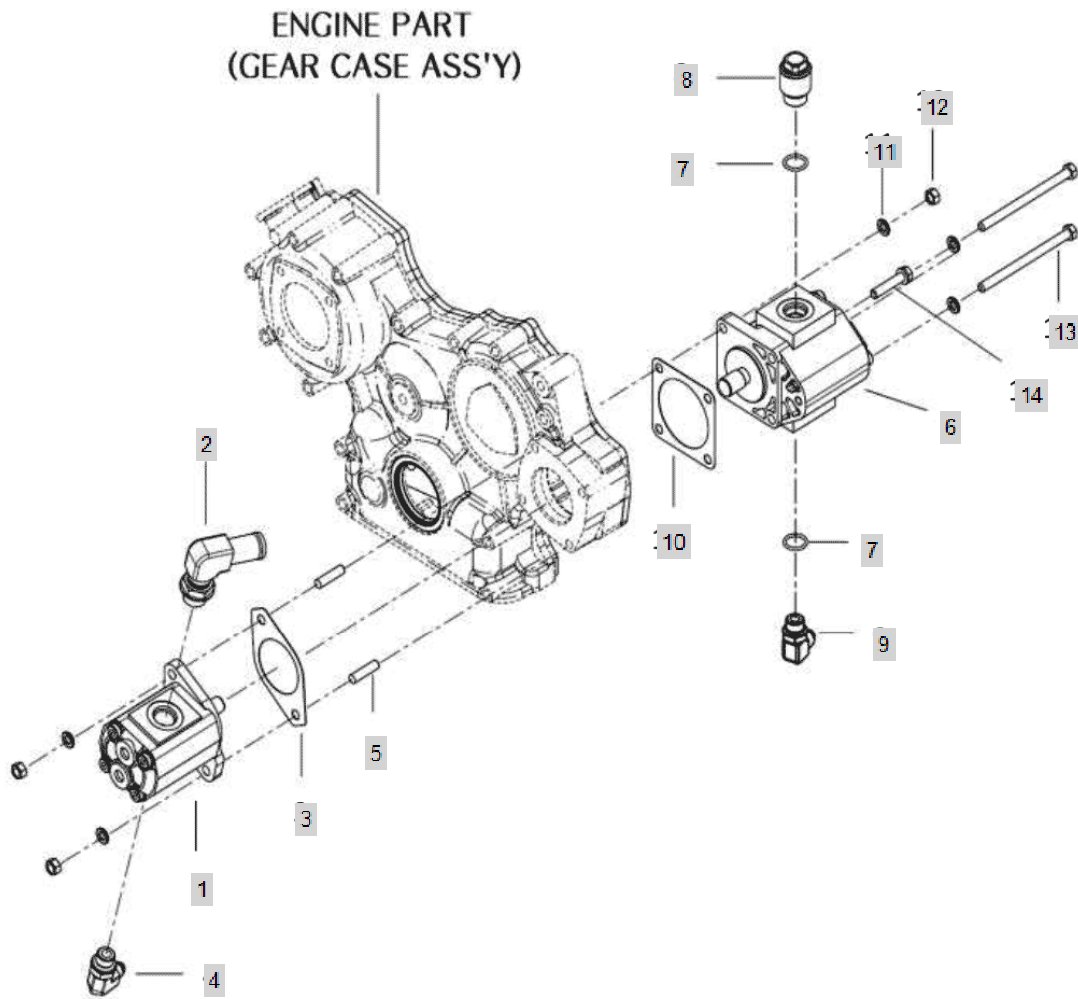




FIG C101-1

101. CASE, HYD CYLINDER

Year/Month

3515R

2020/01

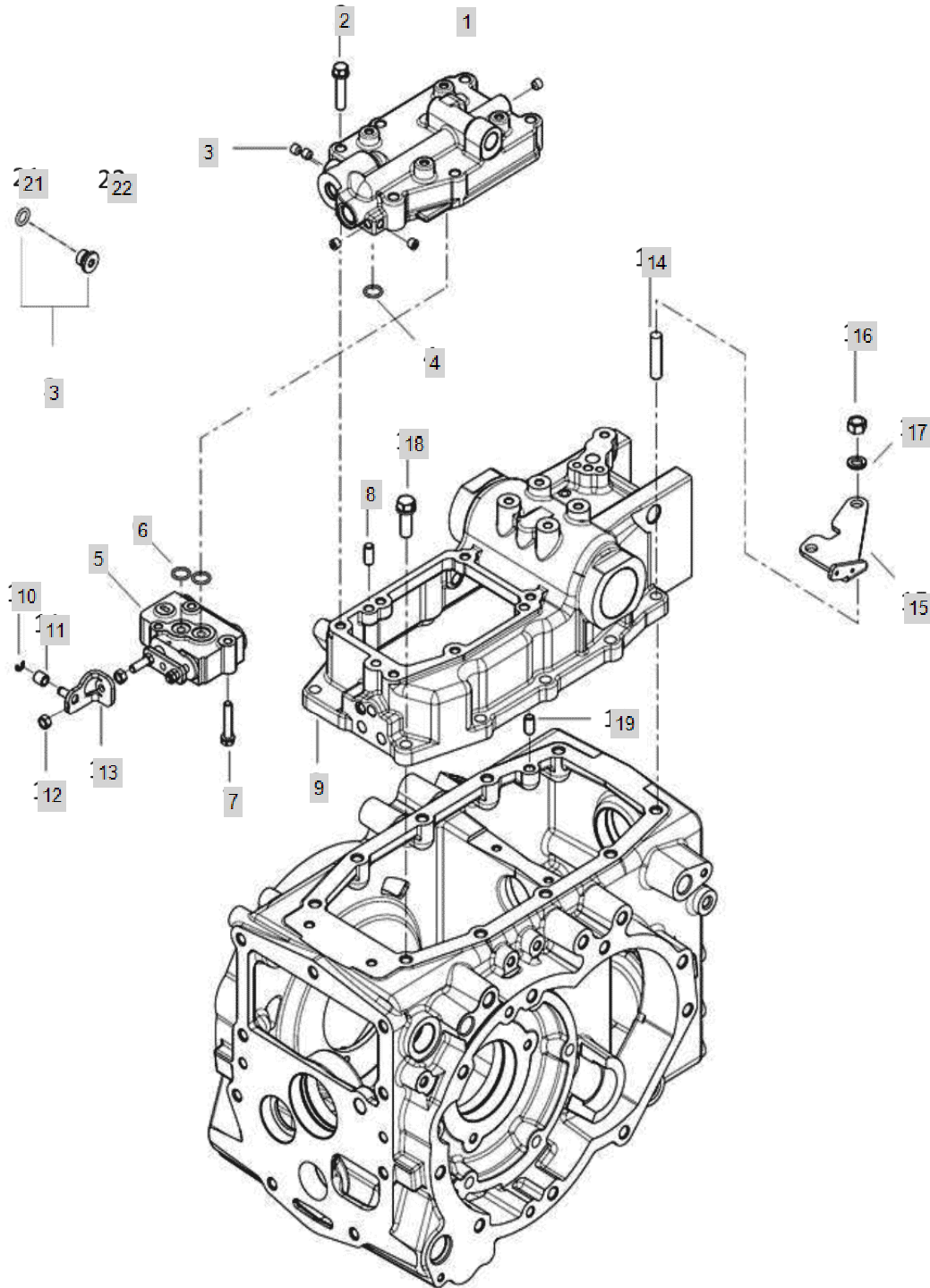




FIG C101-2

101. CASE, HYD CYLINDER(2020.01~)

Year/Month

3515R

2020/01

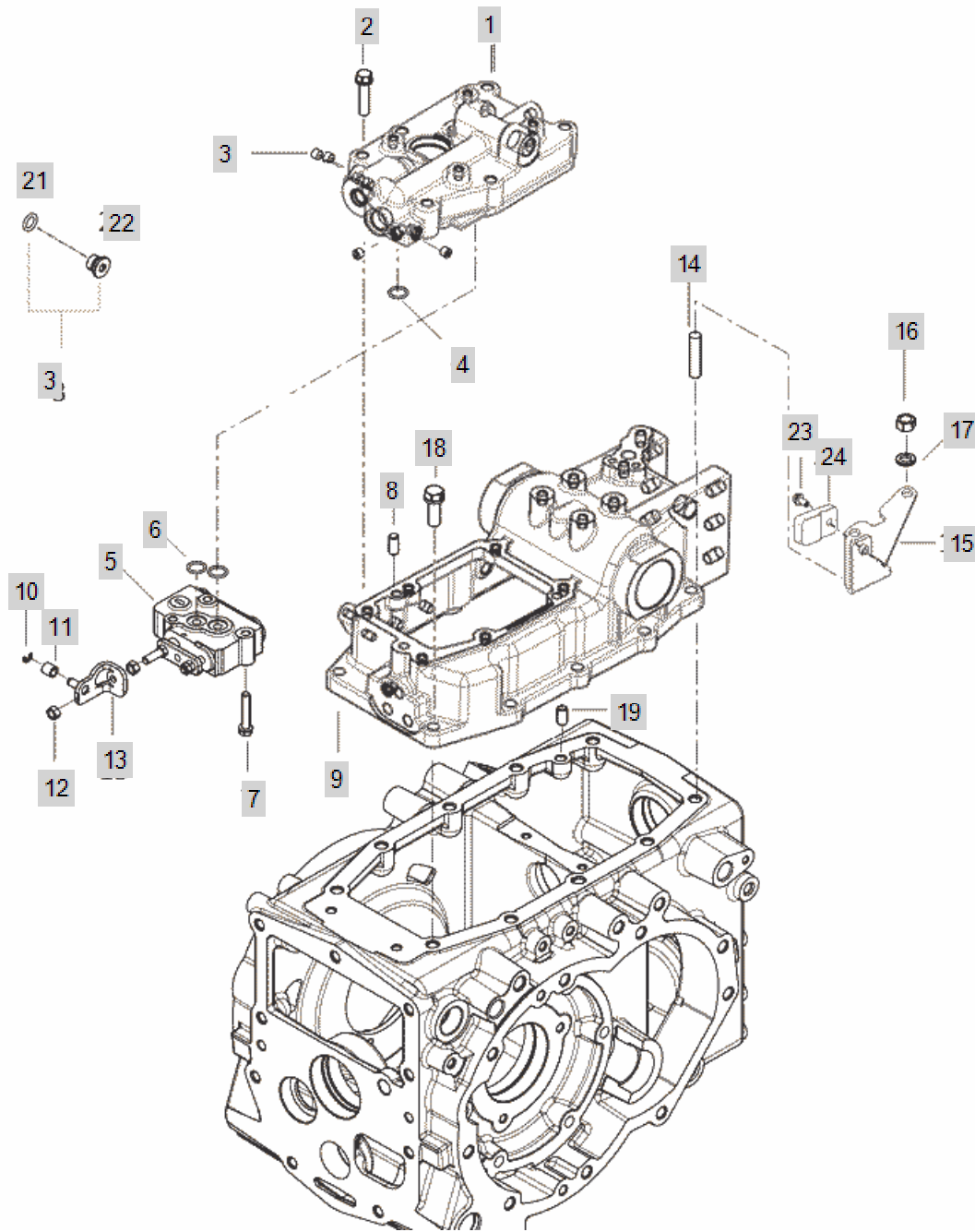




FIG C104-1

104. PISTON ASS'Y

Year/Month

3515R

2020/01

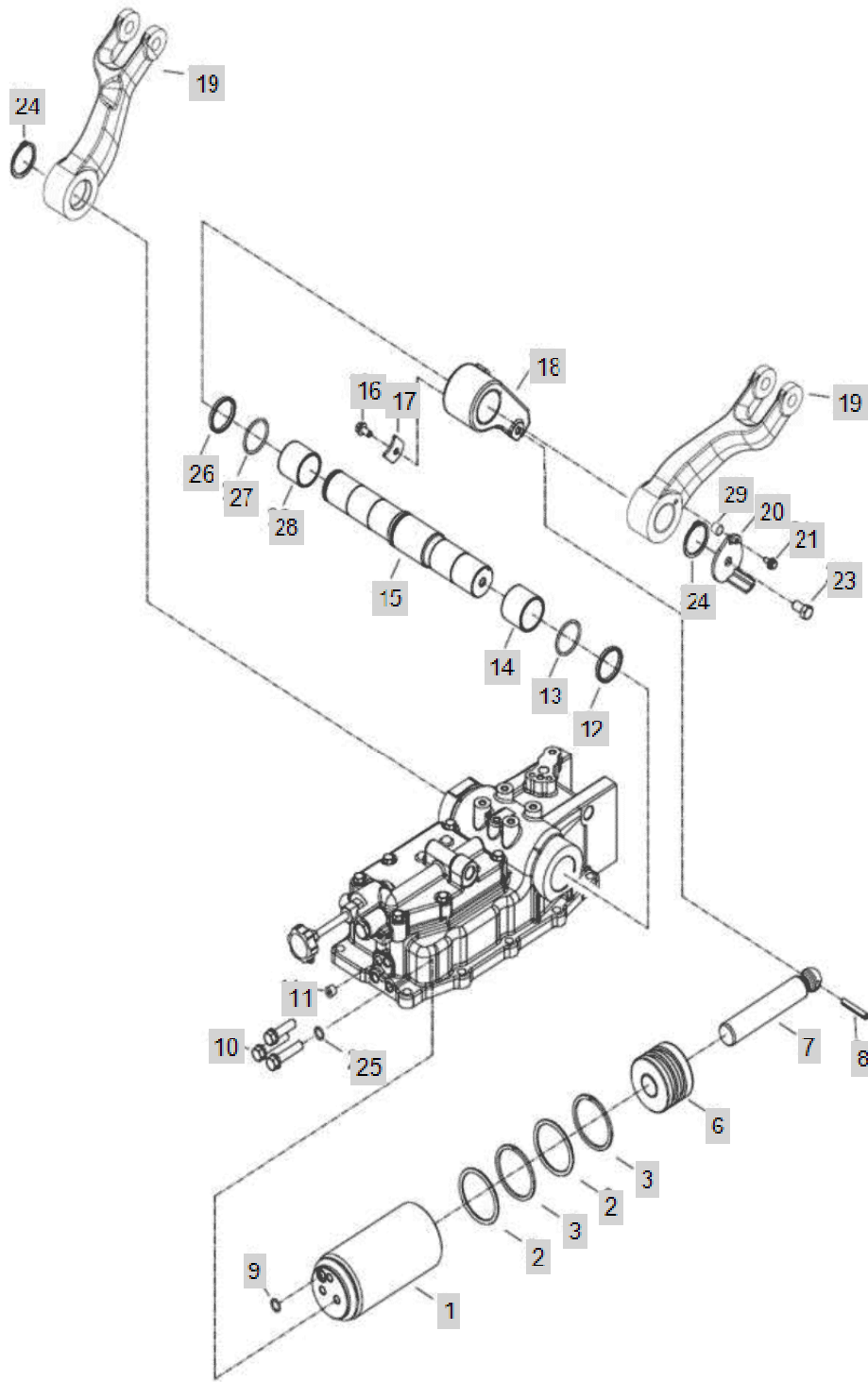






FIG C104-2

104. PISTON ASS'Y(2020.01~)

Year/Month

3515R

2020/01

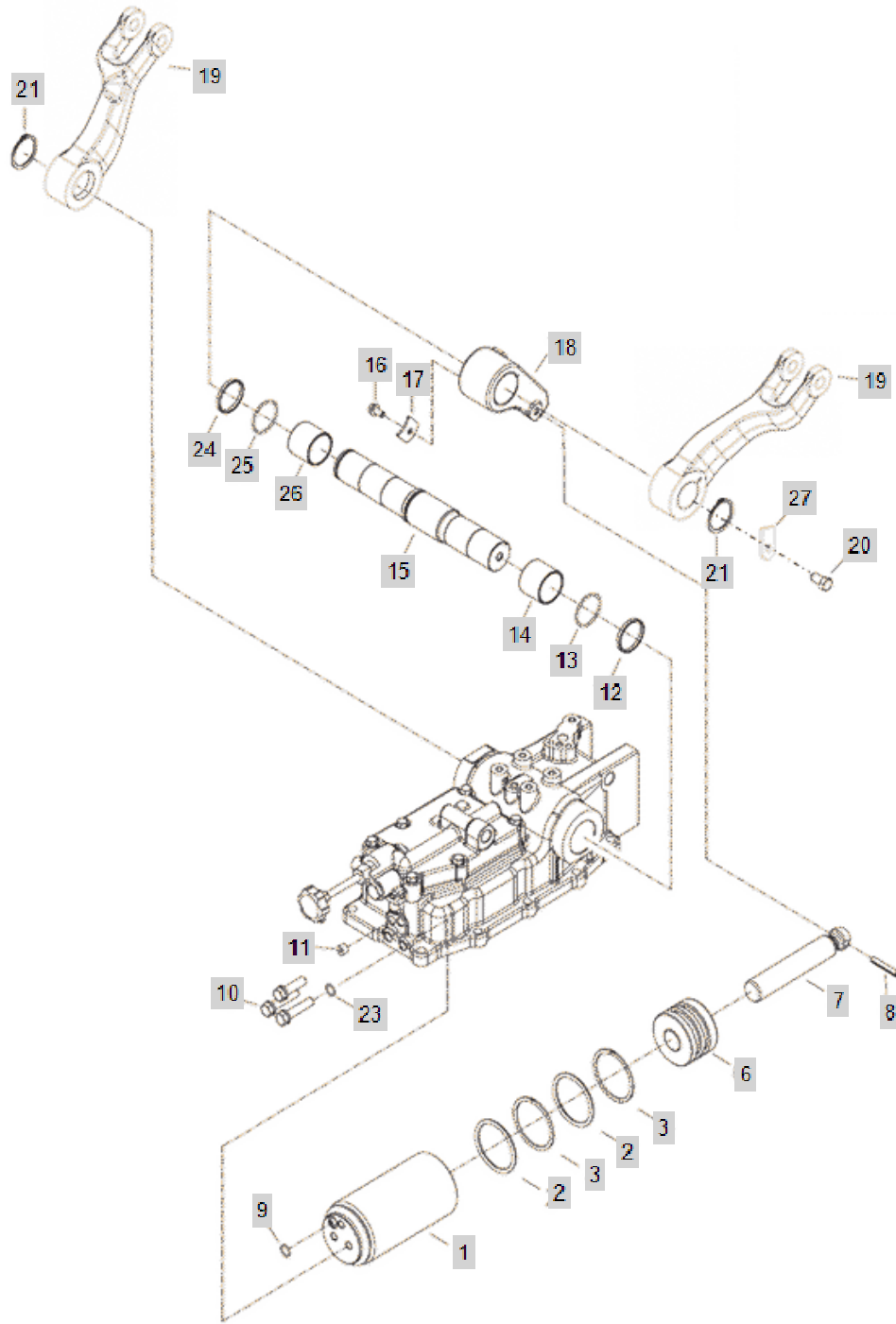




FIG C108

108. SAFETY VALVE

Year/Month

3515R

2020/01

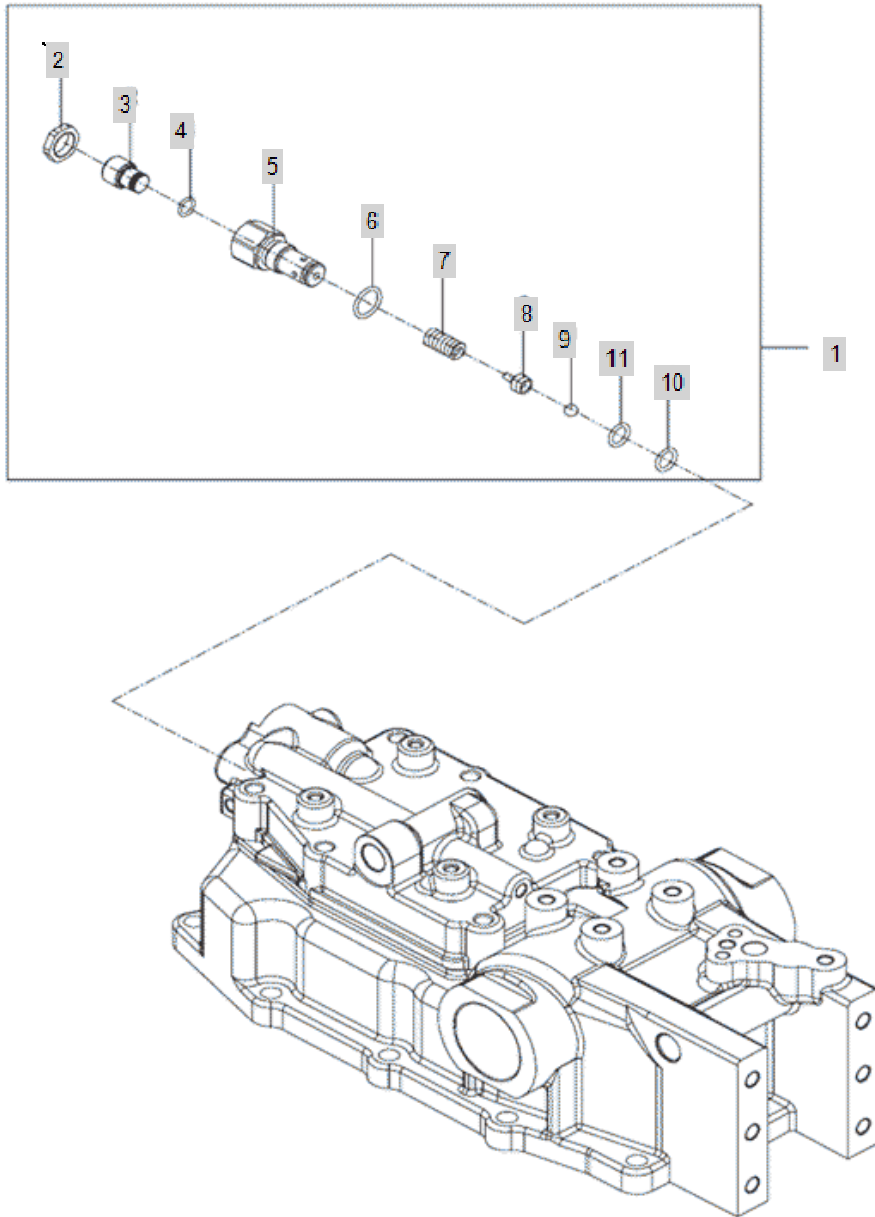




FIG C109

109. STOP VALVE

Year/Month

3515R

2020/01

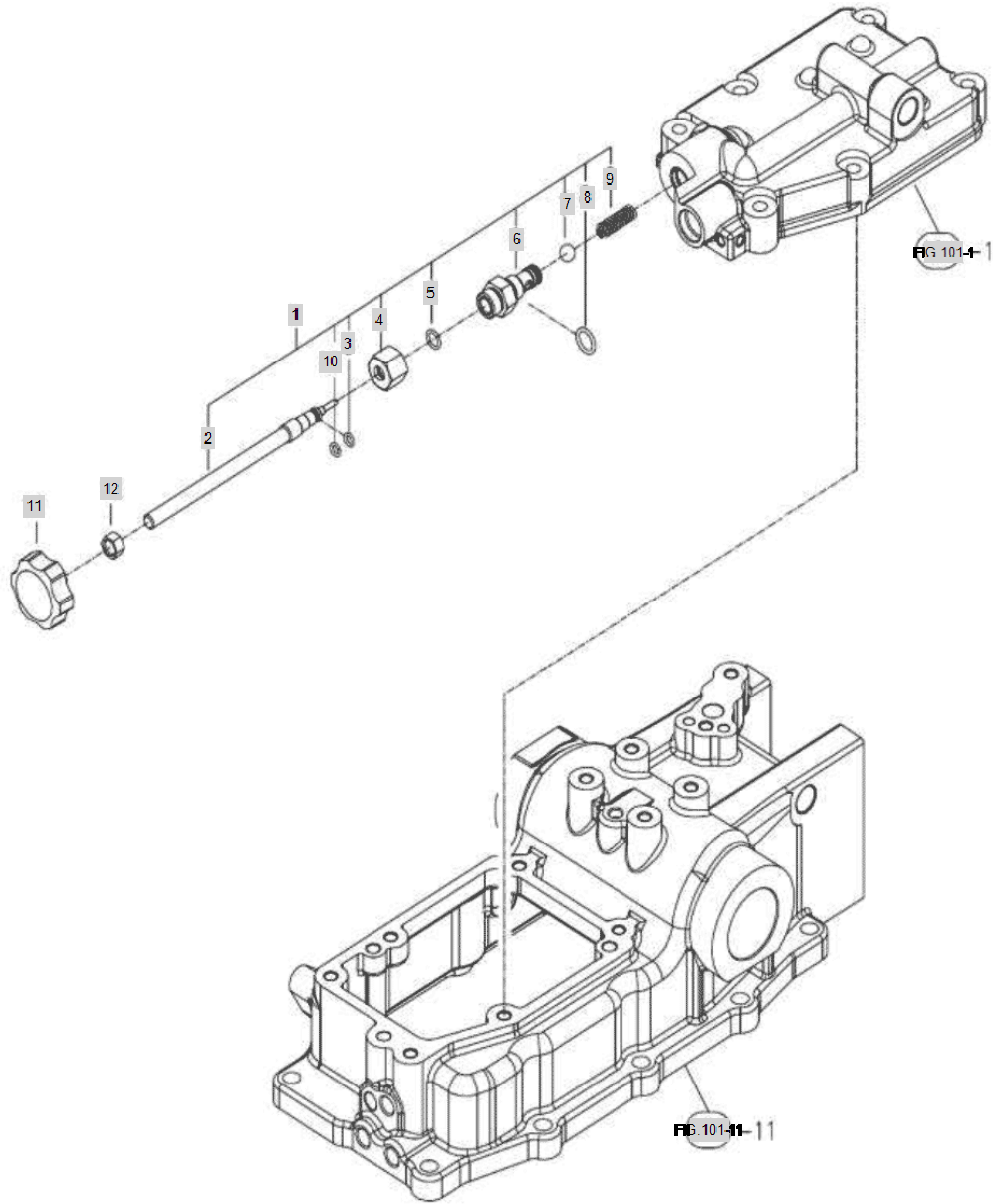




FIG C111.1

111-1. HYD CONTROL POSITION TYPE

Year/Month

3515R

2020/01

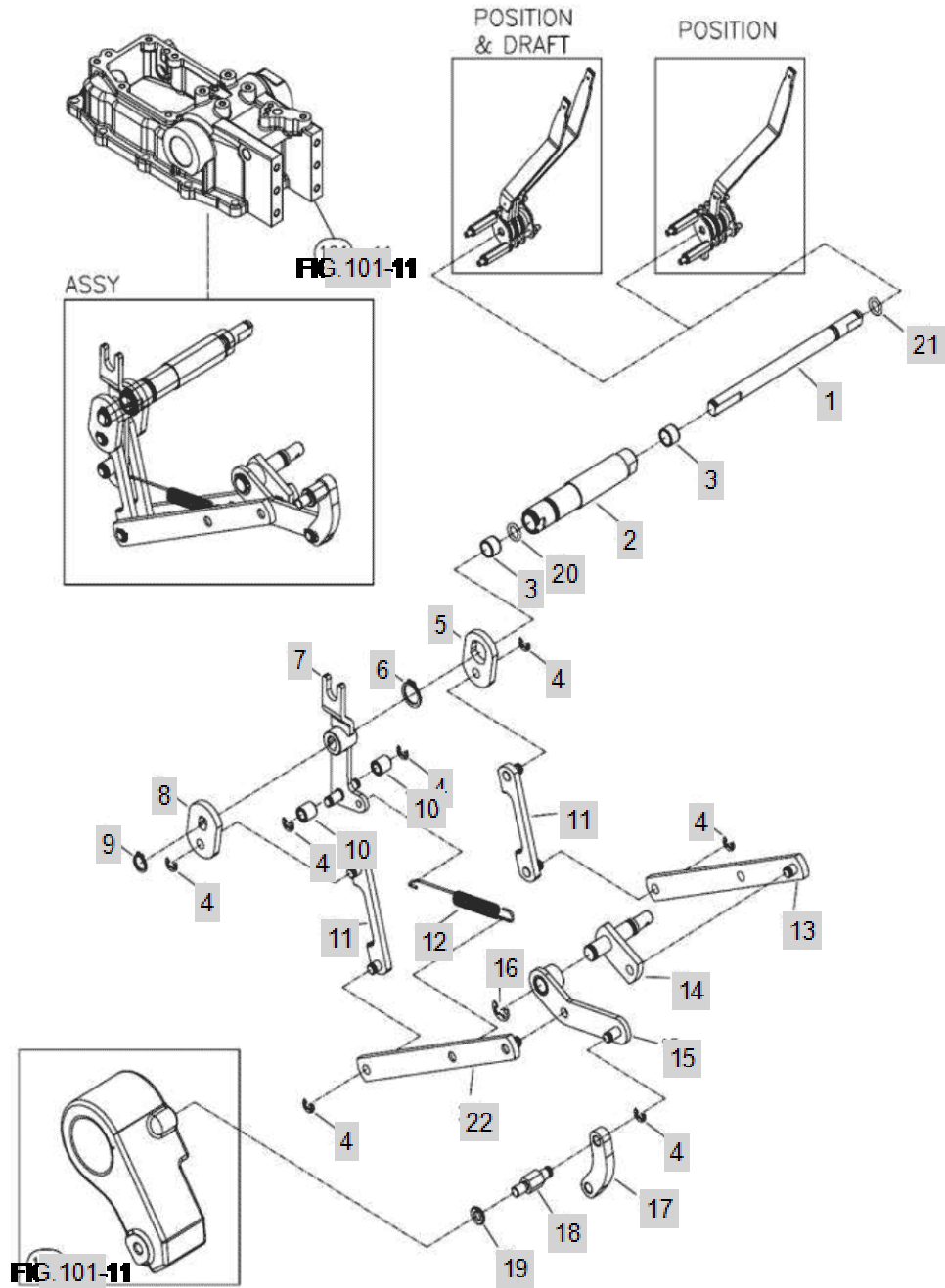






FIG C111.2

111-2. HYD CONTROL POSITION TYPE

Year/Month

3515R

2020/01

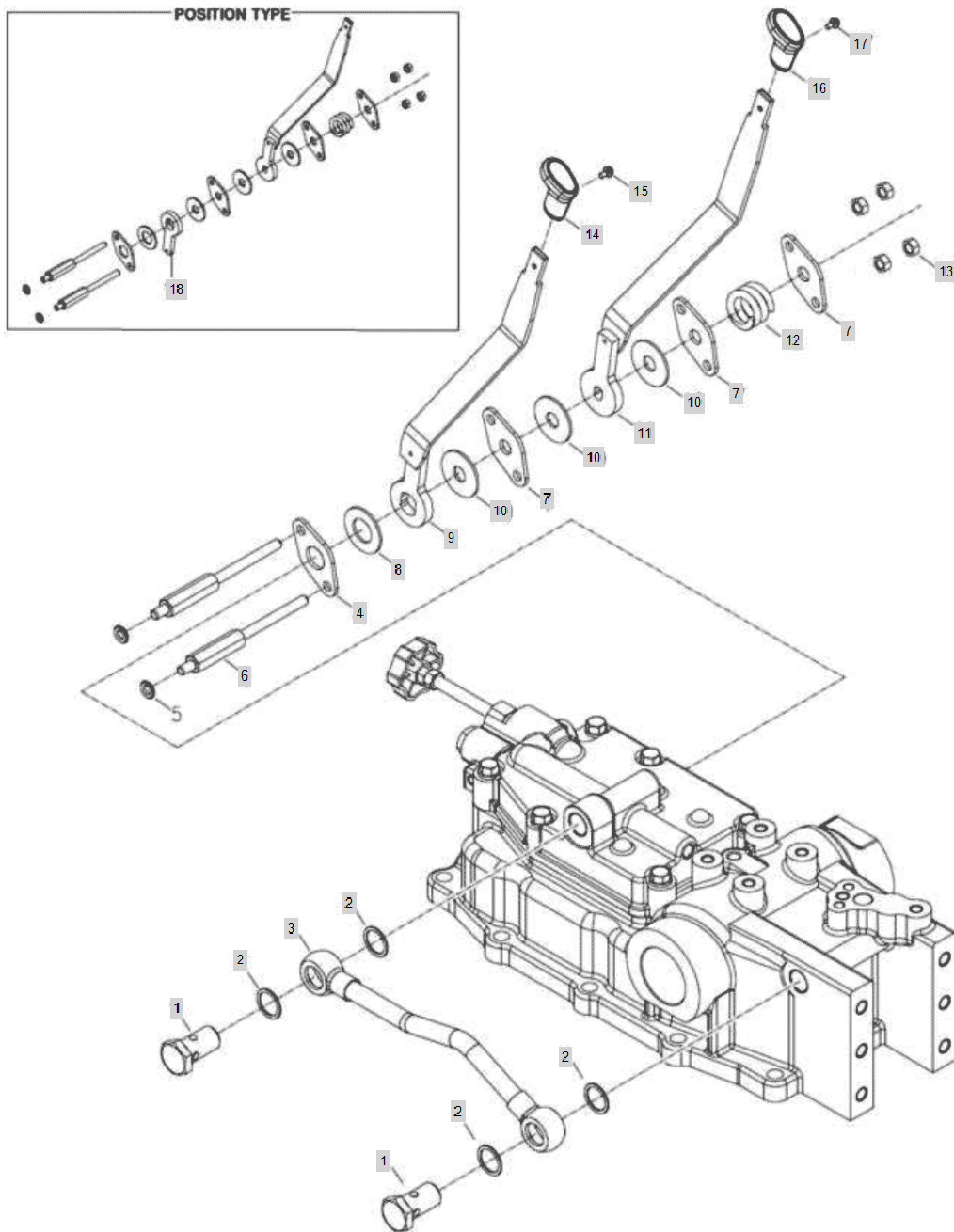




FIG C113

113. DRAFT CONTROL

Year/Month

3515R

2020/01

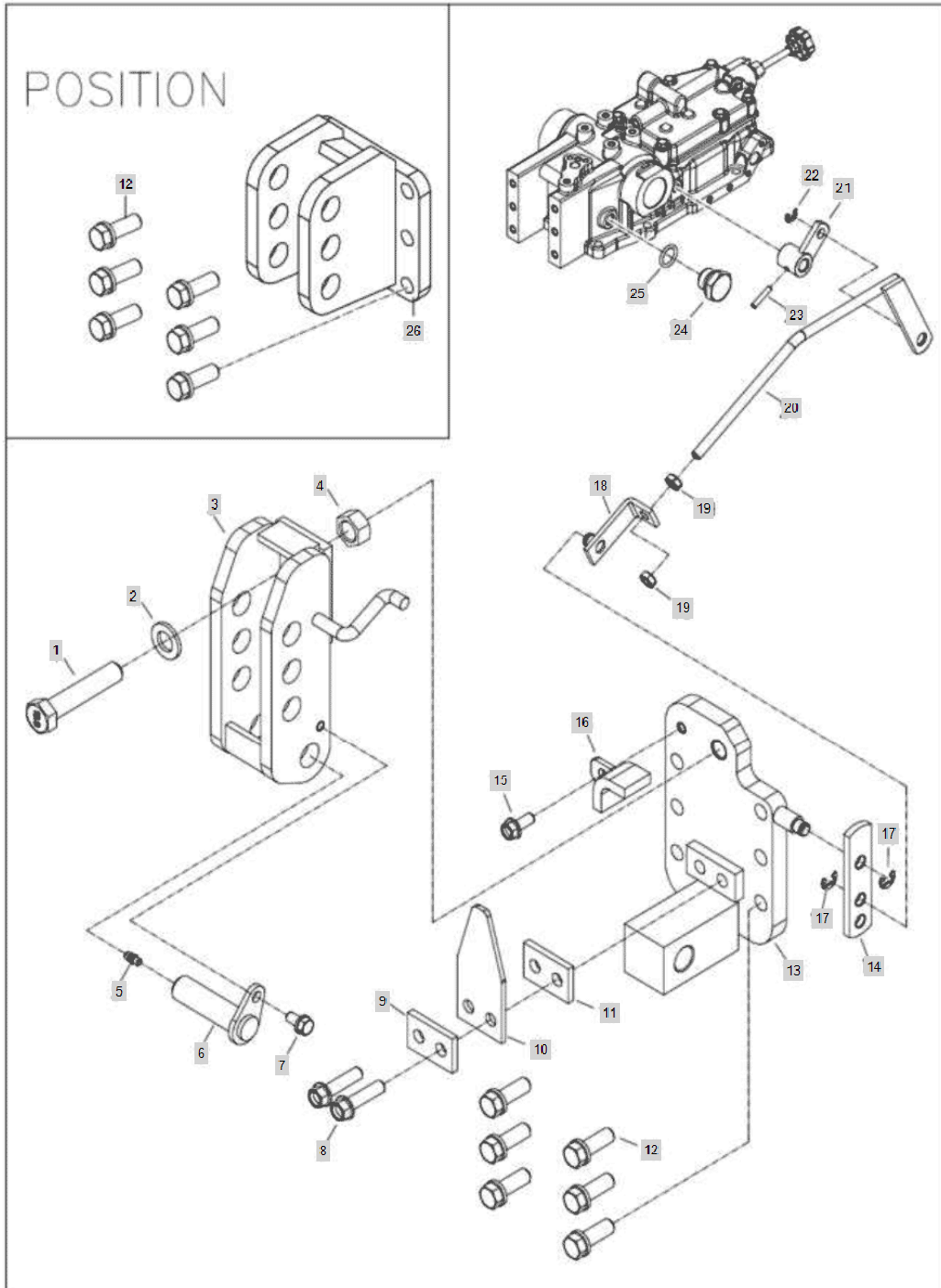




FIG C114A

114. HYD PIPING

Year/Month

3515R

2020/01

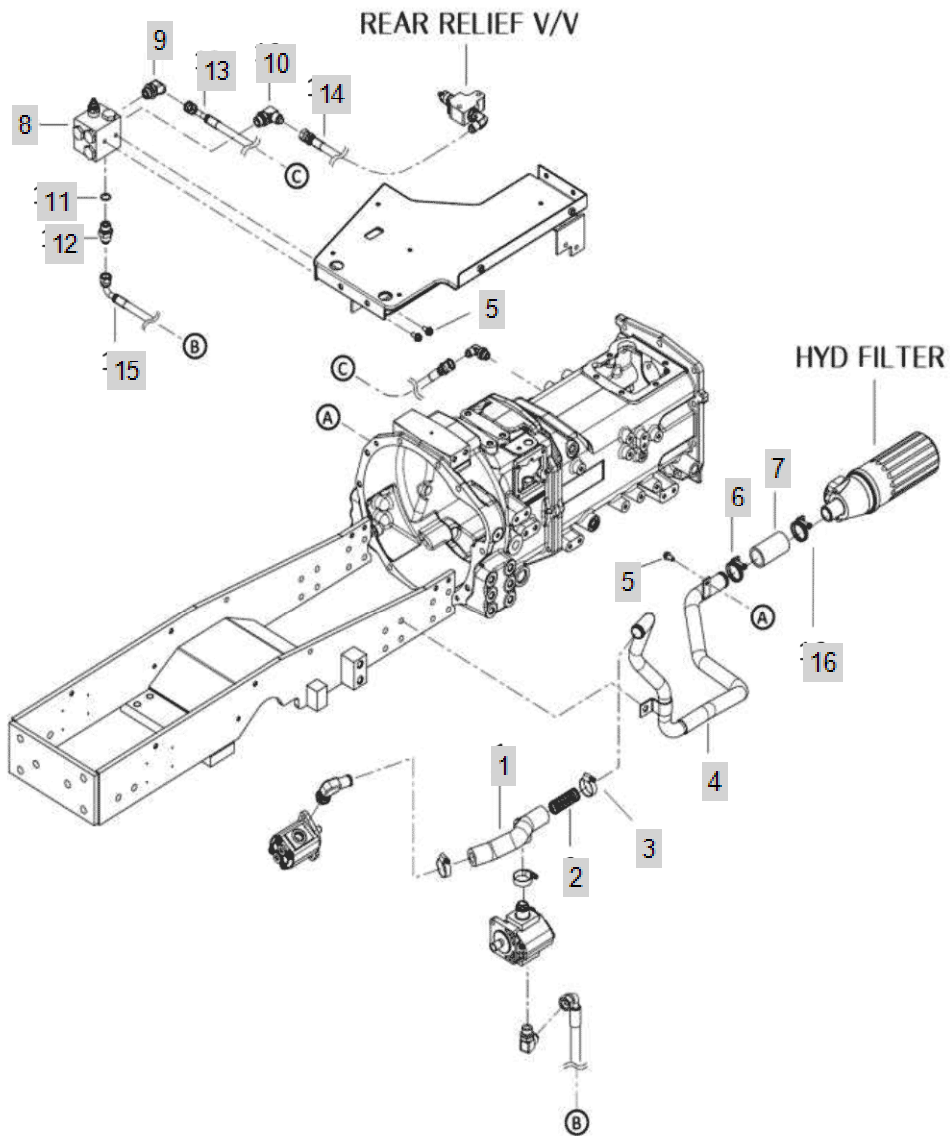




FIG C114D-2

114. HYD PIPING (2019.04~)

Year/Month

3515R

2020/01

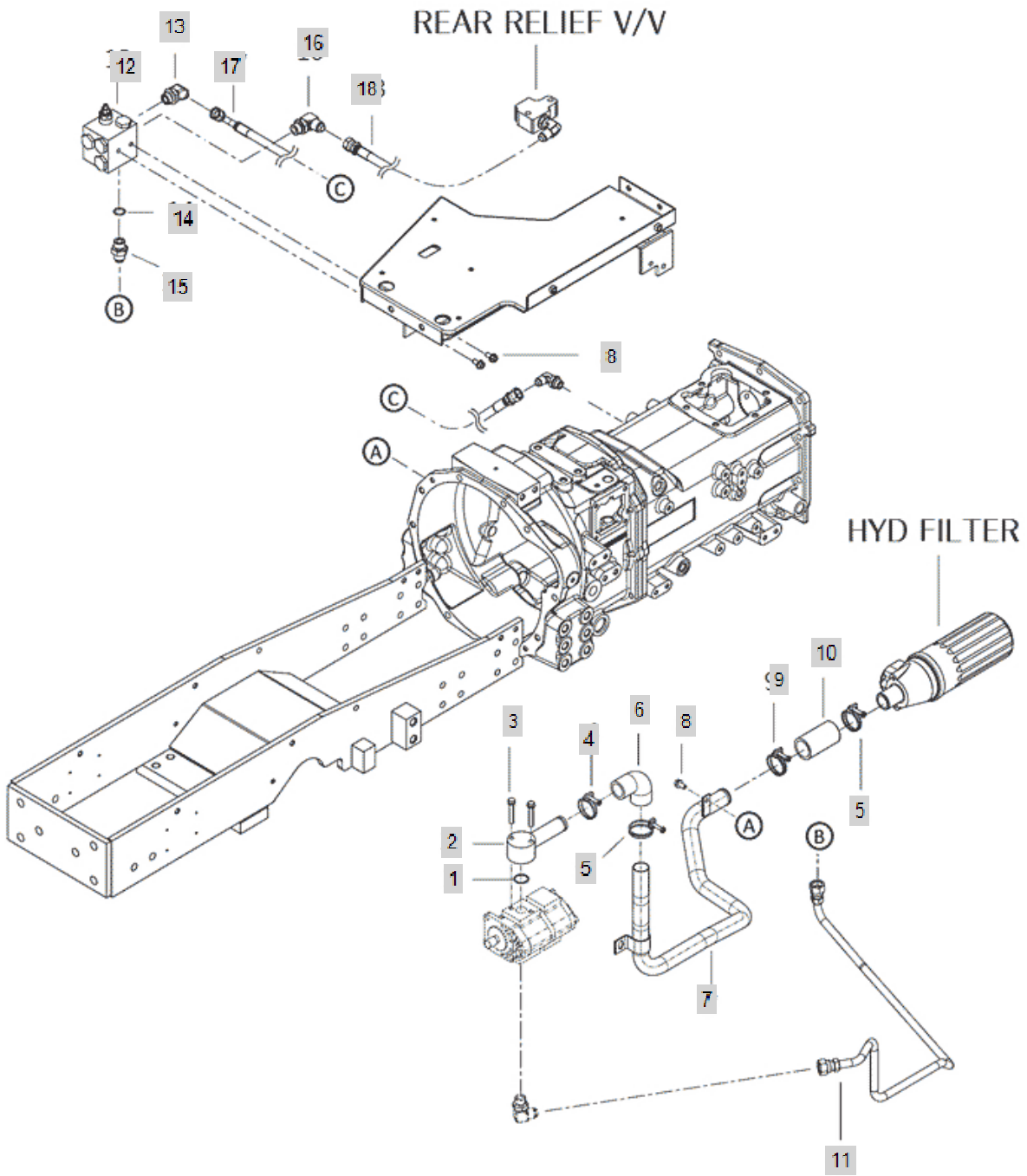






FIG C118

118. HYD FILTER

Year/Month

3515R

2020/01

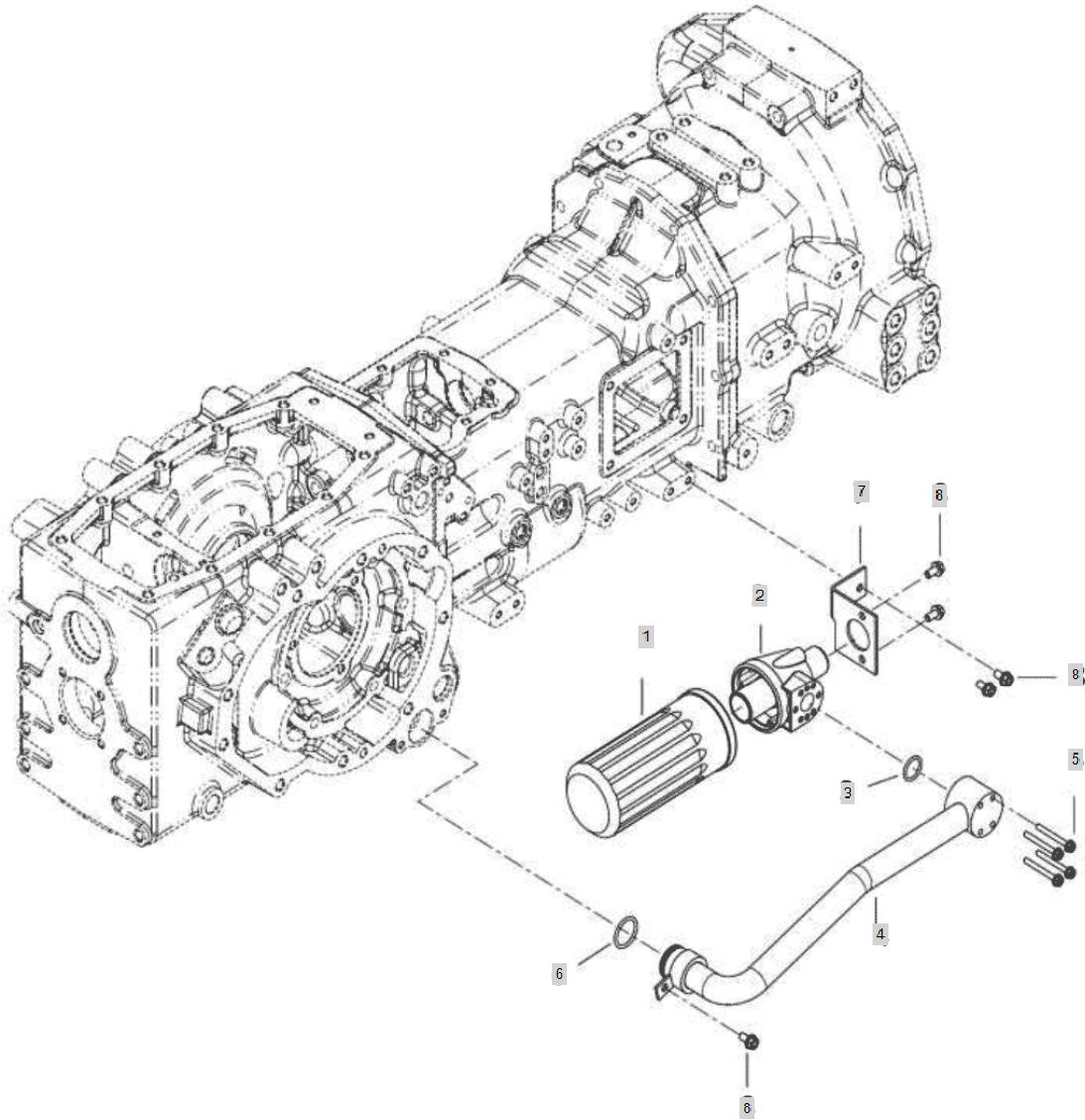




FIG C119B

119. ELE'C WIRING

Year/Month

3515R

2020/01

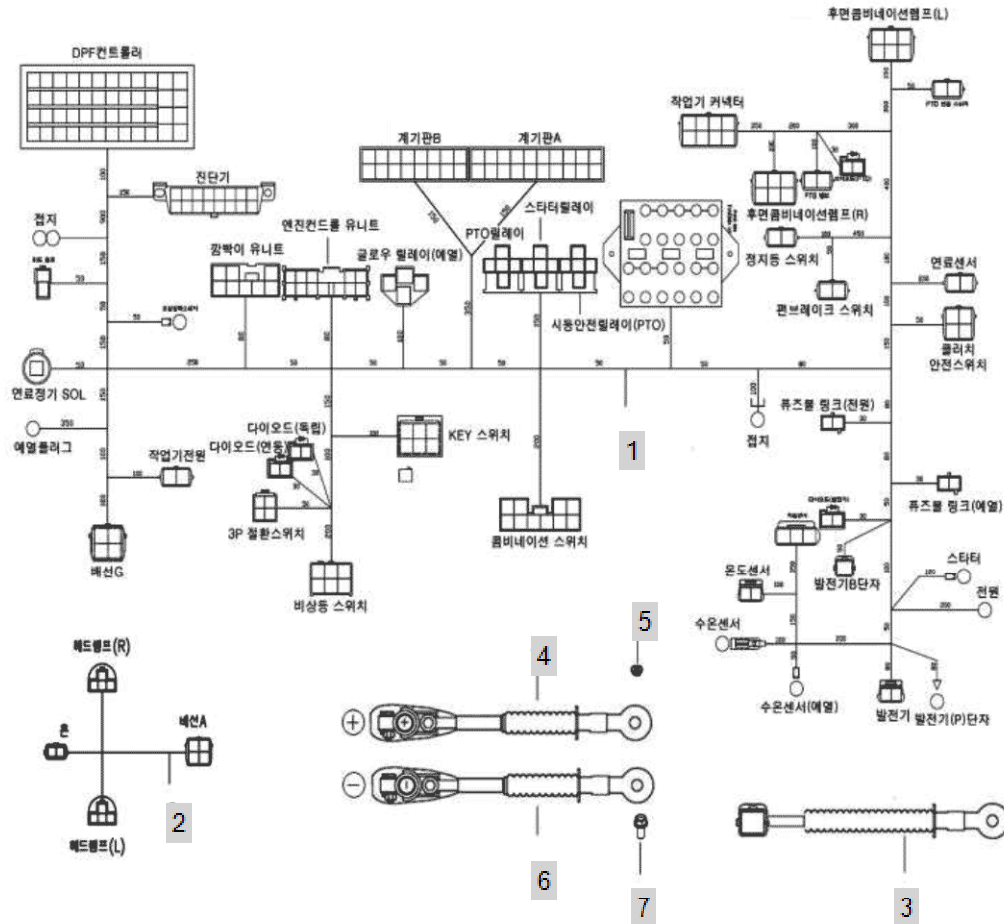




FIG C124B

124. BATTERY

Year/Month

3515R

2020/01

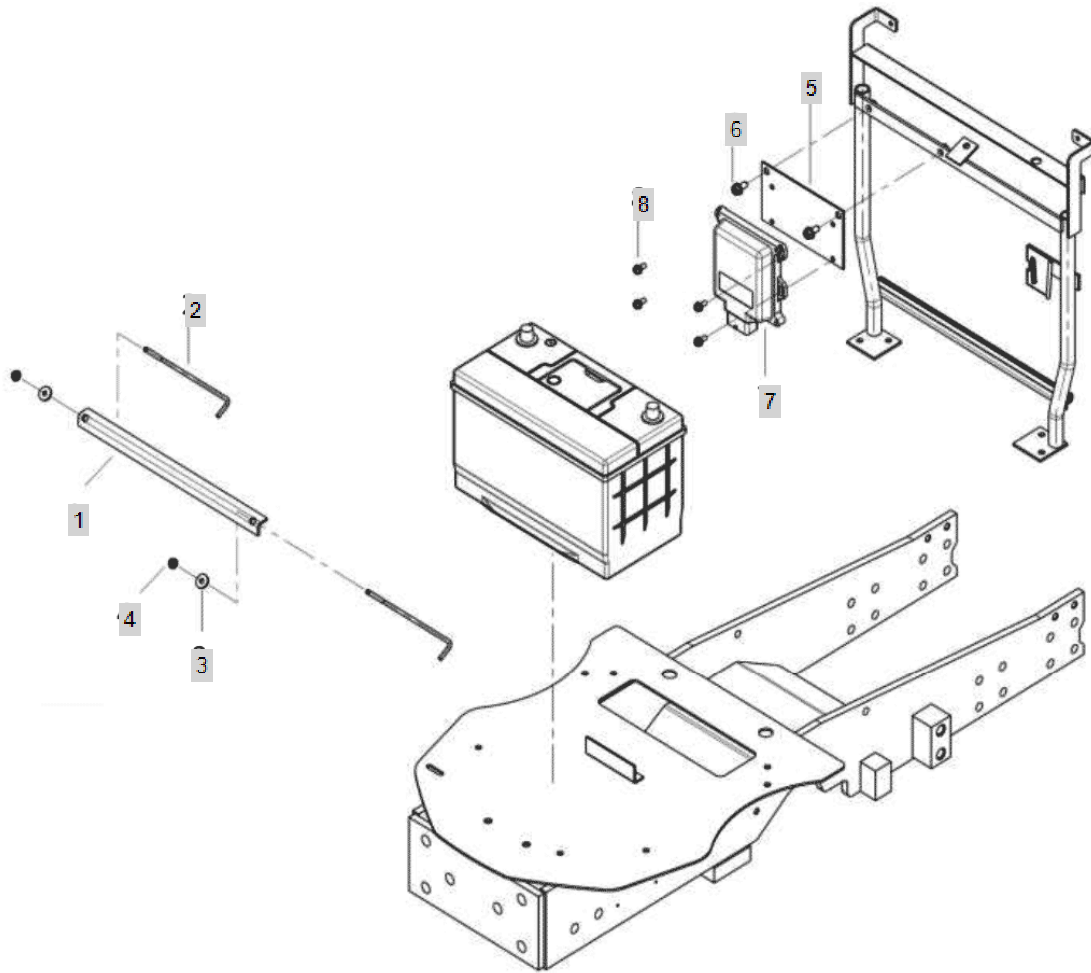




FIG C125

125. SWITCH

Year/Month

3515R

2020/01

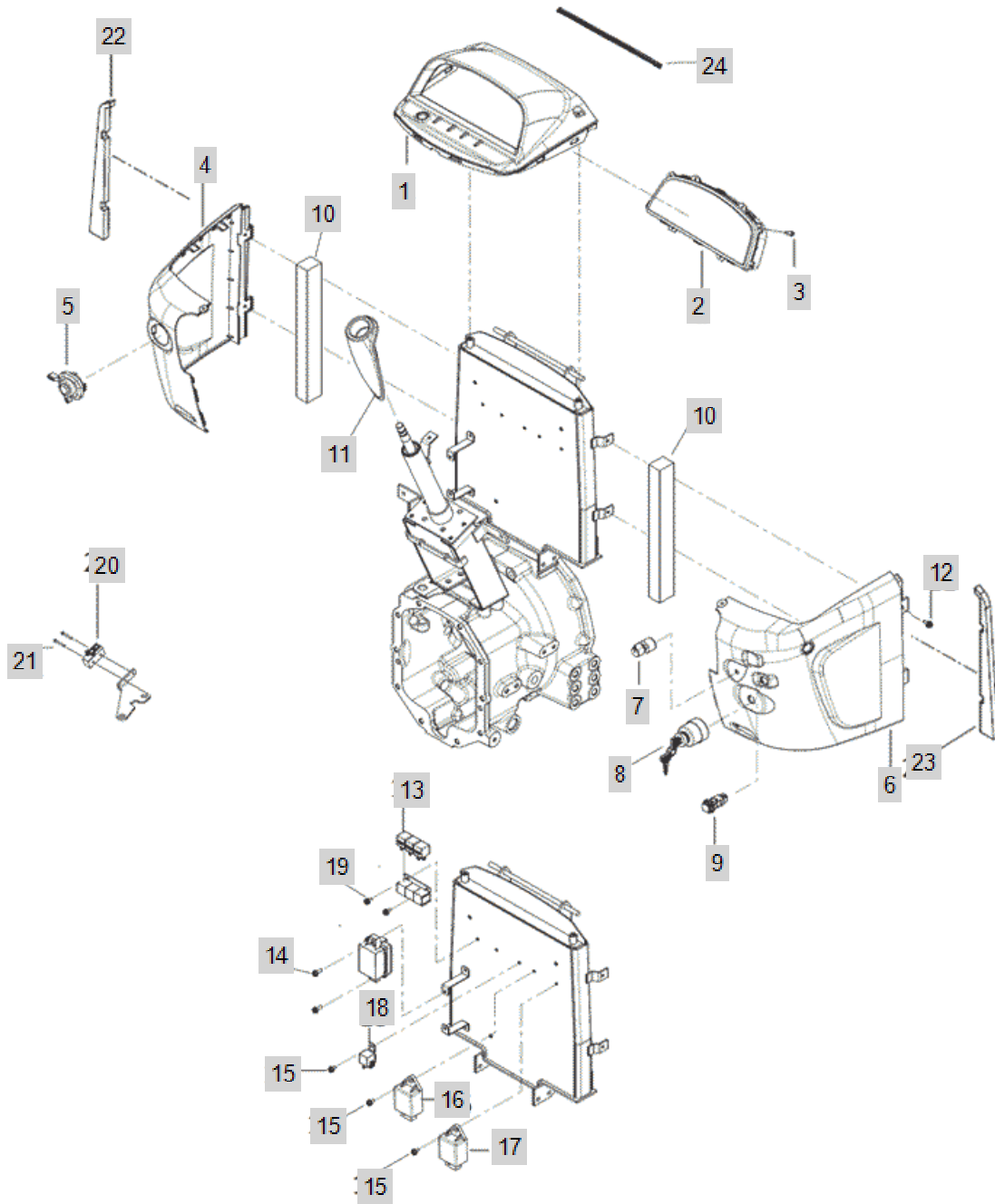






FIG C135.1-1

135-1. BONNET

Year/Month

3515R

2020/01

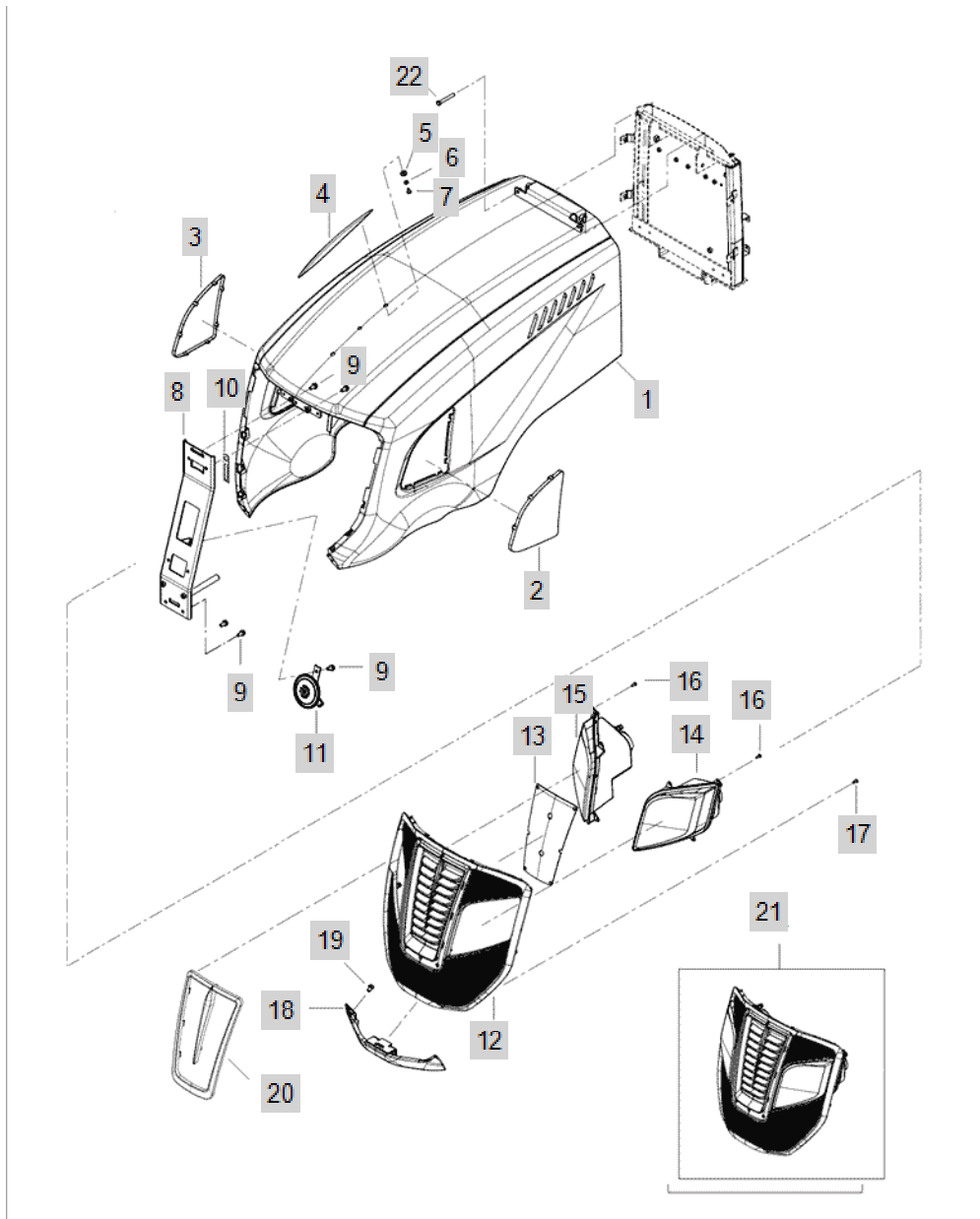




FIG C135.1-2

135-1. BONNET(2018.08~)

Year/Month

3515R

2020/01

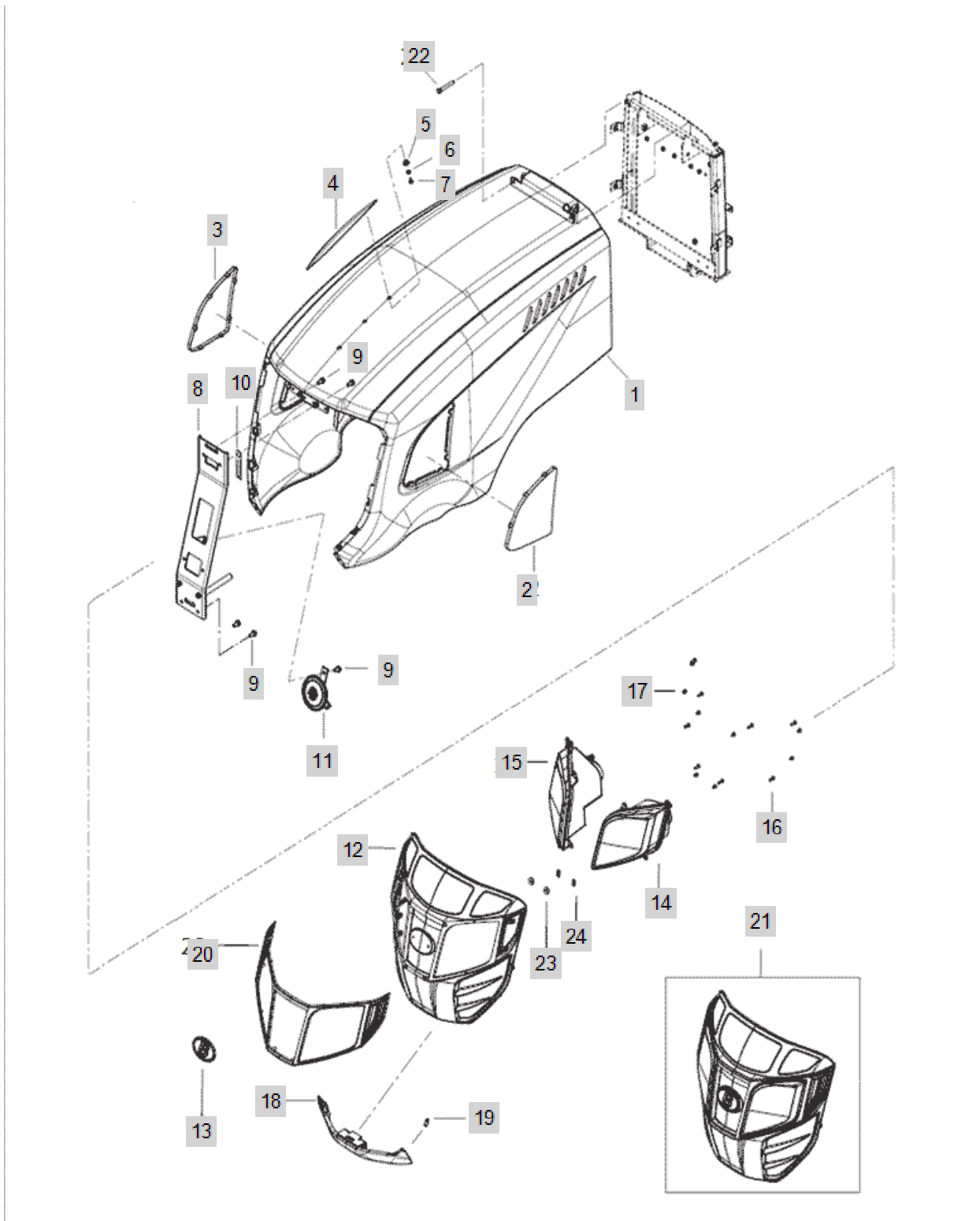




FIG C135.1-3

135-1. BONNET(2019.04~)

Year/Month

3515R

2020/01

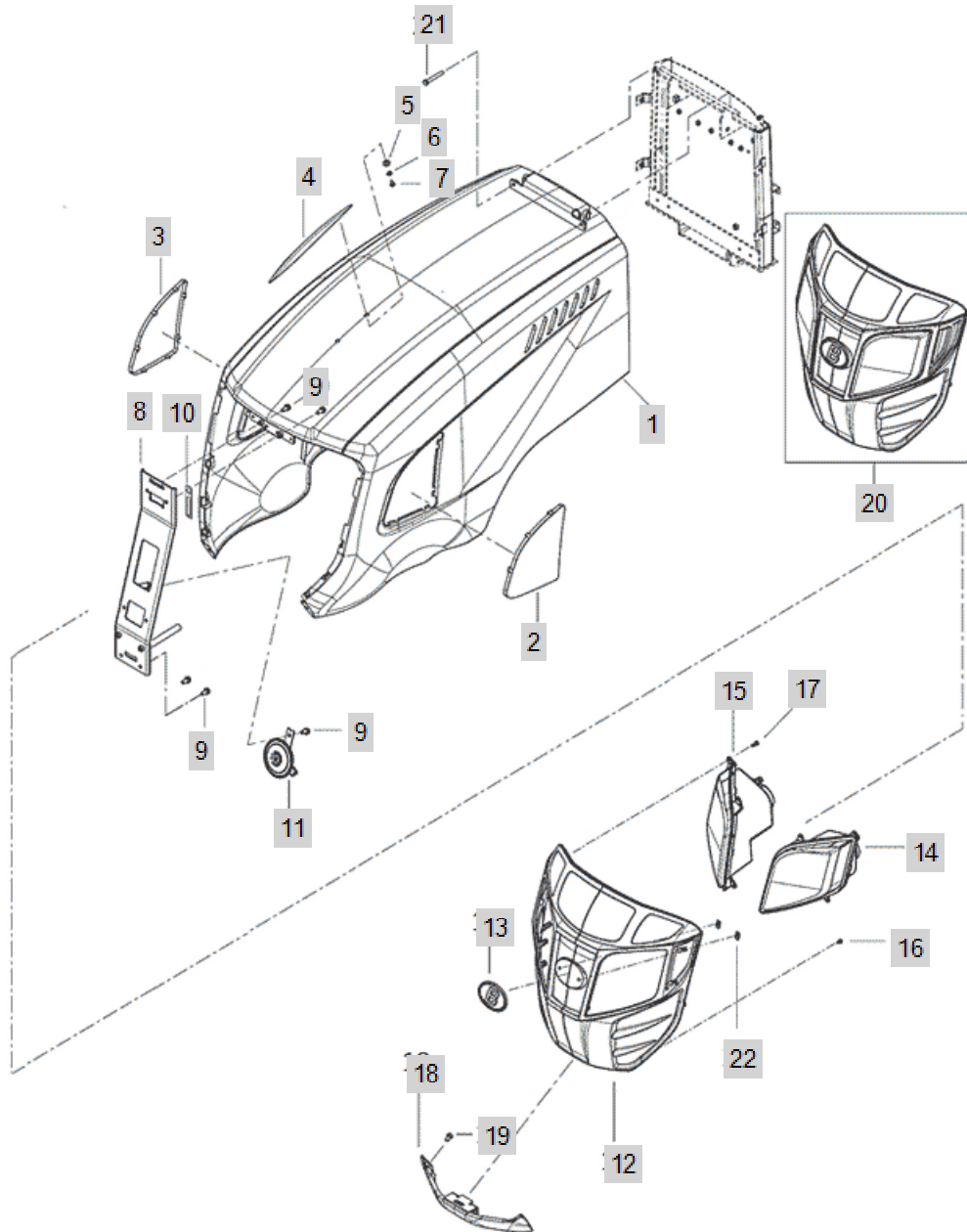




FIG C135.2

135-2. BONNET

Year/Month

3515R

2020/01

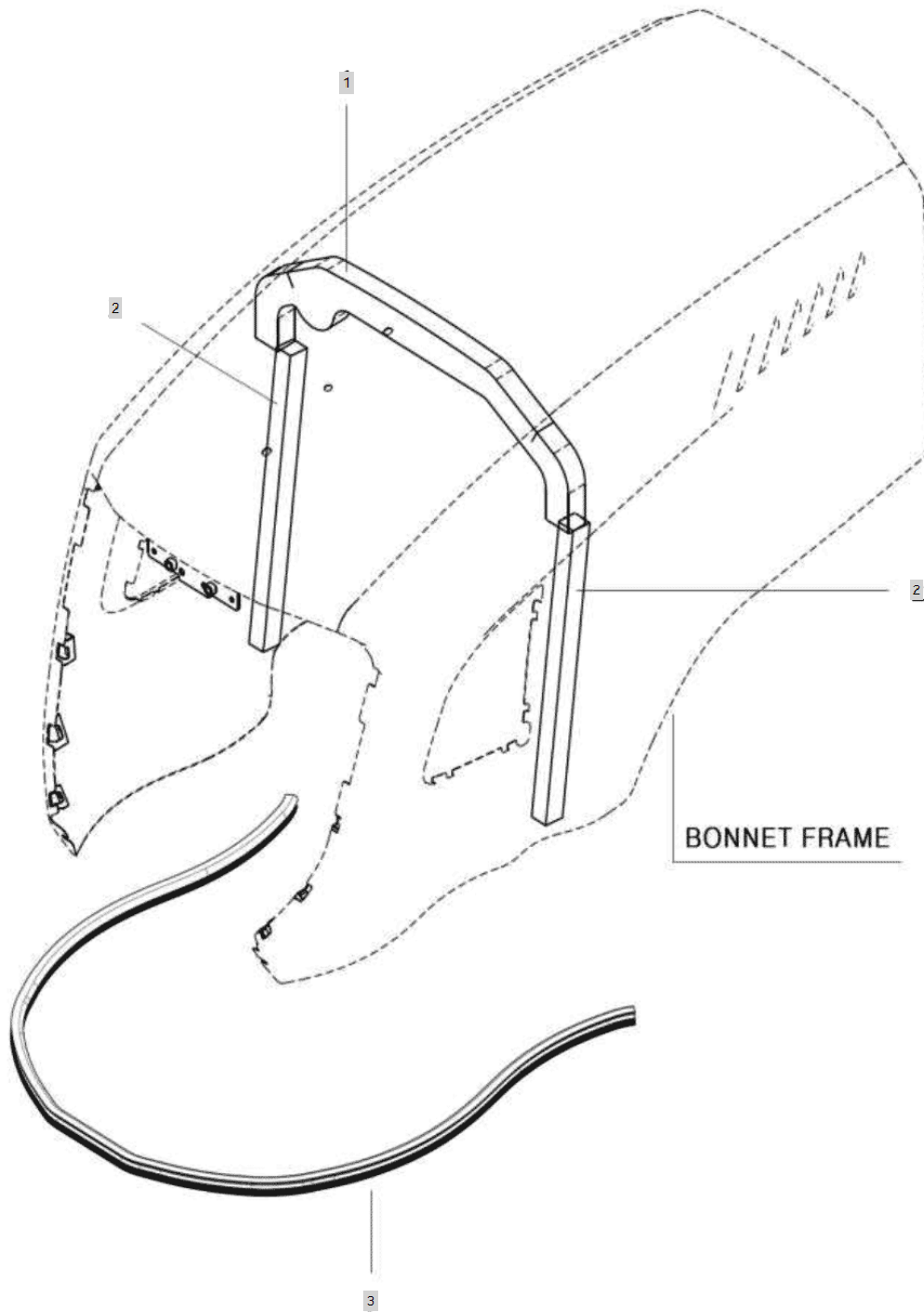






FIG C136-1

136. LOCKING ASS'Y, BONNET

Year/Month

3515R

2020/01

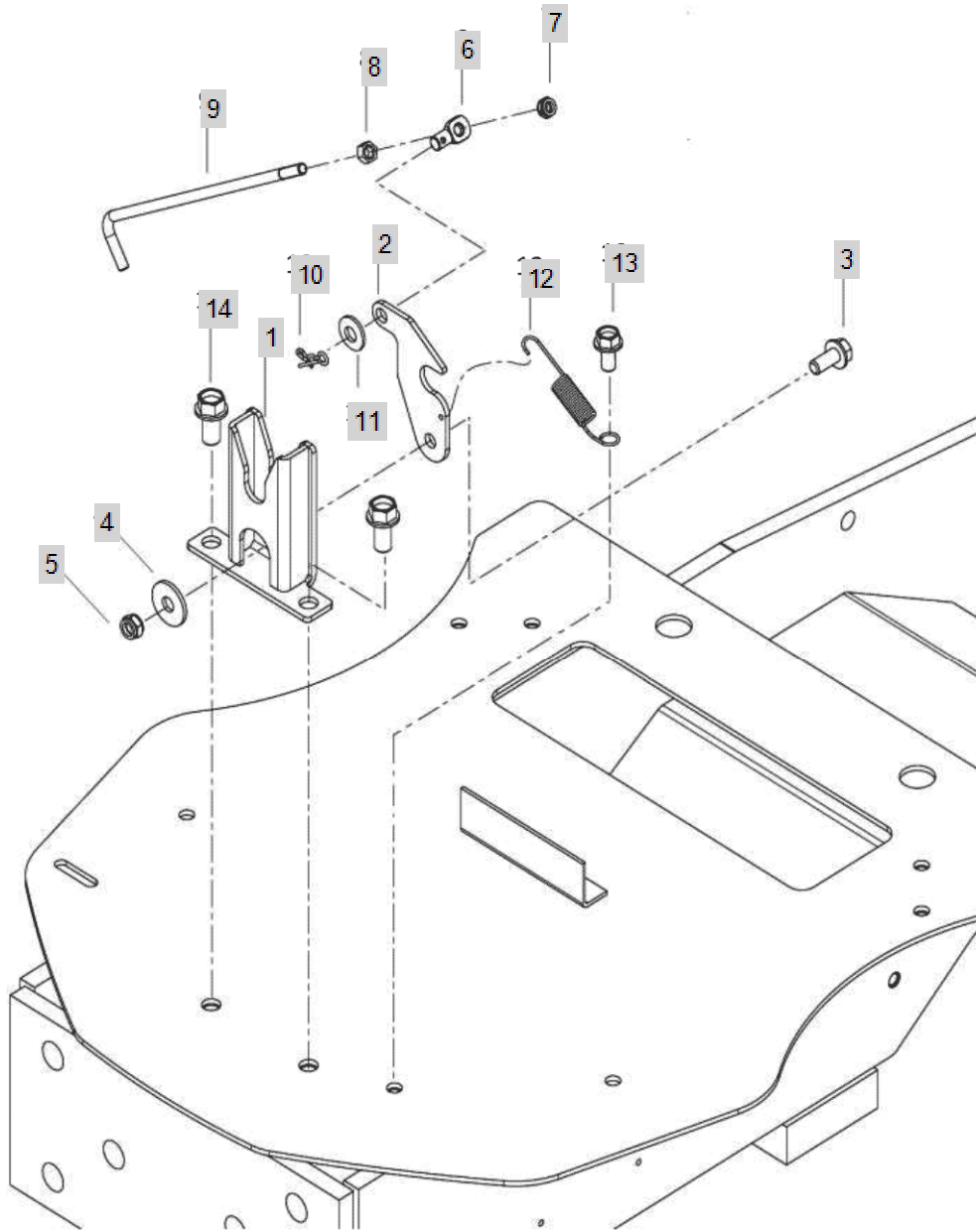




FIG C136-2

136. LOCKING ASS'Y, BONNET

Year/Month

3515R

2020/01

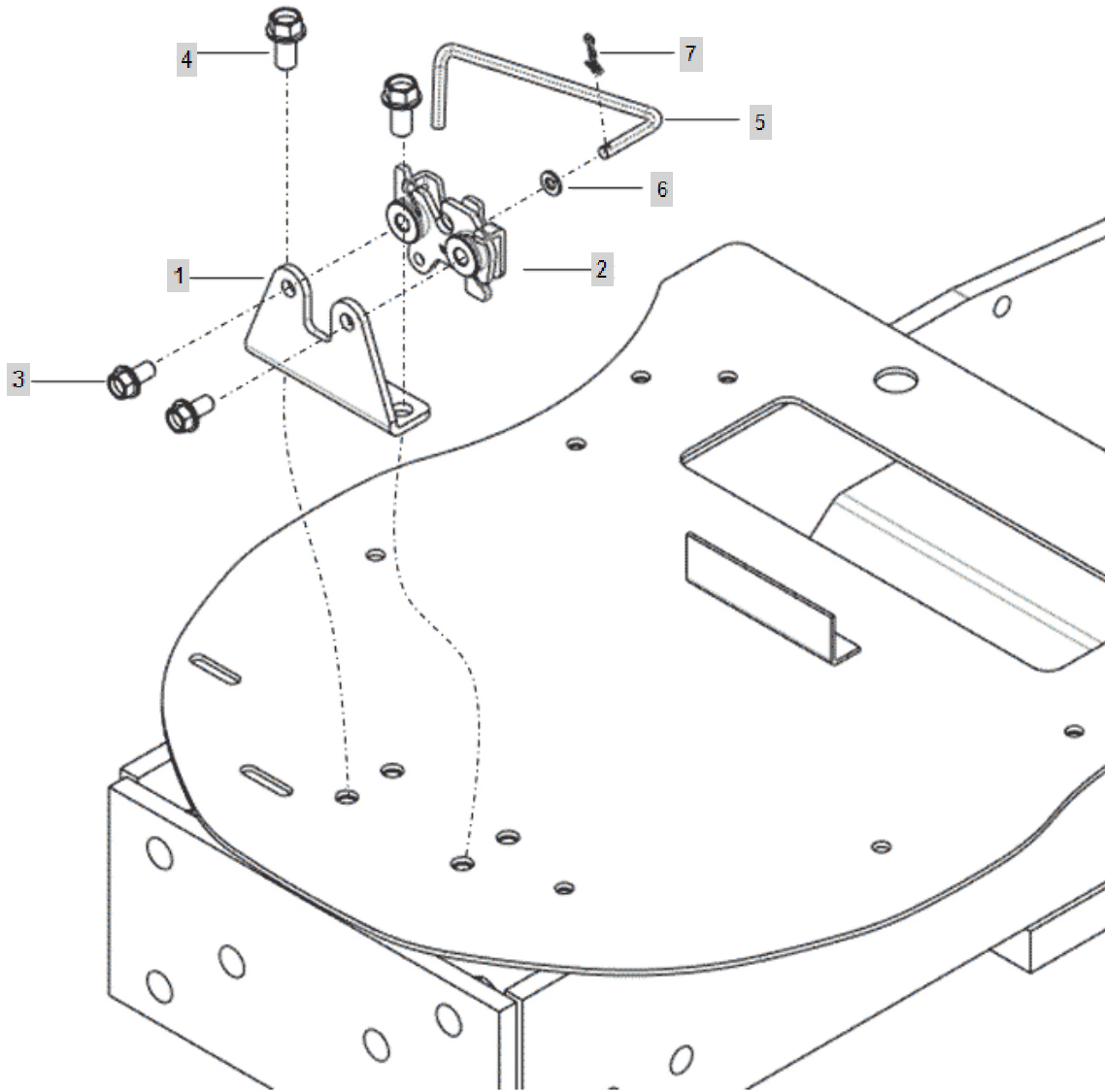




FIG C137-1

137. BONNET SUPPORT

Year/Month

3515R

2020/01

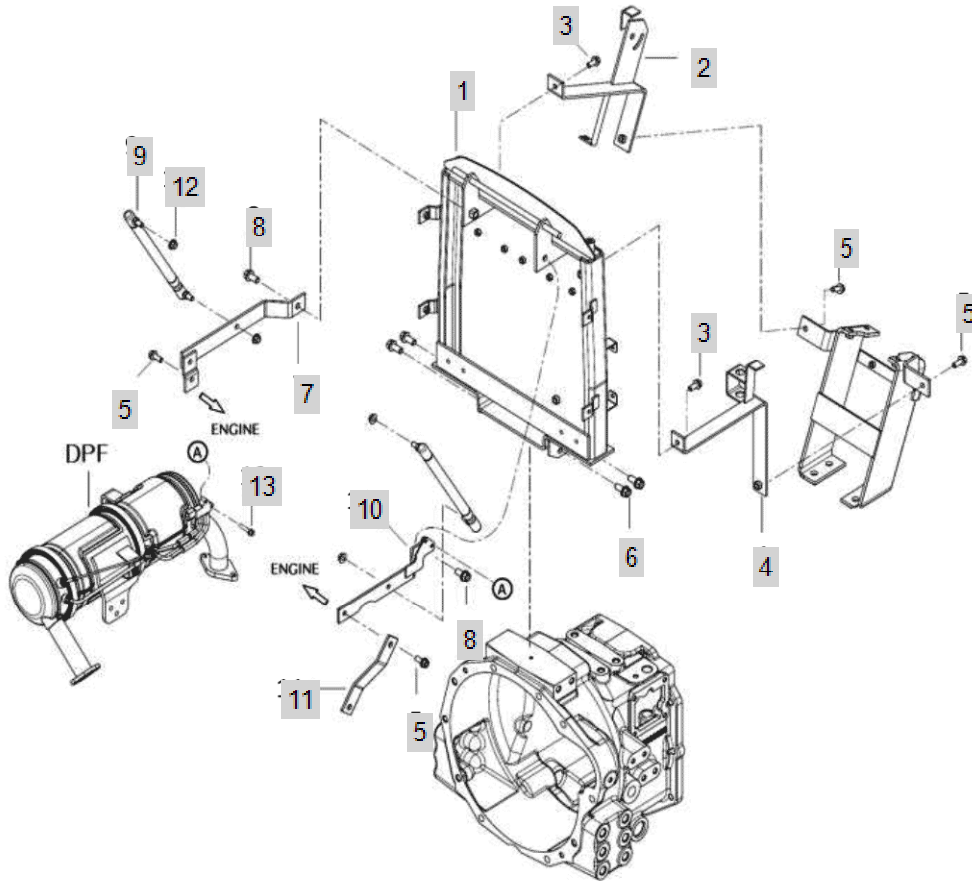




FIG C137A-2

137. BONNET SUPPORT(2018.02)

Year/Month

3515R

2020/01

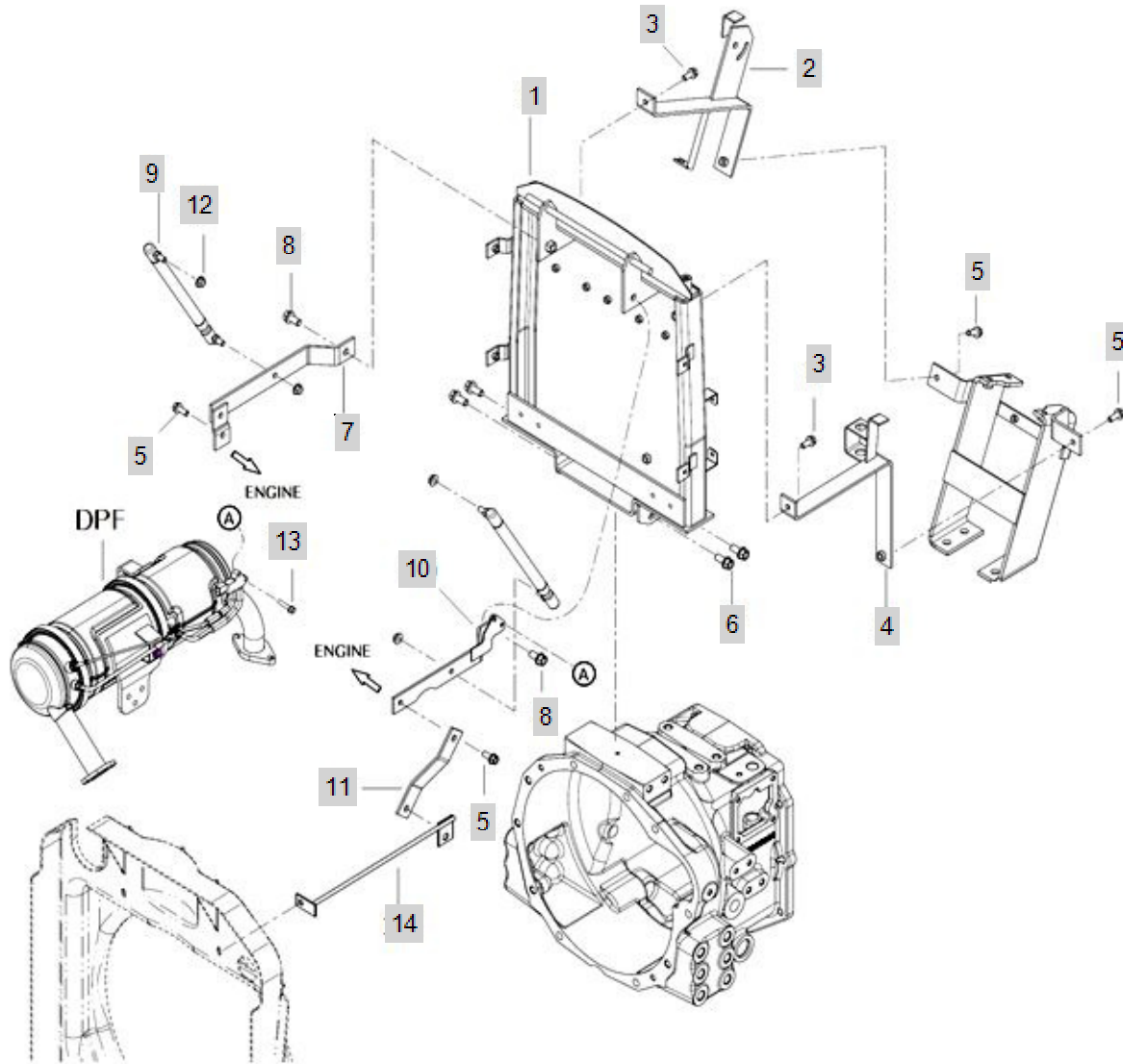






FIG C137B

137. BONNET SUPPORT

Year/Month

3515R

2020/01

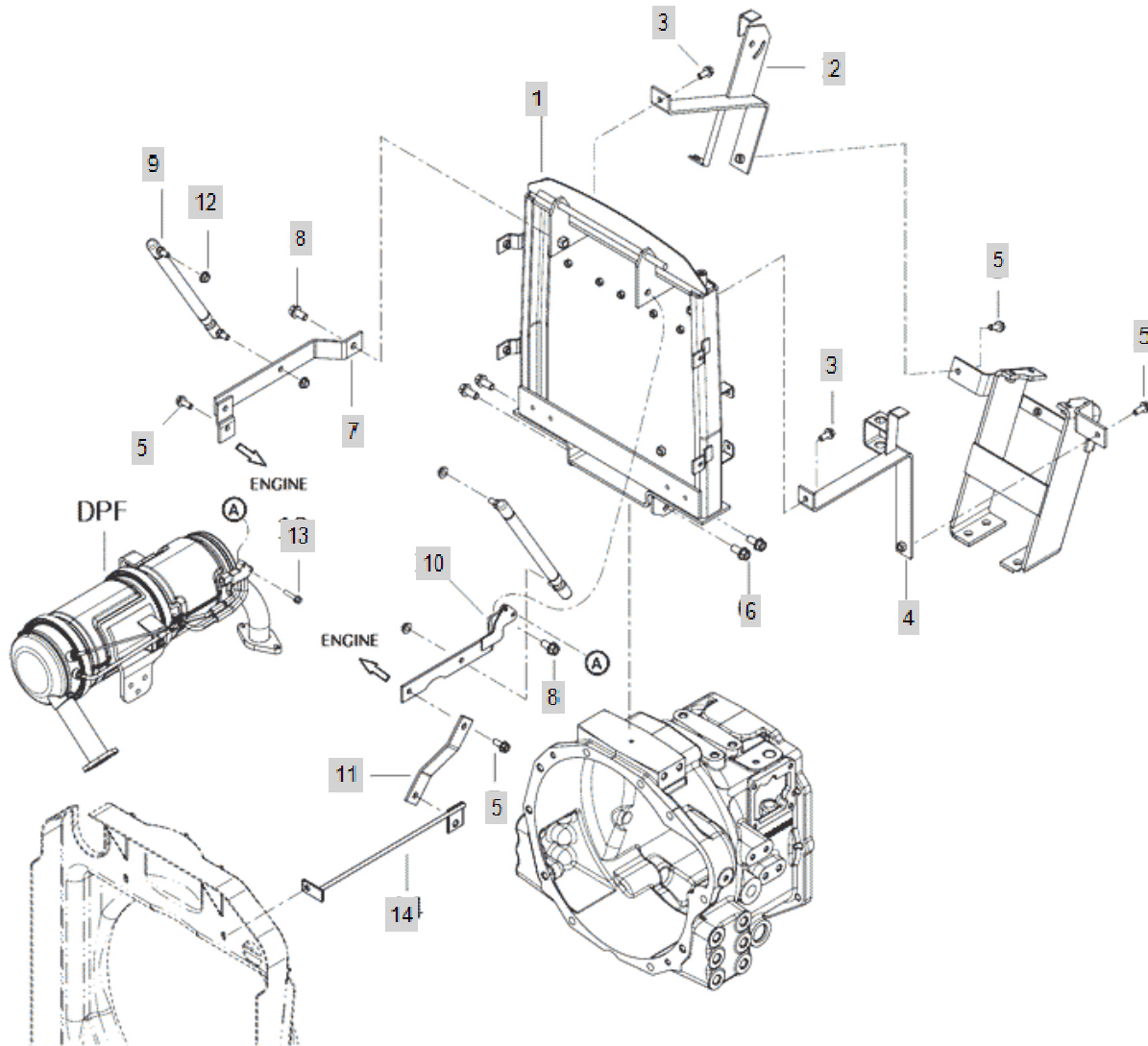




FIG C138

138. FENDER

Year/Month

3515R

2020/01

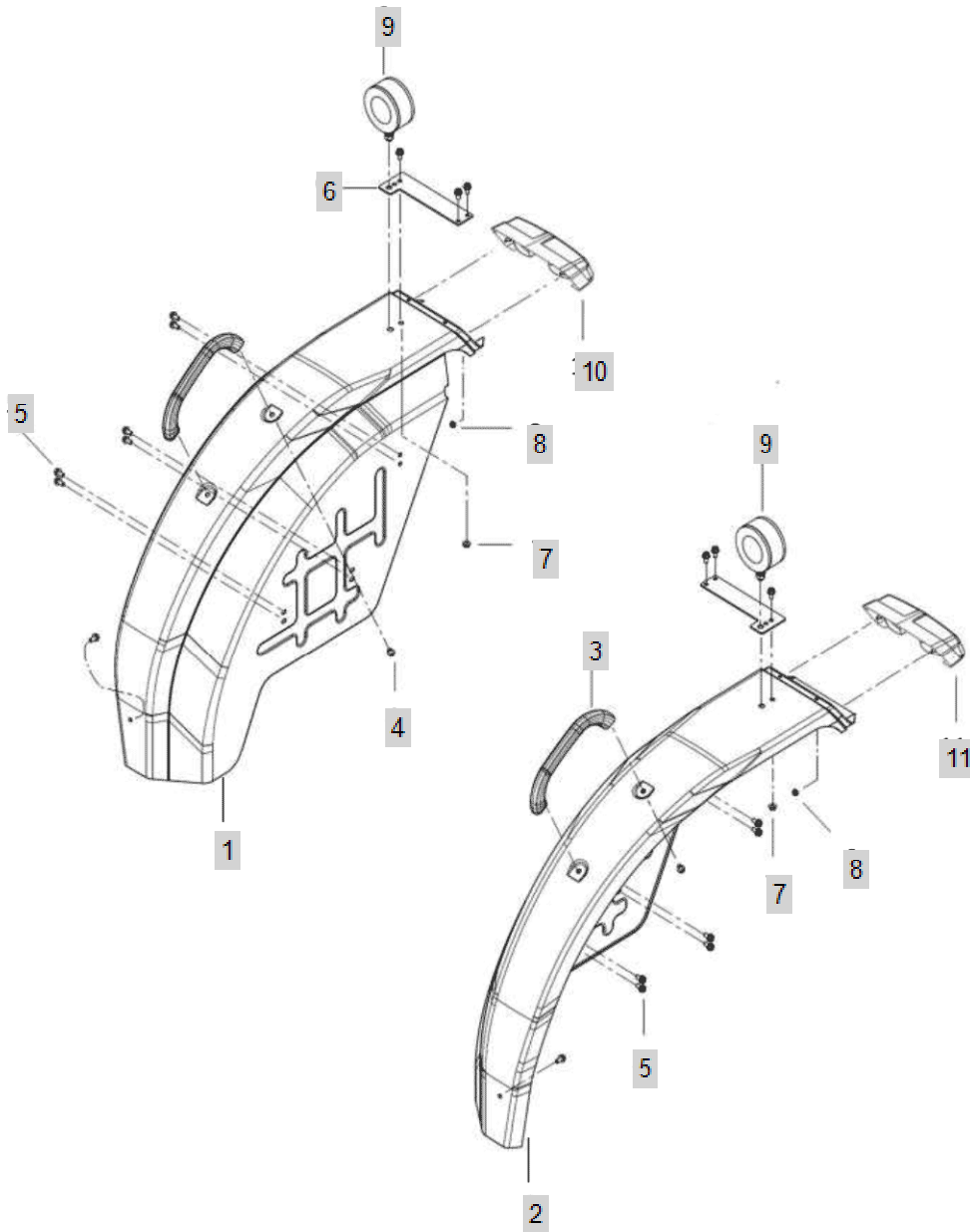




FIG C139

139. FOOT REST ASS'Y

Year/Month

3515R

2020/01

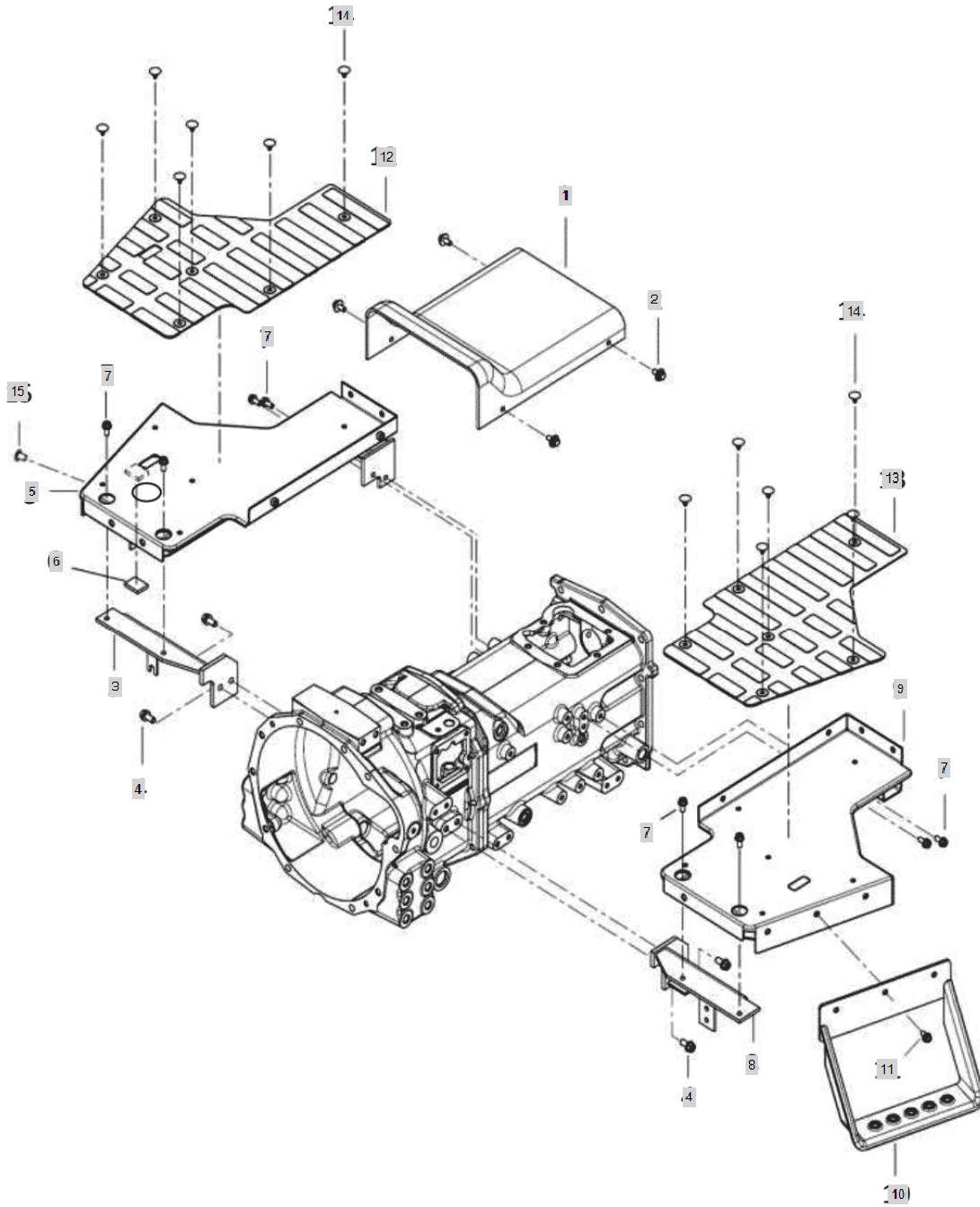




FIG C140

140. SEAT

Year/Month

3515R

2020/01

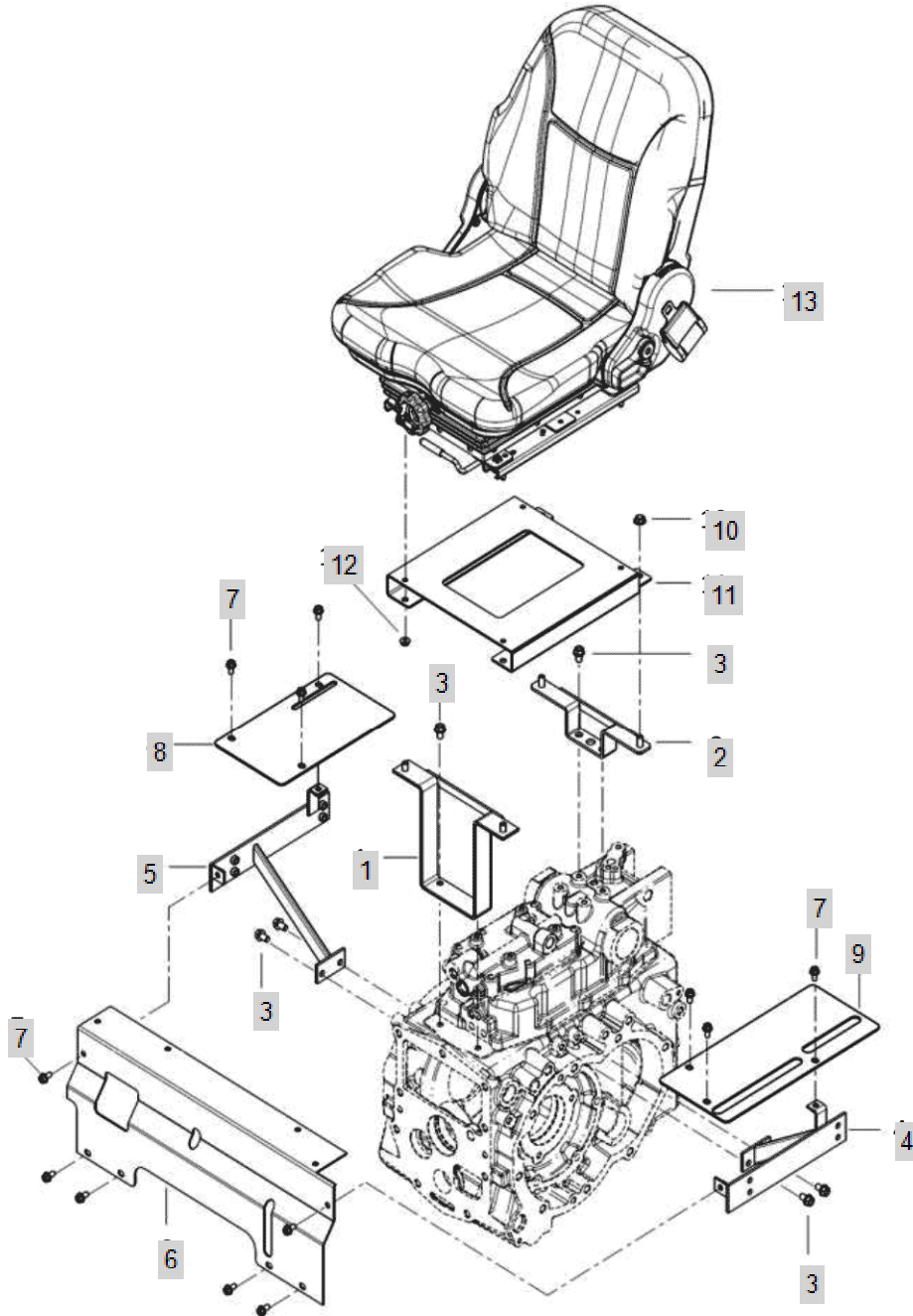






FIG C141A-1

141. FUEL TANK

Year/Month

3515R

2020/01

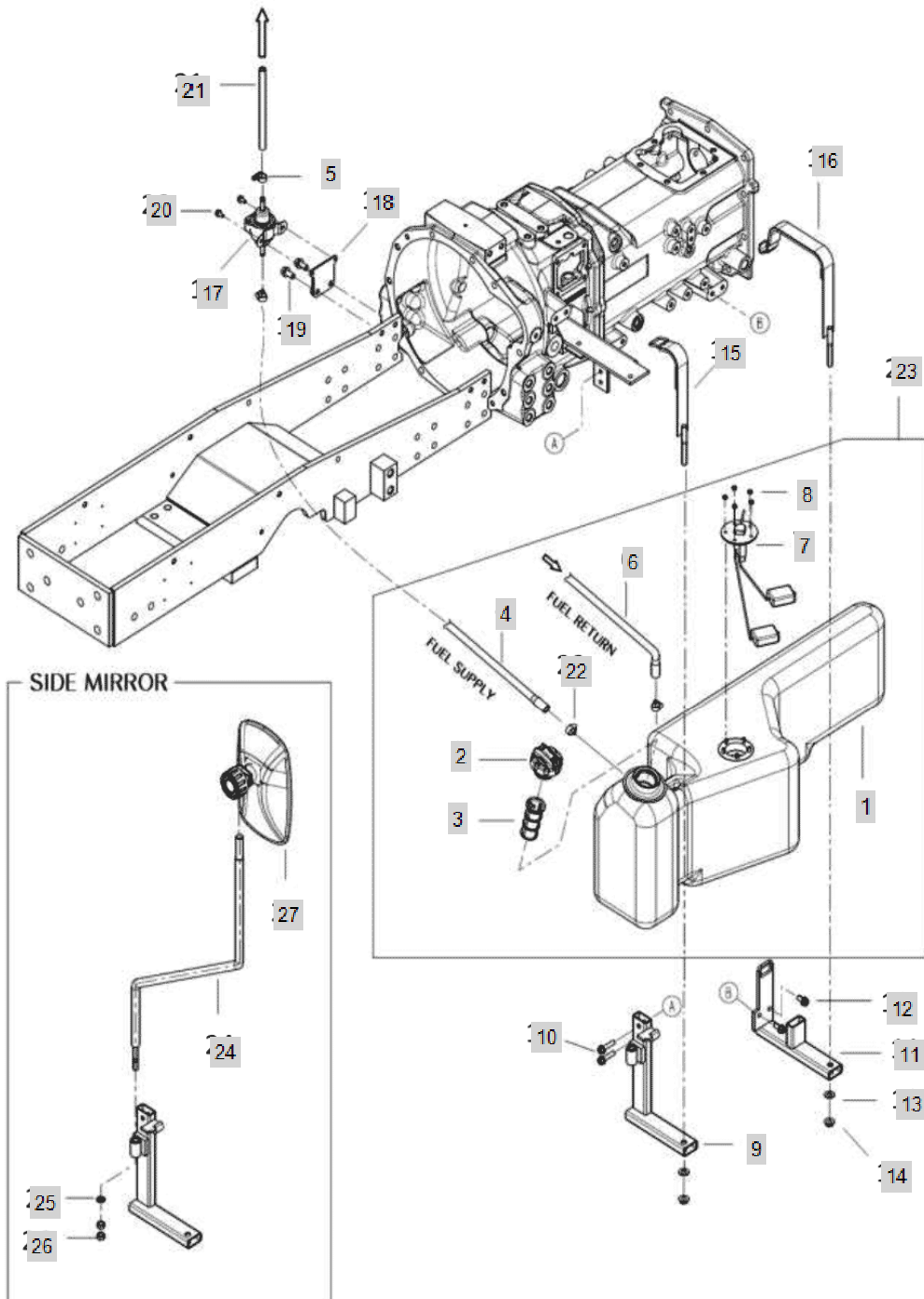




FIG C141A-2

141. FUEL TANK

Year/Month

3515R

2020/01

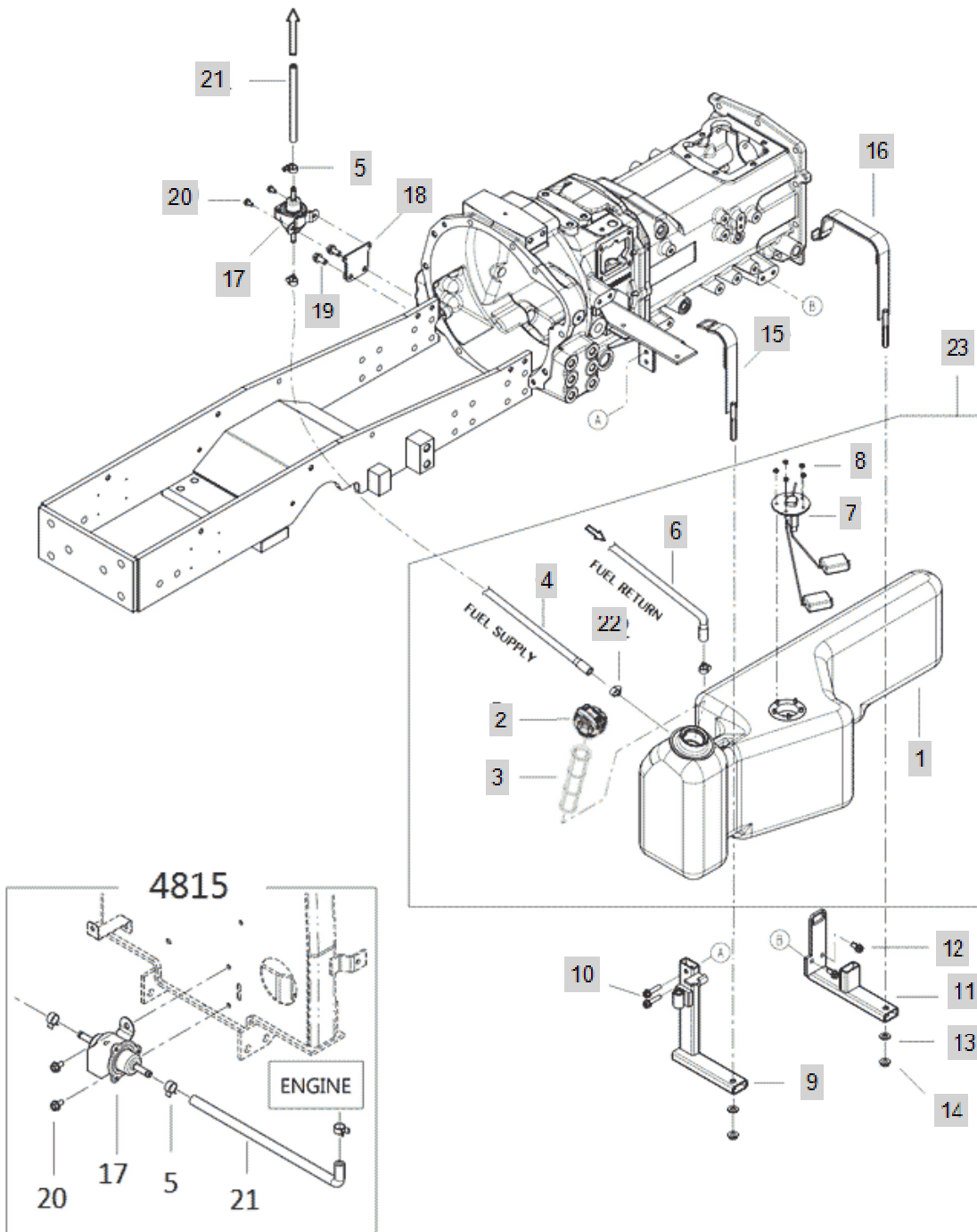




FIG C144C

144. NAME PLATE

Year/Month

3515R

2020/01

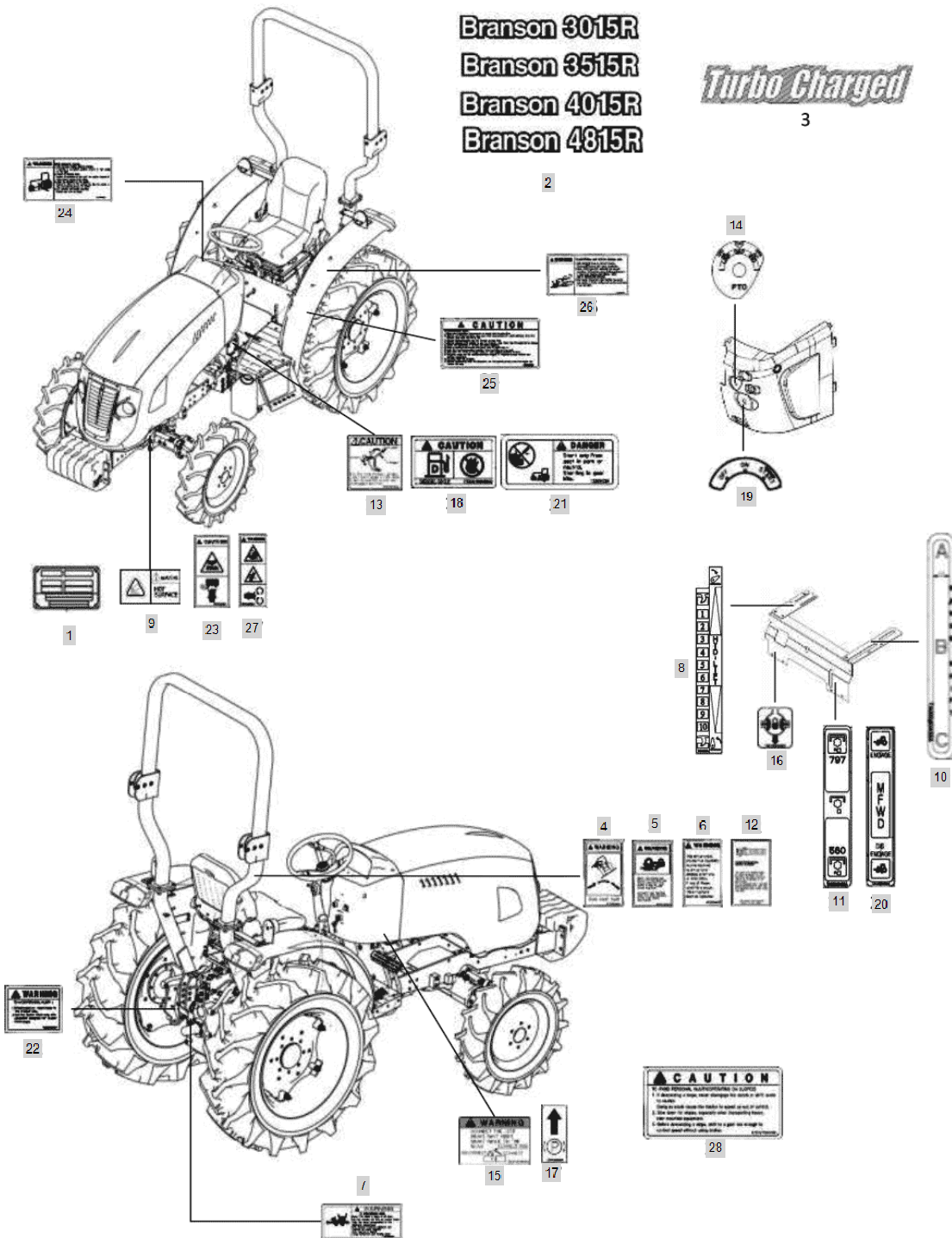




FIG C146-1

146. TOP LINK, LIFT LINK

Year/Month

3515R

2020/01

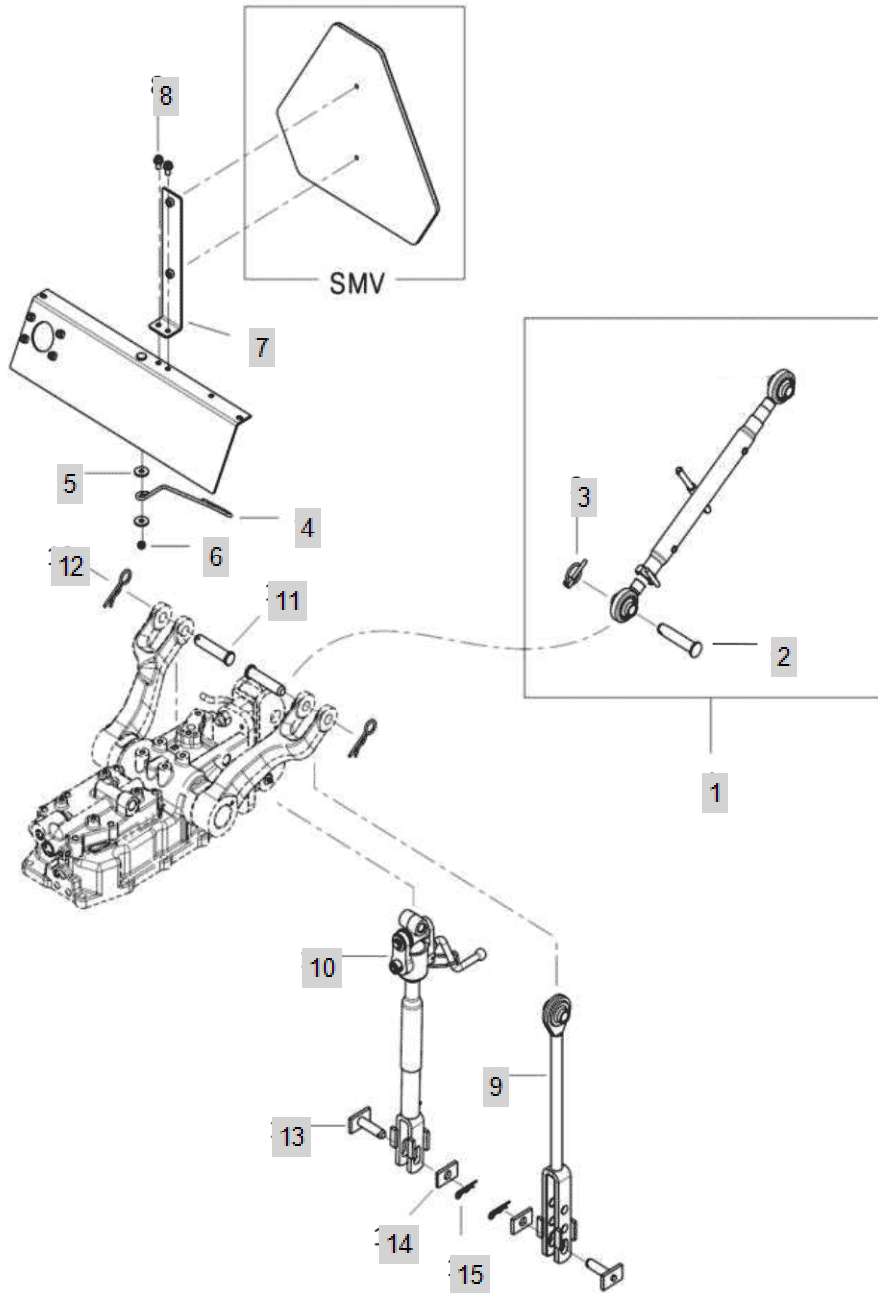






FIG C146-2

146. TOP LINK, LIFT LINK

Year/Month

3515R

2020/01

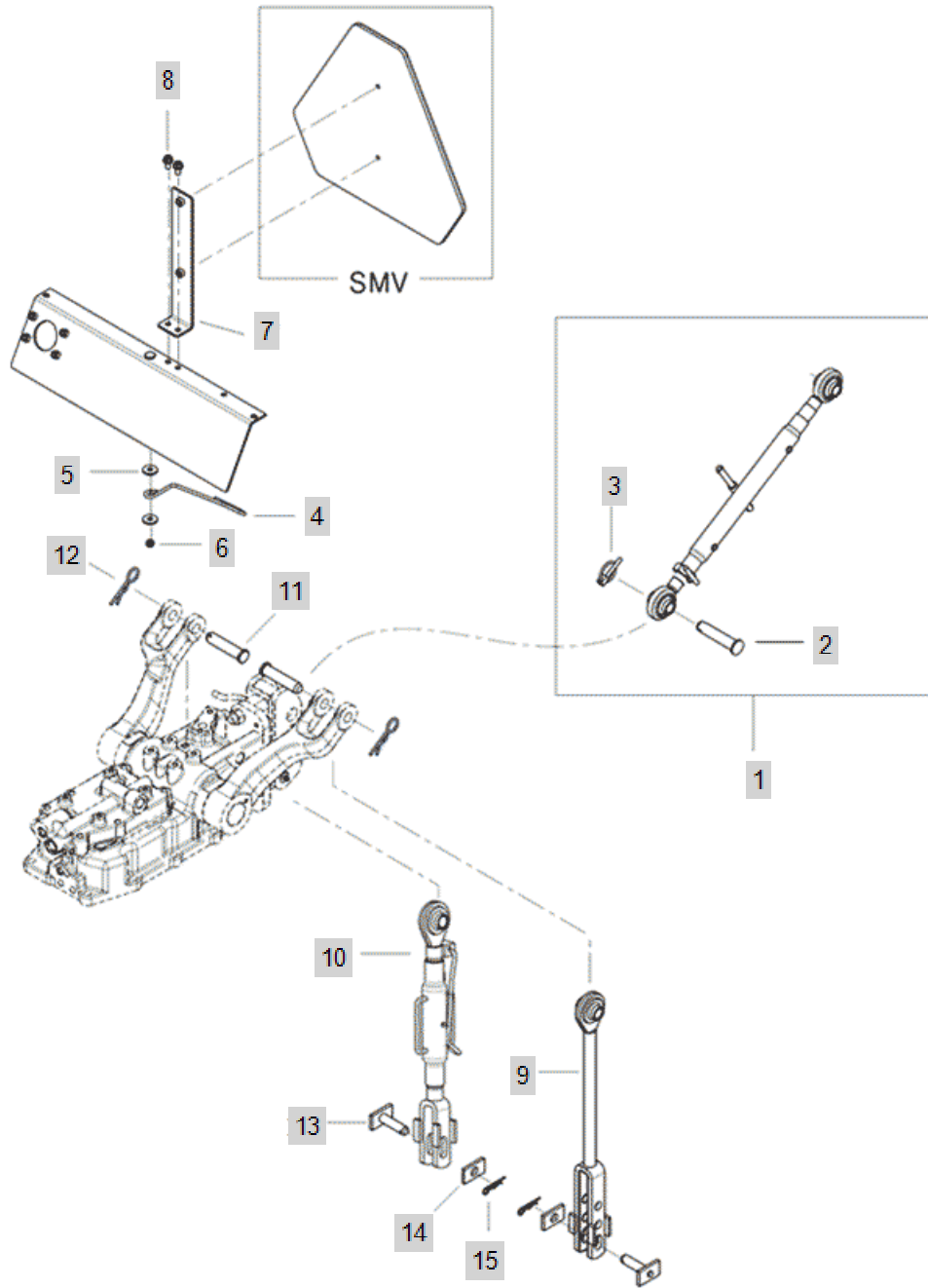




FIG C150

150. LOWER LINK

Year/Month

3515R

2020/01

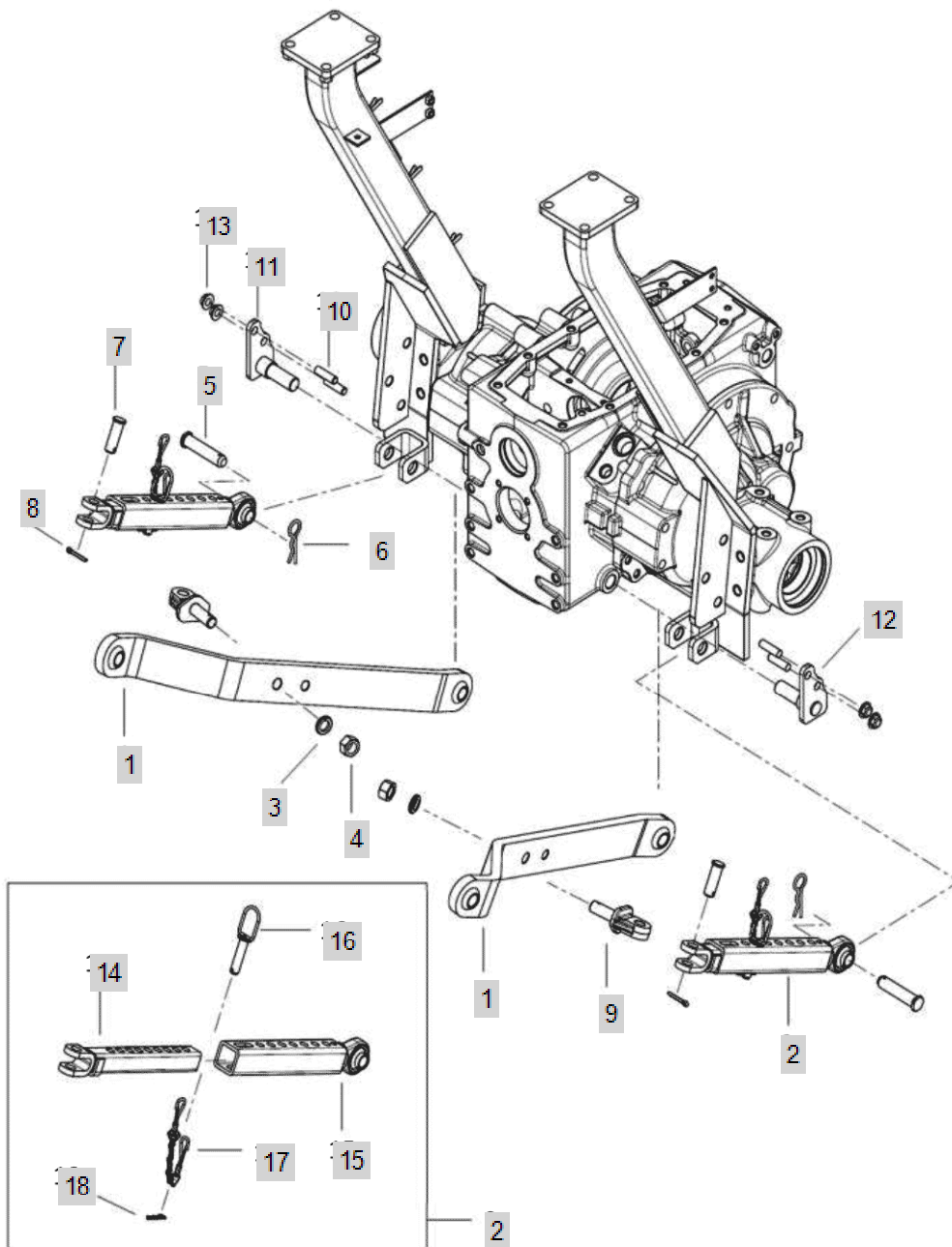




FIG C152

152. DRAWBAR HITCH

Year/Month

3515R

2020/01

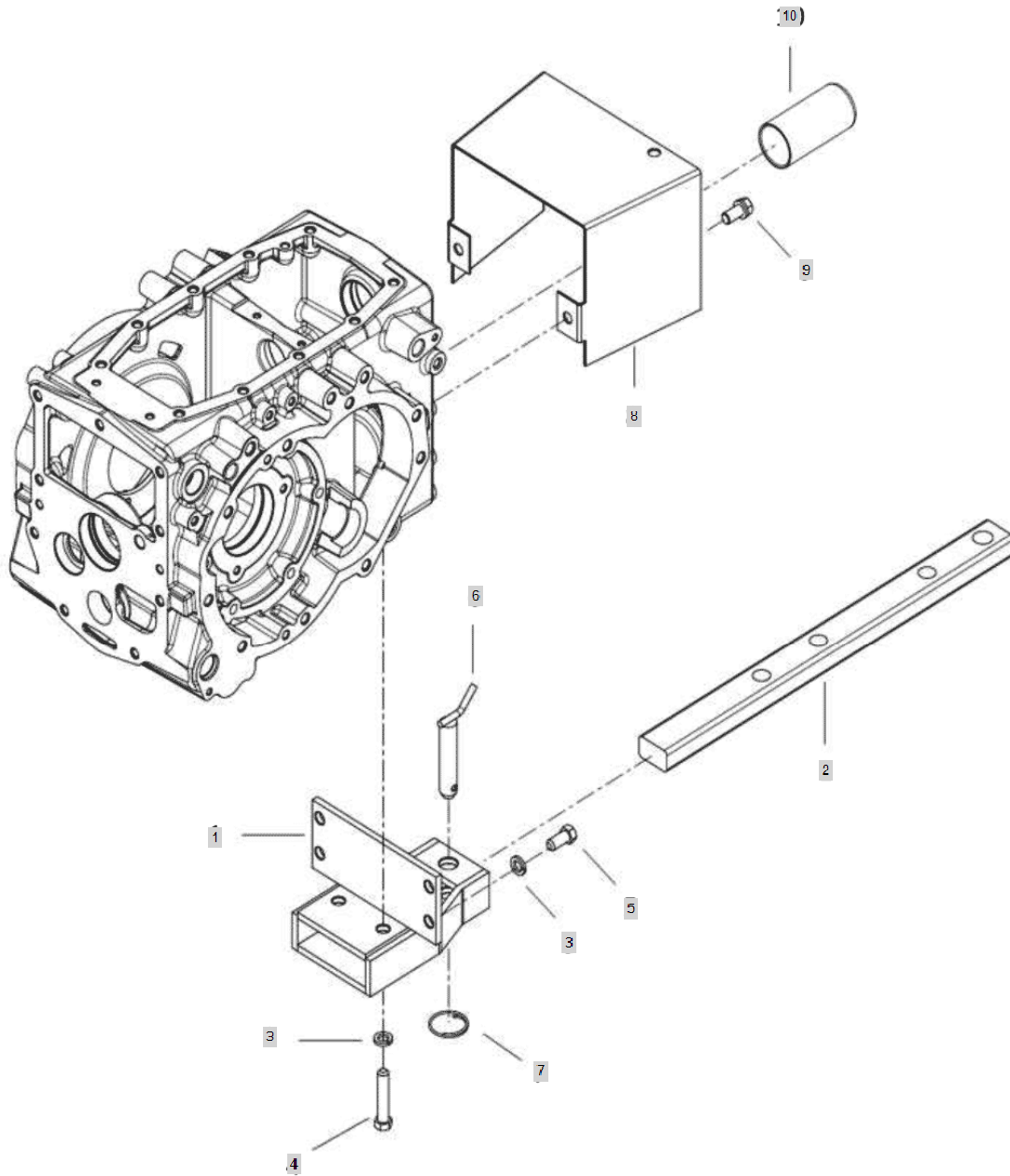




FIG C158-1

158. ROPS FRAME ASS'Y

Year/Month

3515R

2020/01

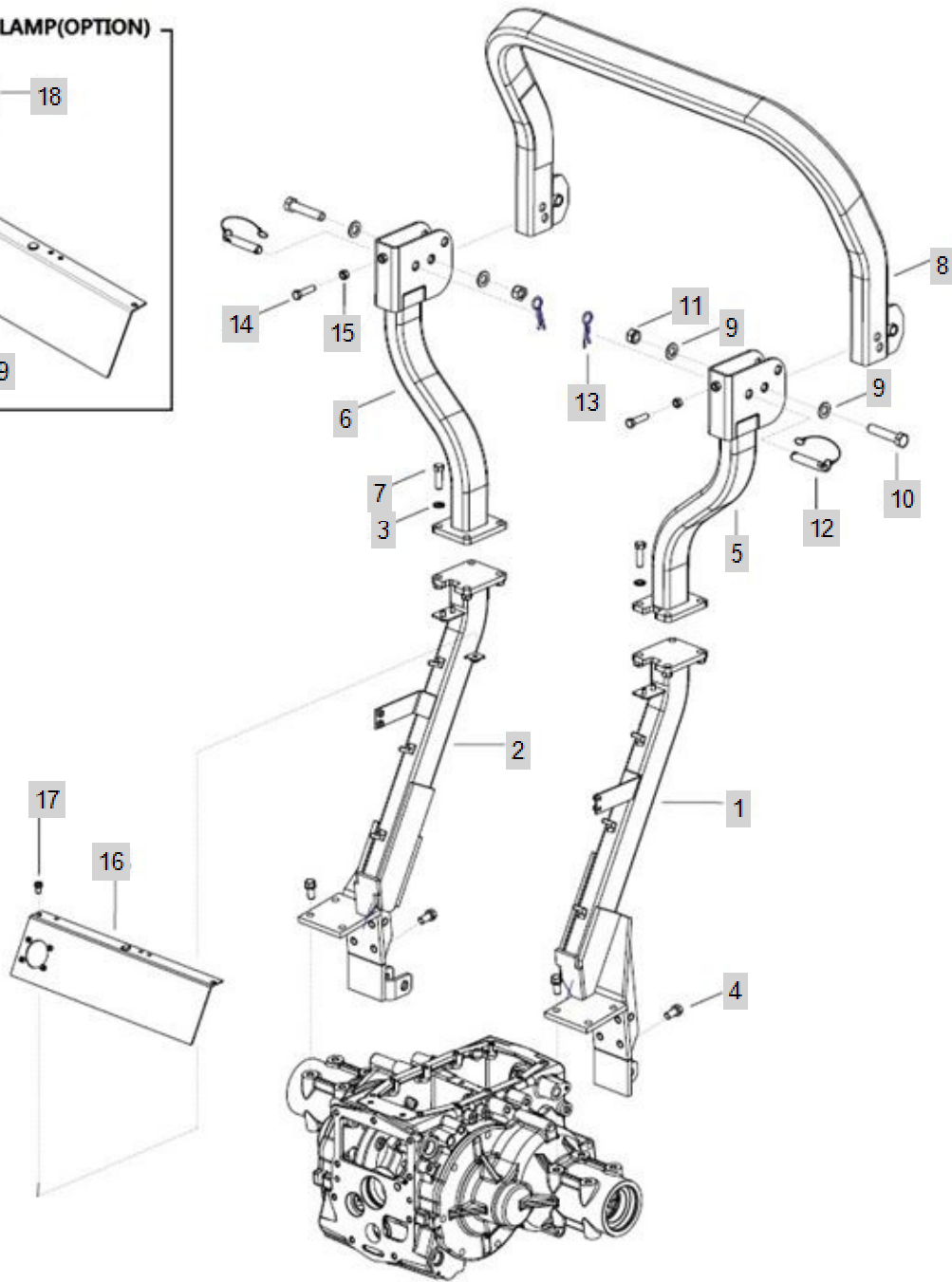
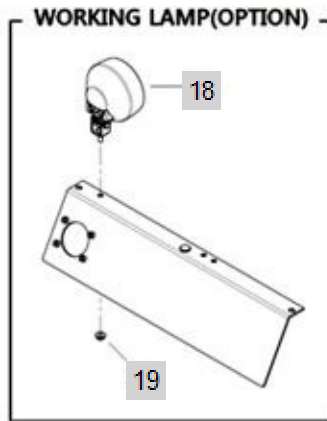






FIG C158A-2

158. ROPS FRAME ASS'Y (2018.02)

Year/Month

3515R

2020/01

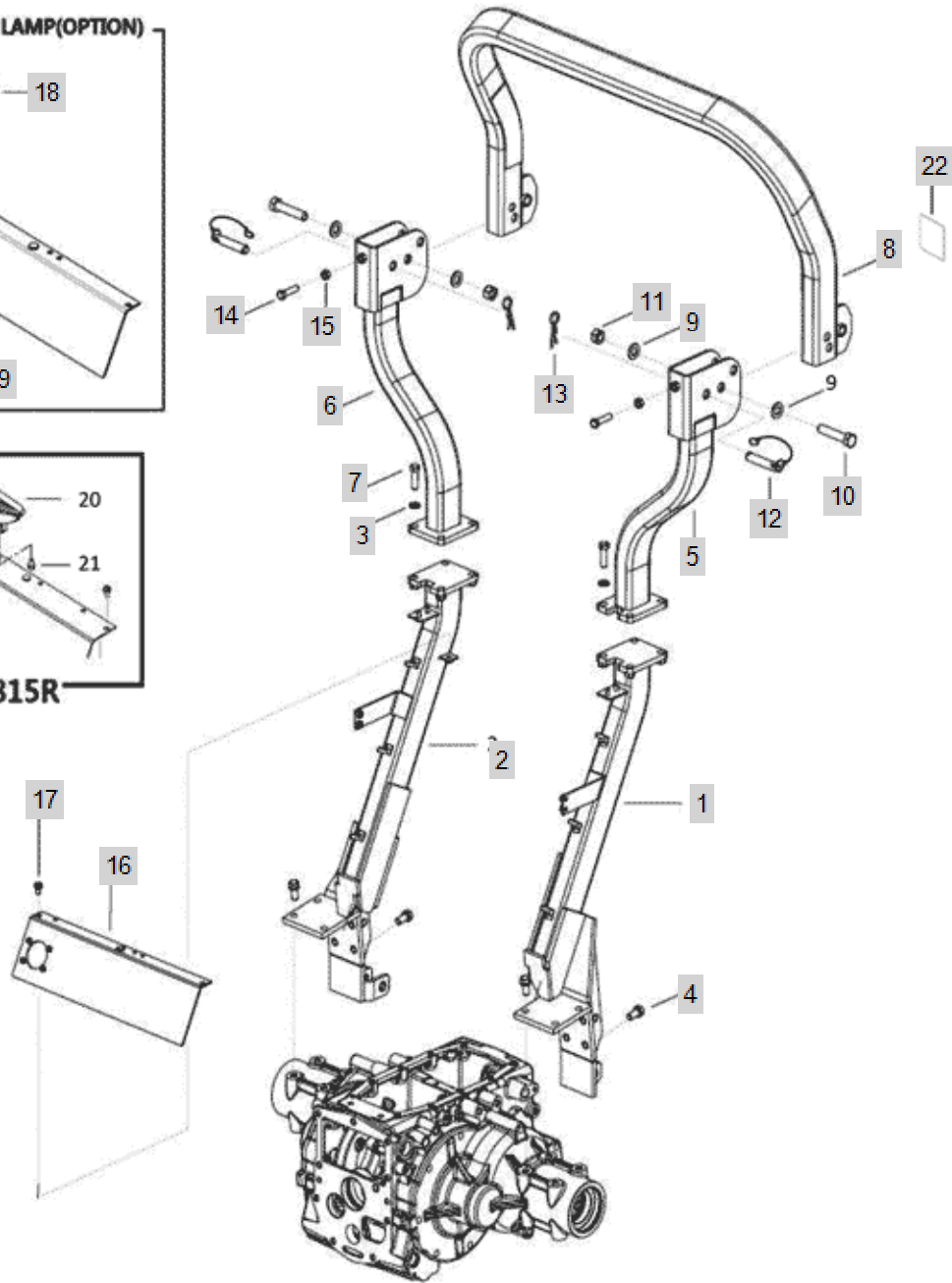
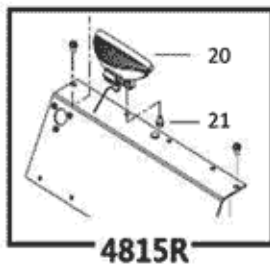
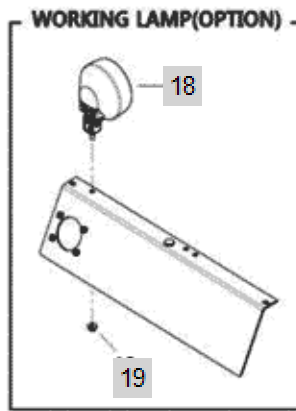




FIG C161.1B

161-1. ENGINE SUB

Year/Month

3515R

2020/01

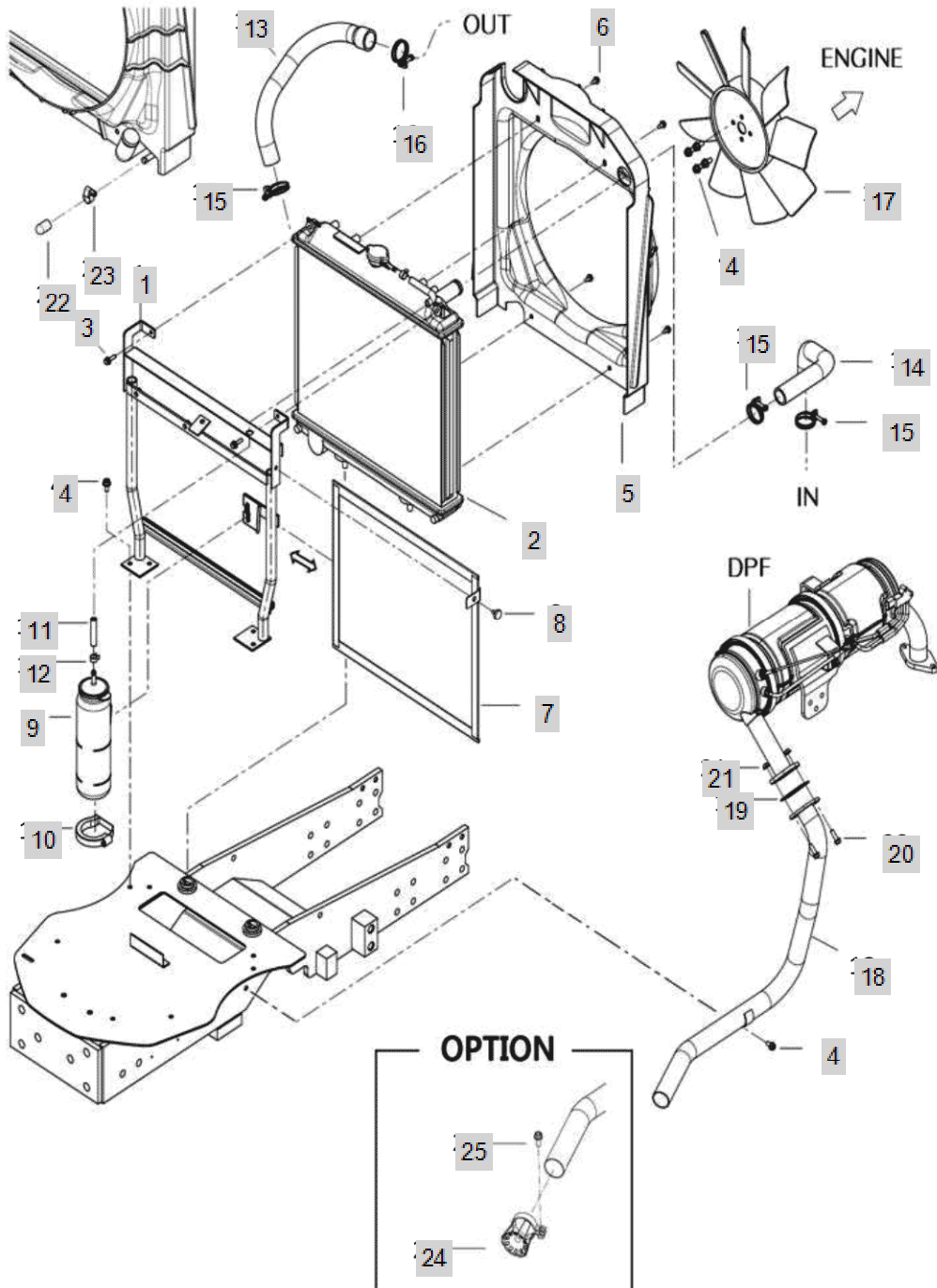




FIG C161.2A-1

161-2. ENGINE SUB

Year/Month

3515R

2020/01

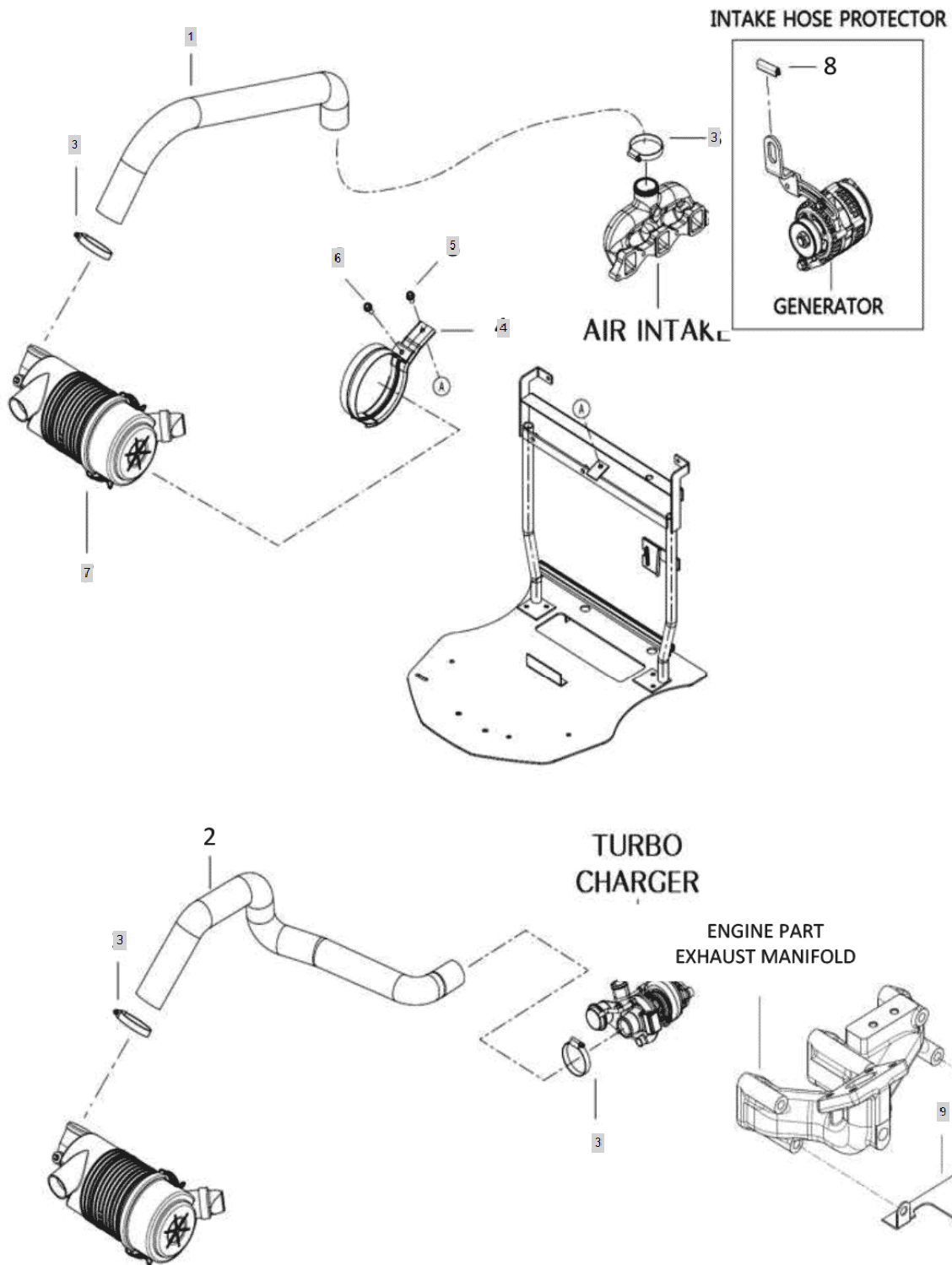




FIG C161.2A-2

161-2. ENGINE SUB(2018.02~)

Year/Month

3515R

2020/01

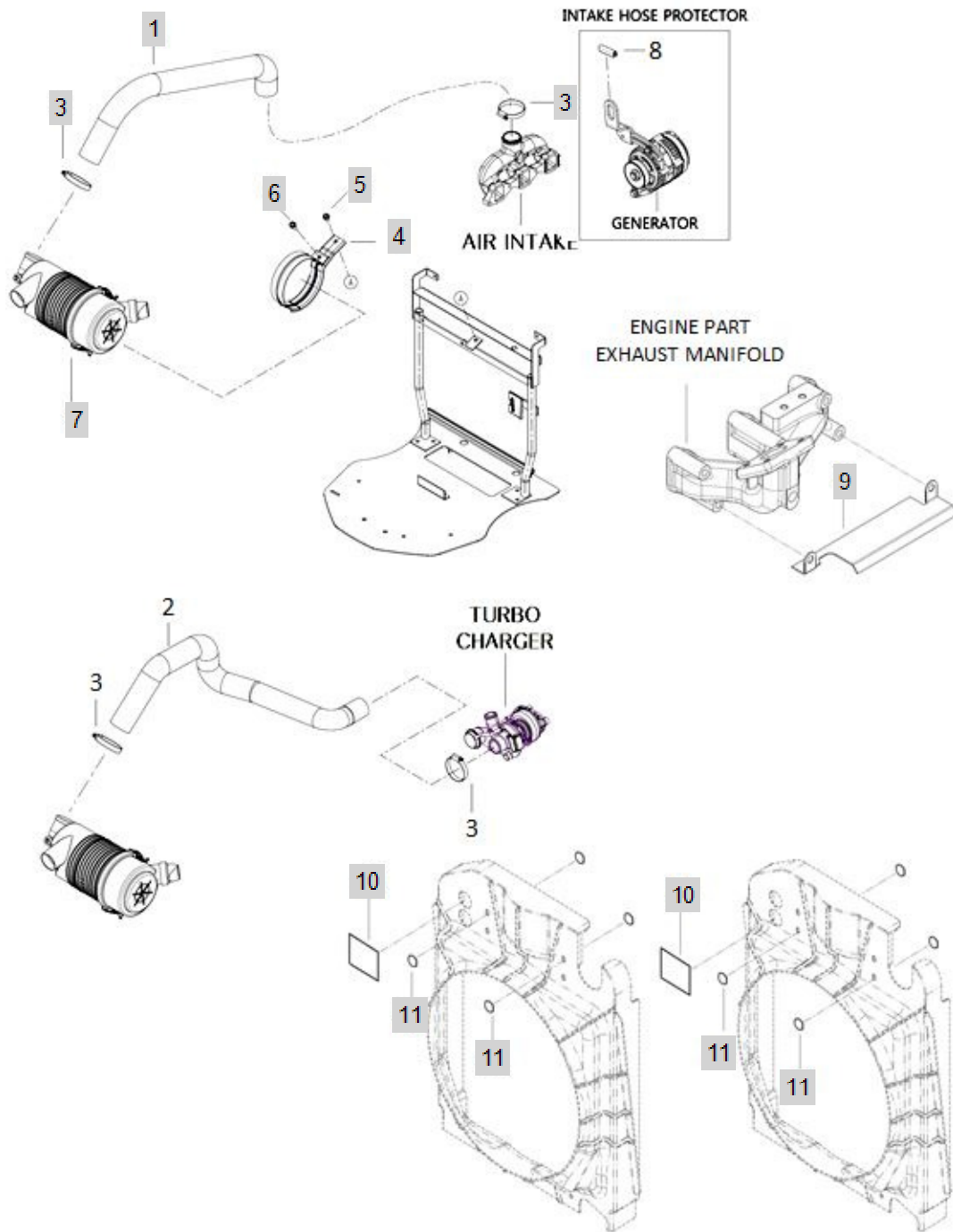






FIG C191

191. RELIEF VALVE

Year/Month

3515R

2020/01

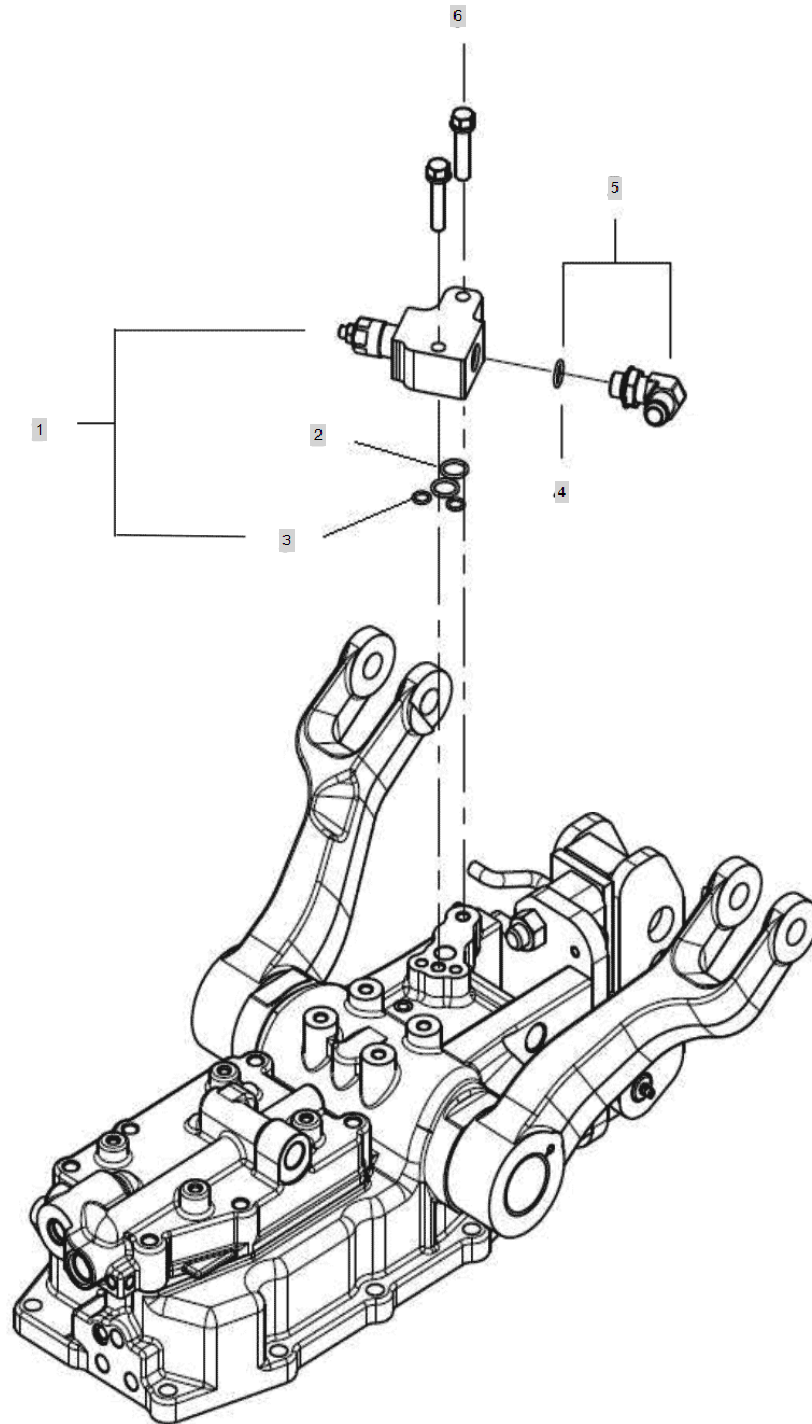




FIG C192-1

192. SUN VISOR

Year/Month

3515R

2020/01

**OPTION(KIT)**

**KIT :  
TA00043818A**

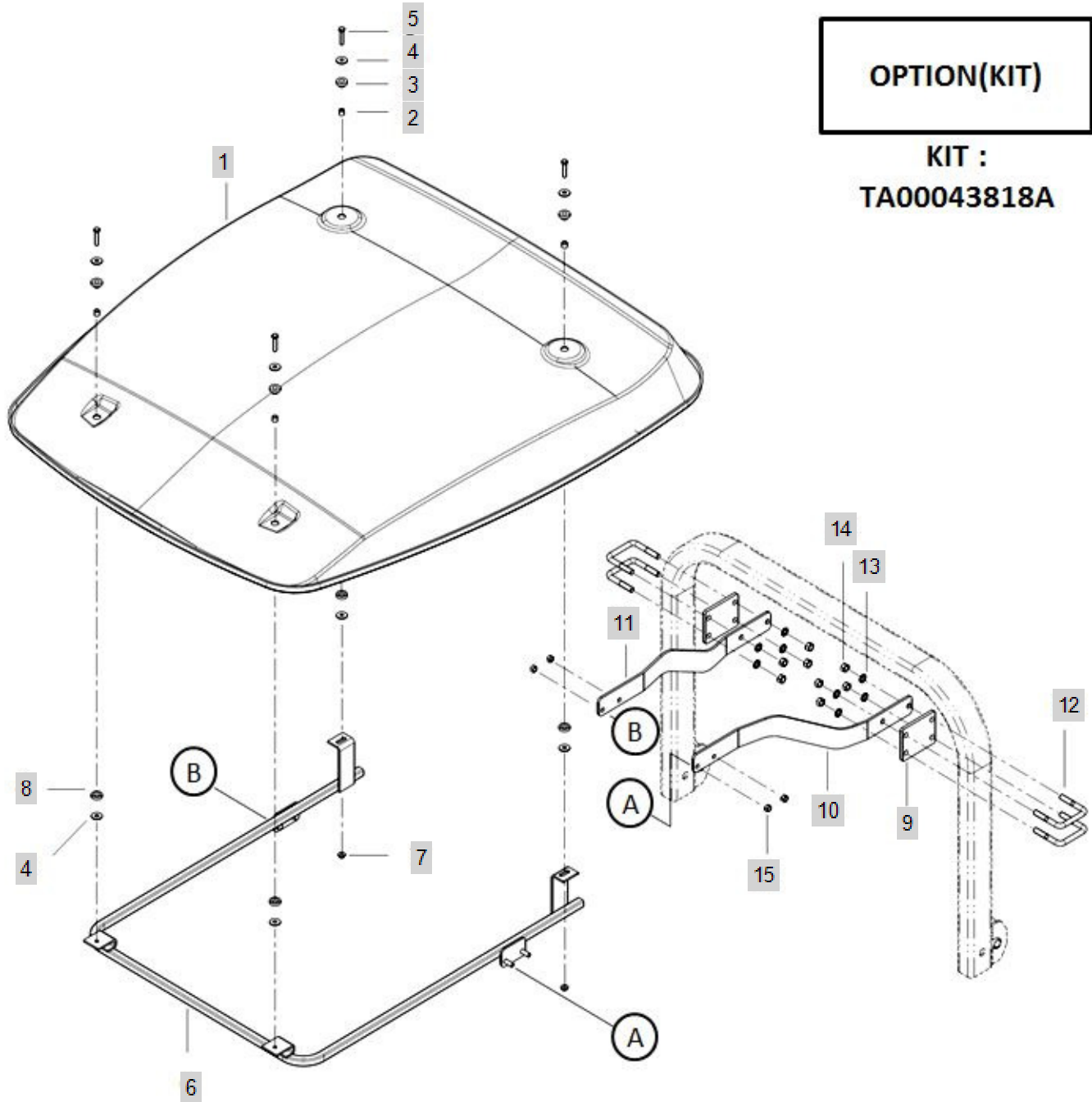




FIG C192-2

192. SUN VISOR

Year/Month

3515R

2020/01

