

# KUKJE 3515H Branson Tractor

## Parts Catalogue



# CONTENTS

GROUP NO	GROUP NAME	PAGE
C000	15H(US)	5
C001	LEVER ACCELERATOR	7
C002	STEERING COLUMN(2017.01)	9
C003A-1	FRONT AXLE BRACKET	11
C003A-2	FRONT AXLE BRACKET(201810~)	13
C003A-3	FRONT AXLE BRACKET(2019.12~)	15
C009-1	CENTAPIN SUPPORTER	17
C009-2	CENTAPIN SUPPORTER	19
C009-2N	CENTAPIN SUPPORTER	21
C010	TIEROAD	23
C012	RING GEAR, DRIVEN GEAR	25
C012N-2	RING GEAR, DRIVEN GEAR	27
C019-1	GEAR CASE, FRONT AXLE	29
C019-2	GEAR CASE, FRONT AXLE	31
C019-3	GEAR CASE, FRONT AXLE	33
C019-3N	GEAR CASE, FRONT AXLE	35
C020	SPACER	37
C032	P.S.T CYLINDER	39
C034-1	P.S.T HOSE(2017.01)	41
C034-2	P.S.T HOSE	43
C037A-1	CLUTCH HOUSING	45
C037A-2	CLUTCH HOUSING(2019.04~)	47
C038-1	PUMP, HST	49
C044-1	TRANSMISSION CASE	51
C044-2	TRANSMISSION CASE	53
C044-3	TRANSMISSION CASE(2018.04~)	55
C044-4	TRANSMISSION CASE(2018.04~)	57
C057A	GEAR, RANGE SHIFT	59
C062	MAIN P.T.O SHAFT	61
C063-1	PTO DRIVE SHAFT	63
C063-2	PTO DRIVE SHAFT(2017.02)	65
C063B-3	PTO DRIVE SHAFT(2019.01~)	67
C068	LEVER ASS'Y, RANGE SHIFT	69
C072-1	FORNT DRIVE SHAFT	71
C072A-2	FORNT DRIVE SHAFT(2019.04~)	73

GROUP NO	GROUP NAME	PAGE
C072E-2	FORNT DRIVE SHAFT(2019.04~)	75
C073-1	4WD LEVER	77
C073-2	4WD LEVER(2019.04~)	79
C074-1	FORK & LEVER, PTO-DELETED PAGE	81
C074-2	FORK & LEVER, PTO(2019.04~)-DELETED PAGE	83
C074B-3	FORK & LEVER, PTO(2019.12~)	85
C078	RING GEAR&DIFF.GEAR ASS'Y	87
C079-1	DIFFERENTIAL	89
C079-2	DIFFERENTIAL	91
C082	DRIVING PART, REAR AXLE	93
C083	BRAKE	95
C090	BRAKE PEDAL	97
C091	PARKING BRAKE	99
C092A	HYD PUMP	101
C093	HYD SHIFT TRANSMISSION PEDAL	103
C101-1	CASE, HYD CYLINDER	105
C101-2	CASE, HYD CYLINDER(2016.06)	107
C104	PISTON ASS'Y	109
C108	SAFETY VALVE	111
C109	STOP VALVE	113
C111.1	HYD CONTROL POSITION TYPE	115
C111.2	HYD CONTROL POSITION TYPE	117
C113	DRAFT CONTROL	119
C114A-1	HYD PIPING(2017.01)	121
C114A-2	HYD PIPING	123
C114A-3	HYD PIPING	125
C115	OIL COOLER	127
C118	HYD FILTER	129
C119A-1	ELE'C WIRING(2015.06)	131
C119A-2	ELE'C WIRING	133
C119B-3	ELE'C WIRING	135
C124B	BATTERY	137
C125-1	SWITCH	139
C125-2	SWITCH	141
C135.1-1	BONNET	143

GROUP NO	GROUP NAME	PAGE
C135.1-2	BONNET(2018.08~)	145
C135.1-3	BONNET(2019.04~)	147
C135.1-4	BONNET(2019.12~)	149
C135.2	BONNET	151
C136-1	LOCKING ASS'Y, BONNET	153
C136-2	LOCKING ASS'Y, BONNET(2019.04~)	155
C136-3	LOCKING ASS'Y, BONNET(2019.12~)	157
C137A-1	BONNET SUPPORT	159
C137A-2	BONNET SUPPORT (2018.02)	161
C137B-3	BONNET SUPPORT (2018.02)	163
C138	FENDER	165
C139	FOOT REST ASS'Y	167
C141A-1	FUEL TANK	169
C141A-2	FUEL TANK(2017.01)	171
C141A-3	FUEL TANK(2017.01)	173
C144B-1	NAME PLATE	175
C144C-2	NAME PLATE	177
C146	TOP LINK, LIFT LINK	179
C150	LOWER LINK	181
C152-1	DRAWBAR HITCH	183
C152-2	DRAWBAR HITCH	185
C158A-1	ROPS FRAME ASS'Y	187
C158A-2	ROPS FRAME ASS'Y	189
C161.1A-1	ENGINE SUB	191
C161.1B-1	ENGINE SUB	193
C161.2A-1	ENGINE SUB-2	195
C161.2A-2	ENGINE SUB - 2 (2016.06)	197
C161.2A-3	ENGINE SUB- 2 (2016.06)	199
C191	RELIEF VALVE	201
C192-1	SUN VISOR	203
C192-2	SUN VISOR(2017.12)	205

FIG C000

15H(US)

Year/Month

3515H

2020/01



CHASSIS



ENGINE



FIG C001

LEVER ACCELERATOR

Year/Month

3515H

2020/01

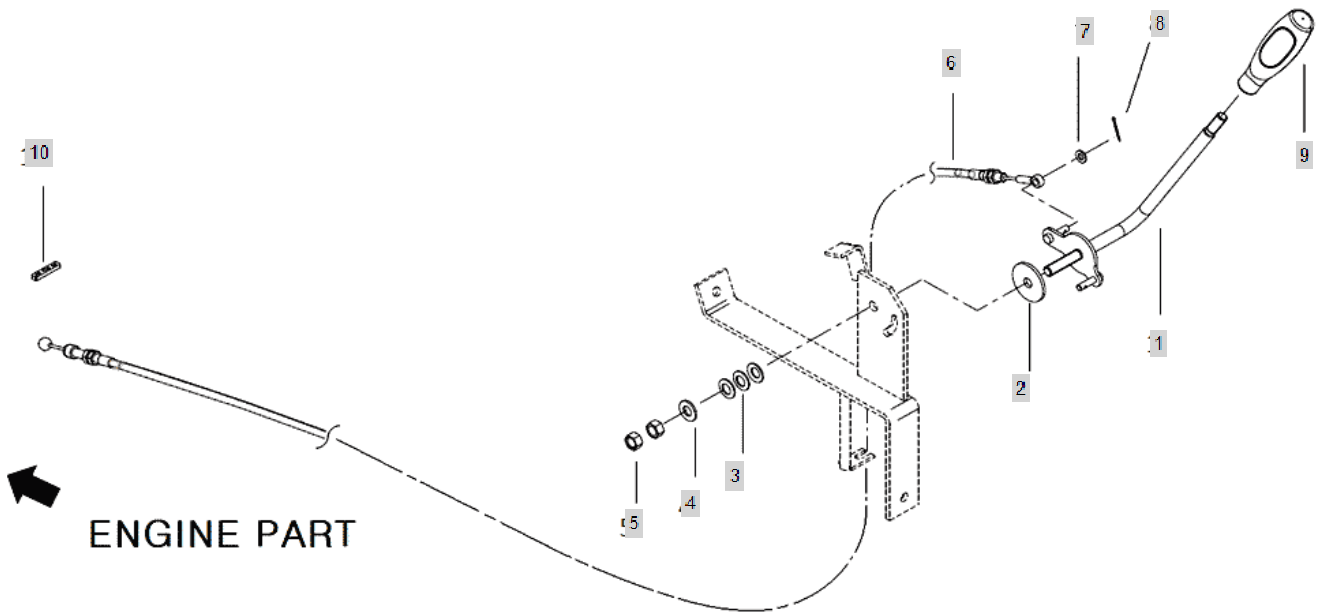






FIG C002

STEERING COLUMN(2017.01)

Year/Month

3515H

2020/01

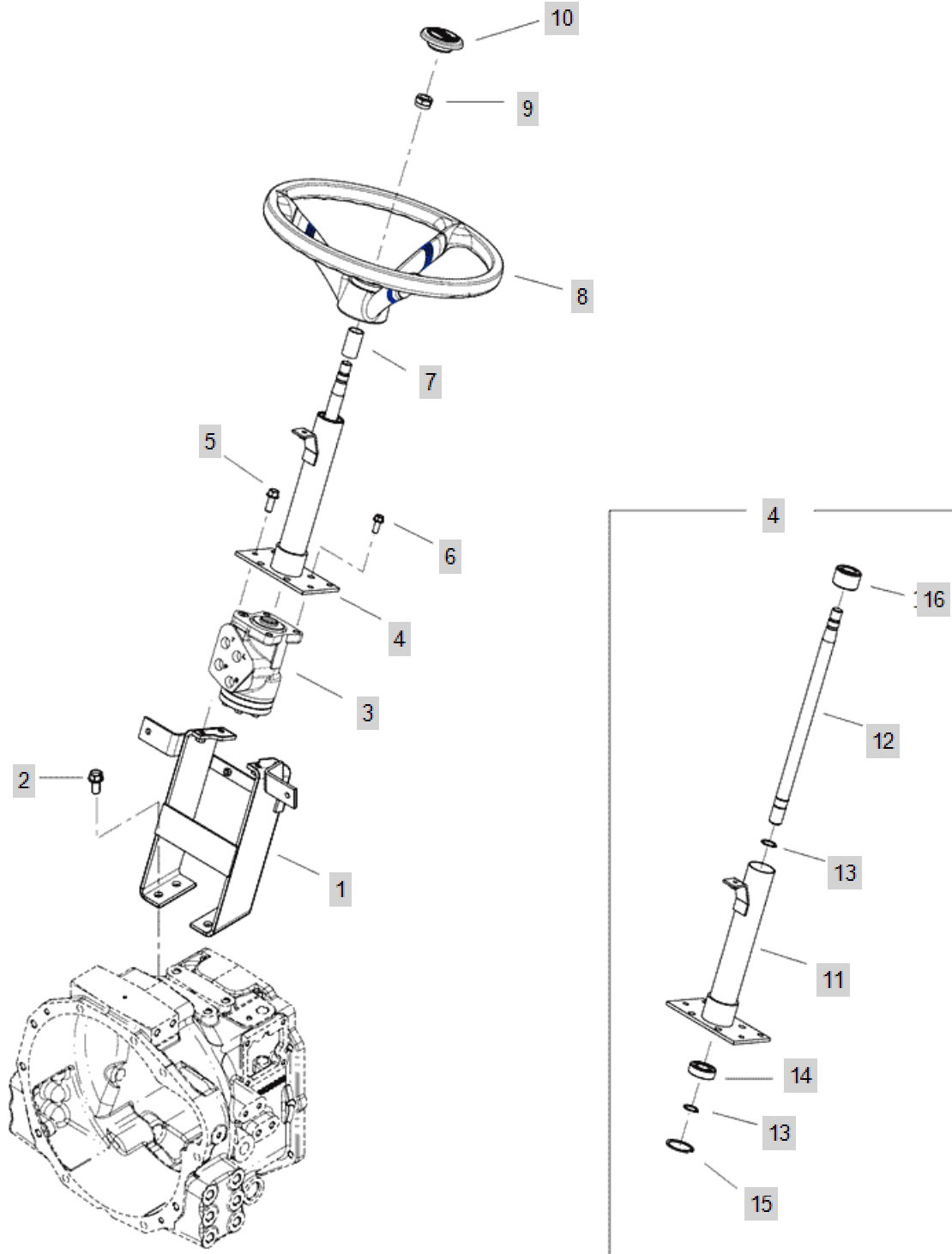




FIG C003A-1

FRONT AXLE BRACKET

Year/Month

3515H

2020/01

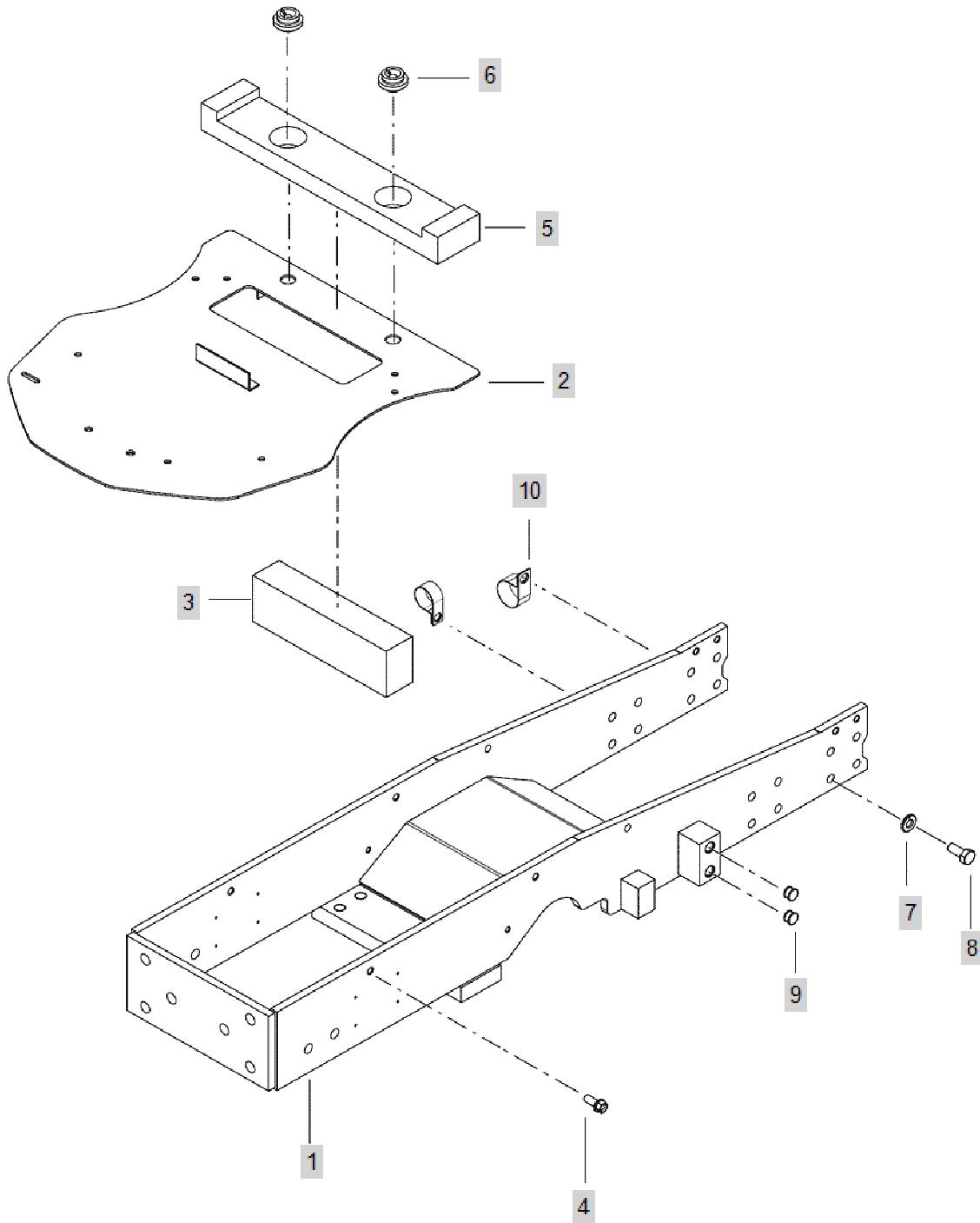




FIG C003A-2

FRONT AXLE BRACKET(201810~)

Year/Month

3515H

2020/01

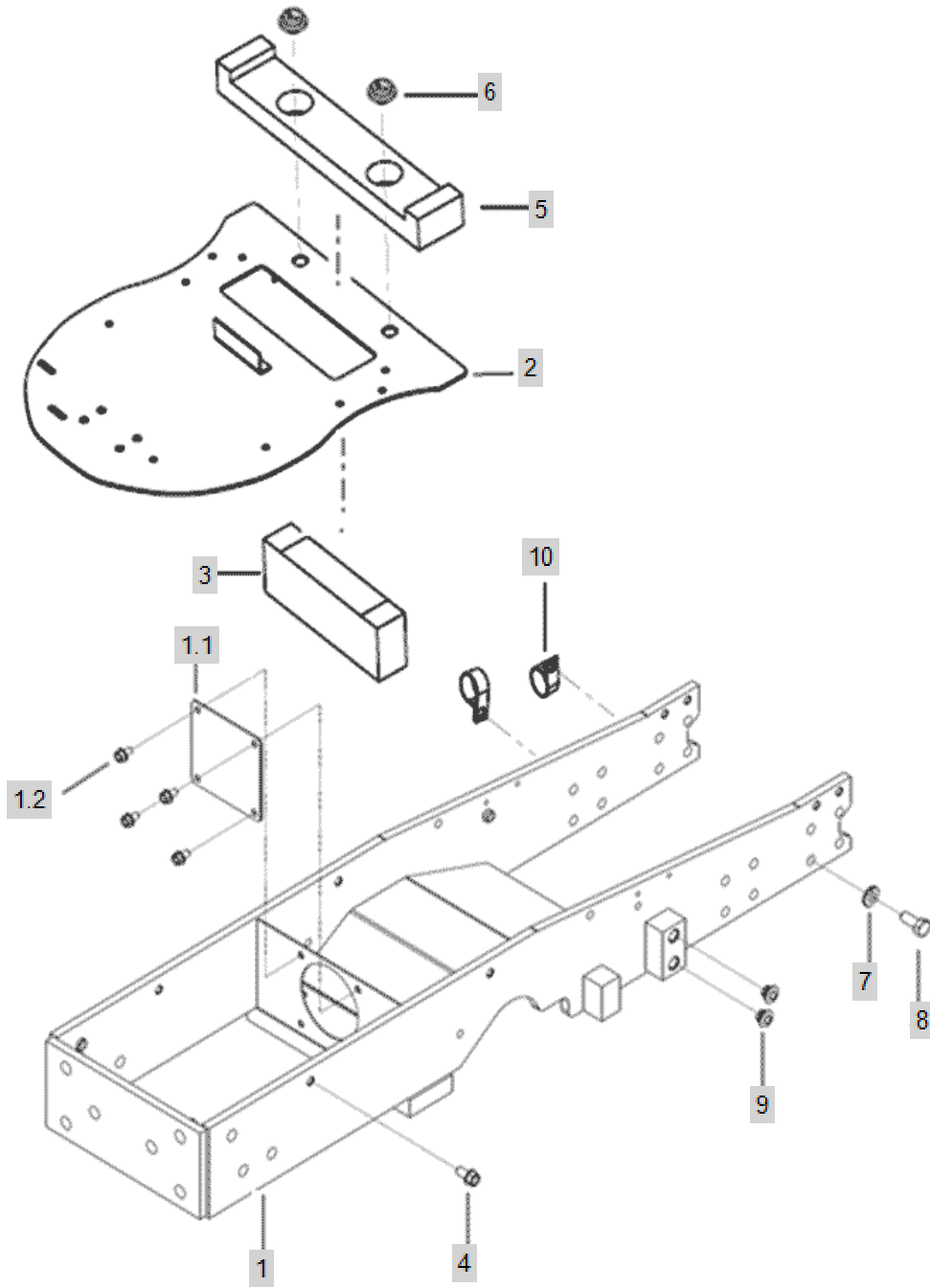




FIG C003A-3

FRONT AXLE BRACKET(2019.12~)

Year/Month

3515H

2020/01

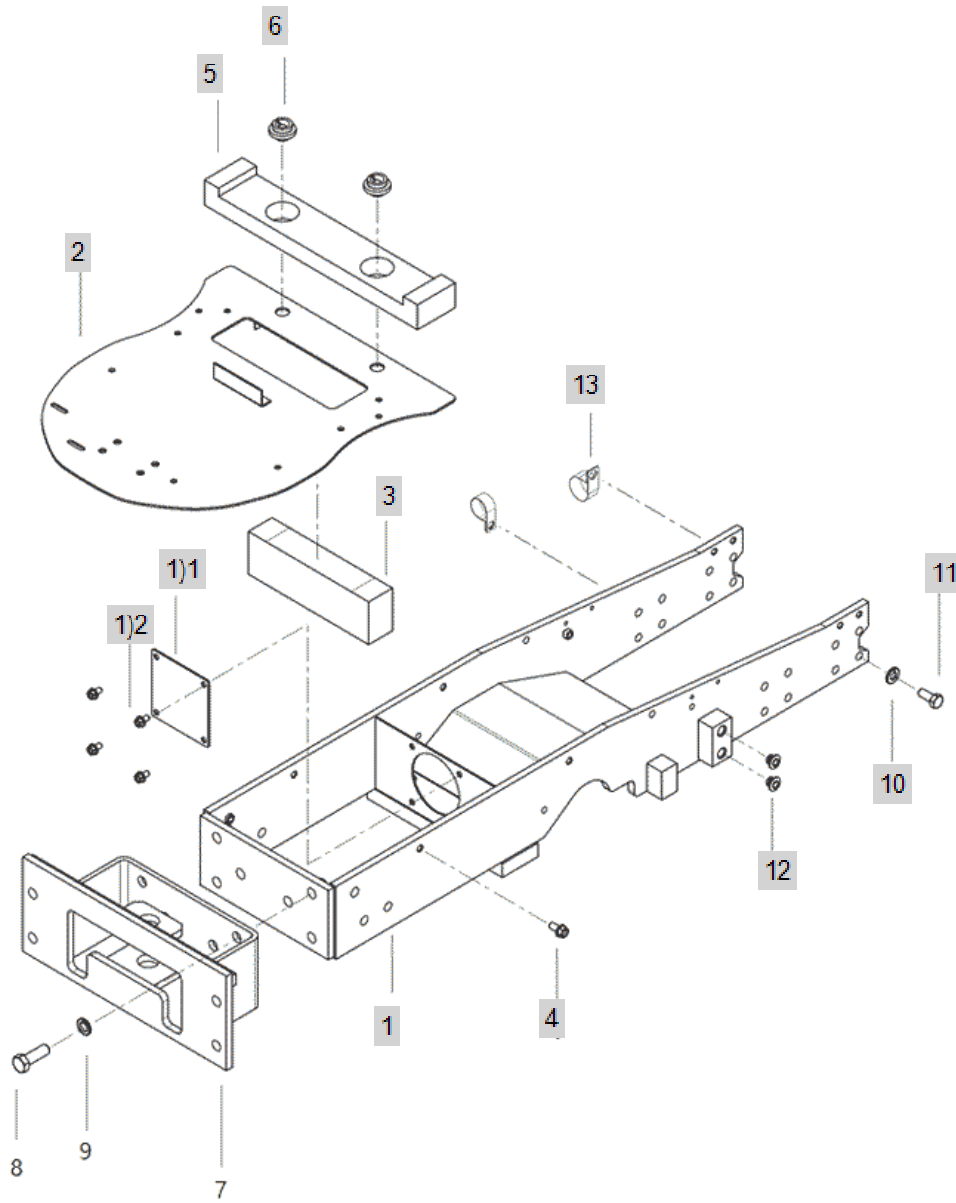






FIG C009-1

CENTAPIN SUPPORTER

Year/Month

3515H

2020/01

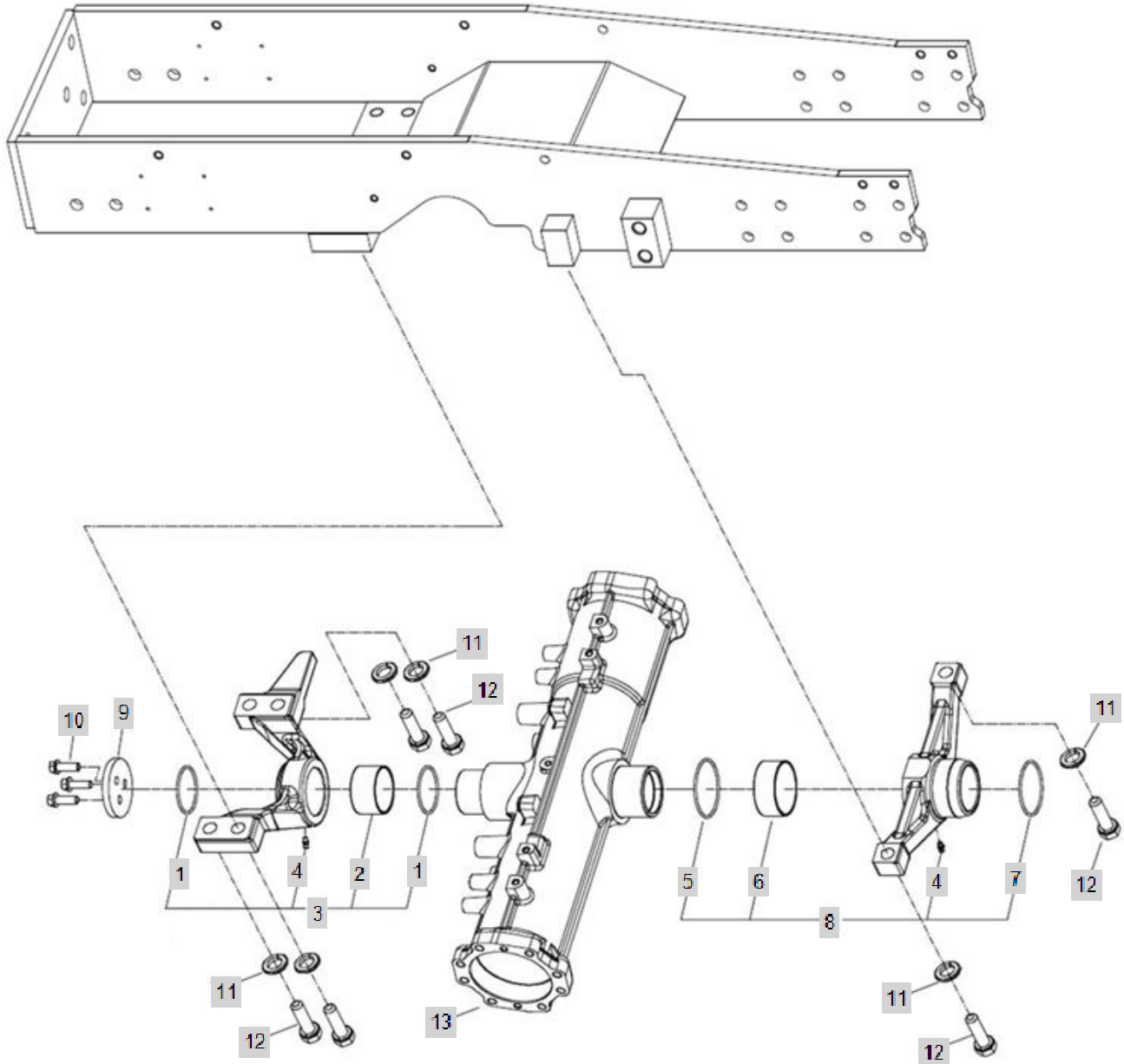




FIG C009-2

CENTAPIN SUPPORTER

Year/Month

3515H

2020/01

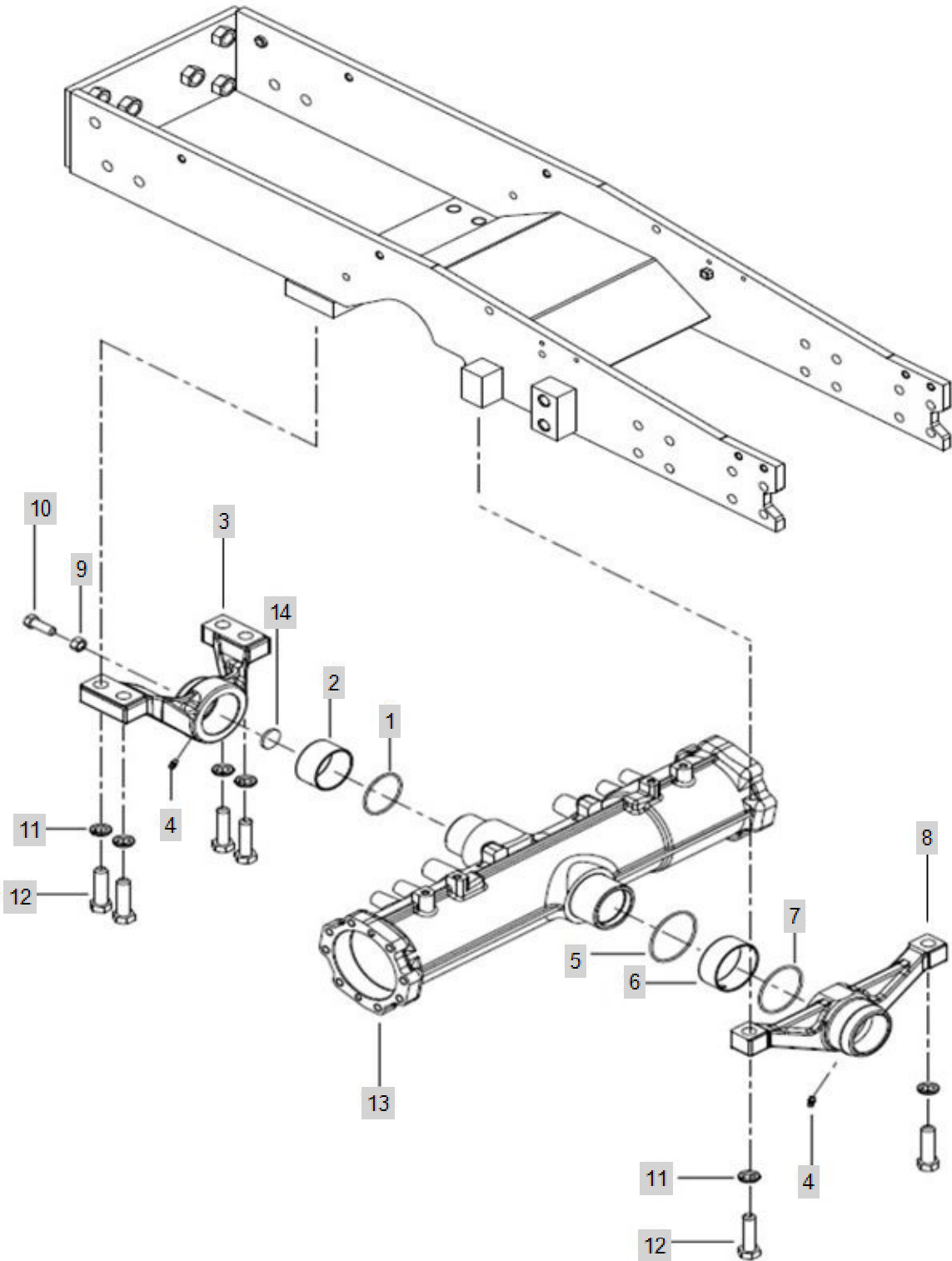




FIG C009-2N

CENTAPIN SUPPORTER

Year/Month

3515H

2020/01

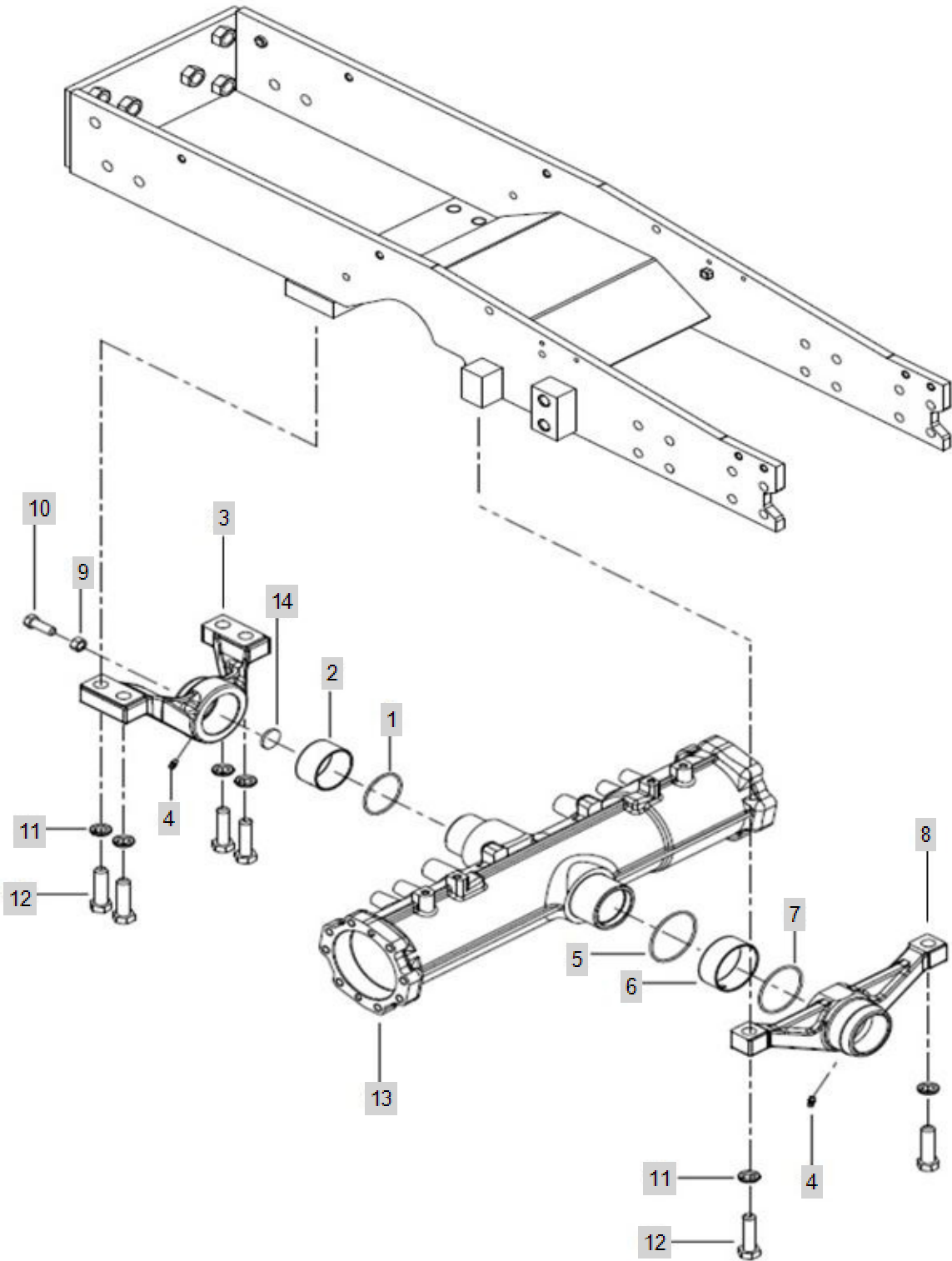




FIG C010

TIEROAD

Year/Month

3515H

2020/01

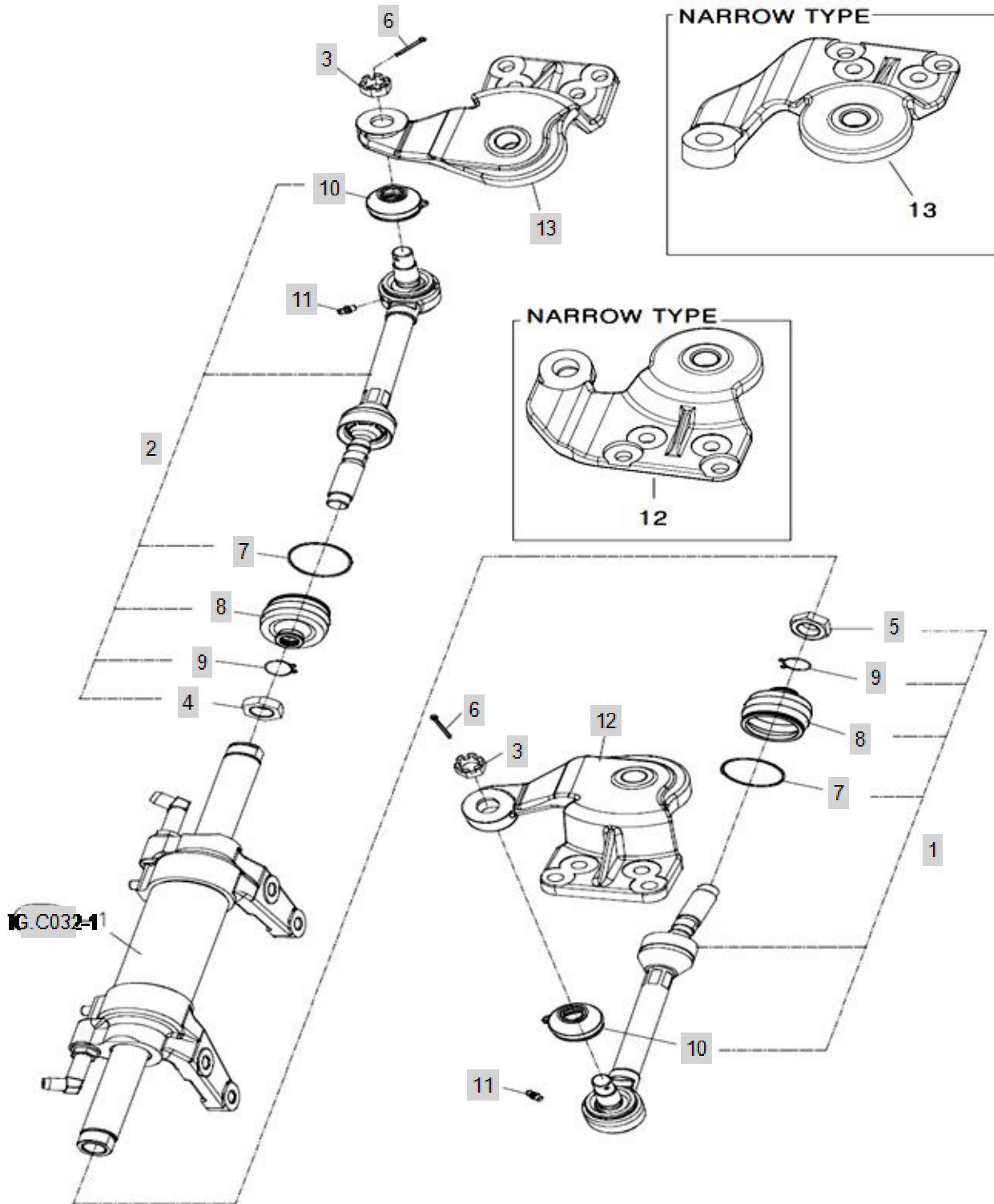






FIG C012

RING GEAR, DRIVEN GEAR

Year/Month

3515H

2020/01

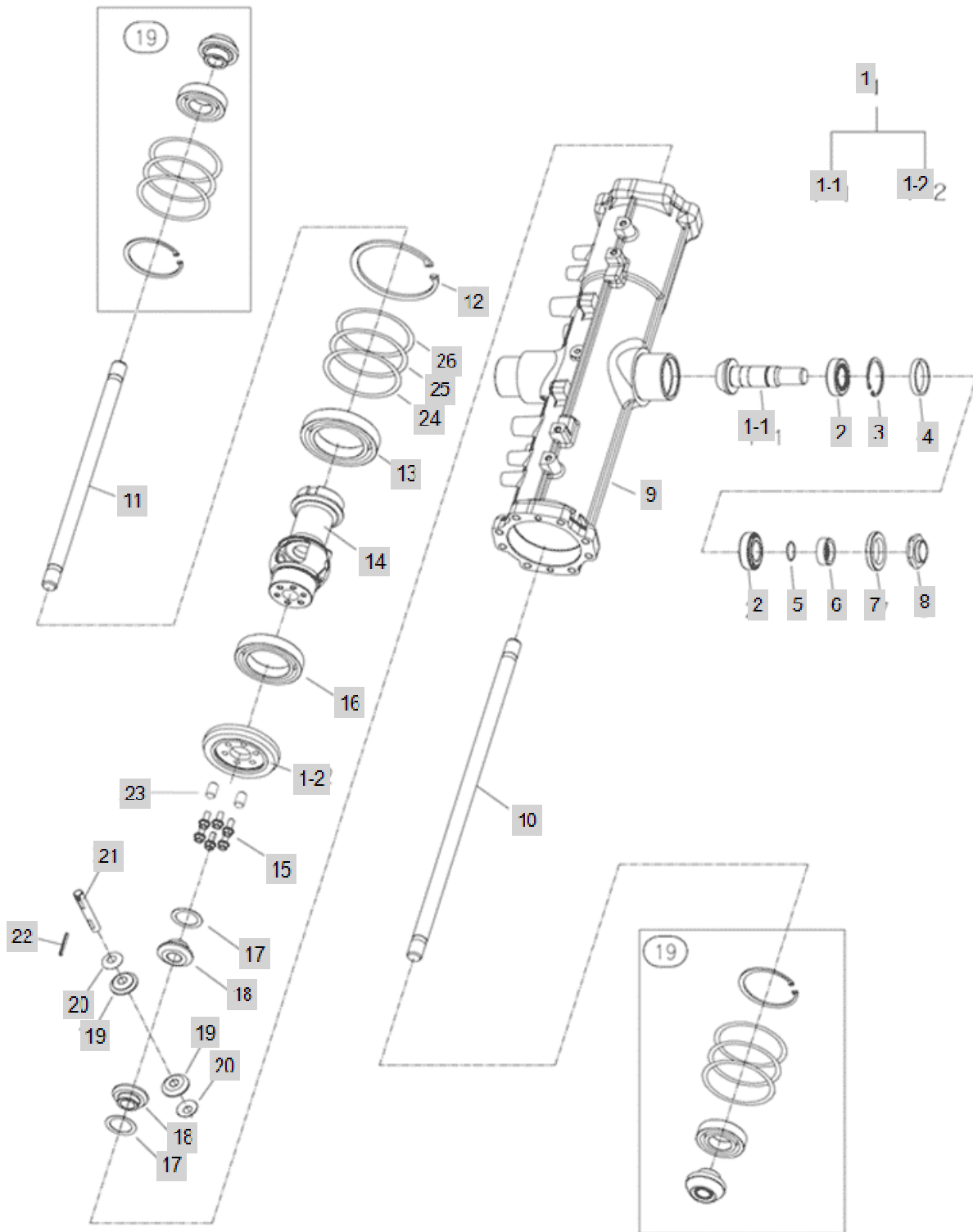




FIG C012N-2

RING GEAR, DRIVEN GEAR

Year/Month

3515H

2020/01

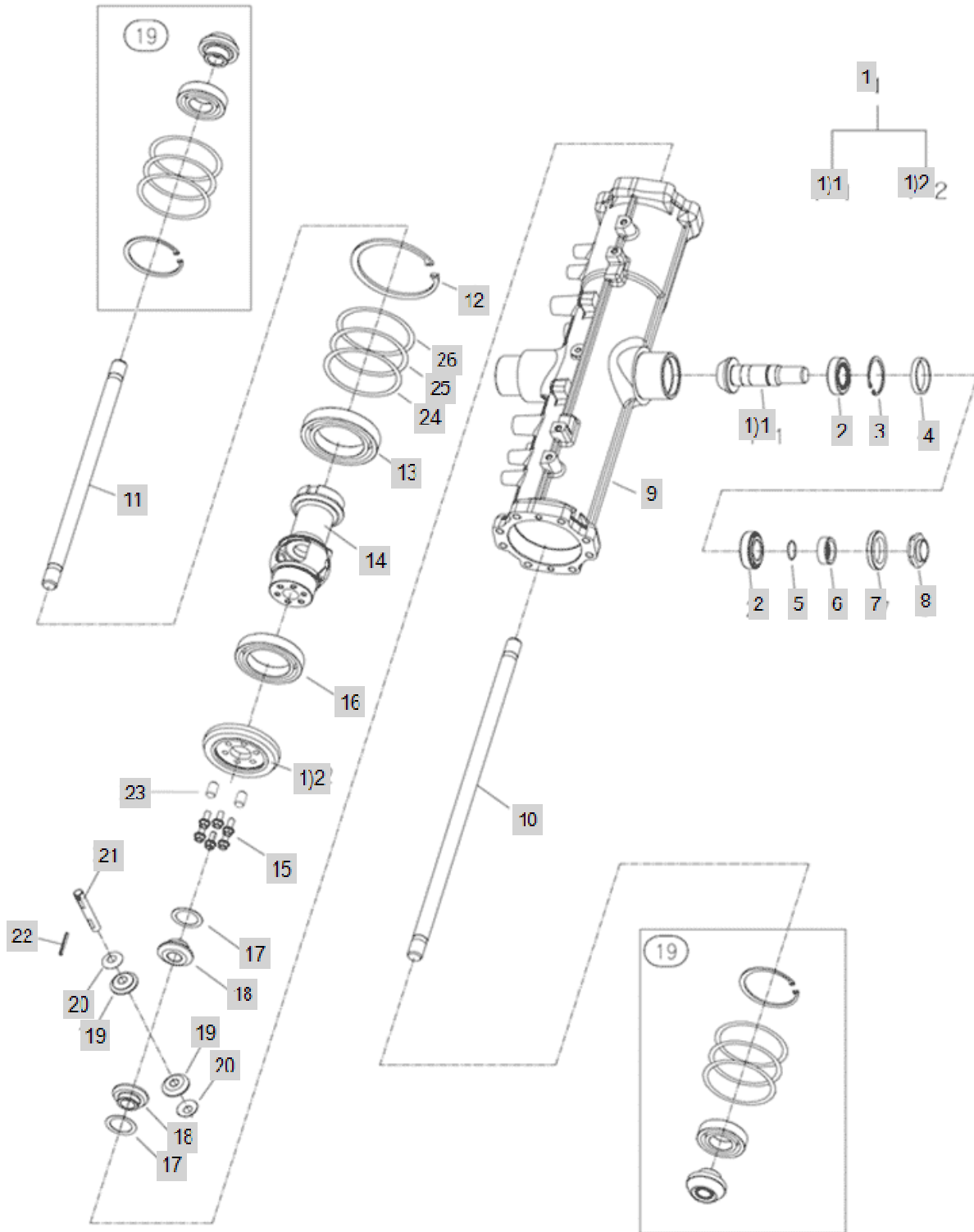




FIG C019-1

GEAR CASE, FRONT AXLE

Year/Month

3515H

2020/01

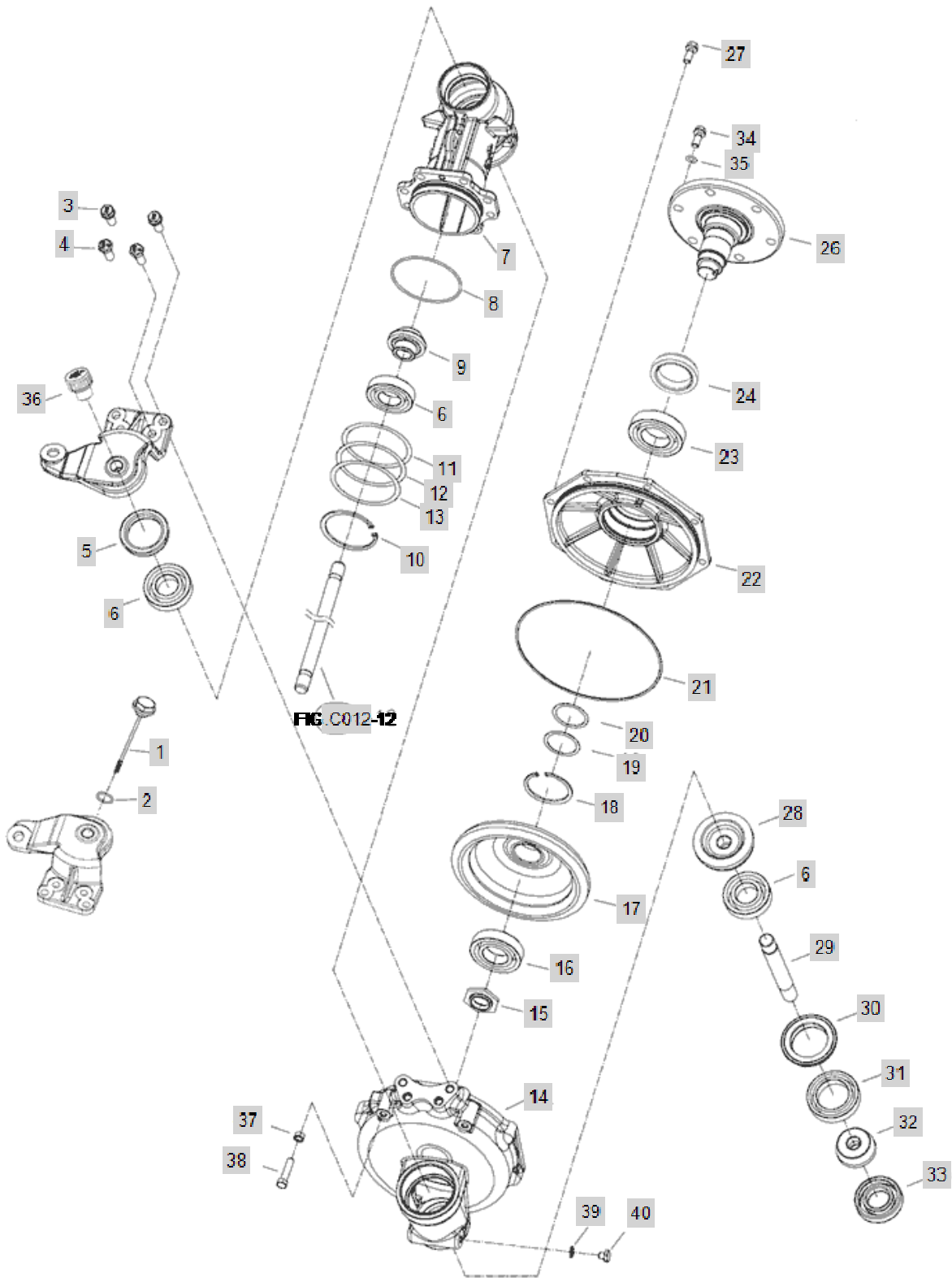




FIG C019-2

GEAR CASE, FRONT AXLE

Year/Month

3515H

2020/01

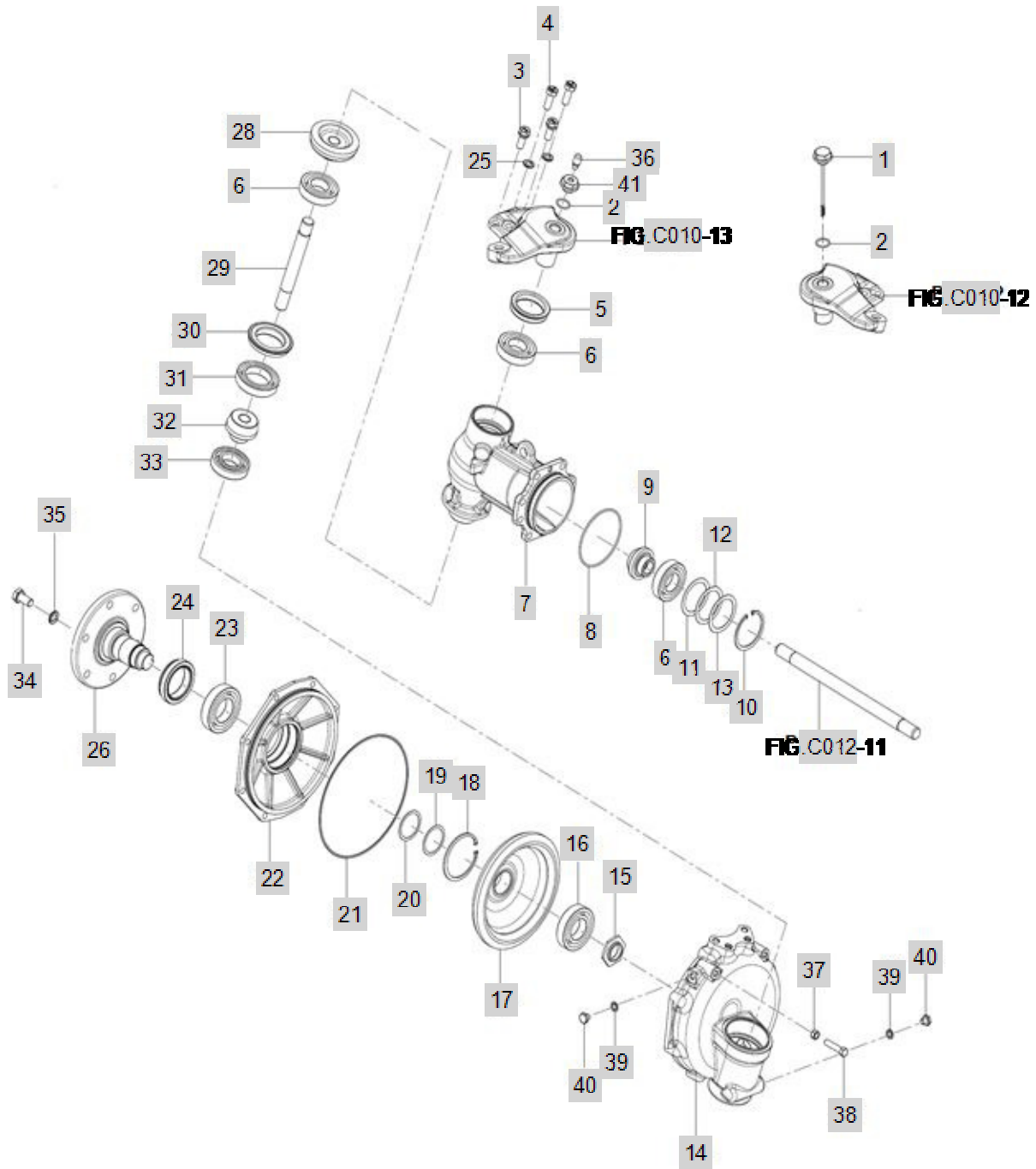


FIG C019-2		GEAR CASE, FRONT AXLE			Year/Month
3515H					2020/01
KeyNo.	Part Number	Part Name	Quantity	Other	
1	TA00033805A	OIL GUAGE	1		
2	24311-000220	O-RING, DYNAMIC (Φ22)	2		
3	TA00033468B	BOLT W/ WASHER	4		
4	TA00033475A	RIMER BOLT	4		
5	FE78010000A	SEAL,OIL -> FE78010000B	2		
6	24101-062074	BALL BEARING (#6207)	6		
7	TA00033457A	CASE, FRONT GEAR	2		
8	24321-001050	O-RING	2		
9	TA00033461A	PINION, FRONT 1ST SHAFT	2		
10	22252-000720	RING, CIRCLIP (Φ 72)	2		
11	TA00033489A	SHIM 0.2T	2		
12	TA00033488A	SHIM 0.3T	2		
13	TA00033487A	SHIM 0.5T	2		
14	TA00033458A	GEAR BOX, FRONT	2		
15	TA00033481A	LOCK NUT	2		
16	24101-062084	Bearing, Ball (#6208)	2		
17	TA00033474A	GEAR, BEVEL 49T	2		
18	22252-000850	RING, CIRCLIP (Φ 85)	2		
19	TA00033486A	SHIM 0.2T	1		
20	TA00033485A	SHIM 0.5T	1		
21	TA00033939A	O RING	2		
22	TA00033459A	BEARING CASE, FRONT	1		
23	24101-062094	BALL BEARING (#6209)	2		
24	TA00041359A	OILSEAL	2		
25	22217-120000	WASHER, SPRING (Φ 12)	2		
26	TA00033460A	SPINDLE, FRONT	2		
27	TA00033469A	BOLT W/ WASHER	16		
28	TA00033463A	FRONT 2ND AXLE LH	2		
29	TA00033464A	FRONT 2ND SHAFT	2		
30	TC60110000A3	SEAL	2		
31	24101-060104	Bearing, Ball (#6010)	2		
32	TA00033473A	GEAR, BEVEL 11T	2		
33	TC60340000A4	BEARING(TM207C3)	2		
34	TD23120000A4	BOLT	12		
35	TB29430000A4	WASHER	12		
36	TA00049842A	AIR BREATHER	1		
37	26716-100002	Nut, Hexa (Φ10)	2		
38	26116-100452	BOLT	2		
39	22190-100000	WASHER	4		
40	23887-100002	SCREW,HEXAGONHEADCAP	4		
41	TA00049843A	ADAPHER	1		
FIG.C010-12	C010		1		
FIG.C010-13	C010		1		
FIG.C012-11	C012		1		



FIG C019-3

GEAR CASE, FRONT AXLE

Year/Month

3515H

2020/01

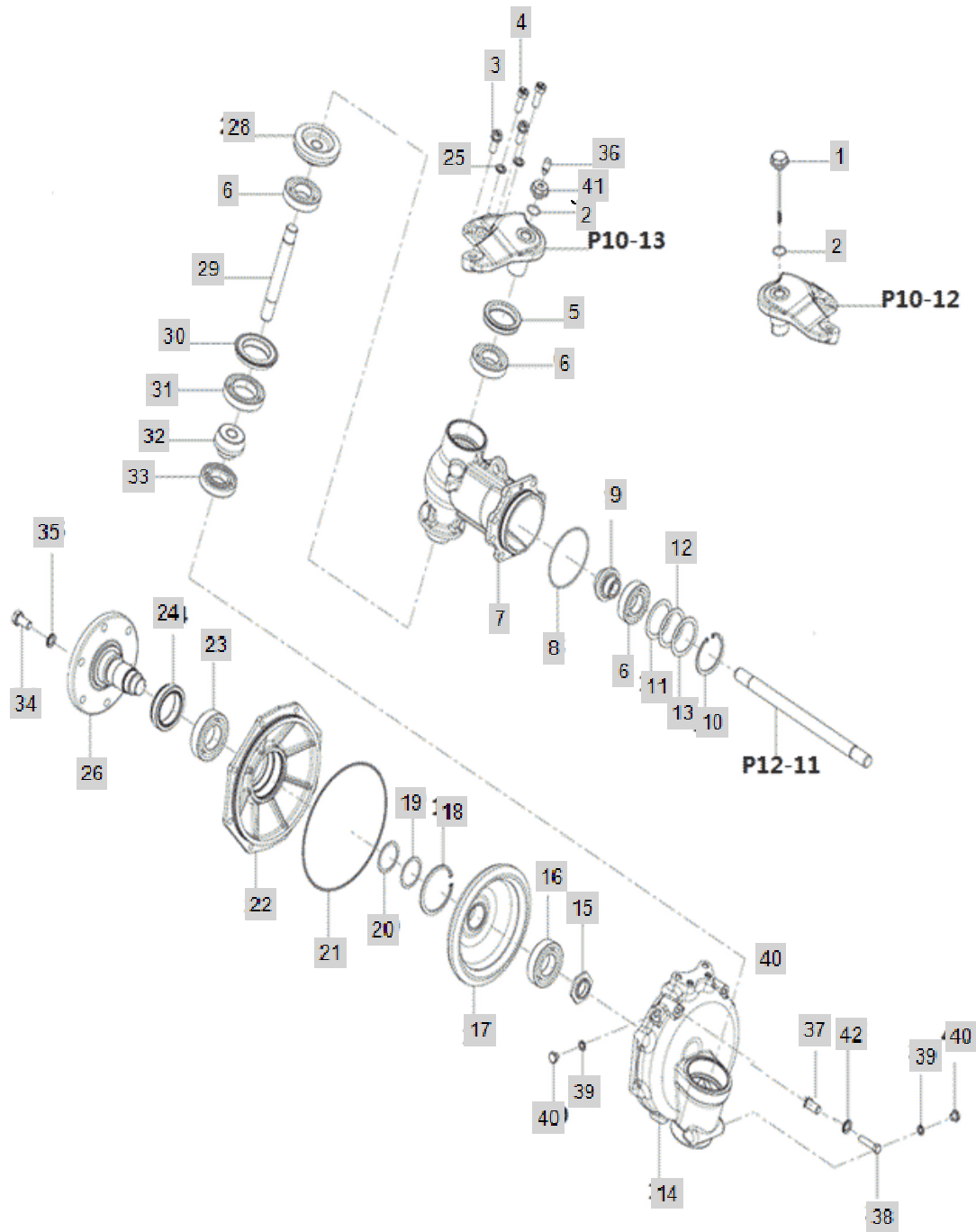


FIG C019-3		GEAR CASE, FRONT AXLE			Year/Month
3515H					2020/01
KeyNo.	Part Number	Part Name	Quantity	Other	
1	TA00033805A	OIL GUAGE	1		
2	24311-000220	O-RING, DYNAMIC (Φ22)	2		
3	TA00033468B	BOLT W/ WASHER	4		
4	TA00033475A	RIMER BOLT	4		
5	FE78010000A	SEAL,OIL -> FE78010000B	2		
6	24101-062074	BALL BEARING (#6207)	6		
7	TA00033457A	CASE, FRONT GEAR	2		
8	24321-001050	O-RING	2		
9	TA00033461A	PINION, FRONT 1ST SHAFT	2		
10	22252-000720	RING, CIRCLIP (Φ 72)	2		
11	TA00033489A	SHIM 0.2T	2		
12	TA00033488A	SHIM 0.3T	2		
13	TA00033487A	SHIM 0.5T	2		
14	TA00033458A	GEAR BOX, FRONT	2		
15	TA00033481A	LOCK NUT	2		
16	24101-062084	Bearing, Ball (#6208)	2		
17	TA00033474A	GEAR, BEVEL 49T	2		
18	22252-000850	RING, CIRCLIP (Φ 85)	2		
19	TA00033486A	SHIM 0.2T	1		
20	TA00033485A	SHIM 0.5T	1		
21	TA00033939A	O RING	2		
22	TA00033459A	BEARING CASE, FRONT	1		
23	24101-062094	BALL BEARING (#6209)	2		
24	TA00041359A	OILSEAL	2		
25	22217-120000	WASHER, SPRING (Φ 12)	2		
26	TA00033460A	SPINDLE, FRONT	2		
27	TA00033469A	BOLT W/ WASHER	16		
28	TA00033463A	FRONT 2ND AXLE LH	2		
29	TA00033464A	FRONT 2ND SHAFT	2		
30	TC60110000A3	SEAL	2		
31	24101-060104	Bearing, Ball (#6010)	2		
32	TA00033473A	GEAR, BEVEL 11T	2		
33	TC60340000A4	BEARING(TM207C3)	2		
34	TD23120000A4	BOLT	12		
35	22217-140000	WASHER, SPRING (Φ 14)	12		
36	TA00049842A	AIR BREATHER	1		
37	TA00058614A	STOPER	2		
38	26112-100502		2		
39	22190-100000	WASHER	4		
40	23887-100002	SCREW,HEXAGONHEADCAP	4		
41	TA00049843A	ADAPHER	1		
42	22217-100000	WASHER, SPRING (Φ 10)	2		

FIG C019-3N

GEAR CASE, FRONT AXLE

Year/Month

3515H

2020/01

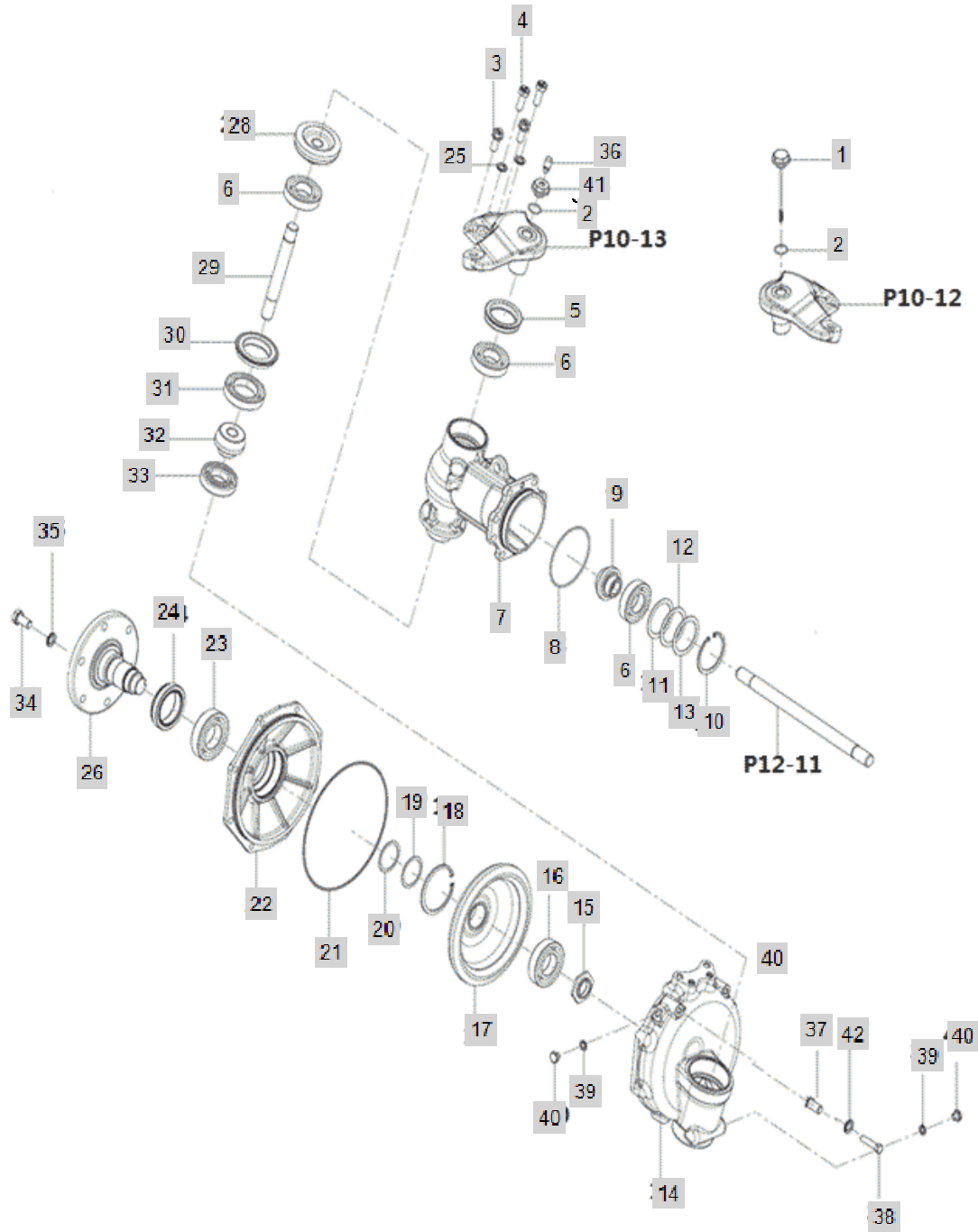


FIG C019-3N		GEAR CASE, FRONT AXLE			Year/Month
3515H					2020/01
KeyNo.	Part Number	Part Name	Quantity	Other	
1	TA00041646A	DIP STICK	1		
2	24311-000220	O-RING, DYNAMIC (Φ22)	2		
3	TA00033468B	BOLT W/ WASHER	4		
4	TA00033475A	RIMER BOLT	4		
5	FE78010000A	SEAL,OIL -> FE78010000B	2		
6	24101-062074	BALL BEARING (#6207)	6		
7	TA00041533B	FRONT GEAR CASE L	2		
8	24321-001050	O-RING	2		
9	TA00033461A	PINION, FRONT 1ST SHAFT	2		
10	22252-000720	RING, CIRCLIP (Φ 72)	2		
11	TA00033489A	SHIM 0.2T	2		
12	TA00033488A	SHIM 0.3T	2		
13	TA00033487A	SHIM 0.5T	2		
14	TA00033458A	GEAR BOX, FRONT	2		
15	TA00033481A	LOCK NUT	2		
16	24101-062084	Bearing, Ball (#6208)	2		
17	TA00033474A	GEAR, BEVEL 49T	2		
18	22252-000850	RING, CIRCLIP (Φ 85)	2		
19	TA00033486A	SHIM 0.2T	1		
20	TA00033485A	SHIM 0.5T	1		
21	TA00033939A	O RING	2		
22	TA00033459A	BEARING CASE, FRONT	1		
23	24101-062094	BALL BEARING (#6209)	2		
24	TA00041359A	OILSEAL	2		
25	22217-120000	WASHER, SPRING (Φ 12)	2		
26	TA00033460A	SPINDLE, FRONT	2		
27	TA00033469A	BOLT W/ WASHER	16		
28	TA00033463A	FRONT 2ND AXLE LH	2		
29	TA00033464A	FRONT 2ND SHAFT	2		
30	TC60110000A3	SEAL	2		
31	24101-060104	Bearing, Ball (#6010)	2		
32	TA00033473A	GEAR, BEVEL 11T	2		
33	TC60340000A4	BEARING(TM207C3)	2		
34	TD23120000A4	BOLT	12		
35	22217-140000	WASHER, SPRING (Φ 14)	12		
36	TA00049842A	AIR BREATHER	1		
37	TA00058614A	STOPER	2		
38	26112-100502		2		
39	22190-100000	WASHER	4		
40	23887-100002	SCREW,HEXAGONHEADCAP	4		
41	TA00049843A	ADAPHER	1		
42	22217-100000	WASHER, SPRING (Φ 10)	2		

FIG C020

SPACER

Year/Month

3515H

2020/01

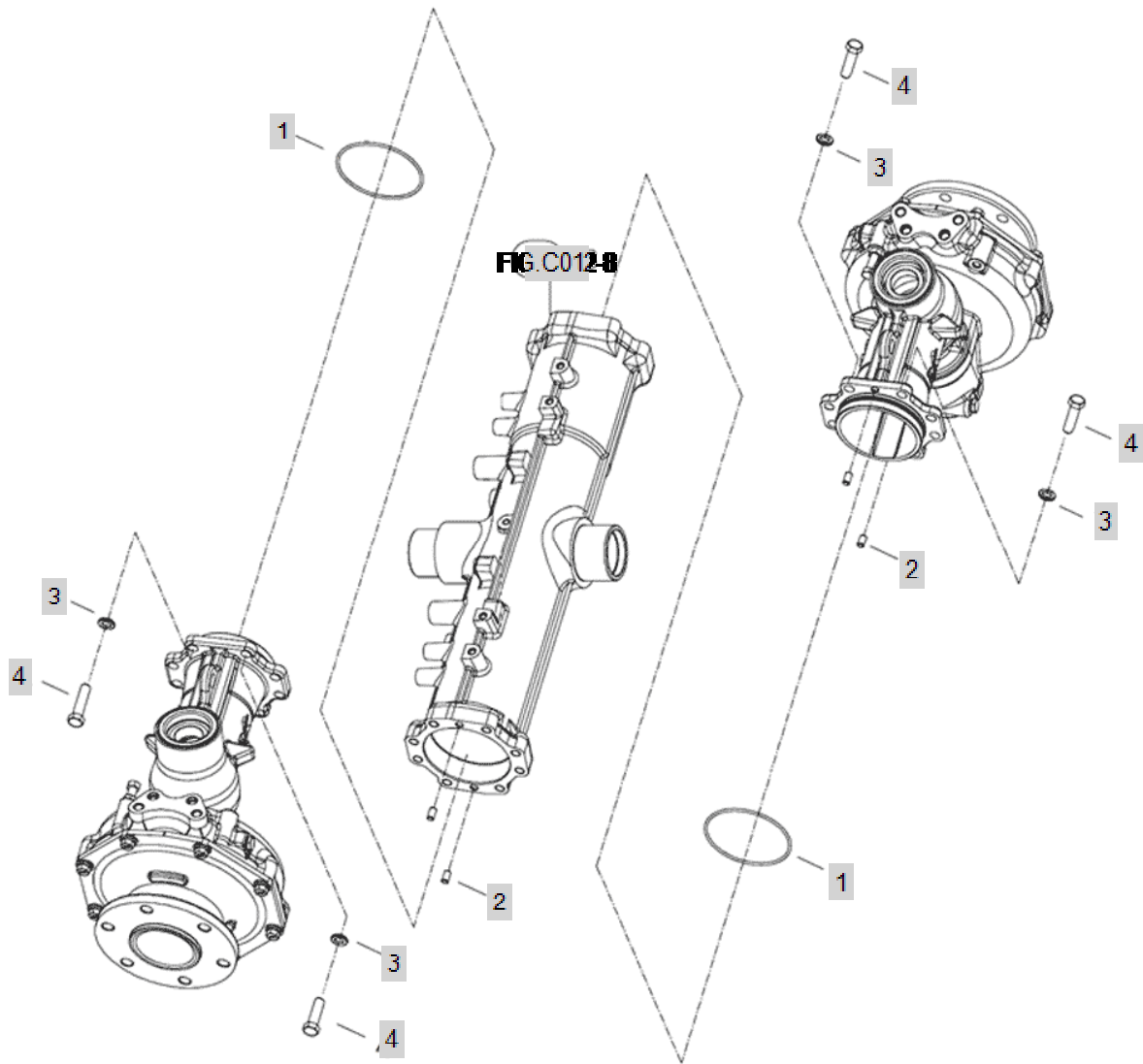




FIG C032

P.S.T CYLINDER

Year/Month

3515H

2020/01

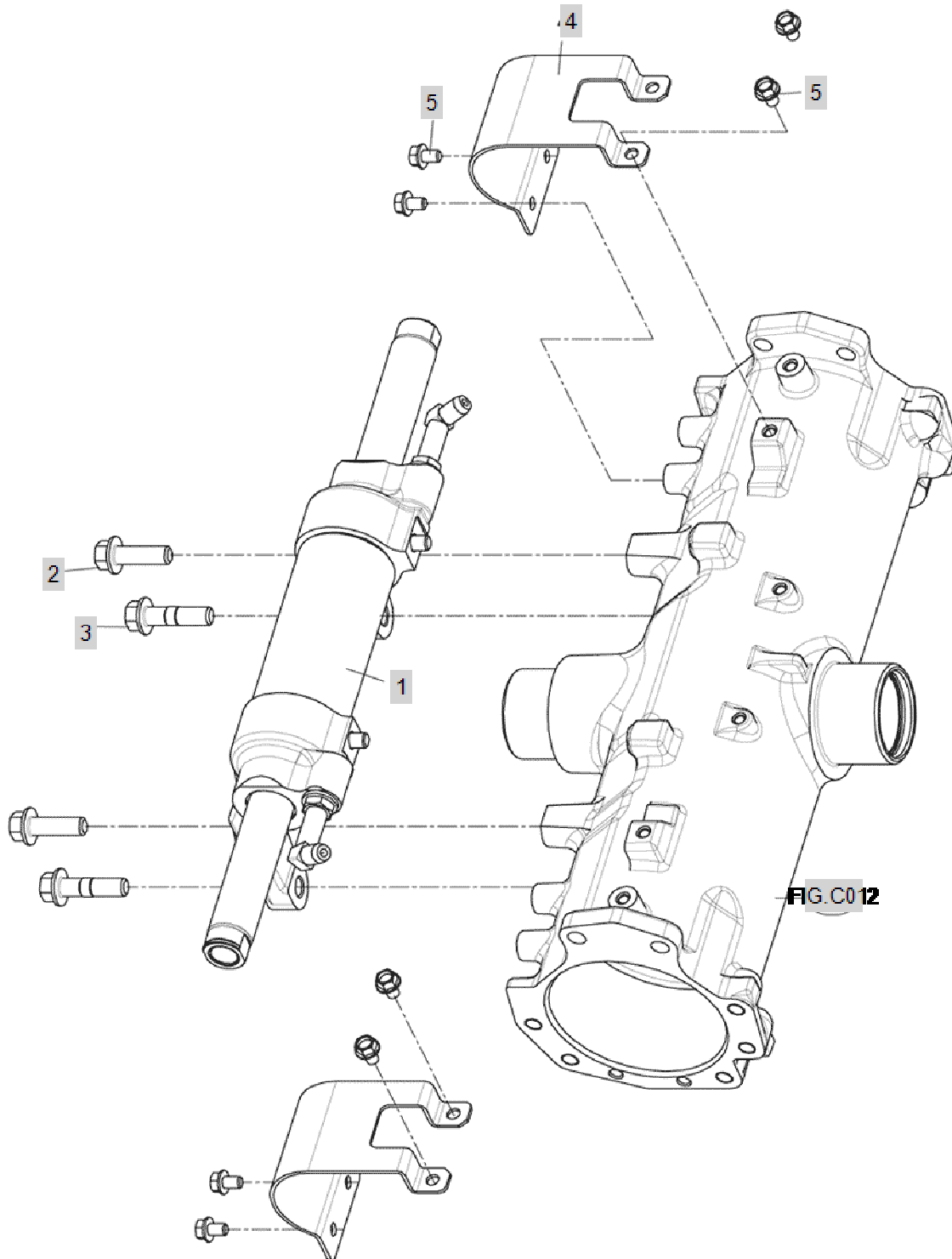






FIG C034-1

P.S.T HOSE(2017.01)

Year/Month

3515H

2020/01

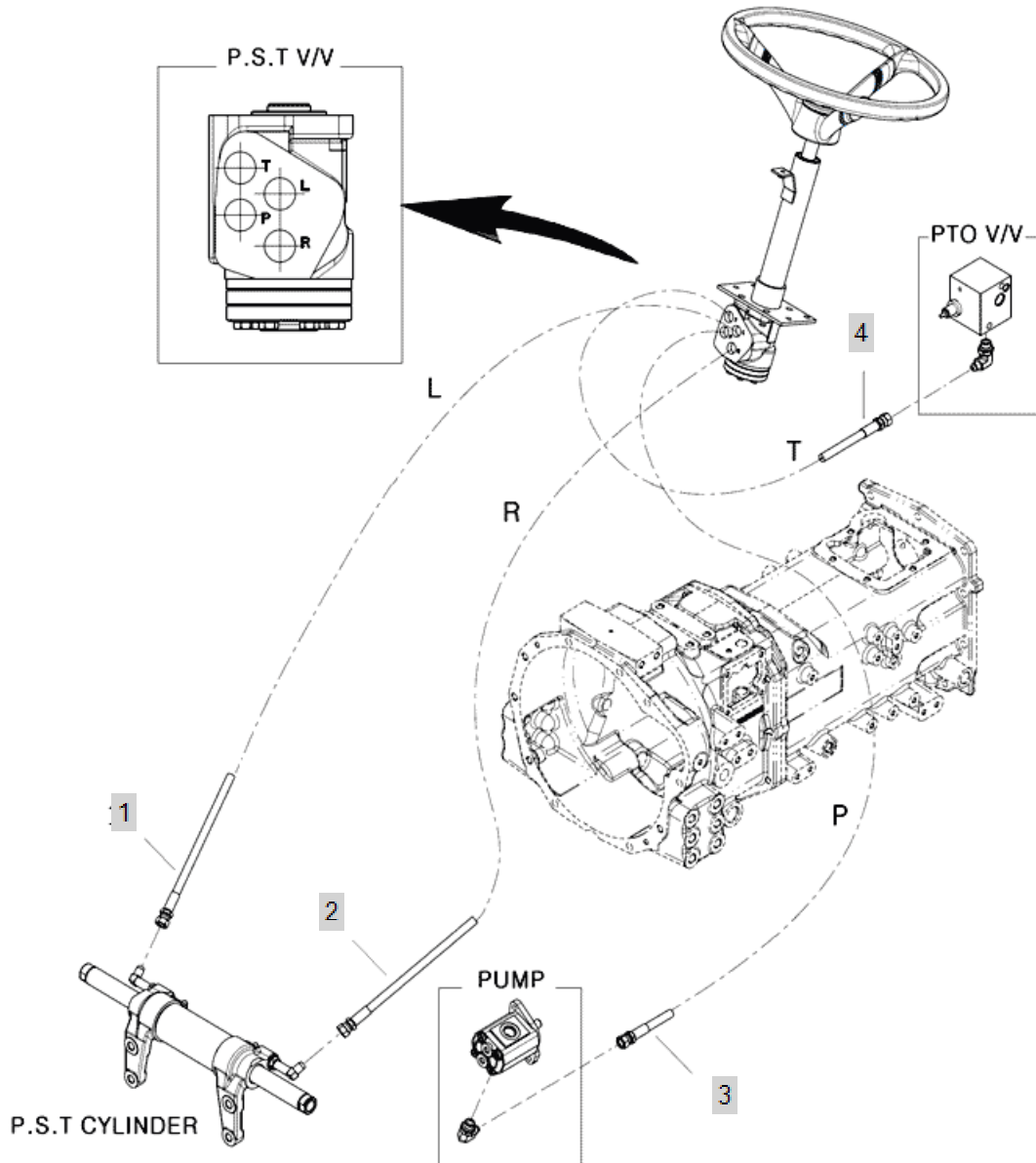




FIG C034-2

P.S.T HOSE

Year/Month

3515H

2020/01

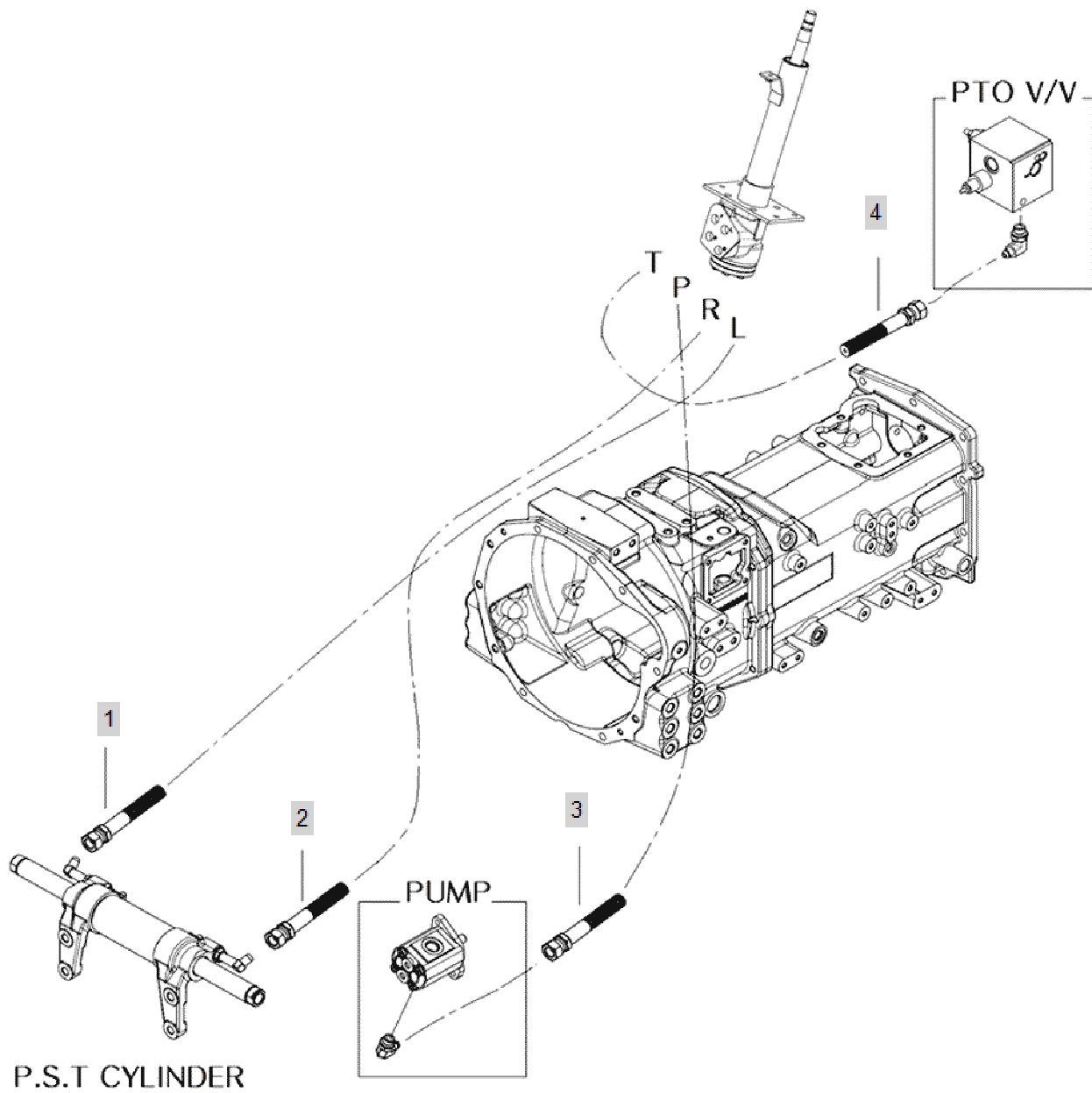




FIG C037A-1

CLUTCH HOUSING

Year/Month

3515H

2020/01

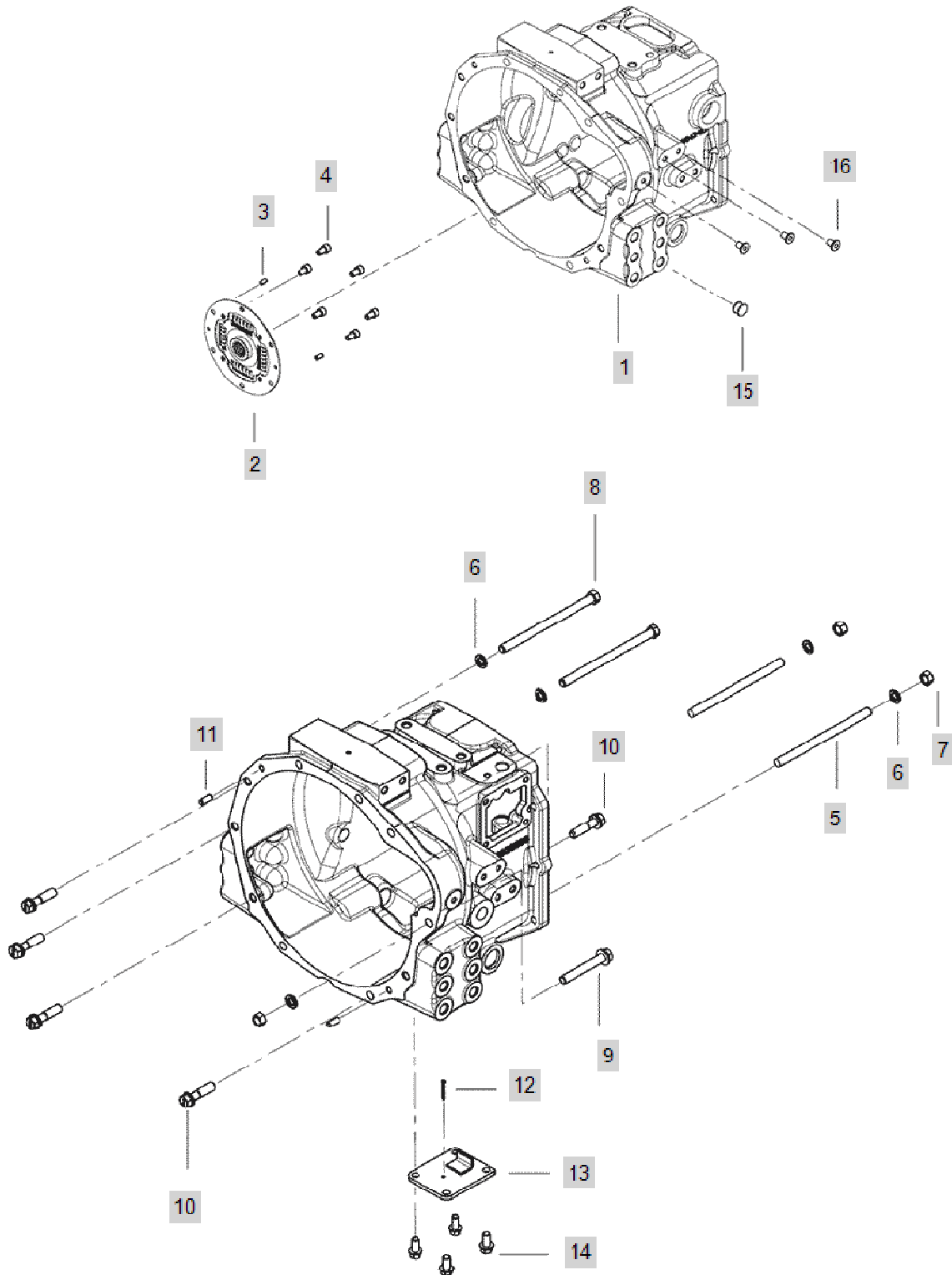




FIG C037A-2

CLUTCH HOUSING(2019.04~)

Year/Month

3515H

2020/01

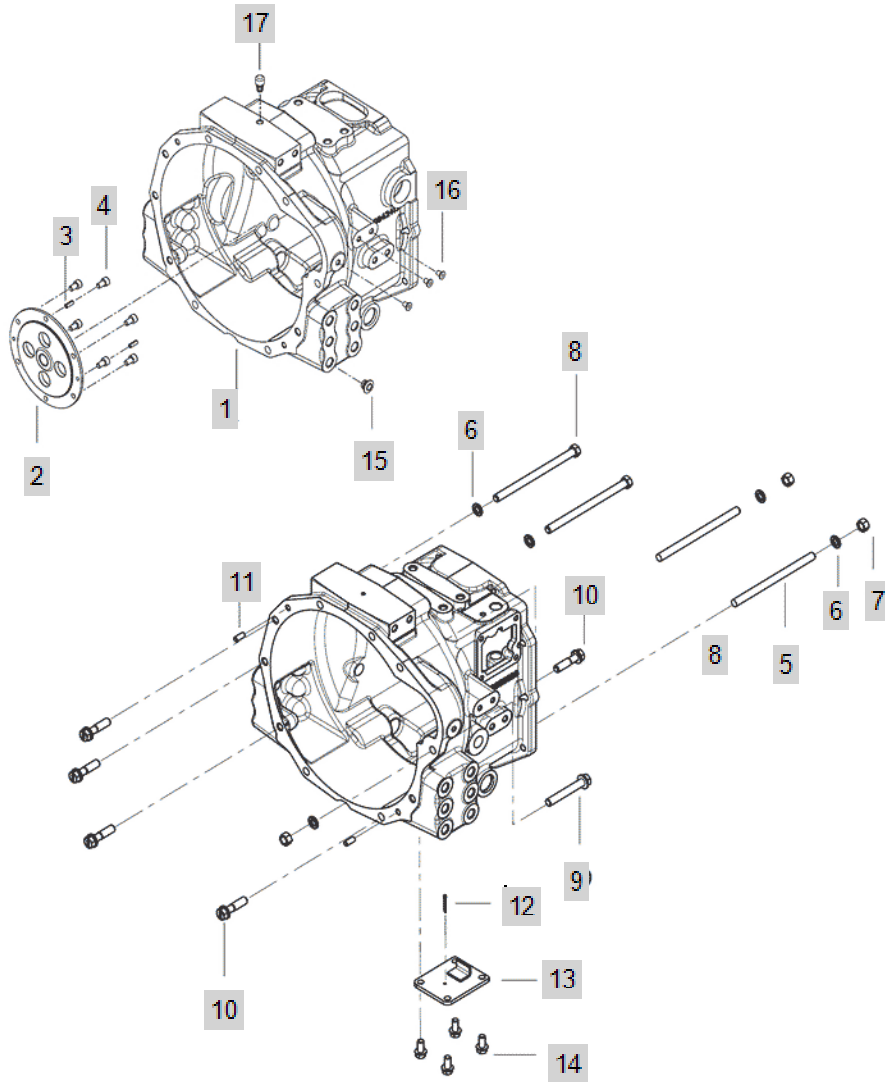






FIG C038-1

PUMP, HST

Year/Month

3515H

2020/01

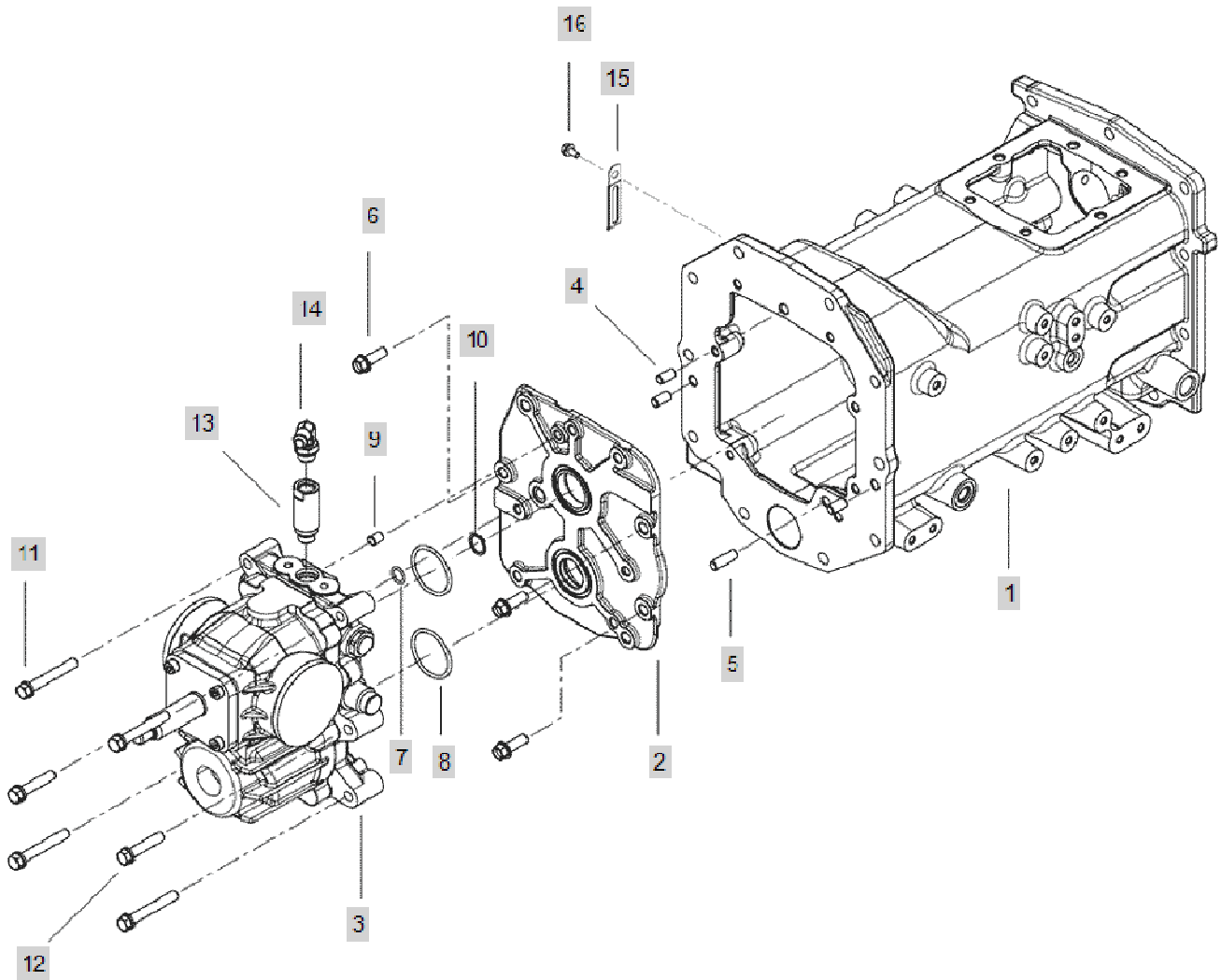




FIG C044-1

TRANSMISSION CASE

Year/Month

3515H

2020/01

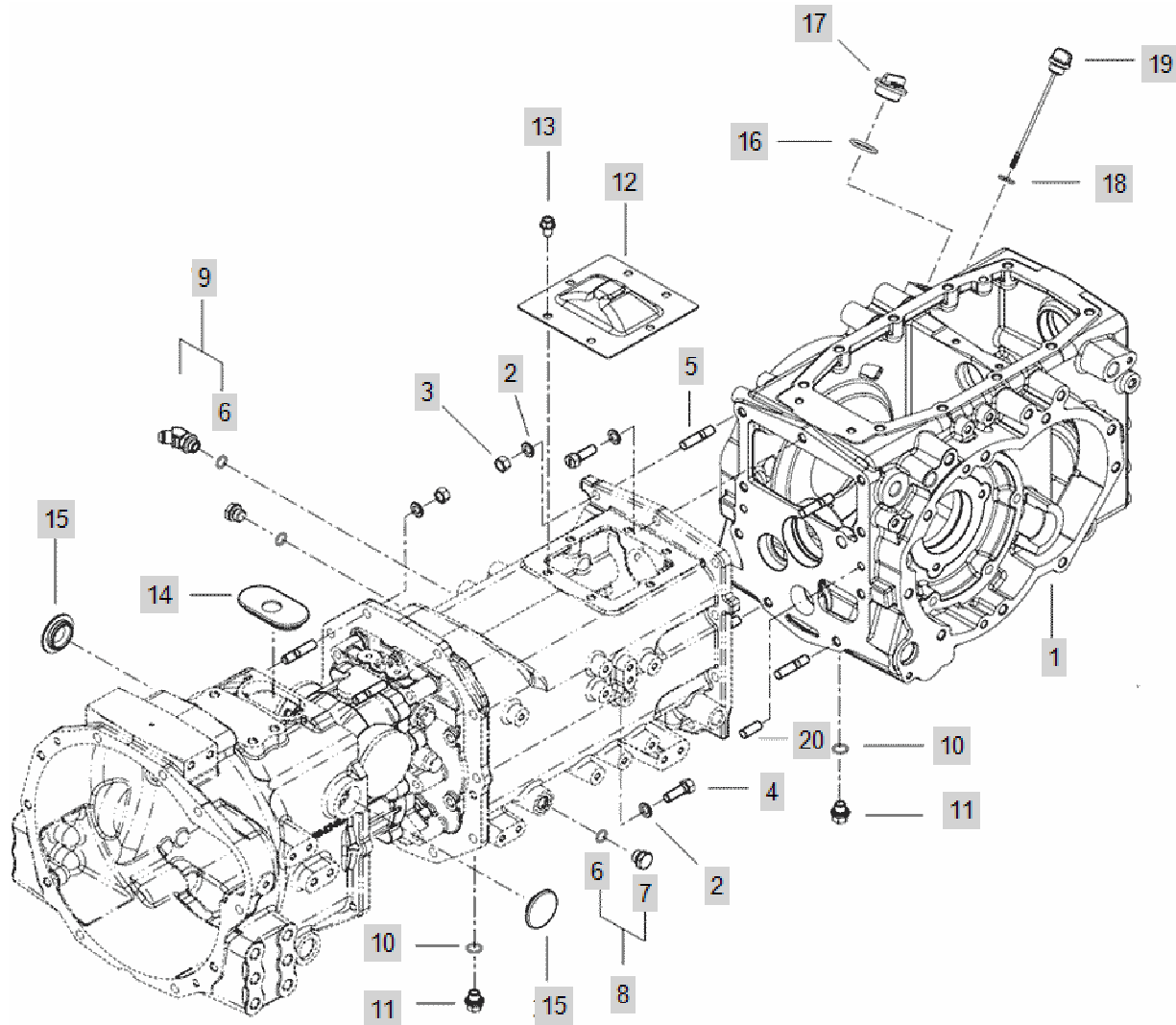




FIG C044-2

TRANSMISSION CASE

Year/Month

3515H

2020/01

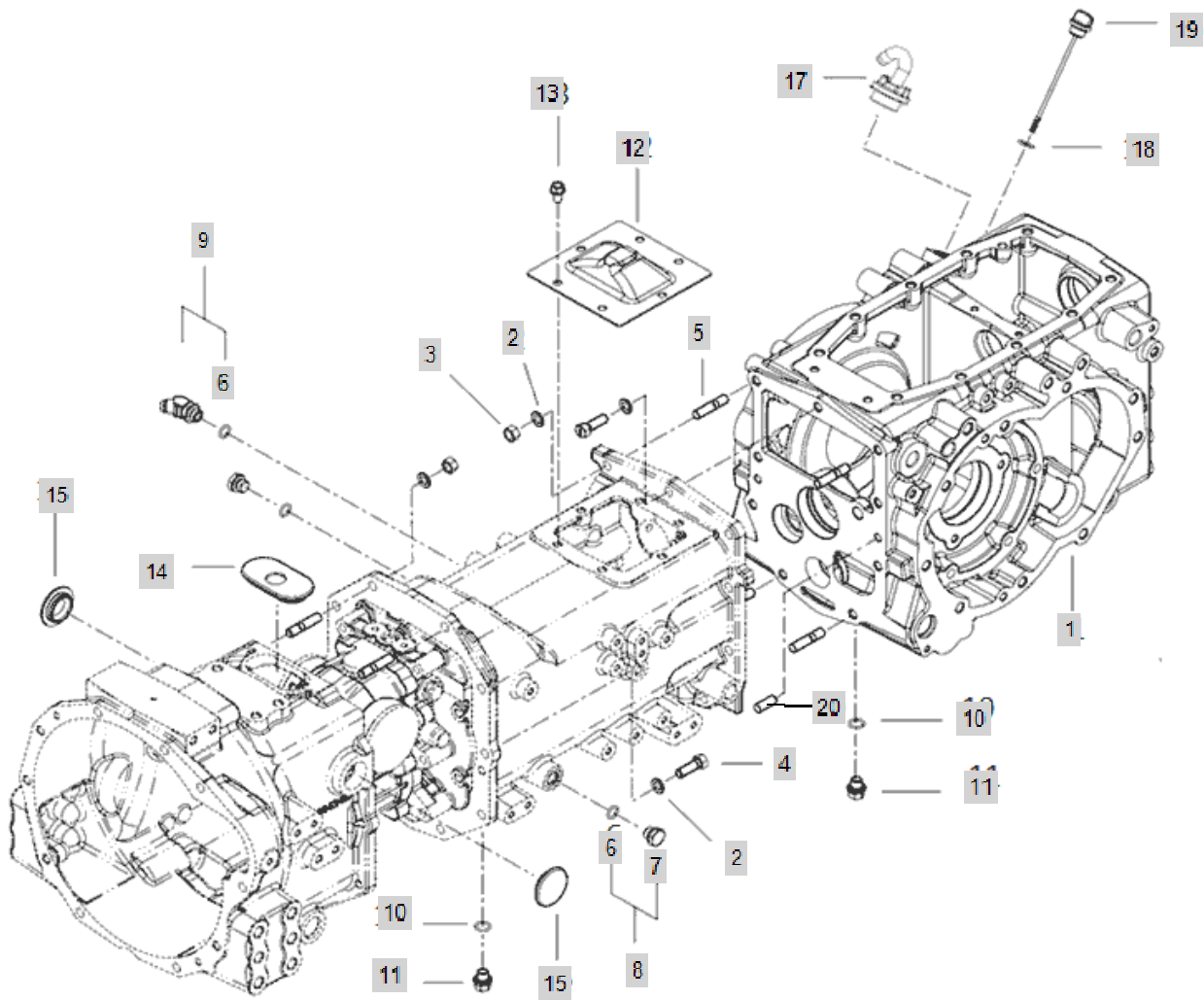




FIG C044-3

TRANSMISSION CASE(2018.04~)

Year/Month

3515H

2020/01

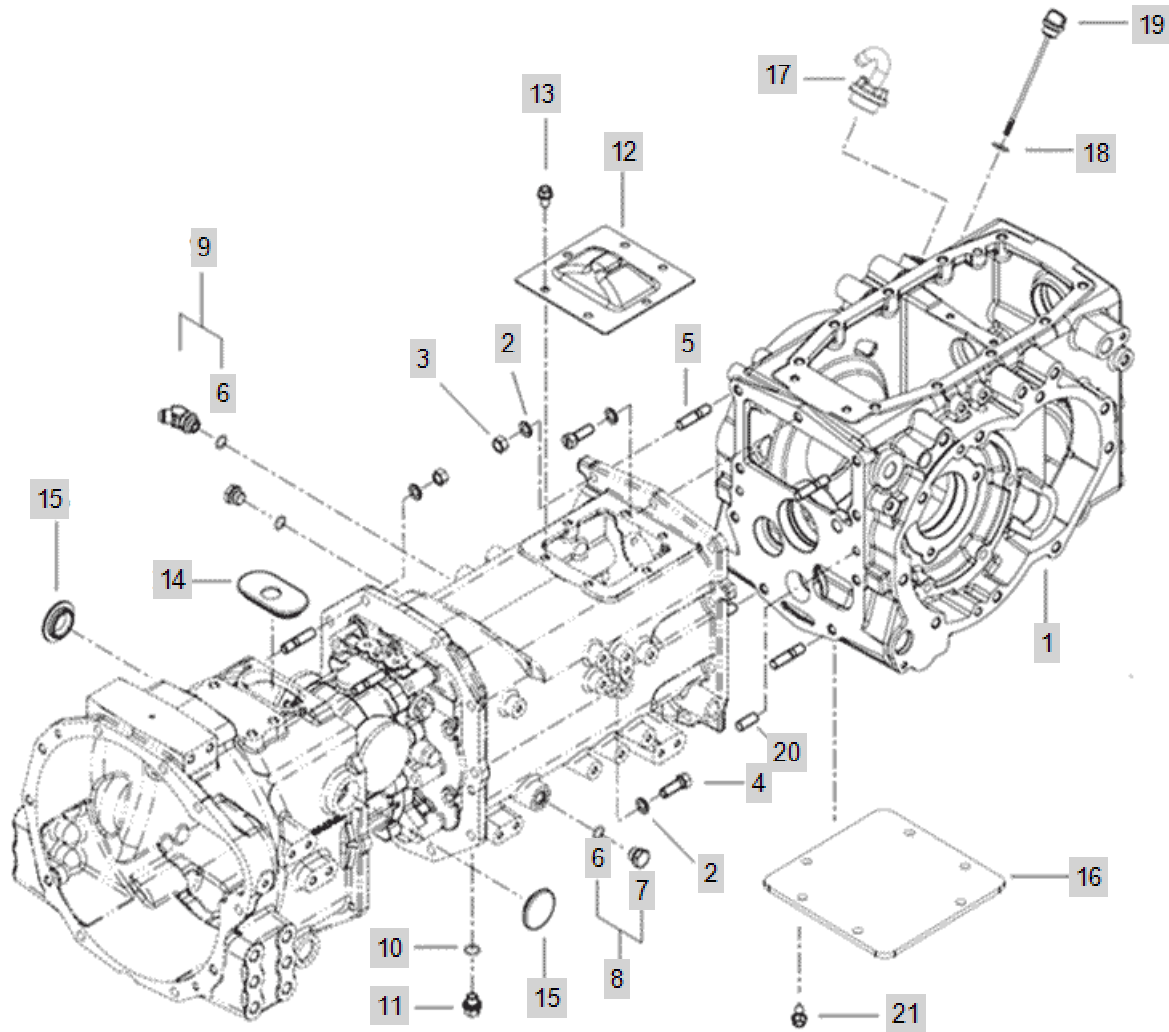






FIG C044-4

TRANSMISSION CASE(2018.04~)

Year/Month

3515H

2020/01

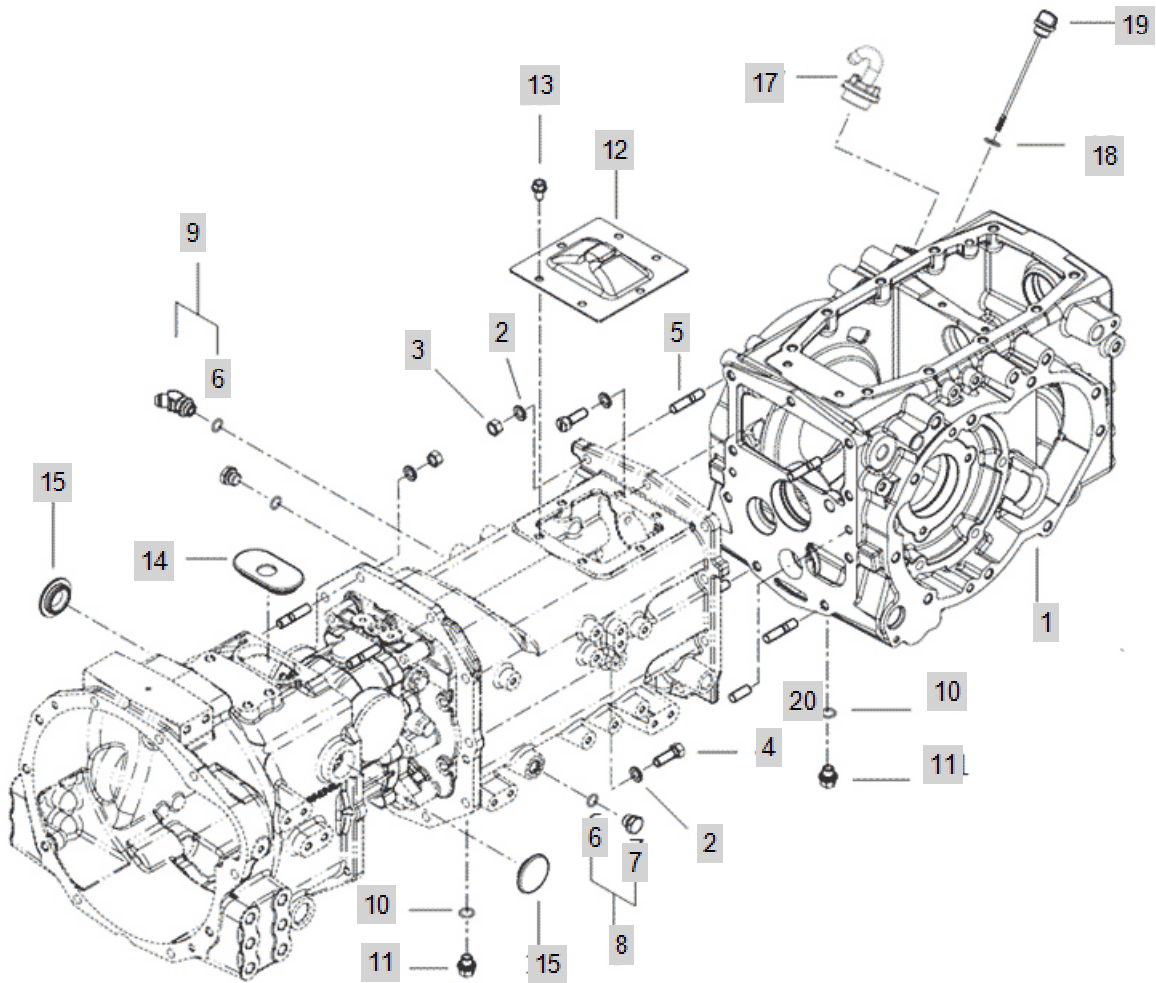




FIG C057A

GEAR, RANGE SHIFT

Year/Month

3515H

2020/01

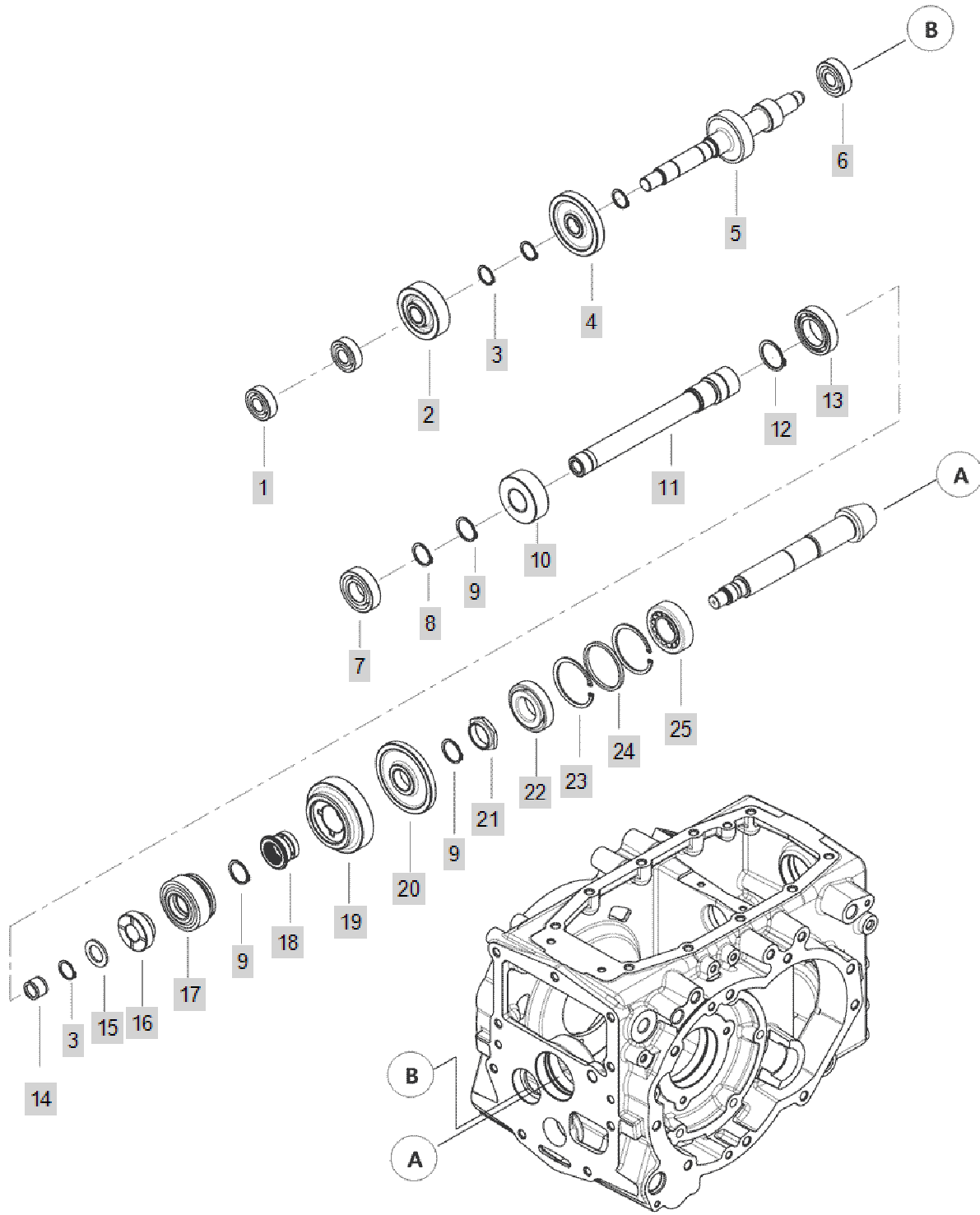




FIG C062

MAIN P.T.O SHAFT

Year/Month

3515H

2020/01

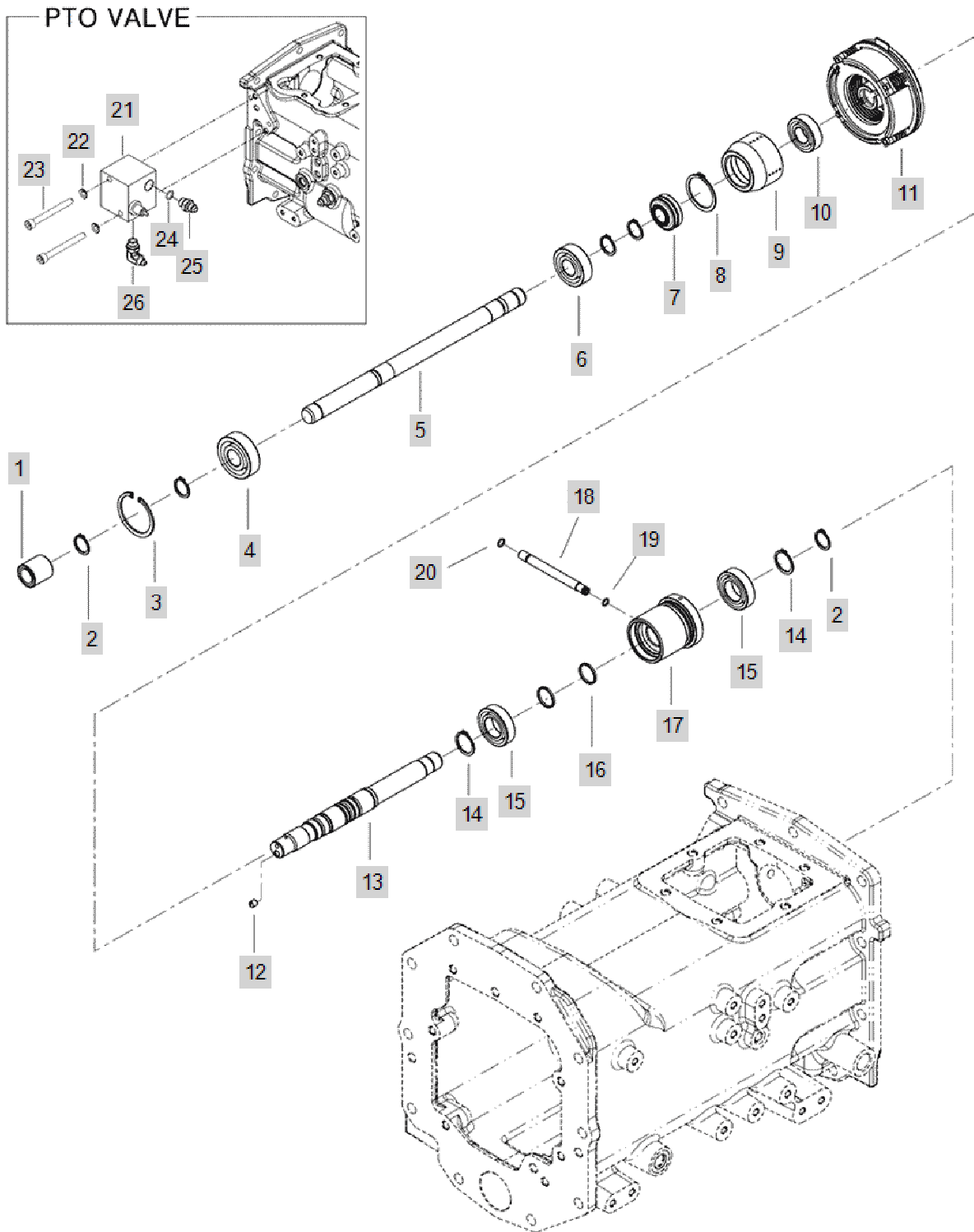




FIG C063-1

PTO DRIVE SHAFT

Year/Month

3515H

2020/01

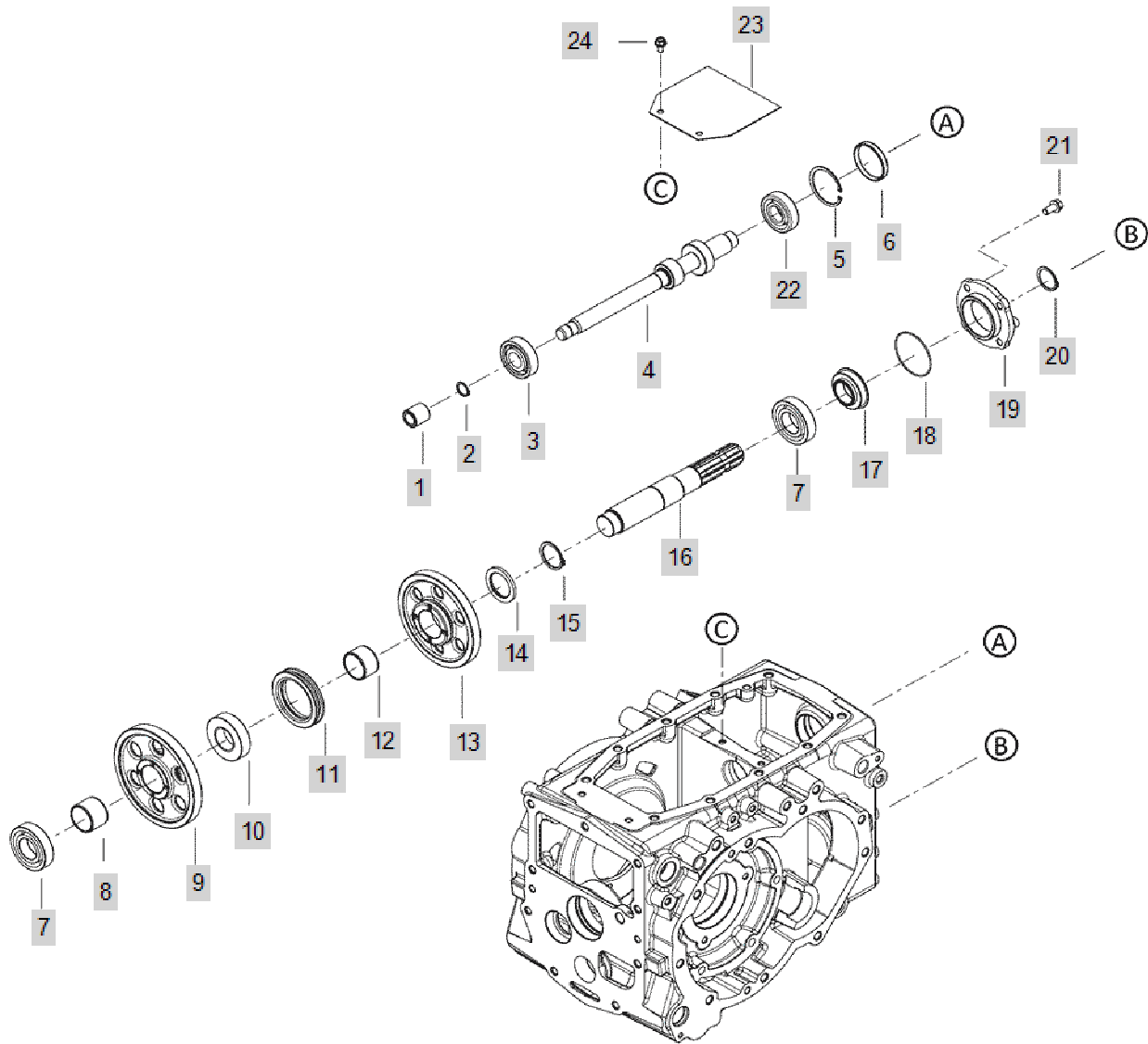






FIG C063-2

PTO DRIVE SHAFT(2017.02)

Year/Month

3515H

2020/01

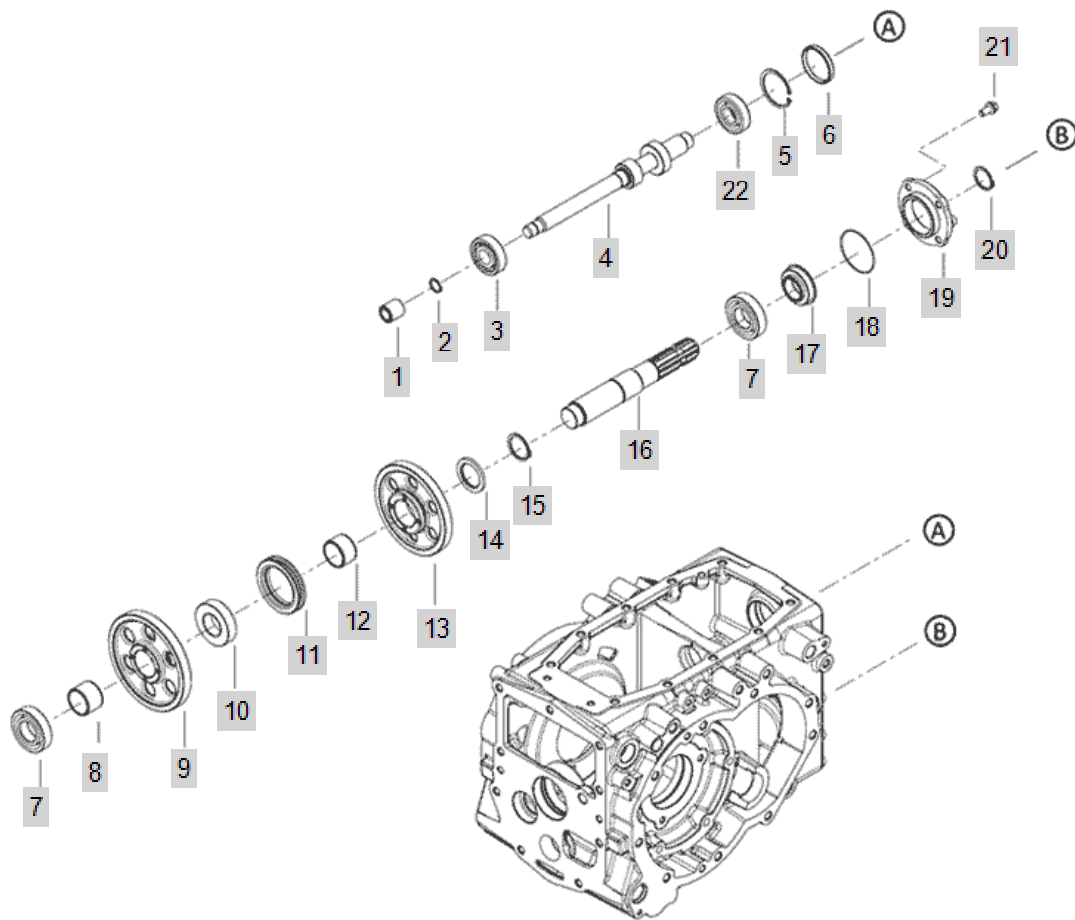




FIG C063B-3

PTO DRIVE SHAFT(2019.01~)

Year/Month

3515H

2020/01

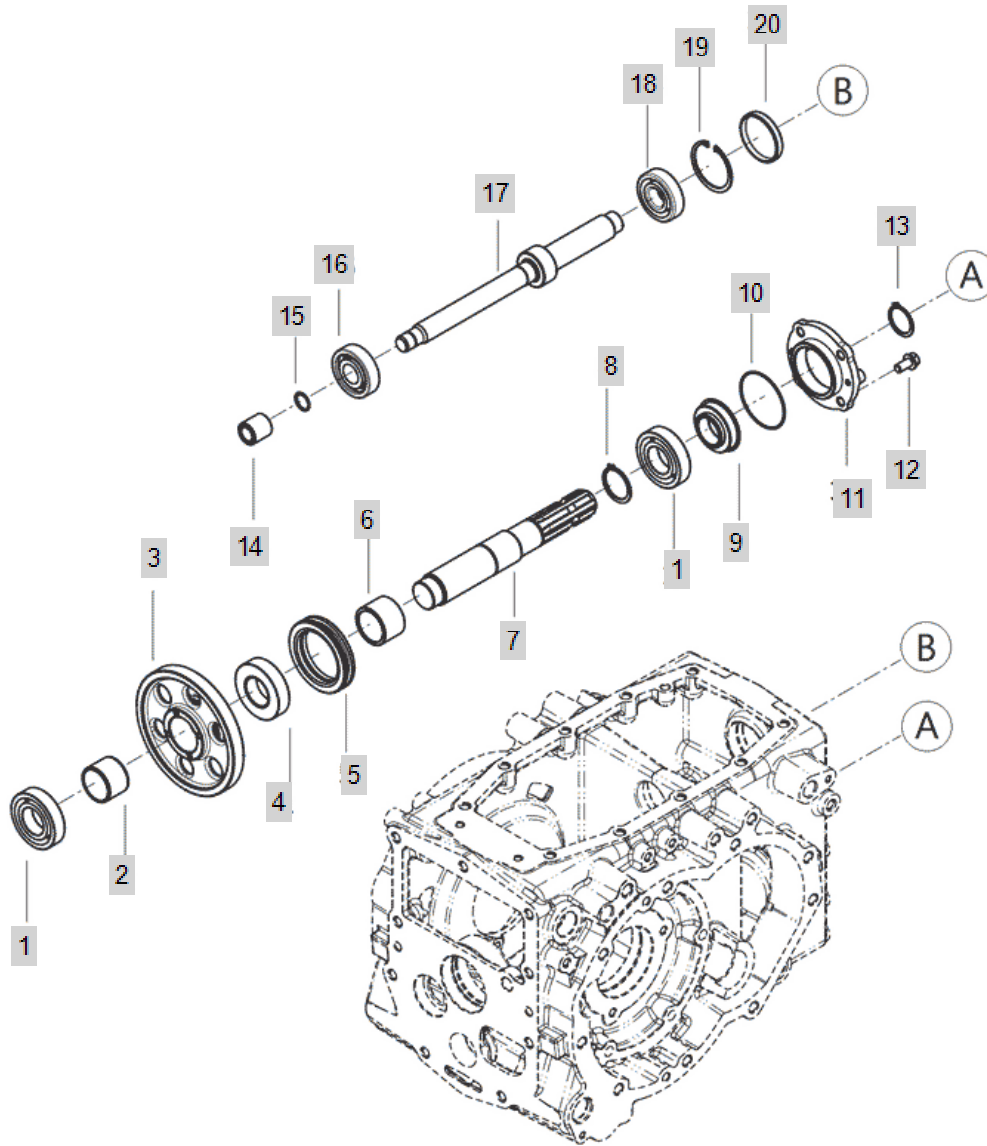




FIG C068

LEVER ASS'Y, RANGE SHIFT

Year/Month

3515H

2020/01

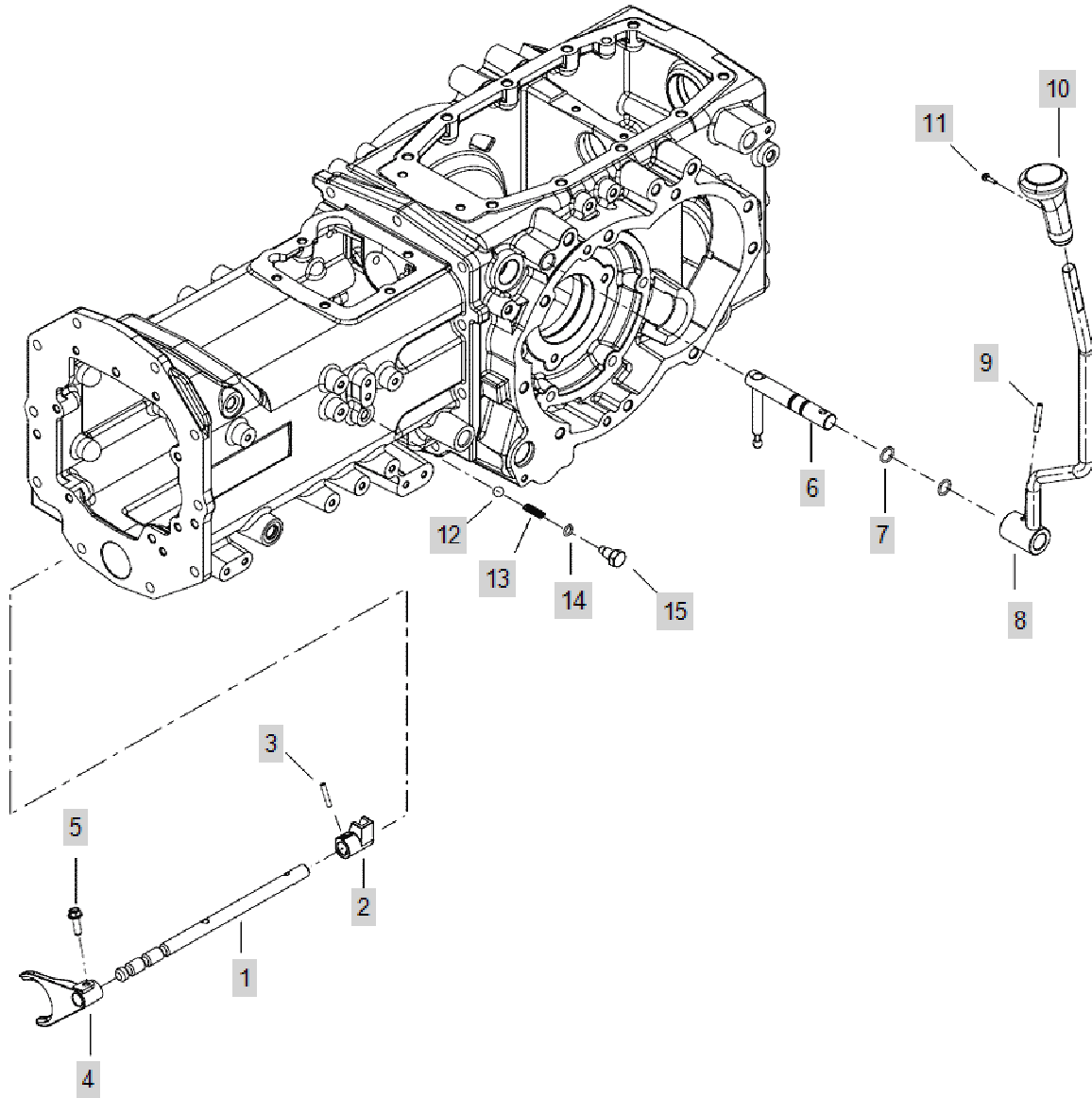




FIG C072-1

FORNT DRIVE SHAFT

Year/Month

3515H

2020/01

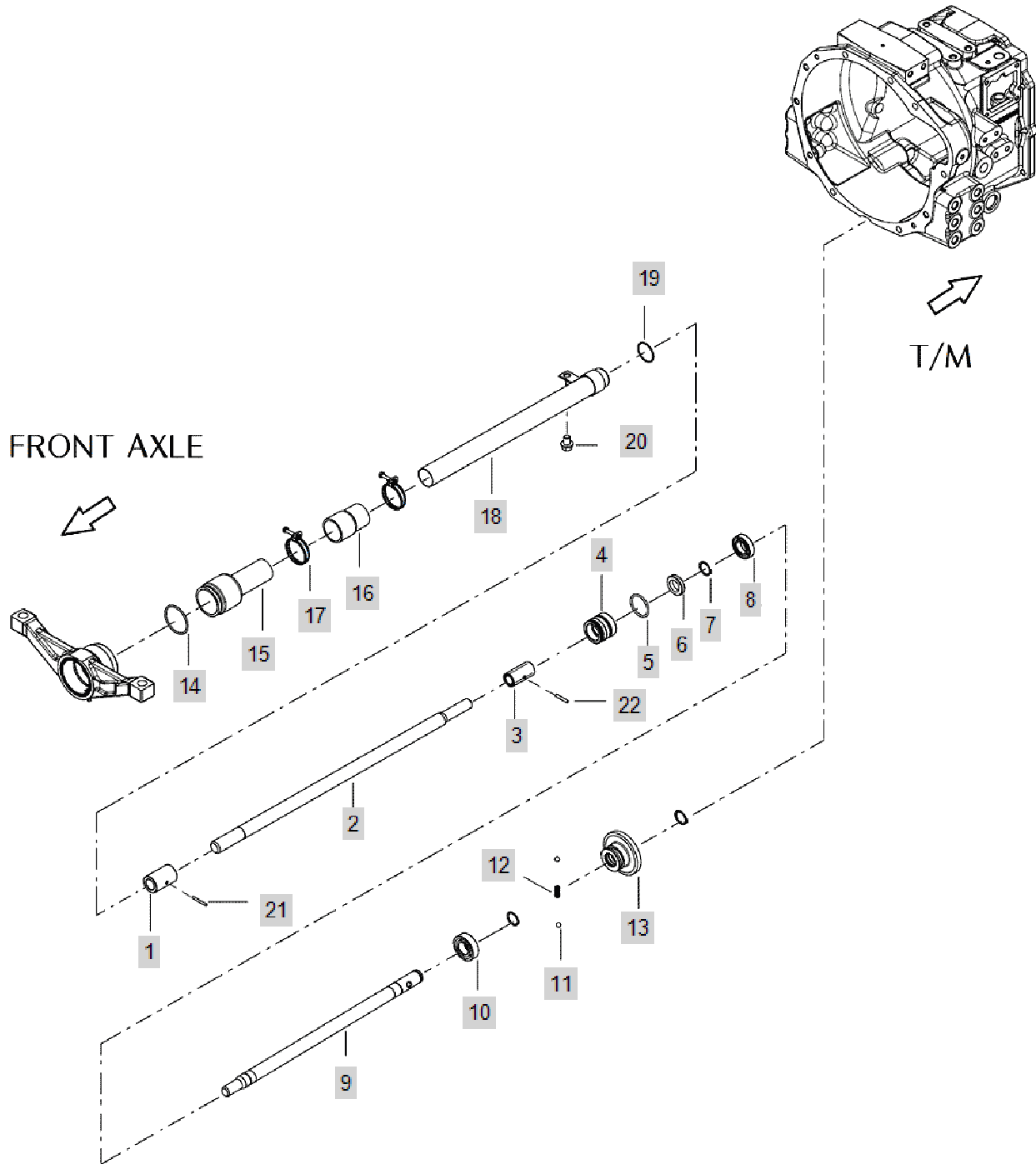






FIG C072A-2

FORNT DRIVE SHAFT(2019.04~)

Year/Month

3515H

2020/01

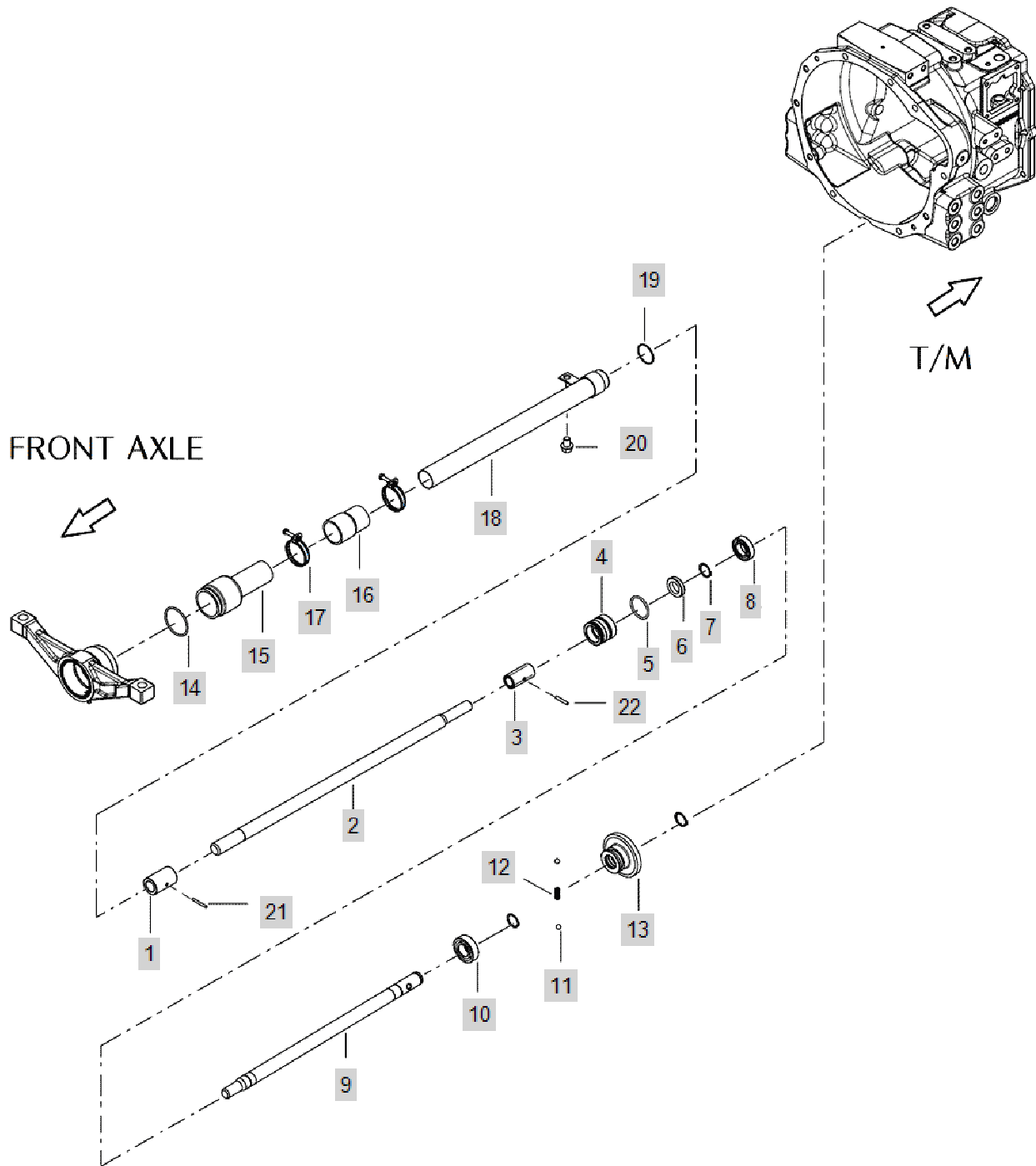




FIG C072E-2

FORNT DRIVE SHAFT(2019.04~)

Year/Month

3515H

2020/01

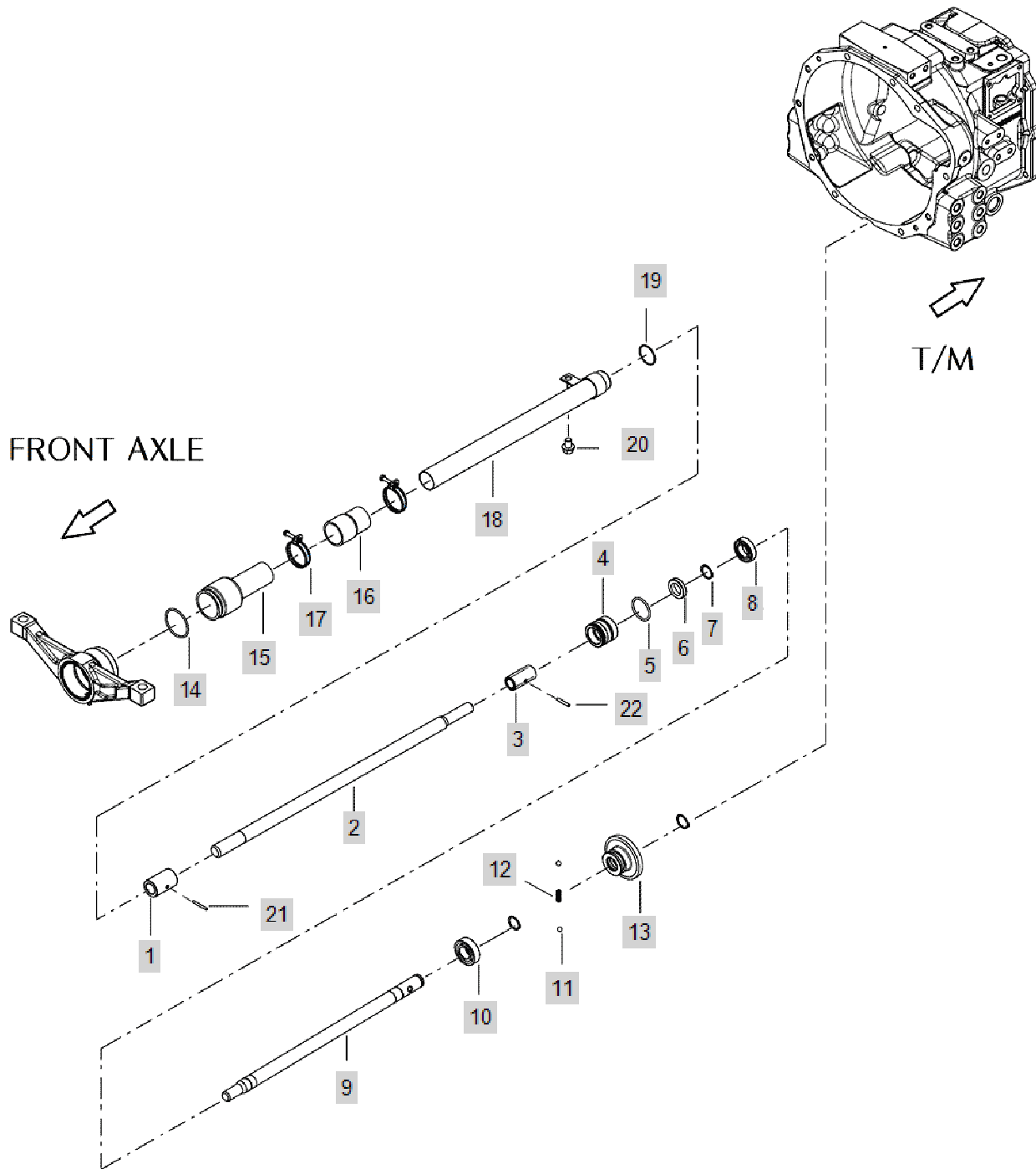




FIG C073-1

4WD LEVER

Year/Month

3515H

2020/01

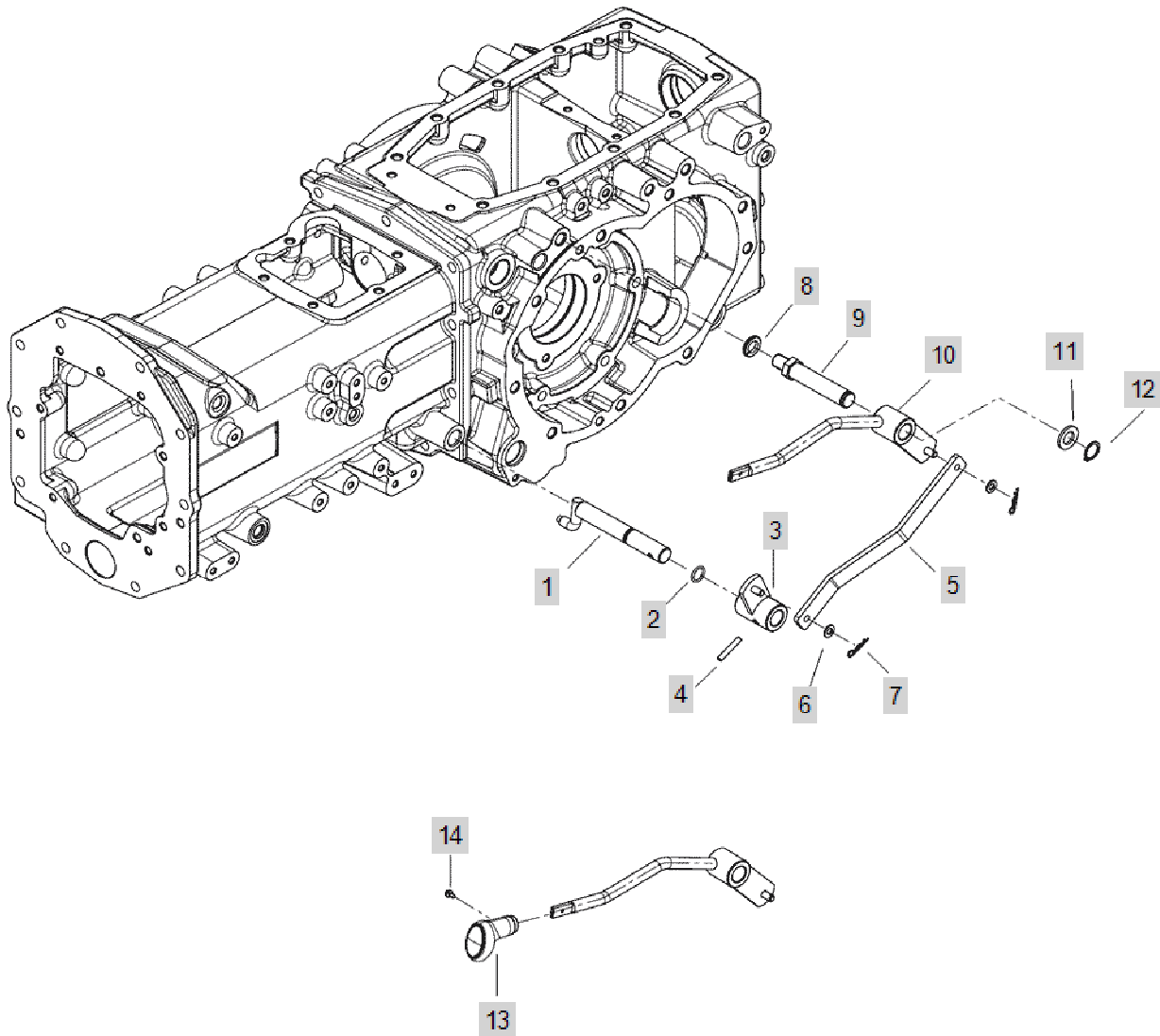




FIG C073-2

4WD LEVER(2019.04~)

Year/Month

3515H

2020/01

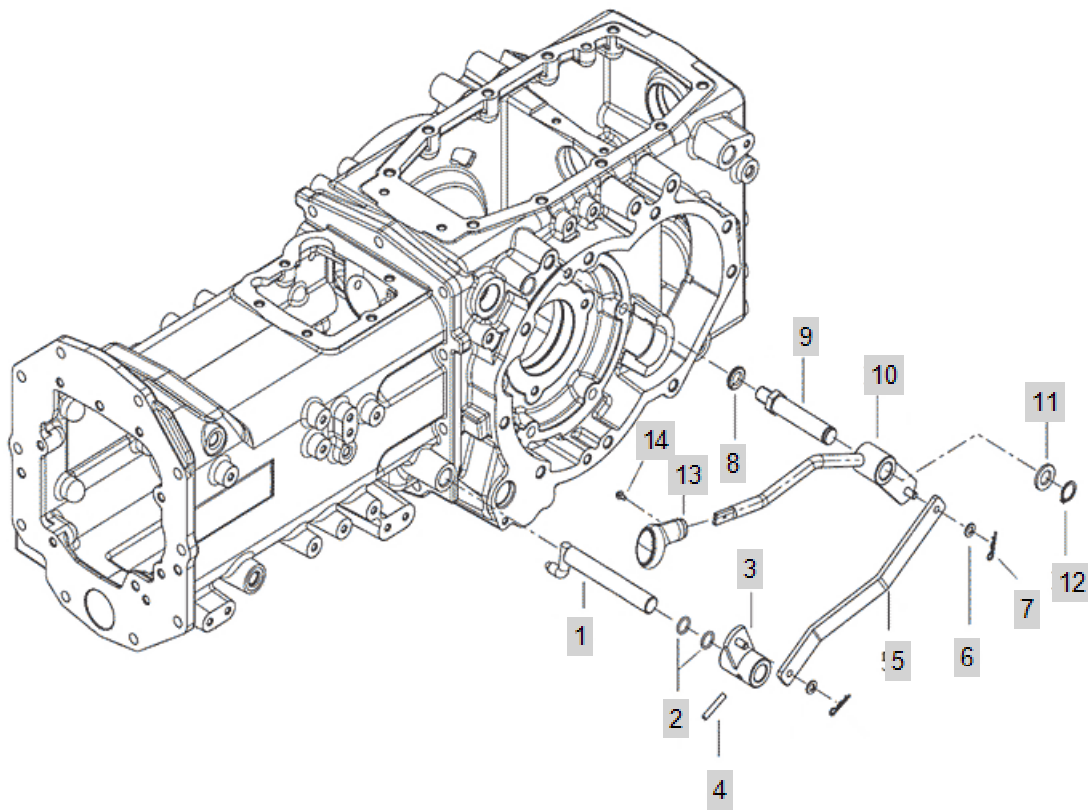






FIG C074-1

FORK & LEVER, PTO-DELETED PAGE

Year/Month

3515H

2020/01

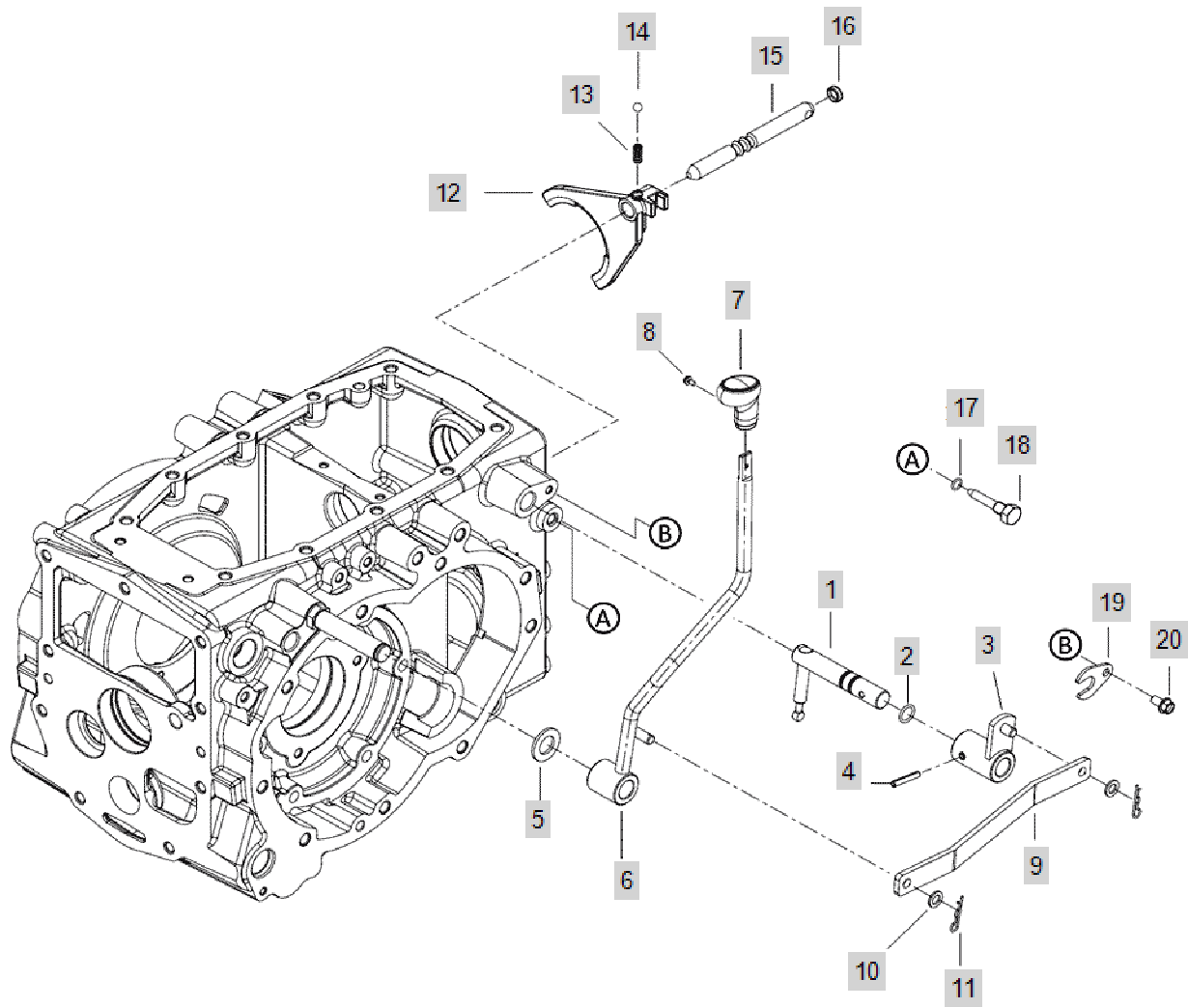




FIG C074-2

FORK & LEVER, PTO(2019.04~)-DELETED  
PAGE

Year/Month

3515H

2020/01

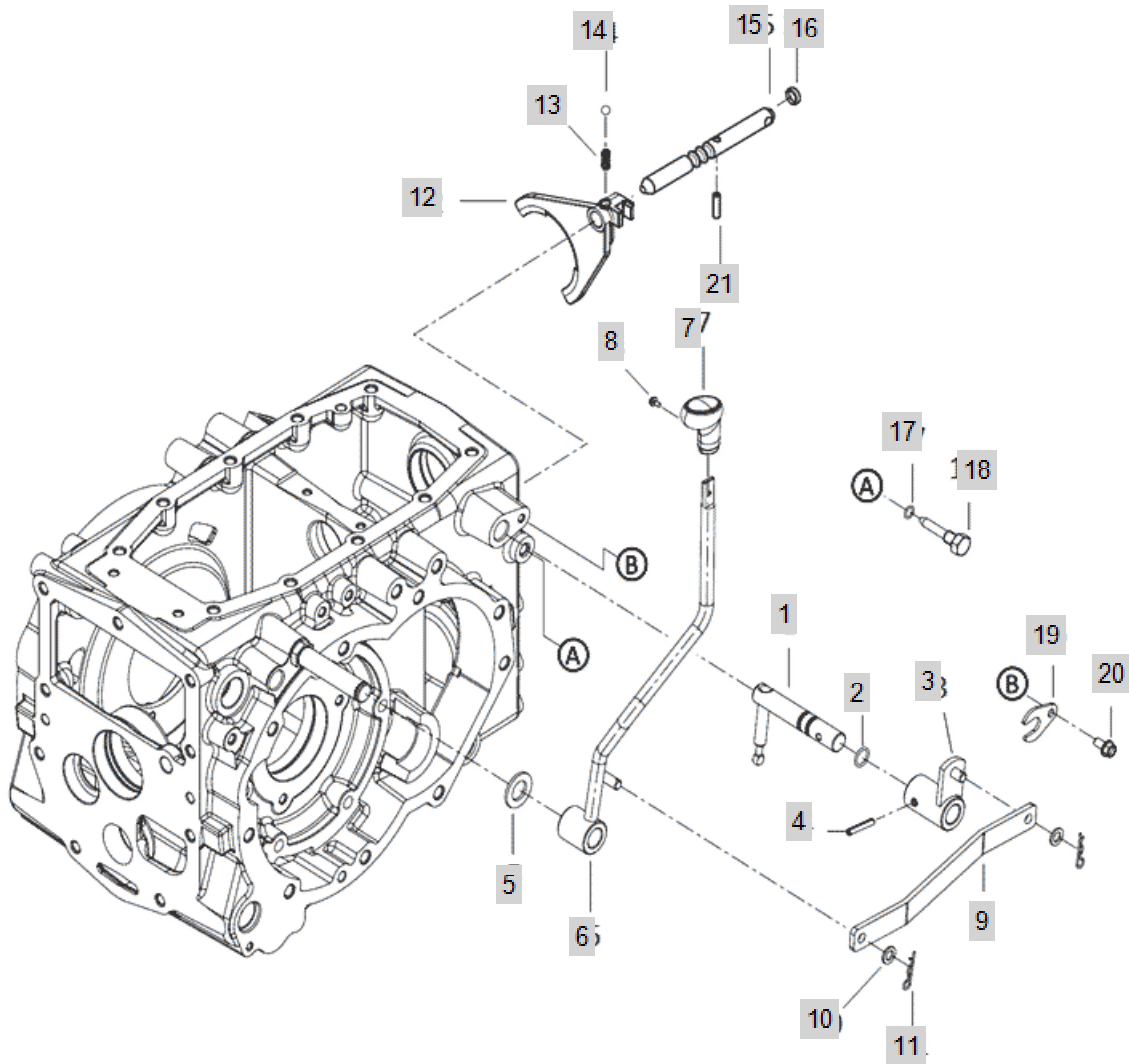




FIG C074B-3

FORK & LEVER, PTO(2019.12~)

Year/Month

3515H

2020/01

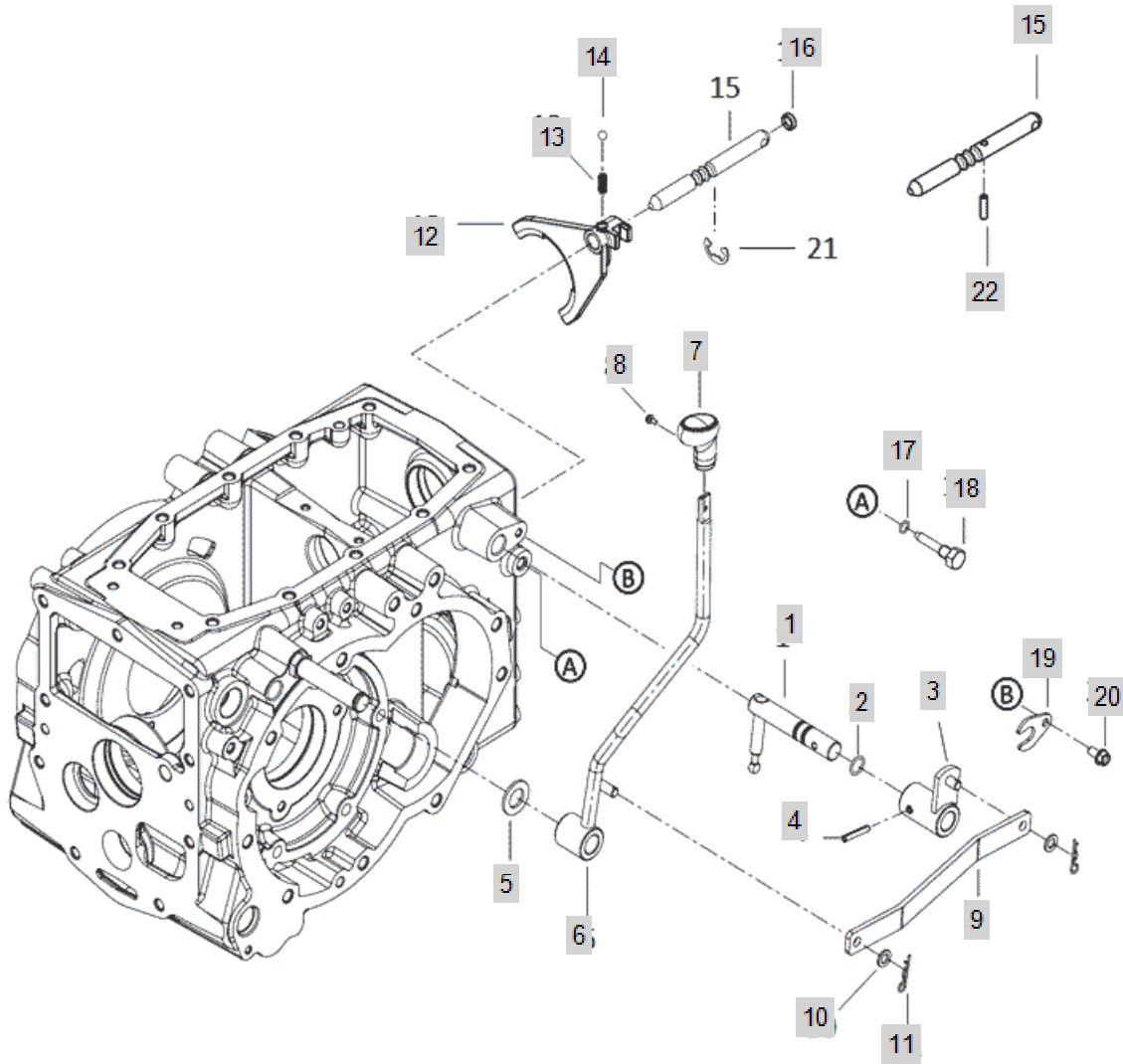




FIG C078

RING GEAR&DIFF.GEAR ASS'Y

Year/Month

3515H

2020/01

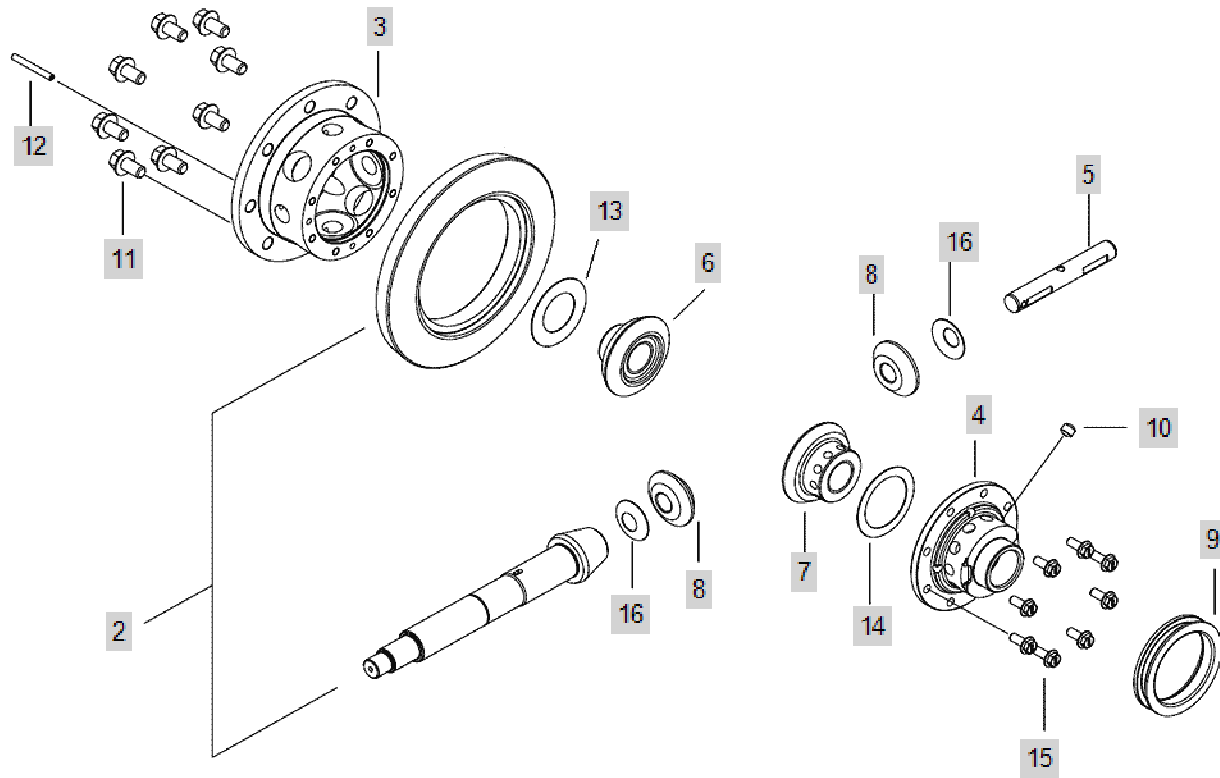






FIG C079-1

DIFFERENTIAL

Year/Month

3515H

2020/01

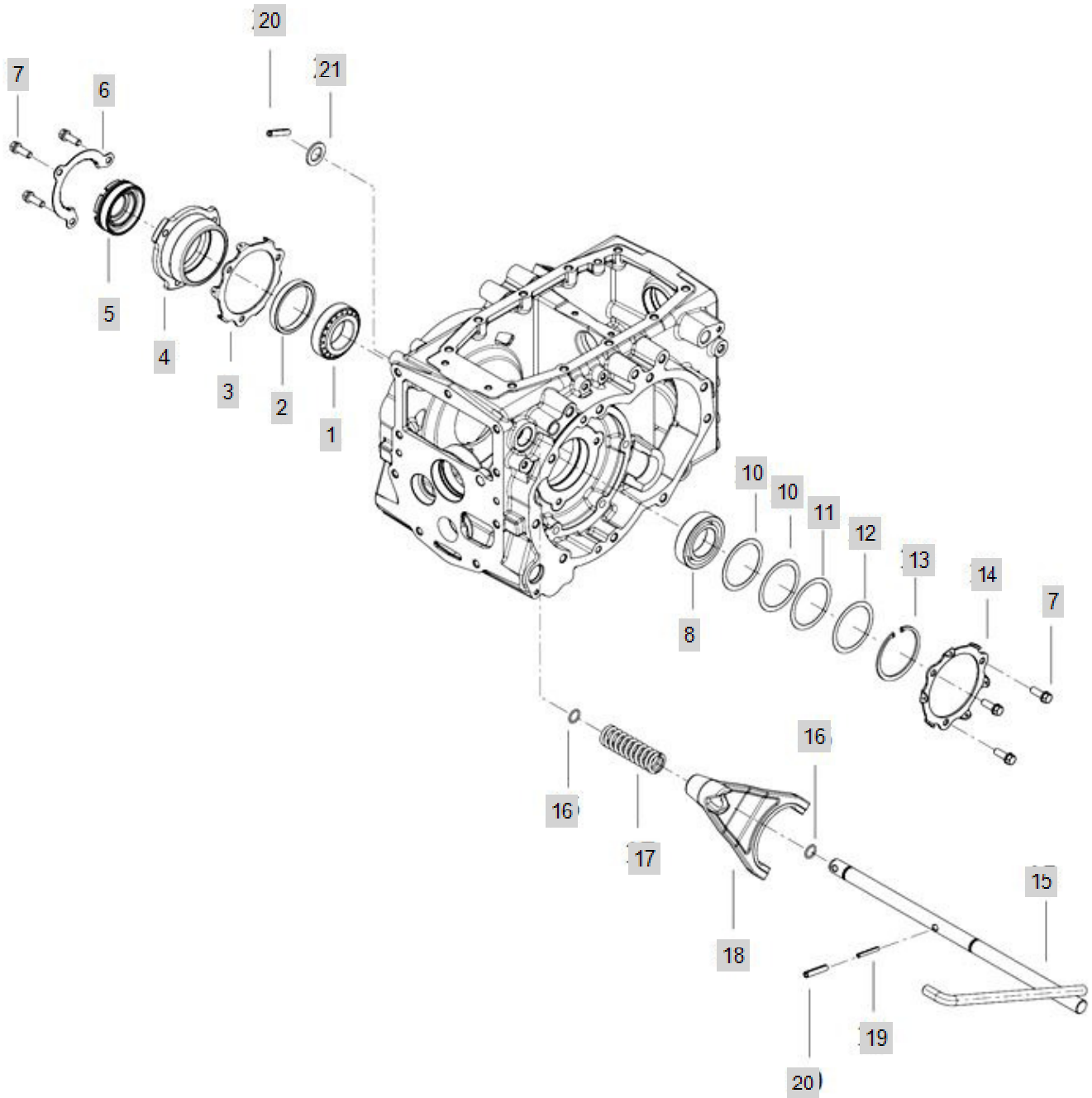




FIG C079-2

DIFFERENTIAL

Year/Month

3515H

2020/01

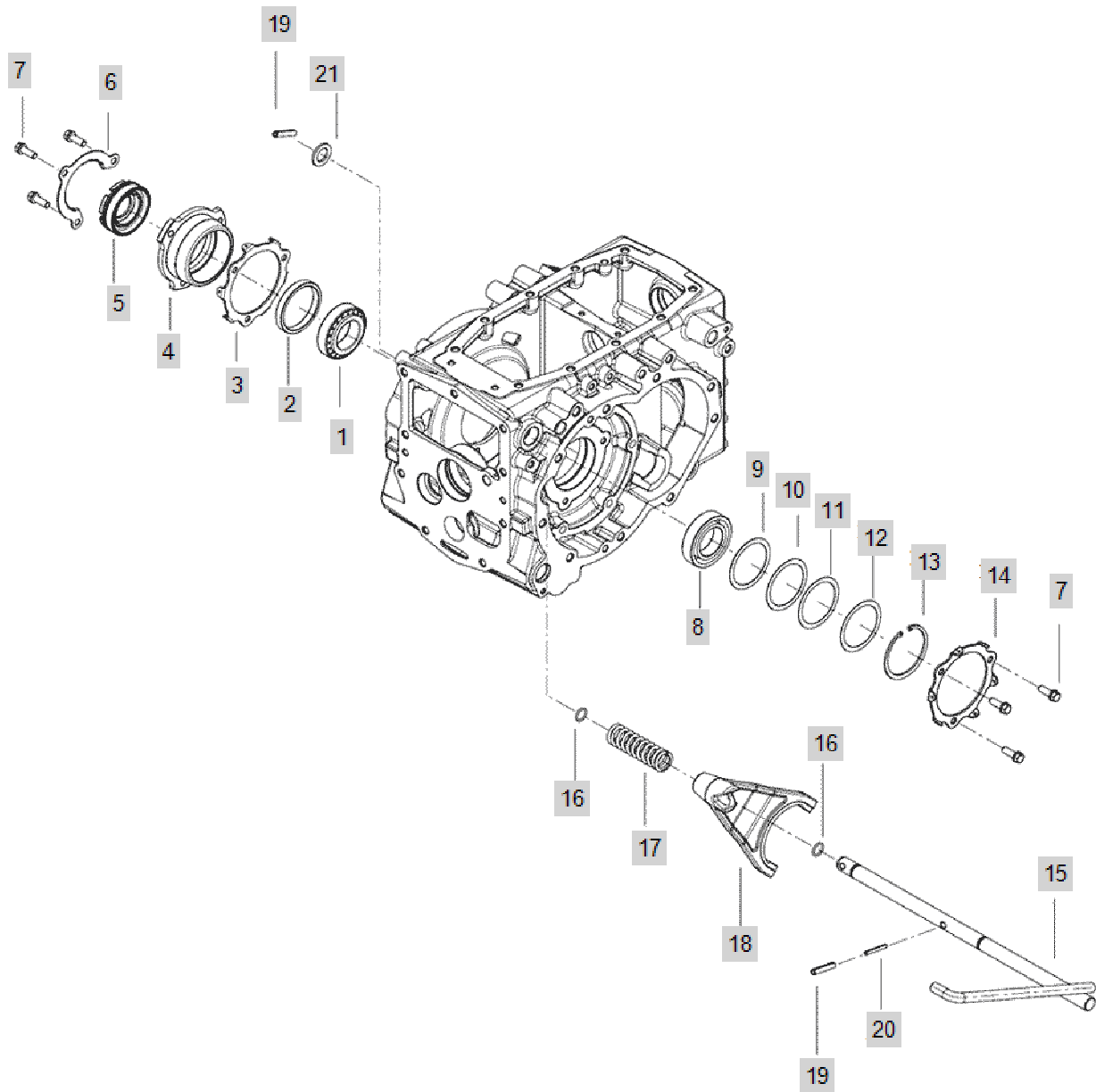




FIG C082

DRIVING PART, REAR AXLE

Year/Month

3515H

2020/01

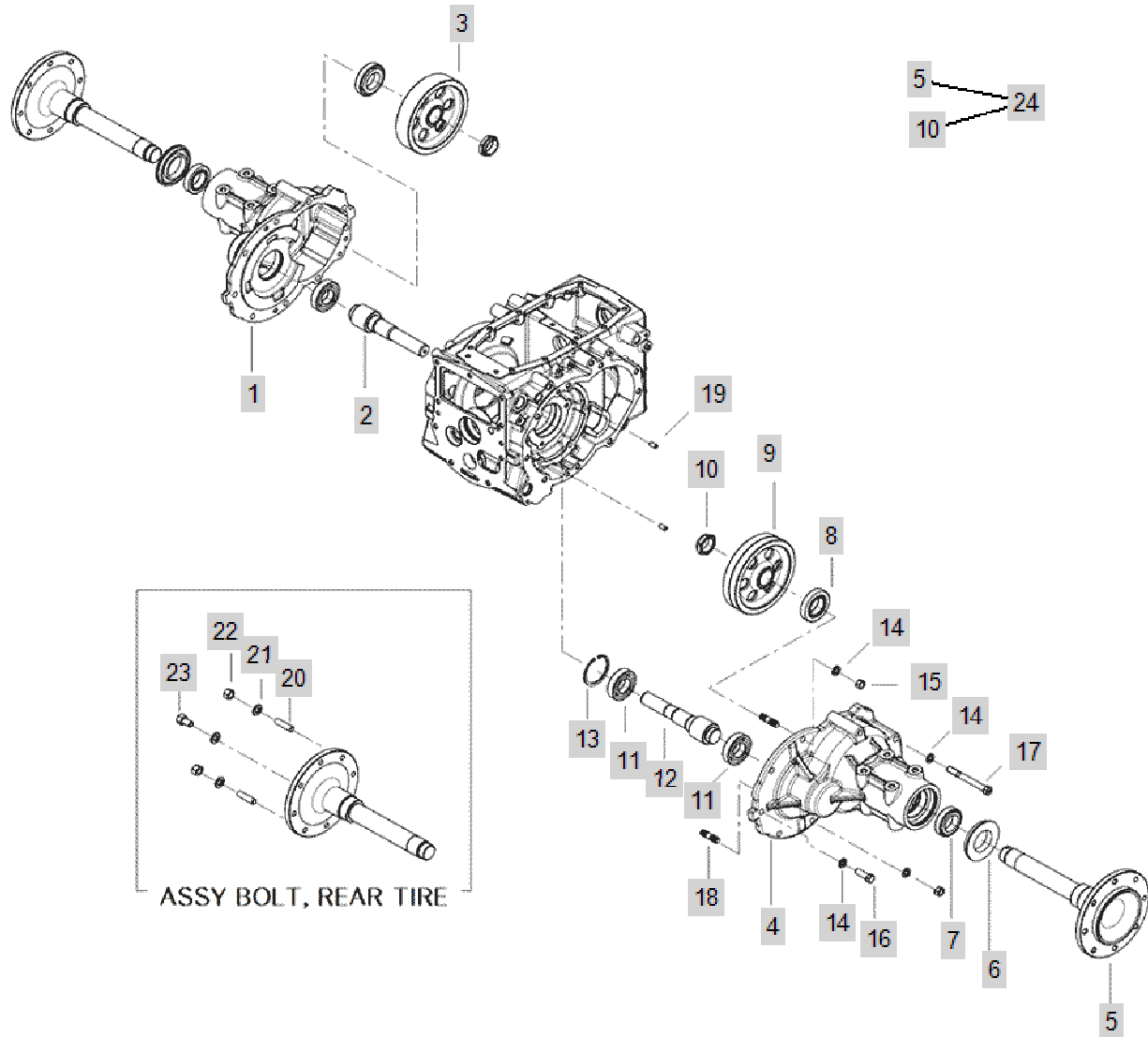




FIG C083

BRAKE

Year/Month

3515H

2020/01

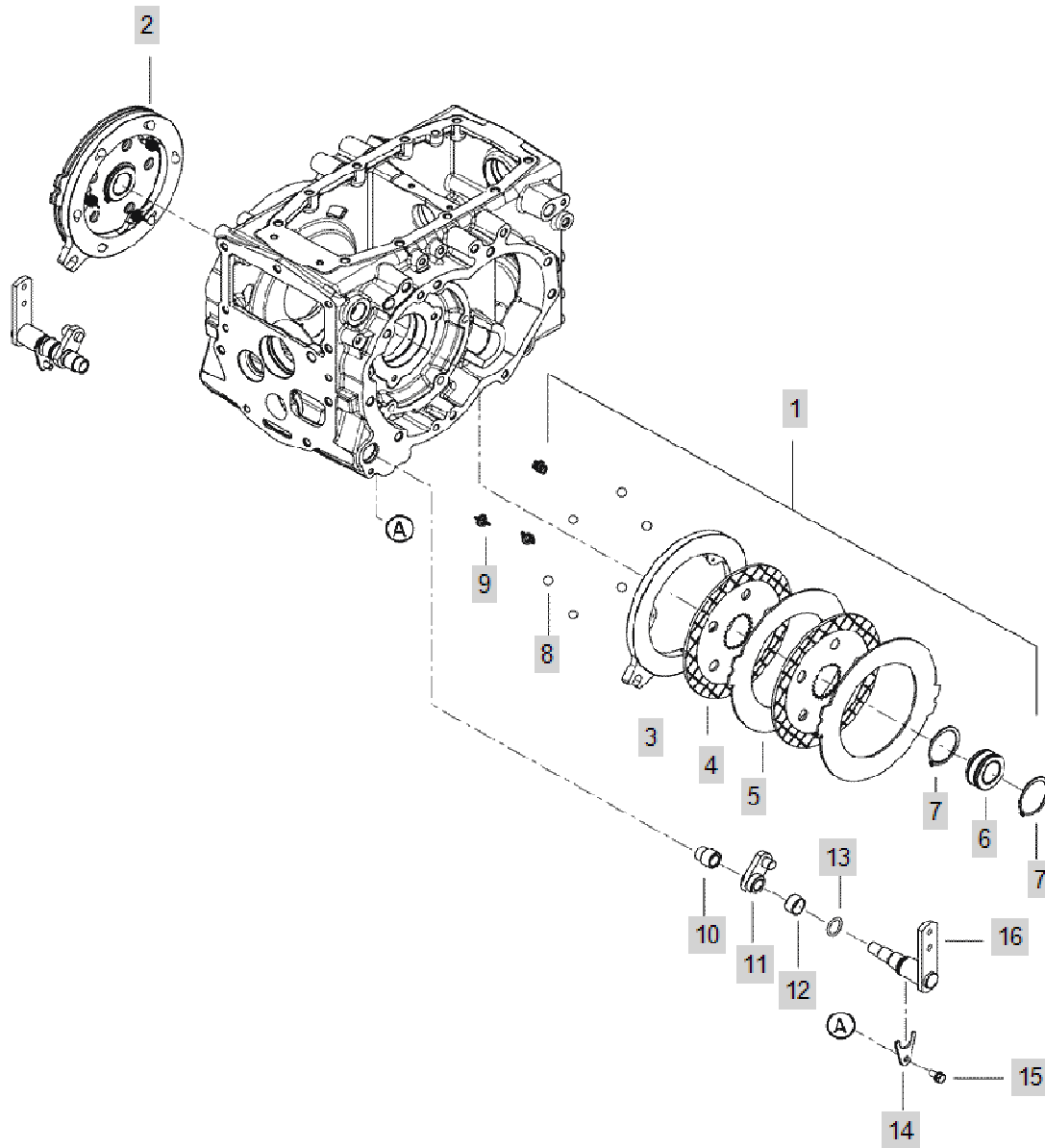






FIG C090

BRAKE PEDAL

Year/Month

3515H

2020/01

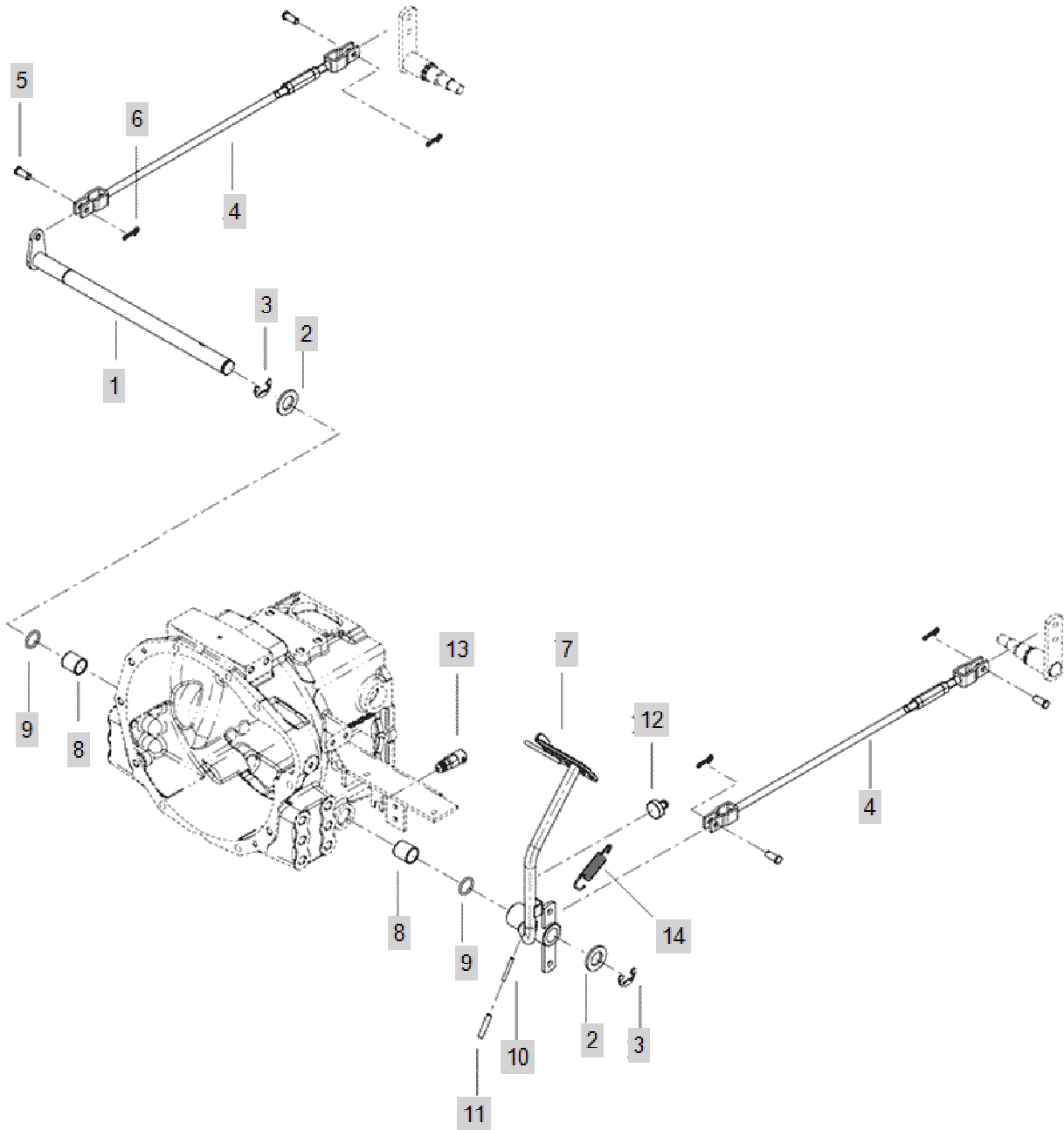




FIG C091

PARKING BRAKE

Year/Month

3515H

2020/01

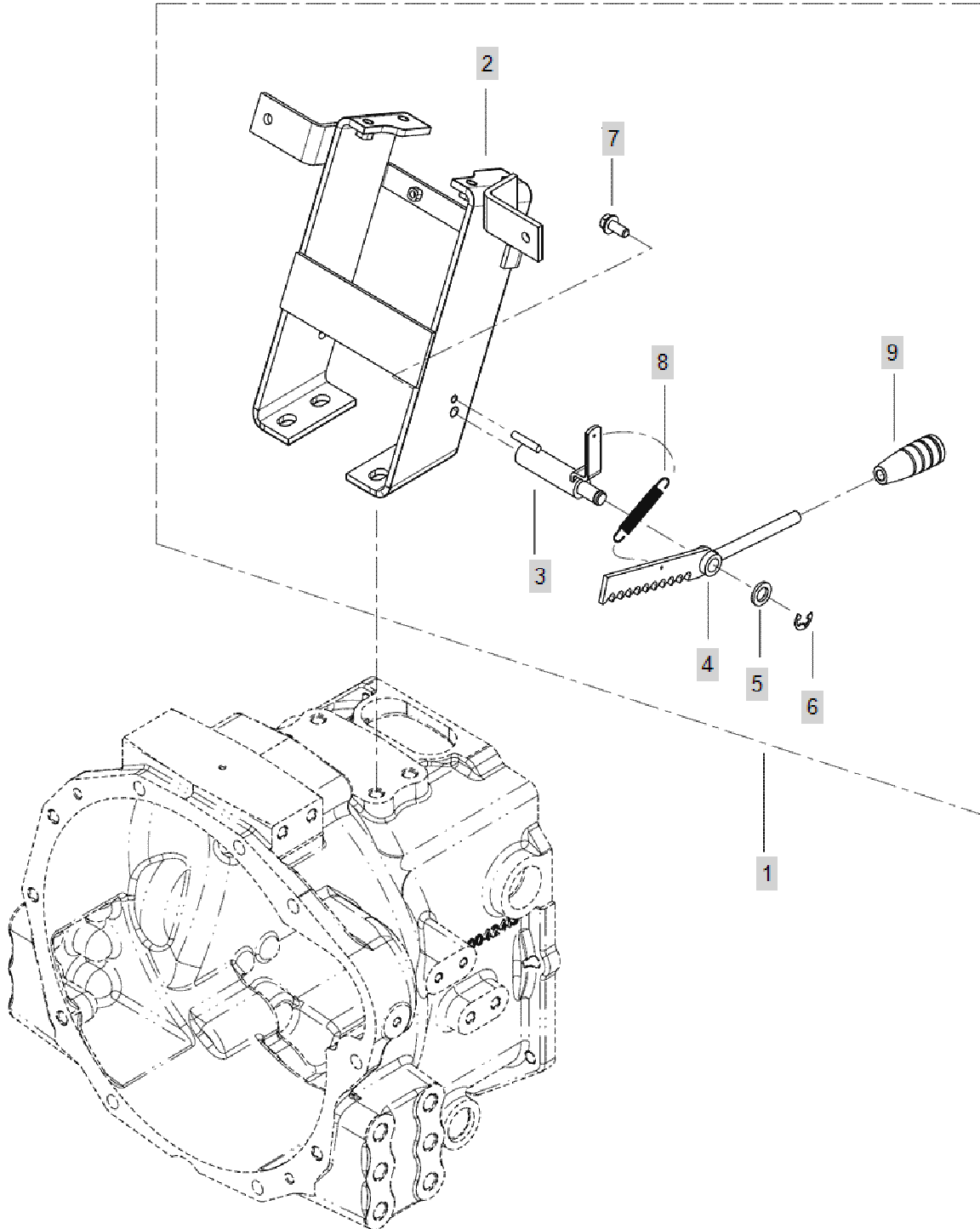




FIG C092A

HYD PUMP

Year/Month

3515H

2020/01

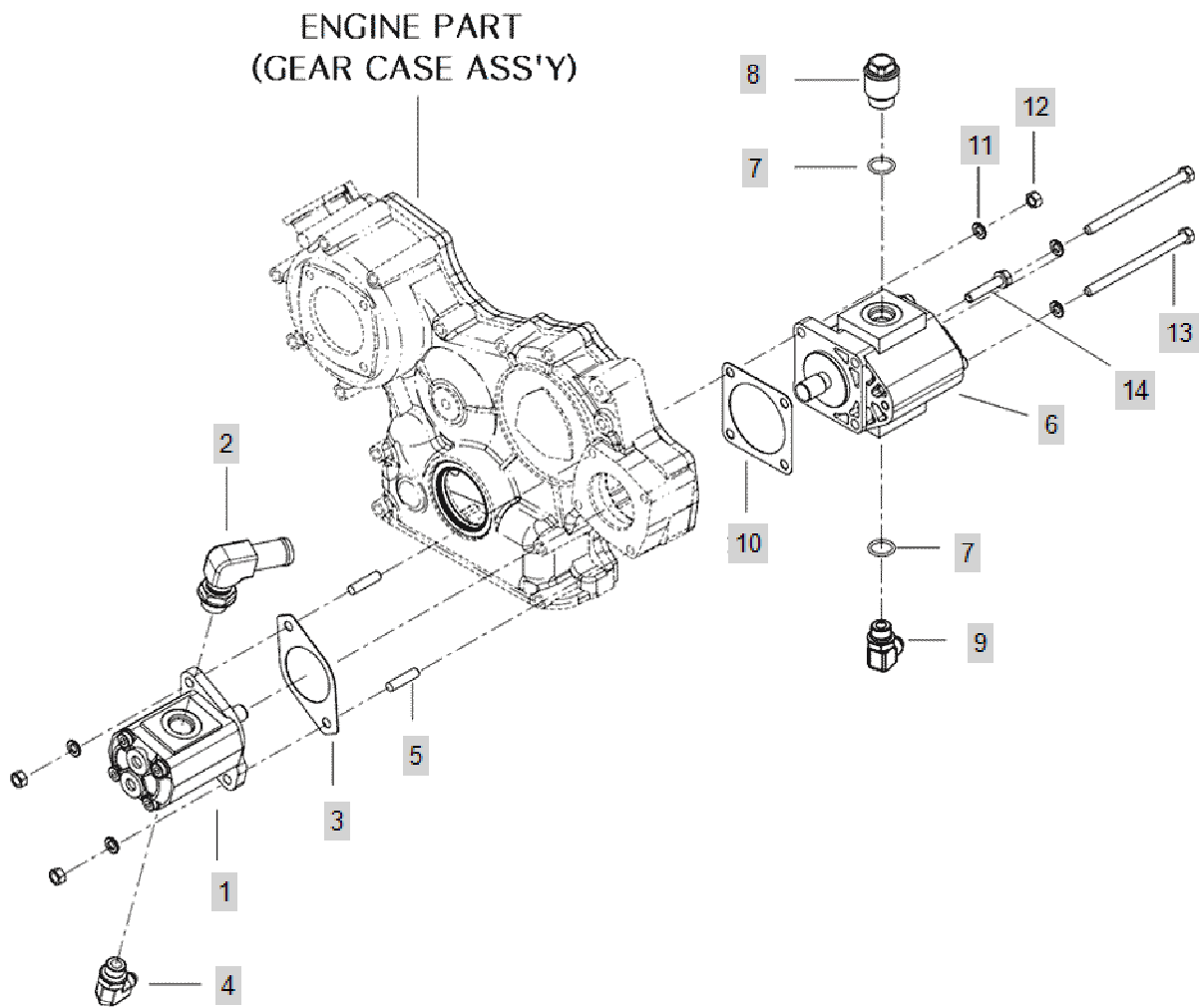




FIG C093

HYD SHIFT TRANSMISSION PEDAL

Year/Month

3515H

2020/01

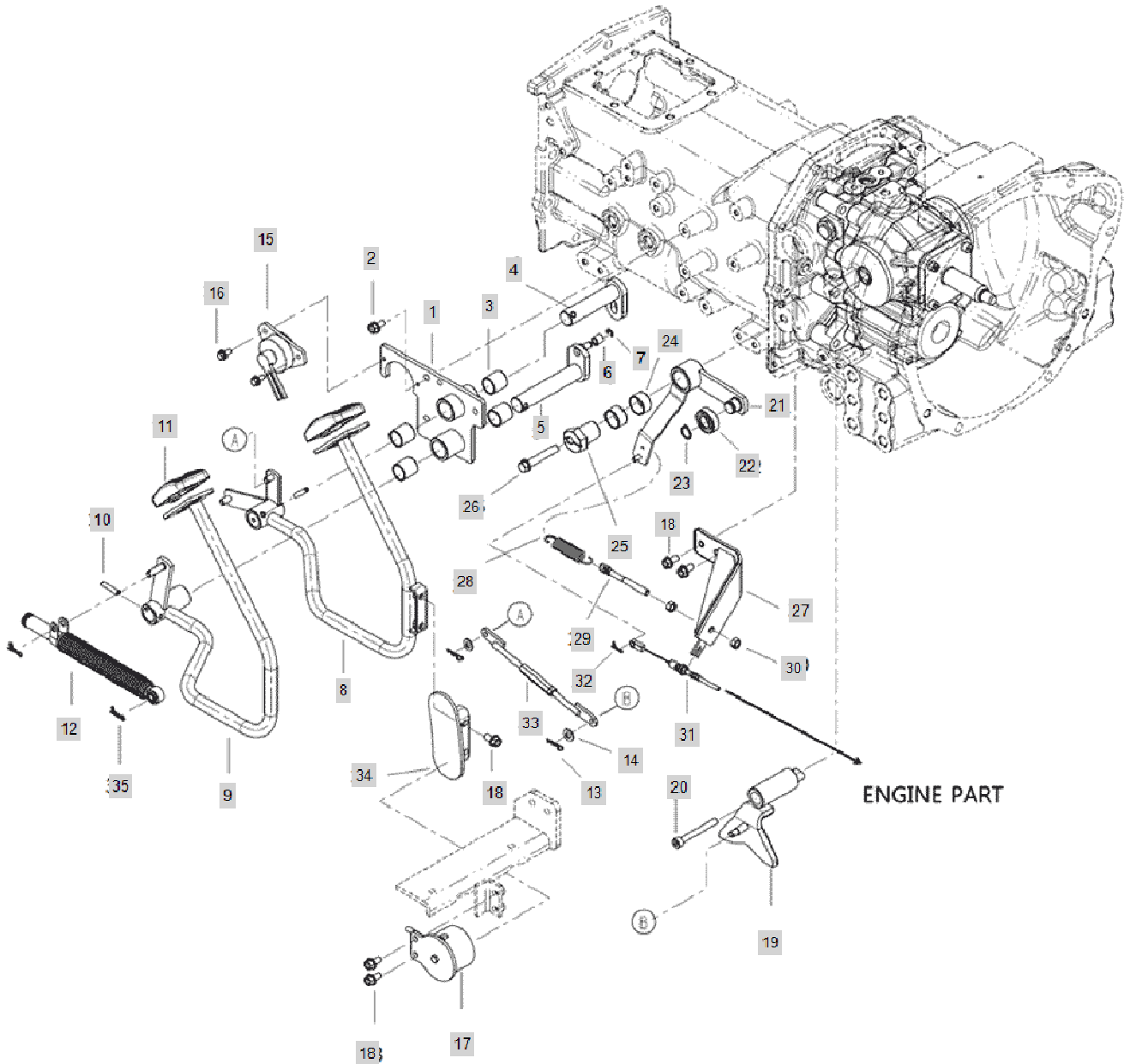






FIG C101-1

CASE, HYD CYLINDER

Year/Month

3515H

2020/01

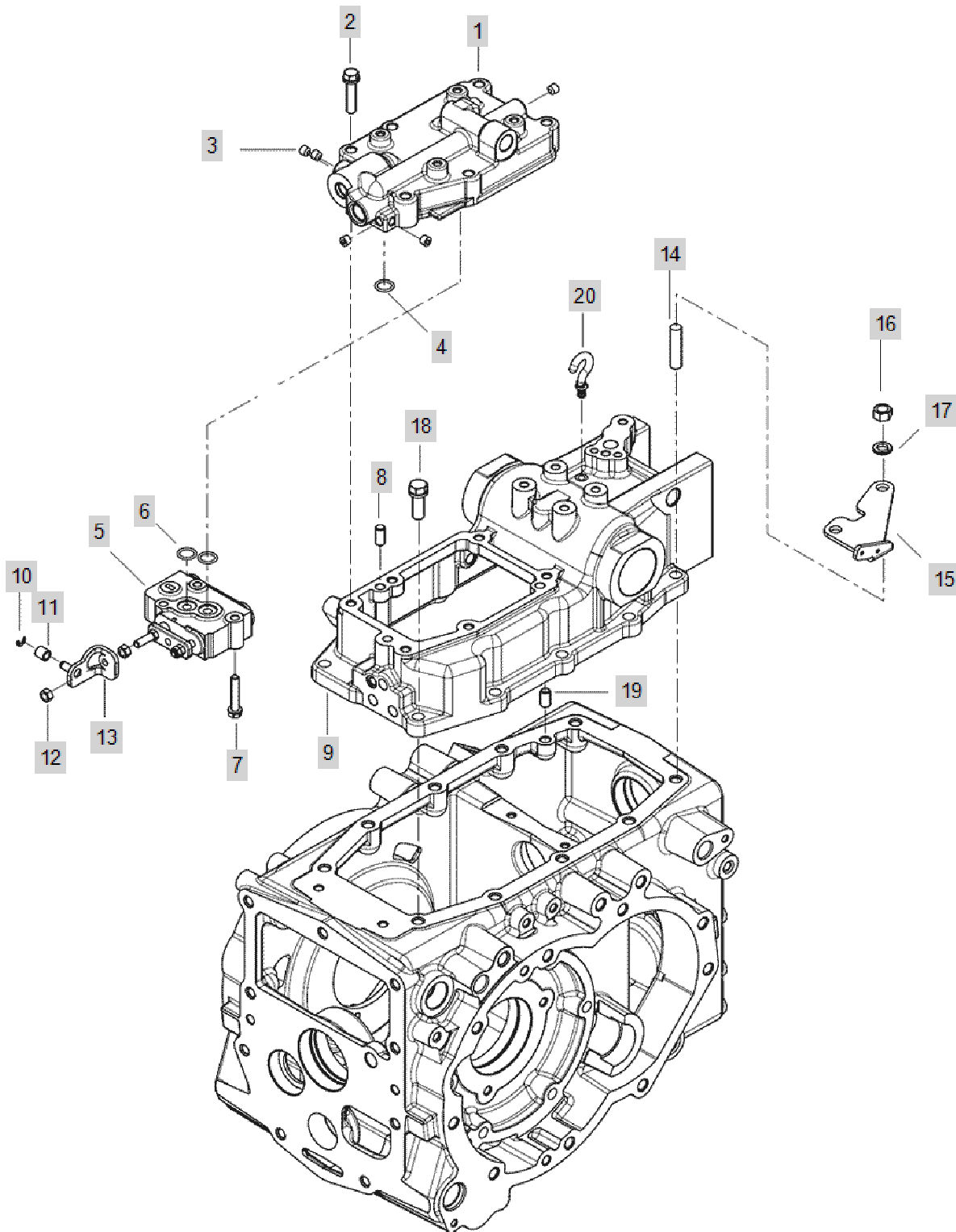




FIG C101-2

CASE, HYD CYLINDER(2016.06)

Year/Month

3515H

2020/01

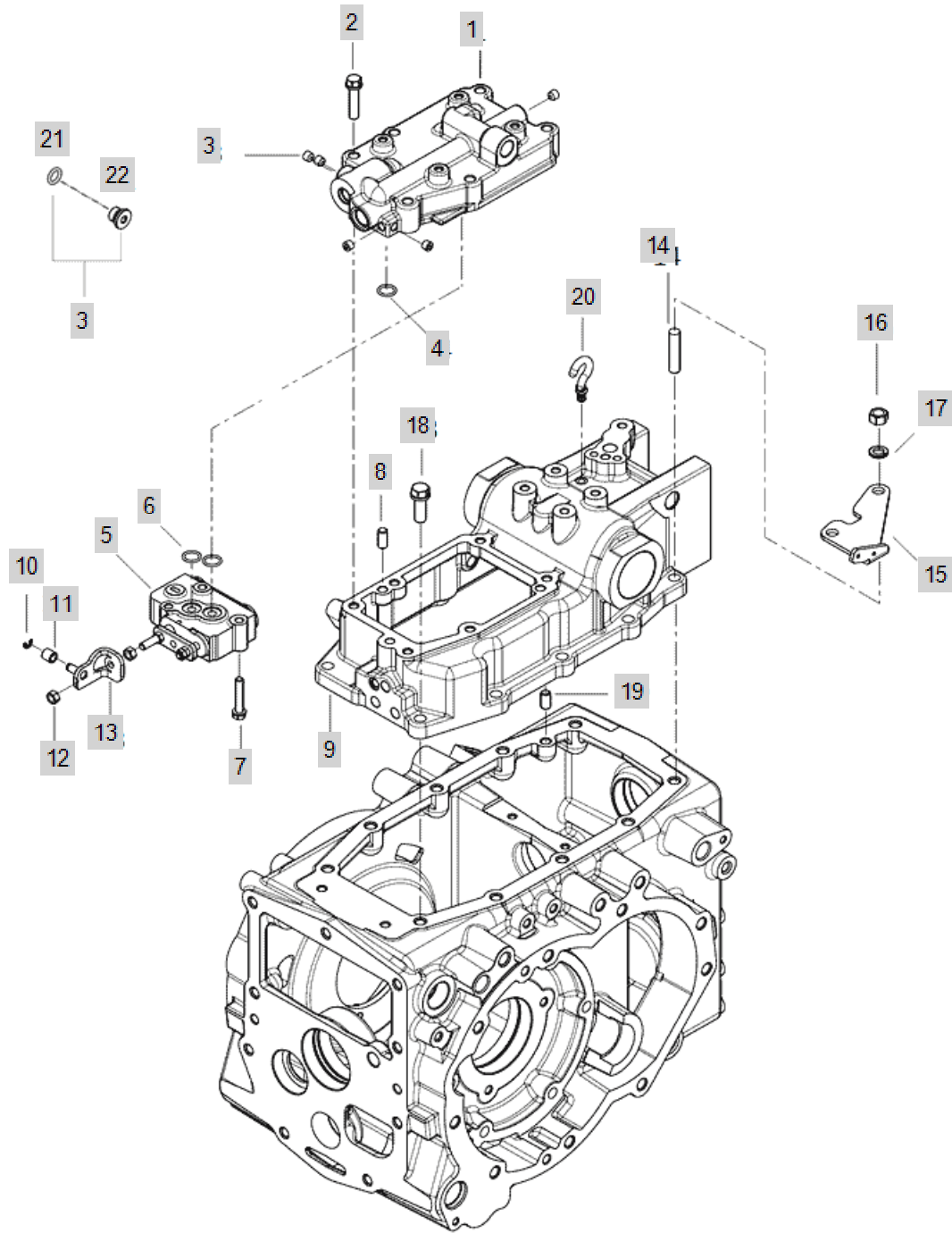




FIG C104

PISTON ASS'Y

Year/Month

3515H

2020/01

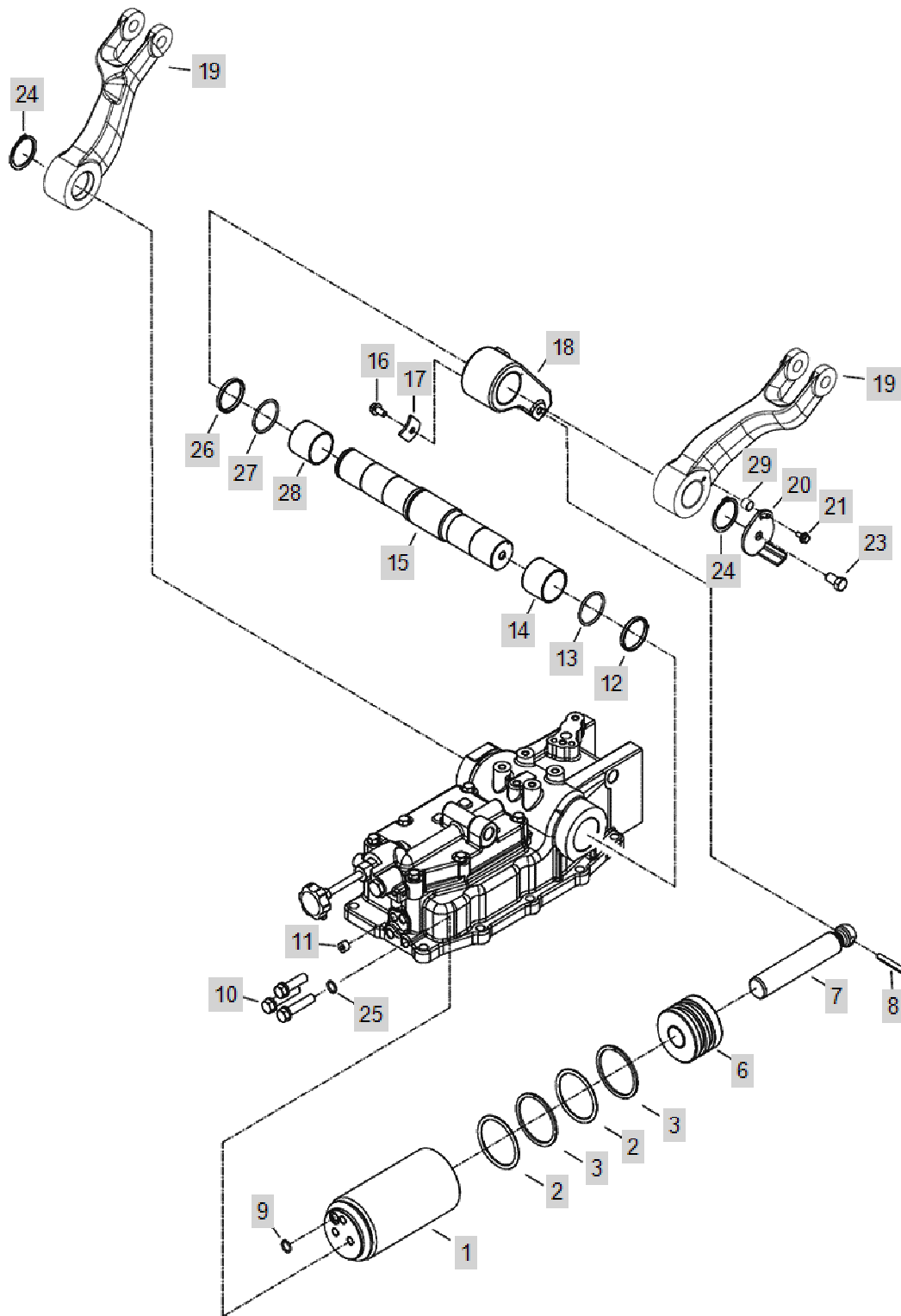




FIG C108

SAFETY VALVE

Year/Month

3515H

2020/01

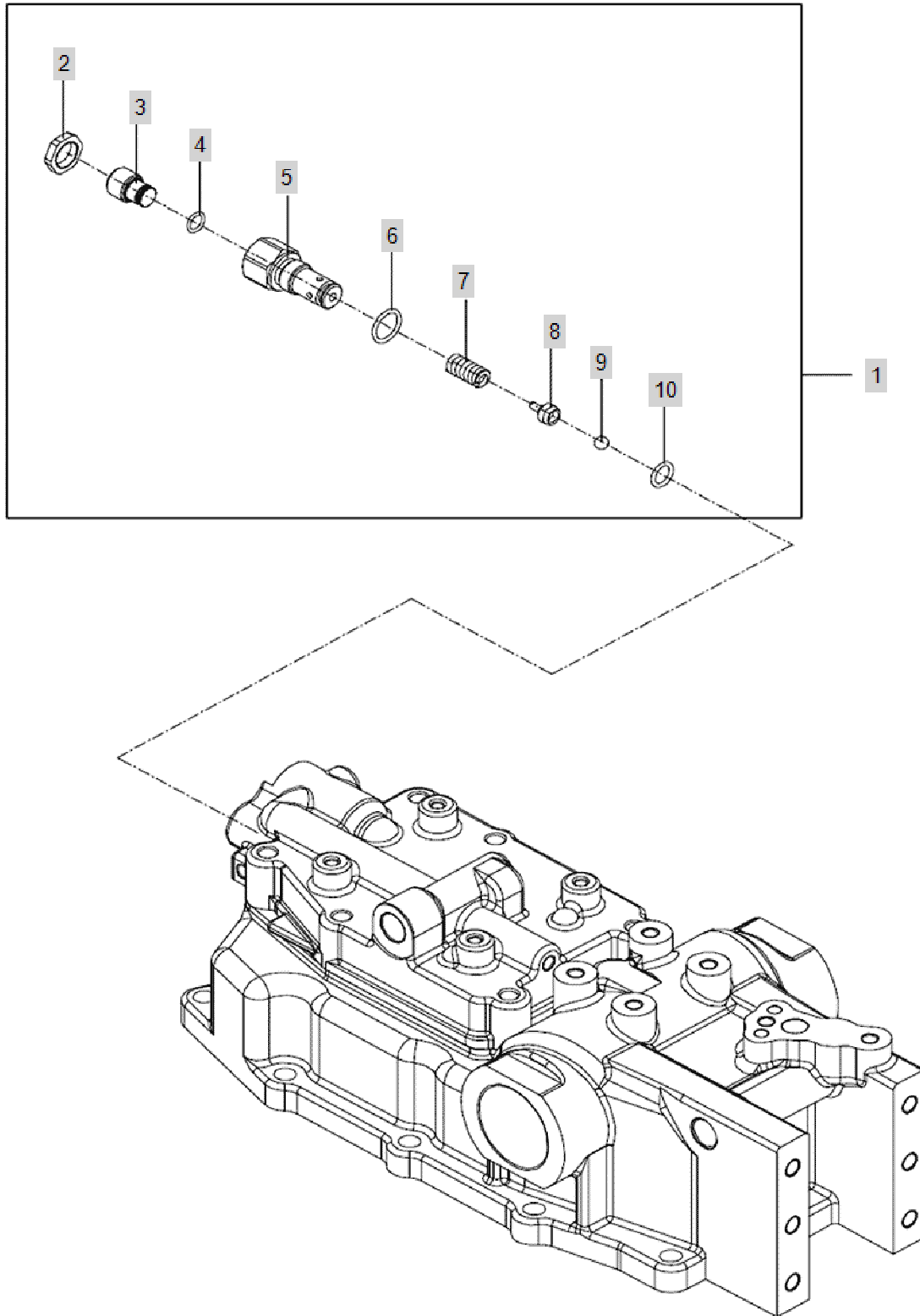






FIG C109

STOP VALVE

Year/Month

3515H

2020/01

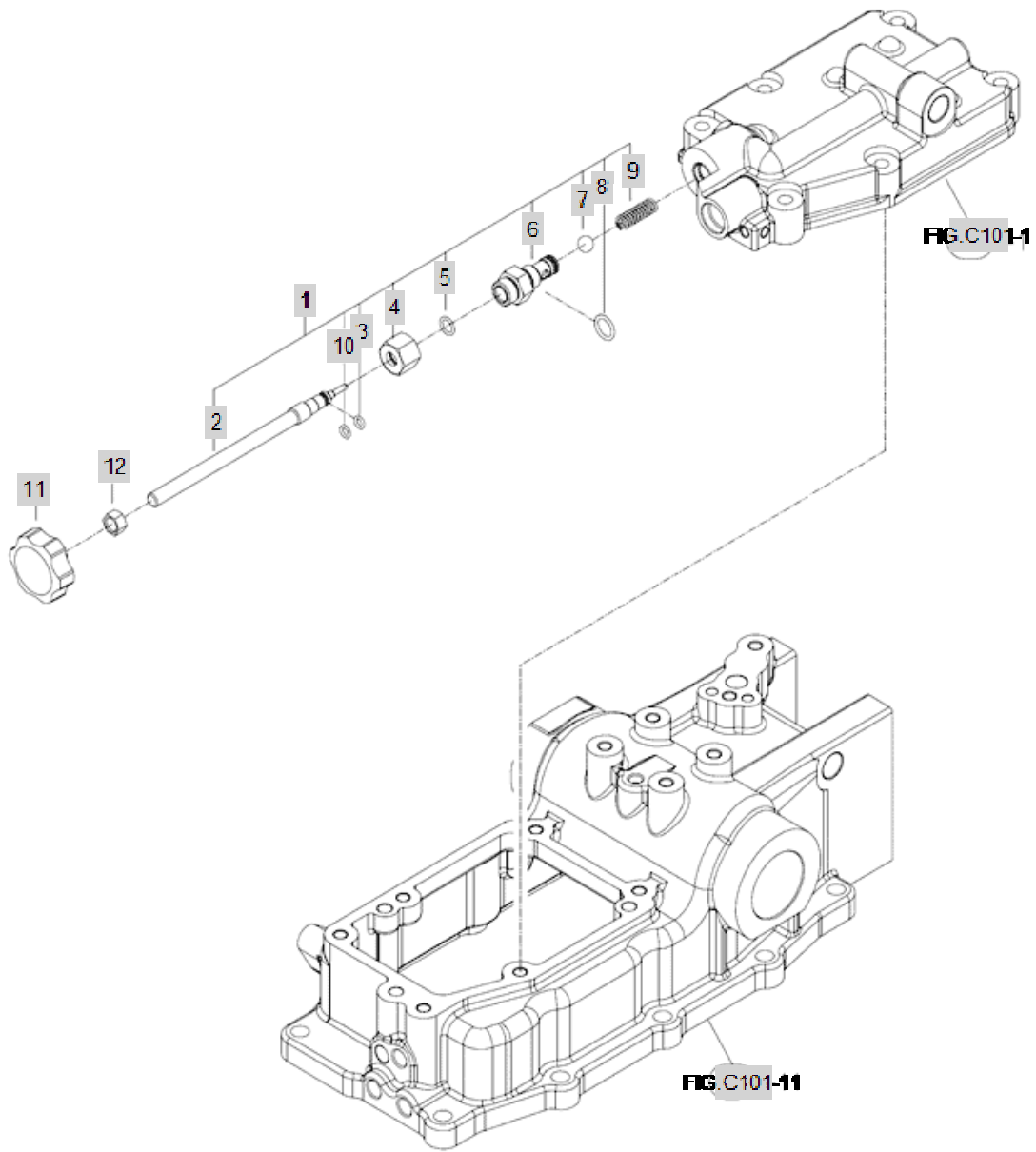




FIG C111.1

HYD CONTROL POSITION TYPE

Year/Month

3515H

2020/01

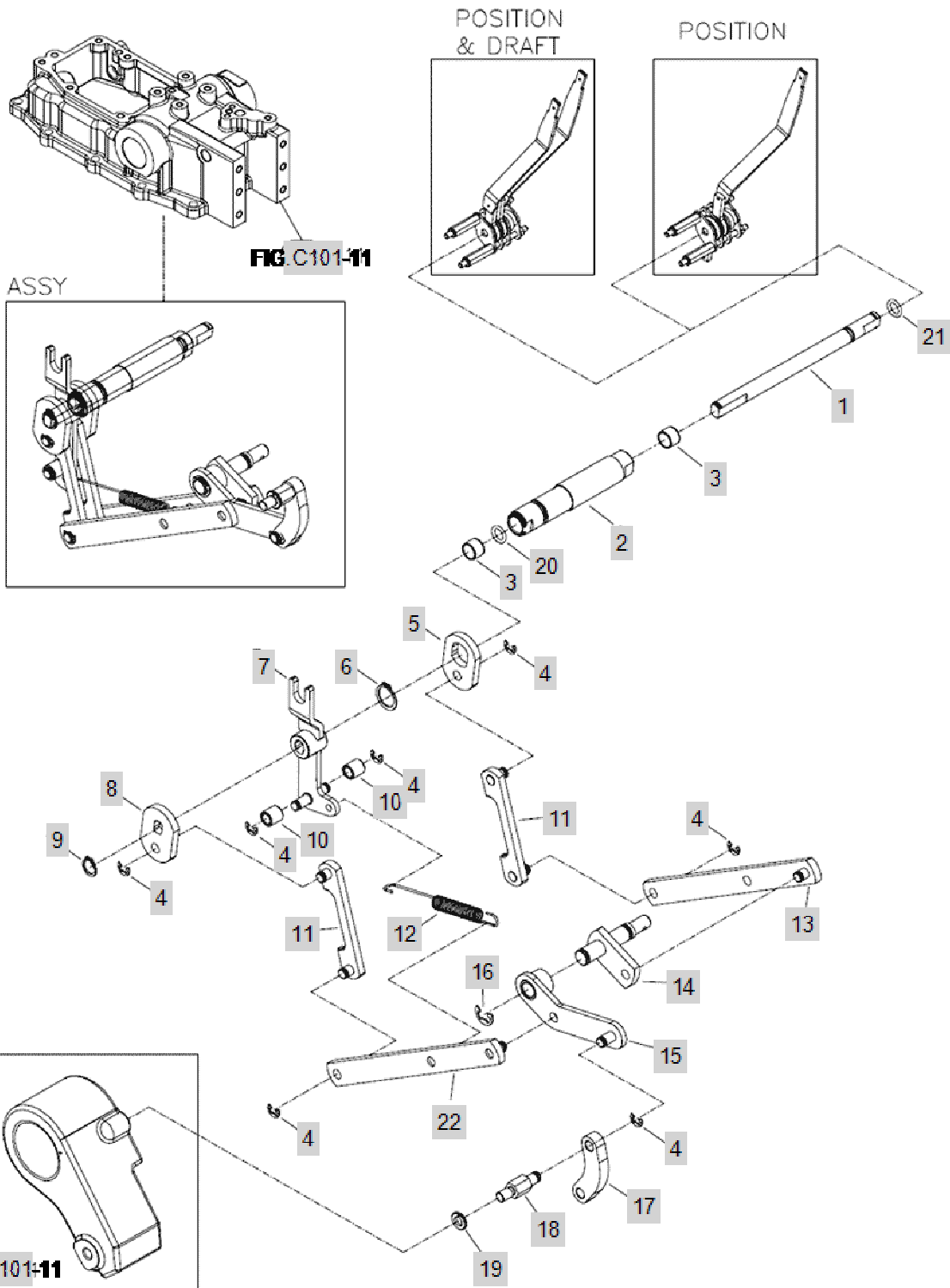




FIG C111.2

HYD CONTROL POSITION TYPE

Year/Month

3515H

2020/01

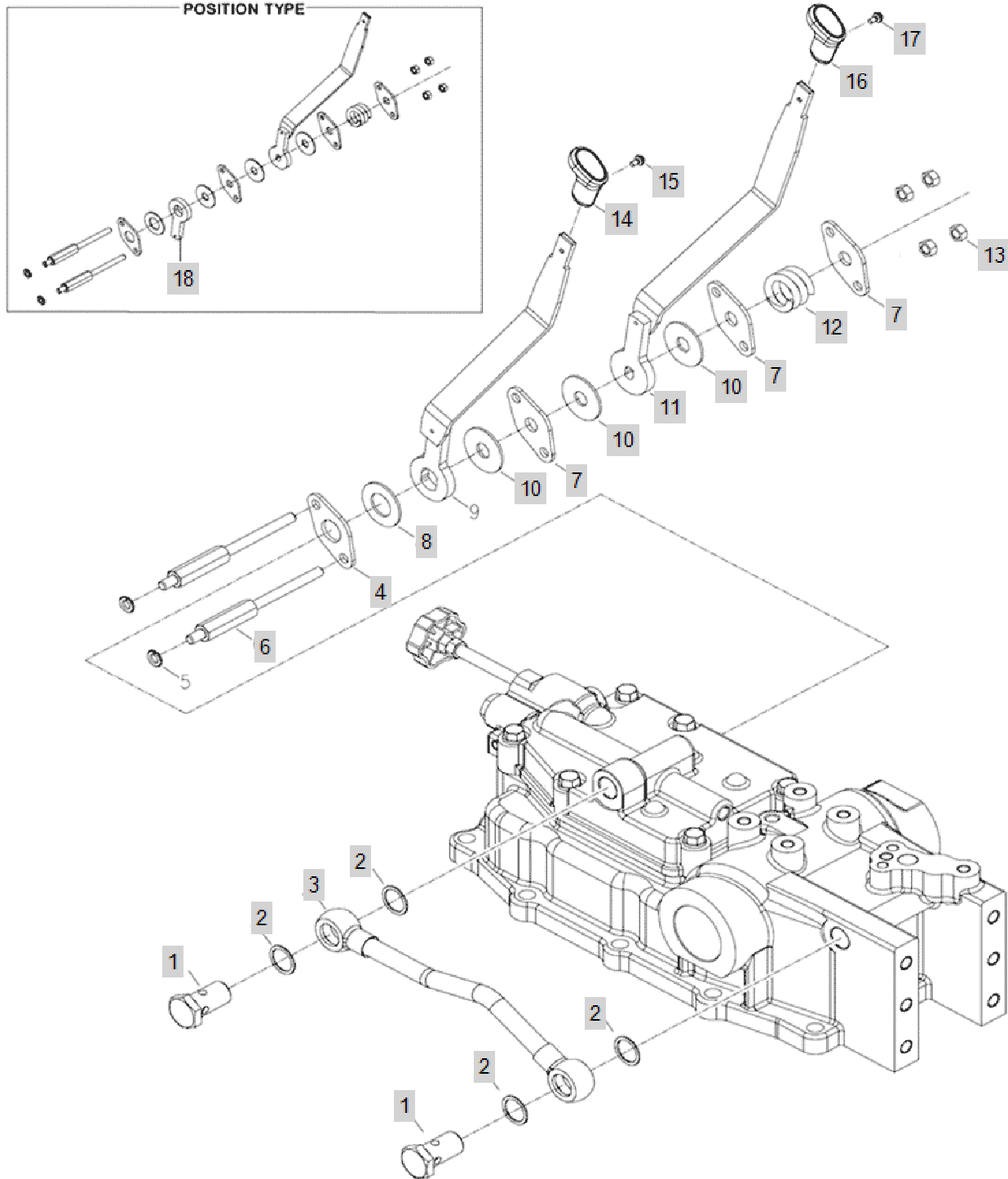




FIG C113

DRAFT CONTROL

Year/Month

3515H

2020/01

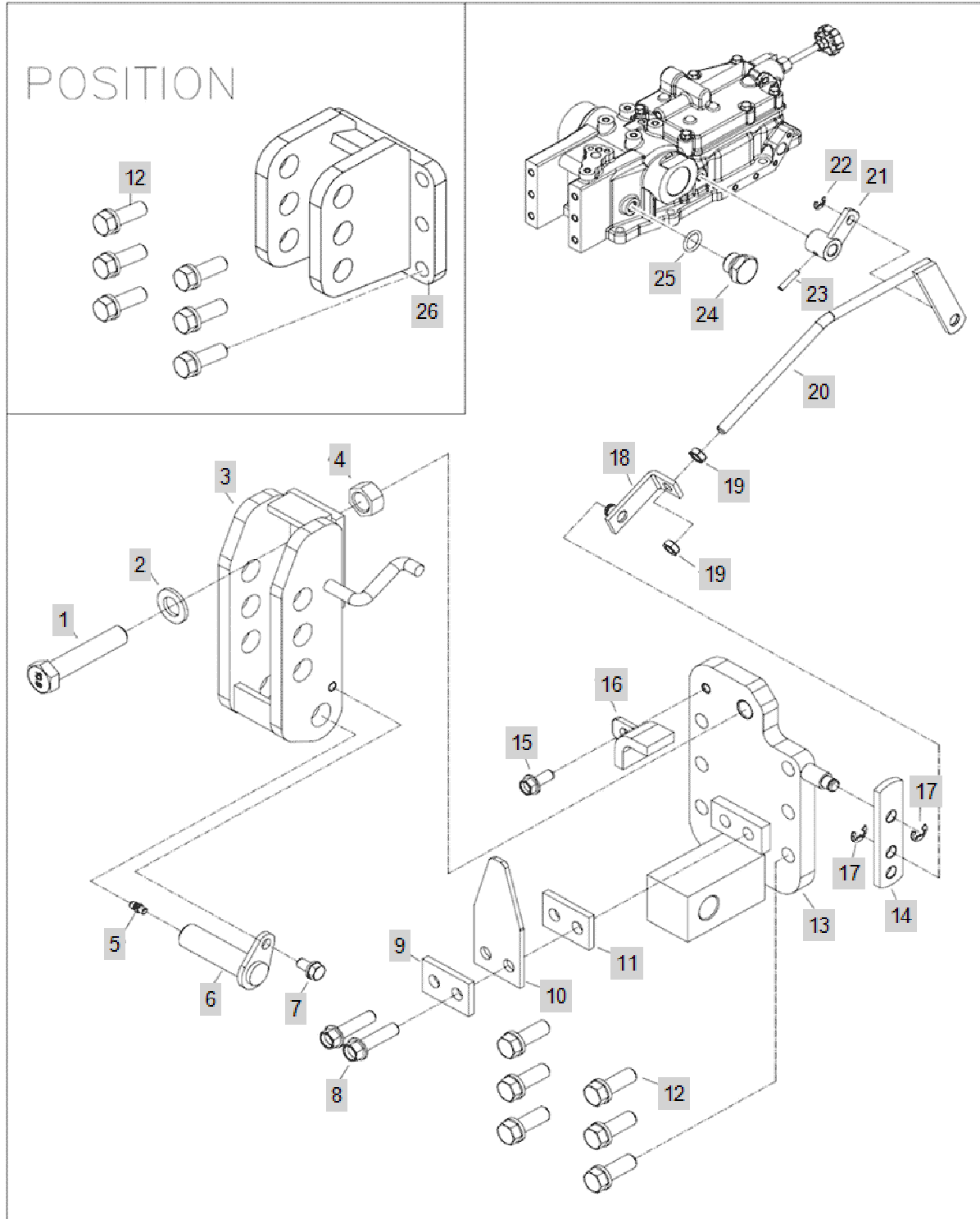






FIG C114A-1

HYD PIPING(2017.01)

Year/Month

3515H

2020/01

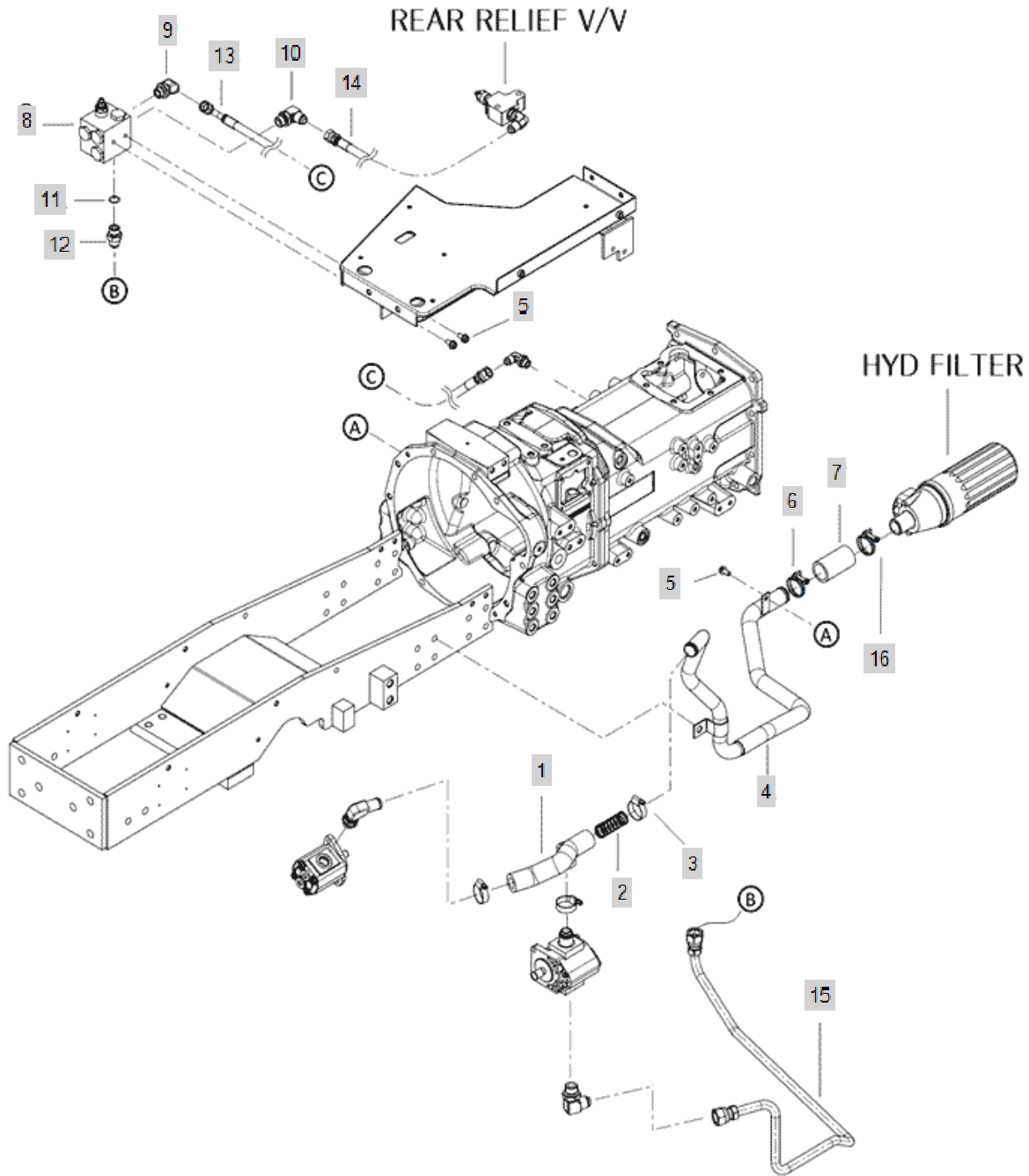




FIG C114A-2

HYD PIPING

Year/Month

3515H

2020/01

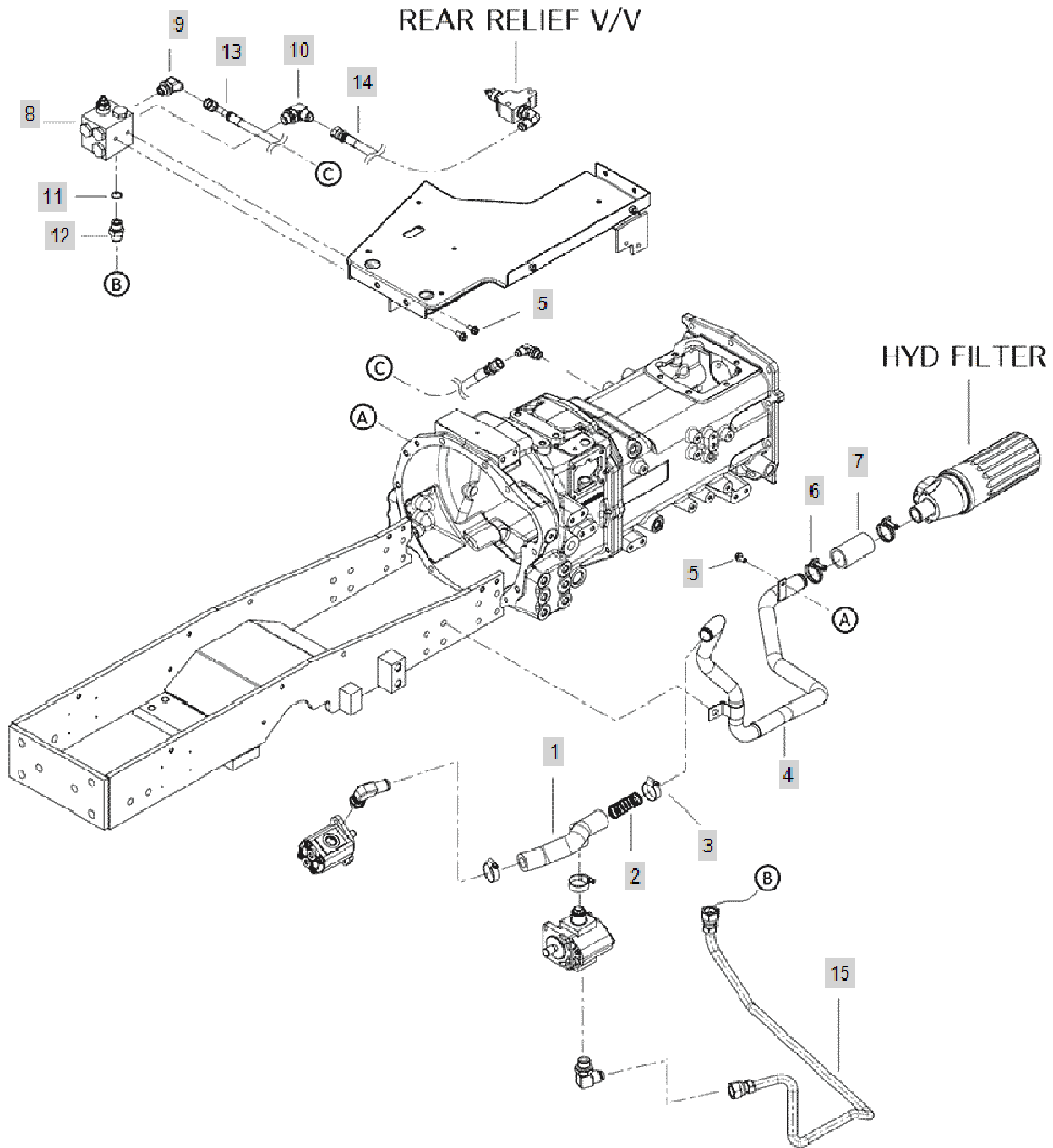




FIG C114A-3

HYD PIPING

Year/Month

3515H

2020/01

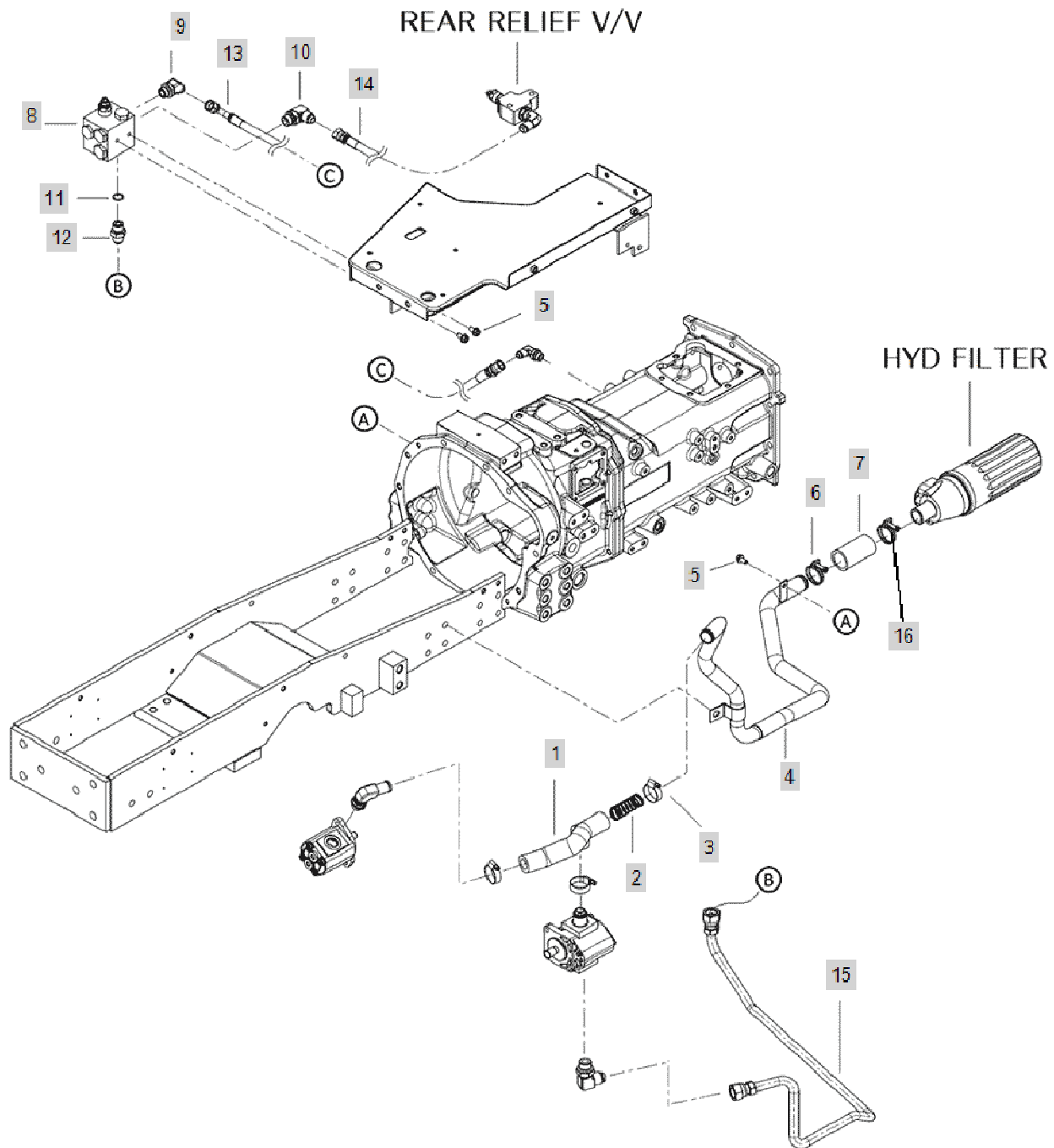




FIG C115

OIL COOLER

Year/Month

3515H

2020/01

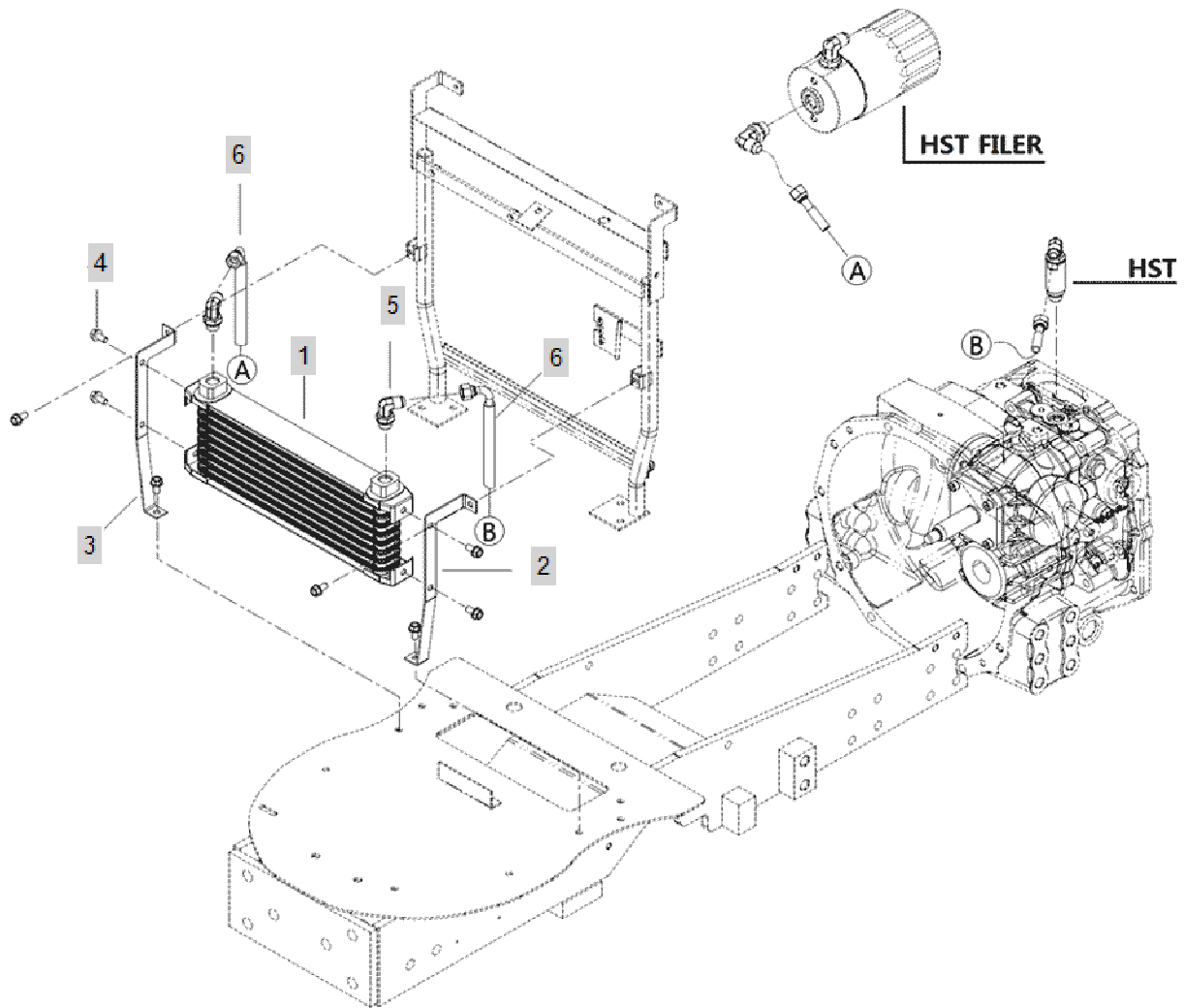






FIG C118

HYD FILTER

Year/Month

3515H

2020/01

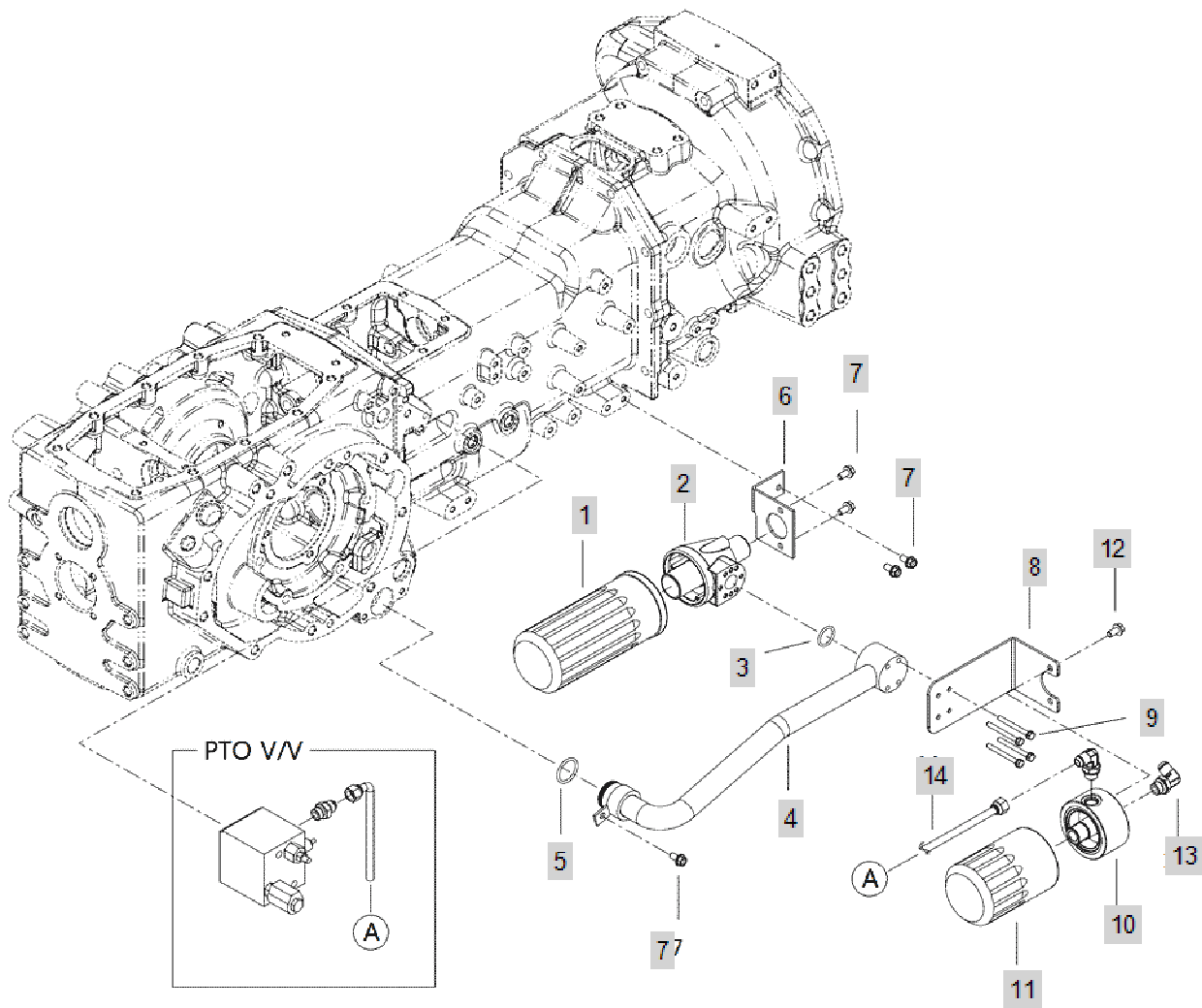




FIG C119A-1

ELE'C WIRING(2015.06)

Year/Month

3515H

2020/01

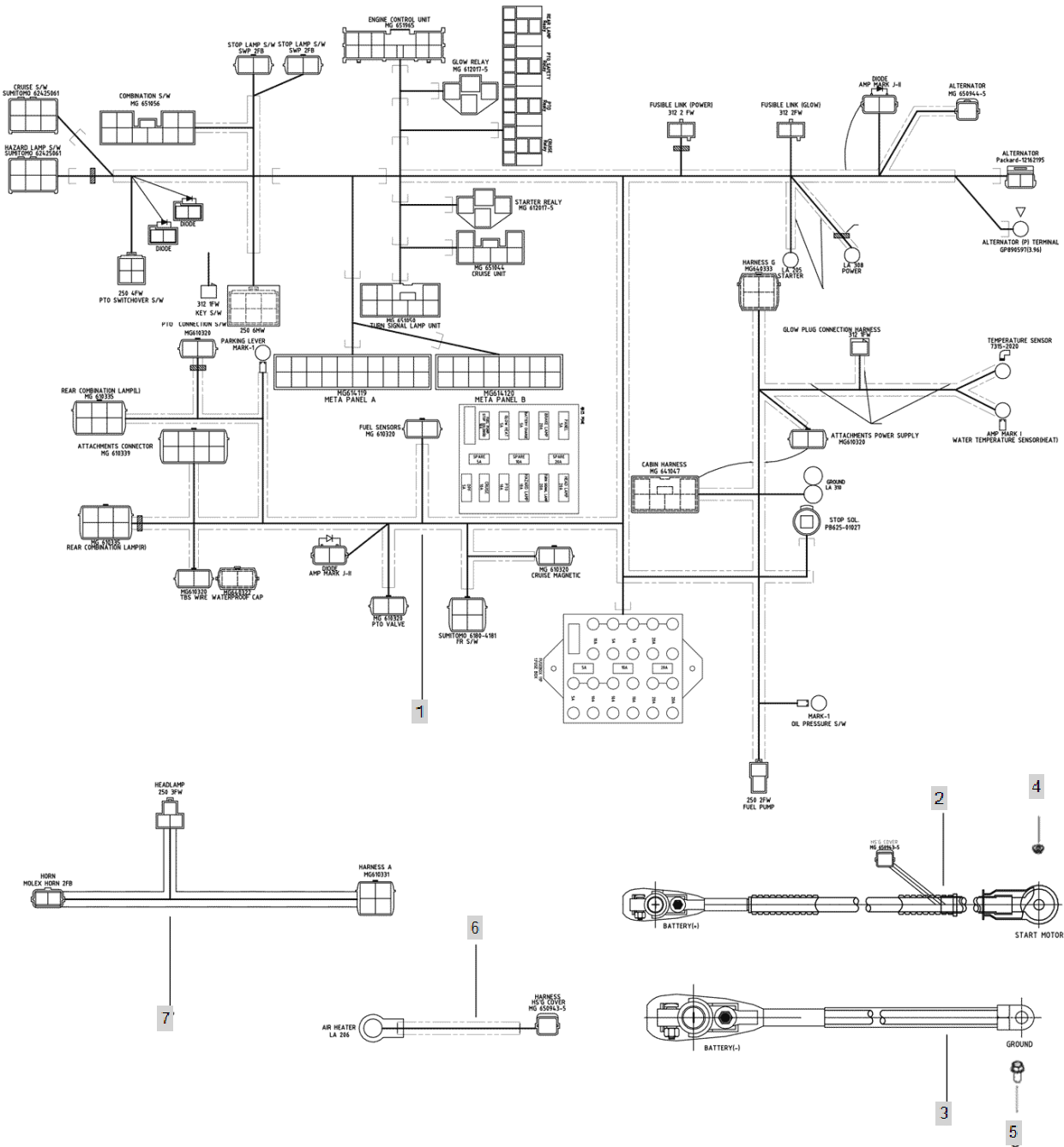




FIG C119A-2

ELE'C WIRING

Year/Month

3515H

2020/01

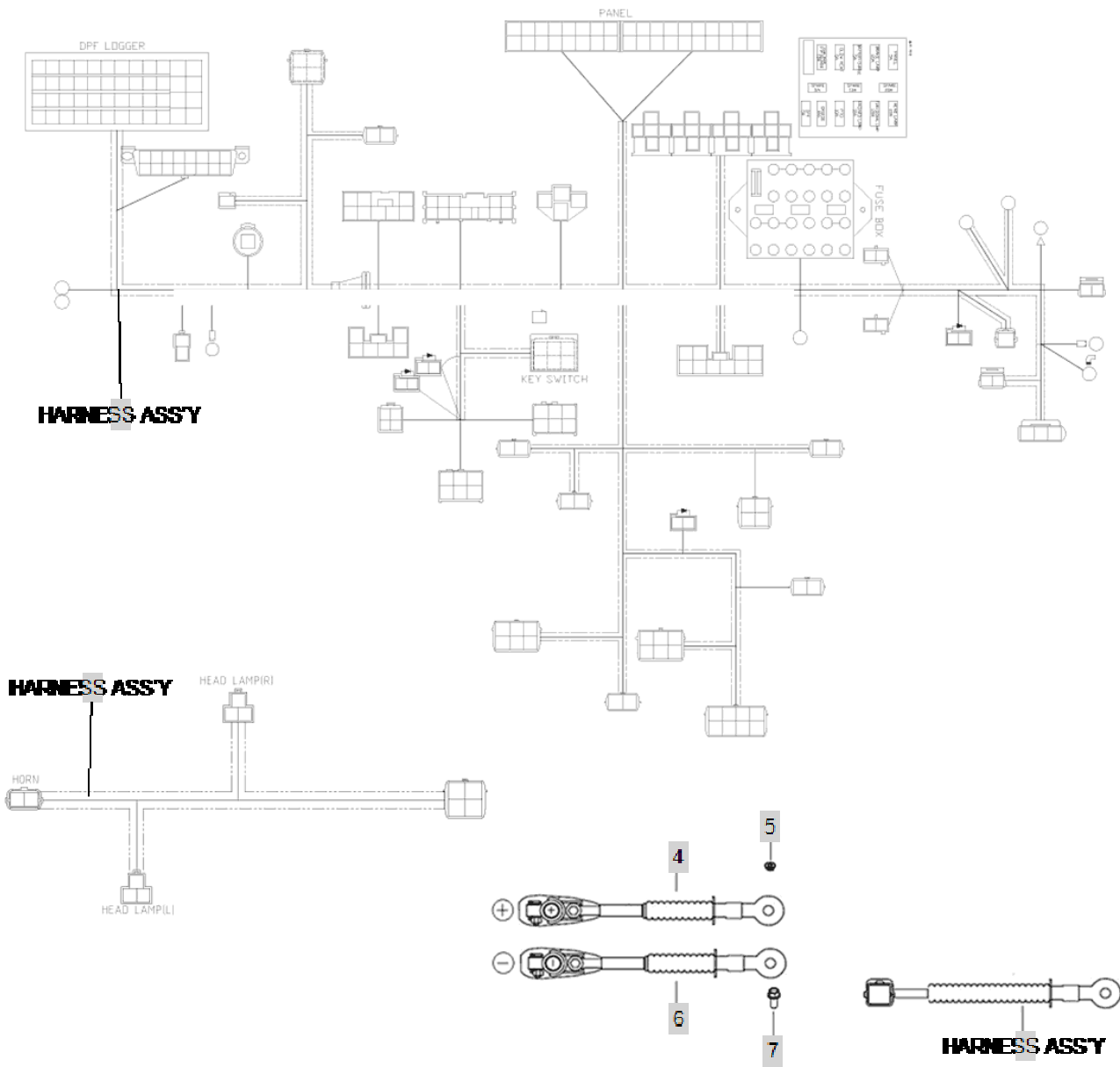




FIG C119B-3

ELE'C WIRING

Year/Month

3515H

2020/01

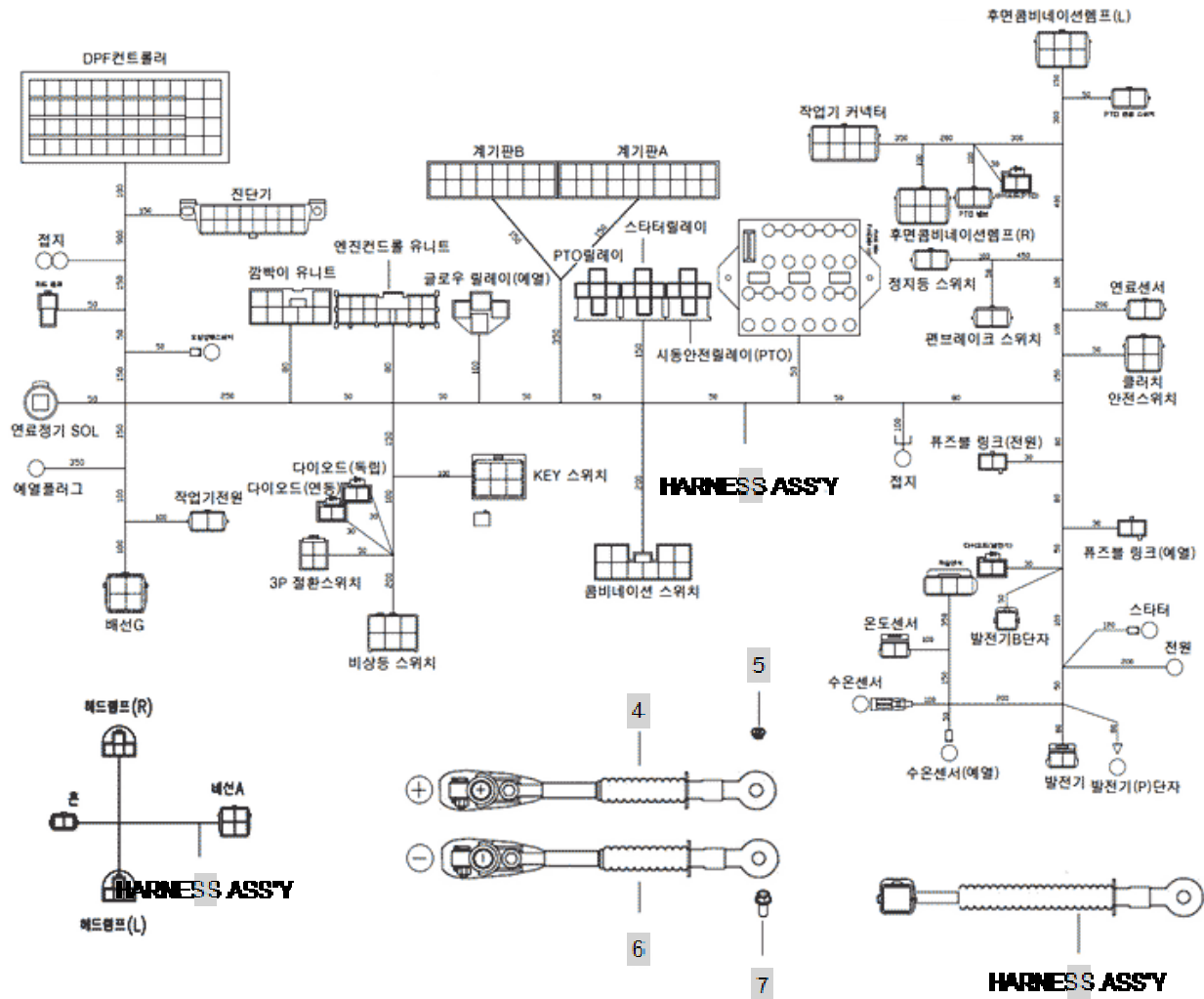






FIG C124B

BATTERY

Year/Month

3515H

2020/01

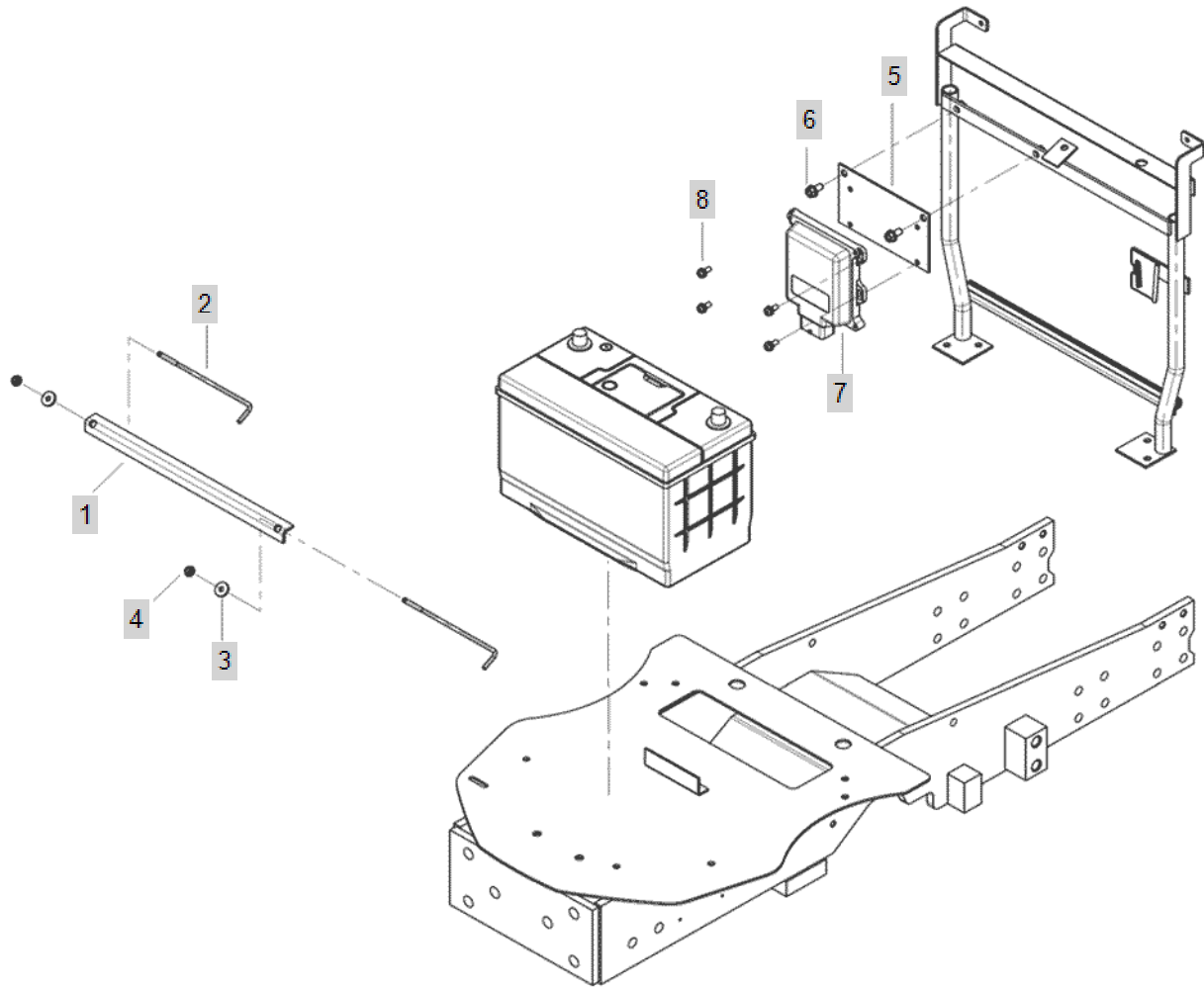




FIG C125-1

SWITCH

Year/Month

3515H

2020/01

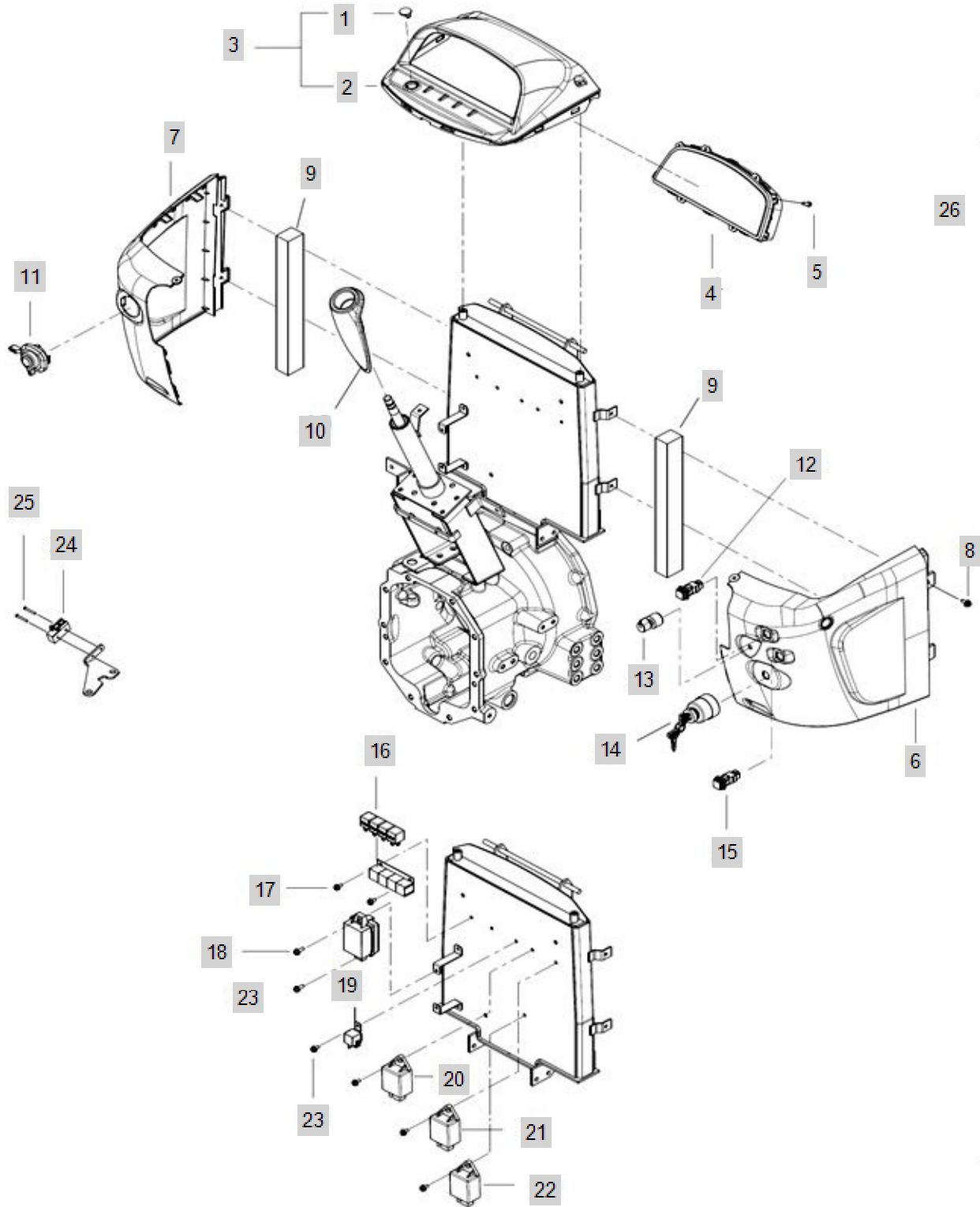




FIG C125-2

SWITCH

Year/Month

3515H

2020/01

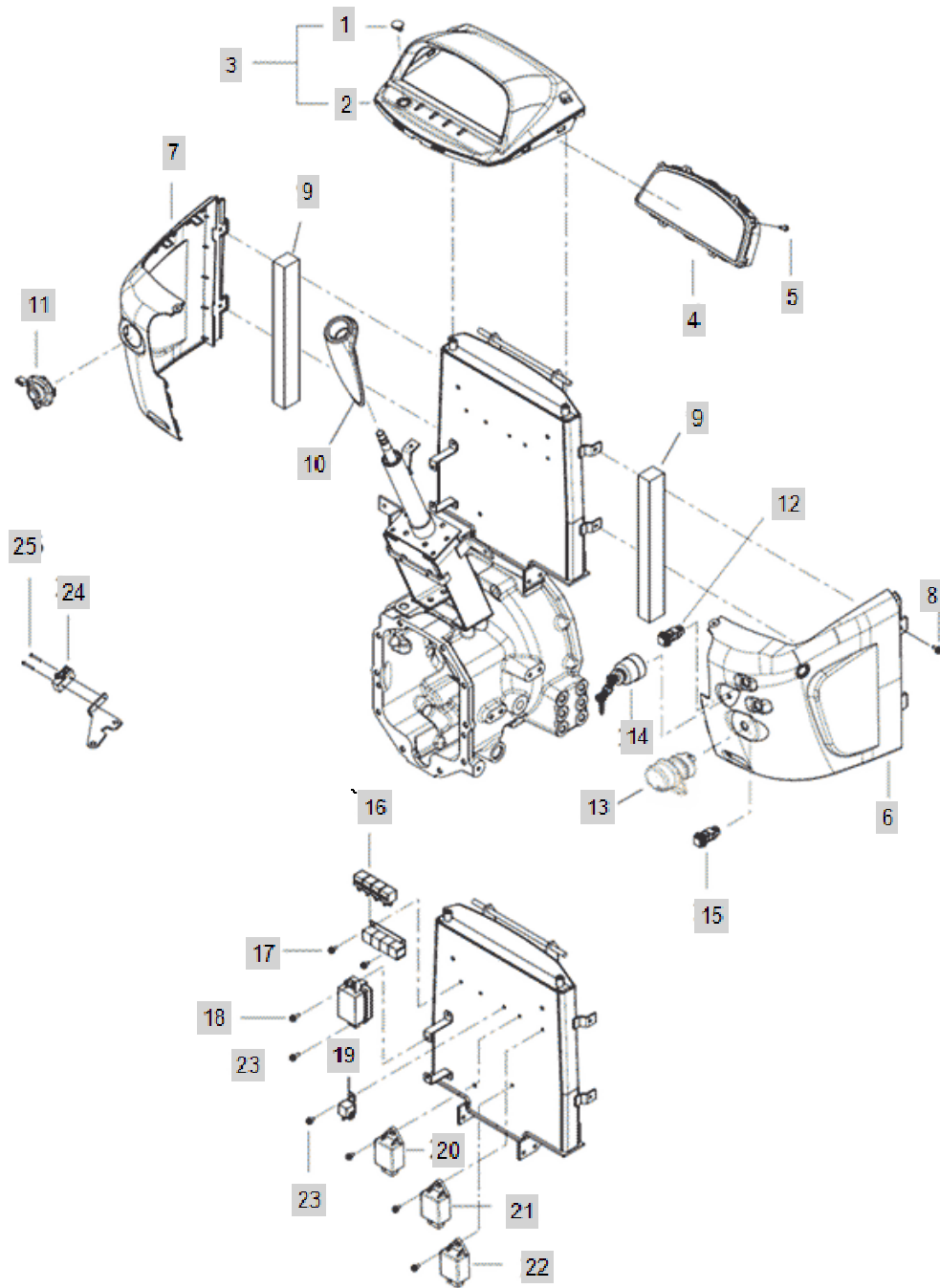




FIG C135.1-1

BONNET

Year/Month

3515H

2020/01

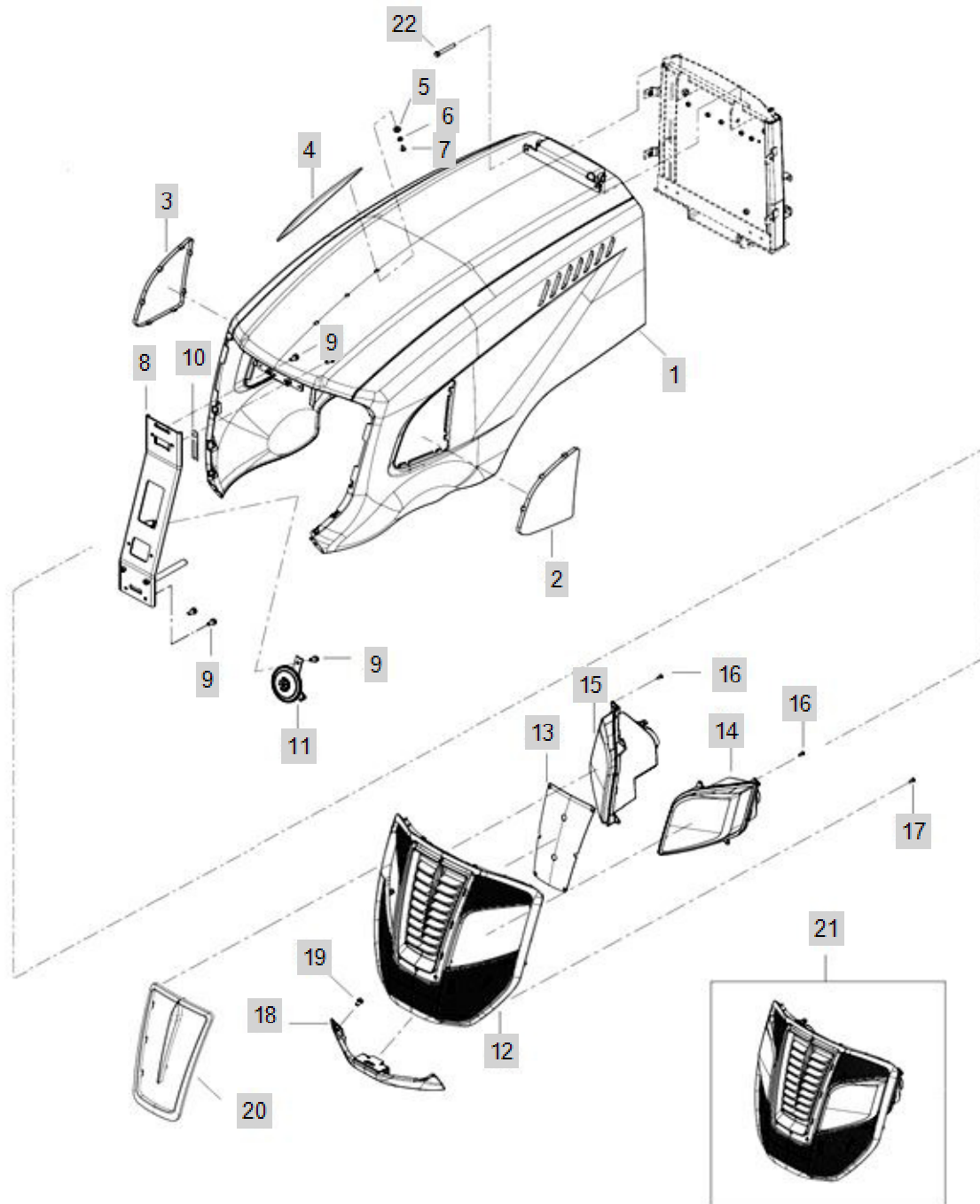






FIG C135.1-2

BONNET(2018.08~)

Year/Month

3515H

2020/01

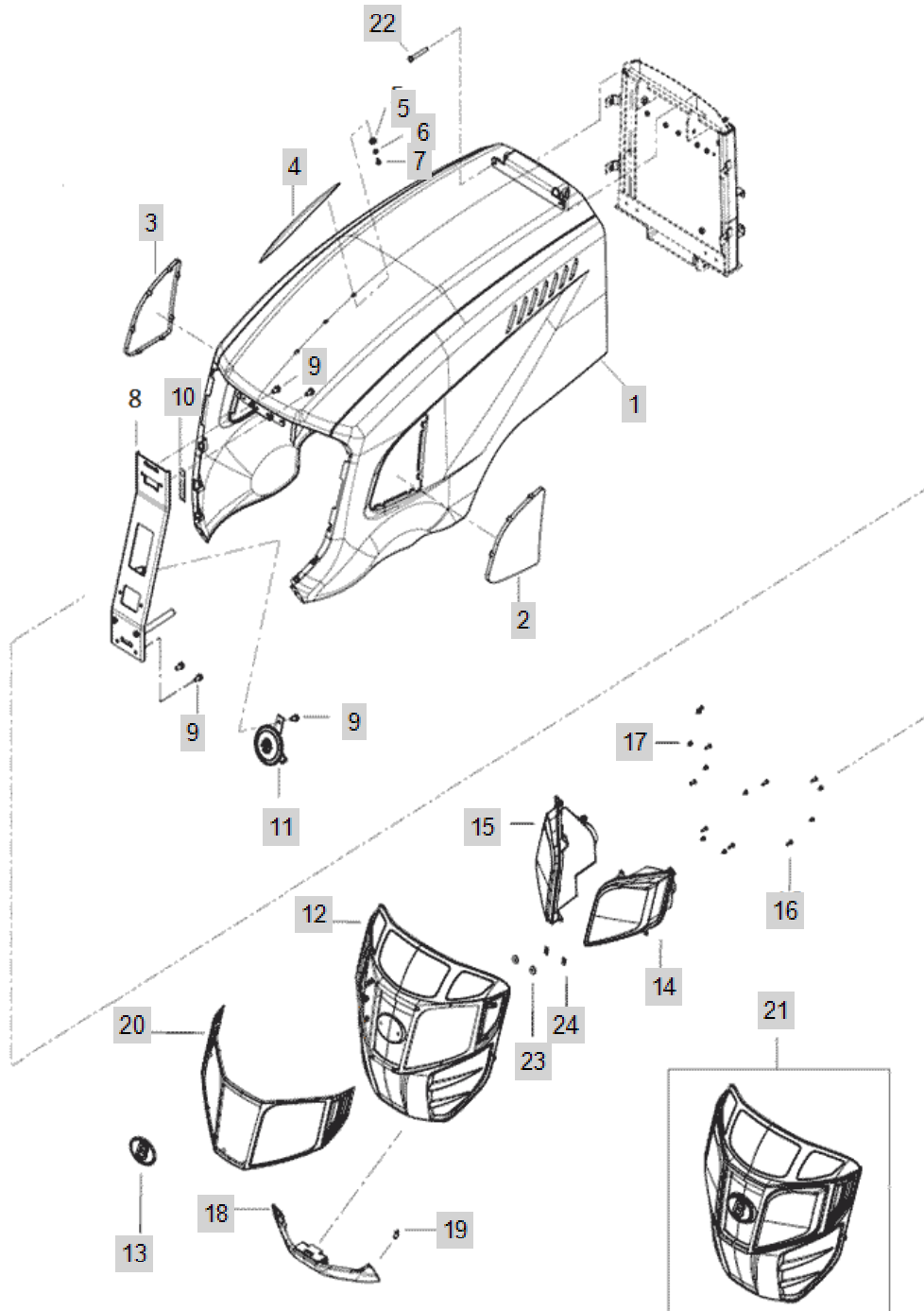




FIG C135.1-3

BONNET(2019.04~)

Year/Month

3515H

2020/01

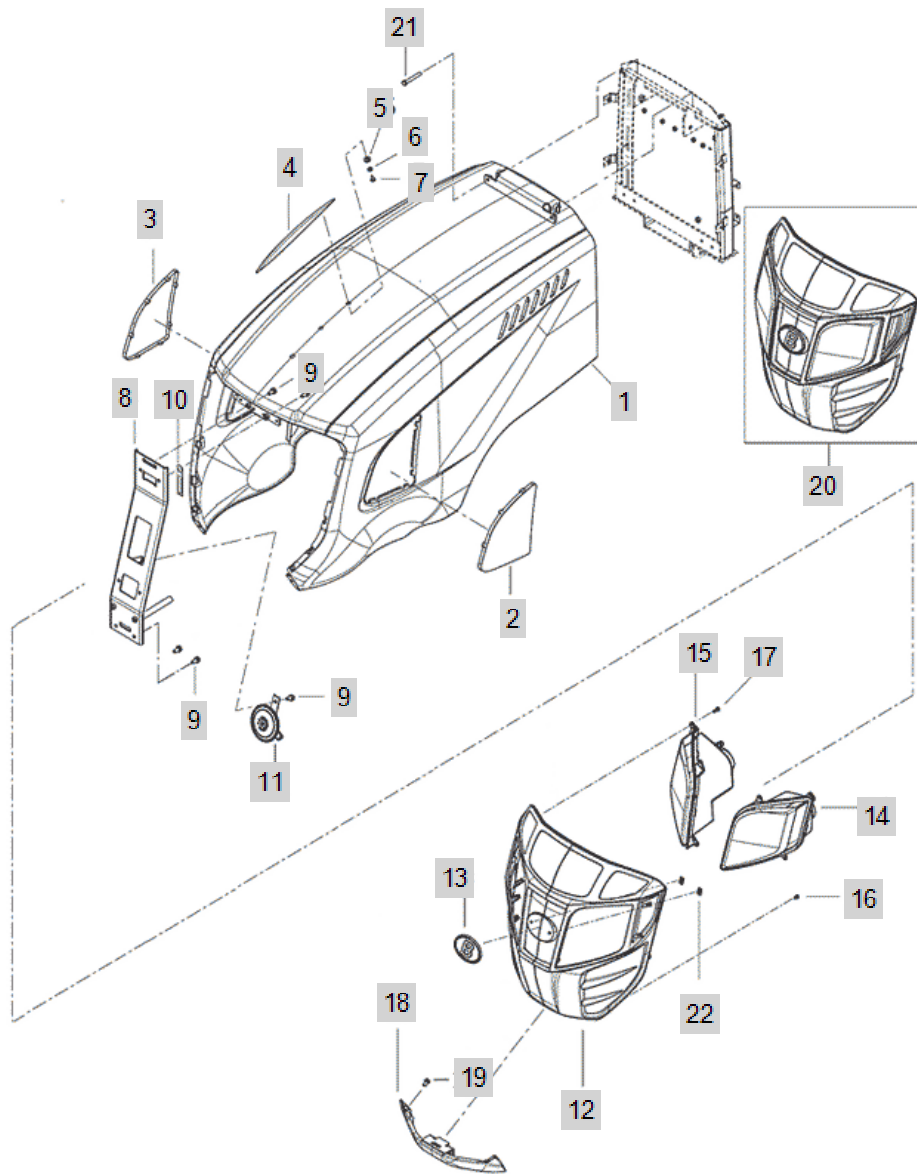




FIG C135.1-4

BONNET(2019.12~)

Year/Month

3515H

2020/01

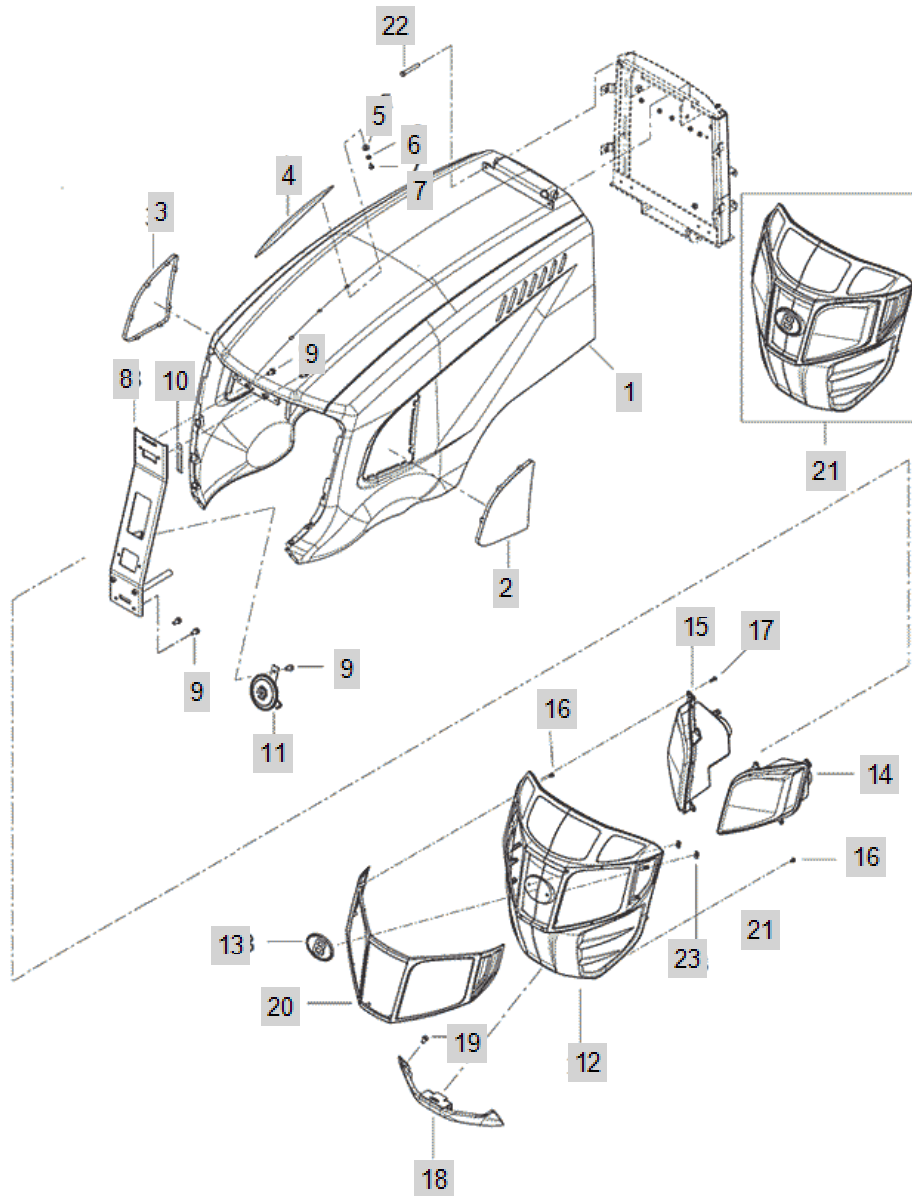




FIG C135.2

BONNET

Year/Month

3515H

2020/01

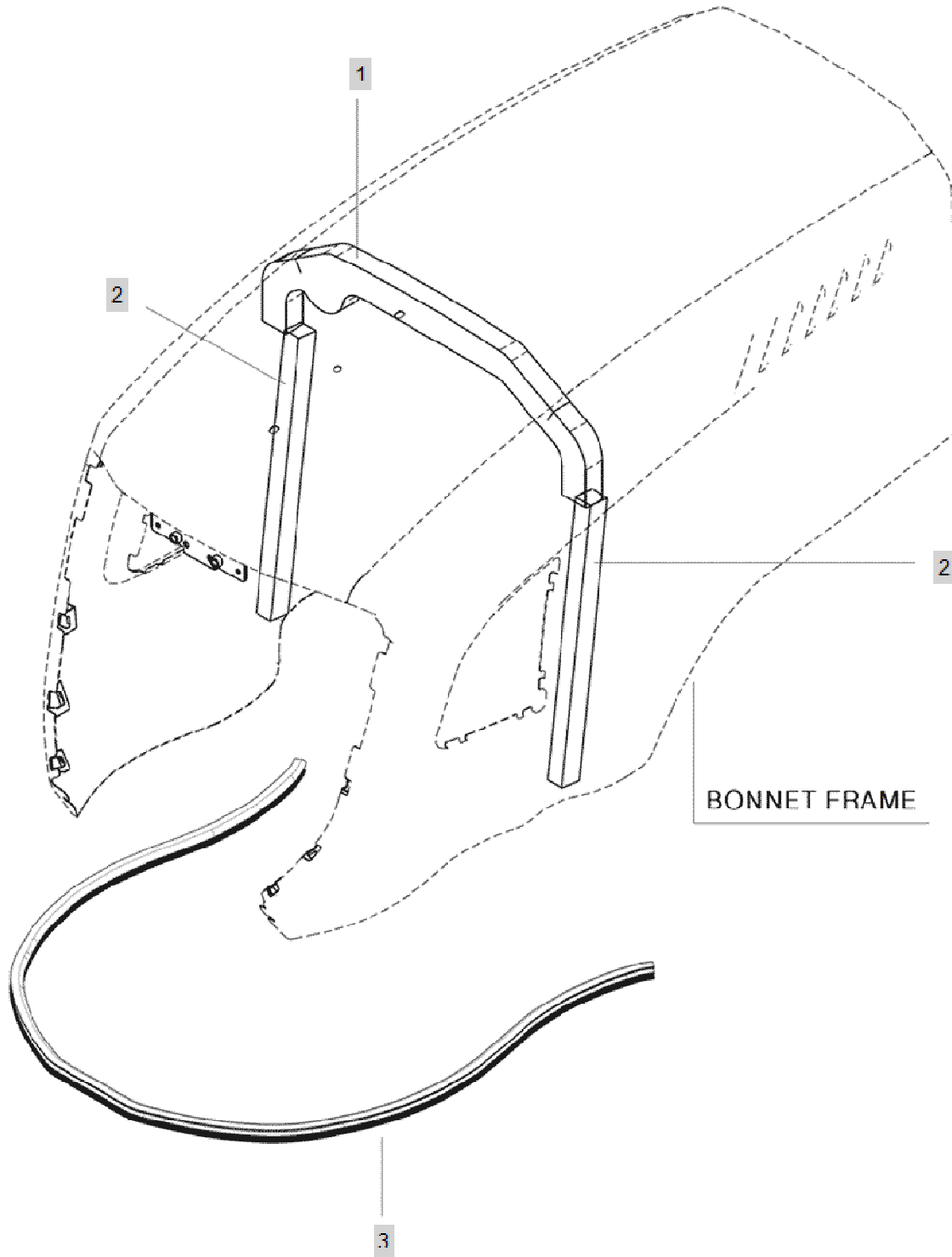






FIG C136-1

LOCKING ASS'Y, BONNET

Year/Month

3515H

2020/01

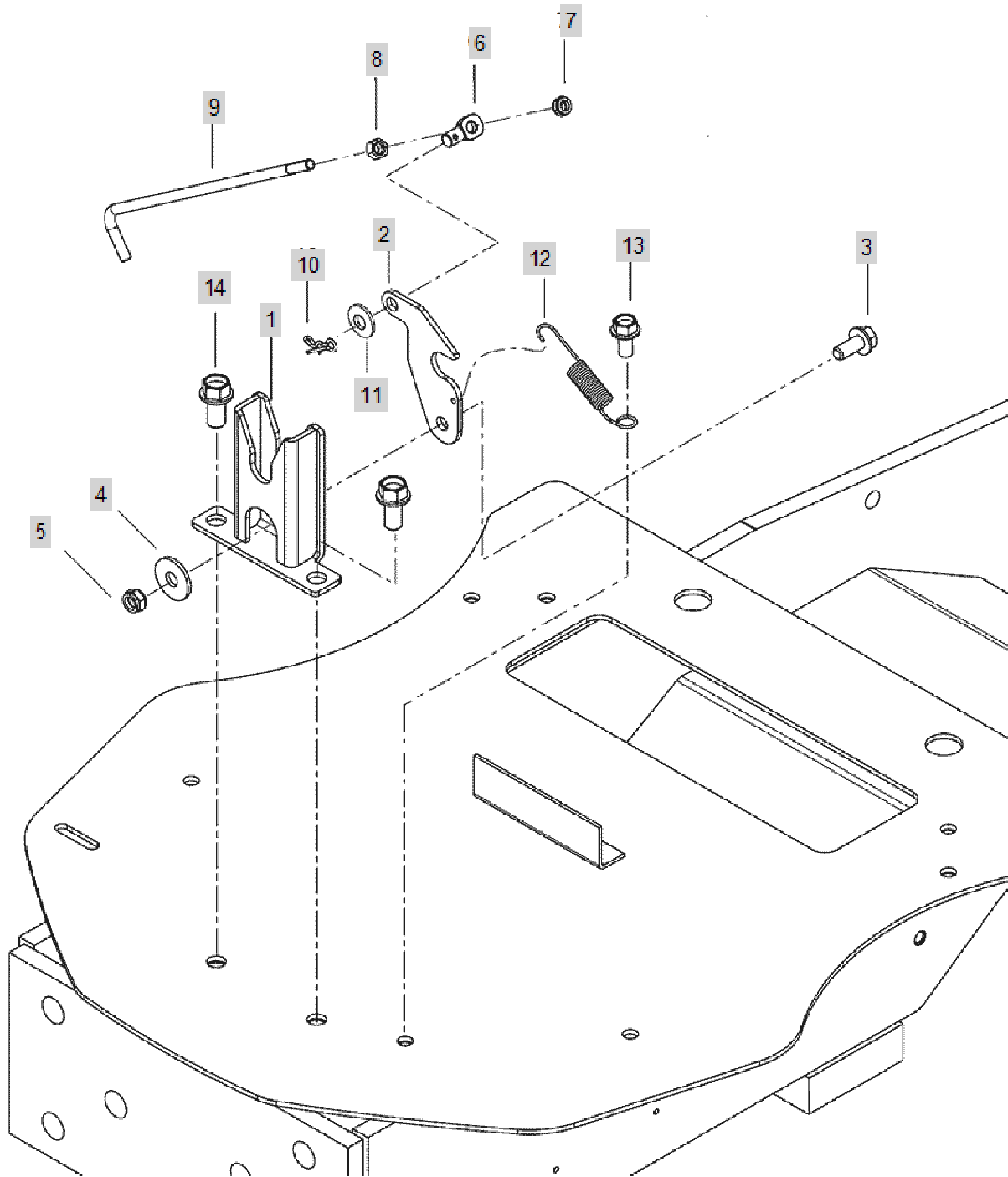




FIG C136-2

LOCKING ASS'Y, BONNET(2019.04~)

Year/Month

3515H

2020/01

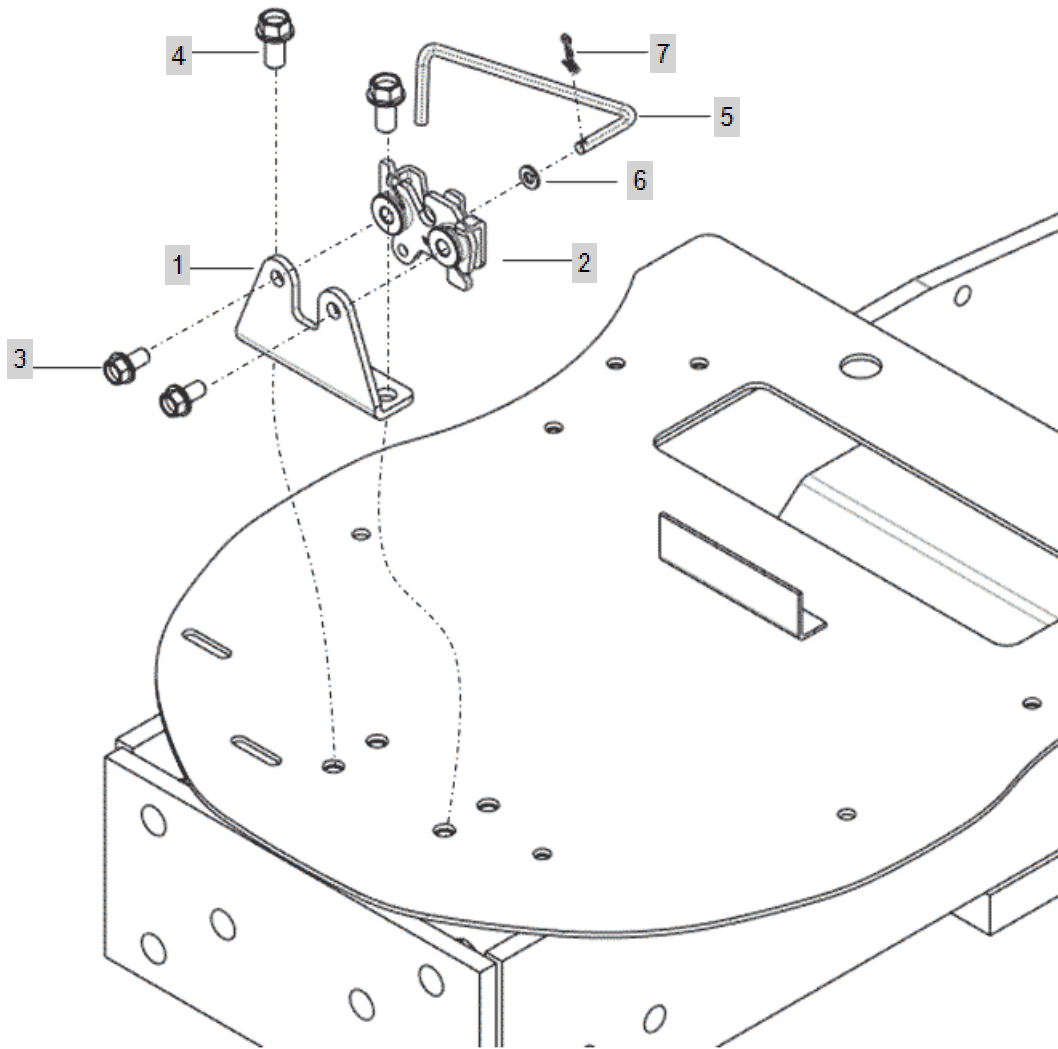




FIG C136-3

LOCKING ASS'Y, BONNET(2019.12~)

Year/Month

3515H

2020/01

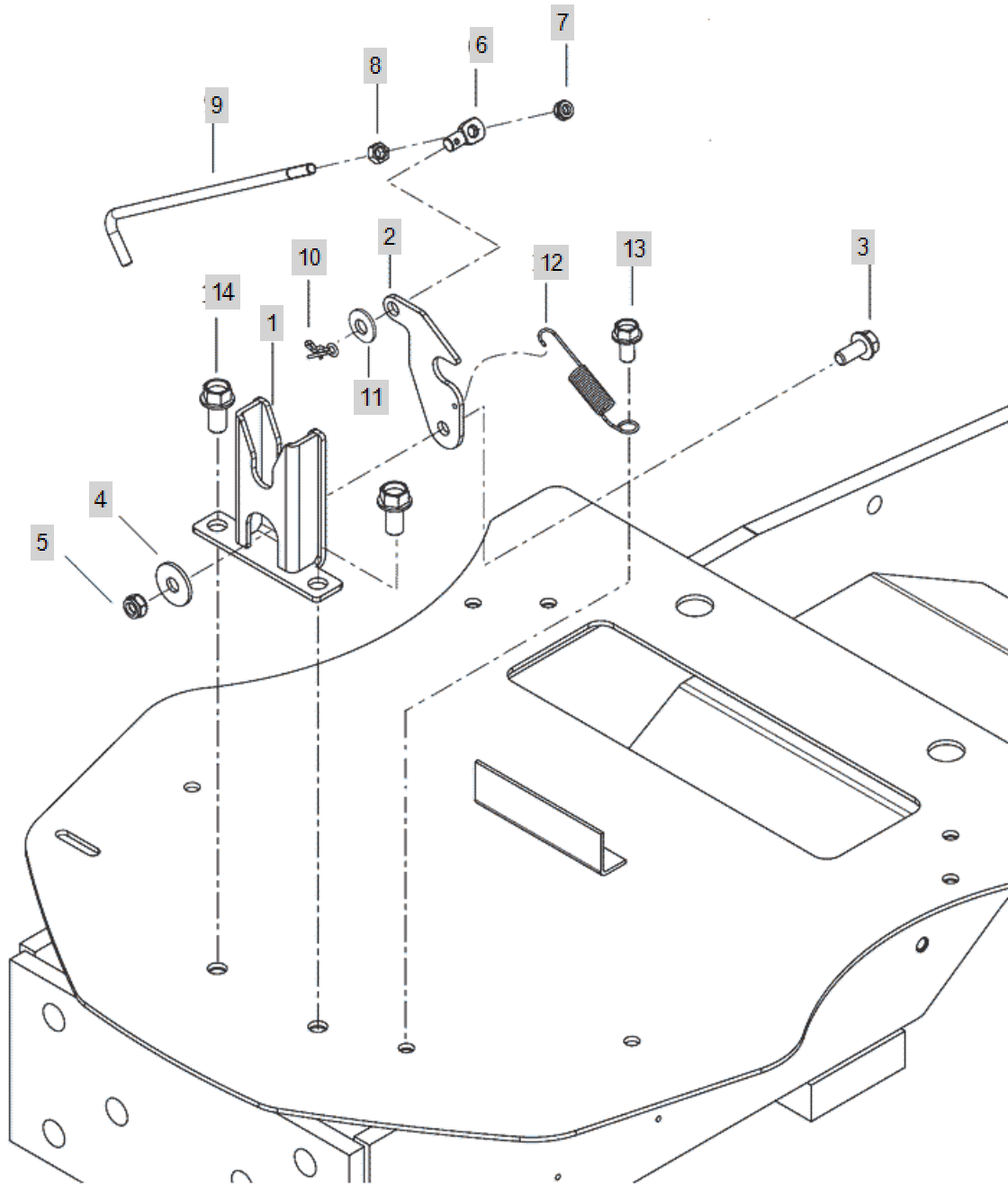




FIG C137A-1

BONNET SUPPORT

Year/Month

3515H

2020/01

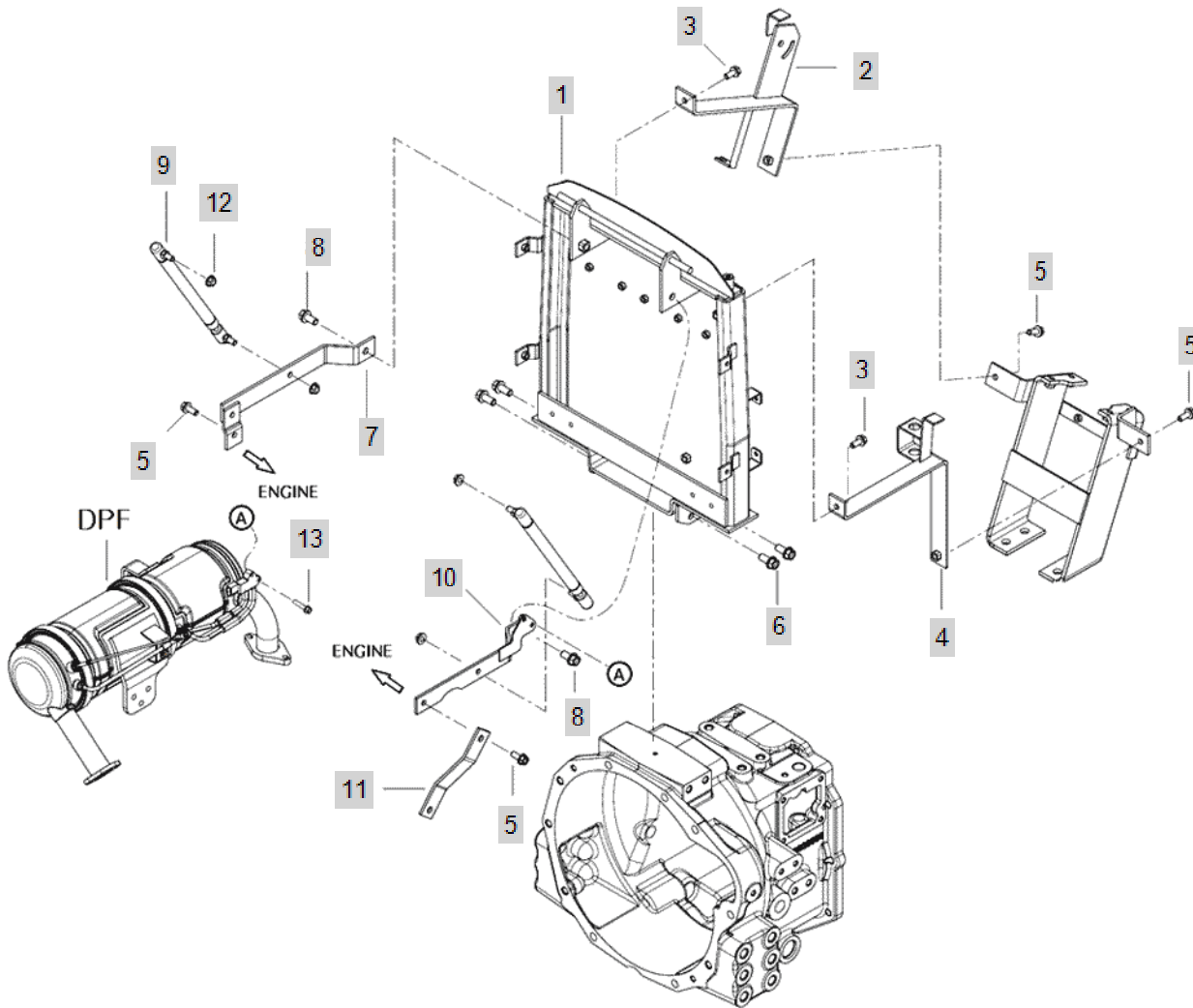






FIG C137A-2

BONNET SUPPORT (2018.02)

Year/Month

3515H

2020/01

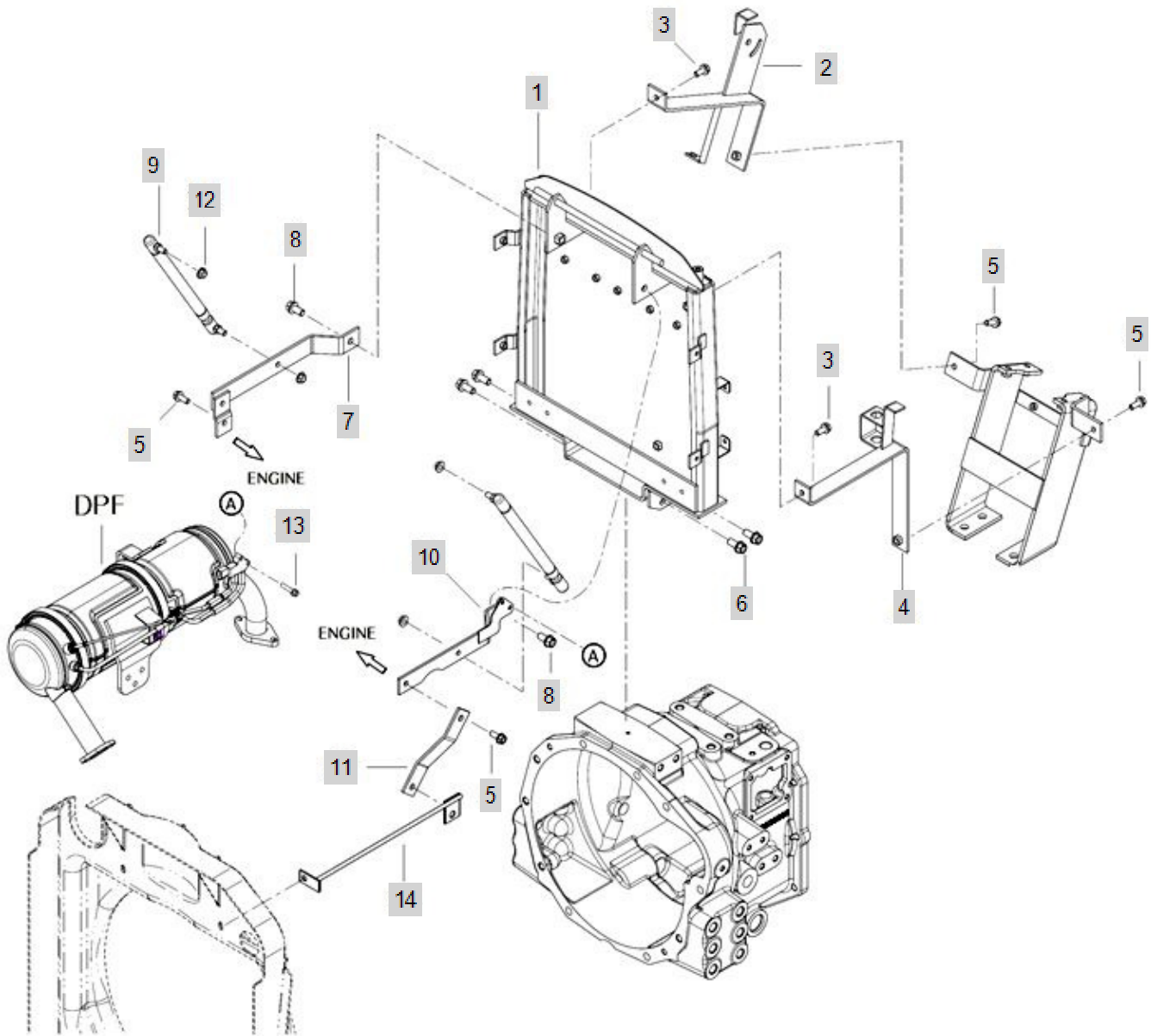




FIG C137B-3

BONNET SUPPORT (2018.02)

Year/Month

3515H

2020/01

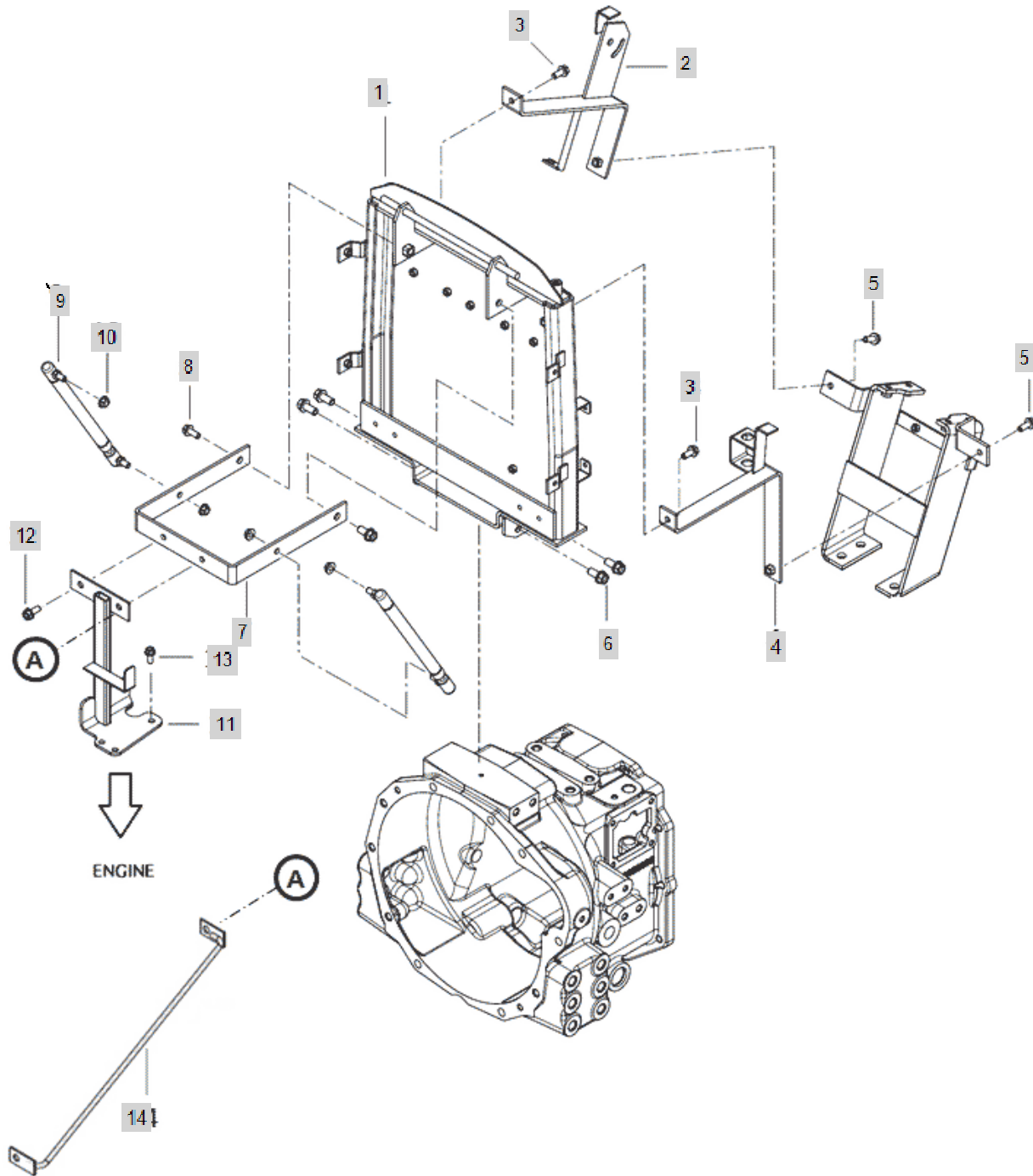




FIG C138

FENDER

Year/Month

3515H

2020/01

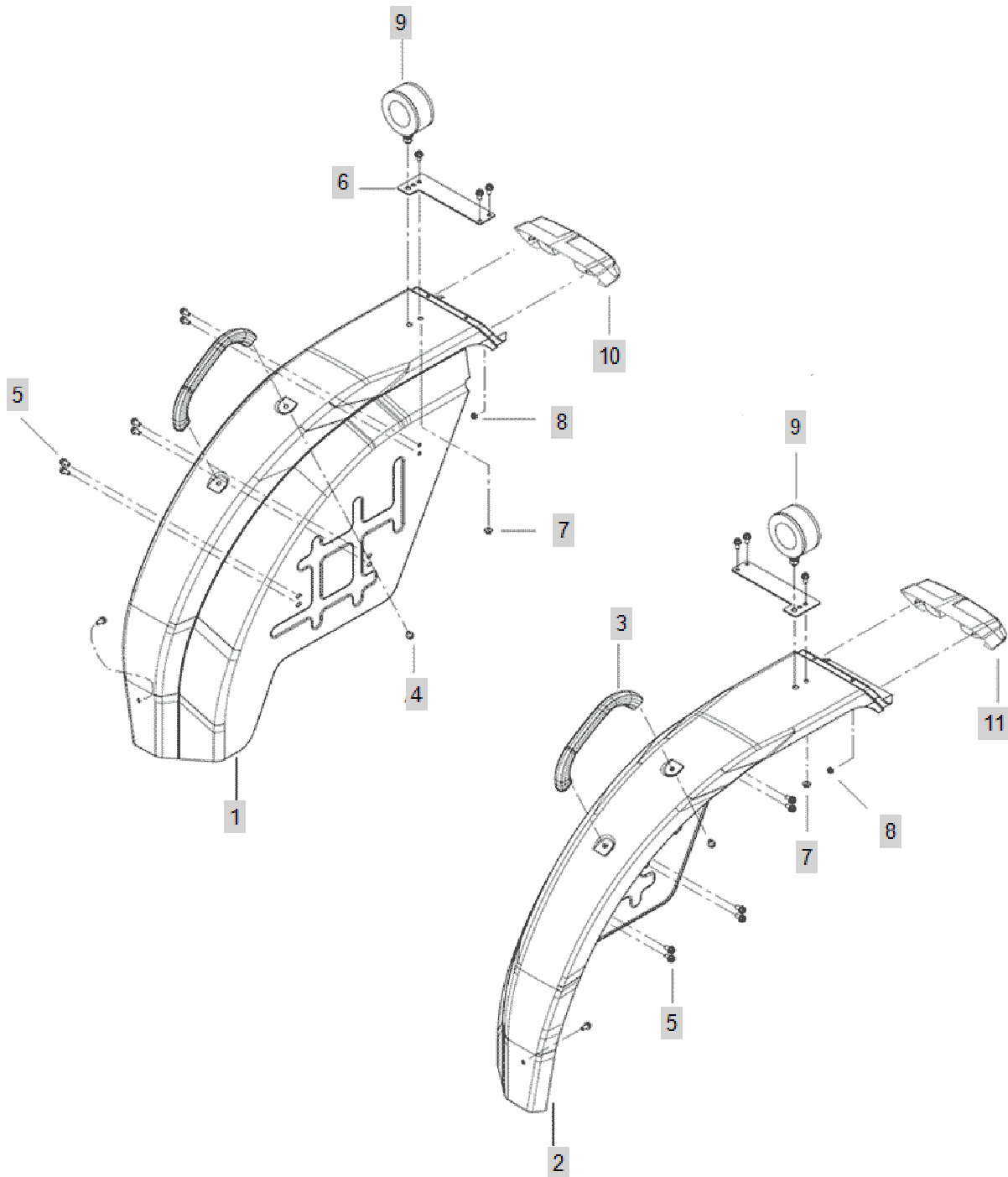




FIG C139

FOOT REST ASS'Y

Year/Month

3515H

2020/01

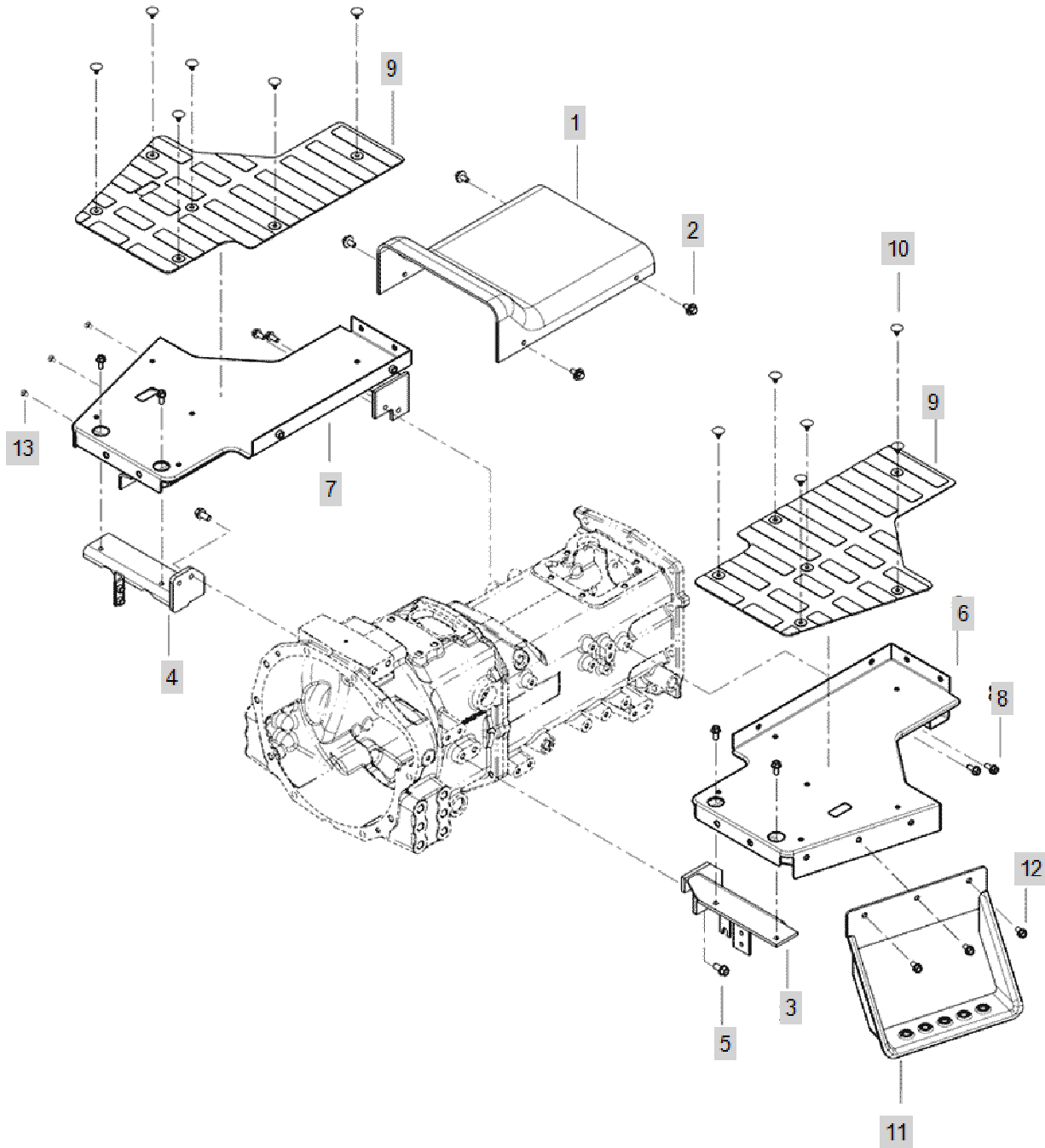






FIG C141A-1

FUEL TANK

Year/Month

3515H

2020/01

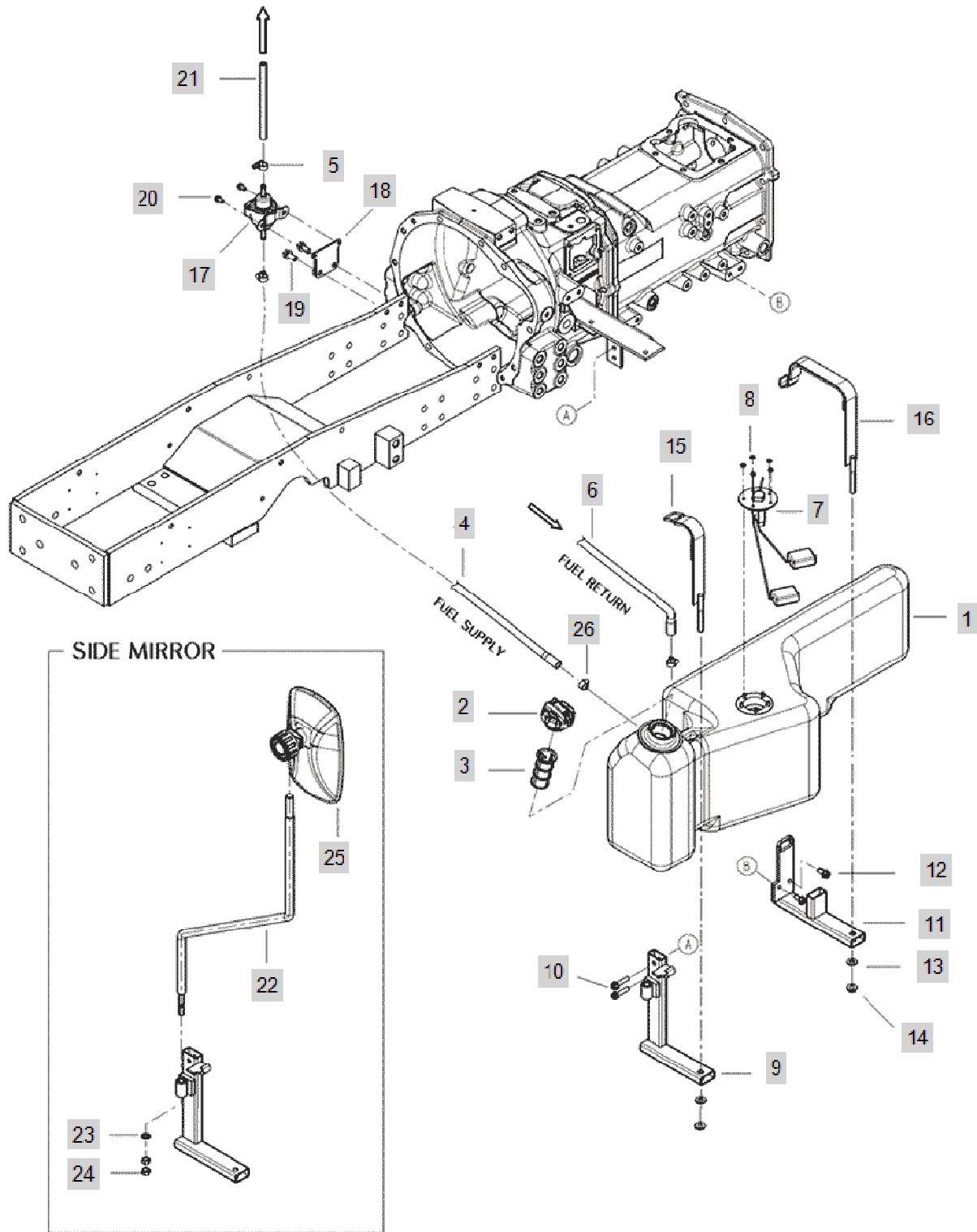




FIG C141A-2

FUEL TANK(2017.01)

Year/Month

3515H

2020/01

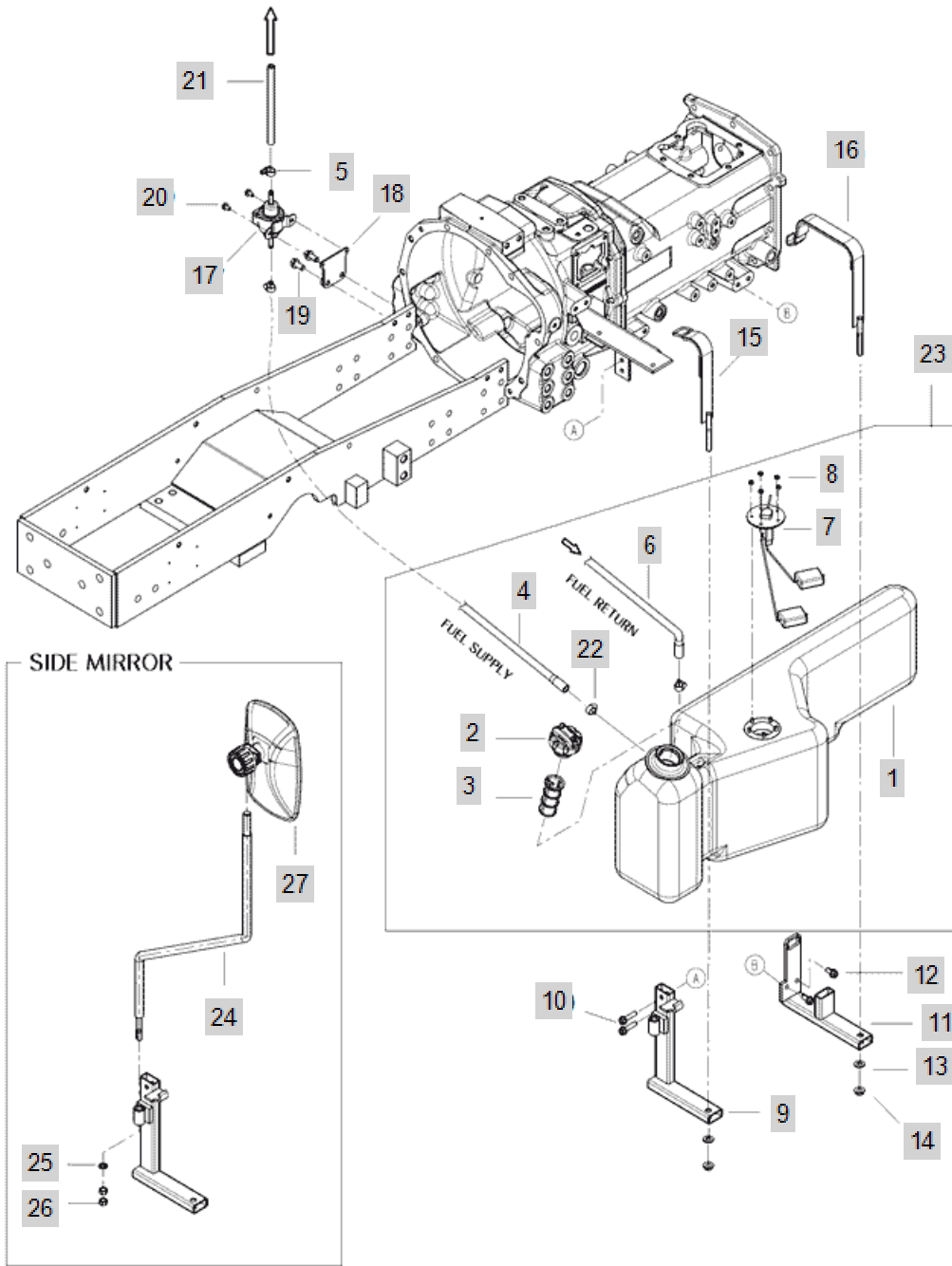




FIG C141A-3

FUEL TANK(2017.01)

Year/Month

3515H

2020/01

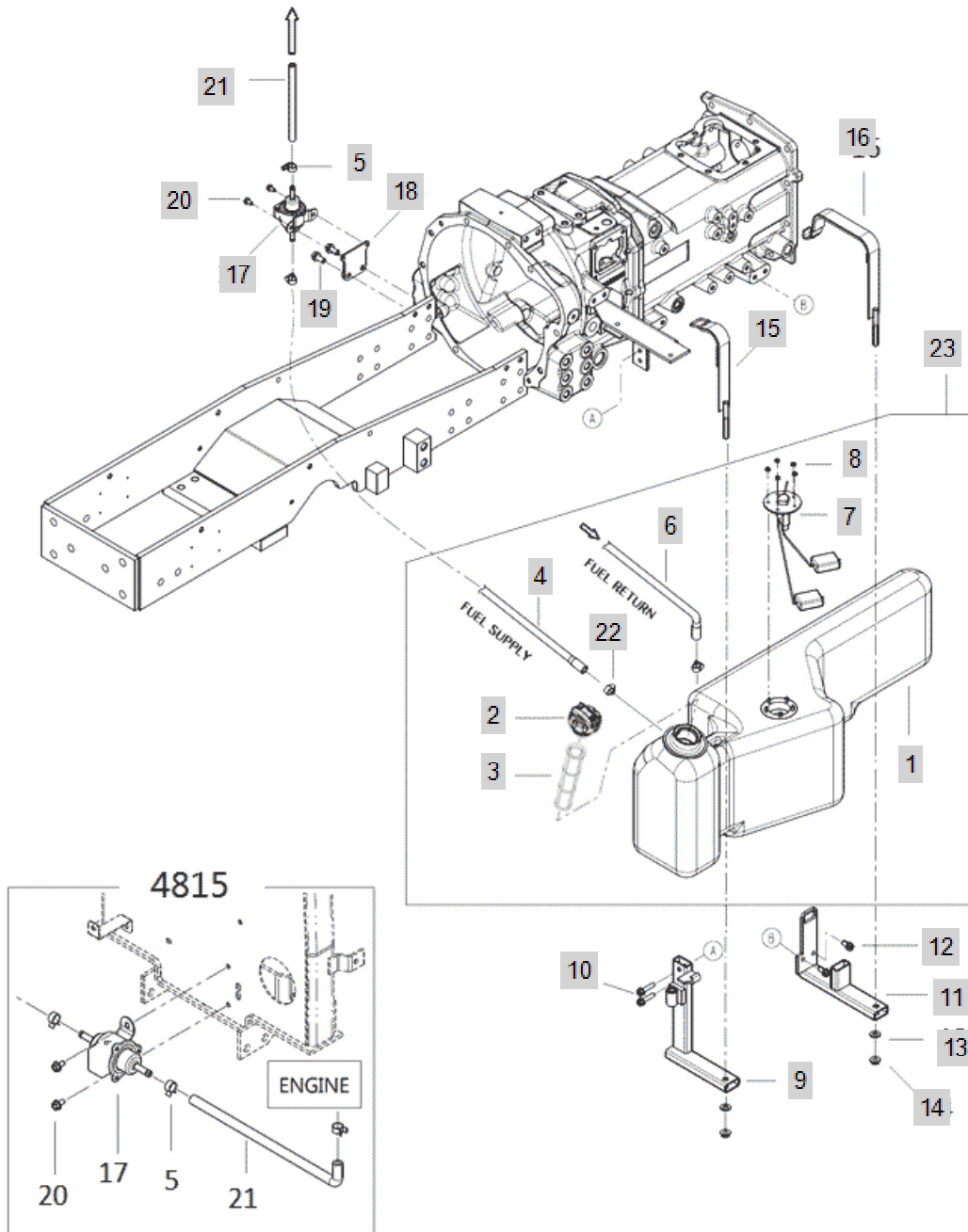




FIG C144B-1

NAME PLATE

Year/Month

3515H

2020/01

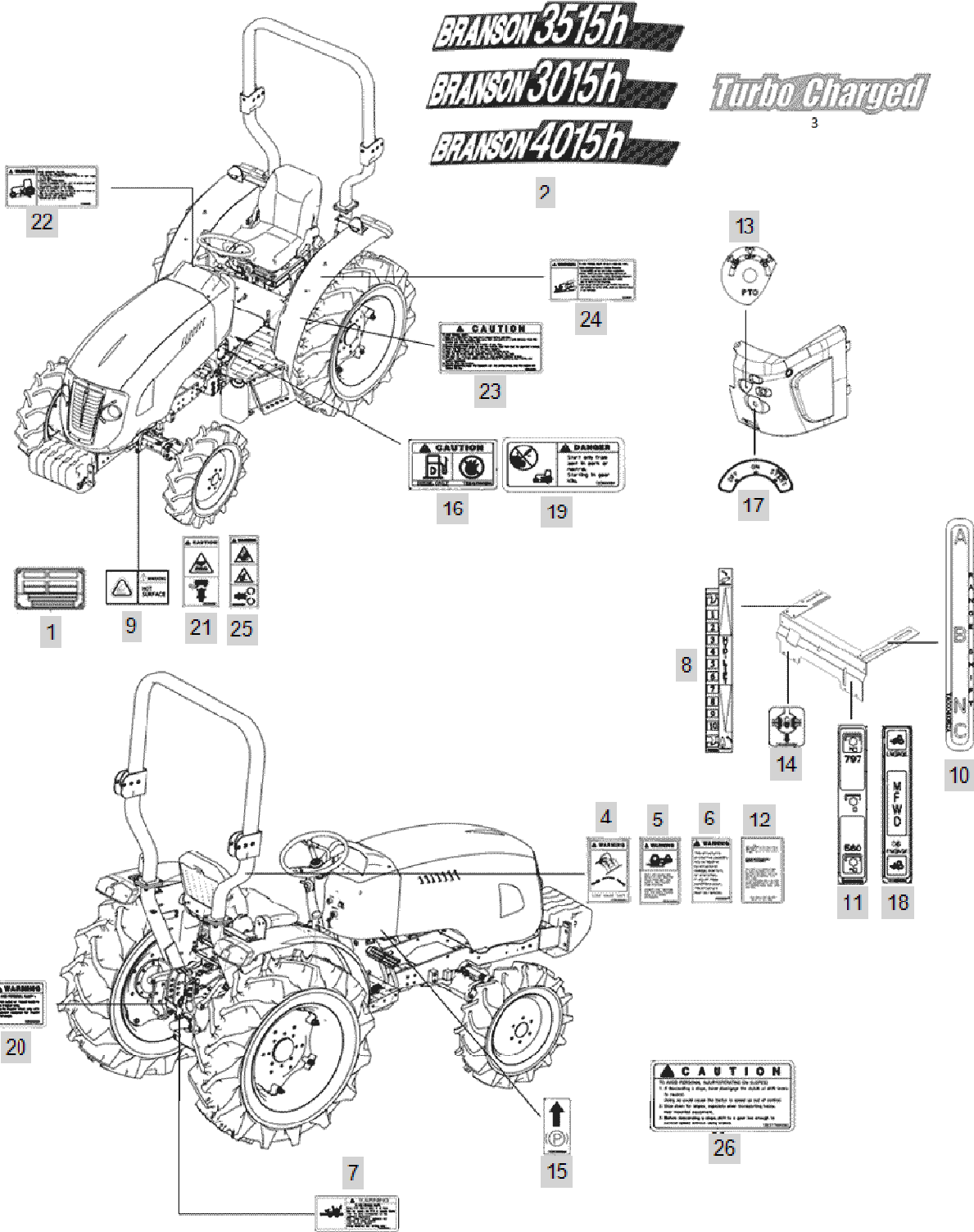






FIG C144C-2

NAME PLATE

Year/Month

3515H

2020/01

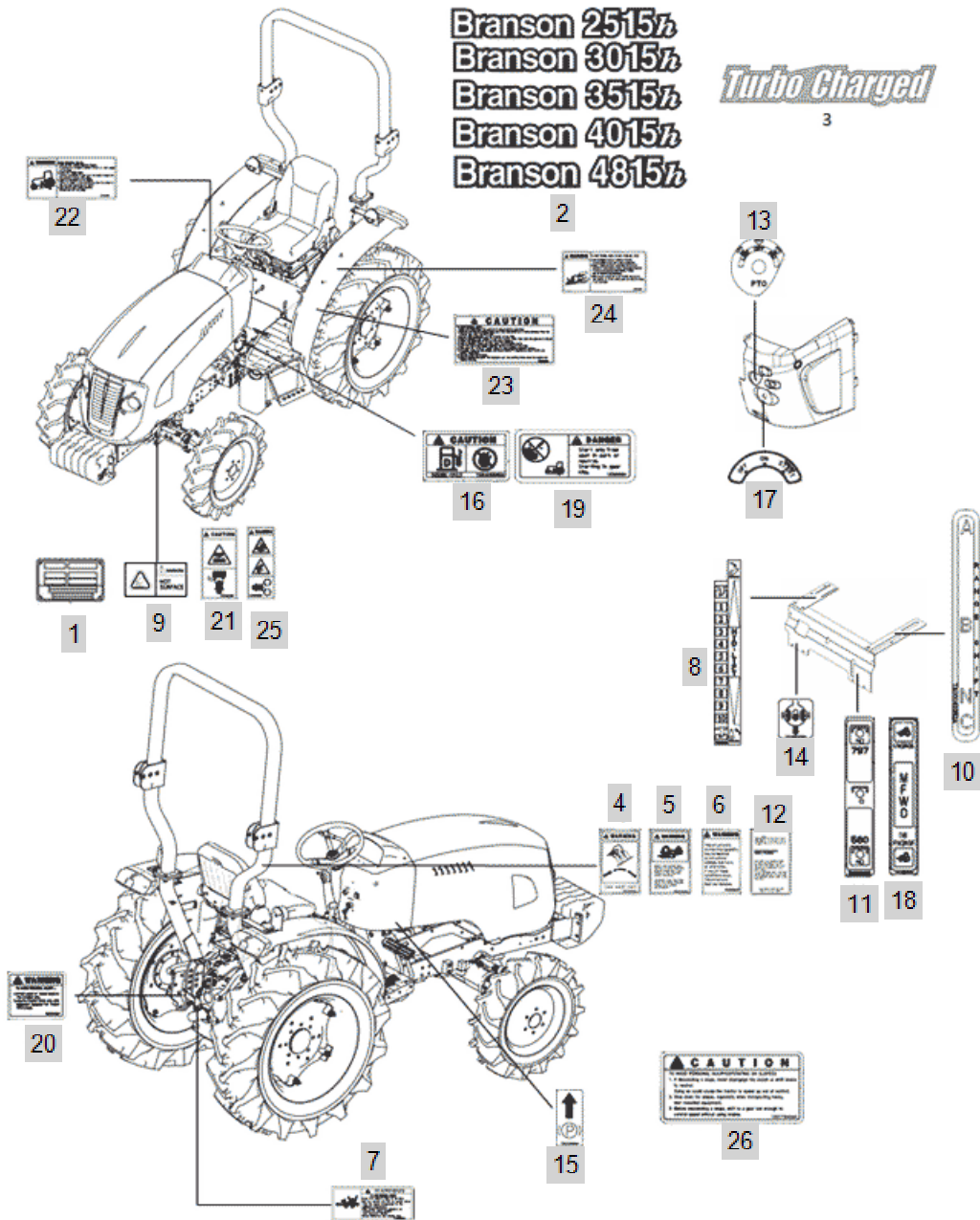




FIG C146

TOP LINK, LIFT LINK

Year/Month

3515H

2020/01

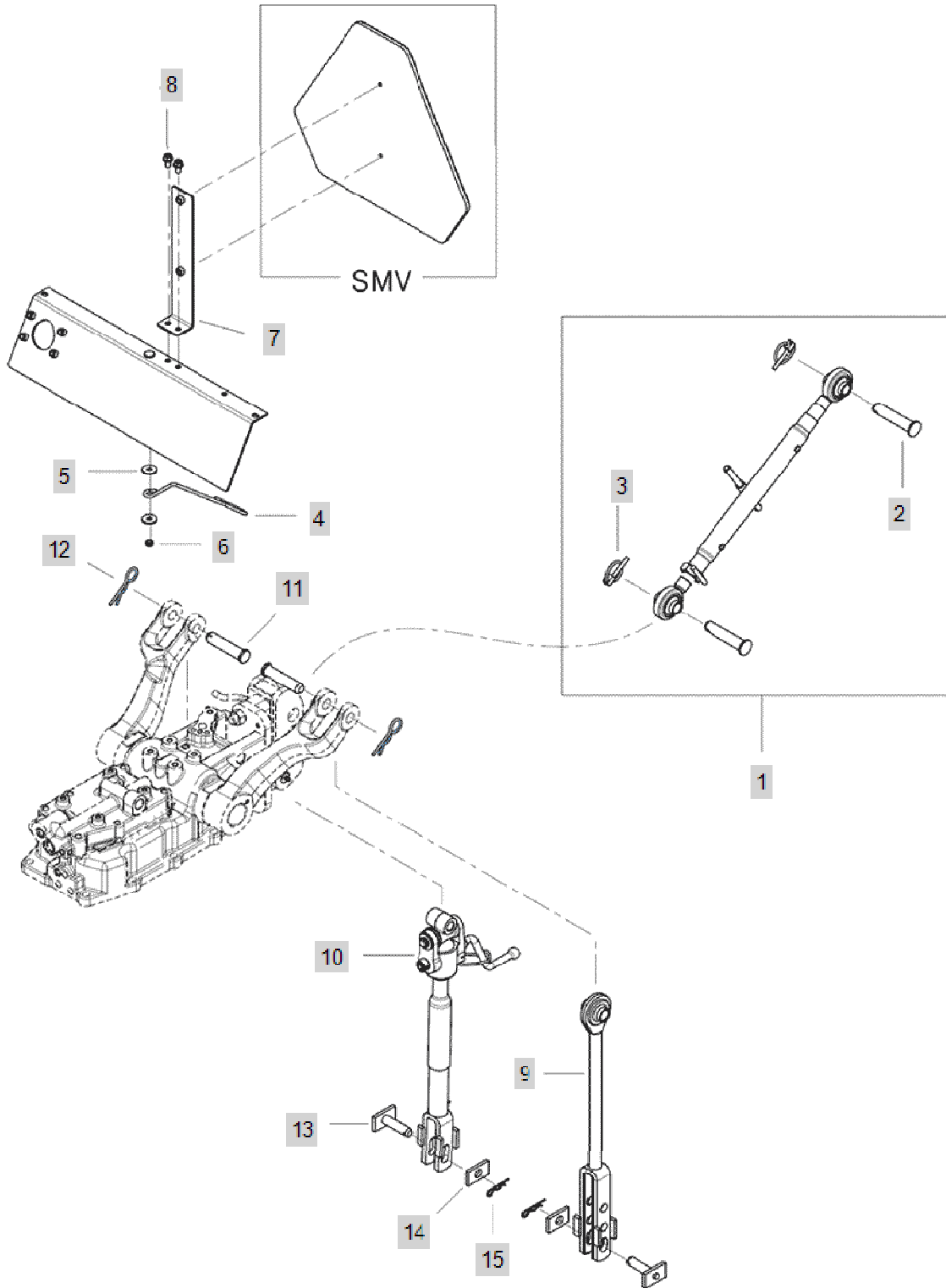




FIG C150

LOWER LINK

Year/Month

3515H

2020/01

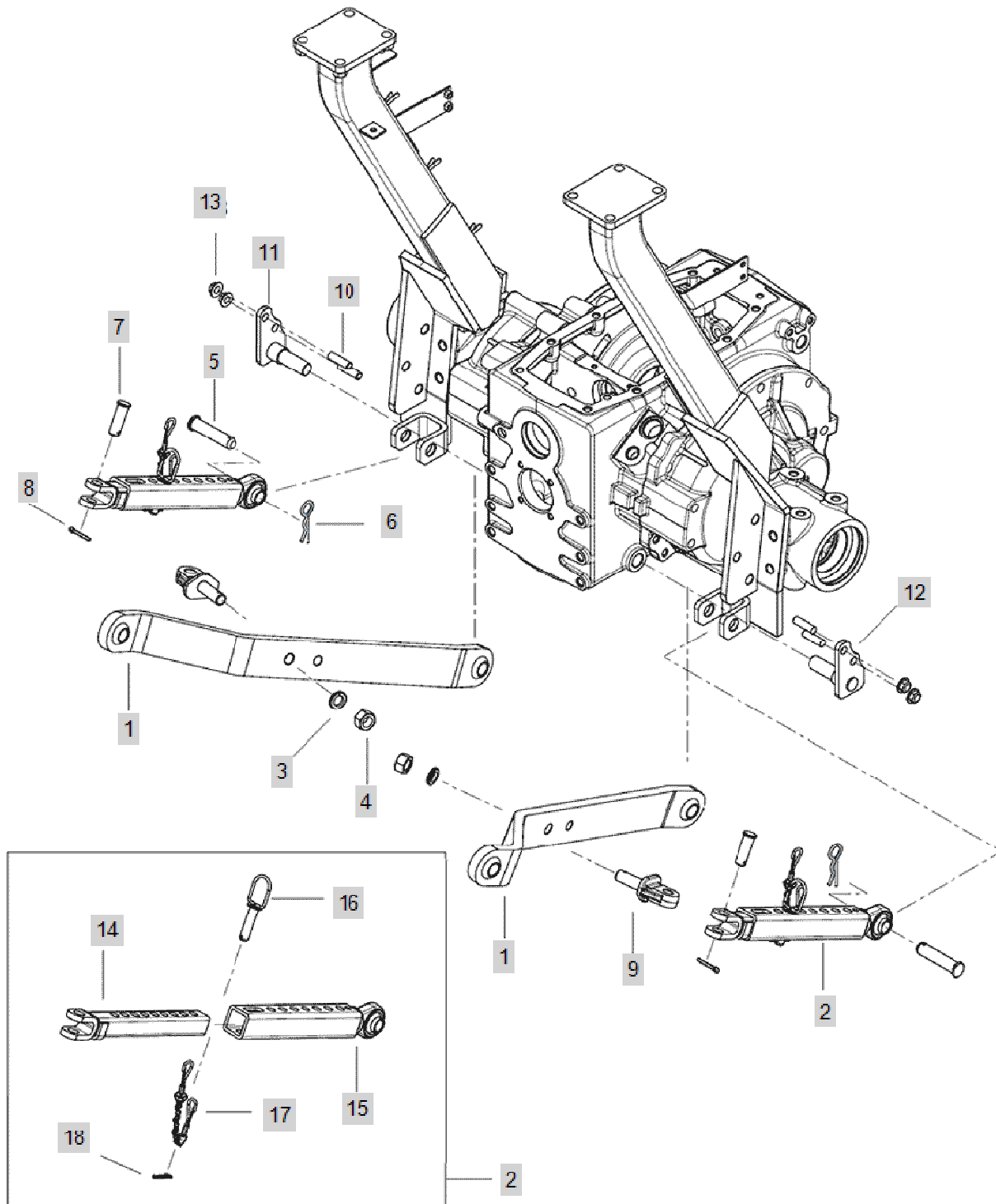




FIG C152-1

DRAWBAR HITCH

Year/Month

3515H

2020/01

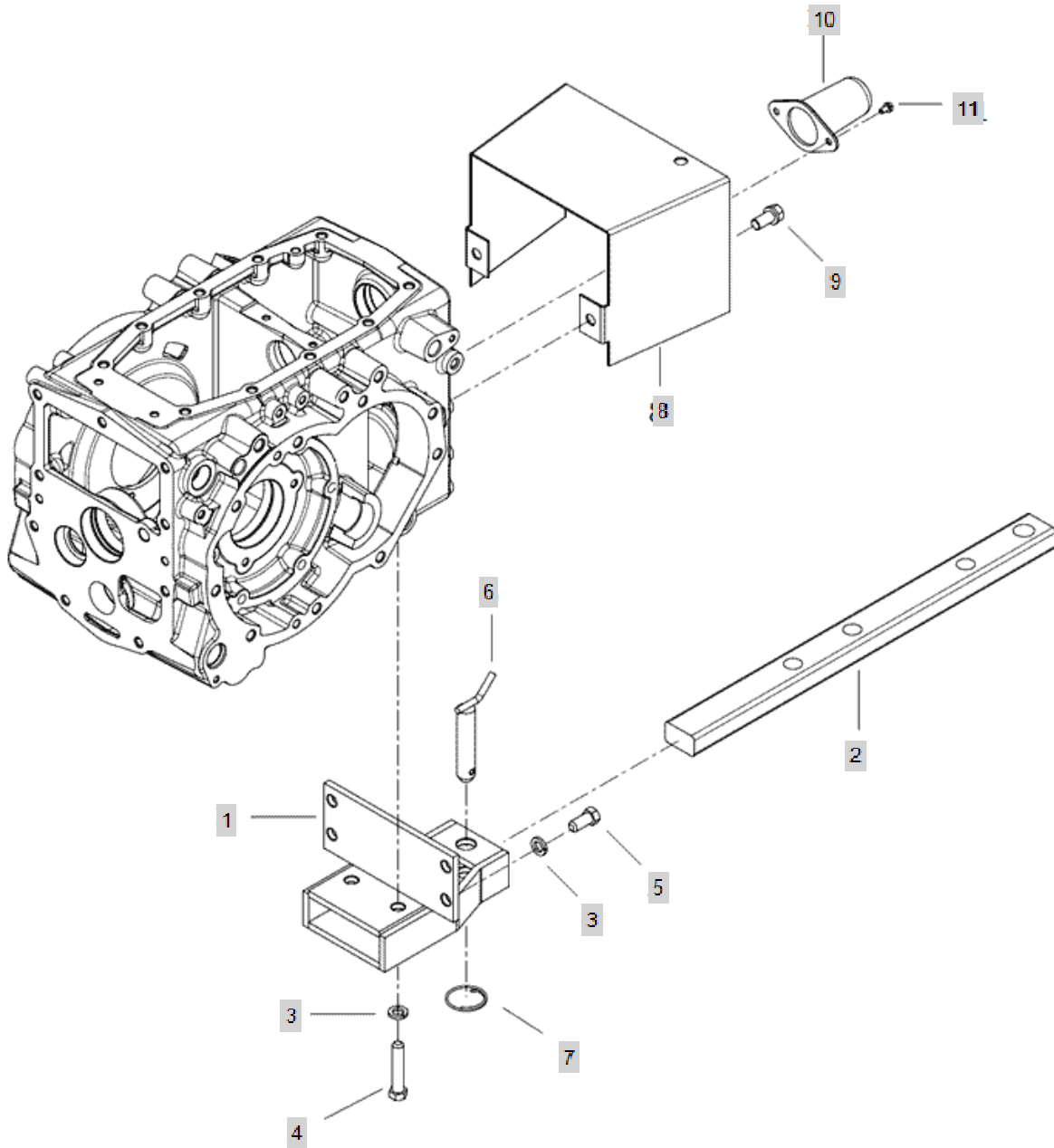






FIG C152-2

DRAWBAR HITCH

Year/Month

3515H

2020/01

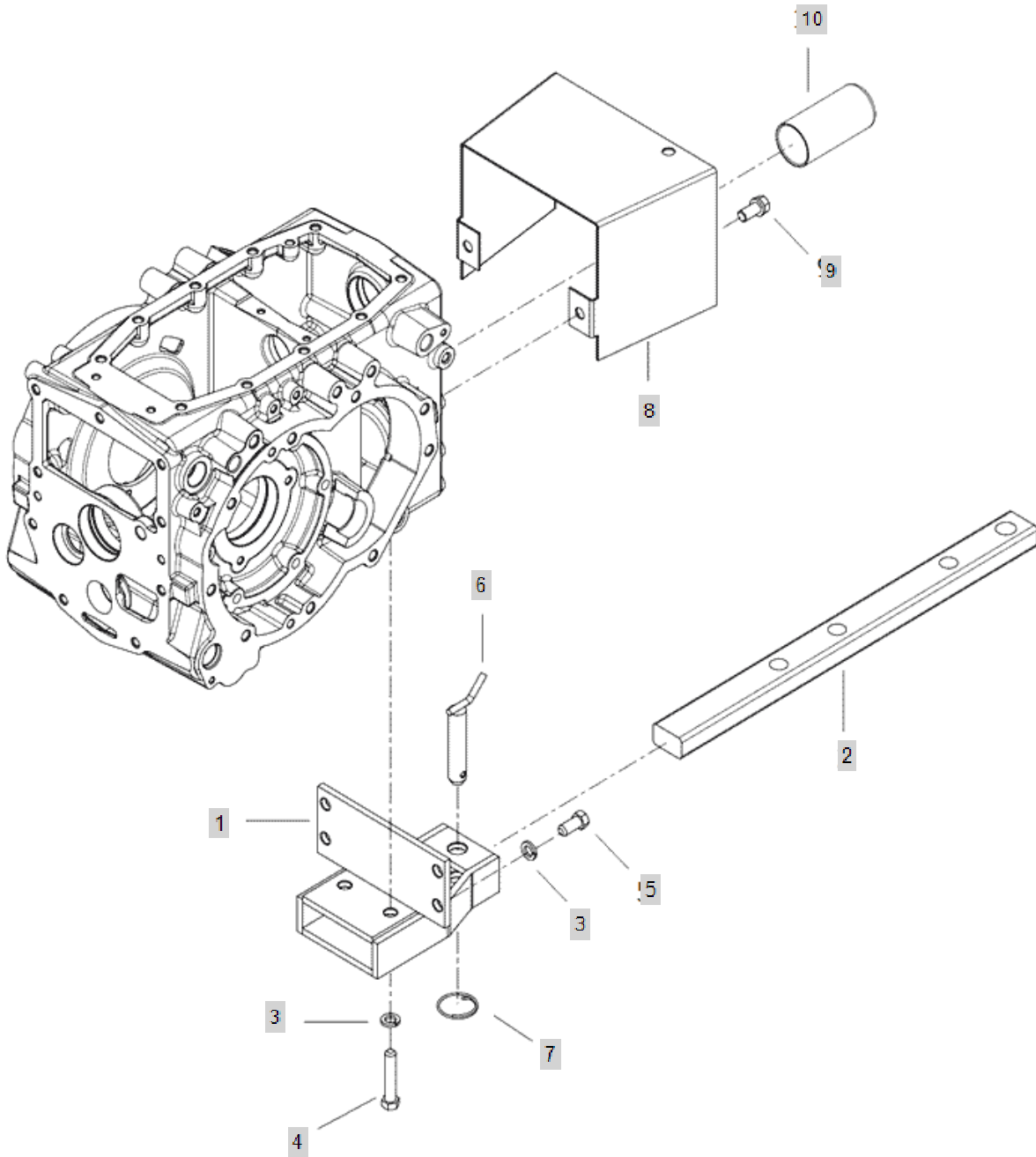




FIG C158A-1

ROPS FRAME ASS'Y

Year/Month

3515H

2020/01

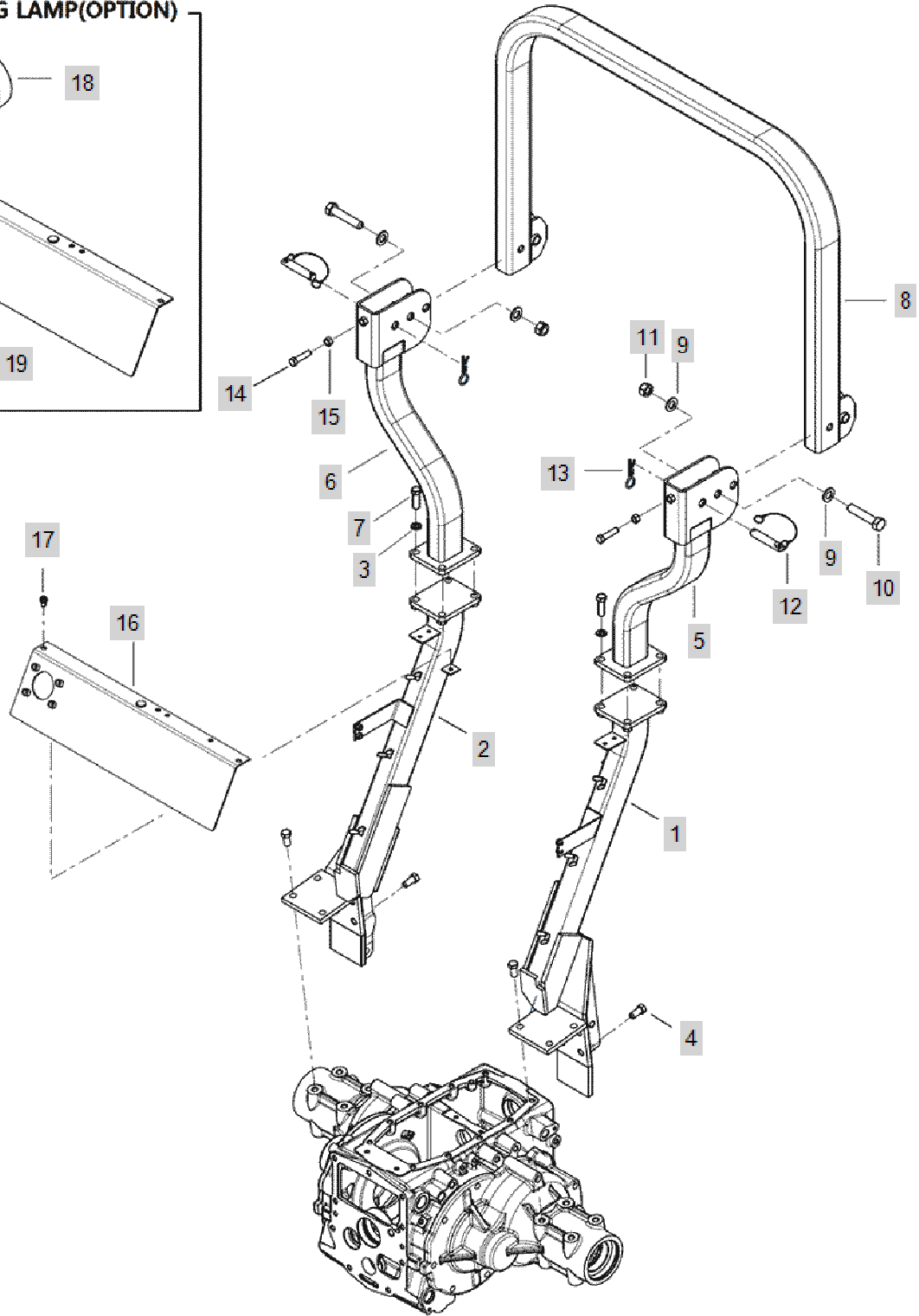
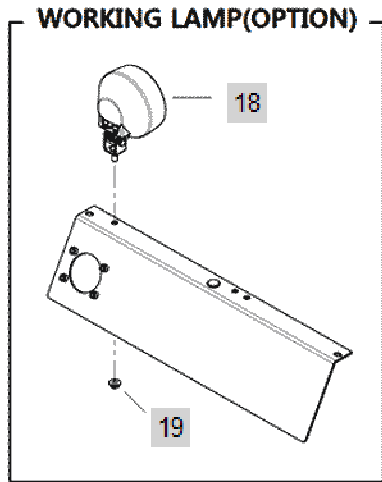




FIG C158A-2

ROPS FRAME ASS'Y

Year/Month

3515H

2020/01

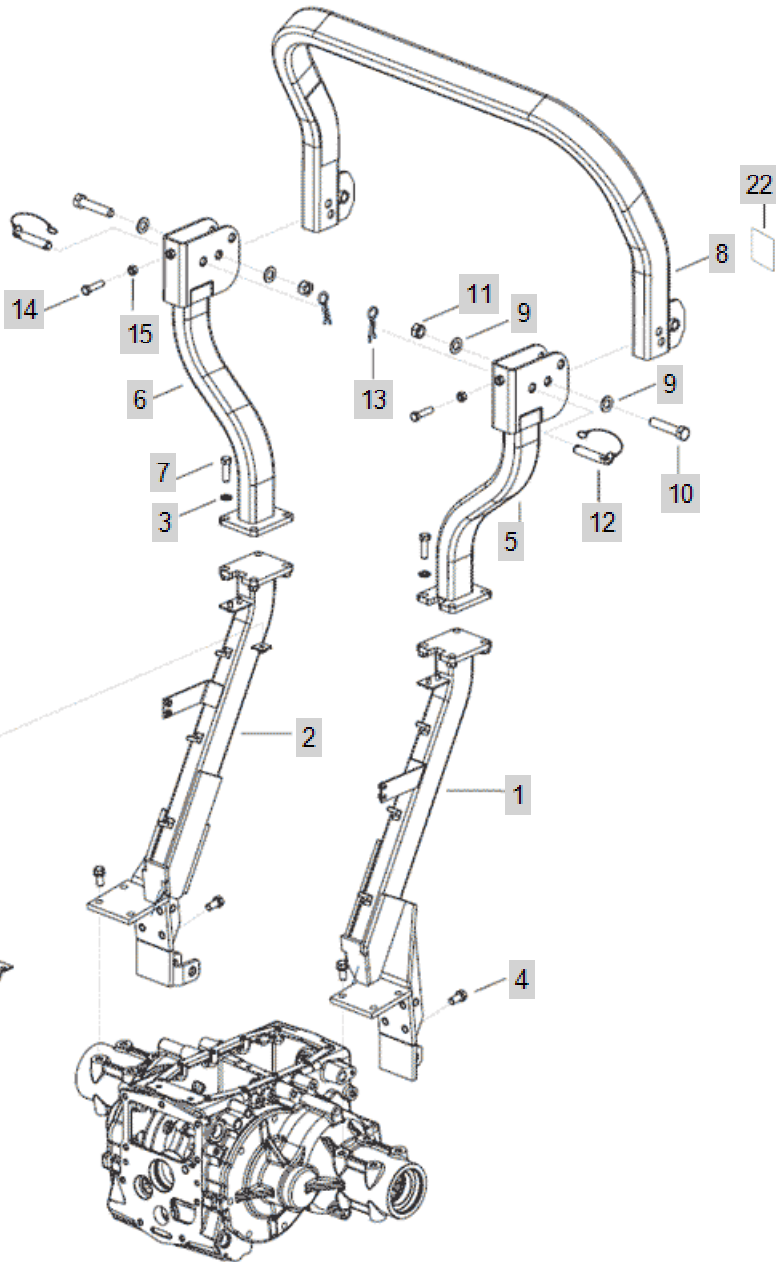
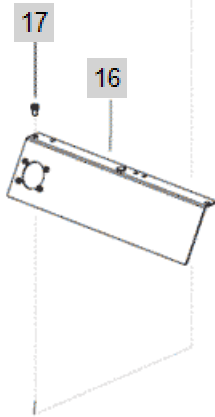
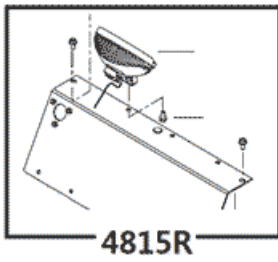
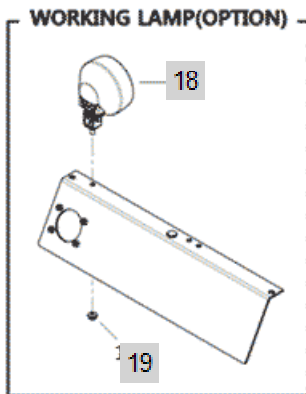




FIG C161.1A-1

ENGINE SUB

Year/Month

3515H

2020/01

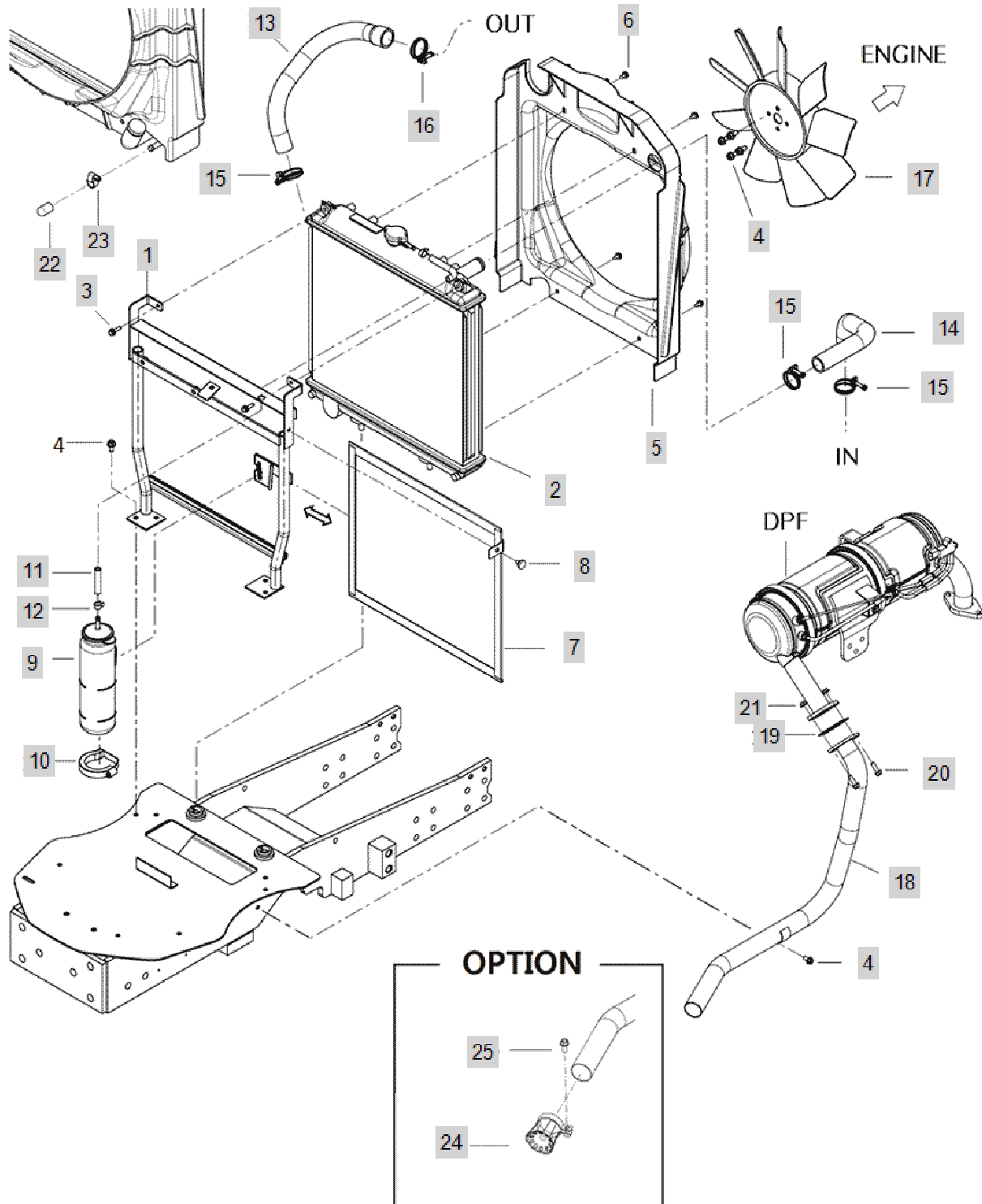






FIG C161.1B-1

ENGINE SUB

Year/Month

3515H

2020/01

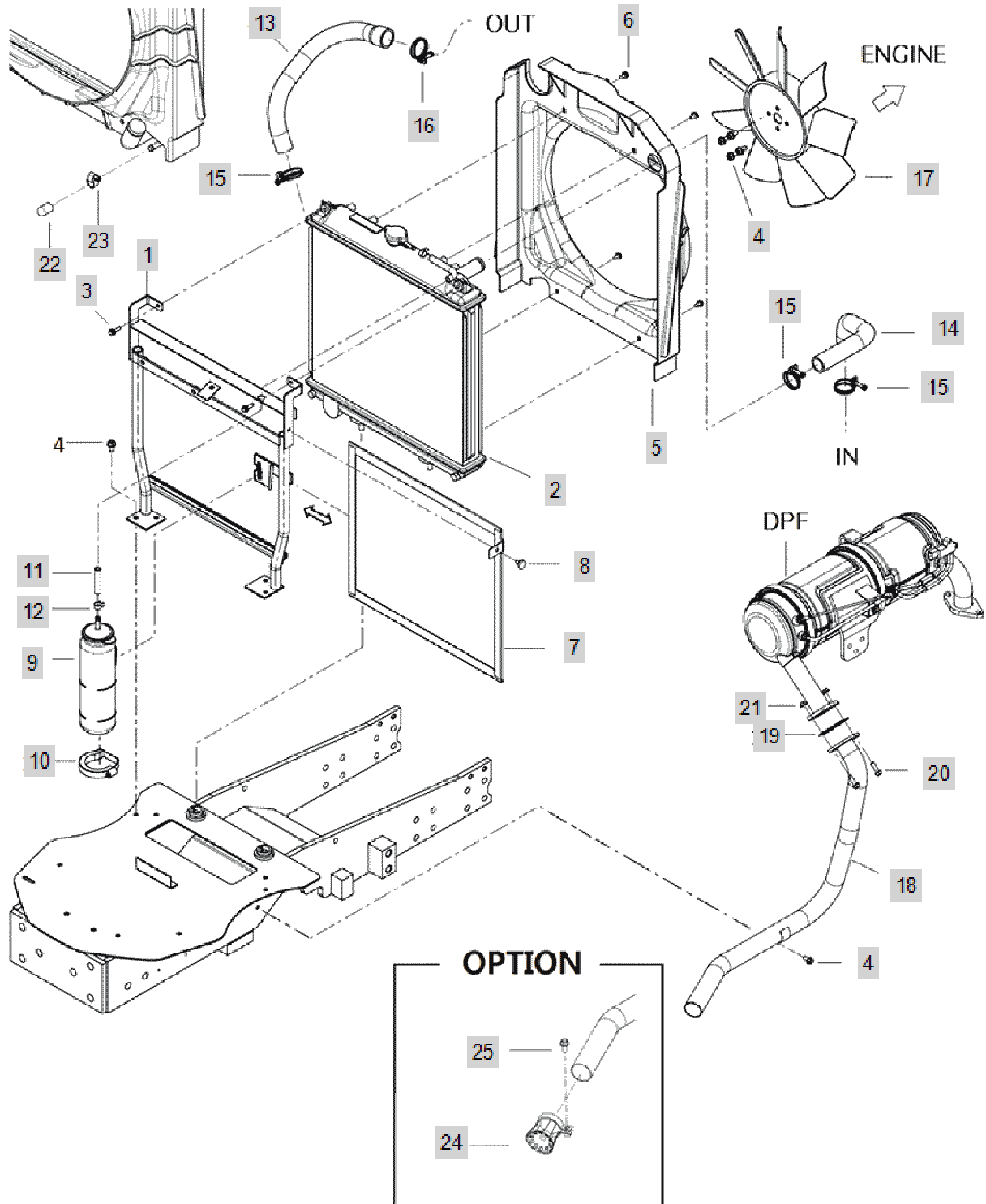




FIG C161.2A-1

ENGINE SUB-2

Year/Month

3515H

2020/01

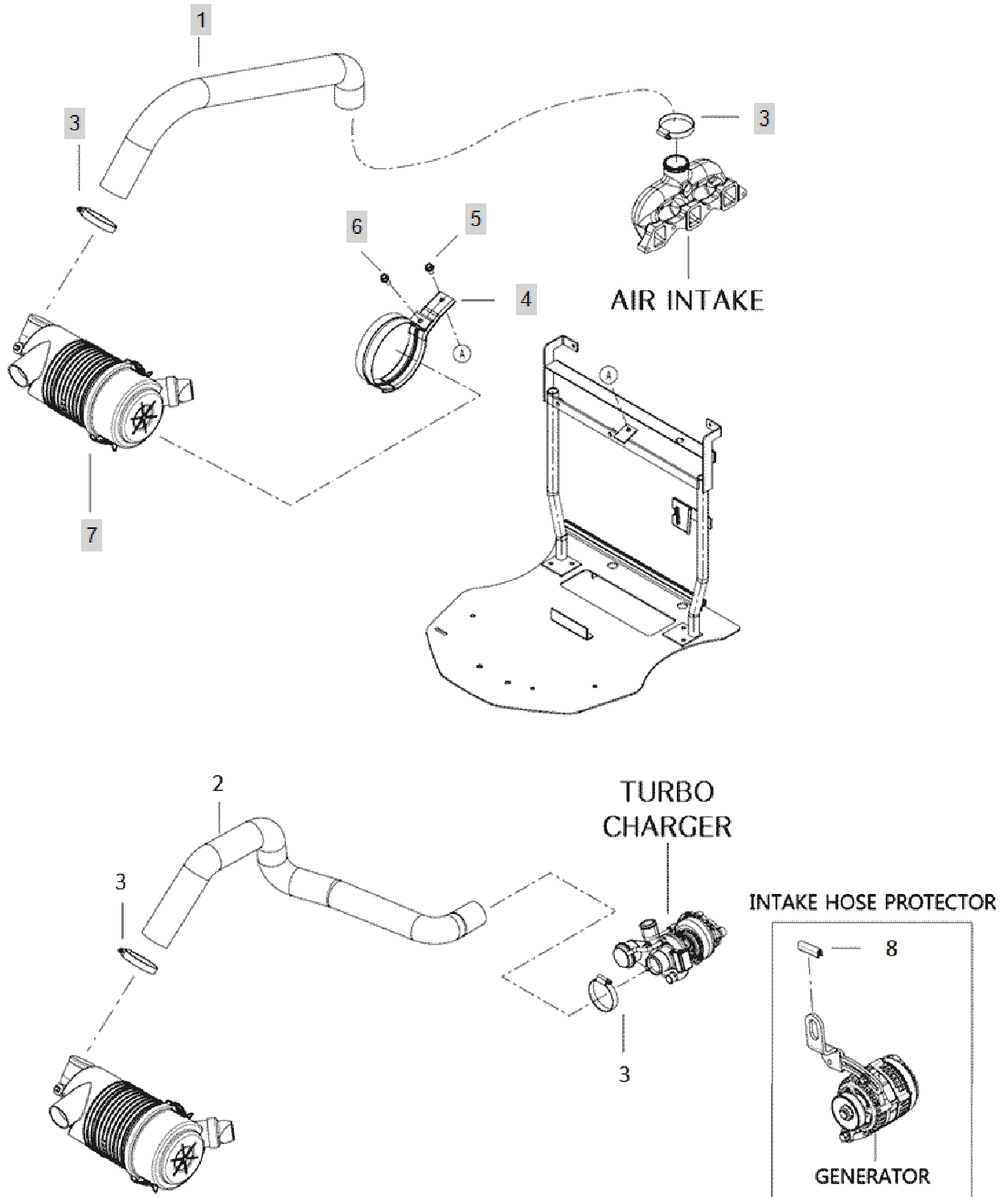




FIG C161.2A-2

ENGINE SUB - 2 (2016.06)

Year/Month

3515H

2020/01

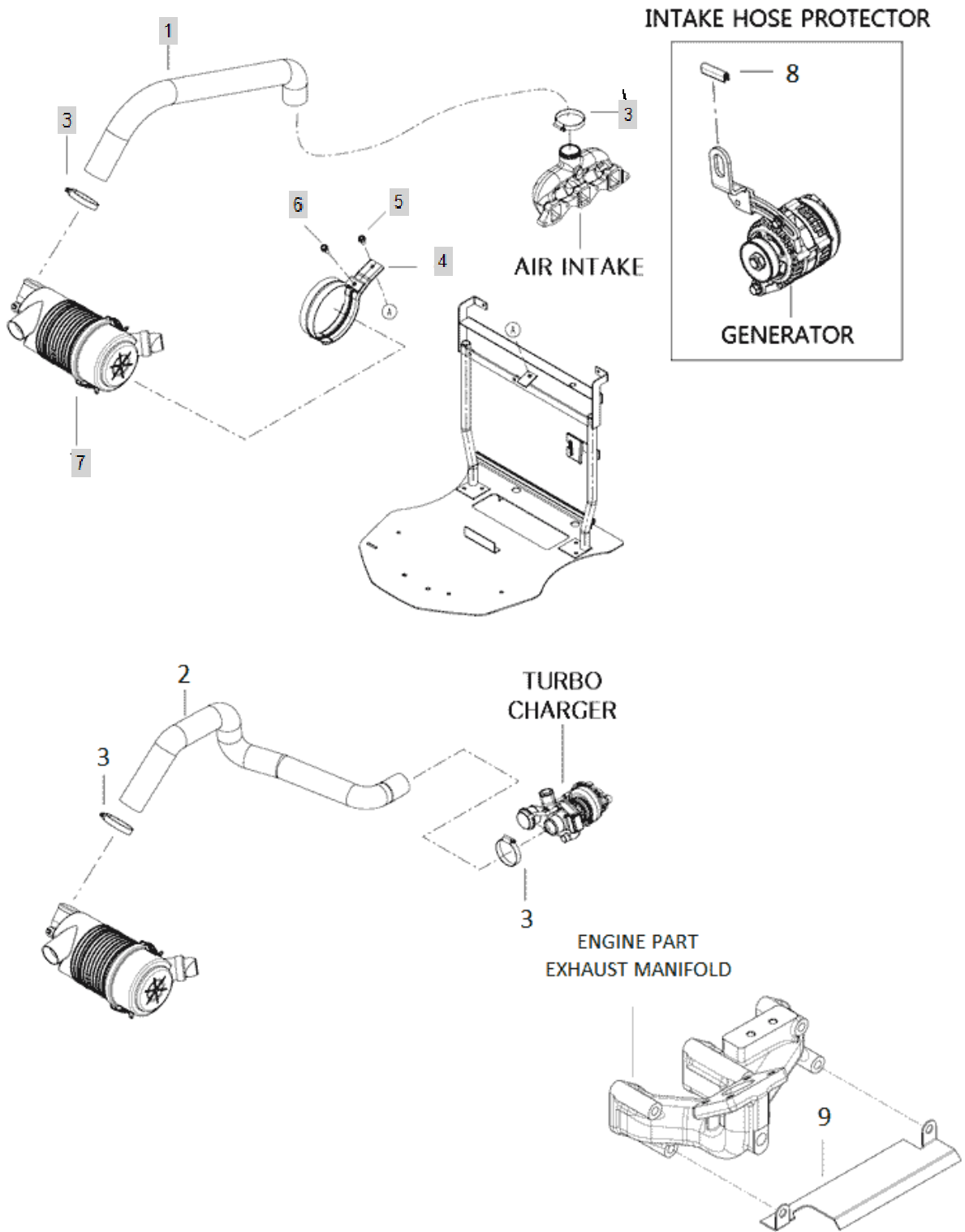




FIG C161.2A-3

ENGINE SUB- 2 (2016.06)

Year/Month

3515H

2020/01

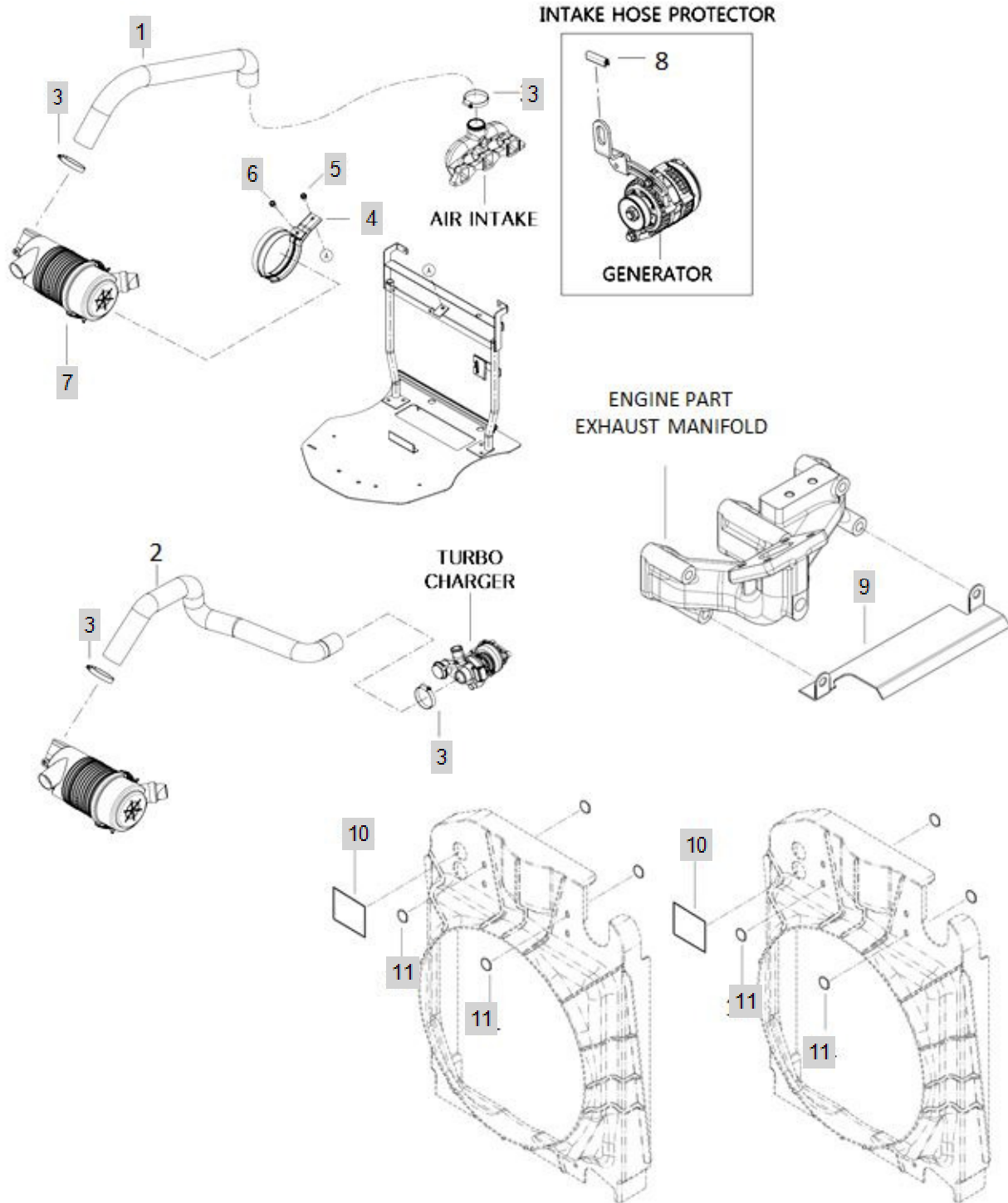






FIG C191

RELIEF VALVE

Year/Month

3515H

2020/01

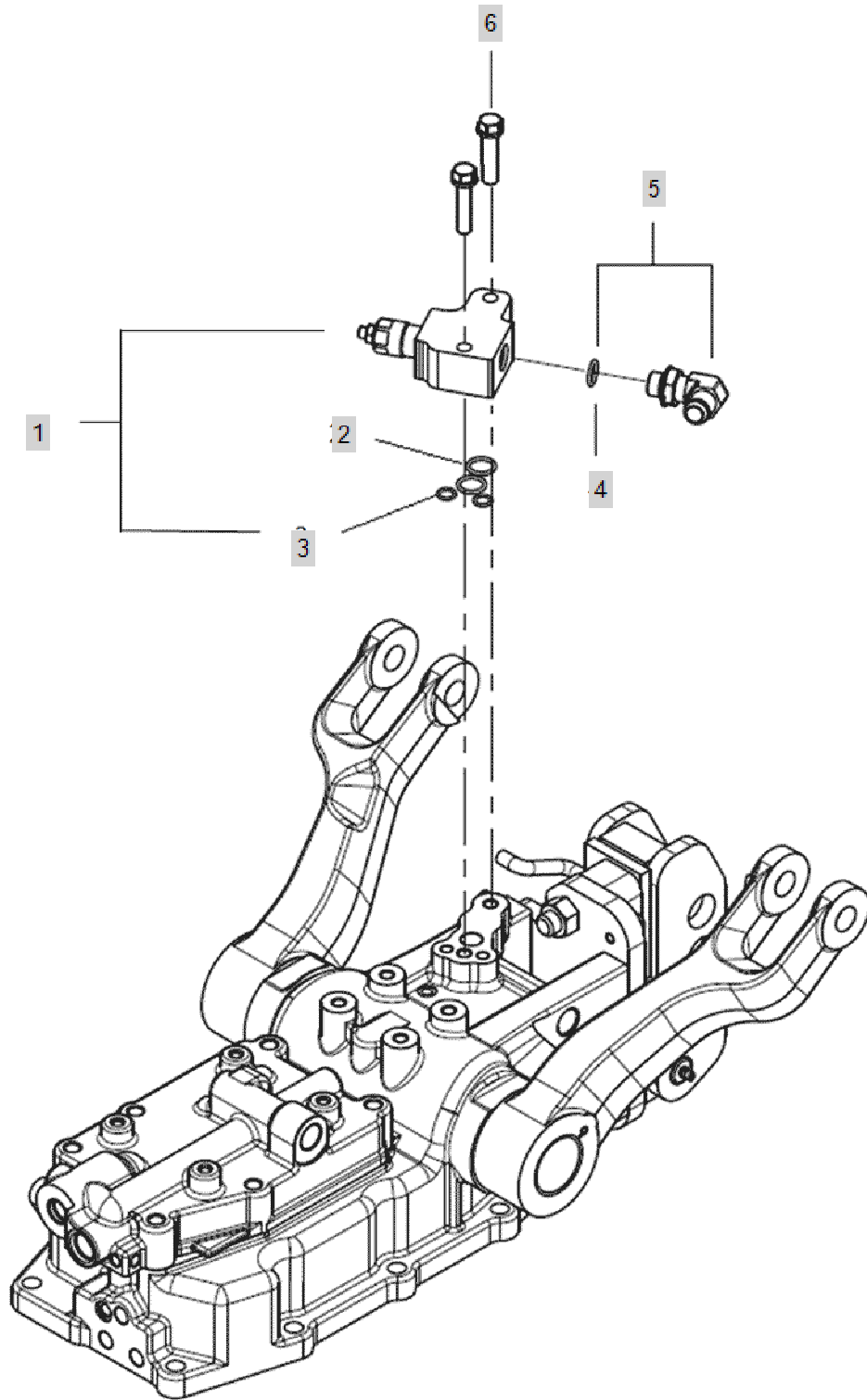




FIG C192-1

SUN VISOR

Year/Month

3515H

2020/01

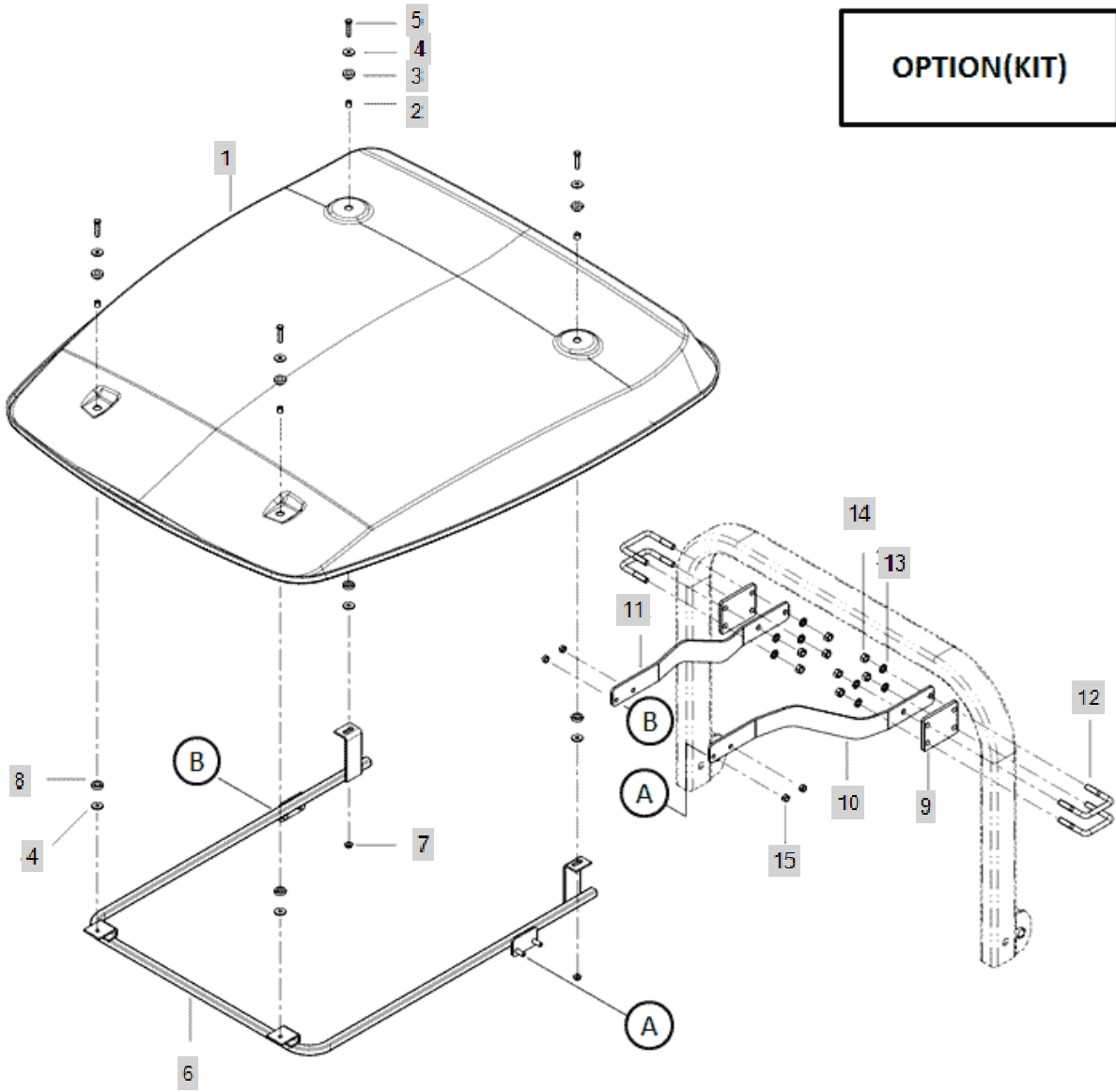




FIG C192-2

SUN VISOR(2017.12)

Year/Month

3515H

2020/01

