

KUKJE 3515CH Branson Tractor

Parts Catalogue



CONTENTS

GROUP NO	GROUP NAME	PAGE
C000	15CH(US)	5
C001	1.LEVER ACCELERATOR	7
C002	2.STEERING COLUMN	9
C003A-1	3.FRONT AXLE BRACKET	11
C003A-2	3.FRONT AXLE BRACKET(2019.12~)	13
C009	9.CENTAPIN SUPPORTER	15
C010	10.TIEROAD	17
C012	12.RING GEAR, DRIVEN GEAR	19
C019	19.GEAR CASE, FRONT AXLE	21
C020	20.SPACER	23
C032	32.P.S.T CYLINDER	25
C034	34.P.S.T HOSE	27
C037A-1	37.CLUTCH HOUSING	29
C037A-2	37.CLUTCH HOUSING(2019.04~)	31
C037D-2	37.CLUTCH HOUSING[4815CH](2019.04~)	33
C038	38.PUMP, HST	35
C044-1	44.TRANSMISSION CASE	37
C044-2	44.TRANSMISSION CASE(2019.12~)	39
C057A	57.GEAR, RANGE SHIFT	41
C062	62.MAIN P.T.O SHAFT	43
C063	63.PTO DRIVE SHAFT	45
C068	68.LEVER ASS'Y, RANGE SHIFT	47
C072	72.FORNT DRIVE SHAFT	49
C073	73.4WD LEVER	51
C074	74.FORK & LEVER, PTO	53
C078	78.RING GEAR&DIFF.GEAR ASS'Y	55
C079	79.DIFFERENTIAL	57
C082	82.DRIVING PART, REAR AXLE	59
C083	83.BRAKE	61
C090	90.BRAKE PEDAL	63
C091	91.PARKING BRAKE	65
C092A	92.HYD PUMP	67
C093-1	93.HYD SHIFT TRANSMISSION PEDAL	69
C093-2	93.HYD SHIFT TRANSMISSION PEDAL(2019.04~)	71
C101	101.CASE, HYD CYLINDER	73

GROUP NO	GROUP NAME	PAGE
C104	104.PISTON ASS'Y	75
C108	108.SAFETY VALVE	77
C109-1	109.STOP VALVE	79
C109-2	109.STOP VALVE(2019.12~)	81
C111.1	111.HYD CONTROL POSITION TYPE	83
C111.2	111.HYD CONTROL POSITION TYPE	85
C113	113.DRAFT CONTROL	87
C114A-1	114.HYD PIPING	89
C114A-2	114.HYD PIPING(2019.04~)	91
C115	115.OIL COOLER	93
C118	118.HYD FILTER	95
C119	119.ELE'C WIRING	97
C124	124.BATTERY	99
C125.1	125.SWITCH	101
C125.2	125.SWITCH(2019.04~)	103
C135.1-1	135.BONNET	105
C135.1-2	135.BONNET(2019.04~)	107
C135.2	135.BONNET	109
C136-1	136.LOCKING ASS'Y, BONNET	111
C136-2	136.LOCKING ASS'Y, BONNET(2019.04~)	113
C137A	137.BONNET SUPPORT	115
C138-1	138.FENDER	117
C138-2	138.FENDER(2019.12~)	119
C139	139.CABIN FRAME ASS'Y	121
C140	140.SEAT	123
C141A	141.FUEL TANK	125
C144B-1	144.NAME PLATE[3515CH]	127
C144B-2	144.NAME PLATE[3515CH](2019.04~)	129
C146	146.TOP LINK, LIFT LINK	131
C150	150.LOWER LINK	133
C152	152.DRAWBAR HITCH	135
C161.1A	161.ENGINE SUB	137
C161.2A-1	161.ENGINE SUB	139
C161.2A-2	161.ENGINE SUB(2019.12~)	141
C190	190.BLOCK, REAR	143

FIG C000

15CH(US)

Year/Month

3515CH

2020/01



1 CHASSIS



ENGINE

FIG C001

1.LEVER ACCELERATOR

Year/Month

3515CH

2020/01

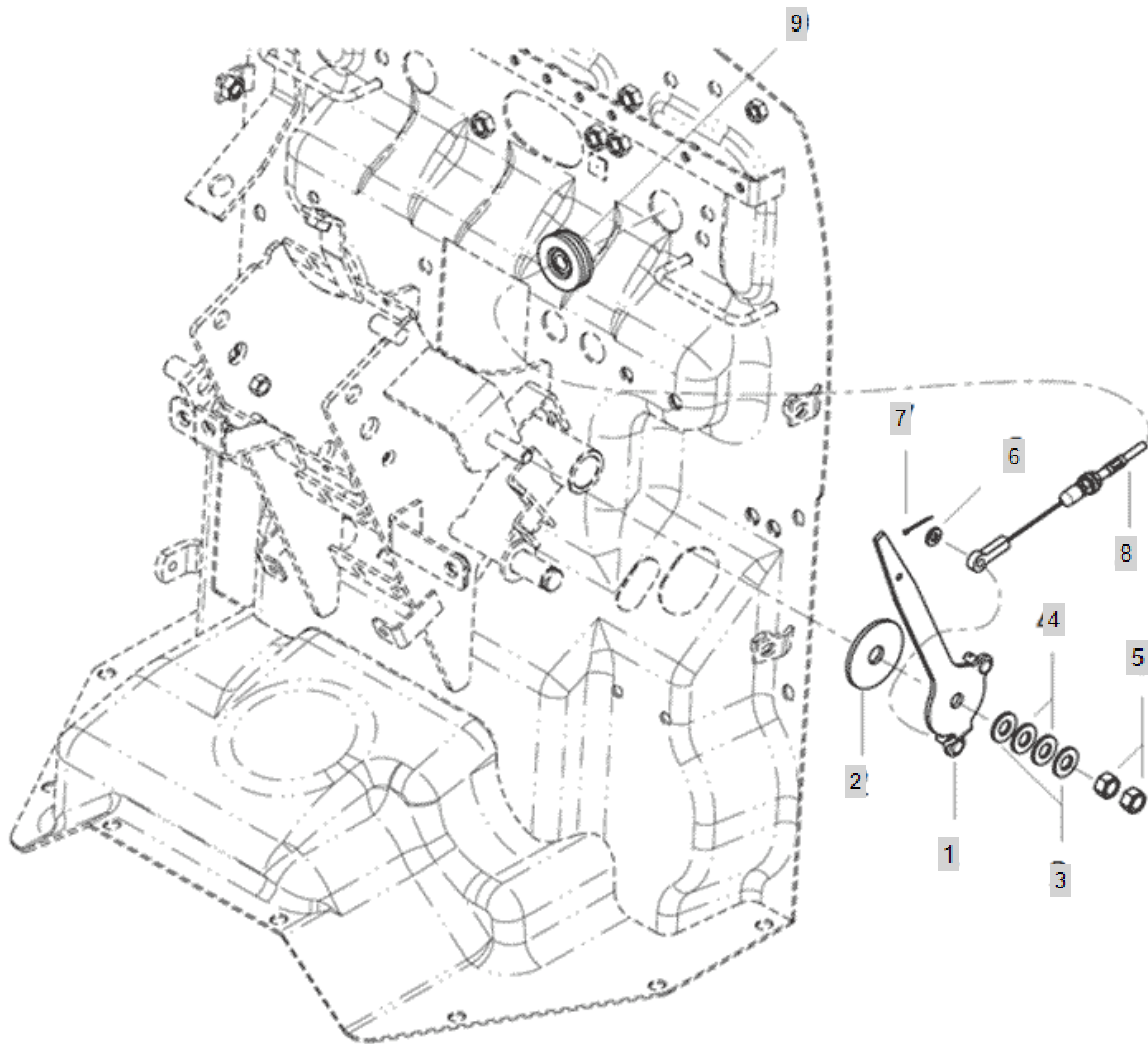


FIG C002

2.STEERING COLUMN

Year/Month

3515CH

2020/01

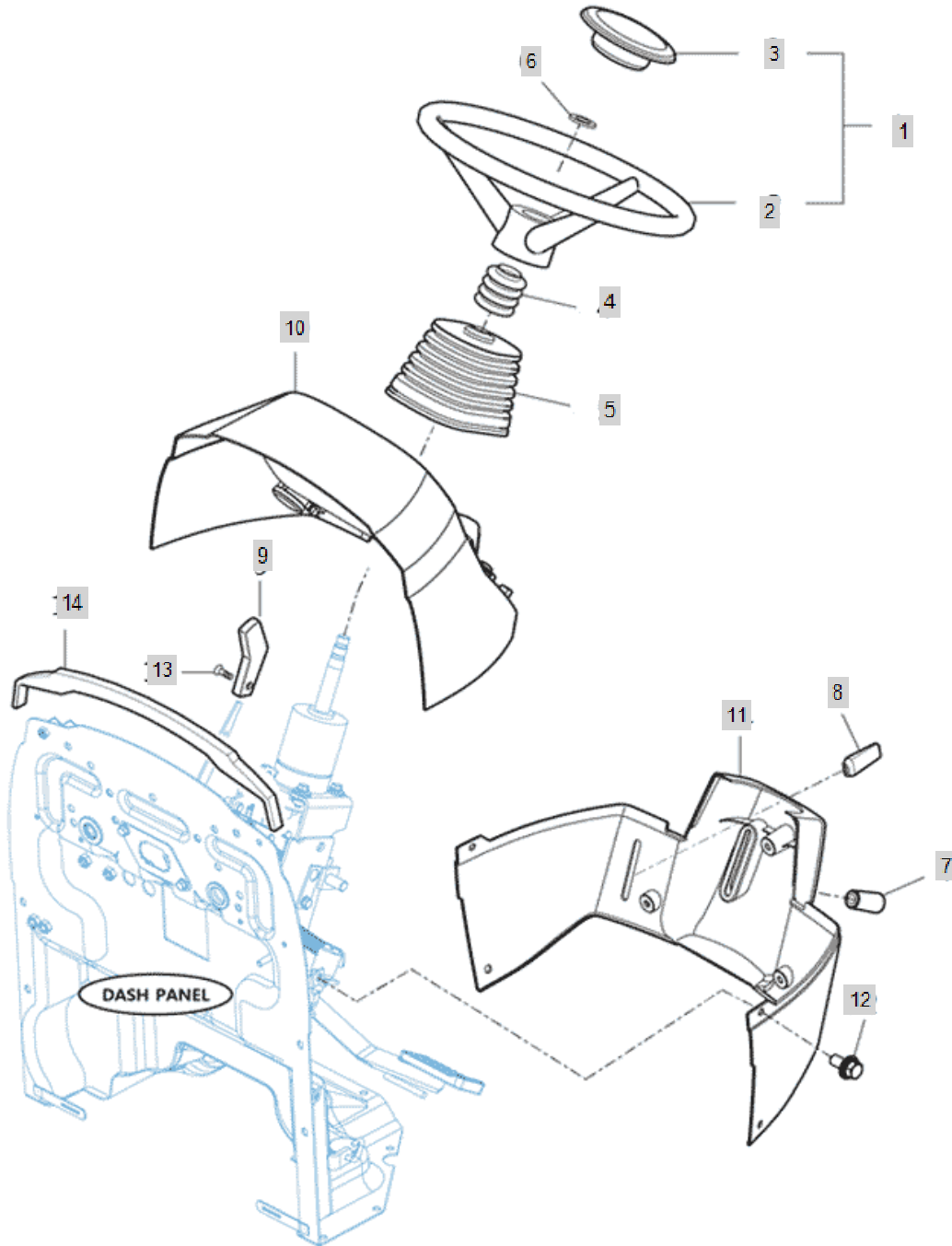


FIG C003A-1

3.FRONT AXLE BRACKET

Year/Month

3515CH

2020/01

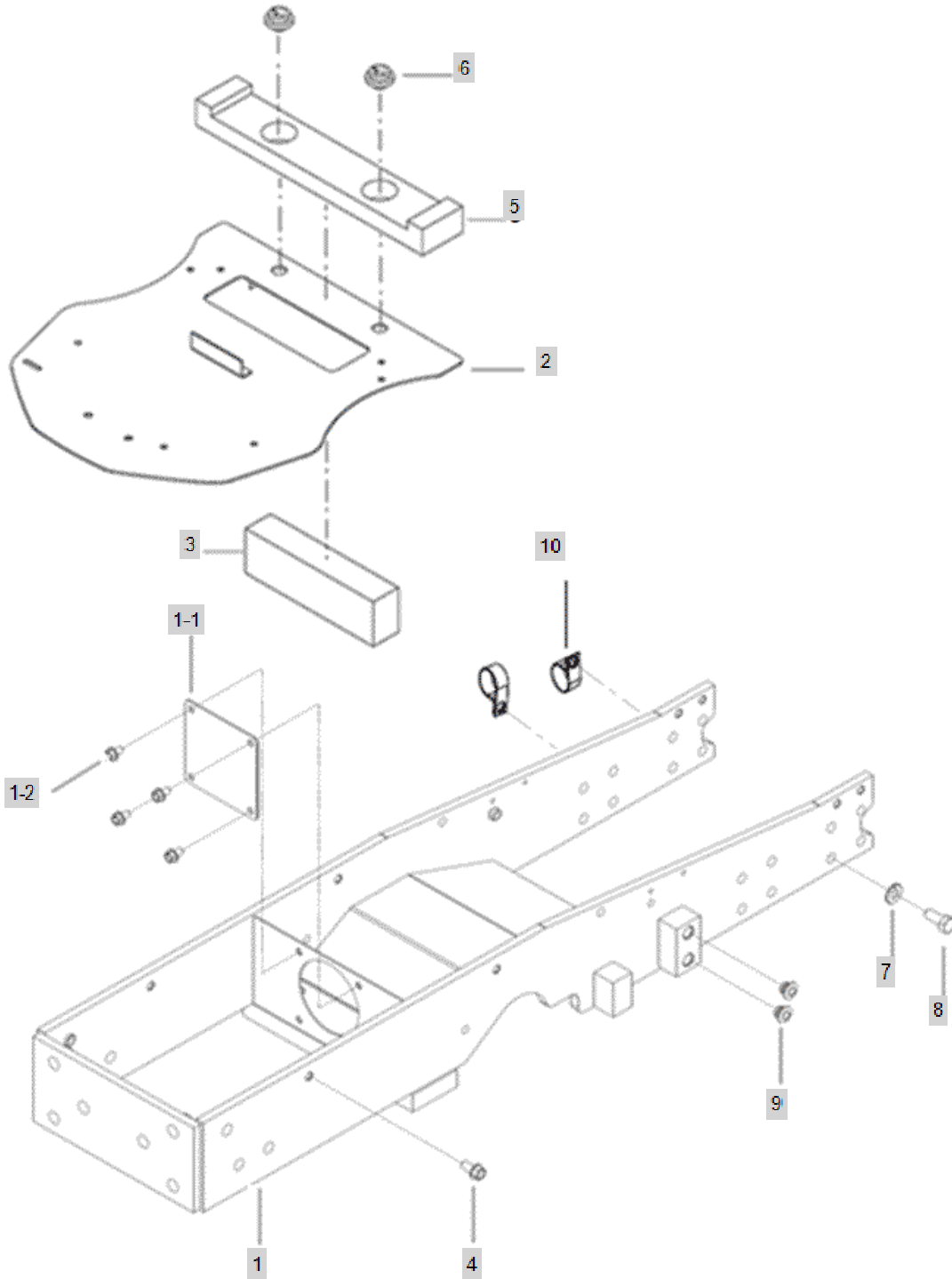


FIG C003A-2

3.FRONT AXLE BRACKET(2019.12~)

Year/Month

3515CH

2020/01

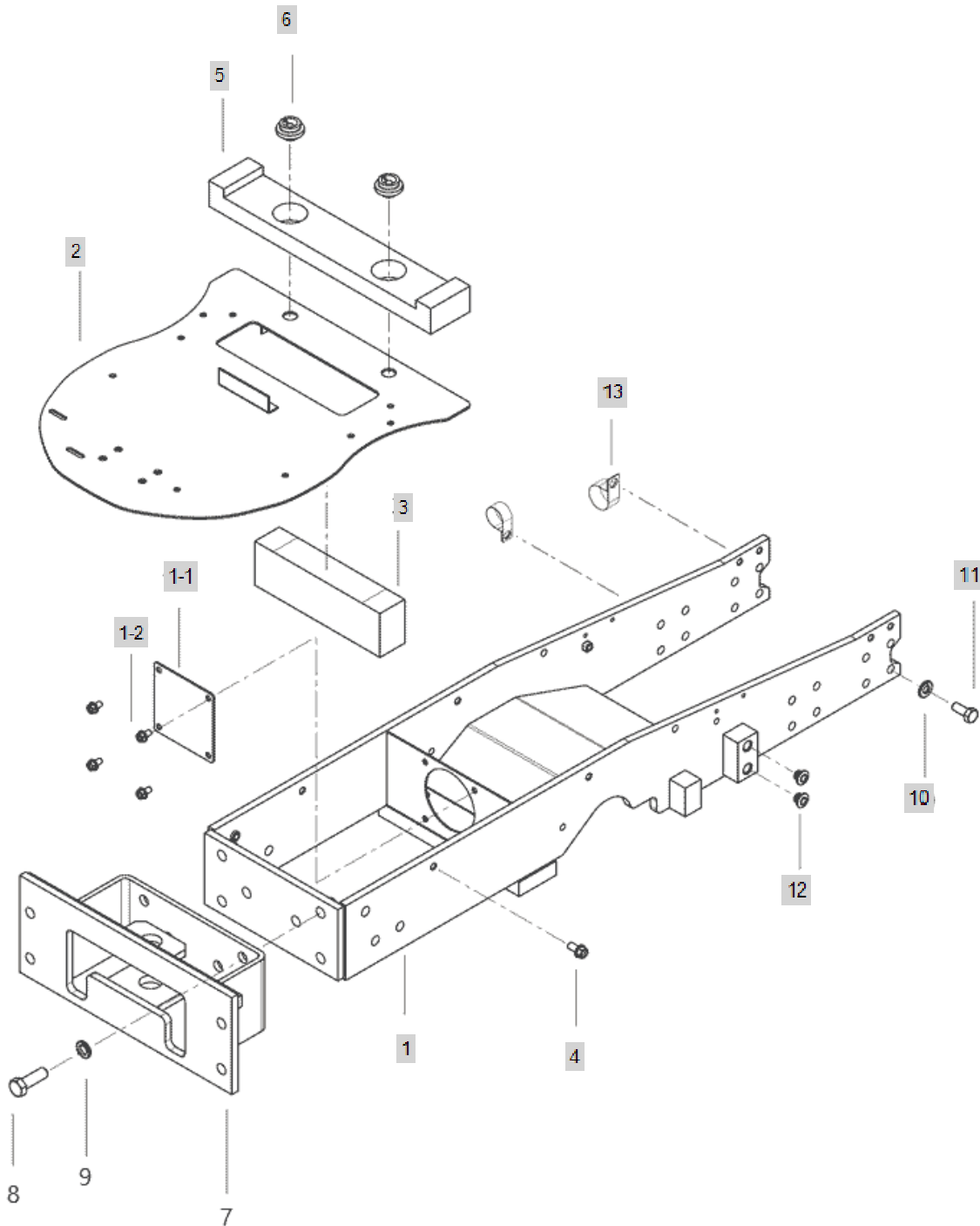


FIG C009

9.CENTAPIN SUPPORTER

Year/Month

3515CH

2020/01

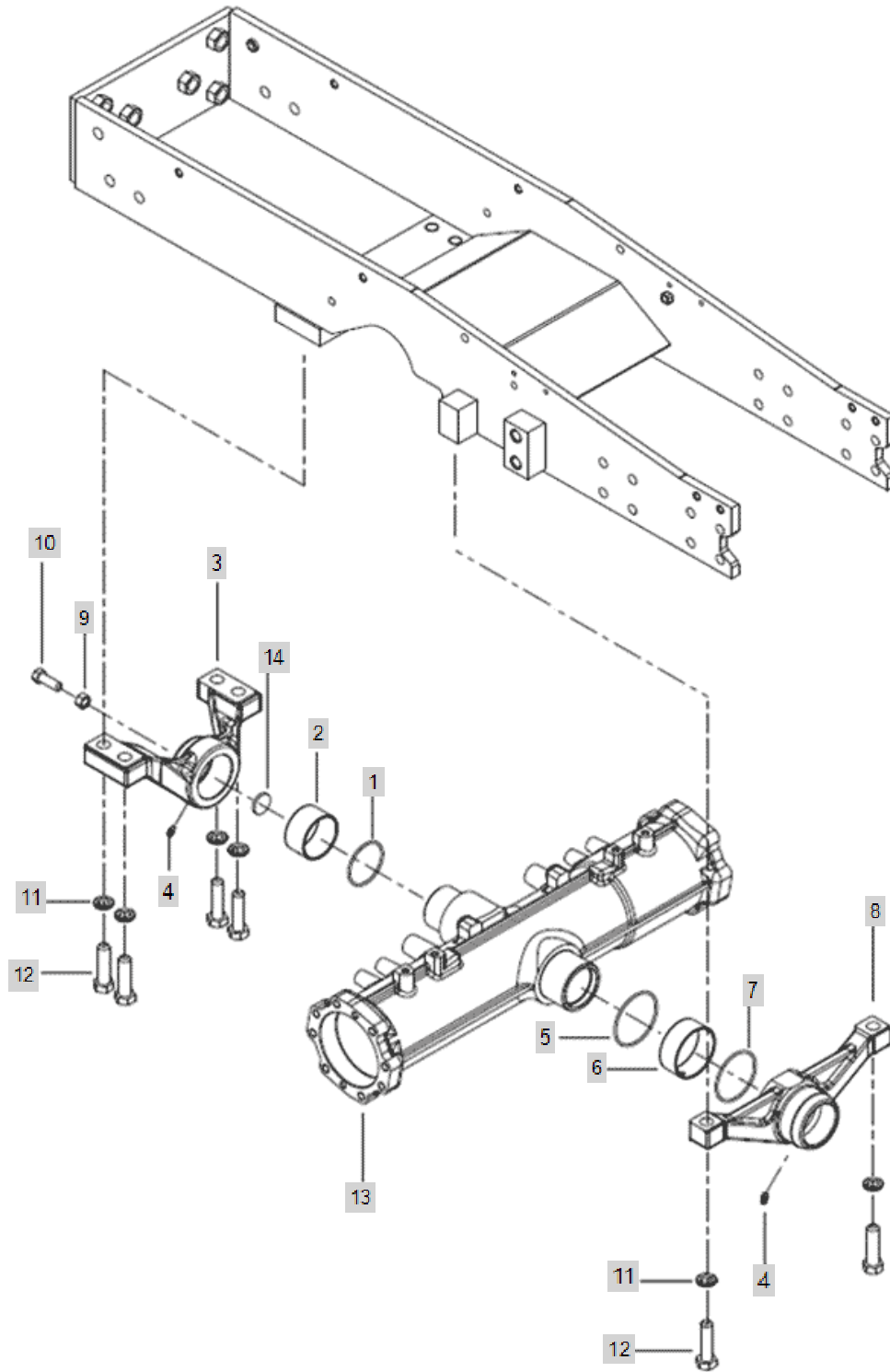


FIG C010

10.TIEROAD

Year/Month

3515CH

2020/01

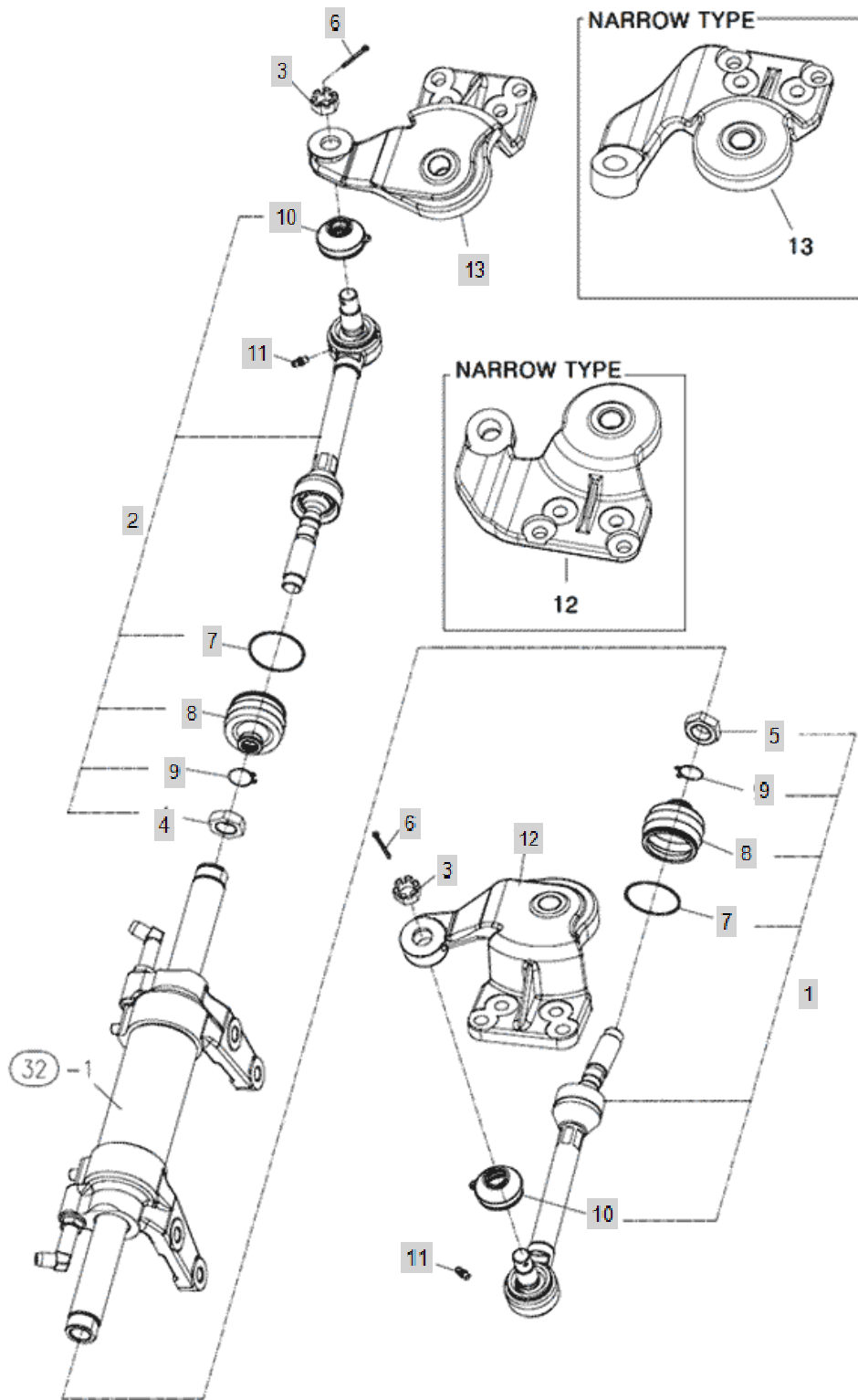


FIG C019

19.GEAR CASE, FRONT AXLE

Year/Month

3515CH

2020/01

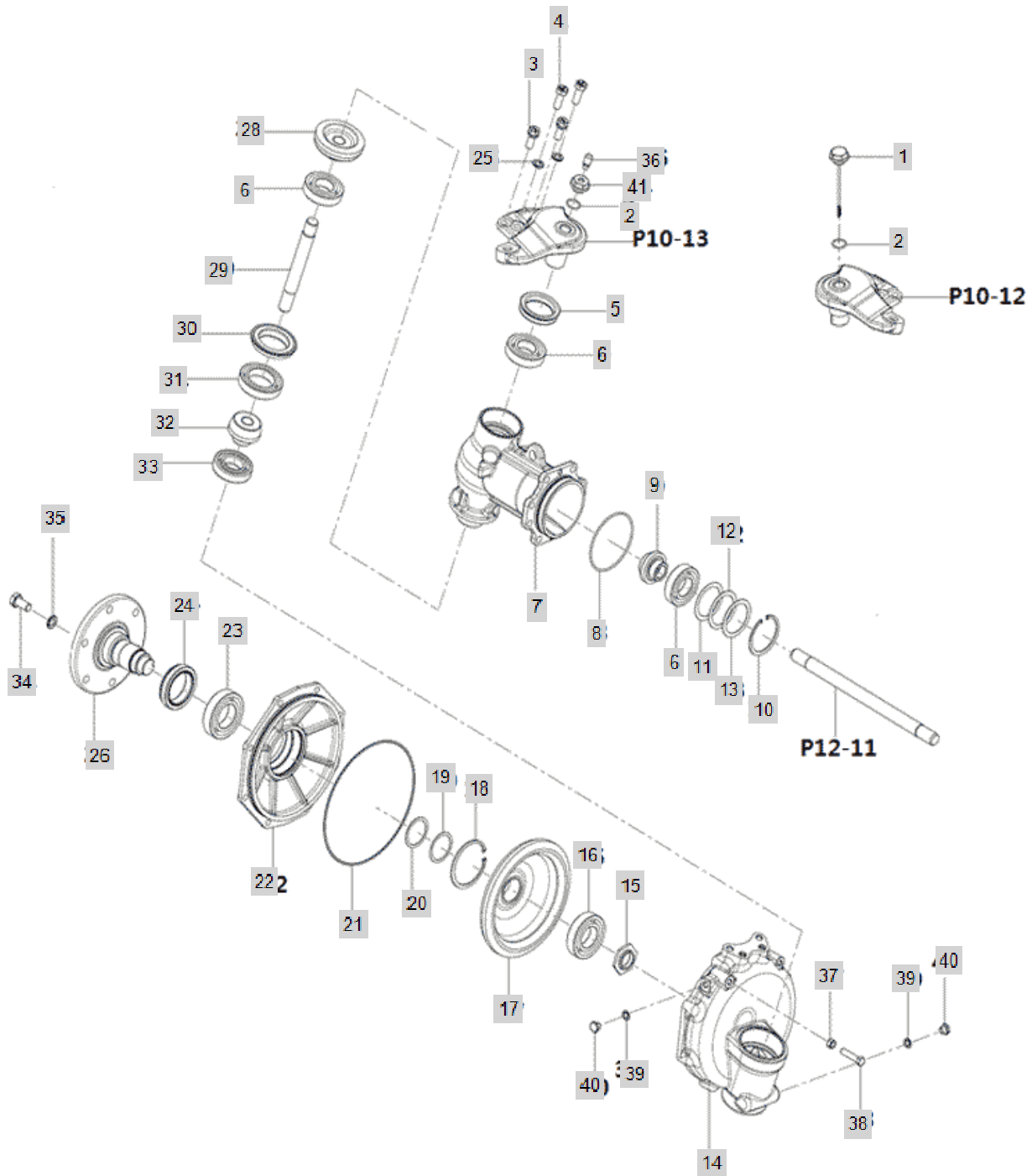


FIG C020

20.SPACER

Year/Month

3515CH

2020/01

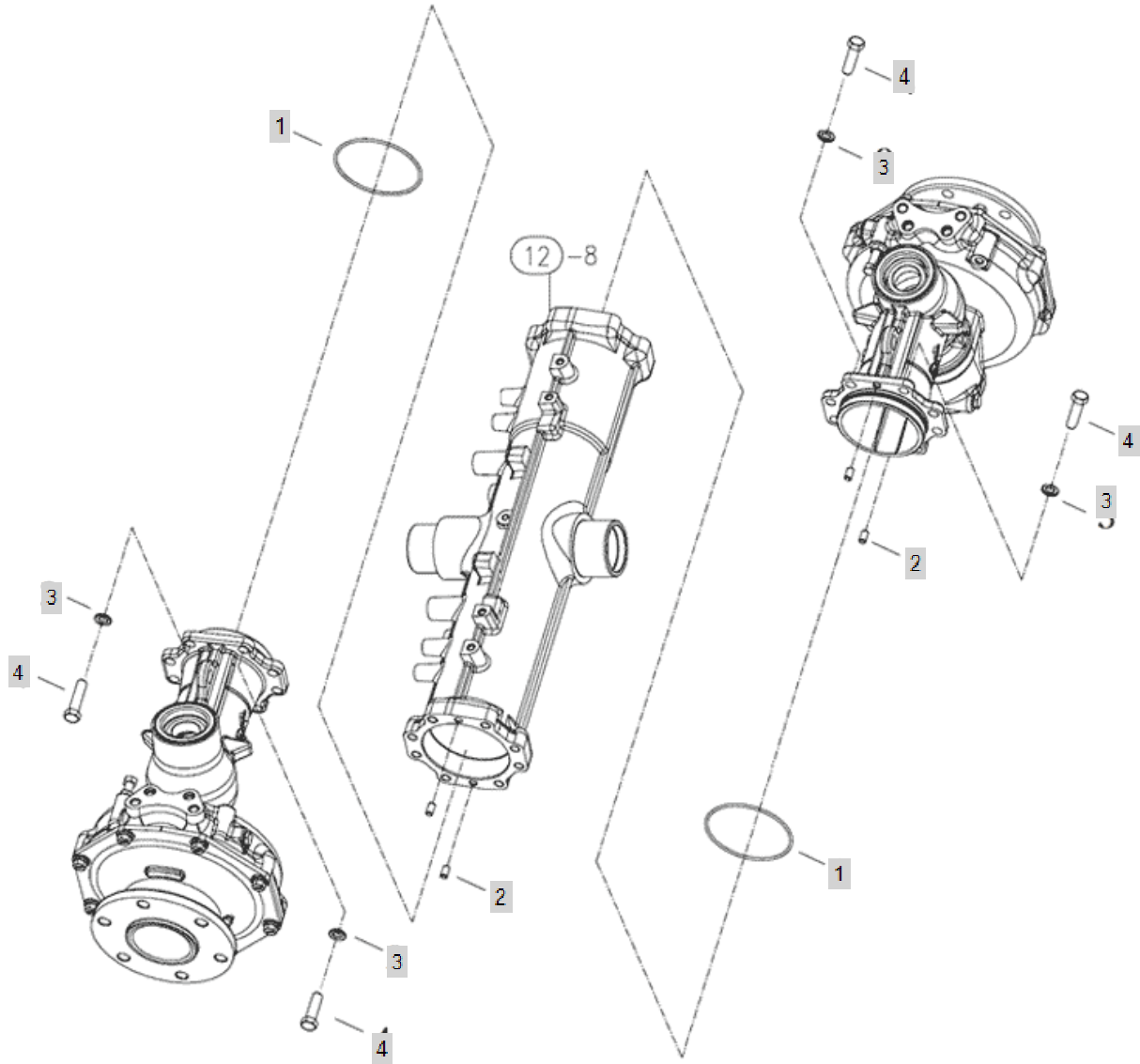


FIG C032

32.P.S.T CYLINDER

Year/Month

3515CH

2020/01

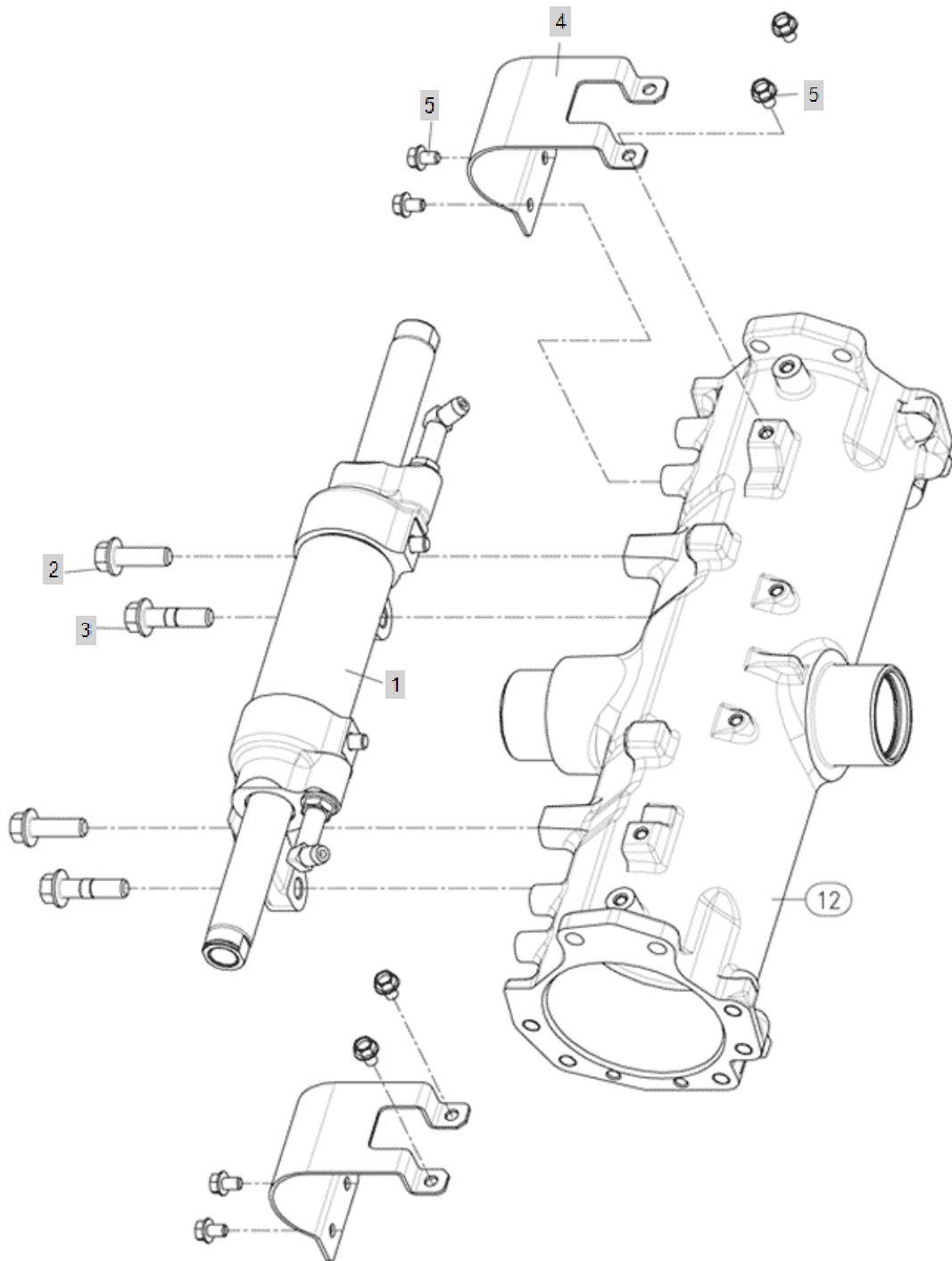


FIG C034

34.P.S.T HOSE

Year/Month

3515CH

2020/01

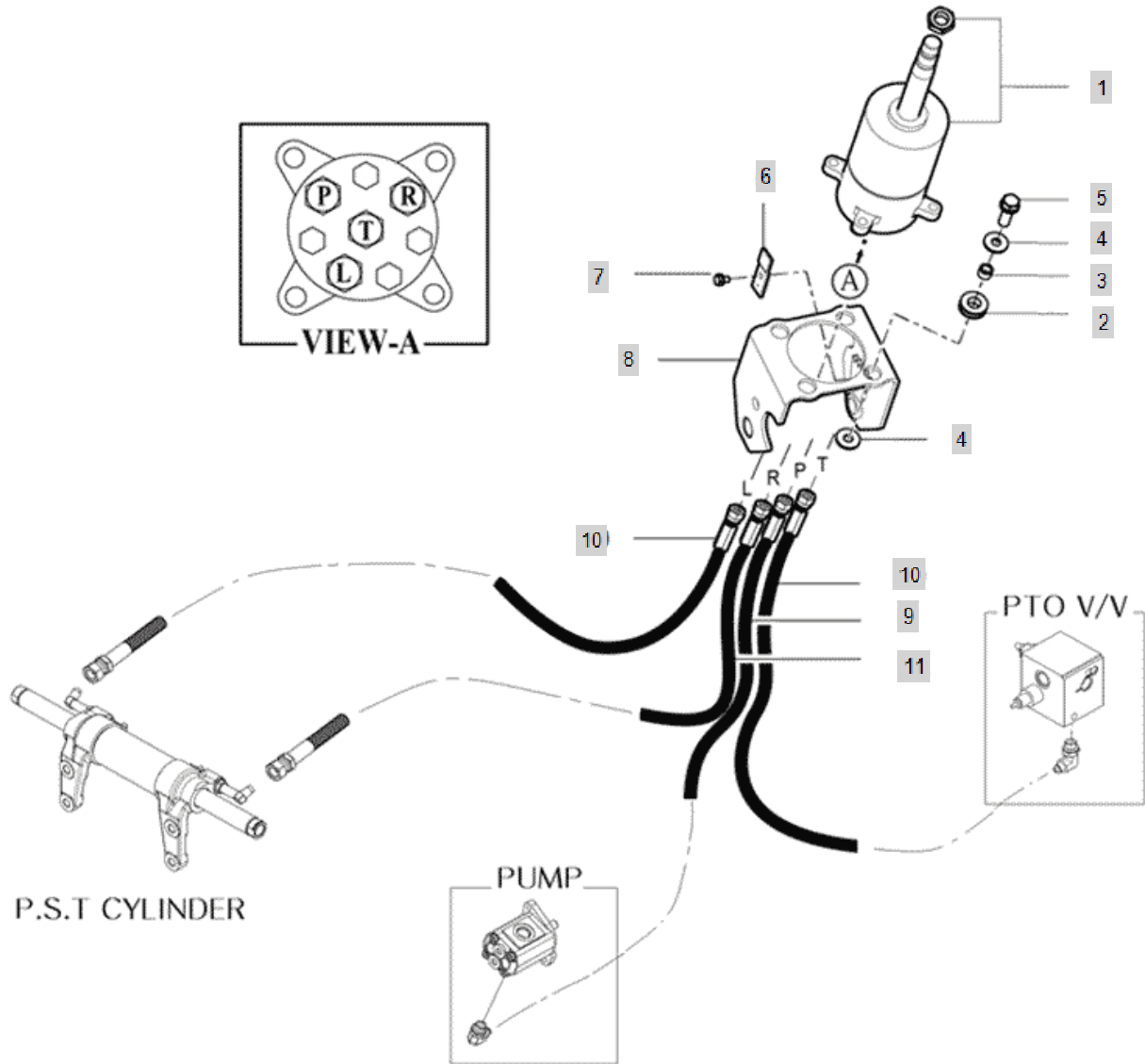


FIG C037A-1

37.CLUTCH HOUSING

Year/Month

3515CH

2020/01

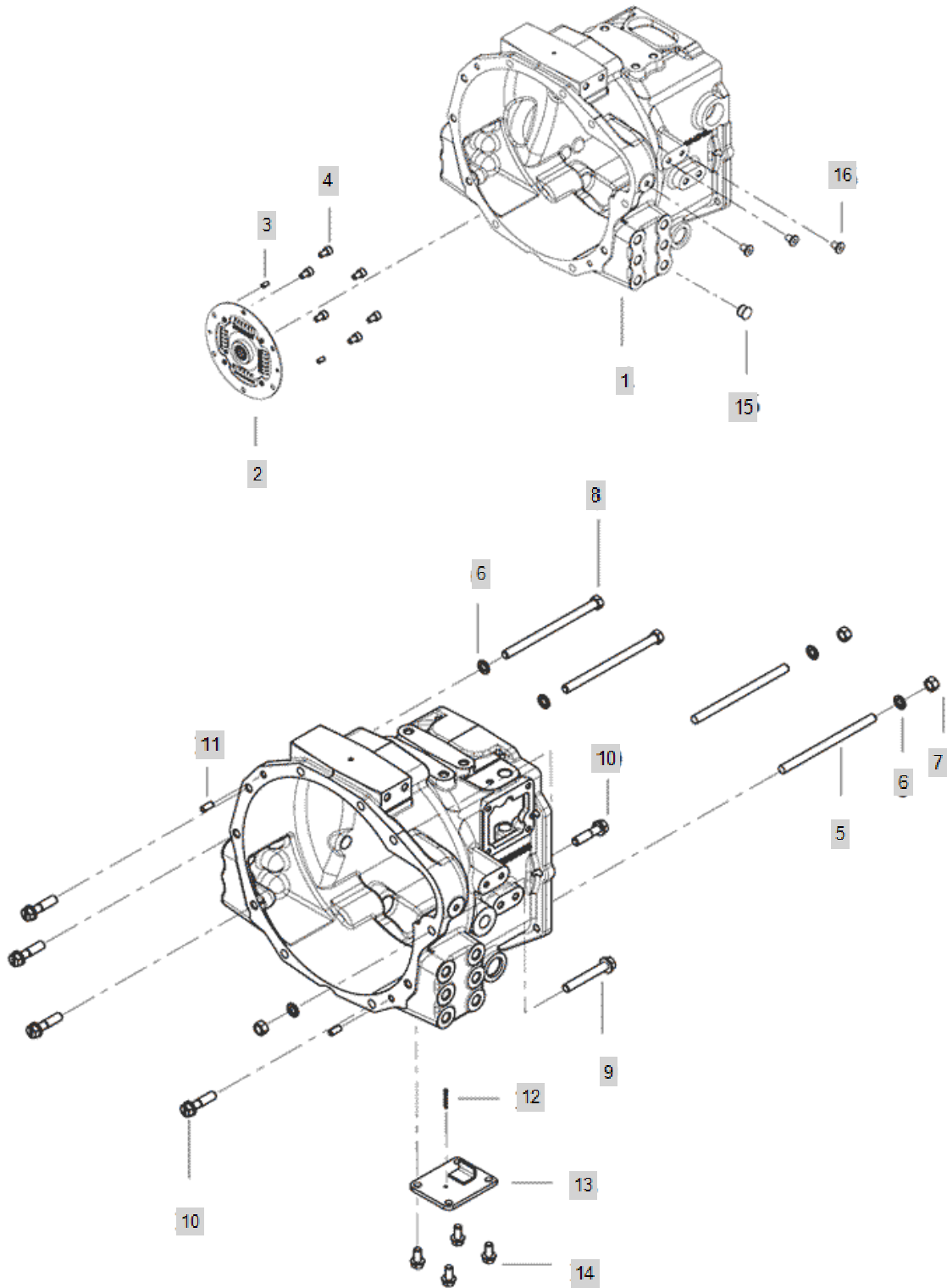


FIG C037A-2

37.CLUTCH HOUSING(2019.04~)

Year/Month

3515CH

2020/01

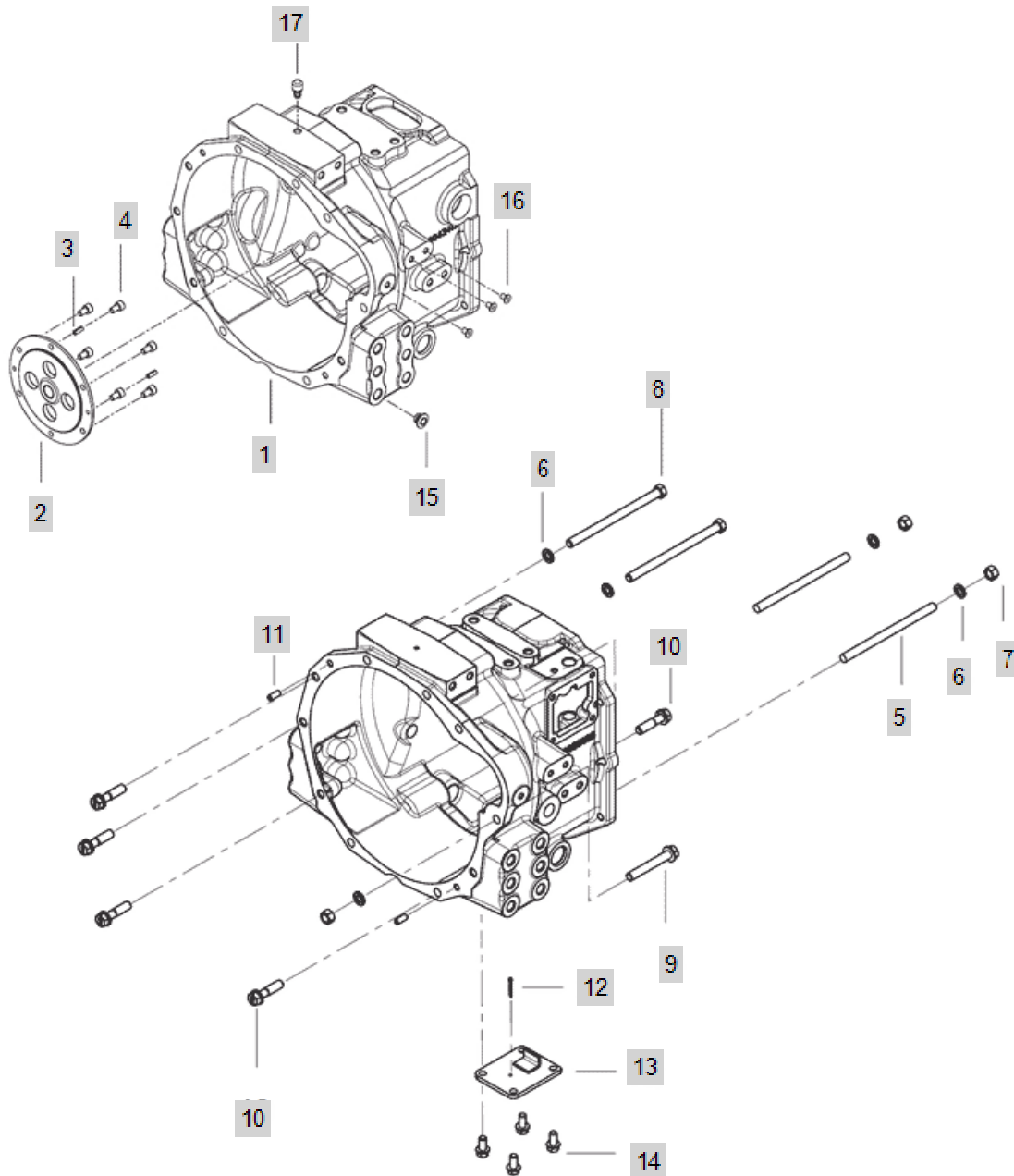


FIG C037D-2

37.CLUTCH HOUSING[4815CH](2019.04~)

Year/Month

3515CH

2020/01

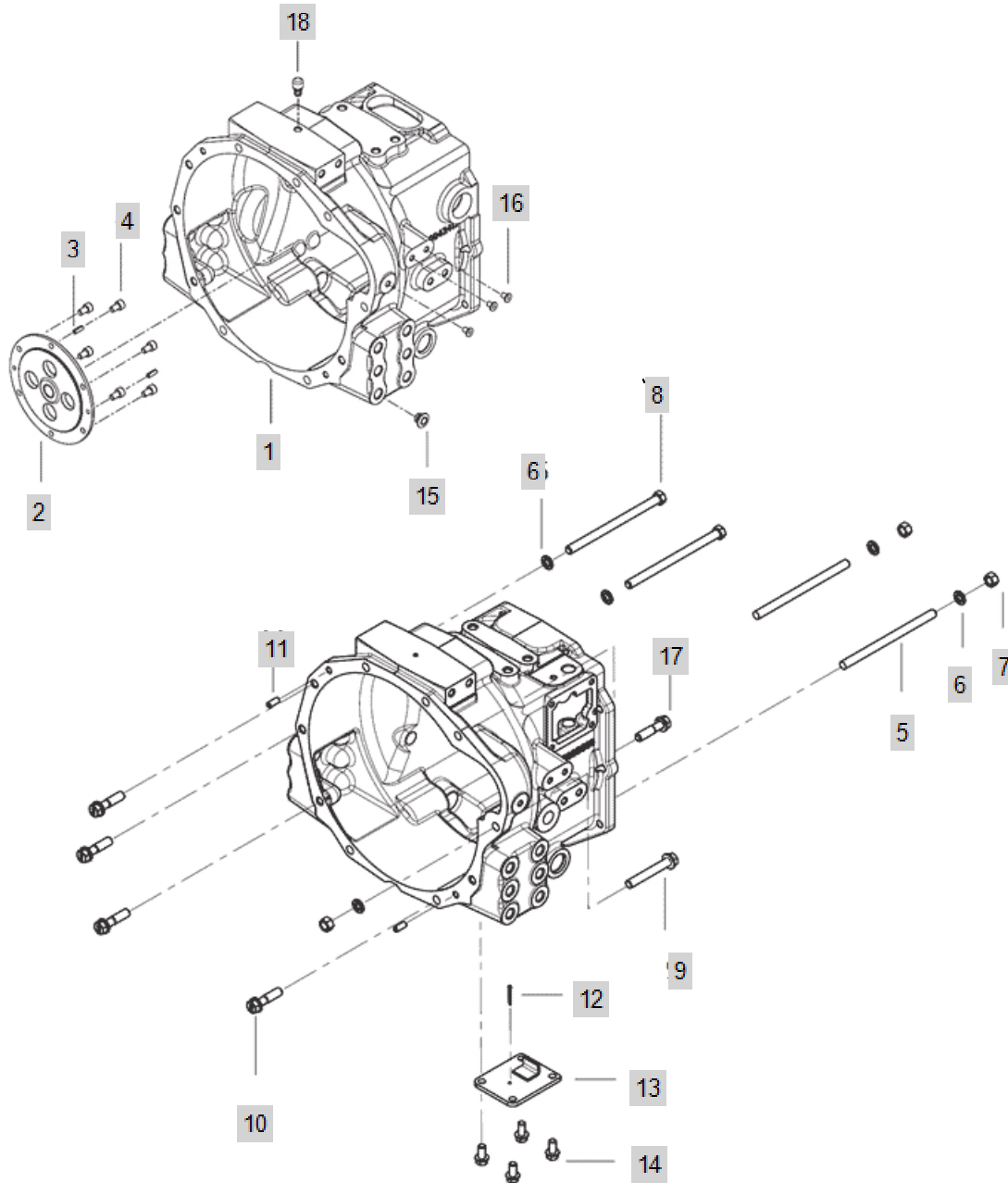


FIG C044-1

44.TRANSMISSION CASE

Year/Month

3515CH

2020/01

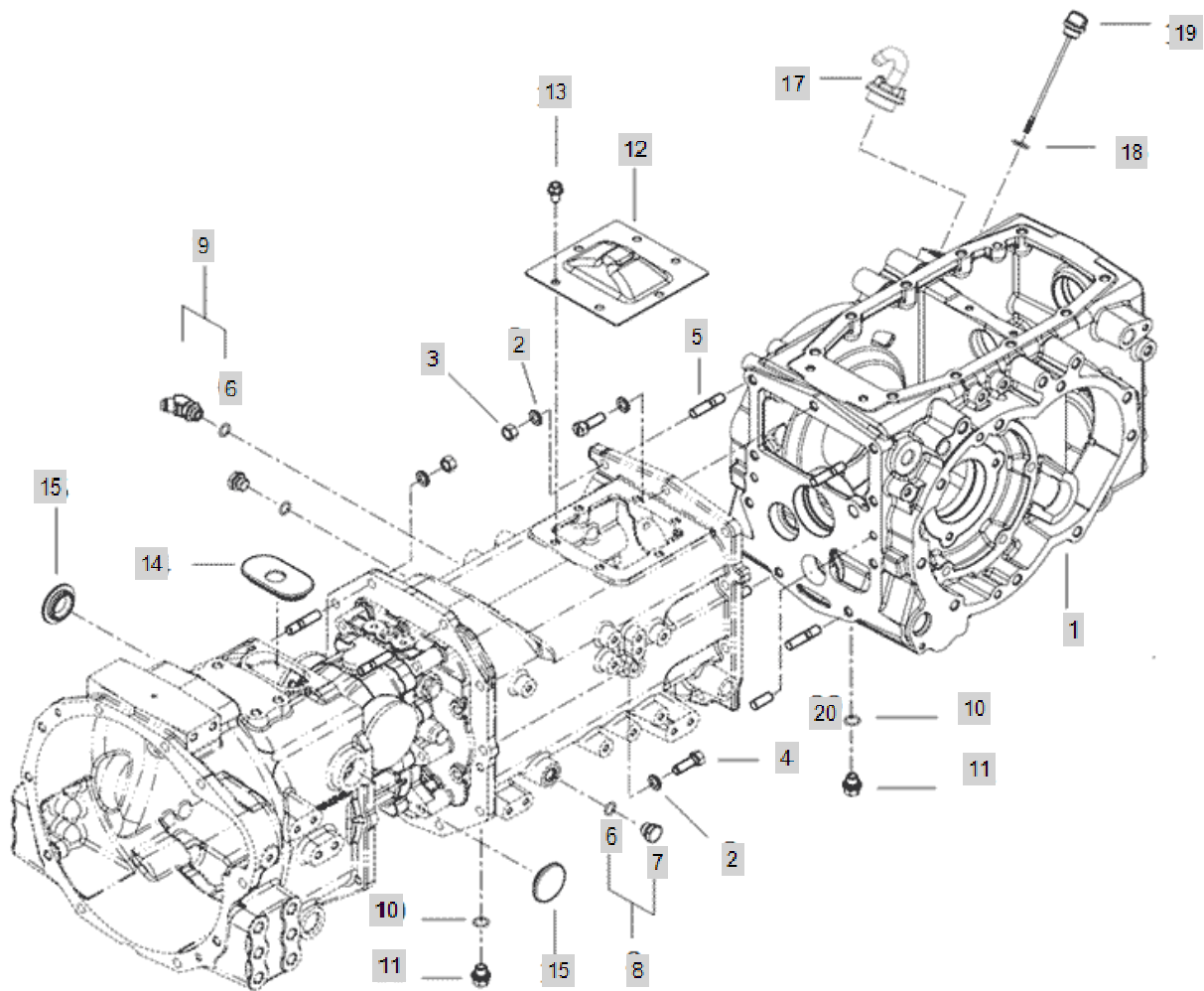


FIG C044-2

44.TRANSMISSION CASE(2019.12~)

Year/Month

3515CH

2020/01

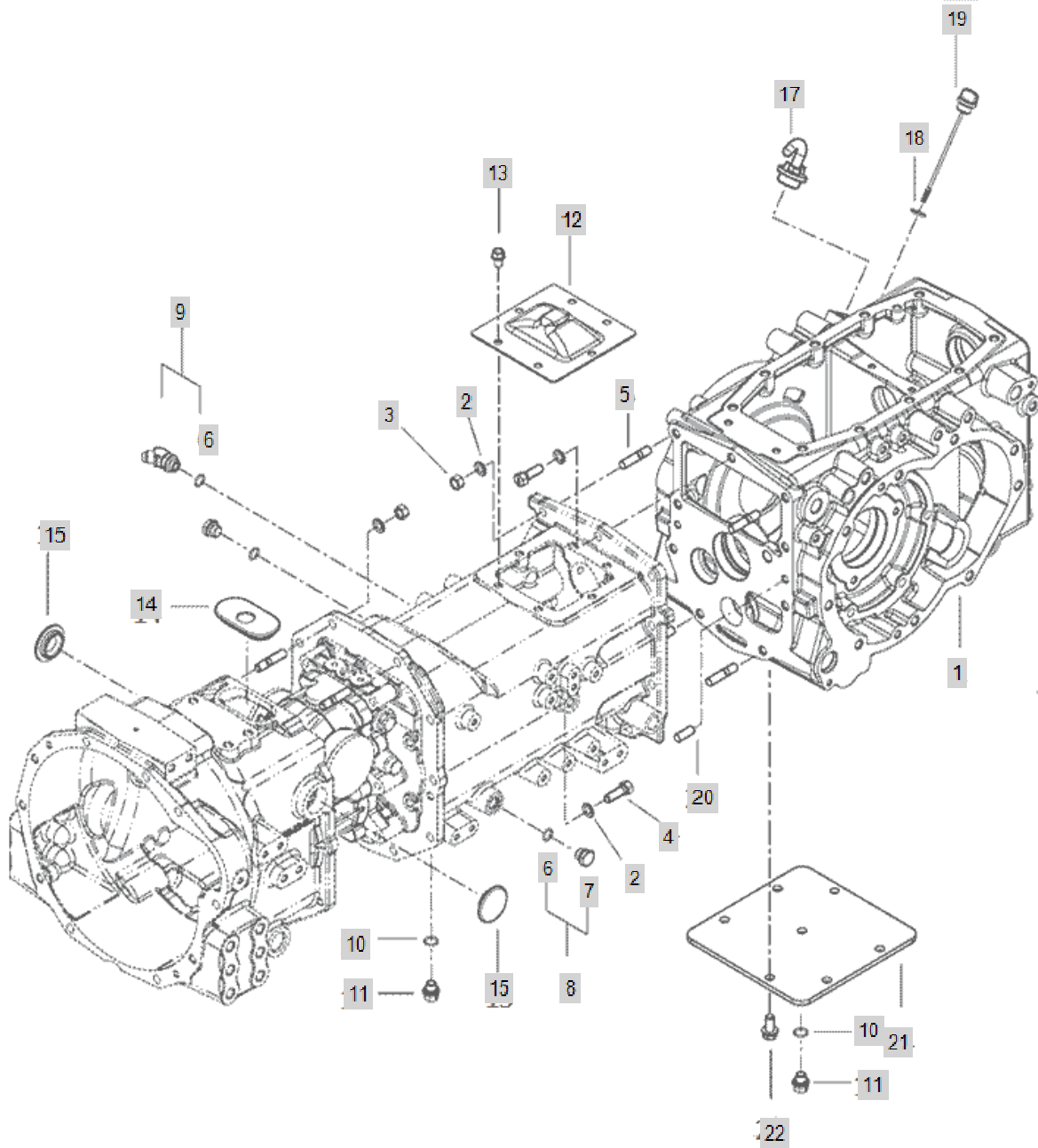


FIG C057A

57.GEAR, RANGE SHIFT

Year/Month

3515CH

2020/01

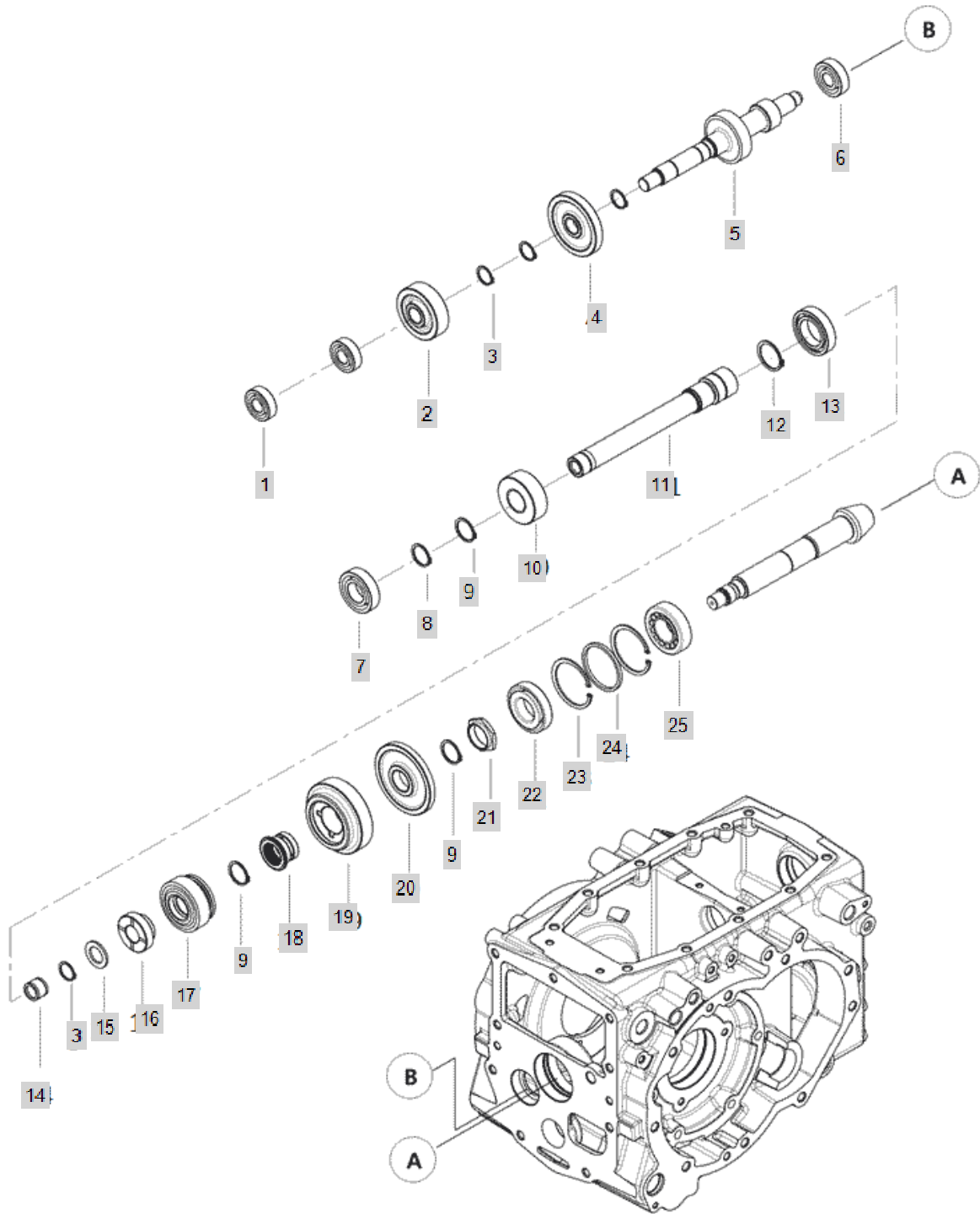


FIG C062

62.MAIN P.T.O SHAFT

Year/Month

3515CH

2020/01

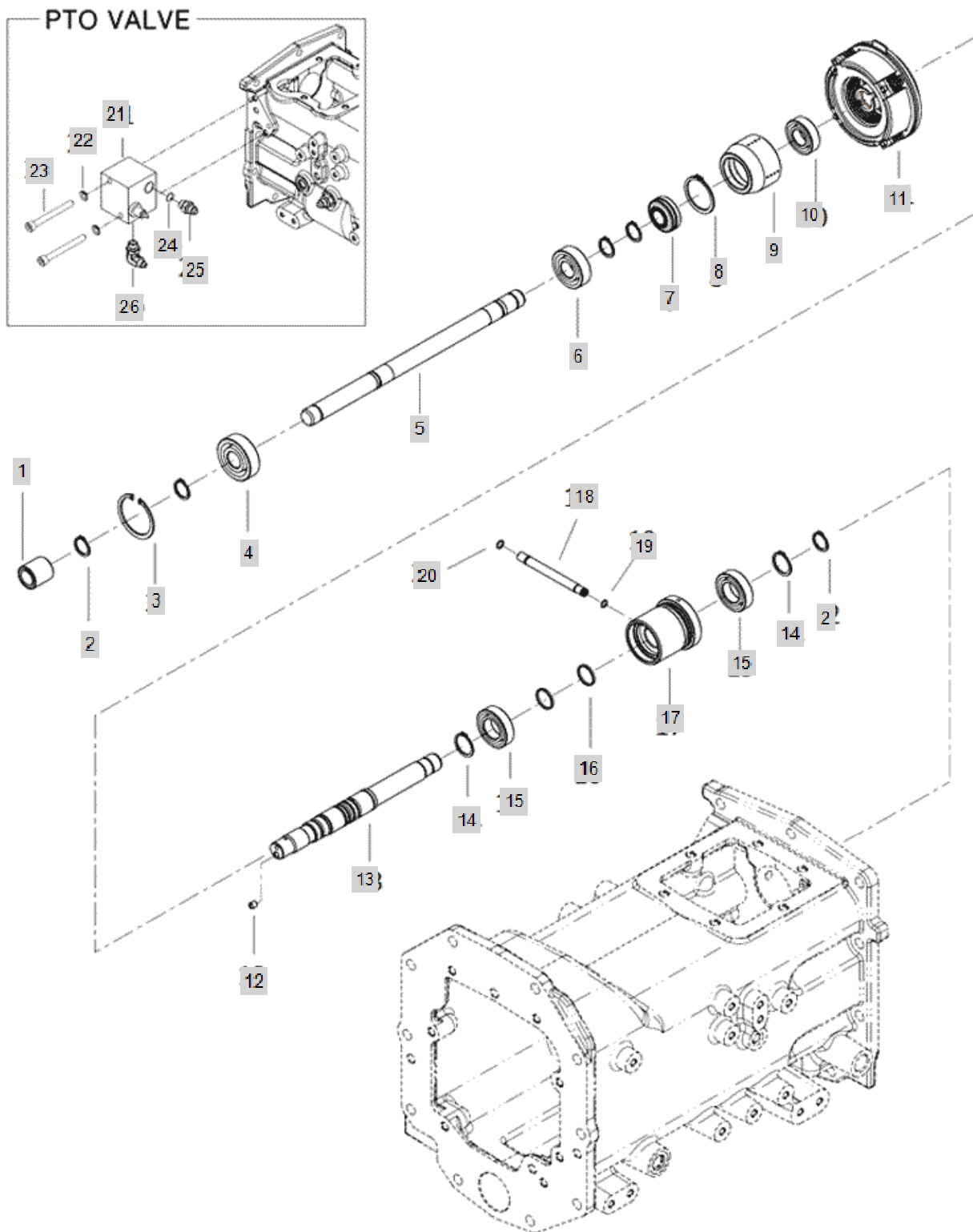


FIG C063

63.PTO DRIVE SHAFT

Year/Month

3515CH

2020/01

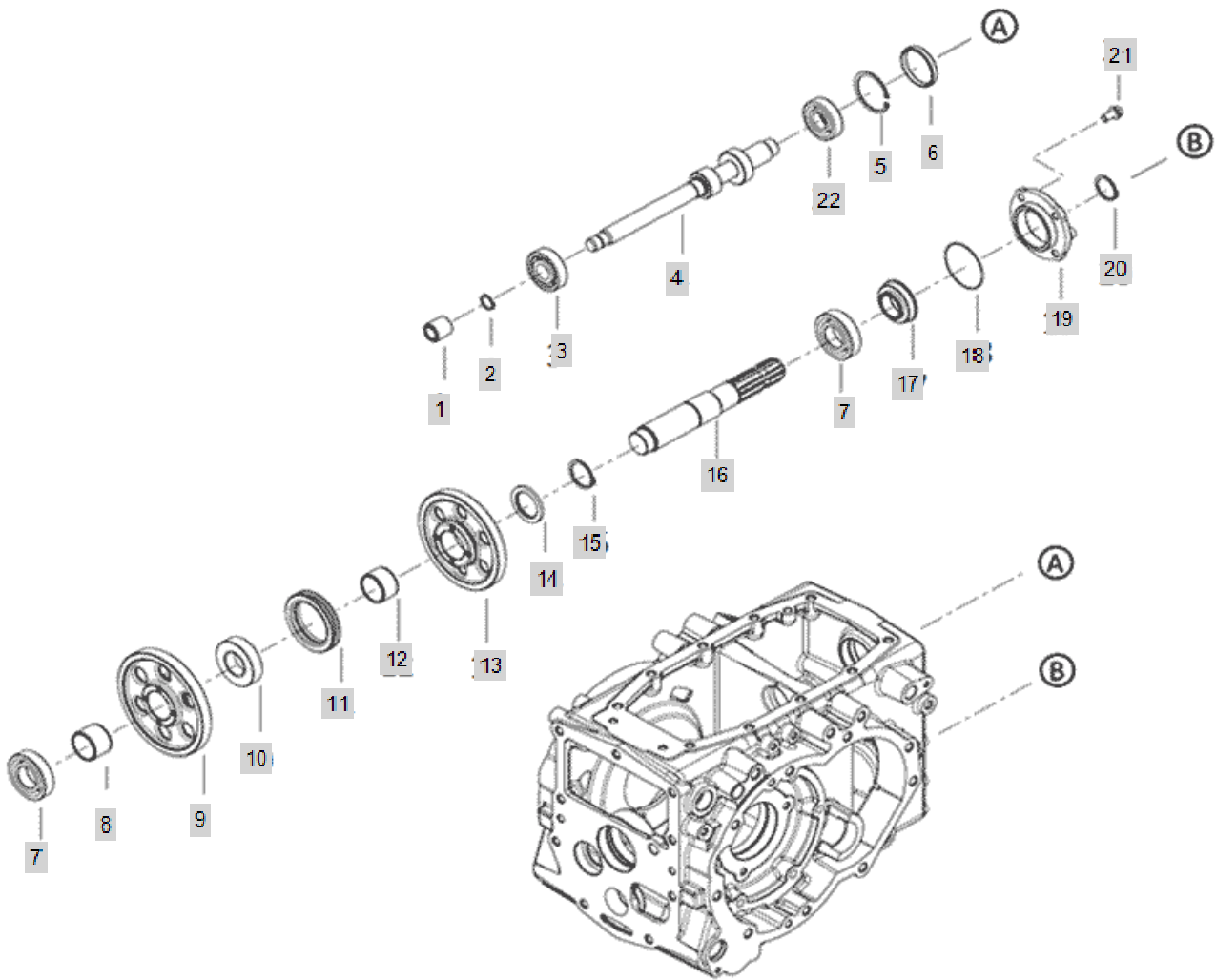


FIG C068

68.LEVER ASS'Y, RANGE SHIFT

Year/Month

3515CH

2020/01

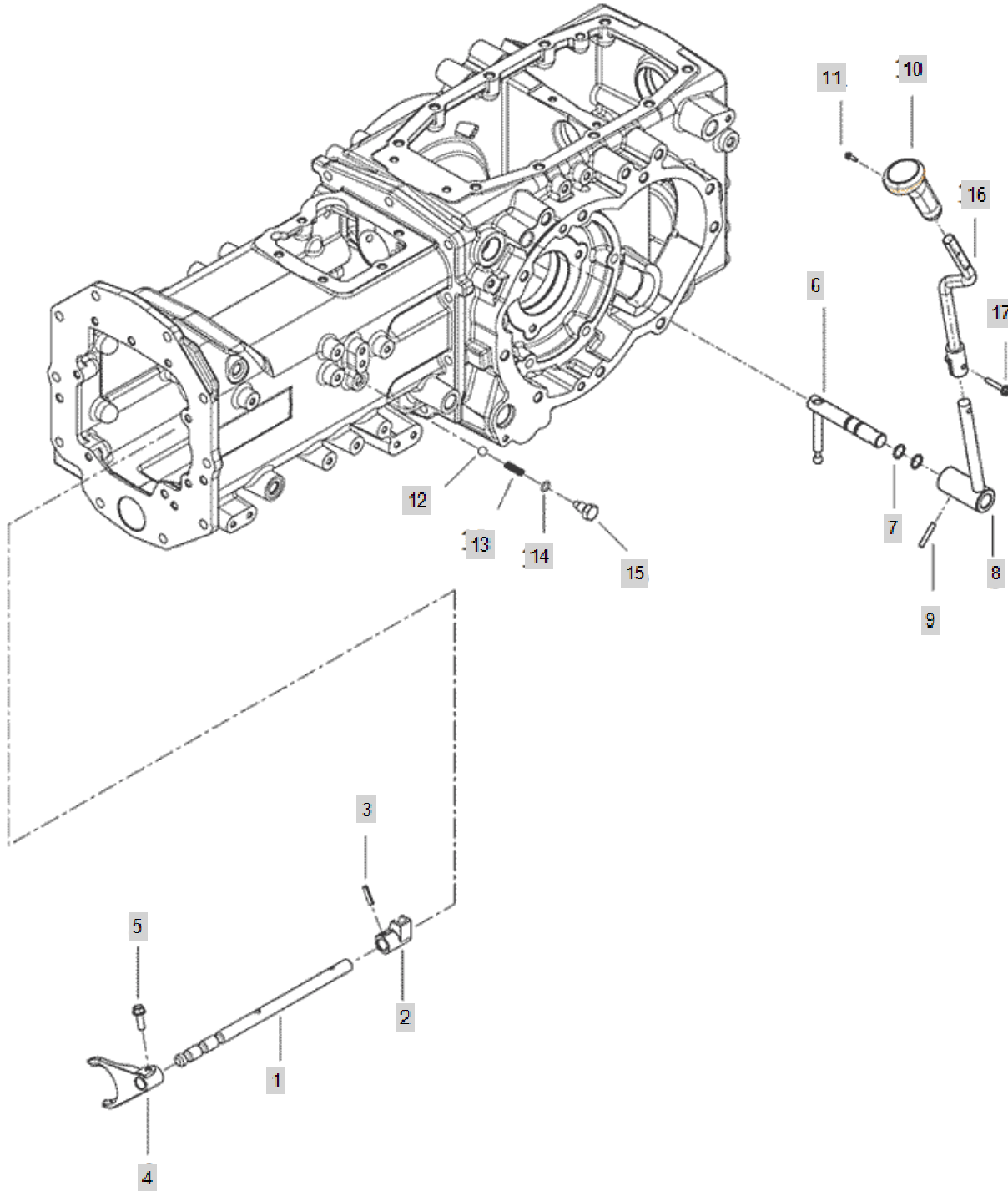


FIG C072

72.FORNT DRIVE SHAFT

Year/Month

3515CH

2020/01

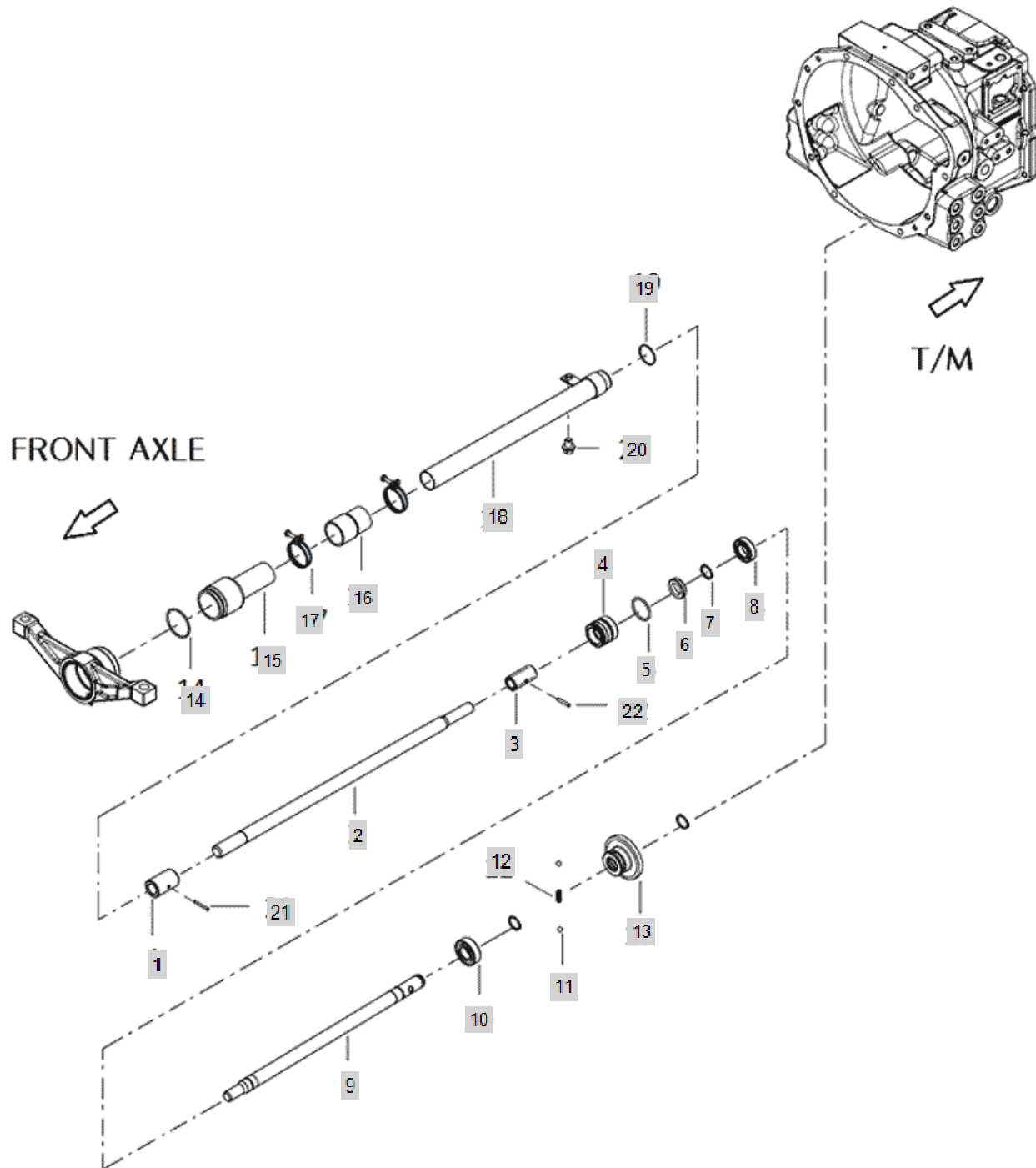


FIG C073

73.4WD LEVER

Year/Month

3515CH

2020/01

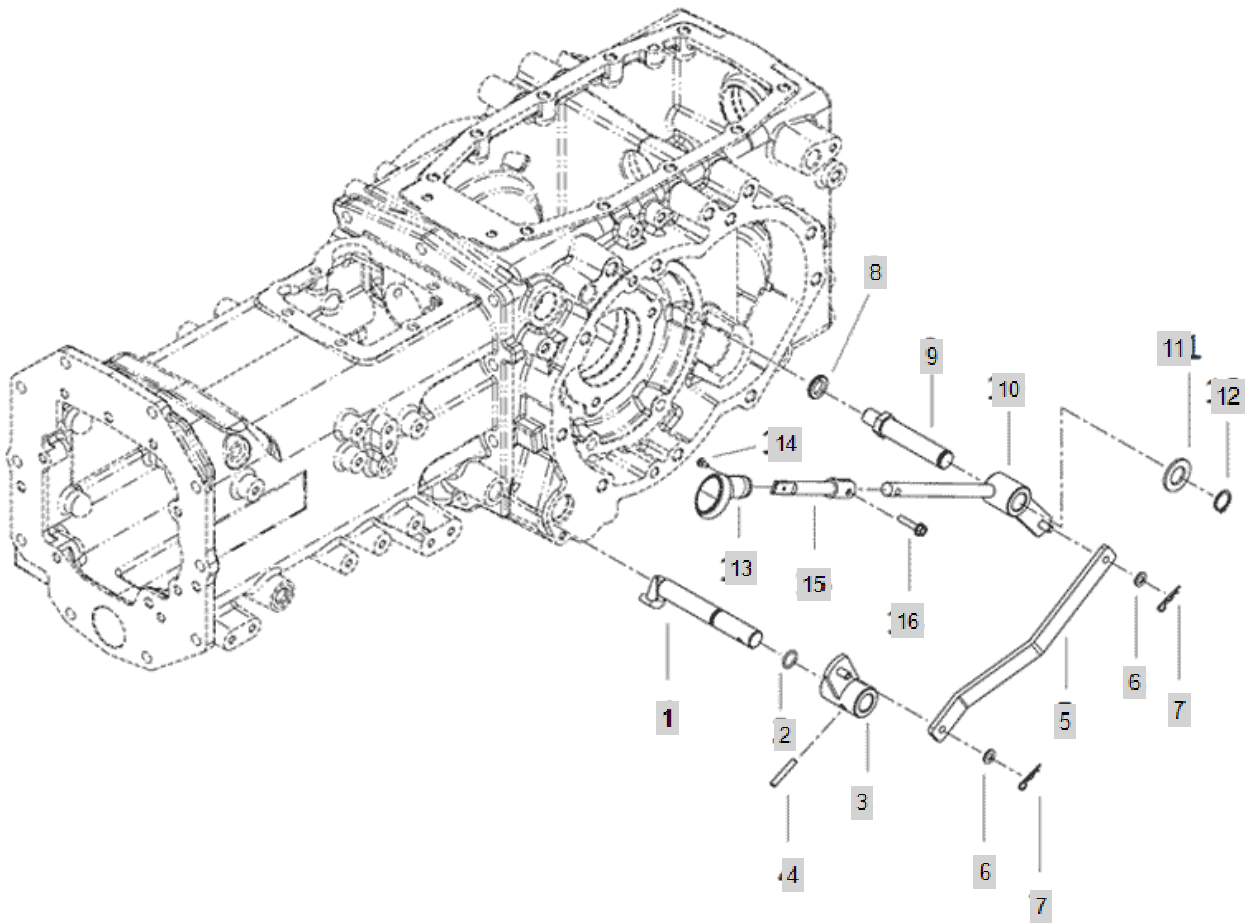


FIG C074

74.FORK & LEVER, PTO

Year/Month

3515CH

2020/01

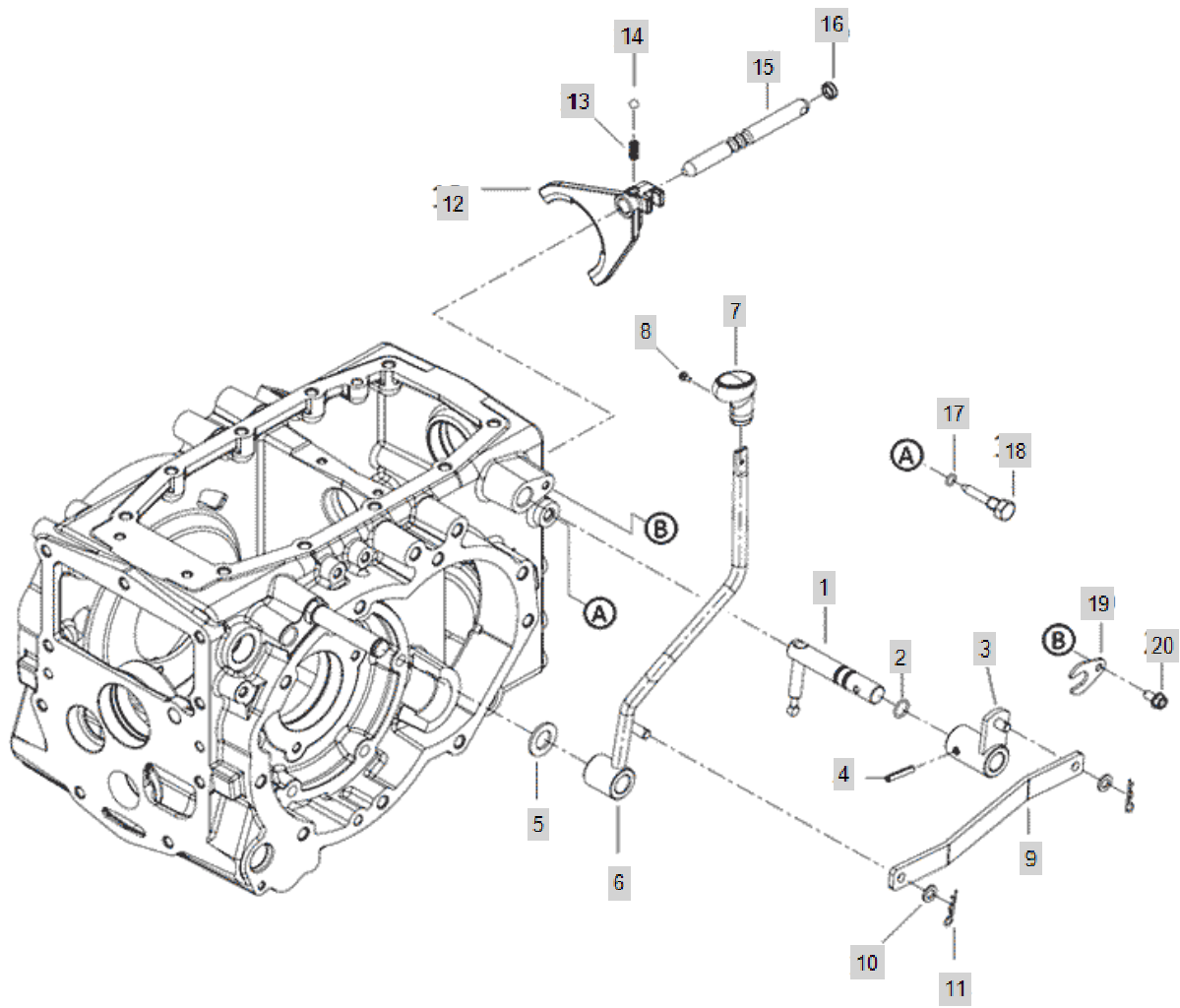


FIG C078

78.RING GEAR&DIFF.GEAR ASS'Y

Year/Month

3515CH

2020/01

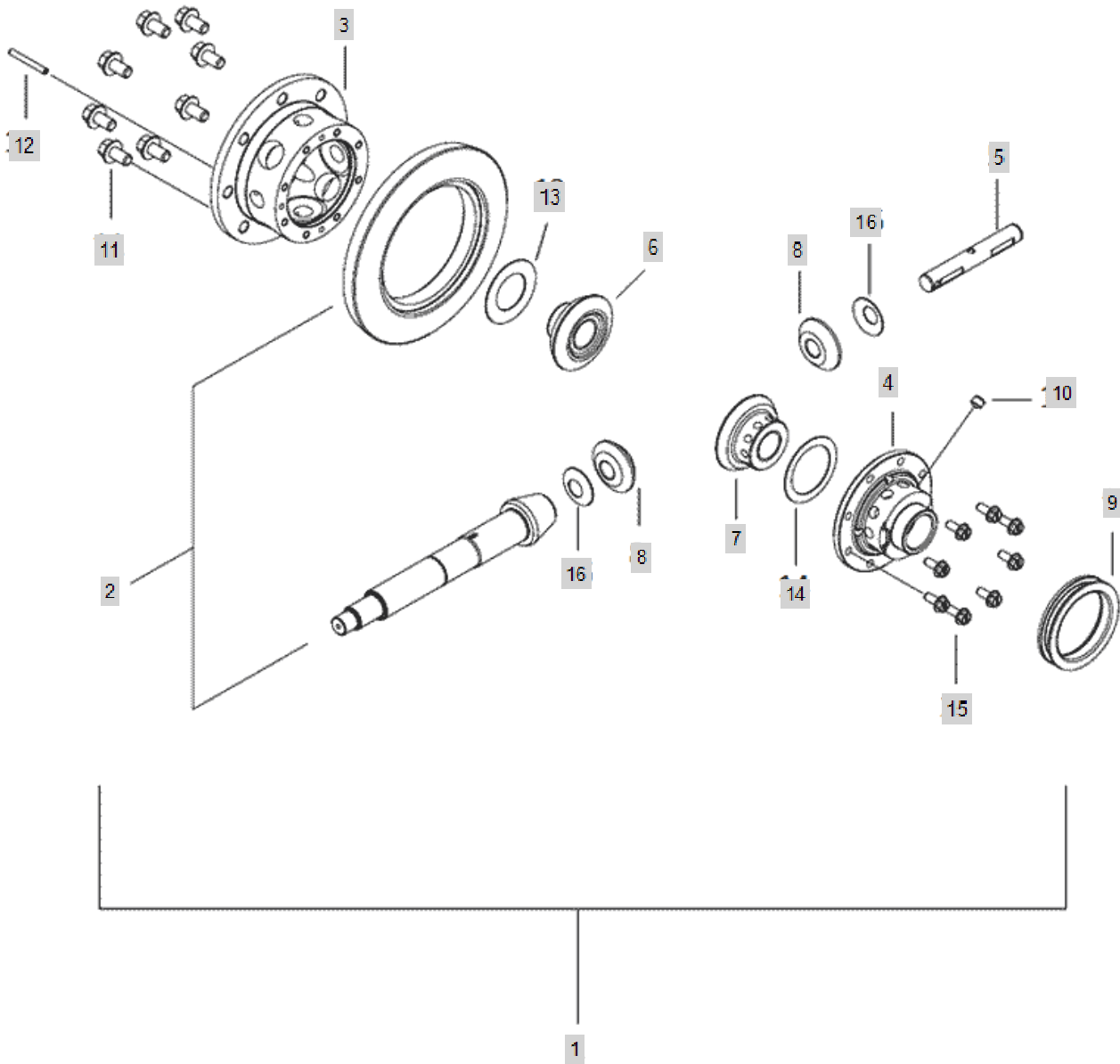


FIG C079

79.DIFFERENTIAL

Year/Month

3515CH

2020/01

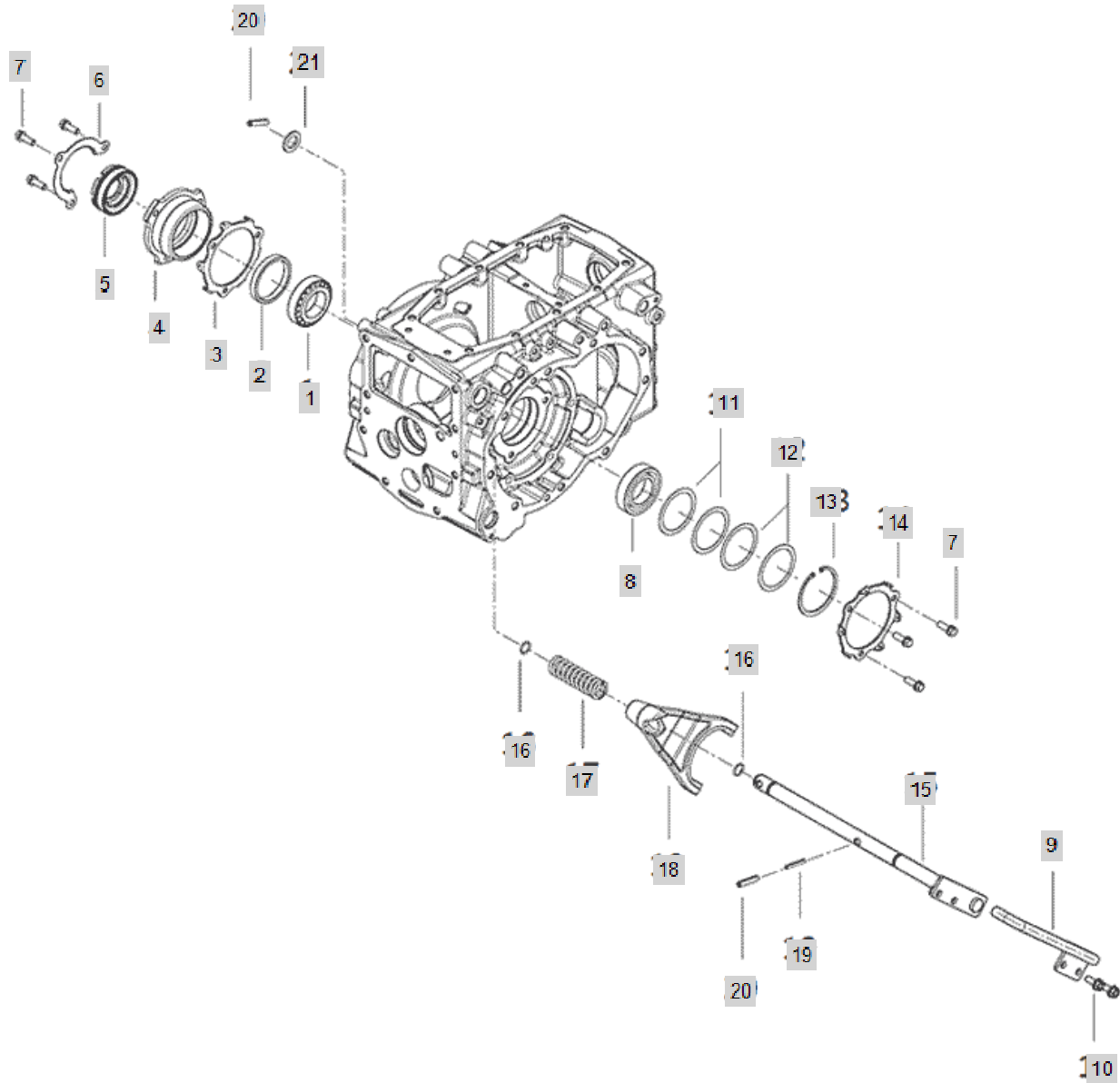


FIG C082

82.DRIVING PART, REAR AXLE

Year/Month

3515CH

2020/01

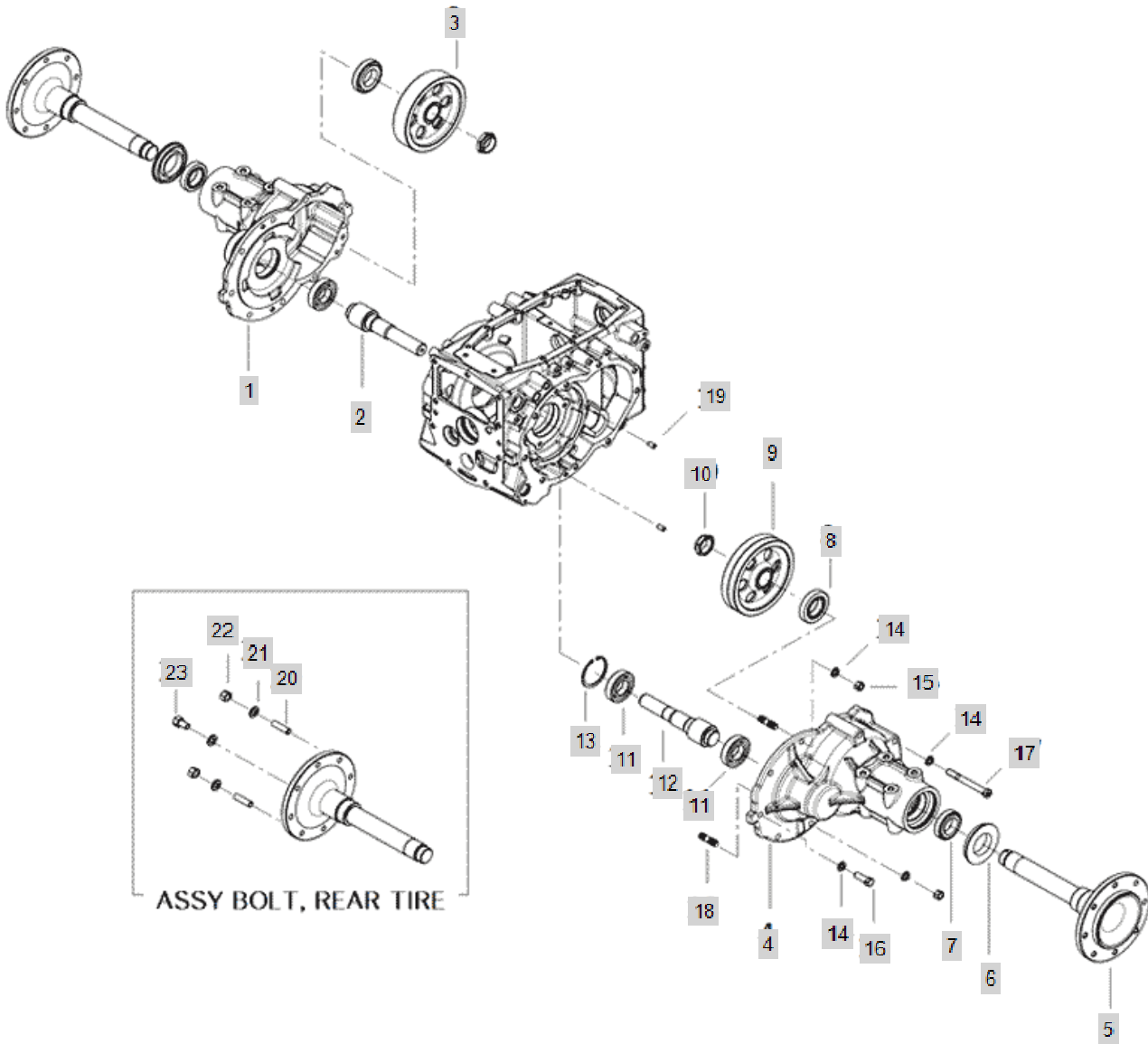


FIG C090

90.BRAKE PEDAL

Year/Month

3515CH

2020/01

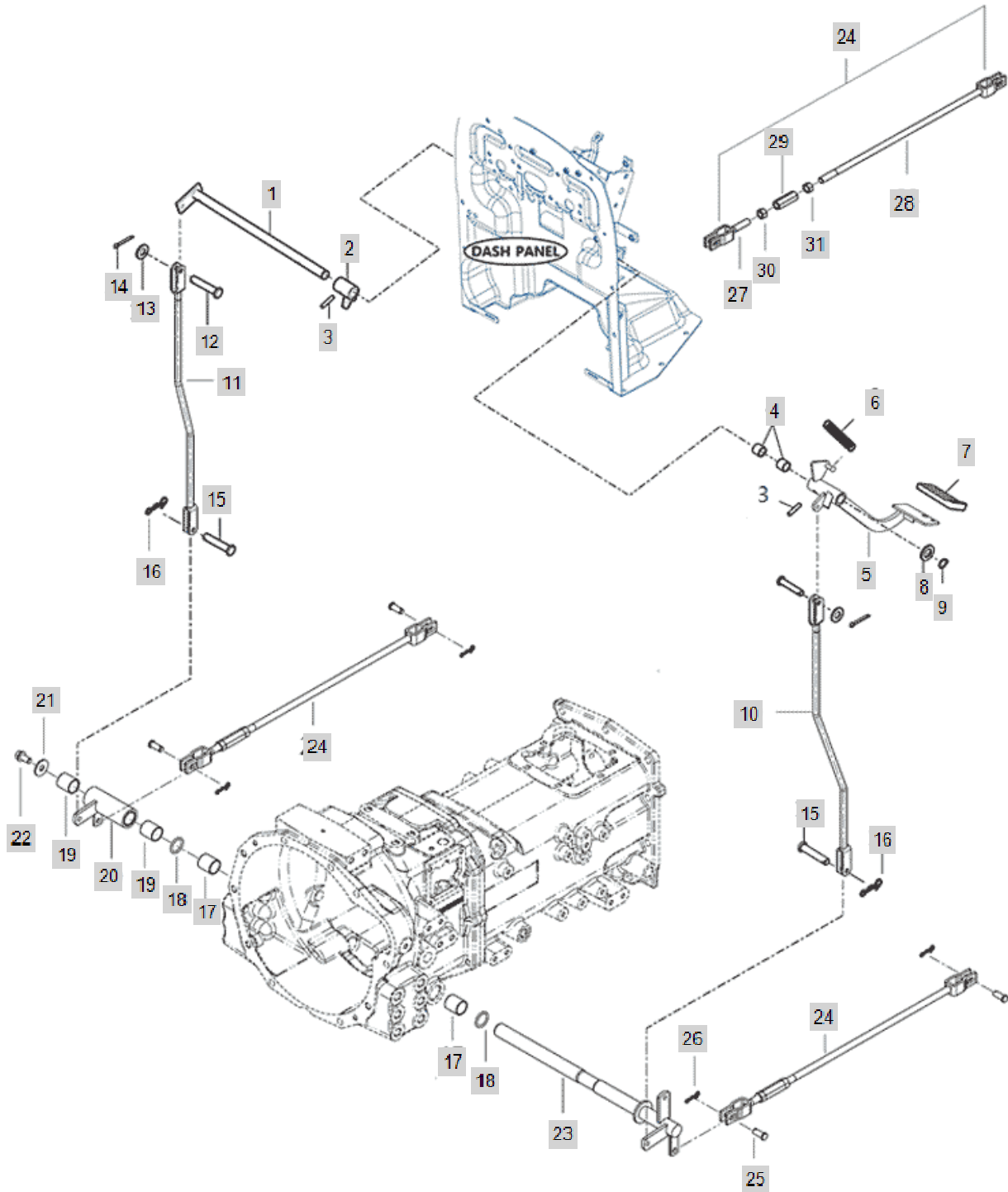


FIG C091

91.PARKING BRAKE

Year/Month

3515CH

2020/01

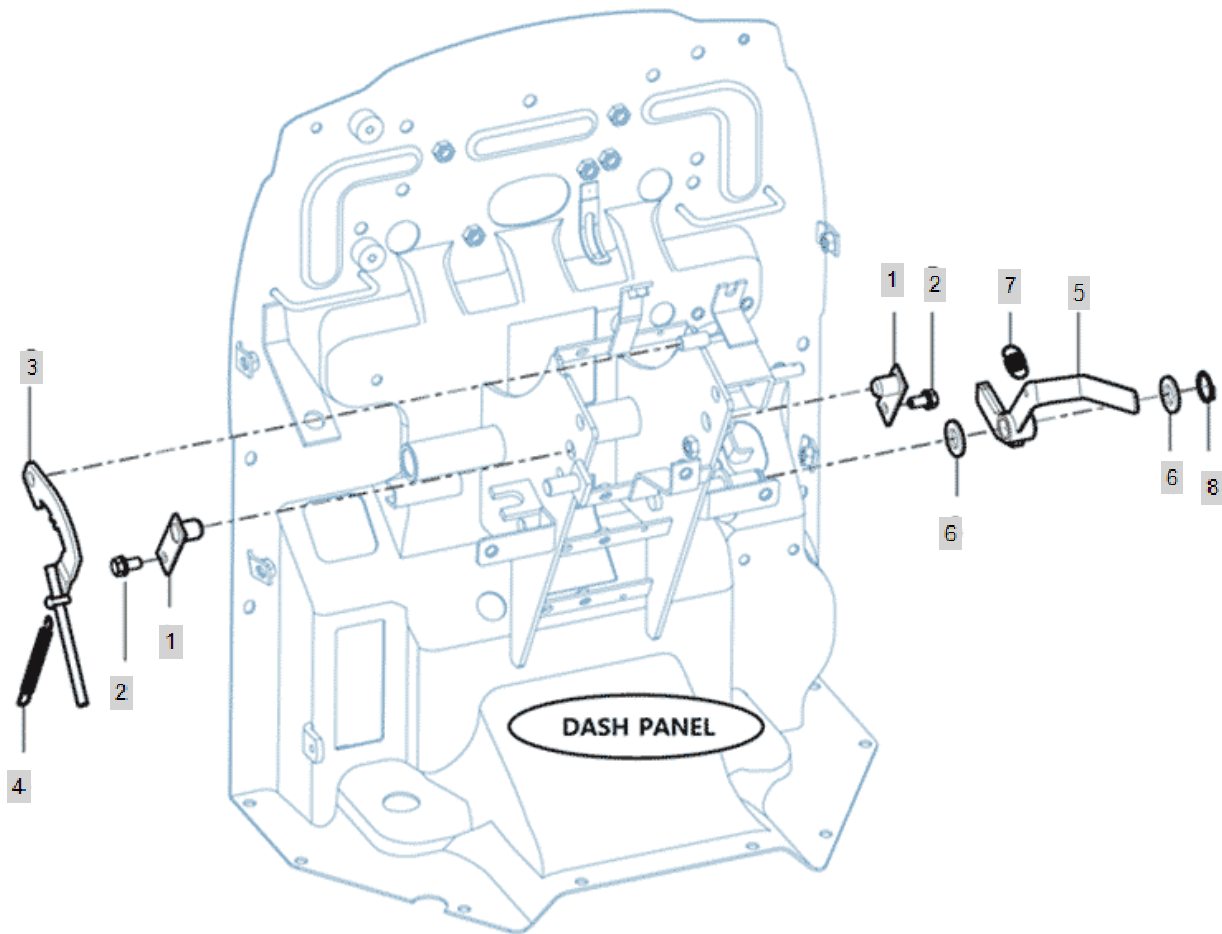


FIG C092A

92.HYD PUMP

Year/Month

3515CH

2020/01

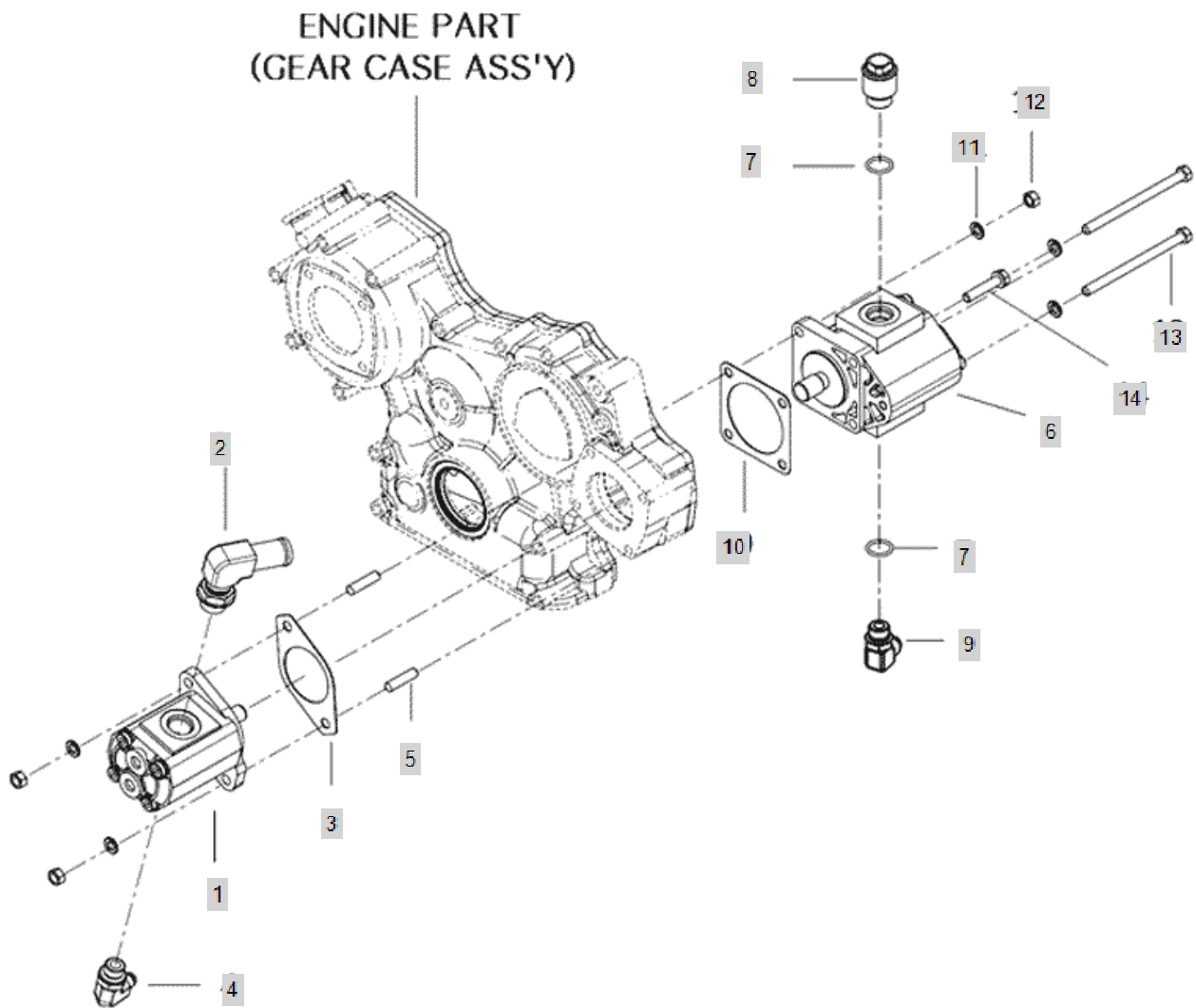


FIG C093-1

93.HYD SHIFT TRANSMISSION PEDAL

Year/Month

3515CH

2020/01

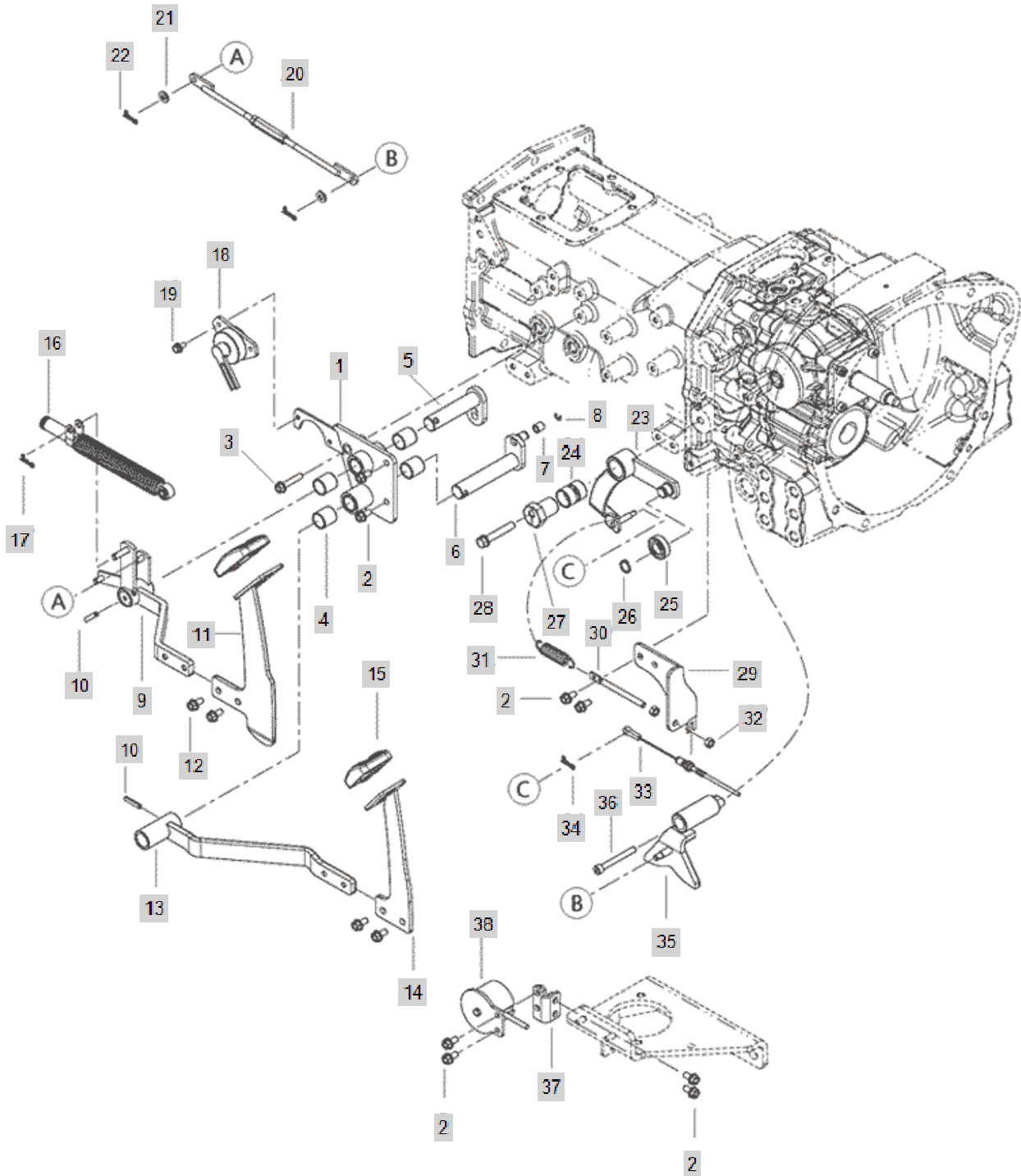


FIG C093-2

93.HYD SHIFT TRANSMISSION PEDAL
(2019.04~)

Year/Month

3515CH

2020/01

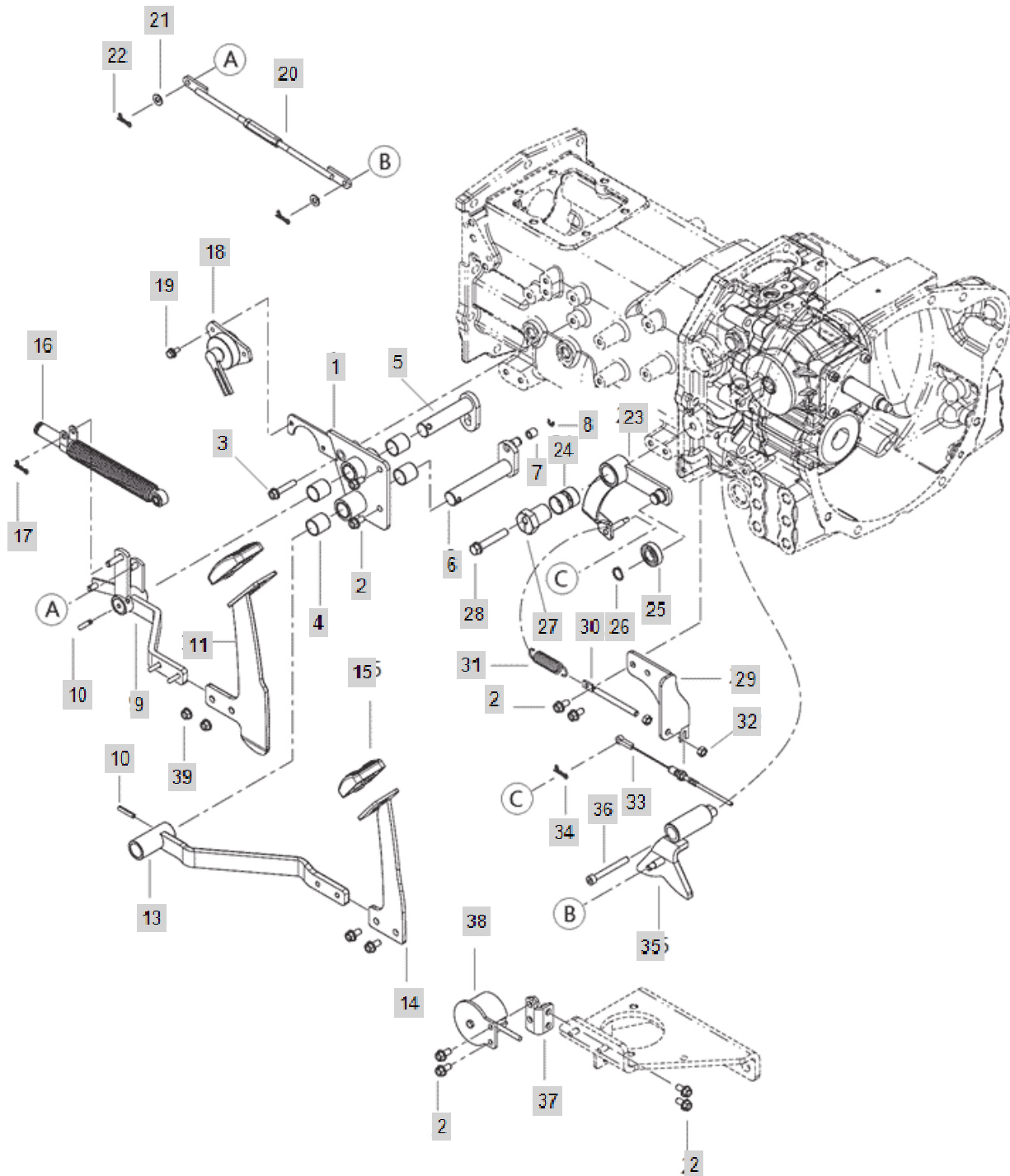


FIG C101

101.CASE, HYD CYLINDER

Year/Month

3515CH

2020/01

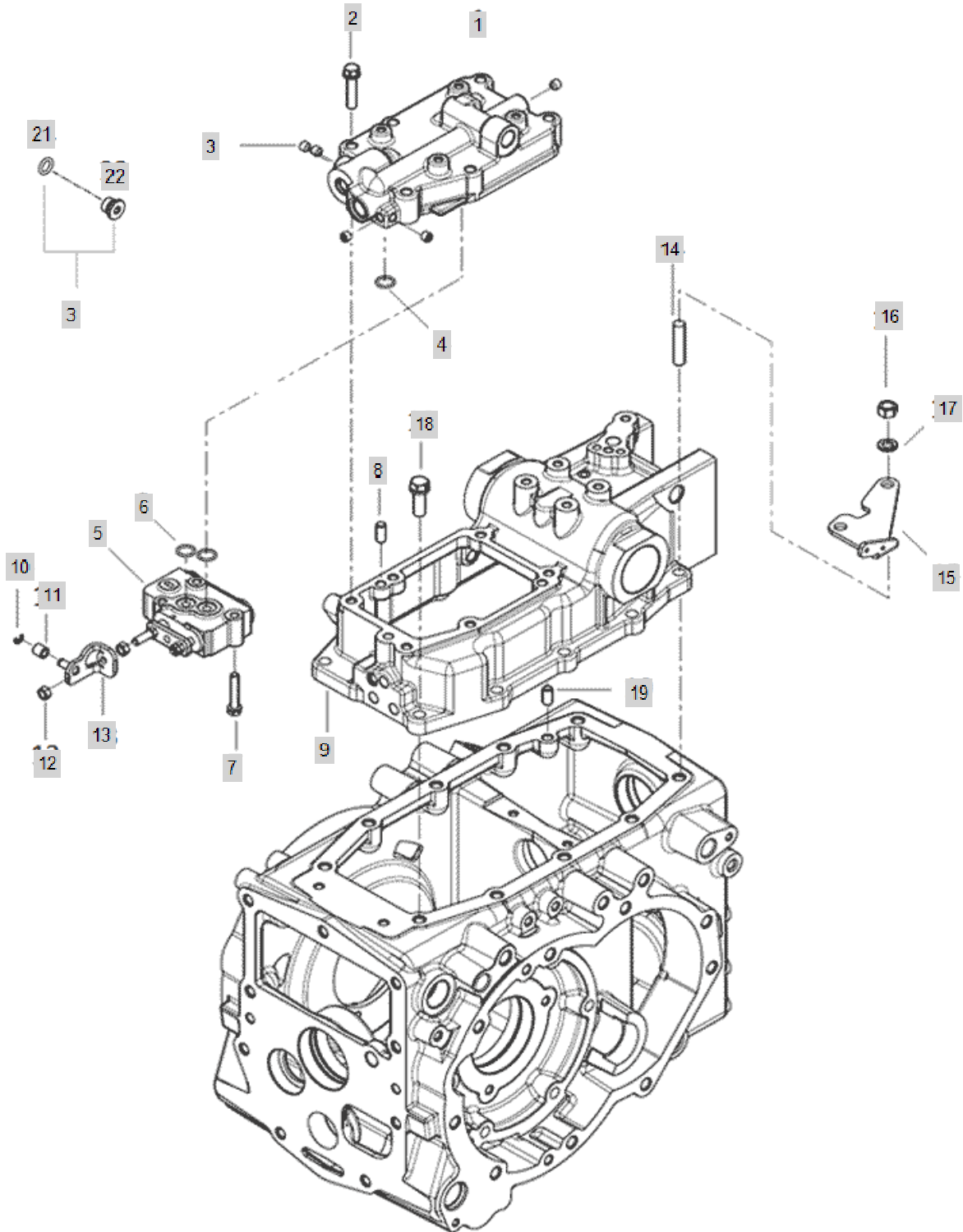


FIG C104

104.PISTON ASS'Y

Year/Month

3515CH

2020/01

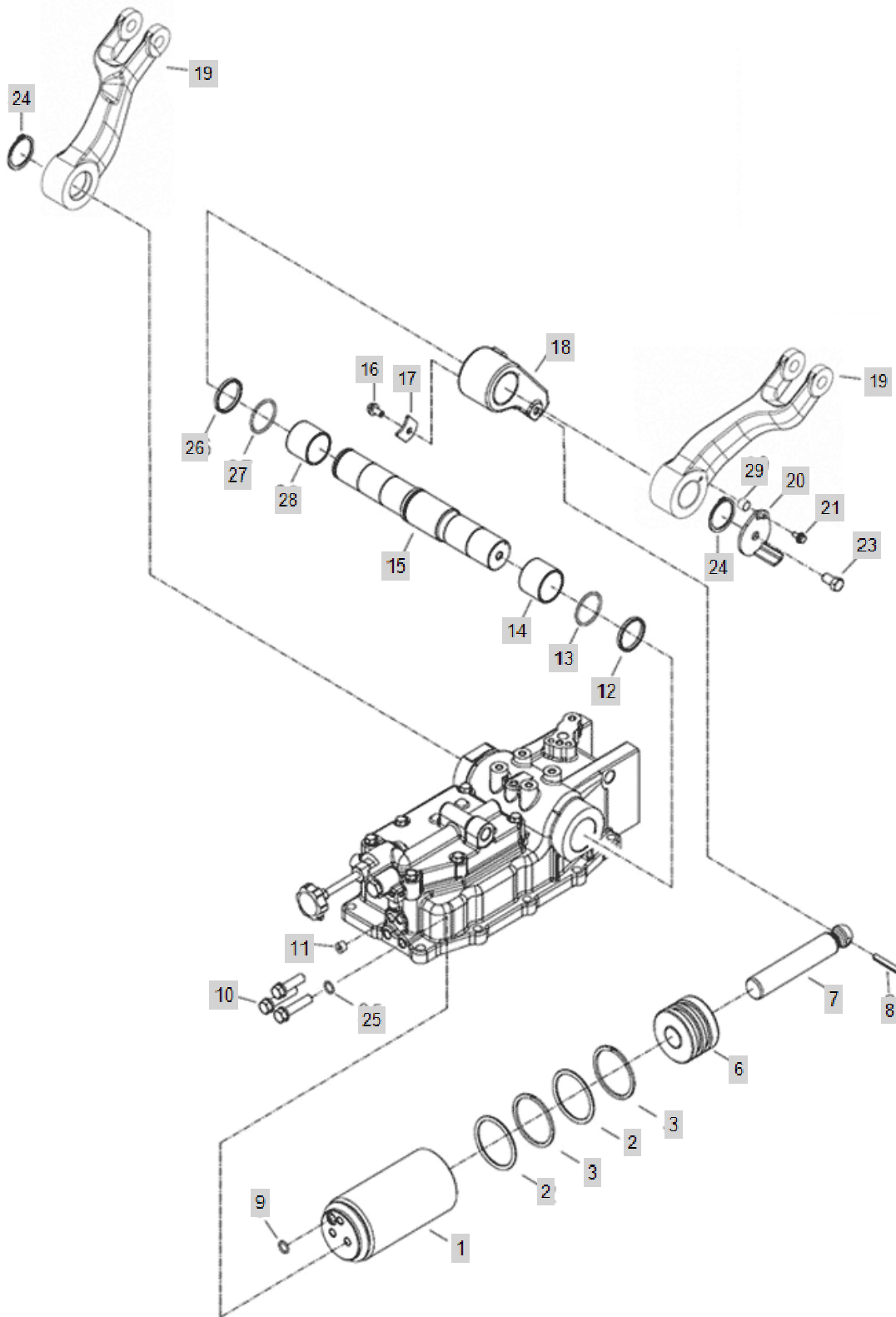


FIG C108

108.SAFETY VALVE

Year/Month

3515CH

2020/01

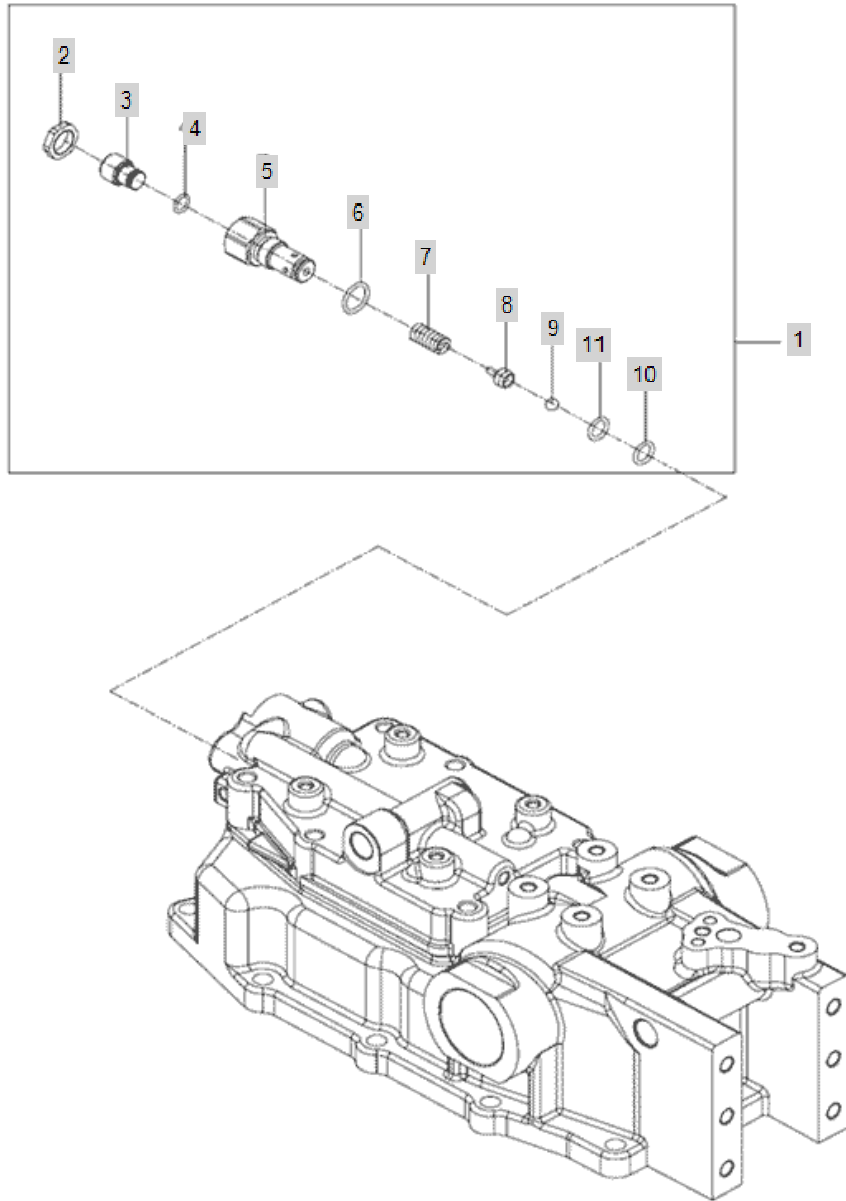


FIG C109-1

109.STOP VALVE

Year/Month

3515CH

2020/01

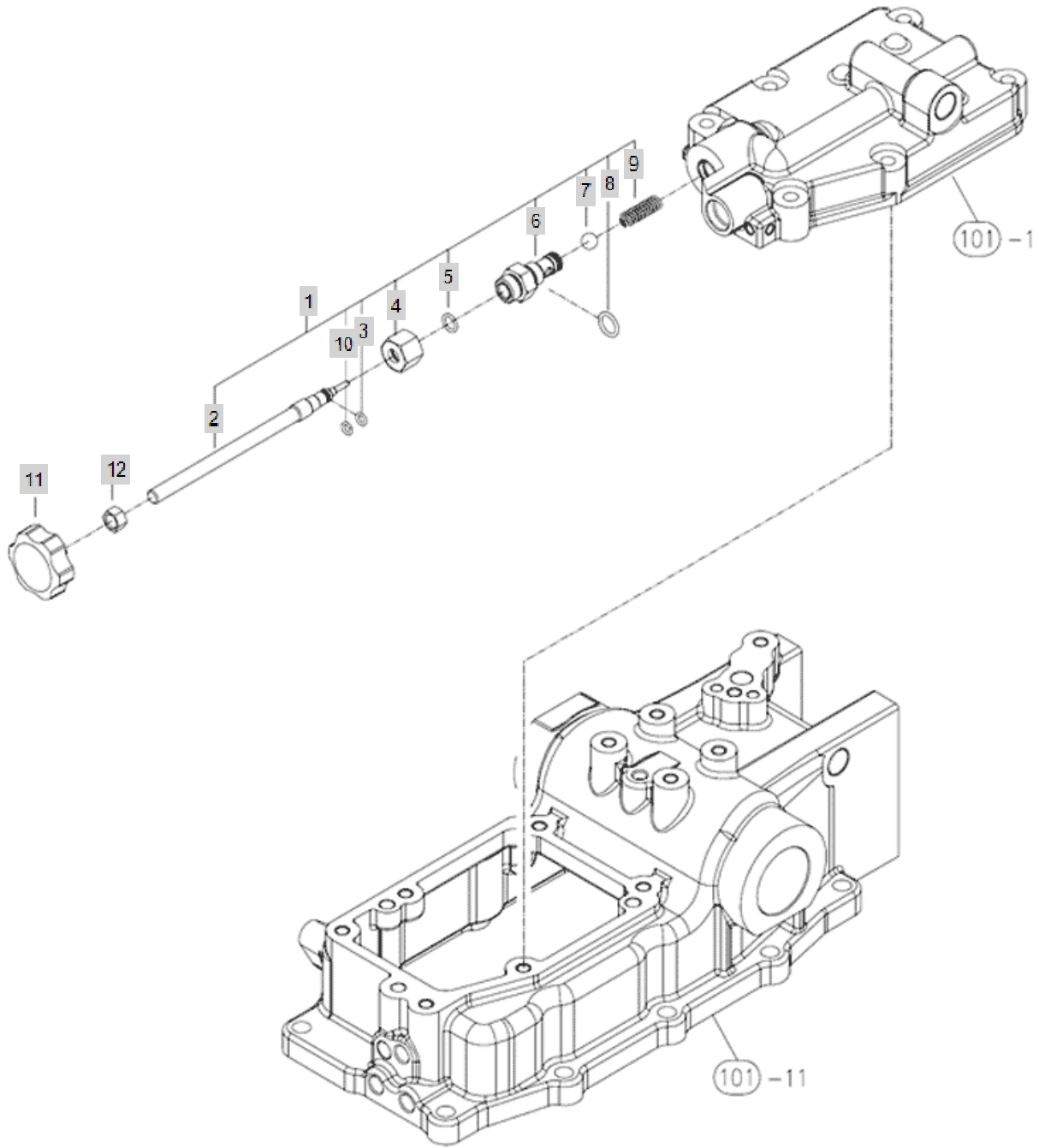


FIG C109-2

109.STOP VALVE(2019.12~)

Year/Month

3515CH

2020/01

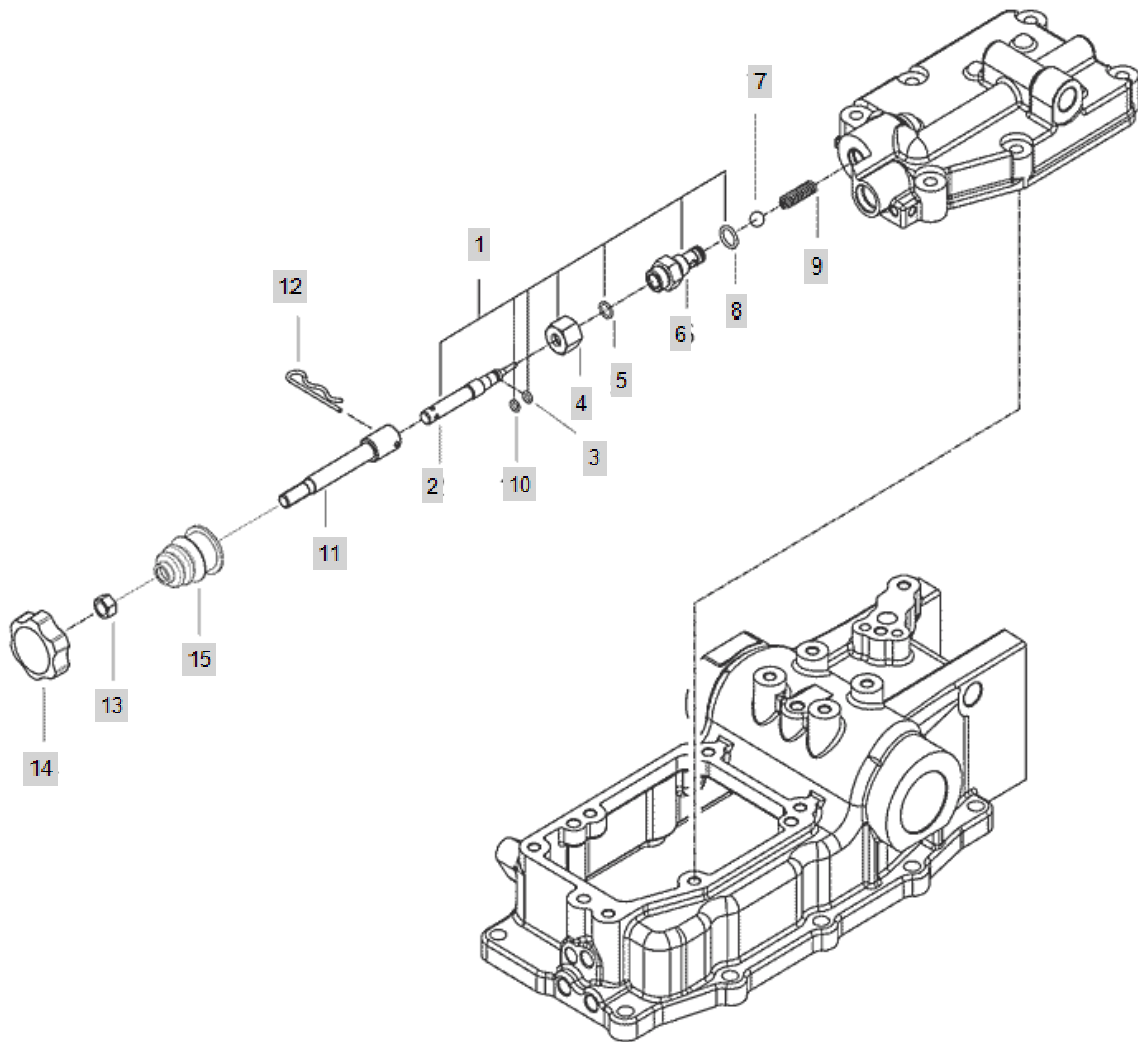


FIG C111.1

111.HYD CONTROL POSITION TYPE

Year/Month

3515CH

2020/01

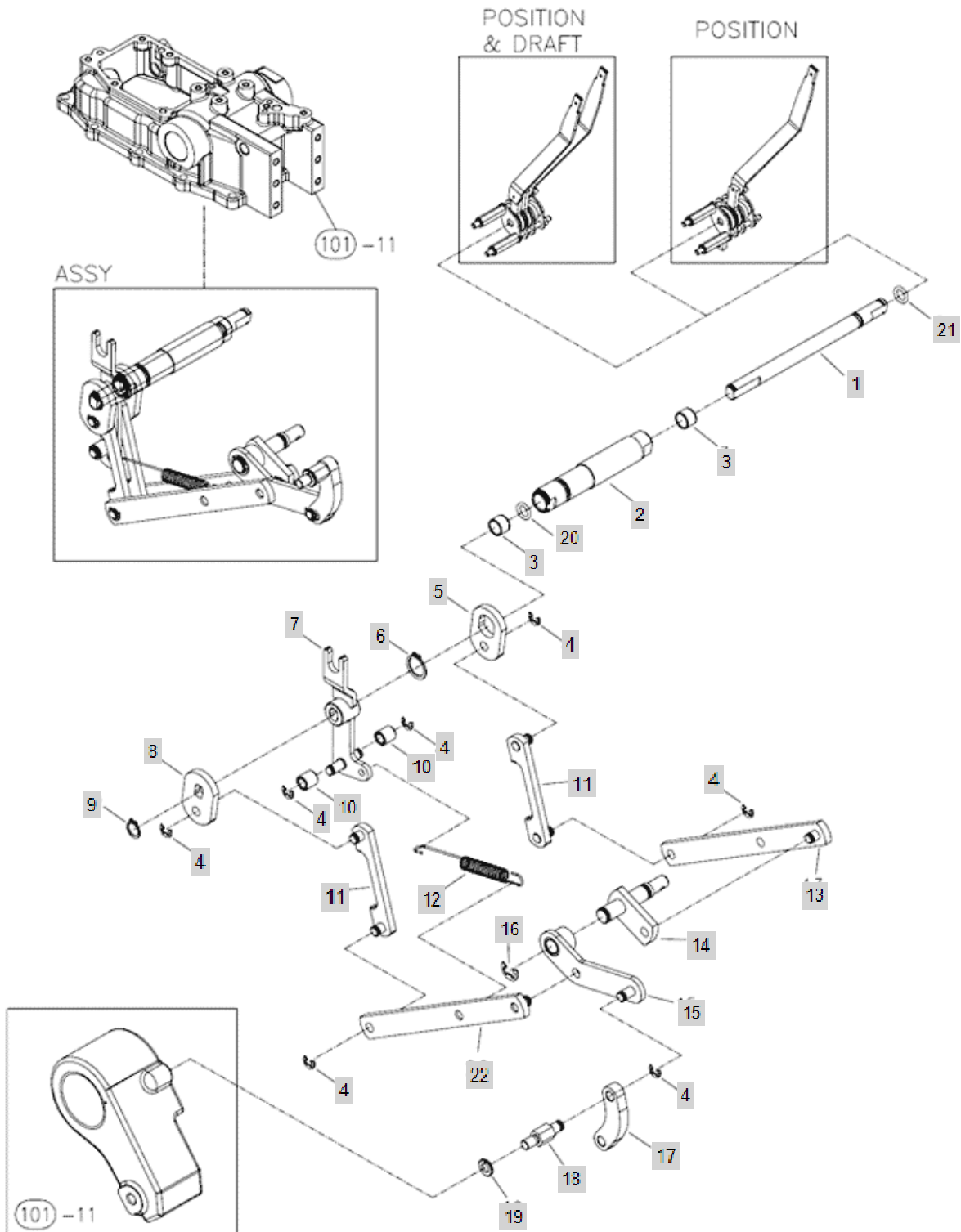


FIG C111.2

111.HYD CONTROL POSITION TYPE

Year/Month

3515CH

2020/01

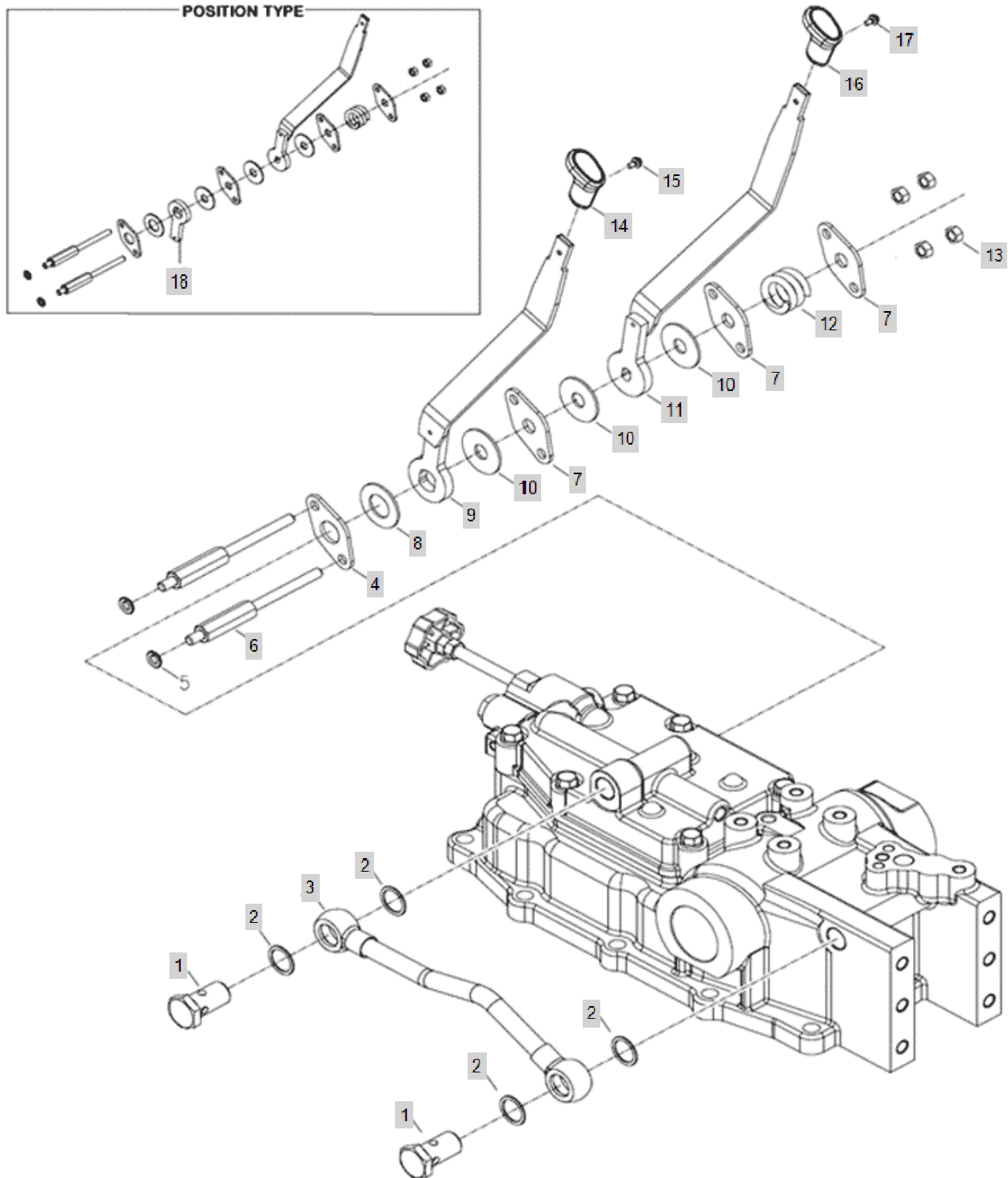


FIG C113

113.DRAFT CONTROL

Year/Month

3515CH

2020/01

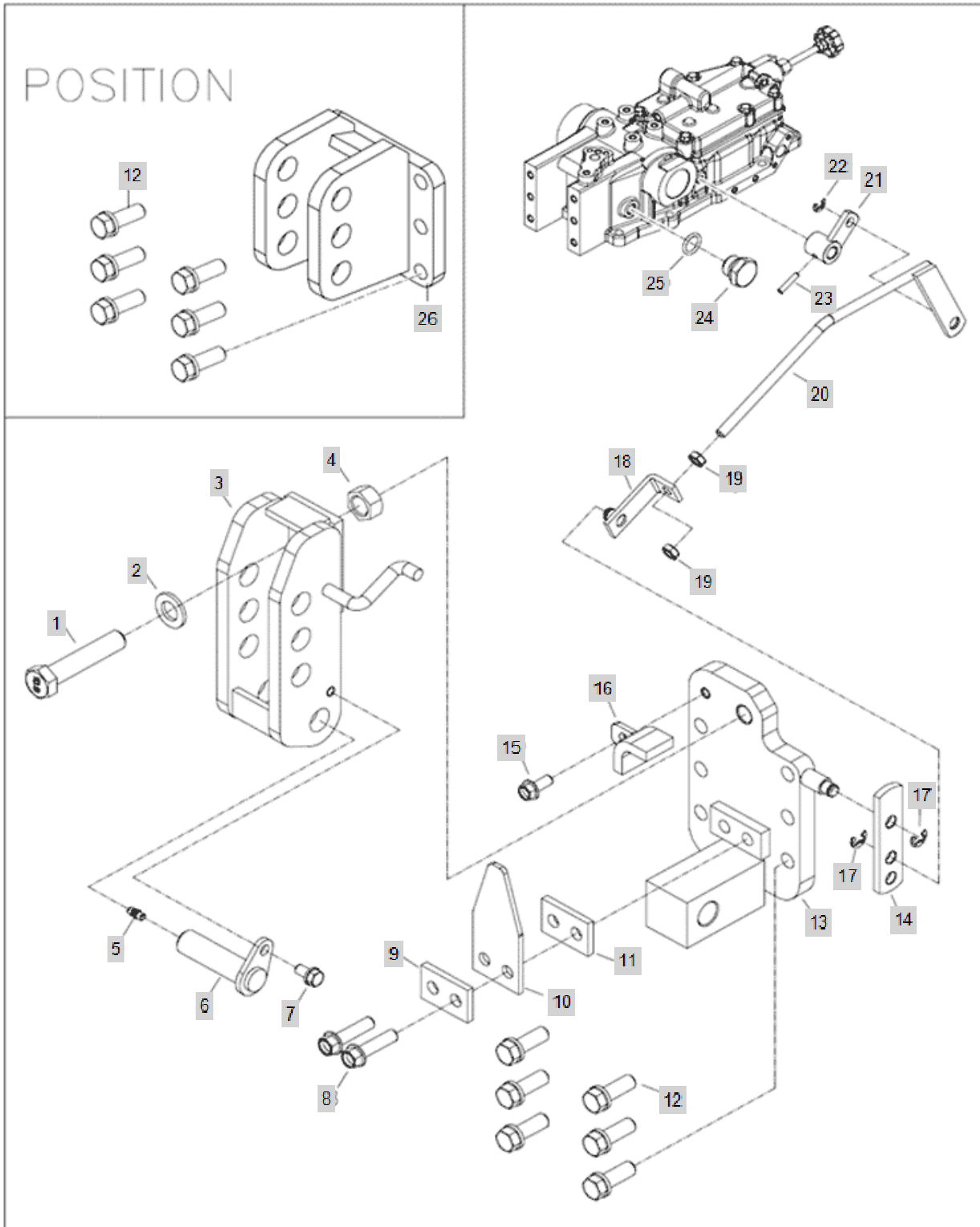


FIG C114A-1

114.HYD PIPING

Year/Month

3515CH

2020/01

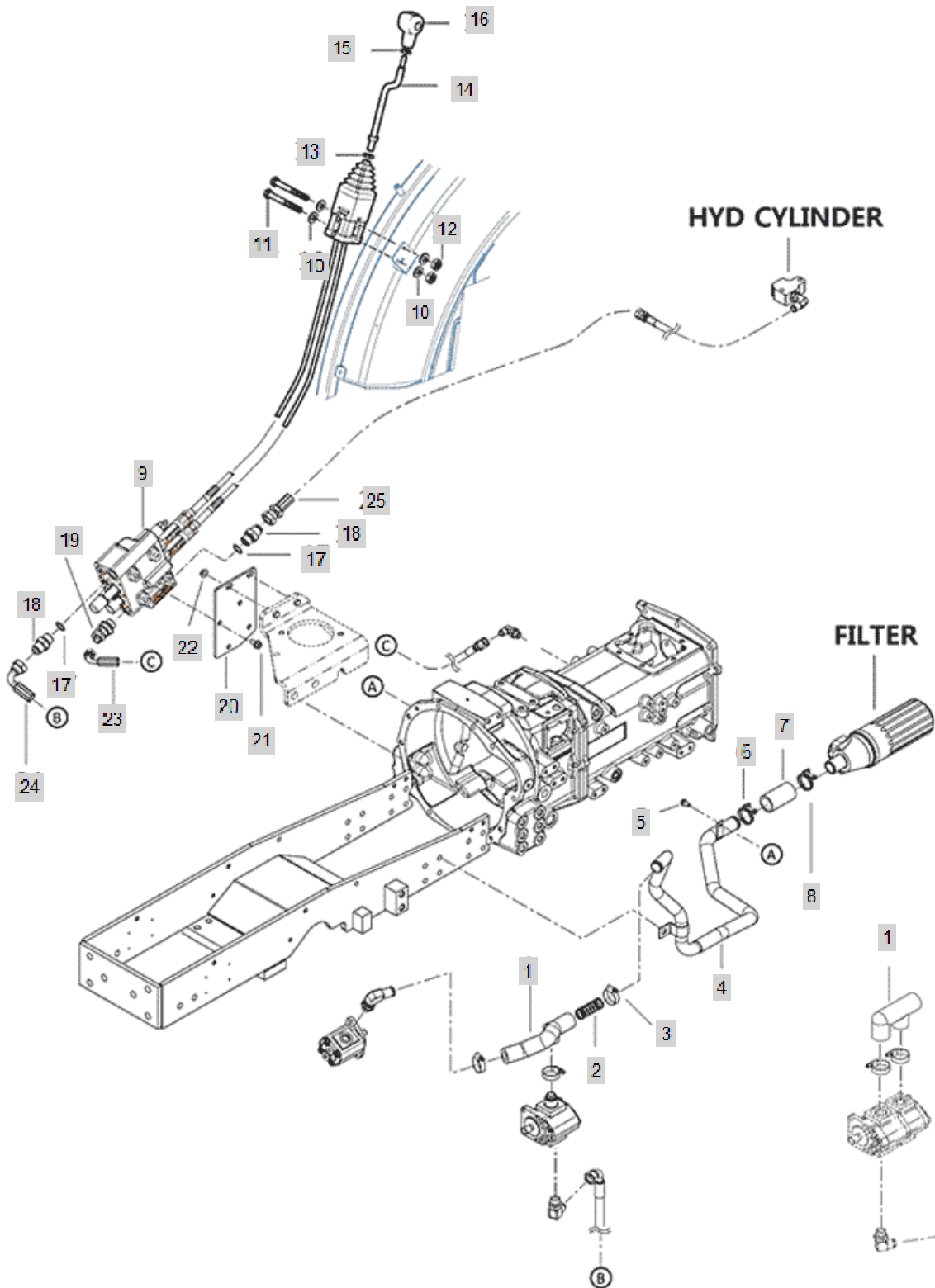


FIG C114A-2

114.HYD PIPING(2019.04~)

Year/Month

3515CH

2020/01

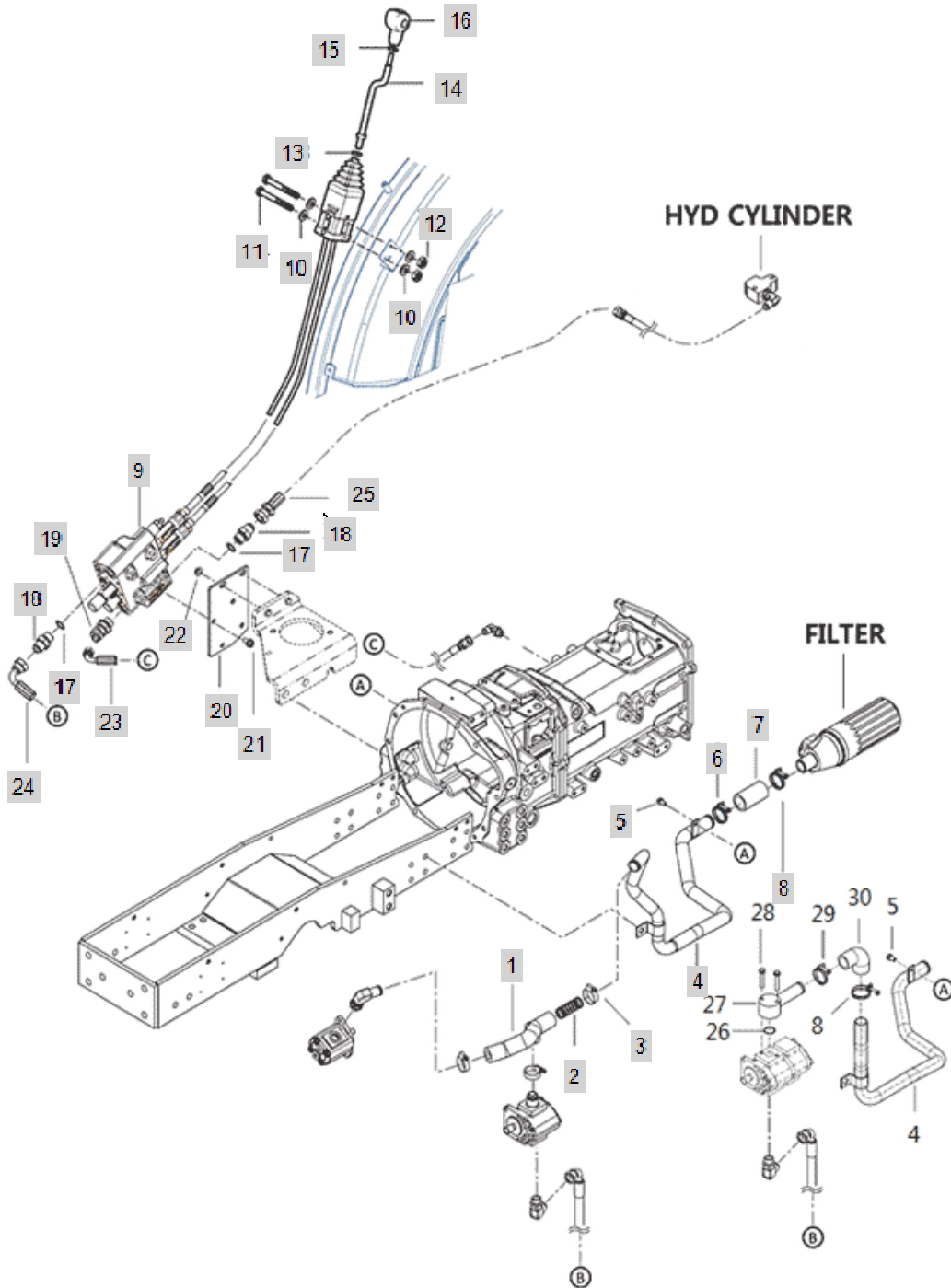


FIG C115

115.OIL COOLER

Year/Month

3515CH

2020/01

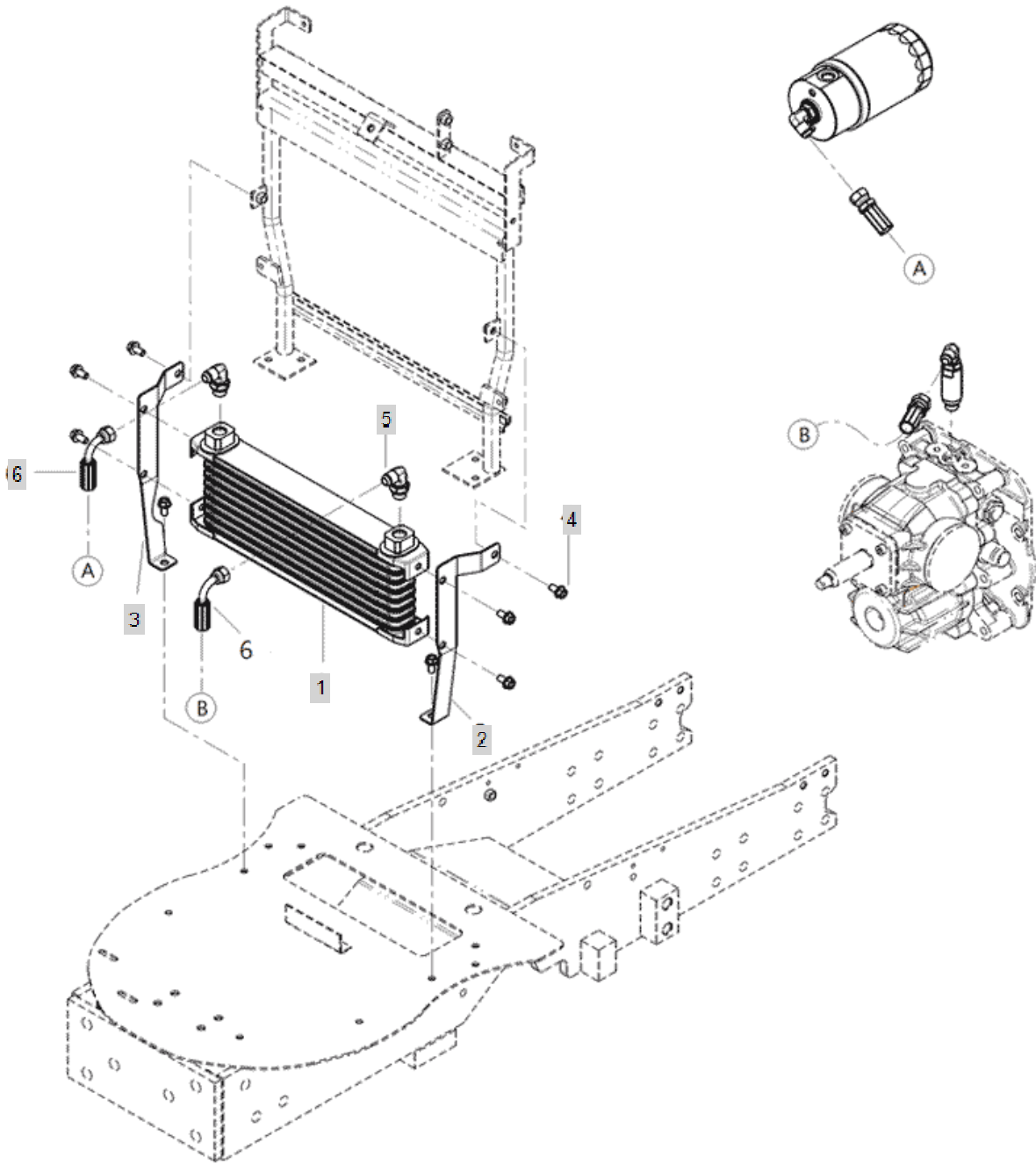


FIG C118

118.HYD FILTER

Year/Month

3515CH

2020/01

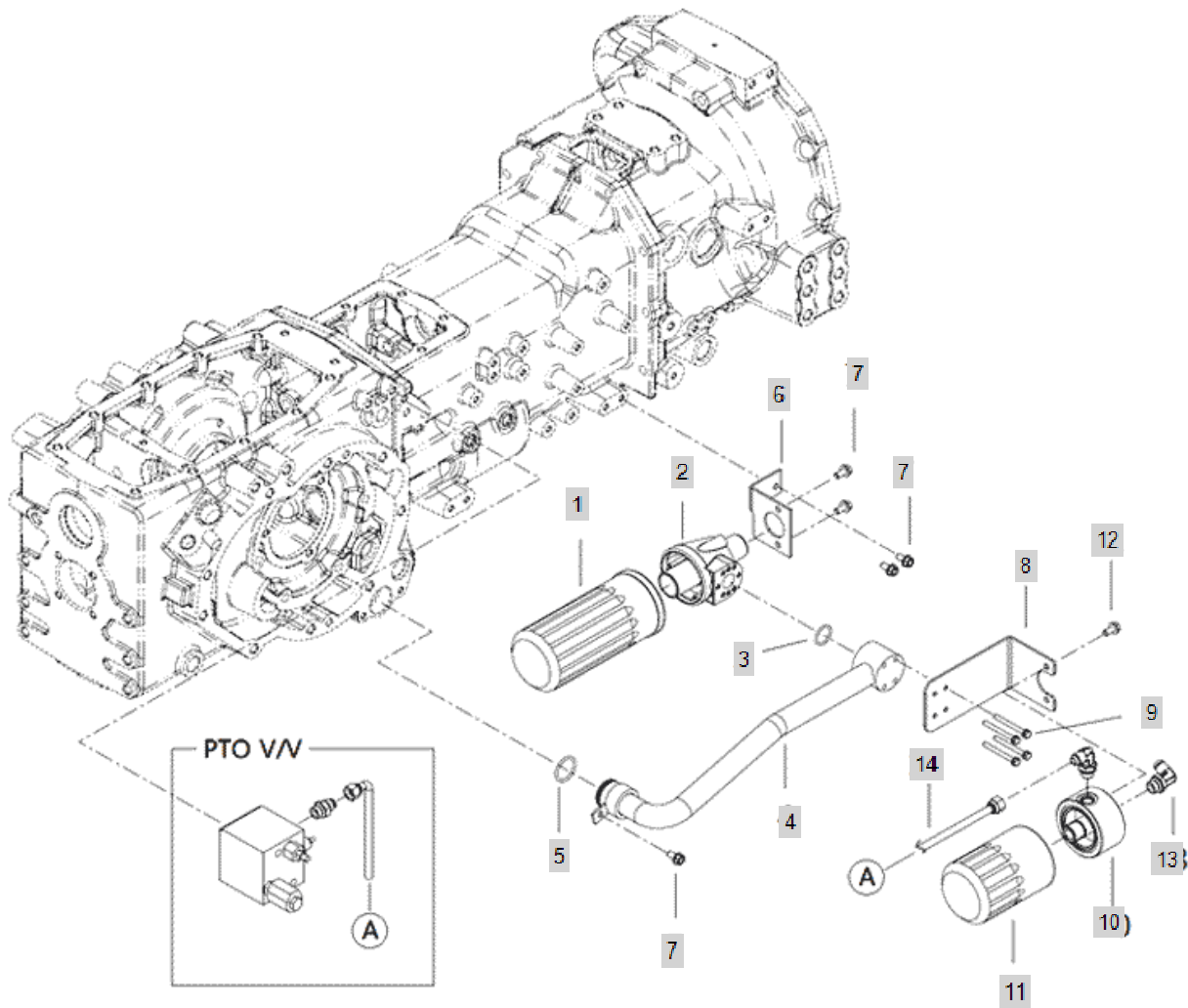


FIG C119

119.ELE'C WIRING

Year/Month

3515CH

2020/01

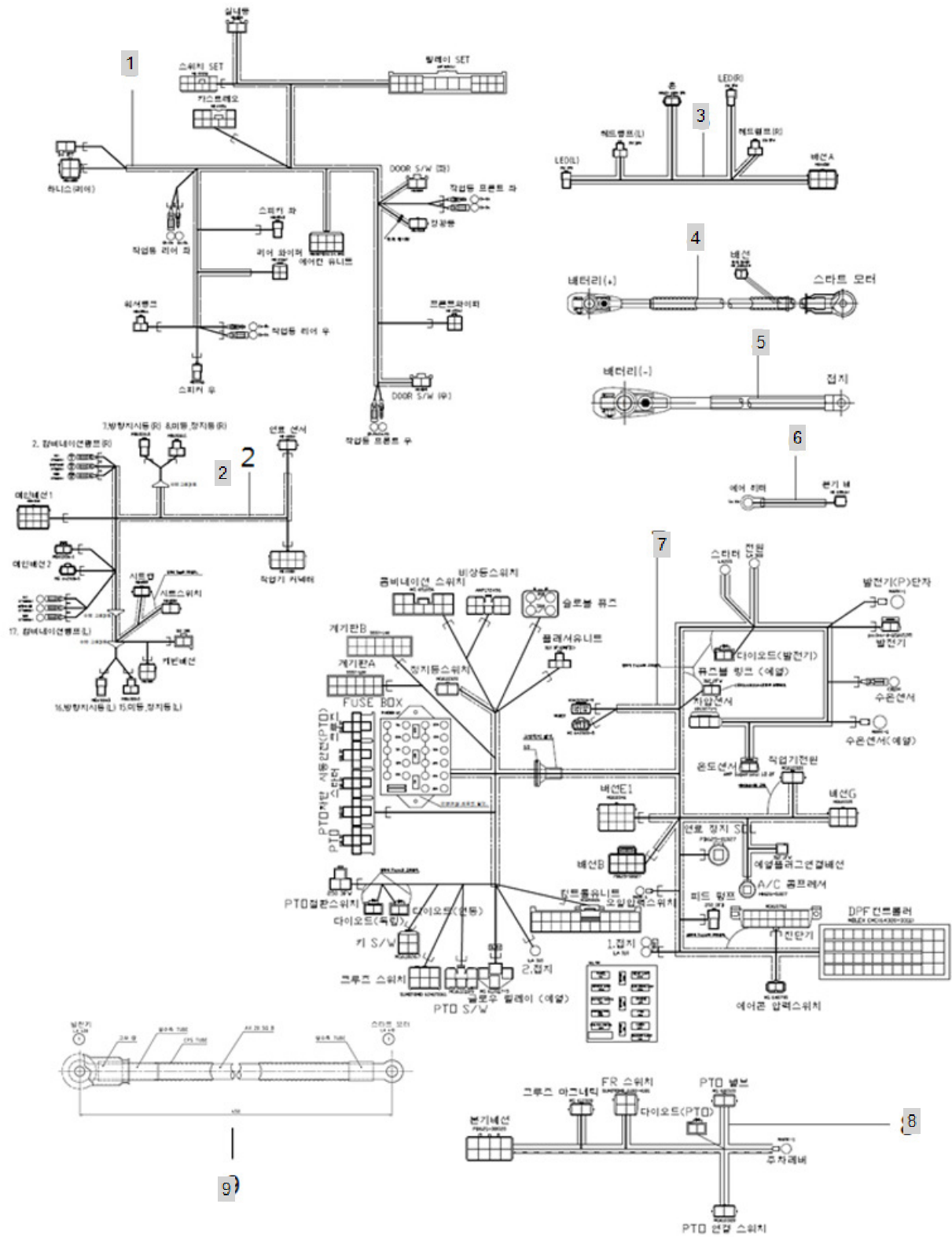


FIG C124

124.BATTERY

Year/Month

3515CH

2020/01

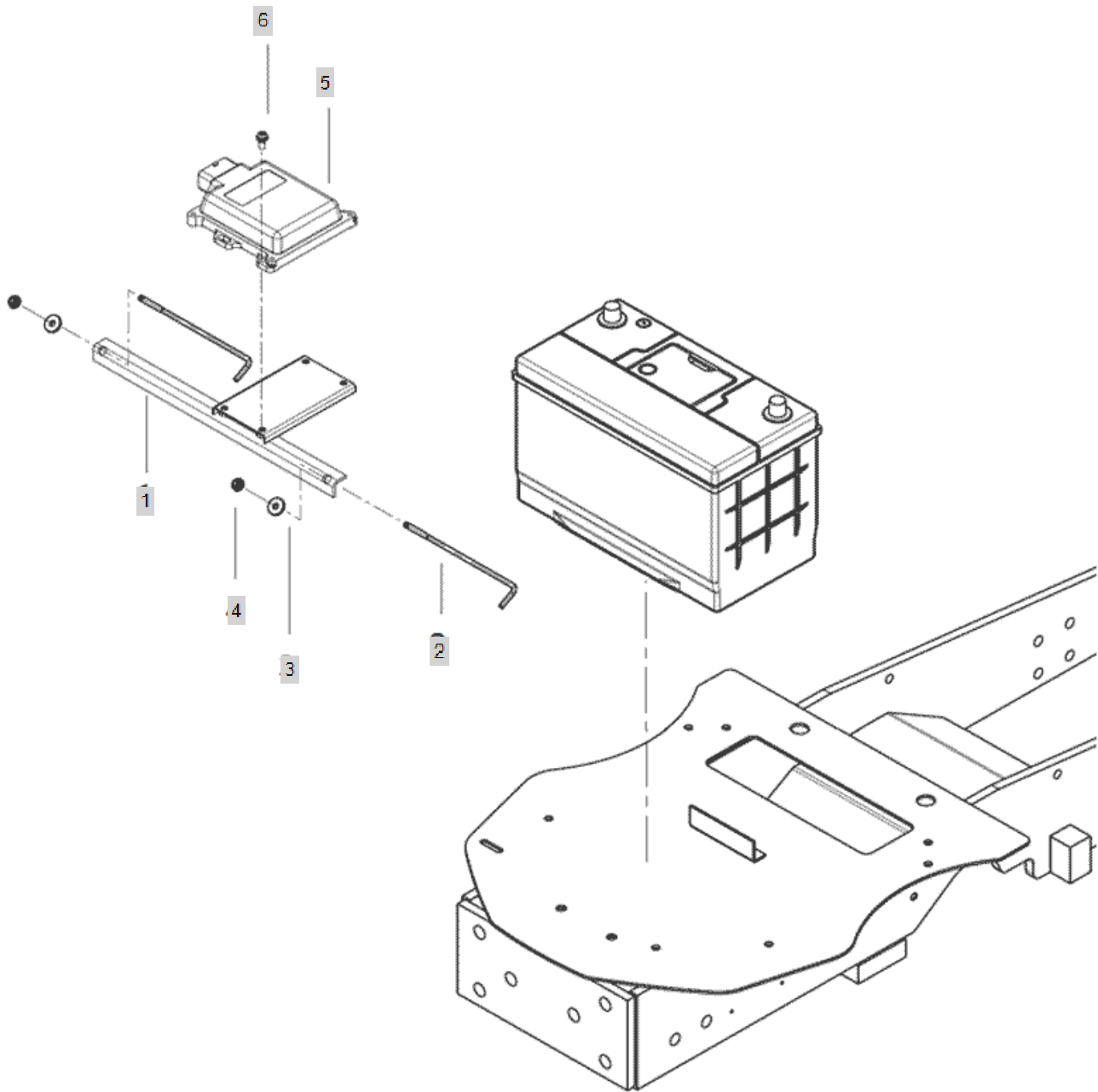


FIG C125.1

125.SWITCH

Year/Month

3515CH

2020/01

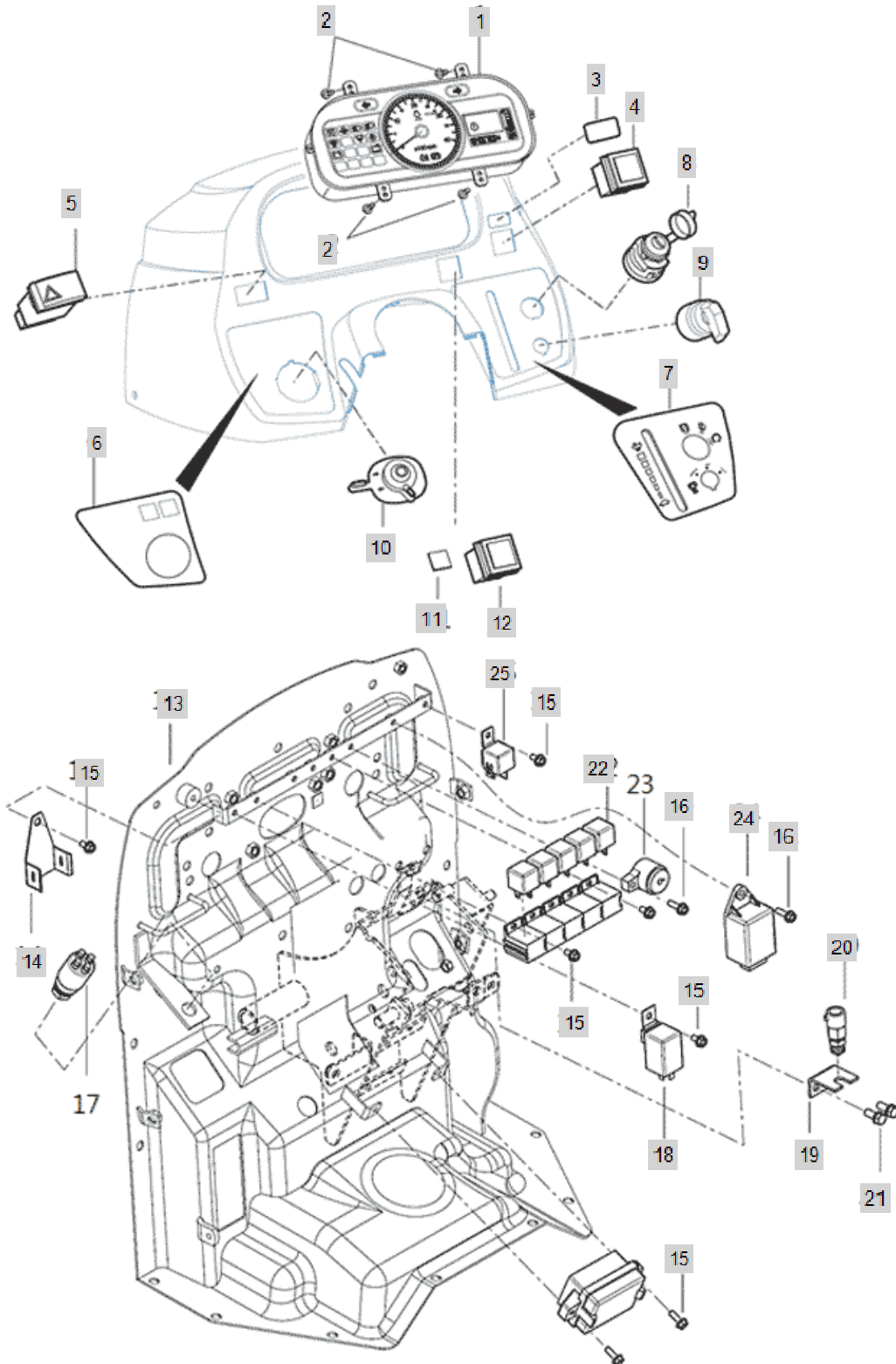


FIG C125.2

125.SWITCH(2019.04~)

Year/Month

3515CH

2020/01

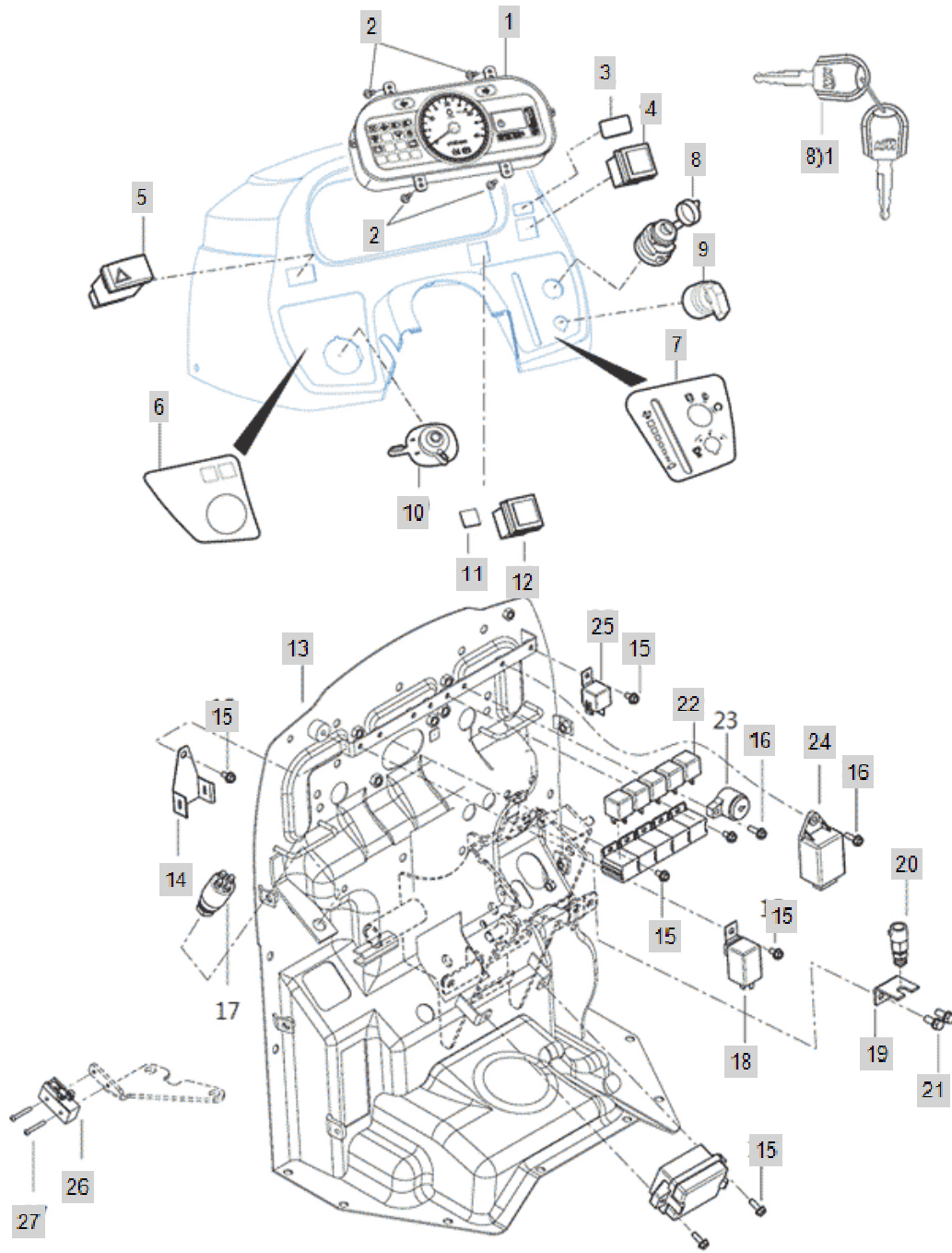


FIG C135.1-1

135.BONNET

Year/Month

3515CH

2020/01

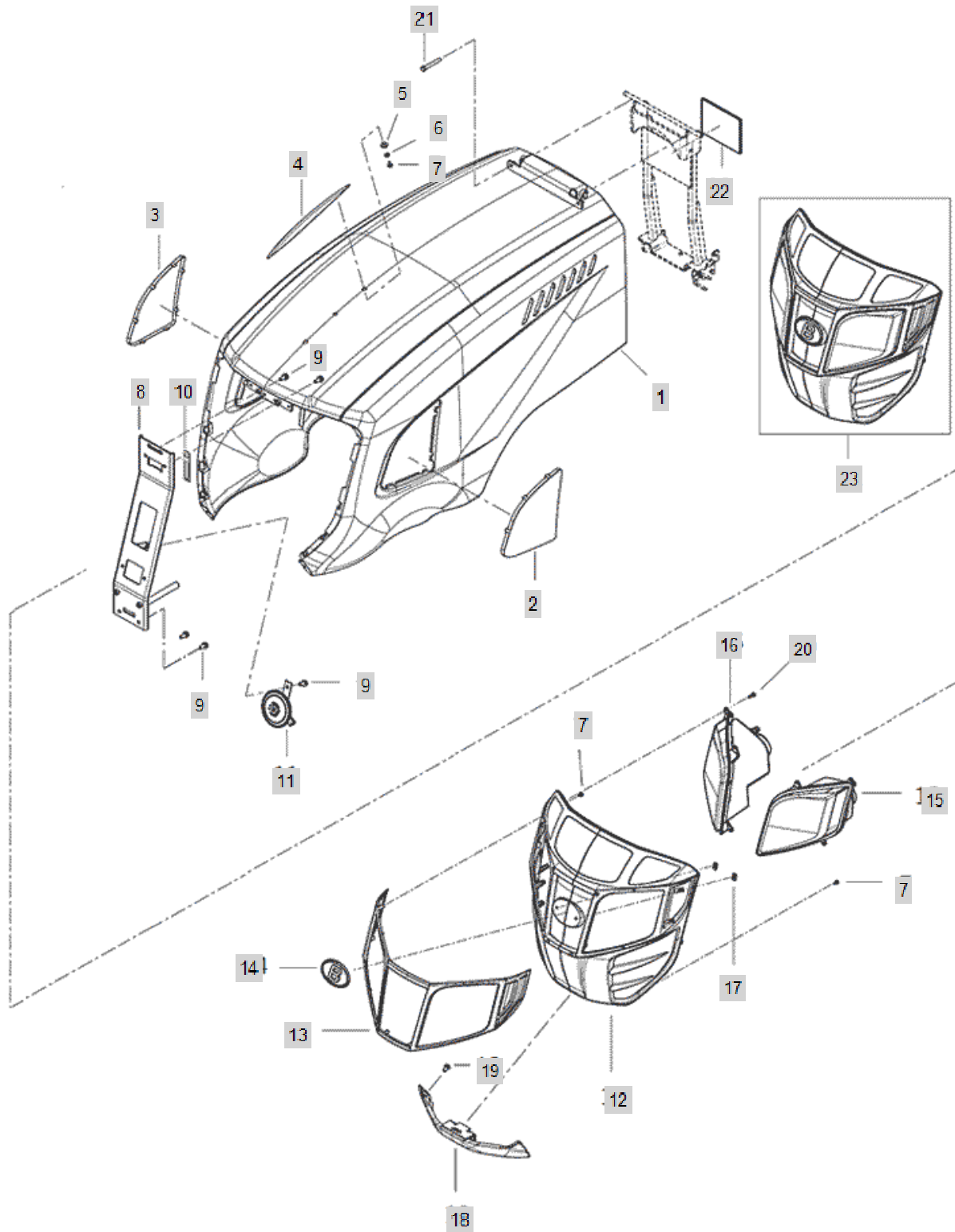


FIG C135.1-2

135.BONNET(2019.04~)

Year/Month

3515CH

2020/01

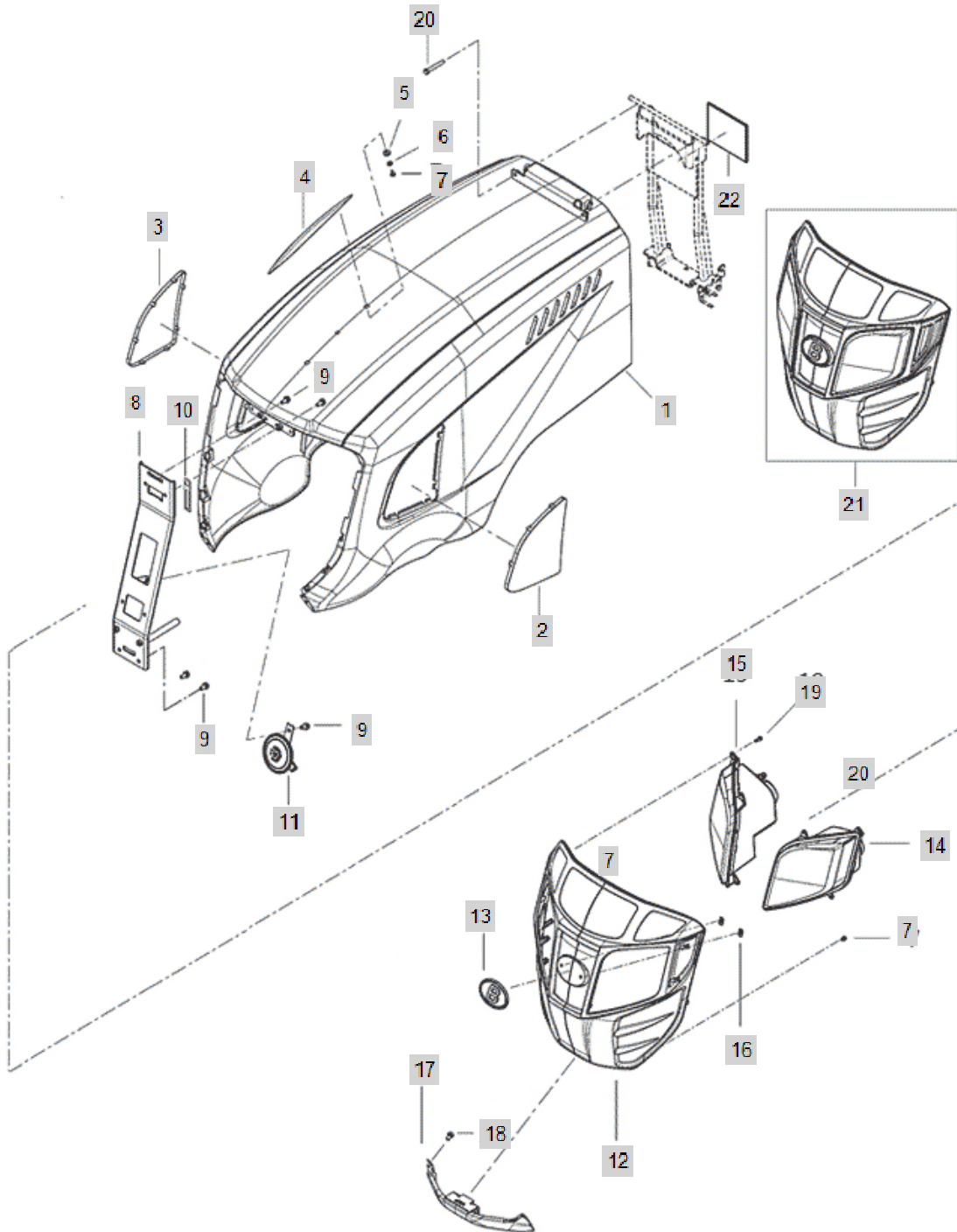


FIG C135.2

135.BONNET

Year/Month

3515CH

2020/01

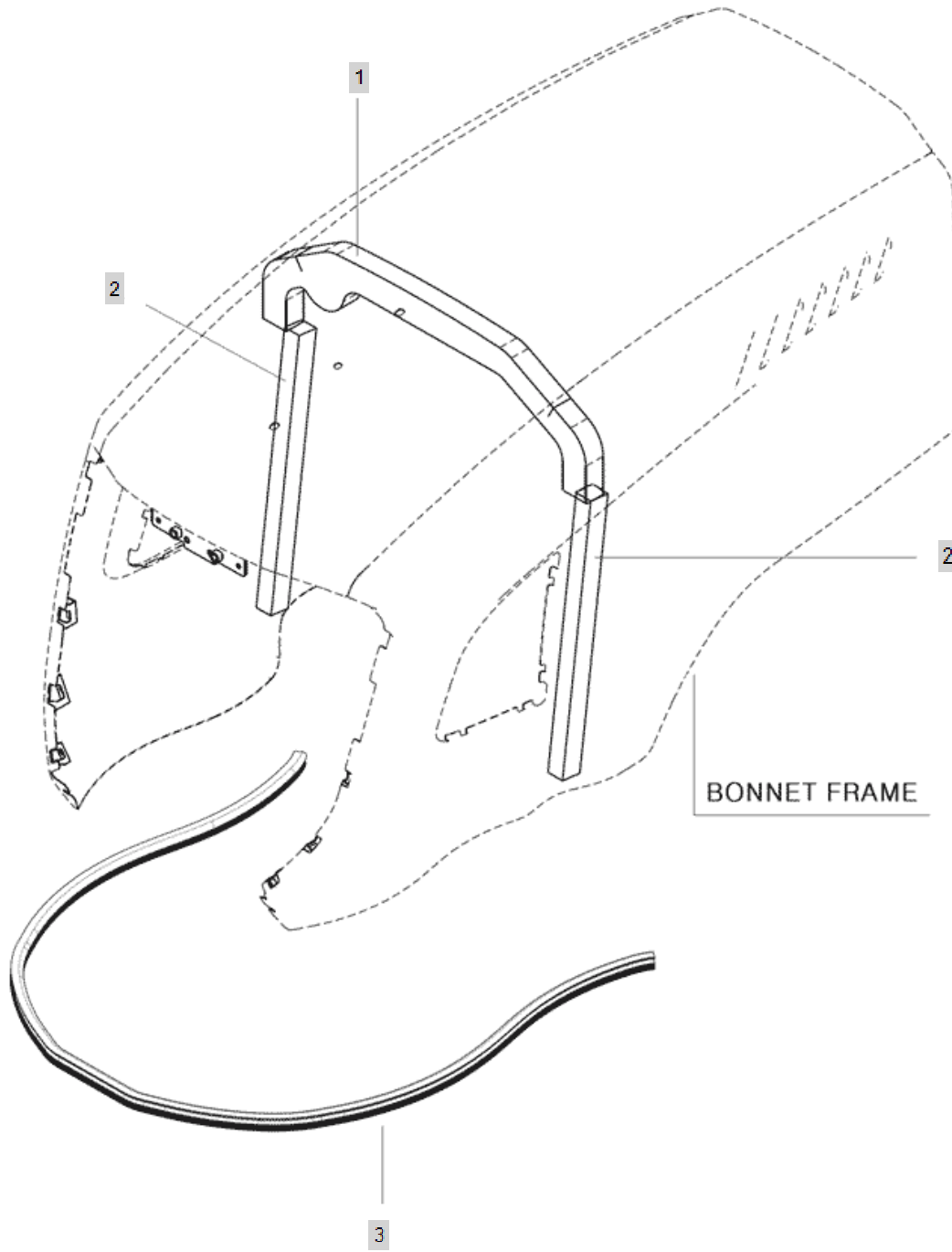


FIG C136-1

136.LOCKING ASS'Y, BONNET

Year/Month

3515CH

2020/01

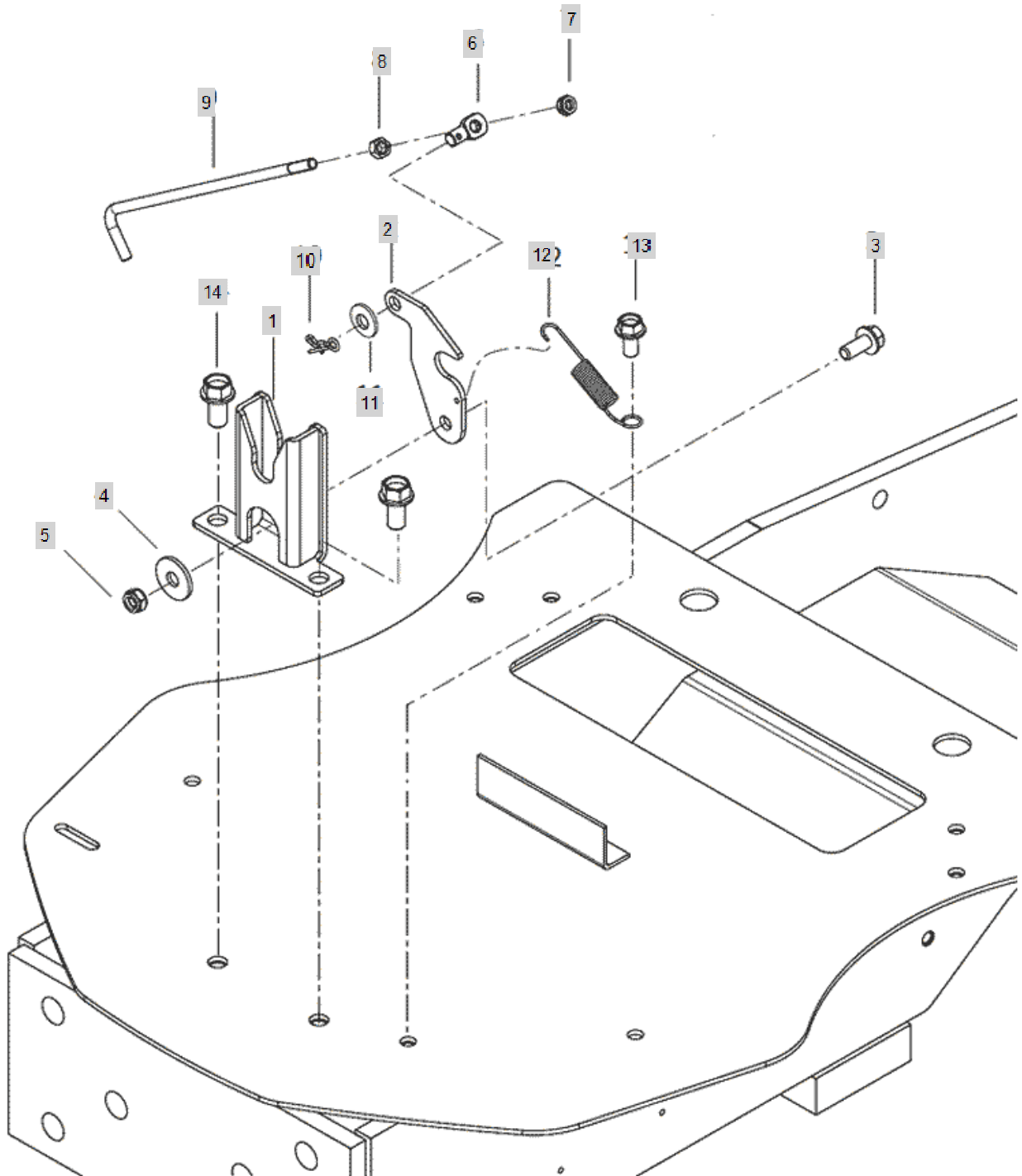


FIG C136-2

136.LOCKING ASS'Y, BONNET(2019.04~)

Year/Month

3515CH

2020/01

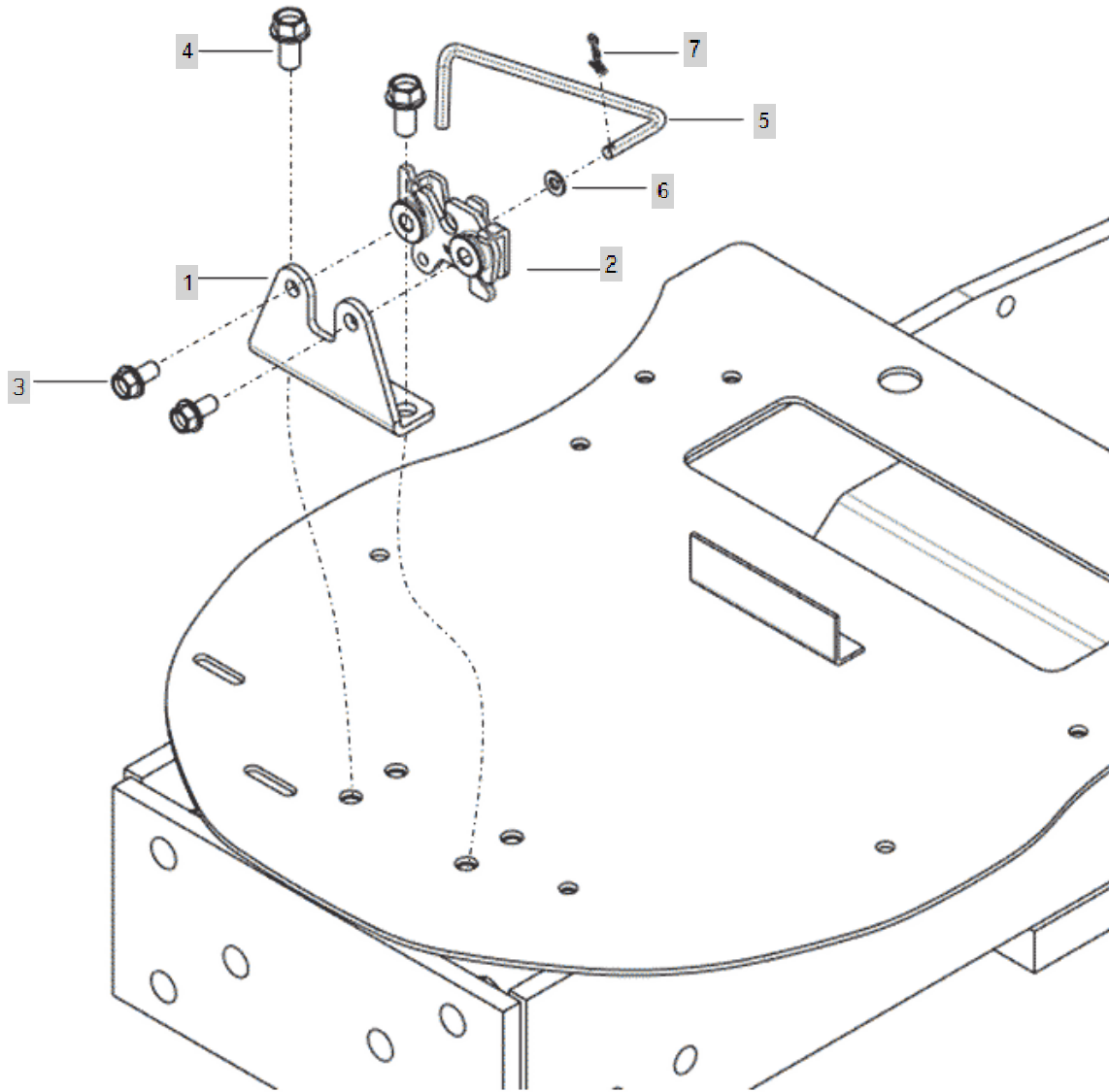


FIG C137A

137.BONNET SUPPORT

Year/Month

3515CH

2020/01

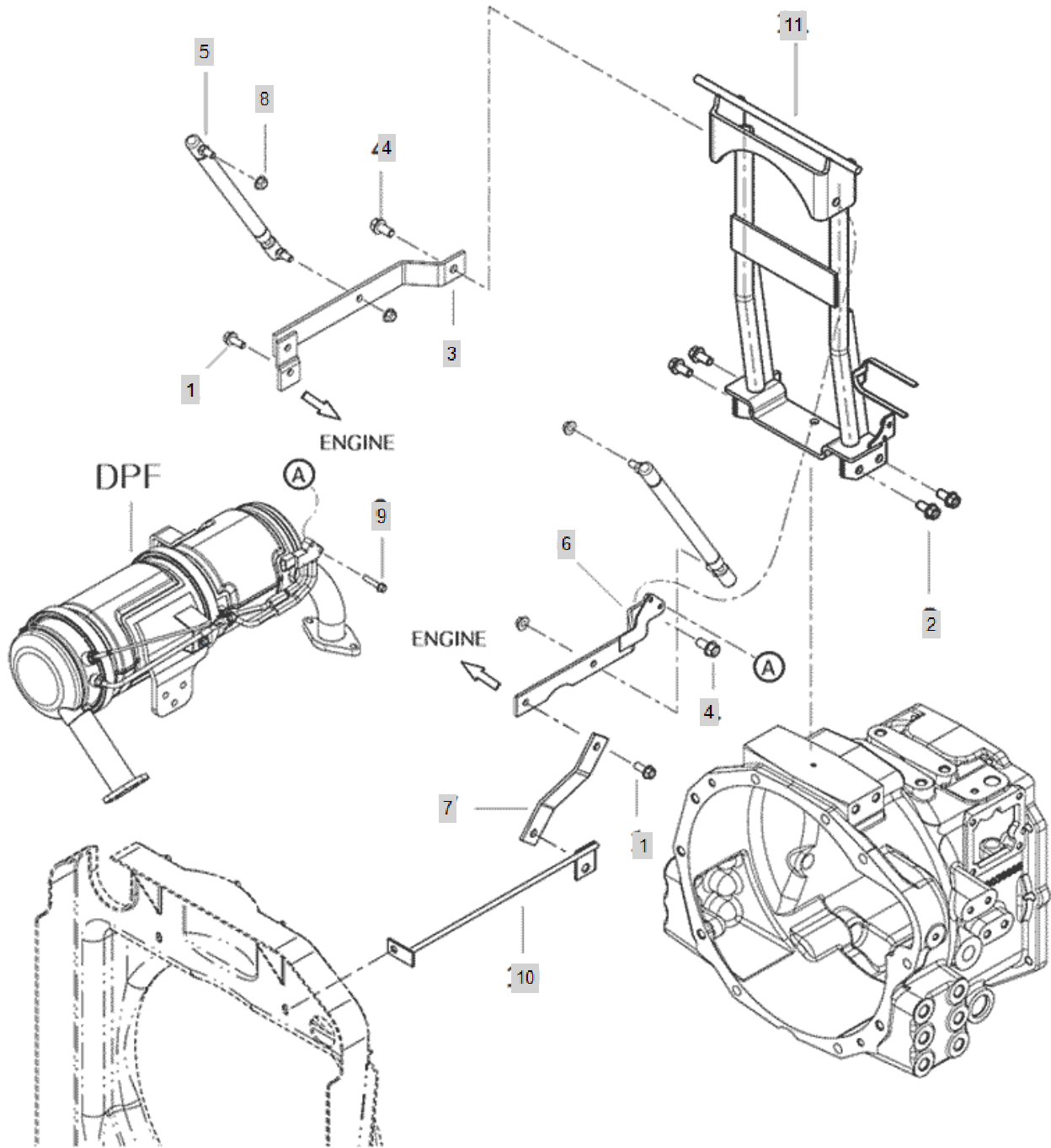


FIG C138-1

138.FENDER

Year/Month

3515CH

2020/01

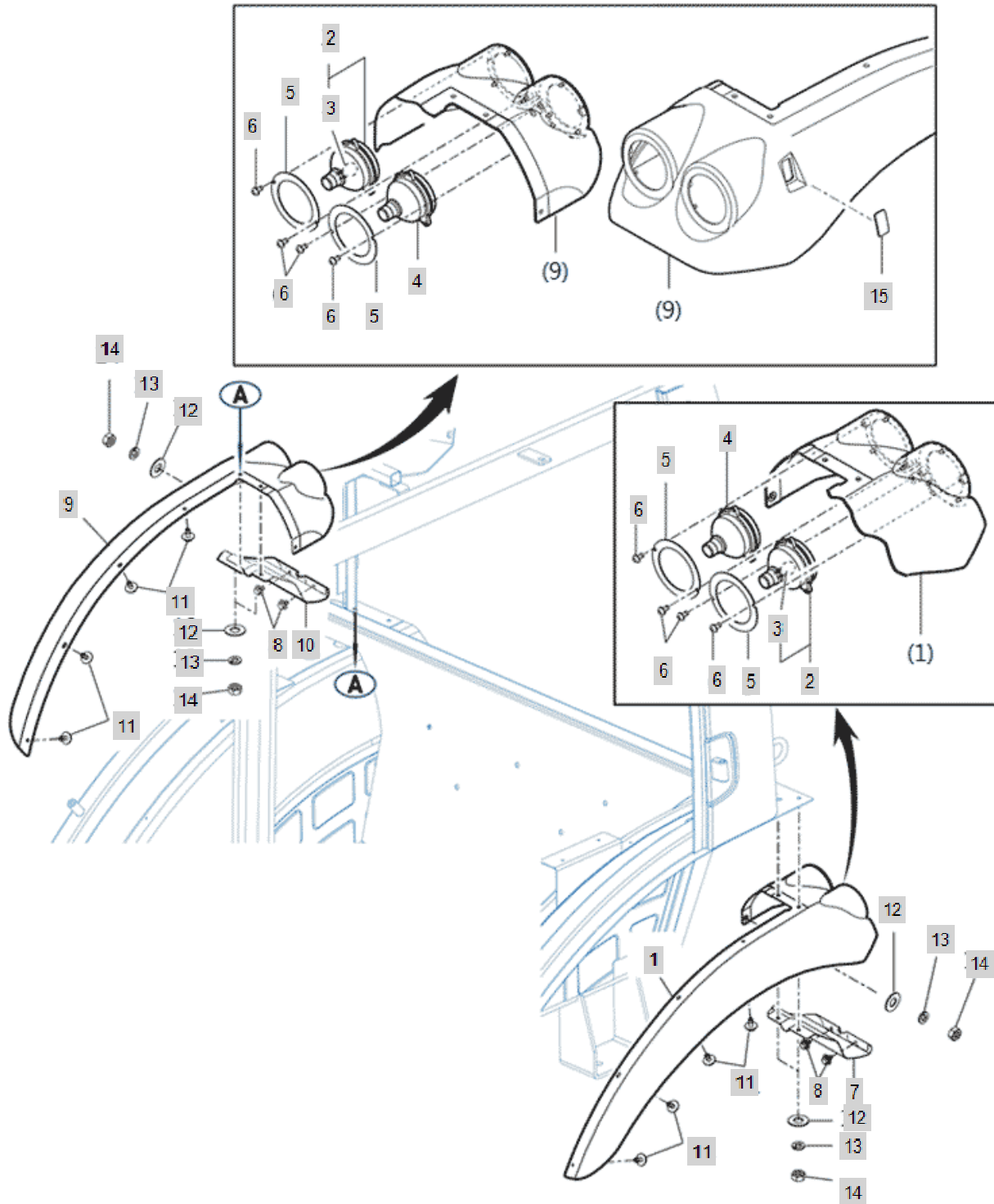


FIG C138-2

138.FENDER(2019.12~)

Year/Month

3515CH

2020/01

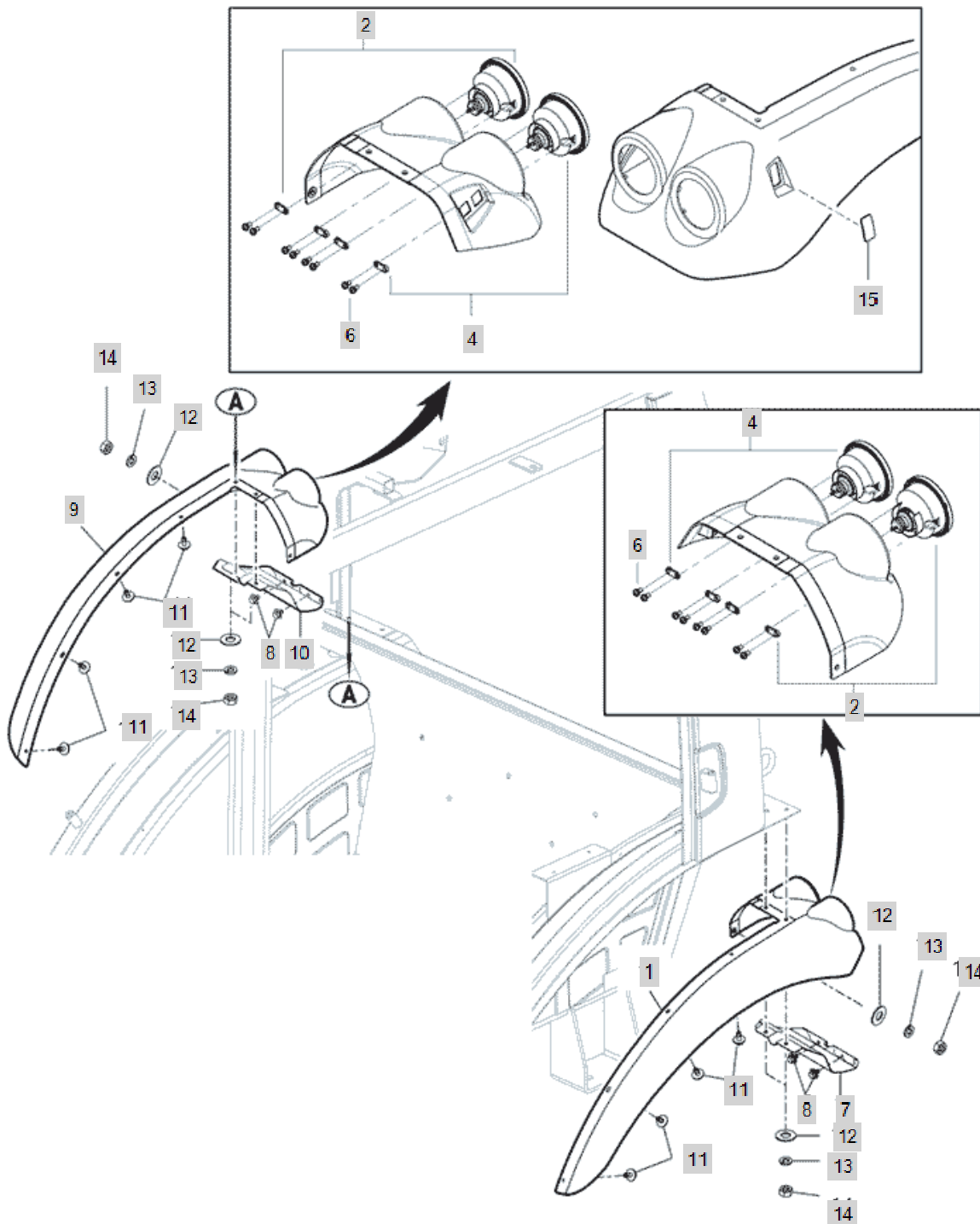


FIG C139

139.CABIN FRAME ASS'Y

Year/Month

3515CH

2020/01

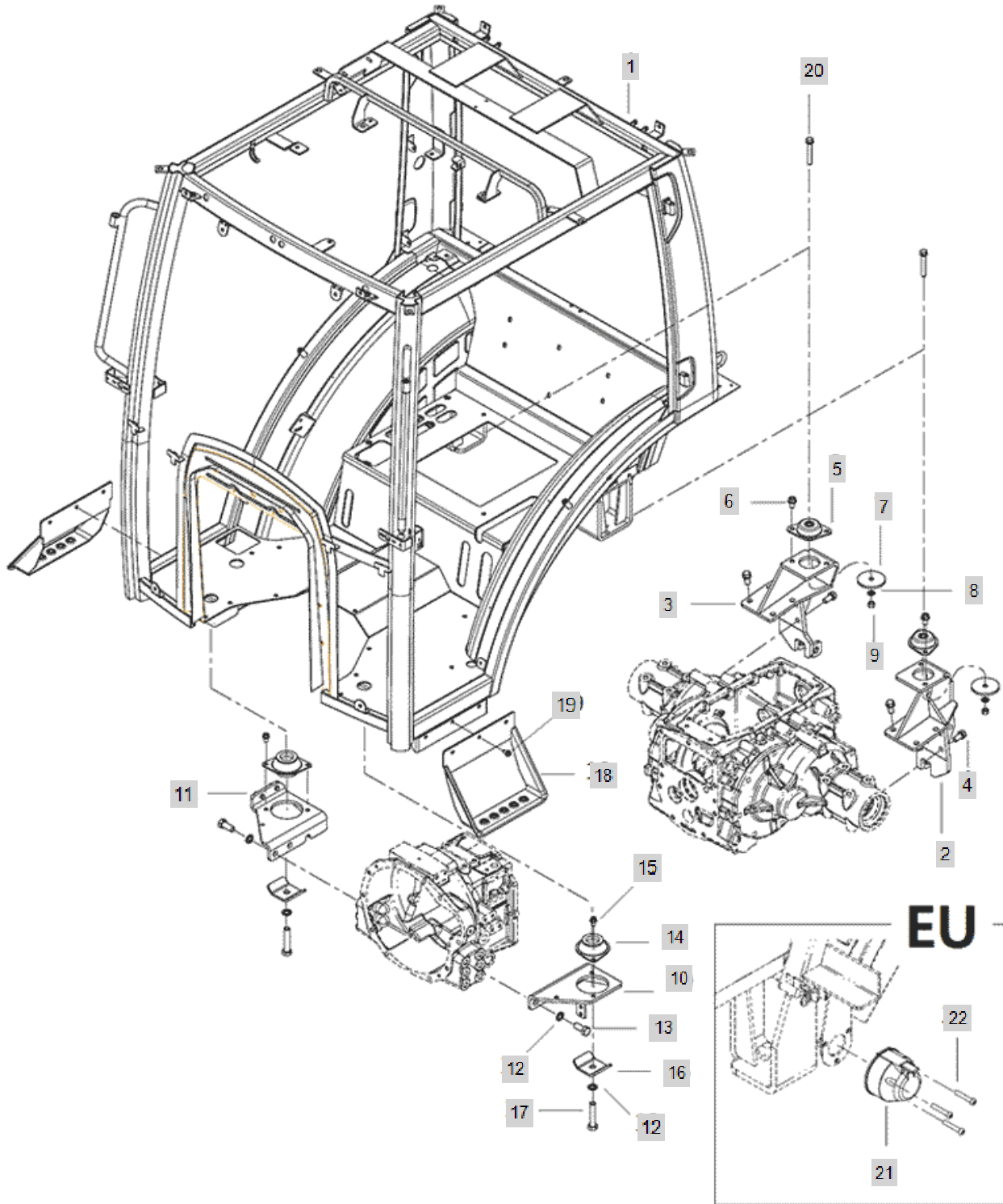


FIG C140

140.SEAT

Year/Month

3515CH

2020/01

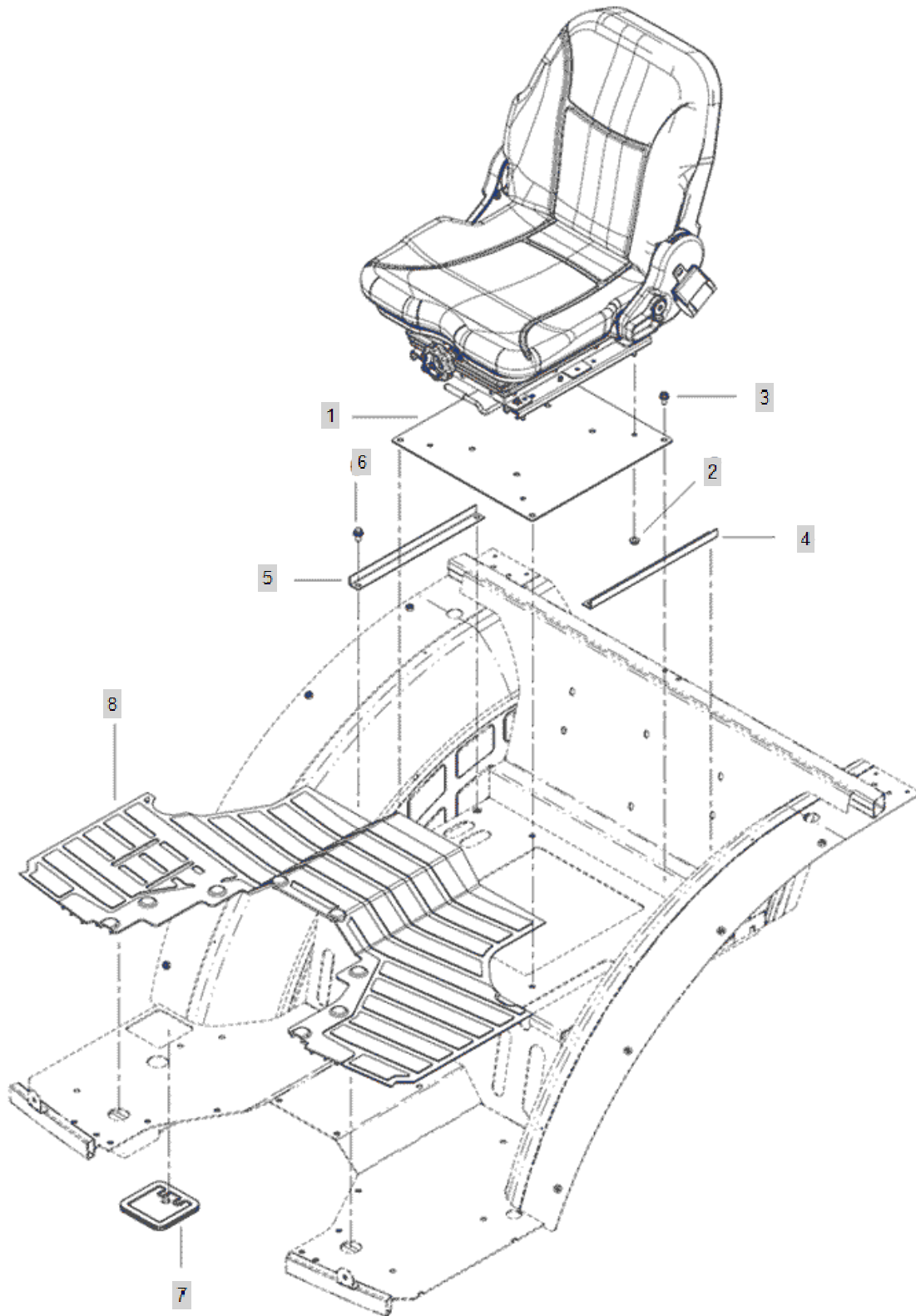


FIG C141A

141.FUEL TANK

Year/Month

3515CH

2020/01

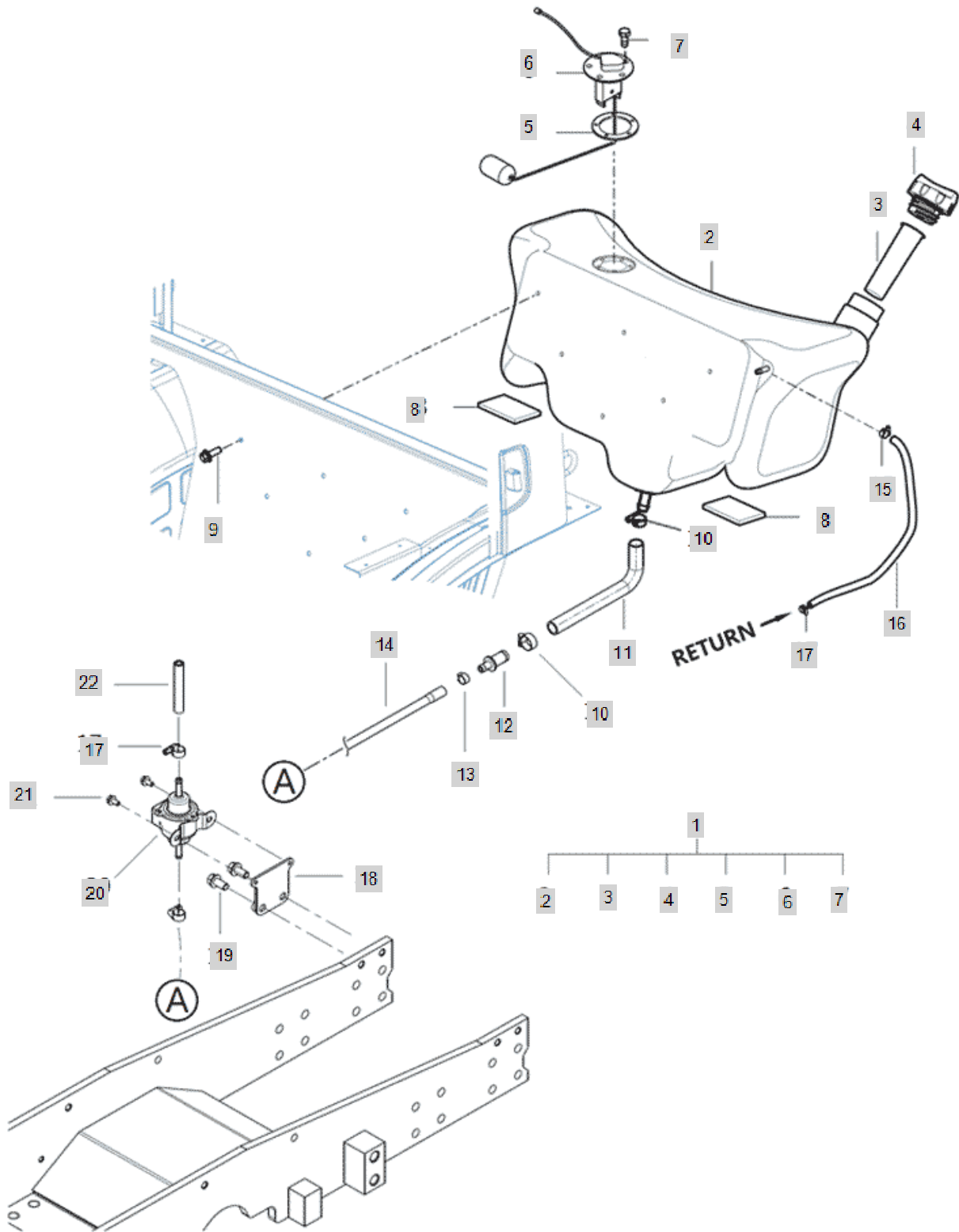


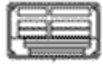
FIG C144B-1

144.NAME PLATE[3515CH]

Year/Month

3515CH

2020/01



1

Branson 3015Ch
Branson 3515Ch
Branson 4015Ch
Branson 4815Ch

2

Turbo Charged

3



4



5



6



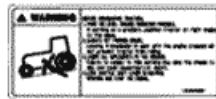
7



8



9



10



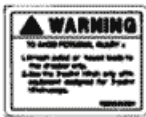
11



12



13



14



15



16



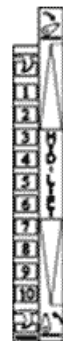
17



18



19



20



21



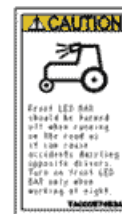
22



23



24



25

FIG C144B-2

144.NAME PLATE[3515CH](2019.04~)

Year/Month

3515CH

2020/01



1

Branson 3015Ch
Branson 3515Ch
Branson 4015Ch
Branson 4815Ch

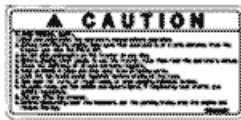
2

Turbo Charged

3



27



4



5



6



7



8



9



10



11



12



13



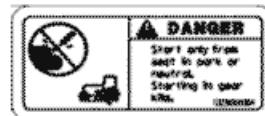
14



15



16



17



18



19



20



21



22



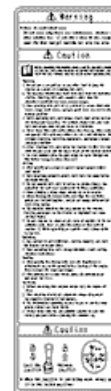
23



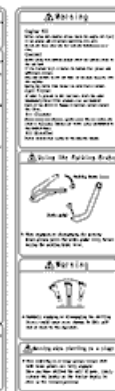
24



28



25



26

FIG C146

146.TOP LINK, LIFT LINK

Year/Month

3515CH

2020/01

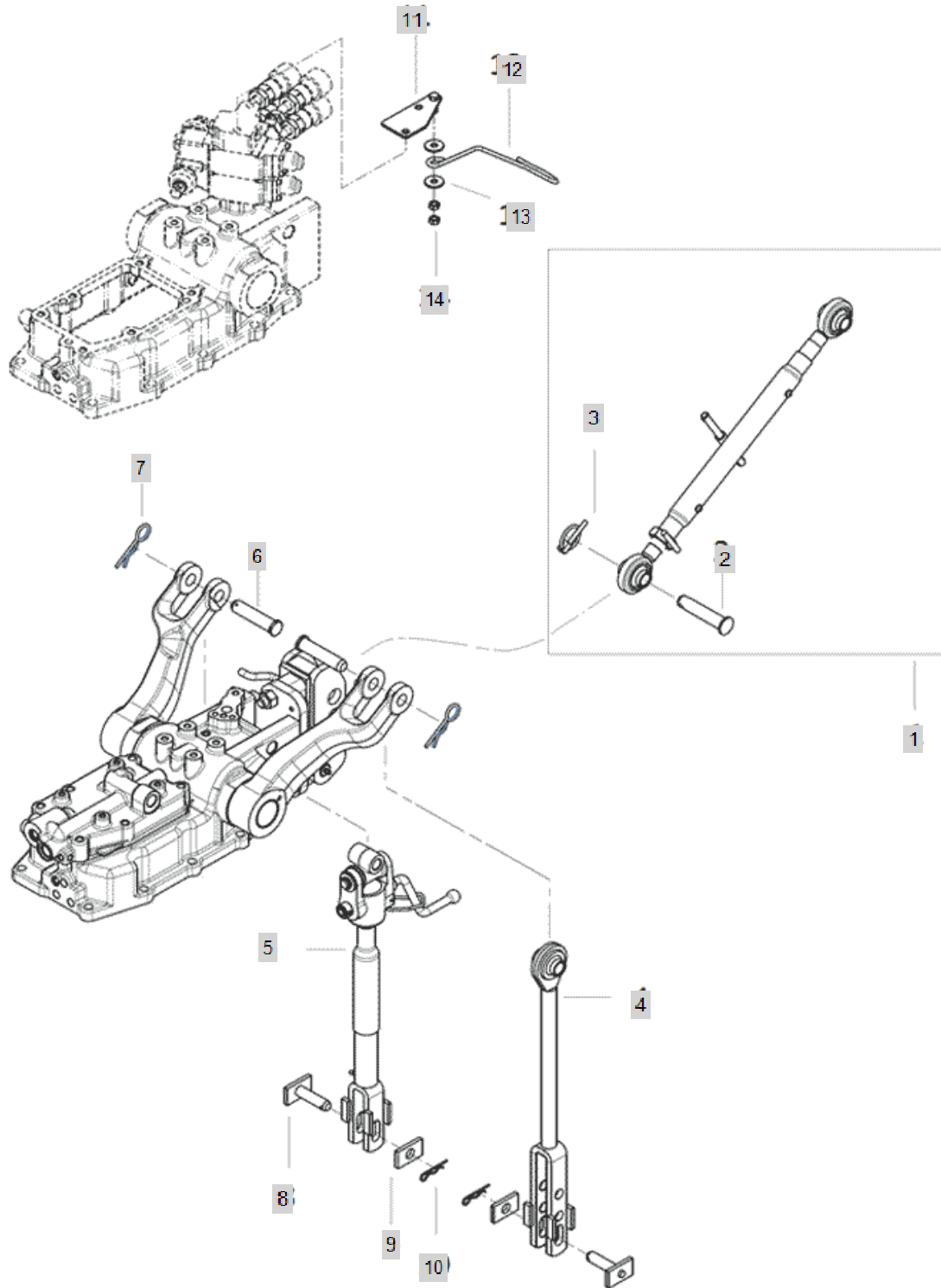


FIG C150

150.LOWER LINK

Year/Month

3515CH

2020/01

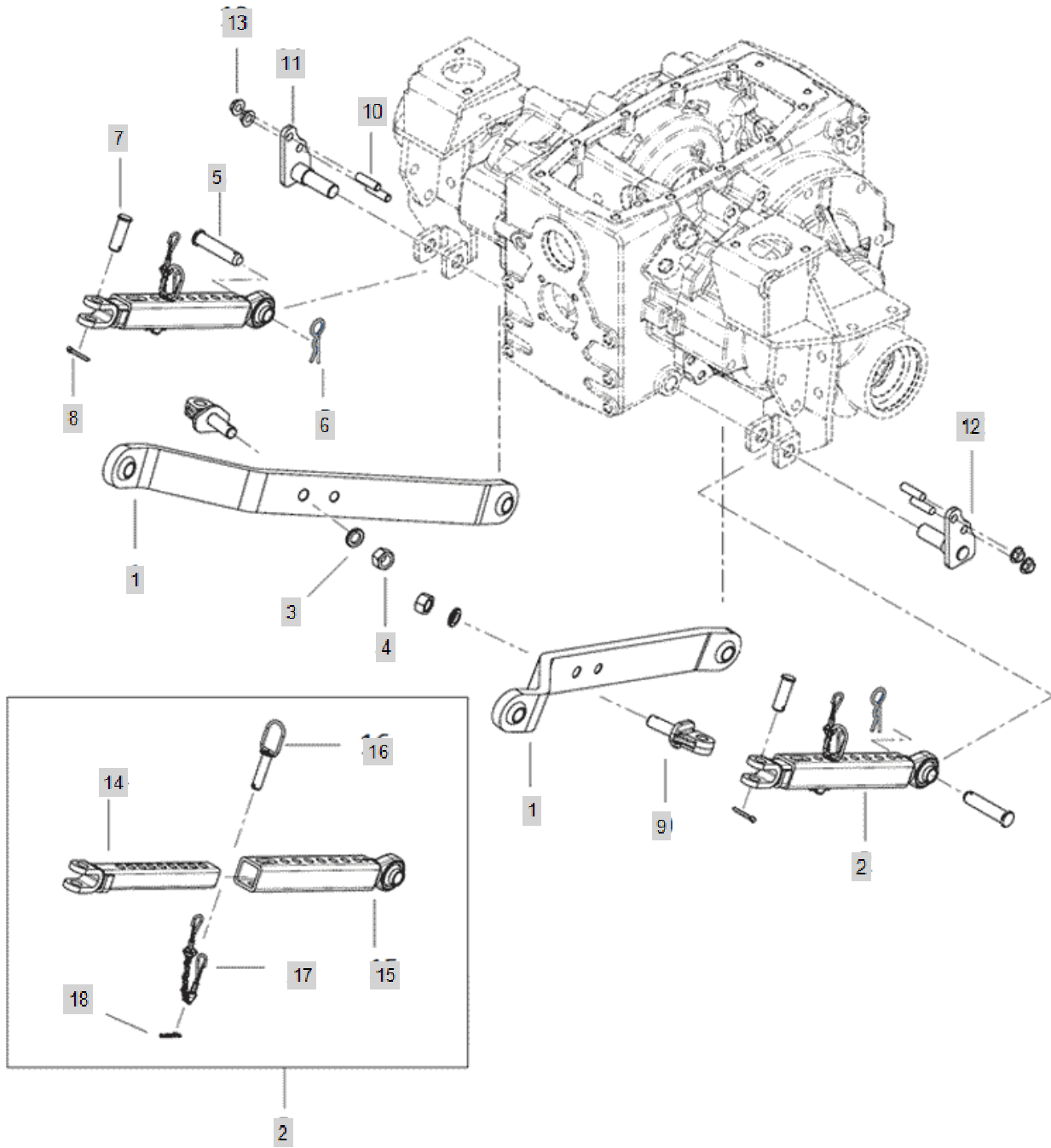


FIG C152

152.DRAWBAR HITCH

Year/Month

3515CH

2020/01

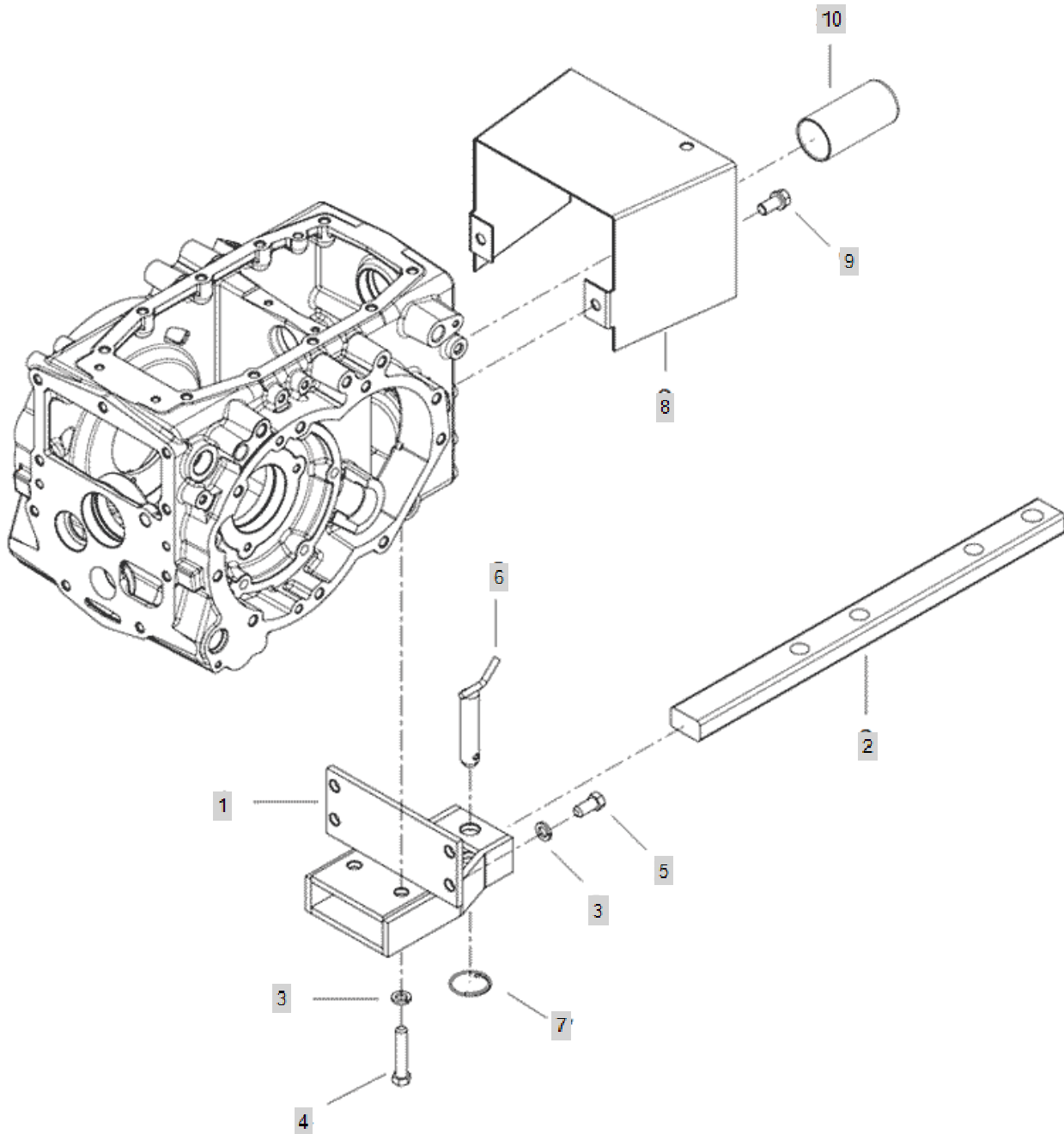


FIG C161.1A

161.ENGINE SUB

Year/Month

3515CH

2020/01

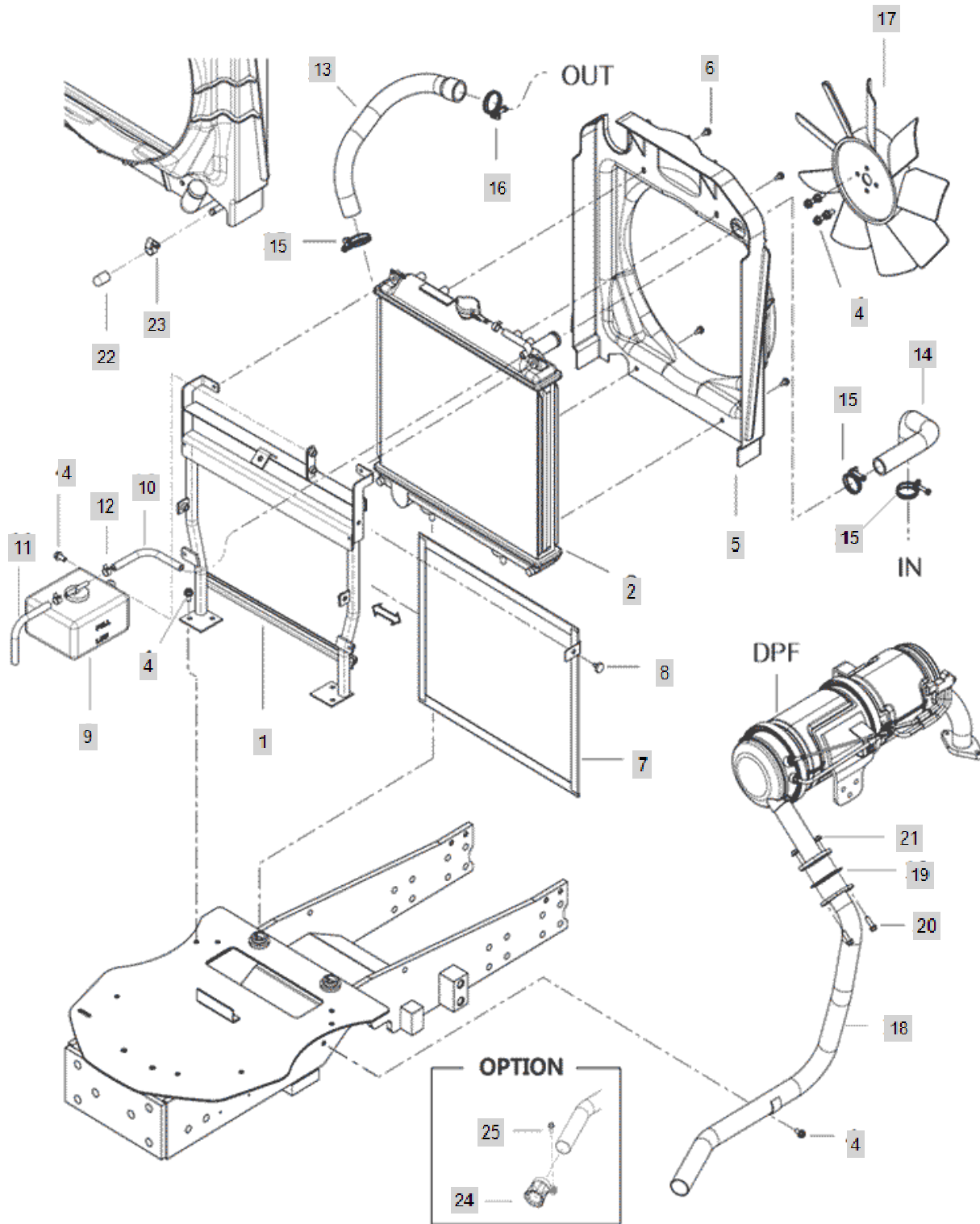


FIG C161.2A-1

161.ENGINE SUB

Year/Month

3515CH

2020/01

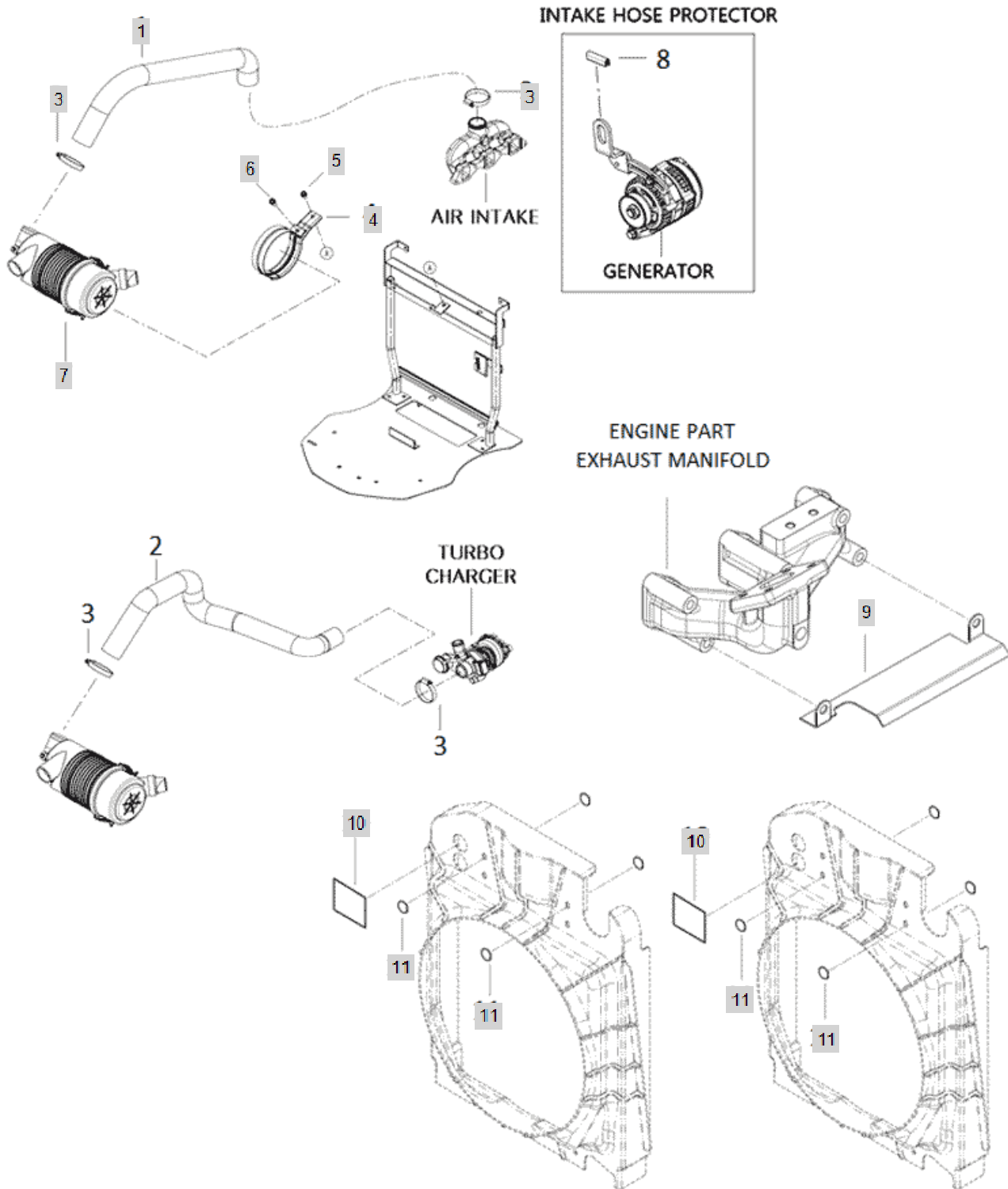


FIG C161.2A-2

161.ENGINE SUB(2019.12~)

Year/Month

3515CH

2020/01

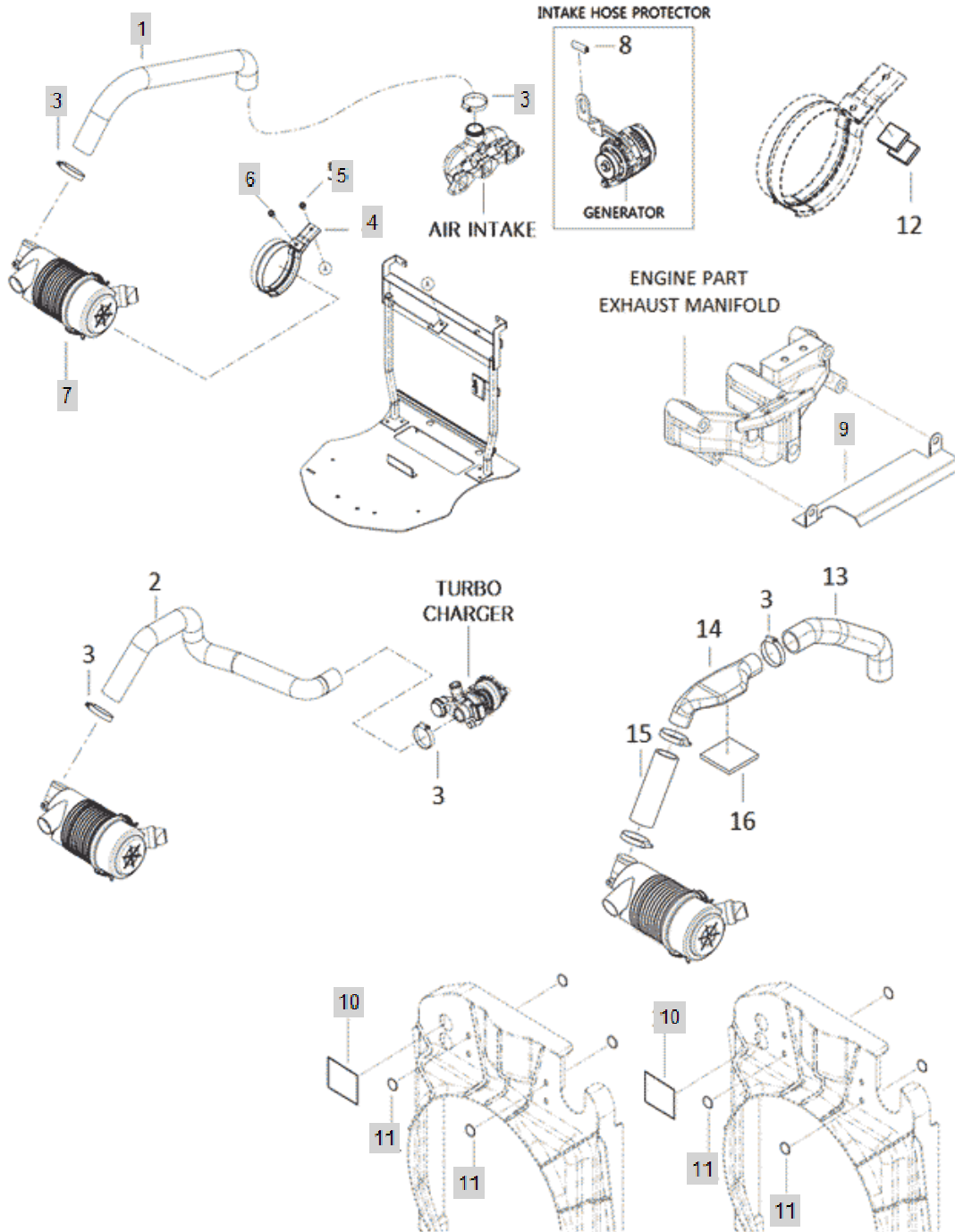


FIG C190

190.BLOCK, REAR

Year/Month

3515CH

2020/01

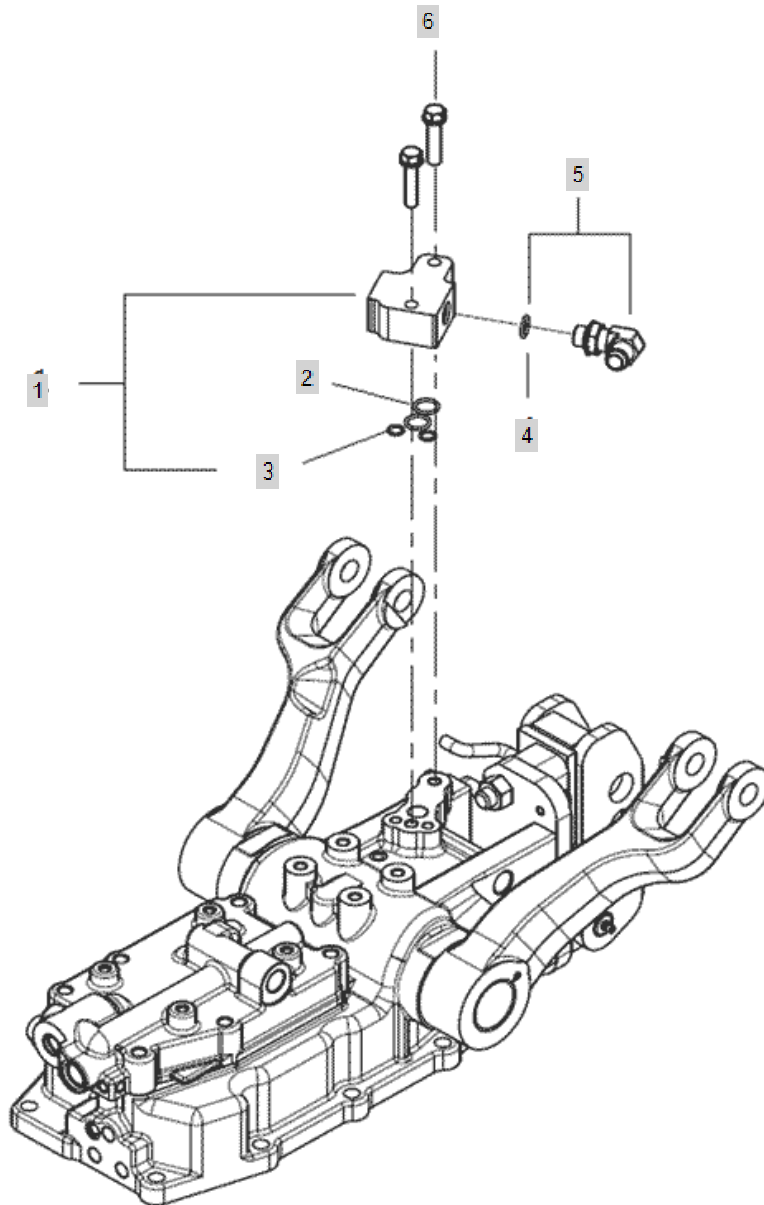


FIG C191

191.4PORT ASS'Y

Year/Month

3515CH

2020/01

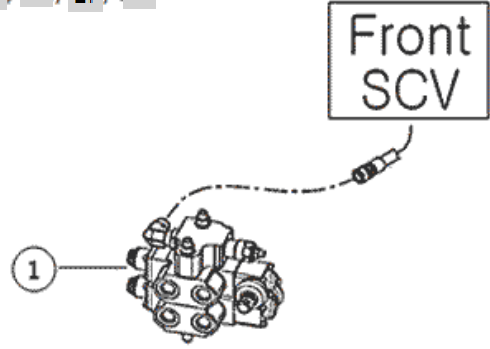
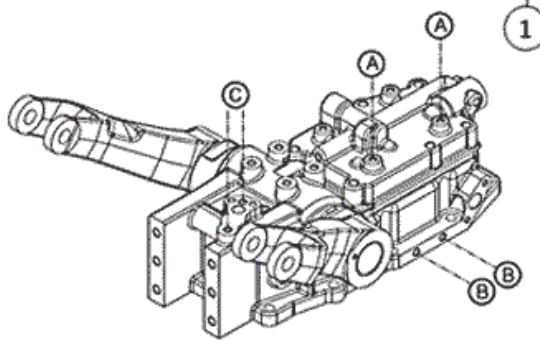
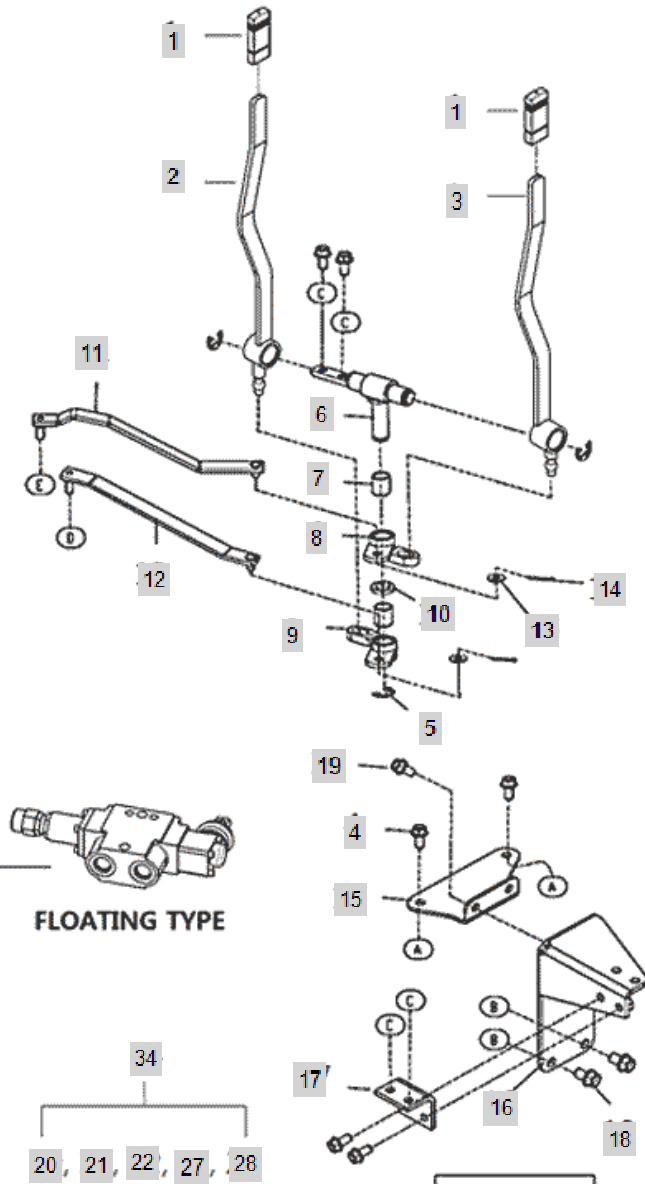
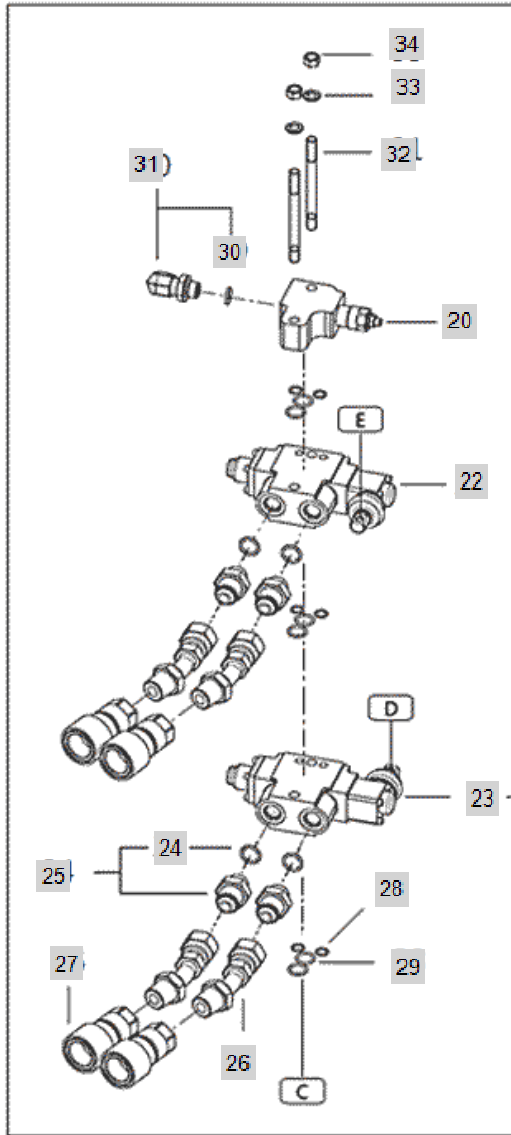


FIG C192

192.DASH PANEL

Year/Month

3515CH

2020/01

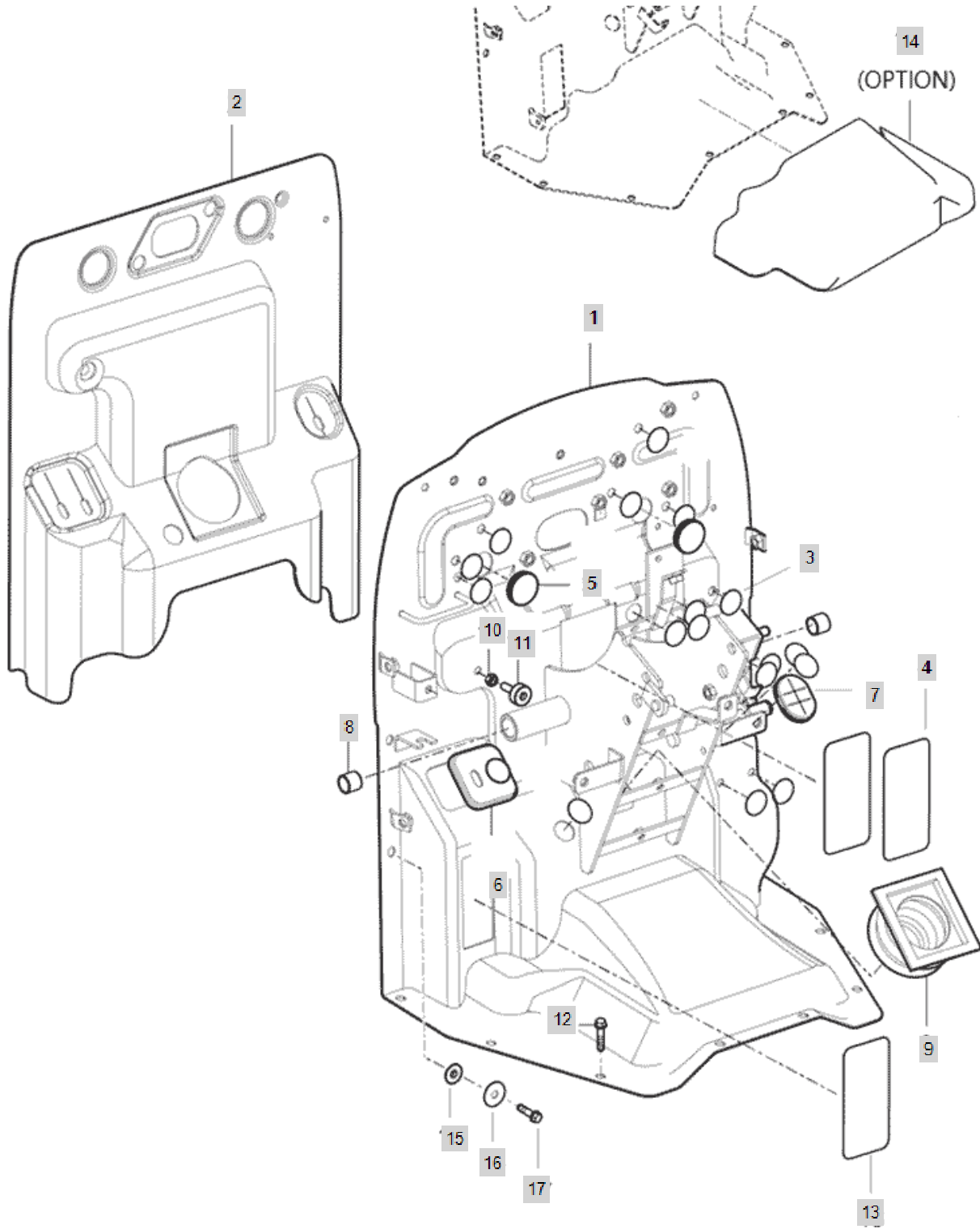


FIG C195

195.PILLAR COVER ASS'Y

Year/Month

3515CH

2020/01

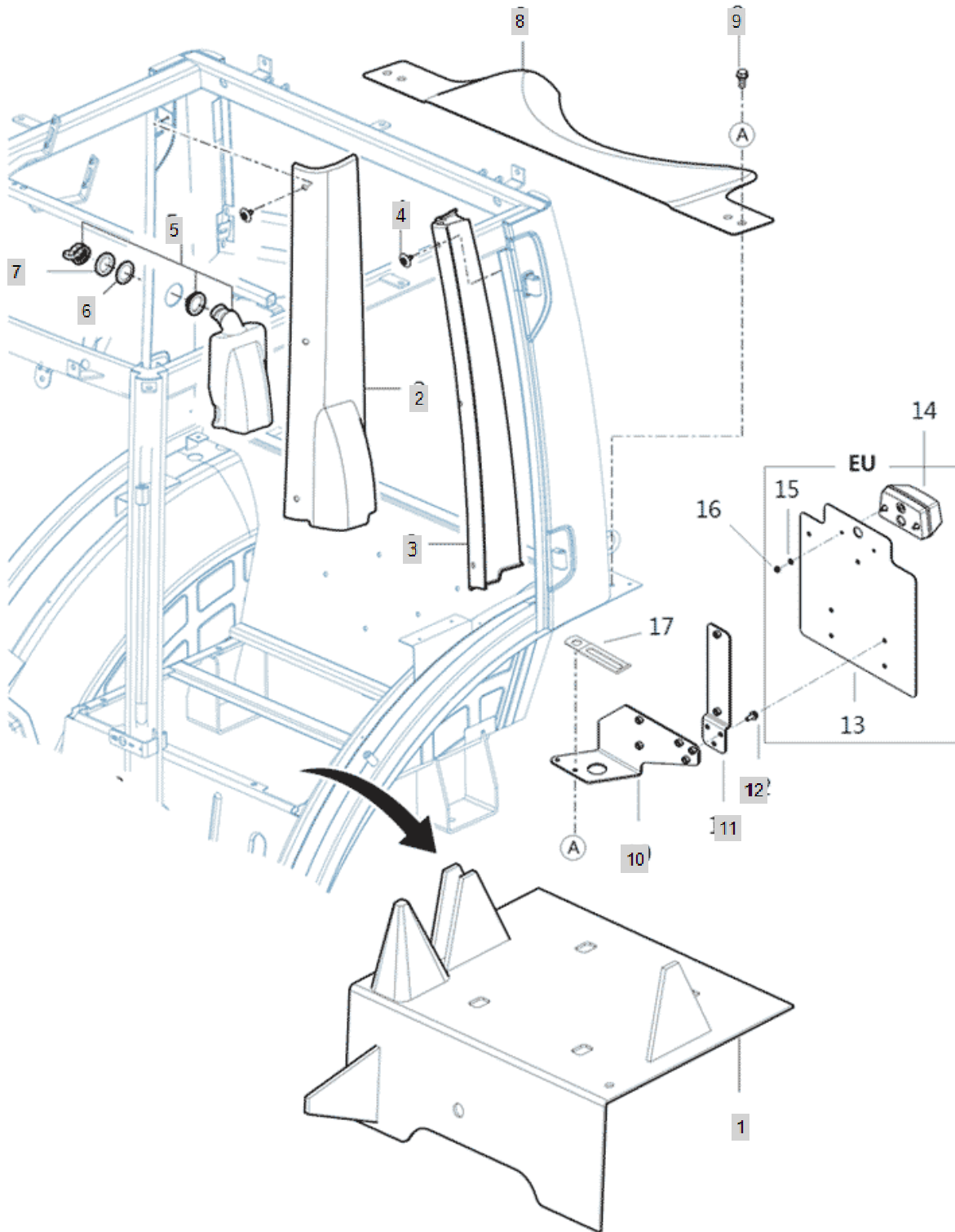


FIG C196

196.FRONT WINDOW ASS'Y

Year/Month

3515CH

2020/01

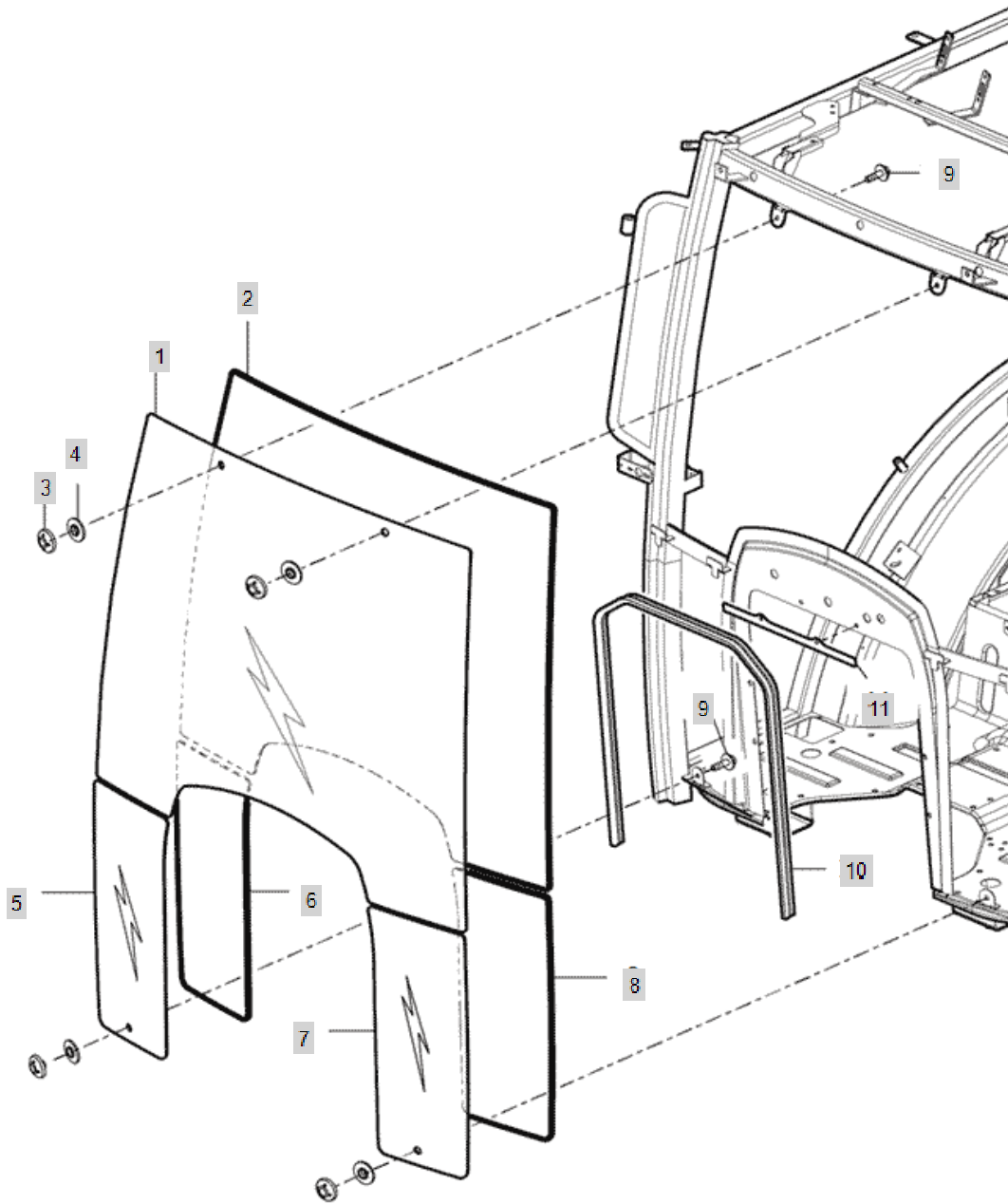


FIG C197

197.DOOR ASS'Y

Year/Month

3515CH

2020/01

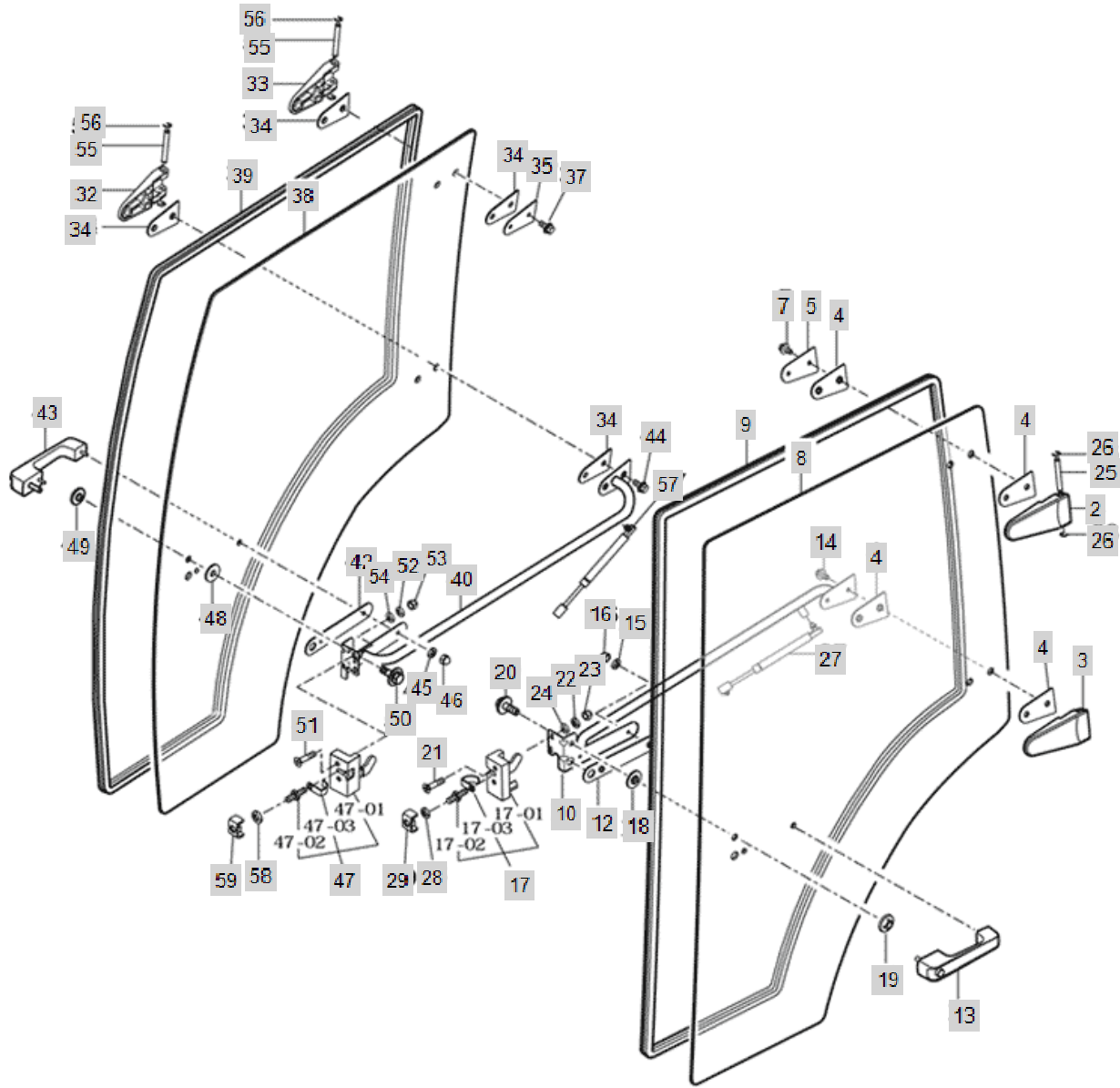


FIG C197		197.DOOR ASS'Y			Year/Month
3515CH					2020/01
KeyNo.	Part Number	Part Name	Quantity	Other	
2	TA00055490A	HINGE COMP , UPR/LH	1		
3	TA00055491A	HINGE COMP , UPR/RH	1		
4	TA00055492A	GASKET , DOOR HINGE	4		
5	TA00055501A	PLATE , DOOR HINGE	1		
7	26014-080202	Bolt, Hexa (8-20)	2		
8	TA00055493A	GLASS , LH/ DOOR	1		
9	TA00055494A	INSULATOR , DOOR	1		
10	TA00055502A	GUIDE COMP , LH/ DOOR	1		
12	TA00055495A	GASKET,DOOR GRIP	1		
13	TA00055496A	GRIP ASSY, LOCK/HANDLE	1		
14	26014-080202	Bolt, Hexa (8-20)	2		
15	22217-060000	WASHER, SPRING (Φ 06)	2		
16	26656-060002		2		
17	TA00055497A	LOCK SET , LH/DOOR	1		
17-1	TA00055500A	LOCK ASSY, LH/DOOR	1		
17-2	TA00055498A	STRIKER	1		
17-3	TA00055499A	GUARD	1		
18	TA00051654A	GROMMET , 13X17X02	1		
19	TA00051656A	NUT COMP , GLASS	1		
20	26014-060122	Bolt, Hexa (6-12)	1		
21	26577-080402		2		
22	22217-080000	WASHER, SPRING (Φ 08)	2		
23	26656-080002	CAP NUT M8	2		
24	22137-080000	WASHER, PLAIN (Φ 08)	2		
25	TA00055506A	PIN, HINGE DOOR	2		
26	22272-000070	RING, CIRCLIP (Φ 07)	4		
27	TA00055507A	DAMPER ASSY , DOOR	1		
28	22217-100000	WASHER, SPRING (Φ 10)	1		
29	TA00055508A	BRACKET COMP , DOOR LOCK	1		
32	TA00055490A	HINGE COMP , UPR/LH	1		
33	TA00055491A	HINGE COMP , UPR/RH	1		
34	TA00055492A	GASKET , DOOR HINGE	4		
35	TA00055501A	PLATE , DOOR HINGE	1		
37	26014-080202	Bolt, Hexa (8-20)	2		
38	TA00055511A	GLASS , RH/DOOR	1		
39	TA00055494A	INSULATOR , DOOR	1		
40	TA00055512A	GUIDE COMP , RH/DOOR	1		
42	TA00055495A	GASKET,DOOR GRIP	1		
43	TA00055496A	GRIP ASSY, LOCK/HANDLE	1		
44	26014-080202	Bolt, Hexa (8-20)	2		
45	22217-060000	WASHER, SPRING (Φ 06)	2		
46	26656-060002		2		
47	TA00055515A	LOCK SET , RH/DOOR	1		
47-1	TA00055516A	LOCK ASSY, RH/DOOR	1		
47-2	TA00055498A	STRIKER	1		

FIG C198

198.REAR WINDOWS ASS'Y

Year/Month

3515CH

2020/01

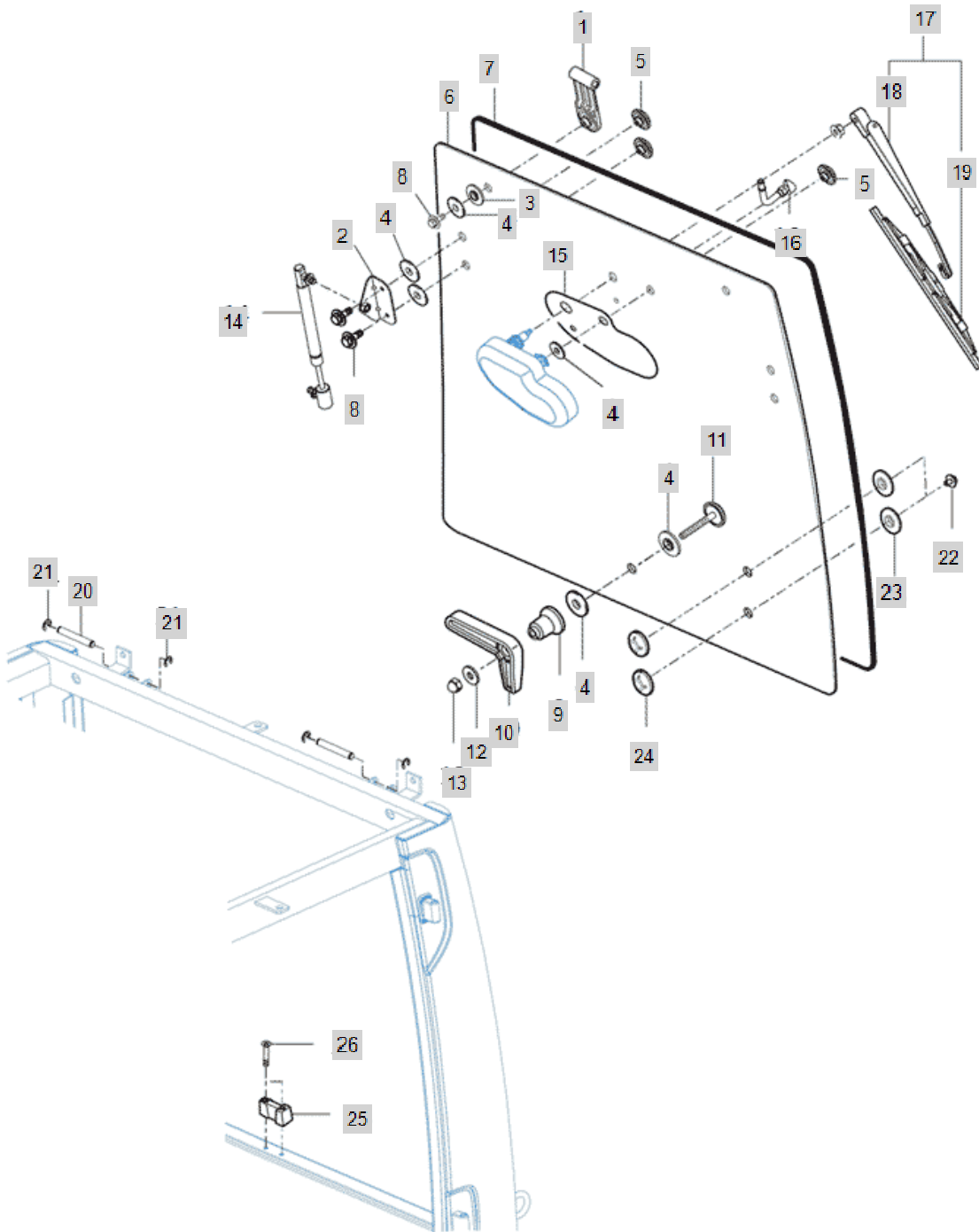


FIG C199-1

199.SIDE MIRROR ASS'Y

Year/Month

3515CH

2020/01

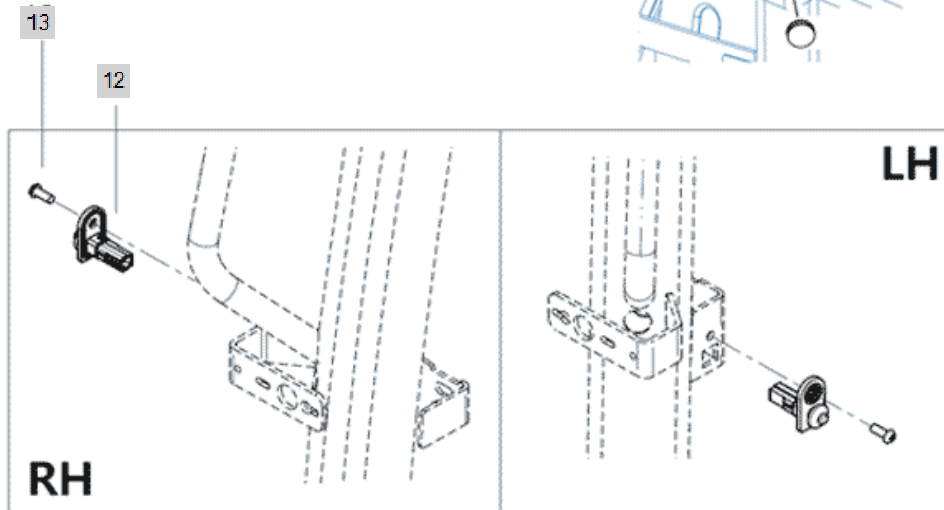
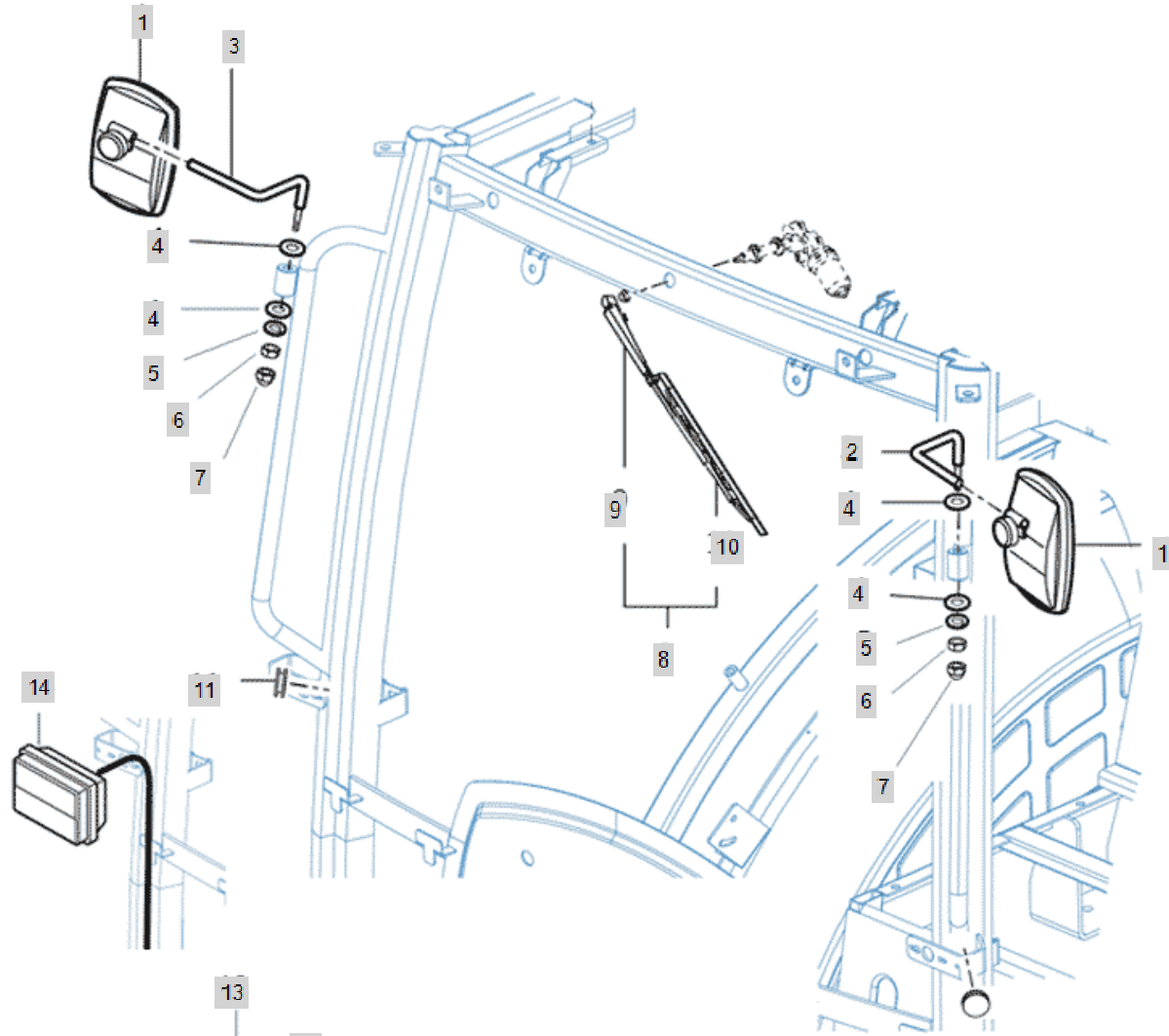


FIG C199-2

199.SIDE MIRROR ASS'Y(2019.12~)

Year/Month

3515CH

2020/01

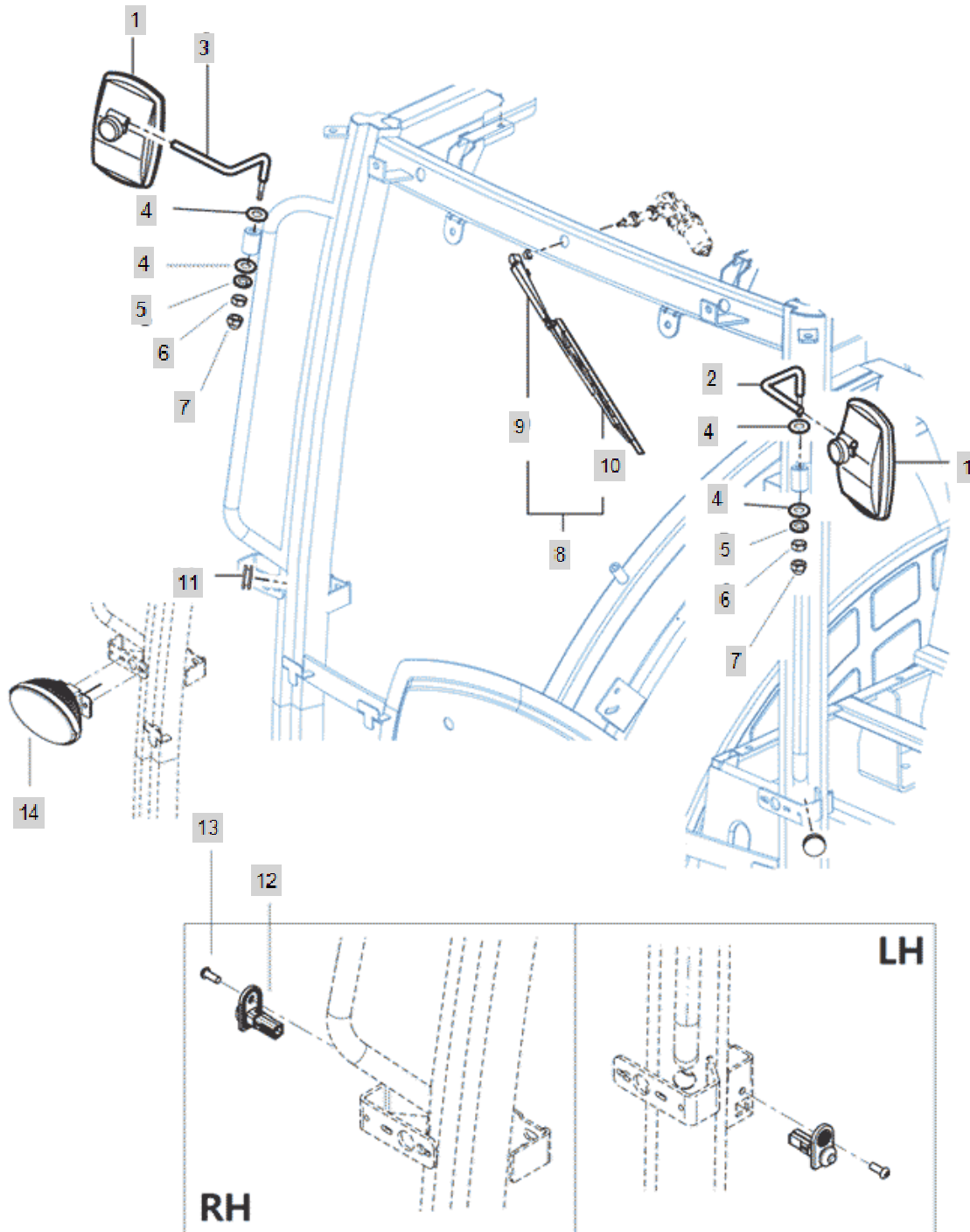


FIG C200

200.ROOF ASS'Y

Year/Month

3515CH

2020/01

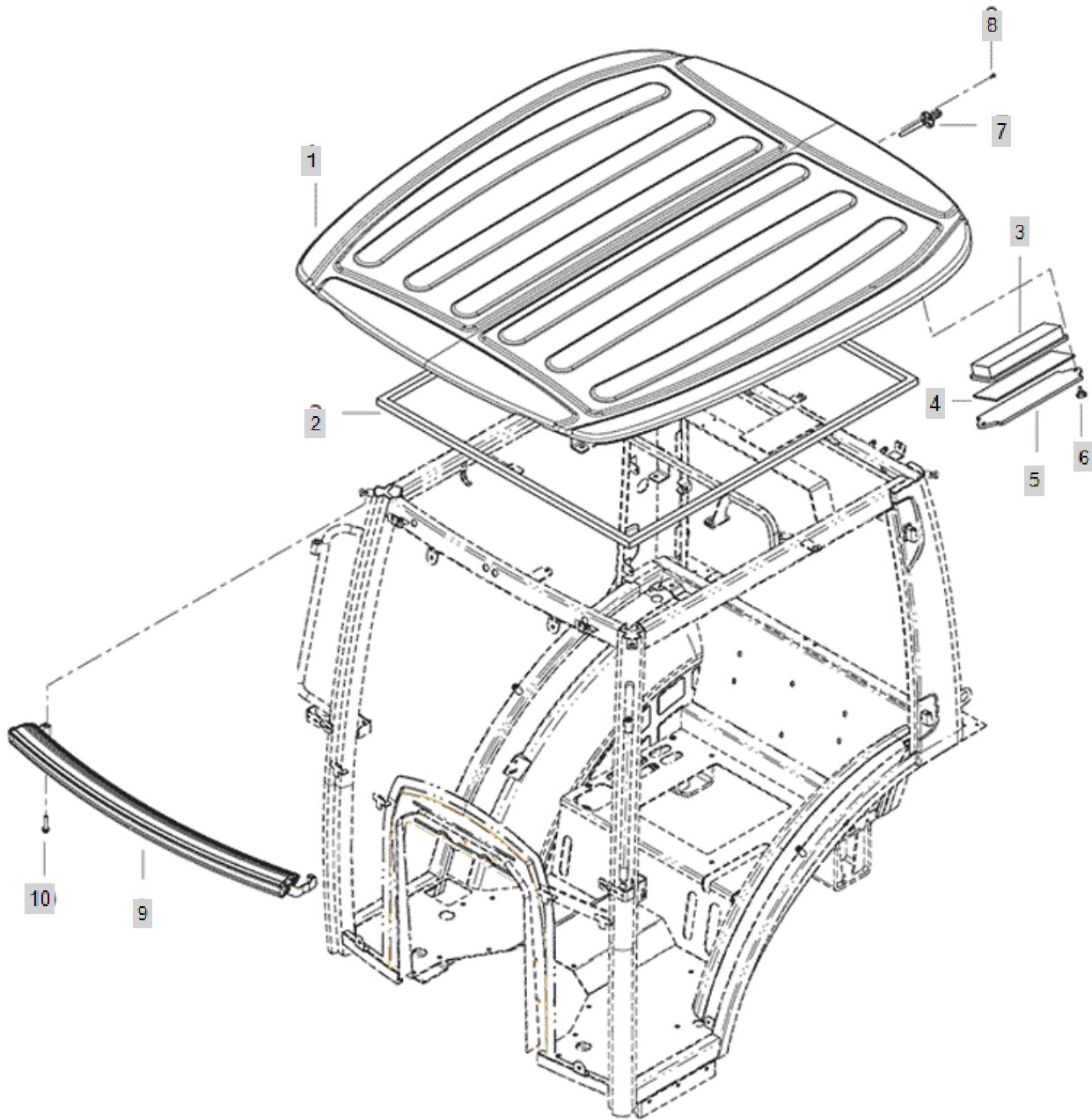


FIG C201

201.CEILING ASS'Y

Year/Month

3515CH

2020/01

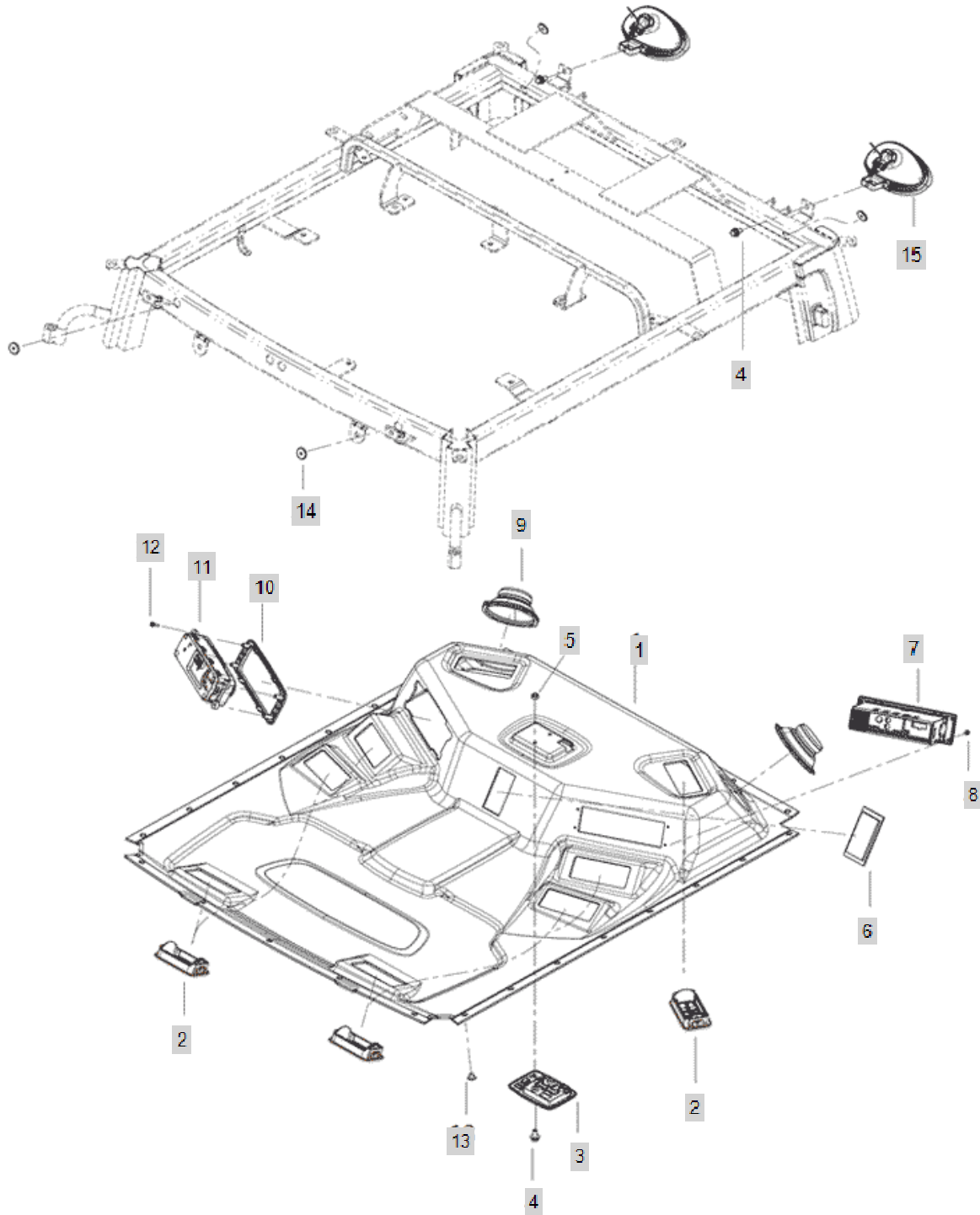


FIG C202

202.FENDER COVER

Year/Month

3515CH

2020/01

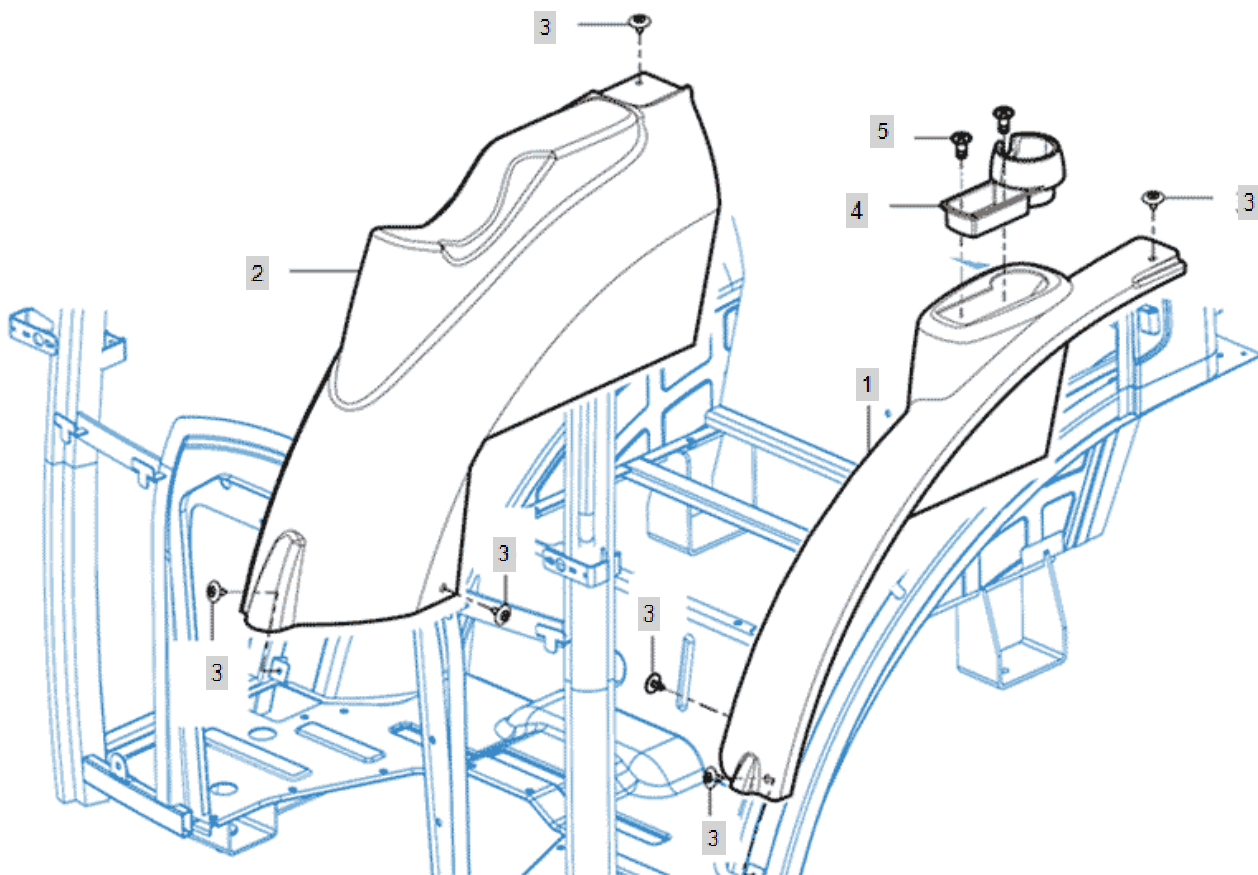


FIG C203

203.A/C ASS'Y, CABIN

Year/Month

3515CH

2020/01

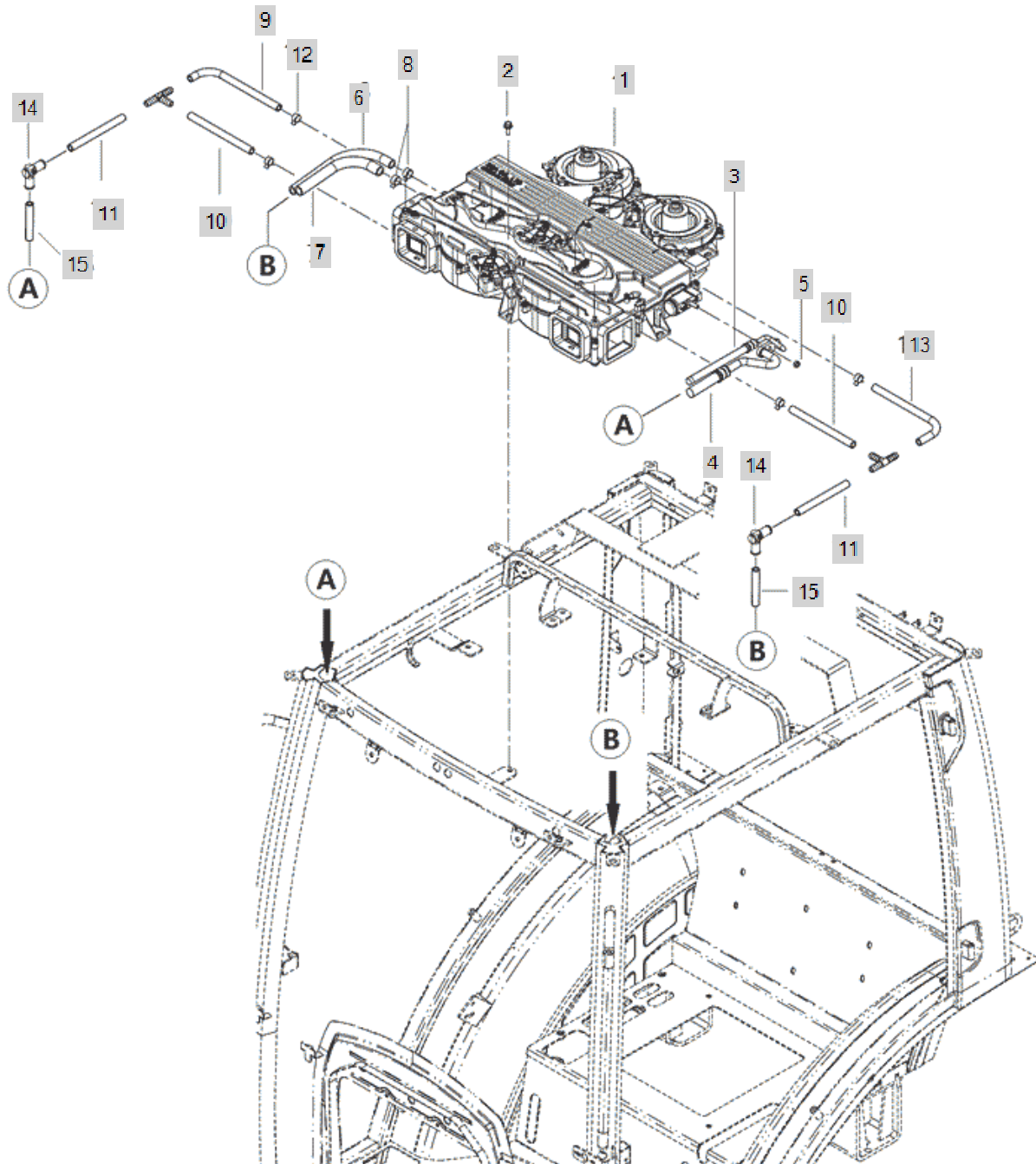


FIG C204

204.A/C DUCT ASS'Y

Year/Month

3515CH

2020/01

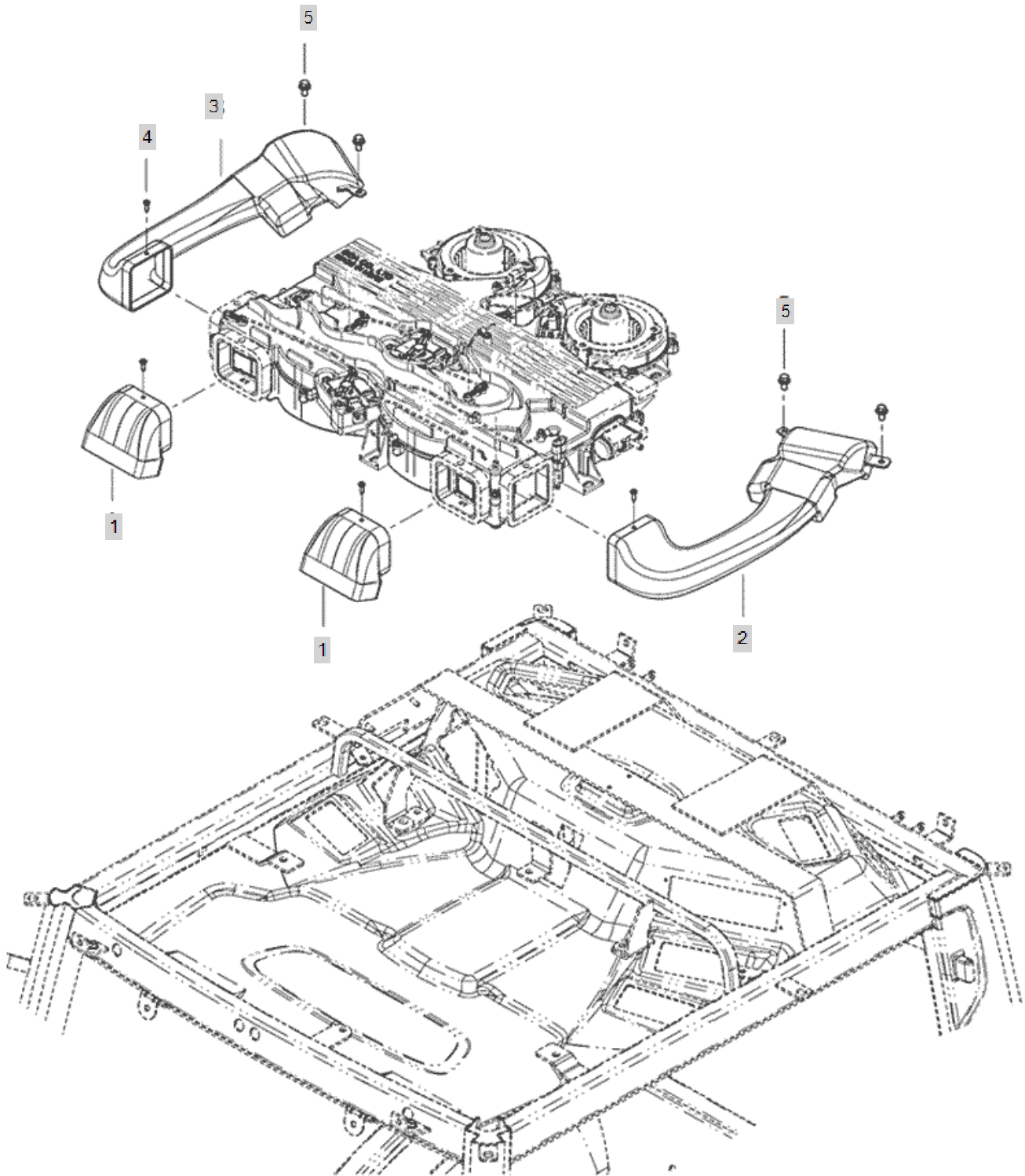


FIG C205.1A

205.ENGINE SUB ASSEMBLY

Year/Month

3515CH

2020/01

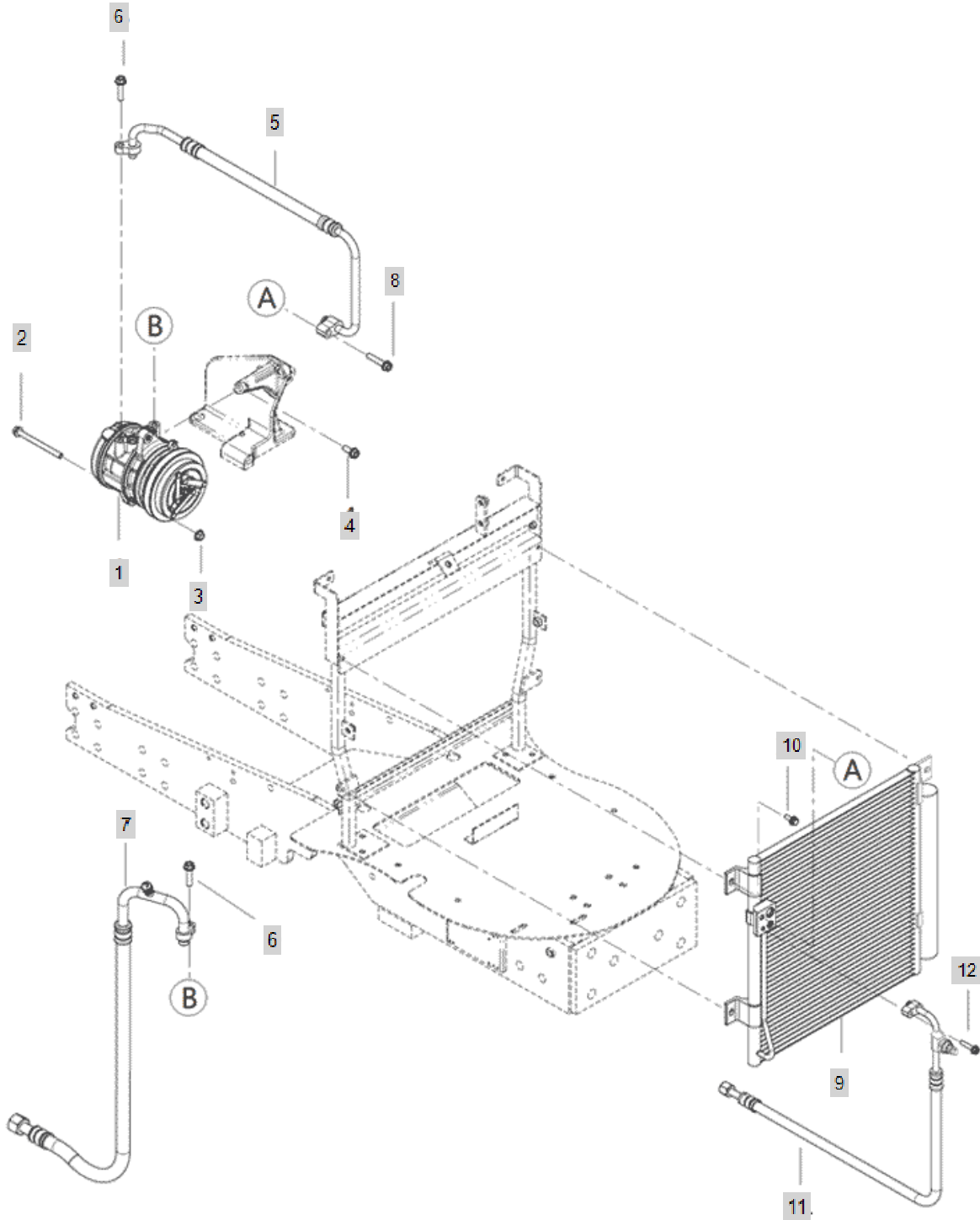


FIG C205.2A

205.ENGINE SUB ASSEMBLY

Year/Month

3515CH

2020/01

