

KUKJE 3120R Branson Tractor

Parts Catalogue



CONTENTS

GROUP NO	GROUP NAME	PAGE
000	AC00291	5
E001	CYLINDER BLOCK	7
E002	GEAR CASE	9
E003	MOUNTING FLANGE & OIL PAN	11
E004	CYLINDER HEAD & HEAD COVER	13
E005	INTAKE MANIFOLD	16
E006	EXHAUST MANIFOLD	18
E007	CAM SHAFT & DRIVING GEAR	20
E008	CRANK SHAFT & PISTON	22
E009	OIL SYSTEM	24
E010	COOLING SYSTEM	26
E011	FUEL INJECTION PUMP	28
E012	FUEL INJECTION SYSTEM & VALVE	30
E013	FUEL SYSTEM	32
E014	STARTING MOTOR	34
E015	GENERATOR & ELECTRIC DEVICE	36
S001	LEVER ACCELERATOR	38
S002	STEERING COLUMN	40
S003	SHUTTLE ASSY	42
S004	FRONT AXLE BRACKET	44
S009	CENTER PIN SUPPORTER	46
S010	TIE ROD	48
S012	RING GEAR, DIFFERENTIAL GEAR	50
S019	GEAR CASE, FRONT AXLE	52
S020	SPACER	55
S023	COVER SHAFT	57
S032	POWER STEERING CYLINDER	59
S034	POWER STEERING HYD LINE	61
S035	CLUTCH HOUSING (1)	63
S038	CLUTCH ASSY	65
S040	CLUTCH RELEASE	67
S041	TRANSMISSION CASE SHIFT	69
S042	MAIN SHIFT	72
S043	FRONT DRIVE & RANGE SHIFT	75
S044	FRONT DRIVE & RANGE SHIFT LEVER	77

GROUP NO	GROUP NAME	PAGE
S045	PTO SPEED SHIFT	80
S046	REAR AXLE CASE, PTO SHIFT	83
S047	LEVER ASS'Y, PTO SPEED CHANGE	85
S048	HOUSING, REAR AXLE	87
S049	DRIVING PART, REAR AXLE	89
S050	BRAKE	92
S053	BRAKE, CLUTCH PEDAL	94
S067	LEVER, MAIN SHIFT	97
S099	HYD PUMP	99
S101	CASE, HYD CYLINDER	101
S102	IND PTO VALVE SUPPORT	103
S103	S.C.V. SUPPORT	105
S104	PISTON ASS'Y	107
S106	CONTROL VALVE	109
S108	RELIEF VALVE	111
S109	STOP VALVE	113
S110	SAFETY VALVE	115
S111	HYD CONTROL	117
S114	HYD PIPING (1)	119
S118	HYD FILTER	121
S119	ELE'C WIRING(2015)	123
S119-2	Electric_Wiring(2016)	125
S124	BATTERY	127
S125	SWITCHES	129
S131	HORN	131
S132	LAMP	133
S134	Meter_Assembly_20R	135
S135	HOOD	137
S136	HOOD SUPPORT	139
S137	DASH BOARD	141
S138	FENDER	143
S139	FOOT REST ASSY	145
S140	SEAT	147
S141	FUEL TANK	149
S144	NAME PLATE	151

FIG 000

AC00291

Year/Month

3120R

2020/02



B CHASSIS



A ENGINE

FIG E001

CYLINDER BLOCK

Year/Month

3120R

2020/02

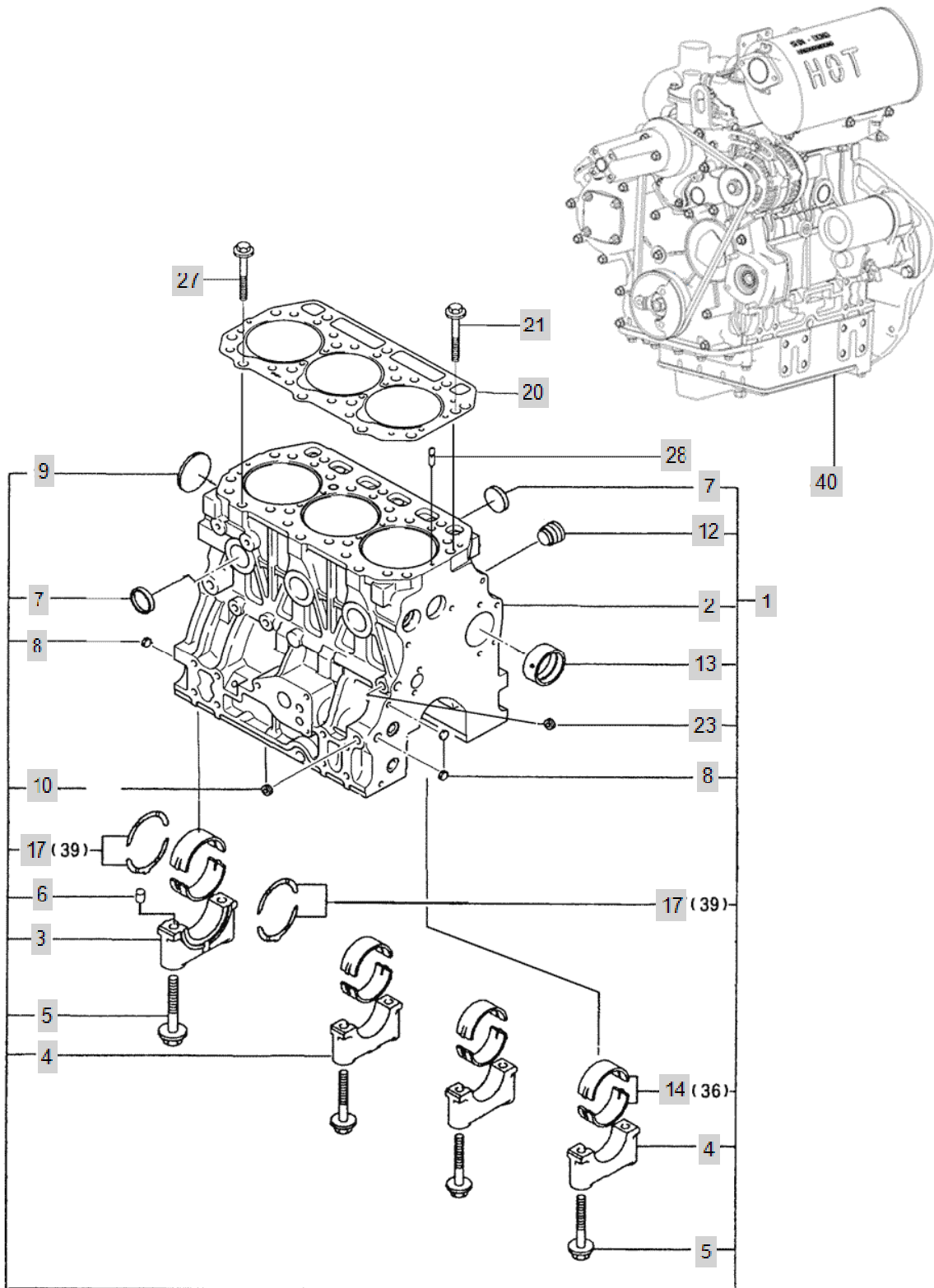


FIG E002

GEAR CASE

Year/Month

3120R

2020/02

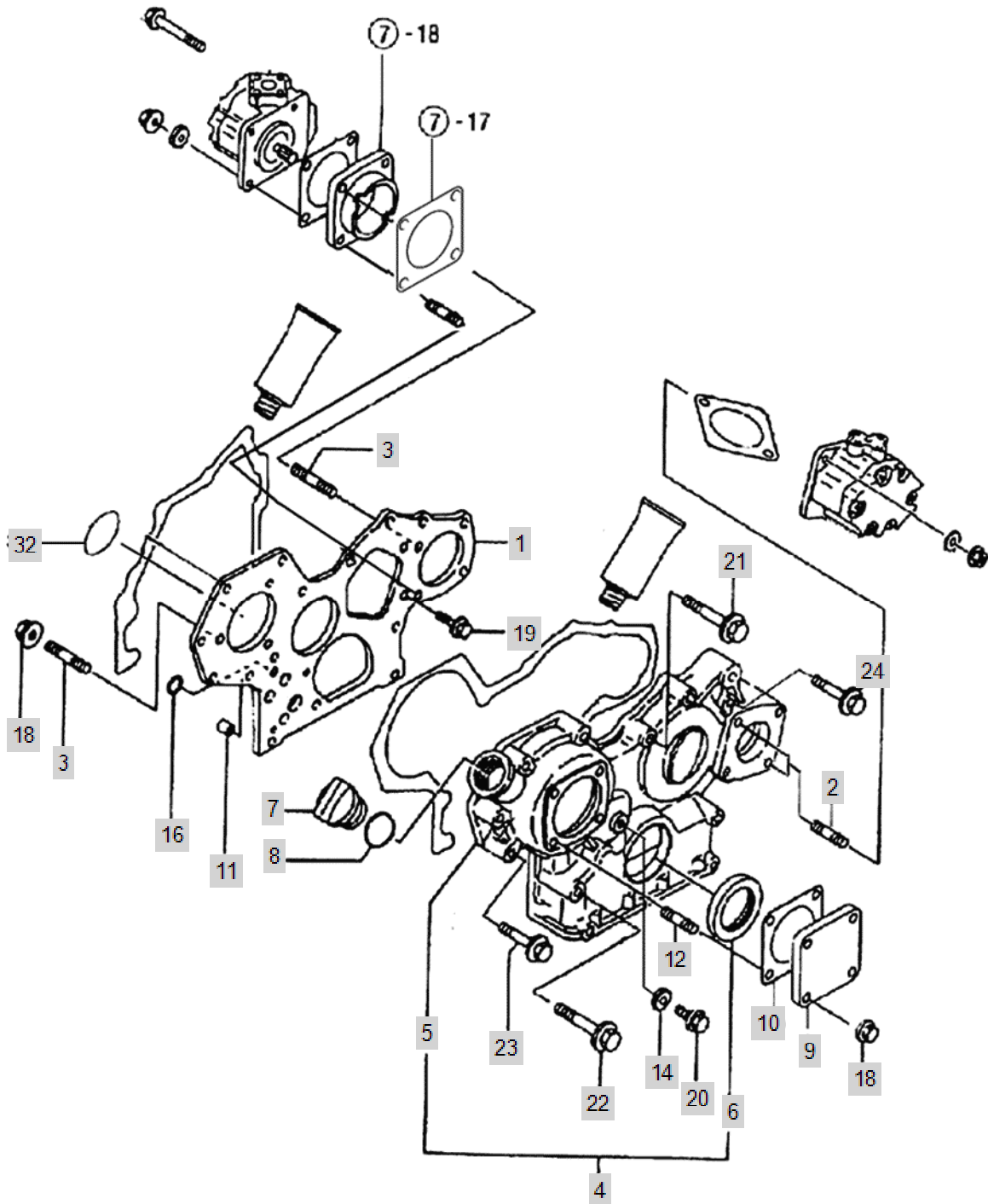


FIG E003

MOUNTING FLANGE & OIL PAN

Year/Month

3120R

2020/02

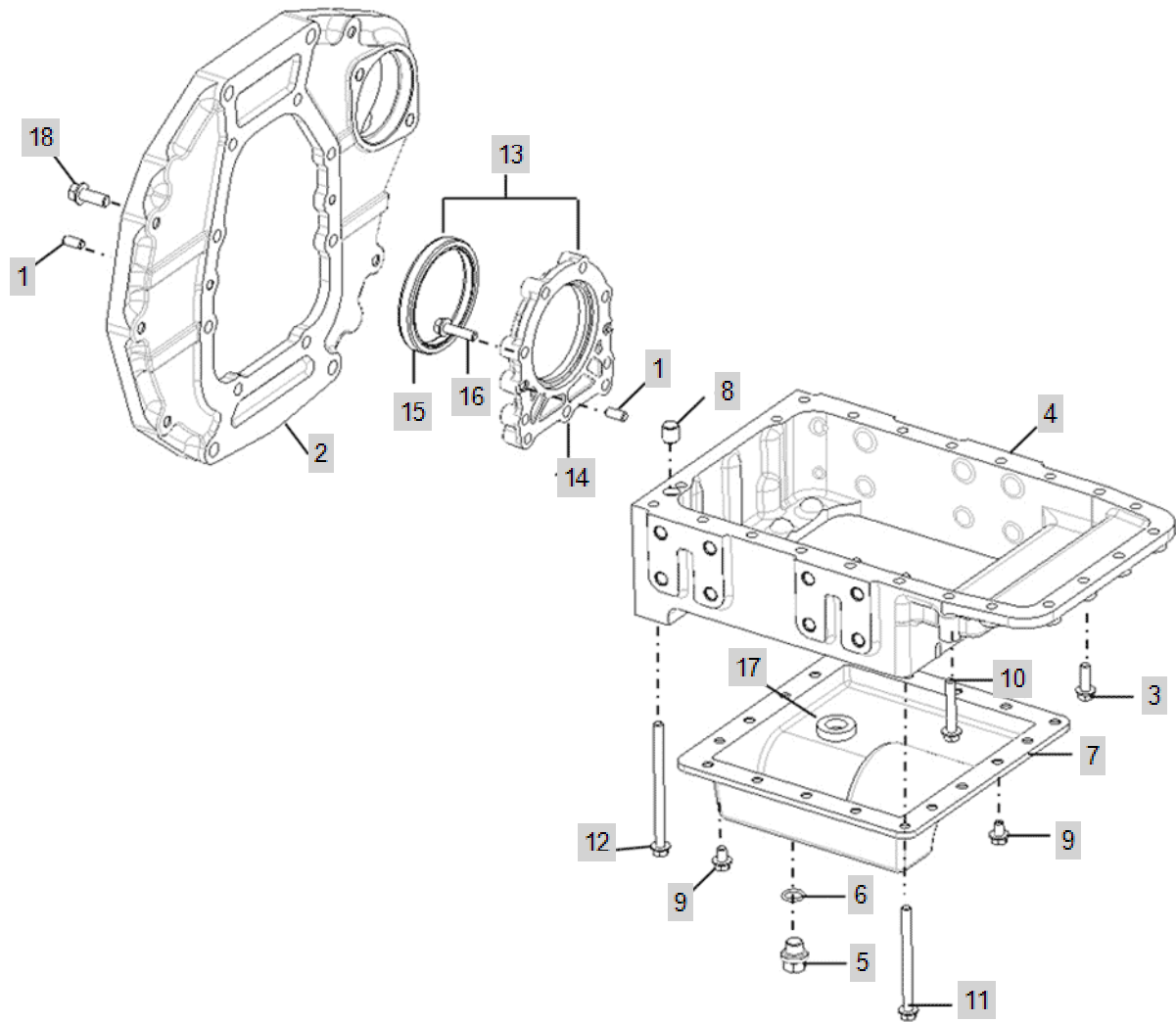


FIG E004

CYLINDER HEAD & HEAD COVER

Year/Month

3120R

2020/02

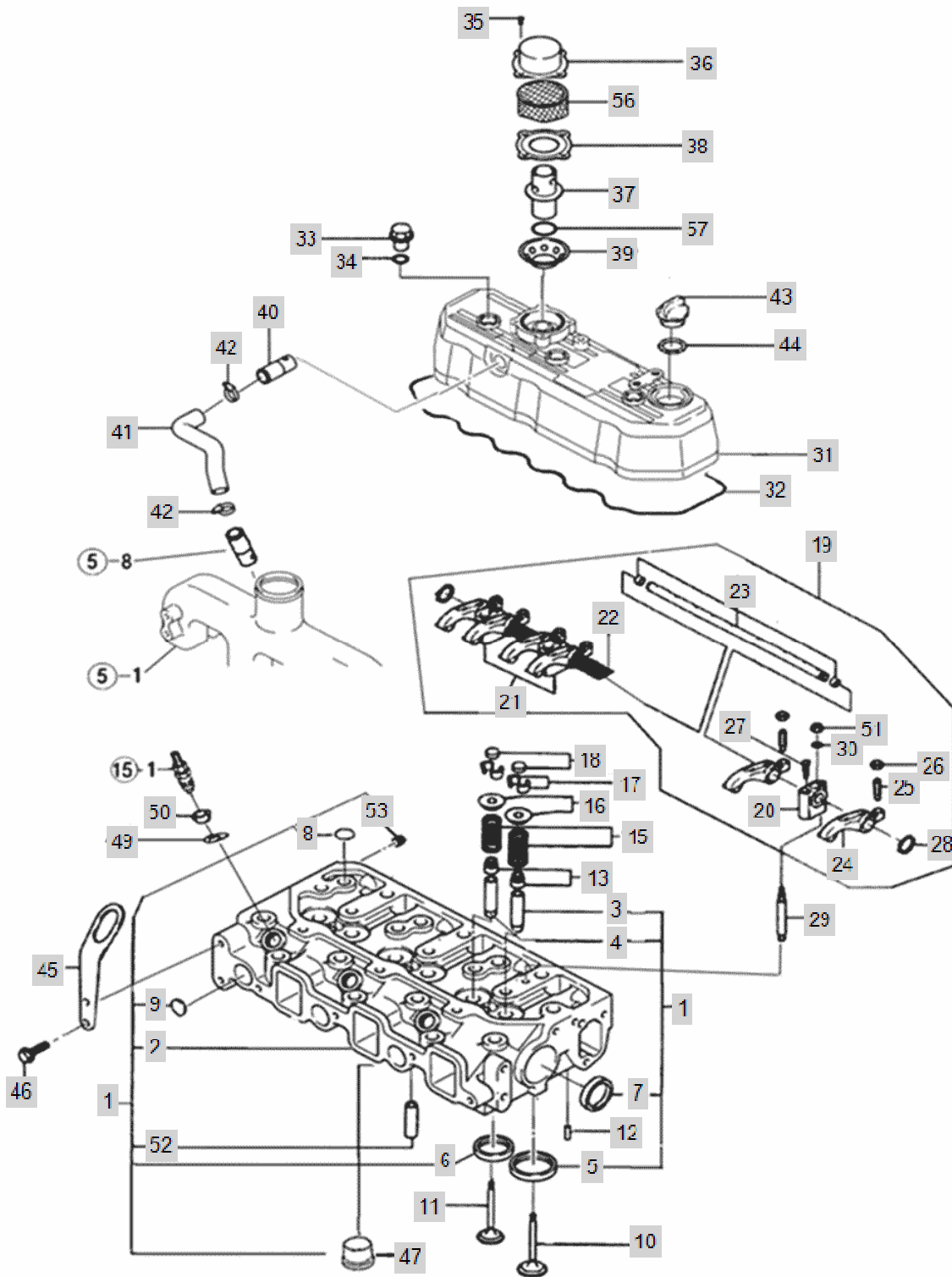


FIG E004		CYLINDER HEAD & HEAD COVER			Year/Month
3120R					2020/02
KeyNo.	Part Number	Part Name	Quantity	Other	
1	HRQ2201000A9	HEAD,CYLINDER	1		
2	HRQ2201001A0	HEAD,CYLINDER	1		
3	HRA0400102B4	GUIDE,VALVESTEM	3		
4	HRA0400103B4	GUIDE,VALVESTEM	3		
5	HRA0400104B4	SEAT,ENGINEINTAKEVALVE	3		
6	HRA0400105B4	SEAT,ENGINE EXHAUST VALVE	3		
7	27241-400000	PLUG (D40)	2		
8	27241-220000	PLUG,EXPANSION	3		
9	27241-220000	PLUG,EXPANSION	3		
10	HRA0400200A4	VALVE,INTAKE	3		
11	HRA0400300A4	VALVE,EXHAUST	3		
12	22312-040100	PIN, DOWEL (4-10)	2		
13	HA03070000A4	SEAL,VALVESTEM	6		
15	HRA0400700A4	SPRING,VALVE	6		
16	HRA0400800A4	RETAINER,VALVESPRING	6		
17	HRA0400900A4	COTTER,VALVE	12		
18	HK03680000B4	CAP,VALVE	6		
19	HRD0401100A2	SHAFTA'SSY.ROCKERARM	1		
20	HRA0401200A4	SUPPORT,ROCKERLEVER	1		
21	HRA0401300A4	SUPPORT,ROCKERLEVER	2		
22	HRA0401400A4	SPRING,COMPRESSION	2		
23	HRD0401500A3	SHAFT,ROCKERLEVER	1		
24	HRA0401600A4	LEVER,ROCKER	6		
25	AF02110000E4	SCREW,RKRLEVERADJUSTING	6		
26	HH05280000A4	NUT,VALVEADJUSTING	6		
27	26921-080102	SCREW,SLOTTEDSET	1		
28	22242-000190	SNAP RING, SHAFT (Φ 19)	2		
29	HRA0401800A4	STUD	3		
30	22117-120000	WASHER, PLAIN (Φ 12)	3		
31	HRD0402300B0	COVER,VALVE	1		
32	HRD0402400B3	GASKET,VALVECOVER	1		
33	HA03520000B4	NUT,HEXAGONCAP	3		
34	24311-000140	O-RING, DYNAMIC (Φ14)	3		
35	26587-040102	SCREW,FILLISTERHEADCAP	4		
36	HRA0403600A4	COVER,BREATHER	1		
37	HRA0403700A4	Valve, Pressure Relief	1		
38	HRA0403800A4	GASKET,BREATHER	1		
39	HRA0403900A4	PLATE,BREATHERADJUSTING	1		
40	HL05470000B4	TUBE,BREATHER	1		
41	HRD0404100C3	BREATHER HOSE	1		
42	23080-020000	CLAMP, V BAND	2		
43	HC03470000B4	CAP,FILTER	1		
44	24311-000320	O-RING, DYNAMIC (Φ32)	1		
45	HK03530000A4	BRACKET,LIFTING	1		
46	26106-080162	SCREW,HEXFLANGEHEADCAP	2		

FIG E005

INTAKE MANIFOLD

Year/Month

3120R

2020/02

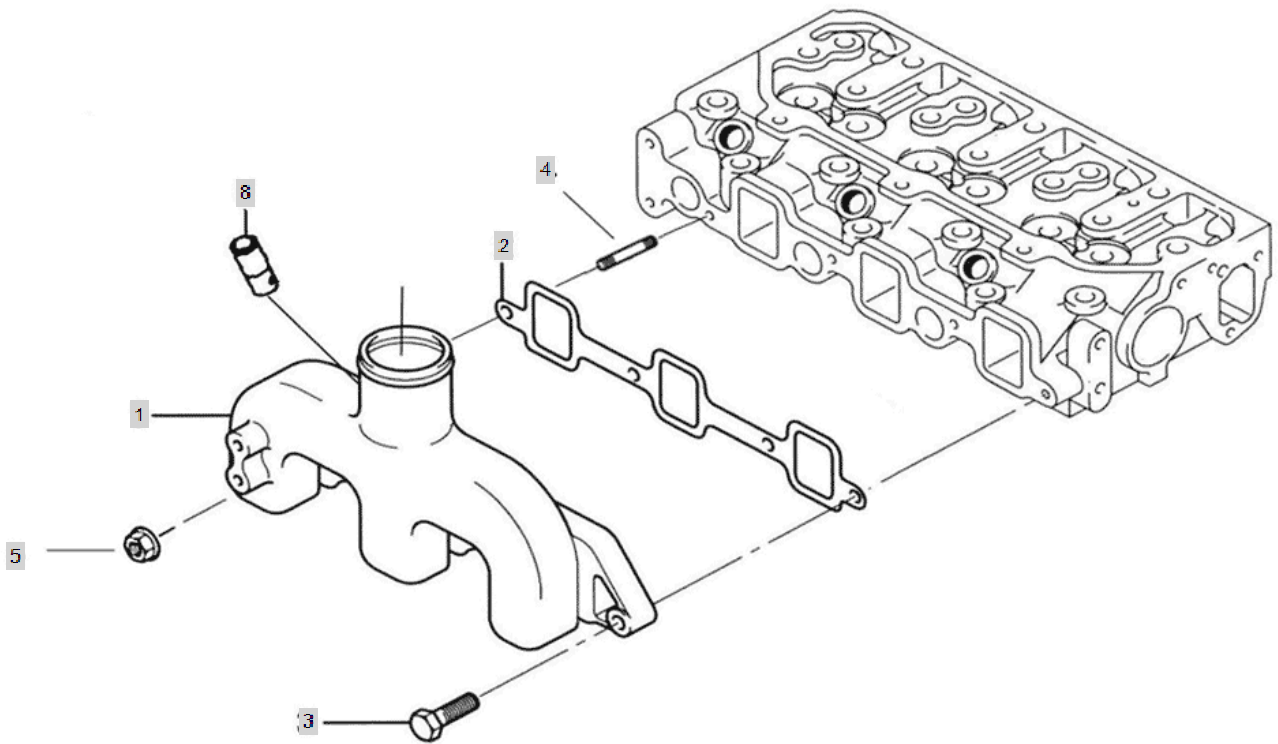


FIG E006

EXHAUST MANIFOLD

Year/Month

3120R

2020/02

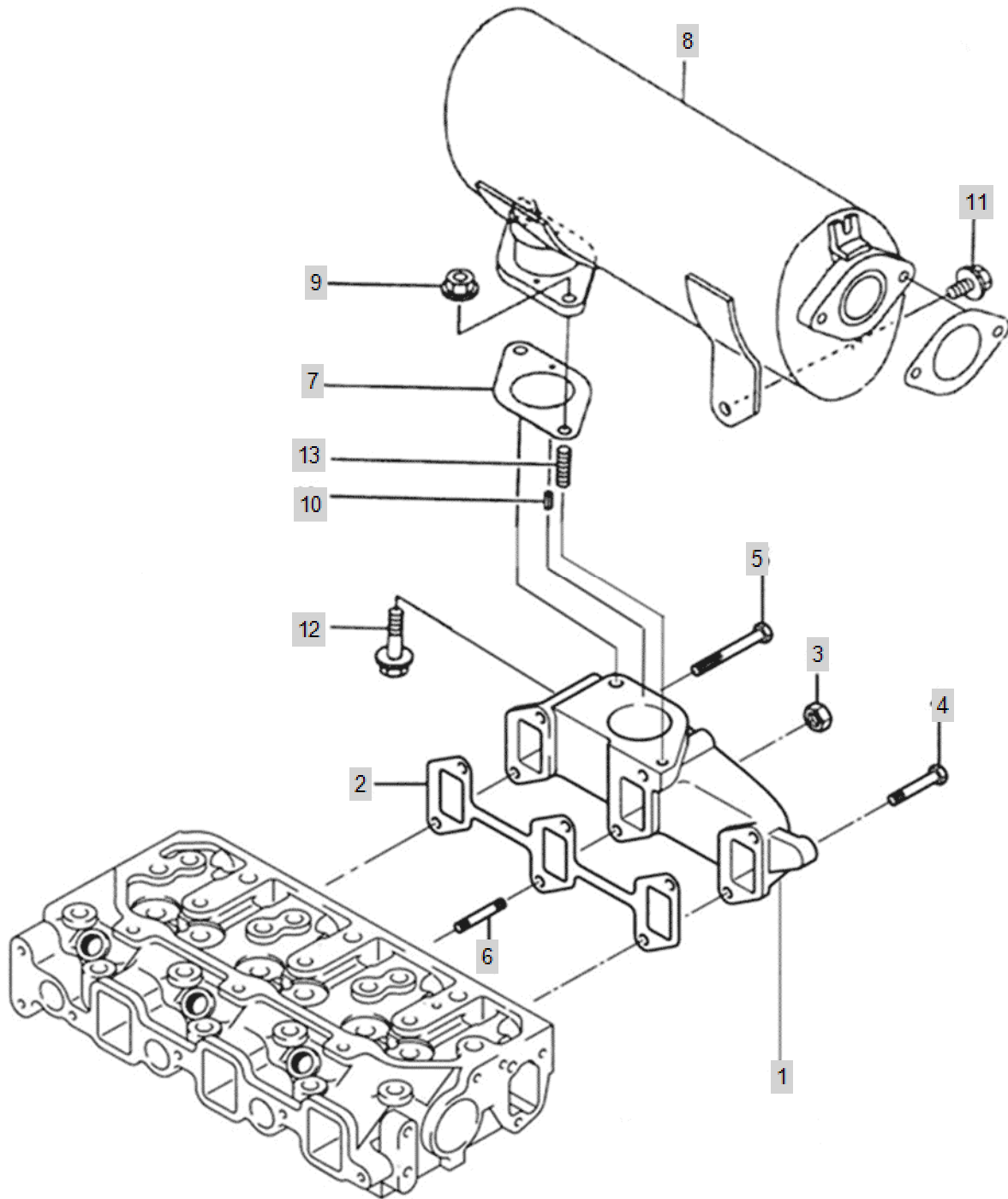


FIG E007

CAM SHAFT & DRIVING GEAR

Year/Month

3120R

2020/02

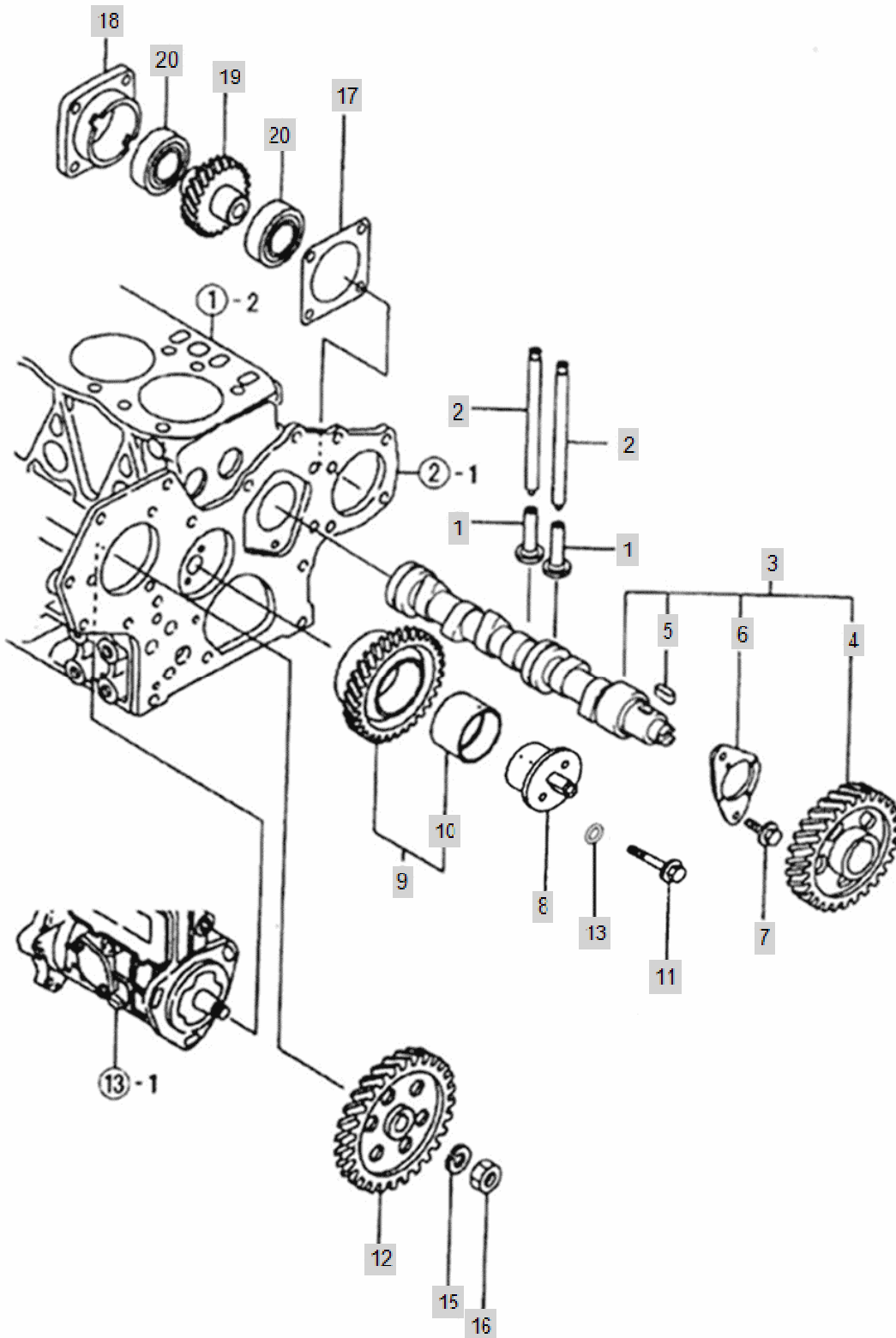


FIG E008

CRANK SHAFT & PISTON

Year/Month

3120R

2020/02

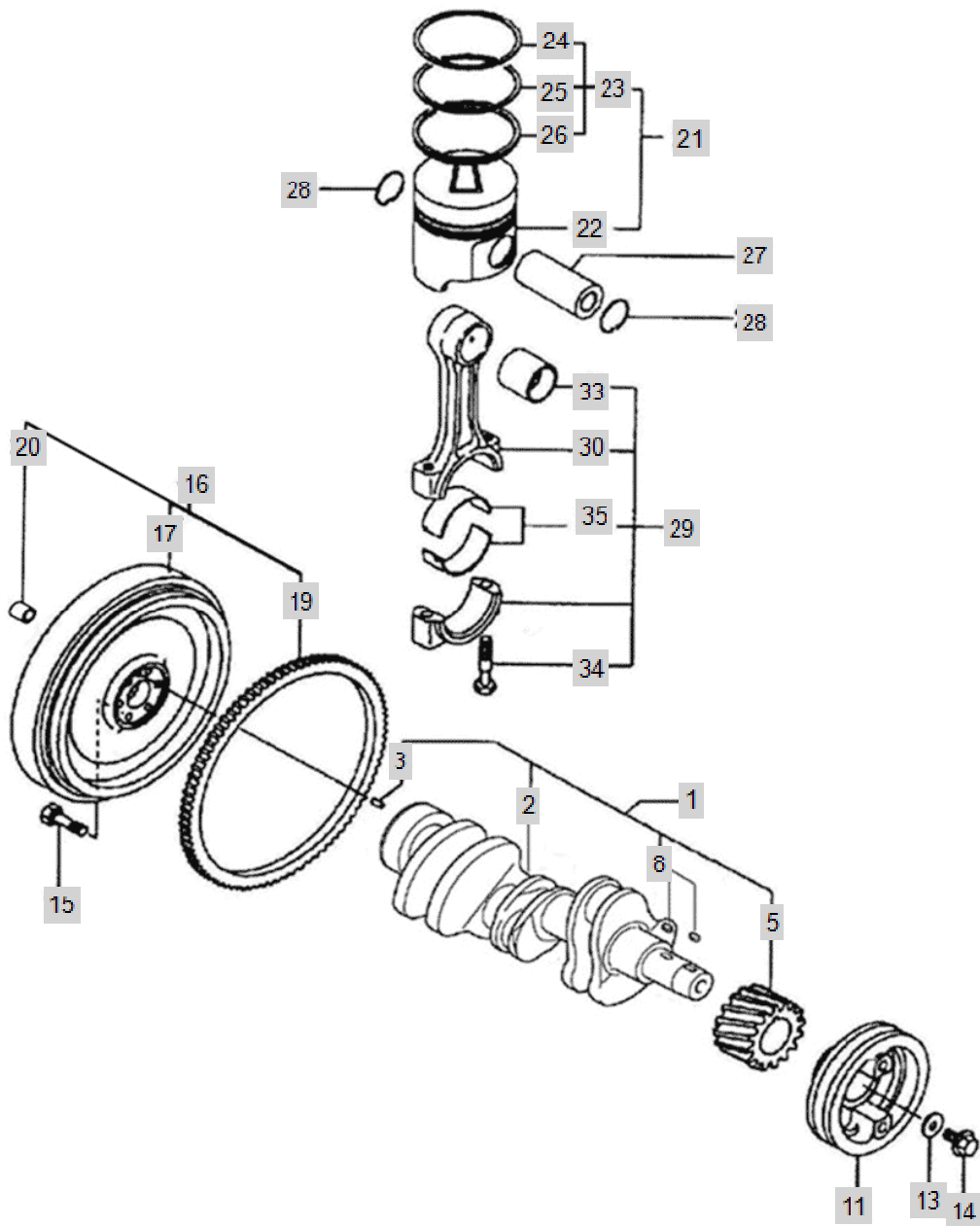


FIG E010

COOLING SYSTEM

Year/Month

3120R

2020/02

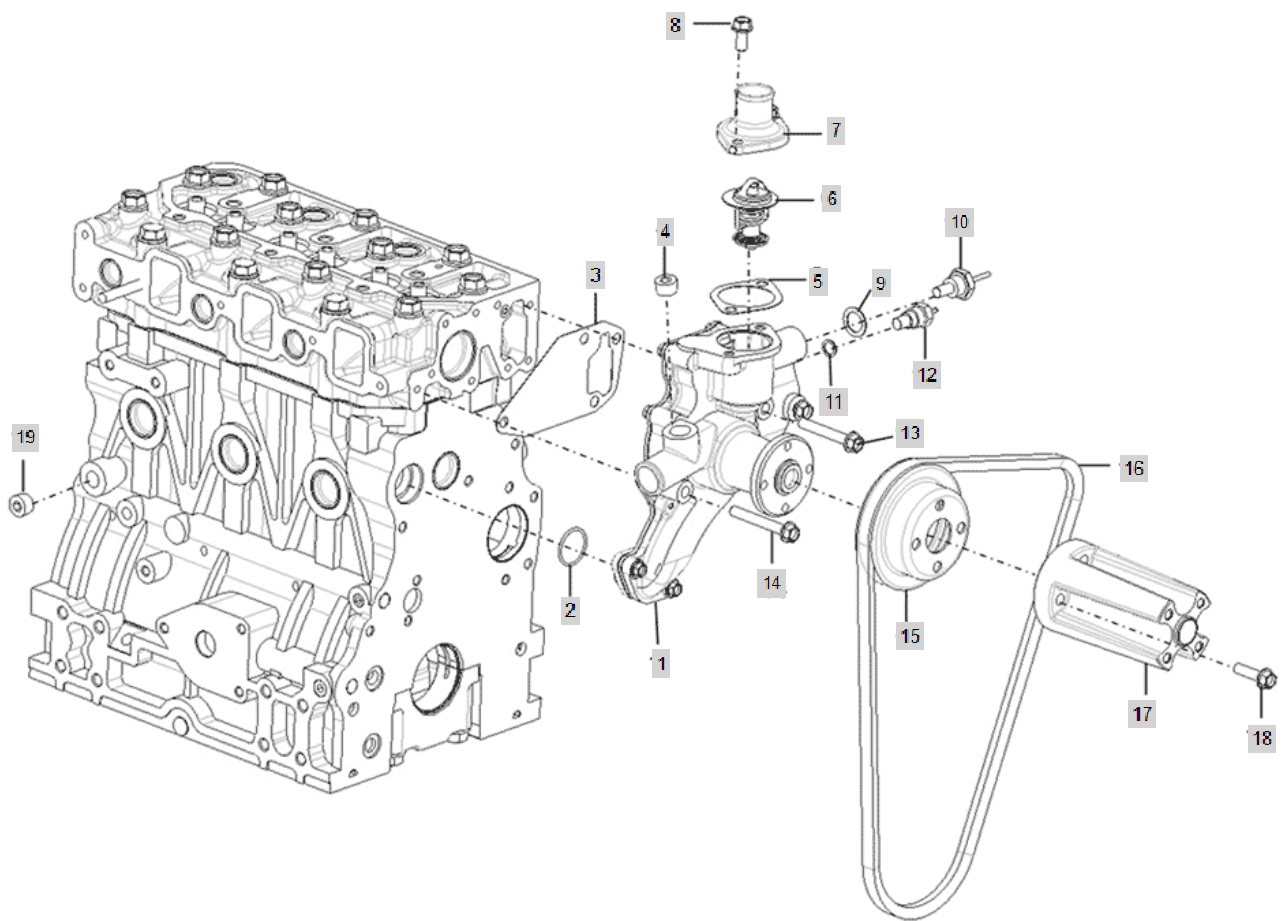


FIG E011

FUEL INJECTION PUMP

Year/Month

3120R

2020/02

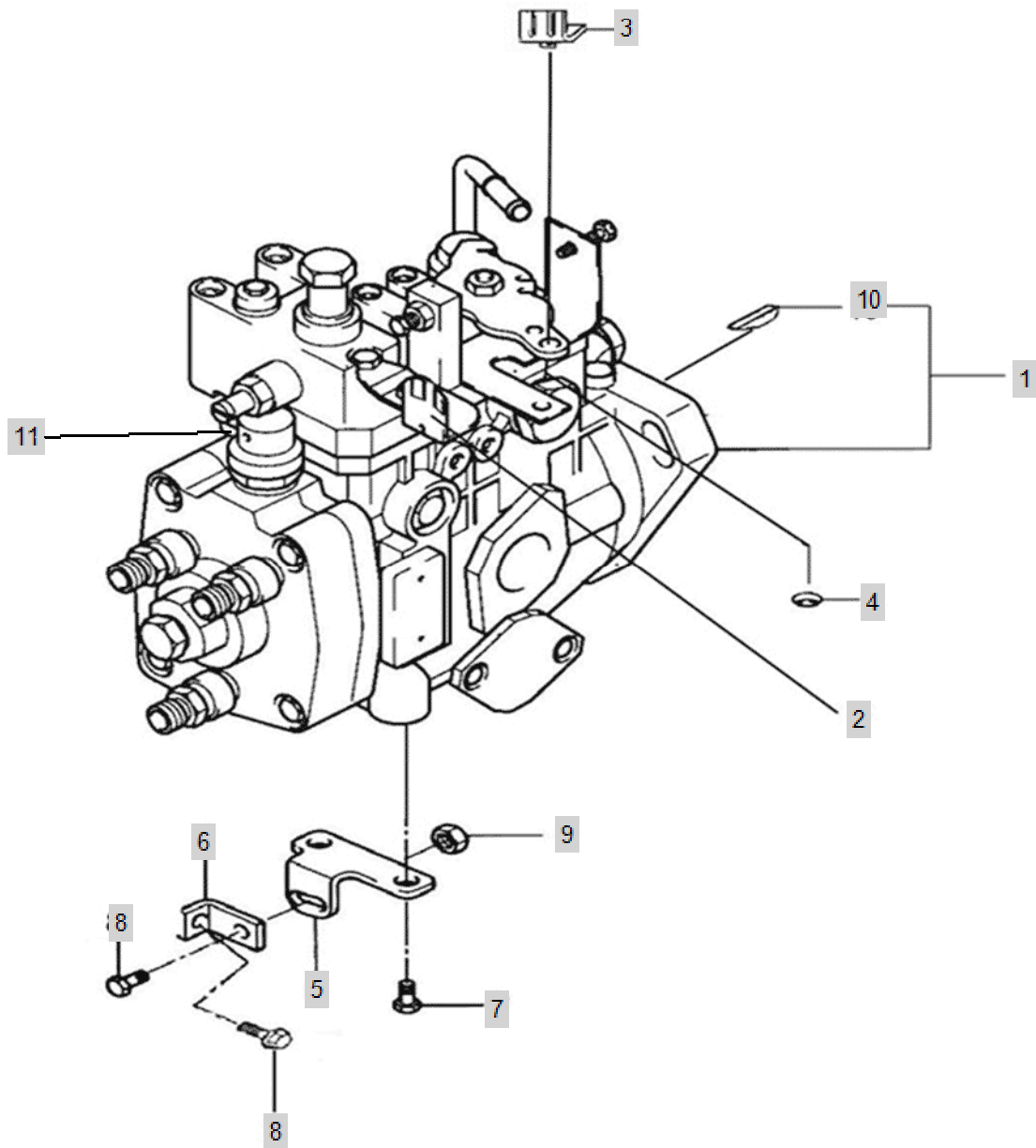


FIG E012

3120R

FUEL INJECTION SYSTEM & VALVE

Year/Month

2020/02

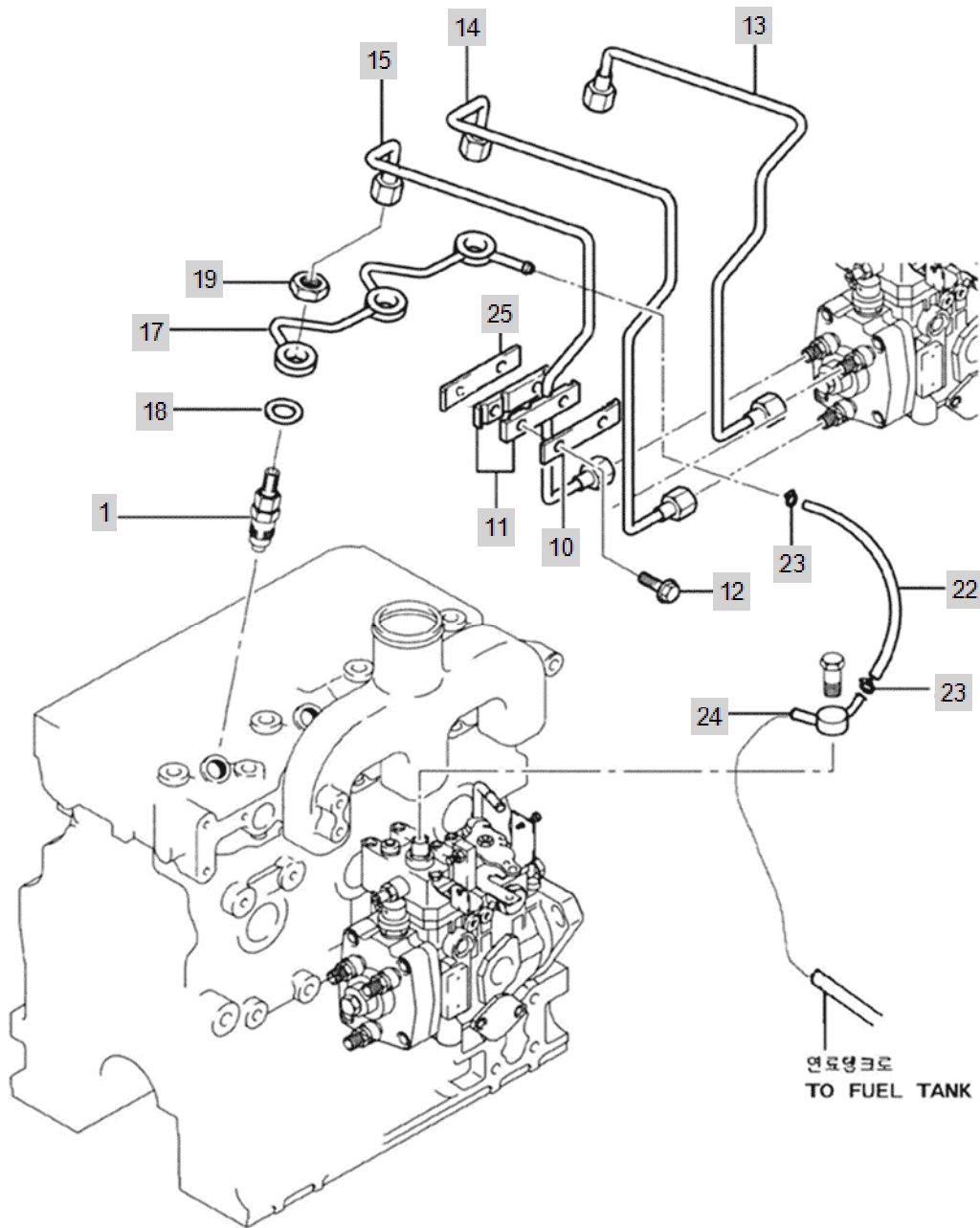


FIG E014

STARTING MOTOR

Year/Month

3120R

2020/02

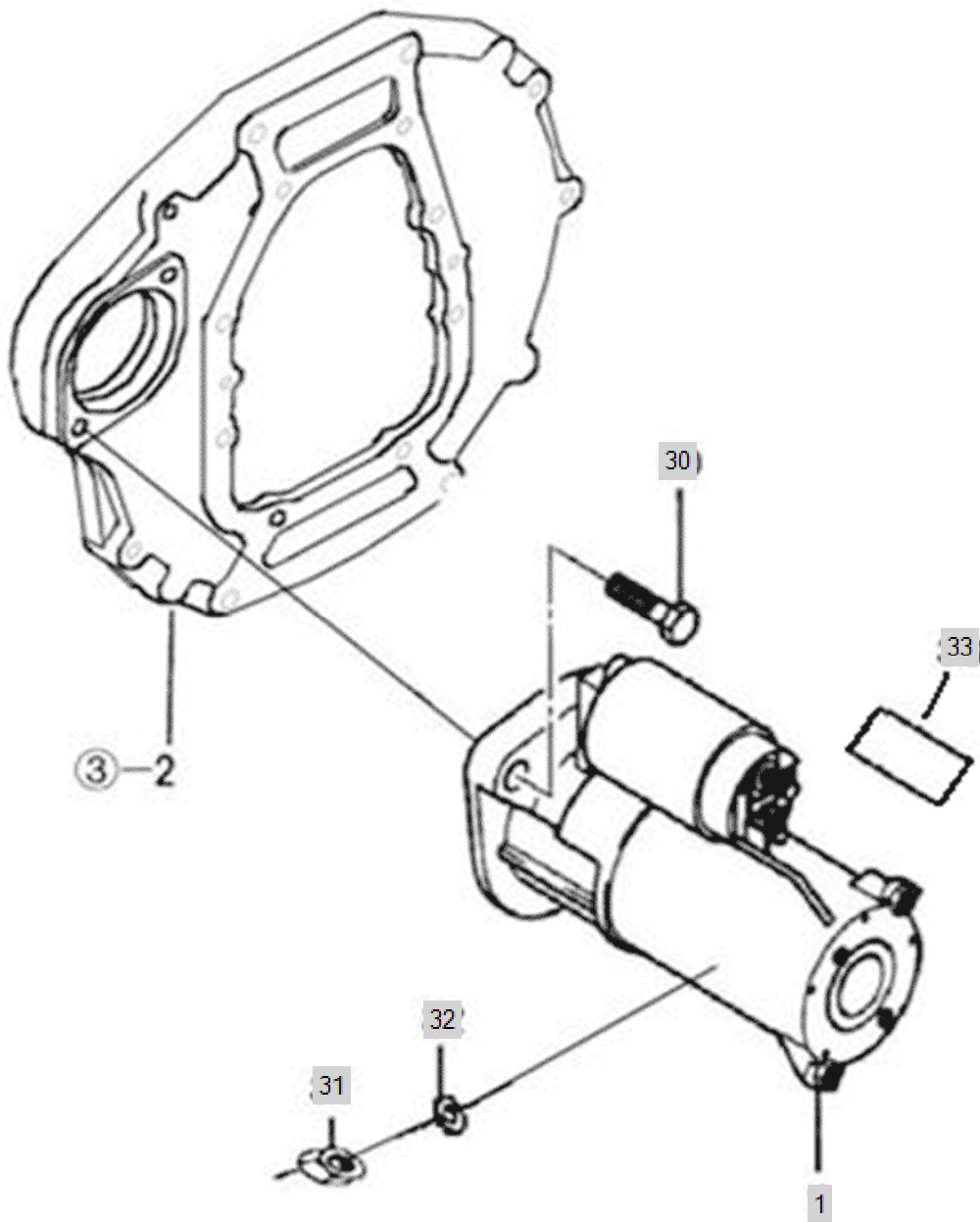


FIG E015

GENERATOR & ELECTRIC DEVICE

Year/Month

3120R

2020/02

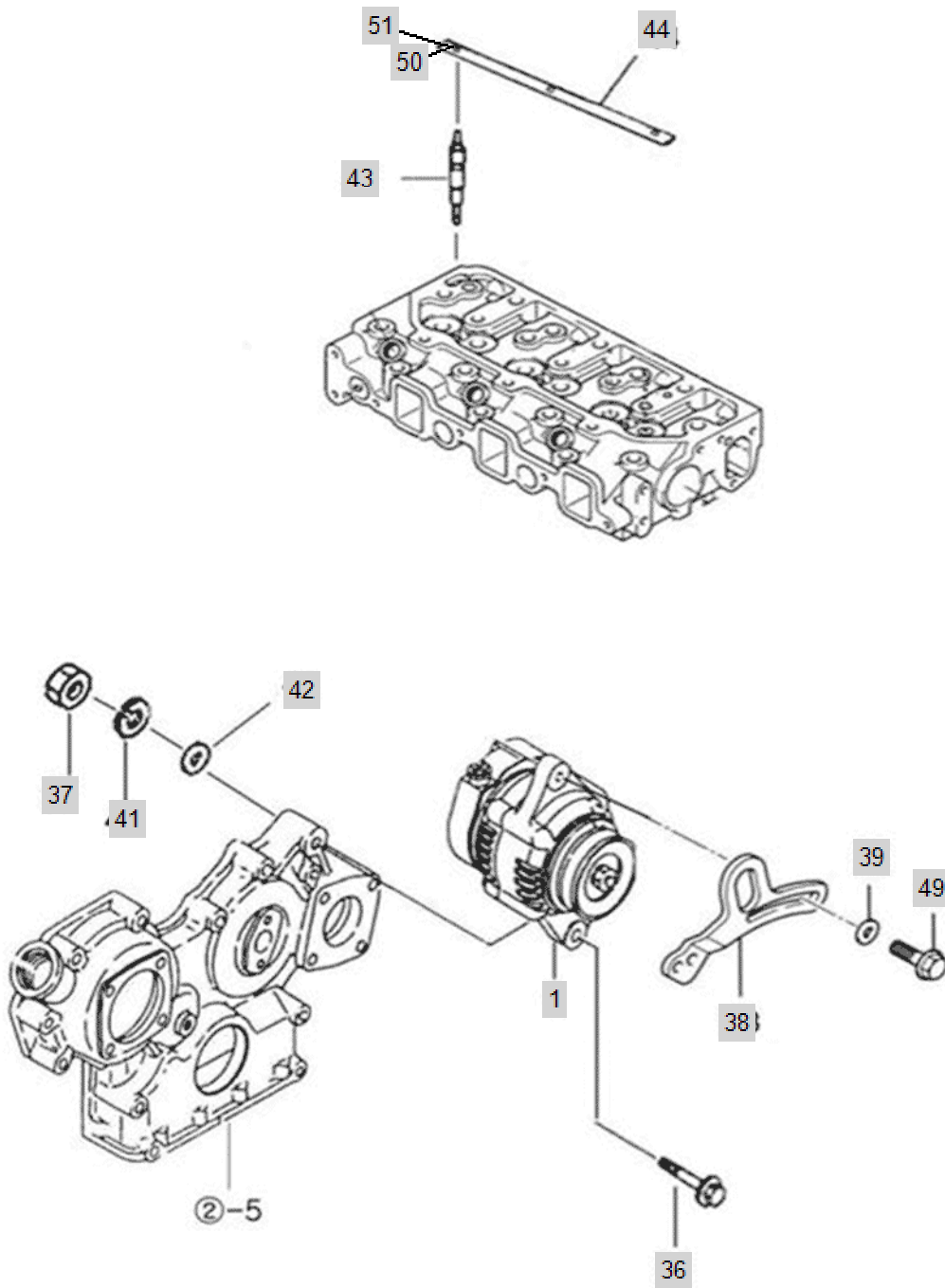


FIG S001

LEVER ACCELERATOR

Year/Month

3120R

2020/02

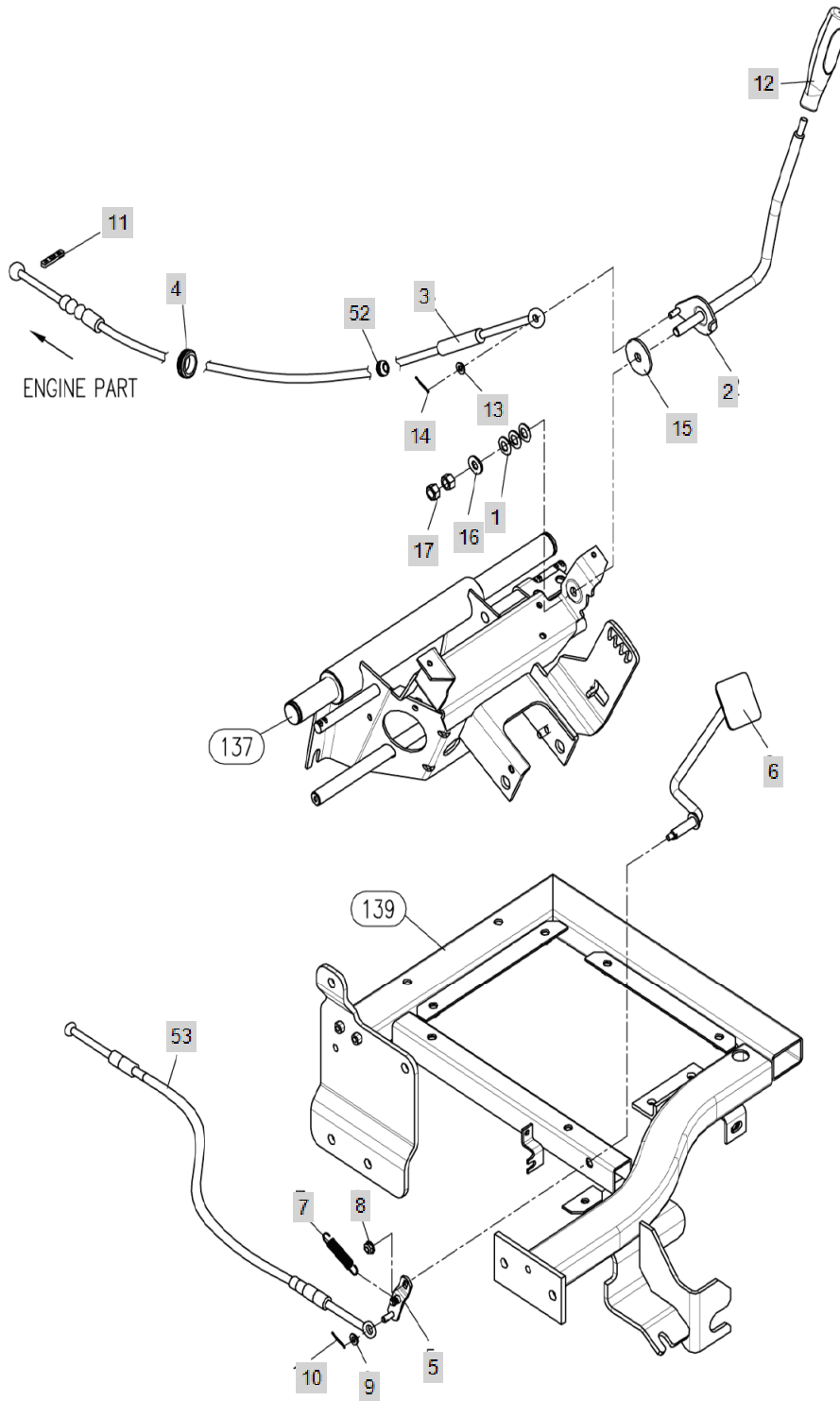


FIG S002

STEERING COLUMN

Year/Month

3120R

2020/02

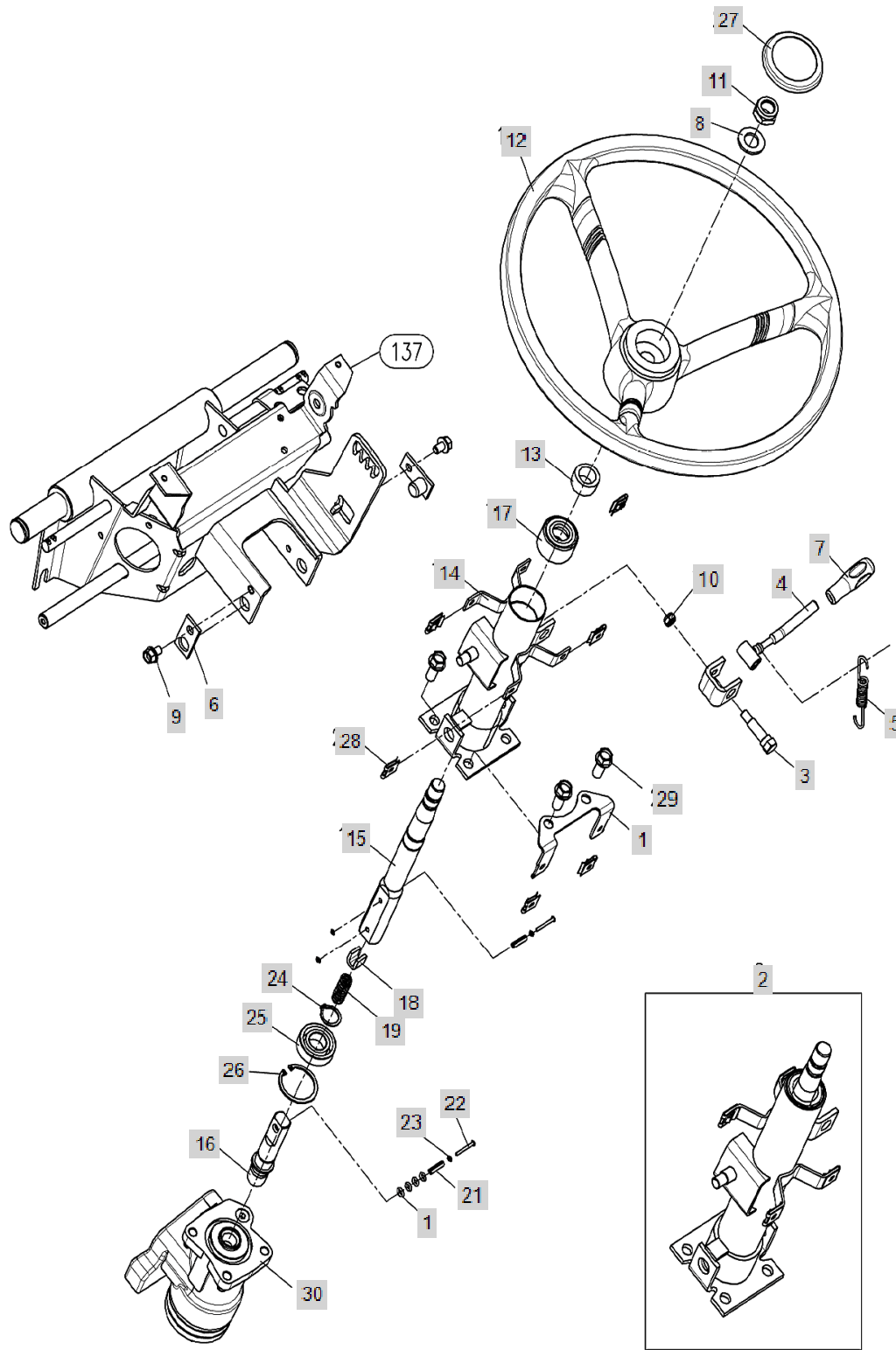


FIG S003

SHUTTLE ASSY

Year/Month

3120R

2020/02

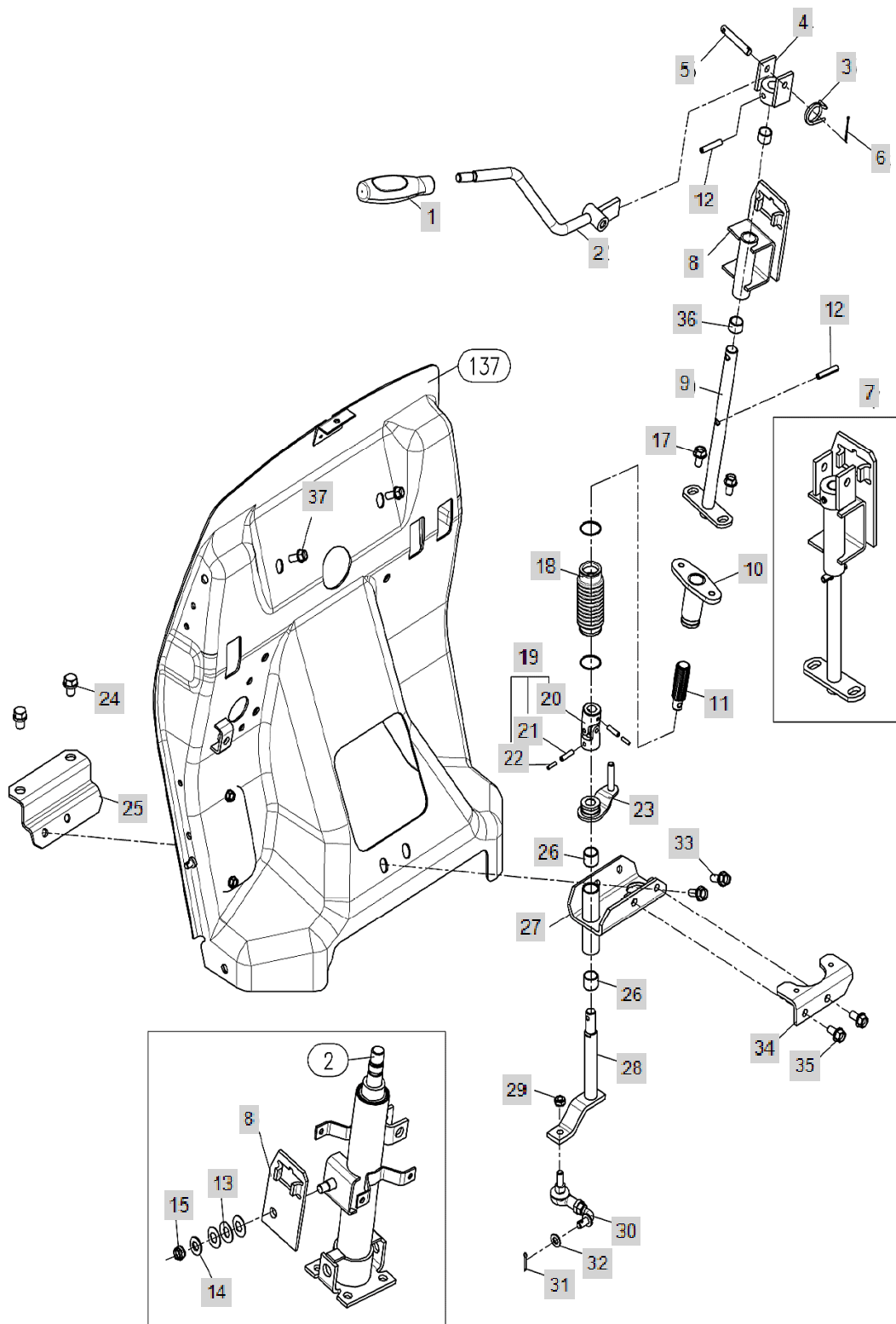


FIG S004

FRONT AXLE BRACKET

Year/Month

3120R

2020/02

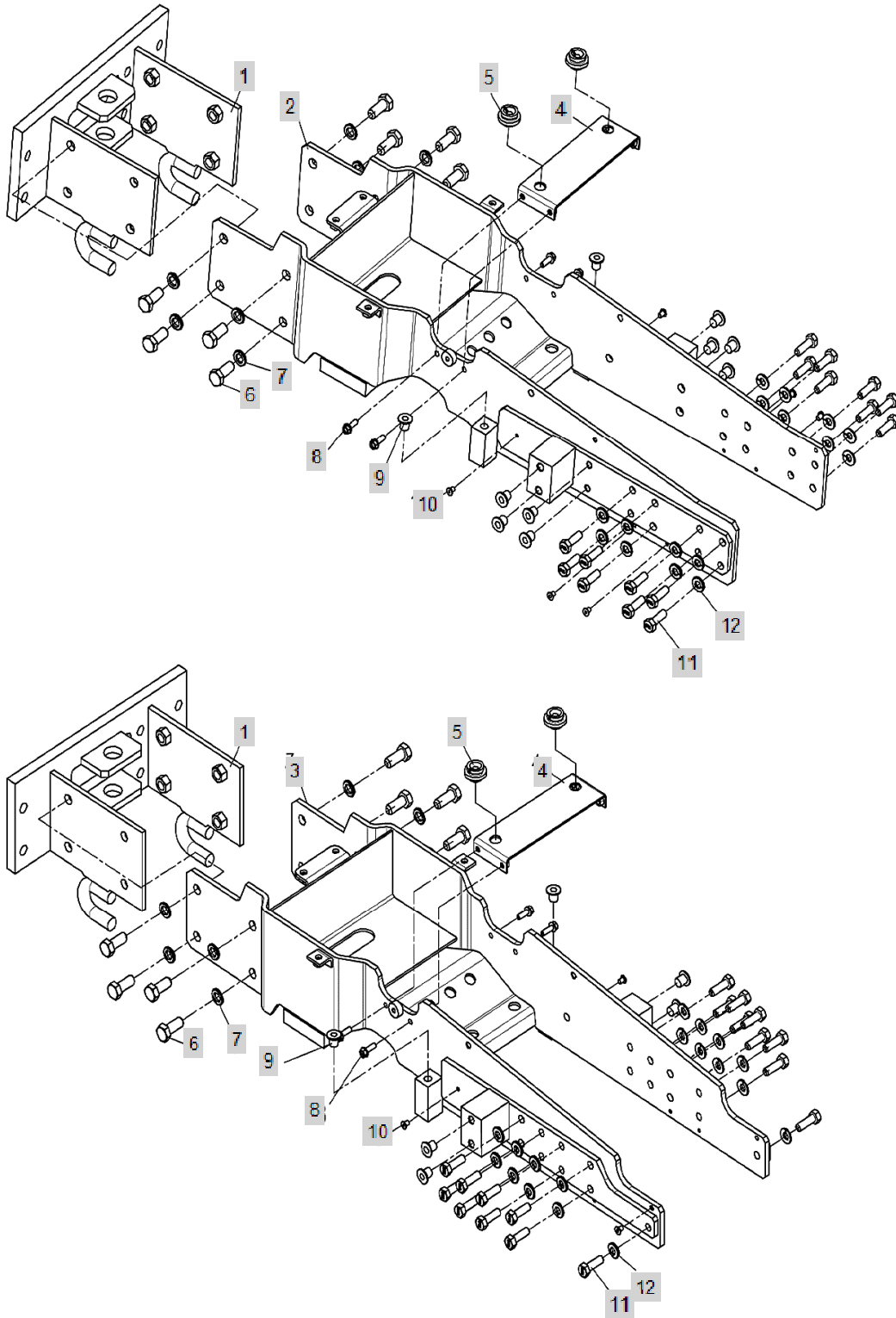


FIG S009

CENTER PIN SUPPORTER

Year/Month

3120R

2020/02

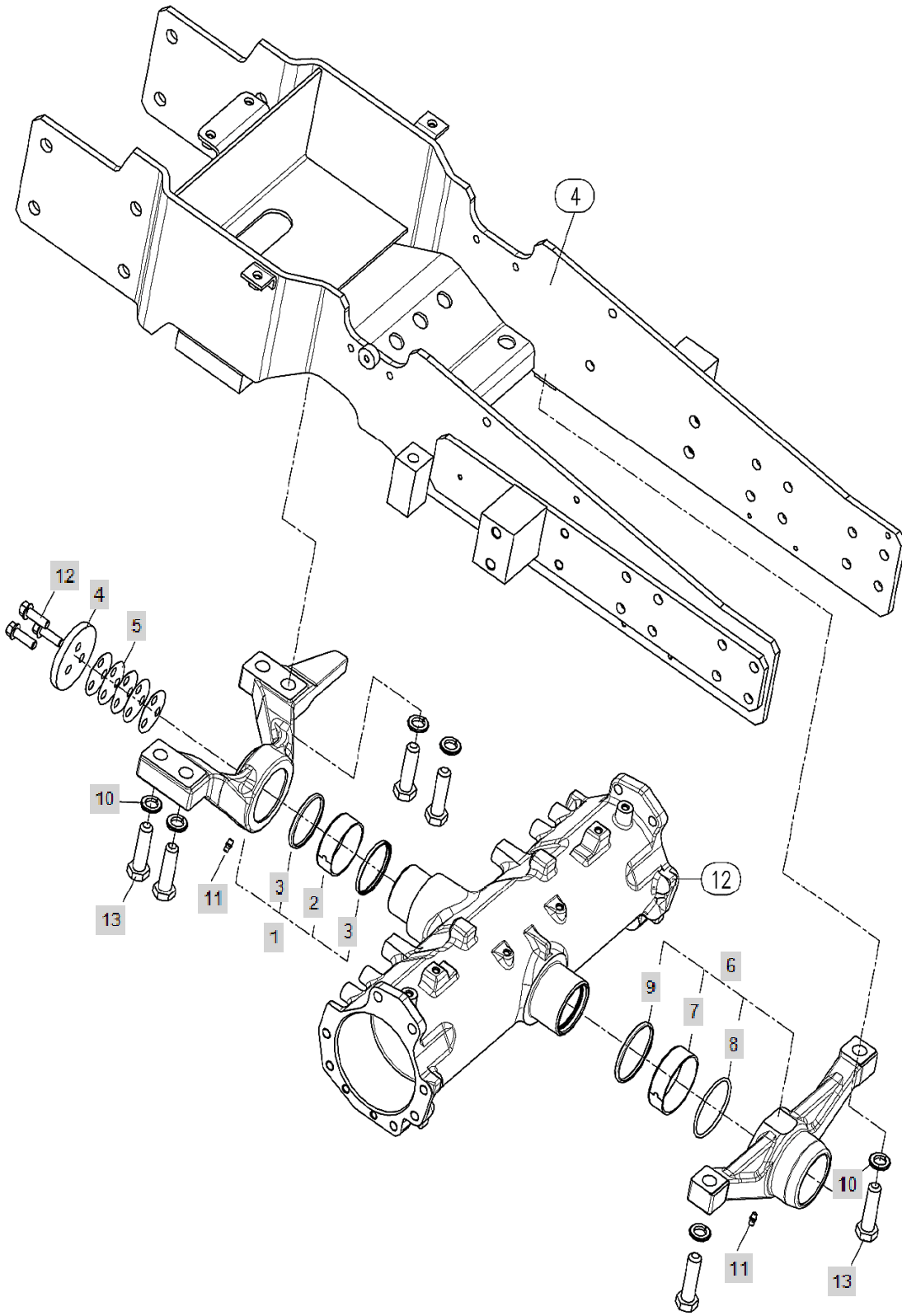


FIG S010

TIE ROD

Year/Month

3120R

2020/02

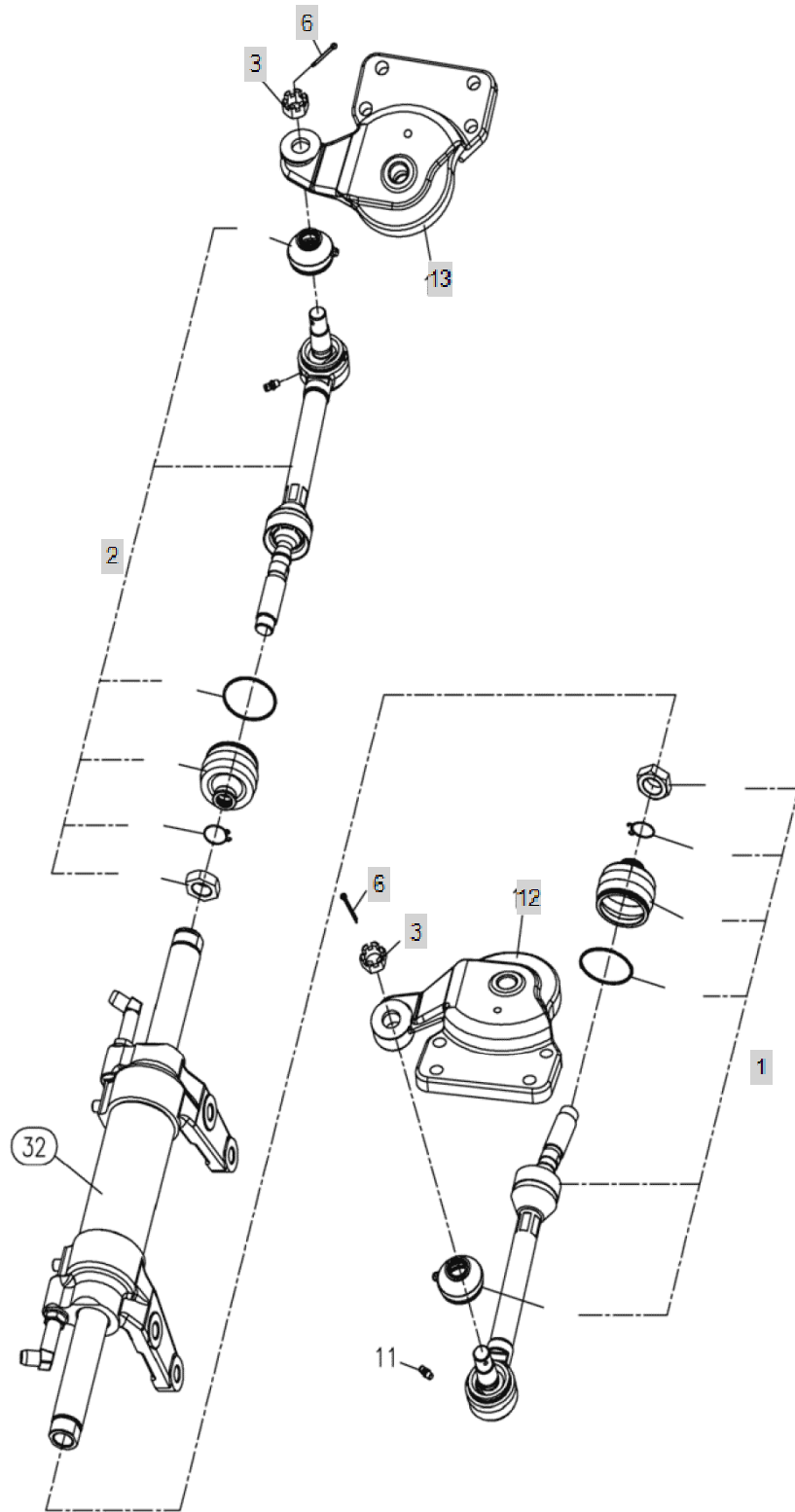


FIG S012

RING GEAR, DIFFERENTIAL GEAR

Year/Month

3120R

2020/02

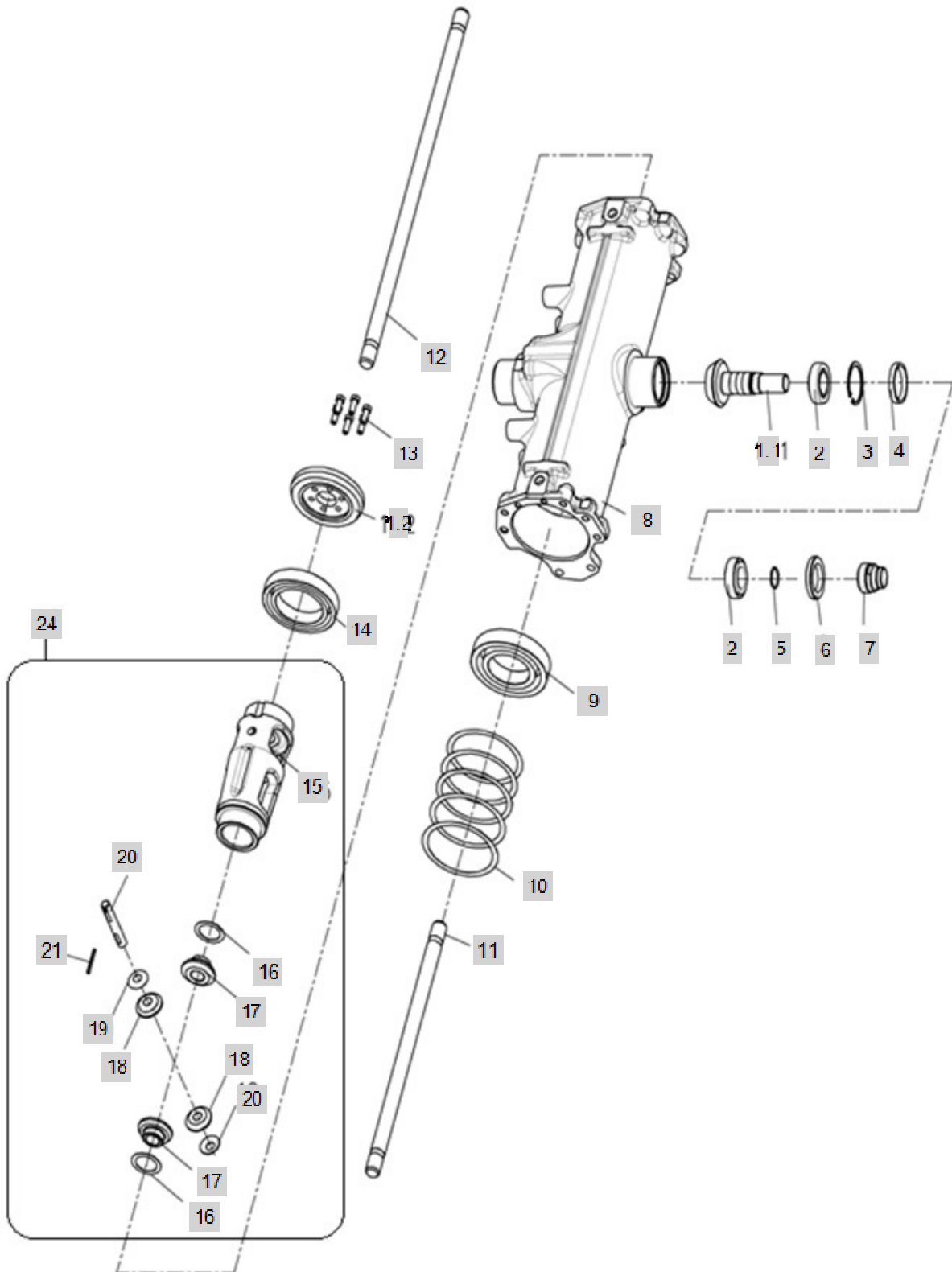


FIG S019

GEAR CASE, FRONT AXLE

Year/Month

3120R

2020/02

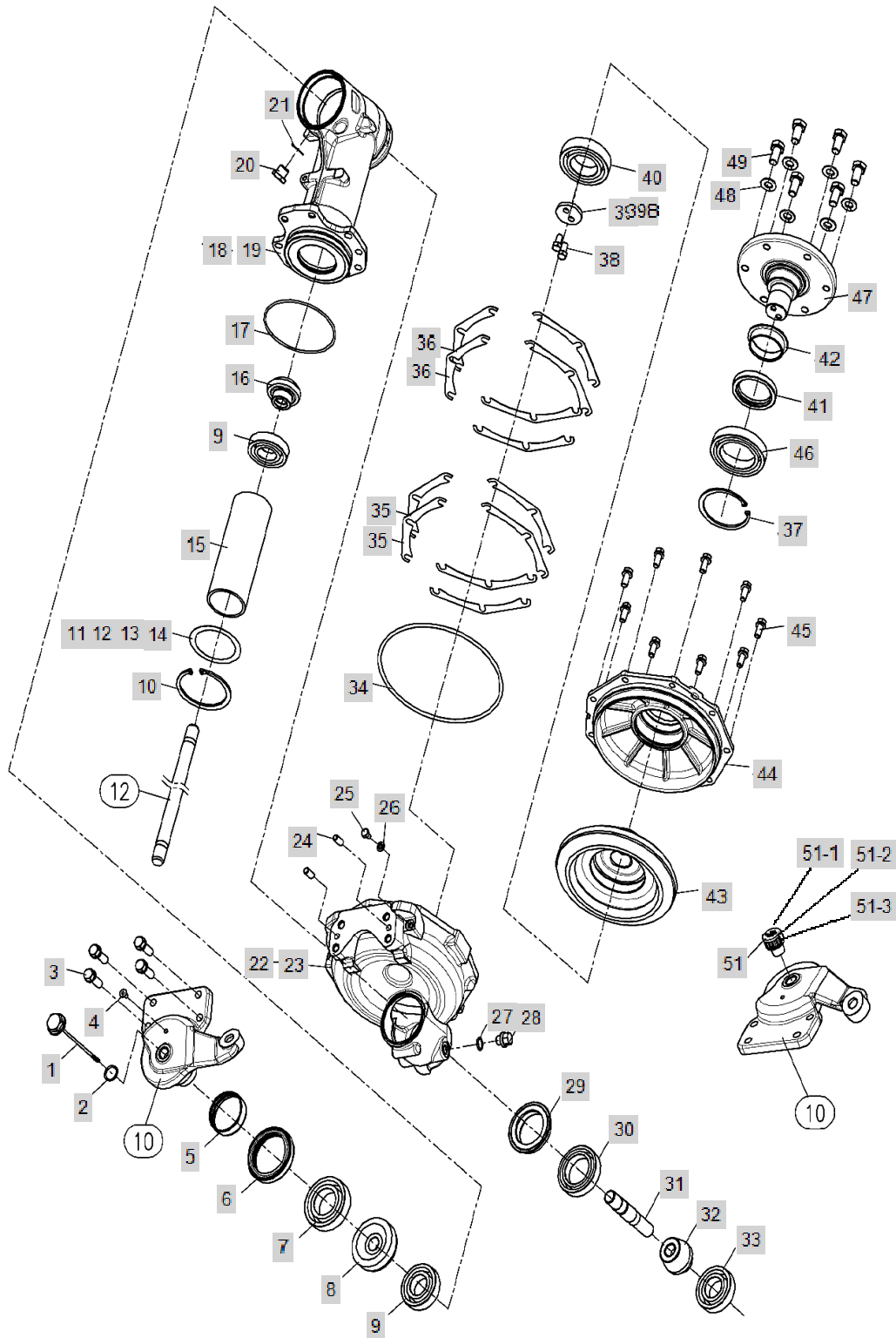


FIG S019		GEAR CASE, FRONT AXLE			Year/Month
3120R					2020/02
KeyNo.	Part Number	Part Name	Quantity	Other	
1	TA00015844A	OIL GAUGE	1		
2	24311-000180	O-RING, DYNAMIC (Φ18)	1		
3	26013-012352	HEX BOLT W/WASHER	14		
4	TB26060000A4	PLUGRUBBER	1		
5	TC60130000A4	SLEEVE,SI	2		
6	TC60150000A3	OILSEAL	2		
7	24101-062094	BALL BEARING (#6209)	2		
8	TC60330000A3	GEAR, 2ND SHAFT	2		
9	24101-062074	BALL BEARING (#6207)	2		
10	22252-000720	RING, CIRCLIP (Φ 72)	2		
11	TC59050000A4	SAPCER	2		
12	TC59030000A4	SIM A	2		
13	TC59040000A4	SIM B	4		
14	TC59120000A4	SHIM C	4		
15	TC59070000A4	PIPE	2		
16	TC59020000A3	FRONT 1ST AXLE PINION	2		
17	24321-001150	O-RING(G115)	2		
18	TA60060000A	SUB TO-> TC60060000A1	1		
19	TA60070000A	SUB TO-> TC60070000A1 CASE R, FRONT GEAR	1		
20	23887-180002	PULG	1		
21	23414-180000	WASHER,SEALING	5		
22	TC60100000A1	GEAR HOUSING (LH), FRONT	1		
23	TC60140000A1	GEAR HOUSING (RH),FRONT	1		
24	22312-100200	PIN, DOWEL (10-20)	4		
25	26116-080122	SCREW,HEXAGONHEADCAP	2		
26	22190-080002	WASHER, PLAIN (Φ 08)	2		
27	24311-000160	O-RING, DYNAMIC (Φ16)	2		
28	TB28120000C4	DRAIN PLUG	2		
29	TC60110000A3	SEAL	2		
30	24101-060104	Bearing, Ball (#6010)	2		
31	TC60370000B3	FRONT SECOND SHAFT	2		
32	TC60360000B3	FRONT FINAL PINION	2		
33	TC60340000A4	BEARING(TM207C3)	2		
34	24321-002200	O-RING	2		
35	TT19070000A4	SHIMA	12		
36	TT19080000A4	SHIMB	12		
37	22252-000900	RING, CIRCLIP (Φ 90)	2		
38	26116-100202	HEX FLANGE BOLT(M10X1.5X20)	4		
39	TC61070000B4	WASHER(D47XT6)	2		
39B	TC61120000A4	BENDING WASHER	2		
40	24101-062104	BALL BEARING #6210 -> FGF4200000A4	2		
41	TC60430000A4	OIL SEAL	2		
42	TC61080000A3	SL SLEEVE	2		
43	TC61060000B2	FRONT FINAL GEAR	2		
44	TC60120000A1	BEARINGCASE,FRONT	2		

FIG S020

SPACER

Year/Month

3120R

2020/02

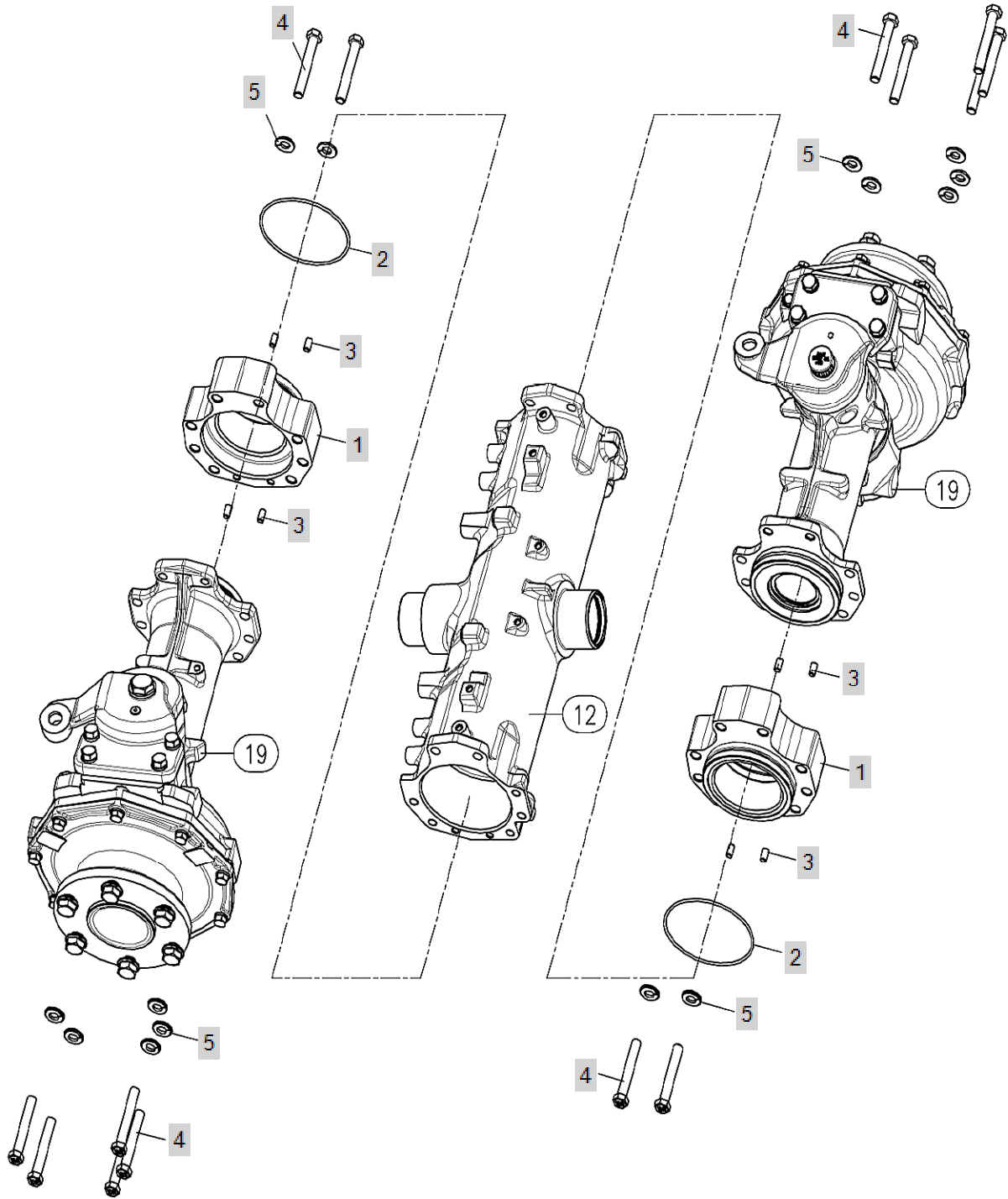


FIG S023

COVER SHAFT

Year/Month

3120R

2020/02

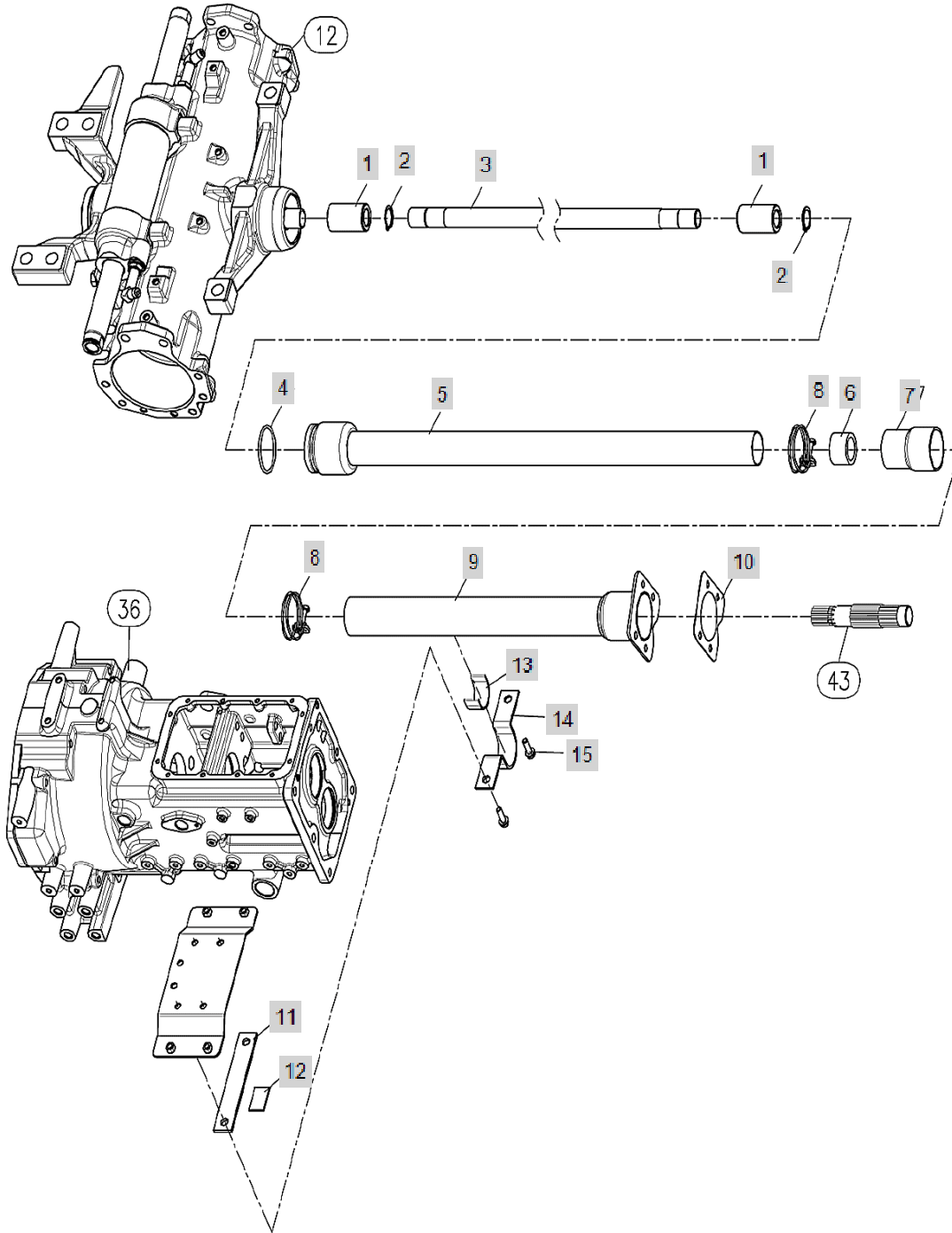


FIG S032

POWER STEERING CYLINDER

Year/Month

3120R

2020/02

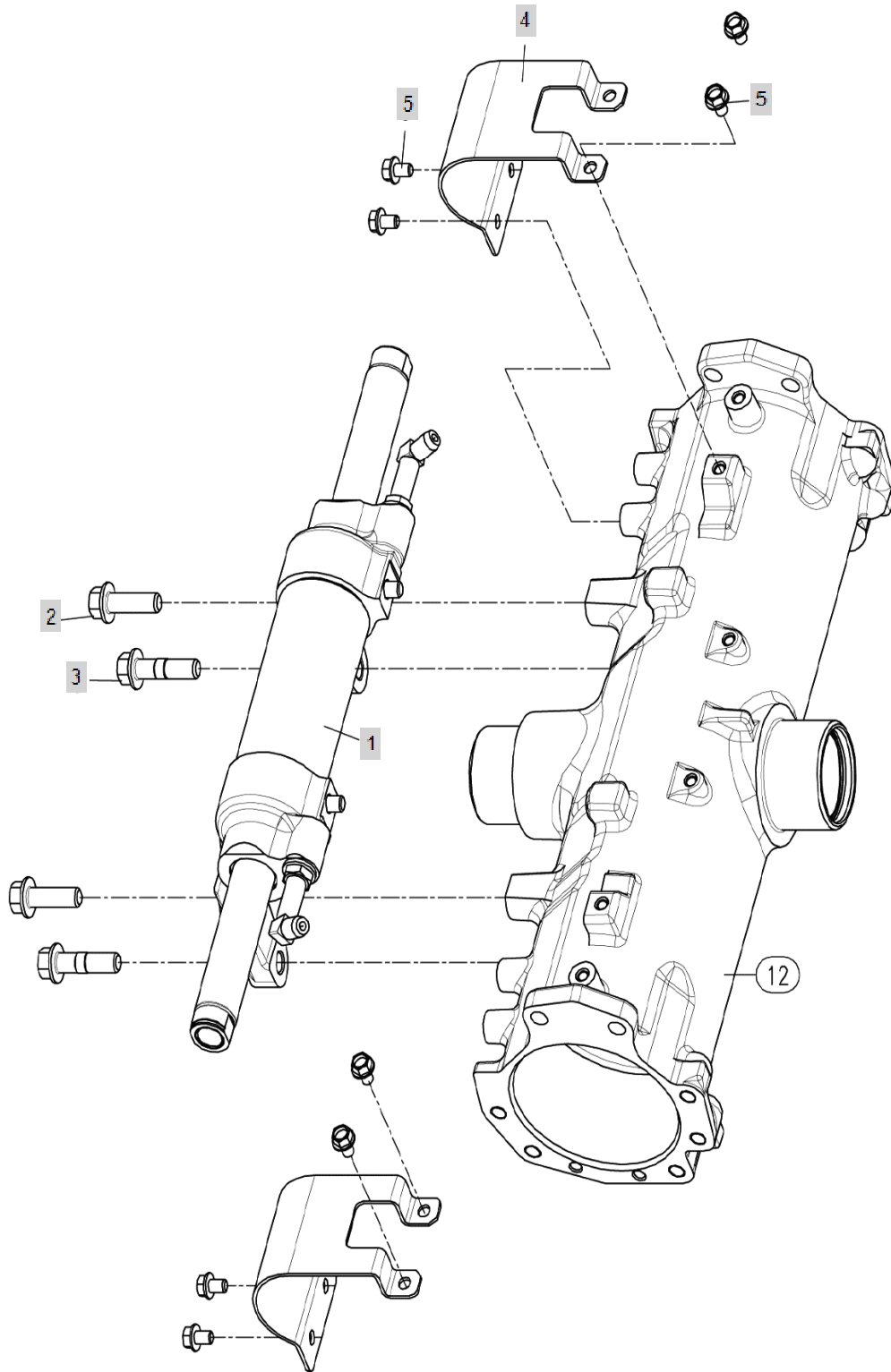


FIG S034

POWER STEERING HYD LINE

Year/Month

3120R

2020/02

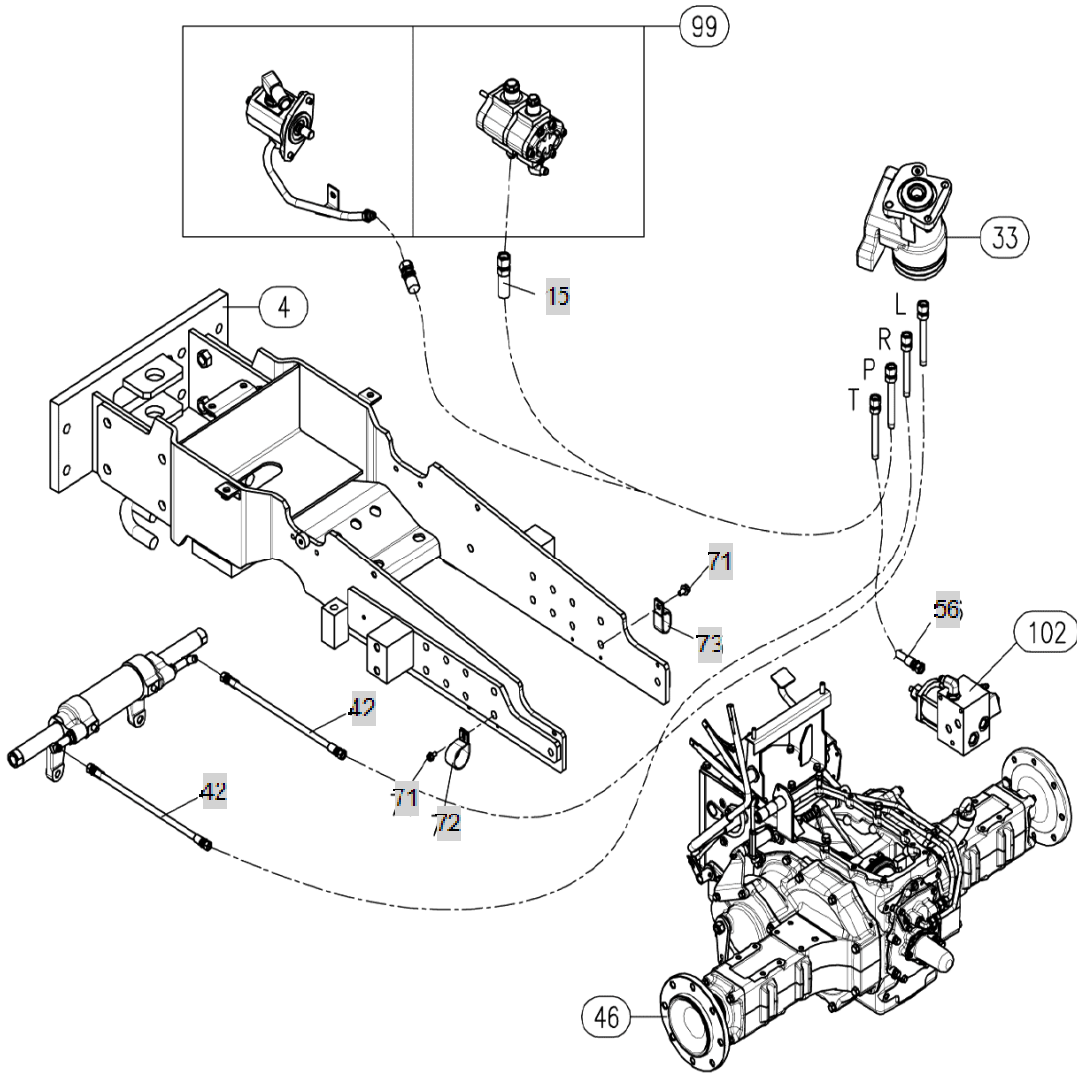


FIG S035

CLUTCH HOUSING (1)

Year/Month

3120R

2020/02

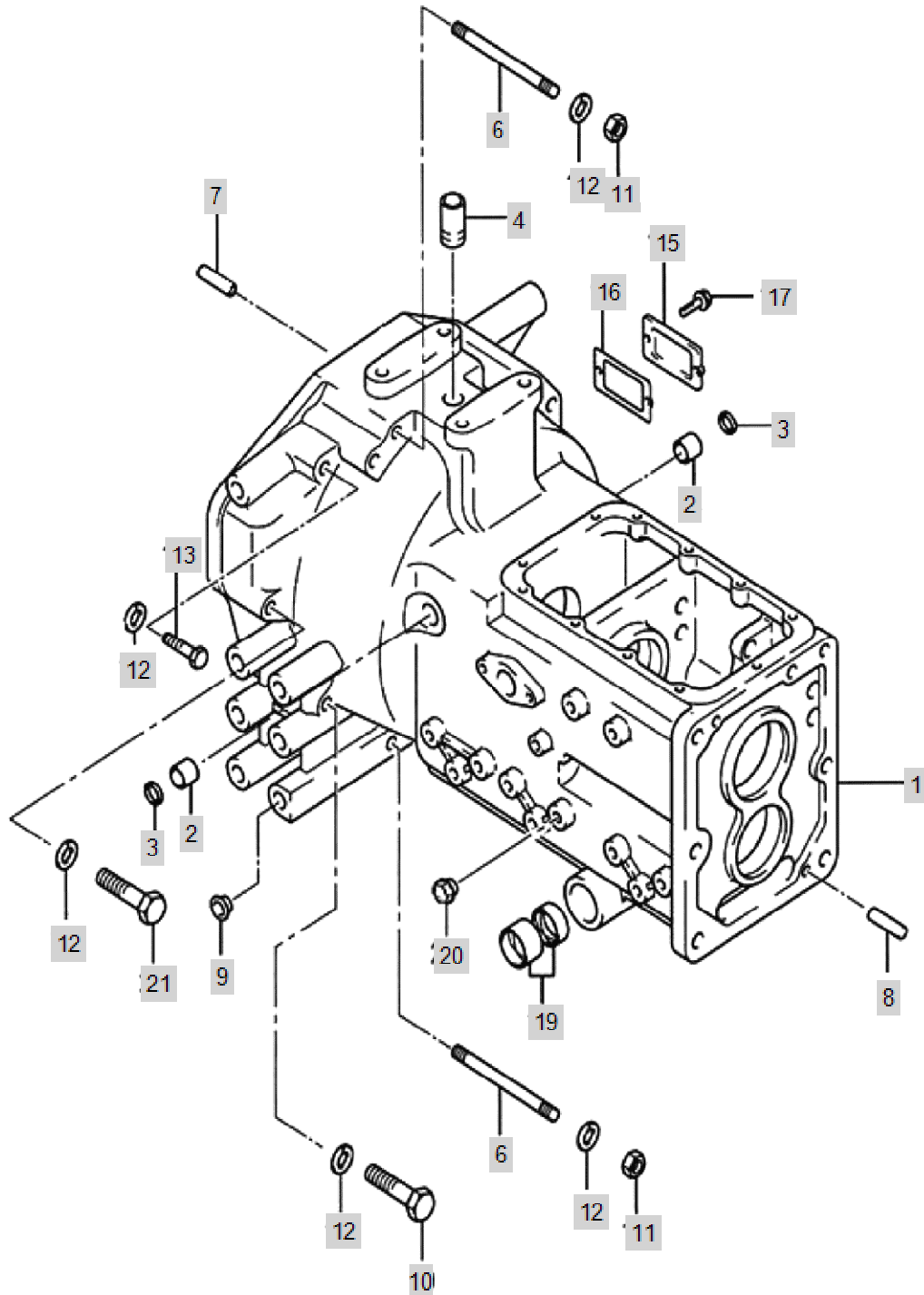


FIG S038

CLUTCH ASSY

Year/Month

3120R

2020/02

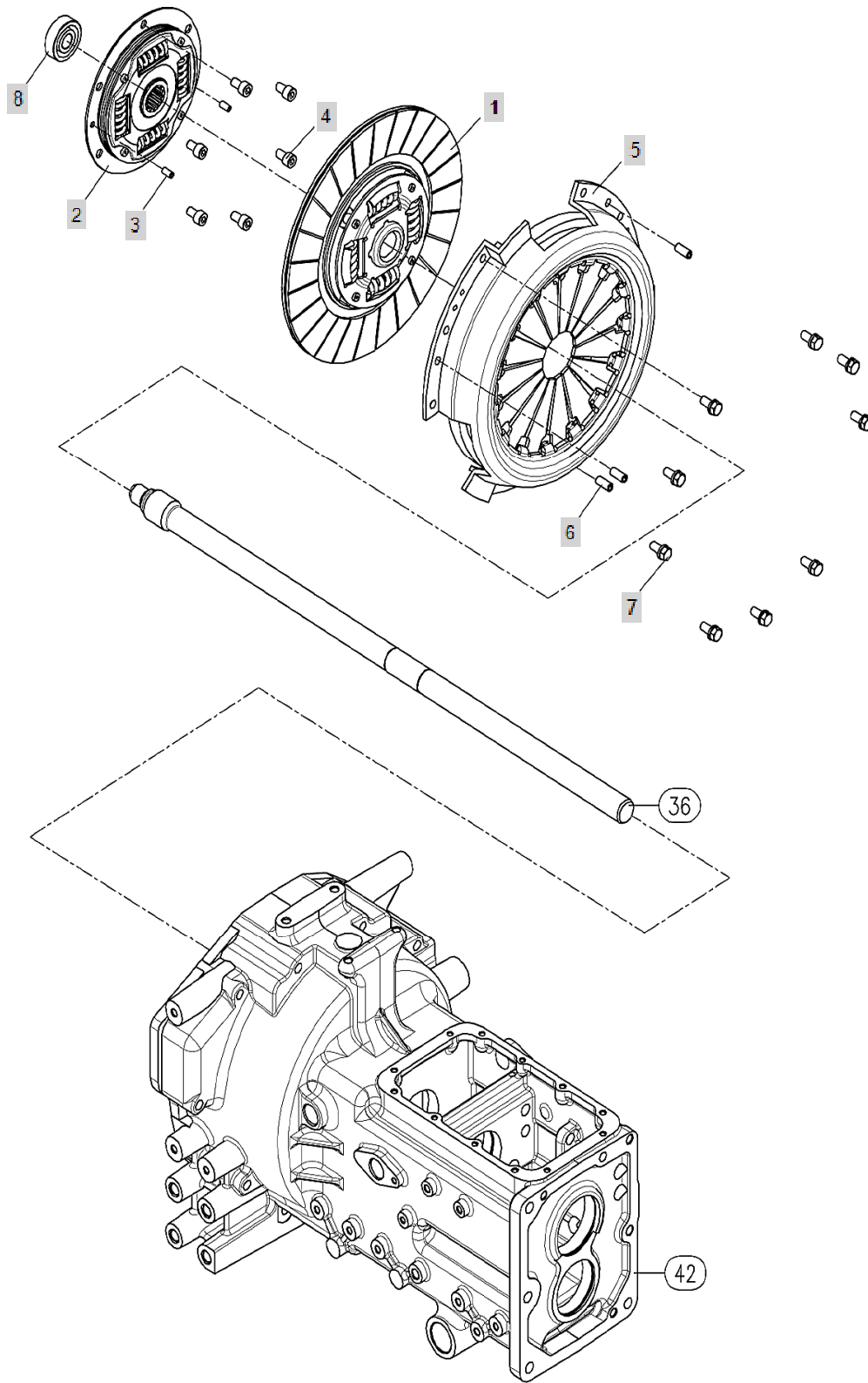


FIG S040

CLUTCH RELEASE

Year/Month

3120R

2020/02

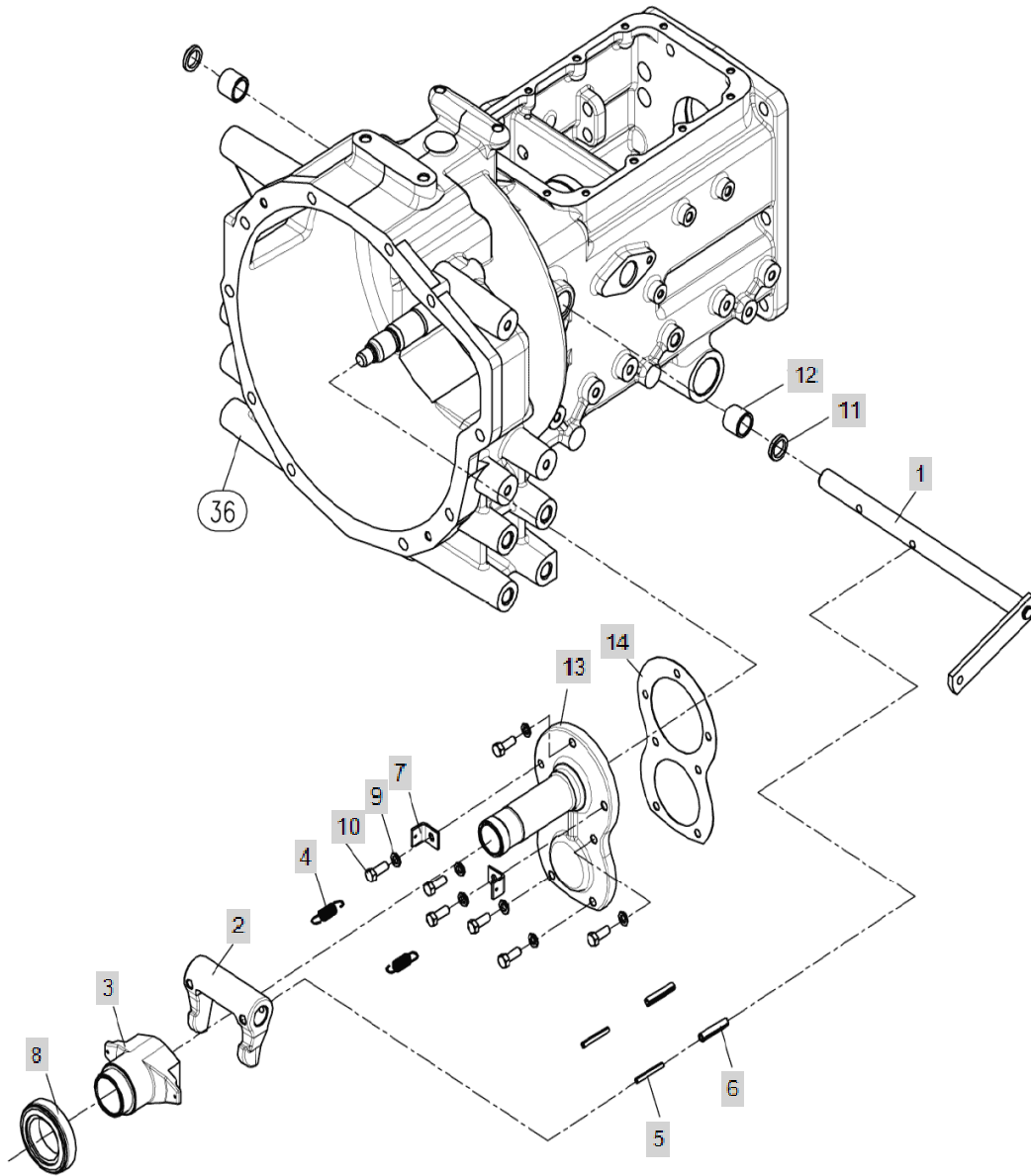


FIG S041

TRANSMISSION CASE SHIFT

Year/Month

3120R

2020/02

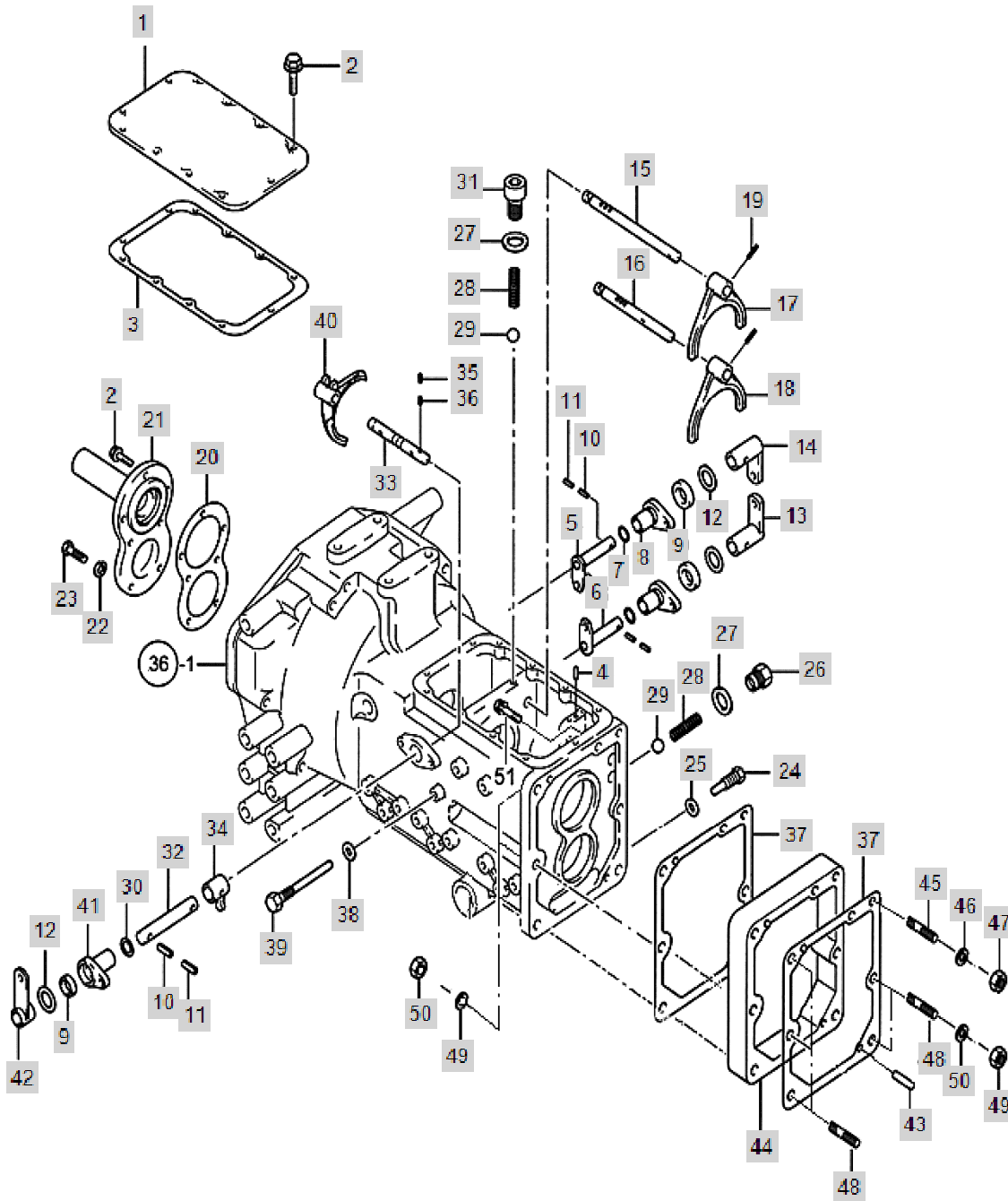


FIG S041		TRANSMISSION CASE SHIFT			Year/Month
3120R					2020/02
KeyNo.	Part Number	Part Name	Quantity	Other	
1	NT41010000C3	UPPERCOVER,T/M	1		
2	26013-080252	Bolt, Hexa (8-25)	19		
3	NT41040000B3	GASKET	1		
4	TN41070000A4	PIN	1		
5	NT41080000A4	LEVER3-4	1		
6	NT41600000A4	LEVER[1ST-2ND],MAINSHIFT	1		
7	24311-000210	O-RING, DYNAMIC (Φ21)	3		
8	TN41100000A4	HOLDERMAINSHIFT	2		
9	24421-173007	Seal, Oil (#17-30-07)	3		
10	22351-080028	PIN, SPRING (8-28)	2		
11	22351-050028	PIN, SPRING (5-02)	2		
12	TT65120000A4	COLLARB	3		
13	NT41130000B4	ARM(3-4), MAIN SHIFT	1		
14	NT41140000A4	ARM(1-2),MAINSHIFT	1		
15	NT41150000A3	FORKSHAFT[3-4],MAINSHIFT	1		
16	NT41160000A3	FORKSHAFT(1-2),MAINAHIFT	1		
17	TN41170000B3	FORK1ST~2ND,MAINSHIFT	1		
18	TN41180000B3	FORK3-4MAINSHAFT	1		
19	22351-060030	PIN, SPRING (6-30)	2		
20	TZ41200000A3	PACKING	1		
21	NT41580000A2	oil seal case	1		
22	22217-080000	WASHER, SPRING (Φ 08)	5		
23	26116-080222	BOLT7T(8X22)	5		
24	TN41250000A4	FIXINGBOLT	1		
25	23414-100000	PLAIN WASHER (D10)	1		
26	NT41270000A4	CAPBOLT	1		
27	23414-160000	WASHER,SEALING	2		
28	TT42020000A4	SPRING	3		
29	24190-100001	Ball, Steel (5/16)	3		
30	24311-000110	O-RING, DYNAMIC (Φ11)	1		
31	23871-010000	PLUG	1		
32	NT41350000A4	SHAFTSHUTTLECHANGE	1		
33	TN41360000A3	SHAFTSH.FORK	1		
34	NT41380000A4	LEVERSHUTTLESHAFT	1		
35	22351-060025	PIN, SPRING (6-25)	2		
36	22351-080028	PIN, SPRING (8-28)	1		
37	TZ41440000A4	PACKING	2		
38	23414-080000	WASHER, PLAIN (Φ8)	1		
39	NT41460000A4	BOLT	1		
40	TN41490000B3	FORK, SHUTTLE SHIFT	1		
41	NT41540000A4	HOLDER,SHUTTLESHIFT	1		
42	NT41550000A4	LINKC,SHUTTLE	1		
43	NT41430000A4	PARALLEL PIN	2		
44	NT36200000B3	SPACER,MISSIONCASE	1		
45	26216-120952	BOLT	1		

FIG S042

MAIN SHIFT

Year/Month

3120R

2020/02

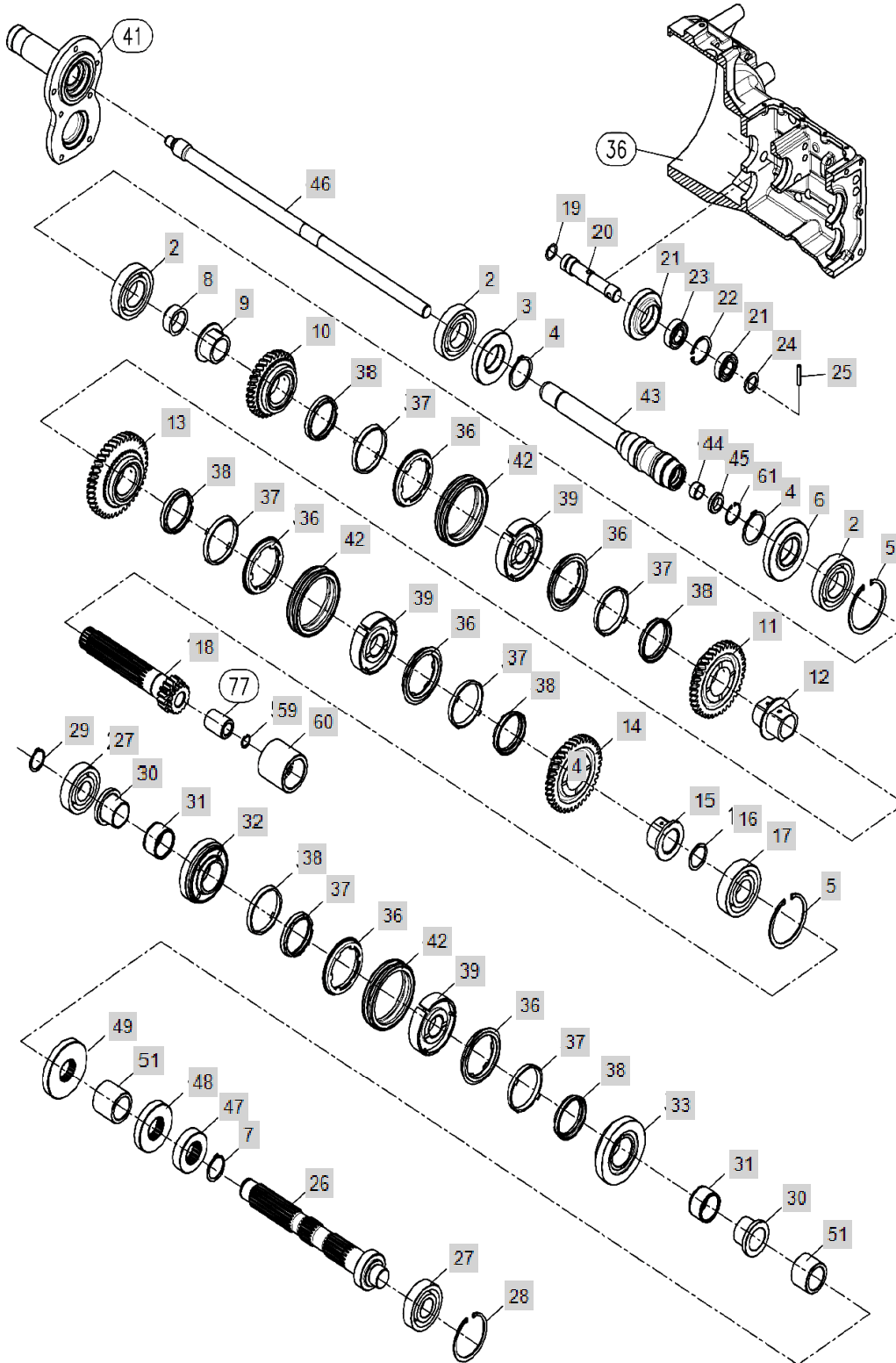


FIG S042		MAIN SHIFT			Year/Month
3120R					2020/02
KeyNo.	Part Number	Part Name	Quantity	Other	
1	NT42010000A4	OILSEAL	1		
2	24101-062084	Bearing, Ball (#6208)	3		
3	TN42030000A3	GEARREVERSER26T	1		
4	22242-000450	SNAP RING, SHAFT (Φ 45)	2		
5	22252-000800	RING, CIRCLIP (Φ 80)	2		
6	TN42060000A3	GEAR, FORWARD	1		
7	22242-000350	SNAP RING, SHAFT (Φ 35)	1		
8	TN42090000B4	BUSH	1		
9	TN42100000B4	BUSHA, GUIDE	1		
10	TN42950000A3	4SHIFT_GEAR(32T)	1		
11	TN42960000A3	3RDGEAR37T	1		
12	TN42180000B4	HUSHB, GUIDE	1		
13	TN42970000A3	GEAR 41T	1		
14	TN42980000A3	GEAR 1ST.43T	1		
15	TN42210000B4	BUSHC	1		
16	22292-000350	RING, CIRCLIP (Φ 35)	1		
17	24101-063074	Bearing, Ball (#6307)	1		
18	TN42240000C2	GUIDE SHAFT, MAINSHIFT GEAR	1		
19	24311-000200	O-RING, DYNAMIC (Φ20)	1		
20	TN42260000B3	IDLE SHAFT, REVERSE	1		
21	24101-060044	Bearing, Ball (#6004)	2		
22	22252-000420	RING, CIRCLIP (Φ 42)	1		
23	TN42300000A3	REVERSERGEARIDLE	1		
24	TN42310000B4	COLLAR	1		
25	22351-060030	PIN, SPRING (6-30)	1		
26	NT42350000A2	COUNTERSHAFTA'SSY	1		
27	24101-063064	Bearing, Ball (#6306)	2		
28	22252-000720	RING, CIRCLIP (Φ 72)	1		
29	22242-000300	SNAP RING, SHAFT (Φ 30)	1		
30	TN42480000A4	BUSH D, GUIDE	2		
31	24161-404527	NEEDLEBEARING	2		
32	TN42500000E3	REVERSE GEAR 30T	1		
33	TN42510000E3	GEAR, FORWARD 32T	1		
34	TT18050000A4	SHIMA	1		
35	TT18060000A4	SHIMB	1		
36	TN42690031A2	SYNCHRO.RING(OUTER)	6		
37	TN42690021A3	SYNCHRO.RING(MIDDLE)	6		
38	TN42690011A2	SYNCHRO.RIONG(INNER)	6		
39	TN42670000A3	HUB	3		
40	TN42680000A9	SLEEVE	1		
41	TN42690000A9	SYNCHRO.RINGASS'Y	2		
42	TN42700000A2	SLEEVE	2		
43	NT42830000A3	main shaft(outer)	1		
44	24550-020120	DRYBUSH	1		
45	24413-203007	Seal, Oil (#20-30-07)	1		

FIG S043

FRONT DRIVE & RANGE SHIFT

Year/Month

3120R

2020/02

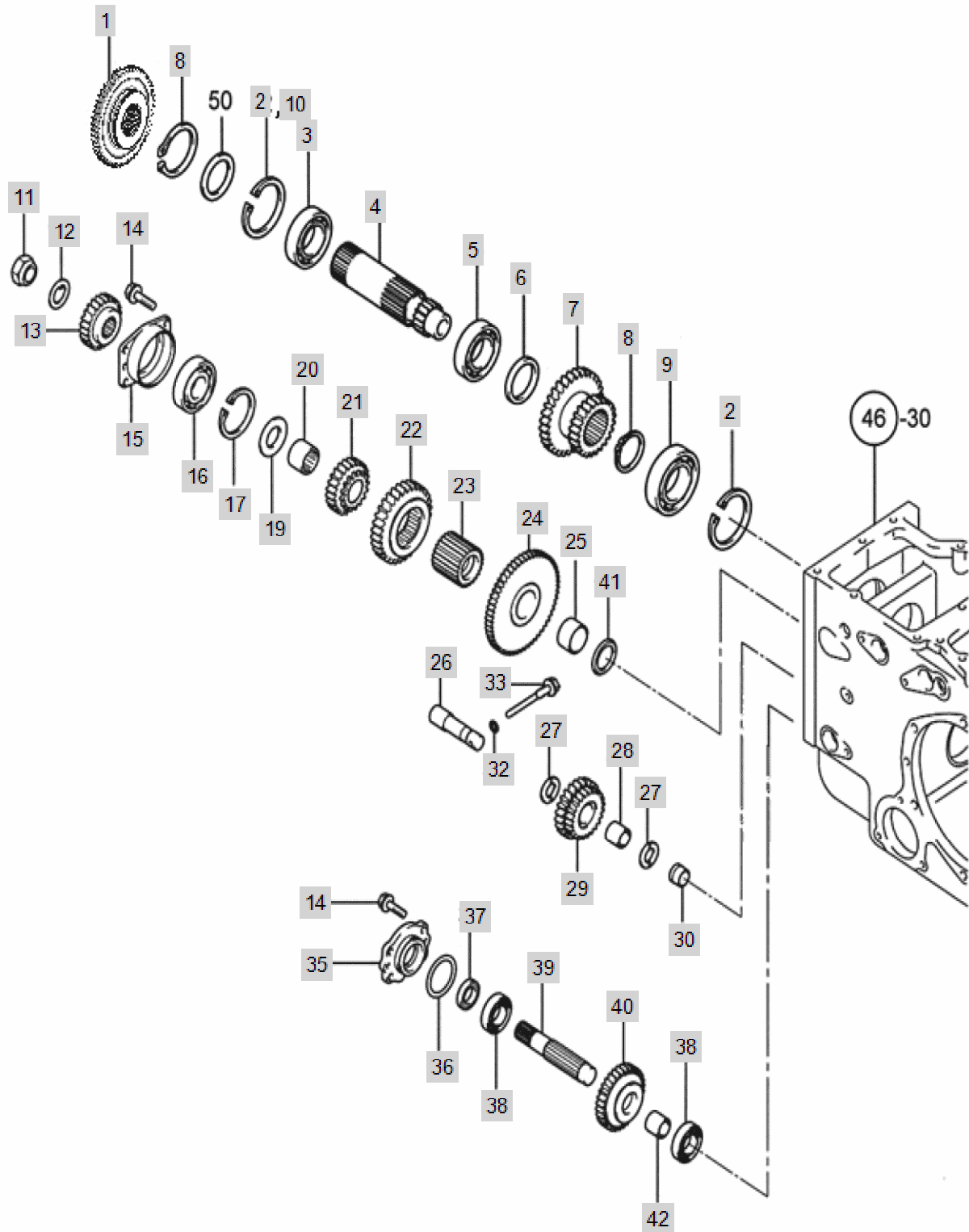


FIG S044

FRONT DRIVE & RANGE SHIFT LEVER

Year/Month

3120R

2020/02

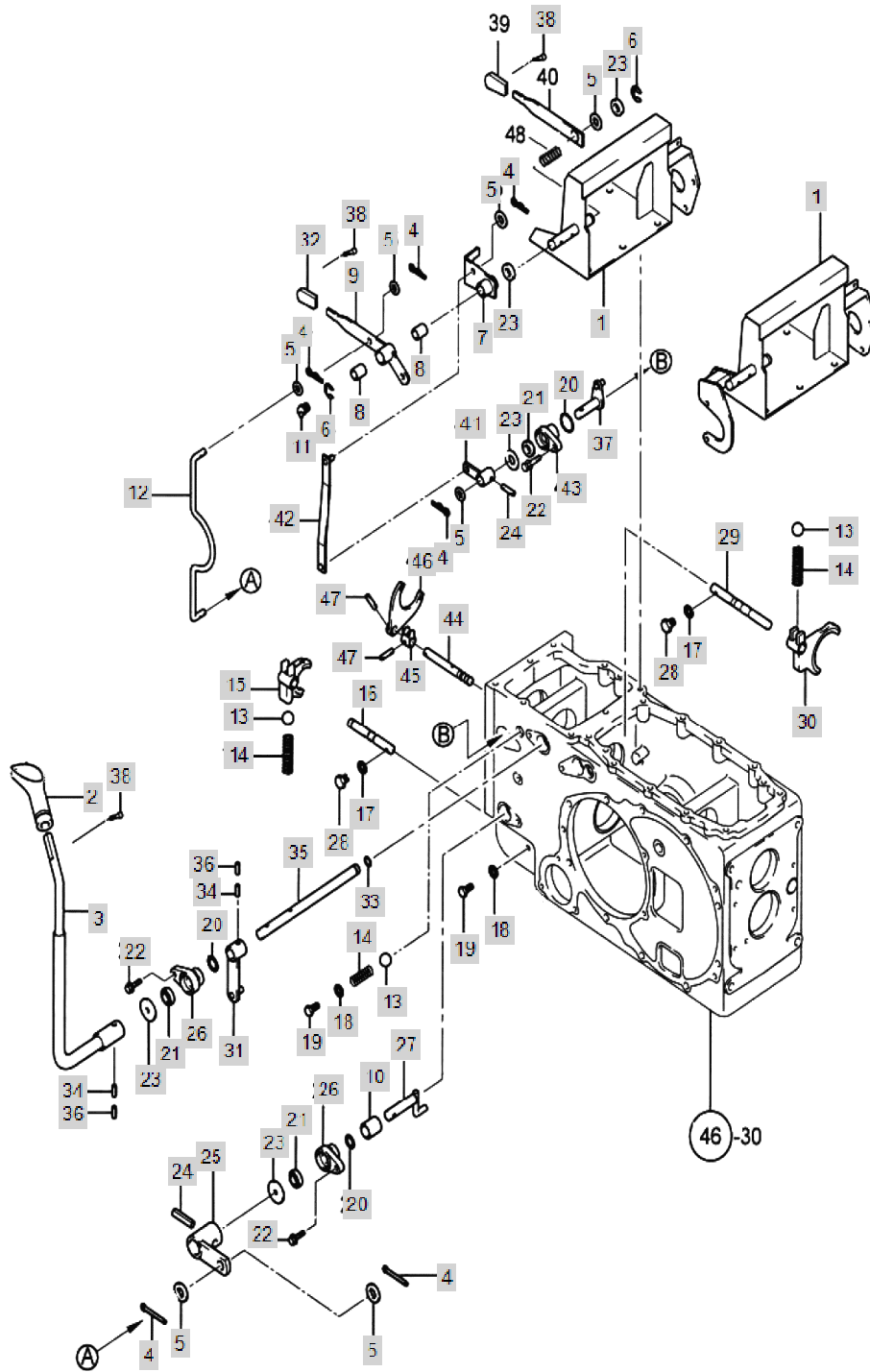


FIG S044		FRONT DRIVE & RANGE SHIFT LEVER			Year/Month
3120R					2020/02
KeyNo.	Part Number	Part Name	Quantity	Other	
1	TA00002757A	STAY ASS'Y,SEATRAIL	1		
2	TA00058723A	KNOB	1		
2-1	TA00016324B	KNOB, RANGE SHIFT	1	deleted/삭제	
3	TA00001060C	LEVER, SUB SHIFT	1		
4	22417-250250	PIN , COTTER (2-25)	6		
5	22137-100000	WASHER, PLAIN (Φ 10)	6		
6	22272-000150	RING, CIRCLIP (Φ 15)	2		
7	TN44080000B3		1		
8	TT70080000A4	BUSH	2		
9	NT44100000B3	Lever, Front Drive	1		
10	TT70090000A4	BUSH	1		
11	TN44590000A4	GREASENIPPLE	1		
12	NT44140000A4	ROD,FRONTDRIVE	1		
13	24190-100001	Ball, Steel (5/16)	3		
14	TT42020000A4	SPRING	3		
15	TN44220000A3	FORKFRONTDRIVE	1		
16	TN44230000A3	SHAFTFRONTDRIVEFORK	1		
17	23414-080000	WASHER, PLAIN (Φ8)	2		
18	23414-100000	PLAIN WASHER (D10)	2		
19	TN44280000A4	PLUG	2		
20	24321-000250	O-RING	3		
21	24421-173007	Seal, Oil (#17-30-07)	3		
22	26013-080252	Bolt, Hexa (8-25)	3		
23	TT65120000A4	COLLARB	5		
24	22351-080028	PIN, SPRING (8-28)	2		
25	NT44360000A4	LEVER,A'SSYB.FRONTDRIVE	1		
26	TN44370000A4	HOLDERSHIFTARM	2		
27	TN44380000A4	LEVERASS'YF.DRIVE	1		
28	TN44400000A4	BOLT	2		
29	TN44410000B3	SHAFT,RANGESHIFTFORK	1		
30	TN44420000A3	FORKRANGESHIFT	1		
31	TN44440000D4	LEVERASS'Y(B),RANGESHAFT	1		
32	TA00056015A	LEVER, FRONT DRIVE	1		
32-1	TA00015827A	KNOB, FRONT DRIVE LEVER	1		
33	TN46180000A4	O-RING	1		
34	22351-080030	PIN, SPRING (8-30)	2		
35	TN44520000B3	SHAFT,RANGESHIFTLEVER	1		
36	22351-050030	PIN, SPRING (5-03)	2		
37	TN44260000B4	LEVER ASS'Y CREEPER	1		
38	26023-040162	SCREW	3		
41	NT44350000B4		1		
42	NT44070000B3		1		
43	TN44300000A4	Holder, Shift Arm	1		
44	TN44180000A3	FORK SHAFT,CREEPER LEVER	1		
45	TN44170000A4	FORK	1		

FIG S045

PTO SPEED SHIFT

Year/Month

3120R

2020/02

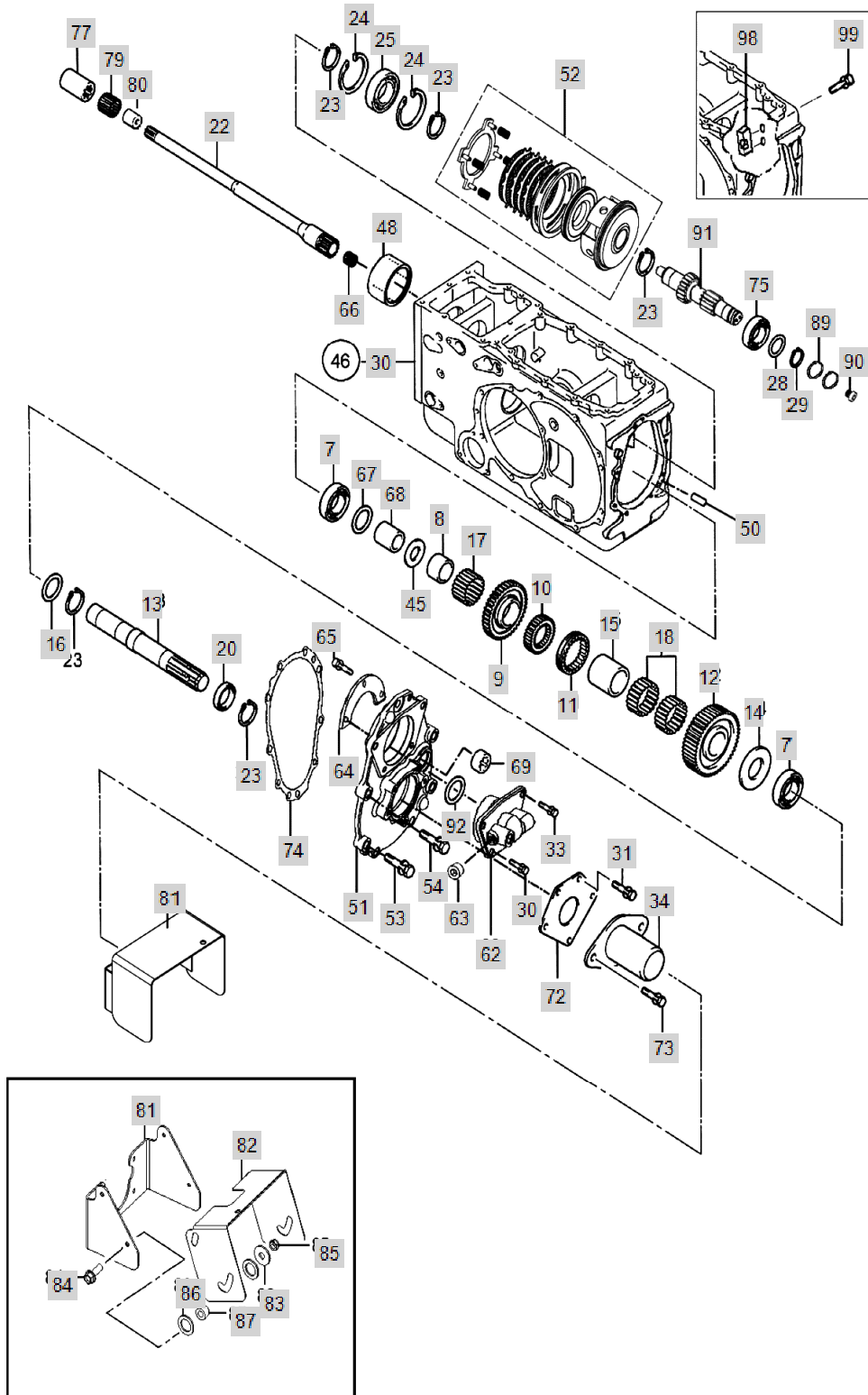


FIG S045		PTO SPEED SHIFT			Year/Month
3120R					2020/02
KeyNo.	Part Number	Part Name	Quantity	Other	
7	24101-063074	Bearing, Ball (#6307)	2		
8	NT45430000A4	NEEDLEBUSH.D	1		
9	NT45930000A3	PTO GEAR 46T	1		
10	TZ45100000A3	HUB,P.T.O	1		
11	TZ45110000B4	SLEEVE,P.T.O	1		
12	TZ45120000A3	GEARLST,P.T.O	1		
13	NT45130000B3	shaft, PTO	1		
14	TZ45140000A4	COLLAR	1		
15	TZ45150000A4	BUSHB,NEEDLE	1		
16	TN45120000A4	WASHER	1		
17	24161-455328	NEEDLE BEARING (#45-53-28)	1		
18	24161-455320	NEEDLEBEARING	0		
20	TT62040000A3	PTO OIL SEAL QLF35X60X19	1		
22	TZ45220000C3	SHAFT, PTO CONNECTION	1		
23	22242-000350	SNAP RING, SHAFT (Φ 35)	0		
24	22252-000720	RING, CIRCLIP (Φ 72)	0		
25	24101-062074	BALL BEARING (#6207)	1		
28	TN45520000A4	COLLAR	1		
29	22242-000300	SNAP RING, SHAFT (Φ 30)	1		
30	26013-080202	Bolt, Hexa (8-20)	2		
31	26013-060162	Bolt, Hexa (6-16)	3		
33	26013-080302	HEX BOLT W/WASHER	2		
34	TT80030000A3	P.T.OCOVER	1		
45	NT45440000A4	COLLAR	1		
48	NT45480000A3	PTO COUPLING	1		
50	22312-100200	PIN, DOWEL (10-20)	2		
51	NT45510000A1	HOUSING, PTO SHAFT	1		
52	NT45520000B3	PTO CLUTCH PACK	1		
53	26013-100252	SCREW,CAPTIVEWASHERCAP	3		
54	26013-100352	Bolt, Hexa (10-35)	4		
62	NT45620000A3	Seal Case	1		
63	23871-010000	PLUG	1		
64	NT45640000A4	Bearing Cover	1		
65	26013-060162	Bolt, Hexa (6-16)	3		
66	24161-182417	Bearing, Neddle (#18-24-17)	1		
67	NT45670000A4	Thrust Washer	1		
68	NT45680000A4	Spacer	1		
69	NT45690000A4	SIGHT GLASS	1		
72	NT45720000A4	Plate	1		
73	26106-060162	HEXFLANGEBOLT	2		
74	NT45740000A3	PACKING, PTO SHAFT HOUSING	1		
75	24101-063064	Bearing, Ball (#6306)	1		
77	TN45200000A4	JOINT	1		
79	24161-253020	Bearing, Neddle (#25-30-20)	1		
80	TN45180000A4	BUSH,BEARING	1		

FIG S046

REAR AXLE CASE, PTO SHIFT

Year/Month

3120R

2020/02

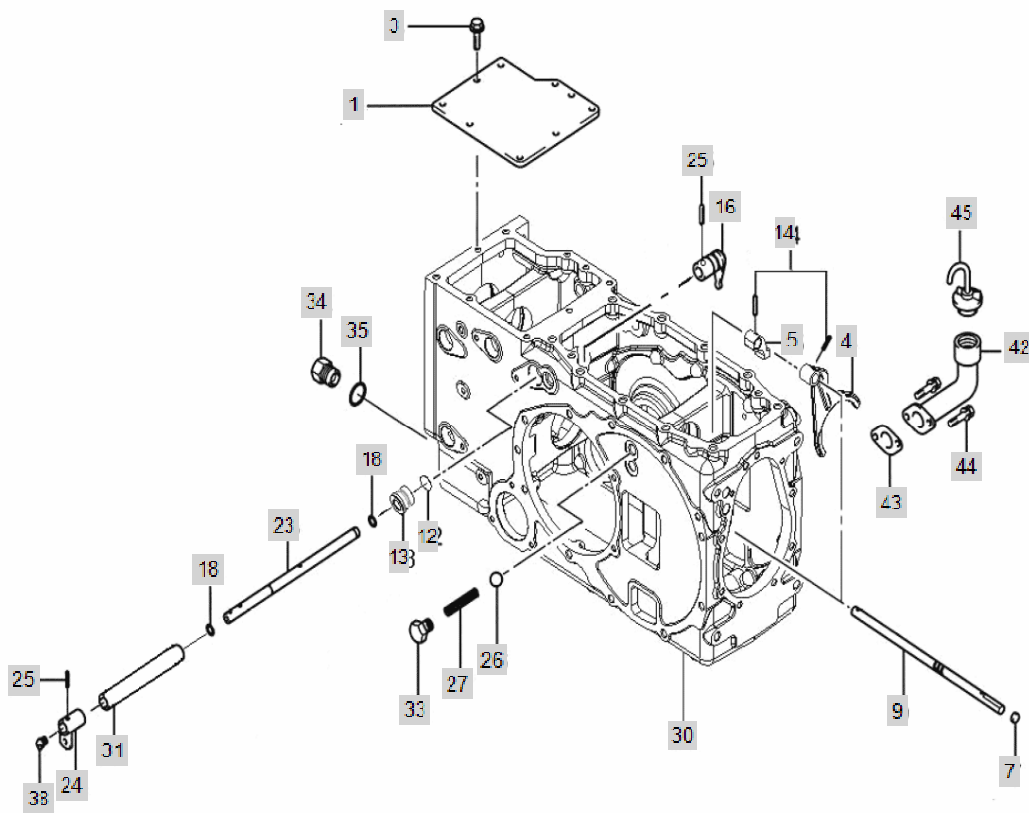


FIG S047

LEVER ASS'Y, PTO SPEED CHANGE

Year/Month

3120R

2020/02

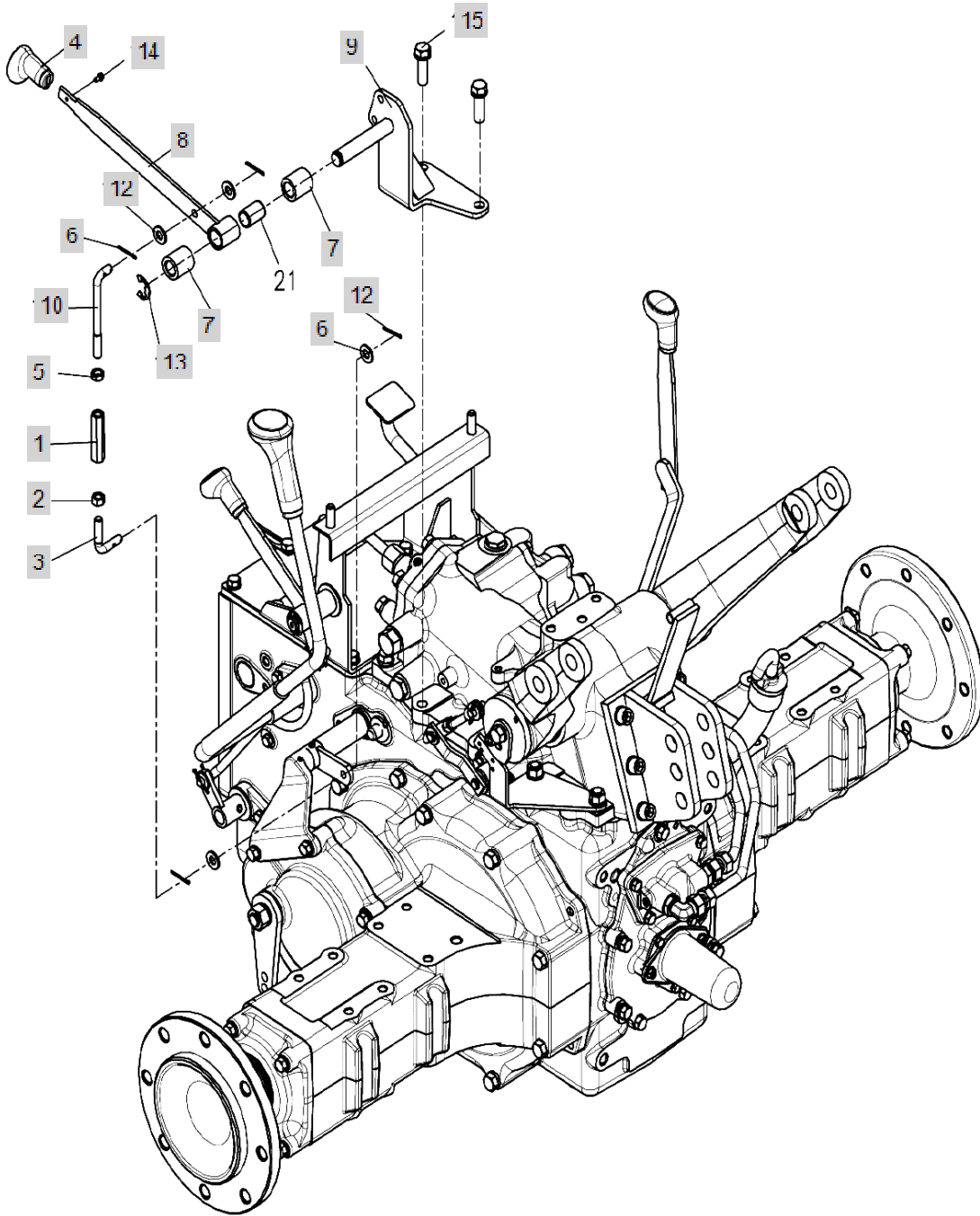


FIG S048

HOUSING, REAR AXLE

Year/Month

3120R

2020/02

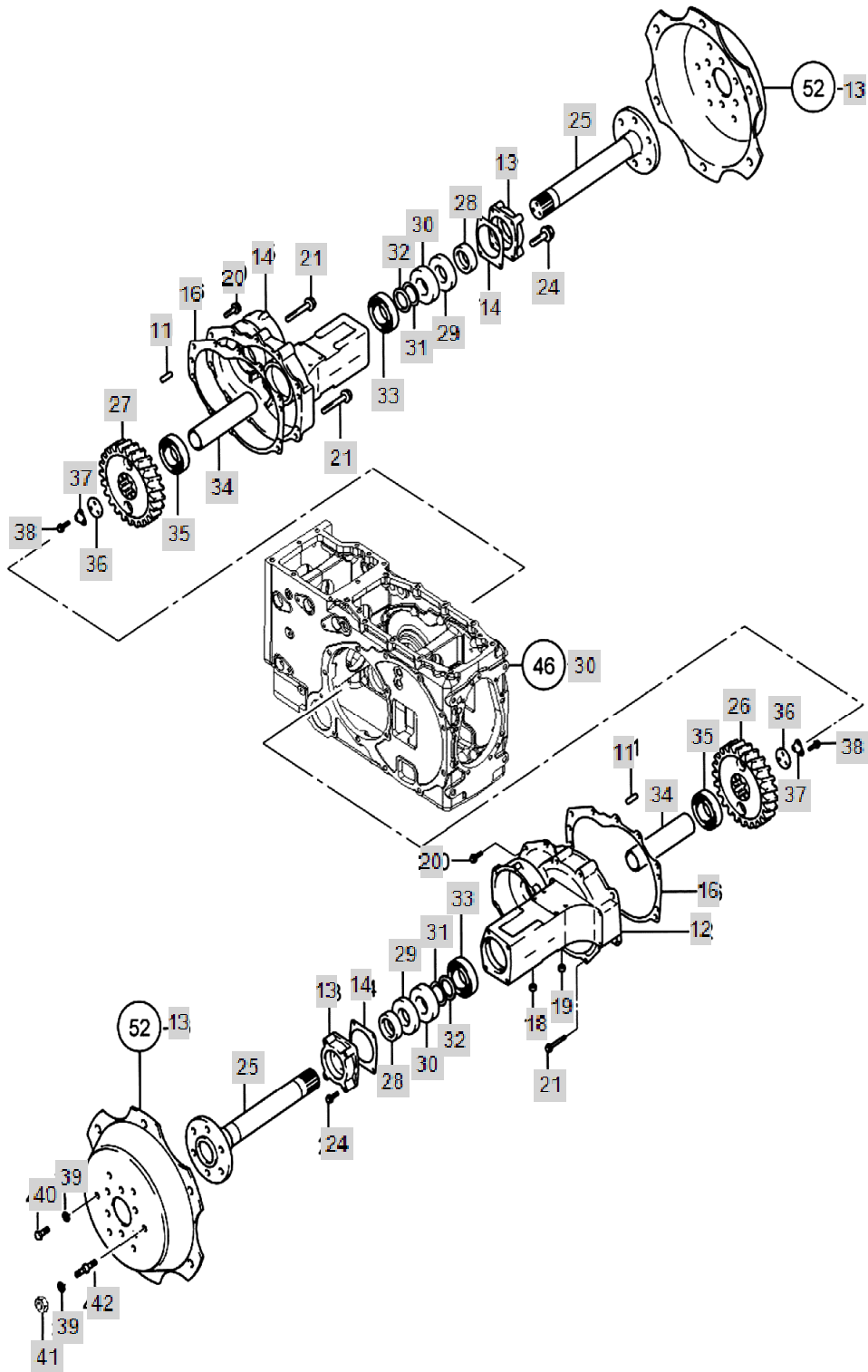


FIG S049

DRIVING PART, REAR AXLE

Year/Month

3120R

2020/02

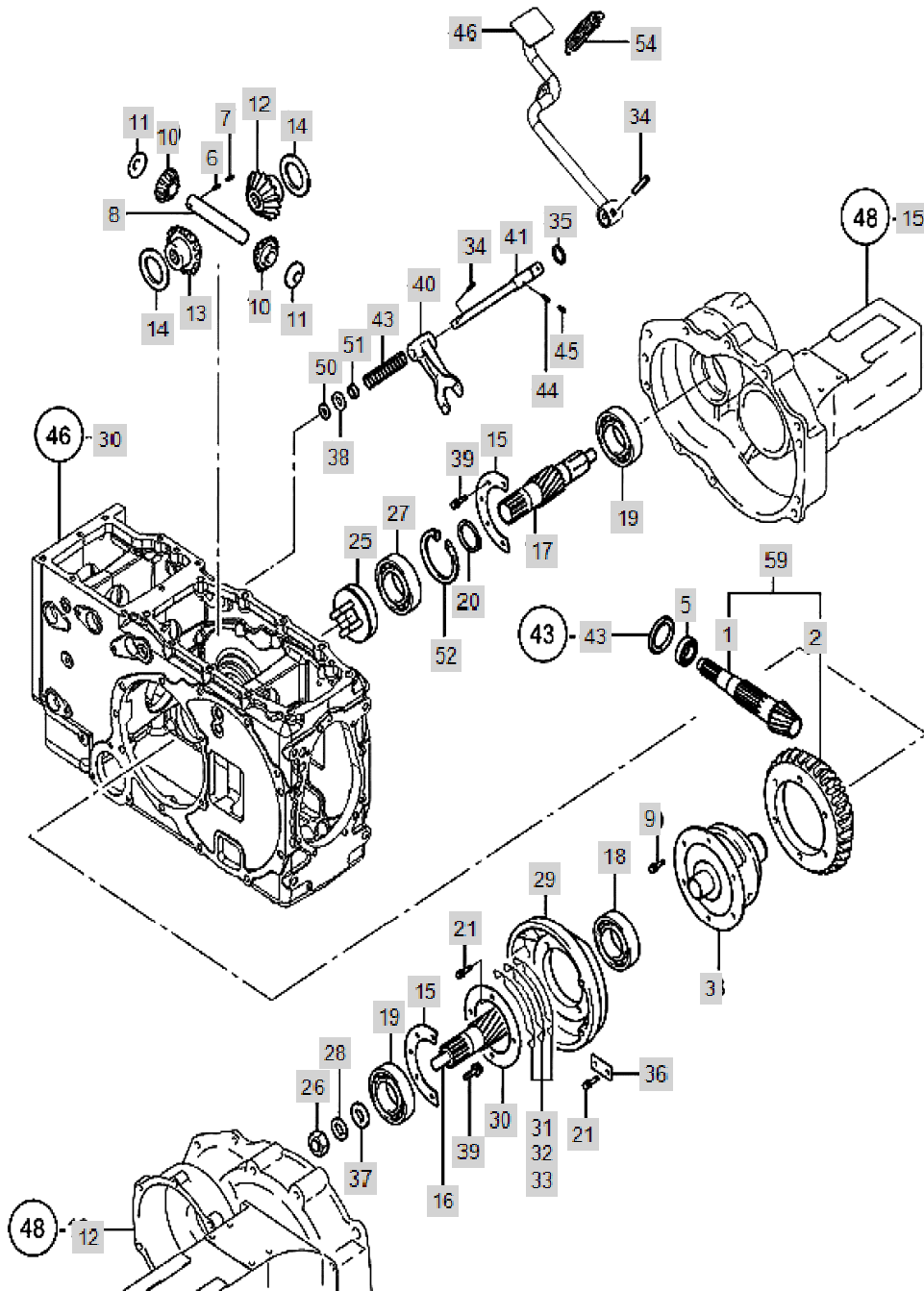


FIG S049		DRIVING PART, REAR AXLE			Year/Month
3120R					2020/02
KeyNo.	Part Number	Part Name	Quantity	Other	
1	TN49510000A2	COUNTERSAHFT	1		
2	TN49520000C2	RINGGEAR	1		
3	TN49030000D2	CASE,DIFFERENTIAL -> TA00022799A	1		
5	TT78020000A3	BEARINGNJ307R	1		
6	22312-060360	PIN, DOWEL (6-36)	1		
7	22351-060032	PIN, SPRING (6-32)	1		
8	TF64080000A4	PINIONSHAFT	1		
9	TF64090000A4	BOLT	6		
10	TF64100000A3	PINION	2		
11	TF64110000A4	PINIONLINER	2		
12	TF64120000A3	DIFF.SIDEGEAR(A)	1		
13	TF64130000A3	DIFF.SIDEGEAR(B)	1		
14	TF64140000B4	SIDEGEARLINER	2		
15	TB32150000A4	RETAINER	2		
16	TN49160000A3	PINIONL,FINAL	1		
17	TN4917000SA3	PINIONR,FINAL	1		
18	24101-062114	Bearing, Ball (#6211)	1		
19	TF64190000A4	BALL BEARING (#6308HL1) -> TF64190000A3	2		
20	22242-000500	SNAP RING, SHAFT (Φ50)	1		
21	26013-080202	Bolt, Hexa (8-20)	4		
25	TF64250000B3	THRUST, DIFF-LOCK ASSY	1		
26	26776-220002	NUT	2		
27	24101-060102	BALL BEARING (#6010)	1		
28	22217-220000	WASHER, SPRING (Φ 22)	2		
29	TN49550000B2	CARRIOR	1		
30	TN49590000A4	RETAINER	1		
31	TZ49560000A4	SHIMA	3		
32	TZ49570000A4	SHIMB	3		
33	TZ49580000A4	SHIMC	2		
34	22351-080032	PIN, SPRING (8-32)	2		
35	24311-000160	O-RING, DYNAMIC (Φ16)	1		
36	TB32360000A4	RETAINER	2		
37	TN49370000A4	WASHER	2		
38	TN49380000A4	WASHER	1		
39	26013-080202	Bolt, Hexa (8-20)	10 10		
40	TN49400000A2	FORK DIFFERENTIAL LOCK	1		
41	TN49410000B3		1		
43	TN49430000A4	SPRING	1		
44	22351-080040	PIN, SPRING (8-40)	1		
45	22351-050040	PIN, SPRING (5-04)	1		
46	TA00001510B	PEDAL, DIFF.LOCK	1		
50	22121-140000	WASHER, PLAIN (Φ 14)	1		
51	24421-152507	Seal, Oil (#15-25-07)	1		
52	22252-000800	RING, CIRCLIP (Φ 80)	1		
54	TTB1300000A4	SPRING,RETURN	1		

FIG S050

BRAKE

Year/Month

3120R

2020/02

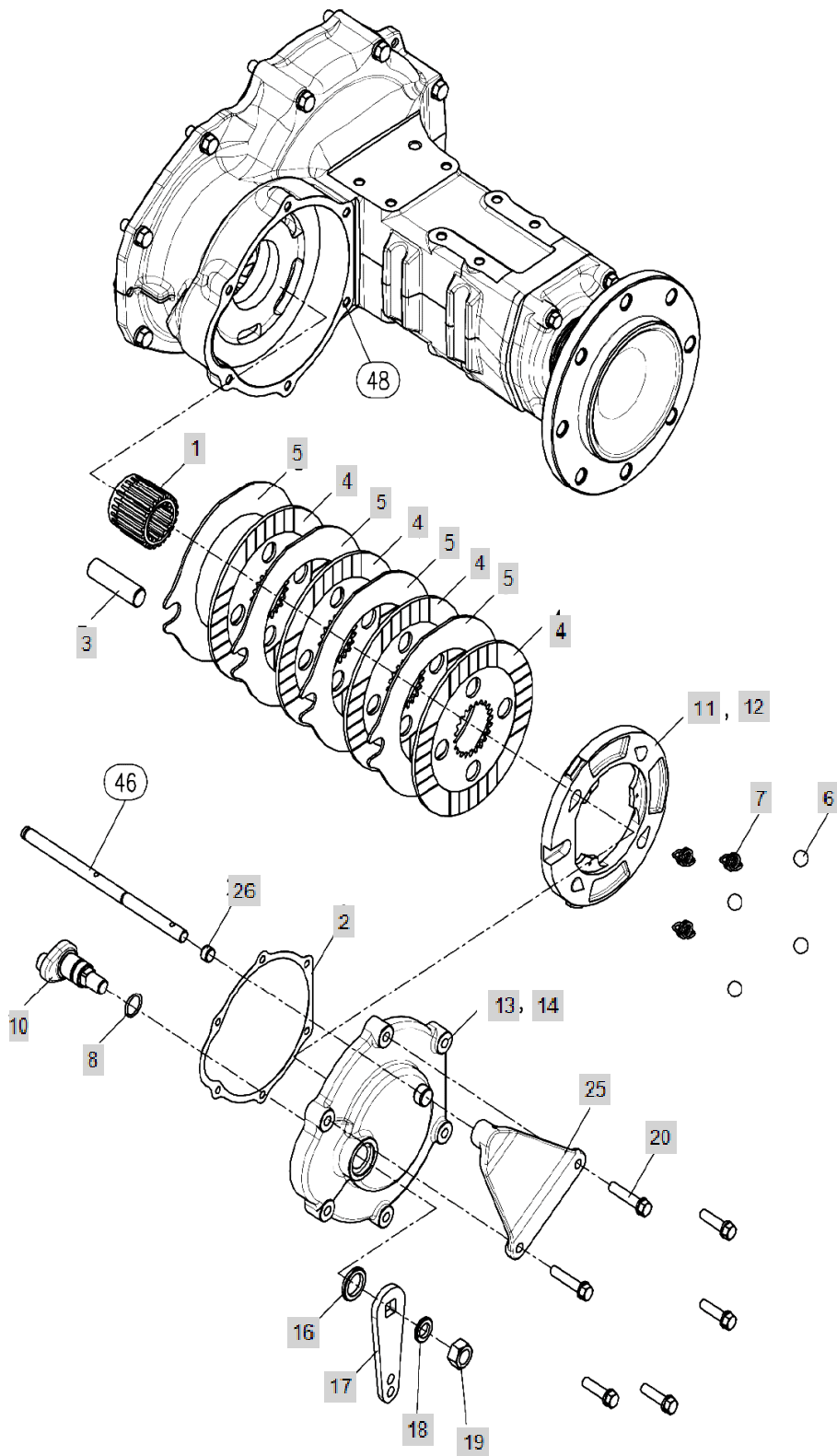


FIG S053

BRAKE, CLUTCH PEDAL

Year/Month

3120R

2020/02

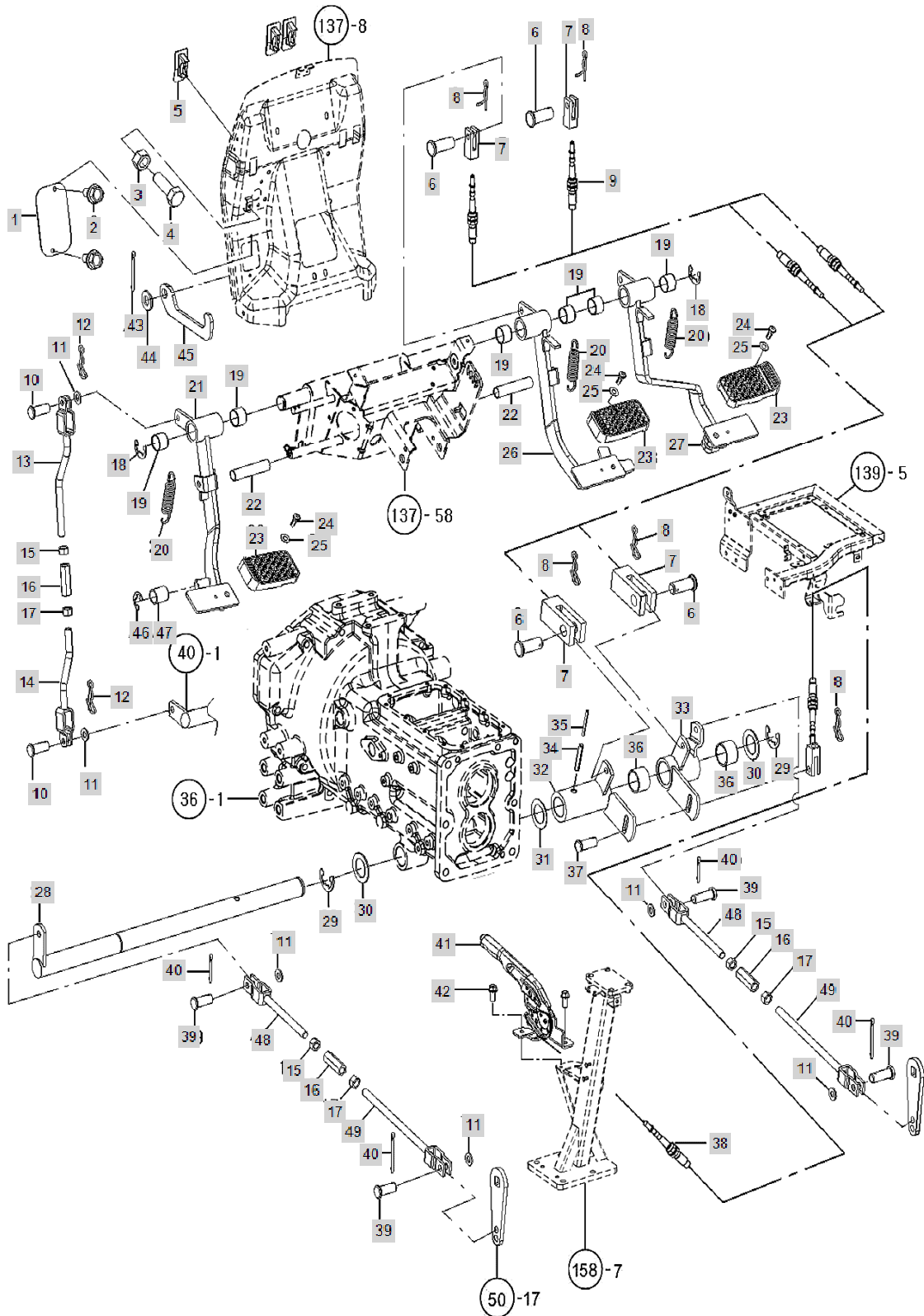


FIG S053		BRAKE, CLUTCH PEDAL			Year/Month
3120R					2020/02
KeyNo.	Part Number	Part Name	Quantity	Other	
1	TA00017501A	COVER	1		
2	26106-060122	HEX BOLT (6-12)	2		
3	26716-080002	NUT,HEX (D8)	1		
4	26116-080252	BOLT7T(8X25)	1		
5	TCB6100000A4	BOOTS, PEDAL	3		
6	22487-100200	PIN, HEAD (10-20)	4		
7	TW43030000A4	SUTTLE CLEVIS A	4		
8	RR51230000A4	SNAP PIN	5		
9	TA00002285A	BRAKE CABLE	2		
10	TT83010000A4	TURN BUCKLE, 10X70	2		
11	22137-100000	WASHER, PLAIN (Φ 10)	6		
12	RR64050000A4	Pin, Come-Off Snap (Φ8)	2		
13	TA00017497A	CLUTCH ROD UPPER	1		
14	TA00017498B	CLUTCH ROD LOWER	1		
15	26716-120002	BOLT,CYLINDER HEAD(B)	3		
16	TT67010000A4	TURN BUCKLE	3		
17	TT67040000A4	NUT.LH	3		
18	22272-000190	RING, CIRCLIP (Φ 19)	2		
19	TC73010200A4	BUSH25*28*20	6		
20	TC73090000A4	RETURN SPRING	3		
21	TA00002795B	CLUTCH PEDAL ASS'Y	1		
22	TCB6300000A3	PIPE	2		
23	TC73050000A3	PEDALHEADCOVER	3		
24	TC73030000A4	RIVET(PEDALHEAD)	3		
25	TC73040000A4	WASHER(REVET)	3		
26	TA00002785B	BRAKE PEDAL L ASS'Y	1		
27	TA00002784C	BRAKE PEDAL R ASS'Y	1		
28	TA00017369A	SHAFT, BRAKE	1		
29	22272-000240	RING, CIRCLIP (Φ 24)	2		
30	TB35120000B4	WASHER B	2		
31	TB35110000B4	WASHER A	1		
32	TA00017352B	BRAKE LINE(L)REAR	1		
33	TA00017353B	BRAKE LINE(R)REAR	1		
34	22351-080050	PIN, SPRING (8-50)	1		
35	22351-050050	PIN, SPRING (5-05)	1		
36	TB26240000A4	BUSH	2		
37	22487-100260	PIN, HEAD (10-26)	1		
38	TA00017354A	CABLE, PARKING BRAKE -> TA00017354C	1		
39	TT41090000A4	PIN10X23	4		
40	22417-200300	PIN , COTTER (2-30)	4		
41	TA00001403A	PARKING BRAKE	1		
42	26106-080202	SQR FLANGE BOLT	2		
43	22417-250300	PIN , COTTER (2-30)	1		
44	22137-080000	WASHER, PLAIN (Φ 08)	1		
45	TA00018293A	ROCK(CLUTCH PEDAL)	1		

FIG S067

LEVER, MAIN SHIFT

Year/Month

3120R

2020/02

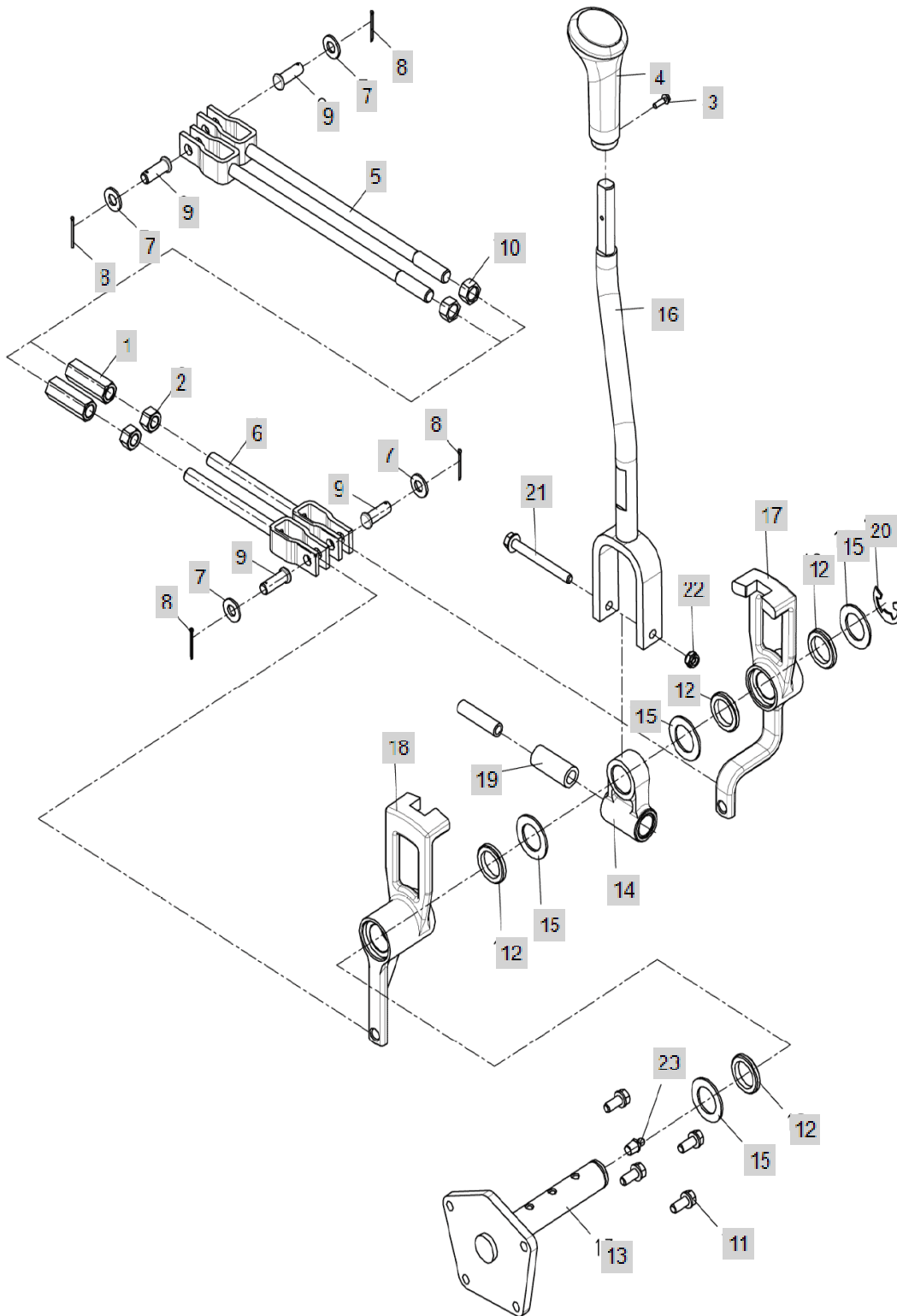


FIG S099

HYD PUMP

Year/Month

3120R

2020/02

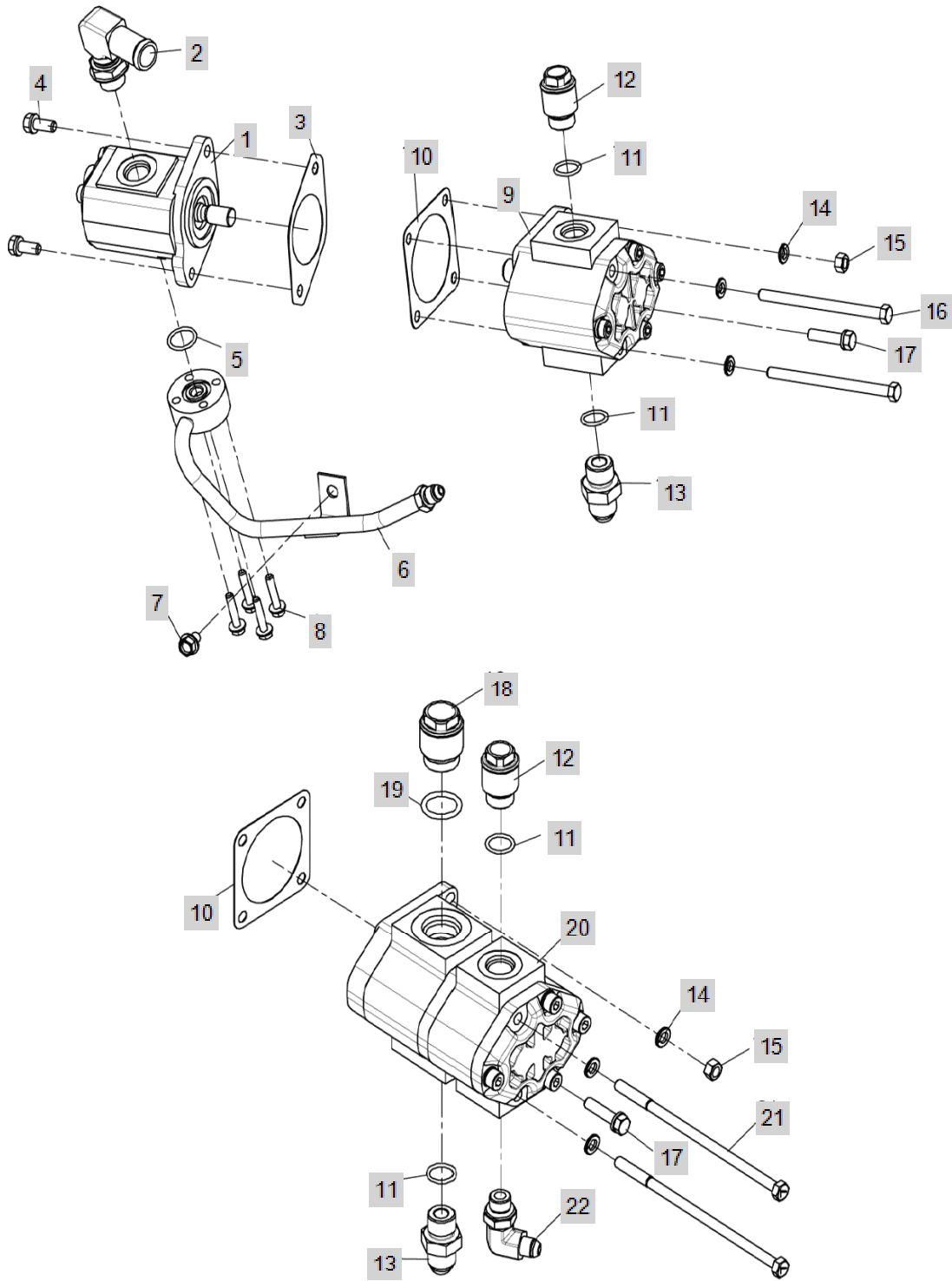


FIG S101

CASE, HYD CYLINDER

Year/Month

3120R

2020/02

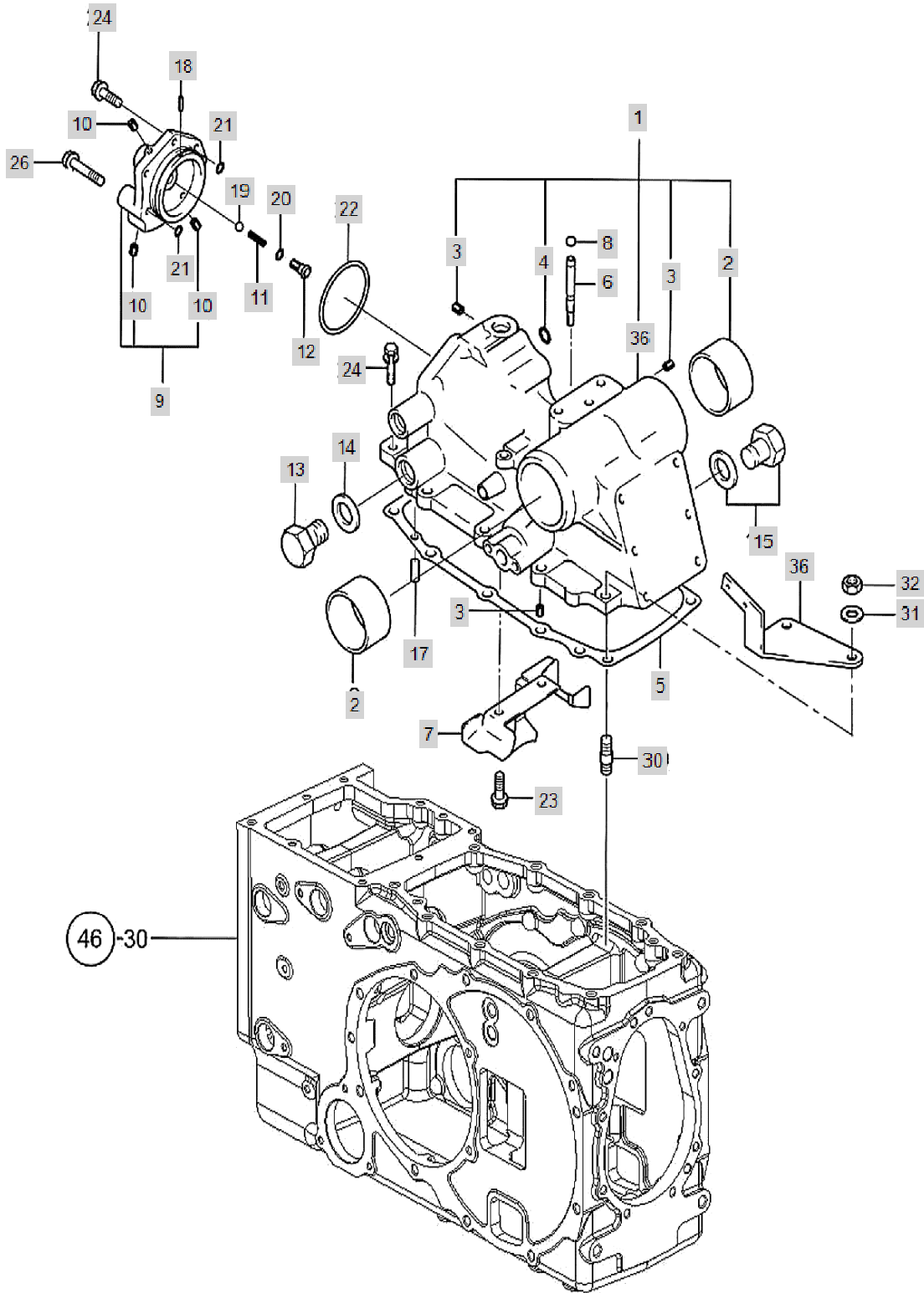


FIG S102

IND PTO VALVE SUPPORT

Year/Month

3120R

2020/02

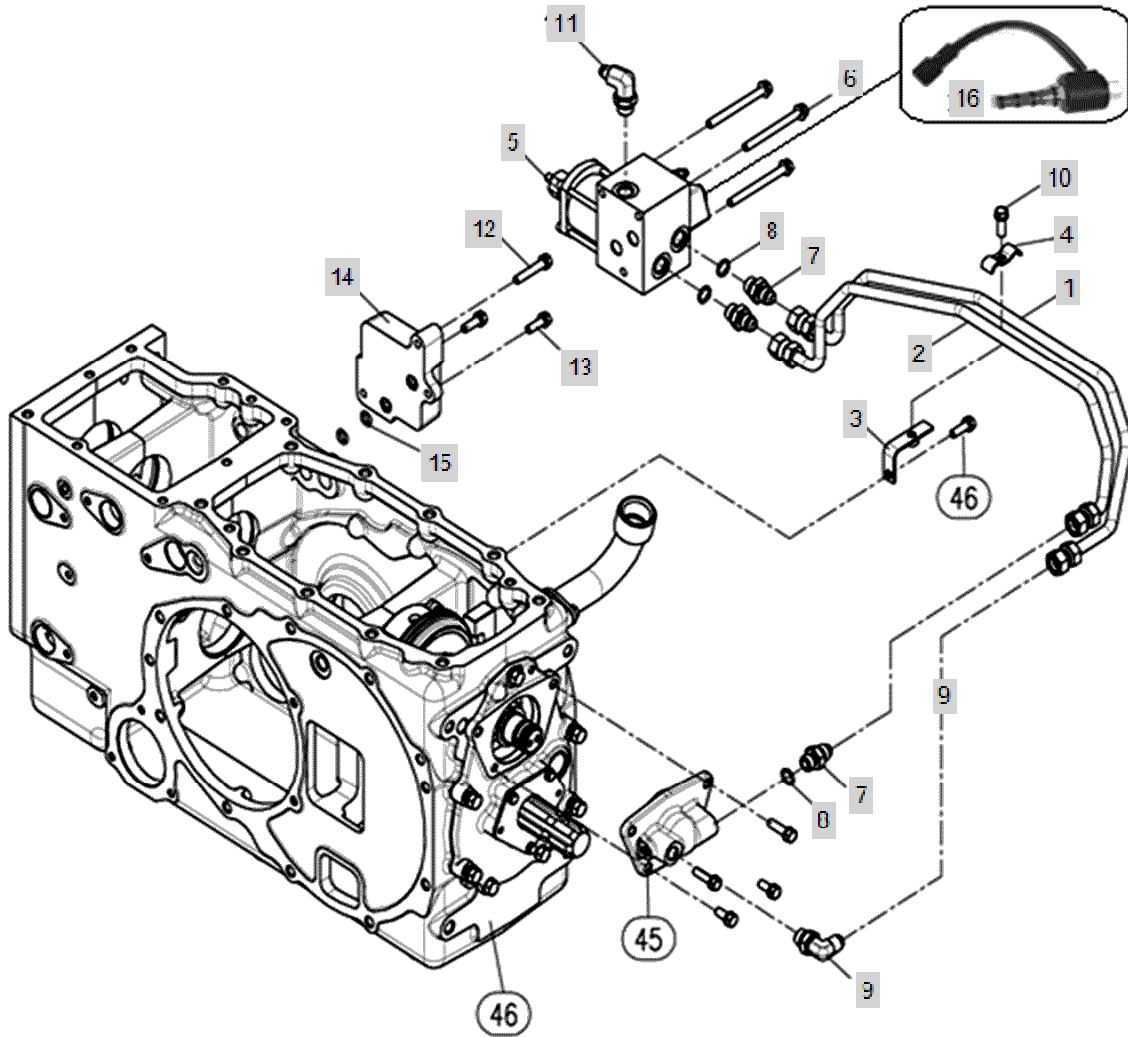


FIG S103

S.C.V. SUPPORT

Year/Month

3120R

2020/02

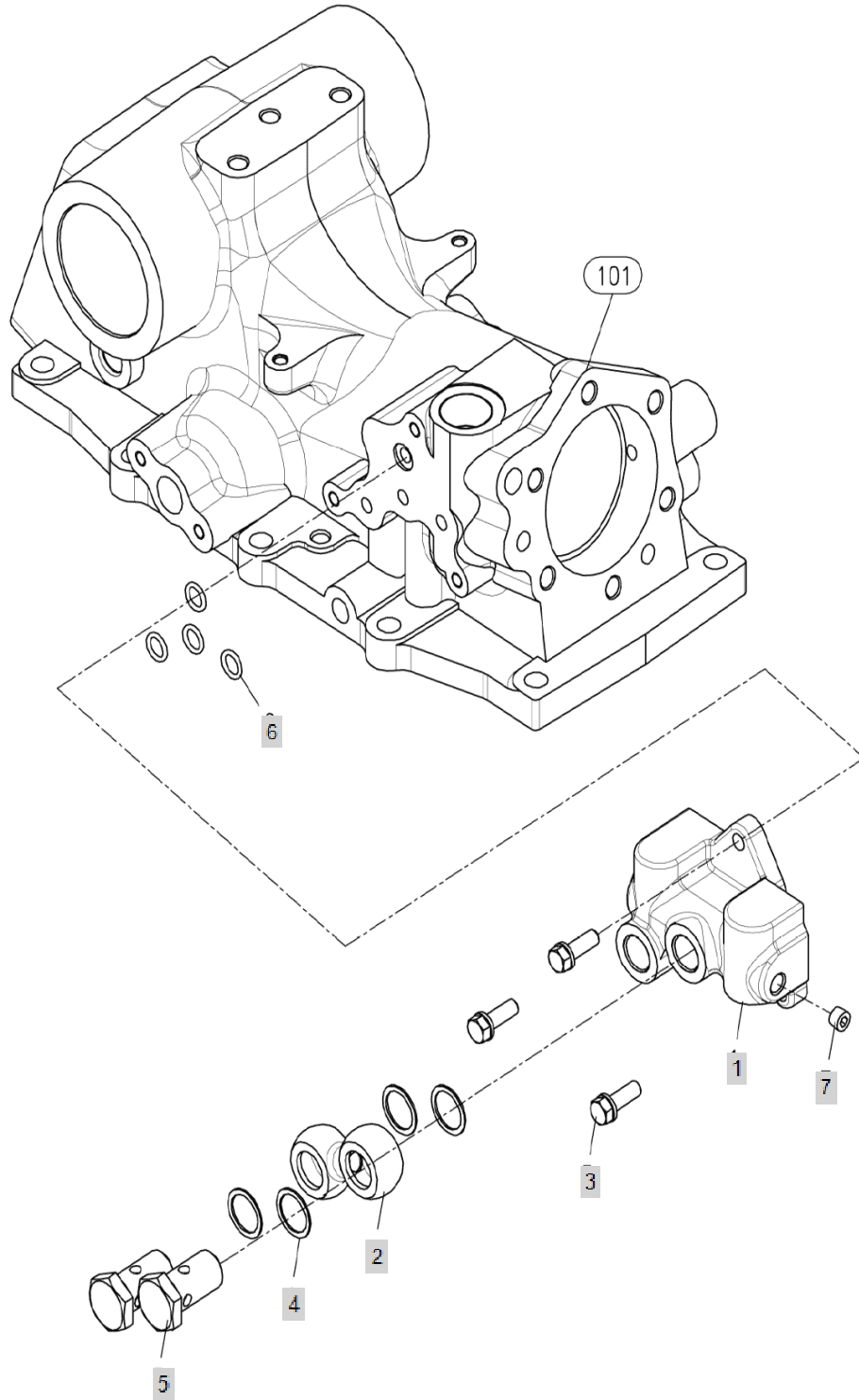


FIG S104

PISTON ASS'Y

Year/Month

3120R

2020/02

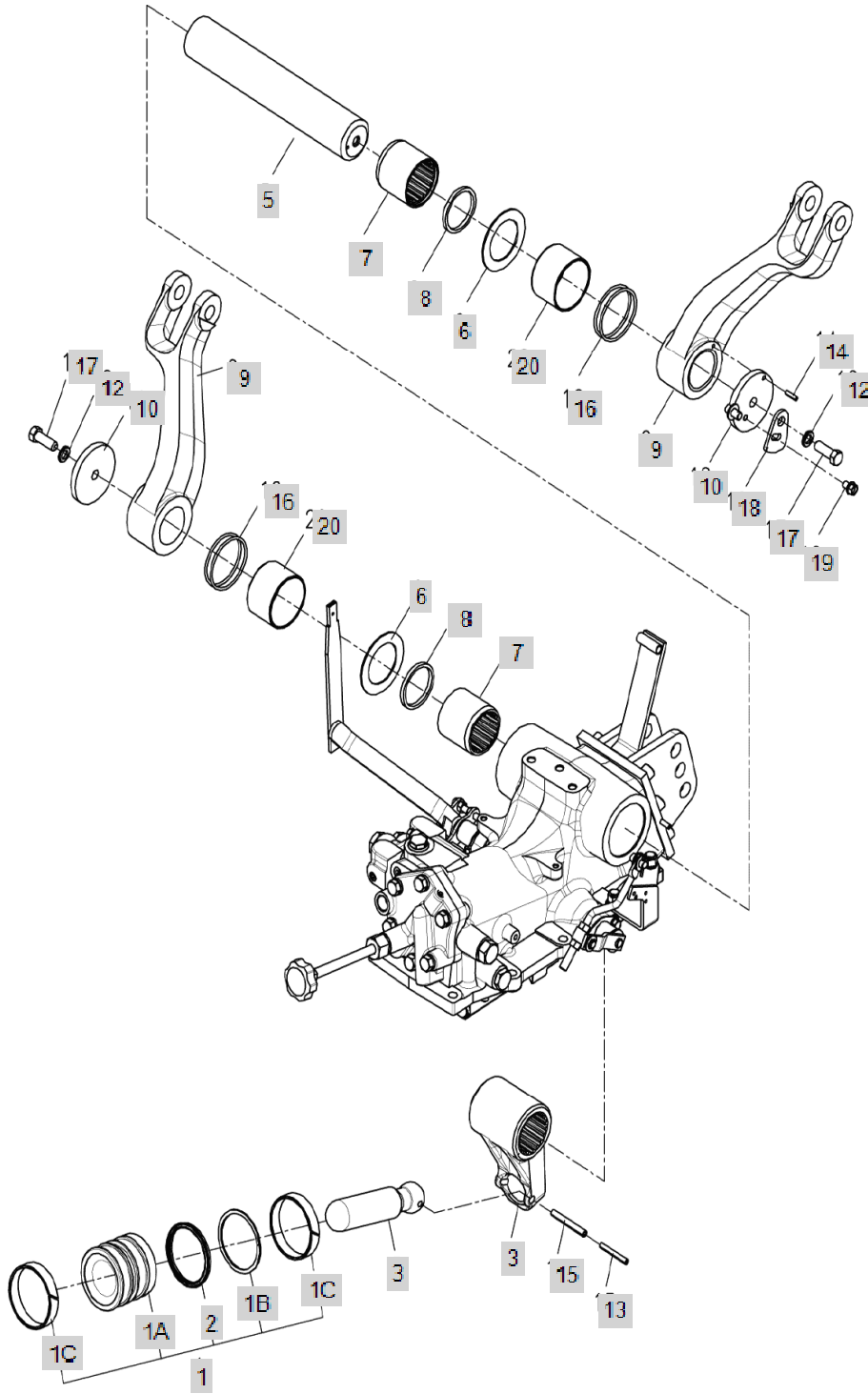


FIG S106

CONTROL VALVE

Year/Month

3120R

2020/02

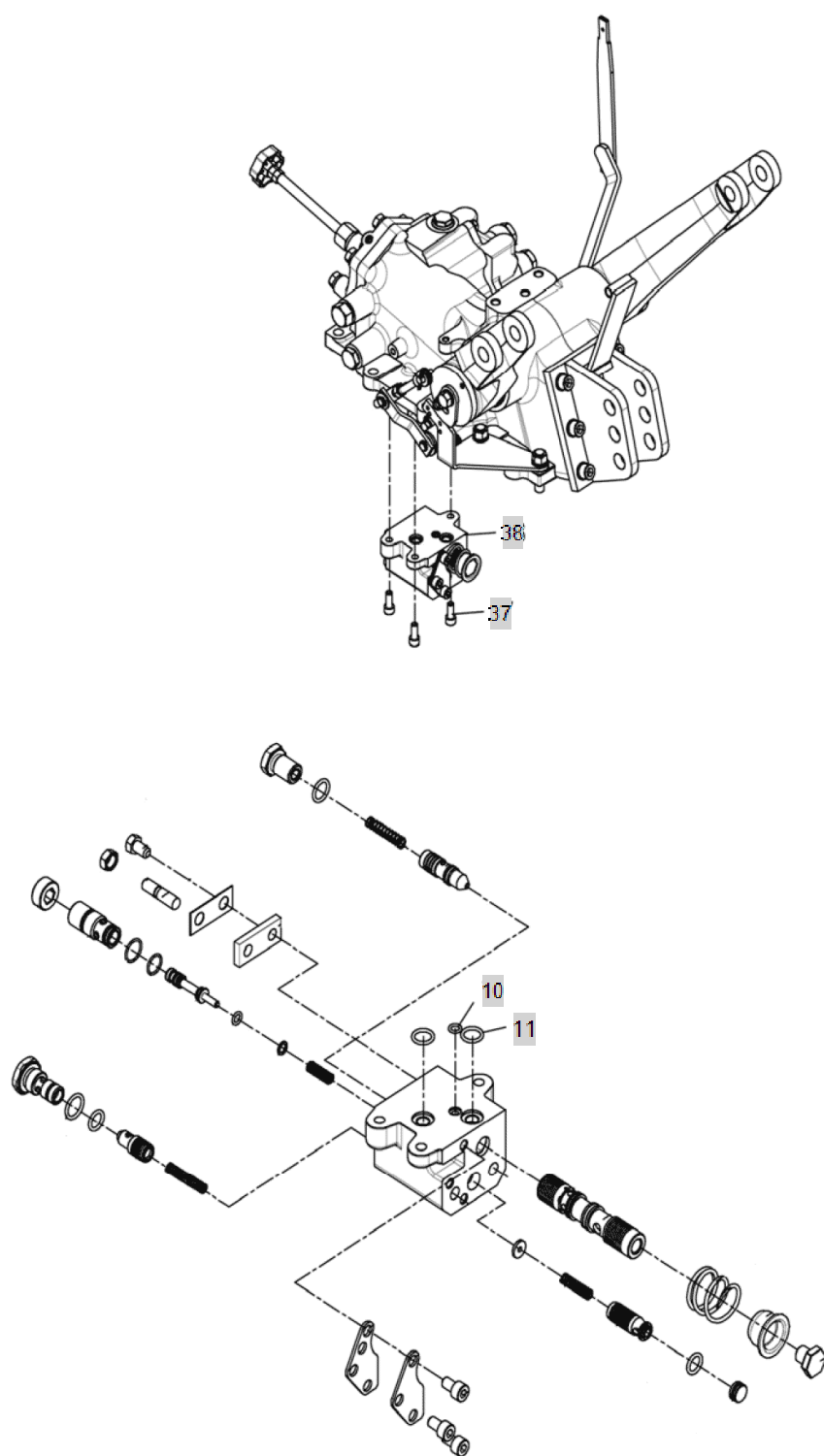


FIG S108

RELIEF VALVE

Year/Month

3120R

2020/02

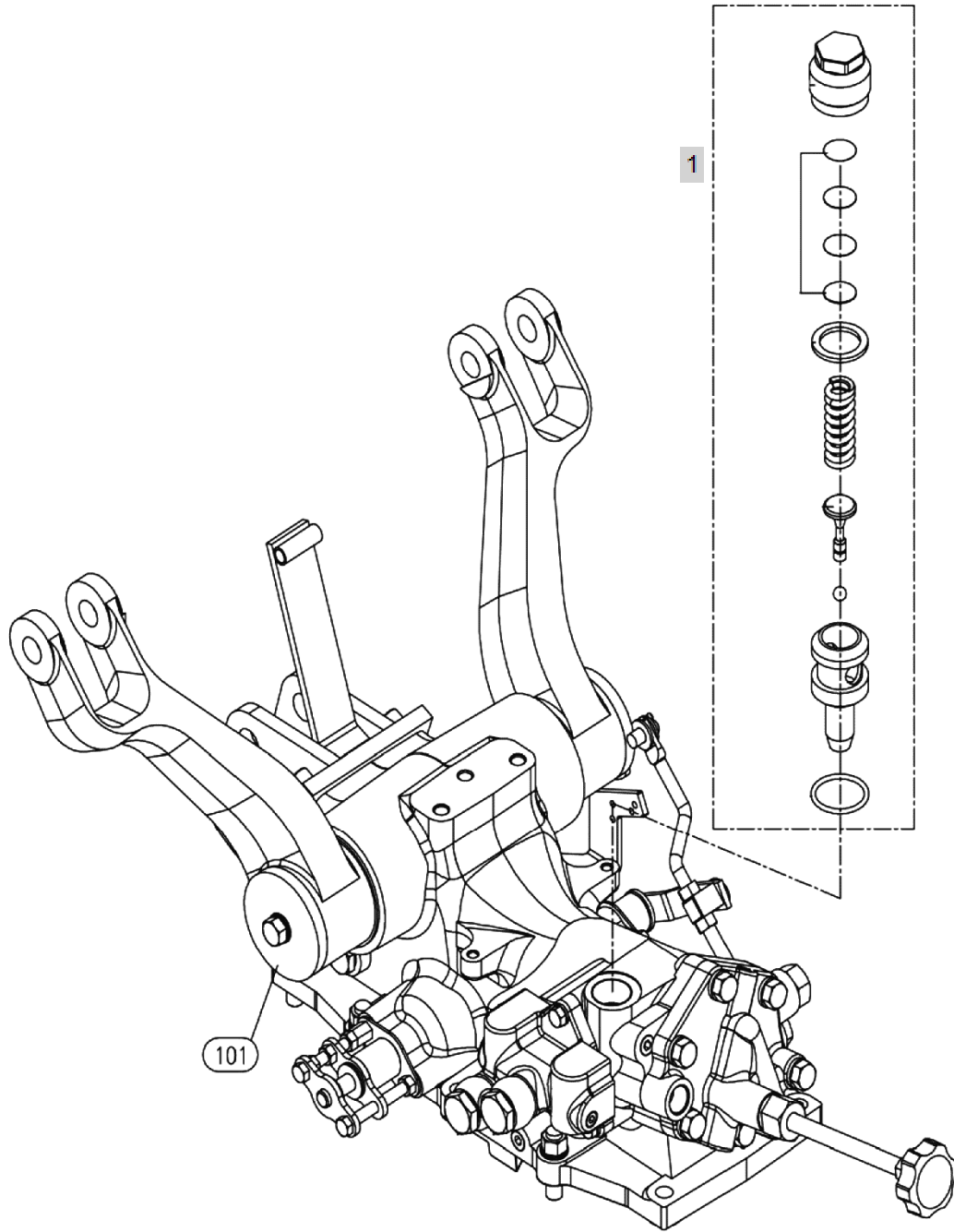


FIG S109

STOP VALVE

Year/Month

3120R

2020/02

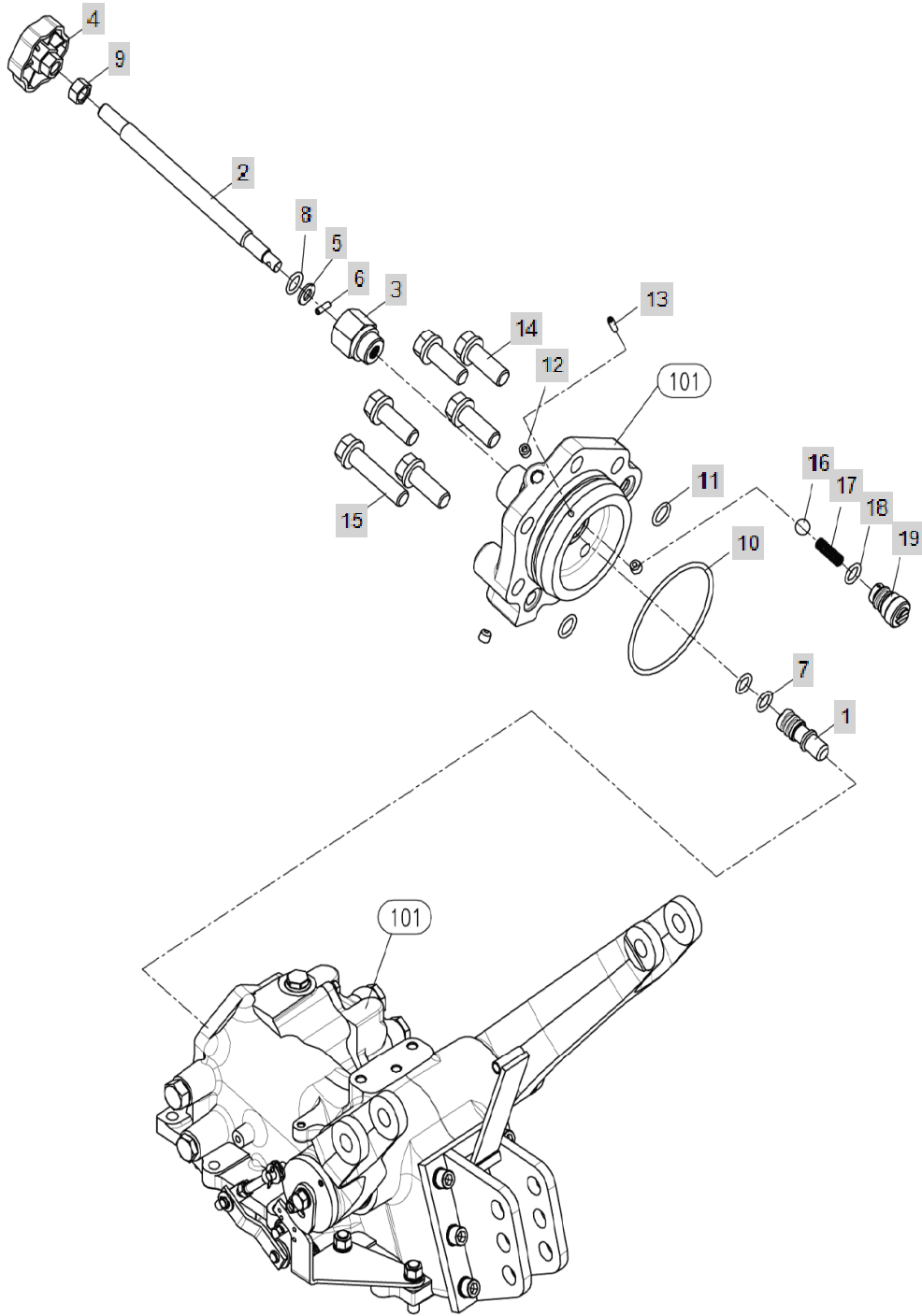


FIG S110

SAFETY VALVE

Year/Month

3120R

2020/02

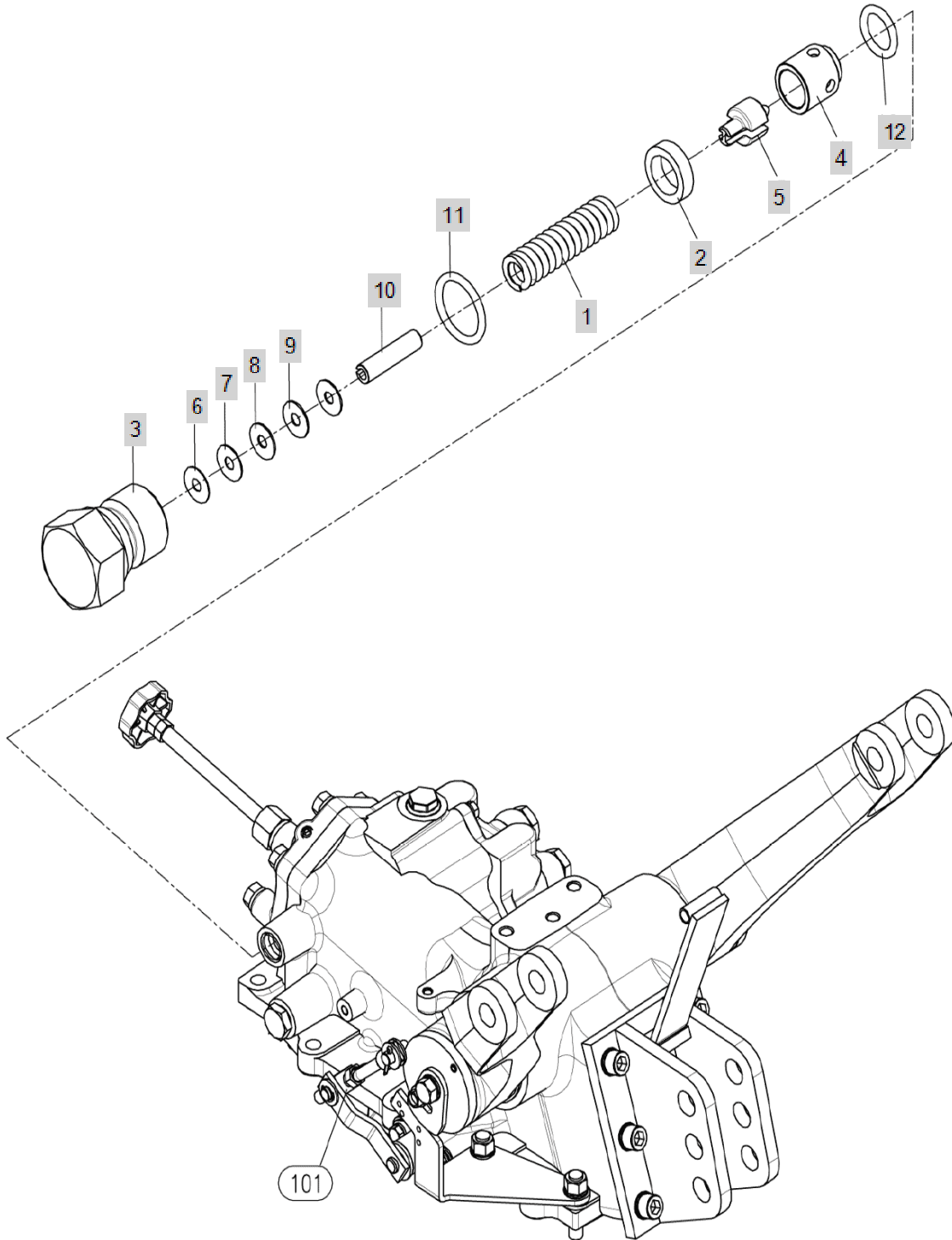


FIG S111

HYD CONTROL

Year/Month

3120R

2020/02

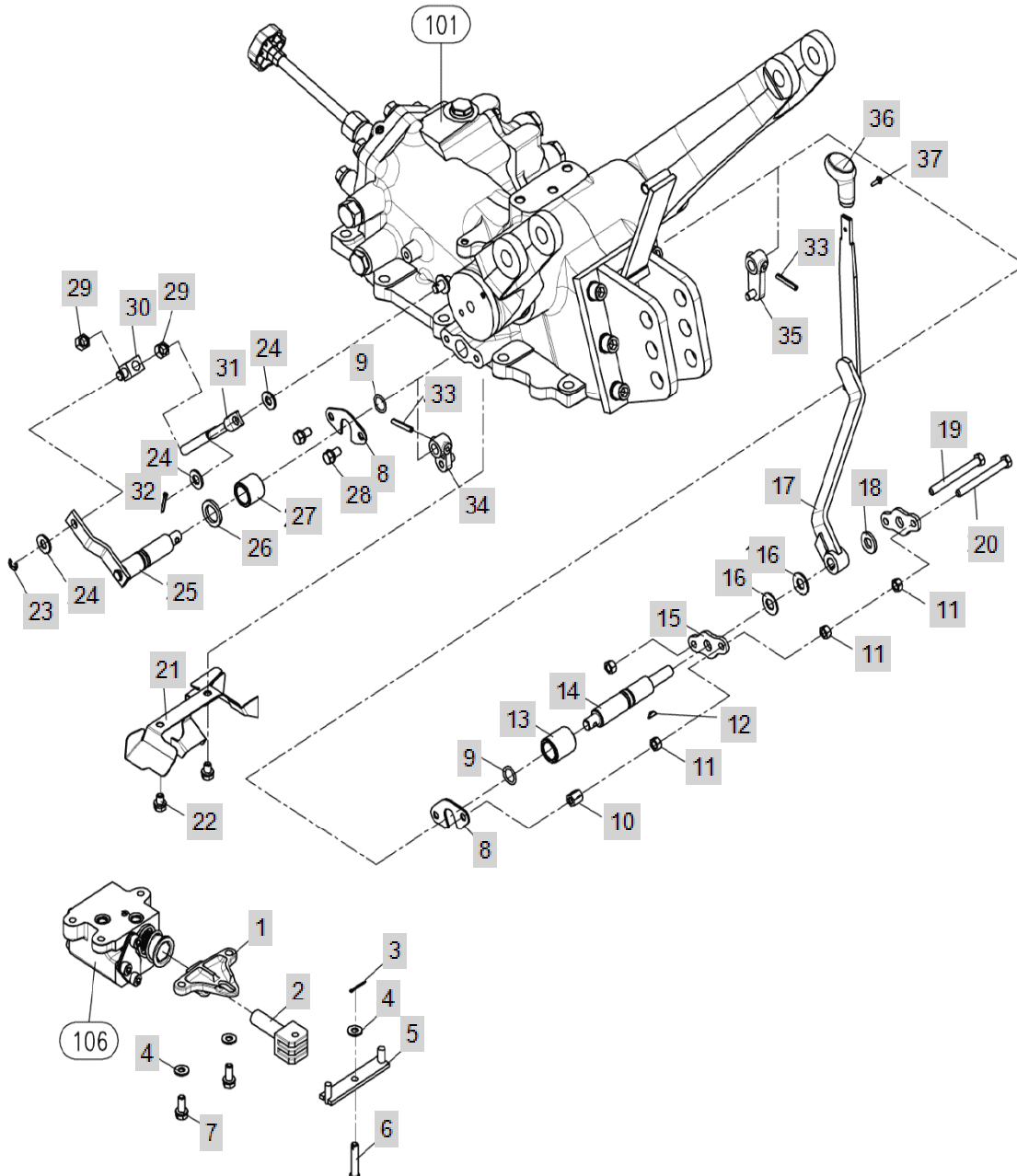


FIG S114

HYD PIPING (1)

Year/Month

3120R

2020/02

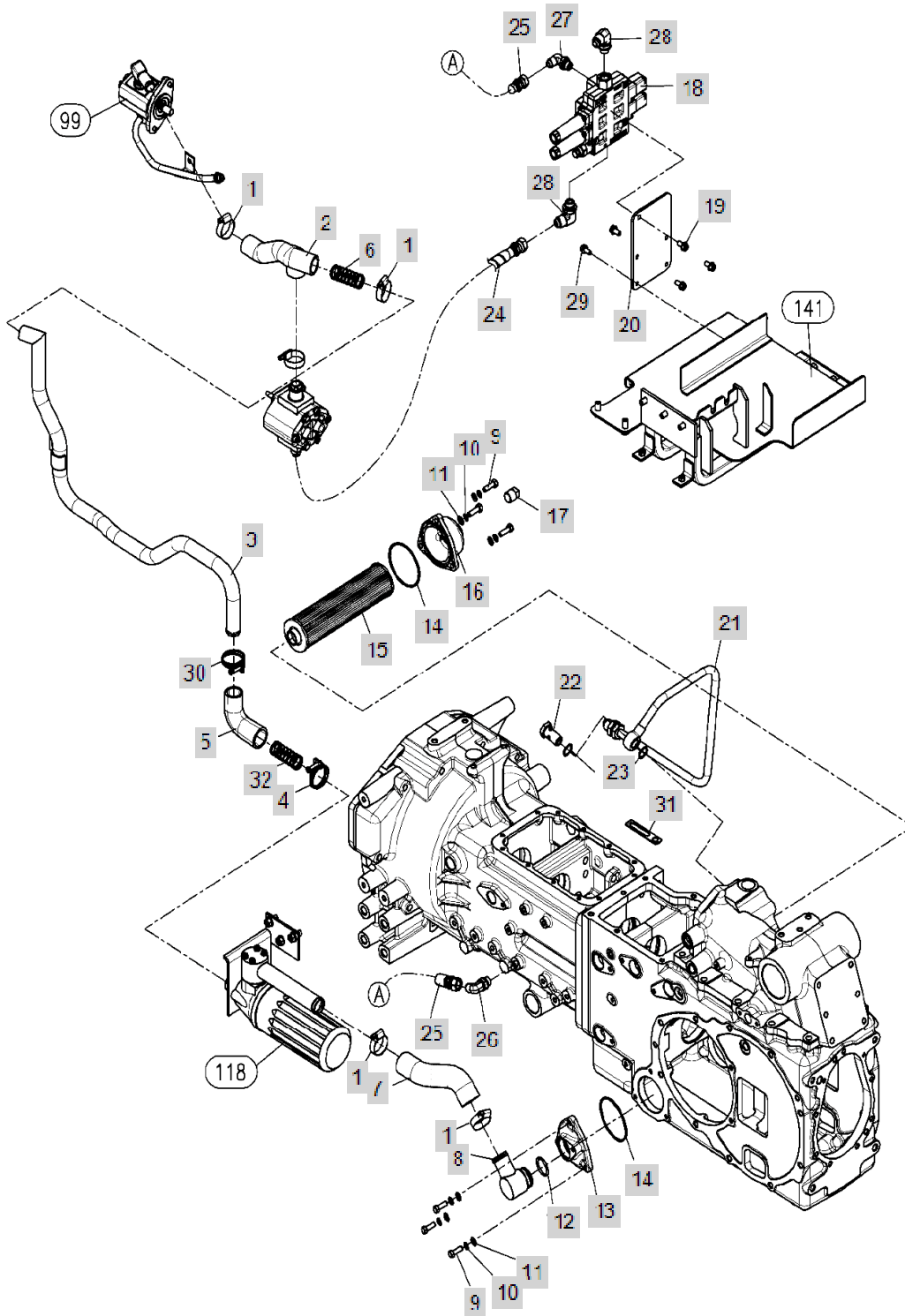


FIG S118

HYD FILTER

Year/Month

3120R

2020/02

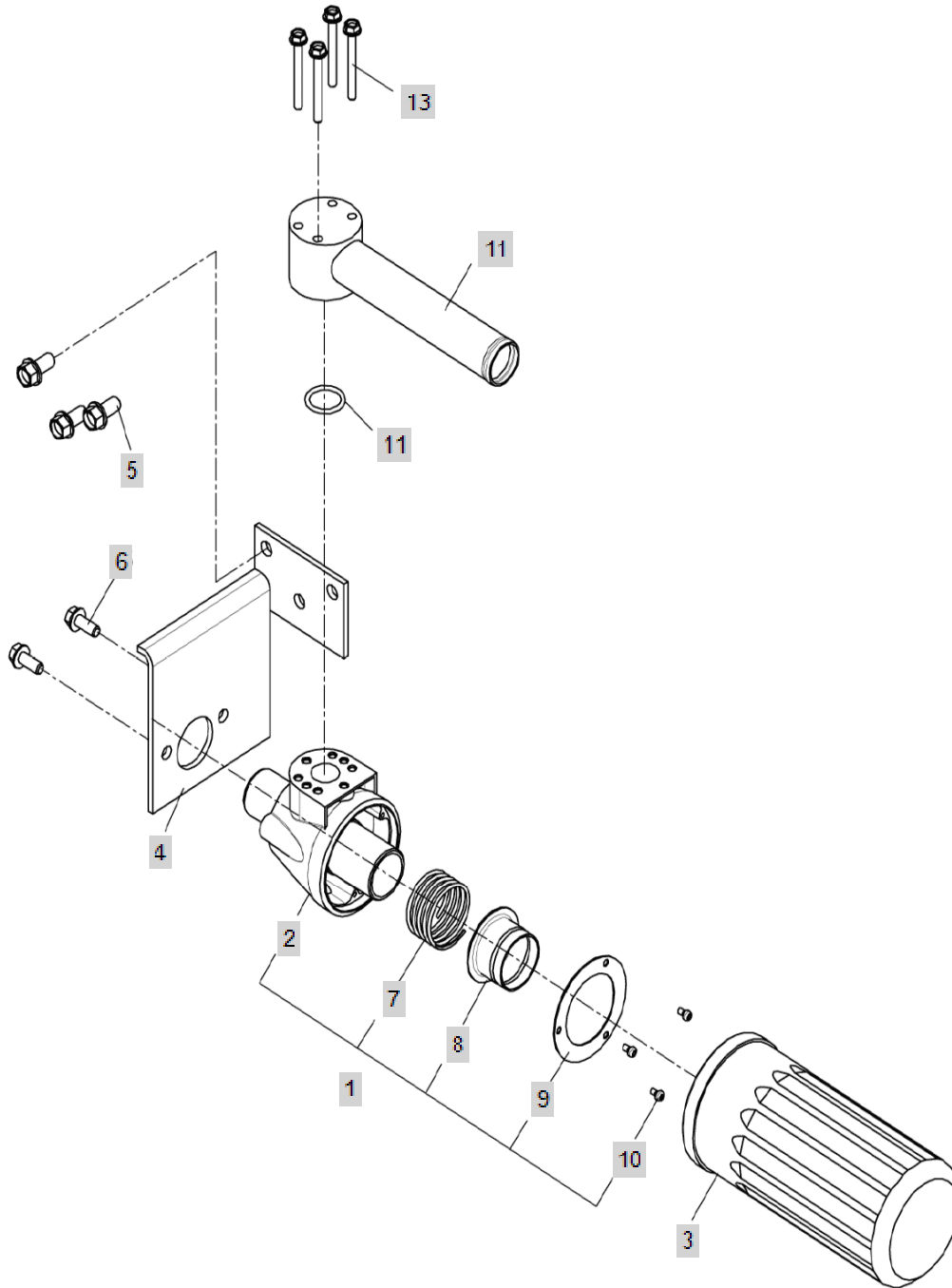


FIG S119-2

Electric_Wiring(2016)

Year/Month

3120R

2020/02

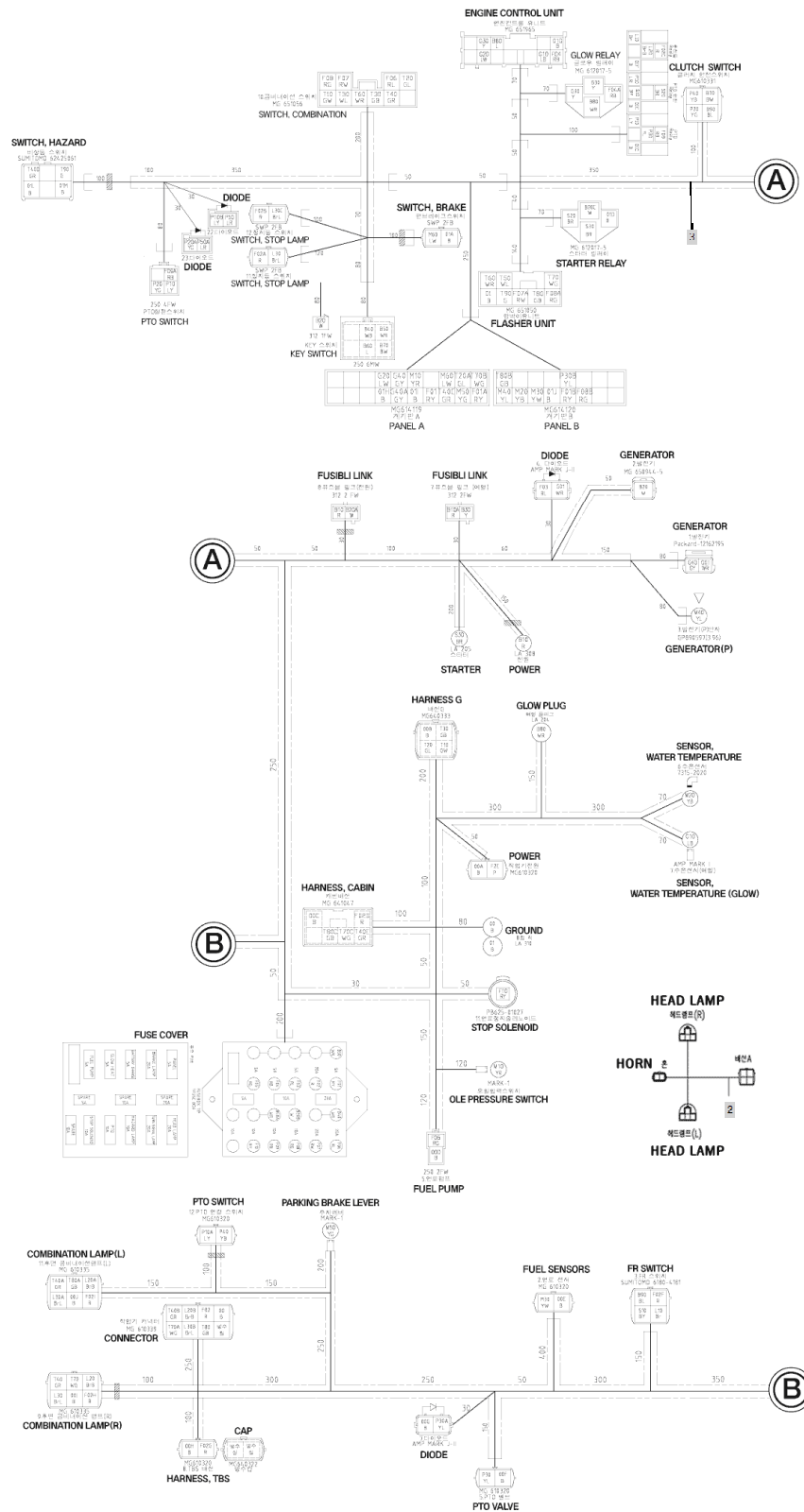


FIG S124

BATTERY

Year/Month

3120R

2020/02

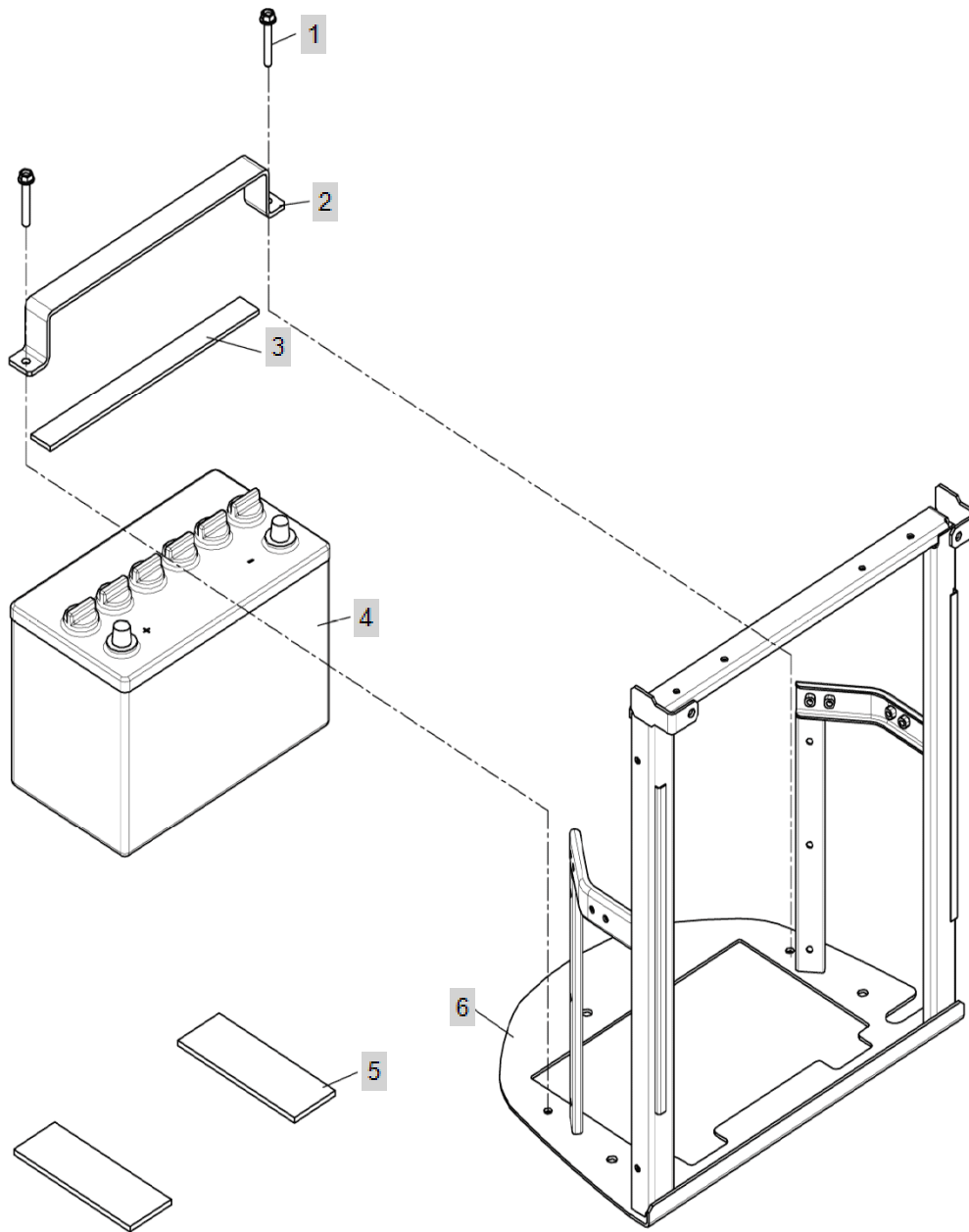


FIG S125

SWITCHES

Year/Month

3120R

2020/02

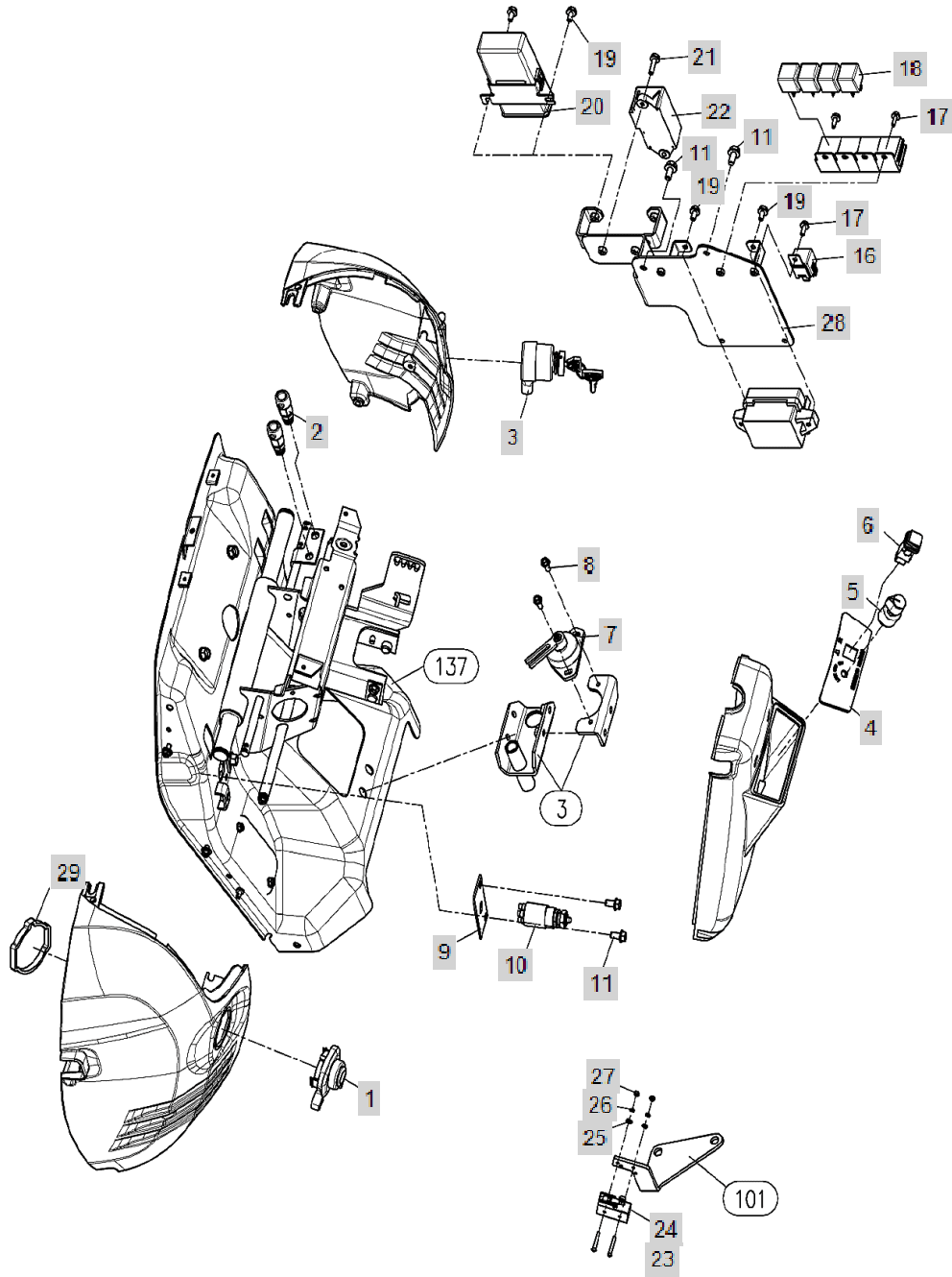


FIG S131

HORN

Year/Month

3120R

2020/02

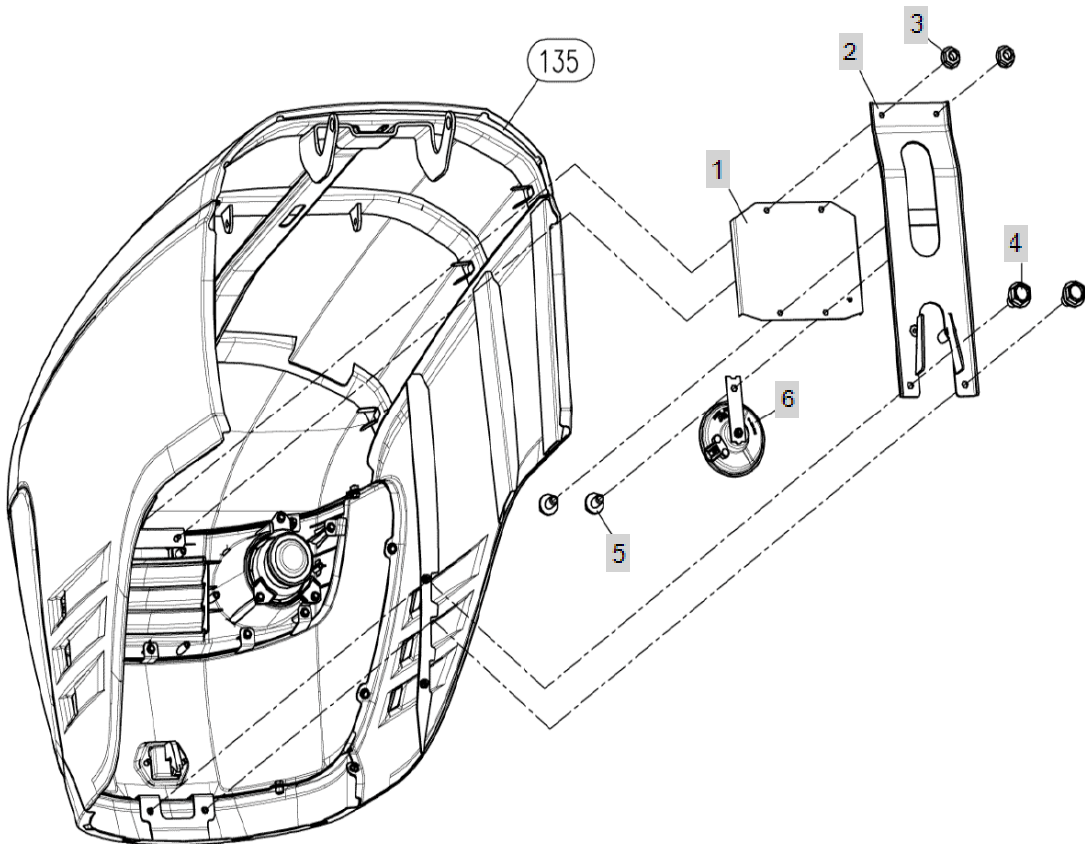


FIG S132

LAMP

Year/Month

3120R

2020/02

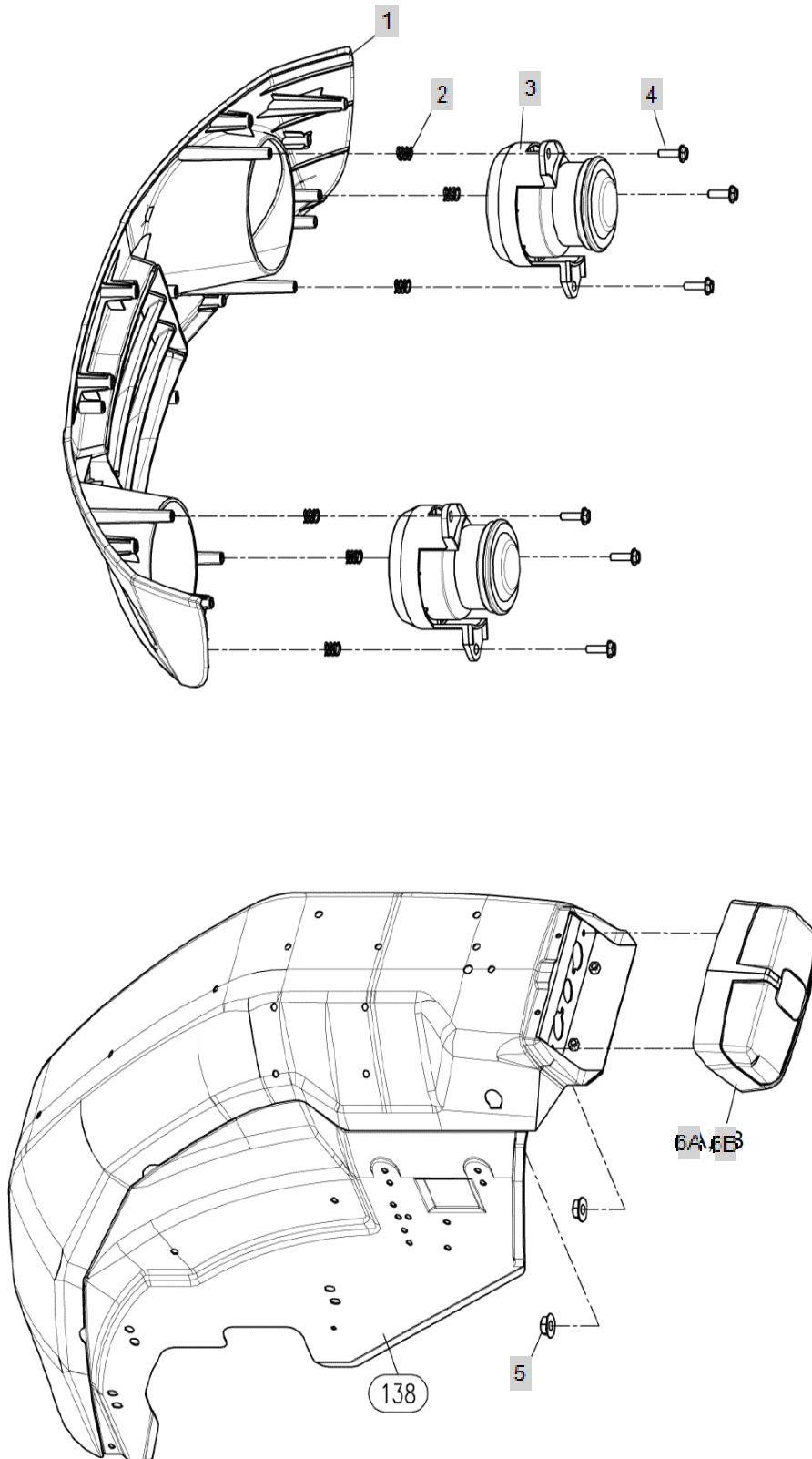


FIG S134

Meter_Assembly_20R

Year/Month

3120R

2020/02

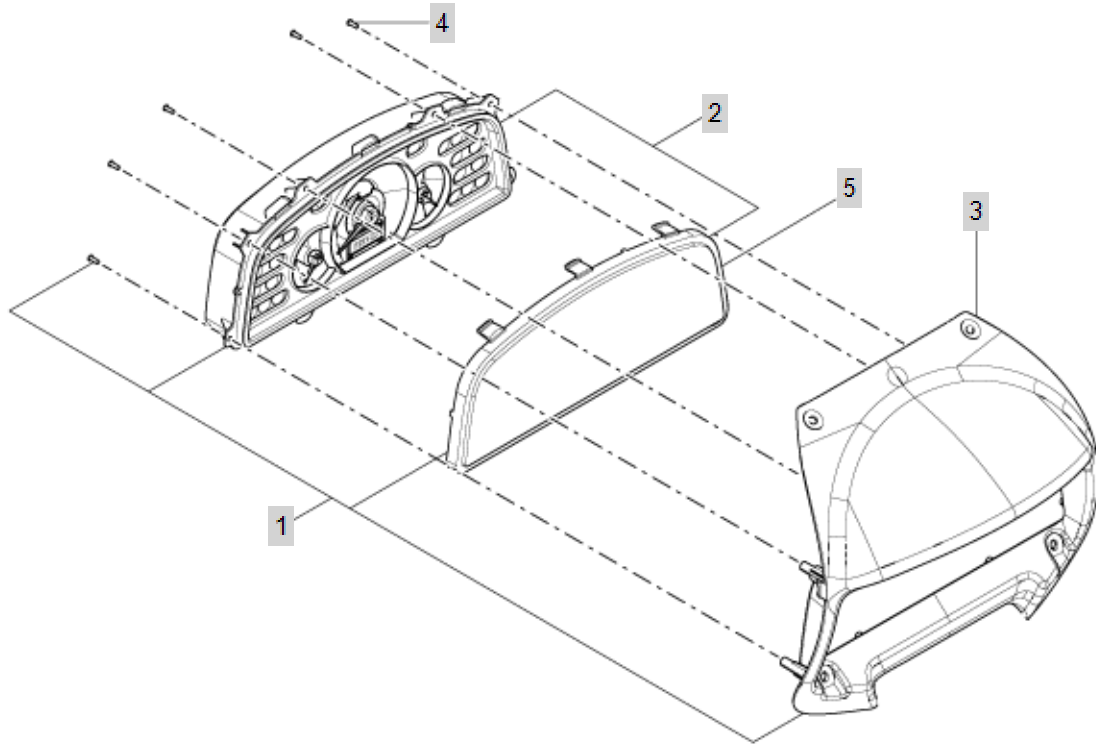


FIG S135

HOOD

Year/Month

3120R

2020/02

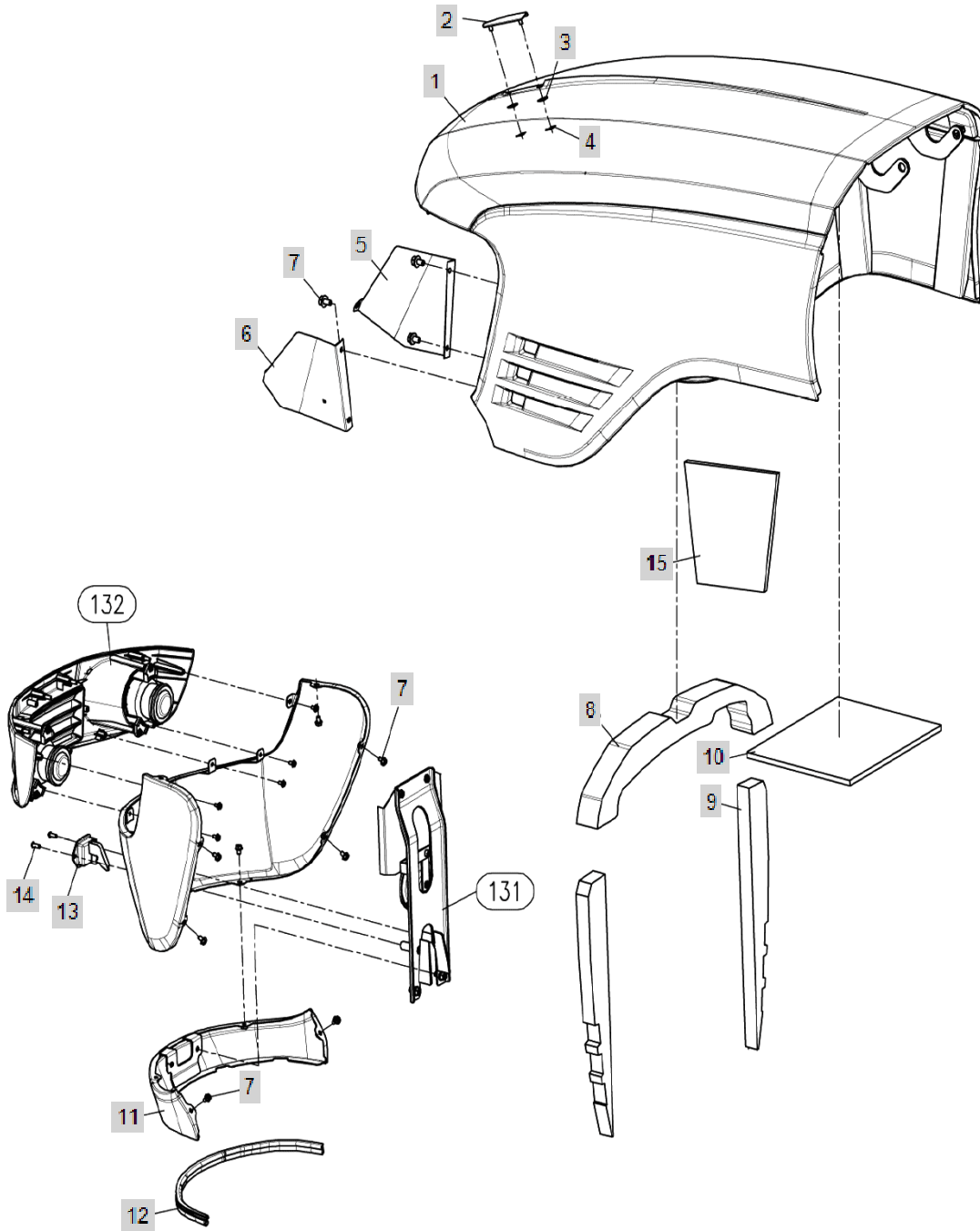


FIG S136

HOOD SUPPORT

Year/Month

3120R

2020/02

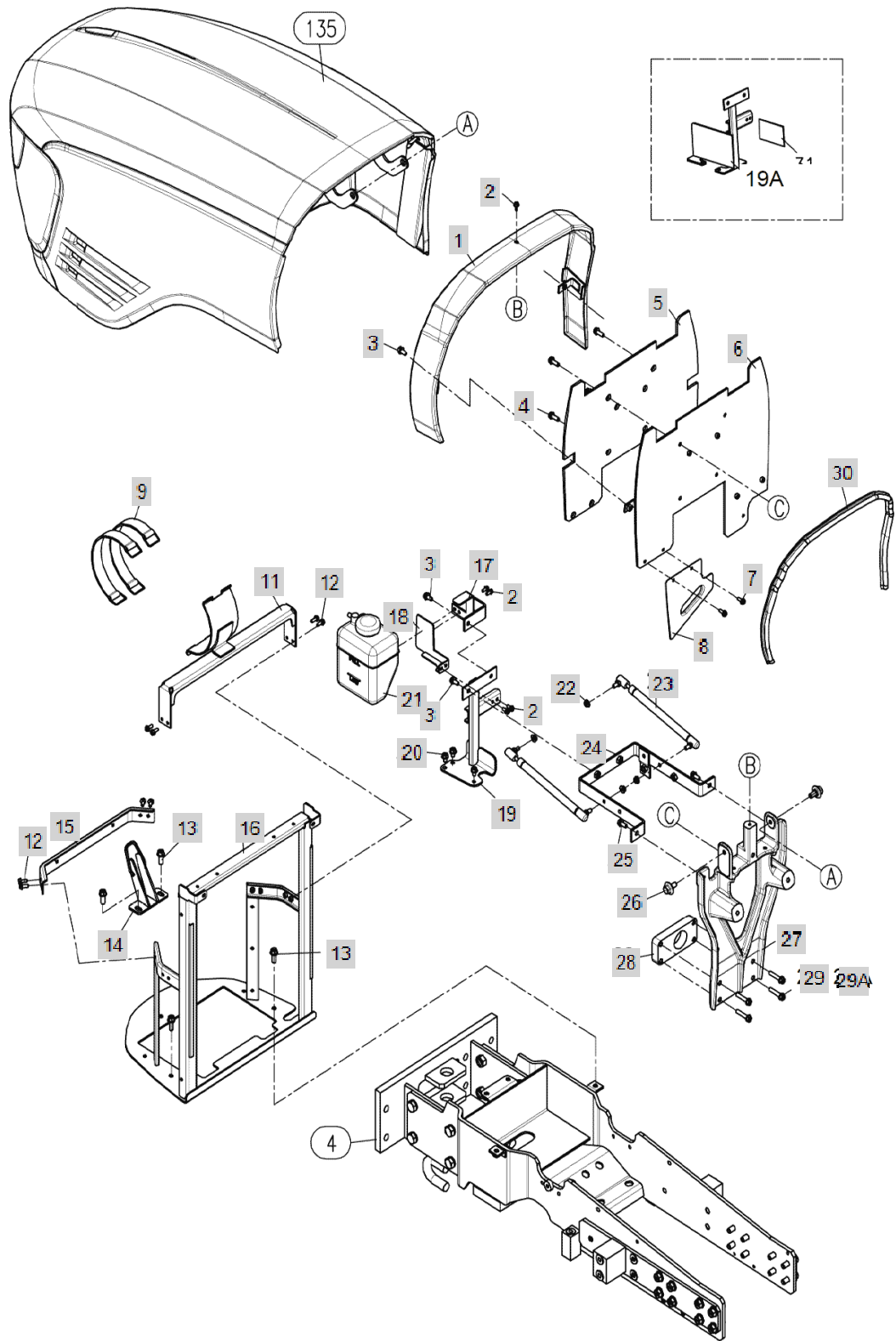


FIG S137

DASH BOARD

Year/Month

3120R

2020/02

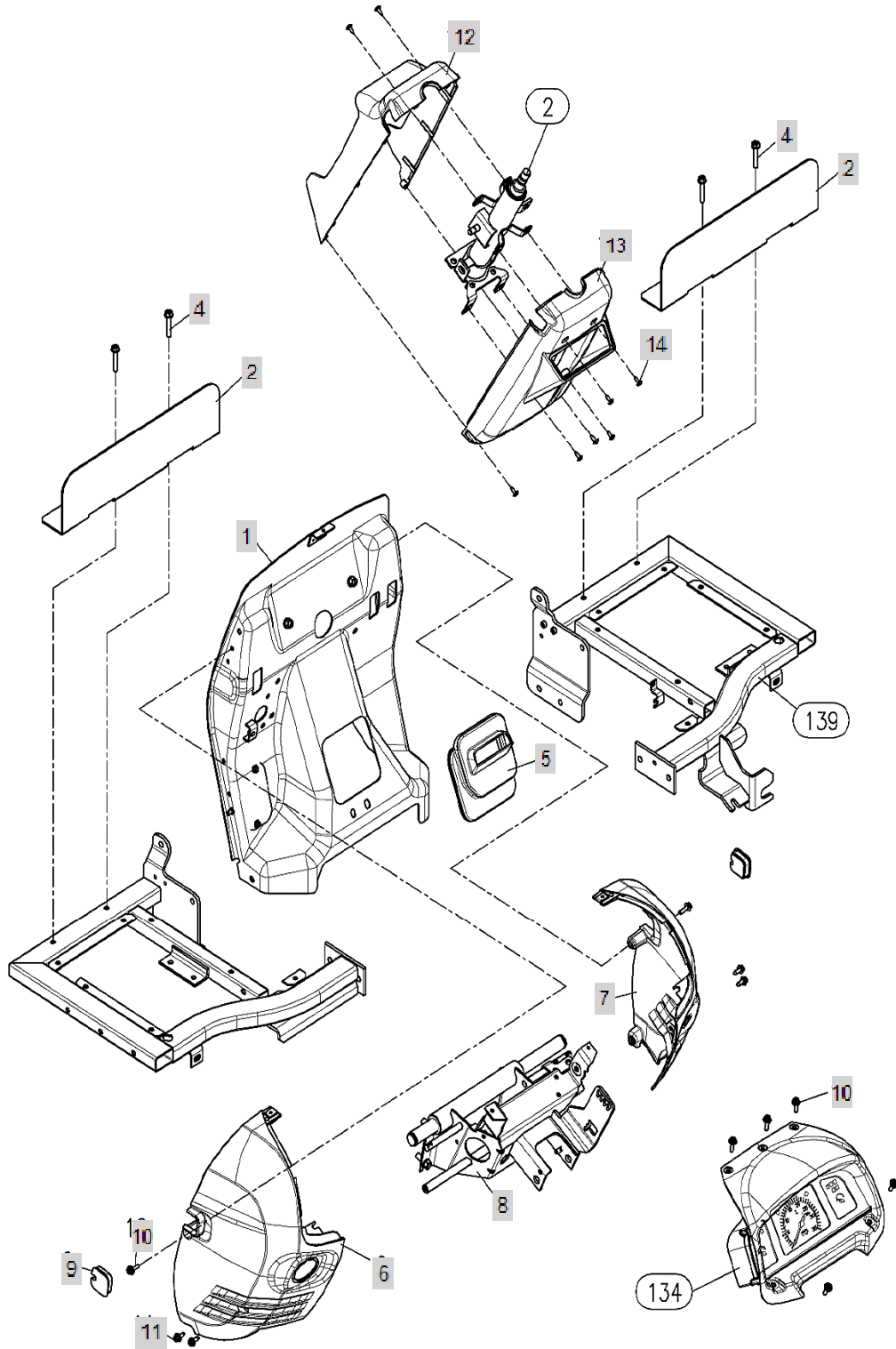


FIG S138

FENDER

Year/Month

3120R

2020/02

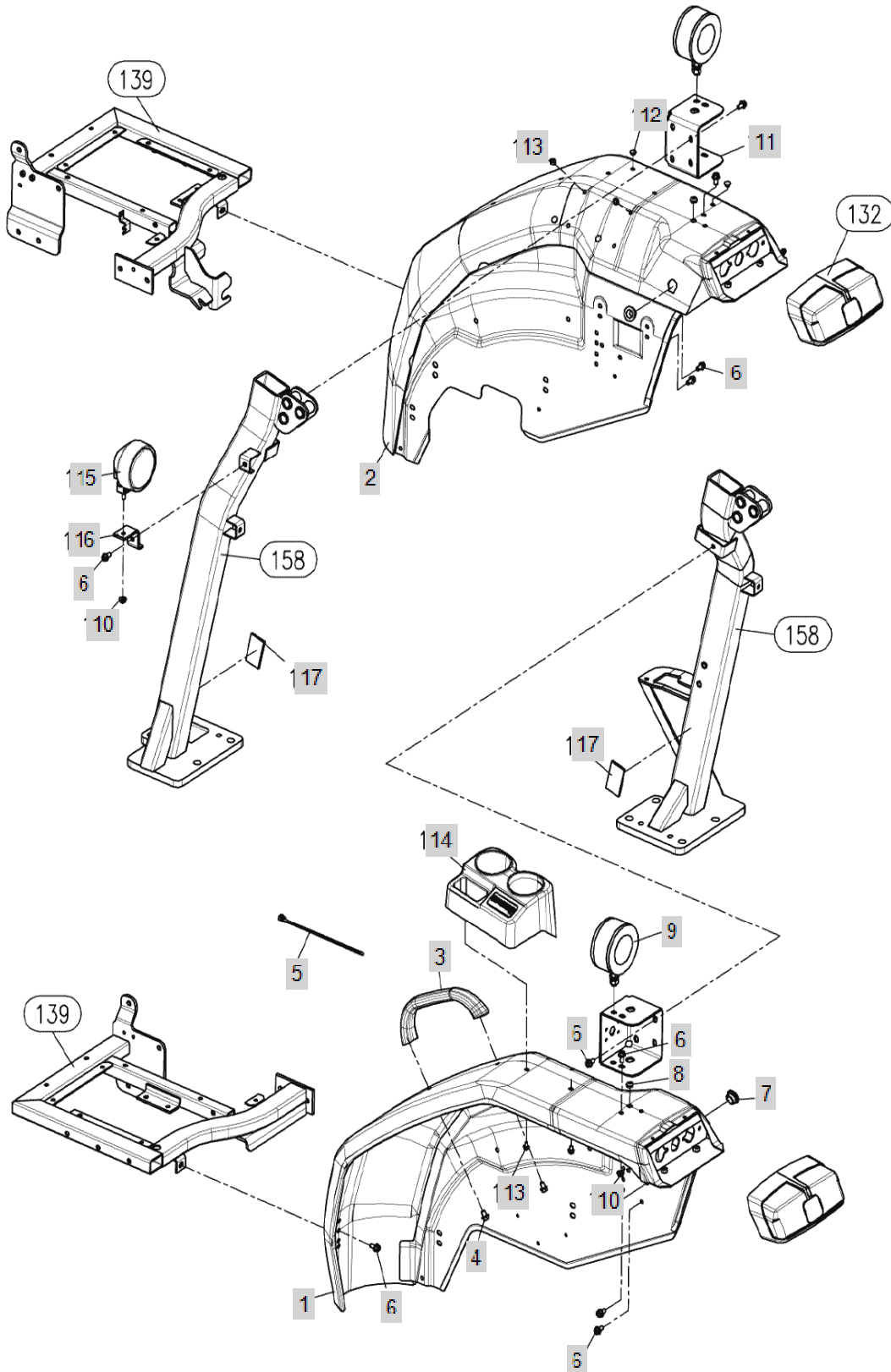


FIG S139

FOOT REST ASSY

Year/Month

3120R

2020/02

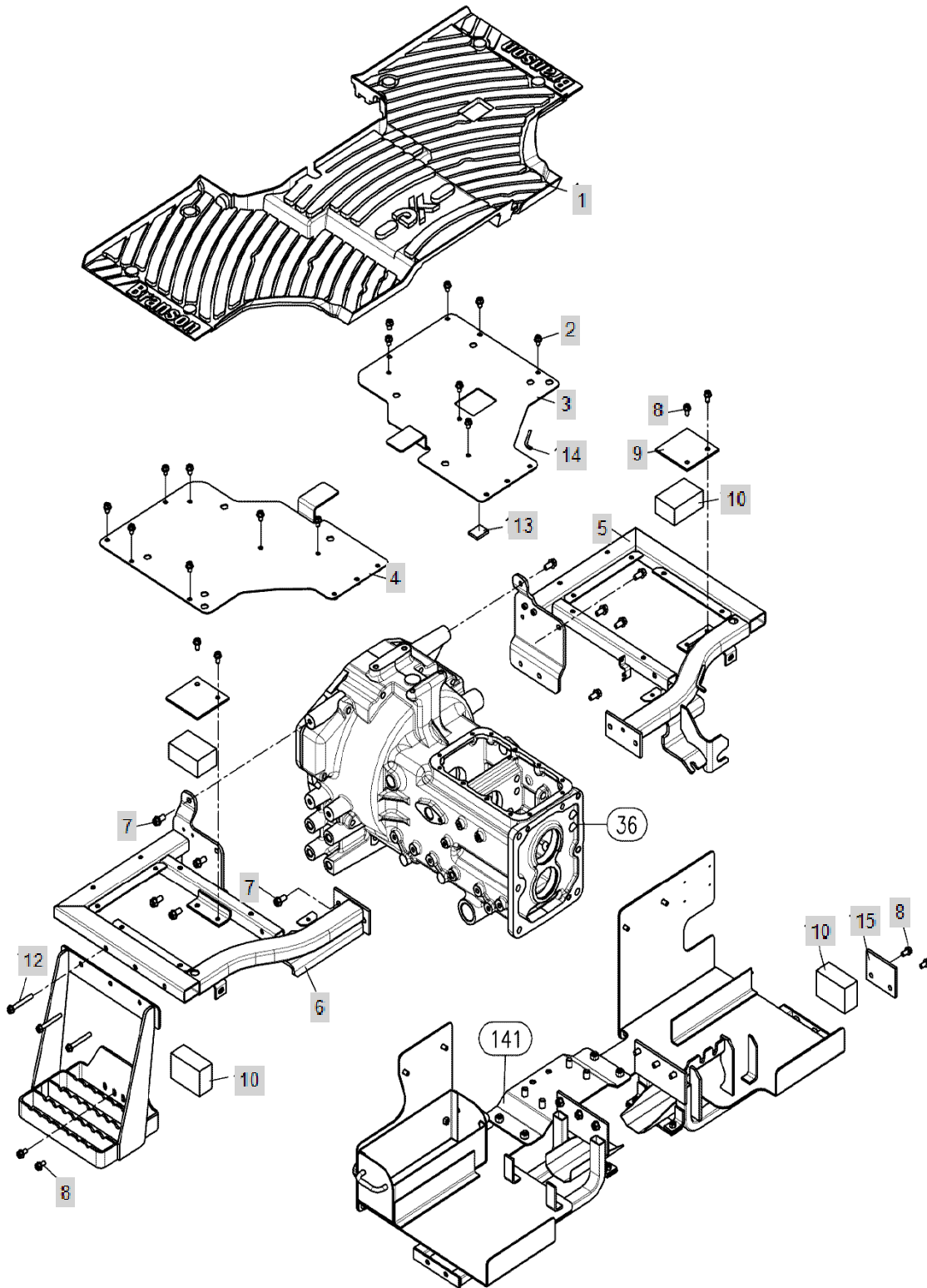


FIG S140

SEAT

Year/Month

3120R

2020/02

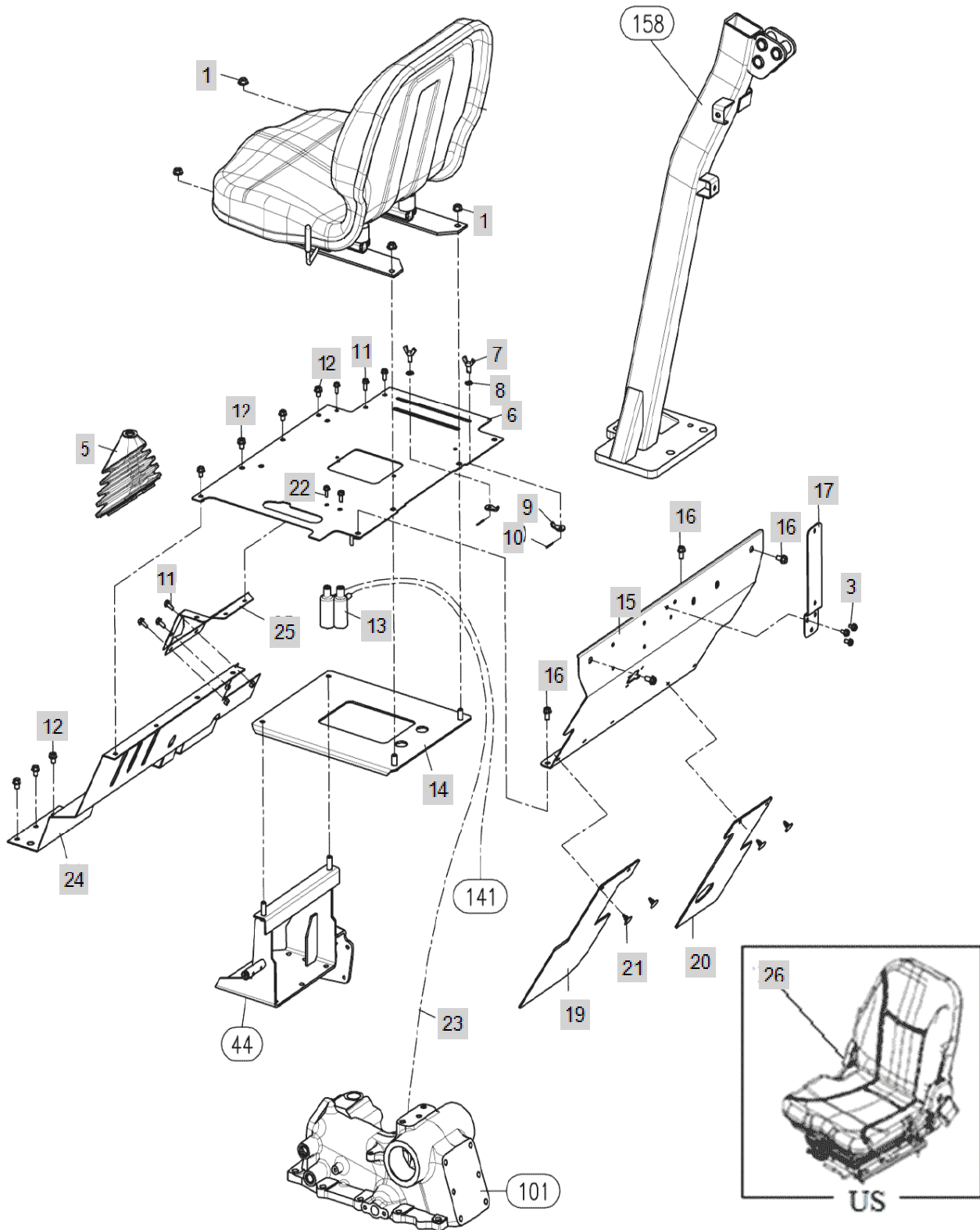


FIG S141

FUEL TANK

Year/Month

3120R

2020/02

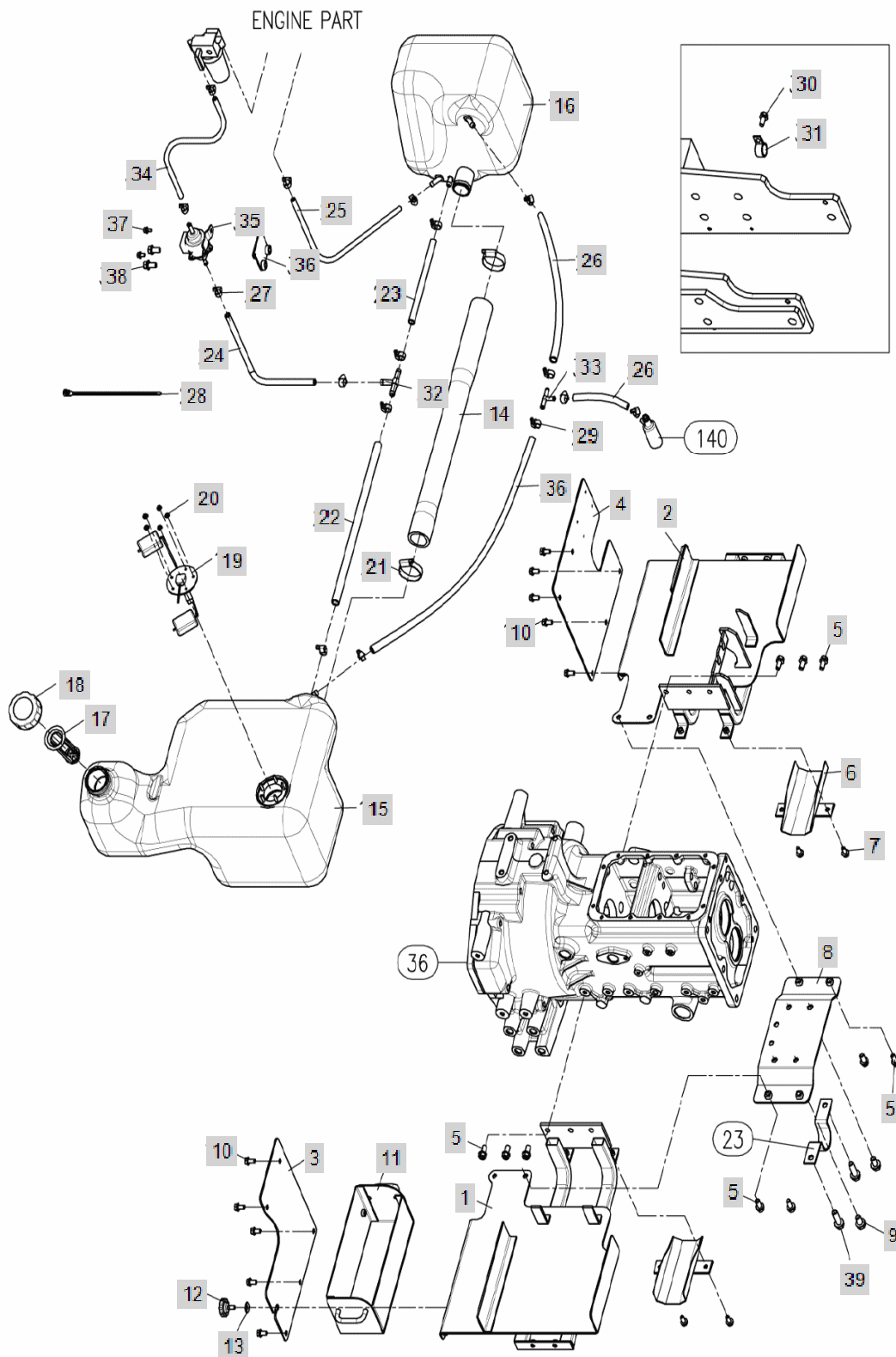


FIG S144

NAME PLATE

Year/Month

3120R

2020/02

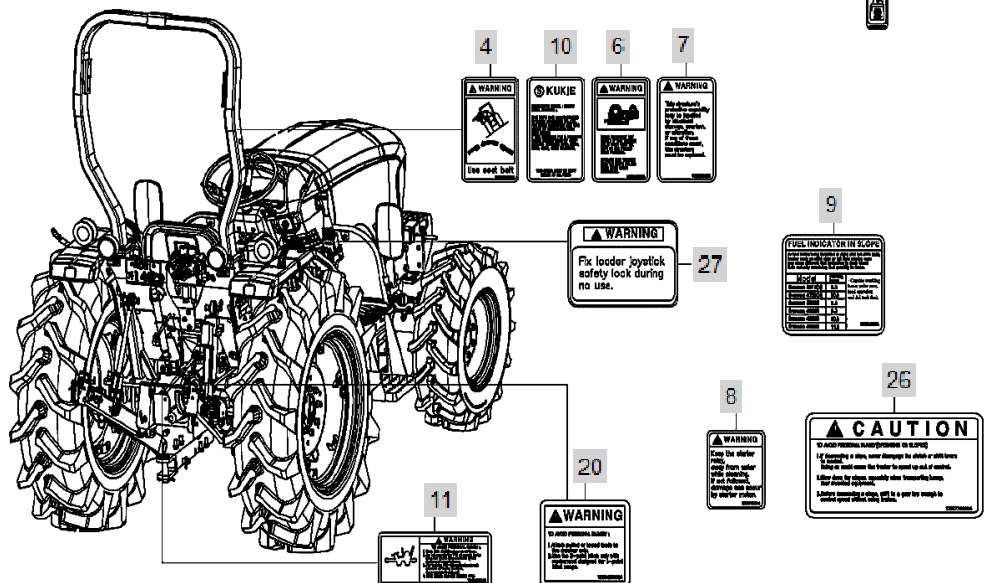
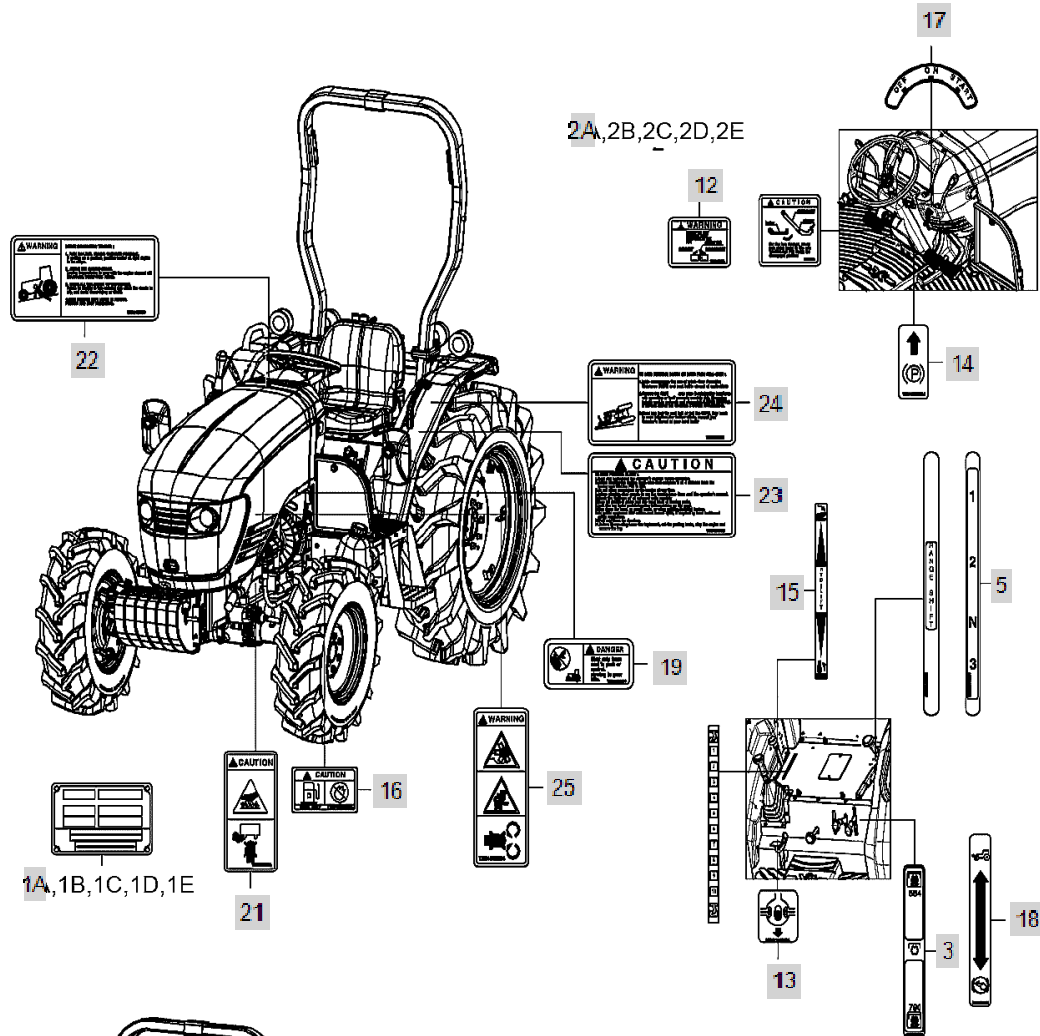


FIG S146

TOP LINK LIFT LINK

Year/Month

3120R

2020/02

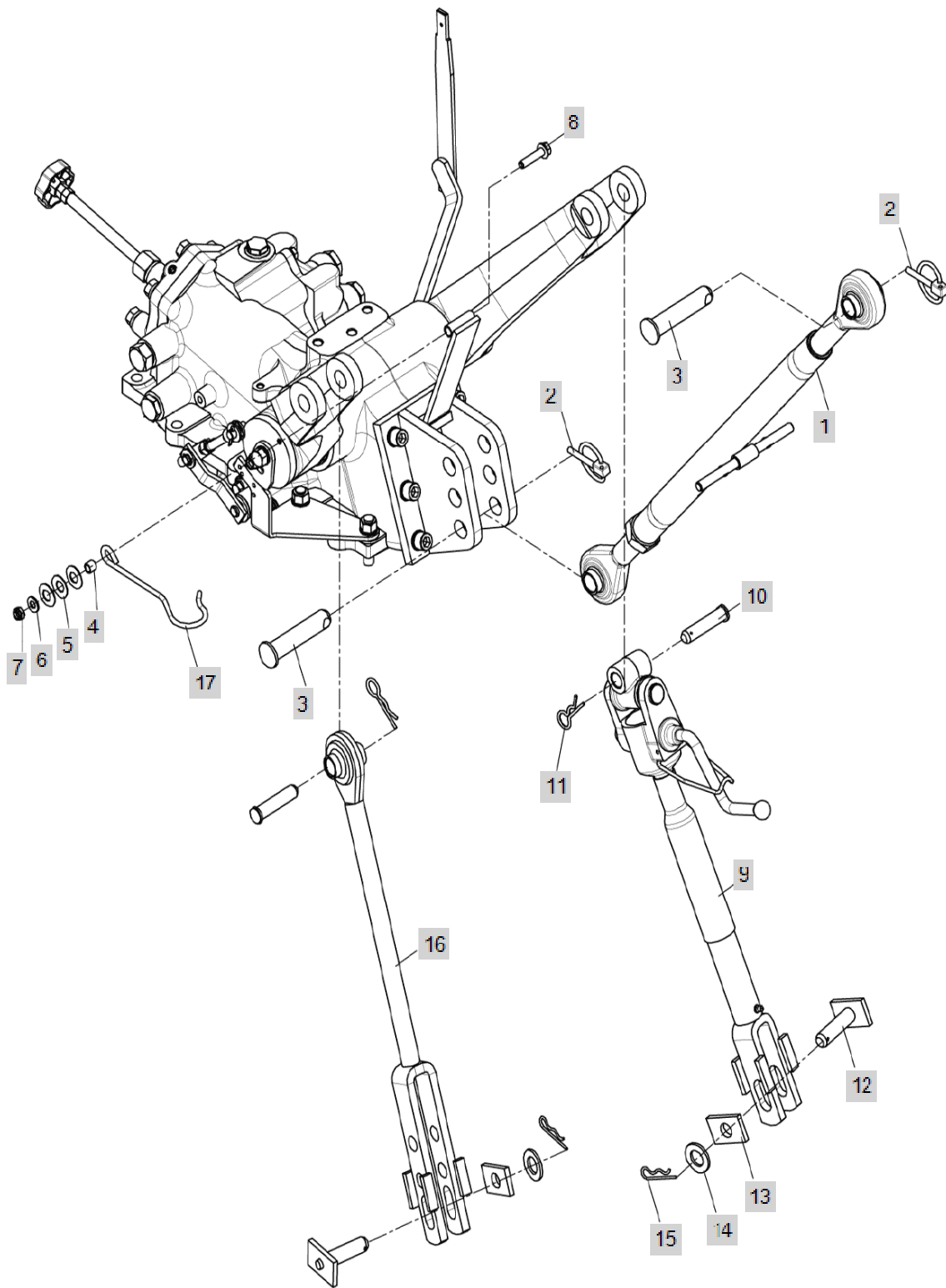


FIG S150

LOWER LINK

Year/Month

3120R

2020/02

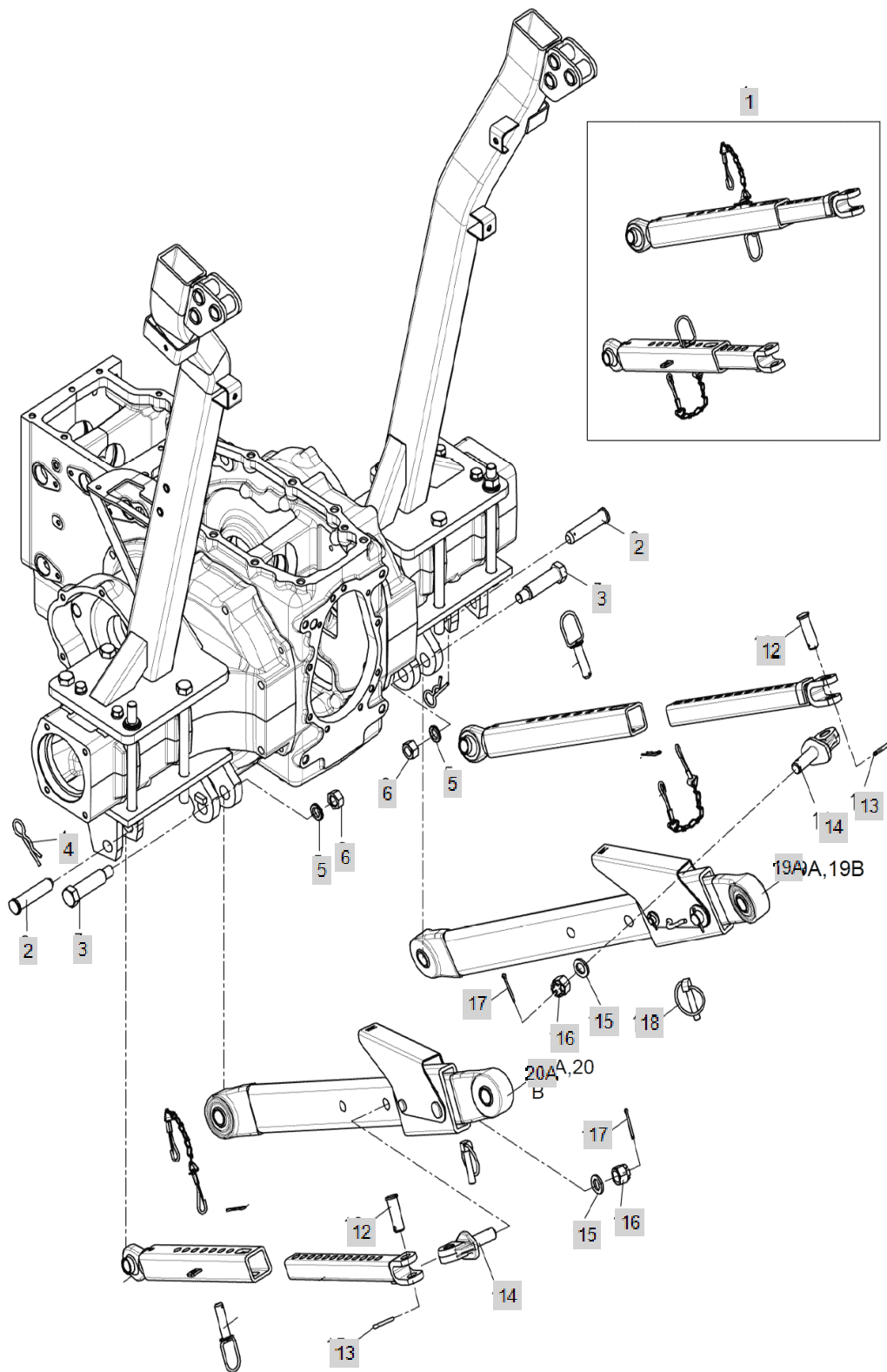


FIG S152

DRAWBAR HITCH

Year/Month

3120R

2020/02

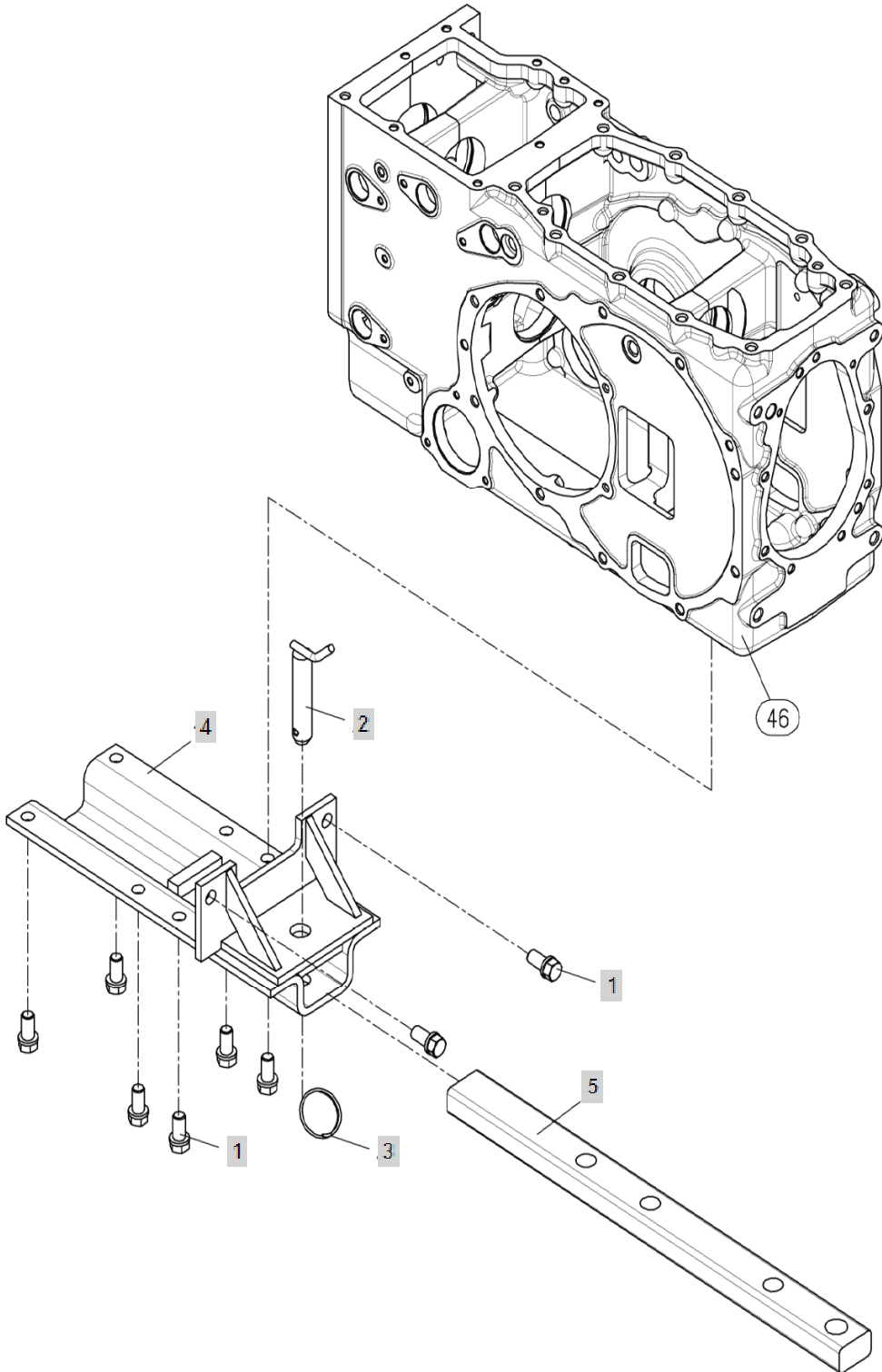


FIG S158

SAFETY FRAME ASSY

Year/Month

3120R

2020/02

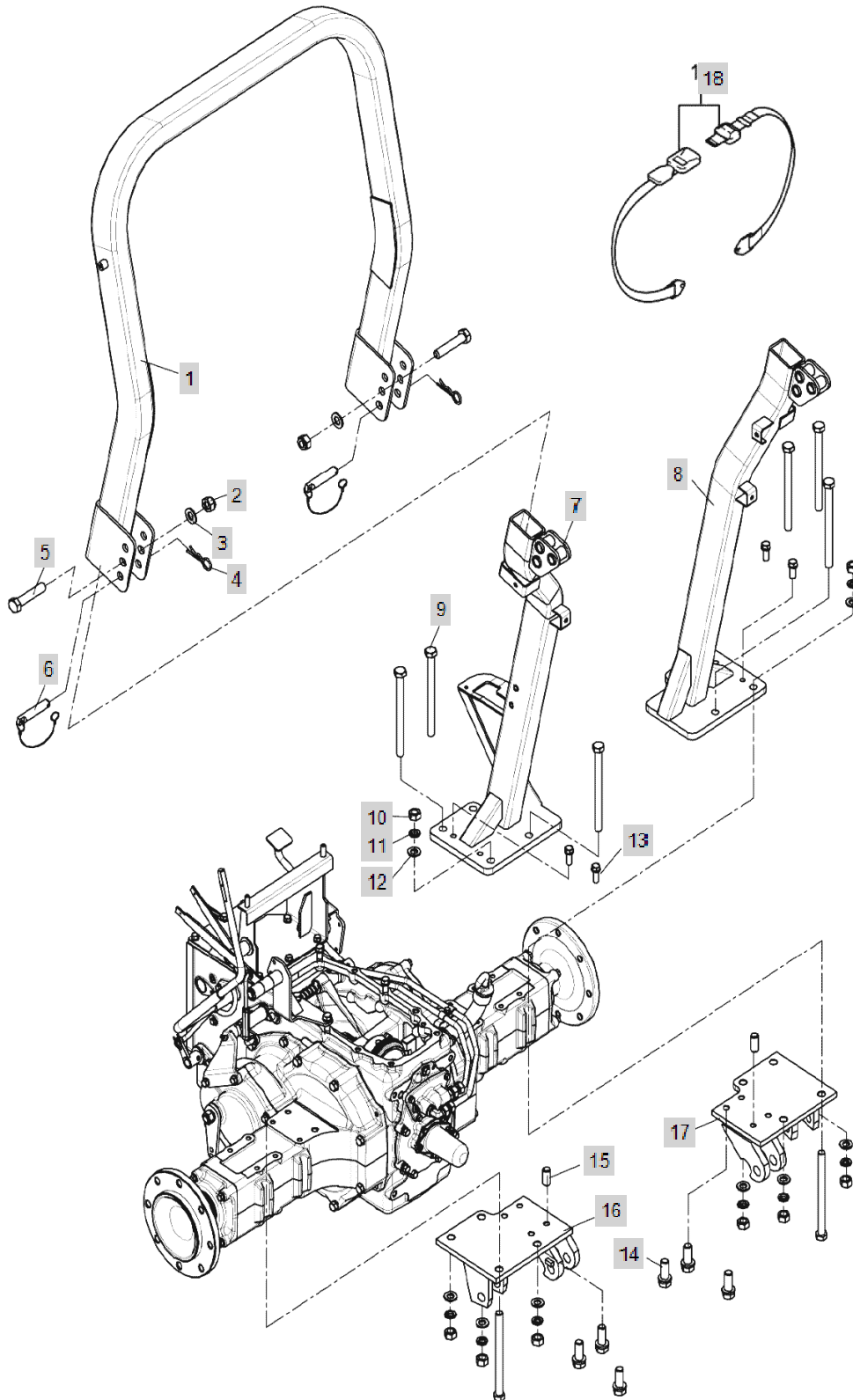


FIG S160

FRONT WEIGHT

Year/Month

3120R

2020/02

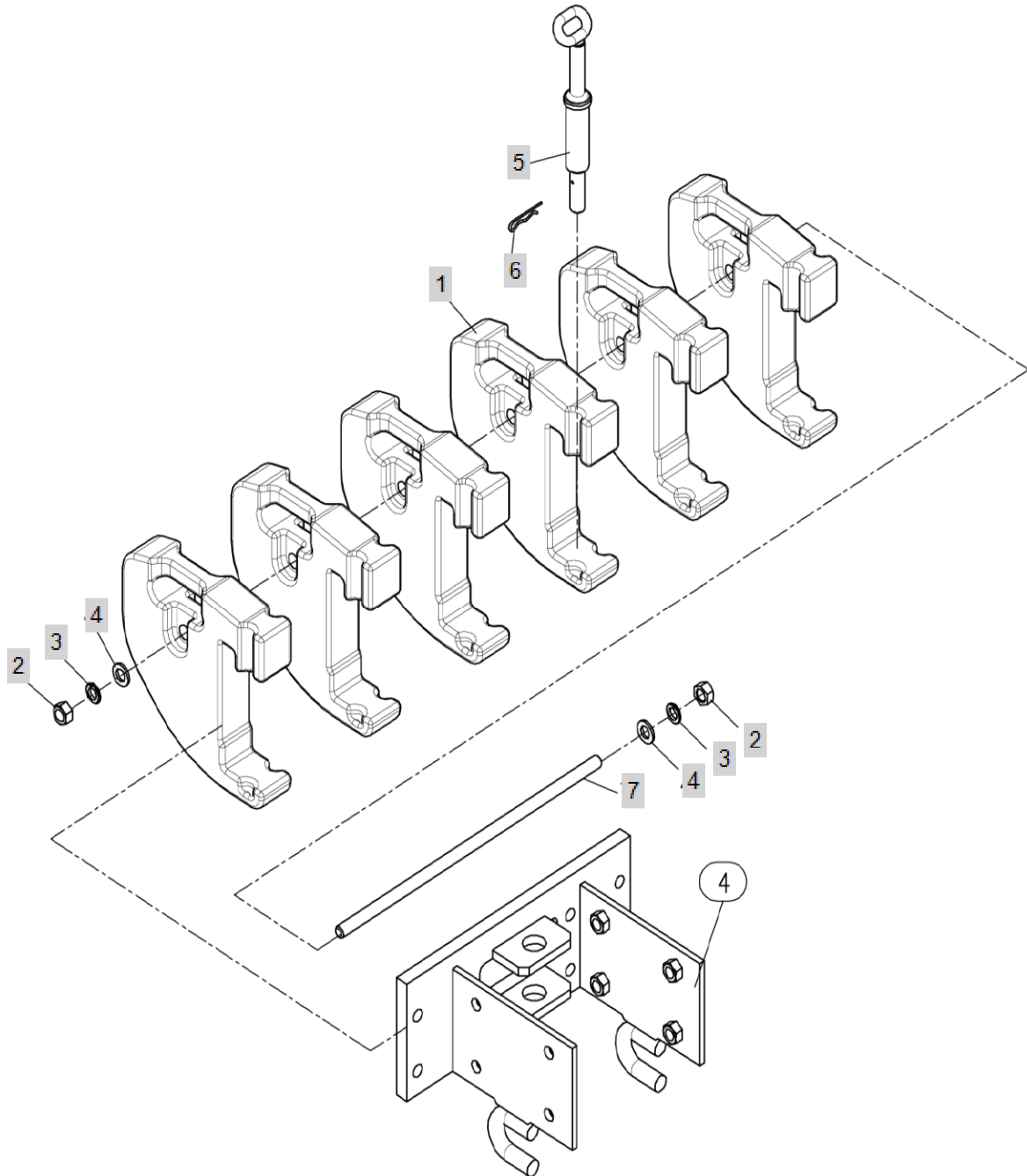


FIG S161

ENGINE SUB

Year/Month

3120R

2020/02

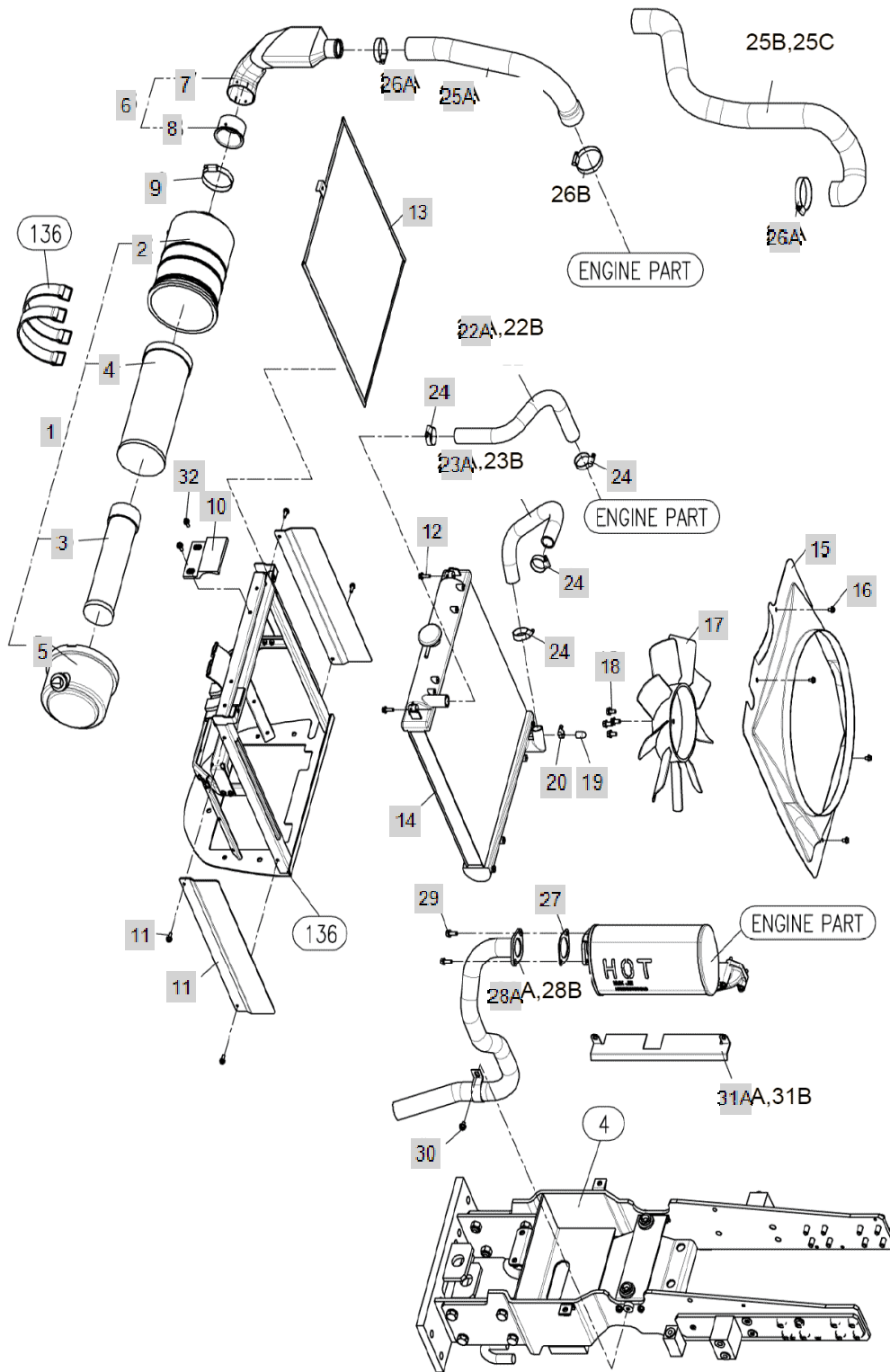


FIG S190

MID REMOTE VALVE JOYSTICK

Year/Month

3120R

2020/02

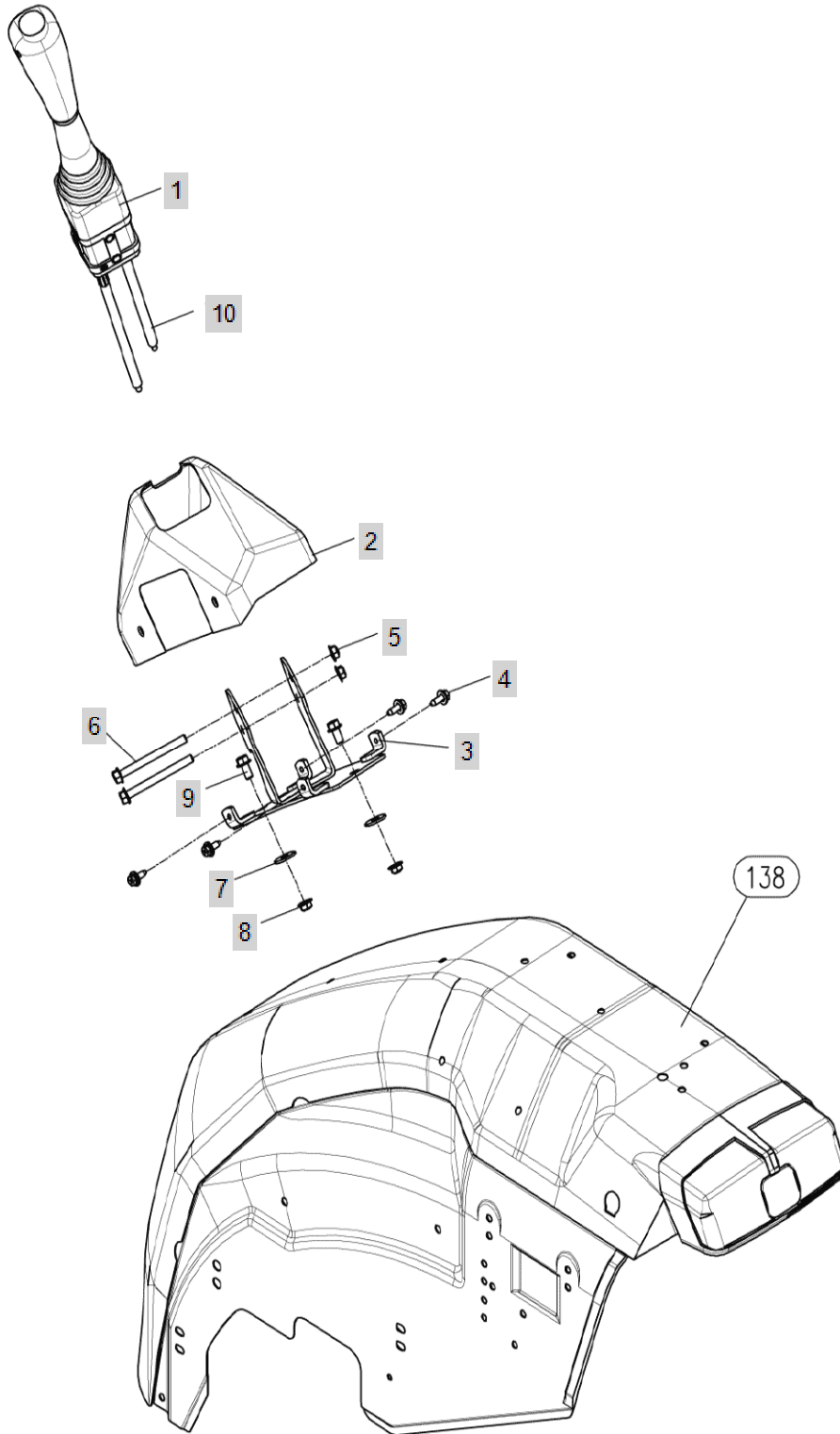


FIG S191

FILTERS

Year/Month

3120R

2020/02

