

KUKJE 2800h(2014~) Branson Tractor

## Parts Catalogue



BRANSON TRACTOR

# CONTENTS

GROUP NO	GROUP NAME	PAGE
000	00 TRACTOR PARTS(2014~)	6
T001B	1. AIR CLEANER	8
T002B	2. COMP MUFFLER	10
T004H	4. ACCELERATOR LEVER - HST	12
T005	5. FUEL TANK	14
T006	6. FUEL FILTER & PIPE	16
T007	7. WATER PIPE	18
T008	8. RADIATOR	20
T009	9. RESERVE TANK	22
T010H	10. BATTERY - HST	24
T011-2B	SWITCH - HST (2017.11)	26
T011H	11. SWITCH - HST	28
T012-2B	SWITCH PANEL BOARD-HST(2017.11)	30
T012H	12. SWITCH PANEL BOARD - HST	32
T013.1	13. HEAD LIGHT	34
T013.2	13. HEAD LIGHT	36
T014H	14. TAIL LIGHT - HST	38
T015	15. WINKER LAMP	40
T016H	16. ELECTRICAL WIRING - HST	42
T017	17. CLUTCH	44
T018	18. CLUTCH ROD & RELEASE	46
T019	19. CLUTCH PEDAL	48
T020-1	20. CLUTCH HOUSING	50
T020-2	20. CLUTCH HOUSING	52
T021-1	21. CENTER FRAME	54
T021-2	21. CENTER FRAME	56
T023H	23. TRANSMISSION CASE - HST	58
T024	24. DIFFERENTIAL GEAR CASE	60
T025	25. REAR CASE	62
T026	26. CLUTCH SHAFT	64
T028H	28. PROPELLOR SHAFT - HST	66
T029H	29. HST ASSY - HST	68
T031H	31. FRONT SHAFT - HST	70
T032-2	32. PTO SHAFT	72
T033H	33. PTO SHAFT - HST	74

GROUP NO	GROUP NAME	PAGE
T035H	MID PTO - HST	76
T037	37. REAR DIFFERENTIAL	78
T039H	39. FRONT WHEEL PROPELLER SHAFT - HST	80
T041H	41. 2ND SHAFT - HST	82
T043H	3RD SHAFT - HST	84
T045H	45. 4TH SHAFT - HST	86
T047	47. RANGE GEAR SHIFT FORK	88
T049	49. PTO GEAR SHIFT FORK - HST	90
T050	50. DIFFERENTIAL LOCK SHIFT FORK	92
T051	51. REAR AXLE	94
T052	52. BRAKE	96
T053	53. BRAKE ROD	98
T054	54. BRAKE PEDAL	100
T055	55. BRAKE SWITCH	102
T056	56. SIDE BRAKE	104
T058H	NUETRAL HOLDER LINK - HST	106
T059-1H	F-R PEDAL - HST	108
T059-2H	F-R PEDAL - HST	110
T060H	60. CRUISE LEVER - HST	112
T061	61. RANGE GEAR SHIFT LEVER	114
T062	62. FRONT WHEEL DRIVE LEVER	116
T063	63. PTO GEAR SHIFT LEVER	118
T065	65. POSITION CONTROL LEVER	120
T067H	DIFFERENTIAL LOCK LEVER - HST	122
T068-1	68. FRONT AXLE FRAME	124
T068-2	68. FRONT AXLE FRAME	126
T069	69. FRONT AXLE CASE	128
T070-1	70. FRONT DIFFERENTIAL	130
T070-2	FRONT DIFFERENTIAL	132
T071	71. DIFFERENTIAL GEAR SHAFT	134
T072-1	72. BEVEL GEAR CASE	136
T072-2	BEVEL GEAR CASE(2017.05)	138
T073	73. FRONT AXLE CASE	140
T074	74. FRONT SPINDLE	142
T075	75. FORNT DRIVE SHAFT	144

GROUP NO	GROUP NAME	PAGE
T076H	FRONT DRIVE SHAFT - HST	146
T077	77. PST CYLINDER COVER	148
T078	78. TIE ROD	150
T079	79. STEERING WHEEL	152
T080	80. STEERING POST	154
T081	81. PST UNIT	156
T082	82. HYDRAULIC PUMP	158
T083	83. HYDRAULIC OIL LINE (SUCTION)	160
T084H	84. HYDRAULIC OIL LINE (DELIVERY) - HST	162
T085H	85. HYDRAULIC STEERING LINE - HST	164
T086-1H	86. HYDRAULIC OIL LINE - HST	166
T086-2H	86. HYDRAULIC OIL LINE - HST	168
T087H	87. HYDRAULIC OIL COOLER	170
T089H	89. HYDRAULIC OIL LINE (C/M) - HST	172
T091	91. HYDRAULIC CYLINDER (POSITION TYPE)	174
T092	92. HYDRAULIC PISTON / LIFT ARM	176
T094	94. FEED BACK LEVER (POSITION TYPE)	178
T095	95. CONTROL VALVE	180
T096	96. 3PT LIFT VALVE (POSITION TYPE)	182
T097	97. LIFT LINK	184
T098	98. LIFT ARM	186
T099	99. TOP LINK	188
T100	100. CHECK CHAIN	190
T101	101. DRAW BAR	192
T102	102. PTO SHEILD	194
T103-1	103. HOOD	196
T103-2	103. HOOD	198
T104	104. PANEL COVER	200
T105	105. SHUTTER PLATE	202
T107H	107. LEVER GUIDE - HST	204
T108	108. FENDER	206
T109	109. FENDER STAY	208
T110	110. FLOOR SEAT	210
T111	111. SEAT	212
T112	112. SEAT - EU	214





FIG 000 2800h(2014~)	00 TRACTOR PARTS(2014~)	Year/Month 2020/02
-------------------------	-------------------------	-----------------------



00 TRACTOR PARTS



ENGINE



FIG T001B

2800h(2014~)

1. AIR CLEANER

Year/Month

2020/02

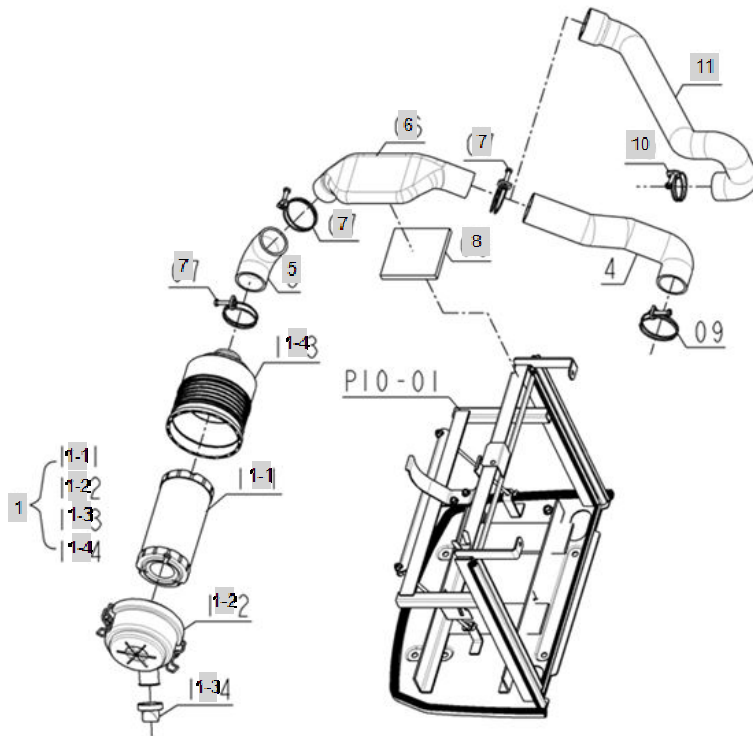




FIG T002B

2. COMP MUFFLER

Year/Month

2800h(2014~)

2020/02

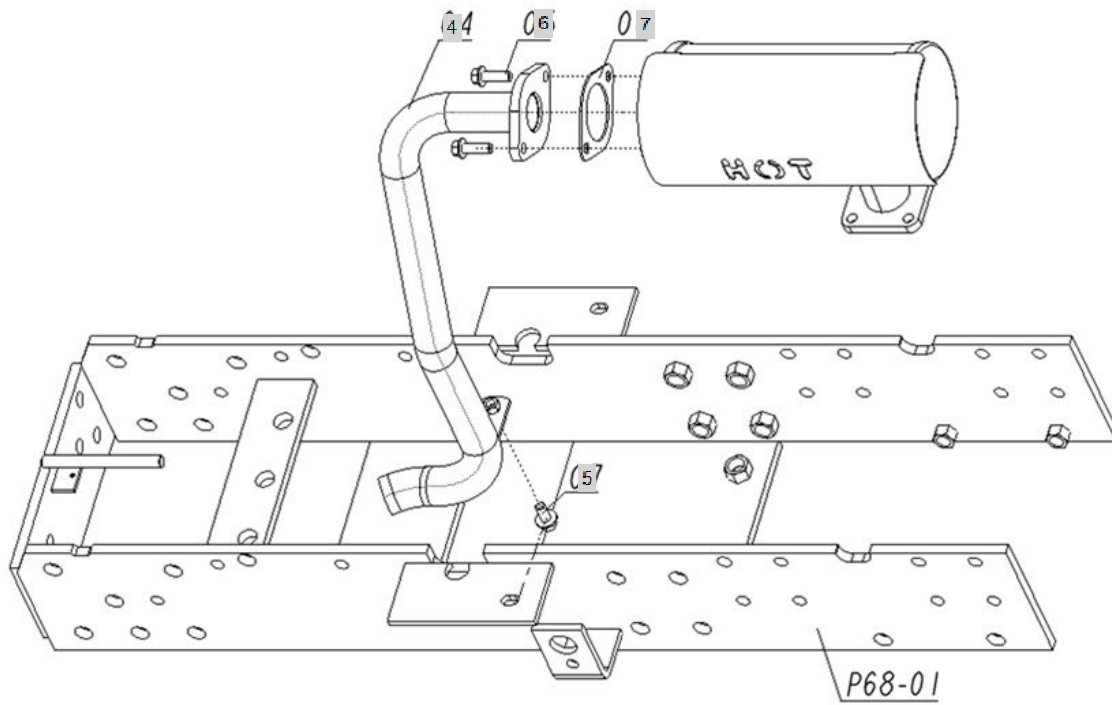




FIG T004H

2800h(2014~)

4. ACCELERATOR LEVER - HST

Year/Month

2020/02

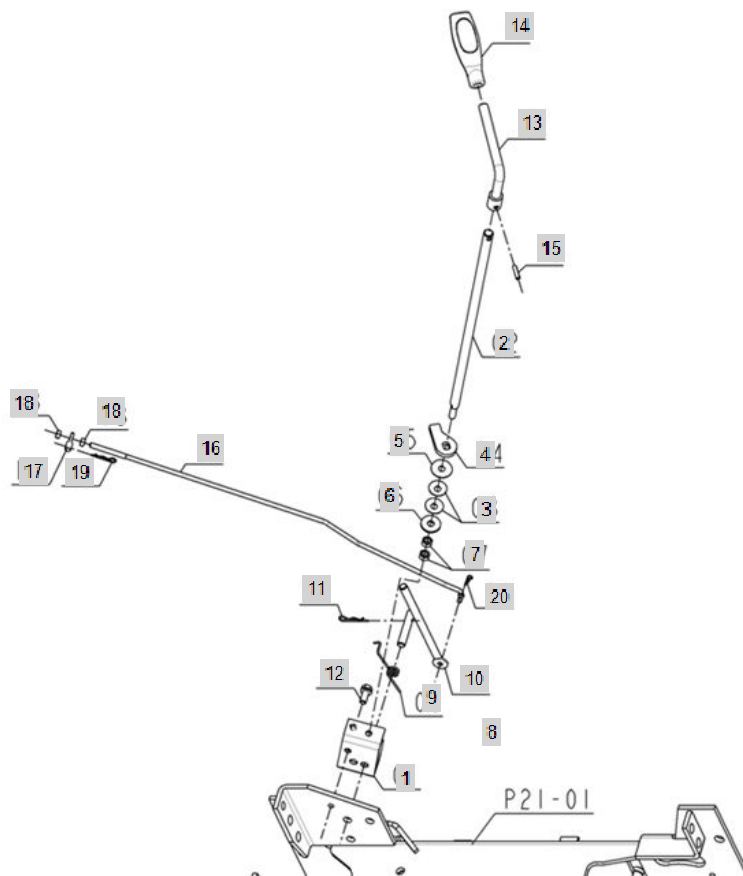






FIG T005

2800h(2014~)

5. FUEL TANK

Year/Month

2020/02

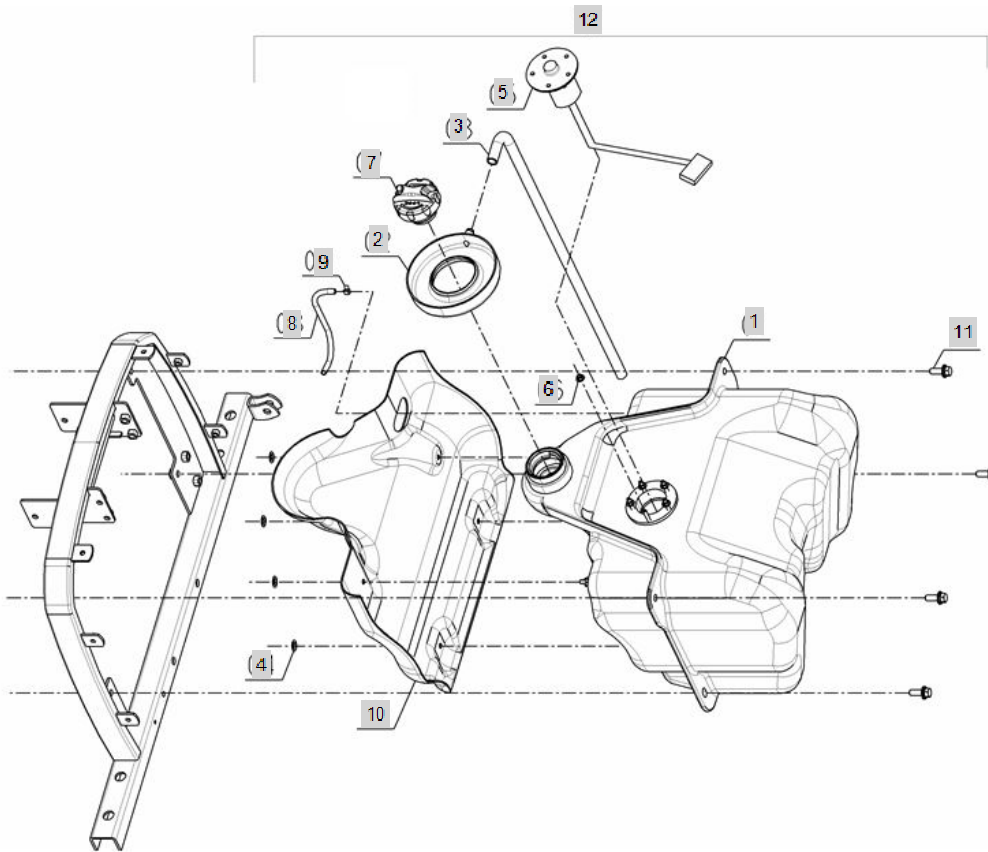




FIG T006

2800h(2014~)

6. FUEL FILTER & PIPE

Year/Month

2020/02

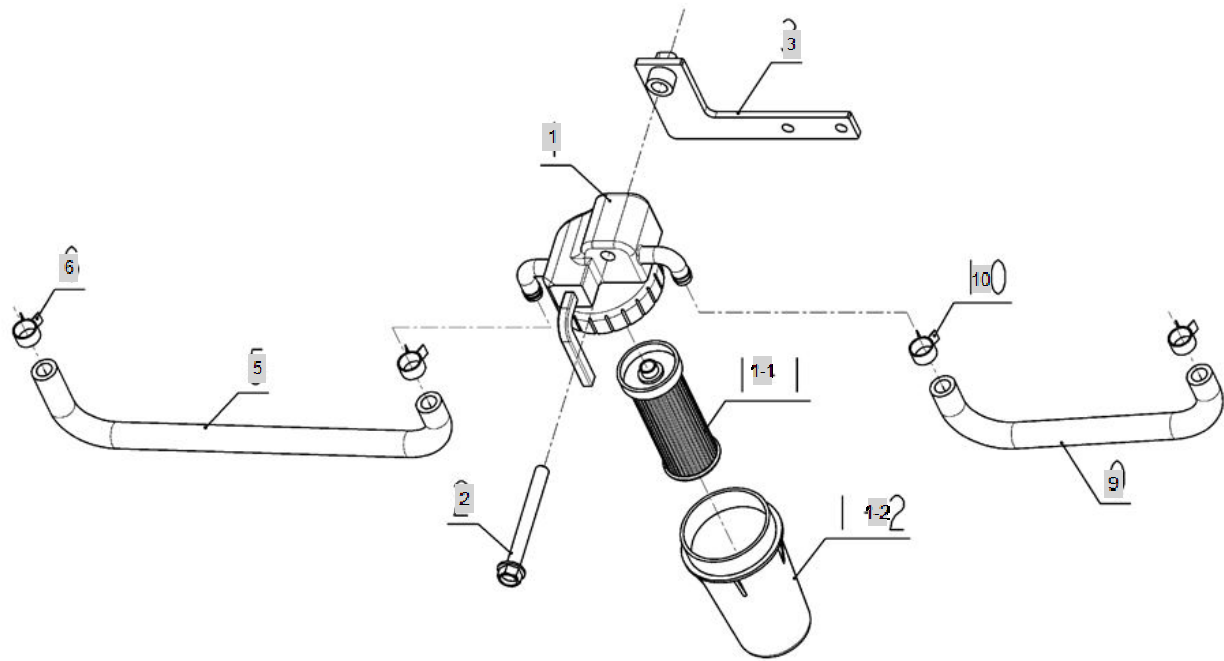




FIG T007

2800h(2014~)

7. WATER PIPE

Year/Month

2020/02

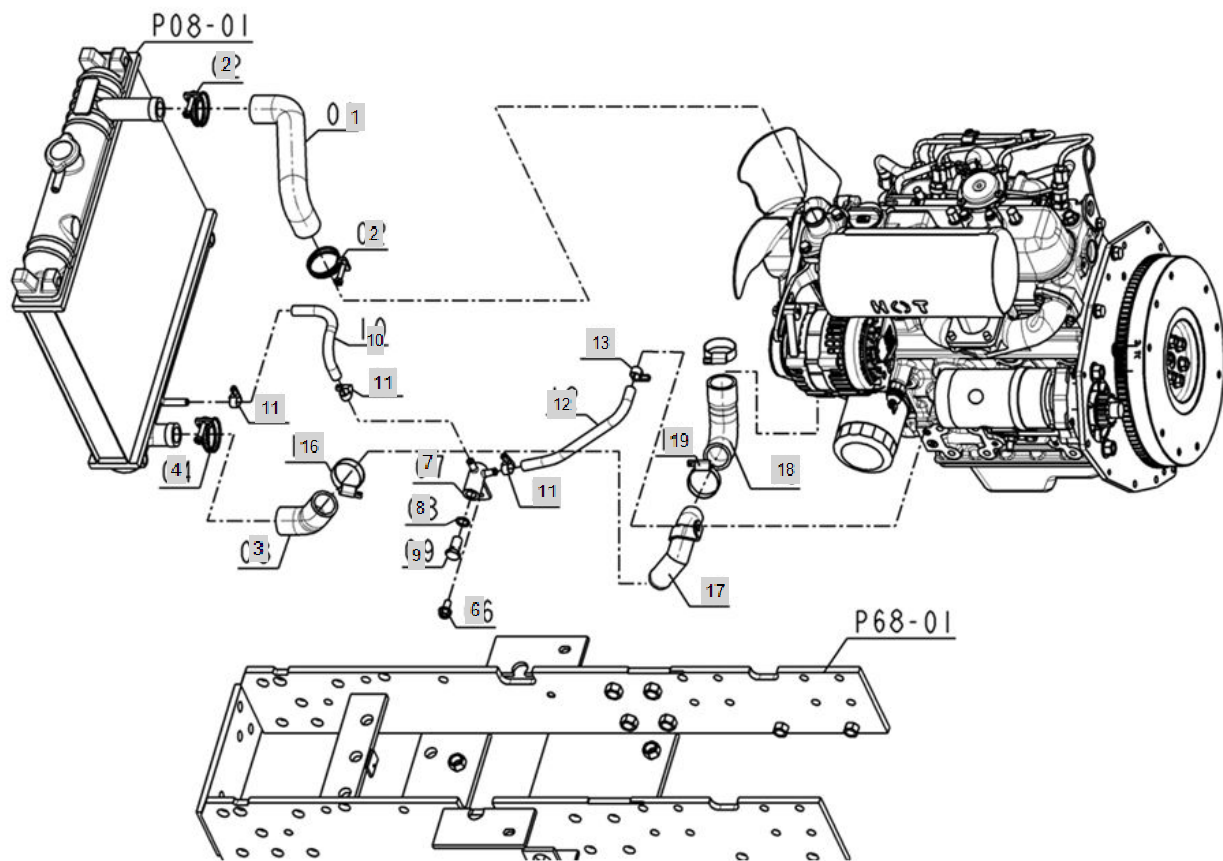




FIG T008

2800h(2014~)

### 8. RADIATOR

Year/Month

2020/02

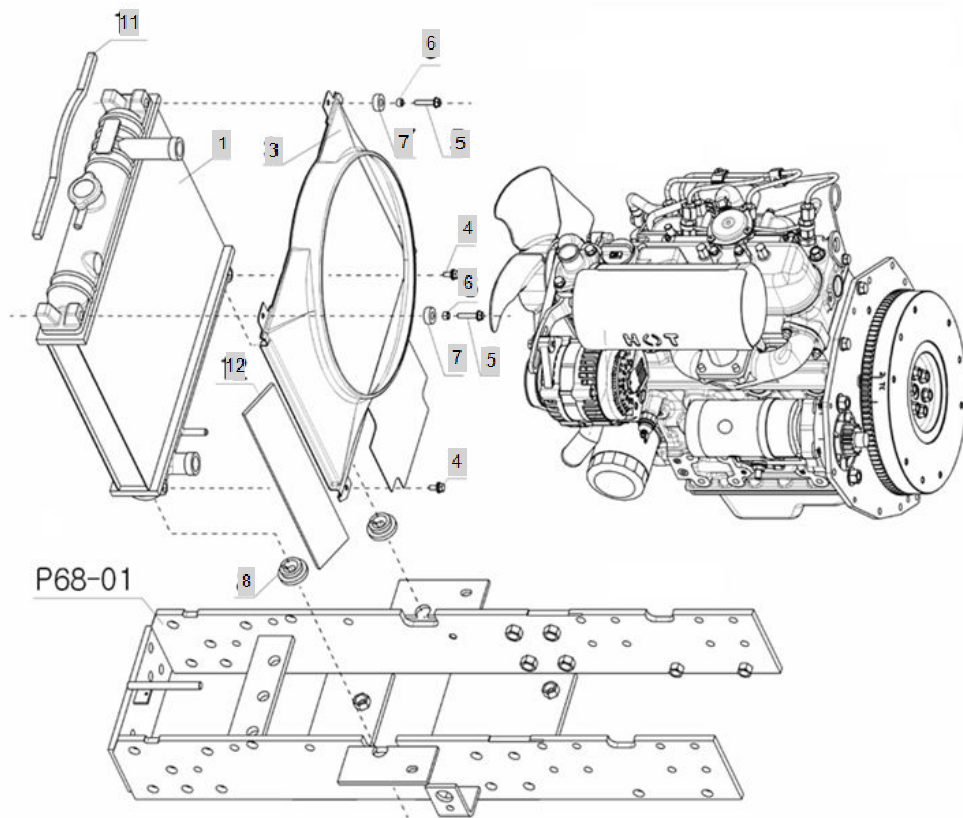






FIG T009

2800h(2014~)

9. RESERVE TANK

Year/Month

2020/02

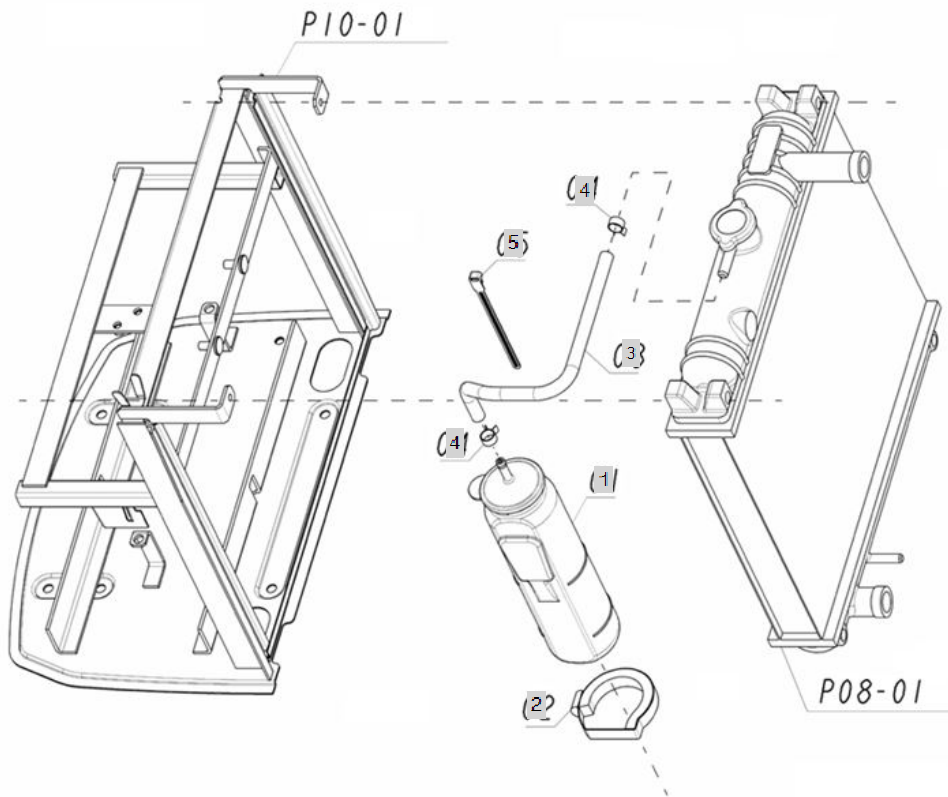




FIG T010H

10. BATTERY - HST

Year/Month

2800h(2014~)

2020/02

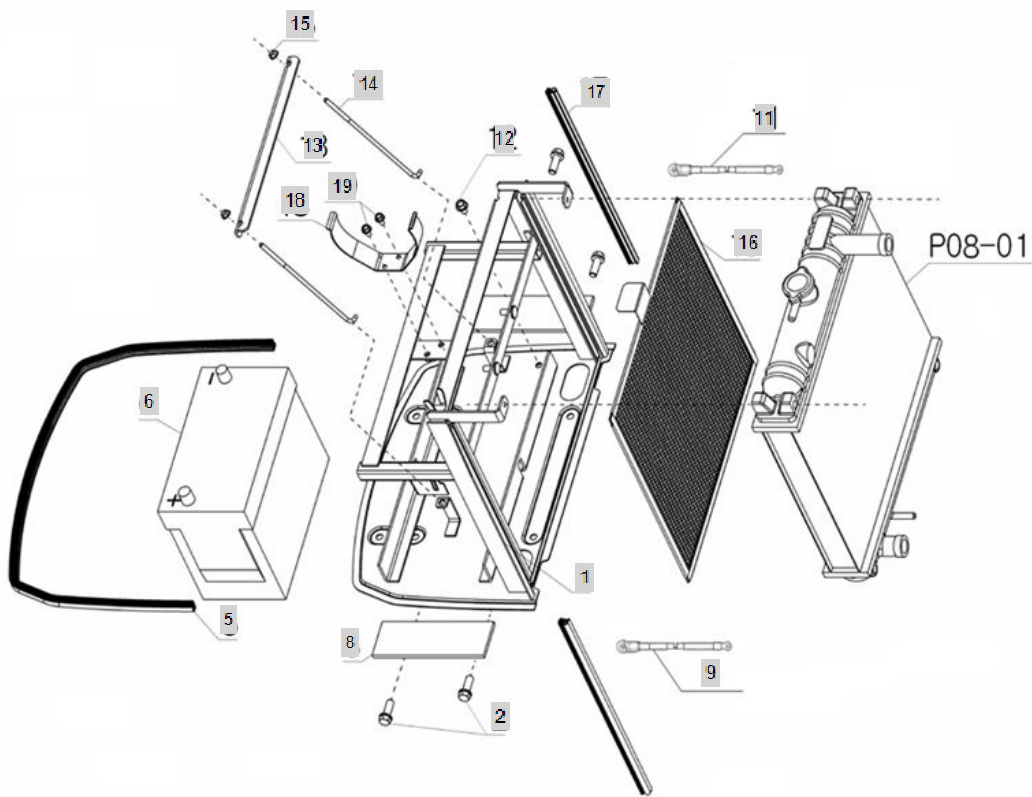




FIG T011-2B

SWITCH - HST (2017.11)

Year/Month

2800h(2014~)

2020/02

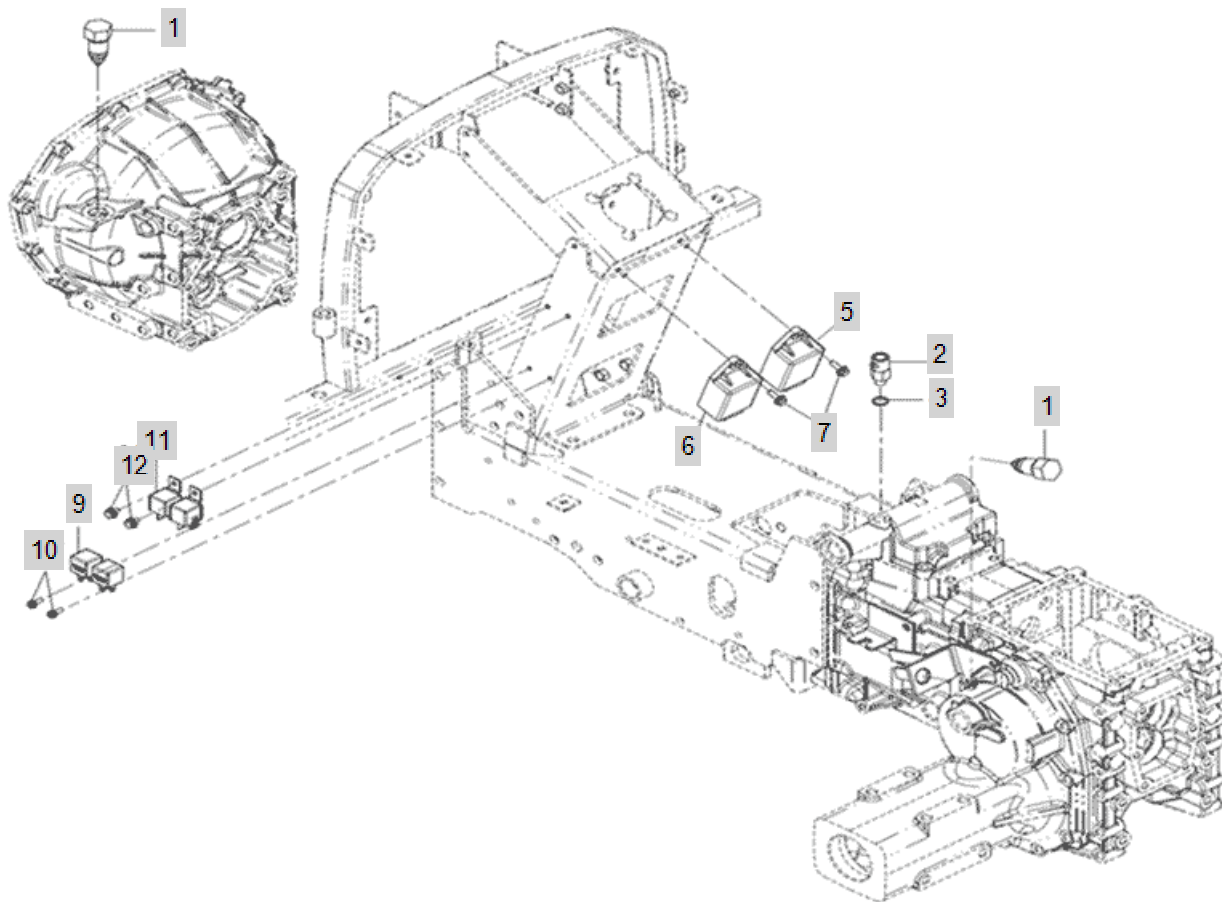




FIG T011H

2800h(2014~)

11. SWITCH - HST

Year/Month

2020/02

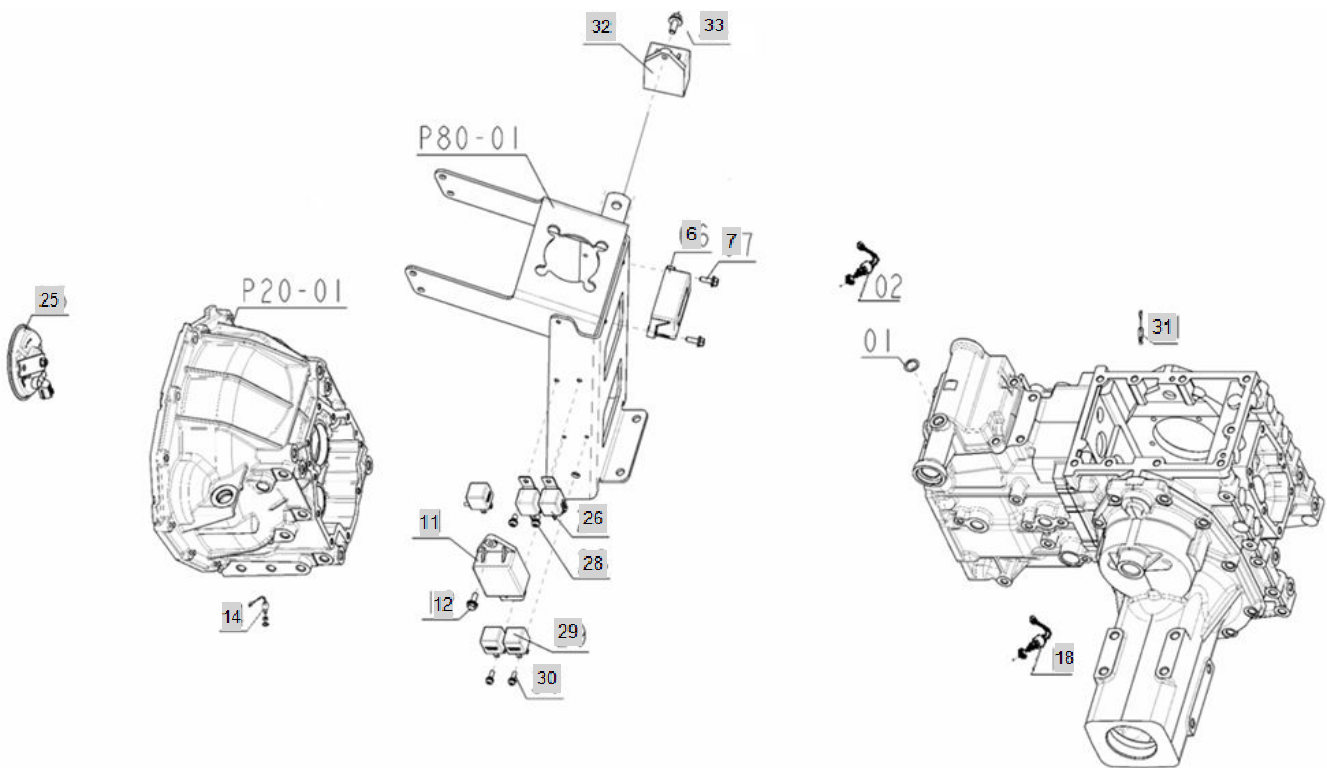






FIG T012-2B

SWITCH PANEL BOARD-HST(2017.11)

Year/Month

2800h(2014~)

2020/02

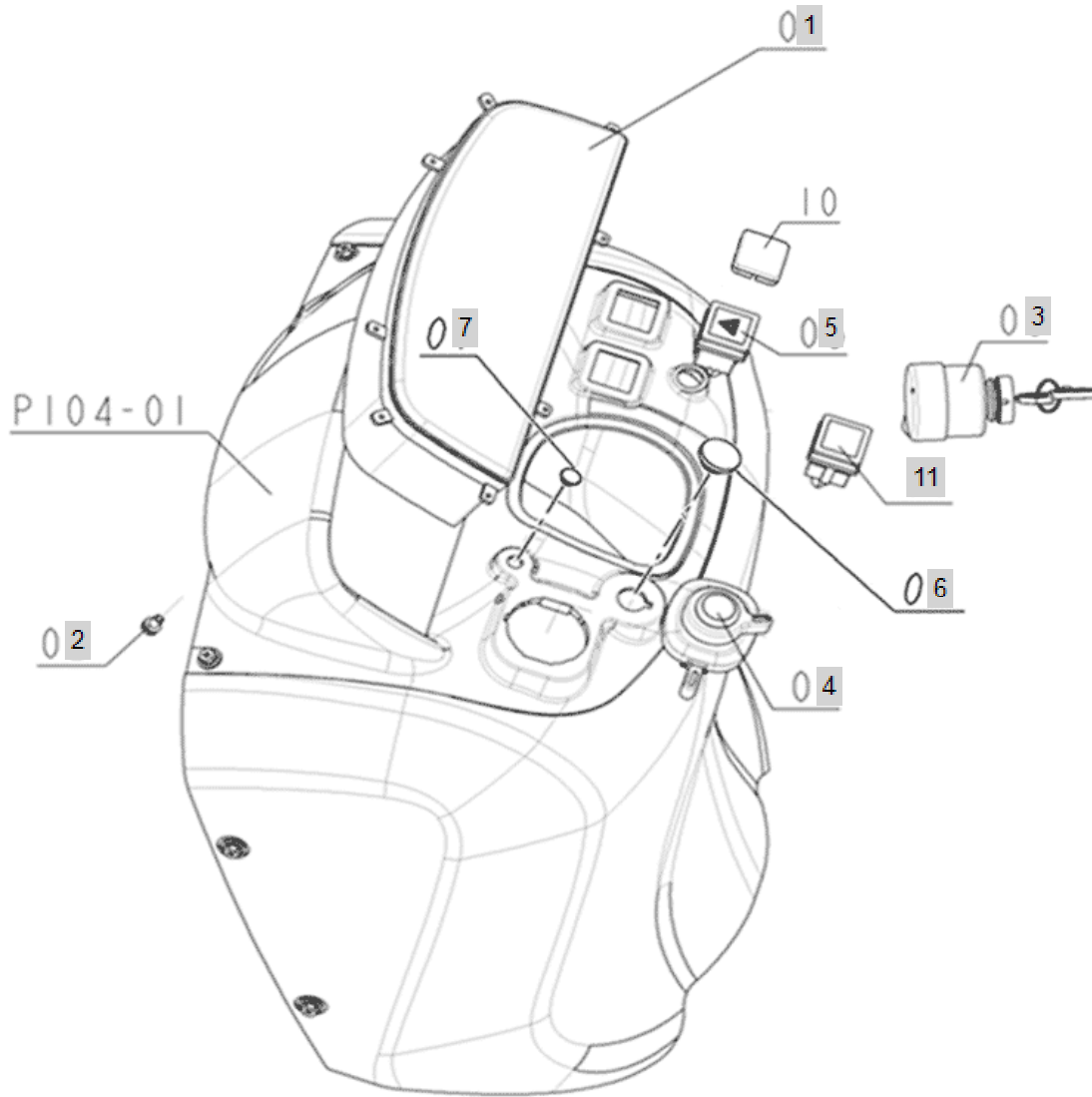




FIG T012H

2800h(2014~)

12. SWITCH PANEL BOARD - HST

Year/Month

2020/02

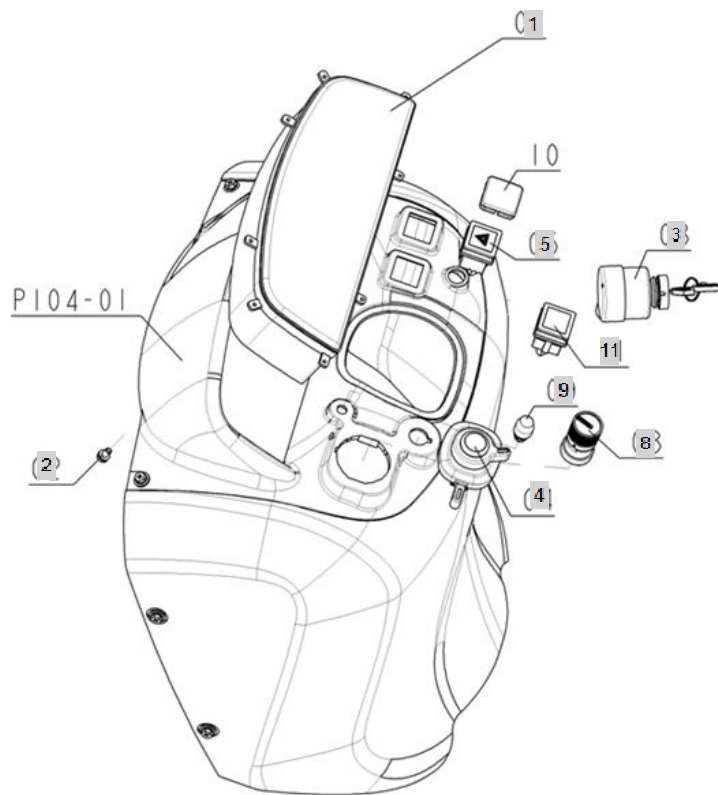




FIG T013.1

2800h(2014~)

13. HEAD LIGHT

Year/Month

2020/02

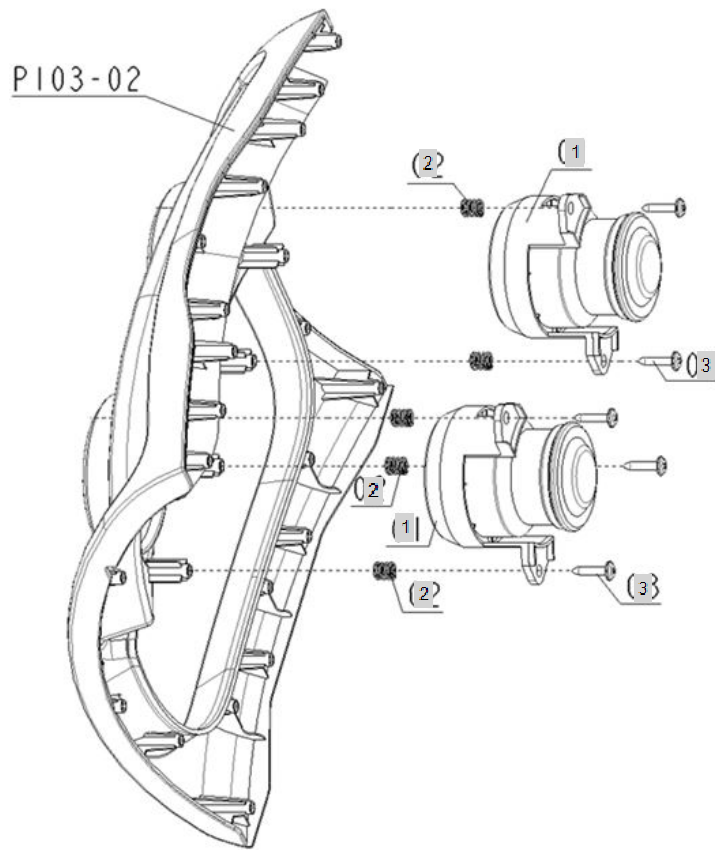




FIG T013.2

13. HEAD LIGHT

Year/Month

2800h(2014~)

2020/02

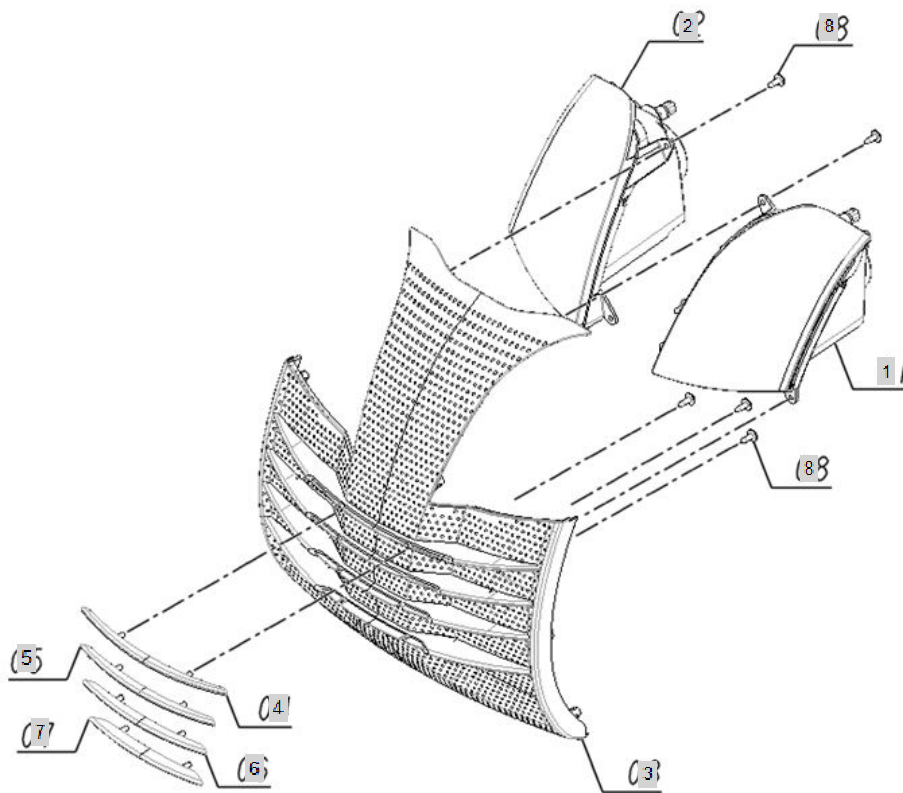






FIG T014H

14. TAIL LIGHT - HST

Year/Month

2800h(2014~)

2020/02

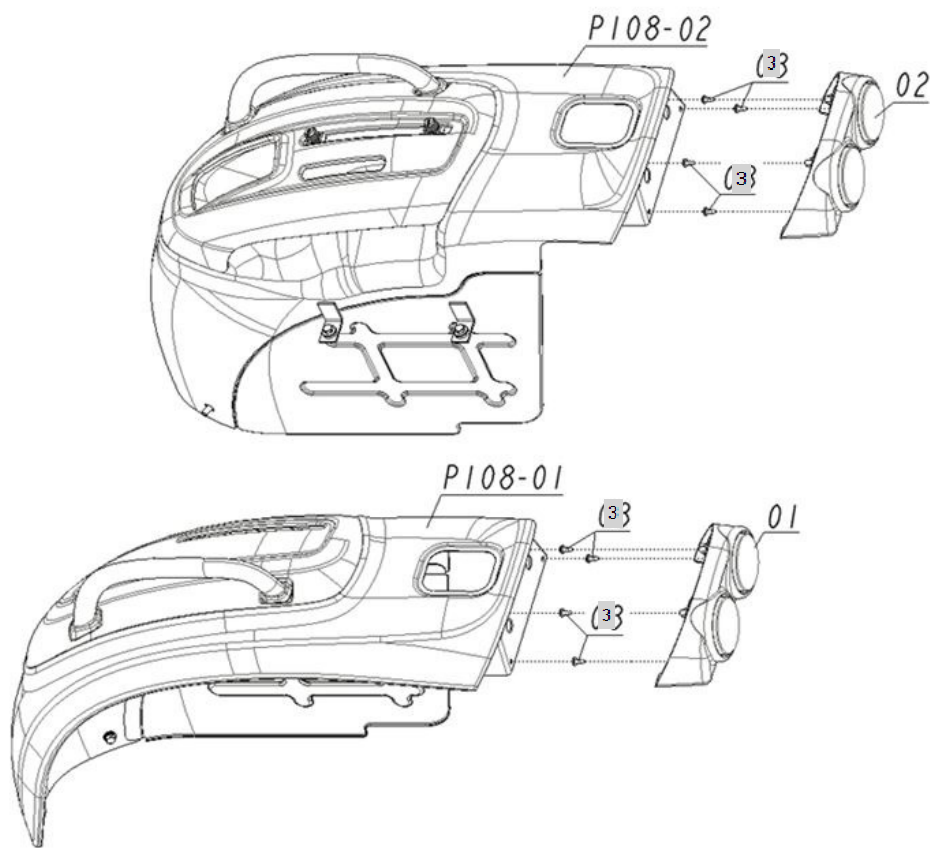




FIG T015

2800h(2014~)

15. WINKER LAMP

Year/Month

2020/02

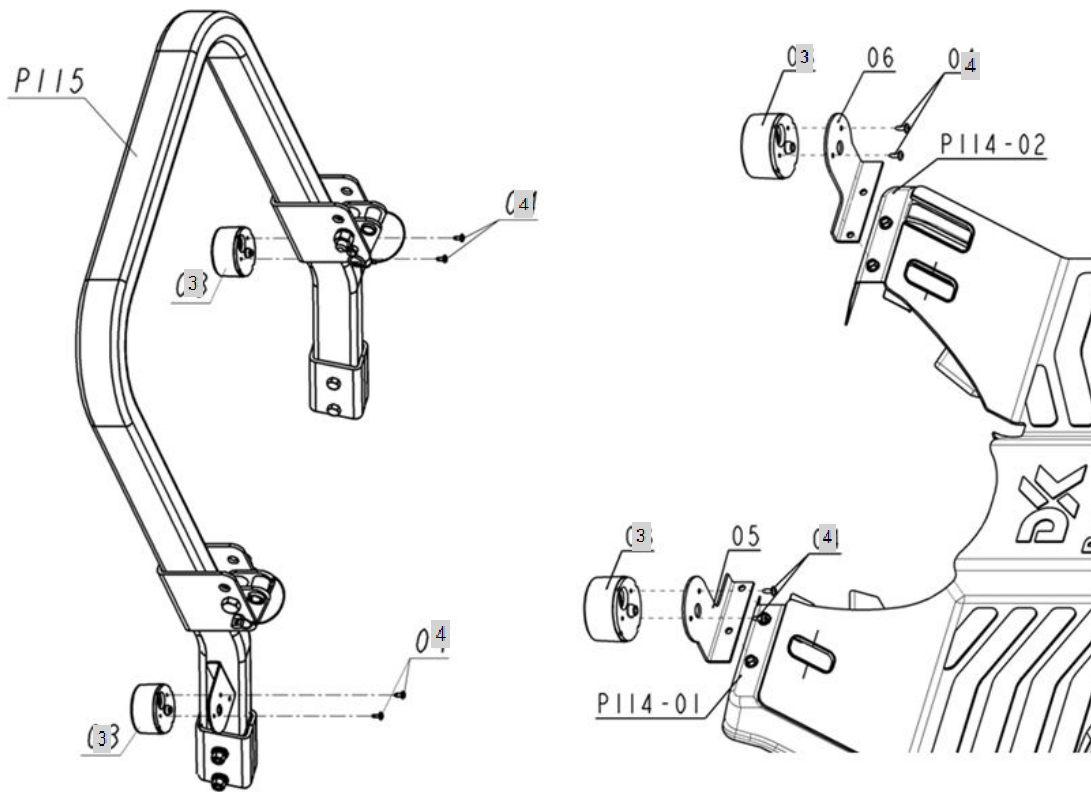




FIG T016H

2800h(2014~)

16. ELECTRICAL WIRING - HST

Year/Month

2020/02

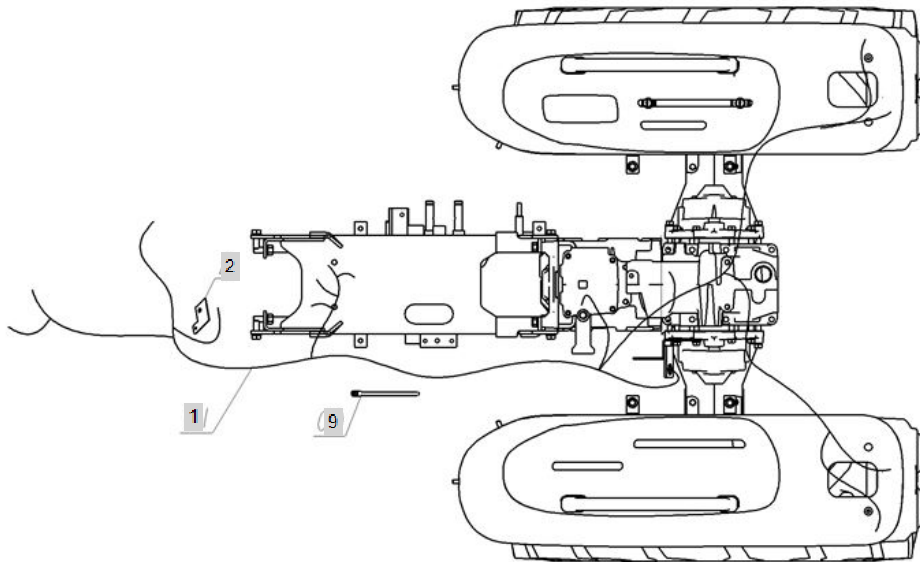




FIG T017

2800h(2014~)

17. CLUTCH

Year/Month

2020/02

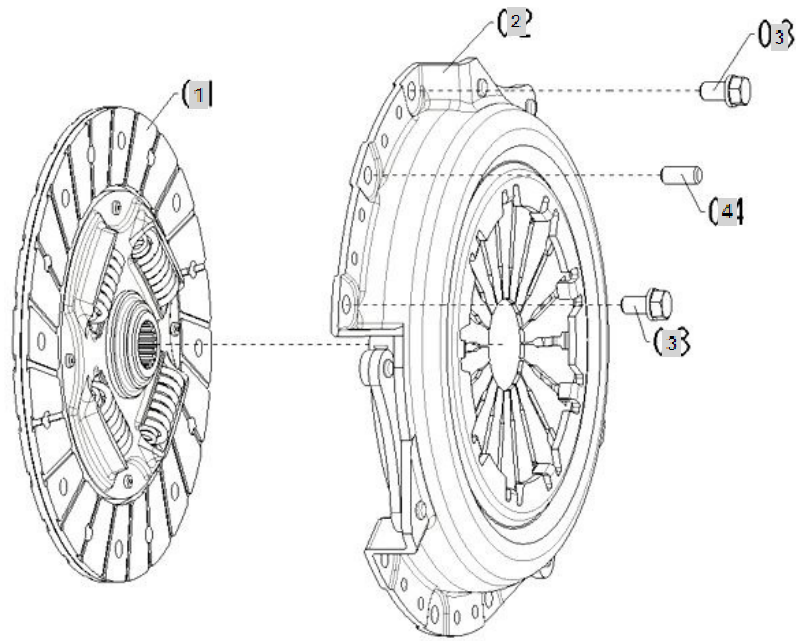






FIG T018

2800h(2014~)

### 18. CLUTCH ROD & RELEASE

Year/Month

2020/02

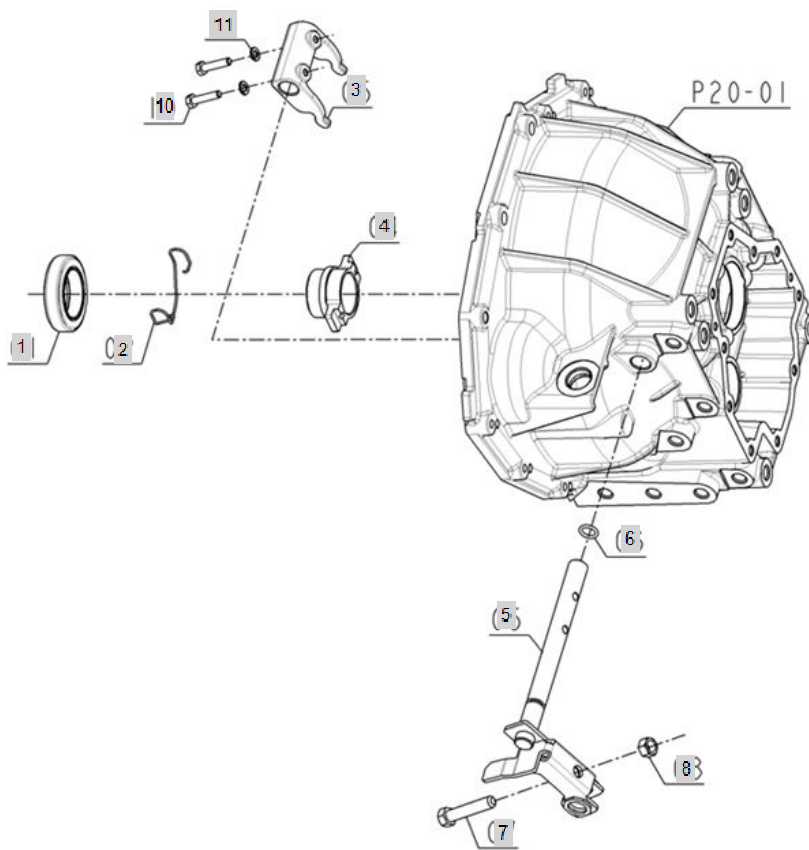




FIG T019

2800h(2014~)

### 19. CLUTCH PEDAL

Year/Month

2020/02

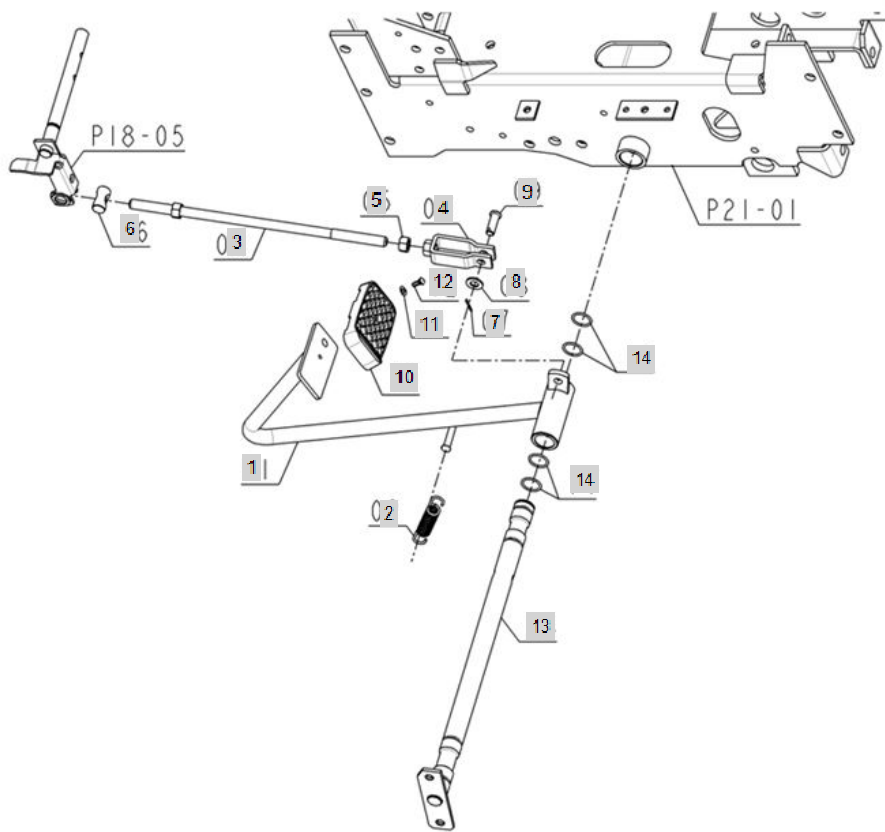




FIG T020-1

2800h(2014~)

### 20. CLUTCH HOUSING

Year/Month

2020/02

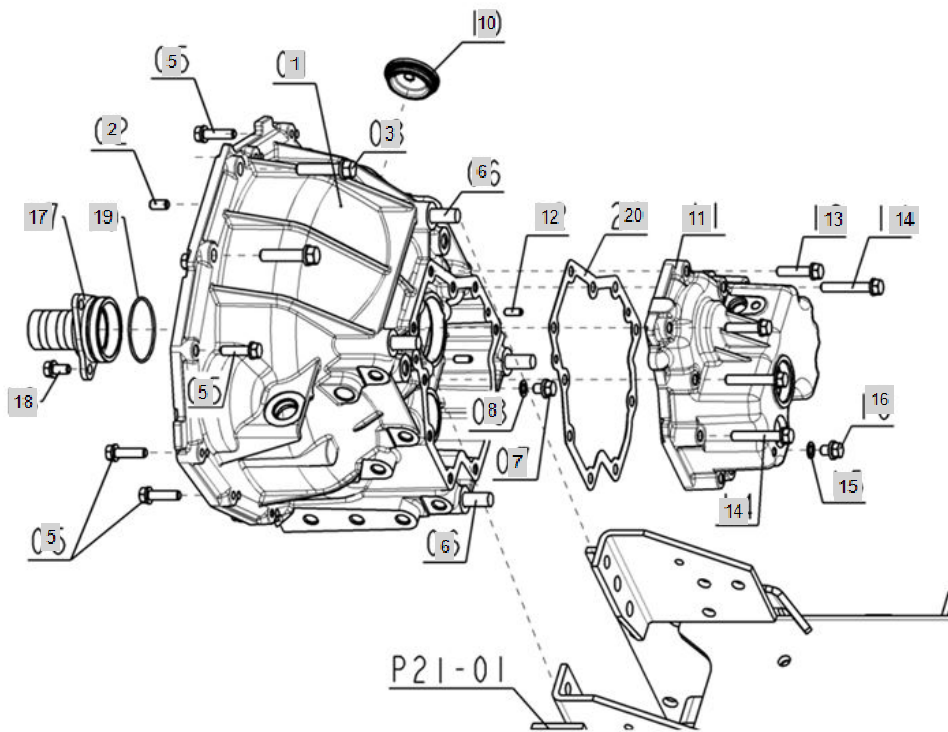




FIG T020-2

2800h(2014~)

### 20. CLUTCH HOUSING

Year/Month

2020/02

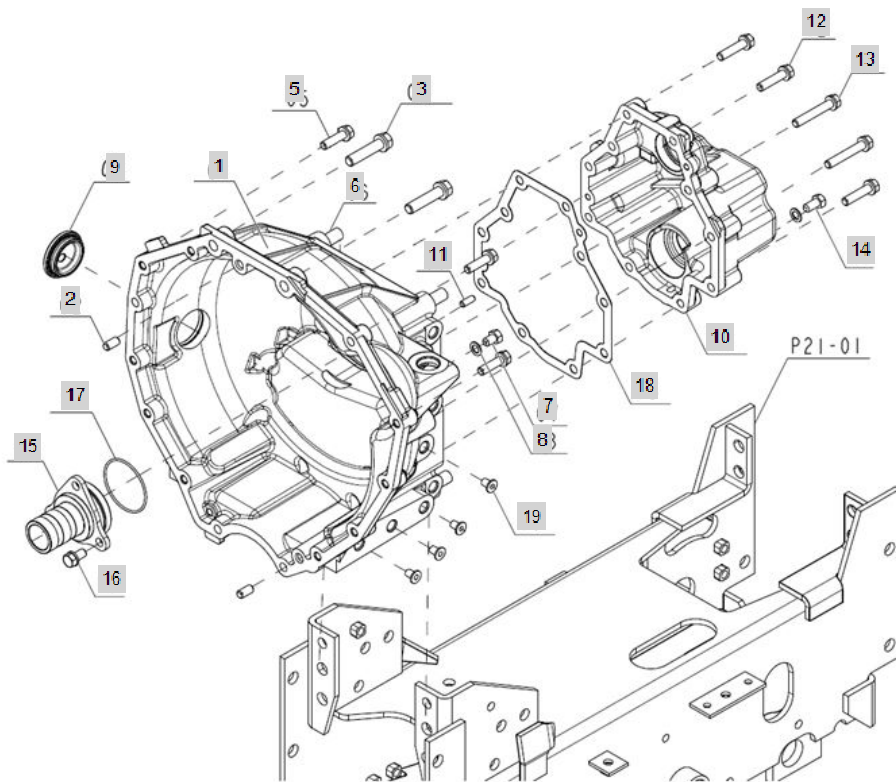






FIG T021-1

2800h(2014~)

21. CENTER FRAME

Year/Month

2020/02

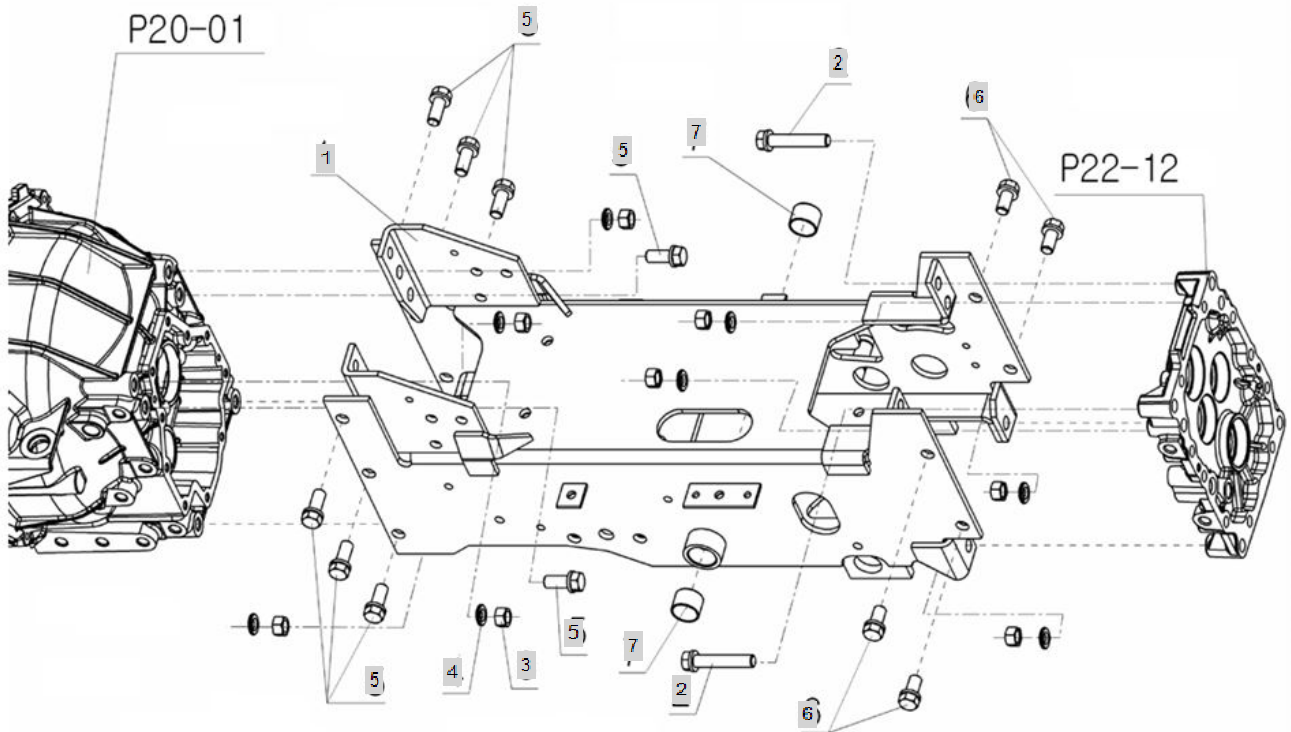




FIG T021-2

2800h(2014~)

21. CENTER FRAME

Year/Month

2020/02

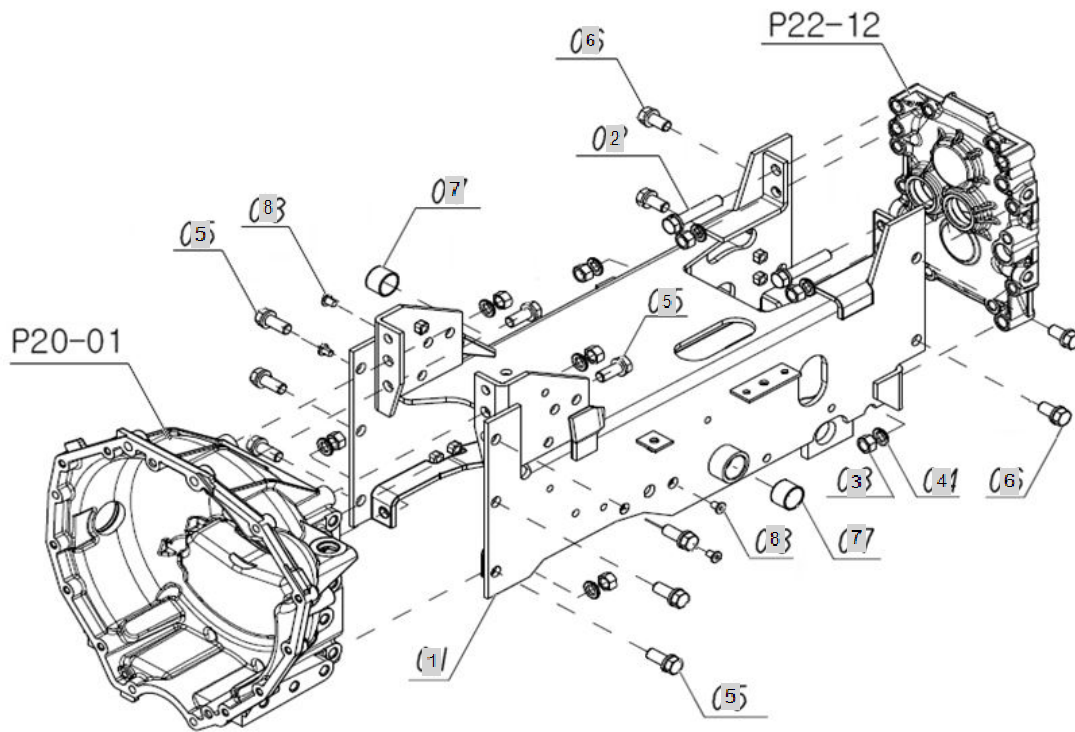




FIG T023H

2800h(2014~)

23. TRANSMISSION CASE - HST

Year/Month

2020/02

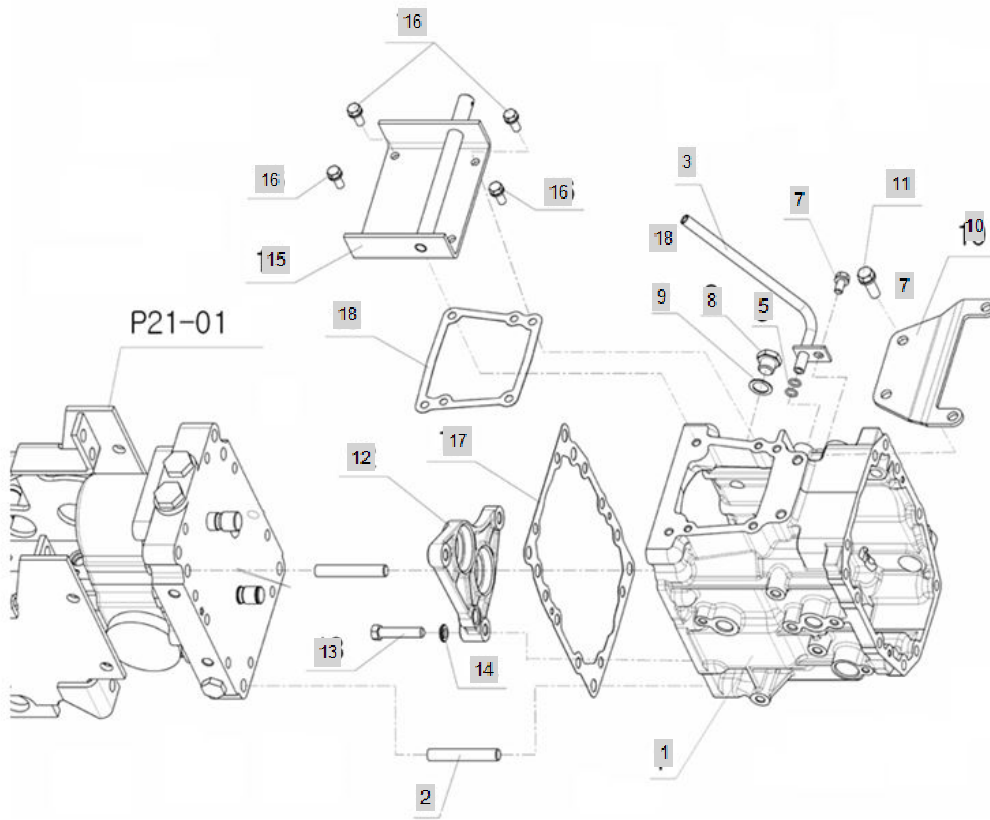




FIG T024

2800h(2014~)

### 24. DIFFERENTIAL GEAR CASE

Year/Month

2020/02

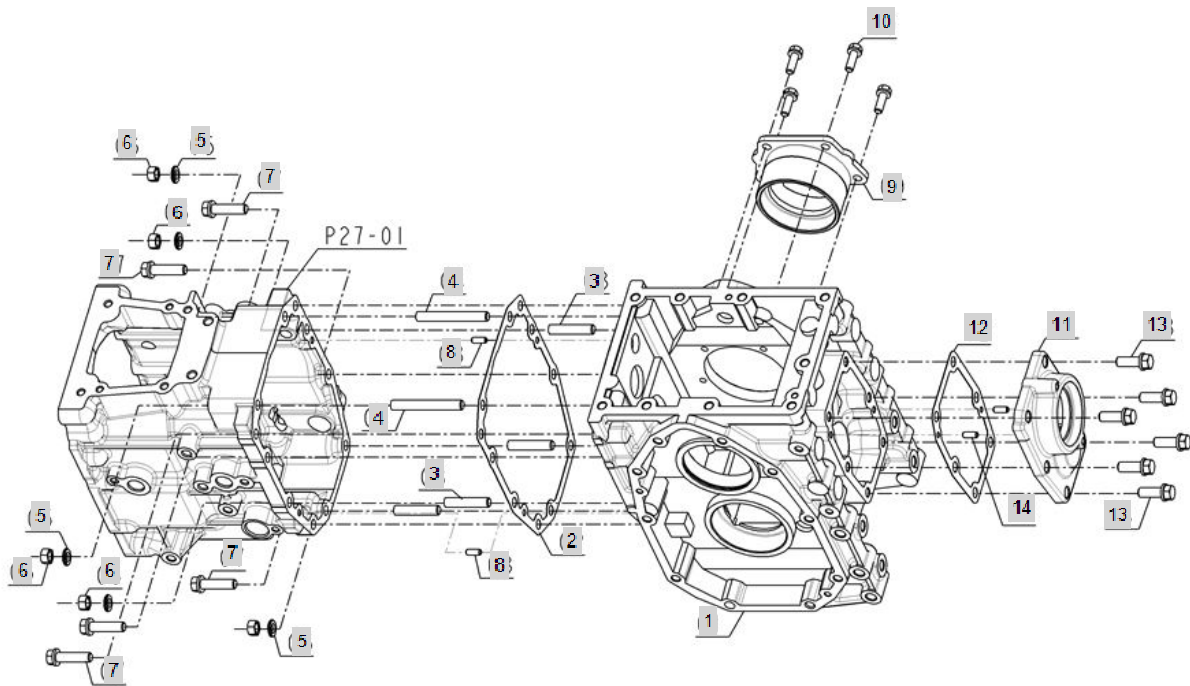






FIG T025

2800h(2014~)

25. REAR CASE

Year/Month

2020/02

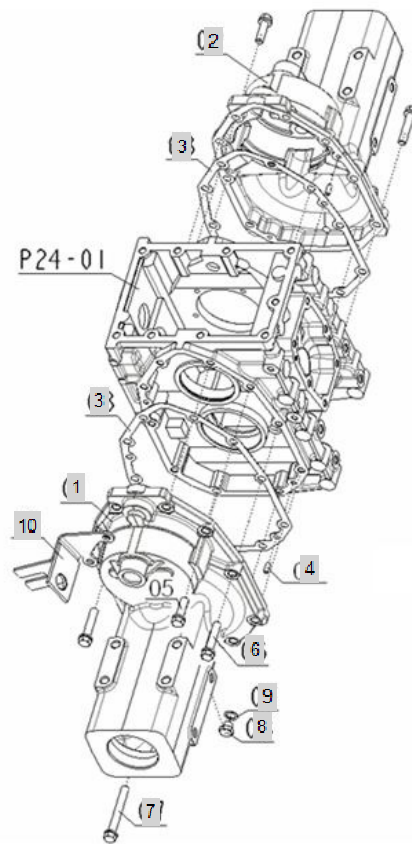




FIG T026

2800h(2014~)

### 26. CLUTCH SHAFT

Year/Month

2020/02

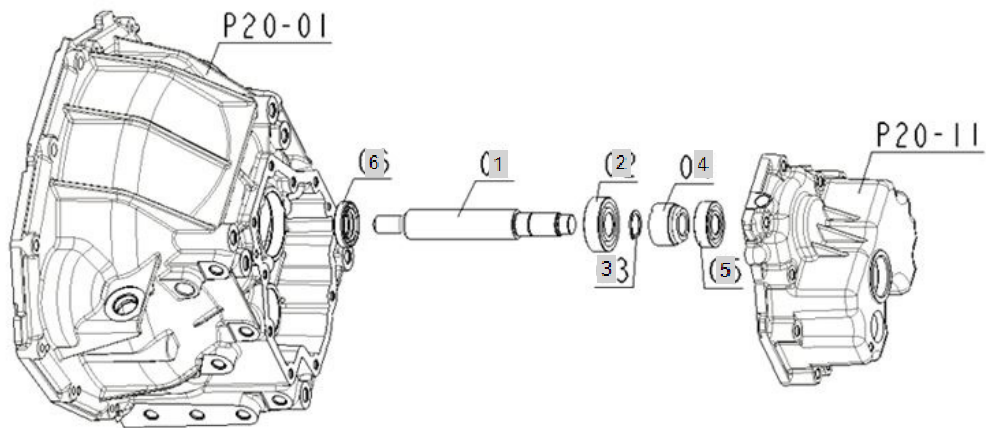




FIG T028H

2800h(2014~)

28. PROPELLOR SHAFT - HST

Year/Month

2020/02

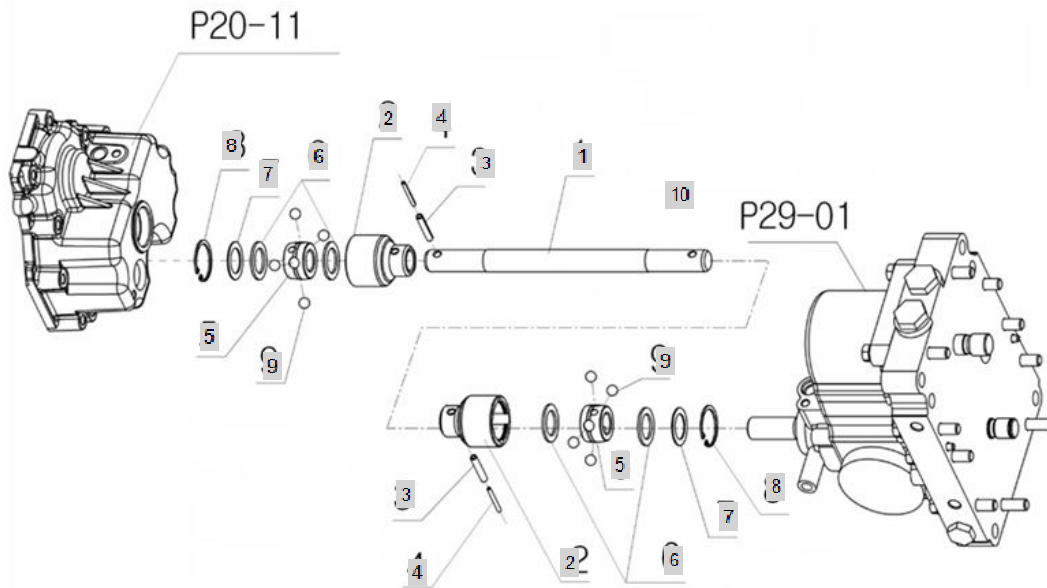




FIG T029H

29. HST ASSY - HST

Year/Month

2800h(2014~)

2020/02

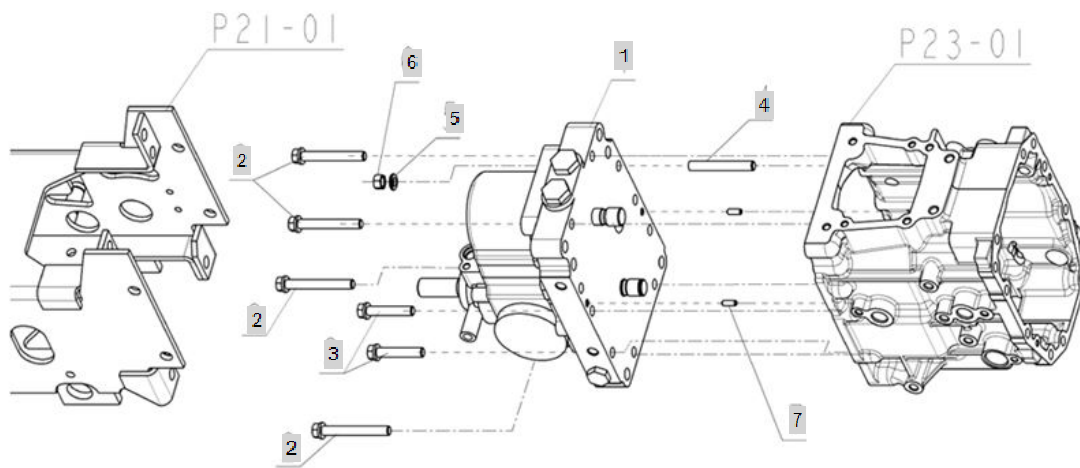






FIG T031H

2800h(2014~)

### 31. FRONT SHAFT - HST

Year/Month

2020/02

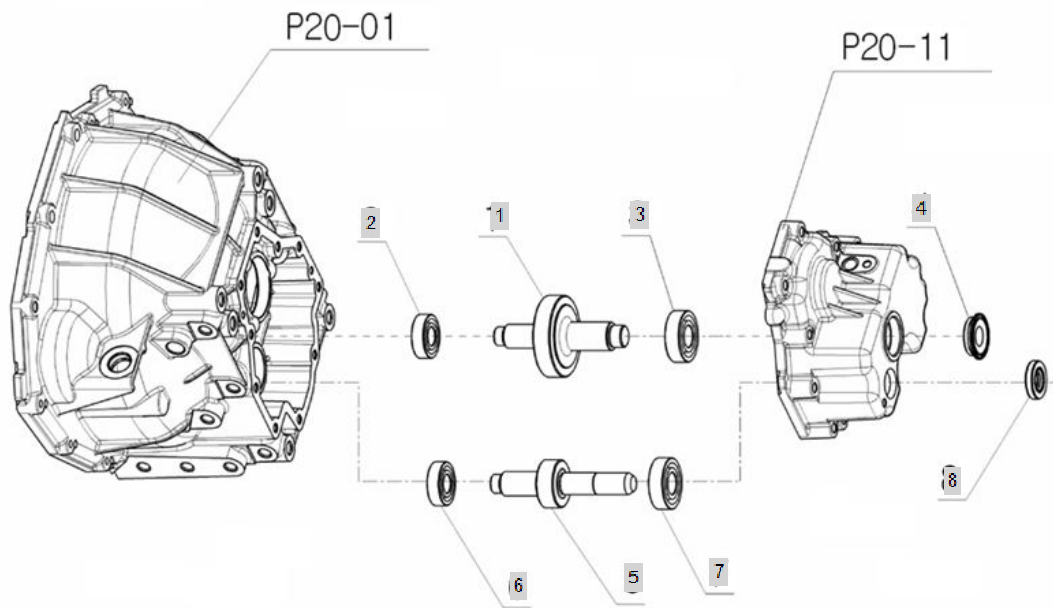




FIG T032-2

32. PTO SHAFT

Year/Month

2800h(2014~)

2020/02

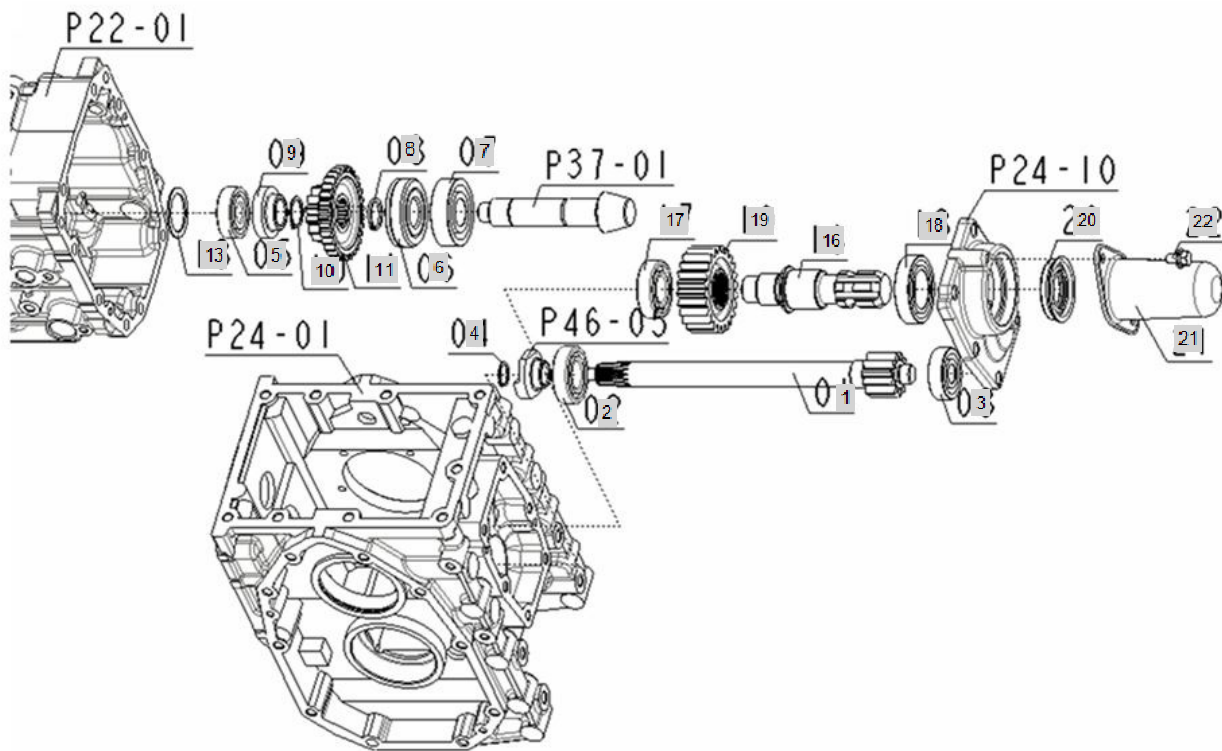




FIG T033H

2800h(2014~)

33. PTO SHAFT - HST

Year/Month

2020/02

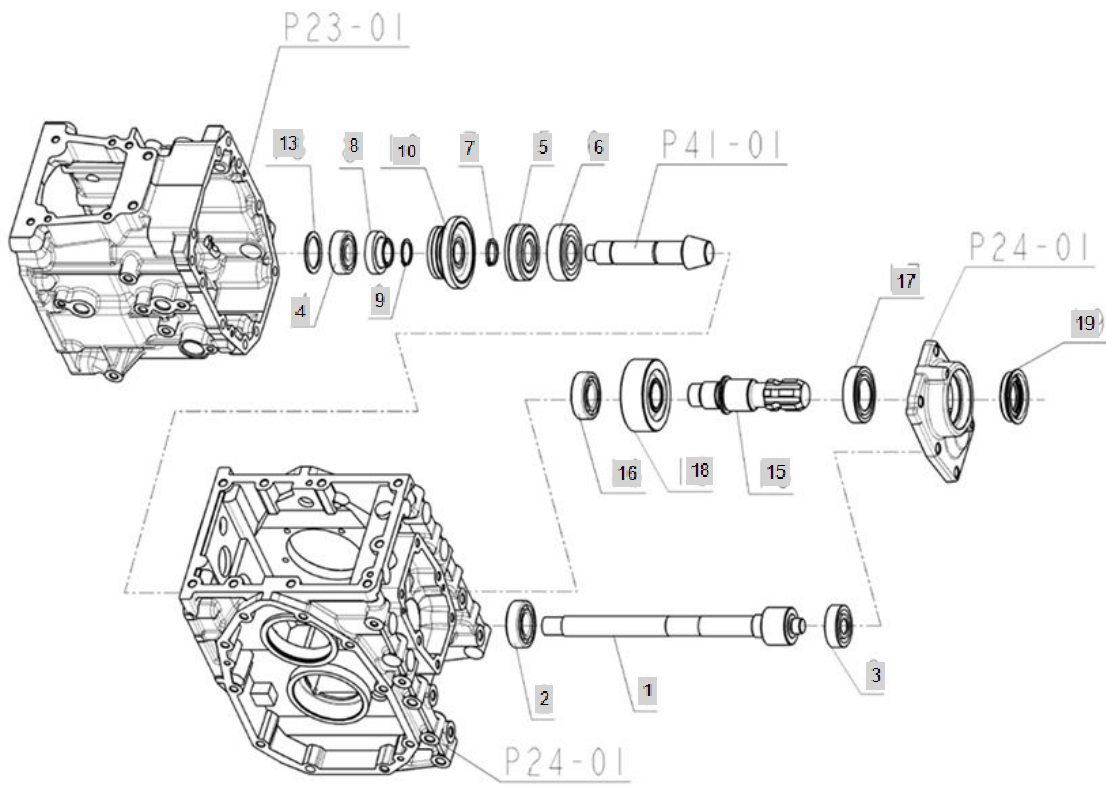




FIG T035H

2800h(2014~)

MID PTO - HST

Year/Month

2020/02

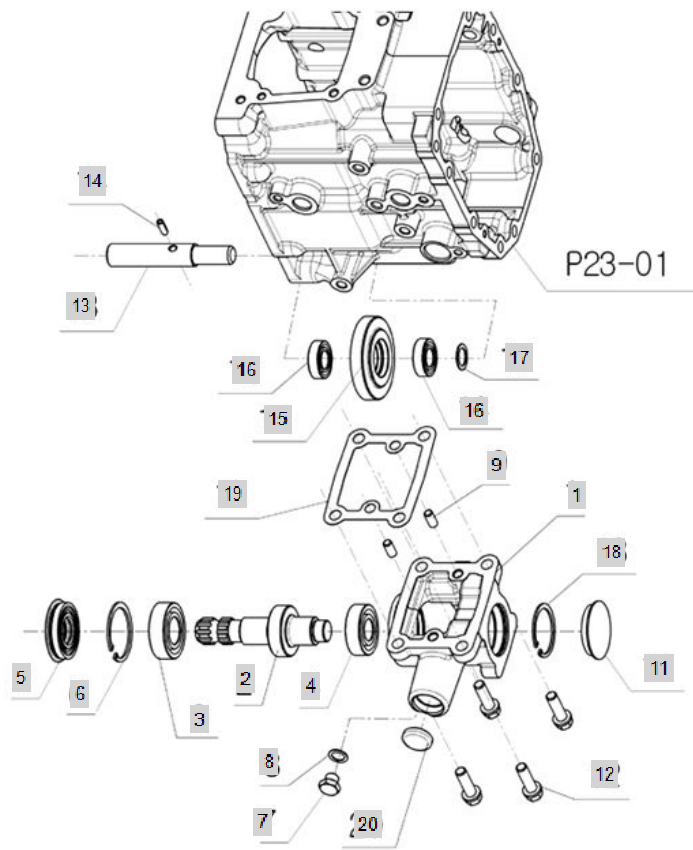






FIG T037

2800h(2014~)

### 37. REAR DIFFERENTIAL

Year/Month

2020/02

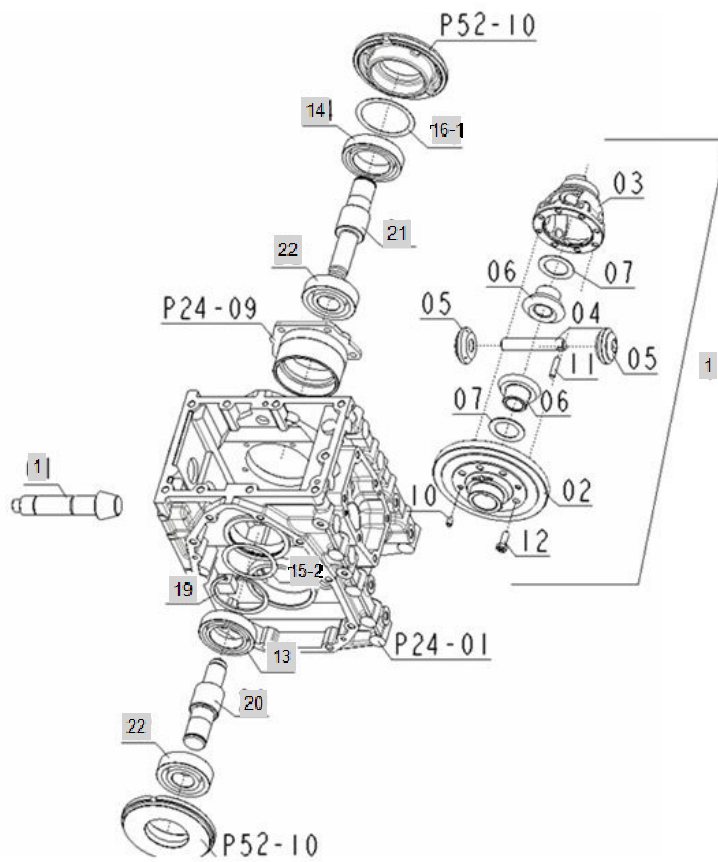




FIG T039H

39. FRONT WHEEL PROPELLER SHAFT - HST

Year/Month

2800h(2014~)

2020/02

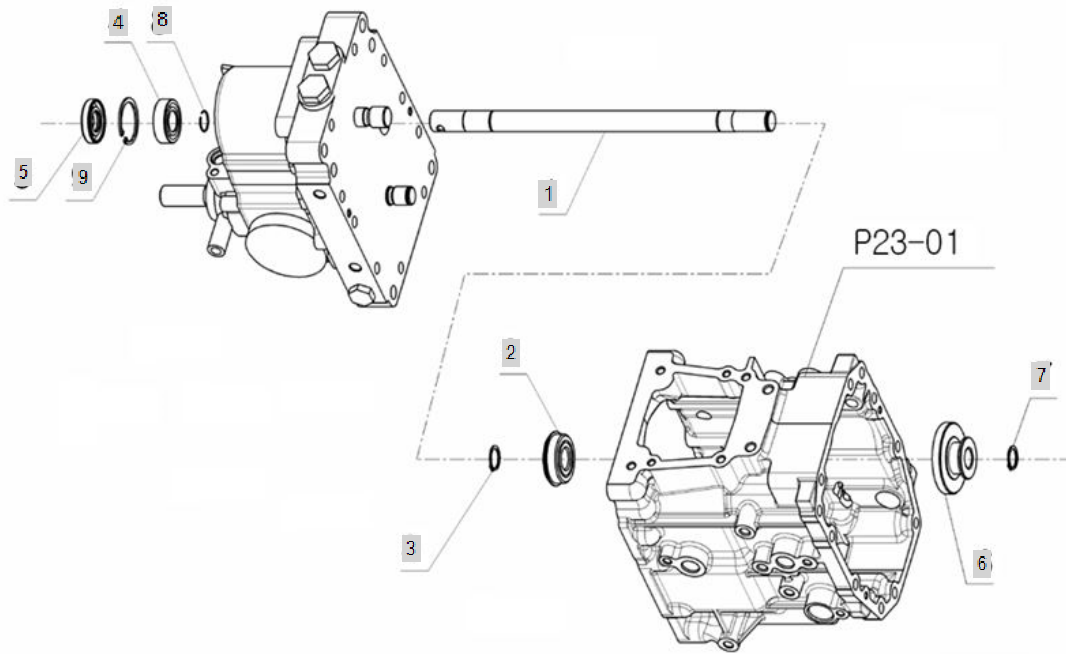




FIG T041H

2800h(2014~)

41. 2ND SHAFT - HST

Year/Month

2020/02

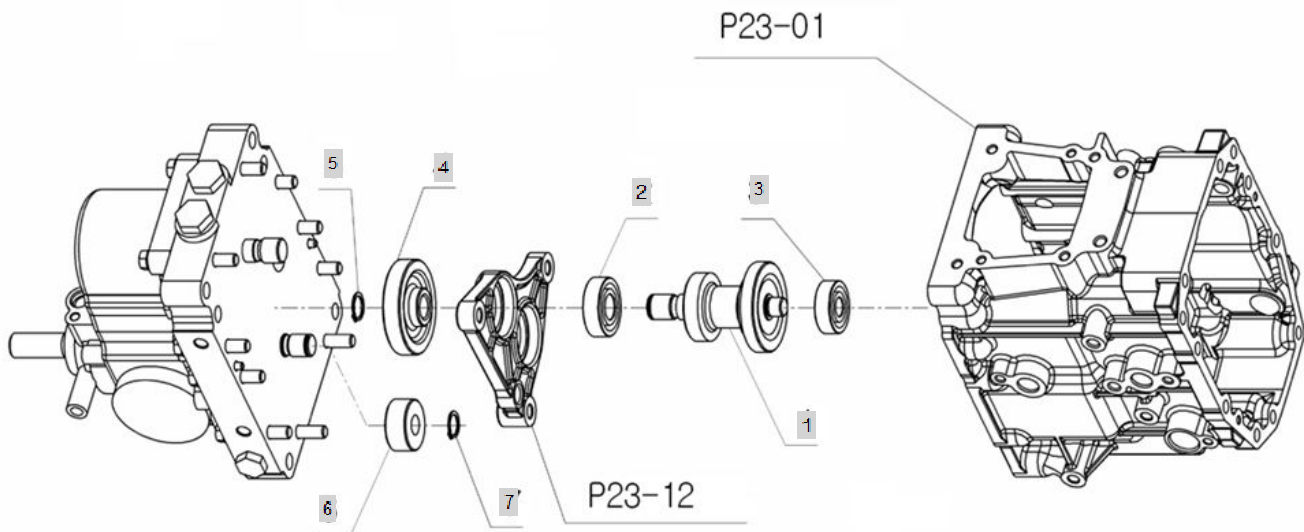




FIG T043H

2800h(2014~)

3RD SHAFT - HST

Year/Month

2020/02

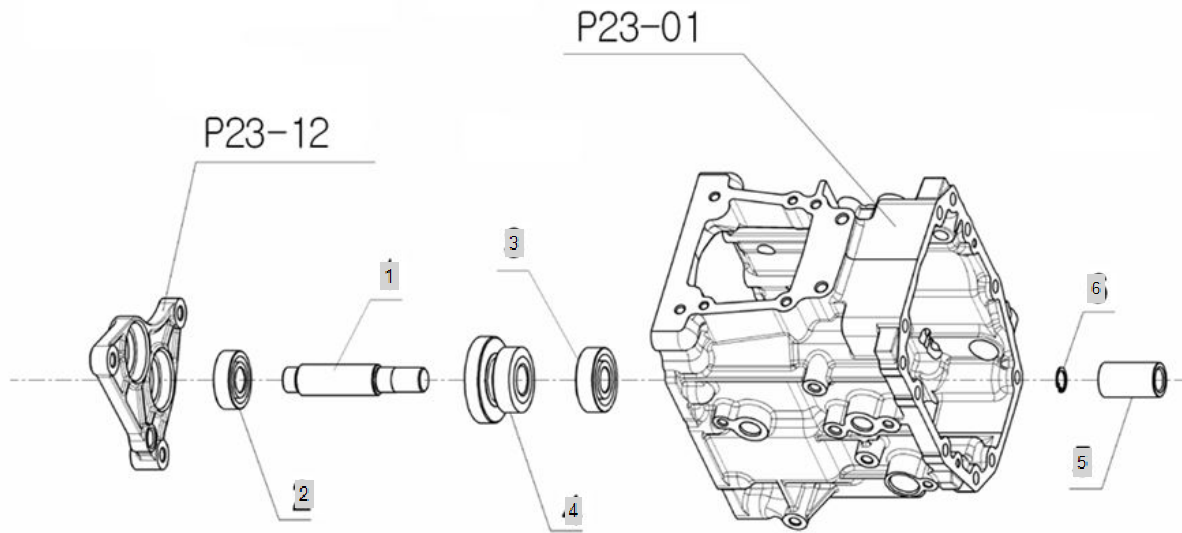






FIG T045H

2800h(2014~)

45. 4TH SHAFT - HST

Year/Month

2020/02

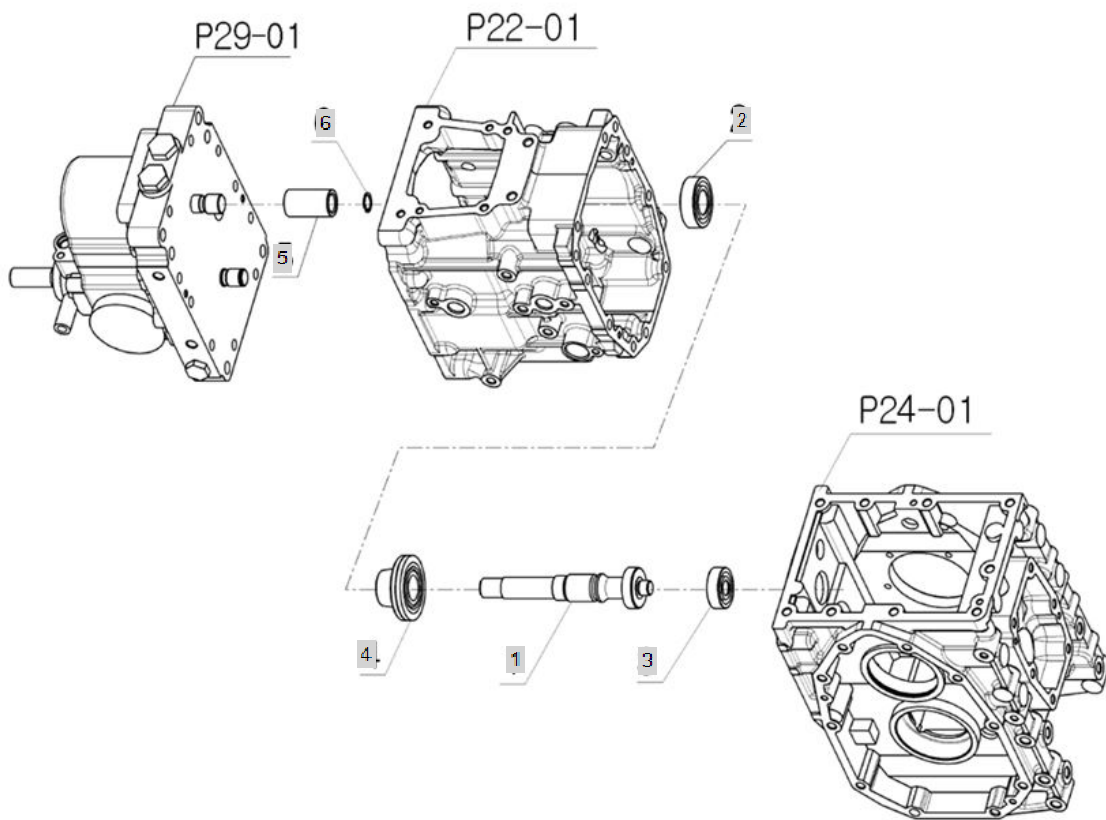




FIG T047

2800h(2014~)

### 47. RANGE GEAR SHIFT FORK

Year/Month

2020/02

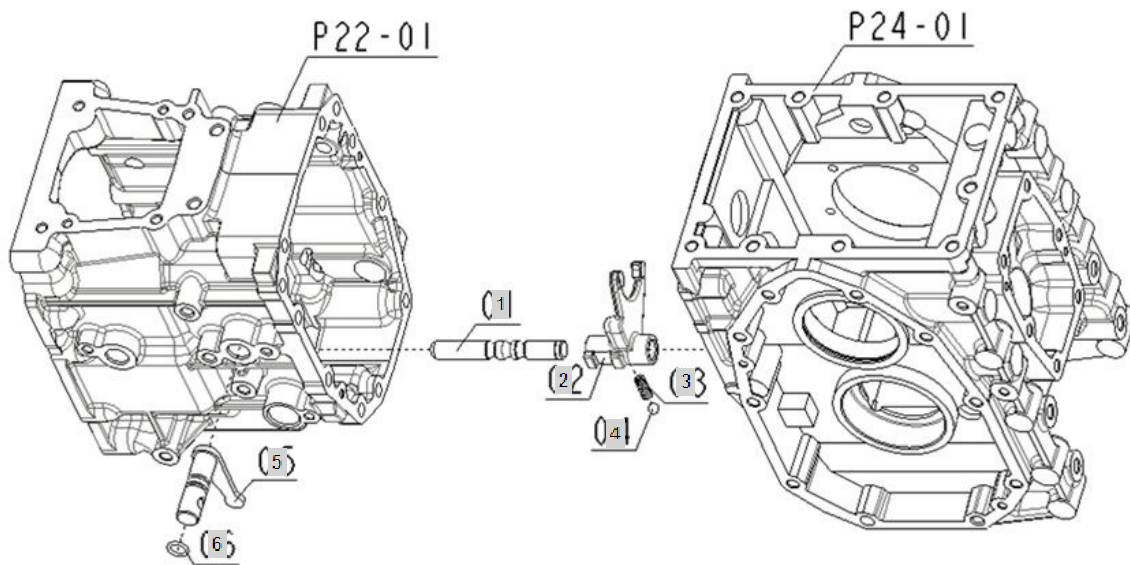




FIG T049

2800h(2014~)

49. PTO GEAR SHIFT FORK - HST

Year/Month

2020/02

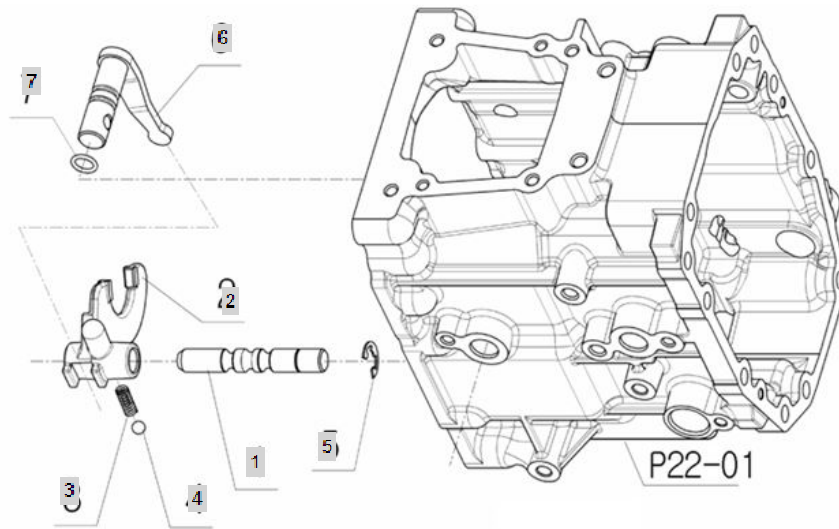




FIG T050

50. DIFFERENTIAL LOCK SHIFT FORK

Year/Month

2800h(2014~)

2020/02

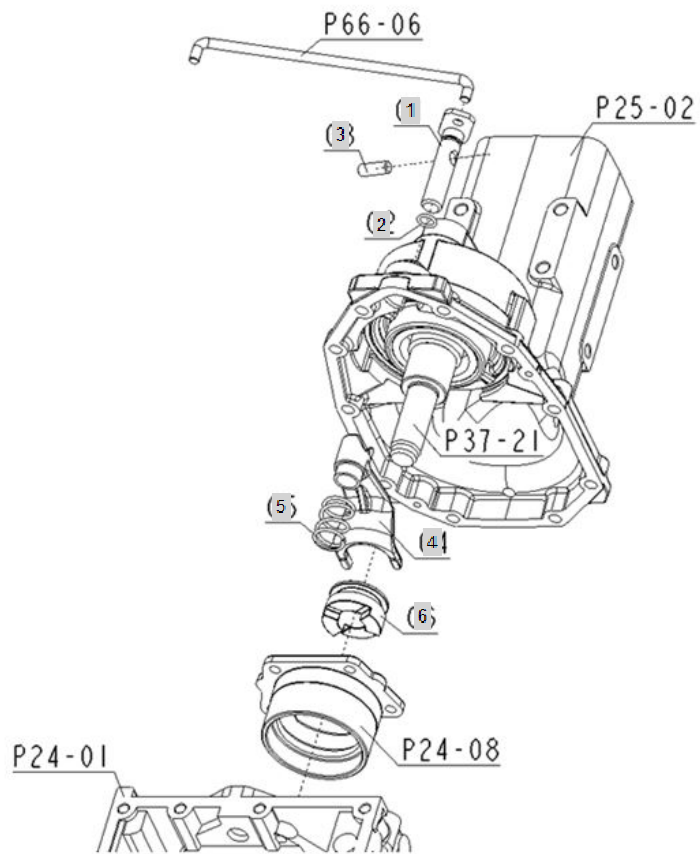






FIG T051

2800h(2014~)

51. REAR AXLE

Year/Month

2020/02

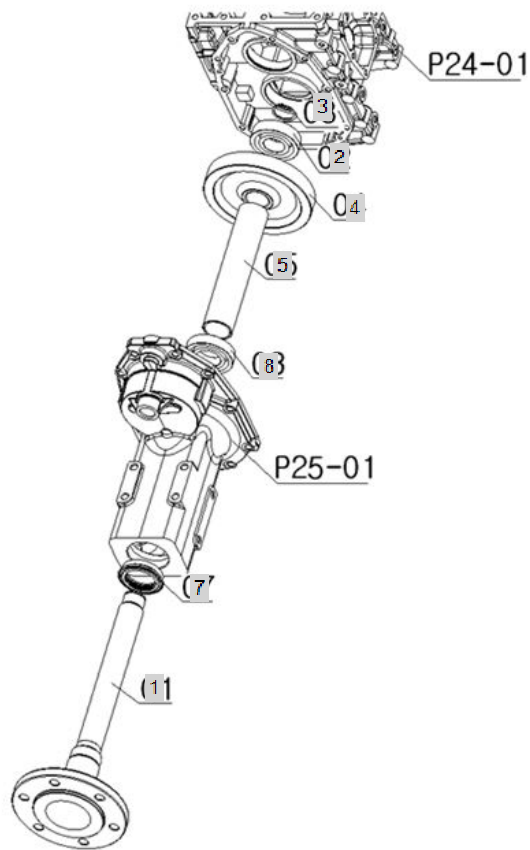




FIG T052

2800h(2014~)

52. BRAKE

Year/Month

2020/02

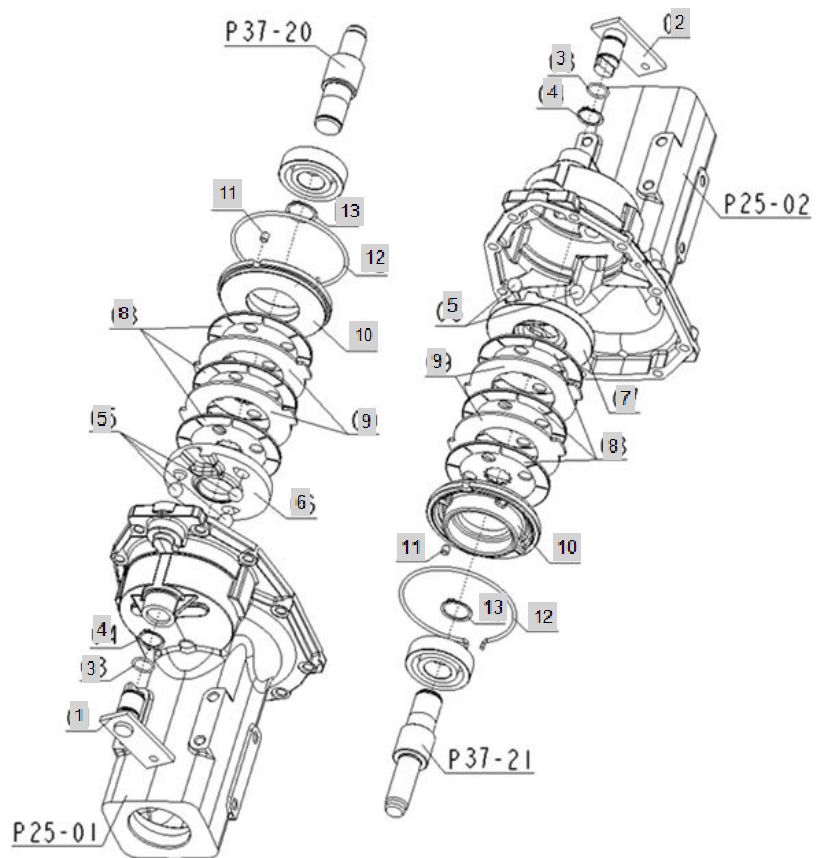




FIG T053

2800h(2014~)

### 53. BRAKE ROD

Year/Month

2020/02

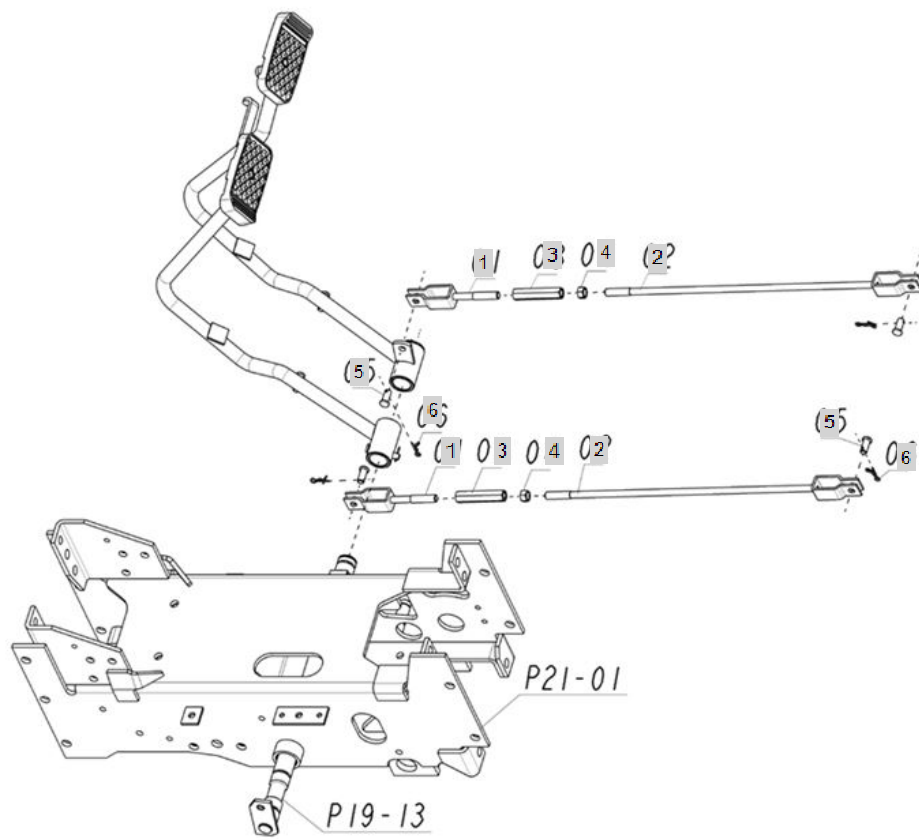




FIG T054

54. BRAKE PEDAL

Year/Month

2800h(2014~)

2020/02

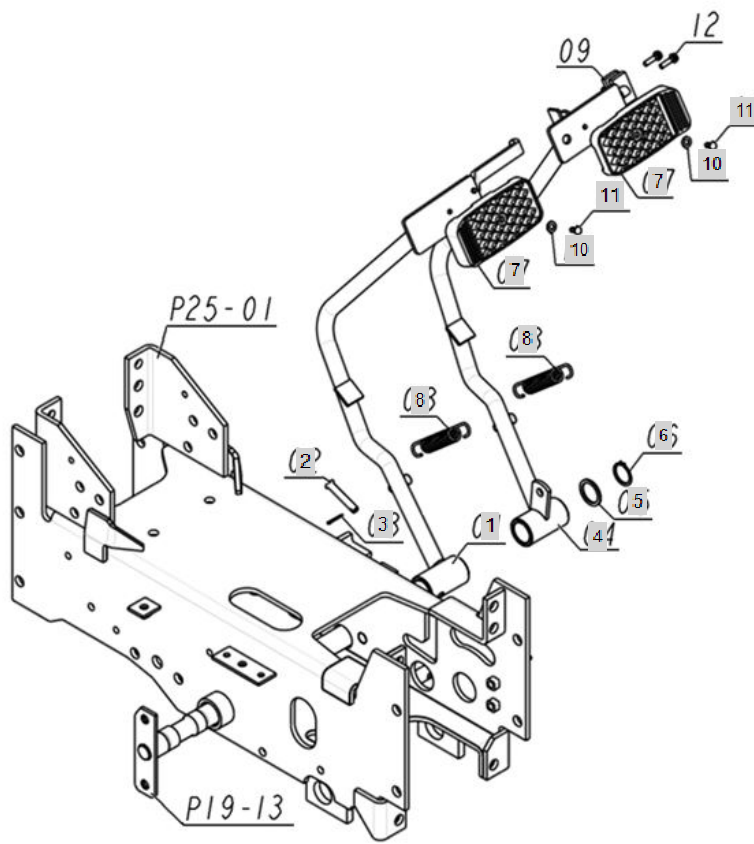






FIG T055

2800h(2014~)

55. BRAKE SWITCH

Year/Month

2020/02

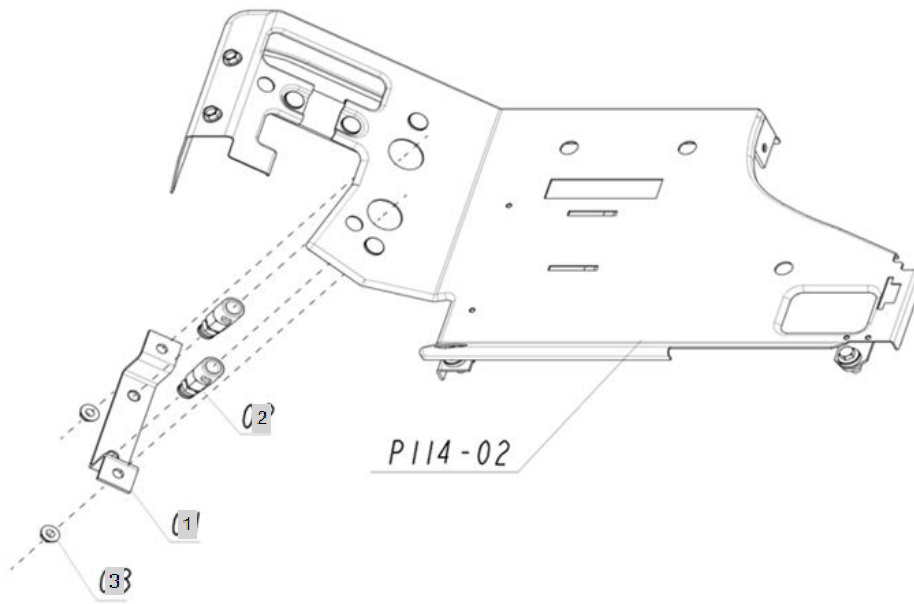




FIG T056

2800h(2014~)

56. SIDE BRAKE

Year/Month

2020/02

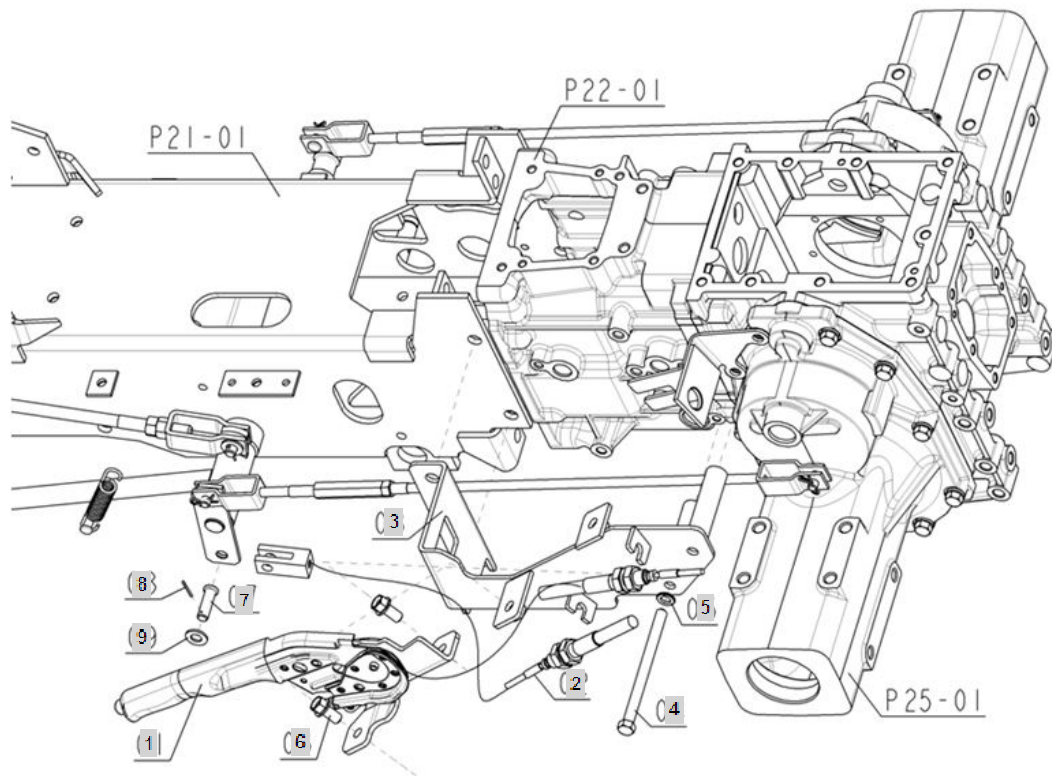




FIG T058H

NUETRAL HOLDER LINK - HST

Year/Month

2800h(2014~)

2020/02

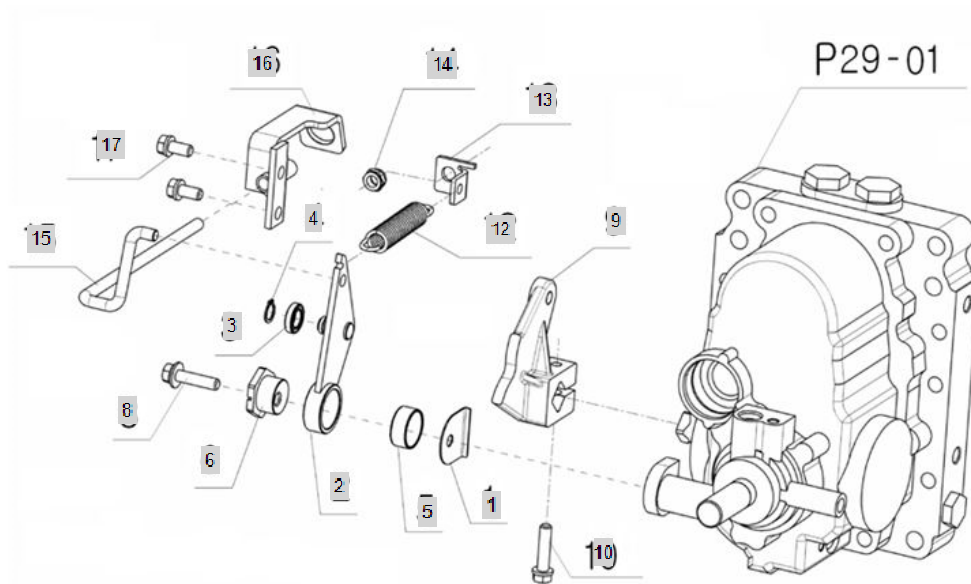




FIG T059-1H

2800h(2014~)

F-R PEDAL - HST

Year/Month

2020/02

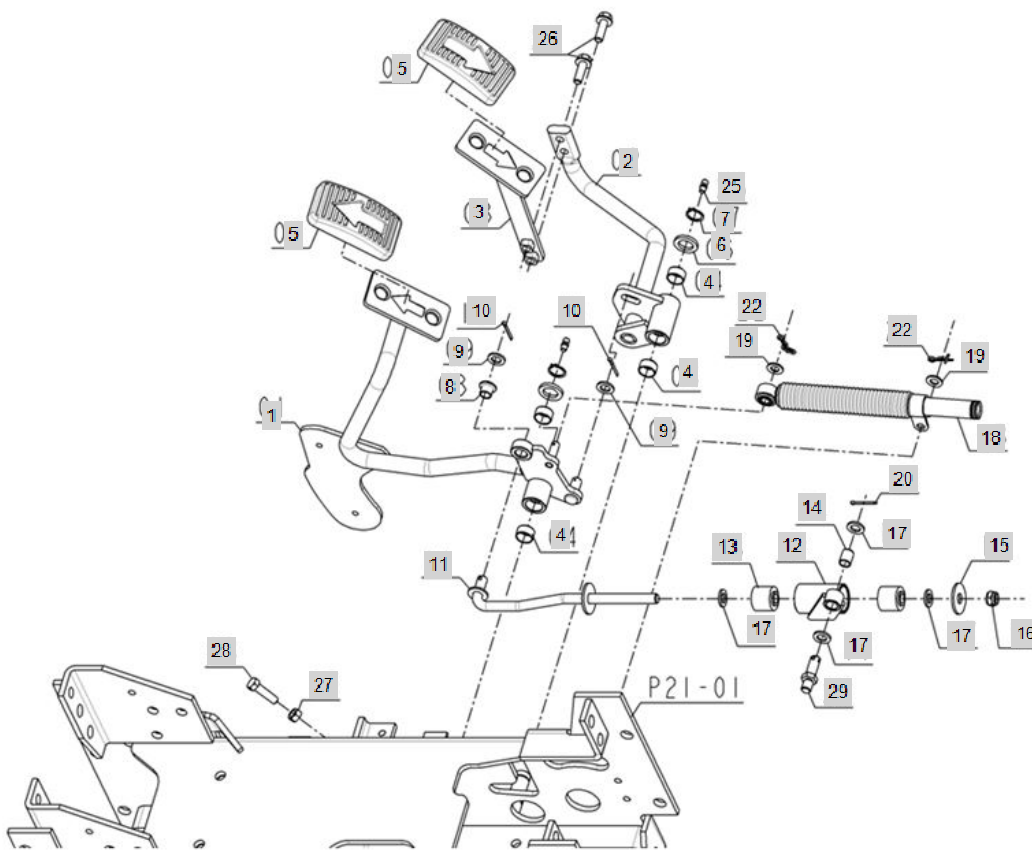






FIG T059-2H

2800h(2014~)

F-R PEDAL - HST

Year/Month

2020/02

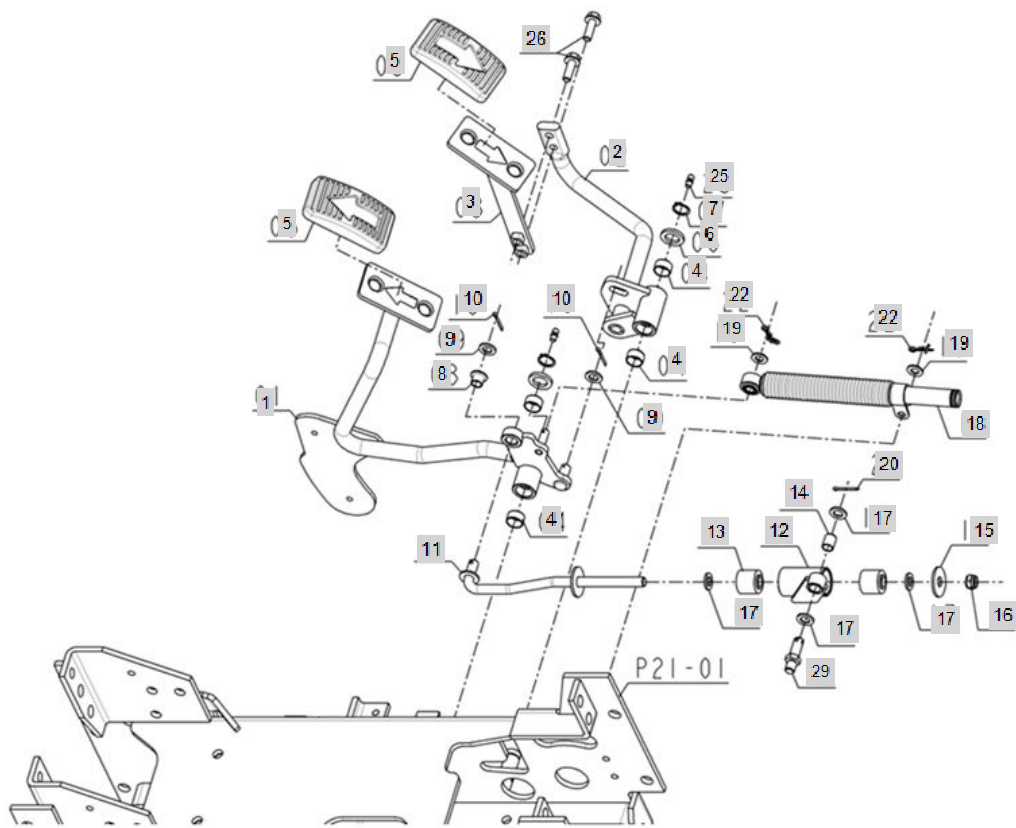




FIG T060H

2800h(2014~)

60. CRUISE LEVER - HST

Year/Month

2020/02

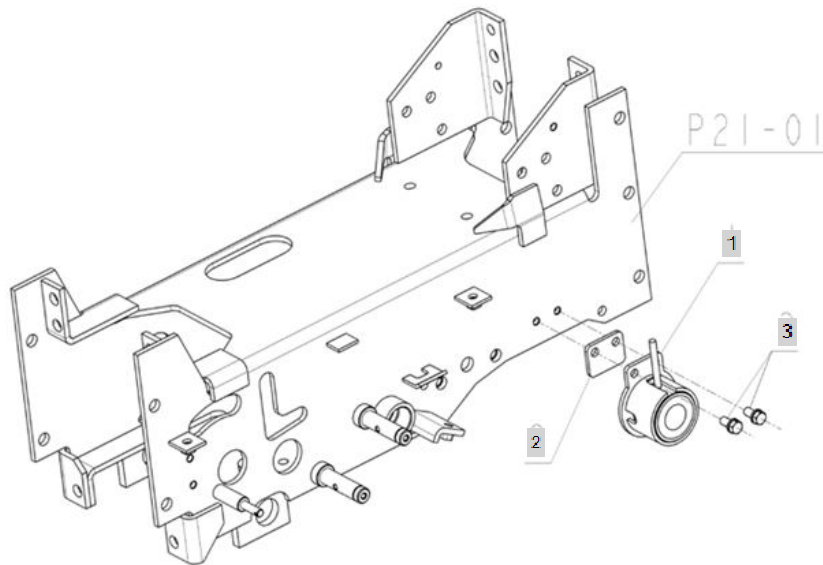




FIG T061

2800h(2014~)

61. RANGE GEAR SHIFT LEVER

Year/Month

2020/02

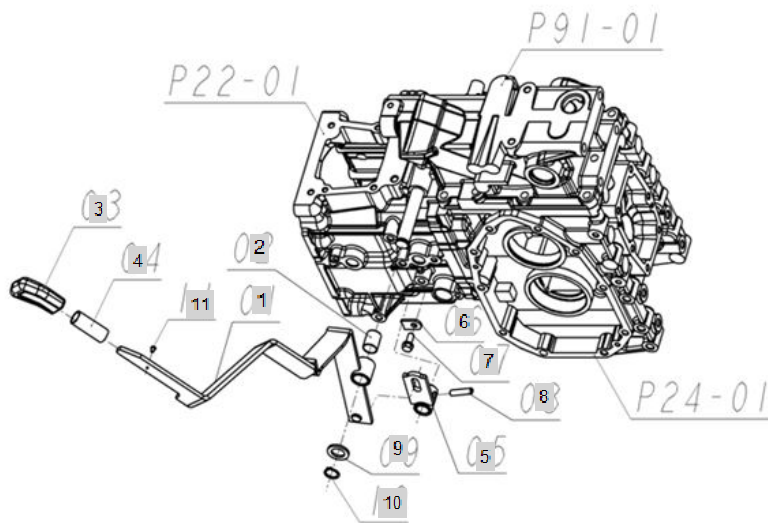




FIG T062

2800h(2014~)

### 62. FRONT WHEEL DRIVE LEVER

Year/Month

2020/02

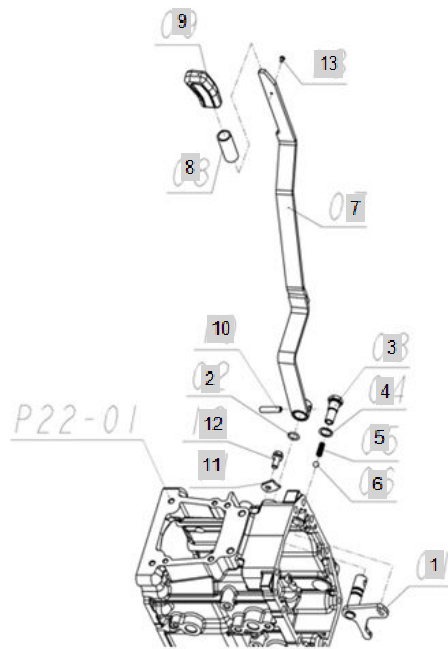






FIG T063

2800h(2014~)

### 63. PTO GEAR SHIFT LEVER

Year/Month

2020/02

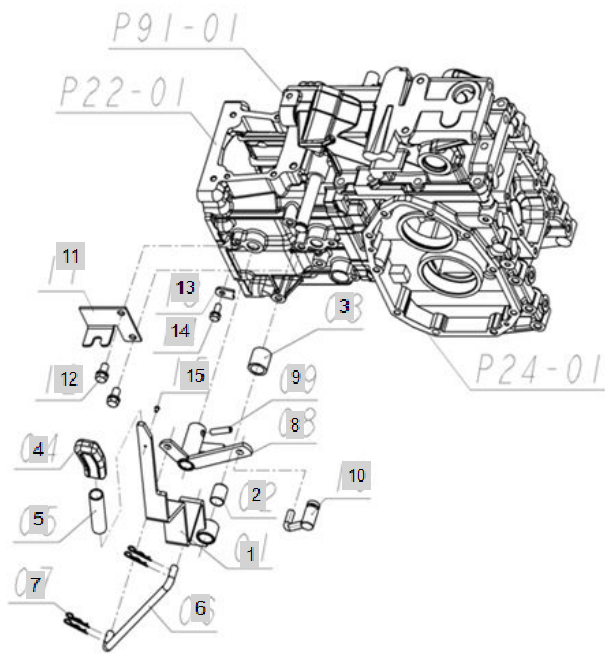




FIG T065

2800h(2014~)

65. POSITION CONTROL LEVER

Year/Month

2020/02

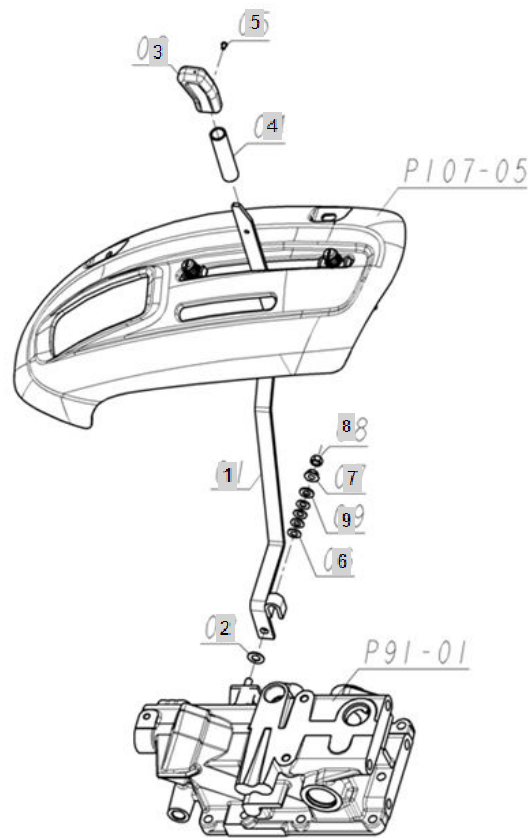




FIG T067H

DIFFERENTIAL LOCK LEVER - HST

Year/Month

2800h(2014~)

2020/02

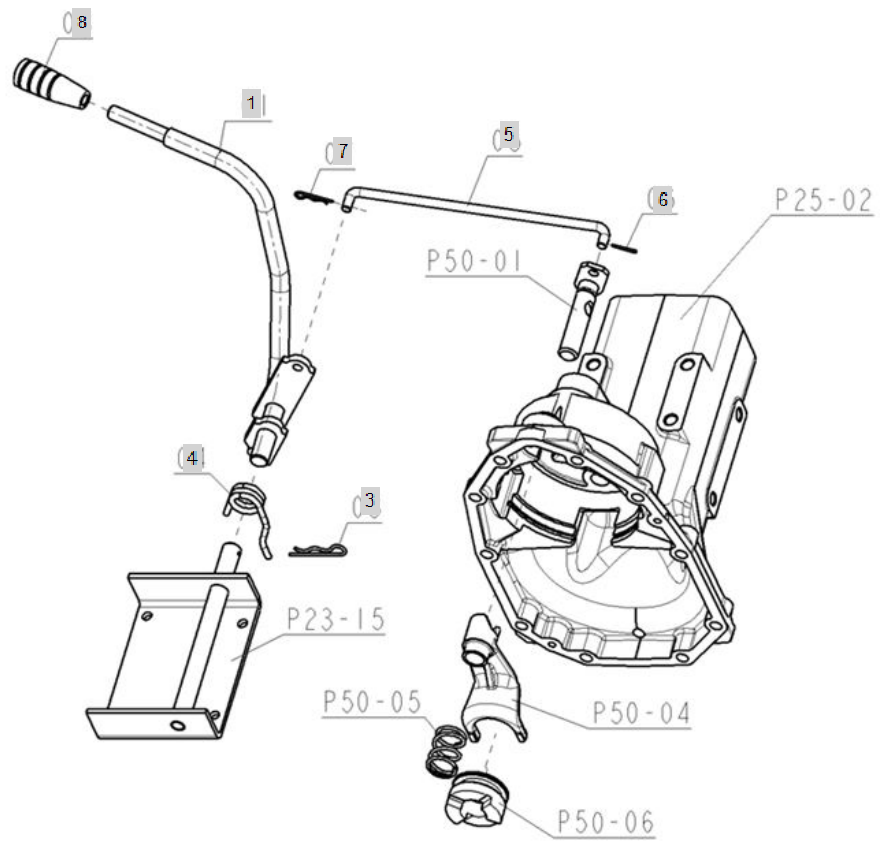




FIG T068-1

68. FRONT AXLE FRAME

Year/Month

2800h(2014~)

2020/02

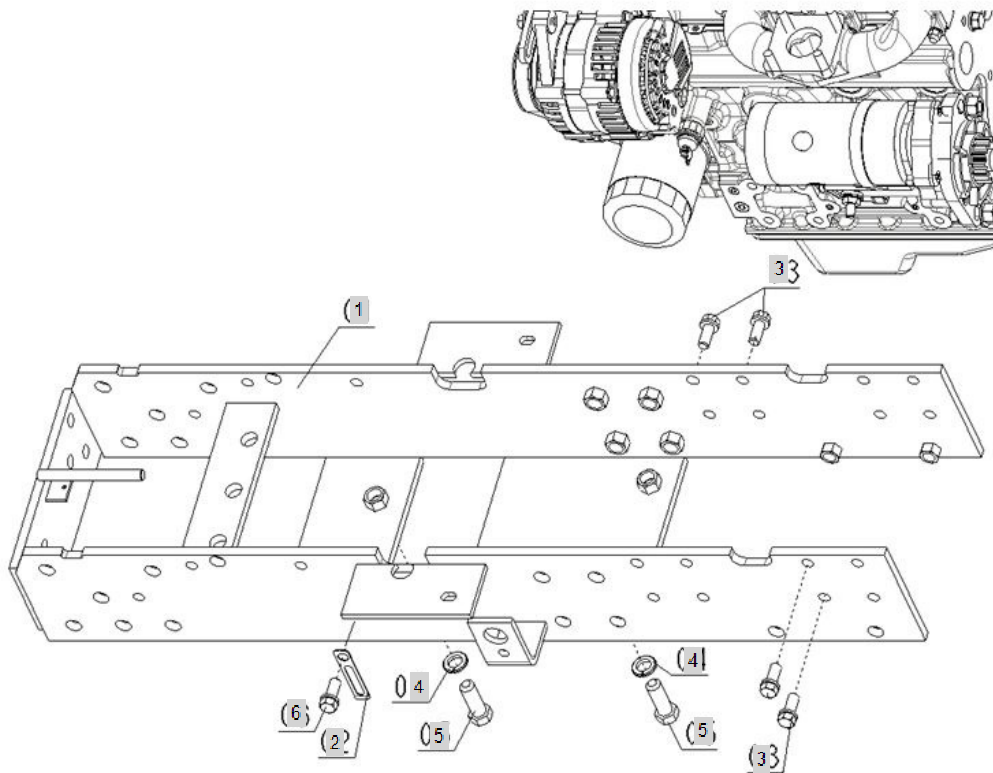






FIG T068-2

68. FRONT AXLE FRAME

Year/Month

2800h(2014~)

2020/02

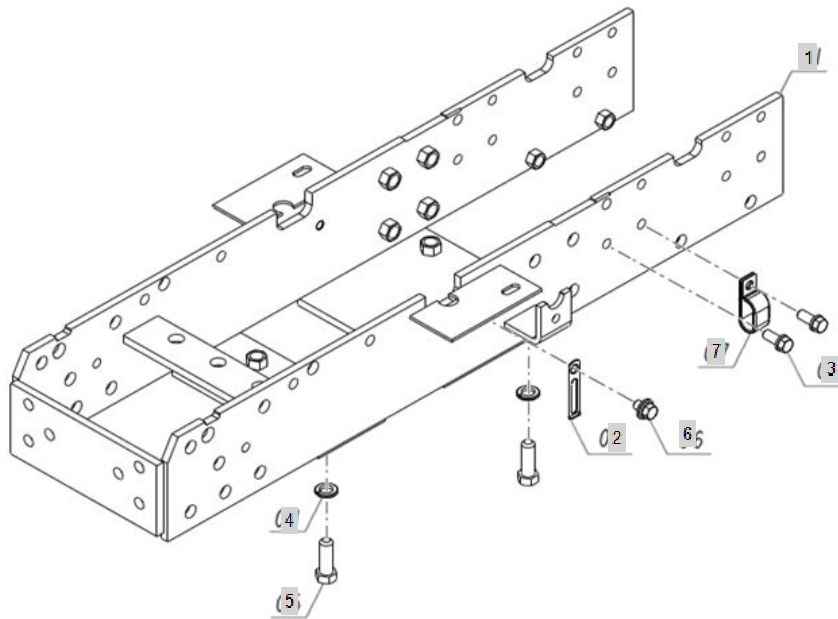




FIG T069

69. FRONT AXLE CASE

Year/Month

2800h(2014~)

2020/02

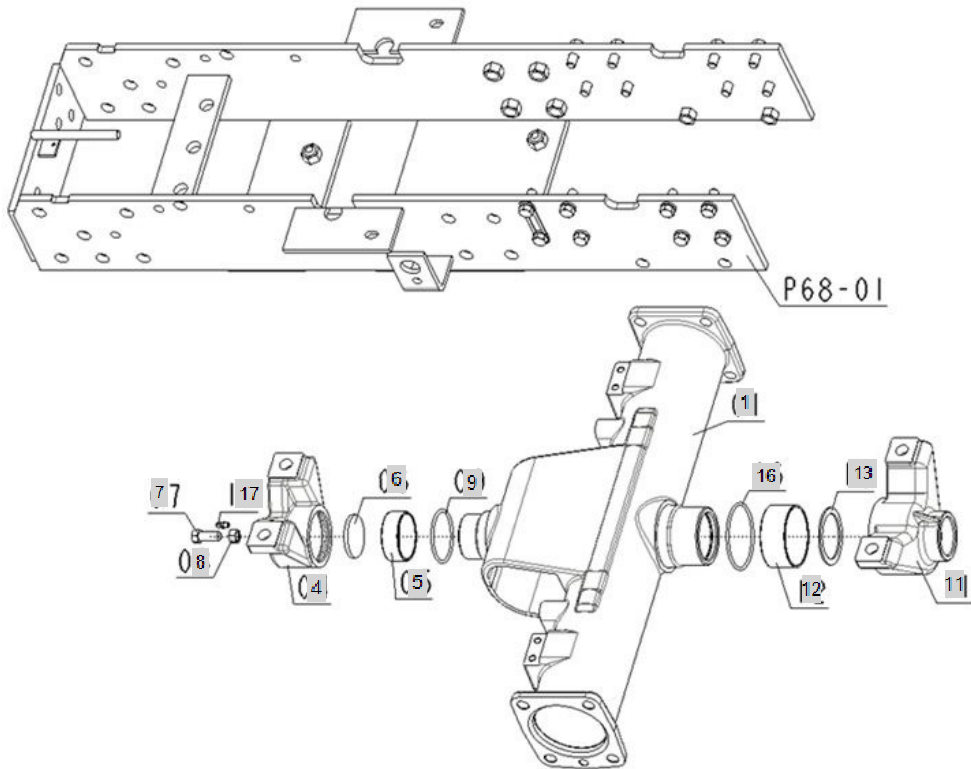




FIG T070-1

2800h(2014~)

### 70. FRONT DIFFERENTIAL

Year/Month

2020/02

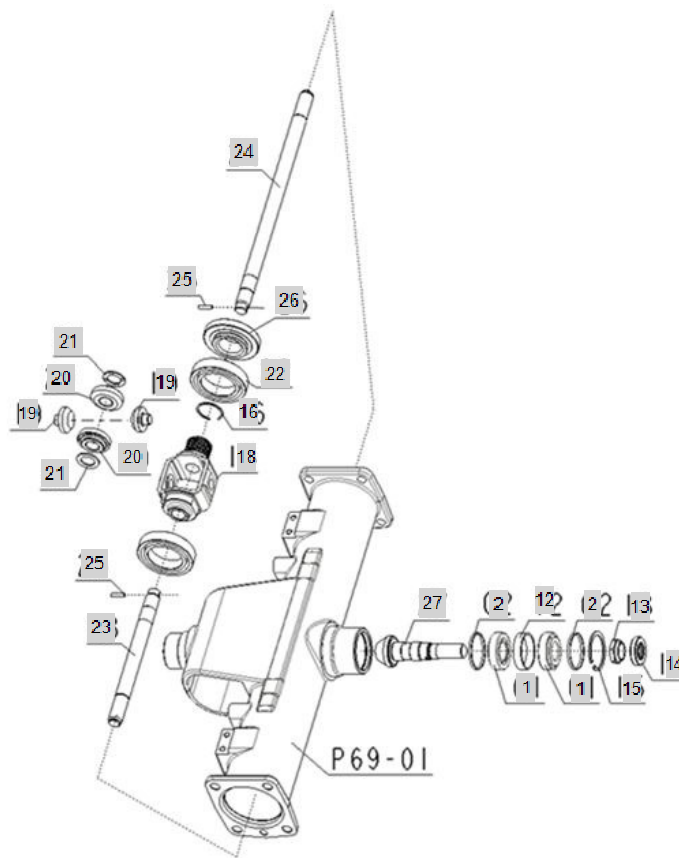




FIG T070-2

FRONT DIFFERENTIAL

Year/Month

2800h(2014~)

2020/02

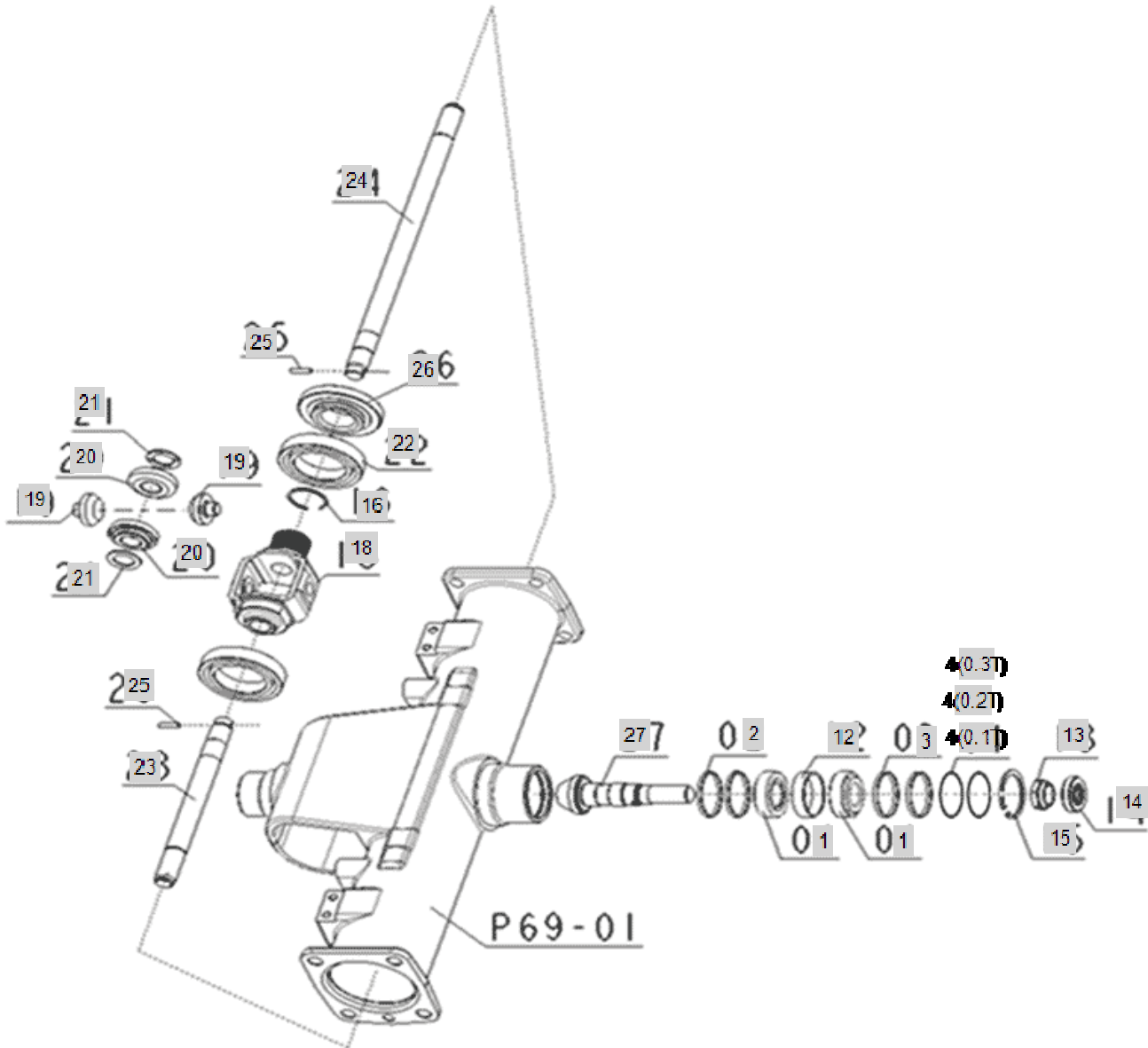






FIG T071

2800h(2014~)

71. DIFFERENTIAL GEAR SHAFT

Year/Month

2020/02

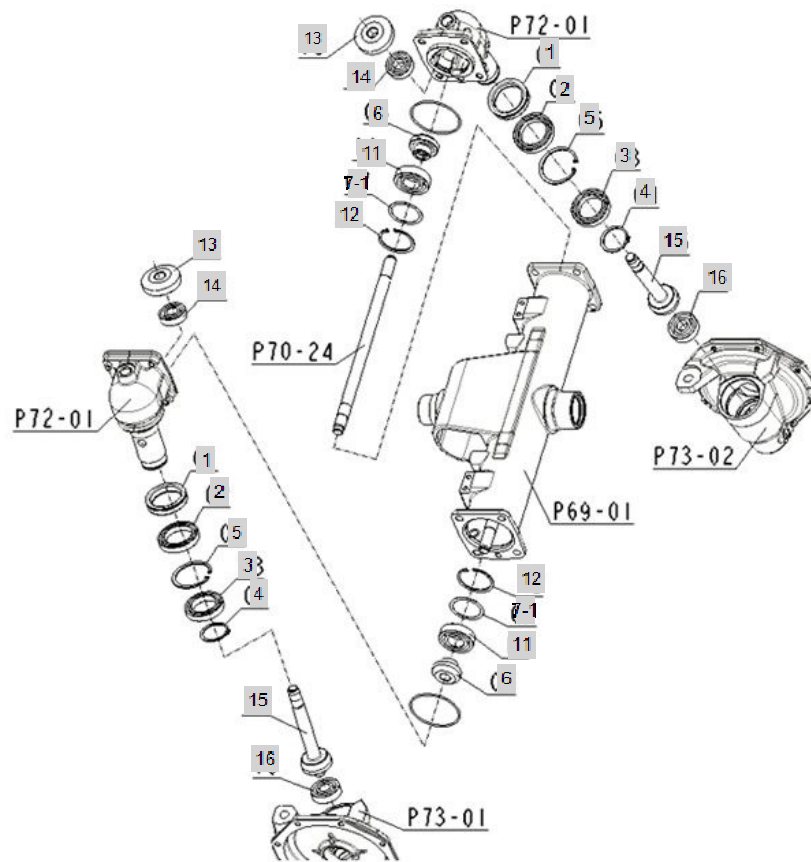




FIG T072-1

72. BEVEL GEAR CASE

Year/Month

2800h(2014~)

2020/02

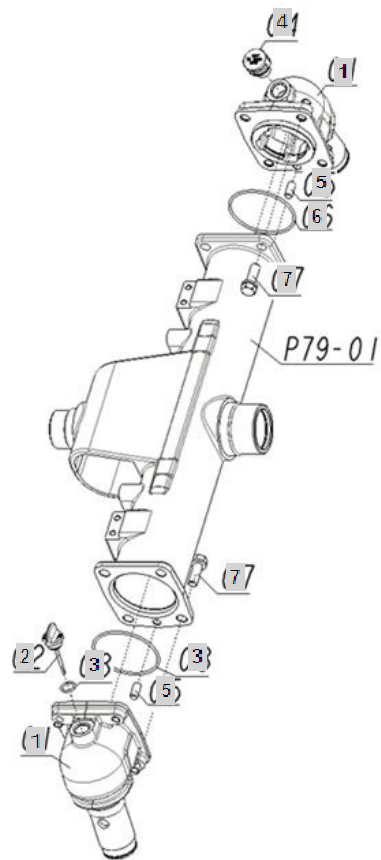




FIG T072-2

BEVEL GEAR CASE(2017.05)

Year/Month

2800h(2014~)

2020/02

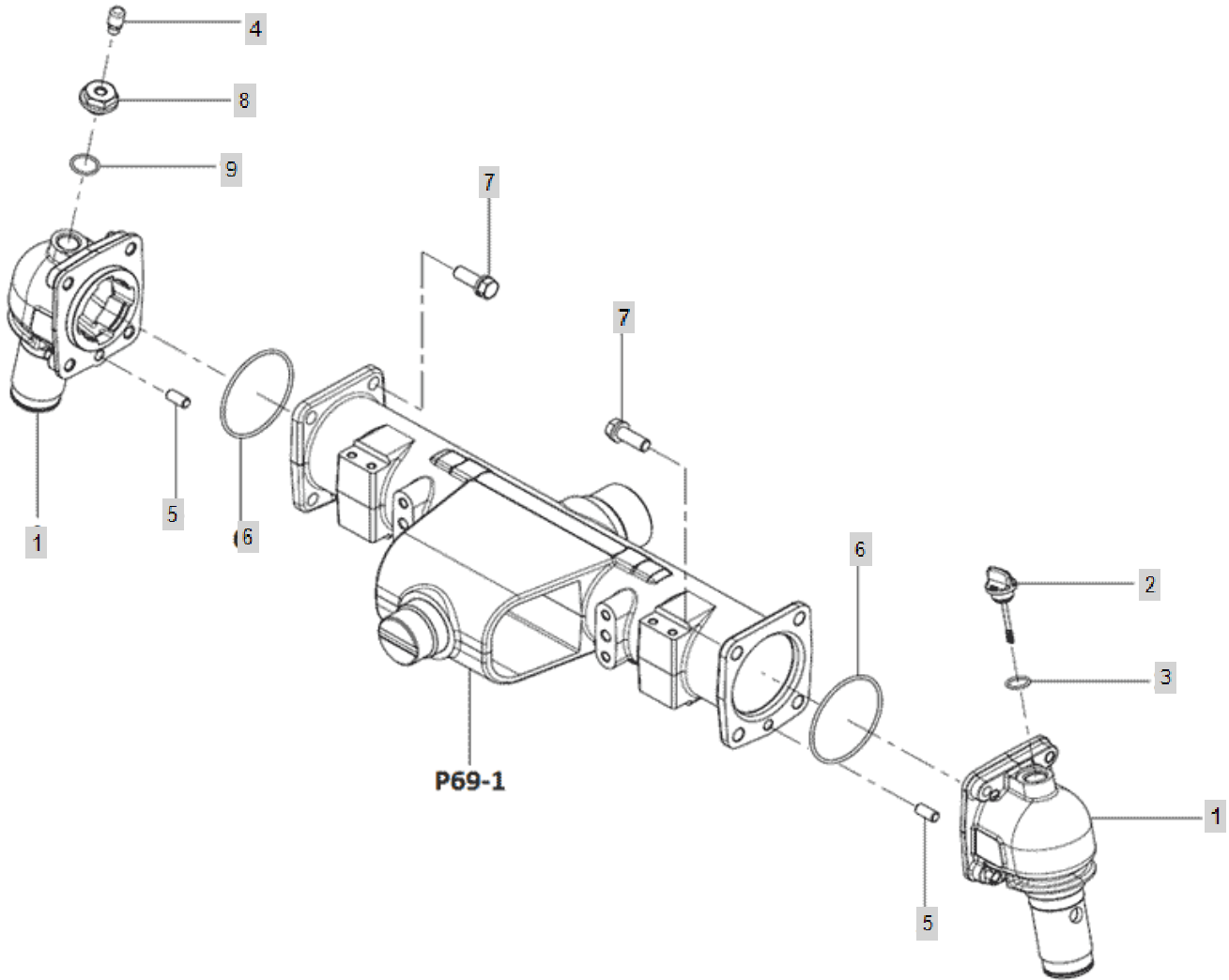




FIG T073

2800h(2014~)

73. FRONT AXLE CASE

Year/Month

2020/02

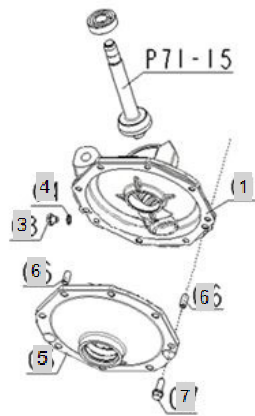
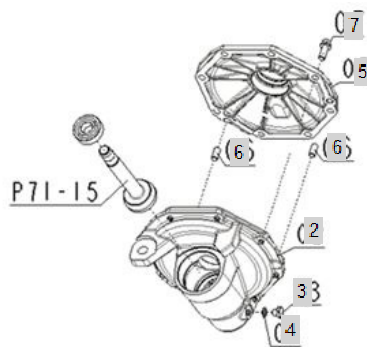






FIG T074

2800h(2014~)

74. FRONT SPINDLE

Year/Month

2020/02

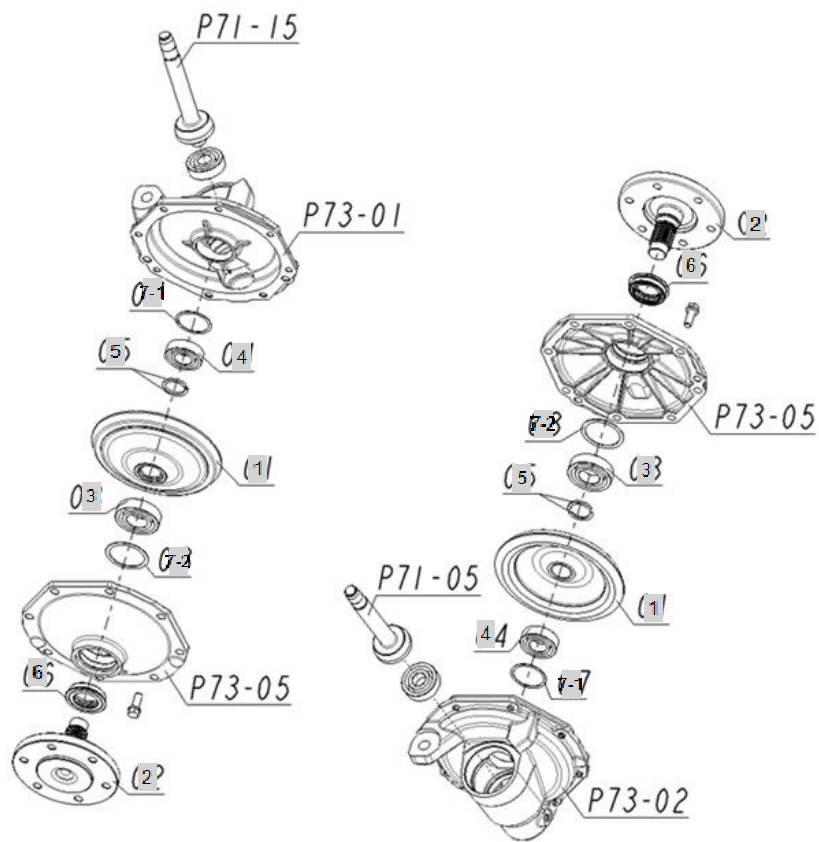




FIG T075

2800h(2014~)

75. FORNT DRIVE SHAFT

Year/Month

2020/02

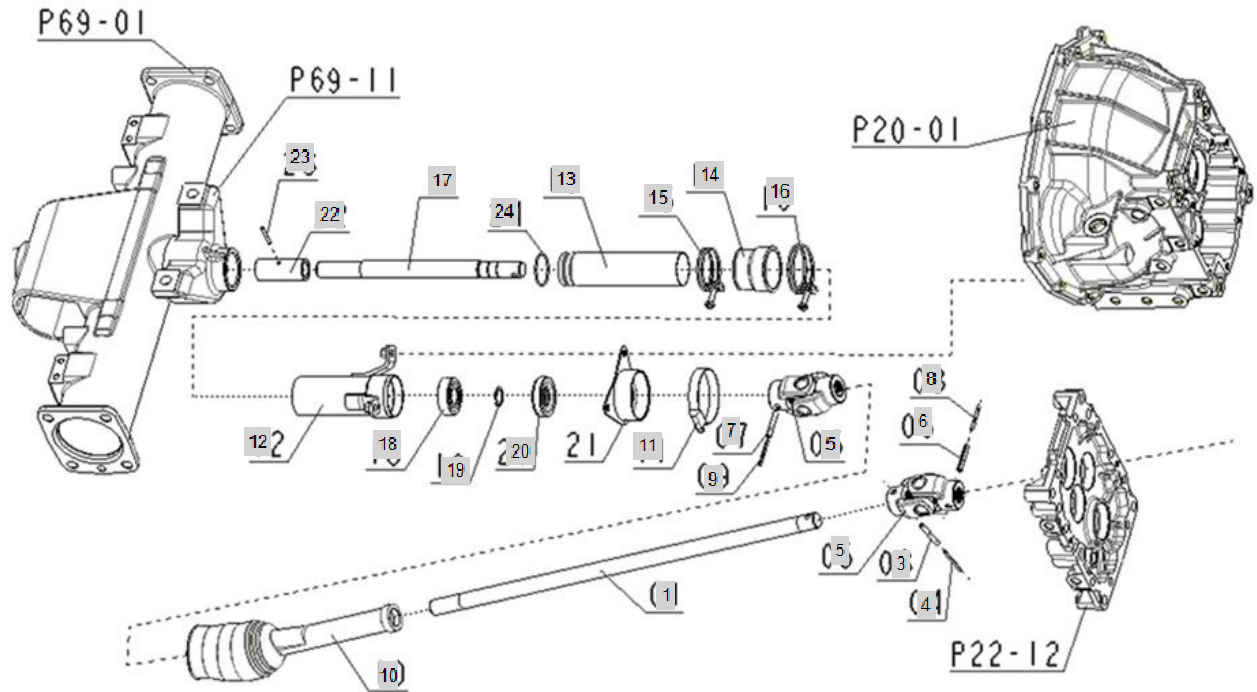




FIG T076H

FRONT DRIVE SHAFT - HST

Year/Month

2800h(2014~)

2020/02

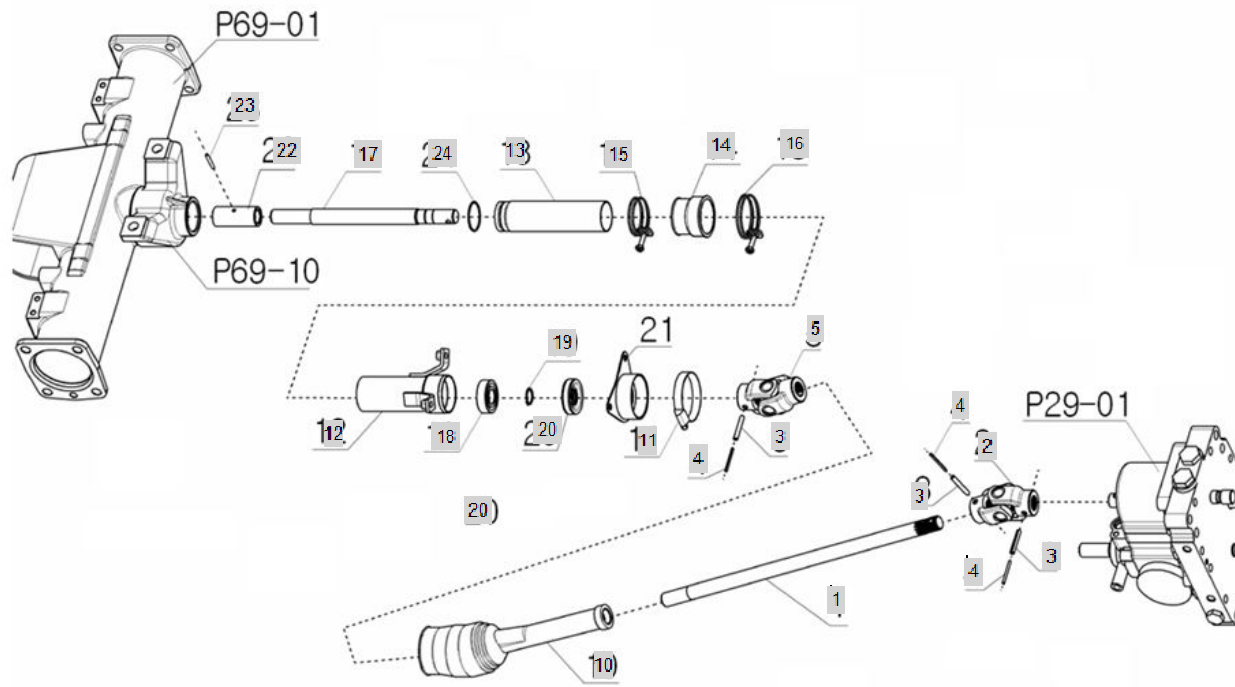




FIG T077

2800h(2014~)

77. PST CYLINDER COVER

Year/Month

2020/02

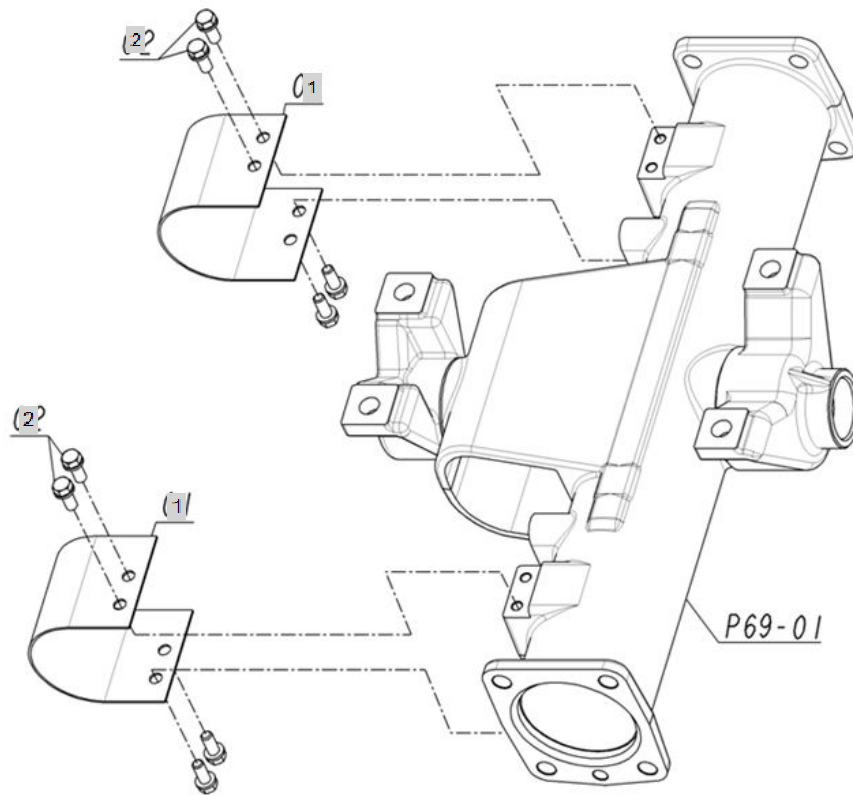






FIG T078

2800h(2014~)

78. TIE ROD

Year/Month

2020/02

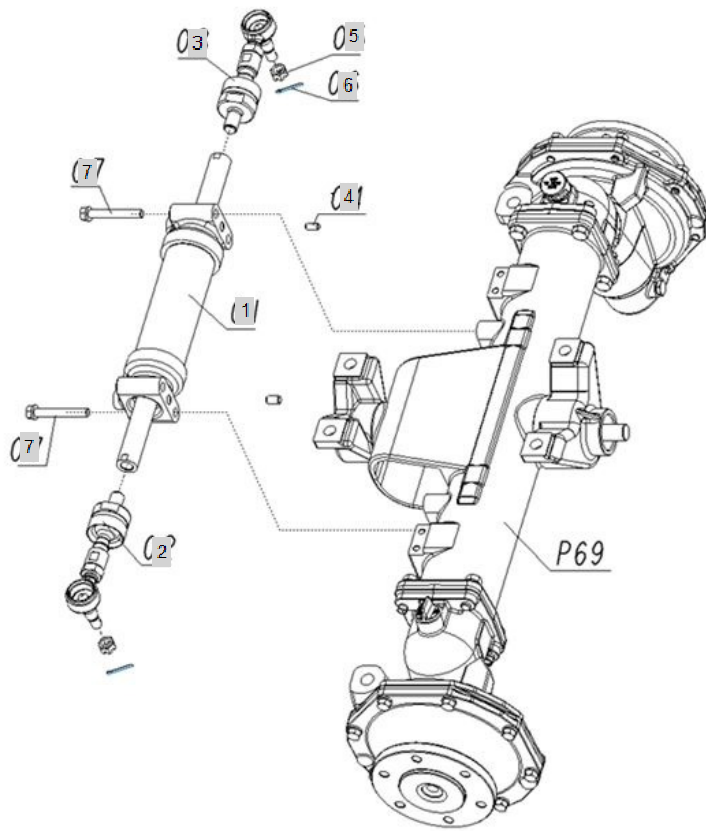




FIG T079

2800h(2014~)

79. STEERING WHEEL

Year/Month

2020/02

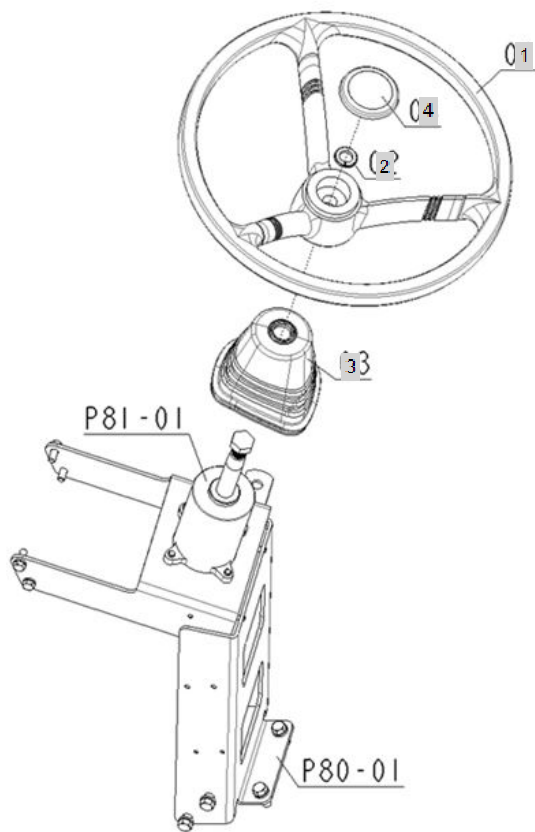




FIG T080

2800h(2014~)

80. STEERING POST

Year/Month

2020/02

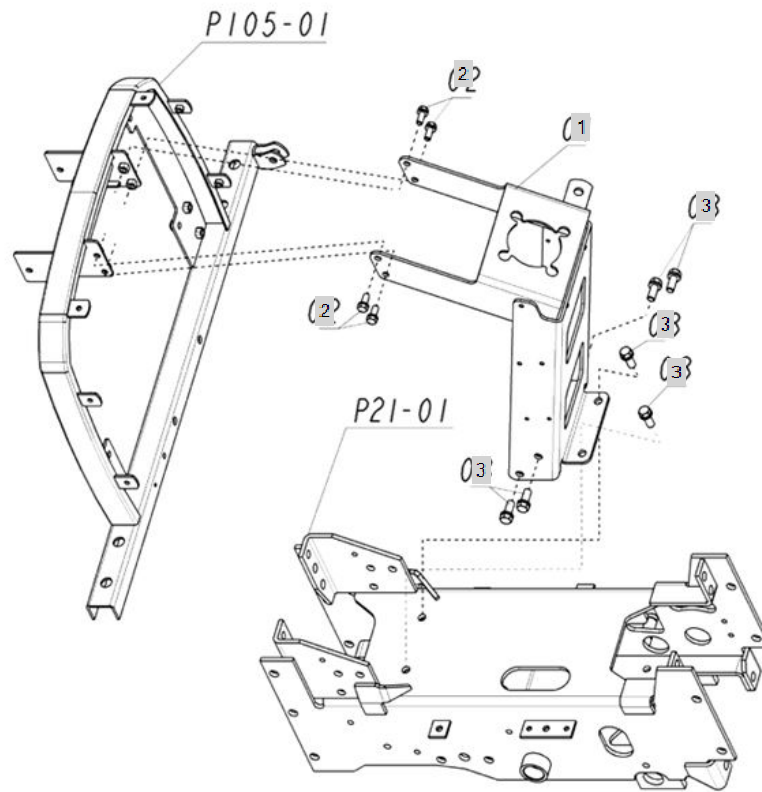




FIG T081

2800h(2014~)

81. PST UNIT

Year/Month

2020/02

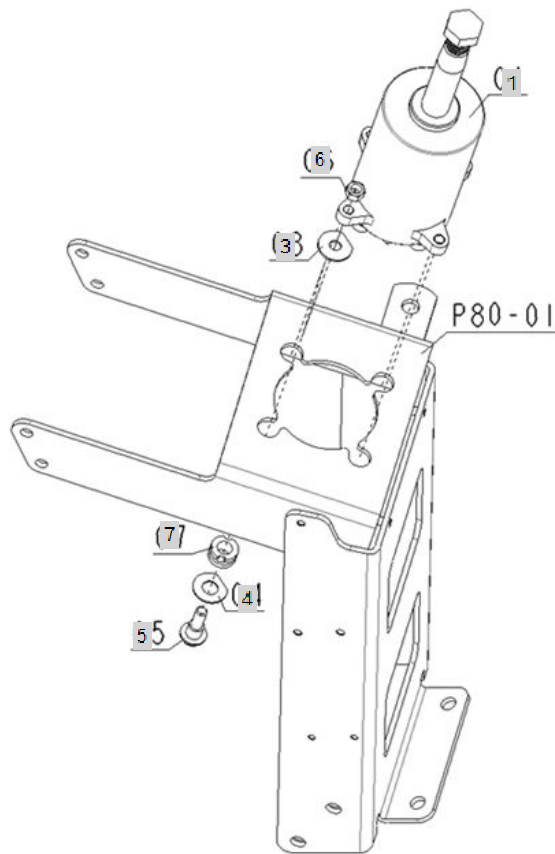






FIG T082

2800h(2014~)

82. HYDRAULIC PUMP

Year/Month

2020/02

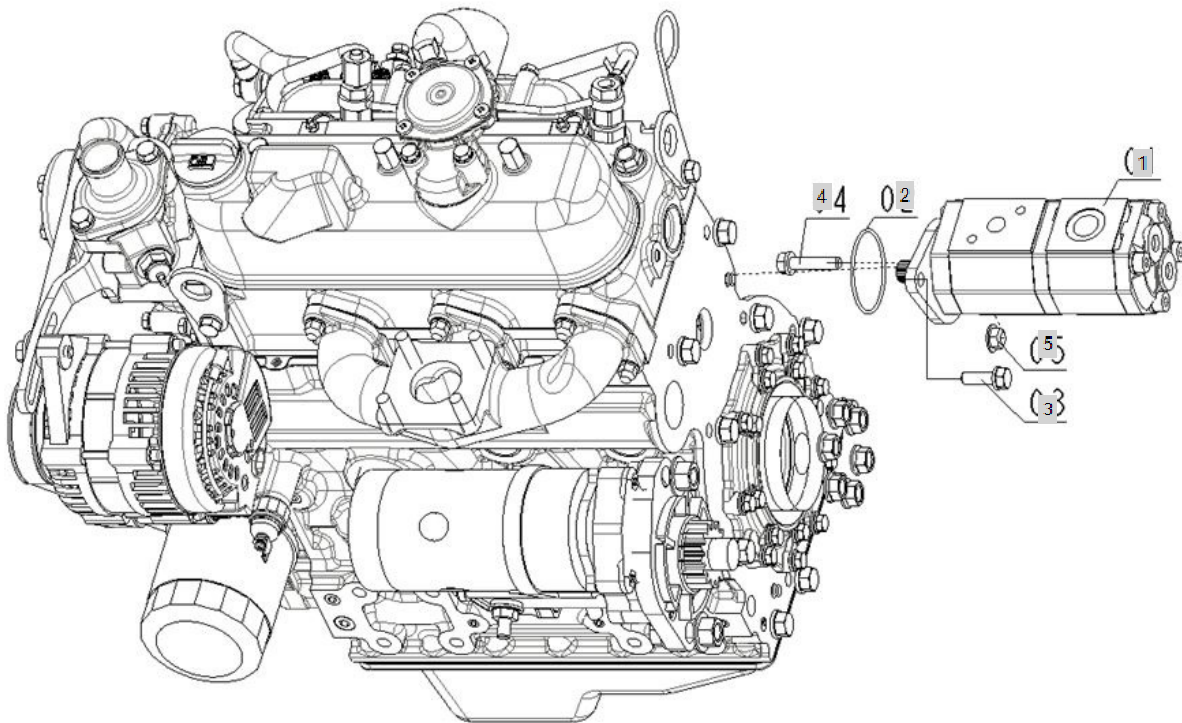




FIG T083

83. HYDRAULIC OIL LINE (SUCTION)

Year/Month

2800h(2014~)

2020/02

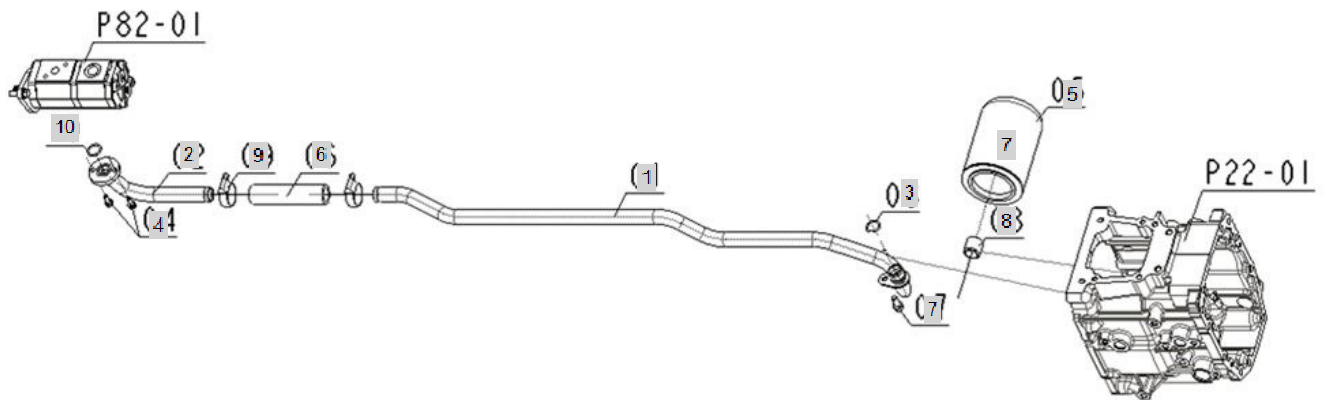




FIG T084H

84. HYDRAULIC OIL LINE (DELIVERY) - HST

Year/Month

2800h(2014~)

2020/02

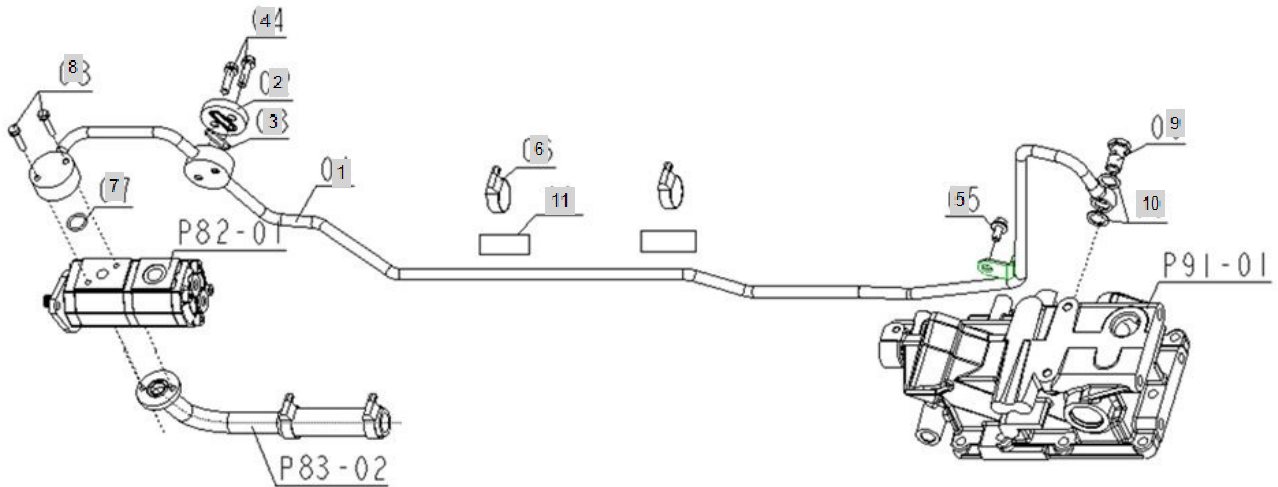




FIG T085H

85. HYDRAULIC STEERING LINE - HST

Year/Month

2800h(2014~)

2020/02

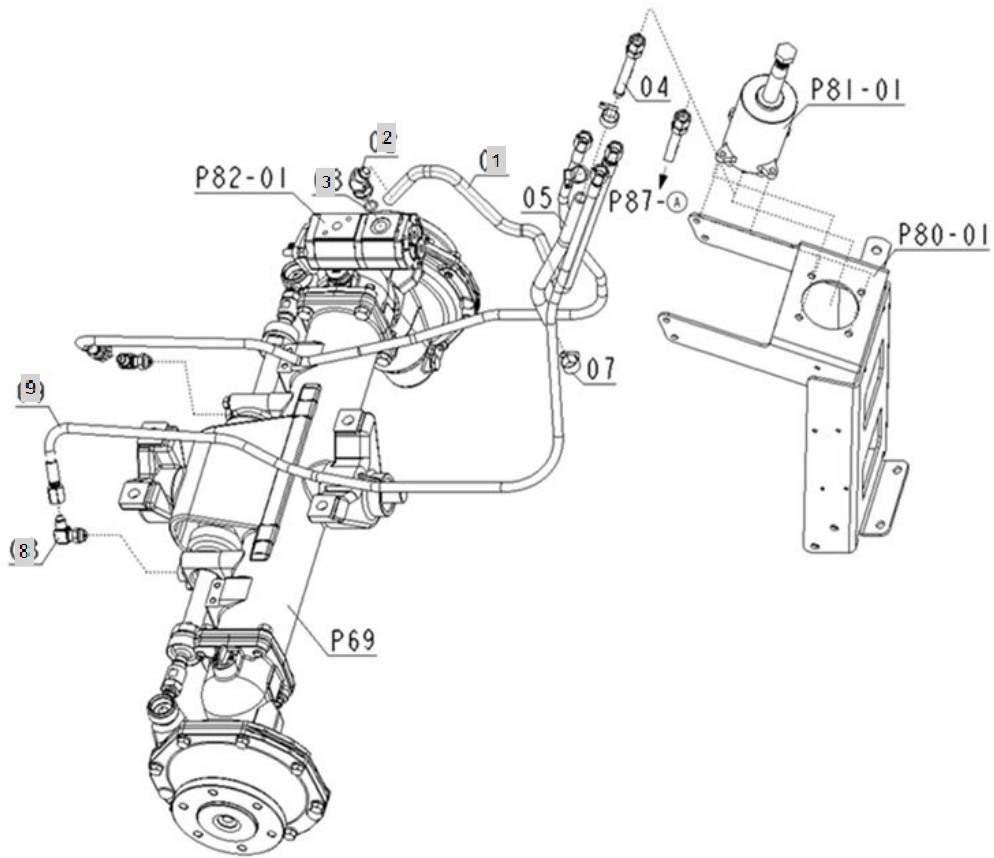






FIG T086-1H

86. HYDRAULIC OIL LINE - HST

Year/Month

2800h(2014~)

2020/02

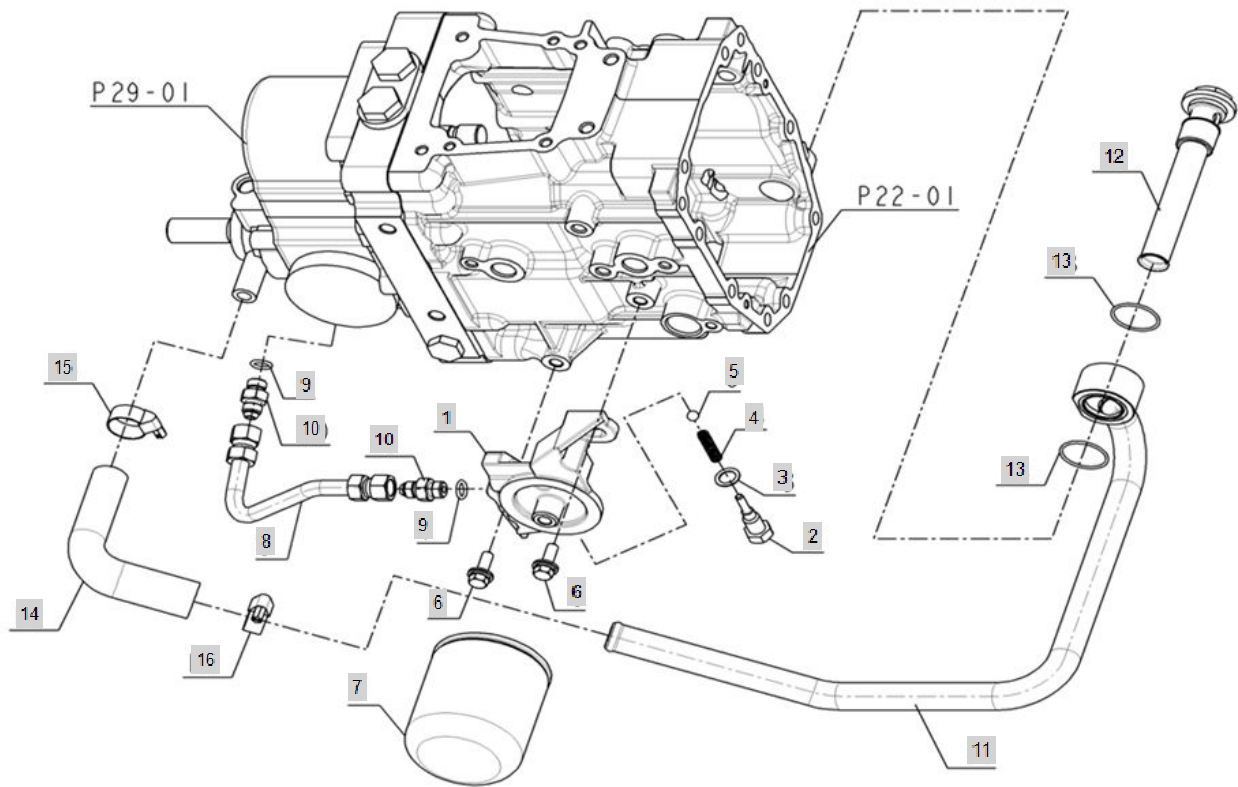




FIG T086-2H

86. HYDRAULIC OIL LINE - HST

Year/Month

2800h(2014~)

2020/02

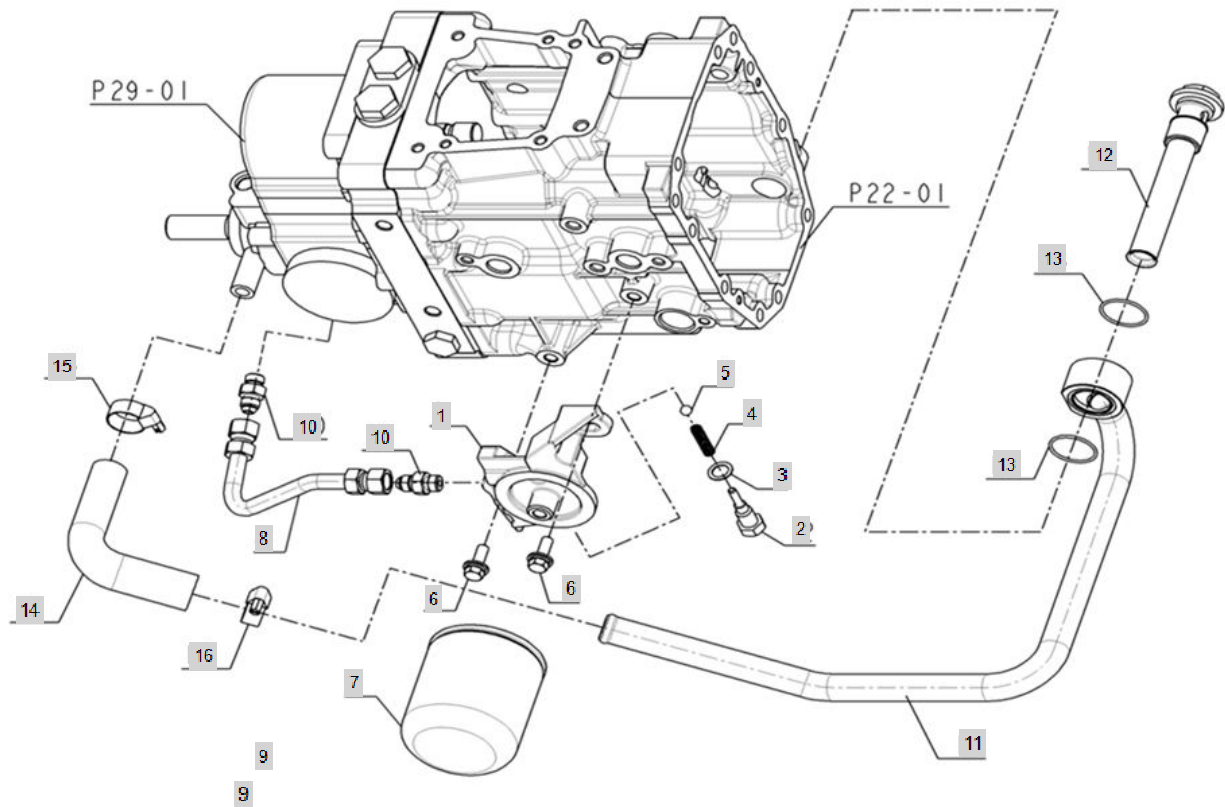




FIG T087H

2800h(2014~)

87. HYDRAULIC OIL COOLER

Year/Month

2020/02

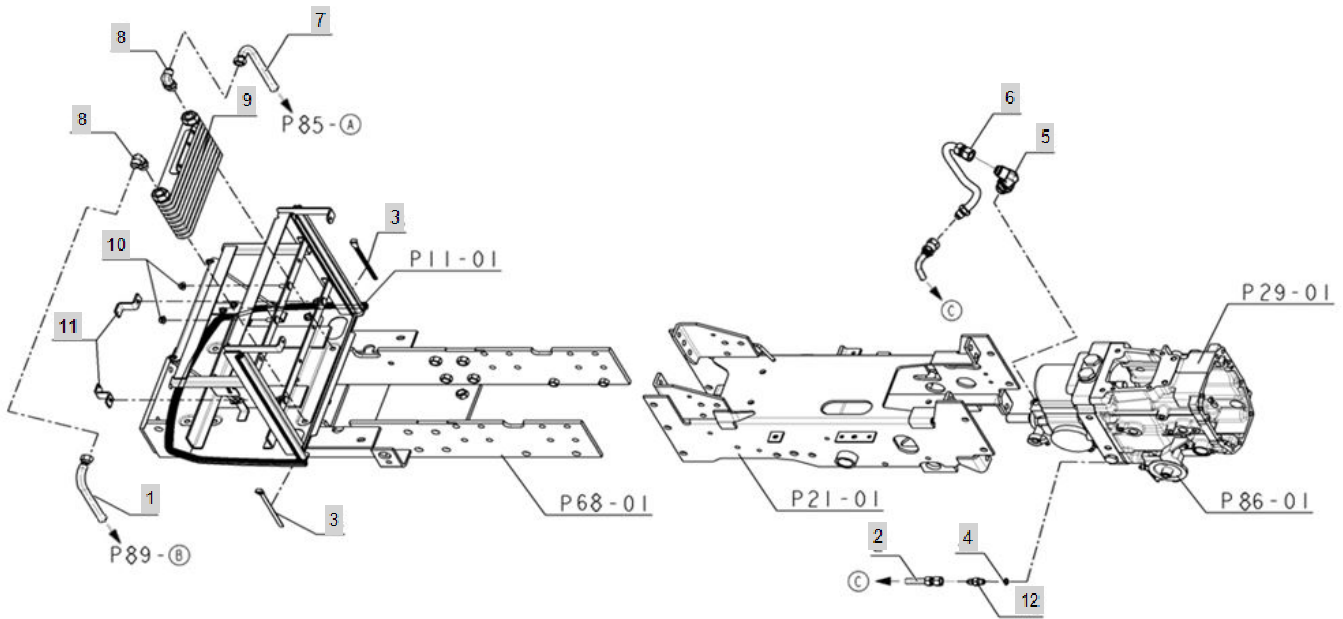




FIG T089H

89. HYDRAULIC OIL LINE (C/M) - HST

Year/Month

2800h(2014~)

2020/02

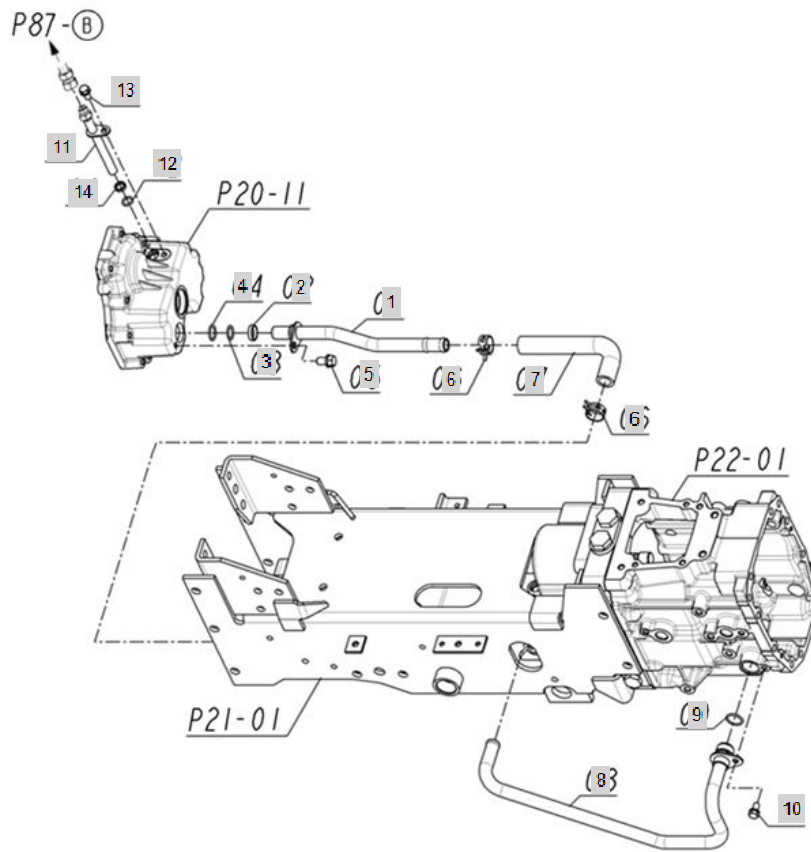






FIG T091

2800h(2014~)

91. HYDRAULIC CYLINDER (POSITION TYPE)

Year/Month

2020/02

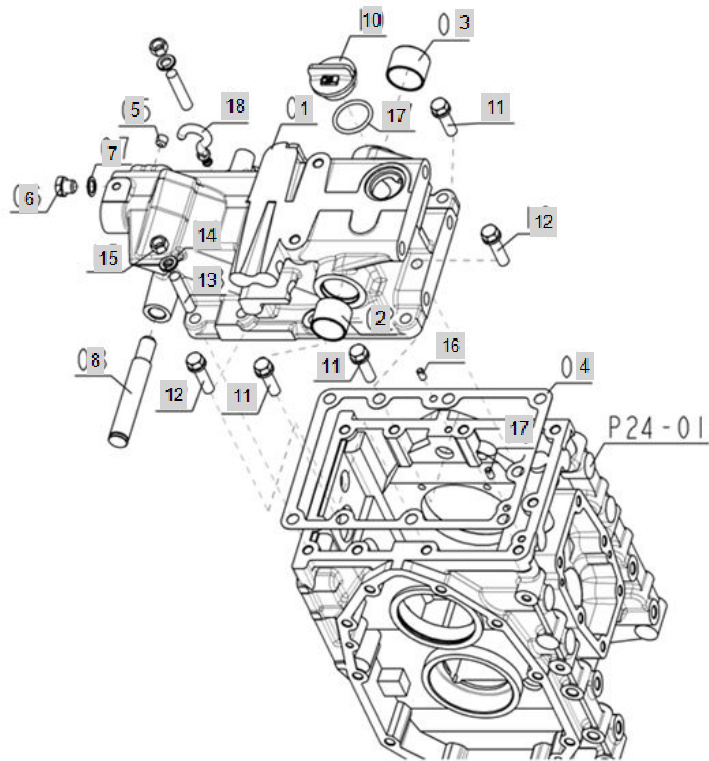




FIG T092

2800h(2014~)

92. HYDRAULIC PISTON / LIFT ARM

Year/Month

2020/02

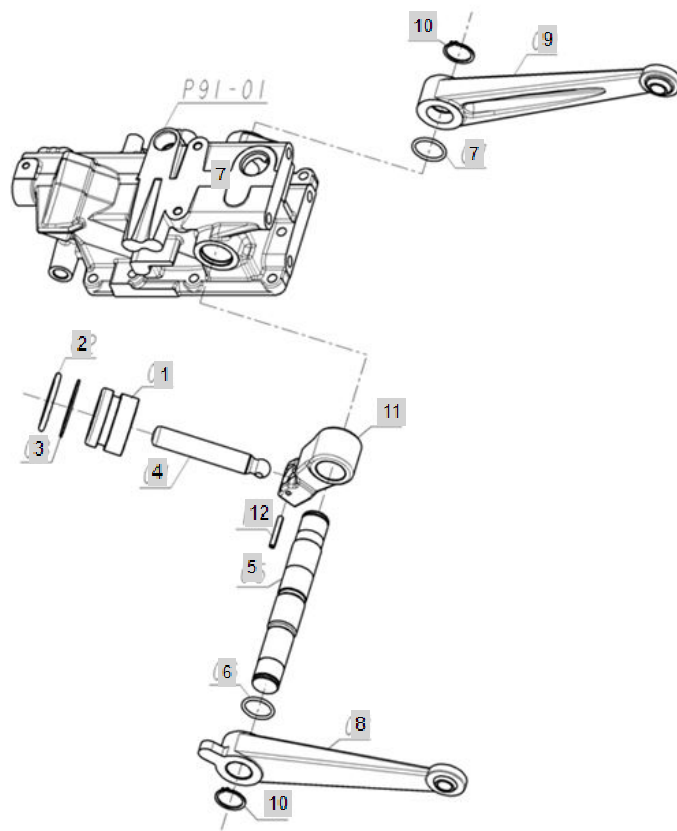




FIG T094

94. FEED BACK LEVER (POSITION TYPE)

Year/Month

2800h(2014~)

2020/02

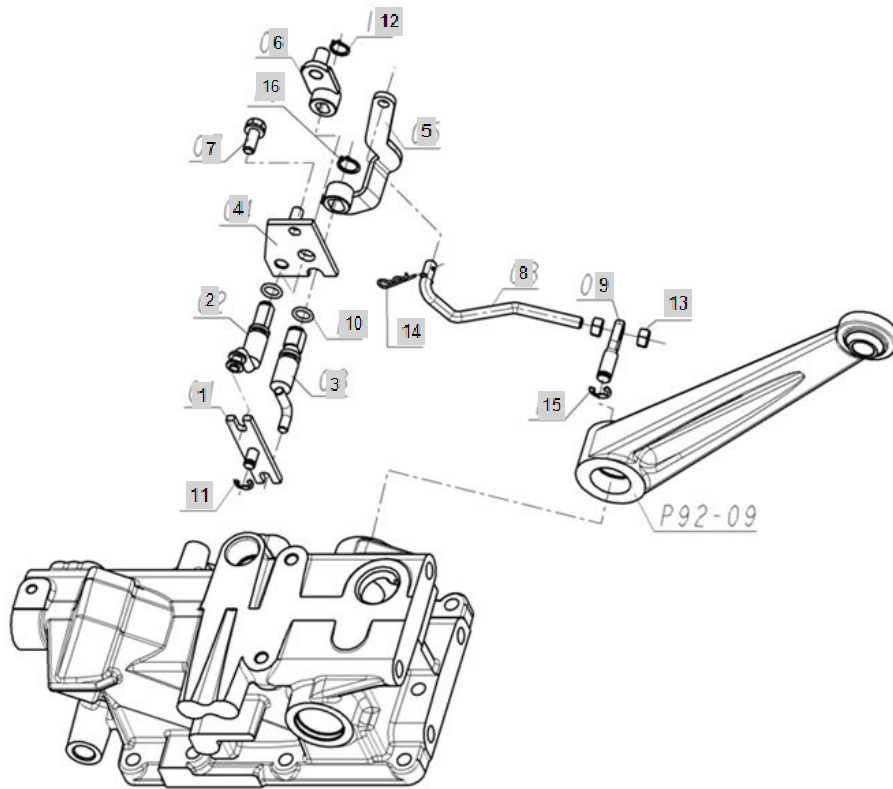




FIG T095

95. CONTROL VALVE

Year/Month

2800h(2014~)

2020/02

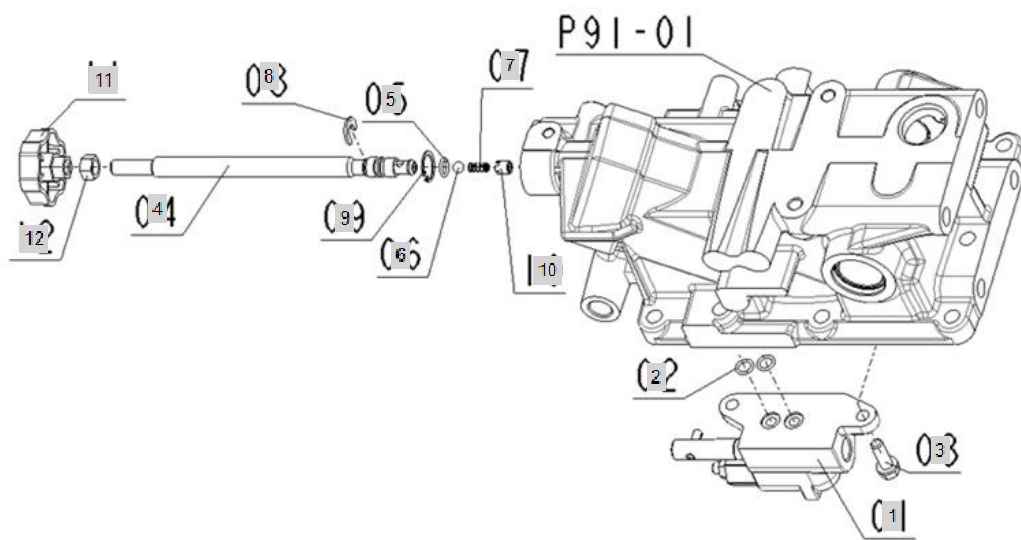






FIG T096

96. 3PT LIFT VALVE (POSITION TYPE)

Year/Month

2800h(2014~)

2020/02

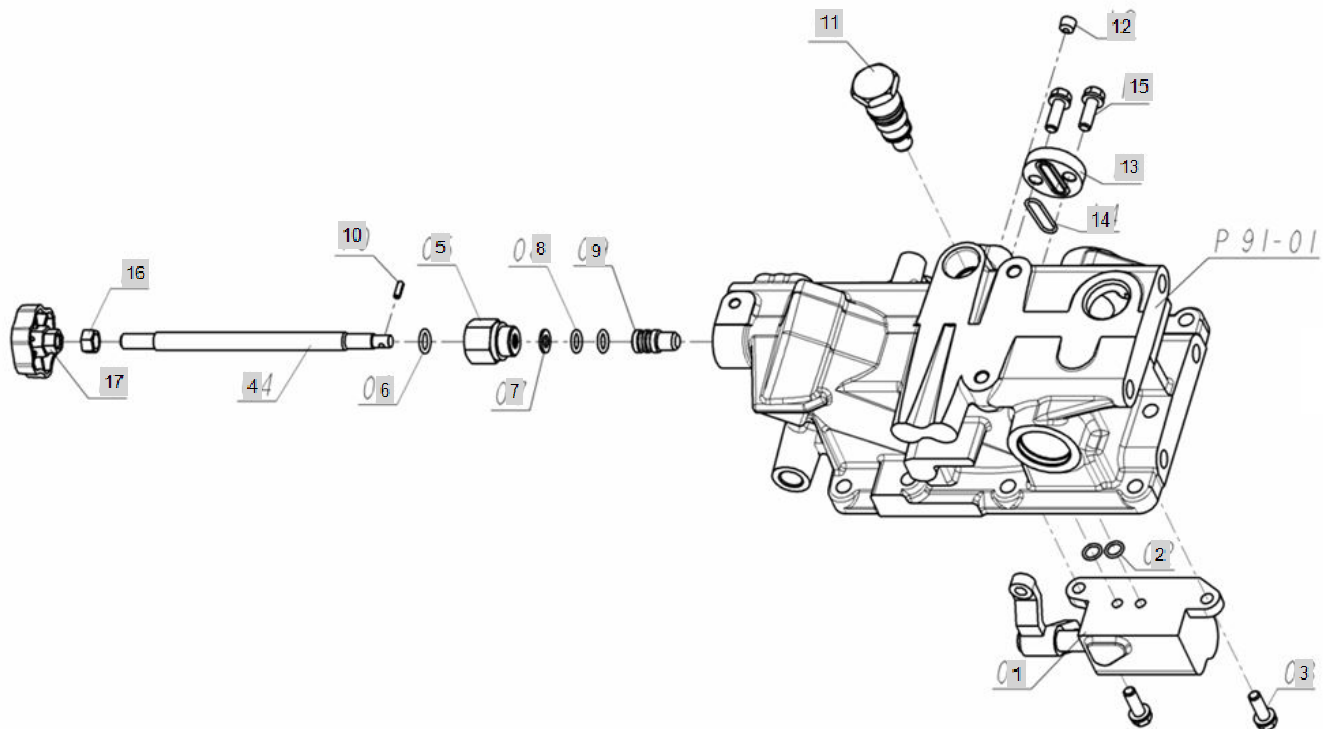




FIG T097

2800h(2014~)

97. LIFT LINK

Year/Month

2020/02

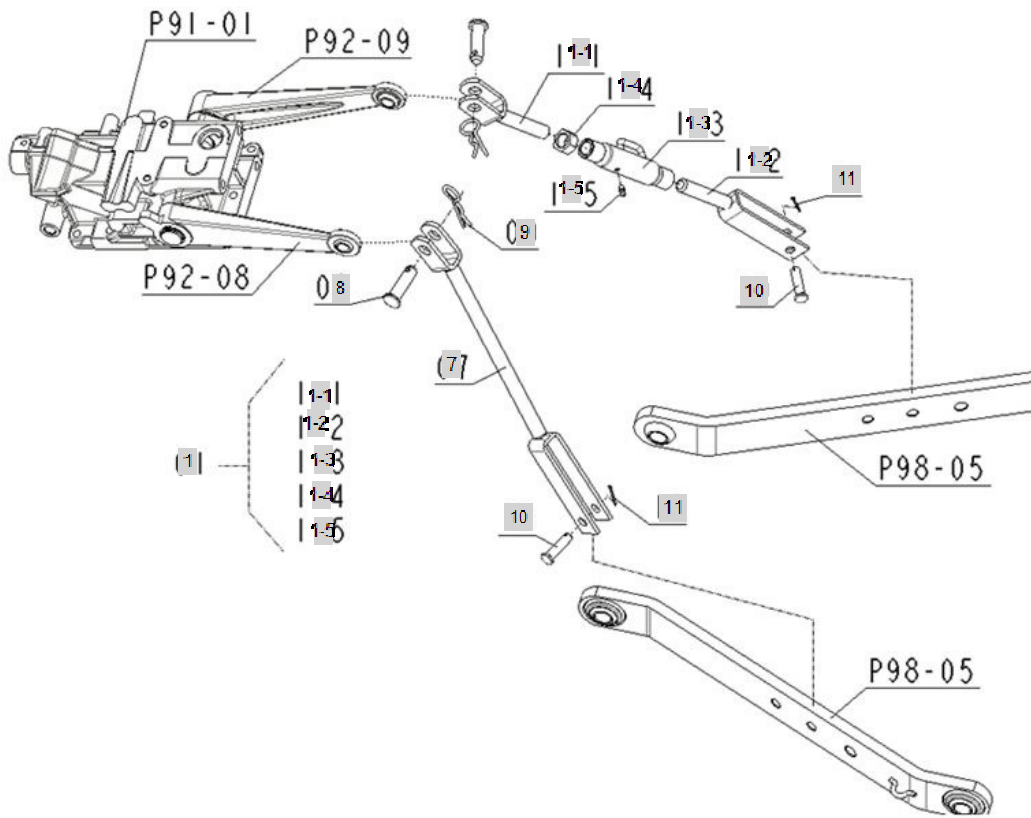




FIG T098

2800h(2014~)

98. LIFT ARM

Year/Month

2020/02

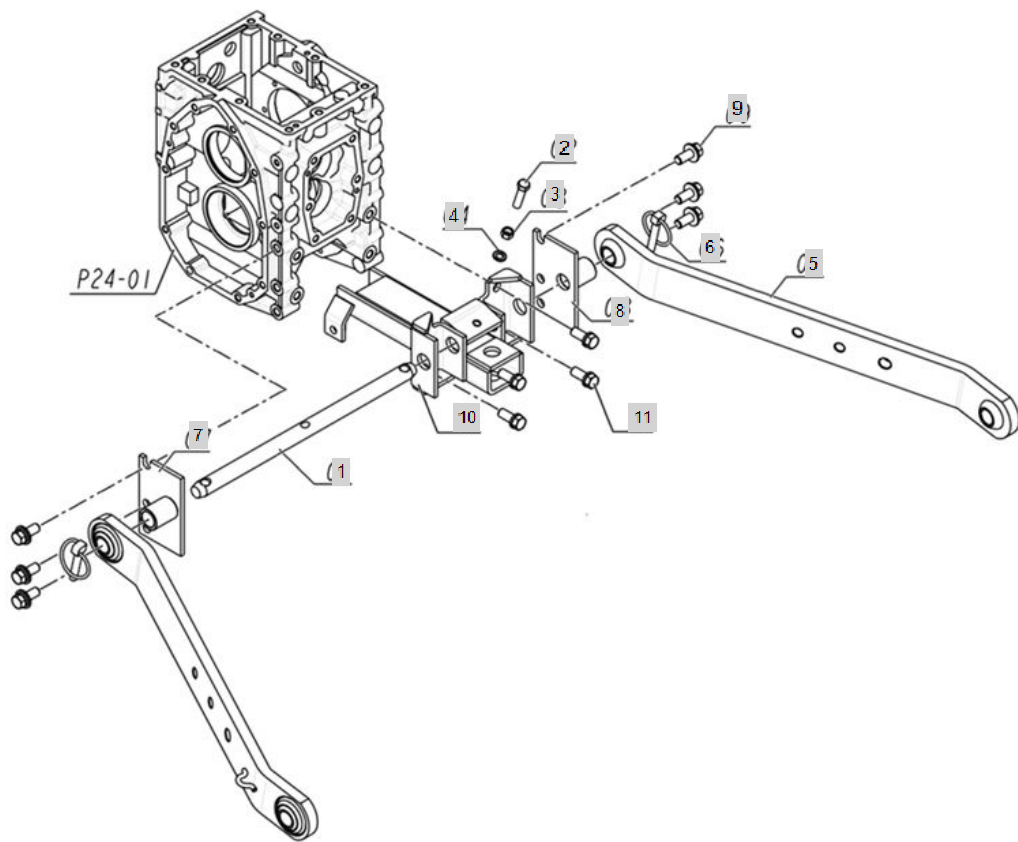




FIG T099

2800h(2014~)

99. TOP LINK

Year/Month

2020/02

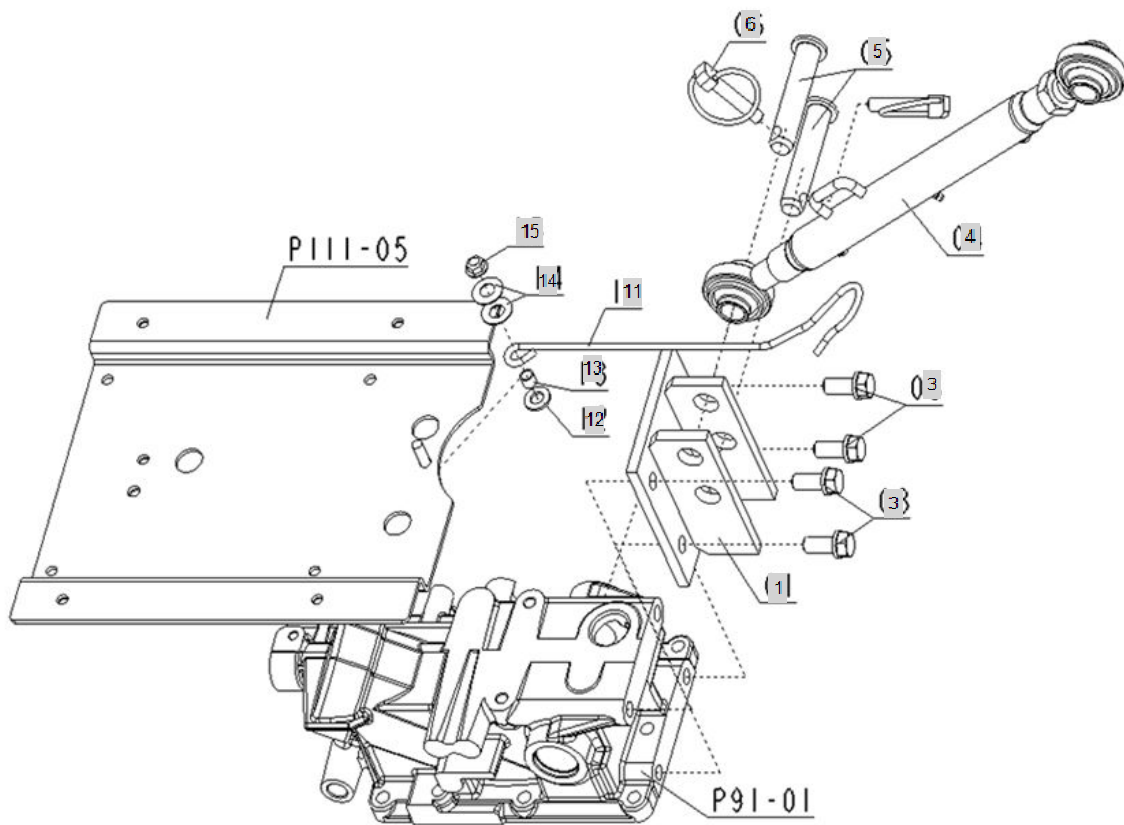






FIG T100

100. CHECK CHAIN

Year/Month

2800h(2014~)

2020/02

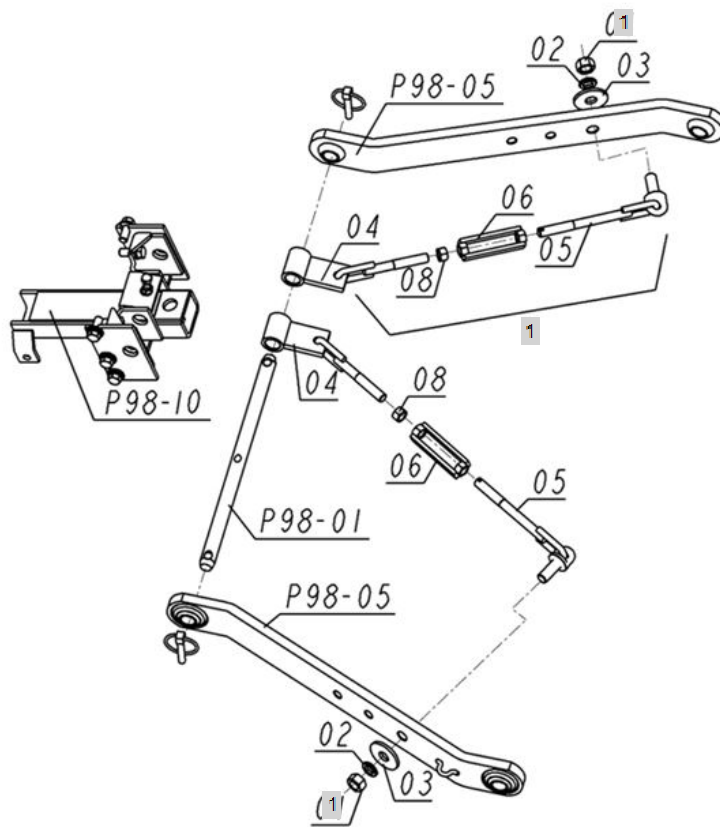




FIG T101

2800h(2014~)

101. DRAW BAR

Year/Month

2020/02

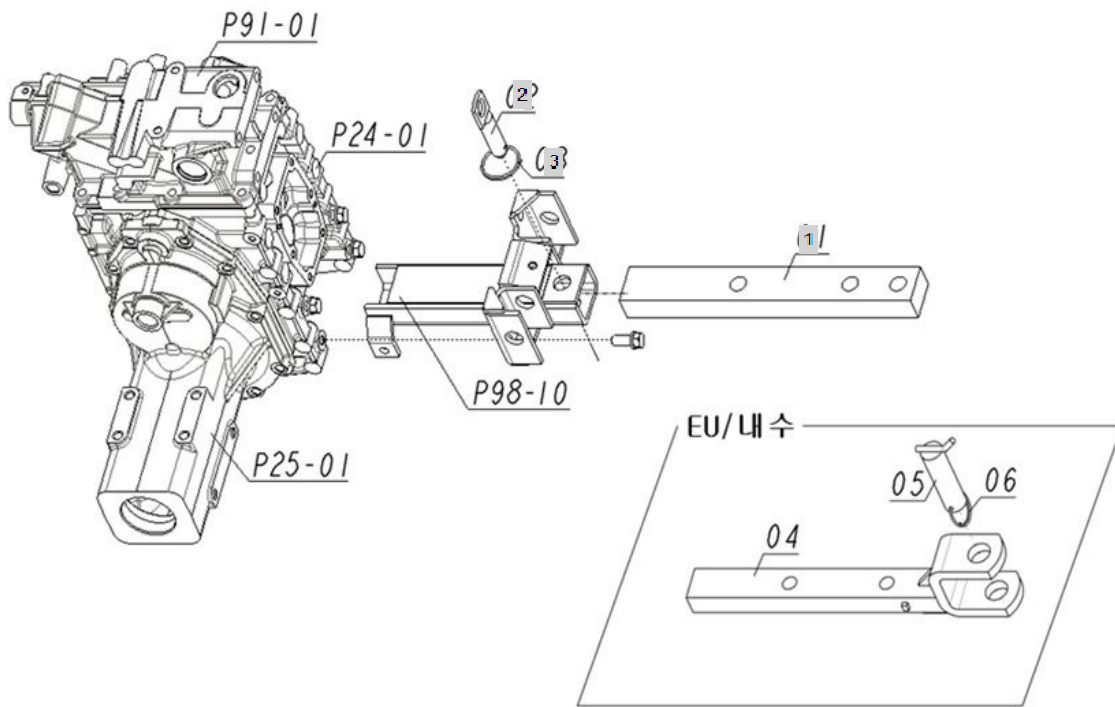




FIG T102

2800h(2014~)

102. PTO SHEILD

Year/Month

2020/02

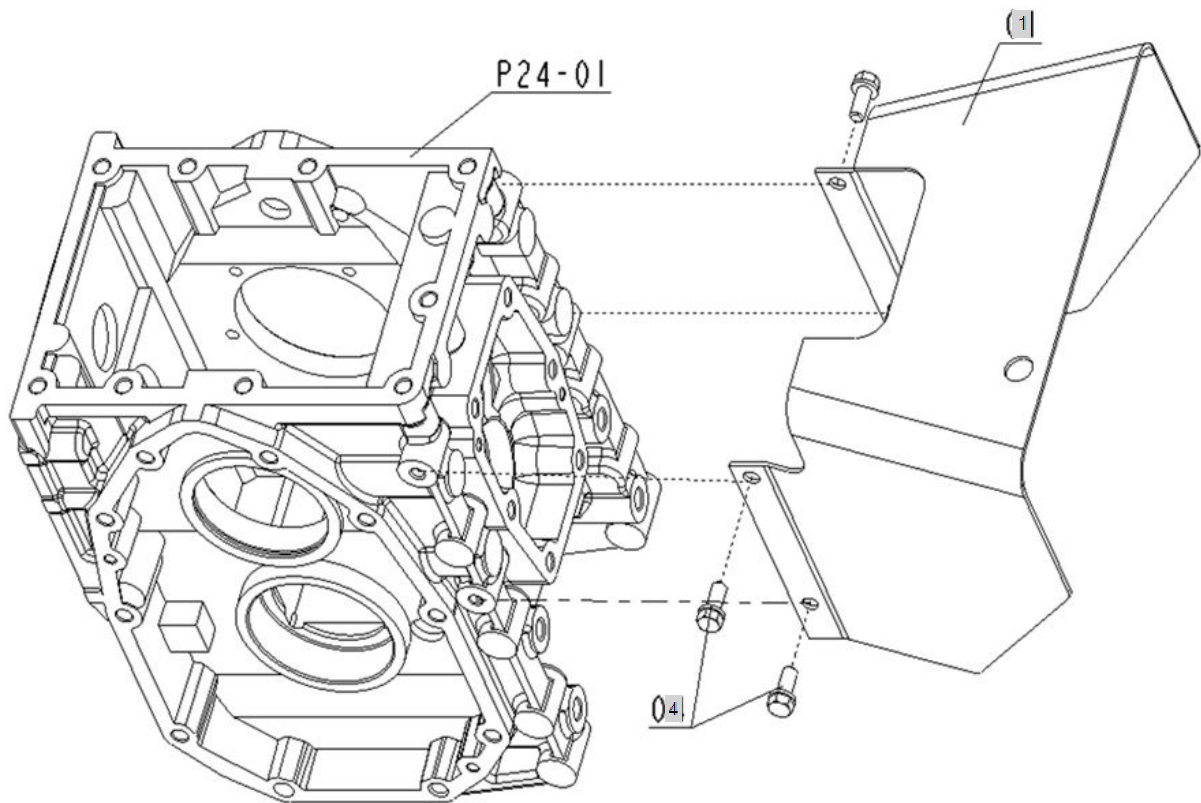




FIG T103-1

2800h(2014~)

103. HOOD

Year/Month

2020/02

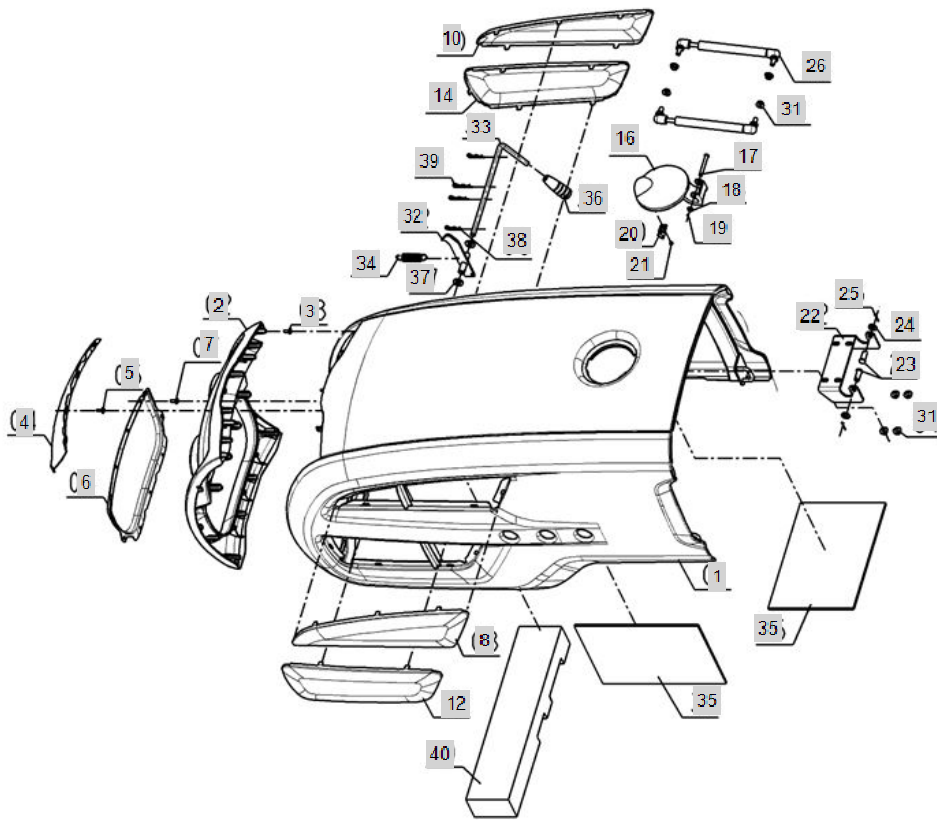






FIG T103-2

2800h(2014~)

103. HOOD

Year/Month

2020/02

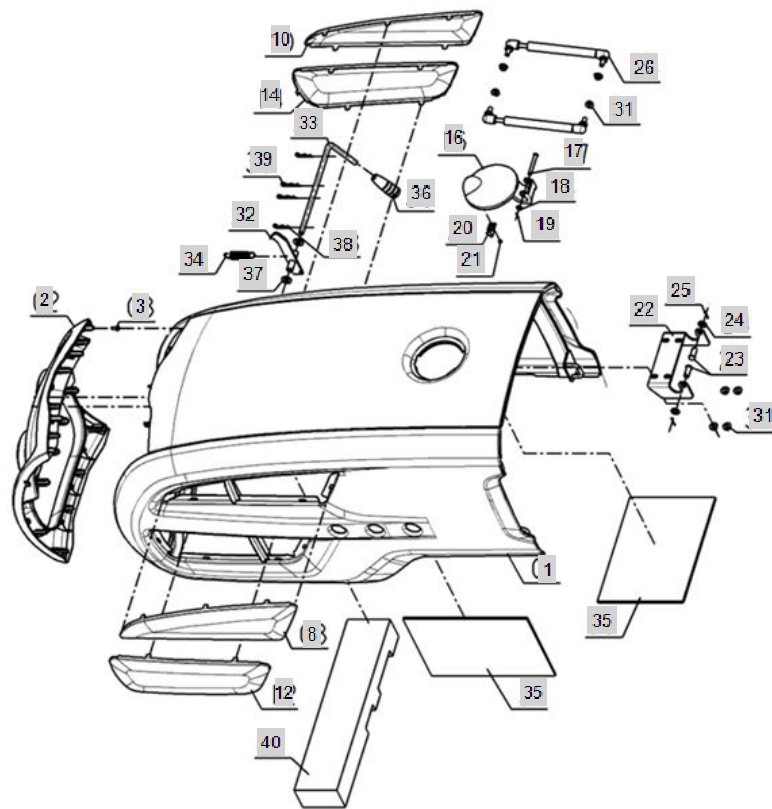




FIG T104

2800h(2014~)

104. PANEL COVER

Year/Month

2020/02

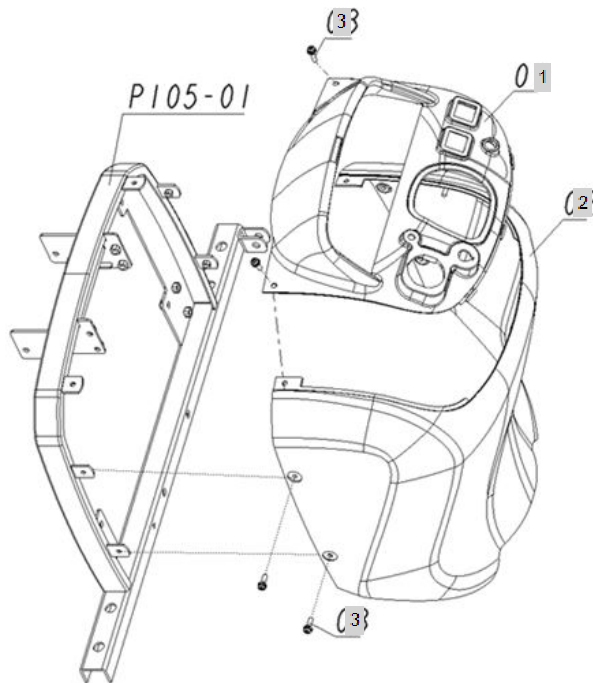




FIG T105

2800h(2014~)

105. SHUTTER PLATE

Year/Month

2020/02

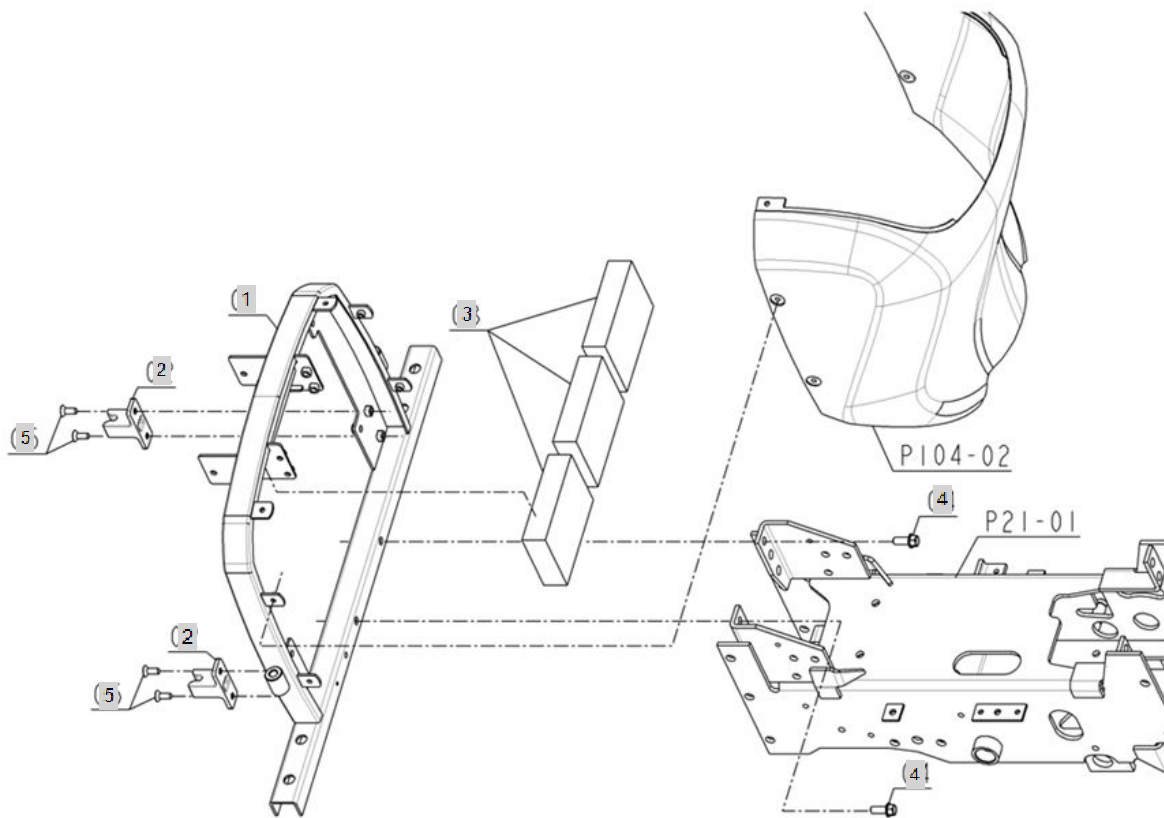




FIG T107H

2800h(2014~)

107. LEVER GUIDE - HST

Year/Month

2020/02

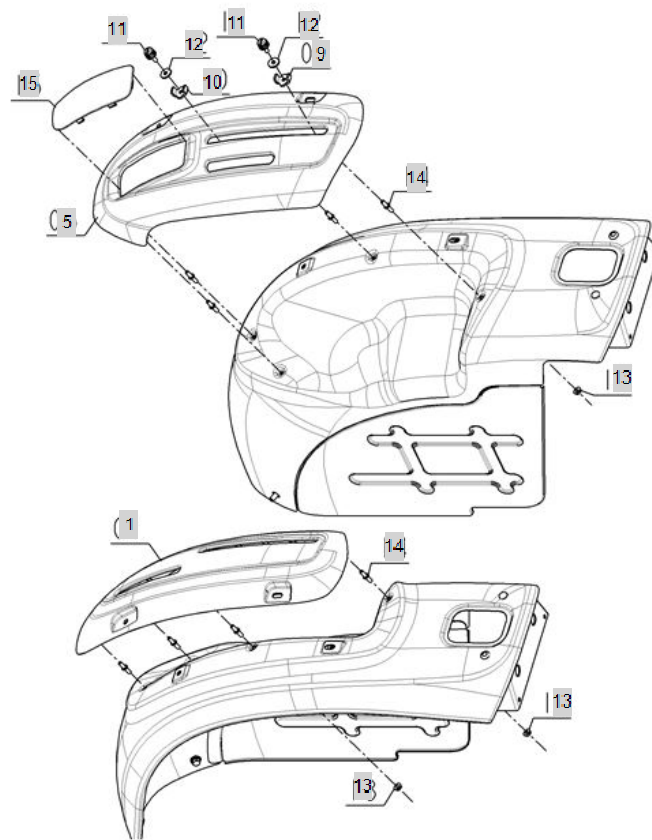






FIG T108

2800h(2014~)

108. FENDER

Year/Month

2020/02

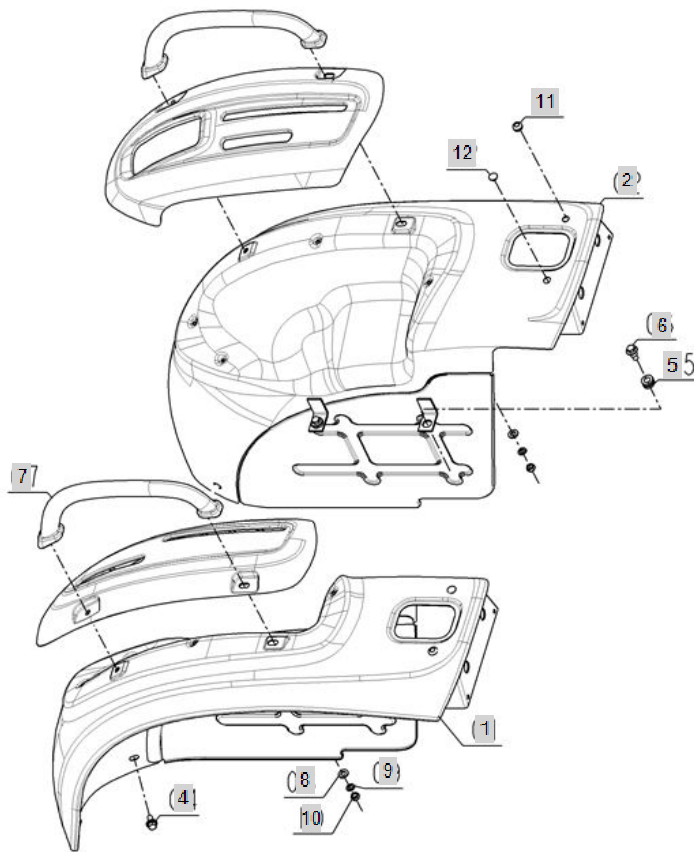




FIG T109

109. FENDER STAY

Year/Month

2800h(2014~)

2020/02

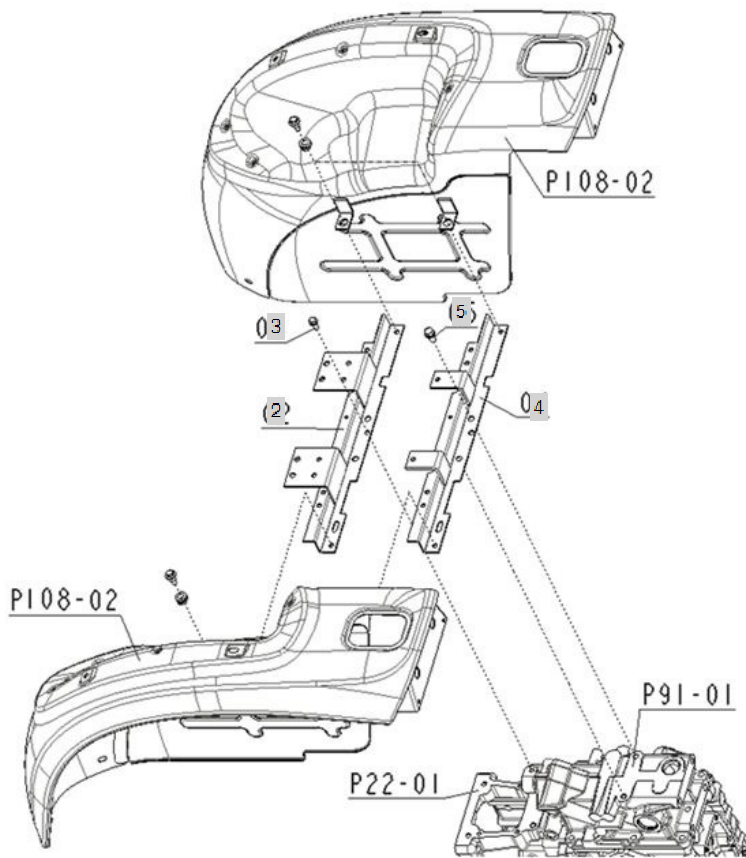




FIG T110

110. FLOOR SEAT

Year/Month

2800h(2014~)

2020/02

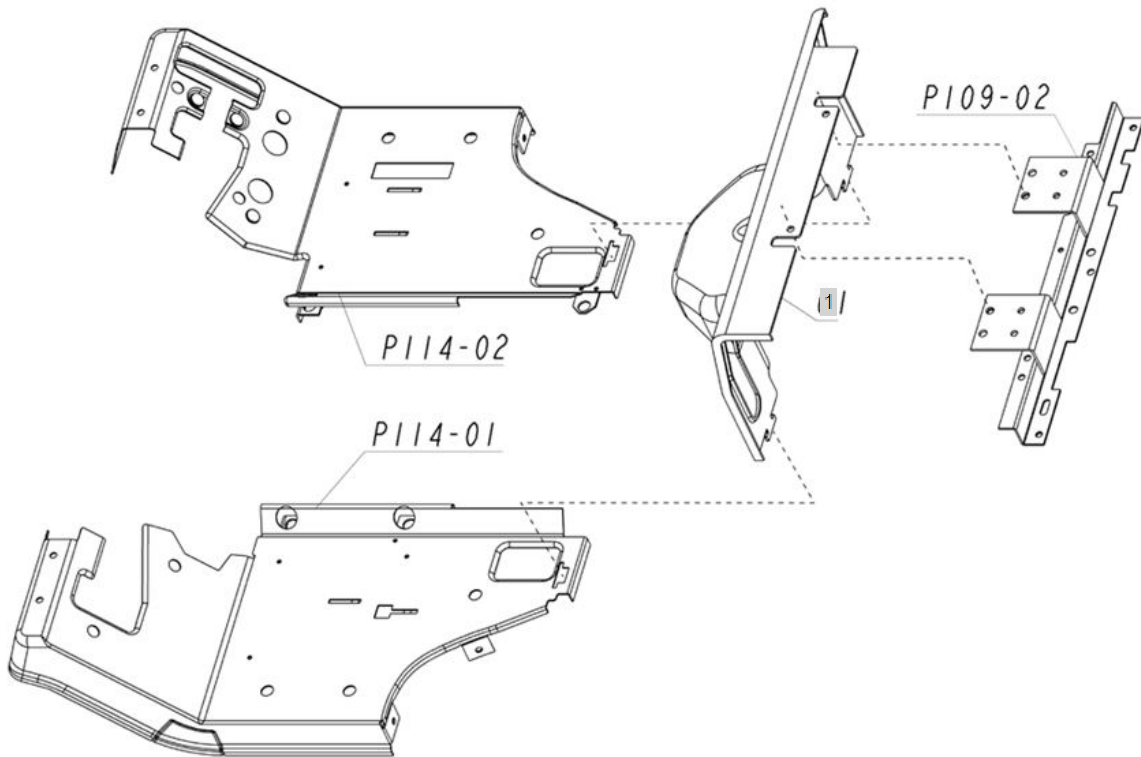




FIG T111

2800h(2014~)

111. SEAT

Year/Month

2020/02

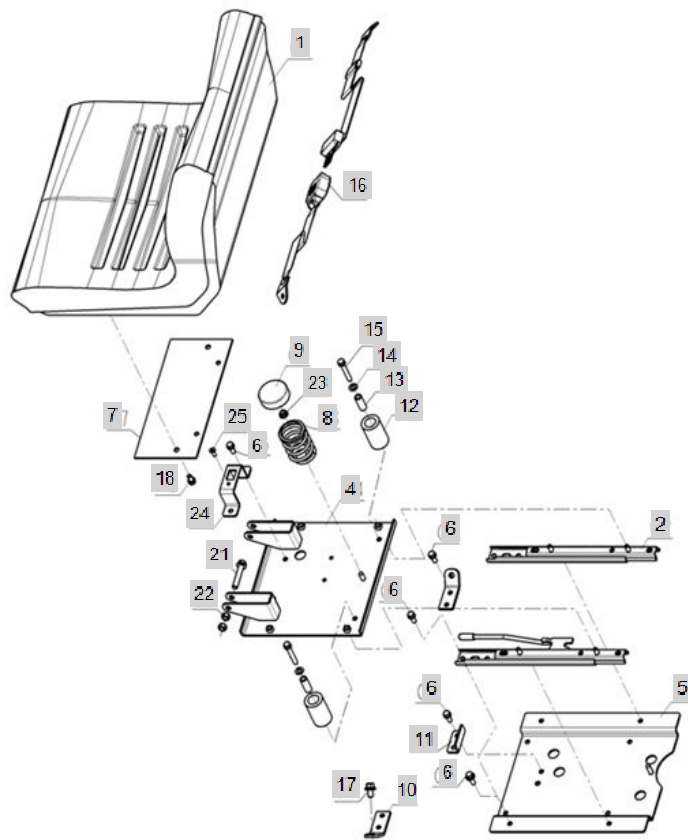






FIG T112

2800h(2014~)

112. SEAT - EU

Year/Month

2020/02

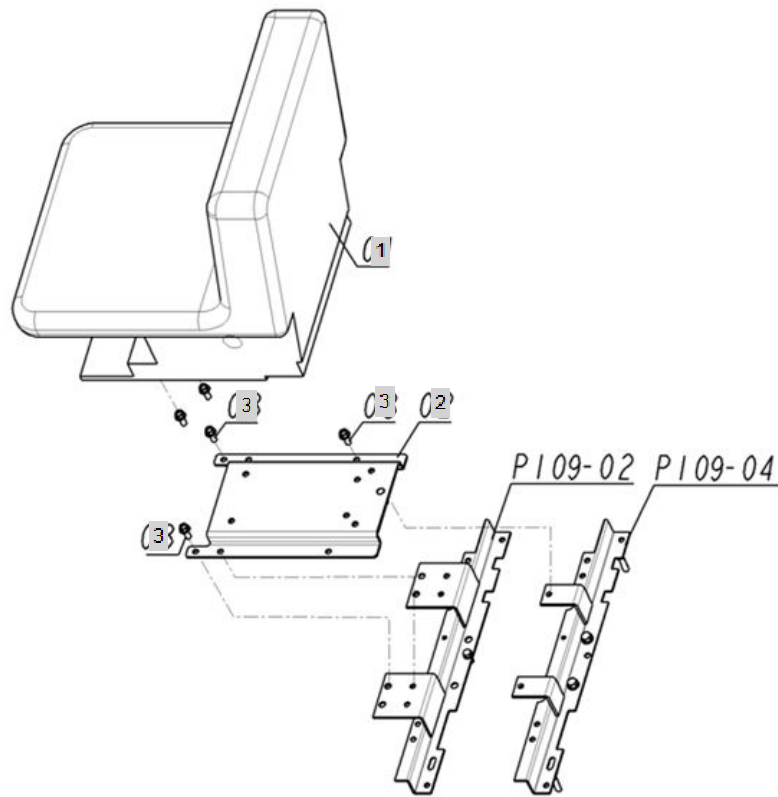




FIG T114

2800h(2014~)

114. STEP

Year/Month

2020/02

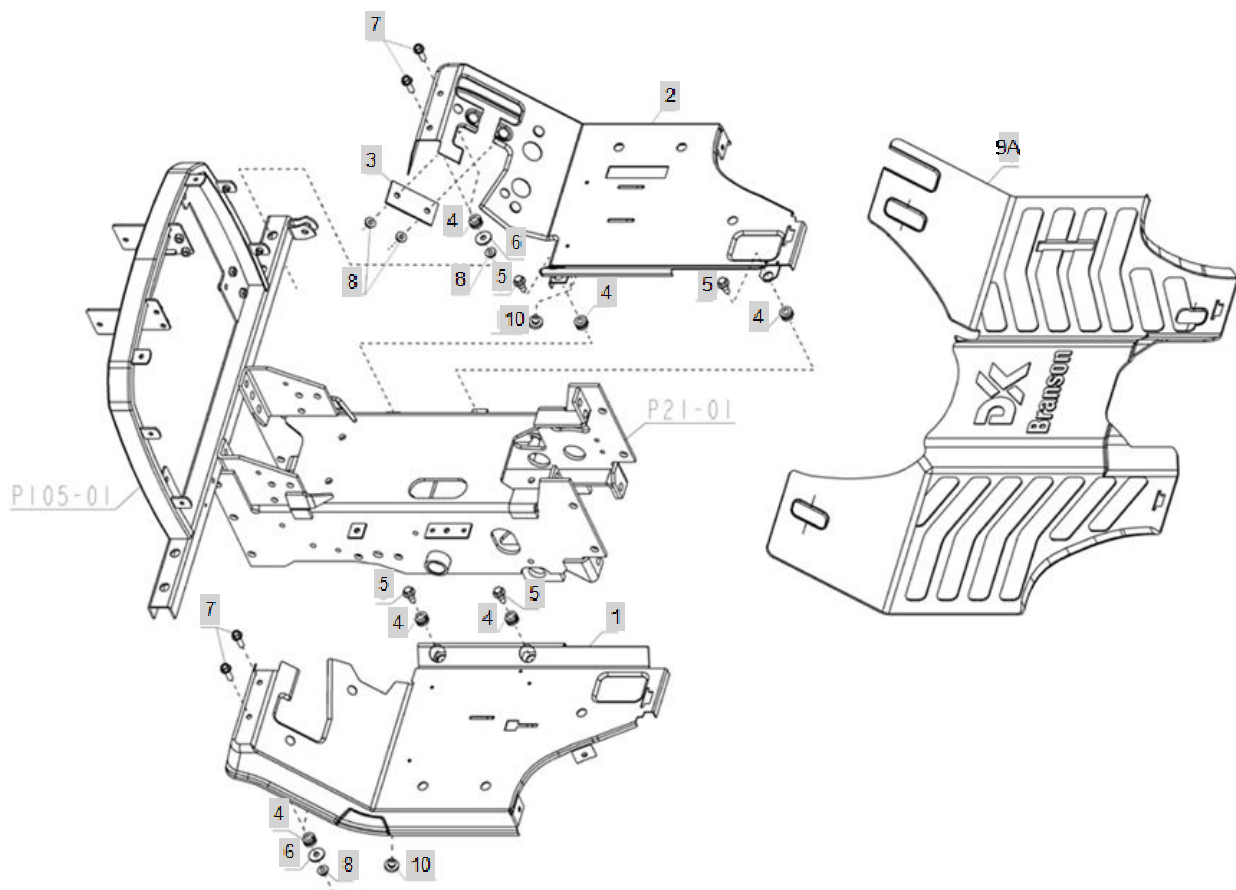




FIG T115

2800h(2014~)

115. ROPS

Year/Month

2020/02

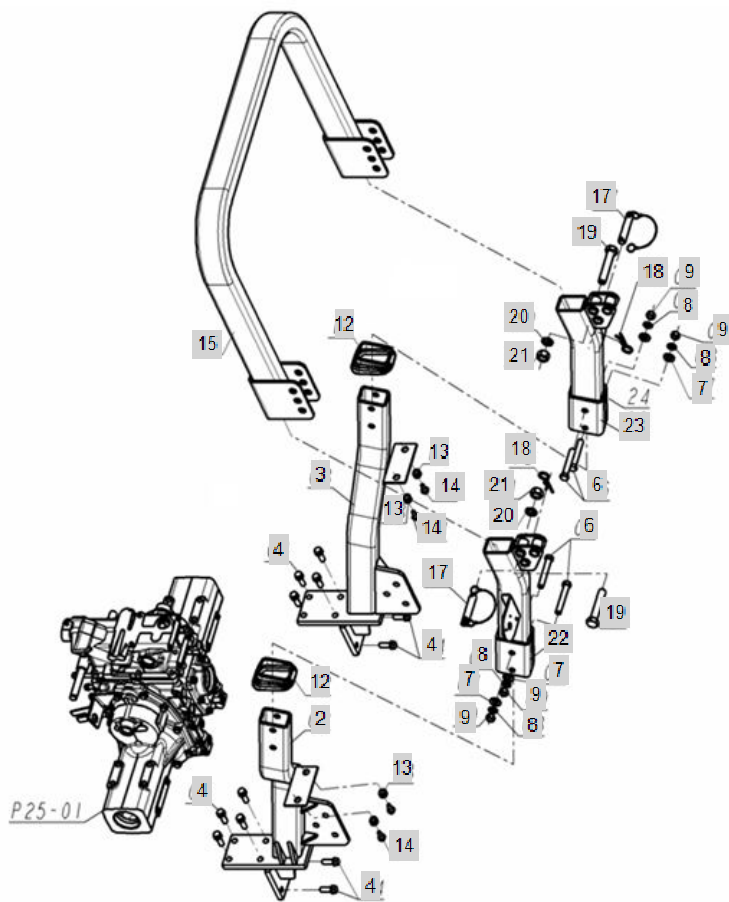




FIG T117

2800h(2014~)

117. SMV BRACKET

Year/Month

2020/02

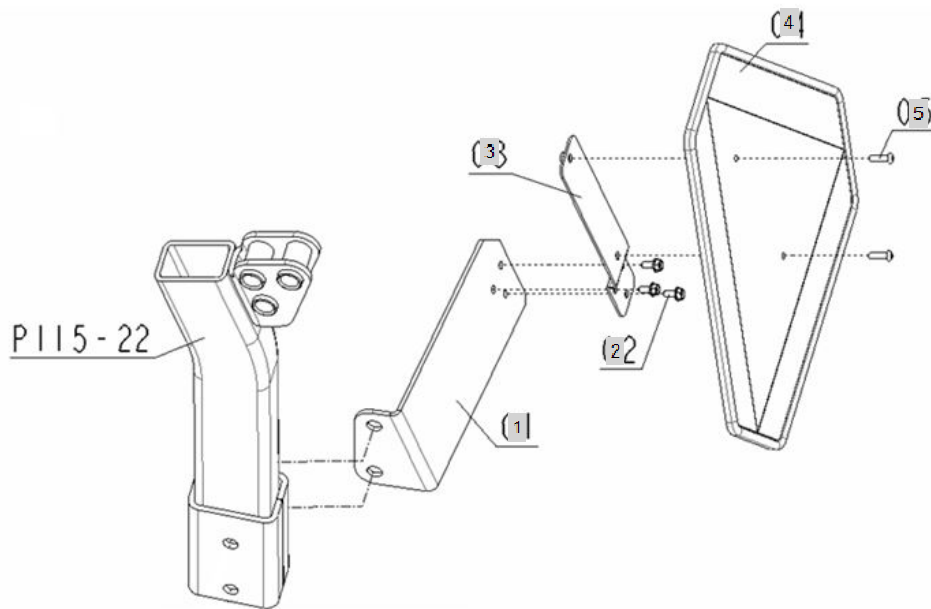






FIG T118

2800h(2014~)

118. NAME PLATE LAMP ASSY - EU

Year/Month

2020/02

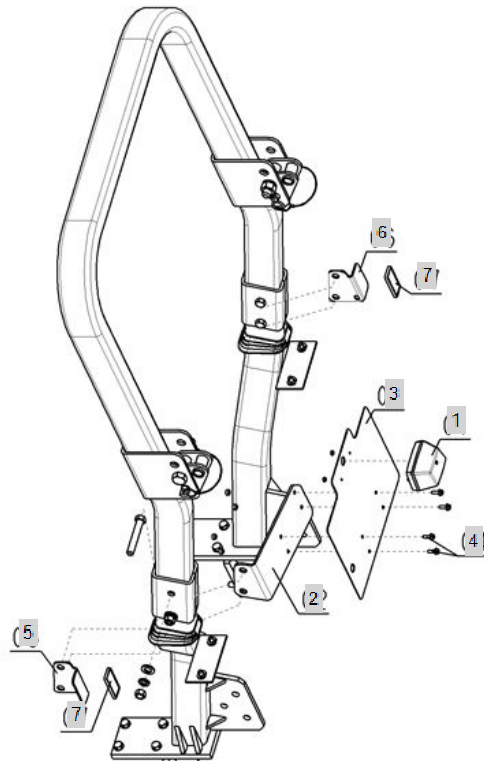




FIG T119

2800h(2014~)

119. 작업등 조합

Year/Month

2020/02

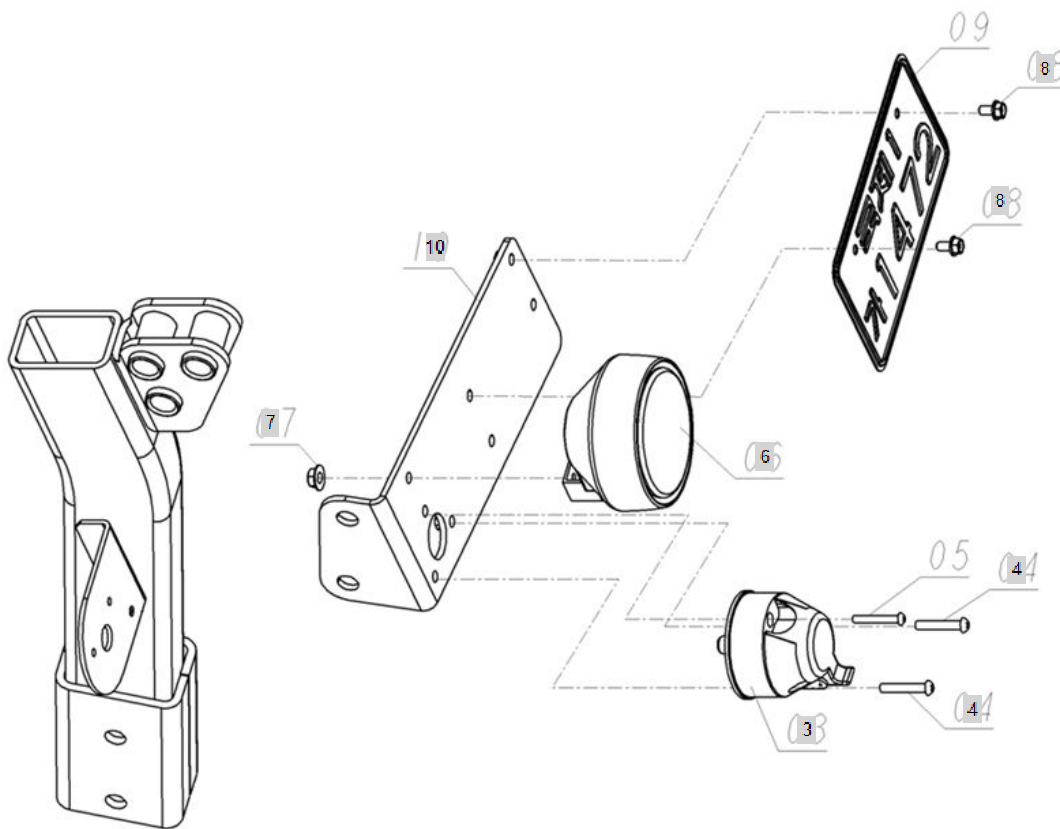




FIG T120H

120. FRONT WHEEL - HST

Year/Month

2800h(2014~)

2020/02

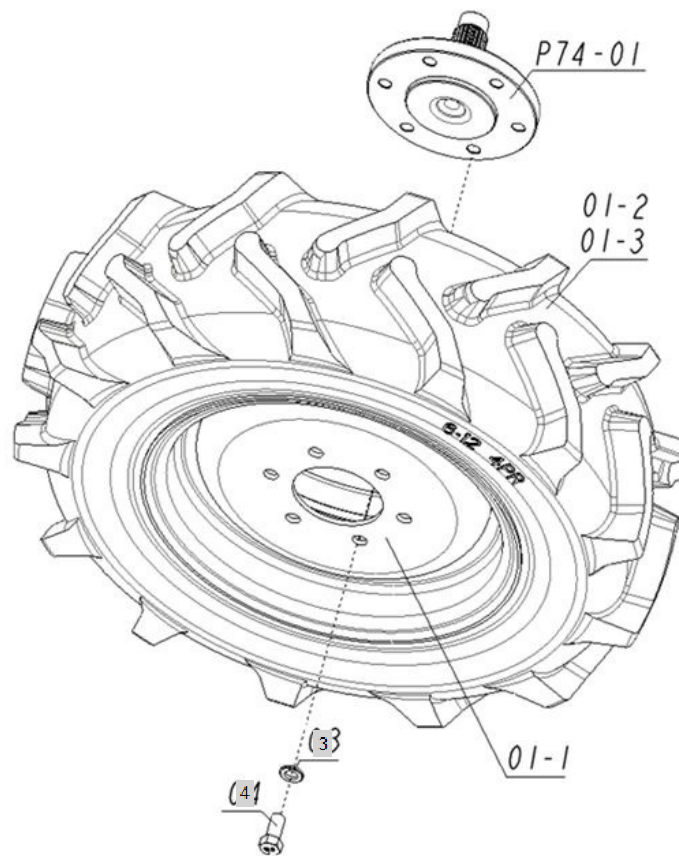




FIG T121H

121. REAR WHEEL - HST

Year/Month

2800h(2014~)

2020/02

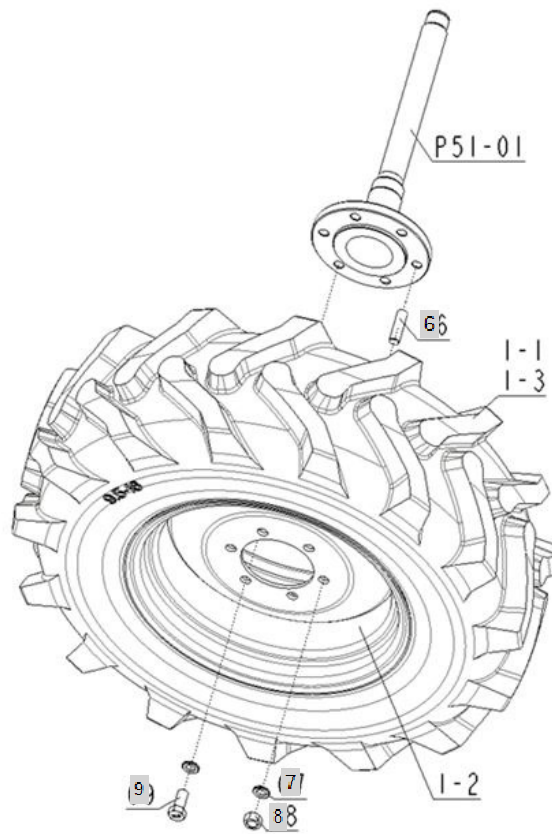






FIG T122.1-1H

122. DECAL - HST

Year/Month

2800h(2014~)

2020/02

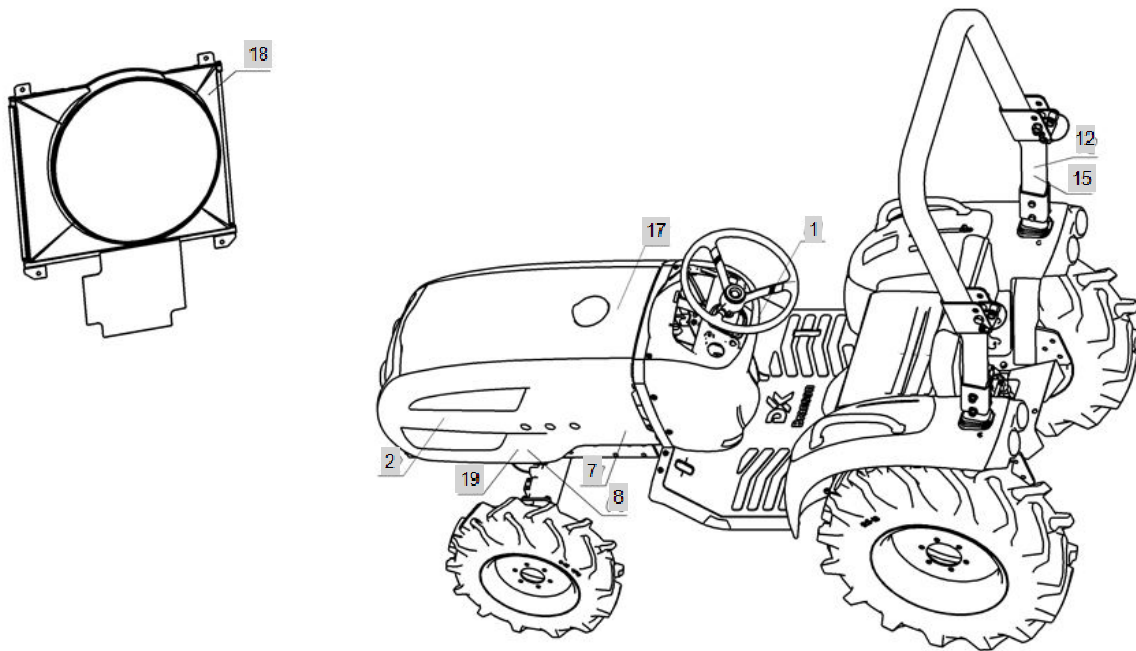




FIG T122.1-2H

122. DECAL - HST

Year/Month

2800h(2014~)

2020/02

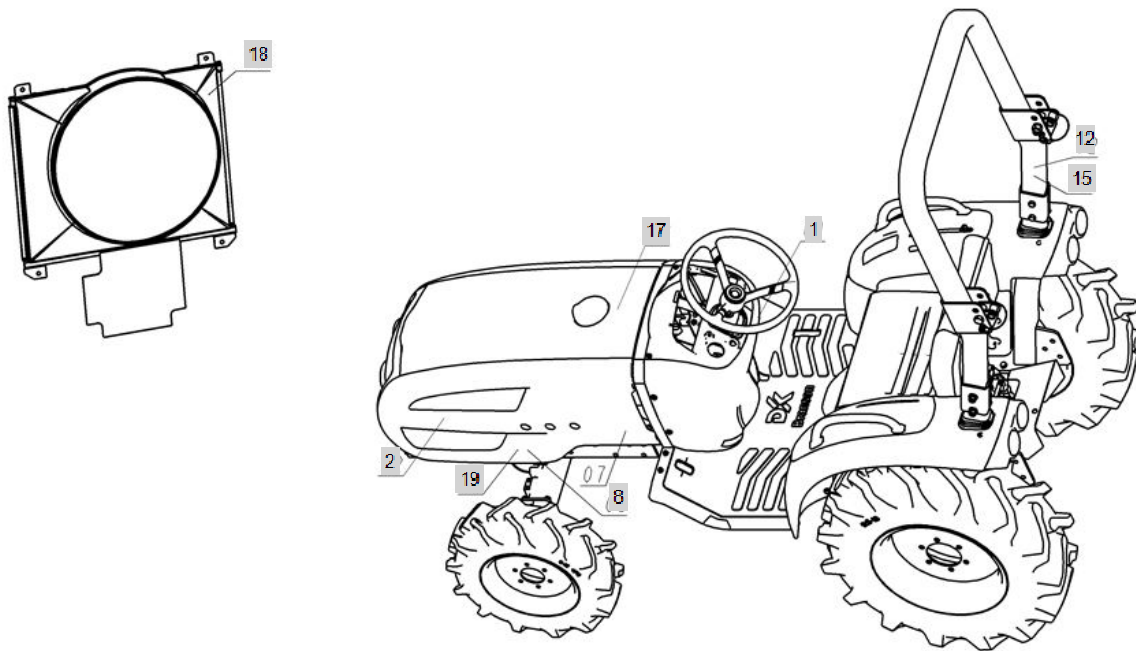




FIG T122.2-2B

122. DECAL

Year/Month

2800h(2014~)

2020/02

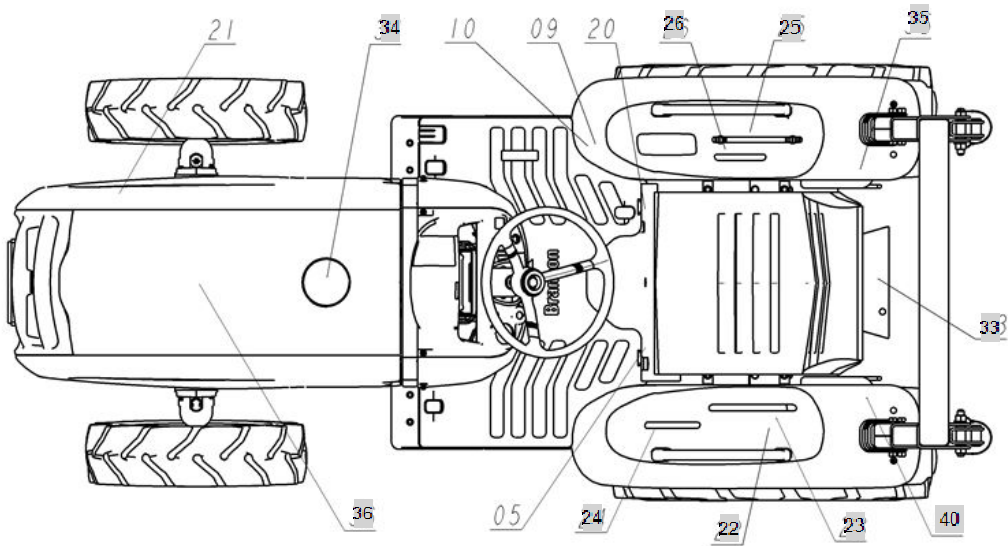




FIG T122.2H

2800h(2014~)

122. DECAL

Year/Month

2020/02

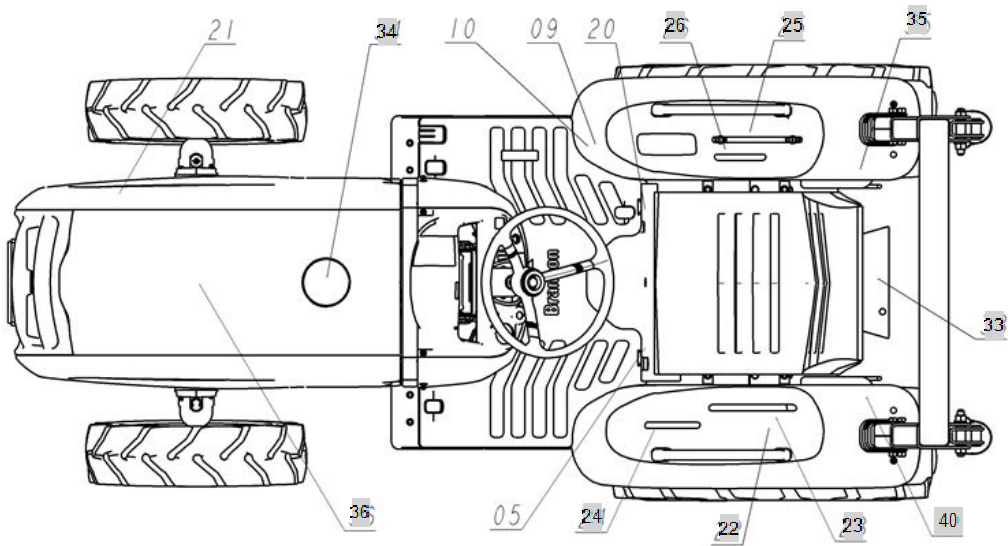






FIG T124

2800h(2014~)

124. BALLAST WEIGHT

Year/Month

2020/02

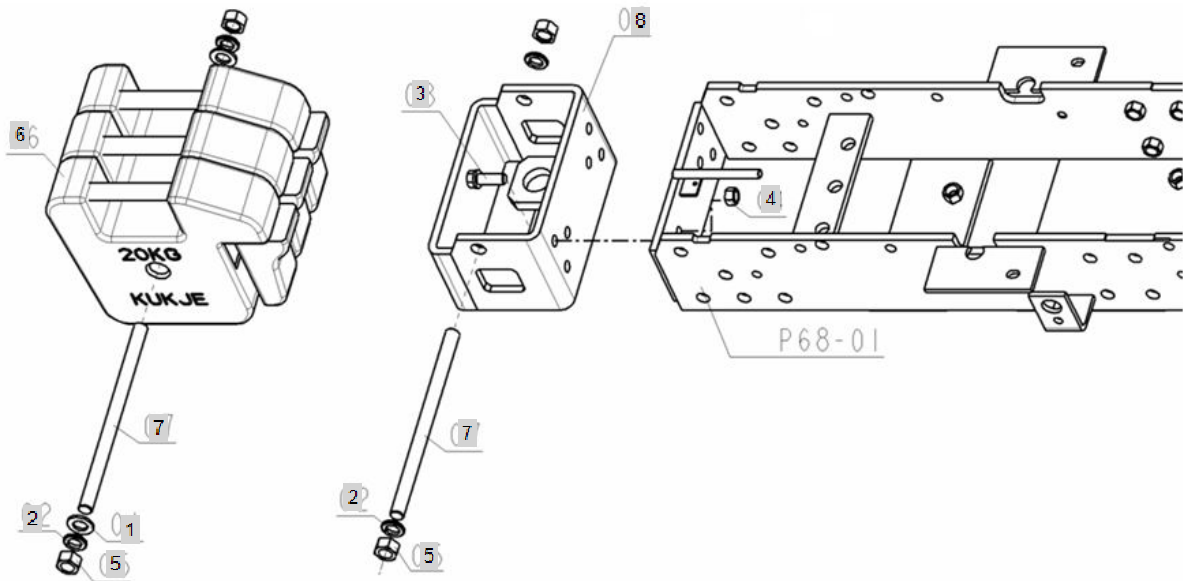




FIG T125

2800h(2014~)

125. MIRROR

Year/Month

2020/02

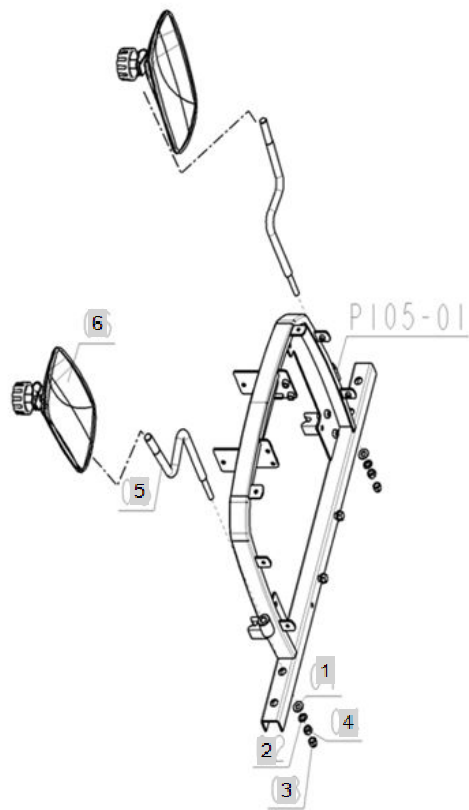




FIG T126

2800h(2014~)

126. SINGLE REMOTE

Year/Month

2020/02

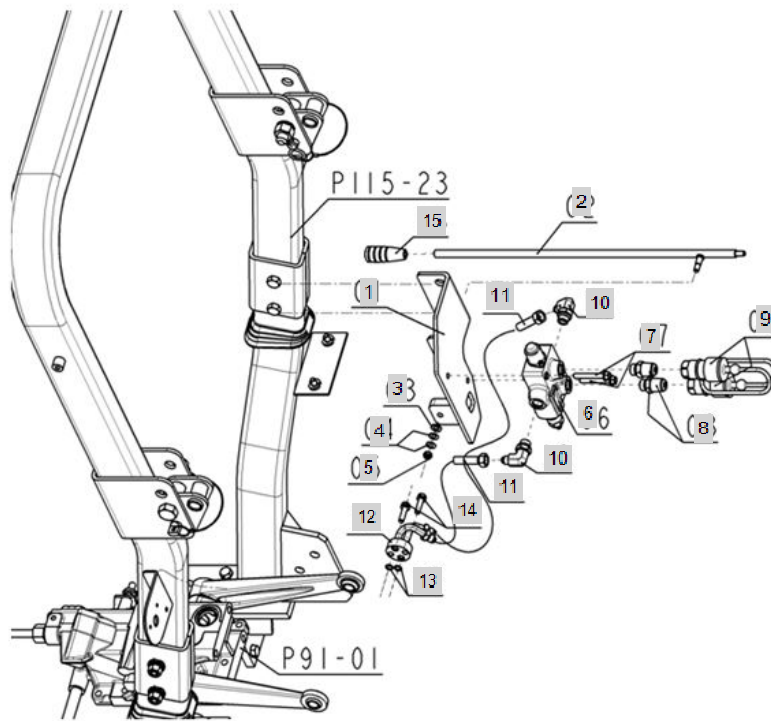




FIG T127

127. LEVER LOADER

Year/Month

2800h(2014~)

2020/02

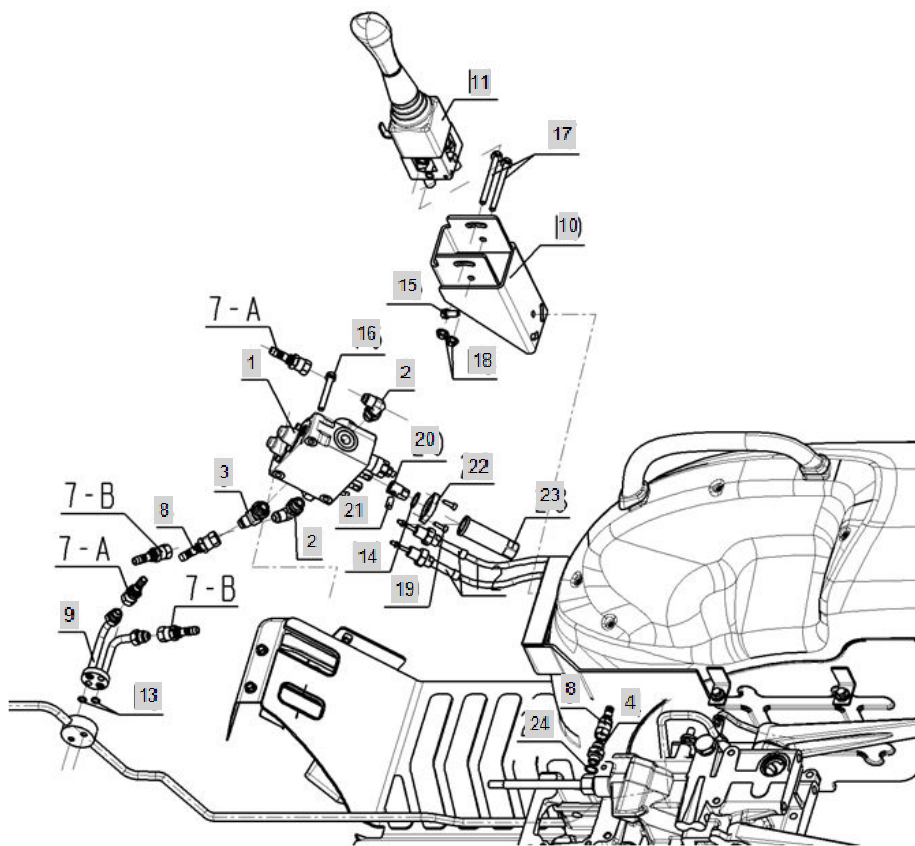






FIG T128

128. CANOPY - OPTION

Year/Month

2800h(2014~)

2020/02

